

MODEL : LZ-271/LZ-391N

List No : 0011-11

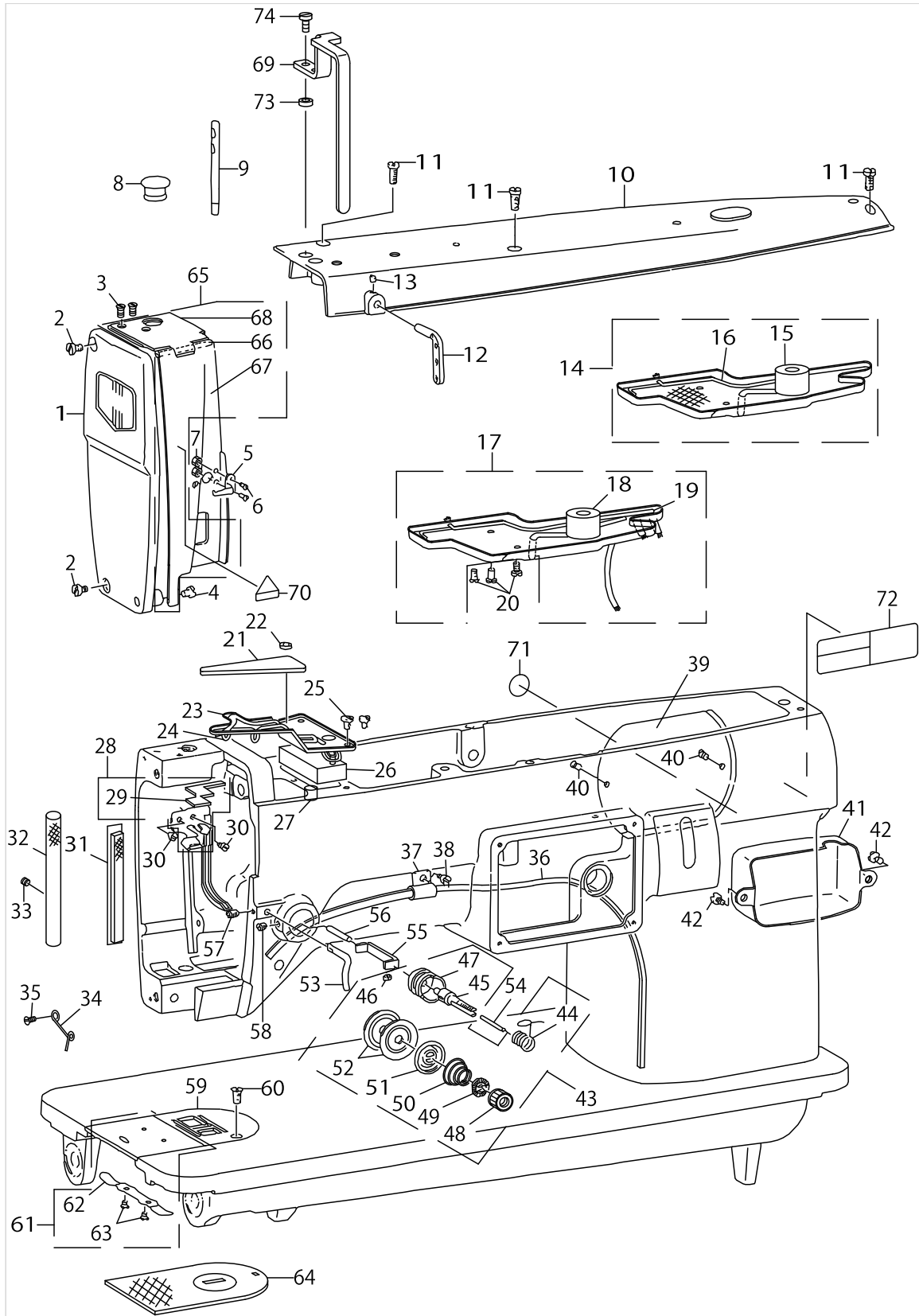
PARTS LIST

Published:05/12/2017

CONTENTS

FRAME MISCELLANEOUS COVER COMPONENTS.....	1
MAIN SHAFT & NEEDLE BAR COMPONENTS.....	5
UPRIGHT SFAFT & LOWER SHAFT COMPONENTS.....	9
PRESSER FOOT & FEED & KNEE LIFTER COMPONENTS (FOR LZ-391N).....	13
ZIGZAG REGULATOR COMPONENTS.....	17
KNEE LIFTER & OIL RECEIVER COMPONENTS.....	21
THREAD STAND COMPONENTS.....	23
SPECAL ORDER PARTS.....	25
EXCHANGING PARTS (FOR LZ-391N).....	27
EXCHANGING PARTS (FOR LZ-391N).....	29
LIST FOR INFORMATION OF CHANGE.....	30
HOW TO MAKE USE OF THIS PARTS LIST.....	31

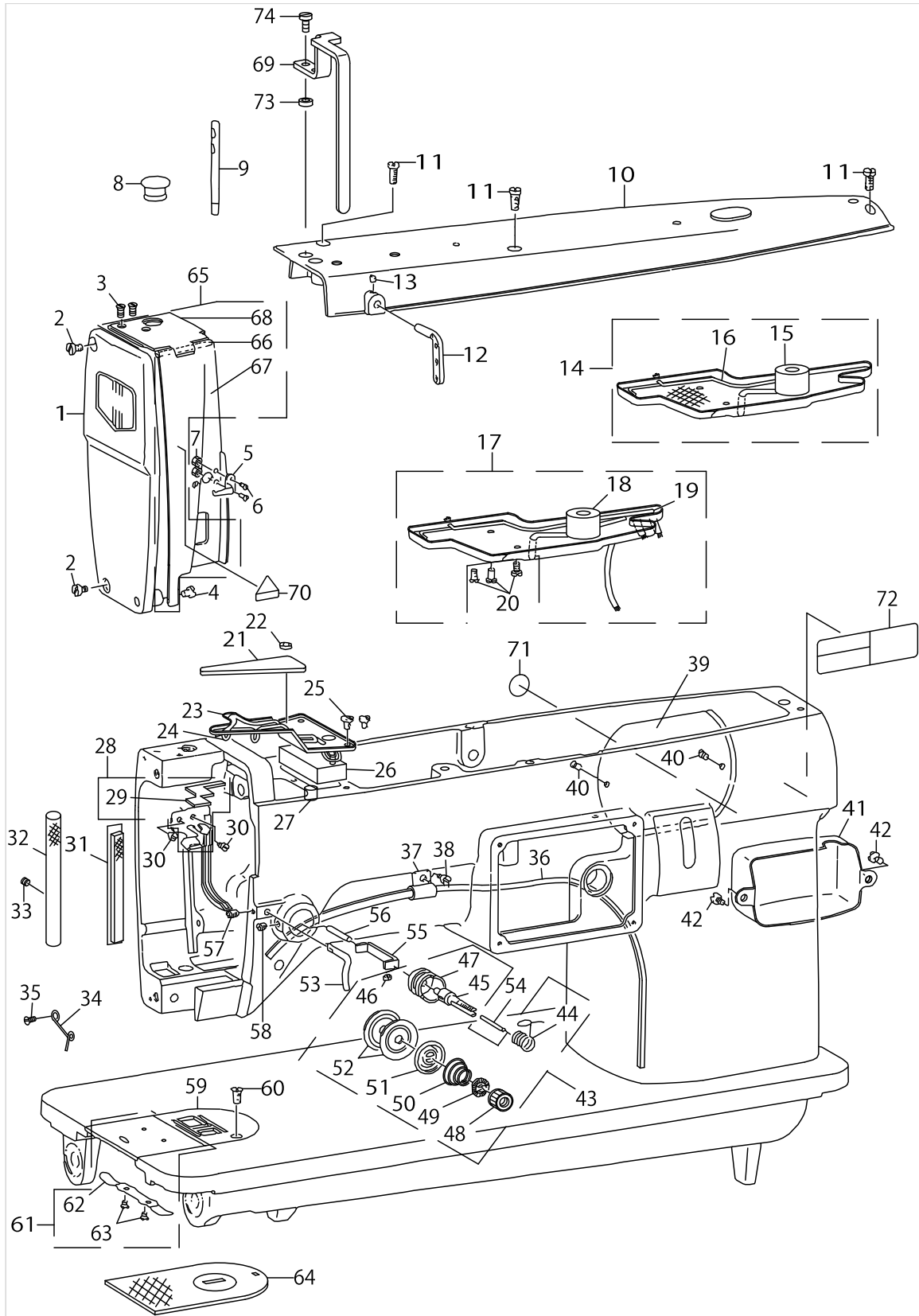
FRAME MISCELLANEOUS COVER COMPONENTS



FRAME MISCELLANEOUS COVER COMPONENTS

No.	Supply Code	Parts No.	Replacement	Parts name	Remarks	Choice	Step	Level	Cons	Qty	Rep. QTY
1		B31012710AA		FACE PLATE ASM.						1	
2	R	SS7091110SP	SS7091110TP	SCREW 9/64-40 L=10.5						2	1.00
3		SS2090710TP		SCREW 9/64-40 L=7.2						2	
4		SS7090510SP		SCREW 9/64-40 L=4.6						1	
5		B3107027000		SIDE PLATE THREAD GUIDE						1	
6		SS2060510SP		SCREW 3/32-56 L=4.5						2	
7		NS6060310SP		NUT 3/32-56						2	
8		TA1250705R0		RUBBER PLUG						1	
9		22958300		NEEDLE THREAD GUIDE PIN						1	
10		B110327100AA		TOP COVER						1	
11	R	SS7111120SP	SS7111120TP	SCREW 11/64-40 L=10.5						3	1.00
12		B1128522000		THREE HOLE THREAD EYELET						1	
13		SS8090410SP		SCREW 9/64-40 L=3.5						1	
14		B1178271CD0		ARM OIL TANK ASM.						1	
15		B2615232000		OIL FELT WASHER				*		1	
16		CQ200000000		OIL WICK				*		0.4	
17	D	B1178391BD0		ARM OIL TANK ASM.						1	
18		B2615232000		OIL FELT WASHER				*		1	
19		CQ200000000		OIL WICK				*		0.4	
20	R	SS6090620SP	SS6090620TP	SCREW 9/64-40 L=6						3	1.00
21		B1182271000		OIL PAD						1	
22		B3534012000		GASKET						1	
23	D	B1175271000		ARM OIL PAD COVER						1	
24		CQ202000000		OIL WICK						.6	
25	R	SS6090620SP	SS6090620TP	SCREW 9/64-40 L=6						2	1.00
26		B1177271B00		OIL PAD (B)						1	
27		B1174271000		OIL PAD						1	
28		B11682710A0		OIL PAD HOLDER ASM.						1	
29		B1166271000		OIL FELT				*		1	
30		SS6090510TP		SCREW 9/64-40 L=5.0						2	
31		B1181027000		PRESSER BAR CONNECTION GASKET						1	
32		B1501027000		JOINT ROD						1	
33		SS8110750SP		SCREW 11/64-40 L= 6.5						1	
34		B1137027000		FRAME THREAD GUIDE LOWER						1	
35		SS1060610SP		SCREW 3/32-56 L=5.5						1	
36		B1185271000		OIL RETURN WICK						.5	
37		B3537122000		OIL WICK HOLDER						1	
38	R	SS7090520SP	SS7090520TP	SCREW 9/64-40 L=4.5						1	1.00
39		B113027100A		SIDE PLATE						1	
40		SS2090710TP		SCREW 9/64-40 L=7.2						2	
41		B119639100A		SCREW GEAR SHAFT COVER						1	
42		SS7110710SP		SCREW 11/64-40 L=7						2	
43		B31220270A0		THREAD TENSION CONTROLLER ASM.						1	
44		B3128027000		TAKE UP SPRING				*		1	
45		B3115552000		TENSION POST				*		1	

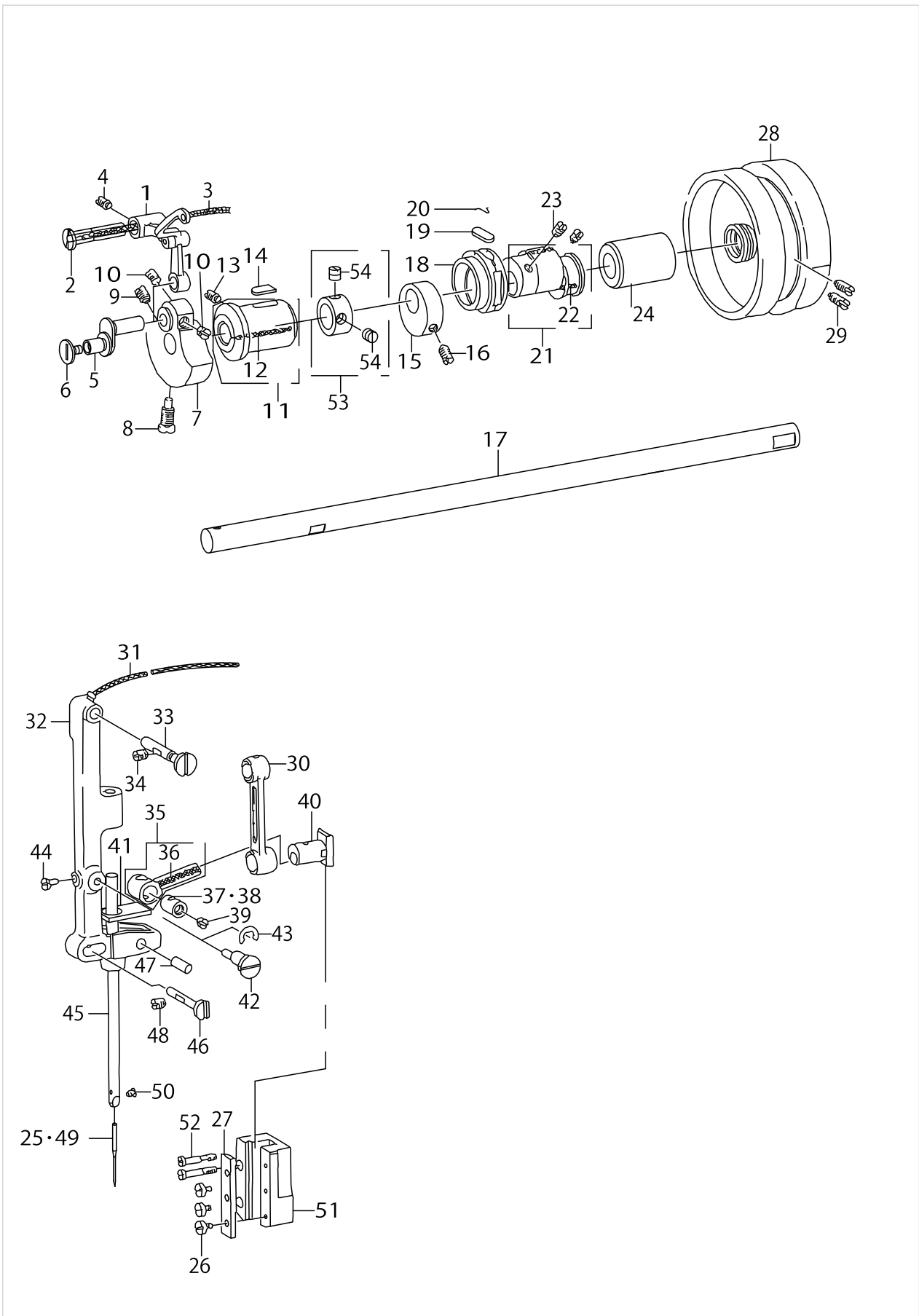
FRAME MISCELLANEOUS COVER COMPONENTS



FRAME MISCELLANEOUS COVER COMPONENTS

No.	Supply Code	Parts No.	Replacement	Parts name	Remarks	Choice	Step	Level	Cons	Qty	Rep. QTY
46		SS8090670SP		SCREW 9/64-40L=5.5				*		1	
47	D	B3121027000		TENSION POST SOCKET				*		1	
48		11072204		TENSION NUT				*		1	
49		B3120125000		ROTATING STOPPER				*		1	
50		B3129012A00		TENSION SPRING				*		1	
51		B3132552000		THREAD TENSION DISK PRESSER				*		1	
52	R	B3126012000	22921506	THREAD TENSION DISK				*		2	1.00
53		B3108027000		TENSION POST THREAD GUIDE						1	
54		B3127391000		TENSION RELEASE PLUNGER						1	
55		B1528391000		TENSION RELEASE PIN CONNECTION						1	
56		B1527391000		TENSION RELEASE PIN						1	
57	R	SS8110510SP	SS8110520TP	SCREW 11/64-40 L=5						1	1.00
58		SS8110750SP		SCREW 11/64-40 L= 6.5						1	
59		B1109391NA0		THROAT PLATE (N) ASM.						1	
60		SS2110920TP		SCREW 11/64-40 L=8.5						1	
61		B11100400A0		BED SLIDE ASM.						1	
62		B1111012000		BED SLIDE SPRING				*		1	
63		SS6060210SP		SCREW 3/32-56L=1.9				*		2	
64		B1109027AA0		THROAT PLATE ASM.						1	
65		B31042710AA		SIDE PLATE ASM. URBAN WHITE						1	
66		B3106027C00		FACE PLATE SIDE PLATE SHAFT				*		1	
67	R	B310427100A	B31042710AA	FACE PLATE				*		1	1.00
68		B310527100A		UPPER PLATE				*		1	
69		40011109		TENSION COVER						1	
70		CM300200001		ATTENTION SEAL						1	
71		22901805		GROUND MARK						1	
72		CM301300001		SAFETY LABEL						1	
73		B3013141H0A		WASHER						2	
74		SS6111010TP		SCREW 11/64-40 L= 9.5						2	

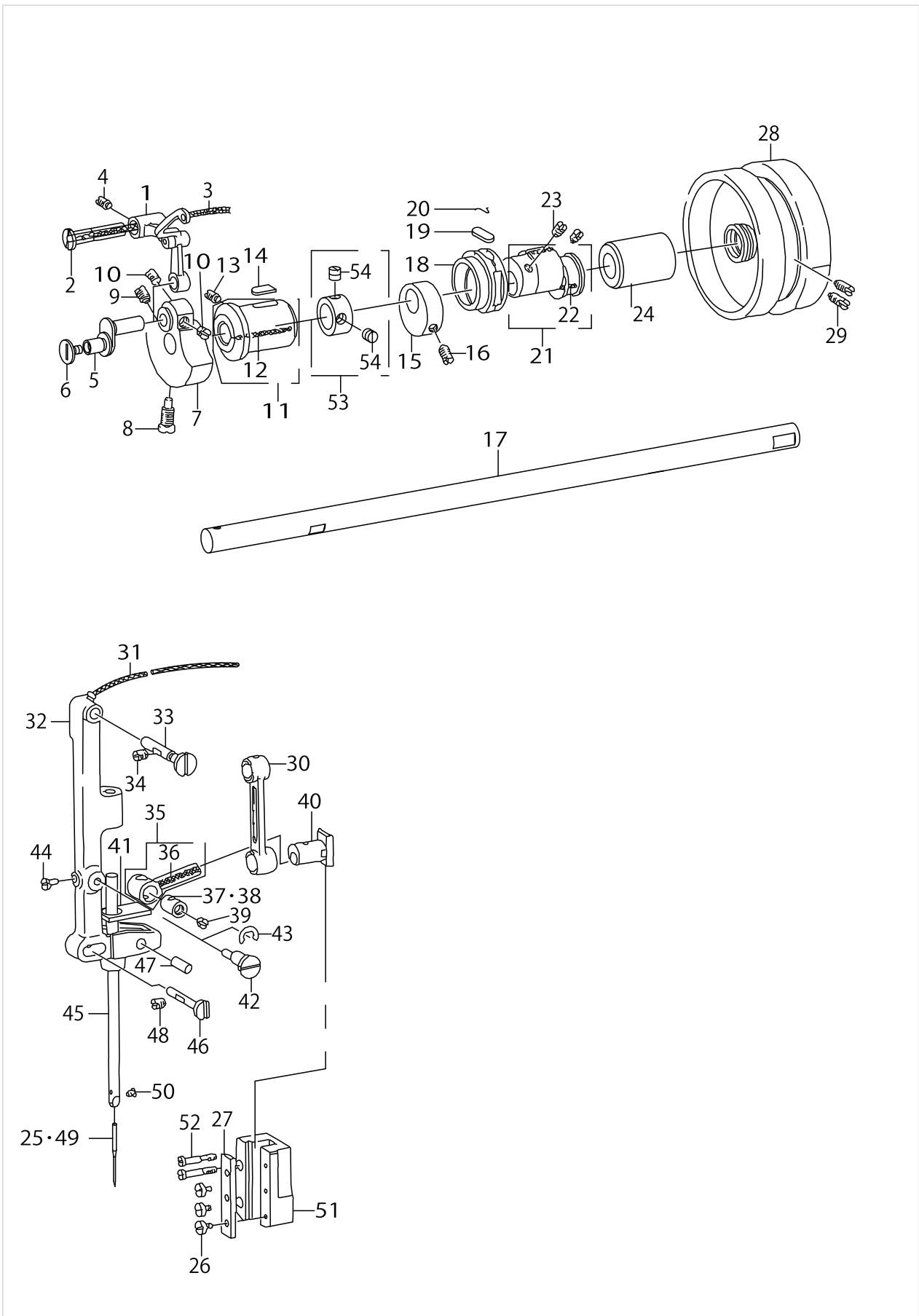
MAIN SHAFT & NEEDLE BAR COMPONENTS



MAIN SHAFT & NEEDLE BAR COMPONENTS

No.	Supply Code	Parts No.	Replacement	Parts name	Remarks	Choice	Step	Level	Cons	Qty	Rep. QTY
1		B19110270B0		THREAD TAKE-UP LEVER ASM.						1	
2		B1913271000		TAKE-UP LEVER PIN						1	
3		CQ202000000		OIL WICK						.2	
4	R	SS8151150SP	SS8151150TP	SCREW 15/64-28 L=10.5						1	1.00
5		B1209027000		NEEDLE BAR CRANK						1	
6	R	B1208027000	B1903552000	END SCREW						1	1.00
7		B1206271000A		COUNTERWEIGHT						1	
8		SS7681750TP		SCREW 9/32-28 L=16.5						1	
9		SS8681130SP		SCREW 9/32-28 L=11						1	
10		SS8660610TP		SCREW 1/4-40 L=6						2	
11		B12022710A0		MAIN SHAFT BUSHING ASM. ,FRONT						1	
12		CQ202000000		OIL WICK				*		0.1	
13	R	SS8151150SP	SS8151150TP	SCREW 15/64-28 L=10.5						1	1.00
14		B1203012000		OIL FELT						1	
15		B1240271000		AUXILIARY COUNTERWEIGHT ASM.						1	
16		SS8151550SP		SCREW15/64-28L=15						1	
17		B1201271000A		UPPER SHAFT						1	
18		B1211226000		ECCENTRIC RETAINER HOUSING						1	
19		B1212012000		OIL FELT						1	
20		B1213012000		FELT RETAINER						1	
21		B12100400B0		FEED ECCENTRIC CAM ASM.						1	
22		CQ202000000		OIL WICK				*		0.1	
23	R	SS8150710SP	SS8150710TP	SCREW 15/64-28 L=7						2	1.00
24		B1212271000		UPPER SHAFT REAR METAL						1	
25		MDB1B0B1100		NEEDLE DBX1 #11B						1	
26		SS7081310SP		SCREW 1/8-44 L=12.5						3	
27		B1413271000		POSITION PLATE						1	
28		B121339100AA		HAND WHEEL						1	
29		SS8151550SP		SCREW15/64-28L=15						2	
30		B1408271B00		NEEDLE BAR CRANK CONNECTING RO						1	
31	R	CQ300000000	CQ303000000	OIL WICK						.4	1.00
32		B1421271000		NEEDLE BAR FRAME						1	
33		B1422027000		HINGE PIN						1	
34	R	SS8150710SP	SS8150710TP	SCREW 15/64-28 L=7						1	1.00
35		B14112710A0		NEEDLE BAR CONNECTION ASM.						1	
36		CQ252000000		OIL WICK				*		0.1	
37	D	B1427271000		BUSHING						1	
38		B142727100A		NEEDLE BAR OIL SHAFT						1	
39	R	SS8150410SP	SS8150410TP	SCREW 15/64-28 L=4						1	1.00
40		B1414271B00		ECCENTRIC SLIDER (B)						1	
41		B1434027000		OIL PAD						1	
42		B1429027000		ECCENTRIC STUD						1	
43		RE0600000K0		E-RING 6						1	
44		SS7110710SP		SCREW 11/64-40 L=7						1	
45		B1401271000		NEEDLE BAR						1	

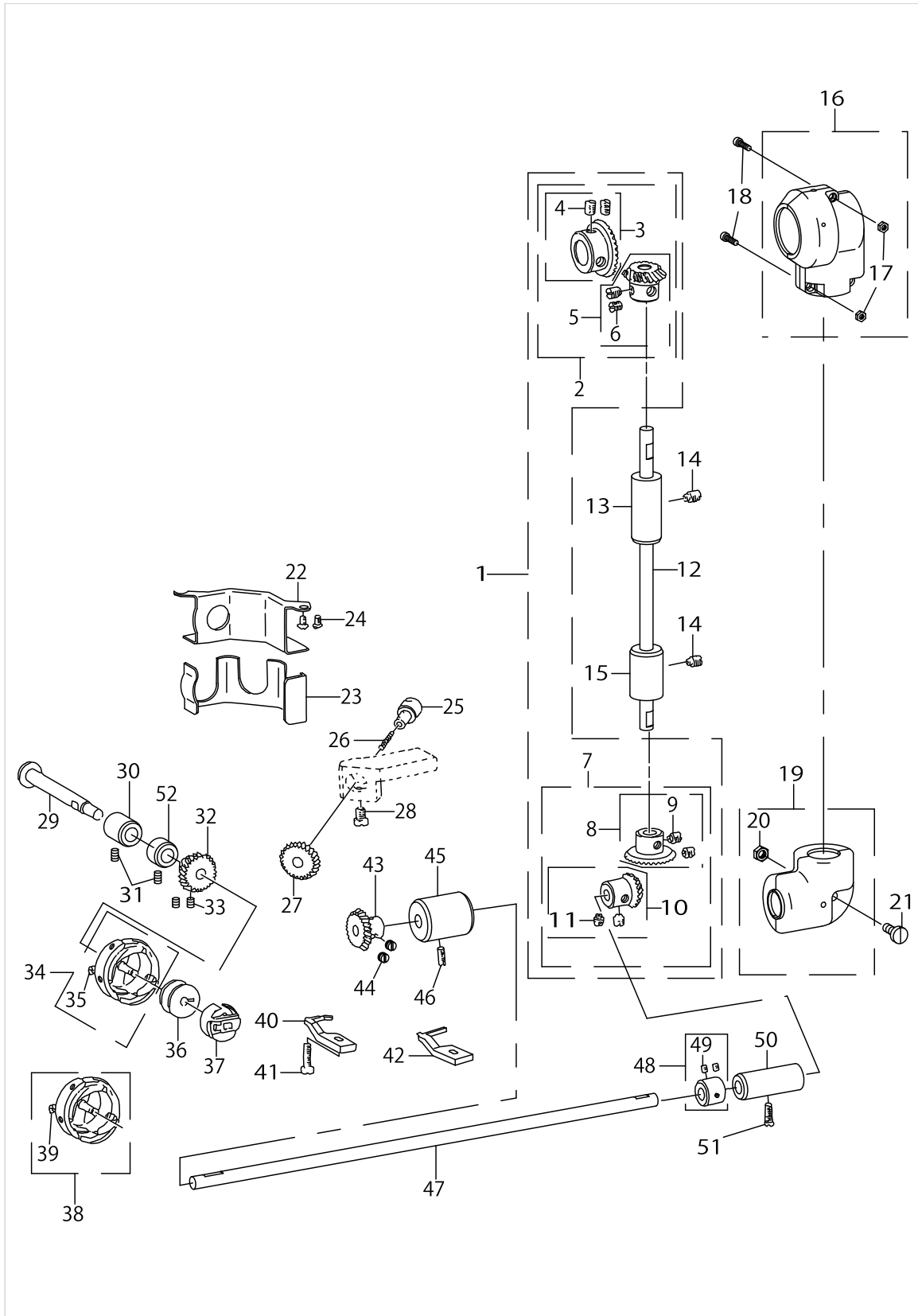
MAIN SHAFT & NEEDLE BAR COMPONENTS



MAIN SHAFT & NEEDLE BAR COMPONENTS

No.	Supply Code	Parts No.	Replacement	Parts name	Remarks	Choice	Step	Level	Cons	Qty	Rep. QTY
46		B1424027000		NEEDLE BAR FRAME GUIDE PIN						1	
47		B1432027000		OIL PAD ROLLER						1	
48	R	SS8150710SP	SS8150710TP	SCREW 15/64-28 L=7						1	1.00
49		MDB1B0B1400		NEEDLE DBX1B #14						1	
50		SS6080360SP		SCREW						1	
51		B1415271B00		BRACKET						1	
52		SS6092120SP		SCREW 9/64-40 L=21.2						2	
53		22904155		MAIN SHAFT THRU-ST COLLAR ASM.						1	
54		SS8660610TP		SCREW 1/4-40 L=6				*		2	

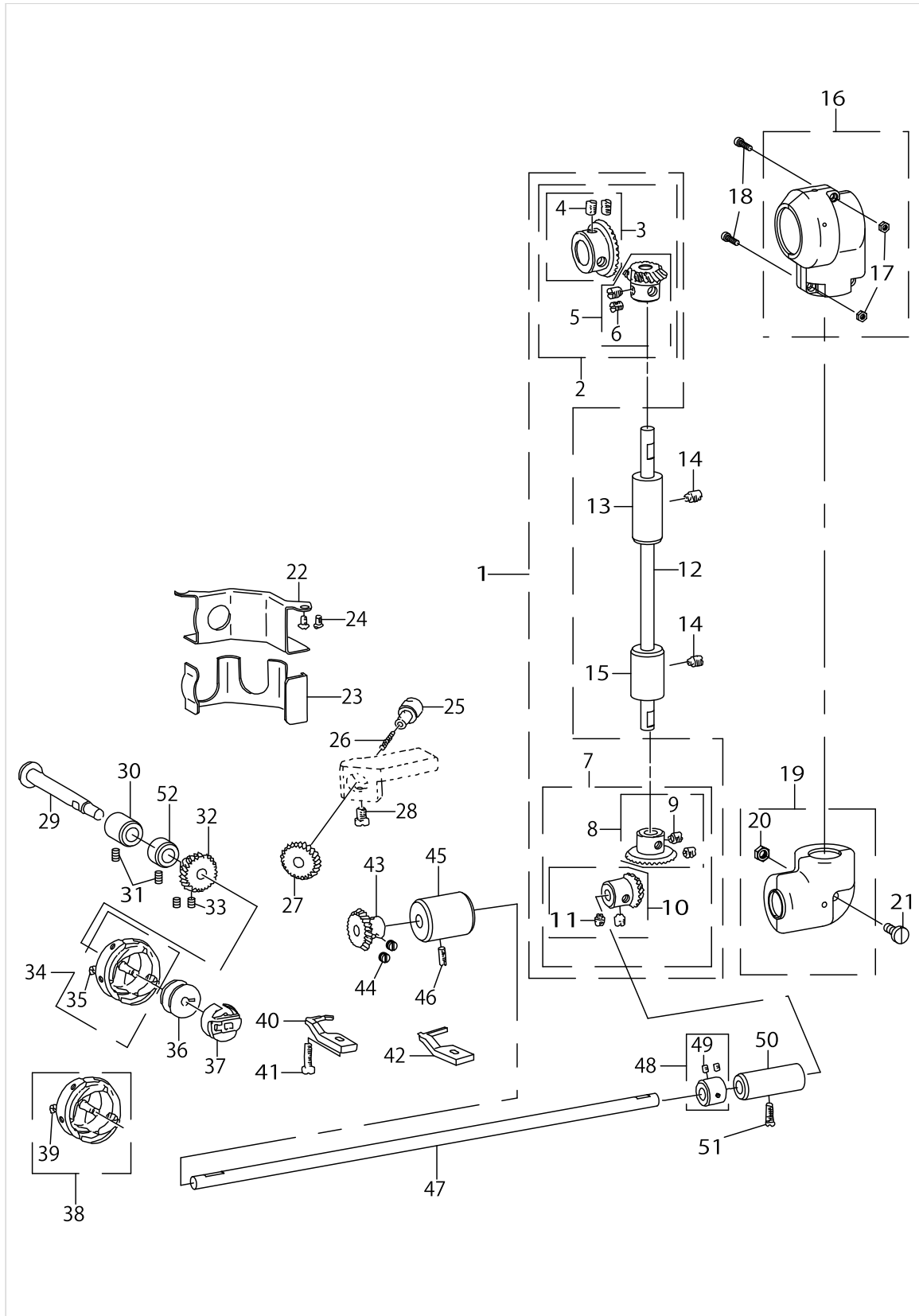
UPRIGHT SFAFT & LOWER SHAFT COMPONENTS



UPRIGHT SFAFT & LOWER SHAFT COMPONENTS

No.	Supply Code	Parts No.	Replacement	Parts name	Remarks	Choice	Step	Level	Cons	Qty	Rep. QTY
1	R	B13061550C0	B13071550C0	GEAR & PINION ASM.						1	1.00
2		B13061550B0		GEAR & PINION ASM., UPPER				*		1	
3		B13050120A0		GEAR ASM.				*		1	
4		SS8660810TP		SCREW 1/4-40 L=8				*		2	
5		B13061550A0		PINION ASM.				*		1	
6		SS8660810TP		SCREW 1/4-40 L=8				*		2	
7		B13071550D0		GEAR & PINION ASM. LOWER				*		1	
8		B13071550A0		GEAR ASM. LARGE				*		1	
9		SS8660810TP		SCREW 1/4-40 L=8				*		2	
10		B13081550A0		PINION ASM.				*		1	
11		SS8660810TP		SCREW 1/4-40 L=8				*		2	
12		B1304271000		UPRIGHT SHAFT						1	
13	D	B1302271000		UPRIGHT SHAFT BUSHING,UPPER						1	
14	R	SS8151150SP	SS8151150TP	SCREW 15/64-28 L=10.5						2	1.00
15		B1303271000		BUSHING, LOWER						1	
16		B13052710A0		GEAR CASE ASM. UPPER						1	
17		NM6030002SC		NUT M3				*		2	
18		SM6031202TP		SCREW M3X0.5 L=12						2	
19		B13072710A0		PINION CASE ASM.						1	
20		NM6050003SC		NUT M5X0.8				*		1	
21	D	SM6051410SC		SCREW M5X0.8 L=14						1	
22		B1865391C00		HELICAL GEAR COVER (C)						1	
23		B1864391C00		HELICAL GEAR CASE (C)						1	
24		SS3090610SP		SCREW 9/64-40 L=6						2	
25		B1838391C00		HELICAL GEAR SH- AFT INTERMEDIAT						1	
26	R	CQ300000000	CQ303000000	OIL WICK						.1	1.00
27		B1852391C00		HELICAL GEAR, INTERMEDIATE						1	
28		SS7150940SP		SCREW 15/64-28 L=9						1	
29		B1850391B00		HOOK SHAFT (B)						1	
30		B1813271000		HOOK SHAFT BUSHING (A)						1	
31		SS8110750SP		SCREW 11/64-40 L= 6.5						2	
32		B1853391C00		HERICAL GEAR, LEFT						1	
33		SS8110410TP		SCREW 11/64-40 L= 3.5						2	
34		B18307100A0		HOOK ASM.						1	
35	R	SS6110460SP	SS6110460TP	SCREW 11/64-40 L=4				*		3	1.00
36		22932909		BOBBIN						1	
37		B18370270A0		BOBBIN CASE ASM.						1	
38		B18300270A0		SEWING HOOK ASM.						1	
39		SS6110460TP		SCREW 11/64-40 L=4				*		3	
40		B1835039000		BOBBIN CASE POSI- TIONING FINGER						1	
41		SS6111620SP		SCREW 11/64-40 L=16.0						1	
42		B1835027000		BOBBIN CASE POSI- TIONING FINGER						1	
43		B1851391C00A		HERICAL GEAR, RIGHT						1	
44		SS8110410TP		SCREW 11/64-40 L= 3.5						2	
45	D	B1805271000		LOWER SHAFT BUSHING,FRONT						1	

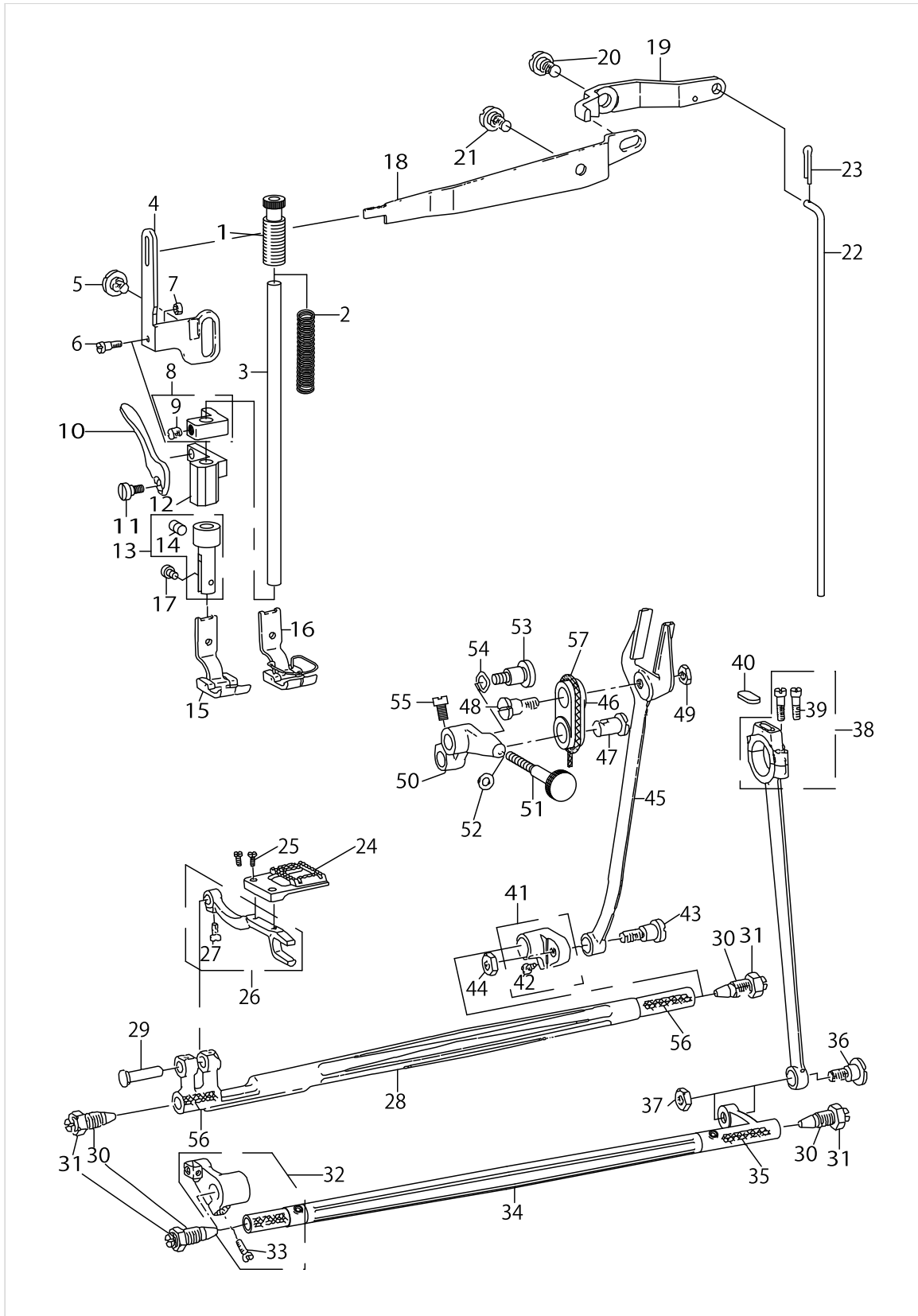
UPRIGHT SFAFT & LOWER SHAFT COMPONENTS



UPRIGHT SFAFT & LOWER SHAFT COMPONENTS

No.	Supply Code	Parts No.	Replacement	Parts name	Remarks	Choice	Step	Level	Cons	Qty	Rep. QTY
46		SS6111440SP		SCREW 11/64-40 L=14.0						1	
47		B1804271000		LOWER SHAFT						1	
48	R	CS0791010SH	CS079101ASH	THRUST COLLAR A-SM. D=7.94 W=10						1	1.00
49		SS8110520TP		SCREW 11/64-40 L= 4.5				*		2	
50		B1806271000		LOWER SHAFT BUSHING,REAR						1	
51		SS6111110SP		SCREW 11/64-40 L=11.0						1	
52		B1814271000		HOOK SHAFT BUSHING (B)						1	

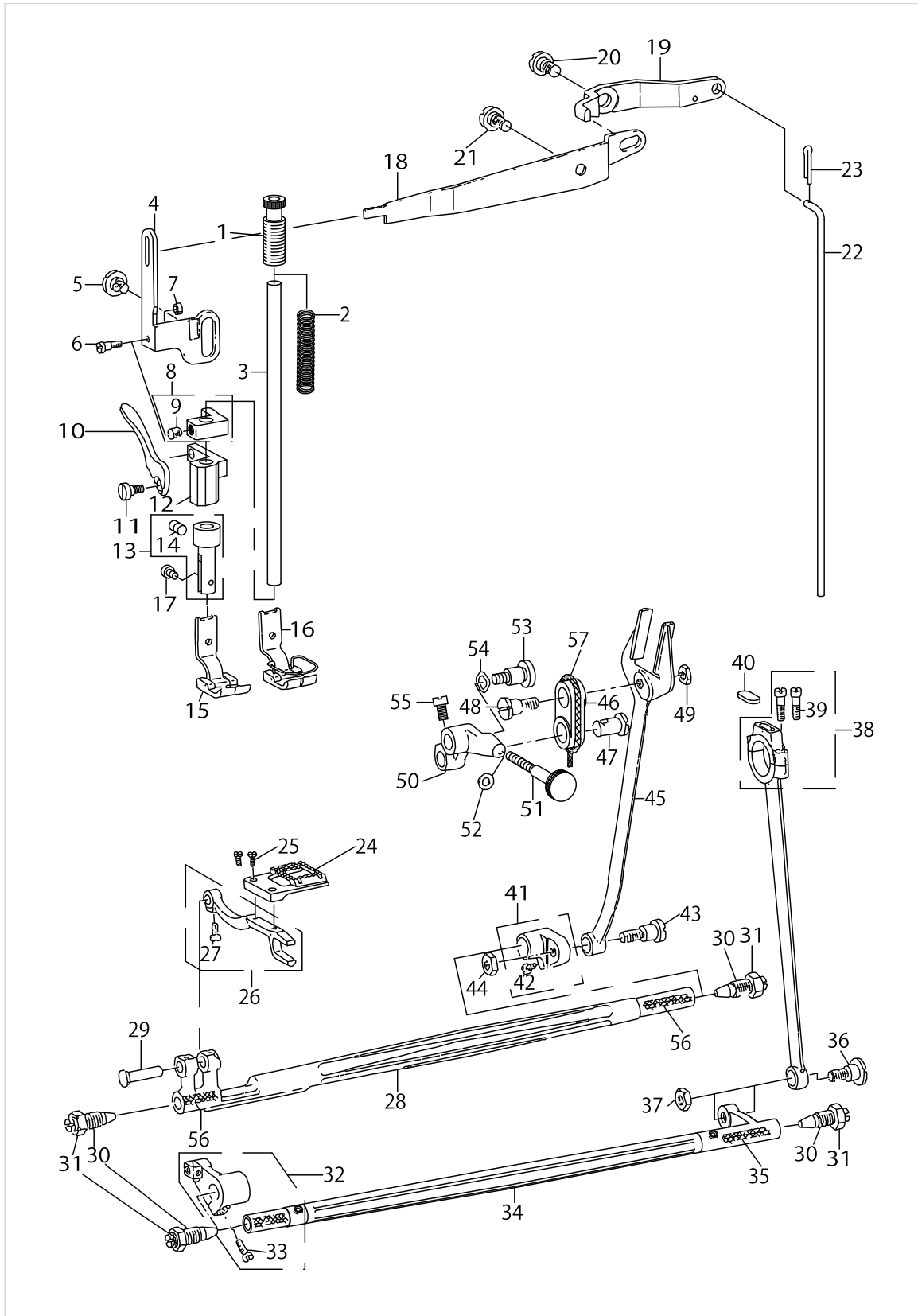
PRESSER FOOT & FEED & KNEE LIFTER COMPONENTS (FOR LZ-391N)



PRESSER FOOT & FEED & KNEE LIFTER COMPONENTS (FOR LZ-391N)

No.	Supply Code	Parts No.	Replacement	Parts name	Remarks	Choice	Step	Level	Cons	Qty	Rep. QTY
1		40009129		PRESSER SPRING REGULATOR						1	
2		B1505040000		PRESSER SPRING						1	
3		B1501391000		PRESSER BAR, JOINT ROD TYPE						1	
4		B1518040000		LIFTING LEVER						1	
5		SD0920321SP		HINGE SCREW D= 9.20 H= 3.2						1	
6		SD0460571CP		HINGE SCREW D=4.6 H=5.7						1	
7		NS6110310SP		NUT 11/64-40						1	
8		B15070400A0		PRESSER BAR GUI- DE BRACKET ASM.						1	
9	R	SS8150710SP	SS8150710TP	SCREW 15/64-28 L=7				*		1	1.00
10		A1512007000		HAND LIFTER						1	
11		SD0700251SP		HINGE SCREW D= 7 H= 2.5						1	
12		B1511040000		HAND LIFTER LEVER BRACKET						1	
13		B1502391AA0		PRESSER BAR JOI- NT ROD (A) ASM.						1	
14		SS8660530TP		SCREW 1/4-40 L= 4.5				*		1	
15		B1524391DA0		PRESSER FOOT ASM. (D)						1	
16		B1524391DB0		PRESSER FOOT ASM.						1	
17		SS6090910SP		SCREW 9/64-40 L=9						1	
18		B3406391000A		KNEE LIFTING LEVER						1	
19		B3407391000		KNEE LIFTING REAR LEVER						1	
20		SD0790361SP		HINGE SCREW D= 7.94 H= 3.6						1	
21		SD0790361SP		HINGE SCREW D= 7.94 H= 3.6						1	
22		B3413391A00A		LIFTING ROD						1	
23		PD020150000		SPLIT PIN						1	
24		B1613391N00		FEED DOG (N)						1	
25		SS4080620TP		SCREW 1/8-44 L=6						2	
26		B16020400A0		FEED BRACKET ASM.						1	
27		SS4090810SP		SCREW 9/64-40 L=8				*		1	
28		B1601391B00		FEEDROCKSHAFT(B)						1	
29		B1604391B00		FEED BAR SHAFT (B)						1	
30		B1113012000		CENTER SCREW						4	
31		NS6740510SP		NUT 3/8-28						4	
32		B17060120B0		FEED DRIVING SHA- FT CRANK ASM.						1	
33	R	SS7111410SP	SS7111410TP	SCREW11/64-40L=14				*		1	1.00
34		B1705141H00		FEED DRIVING SHAFT						1	
35		CQ202000000		OIL WICK						.1	
36		SD1020701SP		HINGE SCREW D=10.2 H=7						1	
37		NS6680410SP		NUT 9/32-28						1	
38		B17010400A0		CONNECTING ROD ASM.						1	
39		SS6121610TP		SCREW 3/16-28 L=15.5				*		2	
40		B1702012000		OIL FELT						1	
41		B16120120A0		FEED ROCK SHAFT CRANK ASM.						1	
42	R	SS7111410SP	SS7111410TP	SCREW11/64-40L=14				*		1	1.00
43		SD1020961SP		HINGE SCREW D=10.2 H=9.6						1	
44		NS6680410SP		NUT 9/32-28						1	
45	D	B1614040000		PITMAN FOR KED ROD (A)						1	

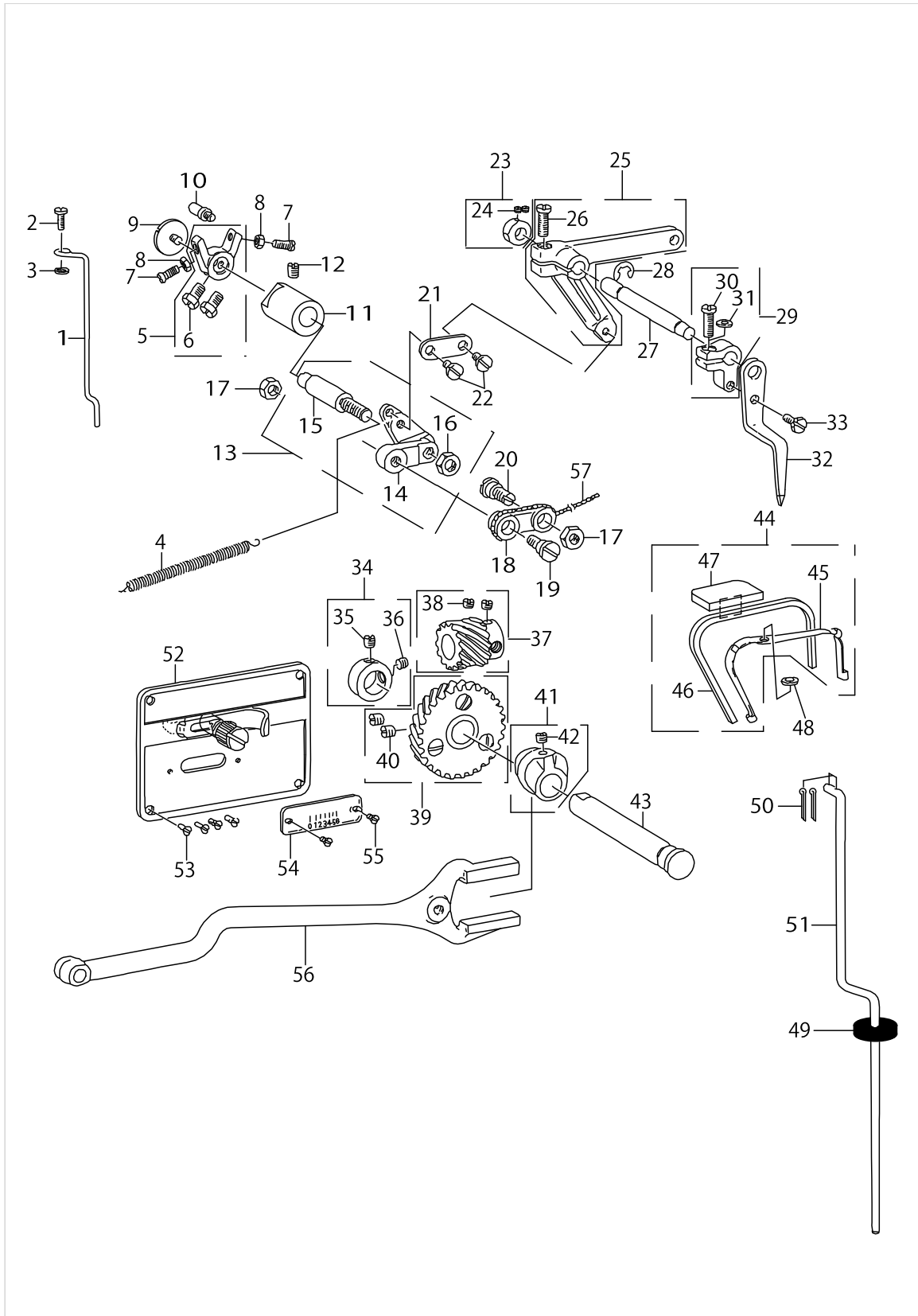
PRESSER FOOT & FEED & KNEE LIFTER COMPONENTS (FOR LZ-391N)



PRESSER FOOT & FEED & KNEE LIFTER COMPONENTS (FOR LZ-391N)

No.	Supply Code	Parts No.	Replacement	Parts name	Remarks	Choice	Step	Level	Cons	Qty	Rep. QTY
46		B2119271BA0		ZIGZAG REGULATOR STUD B ASM.						1	
47		B1618226000		HINGE PIN						1	
48		SD0950802SH		HINGE SCREW D= 9.53 H= 8						1	
49		NS6680410SP		NUT 9/32-28						1	
50		B1622391000A		FEED REGULATOR						1	
51		B1628040000		FEED REGULATOR KNOB						1	
52		WP0501016SD		WASHER 5X10.5X1						1	
53		SD1021251SP		HINGE SCREW D=10.20 H=12.5						1	
54		WZ1052010KP		WAVED WASHER						1	
55		SS6661110SP		SCREW 1/4-40 L=11						1	
56		CQ202000000		OIL WICK						.1	
57		CQ202000000		OIL WICK						.1	

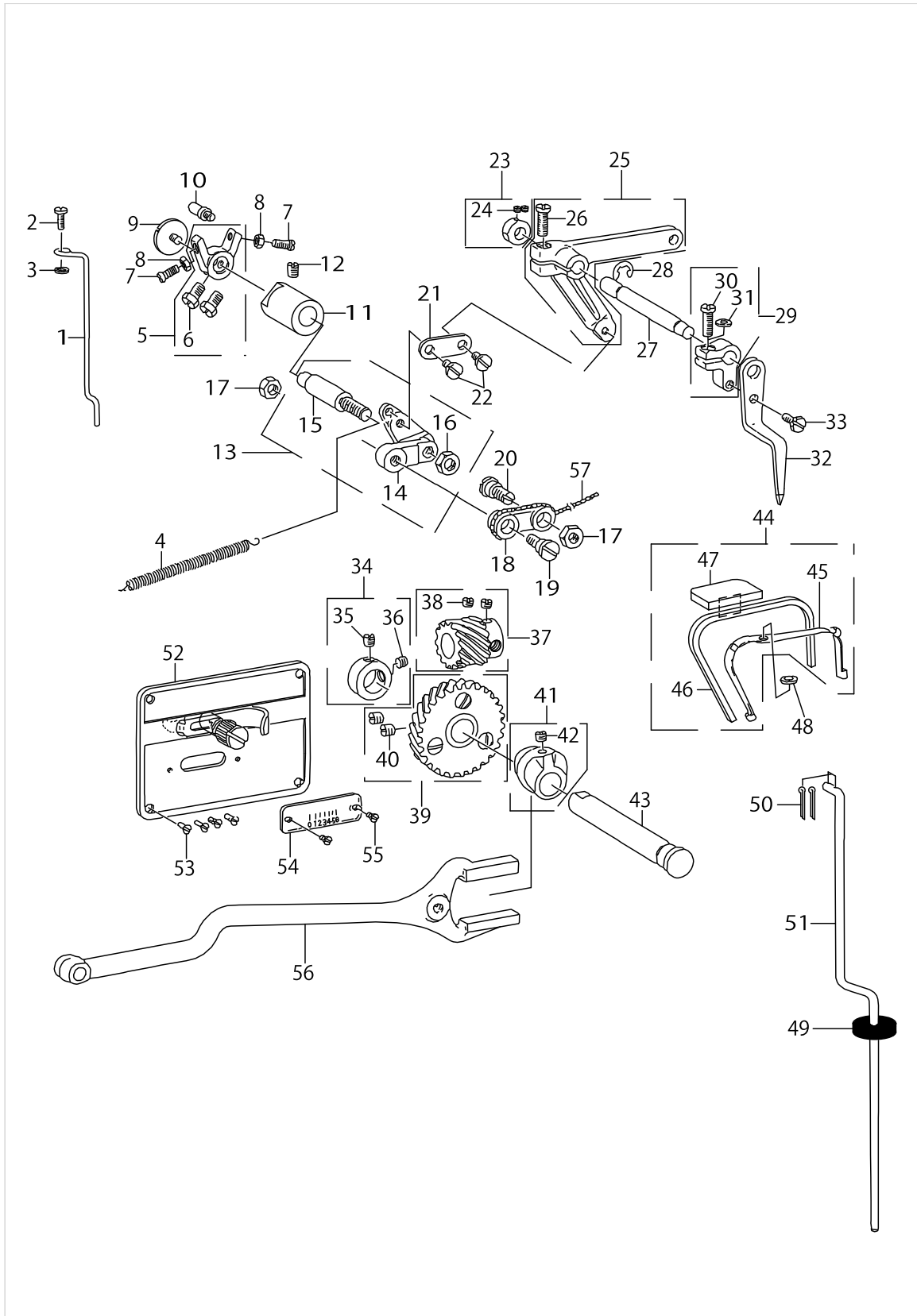
ZIGZAG REGULATOR COMPONENTS



ZIGZAG REGULATOR COMPONENTS

No.	Supply Code	Parts No.	Replacement	Parts name	Remarks	Choice	Step	Level	Cons	Qty	Rep. QTY
1		B3412271000		LIFTING SPRING CATCH						1	
2	R	SS7091110SP	SS7091110TP	SCREW 9/64-40 L=10.5						1	1.00
3		WP0371016SD		WASHER 3.7X8X1						1	
4		B3419271000		LIFTING SPRING						1	
5	D	B21142710A0		ZIGZAG REGULATOR STUD COLLAR A						1	
6		SS9660720SP		SCREW 1/4-40 L=7				*		2	
7		SS6111110SP		SCREW 11/64-40 L=11.0						2	
8		NS6110310SP		NUT 11/64-40						2	
9	D	B1630027000		ZIGZAG REGULATOR STUD FORCING						1	
10		B1631012B00		SUSPENSION STUD B						1	
11		B2129271B00A		ZIGZAG REGUL. STUD BUSHING (B)						1	
12	R	SS8150710SP	SS8150710TP	SCREW 15/64-28 L=7						1	1.00
13		B21072710A0		ZIGZAG REGULATOR ASM.						1	
14	R	B2107271000	B21072710A0	ZIGZAG REGULATOR ASM.				*		1	1.00
15	R	B2108271000	B21072710A0	ZIGZAG REGULATOR STUD				*		1	1.00
16		NS6700420SP		NUT 5/16-24				*		1	
17		NS6680410SP		NUT 9/32-28						2	
18		B2119271BA0		ZIGZAG REGULATOR STUD B ASM.						1	
19		SD0950802SH		HINGE SCREW D= 9.53 H= 8						1	
20		SD0950806SH		HINGE SCREW D= 9.53 H= 8						1	
21		B2115271000		NEEDLE THROW LINK						1	
22		SD0640231SP		HINGE SCREW D= 6.35 H= 2.3						2	
23		CS079072BTH		THRUST COLLAR ASM.						1	
24		SS8090410SP		SCREW 9/64-40L=3.5				*		2	
25		B21202710A0		LIFTING CRANK ASM.						1	
26		SS6121610TP		SCREW 3/16-28 L=15.5				*		1	
27	D	B2122271000		LIFTING CRANK SHAFT						1	
28		RE0500000K0		E-RING						1	
29		B21092710A0		INDICATOR BEARING BRACKET ASM.						1	
30		SS7121410TP		SCREW 3/16-28 L=14				*		1	
31		WP0480856SP		WASHER 4.8X8.4X0.8				*		1	
32		B2110271000		INDICATOR						1	
33		SS9121340CP		SCREW 3/16-28 L=13						1	
34	D	CS128101ASH		THRUST COLLAR ASM. D=12.8 W=10						1	
35		SS8150510TP		SCREW 15/64-28 L= 4.7				*		1	
36		SS8150410TP		SCREW 15/64-28 L= 4.0				*		1	
37		B21012710A0		BEVEL GEAR ASM., SMALL						1	
38		SS8660410SP		SCREW 1/4-40 L= 4.2				*		2	
39		B21022710A0		BEVEL GEAR ASM., LARGE						1	
40		SS8660810TP		SCREW 1/4-40 L=8				*		2	
41		B12102710A0		ZIGZAG TRIANGULAR CAM ASM.						1	
42	R	SS8151150SP	SS8151150TP	SCREW 15/64-28 L=10.5				*		1	1.00
43		B2103271B00		BEVEL GEAR SHAFT (B)						1	
44		B11902710A0		OIL PAD HOLDER ASM.						1	

ZIGZAG REGULATOR COMPONENTS

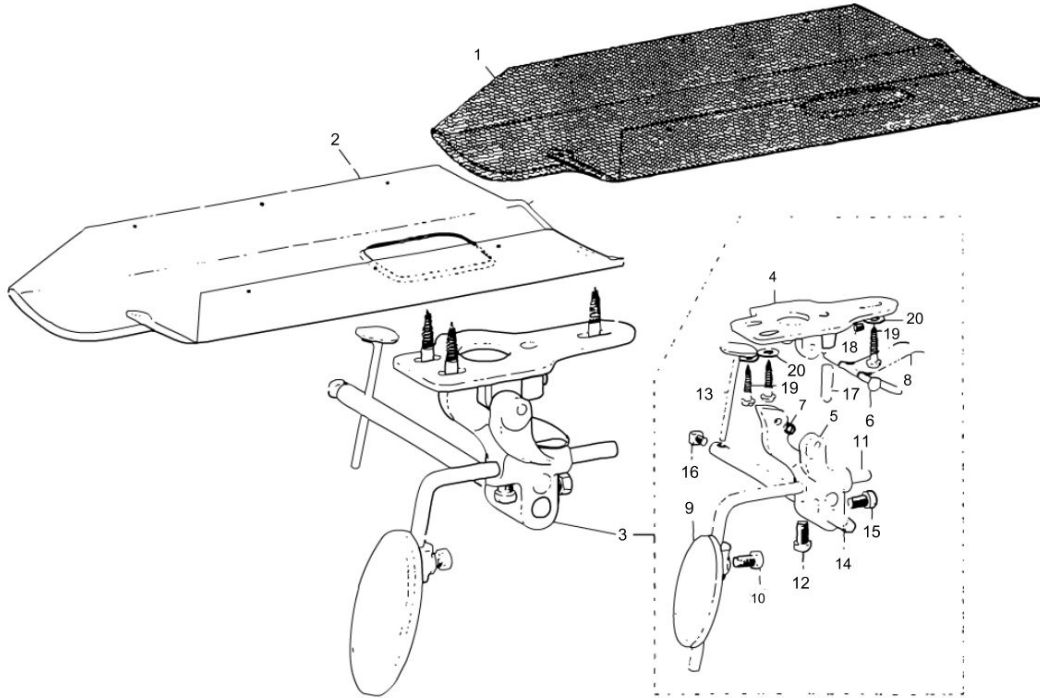


ZIGZAG REGULATOR COMPONENTS

No.	Supply Code	Parts No.	Replacement	Parts name	Remarks	Choice	Step	Level	Cons	Qty	Rep. QTY
45		B1190271000		OIL PAD HOLDER				*		1	
46		B1191271000		OIL FELT (A)				*		1	
47		B1192271000		OIL FELT (B)				*		1	
48		WP0480856SP		WASHER 4.8X8.4X0.8						1	
49		B3415707000		OIL SEAL WASHER						1	
50		PD020150000		SPLIT PIN						2	
51	D	B3413271B00		LIFTING ROD (B)						1	
52		B21042710AA		FRONT PLATE ASM.						1	
53		SS2090710TP		SCREW 9/64-40 L=7.2						4	
54		B2130271000		ZIGZAG SCALE						1	
55		SS7090610SP		SCREW 9/64-40 L=6						2	
56		B2126027000		NEEDLE BAR FRAME PITMAN						1	
57		CQ200000000		OIL WICK						.1	

KNEE LIFTER & OIL RECEIVER COMPONENTS

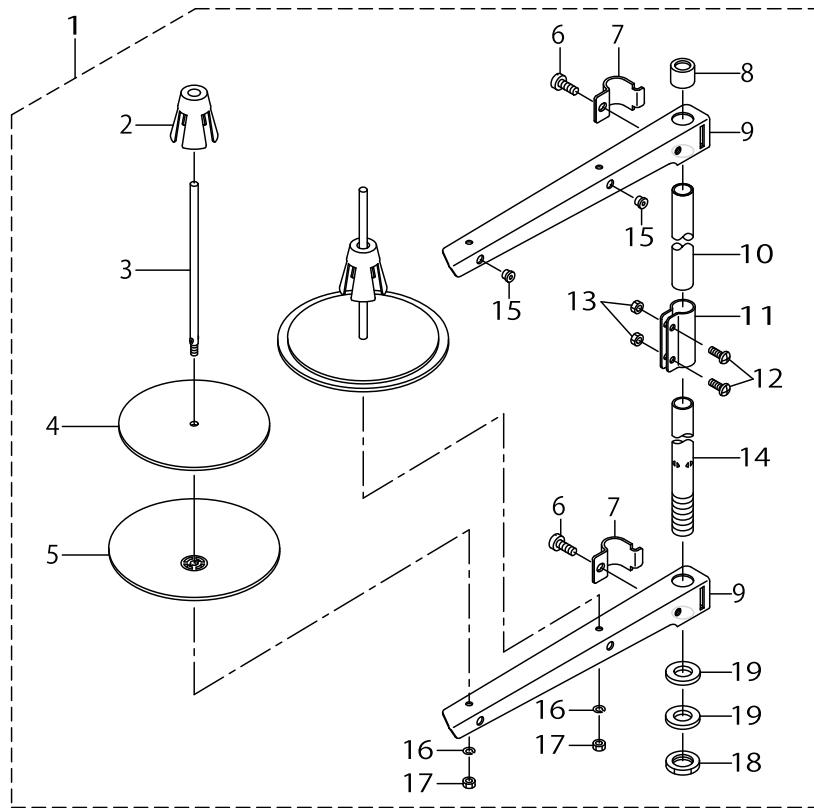
6. KNEE LIFTER & OIL RECEIVER COMPONENTS 膝上げ装置・油受け関係



KNEE LIFTER & OIL RECEIVER COMPONENTS

No.	Supply Code	Parts No.	Replacement	Parts name	Remarks	Choice	Step	Level	Cons	Qty	Rep. QTY
1		B8217271000		DRIP PAN						1	
2		B8217391000		OIL PAN						1	
3		B34010270B0		KNEE LIFTER ASM.						1	
4	R	B3401027000	B34010270A0	KNEE DRIVING SHAFT MOUNTING BA				*		1	1.00
5		B3402027000		KNEE DRIVING BRACKET				*		1	
6	D	B3408027000		KNEE DRIVING SHAFT				*		1	
7	D	B3404027000		SPRING				*		1	
8		B3409027000		KNEE DRIVING SPRING				*		1	
9	D	B3407027000		KNEE PRESS PLATE				*		1	
10		SM9081620SE		SCREW M8 L=16				*		1	
11	D	B3403027000		KNEE PRESS PLATE ROD				*		1	
12	R	SS9201813CN	SS9201813CP	SCREW 5/16-18 L=18				*		1	1.00
13	R	B34050270A0	B34010270A0	KNEE KNEE LIFT PLATE ASM.				*		1	1.00
14		B3410027000		KNEE PRESS SHAFT				*		1	
15		SS9201813CP		SCREW 5/16-18 L=18				*		1	
16		B3406027000		BOLT				*		1	
17	D	B3411027000		STOPPER PIN				*		1	
18	R	SS8150710SN	SS8150710TP	SCREW 15/64-28 L= 7.0				*		1	1.00
19		SK3623201SE		WOOD SCREW D=6.2 L=32				*		3	
20		WP0851216SC		WASHER 8.5X18.0X1.2				*		3	

THREAD STAND COMPONENTS

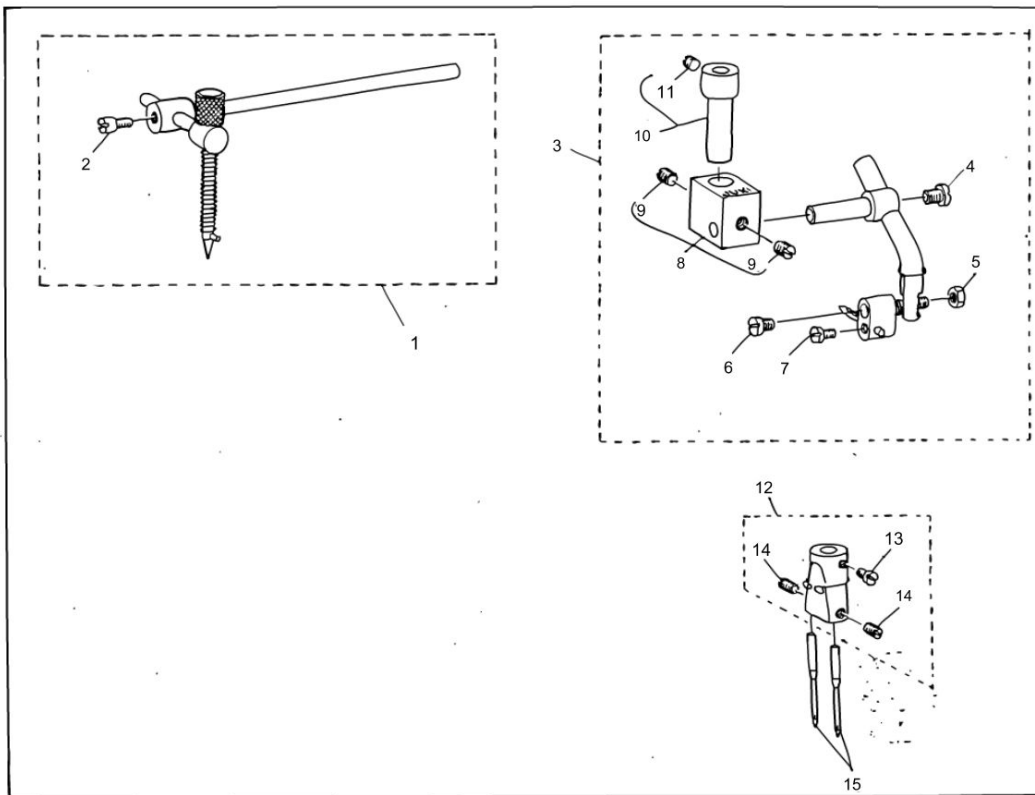


THREAD STAND COMPONENTS

No.	Supply Code	Parts No.	Replacement	Parts name	Remarks	Choice	Step	Level	Cons	Qty	Rep. QTY
1	R	22930358	40096354	THREAD STAND ASM.						1	1.00
2	R	22931109	40085791	SPOOL RETAINER				*		2	1.00
3	R	22931000	40085790	SPOOL PIN				*		2	1.00
4		22930903		SPOOL REST CUSHION				*		2	
5		22930804		SPOOL REST				*		2	
6		SM6061610SC		SCREW M6 L=16				*		2	
7	R	22930705	40096354	THREAD GUIDE ARM JOINT				*		2	1.00
8		22931406		SPOOL REST ROD RUBBER CAP				*		1	
9	R	22930507	40096354	SPOOL REST ARM				*		2	1.00
10	R	22930408	40096354	SPOOL REST ROD, UPPER				*		1	1.00
11	R	22931307	40096354	SPOOL REST ROD JOINT				*		1	1.00
12		SM4051405SE		SCREW M5 L=14				*		2	
13		NM6050001SE		NUT M5				*		2	
14	R	22930309	40096354	SPOOL REST ROD, LOWER				*		1	1.00
15		22931208		THREAD GUIDE				*		2	
16		WS0510002KN		SPRING WASHER				*		2	
17		NM6050001SE		NUT M5				*		2	
18		NM6160511SE		NUT M16X1.5				*		1	
19		WP1702600S0		WASHER 17X30X2.6				*		2	

SPECIAL ORDER PARTS

8. SPECIAL ORDER PARTS
特別注文部品



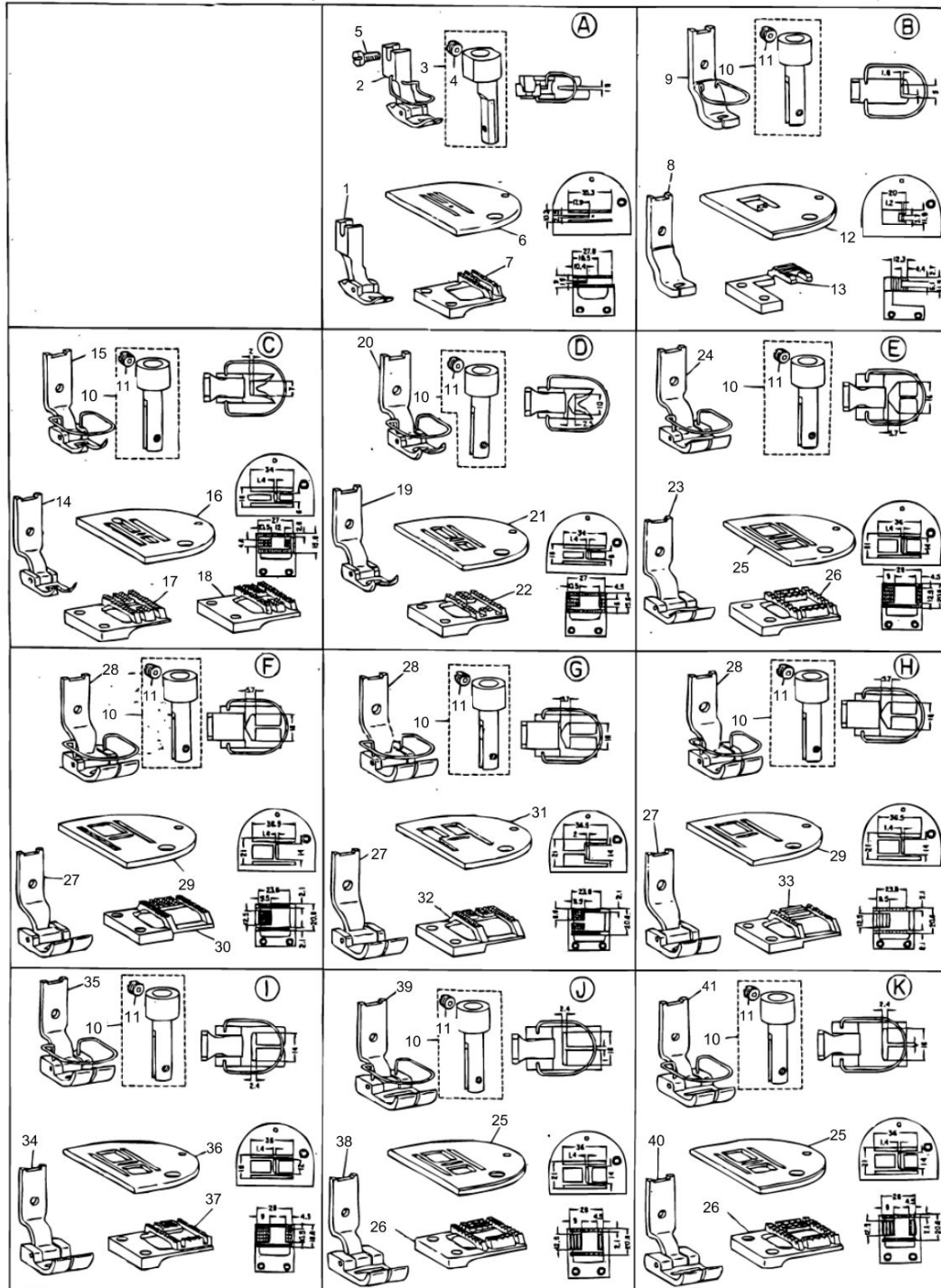
SPECIAL ORDER PARTS

No.	Supply Code	Parts No.	Replacement	Parts name	Remarks	Choice	Step	Level	Cons	Qty	Rep. QTY
1		B33522710A0		COMPASS ATTACHMENT ASM.						1	
2		SS6080720SP		SCREW				*		1	
3		B50012710A0		SCALLOP ATTACHMENT ASM.						1	
4		SS7090510SP		SCREW 9/64-40 L= 4.6				*		1	
5		NS6080210SP		NUT 1/8-44				*		1	
6	R	SS7090520SP	SS7090520TP	SCREW 9/64-40 L= 4.5				*		1	1.00
7		SS4080310SP		SCREW 1/8-44 L=3.4				*		1	
8	D	B50080270A0		SUPPORT BLOCK ASM.				*		1	
9	R	SS8110510SP	SS8110520TP	SCREW 11/64-40 L=5				*		2	1.00
10		B1502391BA0		PRESSER BAR JOI-NT ROD, EMBROID				*		1	
11		SS8660530TP		SCREW 1/4-40 L= 4.5				*		1	
12		D14023910A0		NEEDLE BAR HEAD ASM.						1	
13		SS6090410TP		SCREW 9/64-40 L= 3.5				*		1	
14		SS8090540SP		SCREW 9/64-40 L=5				*		2	
15		D1420391000		NEEDLE						2	

EXCHANGING PARTS (FOR LZ-391N)

9. EXCHANGING PARTS (FOR LZ-391N)

交換部品 (LZ-391N用)



EXCHANGING PARTS (FOR LZ-391N)

No.	Supply Code	Parts No.	Replacement	Parts name	Remarks	Choice	Step	Level	Cons	Qty	Rep. QTY
1	R	B15240120A0	B15240120BA	PRESSER FOOT ASM.		A	ISM			1	1.00
1	R	B15240120A0	A9836D250A0	PRESSER FOOT ASM.		B	HSM			1	1.00
2	R	B15240120B0	B15240120BA	PRESSER FOOT ASM.						1	1.00
3		D1502391DA0		PRESSER BAR JOINT ROD ASM.						1	
4		SS8660530TP		SCREW 1/4-40 L= 4.5				*		1	
5	R	SS7091110SP	SS7091110TP	SCREW 9/64-40 L=10.5						1	1.00
6	R	D1109391FA0	D1109391FA0A	THROAT PLATE (F) ASM.						1	1.00
7		D1613391F00A		FEED DOG F						1	
8		B1524040C0A		PRESSER FOOT (C)						1	
9	D	B1524040CAA		PRESSER FOOT ASM.						1	
10		B1502391AA0		PRESSER BAR JOI-NT ROD (A) ASM.						1	
11		SS8660530TP		SCREW 1/4-40 L= 4.5				*		1	
12		B1109040CA0		THROAT PLATE (C) ASM.						1	
13		B1613040C00		FEED DOG						1	
14	R	B1524040EA0	B1524040EB0	PRESSER FOOT (E) ASM.						1	1.00
15		B1524040EB0		PRESSER FOOT ASM.						1	
16		B1109040EA0		THROAT PLATE (E) ASM.						1	
17		B1613040E0A		FEED DOG (E)						1	
18		B1613040E0B		FEED DOG (E)						1	
19	R	B1524040AA0	B1524040AB0	PRESSER FOOT (A) ASM.						1	1.00
20		B1524040AB0		PRESSER FOOT ASM.						1	
21		B1109040DA0		THROAT PLATE (D) ASM.						1	
22		B1613040D00		FEED DOG (D)						1	
23		B1524391DA0		PRESSER FOOT ASM. (D)						1	
24		B1524391DB0		PRESSER FOOT ASM.						1	
25		B1109391NA0		THROAT PLATE (N) ASM.						1	
26		B1613391N00		FEED DOG (N)						1	
27	R	B1524040DA0	B1524040DB0	PRESSER FOOT (D) ASM.						1	1.00
28		B1524040DB0		PRESSER FOOT ASM.						1	
29		B1109040AA0		THROAT PLATE (A) ASM.						1	
30		B1613040A0A		FEED DOG (A-1)						1	
31		B1109040BA0		THROAT PLATE (B) ASM.						1	
32		B1613040B00		FEED DOG (B)						1	
33		B1613040A0B		FEED DOG (A-2)						1	
34	D R	D1524391NA0	D1524391NB0	PRESSER FOOT (N) ASM.						1	1.00
35		D1524391NB0		PRESSER FOOT ASM.						1	
36	D	D1109391RA0		THROAT PLATE (R) ASM.						1	
37		D1613391R00		FEED DOG (R)						1	
38	D	D1524391PA0		PRESSER FOOT (P) ASM.						1	
39	D	D1524391PB0		PRESSER FOOT ASM.						1	
40	D	D1524391QA0		PRESSER FOOT (Q) ASM.						1	
41	D	D1524391QB0		PRESSER FOOT ASM.						1	

EXCHANGING PARTS (FOR LZ-391N)

	用途	USAGE	振巾 Width of Throw	備考	REMARKS
(A)	直進縫用	For straight sewing	0	一般工業用ミシンの押エ、ミツ巻が取り付けられます。	Presser foot and hemmer foot of conventional industrial machine can be attached.
(B)	紐付用	For cord attaching	3mm(1/8")		
(C)	芯刺し用	For embroidering	5mm(3/16")	送りB1613-040-E0Bは鬼歯です。	B1613-040-E0B is a fang type teeth.
(D)	薄物用	For light weight materials	6mm(1/4")		
E	中厚物・厚物用	For medium heavy, heavy weight materials	10mm(3/8")	標準部品	All standard parts.
(F)	厚物用	For heavy weight materials	10mm(3/8")	中ガマ押エをB1835-027-000に交換すれば、振巾12mmまで可能です。	The zigzag width of throw can be increased to 12mm if the rotary hook presser foot is exchanged to that of B8135-027-000.
G	厚物用	For heavy weight materials	10mm(3/8")		
(H)	厚物用	For heavy weight materials	10mm(3/8")	送りB1613-040-A0Bは(F)の送りB1613-040-A0Aより、送り歯のピッチが荒い。	The feed pitch of the feed dog for this type, B1613-040-A0B is rougher than the pitch of B1613-040-A0A for (F).
(I)	中厚物・厚物用	For medium heavy, heavy weight materials	10mm(3/8")		
J	薄物用	For light weight materials	12mm(15/32")	目飛び防止用、押エ使用。	Skip-stitch preventing presser foot used.
K	厚物用、段縫向	For heavy weight, stepped-sewing materials	12mm(15/32")		

※(A)(B)(C)(D)(F)(G)(H)……………カマはB1830-027-0A0を使用して下さい
Use sewing hook No.B1830-027-0A0.

LIST FOR INFORMATION OF CHANGE

As to the place changed, refer to the corresponding Rev.No.
 When previous parts(Obsoleted part)and new parts(Added parts)are
 not interchangeable with each other:
 In this case, even obsoleted parts(D.) can be ordered with the
 obsoleted part number, so select the parts with changed dates and
 place your orders.

変更箇所は、該当Rev.No.版をご参照ください。
 部品の互換性がない変更の場合は、削除された品番でも、ご注文できます。
 BE2710TOPJA

No.0011-11・・・Rev.No.

*A:Added parts追加部品/D:Obsoleted parts削除部品/E:Erratum訂正

* Rev. No.	Page 頁	Ref. No.	Parts No. 品番	* Rev. No.	Page 頁	Ref. No.	Parts No. 品番
D 10	2	3	SS-2090710-SP	A 11	2	3	SS-2090710-TP
D 10	2	9	B1114-012-000	A 11	2	9	229-58300
D 10	2	30	SS-6090510-SP	A 11	2	30	SS-6090510-TP
D 10	2	40	SS-2090710-SP	A 11	2	40	SS-2090710-TP
D 10	2	48	B3116-125-000	A 11	2	48	110-72204
D 10	2	69	CM-3002000-B1	A 11	2	69	400-11109
D 10	2	71	100-04109	A 11	2	71	229-01805
D 10	2	72	CM-3002001-01	A 11	2	72	CM-3013000-01
D 10	2	73	CM-3002001-A1	A 11	2	73	B3013-141-H0A
				A 11	2	74	SS-6111010-TP
D 10	4	3	CQ-3000000-00	A 11	4	3	CQ-2020000-00
D 10	6	36	B9117-012-000	A 11	6	36	229-32909
D 10	6	43	B1851-391-C00	A 11	6	43	B1851-391-C00-A
D 10	8	1	B1509-012-000	A 11	8	1	400-09129
D 10	8	39	SS-6121610-SP	A 11	8	39	SS-6121610-TP
D 10	10	26	SS-6121610-SP	A 11	10	26	SS-6121610-TP
D 10	10	30	SS-7121410-SP	A 11	10	30	SS-7121410-TP
D 10	10	53	SS-2090710-SP	A 11	10	53	SS-2090710-TP
D 10	11	19	SK-3623200-SC	A 11	11	19	SK-3623201-SE
				A 11	12	-	ALL PARTS 全部品

HOW TO MAKE USE OF THIS PARTS LIST

1.Explanation of codes

1)"*"mark.....means this part is changed from the previous parts book.

As to the details of the change, refer to the "List for information of change".

2)"#01".....refer to "Note" explanation at bottom of page.

2.Codes on the "Qty" column

- Each numeral indicates the number of parts required.
- "0.1" and "2.5" indicate the length (in meters) of the respective parts.

3.Parentheses mean that the corresponding part is a subpart that constructs an assembly part.

4.Dotted lines on the Figures indicate assembly parts.

1."注記"欄の記号説明

1) "*"印.....前回のパーツブックに比較して今回変更された部品を意味します。

変更内容は、"変更情報リスト"を参照してください。

2) "#01".....ページ下の"注記"の説明を参照してください。

2.数量欄の数字は、個数を表し、0.1、2.5等の数値は、長さ（単位メートル）を表します。

3.数量欄の（ ）は、組部品を構成している子部品であることを意味します。

4.イラストページの-----枠は、組構成であることを意味します。

NUMERICAL INDEX OF PARTS

PART NO	PAGE	REF NO.	PART NO	PAGE	REF NO.	PART NO	PAGE	REF NO.
11072204	4	48	B1190271000	20	45	B1501027000	2	32
22901805	4	71	B11902710A0	18	44	B1501391000	14	3
22904155	8	53	B1191271000	20	46	B1502391AA0	14	13
22930309	24	14	B1192271000	20	47	B1502391AA0	28	10
22930358	24	1	B119639100A	2	41	B1502391BA0	26	10
22930408	24	10	B1201271000A	6	17	B1505040000	14	2
22930507	24	9	B12022710A0	6	11	B15070400A0	14	8
22930705	24	7	B1203012000	6	14	B1511040000	14	12
22930804	24	5	B1206271000A	6	7	B1518040000	14	4
22930903	24	4	B1208027000	6	6	B15240120A0	28	1
22931000	24	3	B1209027000	6	5	B15240120B0	28	2
22931109	24	2	B12100400B0	6	21	B1524040AA0	28	19
22931208	24	15	B12102710A0	18	41	B1524040AB0	28	20
22931307	24	11	B1211226000	6	18	B1524040C0A	28	8
22931406	24	8	B1212012000	6	19	B1524040CAA	28	9
22932909	10	36	B1212271000	6	24	B1524040DA0	28	27
22958300	2	9	B1213012000	6	20	B1524040DB0	28	28
40009129	14	1	B121339100AA	6	28	B1524040EA0	28	14
40011109	4	69	B1240271000	6	15	B1524040EB0	28	15
A1512007000	14	10	B1302271000	10	13	B1524391DA0	14	15
B110327100AA	2	10	B1303271000	10	15	B1524391DA0	28	23
B1109027AA0	4	64	B1304271000	10	12	B1524391DB0	14	16
B1109040AA0	28	29	B13050120A0	10	3	B1524391DB0	28	24
B1109040BA0	28	31	B13052710A0	10	16	B1527391000	4	56
B1109040CA0	28	12	B13061550A0	10	5	B1528391000	4	55
B1109040DA0	28	21	B13061550B0	10	2	B1601391B00	14	28
B1109040EA0	28	16	B13061550C0	10	1	B16020400A0	14	26
B1109391NA0	4	59	B13071550A0	10	8	B1604391B00	14	29
B1109391NA0	28	25	B13071550D0	10	7	B16120120A0	14	41
B11100400A0	4	61	B13072710A0	10	19	B1613040A0A	28	30
B1111012000	4	62	B13081550A0	10	10	B1613040A0B	28	33
B1113012000	14	30	B1401271000	6	45	B1613040B00	28	32
B1128522000	2	12	B1408271B00	6	30	B1613040C00	28	13
B113027100A	2	39	B14112710A0	6	35	B1613040D00	28	22
B1137027000	2	34	B1413271000	6	27	B1613040E0A	28	17
B1166271000	2	29	B1414271B00	6	40	B1613040E0B	28	18
B11682710A0	2	28	B1415271B00	8	51	B1613391N00	14	24
B1174271000	2	27	B1421271000	6	32	B1613391N00	28	26
B1175271000	2	23	B1422027000	6	33	B1614040000	14	45
B1177271B00	2	26	B1424027000	8	46	B1618226000	16	47
B1178271CD0	2	14	B1427271000	6	37-38	B1622391000A	16	50
B1178391BD0	2	17	B142727100A	6	37-38	B1628040000	16	51
B1181027000	2	31	B1429027000	6	42	B1630027000	18	9
B1182271000	2	21	B1432027000	8	47	B1631012B00	18	10
B1185271000	2	36	B1434027000	6	41	B17010400A0	14	38

NUMERICAL INDEX OF PARTS

PART NO	PAGE	REF NO.	PART NO	PAGE	REF NO.	PART NO	PAGE	REF NO.
B1702012000	14	40	B310527100A	4	68	CQ202000000	14	57
B1705141H00	14	34	B3106027C00	4	66	CQ202000000	16	57
B17060120B0	14	32	B3107027000	2	5	CQ252000000	6	36
B1804271000	12	47	B3108027000	4	53	CQ300000000	6	31
B1805271000	10	45	B3115552000	2	45	CQ300000000	10	26
B1806271000	12	50	B3120125000	4	49	CS079072BTH	18	23
B1813271000	10	30	B3121027000	4	47	CS0791010SH	12	48
B1814271000	12	52	B31220270A0	2	43	CS128101ASH	18	34
B18300270A0	10	38	B3126012000	4	52	D1109391FA0	28	6
B18307100A0	10	34	B3127391000	4	54	D1109391RA0	28	36
B1835027000	10	42	B3128027000	2	44	D14023910A0	26	12
B1835039000	10	40	B3129012A00	4	50	D1420391000	26	15
B18370270A0	10	37	B3132552000	4	51	D1502391DA0	28	3
B1838391C00	10	25	B33522710A0	26	1	D1524391NA0	28	34
B1850391B00	10	29	B3401027000	22	4	D1524391NB0	28	35
B1851391C00A	10	43	B34010270B0	22	3	D1524391PA0	28	38
B1852391C00	10	27	B3402027000	22	5	D1524391PB0	28	39
B1853391C00	10	32	B3403027000	22	11	D1524391QA0	28	40
B1864391C00	10	23	B3404027000	22	7	D1524391QB0	28	41
B1865391C00	10	22	B34050270A0	22	13	D1613391F00A	28	7
B19110270B0	6	1	B3406027000	22	16	D1613391R00	28	37
B1913271000	6	2	B3406391000A	14	18	MDB1B0B1100	6	25-49
B21012710A0	18	37	B3407027000	22	9	MDB1B0B1400	8	25-49
B21022710A0	18	39	B3407391000	14	19	NM6030002SC	10	17
B2103271B00	18	43	B3408027000	22	6	NM6050001SE	24	17
B21042710AA	20	52	B3409027000	22	8	NM6050003SC	10	20
B2107271000	18	14	B3410027000	22	14	NM6160511SE	24	18
B21072710A0	18	13	B3411027000	22	17	NS6060310SP	2	7
B2108271000	18	15	B3412271000	18	1	NS6080210SP	26	5
B21092710A0	18	29	B3413271B00	20	51	NS6110310SP	14	7
B2110271000	18	32	B3413391A00A	14	22	NS6110310SP	18	8
B21142710A0	18	5	B3415707000	20	49	NS6680410SP	14	49
B2115271000	18	21	B3419271000	18	4	NS6680410SP	16	49
B2119271BA0	16	46	B3534012000	2	22	NS6680410SP	18	17
B2119271BA0	18	18	B3537122000	2	37	NS6700420SP	18	16
B21202710A0	18	25	B50012710A0	26	3	NS6740510SP	14	31
B2122271000	18	27	B50080270A0	26	8	PD020150000	14	23
B2126027000	20	56	B8217271000	22	1	PD020150000	20	50
B2129271B00A	18	11	B8217391000	22	2	RE0500000K0	18	28
B2130271000	20	54	CM300200001	4	70	RE0600000K0	6	43
B2615232000	2	18	CM301300001	4	72	SD0460571CP	14	6
B3013141H0A	4	73	CQ200000000	2	19	SD0640231SP	18	22
B31012710AA	2	1	CQ200000000	20	57	SD0700251SP	14	11
B310427100A	4	67	CQ202000000	2	24	SD0790361SP	14	21
B31042710AA	4	65	CQ202000000	6	22	SD0920321SP	14	5

NUMERICAL INDEX OF PARTS

PART NO	PAGE	REF NO.	PART NO	PAGE	REF NO.	PART NO	PAGE	REF NO.
SD0950802SH	16	48	SS7091110SP	2	2	SS9660720SP	18	6
SD0950802SH	18	19	SS7091110SP	18	2	TA1250705R0	2	8
SD0950806SH	18	20	SS7091110SP	28	5	WP0371016SD	18	3
SD1020701SP	14	36	SS7110710SP	2	42	WP0480856SP	18	48
SD1020961SP	14	43	SS7110710SP	6	44	WP0480856SP	20	48
SD1021251SP	16	53	SS7111120SP	2	11	WP0501016SD	16	52
SK3623201SE	22	19	SS7111410SP	14	42	WP0851216SC	22	20
SM4051405SE	24	12	SS7121410TP	18	30	WP1702600S0	24	19
SM6031202TP	10	18	SS7150940SP	10	28	WS0510002KN	24	16
SM6051410SC	10	21	SS7681750TP	6	8	WZ1052010KP	16	54
SM6061610SC	24	6	SS8090410SP	2	13			
SM9081620SE	22	10	SS8090410SP	18	24			
SS1060610SP	2	35	SS8090540SP	26	14			
SS2060510SP	2	6	SS8090670SP	4	46			
SS2090710TP	2	40	SS8110410TP	10	44			
SS2090710TP	20	53	SS8110510SP	4	57			
SS2110920TP	4	60	SS8110510SP	26	9			
SS3090610SP	10	24	SS8110520TP	12	49			
SS4080310SP	26	7	SS8110750SP	2	58			
SS4080620TP	14	25	SS8110750SP	4	58			
SS4090810SP	14	27	SS8110750SP	10	31			
SS6060210SP	4	63	SS8150410SP	6	39			
SS6080360SP	8	50	SS8150410TP	18	36			
SS6080720SP	26	2	SS8150510TP	18	35			
SS6090410TP	26	13	SS8150710SN	22	18			
SS6090510TP	2	30	SS8150710SP	6	48			
SS6090620SP	2	25	SS8150710SP	8	48			
SS6090910SP	14	17	SS8150710SP	14	9			
SS6092120SP	8	52	SS8150710SP	18	12			
SS6110460SP	10	35	SS8151150SP	6	13			
SS6110460TP	10	39	SS8151150SP	10	14			
SS6111010TP	4	74	SS8151150SP	18	42			
SS6111110SP	12	51	SS8151550SP	6	29			
SS6111110SP	18	7	SS8660410SP	18	38			
SS6111440SP	12	46	SS8660530TP	14	14			
SS6111620SP	10	41	SS8660530TP	26	11			
SS6121610TP	14	39	SS8660530TP	28	11			
SS6121610TP	18	26	SS8660610TP	6	54			
SS6661110SP	16	55	SS8660610TP	8	54			
SS7081310SP	6	26	SS8660810TP	10	11			
SS7090510SP	2	4	SS8660810TP	18	40			
SS7090510SP	26	4	SS8681130SP	6	9			
SS7090520SP	2	38	SS9121340CP	18	33			
SS7090520SP	26	6	SS9201813CN	22	12			
SS7090610SP	20	55	SS9201813CP	22	15			