

MODEL : MH-481

List No : 0001-15

# PARTS LIST

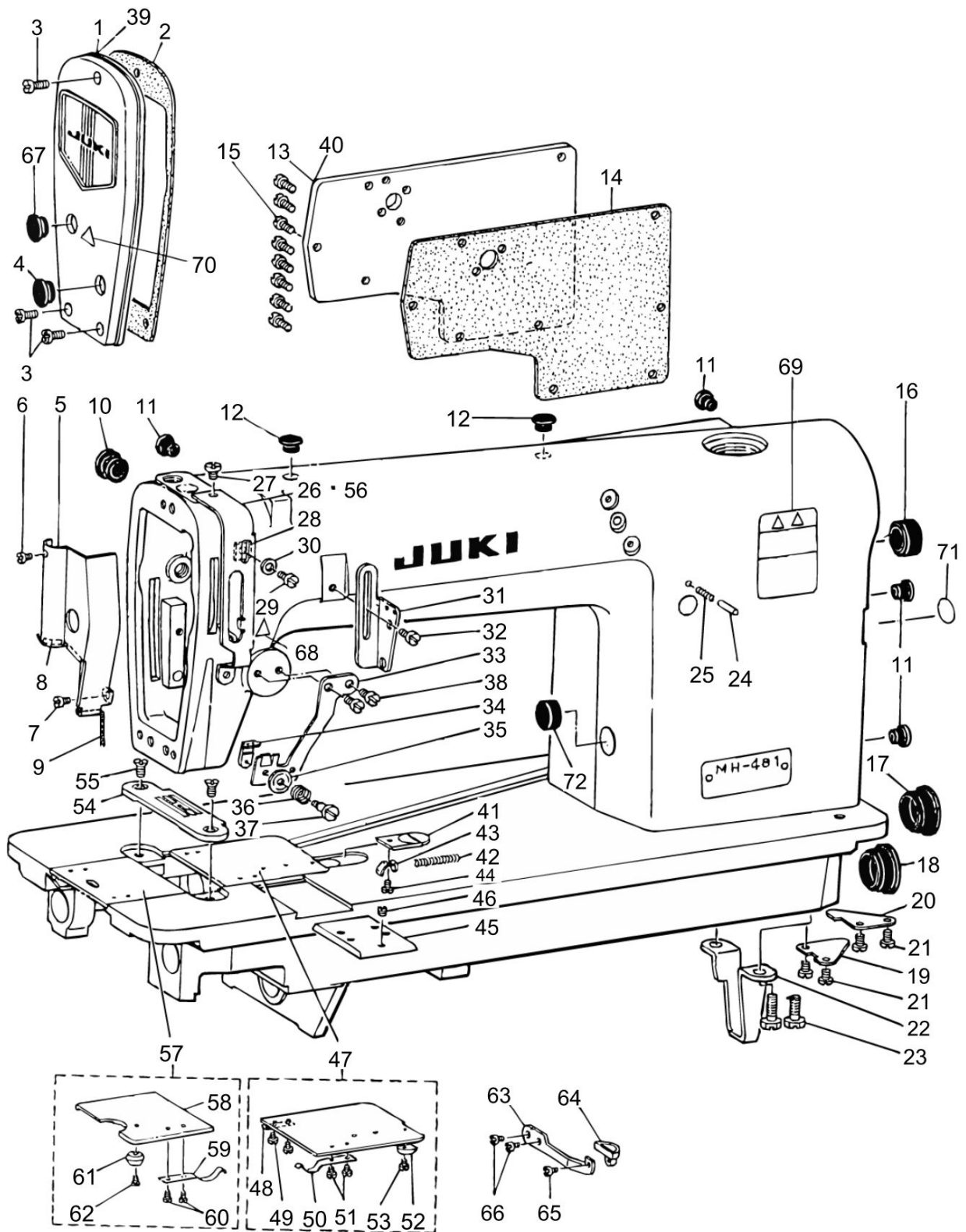
Published:05/12/2017

## CONTENTS

---

MACHINE FRAME & MISCELLANEOUS COVER COMPONENTS .....	1
MAIN SHAFT & NEEDLE BAR COMPONENTS .....	5
PRESSER BAR & LOWER SHAFT COMPONENTS .....	9
FEED MECHANISM COMPONENTS (1).....	13
FEED MECHANISM COMPONENTS (2).....	17
THREAD SPREADER COMPONENTS.....	21
LOOPER & NEEDLE GUARD COMPONENTS .....	23
TENSION & LOOPER THREAD TAKE-UP COMPONENTS.....	27
OIL LUBRICATION MECHANISM COMPONENTS.....	31
OIL RESERVOIR & KNEE LIFTER COMPONENTS.....	33
THREAD STAND COMPONENTS.....	35
SILICON OIL LUBRICANT COMPONENTS (SPECIAL ORDER PARTS) .....	37
EXCHANGING PARTS COMPONENTS (SPECIAL ORDER PARTS).....	39
BELT COVER COMPONENTS.....	41
LIST FOR INFORMATION OF CHANGE.....	43
HOW TO MAKE USE OF THIS PARTS LIST .....	44

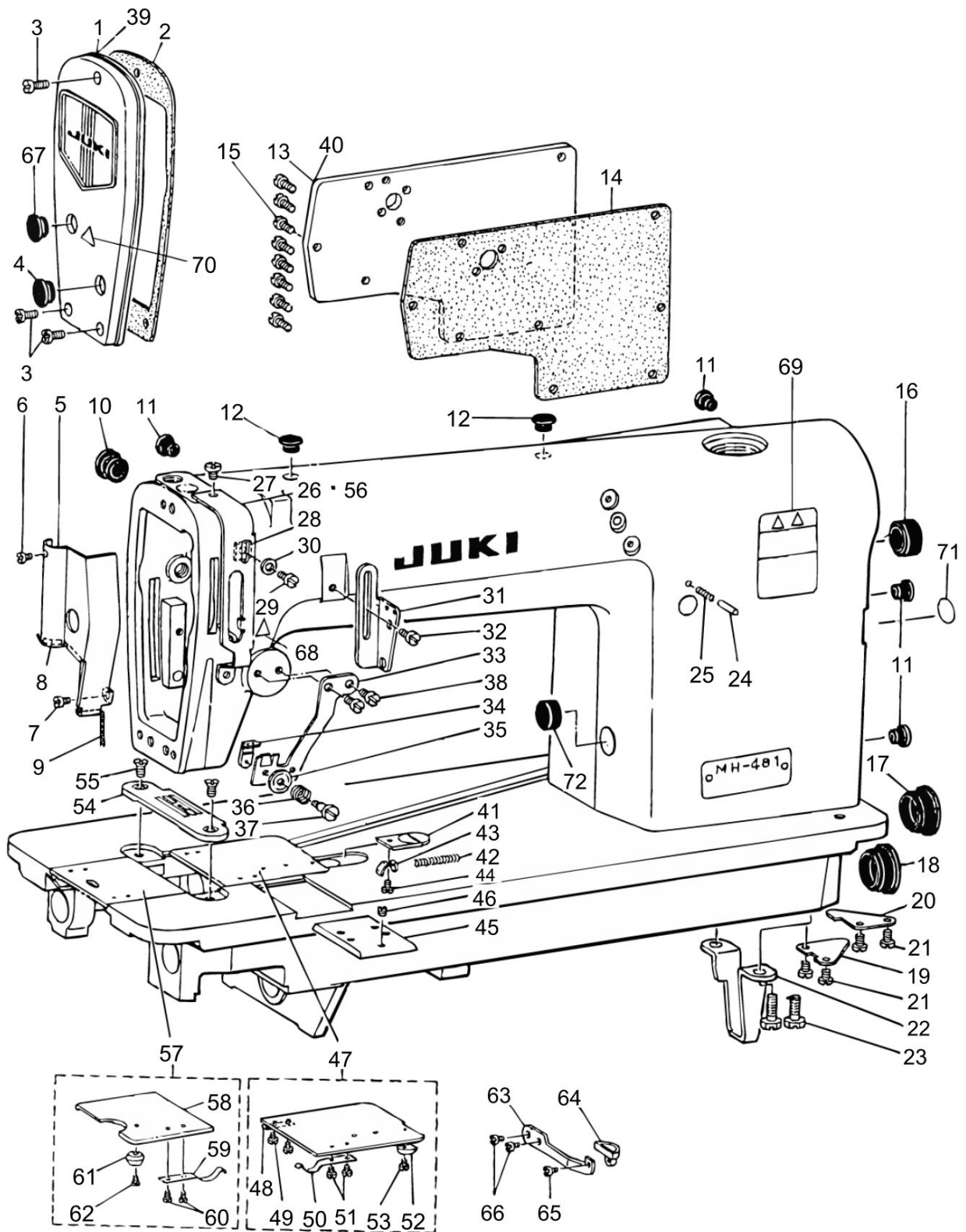
MACHINE FRAME & MISCELLANEOUS COVER COMPONENTS



MACHINE FRAME & MISCELLANEOUS COVER COMPONENTS

No.	Supply Code	Parts No.	Replacement	Parts name	Remarks	Choice	Step	Level	Cons	Qty	Rep. QTY
1		40114236		FACE PLATE ASM.						1	
2		B1122552000		FACE PLATE GASKET						1	
3		SS4111015SP		SCREW 11/64-40L=10						3	
4		TA1250406R0		RUBBER PLUG D=12.5 L=4						1	
5		B1130481000A		ARM OIL SHIELD						1	
6		SS6080320SP		SCREW 1/8-44 L=2.5						1	
7		SS4110515SP		SCREW 11/64-40 L=5						1	
8	D	B1131481000		NON-WOVEN FABRIC						1	
9	D	B1132481000		OIL WICK						1	
10		TA1250705R0		RUBBER PLUG						1	
11		TA0750704R0		RUBBER PLUG						4	
12		TA1050504R0		RUBBER PLUG						2	
13		B1118481000		SIDE PLATE						1	
14		B1119481000		GASKET						1	
15		SS4110815SP		SCREW 11/64-40 L=8						8	
16		TA2101002R0		RUBBER PLUG						1	
17		TA2351305R0		RUBBER PLUG						1	
18		TA2351004R0		RUBBER PLUG						1	
19		B1134481000		BED OIL SHIELD						1	
20		B1135481000		BED OIL SHIELD (B)						1	
21		SS7110510SP		SCREW 11/64-40 L=5						4	
22		B1106122000		BED SUPPORT PLATE						1	
23		SS9151120CP		SCREW 15/64-28L=11						2	
24		22912000		FEED REGULATOR PIN						1	
25		22912109		FEED REGULATOR PIN SPRING						1	
26		B1904481000		THREAD TAKE-UP LEVER GUARD						1	
27		SS4110515SP		SCREW 11/64-40 L=5						2	
28		B1903481000		TAKE-UP THREAD TENSION LEVER						1	
29		SS4110515SP		SCREW 11/64-40 L=5						1	
30		WP0480856SP		WASHER 4.8X8.4X0.8						1	
31		B1905380000		FRAME THREAD EYELET						1	
32		SS4110515SP		SCREW 11/64-40 L=5						1	
33		B1912481000		TENSION CONTROL- LER INSTALLING						1	
34		B1913481000		TAKE-UP THREAD GUIDE						1	
35		B3148123000		TENSION DISC						1	
36		B1914481000		TAKE-UP THREAD TENSION SPRING						1	
37		B1916481000		TAKE-UP THREAD TENSION POST						1	
38		SS4110715SP		SCREW 11/64-40 L=7						2	
39	R	B112155200A	B11215520AA	FACE PLATE	FOR URBAN WHITE					1	1.00
40		B111848100A		SIDE PLATE	FOR URBAN WHITE					1	
41		B1110481000A		CAM COVER LATCH						1	
42		B1111481000		SPRING						1	
43		B1112481000A		SPRING SUSPENSION						1	
44		SS6080320SP		SCREW 1/8-44 L=2.5						1	
45		B1111038000		ATTACHMENT CLAMP BED SLIDE PLATE						1	

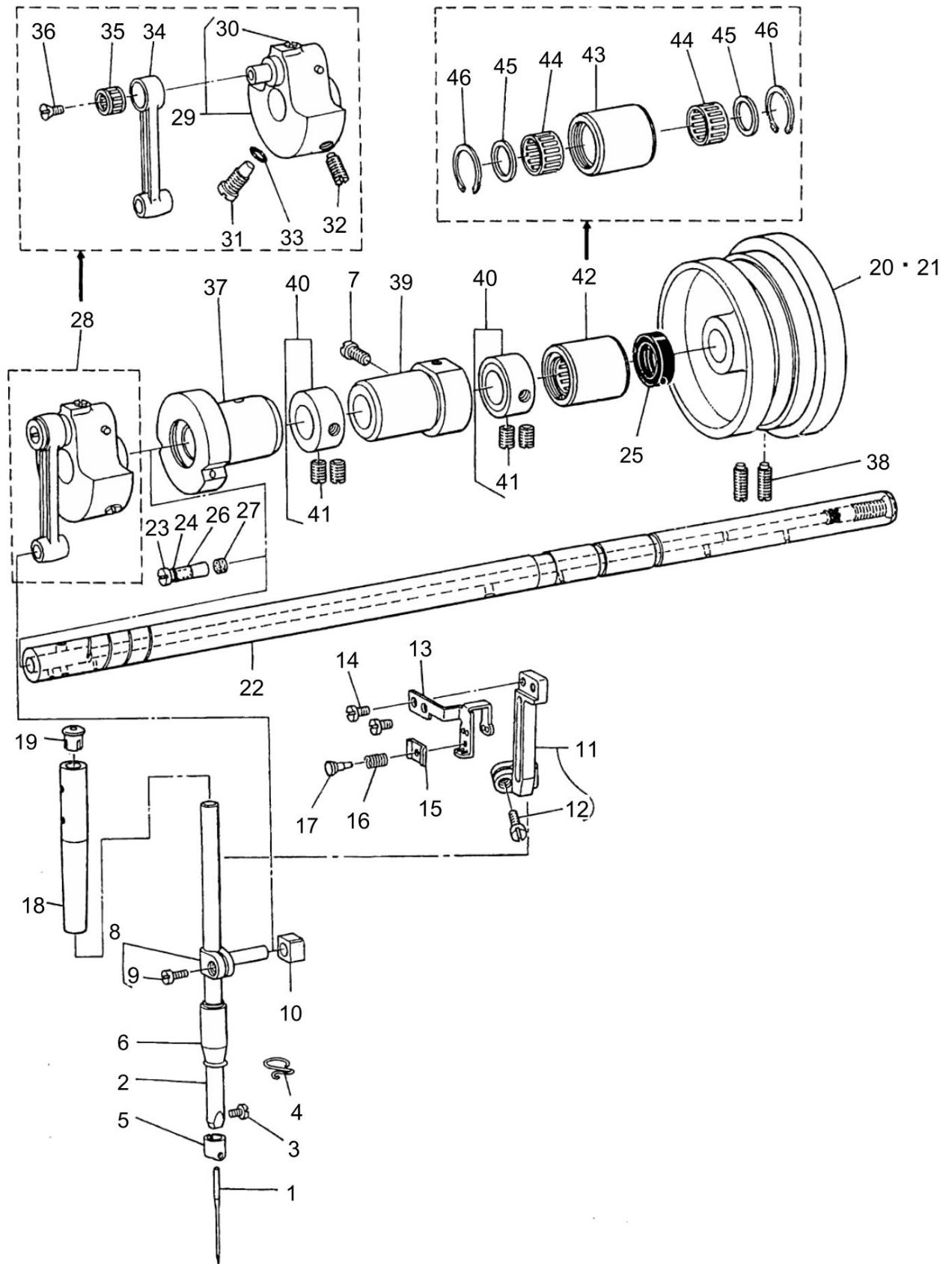
MACHINE FRAME & MISCELLANEOUS COVER COMPONENTS



MACHINE FRAME & MISCELLANEOUS COVER COMPONENTS

No.	Supply Code	Parts No.	Replacement	Parts name	Remarks	Choice	Step	Level	Cons	Qty	Rep. QTY
46		SS8110310SP		SCREW 11/64-40 L=2.8						1	
47		B11064810A0A		CAM COVER ASM.						1	
48		B1108481000		CAM COVER SUPPORT				*		1	
49		SS6060210SP		SCREW 3/32-56 L=1.9				*		2	
50		B1109481000		SPRING				*		1	
51		SS6060210SP		SCREW 3/32-56 L=1.9				*		2	
52		B1107481000		CAM COVER GUIDE				*		1	
53		SS6060340SP		SCREW 3/32-56 L=2.5				*		1	
54		B1103481F00		THROAT PLATE						1	
55		SS2110920TP		SCREW 11/64-40 L=8.5						2	
56		B190448100A		THREAD TAKE-UP LEVER COVER	FOR URBAN WHITE					1	
57		B1104380AA0		BED SLIDE ASM.						1	
58	R	B1104380A00	B1104380AA0	BED SLIDE				*		1	1.00
59		B1115380000		SPRING				*		1	
60		SS6060210SP		SCREW 3/32-56 L=1.9				*		2	
61		B1107380000		BED SLIDE GUIDE				*		1	
62		SS6060340SP		SCREW 3/32-56 L=2.5				*		1	
63		B1105380000		BED SLIDE STOPPER						1	
64		B1106380000		LATCH						1	
65		SS4080415SP		SCREW 1/8-44 L=4						1	
66		SS4110515SP		SCREW 11/64-40 L=5						2	
67		TA2050406R0		RUBBER PLUG						1	
68		CM300200001		ATTENTION SEAL	FOR JE, U- SEIN JAPAN					1	
69		CM301200001		SAFETY LABEL_S						1	
70		CM300200001		ATTENTION SEAL	FOR USE IN JAPAN					1	
71		22901805		GROUND MARK						1	
72		TA1750502R0		RUBBER PLUG D=17.5 L=5						1	

MAIN SHAFT & NEEDLE BAR COMPONENTS

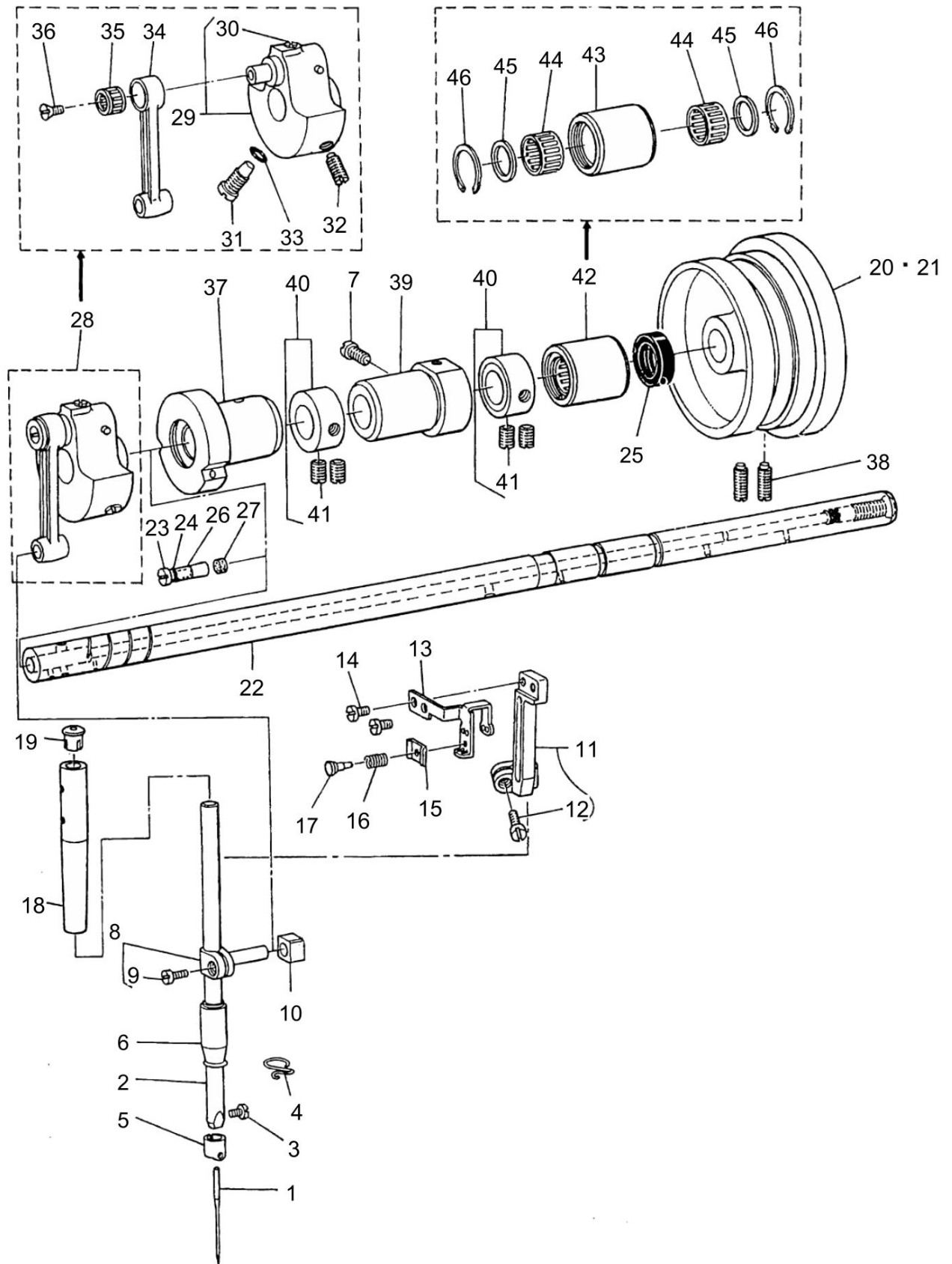


MAIN SHAFT & NEEDLE BAR COMPONENTS

No.	Supply Code	Parts No.	Replacement	Parts name	Remarks	Choice	Step	Level	Cons	Qty	Rep. QTY
1		MTV700B1100		NEEDLE TVX7 #11						1	
2		B1401481000		NEEDLE BAR						1	
3		SS7080510TP		SCREW 1/8-44 L=4.5						1	
4		B1419155000		NEEDLE BAR THREAD GUIDE						1	
5		B1418552A00		NEEDLE THREAD GUIDE A						1	
6	R	B1403155000	22906200	NEEDLE BAR BUSHING LOWER						1	1.00
7		SS7151120SP		SCREW 15/64-28L=11						1	
8		B14114810A0		NEEDLE BAR CONNECTION ASM.						1	
9		SS6090670TP		SCREW 9/64-40 L=6				*		1	
10		B1414555000		SLIDE BLOCK						1	
11		B19024810A0B		THREAD TAKE-UP LEVER ASM.						1	
12		SS6091210TP		SCREW 9/64-40 L=12				*		1	
13		B1901481000A		THREAD TAKE-UP						1	
14		SS6090670TP		SCREW 9/64-40 L=6						2	
15		B1908481000A		THREAD TENSION REGULATING PLATE						1	
16		D1910481C00		TENSION SPRING						1	
17		B1909481000A		THREAD TENSION REGULATING STUD						1	
18		22906101		NEEDLE BAR BUSHING UPPER						1	
19		22901409		NEEDLE BAR UPPER BUSH CAP						1	
20	R	B1217490000	B12174900AA	HAND WHEEL						1	1.00
21	R	B121749000A	B12174900AA	HAND WHEEL	FOR URBAN WHITE					1	1.00
22		B1201481000A		MAIN SHAFT						1	
23		B1213552000A		OIL ADJUSTING PIN						1	
24		RO029180100		RUBBER RING						1	
25		D1208555D00		OIL SEAL						1	
26		B1215552000		OIL ADJUSTING COLLAR						1	
27		B1226552000		ROLLER FELT						1	
28		B12064810A0		COUNTERWEIGHT ASM.						1	
29		B12064810B0		COUNTERWEIGHT ASM.				*		1	
30		SS8150710TP		SCREW 15/64-28 L=7				*		1	
31		SS7681650TP		SCREW 9/32-28 L=16				*		1	
32		SS8681650TP		SCREW 9/32-28 L=16				*		1	
33		RO044240100		RUBBER RING				*		1	
34		B1408481000		NEEDLE BAR CRANK ROD				*		1	
35		B1905541B00		NEEDLE BEARING				*		1	
36		B1903552000		LEFT SCREW				*		1	
37		B1202481000		BUSHING FRONT						1	
38		SS8151550SP		SCREW 15/64-28L=15						2	
39		B1203481B00		BUSHING INTERMEDIATE						1	
40		CS147121ESH		THRUST COLLAR A-SM. D=14.72 W=12						2	
41		SS8660810TP		SCREW 1/4-40 L=8				*		2	
42		D1204555DA0		MAIN SHAFT BUSHING REAR ASM.						1	
43		D1204555D00		MAIN SHAFT BUSHING REAR				*		1	
44	R	D1230555B00	D1230555B0A	NEEDLE BEARING		A		A:公差0~-0-.002/tolerance0~-0.002	*	2	1.00



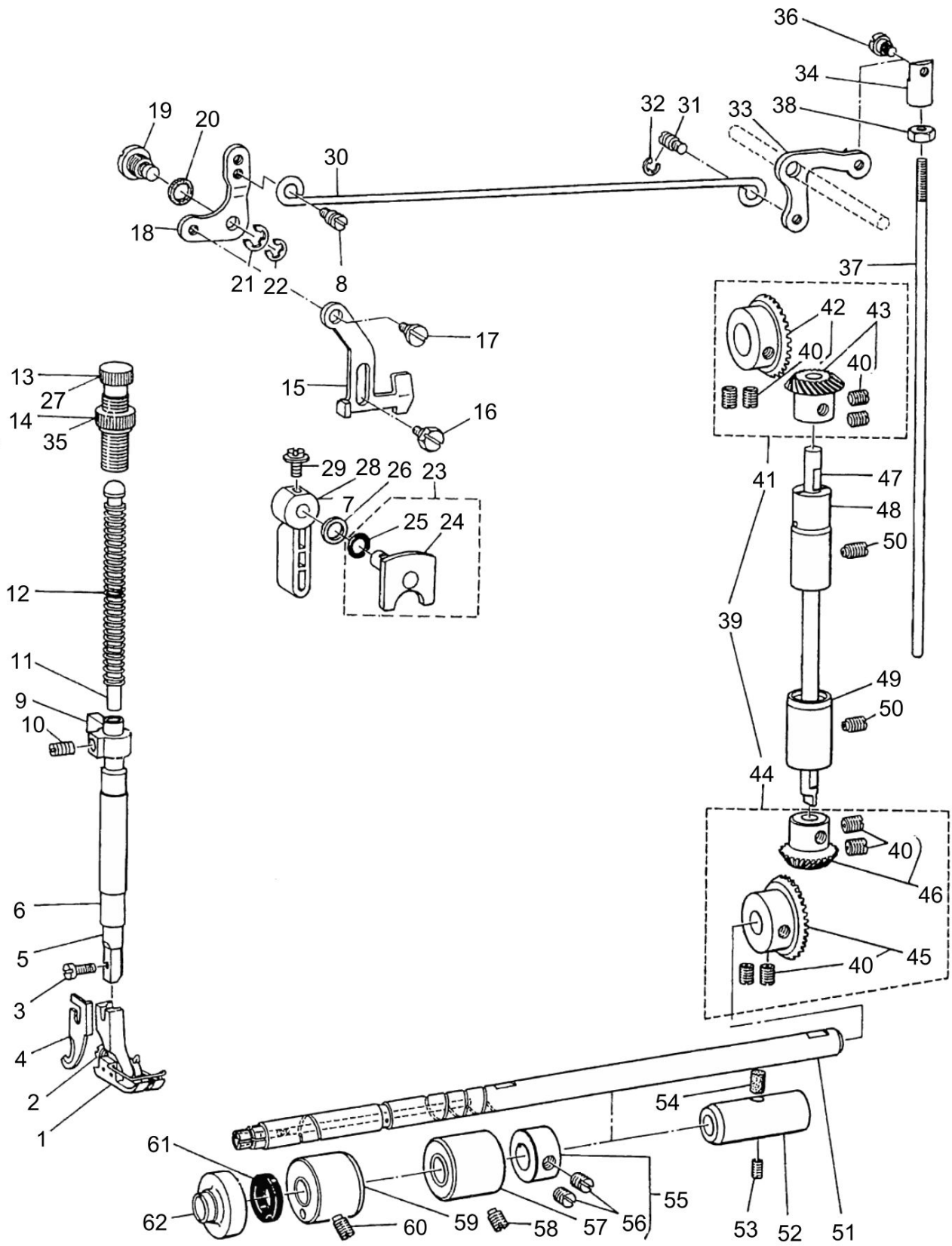
MAIN SHAFT & NEEDLE BAR COMPONENTS



MAIN SHAFT & NEEDLE BAR COMPONENTS

No.	Supply Code	Parts No.	Replacement	Parts name	Remarks	Choice	Step	Level	Cons	Qty	Rep. QTY
44	R	D1230555B00	D1230555B0B	NEEDLE BEARING		B	B:公差-0.0-02~-0.004/-tolerance--0.002~-0.004	*		2	1.00
44	R	D1230555B00	D1230555B0C	NEEDLE BEARING		C	C:公差-0.0-04~-0.006/-tolerance--0.004~-0.006	*		2	1.00
44	R	D1230555B00	D1230555B0D	NEEDLE BEARING		D	D:公差-0.0-06~-0.008/-tolerance--0.006~-0.008	*		2	1.00
45		D1231555B00		WASHER				*		2	
46		D1232555B00		SNAP RING				*		2	

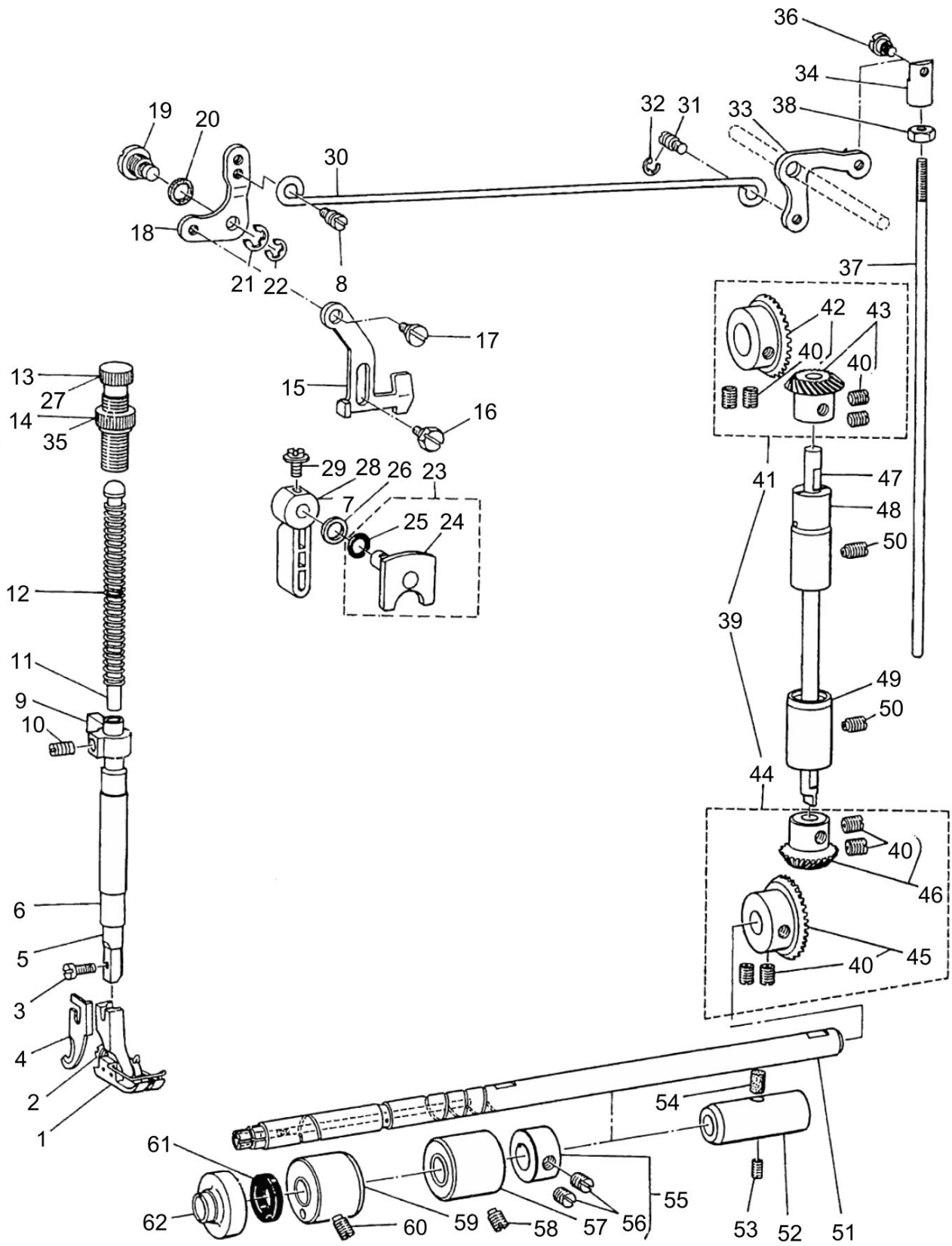
PRESSER BAR & LOWER SHAFT COMPONENTS



PRESSER BAR & LOWER SHAFT COMPONENTS

No.	Supply Code	Parts No.	Replacement	Parts name	Remarks	Choice	Step	Level	Cons	Qty	Rep. QTY
1		B15244810B0		PRESSER FOOT ASM.						1	
2		SS5060310SP		SCREW 3/32-56 L=2.8						1	
3		SS7091110TP		SCREW 9/64-40 L=10.5						1	
4		B1528481000		THREAD CUTTER						1	
5	R	22907000	40017805	PRESSER BAR						1	1.00
6		22907109		PRESSER BAR BUSHING LOWER						1	
7		22907802		HAND LIFTER	FOR URBAN WHITE					1	
8		22908909		HINGE SCREW						1	
9		10178705		PRESSER BAR GUIDE BRACKET						1	
10		SS8660610TP		SCREW 1/4-40 L=6						1	
11		22907703		PRESSER GUIDE BAR						1	
12		22907406		PRESSER SPRING						1	
13	R	B1509555000	40011951	PRESSER SPRING REGULATOR						1	1.00
14	R	B1511555000	40012052	NUT						1	1.00
15		B1515552000		LIFTING LEVER						1	
16		SD0630275SP		HINGE SCREW D=6.35 H=2.7						1	
17		SD0630301SP		HINGE SCREW D=6.35 H=3						1	
18		B1516552000		LIFTING LEVER LINK						1	
19		B1517552000		HINGE PIN						1	
20		B3431581000		LIFTING LEVER GASKET						1	
21		B1523226000		SNAP RING						1	
22		RE0600000K0		E-RING 6						1	
23		B15185550A0		HAND LIFTER CAM ASM.						1	
24	D	B1518552000		HAND LIFTER CAM.				*		1	
25		RO037180100		RUBBER RING				*		1	
26		WP0740516SP		WASHER 7.4X11.8X0.5						1	
27	R	22907505	22907554	PRESSER SPRING REGULATOR	FOR URBAN WHITE					1	1.00
28		B1520552000A		HAND LIFTER						1	
29		B1521555000		SCREW						1	
30		B3412415000		LIFTING LEVER CONNECTING ROD						1	
31		B3416552000		CONNECTING ROD HINGE SCREW						1	
32		RE0500000K0		E-RING						1	
33	D	B3414415000A		LIFTING LEVER LINK RIGHT						1	
34		B3416415000A		SWIVEL						1	
35	R	22907604	22907554	PRESSER SPRING REGULATOR NUT	FOR URBAN WHITE					1	1.00
36		SD0600322SD		HINGE SCREW D=6 H=3.2						1	
37		B3415481000		CONNECTING ROD VERTICAL						1	
38		NS6620310SP		NUT 3/16-32						1	
39		B13084810C0		GEAR LOWER ASM.						1	
40		SS8660810TP		SCREW 1/4-40 L=8				*		8	
41		B13061550B0		GEAR & PINION ASM. UPPER				*		1	
42		B13050120A0		GEAR ASM.				*		1	
43		B13061550A0		PINION ASM.				*		1	
44		B13084810B0		GEAR & PINION ASM.				*		1	
45		B13084810A0		GEAR LOWER(LARGE)ASM.				*		1	
46		B13061550A0		PINION ASM.				*		1	

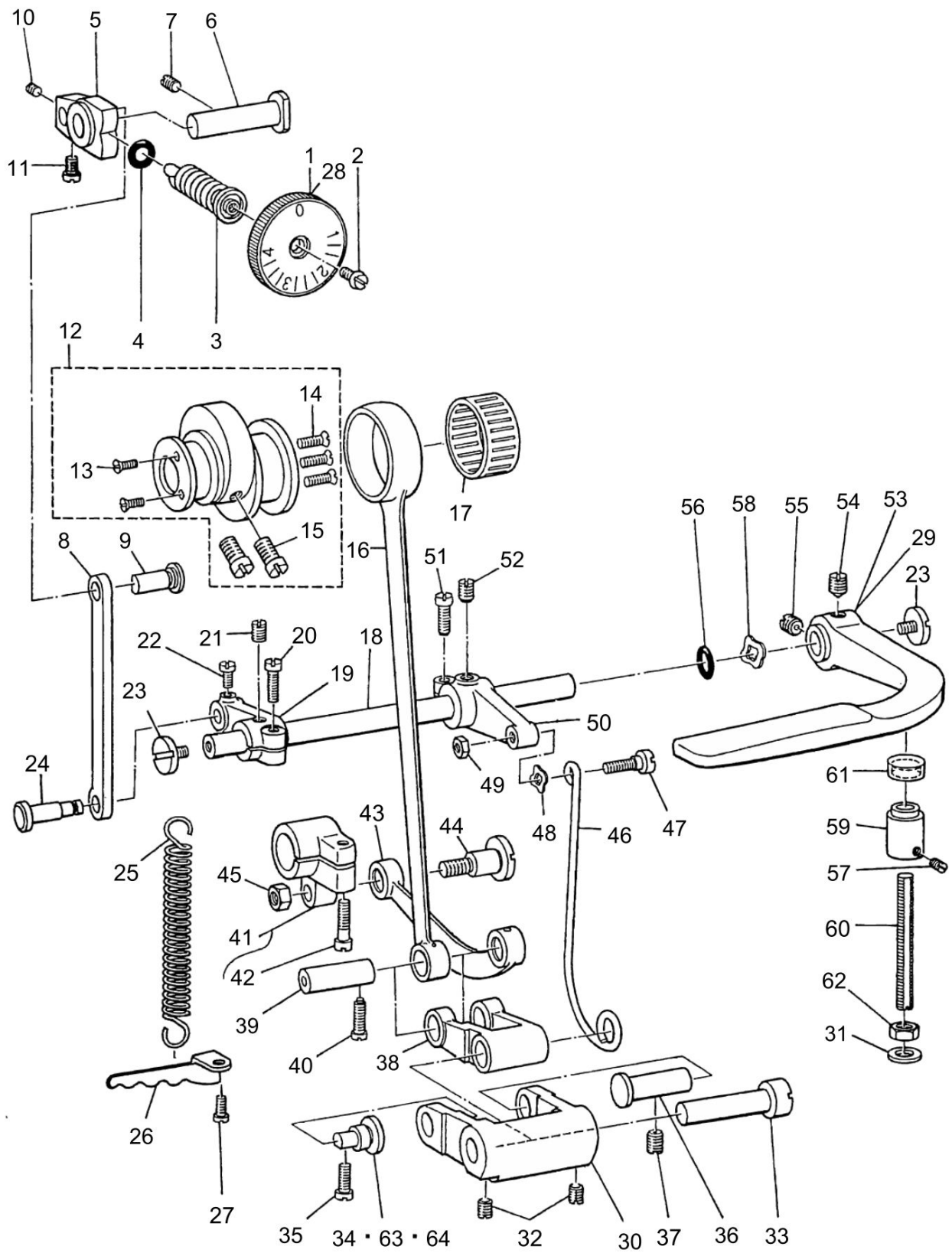
PRESSER BAR & LOWER SHAFT COMPONENTS



PRESSER BAR & LOWER SHAFT COMPONENTS

No.	Supply Code	Parts No.	Replacement	Parts name	Remarks	Choice	Step	Level	Cons	Qty	Rep. QTY
47		B1301481000A		UPRIGHT SHAFT						1	
48		B1302552B00		BUSHING UPPER						1	
49		11004207		UPRIGHT SHAFT BUSHING LOWER						1	
50	R	SS8151150SP	SS8151150TP	SCREW 15/64-28 L=10.5						2	1.00
51	R	B1801481000A	40114250	LOWER SHAFT						1	1.00
52		B1607352000		BUSHING REAR						1	
53	R	SS8151150SP	SS8151150TP	SCREW 15/64-28 L=10.5						1	1.00
54		22814909		FELT						1	
55		CS111121ASH		THRUST COLLAR A- SM. D=11.11 W=12						1	
56		SS8660810TP		SCREW 1/4-40 L=8				*		2	
57		B1803481000		BUSHING INTERMEDIATE						1	
58	R	SS8151150SP	SS8151150TP	SCREW 15/64-28 L=10.5						1	1.00
59		B1802481000		BUSHING FRONT						1	
60	R	SS8151150SP	SS8151150TP	SCREW 15/64-28 L=10.5						1	1.00
61		B1813481000		OIL SEAL						1	
62	R	B2226481000	B22264810B0	LOOPER THREAD G- UARD BUSHING						1	1.00

FEED MECHANISM COMPONENTS (1)

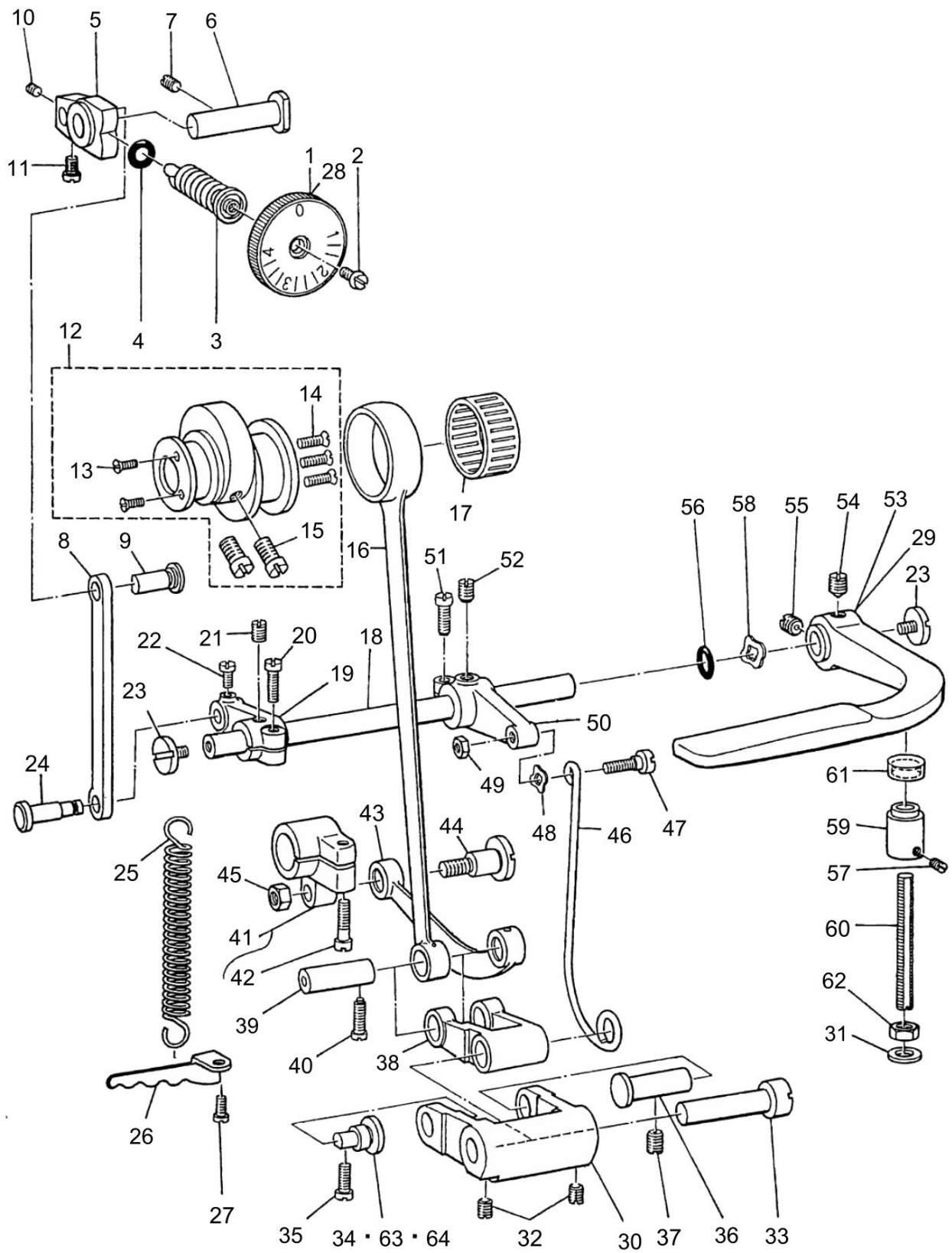


FEED MECHANISM COMPONENTS (1)

No.	Supply Code	Parts No.	Replacement	Parts name	Remarks	Choice	Step	Level	Cons	Qty	Rep. QTY
1		B1623555000A		FEED REGULATOR DIAL						1	
2	R	SS6120930SP	SS6120930TP	SCREW 3/16-28 L=9						1	1.00
3		B1634555000B		STITCH LENGTH REGULATING SCREW						1	
4		RO074240100		RUBBER RING						1	
5		B1620481000		FEED REGULATOR						1	
6		B1622555000		HINGE PIN						1	
7	R	SS8150710SP	SS8150710TP	SCREW 15/64-28 L=7						1	1.00
8		40114880		FEED REGULATOR CONNECTING ROD						1	
9		B1626555000		FEED REGULATOR CONNECTING ROD PIN						1	
10	R	SS8110510SP	SS8110520TP	SCREW 11/64-40 L=5						1	1.00
11		SS7110710SP		SCREW 11/64-40 L=7						1	
12		B16104810B0		FEED ECCENTRIC CAM ASM.						1	
13		SS2090710TP		SCREW 9/64-40 L=7.2				*		2	
14		SS2110930SP		SCREW 11/64-40 L=8.75				*		3	
15		SS6661110SP		SCREW 1/4-40 L=11				*		2	
16		40114884		FEED ROCKER SHAFT CONNECTING R						1	
17		B1636581B00		NEEDLE BEARING B	SELECTIVE PARTS					1	
18		B1621555000A		CONTROL LEVER SHAFT						1	
19		40120458		CONTROL LEVER SHAFT CRANK						1	
20		SS6121210SP		SCREW 3/16-28 L=12						1	
21	R	SS8150710SP	SS8150710TP	SCREW 15/64-28 L=7						1	1.00
22	R	SS7110910SP	SS7110910TP	SCREW 11/64-40 L=8.5						1	1.00
23		SS7620750SP		SCREW 3/16-32 L=6.5						2	
24		B1628555000		TENSION SPRING SUSPENSION STUD						1	
25		B1646555000		TENSION SPRING						1	
26		B1636555000		SUSPENSION BRACKET						1	
27	R	SS7111120SP	SS7111120TP	SCREW 11/64-40 L=10.5						1	1.00
28		B1623555A00		FEED REGULATOR DIAL	FOR URBAN WHITE					1	
29		B162455500A		REVERSE FEED CONTROL LEVER	FOR URBAN WHITE					1	
30		40136257		FEED DRIVING ROCKER						1	
31		WP0621016SD		WASHER 6.2X13X1						1	
32	R	SS8620610SP	SS8620610TP	SCREW 3/16-32 L=6						2	1.00
33		40114882		FEED DRIVING ROCKER HINGE PIN						1	
34		B1619555000		FEED DRIVING ROCKER HINGE PIN						1	
35	R	SS7111120SP	SS7111120TP	SCREW 11/64-40 L=10.5						1	1.00
36		B1618161000		FEED DRIVING ROCKER ARM HINGE						1	
37	R	SS8150710SP	SS8150710TP	SCREW 15/64-28 L=7						1	1.00
38		40136256		FEED DRIVING ROCKER ARM						1	
39		B1633555000		ROCKER ARM CONNECTING PIN						1	
40		SS7111260SP		SCREW 11/64-40 L=12						1	
41		B1608481000		FEED ROCKER SHAFT CRANK ARM						1	
42		SS6121610TP		SCREW 3/16-28 L=15.5					*	1	
43		B1606481000		CONNECTING ROD						1	
44		SD1020701SP		HINGE SCREW D=10.2 H=7						1	



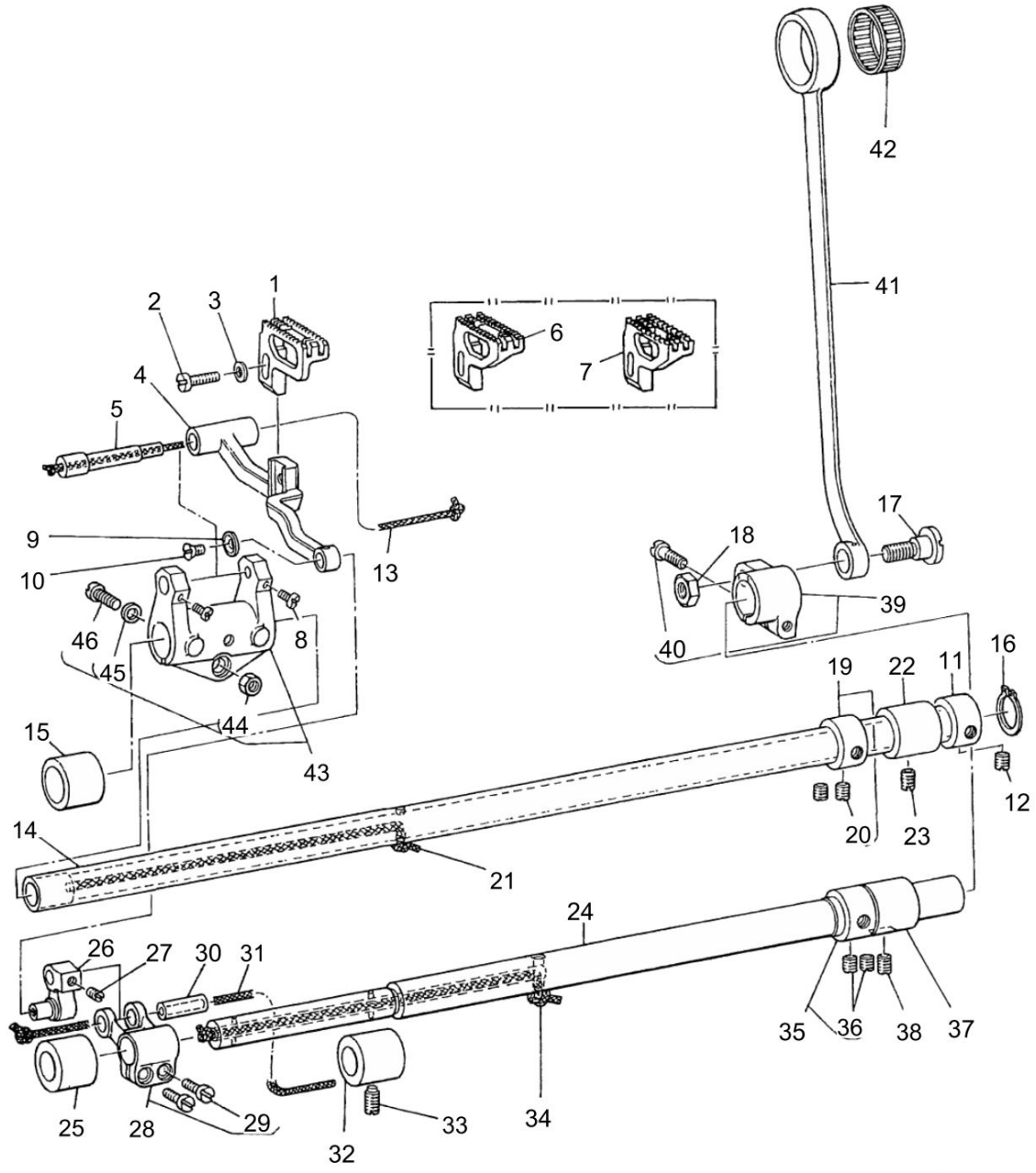
FEED MECHANISM COMPONENTS (1)



FEED MECHANISM COMPONENTS (1)

No.	Supply Code	Parts No.	Replacement	Parts name	Remarks	Choice	Step	Level	Cons	Qty	Rep. QTY
45		NS6680320SP		NUT 9/32-28						1	
46		B1630555000		ROCKER ARM CONNECTING ROD						1	
47		SD0500401SP		HINGESCREWD=5H=4						1	
48		WZ0541510KP		WAVED WASHER 5.4X9.0X0.3						1	
49		NS6120310SP		NUT 3/16-28						1	
50		40114881		CONTROL LEVER CRANK REAR						1	
51		SS6121210SP		SCREW 3/16-28 L=12						1	
52	R	SS8150710SP	SS8150710TP	SCREW 15/64-28 L=7						1	1.00
53	D	B1624555000		REVERSE FEED CONTROL LEVER						1	
54		SS8661040TP		SCREW 1/4-40 L=10						1	
55		SS8660810TP		SCREW 1/4-40 L=8						1	
56		RO069180100		RUBBER RING						1	
57		SS8090540SP		SCREW 9/64-40 L=5						1	
58		WZ1052010KP		WAVED WASHER						1	
59		B1660481000		STOPPER						1	
60		B1661481000		SCREW						1	
61		B1662481000		LEVER STOPPER RUBBER CAP						1	
62		NS6150430SP		NUT 15/64-28						1	
63		40082080		FEED DRIVING ROCKER HINGE PIN 1	SELECTIVE PARTS					1	
64		40082081		FEED DRIVING ROCKER HINGE PIN 2	SELECTIVE PARTS					1	

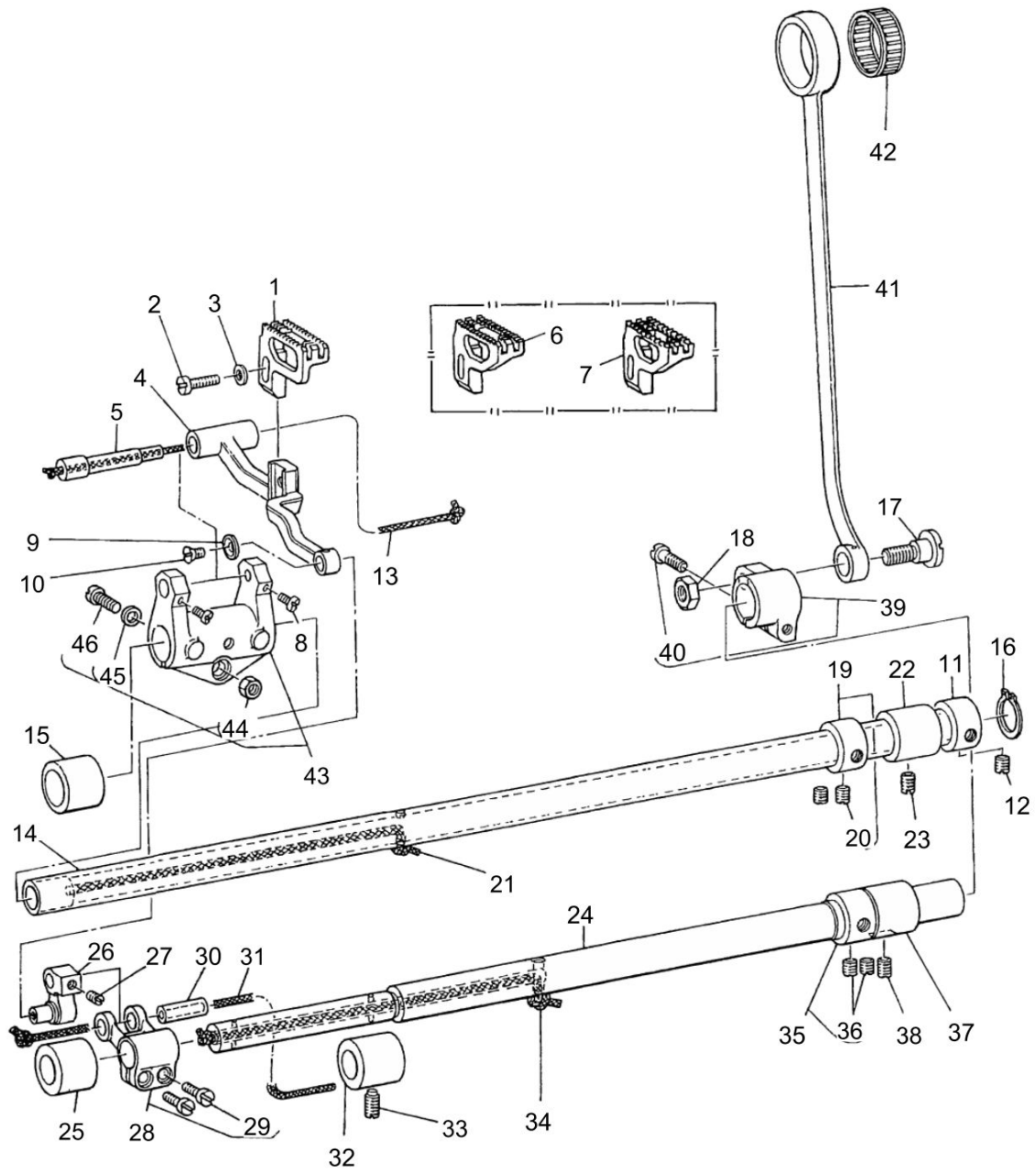
FEED MECHANISM COMPONENTS (2)



FEED MECHANISM COMPONENTS (2)

No.	Supply Code	Parts No.	Replacement	Parts name	Remarks	Choice	Step	Level	Cons	Qty	Rep. QTY
1		B1613481F00		FEED DOG						1	
2		SS7111410TP		SCREW11/64-40L=14						1	
3		WP0480856SP		WASHER 4.8X8.4X0.8						1	
4		B1602481000A		FEED BAR						1	
5		B1604486000		FEED BAR SHAFT						1	
6		B1613481D00		FEED DOG (D)	SPECIAL ORDER PARTS					1	
7		B1613481G00		FEED DOG	SPECIAL ORDER PARTS					1	
8		SS6090810SP		SCREW 9/64-40 L=7.5						2	
9		B1715481000		COUNTER-SUNK WASHER						1	
10		SS1080510SP		SCREW 1/8-44 L=5						1	
11	R	CS1470712SH	CS1470710SH	THRUST COLLAR D=14.72 W=7						1	1.00
12		SS8110410TP		SCREW 11/64-40 L=3.5						2	
13		CQ303000000		OIL WICK						.2	
14		B1601555000		FEED ROCKERSHAFT						1	
15		40133994		FEED ROCKER SHAFT BUSHING						1	
16		RC0150001KP		RETAINING RING 13.8						1	
17		SD1020701SP		HINGE SCREW D=10.2 H=7						1	
18		NS6680410SP		NUT 9/32-28						1	
19		22904155		MAIN SHAFT THRU-ST COLLAR ASM.						1	
20		SS8660610TP		SCREW 1/4-40 L=6				*		2	
21		CQ303000000		OIL WICK						.3	
22		B1702155000		BUSHING REAR						1	
23	R	SS8150710SP	SS8150710TP	SCREW 15/64-28 L=7						1	1.00
24		B1701481000		FEED DRIVING SHAFT						1	
25		40133993		FEED ROCKER SHAFT BUSHING						1	
26		B17134810A0		FEED BAR LINK ASM.						1	
27		SS8110410TP		SCREW 11/64-40 L=3.5						1	
28		B41033520A0		FEED ROCKER SHAFT CRANK ASM.						1	
29		SS6621220SP		SCREW 3/16-32 L=12				*		2	
30		B1610430000		DIFFERENTIAL FEED ROCKER SHAFT						1	
31		CQ303000000		OIL WICK						.2	
32		40133993		FEED ROCKER SHAFT BUSHING						1	
33	R	SS8151150SP	SS8151150TP	SCREW 15/64-28 L=10.5						1	1.00
34		CQ303000000		OIL WICK						.2	
35		22904155		MAIN SHAFT THRU-ST COLLAR ASM.						1	
36		SS8660610TP		SCREW 1/4-40 L=6				*		2	
37		B1702155000		BUSHING REAR						1	
38	R	SS8150710SP	SS8150710TP	SCREW 15/64-28 L=7						1	1.00
39		B17031550A0		FEED DRIVING SHAFT CRANK ASM.						1	
40		SS6121610SP		SCREW 3/16-28 L=15.5				*		1	
41		B1708481000		FEED DRIVING SHAFT CONNECTING						1	
42	R	B171248100B	B171248100C	NEEDLE BEARING	SELECTIVE PARTS					1	1.00
43		B16034860A0		FEED ROCKER ASM.						1	

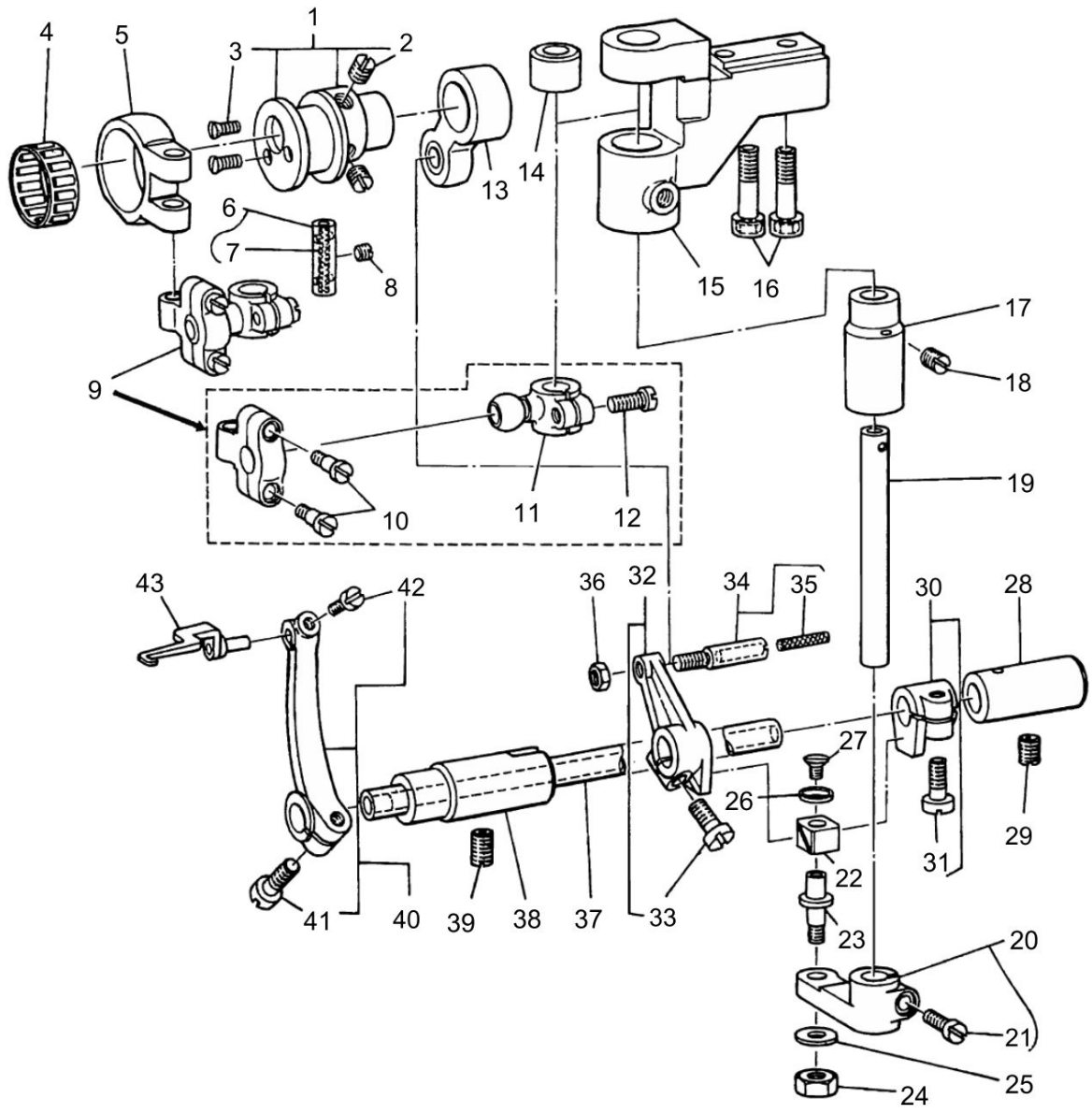
FEED MECHANISM COMPONENTS (2)



FEED MECHANISM COMPONENTS (2)

No.	Supply Code	Parts No.	Replacement	Parts name	Remarks	Choice	Step	Level	Cons	Qty	Rep. QTY
44		NS6120310SP		NUT 3/16-28				*		1	
45		WP0480856SP		WASHER 4.8X8.4X0.8				*		1	
46		SS6121840SP		SCREW 3/16-28 L=18				*		1	

# THREAD SPREADER COMPONENTS

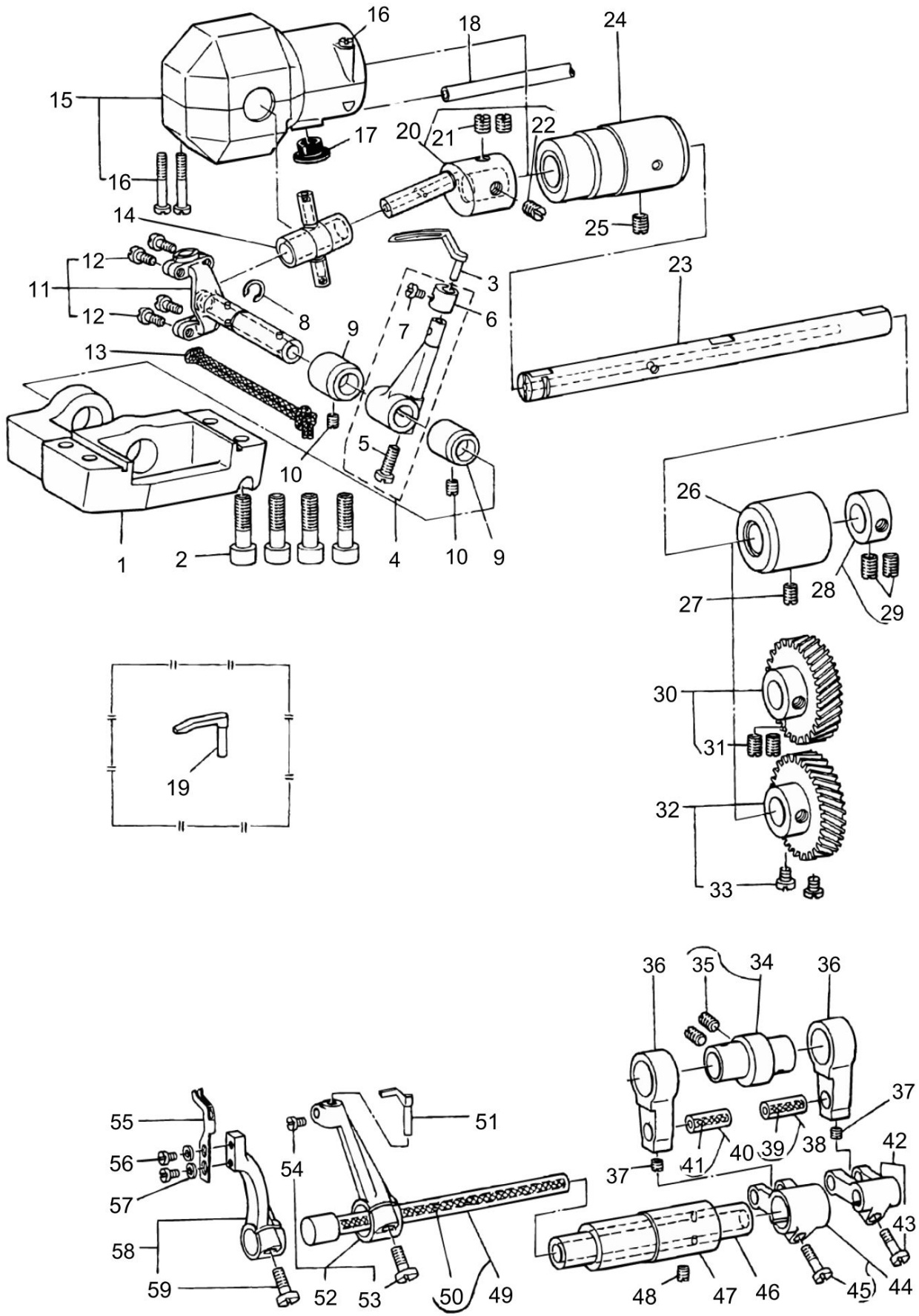


THREAD SPREADER COMPONENTS

No.	Supply Code	Parts No.	Replacement	Parts name	Remarks	Choice	Step	Level	Cons	Qty	Rep. QTY
1		D2101481CA0		THREAD SPREADER ECCENTRIC ASM.						1	
2		SS8150710TP		SCREW 15/64-28 L=7				*		2	
3		SS2080810SP		SCREW 1/8-44 L=7.5				*		2	
4		B210348100B		BEARING	SELECTIVE PARTS					1	
5		B2105481000		LEFT & RIGHT DRIVING ROD A						1	
6	D	B14033520A0		PIN						1	
7		CQ202000000		OIL WICK				*		0.1	
8		SS8110410TP		SCREW 11/64-40 L=3.5						1	
9		B21064810A0		LEFT & RIGHT DRIVING ROD (B) ASM.						1	
10		SD0450701TP		HINGE SCREW D=4.5 H=7				*		1	
11	D	B2107481000		LEFT & RIGHT DRIVING ARM.				*		1	
12		SS7111110TP		SCREW 11/64-40 L=10.5				*		1	
13		B21174810A0		FORE & AFT DRIVING ROD ASM.						1	
14		B2110481000A		BUSHING UPPER						1	
15		B2109481000A		MOUNTING BASE						1	
16		SM6062002TP		SCREW M6 L=20						2	
17		B2111481000A		BUSHING LOWER						1	
18	R	SS8150710SP	SS8150710TP	SCREW 15/64-28 L=7						1	1.00
19		B2108481000		LEFT & RIGHT DRIVING SHAFT						1	
20		B21124810A0		SLIDE BLOCK BRACKET						1	
21		SS7111110TP		SCREW 11/64-40 L=10.5				*		1	
22		B1414232000		SQUARE BLOCK						1	
23		B1827232000		SLIDE ROLLER STUD						1	
24		NS6120310SP		NUT 3/16-28						1	
25		WP0501016SD		WASHER 5X10.5X1						1	
26		B1715481000		COUNTER-SUNK WASHER						1	
27		SS1080510SP		SCREW 1/8-44 L=5						1	
28		B2124481000		BUSHING REAR						1	
29	R	SS8150710SP	SS8150710TP	SCREW 15/64-28 L=7						1	1.00
30		B21154810A0		SLIDE BLOCK ASM.						1	
31		SS6121220TP		SCREW 3/16-28 L=11.5				*		1	
32		B21204810A0		FORE & AFT DRIVING ARM ASM.						1	
33		SS6121220TP		SCREW 3/16-28 L=11.5				*		1	
34		B21194810A0		PIN						1	
35		CQ202000000		OIL WICK				*		0.1	
36		NS6120310SP		NUT 3/16-28						1	
37		B2122481000		THREAD SPREADER DRIVING SHAFT						1	
38		B2123481000		BUSHING FRONT						1	
39	R	SS8150710SP	SS8150710TP	SCREW 15/64-28 L=7						1	1.00
40		B21254810A0		THREAD SPREADER DRIVING ARM ASM.						1	
41		SS6121220TP		SCREW 3/16-28 L=11.5				*		1	
42		SS7090520TP		SCREW 9/64-40 L=4.5				*		1	
43		B21264810A0		THREAD SPREADER						1	



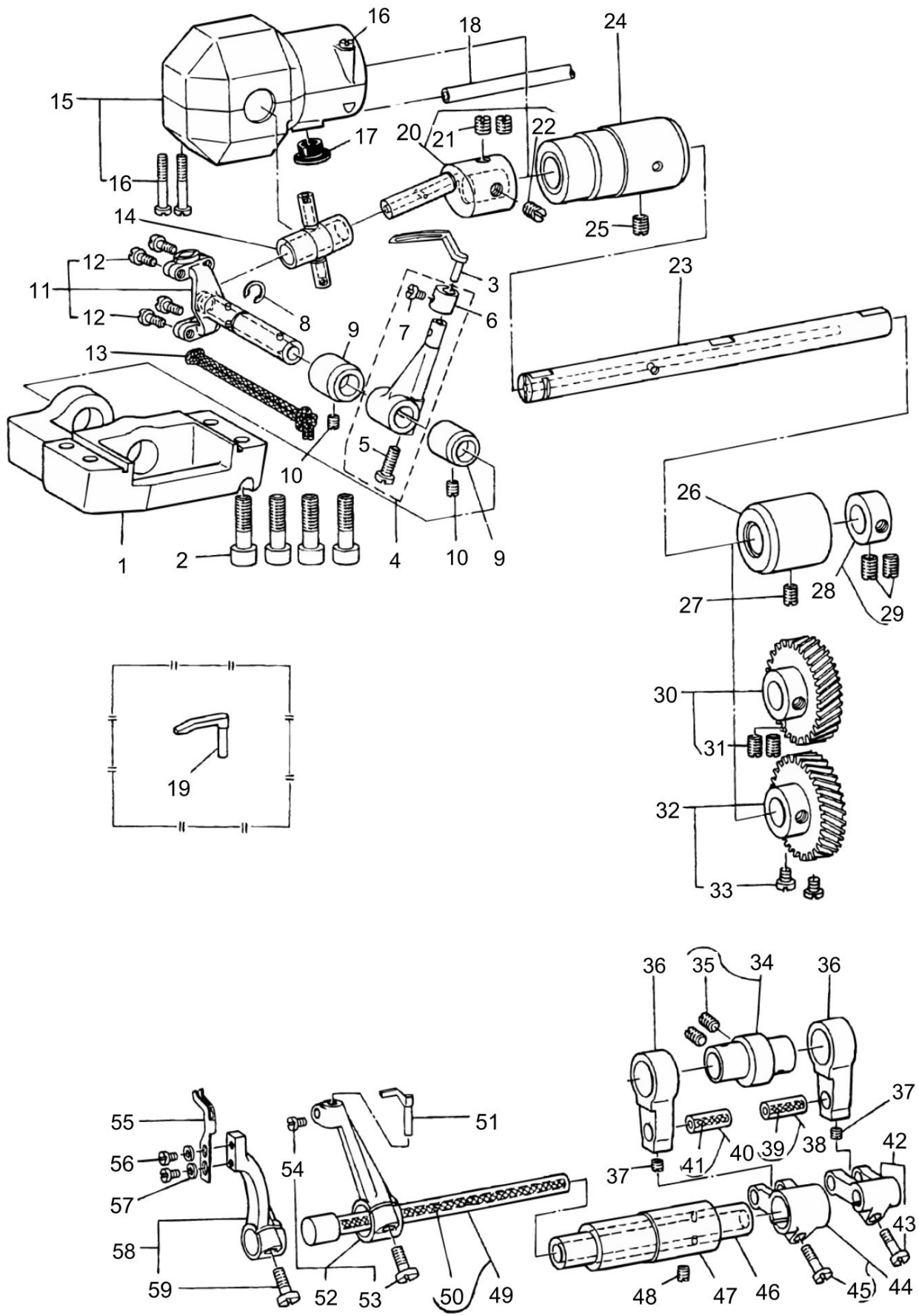
LOOPER & NEEDLE GUARD COMPONENTS



LOOPER & NEEDLE GUARD COMPONENTS

No.	Supply Code	Parts No.	Replacement	Parts name	Remarks	Choice	Step	Level	Cons	Qty	Rep. QTY
1		B2013481000A		LOOPER MOUNTING BASE						1	
2		SM6062002TP		SCREW M6 L=20						4	
3		B2030481000		LOOPER						1	
4		B20154810A0		LOOPER ROCKER ASM.						1	
5		SS6121220TP		SCREW 3/16-28 L=11.5				*		1	
6		B2025481000		COLLAR				*		1	
7		SS7090520TP		SCREW 9/64-40 L=4.5				*		1	
8		B2032481000		LOOPER DRIVING LINK SET RING						1	
9		B2012481000		BUSHING REAR						2	
10		SS8110410TP		SCREW 11/64-40 L=3.5						2	
11		B20104810A0		LOOPER ROCKER SHAFT ASM.						1	
12		SS7090910TP		SCREW 9/64-40 L=8.5				*		4	
13		CQ252000000		OIL WICK						.2	
14	R	B2008481000	B20084810A0	TRUNNION						1	1.00
15		B20144810A0		LOOPER CRANK COVER ASM.						1	
16		SS6092120SP		SCREW 9/64-40 L=21.2				*		3	
17		TA1050504R0		RUBBER PLUG						1	
18		BT0500300EA		OIL TUBE						.1	
19		B2312481000		NEEDLE GUARD						1	
20		B20064810A0		LOOPER CRANK (WITH SCREW)						1	
21		SS8660810TP		SCREW 1/4-40 L=8				*		2	
22		B2007481000		LOOPER CRANK AD- JUSTING SCREW				*		1	
23		B2001481000A		LOOPER CRANK DRIVING SHAFT						1	
24		B2002481000		BUSHING FRONT						1	
25	R	SS8150710SP	SS8150710TP	SCREW 15/64-28 L=7						1	1.00
26		B1803481000		BUSHING INTERMEDIATE						1	
27	R	SS8150710SP	SS8150710TP	SCREW 15/64-28 L=7						1	1.00
28		CS111121ASH		THRUST COLLAR A- SM. D=11.11 W=12						1	
29		SS8660810TP		SCREW 1/4-40 L=8				*		2	
30		B20044810A0		GEAR UPPER						1	
31		SS8660810TP		SCREW 1/4-40 L=8				*		2	
32		B20054810AB		GEAR LOWER						1	
33		SS6660610TP		SCREW 1/4-40 L=6				*		2	
34		B23014810A0		NEEDLE GUARD CAM						1	
35		SS8150710TP		SCREW 15/64-28 L=7				*		2	
36		B2302481000		NEEDLE GUARD CRANK ROD						2	
37		SS8110410TP		SCREW 11/64-40 L= 3.5						2	
38		B16104300A0		PIN ASM.						1	
39		CQ303000000		OIL WICK				*		0.1	
40		B16104300A0		PIN ASM.						1	
41		CQ303000000		OIL WICK				*		0.1	
42	D	B23034810A0		LOOP GUIDE ROCK- ERFORKERARMASM.						1	
43		SS7111110TP		SCREW 11/64-40 L=10.5				*		1	
44		B23044810A0		REAR NEEDLE GUA- RD ROCKER FORKER ARM ASM.						1	
45		SS7111310TP		SCREW 11/64-40 L=12.8				*		1	

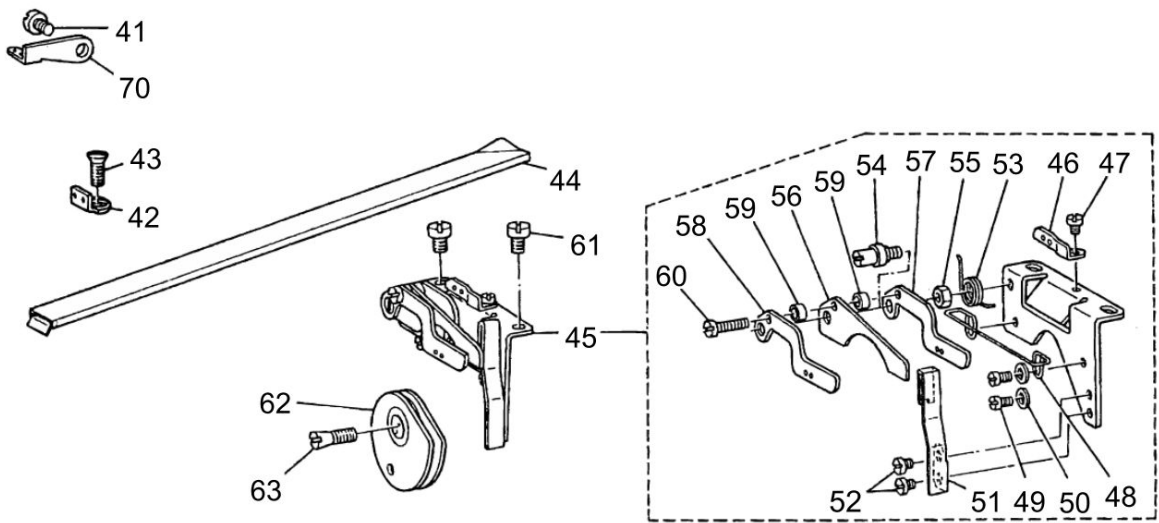
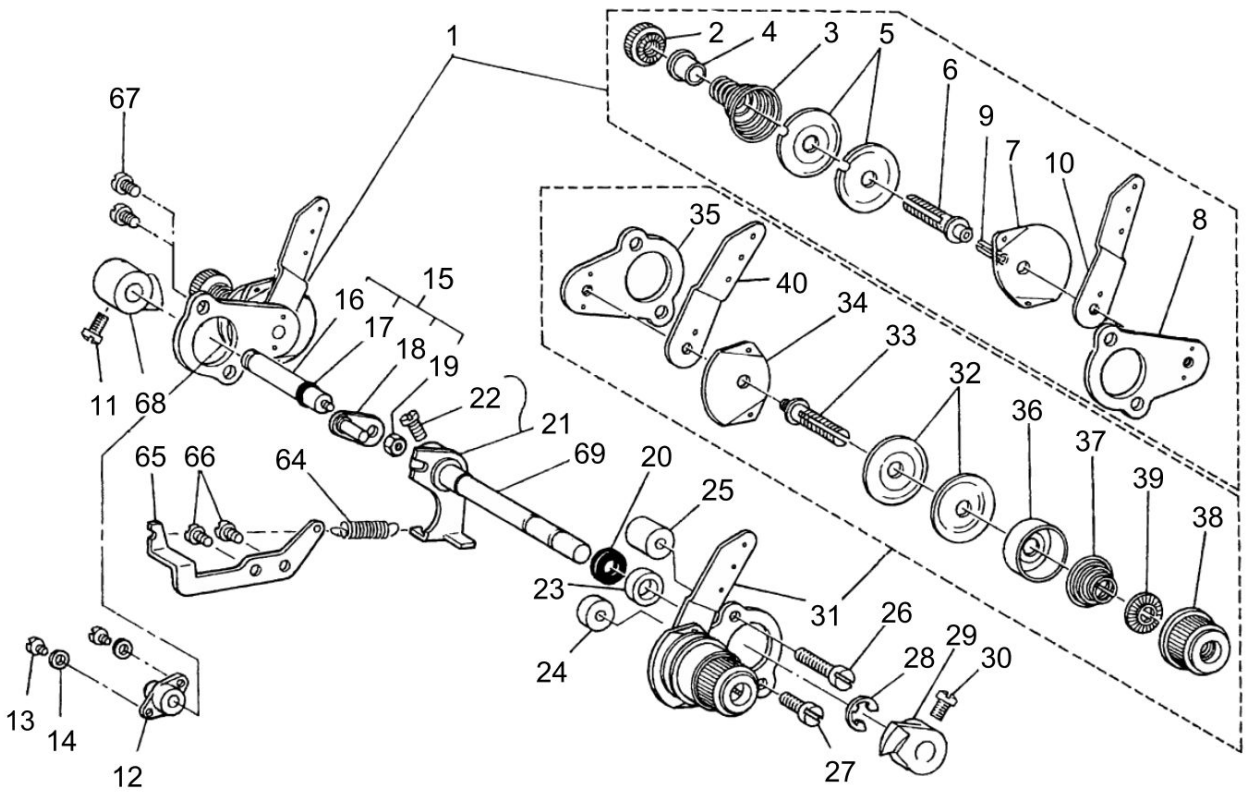
LOOPER & NEEDLE GUARD COMPONENTS



LOOPER & NEEDLE GUARD COMPONENTS

No.	Supply Code	Parts No.	Replacement	Parts name	Remarks	Choice	Step	Level	Cons	Qty	Rep. QTY
46		B2306481000		NEEDLE GUARD DRIVING SHAFT						1	
47		B2307481000		BUSHING						1	
48	R	SS8150710SP	SS8150710TP	SCREW 15/64-28 L=7						1	1.00
49		B23054810A0		LOOP GUIDE DRIVING SHAFT ASM.						1	
50		CQ252000000		OIL WICK				*		0.3	
51		B2311481000A		NEEDLE GUARD						1	
52		B23094810A0		REAR NEEDLE GUARDROCKERARMASM.						1	
53		SS6121220TP		SCREW 3/16-28 L=11.5				*		1	
54		SS7090910TP		SCREW 9/64-40 L=8.5				*		1	
55		B2310481000		LOOP GUIDE						1	
56		SS7090520TP		SCREW 9/64-40 L=4.5						2	
57		WP0371026SD		WASHER 3.7X7X1						2	
58		B23084810A0		LOOP GUIDE ROCKER ARM ASM.						1	
59		SS6121220TP		SCREW 3/16-28 L=11.5				*		1	

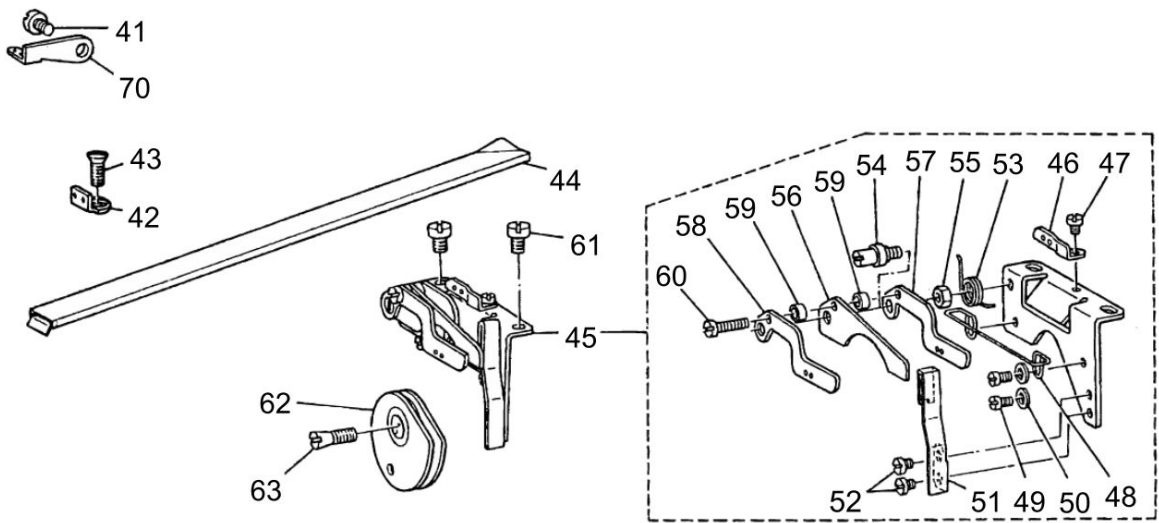
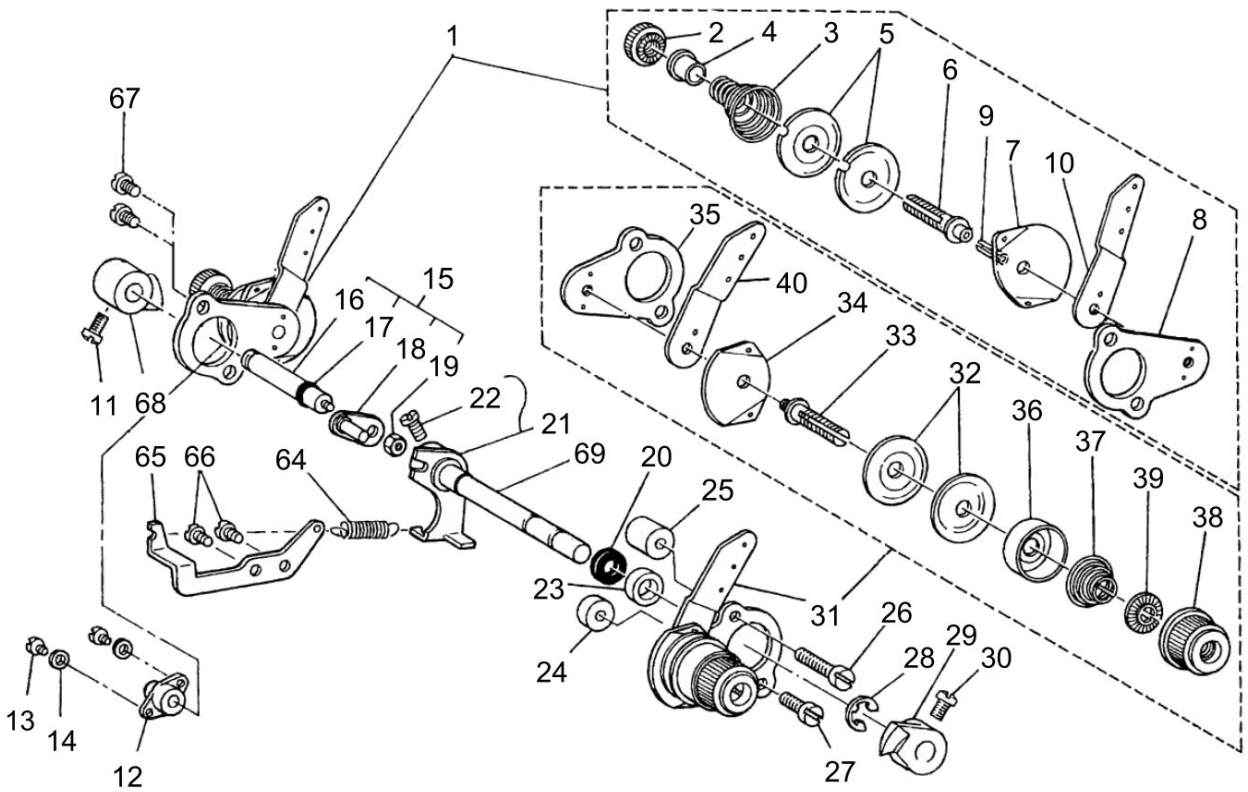
TENSION & LOOPER THREAD TAKE-UP COMPONENTS



TENSION & LOOPER THREAD TAKE-UP COMPONENTS

No.	Supply Code	Parts No.	Replacement	Parts name	Remarks	Choice	Step	Level	Cons	Qty	Rep. QTY
1		B31034810A0		LOOPER THREAD TENSION ASM.						1	
2		11072204		TENSION NUT				*		1	
3		B3106481000		LOOPER THREAD T- ENSION SPRING				*		1	
4		B3120125000		ROTATING STOPPER				*		1	
5		B3126352000		TENSION DISC				*		2	
6		B3104481000		LOOPER THREAD TENSION POST				*		1	
7		B3106380000		THREAD GUIDE				*		1	
8		B3101481000		TENSION CONTROL- LER INSTALLING				*		1	
9		PS0200102KH		SPRING PIN 2.0X10				*		1	
10		B3103481000		LOOPER THREAD T- ENSION CONTROL				*		1	
11		SS6110420TP		SCREW 11/64-40 L=4.8						1	
12		D3111481CA0		TENSION RELEASE SHAFT COLLAR ASM.						1	
13	R	SS6090630SP	SS6090630TP	SCREW 9/64-40 L=6						2	1.00
14		B3534012000		GASKET						2	
15		B31354810B0		LOOPER THREAD R- ELEASE SHAFT ASM.						1	
16		B3135481000		LOOPER THREAD RELEASE SHAFT				*		1	
17		D3136481CA0		TENSION RELEASE ARM ASM.				*		1	
18		NS6110310SP		NUT 11/64-40				*		1	
19		RO037180100		RUBBER RING				*		1	
20		B1522552000		OIL SEAL RING						1	
21		D3130481CA0		TENSION RELEASE ARM ASM.						1	
22		SS6110710TP		SCREW 11/64-40 L=6.5				*		1	
23		B3115481000		TENSION RELEASE SHAFT SPACER						1	
24		B3116481000		SPACER(A) FOR IN- STALLING PLATE						1	
25		B3117481000		SPACER(B) FOR IN- STALLING PLATE						1	
26		SS4112515SP		SCREW 11/64-40 L=25						1	
27		SS4111415SP		SCREW 11/64-40 L=14						1	
28		RE0600000K0		E-RING 6						1	
29		B3120481000		NEEDLE THREAD T- ENSION RELEASE						1	
30		SS6110420TP		SCREW 11/64-40 L=4.8						1	
31		B31024810A0		NEEDLE THREAD TENSION ASM.						1	
32	R	B3126012000	22921506	THREAD TENSION DISK				*		2	1.00
33		B3104481000		LOOPER THREAD TENSION POST				*		1	
34		B2306019000		TENSION THREAD GUIDE				*		1	
35		B3101481000		TENSION CONTROL- LER INSTALLING				*		1	
36	R	B3107704000	13137609	TENSION DISC PRESSER TUBE				*		1	1.00
37		B3129012A00		TENSION SPRING				*		1	
38	R	B3119771000	13817408	THREAD TENSION NUT				*		1	1.00
39		B3120125000		ROTATING STOPPER				*		1	
40		B3102481000		NEEDLE THREAD T- ENSION GUIDE PLATE				*		1	
41		SS7110510SP		SCREW 11/64-40 L=5						1	
42		B2201481000A		LOOPER THREAD GUIDE						1	

TENSION & LOOPER THREAD TAKE-UP COMPONENTS

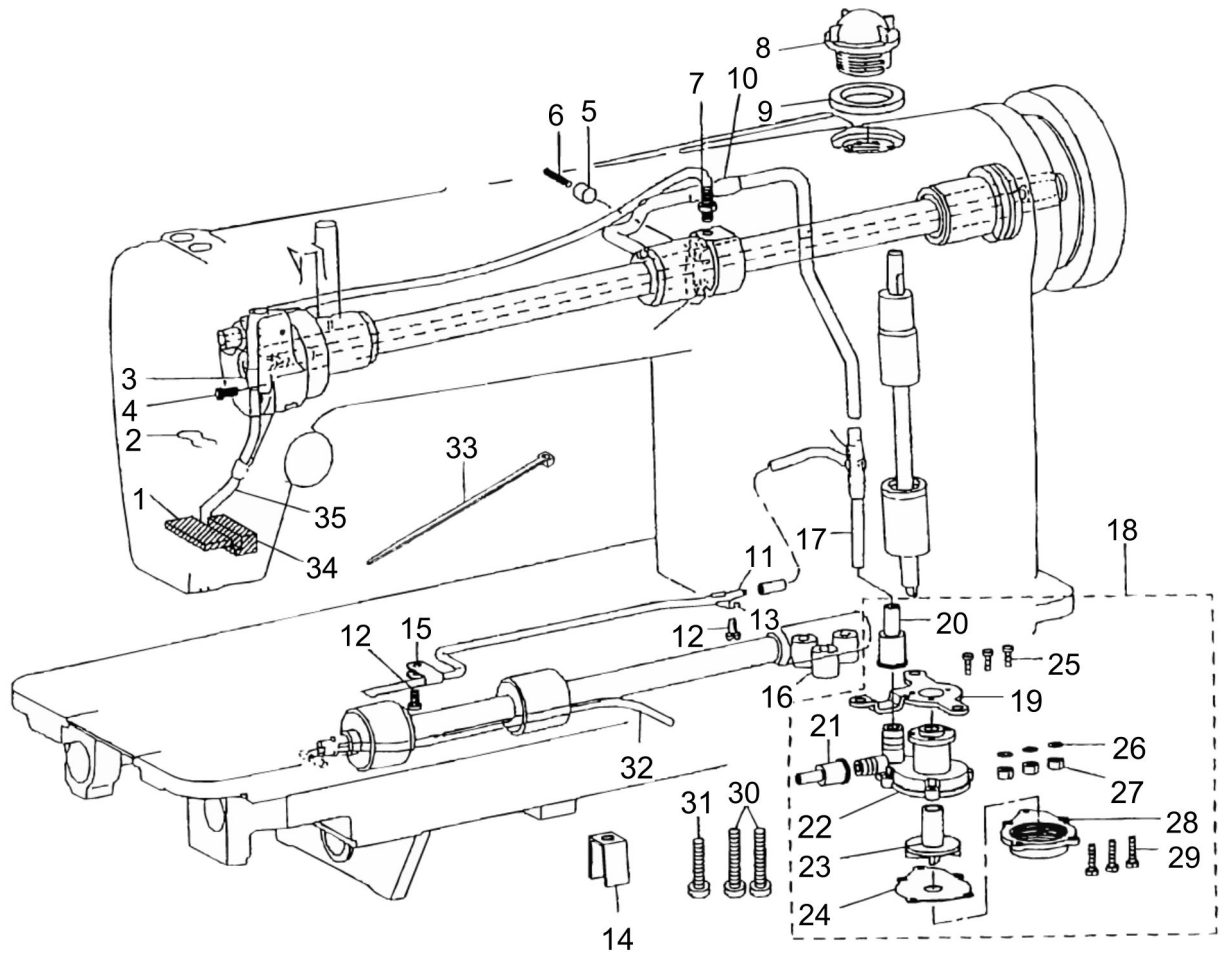


TENSION & LOOPER THREAD TAKE-UP COMPONENTS

No.	Supply Code	Parts No.	Replacement	Parts name	Remarks	Choice	Step	Level	Cons	Qty	Rep. QTY
43		SS1110710SP		SCREW 11/64-40 L=7						1	
44		B2202481000		LOOPER THREAD GUIDE TUBE						1	
45		B22104810A0		LOOPER THREAD GUIDE ASM.						1	
46		B2203481000		LOOPER THREAD GUIDE(B)				*		1	
47		SS6080320SP		SCREW 1/8-44 L=2.5				*		1	
48		B2218481000		CAST-OFF WIRE				*		1	
49		SS6080410SP		SCREW 1/8-44 L=4				*		2	
50		WP0371026SD		WASHER 3.7X7X1				*		2	
51		B2217481000		THREAD GUIDE STOPPER SPRING				*		1	
52		SS6080320SP		SCREW 1/8-44 L=2.5				*		2	
53		B2216481000		THREAD GUIDE SPRING				*		1	
54		B2214481000		THREAD GUIDE STUD				*		1	
55		NS6110310SP		NUT 11/64-40				*		1	
56		B2213481000		CAST-OFF PLATE				*		1	
57		B2212481000		LOOPER THREAD GUIDE RIGHT				*		1	
58		D2211481D00		LOOPER THREAD GUIDE LEFT				*		1	
59		B2215481000		COLLAR				*		2	
60		SS7081310SP		SCREW 1/8-44 L=12.5				*		1	
61		SS4110515SP		SCREW 11/64-40 L=5						2	
62	R	B2220481010	B22204810A0	LOOPER THREAD CAM ASM.						1	1.00
63		B2225481000		SCREW						1	
64		D3134481C00		SPRING						1	
65		D3133481C00		SUSPENSION BRACKET						1	
66		SS4110715SP		SCREW 11/64-40 L=7						2	
67		SS4110715SP		SCREW 11/64-40 L=7						2	
68		B3121481000		LOOPER THREAD T- ENSION RELEASE						1	
69		D3110481C00		TENSION RELEASE SHAFT						1	
70		B3122481000		FRAME THREAD GUIDE						1	



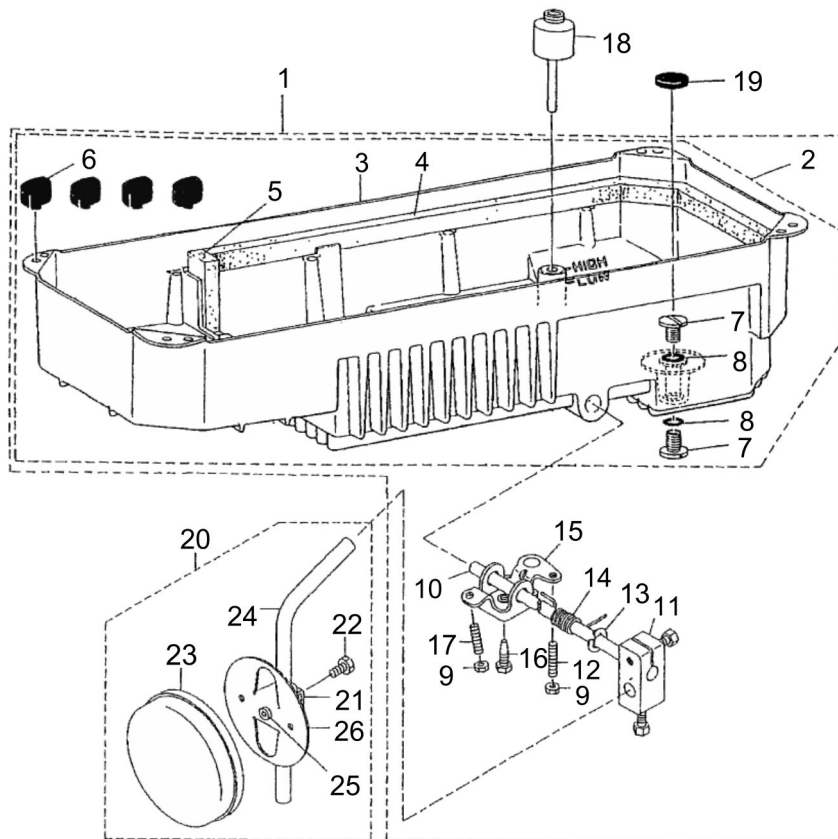
OIL LUBRICATION MECHANISM COMPONENTS



OIL LUBRICATION MECHANISM COMPONENTS

No.	Supply Code	Parts No.	Replacement	Parts name	Remarks	Choice	Step	Level	Cons	Qty	Rep. QTY
1		B3528552000		OIL RETURN FELT						1	
2		22925101		OIL FELT PRESSER						1	
3		D3536555B00		OIL RETURN TUBE PRESSER PLATE						1	
4		SS4110715SP		SCREW 11/64-40 L=7						1	
5		B3534155000		PLUNGER						1	
6		B1214038000		PLUNGER SPRING						1	
7		SQ1110401MZ		CONNECTING SCREW						2	
8	R	B3530555000	22924708	OIL SIGHT WINDOW						1	1.00
9		RO195240100		RUBBER RING						1	
10		B3527415000		RUBBER JOINT						2	
11		B3553481000		GEAR OIL PIPE						1	
12		SS4110715SP		SCREW 11/64-40 L=7						2	
13	D	B2657771000		GUIDE						1	
14		B3545122000		OIL GUARD						1	
15		B3554481000		HOLDER						1	
16		B3552481000		OIL PUMP INSTALLING COLLAR						3	
17	R	B3513484000	B3513484000A	MAIN SHAFT OIL PIPE						1	1.00
18	R	B35015550A0	40020337	LUBRICATING OIL PUMP ASM.						1	1.00
19	R	B3503555000	40020337	OIL PUMP INSTALLING BASE				*		1	1.00
20	R	B3505555000	40020337	RUBBER JOINT				*		1	1.00
21	R	B3506555000	40020337	RUBBER JOINT				*		1	1.00
22	R	B3501555000	40020337	LUBRICATING OIL PUMP				*		1	1.00
23	R	B3507555000	40020337	OIL PUMP IMPELLER				*		1	1.00
24	R	B3508555000	40020337	OIL PUMP IMPELLER COVER				*		1	1.00
25		SM4031001SC		SCREW M3X0.5 L=10				*		3	
26		WT0320002KZ		WASHER				*		3	
27	D	NM60300000E		NUT M3X0.5				*		3	
28	R	B3502555000A	40020337	LUBRICATING OIL PUMP COVER				*		1	1.00
29		SE4301031SR		SCREW				*		5	
30		SS6123010SP		SCREW 3/16-28 L=30.0						2	
31		SS6122510SP		SCREW 3/16-28 L=25						1	
32		B3521481000A		LUBRICATING OIL PIPE						1	
33		EA9500B0100		CABLE BAND						1	
34		B3526226000		OIL SPONGE						1	
35		BP300000000		VINYL PIPE						.4	

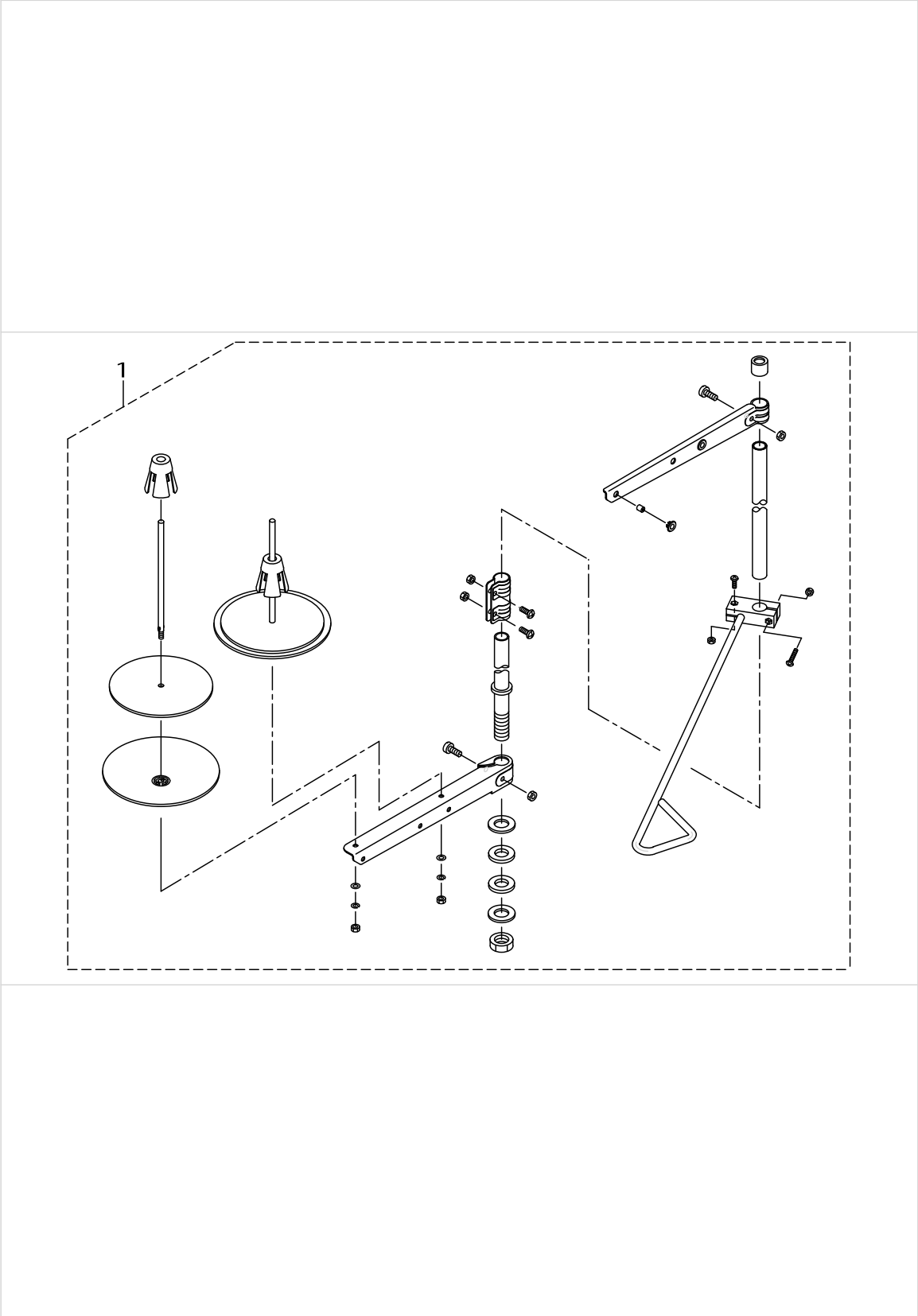
OIL RESERVOIR & KNEE LIFTER COMPONENTS



OIL RESERVOIR & KNEE LIFTER COMPONENTS

No.	Supply Code	Parts No.	Replacement	Parts name	Remarks	Choice	Step	Level	Cons	Qty	Rep. QTY
1		B8217481AD0		OIL RESERVOIR ASM.						1	
2	R	B8217481AC0	B8217481AD0	OIL RESERVOIR ASM.				*		1	1.00
3	R	B8217481000	B8217481AD0	OIL RESERVOIR		B	B:	*		1	1.00
3	R	B8217481000	B8217481AD0	OIL RESERVOIR				*		1	1.00
4		B8235481000		GASKET A				*		2	
5		B8237481000		GASKET C				*		1	
6		D8227555E00		FELT CUSHION				*		4	
7		SS7701010SP		SCREW 5/16-24 L=10				*		2	
8		RO068190100		RUBBER RING				*		2	
9		NM6060001SE		NUT M6				*		2	
10		B3420555000		KNEE PRESS ROD				*		1	
11		22932453		BRACKET ASM.				*		1	
12		SM8063012TR		SCREW M6 L=30				*		1	
13		B3426552000		THRUST RING				*		1	
14	R	11024106	22932206	SPRING				*		1	1.00
15		B3425555000A		CONNECTING ROD VERTICAL				*		1	
16		SM9061853SR		SCREW M6 L=17.5				*		1	
17		SM8063012TR		SCREW M6 L=30				*		1	
18		B3421555000		KNEE PRESS LIFTER ROD						1	
19		B8228125000		OIL RESERVOIR MAGNET						1	
20		22934251		KNEE PAD PLATE ASM.						1	
21		22934301		KNEE PAD PLATE SUPPORT				*		1	
22		SM9061203SE		SCREW M6 L=12				*		1	
23		22934509		KNEE PAD PLATE COVER				*		1	
24		22934608		KNEE PAD UPRIGHT SHAFT				*		1	
25		22934400		KNEE PAD PLATE RUBBER				*		1	
26		22934202		KNEE PAD PLATE				*		1	

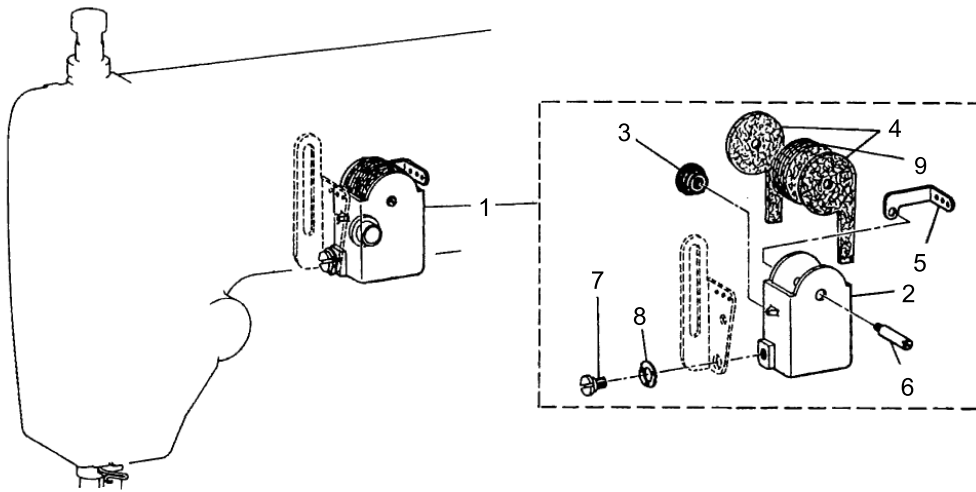
THREAD STAND COMPONENTS



THREAD STAND COMPONENTS

No.	Supply Code	Parts No.	Replacement	Parts name	Remarks	Choice	Step	Level	Cons	Qty	Rep. QTY
1	R	40111351	40111352	THREAD STAND ASM.						1	1.00

SILICON OIL LUBRICANT COMPONENTS (SPECIAL ORDER PARTS)

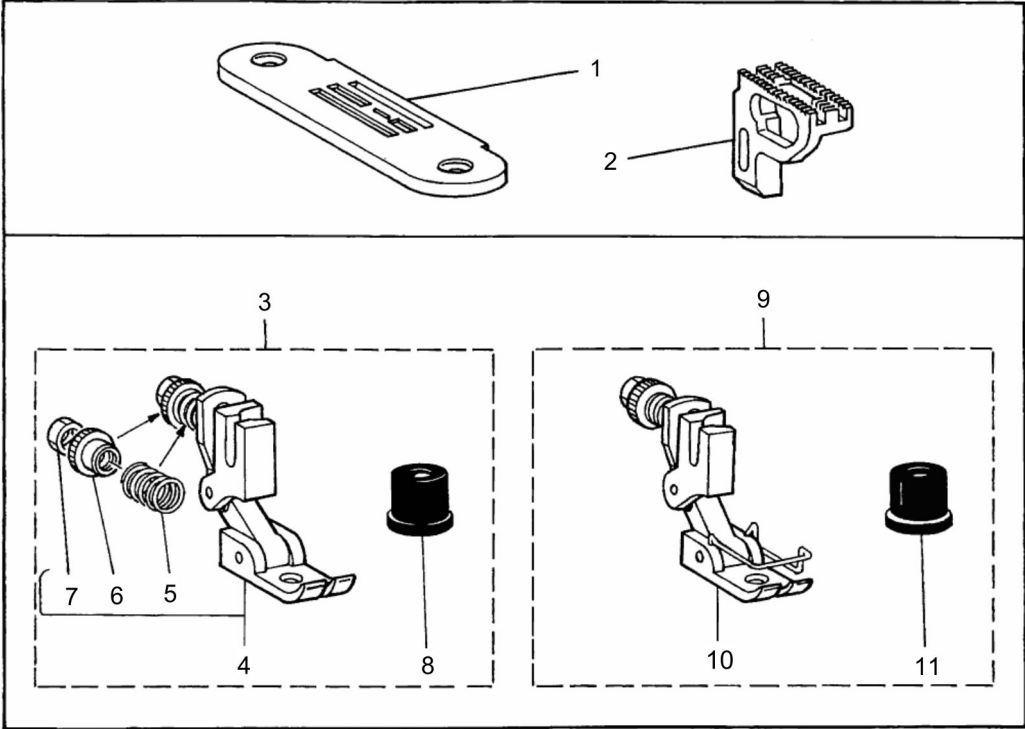


SILICON OIL LUBRICANT COMPONENTS (SPECIAL ORDER PARTS)

No.	Supply Code	Parts No.	Replacement	Parts name	Remarks	Choice	Step	Level	Cons	Qty	Rep. QTY
1		B11614810B0		SILICONE OIL LUBRICANT ASM.						1	
2		B1161481000A		SILICON OIL CASE				*		1	
3		TA1050504R0		RUBBER PLUG				*		1	
4		B1166481000		SILICON OIL FELT				*		2	
5		B1167481000		SILICON THREAD GUIDE				*		1	
6		B1168481000		SCREW				*		1	
7		SD0640231SP		HINGE SCREW D=6.35 H=2.3				*		1	
8		WZ0641510KP		WAVED WASHER 6.4X11X0.3				*		1	
9		B1162481000		SILICON OIL FELT				*		5	



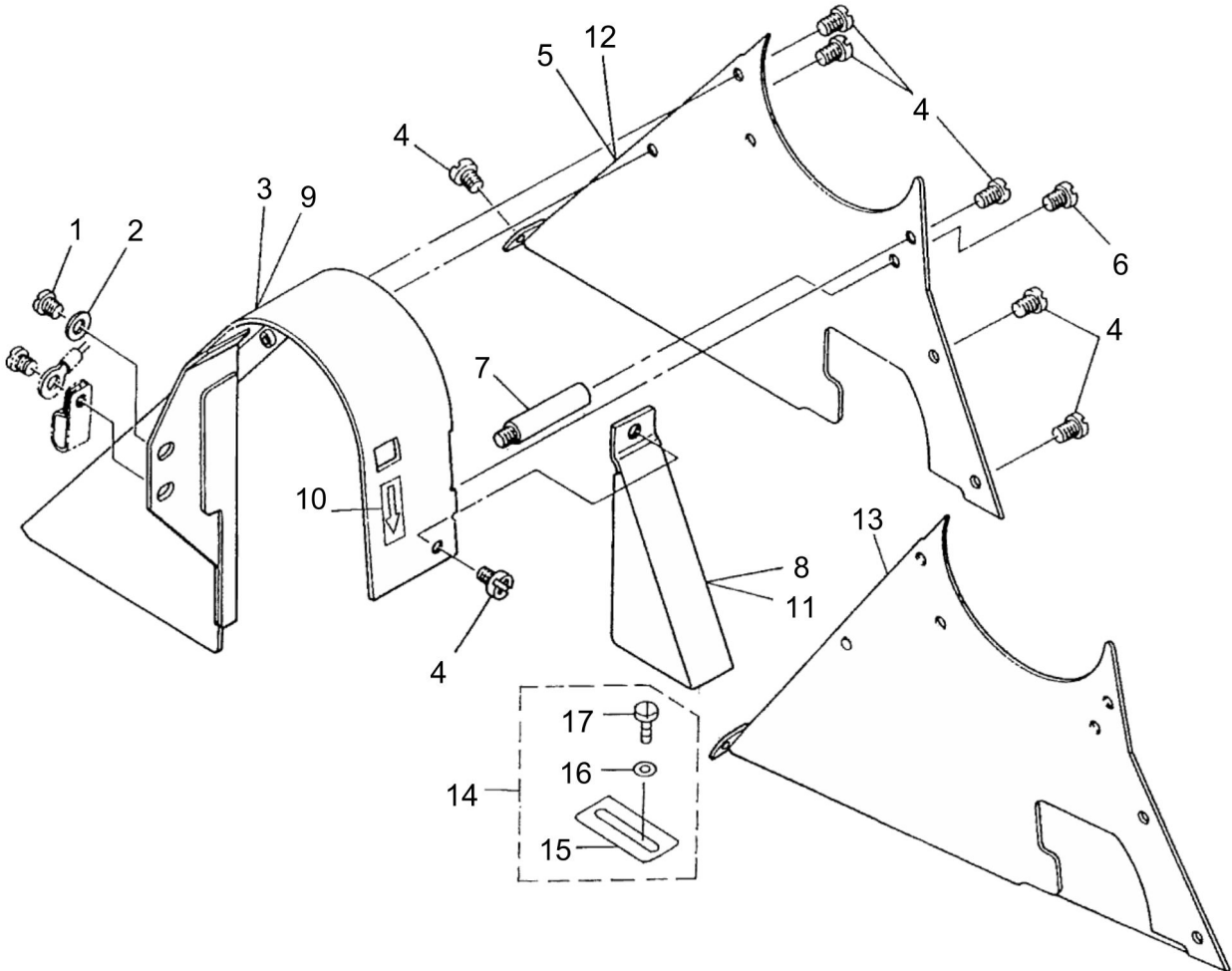
EXCHANGING PARTS COMPONENTS (SPECIAL ORDER PARTS)



EXCHANGING PARTS COMPONENTS (SPECIAL ORDER PARTS)

No.	Supply Code	Parts No.	Replacement	Parts name	Remarks	Choice	Step	Level	Cons	Qty	Rep. QTY
1		B1103481B00		THROAT PLATE (LIGHT WEIGHT)						1	
2		B1613481A00		FEED DOG (1-NEEDLE)						1	
3	R	B1524481CB0	B1524481CD0	SLIDING PRESSER FOOT ASM						1	1.00
4	R	B1524481CA0	B1524481CC0	SLIDING TYPE PRESSER FOOT ASM.				*		1	1.00
5		B1322050000		SPRING				*		1	
6		B1533481C00		ADJUSTING SCREW				*		1	
7		NS6110310SP		NUT 11/64-40				*		1	
8		B1534481C00		PRESSER BAR CAP				*		1	
9		B1524481CD0		SLIDING TYPE PRESSER FOOT ASM.						1	
10		B1524481CC0		SLIDING TYPE PRESSER FOOT ASM.				*		1	
11		B1534481C00		PRESSER BAR CAP				*		1	

BELT COVER COMPONENTS



BELT COVER COMPONENTS

No.	Supply Code	Parts No.	Replacement	Parts name	Remarks	Choice	Step	Level	Cons	Qty	Rep. QTY
1		SS4150915SP		SCREW 15/64-28 L=9						1	
2		WP0621016SD		WASHER 6.2X13X1						1	
3	D	D8230555E00		BELT COVER						1	
4		SS4110515SP		SCREW 11/64-40 L=5						7	
5	D	D8231555E00		BELT COVER TOP						1	
6		SS4110815SP		SCREW 11/64-40 L=8						1	
7		D8232555B00		BELT COVER SUPPORT						1	
8	D	D8232555E00		THREAD WINDER COVER						1	
9		B82303800A0		BELT COVER	FOR URBAN WHITE					1	
10		CM500300001		DIRECTION LABEL	FOR URBAN WHITE					1	
11		D8232555E0A		BOBBIN WINDER COVER	FOR URBAN WHITE					1	
12		D8231555E0B		BELT COVER TOP	FOR URBAN WHITE					1	
13		B8231380000		BELT COVER TOP	FOR JE & USE IN JAPAN					1	
14		10163152		BELT COVER SUPP- ORT PLATE ASM.	FOR JE					1	
15		10163103		BELT COVER SUPPORT PLATE				*		1	
16		WP0501016SC		WASHER 5X10.5X1				*		1	
17	R	SK3482500SC	SK3482501SE	WOOD SCREW D=4.8 L=25				*		1	1.00

LIST FOR INFORMATION OF CHANGE

As to the place changed, refer to the corresponding Rev.No.  
 When previous parts(Obsoleted part) and new parts(Added parts) are not interchangeable with each other:  
 In this case, even obsoleted parts(D.) can be ordered with the obsoleted part number, so select the parts with changed dates and place your orders.

変更箇所は、該当Rev.No.版をご参照ください。  
 部品の互換性がない変更の場合は、削除された品番でも、ご注文できます。  
 BE4810S0PJA

No.0001-15 Rev.No.

\*A: Added parts 追加部品 / D: Obsoleted parts 削除部品 / E: Erratum 訂正

*	Rev. No.	Page	Ref. No.	Parts No. 品番	*	Rev. No.	Page	Ref. No.	Parts No. 品番
D	14	2	1	B1121-552-0A0	A	15	2	1	401-14236
D	14	2	69	CM-3002000-B1					
D	14	2	70	CM-3002001-01	A	15	2	69	CM-3012000-01
D	14	2	71	CM-3002001-A1					
D	14	2	72	CM-3002000-C1	A	15	2	70	CM-3002000-01
					A	15	2	72	TA-1750502-R0
D	14	6	54	B1432-027-000	A	15	6	54	228-14909
D	14	8	8	B1625-555-000	A	15	8	8	401-14880
D	14	8	13	SS-2090710-SP	A	15	8	13	SS-2090710-TP
D	14	8	16	B1612-161-000	A	15	8	16	401-14884
D	14	8	19	B1627-555-0A0	A	15	8	19	401-20458
D	14	8	30	B1617-555-000	A	15	8	30	401-36257
D	14	8	33	B1615-555-000	A	15	8	33	401-14882
D	14	8	38	B1614-555-000	A	15	8	38	401-36256
D	14	8	50	400-36592	A	15	8	50	401-14881
					A	15	8	63	400-82080
					A	15	8	64	400-82081
D	14	10	15	B1605-555-000	A	15	10	15	401-33994
D	14	10	25	B1604-155-000	A	15	10	25	401-33993
D	14	10	32	B1604-155-000	A	15	10	32	401-33993
D	14	17	1	B3526-552-0A0	A	15	17	1	B3528-552-000
D	14	17	33	EA-9500B00-00	A	15	17	33	EA-9500B01-00
					A	15	17	34	B3526-226-000
					A	15	17	35	BP-3000000-00
D	14	20	1	269-10653	A	15	19	1	401-11351

## HOW TO MAKE USE OF THIS PARTS LIST

### 1.Explanation of codes

1)"\*"mark.....means this part is changed from the previous parts book.

As to the details of the change, refer to the "List for information of change".

2)"#01".....refer to "Note" explanation at bottom of page.

### 2.Codes on the "Qty" column

- Each numeral indicates the number of parts required.
- "0.1" and "2.5" indicate the length (in meters) of the respective parts.

3.Parentheses mean that the corresponding part is a subpart that constructs an assembly part.

4.Dotted lines on the Figures indicate assembly parts.

### 1."注記"欄の記号説明

1) "\*"印.....前回のパーツブックに比較して今回変更された部品を意味します。

変更内容は、"変更情報リスト"を参照してください。

2) "#01".....ページ下の"注記"の説明を参照してください。

2.数量欄の数字は、個数を表し、0.1、2.5等の数値は、長さ（単位メートル）を表します。

3.数量欄の（ ）は、組部品を構成している子部品であることを意味します。

4.イラストページの-----枠は、組構成であることを意味します。

# NUMERICAL INDEX OF PARTS

PART NO	PAGE	REF NO.	PART NO	PAGE	REF NO.	PART NO	PAGE	REF NO.
10163103	42	15	B1104380AA0	4	57	B13061550B0	10	41
10163152	42	14	B1105380000	4	63	B13084810A0	10	45
10178705	10	9	B1106122000	2	22	B13084810B0	10	44
11004207	12	49	B1106380000	4	64	B13084810C0	10	39
11024106	34	14	B11064810A0A	4	47	B1322050000	40	5
11072204	28	2	B1107380000	4	61	B1401481000	6	2
22814909	12	54	B1107481000	4	52	B1403155000	6	6
22901409	6	19	B1108481000	4	48	B14033520A0	22	6
22901805	4	71	B1109481000	4	50	B1408481000	6	34
22904155	18	35	B1110481000A	2	41	B14114810A0	6	8
22906101	6	18	B1111038000	2	45	B1414232000	22	22
22907000	10	5	B1111481000	2	42	B1414555000	6	10
22907109	10	6	B1112481000A	2	43	B1418552A00	6	5
22907406	10	12	B1115380000	4	59	B1419155000	6	4
22907505	10	27	B1118481000	2	13	B1509555000	10	13
22907604	10	35	B111848100A	2	40	B1511555000	10	14
22907703	10	11	B1119481000	2	14	B1515552000	10	15
22907802	10	7	B112155200A	2	39	B1516552000	10	18
22908909	10	8	B1122552000	2	2	B1517552000	10	19
22912000	2	24	B1130481000A	2	5	B1518552000	10	24
22912109	2	25	B1131481000	2	8	B15185550A0	10	23
22925101	32	2	B1132481000	2	9	B1520552000A	10	28
22932453	34	11	B1134481000	2	19	B1521555000	10	29
22934202	34	26	B1135481000	2	20	B1522552000	28	20
22934251	34	20	B1161481000A	38	2	B1523226000	10	21
22934301	34	21	B11614810B0	38	1	B15244810B0	10	1
22934400	34	25	B1162481000	38	9	B1524481CA0	40	4
22934509	34	23	B1166481000	38	4	B1524481CB0	40	3
22934608	34	24	B1167481000	38	5	B1524481CC0	40	10
40082080	16	63	B1168481000	38	6	B1524481CD0	40	9
40082081	16	64	B1201481000A	6	22	B1528481000	10	4
40111351	36	1	B1202481000	6	37	B1533481C00	40	6
40114236	2	1	B1203481B00	6	39	B1534481C00	40	11
40114880	14	8	B12064810A0	6	28	B1601555000	18	14
40114881	16	50	B12064810B0	6	29	B1602481000A	18	4
40114882	14	33	B1213552000A	6	23	B16034860A0	18	43
40114884	14	16	B1214038000	32	6	B1604486000	18	5
40120458	14	19	B1215552000	6	26	B1606481000	14	43
40133993	18	32	B1217490000	6	20	B1607352000	12	52
40133994	18	15	B121749000A	6	21	B1608481000	14	41
40136256	14	38	B1226552000	6	27	B1610430000	18	30
40136257	14	30	B1301481000A	12	47	B16104300A0	24	40
B1103481B00	40	1	B1302552B00	12	48	B16104810B0	14	12
B1103481F00	4	54	B13050120A0	10	42	B1613481A00	40	2
B1104380A00	4	58	B13061550A0	10	46	B1613481D00	18	6

# NUMERICAL INDEX OF PARTS

PART NO	PAGE	REF NO.	PART NO	PAGE	REF NO.	PART NO	PAGE	REF NO.
B1613481F00	18	1	B1909481000A	6	17	B2215481000	30	59
B1613481G00	18	7	B1912481000	2	33	B2216481000	30	53
B1618161000	14	36	B1913481000	2	34	B2217481000	30	51
B1619555000	14	34	B1914481000	2	36	B2218481000	30	48
B1620481000	14	5	B1916481000	2	37	B2220481010	30	62
B1621555000A	14	18	B2001481000A	24	23	B2225481000	30	63
B1622555000	14	6	B2002481000	24	24	B2226481000	12	62
B1623555000A	14	1	B20044810A0	24	30	B23014810A0	24	34
B1623555A00	14	28	B20054810AB	24	32	B2302481000	24	36
B1624555000	16	53	B20064810A0	24	20	B23034810A0	24	42
B162455500A	14	29	B2007481000	24	22	B23044810A0	24	44
B1626555000	14	9	B2008481000	24	14	B23054810A0	26	49
B1628555000	14	24	B20104810A0	24	11	B2306019000	28	34
B1630555000	16	46	B2012481000	24	9	B2306481000	26	46
B1633555000	14	39	B2013481000A	24	1	B2307481000	26	47
B1634555000B	14	3	B20144810A0	24	15	B23084810A0	26	58
B1636555000	14	26	B20154810A0	24	4	B23094810A0	26	52
B1636581B00	14	17	B2025481000	24	6	B2310481000	26	55
B1646555000	14	25	B2030481000	24	3	B2311481000A	26	51
B1660481000	16	59	B2032481000	24	8	B2312481000	24	19
B1661481000	16	60	B210348100B	22	4	B2657771000	32	13
B1662481000	16	61	B2105481000	22	5	B3101481000	28	35
B1701481000	18	24	B21064810A0	22	9	B3102481000	28	40
B1702155000	18	37	B2107481000	22	11	B31024810A0	28	31
B17031550A0	18	39	B2108481000	22	19	B3103481000	28	10
B1708481000	18	41	B2109481000A	22	15	B31034810A0	28	1
B171248100B	18	42	B2110481000A	22	14	B3104481000	28	33
B17134810A0	18	26	B2111481000A	22	17	B3106380000	28	7
B1715481000	18	9	B21124810A0	22	20	B3106481000	28	3
B1715481000	22	26	B21154810A0	22	30	B3107704000	28	36
B1801481000A	12	51	B21174810A0	22	13	B3115481000	28	23
B1802481000	12	59	B21194810A0	22	34	B3116481000	28	24
B1803481000	12	57	B21204810A0	22	32	B3117481000	28	25
B1803481000	24	26	B2122481000	22	37	B3119771000	28	38
B1813481000	12	61	B2123481000	22	38	B3120125000	28	39
B1827232000	22	23	B2124481000	22	28	B3120481000	28	29
B1901481000A	6	13	B21254810A0	22	40	B3121481000	30	68
B19024810A0B	6	11	B21264810A0	22	43	B3122481000	30	70
B1903481000	2	28	B2201481000A	28	42	B3126012000	28	32
B1903552000	6	36	B2202481000	30	44	B3126352000	28	5
B1904481000	2	26	B2203481000	30	46	B3129012A00	28	37
B190448100A	4	56	B22104810A0	30	45	B3135481000	28	16
B1905380000	2	31	B2212481000	30	57	B31354810B0	28	15
B1905541B00	6	35	B2213481000	30	56	B3148123000	2	35
B1908481000A	6	15	B2214481000	30	54	B3412415000	10	30



NUMERICAL INDEX OF PARTS

PART NO	PAGE	REF NO.	PART NO	PAGE	REF NO.	PART NO	PAGE	REF NO.
B3414415000A	10	33	CQ252000000	26	50	PS0200102KH	28	9
B3415481000	10	37	CQ303000000	18	34	RC0150001KP	18	16
B3416415000A	10	34	CQ303000000	24	41	RE0500000K0	10	32
B3416552000	10	31	CS111121ASH	12	55	RE0600000K0	10	22
B3420555000	34	10	CS111121ASH	24	28	RE0600000K0	28	28
B3421555000	34	18	CS1470712SH	18	11	RO029180100	6	24
B3425555000A	34	15	CS147121ESH	6	40	RO037180100	10	25
B3426552000	34	13	D1204555D00	6	43	RO037180100	28	19
B3431581000	10	20	D1204555DA0	6	42	RO044240100	6	33
B3501555000	32	22	D1208555D00	6	25	RO068190100	34	8
B35015550A0	32	18	D1230555B00	6	44	RO069180100	16	56
B3502555000A	32	28	D1230555B00	8	44	RO074240100	14	4
B3503555000	32	19	D1231555B00	8	45	RO195240100	32	9
B3505555000	32	20	D1232555B00	8	46	SD0450701TP	22	10
B3506555000	32	21	D1910481C00	6	16	SD0500401SP	16	47
B3507555000	32	23	D2101481CA0	22	1	SD0600322SD	10	36
B3508555000	32	24	D2211481D00	30	58	SD0630275SP	10	16
B3513484000	32	17	D3110481C00	30	69	SD0630301SP	10	17
B3521481000A	32	32	D3111481CA0	28	12	SD0640231SP	38	7
B3526226000	32	34	D3130481CA0	28	21	SD1020701SP	14	44
B3527415000	32	10	D3133481C00	30	65	SD1020701SP	18	17
B3528552000	32	1	D3134481C00	30	64	SE4301031SR	32	29
B3530555000	32	8	D3136481CA0	28	17	SK3482500SC	42	17
B3534012000	28	14	D3536555B00	32	3	SM4031001SC	32	25
B3534155000	32	5	D8227555E00	34	6	SM6062002TP	22	16
B3545122000	32	14	D8230555E00	42	3	SM6062002TP	24	2
B3552481000	32	16	D8231555E00	42	5	SM8063012TR	34	17
B3553481000	32	11	D8231555E0B	42	12	SM9061203SE	34	22
B3554481000	32	15	D8232555B00	42	7	SM9061853SR	34	16
B41033520A0	18	28	D8232555E00	42	8	SQ1110401MZ	32	7
B8217481000	34	3	D8232555E0A	42	11	SS1080510SP	18	10
B8217481AC0	34	2	EA9500B0100	32	33	SS1080510SP	22	27
B8217481AD0	34	1	MTV700B1100	6	1	SS1110710SP	30	43
B8228125000	34	19	NM60300000E	32	27	SS2080810SP	22	3
B82303800A0	42	9	NM6060001SE	34	9	SS2090710TP	14	13
B8231380000	42	13	NS6110310SP	28	55	SS2110920TP	4	55
B8235481000	34	4	NS6110310SP	30	55	SS2110930SP	14	14
B8237481000	34	5	NS6110310SP	40	7	SS4080415SP	4	65
BP300000000	32	35	NS6120310SP	16	49	SS4110515SP	2	66
BT0500300EA	24	18	NS6120310SP	20	44	SS4110515SP	4	66
CM300200001	4	70	NS6120310SP	22	36	SS4110515SP	30	61
CM301200001	4	69	NS6150430SP	16	62	SS4110515SP	42	4
CM500300001	42	10	NS6620310SP	10	38	SS4110715SP	2	38
CQ202000000	22	35	NS6680320SP	16	45	SS4110715SP	30	67
CQ252000000	24	50	NS6680410SP	18	18	SS4110715SP	32	12

NUMERICAL INDEX OF PARTS

PART NO	PAGE	REF NO.	PART NO	PAGE	REF NO.	PART NO	PAGE	REF NO.
SS4110815SP	2	15	SS7111110TP	22	21	TA1750502R0	4	72
SS4110815SP	42	6	SS7111110TP	24	43	TA2050406R0	4	67
SS4111015SP	2	3	SS7111120SP	14	35	TA2101002R0	2	16
SS4111415SP	28	27	SS7111260SP	14	40	TA2351004R0	2	18
SS4112515SP	28	26	SS7111310TP	24	45	TA2351305R0	2	17
SS4150915SP	42	1	SS7111410TP	18	2	WP0371026SD	26	57
SS5060310SP	10	2	SS7151120SP	6	7	WP0371026SD	30	50
SS6060210SP	4	60	SS7620750SP	14	23	WP0480856SP	2	30
SS6060340SP	4	62	SS7681650TP	6	31	WP0480856SP	18	45
SS6080320SP	2	44	SS7701010SP	34	7	WP0480856SP	20	45
SS6080320SP	30	52	SS8090540SP	16	57	WP0501016SC	42	16
SS6080410SP	30	49	SS8110310SP	4	46	WP0501016SD	22	25
SS6090630SP	28	13	SS8110410TP	18	27	WP0621016SD	14	31
SS6090670TP	6	14	SS8110410TP	22	8	WP0621016SD	42	2
SS6090810SP	18	8	SS8110410TP	24	37	WP0740516SP	10	26
SS6091210TP	6	12	SS8110510SP	14	10	WT0320002KZ	32	26
SS6092120SP	24	16	SS8150710SP	14	52	WZ0541510KP	16	48
SS6110420TP	28	30	SS8150710SP	16	52	WZ0641510KP	38	8
SS6110710TP	28	22	SS8150710SP	18	38	WZ1052010KP	16	58
SS6120930SP	14	2	SS8150710SP	22	39			
SS6121210SP	14	51	SS8150710SP	24	48			
SS6121210SP	16	51	SS8150710SP	26	48			
SS6121220TP	22	41	SS8150710TP	6	30			
SS6121220TP	24	59	SS8150710TP	22	2			
SS6121220TP	26	59	SS8150710TP	24	35			
SS6121610SP	18	40	SS8151150SP	12	60			
SS6121610TP	14	42	SS8151150SP	18	33			
SS6121840SP	20	46	SS8151550SP	6	38			
SS6122510SP	32	31	SS8620610SP	14	32			
SS6123010SP	32	30	SS8660610TP	10	10			
SS6621220SP	18	29	SS8660610TP	18	36			
SS6660610TP	24	33	SS8660810TP	6	41			
SS6661110SP	14	15	SS8660810TP	10	56			
SS7080510TP	6	3	SS8660810TP	12	56			
SS7081310SP	30	60	SS8660810TP	16	55			
SS7090520TP	22	42	SS8660810TP	24	31			
SS7090520TP	24	56	SS8661040TP	16	54			
SS7090520TP	26	56	SS8681650TP	6	32			
SS7090910TP	24	54	SS9151120CP	2	23			
SS7090910TP	26	54	TA0750704R0	2	11			
SS7091110TP	10	3	TA1050504R0	2	12			
SS7110510SP	2	21	TA1050504R0	24	17			
SS7110510SP	28	41	TA1050504R0	38	3			
SS7110710SP	14	11	TA1250406R0	2	4			
SS7110910SP	14	22	TA1250705R0	2	10			