

MODEL : MH-484/S060_S061

List No : 0074-09

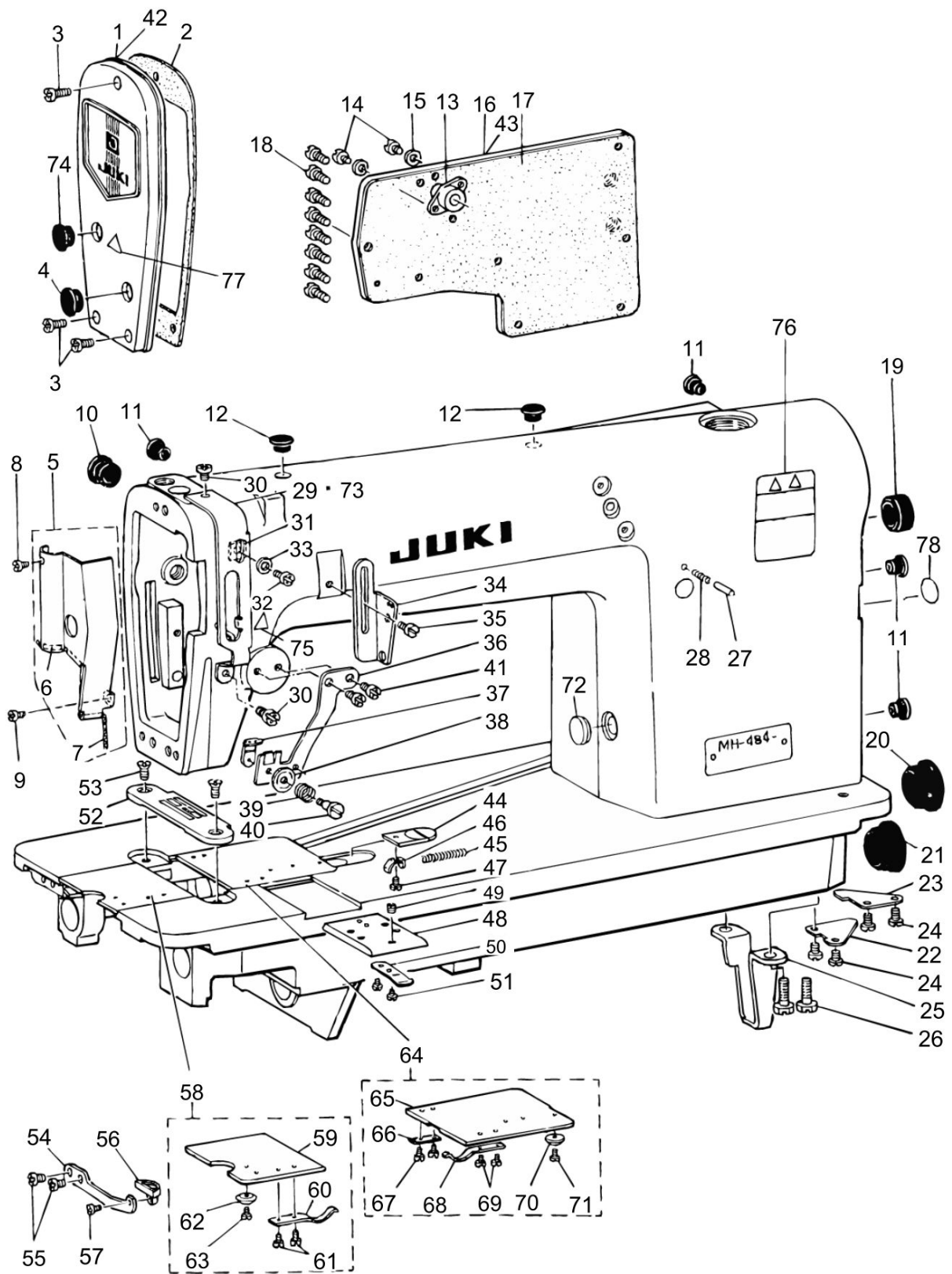
PARTS LIST

Published:05/12/2017

CONTENTS

MACHINE FRAME & MISCELLANEOUS COVER COMPONENTS	1
MAIN SHAFT & NEEDLE BAR COMPONENTS	5
PRESSER BAR & LOWER SHAFT COMPONENTS	9
FEED MECHANISM COMPONENTS (1).....	13
FEED MECHANISM COMPONENTS (2).....	17
DIFFERENTIAL FEED MECHANISM COMPONENTS.....	19
THREAD SPREADER COMPONENTS	21
LOOPER & NEEDLE GUARD COMPONENTS	23
THREAD TENSION CONTROLLER COMPONENTS	27
OIL LUBRICATION MECHANISM COMPONENTS	31
OIL RESERVOIR & KNEE LIFTER COMPONENTS.....	33
THREAD STAND COMPONENTS.....	35
SILICON OIL LUBRICANT & BELT COVER COMPONENTS	37
EXCHANGING PARTS COMPONENTS (SPECIAL ORDER PARTS)	39
S060 GATHERING ATTACHMENT / S061 INTERMITTENT GATHERING ATTACHMENT	41
LIST FOR INFORMATION OF CHANGE.....	45
HOW TO MAKE USE OF THIS PARTS LIST	46

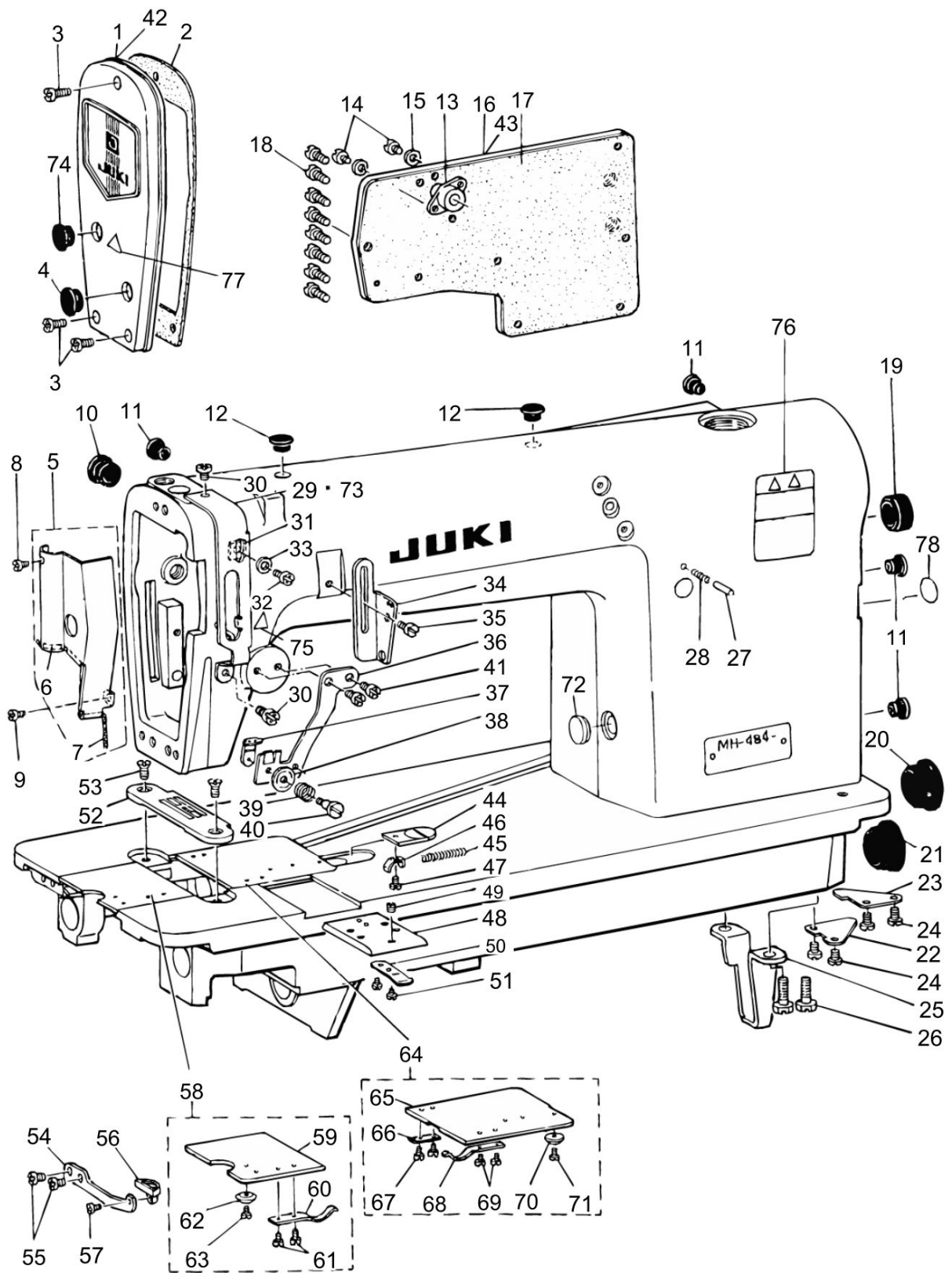
MACHINE FRAME & MISCELLANEOUS COVER COMPONENTS



MACHINE FRAME & MISCELLANEOUS COVER COMPONENTS

No.	Supply Code	Parts No.	Replacement	Parts name	Remarks	Choice	Step	Level	Cons	Qty	Rep. QTY
1		40114236		FACE PLATE ASM.						1	
2		B1122552000		FACE PLATE GASKET						1	
3		SS4111015SP		SCREW 11/64-40L=10						3	
4		TA1250406R0		RUBBER PLUG D=12.5 L=4						1	
5	D	B11304810A0		ARMOIL SHIELD ASM.						1	
6	D	B1131481000		NON-WOVEN FABRIC				*		1	
7	D	B1132481000		OIL WICK				*		1	
8		SS6080320SP		SCREW 1/8-44 L=2.5						1	
9		SS4110515SP		SCREW 11/64-40 L=5						1	
10		TA1250705R0		RUBBER PLUG						1	
11		TA0800704R0		RUBBER PLUG						2	
12		TA1050504R0		RUBBER PLUG						2	
13		D3111481CA0		TENSION RELEASE SHAFT COLLAR ASM.						1	
14	R	SS6090630SP	SS6090630TP	SCREW 9/64-40 L=6						2	1.00
15		B3534012000		GASKET						2	
16		B1118481000		SIDE PLATE						1	
17		B1119481000		GASKET						1	
18		SS4110815SP		SCREW 11/64-40 L=8						8	
19		TA2101002R0		RUBBER PLUG						1	
20		TA2351305R0		RUBBER PLUG						1	
21		TA2351004R0		RUBBER PLUG						1	
22		B1134481000		BED OIL SHIELD						1	
23		B1135481000		BED OIL SHIELD (B)						1	
24		SS7110510SP		SCREW 11/64-40 L=5						4	
25		B1106122000		BEDSUPPORTPLATE						1	
26		SS9151120CP		SCREW 15/64-28L=11						2	
27		22912000		FEED REGULATOR PIN						1	
28		22912109		FEED REGULATOR PIN SPRING						1	
29		B1904481000		THREAD TAKE-UP LEVER GUARD						1	
30		SS4110515SP		SCREW 11/64-40 L=5						2	
31		B1903481000		TAKE-UP THREAD TENSION LEVER						1	
32		SS4110515SP		SCREW 11/64-40 L=5						1	
33		WP0480856SP		WASHER 4.8X8.4X0.8						1	
34		B1905380000		FRAME THREAD EYELET						1	
35		SS4110515SP		SCREW 11/64-40 L=5						1	
36		B1912481000		TENSION CONTROL- LER INSTALLING						1	
37		B1913481000		TAKE-UP THREAD GUIDE						1	
38		B3148123000		TENSION DISC						1	
39		B1914481000		TAKE-UP THREAD TENSION SPRING						1	
40		B1916481000		TAKE-UP THREAD TENSION POST						1	
41		SS4110515SP		SCREW 11/64-40 L=5						2	
42	R	B112155200A	B11215520AA	FACE PLATE	FOR URBAN WHITE					1	1.00
43		B111848100A		SIDE PLATE	FOR URBAN WHITE					1	
44		B1110481000A		CAM COVER LATCH						1	
45		B1111481000		SPRING						1	

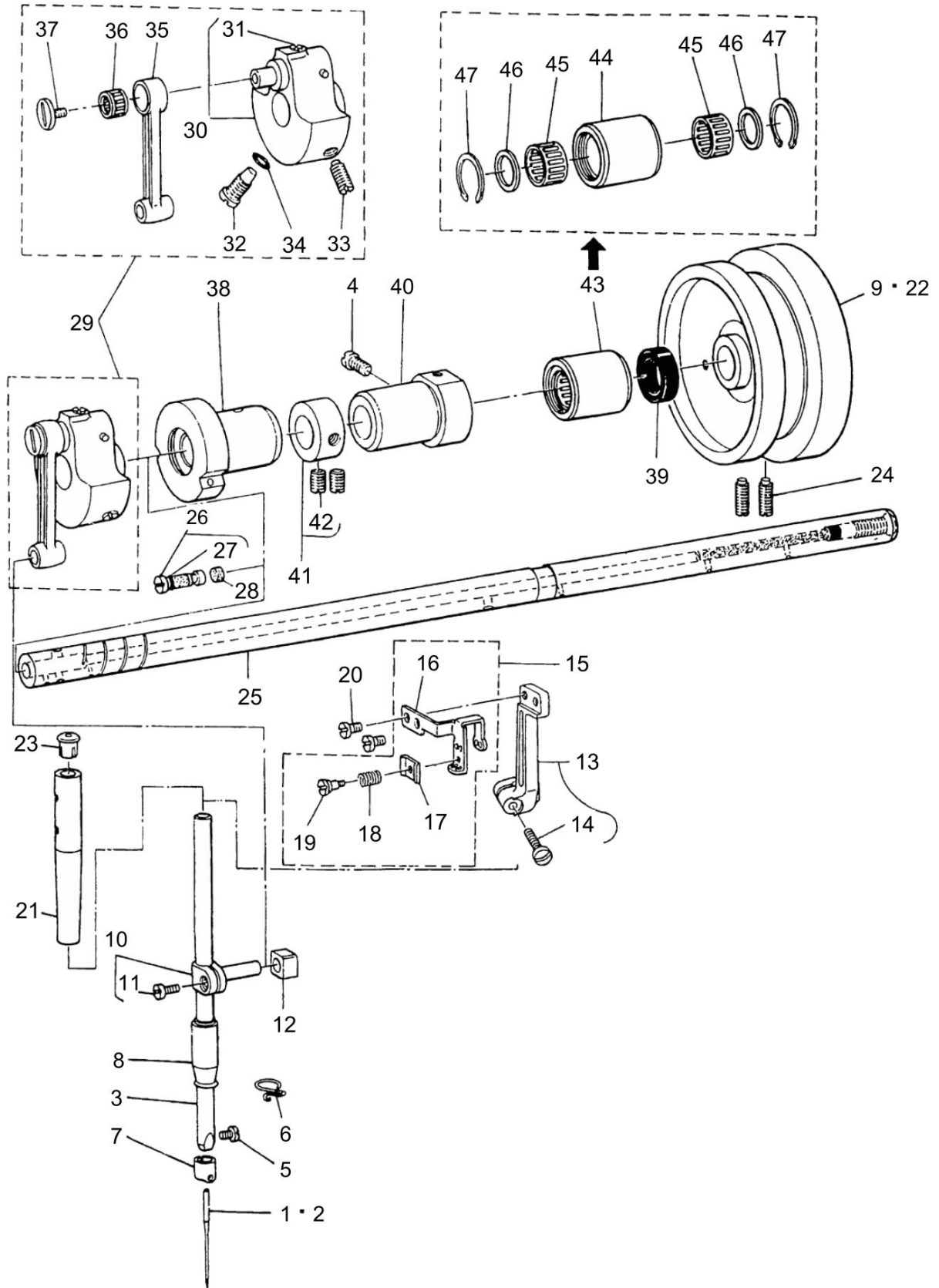
MACHINE FRAME & MISCELLANEOUS COVER COMPONENTS



MACHINE FRAME & MISCELLANEOUS COVER COMPONENTS

No.	Supply Code	Parts No.	Replacement	Parts name	Remarks	Choice	Step	Level	Cons	Qty	Rep. QTY
46		B1112481000A		SPRINGSUSPENSION						1	
47		SS6080320SP		SCREW 1/8-44 L=2.5						1	
48		B1111380000		ATTACHMENT INSTALLING PLATE						1	
49		SS8150310SP		SCREW 15/64-28 L=3.4						1	
50		B1112380000		SPRING						1	
51		SS6060220SP		SCREW 3/32-56 L=2.0						2	
52		B1103484F00		THROAT PLATE						1	
53		SS2110920TP		SCREW 11/64-40 L=8.5						2	
54		B1105380000		BED SLIDE STOPPER						1	
55		SS4110515SP		SCREW 11/64-40 L=5						2	
56		B1106380000		LATCH						1	
57		SS4080415SP		SCREW 1/8-44 L=4						1	
58		B1104380AA0		BED SLIDE ASM.						1	
59	R	B1104380A00	B1104380AA0	BED SLIDE				*		1	1.00
60		B1115380000		SPRING				*		1	
61		SS6060210SP		SCREW 3/32-56 L=1.9				*		2	
62		B1107380000		BED SLIDE GUIDE				*		1	
63		SS6060340SP		SCREW 3/32-56 L=2.5				*		1	
64		B11064810A0A		CAM COVER ASM.						1	
65	R	B1106481000A	B11064810A0A	CAM COVER				*		1	1.00
66		B1108481000		CAM COVER SUPPORT				*		1	
67		SS6060210SP		SCREW 3/32-56 L=1.9				*		2	
68		B1109481000		SPRING				*		1	
69		SS6060210SP		SCREW 3/32-56 L=1.9				*		2	
70		B1107481000		CAM COVER GUIDE				*		1	
71		SS6060340SP		SCREW 3/32-56 L=2.5				*		1	
72		TA1750502R0		RUBBER PLUG D=17.5 L=5						1	
73		B190448100A		THREAD TAKE-UP LEVER COVER	FOR URBAN WHITE					1	
74		TA2050406R0		RUBBER PLUG						1	
75		CM300200001		ATTENTION SEAL	FOR JE,US- E IN JAPAN					1	
76		CM301200001		SAFETY LABEL_S						1	
77		CM300200001		ATTENTION SEAL	FOR USE IN JAPAN					1	
78		22901805		GROUND MARK						1	

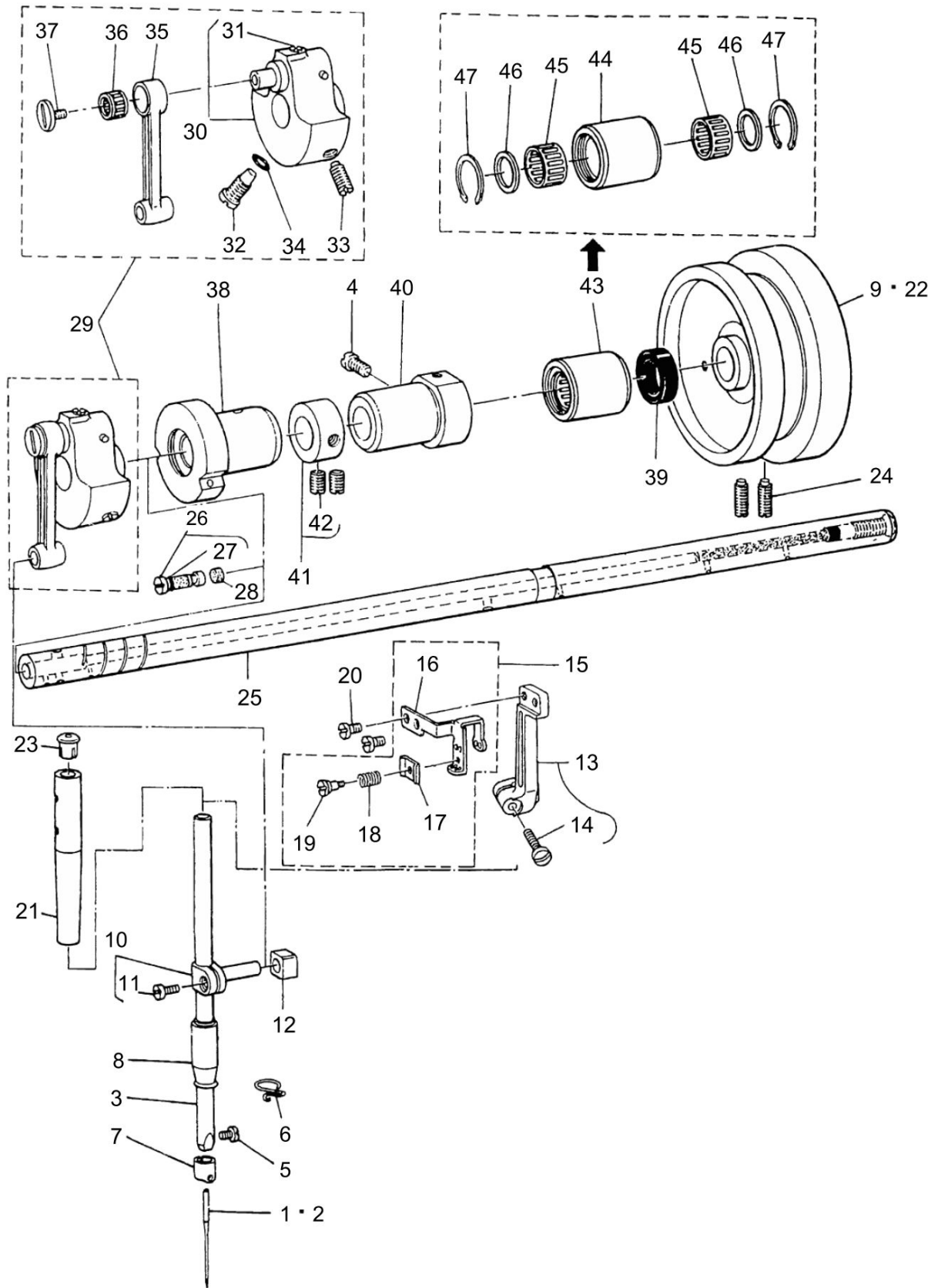
MAIN SHAFT & NEEDLE BAR COMPONENTS



MAIN SHAFT & NEEDLE BAR COMPONENTS

No.	Supply Code	Parts No.	Replacement	Parts name	Remarks	Choice	Step	Level	Cons	Qty	Rep. QTY
1		MTV700B1100		NEEDLE TVX7 #11						1	
2		MC380000750		NEEDLE UYX128GAS #75	SPECIAL ORDER PARTS					1	
3		B1401481000		NEEDLE BAR						1	
4		SS7151120SP		SCREW15/64-28L=11						1	
5		SS7080510TP		SCREW 1/8-44 L=4.5						1	
6		B1419155000		NEEDLE BAR THREAD GUIDE						1	
7		B1418552A00		NEEDLE THREAD GUIDE A						1	
8	R	B1403155000	22906200	NEEDLE BAR BUSHING LOWER						1	1.00
9	R	B1217490000	B12174900AA	HAND WHEEL						1	1.00
10		B14114810A0		NEEDLE BAR CONNECTION ASM.						1	
11		SS6090670TP		SCREW 9/64-40 L=6				*		1	
12		B1414555000		SLIDE BLOCK						1	
13		B19024810A0B		THREAD TAKE-UP LEVER ASM.						1	
14		SS6091210TP		SCREW 9/64-40 L=12				*		1	
15		B19013800A0		THREAD TAKE-UP ASM.						1	
16		B1901481000A		THREAD TAKE-UP				*		1	
17		B1908481000A		THREAD TENSION REGULATING PLATE				*		1	
18		D1910481C00		TENSION SPRING				*		1	
19		B1909481000A		THREAD TENSION REGULATING STUD				*		1	
20		SS6090670TP		SCREW 9/64-40 L=6						2	
21		22906101		NEEDLE BAR BUSHING UPPER						1	
22	R	B121749000A	B12174900AA	HAND WHEEL	FOR URBAN WHITE					1	1.00
23		22901409		NEEDLE BAR UPPER BUSH CAP						1	
24		SS8151550SP		SCREW15/64-28L=15						2	
25		B1201481000A		MAIN SHAFT						1	
26		B12135520A0A		OIL AMOUNT ADJUSTING PIN ASM.						1	
27		RO029180100		RUBBER RING				*		1	
28		B1226552000		ROLLER FELT						1	
29		B12064810A0		COUNTERWEIGHT ASM.						1	
30		B12064810B0		COUNTERWEIGHT ASM.				*		1	
31		SS8150710TP		SCREW 15/64-28 L=7				*		1	
32		SS7681650TP		SCREW 9/32-28 L=16				*		1	
33		SS8681650TP		SCREW 9/32-28 L=16				*		1	
34		RO044240100		RUBBER RING				*		1	
35		B1408481000		NEEDLE BAR CRANK ROD				*		1	
36		B1905541B00		NEEDLE BEARING	SELECTIVE PARTS			*		1	
37		B1903552000		LEFT SCREW				*		1	
38		B1202481000		BUSHING FRONT						1	
39		D1208555D00		OIL SEAL						1	
40		B1203481B00		BUSHING INTERMEDIATE						1	
41		CS147121ESH		THRUST COLLAR ASM. D=14.72 W=12						1	
42		SS8660810TP		SCREW 1/4-40 L=8				*		2	
43		D1204555DA0		MAIN SHAFT BUSHING REAR ASM.						1	
44		D1204555D00		MAIN SHAFT BUSHING REAR				*		1	

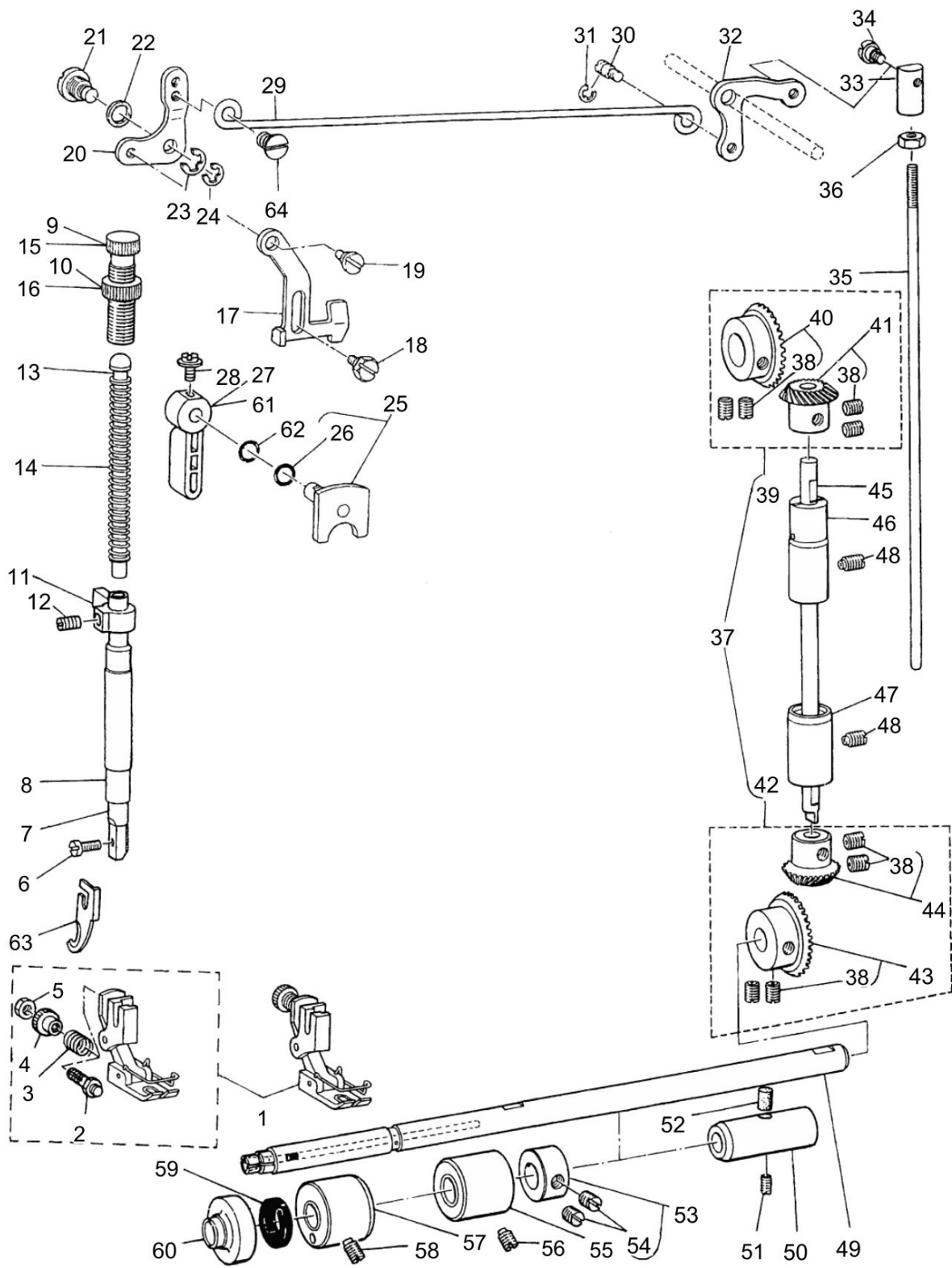
MAIN SHAFT & NEEDLE BAR COMPONENTS



MAIN SHAFT & NEEDLE BAR COMPONENTS

No.	Supply Code	Parts No.	Replacement	Parts name	Remarks	Choice	Step	Level	Cons	Qty	Rep. QTY
45	R	D1230555B00	D1230555B0A	NEEDLE BEARING	SELECTIVE PARTS	A	A:公差 $0\sim-0.002$ /tolerance $0\sim-0.002$	*		2	1.00
45	R	D1230555B00	D1230555B0B	NEEDLE BEARING	SELECTIVE PARTS	B	B:公差 $-0.002\sim-0.004$ /-tolerance $--0.002\sim-0.004$	*		2	1.00
45	R	D1230555B00	D1230555B0C	NEEDLE BEARING	SELECTIVE PARTS	C	C:公差 $-0.004\sim-0.006$ /-tolerance $--0.004\sim-0.006$	*		2	1.00
45	R	D1230555B00	D1230555B0D	NEEDLE BEARING	SELECTIVE PARTS	D	D:公差 $-0.006\sim-0.008$ /-tolerance $--0.006\sim-0.008$	*		2	1.00
46		D1231555B00		WASHER				*		2	
47		D1232555B00		SNAP RING				*		2	

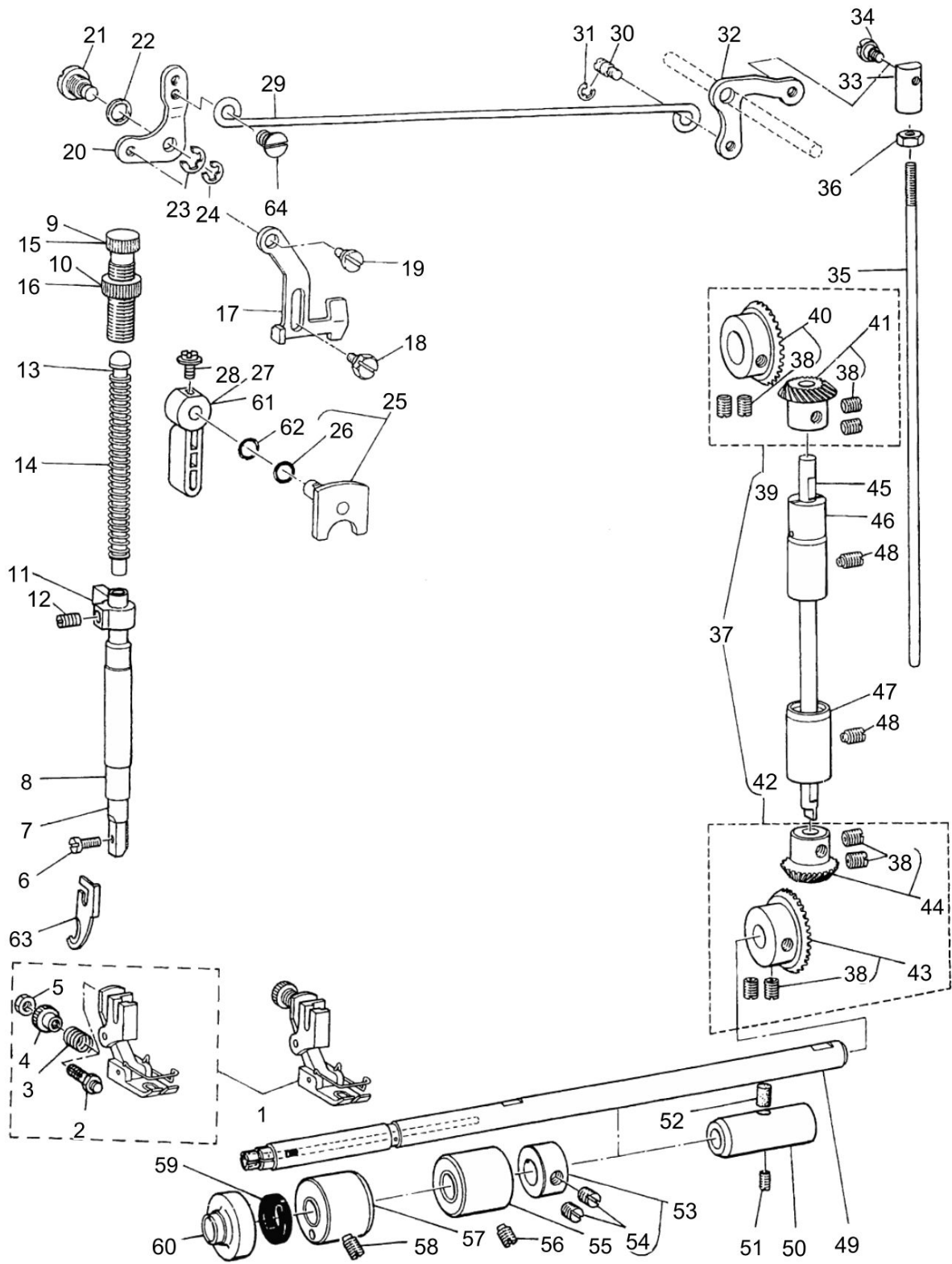
PRESSER BAR & LOWER SHAFT COMPONENTS



PRESSER BAR & LOWER SHAFT COMPONENTS

No.	Supply Code	Parts No.	Replacement	Parts name	Remarks	Choice	Step	Level	Cons	Qty	Rep. QTY
1		B1524481C00		SLIDING TYPE PRESSER FOOT ASM.						1	
2		B1532481C00		ADJUSTING SPRING STUD				*		1	
3	D	B1536481C00		AIR BLOW ADJUSTING PLATE SPRING				*		1	
4		B1533481C00		ADJUSTING SCREW				*		1	
5		NS6110310SP		NUT 11/64-40				*		1	
6		SS7091110TP		SCREW 9/64-40 L=10.5						1	
7	R	22907000	40017805	PRESSER BAR						1	1.00
8		22907109		PRESSER BAR BUSHING LOWER						1	
9	R	22907505	22907554	PRESSER SPRING REGULATOR	FOR URBAN WHITE					1	1.00
10	R	22907604	22907554	PRESSER SPRING REGULATOR NUT	FOR URBAN WHITE					1	1.00
11		10178705		PRESSER BAR GUIDE BRACKET						1	
12		SS8660610TP		SCREW 1/4-40 L=6						1	
13		22907703		PRESSER GUIDE BAR						1	
14		22907406		PRESSER SPRING						1	
15	R	B1509555000	40011951	PRESSER SPRING REGULATOR						1	1.00
16	R	B1511555000	40012052	NUT						1	1.00
17		B1515552000		LIFTING LEVER						1	
18		SD0630275SP		HINGE SCREW D=6.35 H=2.7						1	
19		SD0630301SP		HINGE SCREW D=6.35 H=3						1	
20		B1516552000		LIFTING LEVER LINK						1	
21		B1517552000		HINGE PIN						1	
22		B3431581000		LIFTING LEVER GASKET						1	
23		B1523226000		SNAP RING						1	
24		RE0600000K0		E-RING 6						1	
25		B15185550A0		HAND LIFTER CAM ASM.						1	
26		RO037180100		RUBBER RING				*		1	
27	D	B1520552000		HAND LIFTER						1	
28		B1521555000		SCREW						1	
29		B3412415000		LIFTING LEVER CONNECTING ROD						1	
30		B3416552000		CONNECTING ROD HINGE SCREW						1	
31		RE0500000K0		E-RING						1	
32	D	B3414415000A		LIFTING LEVER LINK RIGHT						1	
33		B3416415000A		SWIVEL						1	
34		SD0600322SD		HINGE SCREW D=6 H=3.2						1	
35		B3415481000		CONNECTING ROD VERTICAL						1	
36		NS6620310SP		NUT 3/16-32						1	
37	R	B1308481000	B13084810A0	GEAR						1	1.00
38		SS8660810TP		SCREW 1/4-40 L=8				*		8	
39		B13061550B0		GEAR & PINION ASM. UPPER				*		1	
40		B13050120A0		GEAR ASM.				*		1	
41		B13061550A0		PINION ASM.				*		1	
42		B13084810B0		GEAR & PINION ASM.				*		1	
43		B13084810A0		GEAR LOWER(LARGE)ASM.				*		1	
44		B13061550A0		PINION ASM.				*		1	
45		B1301481000A		UPPIGHT SHAFT						1	

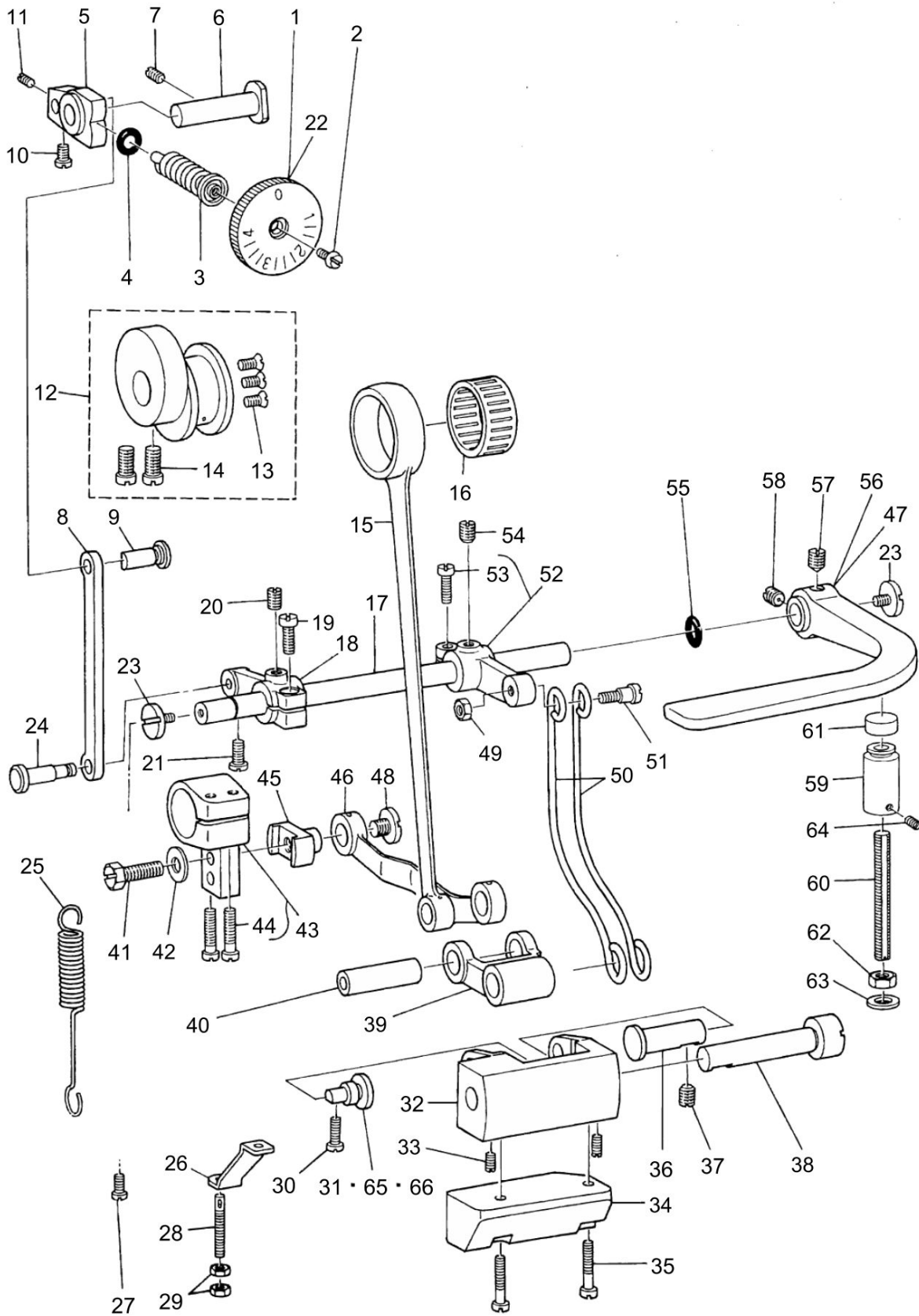
PRESSER BAR & LOWER SHAFT COMPONENTS



PRESSER BAR & LOWER SHAFT COMPONENTS

No.	Supply Code	Parts No.	Replacement	Parts name	Remarks	Choice	Step	Level	Cons	Qty	Rep. QTY
46		B1302552B00		BUSHING UPPER						1	
47		11004207		UPRIGHT SHAFT BUSHING LOWER						1	
48	R	SS8151150SP	SS8151150TP	SCREW 15/64-28 L=10.5						2	1.00
49	R	B1801481000A	40114250	LOWER SHAFT						1	1.00
50		B1607352000		BUSHING REAR						1	
51	R	SS8151150SP	SS8151150TP	SCREW 15/64-28 L=10.5						1	1.00
52		22814909		FELT						1	
53		CS111121ASH		THRUST COLLAR A-SM. D=11.11 W=12						1	
54		SS8660810TP		SCREW 1/4-40 L=8				*		2	
55		B1803481000		BUSHING INTERMEDIATE						1	
56	R	SS8151150SP	SS8151150TP	SCREW 15/64-28 L=10.5						1	1.00
57		B1802481000		BUSHING FRONT						1	
58	R	SS8151150SP	SS8151150TP	SCREW 15/64-28 L=10.5						1	1.00
59		B1813481000		OIL SEAL						1	
60	R	B2226481000	B22264810B0	LOOPER THREAD GUARD BUSHING						1	1.00
61		22907802		HAND LIFTER	FOR URBAN WHITE					1	
62		WP0740516SP		WASHER 7.4X11.8X0.5						1	
63		B1528481000		THREAD CUTTER						1	
64		22908909		HINGE SCREW						1	

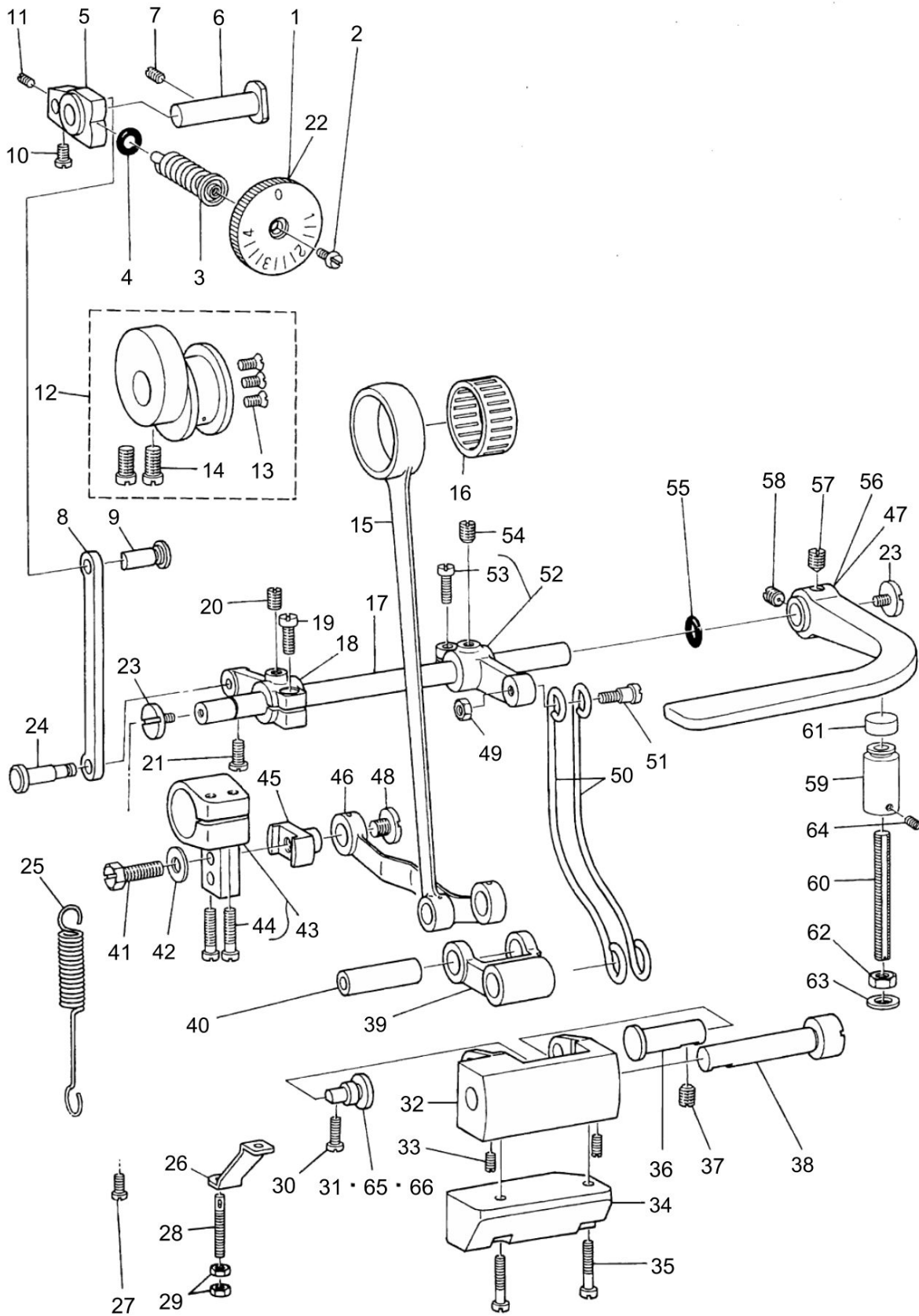
FEED MECHANISM COMPONENTS (1)



FEED MECHANISM COMPONENTS (1)

No.	Supply Code	Parts No.	Replacement	Parts name	Remarks	Choice	Step	Level	Cons	Qty	Rep. QTY
1		B1623555000A		FEED REGULATOR DIAL						1	
2	R	SS6120930SP	SS6120930TP	SCREW 3/16-28 L=9						1	1.00
3		B1634555000B		STITCH LENGTH REGULATING SCREW						1	
4		RO074240100		RUBBER RING						1	
5		B1620481000		FEED REGULATOR						1	
6		B1622555000		HINGE PIN						1	
7	R	SS8150710SP	SS8150710TP	SCREW 15/64-28 L=7						1	1.00
8		40114880		FEED REGULATOR CONNECTING ROD						1	
9		B1626555000		FEED REGULATOR CONNECTING ROD						1	
10		SS7110710SP		SCREW 11/64-40 L=7						1	
11	R	SS8110510SP	SS8110520TP	SCREW 11/64-40 L=5						1	1.00
12		B16104840A0		FEED ECCENTRIC CAM ASM.						1	
13		SS2110930SP		SCREW 11/64-40 L=8.7				*		3	
14		SS6661110SP		SCREW 1/4-40 L=11				*		2	
15		40114884		FEED ROCKER SHAFT CONNECTING R						1	
16		B1636581B00		NEEDLE BEARING B	SELECTIVE PARTS					1	
17		B1621555000A		CONTROL LEVER SHAFT						1	
18		40120458		CONTROL LEVER SHAFT CRANK						1	
19		SS6121210SP		SCREW 3/16-28 L=12						1	
20	R	SS8150710SP	SS8150710TP	SCREW 15/64-28 L=7						1	1.00
21	R	SS7110910SP	SS7110910TP	SCREW 11/64-40 L=8.5						1	1.00
22		B1623555A00		FEED REGULATOR DIAL	FOR URBAN WHITE					1	
23		SS7620750SP		SCREW 3/16-32 L=6.5						2	
24		B1628555000		TENSION SPRING S-USPENSION STUD						1	
25		B1646484000		TENSION SPRING						1	
26	D	B1632470000		TENSION SPRING S-USPENSION BRACKET						1	
27	R	SS7111120SP	SS7111120TP	SCREW 11/64-40 L=10.5						1	1.00
28	R	B1649161000	26226506	TENSION SPRING ADJUSTING SCREW						1	1.00
29		NS6110420SP		NUT 11/64-40						2	
30	R	SS7110910SP	SS7110910TP	SCREW 11/64-40 L=8.5						1	1.00
31		B1619555000		FEED DRIVING ROCKER HINGE PIN						1	
32		B1617484000		FEED DRIVING ROCKER						1	
33		SS8110750SP		SCREW 11/64-40 L=6.5						2	
34		B1631484000		FEED DRIVING ROCKER WEIGHT						1	
35	R	SS7111810SP	SS7111810TP	SCREW 11/64-40 L=18						2	1.00
36	D	B1618484000		HINGE PIN						1	
37	R	SS8150710SP	SS8150710TP	SCREW 15/64-28 L=7						1	1.00
38		B1615484000		HINGE PIN						1	
39	D	B1614484000A		FEED DRIVING ROCKER ARM ASM.						1	
40	D	B1633484000		CONNECTING PIN						1	
41		SS9151630CP		SCREW 15/64-28 L=15.5						1	
42		WP0621016SD		WASHER 6.2X13X1						1	
43	D	B16084840A0		FEED ROCKER SHAFT CRANK ASM.						1	

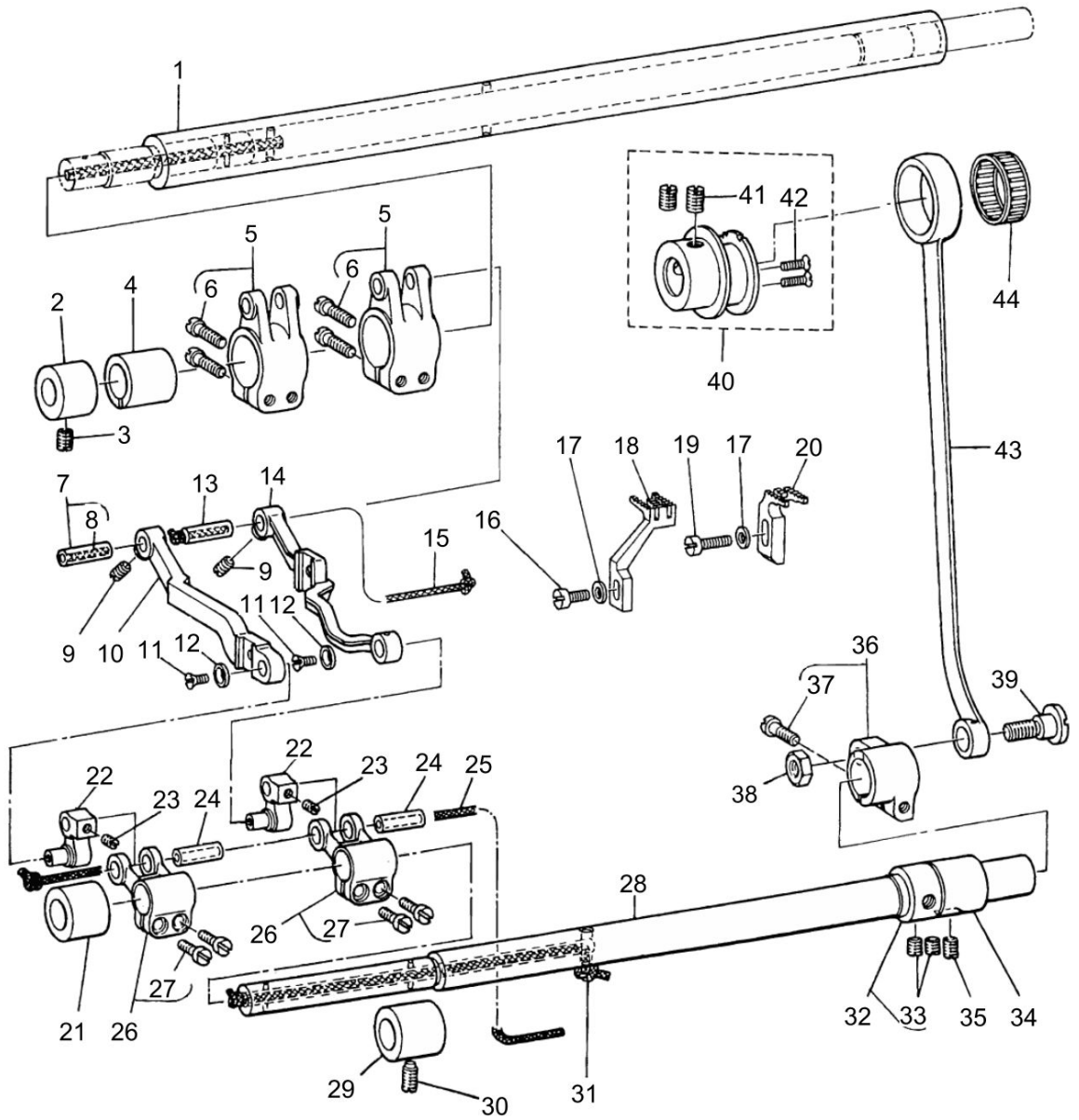
FEED MECHANISM COMPONENTS (1)



FEED MECHANISM COMPONENTS (1)

No.	Supply Code	Parts No.	Replacement	Parts name	Remarks	Choice	Step	Level	Cons	Qty	Rep. QTY
44		SS6121850TP		SCREW 3/16-28 L=18				*		2	
45		B1607484000A		FEED ROCKER SHAFT CRANK PIN						1	
46		B1606484000		CONNECTING ROD						1	
47		B162455500A		REVERSE FEED CONTROL LEVER	FOR URBAN WHITE					1	
48		SS6150610SP		SCREW 15/64-28 L=5.5						1	
49		NS6150310SP		NUT 15/64-28						1	
50		B1630484000		CONNECTING ROD						2	
51		SD0790641SP		HINGE SCREW D=7.94 H=6.4						1	
52		B16294840A0A		CONTROL LEVER CRANK ASM.						1	
53		SS6121210SP		SCREW 3/16-28 L=12				*		1	
54	R	SS8150710SP	SS8150710TP	SCREW 15/64-28 L=7						1	1.00
55		RO069180100		RUBBER RING						1	
56	D	B1624555000		REVERSE FEED CONTROL LEVER						1	
57		SS8661040TP		SCREW 1/4-40 L=10						1	
58		SS8660810TP		SCREW 1/4-40 L=8						1	
59		B1660484000		LEVER STOPPER						1	
60		B1661481000		SCREW						1	
61		B1673484000		LEVER STOPPER R- UBBER CUSHION						1	
62		NS6150430SP		NUT 15/64-28						1	
63		WP0621016SD		WASHER 6.2X13X1						1	
64		SS8090540SP		SCREW 9/64-40 L=5						1	
65		40082080		FEED DRIVING ROC- KER HINGE PIN 1	FOR URBAN WHITE					1	
66		40082081		FEED DRIVING ROC- KER HINGE PIN 2	FOR URBAN WHITE					1	

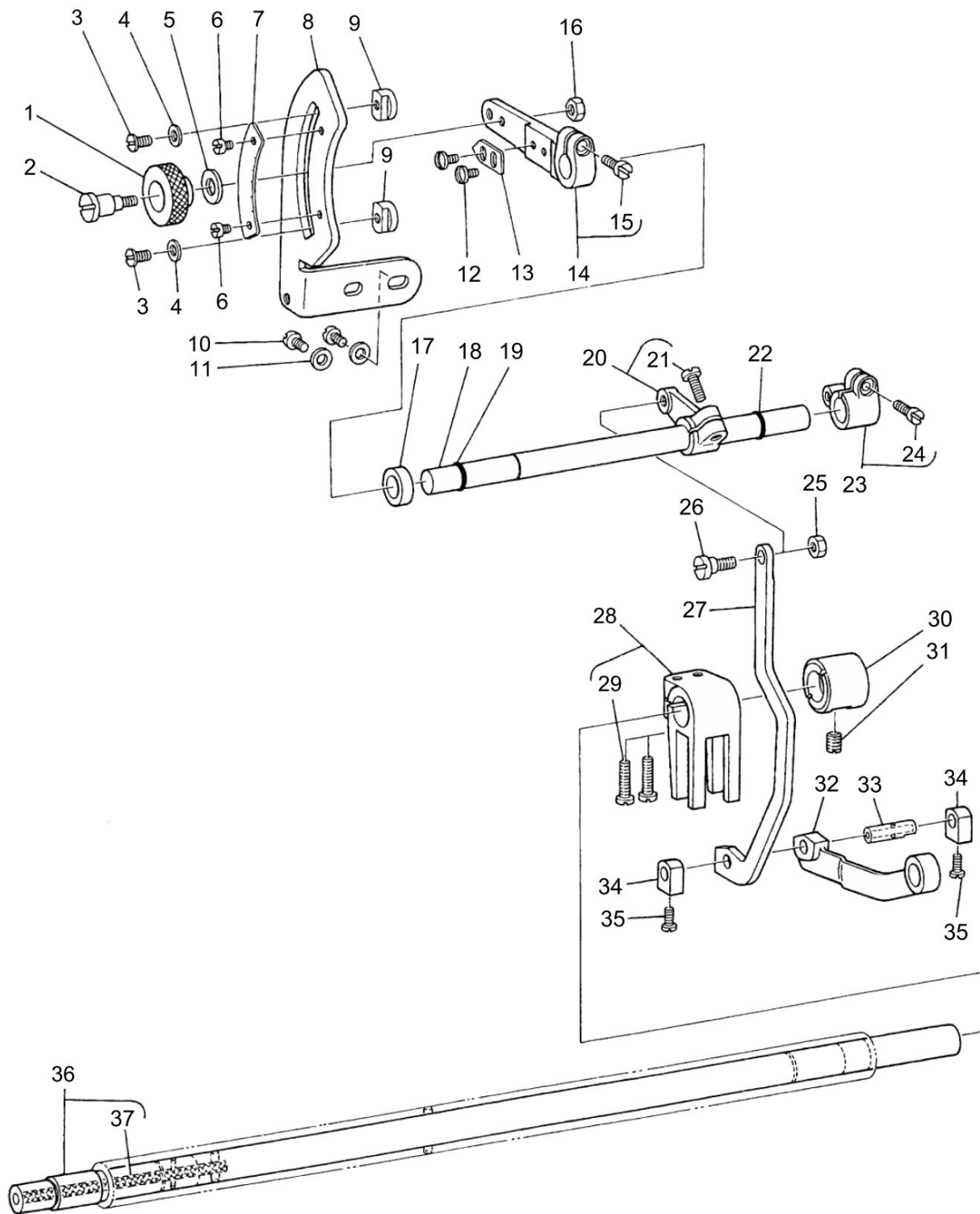
FEED MECHANISM COMPONENTS (2)



FEED MECHANISM COMPONENTS (2)

No.	Supply Code	Parts No.	Replacement	Parts name	Remarks	Choice	Step	Level	Cons	Qty	Rep. QTY
1		B1601484000		FEED ROCKERSHAFT						1	
2		B1604484000		FEED ROCKER SHAFT BUSHING FRONT						1	
3	R	SS8150710SP	SS8150710TP	SCREW 15/64-28 L=7						2	1.00
4		B1656484000		BUSHING						1	
5		B16034840A0		FEED ROCKER ASM.						2	
6		SS6121850TP		SCREW 3/16-28 L=18				*		4	
7		B16104300A0		PIN ASM.						1	
8		CQ202000000		OIL WICK				*		0.1	
9	R	SS8620610SP	SS8620610TP	SCREW 3/16-32 L=6						2	1.00
10		B1652484000		DIFFERENTIAL FEED BAR						1	
11		SS1080510SP		SCREW 1/8-44 L=5						2	
12		B1715481000		COUNTER-SUNK WASHER						2	
13		B1610430000		DIFFERENTIAL FEED ROCKER SHAFT						1	
14		B1602484000		FEED BAR						1	
15		CQ303000000		OIL WICK						.2	
16		SS7111110TP		SCREW 11/64-40 L=10.5						1	
17		WP0480856SP		WASHER 4.8X8.4X0.8						2	
18		B1653484F00		DIFFERENTIAL FEED DOG						1	
19		SS7111410TP		SCREW11/64-40L=14						1	
20		B1613484F00		MAIN FEED DOG						1	
21		40133993		FEED ROCKER SHAFT BUSHING						1	
22		B17134810A0		FEED BAR LINK ASM.						2	
23		SS8110410TP		SCREW 11/64-40 L=3.5						2	
24		B1610430000		DIFFERENTIAL FEED ROCKER SHAFT						2	
25		CQ252000000		OIL WICK						.3	
26		B41033520A0		FEED ROCKER SHAFT CRANK ASM.						2	
27		SS6621220SP		SCREW 3/16-32 L=12				*		4	
28		B1701481000		FEED DRIVING SHAFT						1	
29		40133993		FEED ROCKER SHAFT BUSHING						1	
30	R	SS8151150SP	SS8151150TP	SCREW 15/64-28 L=10.5						1	1.00
31		CQ303000000		OIL WICK						.2	
32		22904155		MAIN SHAFT THRU-ST COLLAR ASM.						1	
33		SS8660610TP		SCREW 1/4-40 L=6				*		2	
34		B1702155000		BUSHING REAR						1	
35	R	SS8150710SP	SS8150710TP	SCREW 15/64-28 L=7						1	1.00
36		B17031550A0		FEED DRIVING SHAFT CRANK ASM.						1	
37		SS6121610TP		SCREW 3/16-28 L=15.5				*		1	
38		NS6680410SP		NUT 9/32-28						1	
39		SD1020701SP		HINGE SCREW D=10.2 H=7						1	
40	D	B17014840A0		FEED DRIVING CAM ASM.						1	
41		SS8660810TP		SCREW 1/4-40 L=8				*		2	
42		SS2090710TP		SCREW 9/64-40 L=7.2				*		2	
43		B1708481000		FEED DRIVING SHAFT CONNECTING						1	
44	R	B171248100B	B171248100C	NEEDLE BEARING	SELECTIVE PARTS					1	1.00

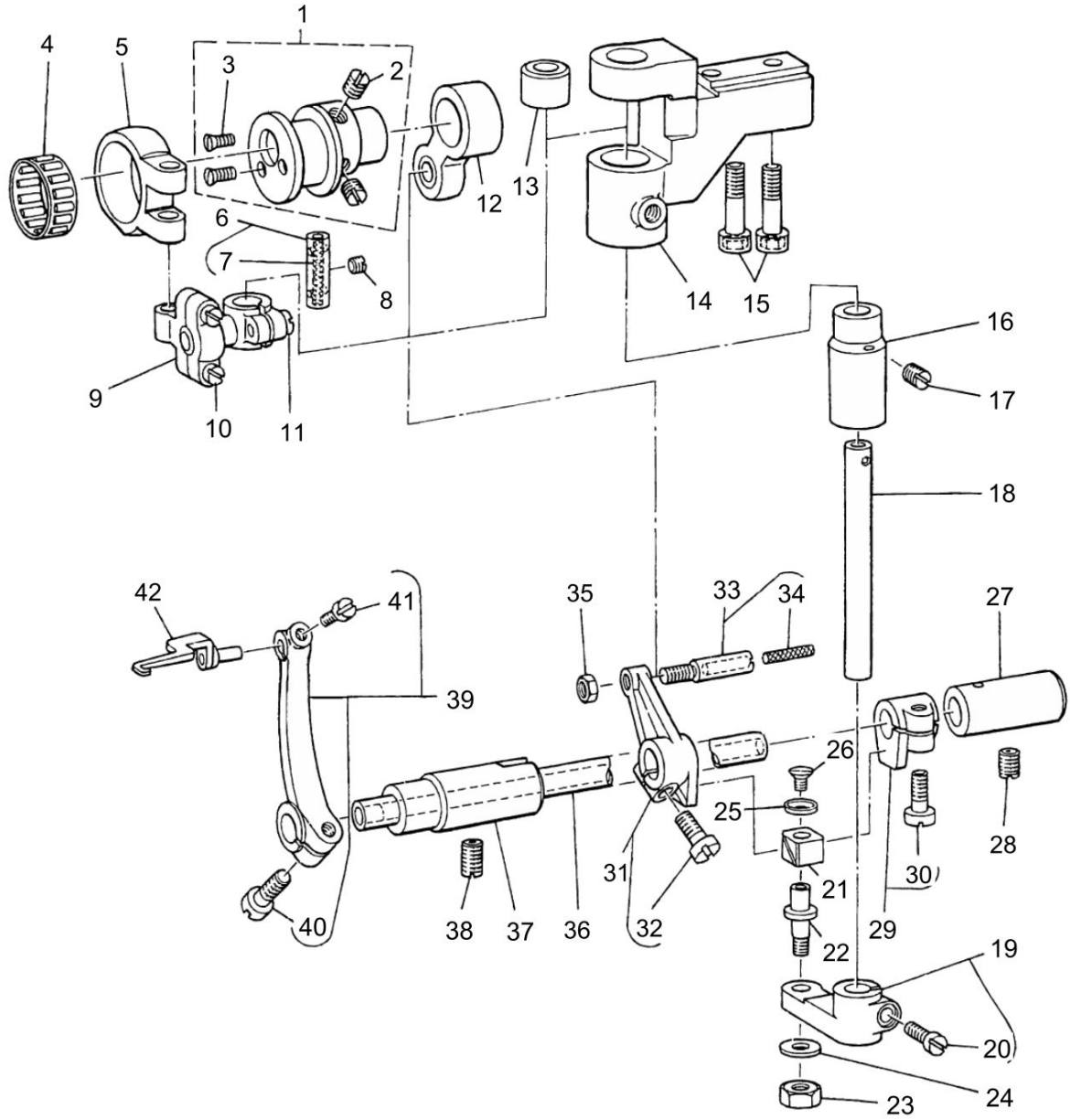
DIFFERENTIAL FEED MECHANISM COMPONENTS



DIFFERENTIAL FEED MECHANISM COMPONENTS

No.	Supply Code	Parts No.	Replacement	Parts name	Remarks	Choice	Step	Level	Cons	Qty	Rep. QTY
1		B1647704000A		DIFFERENTIAL FEED LOCK NUT						1	
2		B1670484000		SCREW						1	
3		SS5110810SP		SCREW 11/64-40 L=8						2	
4		WP0480856SP		WASHER 4.8X8.4X0.8						2	
5		WP0621016SD		WASHER 6.2X13X1						1	
6		SS6080320SP		SCREW 1/8-44 L=2.5						2	
7	D	B1667484000		DIFFERENTIAL FEED GRADUATION						1	
8		B1666484000		DIFFERENTIAL FEED LEVER BRACKET						1	
9	D	B1669484000		DIFFERENTIAL FEED STOPPER						2	
10		SS7110710SP		SCREW 11/64-40 L=7						2	
11		WP0480856SP		WASHER 4.8X8.4X0.8						2	
12		SS7090520TP		SCREW 9/64-40 L=4.5						2	
13		B1668484000		POINTER						1	
14	D	B16654840A0		DIFFERENTIAL FEED LEVER ASM.						1	
15	R	SS7111120SP	SS7111120TP	SCREW 11/64-40 L=10.5				*		1	1.00
16		NS6110420SP		NUT 11/64-40						1	
17	D	B1672484000		COLLAR						1	
18		B1664484000		DIFFERENTIAL FEED LEVER SHAFT						1	
19		RO061180100		RUBBER RING						1	
20		B16634840A0		DIFFERENTIAL FEED ARM ASM.						1	
21		SS7111410TP		SCREW 11/64-40 L=14				*		1	
22		RO069180100		RUBBER RING						1	
23		B16714840A0		LEVER SHAFT CRANK ASM.						1	
24	R	SS7111120SP	SS7111120TP	SCREW 11/64-40 L=10.5				*		1	1.00
25		NS6620310SP		NUT 3/16-32						1	
26		SD0640322TP		HINGE SCREW D=6.35 H=3.2						1	
27	D	B1662484000		DIFFERENTIAL FEED ROCKER ROD						1	
28		B16584840A0		DIFFERENTIAL FEED ROCKER ASM.						1	
29		SS7111410TP		SCREW 11/64-40 L=14				*		2	
30		B1654484000		BUSHING REAR						1	
31	R	SS8150710SP	SS8150710TP	SCREW 15/64-28 L=7						1	1.00
32		B1657484000		CONNECTING ROD						1	
33		B1661484000		SLIDE BLOCK PIN						1	
34		B1659484000		SLIDE BLOCK						2	
35		SS4080620TP		SCREW 1/8-44 L=6						2	
36		B16514840A0		DIFFERENTIAL FEED SHAFT ASM.						1	
37		CQ303000000		OIL WICK				*		0.1	

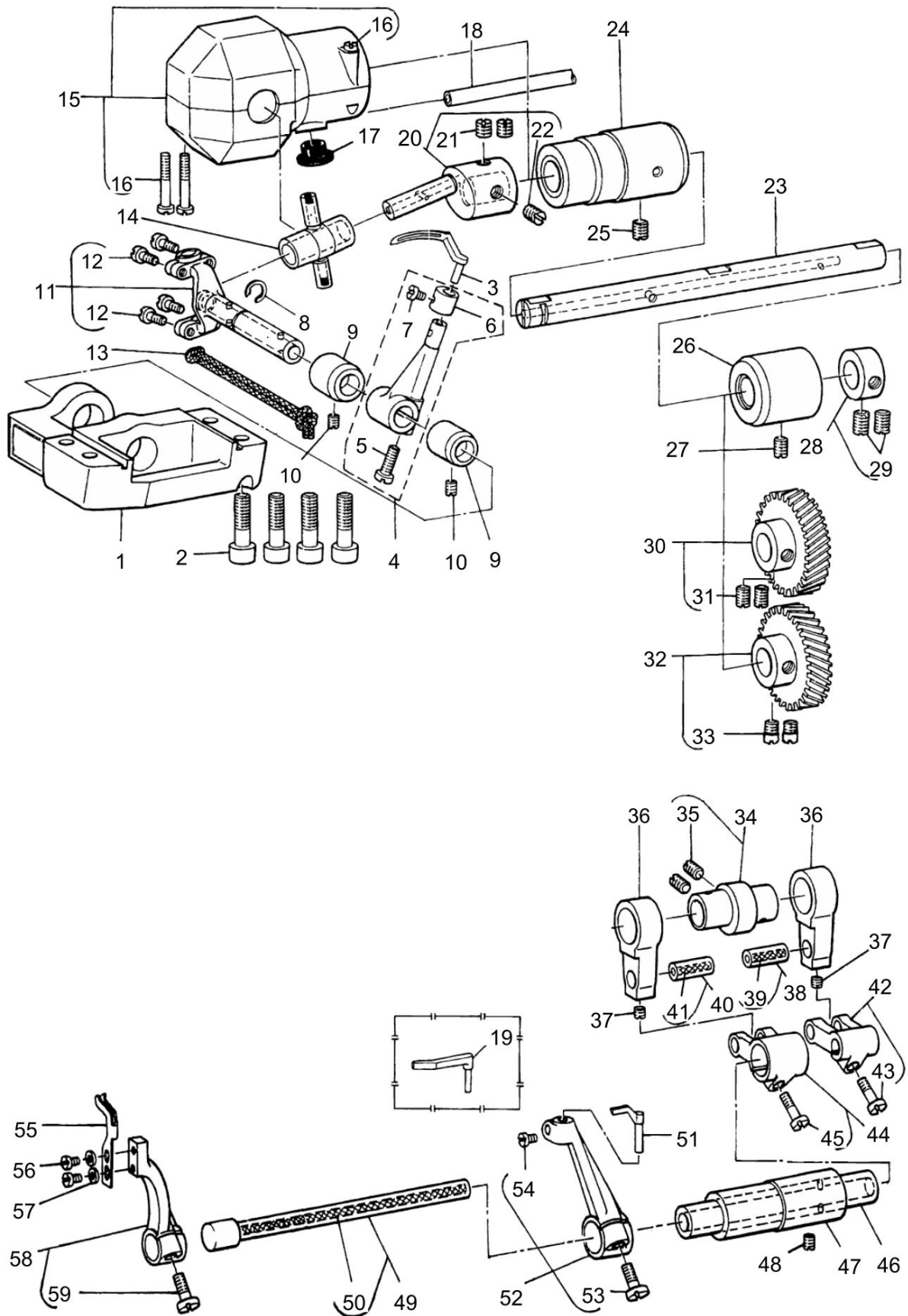
THREAD SPREADER COMPONENTS



THREAD SPREADER COMPONENTS

No.	Supply Code	Parts No.	Replacement	Parts name	Remarks	Choice	Step	Level	Cons	Qty	Rep. QTY
1		D2101481CA0		THREAD SPREADER ECCENTRIC ASM.						1	
2		SS8150710TP		SCREW 15/64-28 L=7				*		2	
3		SS2080810SP		SCREW 1/8-44 L=7.5				*		2	
4		B210348100B		BEARING	SELECTIVE PARTS					1	
5		B2105481000		LEFT & RIGHT DRIVING ROD A						1	
6	D	B14033520A0		PIN						1	
7		CQ202000000		OIL WICK				*		0.1	
8		SS8110410TP		SCREW 11/64-40 L=3.5						1	
9		B21064810A0		LEFT & RIGHT DRIVING ROD(B) ASM.						1	
10		SD0450701TP		HINGE SCREW D=4.5 H=7						2	
11		SS7111110TP		SCREW 11/64-40 L=10.5						1	
12		B21174810A0		FORE & AFT DRIVING ROD ASM.						1	
13		B2110481000A		BUSHING UPPER						1	
14		B2109481000A		MOUNTING BASE						1	
15		SM6062002TP		SCREW M6 L=20						2	
16		B2111481000A		BUSHING LOWER						1	
17	R	SS8150710SP	SS8150710TP	SCREW 15/64-28 L=7						1	1.00
18		B2108481000		LEFT & RIGHT DRIVING SHAFT						1	
19		B21124810A0		SLIDE BLOCK BRACKET						1	
20		SS7111110TP		SCREW 11/64-40 L=10.5				*		1	
21		B1414232000		SQUARE BLOCK						1	
22		B1827232000		SLIDE ROLLER STUD						1	
23		NS6120310SP		NUT 3/16-28						1	
24		WP0501016SD		WASHER 5X10.5X1						1	
25		B1715481000		COUNTER-SUNK WASHER						1	
26		SS1080510SP		SCREW 1/8-44 L=5						1	
27		B2124481000		BUSHING REAR						1	
28	R	SS8150710SP	SS8150710TP	SCREW 15/64-28 L=7						1	1.00
29		B21154810A0		SLIDE BLOCK ASM.						1	
30		SS6121220TP		SCREW 3/16-28 L=11.5				*		1	
31		B21204810A0		FORE & AFT DRIVING ARM ASM.						1	
32		SS6121220TP		SCREW 3/16-28 L=11.5				*		1	
33		B21194810A0		PIN						1	
34		CQ202000000		OIL WICK				*		0.1	
35		NS6120310SP		NUT 3/16-28						1	
36		B2122481000		THREAD SPREADER DRIVING SHAFT						1	
37		B2123481000		BUSHING FRONT						1	
38	R	SS8150710SP	SS8150710TP	SCREW 15/64-28 L=7						1	1.00
39		B21254810A0		THREAD SPREADER DRIVING ARM ASM.						1	
40		SS6121220TP		SCREW 3/16-28 L=11.5				*		1	
41		SS7090520TP		SCREW 9/64-40 L=4.5				*		1	
42		B21264810A0		THREAD SPREADER ASM.						1	

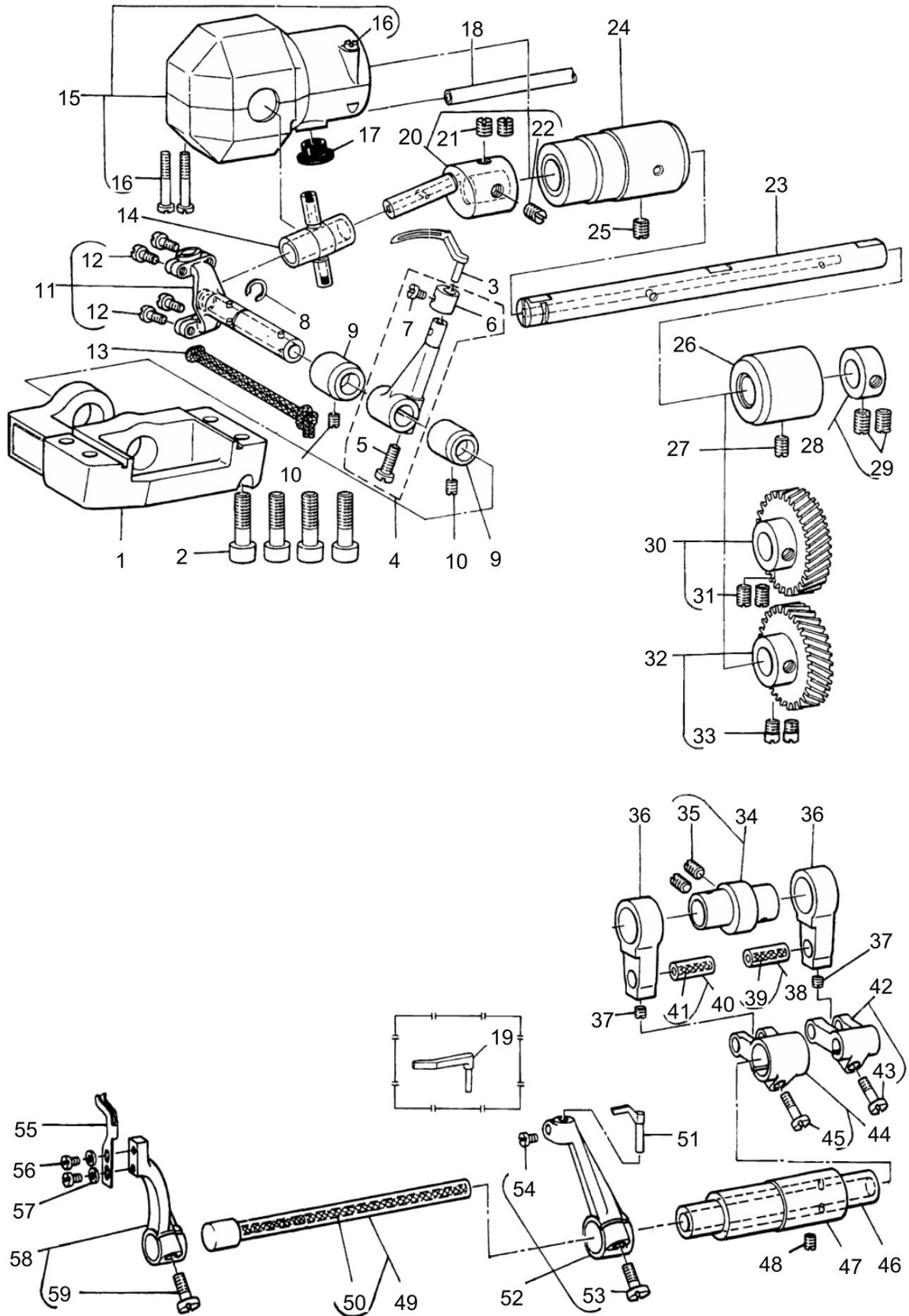
LOOPER & NEEDLE GUARD COMPONENTS



LOOPER & NEEDLE GUARD COMPONENTS

No.	Supply Code	Parts No.	Replacement	Parts name	Remarks	Choice	Step	Level	Cons	Qty	Rep. QTY
1		B2013481000A		LOOPER MOUNTING BASE						1	
2		SM6062002TP		SCREW M6 L=20						4	
3		B2030481000		LOOPER						1	
4		B20154810A0		LOOPER ROCKER ASM.						1	
5		SS6121220TP		SCREW 3/16-28 L=11.5				*		1	
6		B2025481000		COLLAR				*		1	
7		SS7090520TP		SCREW 9/64-40 L=4.5				*		1	
8		B2032481000		LOOPER DRIVING LINK SET RING						1	
9		B2012481000		BUSHING REAR						2	
10		SS8110410TP		SCREW 11/64-40 L=3.5						2	
11		B20104810A0		LOOPER ROCKER SHAFT ASM.						1	
12		SS7090910TP		SCREW 9/64-40 L=8.5				*		4	
13		CQ252000000		OIL WICK						.2	
14	R	B2008481000	B20084810A0	TRUNNION						1	1.00
15		B20144810A0		LOOPER CRANK COVER ASM.						1	
16		SS6092120SP		SCREW 9/64-40 L=21.2				*		3	
17		TA1050504R0		RUBBER PLUG						1	
18		BT0500300E0		OIL TUBE						.1	
19		B2312481000		NEEDLE GUARD	SPECIAL ORDER PARTS					1	
20		B20064810A0		LOOPER CRANK(WITH SCREW)						1	
21		SS8660810TP		SCREW 1/4-40 L=8				*		2	
22		B2007481000		LOOPER CRANK ADJUSTING SCREW				*		1	
23		B2001481000A		LOOPER CRANK DRIVING SHAFT						1	
24		B2002481000		BUSHING FRONT						1	
25	R	SS8150710SP	SS8150710TP	SCREW 15/64-28 L=7						1	1.00
26		B1803481000		BUSHING INTERMEDIATE						1	
27	R	SS8150710SP	SS8150710TP	SCREW 15/64-28 L=7						1	1.00
28		CS111121ASH		THRUST COLLAR ASM. D=11.11 W=12						1	
29		SS8660810TP		SCREW 1/4-40 L=8				*		2	
30		B20044810A0		GEAR UPPER						1	
31		SS8660810TP		SCREW 1/4-40 L=8				*		2	
32		B20054810AB		GEAR LOWER	SELECTIVE PARTS					1	
33		SS6660610TP		SCREW 1/4-40 L=6				*		2	
34		B23014810A0		NEEDLE GUARD CAM						1	
35		SS8150710TP		SCREW 15/64-28 L=7				*		2	
36		B2302481000		NEEDLE GUARD CRANK ROD						2	
37		SS8110410TP		SCREW 11/64-40 L=3.5						2	
38		B16104300A0		PIN ASM.						1	
39		CQ303000000		OIL WICK				*		0.1	
40		B16104300A0		PIN ASM.						1	
41		CQ303000000		OIL WICK				*		0.1	
42	D	B23034810A0		LOOP GUIDE ROCKER FORK ASM.						1	
43		SS7111110TP		SCREW 11/64-40 L=10.5				*		1	
44		B23044810A0		REAR NEEDLE GUARD ROCKER FORK ASM.						1	
45		SS7111310TP		SCREW 11/64-40 L=12.8				*		1	

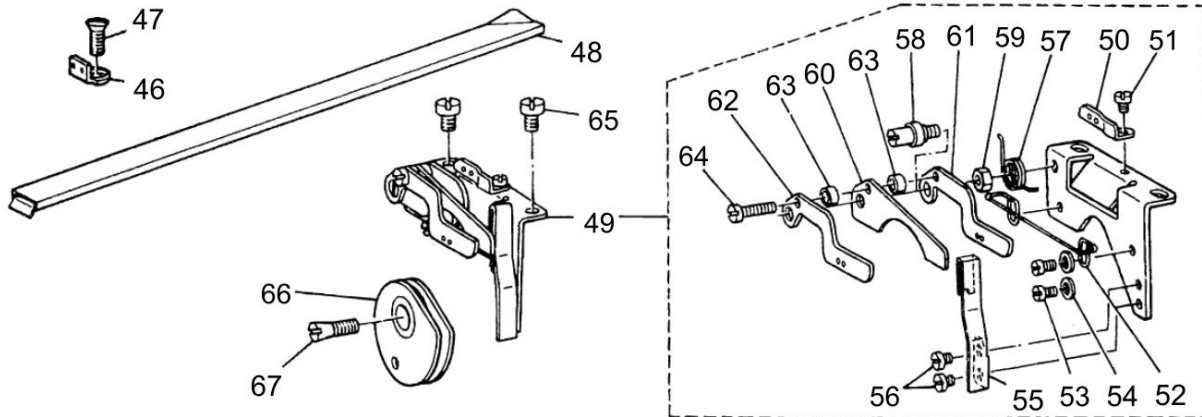
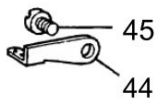
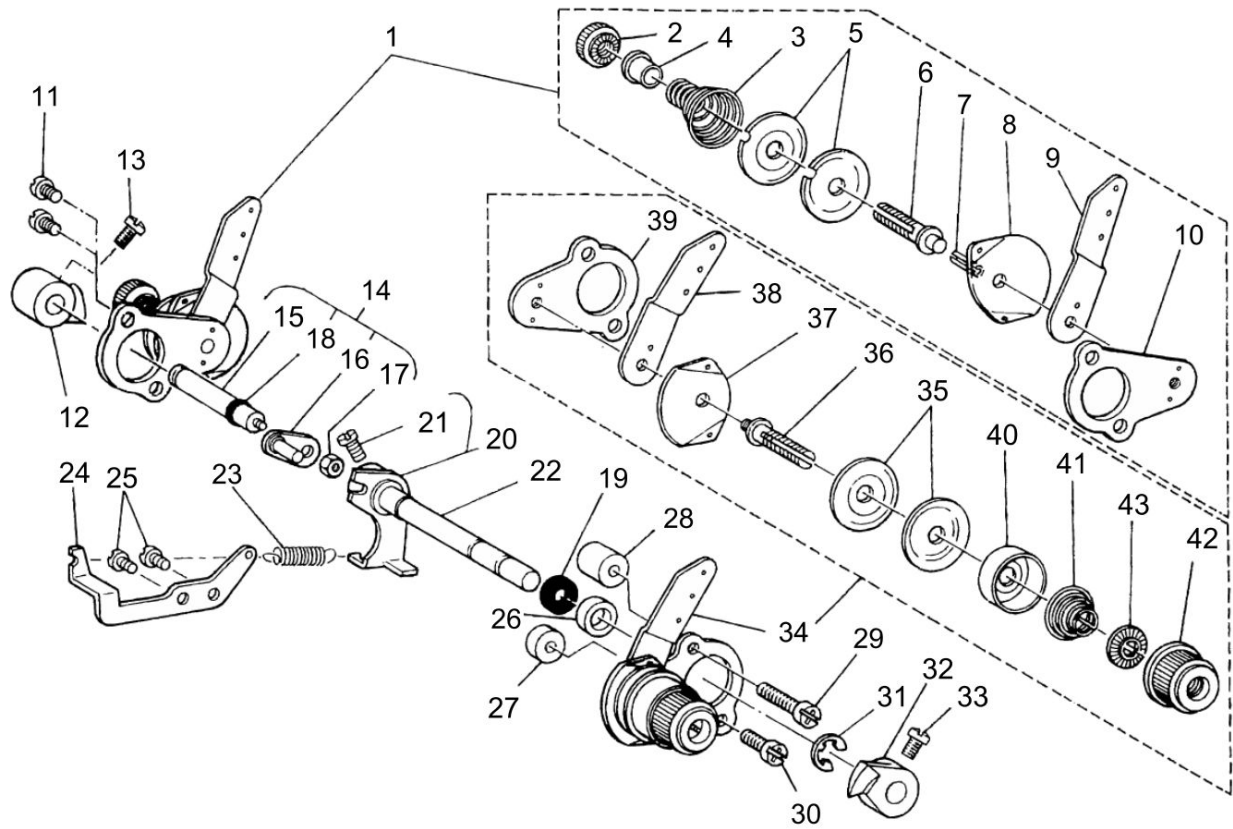
LOOPER & NEEDLE GUARD COMPONENTS



LOOPER & NEEDLE GUARD COMPONENTS

No.	Supply Code	Parts No.	Replacement	Parts name	Remarks	Choice	Step	Level	Cons	Qty	Rep. QTY
46		B2306481000		NEEDLE GUARD DRIVING SHAFT						1	
47		B2307481000		BUSHING						1	
48	R	SS8150710SP	SS8150710TP	SCREW 15/64-28 L=7						1	1.00
49		B23054810A0		LOOP GUIDE DRIVING SHAFT ASM.						1	
50		CQ252000000		OIL WICK				*		0.3	
51		B2311481000A		NEEDLE GUARD						1	
52		B23094810A0		REAR NEEDLE GUARDROCKERARMASM.						1	
53		SS6121220TP		SCREW 3/16-28 L=11.5				*		1	
54		SS7090910TP		SCREW 9/64-40 L=8.5				*		1	
55		B2310481000		LOOP GUIDE						1	
56		SS7090520TP		SCREW 9/64-40 L=4.5						2	
57		WP0371026SD		WASHER 3.7X7X1						2	
58		B23084810A0		LOOP GUIDE ROCKER ARM						1	
59		SS6121220TP		SCREW 3/16-28 L=11.5				*		1	

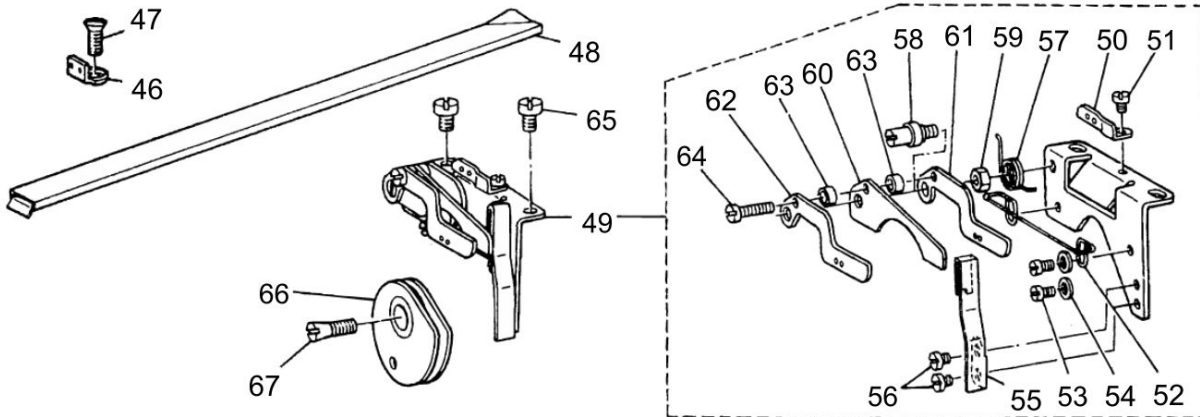
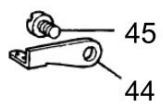
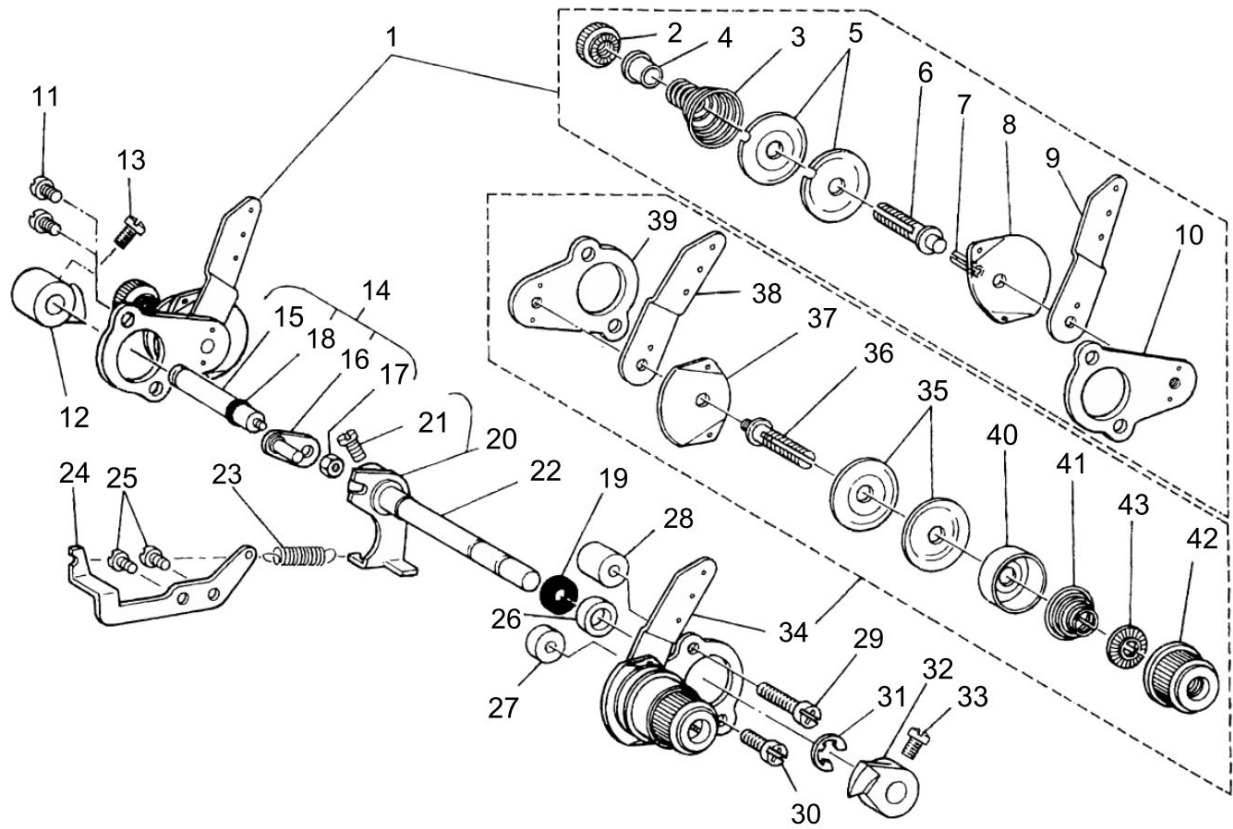
THREAD TENSION CONTROLLER COMPONENTS



THREAD TENSION CONTROLLER COMPONENTS

No.	Supply Code	Parts No.	Replacement	Parts name	Remarks	Choice	Step	Level	Cons	Qty	Rep. QTY
1		B31034810A0		LOOPER THREAD TENSION ASM.						1	
2		11072204		TENSION NUT				*		1	
3		B3106481000		LOOPER THREAD T- ENSION SPRING				*		1	
4		B3120125000		ROTATING STOPPER				*		1	
5		B3126352000		TENSION DISC				*		2	
6		B3104481000		LOOPER THREAD TENSION POST				*		1	
7		PS0200102KH		SPRING PIN 2.0X10				*		1	
8		B3106380000		THREAD GUIDE				*		1	
9		B3103481000		LOOPER THREAD T- ENSION CONTROL				*		1	
10		B3101481000		TENSION CONTROL- LER INSTALLING				*		1	
11		SS4110715SP		SCREW 11/64-40 L=7						2	
12		B3121481000		LOOPER THREAD T- ENSION RELEASE						1	
13		SS6110420TP		SCREW 11/64-40 L=4.8						1	
14		B31354810B0		LOOPER THREAD R- ELEASE SHAFT ASM.						1	
15		B3135481000		LOOPER THREAD RELEASE SHAFT				*		1	
16		D3136481CA0		TENSION RELEASE ARM ASM.				*		1	
17		NS6110310SP		NUT 11/64-40				*		1	
18		RO037180100		RUBBER RING				*		1	
19		B1522552000		OIL SEAL RING						1	
20		D3130481CA0		TENSION RELEASE ARM ASM.						1	
21		SS6110710TP		SCREW 11/64-40 L=6.5				*		1	
22		D3110481C00		TENSION RELEASE SHAFT						1	
23		D3134481C00		SPRING						1	
24		D3133481C00		SUSPENSION BRACKET						1	
25		SS4110715SP		SCREW 11/64-40 L=7						2	
26		B3115481000		TENSION RELEASE SHAFT SPACER						1	
27		B3116481000		SPACER(A) FOR IN- STALLING PLATE						1	
28		B3117481000		SPACER(B) FOR IN- STALLING PLATE						1	
29		SS4112515SP		SCREW 11/64-40 L=25						1	
30		SS4111415SP		SCREW 11/64-40 L=14						1	
31		RE0600000K0		E-RING 6						1	
32		B3120481000		NEEDLE THREAD T- ENSION RELEASE						1	
33		SS6110420TP		SCREW 11/64-40 L=4.8						1	
34		B31024810A0		NEEDLE THREAD TENSION ASM.						1	
35	R	B3126012000	22921506	THREAD TENSION DISK				*		2	1.00
36		B3104481000		LOOPER THREAD TENSION POST				*		1	
37		B2306019000		TENSION THREAD GUIDE				*		1	
38		B3102481000		NEEDLE THREAD T- ENSION GUIDE PLATE				*		1	
39		B3101481000		TENSION CONTROL- LER INSTALLING				*		1	
40	R	B3107704000	13137609	TENSION DISC PRESSER TUBE				*		1	1.00
41		B3129012A00		TENSION SPRING				*		1	
42	R	B3119771000	13817408	THREAD TENSION NUT				*		1	1.00

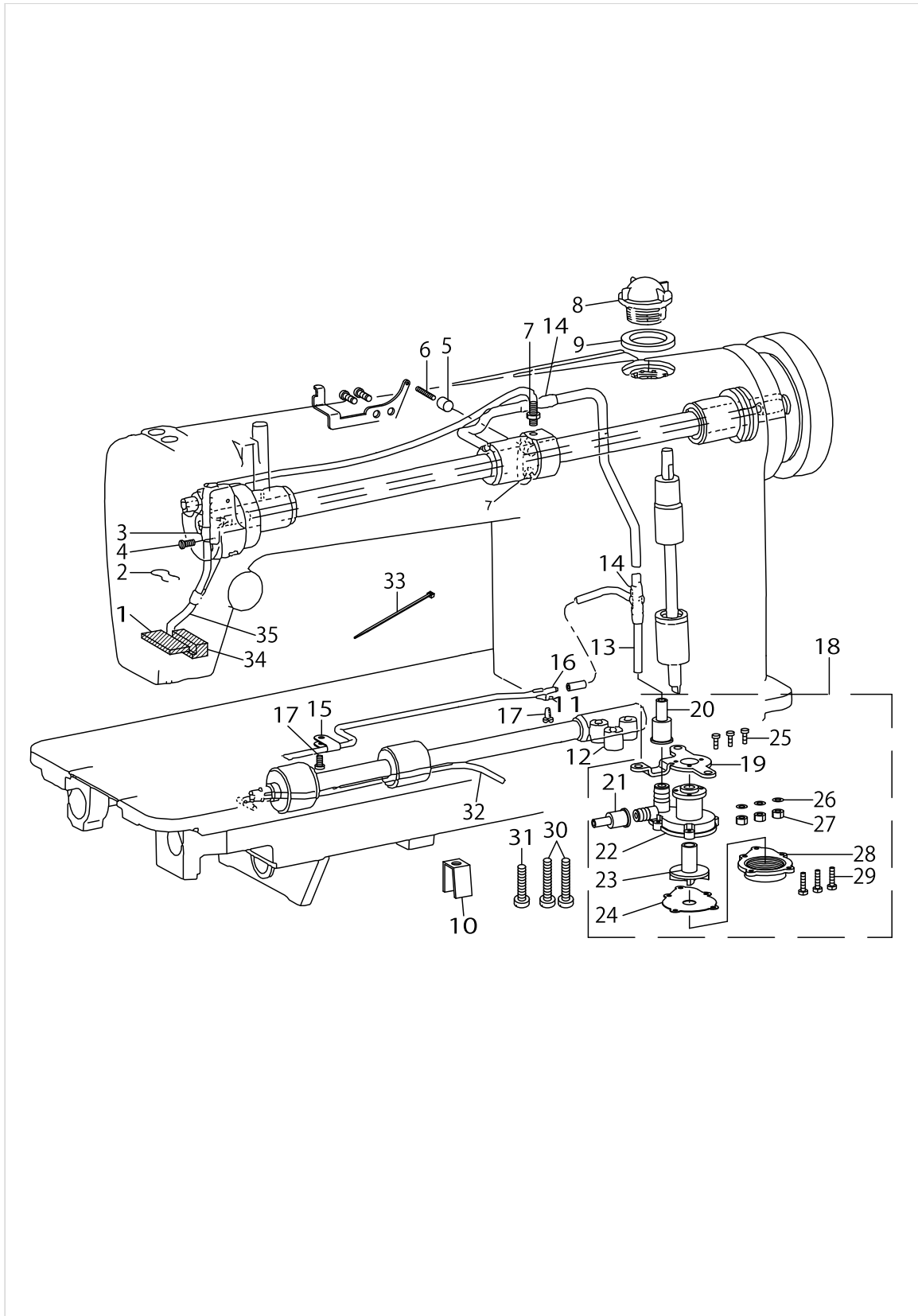
THREAD TENSION CONTROLLER COMPONENTS



THREAD TENSION CONTROLLER COMPONENTS

No.	Supply Code	Parts No.	Replacement	Parts name	Remarks	Choice	Step	Level	Cons	Qty	Rep. QTY
43		B3120125000		ROTATING STOPPER				*		1	
44		B3122481000		FRAME THREAD GUIDE						1	
45		SS4110515SP		SCREW 11/64-40 L=5						1	
46		B2201481000A		LOOPER THREAD GUIDE						1	
47		SS1110710SP		SCREW 11/64-40 L=7						1	
48		B2202481000		LOOPER THREAD GUIDE TUBE						1	
49		B22104810A0		LOOPER THREAD GUIDE ASM.						1	
50		B2203481000		LOOPER THREAD GUIDE(B)				*		1	
51		SS6080320SP		SCREW 1/8-44 L=2.5				*		1	
52		B2218481000		CAST-OFF WIRE				*		1	
53		SS6080410SP		SCREW 1/8-44 L=4				*		2	
54		WP0371026SD		WASHER 3.7X7X1				*		2	
55		B2217481000		THREAD GUIDE STOPPER SPRING				*		1	
56		SS6080320SP		SCREW 1/8-44 L=2.5				*		2	
57		B2216481000		THREAD GUIDE SPRING				*		1	
58		B2214481000		THREAD GUIDE STUD				*		1	
59		NS6110310SP		NUT 11/64-40				*		1	
60		B2213481000		CAST-OFF PLATE				*		1	
61		B2212481000		LOOPER THREAD GUIDE RIGHT				*		1	
62	R	B2211481000	D2211481D00	LOOPER THREAD GUIDE LEFT				*		1	1.00
63		B2215481000		COLLAR				*		2	
64		SS7081310SP		SCREW 1/8-44 L=12.5				*		1	
65		SS4110515SP		SCREW 11/64-40 L=5						2	
66	R	B2220481010	B22204810A0	LOOPER THREAD TAKE-UP						1	1.00
67		B2225481000		SCREW						1	

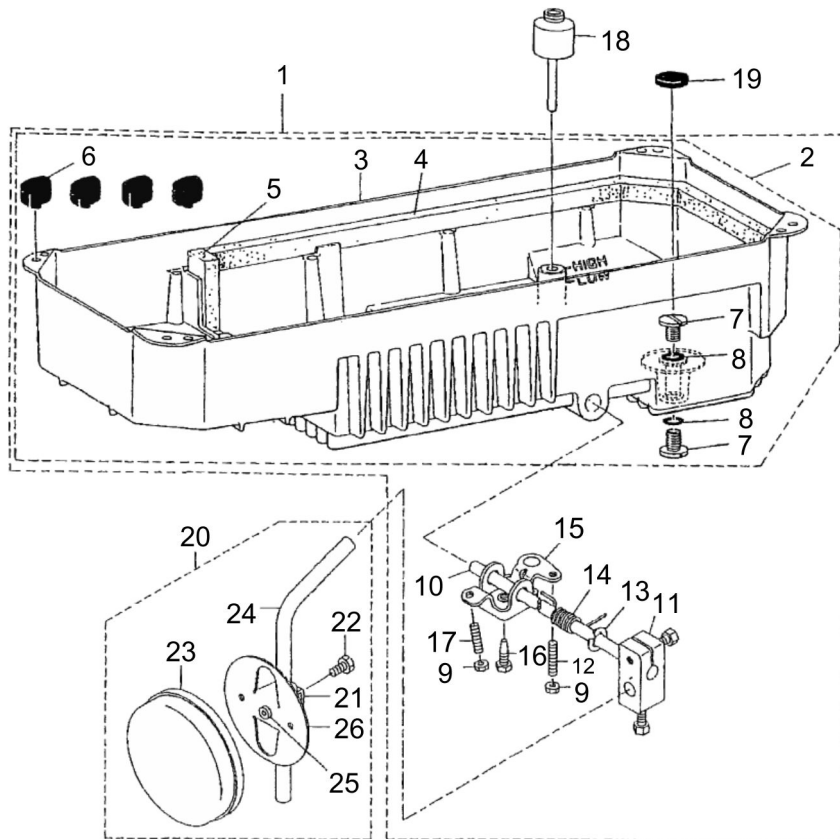
OIL LUBRICATION MECHANISM COMPONENTS



OIL LUBRICATION MECHANISM COMPONENTS

No.	Supply Code	Parts No.	Replacement	Parts name	Remarks	Choice	Step	Level	Cons	Qty	Rep. QTY
1		B3528552000		OIL RETURN FELT						1	
2		22925101		OIL FELT PRESSER						1	
3		D3536555B00		OIL RETURN TUBE PRESSER PLATE						1	
4		SS4110715SP		SCREW 11/64-40 L=7						1	
5		B3534155000		PLUNGER						1	
6		B1214038000		PLUNGER SPRING						1	
7		SQ1110401MZ		CONNECTING SCREW						2	
8	R	B3530555000	22924708	OIL SIGHT WINDOW						1	1.00
9		RO195240100		RUBBER RING						1	
10		B3545122000		OIL GUARD						1	
11	D	B2657771000		GUIDE						1	
12		B3552481000		OIL PUMP INSTALLING COLLAR						3	
13	R	B3513484000	B3513484000A	MAIN SHAFT OIL PIPE						1	1.00
14		B3527415000		RUBBER JOINT						2	
15		B3554481000		HOLDER						1	
16		B3553481000		GEAR OIL PIPE						1	
17		SS4110715SP		SCREW 11/64-40 L=7						2	
18	R	B35015550A0	40020337	LUBRICATING OIL PUMP ASM.						1	1.00
19	R	B3503555000	40020337	OIL PUMP INSTALLING BASE				*		1	1.00
20	R	B3505555000	40020337	RUBBER JOINT				*		1	1.00
21	R	B3506555000	40020337	RUBBER JOINT				*		1	1.00
22	R	B3501555000	40020337	LUBRICATING OIL PUMP				*		1	1.00
23	R	B3507555000	40020337	OIL PUMP IMPELLER				*		1	1.00
24	R	B3508555000	40020337	OIL PUMP IMPELLER COVER				*		1	1.00
25		SM4031001SC		SCREW M3X0.5 L=10				*		3	
26		WT0320002KZ		WASHER				*		3	
27	D	NM60300000E		NUT M3X0.5				*		3	
28	R	B3502555000A	40020337	LUBRICATING OIL PUMP COVER				*		1	1.00
29		SE4301031SR		SCREW				*		5	
30		SS6123010SP		SCREW 3/16-28 L=30.0						2	
31		SS6122510SP		SCREW 3/16-28 L=25						1	
32		B3521481000A		LUBRICATING OIL PIPE						1	
33		EA9500B0100		CABLE BAND						1	
34		B3526226000		OIL SPONGE						1	
35		BP300000000		VINYL PIPE						.4	

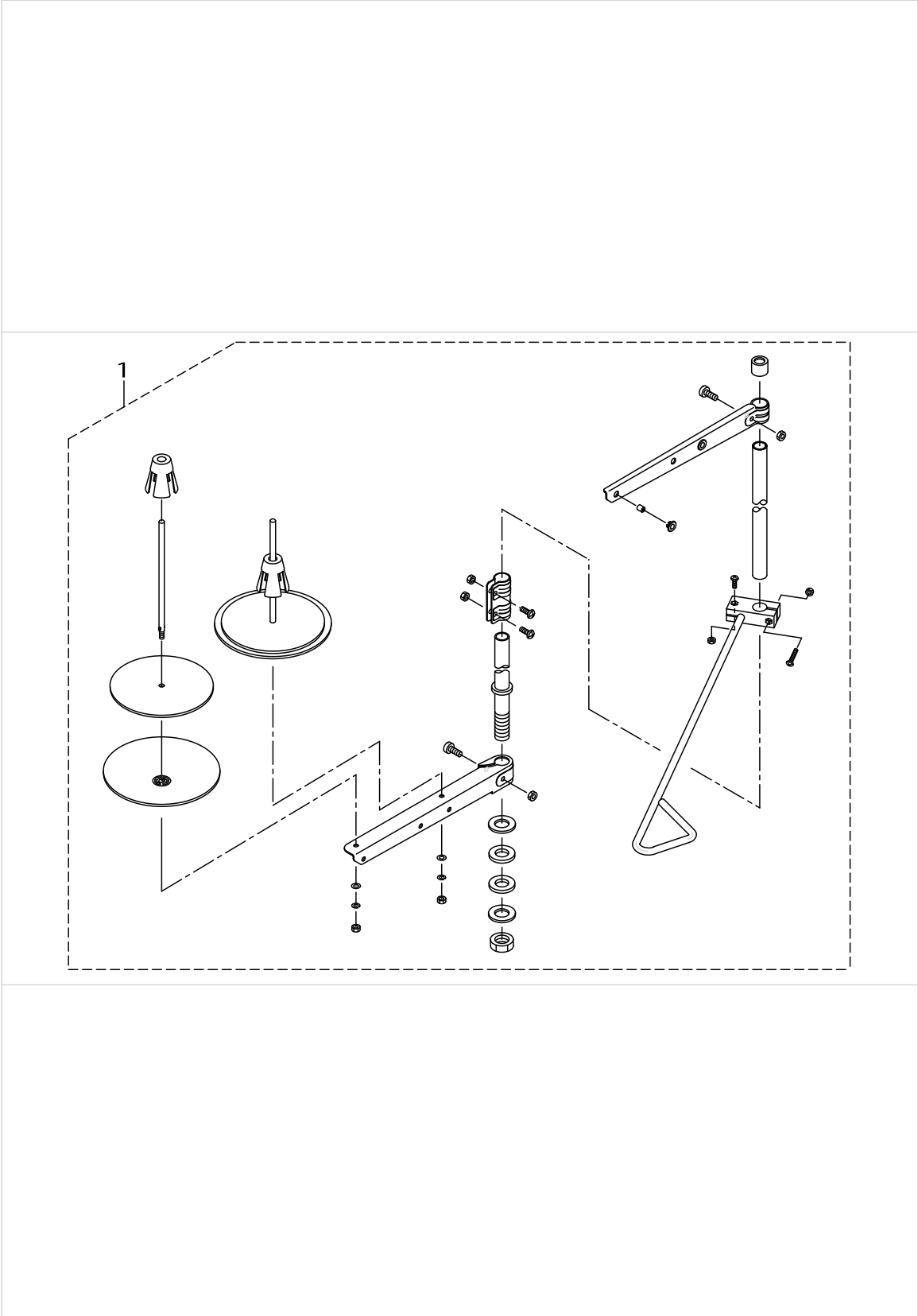
OIL RESERVOIR & KNEE LIFTER COMPONENTS



OIL RESERVOIR & KNEE LIFTER COMPONENTS

No.	Supply Code	Parts No.	Replacement	Parts name	Remarks	Choice	Step	Level	Cons	Qty	Rep. QTY
1		B8217481AD0		OIL RESERVOIR ASM.						1	
2	R	B8217481AC0	B8217481AD0	OIL RESERVOIR ASM.				*		1	1.00
3	R	B8217481000	B8217481AD0	OIL RESERVOIR		B	B:	*		1	1.00
3	R	B8217481000	B8217481AD0	OIL RESERVOIR				*		1	1.00
4		B8235481000		GASKET A				*		2	
5		B8237481000		GASKET C				*		1	
6		D8227555E00		FELT CUSHION				*		4	
7		SS7701010SP		SCREW 5/16-24 L=10				*		2	
8		RO068190100		RUBBER RING				*		2	
9		NM6060001SE		NUT M6				*		2	
10		B3420555000		KNEE PRESS ROD				*		1	
11		22932453		BRACKET ASM.				*		1	
12		SM8063012TR		SCREW M6 L=30				*		1	
13		B3426552000		THRUST RING				*		1	
14	R	11024106	22932206	SPRING				*		1	1.00
15		B3425555000A		KNEE LIFTER ROTATION ARM				*		1	
16		SM9061853SR		SCREW M6 L=17.5				*		1	
17		SM8063012TR		SCREW M6 L=30				*		1	
18		B3421555000		KNEE PRESS LIFTER ROD						1	
19		B8228125000		OIL RESERVOIR MAGNET						1	
20		22934251		KNEE PAD PLATE ASM.						1	
21		22934301		KNEE PAD PLATE SUPPORT				*		1	
22		SM9061203SE		SCREW M6 L=12				*		1	
23		22934509		KNEE PAD PLATE COVER				*		1	
24		22934608		KNEE PAD UPRIGHT SHAFT				*		1	
25		22934400		KNEE PAD PLATE RUBBER				*		1	
26		22934202		KNEE PAD PLATE				*		1	

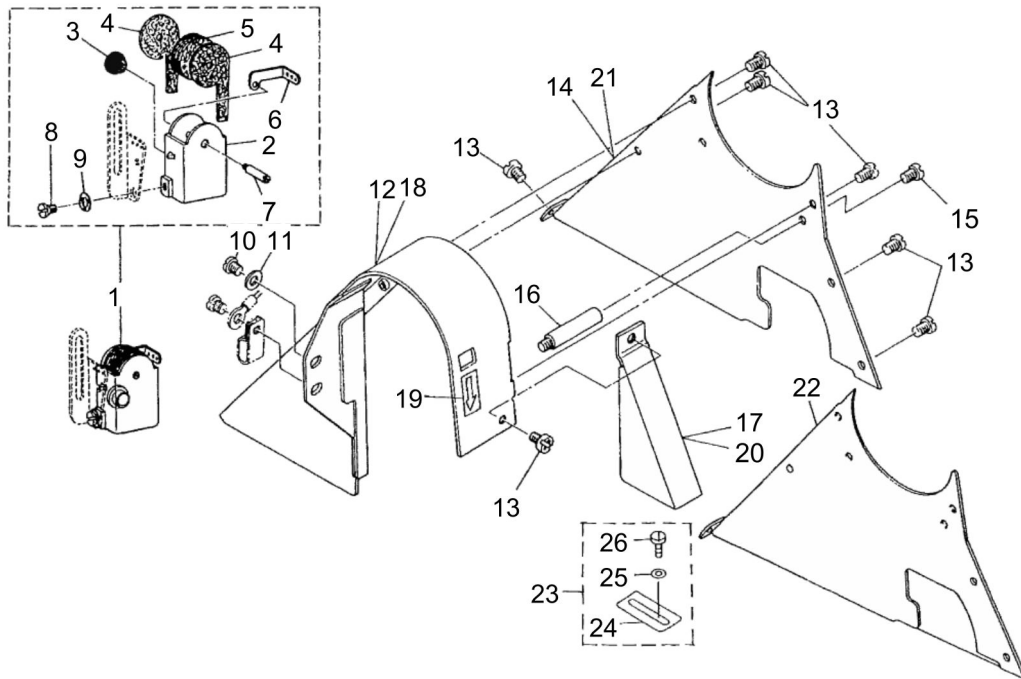
THREAD STAND COMPONENTS



THREAD STAND COMPONENTS

No.	Supply Code	Parts No.	Replacement	Parts name	Remarks	Choice	Step	Level	Cons	Qty	Rep. QTY
1	R	40111351	40111352	THREAD STAND ASM.						1	1.00

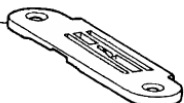

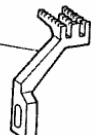
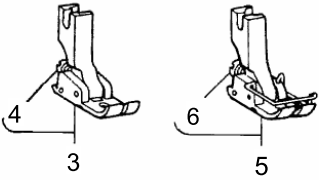
SILICON OIL LUBRICANT & BELT COVER COMPONENTS



SILICON OIL LUBRICANT & BELT COVER COMPONENTS

No.	Supply Code	Parts No.	Replacement	Parts name	Remarks	Choice	Step	Level	Cons	Qty	Rep. QTY
1		B11614810B0		SILICONE OIL LUBRICANT ASM.	SPECIAL ORDER PARTS					1	
2		B1161481000A		SILICON OIL CASE	SPECIAL ORDER PARTS			*		1	
3		TA1050504R0		RUBBER PLUG	SPECIAL ORDER PARTS			*		1	
4		B1166481000		SILICON OIL FELT	SPECIAL ORDER PARTS			*		2	
5		B1162481000		SILICON OIL FELT	SPECIAL ORDER PARTS			*		5	
6		B1167481000		SILICON THREAD GUIDE	SPECIAL ORDER PARTS			*		1	
7		B1168481000		SCREW	SPECIAL ORDER PARTS			*		1	
8		SD0640231SP		HINGE SCREW D=6.35 H=2.3	SPECIAL ORDER PARTS			*		1	
9		WZ0641510KP		WAVED WASHER 6.4X11X0.3	SPECIAL ORDER PARTS			*		1	
10		SS4150915SP		SCREW 15/64-28 L=9						2	
11		WP0621016SD		WASHER 6.2X13X1						2	
12	D	D8230555E00		BELT COVER						1	
13		SS4110515SP		SCREW 11/64-40 L=5						7	
14	D	D8231555E00		BELT COVER TOP						1	
15		SS4110815SP		SCREW 11/64-40 L=8						1	
16		D8232555B00		BELT COVER SUPPORT						1	
17	D	D8232555E00		THREAD WINDER COVER						1	
18		B82303800A0		BELT COVER	FOR URBAN WHITE					1	
19		CM500300001		DIRECTION LABEL	FOR URBAN WHITE					1	
20		D8232555E0A		BOBBIN WINDER COVER	FOR URBAN WHITE					1	
21		D8231555E0B		BELT COVER TOP	FOR URBAN WHITE					1	
22		B8231380000		BELT COVER TOP	FOR JE & USE IN JAPAN					1	
23		10163152		BELT COVER SUPPORT PLATE ASM.	FOR JE					1	
24		10163103		BELT COVER SUPPORT PLATE				*		1	
25		WP0501016SC		WASHER 5X10.5X1				*		1	
26	R	SK3482500SC	SK3482501SE	WOOD SCREW D=4.8 L=25				*		1	1.00

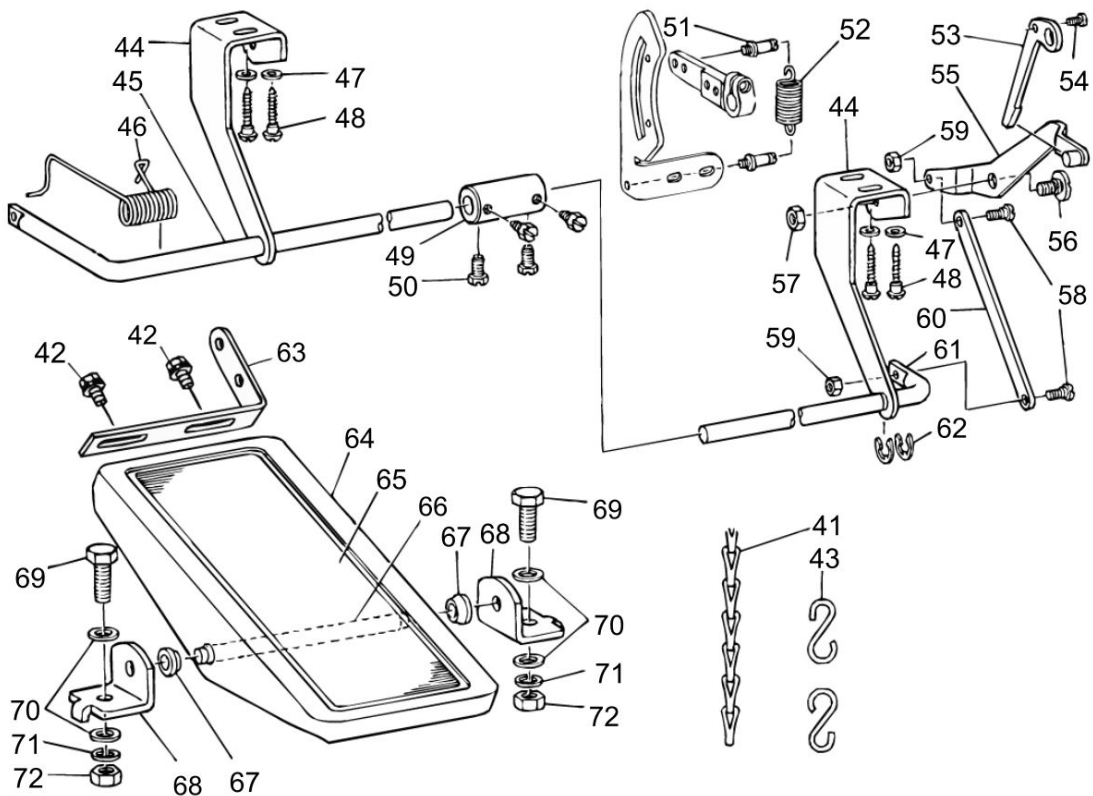
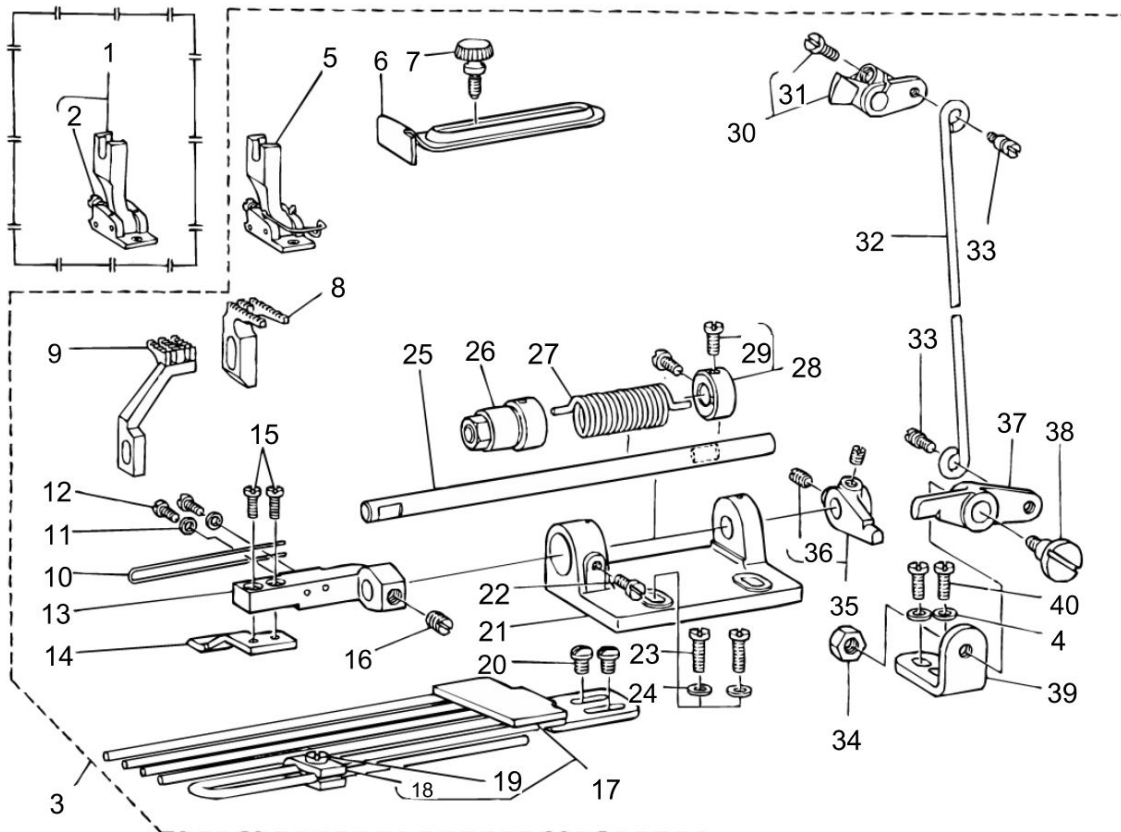
EXCHANGING PARTS COMPONENTS (SPECIAL ORDER PARTS)

<p>THROAT PLATE FOR LIGHT WEIGHT MATERIALS 薄物用針板</p> <p>1</p> 	<p>ACCESSORIES 付属品</p> 
<p>FEEED DOG (REVERSE TEETH) FOR STRETCHING 伸し用送り歯 (逆歯)</p> <p>2</p> 	
<p>PRESSER FOOT FOR ATTACHING GATHER 一枚ひだ付け用押え</p> <p>3 4 5 6</p> 	

EXCHANGING PARTS COMPONENTS (SPECIAL ORDER PARTS)

No.	Supply Code	Parts No.	Replacement	Parts name	Remarks	Choice	Step	Level	Cons	Qty	Rep. QTY
1	D	B1103484B00		THROAT PLATE						1	
2		B1653484C00		DIFFERENTIAL FEED DOG						1	
3	R	B1524484DA0	B1524484DB0	PRESSER FOOT ASM.						1	1.00
4		SS5060310SP		SCREW 3/32-56 L=2.8				*		1	
5		B1524484DB0		PRESSER FOOT AS- M.(FINGER GUARD)						1	
6		SS5060310SP		SCREW 3/32-56 L=2.8				*		1	
7		B91351230B0		SILICON OIL LUBRI- CANT ASM. (30CC)						1	

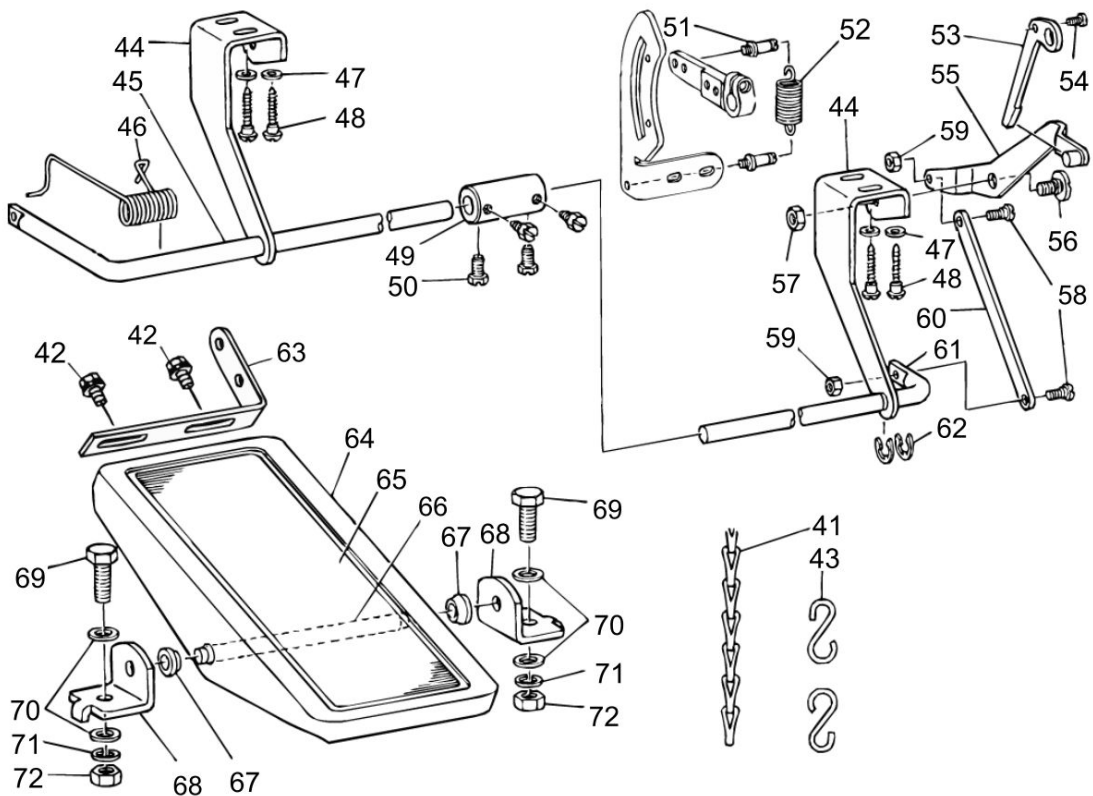
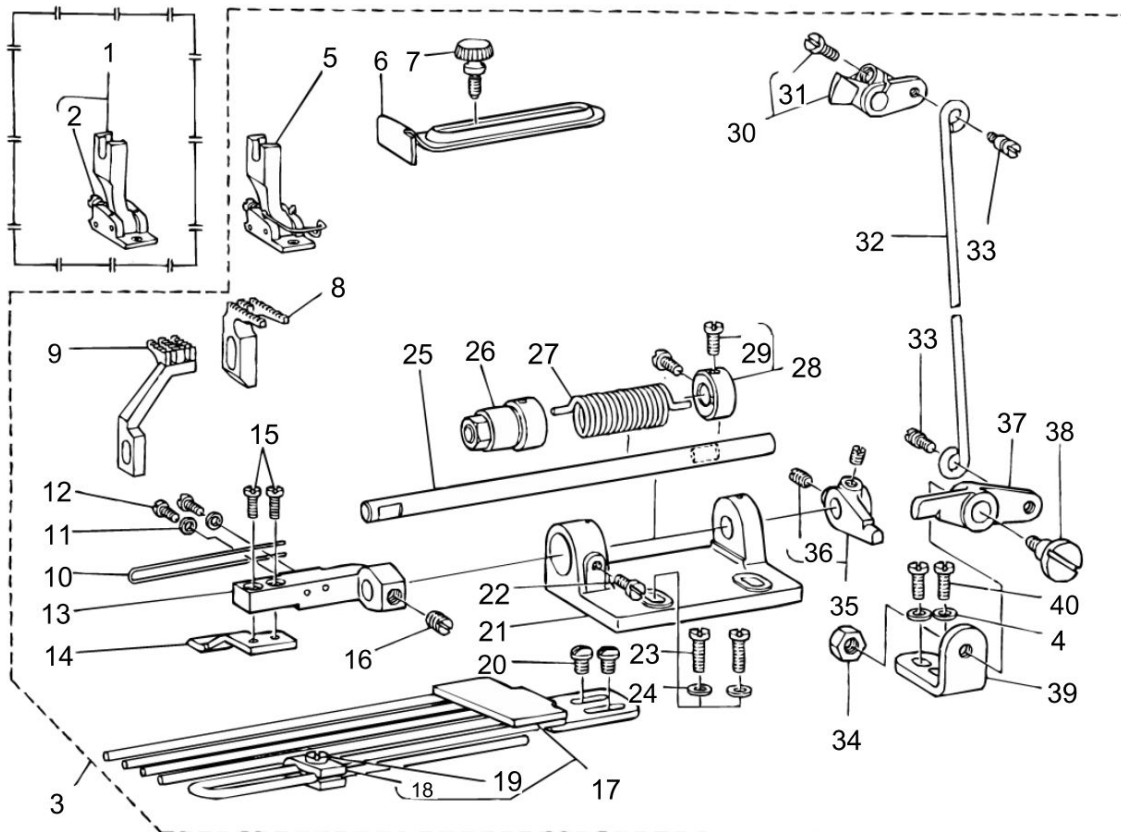
S060 GATHERING ATTACHMENT / S061 INTERMITTENT GATHERING ATTACHMENT



S060 GATHERING ATTACHMENT / S061 INTERMITTENT GATHERING ATTACHMENT

No.	Supply Code	Parts No.	Replacement	Parts name	Remarks	Choice	Step	Level	Cons	Qty	Rep. QTY
1		MAS060010A0		PRESSER FOOT ASM.	SPECIAL ORDER PARTS					1	
2		SS5060310SP		SCREW 3/32-56 L=2.8				*		1	
3	D	MAS060000A0		GATHERING UNIT						1	
4		WP0480856SP		WASHER 4.8X8.4X0.8				*		2	
5		MAS060010B0		PRESSER FOOT AS- M. (FINGER GUARD)				*		1	
6	D	MAS06018000		STITCH GUIDE (GATHERING)				*		1	
7		A1132001000		PRESSER FOOT SCREW				*		1	
8		MAS06002000		MAIN FEED DOG (GATHERING)				*		1	
9		MAS06003000		DIFFERENTIAL FEED DOG (GATHERING)				*		1	
10		MAS06017000		FRONT PRESSER FOOT WIRE				*		1	
11		WP03305000E		WASHER 3.3X6X0.5				*		2	
12	R	SS6080710SP	SS4080620TP	SCREW 1/8-44 L=6.5				*		2	1.00
13		MAS06005000		FRONT PRESSER FOOT ARM				*		1	
14	D	MAS06004000		FRONT PRESSER FOOT				*		1	
15		SS7090710SP		SCREW 9/64-40 L=6.8				*		2	
16	R	SS8150710SP	SS8150710TP	SCREW 15/64-28 L=7				*		1	1.00
17		MAS060160A0		TAPE GUIDE ASM.				*		1	
18		B1560431B00		TAPE GUIDE				*		1	
19		SS7090710SP		SCREW 9/64-40 L=6.8				*		1	
20		SS3120540SP		SCREW 3/16-28 L=5.4				*		2	
21		MAS06006000		FRONT PRESSER FOOT BASE				*		1	
22		SS7110910TP		SCREW 11/64-40 L=8.5				*		1	
23	R	SS7111120SP	SS7111120TP	SCREW 11/64-40 L=10.5				*		2	1.00
24		WP0480856SP		WASHER 4.8X8.4X0.8				*		2	
25		MAS06008000		FRONT PRESSER FOOT SHAFT				*		1	
26	D	MAS06007000		FRONT PRESSER F- OOT SHAFT BUSHI				*		1	
27		MAS06009000		FRONT PRESSER FOOT SPRING				*		1	
28	D	CS072081CSM		THRUST COLLAR ASM. D=7.24 W=8				*		1	
29		SS7110710SP		SCREW 11/64-40 L=7				*		2	
30	D	MAS060150A0		NEEDLE THREAD R- ELEASE LATCH ASM.				*		1	
31		SS7111110TP		SCREW 11/64-40 L=10.5				*		1	
32		MAS06014000		LIFTING LINK				*		1	
33	R	11007101	22908909	HINGE SCREW				*		2	1.00
34		NS6160520SP		NUT 1/4-24				*		2	
35	D	MAS060120A0		FRONT PRESSER F- OOTSHAFTARMASM.				*		1	
36		SS8110750SP		SCREW 11/64-40 L=6.5				*		2	
37		MAS06013000		LIFTING LEVER				*		1	
38		SD0791051SP		HINGE SCREW D=7.94 H=10.5				*		1	
39		MAS06011000		LIFTING LEVER BASE				*		1	
40	R	SS7110910SP	SS7110910TP	SCREW 11/64-40 L=8.5				*		2	1.00
41	R	B8131019000	26037903	CHAIN	FOR S061 EXCLUSIVE PARTS			*		1	1.00
42		SL9061291SE		WASHER HEXAGON- AL BOLT M6 L=12	FOR S061 EXCLUSIVE PARTS			*		2	
43	R	B8133019000	13160304	S SHAPED HOOK	FOR S061 EXCLUSIVE PARTS			*		2	1.00

S060 GATHERING ATTACHMENT / S061 INTERMITTENT GATHERING ATTACHMENT



S060 GATHERING ATTACHMENT / S061 INTERMITTENT GATHERING ATTACHMENT

No.	Supply Code	Parts No.	Replacement	Parts name	Remarks	Choice	Step	Level	Cons	Qty	Rep. QTY
44	D	MAS06103000		PEDAL SHAFT SUPPORT PLATE	FOR S061 EXCLUSIVE PARTS			*		2	
45	D	MAS06108000		PEDAL SHAFT LEFT	FOR S061 EXCLUSIVE PARTS			*		1	
46	D	MAS06110000		PEDAL SHAFT SPRING	FOR S061 EXCLUSIVE PARTS			*		1	
47		WP0501016SC		WASHER 5X10.5X1	FOR S061 EXCLUSIVE PARTS			*		4	
48	R	SK3482500SC	SK3482501SE	WOOD SCREW D=4.8 L=25	FOR S061 EXCLUSIVE PARTS			*		4	1.00
49	D	MAS06109000		PEDAL SHAFT JOINT	FOR S061 EXCLUSIVE PARTS			*		1	
50		SS9150860SP		SCREW 15/64-28 L=8	FOR S061 EXCLUSIVE PARTS			*		4	
51		B3413227000		SPRINGSUSPENSION	FOR S061 EXCLUSIVE PARTS			*		2	
52		MAS06101000		SPRING	FOR S061 EXCLUSIVE PARTS			*		1	
53	D	MAS06102000		INTERMITTENT ARM	FOR S061 EXCLUSIVE PARTS			*		1	
54		SS7110710SP		SCREW 11/64-40 L=7	FOR S061 EXCLUSIVE PARTS			*		1	
55	D	MAS061040A0		CONNECTING ARM ASM.	FOR S061 EXCLUSIVE PARTS			*		1	
56		SD0920321SP		HINGE SCREW D=9.20 H=3.2	FOR S061 EXCLUSIVE PARTS			*		1	
57		NS6160520SP		NUT 1/4-24	FOR S061 EXCLUSIVE PARTS			*		1	
58		SD0640323TP		HINGE SCREW D=6.35 H=3.2	FOR S061 EXCLUSIVE PARTS			*		2	
59		NS6620340SP		NUT 3/16-32	FOR S061 EXCLUSIVE PARTS			*		2	
60	D	MAS06106000		PEDAL SHAFT LINK	FOR S061 EXCLUSIVE PARTS			*		1	
61	D	MAS06107000		PEDAL SHAFT RIGHT	FOR S061 EXCLUSIVE PARTS			*		1	
62		RE0900000K0		E-RING 9	FOR S061 EXCLUSIVE PARTS			*		2	
63		GPF06080000		PEDAL ADJUSTING PLATE	FOR S061 EXCLUSIVE PARTS			*		1	
64	R	GPF06060000	GPF060600A0	PEDAL	FOR S061 EXCLUSIVE PARTS			*		1	1.00
65		GPF06070000		PEDAL MAT	FOR S061 EXCLUSIVE PARTS			*		1	
66		B8153771000		PEDAL CONNECTING ROD	FOR S061 EXCLUSIVE PARTS			*		1	
67		D8113555B00		PEDAL BUSHING	FOR S061 EXCLUSIVE PARTS			*		2	
68		11159001		PEDAL SHAFT BRACKET	FOR S061 EXCLUSIVE PARTS			*		2	
69		SM9082023SE		SCREW M8 L=20	FOR S061 EXCLUSIVE PARTS			*		2	
70		WP0871602SE		WASHER 8.7X18X1.6	FOR S061 EXCLUSIVE PARTS			*		4	
71		WS0861410KR		SPRING WASHER 8.6X15X1.4	FOR S061 EXCLUSIVE PARTS			*		2	
72		NM6080721SE		NUT M8	FOR S061 EXCLUSIVE PARTS			*		2	

LIST FOR INFORMATION OF CHANGE

As to the place changed, refer to the corresponding Rev.No.
 When previous parts(Obsoleted part)and new parts(Added parts)are
 not interchangeable with each other:
 In this case,even obsoleted parts(D.)can be ordered with the
 obsoleted part number,so select the parts with changed dates and
 place your orders.

変更箇所は、該当Rev.No.版をご参照ください。
 部品の互換性がない変更の場合は、削除された品番でも、ご注文できます。

BE4840S0PJA

No.0074-09 Rev.No.

*A:Added parts追加部品/D:Obsoleted parts削除部品/E:Erratum訂正

* Rev. No.	Page 頁	Ref. No.	Parts No. 品番	* Rev. No.	Page 頁	Ref. No.	Parts No. 品番
D 08	2	1	B1121-552-0A0	A 09	2	1	401-14236
D 08	2	76	CM-3002000-B1				
D 08	2	77	CM-3002001-01	A 09	2	76	CM-3012000-01
D 08	2	78	CM-3002001-A1				
D 08	2	79	CM-3002001-C1	A 09	2	77	CM-3002000-01
D 08	6	52	B1432-027-000	A 09	6	52	228-14909
D 08	8	8	B1625-555-000	A 09	8	8	401-14880
D 08	8	15	B1612-161-000	A 09	8	15	401-14884
D 08	8	18	B1627-555-0A0	A 09	8	18	401-20458
				A 09	8	65	400-82080
				A 09	8	66	400-82081
D 08	10	21	B1604-155-000	A 09	10	21	401-33993
D 08	10	29	B1604-155-000	A 09	10	29	401-33993
D 08	10	37	SS-6121610-SP	A 09	10	37	SS-6121610-TP
D 08	10	42	SS-2090710-SP	A 09	10	42	SS-2090710-TP
D 08	19	1	B3526-552-0A0	A 09	20	1	B3528-552-000
D 08	19	33	EA-9500B00-00	A 09	20	33	EA-9500B01-00
				A 09	20	34	B3526-226-000
				A 09	20	35	BP-3000000-00
D 08	22	1	269-10653	A 09	22	1	401-11351
D 08	26	3	MAS-061000-A0				
D 08	26	42	MAS-061010-A0				
D 08	26	63	B8151-771-0A0				
D 08	26	64	B8151-771-000	A 09	26	64	GPF-06060000
D 08	26	65	B8152-771-000	A 09	26	65	GPF-06070000
D 08	26	68	D8114-555-B0E	A 09	26	68	111-59001
D 08	26	73	B8125-280-00E	A 09	26	63	GPF-06080000
D 08	26	74	SM-9061203-SE	A 09	26	42	SL-9061291-SE
D 08	26	75	WS-0621210-KR				
D 08	26	76	WP-0671016-SE				

HOW TO MAKE USE OF THIS PARTS LIST

1.Explanation of codes

1)"*"mark.....means this part is changed from the previous parts book.

As to the details of the change, refer to the "List for information of change".

2)"#01".....refer to "Note" explanation at bottom of page.

2.Codes on the "Qty" column

- Each numeral indicates the number of parts required.
- "0.1" and "2.5" indicate the length (in meters) of the respective parts.

3.Parentheses mean that the corresponding part is a subpart that constructs an assembly part.

4.Dotted lines on the Figures indicate assembly parts.

1."注記"欄の記号説明

1) "*"印.....前回のパーツブックに比較して今回変更された部品を意味します。

変更内容は、"変更情報リスト"を参照してください。

2) "#01".....ページ下の"注記"の説明を参照してください。

2.数量欄の数字は、個数を表し、0.1、2.5等の数値は、長さ（単位メートル）を表します。

3.数量欄の（ ）は、組部品を構成している子部品であることを意味します。

4.イラストページの-----枠は、組構成であることを意味します。

NUMERICAL INDEX OF PARTS

PART NO	PAGE	REF NO.	PART NO	PAGE	REF NO.	PART NO	PAGE	REF NO.
10163103	38	24	B1106122000	2	25	B1308481000	10	37
10163152	38	23	B1106380000	4	56	B13084810A0	10	43
10178705	10	11	B1106481000A	4	65	B13084810B0	10	42
11004207	12	47	B11064810A0A	4	64	B1401481000	6	3
11007101	42	33	B1107380000	4	62	B1403155000	6	8
11024106	34	14	B1107481000	4	70	B14033520A0	22	6
11072204	28	2	B1108481000	4	66	B1408481000	6	35
11159001	44	68	B1109481000	4	68	B14114810A0	6	10
22814909	12	52	B1110481000A	2	44	B1414232000	22	21
22901409	6	23	B1111380000	4	48	B1414555000	6	12
22901805	4	78	B1111481000	2	45	B1418552A00	6	7
22904155	18	32	B1112380000	4	50	B1419155000	6	6
22906101	6	21	B1112481000A	4	46	B1509555000	10	15
22907000	10	7	B1115380000	4	60	B1511555000	10	16
22907109	10	8	B1118481000	2	16	B1515552000	10	17
22907406	10	14	B111848100A	2	43	B1516552000	10	20
22907505	10	9	B1119481000	2	17	B1517552000	10	21
22907604	10	10	B112155200A	2	42	B15185550A0	10	25
22907703	10	13	B1122552000	2	2	B1520552000	10	27
22907802	12	61	B11304810A0	2	5	B1521555000	10	28
22908909	12	64	B1131481000	2	6	B1522552000	28	19
22912000	2	27	B1132481000	2	7	B1523226000	10	23
22912109	2	28	B1134481000	2	22	B1524481CC0	10	1
22925101	32	2	B1135481000	2	23	B1524484DA0	40	3
22932453	34	11	B1161481000A	38	2	B1524484DB0	40	5
22934202	34	26	B11614810B0	38	1	B1528481000	12	63
22934251	34	20	B1162481000	38	5	B1532481C00	10	2
22934301	34	21	B1166481000	38	4	B1533481C00	10	4
22934400	34	25	B1167481000	38	6	B1536481C00	10	3
22934509	34	23	B1168481000	38	7	B1560431B00	42	18
22934608	34	24	B1201481000A	6	25	B1601484000	18	1
40082080	16	65	B1202481000	6	38	B1602484000	18	14
40082081	16	66	B1203481B00	6	40	B16034840A0	18	5
40111351	36	1	B12064810A0	6	29	B1604484000	18	2
40114236	2	1	B12064810B0	6	30	B1606484000	16	46
40114880	14	8	B12135520A0A	6	26	B1607352000	12	50
40114884	14	15	B1214038000	32	6	B1607484000A	16	45
40120458	14	18	B1217490000	6	9	B16084840A0	14	43
40133993	18	29	B121749000A	6	22	B1610430000	18	24
A1132001000	42	7	B1226552000	6	28	B16104300A0	18	7
B1103484B00	40	1	B1301481000A	10	45	B16104300A0	24	40
B1103484F00	4	52	B1302552B00	12	46	B16104840A0	14	12
B1104380A00	4	59	B13050120A0	10	40	B1613484F00	18	20
B1104380AA0	4	58	B13061550A0	10	44	B1614484000A	14	39
B1105380000	4	54	B13061550B0	10	39	B1615484000	14	38

NUMERICAL INDEX OF PARTS

PART NO	PAGE	REF NO.	PART NO	PAGE	REF NO.	PART NO	PAGE	REF NO.
B1617484000	14	32	B1673484000	16	61	B2032481000	24	8
B1618484000	14	36	B1701481000	18	28	B210348100B	22	4
B1619555000	14	31	B17014840A0	18	40	B2105481000	22	5
B1620481000	14	5	B1702155000	18	34	B21064810A0	22	9
B1621555000A	14	17	B17031550A0	18	36	B2108481000	22	18
B1622555000	14	6	B1708481000	18	43	B2109481000A	22	14
B1623555000A	14	1	B171248100B	18	44	B2110481000A	22	13
B1623555A00	14	22	B17134810A0	18	22	B2111481000A	22	16
B1624555000	16	56	B1715481000	18	12	B21124810A0	22	19
B162455500A	16	47	B1715481000	22	25	B21154810A0	22	29
B1626555000	14	9	B1801481000A	12	49	B21174810A0	22	12
B1628555000	14	24	B1802481000	12	57	B21194810A0	22	33
B16294840A0A	16	52	B1803481000	12	55	B21204810A0	22	31
B1630484000	16	50	B1803481000	24	26	B2122481000	22	36
B1631484000	14	34	B1813481000	12	59	B2123481000	22	37
B1632470000	14	26	B1827232000	22	22	B2124481000	22	27
B1633484000	14	40	B19013800A0	6	15	B21254810A0	22	39
B1634555000B	14	3	B1901481000A	6	16	B21264810A0	22	42
B1636581B00	14	16	B19024810A0B	6	13	B2201481000A	30	46
B1646484000	14	25	B1903481000	2	31	B2202481000	30	48
B1647704000A	20	1	B1903552000	6	37	B2203481000	30	50
B1649161000	14	28	B1904481000	2	29	B22104810A0	30	49
B16514840A0	20	36	B190448100A	4	73	B2211481000	30	62
B1652484000	18	10	B1905380000	2	34	B2212481000	30	61
B1653484C00	40	2	B1905541B00	6	36	B2213481000	30	60
B1653484F00	18	18	B1908481000A	6	17	B2214481000	30	58
B1654484000	20	30	B1909481000A	6	19	B2215481000	30	63
B1656484000	18	4	B1912481000	2	36	B2216481000	30	57
B1657484000	20	32	B1913481000	2	37	B2217481000	30	55
B16584840A0	20	28	B1914481000	2	39	B2218481000	30	52
B1659484000	20	34	B1916481000	2	40	B2220481010	30	66
B1660484000	16	59	B2001481000A	24	23	B2225481000	30	67
B1661481000	16	60	B2002481000	24	24	B2226481000	12	60
B1661484000	20	33	B20044810A0	24	30	B23014810A0	24	34
B1662484000	20	27	B20054810AB	24	32	B2302481000	24	36
B16634840A0	20	20	B20064810A0	24	20	B23034810A0	24	42
B1664484000	20	18	B2007481000	24	22	B23044810A0	24	44
B16654840A0	20	14	B2008481000	24	14	B23054810A0	26	49
B1666484000	20	8	B20104810A0	24	11	B2306019000	28	37
B1667484000	20	7	B2012481000	24	9	B2306481000	26	46
B1668484000	20	13	B2013481000A	24	1	B2307481000	26	47
B1669484000	20	9	B20144810A0	24	15	B23084810A0	26	58
B1670484000	20	2	B20154810A0	24	4	B23094810A0	26	52
B16714840A0	20	23	B2025481000	24	6	B2310481000	26	55
B1672484000	20	17	B2030481000	24	3	B2311481000A	26	51

NUMERICAL INDEX OF PARTS

PART NO	PAGE	REF NO.	PART NO	PAGE	REF NO.	PART NO	PAGE	REF NO.
B2312481000	24	19	B3513484000	32	13	D1230555B00	8	45
B2657771000	32	11	B3521481000A	32	32	D1231555B00	8	46
B3101481000	28	39	B3526226000	32	34	D1232555B00	8	47
B3102481000	28	38	B3527415000	32	14	D1910481C00	6	18
B31024810A0	28	34	B3528552000	32	1	D2101481CA0	22	1
B3103481000	28	9	B3530555000	32	8	D3110481C00	28	22
B31034810A0	28	1	B3534012000	2	15	D3111481CA0	2	13
B3104481000	28	36	B3534155000	32	5	D3130481CA0	28	20
B3106380000	28	8	B3545122000	32	10	D3133481C00	28	24
B3106481000	28	3	B3552481000	32	12	D3134481C00	28	23
B3107704000	28	40	B3553481000	32	16	D3136481CA0	28	16
B3115481000	28	26	B3554481000	32	15	D3536555B00	32	3
B3116481000	28	27	B41033520A0	18	26	D8113555B00	44	67
B3117481000	28	28	B8131019000	42	41	D8227555E00	34	6
B3119771000	28	42	B8133019000	42	43	D8230555E00	38	12
B3120125000	28	43	B8153771000	44	66	D8231555E00	38	14
B3120125000	30	43	B8217481000	34	3	D8231555E0B	38	21
B3120481000	28	32	B8217481AC0	34	2	D8232555B00	38	16
B3121481000	28	12	B8217481AD0	34	1	D8232555E00	38	17
B3122481000	30	44	B8228125000	34	19	D8232555E0A	38	20
B3126012000	28	35	B82303800A0	38	18	EA9500B0100	32	33
B3126352000	28	5	B8231380000	38	22	GPF06060000	44	64
B3129012A00	28	41	B8235481000	34	4	GPF06070000	44	65
B3135481000	28	15	B8237481000	34	5	GPF06080000	44	63
B31354810B0	28	14	B91351230B0	40	7	MAS060000A0	42	3
B3148123000	2	38	BP300000000	32	35	MAS060010A0	42	1
B3412415000	10	29	BT0500300E0	24	18	MAS060010B0	42	5
B3413227000	44	51	CM300200001	4	77	MAS06002000	42	8
B3414415000A	10	32	CM301200001	4	76	MAS06003000	42	9
B3415481000	10	35	CM500300001	38	19	MAS06004000	42	14
B3416415000A	10	33	CQ202000000	18	8	MAS06005000	42	13
B3416552000	10	30	CQ202000000	22	34	MAS06006000	42	21
B3420555000	34	10	CQ252000000	18	25	MAS06007000	42	26
B3421555000	34	18	CQ252000000	24	50	MAS06008000	42	25
B3425555000A	34	15	CQ252000000	26	50	MAS06009000	42	27
B3426552000	34	13	CQ303000000	18	31	MAS06011000	42	39
B3431581000	10	22	CQ303000000	20	37	MAS060120A0	42	35
B3501555000	32	22	CQ303000000	24	41	MAS06013000	42	37
B35015550A0	32	18	CS072081CSM	42	28	MAS06014000	42	32
B3502555000A	32	28	CS111121ASH	12	53	MAS060150A0	42	30
B3503555000	32	19	CS111121ASH	24	28	MAS060160A0	42	17
B3505555000	32	20	CS147121ESH	6	41	MAS06017000	42	10
B3506555000	32	21	D1204555D00	6	44	MAS06018000	42	6
B3507555000	32	23	D1204555DA0	6	43	MAS060101000	44	52
B3508555000	32	24	D1208555D00	6	39	MAS06102000	44	53

NUMERICAL INDEX OF PARTS

PART NO	PAGE	REF NO.	PART NO	PAGE	REF NO.	PART NO	PAGE	REF NO.
MAS06103000	44	44	SD0640231SP	38	8	SS6060220SP	4	51
MAS061040A0	44	55	SD0640322TP	20	26	SS6060340SP	4	71
MAS06106000	44	60	SD0640323TP	44	58	SS6080320SP	2	47
MAS06107000	44	61	SD0790641SP	16	51	SS6080320SP	4	47
MAS06108000	44	45	SD0791051SP	42	38	SS6080320SP	20	6
MAS06109000	44	49	SD0920321SP	44	56	SS6080320SP	30	56
MAS06110000	44	46	SD1020701SP	18	39	SS6080410SP	30	53
MC380000750	6	2	SE4301031SR	32	29	SS6080710SP	42	12
MTV700B1100	6	1	SK3482500SC	38	26	SS6090630SP	2	14
NM60300000E	32	27	SK3482500SC	44	48	SS6090670TP	6	20
NM6060001SE	34	9	SL9061291SE	42	42	SS6091210TP	6	14
NM6080721SE	44	72	SM4031001SC	32	25	SS6092120SP	24	16
NS6110310SP	10	5	SM6062002TP	22	15	SS6110420TP	28	33
NS6110310SP	28	59	SM6062002TP	24	2	SS6110710TP	28	21
NS6110310SP	30	59	SM8063012TR	34	17	SS6120930SP	14	2
NS6110420SP	14	29	SM9061203SE	34	22	SS6121210SP	14	53
NS6110420SP	20	16	SM9061853SR	34	16	SS6121210SP	16	53
NS6120310SP	22	35	SM9082023SE	44	69	SS6121220TP	22	40
NS6150310SP	16	49	SQ1110401MZ	32	7	SS6121220TP	24	59
NS6150430SP	16	62	SS1080510SP	18	11	SS6121220TP	26	59
NS6160520SP	42	57	SS1080510SP	22	26	SS6121610TP	18	37
NS6160520SP	44	57	SS1110710SP	30	47	SS6121850TP	16	44
NS6620310SP	10	36	SS2080810SP	22	3	SS6121850TP	18	6
NS6620310SP	20	25	SS2090710TP	18	42	SS6122510SP	32	31
NS6620340SP	44	59	SS2110920TP	4	53	SS6123010SP	32	30
NS6680410SP	18	38	SS2110930SP	14	13	SS6150610SP	16	48
PS0200102KH	28	7	SS3120540SP	42	20	SS6621220SP	18	27
RE0500000K0	10	31	SS4080415SP	4	57	SS6660610TP	24	33
RE0600000K0	10	24	SS4080620TP	20	35	SS6661110SP	14	14
RE0600000K0	28	31	SS4110515SP	2	55	SS7080510TP	6	5
RE0900000K0	44	62	SS4110515SP	4	55	SS7081310SP	30	64
RO029180100	6	27	SS4110515SP	30	65	SS7090520TP	20	12
RO037180100	10	26	SS4110515SP	38	13	SS7090520TP	22	41
RO037180100	28	18	SS4110715SP	28	25	SS7090520TP	24	56
RO044240100	6	34	SS4110715SP	32	17	SS7090520TP	26	56
RO061180100	20	19	SS4110815SP	2	18	SS7090710SP	42	19
RO068190100	34	8	SS4110815SP	38	15	SS7090910TP	24	54
RO069180100	16	55	SS4111015SP	2	3	SS7090910TP	26	54
RO069180100	20	22	SS4111415SP	28	30	SS7091110TP	10	6
RO074240100	14	4	SS4112515SP	28	29	SS7110510SP	2	24
RO195240100	32	9	SS4150915SP	38	10	SS7110710SP	14	10
SD0450701TP	22	10	SS5060310SP	40	6	SS7110710SP	20	10
SD0600322SD	10	34	SS5060310SP	42	2	SS7110710SP	42	54
SD0630275SP	10	18	SS5110810SP	20	3	SS7110710SP	44	54
SD0630301SP	10	19	SS6060210SP	4	69	SS7110910SP	14	30

NUMERICAL INDEX OF PARTS

PART NO	PAGE	REF NO.	PART NO	PAGE	REF NO.
SS7110910SP	42	40	SS8660810TP	16	58
SS7110910TP	42	22	SS8660810TP	18	41
SS7111110TP	18	16	SS8660810TP	24	31
SS7111110TP	22	20	SS8661040TP	16	57
SS7111110TP	24	43	SS8681650TP	6	33
SS7111110TP	42	31	SS9150860SP	44	50
SS7111120SP	14	27	SS9151120CP	2	26
SS7111120SP	20	24	SS9151630CP	14	41
SS7111120SP	42	23	TA0800704R0	2	11
SS7111310TP	24	45	TA1050504R0	2	12
SS7111410TP	18	19	TA1050504R0	24	17
SS7111410TP	20	29	TA1050504R0	38	3
SS7111810SP	14	35	TA1250406R0	2	4
SS7151120SP	6	4	TA1250705R0	2	10
SS7620750SP	14	23	TA1750502R0	4	72
SS7681650TP	6	32	TA2050406R0	4	74
SS7701010SP	34	7	TA2101002R0	2	19
SS8090540SP	16	64	TA2351004R0	2	21
SS8110410TP	18	23	TA2351305R0	2	20
SS8110410TP	22	8	WP03305000E	42	11
SS8110410TP	24	37	WP0371026SD	26	57
SS8110510SP	14	11	WP0371026SD	30	54
SS8110750SP	14	33	WP0480856SP	2	33
SS8110750SP	42	36	WP0480856SP	18	17
SS8150310SP	4	49	WP0480856SP	20	11
SS8150710SP	14	54	WP0480856SP	42	24
SS8150710SP	16	54	WP0501016SC	38	25
SS8150710SP	18	35	WP0501016SC	44	47
SS8150710SP	20	31	WP0501016SD	22	24
SS8150710SP	22	38	WP0621016SD	14	63
SS8150710SP	24	48	WP0621016SD	16	63
SS8150710SP	26	48	WP0621016SD	20	5
SS8150710SP	42	16	WP0621016SD	38	11
SS8150710TP	6	31	WP0740516SP	12	62
SS8150710TP	22	2	WP0871602SE	44	70
SS8150710TP	24	35	WS0861410KR	44	71
SS8151150SP	12	58	WT0320002KZ	32	26
SS8151150SP	18	30	WZ0641510KP	38	9
SS8151550SP	6	24			
SS8620610SP	18	9			
SS8660610TP	10	12			
SS8660610TP	18	33			
SS8660810TP	6	42			
SS8660810TP	10	54			
SS8660810TP	12	54			