

MODEL : DDL-5570N/DDL-5580N SERIES

List No : 0483-02

# PARTS LIST

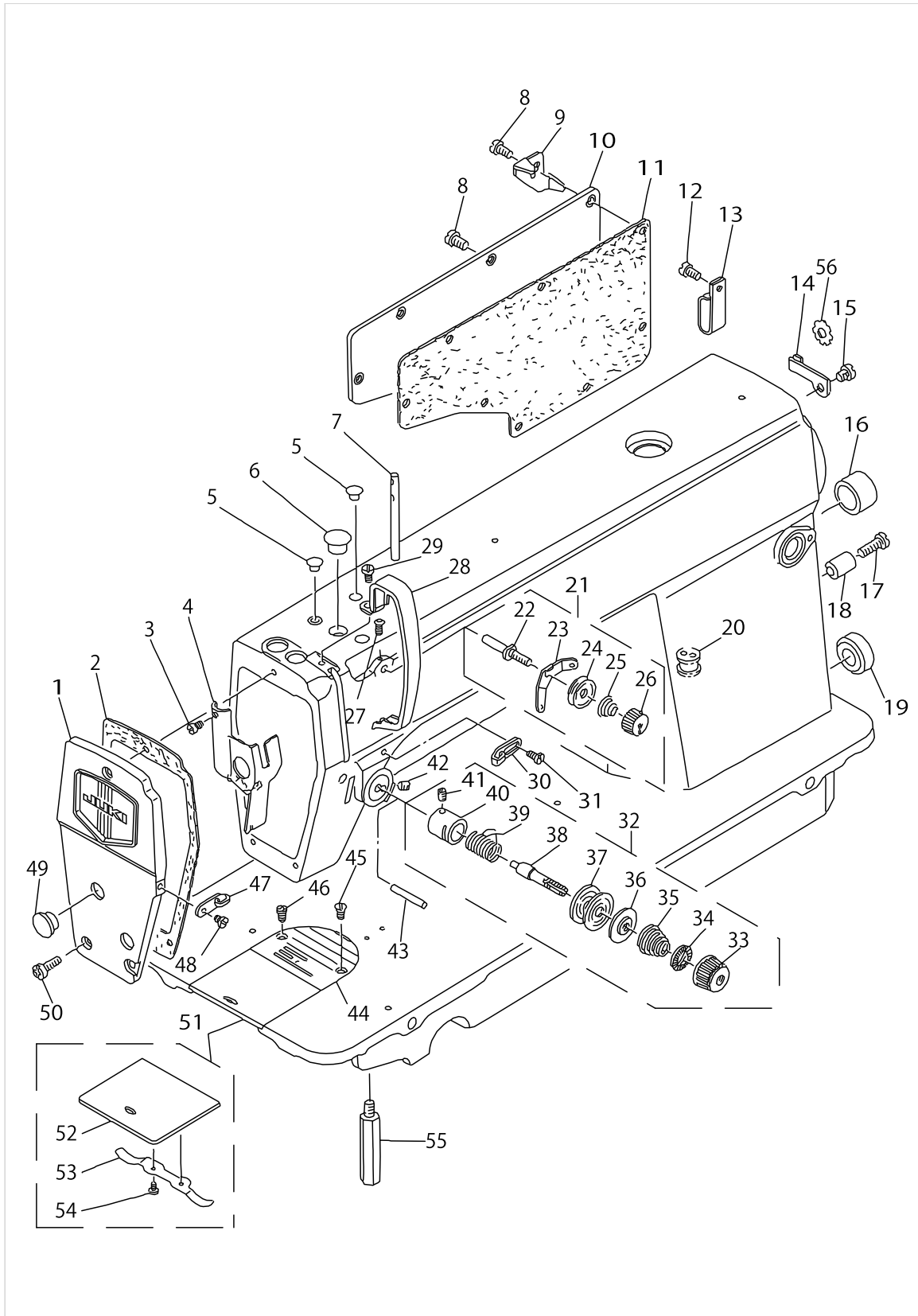
Published:05/12/2017

## CONTENTS

---

MACHINE FRAME & MISCELLANEOUS COVER COMPONENTS .....	1
MAIN SHAFT COMPONENTS .....	5
NEEDLE BAR, UPRIGHT SHAFT & HOOK DRIVING SHAFT COMPONENTS .....	7
HAND LIFTER COMPONENTS .....	9
FEED MECHANISM COMPONENTS .....	13
THREAD TRIMMER COMPONENTS .....	17
AUTOMATIC REVERSE FEED COMPONENTS .....	21
WIPER COMPONENTS .....	23
OIL LUBRICATION COMPONENTS .....	25
OIL RESERVOIR COMPONENTS .....	27
BELT COVER & BOBBIN WINDER COMPONENTS .....	29
THREAD STAND COMPONENTS .....	31
AK-30 .....	33
EXCLUSIVE PARTS FOR DDL-5570N-H .....	37
EXCLUSIVE PARTS FOR DDL-5570N-A, 5580N-A .....	41
EXCLUSIVE PARTS FOR DDL-5570N-K, 5580N-K .....	43
EXCLUSIVE PARTS FOR DDL-5570N-M, 5580N-M .....	45
HOW TO MAKE USE OF THIS PARTS LIST .....	47

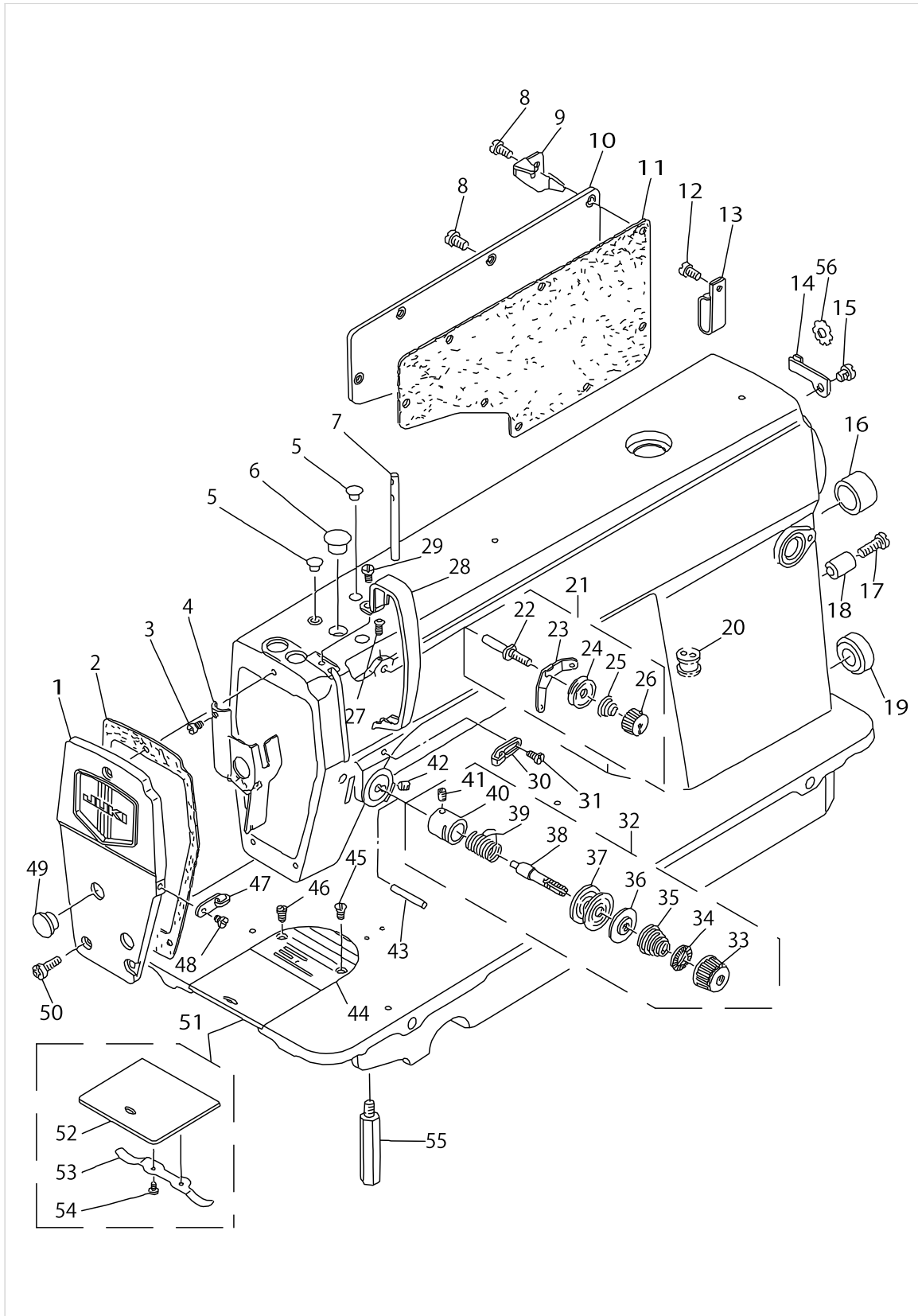
MACHINE FRAME & MISCELLANEOUS COVER COMPONENTS



MACHINE FRAME & MISCELLANEOUS COVER COMPONENTS

No.	Supply Code	Parts No.	Replacement	Parts name	Remarks	Choice	Step	Level	Cons	Qty	Rep. QTY
1		11070851		FACE PLATE ASM.						1	
2		11000304		FACE PLATE GASKET						1	
3		SS6080410SP		SCREW 1/8-44 L=4						1	
4	R	11000858	22900757	ARMOIL SHIELD ASM.						1	1.00
5		TA0850604R0		RUBBER PLUG						2	
6		TA1250705R0		RUBBER PLUG						1	
7	R	B1114012000	22958300	THREAD GUIDE PIN						1	1.00
8		SS4120915SP		SCREW 3/16-28 L=9						8	
9	R	11102605	22954705	CORD HOLDER						1	1.00
10	R	11070901	22900401	SIDE PLATE						1	1.00
11	R	11000619	40012129	GASKET						1	1.00
12		SS4120915SP		SCREW 3/16-28 L=9						1	
13		D2112555B00		CORD HOLDER, LARGE						1	
14		11030301		CABLE HOLDER						1	
15		SS4120615SP		SCREW 3/16-28 L=6						1	
16		TA2000502R0		RUBBER PLUG						1	
17		SS6121840SP		SCREW 3/16-28 L=18.0						1	
18	R	11100500	22952501	REVERSE FEED LEVER STOPPER						1	1.00
19		TA2101002R0		RUBBER PLUG						1	
20		11100104		MAGNET CORD RUBBER						1	
21	R	11072451	22945463	THREAD TENSION NUT ASM.						1	1.00
22	D	11045002		FIRST TENSIONPOST				*		1	
23	R	11045200	22963458	THREAD TENSION GUIDE		A		*		1	1.00
23	R	11045200	22945463	THREAD TENSION GUIDE		B		*		1	1.00
24	R	B3214047000	22945802	BOBBIN WINDER TENSION DISC				*		2	1.00
25		11045101		THREAD TENSION SPRING				*		1	
26		11072402		THREAD TENSION NUT				*		1	
27		SS4120615SP		SCREW 3/16-28 L=6						1	
28	R	11071008	22900609	THREAD TAKE-UP LEVER COVER						1	1.00
29		SS4120615SP		SCREW 3/16-28 L=6						1	
30	R	11018504	22920508	ARMTHREADGUIDEA						1	1.00
31	R	11001500	22921001	SCREW						1	1.00
32	R	11072352	22945356	THREAD TENSION ASM.						1	1.00
33		11072204		TENSION NUT				*		1	
34		B3120125000		ROTATING STOPPER				*		1	
35		B3129012A00		TENSION SPRING				*		1	
36		B3132552000		THREAD TENSION DISK PRESSER				*		1	
37	R	B3126012000	22921506	THREAD TENSION DISK				*		2	1.00
38		B3115552000		TENSION POST				*		1	
39	R	B3128012000	22921605	TAKE-UP SPRING				*		1	1.00
40	R	B3111126000	22945307	TENSION POST SOCKET				*		1	1.00
41		SS8090670SP		SCREW 9/64-40L=5.5				*		1	
42	R	SS8150710SP	SS8150710TP	SCREW 15/64-28 L=7						1	1.00
43	R	B3118552E00	22920904	THREAD RELEASE PIN						1	1.00

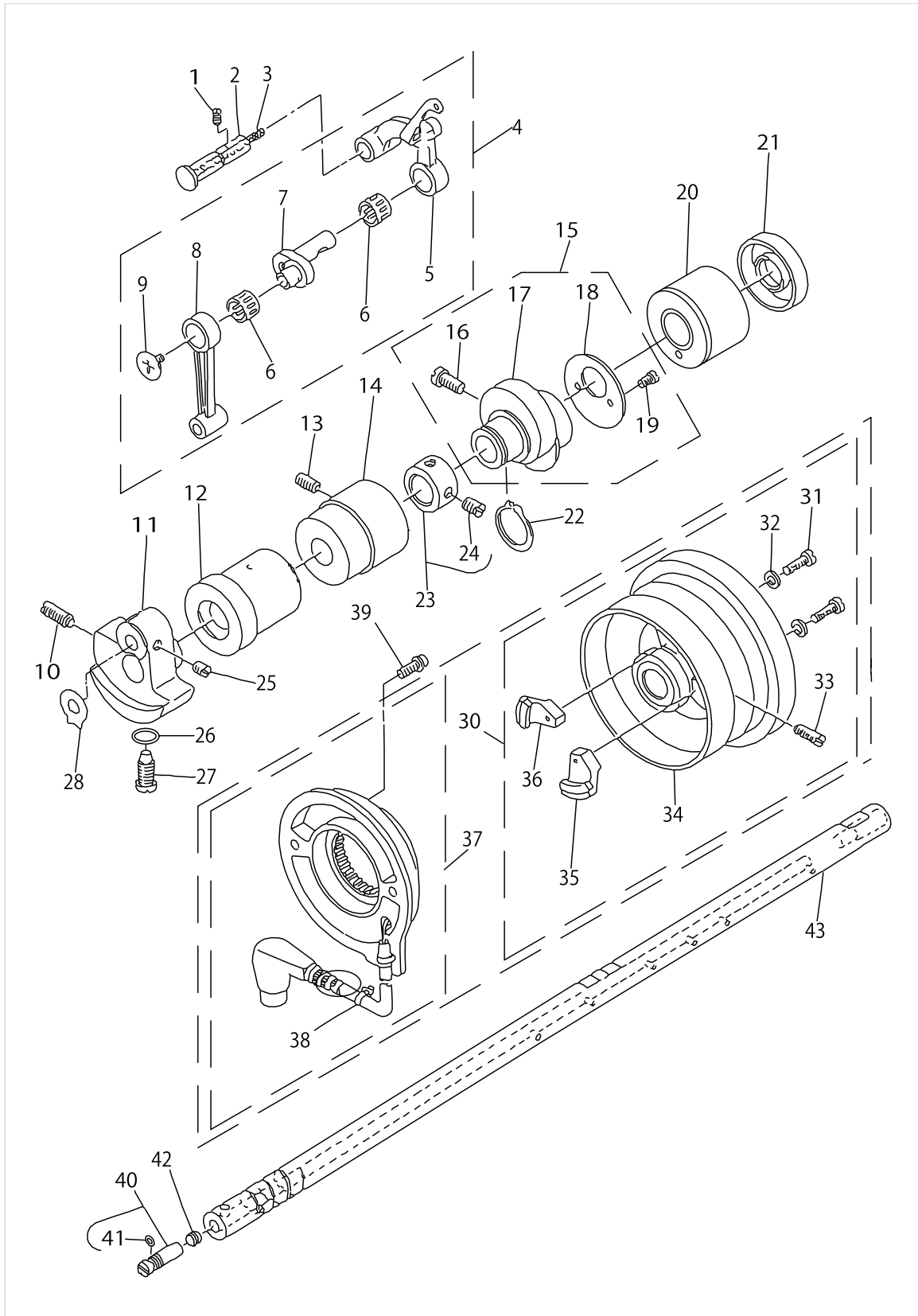
MACHINE FRAME & MISCELLANEOUS COVER COMPONENTS



MACHINE FRAME & MISCELLANEOUS COVER COMPONENTS

No.	Supply Code	Parts No.	Replacement	Parts name	Remarks	Choice	Step	Level	Cons	Qty	Rep. QTY
44		11028008		THROAT PLATE						1	
45		SS2110920TP		SCREW 11/64-40 L=8.5						1	
46		SS2110915SP		SCREW 11/64-40 L=6.8						1	
47	R	11018603	22920607	ARMTHREADGUIDEB						1	1.00
48		SS6110610TP		SCREW 11/64-40 L=6						1	
49		TA1250406R0		RUBBER PLUG						2	
50		SS4120915SP		SCREW 3/16-28 L=9						3	
51	R	11001658	22901250	BED SLIDE ASM.						1	1.00
52		B1110012000		SLIDE PLATE				*		1	
53		11001609		BED SLIDE SPRING				*		1	
54		SS6060210SP		SCREW 3/32-56 L=1.9				*		2	
55	R	11001104	22901003	BED SCREW STUD						4	1.00
56		WT0530002KS		TOOTHED WASHER						1	

# MAIN SHAFT COMPONENTS

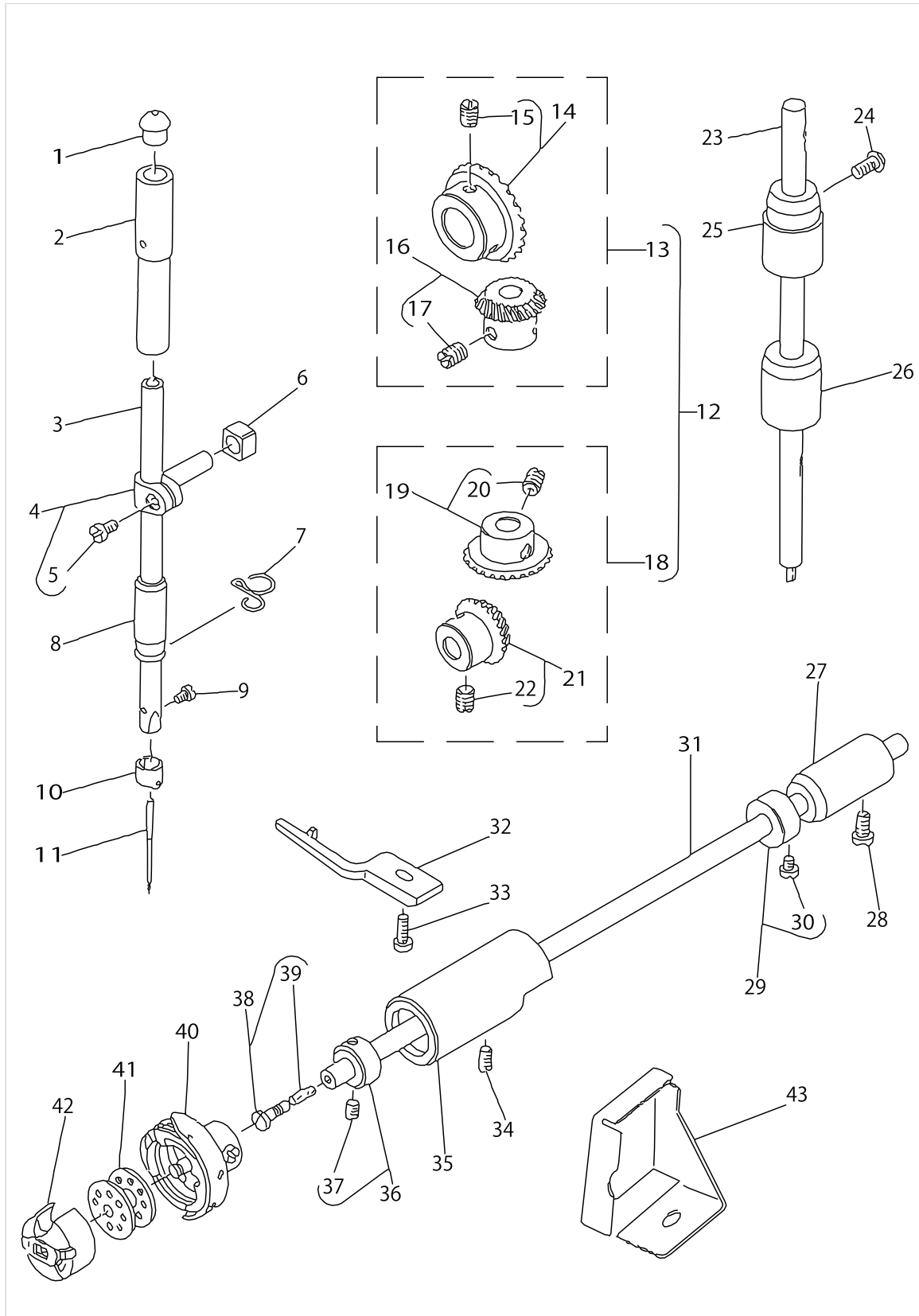


MAIN SHAFT COMPONENTS

No.	Supply Code	Parts No.	Replacement	Parts name	Remarks	Choice	Step	Level	Cons	Qty	Rep. QTY
1	R	SS8151150SP	SS8151150TP	SCREW 15/64-28 L=10.5						1	1.00
2		11017209		THREAD TAKE-UP CRANK SHAFT						1	
3		CQ350000F0		OIL FELT						.1	
4	R	11039070	22918072	THREAD TAKE-UP LEVER ASM.						1	1.00
5	R	11039062	22918072	THREAD TAKE-UP LEVER ASM.				*		1	1.00
6		B1905541B00		BALANCE NEEDLE BEARING	SELECTING PART(A~D)			*		2	
7	R	11005204	22918106	NEEDLE BAR CRANK				*		1	1.00
8	R	B1408552000	22906606	NEEDLE BAR CRANK ROD				*		1	1.00
9		B1903552000		LEFT SCREW				*		1	
10		SS8681650TP		SCREW 9/32-28 L=16						1	
11	R	11002102	22903157	COUNTERWEIGHT						1	1.00
12	R	11002201	22903207	MAIN SHAFT BUSHING, FRONT						1	1.00
13		SS8150912TH		SCREW						1	
14	R	11002300	22903306	BUSHING, INTERMEDIATE						1	1.00
15	R	11008059	22910053	FEED DRIVE ECCENTRIC CAM ASM.						1	1.00
16		SS6661110SP		SCREW 1/4-40 L=11				*		2	
17	R	11008000	22910053	FEED DRIVE ECCENTRIC CAM				*		1	1.00
18	R	11008109	22910103	THRUST COLLAR				*		1	1.00
19		SS6090670TP		SCREW 9/64-40 L=6				*		2	
20	R	11002805	11002409	MAIN SHAFT BUSHING, REAR						1	1.00
21	R	11002508	40105231	OIL SEAL						1	1.00
22		RC1850001KP		SNAP RING 18.5						1	
23	R	CS147121ASH	22904155	THRUST COLLAR A-SM.D=14.72 W=12						1	1.00
24		SS8660610TP		SCREW 1/4-40 L=6				*		2	
25		SS8660610TP		SCREW 1/4-40 L=6						2	
26		RO044240100		RUBBER RING						1	
27		SS7681650TP		SCREW 9/32-28 L=16						1	
28		B1212552A00		COUNTERWEIGHT PROTECTING PLATE						1	
29	D	11071552		SYNCHRONIZERASM.						1	
30	R	11071461	11071495	HAND WHEEL ASM.						1	1.00
31		SS6111210SP		SCREW11/64-40L=12				*		2	
32		WP0450801SD		WASHER4.5X10.0X0.8				*		2	
33		SS8151550SP		SCREW15/64-28L=15				*		2	
34	R	11071453	11071495	HAND WHEEL ASM.				*		1	1.00
35		M40071100AA		MAGNET FITTING BASE A ASM.				*		1	
36		M40071100AB		MAGNET FITTING BASE B ASM.				*		1	
37	R	11032265	22937965	GENERATOR STARTER ASM.						1	1.00
38		HX000430000		CLIP				*		2	
39		SL4051001MZ		SCREW						2	
40		B12135520A0A		OIL AMOUNT ADJUSTING PIN ASM.						1	
41		RO029180100		RUBBER RING				*		1	
42		11002904		ROLLER FELT						1	
43	R	11002003	22903009	MAIN SHAFT						1	1.00



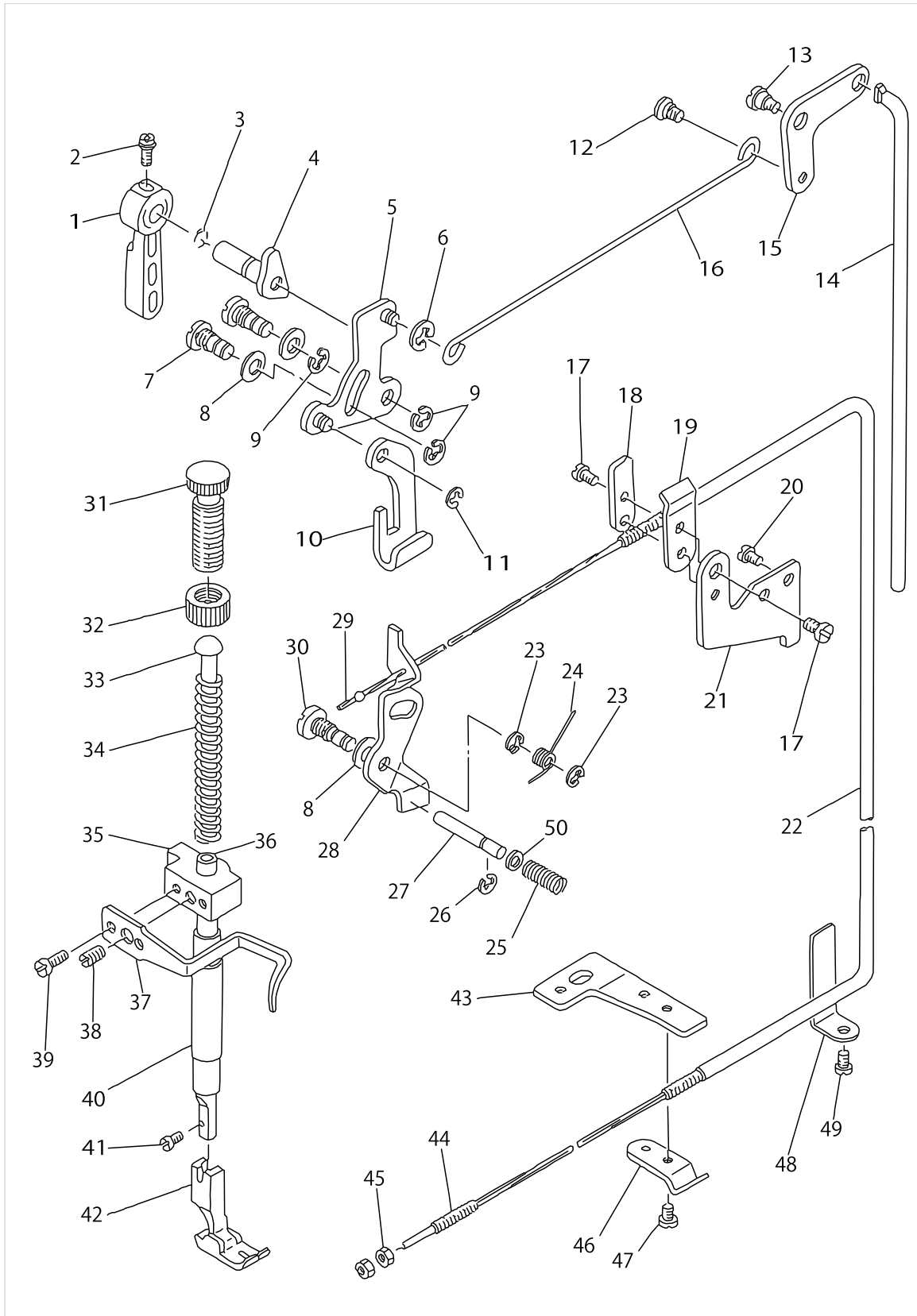
NEEDLE BAR, UPRIGHT SHAFT & HOOK DRIVING SHAFT COMPONENTS



NEEDLE BAR, UPRIGHT SHAFT & HOOK DRIVING SHAFT COMPONENTS

No.	Supply Code	Parts No.	Replacement	Parts name	Remarks	Choice	Step	Level	Cons	Qty	Rep. QTY
1	R	B1405012000	22901409	CAP						1	1.00
2	R	B1402552000A	22906101	NEEDLE BAR BUSHING, UPPER						1	1.00
3		11035003		NEEDLE BAR						1	
4		B14115520A0		NEEDLE ROD HOLDER ASM.						1	
5		SS6090670TP		SCREW 9/64-40 L=6				*		1	
6		B1414555000		SLIDE BLOCK						1	
7	R	11018801	22920805	NEEDLE BAR THREAD GUIDE						1	1.00
8	R	B1403155000	22906200	NEEDLE BAR BUSHING, LOWER						1	1.00
9		SS7080510TP		SCREW 1/8-44 L=4.5						1	
10		11035300		NEEDLE BAR THREAD GUIDE						1	
11		MDB100B1400		NEEDLE DBX1 #14						1	
12	R	B13061550C0	B13071550C0	GEAR & PINION ASM.						1	1.00
13		B13061550B0		GEAR & PINION ASM., UPPER				*		1	
14		B13050120A0		GEAR ASM.				*		1	
15		SS8660810TP		SCREW 1/4-40 L=8				*		2	
16		B13061550A0		PINION ASM.				*		1	
17		SS8660810TP		SCREW 1/4-40 L=8				*		2	
18		B13071550B0		GEAR & PINION ASM., LOWER				*		1	
19		B13071550A0		GEAR ASM. LARGE				*		1	
20		SS8660810TP		SCREW 1/4-40 L=8				*		2	
21		B13081550A0		PINION ASM.				*		1	
22		SS8660810TP		SCREW 1/4-40 L=8				*		2	
23	R	11004009	22905004	UPRIGHT SHAFT						1	1.00
24		SS4120915SP		SCREW 3/16-28 L=9						1	
25	R	11004108	22905103	BUSHING, UPPER						1	1.00
26		11004207		UPRIGHT SHAFT BUSHING, LOWER						1	
27	R	11015203	22916308	BUSHING, REAR						1	1.00
28		SS4120915SP		SCREW 3/16-28 L=9						1	
29		CS079101ASH		THRUST COLLAR A-SM. D=7.94 W=10						1	
30		SS6110420TP		SCREW 11/64-40 L=4.8				*		2	
31	R	11015005	22916001	HOOK DRIVING SHAFT						1	1.00
32	R	11038809	22942502	BOBBIN CASE HOLDER						1	1.00
33	R	SS6111010SP	SS6111010TP	SCREW 11/64-40 L= 9.5						1	1.00
34		SS8150432TH		SCREW						1	
35	R	11015104	22916100	BUSHING ASM., FRONT						1	1.00
36		CS079073ASH		THRUST COLLAR						1	
37		SS8110410TP		SCREW 11/64-40 L= 3.5				*		2	
38		B18085520A0		OILSEALSCREWASM.						1	
39		B1810552000		OIL WICK						1	
40		11038650		LUBRICATING BOBBIN ASM.						1	
41	R	B9117012000	22932909	BOBBIN						1	1.00
42		11038759		BOBBIN CASE ASM.						1	
43	R	11038908	22942601	OIL SHIELD						1	1.00

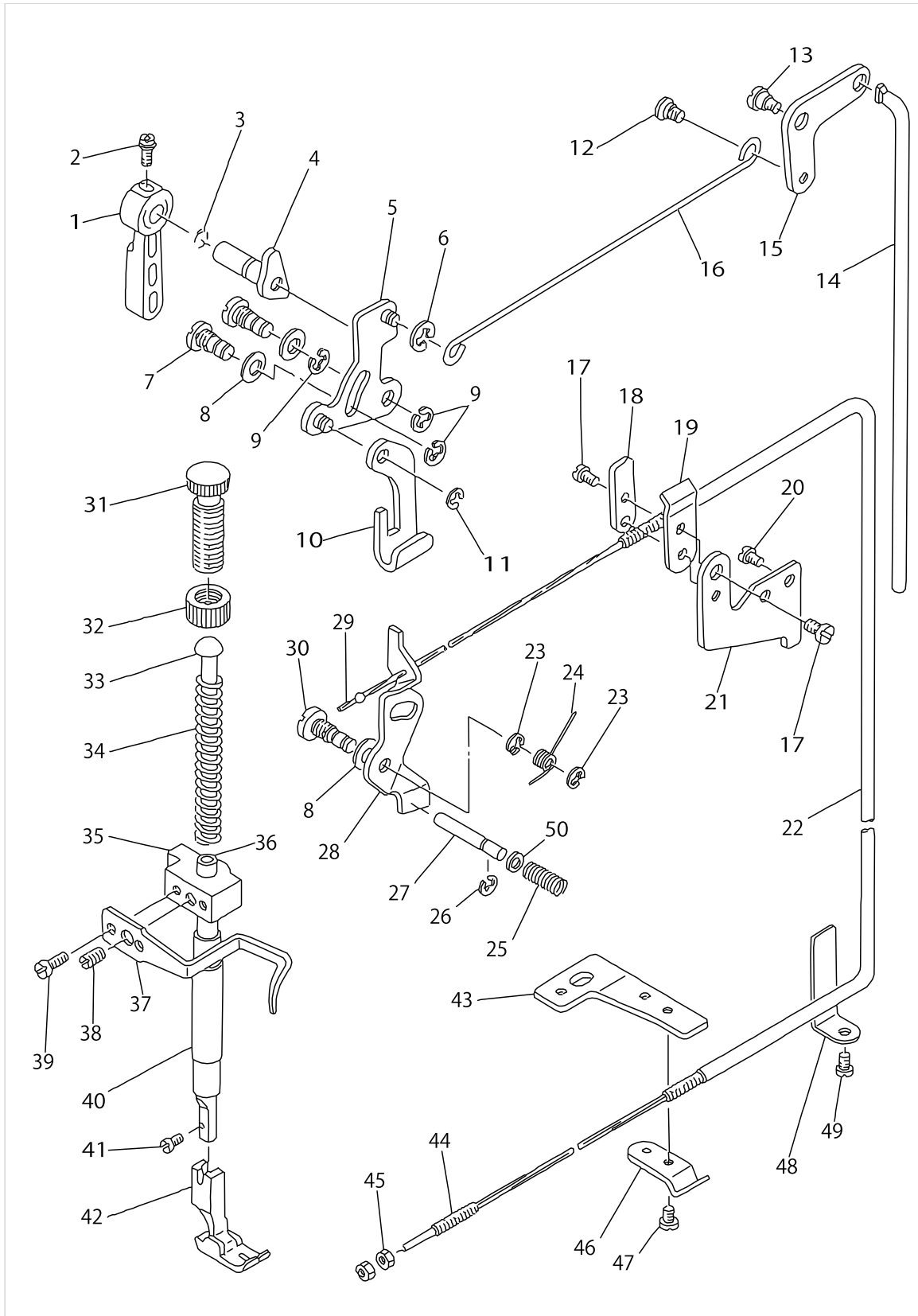
# HAND LIFTER COMPONENTS



HAND LIFTER COMPONENTS

No.	Supply Code	Parts No.	Replacement	Parts name	Remarks	Choice	Step	Level	Cons	Qty	Rep. QTY
1	R	11071800	22907802	HAND LIFTER						1	1.00
2		B1521555000		SCREW						1	
3		RO037180100		RUBBER RING						1	
4	R	11006756	22908552	HAND LIFTER CAM ASM.						1	1.00
5	R	11006350	22908354	HAND LIFTER LINK						1	1.00
6		RE0500000K0		E-RING						1	
7	R	11006509	22908701	LINK SHAFT						2	1.00
8	D	11006608		GASKET						3	
9		RE0500000K0		E-RING						3	
10	R	11006202	22908354	LIFTING LEVER		A	DDL-5550 5550N 555- ON-7 5556- N-7 5600NL-7			1	1.00
10	R	11006202	23609357	LIFTING LEVER		B	DDL-9000A 9000B			1	1.00
10	R	11006202	40057398	LIFTING LEVER		C	LH-3500			1	1.00
10	R	11006202	40174387	LIFTING LEVER		D	DDL-9000C			1	1.00
11		11007309		LIFTING LEVER RING						1	
12	R	11007101	22908909	HINGE SCREW						1	1.00
13		SD0720332SP		HINGE SCREW D= 7.24 H= 3.3						1	
14	R	11007200	22909006	CONNECTING ROD VERTICAL						1	1.00
15	R	11007002	22908800	LIFTING LEVER LINK						1	1.00
16	R	11006905	22908305	LIFTING LEVER CONNECTING ROD						1	1.00
17		SS7110740TP		SCREW 11/64-40 L=7						2	
18		11045507		WIRE HOLDER B						1	
19	R	11045408	22944508	WIRE HOLDER A						1	1.00
20		SS4120615SP		SCREW 3/16-28 L=6						1	
21	R	11045606	22944607	WIRE HOLDER BRACKET (UPPER)						1	1.00
22		11045804		WIRE TUBE						1	
23		RE0500000K0		E-RING						2	
24	R	11018207	22920201	TENSION RELEASE RETURN SPRING						1	1.00
25	R	11018405	22920409	TENSION RELEASE PIN SPRING						1	1.00
26		RE0400000K0		E-SHAPED SNAP RING (4MM)						1	
27	R	11018306	22920300	TENSION RELEASE SUPPORTING PIN						1	1.00
28	R	11018009	22920003	TENSION RELEASE PLATE						1	1.00
29		11045903		WIRE CABLE						1	
30	R	11018108	22920102	TENSION RELEASE SHAFT						1	1.00
31	R	11071602	22907554	PRESSER SPRING REGULATOR						1	1.00
32	R	11071701	22907554	NUT						1	1.00
33	R	B1510227000	22907703	PRESSER GUIDE BAR						1	1.00
34	R	B1505227000A	22907406	PRESSER SPRING						1	1.00
35	R	11028255	22907208	NEEDLE BAR GUIDE BRACKET ASM.						1	1.00
36	R	B1501127000	40017805	PRESSER BAR						1	1.00
37	R	11006103	22907307	PRESSER BAR THREAD GUIDE						1	1.00
38		SS8660810TP		SCREW 1/4-40 L=8						1	
39	R	SS7090910SP	SS7090910TP	SCREW 9/64-40 L=8.5						2	1.00
40	R	B1502541000	22907109	PRESSER BAR BUSHING, LOWER						1	1.00
41	R	SS7091110SP	SS7091110TP	SCREW 9/64-40 L=10.5						1	1.00

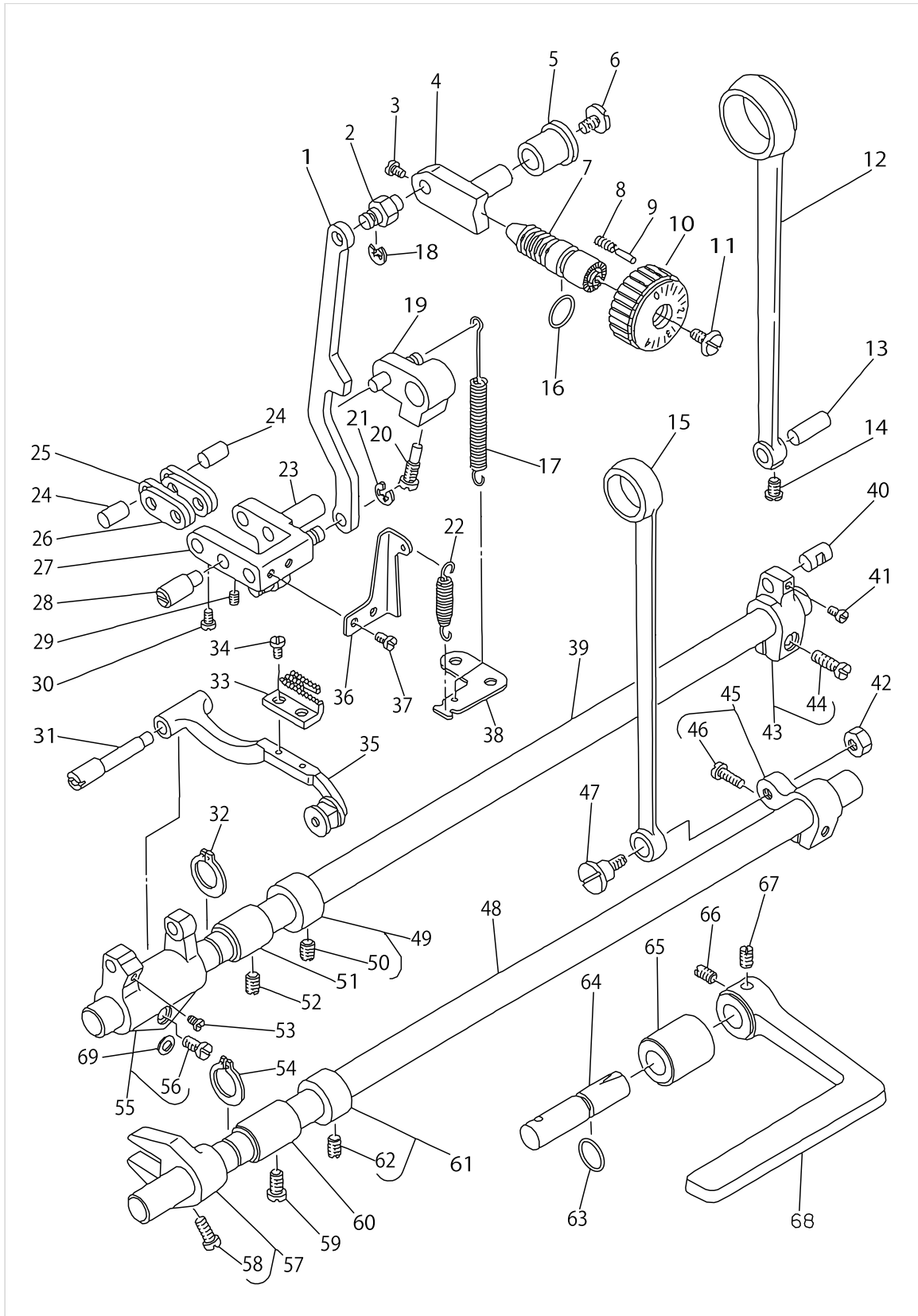
HAND LIFTER COMPONENTS



HAND LIFTER COMPONENTS

No.	Supply Code	Parts No.	Replacement	Parts name	Remarks	Choice	Step	Level	Cons	Qty	Rep. QTY
42	R	11028156	11028172	PRESSER FOOT ASM.						1	1.00
43	R	11045705	22944706	WIRE HOLDER BRACKET (LOWER)						1	1.00
44		D3159555B00		SET SCREW						1	
45		NS6620310SP		NUT 3/16-32						2	
46	R	11045408	22944508	WIRE HOLDER A						1	1.00
47		SS7110410SP		SCREW 11/64-40 L=4						1	
48	R	11046000	22945109	WIRE CABLE HOLDER						1	1.00
49		SS4120615SP		SCREW 3/16-28 L=6						1	
50	D	11019007		WASHER PLATE						1	

FEED MECHANISM COMPONENTS

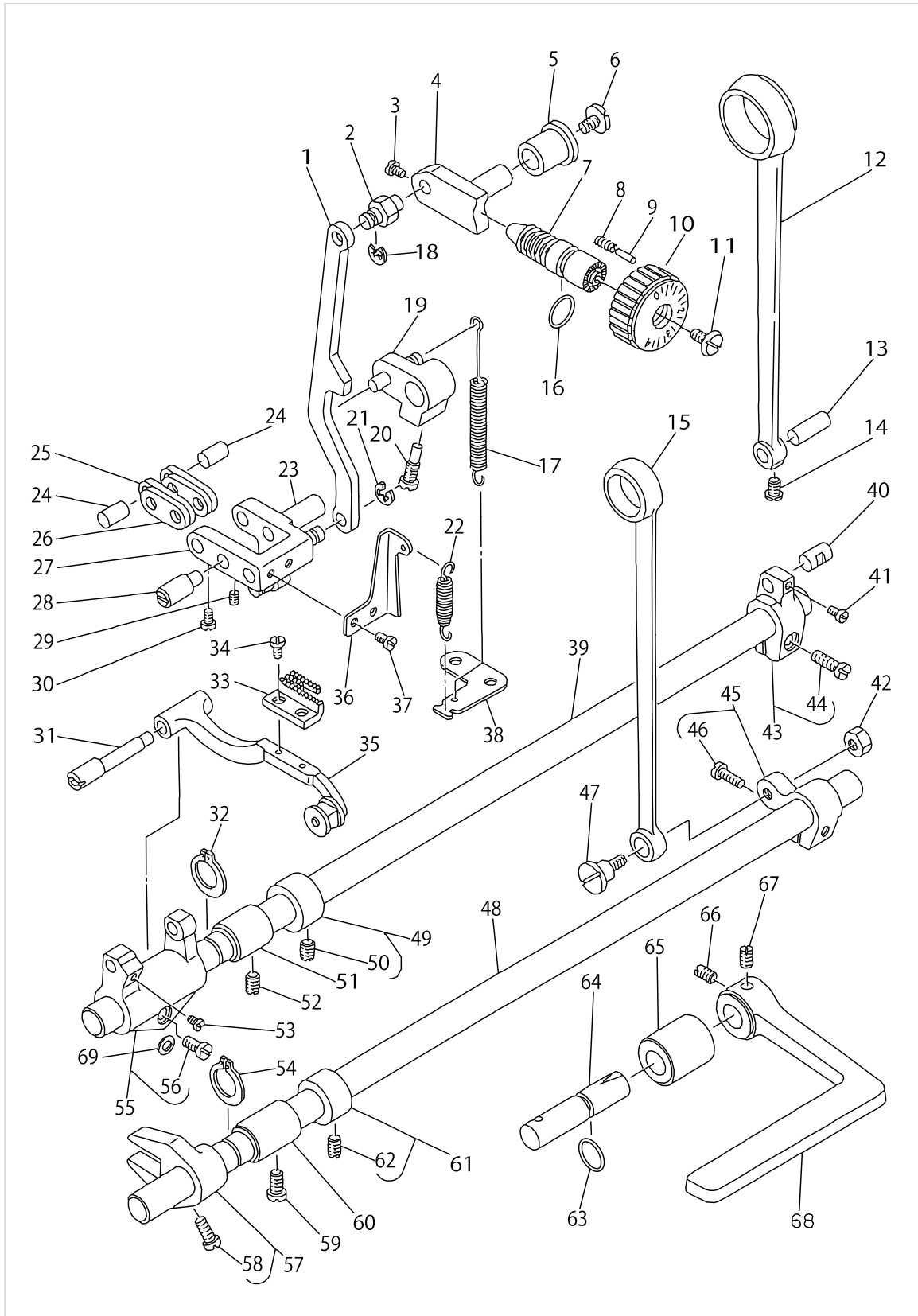


FEED MECHANISM COMPONENTS

No.	Supply Code	Parts No.	Replacement	Parts name	Remarks	Choice	Step	Level	Cons	Qty	Rep. QTY
1	R	11100401	22941108	FEED ADJUST ROD						1	1.00
2	R	11009602	22911507	FEED REGULATOR PIN						1	1.00
3		SS6090670TP		SCREW 9/64-40 L=6						2	
4	R	11009701	22911606	FEED REGULATOR						1	1.00
5	R	11011509	22911705	FEED REGULATOR BUSHING						1	1.00
6		SS7120770SH		SCREW						1	
7	R	11009909	22911804	FEED REGULATOR SCREW						1	1.00
8	R	B1148555000	22912109	SPRING						1	1.00
9	R	11052701	22912000	PIN						1	1.00
10	R	11072006	22940506	FEED DIAL						1	1.00
11		SS6121860SP		SCREW						1	
12	R	11008208	22910251	ROCKER SHAFT CO- NNECTING ROD						1	1.00
13	R	11009206	22911101	WALKING FOOT PIN C						1	1.00
14	R	SS6090620SP	SS6090620TP	SCREW 9/64-40 L=6						1	1.00
15	R	11014008	22915003	CONNECTING ROD						1	1.00
16		RO092270200		RUBBER RING						1	
17	R	11010303	11010311	FEED REVERSE SPRING						1	1.00
18		RE0500000K0		E-RING						1	
19	R	11010154	22912257	FEED REVERSE ARM ASM.						1	1.00
20		11010402		FEED REVERSE ARM SCREW						1	
21		RE0500000K0		E-RING						1	
22	R	11009404	22911309	ADGUSTING LINK SPRING						1	1.00
23	R	11008901	40010395	ADGUSTING LINK F- ULCRUM SHAFT B						1	1.00
24	R	11009008	22910905	WALKING FOOT PIN A						2	1.00
25	R	11008703	40089548	WALKING FOOT LINK						2	1.00
26	R	11008604	40093417	CONNECTING LINK A						2	1.00
27	D	11100252		FEED ADJUST LINK ASM.						1	
28	R	11008802	22910806	ADGUSTING LINK F- ULCRUM SHAFT A						1	1.00
29	R	SS8150710SP	SS8150710TP	SCREW 15/64-28 L=7						2	1.00
30	R	SS6090620SP	SS6090620TP	SCREW 9/64-40 L=6						2	1.00
31	R	11037207	22940803	FEED BAR SHAFT						1	1.00
32		RC0150001KP		RETAINING RING 13.8						1	
33		B1613012A00		FEED DOG A						1	
34		SS4080620TP		SCREW 1/8-44 L=6						2	
35	R	11037355	22940753	FEED BAR ASM.						1	1.00
36	R	11009305	22941306	ADGUSTING LINK SPRING GUIDE						1	1.00
37		SS7110510SP		SCREW 11/64-40 L=5						1	
38	R	11011301	22913701	FEED SPRING HOOK						1	1.00
39	R	11010808	22912901	FEED ROCKERSHAFT						1	1.00
40	R	11009107	22911002	WALKING FOOT PIN B						1	1.00
41	R	SS6090620SP	SS6090620TP	SCREW 9/64-40 L=6						1	1.00
42		NS6680410SP		NUT 9/32-28						1	
43	R	11008356	22910350	FEED ROCKER SHA- FT CRANK ASM.						1	1.00
44	R	SS7121410SP	SS7121410TP	SCREW 3/16-28 L=14				*		1	1.00
45	R	11014156	22915151	REAR CRANK ASM.						1	1.00



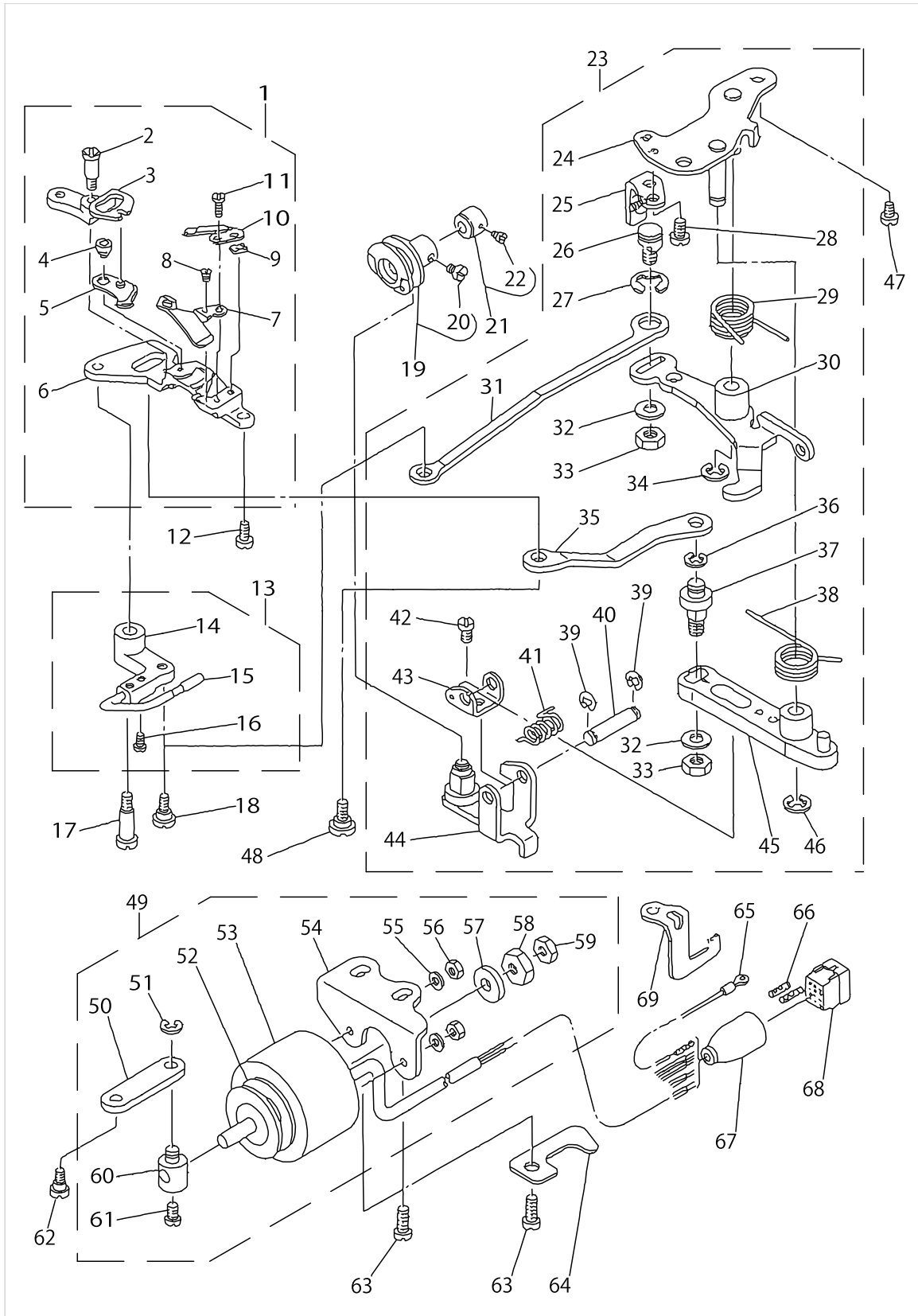
# FEED MECHANISM COMPONENTS



FEED MECHANISM COMPONENTS

No.	Supply Code	Parts No.	Replacement	Parts name	Remarks	Choice	Step	Level	Cons	Qty	Rep. QTY
46		SS6121210SP		SCREW 3/16-28 L=12				*		1	
47		SD1000801SH		HINGE SCREW						1	
48	R	11014206	22915201	FEED DRIVING SHAFT						1	1.00
49	R	CS147121ASH	22904155	THRUST COLLAR A-SM.D=14.72 W=12						1	1.00
50		SS8660610TP		SCREW 1/4-40 L=6				*		2	
51	R	11010907	22913008	FEED ROCKER SHAFT BUSHING						1	1.00
52		SS8150432TH		SCREW						1	
53		SS7110740TP		SCREW 11/64-40 L=7						1	
54		RC0150001KP		RETAINING RING 13.8						1	
55	R	11037157	22940654	FEED BAR CRANK ASM.						1	1.00
56		SS7121410TP		SCREW 3/16-28 L=14				*		1	
57	R	11014354	22915359	DRIVING SHAFT CRANK ASM.,FRONT						1	1.00
58	R	SS7111120SP	SS7111120TP	SCREW 11/64-40 L=10.5				*		1	1.00
59		SS4120915SP		SCREW 3/16-28 L=9						1	
60	R	11010907	22913008	FEED ROCKER SHAFT BUSHING						1	1.00
61	R	CS147121ASH	22904155	THRUST COLLAR A-SM.D=14.72 W=12						1	1.00
62		SS8660610TP		SCREW 1/4-40 L=6				*		2	
63		RO078190100		RUBBER RING						1	
64	R	11053105	22967202	FEED REVERSE SHAFT						1	1.00
65	R	11010709	22912802	FEED LEVER METAL						1	1.00
66		SS8660810TP		SCREW 1/4-40 L=8						1	
67		SS8661040TP		SCREW 1/4-40 L=10						1	
68	R	11072105	22912752	REVERSE FEED CONTROL LEVER						1	1.00
69		WP0480856SP		WASHER 4.8X8.4X0.8						1	

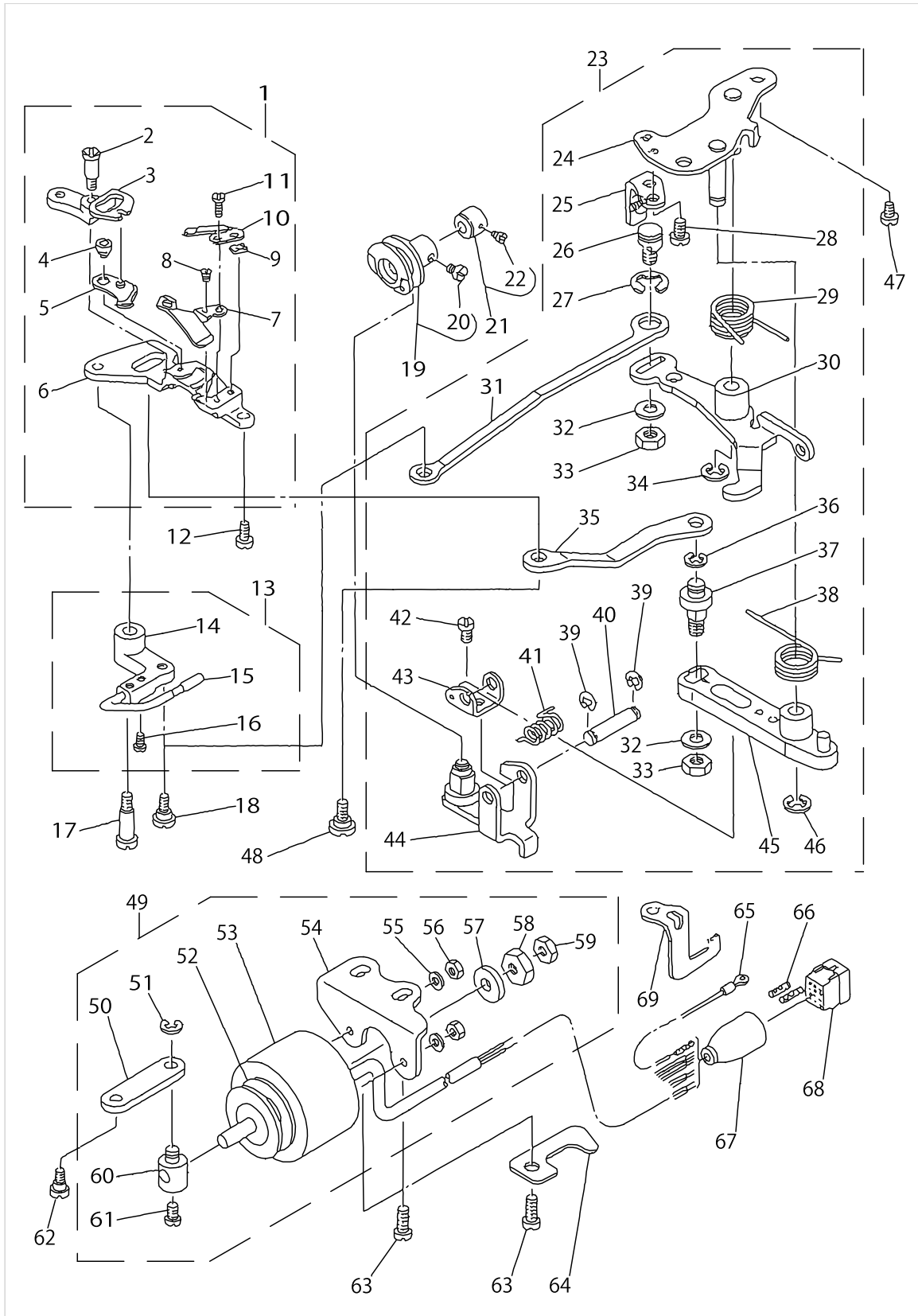
# THREAD TRIMMER COMPONENTS



THREAD TRIMMER COMPONENTS

No.	Supply Code	Parts No.	Replacement	Parts name	Remarks	Choice	Step	Level	Cons	Qty	Rep. QTY
1	R	11040359	22947956	KNIFE UNIT						1	1.00
2	R	SD0460702TP	SD0460703TP	HINGE SCREW D=4.6 H=7				*		1	1.00
3		11040508		FORKED BASE FOR KNIFE				*		1	
4		11040409		MOVING KNIFE HINGE SCREW				*		1	
5		11040052		MOVING KNIFE ASM.				*		1	
6	R	11040300	22947907	KNIFE MOUNTING BASE				*		1	1.00
7		11040201		THREAD GUIDE FOR KNIFE				*		1	
8		SS2060210SP		SCREW 3/32-56 L=2.3				*		1	
9		D2404555B00		COUNTER KNIFE SPACER				*		1	
10		D2406555D0H		COUNTER KNIFE				*		1	
11		SS4080620TP		SCREW 1/8-44 L=6				*		2	
12		SS4110715SP		SCREW 11/64-40 L=7				*		1	
13	R	11042553	22950257	PICKER ARM ASM.						1	1.00
14	R	11042504	22950208	PICKER ARM				*		1	1.00
15	R	11042652	22950356	THREAD TAKE-UP PICKER ASM.				*		1	1.00
16	R	SS6090510SP	SS6090510TP	SCREW 9/64-40 L=5				*		2	1.00
17		SD0641451SP		HINGE SCREW D= 6.35 H=14.5						1	
18		SD0630275SP		HINGE SCREW D= 6.35 H= 2.7						1	
19	R	11042850	22950851	THREAD TRIMMER CAM ASM.						1	1.00
20		SS6660610TP		SCREW 1/4-40 L=6				*		2	
21	R	11042959	22950950	CAM COLLAR ASM.						1	1.00
22		SS8110520TP		SCREW 11/64-40 L= 4.5				*		1	
23	R	11042264	22949762	THREAD TRIMMER DRIVING UNIT						1	1.00
24	R	11042058	22949754	BASE PLATE ASM.				*		1	1.00
25	D	11042751		DRIVING ARM STOPPER ASM.				*		1	
26	R	11042306	22950000	PICKER LINK PIN				*		1	1.00
27		RE0800000K0		E-SHAPED SNAP RING (8MM)				*		1	
28		SS4110715SP		SCREW 11/64-40 L=7				*		2	
29	R	11041704	22949408	CLUTCH SPRING				*		1	1.00
30	R	11041852	40087245	CLUTCH PLATE ASM.				*		1	1.00
31	R	11042405	22950109	PICKER LINK				*		1	1.00
32		WP0621016SH		WASHER				*		2	
33		NS6150430SP		NUT 15/64-28				*		2	
34		RE0600000K0		E-SHAPED SNAP RING (6MM)				*		1	
35	R	11040607	22948301	MOVING KNIFE LINK				*		1	1.00
36		RE0500000K0		E-RING				*		1	
37	R	11040706	22948400	MOVING KNIFE LINK PIN				*		1	1.00
38	R	11043700	22949309	KNIFE RETURN SPRING, B				*		1	1.00
39		RE0400000K0		E-SHAPED SNAP RING (4MM)				*		2	
40	R	11041407	22949101	ROLLER FULCRUM SHAFT				*		1	1.00
41	R	11041506	22949200	ROLLER RETURN SPRING				*		1	1.00
42		SS7090610SP		SCREW 9/64-40 L=6				*		1	
43	R	11041308	22949002	ROLLER ARM BRACKET				*		1	1.00
44		11040953		ROLLER ARM ASM.				*		1	
45	R	11040854	22948558	KNIFE DRIVING ARM ASM.				*		1	1.00
46		RE0600000K0		E-SHAPED SNAP RING (6MM)				*		1	

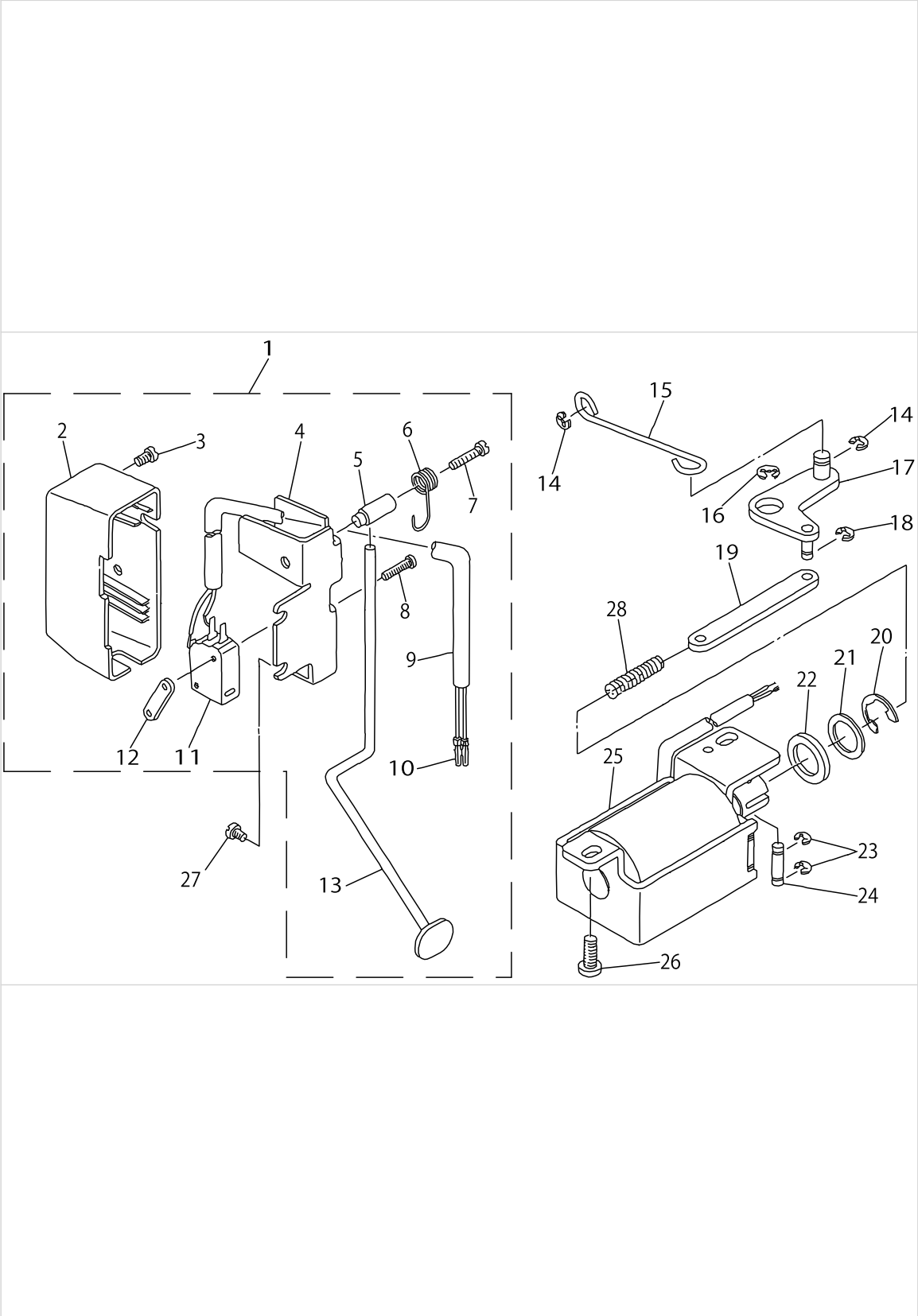
# THREAD TRIMMER COMPONENTS



THREAD TRIMMER COMPONENTS

No.	Supply Code	Parts No.	Replacement	Parts name	Remarks	Choice	Step	Level	Cons	Qty	Rep. QTY
47		SS4150915SP		SCREW 15/64-28 L=9						2	
48	R	SD0640702TH	SD0640631TP	HINGE SCREW						1	1.00
49		11043353		SOLENOID UNIT						1	
50	R	11042207	22949903	CLUTCH LINK				*		1	1.00
51		RE0500000K0		E-RING				*		1	
52		11043205		SOLENOID RUBBER A				*		1	
53	R	11043106	11043163	THREAD TRIMMER SOLENOID				*		1	1.00
54	R	11043403	22951404	SOLENOID BASE				*		1	1.00
55		WP0450000SD		WASHER 4.5X8X0.5				*		2	
56		NM6040000SN		NUT M4				*		2	
57		11043304		SOLENOID RUBBER				*		1	
58		NS6660410SH		NUT				*		1	
59		NS6660430SP		NUT 1/4-40				*		1	
60	R	11043007	22951008	SOLENOID PIN				*		1	1.00
61		SS6110710TP		SCREW 11/64-40 L= 6.5				*		1	
62		SD0600361SP		HINGE SCREW						1	
63		SS4151215SP		SCREW						2	
64	R	11021706	22924807	TUBE HOLDER (LOWER)						1	1.00
65	D	11043551		GROUND WIRE ASM.						1	
66		D6043555B00		PIN TERMINAL, MALE						2	
67		M9637110000		12-POLE PLUG COVER						1	
68		M9640110000		12-POLE PLUG						1	
69	R	11095304	22950703	THREAD TRIMMER ADJUSTING PLATE						1	1.00

AUTOMATIC REVERSE FEED COMPONENTS

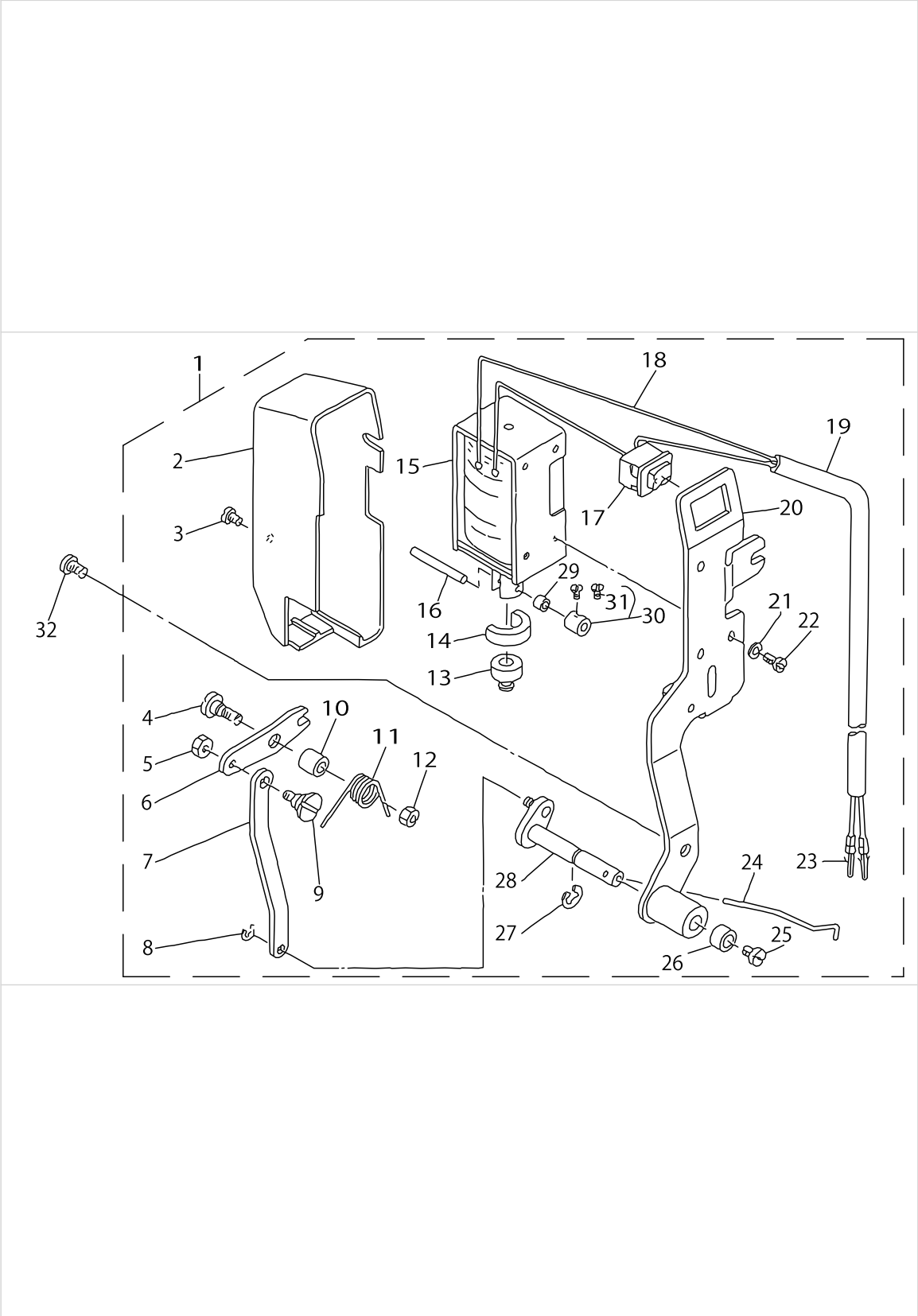


AUTOMATIC REVERSE FEED COMPONENTS

No.	Supply Code	Parts No.	Replacement	Parts name	Remarks	Choice	Step	Level	Cons	Qty	Rep. QTY
1		11072550		REVERSE FEED SWITCH ASM.						1	
2	R	11072501	22954606	REVERSE FEED SWITCH COVER				*		1	1.00
3		SS4110615SP		SCREW 11/64-40 L=6				*		1	
4	R	11102001	22954101	REVERSE FEED SWITCH BASE				*		1	1.00
5	R	11102100	22954200	REVERSE FEED SWITCH SHAFT				*		1	1.00
6	R	11102209	22954309	REVERSE FEED SWITCH SPRING				*		1	1.00
7		SS4111815SP		SCREW				*		1	
8		SM4031501SC		SCREW				*		2	
9		HW500070000		2-CORE CABTYRE CORD				*		1.5	
10		D6043555B00		PIN TERMINAL, MALE				*		2	
11	R	HA001700000	HA001900000	MICROSWITCH				*		1	1.00
12	R	11102308	22954408	REVERSE FEED SWITCH PLATE				*		1	1.00
13	R	11072600	22954507	REVERSE FEED SWITCH LEVER				*		1	1.00
14		RE0500000K0		E-RING						2	
15		11101300		REVERSE FEED CO- NECTING SHAFT						1	
16		RE0900000K0		SNAP RING 9.0						1	
17	R	11101151	22953657	CONNECTING ARM ASM.						1	1.00
18		RE0400000K0		E-SHAPED SNAP RING (4MM)						1	
19	R	11101417	22953905	REVERSE FEED CO- NECTING LINK						1	1.00
20		RE1200000K0		SNAP RING 12						1	
21		WP1602616SZ		WASHER 16X24X2.6						1	
22		D2468555B00		RUBBER PLUNGER						1	
23		RE0400000K0		E-SHAPED SNAP RING (4MM)						1	
24	R	11101003	22953509	PLUNGER ARM PIN						1	1.00
25		11100757		REVERSE FEED MAGNET ASM.						1	
26		SS4151215SP		SCREW						1	
27		SS4120915SP		SCREW 3/16-28 L=9						2	
28		11217601		WALKING FOOT SPRING						1	



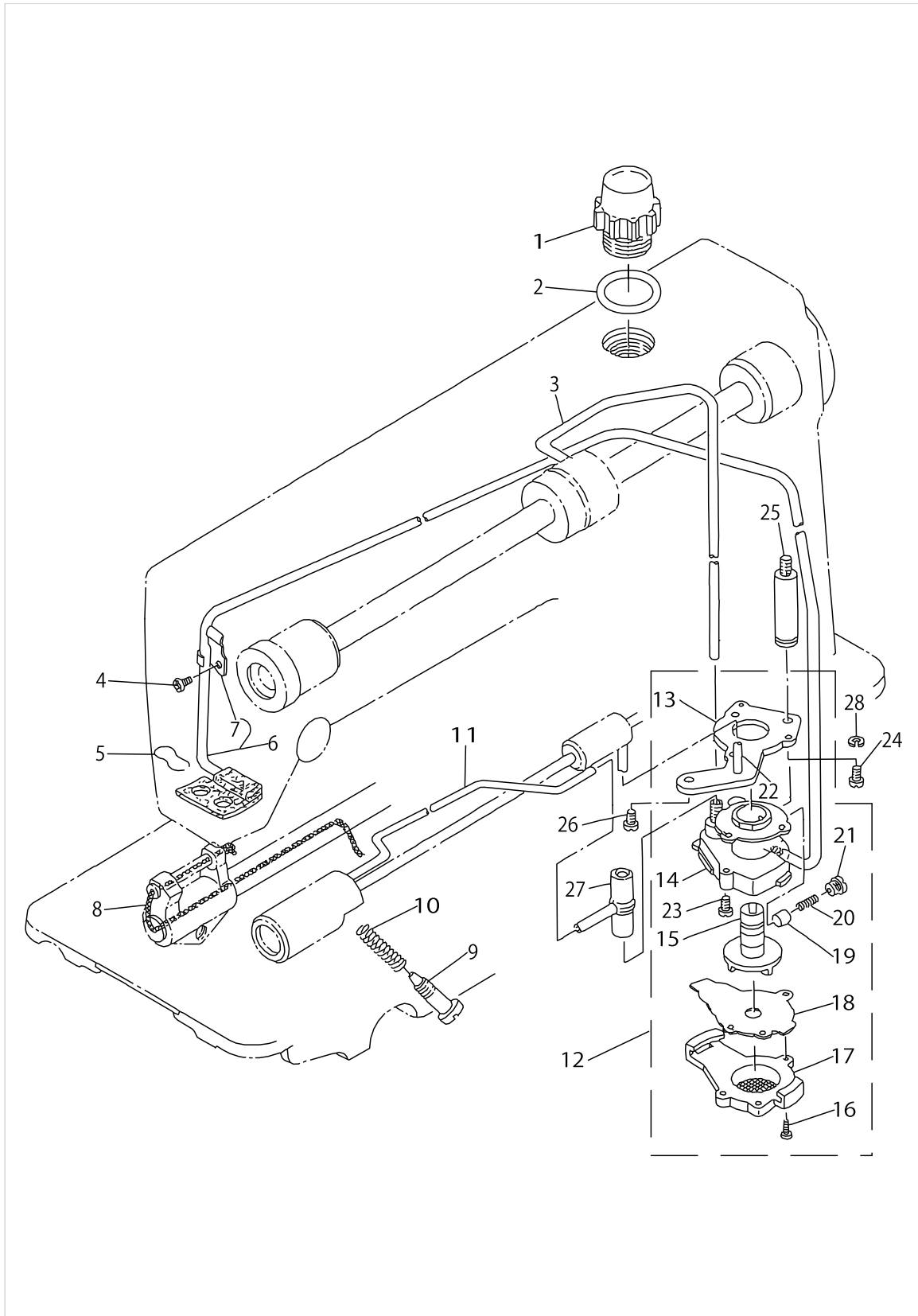
WIPER COMPONENTS



WIPER COMPONENTS

No.	Supply Code	Parts No.	Replacement	Parts name	Remarks	Choice	Step	Level	Cons	Qty	Rep. QTY
1	D	11072758		WIPER SOLENOID ASM.						1	
2	R	11072709	22955504	WIPER COVER				*		1	1.00
3		SM4030601SN		SCREW M3 X 6				*		1	
4		SD0650321TP		HINGE SCREW				*		1	
5		NS6090310SP		NUT 9/64-40				*		1	
6	R	11110608	22956106	WIPER LINK A				*		1	1.00
7	R	11110905	22956403	CONNECTING LINK				*		1	1.00
8		RE0250000K0		E-SHAPED SNAP RING (2.5MM)				*		1	
9	R	11111507	22956908	WIPER LINK B, HINGE SCREW				*		1	1.00
10	R	11110707	22956205	WIPER HINGE SCREW COLLAR				*		1	1.00
11	R	11110806	22956304	WIPER SPRING				*		1	1.00
12		NS6110310SP		NUT 11/64-40				*		1	
13	R	11110400	22955900	WIPER RUBBER A				*		1	1.00
14	R	11110509	22956007	WIPER RUBBER B				*		1	1.00
15	R	11110301	40106936	WIPER SOLENOID				*		1	1.00
16		11111705		WIPER SOLENOID PIN				*		2	
17		HA000590000		POWER SWITCH				*		1	
18		HW200390000		ELECTRIC WIRE				*		1	
19		HW500070000		2-CORE CABTYRE CORD				*		1.5	
20		11110152		WIPER BASE ASM.				*		1	
21		WS0310002KN		SPRING WASHER M3				*		1	
22		SM4030601SN		SCREW M3 X 6				*		3	
23		D6043555B00		PIN TERMINAL, MALE				*		2	
24	R	11111606	22957005	WIPER				*		1	1.00
25		SS6090540SP		SCREW 9/64-40 L=5.0				*		1	
26	R	11111309	22956809	BRACKET INSTALLING COLLAR				*		1	1.00
27		RE0500000K0		E-RING				*		1	
28	R	11111051	40041419	WIPER DRIVING SHAFT ASM.				*		1	1.00
29	R	11111804	22957203	WIPER LINK COLLAR				*		1	1.00
30		CS030071ASP		THRUST COLLAR ASM.				*		1	
31	D	SS6080310SP		SCREW 1/8-44 L=2.5				*		2	
32		SS4120915SP		SCREW 3/16-28 L=9				*		2	

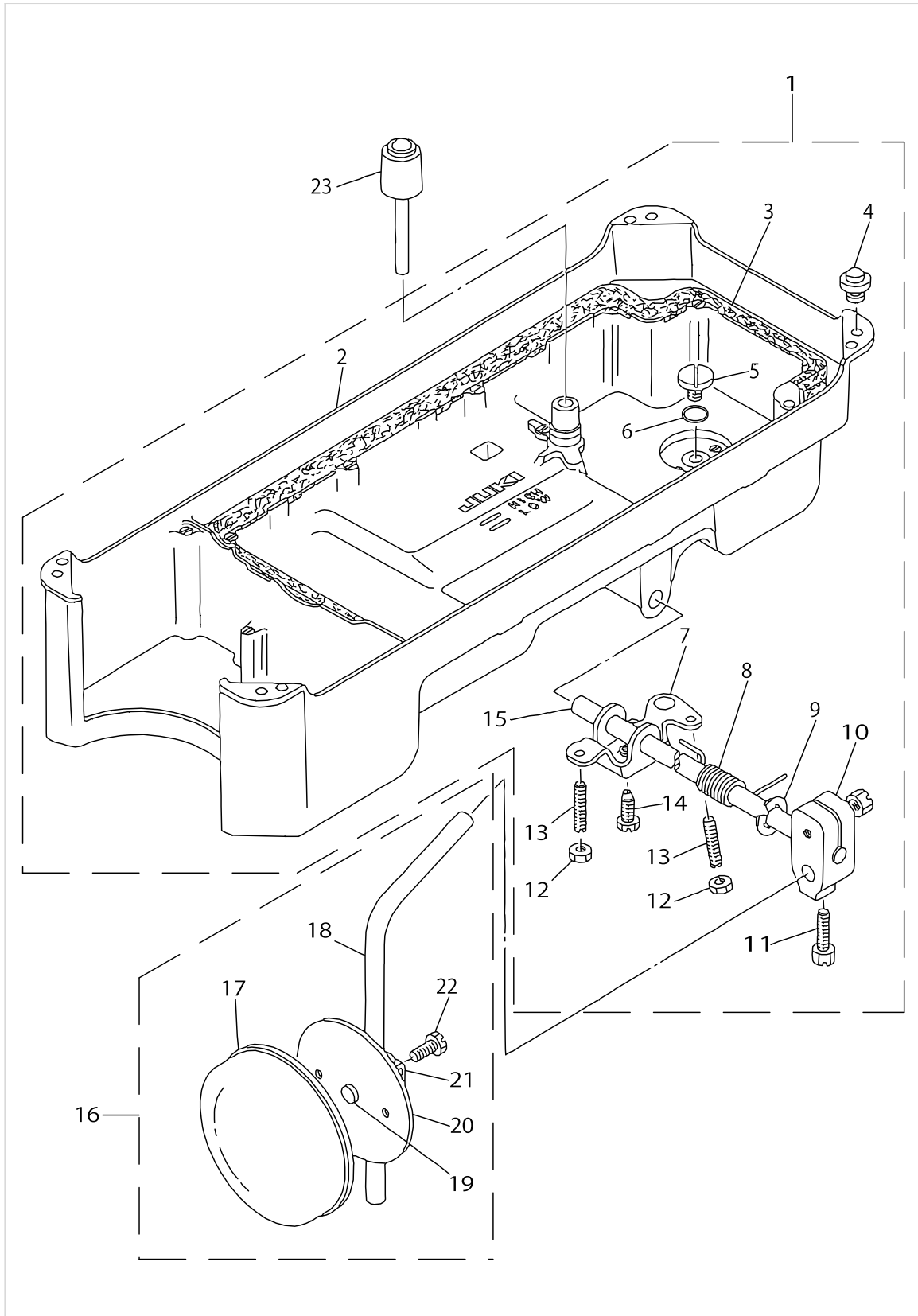
OIL LUBRICATION COMPONENTS



OIL LUBRICATION COMPONENTS

No.	Supply Code	Parts No.	Replacement	Parts name	Remarks	Choice	Step	Level	Cons	Qty	Rep. QTY
1	R	11046505	22924708	OIL SIGHT WINDOW						1	1.00
2		RO195240100		RUBBER RING						1	
3	R	11021201	22924401	MAINSHAFTOILTUBE						1	1.00
4		SS4120615SP		SCREW 3/16-28 L=6						1	
5	D	B3529226000		OIL FELT PRESSER						1	
6	R	11021151	22924153	OIL RETURN TUBE ASM.						1	1.00
7	R	11021805	B3536122000	OIL RETURN TUBE HOLDER				*		1	1.00
8		CQ252000000		OIL WICK						.3	
9	R	B3514412000	22925002	OIL ADJUSTING SCREW						1	1.00
10	R	B2616372000	22924906	SPRING						1	1.00
11	R	11021300	22924500	OIL TUBE						1	1.00
12	R	11020054	22923056	LUBRICATING OIL PUMP ASM.						1	1.00
13	R	11020302	22923056	OIL PUMP INSTALLING BASE				*		1	1.00
14	R	11020005	22923056	OIL PUMP				*		1	1.00
15	R	11020708	22923700	OIL PUMP IMPELLER				*		1	1.00
16		SE4301041SR		SCREW				*		3	
17	R	11020203	22923205	LUBRICATING OIL PUMP COVER				*		1	1.00
18	R	11020807	22923809	OIL PUMP IMPELLER COVER				*		1	1.00
19	R	11020401	22923403	PLUNGER				*		1	1.00
20	R	11020609	22923601	PLUNGER SPRING				*		1	1.00
21	R	11020500	22923502	PLUNGER SCREW				*		1	1.00
22	R	11020906	22923056	HOOK DRIVING SHAFT OIL TUBE				*		1	1.00
23		SL4030851SF		SCREW M3 L=8				*		3	
24		SS6111010TP		SCREW 11/64-40 L= 9.5						1	
25	R	11100609	22947105	OIL PUMP SUPPORT						1	1.00
26		SS4150915SP		SCREW 15/64-28 L=9						1	
27	R	11021409	22924609	RUBBER JOINT						1	1.00
28		WS0451040KP		SPRING WASHER 4.5X8.5X1						1	

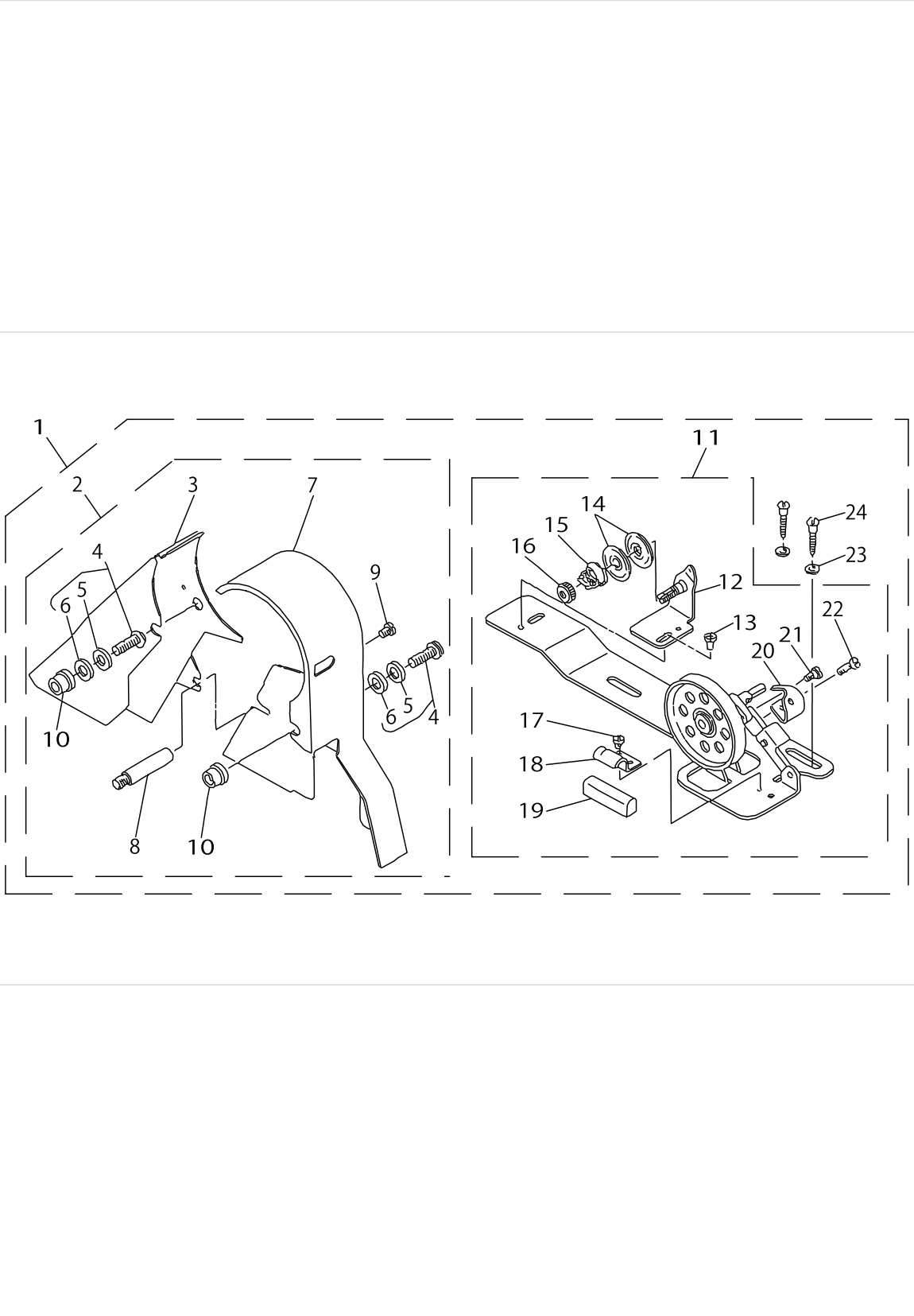
# OIL RESERVOIR COMPONENTS



OIL RESERVOIR COMPONENTS

No.	Supply Code	Parts No.	Replacement	Parts name	Remarks	Choice	Step	Level	Cons	Qty	Rep. QTY
1	R	11047057	40102085	OIL RESERVOIR ASM.						1	1.00
2	R	11023017	40102085	OIL RESERVOIR				*		1	1.00
3		11024700		GASKET				*		1	
4		11047107		RUBBER CUSHION				*		4	
5		SS6700710SH		SCREW				*		1	
6		RO098240100		RUBBER RING				*		1	
7	R	11024007	22932156	CONNECTING ROD, VERTICAL				*		1	1.00
8	R	11024106	22932206	SPRING				*		1	1.00
9		RE1000000K0		E-RING				*		1	
10	R	11024502	22932453	KNEE PRESS LOD BEARING BRACKET				*		1	1.00
11		SS9182010SN		SCREW 9/32-20 L=20				*		2	
12	R	NS6150430SR	NS6150430SP	NUT 15/64-28				*		2	1.00
13		SS8153010SR		SCREW15/64-28L=30				*		1	
14		SS9151610SR		SCREW15/64-28L=16				*		1	
15	R	11024205	22932305	KNEE PRESS ROD				*		1	1.00
16	R	11023751	22934251	KNEE PRESS PLATE ASM.						1	1.00
17	R	B3431552000A	22934509	KNEE PRESS PLATE COVER				*		1	1.00
18	R	B3419122000	22934608	KNEE LIFTER PLATE ROD				*		1	1.00
19	R	11024403	22934400	RUBBER				*		1	1.00
20	R	11023702	22934202	KNEE PRESS PLATE				*		1	1.00
21	R	11023801	22934301	KNEE PRESS PLATE HOLDER				*		1	1.00
22		SS9151540SR		SCREW15/64-28L=15				*		1	
23	R	11024304	22931703	KNEE PRESS LIFTER ROD						1	1.00

BELT COVER & BOBBIN WINDER COMPONENTS

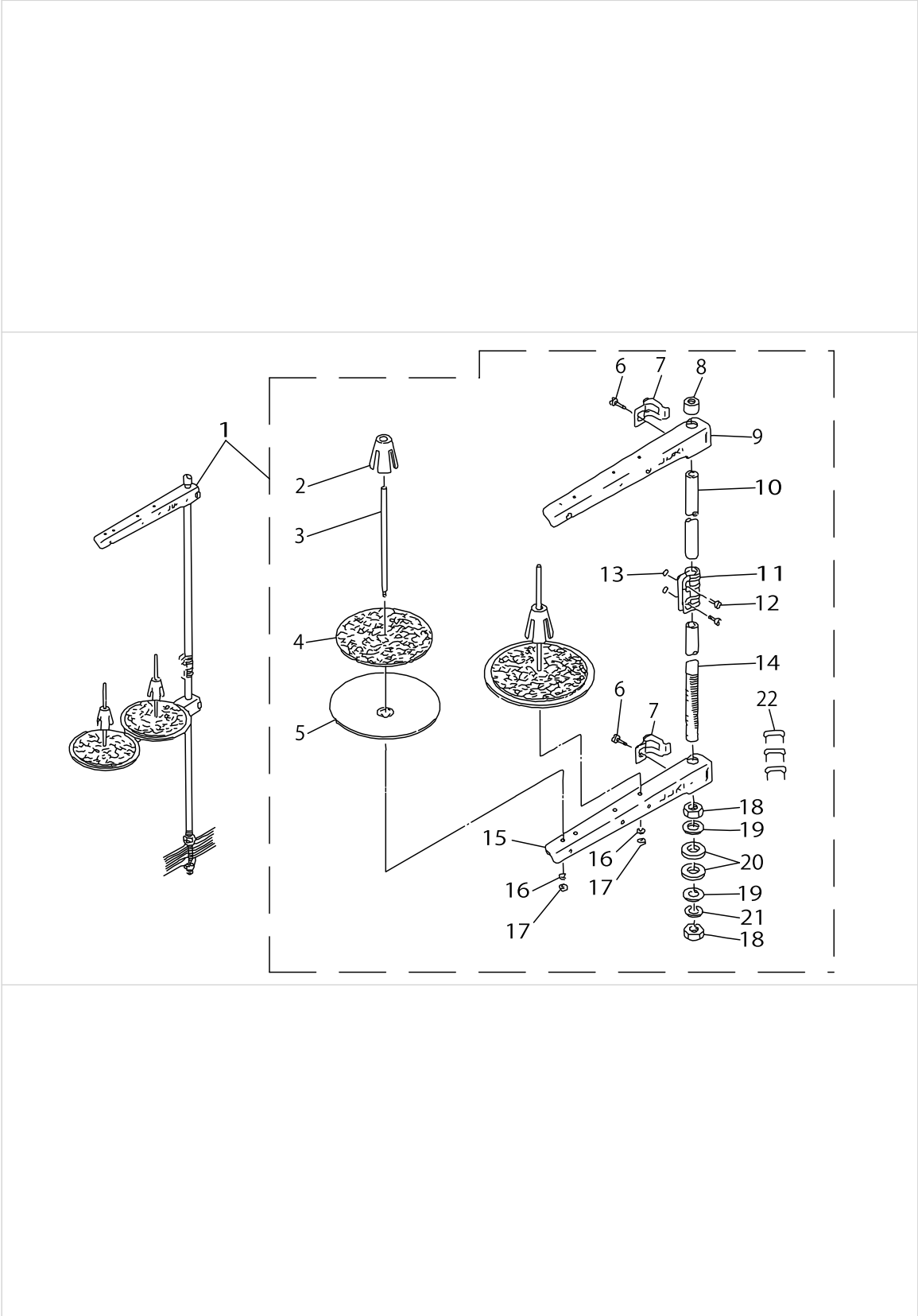


BELT COVER & BOBBIN WINDER COMPONENTS

No.	Supply Code	Parts No.	Replacement	Parts name	Remarks	Choice	Step	Level	Cons	Qty	Rep. QTY
1		11072964		BELT COVER SPOOL ASM.						1	
2		11072956		BELT COVER ASM.				*		1	
3		11072907		BELT COVER, A				*		1	
4		11047354		BELT COVER SET SCREW ASM.				*		2	
5		WP0820526SD		WASHER 8.2X14X0.5				*		2	
6		11047305		BELT COVER RUBBER CUSHION				*		2	
7		11073004		BELT COVER, B				*		1	
8	R	11023504	22933907	BELT COVER SUPPORT				*		1	1.00
9		SS7120640SP		SCREW 3/16-28 L=6				*		1	
10		11047255		BELT COVER COLLAR ASM.				*		2	
11	R	D3201555DA0	11415866	BOBBINWINDERASM.				*		1	1.00
12		D3213555DA0		THREAD TENSION BRACKET ASM.				*		1	
13		SS4110815SP		SCREW 11/64-40 L=8				*		1	
14	R	B3126012000	22921506	THREAD TENSION DISK				*		2	1.00
15	R	B3129012B00	22929004	THREAD TENSION SPRING				*		1	1.00
16	R	B3125012000	22928808	THREAD TENSION NUT				*		1	1.00
17		SS7110350SP		SCREW 11/64-40 L=3				*		1	
18		B3212555000		PRESSER PLATE				*		1	
19		B3211555000		RUBBER BRAKE				*		1	
20	R	B3209555000	11078003	POSITIONINGFINGER				*		1	1.00
21		SD0490261SP		HINGE SCREW D=4.9 H=2.6				*		1	
22		SS7081310SP		SCREW 1/8-44 L=12.5				*		1	
23		WP0501016SC		WASHER 5X10.5X1				*		2	
24	R	SK3482500SC	SK3482501SE	WOOD SCREW D=4.8 L=25				*		2	1.00

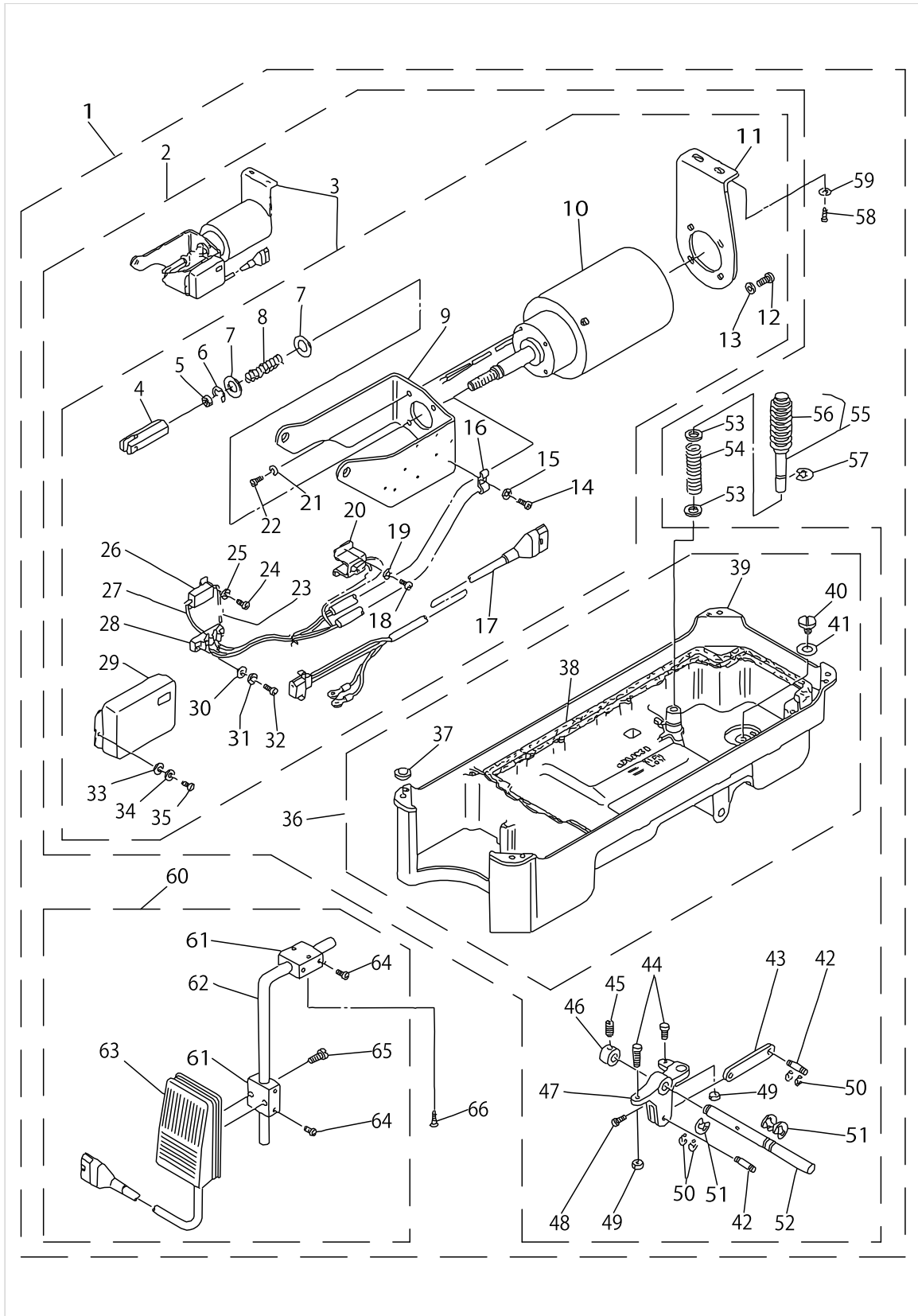


THREAD STAND COMPONENTS

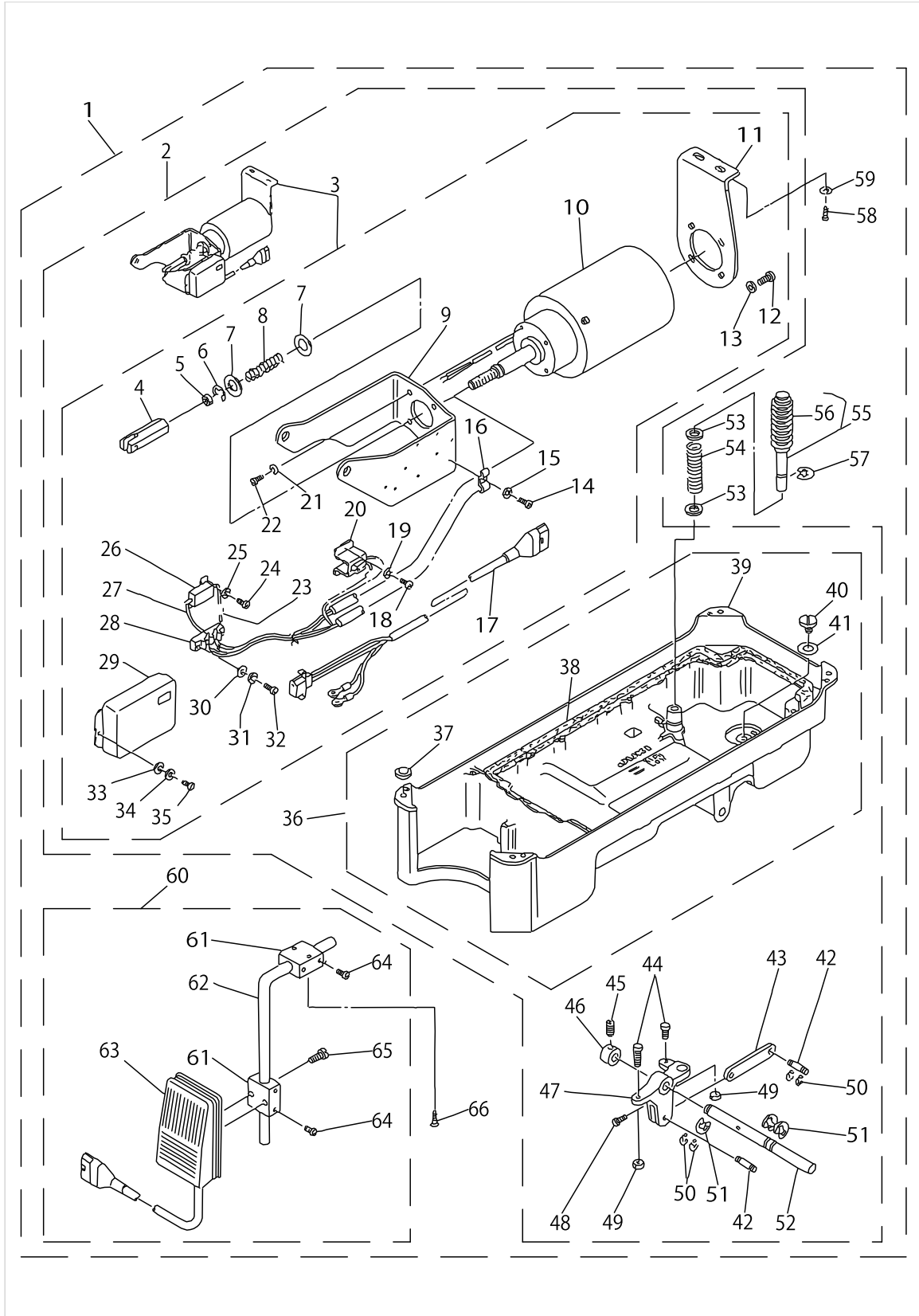


THREAD STAND COMPONENTS

No.	Supply Code	Parts No.	Replacement	Parts name	Remarks	Choice	Step	Level	Cons	Qty	Rep. QTY
1	R	11183654	40096354	THREAD STAND ASM.						1	1.00
2	R	11184009	40096354	SPOOL RETAINER				*		2	1.00
3	R	B3320704L00A	40085790	SPOOL PIN				*		2	1.00
4	D	B3311012000		SPOOL REST CUSHION				*		2	
5	D	11183902		SPOOL REST				*		2	
6		SM6061610SC		SCREW M6 L=16				*		2	
7	R	11184306	40096354	THRED GUIDE ARM JOINT				*		2	1.00
7	R	11184306	40096354	THRED GUIDE ARM JOINT				*		2	1.00
8	R	11184108	22931406	SPOOL REST ROD RUBBER CAP				*		1	1.00
9		11181757		THREAD GUIDE ASM.				*		1	
10	D	11183704		SPOOL REST ROD, UPPER				*		1	
11	R	11184207	40096354	SPOOL REST ROD JOINT				*		1	1.00
12		SM4051405SE		SCREW M5X0.8 L=14				*		2	
13		NM6050001SE		NUT M5X0.8				*		2	
14	R	11183605	40096354	SPOOL REST ROD, LOWER				*		1	1.00
15	R	11183803	40096354	SPOOL REST ARM				*		1	1.00
15	R	11183803	40096354	SPOOL REST ARM				*		1	1.00
16		WS0510002KN		SPRING WASHER				*		2	
17		NM6050001SE		NUT M5X0.8				*		2	
18	R	B3317704000	NM6160511SE	NUT C15				*		2	1.00
19		WP1702600S0		WASHER 17X30X2.6				*		2	
20	D	D3310555D00		RUBBER WASHER				*		2	
21	R	WS1643202KR	WP1612616SE	SPRING WASHER		A		*		1	2.00
21	R	WS1643202KR	40085796	SPRING WASHER		A		*		1	2.00
22		MAO11532000		CORD STAPLE				*		3	



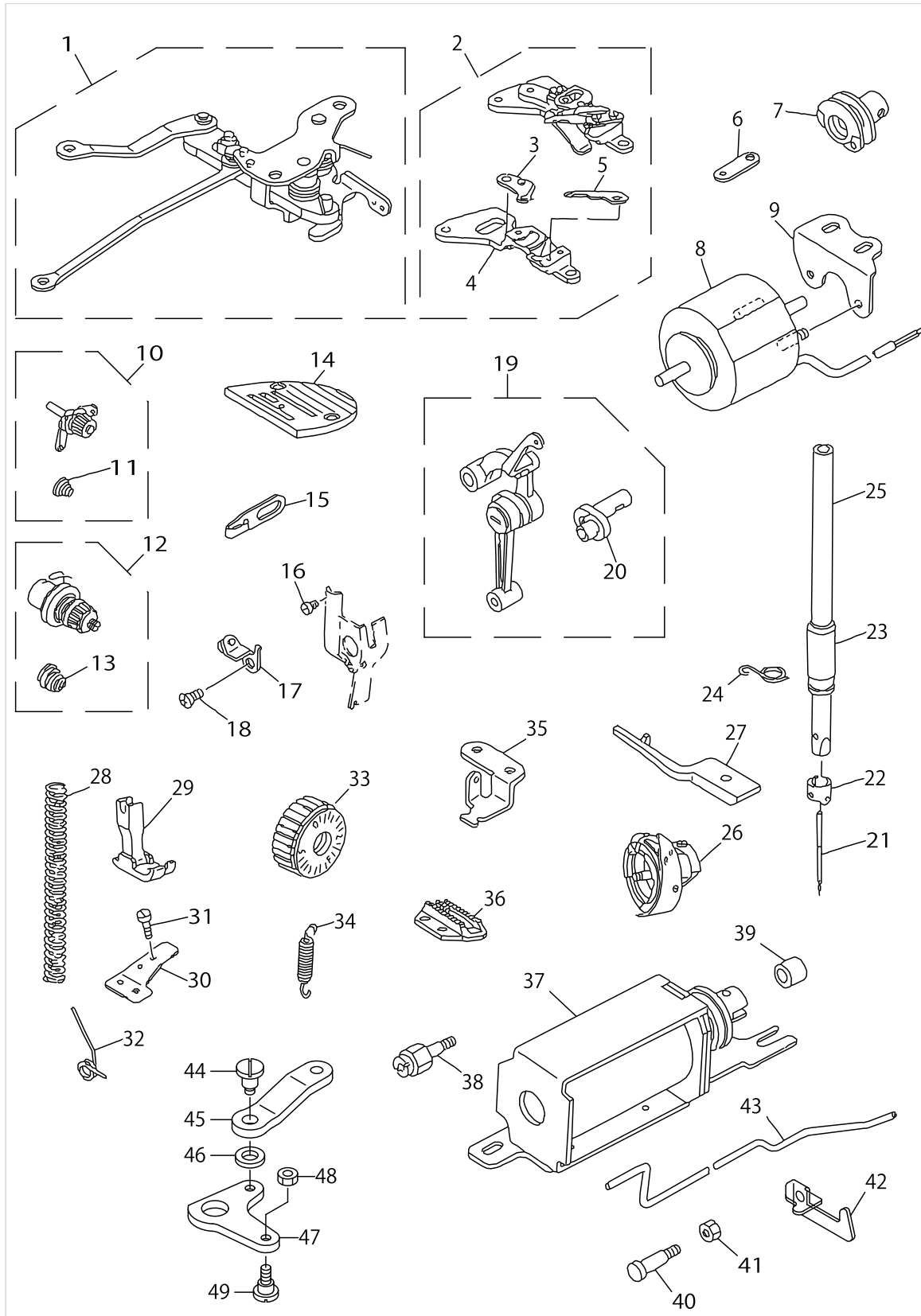
No.	Supply Code	Parts No.	Replacement	Parts name	Remarks	Choice	Step	Level	Cons	Qty	Rep. QTY
1		GAK300060D0		PRESSER LIFTING SOLENOID ASM.						1	
2		GAK300060B0		OIL RESERVOIR ASM.				*		1	
3	D	GAK300070B0		PRESSER LIFTING SOLENOID ASM.				*		1	
4	D	GAK01019000		KNUCLE				*		1	
5		NM6100663SE		NUT M10				*		1	
6		RE1200000K0		SNAP RING 12				*		1	
7		GAK01018000		THRUST WASHER				*		2	
8	D	GAK30013000		SPRING				*		1	
9	D	GAK30012000		SOLENOID INSTALL- ING BRACKET, B				*		1	
10		GAK300070A0		PRESSER LIFTING SOLENOID ASM.				*		1	
11		GAK30011000		SOLENOID INSTALL- ING BRACKET A				*		1	
12	R	SM4051001SB	SM4051001SN	SCREW M5X0.8 L=10				*		4	1.00
13	R	WS0511302KB	WS0511302KN	SPRING WASHER M5				*		4	1.00
14	R	SM4030801SB	SM4030801SF	SCREW M3 L=8				*		1	1.00
15		WS0310702KS		SPRING WASHER				*		1	
16		GAK01016000		CORD HOLDER				*		1	
17		GAK020210A0		PRESSER LIFTING CORD ASM.				*		1	
18	R	SM4030801SB	SM4030801SF	SCREW M3 L=8				*		2	1.00
19		WS0310702KS		SPRING WASHER				*		2	
20	D	GAK01014000		2-POLE RECEPTACLE BASE				*		1	
21	R	WS0511302KB	WS0511302KN	SPRING WASHER M5				*		4	1.00
22	R	SM4051001SB	SM4051001SN	SCREW M5X0.8 L=10				*		4	1.00
23		HG26740147P		DIODE IN5625				*		1	
24	R	SM4030801SB	SM4030801SF	SCREW M3 L=8				*		2	1.00
25		WS0310702KS		SPRING WASHER				*		2	
26		HR003601000		RESISTOR 10 OHM 20W				*		1	
27	D	HW2F18S1212		STRANDEDWIRE,RED				*		0.1	
28		GAK01015000		2P TERMINAL BASE				*		1	
29	D	GAK30016000		COVER				*		1	
30		WP0330501SB		WASHER M3				*		2	
31		WS0310702KS		SPRING WASHER				*		2	
32		SM4031401SB		SCREW M3 L=14				*		2	
33		WP0330500MB		WASHER 3.3X6X0.5				*		2	
34		WS0310702KS		SPRING WASHER				*		2	
35	R	SM4030801SB	SM4030801SF	SCREW M3 L=8				*		2	1.00
36		GAK300060A0		OIL RESERVOIR ASM.				*		1	
37		11047107		RUBBER CUSHION				*		4	
38		11023108		GASKET				*		1	
39	D	GAK30006000		OIL RESERVOIR				*		1	
40		SS6700710SH		SCREW				*		1	
41		RO098240100		RUBBER RING				*		1	
42		MAO12002000		PEDAL SWITCH FRAME STUD				*		2	
43		GAK01004000		LEVER CONNECTING ROD				*		1	
44		GAK01003B00		PRESSER LIFTER STOPPER B				*		2	
45		SS8660530TP		SCREW 1/4-40 L= 4.5				*		2	



AK-30

No.	Supply Code	Parts No.	Replacement	Parts name	Remarks	Choice	Step	Level	Cons	Qty	Rep. QTY
46		CS1111019SH		THRUST COLLAR D=11.11 W=10				*		1	
47	D	GAK30015000		PRESSER LIFTING LEVER				*		1	
48		SS7151210SP		SCREW15/64-28L=12				*		1	
49		NM6060003SC		NUT M6				*		2	
50		RE0320000K0		SNAP RING 3.2				*		4	
51		RE1000000K0		E-RING				*		3	
52	D	GAK30014000		PRESSER LIFTING SHAFT				*		1	
53		WP0621016SD		WASHER 6.2X13X1				*		2	
54		GAK30005000		SPRING				*		1	
55		GAK300010B0		KNEE PRESS LIFTER ROD ASM.				*		1	
56	R	GAK30004000	GAK300010B0	KNEE PRESS LIFTER ROD				*		1	1.00
57		RE0400000K0		E-SHAPED SNAP RING (4MM)				*		1	
58	R	SK3514000SC	SK3514001SE	WOOD SCREW D=5.1 L=40				*		2	1.00
59		WP0570716SE		WASHER				*		2	
60		GAK010220B0		LIFTER KNEE SWITCH ASM. B				*		1	
61		MAT80230T00		KNEE SWITCH SUPPORT BASE				*		2	
62		MAT80231T00		DRIVING BAR, T002				*		1	
63	R	GAK010220A0	GAK010220B0	KNEE SWITCH ASM.				*		1	1.00
64		SS6151220SP		SCREW 15/64-28 L=11.5				*		4	
65	R	SS7111410SP	SS7111410TP	SCREW11/64-40L=14				*		2	1.00
66	R	SK3514000SC	SK3514001SE	WOOD SCREW D=5.1 L=40				*		2	1.00

EXCLUSIVE PARTS FOR DDL-5570N-H

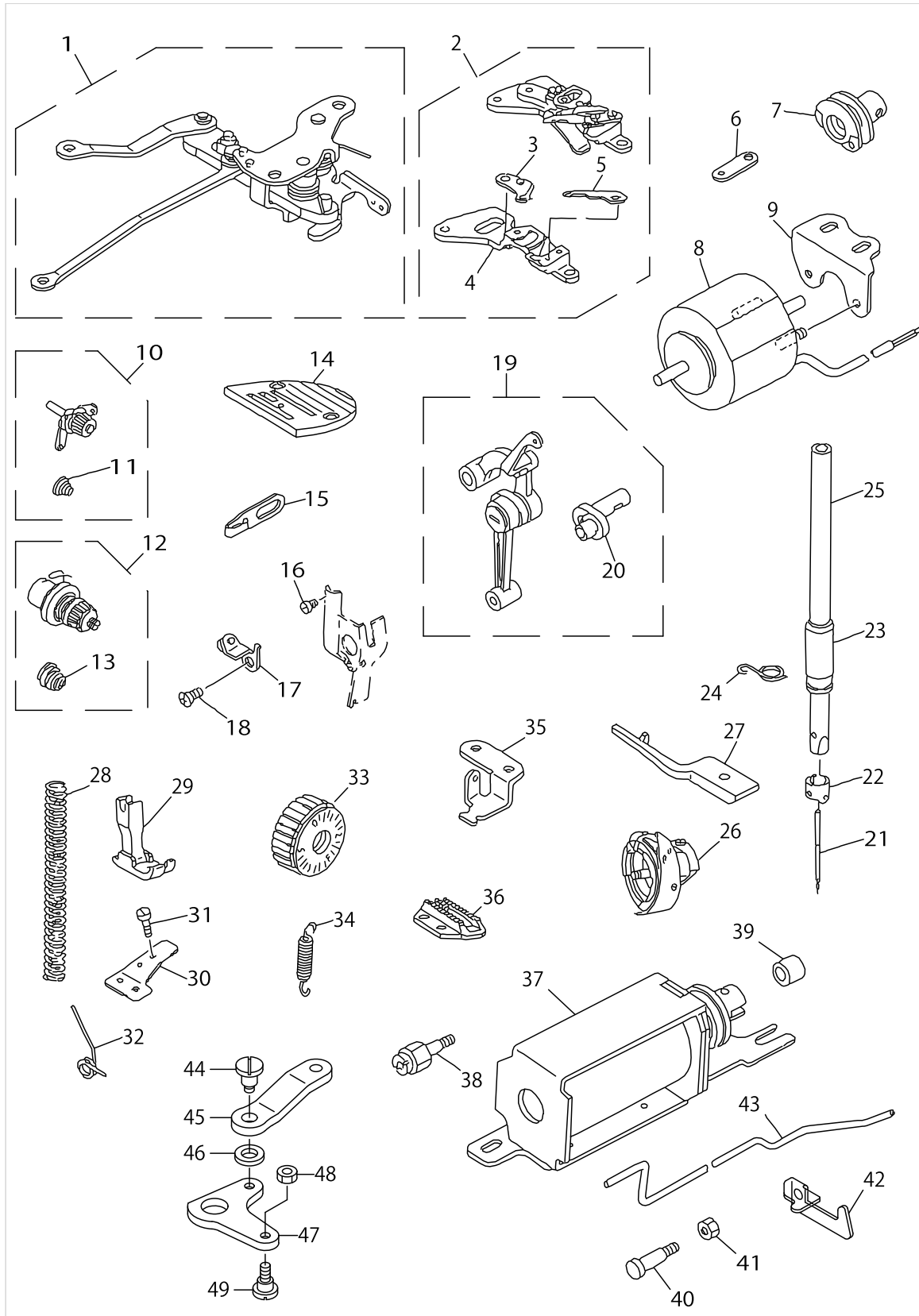


EXCLUSIVE PARTS FOR DDL-5570N-H

No.	Supply Code	Parts No.	Replacement	Parts name	Remarks	Choice	Step	Level	Cons	Qty	Rep. QTY
1	R	11093366	22949762	THREAD TRIMMER DRIVING ASM.						1	1.00
2	R	11093168	11095551	KNIFE MOUNTING BASE ASM.				*		1	1.00
3		11093259		MOVING KNIFE ASM.				*		1	
4	D	11093101		KNIFE MOUNTING BASE				*		1	
5		D2407415D00		THREAD GUIDE, LOWER				*		1	
6		11094604		CLUTCH LINK						1	
7	R	11094703	11094752	THREAD TRIMMER CAM.						1	1.00
8	D	11094851		THREAD TRIMMER SOLENOID						1	
9	R	11094901	11407608	SOLENOID BASE						1	1.00
10	R	11073954	22963458	THREAD TENSION ASM.						1	1.00
11		11093606		THREAD TENSION SPRING				*		1	
12	R	11073657	22962054	THREAD TENSION ASM.						1	1.00
13		B3114232000		THREAD TENSION SPRING				*		1	
14		11074101		THROAT PLATE H						1	
15		11091006		ARM THREAD GUIDE (HA)						1	
16		SS6080320SP		SCREW 1/8-44 L= 2.5						1	
17		11095254		LEVER STOPPER ASM.						1	
18		SS1120710SP		SCREW						1	
19	R	11091659	40103560	LINK THREAD TAKE- -UP LEVER ASM.						1	1.00
20	R	11091600	40109126	NEEDLEBARCRANKH				*		1	1.00
21		MDB100B2200		NEEDLE DBX1 #22						1	
22	R	11091501	22906309	NEEDLE BAR THREAD GUIDE H						1	1.00
23		B1403553000		NEEDLE BAR BUSHING, LOWER						1	
24	R	B1419553000	40023223	NEEDLE BAR THREAD GUIDE						1	1.00
25	R	11091303	22970206	NEEDLE BAR						1	1.00
26		11092251		LUBRICATING BOBBIN ASM.						1	
27	R	11093804	22962401	POSITIONING FINGER H						1	1.00
28		B1505552000A		PRESSER SPRING						1	
29	R	B1511543BA0	D1524555ECL	PRESSER FOOT ASM.						1	1.00
30	R	11230901	22962807	WIRE PRESSER PLATE, B						1	1.00
31		SS7110740TP		SCREW 11/64-40 L=7						1	
32		11094000		TENSION RELEASE RETURN SPRING						1	
33		11071909		FEED DIAL						1	
34		11091204		ADJUST LINK SPRING						1	
35	R	11091907	22962203	FEED SPRING HOOK						1	1.00
36		B1613555H00		FEED DOG (H)						1	
37	D	11095056		SOLENOID FITTING BASE ASM.						1	
38		11231503		OIL PUMP SUPPORT						1	
39	R	11228103	22962609	REVERSE FEED BASE COLLAR						1	1.00
40	R	11314408	22962906	PLUNGER ARM PIN						1	1.00
41		NS6110350SP		NUT 11/64-40						1	
42	D	11228301		TUBE HOLDER, LOWER						1	
43		11094109		OIL TUBE						1	
44	R	11101706	SD0700711TP	HINGE SCREW						1	1.00
45	R	11101607	22962500	SOLENOID CONNECTING LINK						1	1.00



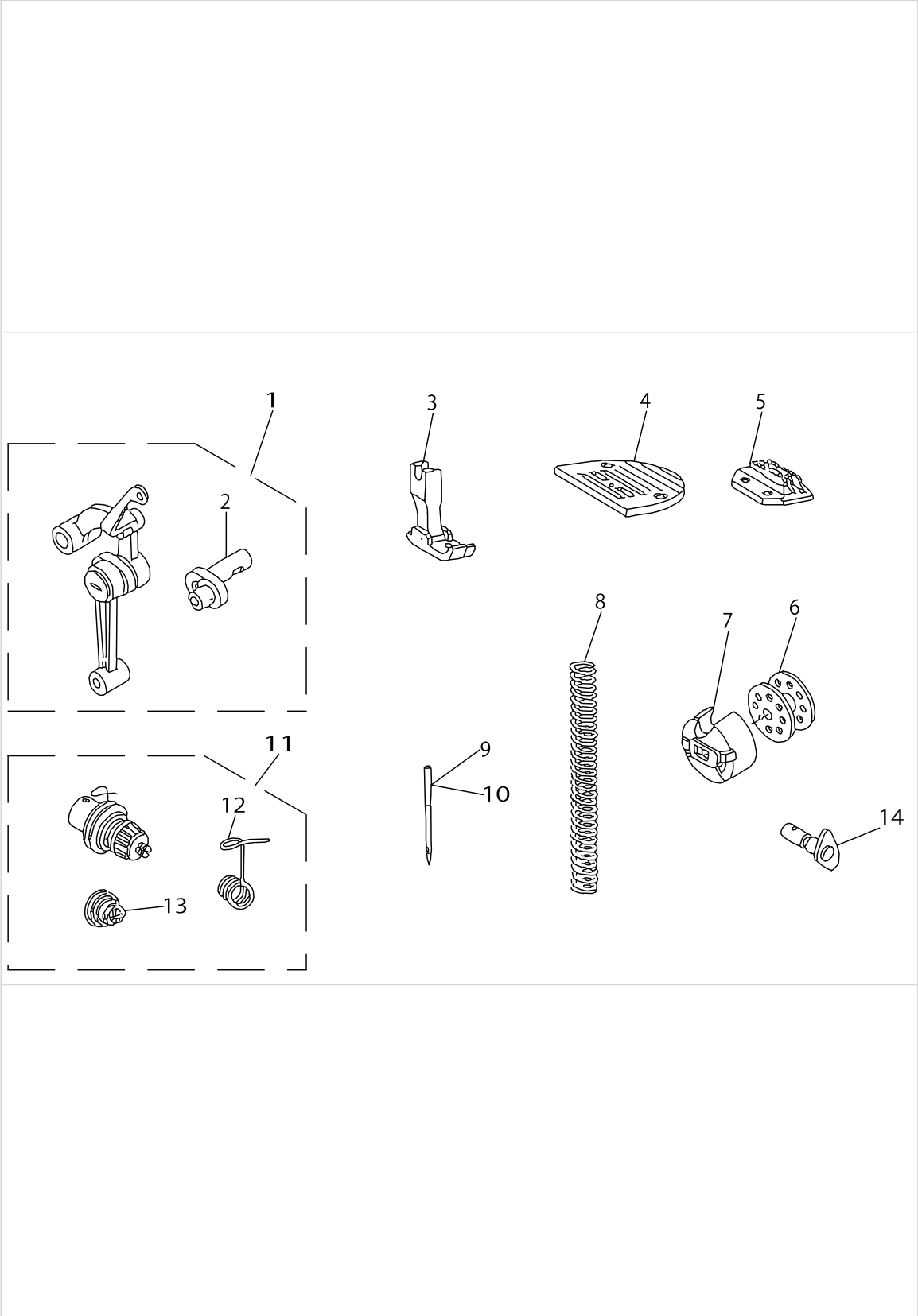
EXCLUSIVE PARTS FOR DDL-5570N-H



EXCLUSIVE PARTS FOR DDL-5570N-H

No.	Supply Code	Parts No.	Replacement	Parts name	Remarks	Choice	Step	Level	Cons	Qty	Rep. QTY
46	R	11101904	WP0722316SH	WASHER						1	1.00
47		11101508		REVERSE FEED LINK						1	
48		NS6110350SP		NUT 11/64-40						1	
49		11101805		HING SCREW						1	

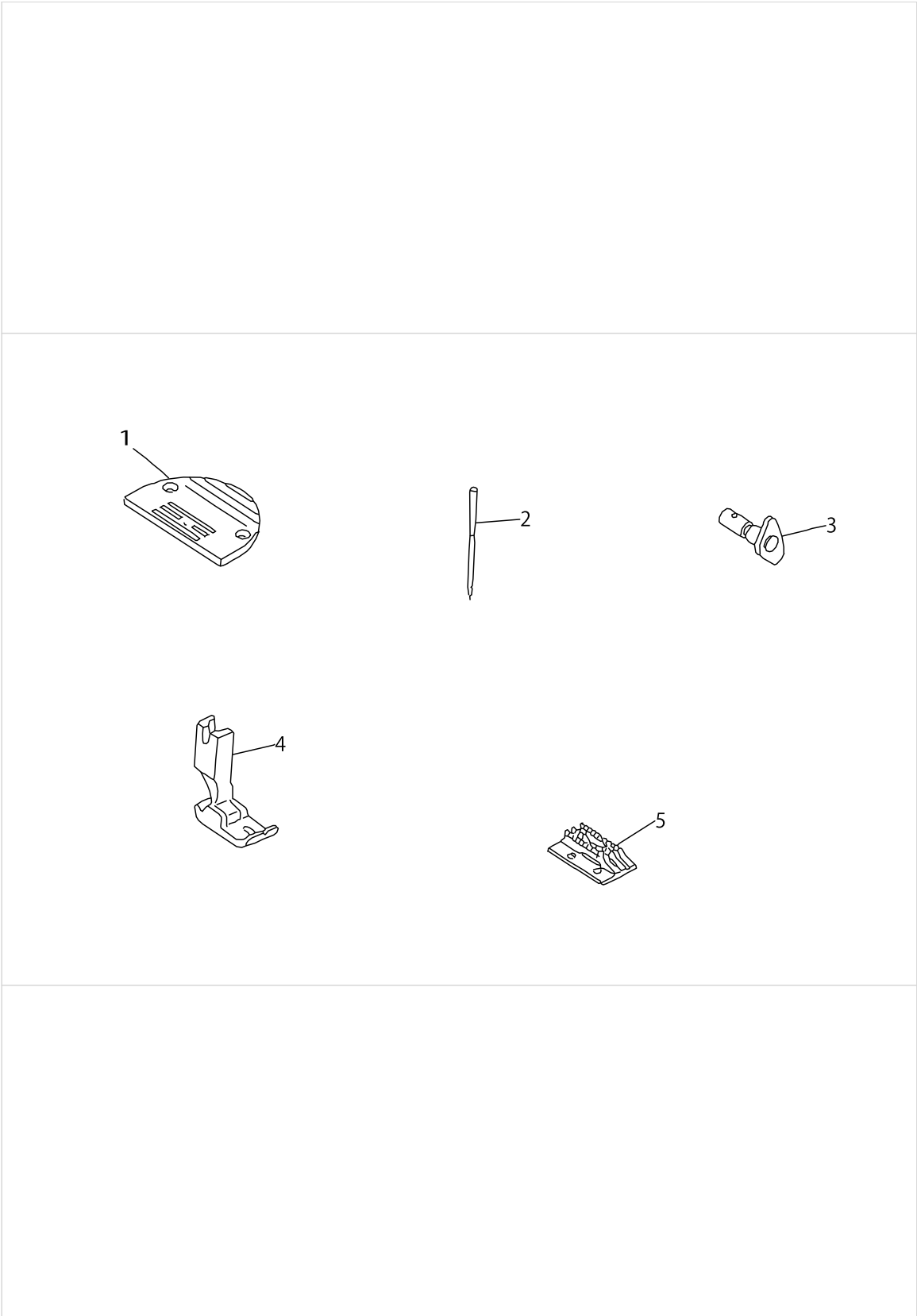
EXCLUSIVE PARTS FOR DDL-5570N-A,5580N-A



EXCLUSIVE PARTS FOR DDL-5570N-A,5580N-A

No.	Supply Code	Parts No.	Replacement	Parts name	Remarks	Choice	Step	Level	Cons	Qty	Rep. QTY
1		11091857		LINK THREAD TAKE-UP LEVER ASM.						1	
2		11091808		NEEDLEBARCRANKA				*		1	
3	R	D1524555DA0	D1524555DBA	PRESSER FOOT ASM.						1	1.00
4	R	11074002	B1109012I0B	THROAT PLATE A						1	1.00
5		B1613012I00		FEED DOG I						1	
6	R	B9117552A00	22964001	BOBBIN						1	1.00
7		B18370120A0		BOBBIN CASE ASM.						1	
8		B1505227T00A		PRESSER SPRING T						1	
9		MDA100B1100		NEEDLE DAX1 #11						1	
10		MDA100B0900		NEEDLE DAX1 #9						1	
11	R	11073756	40011503	THREAD TENSION ASM.						1	1.00
12		D3128555D00		TAKE-UP SPRING				*		1	
13		D3129555D00		THREAD TENSION SPRING						1	
14		11092558		HAND LIFTER CAM ASM.						1	

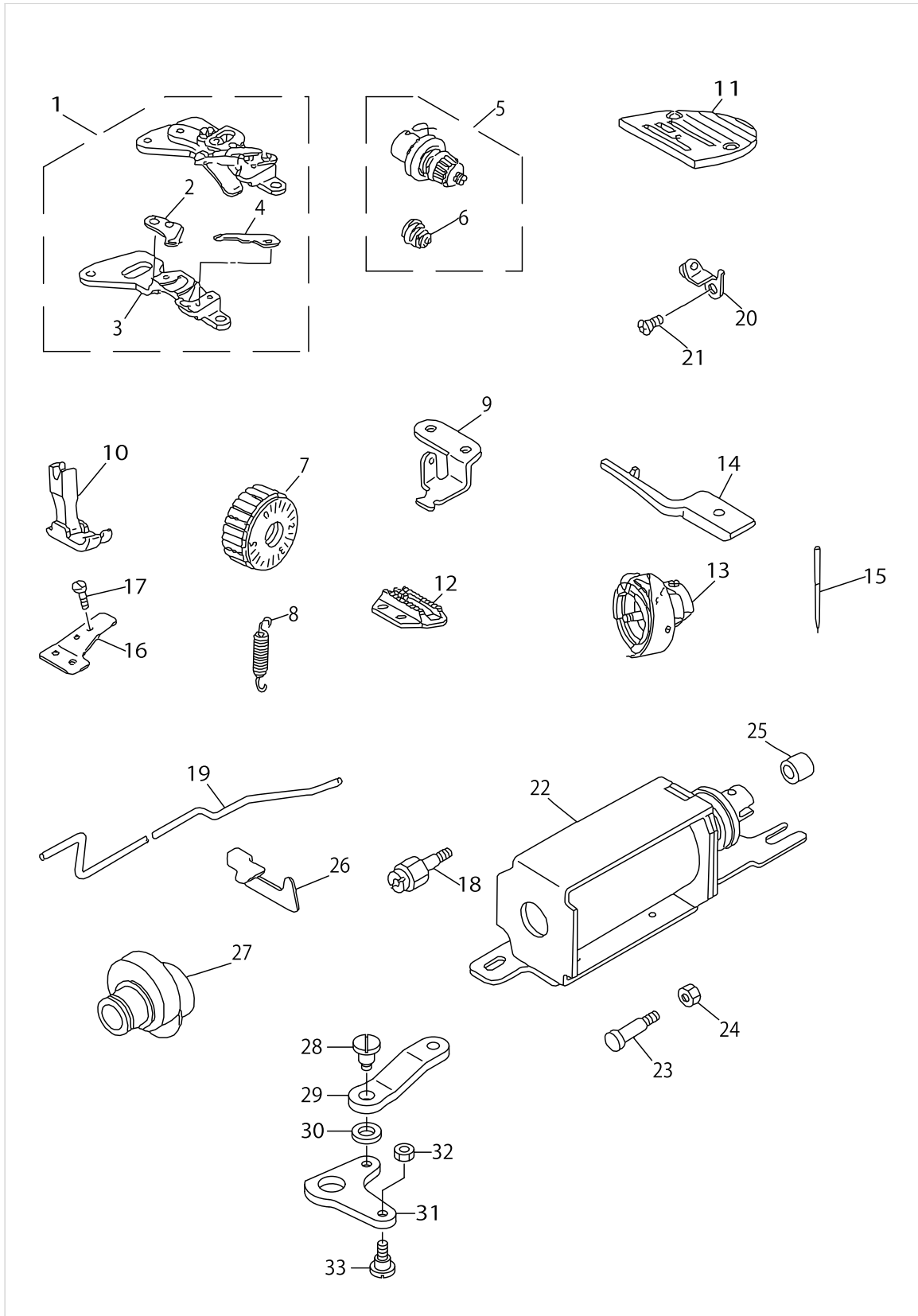
EXCLUSIVE PARTS FOR DDL-5570N-K,5580N-K



EXCLUSIVE PARTS FOR DDL-5570N-K,5580N-K

No.	Supply Code	Parts No.	Replacement	Parts name	Remarks	Choice	Step	Level	Cons	Qty	Rep. QTY
1		11001906		THROAT PLATE K						1	
2		MDB100B0900		NEEDLE DBX1 #9						1	
3		11092558		HAND LIFTER CAM ASM.						1	
4	R	D1524555DA0	D1524555DBA	PRESSER FOOT ASM.						1	1.00
5		D1613155W00		FEED DOG W						1	

EXCLUSIVE PARTS FOR DDL-5570N-M,5580N-M



EXCLUSIVE PARTS FOR DDL-5570N-M,5580N-M

No.	Supply Code	Parts No.	Replacement	Parts name	Remarks	Choice	Step	Level	Cons	Qty	Rep. QTY
1	R	11081254	22947956	KNIFE UNIT						1	1.00
2		11320058		MOVING KNIFE ASM.				*		1	
3	D	11093101		KNIFE MOUNTING BASE				*		1	
4		D2407415D00		THREAD GUIDE, LOWER				*		1	
5	R	11073657	22962054	THREAD TENSION ASM.						1	1.00
6		B3114232000		THREAD TENSION SPRING				*		1	
7		11071909		FEED DIAL						1	
8		11091204		ADJUST LINK SPRING						1	
9	R	11091907	22962203	FEED SPRING HOOK						1	1.00
10	D	11080355		PRESSER ASM.						1	
11		11080009		THROAT PLATE						1	
12		11080603		FEED						1	
13		11092251		LUBRICATING BOBBIN ASM.						1	
14	R	11093804	22962401	POSITIONING FINGER H						1	1.00
15		MDB100B1600		NEEDLE DBX1 #16						1	
16	R	11230901	22962807	WIRE PRESSER PLATE, B						1	1.00
17		SS7110740TP		SCREW 11/64-40 L=7						1	
18		11231503		OIL PUMP SUPPORT						1	
19		11094109		OIL TUBE						1	
20		11095254		LEVER STOPPER ASM.						1	
21		SS1120710SP		SCREW						1	
22	D	11095056		SOLENOID FITTING BASE ASM.						1	
23	R	11314408	22962906	PLUNGER ARM PIN						1	1.00
24		NS6110350SP		NUT 11/64-40						1	
25	R	11228103	22962609	REVERSE FEED BASE COLLAR						1	1.00
26	D	11228301		TUBE HOLDER, LOWER						1	
27	R	11080900	22962351	FEED DRIVE ECCENTRIC CAM						1	1.00
28	R	11101706	SD0700711TP	HINGE SCREW						1	1.00
29	R	11101607	22962500	SOLENOID CONNECTING LINK						1	1.00
30	R	11101904	WP0722316SH	WASHER						1	1.00
31		11101508		REVERSE FEED LINK						1	
32		NS6110350SP		NUT 11/64-40						1	
33		11101805		HING SCREW						1	



## HOW TO MAKE USE OF THIS PARTS LIST

1.As to "#01" and "#02" refer to the "Note" given at the bottom of the respective pages.

2.Codes on the "Qty" column

- Each numeral indicates the number of parts required.
- "0.1" and "2.5" indicate the length (in meters) of the respective parts.

3.Parentheses mean that the corresponding part is a subpart that constructs an assembly part.

4.Dotted lines on the Figures indicate assembly parts.

1. リストページの# 0 1、# 0 2の印は、ページ下の"注記"の説明を参照下さい。
2. 数量欄の数字は、個数を表し、0. 1、2. 5等の数値は、長さ（単位メートル）を表します。
3. 数量欄の（ ）は、組部品を構成している子部品であることを意味します。
4. イラストページの-----枠は、組構成であることを意味します。

# NUMERICAL INDEX OF PARTS

PART NO	PAGE	REF NO.	PART NO	PAGE	REF NO.	PART NO	PAGE	REF NO.
11000304	2	2	11009701	14	4	11023504	30	8
11000619	2	11	11009909	14	7	11023702	28	20
11000858	2	4	11010154	14	19	11023751	28	16
11001104	4	55	11010303	14	17	11023801	28	21
11001500	2	31	11010402	14	20	11024007	28	7
11001609	4	53	11010709	16	65	11024106	28	8
11001658	4	51	11010808	14	39	11024205	28	15
11001906	44	1	11010907	16	60	11024304	28	23
11002003	6	43	11011301	14	38	11024403	28	19
11002102	6	11	11011509	14	5	11024502	28	10
11002201	6	12	11014008	14	15	11024700	28	3
11002300	6	14	11014156	14	45	11028008	4	44
11002508	6	21	11014206	16	48	11028156	12	42
11002805	6	20	11014354	16	57	11028255	10	35
11002904	6	42	11015005	8	31	11030301	2	14
11004009	8	23	11015104	8	35	11032265	6	37
11004108	8	25	11015203	8	27	11035003	8	3
11004207	8	26	11017209	6	2	11035300	8	10
11005204	6	7	11018009	10	28	11037157	16	55
11006103	10	37	11018108	10	30	11037207	14	31
11006202	10	10	11018207	10	24	11037355	14	35
11006350	10	5	11018306	10	27	11038650	8	40
11006509	10	7	11018405	10	25	11038759	8	42
11006608	10	8	11018504	2	30	11038809	8	32
11006756	10	4	11018603	4	47	11038908	8	43
11006905	10	16	11018801	8	7	11039062	6	5
11007002	10	15	11019007	12	50	11039070	6	4
11007101	10	12	11020005	26	14	11040052	18	5
11007200	10	14	11020054	26	12	11040201	18	7
11007309	10	11	11020203	26	17	11040300	18	6
11008000	6	17	11020302	26	13	11040359	18	1
11008059	6	15	11020401	26	19	11040409	18	4
11008109	6	18	11020500	26	21	11040508	18	3
11008208	14	12	11020609	26	20	11040607	18	35
11008356	14	43	11020708	26	15	11040706	18	37
11008604	14	26	11020807	26	18	11040854	18	45
11008703	14	25	11020906	26	22	11040953	18	44
11008802	14	28	11021151	26	6	11041308	18	43
11008901	14	23	11021201	26	3	11041407	18	40
11009008	14	24	11021300	26	11	11041506	18	41
11009107	14	40	11021409	26	27	11041704	18	29
11009206	14	13	11021706	20	64	11041852	18	30
11009305	14	36	11021805	26	7	11042058	18	24
11009404	14	22	11023017	28	2	11042207	20	50
11009602	14	2	11023108	34	38	11042264	18	23

NUMERICAL INDEX OF PARTS

PART NO	PAGE	REF NO.	PART NO	PAGE	REF NO.	PART NO	PAGE	REF NO.
11042306	18	26	11071909	38	33	11093168	38	2
11042405	18	31	11071909	46	7	11093259	38	3
11042504	18	14	11072006	14	10	11093366	38	1
11042553	18	13	11072105	16	68	11093606	38	11
11042652	18	15	11072204	2	33	11093804	38	27
11042751	18	25	11072352	2	32	11093804	46	14
11042850	18	19	11072402	2	26	11094000	38	32
11042959	18	21	11072451	2	21	11094109	38	43
11043007	20	60	11072501	22	2	11094109	46	19
11043106	20	53	11072550	22	1	11094604	38	6
11043205	20	52	11072600	22	13	11094703	38	7
11043304	20	57	11072709	24	2	11094851	38	8
11043353	20	49	11072758	24	1	11094901	38	9
11043403	20	54	11072907	30	3	11095056	38	37
11043551	20	65	11072956	30	2	11095056	46	22
11043700	18	38	11072964	30	1	11095254	38	17
11045002	2	22	11073004	30	7	11095254	46	20
11045101	2	25	11073657	38	12	11095304	20	69
11045200	2	23	11073657	46	5	11100104	2	20
11045408	10	46	11073756	42	11	11100252	14	27
11045408	12	46	11073954	38	10	11100401	14	1
11045507	10	18	11074002	42	4	11100500	2	18
11045606	10	21	11074101	38	14	11100609	26	25
11045705	12	43	11080009	46	11	11100757	22	25
11045804	10	22	11080355	46	10	11101003	22	24
11045903	10	29	11080603	46	12	11101151	22	17
11046000	12	48	11080900	46	27	11101300	22	15
11046505	26	1	11081254	46	1	11101417	22	19
11047057	28	1	11091006	38	15	11101508	40	47
11047107	28	4	11091204	38	34	11101508	46	31
11047107	34	37	11091204	46	8	11101607	38	45
11047255	30	10	11091303	38	25	11101607	46	29
11047305	30	6	11091501	38	22	11101706	38	44
11047354	30	4	11091600	38	20	11101706	46	28
11052701	14	9	11091659	38	19	11101805	40	49
11053105	16	64	11091808	42	2	11101805	46	33
11070851	2	1	11091857	42	1	11101904	40	46
11070901	2	10	11091907	38	35	11101904	46	30
11071008	2	28	11091907	46	9	11102001	22	4
11071453	6	34	11092251	38	26	11102100	22	5
11071461	6	30	11092251	46	13	11102209	22	6
11071552	6	29	11092558	42	14	11102308	22	12
11071602	10	31	11092558	44	3	11102605	2	9
11071701	10	32	11093101	38	4	11110152	24	20
11071800	10	1	11093101	46	3	11110301	24	15

NUMERICAL INDEX OF PARTS

PART NO	PAGE	REF NO.	PART NO	PAGE	REF NO.	PART NO	PAGE	REF NO.
11110400	24	13	B13081550A0	8	21	B3320704L00A	32	3
11110509	24	14	B1402552000A	8	2	B3419122000	28	18
11110608	24	6	B1403155000	8	8	B3431552000A	28	17
11110707	24	10	B1403553000	38	23	B3514412000	26	9
11110806	24	11	B1405012000	8	1	B3529226000	26	5
11110905	24	7	B1408552000	6	8	B9117012000	8	41
11111051	24	28	B14115520A0	8	4	B9117552A00	42	6
11111309	24	26	B1414555000	8	6	CQ252000000	26	8
11111507	24	9	B1419553000	38	24	CQ3500000F0	6	3
11111606	24	24	B1501127000	10	36	CS030071ASP	24	30
11111705	24	16	B1502541000	10	40	CS079073ASH	8	36
11111804	24	29	B1505227000A	10	34	CS079101ASH	8	29
11181757	32	9	B1505227T00A	42	8	CS1111019SH	36	46
11183605	32	14	B1505552000A	38	28	CS147121ASH	6	23
11183654	32	1	B1510227000	10	33	CS147121ASH	16	61
11183704	32	10	B1511543BA0	38	29	D1524555DA0	42	3
11183803	32	15	B1521555000	10	2	D1524555DA0	44	4
11183902	32	5	B1613012A00	14	33	D1613155W00	44	5
11184009	32	2	B1613012I00	42	5	D2112555B00	2	13
11184108	32	8	B1613555H00	38	36	D2404555B00	18	9
11184207	32	11	B18085520A0	8	38	D2406555D0H	18	10
11184306	32	7	B1810552000	8	39	D2407415D00	38	5
11217601	22	28	B18370120A0	42	7	D2407415D00	46	4
11228103	38	39	B1903552000	6	9	D2468555B00	22	22
11228103	46	25	B1905541B00	6	6	D3128555D00	42	12
11228301	38	42	B2616372000	26	10	D3129555D00	42	13
11228301	46	26	B3111126000	2	40	D3159555B00	12	44
11230901	38	30	B3114232000	38	13	D3201555DA0	30	11
11230901	46	16	B3114232000	46	6	D3213555DA0	30	12
11231503	38	38	B3115552000	2	38	D3310555D00	32	20
11231503	46	18	B3118552E00	2	43	D6043555B00	20	66
11314408	38	40	B3120125000	2	34	D6043555B00	22	10
11314408	46	23	B3125012000	30	16	D6043555B00	24	23
11320058	46	2	B3126012000	2	37	GAK01003B00	34	44
B1110012000	4	52	B3126012000	30	14	GAK01004000	34	43
B1114012000	2	7	B3128012000	2	39	GAK01014000	34	20
B1148555000	14	8	B3129012A00	2	35	GAK01015000	34	28
B1212552A00	6	28	B3129012B00	30	15	GAK01016000	34	16
B12135520A0A	6	40	B3132552000	2	36	GAK01018000	34	7
B13050120A0	8	14	B3209555000	30	20	GAK01019000	34	4
B13061550A0	8	16	B3211555000	30	19	GAK010220A0	36	63
B13061550B0	8	13	B3212555000	30	18	GAK010220B0	36	60
B13061550C0	8	12	B3214047000	2	24	GAK020210A0	34	17
B13071550A0	8	19	B3311012000	32	4	GAK300010B0	36	55
B13071550B0	8	18	B3317704000	32	18	GAK30004000	36	56

NUMERICAL INDEX OF PARTS

PART NO	PAGE	REF NO.	PART NO	PAGE	REF NO.	PART NO	PAGE	REF NO.
GAK30005000	36	54	NS6150430SP	18	33	SE4301041SR	26	16
GAK30006000	34	39	NS6150430SR	28	12	SK3482500SC	30	24
GAK300060A0	34	36	NS6620310SP	12	45	SK3514000SC	36	66
GAK300060B0	34	2	NS6660410SH	20	58	SL4030851SF	26	23
GAK300060D0	34	1	NS6660430SP	20	59	SL4051001MZ	6	39
GAK300070A0	34	10	NS6680410SP	14	42	SM4030601SN	24	22
GAK300070B0	34	3	RC0150001KP	14	54	SM4030801SB	34	35
GAK30011000	34	11	RC0150001KP	16	54	SM4031401SB	34	32
GAK30012000	34	9	RC1850001KP	6	22	SM4031501SC	22	8
GAK30013000	34	8	RE0250000K0	24	8	SM4051001SB	34	22
GAK30014000	36	52	RE0320000K0	36	50	SM4051405SE	32	12
GAK30015000	36	47	RE0400000K0	10	26	SM6061610SC	32	6
GAK30016000	34	29	RE0400000K0	18	39	SS1120710SP	38	18
HA000590000	24	17	RE0400000K0	22	23	SS1120710SP	46	21
HA001700000	22	11	RE0400000K0	36	57	SS2060210SP	18	8
HG26740147P	34	23	RE0500000K0	10	23	SS2110915SP	4	46
HR003601000	34	26	RE0500000K0	14	21	SS2110920TP	4	45
HW200390000	24	18	RE0500000K0	18	51	SS4080620TP	14	34
HW2F18S1212	34	27	RE0500000K0	20	51	SS4080620TP	18	11
HW500070000	22	9	RE0500000K0	22	14	SS4110615SP	22	3
HW500070000	24	19	RE0500000K0	24	27	SS4110715SP	18	28
HX000430000	6	38	RE0600000K0	18	46	SS4110815SP	30	13
M40071100AA	6	35	RE0800000K0	18	27	SS4111815SP	22	7
M40071100AB	6	36	RE0900000K0	22	16	SS4120615SP	2	29
M9637110000	20	67	RE1000000K0	28	9	SS4120615SP	10	49
M9640110000	20	68	RE1000000K0	36	51	SS4120615SP	12	49
MAO11532000	32	22	RE1200000K0	22	20	SS4120615SP	26	4
MAO12002000	34	42	RE1200000K0	34	6	SS4120915SP	2	50
MAT80230T00	36	61	RO029180100	6	41	SS4120915SP	4	50
MAT80231T00	36	62	RO037180100	10	3	SS4120915SP	8	28
MDA100B0900	42	10	RO044240100	6	26	SS4120915SP	16	59
MDA100B1100	42	9	RO078190100	16	63	SS4120915SP	22	27
MDB100B0900	44	2	RO092270200	14	16	SS4120915SP	24	32
MDB100B1400	8	11	RO098240100	28	6	SS4150915SP	20	47
MDB100B1600	46	15	RO098240100	34	41	SS4150915SP	26	26
MDB100B2200	38	21	RO195240100	26	2	SS4151215SP	20	63
NM6040000SN	20	56	SD0460702TP	18	2	SS4151215SP	22	26
NM6050001SE	32	17	SD0490261SP	30	21	SS6060210SP	4	54
NM6060003SC	36	49	SD0600361SP	20	62	SS6080310SP	24	31
NM6100663SE	34	5	SD0630275SP	18	18	SS6080320SP	38	16
NS6090310SP	24	5	SD0640702TH	20	48	SS6080410SP	2	3
NS6110310SP	24	12	SD0641451SP	18	17	SS6090510SP	18	16
NS6110350SP	38	48	SD0650321TP	24	4	SS6090540SP	24	25
NS6110350SP	40	48	SD0720332SP	10	13	SS6090620SP	14	41
NS6110350SP	46	32	SD1000801SH	16	47	SS6090670TP	6	19

NUMERICAL INDEX OF PARTS

PART NO	PAGE	REF NO.	PART NO	PAGE	REF NO.
SS6090670TP	8	5	SS8151550SP	6	33
SS6090670TP	14	3	SS8153010SR	28	13
SS6110420TP	8	30	SS8660530TP	34	45
SS6110610TP	4	48	SS8660610TP	6	25
SS6110710TP	20	61	SS8660610TP	16	62
SS6111010SP	8	33	SS8660810TP	8	22
SS6111010TP	26	24	SS8660810TP	10	38
SS6111210SP	6	31	SS8660810TP	16	66
SS6121210SP	16	46	SS8661040TP	16	67
SS6121840SP	2	17	SS8681650TP	6	10
SS6121860SP	14	11	SS9151540SR	28	22
SS6151220SP	36	64	SS9151610SR	28	14
SS6660610TP	18	20	SS9182010SN	28	11
SS6661110SP	6	16	TA0850604R0	2	5
SS6700710SH	28	5	TA1250406R0	4	49
SS6700710SH	34	40	TA1250705R0	2	6
SS7080510TP	8	9	TA2000502R0	2	16
SS7081310SP	30	22	TA2101002R0	2	19
SS7090610SP	18	42	WP0330500MB	34	33
SS7090910SP	10	39	WP0330501SB	34	30
SS7091110SP	10	41	WP0450000SD	20	55
SS7110350SP	30	17	WP0450801SD	6	32
SS7110410SP	12	47	WP0480856SP	16	69
SS7110510SP	14	37	WP0501016SC	30	23
SS7110740TP	10	17	WP0570716SE	36	59
SS7110740TP	16	53	WP0621016SD	36	53
SS7110740TP	38	31	WP0621016SH	18	32
SS7110740TP	46	17	WP0820526SD	30	5
SS7111120SP	16	58	WP1602616SZ	22	21
SS7111410SP	36	65	WP1702600S0	32	19
SS7120640SP	30	9	WS0310002KN	24	21
SS7120770SH	14	6	WS0310702KS	34	34
SS7121410SP	14	44	WS0451040KP	26	28
SS7121410TP	16	56	WS0510002KN	32	16
SS7151210SP	36	48	WS0511302KB	34	21
SS7681650TP	6	27	WS1643202KR	32	21
SS8090670SP	2	41	WT0530002KS	4	56
SS8110410TP	8	37			
SS8110520TP	18	22			
SS8150432TH	8	34			
SS8150432TH	16	52			
SS8150710SP	2	42			
SS8150710SP	14	29			
SS8150912TH	6	13			
SS8151150SP	6	1			