

MODEL : TU-273

List No : 0527-06

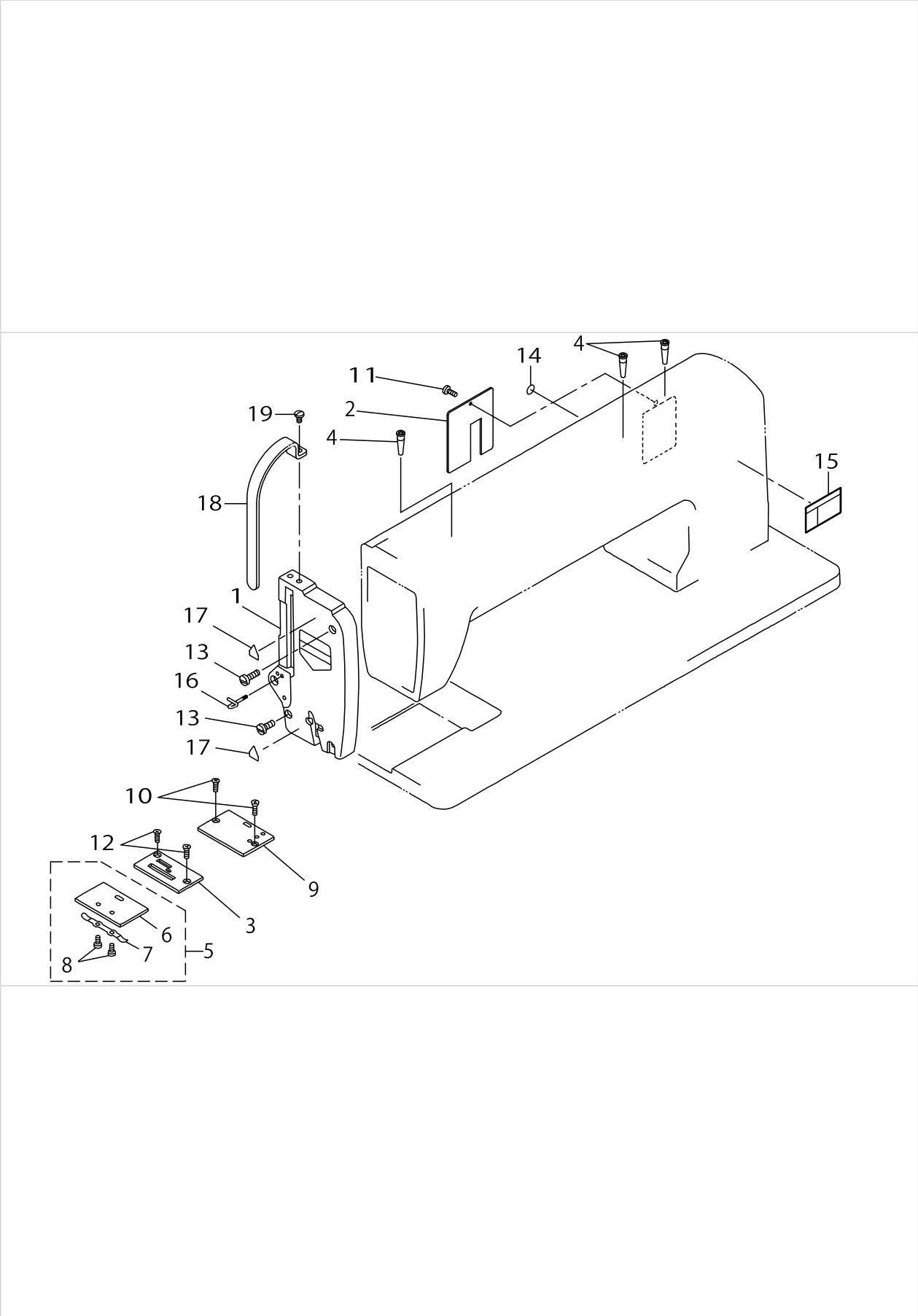
PARTS LIST

Published:05/12/2017

CONTENTS

FRAME & MISCELLANEOUS COVER COMPONENTS	1
MAIN SHAFT COMPONENTS	3
NEEDLE BAR COMPONENTS	5
UPPER FEED MECHANISM COMPONENTS (1).....	7
UPPER FEED MECHANISM COMPONENTS (2).....	9
PRESSURE BAR COMPONENTS.....	13
FEED MECHANISM COMPONENTS.....	15
FEED REGULATOR MECHANISM COMPONENTS.....	19
HOOK DRIVING SHAFT COMPONENTS	21
THREAD TENSION COMPONENTS	23
THREAD WINDER & THREAD GUIDE COMPONENTS	25
KNEE LIFTER & OIL PAN COMPONENTS.....	27
BELT COVER COMPONENTS.....	29
THREAD STAND COMPONENTS.....	31
TABLE COMPONENTS.....	33
ACCESSORIES PARTS COMPONENTS (1).....	35
ACCESSORIES PARTS COMPONENTS (2).....	37
LIST FOR INFORMATION OF CHANGE.....	39
HOW TO MAKE USE OF THIS PARTS LIST	40

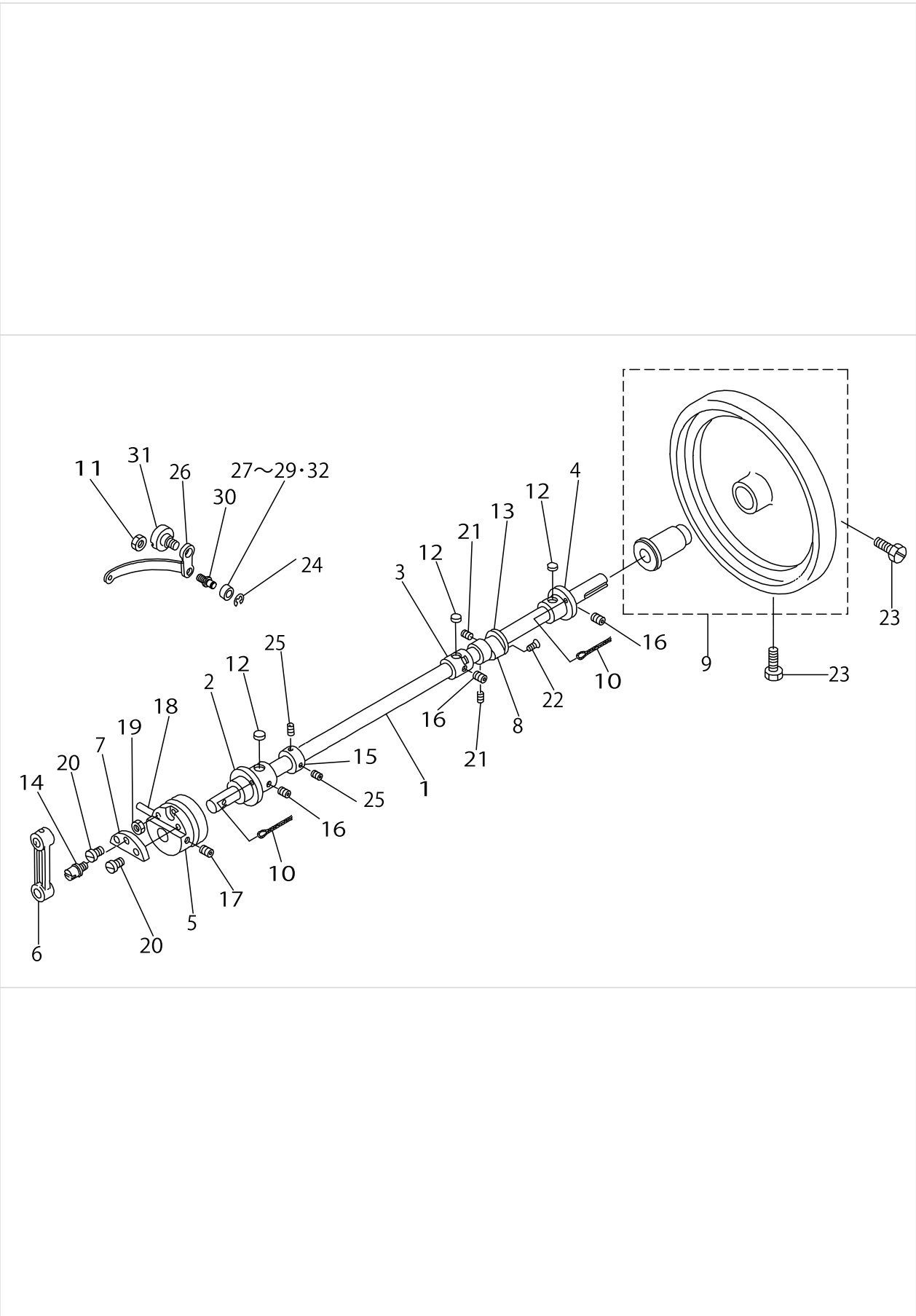
FRAME & MISCELLANEOUS COVER COMPONENTS



FRAME & MISCELLANEOUS COVER COMPONENTS

No.	Supply Code	Parts No.	Replacement	Parts name	Remarks	Choice	Step	Level	Cons	Qty	Rep. QTY
1		21068259		FACE PLATE ASM.						1	
2		21068309		SIDE COVER						1	
3		21040407		THROAT PLATE						1	
4		A3243997C00		REARMETAL OIL PIPE						3	
5		21044151		SLIDE PLATE ASM.A						1	
6	R	21044102	21044151	SLIDE PLATE A				*		1	1.00
7		21044201		SPRING				*		1	
8		SS7060310SP		SCREW 3/32-56 L=3				*		2	
9		21044300		SLIDE PLATE B						1	
10		SS2110915SP		SCREW 11/64-40 L=8.5						2	
11		SS7090710SP		SCREW 9/64-40 L=6.8						1	
12		SS2110915SP		SCREW 11/64-40 L=8.5						2	
13		SS6151920SP		SCREW 15/64-28 L=19.0						2	
14		22901805		GROUND MARK						1	
15		CM301200002		SAFETY LABEL_L						1	
16		21059514		THREAD RACK						1	
17		CM300200001		FINGER INJURY CAUTION LABEL (16)	FOR USE IN JAPAN,JE					2	
18		40099160		THREAD TAKE-UP COVER						1	
19		SS7110710SP		SCREW 11/64-40 L=7						2	

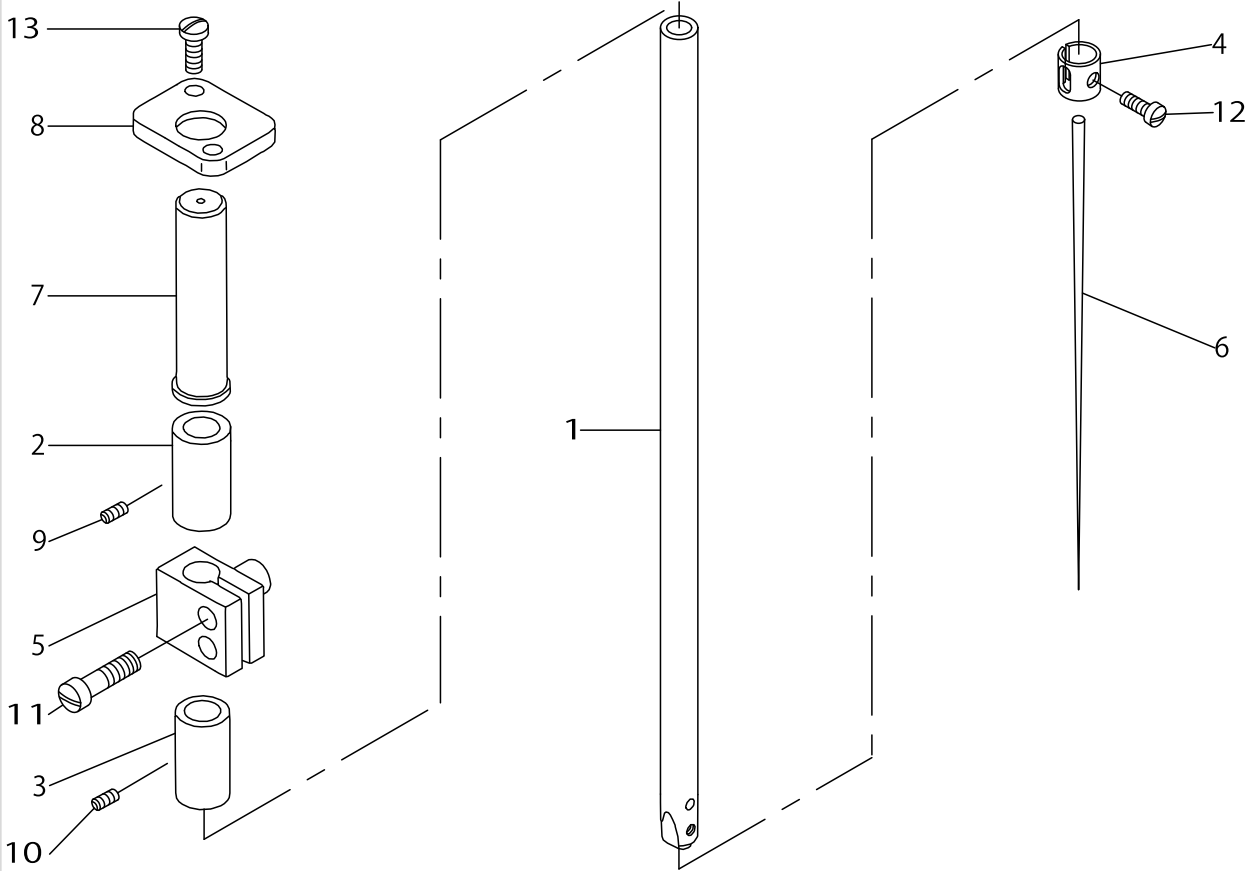
MAIN SHAFT COMPONENTS



MAIN SHAFT COMPONENTS

No.	Supply Code	Parts No.	Replacement	Parts name	Remarks	Choice	Step	Level	Cons	Qty	Rep. QTY
1		21044508		MAIN SHAFT						1	
2	D	21044607		MAIN SHAFT BUSHING, FRONT						1	
3		21044706		MAIN SHAFT BUSHING, CENTER						1	
4		21044805		MAIN SHAFT BUSHING, REAR						1	
5		21044904		THREAD TAKE-UP CAM						1	
6		21045000		NEEDLE BAR CRANK ROD						1	
7		21045109		CRANK PLATE						1	
8		21045208		FEED ECCENTRIC CAM						1	
9		21067855		HAND WHEEL COMPL.						1	
10		CQ202000000		OIL WICK						.1	
11		NS6680410SP		NUT 9/32-28						1	
12		21045406		FELT						3	
13		21045505		SIDE PLATE						1	
14		21045604		NEEDLE BAR CRANK SHAFT						1	
15		21045703		THRUST COLLAR						1	
16		SS8151550SP		SCREW 15/64-28 L=15						3	
17		SS8660612TP		SCREW 1/4-40 L=6						2	
18		PT0405600SH		TAPER PIN						1	
19		NS6680410SP		NUT 9/32-28						1	
20		SS1681140SP		SCREW 9/32-28 L=11						2	
21	R	SS8150710SP	SS8150710TP	SCREW 15/64-28 L=7						2	1.00
22		SS2110915SP		SCREW 11/64-40 L=8.5						2	
23		SS9702110SP		SCREW						2	
24		RE0400000K0		E-RING 4						1	
25		SS8660610TP		SCREW 1/4-40 L=6						2	
26		21045901		THREAD TAKE-UP LEVER						1	
27		21046008		BALANCE ROLLER.						1	
28		21046107		ROLLER	SELECTIVE PART					1	
29		21046206		ROLLER	SELECTIVE PART					1	
30		21046313		ROLLER STUD						1	
31		SD1070901TP		HINGE SCREW						1	
32		40027078		ROLLER	SELECTIVE PART					1	

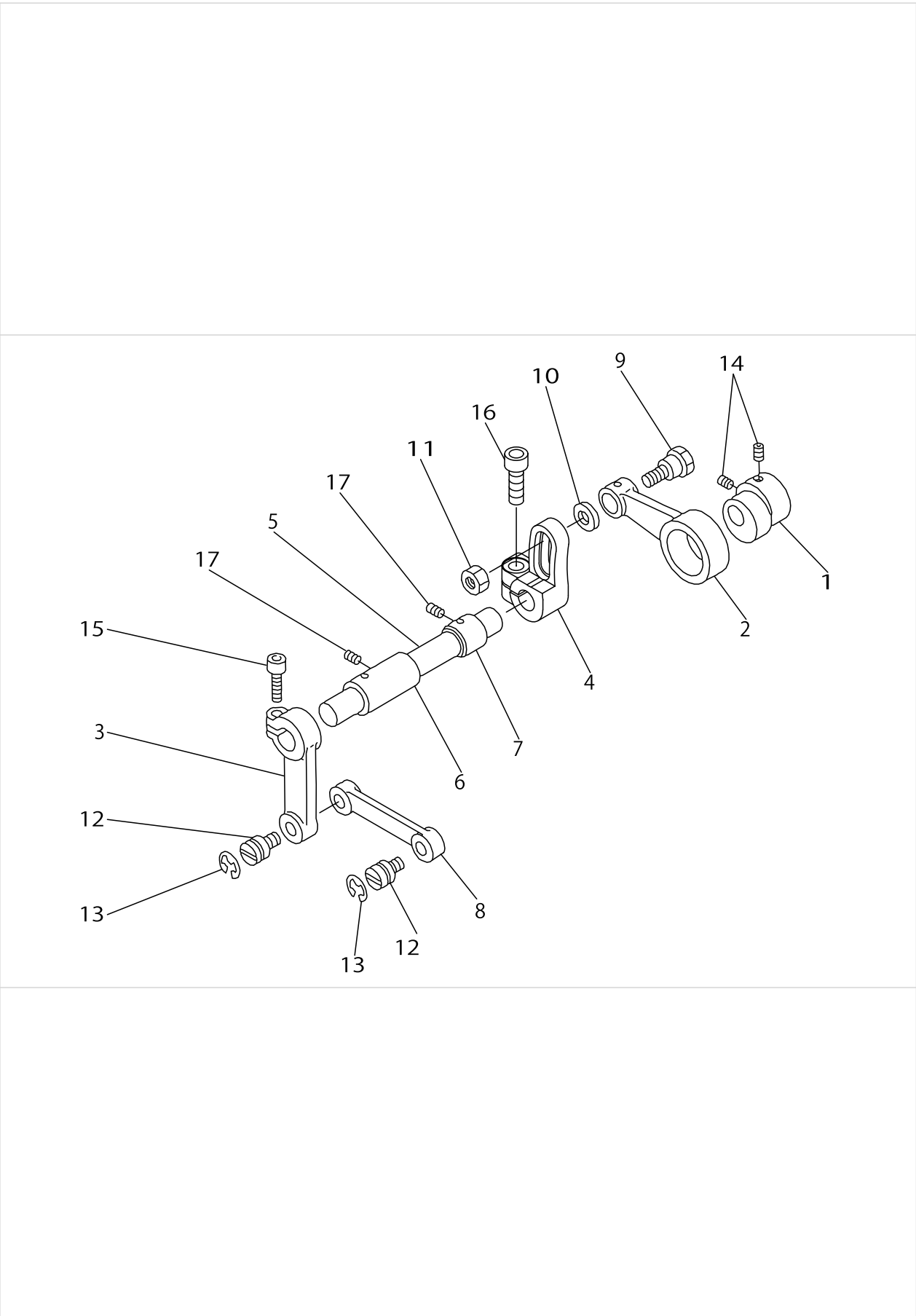
NEEDLE BAR COMPONENTS



NEEDLE BAR COMPONENTS

No.	Supply Code	Parts No.	Replacement	Parts name	Remarks	Choice	Step	Level	Cons	Qty	Rep. QTY
1		21046503		NEEDLE BAR						1	
2		21046602		NEEDLE BAR BUSHING, UPPER						1	
3		21046701		NEEDLE BAR BUSHING, LOWER						1	
4		21040704		NEEDLE BAR THREAD GUIDE						1	
5		21046800		NEEDLE BAR CONNECTION						1	
6		MC532002300		NEEDLE (794 NM=230)						1	
7	D	B1506059000		PRESSERBARCOVER						1	
8		21040803		COVER PLATE						1	
9		SS8150310SP		SCREW 15/64-28 L= 3.4						1	
10		SS8660340SP		SCREW 1/4-40 L= 2.5						1	
11		SS6151440SP		SCREW 15/64-28L=14						2	
12		SS6110710TP		SCREW 11/64-40 L= 6.5						1	
13		SS6111210SP		SCREW 11/64-40L=12						2	

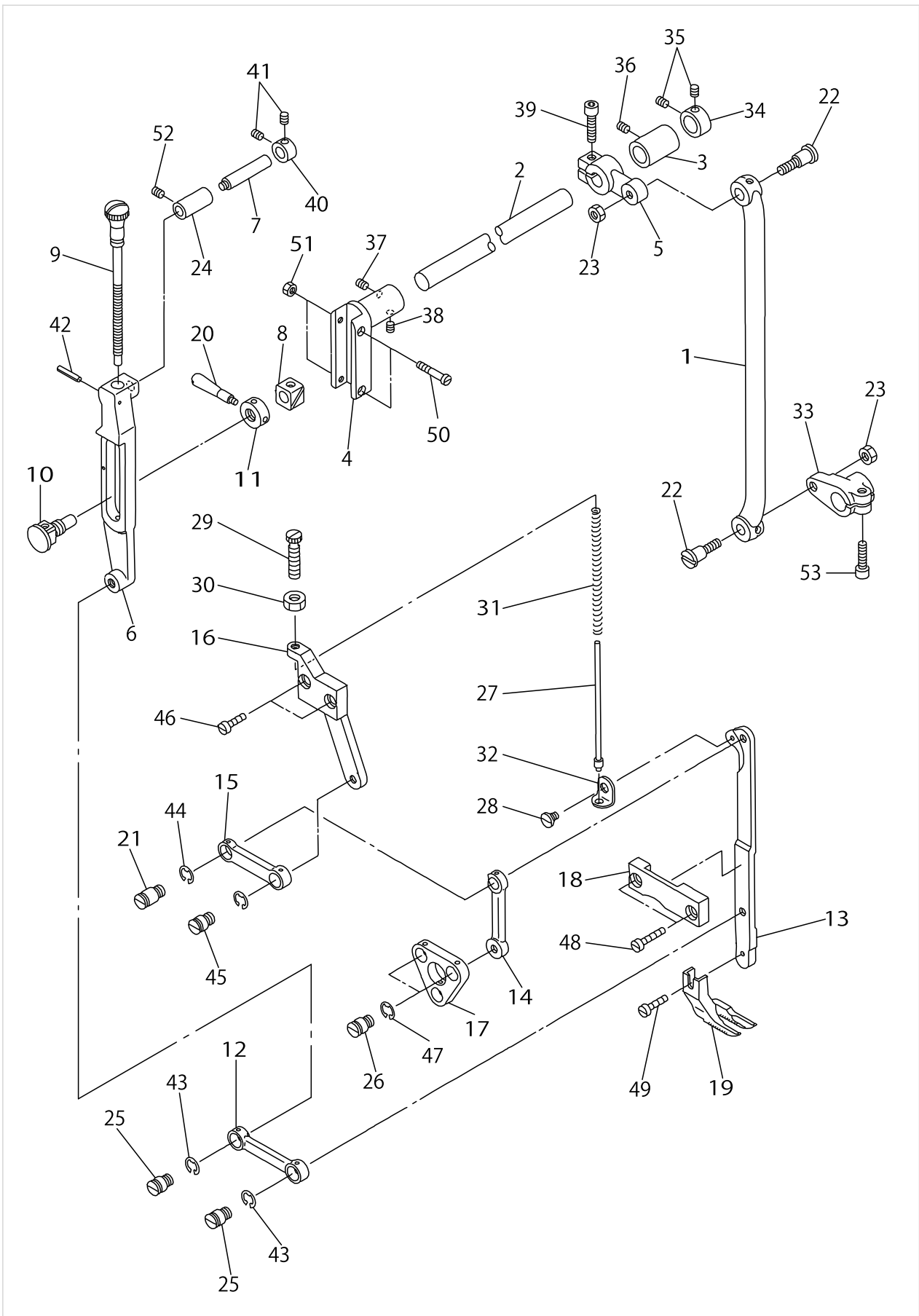
UPPER FEED MECHANISM COMPONENTS (1)



UPPER FEED MECHANISM COMPONENTS (1)

No.	Supply Code	Parts No.	Replacement	Parts name	Remarks	Choice	Step	Level	Cons	Qty	Rep. QTY
1		21049200		DRIVING CAM						1	
2		21049309		CONNECTING ROD						1	
3		21049408		DRIVING SHAFT ARM, FRONT						1	
4		21049515		DRIVING SHAFT ARM, REAR						1	
5		21049606		FEED ROCKERSHAFT						1	
6		21049705		BUSHING, FRONT						1	
7		21049804		BUSHING,REAR						1	
8		21049903		ROD						1	
9		21050000		HINGE SCREW						1	
10		21050109		WASHER						1	
11		NS6720440SP		NUT 11/32-28						1	
12		21048707		HINGE SCREW						2	
13		RE0800000K0		E-SHAPED SNAP RING (8MM)						2	
14		SS8660610TP		SCREW 1/4-40 L=6						2	
15	R	SM6061552TP	SM6061552SP	SCREW M6 L=15						1	1.00
16		SM6081802TP		SCREW						1	
17	R	SS8150710SP	SS8150710TP	SCREW 15/64-28 L=7						2	1.00

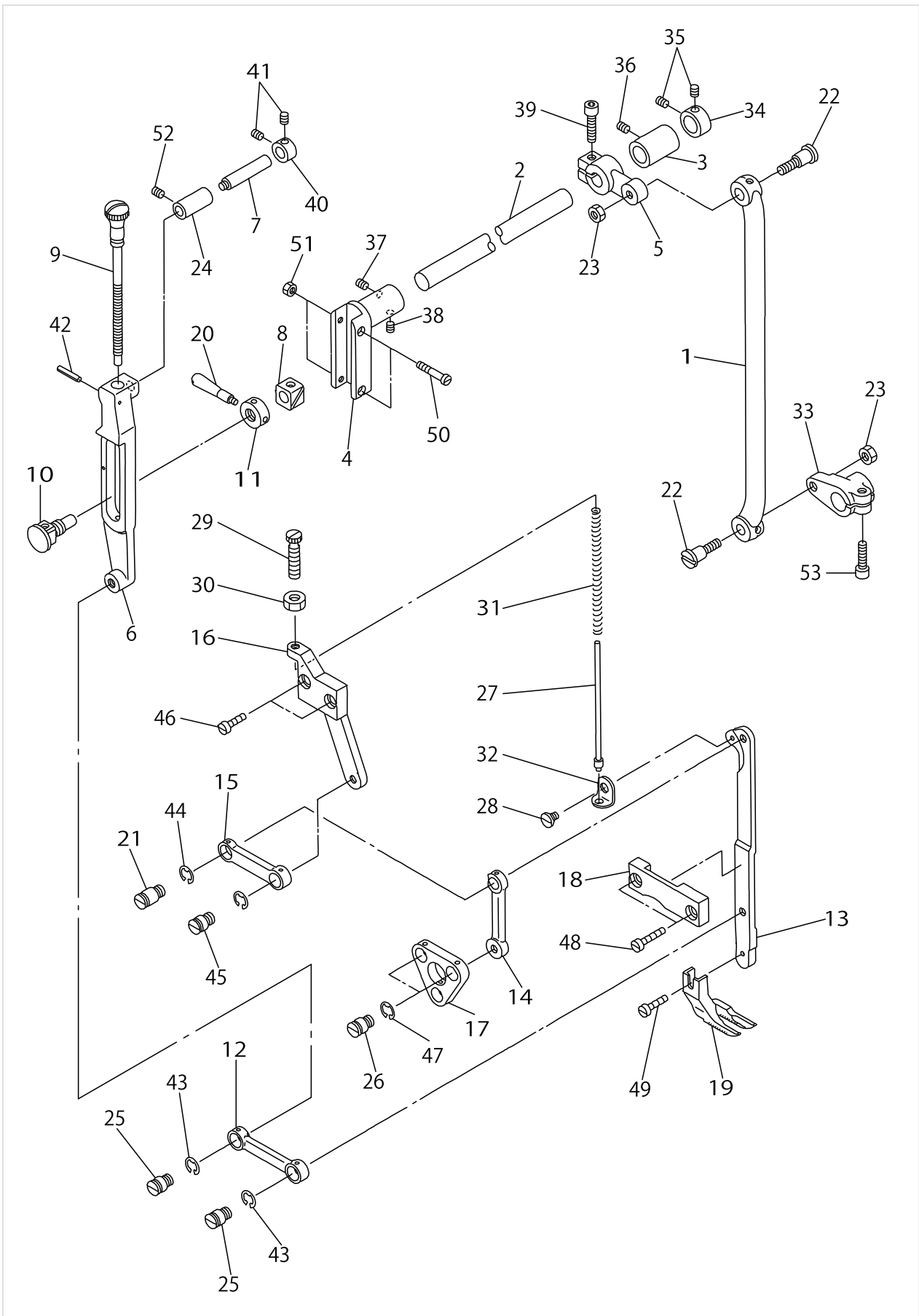
UPPER FEED MECHANISM COMPONENTS (2)



UPPER FEED MECHANISM COMPONENTS (2)

No.	Supply Code	Parts No.	Replacement	Parts name	Remarks	Choice	Step	Level	Cons	Qty	Rep. QTY
1	D	21040902		ROD						1	
2	D	21047006		DRIVING SHAFT						1	
3		21047105		BUSHING						1	
4		21047204		DRIVING SHAFT ROD, FRONT						1	
5		21041009		DRIVING SHAFT ROD, REAR						1	
6		21047303		UPPER FEED CONTROL BRACKET						1	
7	D	21047402		SHAFT						1	
8		21047501		BROCK						1	
9		21047600		SCREW						1	
10	D	21047709		SHAFT						1	
11		21047808		NUT						1	
12		21047907		ROD						1	
13		21048004		UPPER FEED ROD						1	
14		21048103		UPPER FEED LINK A						1	
15		21048202		UPPER FEED LINK B						1	
16		21041108		UPPER FEED LINK BRACKET						1	
17		21048301		BRACKET						1	
18		21041207		SUPPORTING PLATE						1	
19		21041306		WALKING FOOT (STANDARD)						1	
20		21048400		CONTROL LEVER						1	
21		21048509		HINGE SCREW						1	
22		SD1201201TP		HINGE SCREW						2	
23		NS6680410SP		NUT 9/32-28						2	
24		21046701		NEEDLE BAR BUSHING, LOWER						1	
25		21048707		HINGE SCREW						2	
26		21048707		HINGE SCREW						2	
27		21048806		SPRING GUIDE BAR						1	
28		21048905		HINGE SCREW						1	
29		B3036141H00		ADJUSTING THUMB SCREW						1	
30		NS6680320SP		NUT 9/32-28						1	
31		21049002		SPRING						1	
32		B3035141H00		RETAINING PLATE						1	
33		21041405		ROD						1	
34		CS1471012SH		THRUST COLLAR D=14.72 W=10						1	
35		SS8660330SP		SCREW 1/4-40 L= 3.0						2	
36	R	SS8150710SP	SS8150710TP	SCREW 15/64-28 L=7						1	1.00
37		SS8660942TP		SCREW 1/4-40 L= 8.5						1	
38		SS8660612TP		SCREW 1/4-40 L=6						1	
39	R	SM6061552TP	SM6061552SP	SCREW M6 L=15						1	1.00
40		CS0951019SH		THRUST COLLAR D=9.53 W=10						1	
41	R	SS8150710SP	SS8150710TP	SCREW 15/64-28 L=7						2	1.00
42		PS0250142KP		SPRING PIN 2.5X14						1	
43		RE0800000K0		E-SHAPED SNAP RING (8MM)						2	
44		RE0800000K0		E-SHAPED SNAP RING (8MM)						1	
45		21048707		HINGE SCREW						1	
46		SS7151210SP		SCREW 15/64-28 L=12						2	

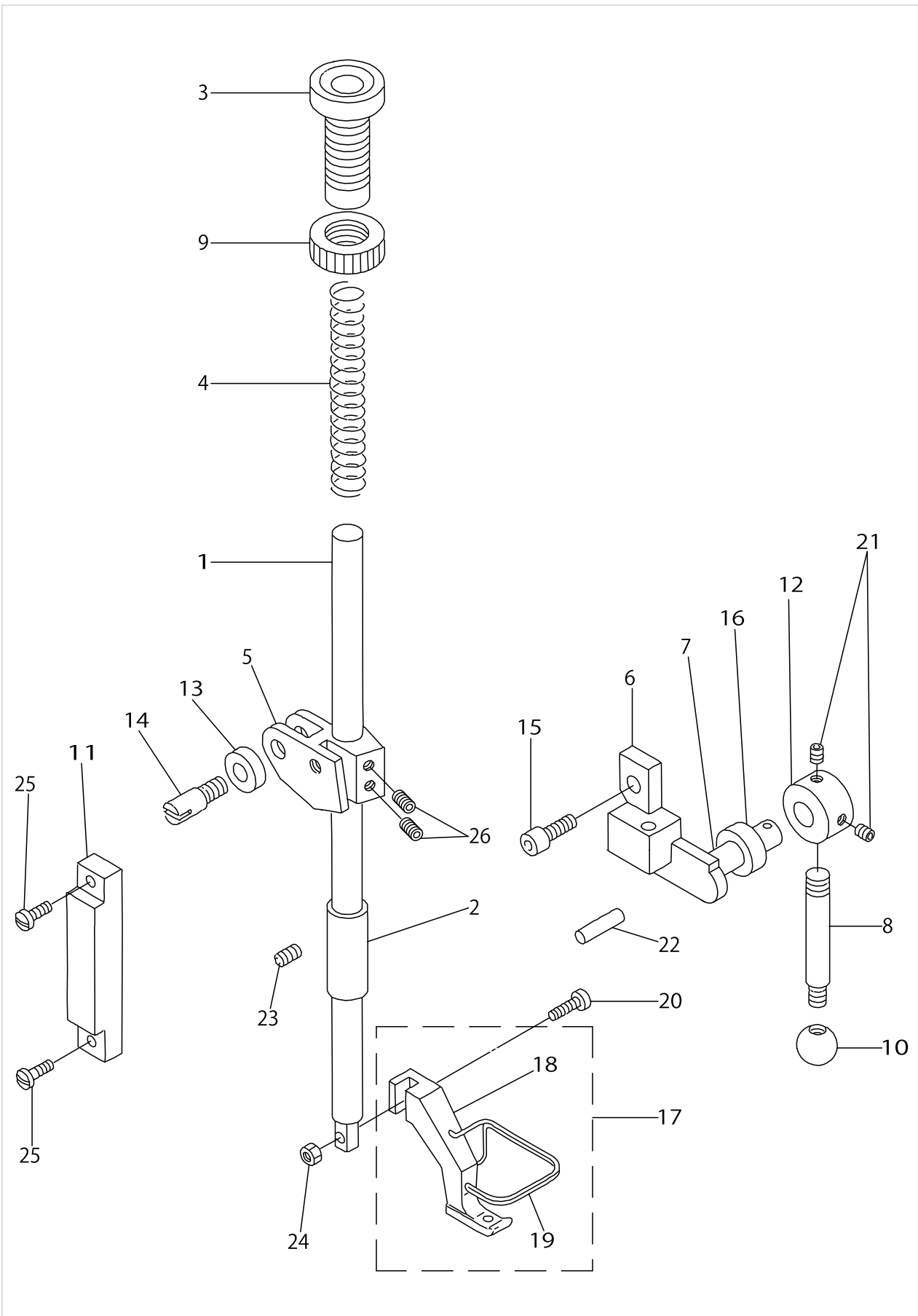
UPPER FEED MECHANISM COMPONENTS (2)



UPPER FEED MECHANISM COMPONENTS (2)

No.	Supply Code	Parts No.	Replacement	Parts name	Remarks	Choice	Step	Level	Cons	Qty	Rep. QTY
47		RE0800000K0		E-SHAPED SNAP RING (8MM)						2	
48		SS7151210SP		SCREW15/64-28L=12						2	
49	R	SS6111010SP	SS6111010TP	SCREW 11/64-40 L= 9.5						1	1.00
50		SS7112420SP		SCREW11/64-40L=24						2	
51		NS6110350SP		NUT 11/64-40						2	
52	R	SS8150710SP	SS8150710TP	SCREW 15/64-28 L=7						1	1.00
53	R	SM6061552TP	SM6061552SP	SCREW M6 L=15						1	1.00

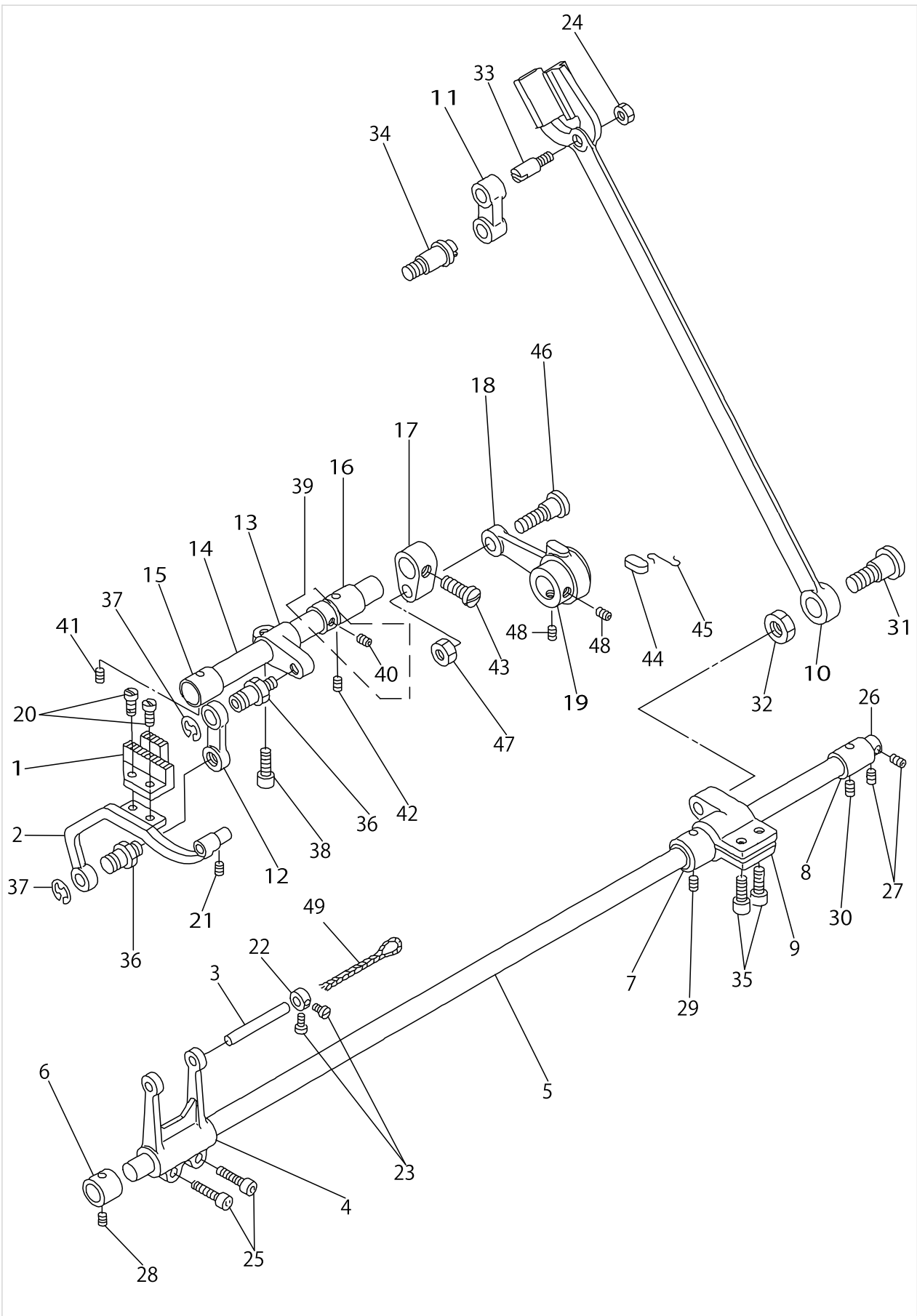
PRESSURE BAR COMPONENTS



PRESSURE BAR COMPONENTS

No.	Supply Code	Parts No.	Replacement	Parts name	Remarks	Choice	Step	Level	Cons	Qty	Rep. QTY
1		21050505		PRESSER BAR						1	
2		21050604		PRESSER BAR BUSHING						1	
3		21050703		SCREW						1	
4		21050802		SPRING						1	
5		21050901		PRESSER BAR GUIDE BRACKET						1	
6		21051008		HAND LIFTER LINK						1	
7		21051107		HAND LIFTER CAM						1	
8		21051206		HAND LIFTER LEVER						1	
9		21051305		NUT						1	
10		21051404		GRIP						1	
11		21051503		GUIDE PLATE						1	
12		21051602		THRUST COLLAR						1	
13		21051701		ROLLER FOLLOWER						1	
14		21051800		GUIDE NUT						1	
15		SS6660622TP		SCREW						1	
16		B1662562000		COLLAR						1	
17		21041553		PRESSER FOOT ASM,STD.						1	
18	R	21041504	21041553	PRESSER FOOT STD.				*		1	1.00
19		21041603		GUARD				*		1	
20		SS7091410SP		SCREW 9/64-40 L=13.5						1	
21		SS8660512TP		SCREW 1/4-40 L=5						2	
22		PS0300201KP		SPRING PIN 3.0X20						1	
23		SS8660340SP		SCREW 1/4-40 L= 2.5						1	
24		NS6090310SP		NUT 9/64-40						1	
25		SS7621040SP		SCREW 3/16-32 L=9.5						2	
26		SS8660612TP		SCREW 1/4-40 L=6						2	

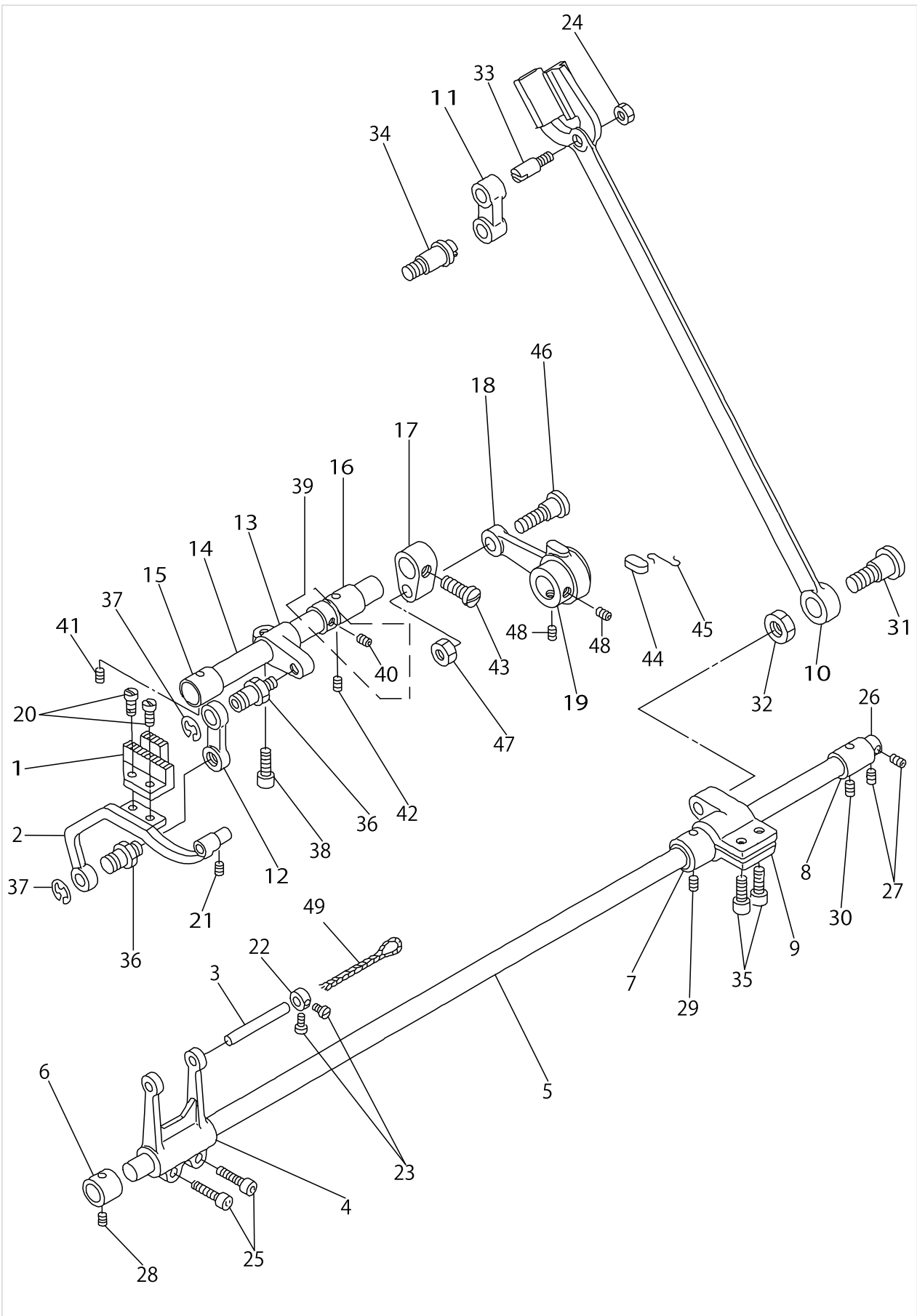
FEED MECHANISM COMPONENTS



FEED MECHANISM COMPONENTS

No.	Supply Code	Parts No.	Replacement	Parts name	Remarks	Choice	Step	Level	Cons	Qty	Rep. QTY
1		21041702		FEED DOG						1	
2		21052006		FEED BAR						1	
3		21052105		FEED BAR SHAFT						1	
4		21052204		FEED BAR ARM.						1	
5		21052303		FEEDROCKERSHAFT						1	
6		21052402		FEED ROCKER SHAFT BUSHINGFRONT						1	
7		21052501		FEED ROCKER SHAFT BUSHINGCETER						1	
8		21052600		FEED ROCKER SHAFT BUSHING,REAR						1	
9		21052709		FEED ROCKER SHAFT ARM,REAR						1	
10		21052808		ROD						1	
11		B1619241H00		FEED CONNECTING LINK						1	
12		21053004		FEED BAR LINK						1	
13		21053103		DRIVING SHAFT ARM,FRONT						1	
14		21053202		DRIVING SHAFT						1	
15		21052600		FEED ROCKER SHAFT BUSHING,REAR						1	
16		21052501		FEED ROCKER SHAFT BUSHINGCETER						1	
17		21053509		DRIVING SHAFT ARM,REAR						1	
18		21053608		CAM ROD						1	
19		21053707		FEED DRIVING CAM						1	
20		SS4080620TP		SCREW 1/8-44 L=6						2	
21		SS8620610TP		SCREW 3/16-32 L=6						1	
22		CS0790721TH		THRUST COLLAR D=7.94 W=7						1	
23		SS7090620TP		SCREW 9/64-40 L=6.1						2	
24		NS6680410SP		NUT 9/32-28						1	
25	R	SM6061552TP	SM6061552SP	SCREW M6 L=15						2	1.00
26		CS1471012SH		THRUST COLLAR D=14.72 W=10						1	
27		SS8660610TP		SCREW 1/4-40 L=6						2	
28	R	SS8151150SP	SS8151150TP	SCREW 15/64-28 L=10.5						1	1.00
29	R	SS8150710SP	SS8150710TP	SCREW 15/64-28 L=7						1	1.00
30	R	SS8151150SP	SS8151150TP	SCREW 15/64-28 L=10.5						1	1.00
31		SD1201201TP		HINGE SCREW						1	
32		NS6680410SP		NUT 9/32-28						1	
33		B1617241H00		HINGE SCREW, A						1	
34		B1618241H00		HINGE SCREW, B						1	
35	R	SM6061552TP	SM6061552SP	SCREW M6 L=15						2	1.00
36		B1424158000		HINGE SCREW						2	
37		RE0700000K0		E-RING 7						2	
38	R	SM6061552TP	SM6061552SP	SCREW M6 L=15						1	1.00
39		22904155		MAIN SHAFT THRUST COLLAR ASM.						1	
40		SS8660610TP		SCREW 1/4-40 L=6				*		2	
41	R	SS8151150SP	SS8151150TP	SCREW 15/64-28 L=10.5						1	1.00
42	R	SS8150710SP	SS8150710TP	SCREW 15/64-28 L=7						1	1.00
43		SS6151920SP		SCREW 15/64-28 L=19.0						1	
44		B1702012000		OIL FELT						1	

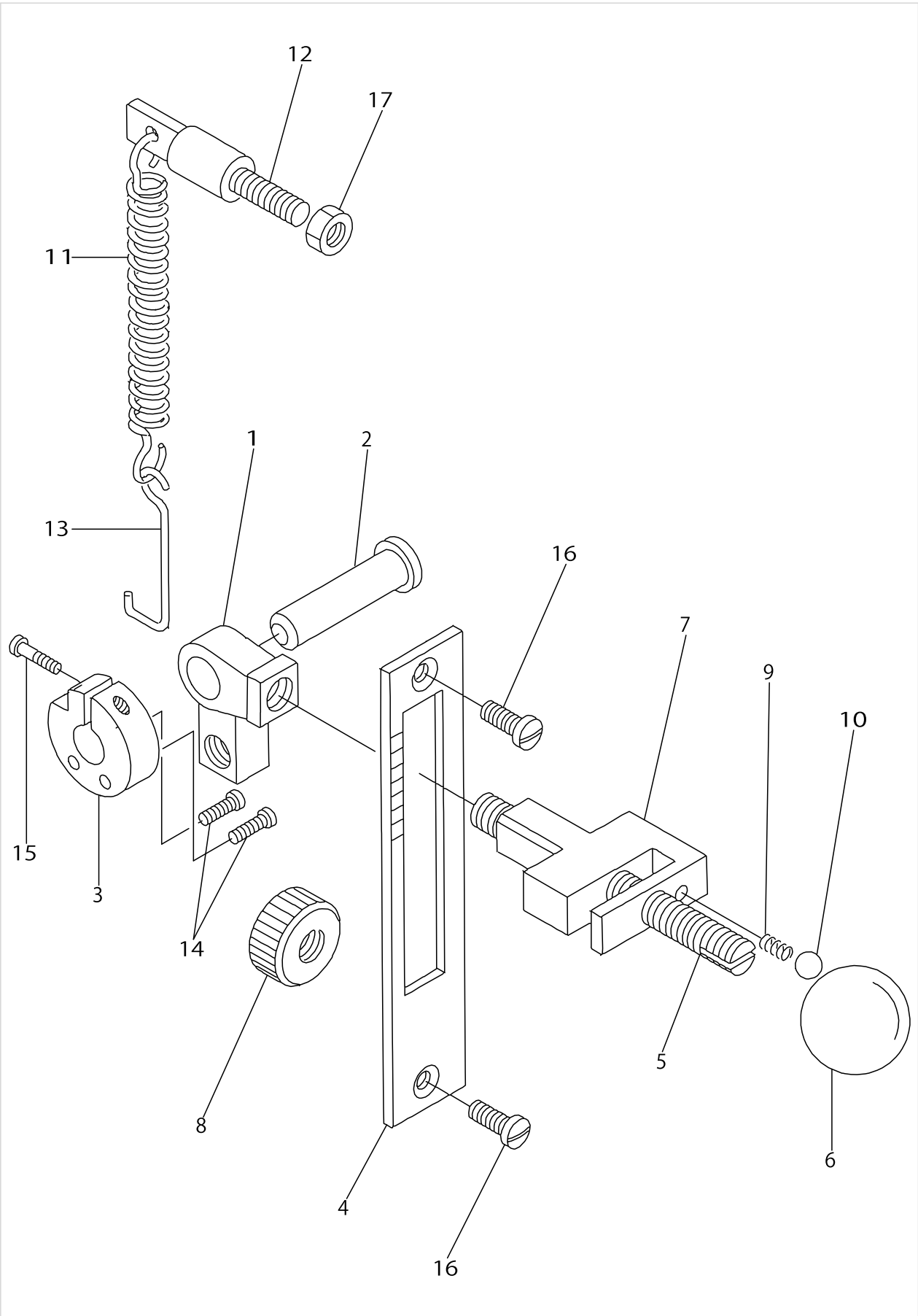
FEED MECHANISM COMPONENTS



FEED MECHANISM COMPONENTS

No.	Supply Code	Parts No.	Replacement	Parts name	Remarks	Choice	Step	Level	Cons	Qty	Rep. QTY
45		B1213012000		FELT RETAINER						1	
46		SD1000951SP		HINGE SCREW D=10 H=9.5						1	
47		NS6680410SP		NUT 9/32-28						1	
48		SS8660512TP		SCREW 1/4-40 L=5						2	
49		CQ202000000		OIL WICK						.1	

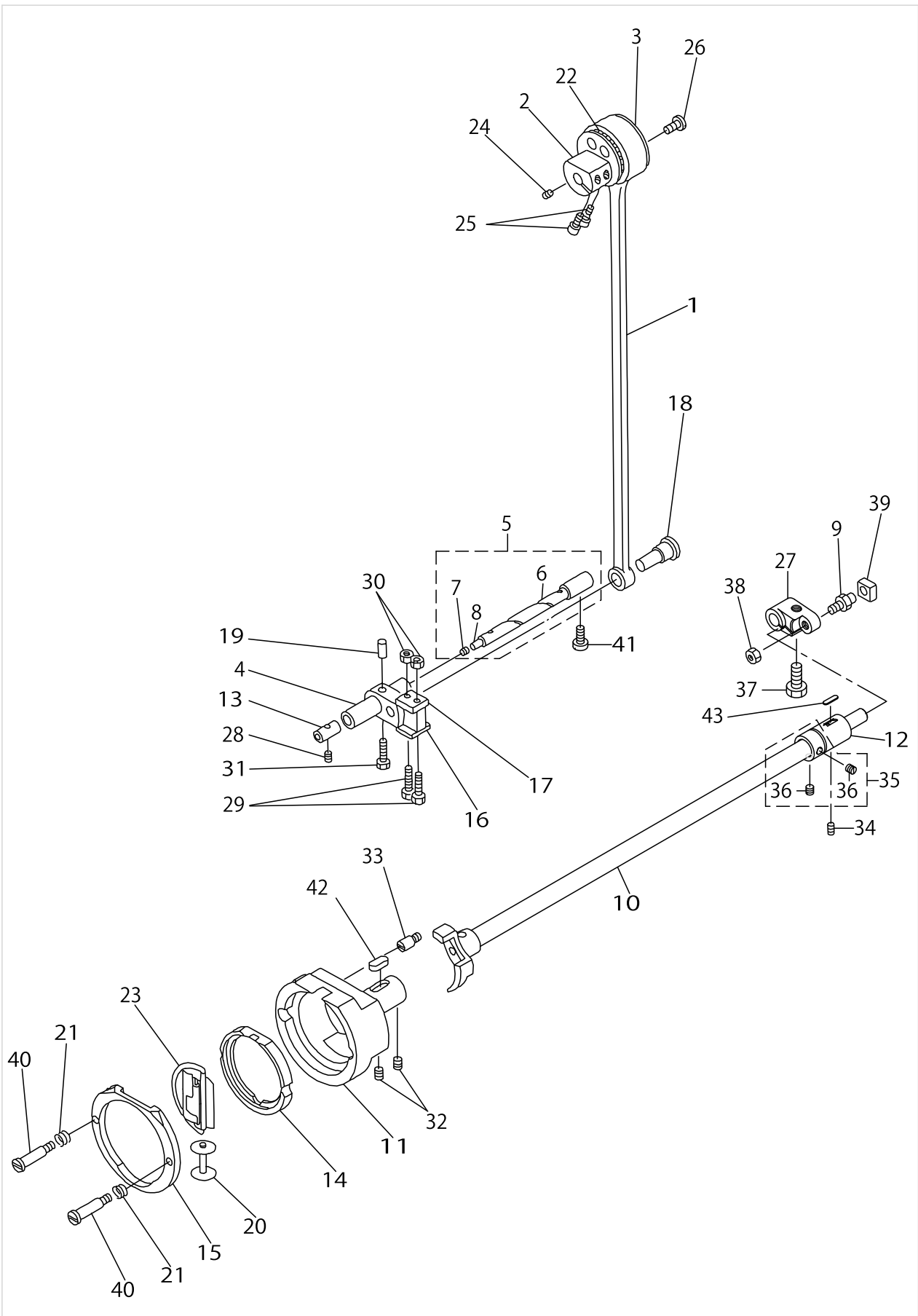
FEED REGULATOR MECHANISM COMPONENTS



FEED REGULATOR MECHANISM COMPONENTS

No.	Supply Code	Parts No.	Replacement	Parts name	Remarks	Choice	Step	Level	Cons	Qty	Rep. QTY
1		21054002		FEED REGULATOR						1	
2		21054101		FEED REGULATOR SHAFT						1	
3		21054200		STOPPER						1	
4		21054309		SIDE COVER						1	
5		21054408		LEVER SHAFT						1	
6		21054507		LEVER GRIP						1	
7		21054606		LEVER						1	
8		21054705		NUT						1	
9		21054804		SPRING						1	
10		21054903		BALL						1	
11		21055009		SPRING						1	
12		21055108		SPRING SUSPENTION SHAFT						1	
13		21055207		SPRINGSUSPENTION						1	
14		SS6121610TP		SCREW 3/16-28 L=15.5						2	
15		SS6621840SP		SCREW 3/16-32 L=18.0						1	
16		SS7150740SP		SCREW 15/64-28 L=7						2	
17		NS6680320SP		NUT 9/32-28						1	

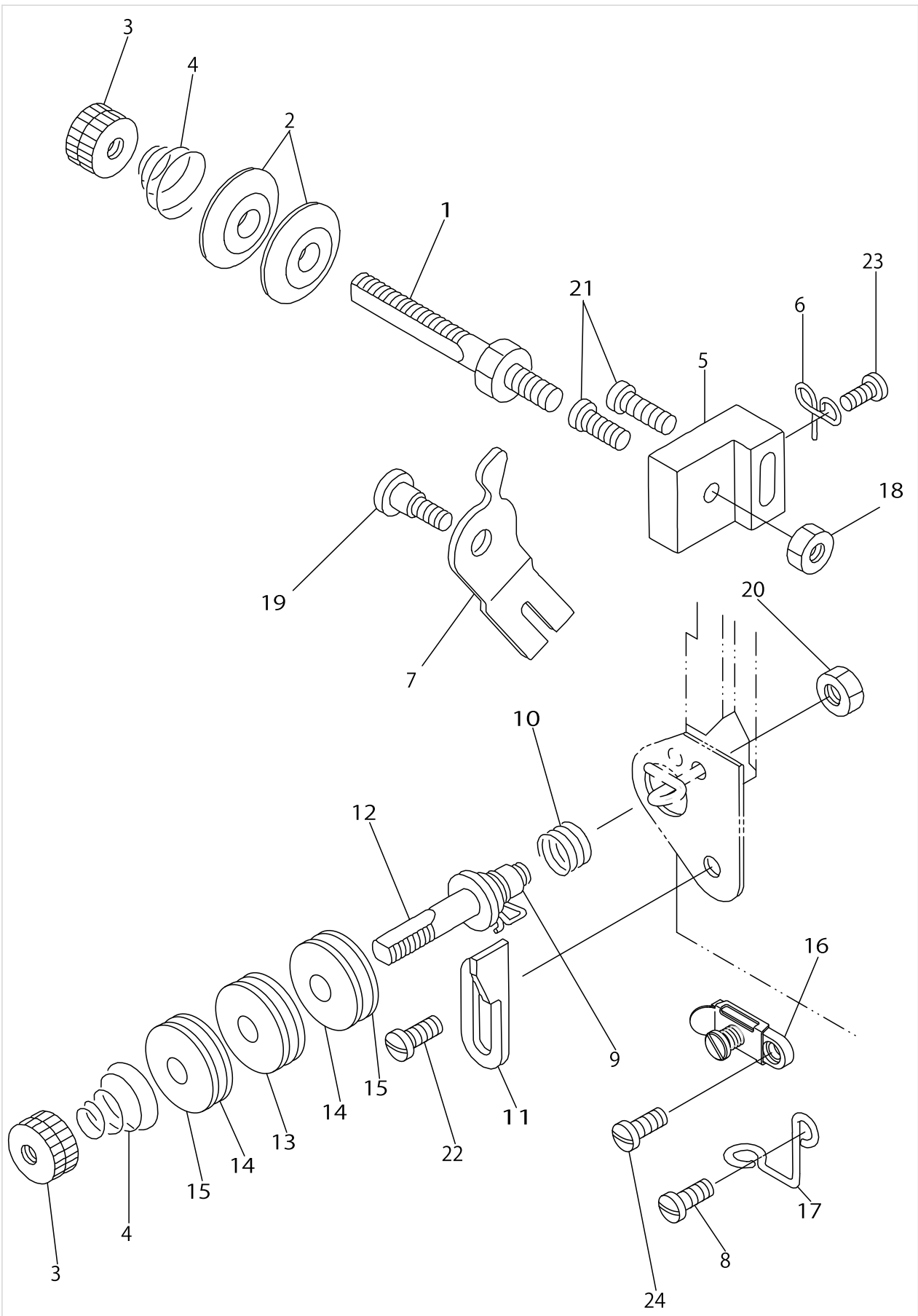
HOOK DRIVING SHAFT COMPONENTS



HOOK DRIVING SHAFT COMPONENTS

No.	Supply Code	Parts No.	Replacement	Parts name	Remarks	Choice	Step	Level	Cons	Qty	Rep. QTY
1		21055504		CONNECTING ROD						1	
2		21055603		CON-ROD ECCENTRIC CAM						1	
3		21055702		CAM SLIDE PLATE						1	
4		21055801		OSCILATING ROCK SHAFT						1	
5		21055959		OSCILATING ROCK SHAFT ASM.						1	
6	D	21055900		HINGE PIN				*		1	
7		TA0290301M0		RUBBER PLUG				*		1	
8		CQ303000000		OIL WICK				*		0.04	
9		21056312		ROLLER STUD						1	
10		40178619		HOOK_DRIVING_SHAFT_ASM						1	
11		21056502		DRIVING SHAFT BUSHING,FRONT						1	
12		21056601		DRIVING SHAFT BUSHING,REAR						1	
13		21056007		ROCK SHAFT BUSHING,FRONT						1	
14		21056809		SHUTTLE RACE BODY						1	
15		21056908		HOOK COVER						1	
16		21057005		SLIDE PLATE A						1	
17		21057104		SLIDE PLATE B						1	
18		21057203		CON-ROD PIN						1	
19		21057302		CON-ROD PIN WEDGE						1	
20		21057401		BOBBIN						1	
21		21057500		HOOK COUNTER SPRING						2	
22		21057609		CAGE & ROLLER						1	
23		21041850		HOOK ASM.						1	
24		SS8151550SP		SCREW 15/64-28 L=15						1	
25		SM6081802TP		SCREW						2	
26		SS7110830SP		SCREW 11/64-40 L= 7.5						2	
27		21154216		OSCILLATOR						1	
28	R	SS8151150SP	SS8151150TP	SCREW 15/64-28 L=10.5						1	1.00
29		21057708		SCREW						2	
30		NS6110420SP		NUT 11/64-40						2	
31		SS7621510SP		SCREW						1	
32		SS8151550SP		SCREW 15/64-28 L=15						2	
33		21057807		SCREW						1	
34	R	SS8150710SP	SS8150710TP	SCREW 15/64-28 L=7						1	1.00
35		22904155		MAIN SHAFT THRU-ST COLLAR ASM.						1	
36		SS8660610TP		SCREW 1/4-40 L=6				*		2	
37		SM9082003SC		SCREW M8 L=20						1	
38		NS6680320SP		NUT 9/32-28						1	
39		21056205		CRANK SLIDE BLOCK						1	
40		21057906		SCREW						2	
41		SS6151440SP		SCREW 15/64-28 L=14						1	
42		B1702012000		OIL FELT						1	
43		B1806038000		OIL FELT						1	

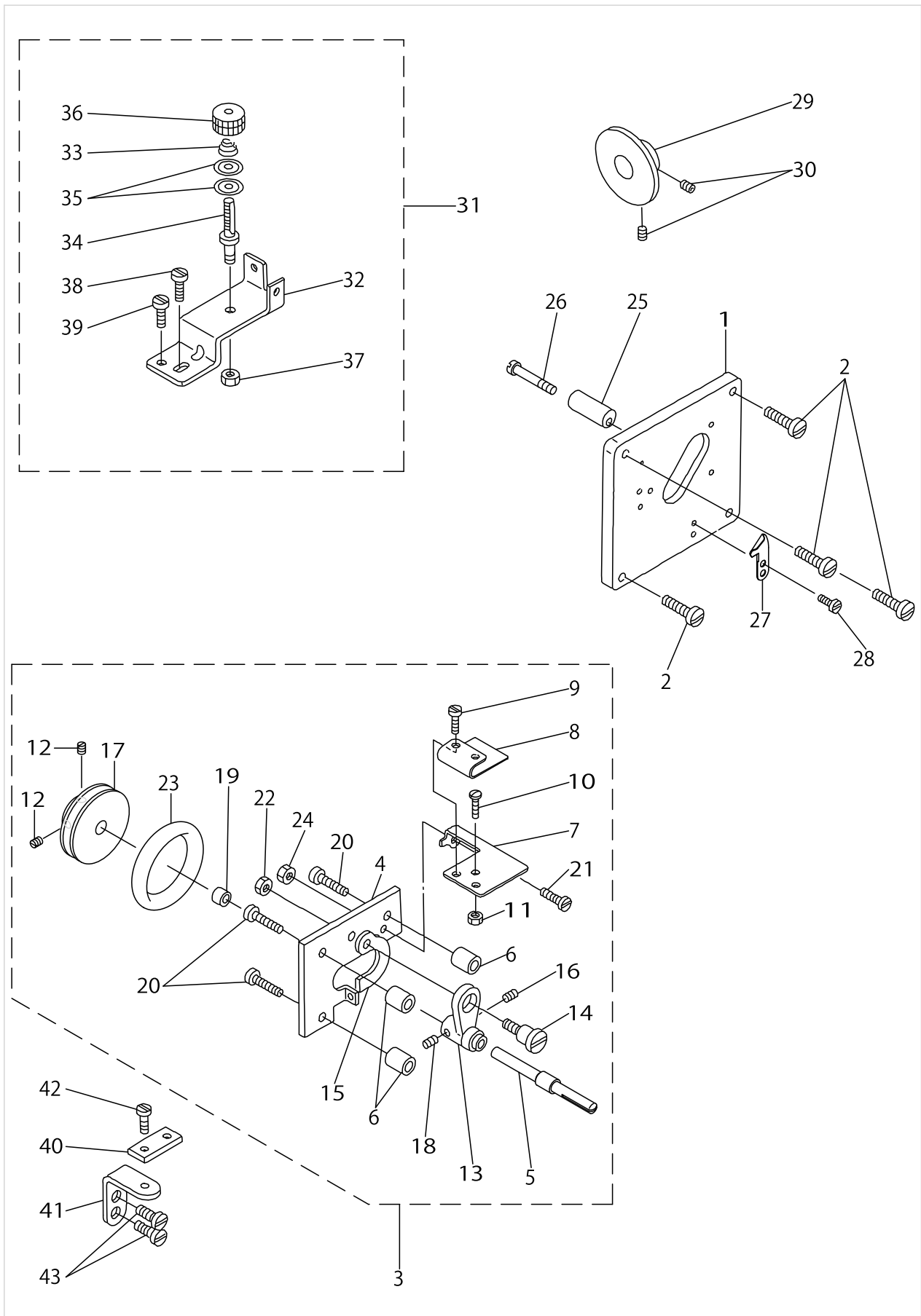
THREAD TENSION COMPONENTS



THREAD TENSION COMPONENTS

No.	Supply Code	Parts No.	Replacement	Parts name	Remarks	Choice	Step	Level	Cons	Qty	Rep. QTY
1		21059001		THREAD TENSION POST						1	
2	R	B3126012000	22921506	THREAD TENSION DISK						2	1.00
3	R	B3125012000	22928808	THREAD TENSION NUT						2	1.00
4		21059100		THREAD TENSION SPRING						2	
5		21059209		THREAD TENSION POST BRACKET						1	
6		21059308		THREAD TENSION GUIDE						1	
7		21059407		THREAD RELEASING PLATE						1	
8		SS7090710SP		SCREW 9/64-40 L=6.8						1	
9		21059605		SPRING A						1	
10		21059704		THREAD TAKE-UP SPRING GUIDE						1	
11		21059803		SPRING SUPPORT PLATE						1	
12		21059902		THREAD TENSION WHEEL POST						1	
13		21060009		THREAD TENSION WHEEL						1	
14		21060108		WHEEL FELT						2	
15		21060207		FELT SUPPORT PLATE						2	
16		21161153		ARM THREAD GUIDE ASM., LOWER						1	
17		B1131562000		FRAME THREAD GUIDE, LOWER						1	
18		NS6680320SP		NUT 9/32-28						1	
19		SD0600321SP		HINGE SCREW D=6 H=3.2						1	
20		NS6150310SP		NUT 15/64-28						1	
21	R	SS7111120SP	SS7111120TP	SCREW 11/64-40 L=10.5						2	1.00
22		SS7090610SP		SCREW 9/64-40 L=6						1	
23		SS7090710SP		SCREW 9/64-40 L=6.8						1	
24		SS1090410SL		SCREW 9/64-40 L=4						1	

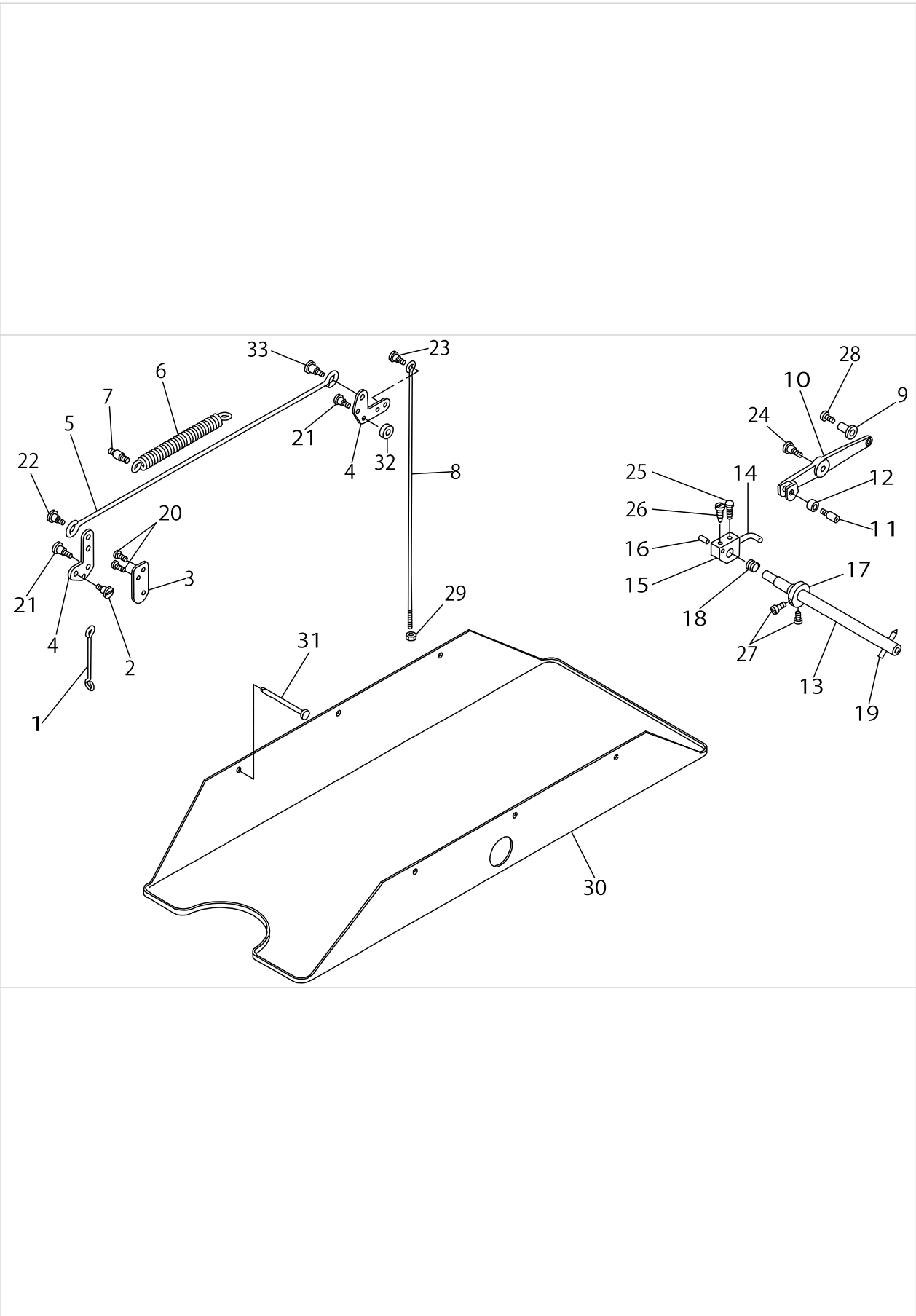
THREAD WINDER & THREAD GUIDE COMPONENTS



THREAD WINDER & THREAD GUIDE COMPONENTS

No.	Supply Code	Parts No.	Replacement	Parts name	Remarks	Choice	Step	Level	Cons	Qty	Rep. QTY
1		21067905		THREAD WINDOW PLATE						1	
2	R	SS7111120SP	SS7111120TP	SCREW 11/64-40 L=10.5						4	1.00
3		21061056		THREAD WINDER ASM.						1	
4	D	B3201158000		THREAD WINDER BASE				*		1	
5		21061015		BOBBIN WINDER SPINDLE				*		1	
6		B3203158000		WASHER				*		3	
7		21061106		BOBBIN PRESSER				*		1	
8		21061205		BOBBIN PRESSURE SPRING				*		1	
9		SS5060410SP		SCREW 3/32-56 L=3.5				*		2	
10		SS7081310SP		SCREW 1/8-44 L=12.5				*		1	
11		NS6080210SP		NUT 1/8-44				*		1	
12	R	SS8110510SP	SS8110520TP	SCREW 11/64-40 L=5				*		2	1.00
13		B3204232000		BOBBIN WINDER FRAME				*		1	
14		B3205232000		HINGE SCREW,				*		1	
15		B3206232000		BOBBIN WINDER TENSION BRACKET				*		1	
16	R	21061304	B3208232000	SPRING				*		1	1.00
17		B3211210000		BOBBIN WINDER WHEEL				*		1	
18		A3222958000		BOBBIN WINDER SPRING, LONG				*		1	
19		B3207158000A		THREAD WIDING SHAFT COLLAR				*		1	
20	R	SS7111810SP	SS7111810TP	SCREW 11/64-40 L=18				*		3	1.00
21		SD0720193SP		HINGE SCREW D= 7.24 H= 1.9				*		1	
22		NS6110310SP		NUT 11/64-40				*		1	
23		B3212210000		FRICTION WHEEL				*		1	
24		NS6110310SP		NUT 11/64-40				*		1	
25		21061403		STOPPER						1	
26		SS7112810SP		SCREW 11/64-40 L=28						1	
27		10502300		THREAD CUTTER						1	
28		SS6080410SP		SCREW 1/8-44 L=4						2	
29		21061601		FRICTION WHEEL						1	
30	R	SS8150710SP	SS8150710TP	SCREW 15/64-28 L=7						2	1.00
31		21061759		THREAD WINDER GUIDE BASE						1	
32	R	21061700	21061759	THREAD WINDER GUIDE BASE				*		1	1.00
33	R	B3129012B00	22929004	THREAD TENSION SPRING				*		1	1.00
34		21059001		THREAD TENSION POST				*		1	
35	R	B3126012000	22921506	THREAD TENSION DISK				*		2	1.00
36	R	B3125012000	22928808	THREAD TENSION NUT				*		1	1.00
37		NS6680320SP		NUT 9/32-28				*		1	
38	R	SS7110910SP	SS7110910TP	SCREW 11/64-40 L=8.5						1	1.00
39	R	SS4080610SP	SS4080620TP	SCREW 1/8-44 L=6.4						1	1.00
40		B2510158000		THREAD WINDER THREAD GUIDE						1	
41		21061908		GUIDE BRACKET						1	
42		SS7090710SP		SCREW 9/64-40 L= 6.8						1	
43		SS7151120SP		SCREW 15/64-28 L=11						2	

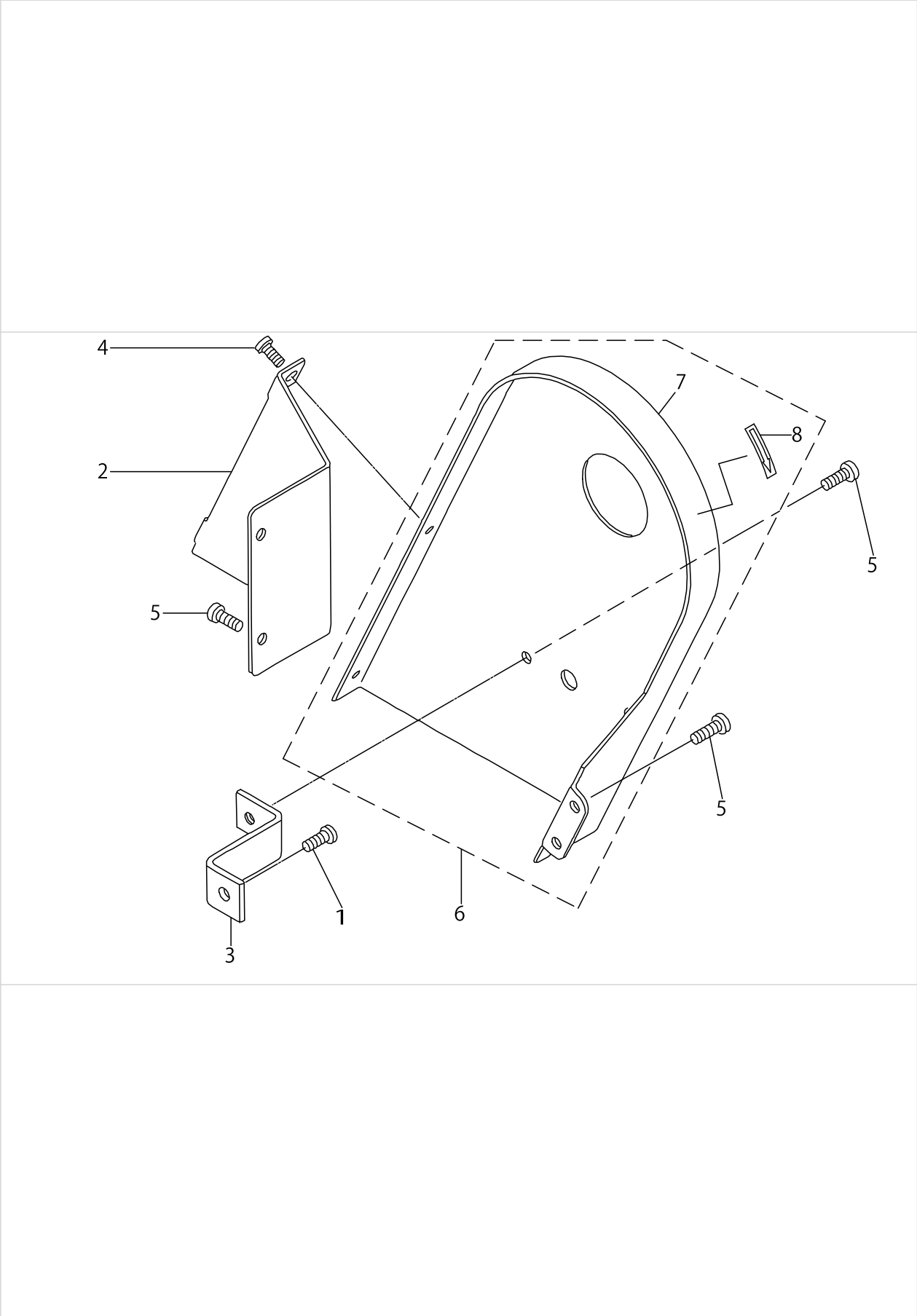
KNEE LIFTER & OIL PAN COMPONENTS



KNEE LIFTER & OIL PAN COMPONENTS

No.	Supply Code	Parts No.	Replacement	Parts name	Remarks	Choice	Step	Level	Cons	Qty	Rep. QTY
1		21062500		PRESSER BAR LIFTING BAR						1	
2		21062609		HINGE SCREW						1	
3		21062708		LINK BASE						1	
4		21062807		PRESSER BAR LIFTING LINK						2	
5		21062906		KNEE LIFTER SIDE CONNECTINGBAR						1	
6		B1513280000		TENSION SPRING						1	
7		B3413227000		SPRINGSUSPENSION						1	
8		21063003		CONNECTING BAR						1	
9		21063102		CONNECTING BAR JOINT						1	
10		21063201		KNEE LIFTER LEVER						1	
11		21063300		ROLLER STUD						1	
12	D	21063409		ROLLER						1	
13		21063508		KNEE PRESS SIDE SHAFT						1	
14		21063607		KNEE LIFTER BAR						1	
15		21063706		KNEE LIFTER BAR BROCK						1	
16		21063904		PIN						1	
17		21063805		SPRING PRESSER REGULATORYCOLLA						1	
18		B3429521000		KNEE PRESS SPRING						1	
19		B3432521000		PIN						1	
20		SS7150740SP		SCREW 15/64-28 L=7						2	
21		SD0790431SP		HINGE SCREW D= 7.94 H= 4.3						2	
22		SD0790431SP		HINGE SCREW D= 7.94 H= 4.3						1	
23		SD1000701TP		HINGE SCREW D=10 H=7						1	
24		SD1111351SP		HINGE SCREW D=11.11 H=13.5						1	
25		SS9681610TP		SCREW 9/32-28 L=16						1	
26		SS7681650TP		SCREW 9/32-28 L=16						1	
27		SS7110910TP		SCREW 11/64-40 L= 8.5						2	
28		SS7620750SP		SCREW 3/16-32L= 6.5						1	
29		NS6620310SP		NUT 3/16-32						1	
30		21064001		OIL PAN						1	
31		10539906		SET NAIL						6	
32		18125609		LINK COLLAR						1	
33		SD0790432SP		HINGE SCREW D= 7.94 H= 4.3						1	

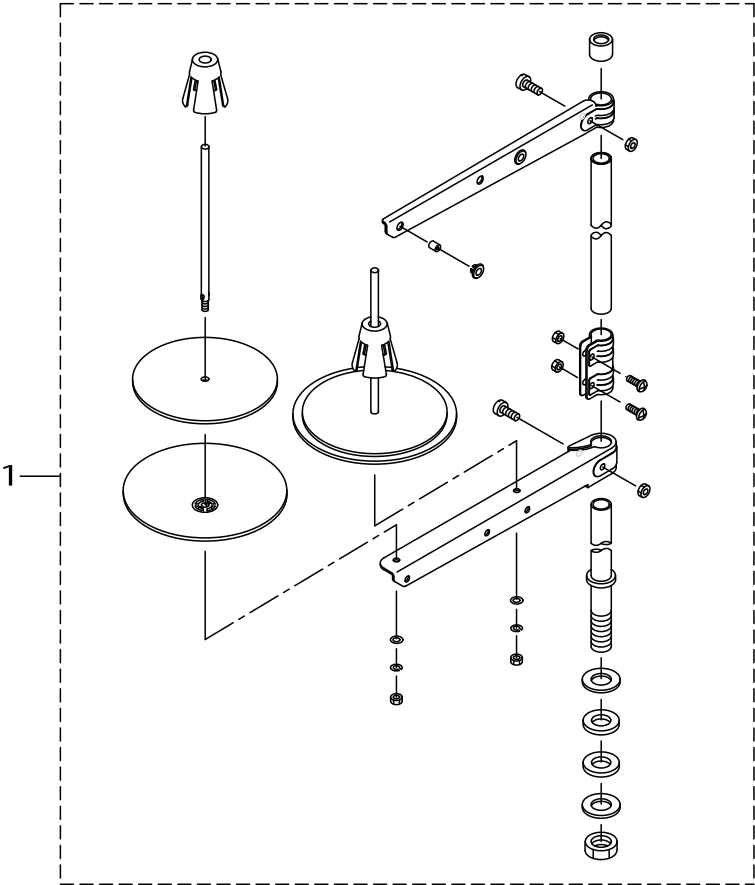
BELT COVER COMPONENTS



BELT COVER COMPONENTS

No.	Supply Code	Parts No.	Replacement	Parts name	Remarks	Choice	Step	Level	Cons	Qty	Rep. QTY
1		SS7151410TP		SCREW15/64-28L=14						1	
2		21068101		BELT COVER B						1	
3		21064308		BELTCOVERBRACET						1	
4		SS6110480SP		SCREW 11/64-40 L=4.3						2	
5		SS7150740SP		SCREW 15/64-28 L=7						5	
6	D	21068051		BELT COVER A						1	
7		21068002		BELT COVER A				*		1	
8		CM500300001		DIRECTION LABEL				*		1	

THREAD STAND COMPONENTS



THREAD STAND COMPONENTS

No.	Supply Code	Parts No.	Replacement	Parts name	Remarks	Choice	Step	Level	Cons	Qty	Rep. QTY
1		40096354		THREAD STAND ASM.						1	

TABLE COMPONENTS

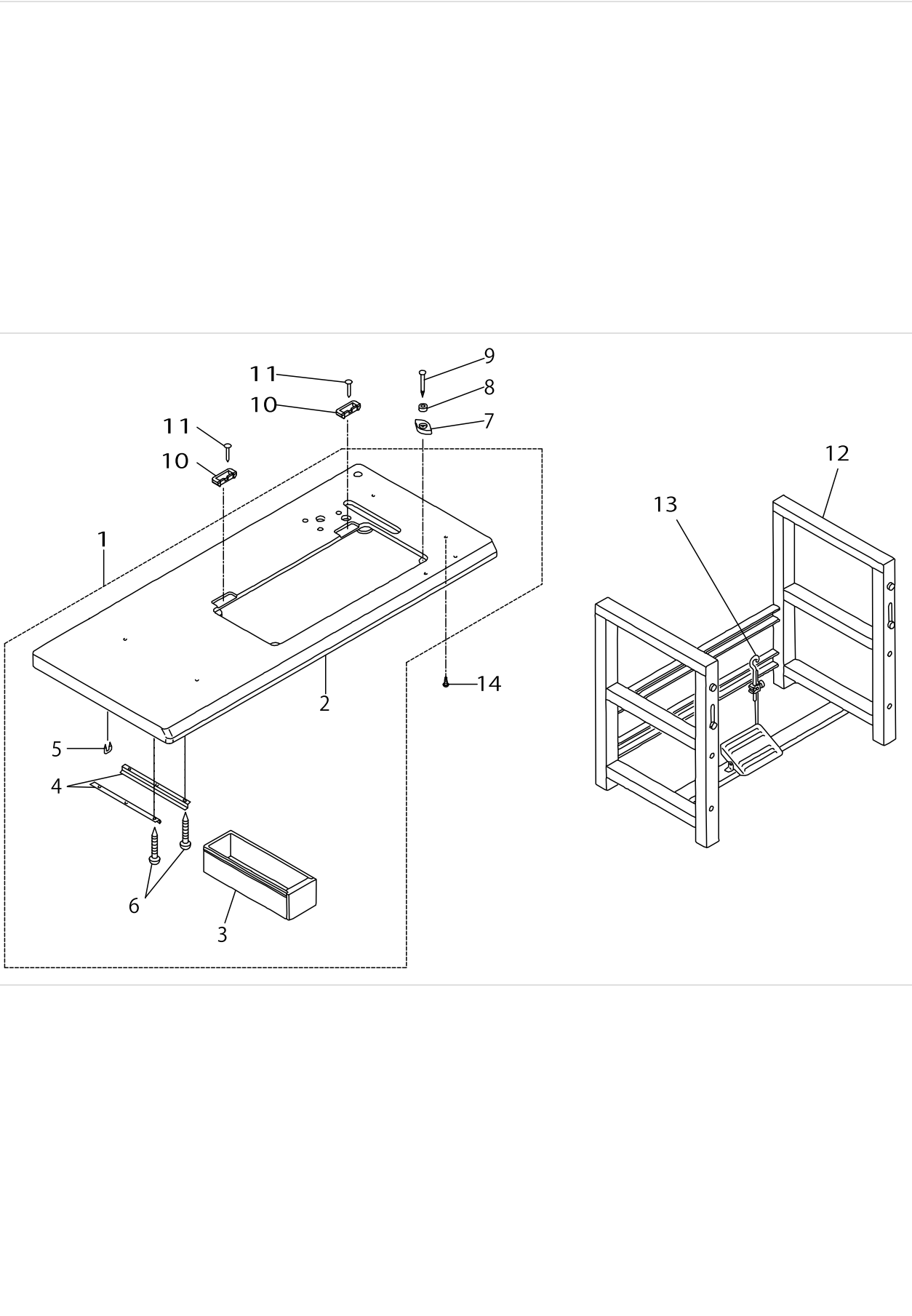
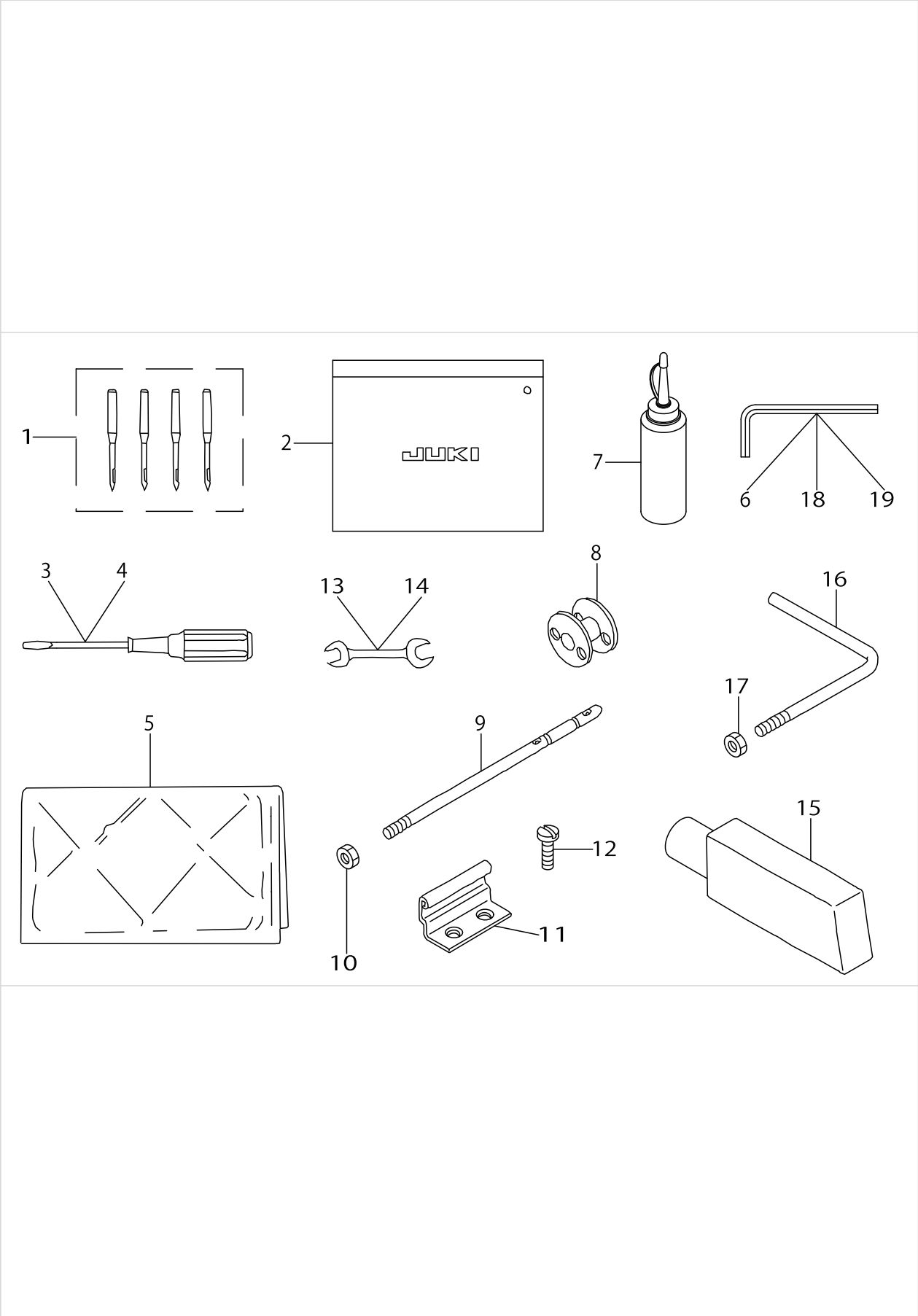


TABLE COMPONENTS

No.	Supply Code	Parts No.	Replacement	Parts name	Remarks	Choice	Step	Level	Cons	Qty	Rep. QTY
1		21043153		TABLE ASM.						1	
2		21043104		TABLE				*		1	
3	R	11849502	11849551	DRAWER				*		1	1.00
4		B8204012000		DRAWER SUPPORT				*		2	
5		D8204555D00		DRAWER STOPPER				*		1	
6		SK3311600SE		WOOD SCREW D=3.1 L=16				*		6	
7		B8209012000		RUBBER CUSHION						4	
8		B8206012000		FELT CUSHION						4	
9		10539906		SET NAIL						4	
10		11075801		RUBBER SPACER						2	
11		10539906		SET NAIL						4	
12		21065156		LEG ASM.						1	
13		B71140120A0		MOTOR CONNECTING ROD ASM.						1	
14	R	SK3513200SC	SK3513201SE	WOOD SCREW D=5.1 L=32						4	1.00

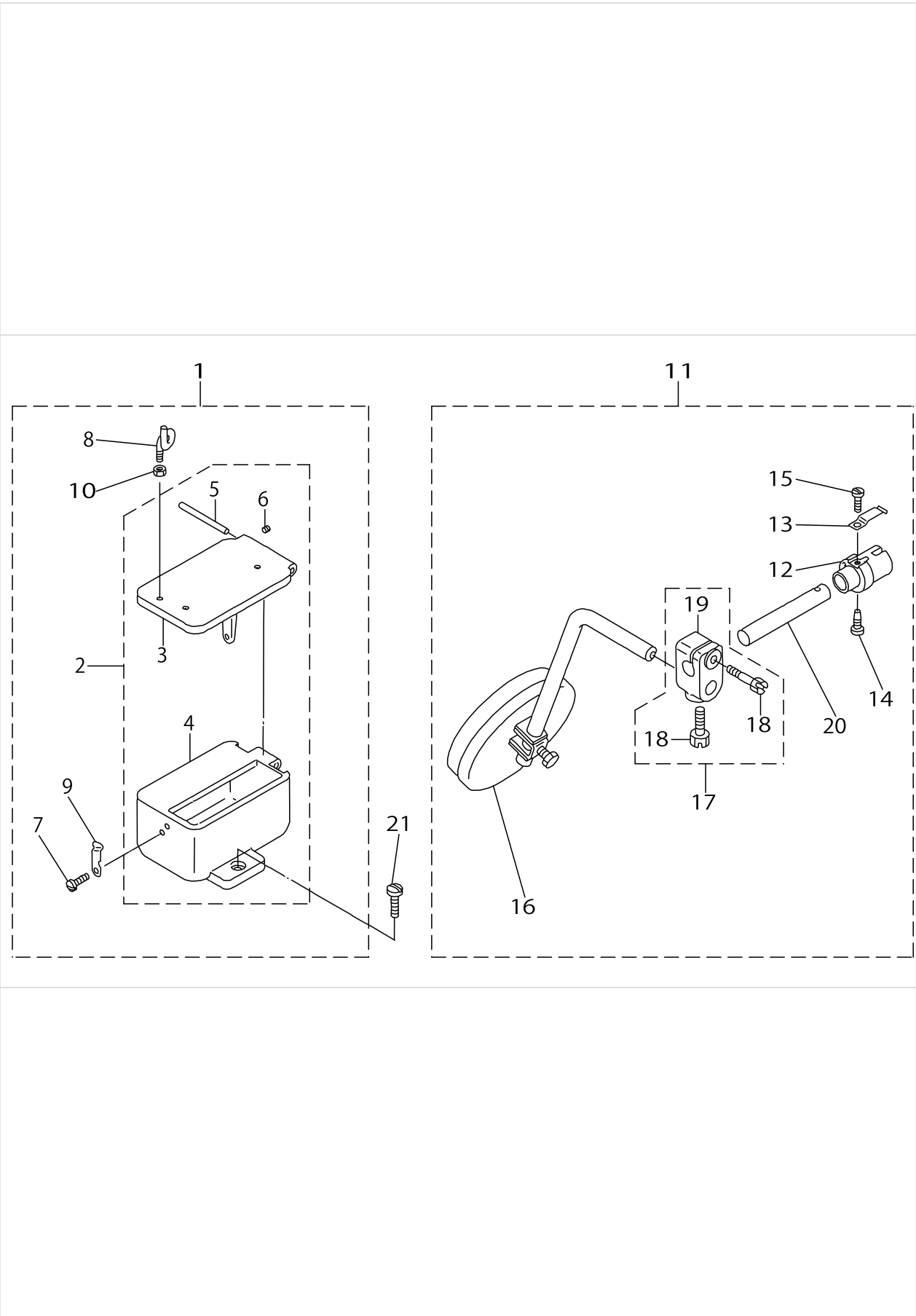
ACCESSORIES PARTS COMPONENTS (1)



ACCESSORIES PARTS COMPONENTS (1)

No.	Supply Code	Parts No.	Replacement	Parts name	Remarks	Choice	Step	Level	Cons	Qty	Rep. QTY
1	D	MC532002304		NEEDLE (794 NM=230-4)						1	
2		22932800		ACCESSORIE BAG						1	
3		22933006		SCREW DRIVER,LARGE						1	
4		12347308		SCREW DRIVER (SMALL)						1	
5		26234005		VINYL COVER						1	
6		J106600000G		HEXAGONAL WRENCH KEY						1	
7		B91212200A0		OILER (CONTAINING NO.2 OIL)						1	
8		21057401		BOBBIN						3	
9		40052262		THREAD GUIDE PIN						1	
10		NS6620310SP		NUT 3/16-32						1	
11		B8213512000		HINGE						2	
12		SS1681140SP		SCREW 9/32-28 L=11						4	
13		26034702		WRENCH						1	
14		B9113012000		WRENCH (9X10)						1	
15		21064506		SUPPORTING BLOCK						1	
16		21064605		SUPPORTING ARM	OPTION					1	
17		NS6150430SP		NUT 15/64-28	OPTION					1	
18		B9141372000		HEXAGONAL WRENCH, LARGE						1	
19		J106600000F		HEXAGONAL WRENCH KEY						1	

ACCESSORIES PARTS COMPONENTS (2)



ACCESSORIES PARTS COMPONENTS (2)

No.	Supply Code	Parts No.	Replacement	Parts name	Remarks	Choice	Step	Level	Cons	Qty	Rep. QTY
1		21068556		OIL POT ASM.						1	
2		21068564		OIL POT ASM.				*		1	
3	R	21064704	21064753	OIL POT COVER				*		1	1.00
4	R	21064803	21064753	OIL POT				*		1	1.00
5		PH0400402C0		PARALLEL PIN				*		1	
6		SS8090410SP		SCREW 9/64-40L=3.5				*		1	
7		SS7090710SP		SCREW 9/64-40L=6.8				*		1	
8		B3114761000		FRAME THREAD GUIDE B				*		1	
9	R	21064902	21064753	COVER STOPPER				*		1	1.00
10		NS6060350SP		NUT 3/32-56				*		1	
11		21065057		KNEE PRESS ASM.						1	
12		B3430521000		KNEE PRESS JOINT				*		1	
13		B3428521000		PRESSER SPRING				*		1	
14		SS7151550SP		SCREW 15/64-28 L=14.5				*		1	
15		SS7090510SP		SCREW 9/64-40L=4.6				*		1	
16		22934251		KNEE PAD PLATE ASM.				*		1	
17		40024739		KNEE PRESS ROD MOUNTING ARM ASM				*		1	
18		22934707		SCREW				*		2	
19		40024738		KNEE PRESS ROD MOUNTING ARM				*		1	
20		21065008		SHAFT				*		1	
21		SS7151210SP		SCREW 15/64-28L=12						1	

LIST FOR INFORMATION OF CHANGE

As to the place changed, refer to the corresponding Rev.No.
 When previous parts(Obsoleted part)and new parts(Added parts)are
 not interchangeable with each other:
 In this case,even obsoleted parts(D.)can be ordered with the
 obsoleted part number,so select the parts with changed dates and
 place your orders.

変更箇所は、該当Rev.No.版をご参照ください。
 部品の互換性がない変更の場合は、削除された品番でも、ご注文できます。

19592708
 No.0527-06 Rev.No.

*A:Added parts追加部品/D:Obsoleted parts削除部品/E:Erratum訂正

* Rev. No.	Page 頁	Ref. No.	Parts No. 品番	* Rev. No.	Page 頁	Ref. No.	Parts No. 品番
D 05	1	14	100-04109	A 06	1	14	229-01805
D 05	1	15	CM-3002001-01	A 06	1	15	CM-3012000-02
D 05	1	16	CM-3002001-A1				
				A 06	1	16	210-59514
D 05	1	17	CM-3002000-B1	A 06	1	17	CM-3002000-01
				A 06	1	18	400-99160
				A 06	1	19	SS-7110710-SP
				A 06	2	32	400-27078
D 05	6	42	PS-0250142-K0	A 06	6	42	PS-0250142-KP
D 05	12	14	SS-6121610-SP	A 06	12	14	SS-6121610-TP
D 05	14	10	210-56403				
				A 06	14	10	401-78619
D 05	14	13	210-56700				
D 05	14	39	PT-0402200-SH				
D 05	21	1	229-30358	A 06	21	1	400-96354
D 05	21	-	No.2~No.20				
D 05	23	2	B9101-552-000	A 06	23	2	229-32800
D 05	23	5	105-29808	A 06	23	5	262-34005
D 05	23	9	B1114-517-000	A 06	23	9	400-52262
D 05	23	13	B9112-012-000	A 06	23	13	260-34702
D 05	23	18	J1066-000-00D	A 06	23	18	B9141-372-000
D 05	24	5	210-65206	A 06	24	5	PH-0400402-C0
				A 06	24	6	SS-8090410-SP
				A 06	24	17	400-24739
D 05	24	17	B3427-521-000	A 06	24	19	400-24738
D 05	24	18	SS-9182010-SN	A 06	24	18	229-34707

HOW TO MAKE USE OF THIS PARTS LIST

1.Explanation of codes

1)"*"mark.....means this part is changed from the previous parts book.

As to the details of the change, refer to the "List for information of change".

2)"#01".....refer to "Note" explanation at bottom of page.

2.Codes on the "Qty" column

- Each numeral indicates the number of parts required.
- "0.1" and "2.5" indicate the length (in meters) of the respective parts.

3.Parentheses mean that the corresponding part is a subpart that constructs an assembly part.

4.Dotted lines on the Figures indicate assembly parts.

1."注記"欄の記号説明

1) "*"印.....前回のパーツブックに比較して今回変更された部品を意味します。

変更内容は、"変更情報リスト"を参照してください。

2) "#01".....ページ下の"注記"の説明を参照してください。

2.数量欄の数字は、個数を表し、0.1、2.5等の数値は、長さ（単位メートル）を表します。

3.数量欄の（ ）は、組部品を構成している子部品であることを意味します。

4.イラストページの-----枠は、組構成であることを意味します。

NUMERICAL INDEX OF PARTS

PART NO	PAGE	REF NO.	PART NO	PAGE	REF NO.	PART NO	PAGE	REF NO.
10502300	26	27	21046313	4	30	21051305	14	9
10539906	28	31	21046503	6	1	21051404	14	10
10539906	34	11	21046602	6	2	21051503	14	11
11075801	34	10	21046701	6	3	21051602	14	12
11849502	34	3	21046701	10	24	21051701	14	13
12347308	36	4	21046800	6	5	21051800	14	14
18125609	28	32	21047006	10	2	21052006	16	2
21040407	2	3	21047105	10	3	21052105	16	3
21040704	6	4	21047204	10	4	21052204	16	4
21040803	6	8	21047303	10	6	21052303	16	5
21040902	10	1	21047402	10	7	21052402	16	6
21041009	10	5	21047501	10	8	21052501	16	16
21041108	10	16	21047600	10	9	21052600	16	15
21041207	10	18	21047709	10	10	21052709	16	9
21041306	10	19	21047808	10	11	21052808	16	10
21041405	10	33	21047907	10	12	21053004	16	12
21041504	14	18	21048004	10	13	21053103	16	13
21041553	14	17	21048103	10	14	21053202	16	14
21041603	14	19	21048202	10	15	21053509	16	17
21041702	16	1	21048301	10	17	21053608	16	18
21041850	22	23	21048400	10	20	21053707	16	19
21043104	34	2	21048509	10	21	21054002	20	1
21043153	34	1	21048707	8	12	21054101	20	2
21044102	2	6	21048707	10	45	21054200	20	3
21044151	2	5	21048806	10	27	21054309	20	4
21044201	2	7	21048905	10	28	21054408	20	5
21044300	2	9	21049002	10	31	21054507	20	6
21044508	4	1	21049200	8	1	21054606	20	7
21044607	4	2	21049309	8	2	21054705	20	8
21044706	4	3	21049408	8	3	21054804	20	9
21044805	4	4	21049515	8	4	21054903	20	10
21044904	4	5	21049606	8	5	21055009	20	11
21045000	4	6	21049705	8	6	21055108	20	12
21045109	4	7	21049804	8	7	21055207	20	13
21045208	4	8	21049903	8	8	21055504	22	1
21045406	4	12	21050000	8	9	21055603	22	2
21045505	4	13	21050109	8	10	21055702	22	3
21045604	4	14	21050505	14	1	21055801	22	4
21045703	4	15	21050604	14	2	21055900	22	6
21045901	4	26	21050703	14	3	21055959	22	5
21046008	4	27~ 29-32	21050802	14	4	21056007	22	13
			21050901	14	5	21056205	22	39
21046107	4	27~ 29-32	21051008	14	6	21056312	22	9
			21051107	14	7	21056502	22	11
21046206	4	27~ 29-32	21051206	14	8	21056601	22	12

NUMERICAL INDEX OF PARTS

PART NO	PAGE	REF NO.	PART NO	PAGE	REF NO.	PART NO	PAGE	REF NO.
21056809	22	14	21063300	28	11	A3222958000	26	18
21056908	22	15	21063409	28	12	A3243997C00	2	4
21057005	22	16	21063508	28	13	B1131562000	24	17
21057104	22	17	21063607	28	14	B1213012000	18	45
21057203	22	18	21063706	28	15	B1424158000	16	36
21057302	22	19	21063805	28	17	B1506059000	6	7
21057401	22	20	21063904	28	16	B1513280000	28	6
21057401	36	8	21064001	28	30	B1617241H00	16	33
21057500	22	21	21064308	30	3	B1618241H00	16	34
21057609	22	22	21064506	36	15	B1619241H00	16	11
21057708	22	29	21064605	36	16	B1662562000	14	16
21057807	22	33	21064704	38	3	B1702012000	16	44
21057906	22	40	21064803	38	4	B1702012000	22	42
21059001	24	1	21064902	38	9	B1806038000	22	43
21059001	26	34	21065008	38	20	B2510158000	26	40
21059100	24	4	21065057	38	11	B3035141H00	10	32
21059209	24	5	21065156	34	12	B3036141H00	10	29
21059308	24	6	21067855	4	9	B3114761000	38	8
21059407	24	7	21067905	26	1	B3125012000	24	3
21059514	2	16	21068002	30	7	B3125012000	26	36
21059605	24	9	21068051	30	6	B3126012000	24	2
21059704	24	10	21068101	30	2	B3126012000	26	35
21059803	24	11	21068259	2	1	B3129012B00	26	33
21059902	24	12	21068309	2	2	B3201158000	26	4
21060009	24	13	21068556	38	1	B3203158000	26	6
21060108	24	14	21068564	38	2	B3204232000	26	13
21060207	24	15	21154216	22	27	B3205232000	26	14
21061015	26	5	21161153	24	16	B3206232000	26	15
21061056	26	3	22901805	2	14	B3207158000A	26	19
21061106	26	7	22904155	16	39	B3211210000	26	17
21061205	26	8	22904155	22	35	B3212210000	26	23
21061304	26	16	22932800	36	2	B3413227000	28	7
21061403	26	25	22933006	36	3	B3428521000	38	13
21061601	26	29	22934251	38	16	B3429521000	28	18
21061700	26	32	22934707	38	18	B3430521000	38	12
21061759	26	31	26034702	36	13	B3432521000	28	19
21061908	26	41	26234005	36	5	B71140120A0	34	13
21062500	28	1	40024738	38	19	B8204012000	34	4
21062609	28	2	40024739	38	17	B8206012000	34	8
21062708	28	3	40027078	4	27~ 29·32	B8209012000	34	7
21062807	28	4	40052262	36	9	B8213512000	36	11
21062906	28	5	40096354	32	1	B9113012000	36	14
21063003	28	8	40099160	2	18	B91212200A0	36	7
21063102	28	9	40178619	22	10	B9141372000	36	18
21063201	28	10				CM300200001	2	17

NUMERICAL INDEX OF PARTS

PART NO	PAGE	REF NO.	PART NO	PAGE	REF NO.	PART NO	PAGE	REF NO.
CM301200002	2	15	SD0790431SP	28	22	SS7090710SP	38	7
CM500300001	30	8	SD0790432SP	28	33	SS7091410SP	14	20
CQ202000000	4	10	SD1000701TP	28	23	SS7110710SP	2	19
CQ202000000	18	49	SD1000951SP	18	46	SS7110830SP	22	26
CQ303000000	22	8	SD1070901TP	4	31	SS7110910SP	26	38
CS0790721TH	16	22	SD1111351SP	28	24	SS7110910TP	28	27
CS0951019SH	10	40	SD1201201TP	10	22	SS7111120SP	24	21
CS1471012SH	10	34	SD1201201TP	16	31	SS7111120SP	26	2
CS1471012SH	16	26	SK3311600SE	34	6	SS7111810SP	26	20
D8204555D00	34	5	SK3513200SC	34	14	SS7112420SP	12	50
J106600000F	36	19	SM6061552TP	8	15	SS7112810SP	26	26
J106600000G	36	6	SM6061552TP	10	53	SS7150740SP	20	16
MC532002300	6	6	SM6061552TP	12	53	SS7150740SP	28	20
MC532002304	36	1	SM6061552TP	16	38	SS7150740SP	30	5
NS6060350SP	38	10	SM6081802TP	8	16	SS7151120SP	26	43
NS6080210SP	26	11	SM6081802TP	22	25	SS7151210SP	10	48
NS6090310SP	14	24	SM9082003SC	22	37	SS7151210SP	12	48
NS6110310SP	26	24	SS1090410SL	24	24	SS7151210SP	38	21
NS6110350SP	12	51	SS1681140SP	4	20	SS7151410TP	30	1
NS6110420SP	22	30	SS1681140SP	36	12	SS7151550SP	38	14
NS6150310SP	24	20	SS2110915SP	2	12	SS7620750SP	28	28
NS6150430SP	36	17	SS2110915SP	4	22	SS7621040SP	14	25
NS6620310SP	28	29	SS4080610SP	26	39	SS7621510SP	22	31
NS6620310SP	36	10	SS4080620TP	16	20	SS7681650TP	28	26
NS6680320SP	10	30	SS5060410SP	26	9	SS8090410SP	38	6
NS6680320SP	20	17	SS6080410SP	26	28	SS8110510SP	26	12
NS6680320SP	22	38	SS6110480SP	30	4	SS8150310SP	6	9
NS6680320SP	24	18	SS6110710TP	6	12	SS8150710SP	4	21
NS6680320SP	26	37	SS6111010SP	12	49	SS8150710SP	8	17
NS6680410SP	4	19	SS6111210SP	6	13	SS8150710SP	10	52
NS6680410SP	10	23	SS6121610TP	20	14	SS8150710SP	12	52
NS6680410SP	16	47	SS6151440SP	6	11	SS8150710SP	16	42
NS6680410SP	18	47	SS6151440SP	22	41	SS8150710SP	22	34
NS6720440SP	8	11	SS6151920SP	2	13	SS8150710SP	26	30
PH0400402C0	38	5	SS6151920SP	16	43	SS8151150SP	16	41
PS0250142KP	10	42	SS6621840SP	20	15	SS8151150SP	22	28
PS0300201KP	14	22	SS6660622TP	14	15	SS8151550SP	4	16
PT0405600SH	4	18	SS7060310SP	2	8	SS8151550SP	22	32
RE0400000K0	4	24	SS7081310SP	26	10	SS8620610TP	16	21
RE0700000K0	16	37	SS7090510SP	38	15	SS8660330SP	10	35
RE0800000K0	8	13	SS7090610SP	24	22	SS8660340SP	6	10
RE0800000K0	10	47	SS7090620TP	16	23	SS8660340SP	14	23
RE0800000K0	12	47	SS7090710SP	2	11	SS8660512TP	14	21
SD0600321SP	24	19	SS7090710SP	24	23	SS8660512TP	18	48
SD0720193SP	26	21	SS7090710SP	26	42	SS8660610TP	4	25

NUMERICAL INDEX OF PARTS

PART NO	PAGE	REF NO.
SS8660610TP	8	14
SS8660610TP	16	40
SS8660610TP	22	36
SS8660612TP	4	17
SS8660612TP	10	38
SS8660612TP	14	26
SS8660942TP	10	37
SS9681610TP	28	25
SS9702110SP	4	23
TA0290301M0	22	7