

MODEL : LH-1152-4/LH-1152-5/LH-1152-6,LH-1152-7
List No : 0547-08

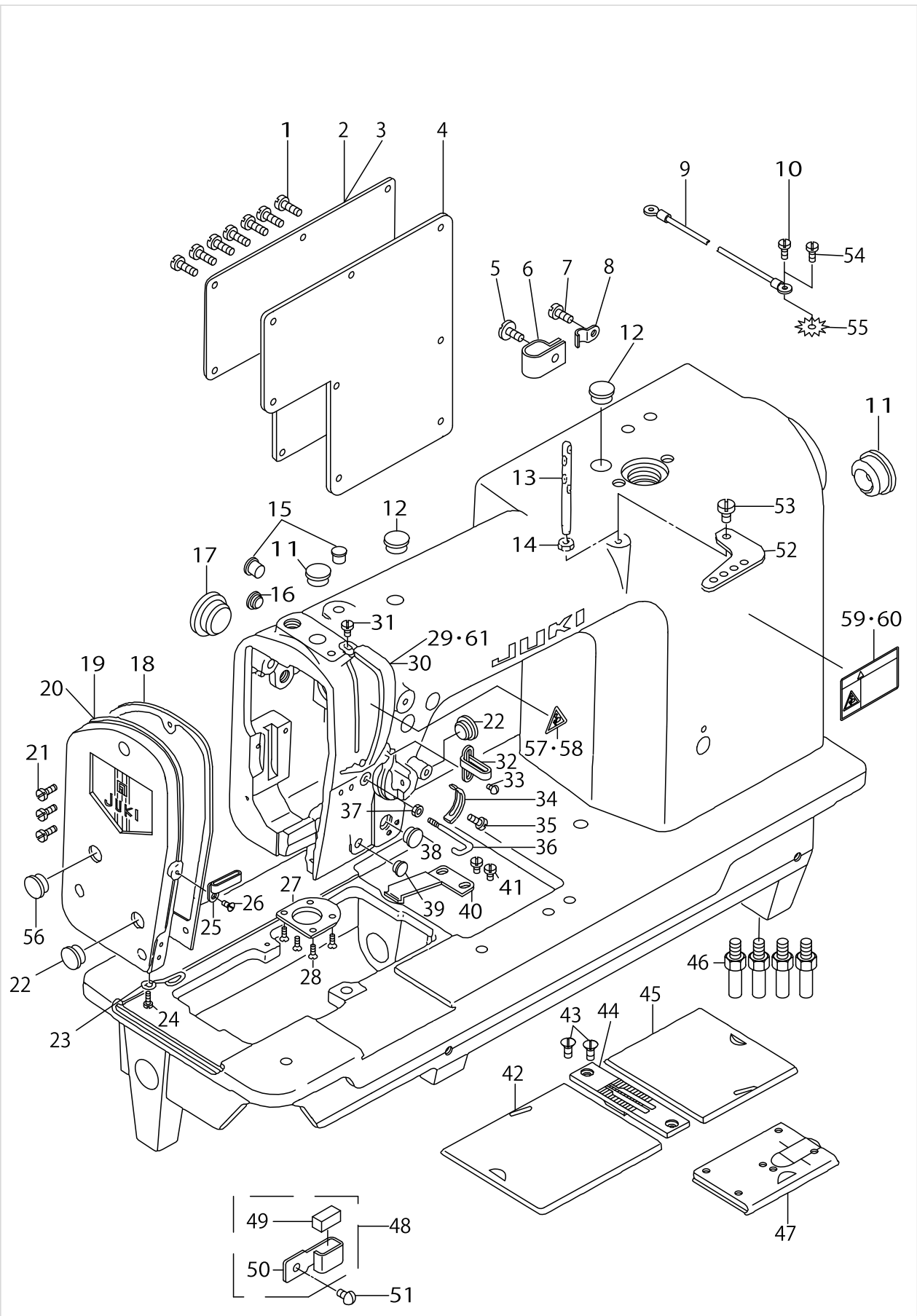
PARTS LIST

Published:05/12/2017

CONTENTS

MACHINE FRAME & MISCELLANEOUS COVER COMPONENTS	1
MAIN SHAFT NEEDLE FEED & NEEDLE BAR COMPONENTS	5
HOOK & HOOK DRIVING SHAFT COMPONENTS	9
FEED MECHANISM COMPONENTS.....	13
PRESSER BAR & TENSION RELEASE COMPONENTS.....	19
THREAD TRIMMER MECHANISM COMPONENTS.....	23
AUTOMATIC REVERSE FEED MECHANISM COMPONENTS	27
WIPER MECHANISM COMPONENTS	31
LUBRICATION COMPONENTS	33
THREAD TENSION CONTROLLER COMPONENTS	35
EXCLUSIVE PARTS BY STITCH SPECIFICATION (1).....	37
EXCLUSIVE PARTS BY STITCH SPECIFICATION (2).....	39
OIL RESERVOIR & KNEE LIFTER COMPONENTS.....	41
BELT COVER & BOBBIN WINDER COMPONENTS	43
BELT COVER & BOBBIN WINDER COMPONENTS (SPECIAL ORDER PARTS).....	45
THREAD STAND COMPONENTS.....	47
MOTOR PULLEY COMPONENTS	49
FOR STITCH SPECIFICATION "S", "A", "G" (1)	51
FOR STITCH SPECIFICATION "S", "A", "G" (2)	55
FOR STITCH SPECIFICATION "C".....	59
TABLE OF EXCHANGING GAUGE PARTS COMMON TO ALL STITCH SPECIFICATIONS	61
LIST FOR INFORMATION OF CHANGE.....	63
HOW TO MAKE USE OF THIS PARTS LIST	64

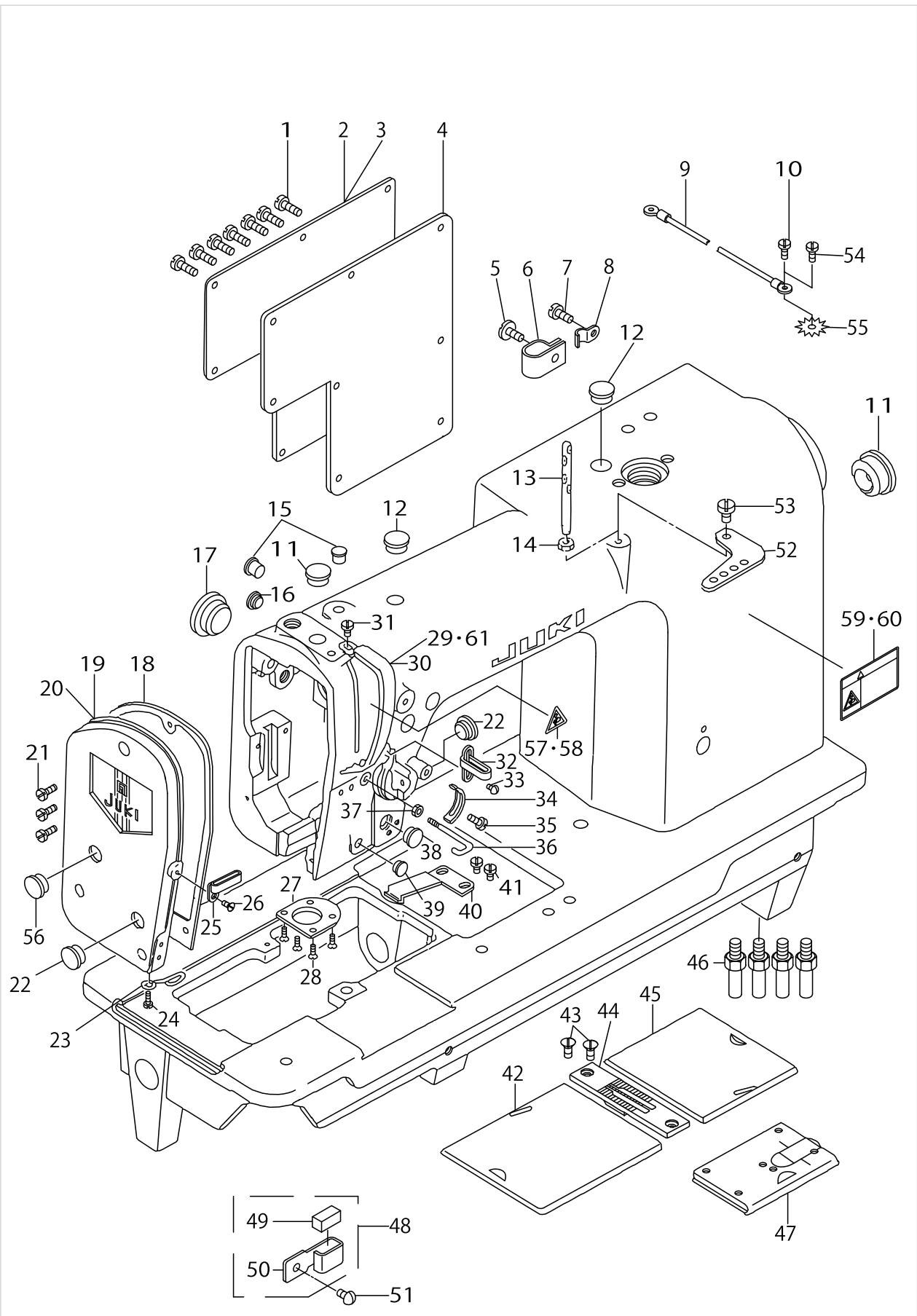
MACHINE FRAME & MISCELLANEOUS COVER COMPONENTS



MACHINE FRAME & MISCELLANEOUS COVER COMPONENTS

No.	Supply Code	Parts No.	Replacement	Parts name	Remarks	Choice	Step	Level	Cons	Qty	Rep. QTY
1	R	SS7110910SP	SS7110910TP	SCREW 11/64-40 L=8.5						7	1.00
2	D	10100907		SIDE PLATE						1	
3		10602902		SLIDE PLATE	FOR URBAN WHITE SPECIFICATION PARTS					1	
4		10101004		GASKET						1	
5		SS6111140SP		SCREW 11/64-40 L=11	EXCEPT LH-1152-4-1 (JA,JE),4-2					1	
6		D2112555B00		CORD HOLDER, LARGE	EXCEPT LH-1152-4-1 (JA,JE),4-2					1	
7	R	SS7110910SP	SS7110910TP	SCREW 11/64-40 L=8.5	FOR LH-1152-4-1 (JA,JE),4-2					1	1.00
8		B3538112000		OIL RETURN TUBE HOLDER	FOR LH-1152-4-1 (JA,JE),4-2					1	
9		10741759		GROUND WIRE ASM.	FOR LH-1152-4					1	
10		SS7110710SP		SCREW 11/64-40 L=7	FOR LH-1152-4					1	
11		10102002		RUBBER PLUG						1	
12		TA1250504R0		RUBBER PLUG						3	
13		B1114051000		NEEDLE THREAD GUIDE PIN	FOR LH-1152-4,-5					1	
14		NS6620310SP		NUT 3/16-32	FOR LH-1152-4,-5					1	
15		TA0750704R0		RUBBER PLUG						2	
16		TA0750404R0		PLUG D=7.5 L=3.5						1	
17		TA2100904R0		RUBBER PLUG						1	
18		10100808		GASKET						1	
19	D	10100758		FACE PLATE ASM.						1	
20	D	10160851		FACE PLATE ASM.	FOR URBAN WHITE SPECIFICATION PARTS					1	
21	R	SS7111120SP	SS7111120TP	SCREW 11/64-40 L=10.5						3	1.00
22		TA1250406R0		RUBBER PLUG D=12.5 L=4						2	
23		10101509		THREAD GUIDE, D						1	
24		SS5090610SP		SCREW 9/64-40 L=6						1	
25		10101400		THREAD GUIDE, C	REPLACE THIS PARTS FOR STITCH SPECIFICATION "C" (SEE PAGE 21) (1	
26	R	SS2090710SP	SS2090710TP	SCREW 9/64-40 L=7						1	1.00
27		10101103		PLATE						1	
28		SS2080810SP		SCREW 1/8-44 L=7.5						4	
29		B1123552000A		THREAD TAKE UP LEVER OIL GUARD						1	
30		B1123552A00		THRED TAKE-UP LEVER OIL GUARD	FOR URBAN WHITE SPECIFICATION PARTS					1	
31		SS7110510SP		SCREW 11/64-40 L=5						1	
32	D	10101301		THREAD GUIDE, B	REPLACE THIS PARTS FOR STITCH SPECIFICATION "G", "C" (SEE PAGE 20,21)					1	

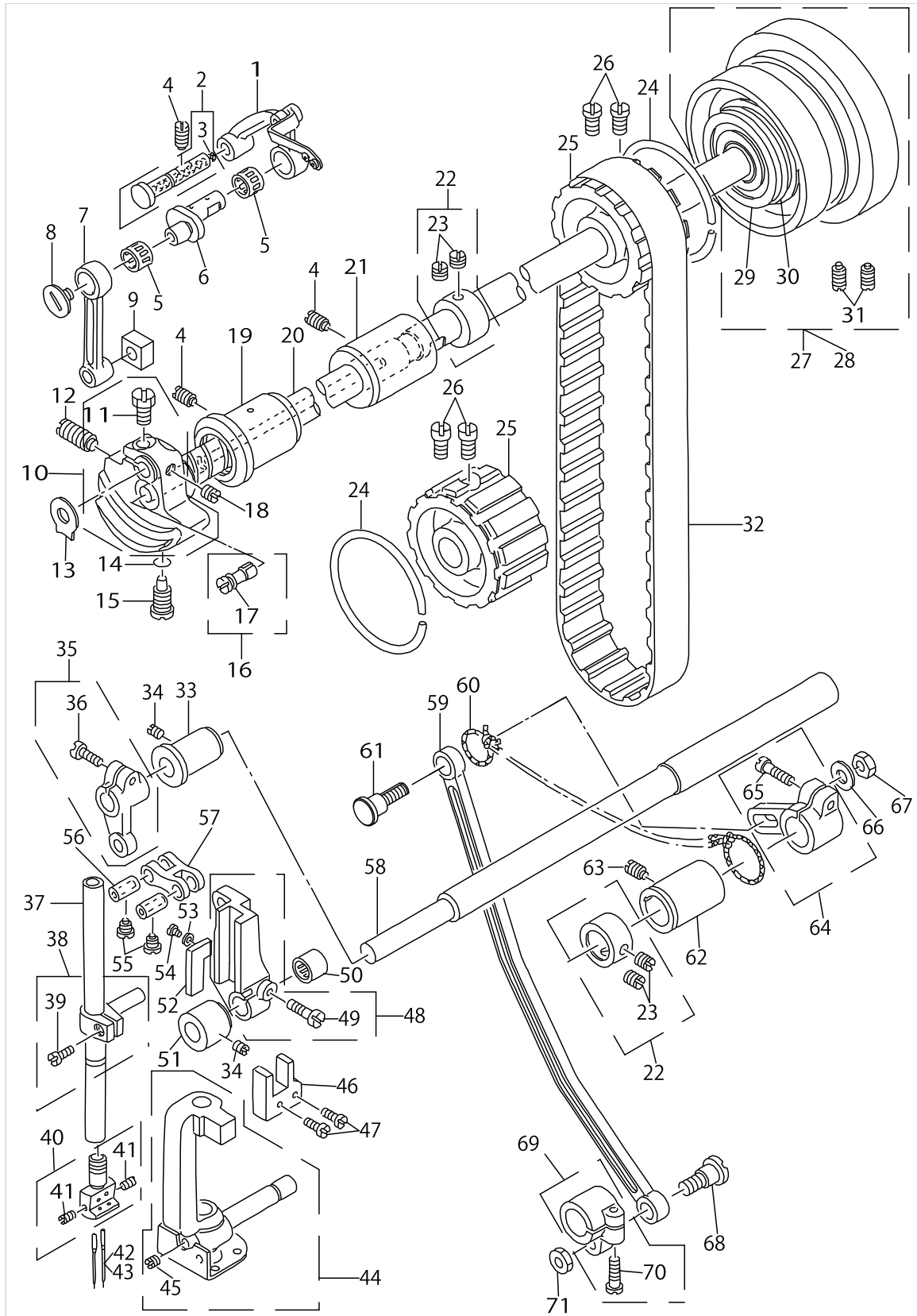
MACHINE FRAME & MISCELLANEOUS COVER COMPONENTS



MACHINE FRAME & MISCELLANEOUS COVER COMPONENTS

No.	Supply Code	Parts No.	Replacement	Parts name	Remarks	Choice	Step	Level	Cons	Qty	Rep. QTY
33		SS5090610SP		SCREW 9/64-40 L=6						1	
34		B3138512000		TAKE-UP SPRING A-DJUSTING PLATE						1	
35	R	SS7090520SP	SS7090520TP	SCREW 9/64-40 L=4.5						1	1.00
36		10101202		THREAD GUIDE, A	REPLACE THIS PARTS FOR STITCH SPECIFICATION "C"(SEE PAGE 21) (1	
37	D	B1132512000		NUT						1	
38		TA1050604R0		RUBBER PLUG						1	
39		TA0750404R0		PLUG D=7.5 L=3.5						1	
40		B1111563000		BED SLIDE SPRING						1	
41		SS7110510SP		SCREW 11/64-40 L=5						2	
42	D	10145001		BED SLIDE, LEFT 3/32" TO 7/16	EXCHANGING GAUGE PARTS (SEE PAGE 29~34)					1	
43		SS2110920TP		SCREW 11/64-40 L=8.5						2	
44		10130300		THROAT PLATE 3/16	EXCHANGING GAUGE PARTS (SEE PAGE 29~34)					1	
45		10145506		BED SLIDE, RIGHT 3/32" TO 7/16	EXCHANGING GAUGE PARTS (SEE PAGE 29~34)					1	
46		22602601		BED SCREW STUD						4	
47	D	10100550		BED SLIDE ASM.						1	
48		10102259		THREADGUIDEASM.F	ACCESSORY PARTS					1	
49		B1131528000		FELT	ACCESSORY PARTS				*	1	
50		10102200		THREAD GUIDE F	ACCESSORY PARTS				*	1	
51		SS5090610SP		SCREW 9/64-40 L=6	ACCESSORY PARTS					1	
52	D	10601607		TENSION THREAD GUARD PLATE	FOR LH-1152-6					1	
53		SS7621040SP		SCREW 3/16-32 L=9.5	FOR LH-1152-6					1	
54		SS6111140SP		SCREW 11/64-40 L=11	FOR LH-1152-6					1	
55		WT0530002KS		TOOTHED WASHER D=5.3	FOR LH-1152-6					1	
56		TA2050406R0		RUBBER PLUG						1	
57		CM300200001		ATTENTION SEAL	FOR JE					1	
58		CM3002000B1		LABEL(16)	FOR USE IN JAPAN					1	
59		CM300200101		SAFETY LABEL, 1(SMALL).	FOR USE IN JAPAN					1	
60		CM3002001A1		SAFETY LABEL, 3 (SMALL).	EXCEPT JE, USE IN JAPAN					1	
61		10163004		THREAD TAKE UP L-EVER OIL GUARD	FOR JE					1	

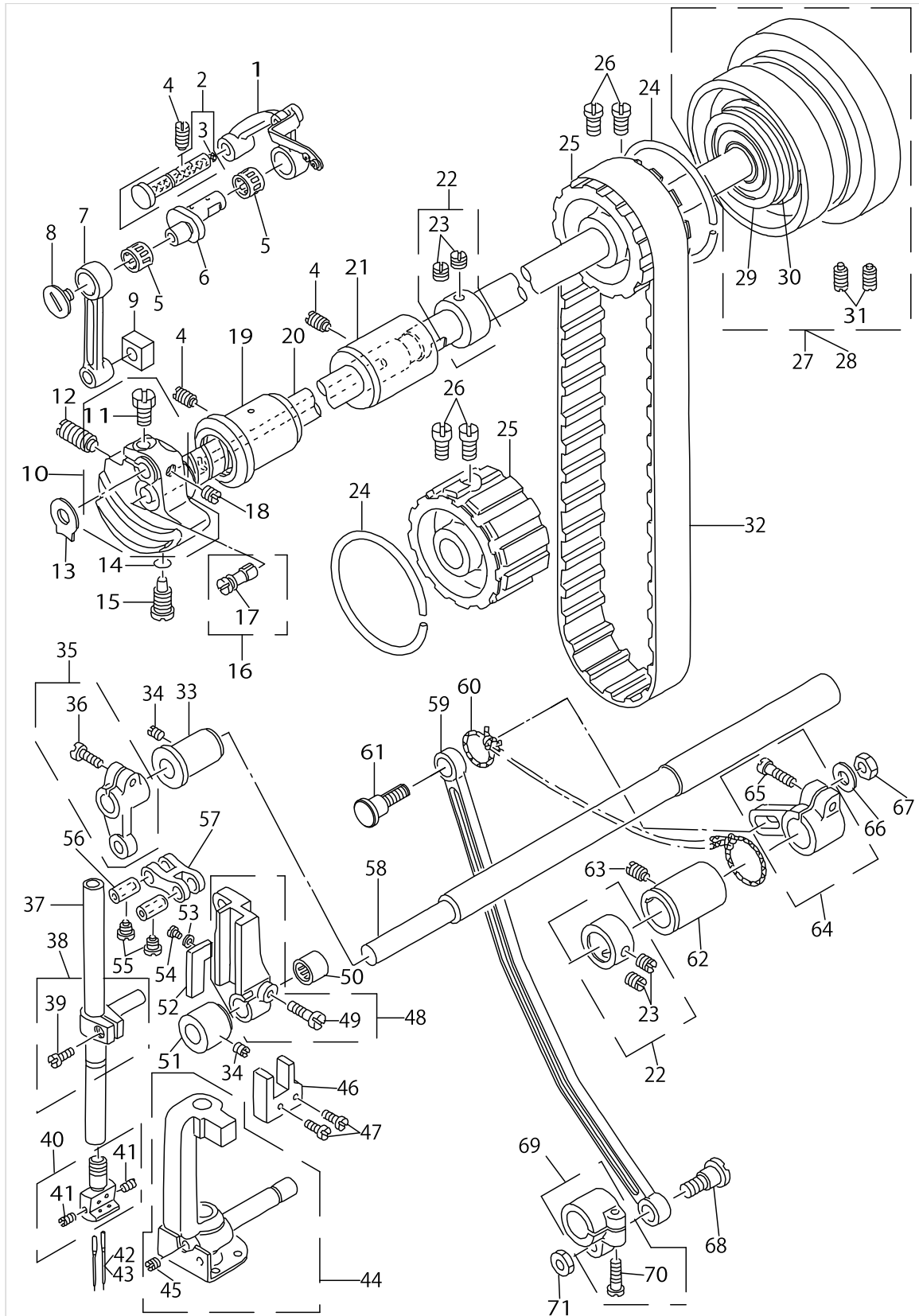
MAIN SHAFT NEEDLE FEED & NEEDLE BAR COMPONENTS



MAIN SHAFT NEEDLE FEED & NEEDLE BAR COMPONENTS

No.	Supply Code	Parts No.	Replacement	Parts name	Remarks	Choice	Step	Level	Cons	Qty	Rep. QTY
1		10102853		THREAD TAKE-UP LEVER ASM.						1	
2		B19045520A0		CRANK SHAFT STUD ASM.						1	
3		CQ350000F0		OIL FELT				*		0.1	
4	R	SS8151150SP	SS8151150TP	SCREW 15/64-28 L=10.5						3	1.00
5		B1905541B00		NEEDLE BEARING	SELECTIVE PARTS					2	
6		10102705		NEEDLE BAR CRANK						1	
7		10104701		NEEDLE BAR CRANK ROD						1	
8		B1903552000		LEFT SCREW						1	
9		B1414555000		SLIDE BLOCK						1	
10		10102655		COUNTERWEIGHT ASM.						1	
11		SS9661120CP		SCREW 1/4-40 L=10.5				*		1	
12		SS8681950SP		SCREW 9/32-28 L=19						1	
13		B1212552A00		COUNTERWEIGHT P-ROTECTING PLATE						1	
14		RO044240100		RUBBER RING						1	
15		SS7681650TP		SCREW 9/32-28 L=16						1	
16		B12135520A0A		OIL AMOUNT ADJUSTING PIN ASM.						1	
17		RO029180100		RUBBER RING				*		1	
18		SS8660610TP		SCREW 1/4-40 L=6						1	
19		10188902		MAIN SHAFT BUSHING, FRONT						1	
20		10102507		MAIN SHAFT						1	
21	D	10103000		MAIN SHAFT BUSHING, INTERMED.						1	
22		22904155		MAIN SHAFT THRU-ST COLLAR ASM.						2	
23		SS8660610TP		SCREW 1/4-40 L=6				*		4	
24		B1214019000		SPROCKET RING						2	
25		10103109		SPROCKET WHEEL						2	
26		SS6661110SP		SCREW 1/4-40 L=11						4	
27		10103257		HAND WHEEL ASM.						1	
28		10161057		HAND WHEEL ASM.	FOR URBAN WHITE SPECIFICATION PARTS					1	
29		SB120000100		BEARING D=20X47				*		1	
30		RO437200200		RUBBER RING				*		1	
31		SS8151550SP		SCREW 15/64-28 L=15				*		2	
32		10103406		TIMING BELT						1	
33	D	10383008		NEEDLE BAR FRAME GUIDE						1	
34		SS9120910TP		SCREW 3/16-28 L=9						2	
35	D	B29074150A0		DRIVING CRANK ASM.						1	
36		SS6121220TP		SCREW 3/16-28 L=11.5				*		1	
37		10104503		NEEDLE BAR						1	
38		10104859		NEEDLE BAR CONNECTION ASM.						1	
39	R	SS7090910SP	SS7090910TP	SCREW 9/64-40 L=8.5				*		1	1.00
40		10147858		NEEDLE CLAMP ASM. 3/16	EXCHANGING GAUGE PARTS (SEE PAGE 29~34)					1	
41		SS8080660TP		SCREW 1/8-44 L=5.5				*		2	
42		MDP500B1100		NEEDLE DPX5 #11	EXCEPT JE					2	

MAIN SHAFT NEEDLE FEED & NEEDLE BAR COMPONENTS

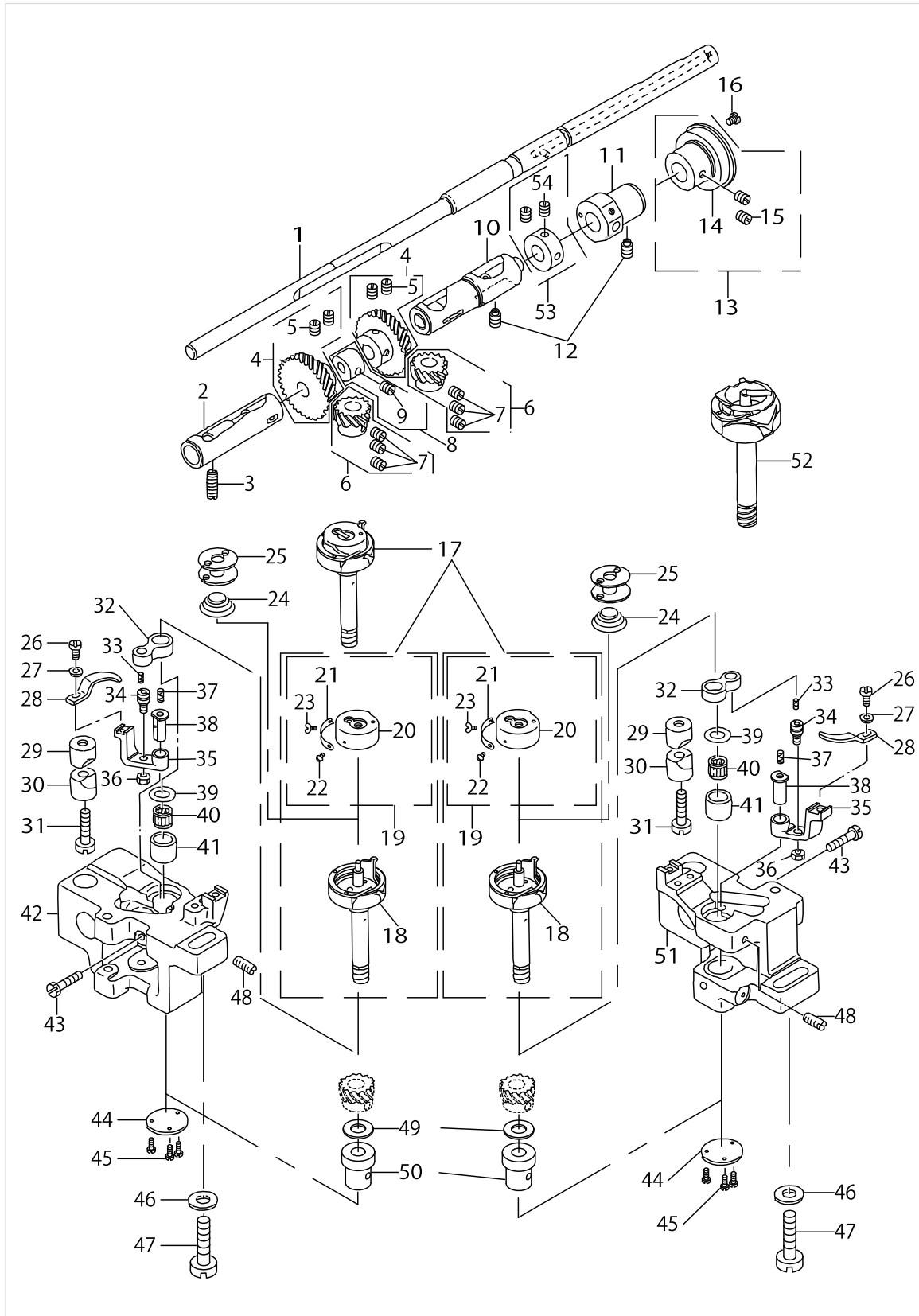


MAIN SHAFT NEEDLE FEED & NEEDLE BAR COMPONENTS

No.	Supply Code	Parts No.	Replacement	Parts name	Remarks	Choice	Step	Level	Cons	Qty	Rep. QTY
43		MC200500750		NEEDLE 134 NM75	FOR JE					2	
44	D	10121069		NEEDLE BAR FRAME ASM.						1	
45	R	SS8110510SP	SS8110520TP	SCREW 11/64-40 L=5				*		1	1.00
46	D	10121309		NEEDLE BAR FRAME POSITIONING B						1	
47	R	SS7090910SP	SS7090910TP	SCREW 9/64-40 L=8.5						2	1.00
48		10121556		SLIDE BLOCK GUIDE ASM.						1	
49		SS6121610TP		SCREW 3/16-28 L=15.5				*		1	
50		B2913412N00		BEARING						1	
51		10121408		BUSHING						1	
52		B2915415000		FELT						1	
53		WP0250516SD		WASHER 2.5X6X0.5						1	
54		SS6060410TP		SCREW 3/32-56 L=3.5						1	
55		SS6090660TP		SCREW 9/64-40 L=6						2	
56	R	B1412352A00	B1412352B00	NEEDLE BAR LINK PIN, A	SELECTIVE PARTS	A				2	1.00
56	R	B1412352A00	B1412352C00	NEEDLE BAR LINK PIN, A	SELECTIVE PARTS	B				2	1.00
56	R	B1412352A00	B1412352D00	NEEDLE BAR LINK PIN, A	SELECTIVE PARTS	C				2	1.00
57		B2906415000		DRIVING LINK						1	
58		10121606		NEEDLE BAR FRAME ROCK SHAFT						1	
59		10122109		CONNECTING ROD						1	
60		CQ200000000		OIL WICK						.3	
61		10179208		CONNECTING PIN						1	
62		10106102		BUSHING						1	
63	R	SS8151150SP	SS8151150TP	SCREW 15/64-28 L=10.5						1	1.00
64		10121952		DRIVING ARM ASM.						1	
65		SS6121610TP		SCREW 3/16-28 L=15.5				*		1	
66		WP0740516SP		WASHER 7.4X11.8X0.5						1	
67		NS6680410SP		NUT 9/32-28						1	
68		SD0900701TP		HINGESCREWD=9H=7						1	
69		10122257		DRIVING ARM ASM.						1	
70		SS6121610TP		SCREW 3/16-28 L=15.5				*		1	
71		NS6680320SP		NUT 9/32-28						1	

A:公差 +0.-011~+0.006- /A:tolerance +0.011~+0.006
 B:公差 +0.-006~+0.001- /B:tolerance +0.006~+0.001
 C:公差 +0.-001~ -0.004- /C:tolerance +0.001~ -0.004

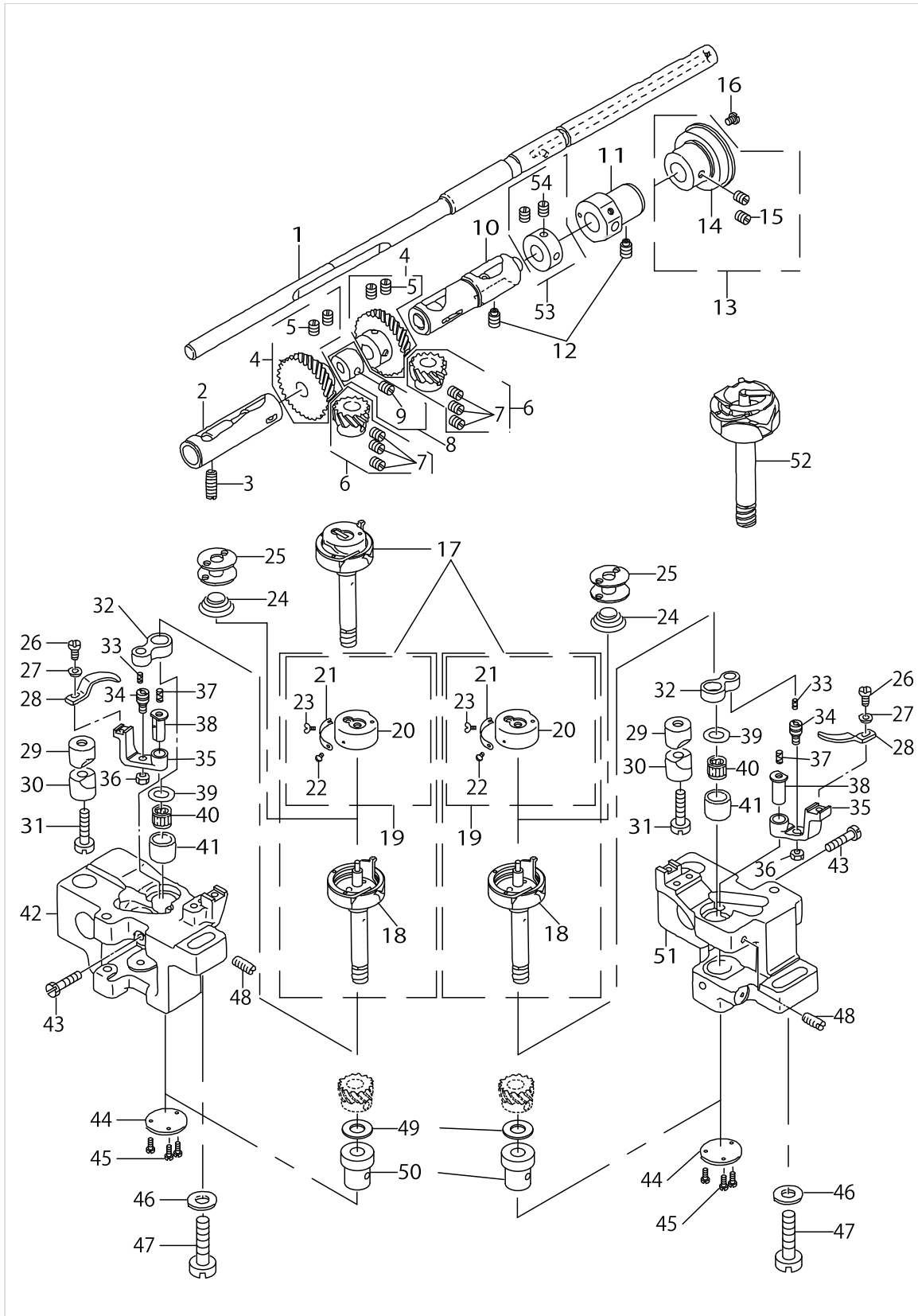
HOOK & HOOK DRIVING SHAFT COMPONENTS



HOOK & HOOK DRIVING SHAFT COMPONENTS

No.	Supply Code	Parts No.	Replacement	Parts name	Remarks	Choice	Step	Level	Cons	Qty	Rep. QTY
1		10108512		HOOK DRIVING SHAFT						1	
2		B18025120A0A		BUSHING ASM., FRONT	EXCHANGI- NG GAUGE PARTS (S- EE PAGE 29~34)					1	
3		SS8152030SP		SCREW 15/64-28L=20						1	
4		B18165120A0		HOOK DRIVING SHAFT GEAR ASM.						2	
5		SS8660810TP		SCREW 1/4-40 L=8				*		4	
6		10112050		HOOK SHAFT GEAR ASM., A	SELECTIVE PARTS					2	
7		SS8660530TP		SCREW 1/4-40 L= 4.5				*		6	
8	D	B18405120A0		FEED DRIVING CAM ASM.						1	
9		SS8150510TP		SCREW 15/64-28 L= 4.7				*		1	
10		B18035150A0		BUSHING ASM., INTERMEDIATE	EXCHANGI- NG GAUGE PARTS (S- EE PAGE 29~34)					1	
11		10108611		PLUNGER BUSHING						1	
12	R	SS8151150SP	SS8151150TP	SCREW 15/64-28 L=10.5						2	1.00
13		10108751		THRUST COLLAR ASM.						1	
14		SB120000200		BEARING 20X42				*		1	
15		SS8660610TP		SCREW 1/4-40 L=6				*		2	
16		SS6110610TP		SCREW 11/64-40 L=6						1	
17		10110054		HOOK ASM.	EXCEPT JA AND STIT- CH SPECI- FICATION "C					2	
18		10110062		HOOK ASM.				*		2	
19		10110252		BOBBIN CASE ASM.				*		2	
20		10110203		BOBBIN CASE				*		2	
21		10110401		BOBBIN CASE TENSION SPRING				*		2	
22		10110500		TENSION SPRING I- NSTALLING SCREW				*		2	
23		10110609		TENSION ADJUSTING SCREW				*		2	
24		10111508		SPRING						2	
25		10111300		BOBBIN						2	
26		SS6090810SP		SCREW 9/64-40 L= 7.5						2	
27		WP0371016SD		WASHER 3.7X8X1						2	
28	D	10111805		BOBBIN CASE OPENING LEVER						2	
29		10109908		SADDLE INSTALLIN- G BLOCK, UPPER						2	
30		10112407		SADDLE INSTALLIN- G BLOCK, LOWER						2	
31		SS6153040SP		SCREW 15/64-28L=30						2	
32		B1820563000		BOBBIN CASE OPE- NING LEVER LINK						2	
33		CQ202000000		OIL WICK						.1	
34		B1821051000		CRANK SCREW STUD						2	
35		B1822051000		OPENING LEVER CRANK						2	
36		NS6110420SP		NUT 11/64-40						2	
37		CQ202000000		OIL WICK						.1	
38		B1823051000		OPENING LEVER CRANK PIN						2	
39		10111201		THRUST WASHER, F	SELECTIVE PARTS					2	
40		SB30953010C		NEEDLE BEARING 9.525X9.52	SELECTIVE PARTS					2	

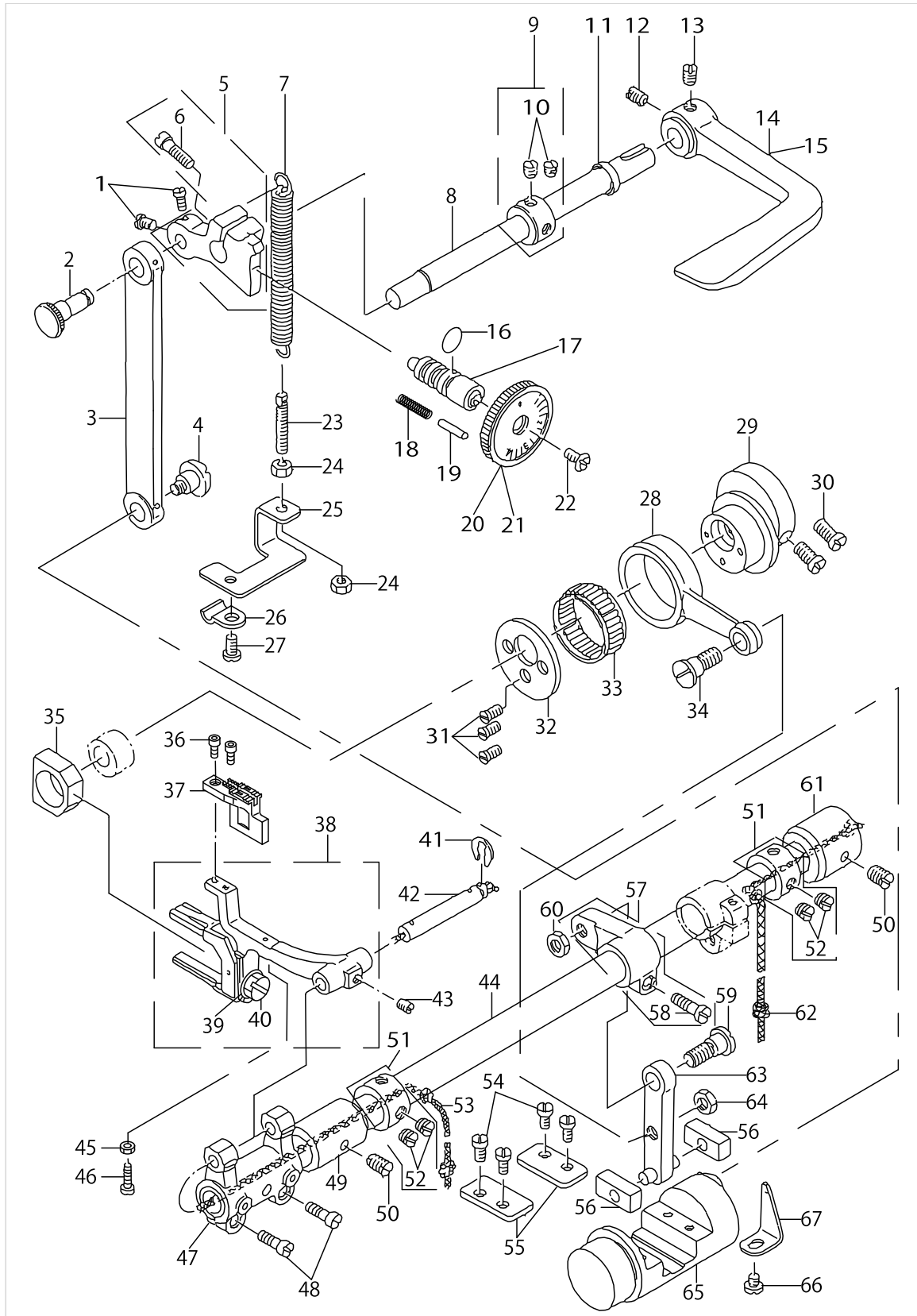
HOOK & HOOK DRIVING SHAFT COMPONENTS



HOOK & HOOK DRIVING SHAFT COMPONENTS

No.	Supply Code	Parts No.	Replacement	Parts name	Remarks	Choice	Step	Level	Cons	Qty	Rep. QTY
41		10109205		BUSHING						2	
42		10108801		HOOK SHAFT SADDLE, LEFT						1	
43		SS9111820SP		SCREW 11/64-40 L=18						2	
44		B1860512000		HOOK SHAFT SADDLE COVER						2	
45		SS7060610SP		SCREW 3/32-56 L=5.5						6	
46		WP0850002SP		WASHER 8.5X18X1.6						2	
47		SM7082550SP		SCREW M8 L=25						2	
48		SS8151550SP		SCREW 15/64-28 L=15						2	
49		B1818051D00		THRUST WASHER, D						2	
50		10179307		BUSHING, LOWER						2	
51		10108900		HOOK SHAFT SADDLE, RIGHT						1	
52		10195154		LATCH HOOK ASM.	FOR JA A- ND STITCH SPECIFICATION "C					1	
53		CS1470710SH		THRUST COLLAR A- SM. D=14.72 W=7						1	
54		SS8110410TP		SCREW 11/64-40 L= 3.5				*		2	

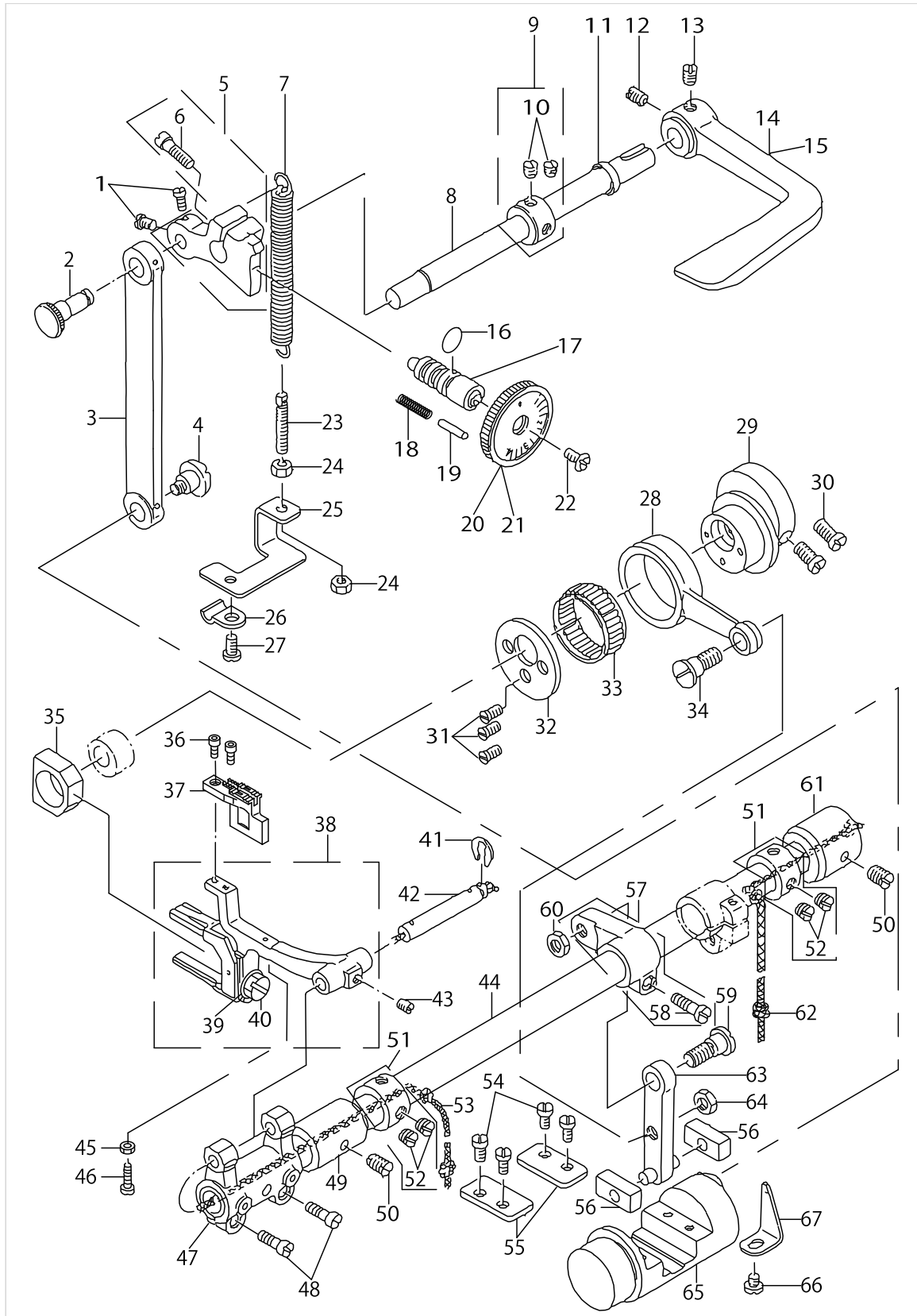
FEED MECHANISM COMPONENTS



FEED MECHANISM COMPONENTS

No.	Supply Code	Parts No.	Replacement	Parts name	Remarks	Choice	Step	Level	Cons	Qty	Rep. QTY
1		SS6110710TP		SCREW 11/64-40 L= 6.5						2	
2		10107001		ROD PIN						1	
3	D	10106904		FEED REGULATOR CONNECTING ROD						1	
4	D	SD0900702TP		HINGESCREWD=9H=7						1	
5	D	10107159		FEED REGULATOR ASM.	REPLACE THIS PARTS FOR STITCH SPECIFICATION "C"(SEE PAGE 21)					1	
6		SS6121610TP		SCREW 3/16-28 L=15.5				*		1	
7		B1513280000		TENSION SPRING						1	
8		10107506		REVERSE FEED SHAFT	ONLY FOR THE MACHINE WITHOUT AUTOMATIC REVERSE FEED MECHANISM					1	
9		CS102121ASH		THRUST COLLAR ASM. D=10.2 W=12						1	
10		SS8660610TP		SCREW 1/4-40 L=6				*		2	
11		10108009		OIL SEAL						1	
12		SS8660810TP		SCREW 1/4-40 L=8	ONLY FOR THE MACHINE WITHOUT AUTOMATIC REVERSE FEED MECHANISM					1	
13		SS8661040TP		SCREW 1/4-40 L=10	ONLY FOR THE MACHINE WITHOUT AUTOMATIC REVERSE FEED MECHANISM					1	
14	R	B1624380000	B162438000A	REVERSE FEED CONTROL LEVER	ONLY FOR THE MACHINE WITHOUT AUTOMATIC REVERSE FEED MECHANISM					1	1.00
15		B162438000A		REVERSE FEED CONTROL LEVER	FOR URBAN WHITE SPECIFICATION PARTS					1	
16		RO074240100		RUBBER RING						1	
17		B1634470000		STITCH LENGTH REGULATING SCREW						1	
18		22912109		FEED REGULATOR PIN SPRING						1	
19		B1147555000		PIN						1	
20		B16234700A0		STITCH DIAL ASM.	REPLACE THIS PARTS FOR STITCH SPECIFICATION "G" (SEE PAGE 20,21)					1	
21		B16234700AA		STITCH DIAL ASM.	FOR URBAN WHITE SPECIFICATION PARTS					1	
22		SS6121050SP		SCREW 3/16-28 L=9.5						1	

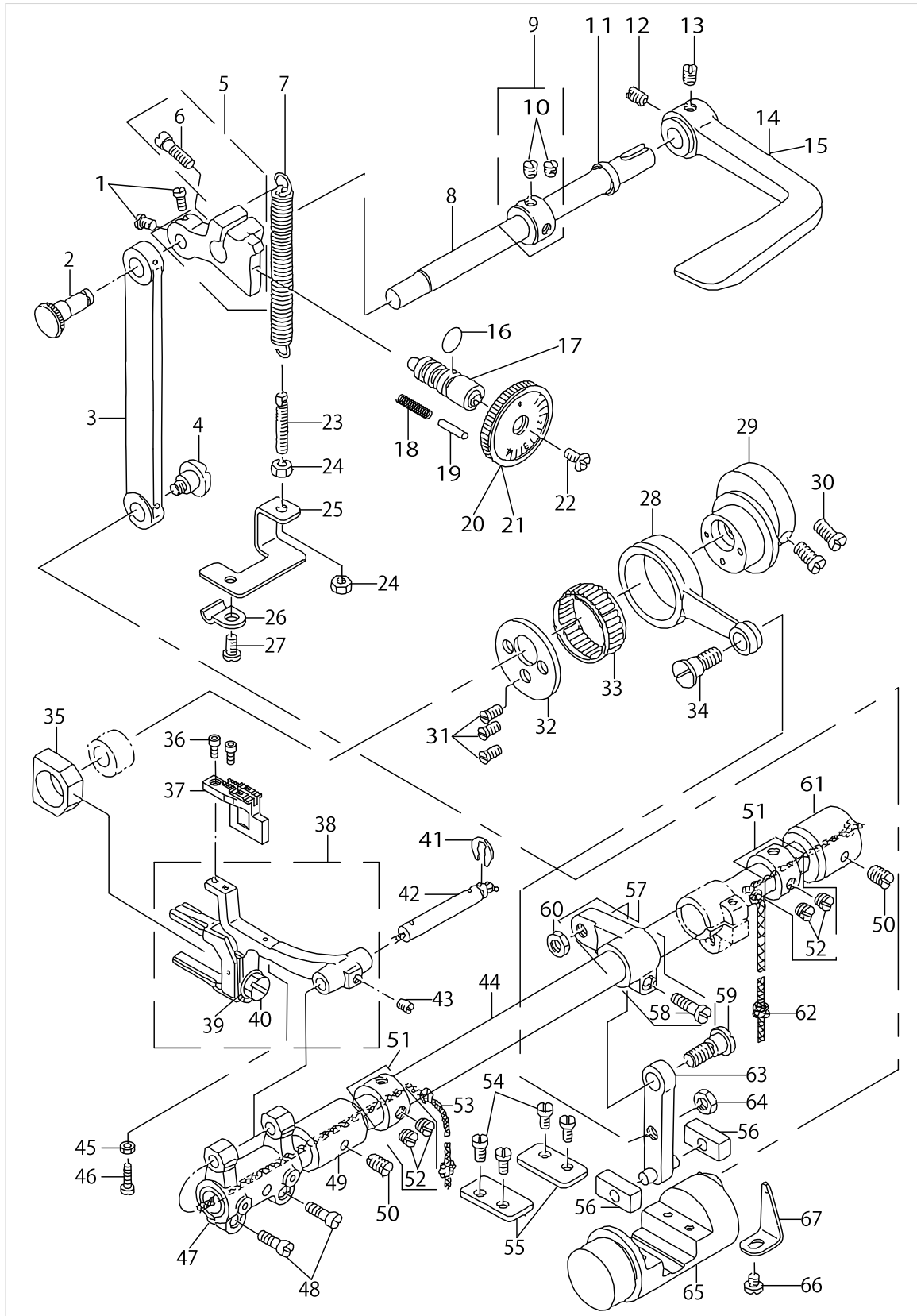
FEED MECHANISM COMPONENTS



FEED MECHANISM COMPONENTS

No.	Supply Code	Parts No.	Replacement	Parts name	Remarks	Choice	Step	Level	Cons	Qty	Rep. QTY
23	R	B1649161000	26226506	TENSION SPRING A-DJUSTING SCREW						1	1.00
24		NS6110420SP		NUT 11/64-40						2	
25		10107209		TENSION SPRING S-SUSPENSION BRACKET						1	
26		D3916481C00		TUBE HOLDER						1	
27	R	SS7110910SP	SS7110910TP	SCREW 11/64-40 L=8.5						1	1.00
28	D	10106300		FEED ROCKER SHAFT CONNECTING ROD	REPLACE THIS PARTS FOR S-TITCH SPECIFICATION "C"(SEE PAGE 21)					1	
29	D	B1610484000		FEED DRIVE ECCENTRIC CAM						1	
30		SS6661110SP		SCREW 1/4-40 L=11						2	
31		SS2110930SP		SCREW 11/64-40 L=8.7						3	
32	D	B1637432000		THRUST COLLAR						1	
33		B1636581B00		NEEDLE BEARING B	SELECTIVE PARTS					1	
34		SD0900701TP		HINGE SCREW D= 9 H= 7						1	
35		B1610512000		FEED DRIVING SLIDE BLOCK						1	
36		SS6580752TP		SCREW 1/8-40 L=7						2	
37	D	10167708		FEED DOG 3/16	EXCHANGING GAUGE PARTS (SEE PAGE 29~34)					1	
38		10107753		FEED BAR ASM.						1	
39		WP0621016SD		WASHER 6.2X13X1				*		1	
40		SS9151440CP		SCREW 15/64-28L=14				*		1	
41		RE0500711KP		SNAP RING 5						1	
42		B1604012000A		FEED BAR SHAFT						1	
43		SM8050502TP		SCREW M5 L=5						1	
44		10106003		FEED ROCK SHAFT						1	
45		NS6080210SP		NUT 1/8-44						1	
46		SS6081810SP		SCREW 1/8-44 L=18.0						1	
47	R	B1603512000	21364104	FEED ROCKER						1	1.00
48		SS7111310TP		SCREW 11/64-40 L=12.8						2	
49		10106102		BUSHING						1	
50		SS8681130SP		SCREW 9/32-28 L=11						2	
51		22904155		MAIN SHAFT THRUST COLLAR ASM.						2	
52		SS8660610TP		SCREW 1/4-40 L=6				*		4	
53		CQ252000000		OIL WICK						.4	
54	R	SS7110910SP	SS7110910TP	SCREW 11/64-40 L=8.5						4	1.00
55	D	10106805		PLATE						2	
56		B1652470000		FEED DRIVING ROCKER BLOCK						2	
57		10106557		FEED ROCKER SHAFT CRANK ASM.						1	
58		SS6121610TP		SCREW 3/16-28 L=15.5				*		1	
59		SD0900701TP		HINGE SCREW D= 9 H= 7						1	
60		NS6680410SP		NUT 9/32-28						1	
61	D	10106201		BUSHING						1	
62		CQ303000000		OIL WICK						.3	

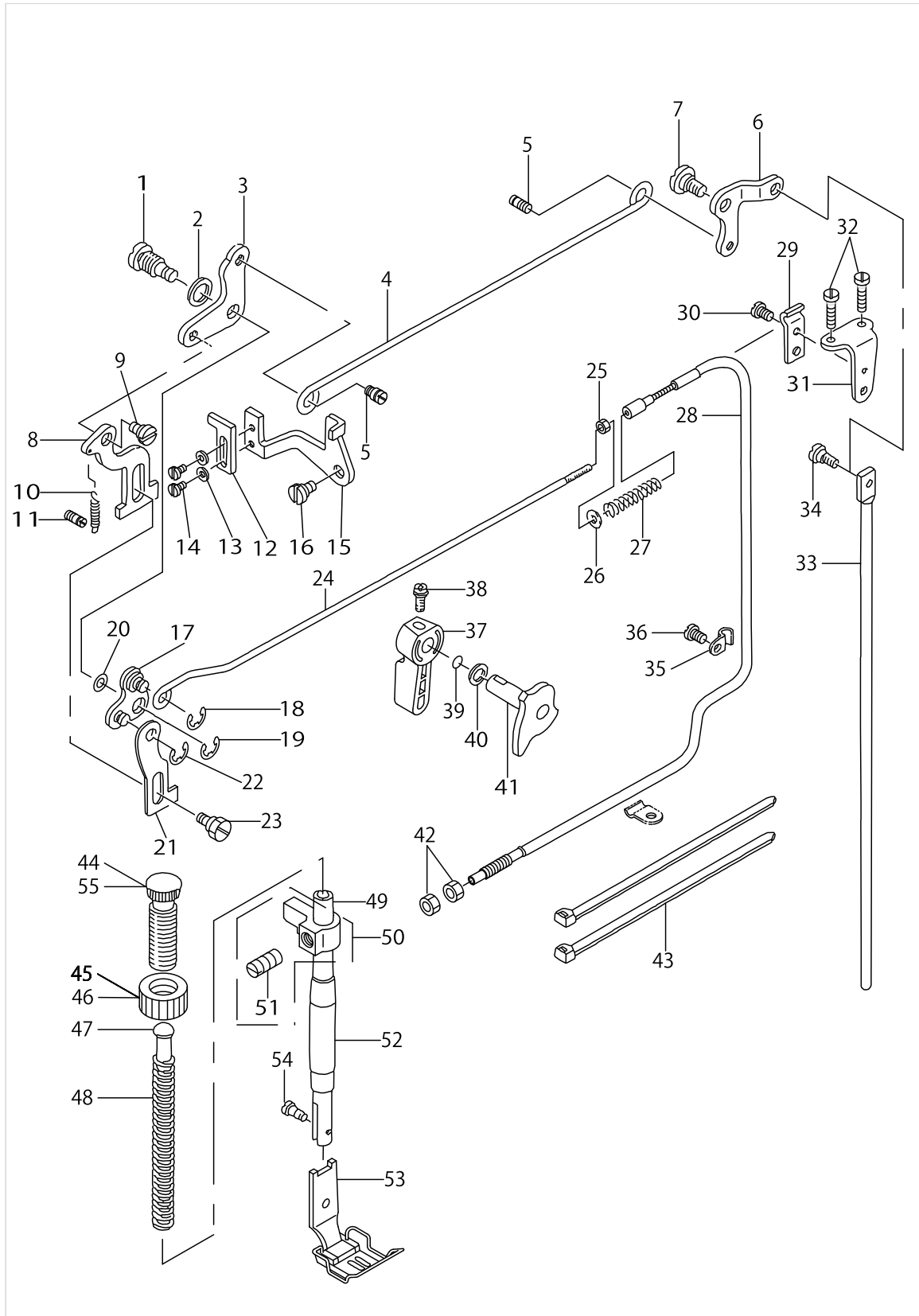
FEED MECHANISM COMPONENTS



FEED MECHANISM COMPONENTS

No.	Supply Code	Parts No.	Replacement	Parts name	Remarks	Choice	Step	Level	Cons	Qty	Rep. QTY
63		10106458		FEED ROCK CONN- CTING ROD ASM.						1	
64		NS6680410SP		NUT 9/32-28						1	
65		10106656		FEED DRIVING ROCKER ASM.						1	
66		SS7110510SP		SCREW 11/64-40 L=5						1	
67		B1633470000		STOPPER PLATE						1	

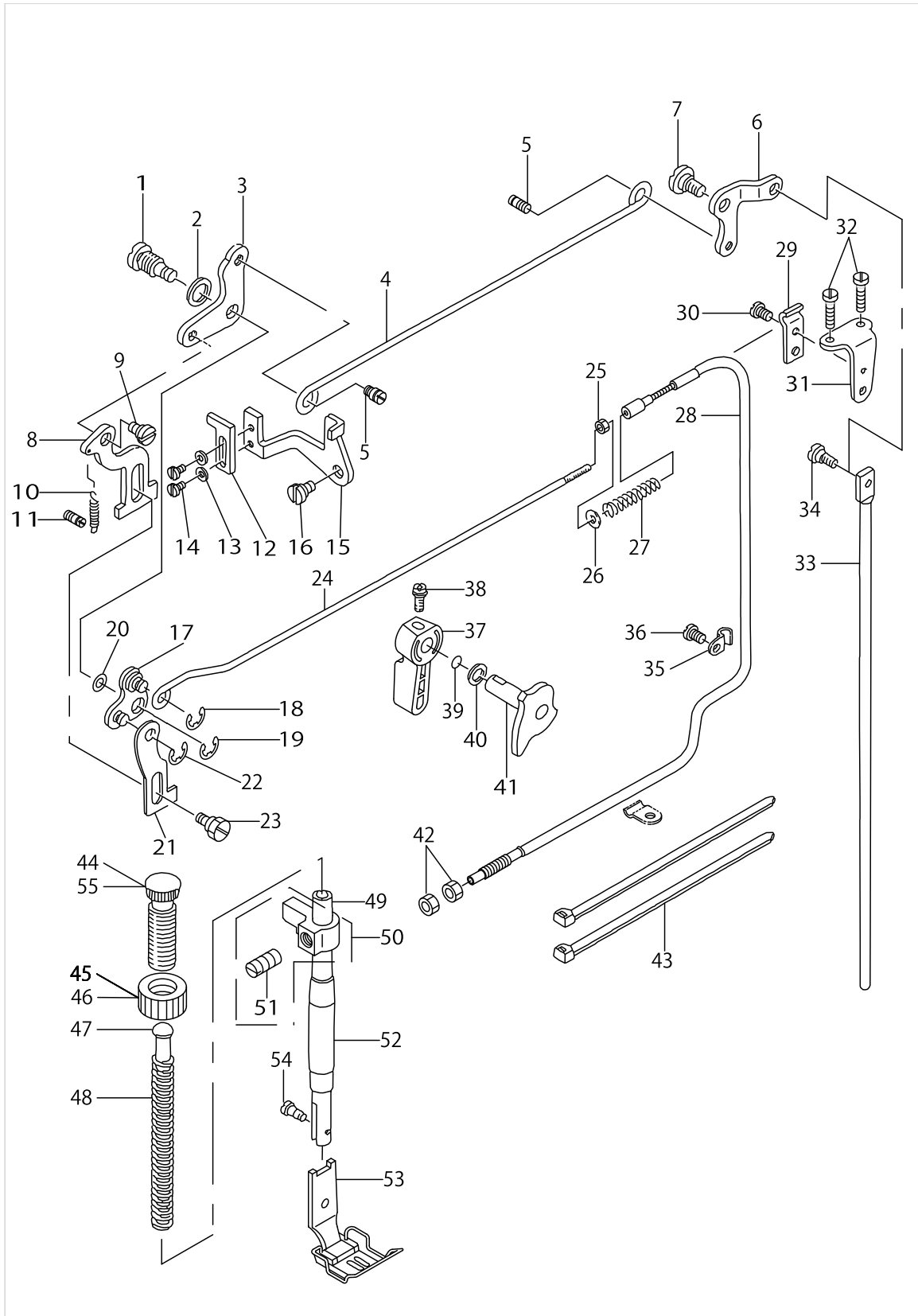
PRESSER BAR & TENSION RELEASE COMPONENTS



PRESSER BAR & TENSION RELEASE COMPONENTS

No.	Supply Code	Parts No.	Replacement	Parts name	Remarks	Choice	Step	Level	Cons	Qty	Rep. QTY
1	D	D1517415B00		LIFTING LEVER HINGE PIN						1	
2		B3431581000		LIFTING LEVER GASKET						1	
3		10105609		LIFTING LEVER LINK, LEFT						1	
4	D	10125003		LIFTING LEVER CONNECTING ROD						1	
5	R	11007101	22908909	HINGE SCREW						2	1.00
6	D	10125102		LIFTING LEVER LINK, RIGHT						1	
7		SD0720331SP		HINGE SCREW D= 7.24 H= 3.3						1	
8	D	B1515415000		LIFTING LEVER						1	
9		SD0630301SP		HINGE SCREW D=6.35 H=3						1	
10		B1522180000		SPRING						1	
11		B1531415000		SUSPENSION						1	
12		B3135415000		TENSION RELEASE LINK, B						1	
13		WP0330500MB		WASHER 3.3X6X0.5						2	
14		SS7080520SP		SCREW 1/8-44 L=4.9						2	
15		10123305		TENSION RELEASE LINK, A						1	
16		SD0640231SP		HINGE SCREW D= 6.35 H= 2.3						1	
17		D3157415BAH		TENSION RELEASE LEVER LINK ASM						1	
18		RE0500000K0		E-RING						1	
19		RE0600000K0		E-RING 6						1	
20		WP0740516SP		WASHER 7.4X11.8X0.5						1	
21		D3156415B00		TENSION RELEASE PLATE						1	
22		RE0500000K0		E-RING						1	
23		SD0640482SP		HINGE SCREW D= 6.35 H= 4.8						1	
24		10123206		TENSION RELEASE ROD						1	
25		NS6060310SP		NUT 3/32-56						1	
26		WP0371016SD		WASHER 3.7X8X1						1	
27	D	10123701		PRESSER SPRING						1	
28		10123057		TENSION RELEASE WIRE ASM.						1	
29		D3164555B00		OUTER PRESSER PLATE						1	
30		SS7110710SP		SCREW 11/64-40 L=7						1	
31		D3163555B00A		FLEXIBLE TUBE SUPPORT PLATE						1	
32	R	SS7111410SP	SS7111410TP	SCREW 11/64-40 L=14						2	1.00
33		10125201		CONNECTING ROD, VERTICAL						1	
34		SD0600322SD		HINGE SCREW D=6 H=3.2						1	
35		B3538112000		OIL RETURN TUBE HOLDER						1	
36		SS7110710SP		SCREW 11/64-40 L=7						1	
37	R	11071800	22907802	HAND LIFTER						1	1.00
38		B1521555000		SCREW						1	
39		RO037180100		RUBBER RING						1	
40		WP0740516SP		WASHER 7.4X11.8X0.5						1	
41		10105575		HAND LIFTER CAM ASM.						1	
42		NS6620310SP		NUT 3/16-32						2	
43		A407855000A		CLIP BAND						2	
44	R	B1509555000	40011951	PRESSER SPRING REGULATOR						1	1.00
45	R	B1511555000	40012052	NUT						1	1.00

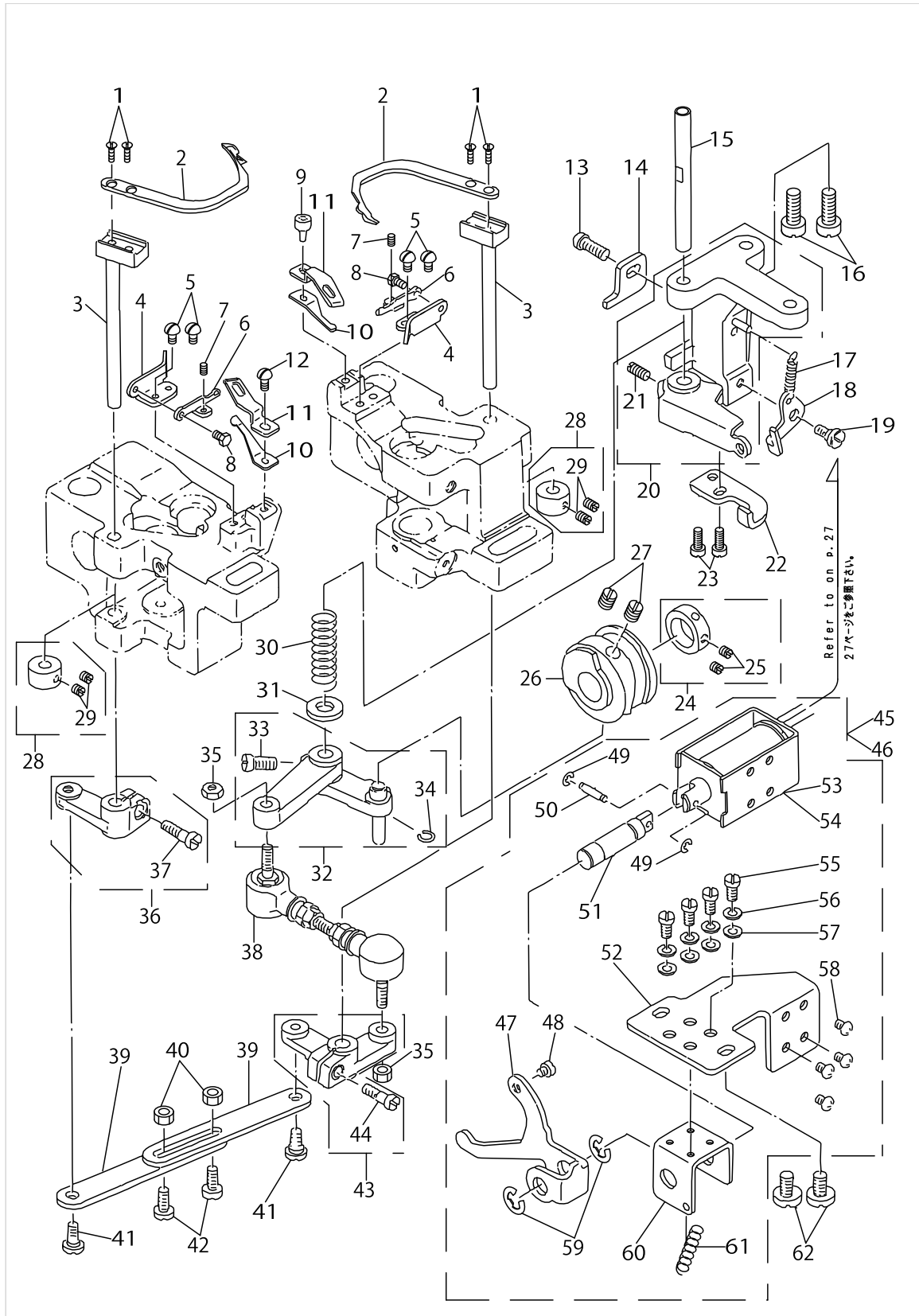
PRESSER BAR & TENSION RELEASE COMPONENTS



PRESSER BAR & TENSION RELEASE COMPONENTS

No.	Supply Code	Parts No.	Replacement	Parts name	Remarks	Choice	Step	Level	Cons	Qty	Rep. QTY	
46	R	11071701	22907554	NUT	FOR URBA- N WHITE S- PECIFICAT- ION PARTS					1	1.00	
47		22907703		PRESSER GUIDE BAR							1	
48		22907406		PRESSER SPRING							1	
49		B1501581000		PRESSER BAR							1	
50		10178754		PRESSER BAR BUSHING LOWER							1	
51		SS8660610TP		SCREW 1/4-40 L=6					*		1	
52		22907109		PRESSER BAR BUSHING, LOWER							1	
53		10152759		PRESSER FOOT ASM. 3/16		EXCHANGI- NG GAUGE PARTS (S- EE PAGE 29~34)					1	
54		SS7090910TP		SCREW 9/64-40 L=8.5							1	
55	R	11071602	22907554	PRESSER SPRING REGULATOR		FOR URBA- N WHITE S- PECIFICAT- ION PARTS					1	1.00

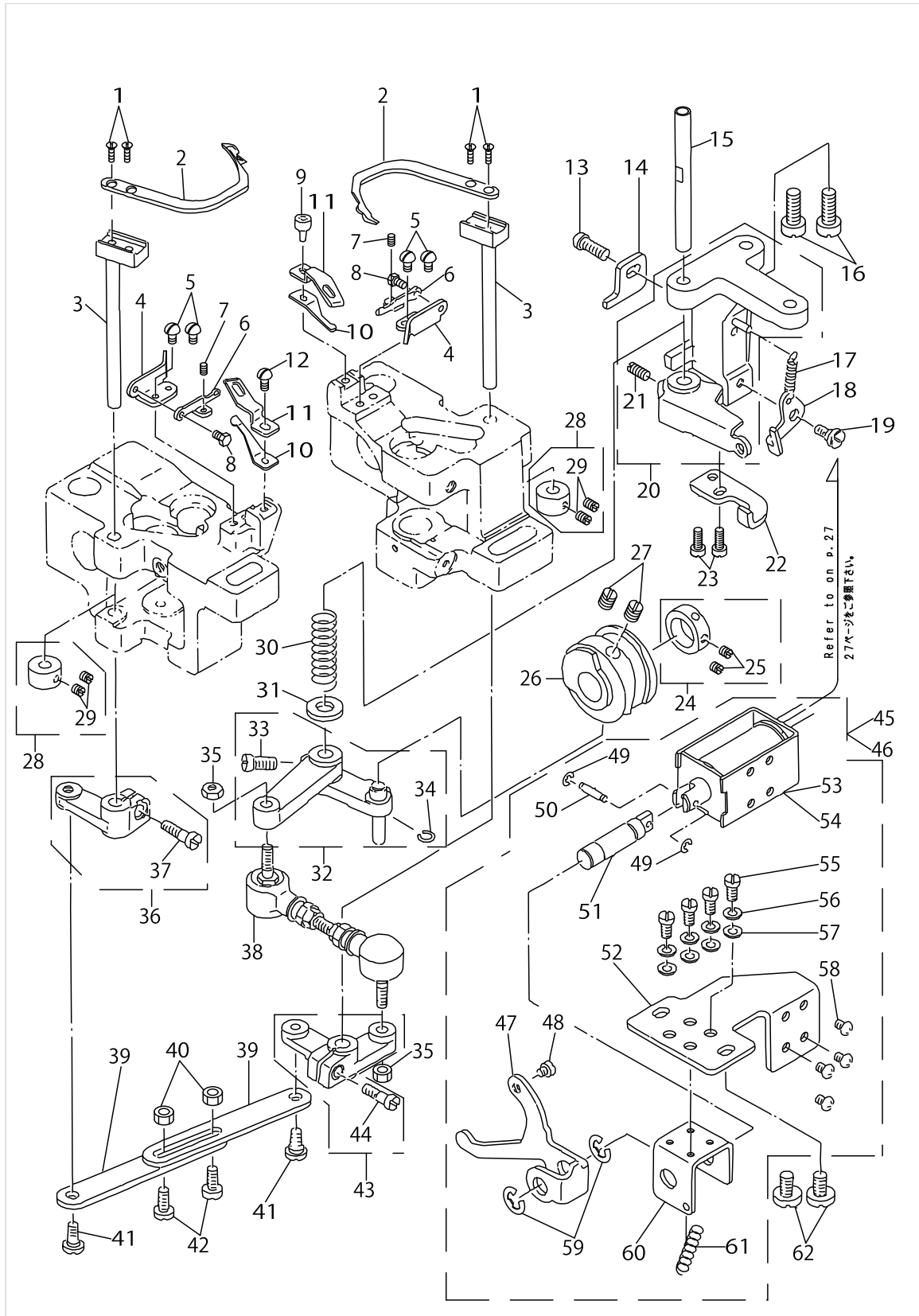
THREAD TRIMMER MECHANISM COMPONENTS



THREAD TRIMMER MECHANISM COMPONENTS

No.	Supply Code	Parts No.	Replacement	Parts name	Remarks	Choice	Step	Level	Cons	Qty	Rep. QTY
1		SS2080810SP		SCREW 1/8-44 L=7.5						4	
2		10211118		MOVING KNIFE						2	
3	D	10116051		MOVING KNIFE SHAFT ASM.						2	
4	D	10211001		MOVING KNIFE SUPPORT PLATE						2	
5		SS5090610SP		SCREW 9/64-40 L=6						4	
6	D	10211407		THREAD PRESSER ADJUSTING PLATE						2	
7		SS8080610SP		SCREW 1/8-44 L=5.5						2	
8		SS9080410SP		SCREW 1/8-44 L=4.3						2	
9		SS6091022TP		SCREW						1	
10		10211506		THREAD PRESSER B						2	
11		10211209		COUNTER KNIFE						2	
12		SS5090610SP		SCREW 9/64-40 L=6						1	
13		SS6121212TP		SCREW 3/16-28 L=12.0						1	
14		10118107		STOPPER, A						1	
15		10116804		SHAFT						1	
16		SS7151610SP		SCREW15/64-28L=16						2	
17		B3418180000		SPRING						1	
18	D	10117208		TENSION DISC RELEASE PLATE						1	
19		SD0600271SP		HINGE SCREW D= 6 H= 2.7						1	
20		10116655		LINK INSTALLING BASE ASM. A						1	
21		SS8111010TP		SCREW 11/64-40 L=9.5				*		1	
22		10118206		STOPPER, B						1	
23	R	SS6111010SP	SS6111010TP	SCREW 11/64-40 L= 9.5						2	1.00
24		CS1470710SH		THRUST COLLAR A-SM. D=14.72 W=7						1	
25		SS8110410TP		SCREW 11/64-40 L= 3.5				*		2	
26		10117307		THREAD TRIMMER CAM						1	
27		SS8660810TP		SCREW 1/4-40 L=8						2	
28		CS070081BSH		THRUST COLLAR ASM. D=7 W=8						2	
29	R	SS8110510SP	SS8110520TP	SCREW 11/64-40 L=5				*		4	1.00
30		10116903		SPRING						1	
31		WP0753016SZ		WASHER 7.5X16.0X3.0						1	
32	D	10116754		CAM INSTALLING LINK ASM.						1	
33		SS6151220SP		SCREW 15/64-28 L=11.5				*		1	
34		D2430555B00		SNAP RING				*		1	
35		NM6050001SP		NUT M5						2	
36		10116259		DRIVING ARM ASM., LEFT						1	
37		SS6121010SP		SCREW 3/16-28 L=10				*		1	
38		10116507		JOINT ROD						1	
39	R	10116408	10116457	CONNECTING LINK						2	1.00
40		NS6110420SP		NUT 11/64-40						2	
41	R	SD0650305SP	SD0650305TP	HINGE SCREW D= 6.5 H= 3						2	1.00
42		SS6111140SP		SCREW11/64-40L=11						2	
43		10116358		DRIVING ARM ASM., RIGHT						1	
44		SS6121610TP		SCREW 3/16-28 L=15.5				*		1	
45	D	10117851		SOLENOID ASM.	FOR LH-1152-4,-7					1	

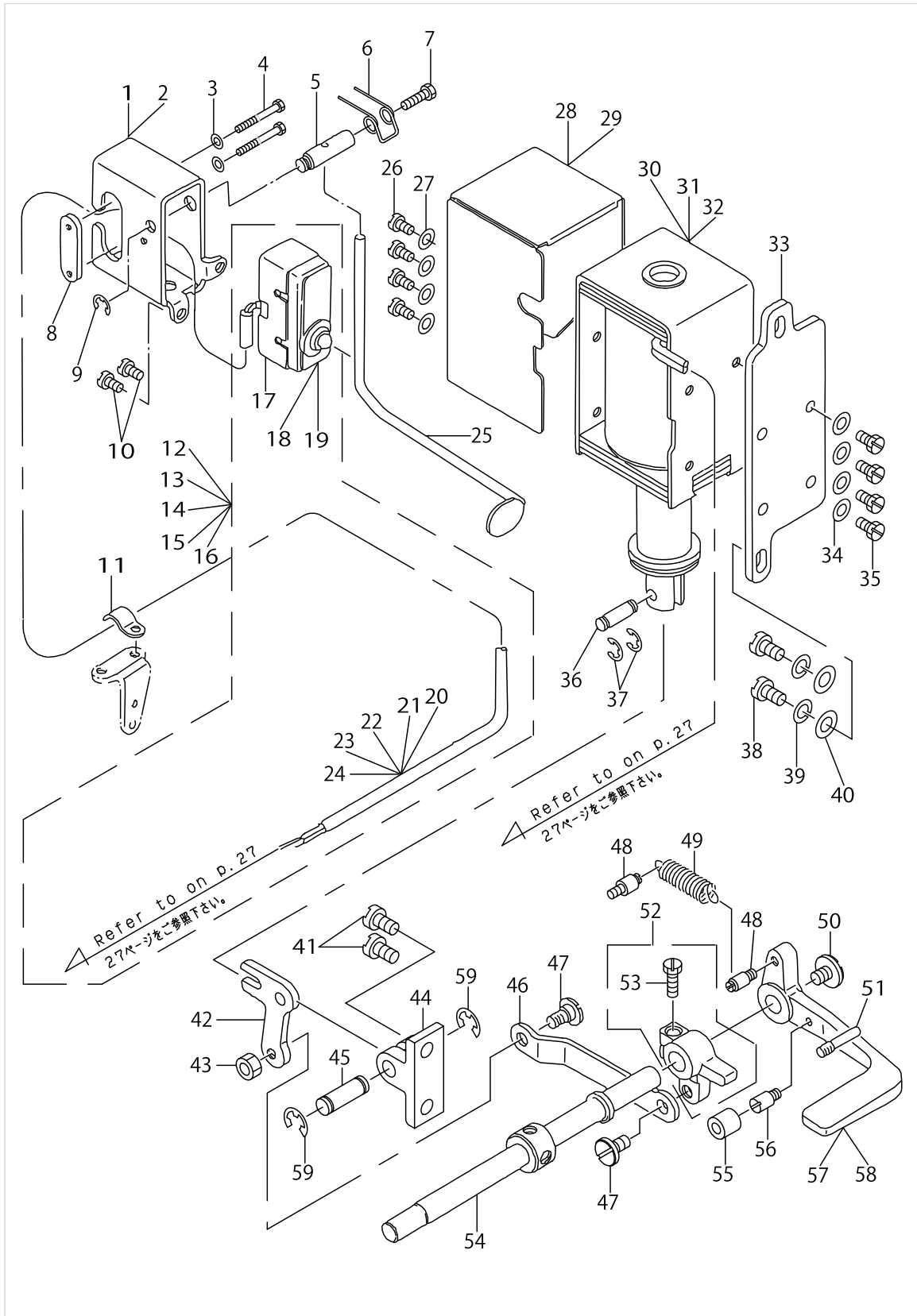
THREAD TRIMMER MECHANISM COMPONENTS



THREAD TRIMMER MECHANISM COMPONENTS

No.	Supply Code	Parts No.	Replacement	Parts name	Remarks	Choice	Step	Level	Cons	Qty	Rep. QTY
46	D	10144350		SOLENOID ASM.	FOR LH-1152-5,-6					1	
47		10117802		PRESS PLATE				*		1	
48		10118305		PRESS PLATE DRIVING SCREW				*		1	
49		RE0250000K0		E-RING 2.5				*		2	
50		D2107555B00		WIPER LINK SHAFT, A				*		1	
51		10117901		SHAFT				*		1	
52	D	10117703		SOLENOID INSTALLING BASE				*		1	
53		10117604		SOLENOID	FOR LH-1152-4,-7			*		1	
54		10144301		SOLENOID	FOR LH-1152-5,-6			*		1	
55	R	SS7110910SP	SS7110910TP	SCREW 11/64-40 L=8.5				*		4	1.00
56		WS0451040KP		SPRING WASHER 4.5X8.5X1				*		4	
57		WP0480856SP		WASHER 4.8X8.4X0.8				*		4	
58		SM4040601SB		SCREW M4 L=6				*		4	
59		RE0700000K0		E-RING 7				*		2	
60	R	10118008	10117851	FRAME				*		1	1.00
61	R	B2037372000	26020800	NIPPER BAR BLOCK SPRING				*		1	1.00
62		SS6151040SP		SCREW 15/64-28L=10						2	

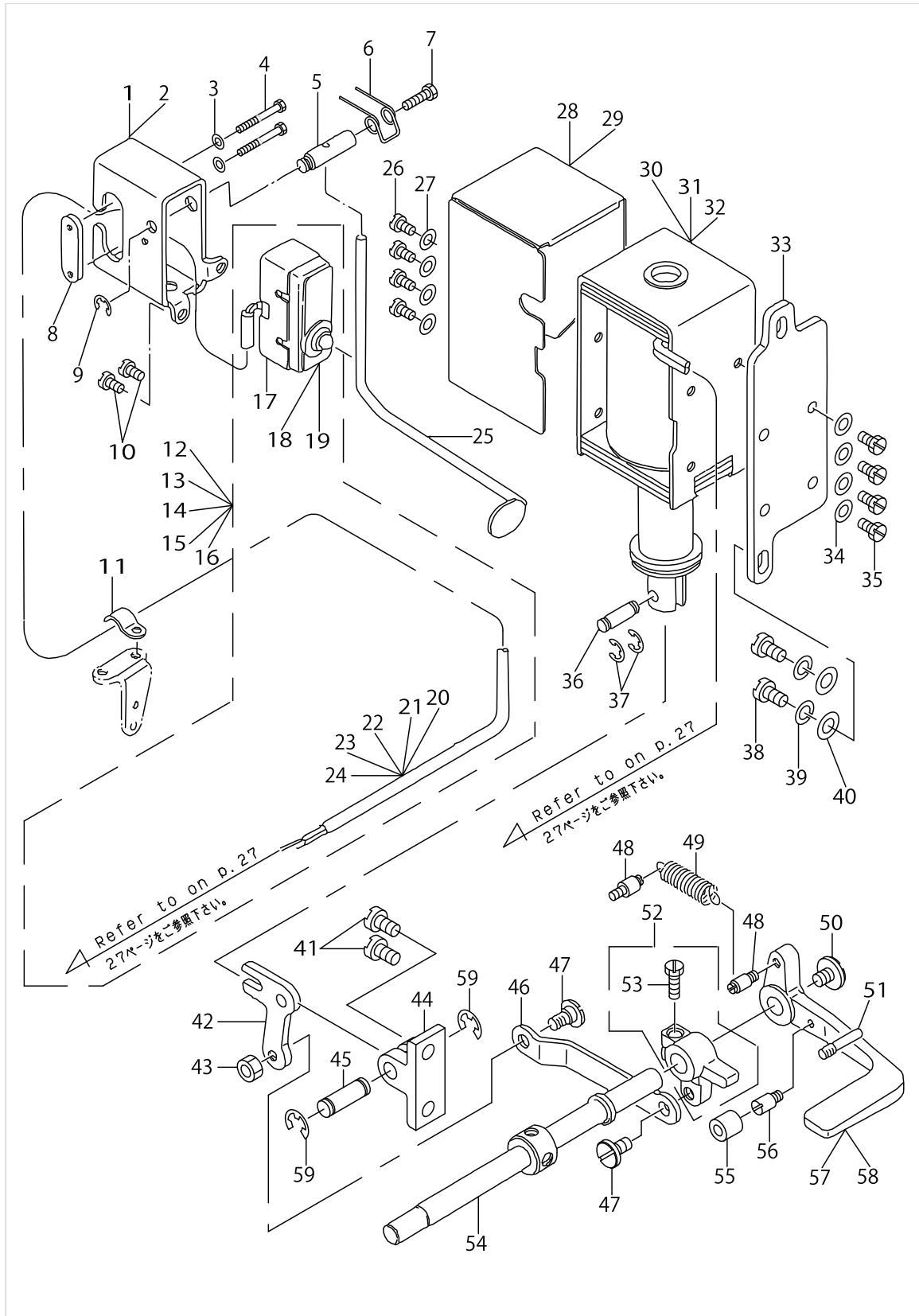
AUTOMATIC REVERSE FEED MECHANISM COMPONENTS



AUTOMATIC REVERSE FEED MECHANISM COMPONENTS

No.	Supply Code	Parts No.	Replacement	Parts name	Remarks	Choice	Step	Level	Cons	Qty	Rep. QTY
1		D1627555B00A		REVERSE FEED SWITCH MOUNTING B						1	
2	D	D1627555B0A		REVERSE FEED SWITCH MOUNTING,B	FOR URBAN WHITE SPECIFICATION PARTS					1	
3		WP0320501SC		WASHER M3						2	
4		SM4033001SC		SCREW M3 L=30						2	
5		D1628555B00		SHAFT						1	
6		D1635555B00		SWITCH LEVER SPRING						1	
7	R	SS7111410SP	SS7111410TP	SCREW 11/64-40L=14						1	1.00
8	D	D9299555B00		MICROSWITCH SET PLATE						1	
9		RE0500000K0		E-RING						1	
10		SS7110710SP		SCREW 11/64-40 L=7						2	
11		D2611555B00A		CABLE HOLDER						1	
12	D	D6036555CAA		2-CORE CABTYRE CORD ASM.	FOR LH-1-152-4-1B(JA)					1	
13	D	D6036555BA0		2-CORE CABTYRE CORD ASM.	FOR LH-1-152-4-1B(JE)					1	
14		D6036555CA0		2-CORE CABTYRE CORD ASM.	FOR LH-152-4-2B					1	
15	D	B60365050A0		2-CORE CORD ASM.	FOR LH-1-152-6-0B,5-2B					1	
16		10179851		2-CORE CORD ASM.	FOR LH-152-7-0B					1	
17		D9205555B00		MICROSWITCH COVER				*		1	
18		D9204555B00		MICROSWITCH 15A	FOR LH-152-4-3B			*		1	
19		D9204555C00		MICROSWITCH 0.1A	FOR LH-1-152-4-4B,-6-WB,5-4B, 7-WB			*		1	
20		HW500070000		2-CORE CABTYRE CORD	FOR LH-1-152-4-1B(JA)			*		1.9	
21		HW5F18S1228		TWO-CORE CORD	FOR LH-1-152-4-1B(JE)			*		1.5	
22		HW500070000		2-CORE CABTYRE CORD	FOR LH-152-4-2B			*		1.5	
23		HW500070000		2-CORE CABTYRE CORD	FOR LH-1-152-6-0B,5-2B			*		1.5	
24		HW5F18S1228		TWO-CORE CORD	FOR LH-152-7-0B			*		1.5	
25	D	10119857		REVERSE FEED SWITCH LEVER ASM.						1	
26		SS7110710SP		SCREW 11/64-40 L=7						4	
27		WP0501016SD		WASHER 5X10.5X1						4	
28		10119303		SOLENOID COVER						1	
29		10161305		SOLENOID COVER	FOR URBAN WHITE SPECIFICATION PARTS					1	
30		10119006		REVERSE FEED SOLENOID, AC31V	FOR LH-1-152-4-2B,4-4B					1	
31		10119105		REVERSE FEED SOLENOID, AC24V	FOR LH-1-152-4-1B,-4-3B,7-0B, 7-WB					1	
32		10144400		REVERSE FEED SOLENOID	FOR LH-1-152-6-0B,6-WB,5					1	
33		10119204		SOLENOID INSTALLING PLATE						1	
34		WP0501016SD		WASHER 5X10.5X1						4	
35		SS9111010SP		SCREW 11/64-40 L=9.5						4	
36		D2464555B00		LINK DRIVING MAGNET PIN						1	
37		RE0400000K0		E-RING 4						2	
38		SS7151210SP		SCREW 15/64-28L=12						2	

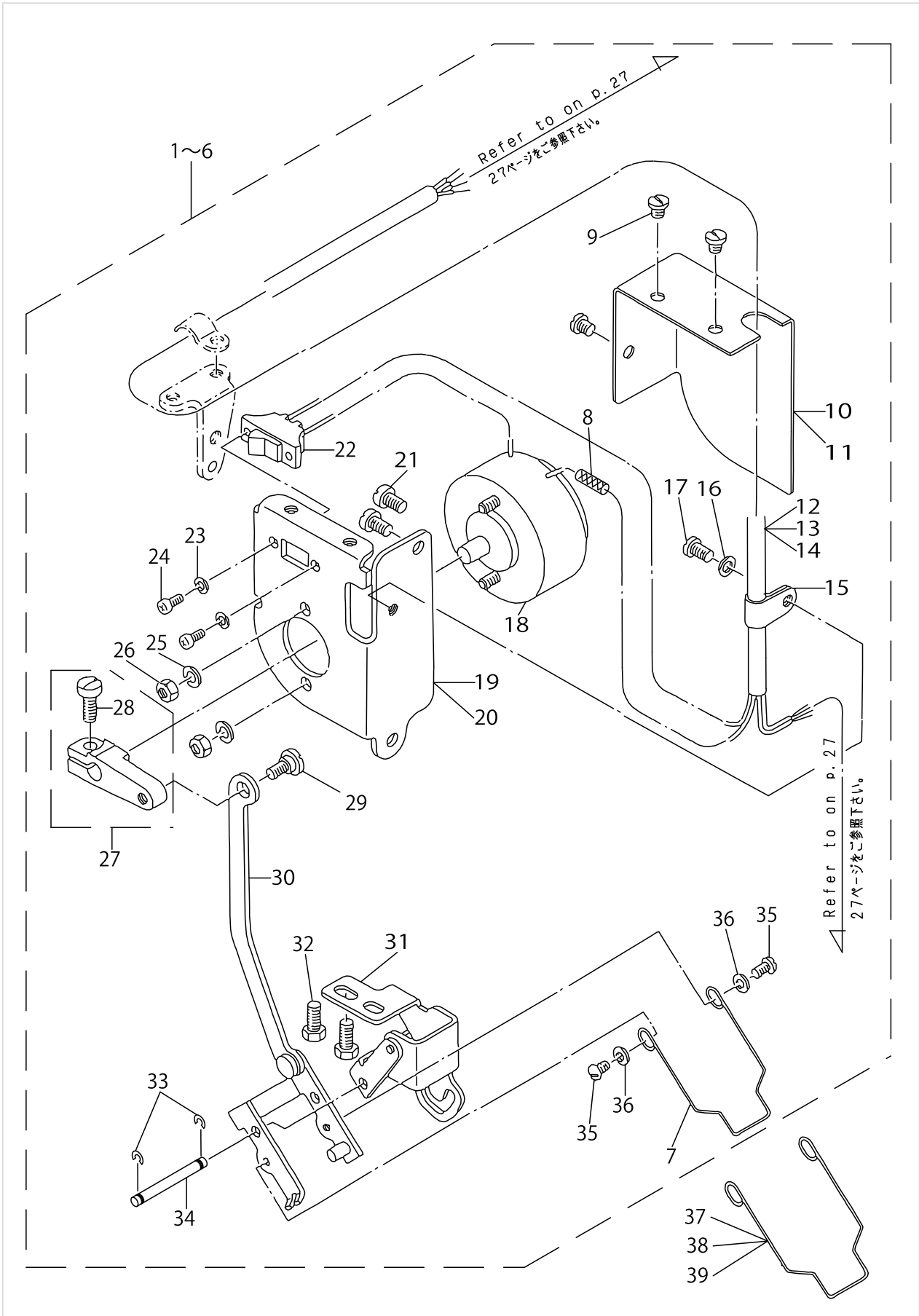
AUTOMATIC REVERSE FEED MECHANISM COMPONENTS



AUTOMATIC REVERSE FEED MECHANISM COMPONENTS

No.	Supply Code	Parts No.	Replacement	Parts name	Remarks	Choice	Step	Level	Cons	Qty	Rep. QTY
39		WS0631510KP		SPRING WASHER						2	
40		WP0621016SD		WASHER 6.2X13X1						2	
41		SS7151210SP		SCREW 15/64-28L=12						2	
42		10119402		LINK						1	
43		NS6150430SP		NUT 15/64-28						1	
44		D1684141E00A		LINK INSTALLING BASE						1	
45		D1687141E00		PIN						1	
46	D	10119600		REVERSE FEED ROD						1	
47		SD0720331SP		HINGE SCREW D= 7.24 H= 3.3						2	
48		10120004		SPRINGSUSPENSION						2	
49		D2515232D00		TORSION SPRING						1	
50		SS7620750SP		SCREW 3/16-32L=6.5						1	
51		B2733761000		PIN						1	
52		10119758		REVERSE FEED CO- NNECTING ARM AS						1	
53	R	SS7121410SP	SS7121410TP	SCREW 3/16-28 L=14				*		1	1.00
54		10107407		REVERSE FEED SHAFT						1	
55		10119907		CUSHION						1	
56		B1114280000		PIN						1	
57	D	10107605		REVERSE FEED CONTROL LEVER						1	
58		10161206		REVERSE FEED CONTROL LEVER	FOR URBA- N WHITE S- PECIFICAT- ION PARTS					1	
59		RE0600000K0		E-RING 6						2	

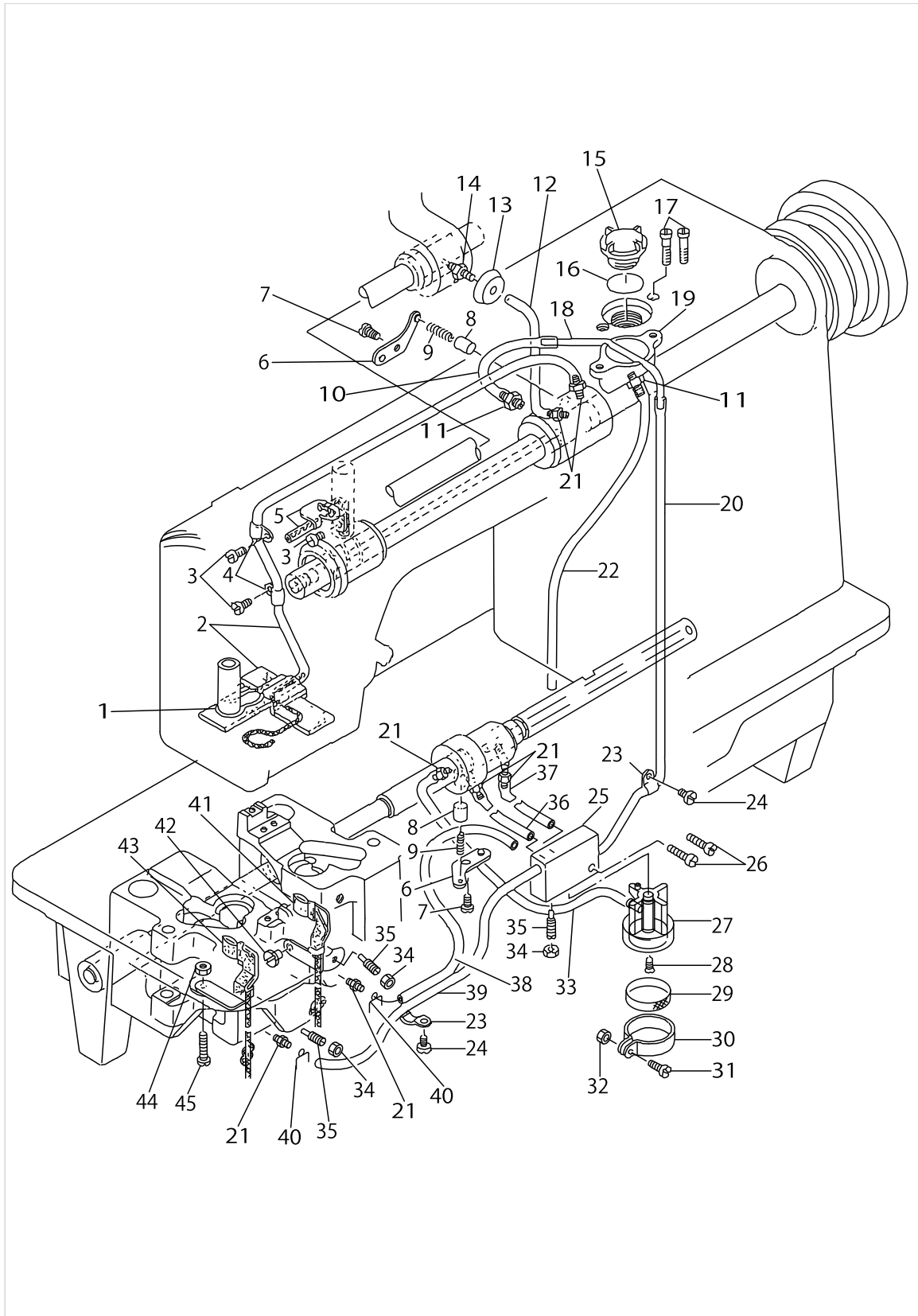
WIPER MECHANISM COMPONENTS



WIPER MECHANISM COMPONENTS

No.	Supply Code	Parts No.	Replacement	Parts name	Remarks	Choice	Step	Level	Cons	Qty	Rep. QTY
1		10209682		WIPER APPARATUS ASM.	FOR LH-1152-4-3					1	
2		10209674		WIPER APPARATUS ASM.	FOR LH-1152-4-3B					1	
3		10209781		WIPER APPARATUS ASM.	FOR LH-1152-4-4					1	
4		10209773		WIPER APPARATUS ASM.	FOR LH-1-152-4-4B,-5-4B,6-WB					1	
5	D	10179968		WIPER APPARATUS ASM.	FOR LH-1152-7-WB					1	
6		10181469		WIPER APPARATUS ASM.	FOR LH-1152-7-W0					1	
7		10209203		WIPER 3/32"-3/8	FOR 3/32"-3/8			*		1	
8	D	E9862201000		TUBE				*		1	
9		SS7110340SP		SCREW 11/64-40 L=3.2				*		3	
10		10209401		SOLENOID INSTALLING BASE COVER				*		1	
11	D	10615102		WIPER MAGNET COVER	FOR URBAN WHITE SPECIFICATION PARTS			*		1	
12		HW5F18S1248		4-CORE CABTYRE CORD				*		1.5	
13		HW5F18S1248		4-CORE CABTYRE CORD				*		0.9	
14		HW5F18S1248		4-CORE CABTYRE CORD	FOR LH-1152-7-WB			*		1.6	
15		D2120555C00		CORD PRESSER (120V)				*		1	
16		WP0480856SP		WASHER 4.8X8.4X0.8				*		1	
17		SS7110510SP		SCREW 11/64-40 L=5				*		1	
18	R	10209609	10209773	WIPER SOLENOID				*		1	1.00
19		10209302		SOLENOID INSTALLING BASE				*		1	
20	D	10615003		SOLENOID INSTALLING BASE	FOR URBAN WHITE SPECIFICATION PARTS			*		1	
21		SS7110710SP		SCREW 11/64-40 L=7				*		2	
22	D	D2119555C00		SWITCH				*		1	
23		WP0330500MB		WASHER 3.3X6X0.5				*		2	
24		SM4030601SB		SCREW M3 L=6				*		2	
25		WS0441040KP		SPRING WASHER 4.4X7.4X1				*		2	
26		NM6040003SC		NUT M4				*		2	
27	D	10209054		WIPER DRIVING ARM ASM.				*		1	
28	R	SS7111120SP	SS7111120TP	SCREW 11/64-40 L=10.5				*		1	1.00
29		SD0600271SP		HINGE SCREW D=6 H=2.7				*		1	
30		10208866		WIPER LINK ASM. 2				*		1	
31		10208551		WIPER BASE ASM.				*		1	
32		SS9111010SP		SCREW 11/64-40 L=9.5				*		2	
33		RE0320000K0		E-RING 3.2				*		2	
34		10208700		WIPER LINK SHAFT				*		1	
35		SS3090520SP		SCREW 9/64-40 L=4.5				*		2	
36		WP0371016SD		WASHER 3.7X8X1				*		2	
37		10209500		WIPER	FOR 7/16"-5/8					1	
38		10209807		WIPER	FOR 3/4"-7/8					1	
39		10209906		WIPER	FOR 1"-1-1/4					1	

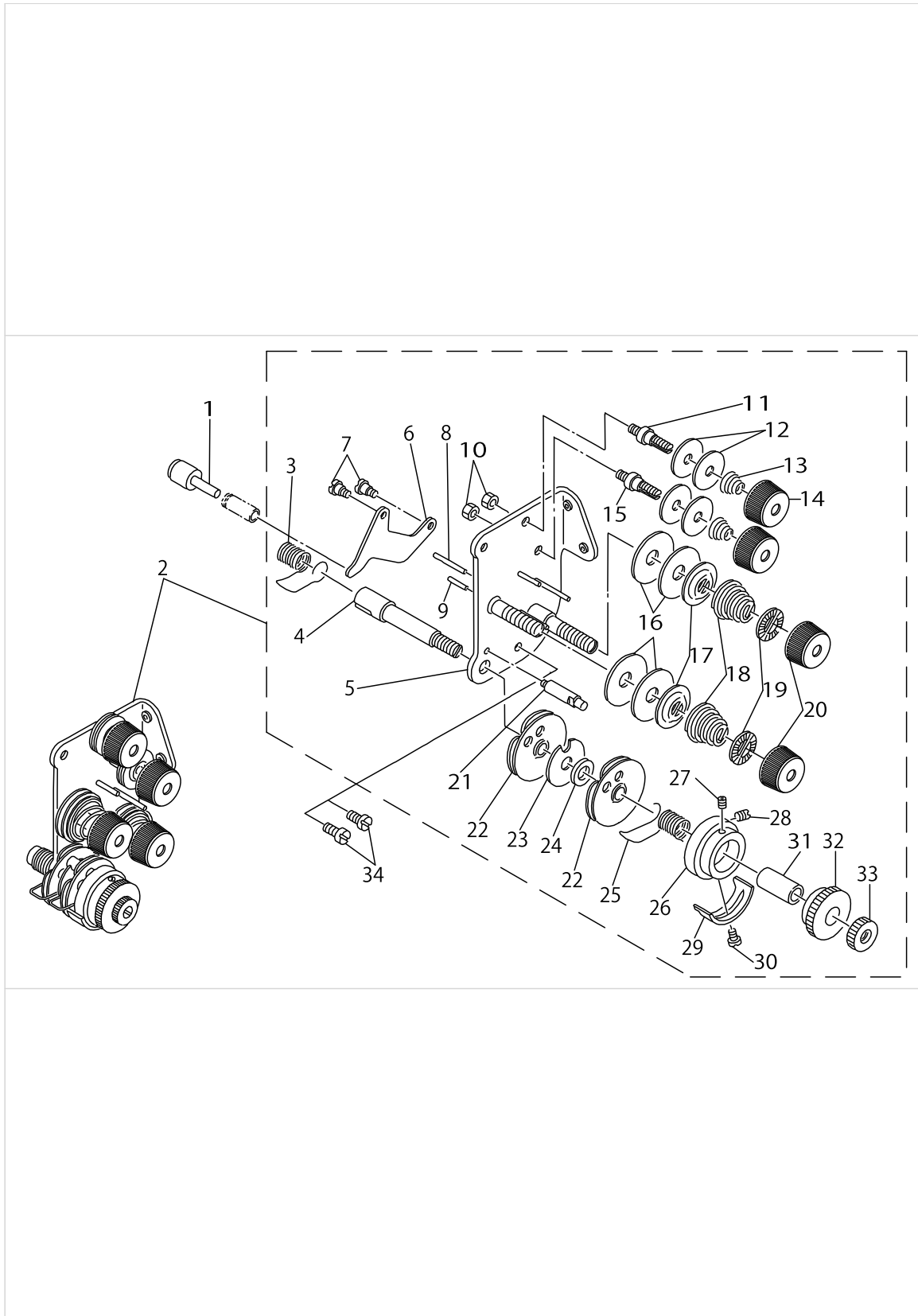
LUBRICATION COMPONENTS



LUBRICATION COMPONENTS

No.	Supply Code	Parts No.	Replacement	Parts name	Remarks	Choice	Step	Level	Cons	Qty	Rep. QTY
1		22925101		OIL FELT PRESSER						1	
2		10125755		OIL RETURN FELT ASM.						1	
3		SS7110710SP		SCREW 11/64-40 L=7						3	
4		B3538112000		OIL RETURN TUBE HOLDER						2	
5		10125557		OIL WICK HOLDER ASM.						1	
6		B3524552000		PLUNGER THRUST PLATE						2	
7		SS7110710SP		SCREW 11/64-40 L=7						2	
8		B3534155000		PLUNGER						2	
9		B1214038000		PLUNGER SPRING						2	
10		BP300000000		VINYL PIPE						.1	
11		SQ1150451MZ		CONNECTING SCREW						4	
12		BP300000000		VINYL PIPE						.1	
13	D	10127009		CONNECTING SCREW CAP						1	
14		10126902		OIL PIPE CONNECTING SCREW						1	
15	R	B3530555000	22924708	OIL SIGHT WINDOW						1	1.00
16		RO195240100		RUBBER RING						1	
17	R	SS7111810SP	SS7111810TP	SCREW 11/64-40 L=18						2	1.00
18		10126001		OIL TUBE						1	
19	R	10125904	26304600	OIL TANK						1	1.00
20		BP300000000		VINYL PIPE						.4	
21		SQ1110401MZ		CONNECTING SCREW						7	
22		BP300000000		VINYL PIPE						.3	
23		B3538112000		OIL RETURN TUBE HOLDER						2	
24		SS7110710SP		SCREW 11/64-40 L=7						2	
25		10623403		BASE						1	
26		SS6111610SP		SCREW 11/64-40 L=16						2	
27	D	22619001		SUCTION						1	
28		SS2110930SP		SCREW 11/64-40 L=8.7						1	
29		B1851512000		FILTER SCREEN						1	
30	R	B1850512000	40009379	BUSHING HOLDER						1	1.00
31	R	SS7090910SP	SS7090910TP	SCREW 9/64-40 L=8.5						1	1.00
32		NS6090310SP		NUT 9/64-40						1	
33		BP300000000		VINYL PIPE						.2	
34		NS6110420SP		NUT 11/64-40						3	
35		B1834512000A		OIL ADJUSTING SCREW						3	
36		BP300000000		VINYL PIPE						.1	
37		BP300000000		VINYL PIPE						.1	
38		BP300000000		VINYL PIPE						.3	
39		BP300000000		VINYL PIPE						.3	
40		10126803		OIL TUBE HOLDER						2	
41	D	10126654		OIL WICK HOLDER ASM. RIGHT						1	
42		SS7110340SP		SCREW 11/64-40 L= 3.2						1	
43	D	10126555		OIL WICK HOLDER ASM. LEFT						1	
44		NS6110310SP		NUT 11/64-40						1	
45	R	SS7111410SP	SS7111410TP	SCREW 11/64-40 L=14						1	1.00

THREAD TENSION CONTROLLER COMPONENTS

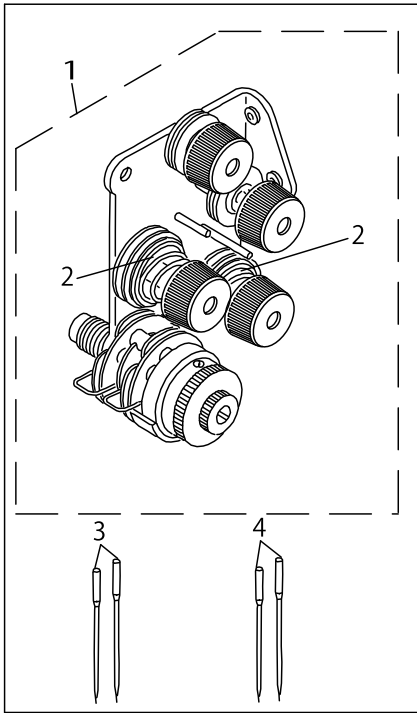


THREAD TENSION CONTROLLER COMPONENTS

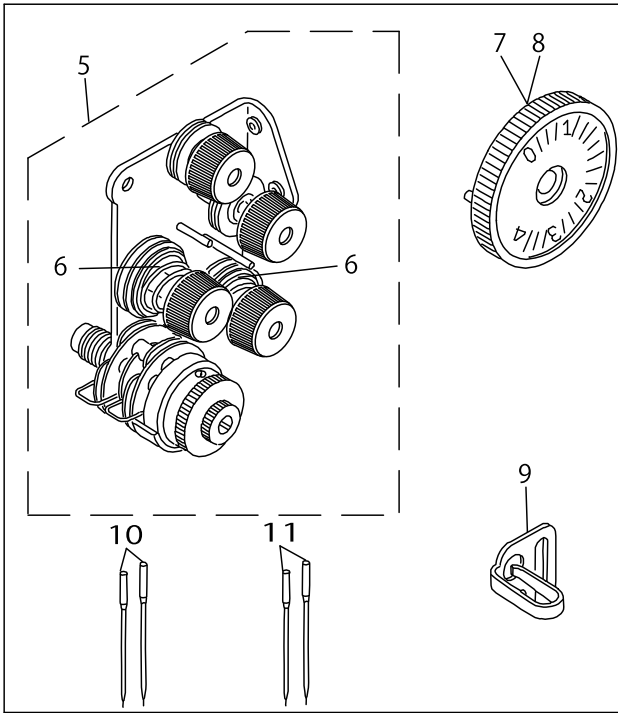
No.	Supply Code	Parts No.	Replacement	Parts name	Remarks	Choice	Step	Level	Cons	Qty	Rep. QTY
1		10123453		KNEE PRESS LIFTER ROD ASM.						1	
2		10124667		TENSION POST BASE ASM.	REPLACE THIS PARTS FOR S-TITCH SPECIFICATION "A" AND "G", "C" (SEE PAGE 20,21)					1	
3		B3128051000		THREAD TAKE-UP SPRING, A				*		1	
4		10124501		THREAD TAKE-UP SPRING STUD				*		1	
5		10124055		TENSION POST ASM.				*		1	
6		B3134521000		TENSION RELEASE LEVER				*		1	
7		SD0470281SP		HINGE SCREW D=4.7 H=2.8				*		2	
8		B3127527000		PIN B				*		1	
9		B3127051000		TENSION RELEASE PIN, SHORT				*		1	
10		NS6110310SP		NUT 11/64-40				*		2	
11		10124204		THREAD TENSION POST, A				*		1	
12	R	B3214047000	22945802	BOBBIN WINDER TENSION DISC				*		4	1.00
13		D3168555H0B		TENSION SPRING NO.1				*		2	
14		11072402		THREAD TENSION NUT				*		2	
15		10124303		THREAD TENSION POST, B				*		1	
16		B3126051000		TENSION DISC				*		4	
17		B3132051000		TENSION DISC HOLDER				*		2	
18		B3129012A00		TENSION SPRING	REPLACE THIS PARTS FOR S-TITCH SPECIFICATION "A" AND "G", "C" (SEE PAGE 20,21)			*		2	
19		B3120125000		ROTATING STOPPER				*		2	
20		11072204		TENSION NUT				*		2	
21		B3143527000		TAKE-UP SPRING GUIDE STUD				*		1	
22		B31375270A0		TAKE-UP SPRING GUIDE ASM.				*		2	
23		B3142527000		TAKE-UP SPRING GUIDE PLATE				*		1	
24		B3139527000		COLLAR				*		1	
25		B3128527000		THREAD TAKE-UP SPRING B				*		1	
26	R	B3140527000	22617609	THREAD TENSION POST				*		1	1.00
27		SS8080410TP		SCREW 1/8-44 L=3.5				*		1	
28		SS8080610SP		SCREW 1/8-44 L=5.5				*		1	
29		B3138527000		ADJUSTING PLATE B				*		1	
30	R	SS7090520SP	SS7090520TP	SCREW 9/64-40 L=4.5				*		1	1.00
31		B3141527000		PRESSER COLLAR				*		1	
32		B3125527000		TAKE-UP SPRING GUIDE				*		1	
33	R	B3125012000	22928808	THREAD TENSION NUT				*		1	1.00
34		SS7110710SP		SCREW 11/64-40 L=7				*		2	

EXCLUSIVE PARTS BY STITCH SPECIFICATION (1)

EXCLUSIVE PARTS FOR STITCH SPECIFICATION "A"
縫仕様"A"専用部品



EXCLUSIVE PARTS FOR STITCH SPECIFICATION "G"
縫仕様"G"専用部品

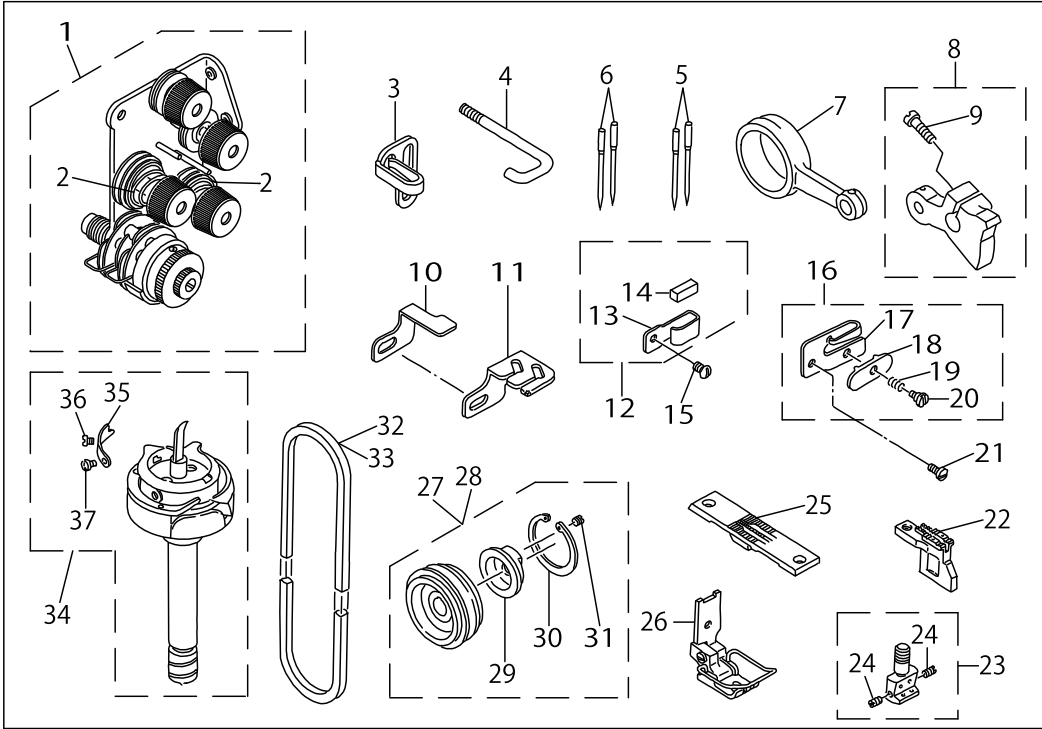


EXCLUSIVE PARTS BY STITCH SPECIFICATION (1)

No.	Supply Code	Parts No.	Replacement	Parts name	Remarks	Choice	Step	Level	Cons	Qty	Rep. QTY
1		10124659		TENSION POST BASE ASM.						1	
2		D3129555D00		THREAD TENSION SPRING				*		2	
3	D	MSG19060900		NEEDLE SGX1906 #9						2	
4		MC200500650		NEEDLE 134 NM65	FOR JE					2	
5		10124675		TENSION POST BASE ASM.						1	
6		B3129526000		TENSIONS PRING(1.2)				*		2	
7		10107357		STITCH DIAL ASM.						1	
8		10161156		STITCH DIAL ASM.	FOR URBAN WHITE SPECIFICATION PARTS. ALL OTHER PARTS EXCEPT THE ABOVE ARE COMMON TO STITCH SPECIFICATION "S". (EXCEPT EXCHANGING GAUGE PARTS)					1	
9	D	10188001		THREAD GUIDE, B						1	
10		MDP500B2100		NEEDLE DPX5 #21						2	
11		MC200501300		NEEDLE 134 NM130	FOR JE					2	

EXCLUSIVE PARTS BY STITCH SPECIFICATION (2)

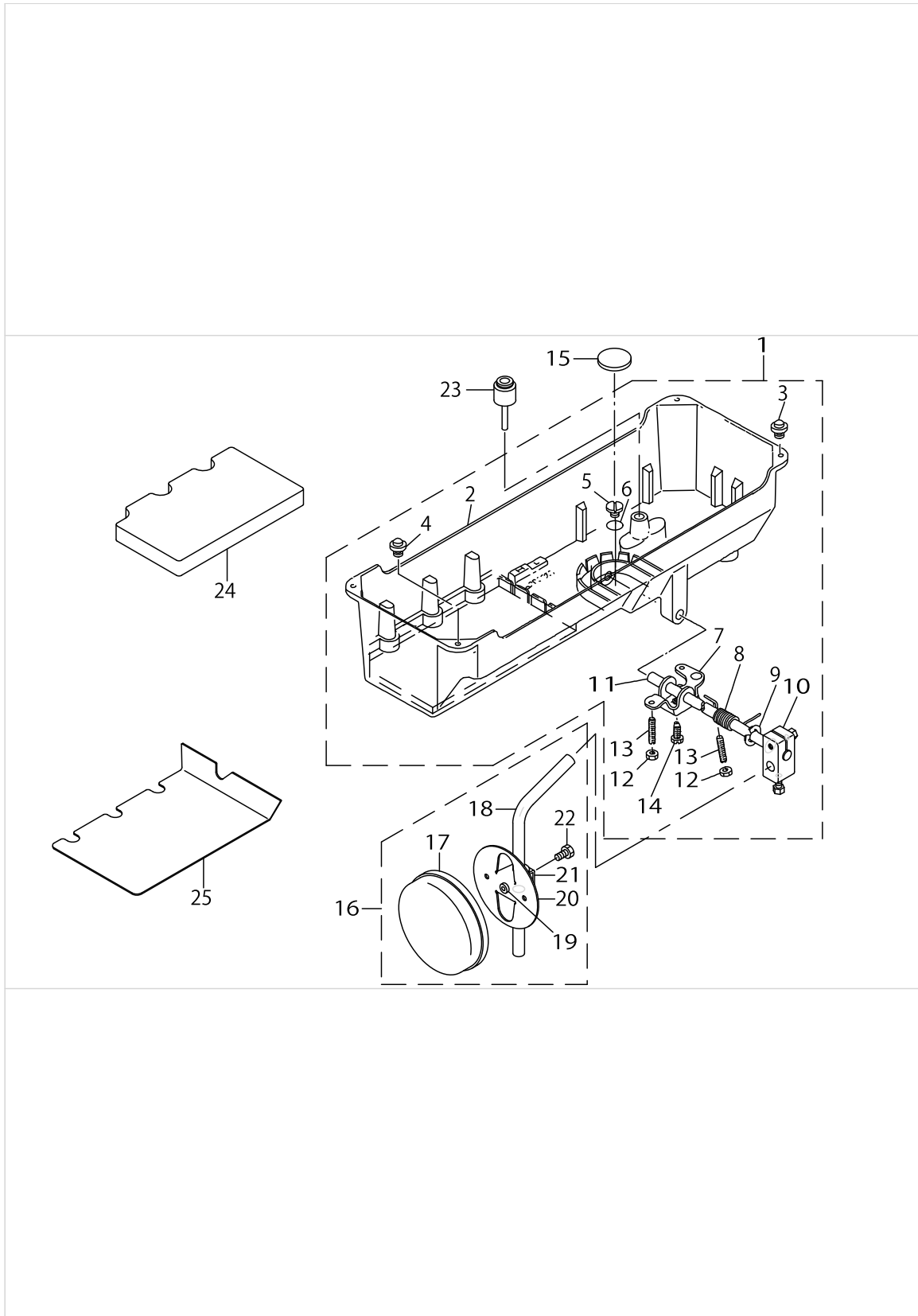
EXCLUSIVE PARTS FOR STITCH SPECIFICATION "C"
縫仕様"C"専用部品



EXCLUSIVE PARTS BY STITCH SPECIFICATION (2)

No.	Supply Code	Parts No.	Replacement	Parts name	Remarks	Choice	Step	Level	Cons	Qty	Rep. QTY
1		10124675		TENSION POST BASE ASM.						1	
2		B3129526000		TENSIONSPRING(1.2)				*		2	
3	D	10188001		THREAD GUIDE, B						1	
4		10103505		THREAD GUIDE A						1	
5		MDP500B2100		NEEDLE DPX5 #21						2	
6		MC200501250		NEEDLE 134 NM125	FOR JE					2	
7	D	10207009		FEED ROCK SHAFT CONNECTING ROD						1	
8		10207256		FEED REGULATOR ASM.						1	
9		SS6121610TP		SCREW 3/16-28 L=15.5				*		1	
10	D	10103703		GUIDE PLATE						1	
11		10103604		THREAD GUIDE C						1	
12		10102259		THREADGUIDEASM.F						1	
13		10102200		THREAD GUIDE F				*		1	
14		B1131528000		FELT				*		1	
15		SS5090610SP		SCREW 9/64-40 L=6						1	
16		10129559		THREADGUIDEASM.E						1	
17		10129500		THREAD GUIDE E				*		1	
18		10129104		THREAD PRESSER PLATE				*		1	
19		B1132521000		THREAD PRESSER PLATE SPRING				*		1	
20		SD0380551SL		HINGE SCREW D= 3.80 H= 5.5				*		1	
21	R	SS2090710SP	SS2090710TP	SCREW 9/64-40 L=7						1	1.00
22		10225704		FEED DOG 1/8" (2.0)	EXCHANGI- NG GUAGE PARTS					1	
23		10147650		NEEDLE CLAMP ASM. 1/8	EXCHANGI- NG GUAGE PARTS					1	
24		SS8080660TP		SCREW 1/8-44 L=5.5				*		2	
25	D	10220101		THROAT PLATE (P=4) 1/8	EXCHANGI- NG GUAGE PARTS					1	
26		10222255		PRESSER FOOT ASM. 1/8	EXCHANGI- NG GUAGE PARTS					1	
27	D	MTSP00650A0		MOTOR PULLEY ASM. P.C.D. 65	FOR 50HZ					1	
28	R	MTSP00550A0	MTSP00550B0	MOTOR PULLEY ASM. P.C.D. 55	FOR 60HZ					1	1.00
29	D	MTSP0001000		MOTOR PULLEY INSTALLING NUT				*		1	
30		RC4800002KP		RETAINING RING				*		1	
31	R	SS8150710SP	SS8150710TP	SCREW 15/64-28 L=7				*		1	1.00
32		MTJVM004100		V-BELT, 41 INCH	FOR 50HZ					1	
33		MTJVM004000		V-BELT, 40 INCH	FOR 60HZ					1	
34		10195154		LATCH HOOK ASM.						2	
35		10195303		BOBBIN CASE TENSION SPRING				*		2	
36		10195402		TENSION ADJUSTING SCREW				*		2	
37		10110500		TENSION SPRING I- NSTALLING SCRE				*		2	

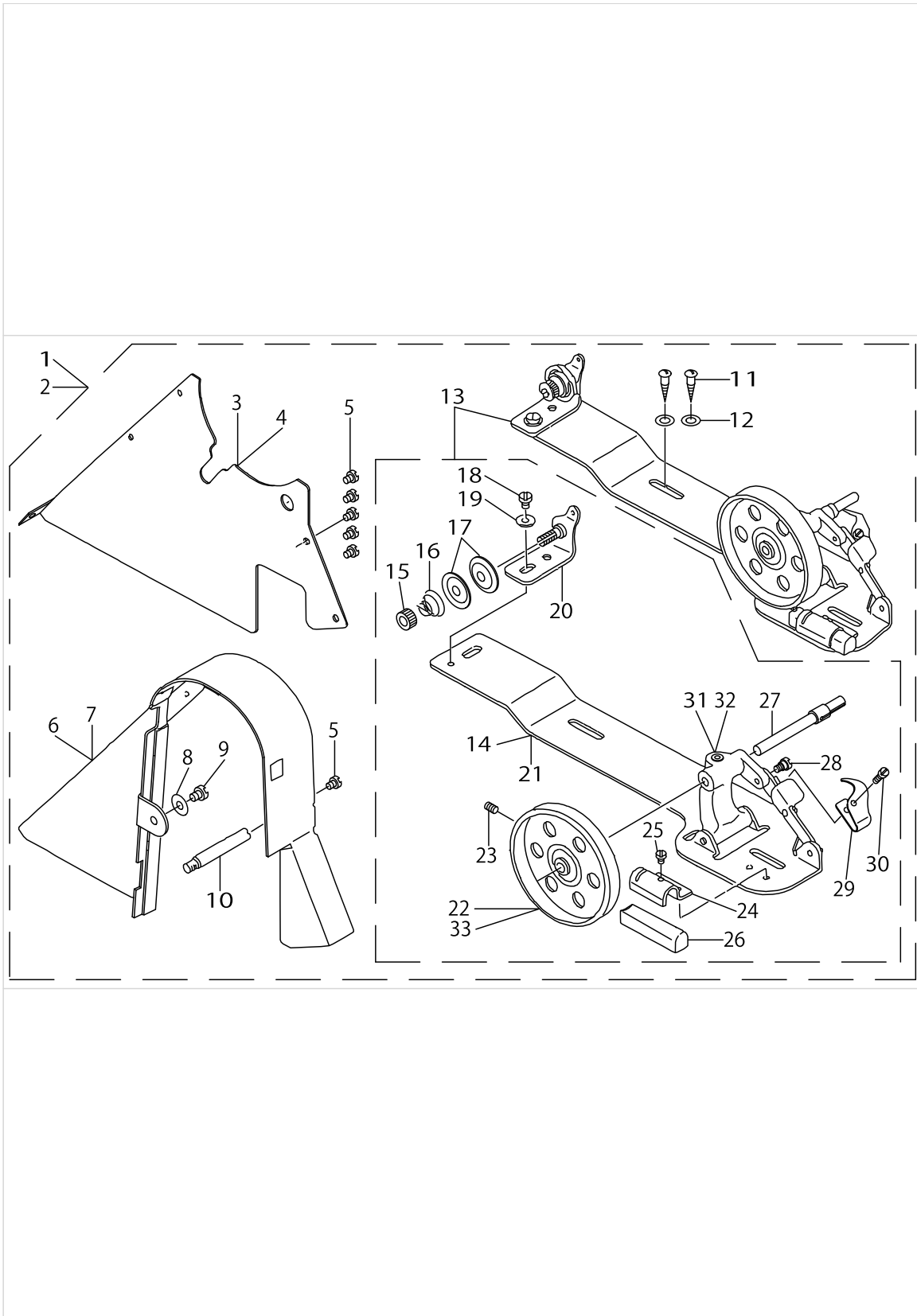
OIL RESERVOIR & KNEE LIFTER COMPONENTS



OIL RESERVOIR & KNEE LIFTER COMPONENTS

No.	Supply Code	Parts No.	Replacement	Parts name	Remarks	Choice	Step	Level	Cons	Qty	Rep. QTY
1		10162253		OIL RESERVOIR ASM.						1	
2	R	10162204	10162253	OIL RESERVOIR				*		1	1.00
3		10162600		RUBBER CUSHION				*		2	
4		11047107		RUBBER CUSHION				*		2	
5		SM0081001SD		SCREW				*		1	
6		RO098240100		RUBBER RING				*		1	
7	R	11024007	22932156	CONNECTING ROD, VERTICAL				*		1	1.00
8	R	11024106	22932206	SPRING				*		1	1.00
9		RE1000000K0		E-RING 10				*		1	
10		22932453		BRACKET ASM.				*		1	
11	R	11024205	22932305	KNEE PRESS ROD				*		1	1.00
12	R	NS6150430SR	NS6150430SP	NUT 15/64-28				*		2	1.00
13		SS8153010SR		SCREW 15/64-28L=30				*		2	
14		SS9151810SR		SCREW				*		1	
15		B8228125000		OIL RESERVOIR MAGNET						1	
16		22934251		KNEE PAD PLATE ASM.						1	
17		22934509		KNEE PAD PLATE COVER				*		1	
18		22934608		KNEE PAD UPRIGHT SHAFT				*		1	
19		22934400		KNEE PAD PLATE RUBBER				*		1	
20		22934202		KNEE PAD PLATE				*		1	
21		22934301		KNEE PAD PLATE SUPPORT				*		1	
22		SM9061203SE		SCREW M6 L=12				*		1	
23	R	11024304	22931703	KNEE PRESS LIFTER ROD						1	1.00
24		10162501		OIL RESERVOIR SPACER, A						1	
25		10162402		DUST COVER	FOR JE					1	

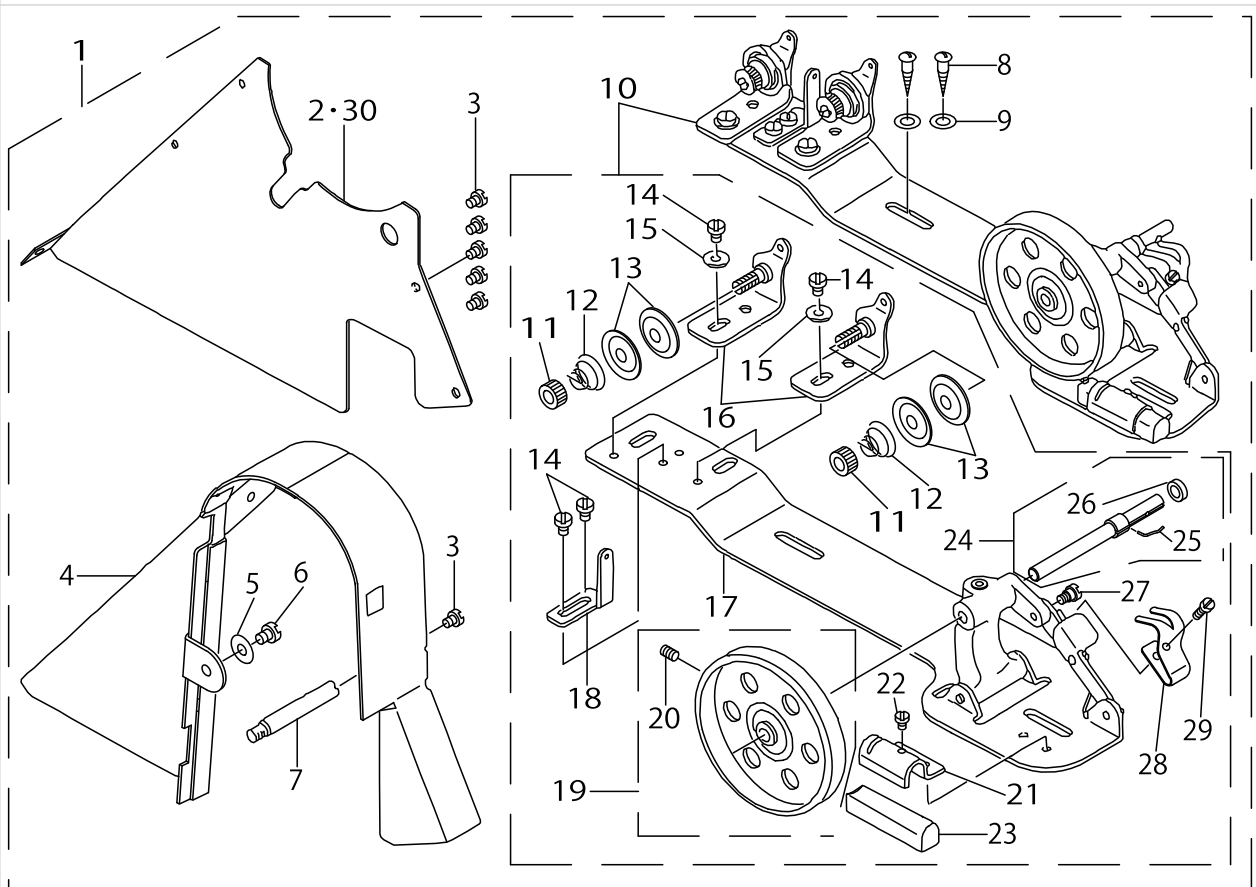
BELT COVER & BOBBIN WINDER COMPONENTS



BELT COVER & BOBBIN WINDER COMPONENTS

No.	Supply Code	Parts No.	Replacement	Parts name	Remarks	Choice	Step	Level	Cons	Qty	Rep. QTY
1	R	10128056	10161552	BELT COVER ASM.						1	1.00
2		10161552		BELT COVER ASM.	FOR URBA- N WHITE S- PECIFICAT- ION PARTS					1	
3	R	10128106	10218006	BELT COVER PLATE				*		1	1.00
4		10419307		BELT COVER PLATE	FOR URBA- N WHITE S- PECIFICAT- ION PARTS			*		1	
5		SS7110510SP		SCREW 11/64-40 L=5				*		6	
6		10128007		BELT COVER				*		1	
7		10161503		BELT COVER	FOR URBA- N WHITE S- PECIFICAT- ION PARTS			*		1	
8		WP0621016SD		WASHER 6.2X13X1				*		1	
9		SS7150740SP		SCREW 15/64-28 L=7				*		1	
10	R	10039105	40101337	BELT COVER SUPPORT STUD				*		1	1.00
11	R	SK3482500SC	SK3482501SE	WOOD SCREW D=4.8 L=25				*		2	1.00
12		WP0501016SC		WASHER 5X10.5X1				*		2	
13	R	11077567	22927354	BOBBIN WINDER COMPL.				*		1	1.00
14	D	B320401200A		THREAD WINDER BASE ASM.	FOR URBA- N WHITE S- PECIFICAT- ION PARTS			*		1	
15	R	B3125012000	22928808	THREAD TENSION NUT				*		1	1.00
16	R	B3129012B00	22929004	THREAD TENSION SPRING				*		1	1.00
17	R	B3126012000	22921506	THREAD TENSION DISK				*		2	1.00
18		SS7110840SP		SCREW 11/64-40 L=7.8				*		1	
19		WP0501016SC		WASHER 5X10.5X1				*		1	
20	D	B32230120A0		THREAD TENSION BRACKET ASM.				*		1	
21	D	B3204012000		THREAD WINDER BASE ASM				*		1	
22	R	B3214012000	B32140120A0	BOBBIN WINDER WHEEL				*		1	1.00
23	R	SS8110510SP	SS8110520TP	SCREW 11/64-40 L=5				*		1	1.00
24		B3229012000		BRAKE CLAMP				*		1	
25		SS7110410SP		SCREW 11/64-40 L=4				*		1	
26	D	B3228012000		RUBBER BRAKE				*		1	
27	D	B3212012000		SPINDLE				*		1	
28		SD0490261SP		HINGE SCREW D=4.9 H=2.6				*		1	
29	D	B3217012000		STOP LATCH				*		1	
30		SS7081310SP		SCREW 1/8-44 L=12.5				*		1	
31		B3201012000		BOBBIN WINDER				*		1	
32	D	B320101200A		BOBBIN WINDER	FOR URBA- N WHITE S- PECIFICAT- ION PARTS			*		1	
33	D	B3203555000A		BOBBIN WINDER	FOR URBA- N WHITE S- PECIFICAT- ION PARTS			*		1	

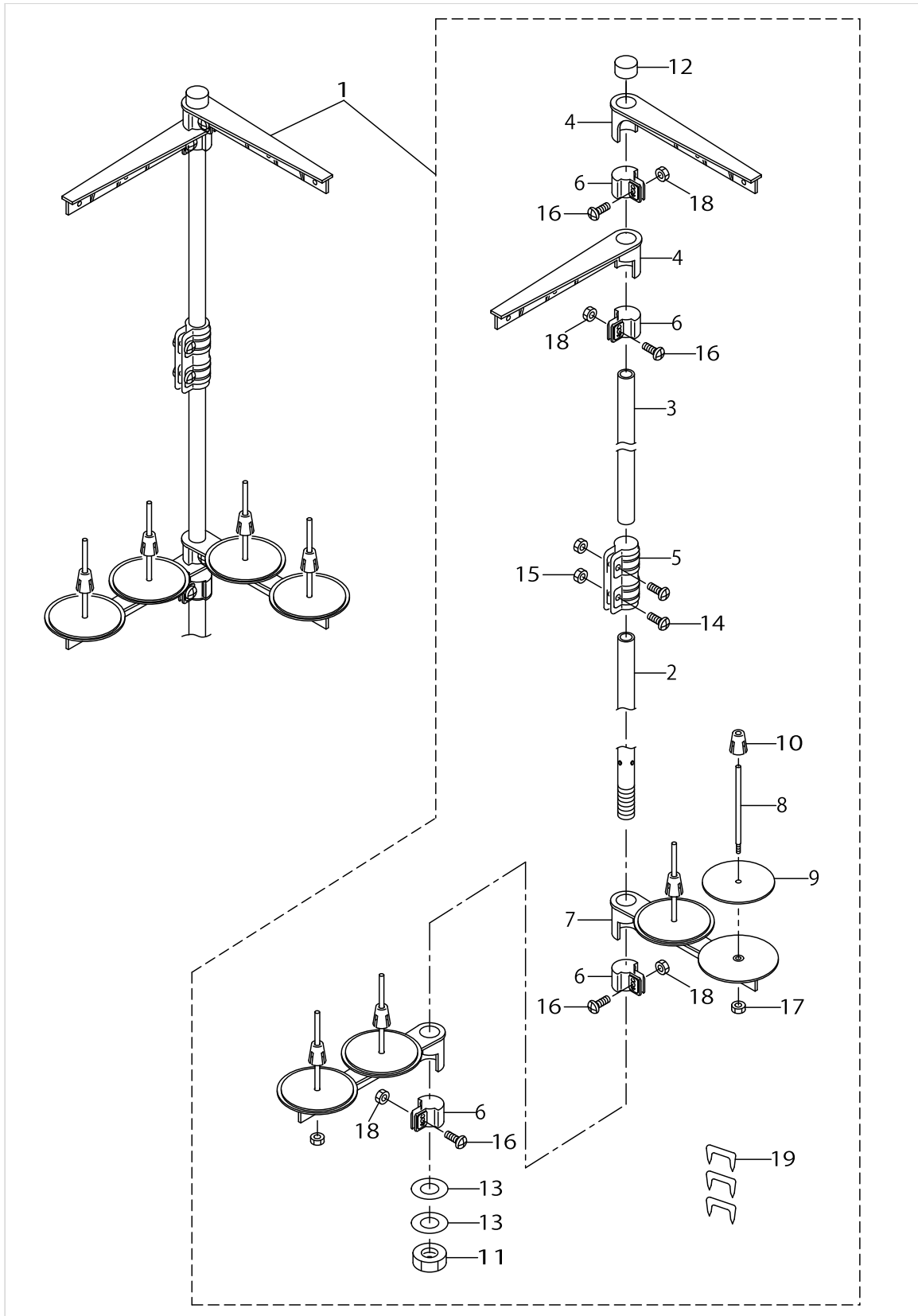
BELT COVER & BOBBIN WINDER COMPONENTS (SPECIAL ORDER PARTS)



BELT COVER & BOBBIN WINDER COMPONENTS (SPECIAL ORDER PARTS)

No.	Supply Code	Parts No.	Replacement	Parts name	Remarks	Choice	Step	Level	Cons	Qty	Rep. QTY
1		10128064		BELT COVER ASM.						1	
2	R	10128106	10218006	BELT COVER PLATE				*		1	1.00
3		SS7110510SP		SCREW 11/64-40 L=5				*		6	
4		10128007		BELT COVER				*		1	
5		WP0621016SD		WASHER 6.2X13X1				*		1	
6		SS7150740SP		SCREW 15/64-28 L=7				*		1	
7	R	10039105	40101337	BELT COVER SUPPORT STUD				*		1	1.00
8	R	SK3482500SC	SK3482501SE	WOOD SCREW D=4.8 L=25				*		2	1.00
9		WP0501016SC		WASHER 5X10.5X1				*		2	
10		22621155		THREAD WINDER ASM.				*		1	
11	R	B3125012000	22928808	THREAD TENSION NUT				*		2	1.00
12	R	B3129012B00	22929004	THREAD TENSION SPRING				*		2	1.00
13	R	B3126012000	22921506	THREAD TENSION DISK				*		4	1.00
14		SS7110840SP		SCREW 11/64-40 L=7.8				*		4	
15		WP0501016SC		WASHER 5X10.5X1				*		2	
16	D	B32230120A0		THREAD TENSION BRACKET ASM.				*		2	
17	R	G32041160C0	G32041160A0	BOBBIN WINDER BASE ASM.				*		1	1.00
18	D	G3213116000		THREAD GUIDE				*		1	
19		B32140120A0		BOBBIN WINDER WHEEL ASM.				*		1	
20	R	SS8110510SP	SS8110520TP	SCREW 11/64-40 L=5				*		1	1.00
21		B3229012000		BRAKE CLAMP				*		1	
22		SS7110410SP		SCREW 11/64-40 L=4				*		1	
23	D	B3228012000		RUBBER BRAKE				*		1	
24	R	G32121160A0	10232650	THREAD WINDER SHAFT ASM.				*		1	1.00
25		B3210771000		BOBBIN STOP SPRING				*		1	
26		B3224771000		COLLAR				*		1	
27		SD0490261SP		HINGE SCREW D=4.9 H=2.6				*		1	
28	D	G3217116000		BOBBIN PRESSER				*		1	
29		SS7081310SP		SCREW 1/8-44 L=12.5				*		1	
30		10419307		BELT COVER PLATE	FOR URBAN WHITE SPECIFICATION PARTS			*		1	

THREAD STAND COMPONENTS

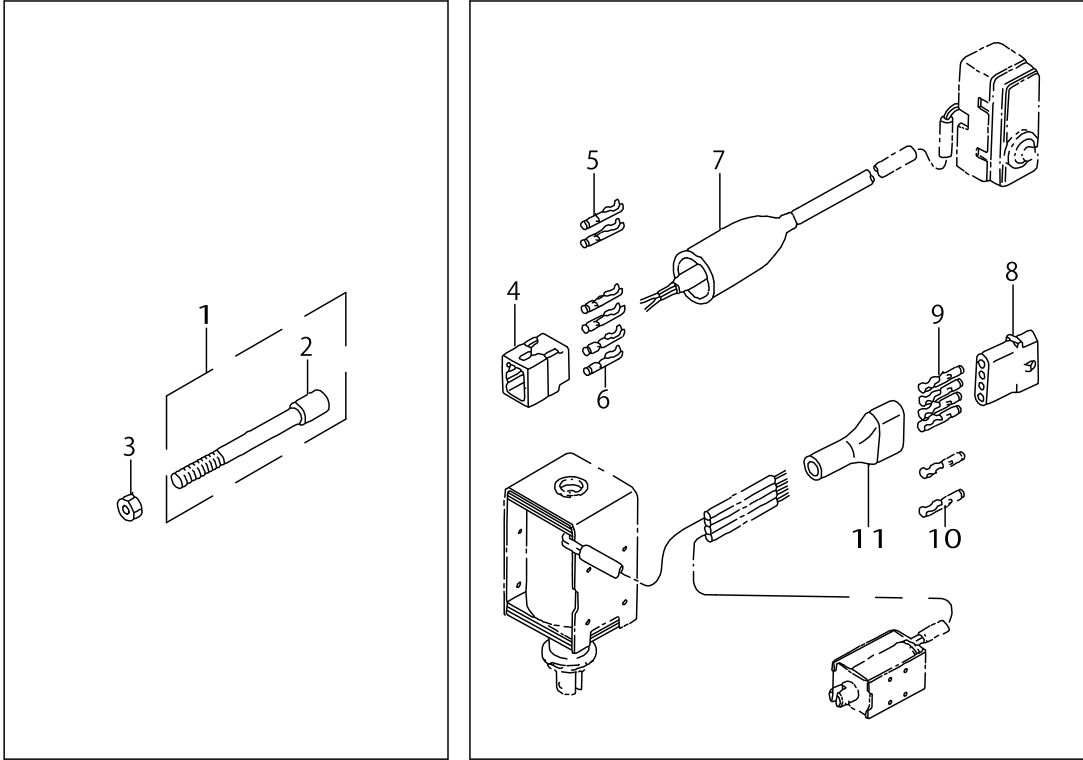


THREAD STAND COMPONENTS

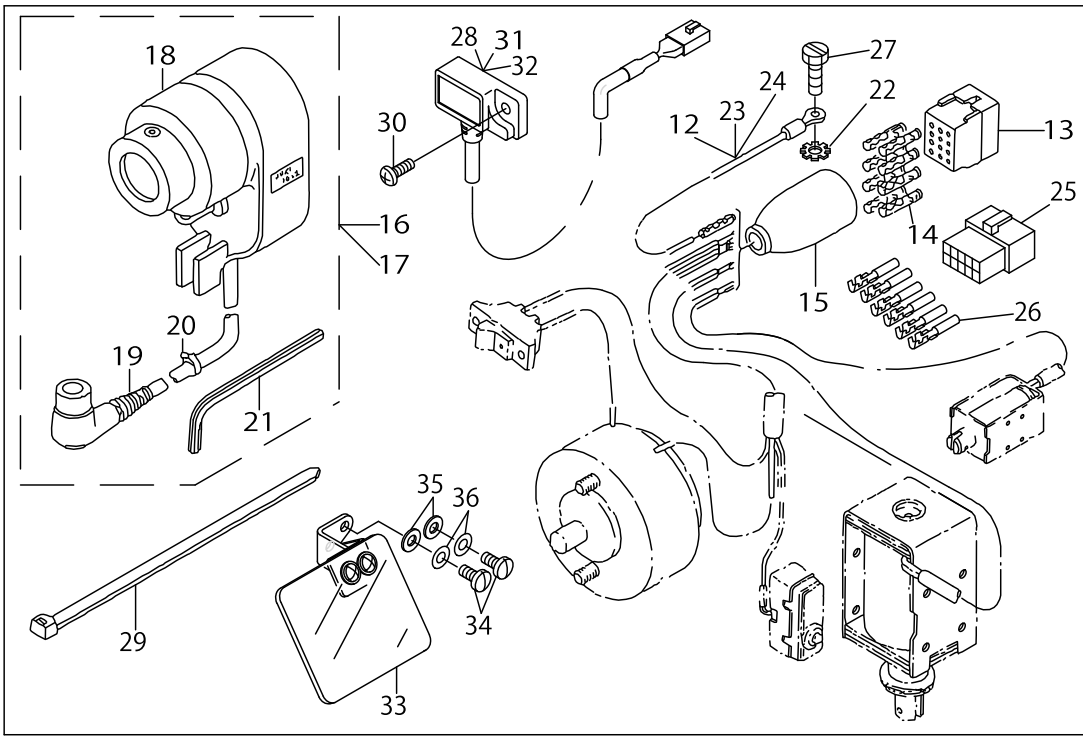
No.	Supply Code	Parts No.	Replacement	Parts name	Remarks	Choice	Step	Level	Cons	Qty	Rep. QTY
1	R	10162758	26910158	THREAD STANDING DEVICE ASM.						1	1.00
2	R	11185105	40096354	SPOOL REST ROD,LOWER				*		1	1.00
3	R	11185204	40096354	SPOOL REST ROD,UPPER				*		1	1.00
4	R	11185352	40096354	THREAD GUIDE ASM.				*		2	1.00
5	R	B3305704000A	40096354	SPOOL REST ROD JOINT				*		1	1.00
6	R	11185402	40096354	THREAD GUIDE ARM JOINT				*		4	1.00
7	D	11185006		SPOOL REST ARM				*		2	
8	R	B3320704L00A	40085790	SPOOL PIN				*		4	1.00
9	D	B3311012000		SPOOL REST CUSHION				*		4	
10	D	11185501		SPOOL RETAINER				*		4	
11	R	B3317704000	NM6160511SE	NUT				*		1	1.00
12	R	B3311704000	22931406	SPOOL REST ROD CAP				*		1	1.00
13		WP1612616SE		WASHER 16X30X2.6				*		2	
14		SM4051405SE		SCREW M5 L=14				*		2	
15		NM6050001SE		NUT M5				*		2	
16		SM4051405SE		SCREW M5 L=14				*		4	
17		NM6050001SE		NUT M5				*		4	
18		NM6050001SE		NUT M5				*		4	
19		MAO11532000		CORD STAPLE				*		3	

MOTOR PULLEY COMPONENTS

EXCLUSIVE PARTS FOR LH-1152-4
LH-1152-4 専用部品



EXCLUSIVE PARTS FOR LH-1152-5, -6, -7
LH-1152-5, -6, -7 専用部品



MOTOR PULLEY COMPONENTS

No.	Supply Code	Parts No.	Replacement	Parts name	Remarks	Choice	Step	Level	Cons	Qty	Rep. QTY
1		10129054		SINCHRONIZER HOLDER STUD ASM.	FOR LH-1152-4,-7					1	
2		BT0630520Z0		HOLDER COVER	FOR LH-1152-4,-7			*		1	
3		NS6150430SP		NUT 15/64-28	FOR LH-1152-4,-7					1	
4		D6029555B0A		NYLON PLUG 6P						1	
5		D6043555B00		PIN TERMINAL, MALE	FOR LH-1-152-4-1B(JE)					2	
6		D6043555B00		PIN TERMINAL, MALE	FOR LH-1-152-4-1B(JA),4-2B					4	
7		D6001555B00		PLUG COVER						1	
8		MAI15043000		NYLON RECEPTACLE 4P						1	
9		D6042555B00		PIN TERMINAL, FEMALE	ONLY FOR THE MACHINE WITH AUTOMATIC REVERSE FEED MECHANISM.(EXCEPT JE)					4	
10		D6042555B00		PIN TERMINAL, FEMALE	ONLY FOR THE MACHINE WITHOUT AUTOMATIC REVERSE FEED MECHANISM. (EXCEPT JE)					2	
11		D6009555D0A		4-POLE NYLON PLUG COVER						1	
12	D	10201952		EARTH CORD	FOR LH-1152-5					1	
13		M9640110000		12-POLE PLUG	FOR LH-1152-5,-6					1	
14		D6043555B00		PIN TERMINAL, MALE	FOR LH-1152-5,-6					8	
15		M9637110000		12-POLE PLUG COVER	FOR LH-1152-5,-6					1	
16	R	M8512120BB0A	M8512120BBA	BB-TYPE SINCHRONIZER ASM.	FOR LH-1152-5,-6					1	1.00
17		M8512120BBA		BB-TYPE SYNCHRONIZER JUNCTION	FOR LH-1152-7					1	
18	R	M8512120B0S	M8512120BBA	SINCHRONIZER	FOR LH-1152-5,-6			*		1	1.00
19	D	M851212000S		SINCHRONIZER CABLE	FOR LH-1152-5,-6			*		1	
20		M9628110000		CLIP	FOR LH-1152-5,-6			*		1	
21		B9141372000		HEXAGONAL WRENCH, LARGE	FOR LH-1152-5,-6			*		1	
22		WT0530002KS		TOOTHED WASHER D=5.3						1	
23		B60375050A0		GROUND WIRE ASM.	FOR LH-1152-6					1	
24		22951552		GROUND WIRE ASM.	FOR LH-1152-7					1	
25		HK034610140		HOUSING 14P	FOR LH-1152-7					1	
26		HK03464000B		PIN CONTACT	FOR LH-1152-7					8	
27		SS6111140SP		SCREW11/64-40L=11						1	
28		M6050350AAF		RESISTANCE AF ASM.	FOR LH-1152-7					1	
29		A407855000A		CLIP BAND	FOR LH-1152-7					1	
30		SS4111015SP		SCREW11/64-40L=10	FOR LH-1152-7					1	
31		M6050350AAA		RESISTANCE AA ASM.	FOR LH-1152-7					1	
32		M6050350AAS		RESISTANCE AS ASM.	FOR LH-1152-7					1	
33		10218253		EYE GUARD ASM.	FOR LH-1152-7					1	
34		SS7621040SP		SCREW 3/16-32L=9.5	FOR LH-1152-7					2	
35		WP0501016SD		WASHER 5X10.5X1	FOR LH-1152-7					2	
36		WS0521010KP		SPRING WASHER 5.2X8.5X1.0	FOR LH-1152-7					2	

FOR STITCH SPECIFICATION "S", "A", "G" (1)

Stitch spec. 縫仕様		S	★		★		★		★		☆			
		A	★		★		★		★		★			
Needle gauge size 針幅		Throat plate 針板				Feed Dog 送り歯								
		inch		mm		Stitch length 縫ピッチ: 4 mm		Stitch length 縫ピッチ: 6 mm		Ø 1.6		Ø 2		2
Code ガーゼ記号	inch		mm		Ref.No.	Part No.	Ref.No.	Part No.	Ref.No.	Part No.	Ref.No.	Part No.	Ref.No.	Part No.
	▲◆	A	3/32	2.4	1	101-30003			30	101-65009				
◆	B	1/8	3.2	2	101-30102			31	101-65108	47	102-25704			
◆	C	5/32	4.0	3	101-30201			32	101-65207	48	101-67609			*
	D	3/16	4.8	4	101-30300	18	101-32504	33	101-65306	49	101-67708	63	101-70207	
	D	3/16	4.8		*	19	101-81006		*		*	64	101-80909	
	E	7/32	5.6	5	101-30409		*	34	101-65405	50	101-67806	65	101-70306	
	F	1/4	6.4	6	101-30508	20	101-32603	35	101-65504	51	101-67906	66	101-70405	
	G	9/32	7.1	7	101-30607		*	36	101-65603	52	101-68003	67	101-70504	
	H	5/16	7.9	8	101-30706	21	101-32702	37	101-65702	53	101-68102	68	101-70603	
	K	3/8	9.5	9	101-30805	22	101-32801	38	101-65801	54	101-68201	69	101-70702	
	W	7/16	11.1	10	101-30904		*	39	101-65900	55	101-68300	70	101-70801	
	L	1/2	12.7	11	101-31001	23	101-32900	40	101-66007	56	101-68409	71	101-70900	
	M	5/8	15.9	12	101-31100	24	101-33007	41	101-66106	57	101-68508	72	101-71007	
	N	3/4	19.1	13	101-31209	25	101-33106	42	101-66205	58	101-68607	73	101-71106	
	P	7/8	22.2	14	101-31308	26	101-33205	43	101-66304	59	101-68706	74	101-71205	
	Q	1	25.4	15	101-31407	27	101-33304	44	101-66403	60	101-68805	75	101-71304	
	R	1-1/8	28.6	16	101-31506	28	101-33403	45	101-66502	61	101-68904	76	101-71403	
	S	1-1/4	31.8	17	101-31605	29	101-33502	46	101-66601	62	101-69001	77	101-71502	
	T	1-3/8	34.9		*		*		*		*		*	

- ★ ... Standard specification 標準仕様
- ☆ ... Special specification 特別仕様
- * ... Special order part 特別注文部品
- ◆ ... Except stitch specification "G" 縫仕様"G"は除く
- ▲ ... Except stitch specification "S" 縫仕様"S"は除く

FOR STITCH SPECIFICATION "S", "A", "G" (1)

No.	Supply Code	Parts No.	Replacement	Parts name	Remarks	Choice	Step	Level	Cons	Qty	Rep. QTY
1		10130003		THROAT PLATE 3/32						1	
2	D	10130102		THROAT PLATE 1/8						1	
3		10130201		THROAT PLATE 5/32						1	
4		10130300		THROAT PLATE 3/16						1	
5		10130409		THROAT PLATE 7/32						1	
6	D	10130508		THROAT PLATE 1/4						1	
7		10130607		THROAT PLATE 9/32						1	
8		10130706		THROAT PLATE 5/16						1	
9		10130805		THROAT PLATE 3/8						1	
10		10130904		THROAT PLATE 7/16						1	
11		10131001		THROAT PLATE 1/2						1	
12		10131100		THROAT PLATE 5/8						1	
13		10131209		THROAT PLATE 3/4						1	
14		10131308		THROAT PLATE 7/8						1	
15		10131407		THROAT PLATE 1						1	
16	D	10131506		THROATPLATE1-1/8						1	
17	D	10131605		THROATPLATE1-1/4						1	
18		10132504		THROAT PLATE 3/16						1	
19		10181006		THROAT PLATE 3/16						1	
20		10132603		THROAT PLATE 1/4						1	
21		10132702		THROAT PLATE 5/16						1	
22		10132801		THROAT PLATE 3/8						1	
23	D	10132900		THROAT PLATE 1/2						1	
24		10133007		THROAT PLATE 5/8						1	
25	D	10133106		THROAT PLATE 3/4						1	
26	D	10133205		THROAT PLATE 7/8						1	
27		10133304		THROAT PLATE 1						1	
28		10133403		THROATPLATE1-1/8						1	
29	D	10133502		THROATPLATE1-1/4						1	
30		10165009		FEED DOG 3/32						1	
31		10165108		FEED DOG 1/8						1	
32	D	10165207		FEED DOG 5/32						1	
33	D	10165306		FEED DOG 3/16						1	
34		10165405		FEED DOG 7/32						1	
35		10165504		FEED DOG 1/4						1	
36		10165603		FEED DOG 9/32						1	
37		10165702		FEED DOG 5/16						1	
38		10165801		FEED DOG 3/8						1	
39		10165900		FEED DOG 7/16						1	
40		10166007		FEED DOG						1	
41		10166106		FEED DOG 5/8						1	
42	D	10166205		FEED DOG 3/4						1	
43		10166304		FEED DOG 7/8						1	
44		10166403		FEED DOG 1						1	
45		10166502		FEED DOG 1-1/8						1	
46		10166601		FEED DOG 1-1/4						1	

FOR STITCH SPECIFICATION "S", "A", "G" (1)


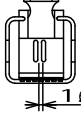
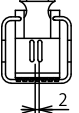
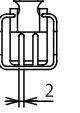
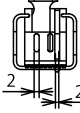
Stitch spec. 縫仕様		S	★		★		★		★		☆			
		A	★		★		★		★		★			
Needle gauge size 針幅		Throat plate 針板				Feed Dog 送り歯								
		inch		mm		Stitch length 縫ピッチ: 4 mm		Stitch length 縫ピッチ: 6 mm		Ø 1.6		Ø 2		2
Code ガーゼ記号	inch		mm		Ref.No.	Part No.	Ref.No.	Part No.	Ref.No.	Part No.	Ref.No.	Part No.	Ref.No.	Part No.
	▲◆	A	3/32	2.4	1	101-30003			30	101-65009				
◆	B	1/8	3.2	2	101-30102			31	101-65108	47	102-25704			
◆	C	5/32	4.0	3	101-30201			32	101-65207	48	101-67609			*
	D	3/16	4.8	4	101-30300	18	101-32504	33	101-65306	49	101-67708	63	101-70207	
	D	3/16	4.8		*	19	101-81006		*		*	64	101-80909	
	E	7/32	5.6	5	101-30409		*	34	101-65405	50	101-67806	65	101-70306	
	F	1/4	6.4	6	101-30508	20	101-32603	35	101-65504	51	101-67906	66	101-70405	
	G	9/32	7.1	7	101-30607		*	36	101-65603	52	101-68003	67	101-70504	
	H	5/16	7.9	8	101-30706	21	101-32702	37	101-65702	53	101-68102	68	101-70603	
	K	3/8	9.5	9	101-30805	22	101-32801	38	101-65801	54	101-68201	69	101-70702	
	W	7/16	11.1	10	101-30904		*	39	101-65900	55	101-68300	70	101-70801	
	L	1/2	12.7	11	101-31001	23	101-32900	40	101-66007	56	101-68409	71	101-70900	
	M	5/8	15.9	12	101-31100	24	101-33007	41	101-66106	57	101-68508	72	101-71007	
	N	3/4	19.1	13	101-31209	25	101-33106	42	101-66205	58	101-68607	73	101-71106	
	P	7/8	22.2	14	101-31308	26	101-33205	43	101-66304	59	101-68706	74	101-71205	
	Q	1	25.4	15	101-31407	27	101-33304	44	101-66403	60	101-68805	75	101-71304	
	R	1-1/8	28.6	16	101-31506	28	101-33403	45	101-66502	61	101-68904	76	101-71403	
	S	1-1/4	31.8	17	101-31605	29	101-33502	46	101-66601	62	101-69001	77	101-71502	
	T	1-3/8	34.9		*		*		*		*		*	

- ★ ... Standard specification 標準仕様
- ☆ ... Special specification 特別仕様
- * ... Special order part 特別注文部品
- ◆ ... Except stitch specification "G" 縫仕様"G"は除く
- ▲ ... Except stitch specification "S" 縫仕様"S"は除く

FOR STITCH SPECIFICATION "S", "A", "G" (1)

No.	Supply Code	Parts No.	Replacement	Parts name	Remarks	Choice	Step	Level	Cons	Qty	Rep. QTY
47		10225704		FEED DOG 1/8" (2.0)						1	
48		10167609		FEED DOG 5/32						1	
49	D	10167708		FEED DOG 3/16						1	
50		10167807		FEED DOG 7/32						1	
51		10167906		FEED DOG 1/4						1	
52	D	10168003		FEED DOG 9/32						1	
53		10168102		FEED DOG 5/16						1	
54		10168201		FEED DOG 3/8						1	
55		10168300		FEED DOG 7/16						1	
56	D	10168409		FEED DOG						1	
57	D	10168508		FEED DOG 5/8						1	
58		10168607		FEED DOG 3/4						1	
59		10168706		FEED DOG 7/8						1	
60		10168805		FEED DOG 1						1	
61		10168904		FEED DOG 1-1/8						1	
62		10169001		FEED DOG 1-1/4						1	
63		10170207		FEED DOG 2X3 3/6						1	
64	D	10180909		FEED DOG 2X3 3/6						1	
65	D	10170306		FEED DOG 2X3 7/32						1	
66		10170405		FEED DOG 2X3 1/4						1	
67		10170504		FEED DOG 2X3 9/32						1	
68		10170603		FEED DOG 2X3 5/16						1	
69		10170702		FEED DOG 2X3 3/8						1	
70		10170801		FEED DOG 7/16						1	
71		10170900		FEED DOG 2X3 1/2						1	
72		10171007		FEED DOG 5/8						1	
73		10171106		FEED DOG 3/4						1	
74		10171205		FEED DOG 7/8						1	
75		10171304		FEED DOG 1						1	
76	D	10171403		FEED DOG 1-1/8						1	
77		10171502		FEED DOG 1-1/4						1	

FOR STITCH SPECIFICATION "S", "A", "G" (2)

Stitch spec. 縫仕様		S	★		★		☆		☆		
		A	★		☆		★		☆		
Needle gauge size 針幅		Presser Foot asm. 押え(組)									
Code ゲージ 記号											
	inch	mm	Ref.No.	Part No.	Ref.No.	Part No.	Ref.No.	Part No.	Ref.No.	Part No.	
▲◆ A	3/32	2.4	1	101-50050							
◆ B	1/8	3.2	2	101-50159		*					
◆ C	5/32	4.0	3	101-50258	20	101-52650		*		*	
	3/16	4.8	4	101-50357	21	101-52759	37	101-56651			
	3/16	4.8	5	101-50357	22	101-52759	38	101-56651			
	7/32	5.6	6	101-50456	23	101-52858		*	50	101-55059	
	1/4	6.4	7	101-50555	24	101-53957	39	101-56552		*	
	9/32	7.1	8	101-50654	25	101-53054		*	51	101-55158	
	5/16	7.9	9	101-50753	26	101-53153	40	101-56750			
	3/8	9.5	10	101-50852	27	101-53252	41	101-56859			
	7/16	11.1	11	101-51951	28	101-53351		*			
	1/2	12.7	12	101-51058	29	101-53450	42	101-56958			
	5/8	15.9	13	101-51157	30	101-53559	43	101-57055			
	3/4	19.1	14	101-51256	31	101-53658	44	101-57154		*	
	7/8	22.2	15	101-51355	32	101-53757	45	101-57253			
	1	25.4	16	101-51454	33	101-53856	46	101-57352			
	1-1/8	28.6	17	101-51553	34	101-54955	47	101-57451			
	1-1/4	31.8	18	101-51652	35	101-54052	48	101-57550			
	1-3/8	34.9	19	101-51751	36	101-54151	49	101-57659			


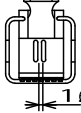
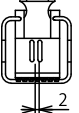
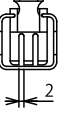
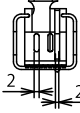
- ★...Standard specification
- ☆...Special specification
- *...Special order part
- ◆...Except stitch specification"G"
- ▲...Except stitch specification"S"

標準仕様
特別仕様
特別注文部品
縫仕様"G"は除く
縫仕様"S"は除く

FOR STITCH SPECIFICATION "S", "A", "G" (2)

No.	Supply Code	Parts No.	Replacement	Parts name	Remarks	Choice	Step	Level	Cons	Qty	Rep. QTY
1		10150050		PRESSER FOOT ASM. 3/32						1	
2		10150159		PRESSER FOOT ASM. 1/8						1	
3		10150258		PRESSER FOOT ASM. 5/32						1	
4		10150357		PRESSER FOOT ASM. 3/16						1	
5		10150357		PRESSER FOOT ASM. 3/16						1	
6		10150456		PRESSER FOOT ASM. 7/32						1	
7		10150555		PRESSER FOOT ASM. 1/4						1	
8		10150654		PRESSER FOOT ASM. 9/32						1	
9	D	10150753		PRESSER FOOT ASM. 5/16						1	
10		10150852		PRESSER FOOT ASM. 3/8						1	
11		10150951		PRESSER FOOT ASM. 7/16						1	
12		10151058		PRESSER FOOT ASM. 1/2						1	
13		10151157		PRESSER FOOT ASM. 5/8						1	
14		10151256		PRESSER FOOT ASM. 3/4						1	
15		10151355		PRESSER FOOT ASM. 7/8						1	
16		10151454		PRESSER FOOT ASM. 1						1	
17		10151553		PRESSER FOOT ASM. 1-1/8						1	
18	D	10151652		PRESSER FOOT ASM. 1-1/4						1	
19		10151751		PRESSER FOOT ASM. 1-3/8						1	
20		10152650		PRESSER FOOT ASM. 5/32						1	
21		10152759		PRESSER FOOT ASM. 3/16						1	
22		10152759		PRESSER FOOT ASM. 3/16						1	
23		10152858		PRESSER FOOT ASM. 7/32						1	
24		10152957		PRESSER FOOT ASM. 1/4						1	
25		10153054		PRESSER FOOT ASM. 9/32						1	
26		10153153		PRESSER FOOT ASM. 5/16						1	
27		10153252		PRESSER FOOT ASM. 3/8						1	
28		10153351		PRESSER FOOT ASM. 7/16						1	
29		10153450		PRESSER FOOT ASM. 1/2						1	
30		10153559		PRESSER FOOT ASM. 5/8						1	
31		10153658		PRESSER FOOT ASM. 3/4						1	
32		10153757		PRESSER FOOT ASM. 7/8						1	
33		10153856		PRESSER FOOT ASM. 1						1	
34		10153955		PRESSER FOOT ASM. 1-1/8						1	
35		10154052		PRESSER FOOT ASM. 1-1/4						1	
36		10154151		PRESSER FOOT ASM. 1-3/8						1	
37		10156651		PRESSER FOOT ASM. 3/16						1	
38		10156651		PRESSER FOOT ASM. 3/16						1	
39	D	10156552		PRESSER FOOT ASM. 1/4						1	
40		10156750		PRESSER FOOT ASM. 5/16						1	
41		10156859		PRESSER FOOT ASM. 3/8						1	
42		10156958		PRESSER FOOT ASM. 1/2						1	
43	D	10157055		PRESSER FOOT ASM. 5/8						1	
44		10157154		PRESSER FOOT ASM. 3/4						1	
45		10157253		PRESSER FOOT ASM. 7/8						1	
46		10157352		PRESSER FOOT ASM. 1						1	

FOR STITCH SPECIFICATION "S", "A", "G" (2)

Stitch spec. 縫仕様		S	★		★		☆		☆		
		A	★		☆		★		☆		
Needle gauge size 針 幅		Presser Foot asm. 押 え (組)									
Code ゲージ 記号											
	inch	mm	Ref.No.	Part No.	Ref.No.	Part No.	Ref.No.	Part No.	Ref.No.	Part No.	
▲◆ A	3/32	2.4	1	101-50050							
◆ B	1/8	3.2	2	101-50159		*					
◆ C	5/32	4.0	3	101-50258	20	101-52650		*		*	
	3/16	4.8	4	101-50357	21	101-52759	37	101-56651			
	3/16	4.8	5	101-50357	22	101-52759	38	101-56651			
	7/32	5.6	6	101-50456	23	101-52858		*	50	101-55059	
	1/4	6.4	7	101-50555	24	101-53957	39	101-56552		*	
	9/32	7.1	8	101-50654	25	101-53054		*	51	101-55158	
	5/16	7.9	9	101-50753	26	101-53153	40	101-56750			
	3/8	9.5	10	101-50852	27	101-53252	41	101-56859			
	7/16	11.1	11	101-51951	28	101-53351		*			
	1/2	12.7	12	101-51058	29	101-53450	42	101-56958			
	5/8	15.9	13	101-51157	30	101-53559	43	101-57055			
	3/4	19.1	14	101-51256	31	101-53658	44	101-57154		*	
	7/8	22.2	15	101-51355	32	101-53757	45	101-57253			
	1	25.4	16	101-51454	33	101-53856	46	101-57352			
	1-1/8	28.6	17	101-51553	34	101-54955	47	101-57451			
	1-1/4	31.8	18	101-51652	35	101-54052	48	101-57550			
	1-3/8	34.9	19	101-51751	36	101-54151	49	101-57659			

- ★...Standard specification
- ☆...Special specification
- *...Special order part
- ◆...Except stitch specification "G"
- ▲...Except stitch specification "S"

標準仕様
特別仕様
特別注文部品
縫仕様 "G" は除く
縫仕様 "S" は除く

FOR STITCH SPECIFICATION "S", "A", "G" (2)

No.	Supply Code	Parts No.	Replacement	Parts name	Remarks	Choice	Step	Level	Cons	Qty	Rep. QTY
47		10157451		PRESSER FOOT ASM. 1-1/8						1	
48		10157550		PRESSER FOOT ASM. 1-1/4						1	
49		10157659		PRESSER FOOT ASM. 1-3/8						1	
50		10155059		SWIVELGUIDE PRESSER FOOT, 1/4						1	
51		10155158		PRESSER FOOT ASM. 5/16						1	


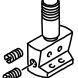



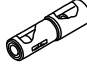
FOR STITCH SPECIFICATION "C

Needle gauge size 針 幅		Throat plate 針 板		Feed dog 送 り 歯		Needle Clamp asm. 針 留 (組)		Presser foot asm. 押 え (組)		Presser foot asm. 押 え (組)		
Code ゲージ 記 号			 Stitch length 縫ピッチ: 4mm									
	inch	mm	Ref.No.	Part No.	Ref.No.	Part No.	Ref.No.	Part No.	Ref.No.	Part No.	Ref.No.	Part No.
A	3/32	2.4	1	101-30003	7	101-69100	13	101-47551			24	101-05757
B	1/8	3.2	2	102-20101	8	102-25704	14	101-47650	19	102-22255	25	101-05856
C	5/32	4.0	3	102-20200	9	101-67609	15	101-47759	20	102-22354	26	101-52668
D	3/16	4.8	4	102-20309	10	101-67708	16	101-47858	21	102-22453	27	101-52767
E	7/32	5.6	5	102-20408	11	101-67807	17	101-47957	22	102-22552	28	101-52866
F	1/4	6.4	6	102-20507	12	101-67906	18	101-48054	23	102-22651	29	101-52965

FOR STITCH SPECIFICATION "C

No.	Supply Code	Parts No.	Replacement	Parts name	Remarks	Choice	Step	Level	Cons	Qty	Rep. QTY
1		10130003		THROAT PLATE 3/32						1	
2	D	10220101		THROAT PLATE (P=4) 1/8						1	
3	D	10220200		THROAT PLATE (P=4) 5/32						1	
4		10220309		THROAT PLATE (P=4) 3/16						1	
5	D	10220408		THROAT PLATE (P=4) 7/32						1	
6	D	10220507		THROAT PLATE (P=4) 1/4						1	
7		10169100		FEED DOG 3/32" (2.0)						1	
8		10225704		FEED DOG 1/8" (2.0)						1	
9		10167609		FEED DOG 5/32						1	
10	D	10167708		FEED DOG 3/16						1	
11		10167807		FEED DOG 7/32						1	
12		10167906		FEED DOG 1/4						1	
13		10147551		NEEDLE CLAMP ASM. 3/32						1	
14		10147650		NEEDLE CLAMP ASM. 1/8						1	
15		10147759		NEEDLE CLAMP ASM. 5/32						1	
16		10147858		NEEDLE CLAMP ASM. 3/16						1	
17		10147957		NEEDLE CLAMP ASM. 7/32						1	
18		10148054		NEEDLE CLAMP ASM. 1/4						1	
19		10222255		PRESSER FOOT ASM. 1/8						1	
20		10222354		PRESSER FOOT ASM. 5/32						1	
21		10222453		PRESSER FOOT ASM. 3/16						1	
22		10222552		PRESSER FOOT ASM. 7/32						1	
23		10222651		PRESSER FOOT ASM. 1/4						1	
24		10105757		PRESSER FOOT ASM. 3/32						1	
25	D	10105856		PRESSER FOOT ASM. 1/8						1	
26	D	10152668		PRESSER FOOT ASM. 5/32						1	
27		10152767		PRESSER FOOT ASM. 3/16						1	
28		10152866		PRESSER FOOT ASM. 7/32						1	
29	D	10152965		PRESSER FOOT ASM. 1/4						1	

TABLE OF EXCHANGING GAUGE PARTS COMMON TO ALL STITCH SPECIFICATIONS

Needle gauge size 針 幅		Needle Clamp asm. 針 留 (組)		Bed Slide,Left 滑り板(左)		Bed Slide,Right 滑り板(右)		Bushing asm.Foot 下軸前メタル (組)		Bushing asm.Intermediate 下軸中メタル (組)			
Code ゲージ 記 号													
	inch	mm	Ref.No.	Part No.	Ref.No.	Part No.	Ref.No.	Part No.	Ref.No.	Part No.	Ref.No.	Part No.	
◆◆	A	3/32	2.4	1	101-47551	19	101-45001	24	101-45506	29	B1802-512-0A0-A	32	B1803-515-0A0
◆◆	B	1/8	3.2	2	101-47650								
◆◆	C	5/32	4.0	3	101-47759								
	D	3/16	4.8	4	101-47858								
	E	7/32	5.6	5	101-47957								
	F	1/4	6.4	6	101-48054								
	G	9/32	7.1	7	101-48153								
	H	5/16	7.9	8	101-48252								
	K	3/8	9.5	9	101-48351								
	W	7/16	11.1	10	101-48450								
	L	1/2	12.7	11	101-48559	20	101-45100	25	101-45605				
	M	5/8	15.9	12	101-48658								
	N	3/4	19.1	13	101-48757								
	P	7/8	22.2	14	101-48856								
	Q	1	25.4	15	101-48955	21	101-45209	26	101-45704				
	R	1-1/8	28.6	16	101-49052					30	B1802-512-0AB	33	101-12357
	S	1-1/4	31.8	17	101-49151								
	T	1-3/8	34.9	18	101-49201	23	101-45308	28	101-45803	31	B1802-512-0AB	34	101-12357

◆... Except stitch specification "G" 縫仕様"G"は除く
▲... Except stitch specification "S" 縫仕様"S"は除く

TABLE OF EXCHANGING GAUGE PARTS COMMON TO ALL STITCH SPECIFICATIONS

No.	Supply Code	Parts No.	Replacement	Parts name	Remarks	Choice	Step	Level	Cons	Qty	Rep. QTY
1		10147551		NEEDLE CLAMP ASM. 3/32						1	
2		10147650		NEEDLE CLAMP ASM. 1/8						1	
3		10147759		NEEDLE CLAMP ASM. 5/32						1	
4		10147858		NEEDLE CLAMP ASM. 3/16						1	
5		10147957		NEEDLE CLAMP ASM. 7/32						1	
6		10148054		NEEDLE CLAMP ASM. 1/4						1	
7		10148153		NEEDLE CLAMP ASM. 9/32						1	
8		10148252		NEEDLE CLAMP ASM. 5/16						1	
9		10148351		NEEDLE CLAMP ASM. 3/8						1	
10		10148450		NEEDLE CLAMP ASM. 7/16						1	
11		10148559		NEEDLE CLAMP ASM. 1/2						1	
12		10148658		NEEDLE CLAMP ASM. 5/8						1	
13		10148757		NEEDLE CLAMP ASM. 3/4						1	
14		10148856		NEEDLE CLAMP ASM. 7/8						1	
15		10148955		NEEDLE CLAMP ASM. 1						1	
16		10149052		NEEDLE CLAMP ASM. 1-1/8						1	
17		10149151		NEEDLE CLAMP ASM. 1-1/4						1	
18		10149201		NEEDLECLAMP 1-3/8						1	
19	D	10145001		BED SLIDE, LEFT 3/32						1	
20		10145100		BED SLIDE, LEFT 15/32						1	
21		10145209		BED SLIDE, LEFT 27/32						1	
22		10145308		BED SLIDE, LEFT 1-7/32						1	
23		10145308		BED SLIDE, LEFT 1-7/32						1	
24		10145506		BED SLIDE, RIGHT 3/32						1	
25	D	10145605		BED SLIDE, RIGHT 15/32						1	
26		10145704		BED SLIDE, RIGHT 27/32						1	
27		10145803		BED SLIDE, RIGHT 1-7/32						1	
28		10145803		BED SLIDE, RIGHT 1-7/32						1	
29		B18025120A0A		BUSHING ASM., FRONT						1	
30		B18025120AB		BUSHING ASM., FRONT						1	
31		B18025120AB		BUSHING ASM., FRONT						1	
32		B18035150A0		BUSHING ASM., INTERMEDIATE						1	
33		10112357		BUSHING ASM. INTERMEDIATE						1	
34		10112357		BUSHING ASM. INTERMEDIATE						1	

LIST FOR INFORMATION OF CHANGE

As to the place changed, refer to the corresponding Rev.No.
 When previous parts(Obsolete part) and new parts(Added parts) are not interchangeable with each other:
 In this case, even obsolete parts(D.) can be ordered with the obsolete part number, so select the parts with changed dates and place your orders.

変更箇所は、該当Rev.No.版をご参照ください。
 部品の互換性がない変更の場合は、削除された品番でも、ご注文できます。

29005303
 No.0547-08・ Rev.No.

*A: Added parts 追加部品 / D: Obsolete parts 削除部品 / E: Erratum 訂正

* Rev. No.	Page 頁 No.	Ref. No.	Parts No. 品番	* Rev. No.	Page 頁 No.	Ref. No.	Parts No. 品番		
E	07	21	3	101-98001	A	08	21	3	101-88001
D	07	16	5	101-79661					
D	07	16	7	101-79760					

HOW TO MAKE USE OF THIS PARTS LIST

1.Explanation of codes

1)"*"mark.....means this part is changed from the previous parts book.

As to the details of the change, refer to the "List for information of change".

2)"#01".....refer to "Note" explanation at bottom of page.

2.Codes on the "Qty" column

- Each numeral indicates the number of parts required.
- "0.1" and "2.5" indicate the length (in meters) of the respective parts.

3.Parentheses mean that the corresponding part is a subpart that constructs an assembly part.

4.Dotted lines on the Figures indicate assembly parts.

1."注記"欄の記号説明

1) "*"印.....前回のパーツブックに比較して今回変更された部品を意味します。

変更内容は、"変更情報リスト"を参照してください。

2) "#01".....ページ下の"注記"の説明を参照してください。

2.数量欄の数字は、個数を表し、0.1、2.5等の数値は、長さ（単位メートル）を表します。

3.数量欄の（ ）は、組部品を構成している子部品であることを意味します。

4.イラストページの-----枠は、組構成であることを意味します。

NUMERICAL INDEX OF PARTS

PART NO	PAGE	REF NO.	PART NO	PAGE	REF NO.	PART NO	PAGE	REF NO.
10039105	44	10	10107001	14	2	10117851	24	45
10039105	46	7	10107159	14	5	10117901	26	51
10100550	4	47	10107209	16	25	10118008	26	60
10100758	2	19	10107357	38	7	10118107	24	14
10100808	2	18	10107407	30	54	10118206	24	22
10100907	2	2	10107506	14	8	10118305	26	48
10101004	2	4	10107605	30	57	10119006	28	30
10101103	2	27	10107753	16	38	10119105	28	31
10101202	4	36	10108009	14	11	10119204	28	33
10101301	2	32	10108512	10	1	10119303	28	28
10101400	2	25	10108611	10	11	10119402	30	42
10101509	2	23	10108751	10	13	10119600	30	46
10102002	2	11	10108801	12	42	10119758	30	52
10102200	4	50	10108900	12	51	10119857	28	25
10102200	40	13	10109205	12	41	10119907	30	55
10102259	4	48	10109908	10	29	10120004	30	48
10102259	40	12	10110054	10	17	10121069	8	44
10102507	6	20	10110062	10	18	10121309	8	46
10102655	6	10	10110203	10	20	10121408	8	51
10102705	6	6	10110252	10	19	10121556	8	48
10102853	6	1	10110401	10	21	10121606	8	58
10103000	6	21	10110500	10	22	10121952	8	64
10103109	6	25	10110500	40	37	10122109	8	59
10103257	6	27	10110609	10	23	10122257	8	69
10103406	6	32	10111201	10	39	10123057	20	28
10103505	40	4	10111300	10	25	10123206	20	24
10103604	40	11	10111508	10	24	10123305	20	15
10103703	40	10	10111805	10	28	10123453	36	1
10104503	6	37	10112050	10	6	10123701	20	27
10104701	6	7	10112357	62	34	10124055	36	5
10104859	6	38	10112407	10	30	10124204	36	11
10105575	20	41	10116051	24	3	10124303	36	15
10105609	20	3	10116259	24	36	10124501	36	4
10105757	60	24	10116358	24	43	10124659	38	1
10105856	60	25	10116408	24	39	10124667	36	2
10106003	16	44	10116507	24	38	10124675	38	5
10106102	8	62	10116655	24	20	10124675	40	1
10106102	16	49	10116754	24	32	10125003	20	4
10106201	16	61	10116804	24	15	10125102	20	6
10106300	16	28	10116903	24	30	10125201	20	33
10106458	18	63	10117208	24	18	10125557	34	5
10106557	16	57	10117307	24	26	10125755	34	2
10106656	18	65	10117604	26	53	10125904	34	19
10106805	16	55	10117703	26	52	10126001	34	18
10106904	14	3	10117802	26	47	10126555	34	43

NUMERICAL INDEX OF PARTS

PART NO	PAGE	REF NO.	PART NO	PAGE	REF NO.	PART NO	PAGE	REF NO.
10126654	34	41	10144350	26	46	10150753	56	9
10126803	34	40	10144400	28	32	10150852	56	10
10126902	34	14	10145001	4	42	10150951	56	11
10127009	34	13	10145001	62	19	10151058	56	12
10128007	44	6	10145100	62	20	10151157	56	13
10128007	46	4	10145209	62	21	10151256	56	14
10128056	44	1	10145308	62	23	10151355	56	15
10128064	46	1	10145506	4	45	10151454	56	16
10128106	44	3	10145506	62	24	10151553	56	17
10128106	46	2-30	10145605	62	25	10151652	56	18
10129054	50	1	10145704	62	26	10151751	56	19
10129104	40	18	10145803	62	28	10152650	56	20
10129500	40	17	10147551	60	13	10152668	60	26
10129559	40	16	10147551	62	1	10152759	22	53
10130003	52	1	10147650	40	23	10152759	56	22
10130003	60	1	10147650	60	14	10152767	60	27
10130102	52	2	10147650	62	2	10152858	56	23
10130201	52	3	10147759	60	15	10152866	60	28
10130300	4	44	10147759	62	3	10152957	56	24
10130300	52	4	10147858	6	40	10152965	60	29
10130409	52	5	10147858	60	16	10153054	56	25
10130508	52	6	10147858	62	4	10153153	56	26
10130607	52	7	10147957	60	17	10153252	56	27
10130706	52	8	10147957	62	5	10153351	56	28
10130805	52	9	10148054	60	18	10153450	56	29
10130904	52	10	10148054	62	6	10153559	56	30
10131001	52	11	10148153	62	7	10153658	56	31
10131100	52	12	10148252	62	8	10153757	56	32
10131209	52	13	10148351	62	9	10153856	56	33
10131308	52	14	10148450	62	10	10153955	56	34
10131407	52	15	10148559	62	11	10154052	56	35
10131506	52	16	10148658	62	12	10154151	56	36
10131605	52	17	10148757	62	13	10155059	58	50
10132504	52	18	10148856	62	14	10155158	58	51
10132603	52	20	10148955	62	15	10156552	56	39
10132702	52	21	10149052	62	16	10156651	56	38
10132801	52	22	10149151	62	17	10156750	56	40
10132900	52	23	10149201	62	18	10156859	56	41
10133007	52	24	10150050	56	1	10156958	56	42
10133106	52	25	10150159	56	2	10157055	56	43
10133205	52	26	10150258	56	3	10157154	56	44
10133304	52	27	10150357	56	5	10157253	56	45
10133403	52	28	10150456	56	6	10157352	56	46
10133502	52	29	10150555	56	7	10157451	58	47
10144301	26	54	10150654	56	8	10157550	58	48

NUMERICAL INDEX OF PARTS

PART NO	PAGE	REF NO.	PART NO	PAGE	REF NO.	PART NO	PAGE	REF NO.
10157659	58	49	10168409	54	56	10209302	32	19
10160851	2	20	10168508	54	57	10209401	32	10
10161057	6	28	10168607	54	58	10209500	32	37
10161156	38	8	10168706	54	59	10209609	32	18
10161206	30	58	10168805	54	60	10209674	32	1~6
10161305	28	29	10168904	54	61	10209682	32	1~6
10161503	44	7	10169001	54	62	10209773	32	1~6
10161552	44	2	10169100	60	7	10209781	32	1~6
10162204	42	2	10170207	54	63	10209807	32	38
10162253	42	1	10170306	54	65	10209906	32	39
10162402	42	25	10170405	54	66	10211001	24	4
10162501	42	24	10170504	54	67	10211118	24	2
10162600	42	3	10170603	54	68	10211209	24	11
10162758	48	1	10170702	54	69	10211407	24	6
10163004	4	29-61	10170801	54	70	10211506	24	10
10165009	52	30	10170900	54	71	10218253	50	33
10165108	52	31	10171007	54	72	10220101	40	25
10165207	52	32	10171106	54	73	10220101	60	2
10165306	52	33	10171205	54	74	10220200	60	3
10165405	52	34	10171304	54	75	10220309	60	4
10165504	52	35	10171403	54	76	10220408	60	5
10165603	52	36	10171502	54	77	10220507	60	6
10165702	52	37	10178754	22	50	10222255	40	26
10165801	52	38	10179208	8	61	10222255	60	19
10165900	52	39	10179307	12	50	10222354	60	20
10166007	52	40	10179851	28	16	10222453	60	21
10166106	52	41	10179968	32	1~6	10222552	60	22
10166205	52	42	10180909	54	64	10222651	60	23
10166304	52	43	10181006	52	19	10225704	40	22
10166403	52	44	10181469	32	1~6	10225704	54	47
10166502	52	45	10188001	38	9	10225704	60	8
10166601	52	46	10188001	40	3	10383008	6	33
10167609	54	48	10188902	6	19	10419307	44	4
10167609	60	9	10195154	12	52	10419307	46	2-30
10167708	16	37	10195154	40	34	10601607	4	52
10167708	54	49	10195303	40	35	10602902	2	3
10167708	60	10	10195402	40	36	10615003	32	20
10167807	54	50	10201952	50	12	10615102	32	11
10167807	60	11	10207009	40	7	10623403	34	25
10167906	54	51	10207256	40	8	10741759	2	9
10167906	60	12	10208551	32	31	11007101	20	5
10168003	54	52	10208700	32	34	11024007	42	7
10168102	54	53	10208866	32	30	11024106	42	8
10168201	54	54	10209054	32	27	11024205	42	11
10168300	54	55	10209203	32	7	11024304	42	23

NUMERICAL INDEX OF PARTS

PART NO	PAGE	REF NO.	PART NO	PAGE	REF NO.	PART NO	PAGE	REF NO.
11047107	42	4	B1214019000	6	24	B2037372000	26	61
11071602	22	55	B1214038000	34	9	B2733761000	30	51
11071701	22	46	B1412352A00	8	56	B2906415000	8	57
11071800	20	37	B1414555000	6	9	B29074150A0	6	35
11072204	36	20	B1501581000	22	49	B2913412N00	8	50
11072402	36	14	B1509555000	20	44	B2915415000	8	52
11077567	44	13	B1511555000	20	45	B3120125000	36	19
11185006	48	7	B1513280000	14	7	B3125012000	36	33
11185105	48	2	B1515415000	20	8	B3125012000	44	15
11185204	48	3	B1521555000	20	38	B3125012000	46	11
11185352	48	4	B1522180000	20	10	B3125527000	36	32
11185402	48	6	B1531415000	20	11	B3126012000	44	17
11185501	48	10	B1603512000	16	47	B3126012000	46	13
22602601	4	46	B1604012000A	16	42	B3126051000	36	16
22619001	34	27	B1610484000	16	29	B3127051000	36	9
22621155	46	10	B1610512000	16	35	B3127527000	36	8
22904155	6	22	B16234700A0	14	20	B3128051000	36	3
22904155	16	51	B16234700AA	14	21	B3128527000	36	25
22907109	22	52	B1624380000	14	14	B3129012A00	36	18
22907406	22	48	B162438000A	14	15	B3129012B00	44	16
22907703	22	47	B1633470000	18	67	B3129012B00	46	12
22912109	14	18	B1634470000	14	17	B3129526000	38	6
22925101	34	1	B1636581B00	16	33	B3129526000	40	2
22932453	42	10	B1637432000	16	32	B3132051000	36	17
22934202	42	20	B1649161000	16	23	B3134521000	36	6
22934251	42	16	B1652470000	16	56	B3135415000	20	12
22934301	42	21	B18025120A0A	10	2	B31375270A0	36	22
22934400	42	19	B18025120A0A	62	29	B3138512000	4	34
22934509	42	17	B18025120AB	62	31	B3138527000	36	29
22934608	42	18	B18035150A0	10	10	B3139527000	36	24
22951552	50	24	B18035150A0	62	32	B3140527000	36	26
A407855000A	20	43	B18165120A0	10	4	B3141527000	36	31
A407855000A	50	29	B1818051D00	12	49	B3142527000	36	23
B1111563000	4	40	B1820563000	10	32	B3143527000	36	21
B1114051000	2	13	B1821051000	10	34	B3201012000	44	31
B1114280000	30	56	B1822051000	10	35	B320101200A	44	32
B1123552000A	2	29-61	B1823051000	10	38	B3203555000A	44	33
B1123552A00	2	30	B1834512000A	34	35	B3204012000	44	21
B1131528000	4	49	B18405120A0	10	8	B320401200A	44	14
B1131528000	40	14	B1850512000	34	30	B3210771000	46	25
B1132512000	4	37	B1851512000	34	29	B3212012000	44	27
B1132521000	40	19	B1860512000	12	44	B3214012000	44	22
B1147555000	14	19	B1903552000	6	8	B32140120A0	46	19
B1212552A00	6	13	B19045520A0	6	2	B3214047000	36	12
B12135520A0A	6	16	B1905541B00	6	5	B3217012000	44	29

NUMERICAL INDEX OF PARTS

PART NO	PAGE	REF NO.	PART NO	PAGE	REF NO.	PART NO	PAGE	REF NO.
B32230120A0	44	20	D1687141E00	30	45	M9628110000	50	20
B32230120A0	46	16	D2107555B00	26	50	M9637110000	50	15
B3224771000	46	26	D2112555B00	2	6	M9640110000	50	13
B3228012000	44	26	D2119555C00	32	22	MAI15043000	50	8
B3228012000	46	23	D2120555C00	32	15	MAO11532000	48	19
B3229012000	44	24	D2430555B00	24	34	MC200500650	38	4
B3229012000	46	21	D2464555B00	28	36	MC200500750	8	43
B3305704000A	48	5	D2515232D00	30	49	MC200501250	40	6
B3311012000	48	9	D2611555B00A	28	11	MC200501300	38	11
B3311704000	48	12	D3129555D00	38	2	MDP500B1100	6	42
B3317704000	48	11	D3156415B00	20	21	MDP500B2100	38	10
B3320704L00A	48	8	D3157415BAH	20	17	MDP500B2100	40	5
B3418180000	24	17	D3163555B00A	20	31	MSG19060900	38	3
B3431581000	20	2	D3164555B00	20	29	MTJVM004000	40	33
B3524552000	34	6	D3168555H0B	36	13	MTJVM004100	40	32
B3530555000	34	15	D3916481C00	16	26	MTSP0001000	40	29
B3534155000	34	8	D6001555B00	50	7	MTSP00550A0	40	28
B3538112000	2	8	D6009555D0A	50	11	MTSP00650A0	40	27
B3538112000	20	35	D6029555B0A	50	4	NM6040003SC	32	26
B3538112000	34	23	D6036555BA0	28	13	NM6050001SE	48	18
B60365050A0	28	15	D6036555CA0	28	14	NM6050001SP	24	35
B60375050A0	50	23	D6036555CAA	28	12	NS6060310SP	20	25
B8228125000	42	15	D6042555B00	50	10	NS6080210SP	16	45
B9141372000	50	21	D6043555B00	50	14	NS6090310SP	34	32
BP300000000	34	39	D9204555B00	28	18	NS6110310SP	34	44
BT0630520Z0	50	2	D9204555C00	28	19	NS6110310SP	36	10
CM300200001	4	57-58	D9205555B00	28	17	NS6110420SP	10	36
CM3002000B1	4	57-58	D9299555B00	28	8	NS6110420SP	16	24
CM300200101	4	59-60	E9862201000	32	8	NS6110420SP	24	40
CM3002001A1	4	59-60	G32041160C0	46	17	NS6110420SP	34	34
CQ200000000	8	60	G32121160A0	46	24	NS6150430SP	30	43
CQ202000000	10	37	G3213116000	46	18	NS6150430SP	50	3
CQ252000000	16	53	G3217116000	46	28	NS6150430SR	42	12
CQ303000000	16	62	HK034610140	50	25	NS6620310SP	2	14
CQ3500000F0	6	3	HK03464000B	50	26	NS6620310SP	20	42
CS070081BSH	24	28	HW500070000	28	23	NS6680320SP	8	71
CS102121ASH	14	9	HW5F18S1228	28	24	NS6680410SP	8	67
CS1470710SH	12	53	HW5F18S1248	32	14	NS6680410SP	16	64
CS1470710SH	24	24	M6050350AAA	50	31	NS6680410SP	18	64
D1517415B00	20	1	M6050350AAF	50	28	RC4800002KP	40	30
D1627555B00A	28	1	M6050350AAS	50	32	RE0250000K0	26	49
D1627555B0A	28	2	M851212000S	50	19	RE0320000K0	32	33
D1628555B00	28	5	M8512120B0S	50	18	RE0400000K0	28	37
D1635555B00	28	6	M8512120BB0A	50	16	RE0500000K0	20	22
D1684141E00A	30	44	M8512120BBA	50	17	RE0500000K0	28	9

NUMERICAL INDEX OF PARTS

PART NO	PAGE	REF NO.	PART NO	PAGE	REF NO.	PART NO	PAGE	REF NO.
RE0500711KP	16	41	SS2090710SP	2	26	SS7090910SP	6	47
RE0600000K0	20	19	SS2090710SP	40	21	SS7090910SP	8	47
RE0600000K0	30	59	SS2110920TP	4	43	SS7090910SP	34	31
RE0700000K0	26	59	SS2110930SP	16	31	SS7090910TP	22	54
RE1000000K0	42	9	SS2110930SP	34	28	SS7110340SP	32	9
RO029180100	6	17	SS3090520SP	32	35	SS7110340SP	34	42
RO037180100	20	39	SS4111015SP	50	30	SS7110410SP	44	25
RO044240100	6	14	SS5090610SP	2	51	SS7110410SP	46	22
RO074240100	14	16	SS5090610SP	4	51	SS7110510SP	2	41
RO098240100	42	6	SS5090610SP	24	12	SS7110510SP	4	41
RO195240100	34	16	SS5090610SP	40	15	SS7110510SP	18	66
RO437200200	6	30	SS6060410TP	8	54	SS7110510SP	32	17
SB120000100	6	29	SS6081810SP	16	46	SS7110510SP	44	5
SB120000200	10	14	SS6090660TP	8	55	SS7110510SP	46	3
SB30953010C	10	40	SS6090810SP	10	26	SS7110710SP	2	10
SD0380551SL	40	20	SS6091022TP	24	9	SS7110710SP	20	36
SD0470281SP	36	7	SS6110610TP	10	16	SS7110710SP	28	26
SD0490261SP	44	28	SS6110710TP	14	1	SS7110710SP	32	21
SD0490261SP	46	27	SS6111010SP	24	23	SS7110710SP	34	24
SD0600271SP	24	19	SS6111140SP	2	54	SS7110710SP	36	34
SD0600271SP	32	29	SS6111140SP	4	54	SS7110840SP	44	18
SD0600322SD	20	34	SS6111140SP	24	42	SS7110840SP	46	14
SD0630301SP	20	9	SS6111140SP	50	27	SS7110910SP	2	7
SD0640231SP	20	16	SS6111610SP	34	26	SS7110910SP	16	54
SD0640482SP	20	23	SS6121010SP	24	37	SS7110910SP	26	55
SD0650305SP	24	41	SS6121050SP	14	22	SS7111120SP	2	21
SD0720331SP	20	7	SS6121212TP	24	13	SS7111120SP	32	28
SD0720331SP	30	47	SS6121220TP	6	36	SS7111310TP	16	48
SD0900701TP	8	68	SS6121610TP	8	70	SS7111410SP	20	32
SD0900701TP	16	59	SS6121610TP	14	58	SS7111410SP	28	7
SD0900702TP	14	4	SS6121610TP	16	58	SS7111410SP	34	45
SK3482500SC	44	11	SS6121610TP	24	44	SS7111810SP	34	17
SK3482500SC	46	8	SS6121610TP	40	9	SS7121410SP	30	53
SM0081001SD	42	5	SS6151040SP	26	62	SS7150740SP	44	9
SM4030601SB	32	24	SS6151220SP	24	33	SS7150740SP	46	6
SM4033001SC	28	4	SS6153040SP	10	31	SS7151210SP	28	41
SM4040601SB	26	58	SS6580752TP	16	36	SS7151210SP	30	41
SM4051405SE	48	16	SS6661110SP	6	26	SS7151610SP	24	16
SM7082550SP	12	47	SS6661110SP	16	30	SS7620750SP	30	50
SM8050502TP	16	43	SS7060610SP	12	45	SS7621040SP	4	53
SM9061203SE	42	22	SS7080520SP	20	14	SS7621040SP	50	34
SQ1110401MZ	34	21	SS7081310SP	44	30	SS7681650TP	6	15
SQ1150451MZ	34	11	SS7081310SP	46	29	SS8080410TP	36	27
SS2080810SP	2	28	SS7090520SP	4	35	SS8080610SP	24	7
SS2080810SP	24	1	SS7090520SP	36	30	SS8080610SP	36	28

NUMERICAL INDEX OF PARTS

PART NO	PAGE	REF NO.	PART NO	PAGE	REF NO.
SS8080660TP	6	41	TA2100904R0	2	17
SS8080660TP	40	24	WP0250516SD	8	53
SS8110410TP	12	54	WP0320501SC	28	3
SS8110410TP	24	25	WP0330500MB	20	13
SS8110510SP	8	45	WP0330500MB	32	23
SS8110510SP	24	29	WP0371016SD	10	27
SS8110510SP	44	23	WP0371016SD	20	26
SS8110510SP	46	20	WP0371016SD	32	36
SS8111010TP	24	21	WP0480856SP	26	57
SS8150510TP	10	9	WP0480856SP	32	16
SS8150710SP	40	31	WP0501016SC	44	19
SS8151150SP	6	63	WP0501016SC	46	15
SS8151150SP	8	63	WP0501016SD	28	34
SS8151150SP	10	12	WP0501016SD	50	35
SS8151550SP	6	31	WP0621016SD	16	39
SS8151550SP	12	48	WP0621016SD	30	40
SS8152030SP	10	3	WP0621016SD	44	8
SS8153010SR	42	13	WP0621016SD	46	5
SS8660530TP	10	7	WP0740516SP	8	66
SS8660610TP	6	23	WP0740516SP	20	40
SS8660610TP	10	15	WP0753016SZ	24	31
SS8660610TP	14	52	WP0850002SP	12	46
SS8660610TP	16	52	WP1612616SE	48	13
SS8660610TP	22	51	WS0441040KP	32	25
SS8660810TP	10	5	WS0451040KP	26	56
SS8660810TP	14	12	WS0521010KP	50	36
SS8660810TP	24	27	WS0631510KP	30	39
SS8661040TP	14	13	WT0530002KS	4	55
SS8681130SP	16	50	WT0530002KS	50	22
SS8681950SP	6	12			
SS9080410SP	24	8			
SS9111010SP	28	35			
SS9111010SP	32	32			
SS9111820SP	12	43			
SS9120910TP	6	34			
SS9151440CP	16	40			
SS9151810SR	42	14			
SS9661120CP	6	11			
TA0750404R0	2	39			
TA0750404R0	4	39			
TA0750704R0	2	15			
TA1050604R0	4	38			
TA1250406R0	2	22			
TA1250504R0	2	12			
TA2050406R0	4	56			