

MODEL : DNU-261H

List No : 0605-02

# PARTS LIST

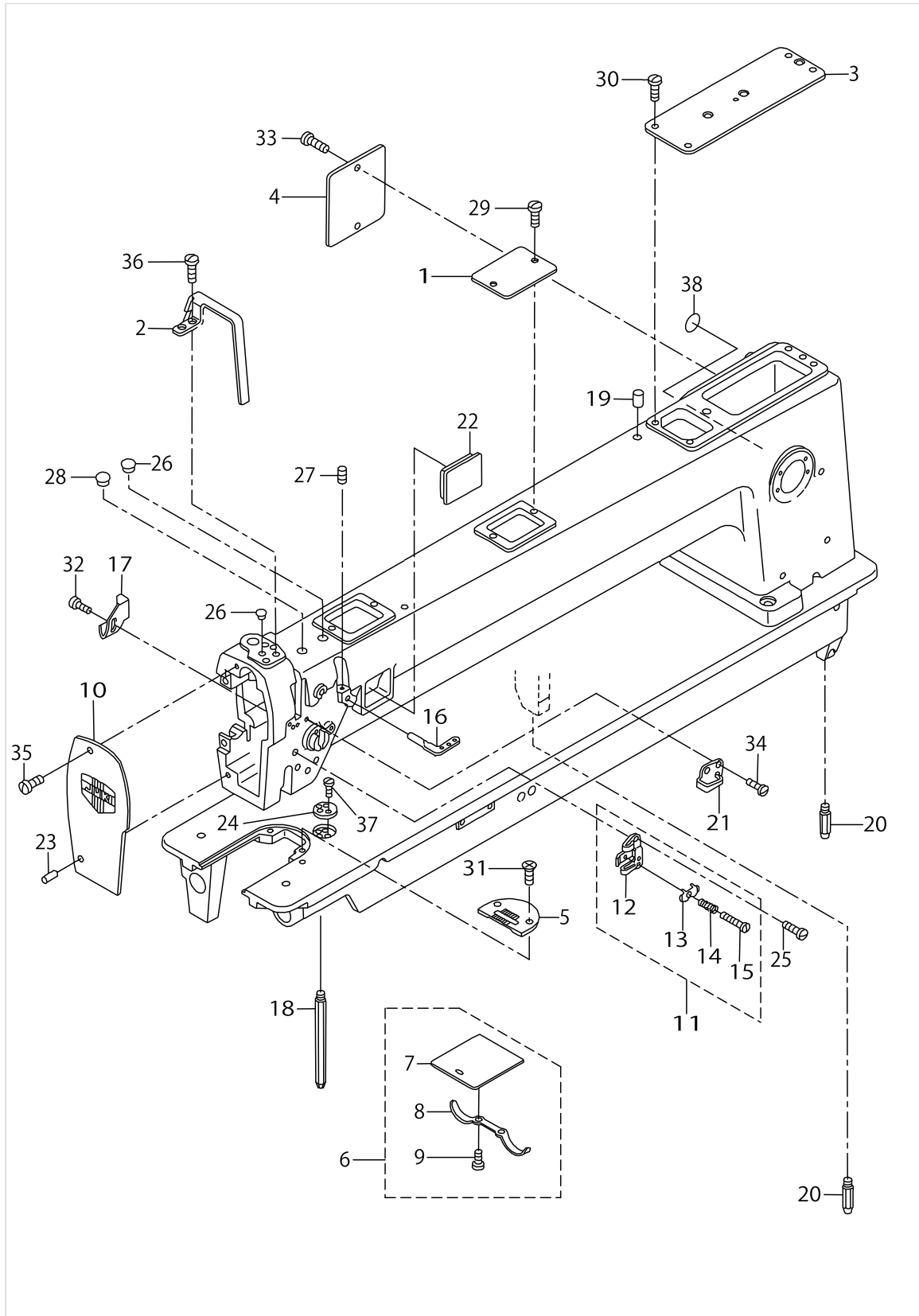
Published:05/12/2017

## CONTENTS

---

FRAME & MISCELLANEOUS COVER COMPONENTS .....	1
MAIN SHAFT & ARM SHAFT COMPONENTS .....	3
NEEDLE BAR,THREAD TAKE-UP LEVER,PRESSER BAR & TENSION RELEASE COMPONENTS ..	5
FEED MECHANISM COMPONENTS.....	9
UPPER FEED MECHANISM & HOOK DRIVING SHAFT COMPONENTS.....	13
LUBRICATION COMPONENTS .....	17
THREAD TENSION COMPONENTS .....	19
KNEE LIFTER & OIL PAN COMPONENTS.....	21
BELT COVER & THREAD WINDER COMPONENTS .....	25
THREAD STAND COMPONENTS.....	27
TABLE COMPONENTS .....	29
ACCESSORIES PARTS COMPONENTS .....	31
GAUGE COMPONENTS.....	33
LIST FOR INFORMATION OF CHANGE.....	35
HOW TO MAKE USE OF THIS PARTS LIST .....	36

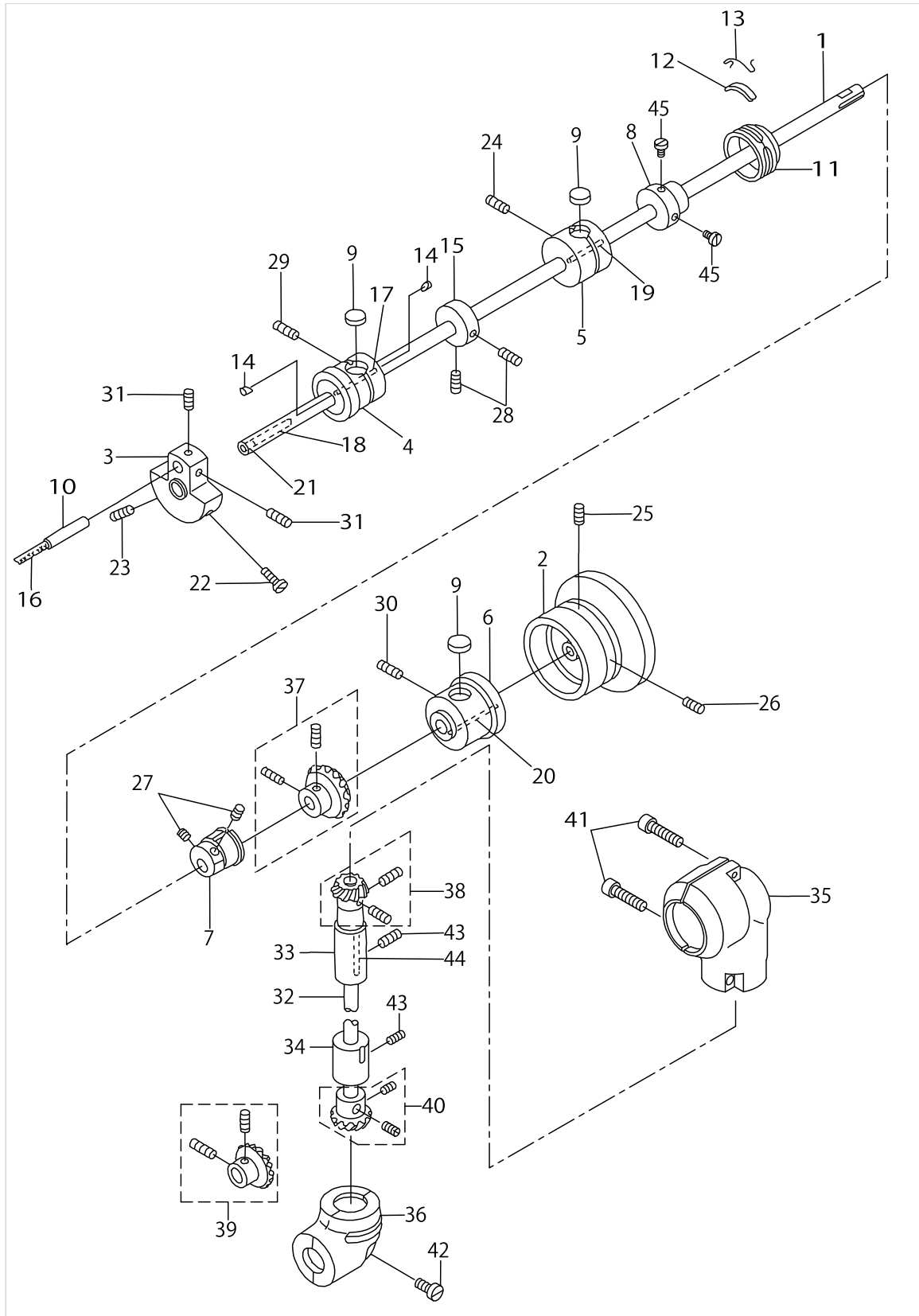
FRAME & MISCELLANEOUS COVER COMPONENTS



FRAME & MISCELLANEOUS COVER COMPONENTS

No.	Supply Code	Parts No.	Replacement	Parts name	Remarks	Choice	Step	Level	Cons	Qty	Rep. QTY
1		21120407		TOP COVER						1	
2		D1158241E00		THREAD TAKE-UP LEVER COVER						1	
3	D	21120506		TOP PLATE						1	
4		B1118241H00		SIDE PLATE						1	
5		21410006		THROAT PLATE						1	
6		B1112241HA0		BED SLIDE ASM.						1	
7	R	B1112241H00	B1112241HA0	BED SLIDE				*		1	1.00
8		A1111007000		SLIDE PLATE SPRING				*		1	
9		SS6060210SP		SCREW 3/32-56 L=1.9				*		2	
10		21120654		FRAME PLATE ASM.						1	
11		B11305210A0		THREAD GUIDE ASM., LOWER						1	
12		B1130521000		THREAD GUIDE				*		1	
13		B1131521000		THREAD PRESSER PLATE				*		1	
14		B1132521000		THREAD PRESSER PLATE SPRING				*		1	
15		SD0380551SL		HINGE SCREW D= 3.80 H= 5.5				*		1	
16		B1128522000		THREE HOLE THREAD EYELET						1	
17		B1140051000		TAKE-UP OIL SPLASHER						1	
18		21120209		BED STUD						1	
19		B3517009000		OIL FELT REAR						1	
20		10100410		BED SCREW STUD						2	
21		B1129563000		FRAME THREAD GUIDE, UPPER						1	
22		B1170246000		CAP						1	
23		B1103051000		FACE PLATE PIN						1	
24		B1103141H00		SCALE BASE PLATE						1	
25	R	SS2090710SP	SS2090710TP	SCREW 9/64-40 L=7						2	1.00
26		TA1050504R0		RUBBER PLUG						2	
27	R	SS8110510SP	SS8110520TP	SCREW 11/64-40 L=5						1	1.00
28		TA1120804R0		RUBBER PLUG						1	
29	R	SS7111120SP	SS7111120TP	SCREW 11/64-40 L=10.5						2	1.00
30		SS7110710SP		SCREW 11/64-40 L=7						4	
31		SS2110915SP		SCREW 11/64-40 L=8.5						2	
32		SS3090520SP		SCREW 9/64-40 L=4.5						1	
33		SS7110710SP		SCREW 11/64-40 L=7						2	
34	R	SS2090710SP	SS2090710TP	SCREW 9/64-40 L=7						2	1.00
35		SS7090610SP		SCREW 9/64-40 L=6						1	
36		SS7150940SP		SCREW 15/64-28 L=9						2	
37		SS7110720SP		SCREW 11/64-40 L=7						2	
38		22901805		GROUND MARK						1	

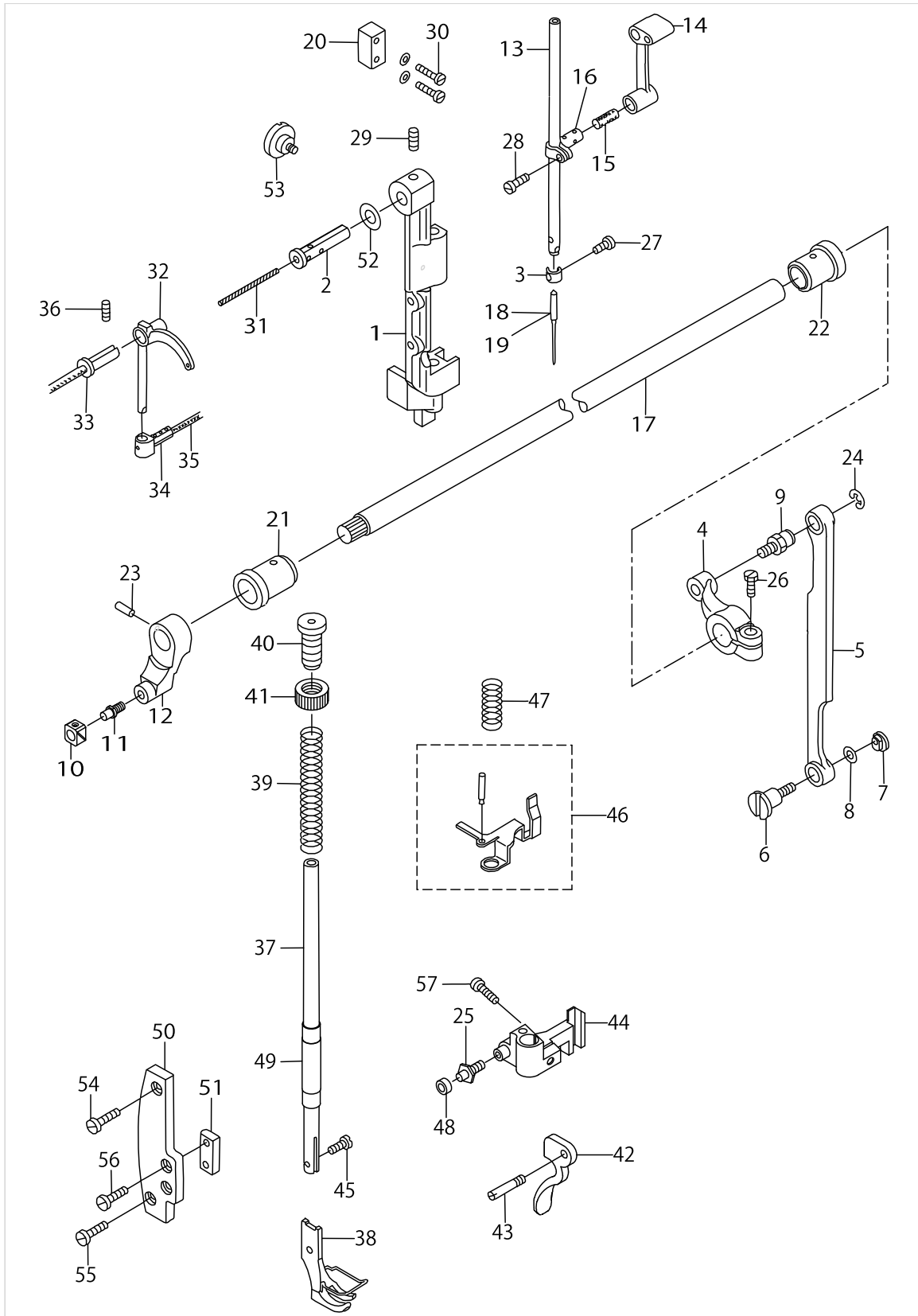
MAIN SHAFT & ARM SHAFT COMPONENTS



MAIN SHAFT & ARM SHAFT COMPONENTS

No.	Supply Code	Parts No.	Replacement	Parts name	Remarks	Choice	Step	Level	Cons	Qty	Rep. QTY
1		21121108		MAIN SHAFT						1	
2	D	21121207		FLY WHEEL						1	
3		D1206241E00		COUNTERWEIGHT						1	
4		B1202241H00		MAIN SHAFT BUSHING, FRONT						1	
5	D	B1203241H00		BUSHING, INTERMEDIATE						1	
6		B1204241H00		BUSHING, REAR						1	
7		B1211141H00		FEED ECCENTRIC CAM						1	
8		B1208141H00		FEED CAM ASM.						1	
9		B1203051000		OIL FELT						3	
10		B1210051000		NEEDLE BAR CRANK PIN						1	
11		B1211226000		ECCENTRIC RETAINER HOUSING						1	
12		B1212012000		OIL FELT						1	
13		B1213012000		FELT RETAINER						1	
14		B1230051000		LEATHER PLUG						2	
15		CS1271012SH		THRUST COLLAR D=12.7 W=10						1	
16		CQ505000000		OIL WICK						.1	
17		CQ252000000		OIL WICK						.1	
18		CQ303000000		OIL WICK						.1	
19		CQ202000000		OIL WICK						.1	
20		CQ202000000		OIL WICK						.1	
21		TA0500601M0		PLUG D=5X5.4 L=6						1	
22		SS7681750TP		SCREW 9/32-28 L=16.5						1	
23		SS8681650TP		SCREW 9/32-28 L=16						1	
24		SS8151550SP		SCREW 15/64-28L=15						1	
25		SS8151780SP		SCREW 15/64-28 L=17.0						1	
26		SS8151550SP		SCREW 15/64-28L=15						1	
27	R	SS8150710SP	SS8150710TP	SCREW 15/64-28 L=7						2	1.00
28		SS8660610TP		SCREW 1/4-40 L=6						2	
29		SS8151550SP		SCREW 15/64-28L=15						1	
30	R	SS8150710SP	SS8150710TP	SCREW 15/64-28 L=7						1	1.00
31	R	SS8150710SP	SS8150710TP	SCREW 15/64-28 L=7						2	1.00
32		B1301241H00		UPRIGHT SHAFT						1	
33		B1302241H00		BUSHING, UPPER						1	
34		B1303271000		BUSHING, LOWER						1	
35		B13052710B0		GEAR CASE ASM.						1	
36		B13072710A0		PINION CASE ASM.						1	
37		B13050120A0		GEAR ASM.						1	
38		B13061550A0		PINION ASM.						1	
39		B13071550A0		GEAR ASM. LARGE						1	
40		B13081550A0		PINION ASM.						1	
41		SM6031202TP		SCREW M3X0.5 L=12						2	
42	D	SM6051410SC		SCREW M5X0.8 L=14						1	
43		SS8151550SP		SCREW 15/64-28L=15						2	
44		CQ252000000		OIL WICK						.1	
45		SS6110710TP		SCREW 11/64-40 L= 6.5						2	

NEEDLE BAR, THREAD TAKE-UP LEVER, PRESSER BAR & TENSION RELEASE COMPONENTS

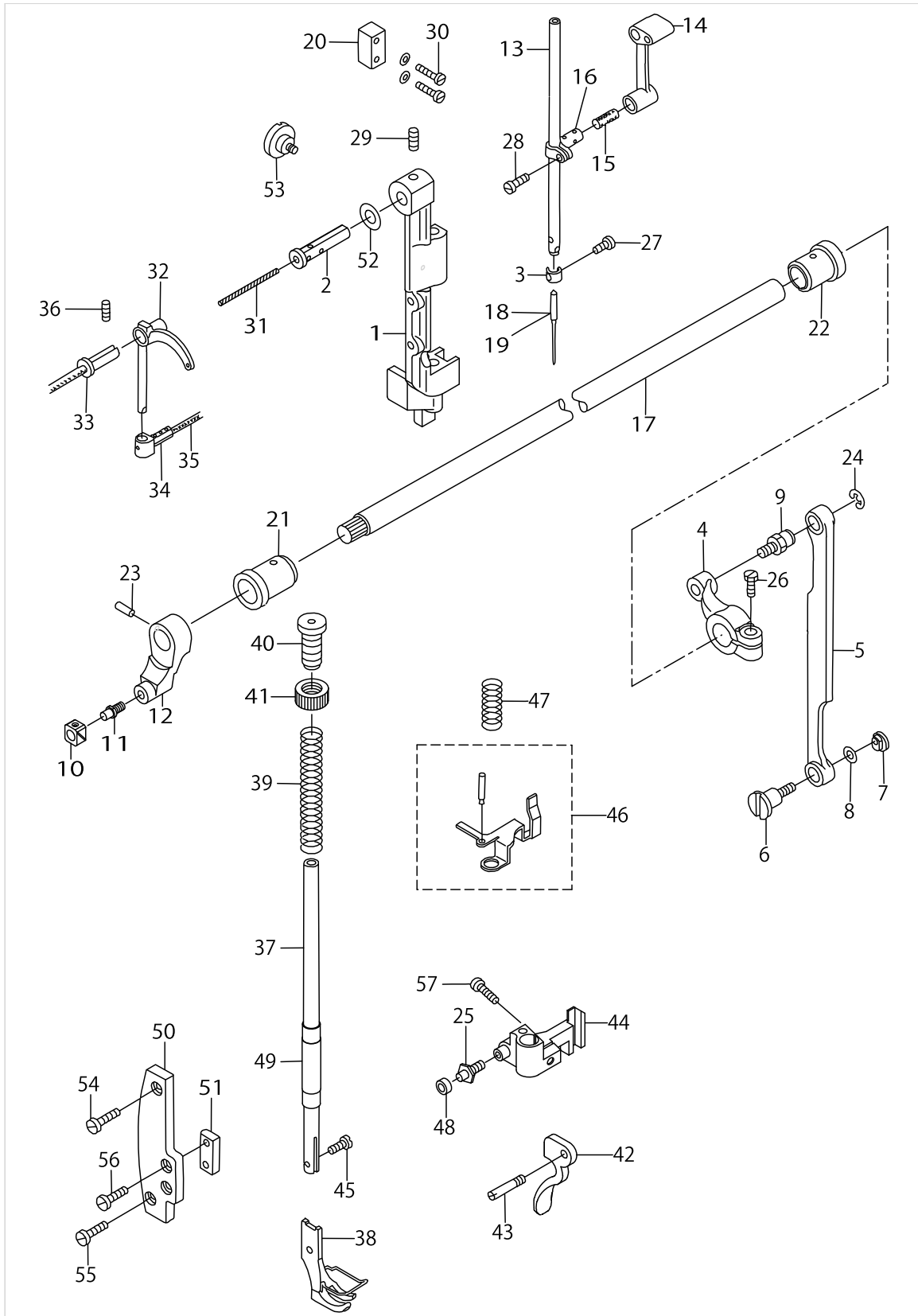


NEEDLE BAR,THREAD TAKE-UP LEVER,PRESSER BAR & TENSION RELEASE COMPONENTS

No.	Supply Code	Parts No.	Replacement	Parts name	Remarks	Choice	Step	Level	Cons	Qty	Rep. QTY
1		B1420563000		NEEDLE BAR FRAME						1	
2		B1906051000		TAKE-UP LEVER PIN						1	
3		B1419245000		NEEDLE BAR THREAD GUIDE						1	
4		21121405		FRAME DRIVING ARM, REAR						1	
5		B1434241H00		DRIVING ROD						1	
6		SD1000952SP		HINGE SCREW D=10 H=9,5						1	
7		B3009141H0B		NUT						1	
8		WP0742016SP		WASHER						1	
9		B1424158000		HINGE SCREW						1	
10		B1414232000		SQUARE BLOCK						1	
11		B1410771000		STUD						1	
12		23002207		ROCK SHAFT FRONT CRANK						1	
13		D1401241E00		NEEDLE BAR						1	
14		D1408241E00		NEEDLE BAR CRANK ROD						1	
15		D1412241E00		FELT						1	
16		D1411241E00		NEEDLE BAR CONNECTION						1	
17		21121603		FRAME DRIVING SHAFT						1	
18		MDP170B2300		NEEDLE DPX17 #23	EXCEPT JE					1	
19		MC372001600		NEEDLE SY3355 160	FOR JE					1	
20		D1423241E00		NEEDLE BAR FRAME GUIDE						1	
21		21121702		BUSHING, FRONT						1	
22		21121801		BUSHING, REAR						1	
23		PT0301600S0		TAPERED PIN 3.0X16						1	
24		RE0700000K0		E-RING 7						1	
25		B1461245000		GUIDE SHAFT HINGE SCREW						1	
26		SS7151610SP		SCREW15/64-28L=16						1	
27		SS7080510TP		SCREW 1/8-44 L=4.5						1	
28	R	SS7090910SP	SS7090910TP	SCREW9/64-40 L=8.5						1	1.00
29	R	SS8151150SP	SS8151150TP	SCREW 15/64-28 L=10.5						1	1.00
30	R	SS7111810SP	SS7111810TP	SCREW11/64-40L=18						2	1.00
31		CQ252000000		OIL WICK						.1	
32		D1905241E00		THREAD TAKE-UP LEVER						1	
33		B1906051000		TAKE-UP LEVER PIN						1	
34		D1907241E00		TAKE-UP LEVER THRUST PIN						1	
35		CQ202000000		OIL WICK						.1	
36	R	SS8151150SP	SS8151150TP	SCREW 15/64-28 L=10.5						1	1.00
37		B1501241H00		PRESSER BAR						1	
38		B1525241HA0		PRESSER FOOT ASM.						1	
39		B1510141H00		PRESSER SPRING						1	
40		B1509141H00		PRESSER SPRING REGULATOR						1	
41	R	22907604	22907554	PRESSER SPRING REGULATOR NUT						1	1.00
42		B1512141H00		HAND LIFTER						1	
43		B1515051000		HAND LIFTER PIN						1	
44		B1460245000		PRESSER LIFTING LEVER BASE						1	
45		SS6090910TP		SCREW 9/64-40 L=9						1	
46		B14602460A0		THREAD RELEASE GUIDE ASM.						1	



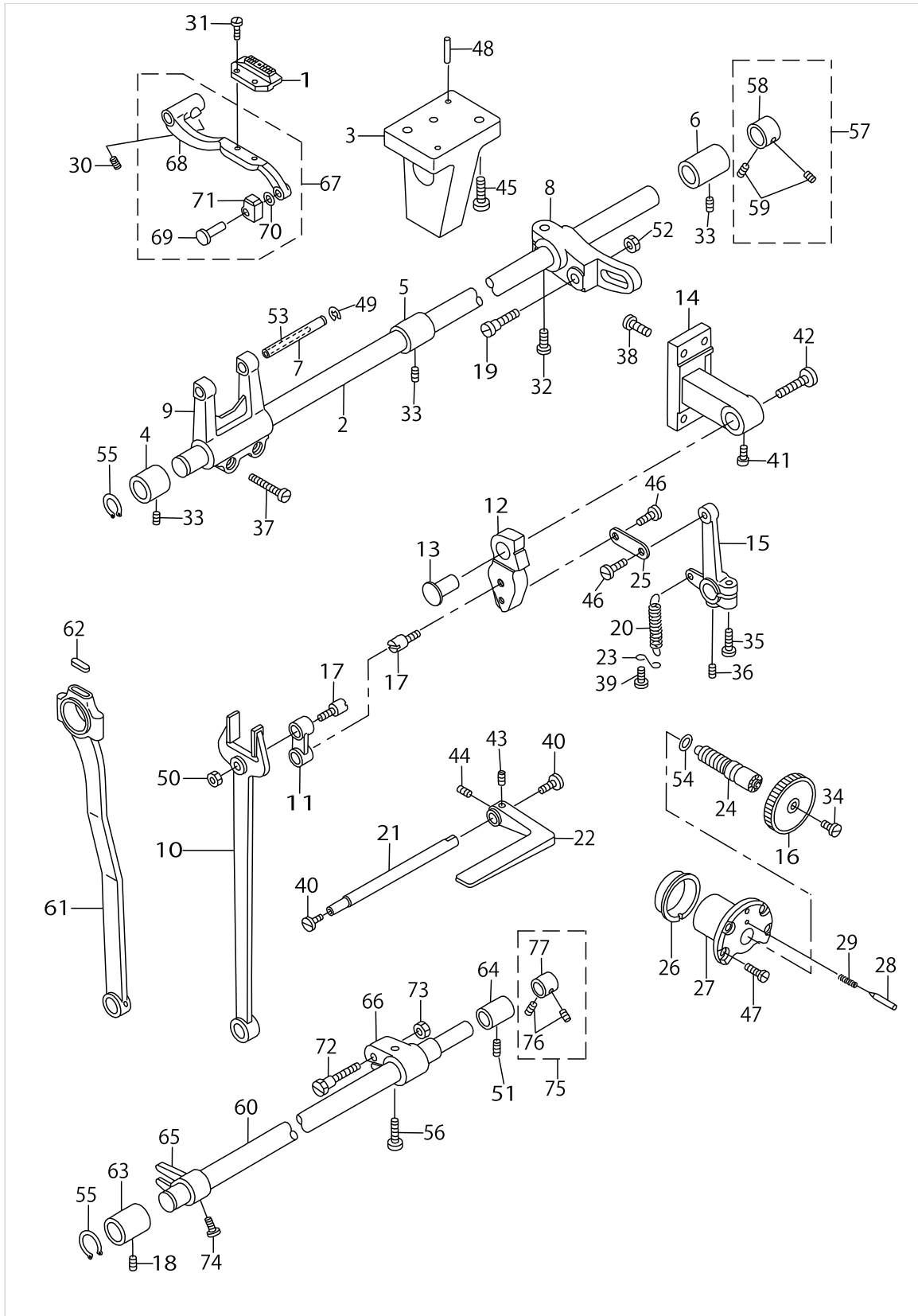
NEEDLE BAR, THREAD TAKE-UP LEVER, PRESSER BAR & TENSION RELEASE COMPONENTS



NEEDLE BAR,THREAD TAKE-UP LEVER,PRESSER BAR & TENSION RELEASE COMPONENTS

No.	Supply Code	Parts No.	Replacement	Parts name	Remarks	Choice	Step	Level	Cons	Qty	Rep. QTY
47		B1462053000		THREAD RELEASE SPRING						1	
48		D1462241E00		CONNECTING PIN ROLLER						1	
49		22907109		PRESSER BAR BUSHING, LOWER						1	
50		D1464241E0A		GUIDE PLATE BASE						1	
51		D1463241E00		PRESSER BAR BRACKET GUIDE						1	
52		B1208019000		WASHER						1	
53		SD0800481SP		HINGE SCREW D= 8 H= 4.9						1	
54		SS7150740SP		SCREW 15/64-28 L=7						1	
55		SS7621040SP		SCREW 3/16-32 L=9.5						1	
56		SS7621040SP		SCREW 3/16-32 L=9.5						2	
57	R	SS7111310SP	SS7111310TP	SCREW 11/64-40 L=12.8						1	1.00

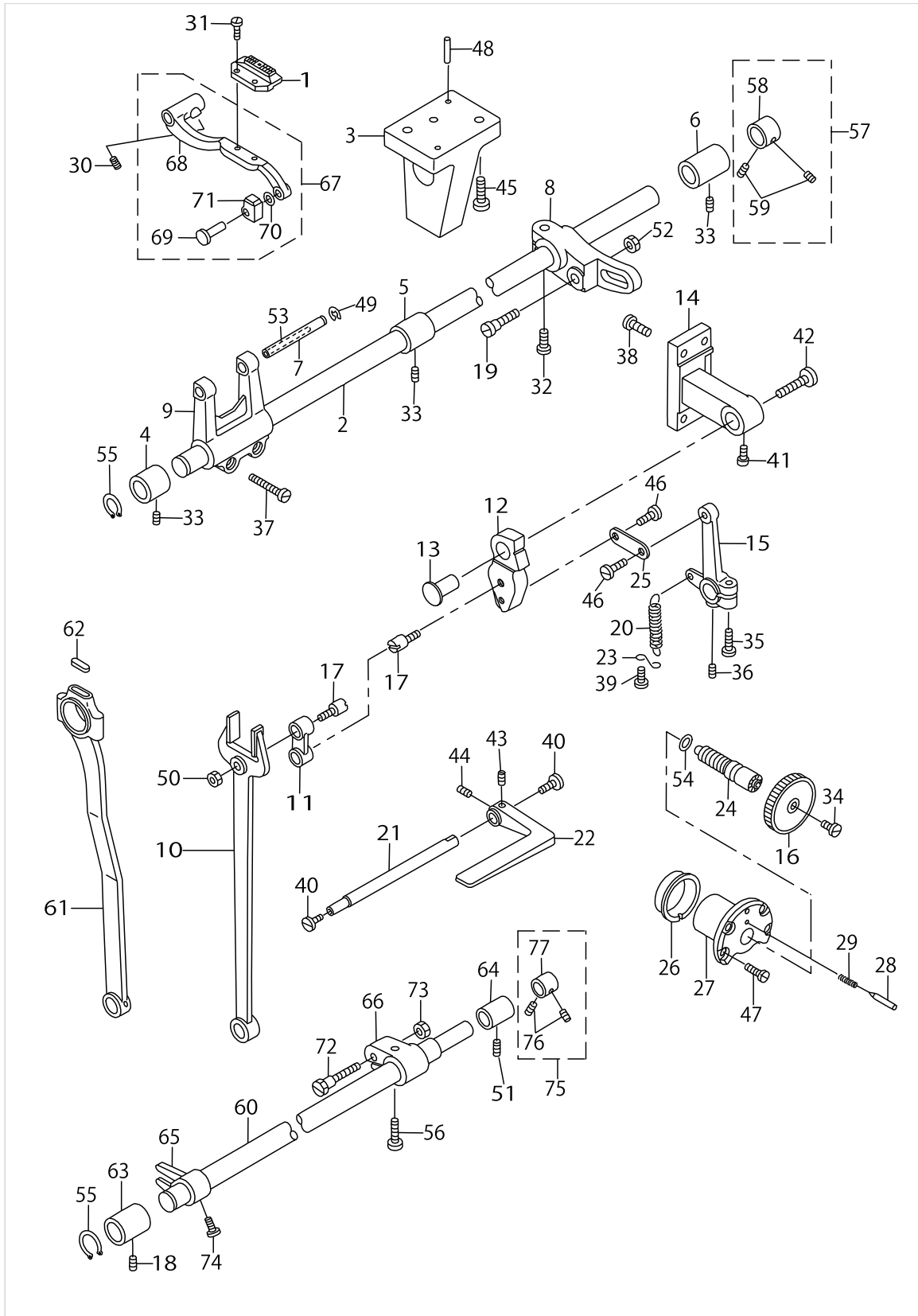
# FEED MECHANISM COMPONENTS



FEED MECHANISM COMPONENTS

No.	Supply Code	Parts No.	Replacement	Parts name	Remarks	Choice	Step	Level	Cons	Qty	Rep. QTY
1		D1613241E0B		FEED DOG 4X2.5 WITH DITCH						1	
2		21122106		HORIZONTAL SEND SHAFT						1	
3		21122205		MIDDLE METAL HOLDER						1	
4		B1604141H00		BUSHING, FRONT						1	
5	D	B1651141H00		BUSHING, INTERMEDIATE						1	
6	D	21122304		BUSHING, REAR						1	
7		B1604012000A		FEED BAR SHAFT						1	
8	D	B1605241H00A		FEED ROCK SHAFT CRANK						1	
9		B1603141H00		FEED ROCKER						1	
10		B1614241H00		PITMAN						1	
11		B1619241H00		FEED CONNECTING LINK						1	
12	D	D1620241E0A		FEED REGULATOR						1	
13		B1622241H00A		HINGE PIN						1	
14		B1650241H00		FEED REGULATOR SUPPORTING BASE						1	
15		B1627241H00		CONTROL LEVER CRANK						1	
16		D1623241EA0A		STICH DIAL ASM.						1	
17		B1617241H00		HINGE SCREW, A						2	
18	R	SS8150710SP	SS8150710TP	SCREW 15/64-28 L=7						1	1.00
19		SD1000951SP		HINGE SCREW D=10 H=9,5						1	
20		B1646241H00		TENSION SPRING						1	
21		B1621241H00		REVERSE FEED CONTROL LEVER SHA						1	
22	D	B1624586000		REVERSE FEED CONTROL LEVER						1	
23		B1648122000		SUSPENSION HOOK (B)						1	
24		B1634241H00		STICH LENGTH REGULATING SCREW						1	
25		B2115271000		NEEDLE THROW LINK						1	
26		B1637141H00		ECCENTRIC BUSHING						1	
27		B1636141H00		STITCH DIAL BASE						1	
28		B1147141H00		PIN						1	
29		B1148141H00		SPRING						1	
30		SS8620610TP		SCREW 3/16-32 L=6						1	
31		SS4080620TP		SCREW 1/8-44 L=6						2	
32		SS7151610SP		SCREW15/64-28L=16						1	
33	R	SS8150710SP	SS8150710TP	SCREW 15/64-28 L=7						5	1.00
34		SS6121050SP		SCREW3/16-28L=9.5						1	
35		SS6121210SP		SCREW 3/16-28 L=12						1	
36	R	SS8150710SP	SS8150710TP	SCREW 15/64-28 L=7						1	1.00
37	R	SS7121410SP	SS7121410TP	SCREW 3/16-28 L=14						2	1.00
38		SS7151210SP		SCREW15/64-28L=12						4	
39		SS7090710SP		SCREW9/64-40L=6.8						1	
40		SS7620750SP		SCREW 3/16-32L=6.5						2	
41		SS6151220SP		SCREW 15/64-28 L=11.5						1	
42		SS7151330SP		SCREW 15/64-28 L=13.0						1	
43		SS8661040TP		SCREW 1/4-40 L=10						1	
44		SS8660810TP		SCREW 1/4-40 L=8						1	
45		SS6151440SP		SCREW15/64-28L=14						2	

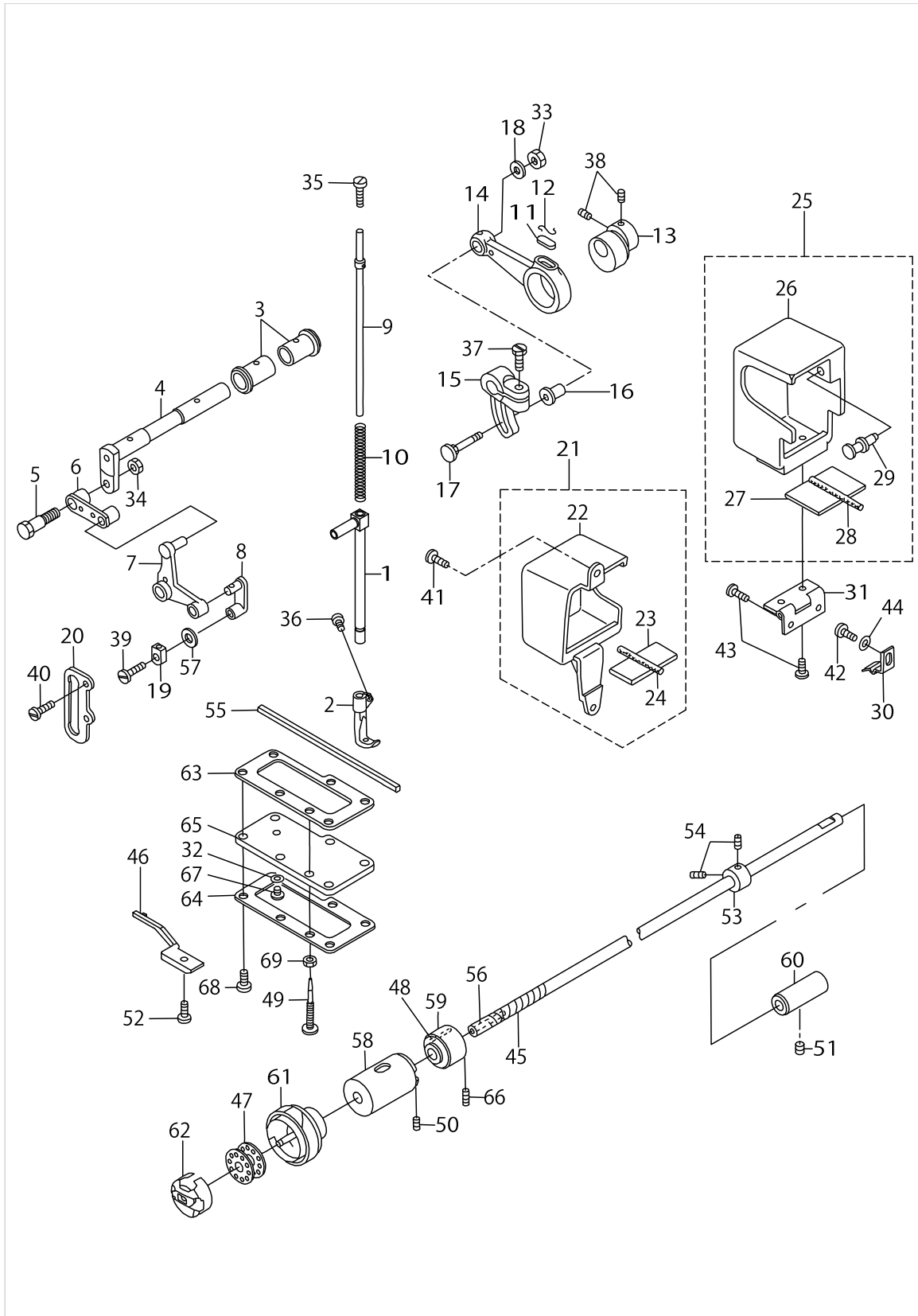
# FEED MECHANISM COMPONENTS



FEED MECHANISM COMPONENTS

No.	Supply Code	Parts No.	Replacement	Parts name	Remarks	Choice	Step	Level	Cons	Qty	Rep. QTY
46		SD0640231SP		HINGE SCREW D= 6.35 H= 2.3						2	
47		B1638141H00		SCREW						4	
48		PS0400182K0		SPRING PIN 4.0X18						2	
49		RE0500711KP		SNAP RING 5						1	
50		NS6680410SP		NUT 9/32-28						1	
51	R	SS8150710SP	SS8150710TP	SCREW 15/64-28 L=7						1	1.00
52		NS6680410SP		NUT 9/32-28						1	
53		CQ202000000		OIL WICK						.2	
54		RO074240100		RUBBER RING						1	
55		RC1400001KP		C-SHAPED SNAP RING						2	
56		SS6151920SP		SCREW 15/64-28 L=19.0						1	
57		CS147101ASH		THRUST COLLAR A-SM. D=14.72 W=1						1	
58		CS1471012SH		THRUST COLLAR D=14.72 W=10				*		1	
59		SS8660610TP		SCREW 1/4-40 L=6				*		2	
60		21122106		HORIZONTAL SEND SHAFT						1	
61		B1708241H00		CRANK CONNECTING ROD						1	
62		B1702012000		OIL FELT						1	
63		B1604141H00		BUSHING, FRONT						1	
64	D	21122304		BUSHING, REAR						1	
65		D1704241E00		UP AND DOWN FEED FORKED						1	
66		B1703241H00		FEED DRIVING SHAFT CRANK, REAR						1	
67		B1602241HA0		FEED BAR ASM.						1	
68	R	B1602241H00	B1602241HA0	FEED BAR				*		1	1.00
69		B1706155000		FEED DRIVING SLIDE BLOCK HINGE				*		1	
70	R	B1707155000	31255300	FEED DRIVING SLIDE BLOCK WASHER				*		1	1.00
71		B1705155000		FEED DRIVING SLIDE BLOCK				*		1	
72		SD1000951SP		HINGE SCREW D=10 H=9,5						1	
73		NS6680410SP		NUT 9/32-28						1	
74	R	SS7111120SP	SS7111120TP	SCREW 11/64-40 L=10.5						1	1.00
75		CS147101ASH		THRUST COLLAR A-SM. D=14.72 W=1						1	
76		SS8660610TP		SCREW 1/4-40 L=6				*		2	
77		CS1471012SH		THRUST COLLAR D=14.72 W=10				*		1	

UPPER FEED MECHANISM & HOOK DRIVING SHAFT COMPONENTS

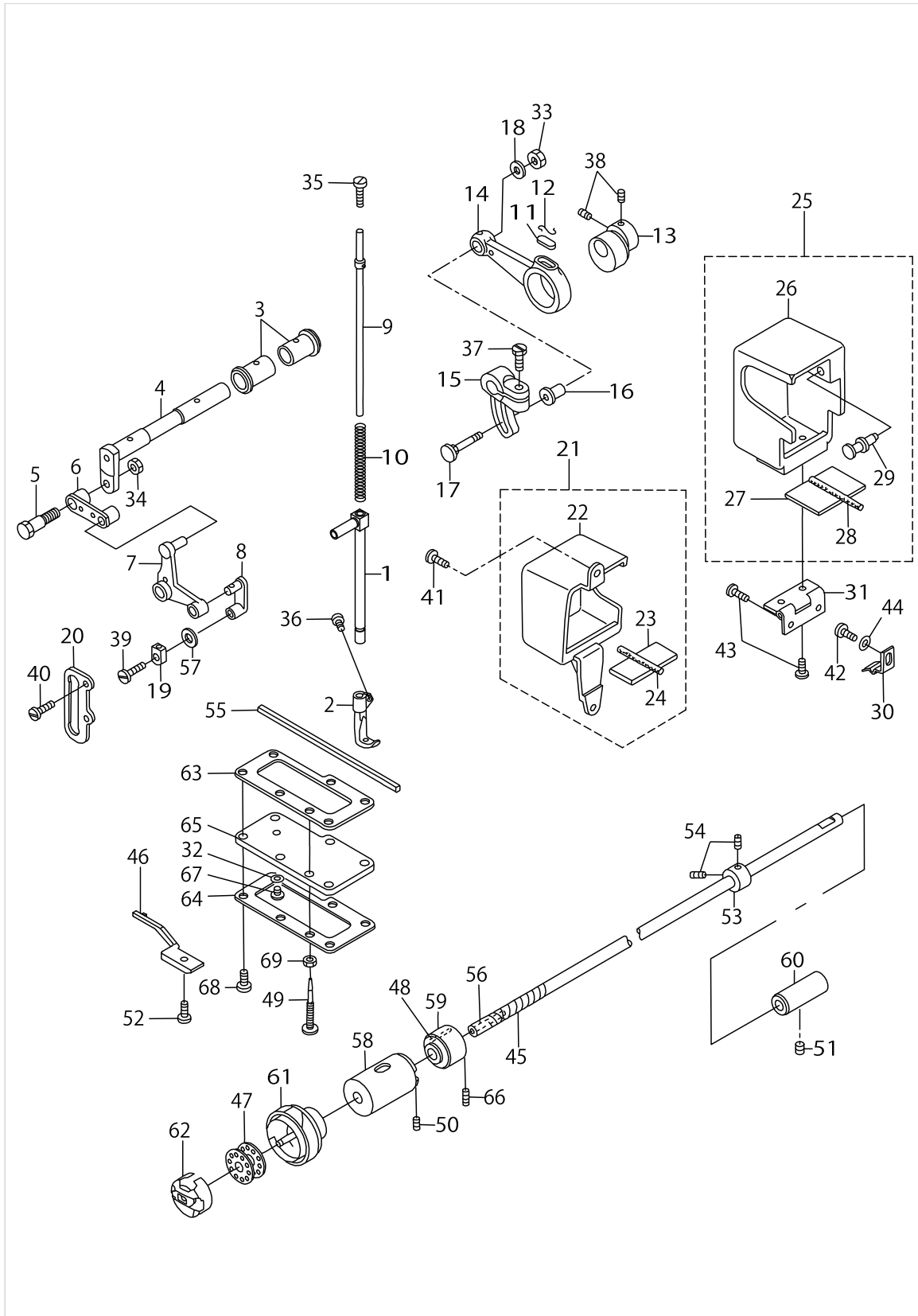


UPPER FEED MECHANISM & HOOK DRIVING SHAFT COMPONENTS

No.	Supply Code	Parts No.	Replacement	Parts name	Remarks	Choice	Step	Level	Cons	Qty	Rep. QTY
1	R	B1466563000	40033030	WALKING BAR						1	1.00
2	D	D1470241E00		FEED FOOT						1	
3		B1455053000		BUSHING						2	
4		10314003		UPPER FEED DRIVING SHAFT						1	
5		B3008141H00		HINGE SCREW						1	
6		D1458241E00		CONNECTING LINK						1	
7		D1459241E00		L SHAPED LINK						1	
8		10314508		WALKING BAR DRIVING LINK						1	
9		B14670530A0		WALKING BAR ASM.						1	
10		B1468053000		WALKING BAR SPRING						1	
11		B1702012000		OIL FELT						1	
12		B1213012000		FELT RETAINER						1	
13		D1450055B00		UPPER FEED DRIVING CAM						1	
14		D1453241E00		UPPER FEED DRIVING ROD						1	
15		D1454055B00		UPPER FEED SPRING ROD						1	
16		D1455055B00		CONNECTING STUD						1	
17		D1456055B00		HINGE SCREW						1	
18		WP0482086SD		WASHER 4.8X11.5X2						1	
19		B1414555000		SLIDE BLOCK						1	
20		B1467563000		UPPER FEED BAR GUIDE						1	
21	D	21122858		UPPER FEED COVER ASM., FRONT						1	
22		21122809		UPPER FEED COVER, FRONT				*		1	
23		D1481241E00		FELT				*		1	
24		CQ303000000		OIL WICK				*		0.2	
25	D	21122957		UPPER FEED COVER ASM., REAR						1	
26		21122908		UPPER FEED COVER, REAR				*		1	
27		D1483241E00		FELT				*		1	
28		CQ303000000		OIL WICK				*		0.2	
29		D1484241E00		PIN				*		1	
30		D1485241E00		UPPER FEED COVER SPRING						1	
31		D1486241E00		UPPER FEED COVER HINGE						1	
32		B3508019000		WASHER						1	
33		NS6110530SP		NUT 11/64-40						1	
34		NS6660430SP		NUT 1/4-40						1	
35		SS6151220SP		SCREW 15/64-28 L=11.5						1	
36		B1471241H00		SCREW						1	
37		SS9161610SP		SCREW 1/4-24 L=16						1	
38		SS8660610TP		SCREW 1/4-40 L=6						2	
39		SS7110510SP		SCREW 11/64-40 L=5						1	
40	R	SS7110910SP	SS7110910TP	SCREW 11/64-40 L=8.5						2	1.00
41	R	SS7111120SP	SS7111120TP	SCREW 11/64-40 L=10.5						2	1.00
42		SS7110710SP		SCREW 11/64-40 L=7						1	
43		SS7110710SP		SCREW 11/64-40 L=7						4	
44		WP0450000SD		WASHER 4.5X8X0.5						1	
45		21122502		HOOK DRIVING SHAFT						1	
46	D	B1835241H00		BOBBIN CASE POSITIONING FINGER						1	



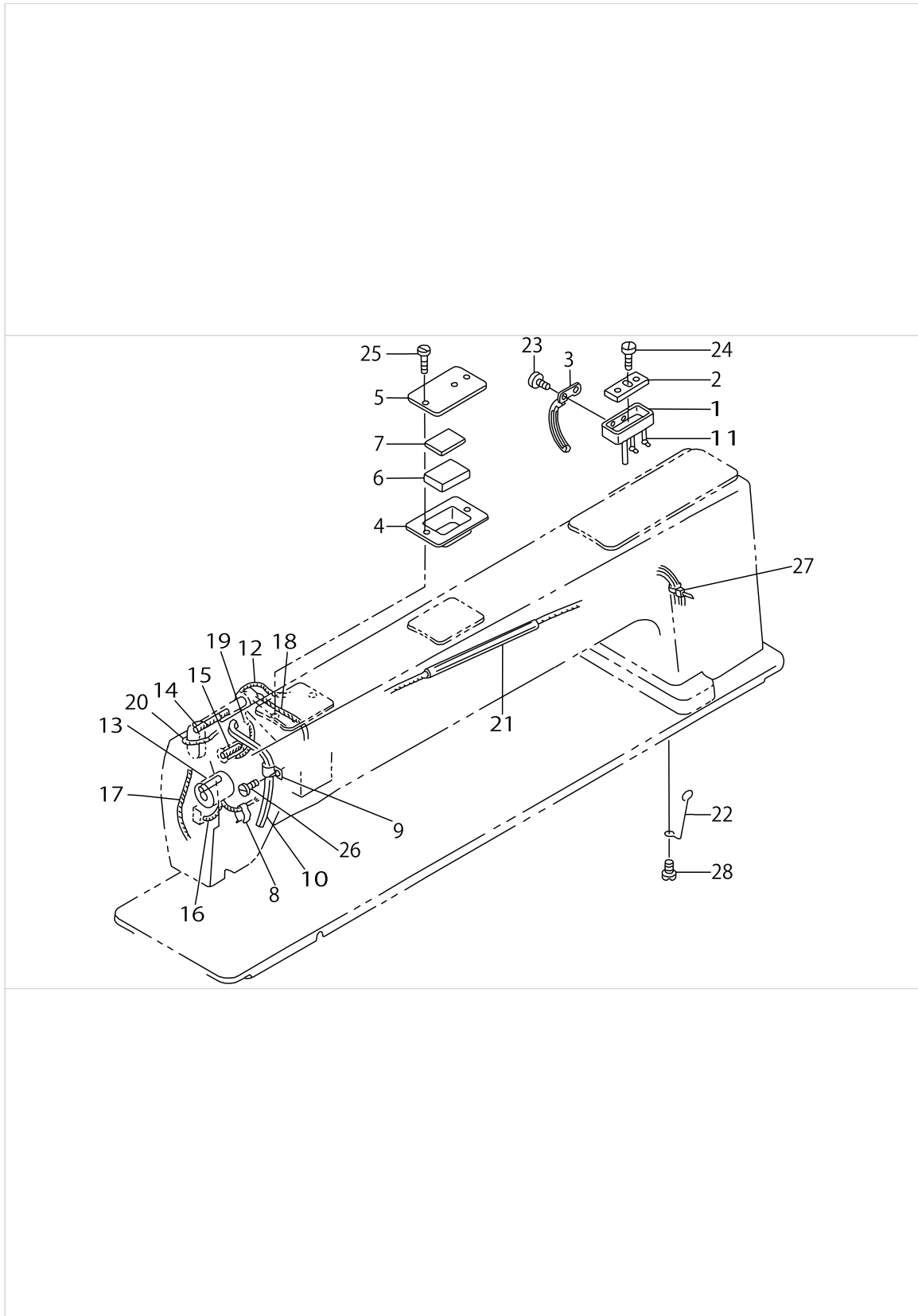
UPPER FEED MECHANISM & HOOK DRIVING SHAFT COMPONENTS



UPPER FEED MECHANISM & HOOK DRIVING SHAFT COMPONENTS

No.	Supply Code	Parts No.	Replacement	Parts name	Remarks	Choice	Step	Level	Cons	Qty	Rep. QTY
47		B9117201000		BOBBIN						1	
48		CQ202000000		OIL WICK						.1	
49		D1153141E00		OIL ADJUSTING SCREW						1	
50	R	SS8150710SP	SS8150710TP	SCREW 15/64-28 L=7						1	1.00
51	R	SS8150710SP	SS8150710TP	SCREW 15/64-28 L=7						1	1.00
52		SS6111620SP		SCREW 11/64-40 L=16.0						1	
53		D1841141E00		THRUST COLLAR						1	
54		SS8660410SP		SCREW 1/4-40 L= 4.2						2	
55		B1155141H00		OIL PIEP						1	
56		CQ200000000		OIL WICK						.1	
57		10509701		FELT						1	
58		21122601		BUSHING, FRONT						1	
59	D	D1803141E00		BUSHING, INTERMEDIATE						1	
60		B1806271000		LOWER SHAFT BUSHING,REAR						1	
61		B1830241HA0		HOOK ASM.						1	
62		B1837241H00		BOBBIN CASE						1	
63		D1152141E00		GASKET						1	
64		D1154141E00		OIL RESERVOIR COVER PLATE						1	
65		D1151141E00		OIL RESERVOIR COVER						1	
66		SS8110320SP		SCREW 11/64-40 L= 3.2						1	
67		SS5660440SP		SCREW 1/4-40 L= 4.0						1	
68		SS6111210SP		SCREW11/64-40L=12						6	
69		NS6110530SP		NUT 11/64-40						1	

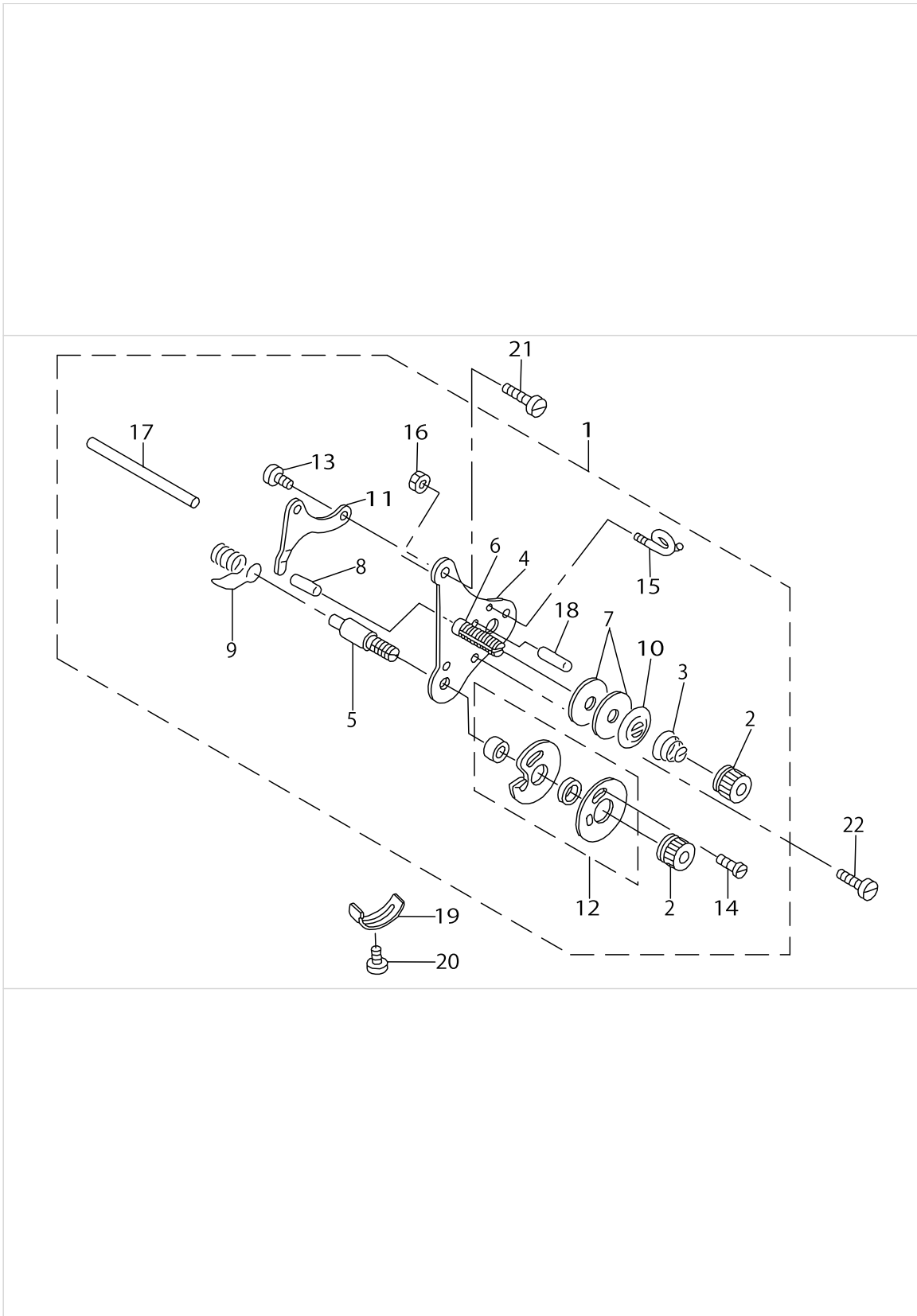
LUBRICATION COMPONENTS



LUBRICATION COMPONENTS

No.	Supply Code	Parts No.	Replacement	Parts name	Remarks	Choice	Step	Level	Cons	Qty	Rep. QTY
1		B8217241H00		OIL RESERVOIR						1	
2		B8218241H00		OIL PAD						1	
3		B3502115000		OIL WICK RETAINER						1	
4	D	D3501241E00		OIL TANK						1	
5		D3502241E00		OIL TANK COVER						1	
6	D	D3503241E00		FELT						1	
7	D	D3504241E00		OIL SPONGE						1	
8		B1437051000		OIL WICK RETAINER						1	
9		B3508512000		OIL FELT HOLDER						1	
10		21124201		FELT						1	
11		CQ202000000		OIL WICK						.4	
12		CQ202000000		OIL WICK						.1	
13		CQ202000000		OIL WICK						.2	
14		CQ202000000		OIL WICK						.3	
15		D3505241E00		OIL WICK						1	
16		CQ202000000		OIL WICK						.2	
17		CQ202000000		OIL WICK						.9	
18		CQ202000000		OIL WICK						.3	
19		CQ202000000		OIL WICK						.2	
20		CQ202000000		OIL WICK						.9	
21		BP600000000		VINYL PIPE						.8	
22	D	D3506241E00		PIPE HOLDER						1	
23		SS7080510TP		SCREW 1/8-44 L=4.5						2	
24	R	SS7111810SP	SS7111810TP	SCREW 11/64-40 L=18						1	1.00
25	R	SS7111120SP	SS7111120TP	SCREW 11/64-40 L=10.5						2	1.00
26		SS7110710SP		SCREW 11/64-40 L=7						1	
27		EA9500B0100		CABLE BAND						3	
28		SS7110710SP		SCREW 11/64-40 L=7						1	

# THREAD TENSION COMPONENTS



THREAD TENSION COMPONENTS

No.	Supply Code	Parts No.	Replacement	Parts name	Remarks	Choice	Step	Level	Cons	Qty	Rep. QTY
1		B31212450A0		TENSION CONTROLLER ASM.						1	
2	R	B3125012000	22928808	THREAD TENSION NUT				*		2	1.00
3		B3129053000		TENSION SPRING				*		1	
4		B3121245000		TENSION POST BASE				*		1	
5		B3123051000		TAKE-UP SPRING STUD				*		1	
6		B3124051000		TENSION STUD				*		1	
7		B3126051000		TENSION DISC				*		2	
8		B3127051000		TENSION RELEASE PIN, SHORT				*		1	
9		B3128051000		THREAD TAKE-UP SPRING, A				*		1	
10		B3132051000		TENSION DISC HOLDER				*		1	
11	D	B3134051000		TENSION RELEASE LEVER				*		1	
12		B31370510A0		TAKE-UP SPRING GUIDE DISC ASM.				*		1	
13		SD0470281SP		HINGE SCREW D=4.7 H=2.8				*		2	
14	R	SS4080610SP	SS4080620TP	SCREW 1/8-44 L=6.4				*		1	1.00
15		B3114761000		FRAME THREAD GUIDE B				*		1	
16		NS6060350SP		NUT 3/32-56				*		1	
17		B3122053000		TENSION RELEASE BAR				*		1	
18		PS0200122K0		SPRING PIN 2.0X12				*		1	
19		B3138512000		TAKE-UP SPRING A- DJUSTING PLATE						1	
20	R	SS7090520SP	SS7090520TP	SCREW 9/64-40 L=4.5						1	1.00
21		SS7110710SP		SCREW 11/64-40 L=7						1	
22	R	SS2090710SP	SS2090710TP	SCREW 9/64-40 L=7						1	1.00



KNEE LIFTER & OIL PAN COMPONENTS

No.	Supply Code	Parts No.	Replacement	Parts name	Remarks	Choice	Step	Level	Cons	Qty	Rep. QTY
1		21123104		KNEE LIFTER LIFTING LEVER, A						1	
2		21123203		KNEE LIFTER LIFTING LEVER, B						1	
3		21123302		SIDE BAR, A						1	
4		21123401		SIDE BAR, B	FOR DNU-261H					1	
5	D	21108501		BAR						1	
6		21123500		KNEE LIFTER LIFTING LINK ARM						1	
7		21123609		KNEE LIFTER LIFTING BASE						1	
8		21123708		KNEE LIFTER LIFTING ARM						1	
9		21123807		KNEE PUT SIDE BAR						1	
10		21123906		STOPPER						1	
11		B3416141H00A		SWIVEL						1	
12		10527000		SPRING						1	
13		B3416552000		CONNECTING ROD HINGE SCREW						1	
14		SD0790431SP		HINGE SCREW D= 7.94 H= 4.3						2	
15		SD0720331SP		HINGE SCREW D= 7.24 H= 3.3						1	
16		10539906		SET NAIL						6	
17		SD0790361SP		HINGE SCREW D= 7.94 H= 3.6						2	
18		SD0790351SP		HINGE SCREW D=7.9 H=3.5						1	
19		SD0790431SP		HINGE SCREW D= 7.94 H= 4.3						2	
20		SS6121610TP		SCREW 3/16-28 L=15.5						1	
21		SM6061602TP		SCREW M6 L=16						4	
22		SS8660612TP		SCREW 1/4-40 L=6						1	
23		SS9661610CP		SCREW 1/4-40 L=16						2	
24		NS6620310SP		NUT 3/16-32						1	
25		NS6660430SP		NUT 1/4-40						2	
26		RE1000000K0		E-RING 10						2	
27		RE0500000K0		E-RING						1	
28		B3432521000		PIN						1	
29	D	10528651		KNEE PRESS ROD BRACKET						1	
30	D	10528602		KNEE PRESS ROD B				*		1	
31		10528701		JOINT				*		1	
32		22934251		KNEE PAD PLATE ASM.				*		1	
33		22934301		KNEE PAD PLATE SUPPORT				*		1	
34		22934400		KNEE PAD PLATE RUBBER				*		1	
35		22934509		KNEE PAD PLATE COVER				*		1	
36		22934608		KNEE PAD UPRIGHT SHAFT				*		1	
37		SM9061203SE		SCREW M6 L=12				*		1	
38		22934202		KNEE PAD PLATE				*		1	
39		40024739		KNEE PRESS ROD MOUNTING ARM AS				*		1	
40		40024738		KNEE PRESS ROD MOUNTING ARM				*		1	
41		22934707		SCREW				*		2	
42		SS7151550SP		SCREW 15/64-28 L=14.5				*		1	
43		SS7090510SP		SCREW 9/64-40 L=4.6				*		1	
44		B3428521000		PRESSER SPRING				*		1	

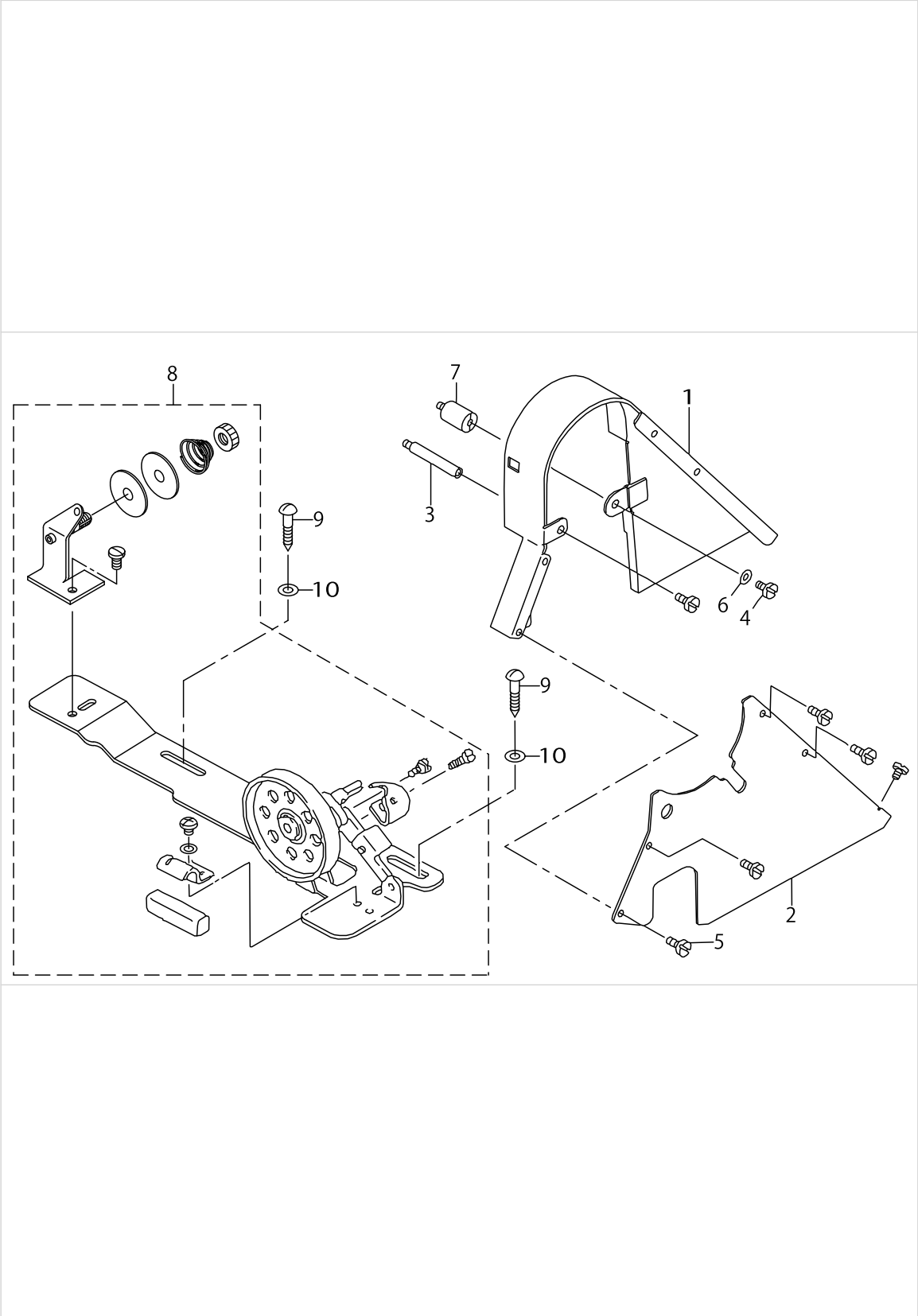




KNEE LIFTER & OIL PAN COMPONENTS

No.	Supply Code	Parts No.	Replacement	Parts name	Remarks	Choice	Step	Level	Cons	Qty	Rep. QTY
45		21126107		SWIVEL	FOR DNU-- 261H/AK-- 70A,AK-70- B, DNU-26- 1H-OB/AK- -70A,AK-70B					1	
46		NM6040000SB		NUT M4X0.7	FOR DNU-- 261H/AK-- 70A,AK-70- B, DNU-26- 1H-OB/AK- -70A,AK-70B					1	
47	D	21126206		PRESSER LIFTER C- ONNECTING ROD	FOR DNU-- 261H/AK-- 70A,AK-70- B, DNU-26- 1H-OB/AK- -70A,AK-70B					1	
48		21124102		OIL PAN						1	

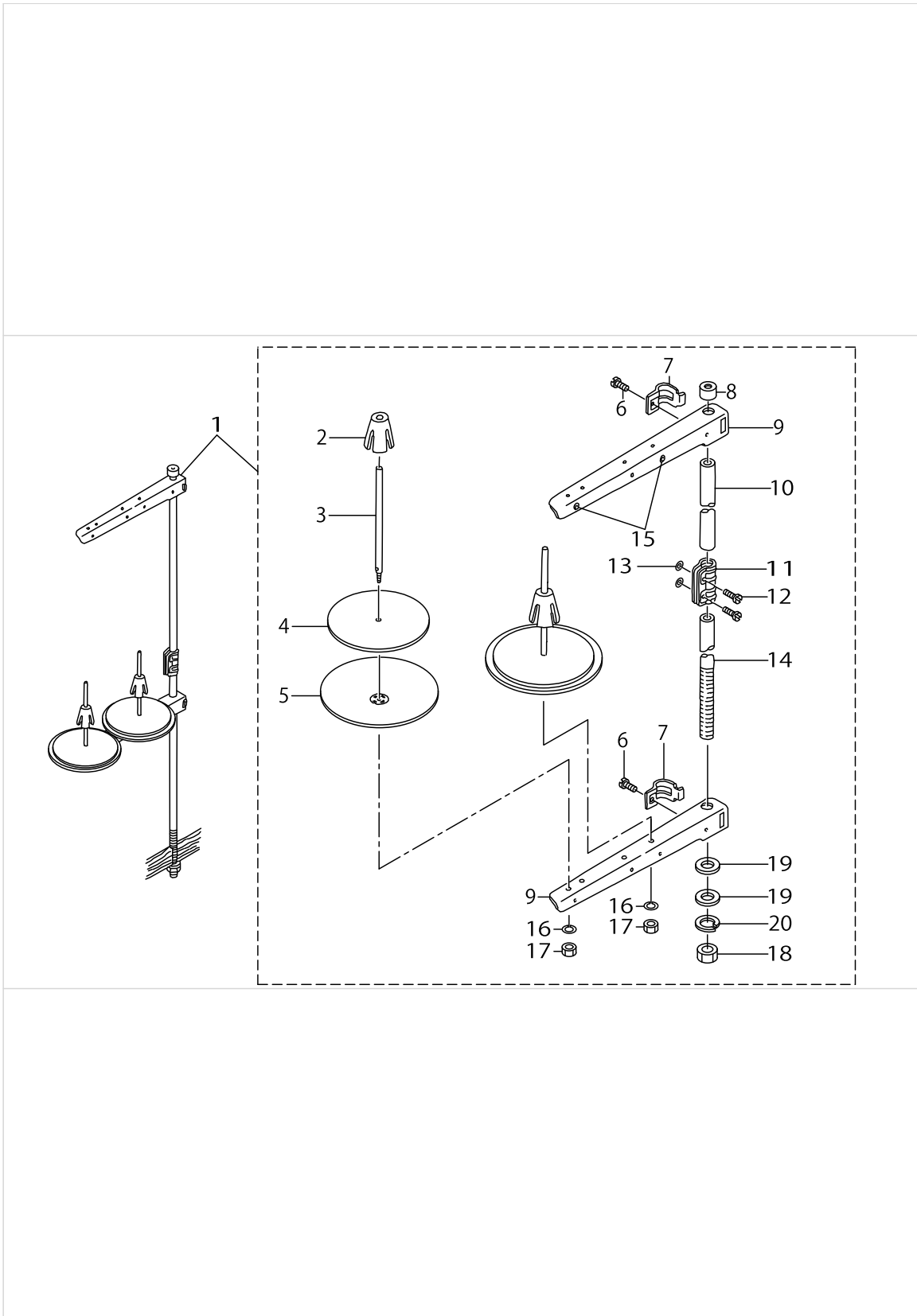
BELT COVER & THREAD WINDER COMPONENTS



BELT COVER & THREAD WINDER COMPONENTS

No.	Supply Code	Parts No.	Replacement	Parts name	Remarks	Choice	Step	Level	Cons	Qty	Rep. QTY
1	D	D8230241E00		BELT COVER						1	
2	D	10218006		BELT COVER PLATE						1	
3		D8232241E00		BELT COVER SUPPORT A						1	
4		SS7150740SP		SCREW 15/64-28 L=7						1	
5		SS7110510SP		SCREW 11/64-40 L=5						6	
6		WP0621016SD		WASHER 6.2X13X1						1	
7	R	D8233241E00	40023290	BELT COVER SUPPORT B						1	1.00
8		11415866		BOBBIN WINDER COMPL						1	
9	R	SK3482500SC	SK3482501SE	WOOD SCREW D=4.8 L=25						2	1.00
10		WP0501016SC		WASHER 5X10.5X1						2	

THREAD STAND COMPONENTS



THREAD STAND COMPONENTS

No.	Supply Code	Parts No.	Replacement	Parts name	Remarks	Choice	Step	Level	Cons	Qty	Rep. QTY
1	R	22930358	40096354	THREAD STAND ASM.						1	1.00
2	R	22931109	40085791	SPOOL RETAINER				*		2	1.00
3	R	22931000	40085790	SPOOL PIN				*		2	1.00
4		22930903		SPOOL REST CUSHION				*		2	
5		22930804		SPOOL REST				*		2	
6		SM6061610SC		SCREW M6 L=16				*		2	
7	R	22930705	40096354	THREAD GUIDE ARM JOINT				*		2	1.00
8		22931406		SPOOL REST ROD RUBBER CAP				*		1	
9	R	22930507	40096354	SPOOL REST ARM				*		2	1.00
10	R	22930408	40096354	SPOOL REST ROD, UPPER				*		1	1.00
11	R	22931307	40096354	SPOOL REST ROD JOINT				*		1	1.00
12		SM4051405SE		SCREW M5 L=14				*		2	
13		NM6050001SE		NUT M5				*		2	
14	R	22930309	40096354	SPOOL REST ROD, LOWER				*		1	1.00
15		22931208		THREAD GUIDE				*		2	
16		WS0510002KN		SPRING WASHER				*		2	
17		NM6050001SE		NUT M5				*		2	
18		NM6160511SE		NUT M16X1.5				*		1	
19		WP1702600S0		WASHER 17X30X2.6				*		2	
20	R	WS1643202KR	WP1612616SE	SPRING WASHER		A		*		1	2.00
20	R	WS1643202KR	40085796	SPRING WASHER		A		*		1	2.00

TABLE COMPONENTS

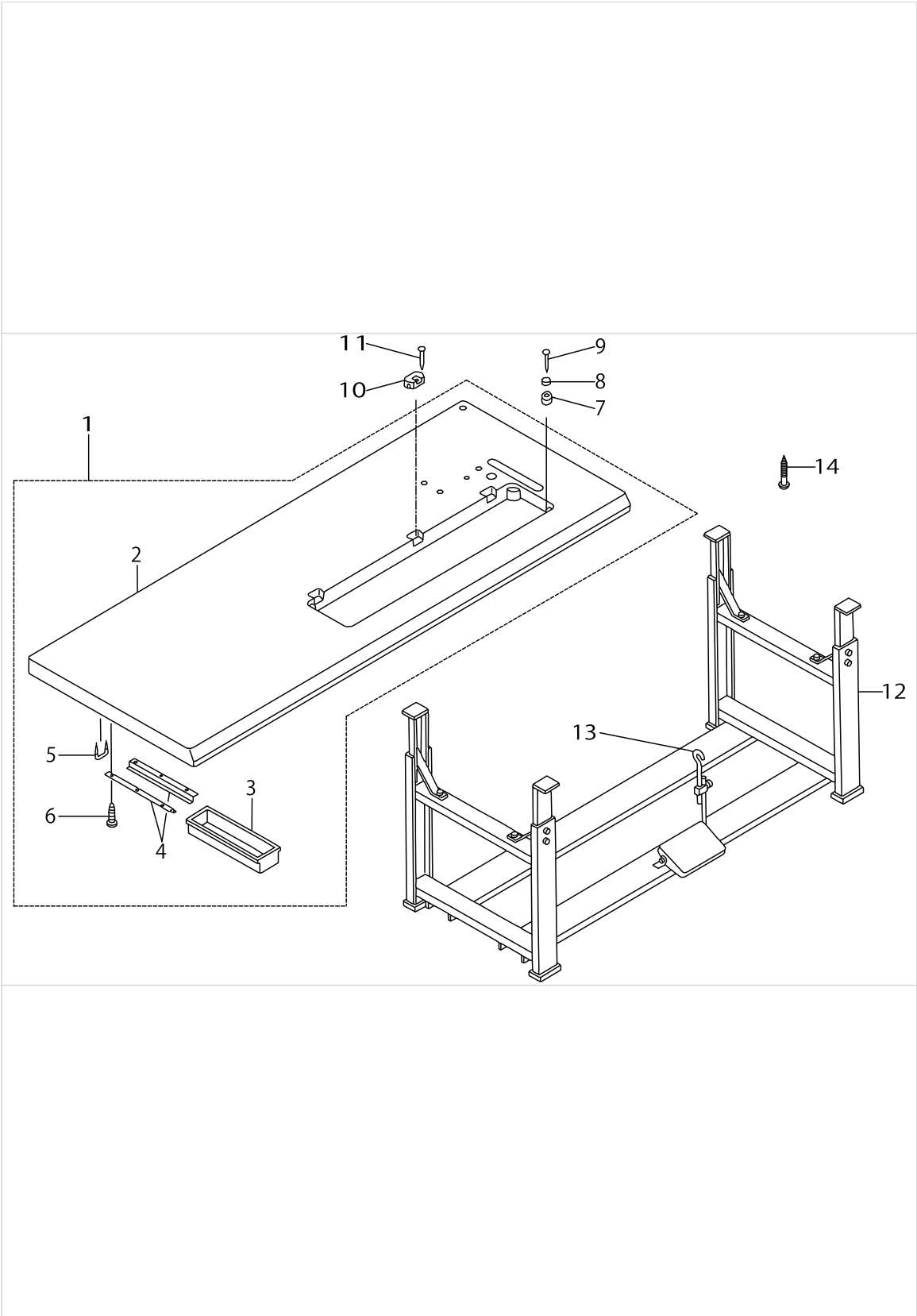
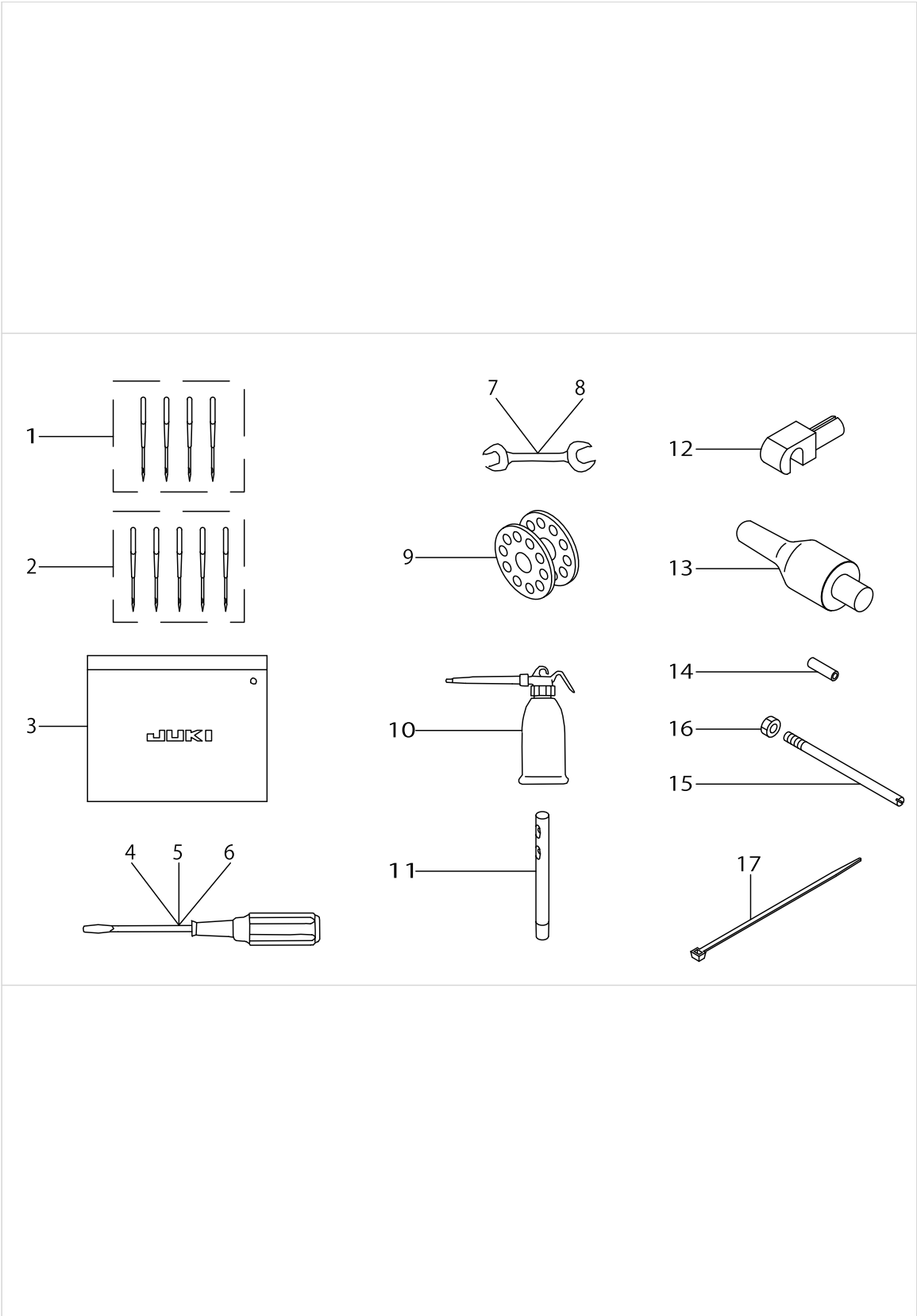


TABLE COMPONENTS

No.	Supply Code	Parts No.	Replacement	Parts name	Remarks	Choice	Step	Level	Cons	Qty	Rep. QTY
1		21117759		TABLE						1	
2		21117700		TABLE (DNU-261H)				*		1	
3	D	D8203555B00		DRAWER				*		1	
4		B8204012000		DRAWER SUPPORT				*		2	
5		D8204555D00		DRAWER STOPPER				*		1	
6		SK3311600SE		WOOD SCREW D=3.1 L=16				*		6	
7		B8209012000		RUBBER CUSHION						4	
8		B8206012000		FELT CUSHION						4	
9		10539906		SET NAIL						4	
10		10529600		WASHER						3	
11		10539906		SET NAIL						6	
12		21124458		STAND ASM.						1	
13		B71140120A0		MOTOR CONNECTING ROD ASM.						1	
14	R	SK3513200SC	SK3513201SE	WOOD SCREW D=5.1 L=32						4	1.00



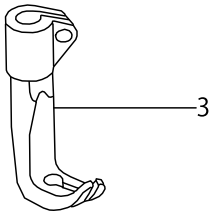
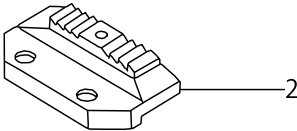
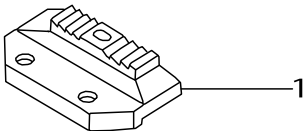
ACCESSORIES PARTS COMPONENTS



ACCESSORIES PARTS COMPONENTS

No.	Supply Code	Parts No.	Replacement	Parts name	Remarks	Choice	Step	Level	Cons	Qty	Rep. QTY
1	D	MDP170B2304		NEEDLE DPX17 #23-4	EXCEPT JE					1	
2	D	MC372001605		NEEDLE BAR SY3355 160-5	FOR JE					1	
3	R	B9101552000	22932800	ACCESSORY BOX						1	1.00
4		22933006		SCREW DRIVER,LARGE						1	
5	R	B9110012000	22933105	SCREW DRIVER, MIDDLE						1	1.00
6	R	B9111012000	22933204	SCREW DRIVER, SMALL						1	1.00
7	R	B9112012000	26034702	WRENCH (11X14)						1	1.00
8		B9113012000		WRENCH (9X10)						1	
9		B9117201000		BOBBIN						4	
10		B9121141HA0		OILER ASM.						1	
11		22958300		NEEDLE THREAD GUIDE PIN						2	
12		B8213012000		BED HINGE CONNECTION						3	
13		14101208		HEAD SUPPORT BAR						1	
14		BT0630520Z0		HOLDER COVER						1	
15		10129005		SINCHRONIZER HOLDER STUD						1	
16		NS6150430SP		NUT 15/64-28						1	
17		EA9500B0100		CABLE BAND						1	

GAUGE COMPONENTS



GAUGE COMPONENTS

No.	Supply Code	Parts No.	Replacement	Parts name	Remarks	Choice	Step	Level	Cons	Qty	Rep. QTY
1	D	D1613241E00		FEED DOG 4X2.5						1	
2		D1613241E0A		FEED DOG 2.6X2.2						1	
3		D1470241E0A		WALKING FOOT						1	



## HOW TO MAKE USE OF THIS PARTS LIST

### 1.Explanation of codes

1)"\*"mark.....means this part is changed from the previous parts book.

As to the details of the change, refer to the "List for information of change".

2)"#01".....refer to "Note" explanation at bottom of page.

### 2.Codes on the "Qty" column

- Each numeral indicates the number of parts required.
- "0.1" and "2.5" indicate the length (in meters) of the respective parts.

3.Parentheses mean that the corresponding part is a subpart that constructs an assembly part.

4.Dotted lines on the Figures indicate assembly parts.

### 1."注記"欄の記号説明

1) "\*"印.....前回のパーツブックに比較して今回変更された部品を意味します。

変更内容は、"変更情報リスト"を参照してください。

2) "#01".....ページ下の"注記"の説明を参照してください。

2.数量欄の数字は、個数を表し、0.1、2.5等の数値は、長さ（単位メートル）を表します。

3.数量欄の（ ）は、組部品を構成している子部品であることを意味します。

4.イラストページの-----枠は、組構成であることを意味します。

# NUMERICAL INDEX OF PARTS

PART NO	PAGE	REF NO.	PART NO	PAGE	REF NO.	PART NO	PAGE	REF NO.
10100410	2	20	21123708	22	8	B11305210A0	2	11
10129005	32	15	21123807	22	9	B1131521000	2	13
10218006	26	2	21123906	22	10	B1132521000	2	14
10314003	14	4	21124102	24	48	B1140051000	2	17
10314508	14	8	21124201	18	10	B1147141H00	10	28
10509701	16	57	21124458	30	12	B1148141H00	10	29
10527000	22	12	21126107	24	45	B1155141H00	16	55
10528602	22	30	21126206	24	47	B1170246000	2	22
10528651	22	29	21410006	2	5	B1202241H00	4	4
10528701	22	31	22901805	2	38	B1203051000	4	9
10529600	30	10	22907109	8	49	B1203241H00	4	5
10539906	22	16	22907604	6	41	B1204241H00	4	6
10539906	30	11	22930309	28	14	B1208019000	8	52
11415866	26	8	22930358	28	1	B1208141H00	4	8
14101208	32	13	22930408	28	10	B1210051000	4	10
21108501	22	5	22930507	28	9	B1211141H00	4	7
21117700	30	2	22930705	28	7	B1211226000	4	11
21117759	30	1	22930804	28	5	B1212012000	4	12
21120209	2	18	22930903	28	4	B1213012000	4	13
21120407	2	1	22931000	28	3	B1213012000	14	12
21120506	2	3	22931109	28	2	B1230051000	4	14
21120654	2	10	22931208	28	15	B1301241H00	4	32
21121108	4	1	22931307	28	11	B1302241H00	4	33
21121207	4	2	22931406	28	8	B1303271000	4	34
21121405	6	4	22933006	32	4	B13050120A0	4	37
21121603	6	17	22934202	22	38	B13052710B0	4	35
21121702	6	21	22934251	22	32	B13061550A0	4	38
21121801	6	22	22934301	22	33	B13071550A0	4	39
21122106	10	60	22934400	22	34	B13072710A0	4	36
21122106	12	60	22934509	22	35	B13081550A0	4	40
21122205	10	3	22934608	22	36	B1410771000	6	11
21122304	10	64	22934707	22	41	B1414232000	6	10
21122304	12	64	22958300	32	11	B1414555000	14	19
21122502	14	45	23002207	6	12	B1419245000	6	3
21122601	16	58	40024738	22	40	B1420563000	6	1
21122809	14	22	40024739	22	39	B1424158000	6	9
21122858	14	21	A1111007000	2	8	B1434241H00	6	5
21122908	14	26	B1103051000	2	23	B1437051000	18	8
21122957	14	25	B1103141H00	2	24	B1455053000	14	3
21123104	22	1	B1112241H00	2	7	B1460245000	6	44
21123203	22	2	B1112241HA0	2	6	B14602460A0	6	46
21123302	22	3	B1118241H00	2	4	B1461245000	6	25
21123401	22	4	B1128522000	2	16	B1462053000	8	47
21123500	22	6	B1129563000	2	21	B1466563000	14	1
21123609	22	7	B1130521000	2	12	B14670530A0	14	9

## NUMERICAL INDEX OF PARTS

PART NO	PAGE	REF NO.	PART NO	PAGE	REF NO.	PART NO	PAGE	REF NO.
B1467563000	14	20	B3009141H0B	6	7	CQ202000000	16	48
B1468053000	14	10	B3114761000	20	15	CQ202000000	18	20
B1471241H00	14	36	B3121245000	20	4	CQ252000000	4	44
B1501241H00	6	37	B31212450A0	20	1	CQ252000000	6	31
B1509141H00	6	40	B3122053000	20	17	CQ303000000	4	18
B1510141H00	6	39	B3123051000	20	5	CQ303000000	14	28
B1512141H00	6	42	B3124051000	20	6	CQ505000000	4	16
B1515051000	6	43	B3125012000	20	2	CS1271012SH	4	15
B1525241HA0	6	38	B3126051000	20	7	CS1471012SH	12	77
B1602241H00	12	68	B3127051000	20	8	CS147101ASH	12	75
B1602241HA0	12	67	B3128051000	20	9	D1151141E00	16	65
B1603141H00	10	9	B3129053000	20	3	D1152141E00	16	63
B1604012000A	10	7	B3132051000	20	10	D1153141E00	16	49
B1604141H00	10	63	B3134051000	20	11	D1154141E00	16	64
B1604141H00	12	63	B31370510A0	20	12	D1158241E00	2	2
B1605241H00A	10	8	B3138512000	20	19	D1206241E00	4	3
B1614241H00	10	10	B3416141H00A	22	11	D1401241E00	6	13
B1617241H00	10	17	B3416552000	22	13	D1408241E00	6	14
B1619241H00	10	11	B3428521000	22	44	D1411241E00	6	16
B1621241H00	10	21	B3432521000	22	28	D1412241E00	6	15
B1622241H00A	10	13	B3502115000	18	3	D1423241E00	6	20
B1624586000	10	22	B3508019000	14	32	D1450055B00	14	13
B1627241H00	10	15	B3508512000	18	9	D1453241E00	14	14
B1634241H00	10	24	B3517009000	2	19	D1454055B00	14	15
B1636141H00	10	27	B71140120A0	30	13	D1455055B00	14	16
B1637141H00	10	26	B8204012000	30	4	D1456055B00	14	17
B1638141H00	12	47	B8206012000	30	8	D1458241E00	14	6
B1646241H00	10	20	B8209012000	30	7	D1459241E00	14	7
B1648122000	10	23	B8213012000	32	12	D1462241E00	8	48
B1650241H00	10	14	B8217241H00	18	1	D1463241E00	8	51
B1651141H00	10	5	B8218241H00	18	2	D1464241E0A	8	50
B1702012000	12	62	B9101552000	32	3	D1470241E00	14	2
B1702012000	14	11	B9110012000	32	5	D1470241E0A	34	3
B1703241H00	12	66	B9111012000	32	6	D1481241E00	14	23
B1705155000	12	71	B9112012000	32	7	D1483241E00	14	27
B1706155000	12	69	B9113012000	32	8	D1484241E00	14	29
B1707155000	12	70	B9117201000	16	47	D1485241E00	14	30
B1708241H00	12	61	B9117201000	32	9	D1486241E00	14	31
B1806271000	16	60	B9121141HA0	32	10	D1613241E00	34	1
B1830241HA0	16	61	BP600000000	18	21	D1613241E0A	34	2
B1835241H00	14	46	BT0630520Z0	32	14	D1613241E0B	10	1
B1837241H00	16	62	CQ200000000	16	56	D1620241E0A	10	12
B1906051000	6	33	CQ202000000	4	20	D1623241EA0A	10	16
B2115271000	10	25	CQ202000000	6	35	D1704241E00	12	65
B3008141H00	14	5	CQ202000000	12	53	D1803141E00	16	59



NUMERICAL INDEX OF PARTS

PART NO	PAGE	REF NO.	PART NO	PAGE	REF NO.	PART NO	PAGE	REF NO.
D1841141E00	16	53	SD0790361SP	22	17	SS7110710SP	18	28
D1905241E00	6	32	SD0790431SP	22	19	SS7110710SP	20	21
D1907241E00	6	34	SD0800481SP	8	53	SS7110720SP	2	37
D3501241E00	18	4	SD1000951SP	10	72	SS7110910SP	14	40
D3502241E00	18	5	SD1000951SP	12	72	SS7111120SP	2	29
D3503241E00	18	6	SD1000952SP	6	6	SS7111120SP	12	74
D3504241E00	18	7	SK3311600SE	30	6	SS7111120SP	14	41
D3505241E00	18	15	SK3482500SC	26	9	SS7111120SP	18	25
D3506241E00	18	22	SK3513200SC	30	14	SS7111310SP	8	57
D8203555B00	30	3	SM4051405SE	28	12	SS7111810SP	6	30
D8204555D00	30	5	SM6031202TP	4	41	SS7111810SP	18	24
D8230241E00	26	1	SM6051410SC	4	42	SS7121410SP	10	37
D8232241E00	26	3	SM6061602TP	22	21	SS7150740SP	8	54
D8233241E00	26	7	SM6061610SC	28	6	SS7150740SP	26	4
EA9500B0100	18	27	SM9061203SE	22	37	SS7150940SP	2	36
EA9500B0100	32	17	SS2090710SP	2	34	SS7151210SP	10	38
MC372001600	6	19	SS2090710SP	20	22	SS7151330SP	10	42
MC372001605	32	2	SS2110915SP	2	31	SS7151550SP	22	42
MDP170B2300	6	18	SS3090520SP	2	32	SS7151610SP	6	26
MDP170B2304	32	1	SS4080610SP	20	14	SS7151610SP	10	32
NM6040000SB	24	46	SS4080620TP	10	31	SS7620750SP	10	40
NM6050001SE	28	17	SS5660440SP	16	67	SS7621040SP	8	56
NM6160511SE	28	18	SS6060210SP	2	9	SS7681750TP	4	22
NS6060350SP	20	16	SS6090910TP	6	45	SS8110320SP	16	66
NS6110530SP	14	69	SS6110710TP	4	45	SS8110510SP	2	27
NS6110530SP	16	69	SS6111210SP	16	68	SS8150710SP	4	31
NS6150430SP	32	16	SS6111620SP	16	52	SS8150710SP	10	51
NS6620310SP	22	24	SS6121050SP	10	34	SS8150710SP	12	51
NS6660430SP	14	34	SS6121210SP	10	35	SS8150710SP	16	51
NS6660430SP	22	25	SS6121610TP	22	20	SS8151150SP	6	36
NS6680410SP	12	73	SS6151220SP	10	41	SS8151550SP	4	43
PS0200122K0	20	18	SS6151220SP	14	35	SS8151780SP	4	25
PS0400182K0	12	48	SS6151440SP	10	45	SS8620610TP	10	30
PT0301600S0	6	23	SS6151920SP	12	56	SS8660410SP	16	54
RC1400001KP	12	55	SS7080510TP	6	27	SS8660610TP	4	28
RE0500000K0	22	27	SS7080510TP	18	23	SS8660610TP	12	76
RE0500711KP	12	49	SS7090510SP	22	43	SS8660610TP	14	38
RE0700000K0	6	24	SS7090520SP	20	20	SS8660612TP	22	22
RE1000000K0	22	26	SS7090610SP	2	35	SS8660810TP	10	44
RO074240100	12	54	SS7090710SP	10	39	SS8661040TP	10	43
SD0380551SL	2	15	SS7090910SP	6	28	SS8681650TP	4	23
SD0470281SP	20	13	SS7110510SP	14	39	SS9161610SP	14	37
SD0640231SP	12	46	SS7110510SP	26	5	SS9661610CP	22	23
SD0720331SP	22	15	SS7110710SP	2	33	TA0500601M0	4	21
SD0790351SP	22	18	SS7110710SP	14	43	TA1050504R0	2	26

## NUMERICAL INDEX OF PARTS

PART NO	PAGE	REF NO.
TA1120804R0	2	28
WP0450000SD	14	44
WP0482086SD	14	18
WP0501016SC	26	10
WP0621016SD	26	6
WP0742016SP	6	8
WP1702600S0	28	19
WS0510002KN	28	16
WS1643202KR	28	20