

MODEL : AMS-220CSL-5000/CHL/CST/CHT/CSB/CHB/CST-5550/CHT
List No : 0689-01

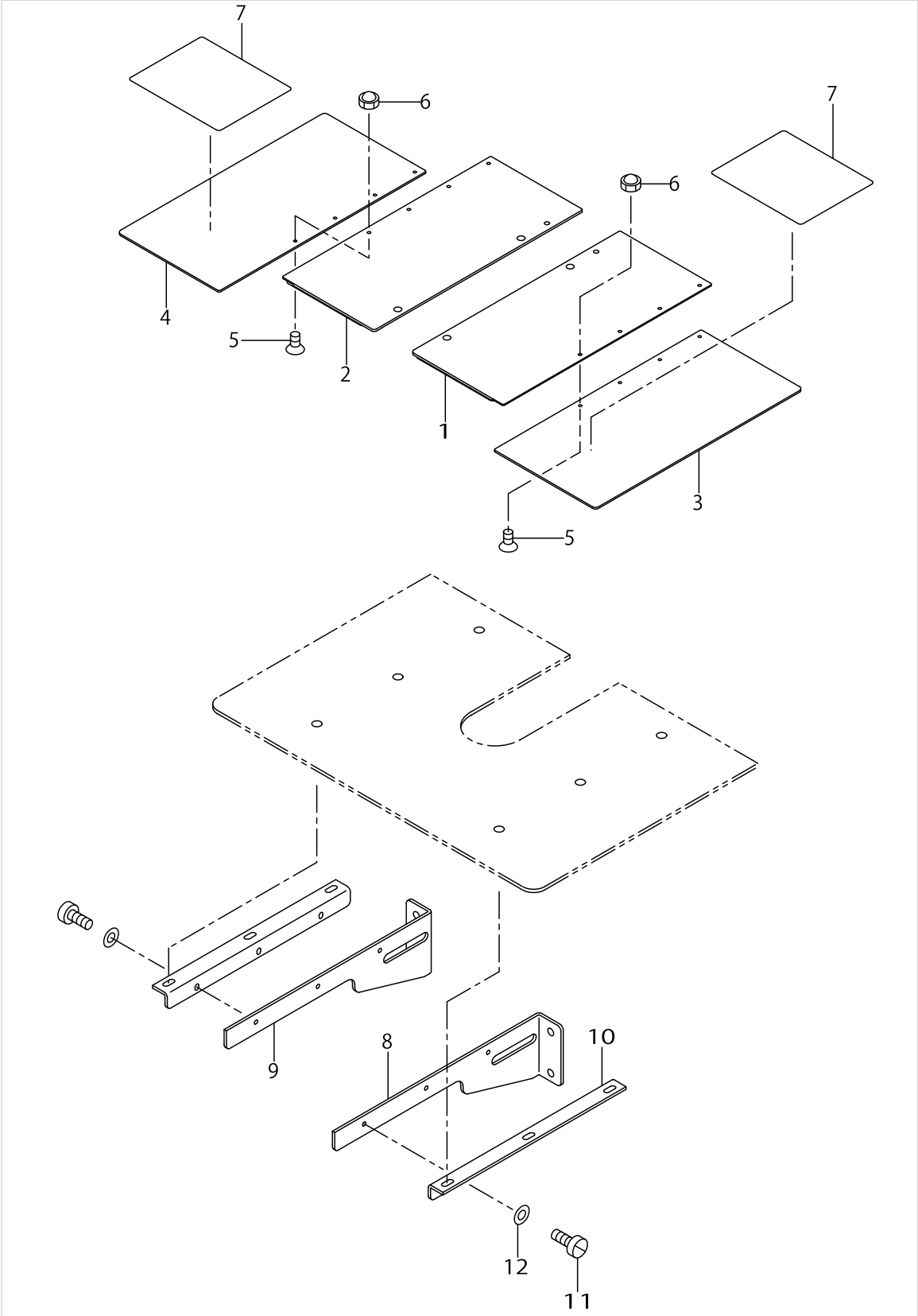
PARTS LIST

Published:05/12/2017

CONTENTS

MISCELLANEOUS COVER COMPONENTS.....	1
PRESSER PLATE COMPONENTS.....	3
PNEUMATIC COMPONENTS	7
TABLE, ACCESSORIE PART, OPTIONAL PART COMPONENTS.....	9
MISCELLANEOUS COVER, NEEDLE BAR COMPONENTS.....	11
PRESSER PLATE COMPONENTS (1).....	13
PRESSER PLATE COMPONENTS (2).....	17
PNEUMATIC COMPONENTS	19
TABLE, ACCESSORIE PART, OPTIONAL PARTS.....	21
PRESSER PLATE COMPONENTS.....	23
TABLE, PNEUMATIC COMPONENTS	25
HOW TO MAKE USE OF THIS PARTS LIST	27

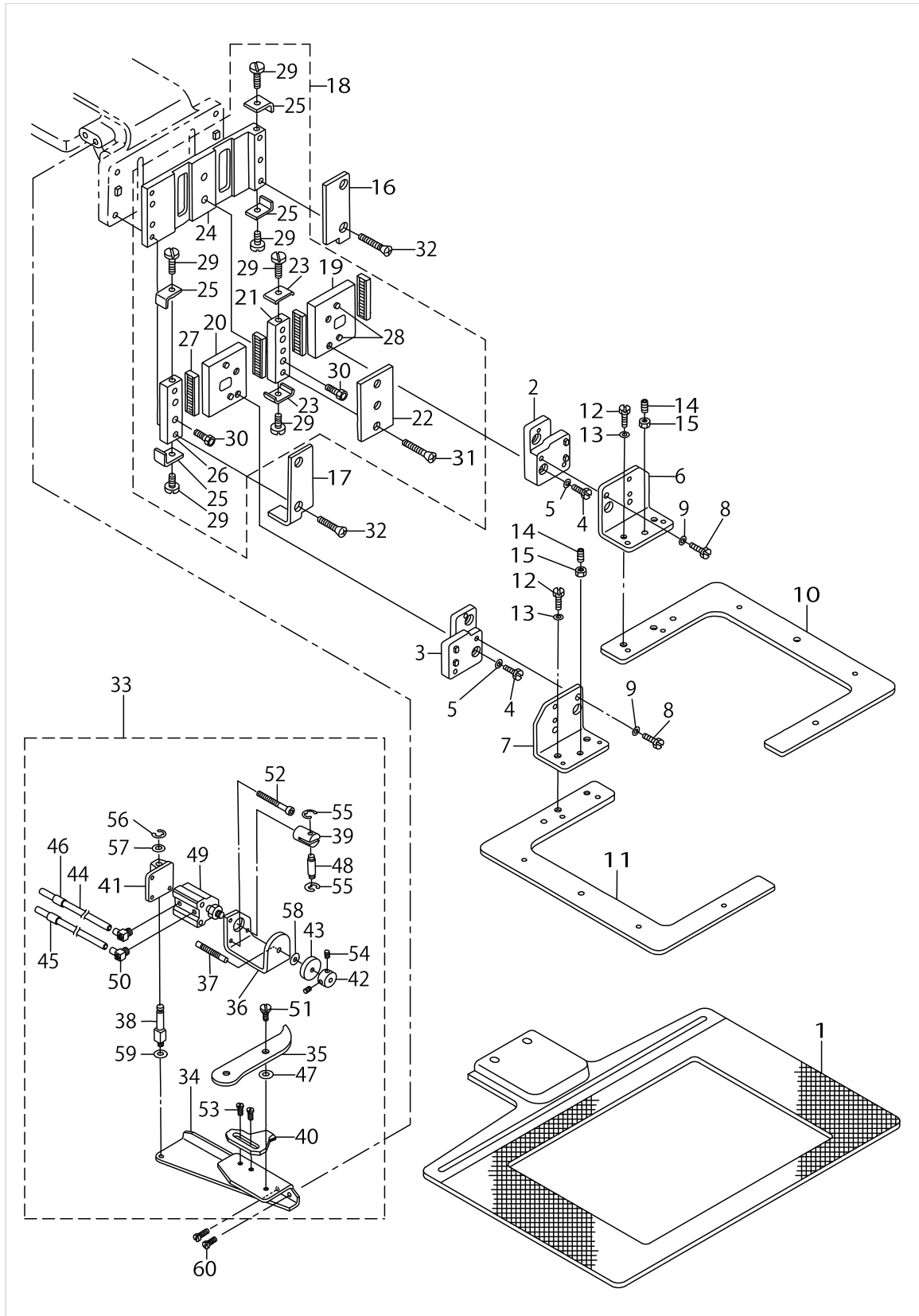
MISCELLANEOUS COVER COMPONENTS



MISCELLANEOUS COVER COMPONENTS

No.	Supply Code	Parts No.	Replacement	Parts name	Remarks	Choice	Step	Level	Cons	Qty	Rep. QTY
1		B11262200A0		TOP COVER ASM.,RIGHT						1	
2		B11272200A0		TOP COVER ASM.,LEFT						1	
3		B112822000A		FEED LOWER COVER, RIGHT						1	
4		B112922000A		FEED LOWER COVER, LEFT						1	
5		SM1030601SC		SCREW M3 X 8						8	
6	D	NM7030550SB		NUT M7						8	
7		B1131220000		TOP COVER SEAT						2	
8		B1132224000		AUXILIARY COVER SUPPORT RIGHT						1	
9		B1121224000		AUXILIARY COVER SUPPORT LEFT						1	
10		B1132224000		NEEDLE PLATE AUXILIARY COVER						2	
11		SS9110920CP		SCREW 11/64-40 L=9						6	
12		WP0520656SA		WASHER 5.2X9.5X0.6						6	

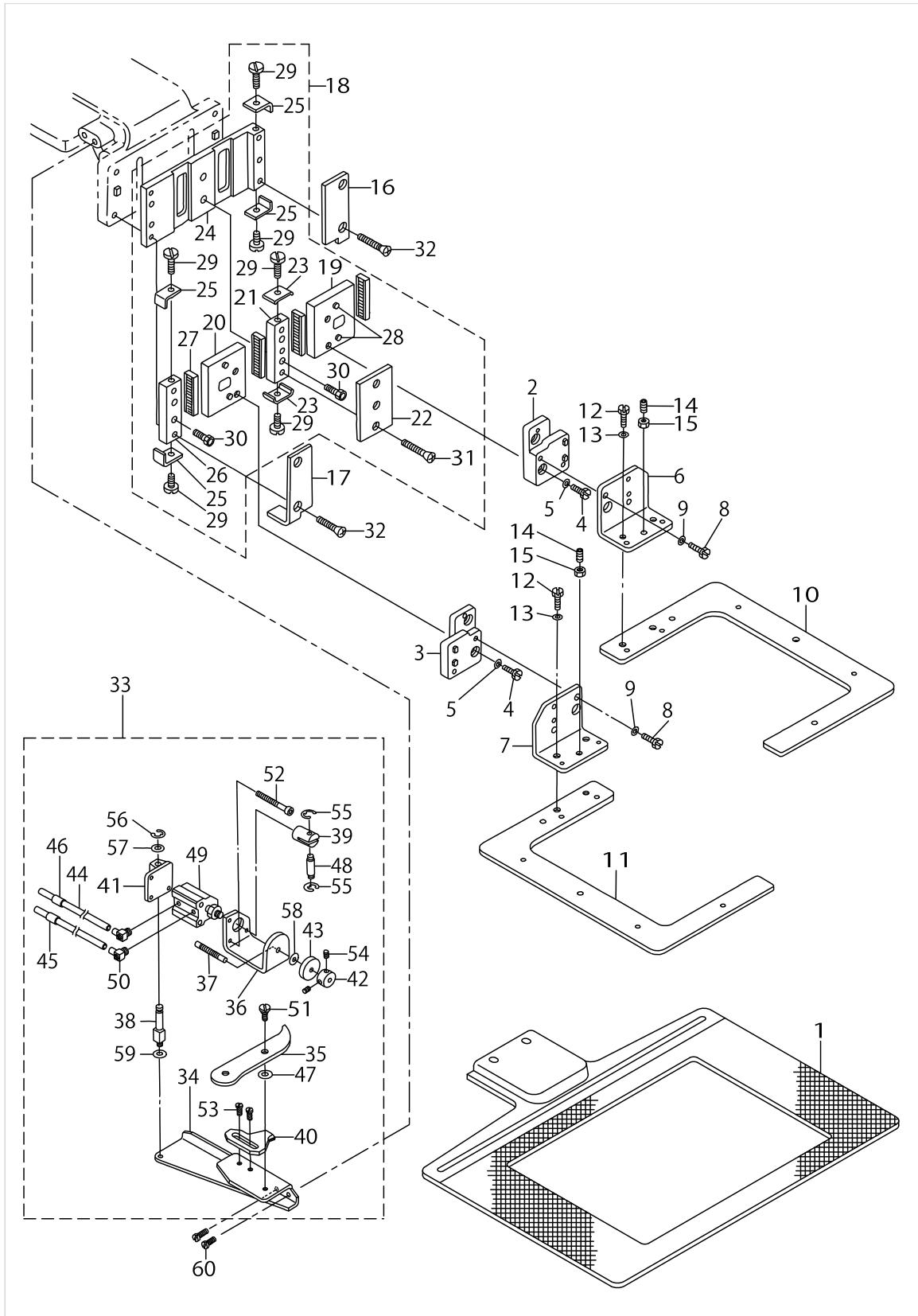
PRESSER PLATE COMPONENTS



PRESSER PLATE COMPONENTS

No.	Supply Code	Parts No.	Replacement	Parts name	Remarks	Choice	Step	Level	Cons	Qty	Rep. QTY
1	D	B2601220000		TWO-STEP PRESSE- R LOWER PLATE						1	
2		B26022200A0		MOUNT ASM.,RIGHT						1	
3		B26032200A0		MOUNT ASM.,LEFT						1	
4		SS7151210SP		SCREW15/64-28L=12						4	
5		WP0651056SD		WASHER 6.5X11X1						4	
6		B26042200A0		WORK CLAMP FOOT ASM.,RIGHT						1	
7		B26052200A0		WORK CLAMP FOOT ASM.,LEFT						1	
8		SS9151410CP		SCREW15/64-28L=14						4	
9		WP0651056SD		WASHER 6.5X11X1						4	
10		B2606220000		FEEDING FRAME (RIGHT)						1	
11		B2607220000		FEEDING FRAME (LEFT)						1	
12		SS7150910TP		SCREW						4	
13		WP0651056SD		WASHER 6.5X11X1						4	
14		SS8150822TP		SCREW 15/64-28 L=8						2	
15		NS6150330SD		NUT 15/64-28						2	
16		B2544222000		RECEIVER PLATE, RIGHT						1	
17		B2545222000		RECEIVER PLATE, LEFT						1	
18		B26102200A0		SLIDE PLATE ASM.						1	
19		B2611220000		SLIDE PLATE, RIGHT				*		1	
20	D	B2612220000		SLIDE PLATE, LEFT				*		1	
21		B2613220000		CENTER RACE				*		1	
22		B2614220000		SUPPORT SLIDE PLATE, MIDDLE				*		1	
23		B2615220000		STOPPER, MIDDLE				*		2	
24	D	B2572220000		WORK CLAMP FOOT PLATE				*		1	
25		B2565220000		STOPPER				*		4	
26		B2567220000		WORK CLAMP FOOT LACE				*		1	
27	D	B2513222000		BEARING				*		4	
28		B1816280000		GUIDE PIN				*		4	
29		SS7090530SP		SCREW9/64-40L=4.5				*		6	
30		SM6040602TP		SCREW M4 L=6				*		4	
31		SS2110920TP		SCREW 11/64-40 L=8.5				*		3	
32	D	SS2122410TP		SCREW						4	
33	D	B25142200A0		TWO-STEPPED STROKE ASM.						1	
34		B2514220000		TWO-STEPPED STROKE PLATE				*		1	
35		B2516220000		LINK				*		1	
36		B2518220000		REGULATION SHAFT BRACKET				*		1	
37		B2527220000		REGULATION SHAFT				*		1	
38		B2528220000		CYLINDER SHAFT				*		1	
39		B2530220000		CYLINDER KNUCKLE				*		1	
40		B2534220000		STOPPER B				*		1	
41		B2536220000		CYLINDER BRACKET				*		1	
42		B2304205000		KNOB				*		1	
43		B3012816A00		NUT				*		1	
44		B471022000F		AIR TUBE F				*		2	
45		B471122000E		AIR TUBE LABEL J05				*		1	
46		B471122000F		AIR TUBE LABEL J06				*		1	

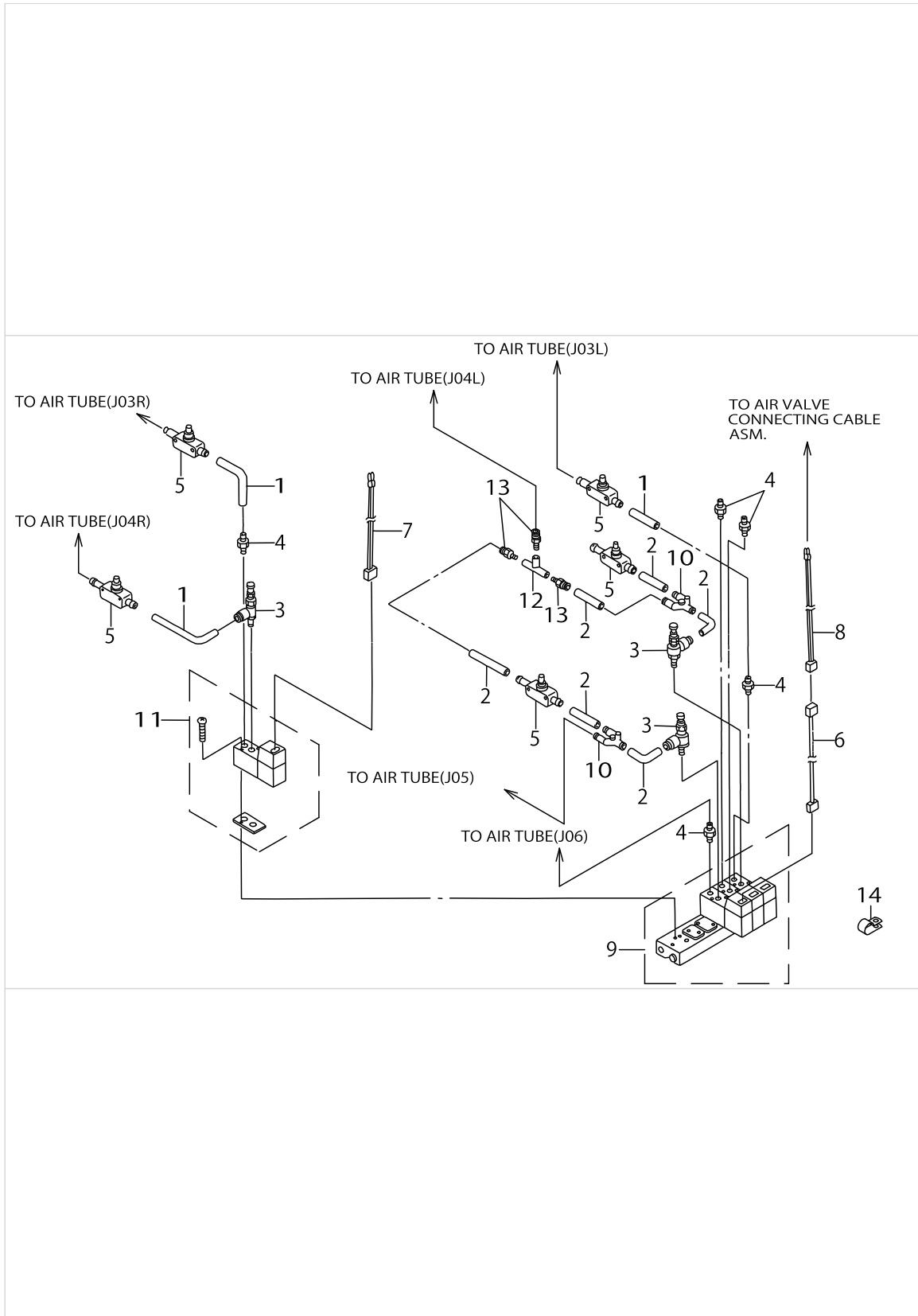
PRESSER PLATE COMPONENTS



PRESSER PLATE COMPONENTS

No.	Supply Code	Parts No.	Replacement	Parts name	Remarks	Choice	Step	Level	Cons	Qty	Rep. QTY
47	D	B323077100B		SPACER T=0.5				*		1	
48		MAO12002000		PEDAL SWITCH FRAME STUD				*		1	
49		B4713220000		CYLINDER				*		1	
50		PJ046052503		HOSE ELBOW				*		2	
51		SD0600291TP		HINGE SCKEW D=6 H=2.9				*		1	
52		SM6054502TP		SCREW M5X0.8 L=45				*		4	
53		SS7110840SP		SCREW 11/64-40 L=7.8				*		2	
54		SS8110422TP		SCREW 11/64-40 L=4				*		2	
55		RE0320610KX		SNAP RING				*		2	
56		RE0600000K0		E-SHAPED SNAP RING (6MM)				*		1	
57		WP0820516SP		WASHER 11.6X8.2X0.6				*		1	
58		WP0702026SP		WASHER 7X15X2				*		1	
59		WP0650876SD		WASHER 6.5X13X0.8				*		1	
60		SS6121060SP		SCREW				*		2	

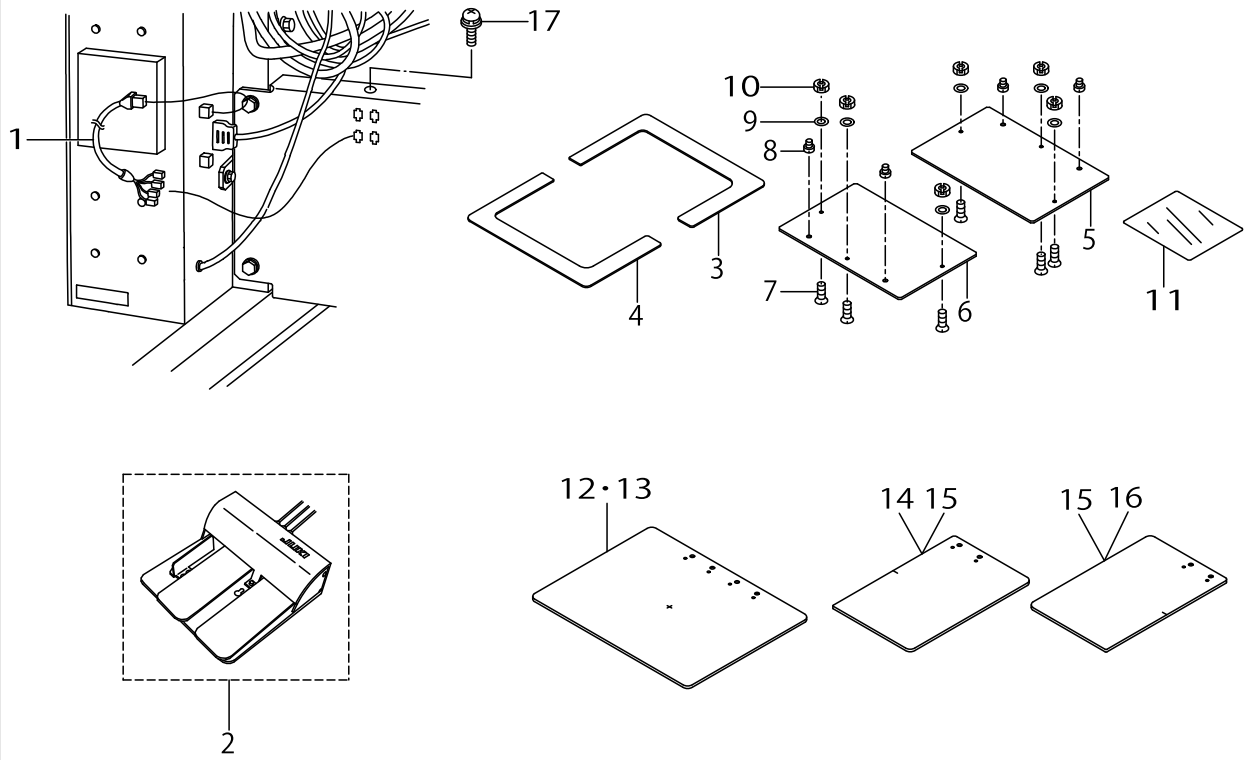
PNEUMATIC COMPONENTS



PNEUMATIC COMPONENTS

No.	Supply Code	Parts No.	Replacement	Parts name	Remarks	Choice	Step	Level	Cons	Qty	Rep. QTY
1		B471022000A		AIR TUBE A D=4						3	
2		B471022000B		AIR TUBE B D=4						6	
3		PF070501000		PRESSURE DECREASING VALVE						3	
4		PJ032052503		HOSE NIPPLE						5	
5		PC012401000		SPEED CONTROLLER						5	
6		B47122200A0		SOLENOID VALVE CONNECTOR ASM.						1	
7		B47122200AB		CONNECTOR ASM. B						1	
8		B47142200A0		TWO-STEPPED ST- ROKE CABLE ASM.						1	
9		PV0351240B0		SOLENOID VALVE ASM.						1	
10		PJ308040002		QUICK COUPLING						2	
11		PV140501000		SOLENOID VALVE						1	
12		PV205101000		SHUTTLE VALVE						1	
13		PJ301045101		HALF UNION						3	
14		HX00150000E		CORD PRESSER 3-- POLE (220/240V)						1	

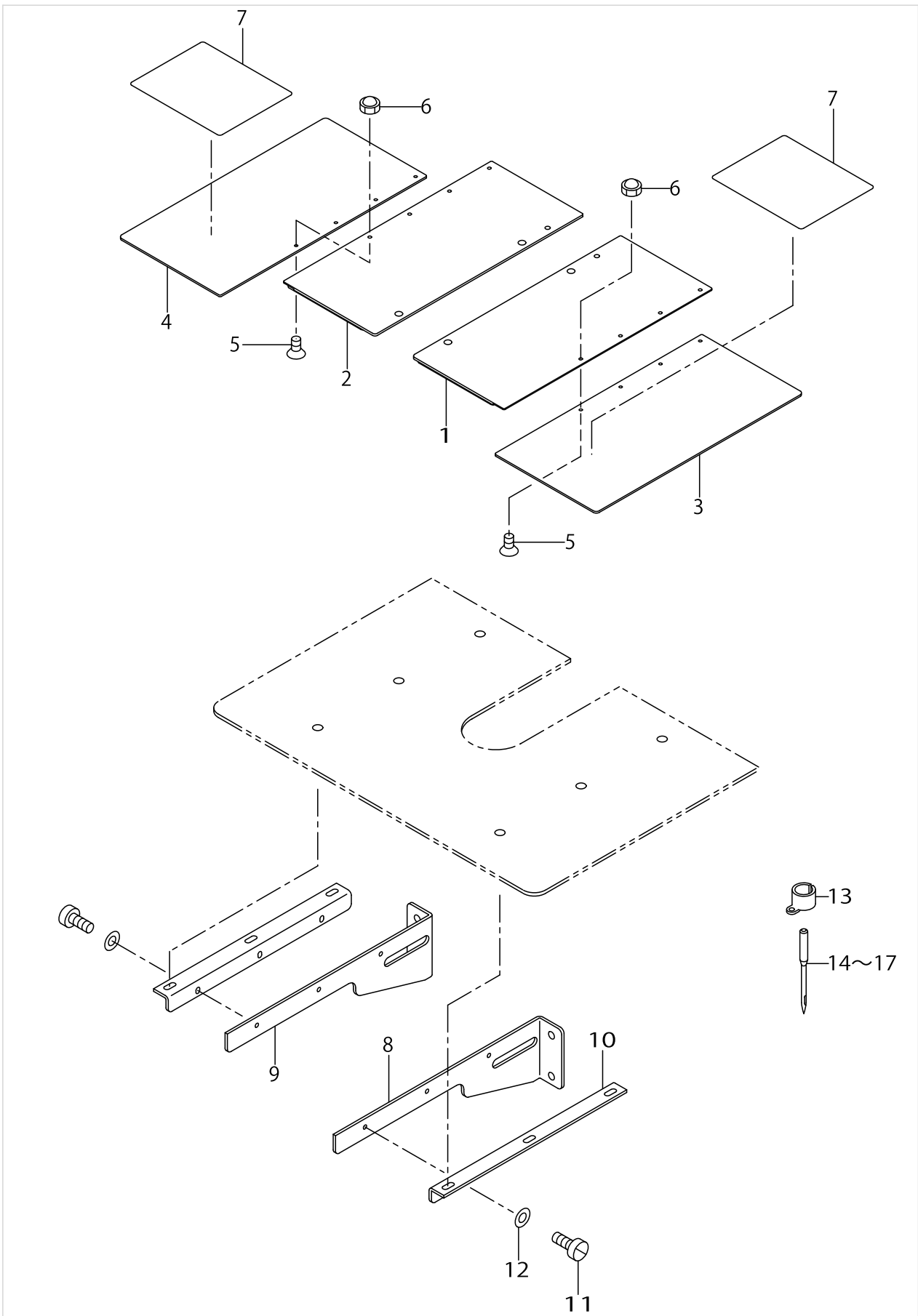
TABLE, ACCESSORIE PART, OPTIONAL PART COMPONENTS



TABLE, ACCESSORIE PART, OPTIONAL PART COMPONENTS

No.	Supply Code	Parts No.	Replacement	Parts name	Remarks	Choice	Step	Level	Cons	Qty	Rep. QTY
1		B82052200A0		PEDAL SWITCH TR- UNK CORD ASM.						1	
2	D	GPK470010AA		3-JOINT PEDAL ASM.						1	
3	D	B2616220000		SPONGESEAT,RIGHT						1	
4	D	B2617220000		SPONGE SEAT, LEFT						1	
5		B2618220000		PLASTICS BLANK, RIGHT						2	
6		B2619220000		PLASTICS BLANK, LEFT						2	
7		SS2111010TP		SCREW 11/64-40 L=9.5						6	
8		SS7090410SP		SCREW 9/64-40 L=3.5						4	
9		WP0450000SD		WASHER 4.5X8X0.5						6	
10		B1626850000		ADJUSTING NUT						6	
11		B1131220000		TOP COVER SEAT						4	
12	D	B26202200Y0		BLANK (DIAMOND CUT)	OPTIONAL PART					1	
13	D	B26212200Y0		BLANK	OPTIONAL PART					1	
14	D	B26222200Y0		BLANK (DIAMOND CUT)	OPTIONAL PART					1	
15	D	B26262200Y0		BLANK	OPTIONAL PART					1	
16	D	B26232200Y0		BLANK (DIAMOND CUT)	OPTIONAL PART					1	
17		SL4040891SC		SCREW M4X8						1	

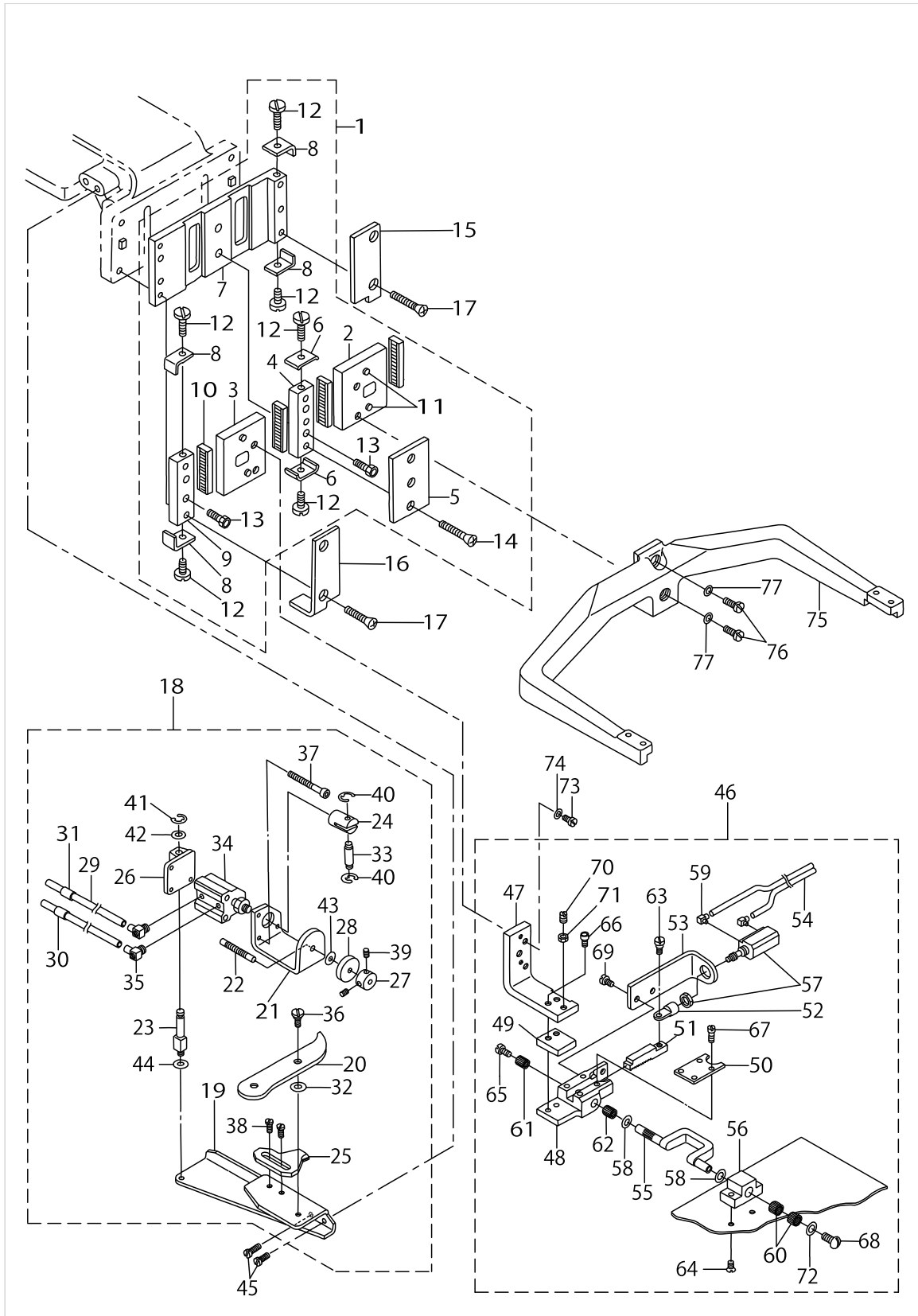
MISCELLANEOUS COVER, NEEDLE BAR COMPONENTS



MISCELLANEOUS COVER, NEEDLE BAR COMPONENTS

No.	Supply Code	Parts No.	Replacement	Parts name	Remarks	Choice	Step	Level	Cons	Qty	Rep. QTY
1		B11262200A0		TOP COVER ASM.,RIGHT						1	
2		B11272200A0		TOP COVER ASM.,LEFT						1	
3		B112822000A		FEED LOWER COVER, RIGHT						1	
4		B112922000A		FEED LOWER COVER, LEFT						1	
5		SM1030601SC		SCREW M3 X 8						8	
6	D	NM7030550SB		NUT M7						8	
7		B1131220000		TOP COVER SEAT						2	
8		B1132224000		AUXILIARY COVER SUPPORT RIGHT						1	
9		B1121224000		AUXILIARY COVER SUPPORT LEFT						1	
10		B1132224000		NEEDLE PLATE AUXILIARY COVER						2	
11		SS9110920CP		SCREW 11/64-40 L=9						6	
12		WP0520656SA		WASHER 5.2X9.5X0.6						6	
13	R	B1406210000	40026884	THREAD GUIDE						1	1.00
14		MDP170B1400		NEEDLE DPX17 #14	FOR AMS-- 220CST(E- XCEPT JE)					1	
15	D	MC372000900		NEEDLE 135X17 #90	FOR AMS-- 220CST(FOR JE)					1	
16		MDP170B1800		NEEDLE DPX17 #18	FOR AMS-- 220CHT(E- XCEPT JE)					1	
17		MC372001100		NEEDLE 135X17 #110	FOR AMS-- 220CHT(FOR JE)					1	

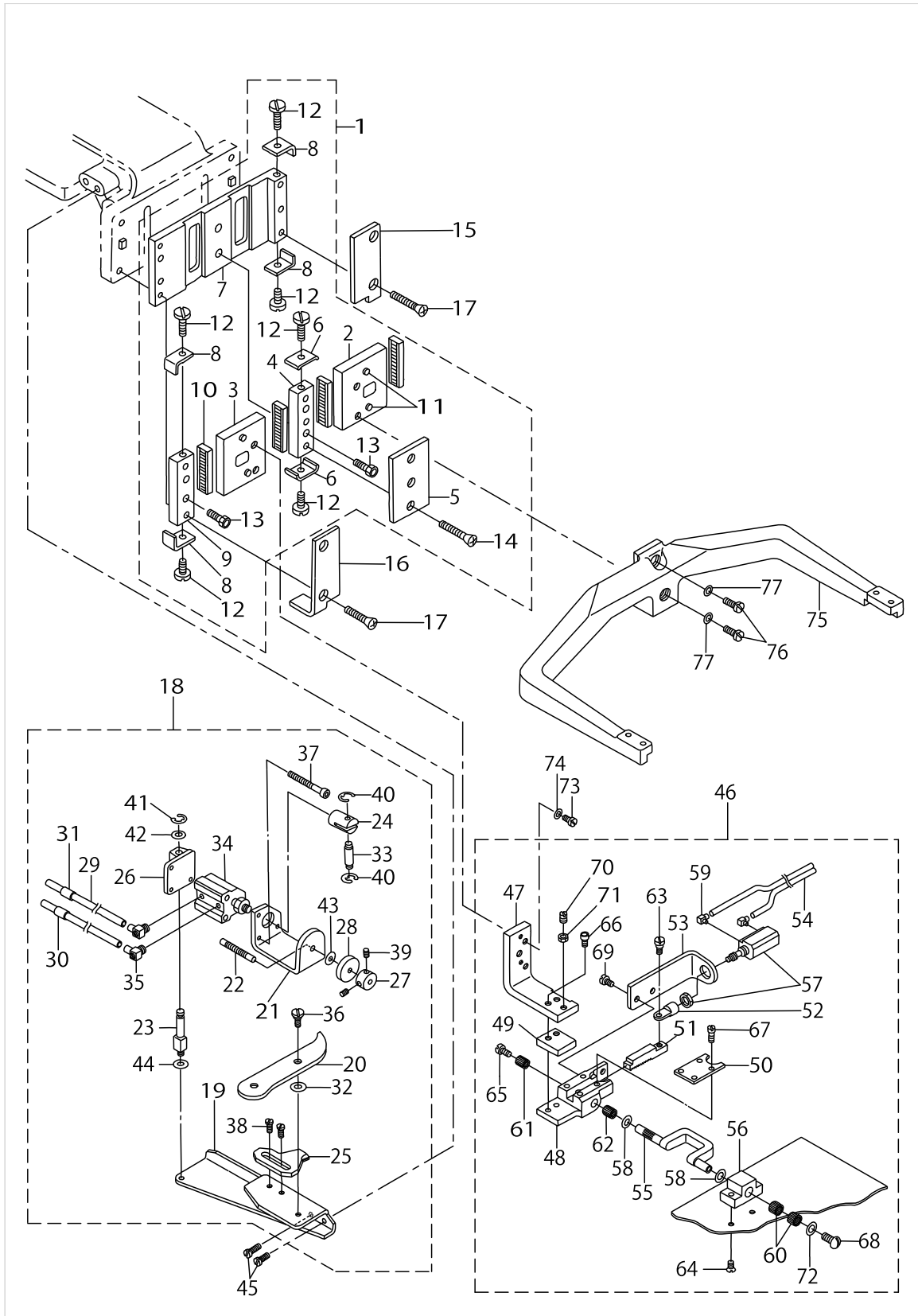
PRESSER PLATE COMPONENTS (1)



PRESSER PLATE COMPONENTS (1)

No.	Supply Code	Parts No.	Replacement	Parts name	Remarks	Choice	Step	Level	Cons	Qty	Rep. QTY
1		B26102200A0		SLIDE PLATE ASM.						1	
2		B2611220000		SLIDE PLATE, RIGHT				*		1	
3	D	B2612220000		SLIDE PLATE, LEFT				*		1	
4		B2613220000		CENTER RACE				*		1	
5		B2614220000		SUPPORT SLIDE PLATE, MIDDLE				*		1	
6		B2615220000		STOPPER, MIDDLE				*		2	
7	D	B2572220000		WORK CLAMP FOOT PLATE				*		1	
8		B2565220000		STOPPER				*		4	
9		B2567220000		WORK CLAMP FOOT LACE				*		1	
10	D	B2513222000		BEARING				*		4	
11		B1816280000		GUIDE PIN				*		4	
12		SS7090530SP		SCREW 9/64-40 L=4.5				*		6	
13		SM6040602TP		SCREW M4 L=6				*		4	
14		SS2110920TP		SCREW 11/64-40 L=8.5				*		3	
15		B2544222000		RECEIVER PLATE, RIGHT						1	
16		B2545222000		RECEIVER PLATE, LEFT						1	
17	D	SS2122410TP		SCREW						4	
18	D	B25142200A0		TWO-STEPPED STROKE ASM.						1	
19		B2514220000		TWO-STEPPED STROKE PLATE				*		1	
20		B2516220000		LINK				*		1	
21		B2518220000		REGULATION SHAFT BRACKET				*		1	
22		B2527220000		REGULATION SHAFT				*		1	
23		B2528220000		CYLINDER SHAFT				*		1	
24		B2530220000		CYLINDER KNUCKLE				*		1	
25		B2534220000		STOPPER B				*		1	
26		B2536220000		CYLINDER BRACKET				*		1	
27		B2304205000		KNOB				*		1	
28		B3012816A00		NUT				*		1	
29		B471022000F		AIR TUBE F				*		2	
30		B471122000E		AIR TUBE LABEL J05				*		1	
31		B471122000F		AIR TUBE LABEL J06				*		1	
32	D	B323077100B		SPACER T=0.5				*		1	
33		MAO12002000		PEDAL SWITCH FRAME STUD				*		1	
34		B4713220000		CYLINDER				*		1	
35		PJ046052503		HOSE ELBOW				*		2	
36		SD0600291TP		HINGE SCKEW D=6 H=2.9				*		1	
37		SM6054502TP		SCREW M5X0.8 L=45				*		4	
38		SS7110840SP		SCREW 11/64-40 L=7.8				*		2	
39		SS8110422TP		SCREW 11/64-40 L=4				*		2	
40		RE0320610KX		SNAP RING				*		2	
41		RE0600000K0		E-SHAPED SNAP RING (6MM)				*		1	
42		WP0820516SP		WASHER 11.6X8.2X0.6				*		1	
43		WP0702026SP		WASHER 7X15X2				*		1	
44		WP0650876SD		WASHER 6.5X13X0.8				*		1	
45		SS6121060SP		SCREW						2	
46		B43012200A0		INNER PRESSER FOOT ASM. FOR TU						1	

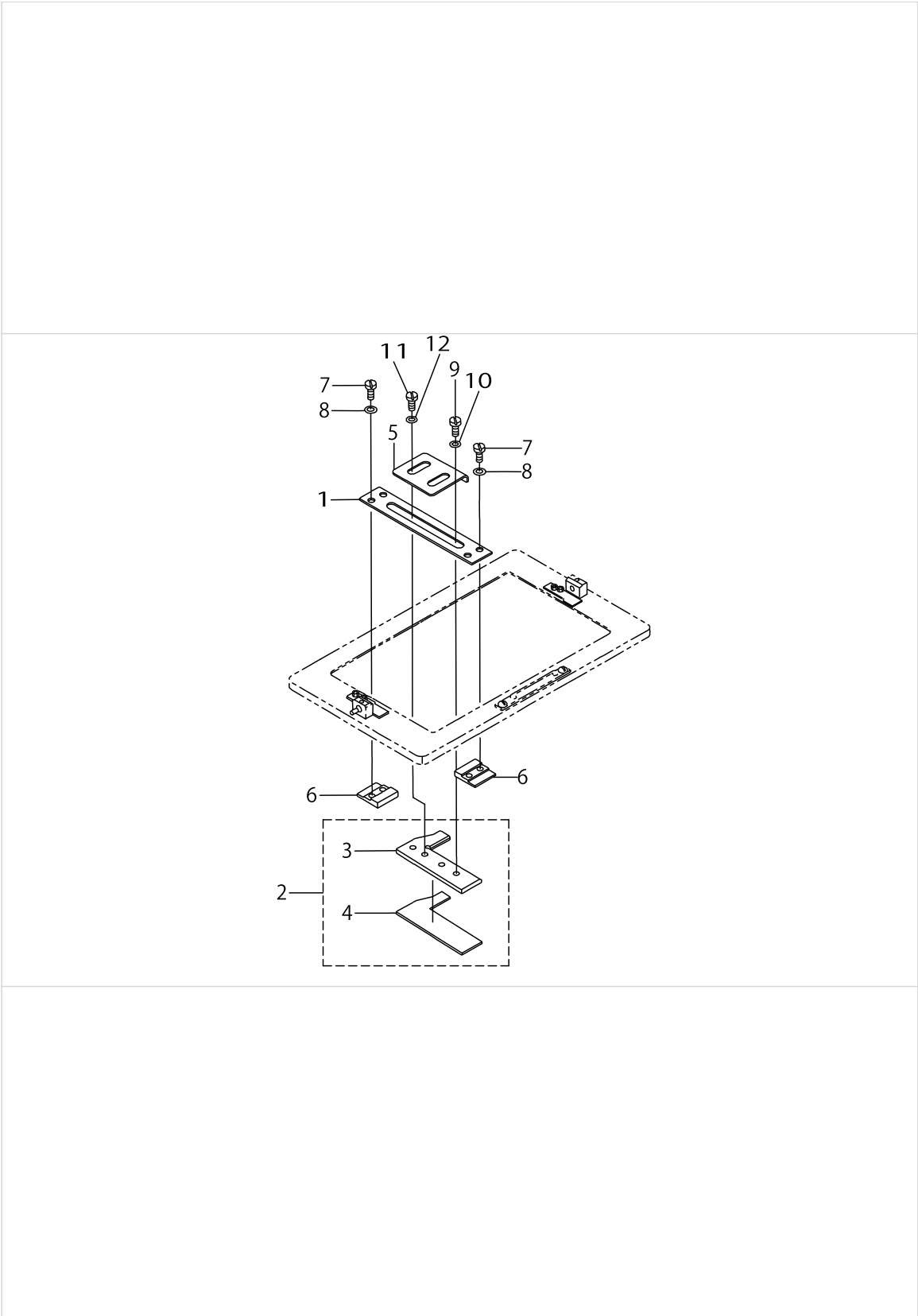
PRESSER PLATE COMPONENTS (1)



PRESSER PLATE COMPONENTS (1)

No.	Supply Code	Parts No.	Replacement	Parts name	Remarks	Choice	Step	Level	Cons	Qty	Rep. QTY
47		B4301220000		WORK CLAMP FOOT				*		1	
48		B4302220000		BEARING				*		1	
49		B4303220000		SPACER				*		1	
50		B4304220000		SUPPORT RACK				*		1	
51		B4305220000		TURN RACK				*		1	
52		B4306220000		KNUCKLE				*		1	
53		B4307220000		BRACKET				*		1	
54		B4308220000		TUBE				*		1	
55		B4309220000		CRANK SHAFT				*		1	
56		B4320220000		SUPPORT BASE				*		1	
57		B4327220000		CYLINDER				*		1	
58		B4328220000		WASHER				*		2	
59		PJ046052503		HOSE ELBOW				*		2	
60		SB307000100		NEEDLE BEARING				*		2	
61		SB307000100		NEEDLE BEARING				*		1	
62		SB307000200		BEARING				*		1	
63		SD0460703TP		HINGE SCREW				*		1	
64		SS1121010SP		SCREW				*		2	
65		SS6110640SP		SCREW 11/64-40 L= 6.0				*		1	
66		SS6151412TP		SCREW15/64-28L=14				*		2	
67		SS7090910TP		SCREW9/64-40L=8.5				*		4	
68		SS5110710SP		SCREW 11/64-40 L=7				*		1	
69		SS7150940SP		SCREW 15/64-28 L=9				*		2	
70		SS8150912TH		SCREW				*		1	
71		NS6150310SP		NUT 15/64-28				*		1	
72		B322877100B		BOBBIN WINDER SPACER				*		1	
73		SS7151210SP		SCREW15/64-28L=12						2	
74		WP0651056SD		WASHER 6.5X11X1						2	
75		B4322220000		FEEDING FRAME ARM						1	
76		SS7151610SP		SCREW15/64-28L=16						2	
77		WP0641600SC		WASHEW6.4X12.5X1.6						2	

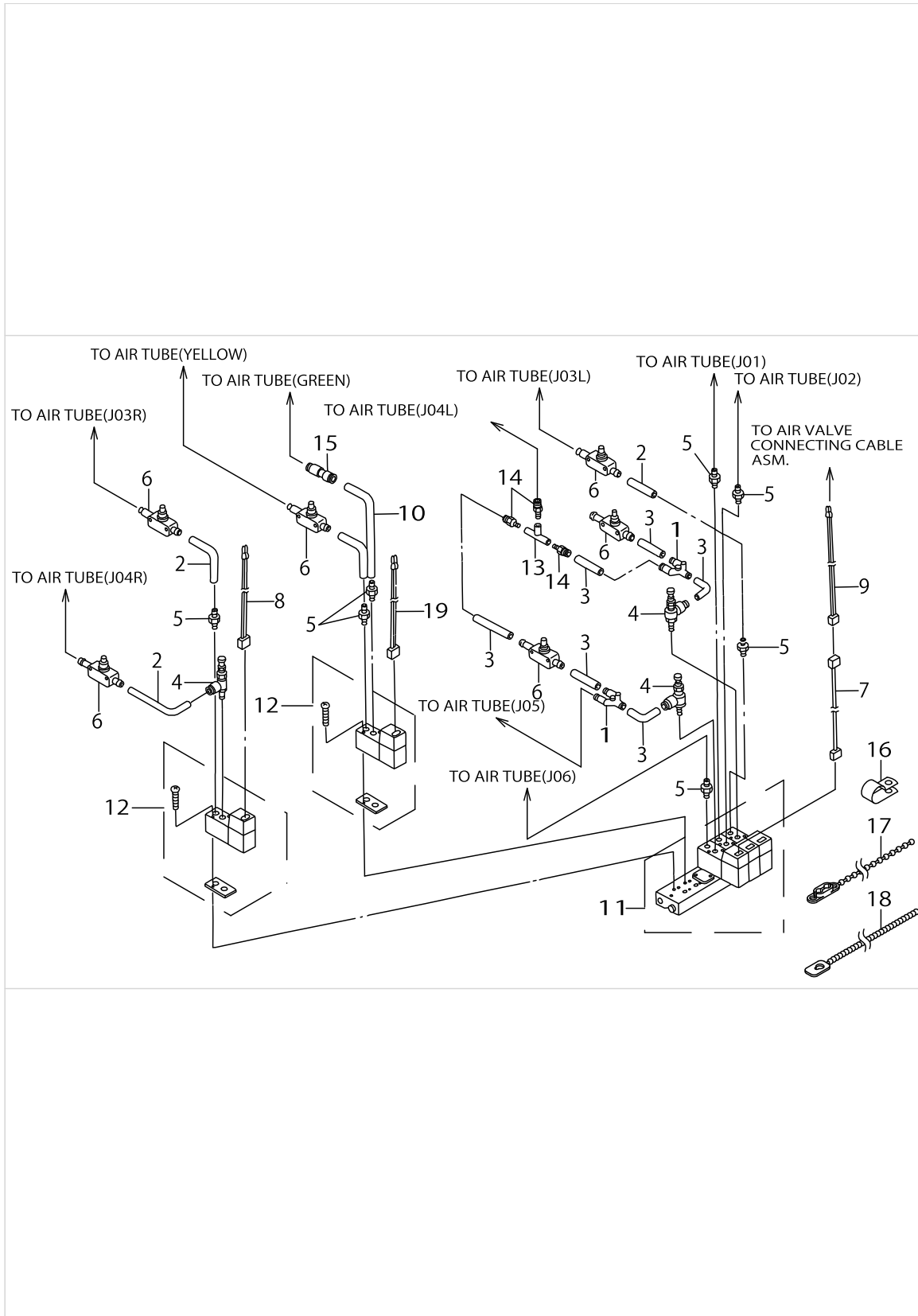
PRESSER PLATE COMPONENTS (2)



PRESSER PLATE COMPONENTS (2)

No.	Supply Code	Parts No.	Replacement	Parts name	Remarks	Choice	Step	Level	Cons	Qty	Rep. QTY
1	D	B4310220000		LABEL GUIDE A						1	
2		B43112200A0		LABEL GUIDE B ASM.						1	
3	D	B4311220000		LABEL GUIDE B				*		1	
4	D	B4315220000		SEAT				*		1	
5		B4312220000		LABEL GUIDE C						1	
6	D	B4313220000		REGULAR PLATE						2	
7		SS4110815SP		SCREW 11/64-40 L=8						4	
8		WP0450801SD		WASHER 4.5X10.0X0.8						4	
9		SS4110815SP		SCREW 11/64-40 L=8						2	
10		WP0450801SD		WASHER 4.5X10.0X0.8						2	
11		SS4110815SP		SCREW 11/64-40 L=8						2	
12		WP0450801SD		WASHER 4.5X10.0X0.8						2	

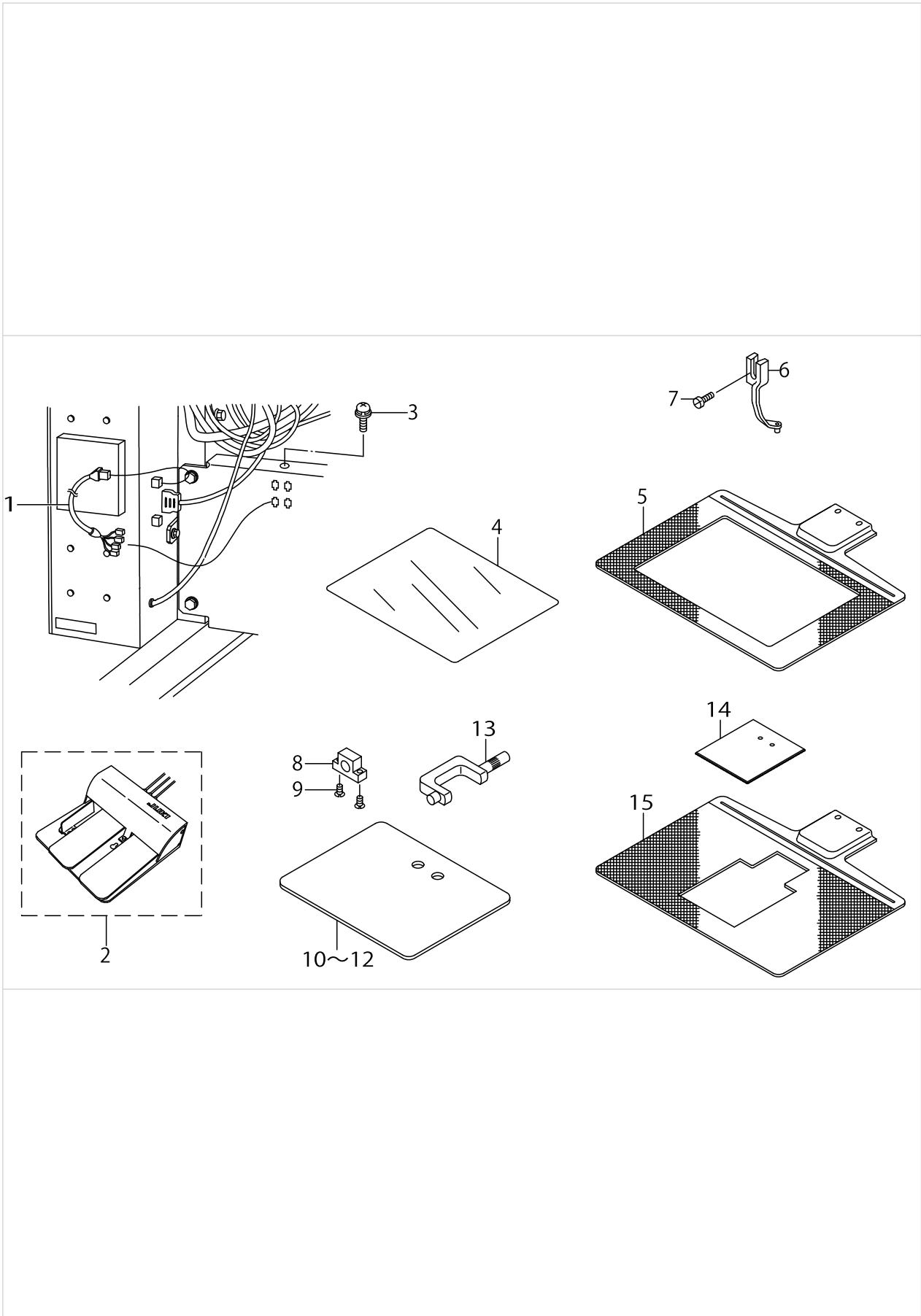
PNEUMATIC COMPONENTS



PNEUMATIC COMPONENTS

No.	Supply Code	Parts No.	Replacement	Parts name	Remarks	Choice	Step	Level	Cons	Qty	Rep. QTY
1		PJ308040002		QUICK COUPLING						2	
2		B471022000A		AIR TUBE A D=4						3	
3		B471022000B		AIR TUBE B D=4						6	
4		PF070501000		PRESSURE DECREASING VALVE						3	
5		PJ032052503		HOSE NIPPLE						7	
6		PC012401000		SPEED CONTROLLER						6	
7		B47122200A0		SOLENOID VALVE CONNECTOR ASM.						1	
8		B47122200AB		CONNECTOR ASM. B						1	
9		B47142200A0		TWO-STEPPED STROKE CABLE ASM.						1	
10		B4329220000		RELAY TUBE						1	
11		PV0351240B0		SOLENOID VALVE ASM.						1	
12		PV140501000		SOLENOID VALVE						2	
13		PV205101000		SHUTTLE VALVE						1	
14		PJ301045101		HALF UNION						3	
15		PJ303040002		STRAIGHT UNION						1	
16		HX00150000E		CORD PRESSER 3--POLE (220/240V)						1	
17	R	HX002890000	HX005970000	BEADE BAND						1	1.00
18		HX000220000		BAND						2	
19	D	B47122200AC		CONNECTOR ASM. C						1	

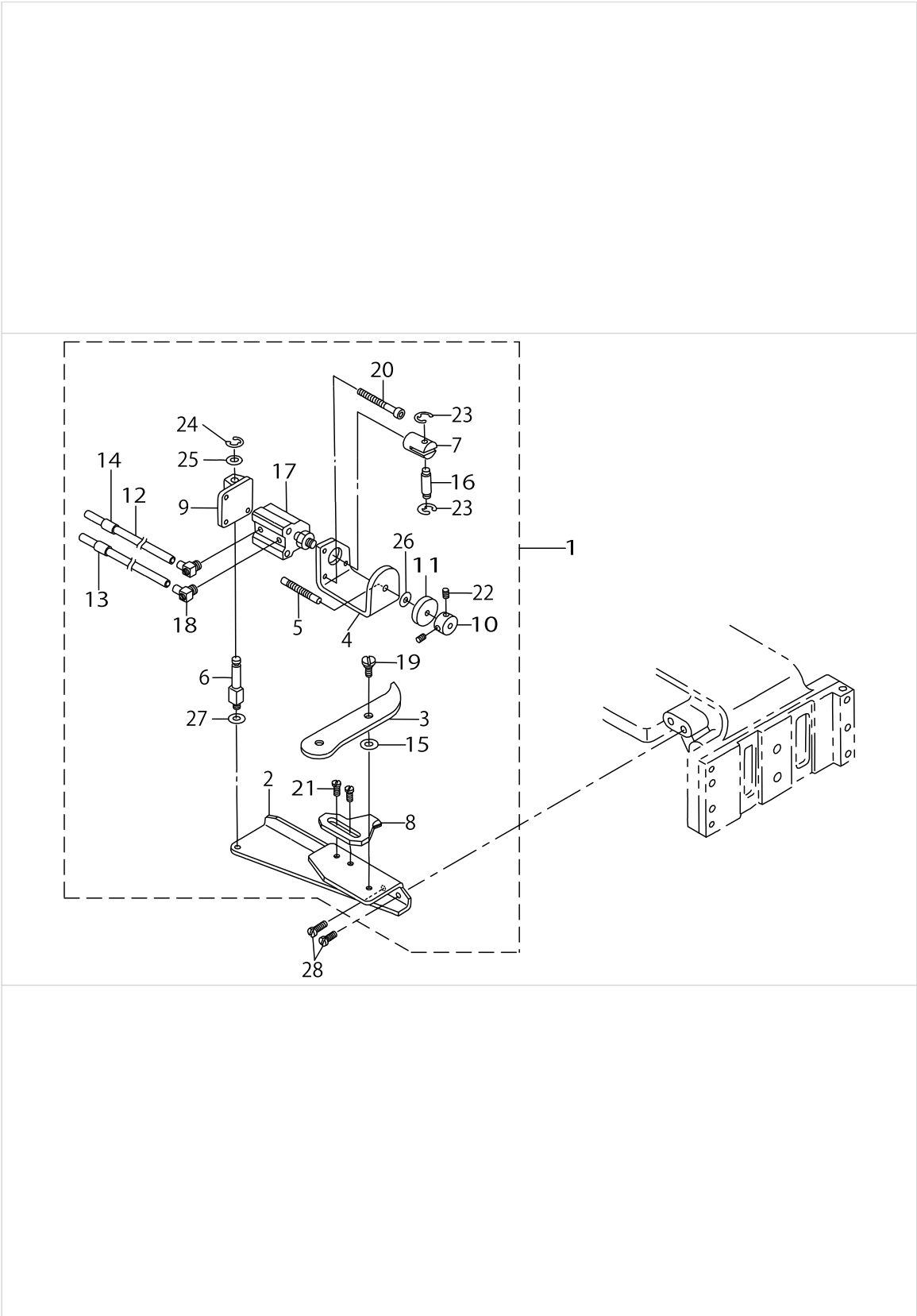
TABLE, ACCESSORIE PART, OPTIONAL PARTS



TABLE, ACCESSORIE PART, OPTIONAL PARTS

No.	Supply Code	Parts No.	Replacement	Parts name	Remarks	Choice	Step	Level	Cons	Qty	Rep. QTY
1		B82052200A0		PEDAL SWITCH TR- UNK CORD ASM.						1	
2	D	GPK470010AA		3-JOINT PEDAL ASM.						1	
3		SL4040891SC		SCREW M4X8						1	
4		B1131220000		TOP COVER SEAT						4	
5	D	B2556220000		FEED PLATE						1	
6		B1601220000		INTERMEDIATE PRESSER A						1	
7	R	SS7091110SP	SS7091110TP	SCREW 9/64-40 L=10.5						1	1.00
8		B4316220000		SUPPORT BASE B	OPTIONAL PART					1	
9		SS1090750SP		SCREW 9/64-40 L=7	OPTIONAL PART					2	
10		B4317220000		LARGE BLANK (DIAMOND CUT)	OPTIONAL PART					1	
11		B4318220000		MIDDLE BLANK (DIAMOND CUT)	OPTIONAL PART					1	
12		B4319220000		SMALL BLANK (DIAMOND CUT)	OPTIONAL PART					1	
13		B4326220000		CRANK SHAFT B	OPTIONAL PART					1	
14	D	D255122XX00		TURN OVER PRESSER PLATE	FOR AMS-- 220CST-5- 550,CHT-5550					1	
15	D	D251922XX00		PRESSER CLOTH LOWER PLATE	FOR AMS-- 220CST-5- 550,CHT-5550					1	

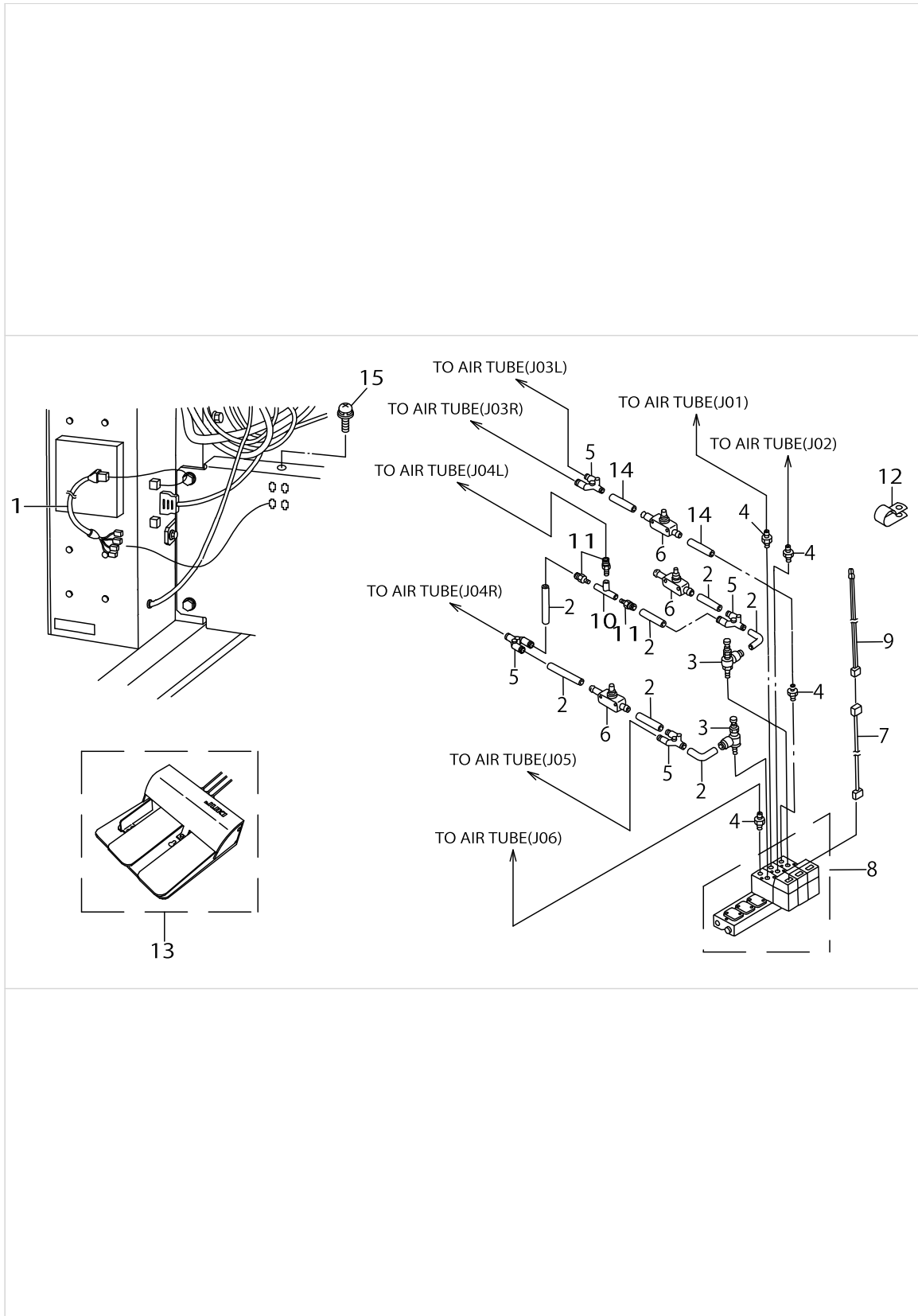
PRESSER PLATE COMPONENTS



PRESSER PLATE COMPONENTS

No.	Supply Code	Parts No.	Replacement	Parts name	Remarks	Choice	Step	Level	Cons	Qty	Rep. QTY
1	D	B25142200A0		TWO-STEPPED STROKE ASM.						1	
2		B2514220000		TWO-STEPPED STROKE PLATE				*		1	
3		B2516220000		LINK				*		1	
4		B2518220000		REGULATION SHAFT BRACKET				*		1	
5		B2527220000		REGULATION SHAFT				*		1	
6		B2528220000		CYLINDER SHAFT				*		1	
7		B2530220000		CYLINDER KNUCKLE				*		1	
8		B2534220000		STOPPER B				*		1	
9		B2536220000		CYLINDER BRACKET				*		1	
10		B2304205000		KNOB				*		1	
11		B3012816A00		NUT				*		1	
12		B471022000F		AIR TUBE F				*		2	
13		B471122000E		AIR TUBE LABEL J05				*		1	
14		B471122000F		AIR TUBE LABEL J06				*		1	
15	D	B323077100B		SPACER T=0.5				*		1	
16		MA012002000		PEDAL SWITCH FRAME STUD				*		1	
17		B4713220000		CYLINDER				*		1	
18		PJ046052503		HOSE ELBOW				*		2	
19		SD0600291TP		HINGE SCKEW D=6 H=2.9				*		1	
20		SM6054502TP		SCREW M5X0.8 L=45				*		4	
21		SS7110840SP		SCREW 11/64-40 L=7.8				*		2	
22		SS8110422TP		SCREW 11/64-40 L=4				*		2	
23		RE0320610KX		SNAP RING				*		2	
24		RE0600000K0		E-SHAPED SNAP RING (6MM)				*		1	
25		WP0820516SP		WASHER 11.6X8.2X0.6				*		1	
26		WP0702026SP		WASHER 7X15X2				*		1	
27		WP0650876SD		WASHER 6.5X13X0.8				*		1	
28		SS6121060SP		SCREW						2	

TABLE, PNEUMATIC COMPONENTS



TABLE, PNEUMATIC COMPONENTS

No.	Supply Code	Parts No.	Replacement	Parts name	Remarks	Choice	Step	Level	Cons	Qty	Rep. QTY
1		B82052200A0		PEDAL SWITCH TRUNK CORD ASM.						1	
2		B471022000B		AIR TUBE B D=4						7	
3		PF070501000		PRESSURE DECREASING VALVE						2	
4		PJ032052503		HOSE NIPPLE						4	
5		PJ308040002		QUICK COUPLING						4	
6		PC012401000		SPEED CONTROLLER						3	
7		B47122200A0		SOLENOID VALVE CONNECTOR ASM.						1	
8		PV0351240B0		SOLENOID VALVE ASM.						1	
9		B47142200A0		TWO-STEPPED STROKE CABLE ASM.						1	
10		PV205101000		SHUTTLE VALVE						1	
11		PJ301045101		HALF UNION						3	
12		HX00150000E		CORD PRESSER 3--POLE (220/240V)						1	
13	D	GPK470010AA		3-JOINT PEDAL ASM.						1	
14		B471022000A		AIR TUBE A D=4						2	
15		SL4040891SC		SCREW M4X8						1	

HOW TO MAKE USE OF THIS PARTS LIST

1.As to "#01" and "#02" refer to the "Note" given at the bottom of the respective pages.

2.Codes on the "Qty" column

- Each numeral indicates the number of parts required.
- "0.1" and "2.5" indicate the length (in meters) of the respective parts.

3.Parentheses mean that the corresponding part is a subpart that constructs an assembly part.

4.Dotted lines on the Figures indicate assembly parts.

1. リストページの# 0 1、# 0 2の印は、ページ下の"注記"の説明を参照下さい。
2. 数量欄の数字は、個数を表し、0. 1、2. 5等の数値は、長さ（単位メートル）を表します。
3. 数量欄の（ ）は、組部品を構成している子部品であることを意味します。
4. イラストページの-----枠は、組構成であることを意味します。

NUMERICAL INDEX OF PARTS

PART NO	PAGE	REF NO.	PART NO	PAGE	REF NO.	PART NO	PAGE	REF NO.
B1113224000	2	8	B2528220000	24	6	B26212200Y0	10	12·13
B1113224000	12	8	B2530220000	4	39	B26222200Y0	10	14
B1121224000	2	9	B2530220000	14	24	B26232200Y0	10	16
B1121224000	12	9	B2530220000	24	7	B26262200Y0	10	15
B11262200A0	2	1	B2534220000	4	40	B3012816A00	4	43
B11262200A0	12	1	B2534220000	14	25	B3012816A00	14	28
B11272200A0	2	2	B2534220000	24	8	B3012816A00	24	11
B11272200A0	12	2	B2536220000	4	41	B322877100B	16	72
B112822000A	2	3	B2536220000	14	26	B323077100B	6	47
B112822000A	12	3	B2536220000	24	9	B323077100B	14	32
B112922000A	2	4	B2544222000	4	16	B323077100B	24	15
B112922000A	12	4	B2544222000	14	15	B4301220000	16	47
B1131220000	2	7	B2545222000	4	17	B43012200A0	14	46
B1131220000	10	11	B2545222000	14	16	B4302220000	16	48
B1131220000	12	7	B2556220000	22	5	B4303220000	16	49
B1131220000	22	4	B2565220000	4	25	B4304220000	16	50
B1132224000	2	10	B2565220000	14	8	B4305220000	16	51
B1132224000	12	10	B2567220000	4	26	B4306220000	16	52
B1406210000	12	13	B2567220000	14	9	B4307220000	16	53
B1601220000	22	6	B2572220000	4	24	B4308220000	16	54
B1626850000	10	10	B2572220000	14	7	B4309220000	16	55
B1816280000	4	28	B2601220000	4	1	B4310220000	18	1
B1816280000	14	11	B26022200A0	4	2	B4311220000	18	3
B2304205000	4	42	B26032200A0	4	3	B43112200A0	18	2
B2304205000	14	27	B26042200A0	4	6	B4312220000	18	5
B2304205000	24	10	B26052200A0	4	7	B4313220000	18	6
B2513222000	4	27	B2606220000	4	10	B4315220000	18	4
B2513222000	14	10	B2607220000	4	11	B4316220000	22	8
B2514220000	4	34	B26102200A0	4	18	B4317220000	22	10~12
B2514220000	14	19	B26102200A0	14	1	B4318220000	22	10~12
B2514220000	24	2	B2611220000	4	19	B4319220000	22	10~12
B25142200A0	4	33	B2611220000	14	2	B4320220000	16	56
B25142200A0	14	18	B2612220000	4	20	B4322220000	16	75
B25142200A0	24	1	B2612220000	14	3	B4326220000	22	13
B2516220000	4	35	B2613220000	4	21	B4327220000	16	57
B2516220000	14	20	B2613220000	14	4	B4328220000	16	58
B2516220000	24	3	B2614220000	4	22	B4329220000	20	10
B2518220000	4	36	B2614220000	14	5	B471022000A	8	1
B2518220000	14	21	B2615220000	4	23	B471022000A	20	2
B2518220000	24	4	B2615220000	14	6	B471022000A	26	14
B2527220000	4	37	B2616220000	10	3	B471022000B	8	2
B2527220000	14	22	B2617220000	10	4	B471022000B	20	3
B2527220000	24	5	B2618220000	10	5	B471022000B	26	2
B2528220000	4	38	B2619220000	10	6	B471022000F	4	44
B2528220000	14	23	B26202200Y0	10	12·13	B471022000F	14	29

NUMERICAL INDEX OF PARTS

PART NO	PAGE	REF NO.	PART NO	PAGE	REF NO.	PART NO	PAGE	REF NO.
B471022000F	24	12	PC012401000	26	6	SM6054502TP	6	52
B471122000E	4	45	PF070501000	8	3	SM6054502TP	14	37
B471122000E	14	30	PF070501000	20	4	SM6054502TP	24	20
B471122000E	24	13	PF070501000	26	3	SS1090750SP	22	9
B471122000F	4	46	PJ032052503	8	4	SS1121010SP	16	64
B471122000F	14	31	PJ032052503	20	5	SS2110920TP	4	31
B471122000F	24	14	PJ032052503	26	4	SS2110920TP	14	14
B47122200A0	8	6	PJ046052503	6	50	SS2111010TP	10	7
B47122200A0	20	7	PJ046052503	14	59	SS2122410TP	4	32
B47122200A0	26	7	PJ046052503	16	59	SS2122410TP	14	17
B47122200AB	8	7	PJ046052503	24	18	SS4110815SP	18	11
B47122200AB	20	8	PJ301045101	8	13	SS5110710SP	16	68
B47122200AC	20	19	PJ301045101	20	14	SS6110640SP	16	65
B4713220000	6	49	PJ301045101	26	11	SS6121060SP	6	60
B4713220000	14	34	PJ303040002	20	15	SS6121060SP	14	45
B4713220000	24	17	PJ308040002	8	10	SS6121060SP	24	28
B47142200A0	8	8	PJ308040002	20	1	SS6151412TP	16	66
B47142200A0	20	9	PJ308040002	26	5	SS7090410SP	10	8
B47142200A0	26	9	PV0351240B0	8	9	SS7090530SP	4	29
B82052200A0	10	1	PV0351240B0	20	11	SS7090530SP	14	12
B82052200A0	22	1	PV0351240B0	26	8	SS7090910TP	16	67
B82052200A0	26	1	PV140501000	8	11	SS7091110SP	22	7
D251922XX00	22	15	PV140501000	20	12	SS7110840SP	6	53
D255122XX00	22	14	PV205101000	8	12	SS7110840SP	14	38
GPK470010AA	10	2	PV205101000	20	13	SS7110840SP	24	21
GPK470010AA	22	2	PV205101000	26	10	SS7150910TP	4	12
GPK470010AA	26	13	RE0320610KX	6	55	SS7150940SP	16	69
HX000220000	20	18	RE0320610KX	14	40	SS7151210SP	4	4
HX00150000E	8	14	RE0320610KX	24	23	SS7151210SP	16	73
HX00150000E	20	16	RE0600000K0	6	56	SS7151610SP	16	76
HX00150000E	26	12	RE0600000K0	14	41	SS8110422TP	6	54
HX002890000	20	17	RE0600000K0	24	24	SS8110422TP	14	39
MAO12002000	6	48	SB307000100	16	61	SS8110422TP	24	22
MAO12002000	14	33	SB307000200	16	62	SS8150822TP	4	14
MAO12002000	24	16	SD0460703TP	16	63	SS8150912TH	16	70
MC372000900	12	14~17	SD0600291TP	6	51	SS9110920CP	2	11
MC372001100	12	14~17	SD0600291TP	14	36	SS9110920CP	12	11
MDP170B1400	12	14~17	SD0600291TP	24	19	SS9151410CP	4	8
MDP170B1800	12	14~17	SL4040891SC	10	17	WP0450000SD	10	9
NM7030550SB	2	6	SL4040891SC	22	3	WP0450801SD	18	12
NM7030550SB	12	6	SL4040891SC	26	15	WP0520656SA	2	12
NS6150310SP	16	71	SM1030601SC	2	5	WP0520656SA	12	12
NS6150330SD	4	15	SM1030601SC	12	5	WP0641600SC	16	77
PC012401000	8	5	SM6040602TP	4	30	WP0650876SD	6	59
PC012401000	20	6	SM6040602TP	14	13	WP0650876SD	14	44

NUMERICAL INDEX OF PARTS

PART NO	PAGE	REF NO.
WP0650876SD	24	27
WP0651056SD	4	13
WP0651056SD	16	74
WP0702026SP	6	58
WP0702026SP	14	43
WP0702026SP	24	26
WP0820516SP	6	57
WP0820516SP	14	42
WP0820516SP	24	25