

MODEL : AMS-220CGS/AMS-220CGB

List No : 0758-01

# PARTS LIST

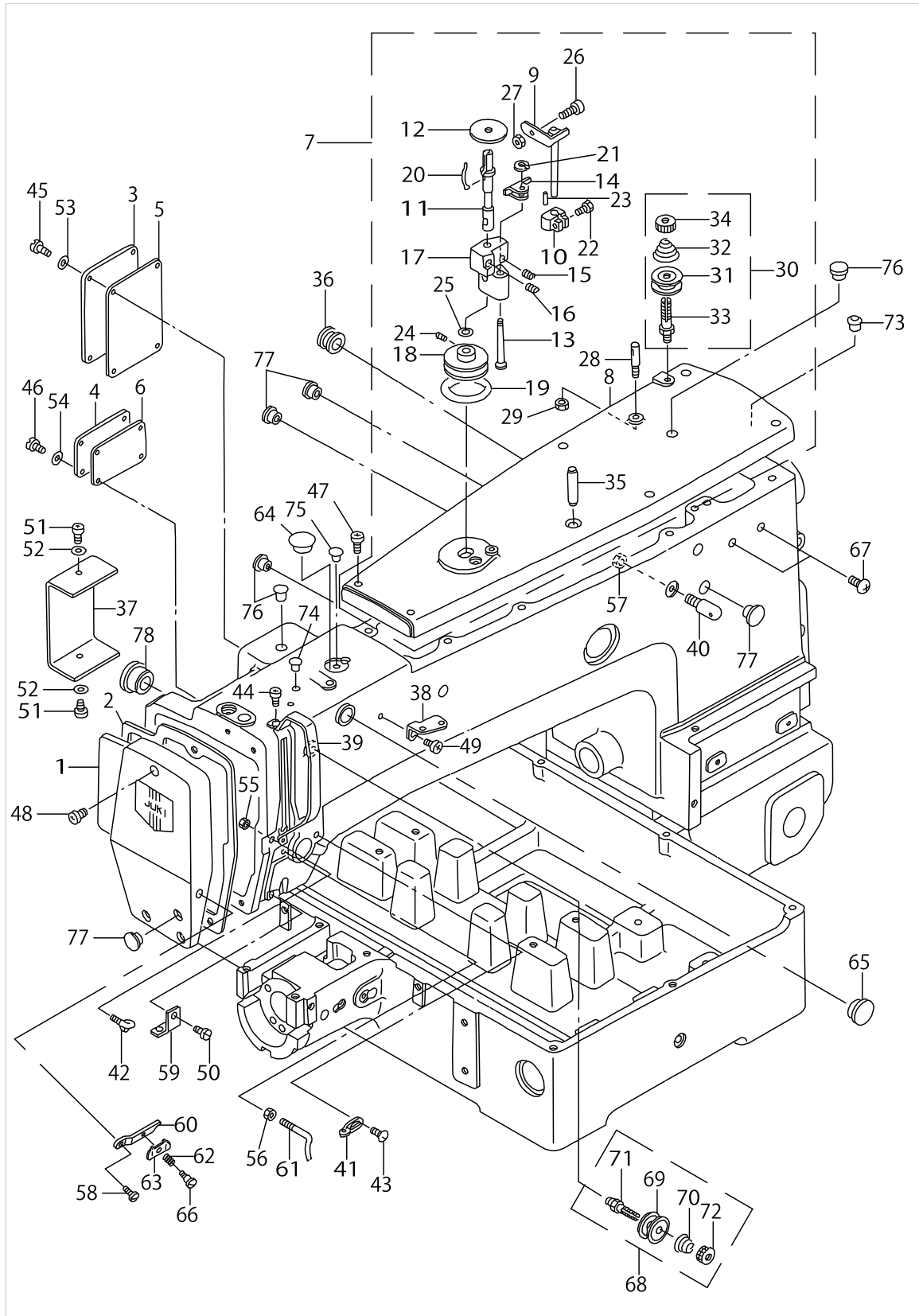
Published:05/12/2017

## CONTENTS

---

FRAME & MISCELLANEOUS COVER COMPONENTS (1) .....	1
FRAME & MISCELLANEOUS COVER COMPONENTS (2) .....	5
FRAME & MISCELLANEOUS COVER COMPONENTS (3) .....	7
MAIN SHAFT & NEEDLE BAR COMPONENTS .....	9
PRESSER MECHANISM COMPONENTS .....	13
SHUTTLE DRIVER SHAFT COMPONENTS .....	17
WIPER MECHANISM COMPONENTS .....	21
TENSION RELEASE & THREAD TRIMMER MECHANISM COMPONENTS .....	23
X-Y COMPONENTS (1) .....	27
X-Y COMPONENTS (2) .....	29
CLOTH FEED MECHANISM COMPONENTS .....	31
AMS-220CGB EXCLUSIVE PARTS (PRESSER PLATE COMPONENTS) .....	35
LUBRICATION COMPONENTS .....	37
SENSOR COMPONENTS .....	41
PNEUMATIC COMPONENTS .....	43
AMS-220CGB EXCLUSIVE PARTS (PNEUMATIC COMPONENTS) .....	45
TABLE COMPONENTS .....	47
THREAD STAND COMPONENTS .....	51
CONTROL BOX COMPONENTS .....	53
OPERATION BOX COMPONENTS .....	55
CIRCUIT BOARD COMPONENTS .....	57
POWER SUPPLY & CORD COMPONENTS .....	59
PEDAL & ELECTRIC EQUIPMENT ACCESSORIE PART COMPONENTS .....	61
ACCESSORIE PART COMPONENTS .....	63
OPTIONAL COMPONENTS .....	65
HOW TO MAKE USE OF THIS PARTS LIST .....	67

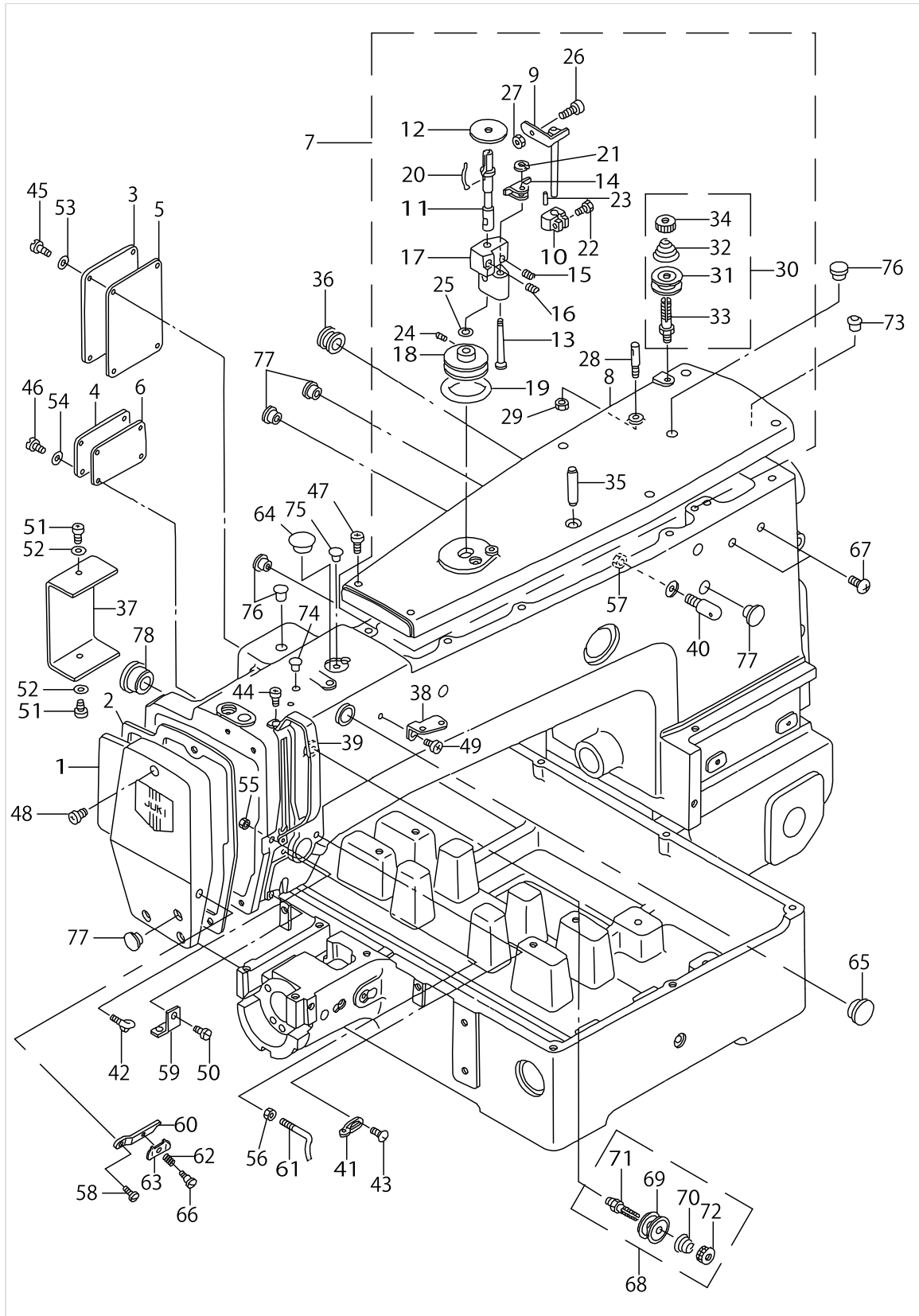
FRAME & MISCELLANEOUS COVER COMPONENTS (1)



FRAME & MISCELLANEOUS COVER COMPONENTS (1)

No.	Supply Code	Parts No.	Replacement	Parts name	Remarks	Choice	Step	Level	Cons	Qty	Rep. QTY
1	D R	B110522000A	B11052200AA	FACE PLATE						1	1.00
2		B1117220000		FACE PLATE GASKET						1	
3		B112222000B		COVER (A)						1	
4		B112322000B		COVER (B)						1	
5		B1124220000		GASKET A						1	
6	D	B1125220000		GASKET B						1	
7	D	B11042200AB		TOP COVER ASM.						1	
8	D	B110422000B		TOP COVER						1	
9		B32012100A0		STOP LATCH ASM.				*		1	
10		B3203210000		CAM				*		1	
11		B3204210000		SPINDLE				*		1	
12		B3205210000		CUSHION				*		1	
13		B3206210000		SCREW STUD				*		1	
14		B3207210000		TRIP LATCH				*		1	
15		B3208210000		SPRING A				*		1	
16		B3209210000		SPRING B				*		1	
17		B3210210000		BOBBIN WINDER BASE				*		1	
18		B3211210000		BOBBIN WINDER WHEEL				*		1	
19		B3212210000		FRICITION WHEEL				*		1	
20		B3212761000		LATCH SPRING				*		1	
21		D2430555B00		SNAP RING				*		1	
22		SS9111020TP		SCREW 11/64-40L=10				*		1	
23		PS0150065KP		SPRING PIN 1.5X6				*		1	
24		SS8110520TP		SCREW 11/64-40 L= 4.5				*		2	
25		WP0651056SH		WASHER 6.5X11X1				*		1	
26		B3208280000		BOBBIN WINDER A-DJUSTING SCREW				*		1	
27		NS6110530SP		NUT 11/64-40				*		1	
28		10007003		THREAD GUIDE PIN				*		1	
29		NS6110310SP		NUT 11/64-40				*		1	
30	R	B11152320A0	26218651	FIRST THREAD TENSION ASM.				*		1	1.00
31	R	B3126012000	22921506	THREAD TENSION DISK				*		2	1.00
32		B1115232000		FIRST THREAD TENSION SPRING				*		1	
33	R	B3123352000	26220400	THREAD TENSION ROD				*		1	1.00
34	R	B3125012000	22928808	THREAD TENSION NUT				*		1	1.00
35		PS0800302KH		SPRING PIN 8X30				*		1	
36		B1126210000		WIRE BUSHING						1	
37		B112821000B		SWITCH COVER						1	
38	R	B1111232000	26211904	THREAD GUIDE PLATE						1	1.00
39	R	13816608	26211607	BALANCE COVER						1	1.00
40	R	B1123280000	26212001	FIRST THREAD GUIDE						1	1.00
41		B1126552000		ARMTHREAD GUIDE A						1	
42		B3114771000		THREAD GUIDE						1	
43		SS3090610SP		SCREW 9/64-40 L=6						1	
44		SS4090715SP		SCREW 9/64-40 L=7						2	
45		SS4110815SP		SCREW 11/64-40 L=8						4	
46		SS4110815SP		SCREW 11/64-40 L=8						4	

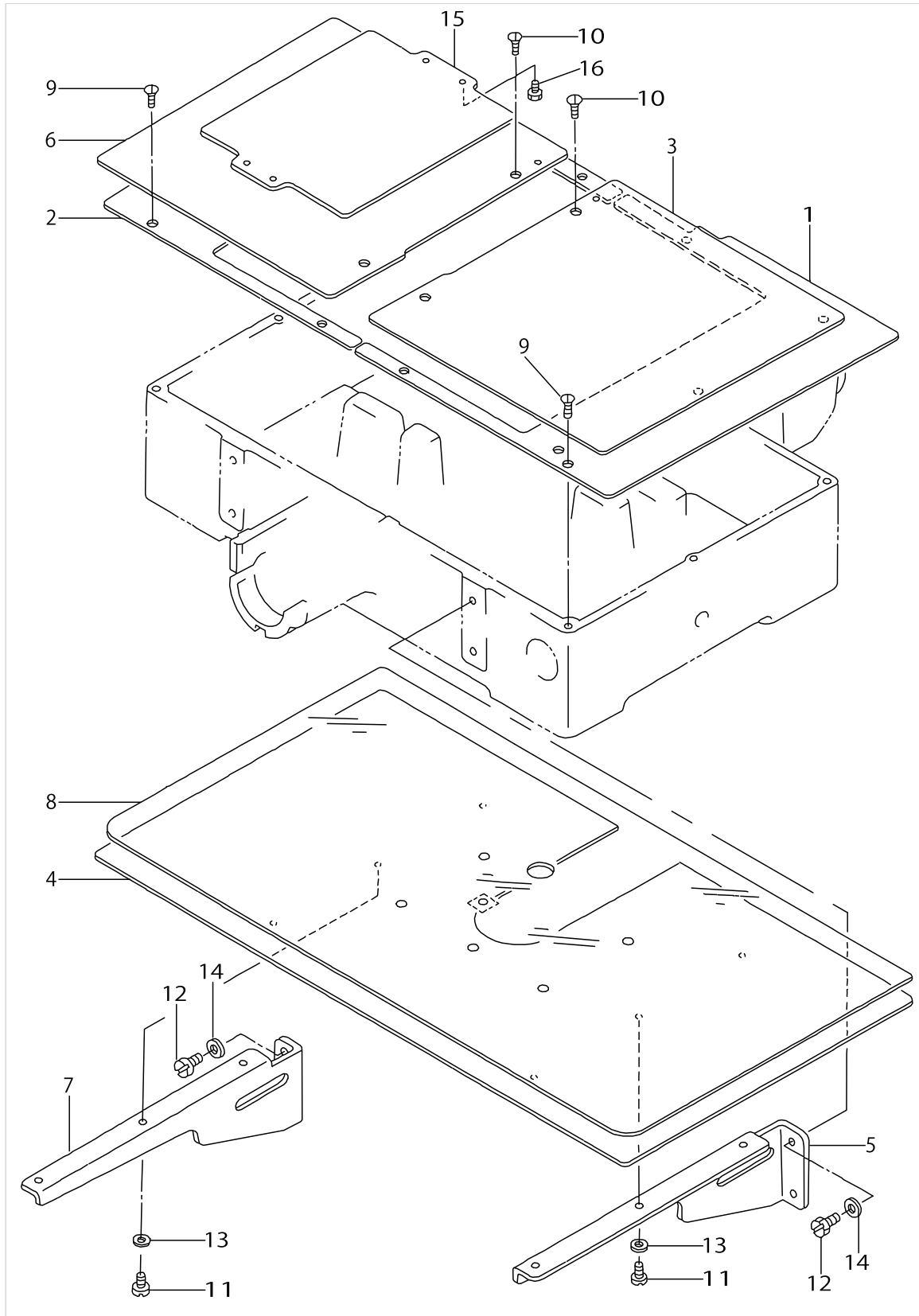
FRAME & MISCELLANEOUS COVER COMPONENTS (1)



FRAME & MISCELLANEOUS COVER COMPONENTS (1)

No.	Supply Code	Parts No.	Replacement	Parts name	Remarks	Choice	Step	Level	Cons	Qty	Rep. QTY
47		SS4111015SP		SCREW11/64-40L=10						6	
48		SS4111015SP		SCREW11/64-40L=10						3	
49		SS4150715SP		SCREW 15/64-28 L=7						1	
50		SS7110840SP		SCREW 11/64-40 L=7.8						1	
51		SM4040601SC		SCREW M4X0.7 L=6						2	
52		WP0430801SC		WASHER M4						2	
53		WP0450000SD		WASHER 4.5X8X0.5						4	
54		WP0450000SD		WASHER 4.5X8X0.5						4	
55		NS6090310SP		NUT 9/64-40						1	
56		NS6090310SP		NUT 9/64-40						1	
57		NS6150310SP		NUT 15/64-28						1	
58	R	SS7090910SP	SS7090910TP	SCREW9/64-40 L=8.5						1	1.00
59		B1129210000		FRAME THREAD GUIDE (B)						1	
60	D	B1145210000		INSTALLING BASE						1	
61		B3118771000		TENSION THREAD GUIDE, NO.2						1	
62		B1132521000		THREAD PRESSER PLATE SPRING						1	
63		10129104		THREAD PRESSER PLATE						1	
64		TA0750704R0		RUBBER PLUG						1	
65		TA1470704R0		RUBBER PLUG						1	
66		SD0380551SL		HINGE SCREW D= 3.80 H= 5.5						1	
67		SS7110840SP		SCREW 11/64-40 L=7.8						2	
68	R	B11152320A0	26218651	FIRST THREAD TENSION ASM.						1	1.00
69	R	B3126012000	22921506	THREAD TENSION DISK				*		2	1.00
70		B1115232000		FIRST THREAD TENSION SPRING				*		1	
71	R	B3123352000	26220400	THREAD TENSION ROD				*		1	1.00
72	R	B3125012000	22928808	THREAD TENSION NUT				*		1	1.00
73	R	B1405012000	22901409	CAP						1	1.00
74		TA0750704R0		RUBBER PLUG						1	
75		TA0850604R0		RUBBER PLUG						1	
76		TA1050504R0		RUBBER PLUG						3	
77		TA1250406R0		RUBBER PLUG						4	
78		TA2100904R0		RUBBER PLUG						1	

FRAME & MISCELLANEOUS COVER COMPONENTS (2)

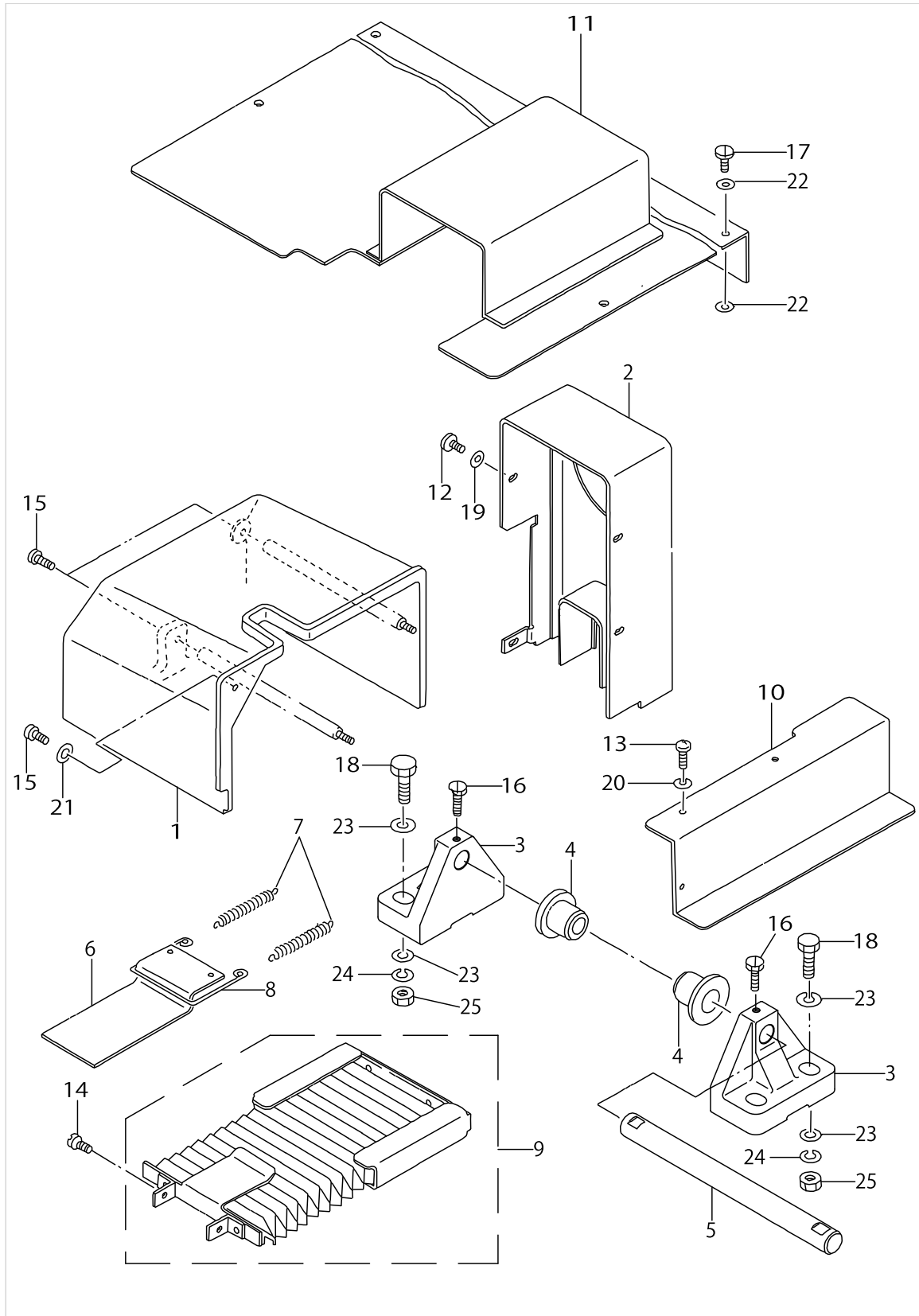


FRAME & MISCELLANEOUS COVER COMPONENTS (2)

No.	Supply Code	Parts No.	Replacement	Parts name	Remarks	Choice	Step	Level	Cons	Qty	Rep. QTY
1	D	B1108220000		RIGHT COVER						1	
2		B1109220000		LEFT COVER						1	
3	D	B111022000A		AUXILIARY COVER, RIGHT						1	
4		B1112220000		NEEDLE PLATE AUXILIARY COVER						1	
5	D	B1113220000		AUXILIARY COVER SUPPORT, RIGHT						1	
6	D	B111822000A		AUXILIARY COVER, LEFT						1	
7		B1121220000		AUXILIARY COVER SUPPORT, LEFT						1	
8	D	B1170220000		AUXILIARY COVER SHEET						1	
9		SS1110840SP		SCREW 11/64-40 L=8						10	
10		SS1110840SP		SCREW 11/64-40 L=8						4	
11		SS6110610TP		SCREW 11/64-40 L=6						6	
12		SS9151160CP		SCREW 15/64-28 L=10.5						4	
13		WP0520656SA		WASHER 5.2X9.5X0.6						6	
14		WP0621016SD		WASHER 6.2X13X1						4	
15	D	B1502220000		PRESSER PLATE						1	
16		SS9151120CP		SCREW15/64-28L=11						4	



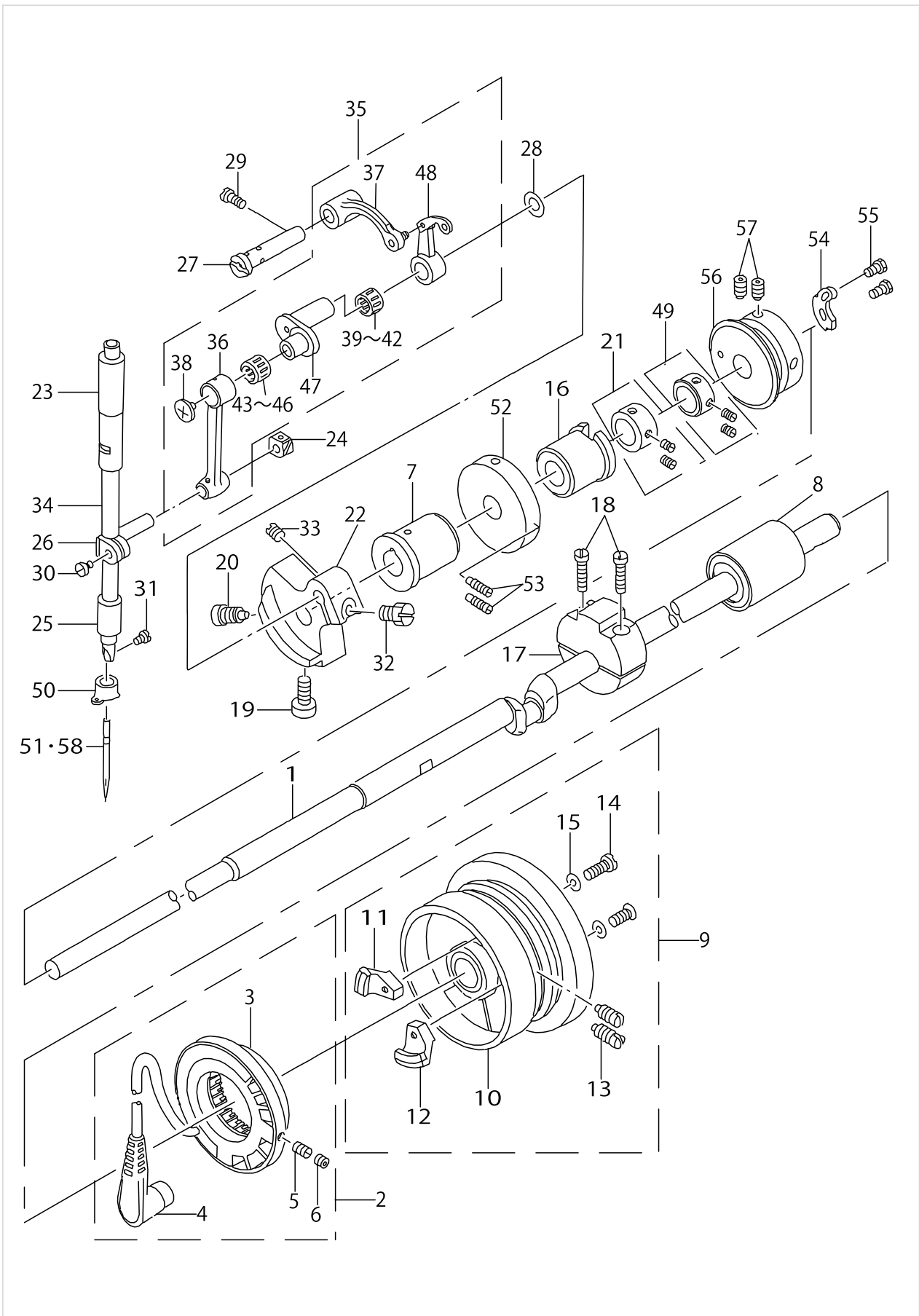
FRAME & MISCELLANEOUS COVER COMPONENTS (3)



FRAME & MISCELLANEOUS COVER COMPONENTS (3)

No.	Supply Code	Parts No.	Replacement	Parts name	Remarks	Choice	Step	Level	Cons	Qty	Rep. QTY
1	D	B110622000B		SIDE COVER						1	
2	D	B110722000A		BELT COVER						1	
3		B111122000A		BED HINGE						2	
4		B1115220000		RUBBER PAD A						2	
5	D	B1120220000		BED HINGE SHAFT						1	
6	D	B1150220000		MOVEMENT COVER A						1	
7	D	B1151220000		TENSION SPRING						2	
8	D	B1152220000		TENSION WIRE						1	
9	D	B11532200A0		MOVEMENT COVER B ASM.						1	
10	D	B115822000B		Y SENSOR COVER						1	
11		B1159220A00		TABLE REAR COVER						1	
12		SS4110715SP		SCREW 11/64-40 L=7						4	
13		SS4110715SP		SCREW 11/64-40 L=7						3	
14		SS4110715SP		SCREW 11/64-40 L=7						2	
15		SS4111015SP		SCREW 11/64-40 L=10						3	
16		SS9151240SN		SCREW 15/64-28 L=11.5						2	
17		SM5051400SC		SCREW M5 L=14						4	
18		SM9124503SB		SCREW M12 L=45						4	
19		WP0450801SD		WASHER 4.5X10.0X0.8						4	
20		WP0450801SD		WASHER 4.5X10.0X0.8						4	
21		WP0450801SD		WASHER 4.5X10.0X0.8						1	
22		WP0841601SC		WASHER 8.4X17.4X1.6						8	
23		WP1302501SE		WASHER M12						8	
24		WS1253010KN		SPRING WASHER 12.5X21.5X3						4	
25		NM6120011SF		NUT M12						4	

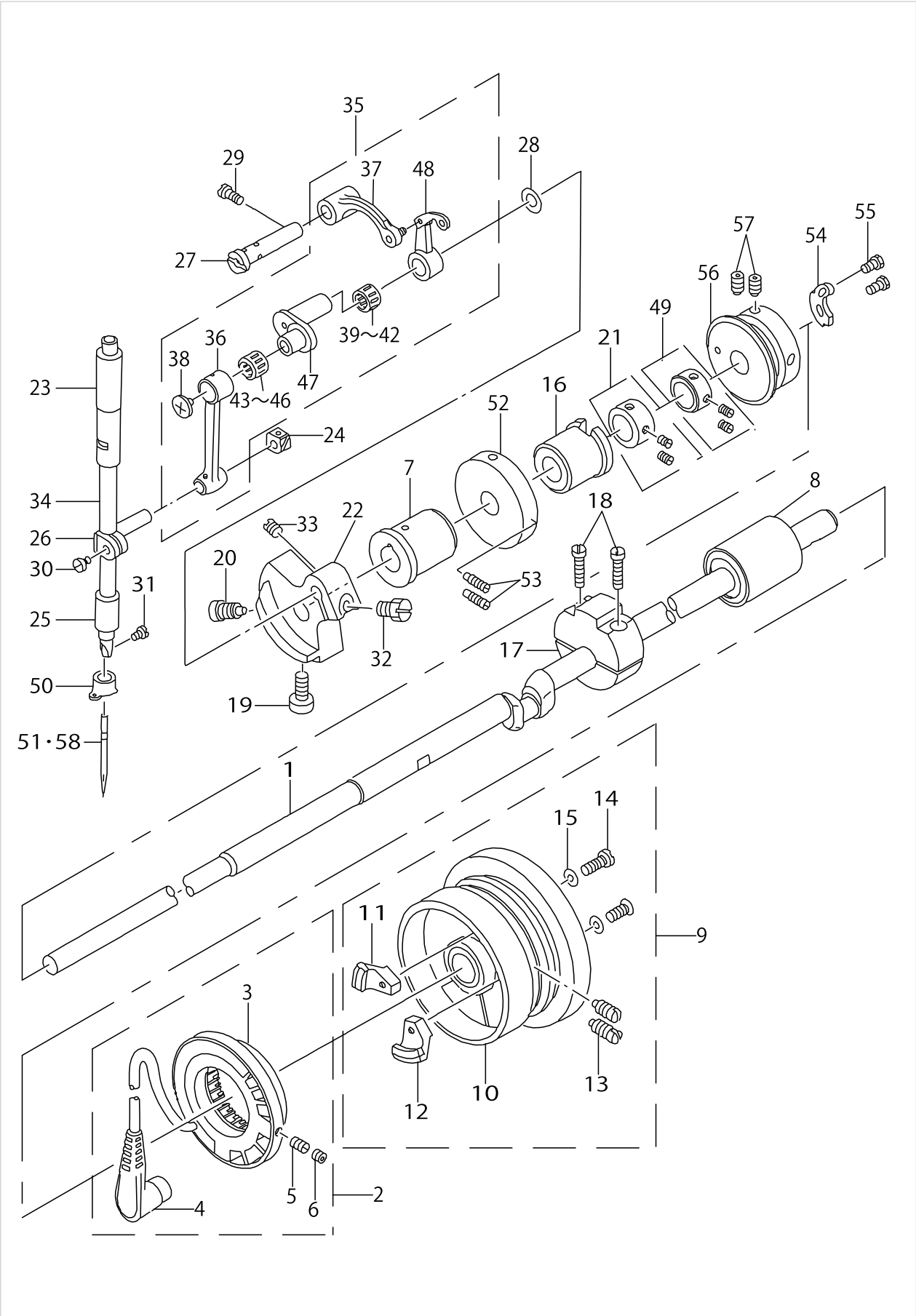
MAIN SHAFT & NEEDLE BAR COMPONENTS



MAIN SHAFT & NEEDLE BAR COMPONENTS

No.	Supply Code	Parts No.	Replacement	Parts name	Remarks	Choice	Step	Level	Cons	Qty	Rep. QTY
1	D	B1201220000		MAIN SHAFT						1	
2		B12092200A0		GENERATOR STATOR ASM.						1	
3	D	M40051100A0		STATOR ASM.				*		1	
4		B12102200A0		SYNCHRONIZE BOARD				*		1	
5		SS8111010TP		SCREW 11/64-40 L=9.5				*		2	
6		SS8110422TP		SCREW 11/64-40 L=4				*		2	
7		B1202210000		BUSHING, FRONT				*		1	
8		B12042100A0		BUSHING, REAR						1	
9		B12052100BA		HAND WHEEL ASM.						1	
10	R	B12052100AA	B12052100BA	HAND WHEEL ASM.				*		1	1.00
11		M40071100AB		MAGNET FITTING BASE B ASM.				*		1	
12		B12082100A0		SOLENOID INSTALL- ING PLATE ASM.				*		1	
13		SS8151550SP		SCREW 15/64-28L=15				*		2	
14		SS6111210SP		SCREW 11/64-40L=12				*		2	
15		WP0450801SD		WASHER 4.5X10.0X0.8				*		2	
16	D	B35142100A0		OIL WICK ASM.						1	
17	D	B1207205000		CRANK BALANCER						1	
18		SS6122510SP		SCREW 3/16-28 L=25						2	
19		SS6151412TP		SCREW 15/64-28L=14						1	
20		SS6681712TP		SCREW 9/32-28 L=16.5						1	
21		GS147121ESH		THRUST COLLAR A- SM. D=14.72 W=1						1	
22		B1206210A00		COUNTERWEIGHT						1	
23	R	B1402280000	26203208	NEEDLE ROD METAL						1	1.00
24		B1414232000		SQUARE BLOCK						1	
25		B1403280000		NEEDLE ROD LOWER METAL						1	
26		B14115520A0		NEEDLE ROD HOLDER ASM.						1	
27		B1904280000		BALANCE CRANK PIN						1	
28		B1223771000		NEEDLE ROD CRANK WASHER						1	
29		SS7151120SP		SCREW 15/64-28L=11						1	
30		SS6090670TP		SCREW 9/64-40 L=6						1	
31		SS7080510TP		SCREW 1/8-44 L=4.5						1	
32		SS9661230CP		SCREW 1/4-40 L=12						1	
33		SS8660610TP		SCREW 1/4-40 L=6						1	
34		B1401210A00		NEEDLE BAR						1	
35	R	B19012100B0	B19012100C0	THREAD TAKE-UP LEVER ASM.						1	1.00
36		B1404280000		NEEDLE BAR CRANK ROD				*		1	
37	R	B1903210000	B19012100C0	THREAD TAKE-UP CRANK				*		1	1.00
38		B1903552000		LEFT SCREW				*		1	
39		B1905541A00		NEEDLE BEARING	SELECTIVE PART			*		1	
40		B1905541B00		NEEDLE BEARING	SELECTIVE PART			*		1	
41		B1905541C00		NEEDLE BEARING	SELECTIVE PART			*		1	
42		B1905541D00		NEEDLE BEARING	SELECTIVE PART			*		1	
43		B1411804A00		BEARING (A)	SELECTIVE PART			*		1	
44		B1411804B00		NEEDLE DRIVING L- EVER BEARING B	SELECTIVE PART			*		1	
45		B1411804C00		NEEDLE DRIVING L- EVER BEARING C	SELECTIVE PART			*		1	

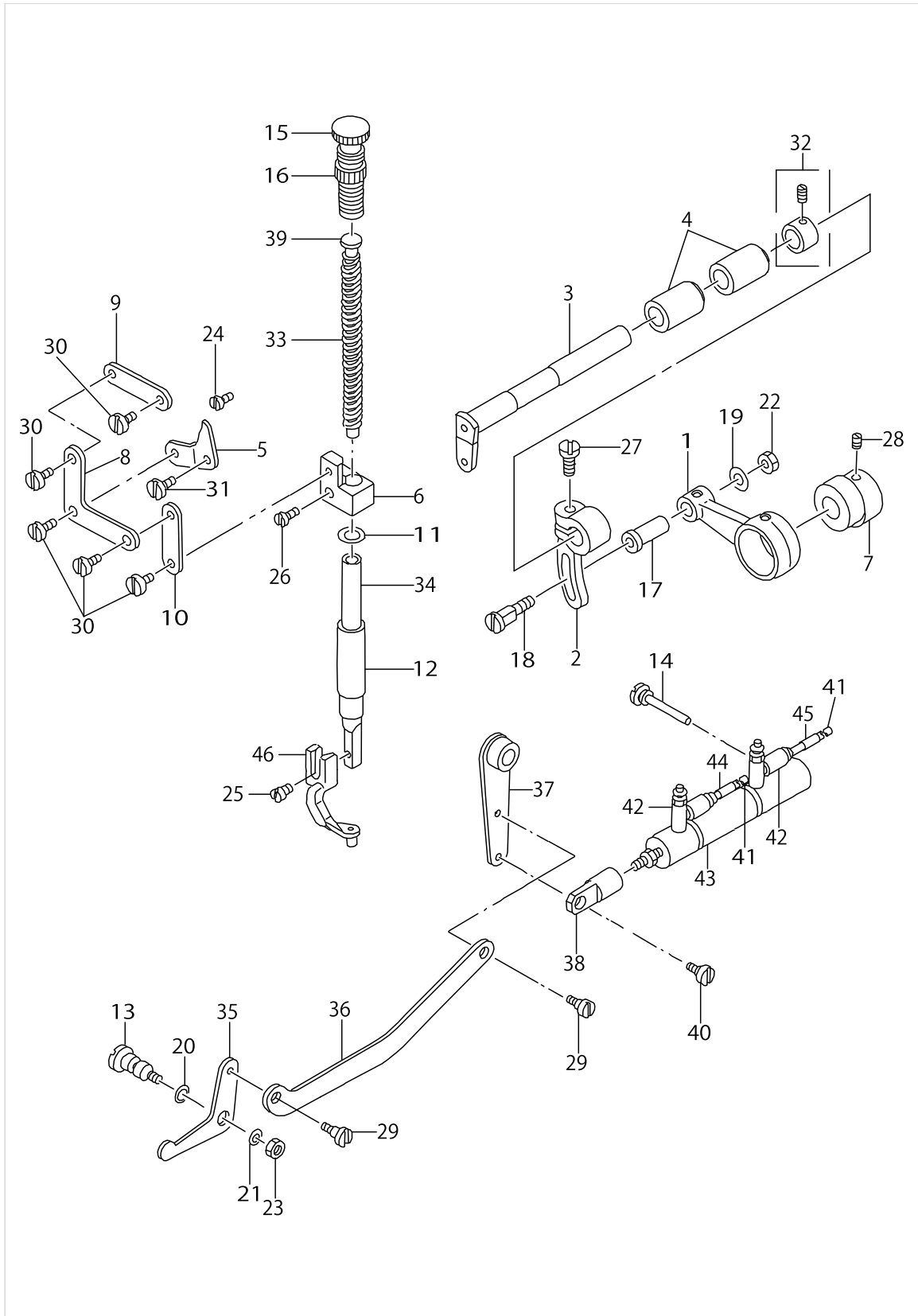
MAIN SHAFT & NEEDLE BAR COMPONENTS



MAIN SHAFT & NEEDLE BAR COMPONENTS

No.	Supply Code	Parts No.	Replacement	Parts name	Remarks	Choice	Step	Level	Cons	Qty	Rep. QTY
46		B1411804D00		BEARING (D)	SELECTIVE PART			*		1	
47		B1407210000		NEEDLE BAR CRANK				*		1	
48	R	B19012100A0	B19012100C0	THREAD TAKE-UP LEVER COMPL.				*		1	1.00
49		CS1470710SH		THRUST COLLAR A- SM. D=14.72 W=7						1	
50	R	B1406210000	40026884	THREAD GUIDE						1	1.00
51		MDP170B2300		NEEDLE DPX17 #23	EXCEPT JE					1	
52		B3213205000		BOBBIN WINDER DRIVING WHEEL						1	
53		SS8111610SP		SCREW 11/64-40 L=15.5						2	
54		B2312210A00		TENSION RELEASE NOTCH						1	
55		SS9090833TP		SCREW						2	
56		B2401205000		THREAD TRIMMER CAM						1	
57		SS8661012TP		SCREW						2	
58		MC372001600		NEEDLE SY3355 160	FOR JE					1	

# PRESSER MECHANISM COMPONENTS

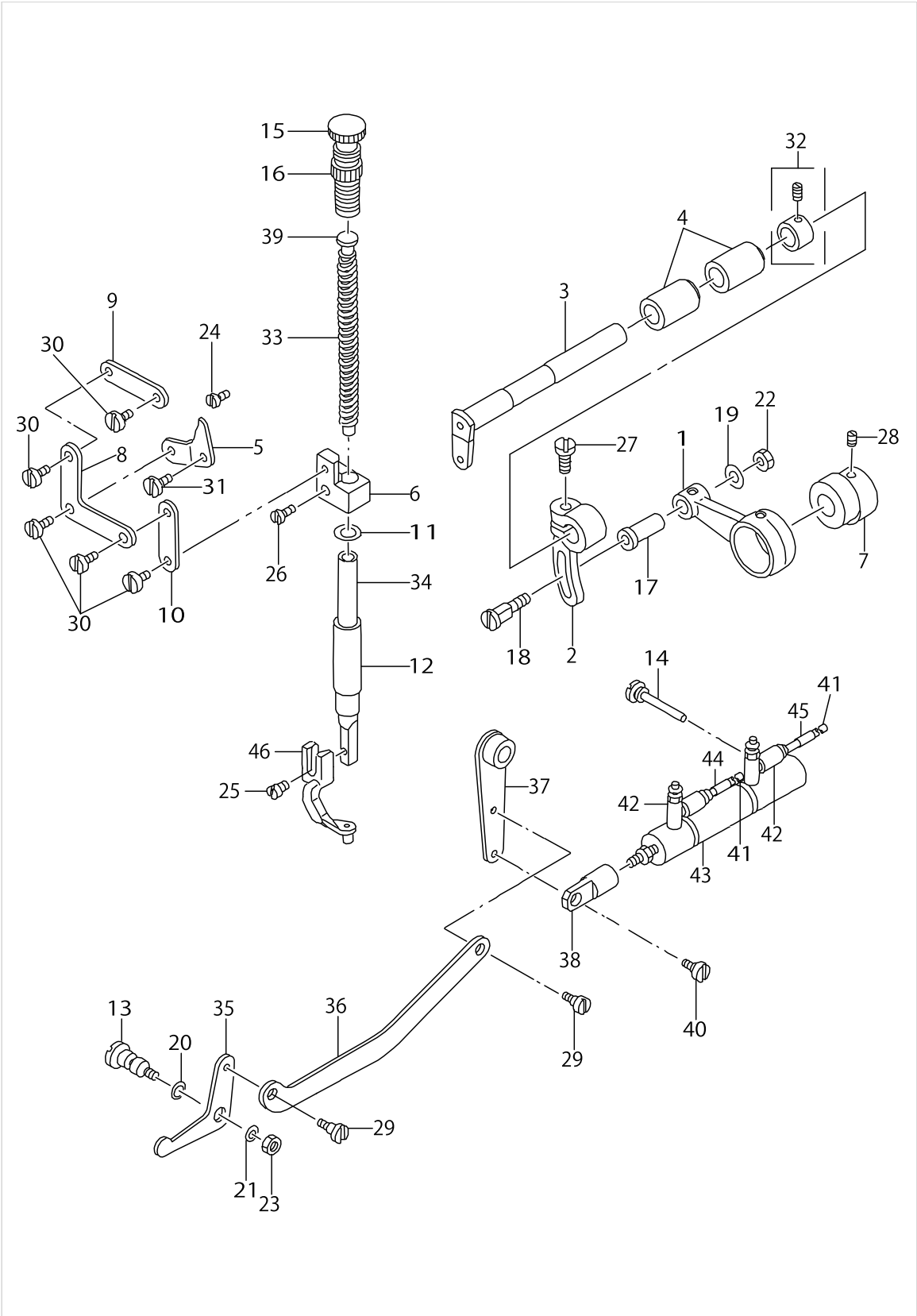


PRESSER MECHANISM COMPONENTS

No.	Supply Code	Parts No.	Replacement	Parts name	Remarks	Choice	Step	Level	Cons	Qty	Rep. QTY
1		B1602220000		INTERMEDIATE PRESSER ROD						1	
2		B1603220000		INTERMEDIATE PRESSER ROD ARM						1	
3		B1604220000		INTERMEDIATE PRESSER SHAFT						1	
4		B1605220000		INTERMEDIATE PRESSER BUSHING						2	
5		B1606220000		POSITIONING LINK						1	
6	R	B1608220000	B16082200A0	GUIDE BRACKET						1	1.00
7		B1609220000		CAM						1	
8		B1610220000		L-SHAPED LINK						1	
9		B1612220000		SUSPENSION LINK A						1	
10		B1613220000		SUSPENSION LINK B						1	
11		B1614220000		SPACER						1	
12		B1616220000		PRESSER BAR BUSHING, LOWER						1	
13		B1627220000		LINK PIVOT PIN						1	
14	D	B1628220000		CYLINDER SUPPORT SCREW						1	
15		B1509227000		PRESSER SPRING REGULATOR						1	
16	R	11071701	22907554	NUT						1	1.00
17		D1455055B00		CONNECTING STUD						1	
18		D1456055B00		HINGE SCREW						1	
19		D1457055B00		WASHER						1	
20		RO048190100		RUBBER RING						1	
21		WP0612066SP		WASHER 6.1X11X2						1	
22		NS6110530SP		NUT 11/64-40						1	
23		NS6150430SP		NUT 15/64-28						1	
24		SS6150710SP		SCREW						1	
25	R	SS7091110SP	SS7091110TP	SCREW 9/64-40 L=10.5						1	1.00
26		SS7111410TP		SCREW 11/64-40 L=14						1	
27		SS7661540SP		SCREW 1/4-40 L=15.0						1	
28		SS8660610TP		SCREW 1/4-40 L=6						2	
29		SD0640321SP		HINGE SCREW D= 6.35 H= 3.2						2	
30		SD0640321TP		HINGE SCREW						5	
31		SD0720321TP		HINGE SCREW						1	
32		CS111101CSH		THRUST COLLAR ASM. D=11.11 W=1						1	
33		B1611224000		SPRING						1	
34		B1615224000		PRESSER BAR						1	
35		B1620224000		LIFTING LINK						1	
36		B1621224000		CONNECTING LINK						1	
37		B16222240A0		CONNECTING LINK ARM ASM.						1	
38		B1625224000		CYLINDER KNUCKLE						1	
39		B1629224000		PRESSER GUIDE BAR						1	
40		SD0640321SP		HINGE SCREW D= 6.35 H= 3.2						1	
41	R	B471022000D	BT0400251ED	AIR TUBE D D=4						2	1.00
42		PC010508000		SPEED CONTROLLER						2	
43		PA1603003A0		INTERMEDIATE PRESSER CYLINDER						1	
44		B471122000A		AIR TUBE LABEL J01						1	
45		B471122000B		AIR TUBE LABEL J02						1	



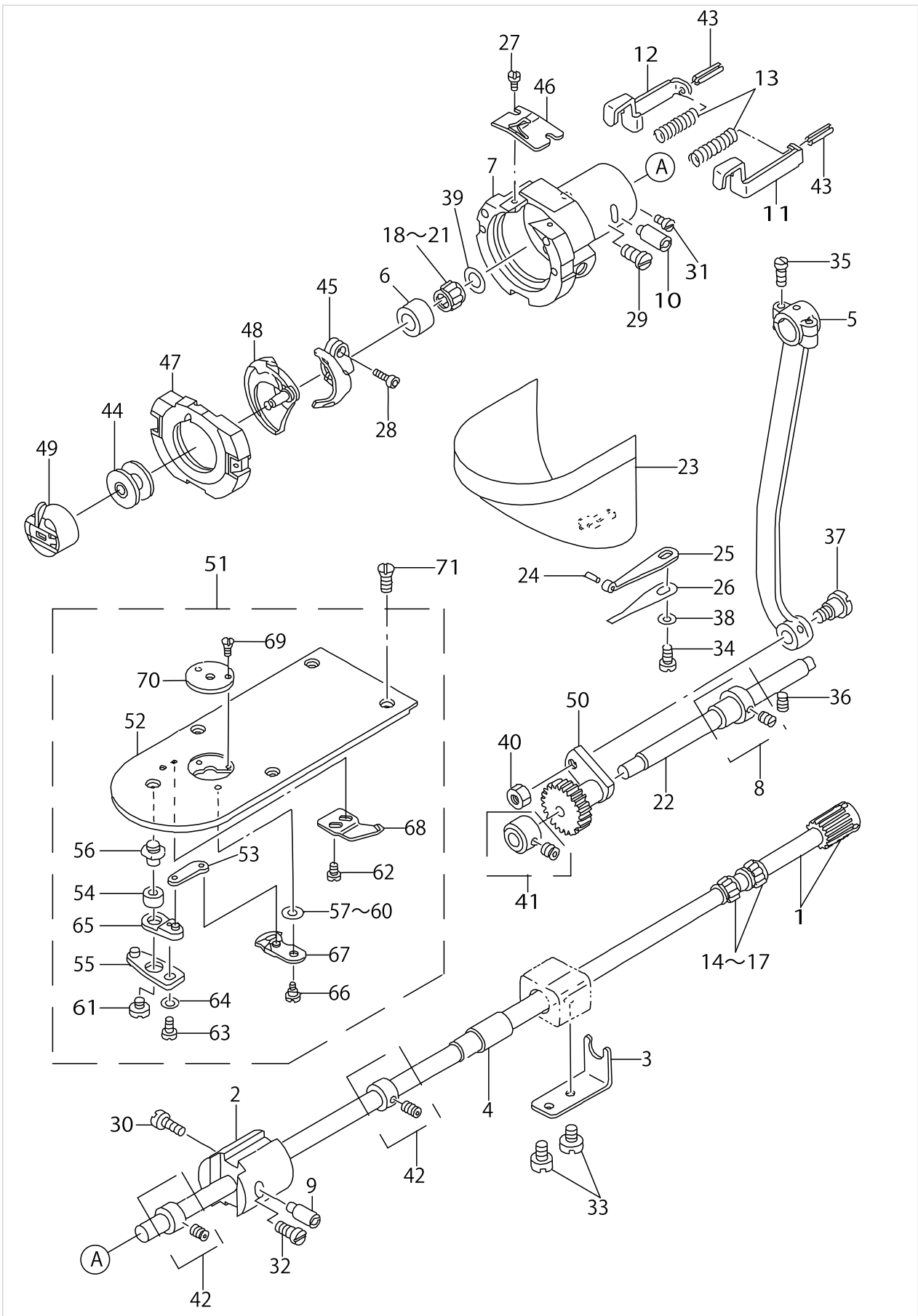
PRESSER MECHANISM COMPONENTS



PRESSER MECHANISM COMPONENTS

No.	Supply Code	Parts No.	Replacement	Parts name	Remarks	Choice	Step	Level	Cons	Qty	Rep. QTY
46		B160122000G		INNER PRESSER G						1	

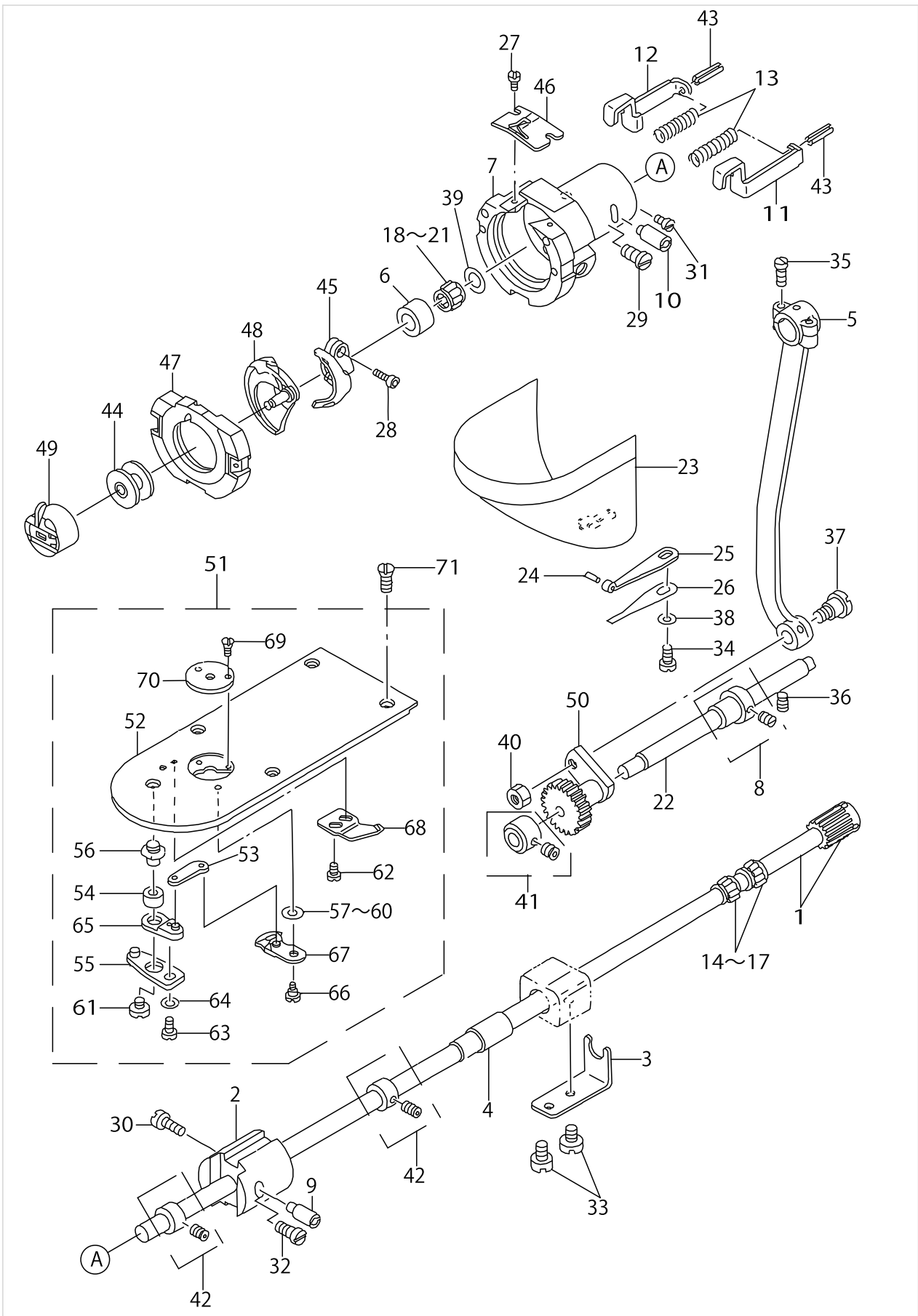
# SHUTTLE DRIVER SHAFT COMPONENTS



SHUTTLE DRIVER SHAFT COMPONENTS

No.	Supply Code	Parts No.	Replacement	Parts name	Remarks	Choice	Step	Level	Cons	Qty	Rep. QTY
1	D	B18112200AA		SHUTTLE DRIVER SHAFT ASM. A						1	
2		B1831220000		BUSHING, FRONT						1	
3	D	B1832220000		NEEDLE STOPPER						1	
4		13508403		LOWER SHAFT REAR METAL						1	
5		B1802210000		CRANK ROD						1	
6		B1813980000		SHUTTLE NEEDLE OUTER RING						1	
7		B1814980000		SHUTTLE						1	
8	R	B18042800A0	26221853	THRUST COLLAR ASM.						1	1.00
9	R	B1819280000	26222208	SHUTTLE RACE ADJUSTING SHAFT						1	1.00
10	R	B1819280000	26222208	SHUTTLE RACE ADJUSTING SHAFT						1	1.00
11	R	B1820280000	26222307	INNER HOOK PRESSER, RIGHT						1	1.00
12	R	B1821280000	26222406	INNER HOOK PRESSER, LEFT						1	1.00
13	R	B1823280000	26222505	INNER HOOK PRESSER SPRING						2	1.00
14		B1411804A00		BEARING (A)						2	
15		B1411804B00		NEEDLE DRIVING LEVER BEARING B	SELECTIVE PART					2	
16		B1411804C00		NEEDLE DRIVING LEVER BEARING C	SELECTIVE PART					2	
17		B1411804D00		BEARING (D)	SELECTIVE PART					2	
18		B1411804A00		BEARING (A)						1	
19		B1411804B00		NEEDLE DRIVING LEVER BEARING B	SELECTIVE PART					1	
20		B1411804C00		NEEDLE DRIVING LEVER BEARING C	SELECTIVE PART					1	
21		B1411804D00		BEARING (D)	SELECTIVE PART					1	
22	R	13508205	26203901	OSCILLATING SHAFT						1	1.00
23	R	13816855	40142674	CYLINDER ARM CAP						1	1.00
24		13508700		HOOK COVER PRESSER SPRING PIN						1	
25	R	13508809	26221101	HOOK COVER PRESSER SPRING A						1	1.00
26	R	13508908	26221200	HOOK COVER PRESSER SPRING B						1	1.00
27		SS6060410TP		SCREW 3/32-56 L=3.5						2	
28		SS6121212TP		SCREW 3/16-28 L=12.0						1	
29		SS6151220SP		SCREW 15/64-28 L=11.5						1	
30		SS6151220SP		SCREW 15/64-28 L=11.5						1	
31		SS7110510SP		SCREW 11/64-40 L=5						1	
32		SS7110510SP		SCREW 11/64-40 L=5						1	
33		SS7110710SP		SCREW 11/64-40 L=7						2	
34		SS7110840SP		SCREW 11/64-40 L=7.8						1	
35		SS7111110TP		SCREW 11/64-40 L=10.5						2	
36		SS8150822TP		SCREW 15/64-28 L=8						1	
37		SD0801021TP		HINGE SCREW D= 8 H=10.2						1	
38		WP0531000SD		WASHER M5						1	
39		WP0952616SD		WASHER 9.5X14.8X2.6						1	
40		NS6660430SP		NUT 1/4-40						1	
41		CS079101FSH		THRUST COLLAR ASM.						1	
42		CS080081FSH		THRUST COLLAR ASM.						2	
43		PS0250162KH		SPRING PIN 2.5X16						2	
44		B1805210A00		BOBBIN						1	

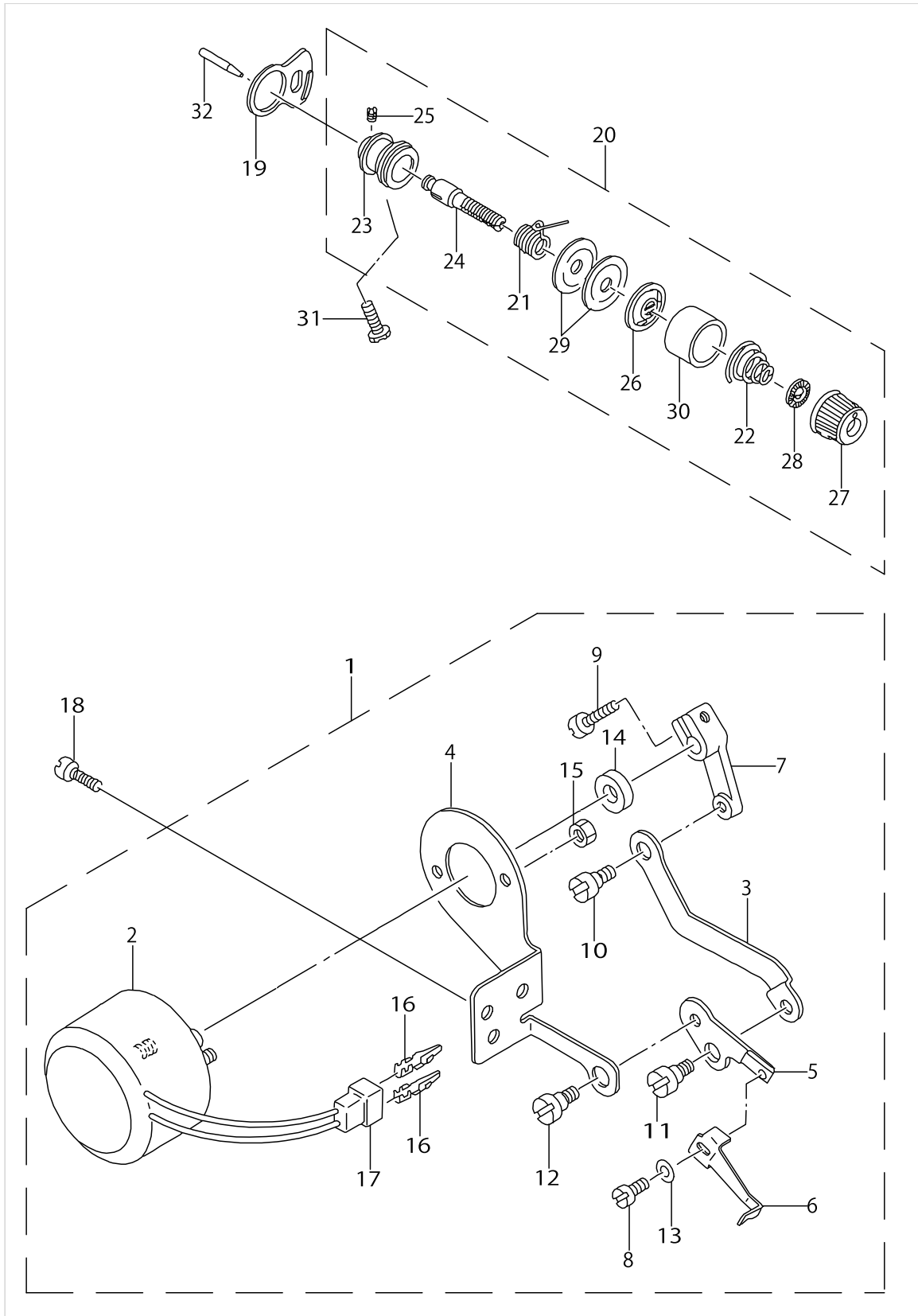
# SHUTTLE DRIVER SHAFT COMPONENTS



SHUTTLE DRIVER SHAFT COMPONENTS

No.	Supply Code	Parts No.	Replacement	Parts name	Remarks	Choice	Step	Level	Cons	Qty	Rep. QTY
45	R	B1812210000	B18122100A0	SCREW DRIVER						1	1.00
46		B1815210000		INNER HOOK UPPER SPRING						1	
47		B18172100AB		SHUTTLE RACE RING B ASM.						1	
48		B1818210000		SHUTTLE						1	
49		B18282100A0		BOBBIN CASE ASM.						1	
50		D1805MLBH00		OSCILLATING ROCK SHAFT						1	
51	D	B2425220AA0		THROAT PLATE ASM.						1	
52	D	B2425224000		NEEDLE PLATE				*		1	
53		B2418280000		MOVING KNIFE LINK				*		1	
54		B2416280000		THREAD CUTTING LEVER RING				*		1	
55		B24142800A0		THREAD CUTTER L- EVER ASM., LARG				*		1	
56		B2417280000		THREAD CUTTER LEVER SHAFT				*		1	
57		B242328000A		MOVING KNIFE WASHER A				*		1	
58		B242328000B		MOVING KNIFE WASHER B	SELECTIVE PART			*		1	
59		B242328000C		MOVING KNIFE WASHER C	SELECTIVE PART			*		1	
60		B242328000D		MOVING KNIFE WASHER D	SELECTIVE PART			*		1	
61		SS6110430TP		SCREW 11/64-40 L= 4.0				*		1	
62		SS7090410SP		SCREW 9/64-40 L= 3.5				*		2	
63		SS7110740TP		SCREW 11/64-40 L=7				*		1	
64		WP0450846SP		WASHER				*		1	
65		B24162100A0		THREAD CUTTER S- MALL LEVER ASM.				*		1	
66		B2417210000		MOVING KNIFE HINGE SCREW				*		1	
67		B2421210AA0		MOVING KNIFE COMPL.				*		1	
68		B2424210A00		FIX KNIFE				*		1	
69		SS1060210TP		SCREW 3/32-56 L=2.2				*		2	
70		B242621000H		NEEDLE HOLE GUIDE D=3.0				*		1	
71		SS1110640TP		SCREW 11/64-40 L= 5.5						4	

# WIPER MECHANISM COMPONENTS

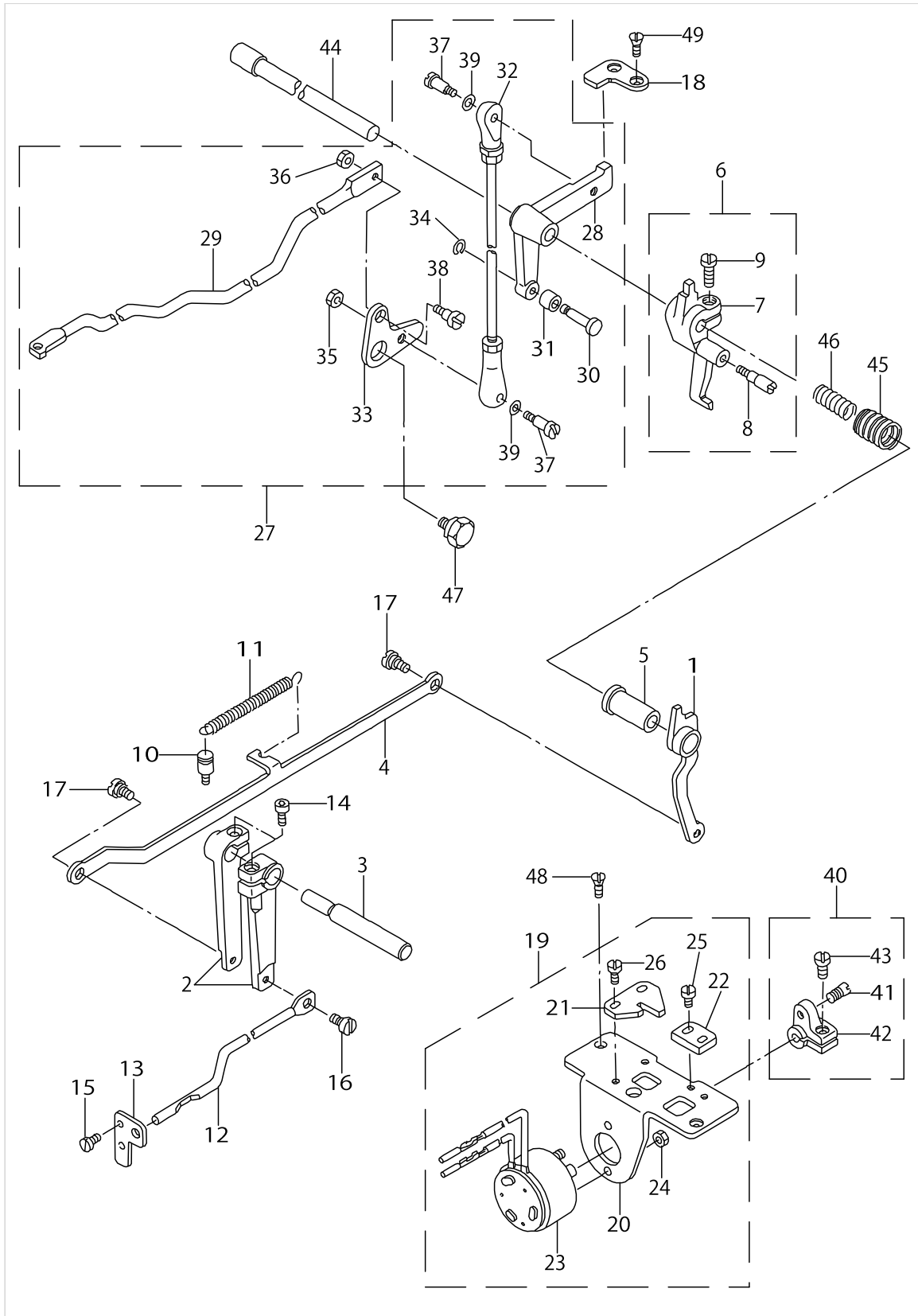


WIPER MECHANISM COMPONENTS

No.	Supply Code	Parts No.	Replacement	Parts name	Remarks	Choice	Step	Level	Cons	Qty	Rep. QTY
1		B21012200A0		WIPER ASM.						1	
2		B2101220000		WIPER SOLENOID				*		1	
3		B2103220000		WIPER CONNECTING PLATE				*		1	
4		B2104220000		SOLENOID INSTALLING PLATE				*		1	
5		B2106220000		WIPER INSTALLING PLATE				*		1	
6		B2107210000		WIPER				*		1	
7	D	B2102205000		WIPER ARM.				*		1	
8		SS6090630TP		SCREW 9/64-40 L=6				*		1	
9		SS6621220SP		SCREW 3/16-32 L=12				*		1	
10		SD0600352SP		HINGE SCREW				*		1	
11		SD0640321SP		HINGE SCREW D= 6.35 H= 3.2				*		1	
12		SD0640321SP		HINGE SCREW D= 6.35 H= 3.2				*		1	
13		WP0371016SD		WASHER 3.7X8X1				*		1	
14		WP0561616SC		WASHER 5.6X16X1.6				*		1	
15		NM6040003SC		NUT M4				*		2	
16		HP000200200		PIN-SHAPE TERMINAL, MALE				*		2	
17		HK018800020		2-POLE PLUG				*		1	
18		SS7110840SP		SCREW 11/64-40 L=7.8						2	
19		B2702210000		GUIDE PLATE						1	
20		B23022050A0		TENSION CONTROLLER NO.2 ASM.						1	
21		D3112L4BB00		TAKE-UP SPRING (HEAVY)				*		1	
22		B3129053000		TENSION SPRING				*		1	
23		B2313280000		THREAD TENSION ROD, LARGE				*		1	
24		B2302280000		SECOND THREAD TENSION ROD				*		1	
25		SS8090610SP		SCREW 9/64-40 L=5.9				*		1	
26		B3107804000		THREAD TENSION DISK PRESSER				*		1	
27		13817408		THREAD TENSION NUT				*		1	
28		B3120125000		ROTATING STOPPER				*		1	
29	R	B3126012000	22921506	THREAD TENSION DISK				*		2	1.00
30		B3132552000		THREAD TENSION DISK PRESSER				*		1	
31		SS6151812TP		SCREW 15/64-28L=18						1	
32		B2303280000		TENSION RELEASE PIN						1	



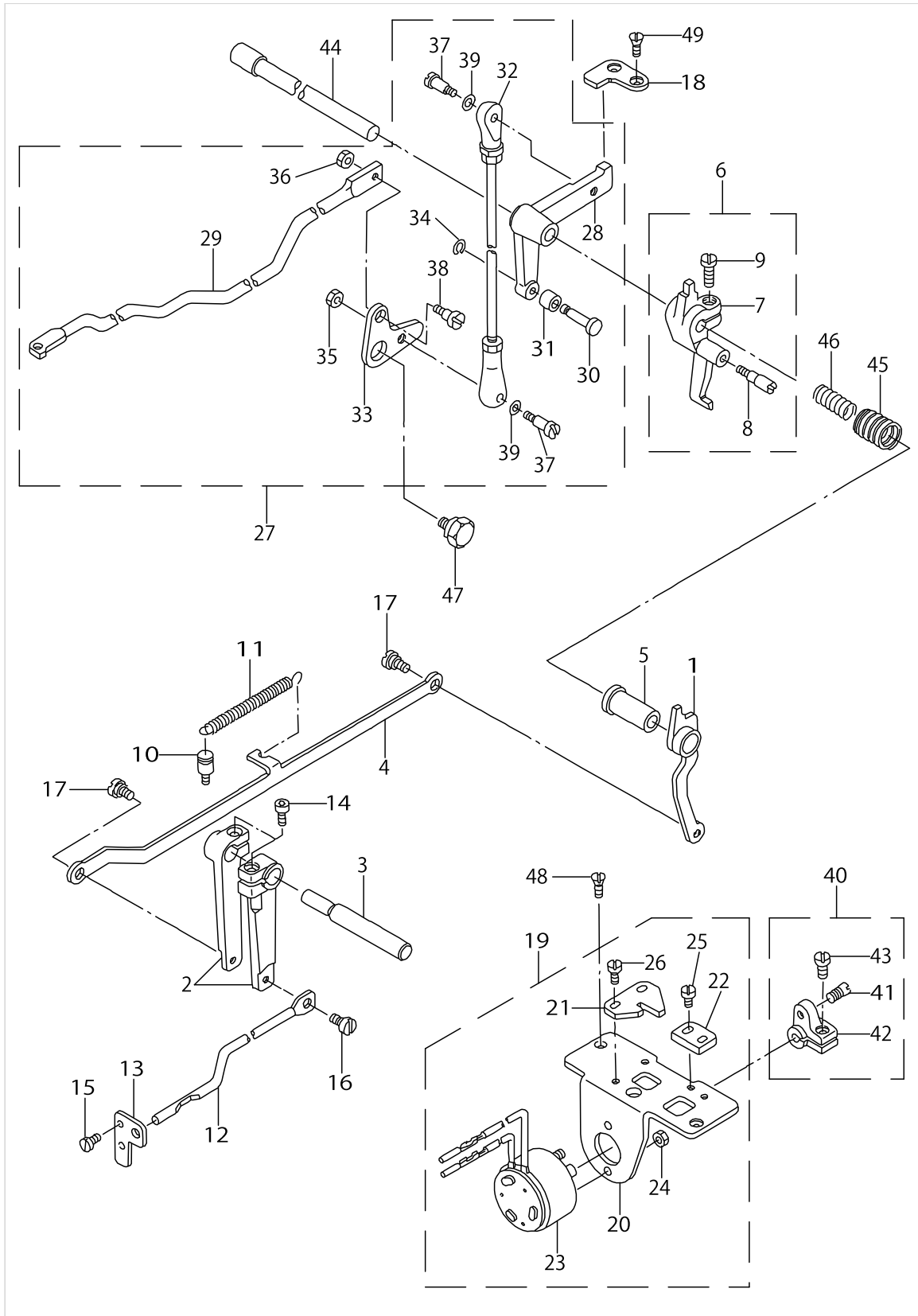
TENSION RELEASE & THREAD TRIMMER MECHANISM COMPONENTS



TENSION RELEASE & THREAD TRIMMER MECHANISM COMPONENTS

No.	Supply Code	Parts No.	Replacement	Parts name	Remarks	Choice	Step	Level	Cons	Qty	Rep. QTY
1		B23042200A0		TENSION RELEASE ARM ASM.						1	
2	R	B2306220000	B23062200A0	TENSION ARM						2	1.00
3		B2307220000		TENSION ARM SHAFT						1	
4	D	B2308220000		CONNECTING PLATE						1	
5		B2305210000		BUSHING						1	
6		B23012100A0		TENSION RELEASE ARM ASM.						1	
7		B2301210000		TENSION RELEASE ARM				*		1	
8		B2302210000		TENSION RELEASE SHAFT				*		1	
9		SS6121220TP		SCREW 3/16-28 L=11.5				*		1	
10	R	B2714761000	26212308	SPRING RACK						1	1.00
11		B2727761000		TENSION SPRING						1	
12	D	13513205		TENSION RELEASE BAR						1	
13	R	13513304	26218404	THREAD TENSION ARM						1	1.00
14		SS6151712TP		SCREW 15/64-28 L=16.5						2	
15		SS7090620TP		SCREW 9/64-40 L=6.1						2	
16		SD0530221SP		HINGE SCREW D= 5.3 H= 2.2						1	
17		SD0640321SP		HINGE SCREW D= 6.35 H= 3.2						2	
18		B2412220000		STOPPER						1	
19		B24022200A0		SOLENOID INSTALLING BASE ASM.						1	
20		B2402220000		SOLENOID INSTALLING BASE				*		1	
21		B2310220000		TENSION RELEASE ARM PLATE				*		1	
22		B2311220000		Y MOTOR BASE STOPPER				*		1	
23		B2403210000		SOLENOID				*		1	
24		NM6040003SC		NUT M4				*		2	
25		SS7110840SP		SCREW 11/64-40 L=7.8				*		2	
26		SS7110840SP		SCREW 11/64-40 L=7.8				*		2	
27		B24042200A0		CAM INSTALLING LINK ASM.						1	
28		B2404220000		CAM INSTALLING LINK				*		1	
29	D	B2413220000		KNIFE DRIVING BAR				*		1	
30		B2405210000		SHAFT				*		1	
31		B2406210000		CAM ROLLER				*		1	
32	D	B2407210000		CONNECTING ROD				*		1	
33		B2411210000		THREAD TRIMMER LINK				*		1	
34		D2430555B00		SNAP RING				*		1	
35		NS6110420SP		NUT 11/64-40				*		1	
36		NS6120310SP		NUT 3/16-28				*		1	
37		SD0500803TP		HINGESCREWD=5H=8				*		2	
38		SD0650305TP		HINGE SCREW D= 6.5 H= 3				*		1	
39		WP0501016SD		WASHER 5X10.5X1				*		2	
40		B24102200A0		SOLENOID ARM ASM.						1	
41		B2410220000		PIN				*		1	
42		B2409210000		SOLENOID ARM				*		1	
43		SS6121210SP		SCREW 3/16-28 L=12				*		1	
44		B2408210000		CAM SHAFT						1	
45		B2414210000		SPRING, LARGE						1	
46		B2415210000		SPRING, SMALL						1	

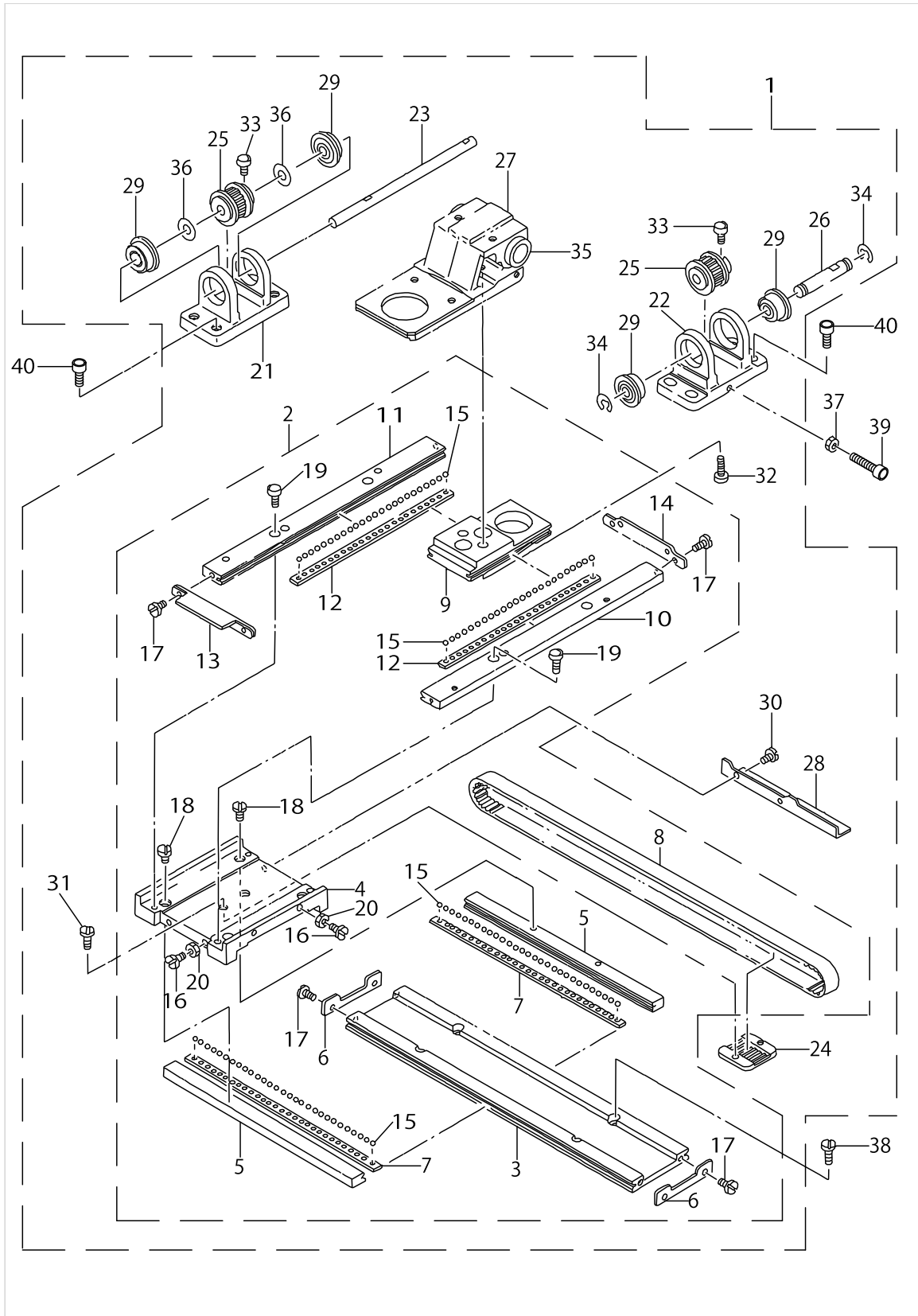
# TENSION RELEASE & THREAD TRIMMER MECHANISM COMPONENTS



TENSION RELEASE & THREAD TRIMMER MECHANISM COMPONENTS

No.	Supply Code	Parts No.	Replacement	Parts name	Remarks	Choice	Step	Level	Cons	Qty	Rep. QTY
47		SD1100301TP		HINGE SCREW H=11 W=3						1	
48		SS2110920TP		SCREW 11/64-40 L=8.5						2	
49		SS2110920TP		SCREW 11/64-40 L=8.5						2	

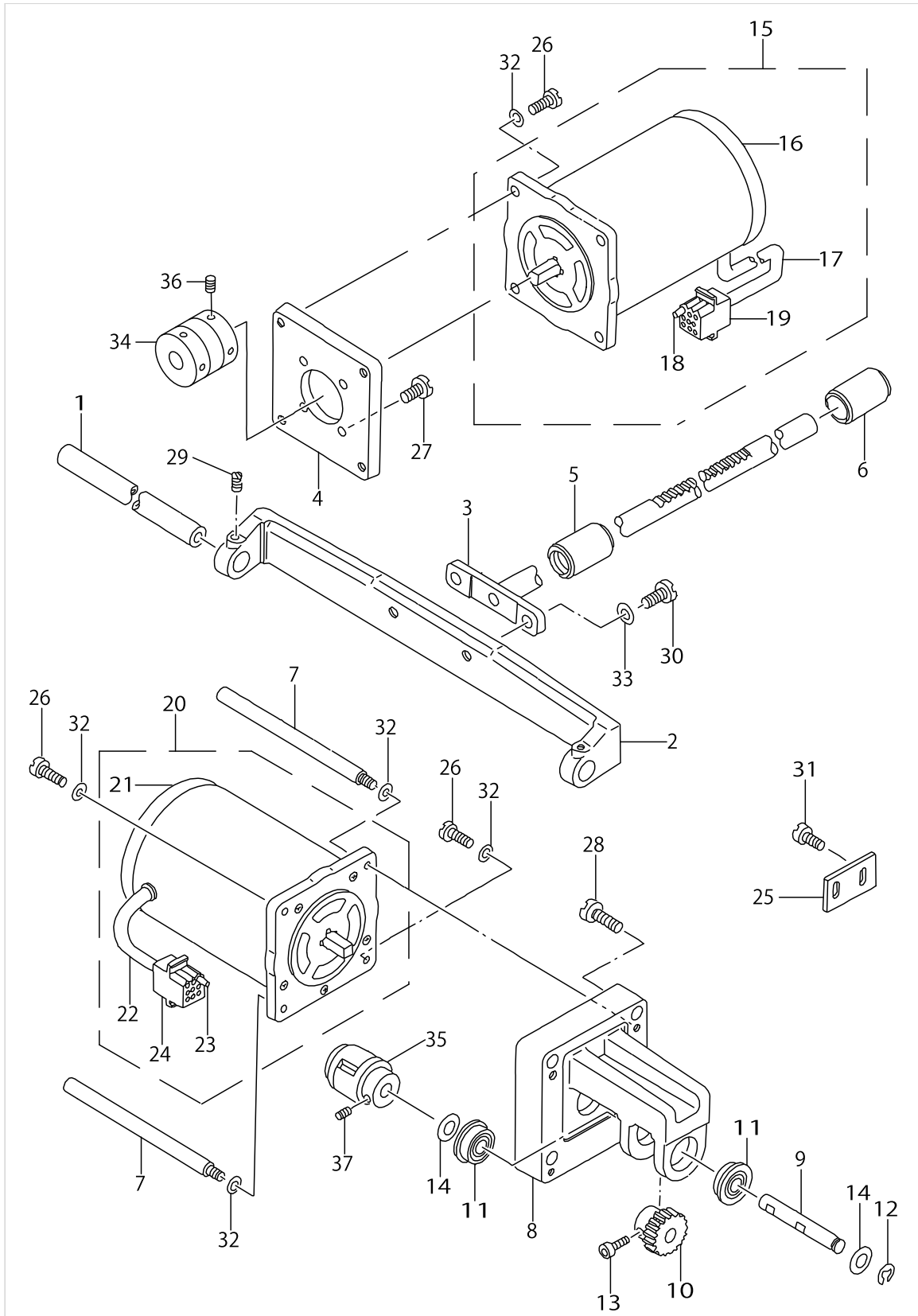
X-Y COMPONENTS (1)



X-Y COMPONENTS (1)

No.	Supply Code	Parts No.	Replacement	Parts name	Remarks	Choice	Step	Level	Cons	Qty	Rep. QTY
1	D	B2501220AB0		X-Y TABLE COMPL., A						1	
2	D	B2501220AA0		X-Y TABLE ASM., A				*		1	
3	D	B2501220000		X FIXED LACE				*		1	
4	D	B2502220000		RACE TABLE				*		1	
5	D	B2503220000		X REMOVAL LACE				*		2	
6		B2507220000		X STOPPER				*		2	
7		B2508220000		X RETAINER				*		2	
8	D	B2512220A00		X TIMING BELT A				*		1	
9	D	B2519220000		Y REMOVAL LACE				*		1	
10	D	B252022000A		Y FIXED LACE, RIGHT				*		1	
11	D	B252022000B		Y FIXED LACE, LEFT				*		1	
12		B2521220000		Y RETAINER				*		2	
13		B25222200AA		Y STOPPER ASM. A				*		1	
14	D	B252222000C		Y STOPPER C				*		1	
15		B2527210000		BALL				*		106	
16		SS7111110TP		SCREW 11/64-40 L=10.5				*		4	
17		SS91111010SP		SCREW 11/64-40 L=9.5				*		8	
18		SS7110910TP		SCREW 11/64-40 L= 8.5				*		4	
19		SM6041402TP		SCREW M4 L=14				*		4	
20		NS6110310SP		NUT 11/64-40				*		4	
21	D	B2504220000A		X SHAFT BRACKET				*		1	
22	D	B2505220000A		X DRIVING SHAFT BRACKET				*		1	
23	D	B2506220000B		X DRIVE SHAFT				*		1	
24		B2509229000		BELT RECEIVER				*		1	
25		B2513220A00		SPROCKET WHEEL A				*		2	
26	D	B2515220000		X BRACKET SHAFT				*		1	
27	D	B2535220000		X GUIDE BASE				*		1	
28	D	B4007220000		X SLIT PLATE				*		1	
29		SB108000500		RADIAL BEARING				*		4	
30		SM6040552TP		SCREW M4 L=4.5				*		2	
31		SS6110610TP		SCREW 11/64-40 L=6				*		2	
32		SS6151812TP		SCREW15/64-28L=18				*		2	
33		B2540205B00		SCREW				*		4	
34		RE0600000K0		E-SHAPED SNAP RING (6MM)				*		2	
35		SB712000100		SLIDE BEARING				*		2	
36		B255728000E		WASHER				*		2	
37		NM6050001SE		NUT M5X0.8						1	
38		SS6121210SP		SCREW 3/16-28 L=12						4	
39	D	SM6053002UZ		HEXAGON SCREW						1	
40		SM6051602TP		SCREW M5X0.8 L=16						8	

X-Y COMPONENTS (2)

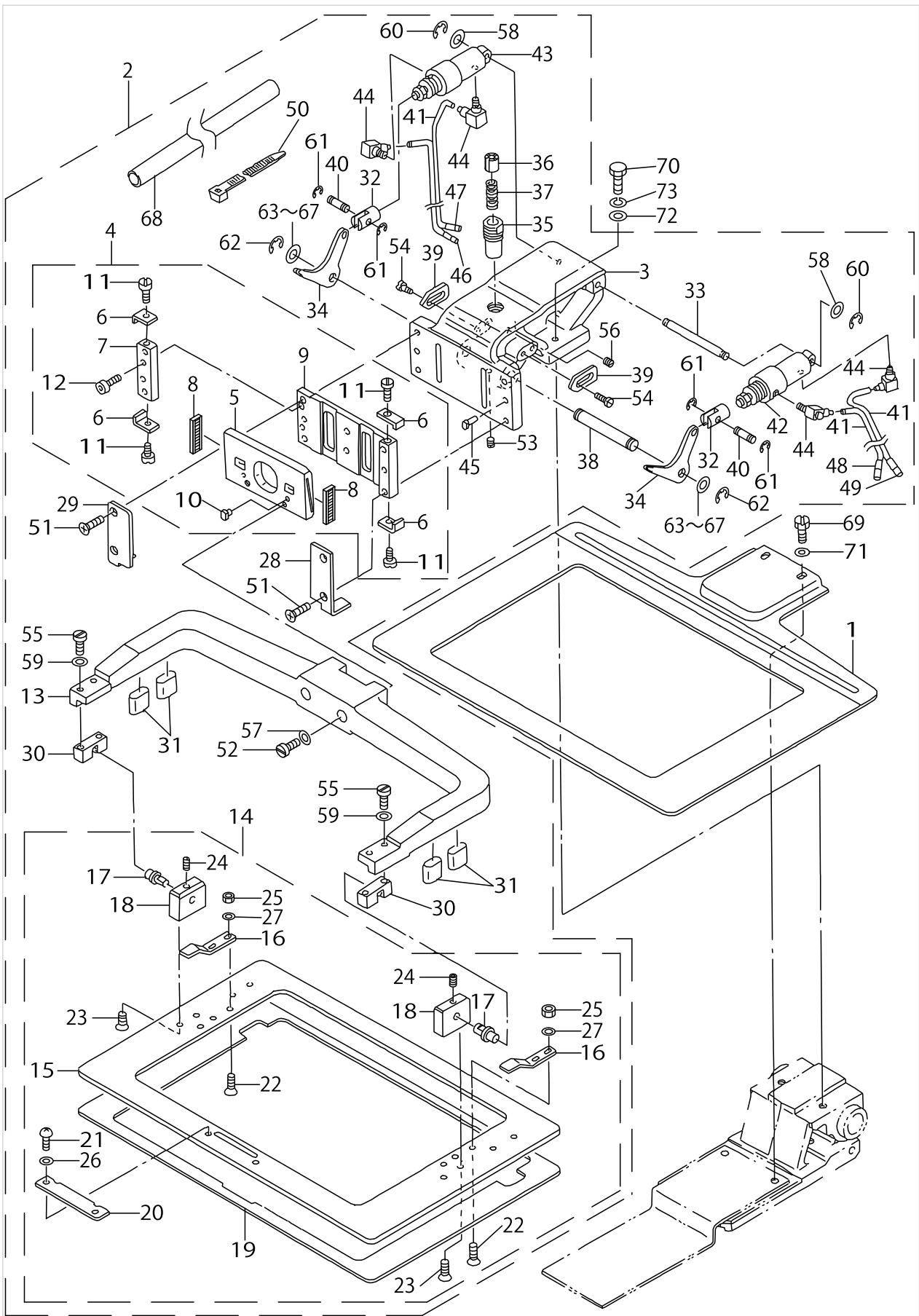


X-Y COMPONENTS (2)

No.	Supply Code	Parts No.	Replacement	Parts name	Remarks	Choice	Step	Level	Cons	Qty	Rep. QTY
1	D	B2510220000		X GUIDE SHAFT						1	
2		B2511220000		X GUIDE SHAFT BRACKET						1	
3	D	B25242200A0		Y REMOVAL SHAFT ASM.						1	
4	D	B2531220000		MOTOR BASE						1	
5		B2532220000		BUSHING, FRONT						1	
6		B2533220000		BUSHING, REAR						1	
7	D	B1161220B00		MOTORSTUD BOLT B						2	
8	D	B2517220A00		Y MOTOR BASE A						1	
9	D	B2523220000A		Y DRIVE SHAFT						1	
10	D	B2526220000		Y DRIVE GEAR						1	
11		SB108000500		RADIAL BEARING						2	
12		RE0600000K0		E-SHAPED SNAP RING (6MM)						1	
13		B2540205B00		SCREW						2	
14		WP0820526SD		WASHER 8.2X14X0.5						2	
15		B2529220ABA		X STEPPING MOTOR ASM., B						1	
16	R	B2529220A00	B2529220ABB	STEPPING MOTOR				*		1	1.00
17		E8760452M00		TUBE				*		0.6	
18		D6042555B00		PIN TERMINAL, FEMALE				*		5	
19		D8604761C0B		9P RECEPTACLE (BLUE)				*		1	
20		B2529220ABB		Y STEPPING MOTOR ASM., B						1	
21	R	B2529220A00	B2529220ABB	STEPPING MOTOR				*		1	1.00
22		E8760452M00		TUBE				*		0.6	
23		D6042555B00		PIN TERMINAL, FEMALE				*		5	
24		D6028555B0B		9-POLE RECEPTACLE, WHITE				*		1	
25		B2311220000		Y MOTOR BASE STOPPER						1	
26		SS7121610SP		SCREW 3/16-28 L=15.5						6	
27		SS7151210SP		SCREW 15/64-28L=12						4	
28		SS7152040SP		SCREW 15/64-28 L=20.0						4	
29		SS8120740SP		SCREW 3/16-28 L=7						2	
30		SS9151440CP		SCREW 15/64-28L=14						2	
31		SS7110840SP		SCREW 11/64-40 L=7.8						2	
32		WP0501016SD		WASHER 5X10.5X1						8	
33		WP0621016SD		WASHER 6.2X13X1						2	
34	D	B25372200A0		X CUPLING						1	
35	D	B2538220A00		Y COUPLING						1	
36		SS8150822TP		SCREW 15/64-28 L=8						4	
37		SM8061002TP		SCREW M6 L=10						4	



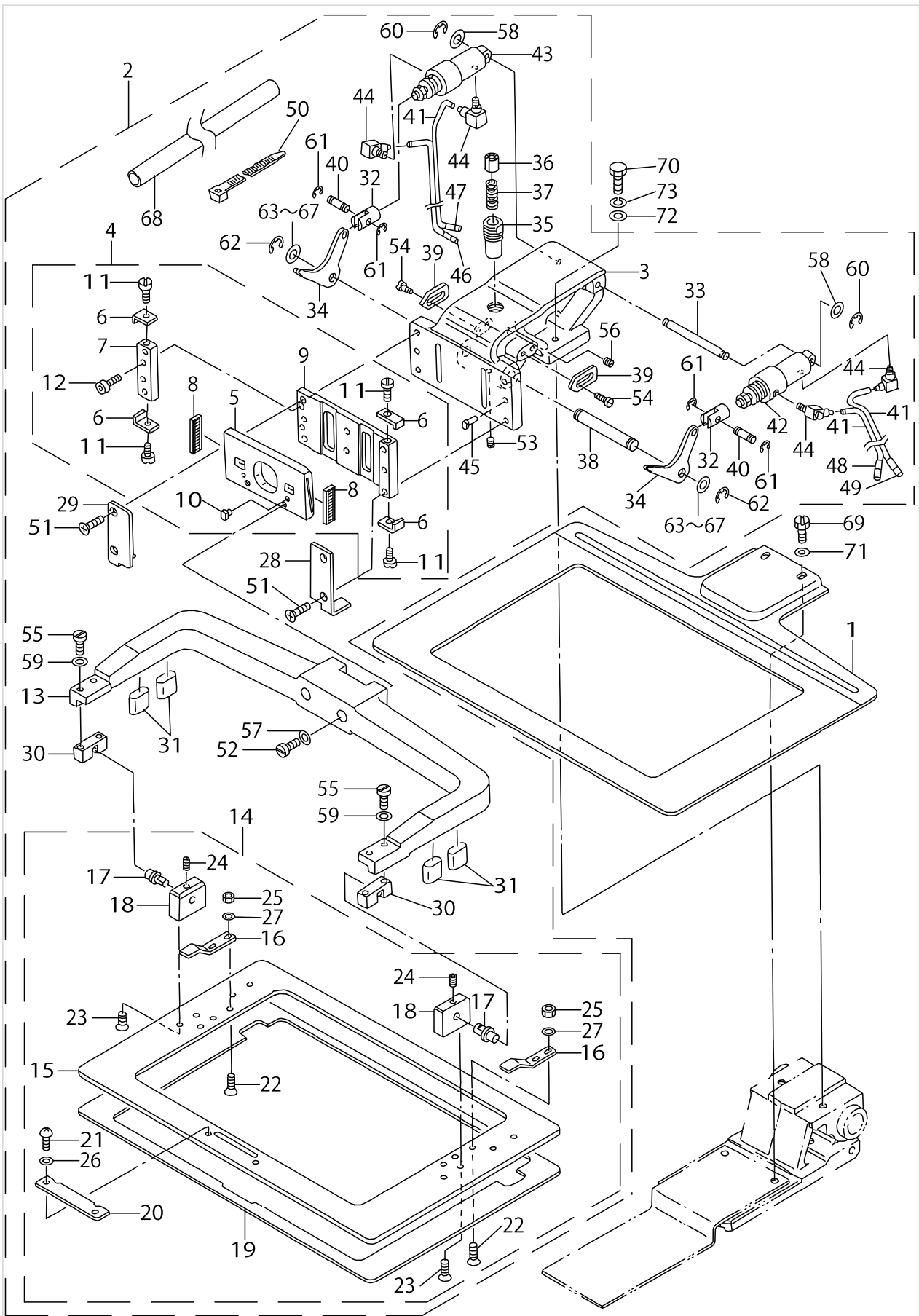
CLOTH FEED MECHANISM COMPONENTS



CLOTH FEED MECHANISM COMPONENTS

No.	Supply Code	Parts No.	Replacement	Parts name	Remarks	Choice	Step	Level	Cons	Qty	Rep. QTY
1	D	B2556220000		FEED PLATE						1	
2		B25502200A0		CLOTH FEED BASE ASM.						1	
3		B2550220000		FEED BRACKET				*		1	
4		B25722200A0		WORK CLAMP FOOT PLATE ASM.				*		1	
5		B2551220000		WORK CLAMP FOOT SLIDE PLATE				*		1	
6		B2565220000		STOPPER				*		4	
7		B2567220000		WORK CLAMP FOOT LACE				*		1	
8		B2569220000		BEARING				*		2	
9	D	B2572220000		WORK CLAMP FOOT PLATE				*		1	
10		B1816280000		GUIDE PIN				*		2	
11		SS7090530SP		SCREW 9/64-40 L=4.5				*		4	
12		SM6040602TP		SCREW M4 L=6				*		2	
13	D	B2552220000		FEEDING FRAME ARM				*		1	
14		B25532200A0		FEEDINGFRAMEASM.				*		1	
15		B2553220000		FEEDING FRAME				*		1	
16		B2558220000		PLASTIC BLANK PLATE				*		2	
17		B2560220000		SUPPORT PIN				*		2	
18		B2561220000		BEARING BLOCK				*		2	
19	D	B2564220000		SPONGE				*		1	
20		B2592220000		PLASTIC BLANK STOPPER				*		1	
21		SS4110515SP		SCREW 11/64-40 L=5				*		2	
22		SS1110840SP		SCREW 11/64-40 L=8				*		4	
23		SS1110840SP		SCREW 11/64-40 L=8				*		4	
24		SS8110422TP		SCREW 11/64-40 L=4				*		2	
25		NS6110360SP		NUT				*		4	
26		WP0501016SD		WASHER 5X10.5X1				*		2	
27		WP0450000SD		WASHER 4.5X8X0.5				*		4	
28	D	B2554220000		RECEIVER PLATE, RIGHT				*		1	
29		B2555220000		RECEIVER PLATE, LEFT				*		1	
30		B2562220000		BALL CATCH				*		2	
31		B256322400B		FEEDING FRAME R-UBBER CUSHION				*		4	
32	D	B2566220000		CYLINDER KNUCKLE				*		2	
33		B2568220000		CYLINDER SHAFT				*		1	
34		B2570220000		LIFTING LEVER				*		2	
35		B2573220000		SLIDER RECEIVER				*		1	
36		B2574220000		SLIDER				*		1	
37		B2576220000		SLIDER SPRING				*		1	
38	D	B2578220000		LIFTING LEVER SHAFT				*		1	
39		B2580220000		STOPPER				*		2	
40		B1626220000		CYLINDER PIN				*		2	
41	R	B471022000C	BT0400251EB	AIR TUBE C D=4				*		4	1.00
42		PA1602503A0		WORK CLAMP FOOT CYLINDER,RIGHT				*		1	
43		PA1602504A0		WORK CLAMP FOOT CYLINDER, LEFT				*		1	
44		PJ046052503		HOSE ELBOW				*		4	
45		B1816280000		GUIDE PIN				*		2	

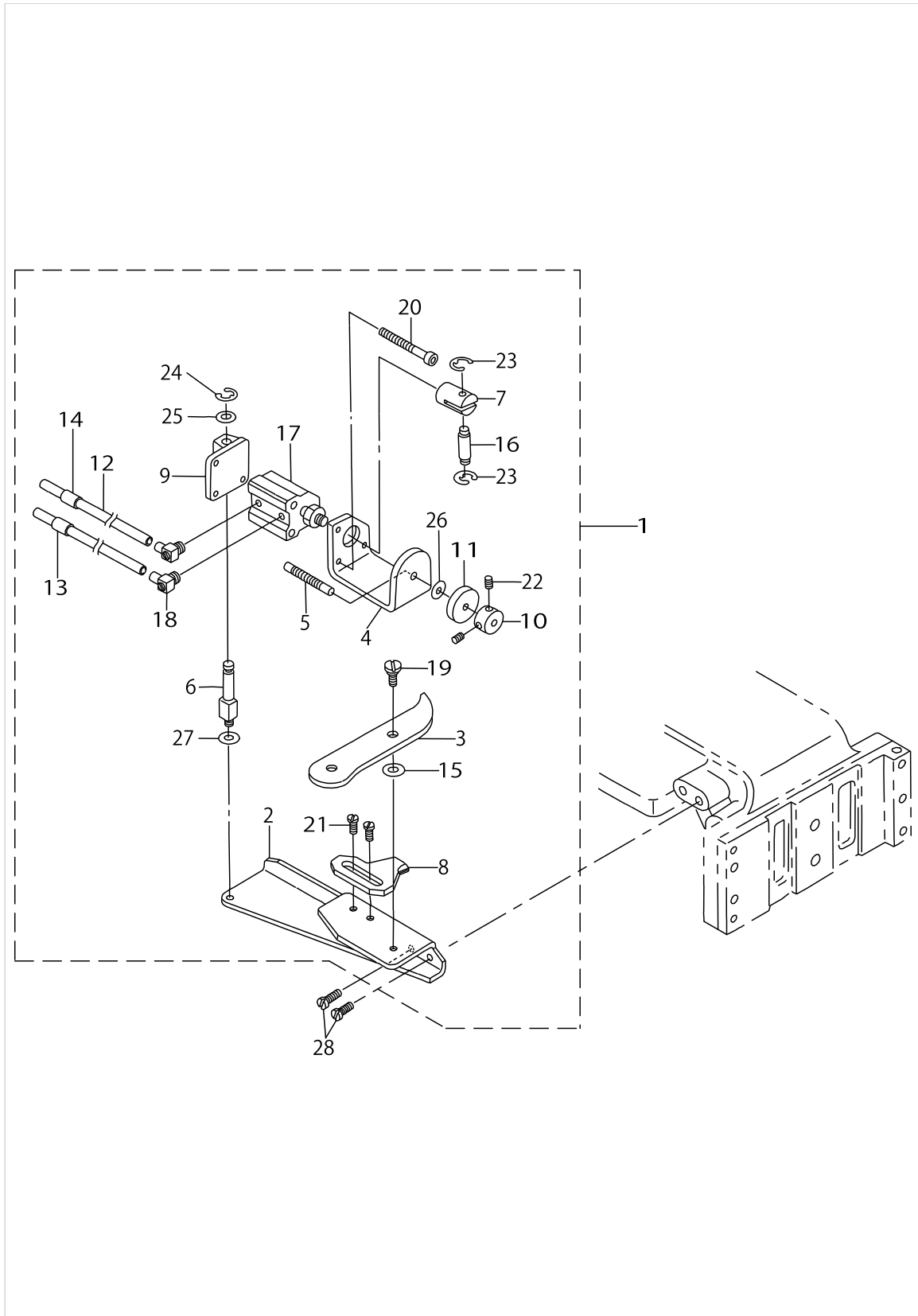
CLOTH FEED MECHANISM COMPONENTS



CLOTH FEED MECHANISM COMPONENTS

No.	Supply Code	Parts No.	Replacement	Parts name	Remarks	Choice	Step	Level	Cons	Qty	Rep. QTY
46		B471122000C		AIR TUBE LABEL J03 LEFT				*		1	
47		B471122000D		AIR TUBE LABEL J04 LEFT				*		1	
48		B471122000G		AIR TUBE LABEL J03 RIGHT				*		1	
49		B471122000H		AIR TUBE LABEL J04 RIGHT				*		1	
50		HX002330000		CLIP				*		3	
51	D	SS2122410TP		SCREW				*		4	
52		SS7151610SP		SCREW15/64-28L=16				*		2	
53		SS8120740SP		SCREW 3/16-28 L=7				*		1	
54		SS6120940SP		SCREW 3/16-28 L=9				*		4	
55		SS6111610SP		SCREW11/64-40L=16				*		4	
56		SS8120410SP		SCREW				*		1	
57		WP0641600SC		WASHEW6.4X12.5X1.6				*		2	
58		WP0520656SA		WASHER 5.2X9.5X0.6				*		2	
59		WP0450000SD		WASHER 4.5X8X0.5				*		4	
60		RE0300000K0		E-SHAPED SNAP RING (3MM)				*		2	
61		RE0300000K0		E-SHAPED SNAP RING (3MM)				*		4	
62		RE0600000K0		E-SHAPED SNAP RING (6MM)				*		2	
63		B255728000A		WASHER FOR DRIVING ARM				*		2	
64		B255728000B		WASHER	SELECTIVE PART			*		2	
65		B255728000C		WASHER	SELECTIVE PART			*		2	
66		B255728000D		WASHER D	SELECTIVE PART			*		2	
67		B255728000E		WASHER	SELECTIVE PART			*		2	
68	D	HX003290000		CABLE BAND				*		0.2	
69	D	SS9150710TP		BOLT 15/64-28 L=6.5						2	
70		SS9152130CP		SCREW 15/64-28 L=20.5						2	
71		WP0621016SD		WASHER 6.2X13X1						2	
72		WP0641600SC		WASHEW6.4X12.5X1.6						2	
73		WS0631510KP		SPRING WASHER						2	

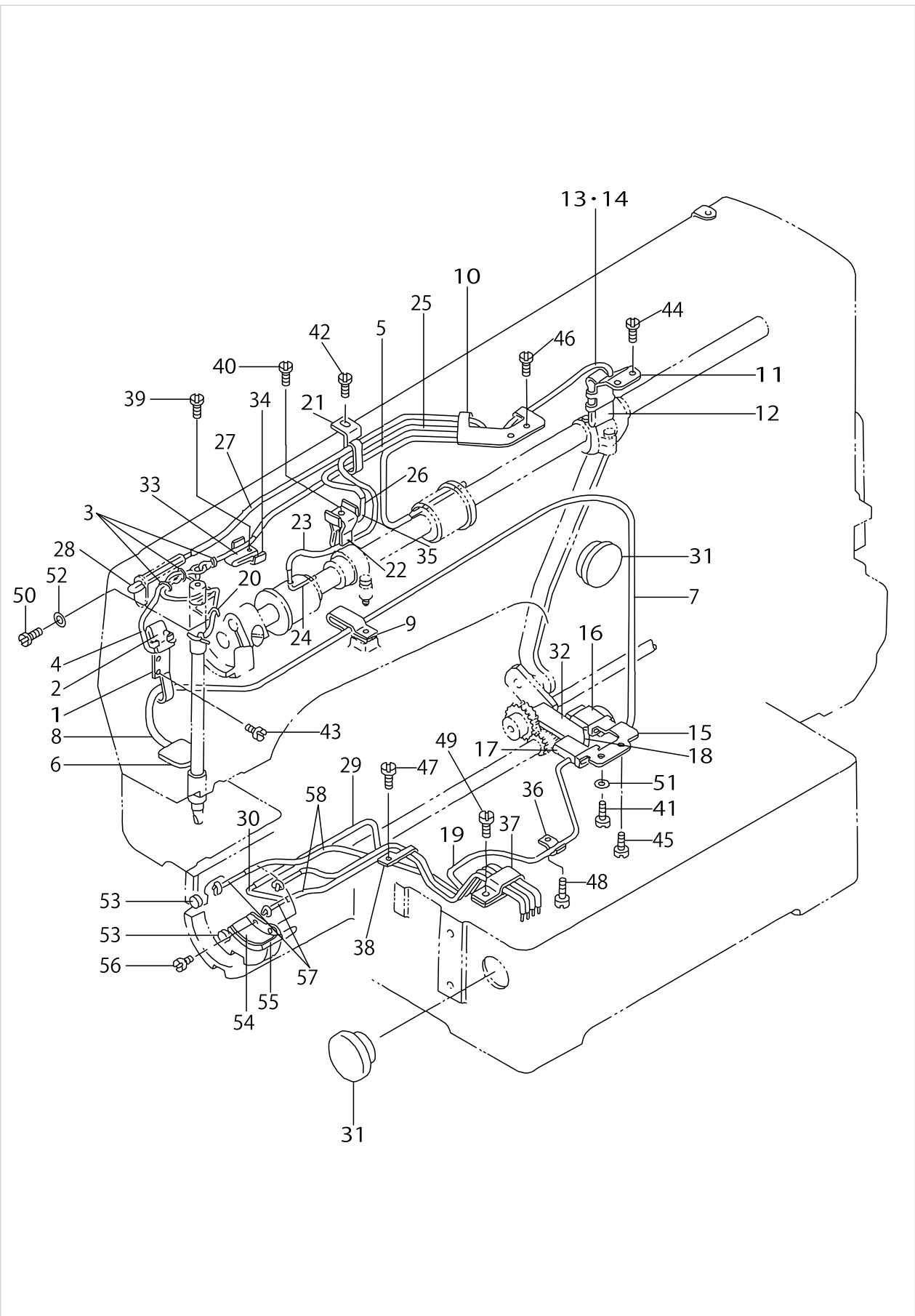
AMS-220CGB EXCLUSIVE PARTS (PRESSER PLATE COMPONENTS)



AMS-220CGB EXCLUSIVE PARTS (PRESSER PLATE COMPONENTS)

No.	Supply Code	Parts No.	Replacement	Parts name	Remarks	Choice	Step	Level	Cons	Qty	Rep. QTY
1	D	B25142200A0		TWO-STEPPED STROKE ASM.						1	
2		B2514220000		TWO-STEPPED STROKE PLATE				*		1	
3		B2516220000		LINK				*		1	
4		B2518220000		REGULATION SHAFT BRACKET				*		1	
5		B2527220000		REGULATION SHAFT				*		1	
6		B2528220000		CYLINDER SHAFT				*		1	
7		B2530220000		CYLINDER KNUCKLE				*		1	
8		B2534220000		STOPPER B				*		1	
9		B2536220000		CYLINDER BRACKET				*		1	
10		B2304205000		KNOB				*		1	
11		B3012816A00		NUT				*		1	
12		B471022000F		AIR TUBE F				*		2	
13		B471122000E		AIR TUBE LABEL J05				*		1	
14		B471122000F		AIR TUBE LABEL J06				*		1	
15	D	B323077100B		SPACER T=0.5				*		1	
16		MA012002000		PEDAL SWITCH FRAME STUD				*		1	
17		B4713220000		CYLINDER				*		1	
18		PJ046052503		HOSE ELBOW				*		2	
19		SD0600291TP		HINGE SCREW D=6 H=2.9				*		1	
20		SM6054502TP		SCREW M5X0.8 L=45				*		4	
21		SS7110840SP		SCREW 11/64-40 L=7.8				*		2	
22		SS8110422TP		SCREW 11/64-40 L=4				*		2	
23		RE0320610KX		SNAP RING				*		2	
24		RE0600000K0		E-SHAPED SNAP RING (6MM)				*		1	
25		WP0820516SP		WASHER 11.6X8.2X0.6				*		1	
26		WP0702026SP		WASHER 7X15X2				*		1	
27		WP0650876SD		WASHER 6.5X13X0.8				*		1	
28		SS6121060SP		SCREW						2	

LUBRICATION COMPONENTS

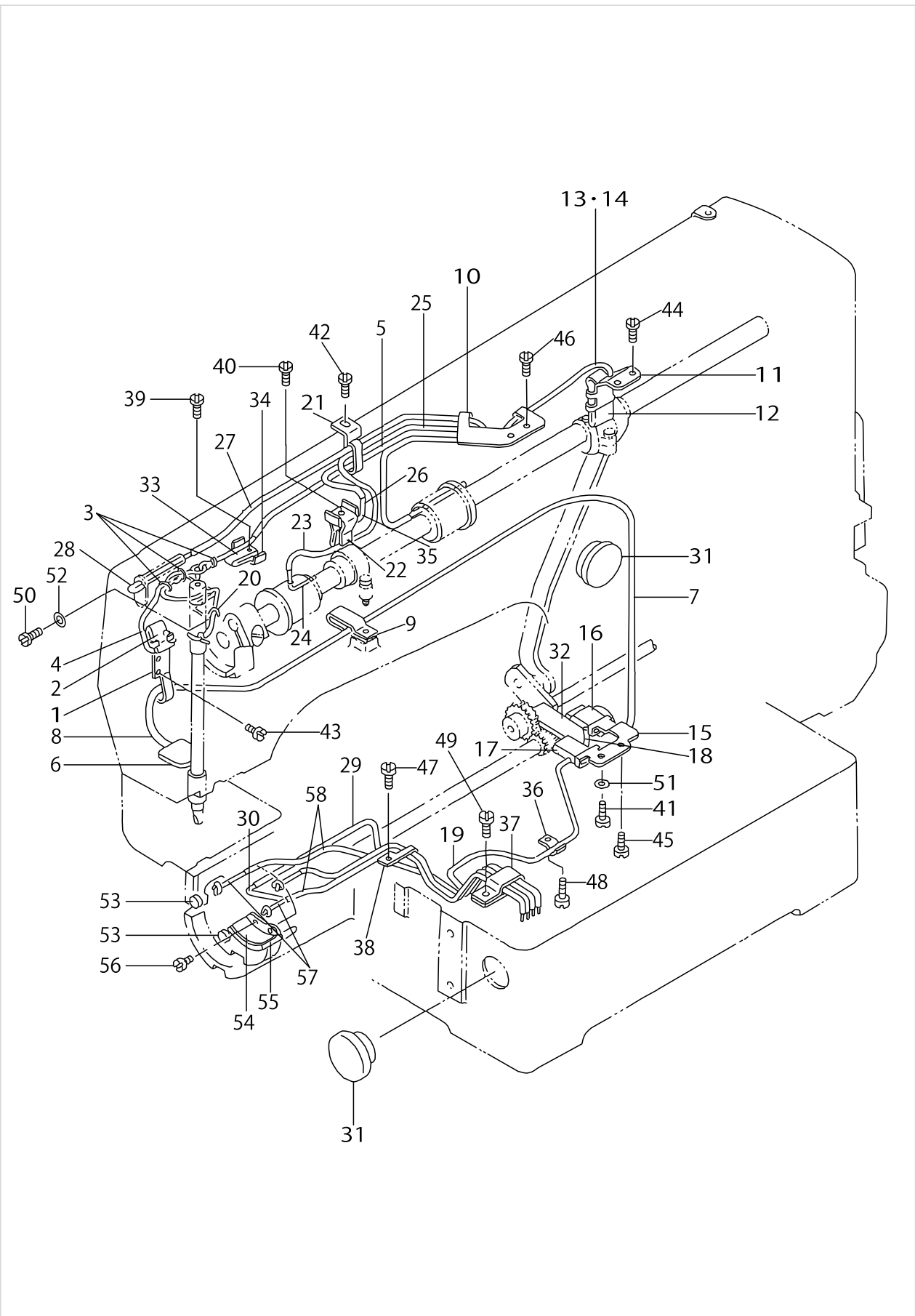


LUBRICATION COMPONENTS

No.	Supply Code	Parts No.	Replacement	Parts name	Remarks	Choice	Step	Level	Cons	Qty	Rep. QTY
1	D	B3502220000		OIL WICK HOLDER						1	
2		B3509220000		OIL SPONGE						1	
3	R	B1419026000	26230706	OIL WICK PRESSER						3	1.00
4		CQ202000000		OIL WICK						1.1	
5		BP300000000		VINYL PIPE						.4	
6		B3507280000		OIL FELT						1	
7		BP600000000		VINYL PIPE						.6	
8		B3523220000		OIL FELT						1	
9		D2112555B00		CORD HOLDER, LARGE						1	
10	D	B3504220000		OIL WICK HOLDER A						1	
11		B3505210000		OIL FELT SUPPORTING PLATE						1	
12		B3509280000		NEEDLE ROD CRANK LUBRICATING						1	
13		CQ252200000		OIL WICK						.4	
14		BP300000000		VINYL PIPE						.2	
15	D	B3506210000		OIL FELT SUPPORTING PLATE						1	
16		B3509280000		NEEDLE ROD CRANK LUBRICATING						1	
17		B3518280000		BALANCE LUBRICATING						1	
18		CQ202000000		OIL WICK						.7	
19		BP300000000		VINYL PIPE						.6	
20		B3507220000		OIL WICK HOLDER						1	
21		B3508220000		OIL TUBE HOLDER						1	
22	D	B3520220000		OIL SPONGE						1	
23		BP300000000		VINYL PIPE						.4	
24		CQ202000000		OIL WICK						.7	
25		BP300000000		VINYL PIPE						.3	
26		CQ252200000		OIL WICK						.5	
27		BP300000000		VINYL PIPE						.3	
28		CQ252200000		OIL WICK						.6	
29		BP500000000		VINYL PIPE						.2	
30		B3522220000		OIL FELT						1	
31		B3501210000		OIL GAUGE						2	
32		B3507210000		OIL FELT						1	
33	D	B3518210000		OIL SPONGE						1	
34	R	B3508280000	26231407	BALANCE LUBRICATING PLATE						1	1.00
35	R	B3508280000	26231407	BALANCE LUBRICATING PLATE						1	1.00
36		B3538112000		CORD HOLDER						1	
37		D2112555B00		CORD HOLDER, LARGE						1	
38	R	13530209	26230409	LUBRICATING OIL WICK STOPPER						1	1.00
39		SS6092120SP		SCREW 9/64-40 L=21.2						1	
40		SS6092120SP		SCREW 9/64-40 L=21.2						1	
41		SS6111140SP		SCREW 11/64-40 L=11						1	
42		SS7110710SP		SCREW 11/64-40 L=7						1	
43		SS7110710SP		SCREW 11/64-40 L=7						2	
44		SS7110710SP		SCREW 11/64-40 L=7						2	
45		SS7110710SP		SCREW 11/64-40 L=7						1	



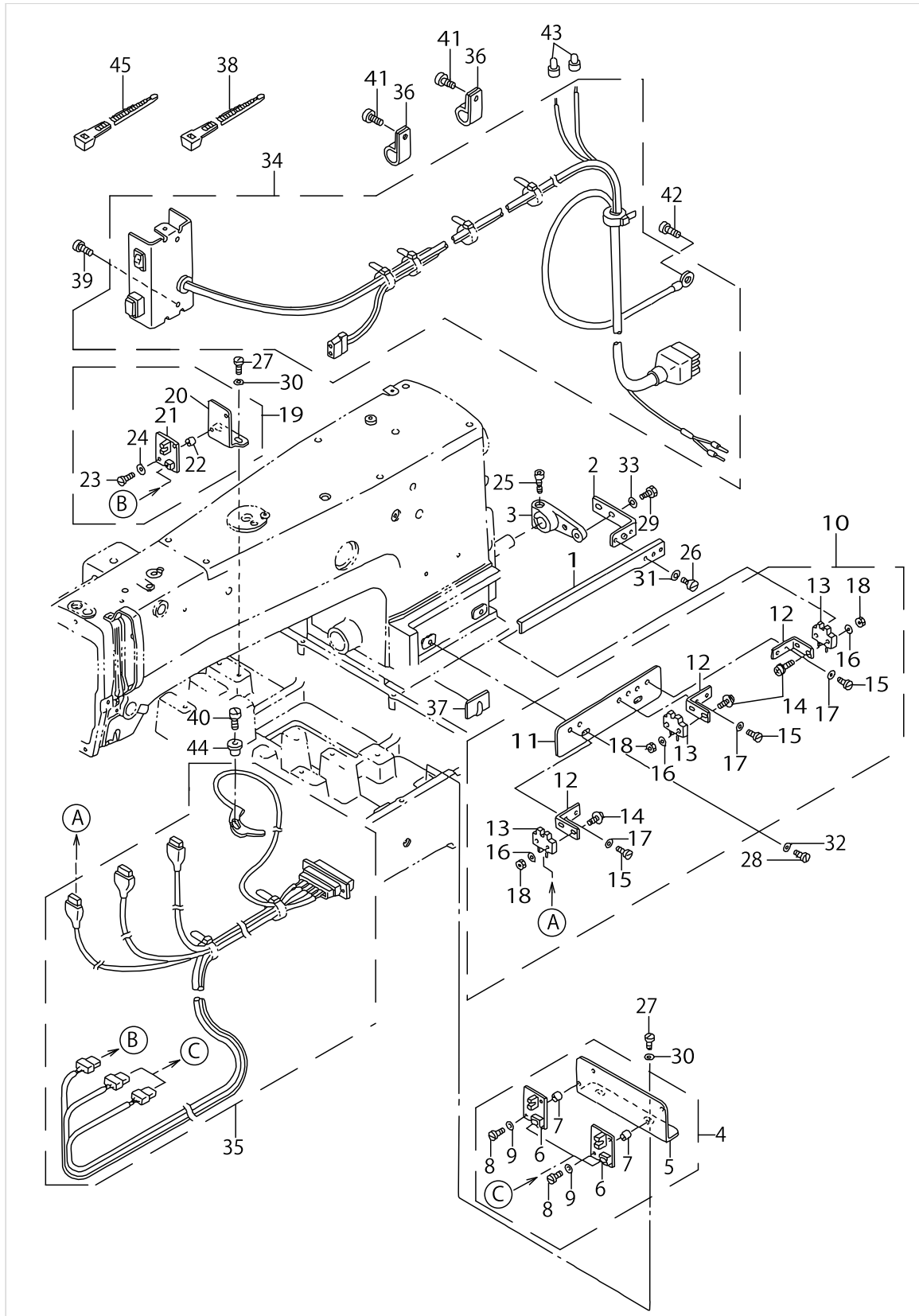
LUBRICATION COMPONENTS



LUBRICATION COMPONENTS

No.	Supply Code	Parts No.	Replacement	Parts name	Remarks	Choice	Step	Level	Cons	Qty	Rep. QTY
46		SS7110710SP		SCREW 11/64-40 L=7						2	
47		SS7110710SP		SCREW 11/64-40 L=7						1	
48		SS7110710SP		SCREW 11/64-40 L=7						1	
49		SS7110840SP		SCREW 11/64-40 L=7.8						1	
50		SS7110710SP		SCREW 11/64-40 L=7						1	
51		WP0621016SD		WASHER 6.2X13X1						1	
52		WP0450000SD		WASHER 4.5X8X0.5						1	
53		13529607		SHUTTLE PACKING						2	
54	R	B3505280000	26231100	SHUTTLE LUBRICATING PLATE						1	1.00
55		B3504280000		SHUTTLE FELT						1	
56		SS6090440SP		SCREW 9/64-40 L=4.0						2	
57		CQ252200000		OIL WICK						1.6	
58		BP300000000		VINYL PIPE						1	

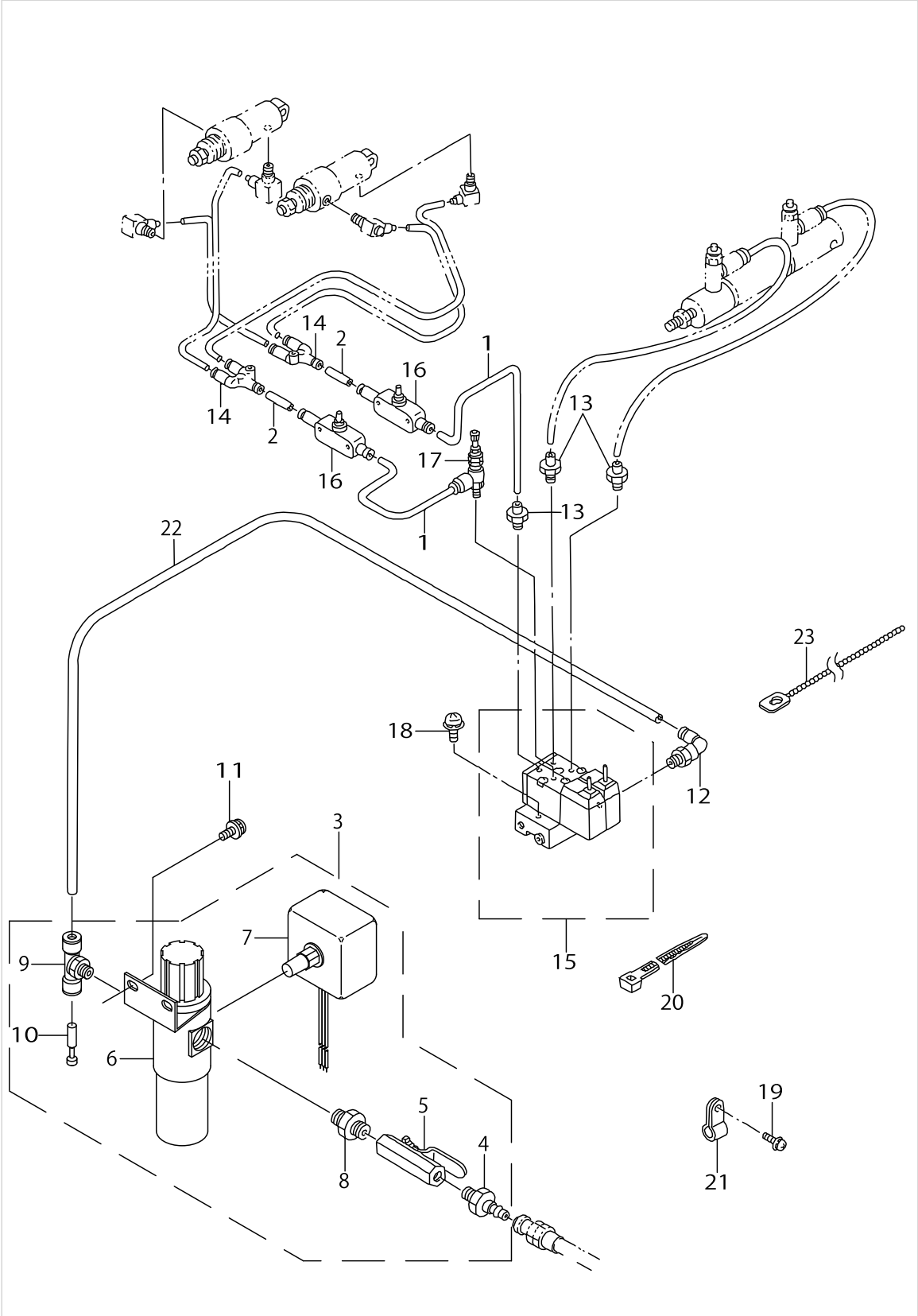
SENSOR COMPONENTS



SENSOR COMPONENTS

No.	Supply Code	Parts No.	Replacement	Parts name	Remarks	Choice	Step	Level	Cons	Qty	Rep. QTY
1	D	B4008220000		Y SLIT PLATE						1	
2	D	B40092200A0		Y SLIT FIXED PLATE ASM.						1	
3	D	B4010220000		Y SLIT FIXED ARM						1	
4	D	B40042200A0		X SENSOR MOUNTI- NG PLATE A ASM.						1	
5		B4004220000		X SENSOR MOUNTING PLATE A				*		1	
6	R	M86065100A0	40037104	SENSOR CIRCUIT BOARD ASM. 2				*		2	1.00
7		B4011210000		SPACER				*		4	
8		SM6031010SC		SCREW M3X0.5 L=10				*		4	
9		WP0330501SB		WASHER M3				*		4	
10		B40052200A0		Y SENSOR BASE PLATE ASM.						1	
11		B4005220000		Y SENSOR BASE PLATE				*		1	
12		B4006220000		Y SENSOR FIXED PLATE				*		3	
13	R	HD000120000	HD000350000	PHOTO-MICROSENSOR				*		3	1.00
14		SL4031481SF		SCREW M3 L=14				*		6	
15		SS7110510SP		SCREW 11/64-40 L=5				*		6	
16		WP0330501SB		WASHER M3				*		6	
17		WP0450801SD		WASHER 4.5X10.0X0.8				*		6	
18		NM6030001SC		NUT M3				*		6	
19	D	B40122200A0		X SENSOR MOUNTI- NG PLATE B ASM.						1	
20	D	B4012220000		X SENSOR MOUNTING PLATE B				*		1	
21	R	M86065100A0	40037104	SENSOR CIRCUIT BOARD ASM. 2				*		1	1.00
22		B4011210000		SPACER				*		2	
23		SM6031010SC		SCREW M3X0.5 L=10				*		2	
24		WP0330501SB		WASHER M3				*		2	
25		SS6151712TP		SCREW 15/64-28 L=16.5						1	
26		SS7110510SP		SCREW 11/64-40 L=5						2	
27		SS7110840SP		SCREW 11/64-40 L=7.8						4	
28		SS7110840SP		SCREW 11/64-40 L=7.8						2	
29		SS7110840SP		SCREW 11/64-40 L=7.8						2	
30		WP0450801SD		WASHER 4.5X10.0X0.8						4	
31		WP0450801SD		WASHER 4.5X10.0X0.8						2	
32		WP0450801SD		WASHER 4.5X10.0X0.8						2	
33		WP0450801SD		WASHER 4.5X10.0X0.8						2	
34		B41102200AA		SWICH CABLE ASM.						1	
35	D	B41302200A0		FRAME SENSOR CORD ASM.						1	
36		HX00123000A		CABLE CLIP						2	
37	D	HX00093000C		CALBE HOLDER						1	
38		HX002330000		CLIP						12	
39		SS7110710SP		SCREW 11/64-40 L=7						2	
40		SS7090850SP		SCREW 9/64-40 L=8						1	
41		SS4110815SP		SCREW 11/64-40 L=8						2	
42		SS4110815SP		SCREW 11/64-40 L=8						1	
43	D	HP001420000		CONNECTOR						2	
44		B2703210000		BUSHING						1	
45		EA9500B0100		CABLE BAND						4	

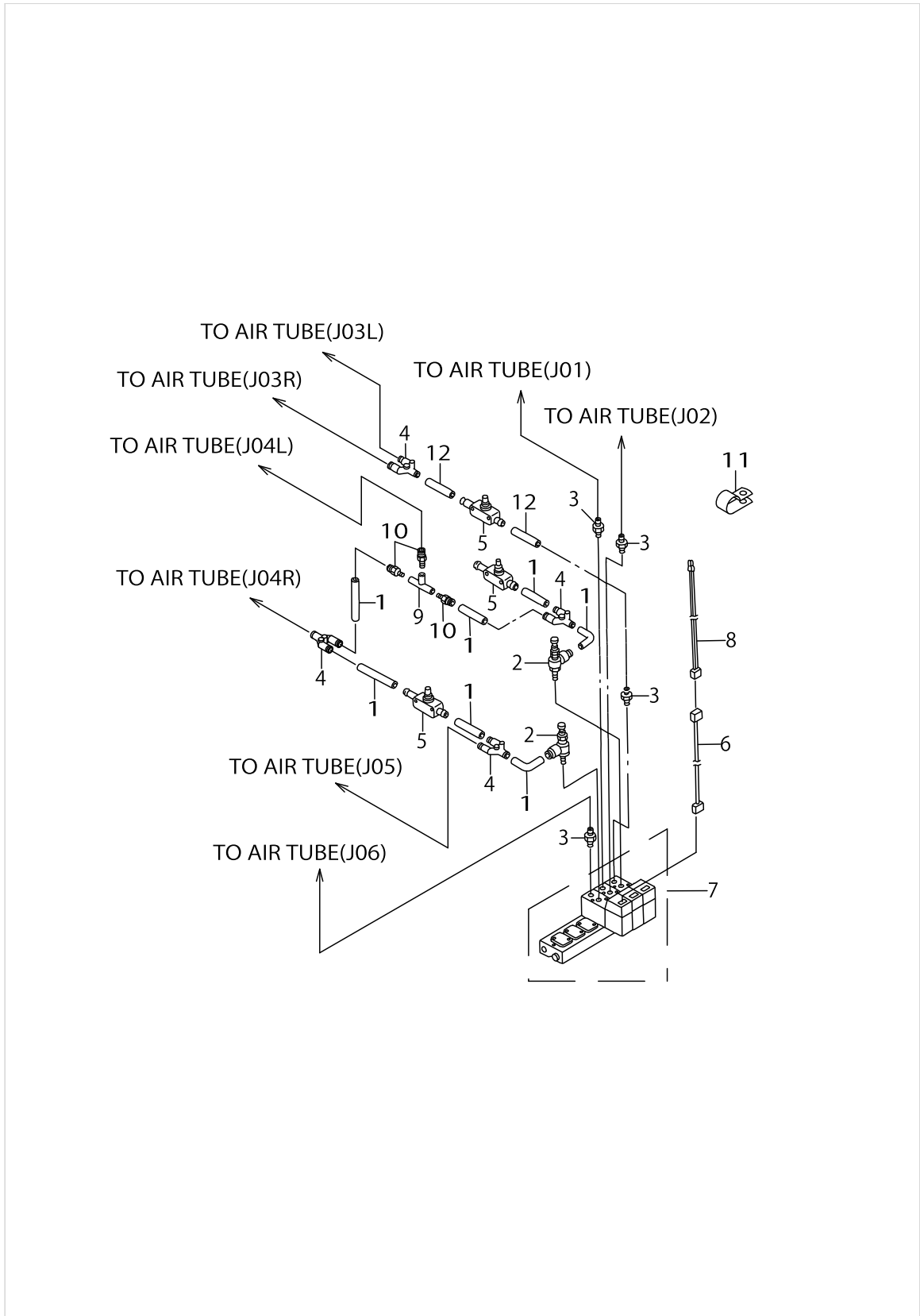
PNEUMATIC COMPONENTS



PNEUMATIC COMPONENTS

No.	Supply Code	Parts No.	Replacement	Parts name	Remarks	Choice	Step	Level	Cons	Qty	Rep. QTY
1		B471022000A		AIR TUBE A D=4						2	
2		B471022000B		AIR TUBE B D=4						2	
3		B47152200A0		FILTER REGULATOR ASM.						1	
4		PJ309005203		QUICK JOINT PLUG				*		1	
5	R	G5430116000	40030951	AIR COCK				*		1	1.00
6		PF0552040B0		FILTER REGULATOR				*		1	
7		PF065206000		AIR PRESSURE SWITCH				*		1	
8		PJ030520001		RING JOINT (NIPPLE)				*		1	
9		PJ305065202		TEE				*		1	
10		PX950009000		PLUG				*		1	
11		SL4051091SC		SCREW M5X0.8 L=10						2	
12		PJ304065101		ELBOW UNION 6XPT1/8						1	
13		PJ032052503		HOSE NIPPLE						3	
14		PJ308040002		QUICK COUPLING						2	
15		PV0351130A0		SOLENOID VALVE ASM.						1	
16		PC012401000		SPEED CONTROLLER						2	
17		PF070501000		PRESSURE DECREASING VALVE						1	
18		SL4042581SF		SCREW M4 L=25						2	
19		SL4040891SC		SCREW M4X8						2	
20		EA9500B0100		CABLE BAND						7	
21		EA9502B0500		CABLE CLIP						2	
22		BT0600401EB		TUBE						1.3	
23		HX000220000		BAND						1	

AMS-220CGB EXCLUSIVE PARTS (PNEUMATIC COMPONENTS)



AMS-220CGB EXCLUSIVE PARTS (PNEUMATIC COMPONENTS)

No.	Supply Code	Parts No.	Replacement	Parts name	Remarks	Choice	Step	Level	Cons	Qty	Rep. QTY
1		B471022000B		AIR TUBE B D=4						7	
2		PF070501000		PRESSURE DECREASING VALVE						2	
3		PJ032052503		HOSE NIPPLE						4	
4		PJ308040002		QUICK COUPLING						4	
5		PC012401000		SPEED CONTROLLER						3	
6		B47122200A0		SOLENOID VALVE CONNECTOR ASM.						1	
7		PV0351240B0		SOLENOID VALVE ASM.						1	
8		B47142200A0		TWO-STEPPED STROKE CABLE ASM.						1	
9		PV205101000		SHUTTLE VALVE						1	
10		PJ301045101		HALF UNION						3	
11		HX00150000E		CORD PRESSER 3--POLE (220/240V)						1	
12		B471022000A		AIR TUBE A D=4						2	



TABLE COMPONENTS

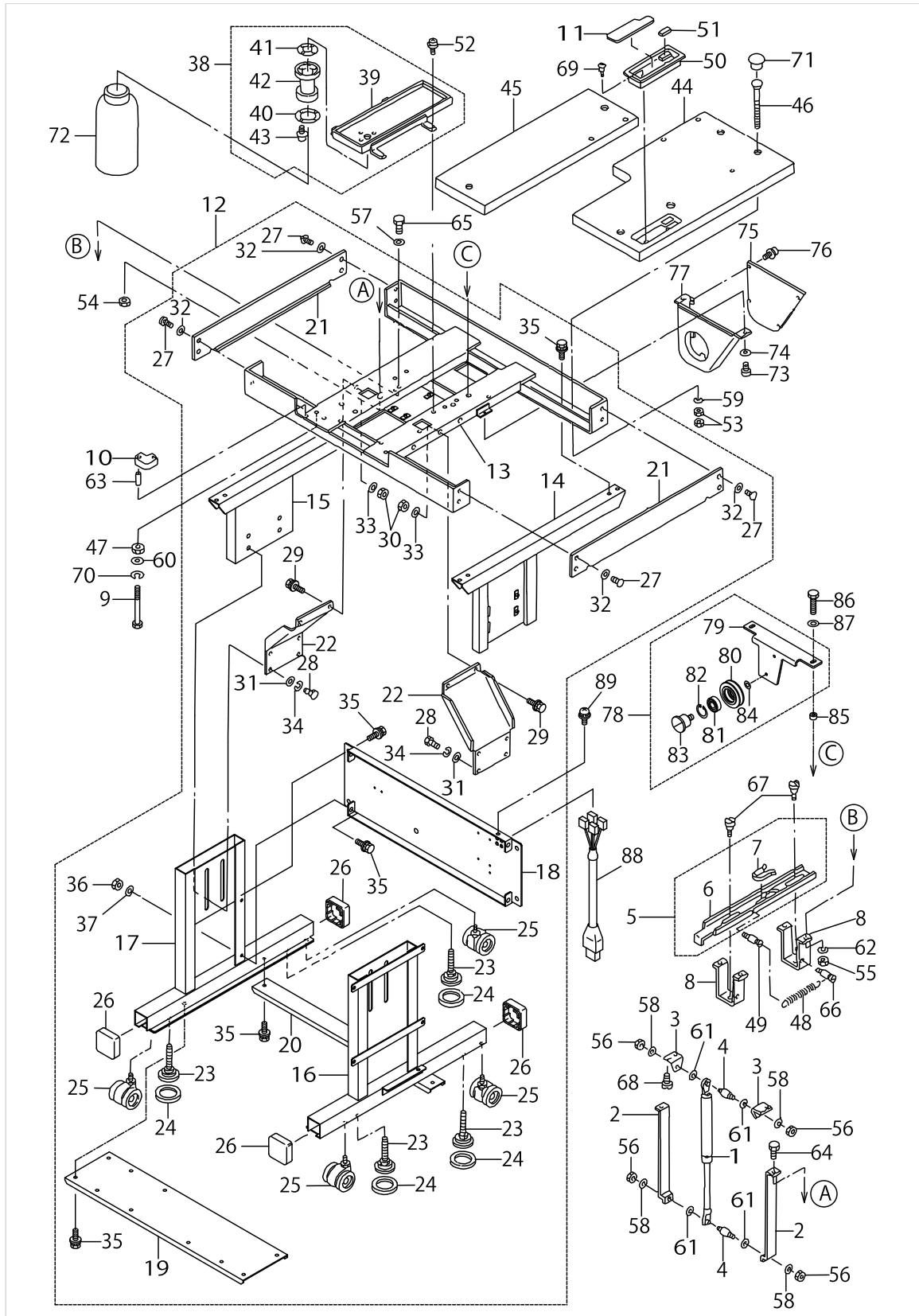


TABLE COMPONENTS

No.	Supply Code	Parts No.	Replacement	Parts name	Remarks	Choice	Step	Level	Cons	Qty	Rep. QTY
1	D	B8160220000		GAS SPRING						1	
2		B8161220000		LIFTER BRACKET A						2	
3		B8162220000		LIFTER BRACKET B						2	
4		B8163220000		LIFTER PIVOT PIN						2	
5		B81642200A0		LIFTER STOPPER ASM.						1	
6	D	B8164220000		LIFTER STOPPER				*		1	
7	D	B8165220000		LIFTER GROMMET				*		1	
8	D	B8166220000		LIFTER STOPPER HOLDER						2	
9		SM9087533SC		SCREW M8 L=75						2	
10		B8171220000		RUBBER ABSORBER						3	
11		B8173220000		SHEET						1	
12		B83012200A0		STAND ASM.						1	
13		B8301220000		UPPER STAND				*		1	
14		B8302220000		UPPER STAND STRUT, RIGHT				*		1	
15		B8303220000		UPPER STAND STRUT, LEFT				*		1	
16		B8304220000		LOWERSTRUT,RIGHT				*		1	
17		B8305220000		LOWER STRUT, LEFT				*		1	
18		B8306220000		SIDE STRUT				*		1	
19		B8307220000		LOWER STRUT A				*		1	
20		B8308220000		LOWER STRUT B				*		1	
21	D	B810322000B		STAND COVER				*		2	
22		B8309220000		STAND STAY				*		2	
23		B8108220000		ADJUSTING BOLT				*		4	
24		B8109220000		RUBBER CAP				*		4	
25		B8150220000		CASTER				*		4	
26		20243200		STAND CAP, W				*		4	
27		SM5051400SC		SCREW M5 L=14				*		8	
28	D	SM9122503SB		SCREW M12 L=25				*		8	
29		SL9082093SE		SCREW				*		4	
30		NM6080001SC		NUT M8X1.25				*		4	
31		WP1302501SC		WASHER 13X24X2.5				*		8	
32		WP0561616SC		WASHER 5.6X16X1.6				*		8	
33		WP0841601SC		WASHER 8.4X17.4X1.6				*		4	
34		WS1253010KN		SPRING WASHER 12.5X21.5X3				*		8	
35		SL9082093SE		SCREW				*		22	
36		NM6080001SC		NUT M8X1.25				*		2	
37		WP0841601SC		WASHER 8.4X17.4X1.6				*		2	
38		B81102200A0		OIL PAN ASM.						1	
39	D	B8110220000		OIL PAN				*		1	
40		B8111220000		WASHER				*		1	
41		B8112220000		OIL SEAL				*		1	
42		B8202205000		OIL MANAGEMENT				*		1	
43		SL4031481SC		SCREW M3 X 14				*		4	
44		B820122000EA		TABLE, RIGHT						1	
45	D	B820122000FA		TABLE (LEFT)						1	
46	R	11571908	13155205	BOLT D						5	1.00

TABLE COMPONENTS

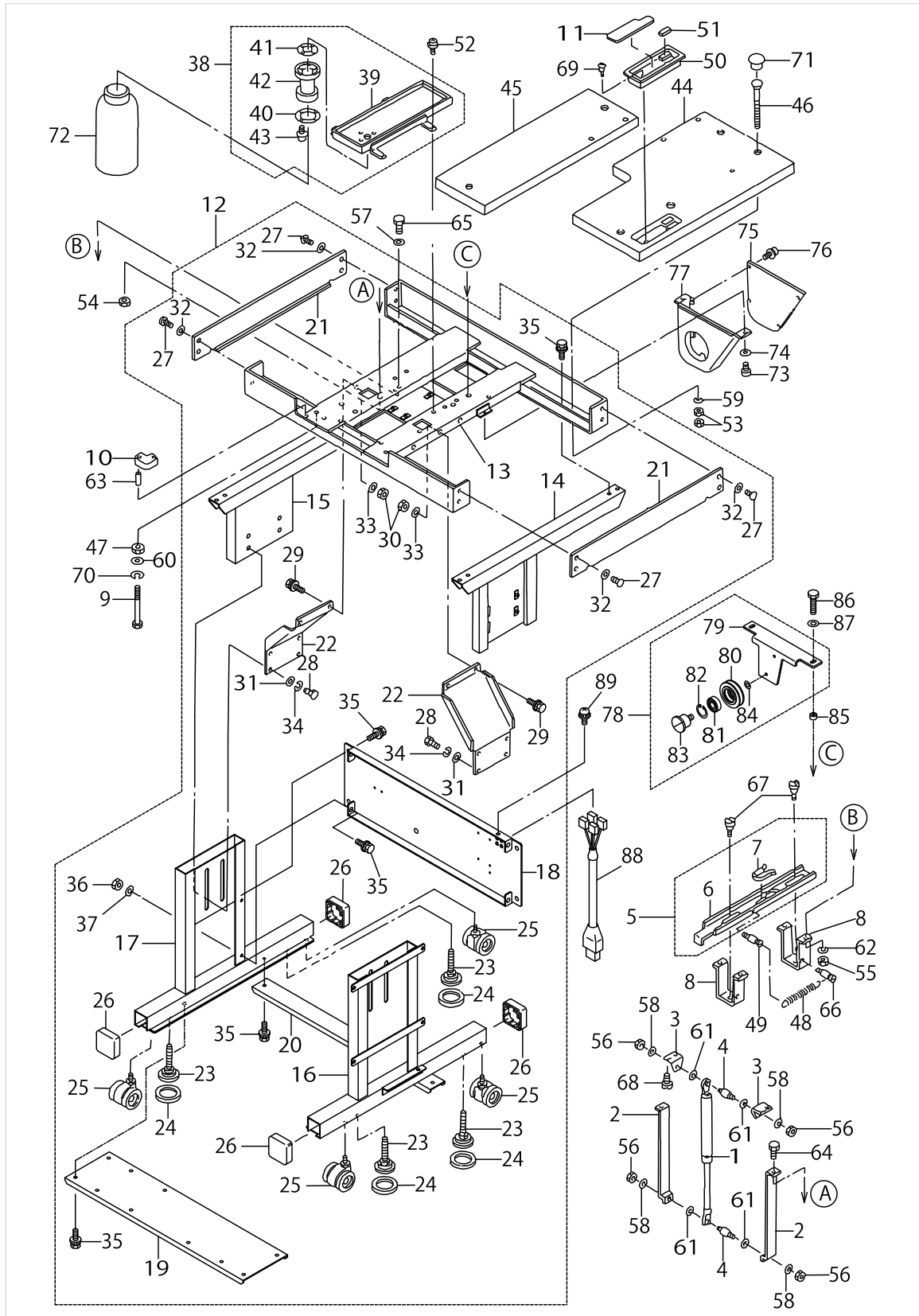
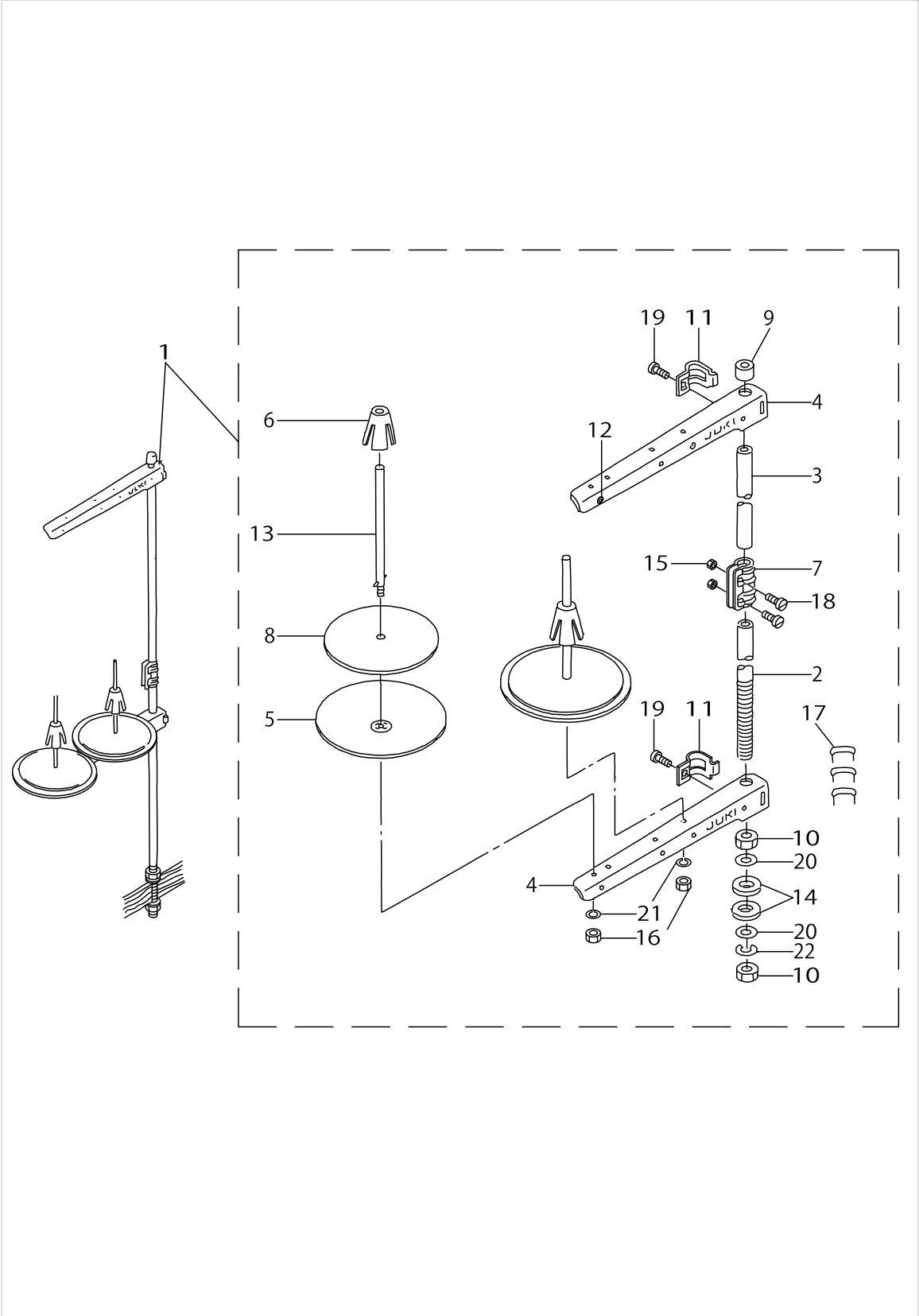


TABLE COMPONENTS

No.	Supply Code	Parts No.	Replacement	Parts name	Remarks	Choice	Step	Level	Cons	Qty	Rep. QTY
47		B3505019000		OIL CUP GASKET						2	
48	D	B2629980000		SPRING						1	
49	R	B1506352000	26226407	TENSION SPRING RACK B						1	1.00
50	R	11150208	11150257	CASE						1	1.00
51	R	11150406	11150257	FELT						1	1.00
52		SL4041091SC		SCREW M4 X 10						4	
53	R	NS6240630SN	NS6240630SE	NUT 3/8-18						10	1.00
54		NM6060002SE		NUT M6						2	
55		NM6060002SE		NUT M6						4	
56		NM6060002SE		NUT M6						4	
57		WP0641601SC		WASHER						4	
58		WP0641601SC		WASHER						4	
59		WP1021016SD		WASHER						5	
60		WP0841601SC		WASHER 8.4X17.4X1.6						2	
61		WP0841600SE		WASHER 8,4X15,5X1,6						4	
62		WS0610002KN		SPRING WASHER 6.1X12.2X1.5						4	
63		PS0400141KH		SPRING PIN 4X14						6	
64		SM9061850SC		SCREW M6 L=18						2	
65		SM9061850SC		SCREW M6 L=18						4	
66		MAT80116S00		SUSPENSION PIN						1	
67		SD0800341SP		HINGE SCREW D=8 H=3.4						2	
68		SS9151120CP		SCREW 15/64-28L=11						4	
69	R	SK3381300SC	SK3381301SE	WOOD SCREW D=3.8 L=13						2	1.00
70		WS0820002KN		SPRING WASHER M8						2	
71		HX00326000B		BUSH						5	
72		B9121012000		OIL CAN						1	
73		SL4051241SE		SCREW	FOR EXPORT					2	
74		WP0561616SC		WASHER 5.6X16X1.6	FOR EXPORT					2	
75		B821121000B		MOTOR PULLEY COVER (B)	FOR EXPORT					1	
76		SL4040691SC		SCREW M4 X 6	FOR EXPORT					6	
77		B821021000B		MOTOR PULLEY COVER (A)	FOR EXPORT					1	
78		B81802200A0		V BELT PULLEY COMPL.						1	
79		B8180220000		V BELT PULLEY				*		1	
80		13768106		V BELT PULLEY				*		2	
81		SB115000200		BEARING				*		2	
82		RC3500002KP		RETAINING RING 35				*		2	
83		SD1501101SP		HINGE SCREW D=14.5 H=11				*		2	
84		WP0704016SP		WASHER 7X20X4				*		2	
85		B1505205000		SPACER						2	
86		SM9062553SC		SCREW M6 L=25						2	
87		WP0641601SC		WASHER						2	
88		B82052200A0		PEDAL SWITCH TR- UNK CORD ASM.	FOR 220CGB					1	
89		SL4040891SC		SCREW M4X8						1	

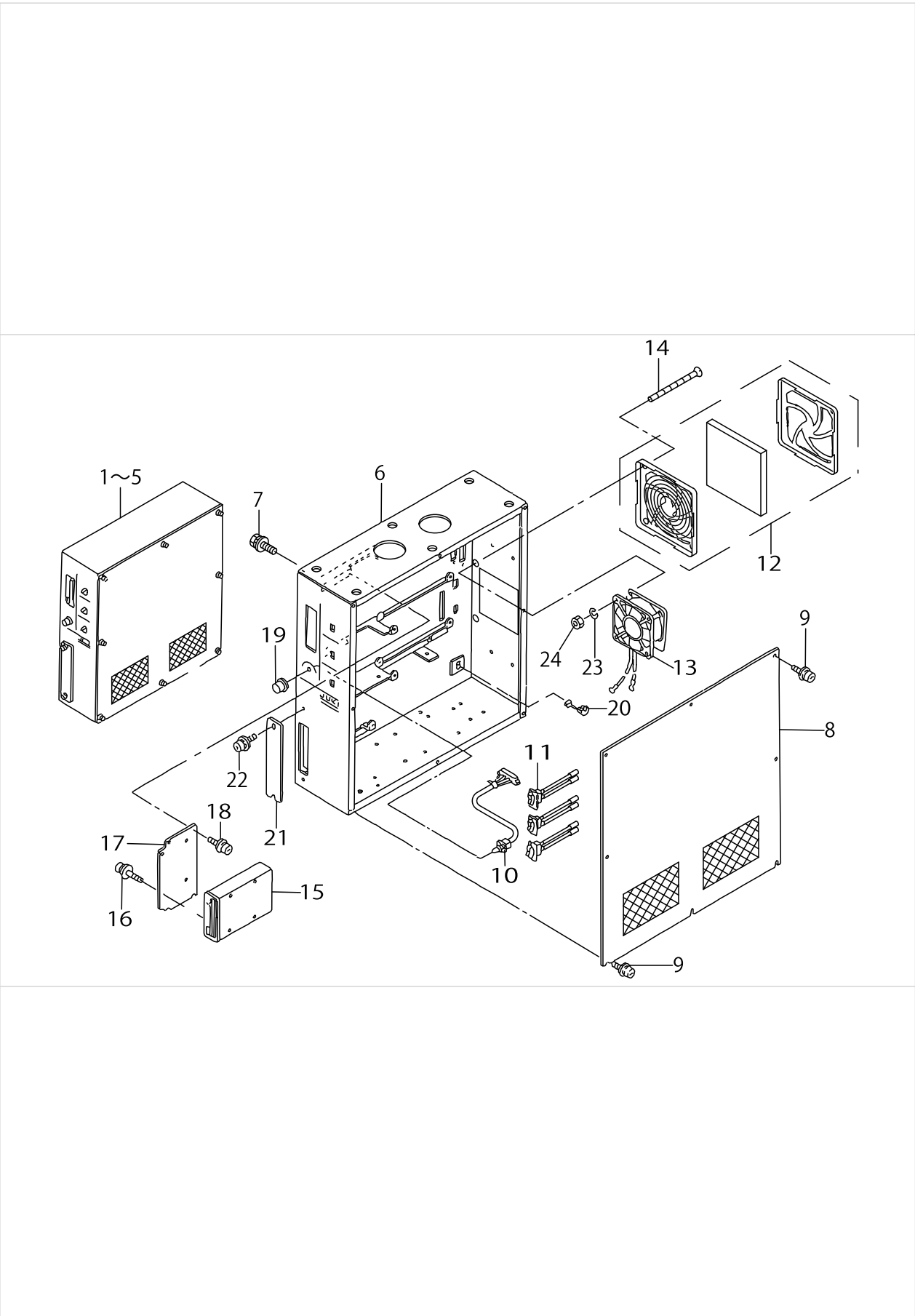
THREAD STAND COMPONENTS



THREAD STAND COMPONENTS

No.	Supply Code	Parts No.	Replacement	Parts name	Remarks	Choice	Step	Level	Cons	Qty	Rep. QTY
1	R	11183654	40096354	THREAD STAND ASM.						1	1.00
2	R	11183605	40096354	SPOOL REST ROD, LOWER				*		1	1.00
3	D	11183704		SPOOL REST ROD, UPPER				*		1	
4	R	11183803	40096354	THREAD GUIDE				*		2	1.00
4	R	11183803	40096354	THREAD GUIDE				*		2	1.00
5	D	11183902		SPOOL REST				*		2	
6	R	11184009	40096354	SPOOL RETAINER				*		2	1.00
7	R	11184207	40096354	SPOOL REST ROD JOINT				*		1	1.00
8	D	B3311012000		SPOOL REST CUSHION				*		2	
9	R	11184108	22931406	SPOOL REST ROD RUBBER CAP				*		1	1.00
10	R	B3317704000	NM6160511SE	NUT C15				*		2	1.00
11	R	11184306	40096354	THRED GUIDE ARM JOINT				*		2	1.00
11	R	11184306	40096354	THRED GUIDE ARM JOINT				*		2	1.00
12	R	B3319704L00	22931208	THREAD GUIDE				*		2	1.00
13	R	B3320704L00A	40085790	SPOOL PIN				*		2	1.00
14	D	D3310555D00		RUBBER WASHER				*		2	
15		NM6050001SE		NUT M5X0.8				*		2	
16		NM6050001SE		NUT M5X0.8				*		2	
17		MAO11532000		CORD STAPLE				*		3	
18		SM4051405SE		SCREW M5X0.8 L=14				*		2	
19		SM6061610SC		SCREW M6 L=16				*		2	
20		WP1702600S0		WASHER 17X30X2.6				*		2	
21		WS0510002KN		SPRING WASHER				*		2	
22	R	WS1643202KR	WP1612616SE	SPRING WASHER		A		*		1	2.00
22	R	WS1643202KR	40085796	SPRING WASHER		A		*		1	2.00

# CONTROL BOX COMPONENTS

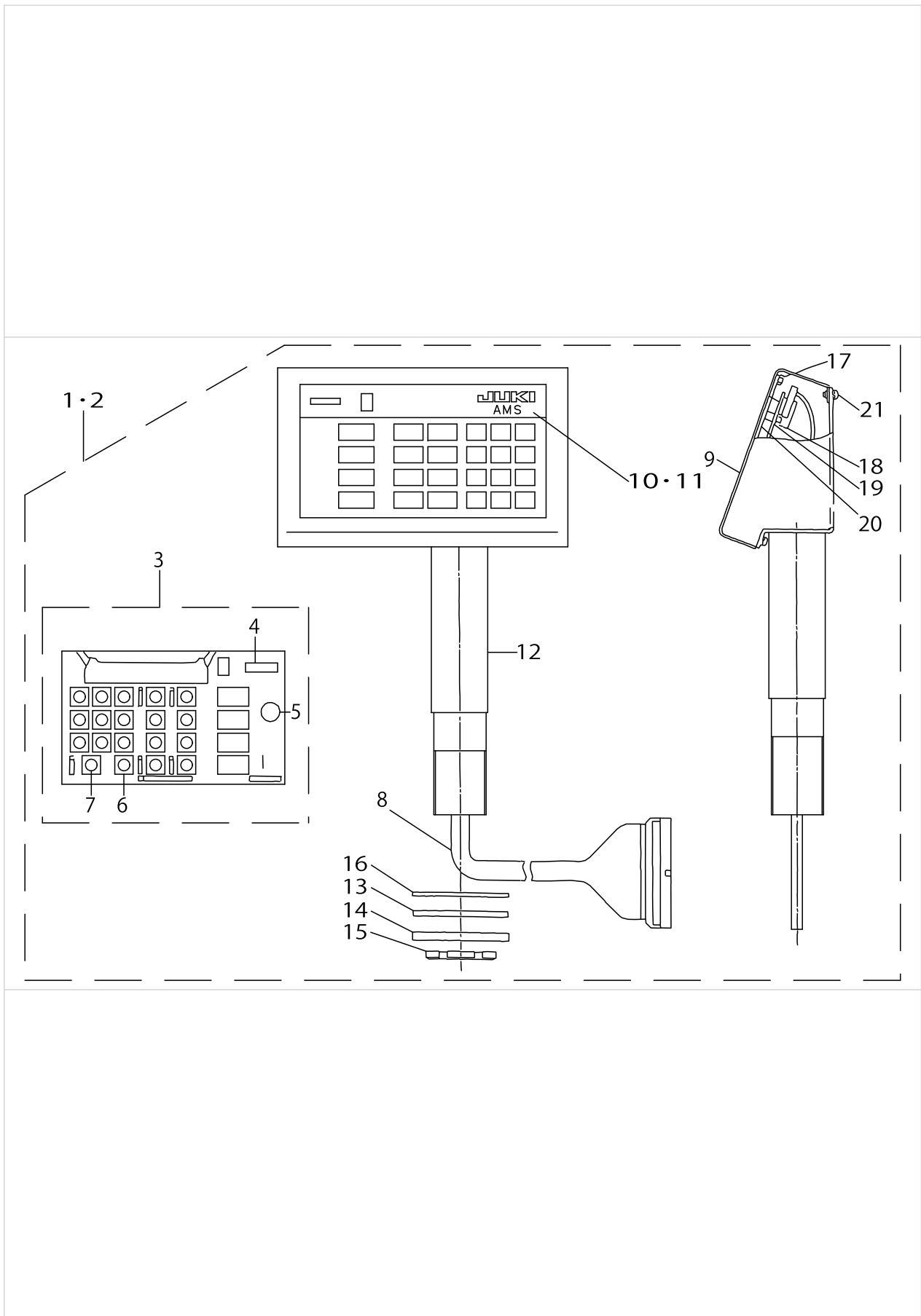


CONTROL BOX COMPONENTS

No.	Supply Code	Parts No.	Replacement	Parts name	Remarks	Choice	Step	Level	Cons	Qty	Rep. QTY
1	D	M8510518BA0A		CONTROL BOX ASM.	FOR 100V (FOR DOM- ESTIC USE)					1	
2		M8510518DA0A		CONTROL BOX ASM.	FOR 100V (FOR EXPORT)					1	
3	D	M8510518AA0A		CONTROL BOX ASM.	FOR 200V (FOR DOM- ESTIC USE)					1	
4	D	M8510518CA0A		CONTROL BOX ASM.	FOR 200V (FOR EXPORT)					1	
5		M8510518EA0A		CONTROL BOX ASM.	FOR 380V (FOR EXPORT)					1	
6		M1001518000		CONTROL BOX						1	
7		SL9082093SE		SCREW						5	
8		M10025130AA		CONTROL BOX COVER ASM.						1	
9		SL4041091SC		SCREW M4 X 10						8	
10	D	M85325180A0		SPEED VOLUME ASM.						1	
11		M85315180A0		SEESAW SWITCH ASM.						3	
12		HM000630010		FILTER						1	
13	D	M85785180A0		FAN ASM.						1	
14	D	SM1046051SF		SCREW M4 L=60						4	
15	R	HX002980000	40063909	FLOPPY DISK DRIVER		A				1	1.00
15	R	HX002980000	S9622710000	FLOPPY DISK DRIVER		A				1	1.00
16		SL4030691SC		SCREW M3X6						4	
17	D	M1011512000		FDD INSTALLING PLATE						1	
18		SL4041091SC		SCREW M4 X 10						4	
19		HX00114000B		KNOB						1	
20	D	HX000210000		CORD BUSHING						1	
21		M1010510000		PLATE						1	
22		SL4041091SC		SCREW M4 X 10						2	
23		WS0410002KN		SPRING WASHER						4	
24		NM6040001SB		WIND ADJUSTING P- LATE ATTACHING						4	



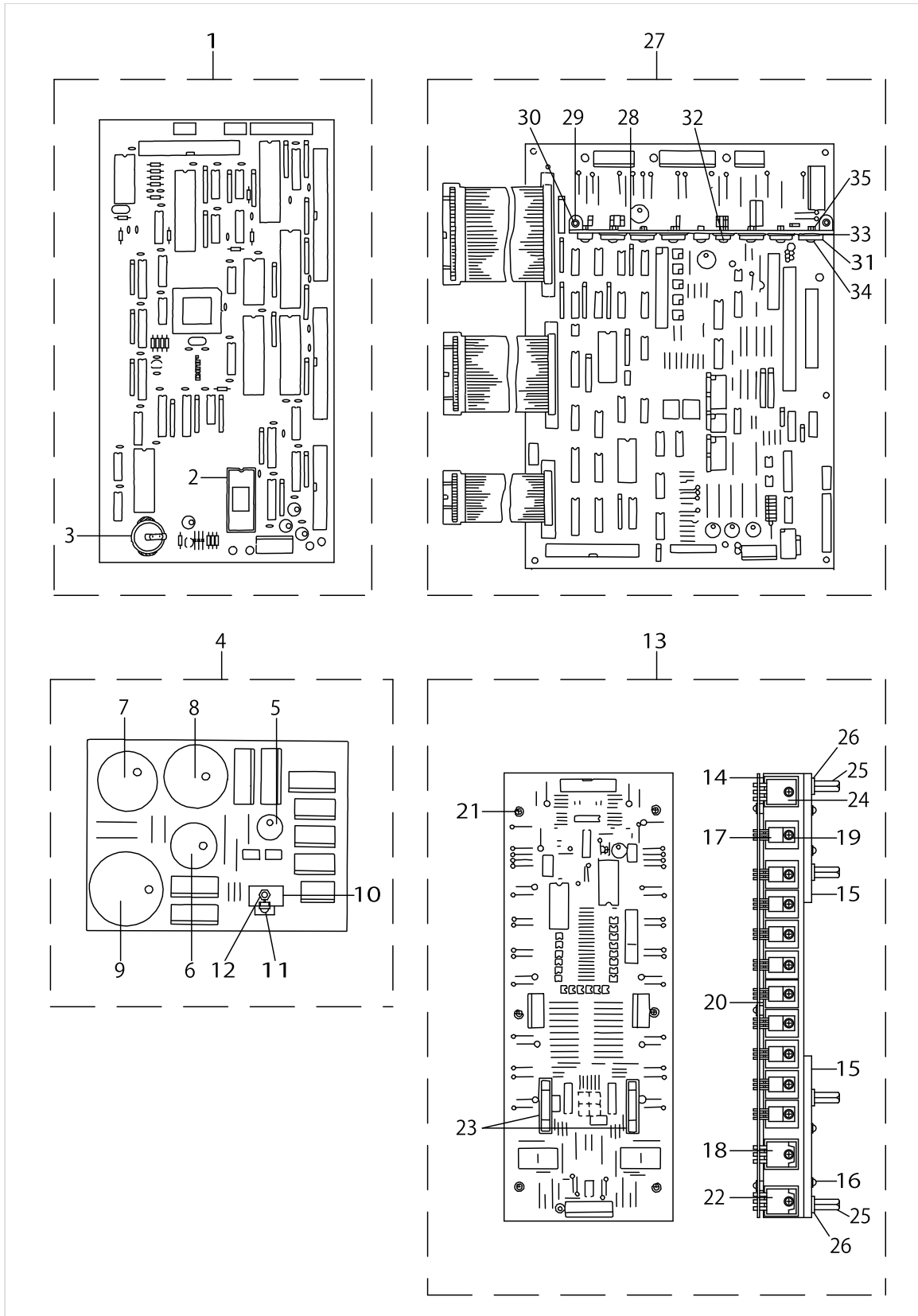
OPERATION BOX COMPONENTS



OPERATION BOX COMPONENTS

No.	Supply Code	Parts No.	Replacement	Parts name	Remarks	Choice	Step	Level	Cons	Qty	Rep. QTY
1		M8570518AA0		OPERATION BOX A ASM.	FOR DOME- STIC USE					1	
2		M8570518BA0		OPERATION BOX B ASM.	FOR EXPORT					1	
3		M8670510AA0		OPERATION PCB A ASM.				*		1	
4	D	HG003280000		DIODE (LD701VVR)				*		1	
5		HX001530000		BUZZER 1				*		1	
6	D	HG003290000		DIODE (LA301VLL)				*		13	
7		HA001410000		KEY SWITCH				*		19	
8	D	M90505180A0		SIGNALING CORD ASM.				*		1	
9		M1081518000		OPERATION BOX COVER				*		1	
10		M300451300G		PANEL SHEET(DOMESTIC)	FOR DOME- STIC USE			*		1	
11	D	M3010518000		OPERATION PANEL SHEET	FOR EXPORT			*		1	
12	D	M85715180A0		OPERATION BOX STAND ASM.				*		1	
13		M1076510000		VIBRATION-PROOF RUBBER PAD				*		1	
14		M1077510000		WASHER				*		1	
15		M1078510000		NUT				*		1	
16	D	M1075518000		WASHER				*		1	
17		NM6030001SC		NUT M3				*		4	
18		NM6030001SC		NUT M3				*		6	
19		WP0320500SC		WASHER M3				*		6	
20		M1082518000		OPERATION BOX BASE COVER				*		1	
21		SL4030681SC		SCREW M3 L=6				*		4	

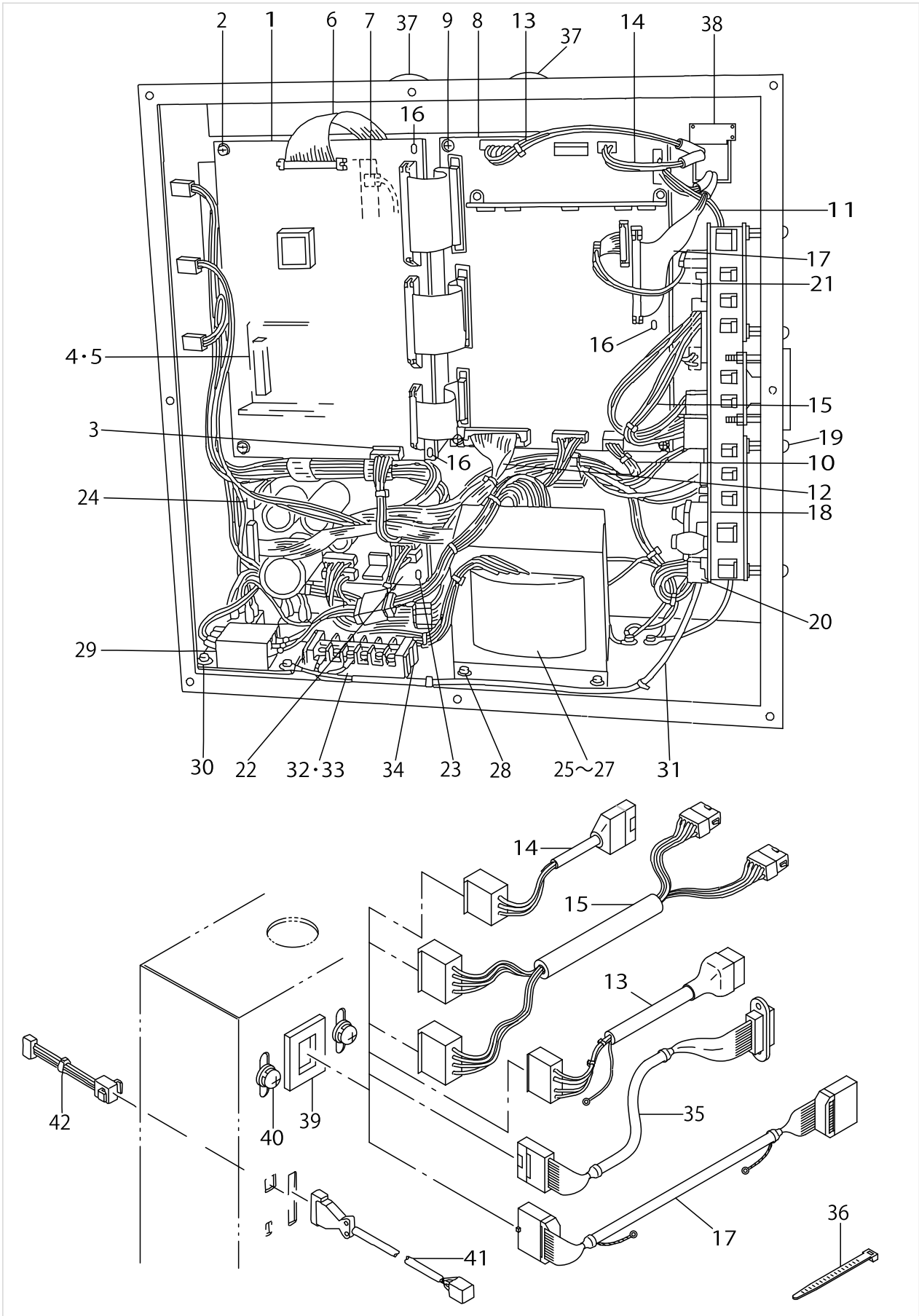
CIRCUIT BOARD COMPONENTS



CIRCUIT BOARD COMPONENTS

No.	Supply Code	Parts No.	Replacement	Parts name	Remarks	Choice	Step	Level	Cons	Qty	Rep. QTY
1	D	M8601518AA0		CPU BOARD A ASM.						1	
2		HL014530001		IC				*		1	
3		HX004140000		BATTERY				*		1	
4	D	M86045180A0		POWER BOARD ASM.						1	
5	D	HC010802210		CAPACITOR 220MF				*		1	
6	D	HC018701020		CAPACITOR 1000MF				*		1	
7		HC018803320		CAPACITOR 3300MF				*		1	
8		HC034205620		ELECTROLYSIS ALUMINUM 100V				*		1	
9		HC018801030		CAPACITOR 10000MF				*		1	
10		GBR01713000		TRANSISTOR FIN B				*		1	
11		SL4030881SC		SCREW M3X8				*		2	
12		NM6030001SC		NUT M3				*		2	
13	D	M8603518AA0		PMDC BOARD A ASM.						1	
14		M1003518000		HEAT SINK PLATE, C				*		2	
15	D	M1005518000		HEAT SINK PLATE,E				*		2	
16		SL4031481SC		SCREW M3 X 14				*		8	
17		HT002460000		TRANSISTOR (2SD1162)				*		20	
18	D	HG003270000		DIODE ARRAY				*		2	
19		SL4031481SC		SCREW M3 X 14				*		26	
20	D	M9609171000		SPACER				*		6	
21		SL4031481SC		SCREW M3 X 14				*		6	
22		HT003330000		FET (2SJ113)				*		2	
23		E9628252000		FUSE 7A				*		2	
24		HT002570000		TRANSISTOR 2SD1296				*		2	
25		HX00339000C		PARTS				*		8	
26		WP0482086SD		WASHER 4.8X11.5X2.0				*		8	
27	D	M86025120A0		I/F CIRCUIT BOARD ASM.						1	
28	D	M1021512000		RADIATOR PLATE A				*		1	
29		SL4031281SC		SCREW M3 L=12				*		2	
30		NM6030001SC		NUT M3				*		2	
31		HT002570000		TRANSISTOR 2SD1296				*		6	
32		HL006390000		IC (UPC14324H)				*		1	
33		HX001970000		INSULATE PLATE				*		7	
34		SL4031281SC		SCREW M3 L=12				*		9	
35		NM6030001SC		NUT M3				*		9	

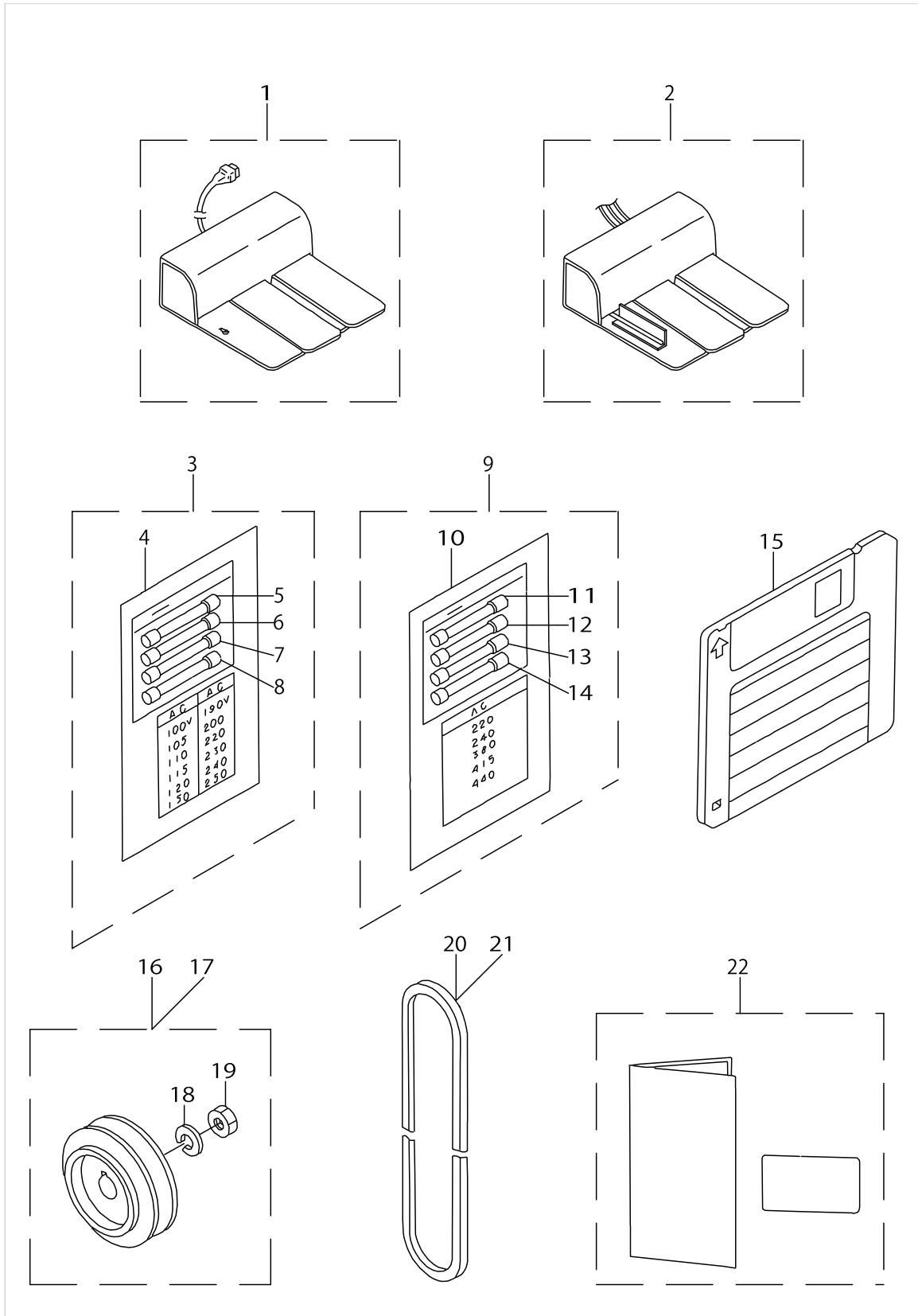
POWER SUPPLY & CORD COMPONENTS



POWER SUPPLY & CORD COMPONENTS

No.	Supply Code	Parts No.	Replacement	Parts name	Remarks	Choice	Step	Level	Cons	Qty	Rep. QTY
1	D	M8601518AA0		CPU BOARD A ASM.						1	
2		SL4030891SC		SCREW M3X8						2	
3		M85545120A0		CPU POWER SOURCE CORD ASM.						1	
4	D	M85115120A0		REGULATOR ASM.						1	
5		SL4030891SC		SCREW M3X8						2	
6	D	M85465120A0		FDD SIGNALING CORD ASM.						1	
7		M85475120A0		FDD POWER SOURCE CORD ASM.						1	
8	D	M86025120A0		I/F CIRCUIT BOARD ASM.						1	
9		SL4030891SC		SCREW M3X8						6	
10	D	M85565120A0		I/F CONTROL POWER CORD ASM.						1	
11	D	M85575120A0		I/F DRIVING POWER CORD ASM.						1	
12	D	M85515120A0		PGM-1 SIGNALING CORD ASM.						1	
13	D	M90435180A0		SOLENOID CORD ASM.						1	
14	D	M90445180A0		CLUTCH BRAKE CORD ASM.						1	
15	D	M90425180A0		PULSE MOTOR CORD ASM.						1	
16		HX004150000		BOARD SUPPORT						3	
17	D	M90505180A0		SIGNALING CORD ASM.						1	
18		M86035180A0		PMDC BOARD ASM.						1	
19		SL4040881SF		SCREW M4 L=8						8	
20		M85555120A0		PMDC POWER SOURCE CORD ASM.						1	
21		M85435120A0		PMDC SIGNALING CORD ASM.						1	
22	D	M86045180A0		POWER BOARD ASM.						1	
23		HX00269000A		PCB SUPPORT						4	
24	D	M85525120A0		PGM-1 POWER SOURCE CORD ASM.						1	
25		M8513518AA0		POWERTRANSAASM.	FOR 190V~250V					1	
26	D	M8513518BA0		POWERTRANSBASM.	FOR 100V~130V					1	
27	D	M8513518CA0		POWERTRANSCASM.	FOR 220V~ ~440V (F- OR EXPORT)					1	
28		SL4051091SC		SCREW M5X0.8 L=10						4	
29	D	M85145120A0		RECTIFIER ASM.						1	
30		SL4041091SC		SCREW M4 X 10						3	
31	D	M8561510CA0		AC INPUT POWER CABLE ASM.						1	
32	D	HK045550060		TERMINAL	FOR 100V~ ~130,190V~250V					1	
33		HK045550080		TERMINAL	FOR 220V~ ~440V (F- OR EXPORT)					1	
34		SL4042091SC		SCREW M4X0.7 L=20						2	
35	D	M90415180A0		SENSOR SIGNALING CORD ASM.						1	
36		HX002920000		BAND						1	
37		HX00326000F		BUSH						2	
38		17845009		CORDFITTINGPLATE						1	
39		HX004070000		BUSH						1	
40		SL4041091SC		SCREW M4 X 10						2	
41	D	M85925120A0		AIR VALVE TRUNK CORD ASM.						1	
42	D	M85615120A0		PEDAL SWITCH CORD ASM.						1	

PEDAL & ELECTRIC EQUIPMENT ACCESSORIE PART COMPONENTS

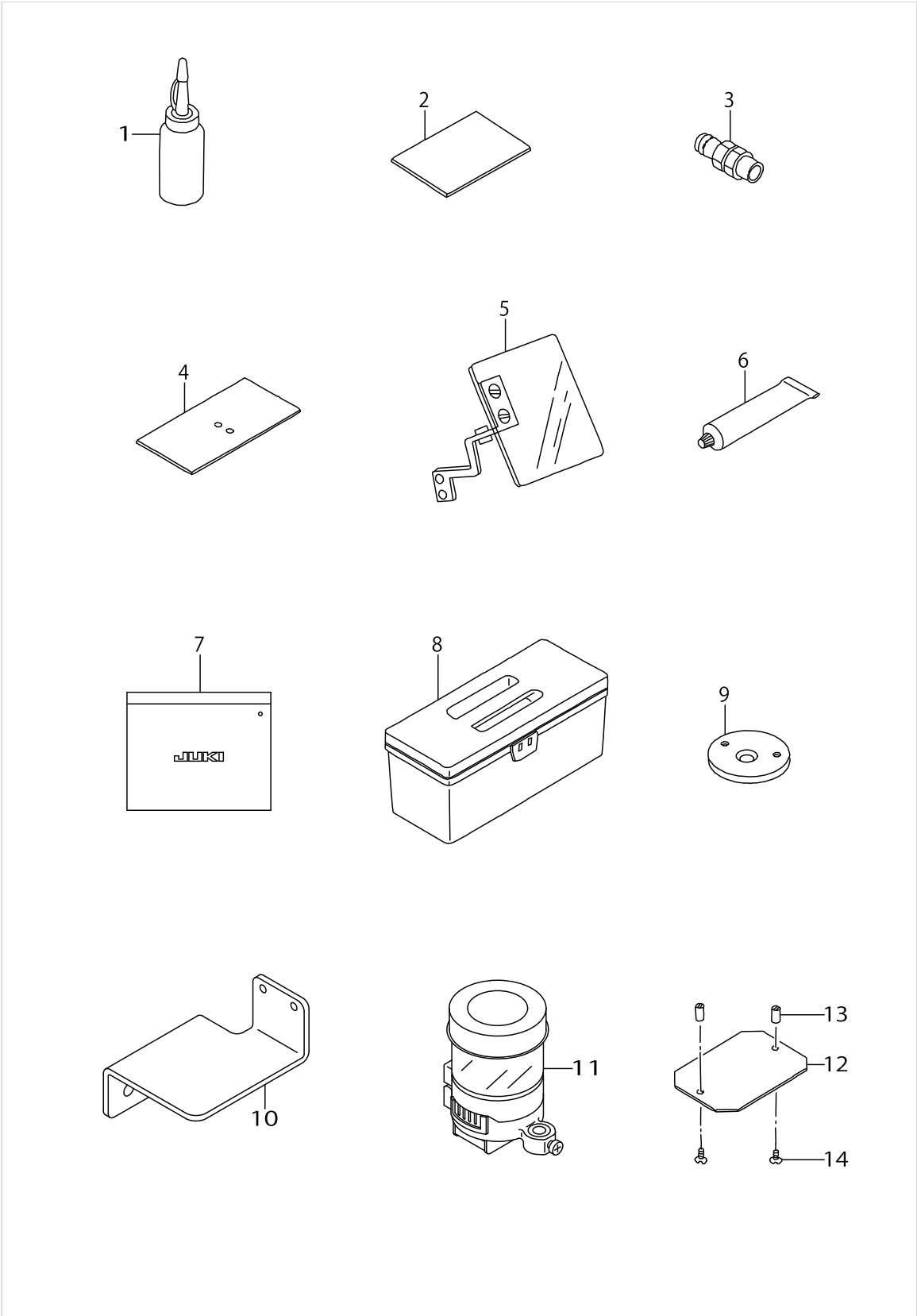


PEDAL & ELECTRIC EQUIPMENT ACCESSORIE PART COMPONENTS

No.	Supply Code	Parts No.	Replacement	Parts name	Remarks	Choice	Step	Level	Cons	Qty	Rep. QTY
1		M85905130AA		PEDAL SWITCH ASM.	FOR 220CGS					1	
2	D	GPK470010AA		3-JOINT PEDAL ASM.	FOR 220CGB					1	
3		M85995120A0		ACCESSORIES ASM.						1	
4		M3010110B00		VOLTAGE SHEET				*		1	
5		E9628252000		FUSE 7A				*		1	
6		HF001400700		TIME LAG FUSE 7A				*		1	
7		E9611601000		FUSE 1A				*		1	
8		E8523304000		FUSE 10A				*		1	
9		M85995120AB		ACCESSORIESBASM.	FOR 220V- ~440V(FOR EXPORT)					1	
10	D	M300451100B		VOLTAGE DISPLAY NOTE				*		1	
11		E9628252000		FUSE 7A				*		1	
12		HF001400700		TIME LAG FUSE 7A				*		1	
13		E9611601000		FUSE 1A				*		1	
14		E8523304000		FUSE 10A				*		1	
15	D	M9650513000		FLOPPY DISK A	FLOPPY DI- SK IN SER- VICE PATTERN					1	
16	R	MTSP00550A0	MTSP00550B0	MOTOR PULLEY ASM. P.C.D. 55	FOR 50HZ					1	1.00
17	R	MTSP00450A0	MTSP00450B0	MOTOR PULLEY ASM. P.C.D. 45	FOR 60HZ					1	1.00
18		WS1002560KR		SPRING WASHER 10X18X2.5				*		1	
19		NM6550815SF		NUT				*		1	
20		MTJVM004500		V-BELT, 45 INCH	FOR SING- LE PHASE 60HZ. THR- EE PHASE (50HZ,60HZ)					1	
21		MTJVM004600		V-BELT, 46 INCH	FOR SING- LE PHASE 50HZ					1	
22		M30045180A0		OPERATION PANEL SHEET ASM.	FOR EXPORT					1	



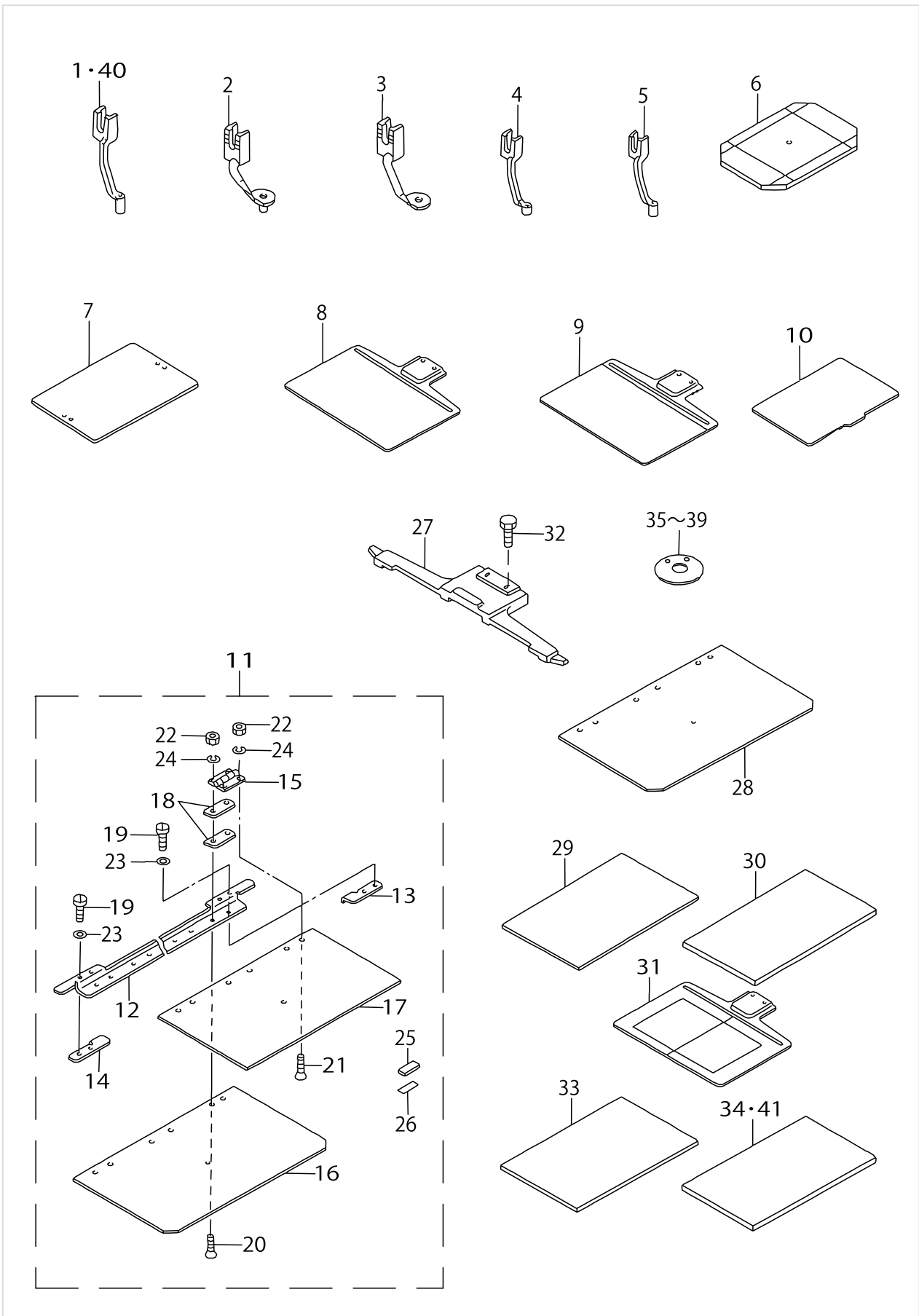
ACCESSORIE PART COMPONENTS



ACCESSORIE PART COMPONENTS

No.	Supply Code	Parts No.	Replacement	Parts name	Remarks	Choice	Step	Level	Cons	Qty	Rep. QTY
1		B91212200A0		OILER (CONTAINING NO.2 OIL)						1	
2		B2591220000		RUBBER SHEET						2	
3	D	PJ309120001		QUICK COUPLING, SOCKET						1	
4	D	B1170220000		AUXILIARY COVER SHEET						2	
5	D	B31012800A0		SAFTY PLATE ASM.						1	
6		13525506		GREASE TUBE						1	
7	R	B9101552000	22932800	ACCESSORY BOX						1	1.00
8		B8601WP10A0		TOOL BOX ASM.						1	
9		B242621000G		NEEDLE HOLE GUIDE D=3						1	
10		B2535210000		TANK BASE						1	
11	R	MAXAP30EX00	40097301	SILICON OIL LUBRICANT CASE						1	1.00
12	D	B2557220000		PLASTIC BLANK PLATE						2	
13		B2559220000		HINGE PIN						4	
14		SS1090510SP		SCREW 9/64-40 L=5						4	

OPTIONAL COMPONENTS



OPTIONAL COMPONENTS

No.	Supply Code	Parts No.	Replacement	Parts name	Remarks	Choice	Step	Level	Cons	Qty	Rep. QTY
1		B160122000B		INTERMEDIATE PRESSER B						1	
2		B160122000C		INTERMEDIATE PRESSER C						1	
3		B160122000D		INTERMEDIATE PRESSER D						1	
4		B160122000E		INNER PRESSER (E)						1	
5		B160122000F		INNER PRESSER (F)						1	
6	D	B2593220000		GAUGE						1	
7	D	B25532200Y0		FEEDING FRAME BLANK						1	
8	D	B25562200YB		FEED PLATE BLANK						1	
9	D	B25562200Y0		FEED PLATE BLANK						1	
10	D	B259122000B		SPONGE SHEET						1	
11	D	B25822200A0		CASSETTE HOLDER ASSEMBLY						1	
12	D	B2582220000		CASSETTE HOLDER ASSEMBLY				*		1	
13		B2595210000		PLACE DECISION BOARD RIGHT				*		1	
14		B2596210000		PLACE DECISION BOARD LEFT				*		1	
15	D	B2597210000		CASSETTE HOLDER HINGE				*		3	
16	D	B2583220000		CASSETTE PRESSE- R LOWER BOARD				*		1	
17		B2584220000		CASSETTE PRESSE- R UPPER BOARD				*		1	
18		B2589210000		CASSETTE PRESSER SPACER				*		6	
19		SM5030655SP		SCREW				*		4	
20		SM1031001SC		SCREW M3X0.5 L=10				*		6	
21		SM1030601SC		SCREW M3 X 8				*		6	
22		NM60300000A		NUT M3X0.5				*		12	
23		WP0320501SC		WASHER M3				*		4	
24		WS0310002KN		SPRING WASHER M3				*		12	
25		B2585220000		CASSETTE PRESSE- R RUBBER MAGNET				*		2	
26		B2586220000		MAGNET BOARD				*		2	
27	D	B2581220000		CASSETTE HOLDER FIXING PLATE						1	
28	D	B2589220000		CASSETTE HOLDER LOWER PLATE B						1	
29		B2587220000		WORK CLAMP PAP- ER MATERIAL (A)						1	
30		B2588220000		WORK CLAMP PAP- ER MATERIAL (B)						1	
31	D	B2594220000		STANDARD LOWER PLATE						1	
32		SS9151440CP		SCREW15/64-28L=14						2	
33		B259522000A		PRESSER CLOTH SHEET						1	
34		B259522000B		PRESSER CLOTH SHEET B						1	
35		B242621000B		NEEDLE HOLE GUIDE D=2.0						1	
36		B242621000C		NEEDLE HOLE GUIDE D=1.6						1	
37		B242621000D		NEEDLE HOLE GUIDE D=2.4						1	
38		B242621000F		CIRCLE 3 NEEDLE HOLE GUIDE						1	
39		B242621000G		NEEDLE HOLE GUIDE D=3						1	
40		B160122000G		INNER PRESSER G						1	
41	D	B259522000C		PRESSER CLOTH SHEET						1	

## HOW TO MAKE USE OF THIS PARTS LIST

1.As to "#01" and "#02" refer to the "Note" given at the bottom of the respective pages.

2.Codes on the "Qty" column

- Each numeral indicates the number of parts required.
- "0.1" and "2.5" indicate the length (in meters) of the respective parts.

3.Parentheses mean that the corresponding part is a subpart that constructs an assembly part.

4.Dotted lines on the Figures indicate assembly parts.

1. リストページの# 0 1、# 0 2の印は、ページ下の"注記"の説明を参照下さい。
2. 数量欄の数字は、個数を表し、0. 1、2. 5等の数値は、長さ（単位メートル）を表します。
3. 数量欄の（ ）は、組部品を構成している子部品であることを意味します。
4. イラストページの-----枠は、組構成であることを意味します。

# NUMERICAL INDEX OF PARTS

PART NO	PAGE	REF NO.	PART NO	PAGE	REF NO.	PART NO	PAGE	REF NO.
10007003	2	28	B1115232000	4	70	B14115520A0	10	26
10129104	4	63	B11152320A0	2	68	B1411804A00	10	43~46
11071701	14	16	B11152320A0	4	68	B1411804A00	18	18~21
11150208	50	50	B1117220000	2	2	B1411804B00	10	43~46
11150406	50	51	B111822000A	6	6	B1411804B00	18	18~21
11183605	52	2	B1120220000	8	5	B1411804C00	10	43~46
11183654	52	1	B1121220000	6	7	B1411804C00	18	18~21
11183704	52	3	B112222000B	2	3	B1411804D00	12	43~46
11183803	52	4	B112322000B	2	4	B1411804D00	18	18~21
11183902	52	5	B1123280000	2	40	B1414232000	10	24
11184009	52	6	B1124220000	2	5	B1419026000	38	3
11184108	52	9	B1125220000	2	6	B1502220000	6	15
11184207	52	7	B1126210000	2	36	B1505205000	50	85
11184306	52	11	B1126552000	2	41	B1506352000	50	49
11571908	48	46	B112821000B	2	37	B1509227000	14	15
13508205	18	22	B1129210000	4	59	B160122000B	66	1~40
13508403	18	4	B1132521000	4	62	B160122000C	66	2
13508700	18	24	B1145210000	4	60	B160122000D	66	3
13508809	18	25	B1150220000	8	6	B160122000E	66	4
13508908	18	26	B1151220000	8	7	B160122000F	66	5
13513205	24	12	B1152220000	8	8	B160122000G	16	46
13513304	24	13	B11532200A0	8	9	B160122000G	66	1~40
13525506	64	6	B115822000B	8	10	B1602220000	14	1
13529607	40	53	B1159220A00	8	11	B1603220000	14	2
13530209	38	38	B1161220B00	30	7	B1604220000	14	3
13768106	50	80	B1170220000	6	8	B1605220000	14	4
13816608	2	39	B1170220000	64	4	B1606220000	14	5
13816855	18	23	B1201220000	10	1	B1608220000	14	6
13817408	22	27	B1202210000	10	7	B1609220000	14	7
17845009	60	38	B12042100A0	10	8	B1610220000	14	8
20243200	48	26	B12052100AA	10	10	B1611224000	14	33
B110422000B	2	8	B12052100BA	10	9	B1612220000	14	9
B11042200AB	2	7	B1206210A00	10	22	B1613220000	14	10
B110522000A	2	1	B1207205000	10	17	B1614220000	14	11
B110622000B	8	1	B12082100A0	10	12	B1615224000	14	34
B110722000A	8	2	B12092200A0	10	2	B1616220000	14	12
B1108220000	6	1	B12102200A0	10	4	B1620224000	14	35
B1109220000	6	2	B1223771000	10	28	B1621224000	14	36
B111022000A	6	3	B1401210A00	10	34	B16222240A0	14	37
B1111220000A	8	3	B1402280000	10	23	B1625224000	14	38
B1111232000	2	38	B1403280000	10	25	B1626220000	32	40
B1112220000	6	4	B1404280000	10	36	B1627220000	14	13
B1113220000	6	5	B1405012000	4	73	B1628220000	14	14
B1115220000	8	4	B1406210000	12	50	B1629224000	14	39
B1115232000	2	70	B1407210000	12	47	B1802210000	18	5

# NUMERICAL INDEX OF PARTS

PART NO	PAGE	REF NO.	PART NO	PAGE	REF NO.	PART NO	PAGE	REF NO.
B18042800A0	18	8	B2310220000	24	21	B2501220AA0	28	2
B1805210A00	18	44	B2311220000	24	22	B2501220AB0	28	1
B18112200AA	18	1	B2311220000	30	25	B2502220000	28	4
B1812210000	20	45	B2312210A00	12	54	B2503220000	28	5
B1813980000	18	6	B2313280000	22	23	B2504220000A	28	21
B1814980000	18	7	B2401205000	12	56	B2505220000A	28	22
B1815210000	20	46	B2402220000	24	20	B2506220000B	28	23
B1816280000	32	45	B24022200A0	24	19	B2507220000	28	6
B18172100AB	20	47	B2403210000	24	23	B2508220000	28	7
B1818210000	20	48	B2404220000	24	28	B2509229000	28	24
B1819280000	18	10	B24042200A0	24	27	B2510220000	30	1
B1820280000	18	11	B2405210000	24	30	B2511220000	30	2
B1821280000	18	12	B2406210000	24	31	B2512220A00	28	8
B1823280000	18	13	B2407210000	24	32	B2513220A00	28	25
B18282100A0	20	49	B2408210000	24	44	B2514220000	36	2
B1831220000	18	2	B2409210000	24	42	B25142200A0	36	1
B1832220000	18	3	B2410220000	24	41	B2515220000	28	26
B19012100A0	12	48	B24102200A0	24	40	B2516220000	36	3
B19012100B0	10	35	B2411210000	24	33	B2517220A00	30	8
B1903210000	10	37	B2412220000	24	18	B2518220000	36	4
B1903552000	10	38	B2413220000	24	29	B2519220000	28	9
B1904280000	10	27	B2414210000	24	45	B252022000A	28	10
B1905541A00	10	39~42	B24142800A0	20	55	B252022000B	28	11
B1905541B00	10	39~42	B2415210000	24	46	B2521220000	28	12
B1905541C00	10	39~42	B24162100A0	20	65	B252222000C	28	14
B1905541D00	10	39~42	B2416280000	20	54	B25222200AA	28	13
B2101220000	22	2	B2417210000	20	66	B2523220000A	30	9
B21012200A0	22	1	B2417280000	20	56	B25242200A0	30	3
B2102205000	22	7	B2418280000	20	53	B2526220000	30	10
B2103220000	22	3	B2421210AA0	20	67	B2527210000	28	15
B2104220000	22	4	B242328000A	20	57~60	B2527220000	36	5
B2106220000	22	5	B242328000B	20	57~60	B2528220000	36	6
B2107210000	22	6	B242328000C	20	57~60	B2529220A00	30	21
B2301210000	24	7	B242328000D	20	57~60	B2529220ABA	30	15
B23012100A0	24	6	B2424210A00	20	68	B2529220ABB	30	20
B23022050A0	22	20	B2425220AA0	20	51	B2530220000	36	7
B2302210000	24	8	B2425224000	20	52	B2531220000	30	4
B2302280000	22	24	B242621000B	66	35~39	B2532220000	30	5
B2303280000	22	32	B242621000C	66	35~39	B2533220000	30	6
B2304205000	36	10	B242621000D	66	35~39	B2534220000	36	8
B23042200A0	24	1	B242621000F	66	35~39	B2535210000	64	10
B2305210000	24	5	B242621000G	64	9	B2535220000	28	27
B2306220000	24	2	B242621000G	66	35~39	B2536220000	36	9
B2307220000	24	3	B242621000H	20	70	B25372200A0	30	34
B2308220000	24	4	B2501220000	28	3	B2538220A00	30	35

# NUMERICAL INDEX OF PARTS

PART NO	PAGE	REF NO.	PART NO	PAGE	REF NO.	PART NO	PAGE	REF NO.
B2540205B00	28	33	B2584220000	66	17	B3208280000	2	26
B2540205B00	30	13	B2585220000	66	25	B3209210000	2	16
B2550220000	32	3	B2586220000	66	26	B3210210000	2	17
B25502200A0	32	2	B2587220000	66	29	B3211210000	2	18
B2551220000	32	5	B2588220000	66	30	B3212210000	2	19
B2552220000	32	13	B2589210000	66	18	B3212761000	2	20
B2553220000	32	15	B2589220000	66	28	B3213205000	12	52
B25532200A0	32	14	B2591220000	64	2	B323077100B	36	15
B25532200Y0	66	7	B259122000B	66	10	B3311012000	52	8
B2554220000	32	28	B2592220000	32	20	B3317704000	52	10
B2555220000	32	29	B2593220000	66	6	B3319704L00	52	12
B2556220000	32	1	B2594220000	66	31	B3320704L00A	52	13
B25562200Y0	66	9	B2595210000	66	13	B3501210000	38	31
B25562200YB	66	8	B259522000A	66	33	B3502220000	38	1
B2557220000	64	12	B259522000B	66	34·41	B3504220000	38	10
B255728000A	34	63~67	B259522000C	66	34·41	B3504280000	40	55
B255728000B	34	63~67	B2596210000	66	14	B3505019000	50	47
B255728000C	34	63~67	B2597210000	66	15	B3505210000	38	11
B255728000D	34	63~67	B2629980000	50	48	B3505280000	40	54
B255728000E	28	36	B2702210000	22	19	B3506210000	38	15
B255728000E	34	63~67	B2703210000	42	44	B3507210000	38	32
B2558220000	32	16	B2714761000	24	10	B3507220000	38	20
B2559220000	64	13	B2727761000	24	11	B3507280000	38	6
B2560220000	32	17	B3012816A00	36	11	B3508220000	38	21
B2561220000	32	18	B31012800A0	64	5	B3508280000	38	35
B2562220000	32	30	B3107804000	22	26	B3509220000	38	2
B256322400B	32	31	B3114771000	2	42	B3509280000	38	16
B2564220000	32	19	B3118771000	4	61	B35142100A0	10	16
B2565220000	32	6	B3120125000	22	28	B3518210000	38	33
B2566220000	32	32	B3123352000	2	71	B3518280000	38	17
B2567220000	32	7	B3123352000	4	71	B3520220000	38	22
B2568220000	32	33	B3125012000	2	72	B3522220000	38	30
B2569220000	32	8	B3125012000	4	72	B3523220000	38	8
B2570220000	32	34	B3126012000	2	69	B3538112000	38	36
B2572220000	32	9	B3126012000	4	69	B4004220000	42	5
B25722200A0	32	4	B3126012000	22	29	B40042200A0	42	4
B2573220000	32	35	B3129053000	22	22	B4005220000	42	11
B2574220000	32	36	B3132552000	22	30	B40052200A0	42	10
B2576220000	32	37	B32012100A0	2	9	B4006220000	42	12
B2578220000	32	38	B3203210000	2	10	B4007220000	28	28
B2580220000	32	39	B3204210000	2	11	B4008220000	42	1
B2581220000	66	27	B3205210000	2	12	B40092200A0	42	2
B2582220000	66	12	B3206210000	2	13	B4010220000	42	3
B25822200A0	66	11	B3207210000	2	14	B4011210000	42	22
B2583220000	66	16	B3208210000	2	15	B4012220000	42	20



NUMERICAL INDEX OF PARTS

PART NO	PAGE	REF NO.	PART NO	PAGE	REF NO.	PART NO	PAGE	REF NO.
B40122200A0	42	19	B82052200A0	50	88	E9628252000	58	23
B41102200AA	42	34	B821021000B	50	77	E9628252000	62	11
B41302200A0	42	35	B821121000B	50	75	EA9500B0100	42	45
B471022000A	44	1	B8301220000	48	13	EA9500B0100	44	20
B471022000A	46	12	B83012200A0	48	12	EA9502B0500	44	21
B471022000B	44	2	B8302220000	48	14	G5430116000	44	5
B471022000B	46	1	B8303220000	48	15	GBR01713000	58	10
B471022000C	32	41	B8304220000	48	16	GPK470010AA	62	2
B471022000D	14	41	B8305220000	48	17	HA001410000	56	7
B471022000F	36	12	B8306220000	48	18	HC010802210	58	5
B471122000A	14	44	B8307220000	48	19	HC018701020	58	6
B471122000B	14	45	B8308220000	48	20	HC018801030	58	9
B471122000C	34	46	B8309220000	48	22	HC018803320	58	7
B471122000D	34	47	B8601WP10A0	64	8	HC034205620	58	8
B471122000E	36	13	B9101552000	64	7	HD000120000	42	13
B471122000F	36	14	B9121012000	50	72	HF001400700	62	12
B471122000G	34	48	B91212200A0	64	1	HG003270000	58	18
B471122000H	34	49	BP300000000	38	58	HG003280000	56	4
B47122200A0	46	6	BP300000000	40	58	HG003290000	56	6
B4713220000	36	17	BP500000000	38	29	HK018800020	22	17
B47142200A0	46	8	BP600000000	38	7	HK045550060	60	32-33
B47152200A0	44	3	BT0600401EB	44	22	HK045550080	60	32-33
B810322000B	48	21	CQ202000000	38	24	HL006390000	58	32
B8108220000	48	23	CQ252200000	38	57	HL014530001	58	2
B8109220000	48	24	CQ252200000	40	57	HM000630010	54	12
B8110220000	48	39	CS079101FSH	18	41	HP000200200	22	16
B81102200A0	48	38	CS080081FSH	18	42	HP001420000	42	43
B8111220000	48	40	CS111101CSH	14	32	HT002460000	58	17
B8112220000	48	41	CS1470710SH	12	49	HT002570000	58	31
B8150220000	48	25	CS147121ESH	10	21	HT003330000	58	22
B8160220000	48	1	D1455055B00	14	17	HX000210000	54	20
B8161220000	48	2	D1456055B00	14	18	HX000220000	44	23
B8162220000	48	3	D1457055B00	14	19	HX00093000C	42	37
B8163220000	48	4	D1805MLBH00	20	50	HX00114000B	54	19
B8164220000	48	6	D2112555B00	38	37	HX00123000A	42	36
B81642200A0	48	5	D2430555B00	2	21	HX00150000E	46	11
B8165220000	48	7	D2430555B00	24	34	HX001530000	56	5
B8166220000	48	8	D3112L4BB00	22	21	HX001970000	58	33
B8171220000	48	10	D3310555D00	52	14	HX002330000	34	50
B8173220000	48	11	D6028555B0B	30	24	HX002330000	42	38
B8180220000	50	79	D6042555B00	30	23	HX00269000A	60	23
B81802200A0	50	78	D8604761C0B	30	19	HX002920000	60	36
B820122000EA	48	44	E8523304000	62	14	HX002980000	54	15
B820122000FA	48	45	E8760452M00	30	22	HX00326000B	50	71
B8202205000	48	42	E9611601000	62	13	HX00326000F	60	37

# NUMERICAL INDEX OF PARTS

PART NO	PAGE	REF NO.	PART NO	PAGE	REF NO.	PART NO	PAGE	REF NO.
HX003290000	34	68	M85575120A0	60	11	NM6040003SC	24	24
HX00339000C	58	25	M8561510CA0	60	31	NM6050001SE	28	37
HX004070000	60	39	M85615120A0	60	42	NM6050001SE	52	16
HX004140000	58	3	M8570518AA0	56	1·2	NM6060002SE	50	56
HX004150000	60	16	M8570518BA0	56	1·2	NM6080001SC	48	36
M1001518000	54	6	M85715180A0	56	12	NM6120011SF	8	25
M10025130AA	54	8	M85785180A0	54	13	NM6550815SF	62	19
M1003518000	58	14	M85905130AA	62	1	NS6090310SP	4	56
M1005518000	58	15	M85925120A0	60	41	NS6110310SP	2	29
M1010510000	54	21	M85995120A0	62	3	NS6110310SP	28	20
M1011512000	54	17	M85995120AB	62	9	NS6110360SP	32	25
M1021512000	58	28	M8601518AA0	58	1	NS6110420SP	24	35
M1075518000	56	16	M8601518AA0	60	1	NS6110530SP	2	27
M1076510000	56	13	M86025120A0	58	27	NS6110530SP	14	22
M1077510000	56	14	M86025120A0	60	8	NS6120310SP	24	36
M1078510000	56	15	M86035180A0	60	18	NS6150310SP	4	57
M1081518000	56	9	M8603518AA0	58	13	NS6150430SP	14	23
M1082518000	56	20	M86045180A0	58	4	NS6240630SN	50	53
M300451100B	62	10	M86045180A0	60	22	NS6660430SP	18	40
M300451300G	56	10·11	M86065100A0	42	21	PA1602503A0	32	42
M30045180A0	62	22	M8670510AA0	56	3	PA1602504A0	32	43
M3010110B00	62	4	M90415180A0	60	35	PA1603003A0	14	43
M3010518000	56	10·11	M90425180A0	60	15	PC010508000	14	42
M40051100A0	10	3	M90435180A0	60	13	PC012401000	44	16
M40071100AB	10	11	M90445180A0	60	14	PC012401000	46	5
M8510518AA0A	54	1~5	M90505180A0	56	8	PF0552040B0	44	6
M8510518BA0A	54	1~5	M90505180A0	60	17	PF065206000	44	7
M8510518CA0A	54	1~5	M9609171000	58	20	PF070501000	44	17
M8510518DA0A	54	1~5	M9650513000	62	15	PF070501000	46	2
M8510518EA0A	54	1~5	MAO11532000	52	17	PJ030520001	44	8
M85115120A0	60	4·5	MAO12002000	36	16	PJ032052503	44	13
M8513518AA0	60	25~27	MAT80116S00	50	66	PJ032052503	46	3
M8513518BA0	60	25~27	MAXAP30EX00	64	11	PJ046052503	32	44
M8513518CA0	60	25~27	MC372001600	12	51·58	PJ046052503	36	18
M85145120A0	60	29	MDP170B2300	12	51·58	PJ301045101	46	10
M85315180A0	54	11	MTJVM004500	62	20	PJ304065101	44	12
M85325180A0	54	10	MTJVM004600	62	21	PJ305065202	44	9
M85435120A0	60	21	MTSP00450A0	62	17	PJ308040002	44	14
M85465120A0	60	6	MTSP00550A0	62	16	PJ308040002	46	4
M85475120A0	60	7	NM60300000A	66	22	PJ309005203	44	4
M85515120A0	60	12	NM6030001SC	42	18	PJ309120001	64	3
M85525120A0	60	24	NM6030001SC	56	18	PS0150065KP	2	23
M85545120A0	60	3	NM6030001SC	58	35	PS0250162KH	18	43
M85555120A0	60	20	NM6040001SB	54	24	PS0400141KH	50	63
M85565120A0	60	10	NM6040003SC	22	15	PS0800302KH	2	35

NUMERICAL INDEX OF PARTS

PART NO	PAGE	REF NO.	PART NO	PAGE	REF NO.	PART NO	PAGE	REF NO.
PV0351130A0	44	15	SL4041091SC	54	22	SS4111015SP	8	15
PV0351240B0	46	7	SL4041091SC	60	40	SS4150715SP	4	49
PV205101000	46	9	SL4042091SC	60	34	SS6060410TP	18	27
PX950009000	44	10	SL4042581SF	44	18	SS6090440SP	40	56
RC3500002KP	50	82	SL4051091SC	44	11	SS6090630TP	22	8
RE0300000K0	34	61	SL4051091SC	60	28	SS6090670TP	10	30
RE0320610KX	36	23	SL4051241SE	50	73	SS6092120SP	38	40
RE0600000K0	28	34	SL9082093SE	48	35	SS6110430TP	20	61
RE0600000K0	30	12	SL9082093SE	54	7	SS6110610TP	6	11
RE0600000K0	34	62	SM1030601SC	66	21	SS6110610TP	28	31
RE0600000K0	36	24	SM1031001SC	66	20	SS6111140SP	38	41
RO048190100	14	20	SM1046051SF	54	14	SS6111210SP	10	14
SB108000500	28	29	SM4040601SC	4	51	SS6111610SP	34	55
SB108000500	30	11	SM4051405SE	52	18	SS6120940SP	34	54
SB115000200	50	81	SM5030655SP	66	19	SS6121060SP	36	28
SB712000100	28	35	SM5051400SC	8	17	SS6121210SP	24	43
SD0380551SL	4	66	SM5051400SC	48	27	SS6121210SP	28	38
SD0500803TP	24	37	SM6031010SC	42	23	SS6121212TP	18	28
SD0530221SP	24	16	SM6040552TP	28	30	SS6121220TP	24	9
SD0600291TP	36	19	SM6040602TP	32	12	SS6122510SP	10	18
SD0600352SP	22	10	SM6041402TP	28	19	SS6150710SP	14	24
SD0640321SP	14	40	SM6051602TP	28	40	SS6151220SP	18	30
SD0640321SP	22	12	SM6053002UZ	28	39	SS6151412TP	10	19
SD0640321SP	24	17	SM6054502TP	36	20	SS6151712TP	24	14
SD0640321TP	14	30	SM6061610SC	52	19	SS6151712TP	42	25
SD0650305TP	24	38	SM8061002TP	30	37	SS6151812TP	22	31
SD0720321TP	14	31	SM9061850SC	50	65	SS6151812TP	28	32
SD0800341SP	50	67	SM9062553SC	50	86	SS6621220SP	22	9
SD0801021TP	18	37	SM9087533SC	48	9	SS6681712TP	10	20
SD1100301TP	26	47	SM9122503SB	48	28	SS7080510TP	10	31
SD1501101SP	50	83	SM9124503SB	8	18	SS7090410SP	20	62
SK3381300SC	50	69	SS1060210TP	20	69	SS7090530SP	32	11
SL4030681SC	56	21	SS1090510SP	64	14	SS7090620TP	24	15
SL4030691SC	54	16	SS1110640TP	20	71	SS7090850SP	42	40
SL4030881SC	58	11	SS1110840SP	6	10	SS7090910SP	4	58
SL4030891SC	60	9	SS1110840SP	32	23	SS7091110SP	14	25
SL4031281SC	58	34	SS2110920TP	26	49	SS7110510SP	18	32
SL4031481SC	48	43	SS2122410TP	34	51	SS7110510SP	42	26
SL4031481SC	58	21	SS3090610SP	2	43	SS7110710SP	18	33
SL4031481SF	42	14	SS4090715SP	2	44	SS7110710SP	38	50
SL4040691SC	50	76	SS4110515SP	32	21	SS7110710SP	40	50
SL4040881SF	60	19	SS4110715SP	8	14	SS7110710SP	42	39
SL4040891SC	44	19	SS4110815SP	2	46	SS7110740TP	20	63
SL4040891SC	50	89	SS4110815SP	42	42	SS7110840SP	4	67
SL4041091SC	50	52	SS4111015SP	4	48	SS7110840SP	18	34

NUMERICAL INDEX OF PARTS

PART NO	PAGE	REF NO.	PART NO	PAGE	REF NO.	PART NO	PAGE	REF NO.
SS7110840SP	22	18	TA0850604R0	4	75	WP0952616SD	18	39
SS7110840SP	24	26	TA1050504R0	4	76	WP1021016SD	50	59
SS7110840SP	30	31	TA1250406R0	4	77	WP1302501SC	48	31
SS7110840SP	36	21	TA1470704R0	4	65	WP1302501SE	8	23
SS7110840SP	40	49	TA2100904R0	4	78	WP1702600S0	52	20
SS7110840SP	42	29	WP0320500SC	56	19	WS0310002KN	66	24
SS7110910TP	28	18	WP0320501SC	66	23	WS0410002KN	54	23
SS7111110TP	18	35	WP0330501SB	42	24	WS0510002KN	52	21
SS7111110TP	28	16	WP0371016SD	22	13	WS0610002KN	50	62
SS7111410TP	14	26	WP0430801SC	4	52	WS0631510KP	34	73
SS7121610SP	30	26	WP0450000SD	4	54	WS0820002KN	50	70
SS7151120SP	10	29	WP0450000SD	32	59	WS1002560KR	62	18
SS7151210SP	30	27	WP0450000SD	34	59	WS1253010KN	8	24
SS7151610SP	34	52	WP0450000SD	40	52	WS1253010KN	48	34
SS7152040SP	30	28	WP0450801SD	8	21	WS1643202KR	52	22
SS7661540SP	14	27	WP0450801SD	10	15			
SS8090610SP	22	25	WP0450801SD	42	33			
SS8110422TP	10	6	WP0450846SP	20	64			
SS8110422TP	32	24	WP0482086SD	58	26			
SS8110422TP	36	22	WP0501016SD	24	39			
SS8110520TP	2	24	WP0501016SD	30	32			
SS8111010TP	10	5	WP0501016SD	32	26			
SS8111610SP	12	53	WP0520656SA	6	13			
SS8120410SP	34	56	WP0520656SA	34	58			
SS8120740SP	30	29	WP0531000SD	18	38			
SS8120740SP	34	53	WP0561616SC	22	14			
SS8150822TP	18	36	WP0561616SC	48	74			
SS8150822TP	30	36	WP0561616SC	50	74			
SS8151550SP	10	13	WP0612066SP	14	21			
SS8660610TP	10	33	WP0621016SD	6	14			
SS8660610TP	14	28	WP0621016SD	30	33			
SS8661012TP	12	57	WP0621016SD	34	71			
SS9090833TP	12	55	WP0621016SD	40	51			
SS9111010SP	28	17	WP0641600SC	34	72			
SS9111020TP	2	22	WP0641601SC	50	87			
SS9150710TP	34	69	WP0650876SD	36	27			
SS9151120CP	6	16	WP0651056SH	2	25			
SS9151120CP	50	68	WP0702026SP	36	26			
SS9151160CP	6	12	WP0704016SP	50	84			
SS9151240SN	8	16	WP0820516SP	36	25			
SS9151440CP	30	30	WP0820526SD	30	14			
SS9151440CP	66	32	WP0841600SE	50	61			
SS9152130CP	34	70	WP0841601SC	8	22			
SS9661230CP	10	32	WP0841601SC	48	60			
TA0750704R0	4	74	WP0841601SC	50	60			