

MODEL : MO-3900/MO-3904/MO-3914/MO-3916

List No : 0845-07

# PARTS LIST

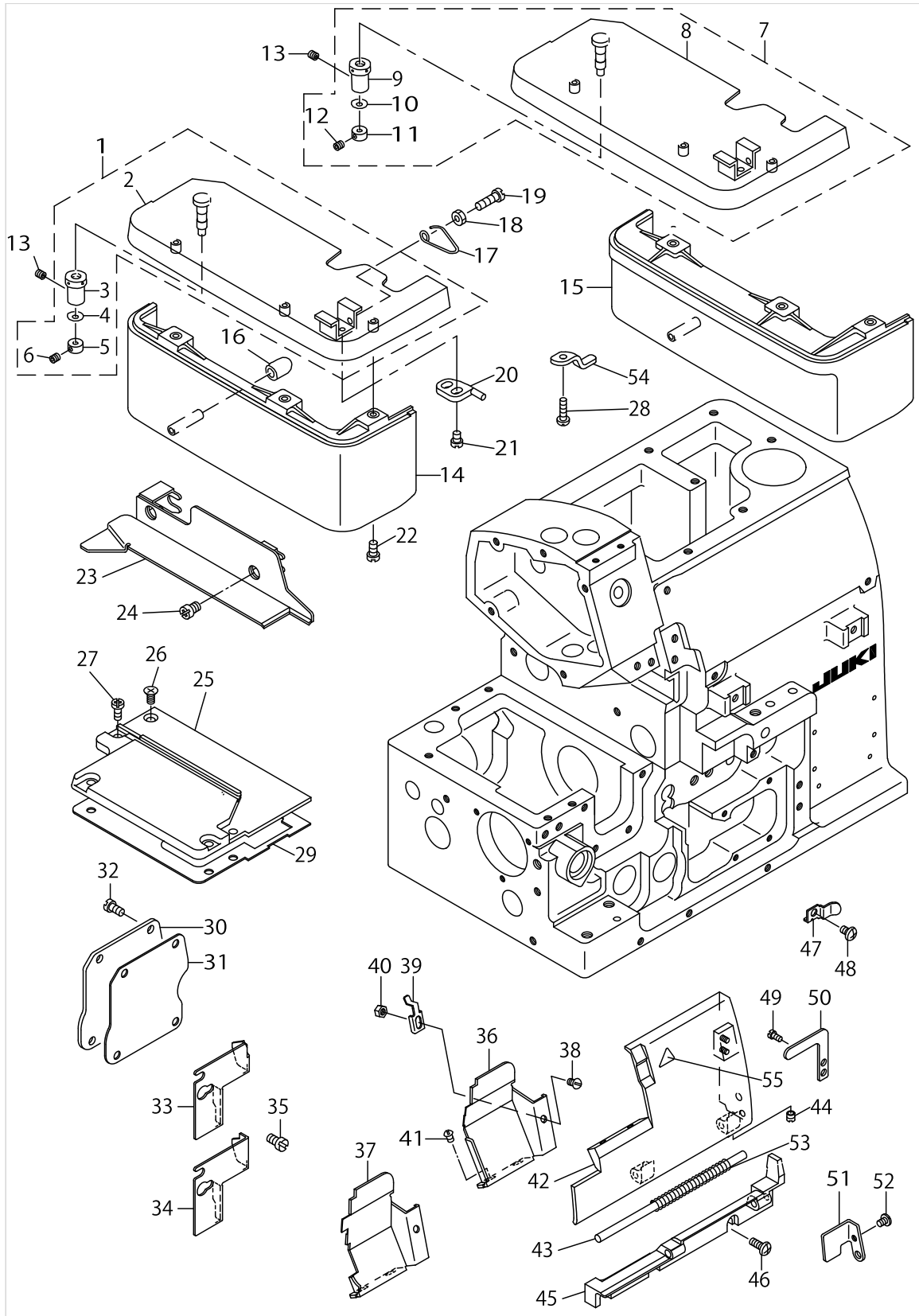
Published:05/12/2017

## CONTENTS

---

FRAME COMPONENTS (1) .....	1
FRAME COMPONENTS (2) .....	5
CRANKSHAFT COMPONENTS .....	9
NEEDLE DRIVING SHAFT COMPONENTS .....	13
FEED MECHANISM COMPONENTS (1).....	17
FEED MECHANISM COMPONENTS (2).....	19
UPPER & LOWER LOOPER COMPONENTS.....	23
CHAIN LOOPER COMPONENTS (FOR MO-3916).....	29
PRESSER FOOT COMPONENTS (1).....	33
PRESSER FOOT COMPONENTS (2).....	35
THREAD TENSION COMPONENTS .....	39
LOWER KNIFE COMPONENTS.....	43
UPPER KNIFE COMPONENTS .....	47
NEEDLE COOLING MECHANISM COMPONENTS.....	49
LUBRICATION MECHANISM COMPONENTS.....	51
SEMI-SUNKEN TYPE TABLE COMPONENTS.....	55
FULLY-SUNKEN TYPE TABLE COMPONENTS.....	57
THREAD STAND COMPONENTS (FOR MO-3904,MO-3914) .....	59
THREAD STAND COMPONENTS (FOR MO-3916).....	63
SPECIAL ORDER PARTS COMPONENTS.....	67
LIST FOR INFORMATION OF CHANGE.....	69
HOW TO MAKE USE OF THIS PARTS LIST .....	70

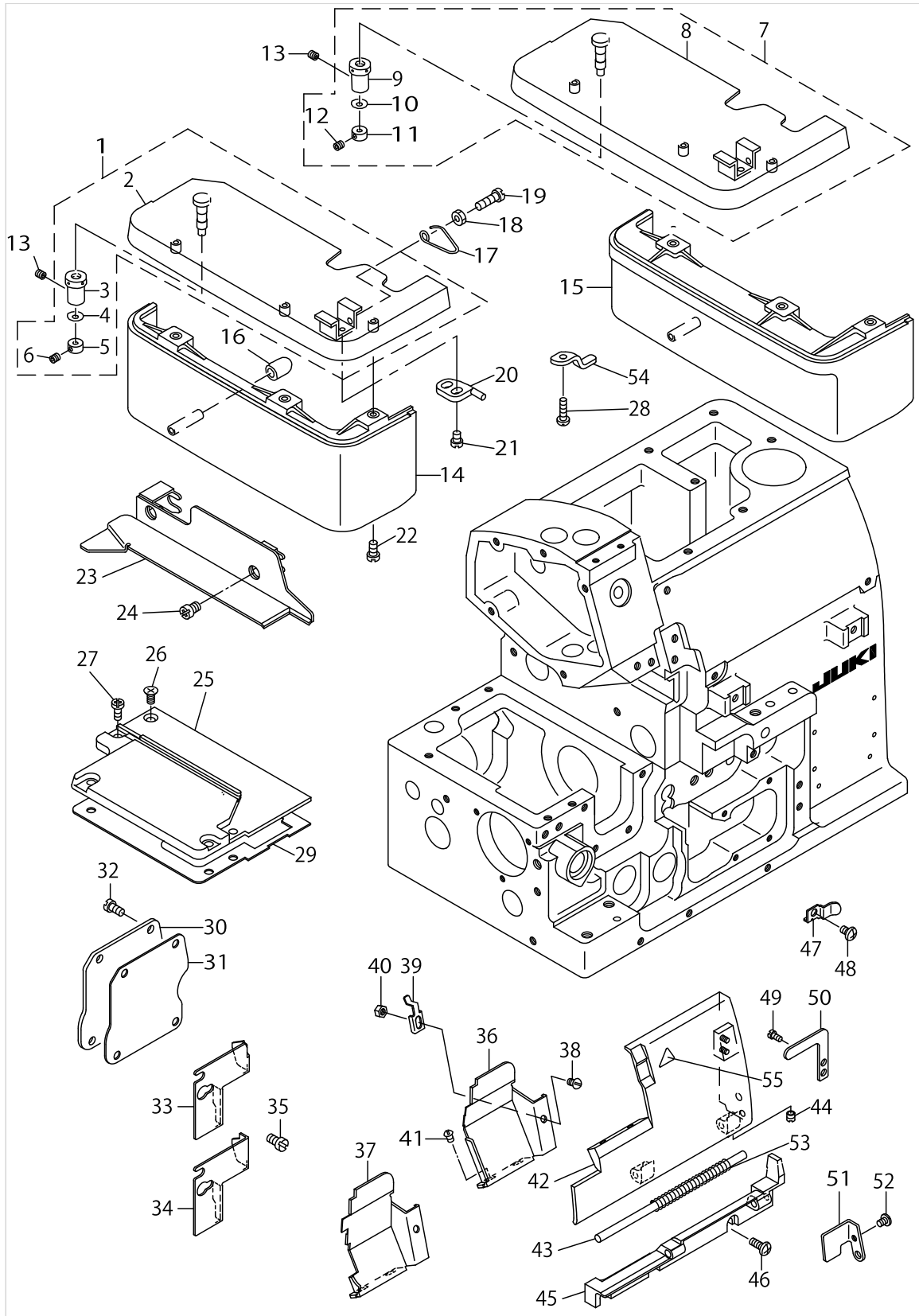
FRAME COMPONENTS (1)



FRAME COMPONENTS (1)

No.	Supply Code	Parts No.	Replacement	Parts name	Remarks	Choice	Step	Level	Cons	Qty	Rep. QTY
1	R	12105359	13103650	CLOTH PLATE ASM.						1	1.00
2	R	12102752	13103650	CLOTH PLATE ASM.				*		1	1.00
3		11501301		ECCENTRIC BUSHING				*		1	
4		WZ0420350KP		DISC SPRING				*		1	
5	R	CS0400671SD	13172903	THRUST HOLDER				*		1	1.00
6		SM8040302TP		SETSCREW				*		1	
7		12105458		CLOTH PLATE ASM.	FOR JHK(MO-3916)					1	
8	R	12104550	12105458	CLOTH PLATE ASM.				*		1	1.00
9		11501301		ECCENTRIC BUSHING				*		1	
10		WZ0420350KP		DISC SPRING				*		1	
11	R	CS0400671SD	13172903	THRUST HOLDER				*		1	1.00
12		SM8040302TP		SETSCREW				*		1	
13		SS8110410TP		SCREW 11/64-40 L= 3.5						1	
14	D	11949005		CLOTH BASE COVER						1	
15	D	11949104		CLOTH BASE COVER	FOR JHK(MO-3916)					1	
16	R	11802204	13104302	RUBBER PLUG						1	1.00
17		11802402		SPRING						1	
18		NS6110420SP		NUT 11/64-40						1	
19		SS6111440SP		SCREW 11/64-40 L=14.0						1	
20	R	12103305	13101704	STOPPER						1	1.00
21		SS7110710SP		SCREW 11/64-40 L=7						2	
22		SS4091015SP		SCREW 9/64-40 L=10						2	
23	R	12101655	13102306	CLOTH PLATE SIDE COVER ASM.						1	1.00
24		SS4120615SP		SCREW 3/16-28 L=6						2	
25		12250510		FEED MECHANISM COVER						1	
26		SM1040801SC		SCREW M4X0.7 L=8						1	
27		SM4040855SP		SCREW						4	
28		SS7091410SP		SCREW 9/64-40 L=13.5						1	
29		12250601		GASKET						1	
30	D	11951100		COVER						1	
31		11804309		GASKET						1	
32		SM4040855SP		SCREW						4	
33	D	12102307		CHIP GUARD COVER, LEFT	FOR MO-3-904,MO-3914					1	
34	D	12102406		CHIP GUARD COVER, LEFT	FOR MO-3916					1	
35		SS7110510SP		SCREW 11/64-40 L=5						2	
36	R	12147203	13104104	CLOTH WASTE COVER	FOR MO-3-904,MO-3914					1	1.00
37	R	12147807	13104203	CLOTH WASTE COVER	FOR MO-3916					1	1.00
38		SS2090520SL		SCREW 9/64-40 L=5						1	
39	R	12101515	13102405	CROTH WASTE COVER STOPPER						1	1.00
40		NS6090310SN		NUT 9/64-40						1	
41		SS3090610SP		SCREW 9/64-40 L=6						2	
42	R	12101309	13100904	LOOPER COVER						1	1.00
43	D	11803004		LOOPER COVER HINGE PIN						1	
44		SS8110410TP		SCREW 11/64-40 L= 3.5						1	
45	R	12101200	13100805	LOOPER COVER BRACKET						1	1.00

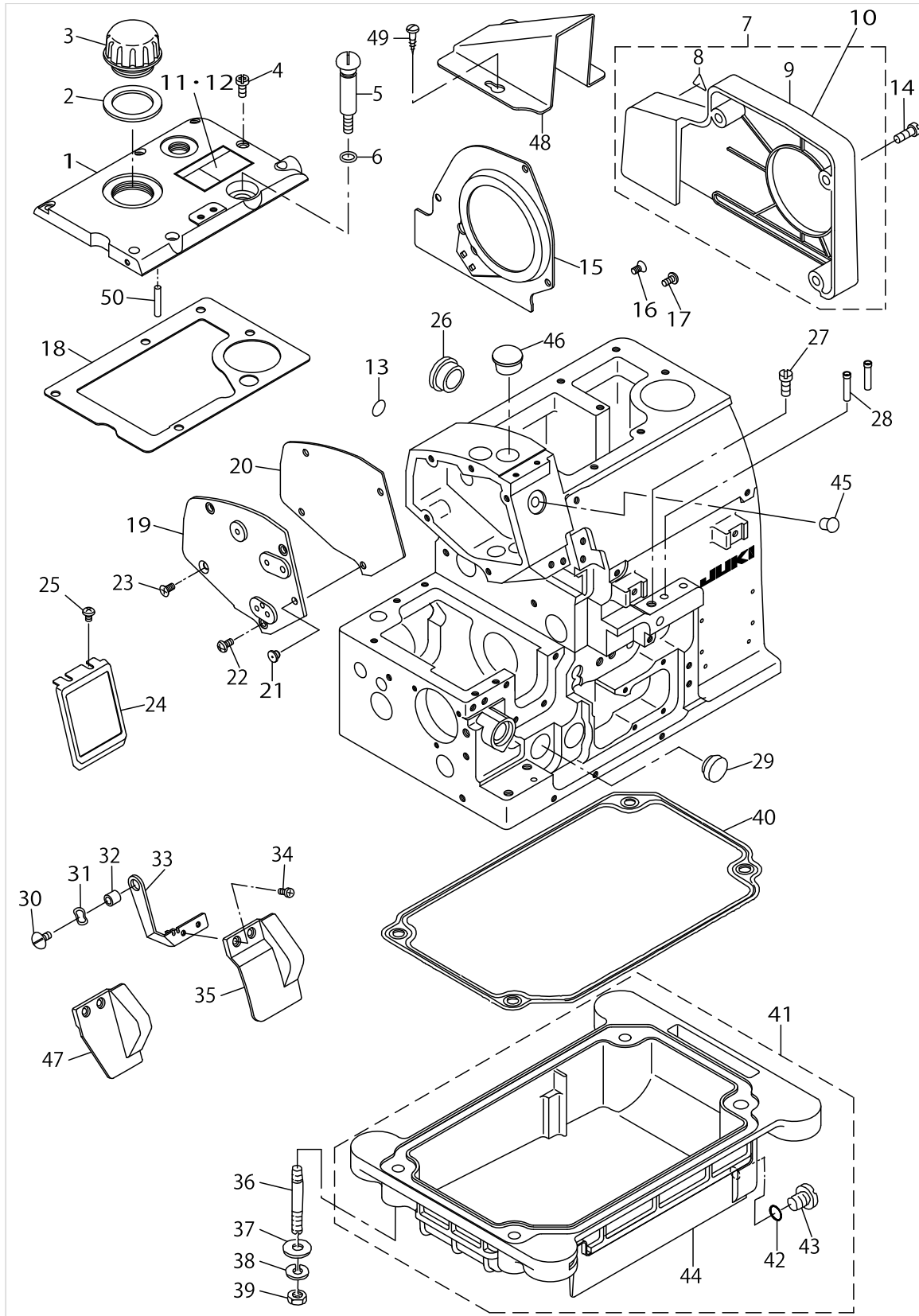
FRAME COMPONENTS (1)



FRAME COMPONENTS (1)

No.	Supply Code	Parts No.	Replacement	Parts name	Remarks	Choice	Step	Level	Cons	Qty	Rep. QTY
46		SM4041055SP		SCREW						3	
47	R	12103404	13101308	LOOPER COVER PRESSER SPRING						1	1.00
48		SM4040655SP		SCREW M4 L=6						1	
49		SS7090530SP		SCREW 9/64-40 L= 4.5						1	
50		12103206		LOOPER COVER PRESSER PLATE						1	
51	R	12101408	13101001	GUIDE PLATE						1	1.00
52		SS7090610SP		SCREW 9/64-40 L=6						1	
53	R	B1140716000	13101209	SPRING						1	1.00
54	D	12103511		CROTH PLATE SUPPORTER						1	
55		CM300200001		ATTENTION SEAL	FOR JE					1	

FRAME COMPONENTS (2)

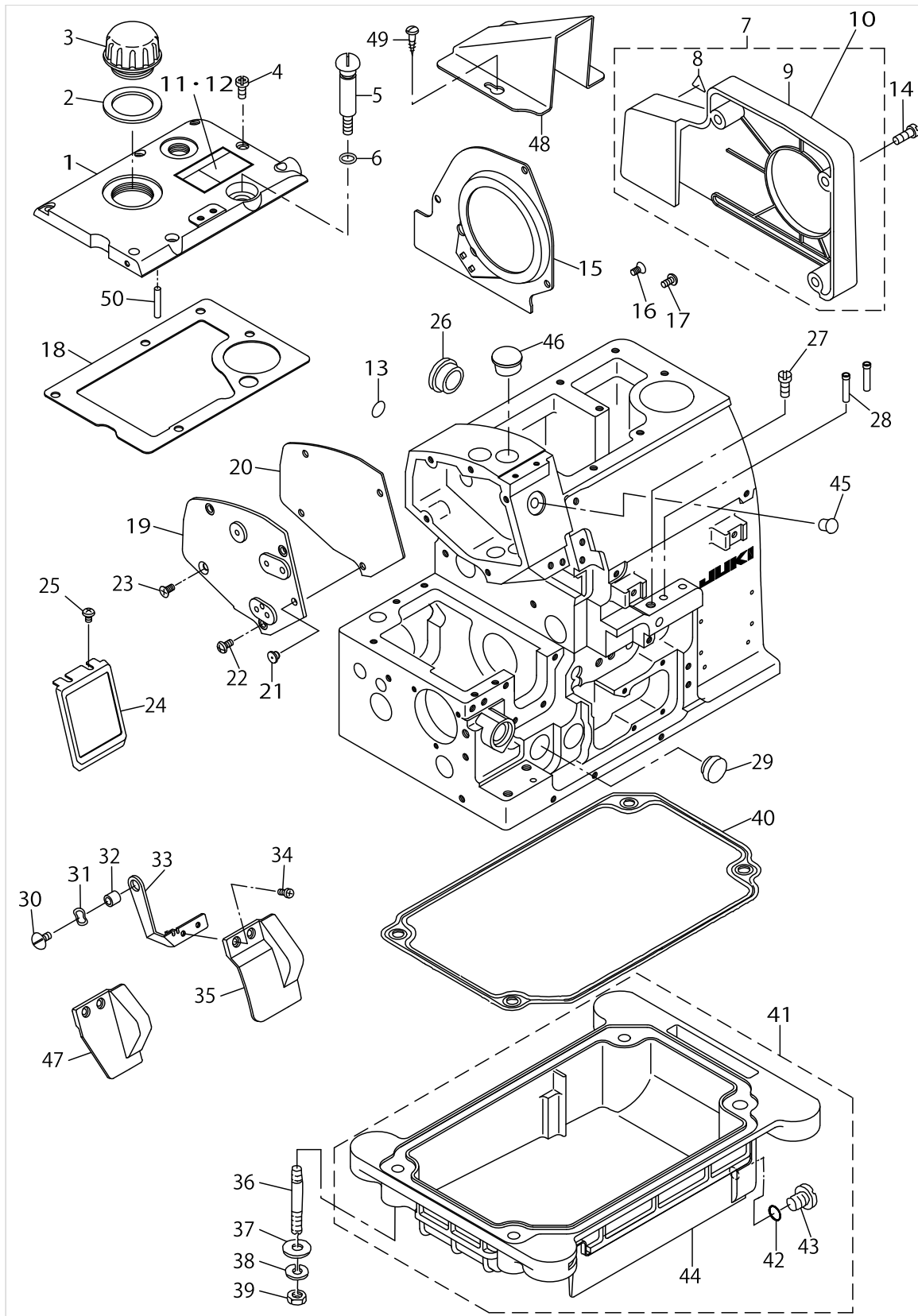


FRAME COMPONENTS (2)

No.	Supply Code	Parts No.	Replacement	Parts name	Remarks	Choice	Step	Level	Cons	Qty	Rep. QTY
1	D	12100418		UPPER COVER						1	
2	D	11500808		GASKET						1	
3	D	12100608		OIL CAP						1	
4		SM4051255SP		SCREW.,M5 L=12.						6	
5	D	12100806		OIL DRAIN SCREW						1	
6		RO078190100		RUBBER RING						1	
7	D	12101952		BELT COVER ASM.	FOR JAPAN					1	
8		CM3002000A1		CAUTION LABEL(16)				*		1	
9	R	12101903	12101952	BELT COVER				*		1	1.00
10	R	12101903	12101952	BELT COVER	FOR EXPORT					1	1.00
11		CM300200101		SAFETY LABEL, 1(SMALL).	FOR JAPAN					1	
12		CM3002001A1		SAFETY LABEL.,3 (SMALL).	FOR EXPO- RT(EXCEPT JE)					1	
13	R	10004109	22901805	GROUND MARK						1	1.00
14		SS4151215SP		SCREW15/64-28L=12						3	
15		12101804		COOLING FAN PLATE						1	
16		SM1040801SC		SCREW M4X0.7 L=8						1	
17		SM4040855SP		SCREW						2	
18	D	12100517		UPPER COVER GASKET						1	
19	D	12250205		SIDE COVER						1	
20	D	12100301		SIDE COVER GASKET						1	
21		12258000		BUSH						1	
22		SM4040855SP		SCREW						3	
23		SM1040801SC		SCREW M4X0.7 L=8						1	
24		12102661		BRAND LABEL ASM.						1	
25		SM4040601SC		SCREW M4X0.7 L=6						2	
26		TA2050805R0		RUBBER PLUG						1	
27		SS9151210TP		SCREW 15/64-28 L=11.8						1	
28	R	11805207	13102900	THREAD GUIDE, LARGE						2	1.00
29		TA1871602R0		RUBBER PLUG	FOR MO-3- 904,MO-3914					1	
30		SS5110710SP		SCREW 11/64-40 L=7						1	
31		WZ0850302K0		WAVED WASHER 8.5X12.5X0.3						1	
32		B3013141H0A		WASHER						1	
33	R	12102000	12342002	SAFETY PLATE BRACKET						1	1.00
34		SS7090611SL		SCREW 9/64-40 L=6.1						2	
35	D	12102109		SAFETY PLATE	FOR MO-3916					1	
36		11503703		SCREW STUD						4	
37		WP0751576SD		WASHER 7.5X19X1.5						4	
38		WS0822010KP		SPRING WASHER 8.2X15X2						4	
39		NS6680410SP		NUT 9/32-28						4	
40	R	11503919	13102603	OIL RESERVOIR GASKET						1	1.00
41	R	11503885	13102553	OIL RESERVOIR ASM.						1	1.00
42		RO074240100		RUBBER RING				*		1	
43		SM0081001SD		SCREW				*		1	
44	R	11503810	13102553	OIL RESERVOIR				*		1	1.00
45		TA1250406R0		RUBBER PLUG D=12.5 L=4						1	



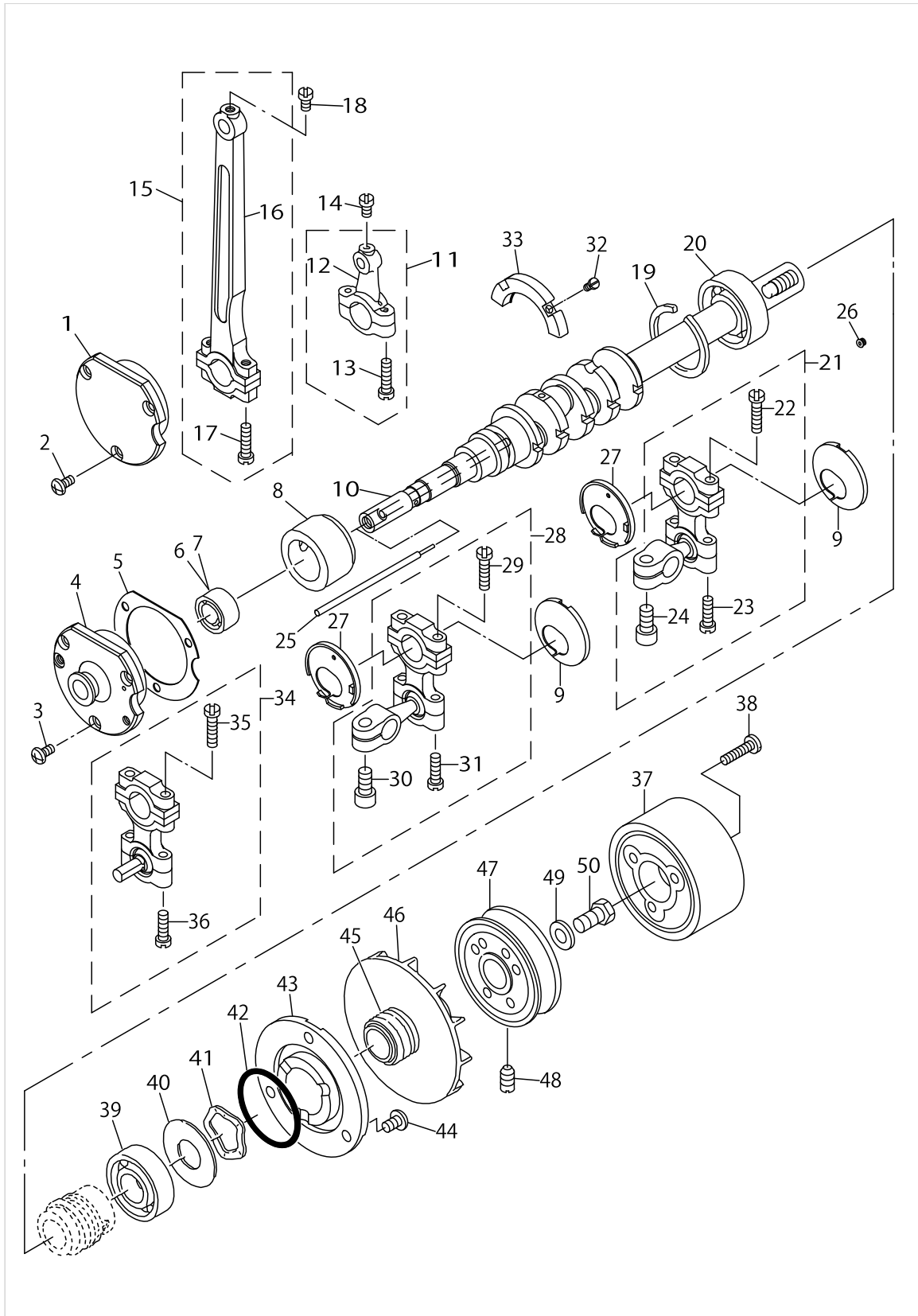
FRAME COMPONENTS (2)



FRAME COMPONENTS (2)

No.	Supply Code	Parts No.	Replacement	Parts name	Remarks	Choice	Step	Level	Cons	Qty	Rep. QTY
46		TA1701107R0		RUBBER PLUG						1	
47		12104907		SAFETY PLATE	FOR MO-3-904,MO-3914					1	
48	D	12105201		BELT COVER	FOR JE					1	
49	R	SK3412000SC	SK3412000SE	WOOD SCREW D=4.1 L=20	FOR JE					3	1.00
50		PS0300132KH		SPRING PIN 3X13						1	

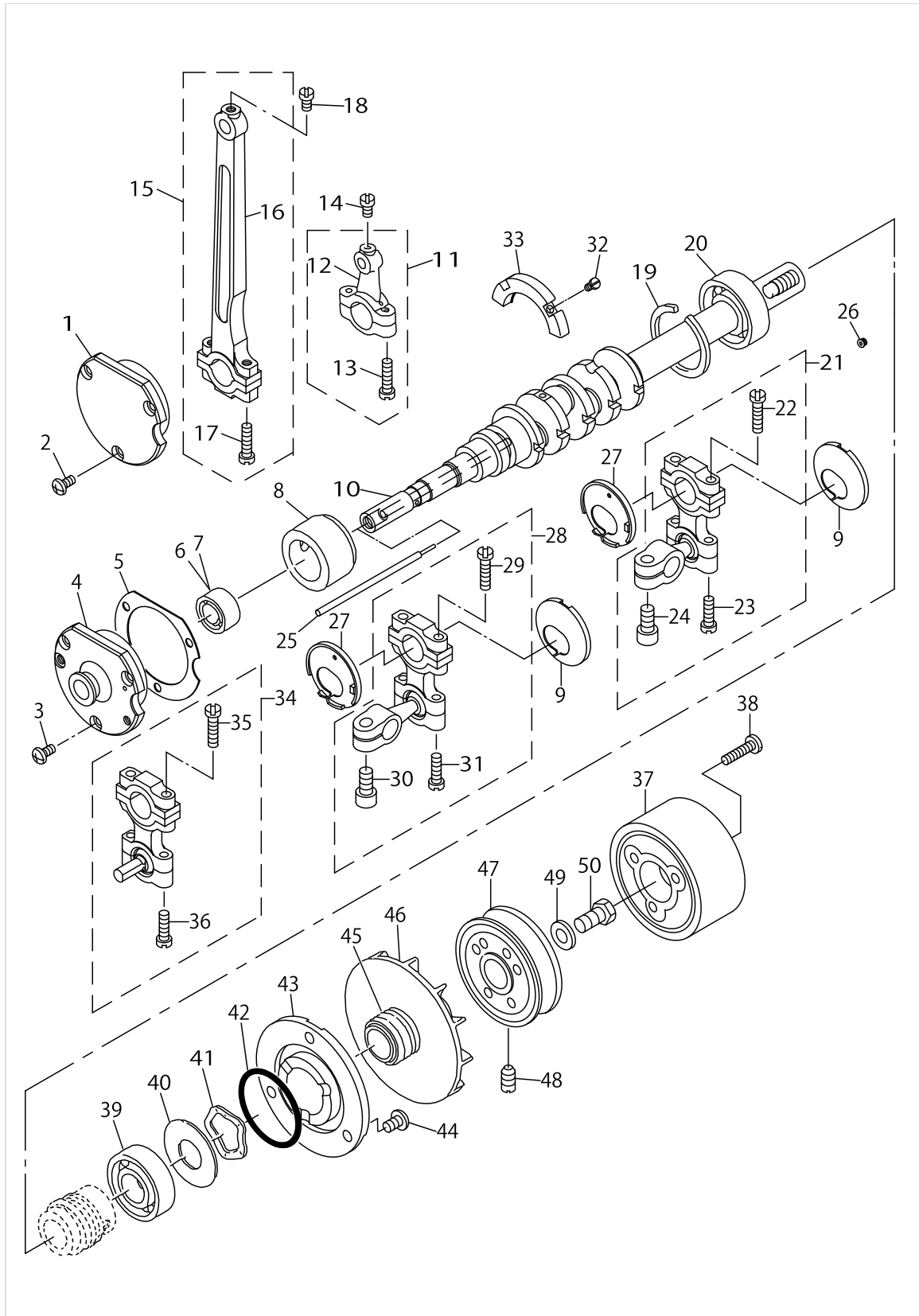
# CRANKSHAFT COMPONENTS



CRANKSHAFT COMPONENTS

No.	Supply Code	Parts No.	Replacement	Parts name	Remarks	Choice	Step	Level	Cons	Qty	Rep. QTY
1	R	12108213	13108006	CRANKSHAFT BUSHING D	FOR MO-3-904,MO-3914					1	1.00
2		SM4040855SP		SCREW	FOR MO-3-904,MO-3914					3	
3		SM4040855SP		SCREW	FOR MO-3916					3	
4	R	12108304	13108105	CRANKSHAFT BUSHING D	FOR MO-3916					1	1.00
5		12108403		GASKET						1	
6	R	B1215804000	13108808	BALL BEARING D	FOR MO-3-904,MO-3914					1	1.00
7	R	SB110000300	13108907	BALL BEARING	FOR MO-3916					1	1.00
8	D	12108007		CRANKSHAFT BUSHING C						1	
9		12124509		STOPPER (R)						2	
10	D	12107108		CRANKSHAFT						1	
11	R	12132155	13232558	KNIFE DRIVING ROD ASM.						1	1.00
12	R	12132106	13232558	KNIFE DRIVING ROD				*		1	1.00
13		SS7111810TP		SCREW11/64-40L=18				*		2	
14		SS7110840SP		SCREW 11/64-40 L=7.8						1	
15	R	12109153	13207550	CONNECTING ROD ASM.						1	1.00
16	R	12109104	13207550	CONNECTING ROD				*		1	1.00
17		SS7111810TP		SCREW11/64-40L=18				*		2	
18		SS7110840SP		SCREW 11/64-40 L=7.8						1	
19		B1212704000		BEARING RETAINER						1	
20	R	B1211804000	13108600	BALL BEARING B						1	1.00
21		12122362		UPPER LOOPER ROD ASM.						1	
22		SS7111810TP		SCREW11/64-40L=18				*		2	
23		SS7111410TP		SCREW11/64-40L=14				*		2	
24		SM6061202TP		SCREW M6 L=12				*		1	
25		12108106		OIL ADJUSTING BAR						1	
26		SS5080212TP		SCREW 1/8-44 L=2						5	
27		12124400		STOPPER (L)						2	
28		12123360		LOWER LOOPER ROD ASM. A	FOR MO-3-904,MO-3914					1	
29		SM6061202TP		SCREW M6 L=12				*		2	
30		SM6061202TP		SCREW M6 L=12				*		1	
31		SS7111410TP		SCREW11/64-40L=14				*		2	
32		SS4080620TP		SCREW 1/8-44 L=6						2	
33	D	12107900		BALANCER						1	
34		12120150		LOWER LOOPER ROD ASM., B	FOR MO-3916					1	
35		SS7111810TP		SCREW11/64-40L=18				*		2	
36		SS7111410TP		SCREW11/64-40L=14				*		2	
37	R	11956505	13107701	HANDWHEEL C						1	1.00
38	R	SS7111810SP	SS7111810TP	SCREW11/64-40L=18						3	1.00
39	R	B1211804000	13108600	BALL BEARING B						1	1.00
40	R	11510609	13108303	WASHER						1	1.00
41		WZ2640310KH		WAVED WASHER 26.4X33.9X3.5						1	
42		RO347350100		RUBBER RING						1	
43	R	12107702	13107800	THRUST HOLDER						1	1.00
44		SM4050855SP		SCREW						3	
45	R	12280103	13108501	OIL SHIELD						1	1.00

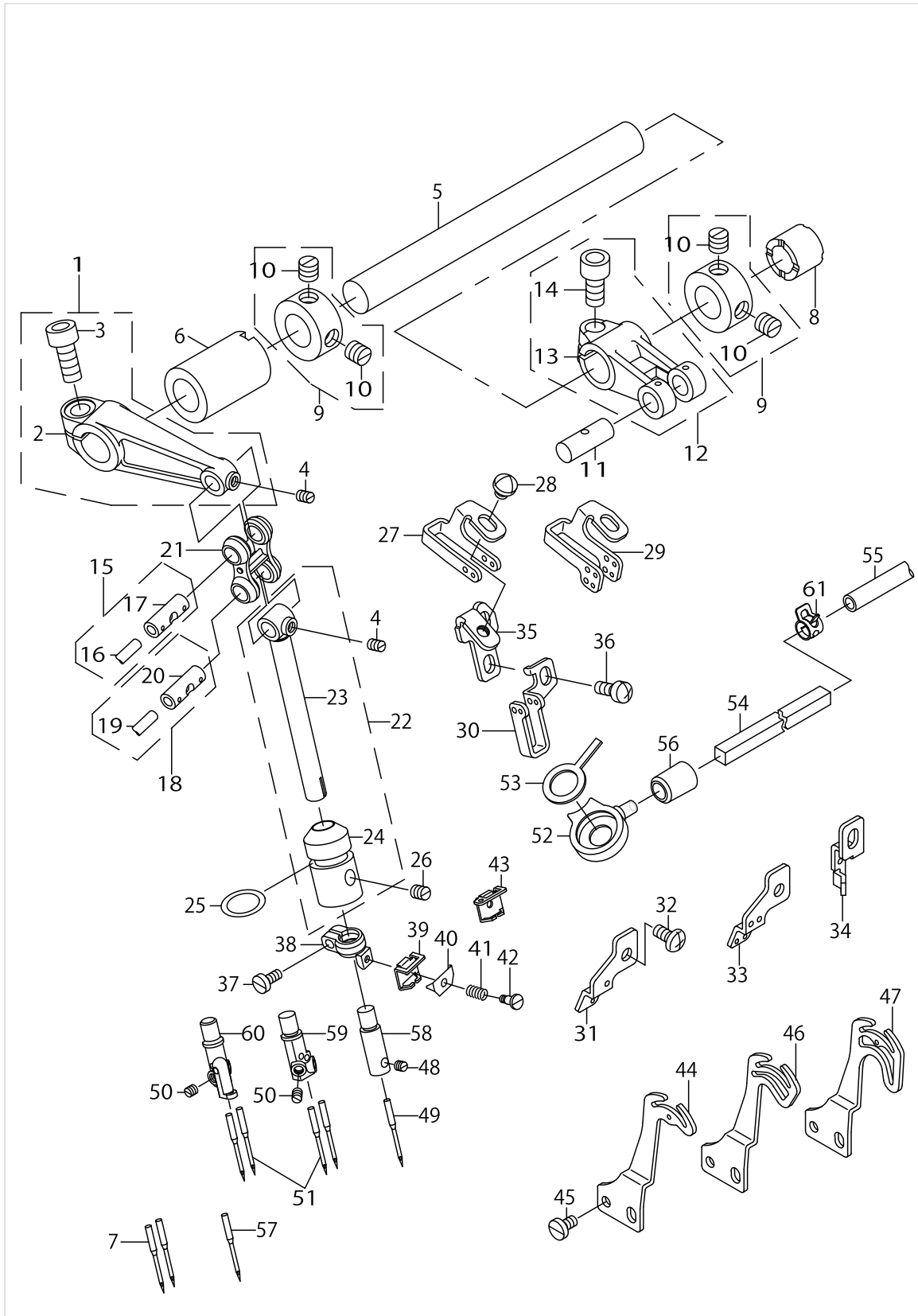
# CRANKSHAFT COMPONENTS



CRANKSHAFT COMPONENTS

No.	Supply Code	Parts No.	Replacement	Parts name	Remarks	Choice	Step	Level	Cons	Qty	Rep. QTY
46	R	11811619	13108402	COOLING FAN						1	1.00
47	R	12107611	13107602	FLYWHEEL A						1	1.00
48	R	SS8151150SP	SS8151150TP	SCREW 15/64-28 L=10.5						2	1.00
49		WP0764016SP		WASHER						1	
50		SS9681610TP		SCREW 9/32-28 L=16						1	

# NEEDLE DRIVING SHAFT COMPONENTS

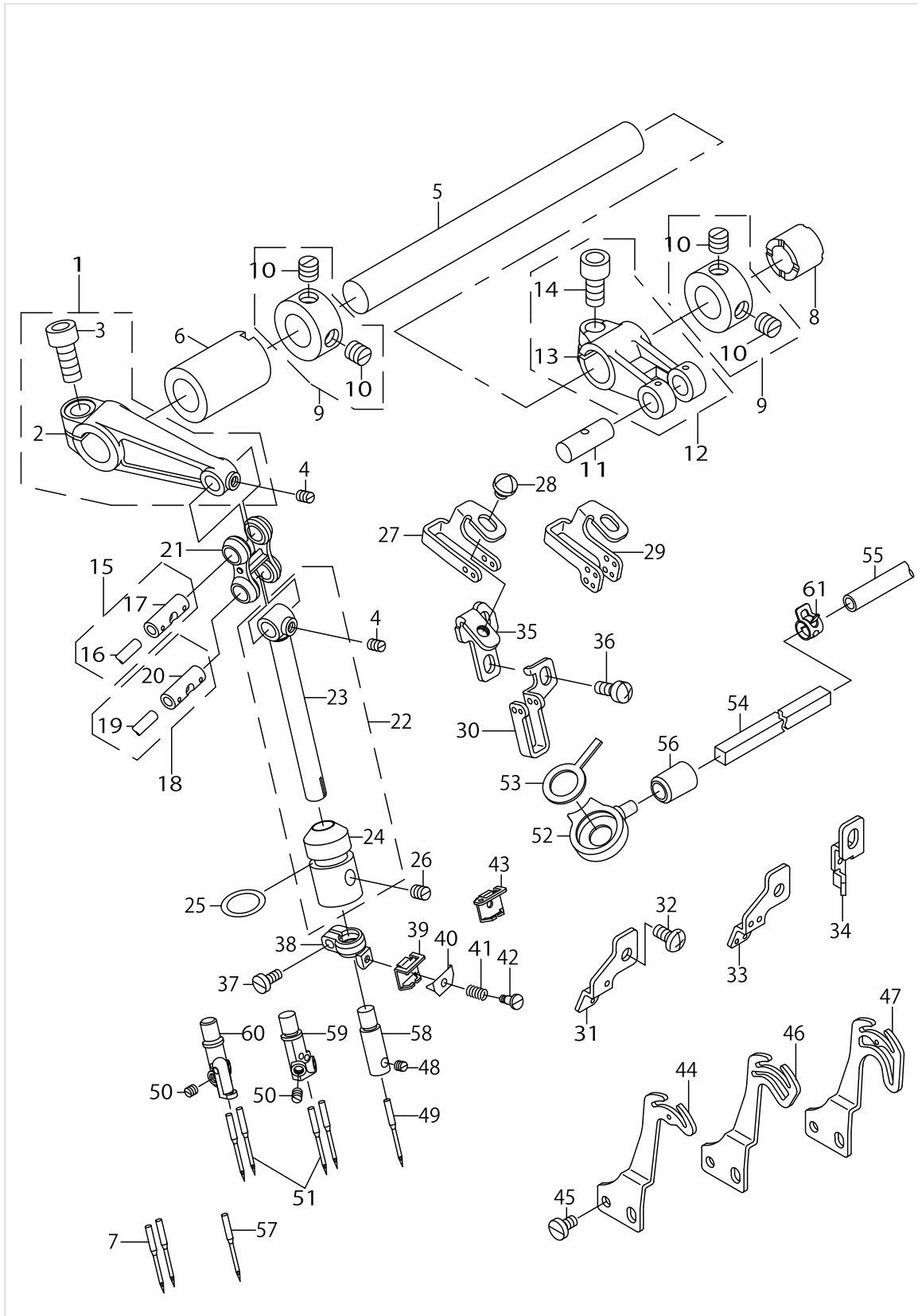


NEEDLE DRIVING SHAFT COMPONENTS

No.	Supply Code	Parts No.	Replacement	Parts name	Remarks	Choice	Step	Level	Cons	Qty	Rep. QTY
1	D	12109666		NEEDLE DRIVING ARM ASM.						1	
2	R	12109617	12109666	NEEDLE DRIVING ARM				*		1	1.00
3		SM6061402TP		SCREW M6 L=14				*		1	
4		SS8090530TP		SCREW 9/64-40 L=5.0						2	
5	R	12109302	13110606	NEEDLE DRIVING SHAFT						1	1.00
6		12252805		BUSHING, REAR						1	
7	D	MC033600750		NEEDLE B-27 NM75	FOR JE(M-0-3914, MO-3916)					2	
8	R	12109500	13110101	BUSHING, REAR						1	1.00
9		CS1201010SH		THRUST COLLAR ASM. D=12 W=10						2	
10		SS8660610TP		SCREW 1/4-40 L=6				*		4	
11		11823804		CRANK PIN C	SELECTING PART FOR FIT TOLERANCE					1	
12		12109260		FEED FORKED CRANK ASM.						1	
13	R	12109211	12109260	NEEDLE DRIVING FORKED CRANK				*		1	1.00
14		SM6061402TP		SCREW M6 L=14				*		1	
15	D	12109955		LINK PIN C ASM.	SELECTING PART FOR FIT TOLERANCE					1	
16		CQ252000000		OIL WICK				*		0.1	
17	D	12109906		LINK PIN C				*		1	
18	D	12109955		LINK PIN C ASM.	SELECTING PART FOR FIT TOLERANCE					1	
19		CQ252000000		OIL WICK				*		0.1	
20	D	12109906		LINK PIN C				*		1	
21		12252904		NEEDLE DRIVING LINK						1	
22	D	12372157		NEEDLE HOLDER ASM.						1	
23	D	12110227		NEEDLE HOLDER				*		1	
24	D	12372108		NEEDLE HOLDER BUSHING				*		1	
25	D	RO108240100		RUBBER RING						1	
26		SM8040612TP		SCREW M4X0.7 L=6						1	
27	D	12111209		NEEDLE THREAD GUIDE	FOR MO-3-904, MO-3916					1	
28		SS4110515SP		SCREW 11/64-40 L=5						1	
29		12111308		THREAD GUIDE, 2-NEEDLE	FOR MO-3914					1	
30	D	12111407		THREAD GUIDE, CHAIN LOOPER	FOR MO-3916					1	
31		12111803		TAKE-UP LEVER GUIDE	FOR MO-3-904, MO-3916					1	
32		SM4040855SP		SCREW						1	
33		12111902		TAKE-UP LEVER GUIDE, 2-NEEDLE	FOR MO-3914					1	
34	R	12112009	13111703	TAKE-UP LEVER GUIDE, CHAIN LOOP	FOR MO-3916					1	1.00
35		12112108		NEEDLE THREAD GUIDE STAND						1	
36		SM4040855SP		SCREW						2	
37		SS6080720SP		SCREW						1	
38	R	12280608	13110259	NEEDLE CLAMP HOLDER						1	1.00
39	R	12110607	13110705	NEEDLE THREAD PRESSER GUIDE, A	FOR MO-3-904, MO-3914					1	1.00
40	R	12110904	13111000	NEEDLE THREAD PRESSER PLATE						1	1.00
41	D	12110805		NEEDLE THREAD PRESSER SPRING						2	



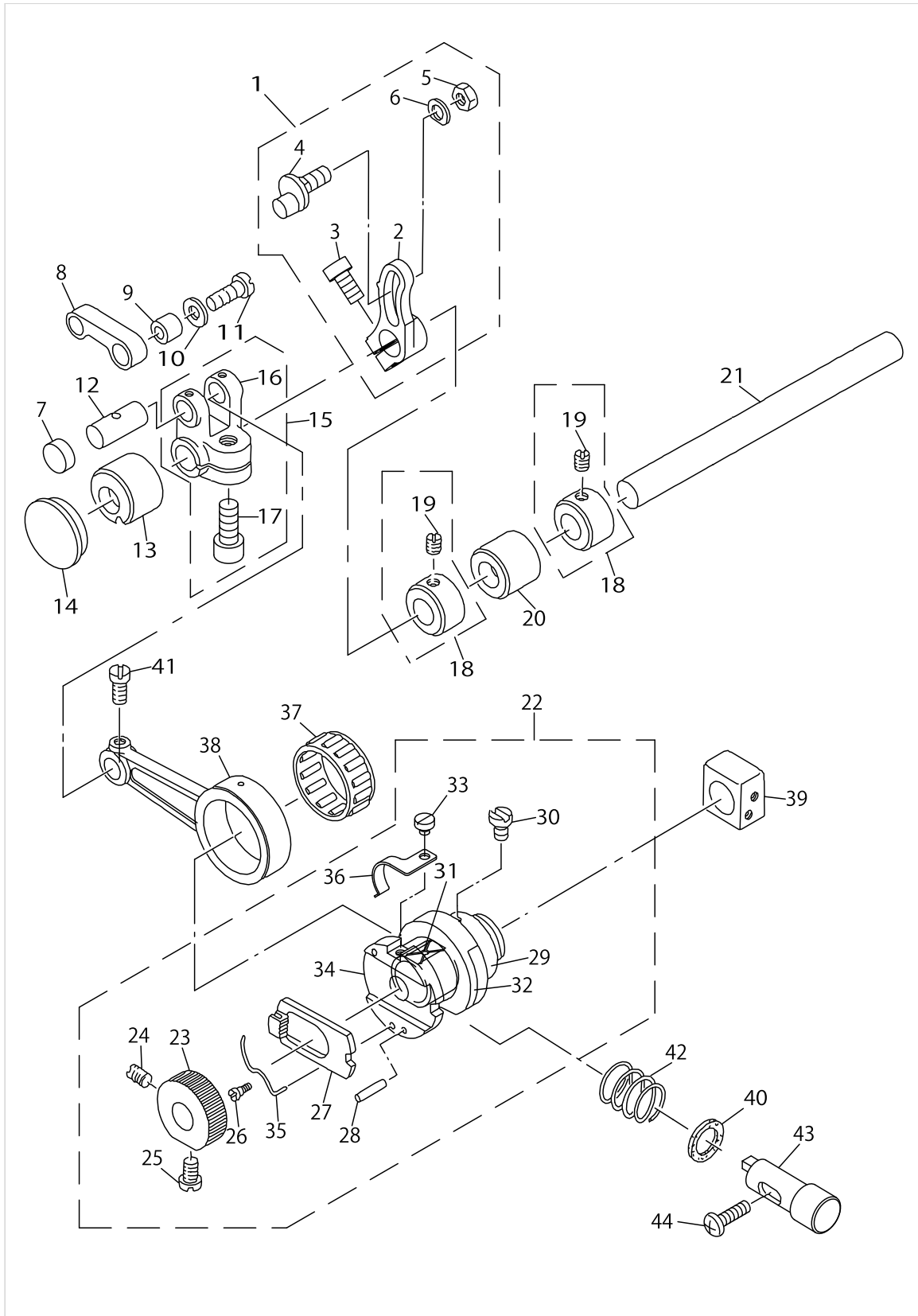
# NEEDLE DRIVING SHAFT COMPONENTS



NEEDLE DRIVING SHAFT COMPONENTS

No.	Supply Code	Parts No.	Replacement	Parts name	Remarks	Choice	Step	Level	Cons	Qty	Rep. QTY
42		SD0280401SL		HINGE SCREW D=2.8 H=4						1	
43	R	12110706	13110804	NEEDLE THREAD P-RESSER GUIDE, B	FOR MO-3916					1	1.00
44	R	12111506	13111208	NEEDLE THREAD TAKE-UP LEVER	FOR MO-3904					1	1.00
45		SS6090670TP		SCREW 9/64-40 L=6						2	
46	R	12111605	13111307	TAKE-UP LEVER, 2-NEEDLE	FOR MO-3914					1	1.00
47	D	12111704		TAKE-UP LEVER, CHAIN LOOPER	FOR MO-3916					1	
48		SS8080310TP		SCREW 1/8-44 L=2.8	FOR MO-3904					1	
49		MDC270B1100		NEEDLE DCX27 #11	FOR MO-3904					1	
50		SS8080310TP		SCREW 1/8-44 L=2.8	FOR MO-3-914,MO-3916					2	
51		MDC270B1100		NEEDLE DCX27 #11	FOR MO-3-914,MO-3916					2	
52	D	12112207		COVER						1	
53	D	12112306		FELT A						1	
54	D	12253308		FELT B						1	
55		BT0600402EA		OIL TUBE						.1	
56	D	TA0951301R0		RUBBER PLUG						1	
57	D	MC033600750		NEEDLE B-27 NM75	FOR JE(MO-3904)					1	
58	R	12148607	13175005	NEEDLE CLAMP	FOR MO-3904					1	1.00
59	D	12148706		NEEDLE CLAMP, 2-NEEDLE	FOR MO-3914					1	
60	D	12149803		NEEDLE CLAMP, CHAIN LOOPER	FOR MO-3916					1	
61		12256004		OIL TUBE HOLDER						1	

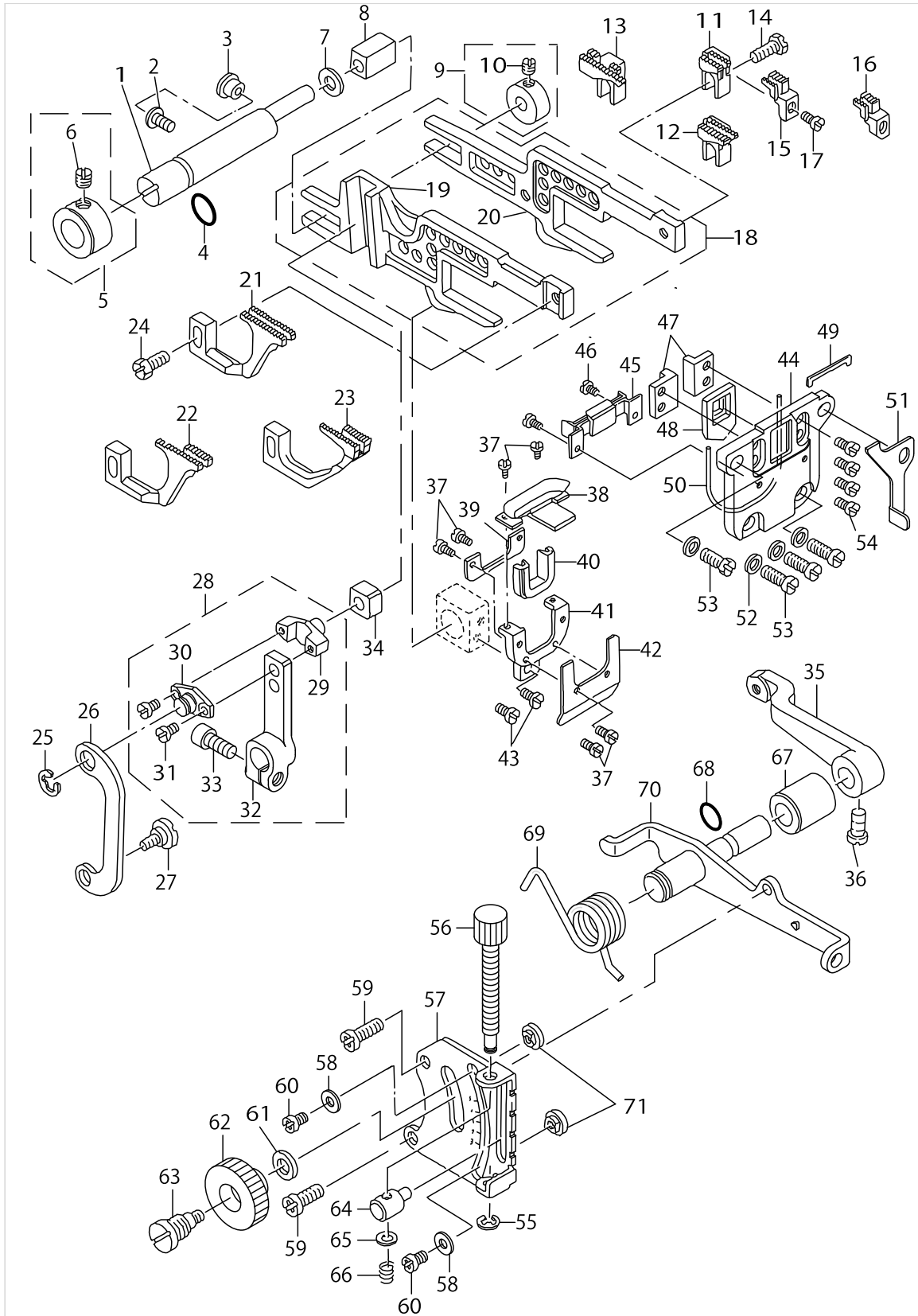
FEED MECHANISM COMPONENTS (1)



FEED MECHANISM COMPONENTS (1)

No.	Supply Code	Parts No.	Replacement	Parts name	Remarks	Choice	Step	Level	Cons	Qty	Rep. QTY
1		11824067		MAIN FEED ROCKER ASM.						1	
2	R	11530110	13119953	MAIN FEED ROCKER				*		1	1.00
3		SM6051202TP		SCREW M5X0.8 L=12				*		1	
4	R	11824018	13119706	PIN				*		1	1.00
5		NS6620320SP		NUT 3/16-32				*		1	
6		11948601		WASHER B				*		1	
7		TA1030402R0		RUBBER PLUG D=10.3 L=4						1	
8	R	11824109	13119805	MAIN FEED LINK						1	1.00
9	D	B1620804000		COLLAR						1	
10		B2107816000		WASHER						1	
11		SS6121220TP		SCREW 3/16-28 L=11.5						1	
12		11823804		CRANK PIN C	SELECTING PART FOR FIT TOLERANCE					1	
13	R	12117206	13119409	FEED ROCKER SHAFT BUSHING, FRO						1	1.00
14		TA2050416R0		RUBBER PLUG						1	
15	R	B16118040A0A	13122452	FORKED LINK ASM.						1	1.00
16	R	B1611804000A	13122403	FORKED CRANK				*		1	1.00
17		SM6061402TP		SCREW M6 L=14				*		1	
18		CS095081ASH		THRUST COLLAR ASM. D=9.53 W=8						2	
19		SS8110410TP		SCREW 11/64-40 L= 3.5				*		4	
20	R	12117305	13119508	FEED ROCKER SHAFT BUSHING, REA						1	1.00
21		12118907		FEED SHAFT						1	
22	R	12116174	13118054	FEED ECCENTRIC BODY ASM.						1	1.00
23	R	12118808	13118054	RATCHET GEAR				*		1	1.00
24		SS8110750SP		SCREW 11/64-40 L= 6.5				*		1	
25		SS6110710TP		SCREW 11/64-40 L= 6.5				*		1	
26		SD0260271SP		HINGE SCREW D= 2.60 H= 2.7				*		1	
27	R	B1604704000	13118609	RATCHET PAWL				*		1	1.00
28		PS0300132KH		SPRING PIN 3X13				*		2	
29	R	12116117	13118104	FEED ECCENTRIC BODY				*		1	1.00
30		SS7110810SP		SCREW 11/64-40 L= 8.0				*		2	
31	R	12116307	13118302	FEED CAM BLOCK				*		1	1.00
32	R	12116216	13118203	FEED CAM				*		1	1.00
33		SS6080320SP		SCREW 1/8-44 L= 2.5				*		1	
34	R	12116406	13118054	FEED ADJUSTING CAM				*		1	1.00
35	R	B1606704000	13122502	RATCHET PAWL SPRING				*		1	1.00
36	R	12117107	13119300	RATCHET GEAR SPRING				*		1	1.00
37		12116703		NEEDLE BEARING B	SELECTING PART FOR FIT TOLERANCE					1	
38	R	12116505	13118708	CRANK ROD						1	1.00
39	D	11828704		SLIDE BLOCK						1	
40		12118600		OIL SHEET						1	
41		SS7110910TP		SCREW 11/64-40 L= 8.5						1	
42	R	B1652704000	31256803	SPRING						1	1.00
43	D	12118501		PUSH BUTTON STUD						1	
44		SM4041401SC		SCREW M4X0.7 L=14						1	

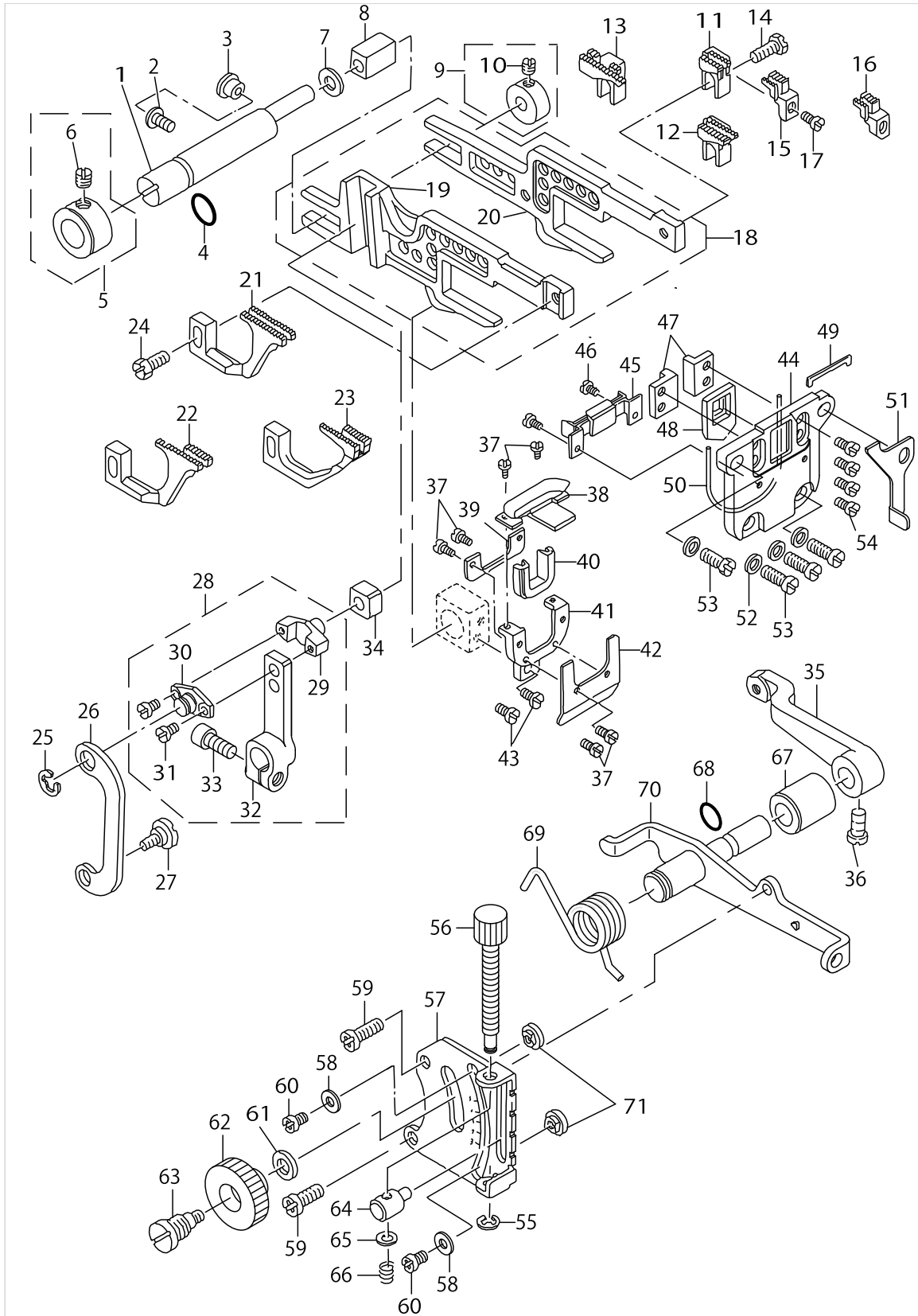
FEED MECHANISM COMPONENTS (2)



FEED MECHANISM COMPONENTS (2)

No.	Supply Code	Parts No.	Replacement	Parts name	Remarks	Choice	Step	Level	Cons	Qty	Rep. QTY
1	R	11824505	13120902	FEED BAR SHAFT						1	1.00
2		SM4040855SP		SCREW						1	
3		TA0800504R0		PLUG D=8 L=4.5						1	
4		RO078190100		RUBBER RING						1	
5		11824653		THRUST COLLAR ASM.						1	
6		SS8660330SP		SCREW 1/4-40 L= 3.0				*		1	
7		11529914		WASHER						1	
8	R	B1624704000	13120803	SLIDE BLOCK						1	1.00
9	D	11828050		COLLAR ASM.						1	
10		SS8110410TP		SCREW 11/64-40 L= 3.5				*		1	
11	R	11882107	13191606	MAIN FEED DOG	FOR MO-3904					1	1.00
12	R	11949807	13192000	MAIN FEED DOG	FOR MO-3914					1	1.00
13	R	11882800	13192406	MAIN FEED DOG	FOR MO-3916					1	1.00
14		SS9111050SP		SCREW 11/64-40 L=9.5						1	
15	R	11887106	13191309	AUXILIARY FEED DOG	FOR MO-3-904,MO-3914					1	1.00
16	R	11887403	13191408	AUXILIARY FEED DOG	FOR MO-3916					1	1.00
17	R	SS4080610SP	SS4080620TP	SCREW 1/8-44 L=6.4						1	1.00
18	D	12117461		MAIN FEED BAR ASM.						1	
19	R	12117511	12117461	DIFFERENTIAL FEED BAR				*		1	1.00
20	R	12117412	12117461	MAIN FEED BAR				*		1	1.00
21	R	B165780400T	13192802	DIFFERENTIAL FEED DOG	FOR MO-3904					1	1.00
22	R	11949906	13193206	DIFFERENTIAL FEED DOG	FOR MO-3914					1	1.00
23	R	12172805	13193602	DIFFERENTIAL FEED DOG	FOR MO-3916					1	1.00
24		SS9111010SP		SCREW 11/64-40 L=9.5						1	
25		RE0500000K0		E-RING						1	
26		11826310		ADJUSTING LINK						1	
27		SD0720271SP		HINGE SCREW D=7,2 H=2,7						1	
28	R	11828563	13218052	DIFFERENTIAL FEED ROCKER ASM.						1	1.00
29		11825304		PIN				*		1	
30	R	11826401	13218052	PIN COVER				*		1	1.00
31		SS6080410SP		SCREW 1/8-44 L=4				*		2	
32	R	11828514	13218052	DIFFERENTIAL FEED ROCKER ASM.				*		1	1.00
33		SM6051202TP		SCREW M5X0.8 L=12				*		1	
34		B1414555000		SLIDE BLOCK						1	
35	R	11828605	13121900	DIFFERENTIAL FEED ROCKER						1	1.00
36		SS6661110SP		SCREW 1/4-40 L=11						1	
37		SS7060310SP		SCREW 3/32-56 L=3						6	
38		12119756		RUBBER PLATE ASM.						1	
39	D	12119806		RUBBER PREESSER PLATE						1	
40		12119608		OIL SHIELD RUBBER						1	
41	D	12119905		RUBBER COVER						1	
42		12120002		RUBBERBASE PLATE						1	
43		SS7090620TP		SCREW 9/64-40 L=6.1						2	
44	D	12119400		RUBBER CASE						1	
45		11827607		OIL SHIELD RUBBER,LOWER						1	

FEED MECHANISM COMPONENTS (2)

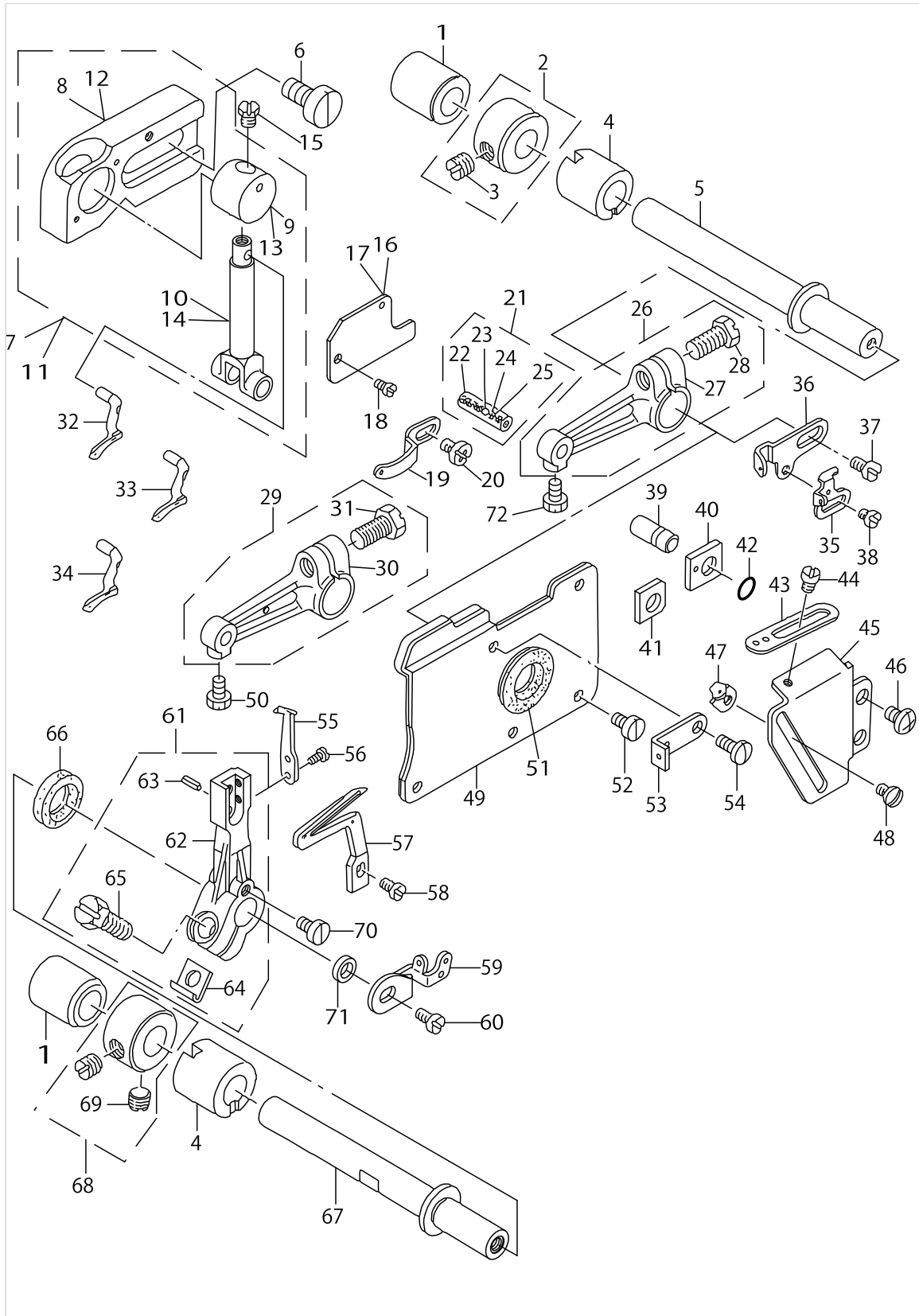


FEED MECHANISM COMPONENTS (2)

No.	Supply Code	Parts No.	Replacement	Parts name	Remarks	Choice	Step	Level	Cons	Qty	Rep. QTY
46		SS7060510SP		SCREW 3/32-56 L=4.8						2	
47	D	11824703		FEED BAR SUPPORT						2	
48		12119509		RUBBER						1	
49	D	11827904		RUBBER						1	
50	D	RO480120100		RUBBER RING						1	
51		11828308		SUPPORT THROAT PLATE						1	
52		WP0480856SP		WASHER 4.8X8.4X0.8						4	
53		SM4041055SP		SCREW						4	
54	R	SS6090620SP	SS6090620TP	SCREW 9/64-40 L=6						4	1.00
55		RE0300000K0		E-RING 3						1	
56		11826104		DIFFERENTIAL FEED SCREW						1	
57	D	11825908		DIFFERENTIAL FEED GRADUATION						1	
58		WP0371016SD		WASHER 3.7X8X1						2	
59		SL4051231SC		SCREW M5 L=12						2	
60		SS4090515SP		SCREW 9/64-40 L=5						2	
61		WP0621016SD		WASHER 6.2X13X1						1	
62		B1647704000A		DIFFERENTIAL FEED LOCK NUT						1	
63		B1646704000A		DIFFERENTIAL FEED HINGE SCREW						1	
64		11826005		DIFFERENTIAL FEED BLOCK						1	
65		WP0460556SD		WASHER 4.6X7.5X0.5						1	
66		11826203		SPRING						1	
67		12118709		ROCKER SHAFT METAL						1	
68		RO060150100		RUBBER RING						1	
69		11991502		SPRING						1	
70	R	11825858	12283255	ROCKER SHAFT ASM.						1	1.00
71		11529005		STOPPER						2	



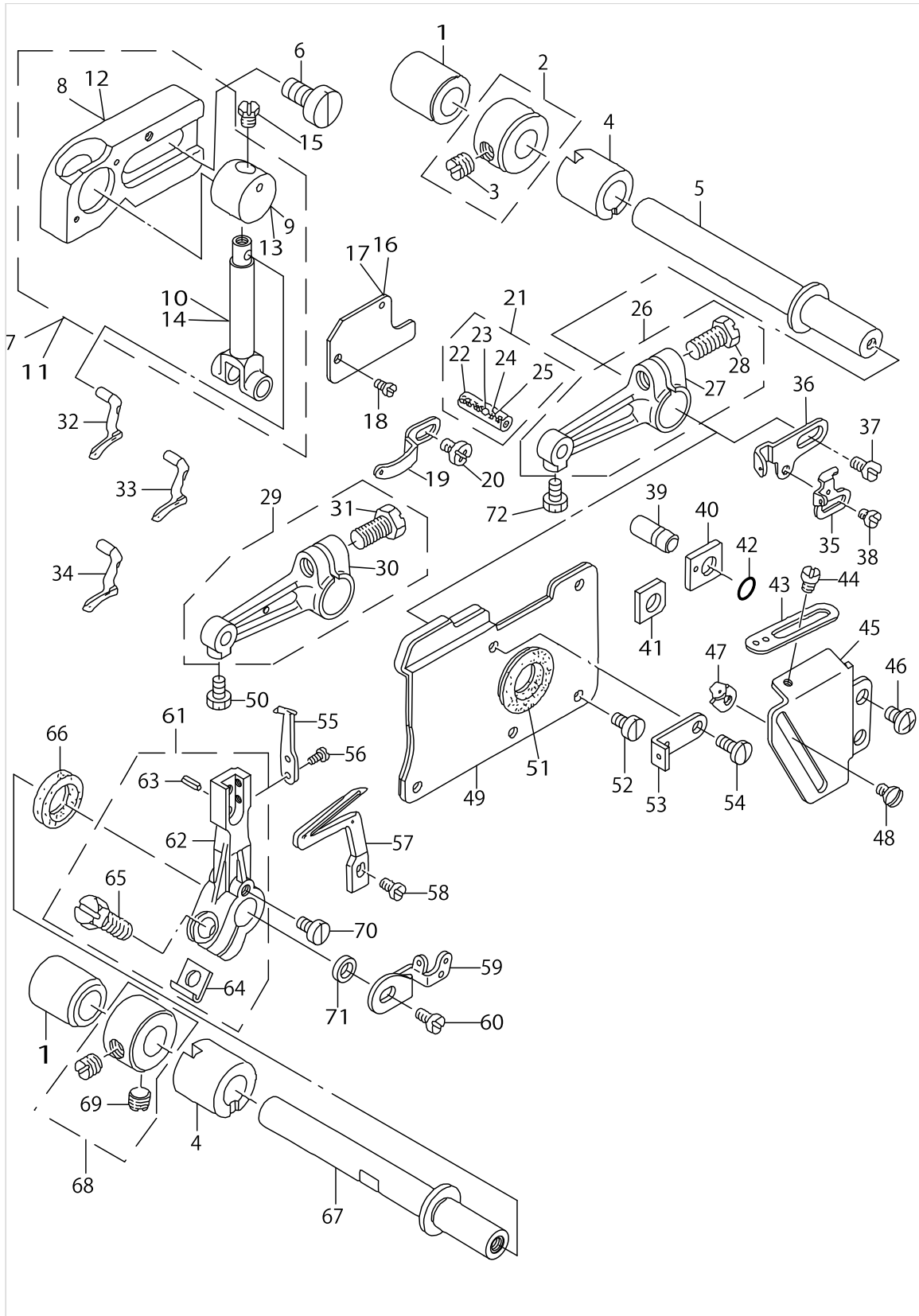
# UPPER & LOWER LOOPER COMPONENTS



UPPER & LOWER LOOPER COMPONENTS

No.	Supply Code	Parts No.	Replacement	Parts name	Remarks	Choice	Step	Level	Cons	Qty	Rep. QTY
1	D	12122610		BUSHING REAR						2	
2		CS1031210SH		THRUST COLLAR A-SM. D=10.32 W=1						2	
3		SS8660610TP		SCREW 1/4-40 L=6				*		4	
4	R	12122511	13222609	LOOPER SHAFT FRONT BUSHING						2	1.00
5	R	12122404	13221403	UPPER LOOPER SHAFT		A				1	1.00
5	R	12122404	13221601	UPPER LOOPER SHAFT		A				1	1.00
5	R	12122404	13221502	UPPER LOOPER SHAFT		A				1	1.00
6		SM6061200SP		SCREW						2	
7	R	12123063	40015637	UPPER LOOPER GUIDE SUPPORT ASM	FOR MO-3-904,MO-3916					1	1.00
8	R	12123006	40015637	UPPER LOOPER GUIDE SUPPORT		C		C: MO6704-S/6716S/-MO6904R/6916R	*	1	1.00
8	R	12123006	40015637	UPPER LOOPER GUIDE SUPPORT					*	1	1.00
8	R	12123006	40015637	UPPER LOOPER GUIDE SUPPORT					*	1	1.00
9	R	12123212	40015637	UPPER LOOPER GUIDE		A		A: MO-390-4/3916, MOR-3904/3916	*	1	1.00
9	R	12123212	40016841	UPPER LOOPER GUIDE		B		B: MO-391-4,MOR-3914	*	1	1.00
9	R	12123212	40026017	UPPER LOOPER GUIDE		C		C: MOC-39-04/3914, M-OF-3904/3914	*	1	1.00
10	R	12122909	40015637	UPPER LOOPER HOLDER					*	1	1.00
10	R	12122909	40016841	UPPER LOOPER HOLDER					*	1	1.00
10	R	12122909	40026017	UPPER LOOPER HOLDER					*	1	1.00
11	R	12123162	40016841	FEED ECCENTRIC BODY ASM.	FOR MO-3914					1	1.00
12	R	12123105	40016841	UPPER LOOPER GUIDE SUPPORT, B		C		C: MO6714-S/MO6914R	*	1	1.00
12	R	12123105	40016841	UPPER LOOPER GUIDE SUPPORT, B					*	1	1.00
12	R	12123105	40016841	UPPER LOOPER GUIDE SUPPORT, B					*	1	1.00
13	R	12123212	40015637	UPPER LOOPER GUIDE		A		A: MO-390-4/3916, MOR-3904/3916	*	1	1.00
13	R	12123212	40016841	UPPER LOOPER GUIDE		B		B: MO-391-4,MOR-3914	*	1	1.00
13	R	12123212	40026017	UPPER LOOPER GUIDE		C		C: MOC-39-04/3914, M-OF-3904/3914	*	1	1.00
14	R	12122909	40015637	UPPER LOOPER HOLDER					*	1	1.00
14	R	12122909	40016841	UPPER LOOPER HOLDER					*	1	1.00
14	R	12122909	40026017	UPPER LOOPER HOLDER					*	1	1.00
15		SS9090410TP		SCREW						1	
16		11833704		UPPER LOOPER GUIDE COVER	FOR MO-3-904,MO-3916					1	
17		B251570400B		UPPER LOOPER GUIDE COVER B	FOR MO-3914					1	
18		SS7060610SP		SCREW 3/32-56 L=5.5						2	
19		11833308		UPPER LOOPER THREAD GUIDE						1	
20		SS4090615SP		SCREW 9/64-40 L=6						1	
21	D	11831757		PIN ASM.	SELECTING PART FOR FIT TOLERANCE					1	
22	D	11517000		PIN C				*		1	
23	R	11831708	13131701	OIL WICK STOPPER BALL				*		1	1.00
24		CQ202000000		OIL WICK				*		0.1	

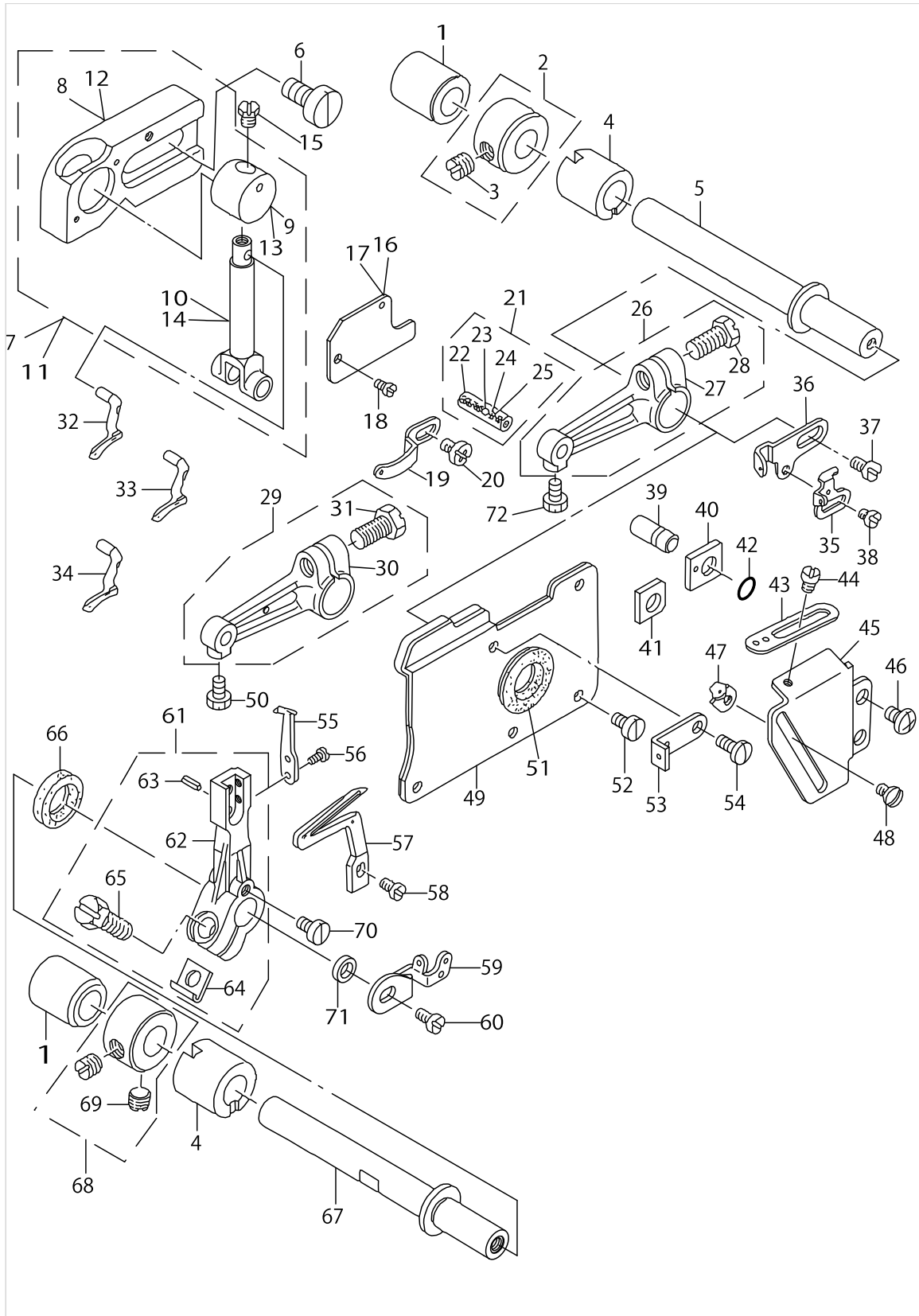
# UPPER & LOWER LOOPER COMPONENTS



UPPER & LOWER LOOPER COMPONENTS

No.	Supply Code	Parts No.	Replacement	Parts name	Remarks	Choice	Step	Level	Cons	Qty	Rep. QTY
25		CQ200000000		OIL WICK				*		0.1	
26		12122750		UPPER LOOPER ARM A ASM.	FOR MO-3-904,MO-3916					1	
27	R	12122701	12122750	UPPER LOOPER ARM A				*		1	1.00
28		SS9151210TP		SCREW 15/64-28 L=11.8				*		1	
29	R	12122859	12284550	UPPER LOOPER ARM B ASM.	FOR MO-3914					1	1.00
30	R	12122800	12284550	UPPER LOOPER ARM B				*		1	1.00
31		SS9151210TP		SCREW 15/64-28 L=11.8				*		1	
32		12176004		UPPER LOOPER	FOR MO-3914					1	
33		11888104		UPPER LOOPER	FOR MO-3-904,MO-39-16 (NEEDLE #9,#11,#14)					1	
34		11999208		UPPER LOOPER	FOR MO-3-904,MO-39-16 (NEEDLE #14,#16,#18)					1	
35		11833506		LOWER LOOPER TH-READ TAKE-UP						1	
36	D	12124004		THREAD TAKE-UP, RIGHT						1	
37		SS7110840SP		SCREW 11/64-40 L=7.8						1	
38		SS6080410SP		SCREW 1/8-44 L=4						1	
39		11831906		PIN						1	
40	R	11831807	13131909	GAUGE	FOR MO-3-904,MO-3914					1	1.00
41	R	11991809	13132006	GAUGE	FOR MO-3916					1	1.00
42		RO037180100		RUBBER RING						1	
43	D	12123907		THREAD GUIDE, RIGHT						1	
44		SS3090610SP		SCREW 9/64-40 L=6						1	
45	D	12123808		LOOPER THREAD T-AKE-UP COVER						1	
46		SM4040655SP		SCREW M4 L=6						2	
47	D	11833407		LOWER LOOPER THREAD GUIDE						1	
48		SS3090610SP		SCREW 9/64-40 L=6						1	
49	R	12123667	13133053	OIL SHIELD ASM.						1	1.00
50		SS9090610TP		SCREW 9/64-40 L=5.5						1	
51		B2530704000		UPPER LOOPER SH-AFT RUBBER RING						1	
52	R	SS6090630SP	SS6090630TP	SCREW 9/64-40 L=6						4	1.00
53	R	11833100	12340600	LOOPER THREAD GUIDE						1	1.00
54		SS7090850SP		SCREW 9/64-40 L=8						1	
55		11890001		TRAVELING NEEDLE GUARD						1	
56		SS6060440TP		SCREW 3/32-56 L=3.5						2	
57		11999307		LOWER LOOPER						1	
58		SS6090620TP		SCREW						1	
59		12124103		LOOPER THREAD TAKE-UP, LEFT						1	
60		SS7110840SP		SCREW 11/64-40 L=7.8						1	
61		12123550		LOWER LOOPER SU-PPORT ARM ASM.						1	
62	R	12123501	13132550	LOWER LOOPER SUPPORT ARM				*		1	1.00
63		PS0300062KH		SPRING PIN 3X6				*		1	
64	R	B2531704000	13129309	WASHER				*		1	1.00
65		SS9151210TP		SCREW 15/64-28 L=11.8				*		1	

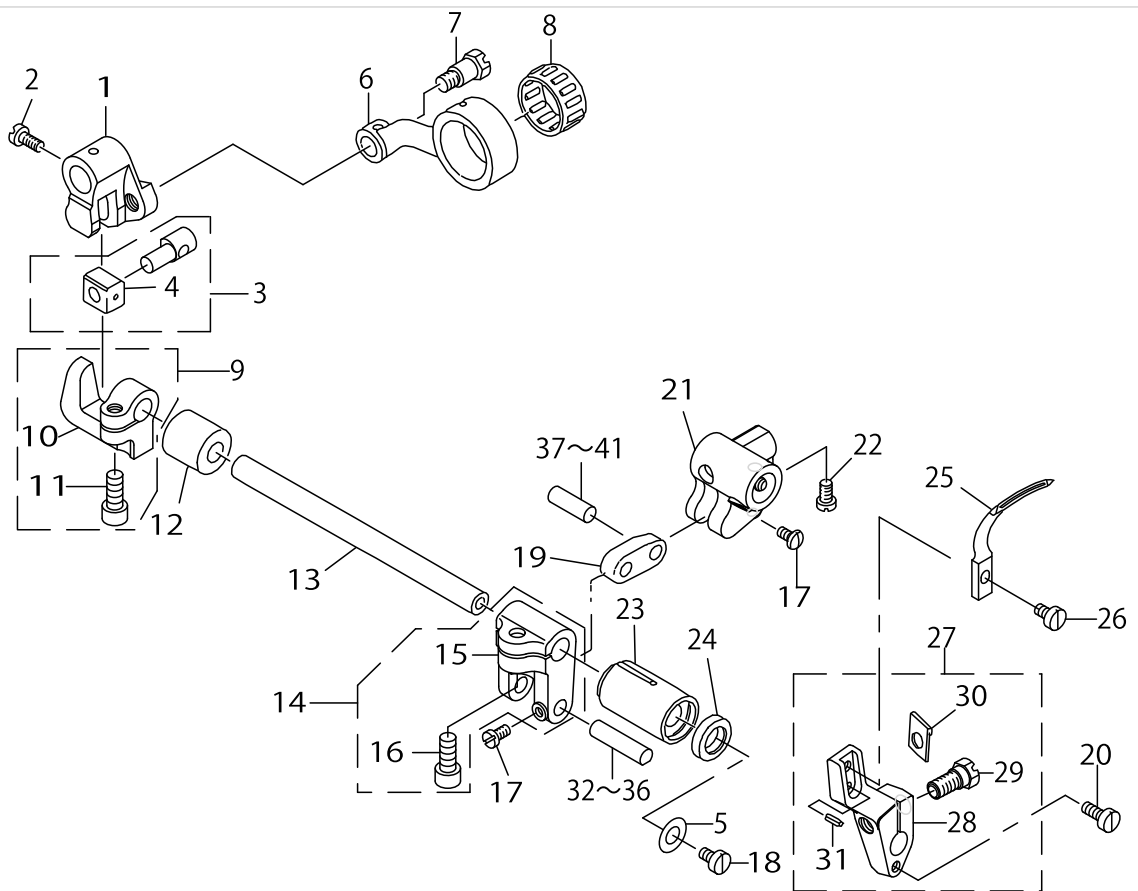
# UPPER & LOWER LOOPER COMPONENTS



UPPER & LOWER LOOPER COMPONENTS

No.	Supply Code	Parts No.	Replacement	Parts name	Remarks	Choice	Step	Level	Cons	Qty	Rep. QTY
66	R	B2508704000	40176173	OIL SEAL						1	1.00
67	R	12123410	13221700	LOWER LOOPER SHAFT						1	1.00
68		CS1031210SH		THRUST COLLAR A-SM. D=10.32 W=1	FOR MO-3-904,MO-3914					1	
69		SS8660610TP		SCREW 1/4-40 L=6				*		2	
70		SS6090630TP		SCREW 9/64-40 L=6						1	
71	R	12124608	13132600	COLLAR						1	1.00
72		SS9090610TP		SCREW 9/64-40 L=5.5						1	

CHAIN LOOPER COMPONENTS (FOR MO-3916)

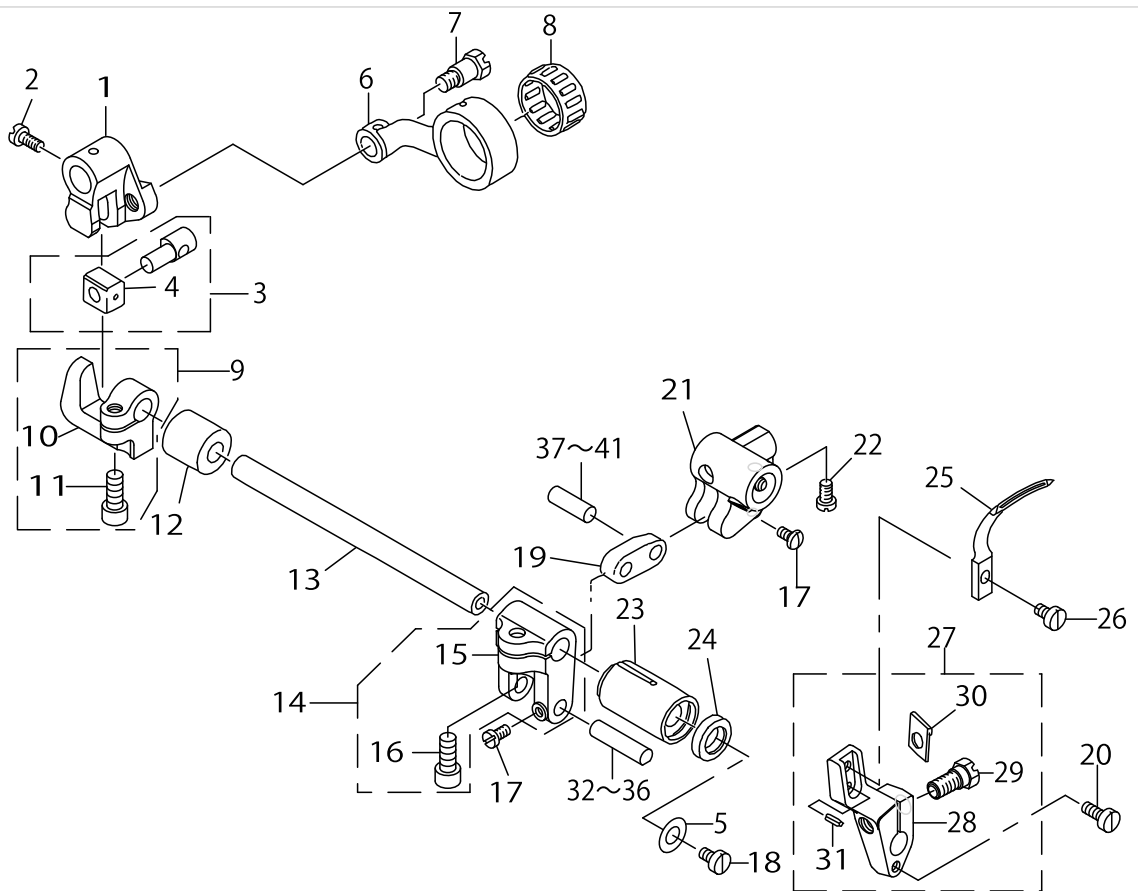


CHAIN LOOPER COMPONENTS (FOR MO-3916)

No.	Supply Code	Parts No.	Replacement	Parts name	Remarks	Choice	Step	Level	Cons	Qty	Rep. QTY
1	R	B2103816000B	13126008	CHAIN LOOPER SHAFT SLIDE ARM						1	1.00
2		SS7110720TP		SCREW 11/64-40 L=7						1	
3	R	11829751	13126354	CHAIN LOOPER SLIDE BLOCK PIN						1	1.00
4	R	B2105816000	13126305	CHAIN LOOPER SLIDE BLOCK				*		1	1.00
5		WP0612066SP		WASHER 6.1X11X2						1	
6	R	B2102816000A	12284105	CHAIN LOOPER ROD (22MM)						1	1.00
7		SD0720803TH		STEP-SCREW D=7.24 H=8						1	
8		B2119816B00		BEARING B	SELECTING PART FOR FIT TOLERANCE					1	
9	R	12120465	13129853	BRACKET ASM.						1	1.00
10	R	12120416	13129853	BRACKET				*		1	1.00
11		SM6051202TP		SCREW M5X0.8 L=12				*		1	
12	R	B2111716000	13127006	BUSHING, REAR						1	1.00
13	D	12120507		CHAIN LOOPER SHAFT						1	
14	D	11539061		CHAIN LOOPER SH-AFT DRIVING ARM						1	
15	D	11539012		CHAIN LOOPER SH-AFT DRIVING ARM				*		1	
16		SM6051202TP		SCREW M5X0.8 L=12				*		1	
17	R	SS4080610SP	SS4080620TP	SCREW 1/8-44 L=6.4						2	1.00
18		SD0720332SP		HINGE SCREW D= 7.24 H= 3.3						1	
19	R	11829801	13127105	CHAIN LOOPER SHAFT DRIV. LINK						1	1.00
20		SS6090920SP		SCREW						1	
21	R	12121612	12121653	DRIVING BALL ARM BRACKET						1	1.00
22		SS6110710TP		SCREW 11/64-40 L= 6.5						3	
23	R	12122008	13128103	BUSHING, FRONT						1	1.00
24	R	B2525352000	40010805	OIL SEAL RING						1	1.00
25		12120705		CHAIN LOOPER						1	
26		SS6090620TP		SCREW						1	
27		12121554		CHAIN LOOPER DRIVING ARM ASM.						1	
28		12121513		CHAIN LOOPER DRIVING ARM				*		1	
29		SS9151210TP		SCREW 15/64-28 L=11.8				*		1	
30	R	B2531704000	13129309	WASHER				*		1	1.00
31		PS0250062KH		SPRING PIN 2.5X6				*		1	
32	R	12258208	13126503	PIN, LONG	SELECTING PART FOR FIT TOLERANCE					1	1.00
32	R	12258208	13126602	PIN, LONG	SELECTING PART FOR FIT TOLERANCE					1	1.00
32	R	12258208	13126701	PIN, LONG	SELECTING PART FOR FIT TOLERANCE					1	1.00
32	R	12258208	13126800	PIN, LONG	SELECTING PART FOR FIT TOLERANCE					1	1.00
33	R	12258307	13126503	PIN, LONG	SELECTING PART FOR FIT TOLERANCE					1	1.00
34	R	12258406	13126602	PIN, LONG	SELECTING PART FOR FIT TOLERANCE					1	1.00



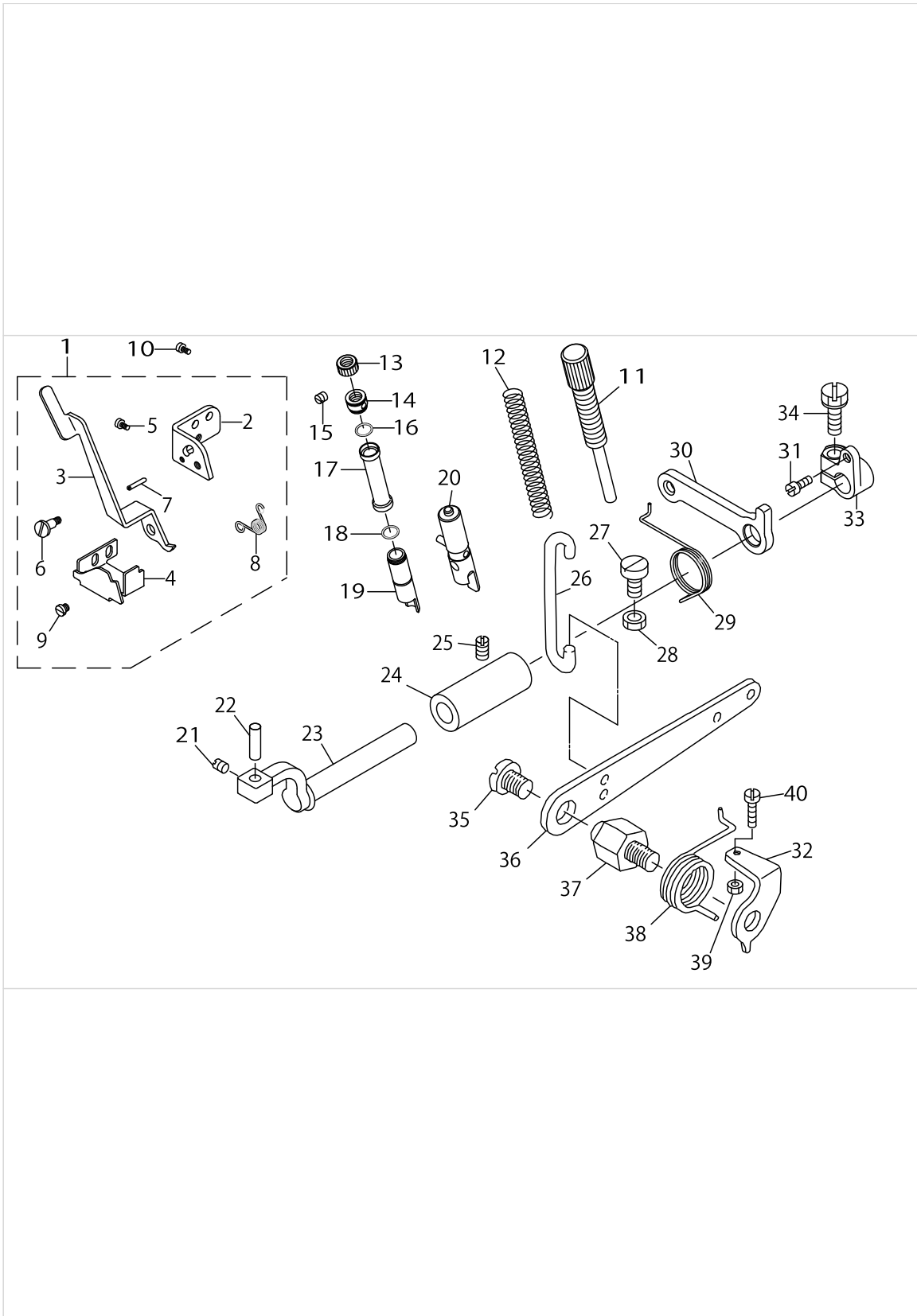
CHAIN LOOPER COMPONENTS (FOR MO-3916)



CHAIN LOOPER COMPONENTS (FOR MO-3916)

No.	Supply Code	Parts No.	Replacement	Parts name	Remarks	Choice	Step	Level	Cons	Qty	Rep. QTY
35	R	12258505	13126701	PIN, LONG	SELECTING PART FOR FIT TOLERANCE					1	1.00
36	R	12258604	13126800	PIN, LONG	SELECTING PART FOR FIT TOLERANCE					1	1.00
37	R	12258703	12258802	PIN, SHORT	SELECTING PART FOR FIT TOLERANCE	A	A:			1	1.00
37	R	12258703	12259107	PIN, SHORT	SELECTING PART FOR FIT TOLERANCE	B	B:			1	1.00
38		12258802		PIN, SHORT	SELECTING PART FOR FIT TOLERANCE					1	
39		12258901		PIN, SHORT	SELECTING PART FOR FIT TOLERANCE					1	
40		12259008		PIN, SHORT	SELECTING PART FOR FIT TOLERANCE					1	
41	D	12259107		PIN, SHORT	SELECTING PART FOR FIT TOLERANCE					1	

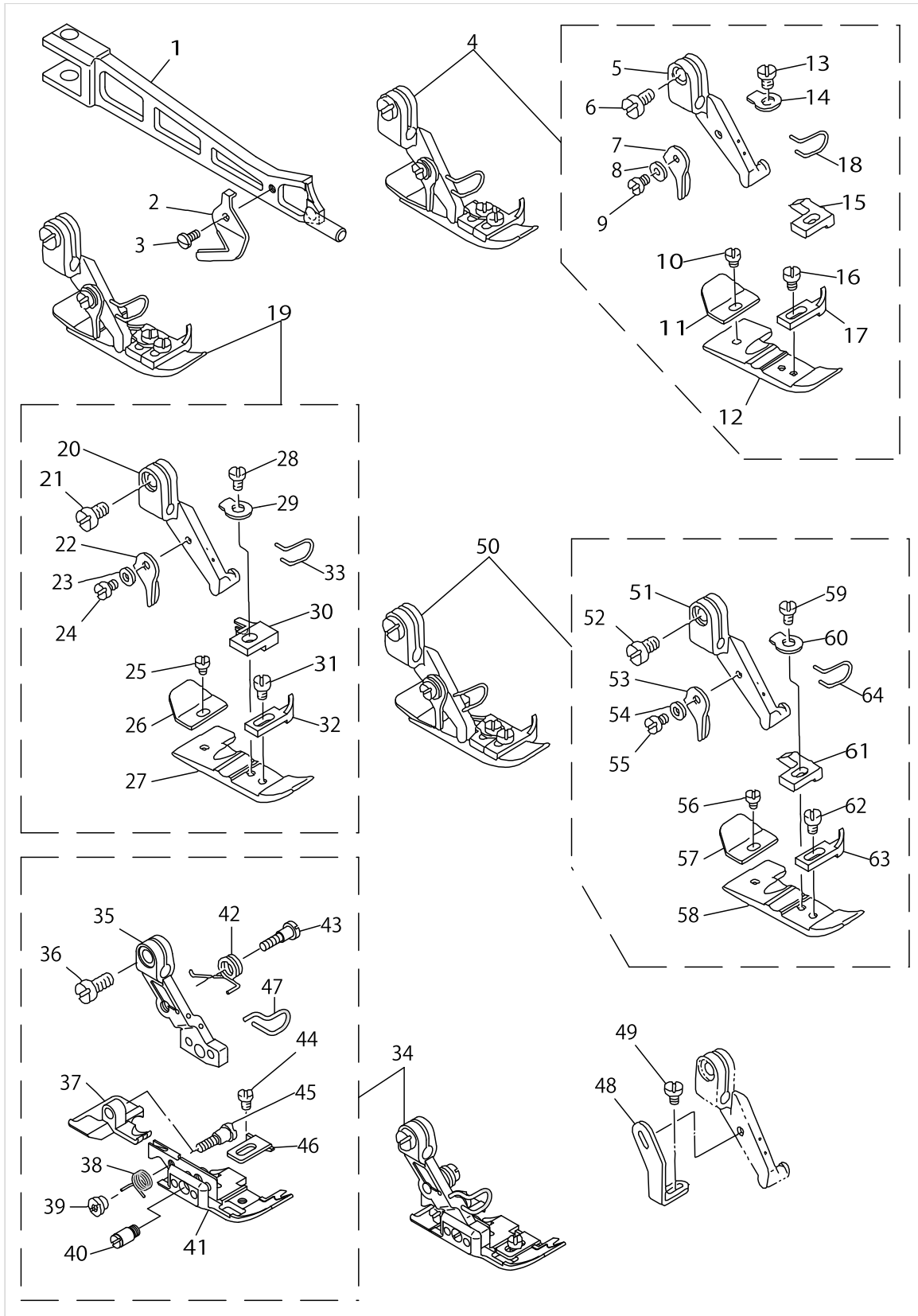
PRESSER FOOT COMPONENTS (1)



PRESSER FOOT COMPONENTS (1)

No.	Supply Code	Parts No.	Replacement	Parts name	Remarks	Choice	Step	Level	Cons	Qty	Rep. QTY
1	R	12115069	13115753	PRESSER LIFTING LEVER BASE ASM						1	1.00
2	R	12115002	13115803	FOOT LIFTING LEVER STAND				*		1	1.00
3	R	12115119	13115902	PRESSER FOOT LIFTING LEVER				*		1	1.00
4	R	12115200	13116009	STOPPER				*		1	1.00
5		SS7110510SP		SCREW 11/64-40 L=5				*		2	
6		SD0640241SP		HINGE SCREW D= 6.35 H= 2.4				*		1	
7		PS0300142KH		SPRING PIN 0.3 X 14				*		1	
8	D	12115309		SPRING				*		1	
9		SS6080340SP		SCREW 1/8-44 L=2.9				*		1	
10		SS4110715SP		SCREW 11/64-40 L=7						2	
11		12114716		PRESSER REGULATOR SCREW						1	
12		12115903		PRESSER SPRING						1	
13		12114807		PRESSER REGULATOR NUT						1	
14		12288700		PRESSER REGULAT-OR SCREW WASHER						1	
15		SM8040402TP		SCREW M4X0.7 L=4						1	
16		RO110090100		RUBBER RING						1	
17		12114906		PRESSERBARCOVER						1	
18		RO110090100		RUBBER RING						2	
19	R	12114302	13212501	PRESSER BAR BUSHING						1	1.00
20	R	12114468	13115654	PRESSER BAR ASM.						1	1.00
21		SS8110520TP		SCREW 11/64-40 L= 4.5						1	
22		B1534804000		PRESSER FOOT AR-M HINGE SHAFT						1	
23	R	12113205	13115001	PRESSER FOOT SHAFT						1	1.00
24	D	12113304		BUSHING						1	
25		SS4121215SP		SCREW 3/16-28 L=12						1	
26	R	11819414	13116405	LIFTING HOOK						1	1.00
27		SM6061200SP		SCREW						1	
28		NM6060003SC		NUT M6						1	
29		11819703		PRESSER FOOT ARM SPRING						1	
30		12113502		LIFTING ARM						1	
31		SS6110710TP		SCREW 11/64-40 L= 6.5						1	
32	D	B1529804000		PRESSER FOOT LIF-TING LEVER STO						1	
33	D	12113403		LIFTING ARM						1	
34		SS9151210TP		SCREW 15/64-28 L=11.8						1	
35		SS7161040SP		SCREW 1/4-24 L= 9.5						1	
36	R	11819315	13116900	LIFTING LEVER						1	1.00
37		11819109		LIFTING LEVER SCREW						1	
38		11819208		LIFTING LEVER SPRING						1	
39		NS6110420SP		NUT 11/64-40						1	
40	R	SS7111410SP	SS7111410TP	SCREW 11/64-40 L=14						1	1.00

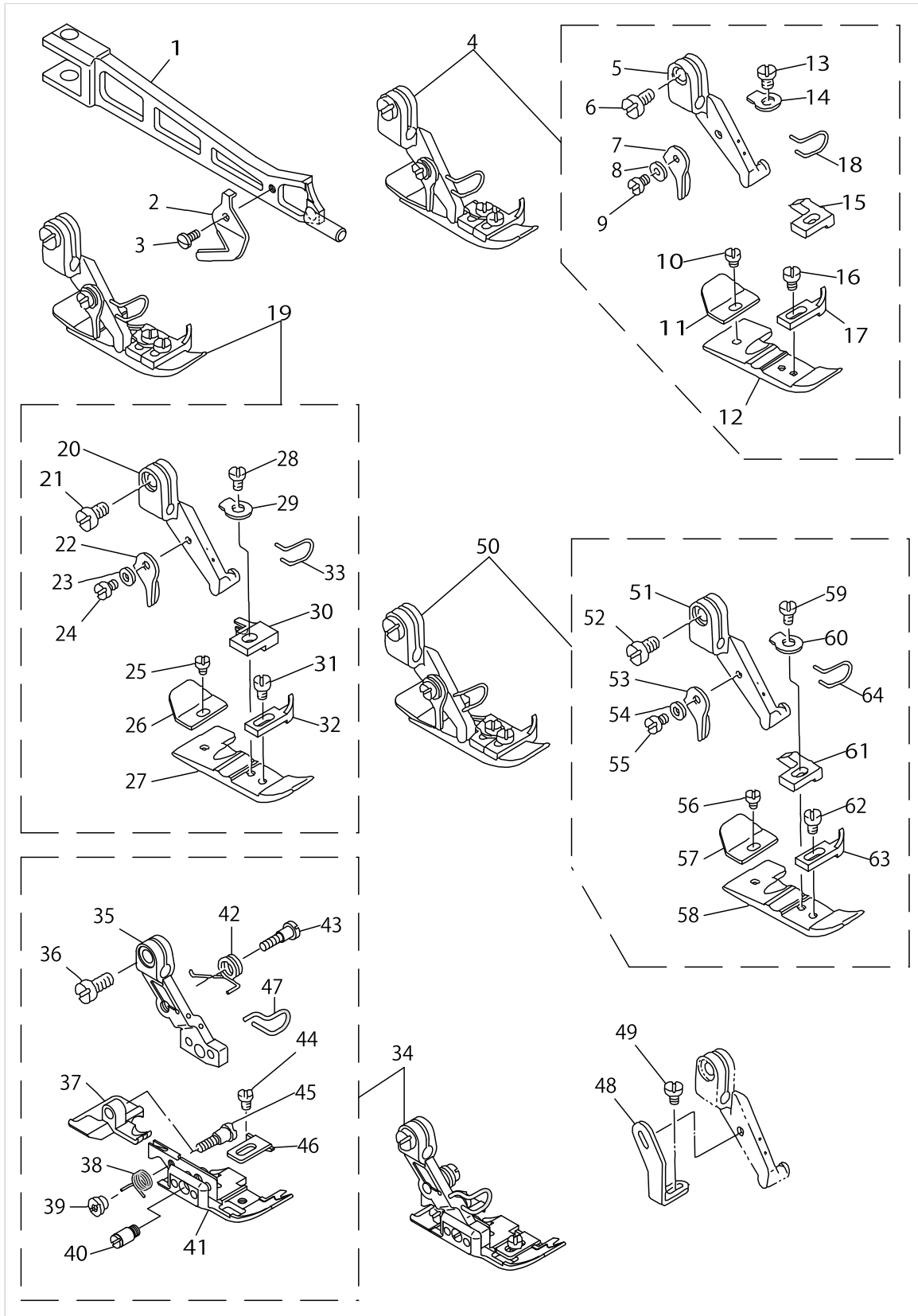
PRESSER FOOT COMPONENTS (2)



PRESSER FOOT COMPONENTS (2)

No.	Supply Code	Parts No.	Replacement	Parts name	Remarks	Choice	Step	Level	Cons	Qty	Rep. QTY
1	R	12253811	12253829	PRESSER FOOT ARM						1	1.00
2		B1528804000A		THREAD TRIMMER						1	
3		SS7060510SP		SCREW 3/32-56 L=4.8						1	
4		11876166		PRESSER FOOT ASM.	FOR MO-3904					1	
5		11872009		PRESSER FOOT HINGE				*		1	
6	R	SS6090650SP	SS6090670TP	SCREW 9/64-40 L=6				*		1	1.00
7		B1530804000		STOPPER				*		1	
8		WP0250516SD		WASHER 2.5X6X0.5				*		1	
9		SS7060610SP		SCREW 3/32-56 L=5.5				*		1	
10		SS6060210SP		SCREW 3/32-56 L=1.9				*		1	
11		B1511814000		REARPRESSERFOOT				*		1	
12		B1507804C00		PRESSER FOOT				*		1	
13		SS7080520SP		SCREW 1/8-44 L=4.9				*		1	
14		B150880400B		SPRING				*		1	
15		B1509804C00		STITCH TONGUE				*		1	
16		SS6060440TP		SCREW 3/32-56 L=3.5				*		1	
17		B1510814000		CURL GUARD				*		1	
18		11820701		FINGER GUARD				*		1	
19		12152468		PRESSER FOOT,(FINGER GUARD).	FOR MO-3-914(FOR JAPAN)					1	
20		11872009		PRESSER FOOT HINGE				*		1	
21	R	SS6090650SP	SS6090670TP	SCREW 9/64-40 L=6				*		1	1.00
22		B1530804000		STOPPER				*		1	
23		WP0250516SD		WASHER 2.5X6X0.5				*		1	
24		SS7060610SP		SCREW 3/32-56 L=5.5				*		1	
25		SS6060210SP		SCREW 3/32-56 L=1.9				*		1	
26		B1511814000		REARPRESSERFOOT				*		1	
27		B150781400P		PRESSER FOOT				*		1	
28		SS7080520SP		SCREW 1/8-44 L=4.9				*		1	
29		B150880400B		SPRING				*		1	
30		12160008		STITCH TONGUE				*		1	
31		SS6060440TP		SCREW 3/32-56 L=3.5				*		1	
32		B1510814000		CURL GUARD				*		1	
33		11820701		FINGER GUARD				*		1	
34		12153763		PRESSER FOOT ASM.	FOR MO-3916					1	
35		12156907		PRESSER FOOT HINGE				*		1	
36	R	SS6090650SP	SS6090670TP	SCREW 9/64-40 L=6				*		1	1.00
37	R	12164802	12153763	REARPRESSERFOOT				*		1	1.00
38		12167805		SPRING, FOR REAR PRESSER FOOT				*		1	
39		B1513816000		NUT, FOR REAR PRESSER FOOT				*		1	
40		12167409		HINGE PIN				*		1	
41	R	12162202	12153763	PRESSER FOOT				*		1	1.00
42		12167607		PRESSER FOOT ARM SPRING				*		1	
43		B1514816000		SCREW				*		1	
44		SS6060340SP		SCREW 3/32-56 L=2.5				*		1	
45		12167508		HINGE SCREW				*		1	

PRESSER FOOT COMPONENTS (2)

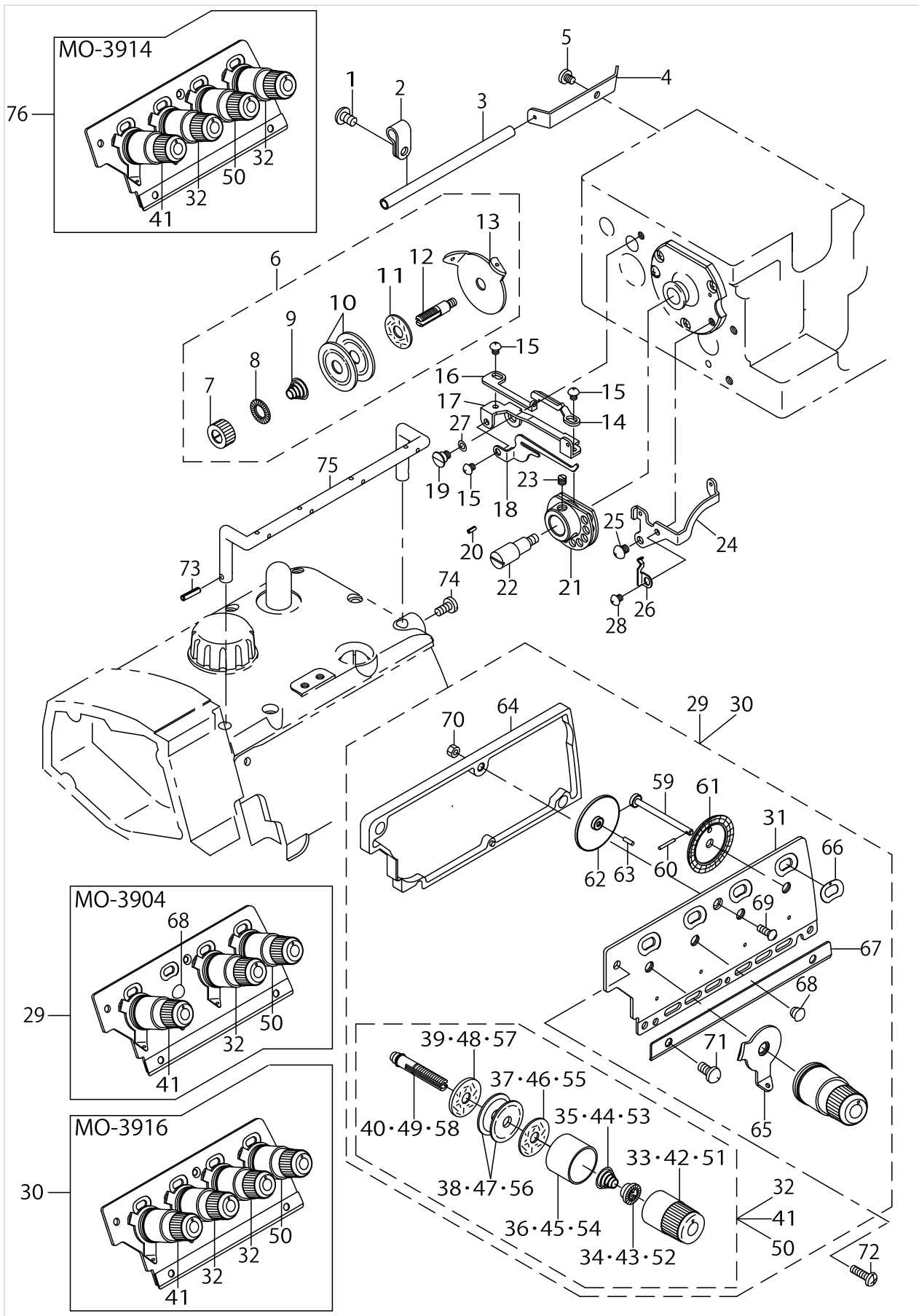


PRESSER FOOT COMPONENTS (2)

No.	Supply Code	Parts No.	Replacement	Parts name	Remarks	Choice	Step	Level	Cons	Qty	Rep. QTY
46		12167706		PRESSER FOOT				*		1	
47		12115408		FINGER GUARD				*		1	
48	D	B1539804000		PRESSER FOOT FIXING PLATE	SPECIAL ORDER PART(FOR MO-0-3904, MO-3914)					1	
49		SS6060410TP		SCREW 3/32-56 L=3.5	SPECIAL ORDER PART(FOR MO-0-3904, MO-3914)					1	
50		11876869		PRESSER FOOT ASM.	FOR MO-3-914(FOR EXPORT)					1	
51		11872009		PRESSER FOOT HINGE				*		1	
52	R	SS6090650SP	SS6090670TP	SCREW 9/64-40 L=6				*		1	1.00
53		B1530804000		STOPPER				*		1	
54		WP0250516SD		WASHER 2.5X6X0.5				*		1	
55		SS7060610SP		SCREW 3/32-56 L=5.5				*		1	
56		SS6060210SP		SCREW 3/32-56 L=1.9				*		1	
57		B1511814000		REARPRESSERFOOT				*		1	
58		B150781400P		PRESSER FOOT				*		1	
59		SS7080520SP		SCREW 1/8-44 L=4.9				*		1	
60		B150880400B		SPRING				*		1	
61		B150981400P		STITCH TONGUE				*		1	
62		SS6060440TP		SCREW 3/32-56 L=3.5				*		1	
63		B1510814000		CURL GUARD				*		1	
64		11820701		FINGER GUARD				*		1	



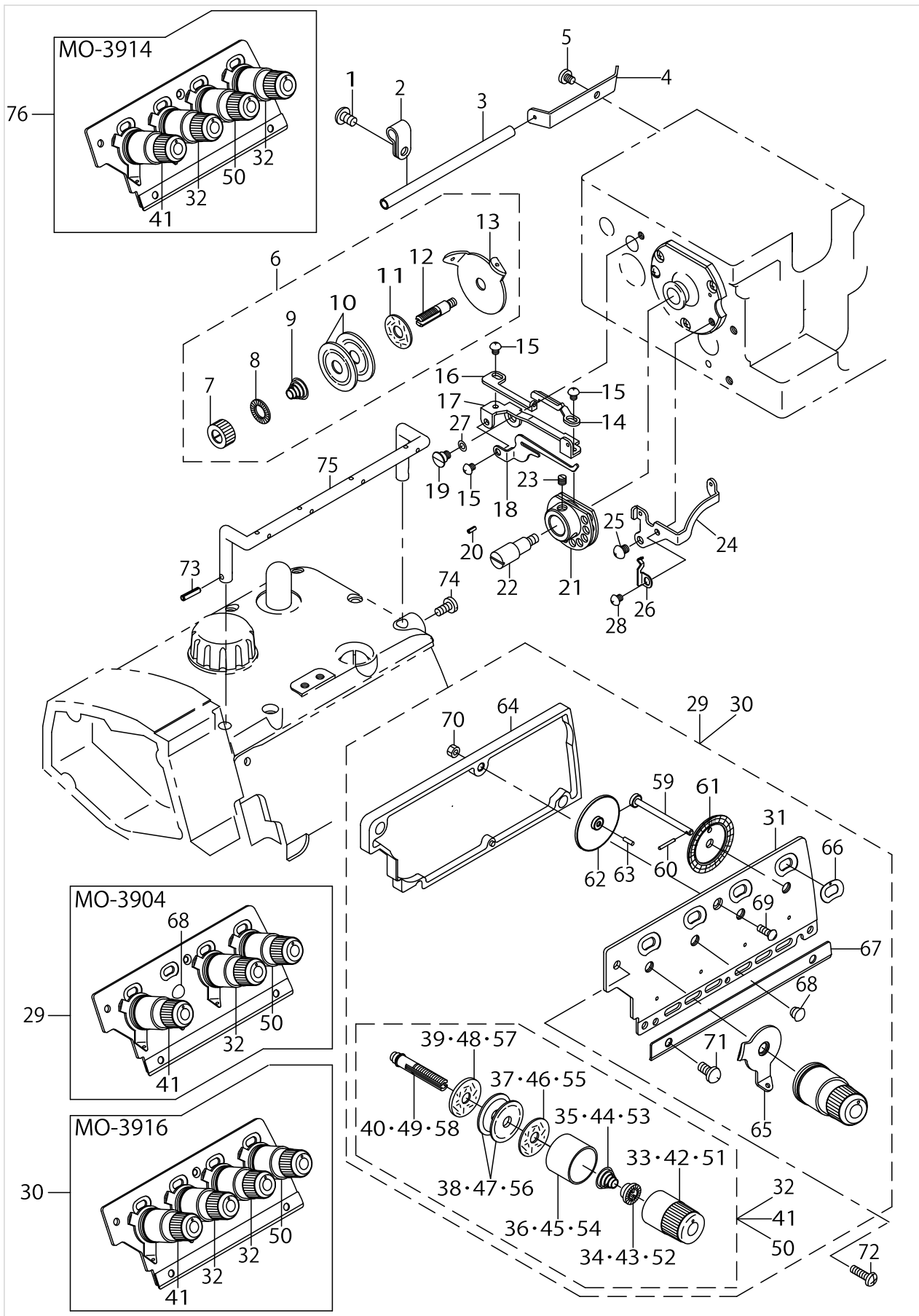
THREAD TENSION COMPONENTS



THREAD TENSION COMPONENTS

No.	Supply Code	Parts No.	Replacement	Parts name	Remarks	Choice	Step	Level	Cons	Qty	Rep. QTY
1		SM4050855SP		SCREW	FOR MO-3916					1	
2	R	B3113352000	13129259	MOUNTING BRACKET	FOR MO-3916					1	1.00
3		B2401816000		LOOPER THREAD GUIDE TUBE	FOR MO-3916					1	
4	R	B2402716000	13129101	LOOPER THREAD G- UIDE TUBE GUIDE	FOR MO-3916					1	1.00
5		SS5150510SP		SCREW 15/64-28 L=5	FOR MO-3916					1	
6	D	11550852		TENSION CONTROLLER ASM.	FOR MO-3916					1	
7		B2314019000		TENSION POST NUT				*		1	
8		B3120125000		ROTATING STOPPER				*		1	
9		B2017372000		TENSION SPRING NO.1				*		1	
10	R	B3126012000	22921506	THREAD TENSION DISK				*		2	1.00
11	R	B3120352000	13139902	THREAD TENSION SPRING FELT				*		1	1.00
12	R	11550803	13139555	THREAD TENSION POST				*		1	1.00
13	R	11550308	13139605	THREAD GUIDE				*		1	1.00
14		12120903		THREAD GUIDE A	FOR MO-3916					1	
15		SS4090415SP		SCREW 9/64-40 L=4	FOR MO-3916					3	
16		12121000		THREAD GUIDE B	FOR MO-3916					1	
17	D	12120804		THREAD GUIDE BASE	FOR MO-3916					1	
18		12121109		THREAD GUIDE HOOK	FOR MO-3916					1	
19		SD0600341TP		HINGE SCREW D=6.0 H=3.4	FOR MO-3916					1	
20		PS0200052KH		SPRING PIN 2.3X5	FOR MO-3916					1	
21	R	12347555	13129457	THREAD CAM COMPL.	FOR MO-3916					1	1.00
22	R	B2202816000	13130000	SHAFT	FOR MO-3916					1	1.00
23		SS8110410TP		SCREW 11/64-40 L= 3.5	FOR MO-3916					2	
24		12121208		THREAD GUIDE	FOR MO-3916					1	
25		SS4110515SP		SCREW 11/64-40 L=5	FOR MO-3916					1	
26		12121307		THREAD GUIDE SPRING	FOR MO-3916					1	
27		WZ0640312K0		WAVED WASHER	FOR MO-3916					1	
28		SS4090415SP		SCREW 9/64-40 L=4	FOR MO-3916					1	
29	D	12180162		THREAD GUIDE PLATE ASM.	FOR MO-3904					1	
30	D	12180261		THREAD GUIDE PLATE ASM.	FOR MO-3916					1	
31		12126207		THREAD GUIDE PLATE				*		1	
32	D	12126967		KNOB ASM.,YELLOW				*		2	
33	D	12126918		KNOB ,YELLOW				*		1	
34		B3112704000		TENSION SPRING BUSHING				*		1	
35		B3101804000		TENSION SPRING, RED				*		1	
36		12126702		TESION DISK PRESSER				*		1	
37	R	B3120704000	13138102	THREAD TENSION SPRING FELT				*		1	1.00
38	R	B3126012000	22921506	THREAD TENSION DISK				*		2	1.00
39	R	B3120352000	13139902	THREAD TENSION SPRING FELT				*		1	1.00
40	D	12126405		THREAD TENSION BAR				*		1	
41	D	12126868		KNOB ASM.,RED				*		1	
42	D	12126819		KNOB ,RED				*		1	
43		B3112704000		TENSION SPRING BUSHING				*		1	
44		B3101804000		TENSION SPRING, RED				*		1	
45		12126702		TESION DISK PRESSER				*		1	
46	R	B3120704000	13138102	THREAD TENSION SPRING FELT				*		1	1.00

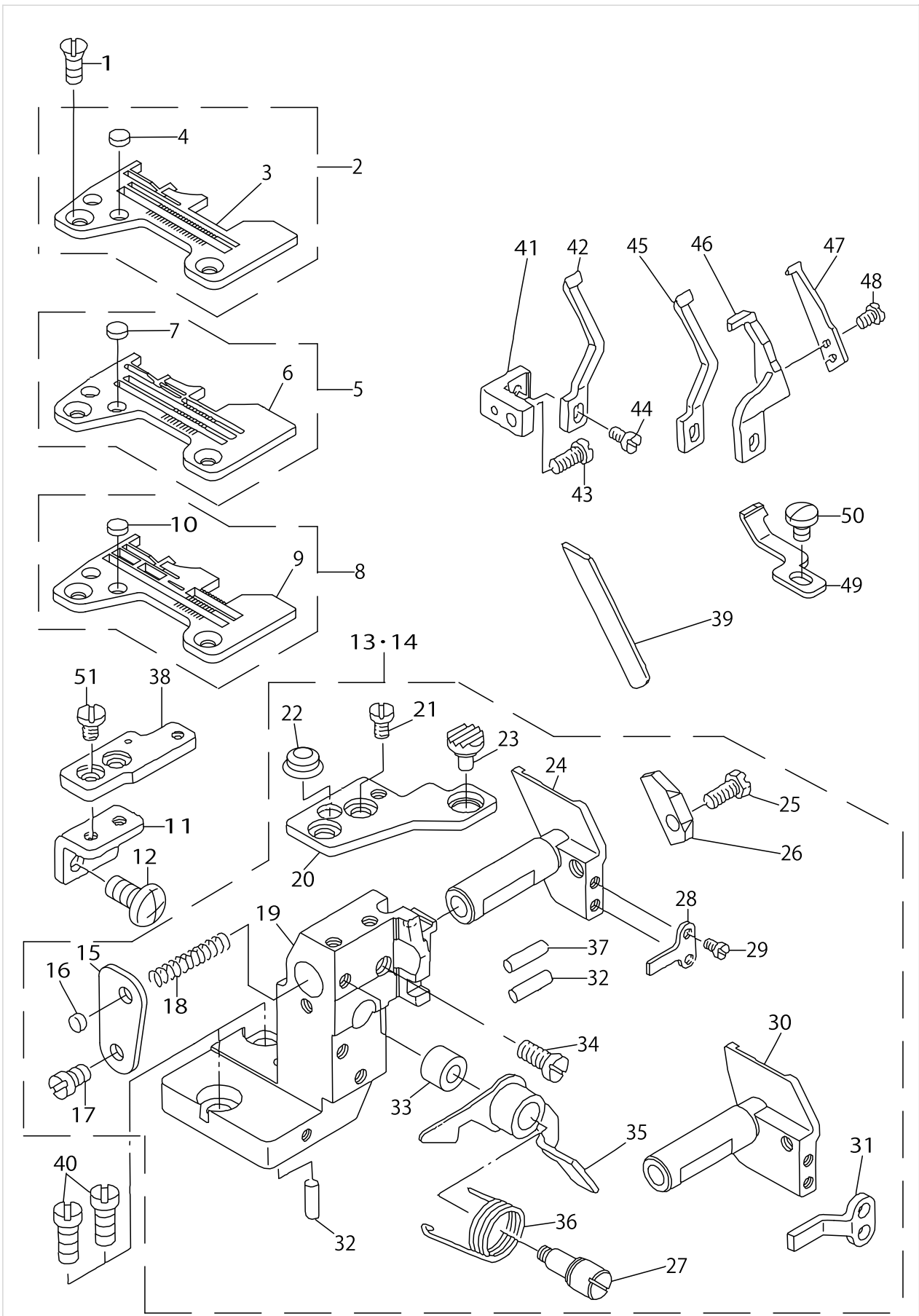
THREAD TENSION COMPONENTS



THREAD TENSION COMPONENTS

No.	Supply Code	Parts No.	Replacement	Parts name	Remarks	Choice	Step	Level	Cons	Qty	Rep. QTY
47	R	B3126012000	22921506	THREAD TENSION DISK				*		2	1.00
48	R	B3120352000	13139902	THREAD TENSION SPRING FELT				*		1	1.00
49	D	12126405		THREAD TENSION BAR				*		1	
50	D	12127064		KNOB ASM.,BLUE				*		1	
51	D	12127015		KNOB ,BLUE				*		1	
52		B3112704000		TENSION SPRING BUSHING				*		1	
53		B3103804000		TENSION SPRING, BLUE				*		1	
54		12126702		TESION DISK PRESSER				*		1	
55	R	B3120704000	13138102	THREAD TENSION SPRING FELT				*		1	1.00
56	R	B3126012000	22921506	THREAD TENSION DISK				*		2	1.00
57	R	B3120352000	13139902	THREAD TENSION SPRING FELT				*		1	1.00
58	D	12126405		THREAD TENSION BAR				*		1	
59		12127403		SCALE SHAFT				*		1	
60		12127502		SCALE SHAFT PIN				*		1	
61		12127601		SCALE GEAR				*		1	
62	D	12127700		GEAR				*		1	
63		12127809		GEAR SHAFT				*		1	
64		12127957		SCALE CASE ASM.				*		1	
65		12126504		NEEDLE THREAD GUIDE				*		1	
66		12128203		SCALE SIDE PLATE				*		1	
67		12128302		THREAD LOOPER GUIDE				*		1	
68		TA0620504R0		CAP	FOR MO-3904			*		1	
69	D	SS2090830SL		SCREW				*		1	
70		NS6090310SP		NUT 9/64-40				*		1	
71		SS7110740TL		SCREW 11/64-40 L= 7.0				*		1	
72		SM4041455SN		SCREW M4 L=14						2	
73		PS0300132KH		SPRING PIN 3X13						1	
74		SS7110910TP		SCREW 11/64-40 L= 8.5						1	
75		12126108		CENTER THREAD GUIDE						1	
76		12180659		THREAD GUIDE PLATE ASM.	FOR MO-3914					1	

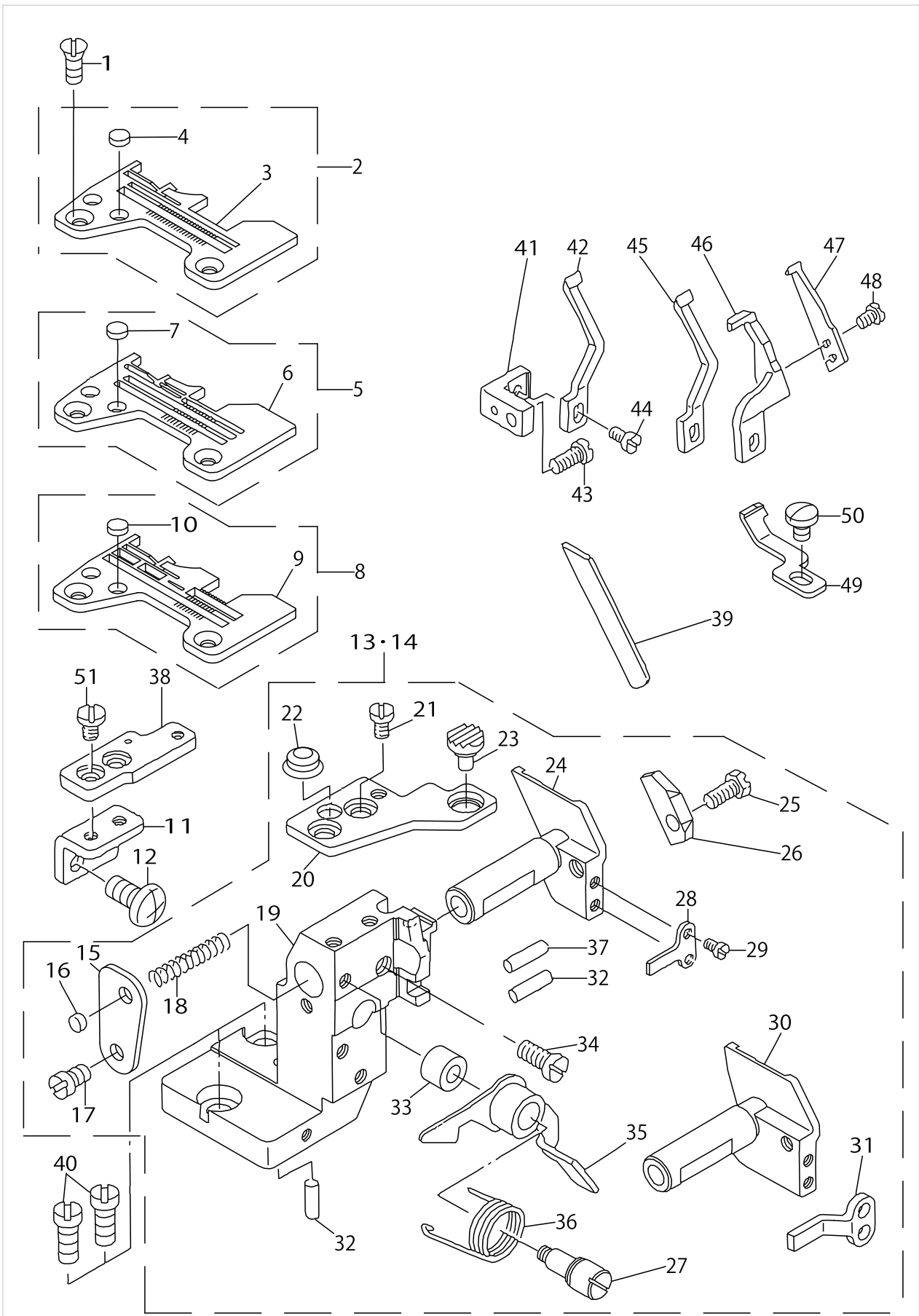
LOWER KNIFE COMPONENTS



LOWER KNIFE COMPONENTS

No.	Supply Code	Parts No.	Replacement	Parts name	Remarks	Choice	Step	Level	Cons	Qty	Rep. QTY
1		SS2110910SL		SCREW 11/64-40 L=9						2	
2	D	R4200J0EDA0		THROAT PLATE ASM.	FOR MO-3904					1	
3	R	R4200J0ED00	R4200J6ED00	THROAT PLATE				*		1	1.00
4	R	11806304	13102702	PLUG				*		2	1.00
5		R4305J0EEA0		THROAT PLATE ASM.	FOR MO-3914					1	
6	R	R4305J0EE00	R4305J6EE00	THROAT PLATE				*		1	1.00
7	R	11806304	13102702	PLUG				*		2	1.00
8	D	R4508J0EDA0		THROAT PLATE ASM.	FOR MO-3916					1	
9	D	R4508J0ED00		THROAT PLATE				*		1	
10	R	11806304	13102702	PLUG				*		2	1.00
11		12288908		THROAT PLATE BASE B SUPPORT						1	
12		SM4051055SP		SCREW						2	
13	R	12133658	13232657	LOWER KNIFE BRACKET ASM.	FOR MO-3-904,MO-3914					1	1.00
14		12133666		LOWER KNIFE BRACKET ASM.	FOR MO-3916					1	
15	R	12133211	13149307	SPRING STOPPER				*		1	1.00
16	R	11806304	13102702	PLUG				*		1	1.00
17		SS7110720SP		SCREW 11/64-40 L=7				*		1	
18		11846607		SPRING				*		1	
19	R	12132619	13232657	LOWER KNIFE BRACKET				*		1	1.00
20		12102208		THROAT PLATE BASE A				*		1	
21		SS6110610TP		SCREW 11/64-40 L=6				*		2	
22		12103701		RUBBER PLUG B				*		1	
23	R	12103602	13235304	RUBBER PLUG A				*		1	1.00
24	R	12132700	13149505	LOWER KNIFE SLIDE STUD	FOR MO-3-904,MO-3914			*		1	1.00
25		SS9111010SP		SCREW 11/64-40 L=9.5				*		1	
26	R	12133104	13149208	LOWER KNIFE PRESSER PLATE				*		1	1.00
27	R	12102810	13148408	LEVER SHAFT				*		1	1.00
28	R	12132908	13149703	ROTATING STOPPER	FOR MO-3-904,MO-3914			*		1	1.00
29		SS7090710SP		SCREW 9/64-40 L=6.8				*		2	
30	R	12132809	13149604	LOWER KNIFE SLIDE STUD	FOR MO-3916			*		1	1.00
31		12133005		ROTATING STOPPER	FOR MO-3916			*		1	
32	R	12133708	12133666	HOLDER PIN		B	MO-3916, MOR-3916/3916E	*		2	1.00
32	R	12133708	12377586	HOLDER PIN		D	MOJ-3916, MOG-3716, MO-6916G/6916J	*		2	1.00
32	R	12133708	12377560	HOLDER PIN		F	MOJ-3904	*		2	1.00
32	R	12133708	12377552	HOLDER PIN		G	MOJ-3914, MOG-3704- /3714, MO- -6904G/6914G	*		2	1.00
32	R	12133708	13232657	HOLDER PIN		H	MO-6104D/6114D	*		2	1.00
32	R	12133708	13232756	HOLDER PIN		I	MO-6116D	*		2	1.00
32	R	12133708	13232657	HOLDER PIN				*		2	1.00
32	R	12133708	12257267	HOLDER PIN				*		2	1.00
33	R	12103107	13148903	RUBBER PLUG				*		1	1.00
34		SS7151120SP		SCREW 15/64-28L=11				*		1	
35	R	12102950	13148556	LEVER ASM.				*		1	1.00

LOWER KNIFE COMPONENTS

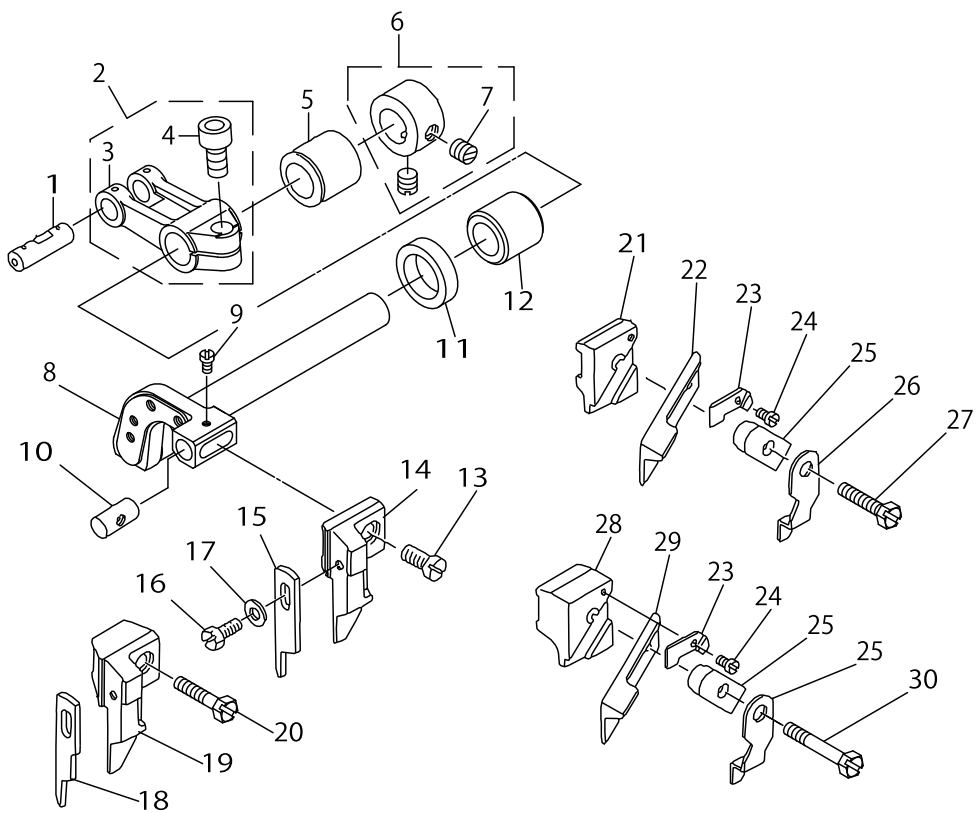


LOWER KNIFE COMPONENTS

No.	Supply Code	Parts No.	Replacement	Parts name	Remarks	Choice	Step	Level	Cons	Qty	Rep. QTY
36		11802006		LEVER SPRING				*		1	
37		11846805		HOLDER PIN				*		1	
38		11847902		THROAT PLATE BASE B						1	
39		11846003		LOWER KNIFE						1	
40		SS6151440SP		SCREW 15/64-28L=14						2	
41		11847100		NEEDLE GUARD HOLDER						1	
42		11890100		NEEDLE GUARD	FOR MO-3904					1	
43		SS7110840SP		SCREW 11/64-40 L=7.8						1	
44		SS7090610SP		SCREW 9/64-40 L=6						1	
45		11890308		NEEDLE GUARD	FOR MO-3914					1	
46		12015301		NEEDLE HOLDER	FOR MO-3916					1	
47		12015400		NEEDLE HOLDER	FOR MO-3916					1	
48		SS7060510SP		SCREW 3/32-56 L=4.8	FOR MO-3916					2	
49		12177903		NEEDLE HOLDER	FOR MO-3916					1	
50		SS7090510SP		SCREW 9/64-40 L=4.6	FOR MO-3916					1	
51		SS6110610TP		SCREW 11/64-40 L=6						2	



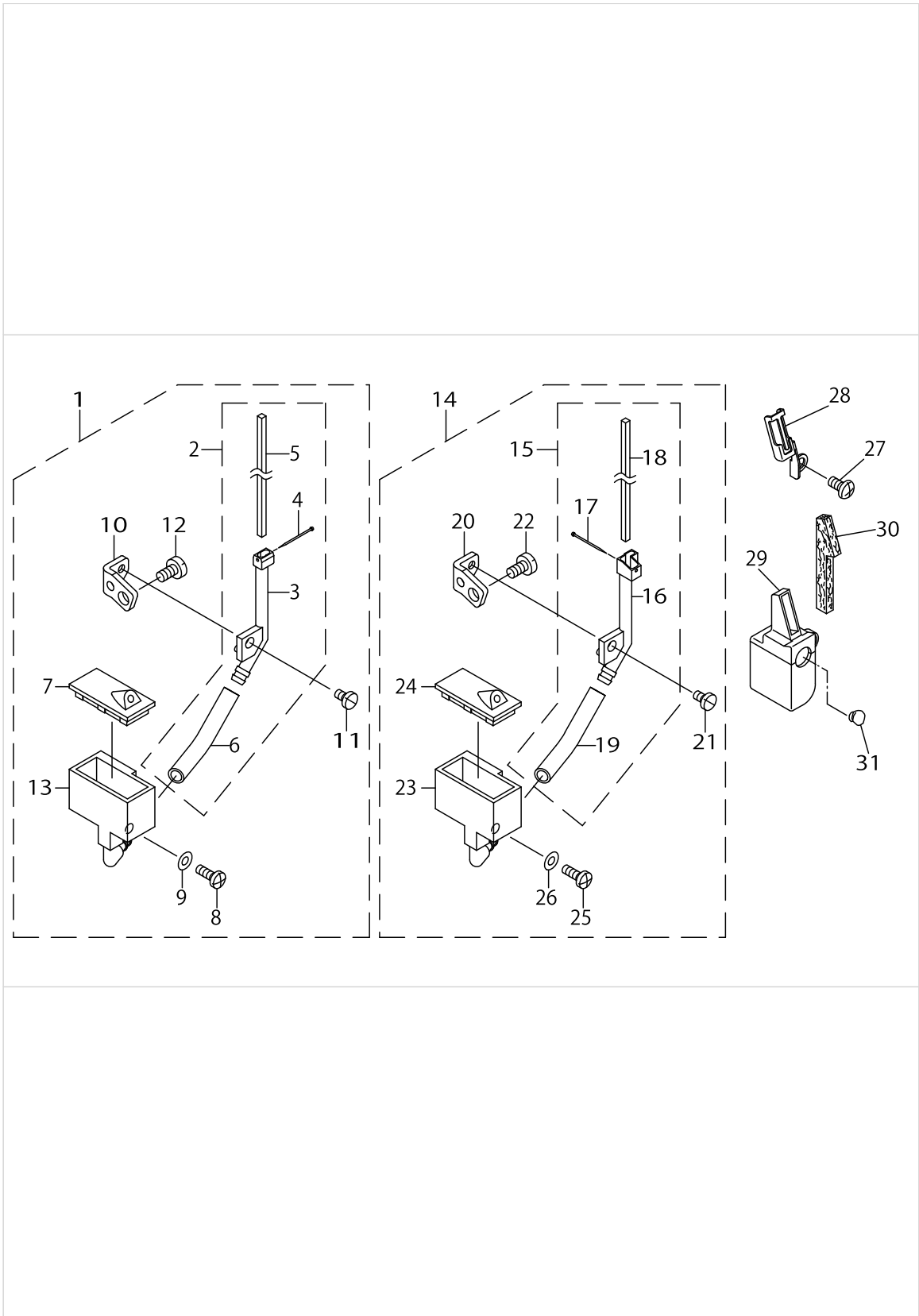
# UPPER KNIFE COMPONENTS



UPPER KNIFE COMPONENTS

No.	Supply Code	Parts No.	Replacement	Parts name	Remarks	Choice	Step	Level	Cons	Qty	Rep. QTY
1		11823804		CRANK PIN C	SELECTING PART FOR FIT TOLERANCE					1	
2		12132262		FEED FORKED ARM ASM.						1	
3	D	12132213		UPPER KNIFE FORK ARM				*		1	
4		SM6061402TP		SCREW M6 L=14				*		1	
5	R	12132502	13151006	BUSHING, REAR						1	1.00
6		GS111101ESH		COLLAR ASM. D=11.11 W=10						1	
7		SS8660330SP		SCREW 1/4-40 L= 3.0				*		2	
8	R	12132304	13151303	KNIFE DRIVING ARM SHAFT						1	1.00
9		SS4060310SP		SCREW 3/32-56 L=2.5	FOR EXPORT					1	
10	R	11565801	13150800	UPPER KNIFE GUIDE SHAFT						1	1.00
11		11566809		OIL SEAL						1	
12	R	12132403	13150909	BUSHING, FRONT						1	1.00
13		SS6111040SP		SCREW 11/64-40 L= 9.5	MO-3904,- MO-3914(F- OR JAPAN)					1	
14	R	12133302	13147400	UPPER KNIFE SUPPORT A	MO-3904,- MO-3914(F- OR JAPAN)					1	1.00
15		11845609		KNIFE	MO-3904,- MO-3914(F- OR JAPAN)					1	
16		SS9090813TP		SCREW 9/64-40 L=8	FOR JAPAN					1	
17		WP0370316SD		WASHER 3.7X8X0.3	FOR JAPAN					1	
18		11845708		KNIFE	MO-3916(F- OR JAPAN)					1	
19	R	12133401	13147301	UPPER KNIFE SUPPORT	MO-3916(F- OR JAPAN)					1	1.00
20		SS6111610SP		SCREW 11/64-40L=16	MO-3916(F- OR JAPAN)					1	
21		11598000		UPPER KNIFE SUPPORT	MO-3904,- MO-3914(F- OR EXPORT)					1	
22		11845807		UPPER KNIFE	MO-3904,- MO-3914(F- OR EXPORT)					1	
23		11565702		WASHER	FOR EXPORT					1	
24		SS4060310SP		SCREW 3/32-56 L=2.5	FOR EXPORT					1	
25		11565504		UPPER KNIFE PRESSER PLATE	FOR EXPORT					1	
26		11848405		UPPER KNIFE COVER	FOR EXPORT					1	
27		SS9111610SP		SCREW 11/64-40L=16	MO-3904,- MO-3914(F- OR EXPORT)					1	
28		11845500		UPPER KNIFE SUPPORT	MO-3916(F- OR EXPORT)					1	
29		11845906		UPPER KNIFE	MO-3916(F- OR EXPORT)					1	
30		SS9112310SP		SCREW 11/64-40L=23	MO-3916(F- OR EXPORT)					1	

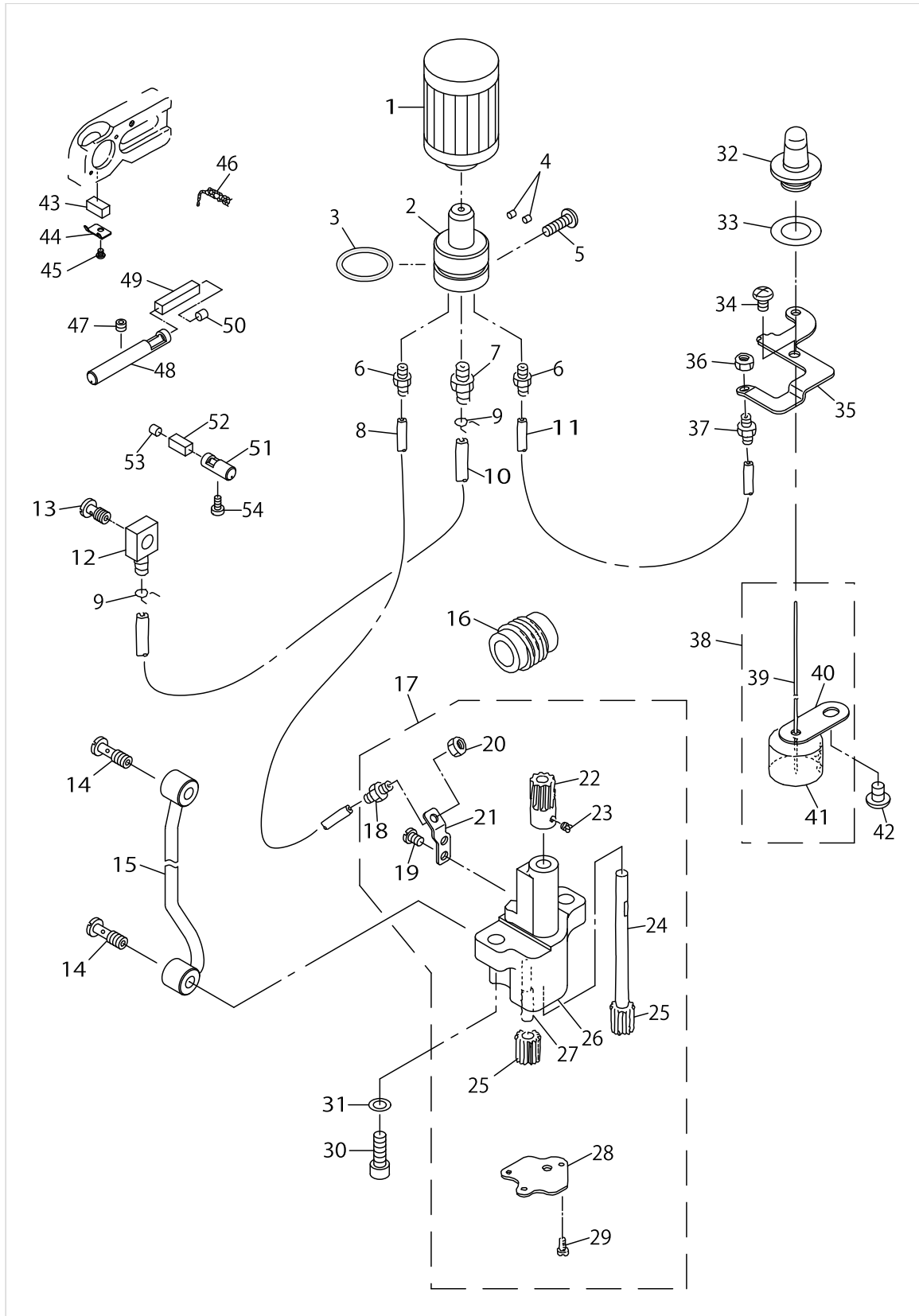
# NEEDLE COOLING MECHANISM COMPONENTS



NEEDLE COOLING MECHANISM COMPONENTS

No.	Supply Code	Parts No.	Replacement	Parts name	Remarks	Choice	Step	Level	Cons	Qty	Rep. QTY
1	R	11855954	13162557	NEEDLE COOLER U-NIT ASM. (OVER)	FOR MO-3-904,MO-3914					1	1.00
2	D	11855970		NEEDLE COOLER ASM. (OVER)				*		1	
3	D	11855905		NEEDLE COOLER (OVER)				*		1	
4		11856101		NEEDLE COOLER PIN				*		1	
5		11856200		NEEDLE COOLER FELT				*		1	
6		BT0700500EA		TUBE				*		0.1	
7	D	11856507		TANK COVER				*		1	
8		SS4091015SP		SCREW 9/64-40 L=10				*		1	
9		WP0371026SD		WASHER 3.7X7X1				*		1	
10		11856309		SUPPORT				*		1	
11		SS7090610SP		SCREW 9/64-40 L=6				*		1	
12		SS7110840SP		SCREW 11/64-40 L=7.8				*		1	
13		11856408		TANK				*		1	
14	R	11856051	13163159	NEEDLE COOLER U-NIT ASM.(INTER)	FOR MO-3916					1	1.00
15		11856077		NEEDLE COOLER ASM. (INTER)				*		1	
16		11856002		NEEDLE COOLER (INTER)				*		1	
17		11856101		NEEDLE COOLER PIN				*		1	
18		11856200		NEEDLE COOLER FELT				*		1	
19		BT0700500EA		TUBE				*		0.1	
20		11856309		SUPPORT				*		1	
21		SS7090610SP		SCREW 9/64-40 L=6				*		1	
22		SS7110840SP		SCREW 11/64-40 L=7.8				*		1	
23		11856408		TANK				*		1	
24	D	11856507		TANK COVER				*		1	
25		SS4091015SP		SCREW 9/64-40 L=10				*		1	
26		WP0371026SD		WASHER 3.7X7X1				*		1	
27		SM4040855SP		SCREW						1	
28		12138400		PRESSER						1	
29	R	12138152	13163456	SILICON TANK ASM.						1	1.00
30	R	12138301	13163803	FELT						1	1.00
31		TA0950806R0		RUBBER PLUG						1	

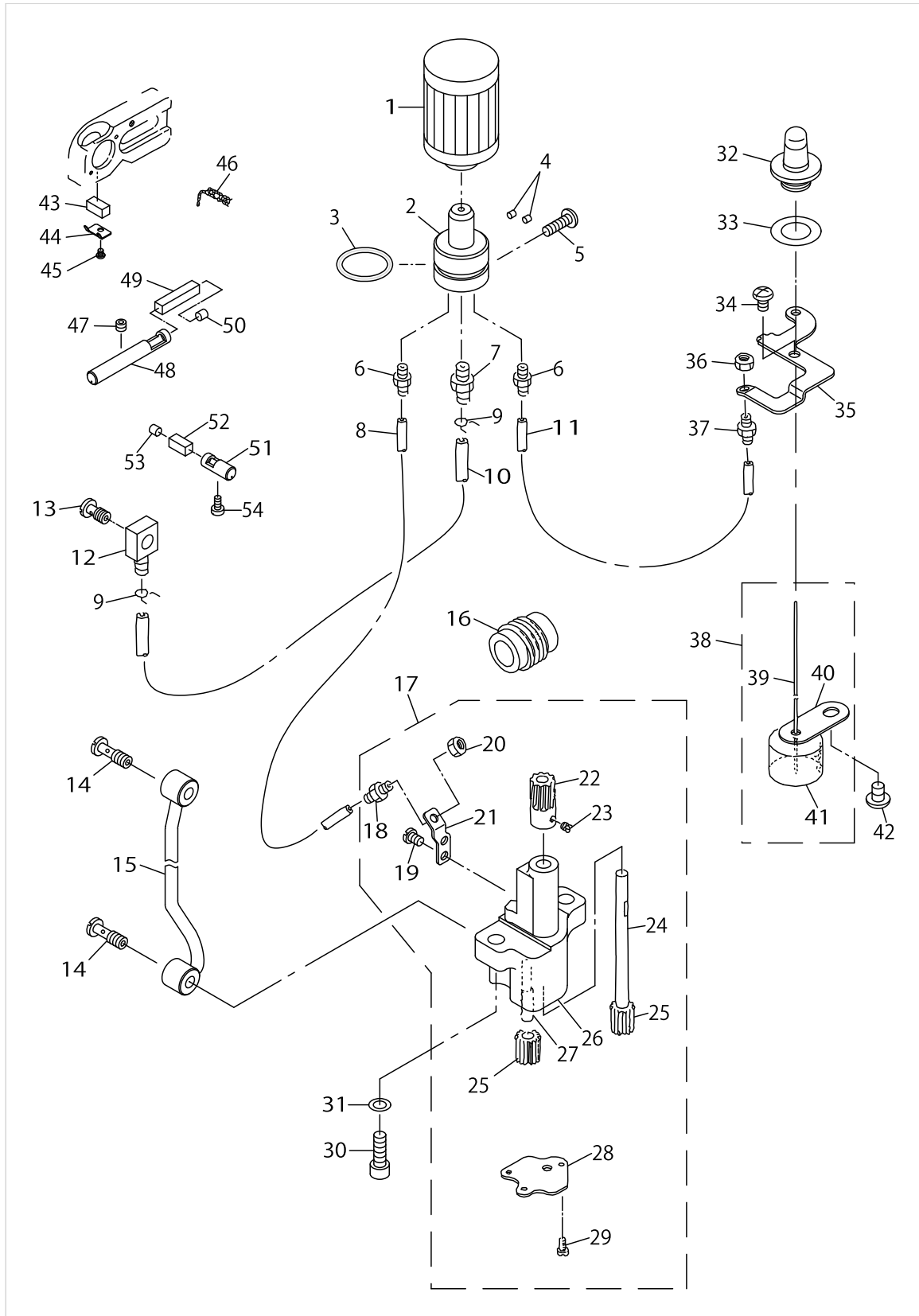
# LUBRICATION MECHANISM COMPONENTS



LUBRICATION MECHANISM COMPONENTS

No.	Supply Code	Parts No.	Replacement	Parts name	Remarks	Choice	Step	Level	Cons	Qty	Rep. QTY
1	R	11843208	13142500	CARTRIDGE FILTER						1	1.00
2	D	12129706		FILTER GUIDE						1	
3	D	RO218240100		RUBBER RING						1	
4		TA0290301M0		RUBBER PLUG						2	
5		SM4051601SC		SCREW M5X0.8 L=16						1	
6		SQ1110451MZ		CONNECTING SCREW						2	
7		SQ1150451MZ		CONNECTING SCREW						1	
8		BT0500300EG		OIL TUBE						.2	
9		10126803		OIL TUBE HOLDER						2	
10		BT0500300EA		OIL TUBE						.3	
11		BT0500300EA		OIL TUBE						.16	
12		SQ0000451MZ		CONNECTING SCREW						1	
13		SQ1150441SD		CONNECTING SCREW						1	
14		SQ1150454SD		CONNECTING SCREW						2	
15		12129458		OIL PIPE ASM.						1	
16	D	12129102		WORM						1	
17	D	12129250		OIL PUMP ASM.						1	
18		SQ1110451MZ		CONNECTING SCREW				*		1	
19		SS4110615SP		SCREW 11/64-40 L=6				*		2	
20		NS6110310SP		NUT 11/64-40				*		1	
21		12129318		CONNECTING SCREW BRACKET				*		1	
22	R	12256103	13343009	WORM GEAR				*		1	1.00
23		SS8110410TP		SCREW 11/64-40 L= 3.5				*		2	
24		11841806		GEAR PUMP SHAFT, LARGE				*		1	
25		11840303		OIL PUMP PINION				*		2	
26	D	11840402		GEAR PUMP SHAFT				*		1	
27	D	12129201		OIL PUMP				*		1	
28		11843406		COVER				*		1	
29	R	SS6090650SP	SS6090670TP	SCREW 9/64-40 L=6				*		3	1.00
30		SM6061802TP		SCREW M6 L=18						2	
31		WP0651056SD		WASHER 6.5X11X1						2	
32	R	12130100	13143300	OIL GAUGE						1	1.00
33	D	12130209		RUBBER PACKING						1	
34		SM4050855SP		SCREW						1	
35		12255907		OILING EXIT SUPPORT						1	
36		NS6110310SP		NUT 11/64-40						1	
37		SQ1110451MZ		CONNECTING SCREW						1	
38	D	12129854		FLOAT ASM.						1	
39		12129904		OIL GAUGE BAR				*		1	
40		12130001		FLOAT SUPPORT				*		1	
41		12129805		FLOAT				*		1	
42		SM4060801SE		SCREW						1	
43	R	12130803	13143706	OIL FELT						1	1.00
44	R	12130704	13143607	FELT HOLDER						1	1.00
45		SS7060310SP		SCREW 3/32-56 L=3						1	
46		CQ202000000		OIL WICK						.1	

LUBRICATION MECHANISM COMPONENTS

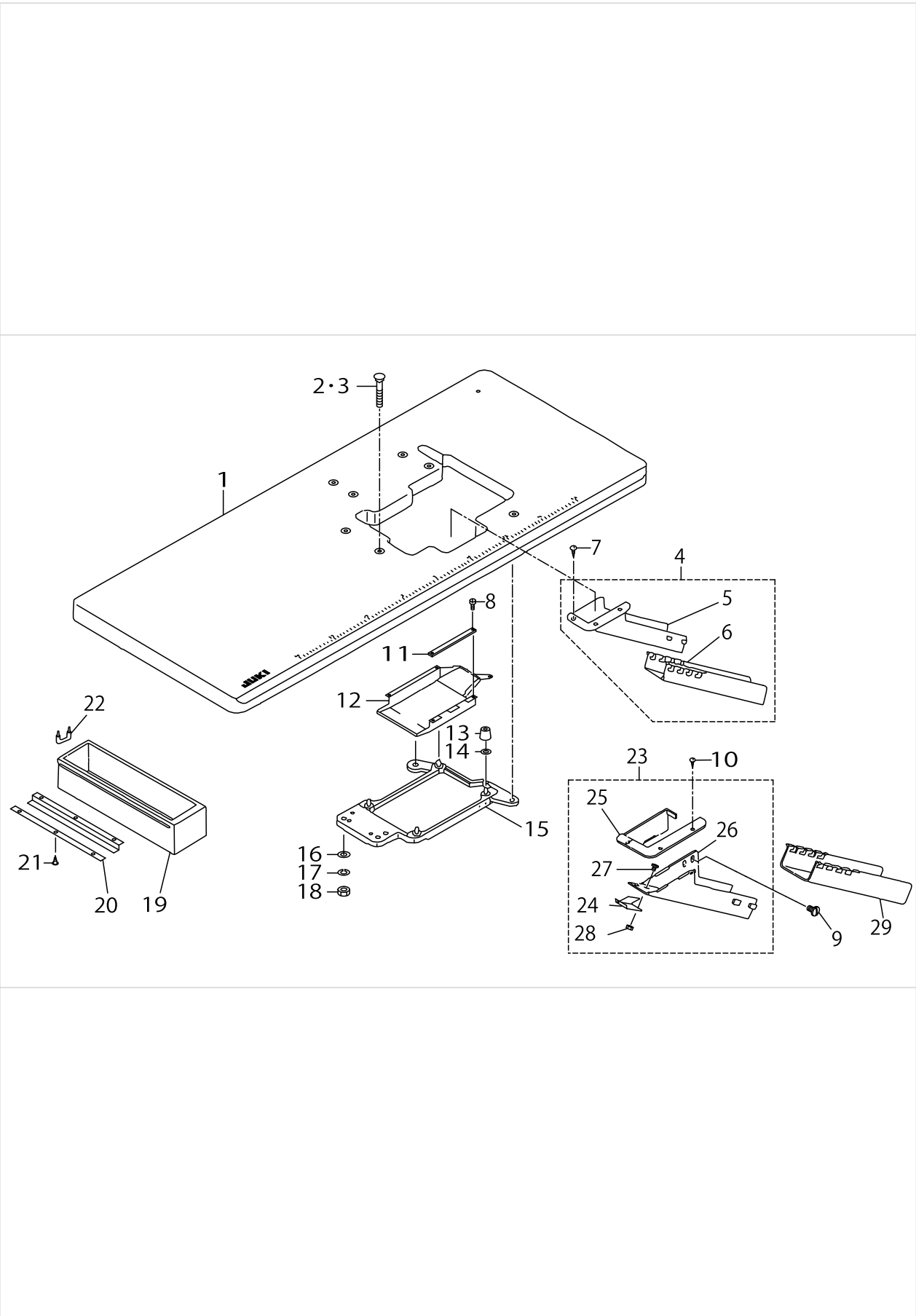


LUBRICATION MECHANISM COMPONENTS

No.	Supply Code	Parts No.	Replacement	Parts name	Remarks	Choice	Step	Level	Cons	Qty	Rep. QTY
47		SM8050402TP		SCREW						1	
48		12130308		OILING PIN						1	
49	R	12130407	13144209	OIL FELT						1	1.00
50		TA0400301M0		PLUG D=4X4.5 L=3						1	
51		12130506		OILING PIN						1	
52	R	12130605	13143508	OIL FELT						1	1.00
53		TA0400301M0		PLUG D=4X4.5 L=3						1	
54		SS6121020SP		SCREW 3/16-28 L=9.5						1	



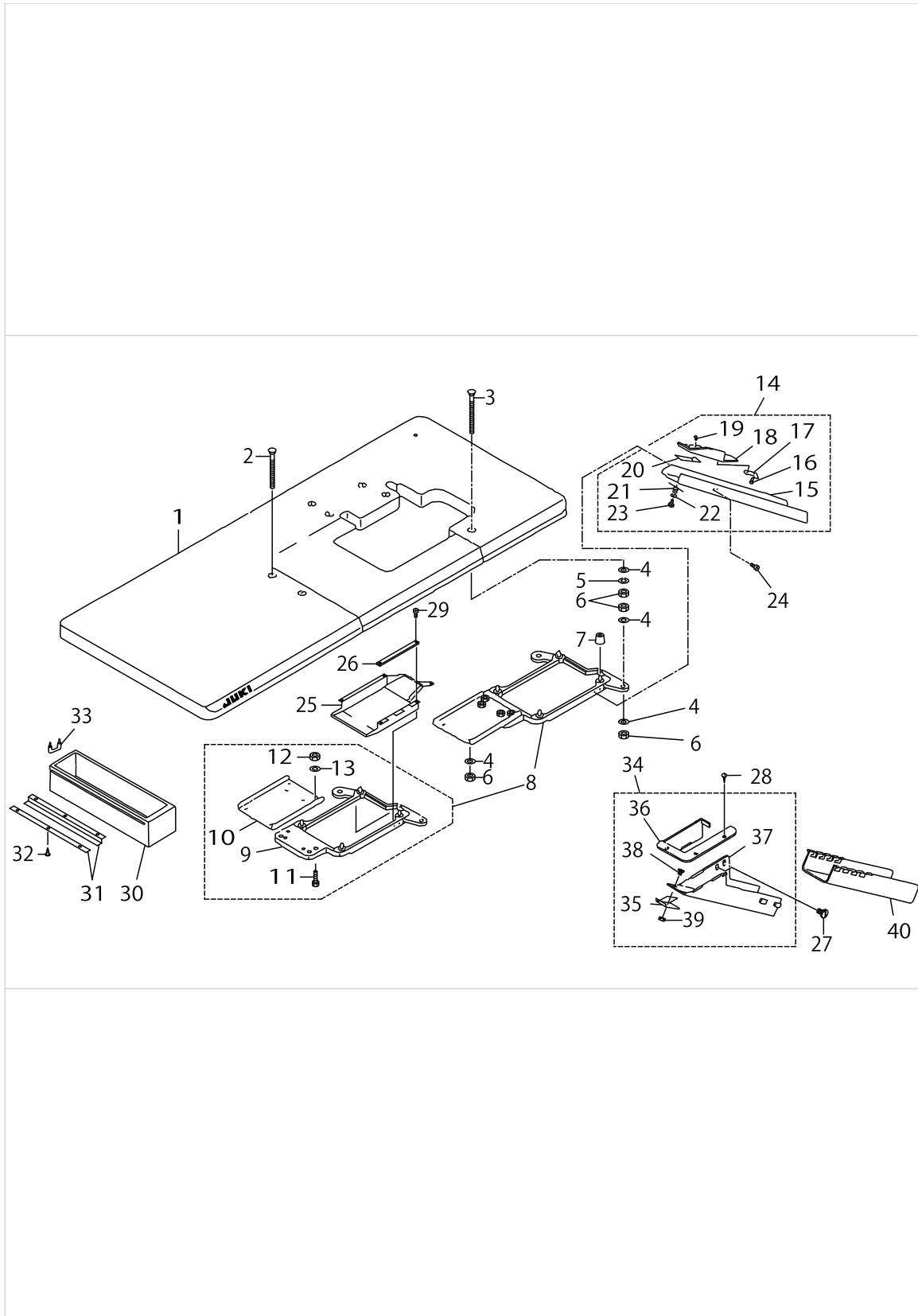
SEMI-SUNKEN TYPE TABLE COMPONENTS



SEMI-SUNKEN TYPE TABLE COMPONENTS

No.	Supply Code	Parts No.	Replacement	Parts name	Remarks	Choice	Step	Level	Cons	Qty	Rep. QTY
1		11959400		TABLE (SEMI-SUNKEN)						1	
2	R	11966702	13155007	BOLT A	FOR JAPAN					4	1.00
3	R	11571601	MAS10704000	BOLT A	FOR EXPORT					4	1.00
4		12341954		CLOTH WASTE CHUTE ASM.						1	
5		12341905		CLOTH WASTE CHUTE(SEMI-SUNKEN)				*		1	
6		12341806		CLOTH WASTE CHUTE				*		1	
7		SK2351600SC		WOOD SCREW D=3.5 L=16						3	
8	R	SS6090630SP	SS6090630TP	SCREW 9/64-40 L=6						5	1.00
9		SS5110710SP		SCREW 11/64-40 L=7	FOR JE					2	
10		SK2351600SC		WOOD SCREW D=3.5 L=16	FOR JE					3	
11	R	11850815	13161005	CASE SPONGE						1	1.00
12	R	11849411	13160908	COOLING FAN CASE						1	1.00
13	R	11571403	13155403	RUBBER CUSHION						4	1.00
14	R	11849601	13156500	SPACER						4	1.00
15	R	11849361	13161153	FRAME SUPPORT PLATE ASM.						1	1.00
16		WP1102016SC		WASHER 11X21X2						4	
17		WS1002560KR		SPRING WASHER 10X18X2.5						4	
18	R	NS6240630SN	NS6240630SE	NUT 3/8-18						4	1.00
19	R	11155108	11155157	DRAWER						1	1.00
20		11155207		DRAWER SUPPORT						2	
21	D	SK3311500SC		WOOD SCREW D=3.1 L=15						6	
22		D8204555D00		DRAWER STOPPER						1	
23	D	12135554		CLOTH WASTE CHUTE ASM.	FOR JE					1	
24	D	12135505		CLOTH WASTE CHUTE SUPPORT				*		1	
25	R	11962800	13155759	CLOTH WASTE CHUTE INLET				*		1	1.00
26	R	11962909	13155759	CLOTH WASTE CHUTE, UPPER				*		1	1.00
27		SS5090610SP		SCREW 9/64-40 L=6				*		3	
28		NS6090310SP		NUT 9/64-40				*		3	
29	R	11960002	12341806	CLOTH WASTE CHUTE,LOWER(BENCH)	FOR JE					1	1.00

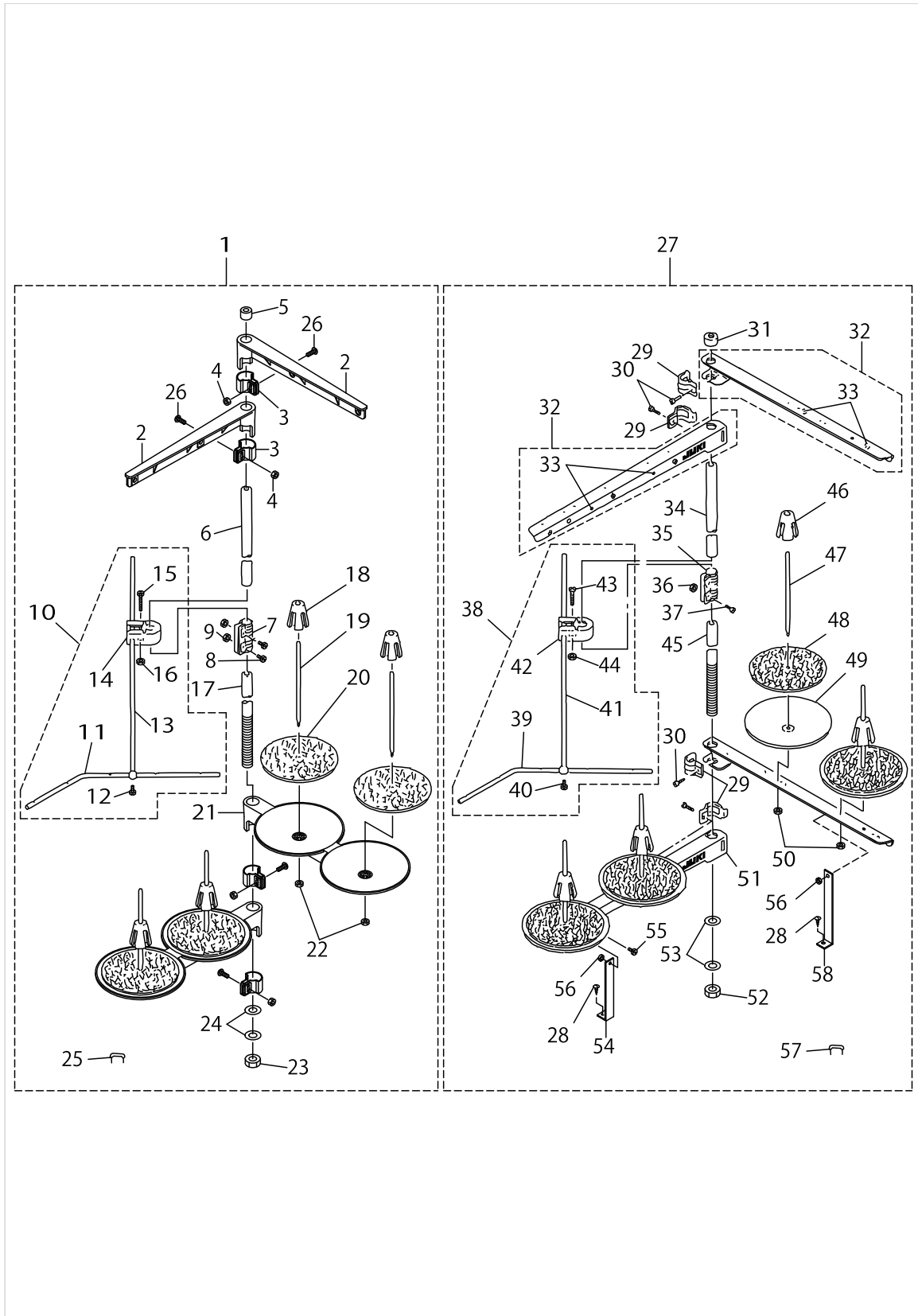
FULLY-SUNKEN TYPE TABLE COMPONENTS



FULLY-SUNKEN TYPE TABLE COMPONENTS

No.	Supply Code	Parts No.	Replacement	Parts name	Remarks	Choice	Step	Level	Cons	Qty	Rep. QTY
1		11959558		TABLE ASM.						1	
2	R	11571809	13155106	BOLT C						2	1.00
3	R	11571908	13155205	BOLT D						2	1.00
4		WP1102016SC		WASHER 11X21X2						12	
5		WS1002560KR		SPRING WASHER 10X18X2.5						4	
6	R	NS6240630SN	NS6240630SE	NUT 3/8-18						12	1.00
7	R	11571403	13155403	RUBBER CUSHION						4	1.00
8		11849379		FRAME SUPPORT PLATE ASM.						1	
9	R	11849361	13161153	FRAME SUPPORT PLATE ASM.				*		1	1.00
10	R	11850906	13155304	FRAME SUPPORT A-UXILIARY PLATE				*		1	1.00
11		SM9082513CF		SCREW M8 L=25				*		4	
12		NM6080600SM		NUT M8				*		4	
13		WP0850002SC		WASHER 8.5X18X1.6				*		4	
14	R	11960259	13155858	CLOTH CHUTE ASM.						1	1.00
15	D	11960200		CLOTH WASTE CHUTE				*		1	
16		ST60308210A		SCREW D=3-24 L=8				*		2	
17		11850401		CLOTH WASTE CHUTE INLET LEVER				*		1	
18		11960309		CLOTH WASTE CHUTE HOLE				*		1	
19		SS6090420SP		SCREW 9/64-40 L=4.0				*		2	
20		11850609		RUBBER				*		1	
21		11850500		SPRING				*		1	
22		WP0370316SD		WASHER 3.7X8X0.3				*		1	
23		ST60308210A		SCREW D=3-24 L=8				*		1	
24		SS5110710SP		SCREW 11/64-40 L=7						2	
25	R	11849411	13160908	COOLING FAN CASE						1	1.00
26	R	11850815	13161005	CASE SPONGE						1	1.00
27		SS5110710SP		SCREW 11/64-40 L=7	FOR JE					2	
28		SK2351600SC		WOOD SCREW D=3.5 L=16	FOR JE					3	
29	R	SS6090630SP	SS6090630TP	SCREW 9/64-40 L=6						5	1.00
30	R	11155108	11155157	DRAWER						1	1.00
31		11155207		DRAWER SUPPORT						2	
32	D	SK3311500SC		WOOD SCREW D=3.1 L=15						6	
33		D8204555D00		DRAWER STOPPER						1	
34	D	12135554		CLOTH WASTE CHUTE ASM.	FOR JE					1	
35	D	12135505		CLOTH WASTE CHUTE SUPPORT				*		1	
36	R	11962800	13155759	CLOTH WASTE CHUTE INLET				*		1	1.00
37	R	11962909	13155759	CLOTH WASTE CHUTE, UPPER				*		1	1.00
38		SS5090610SP		SCREW 9/64-40 L=6				*		3	
39		NS6090310SP		NUT 9/64-40				*		3	
40	R	11960002	12341806	CLOTH WASTE CHUTE, LOWER(BENCH)	FOR JE					1	1.00

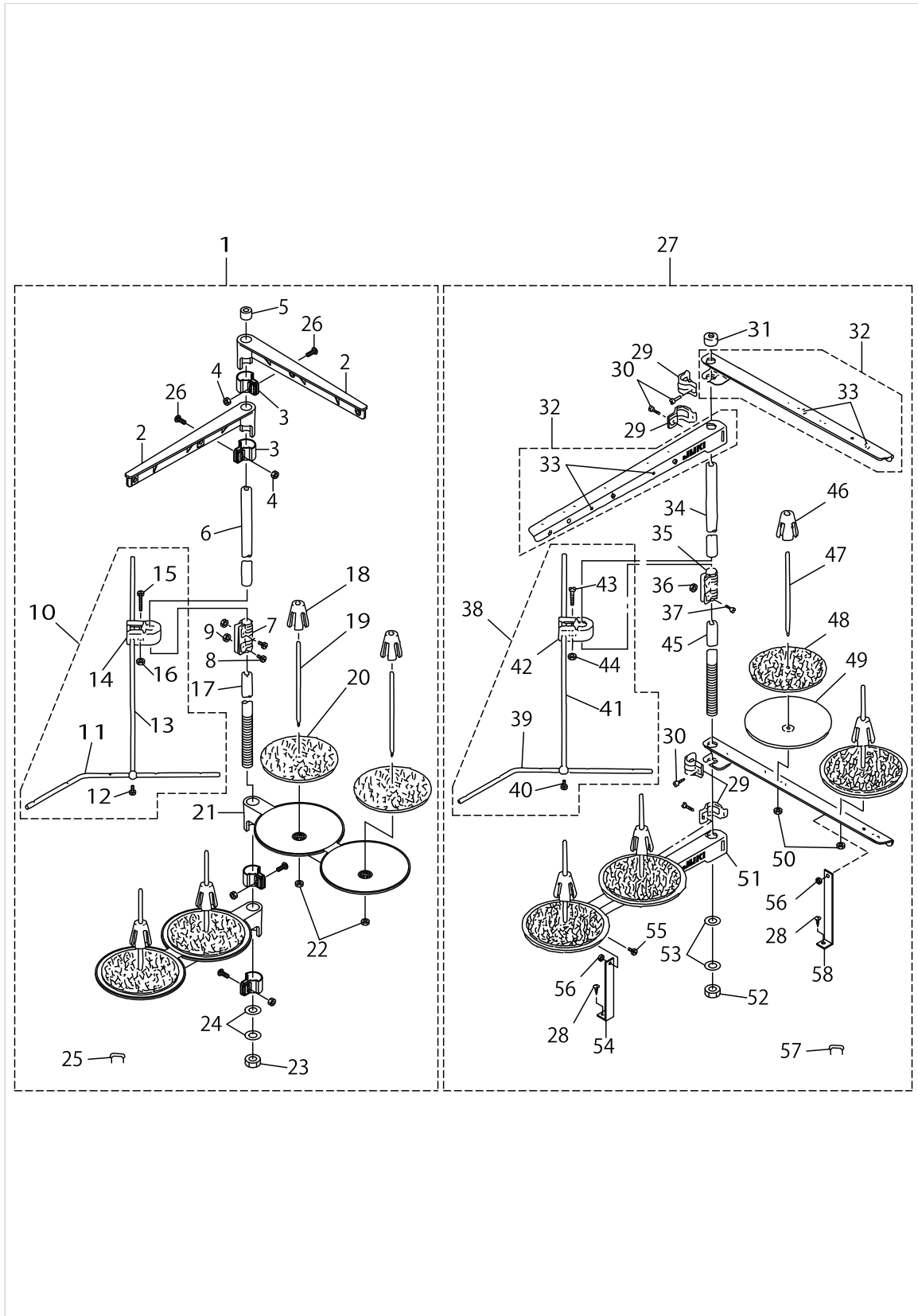
THREAD STAND COMPONENTS (FOR MO-3904,MO-3914)



THREAD STAND COMPONENTS (FOR MO-3904,MO-3914)

No.	Supply Code	Parts No.	Replacement	Parts name	Remarks	Choice	Step	Level	Cons	Qty	Rep. QTY
1	R	11969458	40106584	THREAD STANDING DEVICE ASM.						1	1.00
2	R	11185352	40096354	THREAD GUIDE ASM.				*		2	1.00
3	R	11185402	40096354	THREAD GUIDE ARM JOINT				*		4	1.00
4		NM6050001SE		NUT M5				*		4	
5	R	B3311704000	22931406	SPOOL REST ROD CAP				*		1	1.00
6	R	11185204	40096354	SPOOL REST ROD,UPPER				*		1	1.00
7	R	B3305704000A	40096354	SPOOL REST ROD JOINT				*		1	1.00
8		SM4051405SE		SCREW M5 L=14				*		2	
9		NM6050001SE		NUT M5				*		2	
10	R	B33097040A0	26910059	THREAD GUIDE ARM ASM.				*		1	1.00
11	R	B3311804000	26910059	LOWER THREAD GUIDE				*		1	1.00
12		SS7110540SP		SCREW 11/64-40 L=5				*		1	
13	R	B3309704000	26910059	THREAD GUIDE ARM				*		1	1.00
14	D	B3304704000A		THREAD GUIDE ARM HOLDER				*		1	
15	D	SM6053000SE		SCREW M5X0.8 L=30				*		1	
16		NM6050001SE		NUT M5				*		1	
17	R	11185105	40096354	SPOOL REST ROD,LOWER				*		1	1.00
18	D	11185501		SPOOL RETAINER				*		4	
19	R	B3320704L00A	40085790	SPOOL PIN				*		4	1.00
20	D	B3311012000		SPOOL REST CUSHION				*		4	
21	D	11185006		SPOOL REST ARM				*		2	
22		NM6050001SE		NUT M5				*		4	
23	R	B3317704000	NM6160511SE	NUT				*		1	1.00
24		WP1612616SE		WASHER 16X30X2.6				*		2	
25		MAO11532000		CORD STAPLE				*		3	
26		SM4051405SE		SCREW M5 L=14				*		4	
27	R	11969953	40106587	THREAD STANDING DEVICE ASM.	SPECIAL ORDER PART FOR LARGE SPOOL THREAD STAND (FOR JE)					1	1.00
28		SK3382001SE		SCREW D=3.8 L=20				*		2	
29		B3318704L00A		THREAD GUIDE ARM JOINT				*		4	
30		SM6061610SC		SCREW M6 L=16				*		4	
31	R	B3311704000	22931406	SPOOL REST ROD CAP				*		1	1.00
32	R	11969573	13168851	SPOOL REST ARM A ASM.				*		2	1.00
33	R	B3319704L00	22931208	THREAD GUIDE				*		4	1.00
34	R	11185204	40096354	SPOOL REST ROD,UPPER				*		1	1.00
35	R	B3305704000A	40096354	SPOOL REST ROD JOINT				*		1	1.00
36		NM6050001SE		NUT M5				*		2	
37		SM4051405SE		SCREW M5 L=14				*		2	
38	R	B33097040A0	26910059	THREAD GUIDE ARM ASM.				*		2	1.00
39	R	B3311804000	26910059	LOWER THREAD GUIDE				*		1	1.00
40		SS7110540SP		SCREW 11/64-40 L=5				*		1	
41	R	B3309704000	26910059	THREAD GUIDE ARM				*		1	1.00
42	D	B3304704000A		THREAD GUIDE ARM HOLDER				*		1	
43	D	SM6053000SE		SCREW M5X0.8 L=30				*		1	

THREAD STAND COMPONENTS (FOR MO-3904,MO-3914)

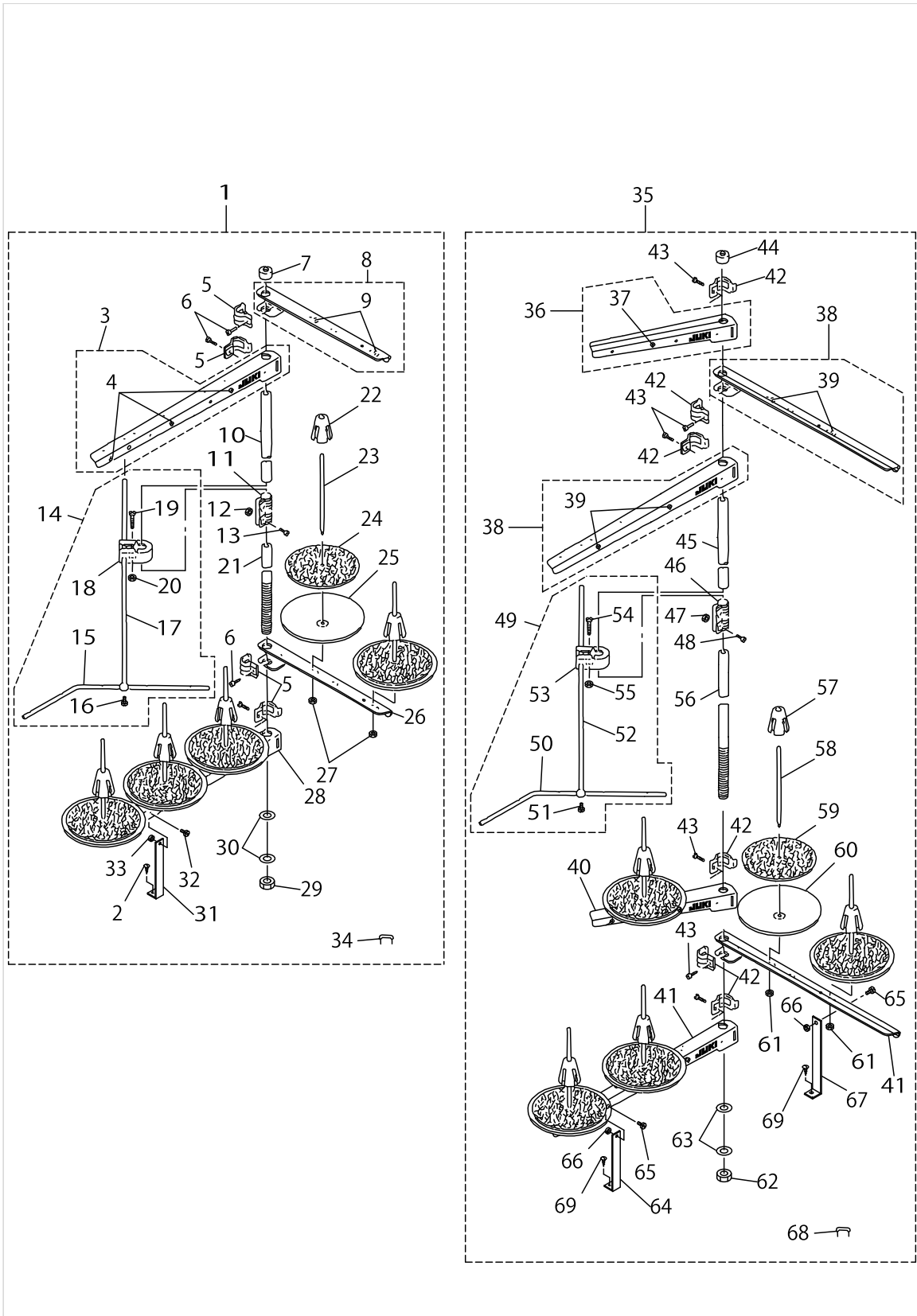


THREAD STAND COMPONENTS (FOR MO-3904,MO-3914)

No.	Supply Code	Parts No.	Replacement	Parts name	Remarks	Choice	Step	Level	Cons	Qty	Rep. QTY
44		NM6050001SE		NUT M5				*		2	
45	R	11185105	40096354	SPOOL REST ROD,LOWER				*		1	1.00
46	D	11185501		SPOOL RETAINER				*		4	
47	R	B3320704L00A	40085790	SPOOL PIN				*		4	1.00
48	D	B3311012000		SPOOL REST CUSHION				*		4	
49	R	11966504	22930804	SPOOL REST				*		4	1.00
50		NM6050001SE		NUT M5				*		4	
51	R	11969508	13168802	SPOOL REST ARM A				*		2	1.00
52	R	B3317704000	NM6160511SE	NUT				*		1	1.00
53		WP1612616SE		WASHER 16X30X2.6				*		2	
54		B3321704L00		SPOOL REST ARM SUPPORT, A				*		1	
55		SM4061201SE		SCREW M6 L=12				*		2	
56		NM6060001SE		NUT M6				*		2	
57		MAO11532000		CORD STAPLE				*		3	
58	D	B3321704LOB		SPOOL REST ARM SUPPORT, B				*		1	



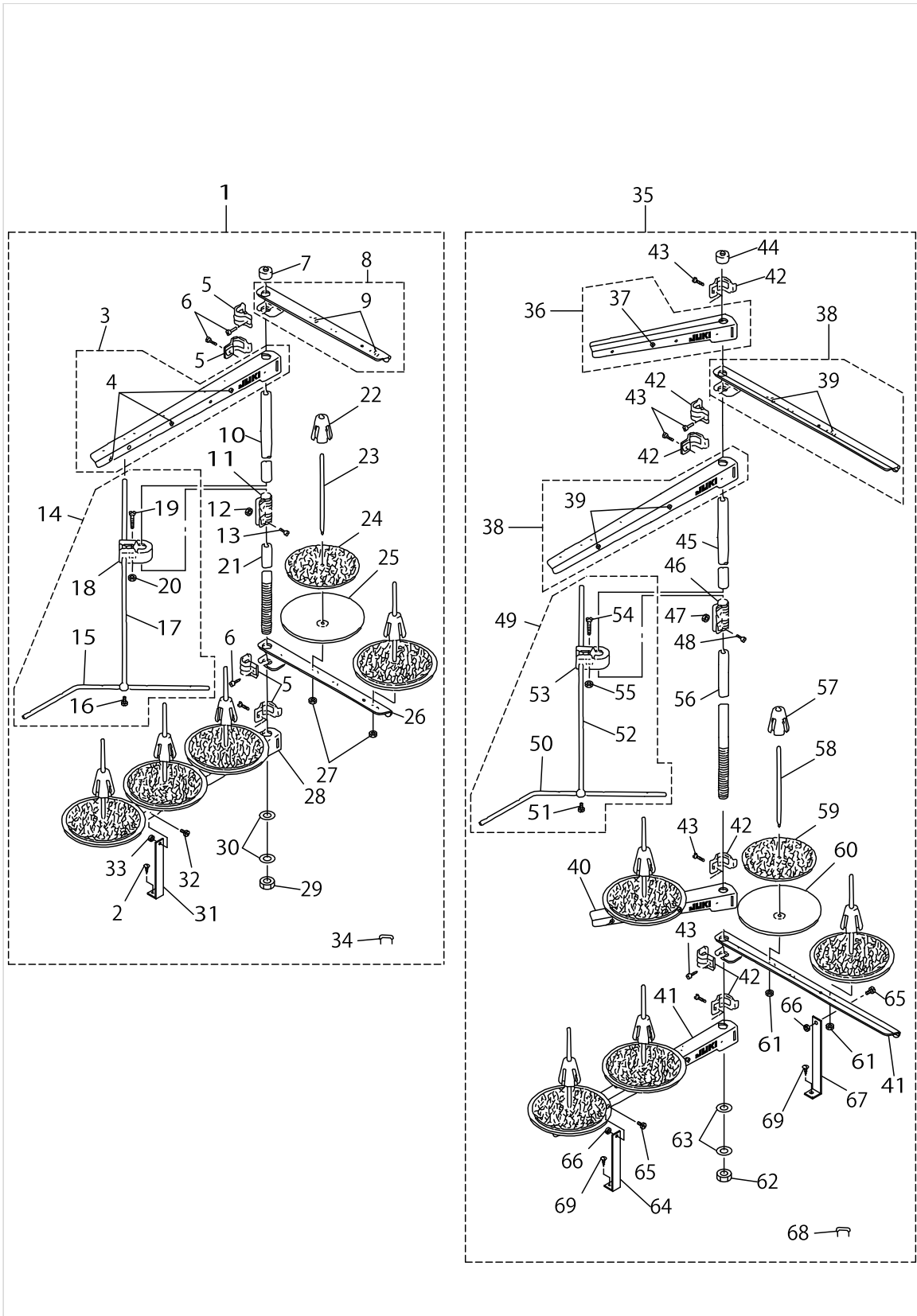
THREAD STAND COMPONENTS (FOR MO-3916)



THREAD STAND COMPONENTS (FOR MO-3916)

No.	Supply Code	Parts No.	Replacement	Parts name	Remarks	Choice	Step	Level	Cons	Qty	Rep. QTY
1	R	11969557	40106585	THREAD STANDING DEVICE ASM.						1	1.00
2		SK3382001SE		SCREW D=3.8 L=20				*		1	
3	D	11969565		SPOOL REST ARM A ASM.				*		1	
4	R	B3319704L00	22931208	THREAD GUIDE				*		3	1.00
5		B3318704L00A		THREAD GUIDE ARM JOINT				*		4	
6		SM6061610SC		SCREW M6 L=16				*		4	
7	R	B3311704000	22931406	SPOOL REST ROD CAP				*		1	1.00
8	D	11969466		THREAD GUIDE ARM B ASM.				*		1	
9	R	B3319704L00	22931208	THREAD GUIDE				*		2	1.00
10	R	11185204	40096354	SPOOL REST ROD,UPPER				*		1	1.00
11	R	B3305704000A	40096354	SPOOL REST ROD JOINT				*		1	1.00
12		NM6050001SE		NUT M5				*		2	
13		SM4051405SE		SCREW M5 L=14				*		2	
14	R	B33097040A0	26910059	THREAD GUIDE ARM ASM.				*		1	1.00
15	R	B3311804000	26910059	LOWER THREAD GUIDE				*		1	1.00
16		SS7110540SP		SCREW 11/64-40 L=5				*		1	
17	R	B3309704000	26910059	THREAD GUIDE ARM				*		1	1.00
18	D	B3304704000A		THREAD GUIDE ARM HOLDER				*		1	
19	D	SM6053000SE		SCREW M5X0.8 L=30				*		1	
20		NM6050001SE		NUT M5				*		1	
21	R	11185105	40096354	SPOOL REST ROD,LOWER				*		1	1.00
22	D	11185501		SPOOL RETAINER				*		5	
23	R	B3320704L00A	40085790	SPOOL PIN				*		5	1.00
24	D	B3311012000		SPOOL REST CUSHION				*		5	
25	R	11966504	22930804	SPOOL REST				*		5	1.00
26	D	11969409		THREADGUIDEARM B				*		1	
27		NM6050001SE		NUT M5				*		5	
28	R	11969508	13168802	SPOOL REST ARM A				*		1	1.00
29	R	B3317704000	NM6160511SE	NUT				*		1	1.00
30		WP1612616SE		WASHER 16X30X2.6				*		2	
31		B3321704L00		SPOOL REST ARM SUPPORT, A				*		1	
32		SM4061201SE		SCREW M6 L=12				*		1	
33		NM6060001SE		NUT M6				*		1	
34		MAO11532000		CORD STAPLE				*		3	
35	R	11970050	40106588	THREAD STANDING DEVICE ASM.	SPECIAL ORDER PART FOR LARGE SPOOL THREAD STAND (FOR JE)					1	1.00
36	R	11969474	11969466	THREAD GUIDE ARM B ASM.				*		1	1.00
37	R	B3319704L00	22931208	THREAD GUIDE				*		1	1.00
38	R	11969573	13168851	SPOOL REST ARM A ASM.				*		2	1.00
39	R	B3319704L00	22931208	THREAD GUIDE				*		4	1.00
40	D	11969409		THREADGUIDEARM B				*		1	
41	R	11969508	13168802	SPOOL REST ARM A				*		2	1.00
42		B3318704L00A		THREAD GUIDE ARM JOINT				*		6	
43		SM6061610SC		SCREW M6 L=16				*		6	

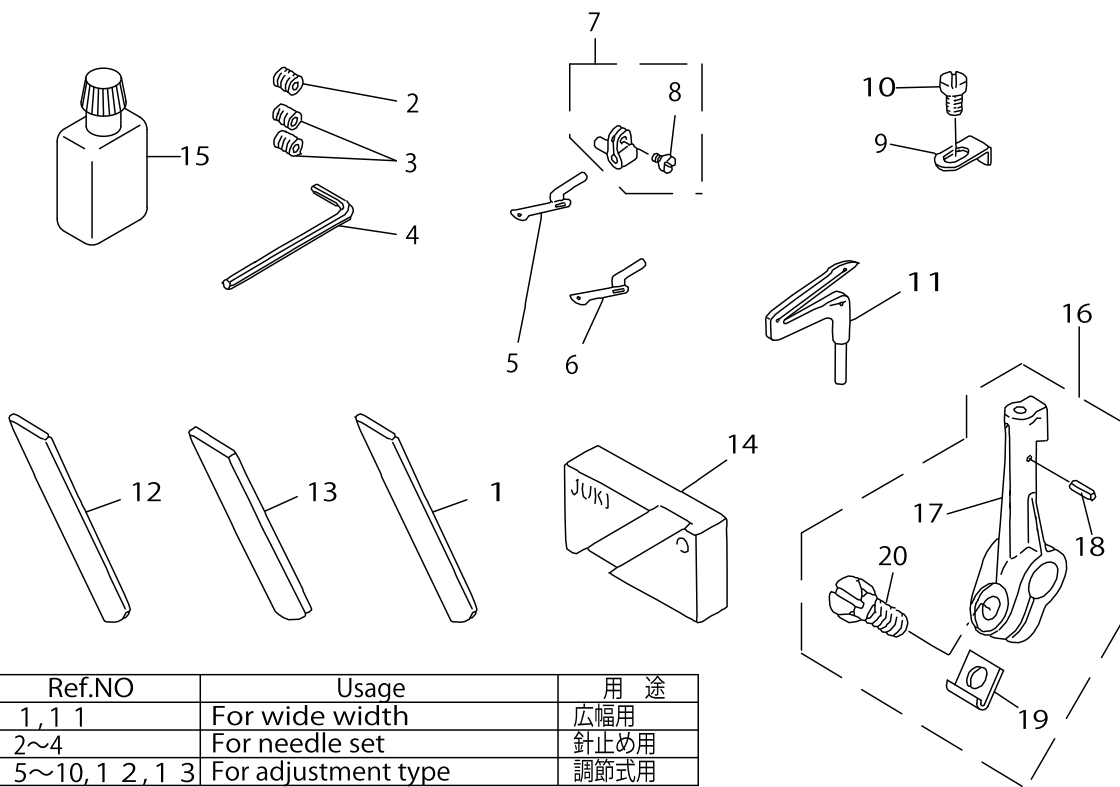
THREAD STAND COMPONENTS (FOR MO-3916)



THREAD STAND COMPONENTS (FOR MO-3916)

No.	Supply Code	Parts No.	Replacement	Parts name	Remarks	Choice	Step	Level	Cons	Qty	Rep. QTY
44	R	B3311704000	22931406	SPOOL REST ROD CAP				*		1	1.00
45	R	11185204	40096354	SPOOL REST ROD,UPPER				*		1	1.00
46	R	B3305704000A	40096354	SPOOL REST ROD JOINT				*		1	1.00
47		NM6050001SE		NUT M5				*		2	
48		SM4051405SE		SCREW M5 L=14				*		2	
49	R	B33097040A0	26910059	THREAD GUIDE ARM ASM.				*		1	1.00
50	R	B3311804000	26910059	LOWER THREAD GUIDE				*		1	1.00
51		SS7110540SP		SCREW 11/64-40 L=5				*		1	
52	R	B3309704000	26910059	THREAD GUIDE ARM				*		1	1.00
53	D	B3304704000A		THREAD GUIDE ARM HOLDER				*		1	
54	D	SM6053000SE		SCREW M5X0.8 L=30				*		1	
55		NM6050001SE		NUT M5				*		1	
56	R	11185105	40096354	SPOOL REST ROD,LOWER				*		1	1.00
57	D	11185501		SPOOL RETAINER				*		5	
58	R	B3320704L00A	40085790	SPOOL PIN				*		5	1.00
59	D	B3311012000		SPOOL REST CUSHION				*		5	
60	R	11966504	22930804	SPOOL REST				*		5	1.00
61		NM6050001SE		NUT M5				*		5	
62	R	B3317704000	NM6160511SE	NUT				*		1	1.00
63		WP1612616SE		WASHER 16X30X2.6				*		2	
64		B3321704L00		SPOOL REST ARM SUPPORT, A				*		1	
65		SM4061201SE		SCREW M6 L=12				*		2	
66		NM6060001SE		NUT M6				*		2	
67	D	B3321704LOB		SPOOL REST ARM SUPPORT, B				*		1	
68		MAO11532000		CORD STAPLE				*		3	
69		SK3382001SE		SCREW D=3.8 L=20				*		2	

SPECIAL ORDER PARTS COMPONENTS



SPECIAL ORDER PARTS COMPONENTS

No.	Supply Code	Parts No.	Replacement	Parts name	Remarks	Choice	Step	Level	Cons	Qty	Rep. QTY
1		11964509		CERAMIC LOWER KNIFE						1	
2		SS8080322TP		SCREW 1/8-44 L=3.2	FOR MO-3904					1	
3		SS8080322TP		SCREW 1/8-44 L=3.2	FOR MO-3-914,MO-3916					2	
4		B9112804000		SPANNER						1	
5		B2519804000		UPPER LOOPER	FOR MO-3-904,MO-3916					1	
6		B2519814000		UPPER LOOPER	FOR MO-3914					1	
7		11544756		UPPER LOOPER SUPPORT ARM ASM.						1	
8		SS6080410SP		SCREW 1/8-44 L=4				*		1	
9		11898103		PRESSER FOOT AUXILIARY PLATE	FOR MO-3-904,MO-3914					1	
10		SS4080620TP		SCREW 1/8-44 L=6	FOR MO-3-904,MO-3914					1	
11		B2521804000		LOWER LOOPER						1	
12		11847605		LOWER KNIFE						1	
13		11992005		LOWER KNIFE						1	
14		11996907		LOWER KNIFE GAUGE						1	
15		B91351230B0		SILICON OIL LUBRICANT ASM. (30						1	
16		12123758		LOWER LOOPER SUPPORT ARM ASM.						1	
17		12123709		LOWER LOOPER SUPPORT ARM				*		1	
18		PS0300062KH		SPRING PIN 3X6				*		1	
19	R	B2531704000	13129309	WASHER				*		1	1.00
20		SS9151210TP		SCREW 15/64-28 L=11.8				*		1	

LIST FOR INFORMATION OF CHANGE

As to the place changed, refer to the corresponding Rev.No.  
 When previous parts(Obsoleted part)and new parts(Added parts)are not interchangeable with each other:  
 In this case,even obsoleted parts(D.)can be ordered with the obsoleted part number,so select the parts with changed dates and place your orders.

変更箇所は,該当Rev.No.版をご参照ください。  
 部品の互換性がない変更の場合は,削除された品番でも,ご注文できます。

29128402  
 No.0845-Q7・Rev.No.

\*A:Added parts追加部品/D:Obsoleted parts削除部品/E:Erratum訂正

* Rev. No.	Page 頁	Ref. No.	Parts No. 品番	* Rev. No.	Page 頁	Ref. No.	Parts No. 品番	
				A	07	8	61	122-56004

## HOW TO MAKE USE OF THIS PARTS LIST

### 1.Explanation of codes

1)"\*"mark.....means this part is changed from the previous parts book.

As to the details of the change, refer to the "List for information of change".

2)"#01".....refer to "Note" explanation at bottom of page.

### 2.Codes on the "Qty" column

• Each numeral indicates the number of parts required.

• "0.1" and "2.5" indicate the length (in meters) of the respective parts.

3.Parentheses mean that the corresponding part is a subpart that constructs an assembly part.

4.Dotted lines on the Figures indicate assembly parts.

### 1."注記"欄の記号説明

1) "\*"印.....前回のパーツブックに比較して今回変更された部品を意味します。

変更内容は、"変更情報リスト"を参照してください。

2) "#01".....ページ下の"注記"の説明を参照してください。

2.数量欄の数字は、個数を表し、0.1、2.5等の数値は、長さ（単位メートル）を表します。

3.数量欄の（ ）は、組部品を構成している子部品であることを意味します。

4.イラストページの-----枠は、組構成であることを意味します。



# NUMERICAL INDEX OF PARTS

PART NO	PAGE	REF NO.	PART NO	PAGE	REF NO.	PART NO	PAGE	REF NO.
10004109	6	13	11571908	58	3	11831757	24	21
10126803	52	9	11598000	48	21	11831807	26	40
11155108	56	19	11802006	46	36	11831906	26	39
11155108	58	30	11802204	2	16	11833100	26	53
11155207	56	20	11802402	2	17	11833308	24	19
11155207	58	31	11803004	2	43	11833407	26	47
11185006	60	21	11804309	2	31	11833506	26	35
11185105	60	45	11805207	6	28	11833704	24	16
11185105	62	45	11806304	44	16	11840303	52	25
11185105	64	56	11811619	12	46	11840402	52	26
11185105	66	56	11819109	34	37	11841806	52	24
11185204	60	34	11819208	34	38	11843208	52	1
11185204	64	45	11819315	34	36	11843406	52	28
11185204	66	45	11819414	34	26	11845500	48	28
11185352	60	2	11819703	34	29	11845609	48	15
11185402	60	3	11820701	36	64	11845708	48	18
11185501	60	46	11820701	38	64	11845807	48	22
11185501	62	46	11823804	14	11	11845906	48	29
11185501	64	57	11823804	18	12	11846003	46	39
11185501	66	57	11823804	48	1	11846607	44	18
11500808	6	2	11824018	18	4	11846805	46	37
11501301	2	9	11824067	18	1	11847100	46	41
11503703	6	36	11824109	18	8	11847605	68	12
11503810	6	44	11824505	20	1	11847902	46	38
11503885	6	41	11824653	20	5	11848405	48	26
11503919	6	40	11824703	22	47	11849361	56	15
11510609	10	40	11825304	20	29	11849361	58	9
11517000	24	22	11825858	22	70	11849379	58	8
11529005	22	71	11825908	22	57	11849411	56	12
11529914	20	7	11826005	22	64	11849411	58	25
11530110	18	2	11826104	22	56	11849601	56	14
11539012	30	15	11826203	22	66	11850401	58	17
11539061	30	14	11826310	20	26	11850500	58	21
11544756	68	7	11826401	20	30	11850609	58	20
11550308	40	13	11827607	20	45	11850815	56	11
11550803	40	12	11827904	22	49	11850815	58	26
11550852	40	6	11828050	20	9	11850906	58	10
11565504	48	25	11828308	22	51	11855905	50	3
11565702	48	23	11828514	20	32	11855954	50	1
11565801	48	10	11828563	20	28	11855970	50	2
11566809	48	11	11828605	20	35	11856002	50	16
11571403	56	13	11828704	18	39	11856051	50	14
11571403	58	7	11829751	30	3	11856077	50	15
11571601	56	2-3	11829801	30	19	11856101	50	17
11571809	58	2	11831708	24	23	11856200	50	18

# NUMERICAL INDEX OF PARTS

PART NO	PAGE	REF NO.	PART NO	PAGE	REF NO.	PART NO	PAGE	REF NO.
11856309	50	20	11969557	64	1	12105201	8	48
11856408	50	23	11969565	64	3	12105359	2	1
11856507	50	24	11969573	60	32	12105458	2	7
11872009	36	51	11969573	64	38	12107108	10	10
11872009	38	51	11969953	60	27	12107611	12	47
11876166	36	4	11970050	64	35	12107702	10	43
11876869	38	50	11991502	22	69	12107900	10	33
11882107	20	11	11991809	26	41	12108007	10	8
11882800	20	13	11992005	68	13	12108106	10	25
11887106	20	15	11996907	68	14	12108213	10	1
11887403	20	16	11999208	26	34	12108304	10	4
11888104	26	33	11999307	26	57	12108403	10	5
11890001	26	55	12015301	46	46	12109104	10	16
11890100	46	42	12015400	46	47	12109153	10	15
11890308	46	45	12100301	6	20	12109211	14	13
11898103	68	9	12100418	6	1	12109260	14	12
11948601	18	6	12100517	6	18	12109302	14	5
11949005	2	14	12100608	6	3	12109500	14	8
11949104	2	15	12100806	6	5	12109617	14	2
11949807	20	12	12101200	2	45	12109666	14	1
11949906	20	22	12101309	2	42	12109906	14	20
11951100	2	30	12101408	4	51	12109955	14	18
11956505	10	37	12101515	2	39	12110227	14	23
11959400	56	1	12101655	2	23	12110607	14	39
11959558	58	1	12101804	6	15	12110706	16	43
11960002	56	29	12101903	6	10	12110805	14	41
11960002	58	40	12101952	6	7	12110904	14	40
11960200	58	15	12102000	6	33	12111209	14	27
11960259	58	14	12102109	6	35	12111308	14	29
11960309	58	18	12102208	44	20	12111407	14	30
11962800	56	25	12102307	2	33	12111506	16	44
11962800	58	36	12102406	2	34	12111605	16	46
11962909	56	26	12102661	6	24	12111704	16	47
11962909	58	37	12102752	2	2	12111803	14	31
11964509	68	1	12102810	44	27	12111902	14	33
11966504	62	49	12102950	44	35	12112009	14	34
11966504	64	60	12103107	44	33	12112108	14	35
11966504	66	60	12103206	4	50	12112207	16	52
11966702	56	2-3	12103305	2	20	12112306	16	53
11969409	64	40	12103404	4	47	12113205	34	23
11969458	60	1	12103511	4	54	12113304	34	24
11969466	64	8	12103602	44	23	12113403	34	33
11969474	64	36	12103701	44	22	12113502	34	30
11969508	62	51	12104550	2	8	12114302	34	19
11969508	64	41	12104907	8	47	12114468	34	20

## NUMERICAL INDEX OF PARTS

PART NO	PAGE	REF NO.	PART NO	PAGE	REF NO.	PART NO	PAGE	REF NO.
12114716	34	11	12121307	40	26	12127064	42	50
12114807	34	13	12121513	30	28	12127403	42	59
12114906	34	17	12121554	30	27	12127502	42	60
12115002	34	2	12121612	30	21	12127601	42	61
12115069	34	1	12122008	30	23	12127700	42	62
12115119	34	3	12122362	10	21	12127809	42	63
12115200	34	4	12122404	24	5	12127957	42	64
12115309	34	8	12122511	24	4	12128203	42	66
12115408	38	47	12122610	24	1	12128302	42	67
12115903	34	12	12122701	26	27	12129102	52	16
12116117	18	29	12122750	26	26	12129201	52	27
12116174	18	22	12122800	26	30	12129250	52	17
12116216	18	32	12122859	26	29	12129318	52	21
12116307	18	31	12122909	24	14	12129458	52	15
12116406	18	34	12123006	24	8	12129706	52	2
12116505	18	38	12123063	24	7	12129805	52	41
12116703	18	37	12123105	24	12	12129854	52	38
12117107	18	36	12123162	24	11	12129904	52	39
12117206	18	13	12123212	24	13	12130001	52	40
12117305	18	20	12123360	10	28	12130100	52	32
12117412	20	20	12123410	28	67	12130209	52	33
12117461	20	18	12123501	26	62	12130308	54	48
12117511	20	19	12123550	26	61	12130407	54	49
12118501	18	43	12123667	26	49	12130506	54	51
12118600	18	40	12123709	68	17	12130605	54	52
12118709	22	67	12123758	68	16	12130704	52	44
12118808	18	23	12123808	26	45	12130803	52	43
12118907	18	21	12123907	26	43	12132106	10	12
12119400	20	44	12124004	26	36	12132155	10	11
12119509	22	48	12124103	26	59	12132213	48	3
12119608	20	40	12124400	10	27	12132262	48	2
12119756	20	38	12124509	10	9	12132304	48	8
12119806	20	39	12124608	28	71	12132403	48	12
12119905	20	41	12126108	42	75	12132502	48	5
12120002	20	42	12126207	40	31	12132619	44	19
12120150	10	34	12126405	40	40·49·58	12132700	44	24
12120416	30	10	12126405	42	40·49·58	12132809	44	30
12120465	30	9	12126504	42	65	12132908	44	28
12120507	30	13	12126702	40	36·45·54	12133005	44	31
12120705	30	25	12126702	42	36·45·54	12133104	44	26
12120804	40	17	12126819	40	33·42·51	12133211	44	15
12120903	40	14	12126868	40	41	12133302	48	14
12121000	40	16	12126918	40	33·42·51	12133401	48	19
12121109	40	18	12126967	40	32	12133658	44	13·14
12121208	40	24	12127015	42	33·42·51	12133666	44	13·14

NUMERICAL INDEX OF PARTS

PART NO	PAGE	REF NO.	PART NO	PAGE	REF NO.	PART NO	PAGE	REF NO.
12133708	44	32	12258604	32	32~36	B1624704000	20	8
12135505	56	24	12258703	32	37~41	B1646704000A	22	63
12135505	58	35	12258802	32	37~41	B1647704000A	22	62
12135554	56	23	12258901	32	37~41	B1652704000	18	42
12135554	58	34	12259008	32	37~41	B165780400T	20	21
12138152	50	29	12259107	32	37~41	B2017372000	40	9
12138301	50	30	12280103	10	45	B2102816000A	30	6
12138400	50	28	12280608	14	38	B2103816000B	30	1
12147203	2	36	12288700	34	14	B2105816000	30	4
12147807	2	37	12288908	44	11	B2107816000	18	10
12148607	16	58	12341806	56	6	B2111716000	30	12
12148706	16	59	12341905	56	5	B2119816B00	30	8
12149803	16	60	12341954	56	4	B2202816000	40	22
12152468	36	19	12347555	40	21	B2314019000	40	7
12153763	36	34	12372108	14	24	B2401816000	40	3
12156907	36	35	12372157	14	22	B2402716000	40	4
12160008	36	30	B1140716000	4	53	B2508704000	28	66
12162202	36	41	B1211804000	10	39	B251570400B	24	17
12164802	36	37	B1212704000	10	19	B2519804000	68	5
12167409	36	40	B1215804000	10	6	B2519814000	68	6
12167508	36	45	B1414555000	20	34	B2521804000	68	11
12167607	36	42	B1507804C00	36	12	B2525352000	30	24
12167706	38	46	B150781400P	36	58	B2530704000	26	51
12167805	36	38	B150781400P	38	58	B2531704000	26	64
12172805	20	23	B150880400B	36	60	B2531704000	30	30
12176004	26	32	B150880400B	38	60	B2531704000	68	19
12177903	46	49	B1509804C00	36	15	B3013141H0A	6	32
12180162	40	29	B150981400P	38	61	B3101804000	40	35·44·53
12180261	40	30	B1510814000	36	63	B3103804000	42	35·44·53
12180659	42	76	B1510814000	38	63	B3112704000	40	34·43·52
12250205	6	19	B1511814000	36	57	B3112704000	42	34·43·52
12250510	2	25	B1511814000	38	57	B3113352000	40	2
12250601	2	29	B1513816000	36	39	B3120125000	40	8
12252805	14	6	B1514816000	36	43	B3120352000	40	39·48·57
12252904	14	21	B1528804000A	36	2	B3120352000	42	39·48·57
12253308	16	54	B1529804000	34	32	B3120704000	40	37·46·55
12253811	36	1	B1530804000	36	53	B3120704000	42	37·46·55
12255907	52	35	B1530804000	38	53	B3126012000	40	38·47·56
12256004	16	61	B1534804000	34	22	B3126012000	42	38·47·56
12256103	52	22	B1539804000	38	48	B3304704000A	60	42
12258000	6	21	B1604704000	18	27	B3304704000A	64	53
12258208	30	32~36	B1606704000	18	35	B3304704000A	66	53
12258307	30	32~36	B1611804000A	18	16	B3305704000A	60	35
12258406	30	32~36	B16118040A0A	18	15	B3305704000A	64	46
12258505	32	32~36	B1620804000	18	9	B3305704000A	66	46

# NUMERICAL INDEX OF PARTS

PART NO	PAGE	REF NO.	PART NO	PAGE	REF NO.	PART NO	PAGE	REF NO.
B3309704000	60	41	CQ202000000	52	46	R4200J0ED00	44	3
B3309704000	64	52	CQ252000000	14	19	R4200J0EDA0	44	2
B3309704000	66	52	CS0400671SD	2	11	R4305J0EE00	44	6
B33097040A0	60	38	CS095081ASH	18	18	R4305J0EEA0	44	5
B33097040A0	64	49	CS1031210SH	24	68	R4508J0ED00	44	9
B33097040A0	66	49	CS1031210SH	28	68	R4508J0EDA0	44	8
B3311012000	60	48	CS111101ESH	48	6	RE0300000K0	22	55
B3311012000	62	48	CS1201010SH	14	9	RE0500000K0	20	25
B3311012000	64	59	D8204555D00	56	22	RO037180100	26	42
B3311012000	66	59	D8204555D00	58	33	RO060150100	22	68
B3311704000	60	31	MAO11532000	60	57	RO074240100	6	42
B3311704000	64	44	MAO11532000	62	57	RO078190100	6	6
B3311704000	66	44	MAO11532000	64	68	RO078190100	20	4
B3311804000	60	39	MAO11532000	66	68	RO108240100	14	25
B3311804000	64	50	MC033600750	14	57	RO110090100	34	18
B3311804000	66	50	MC033600750	16	57	RO218240100	52	3
B3317704000	60	52	MDC270B1100	16	51	RO347350100	10	42
B3317704000	62	52	NM6050001SE	60	50	RO480120100	22	50
B3317704000	64	62	NM6050001SE	62	50	SB110000300	10	7
B3317704000	66	62	NM6050001SE	64	61	SD0260271SP	18	26
B3318704L00A	60	29	NM6050001SE	66	61	SD0280401SL	16	42
B3318704L00A	64	42	NM6060001SE	62	56	SD0600341TP	40	19
B3319704L00	60	33	NM6060001SE	64	66	SD0640241SP	34	6
B3319704L00	64	39	NM6060001SE	66	66	SD0720271SP	20	27
B3320704L00A	60	47	NM6060003SC	34	28	SD0720332SP	30	18
B3320704L00A	62	47	NM6080600SM	58	12	SD0720803TH	30	7
B3320704L00A	64	58	NS6090310SN	2	40	SK2351600SC	56	10
B3320704L00A	66	58	NS6090310SP	42	70	SK2351600SC	58	28
B3321704L00	62	54	NS6090310SP	56	28	SK3311500SC	56	21
B3321704L00	64	64	NS6090310SP	58	39	SK3311500SC	58	32
B3321704L00	66	64	NS6110310SP	52	36	SK3382001SE	60	28
B3321704L0B	62	58	NS6110420SP	2	18	SK3382001SE	64	69
B3321704L0B	66	67	NS6110420SP	34	39	SK3382001SE	66	69
B9112804000	68	4	NS6240630SN	56	18	SK3412000SC	8	49
B91351230B0	68	15	NS6240630SN	58	6	SL4051231SC	22	59
BT0500300EA	52	11	NS6620320SP	18	5	SM0081001SD	6	43
BT0500300EG	52	8	NS6680410SP	6	39	SM1040801SC	2	26
BT0600402EA	16	55	PS0200052KH	40	20	SM1040801SC	6	23
BT0700500EA	50	19	PS0250062KH	30	31	SM4040601SC	6	25
CM300200001	4	55	PS0300062KH	26	63	SM4040655SP	4	48
CM3002000A1	6	8	PS0300062KH	68	18	SM4040655SP	26	46
CM300200101	6	11-12	PS0300132KH	8	50	SM4040855SP	2	32
CM3002001A1	6	11-12	PS0300132KH	18	28	SM4040855SP	6	22
CQ200000000	26	25	PS0300132KH	42	73	SM4040855SP	10	3
CQ202000000	24	24	PS0300142KH	34	7	SM4040855SP	14	36

NUMERICAL INDEX OF PARTS

PART NO	PAGE	REF NO.	PART NO	PAGE	REF NO.	PART NO	PAGE	REF NO.
SM4040855SP	20	2	SS2090830SL	42	69	SS6090630SP	26	52
SM4040855SP	50	27	SS2110910SL	44	1	SS6090630SP	56	8
SM4041055SP	4	46	SS3090610SP	2	41	SS6090630SP	58	29
SM4041055SP	22	53	SS3090610SP	26	48	SS6090630TP	28	70
SM4041401SC	18	44	SS4060310SP	48	24	SS6090650SP	36	52
SM4041455SN	42	72	SS4080610SP	20	17	SS6090650SP	38	52
SM4050855SP	10	44	SS4080610SP	30	17	SS6090650SP	52	29
SM4050855SP	40	1	SS4080620TP	10	32	SS6090670TP	16	45
SM4050855SP	52	34	SS4080620TP	68	10	SS6090920SP	30	20
SM4051055SP	44	12	SS4090415SP	40	28	SS6110610TP	44	51
SM4051255SP	6	4	SS4090515SP	22	60	SS6110610TP	46	51
SM4051405SE	60	37	SS4090615SP	24	20	SS6110710TP	18	25
SM4051405SE	64	48	SS4091015SP	2	22	SS6110710TP	30	22
SM4051405SE	66	48	SS4091015SP	50	25	SS6110710TP	34	31
SM4051601SC	52	5	SS4110515SP	14	28	SS6111040SP	48	13
SM4060801SE	52	42	SS4110515SP	40	25	SS6111440SP	2	19
SM4061201SE	62	55	SS4110615SP	52	19	SS6111610SP	48	20
SM4061201SE	64	65	SS4110715SP	34	10	SS6121020SP	54	54
SM4061201SE	66	65	SS4120615SP	2	24	SS6121220TP	18	11
SM6051202TP	18	3	SS4121215SP	34	25	SS6151440SP	46	40
SM6051202TP	20	33	SS4151215SP	6	14	SS6661110SP	20	36
SM6051202TP	30	16	SS5080212TP	10	26	SS7060310SP	20	37
SM6053000SE	60	43	SS5090610SP	56	27	SS7060310SP	52	45
SM6053000SE	64	54	SS5090610SP	58	38	SS7060510SP	22	46
SM6053000SE	66	54	SS5110710SP	6	30	SS7060510SP	36	3
SM6061200SP	24	6	SS5110710SP	56	9	SS7060510SP	46	48
SM6061200SP	34	27	SS5110710SP	58	27	SS7060610SP	24	18
SM6061202TP	10	30	SS5150510SP	40	5	SS7060610SP	36	55
SM6061402TP	14	14	SS6060210SP	36	56	SS7060610SP	38	55
SM6061402TP	18	17	SS6060210SP	38	56	SS7080520SP	36	59
SM6061402TP	48	4	SS6060340SP	36	44	SS7080520SP	38	59
SM6061610SC	60	30	SS6060410TP	38	49	SS7090510SP	46	50
SM6061610SC	64	43	SS6060440TP	26	56	SS7090530SP	4	49
SM6061802TP	52	30	SS6060440TP	36	62	SS7090610SP	4	52
SM8040302TP	2	12	SS6060440TP	38	62	SS7090610SP	46	44
SM8040402TP	34	15	SS6080320SP	18	33	SS7090610SP	50	21
SM8040612TP	14	26	SS6080340SP	34	9	SS7090611SL	6	34
SM8050402TP	54	47	SS6080410SP	20	31	SS7090620TP	20	43
SM9082513CF	58	11	SS6080410SP	26	38	SS7090710SP	44	29
SQ0000451MZ	52	12	SS6080410SP	68	8	SS7090850SP	26	54
SQ1110451MZ	52	37	SS6080720SP	14	37	SS7091410SP	2	28
SQ1150441SD	52	13	SS6090420SP	58	19	SS7110510SP	2	35
SQ1150451MZ	52	7	SS6090620SP	22	54	SS7110510SP	34	5
SQ1150454SD	52	14	SS6090620TP	26	58	SS7110540SP	60	40
SS2090520SL	2	38	SS6090620TP	30	26	SS7110540SP	64	51

# NUMERICAL INDEX OF PARTS

PART NO	PAGE	REF NO.	PART NO	PAGE	REF NO.
SS7110540SP	66	51	SS9151210TP	30	29
SS7110710SP	2	21	SS9151210TP	34	34
SS7110720SP	44	17	SS9151210TP	68	20
SS7110720TP	30	2	SS9681610TP	12	50
SS7110740TL	42	71	ST60308210A	58	23
SS7110810SP	18	30	TA0290301M0	52	4
SS7110840SP	10	18	TA0400301M0	54	53
SS7110840SP	26	60	TA0620504R0	42	68
SS7110840SP	46	43	TA0800504R0	20	3
SS7110840SP	50	22	TA0950806R0	50	31
SS7110910TP	18	41	TA0951301R0	16	56
SS7110910TP	42	74	TA1030402R0	18	7
SS7111410SP	34	40	TA1250406R0	6	45
SS7111410TP	10	36	TA1701107R0	8	46
SS7111810SP	10	38	TA1871602R0	6	29
SS7111810TP	10	35	TA2050416R0	18	14
SS7151120SP	44	34	TA2050805R0	6	26
SS7161040SP	34	35	WP0250516SD	36	54
SS8080310TP	16	50	WP0250516SD	38	54
SS8080322TP	68	3	WP0370316SD	48	17
SS8090530TP	14	4	WP0370316SD	58	22
SS8110410TP	2	44	WP0371016SD	22	58
SS8110410TP	18	19	WP0371026SD	50	26
SS8110410TP	20	10	WP0460556SD	22	65
SS8110410TP	40	23	WP0480856SP	22	52
SS8110410TP	52	23	WP0612066SP	30	5
SS8110520TP	34	21	WP0621016SD	22	61
SS8110750SP	18	24	WP0651056SD	52	31
SS8151150SP	12	48	WP0751576SD	6	37
SS8660330SP	20	6	WP0764016SP	12	49
SS8660330SP	48	7	WP0850002SC	58	13
SS8660610TP	14	10	WP1102016SC	56	16
SS8660610TP	24	69	WP1102016SC	58	4
SS8660610TP	28	69	WP1612616SE	60	53
SS9090410TP	24	15	WP1612616SE	62	53
SS9090610TP	26	72	WP1612616SE	64	63
SS9090610TP	28	72	WP1612616SE	66	63
SS9090813TP	48	16	WS0822010KP	6	38
SS9111010SP	20	24	WS1002560KR	56	17
SS9111010SP	44	25	WS1002560KR	58	5
SS9111050SP	20	14	WZ0420350KP	2	10
SS9111610SP	48	27	WZ0640312K0	40	27
SS9112310SP	48	30	WZ0850302K0	6	31
SS9151210TP	6	27	WZ2640310KH	10	41
SS9151210TP	26	65			