

MODEL : MO-3900 SUBCLASSES (超ハイリフト仕様)

List No : 0851-05

# PARTS LIST

Published:05/12/2017

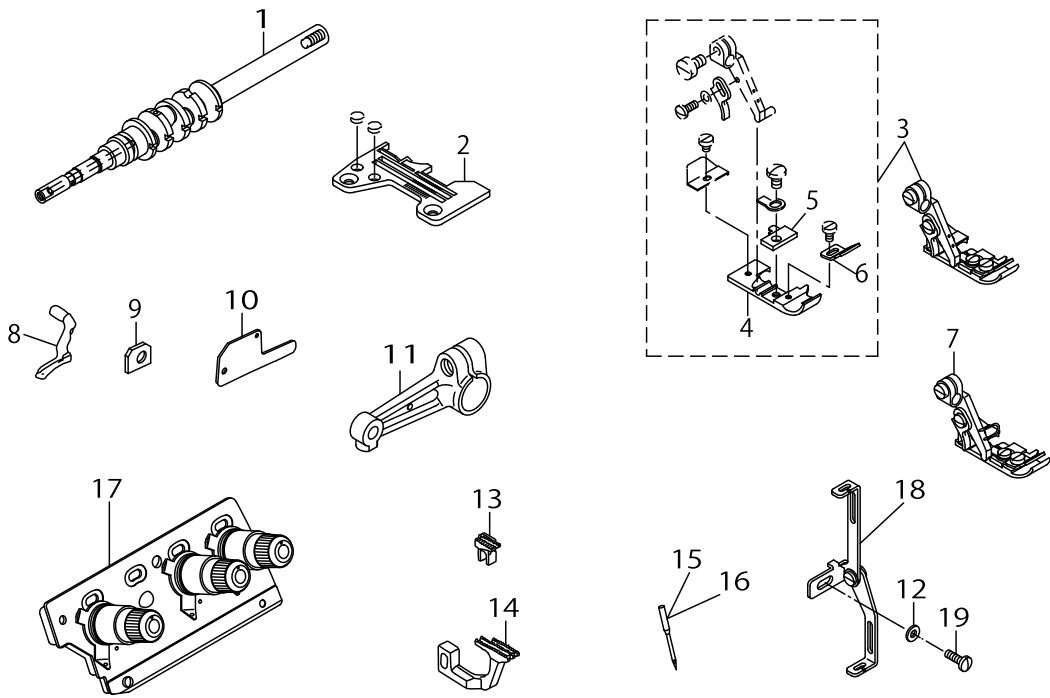
## CONTENTS

---

MO-3900 SUBCLASSES (1).....	1
MO-3900 SUBCLASSES (2).....	3
MO-3900 SUBCLASSES (3).....	5
MO-3900 SUBCLASSES (4).....	7
MO-3900 SUBCLASSES (5).....	11
MO-3900 SUBCLASSES (6).....	13
MO-3900 SUBCLASSES (7).....	15
MO-3900 SUBCLASSES (8).....	17
MO-3900 SUBCLASSES (9).....	19
MO-3900 SUBCLASSES (10).....	21
MO-3900 SUBCLASSES (11).....	23
MO-3900 SUBCLASSES (12).....	25
MO-3900 SUBCLASSES (13).....	27
MO-3900 SUBCLASSES (14).....	29
MO-3900 SUBCLASSES (15).....	31
MO-3900 SUBCLASSES (16).....	33
MO-3900 SUBCLASSES (17).....	35
MO-3900 SUBCLASSES (18).....	37
MO-3900 SUBCLASSES (19).....	39
MO-3900 SUBCLASSES (20).....	41
MO-3900 SUBCLASSES (21).....	43
MO-3900 SUBCLASSES (22).....	45
MO-3900 SUBCLASSES (23).....	47
LIST FOR INFORMATION OF CHANGE.....	49
HOW TO MAKE USE OF THIS PARTS LIST .....	50

MO-3900 SUBCLASSES (1)

MO-3904-0F6-44H/G40/Q141

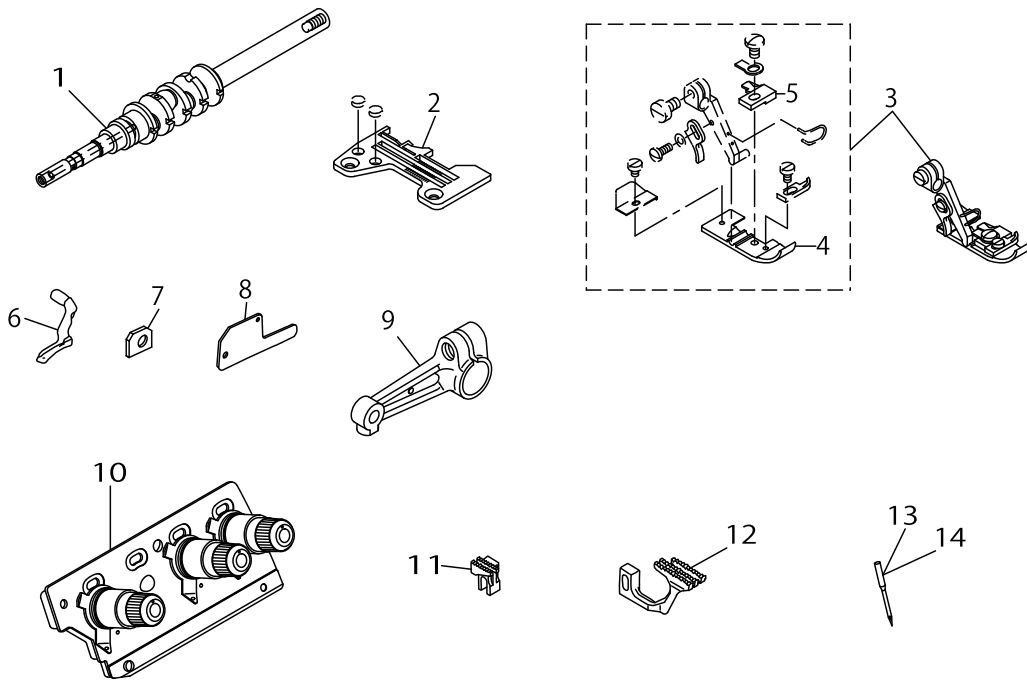


## MO-3900 SUBCLASSES (1)

No.	Supply Code	Parts No.	Replacement	Parts name	Remarks	Choice	Step	Level	Cons	Qty	Rep. QTY
1	D	12107207		CRANKSHAFT						1	
2		R4300J0FE00		THROAT PLATE						1	
3	R	12151353	12151361	TAPE PRESSER ASM.						1	1.00
4		12158002		PRESSER FOOT				*		1	
5		B1509804C0B		STITCH TONGUE				*		1	
6		12160909		TAPE GUIDE				*		1	
7	D	12151361		PRESSER FOOT ASM.	FOR EXPORT					1	
8		11991908		UPPER LOOPER						1	
9	R	11991809	13132006	GAUGE						1	1.00
10		11991601		UPPER LOOPER GUIDE COVER						1	
11	R	12122800	12284550	UPPER LOOPER ARM B						1	1.00
12		WP0371016SD		WASHER 3.7X8X1						1	
13	R	11949807	13192000	MAIN FEED DOG						1	1.00
14	R	11949906	13193206	DIFFERENTIAL FEED DOG						1	1.00
15		MDC270B1400		NEEDLE DCX27 #14						1	
16	D	MC033600900		NEEDLE B-27 NM90	FOR JE					1	
17		12180469		THREAD GUIDE PLATE ASM.						1	
18	R	MAQ141000A0	MAQ141000B0	TAPE GUIDE ASM.						1	1.00
19		SS7091110TP		SCREW 9/64-40 L=10.5						1	

MO-3900 SUBCLASSES (2)

MO-3904E-0H-50H

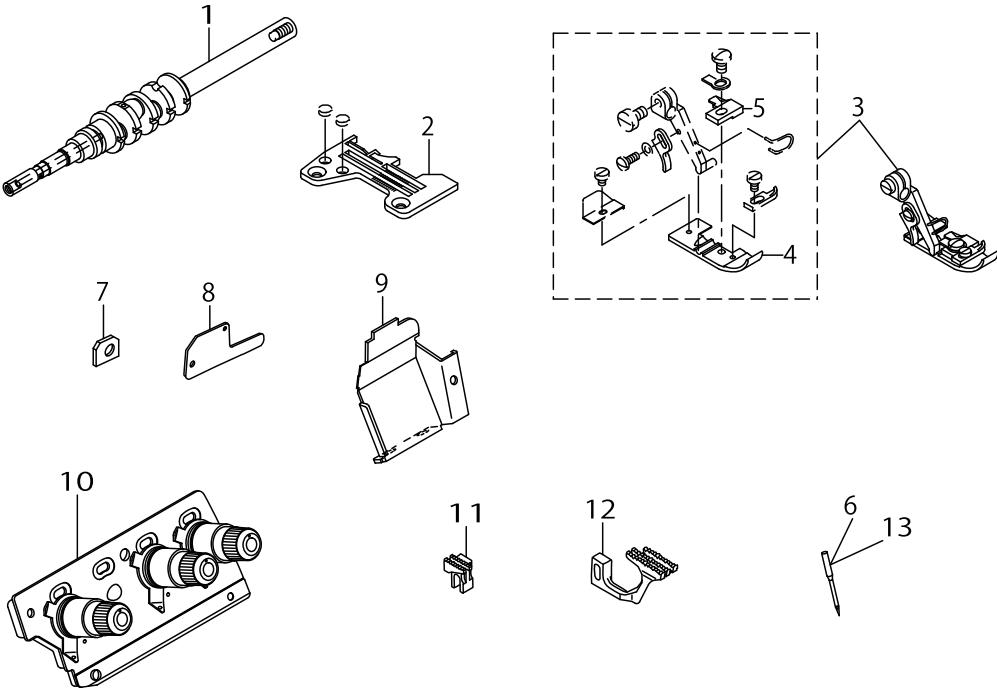


MO-3900 SUBCLASSES (2)

No.	Supply Code	Parts No.	Replacement	Parts name	Remarks	Choice	Step	Level	Cons	Qty	Rep. QTY
1	D	12107207		CRANKSHAFT						1	
2		R4300J0HE00		THROAT PLATE						1	
3	D	12151262		PRESSER FOOT ASM.						1	
4		12157806		PRESSER FOOT				*		1	
5	R	12159307	12151262	STITCH TONGUE				*		1	1.00
6		11991908		UPPER LOOPER						1	
7	R	11991809	13132006	GAUGE						1	1.00
8		11991601		UPPER LOOPER GUIDE COVER						1	
9	R	12122800	12284550	UPPER LOOPER ARM B						1	1.00
10		12180469		THREAD GUIDE PLATE ASM.						1	
11		11883303		MAIN FEED DOG						1	
12	D	12171708		DIFFERENTIAL FEED DOG						1	
13		MDC270B1400		NEEDLE DCX27 #14						1	
14	D	MC033600900		NEEDLE B-27 NM90	FOR JE					1	

MO-3900 SUBCLASSES (3)

MO-3904E-0K6-50H



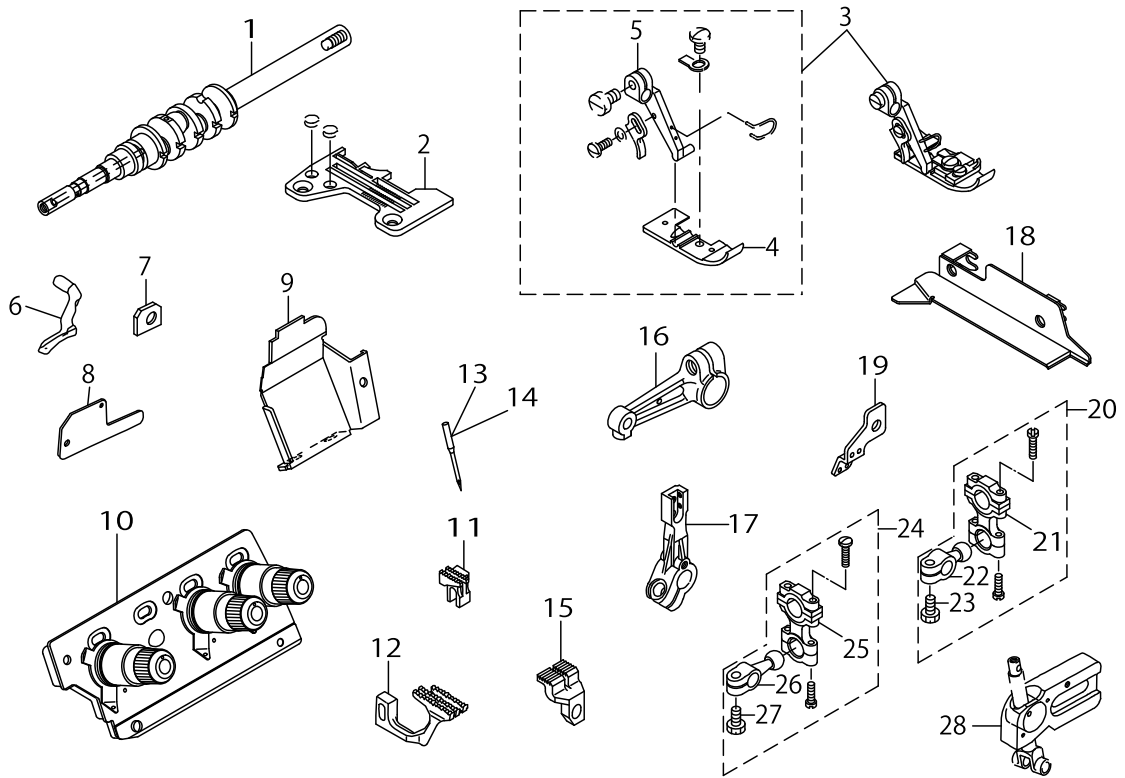
MO-3900 SUBCLASSES (3)

No.	Supply Code	Parts No.	Replacement	Parts name	Remarks	Choice	Step	Level	Cons	Qty	Rep. QTY
1	D	12107207		CRANKSHAFT						1	
2		R4300J0KG00		THROAT PLATE						1	
3	D	12151262		PRESSER FOOT ASM.						1	
4		12157806		PRESSER FOOT				*		1	
5	R	12159307	12151262	STITCH TONGUE				*		1	1.00
6	D	MC033600900		NEEDLE B-27 NM90	FOR JE					1	
7	R	11991809	13132006	GAUGE						1	1.00
8		11991601		UPPER LOOPER GUIDE COVER						1	
9		12147302		CLOTH WASTE COVER						1	
10		12180469		THREAD GUIDE PLATE ASM.						1	
11		11883303		MAIN FEED DOG						1	
12	D	12171708		DIFFERENTIAL FEED DOG						1	
13		MDC270B1400		NEEDLE DCX27 #14						1	



MO-3900 SUBCLASSES (4)

MO-3904-0M6-60H



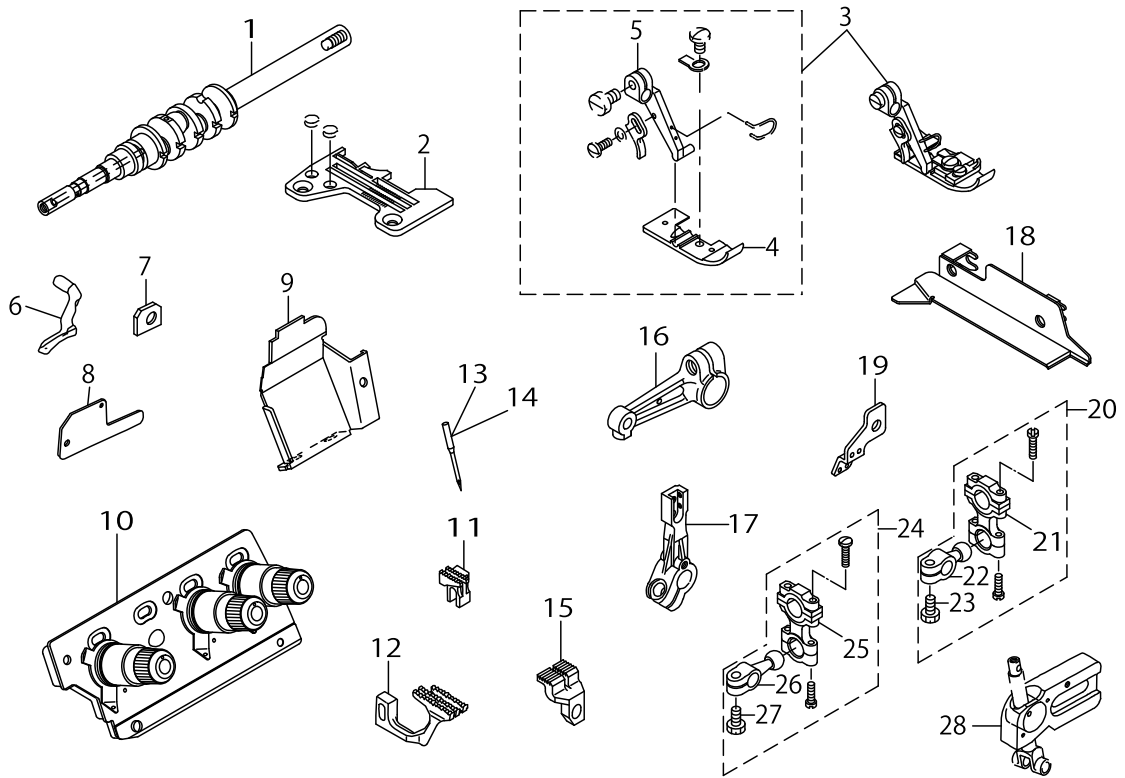
MO-3900 SUBCLASSES (4)

No.	Supply Code	Parts No.	Replacement	Parts name	Remarks	Choice	Step	Level	Cons	Qty	Rep. QTY
1		12107306		CRANKSHAFT						1	
2	D	R4300J0MG00		THROAT PLATE.						1	
3		12151460		PRESSER FOOT ASM.						1	
4		12151403		PRESSER FOOT				*		1	
5		11872306		PRESSER FOOT HINGE				*		1	
6		11888005		UPPER LOOPER						1	
7		11545100		GAUGE						1	
8		12004206		UPPER LOOPER GUIDE COVER						1	
9		12147302		CLOTH WASTE COVER						1	
10		12180469		THREAD GUIDE PLATE ASM.						1	
11	D	12172102		MAIN FEED DOG.						1	
12		12172201		SUB FEED DOG.						1	
13		MDC270B1600		NEEDLE DCX27 #16						1	
14		MC033601000		NEEDLE B-27 NM100	FOR JE					1	
15		12172300		AUXILIARY FEED DOG.						1	
16		12124707		UPPER LOOPER ARM						1	
17		12124806		LOWER LOOPER SUPPORT ARM.						1	
18		12125258		CLOTH BASE SIDE COVER ASM.						1	
19		12112801		TAKE-UP LEVER GUIDE						1	
20	D	12124954		UPPER LOOPER BALL ARM, A.						1	
21	R	12124905	12124954	UPPER LOOPER BALL ARM,A				*		1	1.00
22	R	12125001	12124954	LOOPER DRIVING ROD		A		*		1	1.00
22	R	12125001	12125159	LOOPER DRIVING ROD		B		*		1	1.00
22	R	12125001	12375150	LOOPER DRIVING ROD		D		*		1	1.00
22	R	12125001	12375259	LOOPER DRIVING ROD		E		*		1	1.00
22	R	12125001	70003341	LOOPER DRIVING ROD				*		1	1.00
23		SS9151210TP		SCREW 15/64-28 L=11.8				*		1	
24	D	12125159		LOWER LOOPER BALL ARM, C.						1	
25		12125100		LOWER LOOPER BALL ARM,C				*		1	

A:MO3904-OM660H用-上ル-ハ-腕-  
/A: For M-O-3904OM-660H UPPER LOOPER  
B:MO3904-OM660H用-下ル-ハ-腕-  
/B: For M-O-3904OM-660H LOWER LOOPER  
D:MOG370-0,MOJ3900-用下ル-ハ-腕(04,14用)-  
/D:For MOG-3700, MOJ3900 LOWER LOOPER (only 04,14)  
E:MOG370-0,MOJ3900-用下ル-ハ-腕(16用)/E-  
:For MOG-3716, MOJ-3900 LOWER LOOPER

MO-3900 SUBCLASSES (4)

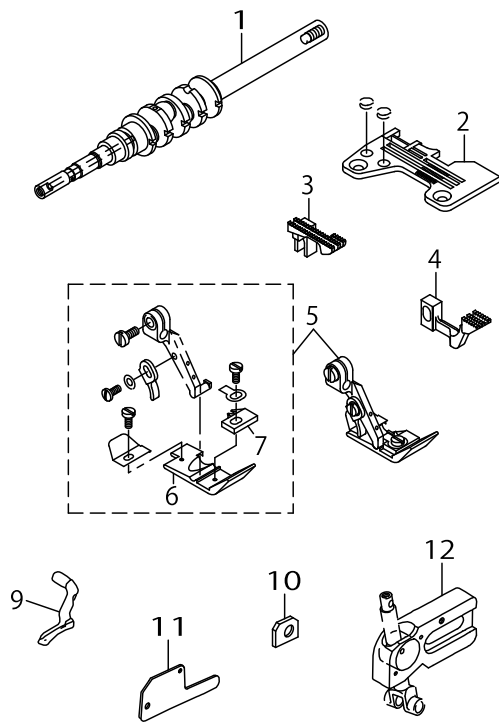
MO-3904-0M6-60H



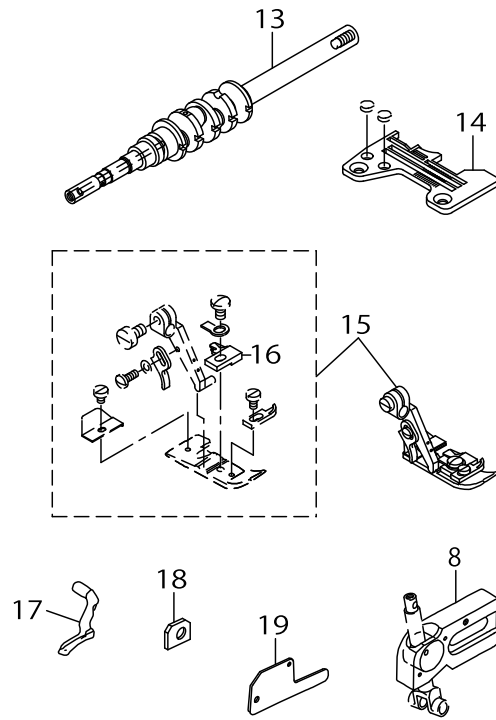
MO-3900 SUBCLASSES (4)

No.	Supply Code	Parts No.	Replacement	Parts name	Remarks	Choice	Step	Level	Cons	Qty	Rep. QTY
26	R	12125001	12124954	LOOPER DRIVING ROD		A	A:MO3904-OM660H用-上ル-ハ-腕- /A: For M-O-3904OM-660H UPP-ER LOOPER	*		1	1.00
26	R	12125001	12125159	LOOPER DRIVING ROD		B	B:MO3904-OM660H用-下ル-ハ-腕- /B: For M-O-3904OM-660H LOW-ER LOOPER	*		1	1.00
26	R	12125001	12375150	LOOPER DRIVING ROD		D	D:MOG370-0,MOJ3900-用下ル-ハ-腕(04,14用)- /D:For MO-G-3700, M-OJ3900 LO-WER LOOP-ER (only 04,14)	*		1	1.00
26	R	12125001	12375259	LOOPER DRIVING ROD		E	E:MOG370-0,MOJ3900-用下ル-ハ-腕(16用)/E- :For MOG--3716, MOJ--3900 LOW-ER LOOPER	*		1	1.00
26	R	12125001	70003341	LOOPER DRIVING ROD				*		1	1.00
27		SS9151210TP		SCREW 15/64-28 L=11.8				*		1	
28		12125357		UPPER LOOPER GU-IDE SUPPORT ASM						1	

MO-3914-BD-32H

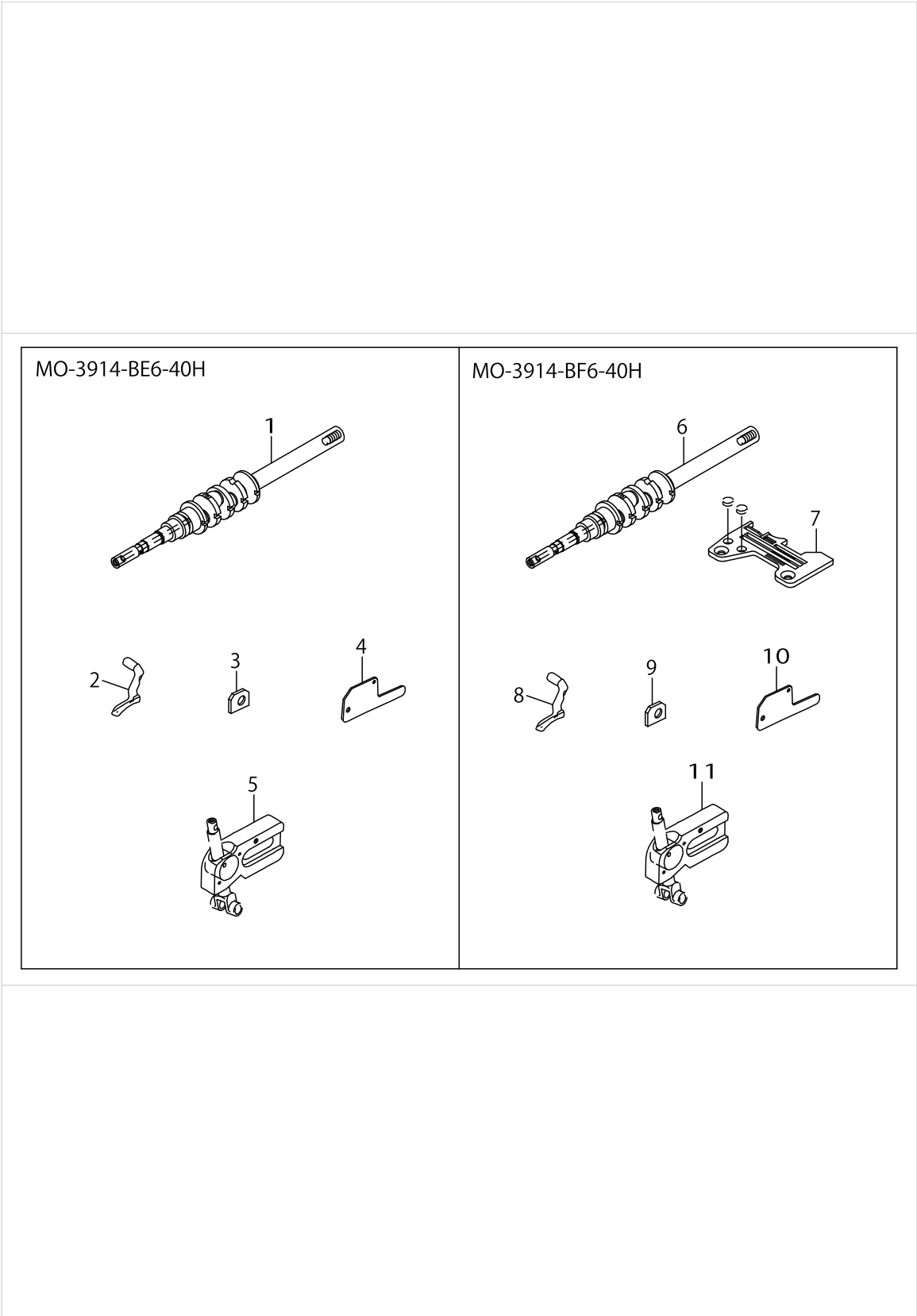


MO-3914-BD6-40H



MO-3900 SUBCLASSES (5)

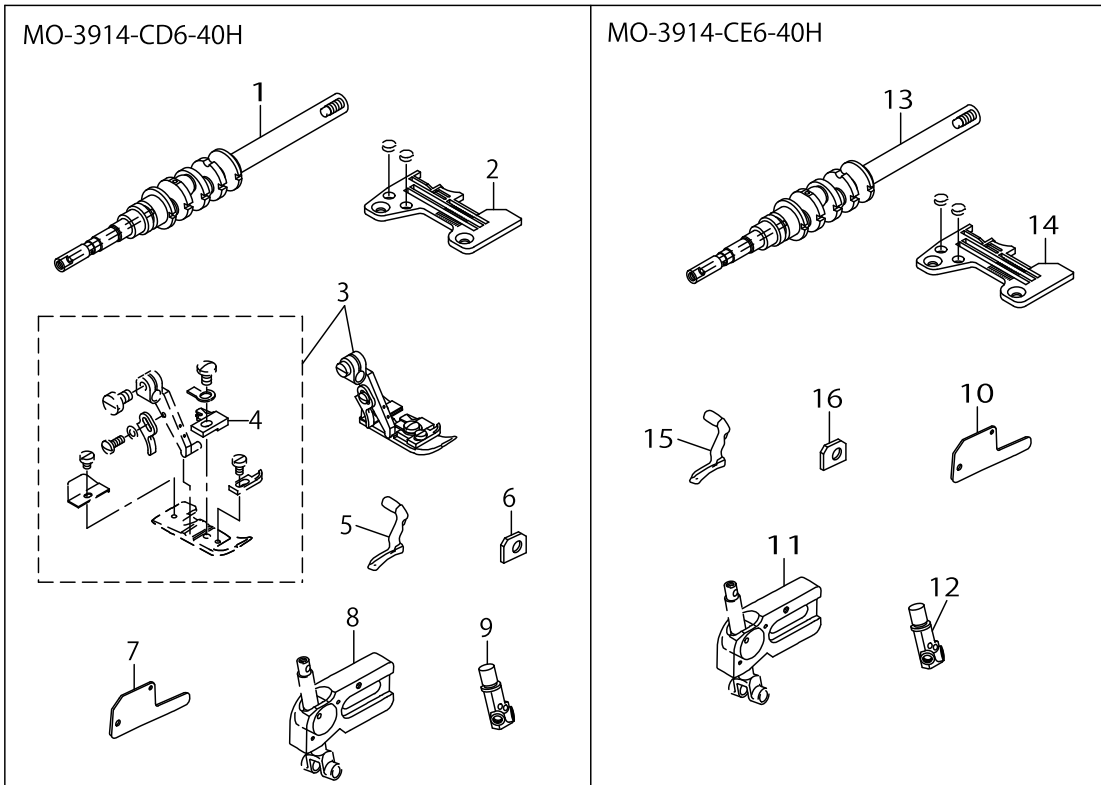
No.	Supply Code	Parts No.	Replacement	Parts name	Remarks	Choice	Step	Level	Cons	Qty	Rep. QTY
1	D	12107207		CRANKSHAFT						1	
2	R	R4305J0DE0A	R4305J6DE0A	THROAT PLATE						1	1.00
3		11883402		MAIN FEED DOG						1	
4		12171807		DIFFERENTIAL FEED DOG						1	
5	R	11879350	11879368	PRESSER FOOT ASM.						1	1.00
6	R	11974102	11879368	PRESSER FOOT				*		1	1.00
7		B150981400P		STITCH TONGUE				*		1	
8	R	12123055	40015637	UPPER LOOPER GUIDE ASM.						1	1.00
9		12176103		UPPER LOOPER						1	
10	R	11991809	13132006	GAUGE						1	1.00
11		11991601		UPPER LOOPER GUIDE COVER						1	
12	R	12123055	40015637	UPPER LOOPER GUIDE ASM.						1	1.00
13	D	12107207		CRANKSHAFT						1	
14	R	R4305J0DE00	R4305J6DE00	THROAT PLATE						1	1.00
15	R	12152559	12152567	PRESSER FOOT COMPL.						1	1.00
16		12160305		STITCH TONGUE				*		1	
17		12176103		UPPER LOOPER						1	
18	R	11991809	13132006	GAUGE						1	1.00
19		11991601		UPPER LOOPER GUIDE COVER						1	



MO-3900 SUBCLASSES (6)

No.	Supply Code	Parts No.	Replacement	Parts name	Remarks	Choice	Step	Level	Cons	Qty	Rep. QTY
1	D	12107207		CRANKSHAFT						1	
2		12176103		UPPER LOOPER						1	
3	R	11991809	13132006	GAUGE						1	1.00
4		11991601		UPPER LOOPER GUIDE COVER						1	
5	R	12123055	40015637	UPPER LOOPER GUIDE ASM.						1	1.00
6	D	12107207		CRANKSHAFT						1	
7		R4305J0FE00		THROAT PLATE						1	
8		12176103		UPPER LOOPER						1	
9	R	11991809	13132006	GAUGE						1	1.00
10		11991601		UPPER LOOPER GUIDE COVER						1	
11	R	12123055	40015637	UPPER LOOPER GUIDE ASM.						1	1.00

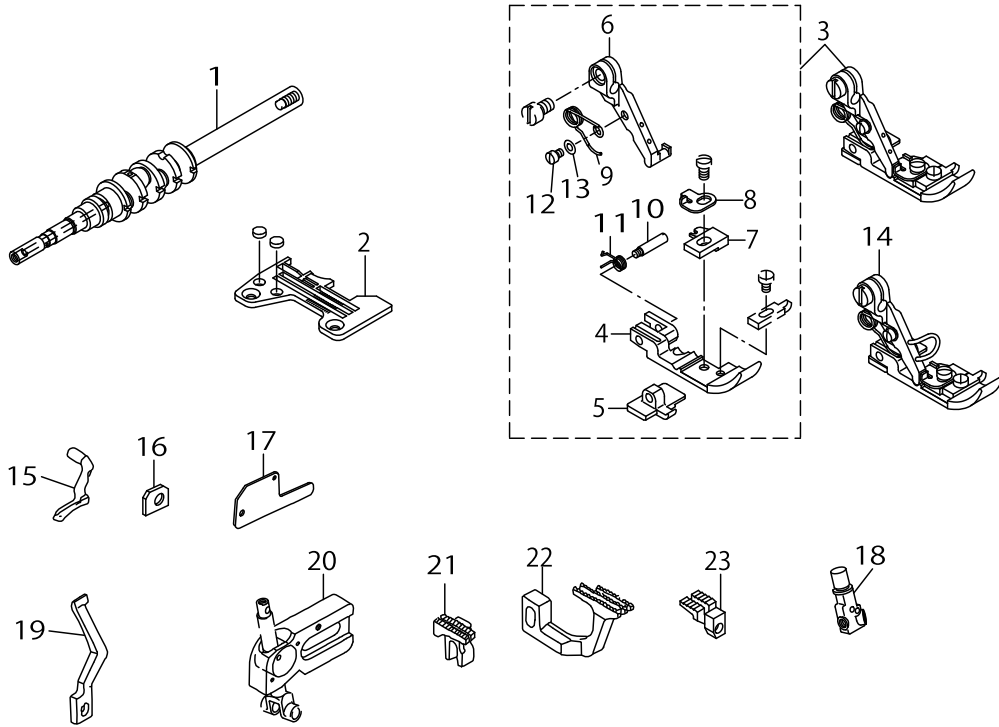




MO-3900 SUBCLASSES (7)

No.	Supply Code	Parts No.	Replacement	Parts name	Remarks	Choice	Step	Level	Cons	Qty	Rep. QTY
1	D	12107207		CRANKSHAFT						1	
2	D	R4306J0DE00		THROAT PLATE						1	
3	R	12152559	12152567	PRESSER FOOT COMPL.						1	1.00
4		12160305		STITCH TONGUE				*		1	
5		12176103		UPPER LOOPER						1	
6	R	11991809	13132006	GAUGE						1	1.00
7		11991601		UPPER LOOPER GUIDE COVER						1	
8	R	12123055	40015637	UPPER LOOPER GUIDE ASM.						1	1.00
9		12149209		NEEDLE CLAMP, 2-NEEDLE						1	
10		11991601		UPPER LOOPER GUIDE COVER						1	
11	R	12123055	40015637	UPPER LOOPER GUIDE ASM.						1	1.00
12		12149209		NEEDLE CLAMP, 2-NEEDLE						1	
13	D	12107207		CRANKSHAFT						1	
14		R4306J0EE00		THROAT PLATE						1	
15		12176103		UPPER LOOPER						1	
16	R	11991809	13132006	GAUGE						1	1.00

MO-3914-CF6-40H

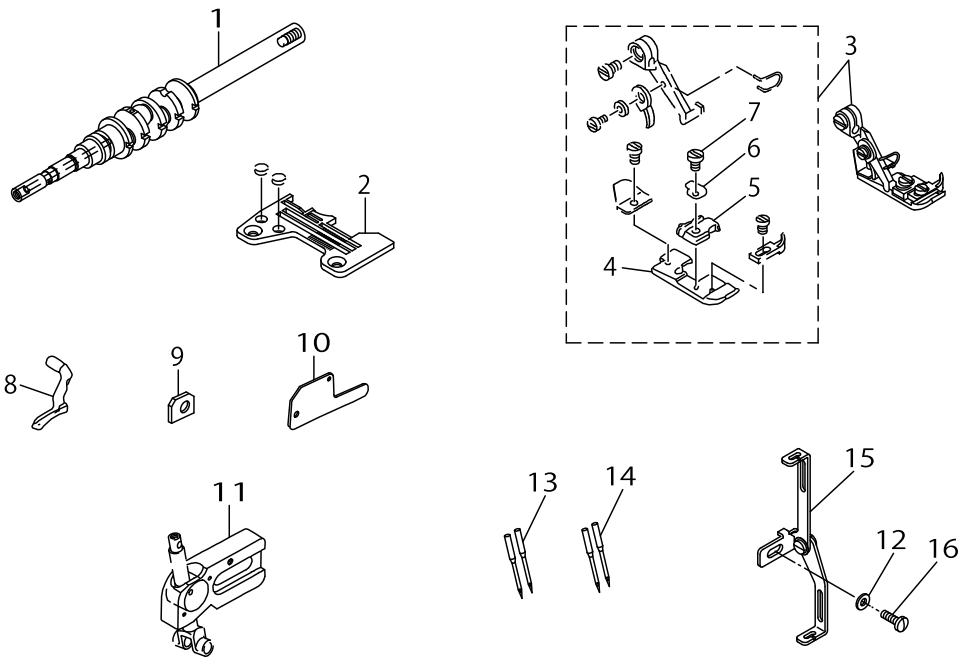


MO-3900 SUBCLASSES (8)

No.	Supply Code	Parts No.	Replacement	Parts name	Remarks	Choice	Step	Level	Cons	Qty	Rep. QTY
1	D	12107207		CRANKSHAFT						1	
2	R	R4306J0FE00	R4306J6FE00	THROAT PLATE						1	1.00
3	R	11984457	11984465	PRESSER ASM.						1	1.00
4	R	11983806	11983863	CLOTH PRESSER				*		1	1.00
5	R	11983905	11983863	REARPRESSERFOOT				*		1	1.00
6		11984002		PRESSER HINGE				*		1	
7		11874401		STITCH TONGUE				*		1	
8		11984101		SPRING				*		1	
9		11984200		PRESSER SPRING				*		1	
10		11930807		HINGE PIN				*		1	
11		11931706		SPRING				*		1	
12		SS7080520SP		SCREW 1/8-44 L=4.9				*		1	
13		WP0371026SD		WASHER 3.7X7X1				*		1	
14		11984465		PRESSER FOOT ASM.	FOR EXPORT					1	
15		12176103		UPPER LOOPER						1	
16	R	11991809	13132006	GAUGE						1	1.00
17		11991601		UPPER LOOPER GUIDE COVER						1	
18		12149308		NEEDLE CLAMP, 2-NEEDLE						1	
19		11890407		NEEDLE GUARD						1	
20	R	12123055	40015637	UPPER LOOPER GUIDE ASM.						1	1.00
21		11882503		MAIN FEED DOG						1	
22		11790706		DIFFERENTIAL FEED DOG						1	
23		11887205		AUXILIARY FEED DOG						1	

MO-3900 SUBCLASSES (9)

MO-3914E-BD6-44H/G20/Q141

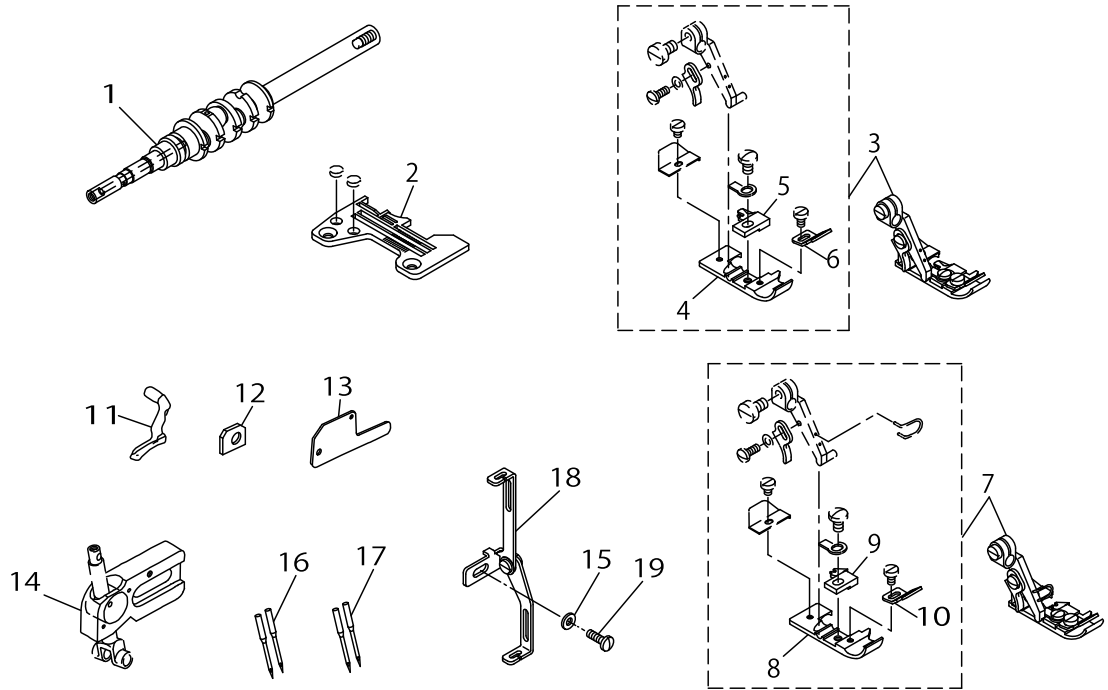


MO-3900 SUBCLASSES (9)

No.	Supply Code	Parts No.	Replacement	Parts name	Remarks	Choice	Step	Level	Cons	Qty	Rep. QTY
1	D	12107207		CRANKSHAFT						1	
2	R	R4305J0DE00	R4305J6DE00	THROAT PLATE						1	1.00
3	D	11899861		PRESSER FOOT ASM.						1	
4	R	11873908	11899861	PRESSER FOOT				*		1	1.00
5	D	11899606		STITCH TONGUE				*		1	
6	D	11899408		SPRING				*		1	
7	R	SS4080610SP	SS4080620TP	SCREW 1/8-44 L=6.4				*		1	1.00
8		12176103		UPPER LOOPER						1	
9	R	11991809	13132006	GAUGE						1	1.00
10		11991601		UPPER LOOPER GUIDE COVER						1	
11	R	12123055	40015637	UPPER LOOPER GUIDE ASM.						1	1.00
12		WP0371016SD		WASHER 3.7X8X1						1	
13		MDC270B1400		NEEDLE DCX27 #14						2	
14	D	MC033600900		NEEDLE B-27 NM90	FOR JE					2	
15	R	MAQ141000A0	MAQ141000B0	TAPE GUIDE ASM.						1	1.00
16		SS7091110TP		SCREW 9/64-40 L=10.5						1	

MO-3900 SUBCLASSES (10)

MO-3914-BD6-44H/G38/Q141,MO-3914E-BD6-44H/G39/Q141

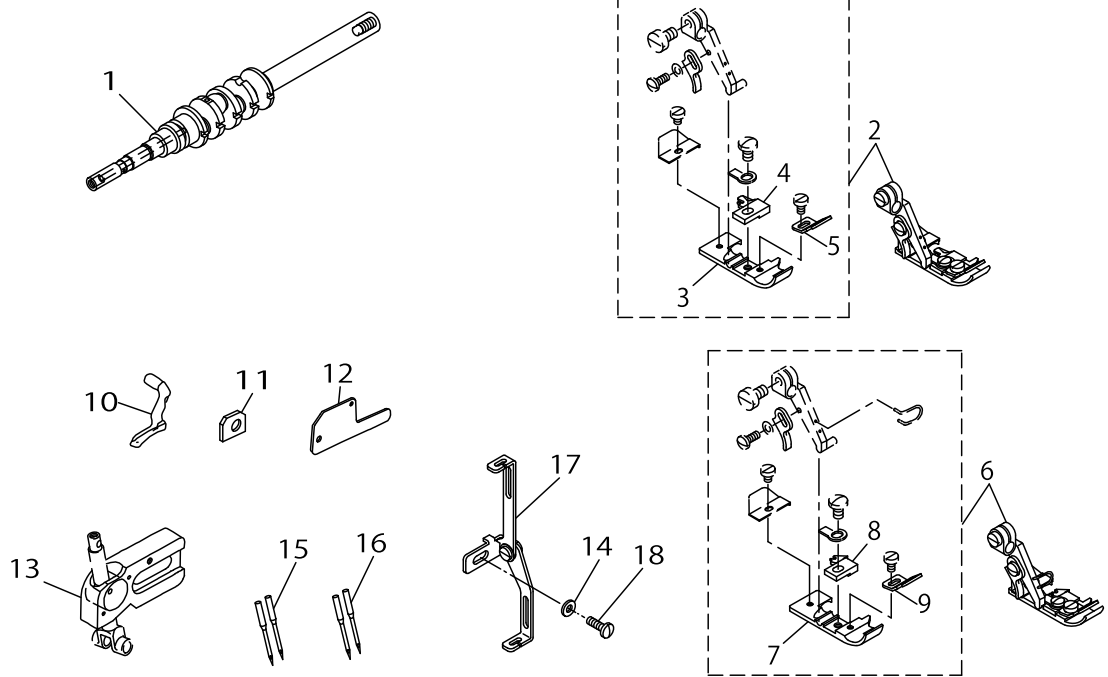


MO-3900 SUBCLASSES (10)

No.	Supply Code	Parts No.	Replacement	Parts name	Remarks	Choice	Step	Level	Cons	Qty	Rep. QTY
1	D	12107207		CRANKSHAFT						1	
2	R	R4305J0DE00	R4305J6DE00	THROAT PLATE						1	1.00
3	R	12152856	12152864	PRESSER FOOT ASM.	FOR JAPAN					1	1.00
4		12158002		PRESSER FOOT				*		1	
5	D	12160206		STITCH TONGUE				*		1	
6		12160909		TAPE GUIDE				*		1	
7		12152963		PRESSER FOOT ASM.	FOR EXPORT					1	
8		12158002		PRESSER FOOT				*		1	
9		12160305		STITCH TONGUE				*		1	
10		12160909		TAPE GUIDE				*		1	
11		12176103		UPPER LOOPER						1	
12	R	11991809	13132006	GAUGE						1	1.00
13		11991601		UPPER LOOPER GUIDE COVER						1	
14	R	12123055	40015637	UPPER LOOPER GUIDE ASM.						1	1.00
15		WP0371016SD		WASHER 3.7X8X1						1	
16		MDC270B1400		NEEDLE DCX27 #14						2	
17	D	MC033600900		NEEDLE B-27 NM90	FOR JE					2	
18	R	MAQ141000A0	MAQ141000B0	TAPE GUIDE ASM.						1	1.00
19		SS7091110TP		SCREW 9/64-40 L=10.5						1	



MO-3914-BE6-44H/G38/Q141,MO-3914E-BE6-44H/G39/Q141

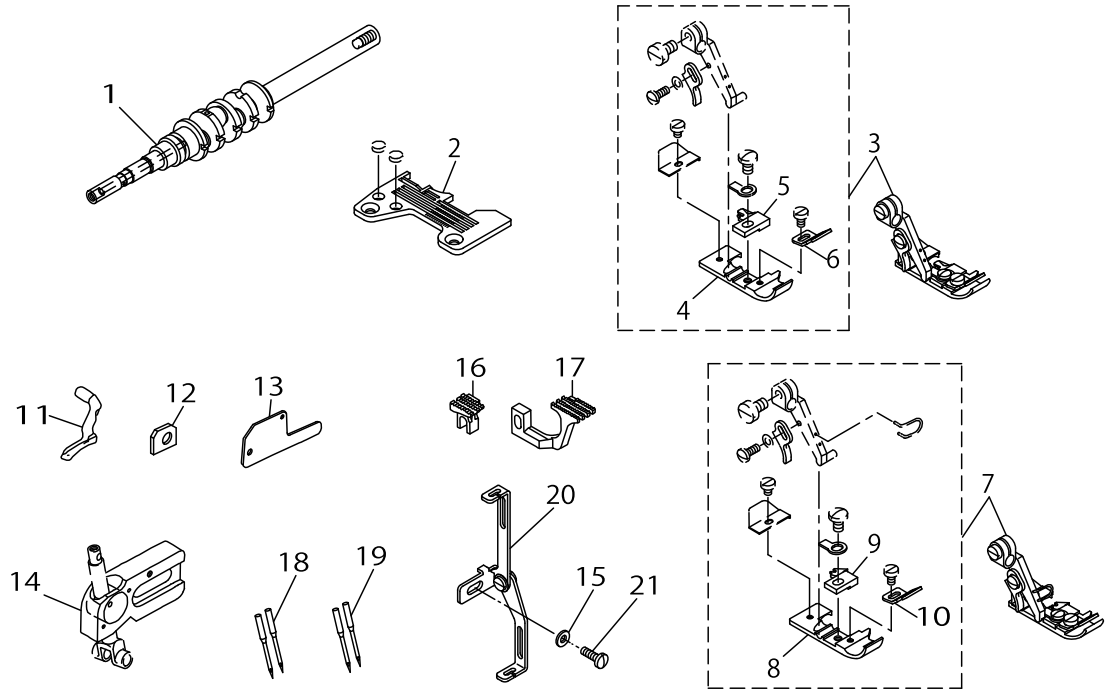


MO-3900 SUBCLASSES (11)

No.	Supply Code	Parts No.	Replacement	Parts name	Remarks	Choice	Step	Level	Cons	Qty	Rep. QTY
1	D	12107207		CRANKSHAFT						1	
2	R	12152856	12152864	PRESSER FOOT ASM.	FOR JAPAN					1	1.00
3		12158002		PRESSER FOOT				*		1	
4	D	12160206		STITCH TONGUE				*		1	
5		12160909		TAPE GUIDE				*		1	
6		12152963		PRESSER FOOT ASM.	FOR EXPORT					1	
7		12158002		PRESSER FOOT				*		1	
8		12160305		STITCH TONGUE				*		1	
9		12160909		TAPE GUIDE				*		1	
10		12176103		UPPER LOOPER						1	
11	R	11991809	13132006	GAUGE						1	1.00
12		11991601		UPPER LOOPER GUIDE COVER						1	
13	R	12123055	40015637	UPPER LOOPER GUIDE ASM.						1	1.00
14		WP0371016SD		WASHER 3.7X8X1						1	
15		MDC270B1400		NEEDLE DCX27 #14						2	
16	D	MC033600900		NEEDLE B-27 NM90	FOR JE					2	
17	R	MAQ141000A0	MAQ141000B0	TAPE GUIDE ASM.						1	1.00
18		SS7091110TP		SCREW 9/64-40 L=10.5						1	

MO-3900 SUBCLASSES (12)

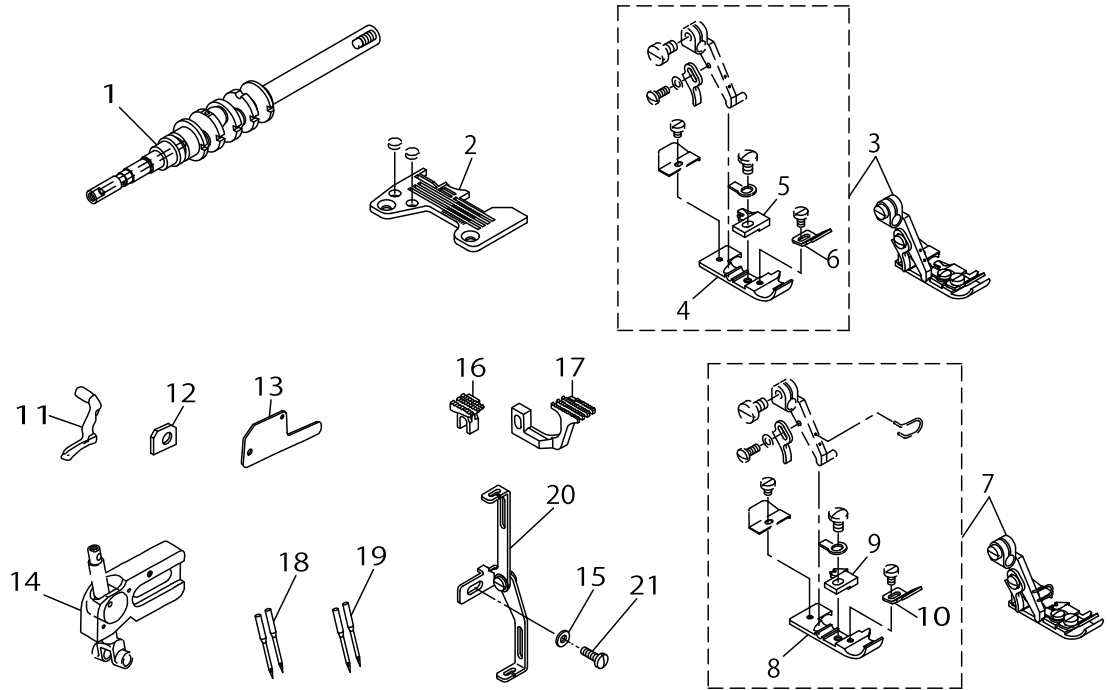
MO-3914-BD7-44H/G38/Q141,MO-3914E-BD7-44H/G39/Q141



MO-3900 SUBCLASSES (12)

No.	Supply Code	Parts No.	Replacement	Parts name	Remarks	Choice	Step	Level	Cons	Qty	Rep. QTY
1	D	12107207		CRANKSHAFT						1	
2	R	R4305J0DE00	R4305J6DE00	THROAT PLATE						1	1.00
3	R	12152856	12152864	PRESSER FOOT ASM.	FOR JAPAN					1	1.00
4		12158002		PRESSER FOOT				*		1	
5	D	12160206		STITCH TONGUE				*		1	
6		12160909		TAPE GUIDE				*		1	
7		12152963		PRESSER FOOT ASM.	FOR EXPORT					1	
8		12158002		PRESSER FOOT				*		1	
9		12160305		STITCH TONGUE				*		1	
10		12160909		TAPE GUIDE				*		1	
11		12176103		UPPER LOOPER						1	
12	R	11991809	13132006	GAUGE						1	1.00
13		11991601		UPPER LOOPER GUIDE COVER						1	
14	R	12123055	40015637	UPPER LOOPER GUIDE ASM.						1	1.00
15		WP0371016SD		WASHER 3.7X8X1						1	
16		11883501		MAIN FEED DOG						1	
17		B1657814B0F		DIFFERENTIAL FEED DOG						1	
18		MDC270B1400		NEEDLE DCX27 #14						2	
19	D	MC033600900		NEEDLE B-27 NM90	FOR JE					2	
20	R	MAQ141000A0	MAQ141000B0	TAPE GUIDE ASM.						1	1.00
21		SS7091110TP		SCREW 9/64-40 L=10.5						1	

MO-3914-BE7-44H/G38/Q141,MO-3914E-BE7-44H/G39/Q141

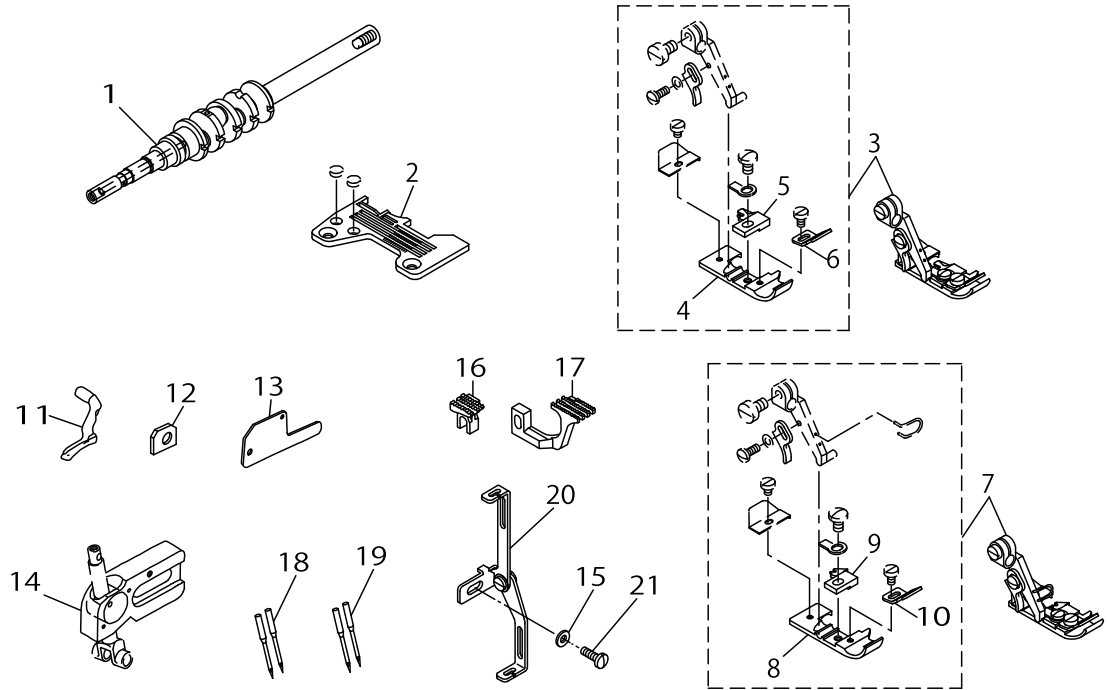


MO-3900 SUBCLASSES (13)

No.	Supply Code	Parts No.	Replacement	Parts name	Remarks	Choice	Step	Level	Cons	Qty	Rep. QTY
1	D	12107207		CRANKSHAFT						1	
2	R	R4405J0EE00	R4405J6EE00	THROAT PLATE						1	1.00
3	R	12152856	12152864	PRESSER FOOT ASM.	FOR JAPAN					1	1.00
4		12158002		PRESSER FOOT				*		1	
5	D	12160206		STITCH TONGUE				*		1	
6		12160909		TAPE GUIDE				*		1	
7		12152963		PRESSER FOOT ASM.	FOR EXPORT					1	
8		12158002		PRESSER FOOT				*		1	
9		12160305		STITCH TONGUE				*		1	
10		12160909		TAPE GUIDE				*		1	
11		12176103		UPPER LOOPER						1	
12	R	11991809	13132006	GAUGE						1	1.00
13		11991601		UPPER LOOPER GUIDE COVER						1	
14	R	12123055	40015637	UPPER LOOPER GUIDE ASM.						1	1.00
15		WP0371016SD		WASHER 3.7X8X1						1	
16		11883501		MAIN FEED DOG						1	
17		B1657814B0F		DIFFERENTIAL FEED DOG						1	
18		MDC270B1400		NEEDLE DCX27 #14						2	
19	D	MC033600900		NEEDLE B-27 NM90	FOR JE					2	
20	R	MAQ141000A0	MAQ141000B0	TAPE GUIDE ASM.						1	1.00
21		SS7091110TP		SCREW 9/64-40 L=10.5						1	

MO-3900 SUBCLASSES (14)

MO-3914-CE7-44H/G38/Q141,MO-3914E-CE7-44H/G39/Q141

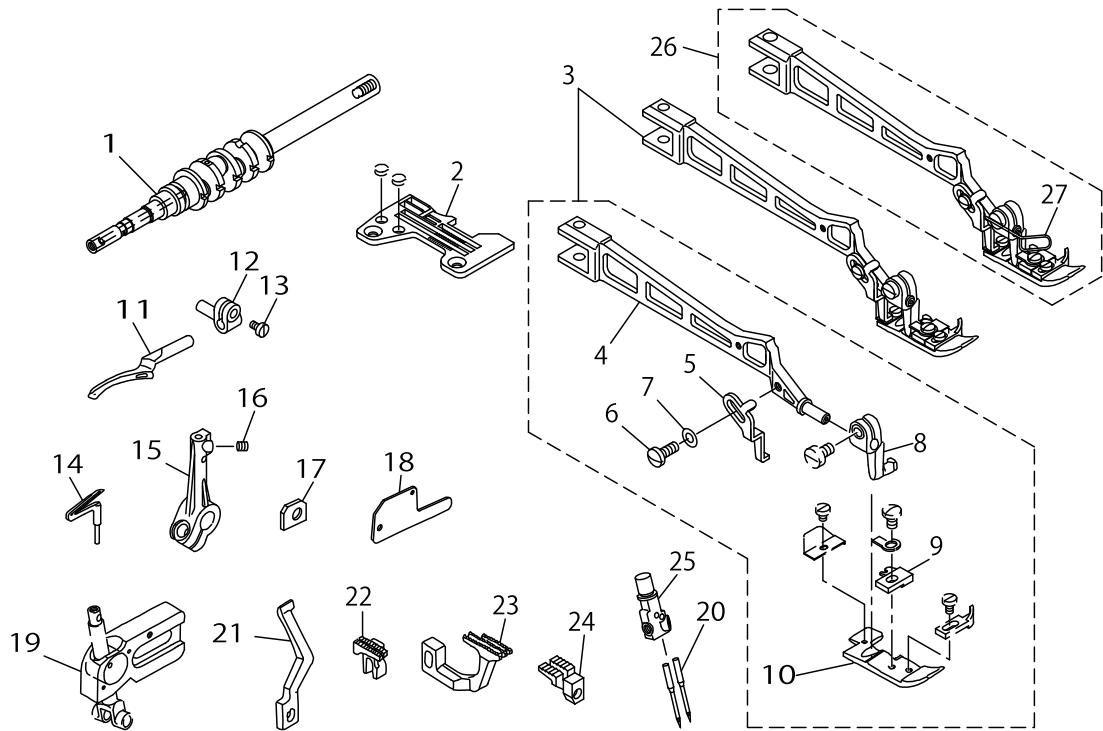


## MO-3900 SUBCLASSES (14)

No.	Supply Code	Parts No.	Replacement	Parts name	Remarks	Choice	Step	Level	Cons	Qty	Rep. QTY
1	D	12107207		CRANKSHAFT						1	
2	D	R4406J0EE00		THROAT PLATE						1	
3	R	12152856	12152864	PRESSER FOOT ASM.	FOR JAPAN					1	1.00
4		12158002		PRESSER FOOT				*		1	
5	D	12160206		STITCH TONGUE				*		1	
6		12160909		TAPE GUIDE				*		1	
7		12152963		PRESSER FOOT ASM.	FOR EXPORT					1	
8		12158002		PRESSER FOOT				*		1	
9		12160305		STITCH TONGUE				*		1	
10		12160909		TAPE GUIDE				*		1	
11		12176103		UPPER LOOPER						1	
12	R	11991809	13132006	GAUGE						1	1.00
13		11991601		UPPER LOOPER GUIDE COVER						1	
14	R	12123055	40015637	UPPER LOOPER GUIDE ASM.						1	1.00
15		WP0371016SD		WASHER 3.7X8X1						1	
16		11883501		MAIN FEED DOG						1	
17		B1657814B0F		DIFFERENTIAL FEED DOG						1	
18		MDC270B1400		NEEDLE DCX27 #14						2	
19	D	MC033600900		NEEDLE B-27 NM90	FOR JE					2	
20	R	MAQ141000A0	MAQ141000B0	TAPE GUIDE ASM.						1	1.00
21		SS7091110TP		SCREW 9/64-40 L=10.5						1	



MO-3914-DF6-50G

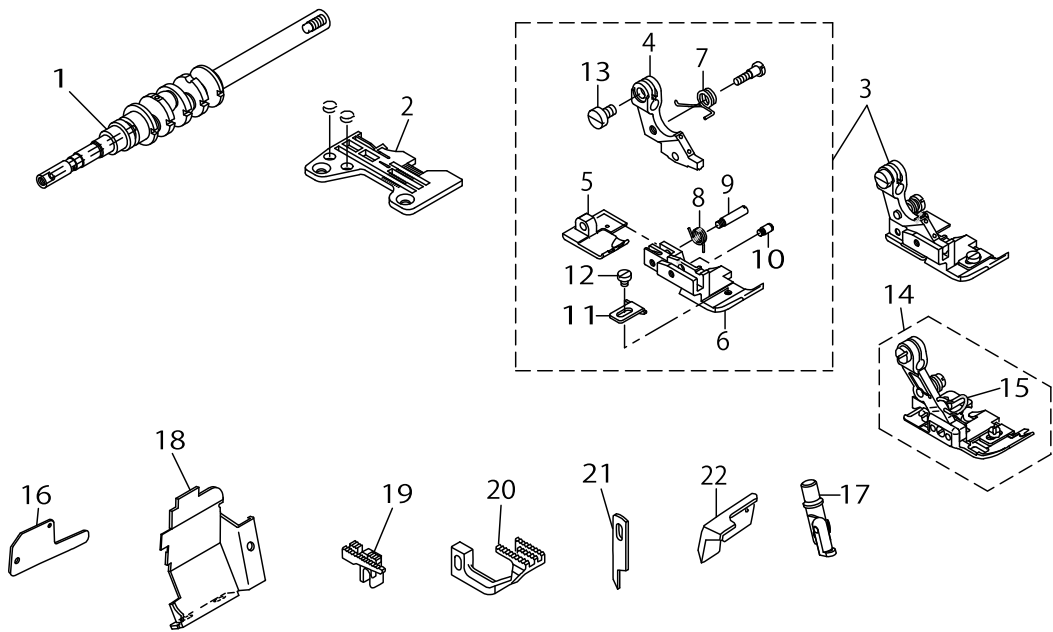


MO-3900 SUBCLASSES (15)

No.	Supply Code	Parts No.	Replacement	Parts name	Remarks	Choice	Step	Level	Cons	Qty	Rep. QTY
1	D	12107207		CRANKSHAFT						1	
2	R	R4308J0FE0B	R4308J6FE0B	THROAT PLATE						1	1.00
3	R	12152781	12152799	PRESSER FOOT ASM.						1	1.00
4		12114112		PRESSER FOOT ARM				*		1	
5		12160800		STOPPER				*		1	
6		SS7080520SP		SCREW 1/8-44 L=4.9				*		1	
7	R	WP0350516SD	WP0320500SD	WASHER 3.5X6X0.5				*		1	1.00
8		11651304		PRESSER FOOT HINGE				*		1	
9		11790607		STITCH TONGUE				*		1	
10		11790508		PRESSER FOOT				*		1	
11		11996600		UPPER LOOPER						1	
12		11544707		UPPER LOOPER SUPPORT ARM						1	
13		SS6080410SP		SCREW 1/8-44 L=4						1	
14		11995206		LOWER LOOPER						1	
15		12123709		LOWER LOOPER SUPPORT ARM						1	
16		SS8110422TP		SCREW 11/64-40 L=4						1	
17	R	11991809	13132006	GAUGE						1	1.00
18		11991601		UPPER LOOPER GUIDE COVER						1	
19	R	12123055	40015637	UPPER LOOPER GUIDE ASM.						1	1.00
20		MDC270B1400		NEEDLE DCX27 #14						2	
21		11890407		NEEDLE GUARD						1	
22		11882503		MAIN FEED DOG						1	
23		11790706		DIFFERENTIAL FEED DOG						1	
24		11987005		AUXILIARY FEED DOG						1	
25		12149407		NEEDLE CLAMP, 2-NEEDLE						1	
26		12152765		PRESSER FOOT ASM.	FOR EXPORT					1	
27		11522802		FINGER GUARD				*		1	

MO-3900 SUBCLASSES (16)

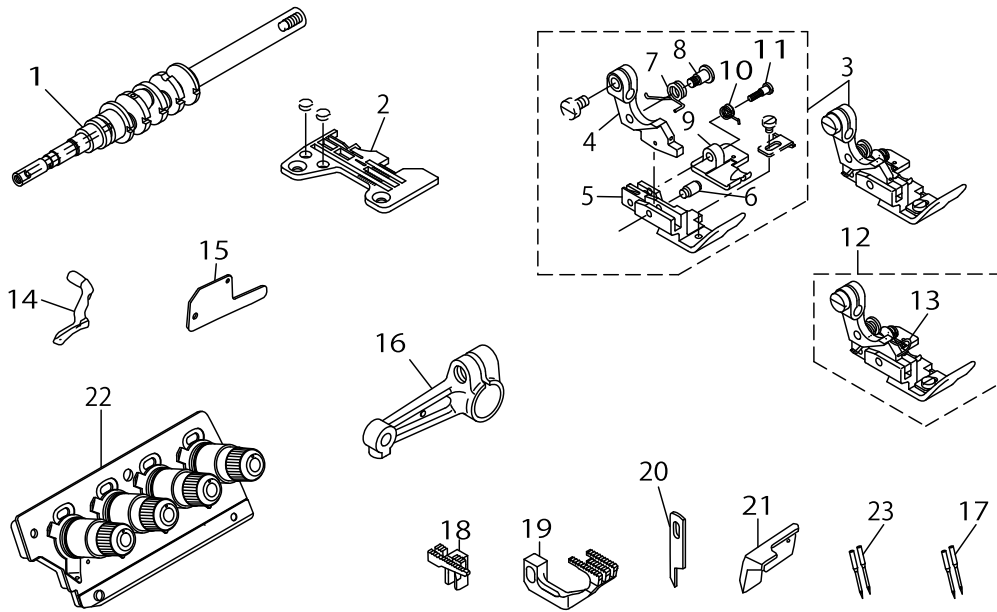
MO-3916-RH6-30H



MO-3900 SUBCLASSES (16)

No.	Supply Code	Parts No.	Replacement	Parts name	Remarks	Choice	Step	Level	Cons	Qty	Rep. QTY
1	D	12107207		CRANKSHAFT						1	
2		R4617J0HD00		THROAT PLATE						1	
3	R	12154555	12154563	PRESSER FOOT ASM.						1	1.00
4		11991023		PRESSER FOOT HINGE				*		1	
5		12165601		REARPRESSERFOOT				*		1	
6	R	12163002	12154563	PRESSER FOOT				*		1	1.00
7		B151581600B		PRESSER FOOT ARM SPRING B				*		1	
8		11991304		SPRING				*		1	
9		11930807		HINGE PIN				*		1	
10		11993508		PRESSER FOOT HINGE PIN				*		1	
11		12167706		PRESSER FOOT				*		1	
12		SS6060340SP		SCREW 3/32-56 L=2.5				*		1	
13	R	SS6090650SP	SS6090670TP	SCREW 9/64-40 L=6				*		1	1.00
14	R	12154365	12154563	PRESSER FOOT ASM.	FOR EXPORT					1	1.00
15		11821303		FINGER GUARD				*		1	
16		11991601		UPPER LOOPER GUIDE COVER						1	
17	D	12150413		NEEDLE CLAMP,CHAIN LOOPER						1	
18		12147906		CLOTH WASTE COVER						1	
19		11884004		MAIN FEED DOG						1	
20		12173308		DIFFERENTIAL FEED DOG						1	
21		11845609		KNIFE	FOR JAPAN					1	
22		11845807		UPPER KNIFE	FOR EXPORT					1	

MO-3916-DF6-50H

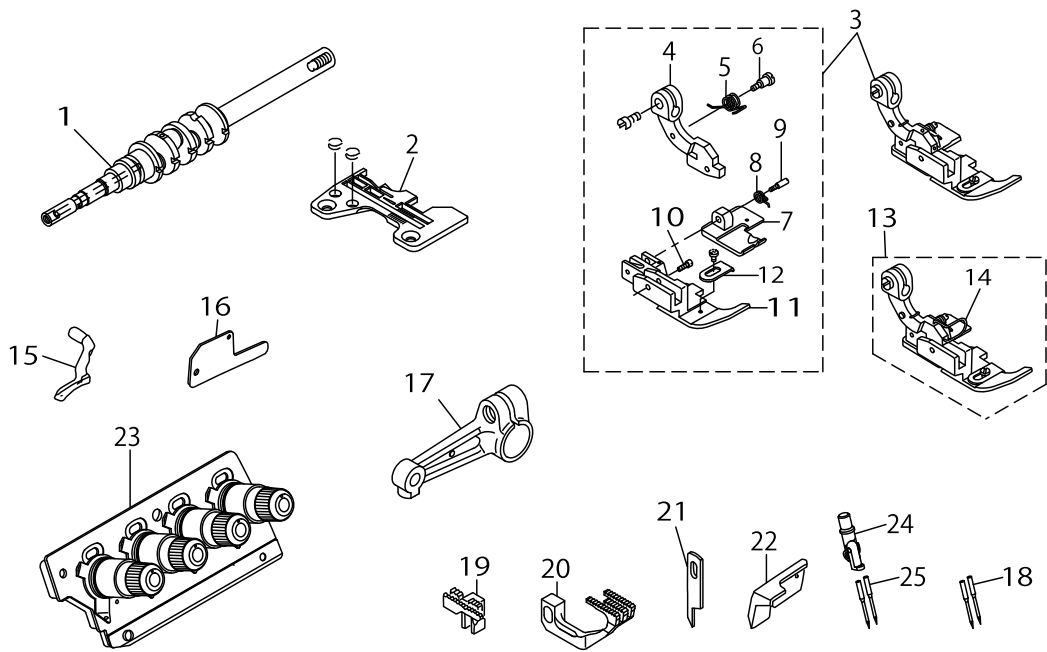


MO-3900 SUBCLASSES (17)

No.	Supply Code	Parts No.	Replacement	Parts name	Remarks	Choice	Step	Level	Cons	Qty	Rep. QTY
1	D	12107207		CRANKSHAFT						1	
2	R	R4608J0FG00	R4608J6FG00	THROAT PLATE						1	1.00
3	R	12154456	12154464	PRESSER FOOT ASM.						1	1.00
4		12157103		PRESSER FOOT HINGE				*		1	
5		12162905		PRESSER FOOT				*		1	
6		11993508		PRESSER FOOT HINGE PIN				*		1	
7		B1515816000		PRESSER FOOT ARM SPRING				*		1	
8		B1514816000		SCREW				*		1	
9		12165502		REARPRESSERFOOT				*		1	
10		11991304		SPRING				*		1	
11		11930807		HINGE PIN				*		1	
12		12154464		PRESSER FOOT ASM.	FOR EXPORT					1	
13		11820800		FINGER GUARD				*		1	
14		11991908		UPPER LOOPER						1	
15		11991601		UPPER LOOPER GUIDE COVER						1	
16	R	12122800	12284550	UPPER LOOPER ARM B						1	1.00
17		MC033601000		NEEDLE B-27 NM100	FOR JE					2	
18		11884400		MAIN FEED DOG						1	
19		12173506		DIFFERENTIAL FEED DOG						1	
20		11845609		KNIFE	FOR JAPAN					1	
21		11845807		UPPER KNIFE	FOR EXPORT					1	
22	D	12180865		THREAD GUIDE PLATE ASM.						1	
23		MDC270B1600		NEEDLE DCX27 #16						2	

MO-3900 SUBCLASSES (18)

MO-3916-FF6-50H

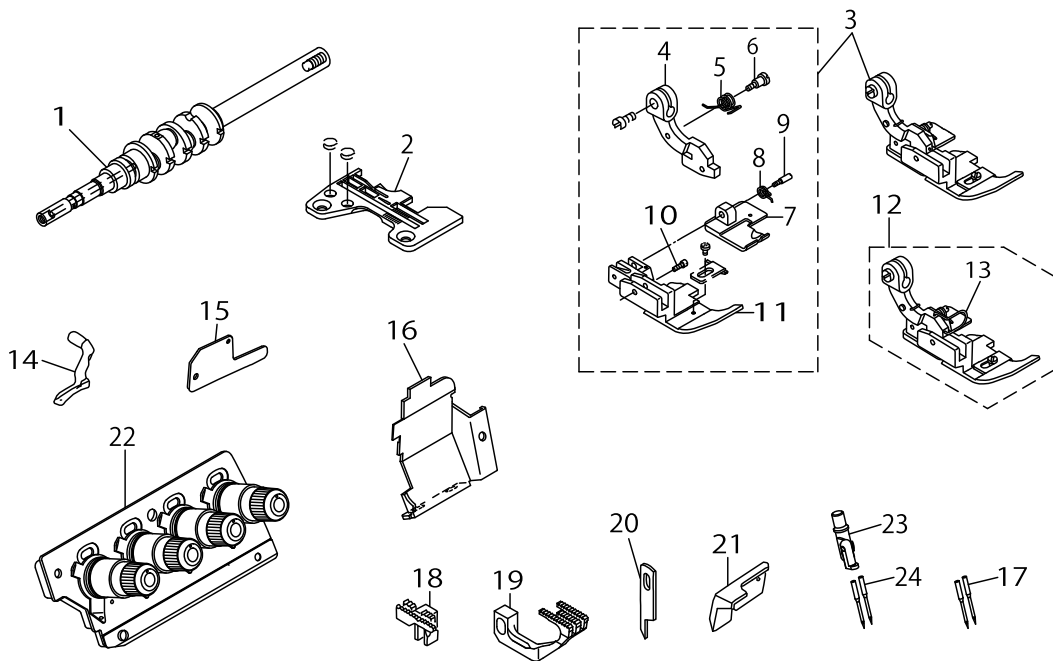


## MO-3900 SUBCLASSES (18)

No.	Supply Code	Parts No.	Replacement	Parts name	Remarks	Choice	Step	Level	Cons	Qty	Rep. QTY
1	D	12107207		CRANKSHAFT						1	
2	R	R4612J0FF00	R4612J6FF00	THROAT PLATE						1	1.00
3	R	11991171	11991189	PRESSER FOOT ASM.						1	1.00
4	R	11991015	11991023	PRESSER FOOT HINGE				*		1	1.00
5		B151581600B		PRESSER FOOT ARM SPRING B				*		1	
6		B1514816000		SCREW				*		1	
7		11991205		REARPRESSERFOOT				*		1	
8		11991304		SPRING				*		1	
9		11930807		HINGE PIN				*		1	
10		11993508		PRESSER FOOT HINGE PIN				*		1	
11		11991114		HINGED TYPE PRESSER FOOT				*		1	
12		B1530816D00		AUXILIARY STOPPER				*		1	
13		11991189		PRESSER FOOT ASM.	FOR EXPORT					1	
14		11820800		FINGER GUARD				*		1	
15		11991908		UPPER LOOPER						1	
16		11991601		UPPER LOOPER GUIDE COVER						1	
17	R	12122800	12284550	UPPER LOOPER ARM B						1	1.00
18		MC033601000		NEEDLE B-27 NM100	FOR JE					2	
19		11883006		MAIN FEED DOG						1	
20		12173506		DIFFERENTIAL FEED DOG						1	
21		11845609		KNIFE	FOR JAPAN					1	
22		11845807		UPPER KNIFE	FOR EXPORT					1	
23	D	12180865		THREAD GUIDE PLATE ASM.						1	
24	R	12150306	12257507	NEEDLE CLAMP, CHAIN LOOPER						1	1.00
25		MDC270B1600		NEEDLE DCX27 #16						2	



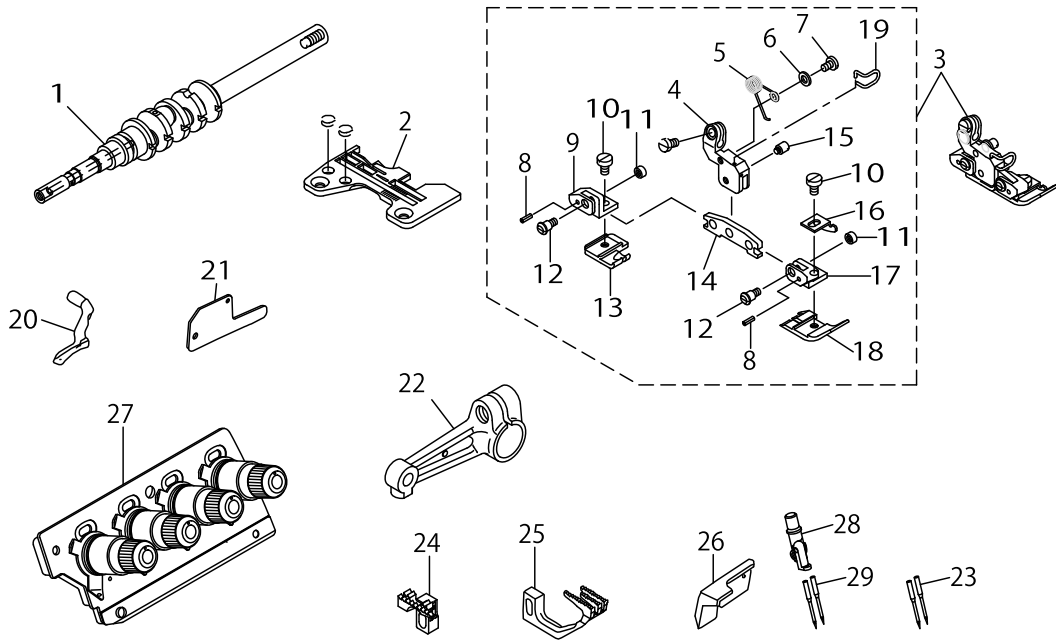
MO-3916-RH6-50H



## MO-3900 SUBCLASSES (19)

No.	Supply Code	Parts No.	Replacement	Parts name	Remarks	Choice	Step	Level	Cons	Qty	Rep. QTY
1	D	12107207		CRANKSHAFT						1	
2		R4617J0HG00		THROAT PLATE						1	
3	R	12154555	12154563	PRESSER FOOT ASM.						1	1.00
4	R	11991015	11991023	PRESSER FOOT HINGE				*		1	1.00
5		B151581600B		PRESSER FOOT ARM SPRING B				*		1	
6		B1514816000		SCREW				*		1	
7		12165601		REARPRESSERFOOT				*		1	
8		11991304		SPRING				*		1	
9		11930807		HINGE PIN				*		1	
10		11993508		PRESSER FOOT HINGE PIN				*		1	
11	R	12163002	12154563	PRESSER FOOT				*		1	1.00
12	D	12154563		PRESSER FOOT ASM.	FOR EXPORT					1	
13		11820800		FINGER GUARD				*		1	
14		11991908		UPPER LOOPER						1	
15		11991601		UPPER LOOPER GUIDE COVER						1	
16		12147906		CLOTH WASTE COVER						1	
17		MC033601000		NEEDLE B-27 NM100	FOR JE					2	
18		11883006		MAIN FEED DOG						1	
19		12173506		DIFFERENTIAL FEED DOG						1	
20		11845609		KNIFE	FOR JAPAN					1	
21		11845807		UPPER KNIFE	FOR EXPORT					1	
22	D	12180865		THREAD GUIDE PLATE ASM.						1	
23	D	12150413		NEEDLE CLAMP,CHAIN LOOPER						1	
24		MDC270B1600		NEEDLE DCX27 #16						2	

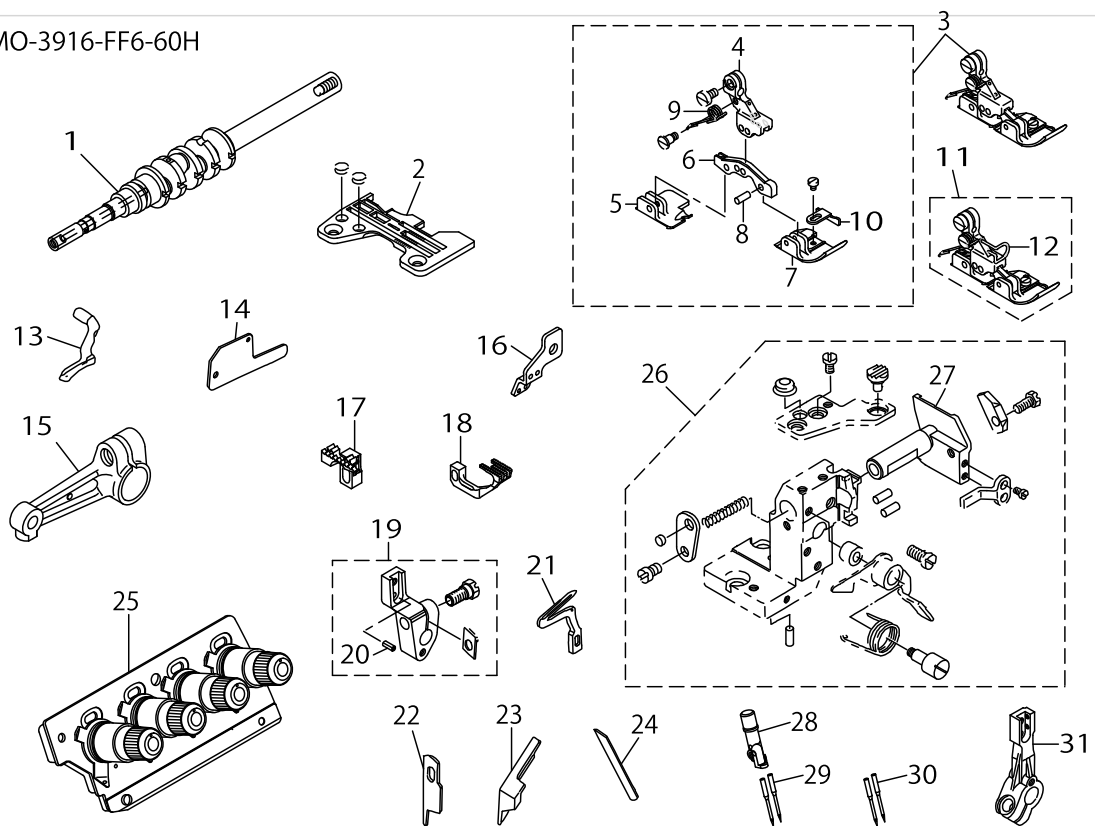
MO-3916E-FF6-50H/F26/G32



MO-3900 SUBCLASSES (20)

No.	Supply Code	Parts No.	Replacement	Parts name	Remarks	Choice	Step	Level	Cons	Qty	Rep. QTY
1	D	12107207		CRANKSHAFT						1	
2	R	R4612J0FF00	R4612J6FF00	THROAT PLATE						1	1.00
3		11993961		STAIR SEWING PRESSER ASM.						1	
4		11993706		PRESSER FOOT HINGE ARM				*		1	
5		11988706		STEP-SEWING PRESSER SPRING				*		1	
6		WP0371026SD		WASHER 3.7X7X1				*		1	
7		SS7080520SP		SCREW 1/8-44 L=4.9				*		1	
8		PS0200062KH		SPRING PIN 2X6				*		2	
9		11994209		REAR PRESSER HINGE				*		1	
10		SS6090620TP		SCREW				*		2	
11		11988904		HINGE NUT				*		2	
12		11988805		HINGE SCREW				*		2	
13	R	11994100	11993961	REARPRESSERFOOT				*		1	1.00
14		11993805		PRESSER FOOT HINGE				*		1	
15		11989407		PRESSER HINGE SCREW				*		1	
16		11994308		CLOTH GUIDE				*		1	
17		11994001		FRONT PRESSER HINGE				*		1	
18		11993904		PRESSER FOOT				*		1	
19		11820800		FINGER GUARD				*		1	
20		11991908		UPPER LOOPER						1	
21		11991601		UPPER LOOPER GUIDE COVER						1	
22	R	12122800	12284550	UPPER LOOPER ARM B						1	1.00
23		MC033601000		NEEDLE B-27 NM100	FOR JE					2	
24		12171104		MAIN FEED DOG						1	
25		12173704		DIFFERENTIAL FEED DOG						1	
26		11845807		UPPER KNIFE						1	
27	D	12180865		THREAD GUIDE PLATE ASM.						1	
28	R	12150306	12257507	NEEDLE CLAMP, CHAIN LOOPER						1	1.00
29		MDC270B1600		NEEDLE DCX27 #16						2	

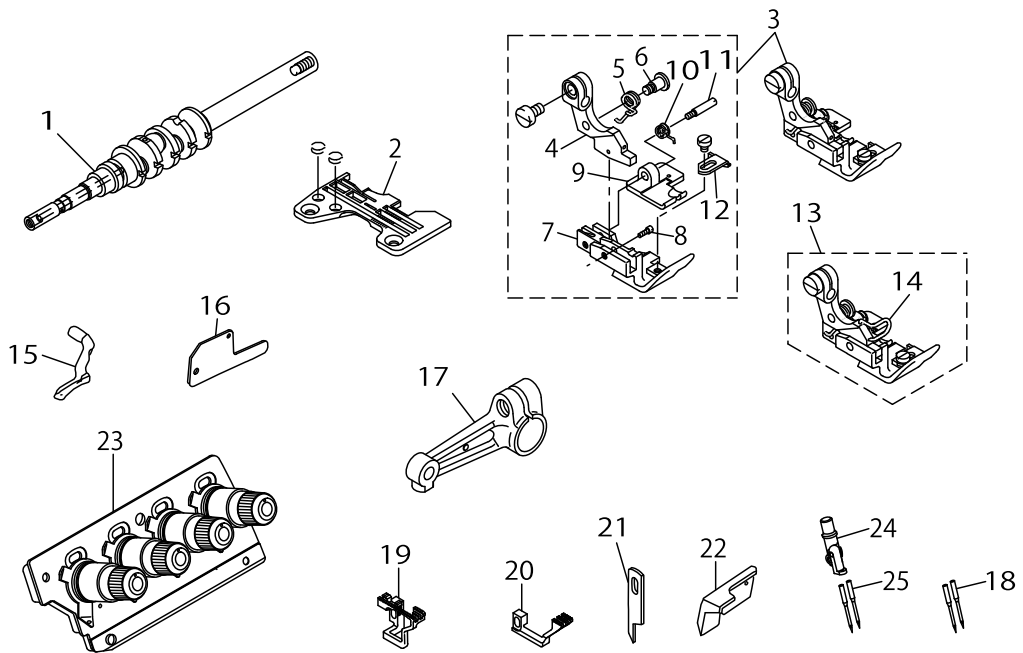
MO-3916-FF6-60H



## MO-3900 SUBCLASSES (21)

No.	Supply Code	Parts No.	Replacement	Parts name	Remarks	Choice	Step	Level	Cons	Qty	Rep. QTY
1		12107306		CRANKSHAFT						1	
2	R	R4612J0FK00	R4612J6FK00	THROAT PLATE						1	1.00
3	R	12155552	12155560	PRESSER FOOT ASM.						1	1.00
4		12157319		PRESSER FOOT HINGE ARM				*		1	
5		12165908		REARPRESSERFOOT				*		1	
6		12168407		PRESSER FOOT HINGE				*		1	
7	R	12164000	12155560	PRESSER FOOT				*		1	1.00
8		11930708		PRESSER FOOT HINGE PIN				*		3	
9		12168506		PRESSER FOOT ARM SPRING				*		1	
10		12168605		CLOTH GUIDE				*		1	
11		12155560		PRESSER FOOT ASM.	FOR EXPORT					1	
12		12168803		FINGER GUARD				*		1	
13		12176202		UPPER LOOPER						1	
14		11991601		UPPER LOOPER GUIDE COVER						1	
15	R	12122800	12284550	UPPER LOOPER ARM B						1	1.00
16		12112801		TAKE-UP LEVER GUIDE						1	
17		12171104		MAIN FEED DOG						1	
18		12174207		DIFFERENTIAL FEED DOG						1	
19		12121554		CHAIN LOOPER DRIVING ARM ASM.						1	
20		PS0250062KH		SPRING PIN 2.5X6				*		1	
21		11999802		LOWER LOOPER						1	
22		12004909		KNIFE	FOR JAPAN					1	
23		11565900		UPPER KNIFE	FOR EXPORT					1	
24		11566502		LOWER KNIFE						1	
25		12181251		THREAD GUIDE PLATE ASM.						1	
26		12133682		LOWER KNIFE BRACKET ASM.						1	
27	D	12133500		LOWER KNIFE SLIDE STUD				*		1	
28		12150702		NEEDLE CLAMP, CHAIN LOOPER						1	
29		MDC270B2100		NEEDLE DCX27 #21						2	
30		MC033601300		NEEDLE B-27 NM130	FOR JE					2	
31		12124806		LOWER LOOPER SUPPORT ARM.						1	

MO-3916-FF6-42H

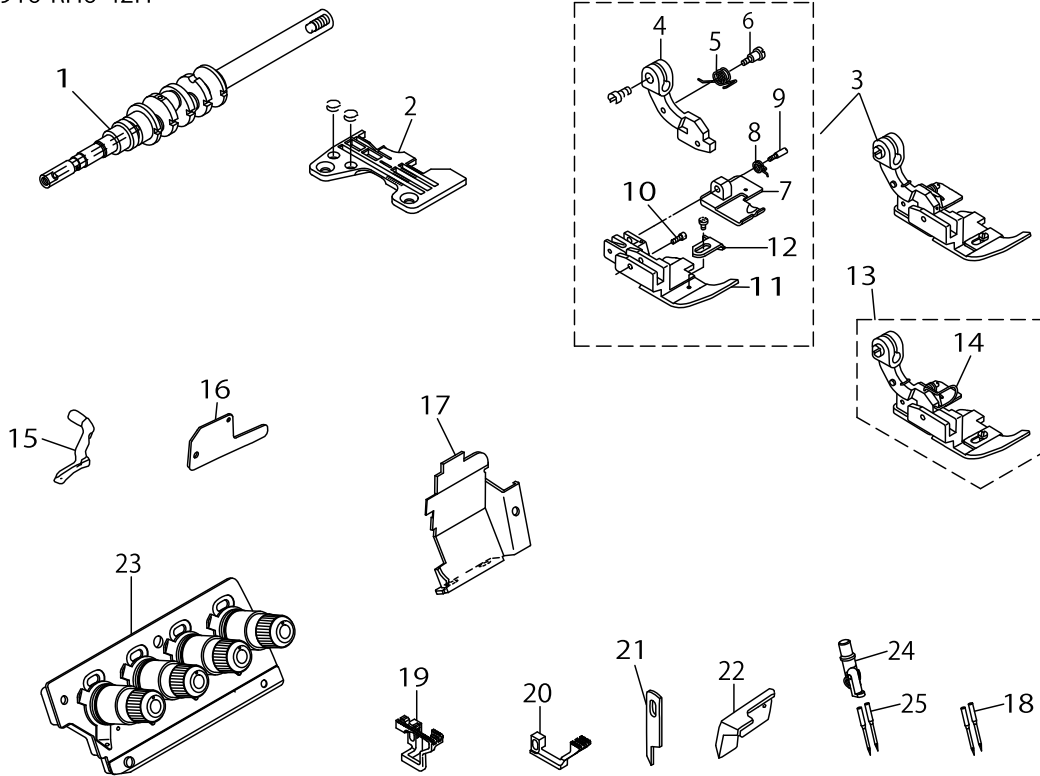


MO-3900 SUBCLASSES (22)

No.	Supply Code	Parts No.	Replacement	Parts name	Remarks	Choice	Step	Level	Cons	Qty	Rep. QTY
1	D	12107207		CRANKSHAFT						1	
2	R	R4612J0FD0A	R4612J6FD0A	THROAT PLATE						1	1.00
3	R	12154852	12154860	PRESSER FOOT ASM.						1	1.00
4	R	11991015	11991023	PRESSER FOOT HINGE				*		1	1.00
5		B151581600B		PRESSER FOOT ARM SPRING B				*		1	
6		B1514816000		SCREW				*		1	
7	R	12163309	12154860	PRESSER FOOT				*		1	1.00
8		11993508		PRESSER FOOT HINGE PIN				*		1	
9		11991205		REARPRESSERFOOT				*		1	
10		11991304		SPRING				*		1	
11		11930807		HINGE PIN				*		1	
12		12168100		CLOTH GUIDE				*		1	
13		12154860		PRESSER FOOT ASM.	FOR EXPORT					1	
14		11820800		FINGER GUARD				*		1	
15		11991908		UPPER LOOPER						1	
16		11991601		UPPER LOOPER GUIDE COVER						1	
17	R	12122800	12284550	UPPER LOOPER ARM B						1	1.00
18	D	MC033600900		NEEDLE B-27 NM90	FOR JE					2	
19		12170908		MAIN FEED DOG						1	
20		12173407		DIFFERENTIAL FEED DOG						1	
21		11845609		KNIFE	FOR JAPAN					1	
22		11845807		UPPER KNIFE	FOR EXPORT					1	
23	D	12180865		THREAD GUIDE PLATE ASM.						1	
24	R	12150306	12257507	NEEDLE CLAMP, CHAIN LOOPER						1	1.00
25		MDC270B1400		NEEDLE DCX27 #14						2	



MO-3916-RH6-42H



MO-3900 SUBCLASSES (23)

No.	Supply Code	Parts No.	Replacement	Parts name	Remarks	Choice	Step	Level	Cons	Qty	Rep. QTY
1	D	12107207		CRANKSHAFT						1	
2	D	R4617J0HD0A		THROAT PLATE						1	
3	R	12154951	12154969	PRESSER FOOT ASM.						1	1.00
4	R	11991015	11991023	PRESSER FOOT HINGE				*		1	1.00
5		B151581600B		PRESSER FOOT ARM SPRING B				*		1	
6		B1514816000		SCREW				*		1	
7		12165601		REARPRESSERFOOT				*		1	
8		11991304		SPRING				*		1	
9		11930807		HINGE PIN				*		1	
10		11993508		PRESSER FOOT HINGE PIN				*		1	
11		12163408		PRESSER FOOT				*		1	
12		12168100		CLOTH GUIDE				*		1	
13	D	12154969		PRESSER FOOT ASM.	FOR EXPORT					1	
14		11820800		FINGER GUARD				*		1	
15		11991908		UPPER LOOPER						1	
16		11991601		UPPER LOOPER GUIDE COVER						1	
17		12147906		CLOTH WASTE COVER						1	
18	D	MC033600900		NEEDLE B-27 NM90	FOR JE					2	
19		12170908		MAIN FEED DOG						1	
20		12173407		DIFFERENTIAL FEED DOG						1	
21		11845609		KNIFE	FOR JAPAN					1	
22		11845807		UPPER KNIFE	FOR EXPORT					1	
23	D	12180865		THREAD GUIDE PLATE ASM.						1	
24	R	12150306	12257507	NEEDLE CLAMP, CHAIN LOOPER						1	1.00
25		MDC270B1400		NEEDLE DCX27 #14						2	



## HOW TO MAKE USE OF THIS PARTS LIST

### 1.Explanation of codes

1)"\*"mark.....means this part is changed from the previous parts book.

As to the details of the change, refer to the "List for information of change".

2)"#01".....refer to "Note" explanation at bottom of page.

### 2.Codes on the "Qty" column

- Each numeral indicates the number of parts required.
- "0.1" and "2.5" indicate the length (in meters) of the respective parts.

3.Parentheses mean that the corresponding part is a subpart that constructs an assembly part.

4.Dotted lines on the Figures indicate assembly parts.

### 1."注記"欄の記号説明

1) "\*"印.....前回のパーツブックに比較して今回変更された部品を意味します。

変更内容は、"変更情報リスト"を参照してください。

2) "#01".....ページ下の"注記"の説明を参照してください。

2.数量欄の数字は、個数を表し、0.1、2.5等の数値は、長さ（単位メートル）を表します。

3.数量欄の（ ）は、組部品を構成している子部品であることを意味します。

4.イラストページの-----枠は、組構成であることを意味します。

Other parts list related to this model.

この機種に関するパーツリストとして下記のパーツリストがあります。

MO-3904-0E4,MO-3914-BE6,MO-3916-DE4.....Standard model(No.0845)

MO-3904-0E4,MO-3914-BE6,MO-3916-DE4.....標準機種 (No.0845)

# NUMERICAL INDEX OF PARTS

PART NO	PAGE	REF NO.	PART NO	PAGE	REF NO.	PART NO	PAGE	REF NO.
11522802	32	27	11884400	36	18	11991304	40	8
11544707	32	12	11887205	18	23	11991304	46	10
11545100	8	7	11888005	8	6	11991304	48	8
11565900	44	23	11890407	18	19	11991601	2	10
11566502	44	24	11890407	32	21	11991601	4	8
11651304	32	8	11899408	20	6	11991601	6	8
11790508	32	10	11899606	20	5	11991601	12	19
11790607	32	9	11899861	20	3	11991601	14	10
11790706	18	22	11930708	44	8	11991601	16	10
11790706	32	23	11930807	18	10	11991601	18	17
11820800	36	13	11930807	34	9	11991601	20	10
11820800	38	14	11930807	36	11	11991601	22	13
11820800	40	13	11930807	38	9	11991601	24	12
11820800	42	19	11930807	40	9	11991601	26	13
11820800	46	14	11930807	46	11	11991601	28	13
11820800	48	14	11930807	48	9	11991601	30	13
11821303	34	15	11931706	18	11	11991601	32	18
11845609	34	21	11949807	2	13	11991601	34	16
11845609	36	20	11949906	2	14	11991601	36	15
11845609	38	21	11974102	12	6	11991601	38	16
11845609	40	20	11983806	18	4	11991601	40	15
11845609	46	21	11983905	18	5	11991601	42	21
11845609	48	21	11984002	18	6	11991601	44	14
11845807	34	22	11984101	18	8	11991601	46	16
11845807	36	21	11984200	18	9	11991601	48	16
11845807	38	22	11984457	18	3	11991809	2	9
11845807	40	21	11984465	18	14	11991809	4	7
11845807	42	26	11987005	32	24	11991809	6	7
11845807	46	22	11988706	42	5	11991809	12	18
11845807	48	22	11988805	42	12	11991809	14	9
11872306	8	5	11988904	42	11	11991809	16	16
11873908	20	4	11989407	42	15	11991809	18	16
11874401	18	7	11991015	38	4	11991809	20	9
11879350	12	5	11991015	40	4	11991809	22	12
11882503	18	21	11991015	46	4	11991809	24	11
11882503	32	22	11991015	48	4	11991809	26	12
11883006	38	19	11991023	34	4	11991809	28	12
11883006	40	18	11991114	38	11	11991809	30	12
11883303	4	11	11991171	38	3	11991809	32	17
11883303	6	11	11991189	38	13	11991908	2	8
11883402	12	3	11991205	38	7	11991908	4	6
11883501	26	16	11991205	46	9	11991908	36	14
11883501	28	16	11991304	34	8	11991908	38	15
11883501	30	16	11991304	36	10	11991908	40	14
11884004	34	19	11991304	38	8	11991908	42	20

NUMERICAL INDEX OF PARTS

PART NO	PAGE	REF NO.	PART NO	PAGE	REF NO.	PART NO	PAGE	REF NO.
11991908	46	15	12112801	44	16	12150306	46	24
11991908	48	15	12114112	32	4	12150306	48	24
11993508	34	10	12121554	44	19	12150413	34	17
11993508	36	6	12122800	2	11	12150413	40	23
11993508	38	10	12122800	4	9	12150702	44	28
11993508	40	10	12122800	36	16	12151262	4	3
11993508	46	8	12122800	38	17	12151262	6	3
11993508	48	10	12122800	42	22	12151353	2	3
11993706	42	4	12122800	44	15	12151361	2	7
11993805	42	14	12122800	46	17	12151403	8	4
11993904	42	18	12123055	12	12	12151460	8	3
11993961	42	3	12123055	14	11	12152559	12	15
11994001	42	17	12123055	16	11	12152559	16	3
11994100	42	13	12123055	18	20	12152765	32	26
11994209	42	9	12123055	20	11	12152781	32	3
11994308	42	16	12123055	22	14	12152856	22	3
11995206	32	14	12123055	24	13	12152856	24	2
11996600	32	11	12123055	26	14	12152856	26	3
11999802	44	21	12123055	28	14	12152856	28	3
12004206	8	8	12123055	30	14	12152856	30	3
12004909	44	22	12123055	32	19	12152963	22	7
12107207	2	1	12123709	32	15	12152963	24	6
12107207	4	1	12124707	8	16	12152963	26	7
12107207	6	1	12124806	8	17	12152963	28	7
12107207	12	13	12124806	44	31	12152963	30	7
12107207	14	6	12124905	8	21	12154365	34	14
12107207	16	13	12124954	8	20	12154456	36	3
12107207	18	1	12125001	8	26	12154464	36	12
12107207	20	1	12125001	10	26	12154555	34	3
12107207	22	1	12125100	8	25	12154555	40	3
12107207	24	1	12125159	8	24	12154563	40	12
12107207	26	1	12125258	8	18	12154852	46	3
12107207	28	1	12125357	10	28	12154860	46	13
12107207	30	1	12133500	44	27	12154951	48	3
12107207	32	1	12133682	44	26	12154969	48	13
12107207	34	1	12147302	6	9	12155552	44	3
12107207	36	1	12147302	8	9	12155560	44	11
12107207	38	1	12147906	34	18	12157103	36	4
12107207	40	1	12147906	40	16	12157319	44	4
12107207	42	1	12147906	48	17	12157806	4	4
12107207	46	1	12149209	16	12	12157806	6	4
12107207	48	1	12149308	18	18	12158002	2	4
12107306	8	1	12149407	32	25	12158002	22	8
12107306	44	1	12150306	38	24	12158002	24	7
12112801	8	19	12150306	42	28	12158002	26	8

NUMERICAL INDEX OF PARTS

PART NO	PAGE	REF NO.	PART NO	PAGE	REF NO.	PART NO	PAGE	REF NO.
12158002	28	8	12171708	4	12	B151581600B	38	5
12158002	30	8	12171708	6	12	B151581600B	40	5
12159307	4	5	12171807	12	4	B151581600B	46	5
12159307	6	5	12172102	8	11	B151581600B	48	5
12160206	22	5	12172201	8	12	B1530816D00	38	12
12160206	24	4	12172300	8	15	B1657814B0F	26	17
12160206	26	5	12173308	34	20	B1657814B0F	28	17
12160206	28	5	12173407	46	20	B1657814B0F	30	17
12160206	30	5	12173407	48	20	MAQ141000A0	2	18
12160305	12	16	12173506	36	19	MAQ141000A0	20	15
12160305	16	4	12173506	38	20	MAQ141000A0	22	18
12160305	22	9	12173506	40	19	MAQ141000A0	24	17
12160305	24	8	12173704	42	25	MAQ141000A0	26	20
12160305	26	9	12174207	44	18	MAQ141000A0	28	20
12160305	28	9	12176103	12	17	MAQ141000A0	30	20
12160305	30	9	12176103	14	8	MC033600900	2	16
12160800	32	5	12176103	16	15	MC033600900	4	14
12160909	2	6	12176103	18	15	MC033600900	6	6
12160909	22	10	12176103	20	8	MC033600900	20	14
12160909	24	9	12176103	22	11	MC033600900	22	17
12160909	26	10	12176103	24	10	MC033600900	24	16
12160909	28	10	12176103	26	11	MC033600900	26	19
12160909	30	10	12176103	28	11	MC033600900	28	19
12162905	36	5	12176103	30	11	MC033600900	30	19
12163002	34	6	12176202	44	13	MC033600900	46	18
12163002	40	11	12180469	2	17	MC033600900	48	18
12163309	46	7	12180469	4	10	MC033601000	8	14
12163408	48	11	12180469	6	10	MC033601000	36	17
12164000	44	7	12180469	8	10	MC033601000	38	18
12165502	36	9	12180865	36	22	MC033601000	40	17
12165601	34	5	12180865	38	23	MC033601000	42	23
12165601	40	7	12180865	40	22	MC033601300	44	30
12165601	48	7	12180865	42	27	MDC270B1400	2	15
12165908	44	5	12180865	46	23	MDC270B1400	4	13
12167706	34	11	12180865	48	23	MDC270B1400	6	13
12168100	46	12	12181251	44	25	MDC270B1400	20	13
12168100	48	12	B1509804C0B	2	5	MDC270B1400	22	16
12168407	44	6	B150981400P	12	7	MDC270B1400	24	15
12168506	44	9	B1514816000	36	8	MDC270B1400	26	18
12168605	44	10	B1514816000	38	6	MDC270B1400	28	18
12168803	44	12	B1514816000	40	6	MDC270B1400	30	18
12170908	46	19	B1514816000	46	6	MDC270B1400	32	20
12170908	48	19	B1514816000	48	6	MDC270B1400	46	25
12171104	42	24	B1515816000	36	7	MDC270B1400	48	25
12171104	44	17	B151581600B	34	7	MDC270B1600	8	13

NUMERICAL INDEX OF PARTS

PART NO	PAGE	REF NO.	PART NO	PAGE	REF NO.
MDC270B1600	36	23	SS7091110TP	30	21
MDC270B1600	38	25	SS8110422TP	32	16
MDC270B1600	40	24	SS9151210TP	8	27
MDC270B1600	42	29	SS9151210TP	10	27
MDC270B2100	44	29	WP0350516SD	32	7
PS0200062KH	42	8	WP0371016SD	2	12
PS0250062KH	44	20	WP0371016SD	20	12
R4300J0FE00	2	2	WP0371016SD	22	15
R4300J0HE00	4	2	WP0371016SD	24	14
R4300J0KG00	6	2	WP0371016SD	26	15
R4300J0MG00	8	2	WP0371016SD	28	15
R4305J0DE00	12	14	WP0371016SD	30	15
R4305J0DE00	20	2	WP0371026SD	18	13
R4305J0DE00	22	2	WP0371026SD	42	6
R4305J0DE00	26	2			
R4305J0DE0A	12	2			
R4305J0FE00	14	7			
R4306J0DE00	16	2			
R4306J0EE00	16	14			
R4306J0FE00	18	2			
R4308J0FE0B	32	2			
R4405J0EE00	28	2			
R4406J0EE00	30	2			
R4608J0FG00	36	2			
R4612J0FD0A	46	2			
R4612J0FF00	38	2			
R4612J0FF00	42	2			
R4612J0FK00	44	2			
R4617J0HD00	34	2			
R4617J0HD0A	48	2			
R4617J0HG00	40	2			
SS4080610SP	20	7			
SS6060340SP	34	12			
SS6080410SP	32	13			
SS6090620TP	42	10			
SS6090650SP	34	13			
SS7080520SP	18	12			
SS7080520SP	32	6			
SS7080520SP	42	7			
SS7091110TP	2	19			
SS7091110TP	20	16			
SS7091110TP	22	19			
SS7091110TP	24	18			
SS7091110TP	26	21			
SS7091110TP	28	21			