

MODEL : DLN-5410N-7/DLN-5410NH-7/DLN-5410NJ-7

List No : 0900-12

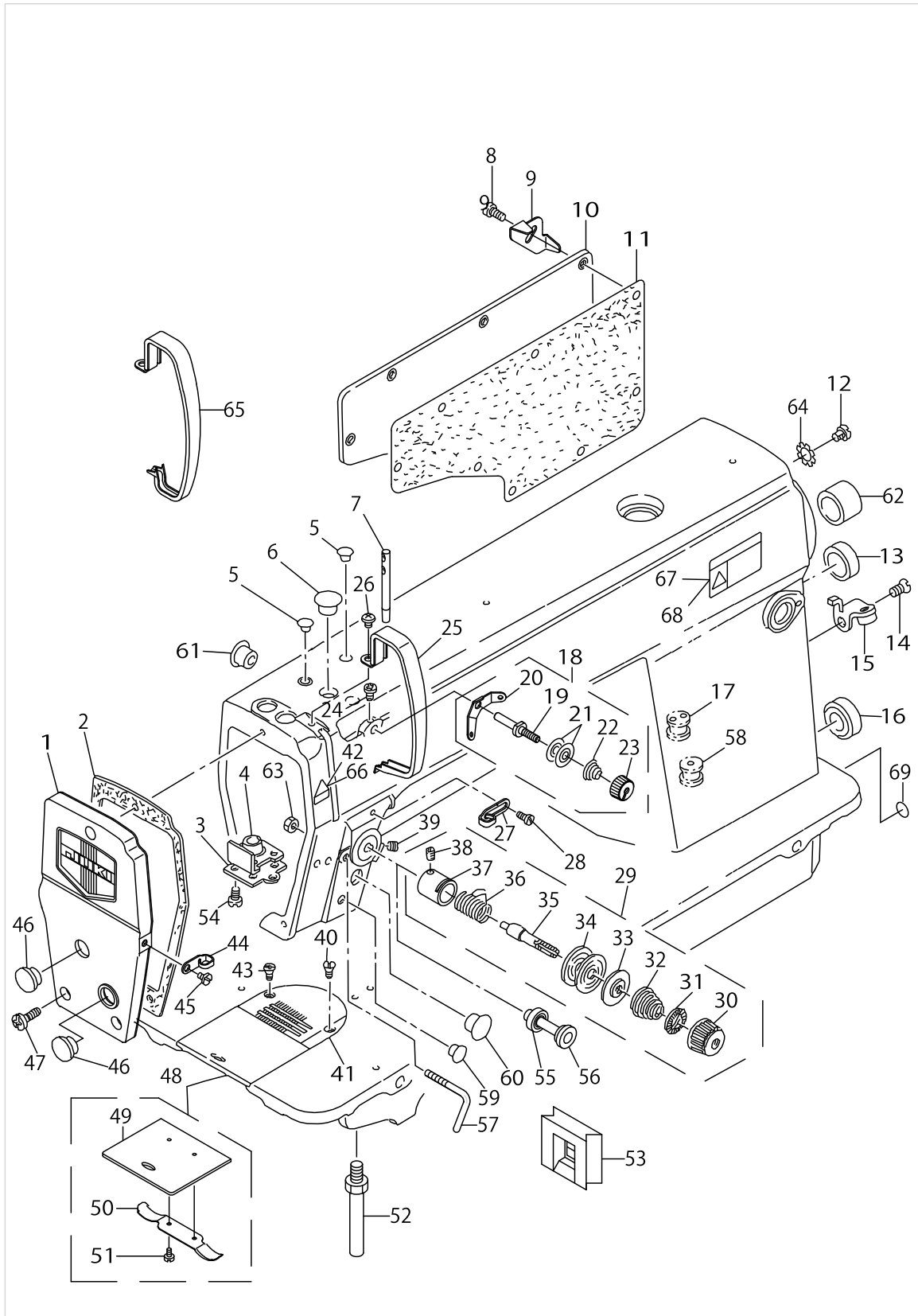
PARTS LIST

Published:05/12/2017

CONTENTS

MACHINE FRAME & MISCELLANEOUS COVER COMPONENTS	1
MAIN SHAFT COMPONENTS	5
NEEDLE BAR, UPRIGHT SHAFT & HOOK DRIVING SHAFT COMPONENTS	7
HAND LIFTER COMPONENTS	9
FEED MECHANISM COMPONENTS.....	13
THREAD TRIMMER COMPONENTS	17
NEEDLE BAR FRAME COMPONENTS.....	21
AUTOMATIC REVERSE FEED MECHANISM COMPONENTS	23
WIPER COMPONENTS.....	25
OIL LUBRICATION COMPONENTS	27
OIL RESERVOIR COMPONENTS	29
BELT COVER & BOBBIN COMPONENTS.....	31
THREAD STAND COMPONENTS.....	33
EXCLUSIVE PARTS FOR DLN-5410NH-7.....	35
EXCLUSIVE PARTS FOR DLN-5410NJ-7.....	37
LIST FOR INFORMATION OF CHANGE (1).....	41
LIST FOR INFORMATION OF CHANGE (2).....	42
HOW TO MAKE USE OF THIS PARTS LIST	43

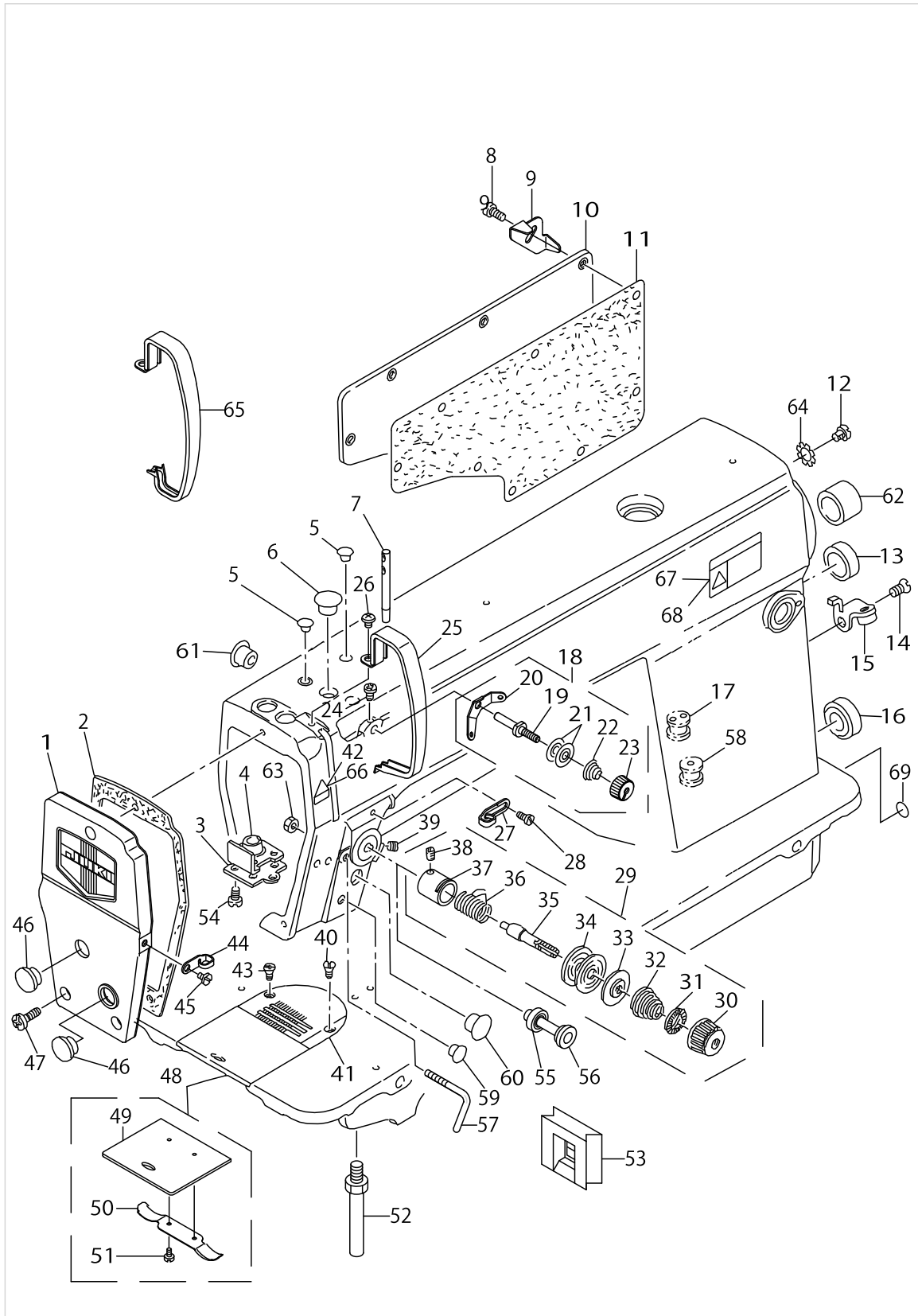
MACHINE FRAME & MISCELLANEOUS COVER COMPONENTS



MACHINE FRAME & MISCELLANEOUS COVER COMPONENTS

No.	Supply Code	Parts No.	Replacement	Parts name	Remarks	Choice	Step	Level	Cons	Qty	Rep. QTY
1		11325750		FACE PLATE ASM.						1	
2		11300506		FACE PLATE GASKET						1	
3		11300407		PRESSER BAR SUPPORT						1	
4		11300605		GASKET						1	
5		TA0850604R0		RUBBER PLUG						2	
6		TA1250705R0		RUBBER PLUG						1	
7		22958300		NEEDLE THREAD GUIDE PIN						1	
8		SS4120915SP		SCREW 3/16-28 L=9						8	
9		22954705		CORD FIXING METAL FITTING	FOR DLN-- 5410N-7-0B,-WB					1	
10		22900401		WINDOW PLATE						1	
11		11003308		SIDE PLATE PACKING						1	
12		SS4120615SP		SCREW 3/16-28 L=6						1	
13		TA2000502R0		RUBBER PLUG						1	
14		SS1120710SP		SCREW 3/16-28 L=6.7						1	
15		11095254		LEVER STOPPER ASM.	FOR DLN-- 5410N-7-0B,-WB					1	
16		TA2101002R0		RUBBER PLUG						1	
17		40111022		MAGNET CORD RUBBER	FOR DLN-- 5410N-7-0B,-WB					1	
18		22945463		THREAD TENSION ASM. NO.1						1	
19		22945414		THREAD TENSION POST				*		1	
20	R	22945604	22963458	THREAD TENSION GUIDE		A	DDL8700H- -7/8700J-- 7/9000B, DLN6390-7	*		1	1.00
20	R	22945604	22945463	THREAD TENSION GUIDE		B	DDL8700-7 and so on	*		1	1.00
21		22945802		THREAD TENSION DISK				*		2	
22		22945505		THREAD TENSION SPRING				*		1	
23		22945703		THREAD TENSION NUT				*		1	
24		SS4120615SP		SCREW 3/16-28 L=6						1	
25		22900609		THREAD TAKE-UP LEVER COVER						1	
26		SS4120615SP		SCREW 3/16-28 L=6						1	
27		22920508		ARM THREAD GUIDE A						1	
28		22921001		SCREW						1	
29		22945356		THREAD TENSION ASM.						1	
30		22921308		THREAD TENSION NUT				*		1	
31		22921407		ROTATION STOPPER				*		1	
32		22921704		THREAD TENSION SPRING A				*		1	
33		22921803		DISK STOPPER				*		1	
34		22921506		THREAD TENSION DISK				*		2	
35		22921209		THREAD TENSION POST				*		1	
36		22921605		THREAD TAKE-UP SPRING				*		1	
37		22945307		THREAD TENSION POST BASE				*		1	
38		SS8090670SP		SCREW 9/64-40 L=5.5				*		1	
39		SS8150710TP		SCREW 15/64-28 L=7						1	
40		SS2110920TP		SCREW 11/64-40 L=8.5						1	
41		11300308		THROAT PLATE						1	
42		CM300200001		ATTENTION SEAL	FOR JE					1	

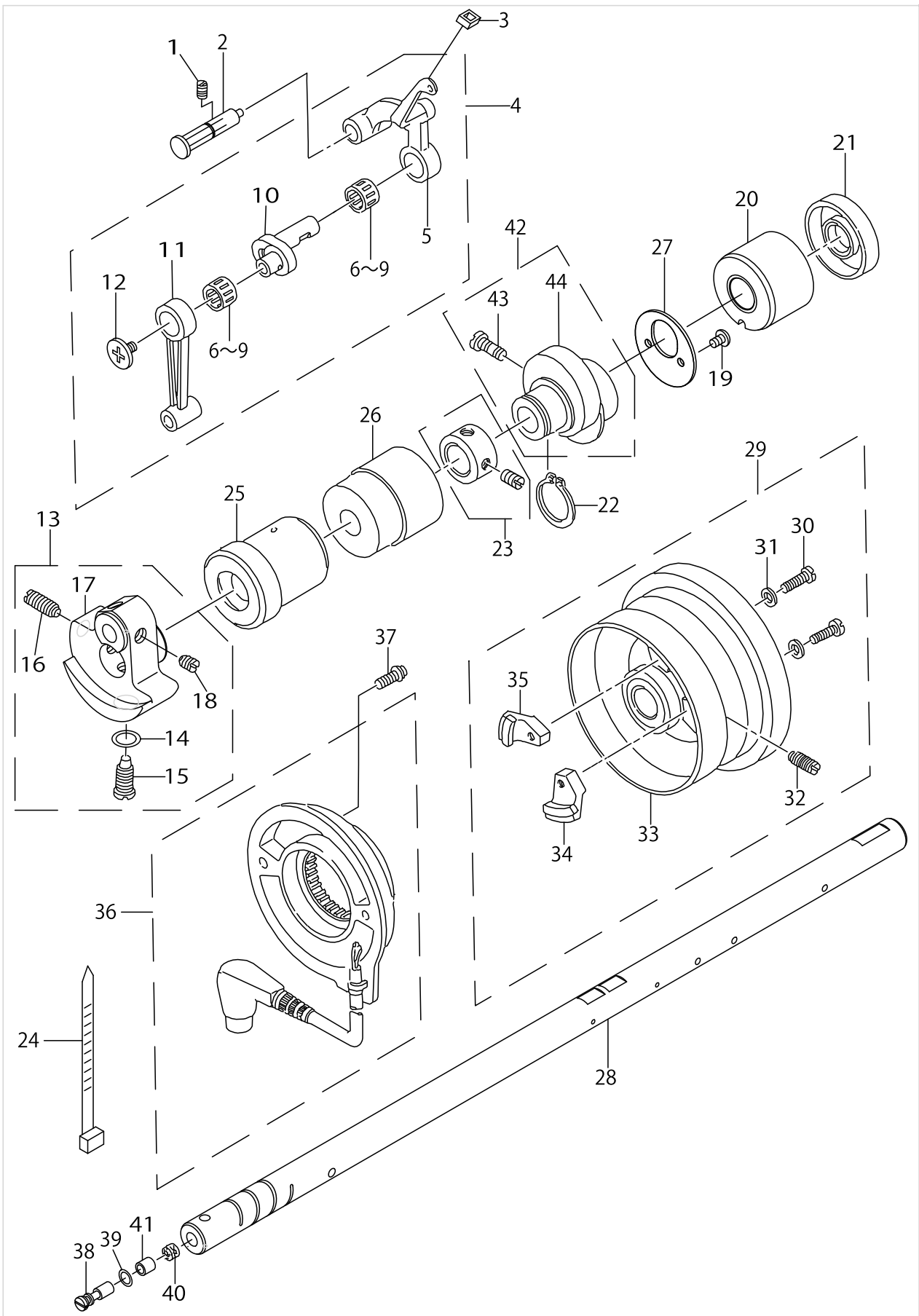
MACHINE FRAME & MISCELLANEOUS COVER COMPONENTS



MACHINE FRAME & MISCELLANEOUS COVER COMPONENTS

No.	Supply Code	Parts No.	Replacement	Parts name	Remarks	Choice	Step	Level	Cons	Qty	Rep. QTY
43		SS2110915SP		SCREW 11/64-40 L=8.5						1	
44		22920607		ARMTHREADGUIDEB						1	
45		SS6110610TP		SCREW 11/64-40 L=6						1	
46		TA1250406R0		RUBBER PLUG D=12.5 L=4						2	
47		SS4121015SP		SCREW 3/16-28 L=10						3	
48		22901250		SLIDE PLATE ASM.						1	
49	R	22901201	22901250	SLIDE PLATE				*		1	1.00
50		22901300		SLIDE PLATE SPRING				*		1	
51		SS6060210SP		SCREW 3/32-56 L=1.9				*		2	
52		22901003		BED SCREW STUD						4	
53		22935407		BED OIL SHIELD RUBBER						1	
54		SS1120710SP		SCREW 3/16-28 L=6.5						4	
55		B31334150A0		TENSION RELEASE PIN CAP ASM.						1	
56		B3136415000		CAP RING						1	
57		22972608		ARMTHREADGUIDEC						1	
58		11030202		RUBBER BUSHING	FOR DLN-- 5410N-7-00,-W0					1	
59		TA0850604R0		RUBBER PLUG						1	
60		TA1250504R0		RUBBER PLUG						1	
61		TA1250504R0		RUBBER PLUG						1	
62		TA2101002R0		RUBBER PLUG						1	
63		NS6110310SP		NUT 11/64-40						1	
64		WT0530002KS		TOOTHED WASHER D=5.3						1	
65		11415205		THREAD TAKE-UP LEVER COVER(JE)	FOR JE					1	
66		CM3002000B1		LABEL(16)	FOR USE IN JAPAN					1	
67		CM300200101		SAFETY LABEL 1(SMALL).	FOR USE IN JAPAN					1	
68		CM3002001A1		SAFETY LABEL 3(SMALL).	EXCEPT JE & USE IN JAPAN					1	
69		22901805		GROUND MARK						1	

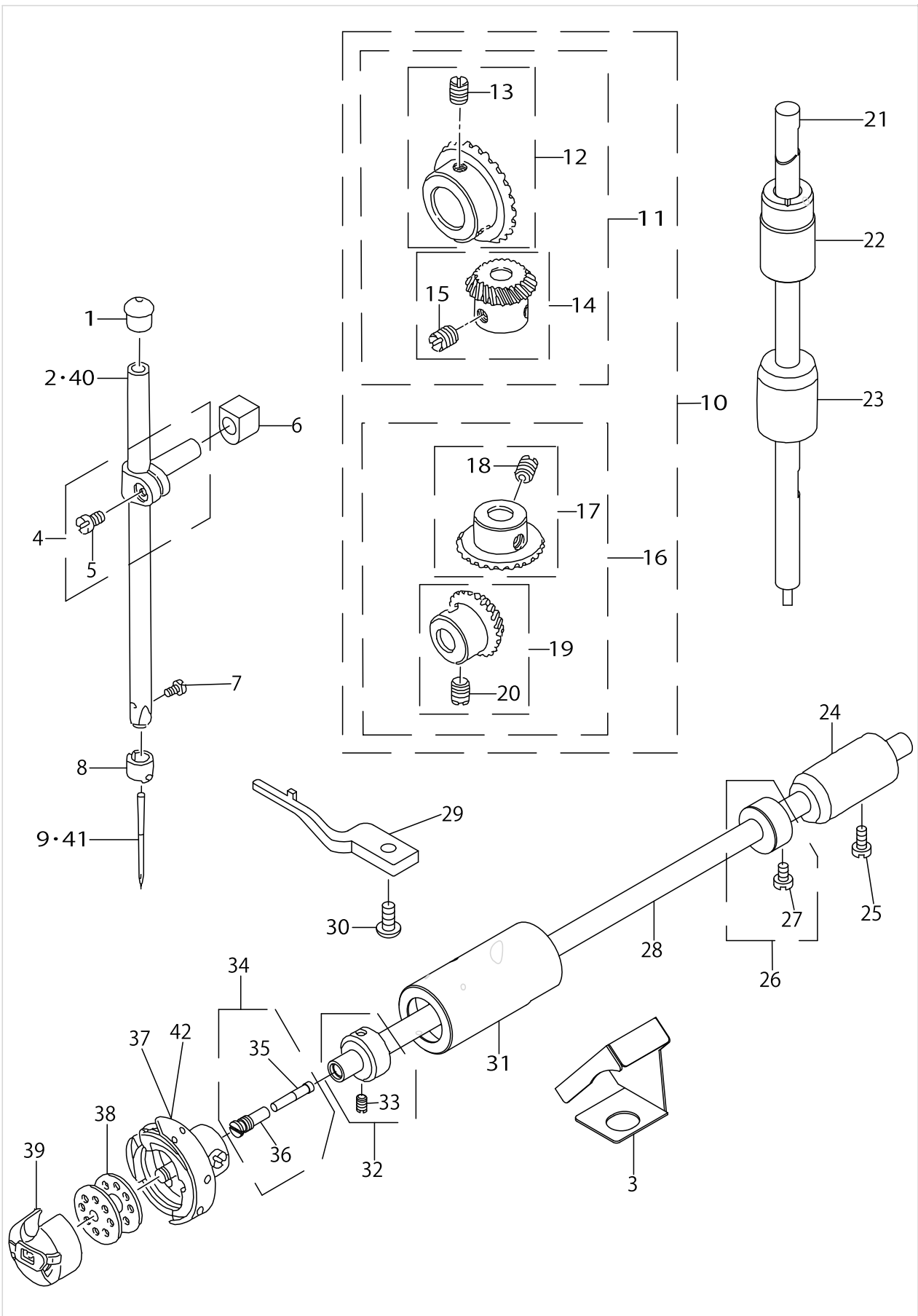
MAIN SHAFT COMPONENTS



MAIN SHAFT COMPONENTS

No.	Supply Code	Parts No.	Replacement	Parts name	Remarks	Choice	Step	Level	Cons	Qty	Rep. QTY
1		SS8151150TP		SCREW 15/64-28 L=10.5						1	
2		11017357		THREAD TAKE-UP CRANK SHAFT ASM.						1	
3		22919203		OIL PROTECTING RUBBER						1	
4		22918072		THREAD TAKE-UP LEVER COMPL.						1	
5	R	22918064	22918072	THREAD TAKE-UP LEVER ASM.				*		1	1.00
6		22918403		NEEDLE BEARING A	SELECTIVE PARTS			*		2	
7		22918502		NEEDLE BEARING B	SELECTIVE PARTS			*		2	
8		22918601		NEEDLE BEARING C	SELECTIVE PARTS			*		2	
9		22918700		NEEDLE BEARING D	SELECTIVE PARTS			*		2	
10		22918106		NEEDLE BAR CRANK				*		1	
11		22906606		NEEDLE BAR CRANK ROD				*		1	
12	R	22918304	B1903552000	LEFT SCREW				*		1	1.00
13		40106606		COUNTER_WEIGHT_ASM.						1	
14		RO044240100		RUBBER RING				*		1	
15		SS7681650TP		SCREW 9/32-28 L=16				*		1	
16		SS8681650TP		SCREW 9/32-28 L=16				*		1	
17		40106607		COUNTER_WEIGHT				*		1	
18		SS8660610TP		SCREW 1/4-40 L=6				*		2	
19		SS4090615SP		SCREW 9/64-40 L=6						2	
20		11002409		MAIN SHAFT BUSHING REAR						1	
21		40105231		OIL SEAL						1	
22		RC1850001KP		SNAP RING 18.5						1	
23		22904155		MAIN SHAFT THRU-ST COLLAR ASM.						1	
24		EA9500B0100		CABLE BAND						1	
25		11300902		BUSHING FRONT						1	
26		11202306		BUSHING INTERMEDIATE						1	
27		22910103		THRUST COLLAR						1	
28		22903009		MAIN SHAFT						1	
29	R	11071461	11071495	HAND WHEEL ASM.						1	1.00
30		SS6111210SP		SCREW 11/64-40 L=12				*		2	
31		WP0450801SD		WASHER 4.5X10X0.8				*		2	
32		SS8151550SP		SCREW 15/64-28 L=15				*		2	
33	R	11071453	11071495	HAND WHEEL ASM.				*		1	1.00
34		M40071100AA		MAGNET FITTING BASE A ASM.				*		1	
35		M40071100AB		MAGNET FITTING BASE B ASM.				*		1	
36		22937965		DYNAMO STATOR						1	
37		SL4051001MZ		SCREW M5 L=9.6						2	
38		B1213552000A		OIL ADJUSTING PIN						1	
39		RO029180100		RUBBER RING						1	
40		11002904		ROLLER FELT						1	
41		B1215552000		OIL ADJUSTING COLLAR						1	
42		11302353		FEED DRIVE ECCENTRIC CAM ASM.						1	
43		SS6661110SP		SCREW 1/4-40 L=11				*		2	
44	R	11302304	11302353	FEED DRIVE ECCENTRIC CAM				*		1	1.00

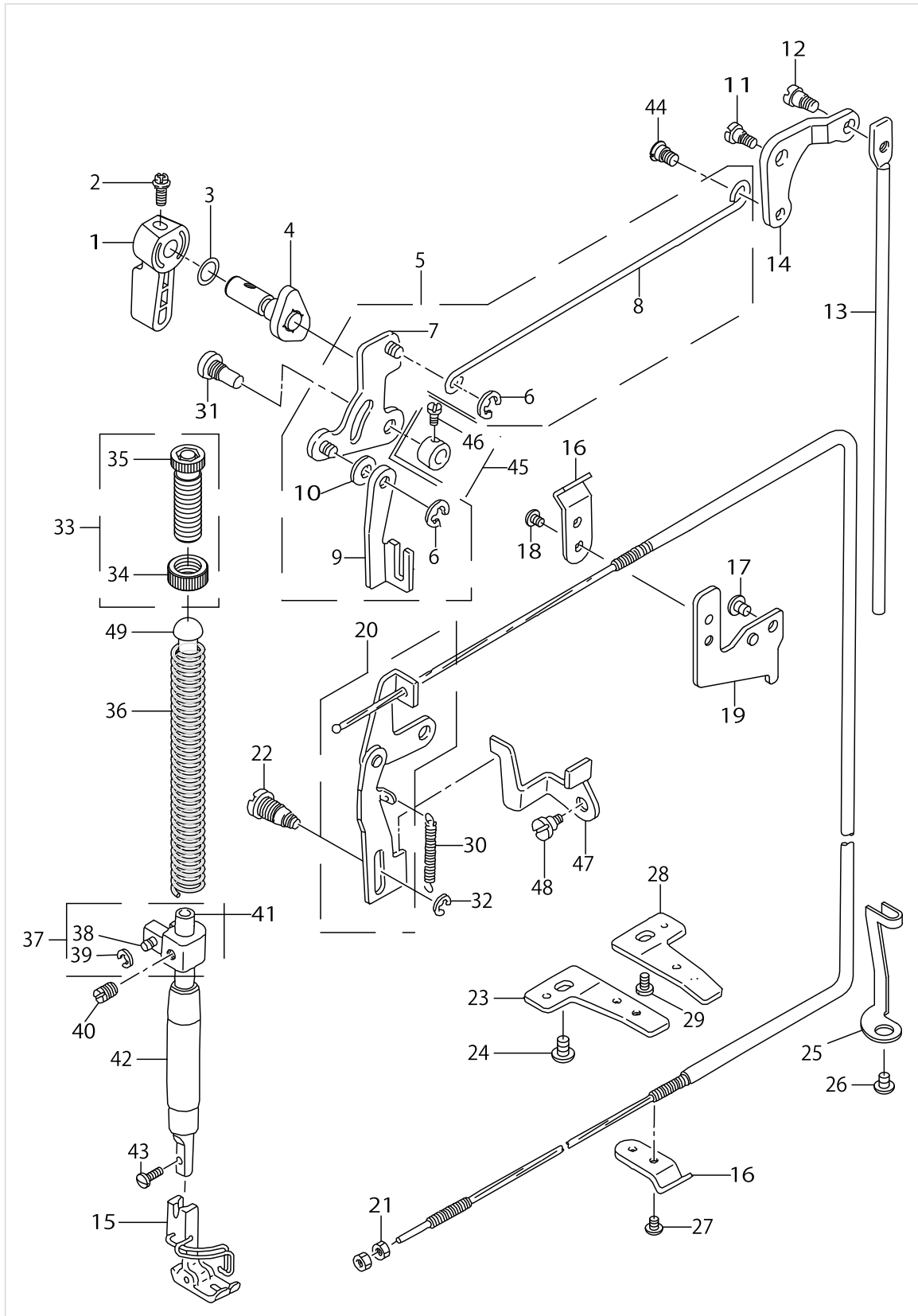
NEEDLE BAR, UPRIGHT SHAFT & HOOK DRIVING SHAFT COMPONENTS



NEEDLE BAR, UPRIGHT SHAFT & HOOK DRIVING SHAFT COMPONENTS

No.	Supply Code	Parts No.	Replacement	Parts name	Remarks	Choice	Step	Level	Cons	Qty	Rep. QTY
1		TA1250804R0		RUBBER PLUG						1	
2		11301009		NEEDLE BAR A						1	
3		22942601		OIL SHIELD						1	
4		22906457		NEEDLE BAR HOLDER ASM.						1	
5		SS6090670TP		SCREW 9/64-40 L=6				*		1	
6		B1414226000		SLIDE BLOCK						1	
7		SS7080510TP		SCREW 1/8-44 L=4.5						1	
8		B1418552A00		NEEDLE THREAD GUIDE A						1	
9		MDB100B1400		NEEDLE DBX1 #14						1	
10	R	B13061550C0	B13071550C0	GEAR & PINION ASM.						1	1.00
11		B13061550B0		GEAR & PINION ASM. UPPER				*		1	
12		B13050120A0		GEAR ASM.				*		1	
13		SS8660810TP		SCREW 1/4-40 L=8				*		2	
14		B13061550A0		PINION ASM.				*		1	
15		SS8660810TP		SCREW 1/4-40 L=8				*		2	
16		B13071550B0		GEAR & PINION ASM. LOWER				*		1	
17		B13071550A0		GEAR ASM. LARGE				*		1	
18		SS8660810TP		SCREW 1/4-40 L=8				*		2	
19		B13081550A0		PINION ASM.				*		1	
20		SS8660810TP		SCREW 1/4-40 L=8				*		2	
21		22905004		UPRIGHT SHAFT						1	
22		22905103		UPRIGHT SHAFT BUSHING UPPER						1	
23		11004207		UPRIGHT SHAFT BUSHING LOWER						1	
24		22916308		HOOK DRIVING SH- AFT BUSH REAR						1	
25		SS4120915SP		SCREW 3/16-28 L=9						1	
26		22917157		THRUST COLLAR ASM. REAR						1	
27		SS6110420TP		SCREW 11/64-40 L=4.8				*		2	
28		22916001		HOOK DRIVING SHAFT						1	
29	R	11038809	22942502	BOBBIN CASE HOLDER						1	1.00
30		SS4110915TP		SCREW 11/64-40 L=9						1	
31		22916100		HOOK DRIVING SH- AFT BUSH FRONT						1	
32		22917058		THRUST COLLAR ASM. FRONT						1	
33		SS8110410TP		SCREW 11/64-40 L=3.5				*		2	
34		22916555		OILSEALSCREWASM.						1	
35		11015906		OIL WICK				*		1	
36		22916506		SET SCREW				*		1	
37		11141355		HOOK ASM.						1	
38		22932909		BOBBIN						1	
39		11038759		BOBBIN CASE ASM.						1	
40		11301108		NEEDLE BAR B	FOR JE					1	
41		MC200500900		NEEDLE 134 90	FOR JE					1	
42		11038650		HOOK ASM.	FOR JH,US- E IN JAPAN					1	

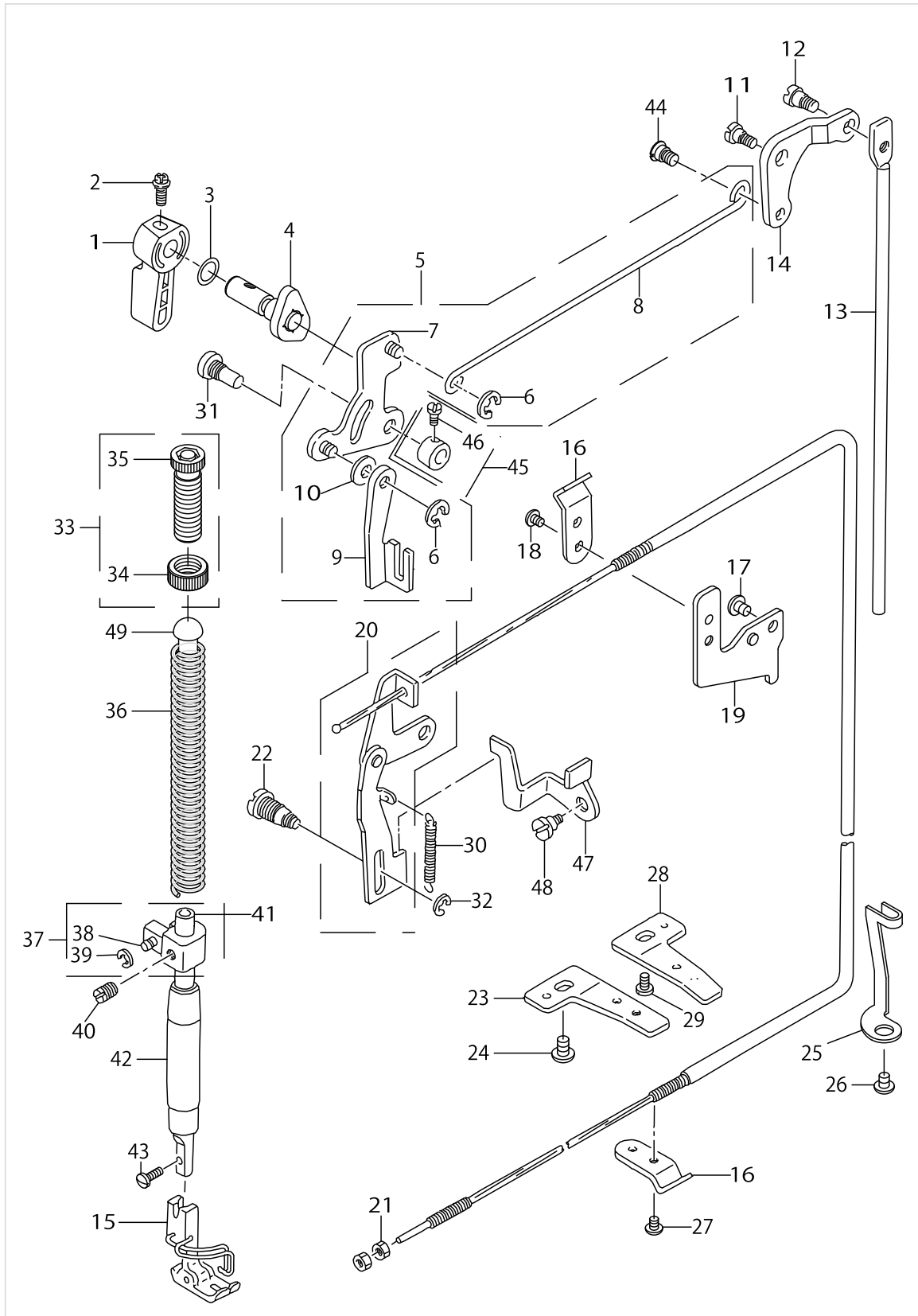
HAND LIFTER COMPONENTS



HAND LIFTER COMPONENTS

No.	Supply Code	Parts No.	Replacement	Parts name	Remarks	Choice	Step	Level	Cons	Qty	Rep. QTY
1		22907802		HAND LIFTER						1	
2		B1521555000		SCREW						1	
3		RO037180100		RUBBER RING						1	
4		22908552		HAND LIFTER CAM ASM.						1	
5		11301652		LIFTING LEVER ASM.						1	
6		RE0500000K0		E-RING				*		2	
7	R	22908156	22908354	LIFTING LINK ASM.				*		1	1.00
8		22908305		KNEE LIFTER SIDE ROD				*		1	
9		11301603		LIFTING LEVER				*		1	
10		WP0650876SD		WASHER 6.5X13X0.8				*		1	
11		SD0720331SP		HINGE SCREW D=7.24 H=3.3						1	
12		SD0600322SD		HINGE SCREW D=6 H=3.2						1	
13		11205408		CONNECTING ROD						1	
14		11205309		LIFTING LEVER LINK						1	
15		D1524415BBC		PRESSER FOOT ASM.						1	
16		22944508		WIRE PRESSER A						2	
17		SS4120615SP		SCREW 3/16-28 L=6						1	
18		SS4110515SP		SCREW 11/64-40 L=5						1	
19		22944607		WIRE PRESSER BASE UPPER						1	
20		11312055		WIRE CABLE ASM.						1	
21		NS6620310SP		NUT 3/16-32						2	
22		11306107		TENSION RELEASE PLATE SHAFT						1	
23		22944706		WIRE PRESSER BASE LOWER	FOR DLN-- 5410N-7-00					1	
24		SS4150915SP		SCREW 15/64-28 L=9	FOR DLN-- 5410N-7-00					1	
25		11306206		WIRE CABLE HOLDER						1	
26		SS4120615SP		SCREW 3/16-28 L=6						1	
27		SS4110515SP		SCREW 11/64-40 L=5						1	
28		22962807		WIRE PRESSER PLATE B	FOR DLN-- 5410N-7-0B,-WB					1	
29		SS7110740TP		SCREW 11/64-40 L=7	FOR DLN-- 5410N-7-0B,-WB					1	
30		11305901		SPRING						1	
31		11301702		LINK SHAFT						1	
32		RE0300000KP		E-RING						1	
33		22907554		PRESSER SPRING REG NUT ASM.						1	
34	R	22907604	22907554	PRESSER SPRING REGULATOR NUT				*		1	1.00
35	R	22907505	22907554	PRESSER SPRING REGULATOR				*		1	1.00
36		22907406		PRESSER SPRING						1	
37		11301355		NEEDLE BAR GUIDE BRACKET ASM.						1	
38		11301405		PIN				*		1	
39		RE0300000K0		E-RING 3				*		2	
40		SS8660610TP		SCREW 1/4-40 L=6						1	
41		40017805		PRESSER BAR						1	
42		40060989		PRESSER BAR BUSHING LOWER						1	
43		SS7091110TP		SCREW 9/64-40 L=10.5						1	
44		22908909		HINGE SCREW						1	

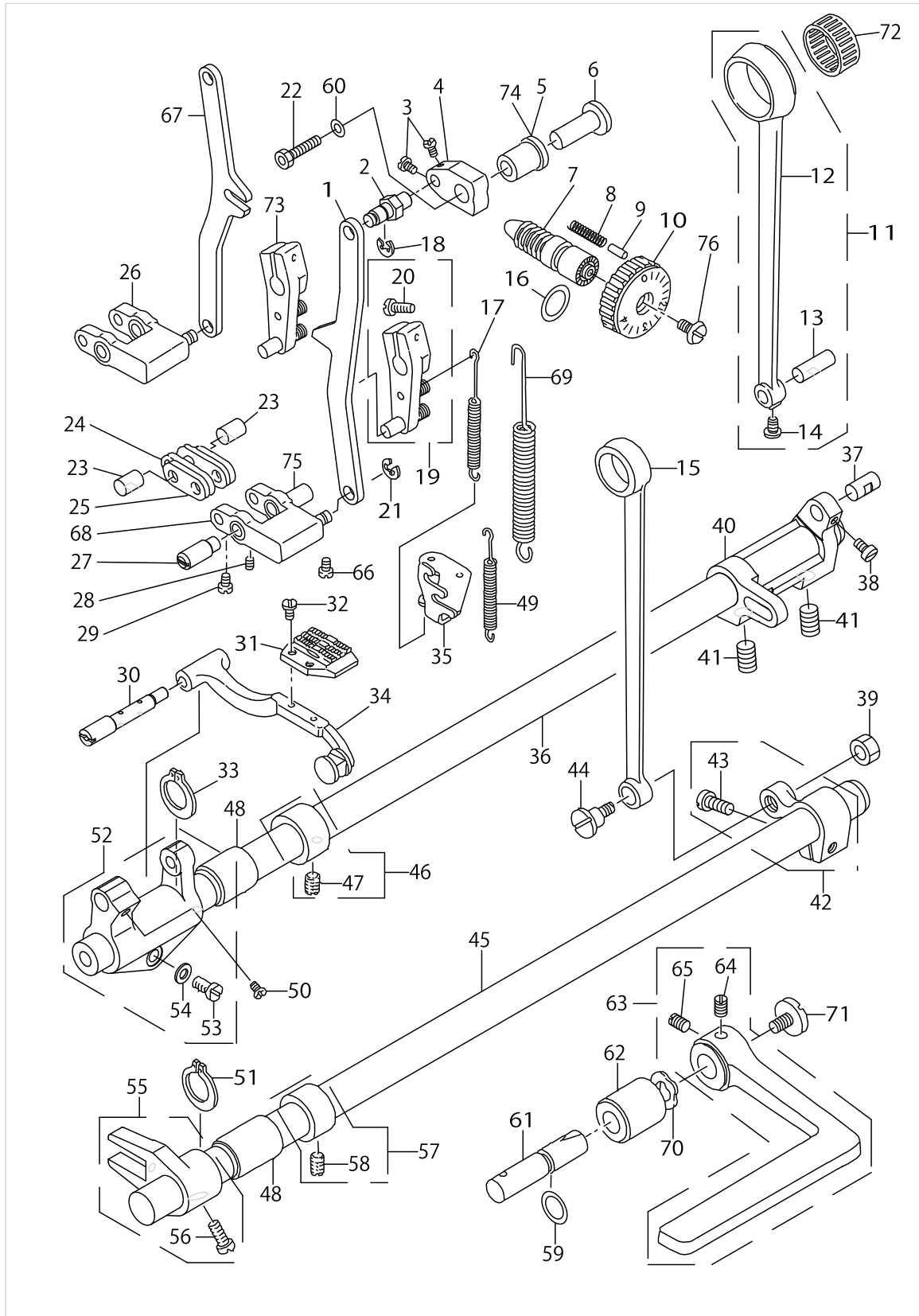
HAND LIFTER COMPONENTS



HAND LIFTER COMPONENTS

No.	Supply Code	Parts No.	Replacement	Parts name	Remarks	Choice	Step	Level	Cons	Qty	Rep. QTY
45		GS064061ASP		THRUST COLLAR ASM.						1	
46		SS7090620TP		SCREW 9/64-40 L=6.1				*		1	
47		11305703		TENSION RELEASE LINK A						1	
48		SD0640261SP		HINGE SCREW D=3.65 H=2.6						1	
49		22907703		PRESSER GUIDE BAR						1	

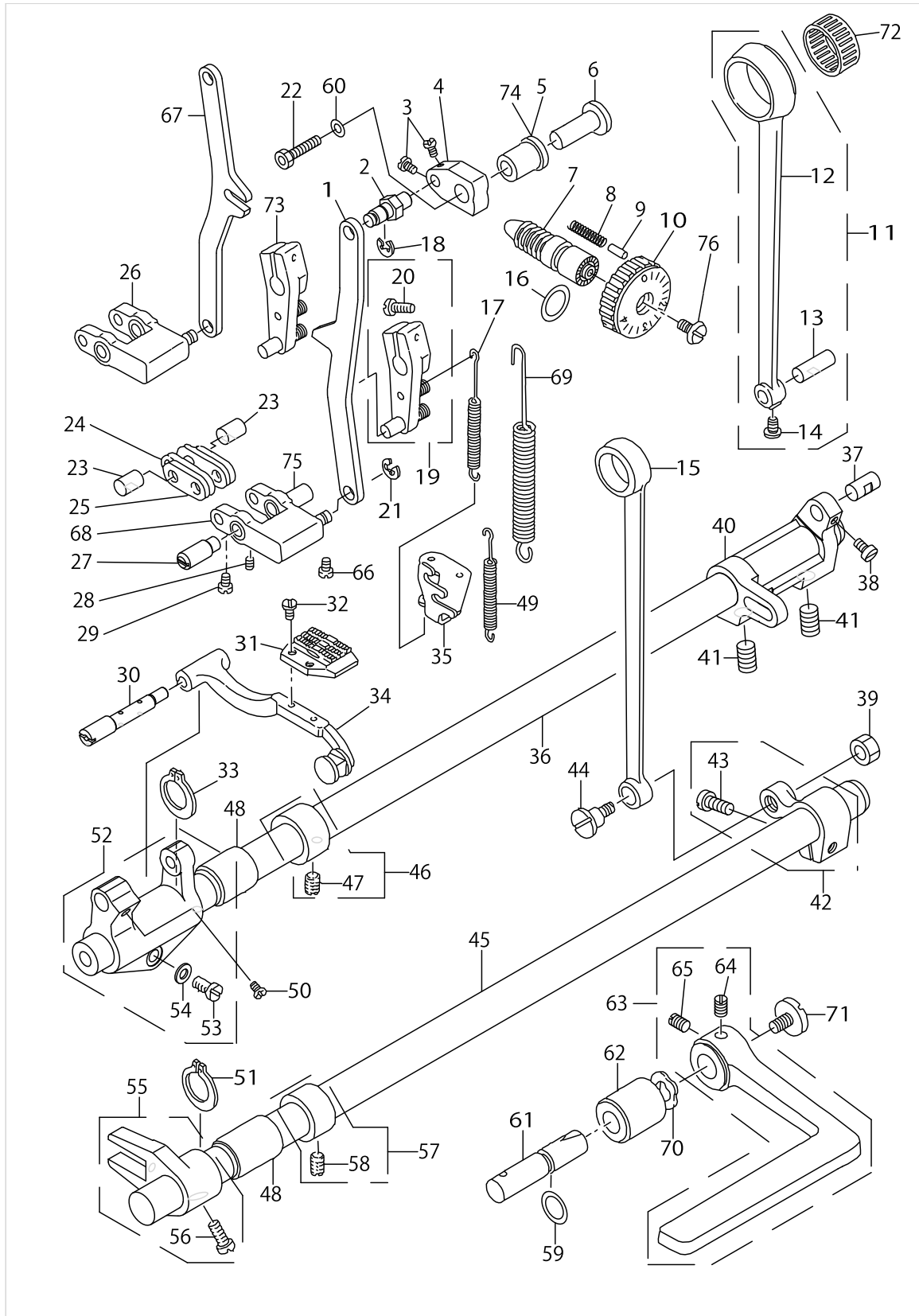
FEED MECHANISM COMPONENTS



FEED MECHANISM COMPONENTS

No.	Supply Code	Parts No.	Replacement	Parts name	Remarks	Choice	Step	Level	Cons	Qty	Rep. QTY
1		11314507		FEED ADJUST ROD	FOR DLN-- 5410N-7-0B,-WB					1	
2		22971204		FEED REGULATOR BASE PIN						1	
3		SS6090560TP		SCREW 9/64-40 L=4.5						2	
4		11303328		FEED REGULATOR BUSHING						1	
5		11009800		FEED REGULATOR BUSHING	FOR DLN-- 5410N-7-0B,-WB					1	
6		11385127		FEED REGULATOR SHAFT						1	
7		22911804		FEED REGULATOR SCREW						1	
8		22912109		FEED REGULATOR PIN SPRING						1	
9		22912000		FEED REGULATOR PIN						1	
10		11326204		FEED DIAL						1	
11		40081220		ROCKER SHAFT CO- NNECTING ROD ASM.						1	
12	R	11302411	40081220	ROCKER SHAFT CO- NNECTING ROD				*		1	1.00
13		22911101		WALKING FOOT PIN C				*		1	
14		SS6090620TP		SCREW				*		1	
15		22915003		CONNECTING ROD						1	
16		RO092270200		RUBBER RING						1	
17		11302700		SPRING	FOR DLN-- 5410N-7-0B,-WB					1	
18		RE0500000K0		E-RING						1	
19	R	11302254	22971550	FEED REVERSE ARM ASM.	FOR DLN-- 5410N-7-00					1	1.00
20		SS7121410TP		SCREW 3/16-28 L=14				*		1	
21		RE0500000K0		E-RING						1	
22		SS9661120CP		SCREW 1/4-40 L=10.5						1	
23		22910905		WALKING FOOT PIN A						2	
24		22910707		CONNECTING LINK B						2	
25		22910608		CONNECTING LINK A						2	
26		11303161		FEED ADJUST LINK ASM.	FOR DLN-- 5410N-7-00					1	
27		22910806		ADJUST LINK FULCRUM SHAFT A						1	
28		SS8150710TP		SCREW 15/64-28 L=7						1	
29		SS6090620TP		SCREW						2	
30		22940803		FEED BAR SHAFT						1	
31		D1609415B00		FEED DOG						1	
32		SS4080620TP		SCREW 1/8-44 L=6						2	
33		RC0150001KP		RETAINING RING 13.8						1	
34		22940753		FEED BAR ASM.						1	
35		22970602		FEED SPRING HOOK						1	
36		22912901		FEED ROCKERSHAFT						1	
37		22911002		WALKING FOOT PIN B						1	
38		SS6090620TP		SCREW						1	
39		NS6680410SP		NUT 9/32-28						1	
40	R	11302502	11302551	FEED ROCKER SHAFT CRANK						1	1.00
41		SS8681130SP		SCREW 9/32-28 L=11						2	
42		22915151		FEED ARM ASM.						1	
43		SS7121610SP		SCREW 3/16-28 L=15.5				*		1	
44		SD1000801SH		HINGE SCREW D=10 H=8						1	

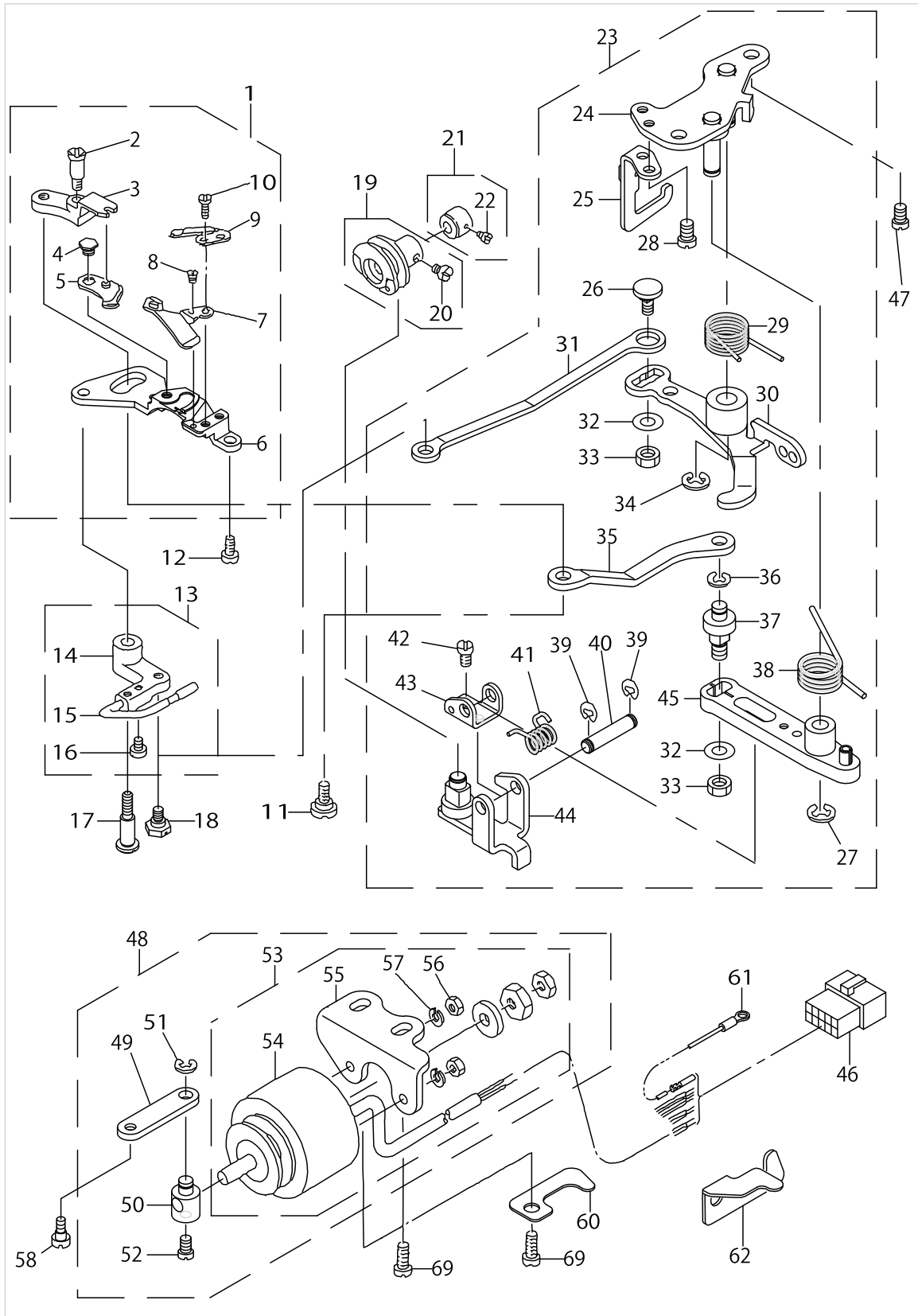
FEED MECHANISM COMPONENTS



FEED MECHANISM COMPONENTS

No.	Supply Code	Parts No.	Replacement	Parts name	Remarks	Choice	Step	Level	Cons	Qty	Rep. QTY
45		22915201		FEED DRIVING SHAFT						1	
46	R	CS147121ASH	22904155	THRUST COLLAR A- SM.D=14.72 W=12						1	1.00
47		SS8660610TP		SCREW 1/4-40 L=6				*		2	
48		22913008		FEED ROCKER SHAFT BUSHING						2	
49		11305000		SPRING	FOR DLN-- 5410N-7-00					1	
50		SS7110740TP		SCREW 11/64-40 L=7						1	
51		RC0150001KP		RETAINING RING 13.8						1	
52		22940654		FEED ROCKER ASM.						1	
53		SS7121410TP		SCREW 3/16-28 L=14				*		1	
54		WP0480856SP		WASHER 4.8X8.4X0.8				*		1	
55		22915359		DRIVING SHAFT CRANK ASM.						1	
56	R	SS7111120SP	SS7111120TP	SCREW 11/64-40 L=10.5				*		1	1.00
57	R	CS147121ASH	22904155	THRUST COLLAR A- SM. D=14.72 W=12						1	1.00
58		SS8660610TP		SCREW 1/4-40 L=6				*		2	
59		RO078190100		RUBBER RING						1	
60		WP0702026SP		WASHER 7X15X2						1	
61		22967202		FEED LEVER SHAFT						1	
62		22912802		FEED LEVER SHAFT BUSHING						1	
63		22912752		FEED LEVER ASM.						1	
64		SM8061050TP		SCREW				*		1	
65		SM8061010TP		SCREW M6 L=10				*		1	
66		SS6151220SP		SCREW 15/64-28 L=11.5						1	
67		22971105		FEED REGULATOR ROD	FOR DLN-- 5410N-7-00					1	
68		11314267		FEED ADJUST LINK ASM.	FOR DLN-- 5410N-7-0B,-WB					1	
69		11302619		SPRING						1	
70		WZ1250300K0		WAVED WASHER 12.5X17X0.3	FOR DLN-- 5410N-7-00					1	
71		SS7620750SP		SCREW 3/16-32 L=6.5						1	
72		B1636581C00		NEEDLE BEARING	SELECTIVE PARTS					1	
73		11311057		FEED REVERSE ARM ASM.	FOR DLN-- 5410N-7-0B,-WB					1	
74		22911705		FEED REGULATOR BUSHING	FOR DLN-- 5410N-7-00					1	
75		40010395		ADJUSTING LINK F- ULCRUM SHAFT B	FOR DLN-- 5410N-7-0B,-WB					1	
76		SS6121860SP		SCREW 3/16-28 L=18						1	

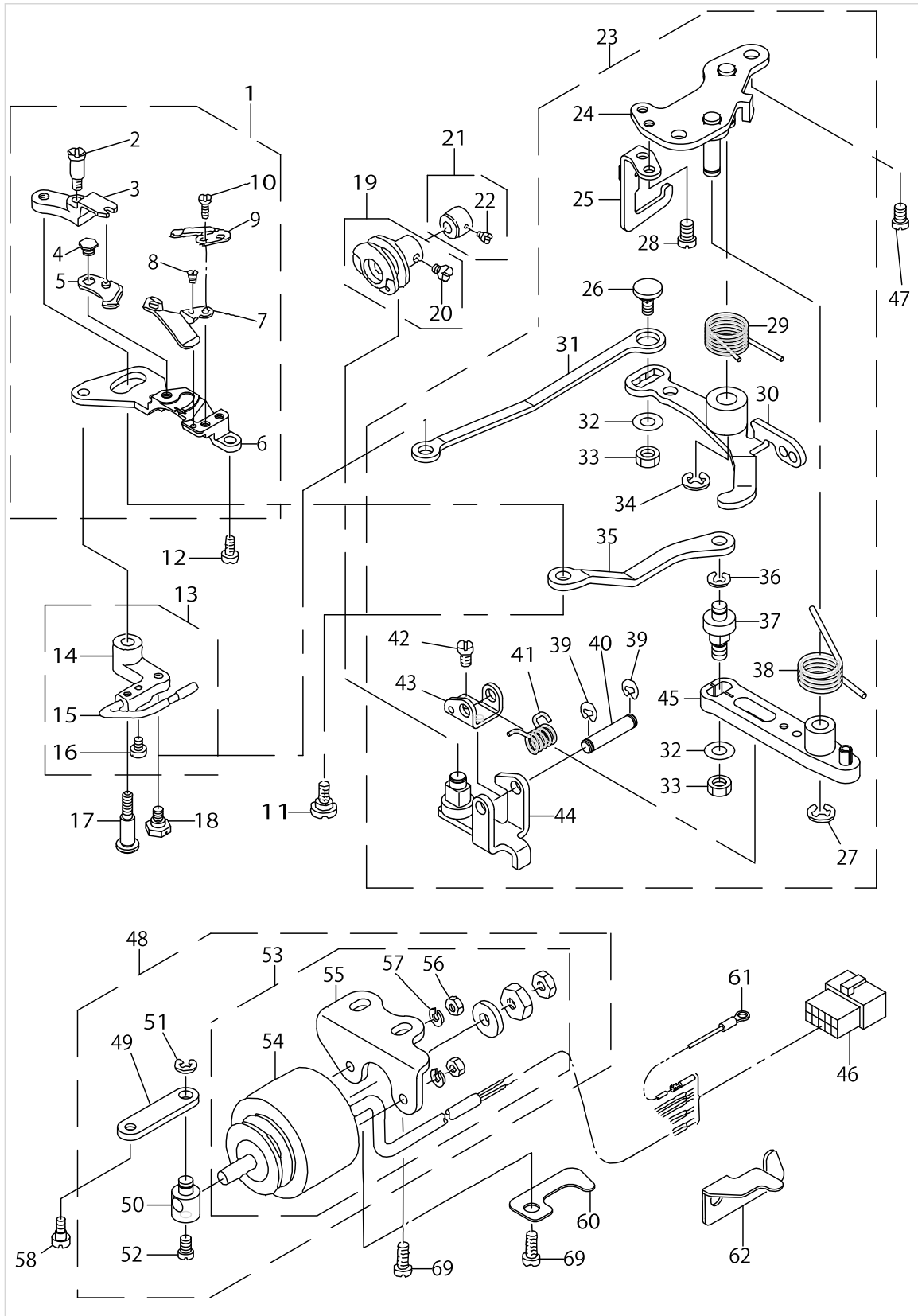
THREAD TRIMMER COMPONENTS



THREAD TRIMMER COMPONENTS

No.	Supply Code	Parts No.	Replacement	Parts name	Remarks	Choice	Step	Level	Cons	Qty	Rep. QTY
1		11313251		KNIFE UNIT						1	
2		SD0460703TP		HINGE SCREW D=4.6 H=7				*		1	
3		11232105		FORKED BASE FOR KNIFE				*		1	
4		SD0500095TH		HINGE SCREW D=5 H=0.85				*		1	
5		11313053		MOVING KNIFE ASM.				*		1	
6		22947907		KNIFE MOUNTING BASE				*		1	
7	R	11313103	22947808	THREAD GUIDE FOR KNIFE				*		1	1.00
8		SS2060210SP		SCREW 3/32-56 L=2.3				*		1	
9		D2406555D0H		COUNTER KNIFE				*		1	
10		SS4080620TP		SCREW 1/8-44 L=6				*		2	
11		SD0640631TP		HINGE SCREW D=6.35 H=6.3						1	
12		SS4110715SP		SCREW 11/64-40 L=7						1	
13		22950257		PICKER ARM ASM.						1	
14		22950208		PICKER ARM				*		1	
15		22950356		HOOK THREAD PRESSER ASM.				*		1	
16		SS6090510TP		SCREW 9/64-40 L=5.0				*		2	
17		SD0641451SP		HINGE SCREW D=6.35 H=14.5						1	
18		SD0630275SP		HINGE SCREW D=6.35 H=2.7						1	
19		22950851		THREAD TRIMMER CAM ASM.						1	
20		SS6660610TP		SCREW 1/4-40 L=6				*		2	
21		22950950		CAM COLLAR ASM.						1	
22		SS8110520TP		SCREW 11/64-40 L=4.5				*		1	
23		22949762		THREAD TRIMMER DRIVING UNIT						1	
24		22949754		BASE PLATE ASM.				*		1	
25		22950703		DRIVING ARM STOPPER				*		1	
26		22950000		PICKER LINK PIN				*		1	
27		RE0600000K0		E-RING 6				*		1	
28		SS4110715SP		SCREW 11/64-40 L=7				*		2	
29		22949408		CLUTCH SPRING				*		1	
30		40087245		CLUTCH PLATE ASM.				*		1	
31		22950109		PICKER LINK				*		1	
32		WP0621016SH		WASHER				*		1	
33		NS6150430SP		NUT 15/64-28				*		2	
34		RE0600000K0		E-RING 6				*		1	
35		22948301		MOVING KNIFE LINK				*		1	
36		RE0500000K0		E-RING				*		1	
37		22948400		MOVING KNIFE LINK PIN				*		1	
38		22949309		KNIFE RETURN SPRING B				*		1	
39		RE0400000K0		E-RING 4				*		2	
40		22949101		ROLLER FULCRUM SHAFT				*		1	
41		22949200		ROLLER RETURN SPRING				*		1	
42		SS7090610SP		SCREW 9/64-40 L=6				*		1	
43		22949002		ROLLER ARM SEAT				*		1	
44		11040953		ROLLER ARM ASM.				*		1	
45	R	11040854	22948558	KNIFE DRIVING ARM ASM.				*		1	1.00
46		HK034610140		HOUSING 14P						1	

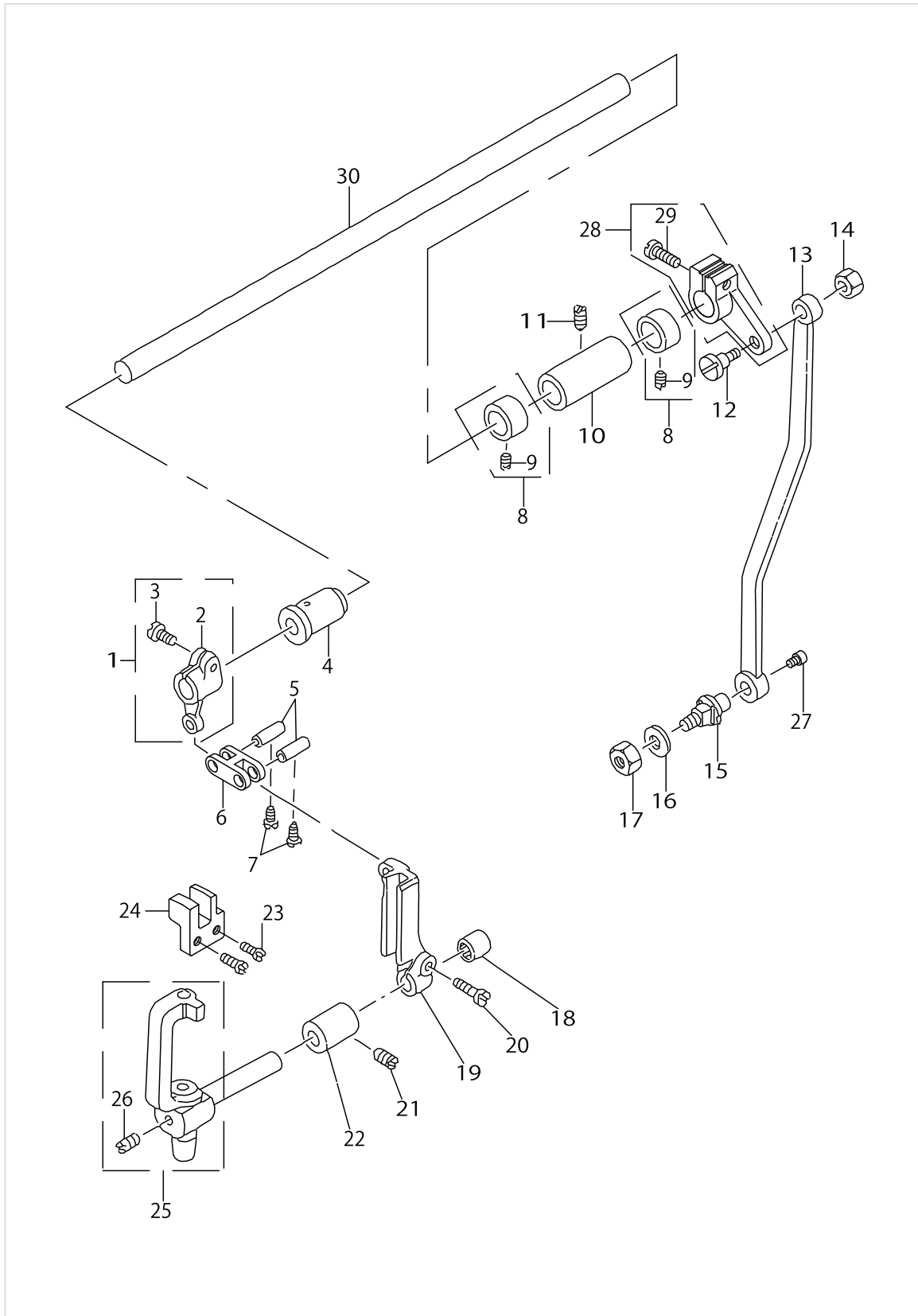
THREAD TRIMMER COMPONENTS



THREAD TRIMMER COMPONENTS

No.	Supply Code	Parts No.	Replacement	Parts name	Remarks	Choice	Step	Level	Cons	Qty	Rep. QTY
47		SS4150915SP		SCREW 15/64-28 L=9						2	
48	R	22951164	40106930	SOLENOID UNIT						1	1.00
49		22949903		CLUTCH LINK				*		1	
50		22951008		SOLENOID PIN				*		1	
51		RE0500000K0		E-RING				*		1	
52		SS6110710TP		SCREW 11/64-40 L=6.5				*		1	
53		40106930		THREAD TRIMMER SOLENOID ASM.				*		1	
54		40106931		THREAD TRIMMER SOLENOID				*		1	
55		22951404		SOLENOID BASE				*		1	
56		NM6040001SE		NUT M4				*		2	
57		WS0410002KR		SPRING WASHER M4				*		2	
58		SD0600361SP		HINGE SCREW D=6 H=3.6						1	
59		SS4151215SP		SCREW 15/64-28 L=12						2	
60		22924807		PIPE HOLDER LOWER	FOR DLN-- 5410N-7-00					1	
61		22951552		GROUND WIRE ASM.						1	
62		22962708		TUBE HOLDER LOWER	FOR DLN-- 5410N-7-0B,-WB					1	

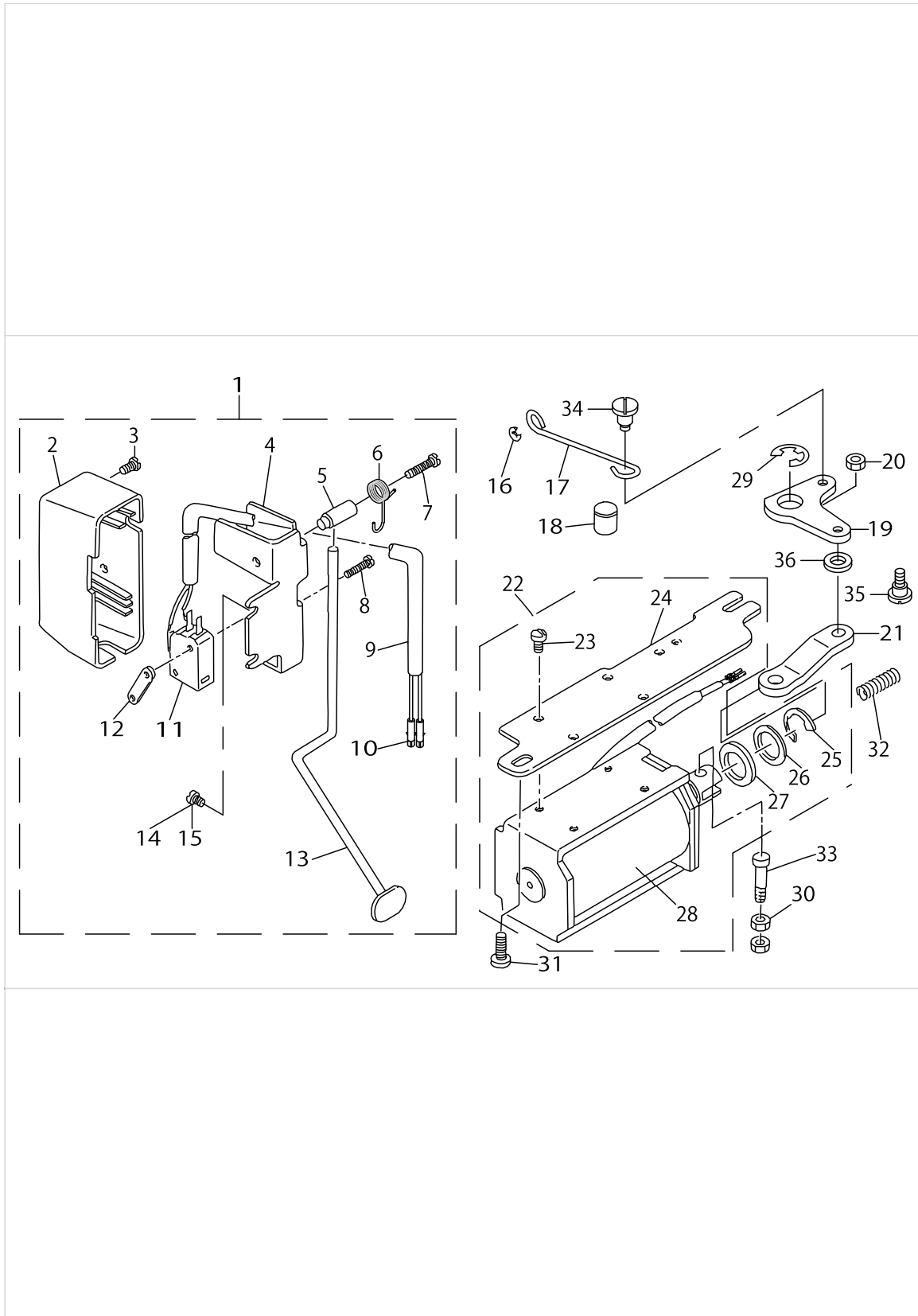
NEEDLE BAR FRAME COMPONENTS



NEEDLE BAR FRAME COMPONENTS

No.	Supply Code	Parts No.	Replacement	Parts name	Remarks	Choice	Step	Level	Cons	Qty	Rep. QTY
1		11304052		SHAFT ARM ASM. (FRONT)						1	
2	R	11304003	11304052	DRIVING CRANK FRONT				*		1	1.00
3		SS6121220TP		SCREW 3/16-28 L=11.5				*		1	
4		11211000		ROCK SHAFT BUSHING FRONT						1	
5		B1412352B00		NEEDLE BAR LINK PIN	SELECTIVE PARTS					2	
6		B2906415000		DRIVING LINK						1	
7		SS6090660TP		SCREW 9/64-40 L=6						2	
8		CS120101BSH		THRUST COLLAR ASM.						2	
9		SS8660410SP		SCREW 1/4-40 L=4.2				*		4	
10		11210903		ROCK SHAFT BUSHING REAR						1	
11		SS8120740SP		SCREW 3/16-28 L=7						1	
12		SD0790501SP		HINGE SCREW D=7.94 H=5						1	
13		11304201		CONNECTING ROD						1	
14		NS6150310SP		NUT 15/64-28						1	
15		11304300		CONNECTING ROD SHAFT						1	
16		WP0621016SD		WASHER 6.2X13X1						1	
17		NS6150430SP		NUT 15/64-28						1	
18		SB309000400		BEARING						1	
19		11303807		SLIDE BLOCK GUIDE						1	
20		SS6121610SP		SCREW 3/16-28 L=15.5						1	
21		SS8120740SP		SCREW 3/16-28 L=7						1	
22		11214509		BUSHING						1	
23		SS6090810TP		SCREW 9/64-40 L=7.5						2	
24		11303906		NEEDLE BAR FRAME GUIDE						1	
25		11303567		NEEDLE ROD ROCK- ING BASE ASM.						1	
26		SS8110310SP		SCREW 11/64-40 L=2.8				*		1	
27		SS6110640SP		SCREW 11/64-40 L=6						1	
28		11304151		SHAFT ARM ASM. (REAR)						1	
29	R	SS7121410SP	SS7121410TP	SCREW 3/16-28 L=14				*		1	1.00
30		11304409		CONNECTING SHAFT						1	

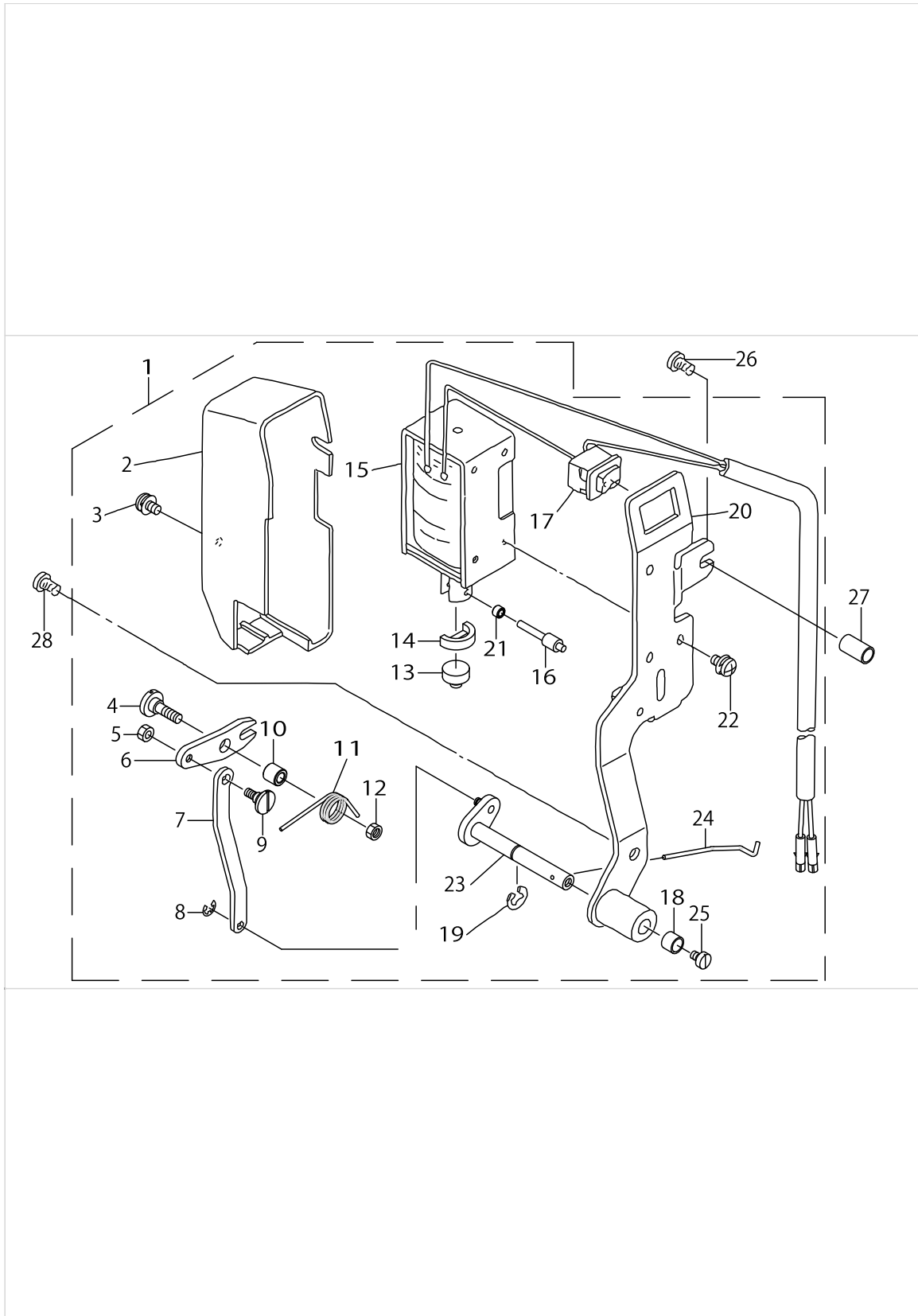
AUTOMATIC REVERSE FEED MECHANISM COMPONENTS



AUTOMATIC REVERSE FEED MECHANISM COMPONENTS

No.	Supply Code	Parts No.	Replacement	Parts name	Remarks	Choice	Step	Level	Cons	Qty	Rep. QTY
1		11327053		BACKWARD FEED SWITCH ASM.						1	
2		22954606		REVERSE FEED SWITCH COVER				*		1	
3		SM4040655SP		SCREW M4 L=6				*		1	
4		22954101		REVERSE FEED SWITCH BASE				*		1	
5		22954200		REVERSE FEED SWITCH SHAFT				*		1	
6		22954309		REVERSE FEED SWITCH SPRING				*		1	
7		SM4041655SP		SCREW M4 L=16				*		1	
8		SM4031501SC		SCREW M3 L=15				*		2	
9		HW500070000		2-CORE CABTYRE CORD				*		1.31	
10		HK03464000B		PIN CONTACT				*		2	
11		HA001900000		MICROSWITCH				*		1	
12	R	11102308	22954408	MICRO SWITCH PLATE				*		1	1.00
13		11326808		REVERSE FEED CONTROL LEVER				*		1	
14		SS4120615SP		SCREW 3/16-28 L=6	FOR DLN-- 5410N-7-0B					1	
15		SS4120915SP		SCREW 3/16-28 L=9						1	
16		RE0500000KP		E-RING 5						1	
17		11101300		REVERSE FEED CO- NNECTING SHAFT						1	
18		22962609		REVERSE FEED BASE COLLAR						1	
19		11101508		REVERSE FEED LINK						1	
20		NS6110420SP		NUT 11/64-40						1	
21		22962500		REVERSE FEED CO- NNECTING LINK H						1	
22		40090750		SOLENOID MOUNTING BASE ASM.						1	
23		SS7110740TP		SCREW 11/64-40 L=7				*		4	
24		40090752		SOLENOID INSTALLING PLATE				*		1	
25		RE1200000K0		E-RING 12				*		1	
26		WP1703001SC		WASHER 17X30X3				*		1	
27		D2468555B00		RUBBER PLUNGER				*		1	
28	R	40090751	40090750	REVERSE FEED SOLENOID				*		1	1.00
29		RE0900000K0		E-RING 9						1	
30		NS6110420SP		NUT 11/64-40						2	
31		SS4150915SP		SCREW 15/64-28 L=9						1	
32		11217601		WALKING FOOT SPRING						1	
33		22962906		PLUNGER ARM PIN						1	
34		SD0700451TP		HINGE SCREW D=7 H=4.5						1	
35		SD0700711TP		HINGE SCREW D=7 H=7.1						1	
36		WP0722316SH		WASHER						1	

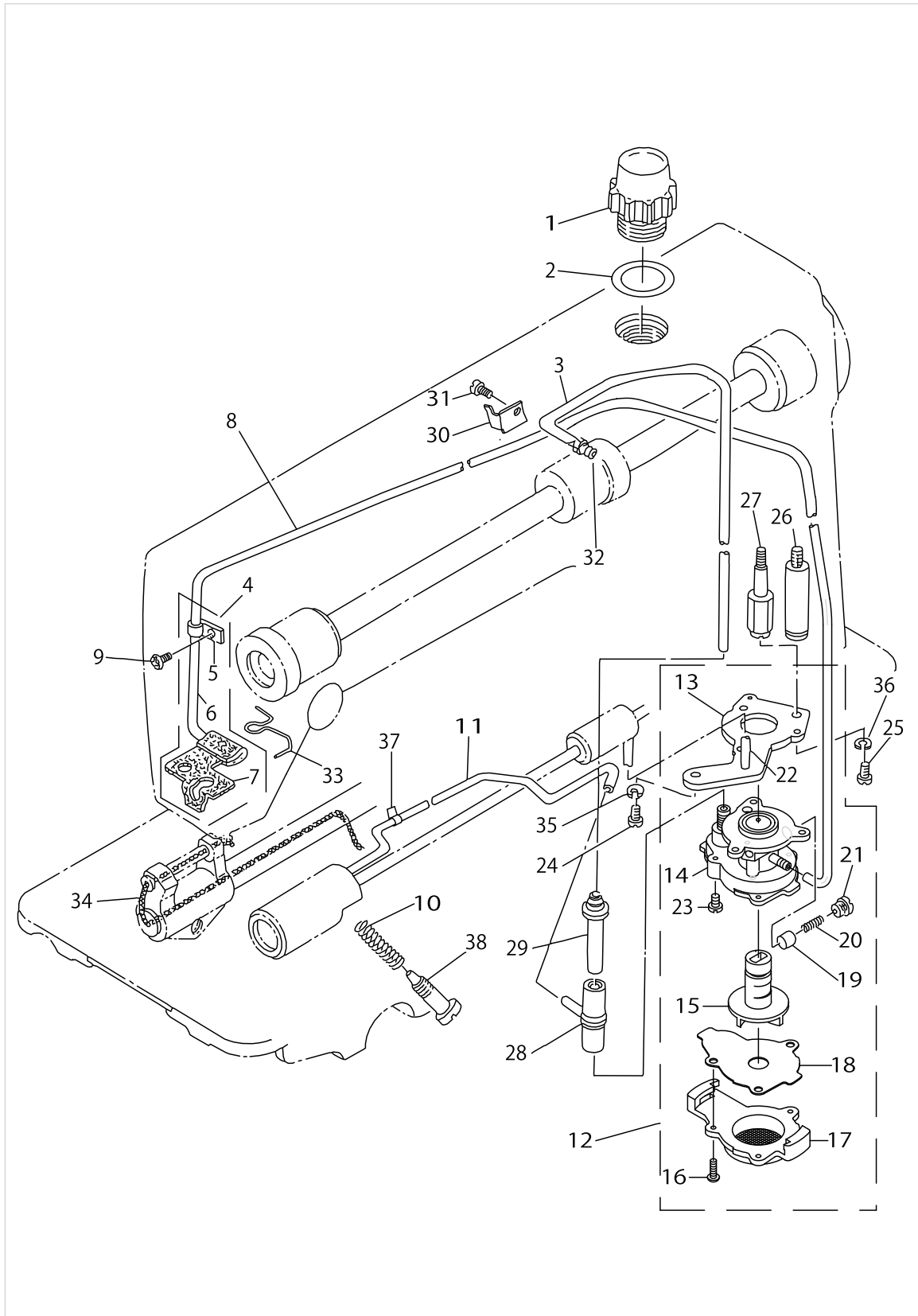
WIPER COMPONENTS



WIPER COMPONENTS

No.	Supply Code	Parts No.	Replacement	Parts name	Remarks	Choice	Step	Level	Cons	Qty	Rep. QTY
1		11327558		WIPER ASM.						1	
2		22955504		WIPER COVER				*		1	
3		SL4030631SC		SCREW M3X6				*		1	
4		SD0650321TP		HINGE SCREW D=6.5 H=3.2				*		1	
5		NS6090310SP		NUT 9/64-40				*		1	
6		22956106		WIPER LINK A				*		1	
7		22956403		WIPER LINK B				*		1	
8		RE0250000K0		E-RING 2.5				*		1	
9		22956908		WIPER LINK B HINGE SCREW				*		1	
10		22956205		WIPER HINGE SCREW COLLAR				*		1	
11		22956304		WIPER SPRING				*		1	
12		NS6110310SP		NUT 11/64-40				*		1	
13		22955900		WIPER RUBBER A				*		1	
14		22956007		WIPER RUBBER B				*		1	
15		40106936		WIPER SOLENOID ASM.				*		1	
16		22957104		WIPER SOLENOID SHAFT				*		1	
17		HA00600000A		SWITCH				*		1	
18		22956809		WIPER COLLAR				*		1	
19		RE0500000K0		E-RING				*		1	
20		11110152		WIPER BASE ASM.				*		1	
21		22957203		WIPER LINK COLLAR				*		1	
22		SL4030641SE		SCREW				*		3	
23		11315058		WIPER DRIVING SHAFT ASM.				*		1	
24		22957005		WIPER				*		1	
25		SS6090540SP		SCREW 9/64-40 L=5.0				*		1	
26		SS6121840SP		SCREW 3/16-28 L=18				*		1	
27		11315108		COLLAR				*		1	
28		SS4120915SP		SCREW 3/16-28 L=9				*		1	

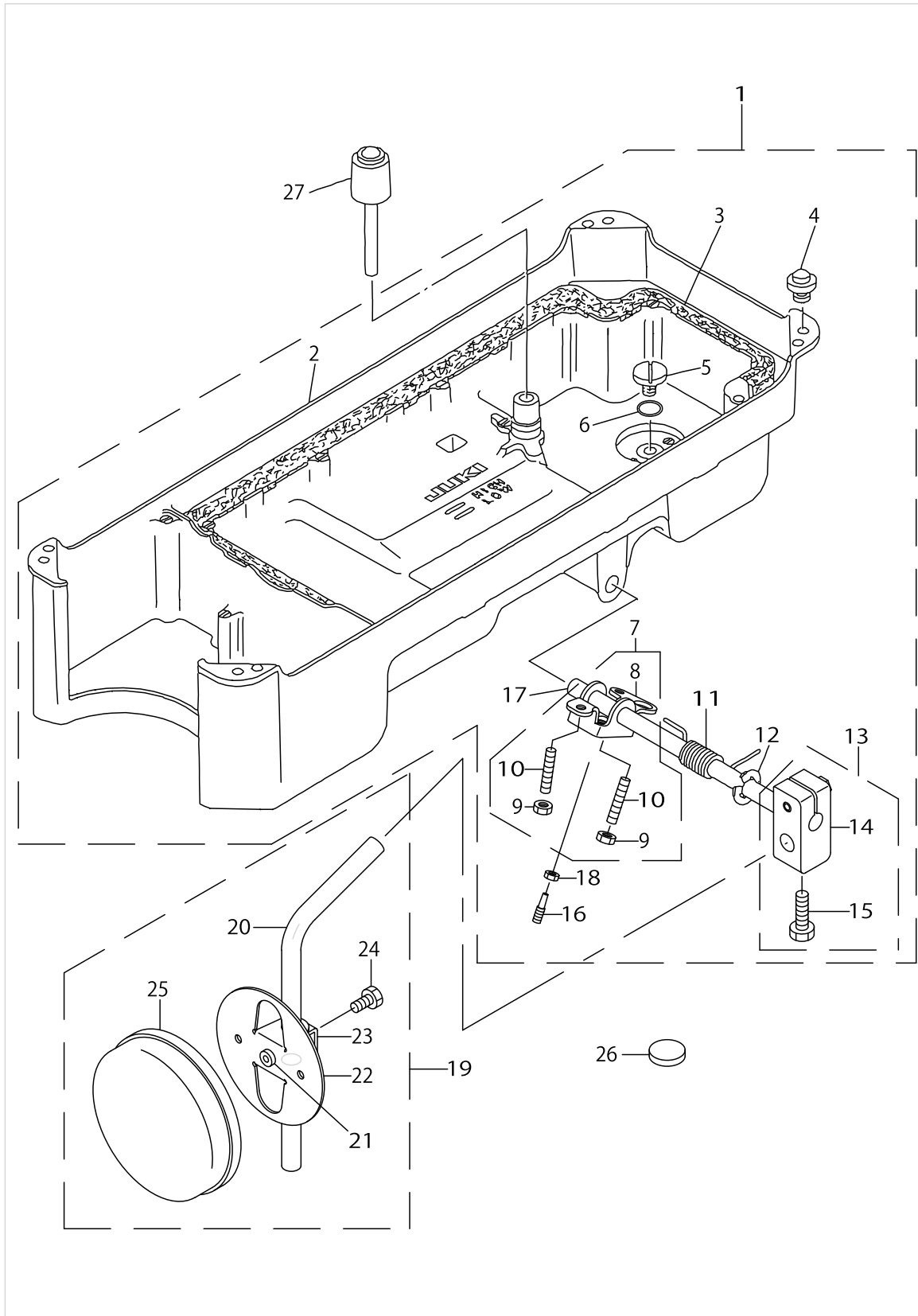
OIL LUBRICATION COMPONENTS



OIL LUBRICATION COMPONENTS

No.	Supply Code	Parts No.	Replacement	Parts name	Remarks	Choice	Step	Level	Cons	Qty	Rep. QTY
1	R	22947006	22924708	OIL SIGHT WINDOW						1	1.00
2		RO195240100		RUBBER RING						1	
3		BT0600402EA		OIL TUBE						.27	
4		11307154		OIL RETURN TUBE ASM.						1	
5		B3536122000		HOLDER				*		1	
6		11307204		FELT B				*		1	
7		11307105		FELT A				*		1	
8		BT0500300EA		OIL TUBE						.69	
9		SS4120615SP		SCREW 3/16-28 L=6						1	
10		22924906		OIL REGULATOR SCREW SPRING						1	
11		11307352		OIL WICK ASM.						1	
12		22923056		OIL PUMP ASM.						1	
13	R	22923312	11392057	OIL PUMP INSTALLING BASE		A	DLD5430	*		1	1.00
13	R	22923312	11404555	OIL PUMP INSTALLING BASE		B	DDL5600/- 8100e, DU1181	*		1	1.00
13	R	22923312	22923056	OIL PUMP INSTALLING BASE		C	DDL8700/- 8300/8500- /900A, DM- N5420/5400	*		1	1.00
14	R	22923015	22923056	OIL PUMP				*		1	1.00
15		22923700		IMPELLER				*		1	
16		SE4301041SR		SCREW D=3 L=10				*		3	
17		22923205		PUMP BODY COVER				*		1	
18		22923809		PUMP BODY SUPPORT PLATE				*		1	
19		22923403		PLUNGER				*		1	
20		22923601		PLUNGER SPRING				*		1	
21		22923502		PLUNGER SCREW				*		1	
22		22923908		HOOK DRIVING SH- AFT OILING PIPE				*		1	
23		SL4030851SF		SCREW M3 L=8				*		3	
24		SS4150915SP		SCREW 15/64-28 L=9						1	
25		SS6111010TP		SCREW 11/64-40 L=9.5						1	
26		22924005		PUMP BODY STRUT	FOR DLN-- 5410N-7-00					1	
27		11231503		OIL PUMP SUPPORT	FOR DLN-- 5410N-7-0B,-WB					1	
28		22924609		RUBBER JOINT						1	
29		11221504		OIL TUBE JOINT						1	
30		11222007		HOLDER						1	
31		SS6080340SP		SCREW 1/8-44 L=2.9						1	
32		SQ1150501SD		CONNECTING SCREW						1	
33		11307006		OIL FELT PRESSER						1	
34		CQ252000000		OIL WICK						.3	
35		WS0451040KP		SPRING WASHER 4.5X8.5X1	FOR DLN-- 5410N-7-0B,-WB					1	
36		WS0651310KP		SPRING WASHER 6.5X11X1.3	FOR DLN-- 5410N-7-0B,-WB					1	
37		EA9500B0200		CABLE BAND 150						1	
38		22925002		OIL REGULATOR SCREW						1	

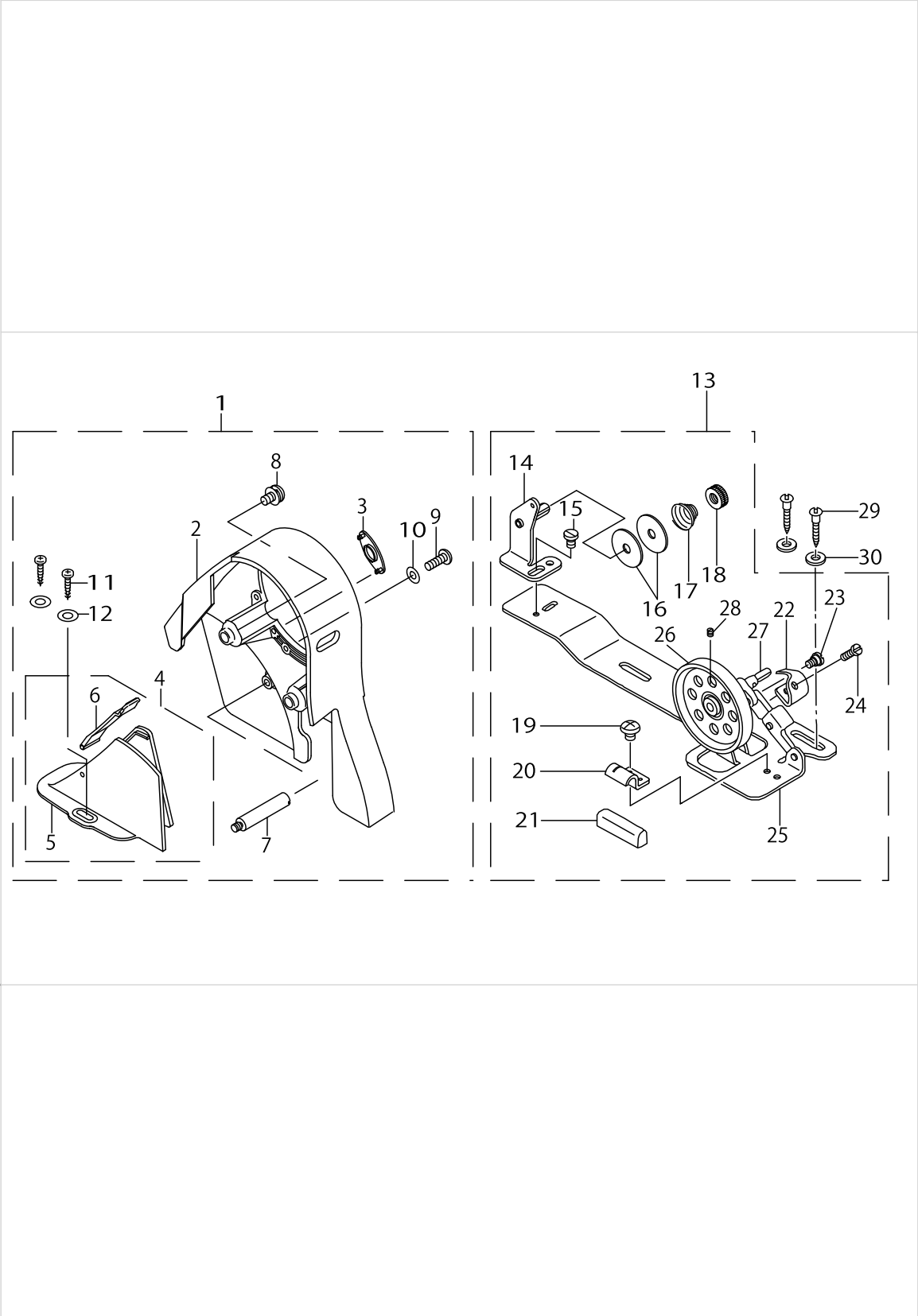
OIL RESERVOIR COMPONENTS



OIL RESERVOIR COMPONENTS

No.	Supply Code	Parts No.	Replacement	Parts name	Remarks	Choice	Step	Level	Cons	Qty	Rep. QTY
1	R	11047057	40102085	OIL RESERVOIR ASM.						1	1.00
2	R	11023017	40102085	OIL RESERVOIR				*		1	1.00
3		11024700		GASKET				*		1	
4		11047107		RUBBER CUSHION				*		4	
5		SS6700710SH		SCREW 5/16-24 L=7				*		1	
6		RO098240100		RUBBER RING				*		1	
7		22932156		KNEE LIFTER ROTATION ARM ASM.				*		1	
8	R	22932107	22932156	KNEE LIFTER ROTATION ARM				*		1	1.00
9		NM6060001SE		NUT M6				*		2	
10		SM8063012TR		SCREW M6 L=30				*		2	
11		22932206		SPRING				*		1	
12		RE1000000K0		E-RING 10				*		1	
13		22932453		BRACKET ASM.				*		1	
14	R	22932404	22932453	BRACKET				*		1	1.00
15		22934707		BRACKET SCREW				*		2	
16		40101720		SCREW_M6				*		1	
17		22932305		KNEE PRESS CROSS SHAFT				*		1	
18		NM6060001SE		NUT M6				*		1	
19		22934251		KNEE PAD PLATE ASM.						1	
20		22934608		KNEE PAD UPRIGHT SHAFT				*		1	
21		22934400		KNEE PAD PLATE RUBBER				*		1	
22		22934202		KNEE PAD PLATE				*		1	
23		22934301		KNEE PAD PLATE SUPPORT				*		1	
24		SM9061203SE		SCREW M6 L=12				*		1	
25		22934509		KNEE PAD PLATE COVER				*		1	
26		B8228125000		OIL RESERVOIR MAGNET						1	
27		22931703		KNEE LIFTER PUSH ROD						1	

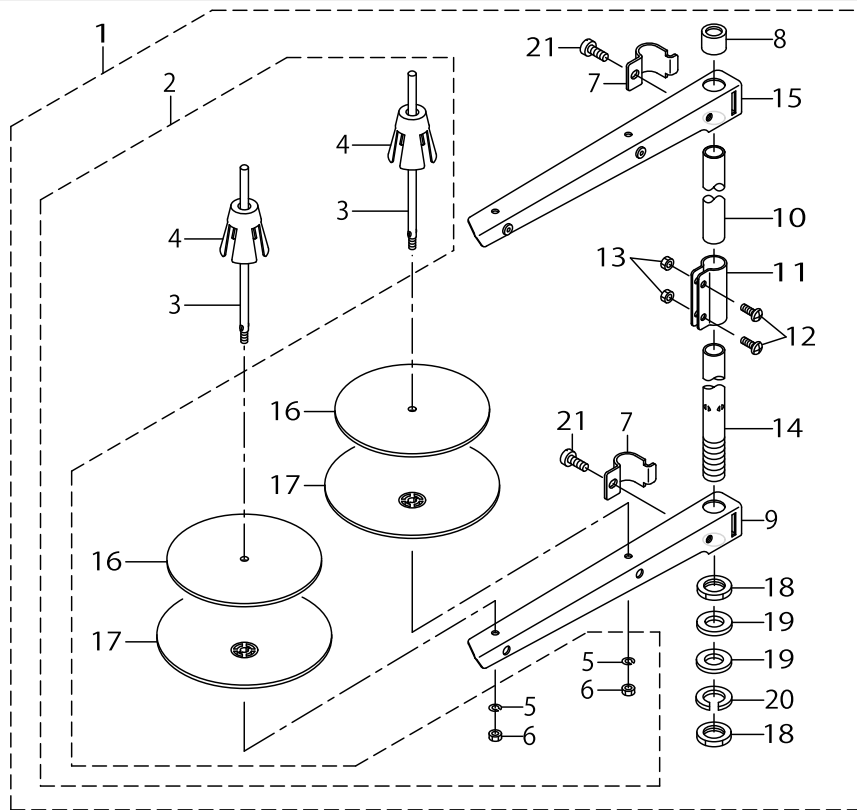
BELT COVER & BOBBIN COMPONENTS



BELT COVER & BOBBIN COMPONENTS

No.	Supply Code	Parts No.	Replacement	Parts name	Remarks	Choice	Step	Level	Cons	Qty	Rep. QTY
1		22933451		BELT COVER ASM.						1	
2	R	22933402	22933451	BELT COVER A				*		1	1.00
3		22933501		BELT COVER A CAP				*		1	
4		22933659		BELT COVER B COMPL.				*		1	
5		22933600		BELT COVER B				*		1	
6	R	22933758	22933659	BELT COVER B LID ASM.				*		1	1.00
7		22933907		BELT COVER STRUT				*		1	
8	R	22934004	11025202	SET SCREW				*		2	1.00
9		SS4121415SP		SCREW 3/16-28 L=14				*		1	
10		WP0501016SD		WASHER 5X10.5X1				*		1	
11	R	SK3412000SC	SK3412000SE	WOOD SCREW D=4.1 L=20				*		2	1.00
12		WP0450826SC		WASHER 4.5X10X0.8				*		2	
13		22927354		BOBBIN WINDER COMPL.						1	
14	R	22928501	11078250	THREAD TENSION POST BASE				*		1	1.00
15		SS4110515SP		SCREW 11/64-40 L=5				*		1	
16	R	22928907	22921506	THREAD TENSION DISK				*		2	1.00
17		22929004		THREAD TENSION SPRING				*		1	
18		22928808		NUT				*		1	
19		SS7110350SP		SCREW 11/64-40 L=3.5				*		1	
20	D	22928402		CONTROL RUBBER HOLDING PLATE				*		1	
21		22928303		CONTROL RUBBER				*		1	
22		22928105		BOBBIN PRESSER				*		1	
23		SD0490261SP		HINGE SCREW D=4.9 H=2.6				*		1	
24		SS7081310SP		SCREW 1/8-44 L=12.5				*		1	
25	R	22927305	22927354	BOBBIN WINDER BASE				*		1	1.00
26		22927404		BOBBIN WINDER				*		1	
27		22927602		BOBBIN WINDER SPINDLE				*		1	
28	R	SS8110510SP	SS8110520TP	SCREW 11/64-40 L=5				*		1	1.00
29	R	SK3412000SC	SK3412000SE	WOOD SCREW D=4.1 L=20						2	1.00
30		WP0450826SC		WASHER 4.5X10X0.8						2	

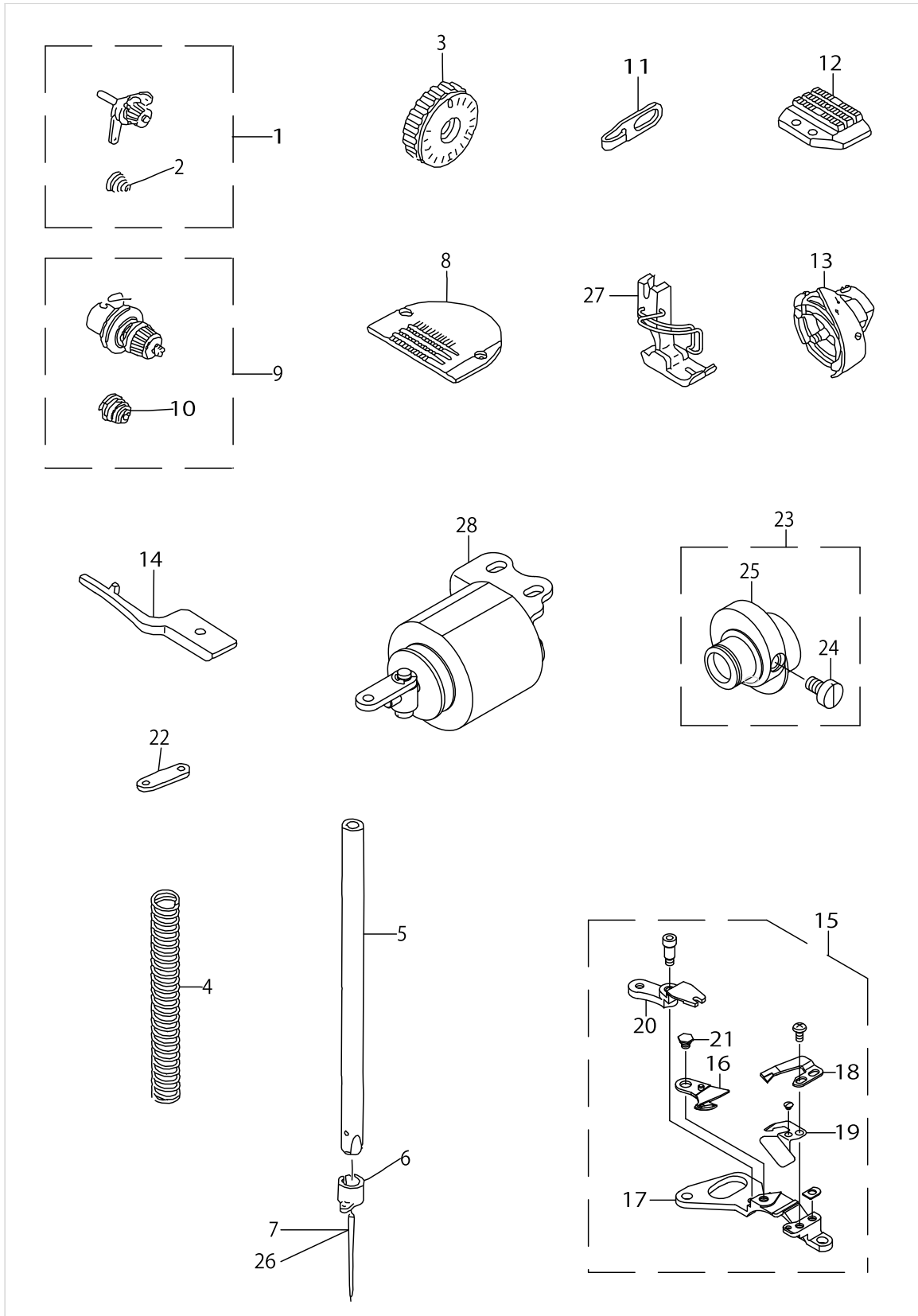
THREAD STAND COMPONENTS



THREAD STAND COMPONENTS

No.	Supply Code	Parts No.	Replacement	Parts name	Remarks	Choice	Step	Level	Cons	Qty	Rep. QTY
1	R	22930358	40096354	THREAD STAND ASM.						1	1.00
2		40062684		SPOOL PIN ASM.				*		1	
3	R	22931000	40085790	SPOOL PIN				*		2	1.00
4	R	22931109	40085791	SPOOL RETAINER				*		2	1.00
5		WS0510002KN		SPRING WASHER				*		2	
6		NM6050001SE		NUT M5				*		2	
7	R	22930705	40096354	THREAD GUIDE ARM JOINT				*		2	1.00
8		22931406		SPOOL REST ROD RUBBER CAP				*		1	
9	R	22930507	40096354	SPOOL REST ARM				*		1	1.00
10	R	22930408	40096354	SPOOL REST ROD UPPER				*		1	1.00
11	R	22931307	40096354	SPOOL REST ROD JOINT				*		1	1.00
12		SM4051405SE		SCREW M5 L=14				*		2	
13		NM6050001SE		NUT M5				*		2	
14	R	22930309	40096354	SPOOL REST ROD LOWER				*		1	1.00
15	R	22930556	40096354	THREAD STANDING ARM ASM.				*		1	1.00
16		22930903		SPOOL REST CUSHION				*		2	
17		22930804		SPOOL REST				*		2	
18		NM6160511SE		NUT M16X1.5				*		2	
19		WP1612616SE		WASHER 16.1X30X2.6				*		2	
20	R	WS1643202KR	WP1612616SE	SPRING WASHER		A		*		1	2.00
20	R	WS1643202KR	40085796	SPRING WASHER		A		*		1	2.00
21		SM6061610SC		SCREW M6 L=16				*		2	

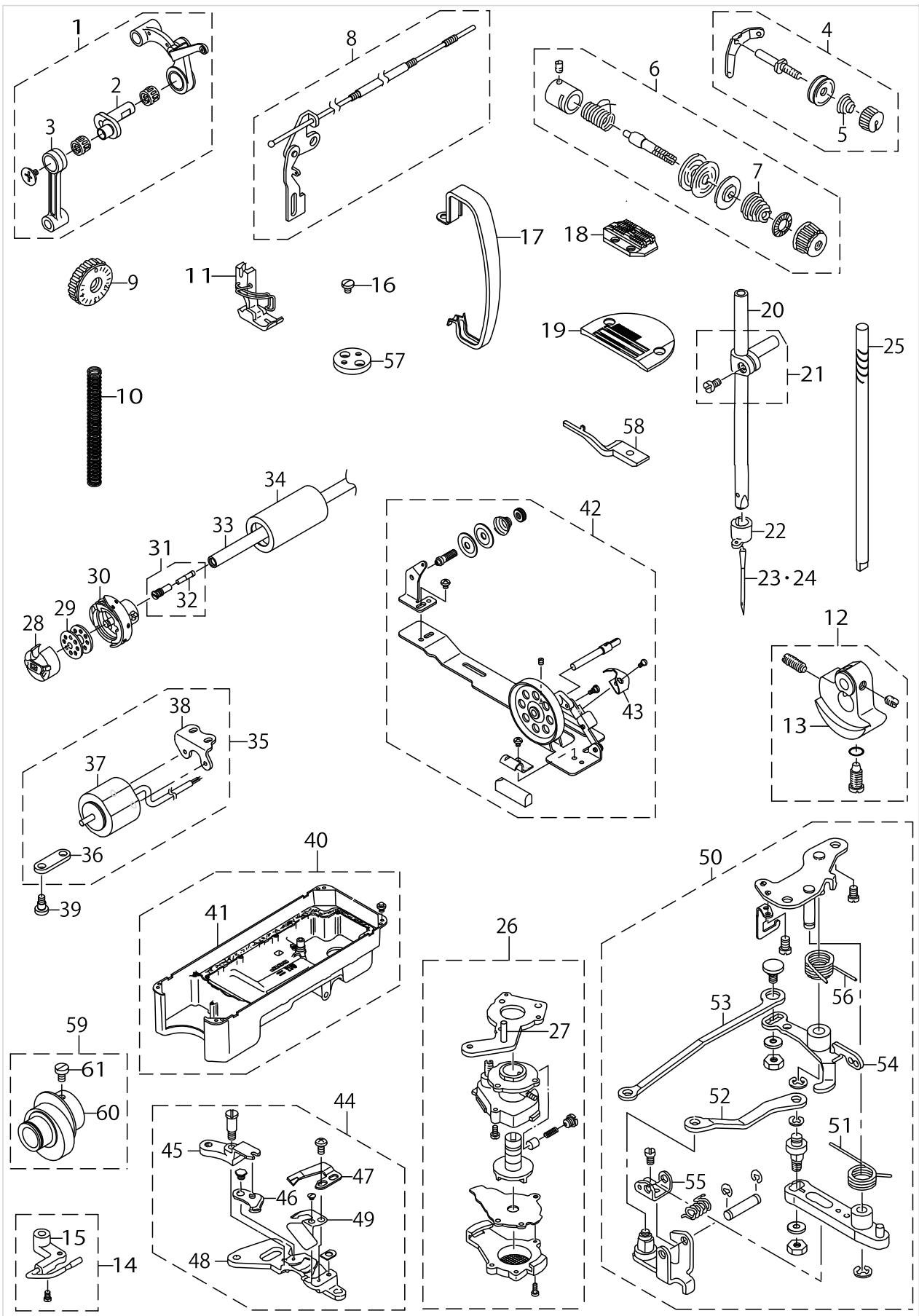
EXCLUSIVE PARTS FOR DLN-5410NH-7



EXCLUSIVE PARTS FOR DLN-5410NH-7

No.	Supply Code	Parts No.	Replacement	Parts name	Remarks	Choice	Step	Level	Cons	Qty	Rep. QTY
1		22963458		THREAD TENSION ASM.						1	
2	R	22963409	22963458	THREAD TENSION SPRING				*		1	1.00
3		11326303		FEED DIAL						1	
4		B1505552000A		PRESSER SPRING						1	
5		11320801		NEEDLE BAR						1	
6		B1418415H00		NEEDLE BAR THREAD GUIDE						1	
7		MDB100B2100		NEEDLE DBX1 #21						1	
8		B1109415H0B		THROAT PLATE (H)						1	
9		22962054		THREAD TENSION ASM.						1	
10	R	22962005	B3114232000	THREAD TENSION SPRING				*		1	1.00
11		11091006		ARM THREAD GUIDE (HA)						1	
12		11322203		FEED DOG H						1	
13		11321452		LUBRICATING BOBBIN ASM.						1	
14		22962401		POSITIONING FINGER H						1	
15		11095551		KNIFE UNIT						1	
16		11409257		MOVING KNIFE J ASM.				*		1	
17		11095502		KNIFE MOUNT BASE				*		1	
18		40089755		FIX KNIFE				*		1	
19		23645401		THREAD GUIDE FOR KNIFE H				*		1	
20		11095601		KNIFE BRANCH				*		1	
21		SD0500131TP		HINGE SCREW D=5 H=1.25				*		1	
22		11094604		CLUTCH LINK						1	
23		11322450		FEED ECCENTRIC CAM H ASM.						1	
24		SS6661110SP		SCREW 1/4-40 L=11				*		2	
25	R	11322401	11322450	FEED ECCENTRIC CAM H				*		1	1.00
26		MC200501300		NEEDLE 134 NM130	FOR JE					1	
27		B1524041EB0		PRESSER FOOT ASM.						1	
28		11096559		SOLENOID UNIT						1	

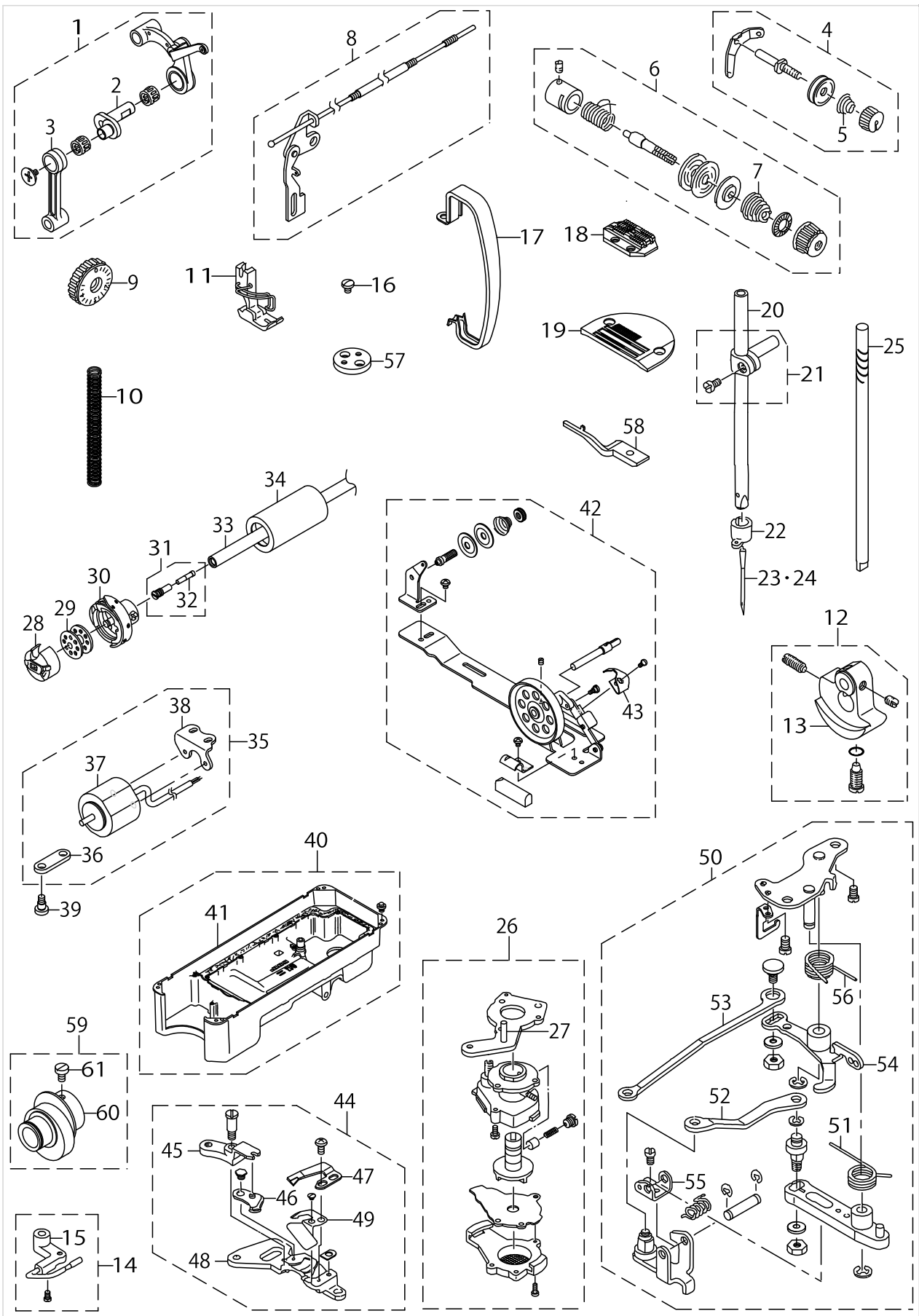
EXCLUSIVE PARTS FOR DLN-5410NJ-7



EXCLUSIVE PARTS FOR DLN-5410NJ-7

No.	Supply Code	Parts No.	Replacement	Parts name	Remarks	Choice	Step	Level	Cons	Qty	Rep. QTY
1		11308459		THREAD TAKE-UP LEVER COMPL.						1	
2		11308400		NEEDLE BAR CRANK J				*		1	
3		11308301		NEEDLE BAR CRANK ROD				*		1	
4		22963458		THREAD TENSION ASM.						1	
5	R	22963409	22963458	THREAD TENSION SPRING				*		1	1.00
6		22962054		THREAD TENSION ASM.						1	
7	R	22962005	B3114232000	THREAD TENSION SPRING				*		1	1.00
8		11308657		THREAD TENSION RELEASE WIRE						1	
9		11326303		FEED DIAL						1	
10		B1505552000A		PRESSER SPRING						1	
11		B1524041EB0		PRESSER FOOT ASM.						1	
12		40057179		COUNTER WEIGHT ASM.						1	
13		40057178		COUNTER WEIGHT				*		1	
14		11408655		PICKER ARM ASM.						1	
15		11408606		PICKER ARM				*		1	
16		SS7110540SP		SCREW 11/64-40 L=5						2	
17		11415205		THREAD TAKE-UP LEVER COVER(JE)						1	
18		D1609415B0H		FEED DOG						1	
19		B1109415H0B		THROAT PLATE (H)						1	
20		11308103		NEEDLE BAR J						1	
21		11308251		NEEDLE ROD HOLDER ASM.						1	
22		B1418415H00		NEEDLE BAR THREAD GUIDE						1	
23		MDB100B2100		NEEDLE DBX1 #21						1	
24		MC200501300		NEEDLE 134 NM130	FOR JE					1	
25	D	11401403		UPRIGHT SHAFT						1	
26		11404555		LUBRICATING OIL PUMP ASM.						1	
27	D	11404605		HOOK DRIVING SHAFT OIL TUBE				*		1	
28		B1837201SA0		BOBBIN CASE ASM.						1	
29		40021610		BOBBIN						1	
30		D1830560EA0		HOOK ASM.						1	
31		11404753		OIL SEAL SCREW						1	
32		11404704		OIL WICK				*		1	
33		11403300		HOOK DRIVING SHAFT						1	
34		40021613		HOOK DRIVING SH-AFT BUSH FRONT						1	
35		11407459		SOLENOID UNIT						1	
36		11407707		CLUTCH LINK				*		1	
37		40090753		THREAD TRIMMER SOLENOID				*		1	
38		11407608		SOLENOID BASE				*		1	
39		SD0600452TP		HINGE SCREW D=6 H=4.5						1	
40		11142064		OIL RESERVOIR ASM.						1	
41		11142056		OIL RESERVOIR ASM.				*		1	
42		11415866		BOBBIN WINDER COMPL.						1	
43		11415908		POSITIONING FINGER				*		1	
44		11409554		KNIFE UNIT						1	
45		11409703		FEED FORKED				*		1	

EXCLUSIVE PARTS FOR DLN-5410NJ-7



EXCLUSIVE PARTS FOR DLN-5410NJ-7

No.	Supply Code	Parts No.	Replacement	Parts name	Remarks	Choice	Step	Level	Cons	Qty	Rep. QTY
46		11409257		MOVING KNIFE J ASM.				*		1	
47		40089755		FIX KNIFE				*		1	
48		11409505		INSTALLING BASE				*		1	
49		11095403		KNIFE THREAD GUIDE				*		1	
50		11407053		THREAD TRIMMER DRIVING UNIT						1	
51	R	11041605	22949309	KNIFE RETURN SPRING				*		1	1.00
52		11407103		MOVING KNIFE LINK				*		1	
53		11407202		PICKER LINK				*		1	
54		11407855		CLUTCH PLATE ASM.				*		1	
55		11094307		ROLLER ARM BRACKET				*		1	
56		11094406		SPRING				*		1	
57		22902605		RULER STOP SEAT						1	
58		40102871		POSITIONING FINGER						1	
59		11322450		FEED ECCENTRIC CAM H ASM.						1	
60	R	11322401	11322450	FEED ECCENTRIC CAM H				*		1	1.00
61		SS6661110SP		SCREW 1/4-40 L=11				*		2	

LIST FOR INFORMATION OF CHANGE (1)

As to the place changed, refer to the corresponding Rev.No.
 When previous parts(Obsoleted part)and new parts(Added parts)are
 not interchangeable with each other:
 In this case,even obsoleted parts(D.)can be ordered with the
 obsoleted part number,so select the parts with changed dates and
 place your orders.

変更箇所は、該当Rev.No.版をご参照ください。
 部品の互換性がない変更の場合は、削除された品番でも、ご注文できます。

29133006
 No.0900-12 Rev.No.

*A:Added parts追加部品/D:Obsoleted parts削除部品/E:Erratum訂正

* Rev. No.	Page 頁	Ref. No.	Parts No. 品番	* Rev. No.	Page 頁	Ref. No.	Parts No. 品番
D 11	2	17	111-00104	A 12	2	17	401-11022
D 11	2	42	M6002-350-AAF				
D 11	2	66	M6002-350-AAC				
D 11	2	67	M6002-350-AAL				
D 11	2	68	M6002-350-AAA				
D 11	2	69	SS-4121215-SP				
D 11	2	70	WP-0501016-SD				
D 11	4	4	110-39070	A 12	4	4	229-18072
D 11	4	5	110-39062	A 12	4	5	229-18064
D 11	4	6	B1905-541-B00	A 12	4	6	229-18403
				A 12	4	7	229-18502
				A 12	4	8	229-18601
				A 12	4	9	229-18700
D 11	4	7	110-05204	A 12	4	10	229-18106
D 11	4	8	B1408-552-000	A 12	4	11	229-06606
D 11	4	9	B1903-552-000	A 12	4	12	229-18304
D 11	4	10	229-03157	A 12	4	13	401-06606
D 11	4	12	229-03108	A 12	4	17	401-06607
D 11	4	21	110-02508	A 12	4	21	401-05231
D 11	8	28	112-30901	A 12	8	28	229-62807
D 11	12	6	110-40300	A 12	12	6	229-47907
D 11	12	11	HK-0346400-0B				
D 11	12	13	110-42553	A 12	12	13	229-50257
D 11	12	14	110-42504	A 12	12	14	229-50208
D 11	12	19	110-42850	A 12	12	19	229-50851
D 11	12	23	110-42264	A 12	12	23	229-49762
D 11	12	26	110-42306	A 12	12	26	229-50000
D 11	12	30	110-41852	A 12	12	30	400-87245
D 11	12	49	110-43957	A 12	12	49	229-51164
D 11	12	52	110-43205				
				A 12	12	53	401-06930
D 11	12	53	110-43908	A 12	12	54	401-06931
D 11	12	55	WP-0450000-SD	A 12	12	57	WS-0410002-KR
D 11	12	56	NM-6040000-SN	A 12	12	56	NM-6040001-SE
D 11	12	57	110-43304				
D 11	12	58	NS-6660410-SH				

LIST FOR INFORMATION OF CHANGE (2)

* Rev. No.	Page 頁	Ref. No.	Parts No. 品番	* Rev. No.	Page 頁	Ref. No.	Parts No. 品番
D 11	12	59	NS-6660430-SP				
				A 12	14	1	113-04052
D 11	15	22	113-14754	A 12	15	22	400-90750
D 11	15	24	110-95106	A 12	15	24	400-90752
D 11	15	28	112-28400	A 12	15	28	400-90751
D 11	15	29	HK-0346400-0B				
D 11	16	15	111-10301	A 12	16	15	401-06936
D 11	16	17	HA-0005900-00	A 12	16	17	HA-0060000-0A
D 11	16	18	HW-2003900-00				
D 11	16	19	HW-5000700-00				
D 11	16	23	HK-0346400-0B				
D 11	20	16	SM-9061853-SR	A 12	20	16	401-01720
D 11	20	18	NM-6060001-SE				
				A 12	22	2	400-62684
D 11	24	1	110-73954	A 12	24	1	229-63458
D 11	24	2	110-93606	A 12	24	2	229-63409
D 11	24	14	110-93804	A 12	24	14	229-62401
D 11	24	18	114-09604	A 12	24	18	400-89755
D 11	24	19	110-95403	A 12	24	19	236-45401
D 11	24	26	110-93366				
D 11	24	27	110-94307				
D 11	24	28	110-94406				
D 11	24	30	M6003-350-AAF				
D 11	24	31	M6003-350-AAA				
D 11	24	32	M6003-350-AAD				
D 11	24	34	110-94851	A 12	24	28	110-96559
D 11	24	35	114-07608				
D 11	26	4	110-73954	A 12	26	4	229-63458
D 11	26	5	110-93606	A 12	26	5	229-63409
D 11	26	12	M6002-350-AAL				
D 11	26	37	110-96500	A 12	26	37	400-90753
D 11	26	47	114-09604	A 12	26	47	400-89755
D 11	26	49	114-09802	A 12	26	49	110-95403
D 11	26	57	M6003-350-AAA				
D 11	26	58	400-21622	A 12	26	58	401-02871

HOW TO MAKE USE OF THIS PARTS LIST

1.Explanation of codes

1)"*"mark.....means this part is changed from the previous parts book.

As to the details of the change, refer to the "List for information of change".

2)"#01".....refer to "Note" explanation at bottom of page.

2.Codes on the "Qty" column

- Each numeral indicates the number of parts required.
- "0.1" and "2.5" indicate the length (in meters) of the respective parts.

3.Parentheses mean that the corresponding part is a subpart that constructs an assembly part.

4.Dotted lines on the Figures indicate assembly parts.

1."注記"欄の記号説明

1) "*"印.....前回のパーツブックに比較して今回変更された部品を意味します。

変更内容は、"変更情報リスト"を参照してください。

2) "#01".....ページ下の"注記"の説明を参照してください。

2.数量欄の数字は、個数を表し、0.1、2.5等の数値は、長さ（単位メートル）を表します。

3.数量欄の（ ）は、組部品を構成している子部品であることを意味します。

4.イラストページの-----枠は、組構成であることを意味します。

NUMERICAL INDEX OF PARTS

PART NO	PAGE	REF NO.	PART NO	PAGE	REF NO.	PART NO	PAGE	REF NO.
11002409	6	20	11222007	28	30	11308301	38	3
11002904	6	40	11231503	28	27	11308400	38	2
11003308	2	11	11232105	18	3	11308459	38	1
11004207	8	23	11300308	2	41	11308657	38	8
11009800	14	5	11300407	2	3	11311057	16	73
11015906	8	35	11300506	2	2	11312055	10	20
11017357	6	2	11300605	2	4	11313053	18	5
11023017	30	2	11300902	6	25	11313103	18	7
11024700	30	3	11301009	8	2·40	11313251	18	1
11030202	4	58	11301108	8	2·40	11314267	16	68
11038650	8	42	11301355	10	37	11314507	14	1
11038759	8	39	11301405	10	38	11315058	26	23
11038809	8	29	11301603	10	9	11315108	26	27
11040854	18	45	11301652	10	5	11320801	36	5
11040953	18	44	11301702	10	31	11321452	36	13
11041605	40	51	11302254	14	19	11322203	36	12
11047057	30	1	11302304	6	44	11322401	36	25
11047107	30	4	11302353	6	42	11322401	40	60
11071453	6	33	11302411	14	12	11322450	36	23
11071461	6	29	11302502	14	40	11322450	40	59
11091006	36	11	11302619	16	69	11325750	2	1
11094307	40	55	11302700	14	17	11326204	14	10
11094406	40	56	11303161	14	26	11326303	36	3
11094604	36	22	11303328	14	4	11326303	38	9
11095254	2	15	11303567	22	25	11326808	24	13
11095403	40	49	11303807	22	19	11327053	24	1
11095502	36	17	11303906	22	24	11327558	26	1
11095551	36	15	11304003	22	2	11385127	14	6
11095601	36	20	11304052	22	1	11401403	38	25
11096559	36	28	11304151	22	28	11403300	38	33
11101300	24	17	11304201	22	13	11404555	38	26
11101508	24	19	11304300	22	15	11404605	38	27
11102308	24	12	11304409	22	30	11404704	38	32
11110152	26	20	11305000	16	49	11404753	38	31
11141355	8	37	11305703	12	47	11407053	40	50
11142056	38	41	11305901	10	30	11407103	40	52
11142064	38	40	11306107	10	22	11407202	40	53
11202306	6	26	11306206	10	25	11407459	38	35
11205309	10	14	11307006	28	33	11407608	38	38
11205408	10	13	11307105	28	7	11407707	38	36
11210903	22	10	11307154	28	4	11407855	40	54
11211000	22	4	11307204	28	6	11408606	38	15
11214509	22	22	11307352	28	11	11408655	38	14
11217601	24	32	11308103	38	20	11409257	36	16
11221504	28	29	11308251	38	21	11409257	40	46

NUMERICAL INDEX OF PARTS

PART NO	PAGE	REF NO.	PART NO	PAGE	REF NO.	PART NO	PAGE	REF NO.
11409505	40	48	22913008	16	48	22925002	28	38
11409554	38	44	22915003	14	15	22927305	32	25
11409703	38	45	22915151	14	42	22927354	32	13
11415205	4	65	22915201	16	45	22927404	32	26
11415205	38	17	22915359	16	55	22927602	32	27
11415866	38	42	22916001	8	28	22928105	32	22
11415908	38	43	22916100	8	31	22928303	32	21
22900401	2	10	22916308	8	24	22928402	32	20
22900609	2	25	22916506	8	36	22928501	32	14
22901003	4	52	22916555	8	34	22928808	32	18
22901201	4	49	22917058	8	32	22928907	32	16
22901250	4	48	22917157	8	26	22929004	32	17
22901300	4	50	22918064	6	5	22930309	34	14
22901805	4	69	22918072	6	4	22930358	34	1
22902605	40	57	22918106	6	10	22930408	34	10
22903009	6	28	22918304	6	12	22930507	34	9
22904155	6	23	22918403	6	6~9	22930556	34	15
22905004	8	21	22918502	6	6~9	22930705	34	7
22905103	8	22	22918601	6	6~9	22930804	34	17
22906457	8	4	22918700	6	6~9	22930903	34	16
22906606	6	11	22919203	6	3	22931000	34	3
22907406	10	36	22920508	2	27	22931109	34	4
22907505	10	35	22920607	4	44	22931307	34	11
22907554	10	33	22921001	2	28	22931406	34	8
22907604	10	34	22921209	2	35	22931703	30	27
22907703	12	49	22921308	2	30	22932107	30	8
22907802	10	1	22921407	2	31	22932156	30	7
22908156	10	7	22921506	2	34	22932206	30	11
22908305	10	8	22921605	2	36	22932305	30	17
22908552	10	4	22921704	2	32	22932404	30	14
22908909	10	44	22921803	2	33	22932453	30	13
22910103	6	27	22923015	28	14	22932909	8	38
22910608	14	25	22923056	28	12	22933402	32	2
22910707	14	24	22923205	28	17	22933451	32	1
22910806	14	27	22923312	28	13	22933501	32	3
22910905	14	23	22923403	28	19	22933600	32	5
22911002	14	37	22923502	28	21	22933659	32	4
22911101	14	13	22923601	28	20	22933758	32	6
22911705	16	74	22923700	28	15	22933907	32	7
22911804	14	7	22923809	28	18	22934004	32	8
22912000	14	9	22923908	28	22	22934202	30	22
22912109	14	8	22924005	28	26	22934251	30	19
22912752	16	63	22924609	28	28	22934301	30	23
22912802	16	62	22924807	20	60	22934400	30	21
22912901	14	36	22924906	28	10	22934509	30	25

NUMERICAL INDEX OF PARTS

PART NO	PAGE	REF NO.	PART NO	PAGE	REF NO.	PART NO	PAGE	REF NO.
22934608	30	20	22954309	24	6	40087245	18	30
22934707	30	15	22954606	24	2	40089755	36	18
22935407	4	53	22954705	2	9	40089755	40	47
22937965	6	36	22955504	26	2	40090750	24	22
22940654	16	52	22955900	26	13	40090751	24	28
22940753	14	34	22956007	26	14	40090752	24	24
22940803	14	30	22956106	26	6	40090753	38	37
22942601	8	3	22956205	26	10	40101720	30	16
22944508	10	16	22956304	26	11	40102871	40	58
22944607	10	19	22956403	26	7	40105231	6	21
22944706	10	23	22956809	26	18	40106606	6	13
22945307	2	37	22956908	26	9	40106607	6	17
22945356	2	29	22957005	26	24	40106930	20	53
22945414	2	19	22957104	26	16	40106931	20	54
22945463	2	18	22957203	26	21	40106936	26	15
22945505	2	22	22958300	2	7	40111022	2	17
22945604	2	20	22962005	36	10	B1109415H0B	36	8
22945703	2	23	22962005	38	7	B1109415H0B	38	19
22945802	2	21	22962054	36	9	B1213552000A	6	38
22947006	28	1	22962054	38	6	B1215552000	6	41
22947907	18	6	22962401	36	14	B13050120A0	8	12
22948301	18	35	22962500	24	21	B13061550A0	8	14
22948400	18	37	22962609	24	18	B13061550B0	8	11
22949002	18	43	22962708	20	62	B13061550C0	8	10
22949101	18	40	22962807	10	28	B13071550A0	8	17
22949200	18	41	22962906	24	33	B13071550B0	8	16
22949309	18	38	22963409	36	2	B13081550A0	8	19
22949408	18	29	22963409	38	5	B1412352B00	22	5
22949754	18	24	22963458	36	1	B1414226000	8	6
22949762	18	23	22963458	38	4	B1418415H00	36	6
22949903	20	49	22967202	16	61	B1418415H00	38	22
22950000	18	26	22970602	14	35	B1418552A00	8	8
22950109	18	31	22971105	16	67	B1505552000A	36	4
22950208	18	14	22971204	14	2	B1505552000A	38	10
22950257	18	13	22972608	4	57	B1521555000	10	2
22950356	18	15	23645401	36	19	B1524041EB0	36	27
22950703	18	25	40010395	16	75	B1524041EB0	38	11
22950851	18	19	40017805	10	41	B1636581C00	16	72
22950950	18	21	40021610	38	29	B1837201SA0	38	28
22951008	20	50	40021613	38	34	B2906415000	22	6
22951164	20	48	40057178	38	13	B31334150A0	4	55
22951404	20	55	40057179	38	12	B3136415000	4	56
22951552	20	61	40060989	10	42	B3536122000	28	5
22954101	24	4	40062684	34	2	B8228125000	30	26
22954200	24	5	40081220	14	11	BT0500300EA	28	8

NUMERICAL INDEX OF PARTS

PART NO	PAGE	REF NO.	PART NO	PAGE	REF NO.	PART NO	PAGE	REF NO.
BT0600402EA	28	3	RC1850001KP	6	22	SL4051001MZ	6	37
CM300200001	2	42	RE0250000K0	26	8	SM4031501SC	24	8
CM3002000B1	4	66	RE0300000K0	10	39	SM4040655SP	24	3
CM300200101	4	67	RE0300000KP	10	32	SM4041655SP	24	7
CM3002001A1	4	68	RE0400000K0	18	39	SM4051405SE	34	12
CQ252000000	28	34	RE0500000K0	10	6	SM6061610SC	34	21
CS064061ASP	12	45	RE0500000K0	14	21	SM8061010TP	16	65
CS120101BSH	22	8	RE0500000K0	18	51	SM8061050TP	16	64
CS147121ASH	16	57	RE0500000K0	20	51	SM8063012TR	30	10
D1524415BBC	10	15	RE0500000K0	26	19	SM9061203SE	30	24
D1609415B00	14	31	RE0500000KP	24	16	SQ1150501SD	28	32
D1609415B0H	38	18	RE0600000K0	18	34	SS1120710SP	2	54
D1830560EA0	38	30	RE0900000K0	24	29	SS1120710SP	4	54
D2406555D0H	18	9	RE1000000K0	30	12	SS2060210SP	18	8
D2468555B00	24	27	RE1200000K0	24	25	SS2110915SP	4	43
EA9500B0100	6	24	RO029180100	6	39	SS2110920TP	2	40
EA9500B0200	28	37	RO037180100	10	3	SS4080620TP	14	32
HA001900000	24	11	RO044240100	6	14	SS4080620TP	18	10
HA00600000A	26	17	RO078190100	16	59	SS4090615SP	6	19
HK034610140	18	46	RO092270200	14	16	SS4110515SP	10	27
HK03464000B	24	10	RO098240100	30	6	SS4110515SP	32	15
HW500070000	24	9	RO195240100	28	2	SS4110715SP	18	28
M40071100AA	6	34	SB309000400	22	18	SS4110915TP	8	30
M40071100AB	6	35	SD0460703TP	18	2	SS4120615SP	2	26
MC200500900	8	9-41	SD0490261SP	32	23	SS4120615SP	10	26
MC200501300	36	26	SD0500095TH	18	4	SS4120615SP	24	14
MC200501300	38	23-24	SD0500131TP	36	21	SS4120615SP	28	9
MDB100B1400	8	9-41	SD0600322SD	10	12	SS4120915SP	2	8
MDB100B2100	36	7	SD0600361SP	20	58	SS4120915SP	8	25
MDB100B2100	38	23-24	SD0600452TP	38	39	SS4120915SP	24	15
NM6040001SE	20	56	SD0630275SP	18	18	SS4120915SP	26	28
NM6050001SE	34	13	SD0640261SP	12	48	SS4121015SP	4	47
NM6060001SE	30	18	SD0640631TP	18	11	SS4121415SP	32	9
NM6160511SE	34	18	SD0641451SP	18	17	SS4150915SP	10	24
NS6090310SP	26	5	SD0650321TP	26	4	SS4150915SP	20	47
NS6110310SP	4	63	SD0700451TP	24	34	SS4150915SP	24	31
NS6110310SP	26	12	SD0700711TP	24	35	SS4150915SP	28	24
NS6110420SP	24	30	SD0720331SP	10	11	SS4151215SP	20	59
NS6150310SP	22	14	SD0790501SP	22	12	SS6060210SP	4	51
NS6150430SP	18	33	SD1000801SH	14	44	SS6080340SP	28	31
NS6150430SP	22	17	SE4301041SR	28	16	SS6090510TP	18	16
NS6620310SP	10	21	SK3412000SC	32	29	SS6090540SP	26	25
NS6680410SP	14	39	SL4030631SC	26	3	SS6090560TP	14	3
RC0150001KP	14	51	SL4030641SE	26	22	SS6090620TP	14	38
RC0150001KP	16	51	SL4030851SF	28	23	SS6090660TP	22	7

NUMERICAL INDEX OF PARTS

PART NO	PAGE	REF NO.	PART NO	PAGE	REF NO.
SS6090670TP	8	5	SS8660410SP	22	9
SS6090810TP	22	23	SS8660610TP	6	18
SS6110420TP	8	27	SS8660610TP	10	40
SS6110610TP	4	45	SS8660610TP	16	58
SS6110640SP	22	27	SS8660810TP	8	20
SS6110710TP	20	52	SS8681130SP	14	41
SS6111010TP	28	25	SS8681650TP	6	16
SS6111210SP	6	30	SS9661120CP	14	22
SS6121220TP	22	3	TA0850604R0	2	59
SS6121610SP	22	20	TA0850604R0	4	59
SS6121840SP	26	26	TA1250406R0	4	46
SS6121860SP	16	76	TA1250504R0	4	61
SS6151220SP	16	66	TA1250705R0	2	6
SS6660610TP	18	20	TA1250804R0	8	1
SS6661110SP	6	43	TA2000502R0	2	13
SS6661110SP	36	24	TA2101002R0	2	62
SS6661110SP	40	61	TA2101002R0	4	62
SS6700710SH	30	5	WP0450801SD	6	31
SS7080510TP	8	7	WP0450826SC	32	30
SS7081310SP	32	24	WP0480856SP	16	54
SS7090610SP	18	42	WP0501016SD	32	10
SS7090620TP	12	46	WP0621016SD	22	16
SS7091110TP	10	43	WP0621016SH	18	32
SS7110350SP	32	19	WP0650876SD	10	10
SS7110540SP	38	16	WP0702026SP	16	60
SS7110740TP	10	29	WP0722316SH	24	36
SS7110740TP	16	50	WP1612616SE	34	19
SS7110740TP	24	23	WP1703001SC	24	26
SS7111120SP	16	56	WS0410002KR	20	57
SS7121410SP	22	29	WS0451040KP	28	35
SS7121410TP	14	53	WS0510002KN	34	5
SS7121410TP	16	53	WS0651310KP	28	36
SS7121610SP	14	43	WS1643202KR	34	20
SS7620750SP	16	71	WT0530002KS	4	64
SS7681650TP	6	15	WZ1250300K0	16	70
SS8090670SP	2	38			
SS8110310SP	22	26			
SS8110410TP	8	33			
SS8110510SP	32	28			
SS8110520TP	18	22			
SS8120740SP	22	21			
SS8150710TP	2	39			
SS8150710TP	14	28			
SS8151150TP	6	1			
SS8151550SP	6	32			