

MODEL : DDL-5550N-7 SERIES

List No : 0919-12

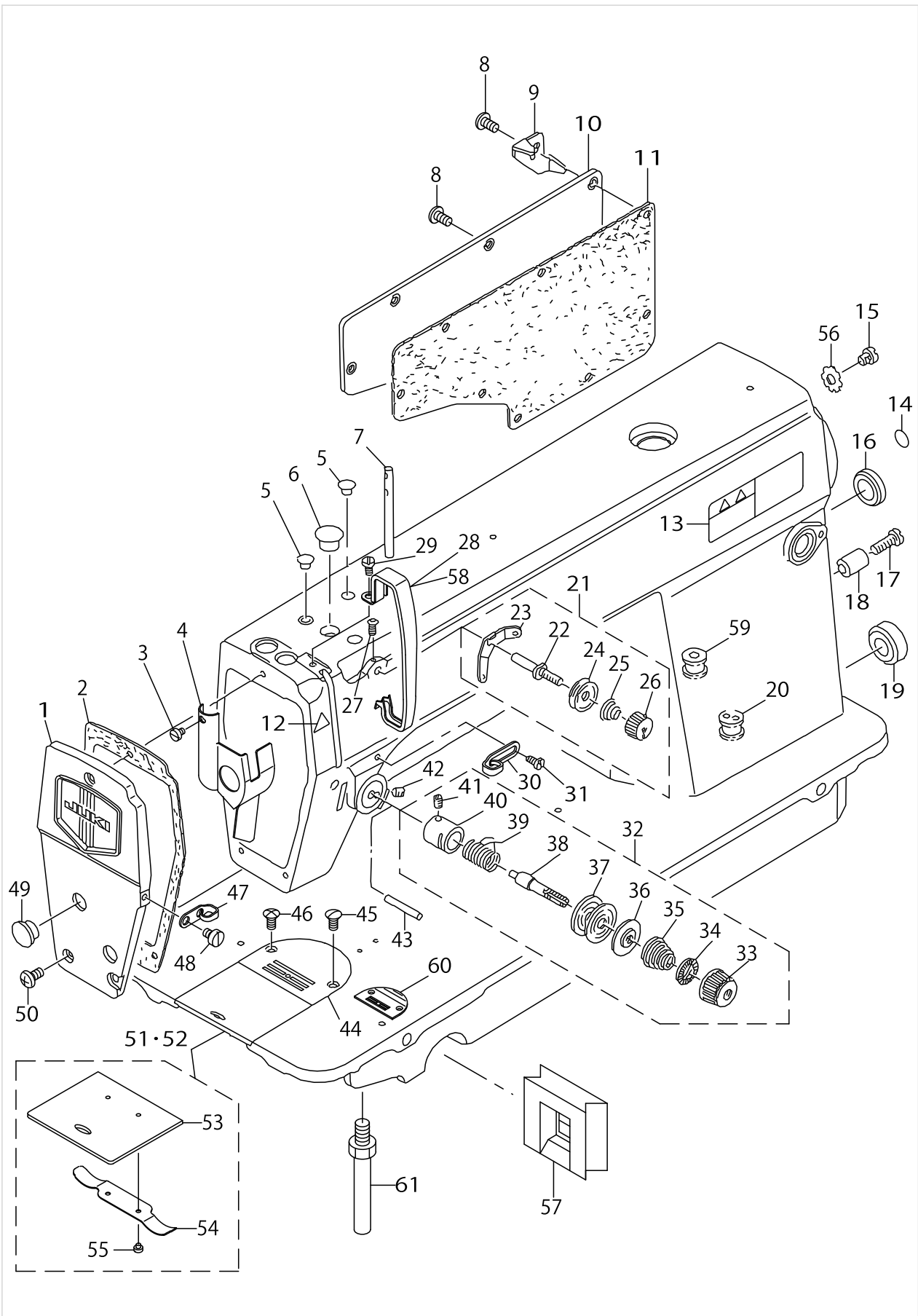
PARTS LIST

Published:05/12/2017

CONTENTS

MACHINE FRAME & MISCELLANEOUS COVER COMPONENTS	1
MAIN SHAFT COMPONENTS	5
NEEDLE BAR, UPRIGHT SHAFT & HOOK DRIVING SHAFT COMPONENTS	9
HAND LIFTER COMPONENTS	11
FEED MECHANISM COMPONENTS.....	15
THREAD TRIMMER COMPONENTS	19
AUTOMATIC REVERSE FEED COMPONENTS.....	23
WIPER COMPONENTS.....	25
OIL LUBRICATION COMPONENTS	27
OIL RESERVOIR COMPONENTS	29
BELT COVER & BOBBIN COMPONENTS.....	31
THREAD STAND COMPONENTS.....	33
EXCLUSIVE PARTS FOR DDL-5550NH-7.....	35
EXCLUSIVE PARTS FOR DDL-5550NA-7.....	39
EXCLUSIVE PARTS FOR DDL-5550NK-7.....	41
LIST FOR INFORMATION OF CHANGE (1).....	43
LIST FOR INFORMATION OF CHANGE (2).....	44
HOW TO MAKE USE OF THIS PARTS LIST	45

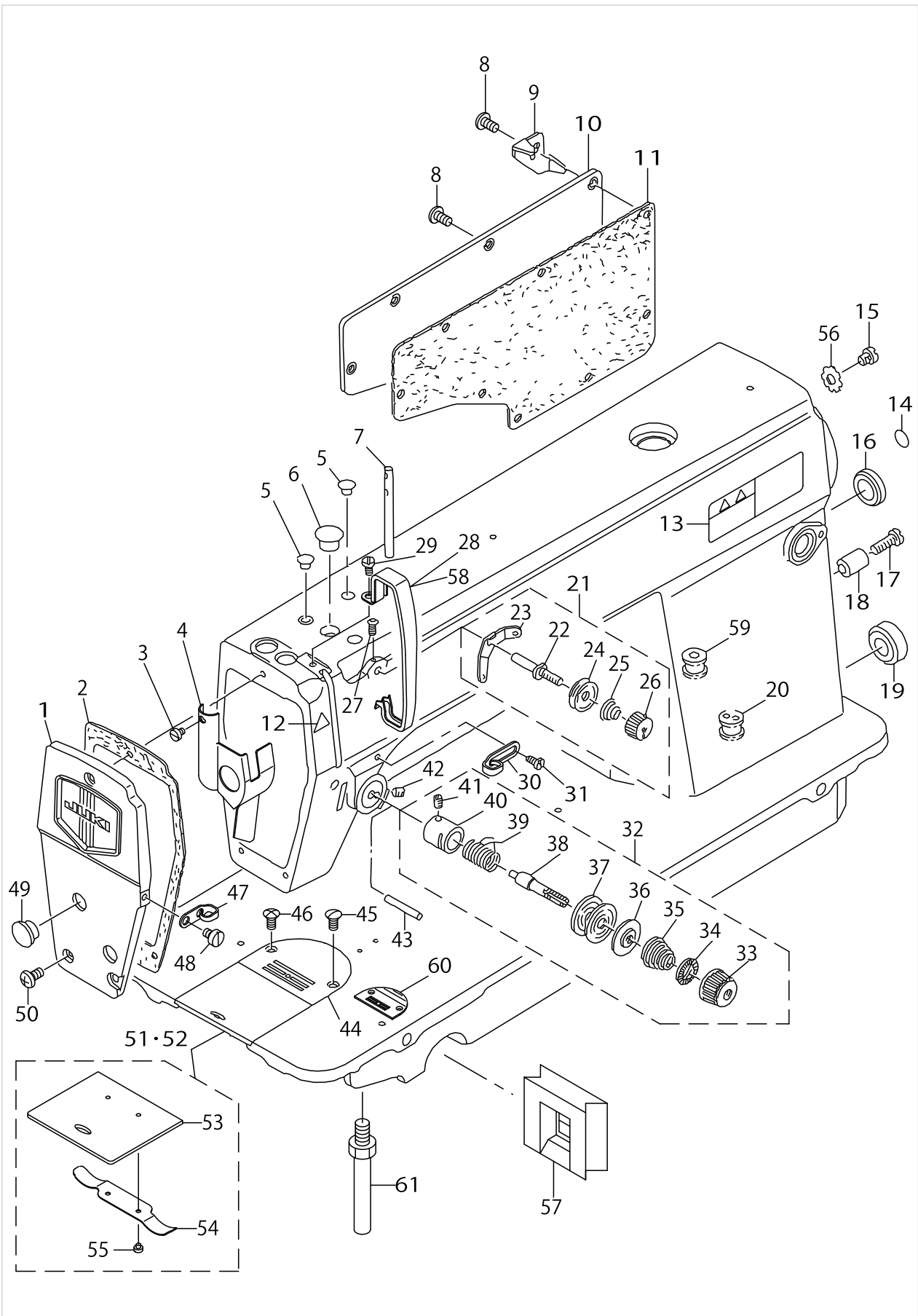
MACHINE FRAME & MISCELLANEOUS COVER COMPONENTS



MACHINE FRAME & MISCELLANEOUS COVER COMPONENTS

No.	Supply Code	Parts No.	Replacement	Parts name	Remarks	Choice	Step	Level	Cons	Qty	Rep. QTY
1		11070851		FACE PLATE ASM.						1	
2		11000304		FACE PLATE GASKET						1	
3		SS6080410SP		SCREW 1/8-44 L=4						1	
4		22900757		FACE PLATE OIL SHIELD ASM.						1	
5		TA0850604R0		RUBBER PLUG						2	
6		TA1250705R0		RUBBER PLUG						1	
7		22958300		NEEDLE THREAD GUIDE PIN						1	
8		SS4120915SP		SCREW 3/16-28 L=9						8	
9		22954705		CORD FIXING METAL FITTING	EXCEPT D-DL-5550N-7-00					1	
10		22900401		WINDOW PLATE						1	
11		11003308		GASKET						1	
12		CM300200001		ATTENTION SEAL						1	
13		CM301300001		SAFETY LABEL						1	
14		22901805		GROUND MARK						1	
15		SS4120615SP		SCREW 3/16-28 L=6						1	
16		TA2000502R0		RUBBER PLUG						1	
17		SS6121840SP		SCREW 3/16-28 L=18	FOR DDL--5550N-7-0B,-WB					1	
18		22952501		BACK LEVER STOPPER	FOR DDL--5550N-7-0B,-WB					1	
19		TA2101002R0		RUBBER PLUG						1	
20		40111022		MAGNET CORD RUBBER	FOR DDL--5550N-7-0B,-WB					1	
21		22945463		THREAD TENSION ASM. NO.1						1	
22	D	22945406		THREAD TENSION POST				*		1	
23	R	22945604	22963458	THREAD TENSION GUIDE		A	DDL8700H-7/8700J--7/9000B, DLN6390-7	*		1	1.00
23	R	22945604	22945463	THREAD TENSION GUIDE		B	DDL8700-7 and so on	*		1	1.00
24		22945802		THREAD TENSION DISK				*		2	
25		22945505		THREAD TENSION SPRING				*		1	
26		22945703		THREAD TENSION NUT				*		1	
27		SS4120615SP		SCREW 3/16-28 L=6						1	
28		22900609		THREAD TAKE-UP LEVER COVER						1	
29		SS4120615SP		SCREW 3/16-28 L=6						1	
30		22920508		ARM THREAD GUIDE A						1	
31		22921001		SCREW						1	
32		22945356		THREAD TENSION ASM.						1	
33		22921308		THREAD TENSION NUT				*		1	
34		22921407		ROTATION STOPPER				*		1	
35		22921704		THREAD TENSION SPRING A				*		1	
36		22921803		DISK STOPPER				*		1	
37		22921506		THREAD TENSION DISK				*		2	
38		22921209		THREAD TENSION POST				*		1	
39		22921605		THREAD TAKE-UP SPRING				*		1	
40		22945307		THREAD TENSION POST BASE				*		1	
41		SS8090670SP		SCREW 9/64-40 L=5.5				*		1	
42		SS8150710TP		SCREW 15/64-28 L=7						1	

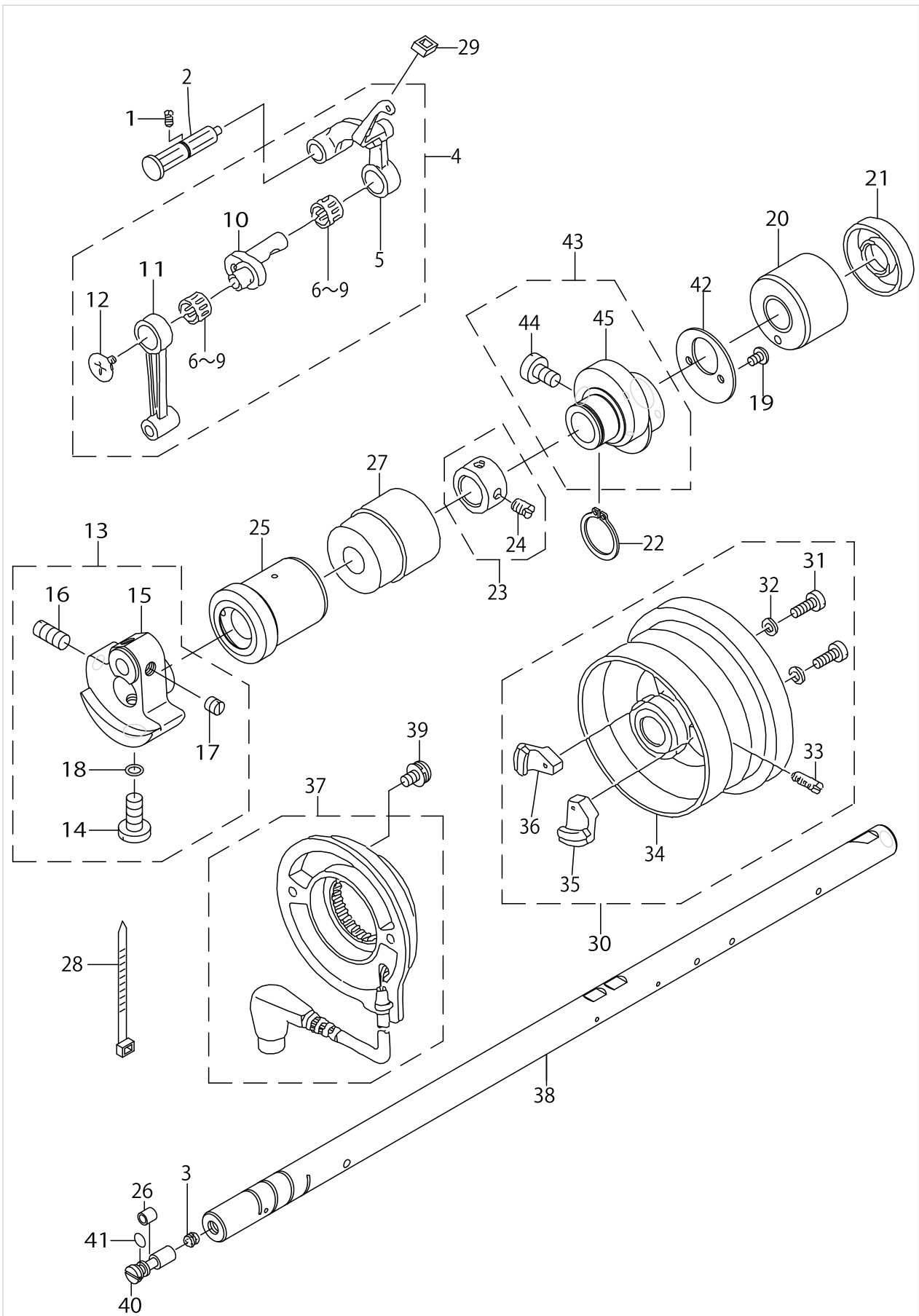
MACHINE FRAME & MISCELLANEOUS COVER COMPONENTS



MACHINE FRAME & MISCELLANEOUS COVER COMPONENTS

No.	Supply Code	Parts No.	Replacement	Parts name	Remarks	Choice	Step	Level	Cons	Qty	Rep. QTY
43		22920904		PIN						1	
44		B1109012I0B		THROAT PLATE (I)						1	
45		SS2110920TP		SCREW 11/64-40 L=8.5						1	
46		SS2110915SP		SCREW 11/64-40 L=8.5						1	
47		22920607		ARMTHREADGUIDEB						1	
48		SS6110610TP		SCREW 11/64-40 L=6						1	
49		TA1250406R0		RUBBER PLUG D=12.5 L=4						2	
50		SS4120915SP		SCREW 3/16-28 L=9						3	
51		22901250		SLIDE PLATE ASM.						1	
52		22902753		SLIDE PLATE ASM.	FOR JH					1	
53	R	22901201	22901250	SLIDE PLATE				*		1	1.00
54		22901300		SLIDE PLATE SPRING				*		1	
55		SS6060210SP		SCREW 3/32-56 L=1.9				*		2	
56		WT0530002KS		TOOTHED WASHER D=5.3						1	
57		22935407		BED OIL SHIELD RUBBER						1	
58		11415205		THREAD TAKE-UP LEVER COVER(JE)	FOR JE					1	
59		11030202		RUBBER BUSHING	FOR DDL-- 5550N-7-00					1	
60		B1109552000		THROAT PLATE	FOR JA					1	
61		22901003		BED SCREW STUD						4	

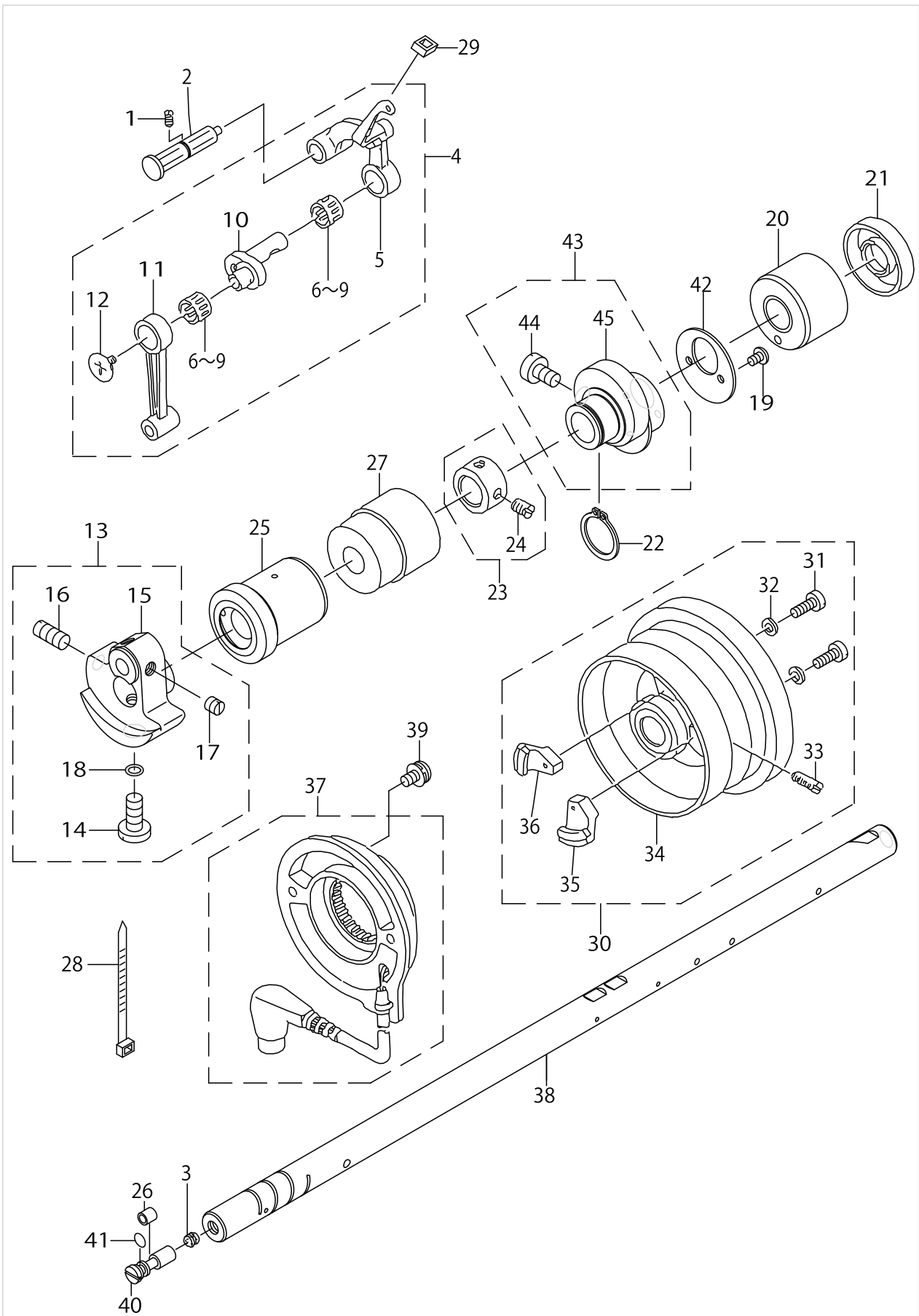
MAIN SHAFT COMPONENTS



MAIN SHAFT COMPONENTS

No.	Supply Code	Parts No.	Replacement	Parts name	Remarks	Choice	Step	Level	Cons	Qty	Rep. QTY
1		SS8151150TP		SCREW 15/64-28 L=10.5						1	
2		22919559		THREAD TAKE-UP CRANK SHAFT ASM						1	
3		11002904		ROLLER FELT						1	
4		22918072		THREAD TAKE-UP LEVER COMPL.						1	
5	R	22918064	22918072	THREAD TAKE-UP LEVER ASM.				*		1	1.00
6		22918403		NEEDLE BEARING A	SELECTIVE PARTS(A~D)			*		2	
7		22918502		NEEDLE BEARING B	SELECTIVE PARTS(A~D)			*		2	
8		22918601		NEEDLE BEARING C	SELECTIVE PARTS(A~D)			*		2	
9		22918700		NEEDLE BEARING D	SELECTIVE PARTS(A~D)			*		2	
10		22918106		NEEDLE BAR CRANK				*		1	
11		22906606		NEEDLE BAR CRANK ROD				*		1	
12	R	22918304	B1903552000	LEFT SCREW				*		1	1.00
13		40106606		COUNTER_WEIGHT_ASM.						1	
14		SS7681650TP		SCREW 9/32-28 L=16				*		1	
15		40106607		COUNTER_WEIGHT				*		1	
16		SS8681650TP		SCREW 9/32-28 L=16				*		1	
17		SS8660610TP		SCREW 1/4-40 L=6				*		2	
18		RO044240100		RUBBER RING				*		1	
19		SS4090615SP		SCREW 9/64-40 L=6						2	
20		11002409		MAIN SHAFT BUSHING REAR						1	
21		40105231		OIL SEAL						1	
22		RC1850001KP		SNAP RING 18.5						1	
23		22904155		MAIN SHAFT THRU-ST COLLAR ASM.						1	
24		SS8660610TP		SCREW 1/4-40 L=6				*		2	
25		22903207		MAIN SHAFT BUSHING FRONT						1	
26		B1215552000		OIL ADJUSTING COLLAR						1	
27		22903306		BUSHING INTERMEDIATE						1	
28		EA9500B0100		CABLE BAND						1	
29		22919203		OIL PROTECTING RUBBER						1	
30		11071495		HAND WHEEL ASM.						1	
31		SS6111210SP		SCREW11/64-40L=12				*		2	
32		WP0450801SD		WASHER 4.5X10X0.8				*		2	
33		SS8151550SP		SCREW15/64-28L=15				*		2	
34	R	11071453	11071495	HAND WHEEL ASM.				*		1	1.00
35		M40071100AA		MAGNET FITTING BASE A ASM.				*		1	
36		M40071100AB		MAGNET FITTING BASE B ASM.				*		1	
37		22937965		DYNAMO STATOR						1	
38		22903009		MAIN SHAFT						1	
39		SL4051001MZ		SCREW M5 L=9.6						2	
40		22903900		ADJUSTING PIN						1	
41		RO029180100		RUBBER RING						1	
42		22910103		THRUST COLLAR						1	
43		22910053		FEED DRIVE ECCENTRIC CAM ASM.						1	
44		SS6661110SP		SCREW 1/4-40 L=11				*		2	

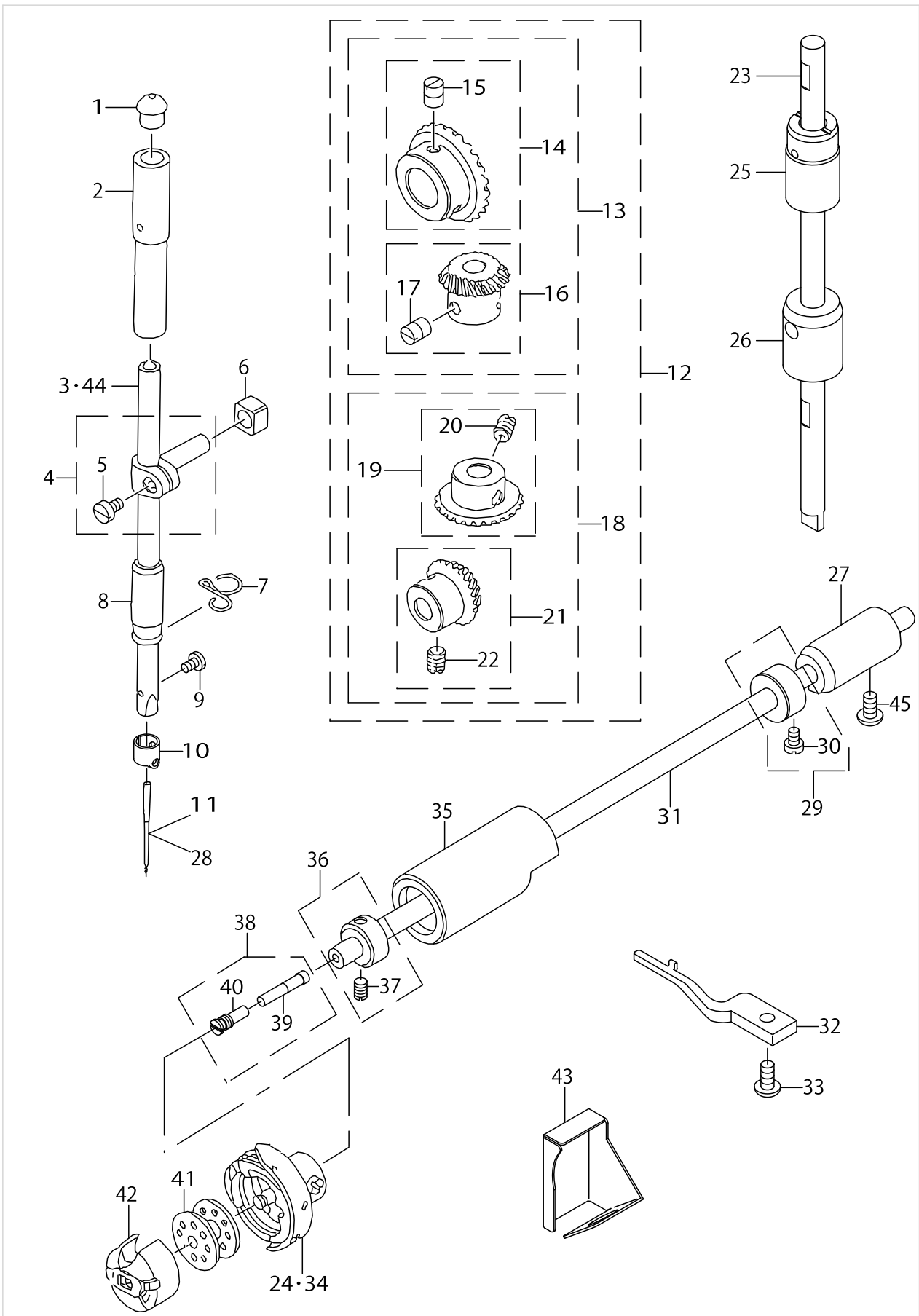
MAIN SHAFT COMPONENTS



MAIN SHAFT COMPONENTS

No.	Supply Code	Parts No.	Replacement	Parts name	Remarks	Choice	Step	Level	Cons	Qty	Rep. QTY
45	R	22910004	22910053	FEED DRIVE ECCENTRIC CAM				*		1	1.00

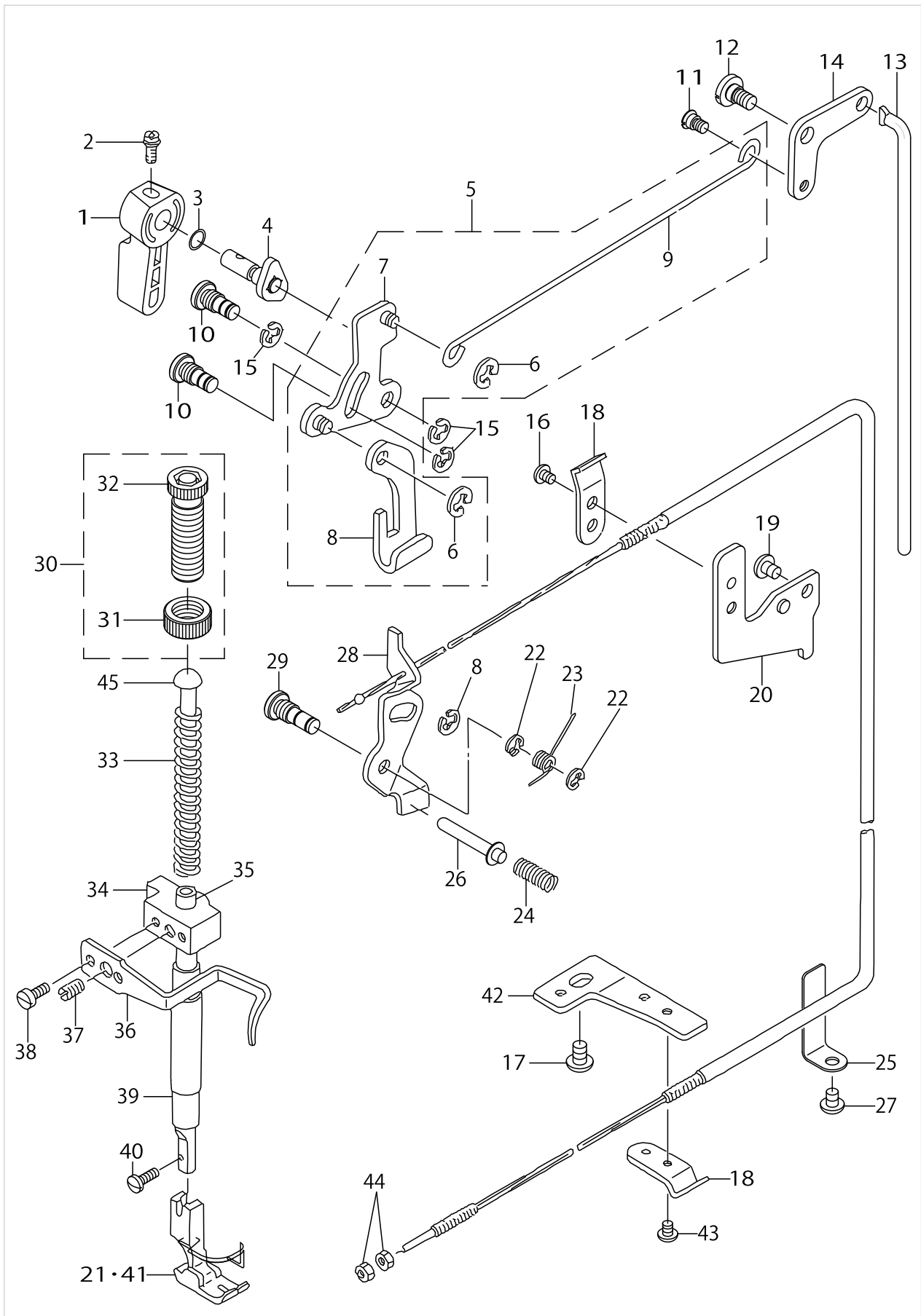
NEEDLE BAR, UPRIGHT SHAFT & HOOK DRIVING SHAFT COMPONENTS



NEEDLE BAR, UPRIGHT SHAFT & HOOK DRIVING SHAFT COMPONENTS

No.	Supply Code	Parts No.	Replacement	Parts name	Remarks	Choice	Step	Level	Cons	Qty	Rep. QTY
1		22901409		NEEDLE BAR UPPER BUSH CAP						1	
2		22906101		NEEDLE BAR BUSHING UPPER						1	
3		11035003		NEEDLE BAR						1	
4		22906457		NEEDLE BAR HOLDER ASM.						1	
5		SS6090670TP		SCREW 9/64-40 L=6				*		1	
6		40090058		SLIDE BLOCK						1	
7		22920805		NEEDLE BAR THREAD GUIDE						1	
8		22906200		NEEDLE BAR BUSHING LOWER						1	
9		SS7080510TP		SCREW 1/8-44 L=4.5						1	
10		22906309		NEEDLE BAR THREAD GUIDE						1	
11		MDB100B1400		NEEDLE DBX1 #14						1	
12	R	B13061550C0	B13071550C0	GEAR & PINION ASM.						1	1.00
13		B13061550B0		GEAR & PINION ASM. UPPER				*		1	
14		B13050120A0		GEAR ASM.				*		1	
15		SS8660810TP		SCREW 1/4-40 L=8				*		2	
16		B13061550A0		PINION ASM.				*		1	
17		SS8660810TP		SCREW 1/4-40 L=8				*		2	
18		B13071550B0		GEAR & PINION ASM. LOWER				*		1	
19		B13071550A0		GEAR ASM. LARGE				*		1	
20		SS8660810TP		SCREW 1/4-40 L=8				*		2	
21		B13081550A0		PINION ASM.				*		1	
22		SS8660810TP		SCREW 1/4-40 L=8				*		2	
23		22905004		UPRIGHT SHAFT						1	
24		11141355		HOOK ASM.						1	
25		22905103		UPRIGHT SHAFT BUSHING UPPER						1	
26		11004207		UPRIGHT SHAFT BUSHING LOWER						1	
27		22916308		HOOK DRIVING SH- AFT BUSH REAR						1	
28		MC200500750		NEEDLE 134 NM75	FOR JE					1	
29		22917157		THRUST COLLAR ASM. REAR						1	
30		SS6110420TP		SCREW 11/64-40 L=4.8				*		2	
31		22916001		HOOK DRIVING SHAFT						1	
32	R	11038809	22942502	BOBBIN CASE HOLDER						1	1.00
33		SS4110915TP		SCREW 11/64-40 L=9						1	
34		11038650		HOOK ASM.	FOR JH					1	
35		22916100		HOOK DRIVING SH- AFT BUSH FRONT						1	
36		22917058		THRUST COLLAR ASM. FRONT						1	
37		SS8110410TP		SCREW 11/64-40 L=3.5				*		2	
38		22916555		OILSEALSCREWASM.						1	
39		11015906		OIL WICK				*		1	
40		22916506		SET SCREW				*		1	
41		22932909		BOBBIN						1	
42		11038759		BOBBIN CASE ASM.						1	
43		22942601		OIL SHIELD						1	
44		11141207		NEEDLE BAR	FOR JE					1	
45		SS4120915SP		SCREW 3/16-28 L=9						1	

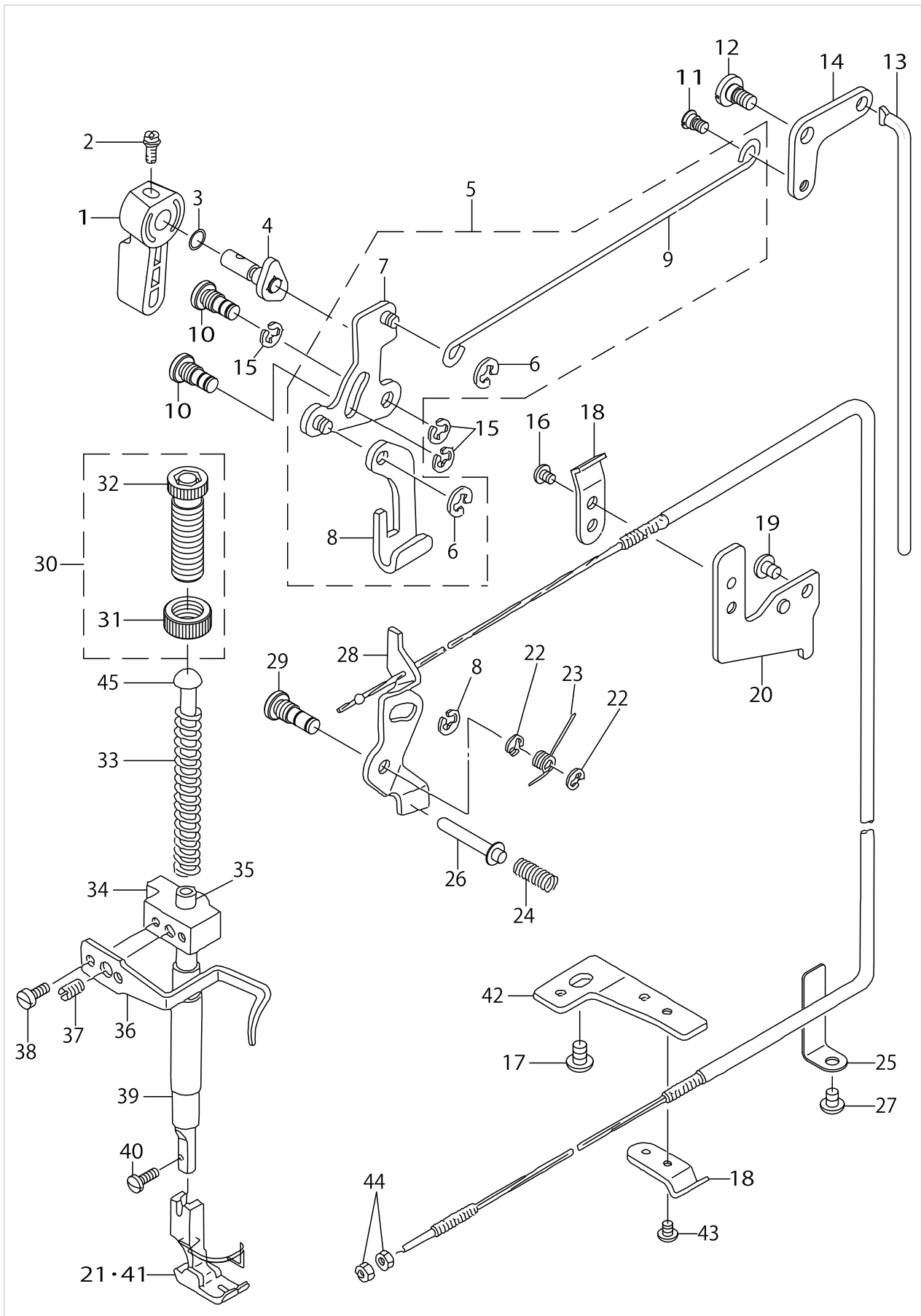
HAND LIFTER COMPONENTS



HAND LIFTER COMPONENTS

No.	Supply Code	Parts No.	Replacement	Parts name	Remarks	Choice	Step	Level	Cons	Qty	Rep. QTY
1		22907802		HAND LIFTER						1	
2		B1521555000		SCREW						1	
3		RO037180100		RUBBER RING						1	
4		22908552		HAND LIFTER CAM ASM.						1	
5		22908354		KNEE LIFTING CROSS ROD ASM.						1	
6		RE0500000K0		E-RING				*		2	
7	R	22908156	22908354	LIFTING LINK ASM.				*		1	1.00
8	R	22908008	22908354	LIFTING PLATE		A	DDL-5550 5550N 555- ON-7 5556- N-7 5600NL-7	*		1	1.00
8	R	22908008	23609357	LIFTING PLATE		B	DDL-9000A 9000B	*		1	1.00
8	R	22908008	40057398	LIFTING PLATE		C	LH-3500	*		1	1.00
8	R	22908008	40174387	LIFTING PLATE		D	DDL-9000C	*		1	1.00
9		22908305		KNEE LIFTER SIDE ROD				*		1	
10		22908701		LINK SHAFT						2	
11		22908909		HINGE SCREW						1	
12		SD0720331SP		HINGE SCREW D=7.24 H=3.3						1	
13		22909006		KNEE LIFTER CONNECTING ROD						1	
14		22908800		KNEE LIFTER LINK						1	
15		RE0500000K0		E-RING						3	
16		SS4110515SP		SCREW 11/64-40 L=5						1	
17		SS4150915SP		SCREW 15/64-28 L=9	FOR DDL-- 5550N-7-00					1	
18		22944508		WIRE PRESSER A						2	
19		SS4120615SP		SCREW 3/16-28 L=6						1	
20		22944607		WIRE PRESSER BASE UPPER						1	
21		B15245520BA		PRESSER FOOT ASM.	FOR JA					1	
22		RE0500000K0		E-RING						2	
23		22920201		RETURN SPRING						1	
24		22920409		THREAD RELEASE PIN SPRING						1	
25		22945109		WIRE CABLE SUPPORT						1	
26		22920300		THREAD RELEASE SUPPORTING PIN						1	
27		SS4120615SP		SCREW 3/16-28 L=6						1	
28		22944854		THREAD RELEASE WIRE ASM.						1	
29		22920102		TENSION RELEASE SHAFT						1	
30		22907554		PRESSER SPRING REG NUT ASM.						1	
31	R	22907604	22907554	PRESSER SPRING REGULATOR NUT				*		1	1.00
32	R	22907505	22907554	PRESSER SPRING REGULATOR				*		1	1.00
33		22907406		PRESSER SPRING						1	
34		22907208		PRESSER BAR GUIDE BRACKET						1	
35		40017805		PRESSER BAR						1	
36		22907307		THREAD GUIDE						1	
37		SS8660810TP		SCREW 1/4-40 L=8						1	
38		SS6090910SP		SCREW 9/64-40 L=9						2	
39		40060989		PRESSER BAR BUSHING LOWER						1	
40		SS7091110TP		SCREW 9/64-40 L=10.5						1	
41		B15240120BA		PRESSER FOOT ASM.						1	

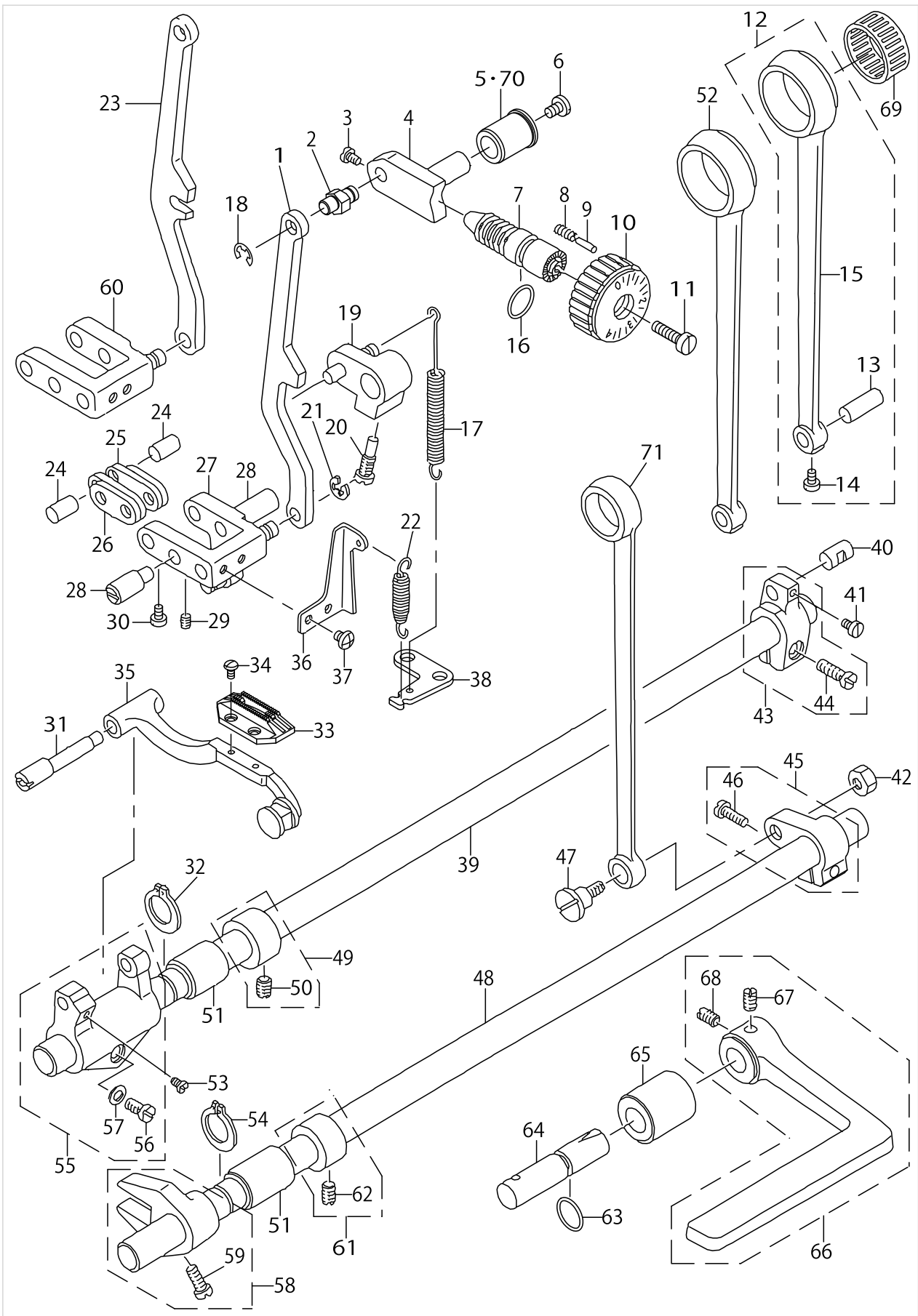
HAND LIFTER COMPONENTS



HAND LIFTER COMPONENTS

No.	Supply Code	Parts No.	Replacement	Parts name	Remarks	Choice	Step	Level	Cons	Qty	Rep. QTY
42		22944706		WIRE PRESSER BASE LOWER						1	
43		SS4110515SP		SCREW 11/64-40 L=5						1	
44		NS6620310SP		NUT 3/16-32						2	
45		22907703		PRESSER GUIDE BAR						1	

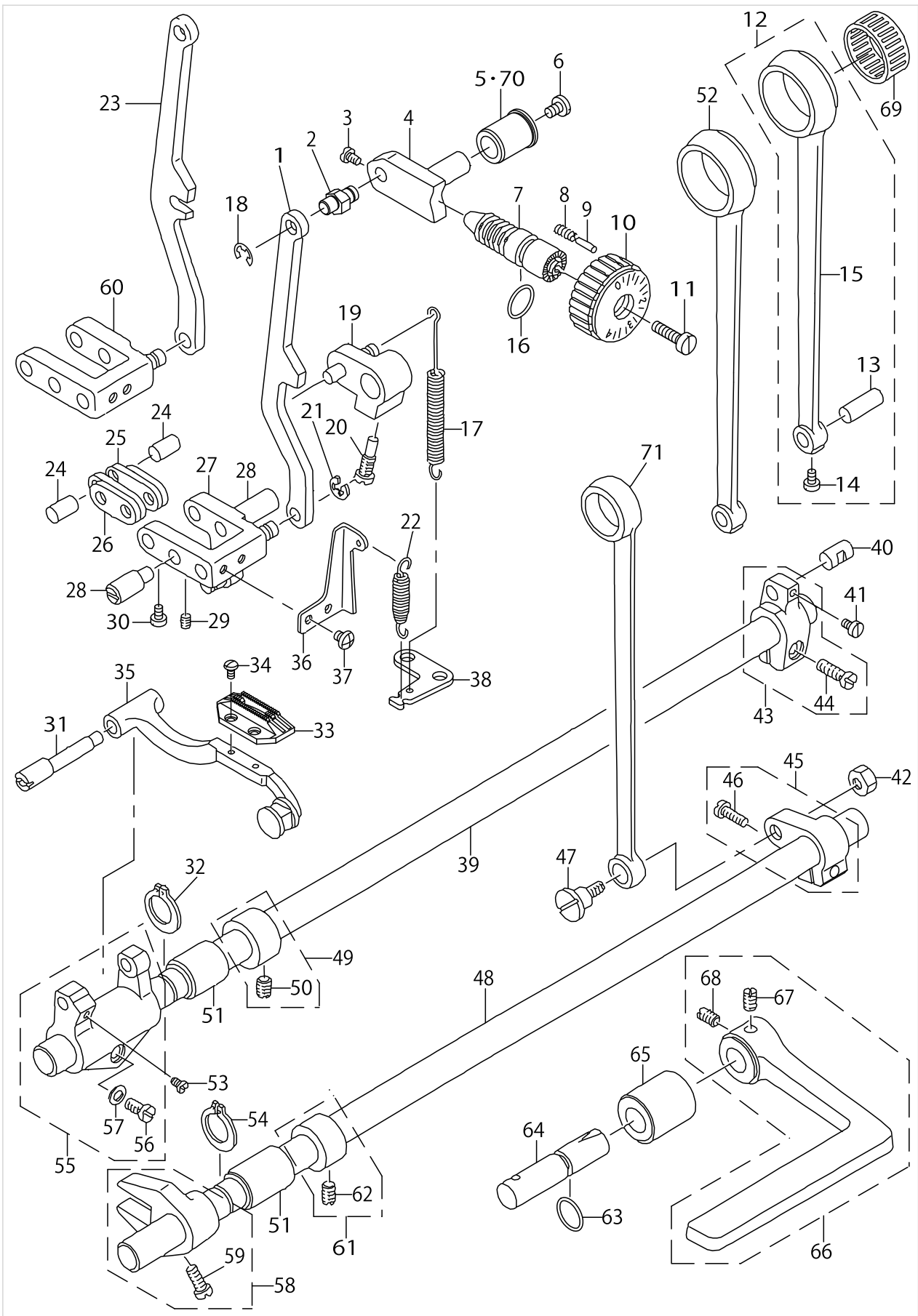
FEED MECHANISM COMPONENTS



FEED MECHANISM COMPONENTS

No.	Supply Code	Parts No.	Replacement	Parts name	Remarks	Choice	Step	Level	Cons	Qty	Rep. QTY
1		22941108		FEED ADJUST ROD	FOR DDL-- 5550N-7-0B,-WB					1	
2		22911507		WALKING FOOT PIN C						1	
3		SS6090670TP		SCREW 9/64-40 L=6						2	
4		22911606		FEED REGULATOR						1	
5		22911705		FEED REGULATOR BUSHING	FOR DDL-- 5550N-7-00					1	
6		SS7120770SH		SCREW 3/16-28 L=7						1	
7		22911804		FEED REGULATOR SCREW						1	
8		22912109		FEED REGULATOR PIN SPRING						1	
9		22912000		FEED REGULATOR PIN						1	
10		22940506		FEED DIAL						1	
11		SS6121860SP		SCREW 3/16-28 L=18						1	
12		22910251		ROCKER SHAFT CO- NNECTING ROD						1	
13		22911101		WALKING FOOT PIN C				*		1	
14		SS6090620TP		SCREW				*		1	
15	R	22910202	22910251	ROCKER SHAFT CO- NNECTING ROD				*		1	1.00
16		RO092270200		RUBBER RING						1	
17		11010311		FEED REVERSE SPRING						1	
18		RE0500000K0		E-RING						1	
19		22912257		FEED REVERSE ARM ASM.						1	
20		22912505		FEED REVERSE ARM SCREW						1	
21		RE0500000K0		E-RING						1	
22		11037405		SPRING						1	
23		22911408		FEED REGULATOR CONNCTING ROD	FOR DDL-- 5550N-7-00					1	
24		22910905		WALKING FOOT PIN A						2	
25		40089548		CONNECTING LINK B						2	
26		40093417		CONNECTING LINK A						2	
27		22940951		FEED ADJUST LINK ASM.	FOR DDL-- 5550N-7-0B,-WB					1	
28		22910806		ADJUST LINK FULCRUM SHAFT A						2	
29		SS8150710TP		SCREW 15/64-28 L=7						2	
30		SS6090620TP		SCREW						2	
31		22940803		FEED BAR SHAFT						1	
32		RC0150001KP		RETAINING RING 13.8						1	
33		B1613012I00		FEED DOG I						1	
34		SS4080620TP		SCREW 1/8-44 L=6						2	
35		22940753		FEED BAR ASM.						1	
36		22941306		REGULATOR LINK SPRING HOOK						1	
37		SS4110515SP		SCREW 11/64-40 L=5						2	
38		22913701		FEED SPRING HOOK						1	
39		22912901		FEED ROCKERSHAFT						1	
40		22911002		WALKING FOOT PIN B						1	
41		SS6090620TP		SCREW						1	
42		NS6680410SP		NUT 9/32-28						1	
43		22910350		FEED ROCKER SHA- FT CRANK ASM.						1	
44		SS6121610SP		SCREW 3/16-28 L=15.5				*		1	

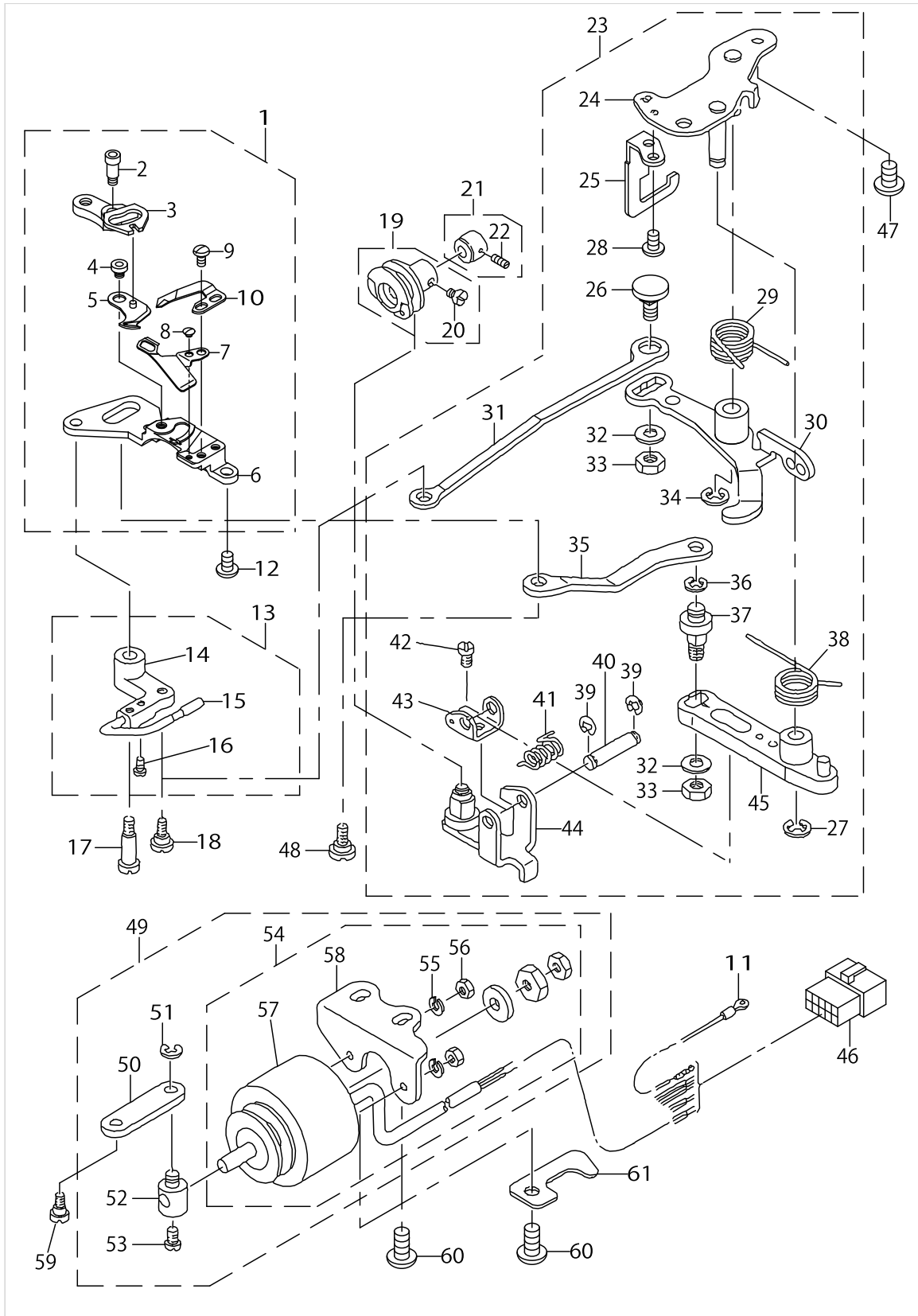
FEED MECHANISM COMPONENTS



FEED MECHANISM COMPONENTS

No.	Supply Code	Parts No.	Replacement	Parts name	Remarks	Choice	Step	Level	Cons	Qty	Rep. QTY
45		22915151		FEED ARM COMPL.						1	
46		SS7121610SP		SCREW 3/16-28 L=15.5				*		1	
47		SD1000801SH		HINGE SCREW D=10 H=8						1	
48		22915201		FEED DRIVING SHAFT						1	
49		22904155		MAIN SHAFT THRU-ST COLLAR ASM.						1	
50		SS8660610TP		SCREW 1/4-40 L=6				*		2	
51		22913008		FEED ROCKER SHAFT BUSHING						2	
52		11011400		HORIZONTAL FEED ROD (A)	FOR JE,JA					1	
53		SS7110740TP		SCREW 11/64-40 L=7						1	
54		RC0150001KP		RETAINING RING 13.8						1	
55		22940654		FEED ROCKER ASM.						1	
56		SS7121410TP		SCREW 3/16-28 L=14				*		1	
57		WP0480856SP		WASHER 4.8X8.4X0.8				*		1	
58		22915359		DRIVING SHAFT CRANK ASM.						1	
59	R	SS7111120SP	SS7111120TP	SCREW 11/64-40 L=10.5				*		1	1.00
60		22910459		FEED ADJUSTING LINK ASM.	FOR DDL-- 5550N-7-00					1	
61		22904155		MAIN SHAFT THRU-ST COLLAR ASM.						1	
62		SS8660610TP		SCREW 1/4-40 L=6				*		2	
63		RO078190100		RUBBER RING						1	
64		40100084		FEED LEVER SHAFT						1	
65		22912802		FEED LEVER SHAFT BUSHING						1	
66		22912752		FEED LEVER ASM.						1	
67		SM8061050TP		SCREW				*		1	
68		SM8061010TP		SCREW				*		1	
69		B1636581C00		NEEDLE BEARING	SELECTIVE PART(FOR JE,JA)					1	
70		11009800		FEED REGULATOR BUSHING	FOR DDL-- 5550N-7-0B,-WB					1	
71		22915003		CONNECTING ROD						1	

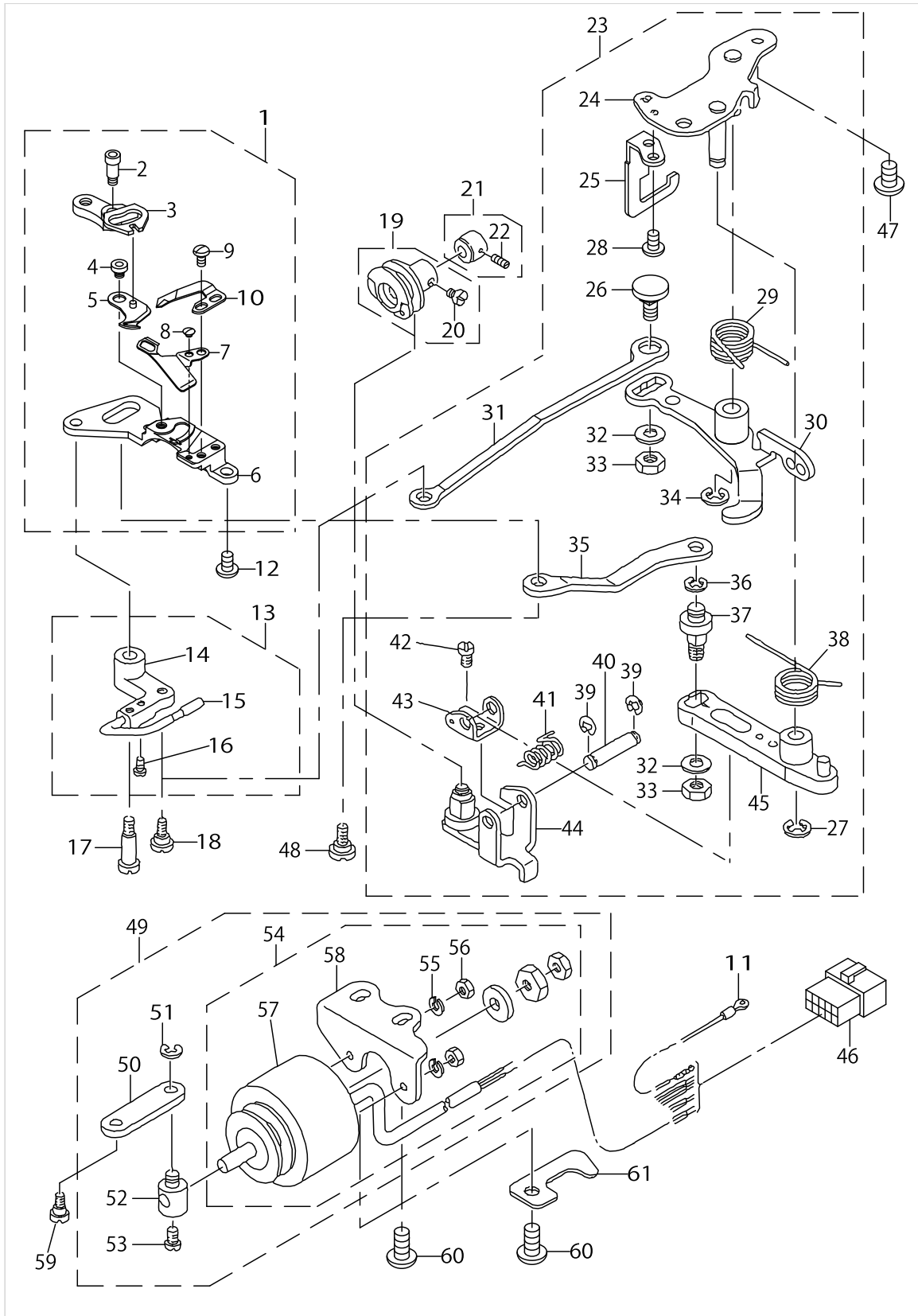
THREAD TRIMMER COMPONENTS



THREAD TRIMMER COMPONENTS

No.	Supply Code	Parts No.	Replacement	Parts name	Remarks	Choice	Step	Level	Cons	Qty	Rep. QTY
1	R	11040359	22947956	KNIFE UNIT						1	1.00
2		SD0460703TP		HINGE SCREW D=4.6 H=7				*		1	
3		11040508		FORKED BASE FOR KNIFE				*		1	
4		11040409		MOVING KNIFE HINGE SCREW				*		1	
5		11040052		MOVING KNIFE ASM.				*		1	
6		22947907		KNIFE MOUNTING BASE				*		1	
7	R	11313103	22947808	THREAD GUIDE FOR KNIFE				*		1	1.00
8		SS2060210SP		SCREW 3/32-56 L=2.3				*		1	
9		SS4080620TP		SCREW 1/8-44 L=6				*		2	
10		D2406555D0H		COUNTER KNIFE				*		1	
11		22951552		GROUND WIRE ASM.						1	
12		SS4110715SP		SCREW 11/64-40 L=7						1	
13		22950257		PICKER ARM ASM.						1	
14		22950208		PICKER ARM				*		1	
15		22950356		HOOK THREAD PRESSER ASM.				*		1	
16		SS6090510TP		SCREW 9/64-40 L=5.0				*		2	
17		SD0641451SP		HINGE SCREW D=6.35 H=14.5						1	
18		SD0630275SP		HINGE SCREW D=6.35 H=2.7						1	
19		22950851		THREAD TRIMMER CAM ASM.						1	
20		SS6660610TP		SCREW 1/4-40 L=6				*		2	
21		22950950		CAM COLLAR ASM.						1	
22		SS8110520TP		SCREW 11/64-40 L=4.5				*		1	
23		22949762		THREAD TRIMMER DRIVING UNIT						1	
24		22949754		BASE PLATE ASM.				*		1	
25		22950703		DRIVING ARM STOPPER				*		1	
26		22950000		PICKER LINK PIN				*		1	
27		RE0600000K0		E-RING 6				*		1	
28		SS4110715SP		SCREW 11/64-40 L=7				*		2	
29		22949408		CLUTCH SPRING				*		1	
30		40087245		CLUTCH PLATE ASM.				*		1	
31		22950109		PICKER LINK				*		1	
32		WP0621016SH		WASHER				*		2	
33		NS6150430SP		NUT 15/64-28				*		2	
34		RE0600000K0		E-RING 6				*		1	
35		22948301		MOVING KNIFE LINK				*		1	
36		RE0500000K0		E-RING				*		1	
37		22948400		MOVING KNIFE LINK PIN				*		1	
38	R	11043700	22949309	KNIFE RETURN SPRING B				*		1	1.00
39		RE0400000K0		E-RING 4				*		2	
40		22949101		ROLLER FULCRUM SHAFT				*		1	
41		22949200		ROLLER RETURN SPRING				*		1	
42		SS7090610SP		SCREW 9/64-40 L=6				*		1	
43		22949002		ROLLER ARM SEAT				*		1	
44		11040953		ROLLER ARM ASM.				*		1	
45	R	11040854	22948558	KNIFE DRIVING ARM ASM.				*		1	1.00
46		HK034610140		HOUSING 14P						1	

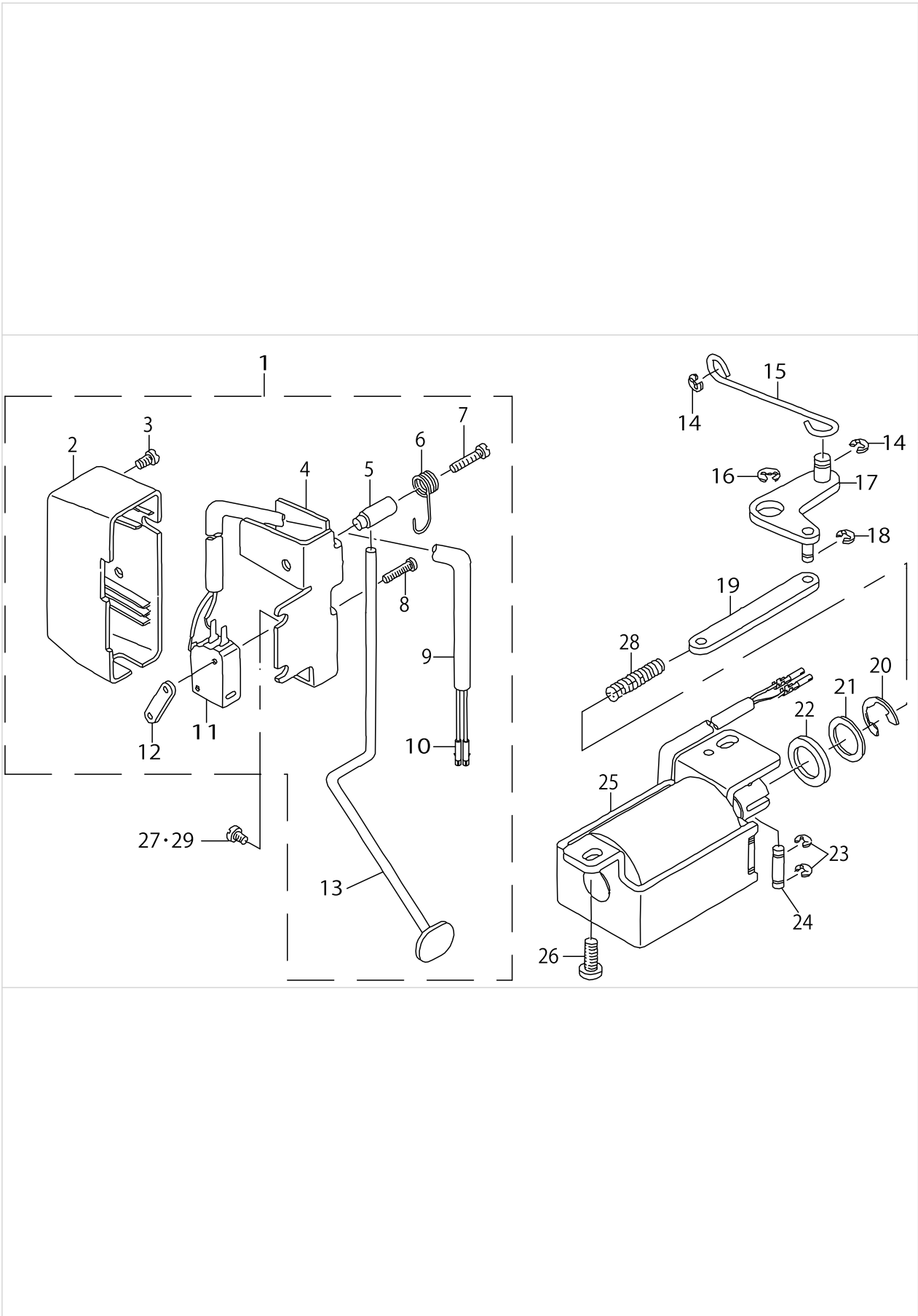
THREAD TRIMMER COMPONENTS



THREAD TRIMMER COMPONENTS

No.	Supply Code	Parts No.	Replacement	Parts name	Remarks	Choice	Step	Level	Cons	Qty	Rep. QTY
47		SS4150915SP		SCREW 15/64-28 L=9						2	
48		SD0640631TP		HINGE SCREW D=6.35 H=6.3						1	
49	R	22951164	40106930	SOLENOID UNIT						1	1.00
50		22949903		CLUTCH LINK				*		1	
51		RE0500000K0		E-RING				*		1	
52		22951008		SOLENOID PIN				*		1	
53		SS6110710TP		SCREW 11/64-40 L=6.5				*		1	
54		40106930		THREAD TRIMMER SOLENOID ASM.				*		1	
55		WS0410002KP		SPRING WASHER				*		2	
56		NM6040001SE		NUT M4				*		2	
57		40106931		THREAD TRIMMER SOLENOID				*		1	
58		22951404		SOLENOID BASE				*		1	
59		SD0600361SP		HINGE SCREW D=6 H=3.6						1	
60		SS4151215SP		SCREW 15/64-28 L=12						2	
61		22924807		PIPE HOLDER LOWER						1	

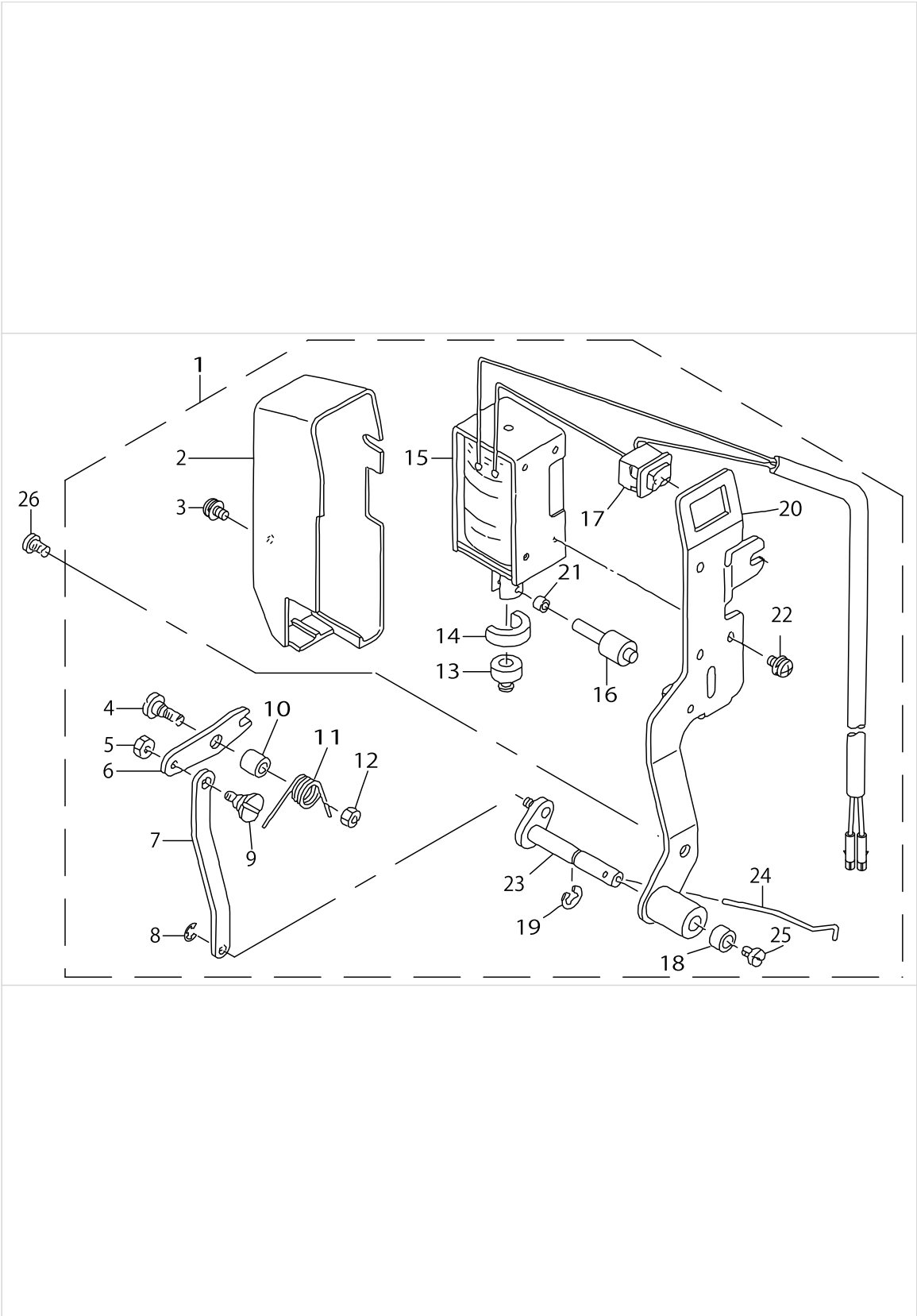
AUTOMATIC REVERSE FEED COMPONENTS



AUTOMATIC REVERSE FEED COMPONENTS

No.	Supply Code	Parts No.	Replacement	Parts name	Remarks	Choice	Step	Level	Cons	Qty	Rep. QTY
1		11075058		REVERSE FEED SWITCH ASM.						1	
2		22954606		REVERSE FEED SWITCH COVER				*		1	
3		SM4040655SP		SCREW M4 L=6				*		1	
4		22954101		REVERSE FEED SWITCH BASE				*		1	
5		22954200		REVERSE FEED SWITCH SHAFT				*		1	
6		22954309		REVERSE FEED SWITCH SPRING				*		1	
7		SM4041655SP		SCREW M4 L=16				*		1	
8		SM4031501SC		SCREW M3 L=15				*		2	
9		HW500070000		2-CORE CABTYRE CORD				*		1.31	
10		HK03464000B		PIN CONTACT				*		2	
11		HA001900000		MICROSWITCH				*		1	
12		22954408		STOPPER PLATE				*		1	
13		22954507		REVERSE FEED SWITCH LEVER				*		1	
14		RE0500000KP		E-RING 5						2	
15		11101300		REVERSE FEED CO- NNECTING SHAFT						1	
16		RE0900000K0		E-RING 9						1	
17		22953657		AUTO-BACK ARM ASM.						1	
18		RE0400000KP		E-RING 4						1	
19		22953905		CONNECTING LINK						1	
20		RE1200000K0		E-RING 12						1	
21		WP1602616SZ		WASHER 16X24X2.6						1	
22		D2468555B00		RUBBER PLUNGER						1	
23		RE0400000K0		E-RING 4						2	
24		22953509		REVERSE FEED PL- UNGER ARM PIN						1	
25		40085585		REVERSE FEED SOLENOID ASM.						1	
26		SS4151215SP		SCREW 15/64-28L=12						2	
27		SS4120915SP		SCREW 3/16-28 L=9						1	
28		11217601		WALKING FOOT SPRING						1	
29		SS4120615SP		SCREW 3/16-28 L=6	FOR DDL-- 5550N-7-0B					1	

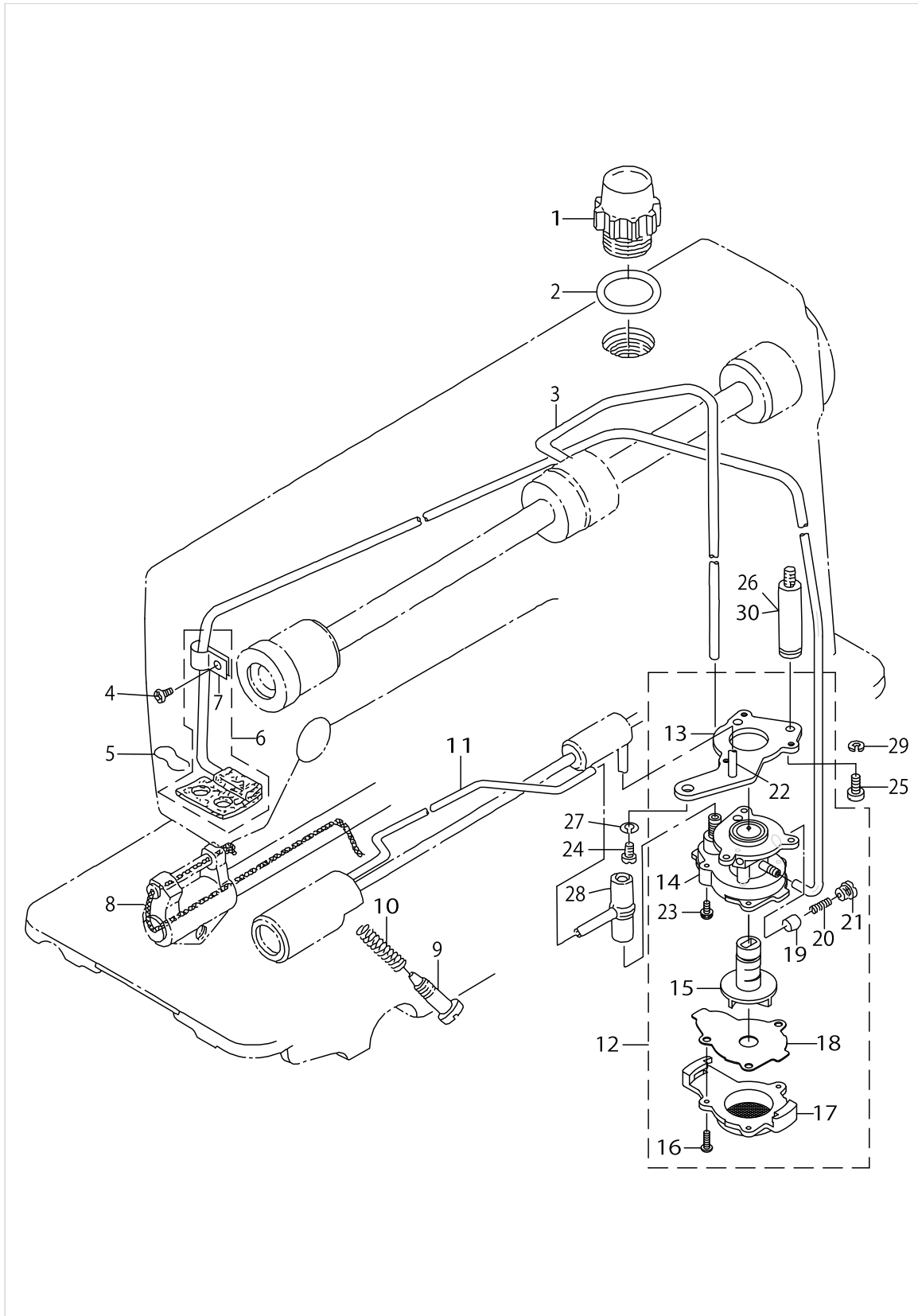
WIPER COMPONENTS



WIPER COMPONENTS

No.	Supply Code	Parts No.	Replacement	Parts name	Remarks	Choice	Step	Level	Cons	Qty	Rep. QTY
1		22955553		WIPER ASM.						1	
2		22955504		WIPER COVER				*		1	
3		SL4030631SC		SCREW M3X6				*		1	
4		SD0650321TP		HINGE SCREW D=6.5 H=3.2				*		1	
5		NS6090310SP		NUT 9/64-40				*		1	
6		22956106		WIPER LINK A				*		1	
7		22956403		WIPER LINK B				*		1	
8		RE0250000K0		E-RING 2.5				*		1	
9		22956908		WIPER LINK B HINGE SCREW				*		1	
10		22956205		WIPER HINGE SCREW COLLAR				*		1	
11		22956304		WIPER SPRING				*		1	
12		NS6110310SP		NUT 11/64-40				*		1	
13		22955900		WIPER RUBBER A				*		1	
14		22956007		WIPER RUBBER B				*		1	
15		40106936		WIPER SOLENOID ASM.				*		1	
16		22957104		WIPER SOLENOID SHAFT				*		1	
17		HA00600000A		SWITCH				*		1	
18		22956809		WIPER COLLAR				*		1	
19		RE0500000K0		E-RING				*		1	
20		11110152		WIPER BASE ASM.				*		1	
21		22957203		WIPER LINK COLLAR				*		1	
22		SL4030641SE		SCREW				*		3	
23		40041419		WIPER LINK C ASM.				*		1	
24		22957005		WIPER				*		1	
25		SS6090540SP		SCREW 9/64-40 L=5.0				*		1	
26		SS4120915SP		SCREW 3/16-28 L=9				*		1	

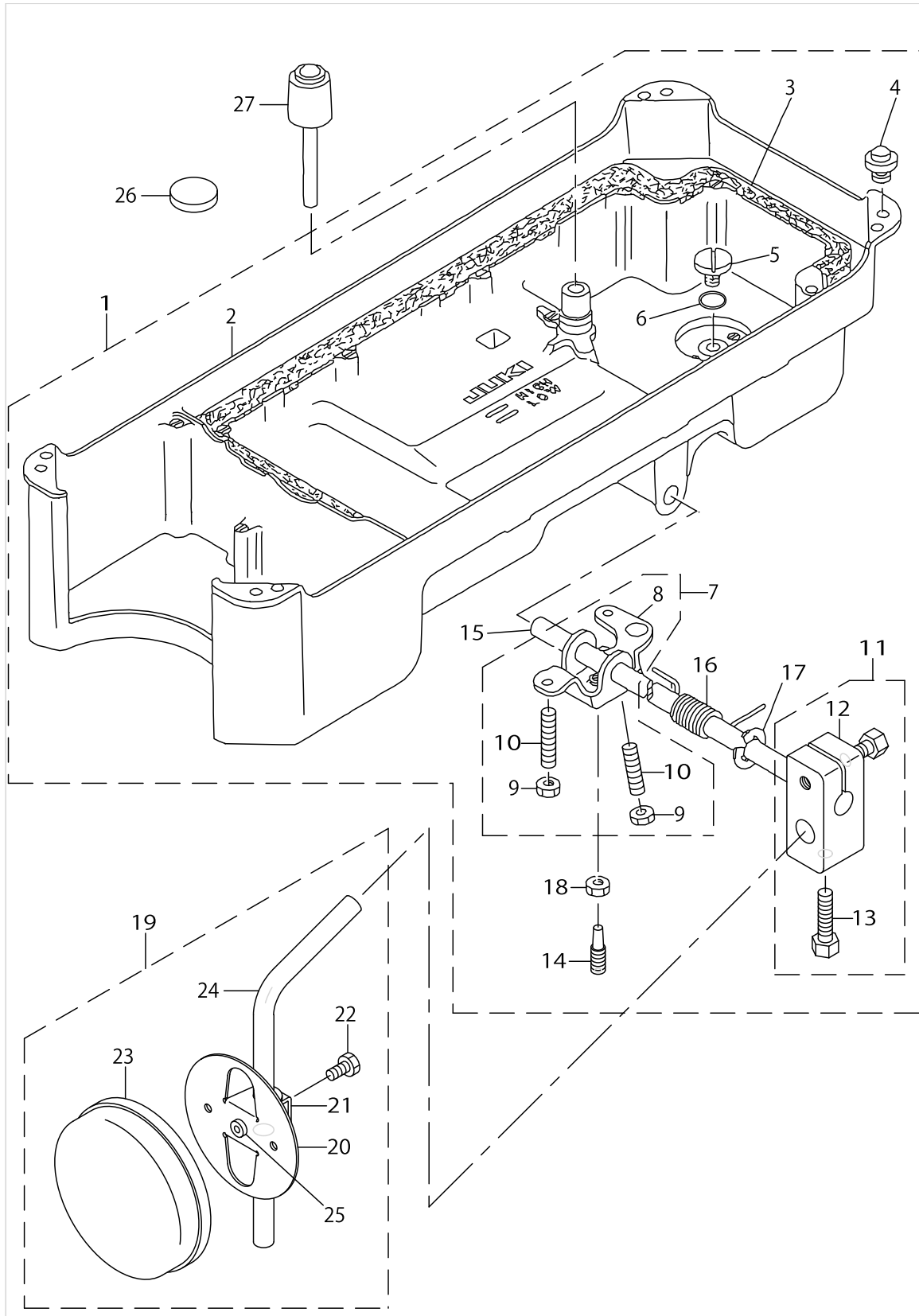
OIL LUBRICATION COMPONENTS



OIL LUBRICATION COMPONENTS

No.	Supply Code	Parts No.	Replacement	Parts name	Remarks	Choice	Step	Level	Cons	Qty	Rep. QTY
1	R	22947006	22924708	OIL SIGHT WINDOW						1	1.00
2		RO195240100		RUBBER RING						1	
3		22924401		MAINSHAFTOILTUBE						1	
4		SS4120615SP		SCREW 3/16-28 L=6						1	
5		22925101		OIL FELT PRESSER						1	
6		22924153		RETURN PIPE ASM.						1	
7		22924302		RETURN PIPE HOLDER				*		1	
8		CQ252000000		OIL WICK						.3	
9		22925002		OIL REGULATOR SCREW						1	
10		22924906		OIL REGULATOR SCREW SPRING						1	
11		22924500		HOOK OIL TUBE						1	
12		22923056		OIL PUMP ASM.						1	
13	R	22923312	11392057	OIL PUMP INSTALLING BASE		A	DLD5430	*		1	1.00
13	R	22923312	11404555	OIL PUMP INSTALLING BASE		B	DDL5600/- 8100e, DU1181	*		1	1.00
13	R	22923312	22923056	OIL PUMP INSTALLING BASE		C	DDL8700/- 8300/8500- /900A, DM- N5420/5400	*		1	1.00
14	R	22923015	22923056	OIL PUMP				*		1	1.00
15		22923700		IMPELLER				*		1	
16		SE4301041SR		SCREW D=3 L=10				*		3	
17		22923205		PUMP BODY COVER				*		1	
18		22923809		PUMP BODY SUPPORT PLATE				*		1	
19		22923403		PLUNGER				*		1	
20		22923601		PLUNGER SPRING				*		1	
21		22923502		PLUNGER SCREW				*		1	
22		22923908		HOOK DRIVING SH- AFT OILING PIPE				*		1	
23		SL4030851SF		SCREW M3 L=8				*		3	
24		SS4150915SP		SCREW 15/64-28 L=9						1	
25		SS6111010TP		SCREW 11/64-40 L=9.5						1	
26		22947105		PUMP BODY STRUT	FOR DDL-- 5550N-7-0B,-WB					1	
27		WS0651310KP		SPRING WASHER 6.5X11X1.3	FOR DDL-- 5550N-7-0B,-WB					1	
28		22924609		RUBBER JOINT						1	
29		WS0451040KP		SPRING WASHER 4.5X8.5X1	FOR DDL-- 5550N-7-0B,-WB					1	
30		22924005		PUMP BODY STRUT	FOR DDL-- 5550N-7-00					1	

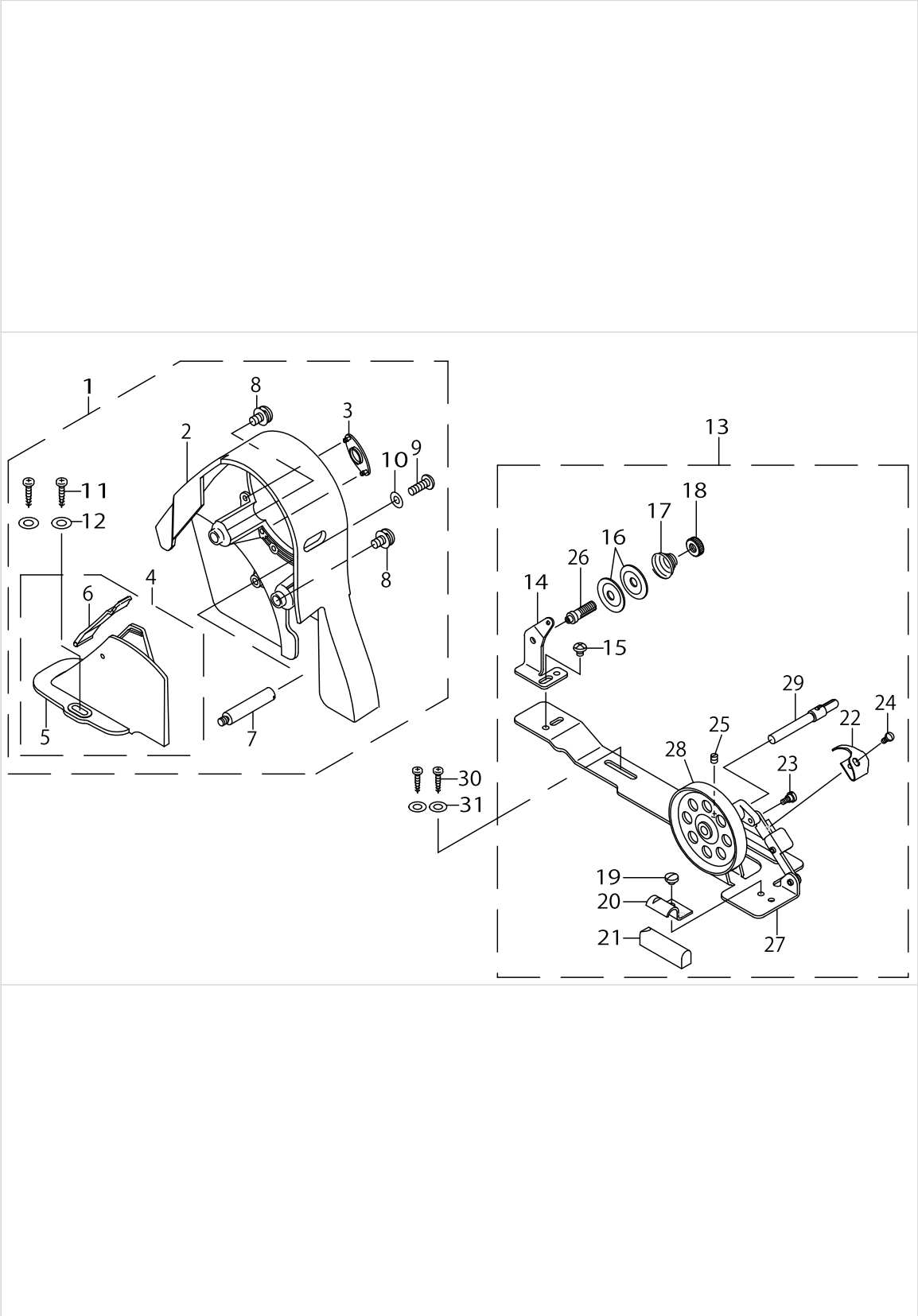
OIL RESERVOIR COMPONENTS



OIL RESERVOIR COMPONENTS

No.	Supply Code	Parts No.	Replacement	Parts name	Remarks	Choice	Step	Level	Cons	Qty	Rep. QTY
1	R	11047057	40102085	OIL RESERVOIR ASM.						1	1.00
2	R	11023017	40102085	OIL RESERVOIR				*		1	1.00
3		11024700		GASKET				*		1	
4		11047107		RUBBER CUSHION				*		4	
5		SS6700710SH		SCREW 5/16-24 L=7				*		1	
6		RO098240100		RUBBER RING				*		1	
7		22932156		KNEE LIFTER ROTATION ARM ASM.				*		1	
8	R	22932107	22932156	KNEE LIFTER ROTATION ARM				*		1	1.00
9		NM6060001SE		NUT M6				*		2	
10		SM8063012TR		SCREW M6 L=30				*		2	
11		22932453		BRACKET ASM.				*		1	
12	R	22932404	22932453	BRACKET				*		1	1.00
13		22934707		SCREW				*		2	
14		40101720		SCREW_M6				*		1	
15		22932305		KNEE PRESS ROD				*		1	
16		22932206		SPRING				*		1	
17		RE1000000K0		E-RING 10				*		1	
18		NM6060001SE		NUT M6				*		1	
19		22934251		KNEE PAD PLATE ASM.						1	
20		22934202		KNEE PAD PLATE				*		1	
21		22934301		KNEE PAD PLATE SUPPORT				*		1	
22		SM9061203SE		SCREW M6 L=12				*		1	
23		22934509		KNEE PAD PLATE COVER				*		1	
24		22934608		KNEE PAD UPRIGHT SHAFT				*		1	
25		22934400		KNEE PAD PLATE RUBBER				*		1	
26		B8228125000		OIL RESERVOIR MAGNET						1	
27	R	11024304	22931703	KNEE PRESS LIFTER ROD						1	1.00

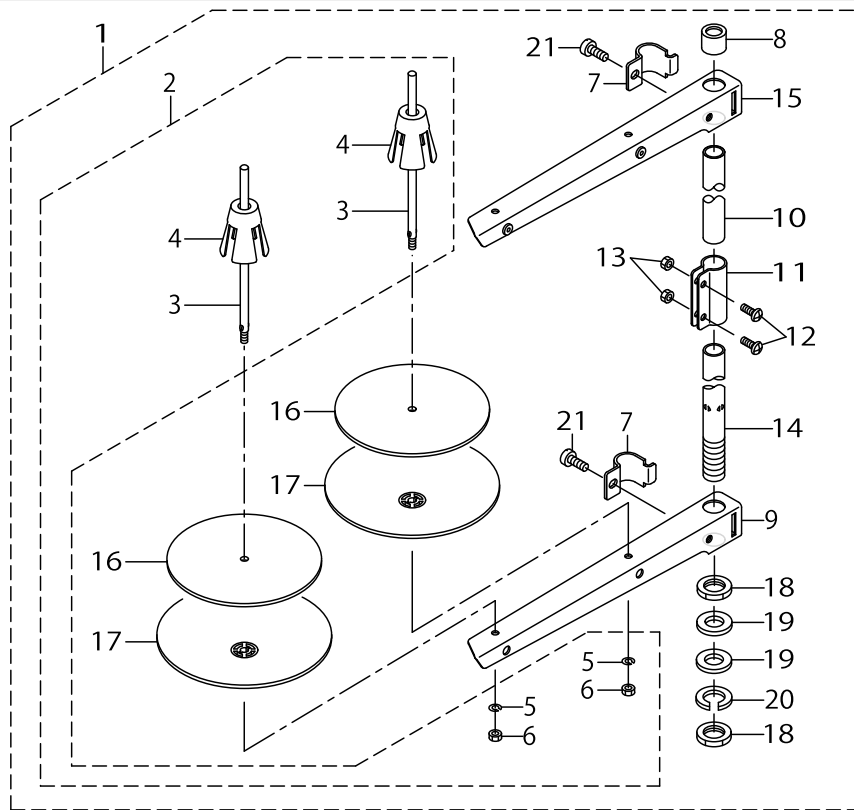
BELT COVER & BOBBIN COMPONENTS



BELT COVER & BOBBIN COMPONENTS

No.	Supply Code	Parts No.	Replacement	Parts name	Remarks	Choice	Step	Level	Cons	Qty	Rep. QTY
1		22933451		BELT COVER ASM.						1	
2	R	22933402	22933451	BELT COVER A				*		1	1.00
3		22933501		BELT COVER A CAP				*		1	
4		22933659		BELT COVER B COMPL.				*		1	
5		22933600		BELT COVER B				*		1	
6	R	22933758	22933659	BELT COVER B LID ASM.				*		1	1.00
7		22933907		BELT COVER STRUT				*		1	
8	R	22934004	11025202	SET SCREW				*		2	1.00
9		SS4121415SP		SCREW 3/16-28 L=14				*		1	
10		WP0501016SD		WASHER 5X10.5X1				*		1	
11	R	SK3412000SC	SK3412000SE	WOOD SCREW D=4.1 L=20				*		2	1.00
12		WP0450826SC		WASHER 4.5X10X0.8				*		2	
13		22927354		BOBBIN WINDER COMPL.						1	
14	R	22928501	11078250	THREAD TENSION POST BASE				*		1	1.00
15		SS4110515SP		SCREW 11/64-40 L=5				*		1	
16	R	22928907	22921506	THREAD TENSION DISK				*		2	1.00
17		22929004		THREAD TENSION SPRING				*		1	
18		22928808		NUT				*		1	
19		SS7110350SP		SCREW 11/64-40 L=3.5				*		1	
20	D	22928402		CONTROL RUBBER HOLDING PLATE				*		1	
21		22928303		CONTROL RUBBER				*		1	
22		22928105		BOBBIN PRESSER				*		1	
23		SD0490261SP		HINGE SCREW D=4.9 H=2.6				*		1	
24		SS7081310SP		SCREW 1/8-44 L=12.5				*		1	
25	R	SS8110510SP	SS8110520TP	SCREW 11/64-40 L=5				*		1	1.00
26	R	22928709	11078250	THREAD TENSION POST				*		1	1.00
27	R	22927305	22927354	BOBBIN WINDER BASE				*		1	1.00
28		22927404		BOBBIN WINDER				*		1	
29		22927602		BOBBIN WINDER SPINDLE				*		1	
30	R	SK3412000SC	SK3412000SE	WOOD SCREW D=4.1 L=20						2	1.00
31		WP0450826SC		WASHER 4.5X10X0.8						2	

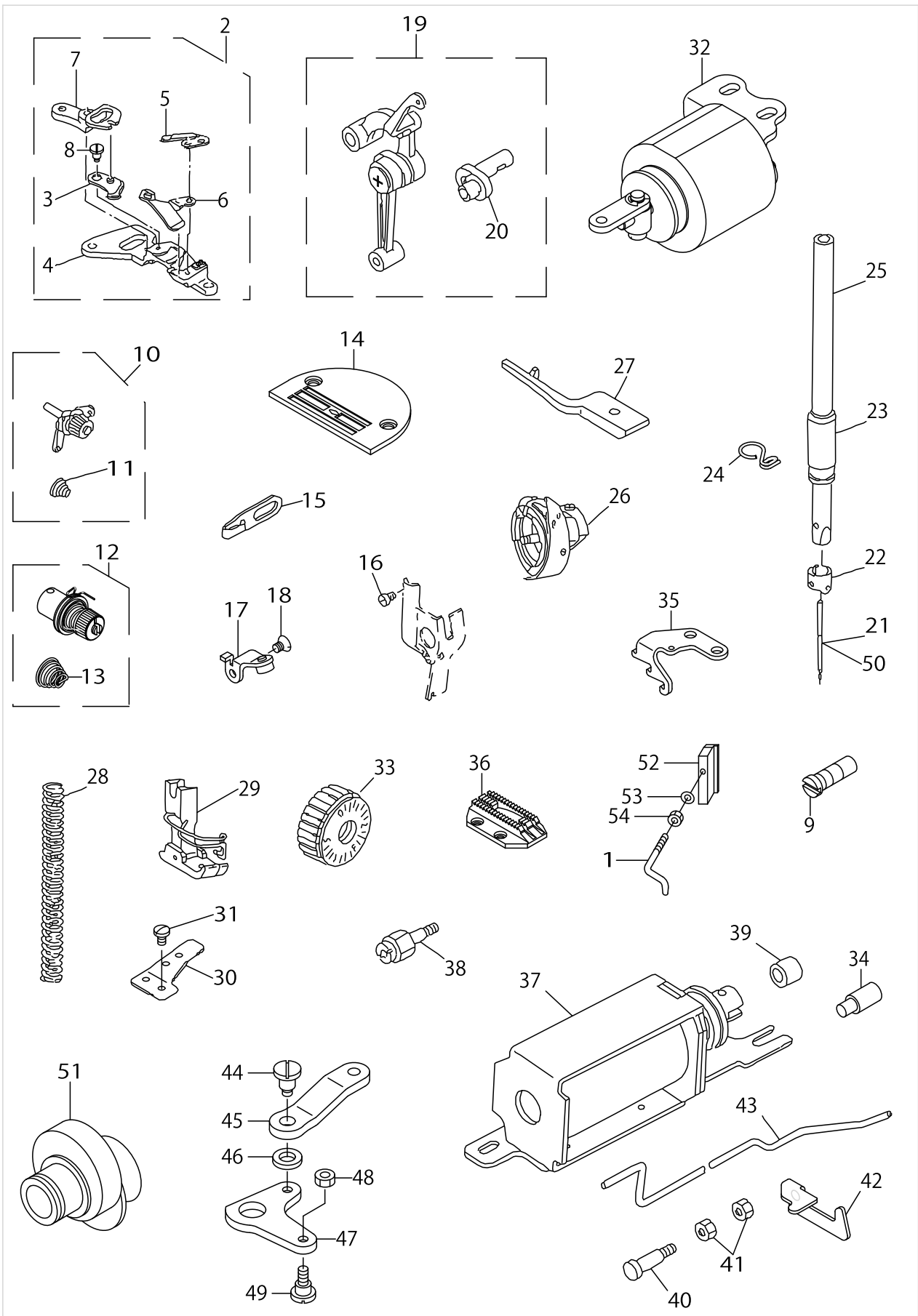
THREAD STAND COMPONENTS



THREAD STAND COMPONENTS

No.	Supply Code	Parts No.	Replacement	Parts name	Remarks	Choice	Step	Level	Cons	Qty	Rep. QTY
1	R	22930358	40096354	THREAD STAND ASM.						1	1.00
2		40062684		SPOOL PIN ASM.				*		1	
3	R	22931000	40085790	SPOOL PIN				*		2	1.00
4	R	22931109	40085791	SPOOL RETAINER				*		2	1.00
5		WS0510002KN		SPRING WASHER				*		2	
6		NM6050001SE		NUT M5				*		2	
7	R	22930705	40096354	THREAD GUIDE ARM JOINT				*		2	1.00
8		22931406		SPOOL REST ROD RUBBER CAP				*		1	
9	R	22930507	40096354	SPOOL REST ARM				*		1	1.00
10	R	22930408	40096354	SPOOL REST ROD UPPER				*		1	1.00
11	R	22931307	40096354	SPOOL REST ROD JOINT				*		1	1.00
12		SM4051405SE		SCREW M5 L=14				*		2	
13		NM6050001SE		NUT M5				*		2	
14	R	22930309	40096354	SPOOL REST ROD LOWER				*		1	1.00
15	R	22930556	40096354	THREAD STANDING ARM ASM.				*		1	1.00
16		22930903		SPOOL REST CUSHION				*		2	
17		22930804		SPOOL REST				*		2	
18		NM6160511SE		NUT M16X1.5				*		2	
19		WP1612616SE		WASHER 16X30X2.6				*		2	
20	R	WS1643202KR	WP1612616SE	SPRING WASHER		A		*		1	2.00
20	R	WS1643202KR	40085796	SPRING WASHER		A		*		1	2.00
21		SM6061610SC		SCREW M6 L=16				*		2	

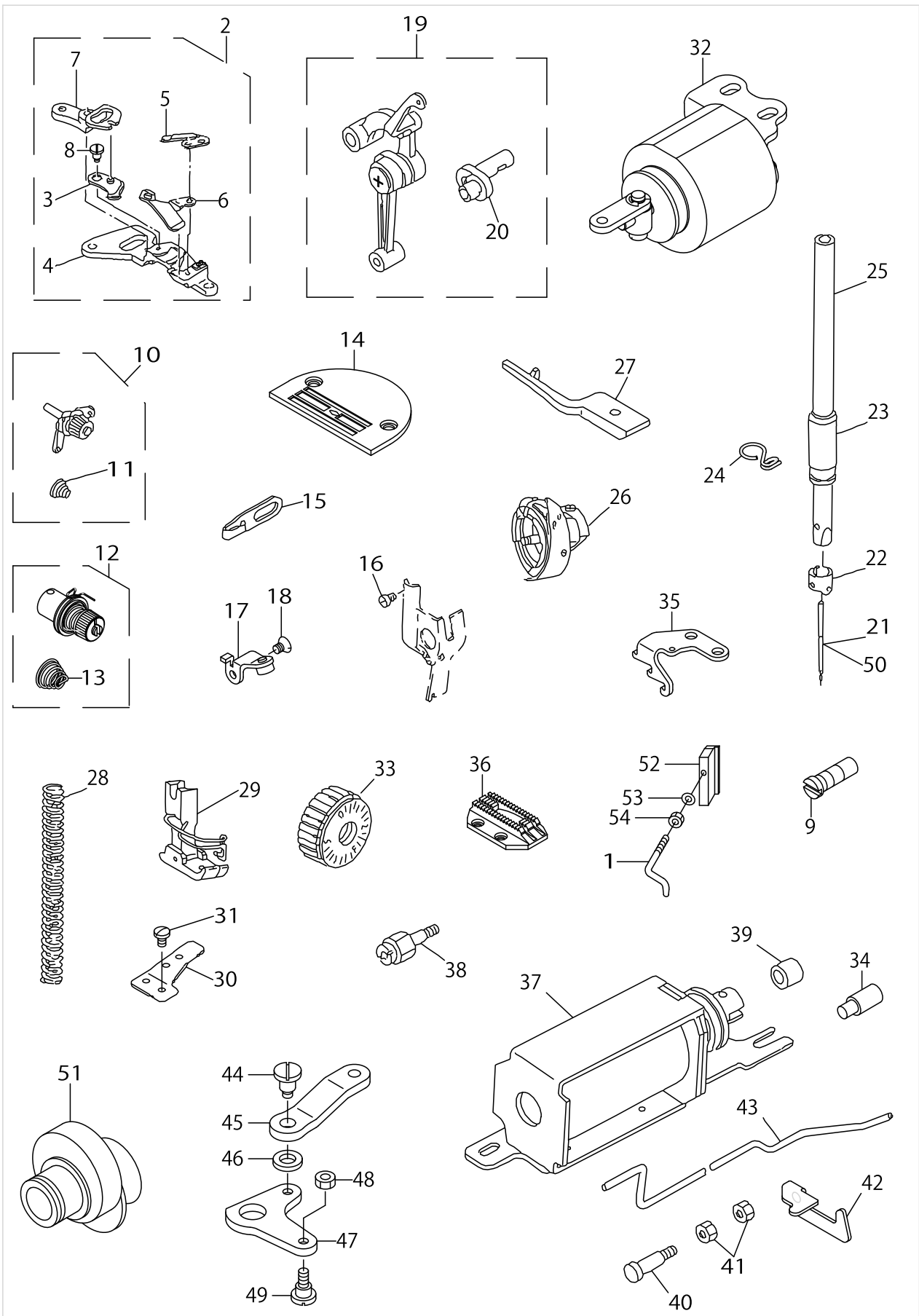
EXCLUSIVE PARTS FOR DDL-5550NH-7



EXCLUSIVE PARTS FOR DDL-5550NH-7

No.	Supply Code	Parts No.	Replacement	Parts name	Remarks	Choice	Step	Level	Cons	Qty	Rep. QTY
1	R	11305513	22972608	ARMTHREADGUIDE C						1	1.00
2		11095551		KNIFE UNIT						1	
3		11409257		MOVINGKNIFE JASM.				*		1	
4		11095502		KNIFE MOUNT BASE				*		1	
5		11409604		FIX KNIFE				*		1	
6		11095403		KNIFE THREAD GUIDE				*		1	
7		11095601		KNIFE BRANCH				*		1	
8		SD0500131TP		HINGE SCREW D=5 H=1.25				*		1	
9		B1213552000A		OIL ADJUSTING PIN						1	
10		22963458		THREAD TENSION ASM.						1	
11	R	22963409	22963458	THREAD TENSION SPRING				*		1	1.00
12		22962054		THREAD TENSION ASM.						1	
13	R	22962005	B3114232000	THREAD TENSION SPRING				*		1	1.00
14		11400801		THROAT PLATE J						1	
15		11091006		ARM THREAD GUIDE (HA)						1	
16		SS6080320SP		SCREW 1/8-44 L=2.5						1	
17		11095254		LEVER STOPPER ASM.						1	
18		SS1120710SP		SCREW 3/16-28 L=6.5						1	
19		40103560		LINK_THREAD_TAKE-- -UP_LENER-H_ASM.						1	
20		40109126		NEEDLE_BAR_CRANK_H				*		1	
21		MDB100B2100		NEEDLE DBX1 #21						1	
22		B1418415H00		NEEDLE BAR THREAD GUIDE						1	
23		B1403553000		NEEDLE BAR BUSHING LOWER						1	
24		40023223		NEEDLE BAR THREAD GUIDE						1	
25	R	11091303	22970206	NEEDLE BAR						1	1.00
26		11092251		LUBRICATING BOBBIN ASM.						1	
27		22962401		POSITIONING FINGER H						1	
28		B1505552000A		PRESSER SPRING						1	
29	R	D1524555EBL	D1524555ECL	PRESSER FOOT ASM.						1	1.00
30		22962807		WIRE PRESSER PLATE B	FOR DDL-- 5550NH-7-0B,-WB					1	
31		SS7110740TP		SCREW 11/64-40 L=7	FOR DDL-- 5550NH-7-0B,-WB					1	
32		11096559		SOLENOID UNIT						1	
33		11071909		FEED DIAL						1	
34		40010395		ADJUSTING LINK F-- ULCRUM SHAFT B	FOR DDL-- 5550NH-7-0B,-WB					1	
35		22970602		FEED SPRING HOOK						1	
36		11403003		FEED J						1	
37		40090750		SOLENOID MOUNTING BASE ASM.	FOR DDL-- 5550NH-7-0B,-WB					1	
38		11231503		OIL PUMP SUPPORT	FOR DDL-- 5550NH-7-0B,-WB					1	
39		22962609		REVERSE FEED BASE COLLAR	FOR DDL-- 5550NH-7-0B,-WB					1	
40		22962906		PLUNGER ARM PIN	FOR DDL-- 5550NH-7-0B,-WB					1	
41		NS6110420SP		NUT 11/64-40	FOR DDL-- 5550NH-7-0B,-WB					2	
42		22962708		REVERSE FEED CORD HOLDER	FOR DDL-- 5550NH-7-0B,-WB					1	
43		11094109		OIL TUBE						1	

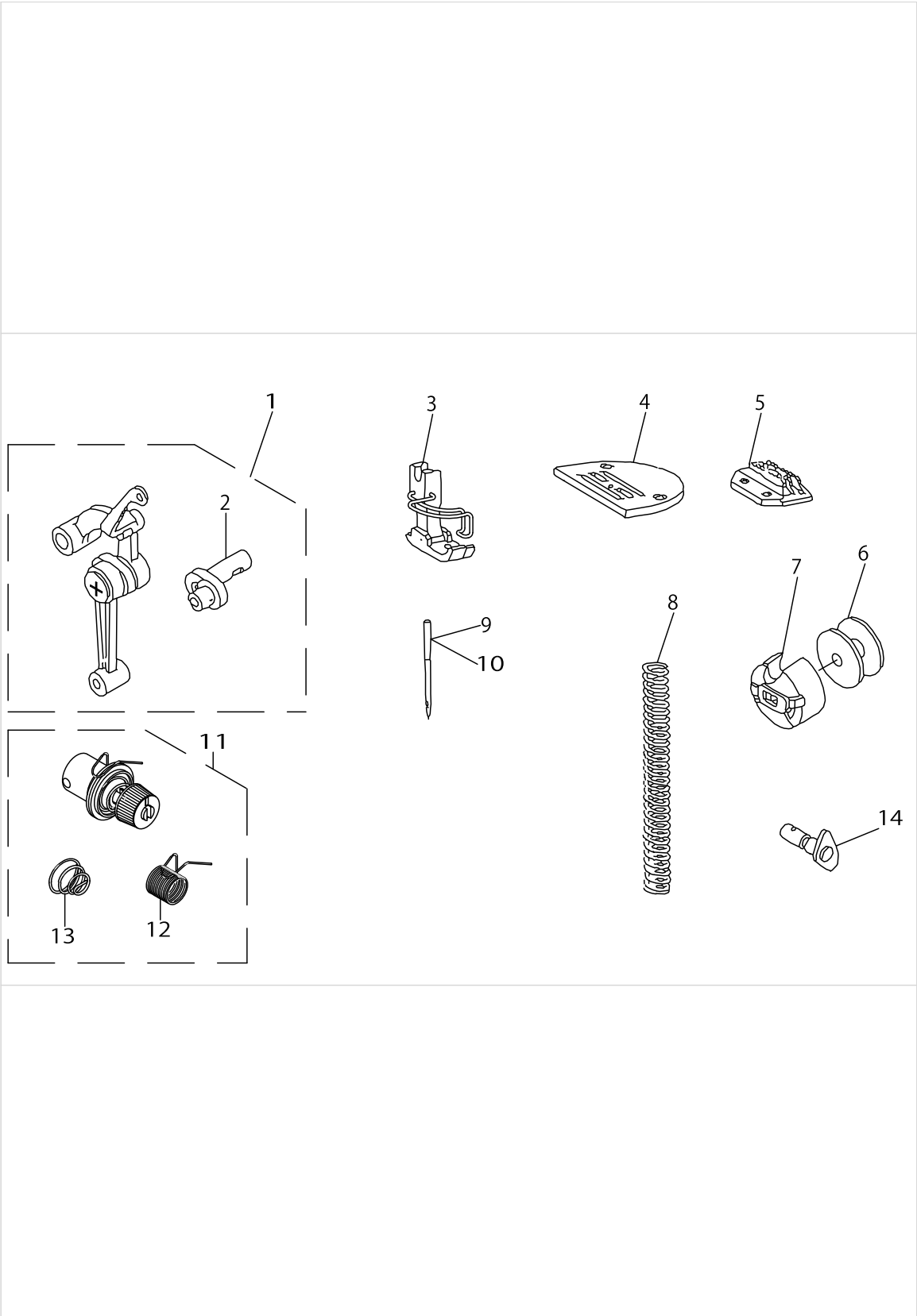
EXCLUSIVE PARTS FOR DDL-5550NH-7



EXCLUSIVE PARTS FOR DDL-5550NH-7

No.	Supply Code	Parts No.	Replacement	Parts name	Remarks	Choice	Step	Level	Cons	Qty	Rep. QTY
44		SD0700711TP		HINGE SCREW D=7 H=7.1	FOR DDL-- 5550NH-7-0B,-WB					1	
45		22962500		SOLENOID CONNECTING LINK H	FOR DDL-- 5550NH-7-0B,-WB					1	
46		WP0722316SH		WASHER	FOR DDL-- 5550NH-7-0B,-WB					1	
47		11101508		REVERSE FEED LINK	FOR DDL-- 5550NH-7-0B,-WB					1	
48		NS6110420SP		NUT 11/64-40	FOR DDL-- 5550NH-7-0B,-WB					1	
49		SD0700451TP		HINGE SCREW D=7 H=4.5	FOR DDL-- 5550NH-7-0B,-WB					1	
50		MC200501300		NEEDLE 134 NM130	FOR JE					1	
51		22962351		FEED DRIVE ECCEN- TRIC CAM ASM.						1	
52		11403805		THREAD GUIDE C FITTING PLATE						1	
53		WP0371016SD		WASHER 3.7X8X1						1	
54		NS6090310SP		NUT 9/64-40						1	

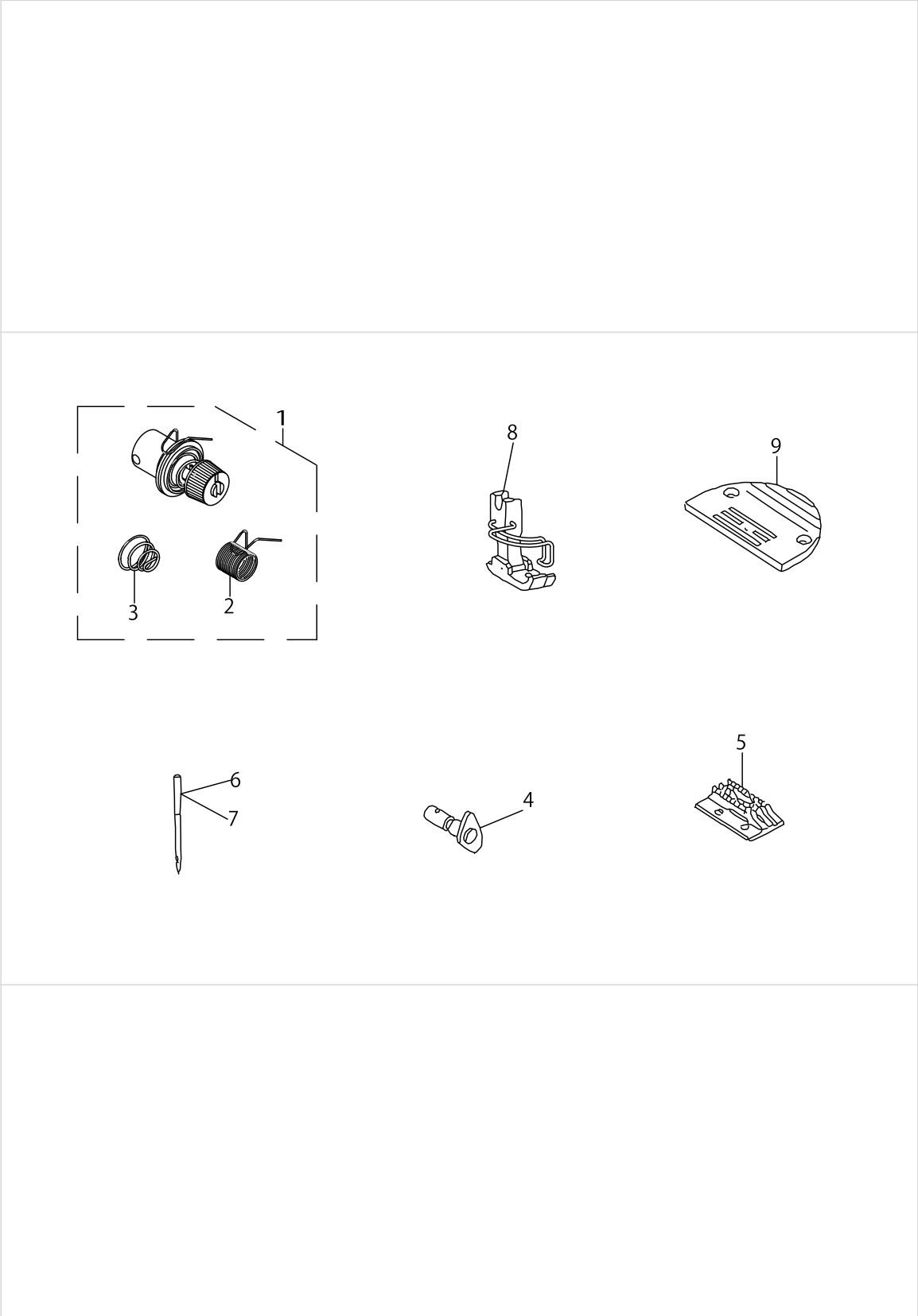
EXCLUSIVE PARTS FOR DDL-5550NA-7



EXCLUSIVE PARTS FOR DDL-5550NA-7

No.	Supply Code	Parts No.	Replacement	Parts name	Remarks	Choice	Step	Level	Cons	Qty	Rep. QTY
1		11091857		LINK THREAD TAKE-UP LEVER ASM.						1	
2		11091808		NEEDLEBARCRANKA				*		1	
3		D1524555DBA		PRESSER FOOT ASM.						1	
4		B1109012I0B		THROAT PLATE (I)						1	
5		B1613012I00		FEED DOG I						1	
6		22964001		BOBBIN (A)						1	
7		B18370120A0		BOBBIN CASE ASM.						1	
8		B1505227T00A		PRESSER SPRING T						1	
9		MC200500650		NEEDLE 134 NM65	FOR JE					1	
10		MDA100B0900		NEEDLE DAX1 #9						1	
11		40011503		THREAD TENSION ASM.						1	
12		40054784		THREAD TAKE-UP SPRING				*		1	
13	R	40054785	D3129555D00	THREAD TENSION SPRING				*		1	1.00
14		11092558		HAND LIFTER CAM ASM.						1	

EXCLUSIVE PARTS FOR DDL-5550NK-7



EXCLUSIVE PARTS FOR DDL-5550NK-7

No.	Supply Code	Parts No.	Replacement	Parts name	Remarks	Choice	Step	Level	Cons	Qty	Rep. QTY
1		40011503		THREAD TENSION ASM.						1	
2		40054784		THREAD TAKE-UP SPRING				*		1	
3	R	40054785	D3129555D00	THREAD TENSION SPRING				*		1	1.00
4		11092558		HAND LIFTER CAM ASM.						1	
5		D1613155W00		FEED DOG W						1	
6		MC200500650		NEEDLE 134 NM65	FOR JE					1	
7		MDB100B0900		NEEDLE DBX1 #9						1	
8		D1524555DBA		PRESSER FOOT ASM.						1	
9		11001906		THROAT PLATE K						1	

LIST FOR INFORMATION OF CHANGE (1)

As to the place changed, refer to the corresponding Rev.No.
 When previous parts(Obsoleted part)and new parts(Added parts)are
 not interchangeable with each other:
 In this case,even obsoleted parts(D.)can be ordered with the
 obsoleted part number,so select the parts with changed dates and
 place your orders.

変更箇所は、該当Rev.No.版をご参照ください。
 部品の互換性がない変更の場合は、削除された品番でも、ご注文できます。

29134905
 No.0919-12 Rev.No.

*A:Added parts追加部品/D:Obsoleted parts削除部品/E:Erratum訂正

* Rev. No.	Page 頁	Ref. No.	Parts No. 品番	* Rev. No.	Page 頁	Ref. No.	Parts No. 品番
D 11	2	18	111-00500	A 12	2	18	229-52501
D 11	2	20	111-00104	A 12	2	20	401-11022
D 11	2	61	M6008-350-AAC				
D 11	2	62	SS-4121215-SP				
D 11	2	64	WP-0501016-SD				
D 11	2	65	M6008-350-AAA				
D 11	2	66	M6008-350-AAF				
D 11	2	67	229-90550				
D 11	4	4	110-39070	A 12	4	4	229-18072
D 11	4	5	110-39062	A 12	4	5	229-18064
D 11	4	6	B1905-541-B00	A 12	4	6	229-18403
				A 12	4	7	229-18502
				A 12	4	8	229-18601
				A 12	4	9	229-18700
D 11	4	7	110-05204	A 12	4	10	229-18106
D 11	4	8	B1408-552-000	A 12	4	11	229-06606
D 11	4	9	B1903-552-000	A 12	4	12	229-18304
D 11	4	10	229-03157	A 12	4	13	401-06606
D 11	4	15	229-03108	A 12	4	15	401-06607
D 11	4	21	110-02508	A 12	4	21	401-05231
D 11	6	2	B1402-552-000-A	A 12	6	2	229-06101
D 11	6	6	B1414-555-000	A 12	6	6	400-90058
D 11	8	23	110-18207	A 12	8	23	229-20201
D 11	8	28	110-45952	A 12	8	28	229-44854
D 11	10	12	110-08208	A 12	10	12	229-10251
				A 12	10	15	229-10202
D 11	10	15	110-14008	A 12	10	71	229-15003
D 11	10	19	110-10154	A 12	10	19	229-12257
D 11	10	20	110-10410	A 12	10	20	229-12505
D 11	10	23	110-09503	A 12	10	23	229-11408
D 11	10	25	110-08703	A 12	10	25	400-89548
D 11	10	26	110-08604	A 12	10	26	400-93417
D 11	10	64	229-12604	A 12	10	64	401-00084
D 11	12	6	110-40300	A 12	12	6	229-47907
D 11	12	11	D2404-555-B00				
D 11	12	13	110-42553	A 12	12	13	229-50257

LIST FOR INFORMATION OF CHANGE (2)

* Rev. No.	Page 頁	Ref. No.	Parts No. 品番	* Rev. No.	Page 頁	Ref. No.	Parts No. 品番
D 11	12	19	110-42850	A 12	12	19	229-50851
D 11	12	30	110-41852	A 12	12	30	400-87245
D 11	12	46	HK-0346400-0B				
D 11	12	52	110-43205				
				A 12	12	54	401-06930
D 11	12	53	110-43908	A 12	12	57	401-06931
D 11	12	55	WP-0450000-SD	A 12	12	55	WS-0410002-KP
D 11	12	56	NM-6040000-SN	A 12	12	56	NM-6040001-SE
D 11	12	57	110-43304				
D 11	12	58	NS-6660410-SH				
D 11	12	59	NS-6660430-SP				
D 11	13	12	111-02308	A 12	13	12	229-54408
D 11	13	25	111-02753	A 12	13	25	400-85585
D 11	13	29	HK-0346400-0B				
D 11	14	15	111-10301	A 12	14	15	401-06936
D 11	14	17	HA-0060000-00	A 12	14	17	HA-0060000-0A
D 11	14	18	HW-2003900-00				
D 11	14	19	HW-5000700-00				
D 11	14	23	HK-0346400-0B				
D 11	14	28	111-11051	A 12	14	23	400-41419
D 11	18	14	SM-9062563-TR	A 12	18	14	401-01720
				A 12	20	2	400-62684
D 11	20	15	229-31208				
				A 12	20	15	229-30556
D 11	22	1	110-93366				
D 11	22	9	110-94901				
D 11	22	10	110-73954	A 12	22	10	229-63458
D 11	22	11	110-93606	A 12	22	11	229-63409
D 11	22	19	110-91659	A 12	22	19	401-03560
D 11	22	20	110-91600	A 12	22	20	401-09126
D 11	22	27	110-93804	A 12	22	27	229-62401
D 11	22	32	M6009-350-AAA				
D 11	22	34	110-91204				
D 11	22	35	229-62203	A 12	22	35	229-70602
D 11	22	37	110-96658	A 12	22	37	400-90750
D 11	22	56	110-94604				
D 11	22	58	110-96500	A 12	22	32	110-96559
D 11	23	-	ALL PARTS - 全部品				
D 11	24	-	ALL PARTS - 全部品				
D 11	25	15	M6018-350-AAA				
D 11	26	1	110-39351				
D 11	26	2	110-39203				
D 11	26	12	M6018-350-AAA				

HOW TO MAKE USE OF THIS PARTS LIST

1.Explanation of codes

1)"*"mark.....means this part is changed from the previous parts book.

As to the details of the change, refer to the "List for information of change".

2)"#01".....refer to "Note" explanation at bottom of page.

2.Codes on the "Qty" column

- Each numeral indicates the number of parts required.
- "0.1" and "2.5" indicate the length (in meters) of the respective parts.

3.Parentheses mean that the corresponding part is a subpart that constructs an assembly part.

4.Dotted lines on the Figures indicate assembly parts.

1."注記"欄の記号説明

1) "*"印.....前回のパーツブックに比較して今回変更された部品を意味します。

変更内容は、"変更情報リスト"を参照してください。

2) "#01".....ページ下の"注記"の説明を参照してください。

2.数量欄の数字は、個数を表し、0.1、2.5等の数値は、長さ（単位メートル）を表します。

3.数量欄の（ ）は、組部品を構成している子部品であることを意味します。

4.イラストページの-----枠は、組構成であることを意味します。

NUMERICAL INDEX OF PARTS

PART NO	PAGE	REF NO.	PART NO	PAGE	REF NO.	PART NO	PAGE	REF NO.
11000304	2	2	11095601	36	7	22907604	12	31
11001906	42	9	11096559	36	32	22907703	14	45
11002409	6	20	11101300	24	15	22907802	12	1
11002904	6	3	11101508	38	47	22908008	12	8
11003308	2	11	11110152	26	20	22908156	12	7
11004207	10	26	11141207	10	3-44	22908305	12	9
11009800	18	5-70	11141355	10	24-34	22908354	12	5
11010311	16	17	11217601	24	28	22908552	12	4
11011400	18	52	11231503	36	38	22908701	12	10
11015906	10	39	11305513	36	1	22908800	12	14
11023017	30	2	11313103	20	7	22908909	12	11
11024304	30	27	11400801	36	14	22909006	12	13
11024700	30	3	11403003	36	36	22910004	8	45
11030202	4	59	11403805	38	52	22910053	6	43
11035003	10	3-44	11409257	36	3	22910103	6	42
11037405	16	22	11409604	36	5	22910202	16	15
11038650	10	24-34	11415205	4	58	22910251	16	12
11038759	10	42	22900401	2	10	22910350	16	43
11038809	10	32	22900609	2	28	22910459	18	60
11040052	20	5	22900757	2	4	22910806	16	28
11040359	20	1	22901003	4	61	22910905	16	24
11040409	20	4	22901201	4	53	22911002	16	40
11040508	20	3	22901250	4	51-52	22911101	16	13
11040854	20	45	22901300	4	54	22911408	16	23
11040953	20	44	22901409	10	1	22911507	16	2
11043700	20	38	22901805	2	14	22911606	16	4
11047057	30	1	22902753	4	51-52	22911705	16	5-70
11047107	30	4	22903009	6	38	22911804	16	7
11070851	2	1	22903207	6	25	22912000	16	9
11071453	6	34	22903306	6	27	22912109	16	8
11071495	6	30	22903900	6	40	22912257	16	19
11071909	36	33	22904155	6	23	22912505	16	20
11075058	24	1	22904155	18	61	22912752	18	66
11091006	36	15	22905004	10	23	22912802	18	65
11091303	36	25	22905103	10	25	22912901	16	39
11091808	40	2	22906101	10	2	22913008	18	51
11091857	40	1	22906200	10	8	22913701	16	38
11092251	36	26	22906309	10	10	22915003	18	71
11092558	40	14	22906457	10	4	22915151	18	45
11092558	42	4	22906606	6	11	22915201	18	48
11094109	36	43	22907208	12	34	22915359	18	58
11095254	36	17	22907307	12	36	22916001	10	31
11095403	36	6	22907406	12	33	22916100	10	35
11095502	36	4	22907505	12	32	22916308	10	27
11095551	36	2	22907554	12	30	22916506	10	40

NUMERICAL INDEX OF PARTS

PART NO	PAGE	REF NO.	PART NO	PAGE	REF NO.	PART NO	PAGE	REF NO.
22916555	10	38	22924807	22	61	22934301	30	21
22917058	10	36	22924906	28	10	22934400	30	25
22917157	10	29	22925002	28	9	22934509	30	23
22918064	6	5	22925101	28	5	22934608	30	24
22918072	6	4	22927305	32	27	22934707	30	13
22918106	6	10	22927354	32	13	22935407	4	57
22918304	6	12	22927404	32	28	22937965	6	37
22918403	6	6~9	22927602	32	29	22940506	16	10
22918502	6	6~9	22928105	32	22	22940654	18	55
22918601	6	6~9	22928303	32	21	22940753	16	35
22918700	6	6~9	22928402	32	20	22940803	16	31
22919203	6	29	22928501	32	14	22940951	16	27
22919559	6	2	22928709	32	26	22941108	16	1
22920102	12	29	22928808	32	18	22941306	16	36
22920201	12	23	22928907	32	16	22942601	10	43
22920300	12	26	22929004	32	17	22944508	12	18
22920409	12	24	22930309	34	14	22944607	12	20
22920508	2	30	22930358	34	1	22944706	14	42
22920607	4	47	22930408	34	10	22944854	12	28
22920805	10	7	22930507	34	9	22945109	12	25
22920904	4	43	22930556	34	15	22945307	2	40
22921001	2	31	22930705	34	7	22945356	2	32
22921209	2	38	22930804	34	17	22945406	2	22
22921308	2	33	22930903	34	16	22945463	2	21
22921407	2	34	22931000	34	3	22945505	2	25
22921506	2	37	22931109	34	4	22945604	2	23
22921605	2	39	22931307	34	11	22945703	2	26
22921704	2	35	22931406	34	8	22945802	2	24
22921803	2	36	22932107	30	8	22947006	28	1
22923015	28	14	22932156	30	7	22947105	28	26
22923056	28	12	22932206	30	16	22947907	20	6
22923205	28	17	22932305	30	15	22948301	20	35
22923312	28	13	22932404	30	12	22948400	20	37
22923403	28	19	22932453	30	11	22949002	20	43
22923502	28	21	22932909	10	41	22949101	20	40
22923601	28	20	22933402	32	2	22949200	20	41
22923700	28	15	22933451	32	1	22949408	20	29
22923809	28	18	22933501	32	3	22949754	20	24
22923908	28	22	22933600	32	5	22949762	20	23
22924005	28	30	22933659	32	4	22949903	22	50
22924153	28	6	22933758	32	6	22950000	20	26
22924302	28	7	22933907	32	7	22950109	20	31
22924401	28	3	22934004	32	8	22950208	20	14
22924500	28	11	22934202	30	20	22950257	20	13
22924609	28	28	22934251	30	19	22950356	20	15

NUMERICAL INDEX OF PARTS

PART NO	PAGE	REF NO.	PART NO	PAGE	REF NO.	PART NO	PAGE	REF NO.
22950703	20	25	40010395	36	34	B1521555000	12	2
22950851	20	19	40011503	40	11	B15240120BA	12	21·41
22950950	20	21	40011503	42	1	B15245520BA	12	21·41
22951008	22	52	40017805	12	35	B1613012I00	16	33
22951164	22	49	40023223	36	24	B1613012I00	40	5
22951404	22	58	40041419	26	23	B1636581C00	18	69
22951552	20	11	40054784	40	12	B18370120A0	40	7
22952501	2	18	40054784	42	2	B8228125000	30	26
22953509	24	24	40054785	40	13	CM300200001	2	12
22953657	24	17	40054785	42	3	CM301300001	2	13
22953905	24	19	40060989	12	39	CQ252000000	28	8
22954101	24	4	40062684	34	2	D1524555DBA	40	3
22954200	24	5	40085585	24	25	D1524555DBA	42	8
22954309	24	6	40087245	20	30	D1524555EBL	36	29
22954408	24	12	40089548	16	25	D1613155W00	42	5
22954507	24	13	40090058	10	6	D2406555D0H	20	10
22954606	24	2	40090750	36	37	D2468555B00	24	22
22954705	2	9	40093417	16	26	EA9500B0100	6	28
22955504	26	2	40100084	18	64	HA001900000	24	11
22955553	26	1	40101720	30	14	HA00600000A	26	17
22955900	26	13	40103560	36	19	HK034610140	20	46
22956007	26	14	40105231	6	21	HK03464000B	24	10
22956106	26	6	40106606	6	13	HW500070000	24	9
22956205	26	10	40106607	6	15	M40071100AA	6	35
22956304	26	11	40106930	22	54	M40071100AB	6	36
22956403	26	7	40106931	22	57	MC200500650	40	9
22956809	26	18	40106936	26	15	MC200500650	42	6
22956908	26	9	40109126	36	20	MC200500750	10	28
22957005	26	24	40111022	2	20	MC200501300	38	50
22957104	26	16	B1109012I0B	4	44	MDA100B0900	40	10
22957203	26	21	B1109012I0B	40	4	MDB100B0900	42	7
22958300	2	7	B1109552000	4	60	MDB100B1400	10	11
22962005	36	13	B1213552000A	36	9	MDB100B2100	36	21
22962054	36	12	B1215552000	6	26	NM6040001SE	22	56
22962351	38	51	B13050120A0	10	14	NM6050001SE	34	13
22962401	36	27	B13061550A0	10	16	NM6060001SE	30	18
22962500	38	45	B13061550B0	10	13	NM6160511SE	34	18
22962609	36	39	B13061550C0	10	12	NS6090310SP	26	5
22962708	36	42	B13071550A0	10	19	NS6090310SP	38	54
22962807	36	30	B13071550B0	10	18	NS6110310SP	26	12
22962906	36	40	B13081550A0	10	21	NS6110420SP	36	48
22963409	36	11	B1403553000	36	23	NS6110420SP	38	48
22963458	36	10	B1418415H00	36	22	NS6150430SP	20	33
22964001	40	6	B1505227T00A	40	8	NS6620310SP	14	44
22970602	36	35	B1505552000A	36	28	NS6680410SP	16	42

NUMERICAL INDEX OF PARTS

PART NO	PAGE	REF NO.	PART NO	PAGE	REF NO.	PART NO	PAGE	REF NO.
RC0150001KP	16	54	SM4051405SE	34	12	SS6110710TP	22	53
RC0150001KP	18	54	SM6061610SC	34	21	SS6111010TP	28	25
RC1850001KP	6	22	SM8061010TP	18	68	SS6111210SP	6	31
RE0250000K0	26	8	SM8061050TP	18	67	SS6121610SP	16	44
RE0400000K0	20	39	SM8063012TR	30	10	SS6121840SP	2	17
RE0400000K0	24	23	SM9061203SE	30	22	SS6121860SP	16	11
RE0400000KP	24	18	SS1120710SP	36	18	SS6660610TP	20	20
RE0500000K0	12	22	SS2060210SP	20	8	SS6661110SP	6	44
RE0500000K0	16	21	SS2110915SP	4	46	SS6700710SH	30	5
RE0500000K0	20	51	SS2110920TP	4	45	SS7080510TP	10	9
RE0500000K0	22	51	SS4080620TP	16	34	SS7081310SP	32	24
RE0500000K0	26	19	SS4080620TP	20	9	SS7090610SP	20	42
RE0500000KP	24	14	SS4090615SP	6	19	SS7091110TP	12	40
RE0600000K0	20	34	SS4110515SP	12	43	SS7110350SP	32	19
RE0900000K0	24	16	SS4110515SP	14	43	SS7110740TP	18	53
RE1000000K0	30	17	SS4110515SP	16	37	SS7110740TP	36	31
RE1200000K0	24	20	SS4110515SP	32	15	SS7111120SP	18	59
RO029180100	6	41	SS4110715SP	20	28	SS7120770SH	16	6
RO037180100	12	3	SS4110915TP	10	33	SS7121410TP	18	56
RO044240100	6	18	SS4120615SP	2	29	SS7121610SP	18	46
RO078190100	18	63	SS4120615SP	12	27	SS7681650TP	6	14
RO092270200	16	16	SS4120615SP	24	27-29	SS8090670SP	2	41
RO098240100	30	6	SS4120615SP	28	4	SS8110410TP	10	37
RO195240100	28	2	SS4120915SP	2	50	SS8110510SP	32	25
SD0460703TP	20	2	SS4120915SP	4	50	SS8110520TP	20	22
SD0490261SP	32	23	SS4120915SP	10	45	SS8150710TP	2	42
SD0500131TP	36	8	SS4120915SP	24	27-29	SS8150710TP	16	29
SD0600361SP	22	59	SS4120915SP	26	26	SS8151150TP	6	1
SD0630275SP	20	18	SS4121415SP	32	9	SS8151550SP	6	33
SD0640631TP	22	48	SS4150915SP	12	17	SS8660610TP	6	24
SD0641451SP	20	17	SS4150915SP	22	47	SS8660610TP	18	62
SD0650321TP	26	4	SS4150915SP	28	24	SS8660810TP	10	22
SD0700451TP	38	49	SS4151215SP	22	60	SS8660810TP	12	37
SD0700711TP	38	44	SS4151215SP	24	26	SS8681650TP	6	16
SD0720331SP	12	12	SS6060210SP	4	55	TA0850604R0	2	5
SD1000801SH	18	47	SS6080320SP	36	16	TA1250406R0	4	49
SE4301041SR	28	16	SS6080410SP	2	3	TA1250705R0	2	6
SK3412000SC	32	30	SS6090510TP	20	16	TA2000502R0	2	16
SL4030631SC	26	3	SS6090540SP	26	25	TA2101002R0	2	19
SL4030641SE	26	22	SS6090620TP	16	41	WP0371016SD	38	53
SL4030851SF	28	23	SS6090670TP	10	5	WP0450801SD	6	32
SL4051001MZ	6	39	SS6090670TP	16	3	WP0450826SC	32	31
SM4031501SC	24	8	SS6090910SP	12	38	WP0480856SP	18	57
SM4040655SP	24	3	SS6110420TP	10	30	WP0501016SD	32	10
SM4041655SP	24	7	SS6110610TP	4	48	WP0621016SH	20	32

NUMERICAL INDEX OF PARTS

PART NO	PAGE	REF NO.
WP0722316SH	38	46
WP1602616SZ	24	21
WP1612616SE	34	19
WS0410002KP	22	55
WS0451040KP	28	29
WS0510002KN	34	5
WS0651310KP	28	27
WS1643202KR	34	20
WT0530002KS	4	56