

MODEL : DDL-5571N/DDL-5581N

List No : 0915-08

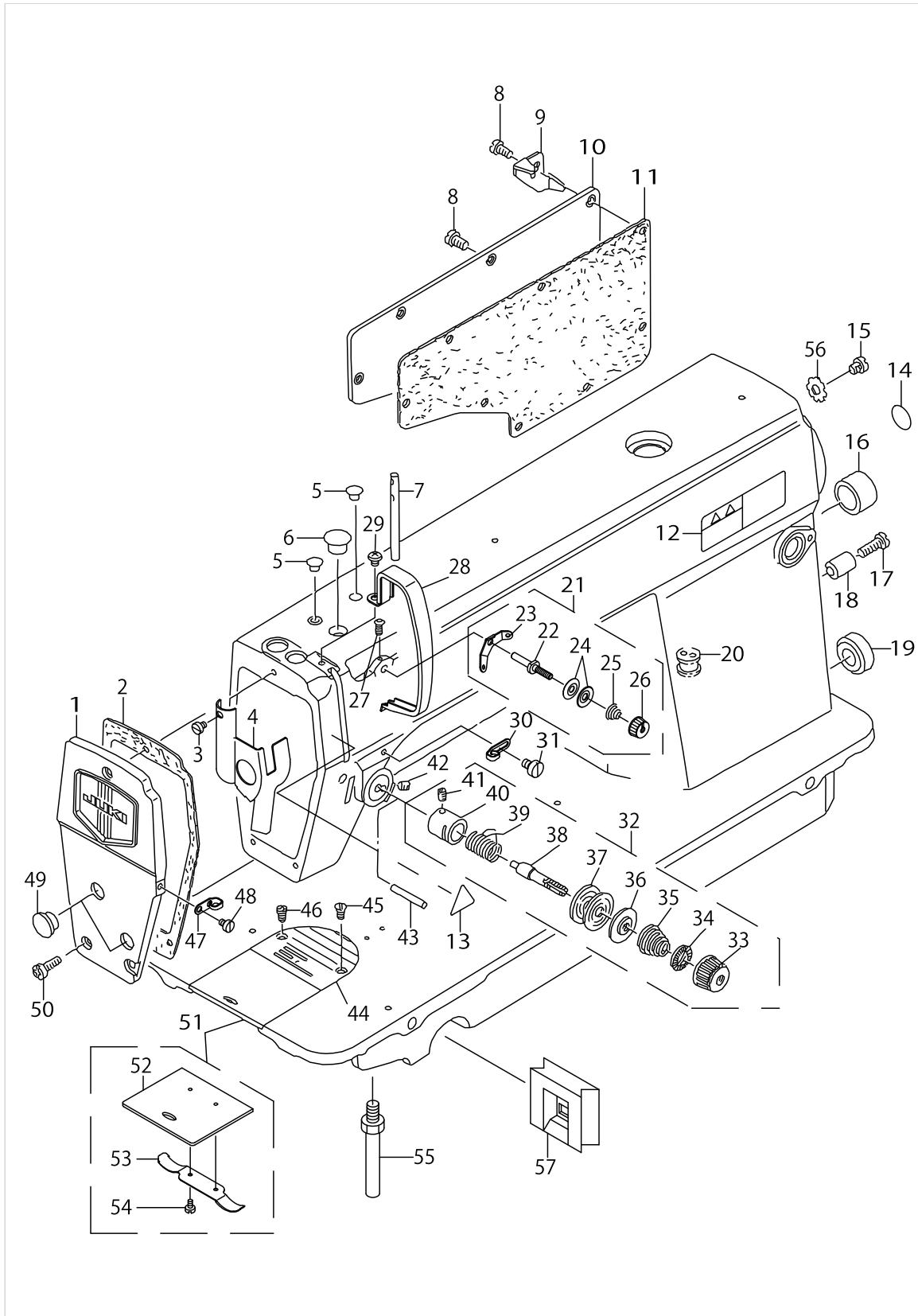
PARTS LIST

Published:05/12/2017

CONTENTS

MACHINE FRAME & MISCELLANEOUS COVER COMPONENTS	1
MAIN SHAFT COMPONENTS	5
NEEDLE BAR, UPRIGHT SHAFT & HOOK DRIVING SHAFT COMPONENTS	9
HAND LIFTER COMPONENTS	11
FEED MECHANISM COMPONENTS.....	15
THREAD TRIMMER COMPONENTS	19
AUTOMATIC REVERSE FEED COMPONENTS.....	23
WIPER COMPONENTS.....	25
OIL LUBRICATION COMPONENTS	27
OIL RESERVOIR COMPONENTS	29
BELT COVER & BOBBIN WINDER COMPONENTS	31
THREAD STAND COMPONENTS.....	33
EXCLUSIVE PARTS FOR DDL-5571N-H.....	35
EXCLUSIVE PARTS FOR DDL-5571N-A, 5581N-A.....	39
EXCLUSIVE PARTS FOR DDL-5571N-K, 5581N-K	41
EXCLUSIVE PARTS FOR DDL-5571N-M, 5581N-M.....	43
EXCLUSIVE PARTS FOR DDL-5571NU.....	45
LIST FOR INFORMATION OF CHANGE (1).....	47
LIST FOR INFORMATION OF CHANGE (2).....	48
HOW TO MAKE USE OF THIS PARTS LIST	49

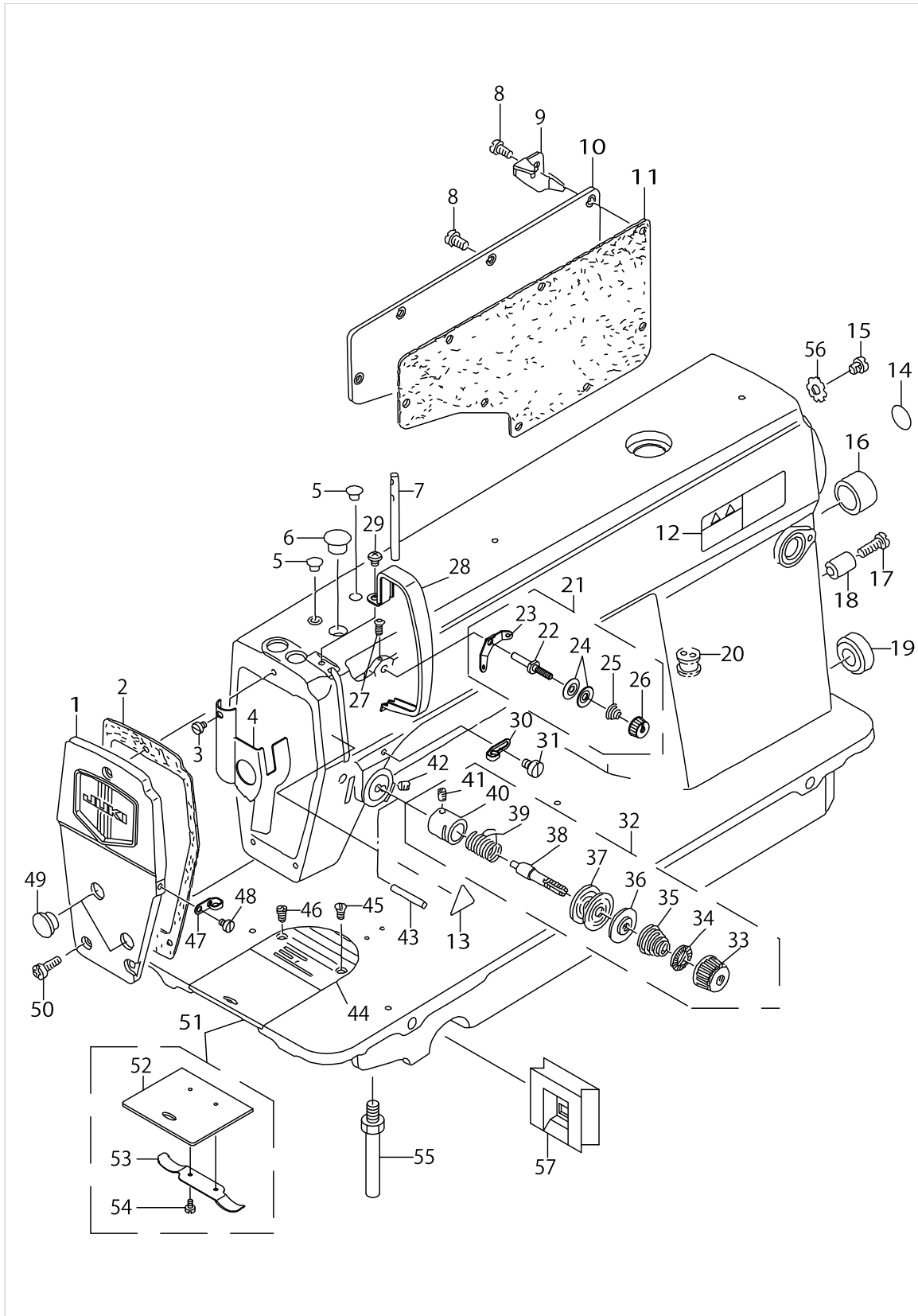
MACHINE FRAME & MISCELLANEOUS COVER COMPONENTS



MACHINE FRAME & MISCELLANEOUS COVER COMPONENTS

No.	Supply Code	Parts No.	Replacement	Parts name	Remarks	Choice	Step	Level	Cons	Qty	Rep. QTY
1		11070851		FACE PLATE ASM.						1	
2		11000304		FACE PLATE GASKET						1	
3		SS6080410SP		SCREW 1/8-44 L=4						1	
4		22900757		FACE PLATE OIL SHIELD ASM.						1	
5		TA0850604R0		RUBBER PLUG						2	
6		TA1250705R0		RUBBER PLUG						1	
7		22958300		NEEDLE THREAD GUIDE PIN						1	
8		SS4120915SP		SCREW 3/16-28 L=9						8	
9		22954705		CORD FIXING METAL FITTING						1	
10		22900401		WINDOW PLATE						1	
11		11003308		WINDOW PLATE GASKET						1	
12		CM301300001		SAFETY LABEL						1	
13		CM300200001		ATTENTION SEAL						1	
14		22901805		GROUND MARK						1	
15		SS4120615SP		SCREW 3/16-28 L=6						1	
16		TA2000502R0		RUBBER PLUG						1	
17		SS6121840SP		SCREW 3/16-28 L=18						1	
18		22952501		BACK LEVER STOPPER						1	
19		TA2101002R0		RUBBER PLUG						1	
20		40111022		MAGNET CORD RUBBER						1	
21		22945463		THREAD TENSION ASM. NO.1						1	
22	D	22945406		THREAD TENSION POST				*		1	
23	R	22945604	22963458	THREAD TENSION GUIDE		A	DDL8700H-7/8700J--7/9000B, DLN6390-7	*		1	1.00
23	R	22945604	22945463	THREAD TENSION GUIDE		B	DDL8700-7 and so on	*		1	1.00
24		22945802		THREAD TENSION DISK				*		2	
25		22945505		THREAD TENSION SPRING				*		1	
26		22945703		THREAD TENSION NUT				*		1	
27		SS4120615SP		SCREW 3/16-28 L=6						1	
28		22900609		THREAD TAKE-UP LEVER COVER						1	
29		SS4120615SP		SCREW 3/16-28 L=6						1	
30		22920508		ARM THREAD GUIDE A						1	
31		22921001		SCREW						1	
32		22945356		THREAD TENSION ASM.						1	
33		22921308		THREAD TENSION NUT				*		1	
34		22921407		ROTATION STOPPER				*		1	
35		22921704		THREAD TENSION SPRING A				*		1	
36		22921803		DISK STOPPER				*		1	
37		22921506		THREAD TENSION DISK				*		2	
38		22921209		THREAD TENSION POST				*		1	
39		22921605		THREAD TAKE-UP SPRING				*		1	
40		22945307		THREAD TENSION POST BASE				*		1	
41		SS8090670SP		SCREW 9/64-40 L=5.5				*		1	
42	R	SS8150710SP	SS8150710TP	SCREW 15/64-28 L=7						1	1.00
43		22920904		TENSION RELEASING						1	

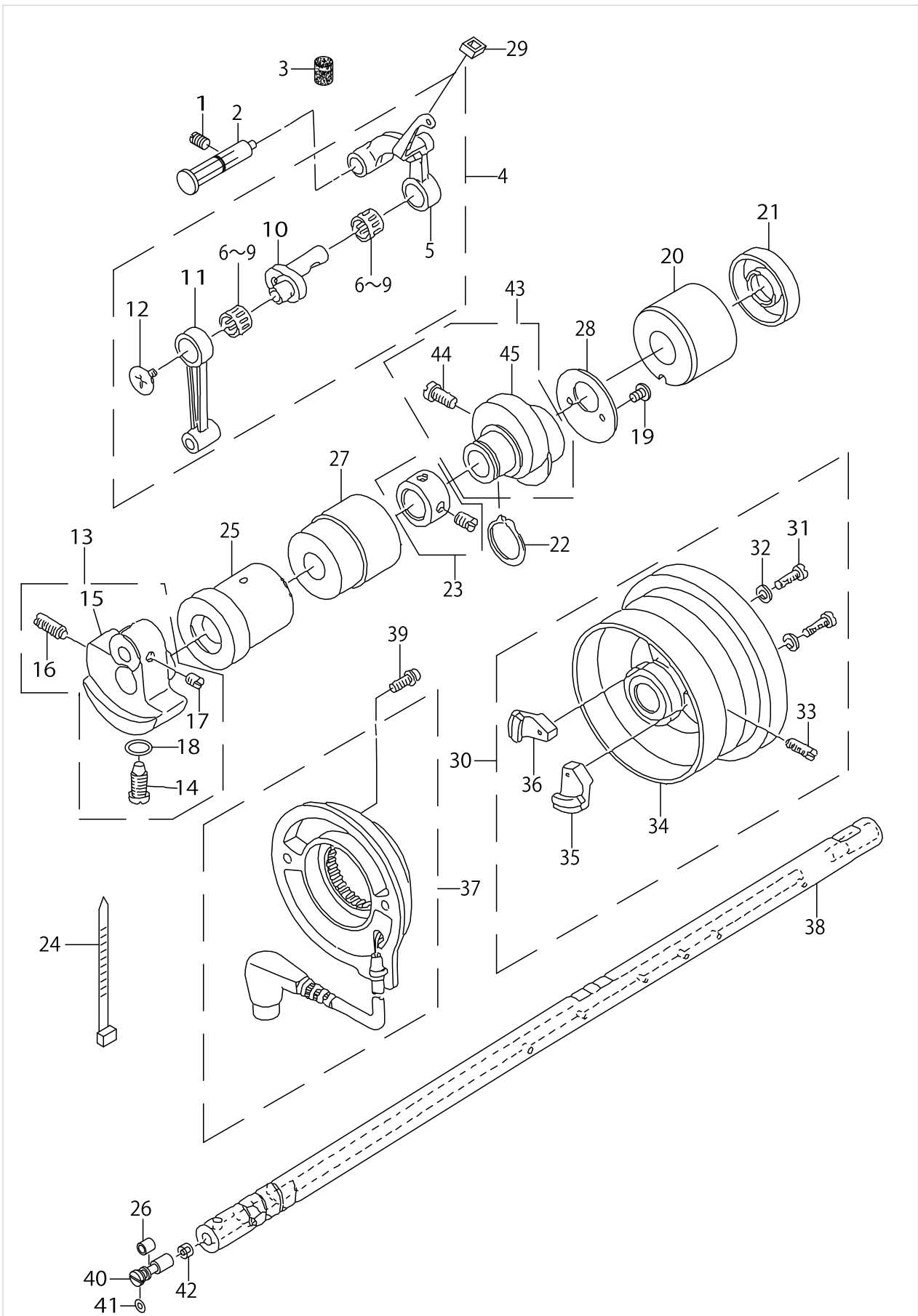
MACHINE FRAME & MISCELLANEOUS COVER COMPONENTS



MACHINE FRAME & MISCELLANEOUS COVER COMPONENTS

No.	Supply Code	Parts No.	Replacement	Parts name	Remarks	Choice	Step	Level	Cons	Qty	Rep. QTY
44		11028008		THROAT PLATE						1	
45		SS2110920TP		SCREW 11/64-40 L=8.5						1	
46		SS2110915SP		SCREW 11/64-40 L=8.5						1	
47		22920607		ARMTHREADGUIDEB						1	
48		SS6110610TP		SCREW 11/64-40 L=6						1	
49		TA1250406R0		RUBBER PLUG D=12.5 L=4						2	
50		SS4120915SP		SCREW 3/16-28 L=9						3	
51		22901250		SLIDE PLATE ASM.						1	
52	R	22901201	22901250	SLIDE PLATE				*		1	1.00
53		22901300		SLIDE PLATE SPRING				*		1	
54		SS6060210SP		SCREW 3/32-56 L=1.9				*		2	
55		22901003		BED SCREW STUD						4	
56		WT0530002KS		TOOTHED WASHER D=5.3						1	
57		22935407		BED OIL SHIELD RUBBER						1	

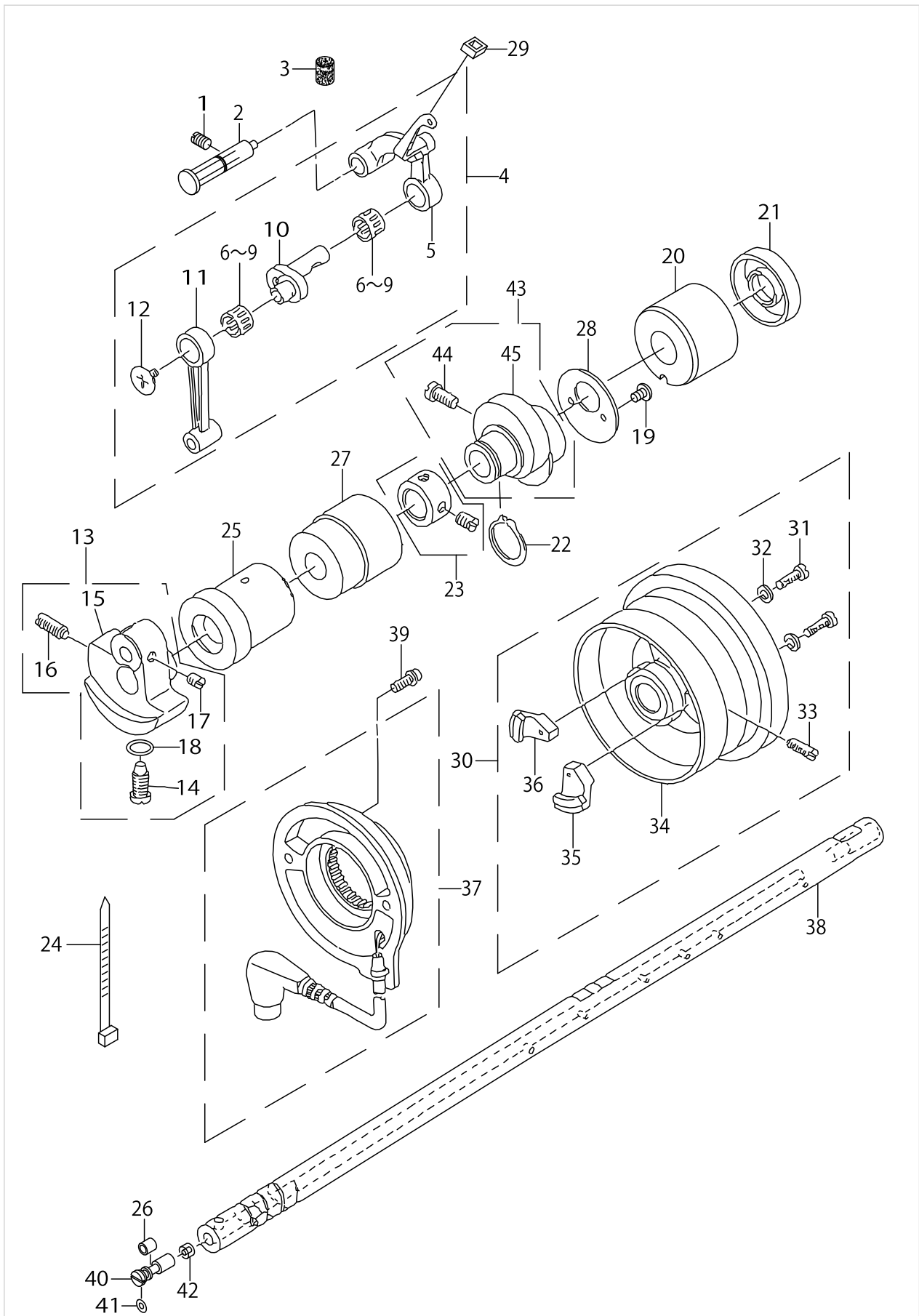
MAIN SHAFT COMPONENTS



MAIN SHAFT COMPONENTS

No.	Supply Code	Parts No.	Replacement	Parts name	Remarks	Choice	Step	Level	Cons	Qty	Rep. QTY
1		SS8151150TP		SCREW 15/64-28 L=10.5						1	
2		11039351		CRANK SHAFT ASM.						1	
3		11039203		FELT						1	
4		22918072		THREAD TAKE-UP LEVER COMPL.						1	
5	R	22918064	22918072	THREAD TAKE-UP LEVER ASM.				*		1	1.00
6		22918403		NEEDLE BEARING A	SELECTING PART(A~D)			*		2	
7		22918502		NEEDLE BEARING B	SELECTING PART(A~D)			*		2	
8		22918601		NEEDLE BEARING C	SELECTING PART(A~D)			*		2	
9		22918700		NEEDLE BEARING D	SELECTING PART(A~D)			*		2	
10		22918106		NEEDLE BAR CRANK				*		1	
11		22906606		NEEDLE BAR CRANK ROD				*		1	
12	R	22918304	B1903552000	LEFT SCREW				*		1	1.00
13		40106606		COUNTER_WEIGHT_ASM.				*		1	
14		SS7681650TP		SCREW 9/32-28 L=16				*		1	
15		40106607		COUNTER_WEIGHT				*		1	
16		SS8681650TP		SCREW 9/32-28 L=16				*		1	
17		SS8660610TP		SCREW 1/4-40 L=6				*		2	
18		RO044240100		RUBBER RING				*		1	
19		SS4090615SP		SCREW 9/64-40 L=6						2	
20		11002409		MAIN SHAFT BUSHING REAR						1	
21		40105231		OIL SEAL						1	
22		RC1850001KP		SNAP RING 18.5						1	
23		22904155		MAIN SHAFT THRU-ST COLLAR ASM.						1	
24		EA9500B0100		CABLE BAND						1	
25		22903207		MAIN SHAFT BUSHING FRONT						1	
26		B1215552000		OIL ADJUSTING COLLAR						1	
27		22903306		BUSHING INTERMEDIATE						1	
28		22910103		THRUST COLLAR						1	
29		22919203		OIL PROTECTING RUBBER						1	
30		11071495		HAND WHEEL ASM.						1	
31		SS6111210SP		SCREW11/64-40L=12				*		2	
32		WP0450801SD		WASHER 4.5X10X0.8				*		2	
33		SS8151550SP		SCREW15/64-28L=15				*		2	
34	R	11071453	11071495	HAND WHEEL ASM.				*		1	1.00
35		M40071100AA		MAGNET FITTING BASE A ASM.				*		1	
36		M40071100AB		MAGNET FITTING BASE B ASM.				*		1	
37		22937965		DYNAMO STATOR						1	
38		22903009		MAIN SHAFT						1	
39		SL4051001MZ		SCREW M5 L=9.6						2	
40		22903900		ADJUSTING PIN						1	
41		RO029180100		RUBBER RING						1	
42		11002904		ROLLER FELT						1	
43		22910053		FEED DRIVE ECCENTRIC CAM ASM.						1	
44		SS6661110SP		SCREW 1/4-40 L=11				*		2	

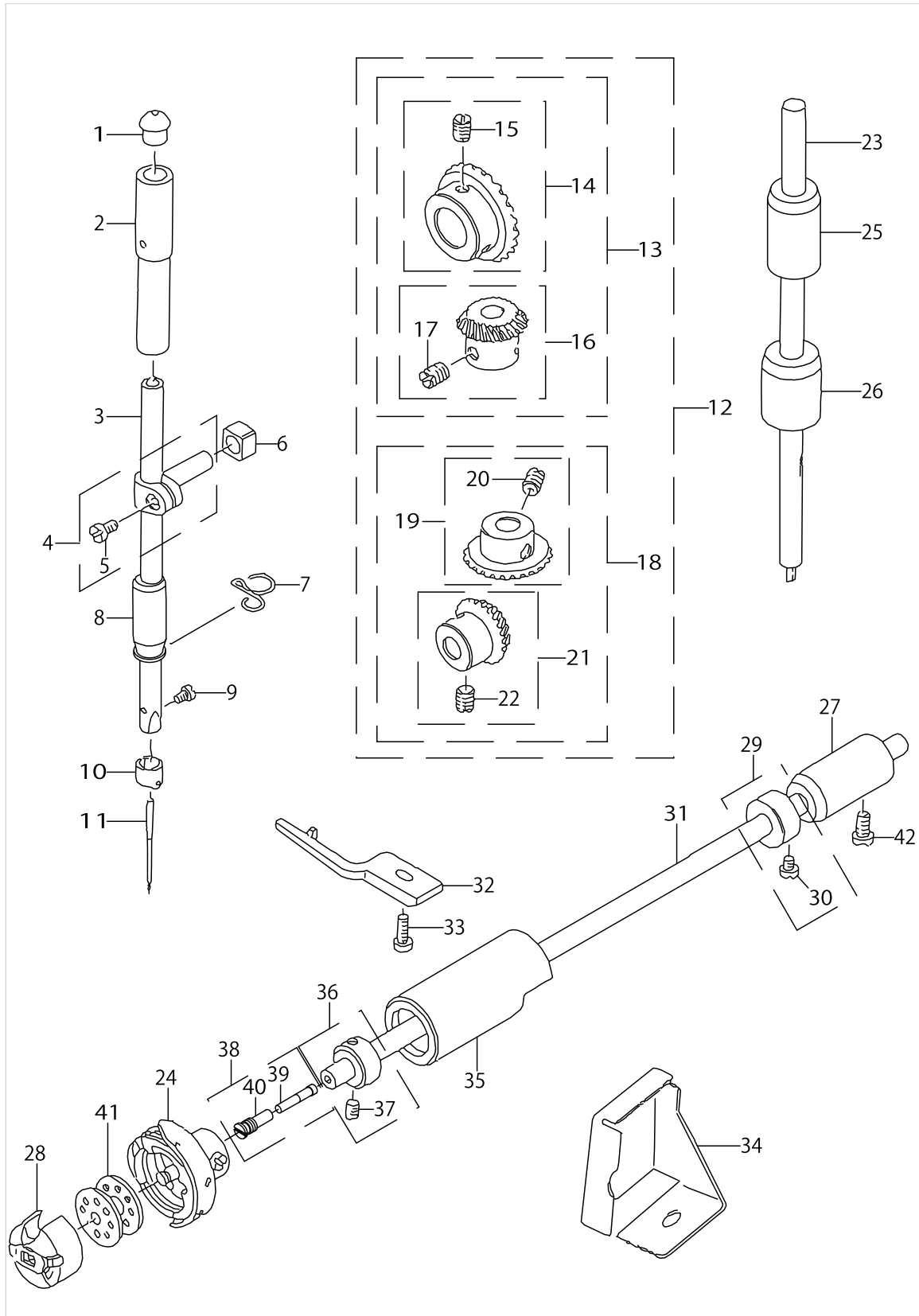
MAIN SHAFT COMPONENTS



MAIN SHAFT COMPONENTS

No.	Supply Code	Parts No.	Replacement	Parts name	Remarks	Choice	Step	Level	Cons	Qty	Rep. QTY
45	R	22910004	22910053	FEED DRIVE ECCENTRIC CAM				*		1	1.00

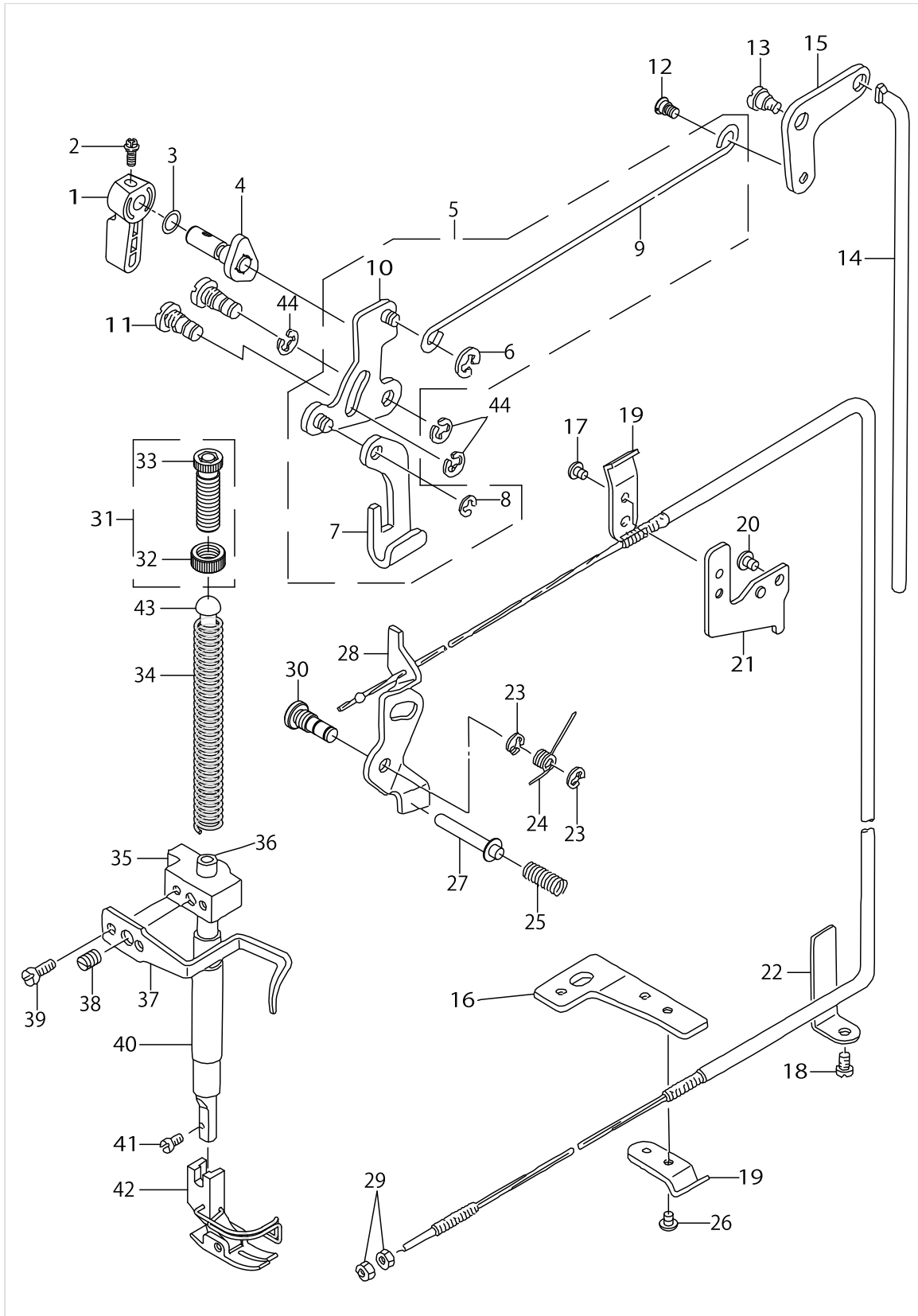
NEEDLE BAR, UPRIGHT SHAFT & HOOK DRIVING SHAFT COMPONENTS



NEEDLE BAR, UPRIGHT SHAFT & HOOK DRIVING SHAFT COMPONENTS

No.	Supply Code	Parts No.	Replacement	Parts name	Remarks	Choice	Step	Level	Cons	Qty	Rep. QTY
1		22901409		NEEDLE BAR UPPER BUSH CAP						1	
2		22906101		NEEDLE BAR BUSHING UPPER						1	
3		11035003		NEEDLE BAR						1	
4		22906457		NEEDLE BAR HOLDER ASM.						1	
5		SS6090670TP		SCREW 9/64-40 L=6				*		1	
6		40090058		SLIDE BLOCK						1	
7		22920805		NEEDLE BAR THREAD GUIDE						1	
8		22906200		NEEDLE BAR BUSHING LOWER						1	
9		SS7080510TP		SCREW 1/8-44 L=4.5						1	
10		22906309		NEEDLE BAR THREAD GUIDE						1	
11		MDB100B1100		NEEDLE DBX1 #11						1	
12	R	B13061550C0	B13071550C0	GEAR & PINION ASM.						1	1.00
13		B13061550B0		GEAR & PINION ASM. UPPER				*		1	
14		B13050120A0		GEAR ASM.				*		1	
15		SS8660810TP		SCREW 1/4-40 L=8				*		2	
16		B13061550A0		PINION ASM.				*		1	
17		SS8660810TP		SCREW 1/4-40 L=8				*		2	
18		B13071550B0		GEAR & PINION ASM. LOWER				*		1	
19		B13071550A0		GEAR ASM. LARGE				*		1	
20		SS8660810TP		SCREW 1/4-40 L=8				*		2	
21		B13081550A0		PINION ASM.				*		1	
22		SS8660810TP		SCREW 1/4-40 L=8				*		2	
23		22905004		UPRIGHT SHAFT						1	
24		11038650		HOOK ASM.						1	
25		22905103		UPRIGHT SHAFT BUSHING UPPER						1	
26		11004207		UPRIGHT SHAFT BUSHING LOWER						1	
27		22916308		HOOK DRIVING SH- AFT BUSH REAR						1	
28		11038759		BOBBIN CASE ASM.						1	
29		22917157		THRUST COLLAR ASM. REAR						1	
30		SS6110420TP		SCREW 11/64-40 L=4.8				*		2	
31		22916001		HOOK DRIVING SHAFT						1	
32	R	11038809	22942502	BOBBIN CASE HOLDER						1	1.00
33		SS4110915TP		SCREW 11/64-40 L=9						1	
34		22942601		OIL SHIELD						1	
35		22916100		HOOK DRIVING SH- AFT BUSH FRONT						1	
36		22917058		THRUST COLLAR ASM. FRONT						1	
37		SS8110410TP		SCREW 11/64-40 L=3.5				*		2	
38		22916555		OILSEALSCREWASM.						1	
39		11015906		OIL WICK				*		1	
40		22916506		SET SCREW				*		1	
41		22932909		BOBBIN						1	
42		SS4120915SP		SCREW 3/16-28 L=9						1	

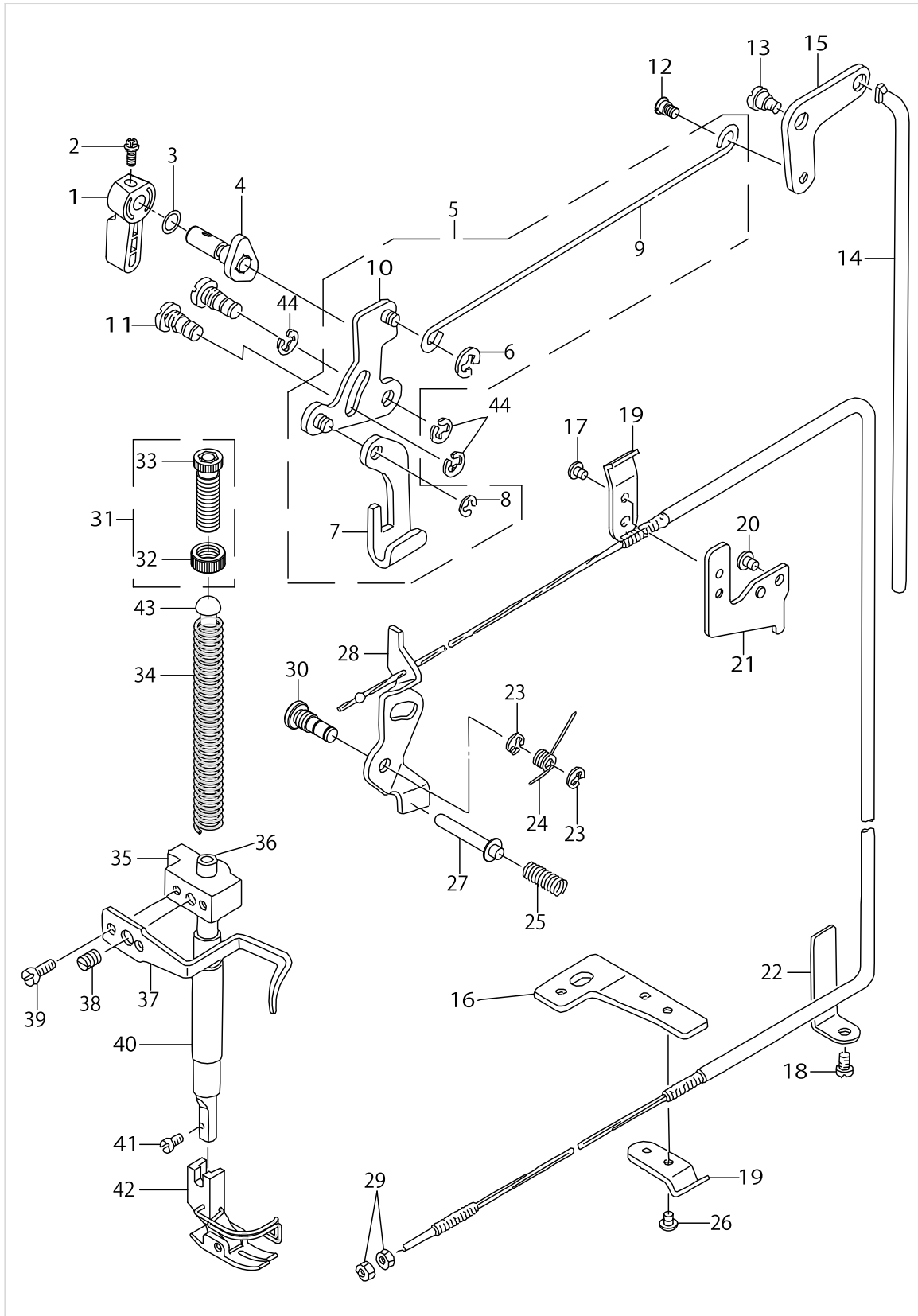
HAND LIFTER COMPONENTS



HAND LIFTER COMPONENTS

No.	Supply Code	Parts No.	Replacement	Parts name	Remarks	Choice	Step	Level	Cons	Qty	Rep. QTY
1		22907802		HAND LIFTER						1	
2		B1521555000		SCREW						1	
3		RO037180100		RUBBER RING						1	
4		22908552		HAND LIFTER CAM ASM.						1	
5		22908354		KNEE LIFTING CROSS ROD ASM.						1	
6		RE0500000K0		E-RING				*		1	
7	R	22908008	22908354	LIFTING PLATE		A	DDL-5550 5550N 555- ON-7 5556- N-7 5600NL-7	*		1	1.00
7	R	22908008	23609357	LIFTING PLATE		B	DDL-9000A 9000B	*		1	1.00
7	R	22908008	40057398	LIFTING PLATE		C	LH-3500	*		1	1.00
7	R	22908008	40174387	LIFTING PLATE		D	DDL-9000C	*		1	1.00
8		RE0500000K0		E-RING				*		1	
9		22908305		KNEE LIFTER SIDE ROD				*		1	
10	R	22908156	22908354	LIFTING LINK ASM.				*		1	1.00
11		22908701		LIFTING LINK SHAFT						2	
12		22908909		HINGE SCREW						1	
13		SD0720331SP		HINGE SCREW D=7.24 H=3.3						1	
14		22909006		KNEE LIFTER CONNECTING ROD						1	
15		22908800		KNEE LIFTER LINK						1	
16		22944706		WIRE PRESSER BASE LOWER						1	
17		SS4110515SP		SCREW 11/64-40 L=5						1	
18		SS4120615SP		SCREW 3/16-28 L=6						1	
19		22944508		WIRE PRESSER A						2	
20		SS4120615SP		SCREW 3/16-28 L=6						1	
21		22944607		WIRE PRESSER BASE UPPER						1	
22		22945109		WIRE CABLE SUPPORT						1	
23		RE0500000K0		E-RING						2	
24		22920201		RETURN SPRING						1	
25		22920409		THREAD RELEASE PIN SPRING						1	
26		SS4110515SP		SCREW 11/64-40 L=5						1	
27		22920300		THREAD RELEASE SUPPORTING PIN						1	
28		22944854		THREAD RELEASE WIRE ASM.						1	
29		NS6620310SP		NUT 3/16-32						2	
30		22920102		THREAD RELEASE SHAFT						1	
31		22907554		FEED REGULATOR SCREW NUT ASM.						1	
32	R	22907604	22907554	PRESSER SPRING REGULATOR NUT				*		1	1.00
33	R	22907505	22907554	PRESSER SPRING REGULATOR				*		1	1.00
34		22907406		PRESSER SPRING						1	
35		22907208		PRESSER BAR GUIDE BRACKET						1	
36		40017805		PRESSER BAR						1	
37		22907307		THREAD GUIDE						1	
38		SS8660810TP		SCREW 1/4-40 L=8						1	
39		SS6090810SP		SCREW 9/64-40 L=7.5						2	
40		40060989		PRESSER BAR BUSHING LOWER						1	
41	R	SS7091110SP	SS7091110TP	SCREW 9/64-40 L=10.5						1	1.00

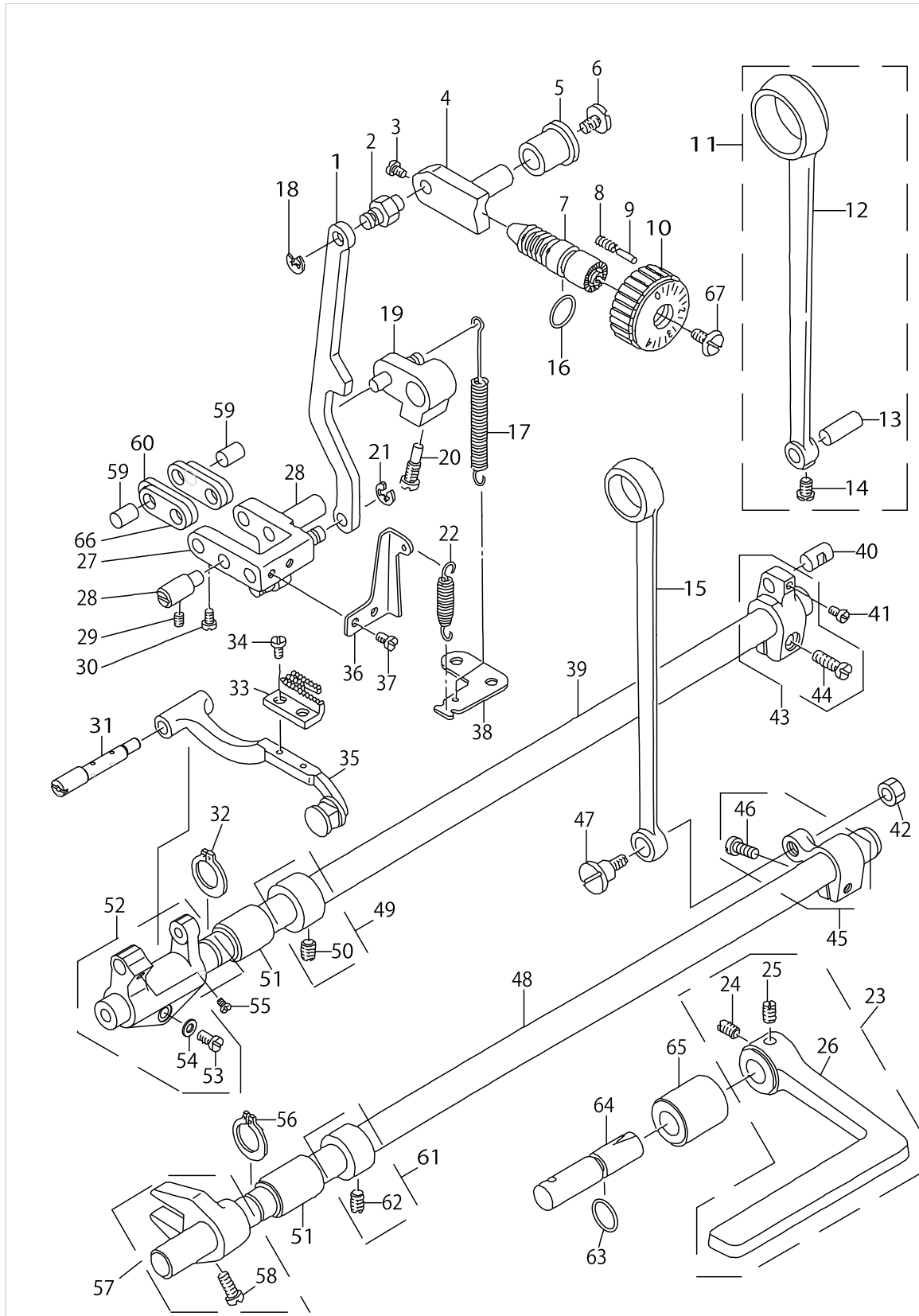
HAND LIFTER COMPONENTS



HAND LIFTER COMPONENTS

No.	Supply Code	Parts No.	Replacement	Parts name	Remarks	Choice	Step	Level	Cons	Qty	Rep. QTY
42		11028172		PRESSER FOOT ASM.						1	
43		22907703		PRESSER GUIDE BAR						1	
44		RE050000K0		E-RING						3	

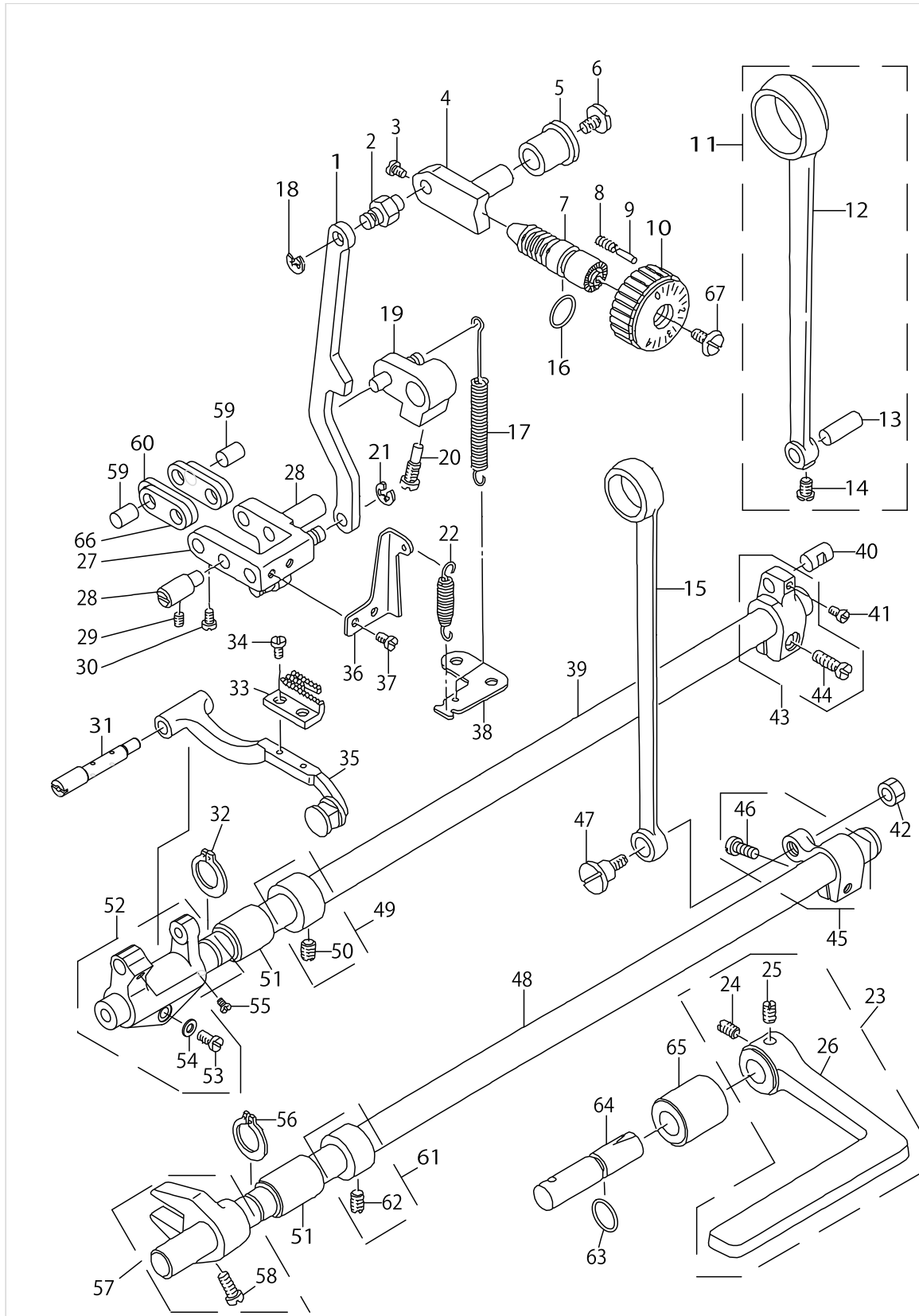
FEED MECHANISM COMPONENTS



FEED MECHANISM COMPONENTS

No.	Supply Code	Parts No.	Replacement	Parts name	Remarks	Choice	Step	Level	Cons	Qty	Rep. QTY
1		22941108		FEED ADJUST ROD						1	
2		22911507		WALKING FOOT PIN C						1	
3		SS6090670TP		SCREW 9/64-40 L=6						2	
4		22911606		FEED REGULATOR						1	
5		11009800		FEED REGULATOR BUSHING						1	
6		SS7120770SH		SCREW 3/16-28 L=7						1	
7		22911804		FEED REGULATOR SCREW						1	
8		22912109		FEED REGULATOR PIN SPRING						1	
9		22912000		FEED REGULATOR PIN						1	
10		22940506		FEED DIAL						1	
11		22910251		ROCKER SHAFT CO- NNECTING ROD ASM.						1	
12	R	22910202	22910251	ROCKER SHAFT CO- NNECTING ROD				*		1	1.00
13		22911101		WALKING FOOT PIN C				*		1	
14		SS6090620TP		SCREW				*		1	
15		22915003		CONNECTING ROD						1	
16		RO092270200		RUBBER RING						1	
17		11010311		FEED REVERSE SPRING						1	
18		RE0500000K0		E-RING						1	
19		22912257		FEED REVERSE ARM ASM.						1	
20		22912505		FEED REVERSE ARM SCREW						1	
21		RE0500000K0		E-RING						1	
22		11037405		SPRING						1	
23		22912752		FEED LEVER ASM.						1	
24		SM8061010TP		SCREW M6 L=10				*		1	
25		SM8061050TP		SCREW M6 L=10				*		1	
26	R	22912703	22912752	FEED LEVER				*		1	1.00
27		22940951		FEED ADJUST LINK ASM.						1	
28		22910806		ADJUST LINK FULCRUM SHAFT A						2	
29		SS8150710TP		SCREW 15/64-28 L=7						2	
30		SS6090620TP		SCREW						2	
31		22940803		FEED BAR SHAFT						1	
32		RC0150001KP		RETAINING RING 13.8						1	
33		B1613012A00		FEED DOG A						1	
34		SS4080620TP		SCREW 1/8-44 L=6						2	
35		22940753		FEED BAR ASM.						1	
36		22941306		REGULATOR LINK SPRING HOOK						1	
37		SS4110515SP		SCREW 11/64-40 L=5						2	
38		22913701		FEED SPRING HOOK						1	
39		22912901		FEED ROCKERSHAFT						1	
40		22911002		WALKING FOOT PIN B						1	
41		SS6090620TP		SCREW						1	
42		NS6680410SP		NUT 9/32-28						1	
43		22910350		FEED ROCKER SHA- FT CRANK ASM.						1	
44		SS6121610SP		SCREW 3/16-28 L=15.5				*		1	
45		22915151		FEED ARM COMPL.						1	

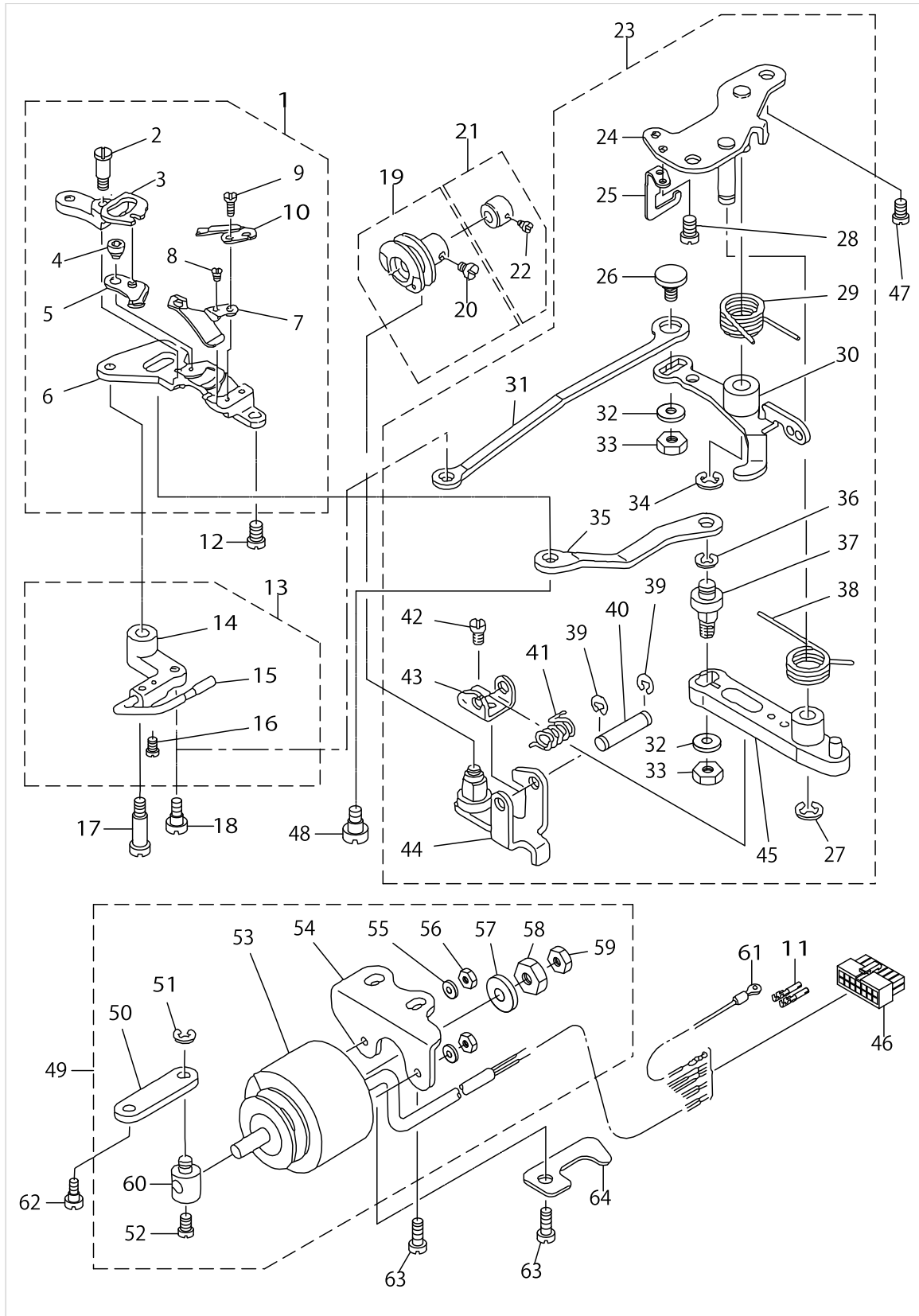
FEED MECHANISM COMPONENTS



FEED MECHANISM COMPONENTS

No.	Supply Code	Parts No.	Replacement	Parts name	Remarks	Choice	Step	Level	Cons	Qty	Rep. QTY
46		SS6121210SP		SCREW 3/16-28 L=12				*		1	
47		SD1000801SH		HINGE SCREW D=10 H=8						1	
48		22915201		FEED DRIVING SHAFT						1	
49		22904155		MAIN SHAFT THRU-ST COLLAR ASM.						1	
50		SS8660610TP		SCREW 1/4-40 L=6				*		2	
51		22913008		FEED ROCKER SHAFT BUSHING						2	
52		22940654		FEED ROCKER ASM.						1	
53		SS7121410TP		SCREW 3/16-28 L=14				*		1	
54		WP0480856SP		WASHER 4.8X8.4X0.8				*		1	
55		SS7110740TP		SCREW 11/64-40 L=7						1	
56		RC0150001KP		RETAINING RING 13.8						1	
57		22915359		DRIVING SHAFT CRANK ASM.						1	
58	R	SS7111120SP	SS7111120TP	SCREW 11/64-40 L=10.5				*		1	1.00
59		22910905		WALKING FOOT PIN A						2	
60		40089548		CONNECTING LINK B						2	
61		22904155		MAIN SHAFT THRU-ST COLLAR ASM.						1	
62		SS8660610TP		SCREW 1/4-40 L=6				*		2	
63		RO078190100		RUBBER RING						1	
64		40100084		FEED LEVER SHAFT						1	
65		22912802		FEED LEVER SHAFT BUSHING						1	
66		40093417		CONNECTING LINK A						2	
67		SS6121860SP		SCREW 3/16-28 L=18						1	

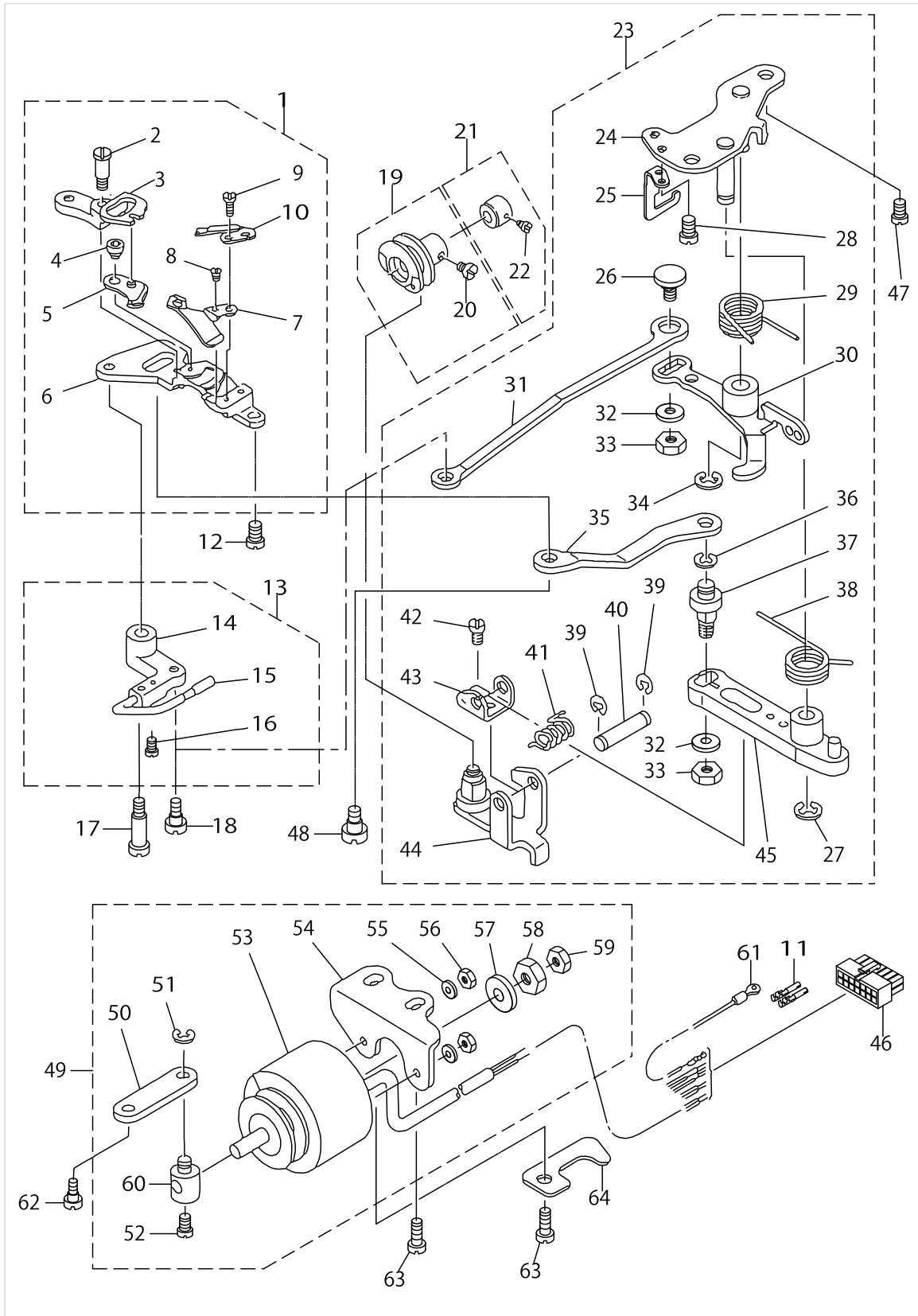
THREAD TRIMMER COMPONENTS



THREAD TRIMMER COMPONENTS

No.	Supply Code	Parts No.	Replacement	Parts name	Remarks	Choice	Step	Level	Cons	Qty	Rep. QTY
1	R	11040359	22947956	KNIFE UNIT						1	1.00
2		SD0460703TP		HINGE SCREW D=4.6 H=7				*		1	
3		11040508		FORKED BASE FOR KNIFE				*		1	
4		11040409		MOVING KNIFE HINGE SCREW				*		1	
5		11040052		MOVING KNIFE ASM.				*		1	
6		22947907		KNIFE MOUNTING BASE				*		1	
7	R	11313103	22947808	THREAD GUIDE FOR KNIFE				*		1	1.00
8		SS2060210SP		SCREW 3/32-56 L=2.3				*		1	
9		SS4080620TP		SCREW 1/8-44 L=6				*		2	
10		D2406555D0H		COUNTER KNIFE				*		1	
11		HK03464000B		PIN CONTACT						2	
12		SS4110715SP		SCREW 11/64-40 L=7						1	
13	R	11042553	22950257	PICKER ARM ASM.						1	1.00
14	R	11042504	22950208	PICKER ARM				*		1	1.00
15		22950356		HOOK THREAD PRESSER ASM.				*		1	
16	R	SS6090510SP	SS6090510TP	SCREW 9/64-40 L=5				*		2	1.00
17		SD0641451SP		HINGE SCREW D=6.35 H=14.5						1	
18		SD0630275SP		HINGE SCREW D=6.35 H=2.7						1	
19	R	11042850	22950851	THREAD TRIMMER CAM ASM.						1	1.00
20		SS6660610TP		SCREW 1/4-40 L=6				*		2	
21		22950950		CAM COLLAR ASM.						1	
22		SS8110520TP		SCREW 11/64-40 L=4.5				*		1	
23		22949762		THREAD TRIMMER DRIVING UNIT						1	
24		22949754		BASE PLATE ASM.				*		1	
25		22950703		DRIVING ARM STOPPER				*		1	
26		22950000		PICKER LINK PIN				*		1	
27		RE0600000K0		E-RING 6				*		1	
28		SS4110715SP		SCREW 11/64-40 L=7				*		2	
29		22949408		CLUTCH SPRING				*		1	
30	R	11041852	40087245	CLUTCH PLATE ASM.				*		1	1.00
31		22950109		PICKER LINK				*		1	
32		WP0621016SH		WASHER				*		2	
33		NS6150430SP		NUT 15/64-28				*		2	
34		RE0600000K0		E-RING 6				*		1	
35		22948301		MOVING KNIFE LINK				*		1	
36		RE0500000K0		E-RING				*		1	
37		22948400		MOVING KNIFE LINK PIN				*		1	
38	R	11043700	22949309	KNIFE RETURN SPRING B				*		1	1.00
39		RE0400000K0		E-RING 4				*		2	
40		22949101		ROLLER FULCRUM SHAFT				*		1	
41		22949200		ROLLER RETURN SPRING				*		1	
42		SS7090610SP		SCREW 9/64-40 L=6				*		1	
43		22949002		ROLLER ARM SEAT				*		1	
44		11040953		ROLLER ARM ASM.				*		1	
45	R	11040854	22948558	KNIFE DRIVING ARM ASM.				*		1	1.00
46		HK034610140		HOUSING 14P						1	

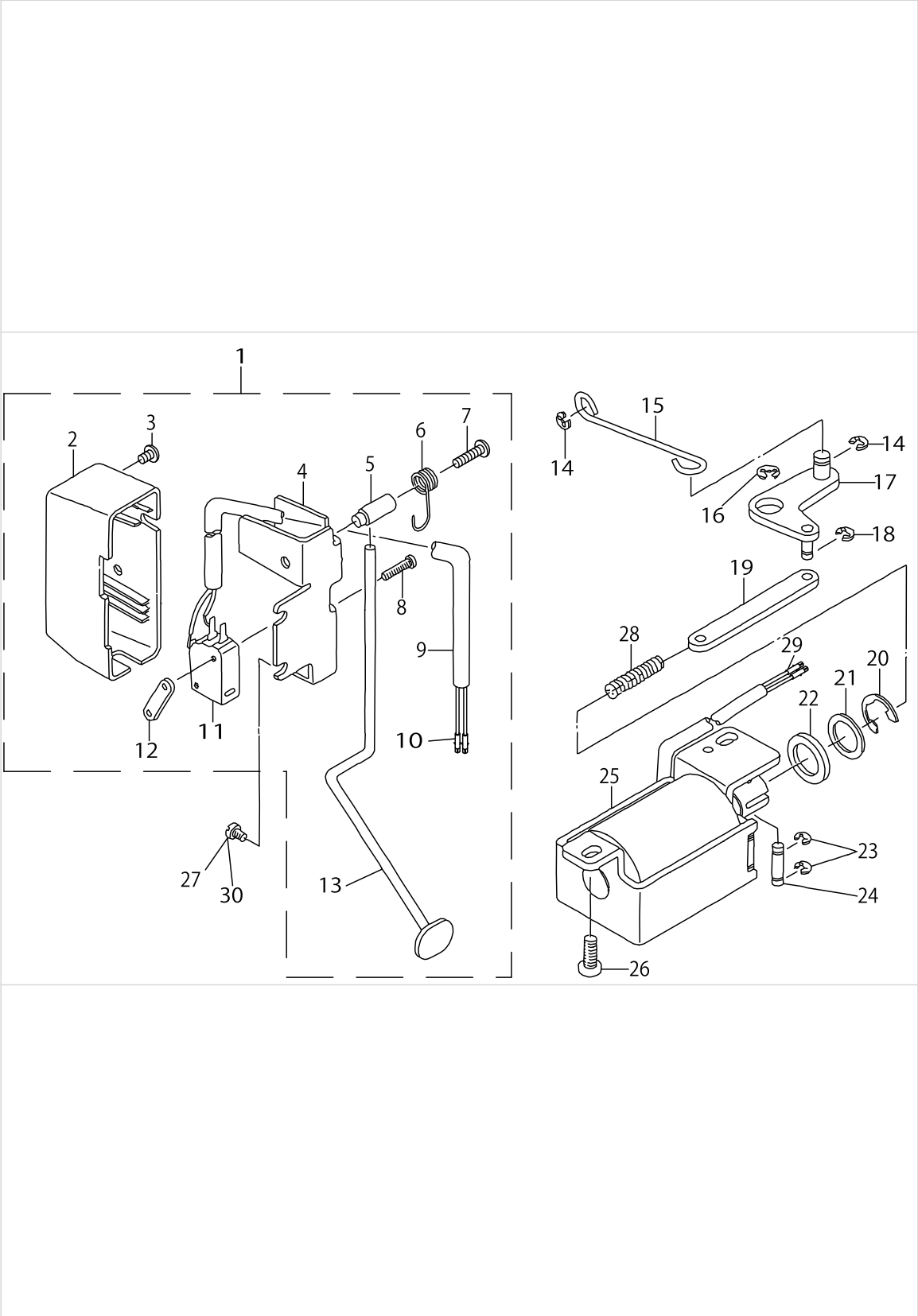
THREAD TRIMMER COMPONENTS



THREAD TRIMMER COMPONENTS

No.	Supply Code	Parts No.	Replacement	Parts name	Remarks	Choice	Step	Level	Cons	Qty	Rep. QTY
47		SS4150915SP		SCREW 15/64-28 L=9						2	
48		SD0640631TP		HINGE SCREW D=6.35 H=6.3						1	
49	R	22951164	40106930	SOLENOID UNIT						1	1.00
50		22949903		CLUTCH LINK				*		1	
51		RE0500000K0		E-RING				*		1	
52		SS6110710TP		SCREW 11/64-40 L=6.5				*		1	
53	R	11043908	40106930	THREAD TRIMMER SOLENOID				*		1	1.00
54		22951404		SOLENOID BASE				*		1	
55		WP0450000SD		WASHER 4.5X8X0.5				*		2	
56		NM6040000SN		NUT M4				*		2	
57		11043304		SOLENOID RUBBER				*		1	
58		NS6660410SH		NUT				*		1	
59		NS6660430SP		NUT 1/4-40				*		1	
60		22951008		SOLENOID PIN				*		1	
61		22951552		GROUND WIRE ASM.						1	
62		SD0600361SP		HINGE SCREW D=6 H=3.6						1	
63		SS4151215SP		SCREW 15/64-28 L=12						2	
64		22924807		PIPE HOLDER LOWER						1	

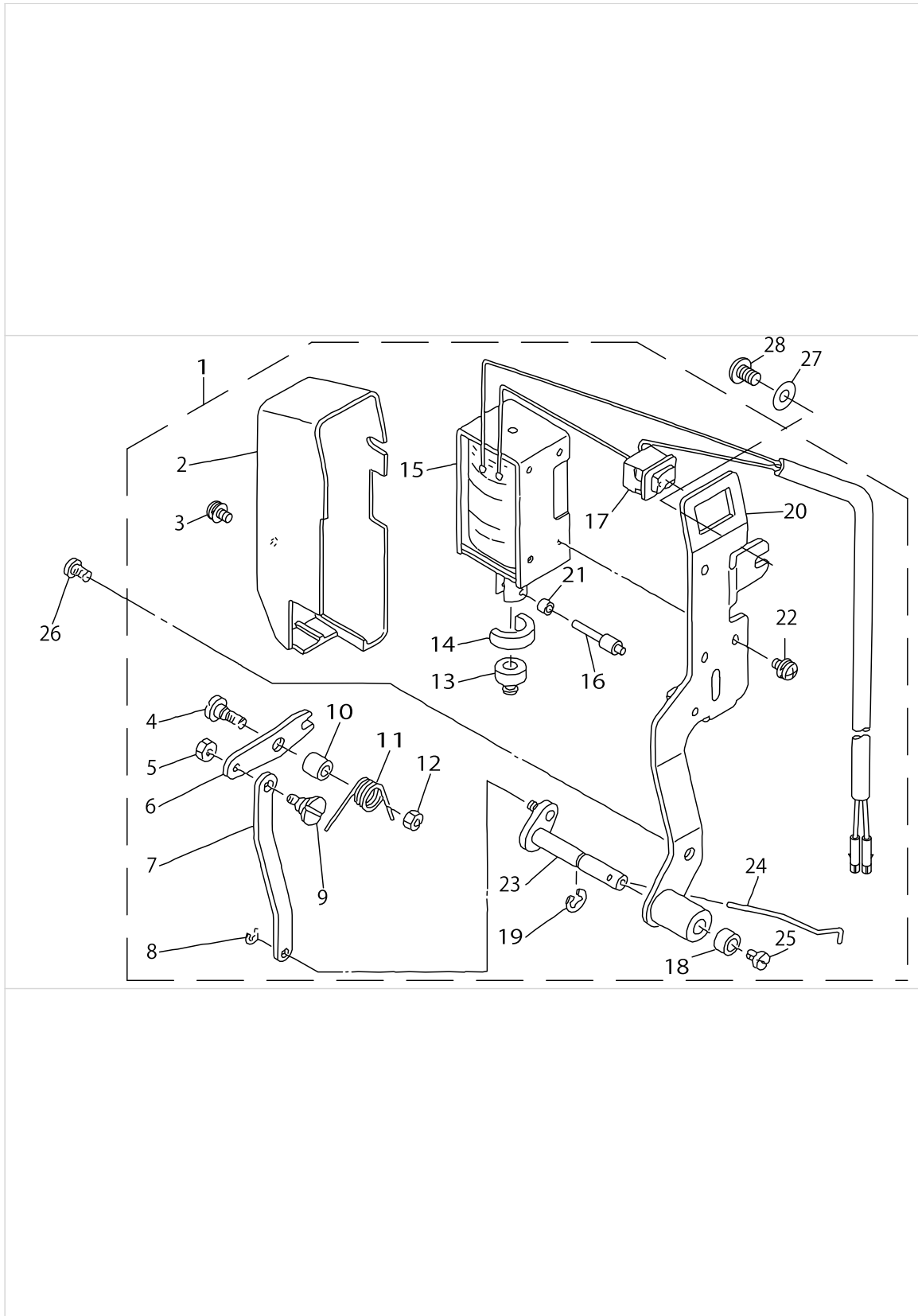
AUTOMATIC REVERSE FEED COMPONENTS



AUTOMATIC REVERSE FEED COMPONENTS

No.	Supply Code	Parts No.	Replacement	Parts name	Remarks	Choice	Step	Level	Cons	Qty	Rep. QTY
1		11075058		REVERSE FEED SWITCH ASM.						1	
2		22954606		REVERSE FEED SWITCH COVER				*		1	
3		SM4040655SP		SCREW M4 L=6				*		1	
4		22954101		REVERSE FEED SWITCH BASE				*		1	
5		22954200		REVERSE FEED SWITCH SHAFT				*		1	
6		22954309		REVERSE FEED SWITCH SPRING				*		1	
7		SM4041655SP		SCREW M4 L=16				*		1	
8		SM4031501SC		SCREW M3 L=15				*		2	
9		HW500070000		2-CORE CABTYRE CORD				*		1.31	
10		HK03464000B		PIN CONTACT				*		2	
11		HA001900000		MICROSWITCH				*		1	
12	R	11102308	22954408	MICRO SWITCH PLATE				*		1	1.00
13		22954507		REVERSE FEED SWITCH LEVER				*		1	
14		RE0500000KP		E-RING 5						2	
15		11101300		REVERSE FEED CO- NNECTING SHAFT						1	
16		RE0900000K0		E-RING 9						1	
17		22953657		AUTO-BACK ARM ASM.						1	
18		RE0400000KP		E-RING 4						1	
19		22953905		CONNECTING LINK						1	
20		RE1200000K0		E-RING 12						1	
21		WP1602616SZ		WASHER 16X24X2.6						1	
22		D2468555B00		RUBBER PLUNGER						1	
23		RE0400000K0		E-RING 4						2	
24		22953509		REVERSE FEED PL- UNGER ARM PIN						1	
25		40085585		REVERSE FEED SOLENOID ASM.						1	
26		SS4151215SP		SCREW15/64-28L=12						2	
27		SS4120915SP		SCREW 3/16-28 L=9						1	
28		11217601		WALKING FOOT SPRING						1	
29		HK03464000B		PIN CONTACT						2	
30		SS4120615SP		SCREW 3/16-28 L=6	FOR DDL-5571N					1	

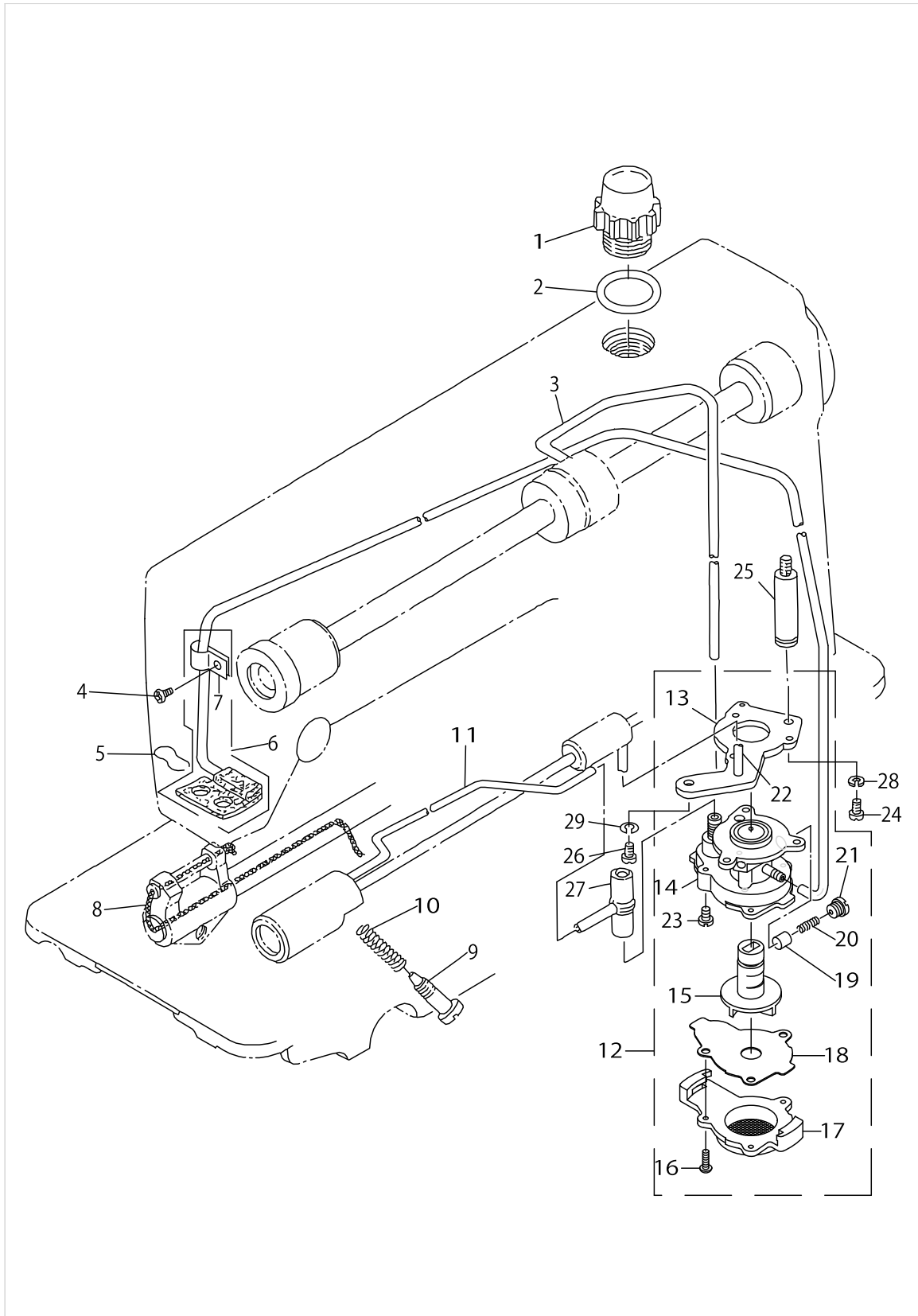
WIPER COMPONENTS



WIPER COMPONENTS

No.	Supply Code	Parts No.	Replacement	Parts name	Remarks	Choice	Step	Level	Cons	Qty	Rep. QTY
1		22955553		WIPER ASM.						1	
2		22955504		WIPER COVER				*		1	
3		SL4030631SC		SCREW M3X6				*		1	
4		SD0650321TP		HINGE SCREW D=6.5 H=3.2				*		1	
5		NS6090310SP		NUT 9/64-40				*		1	
6		22956106		WIPER LINK A				*		1	
7		22956403		WIPER LINK B				*		1	
8		RE0250000K0		E-RING 2.5				*		1	
9		22956908		WIPER LINK B HINGE SCREW				*		1	
10		22956205		WIPER HINGE SCREW COLLAR				*		1	
11		22956304		WIPER SPRING				*		1	
12		NS6110310SP		NUT 11/64-40				*		1	
13		22955900		WIPER RUBBER A				*		1	
14		22956007		WIPER RUBBER B				*		1	
15	R	11110301	40106936	WIPER SOLENOID				*		1	1.00
16		40106936		WIPER SOLENOID ASM.				*		1	
17		HA00600000A		SWITCH				*		1	
18		22956809		WIPER COLLAR				*		1	
19		RE0500000K0		E-RING				*		1	
20		11110152		WIPER BASE ASM.				*		1	
21		22957203		WIPER LINK COLLAR				*		1	
22		SL4030641SE		SCREW				*		3	
23	R	11111051	40041419	WIPER DRIVING SHAFT ASM.				*		1	1.00
24		22957005		WIPER				*		1	
25		SS6090540SP		SCREW 9/64-40 L=5.0				*		1	
26		SS4120915SP		SCREW 3/16-28 L=9						2	
27		WP0482086SD		WASHER 4.8X11.5X2						1	
28		SS4120915SP		SCREW 3/16-28 L=9						1	

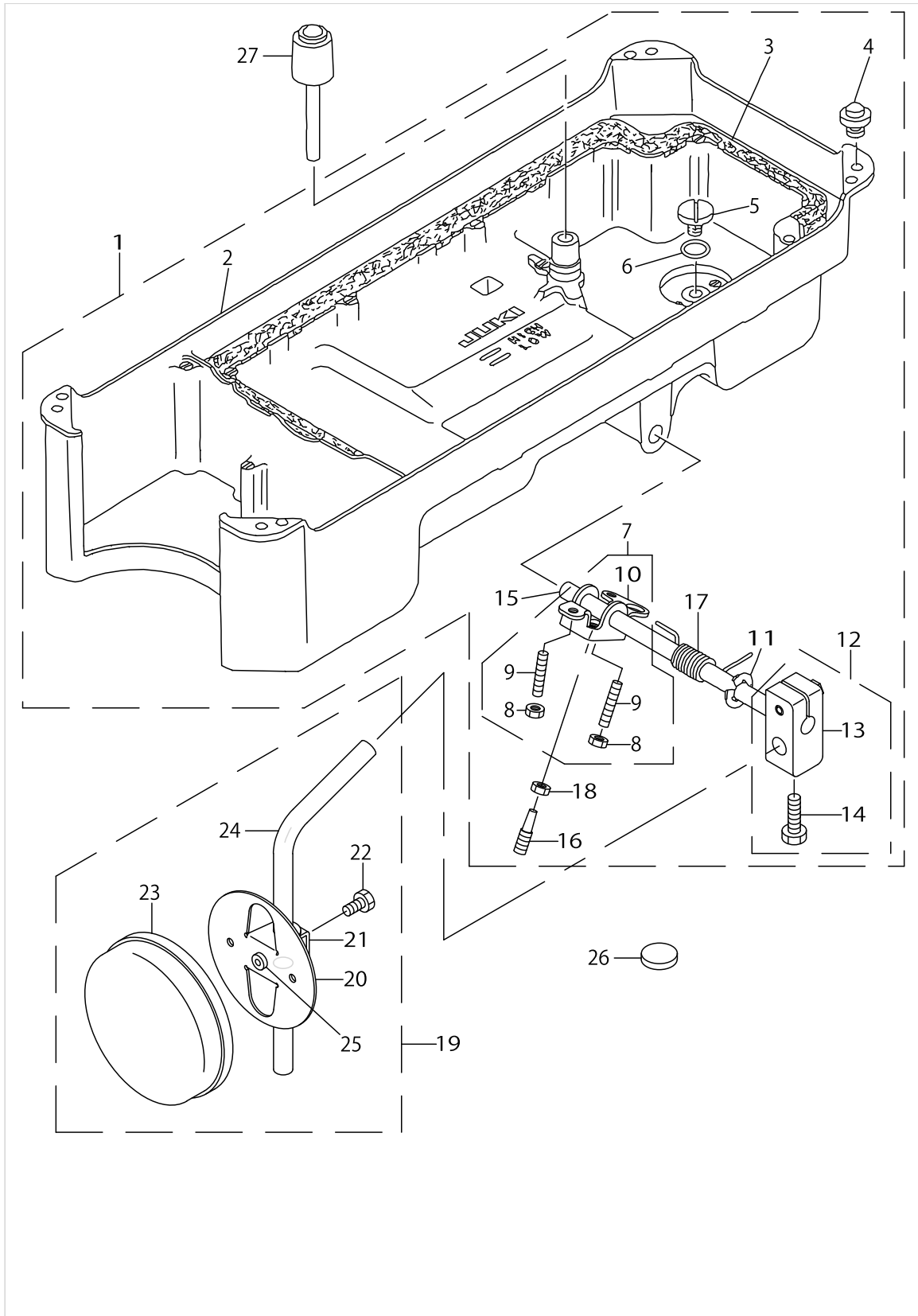
OIL LUBRICATION COMPONENTS



OIL LUBRICATION COMPONENTS

No.	Supply Code	Parts No.	Replacement	Parts name	Remarks	Choice	Step	Level	Cons	Qty	Rep. QTY
1	R	22947006	22924708	OIL SIGHT WINDOW						1	1.00
2		RO195240100		RUBBER RING						1	
3		22924401		MAINSHAFTOILTUBE						1	
4		SS4120615SP		SCREW 3/16-28 L=6						1	
5		22925101		OIL FELT PRESSER						1	
6		22924153		RETURN PIPE ASM.						1	
7		22924302		RETURN PIPE HOLDER				*		1	
8		CQ252000000		OIL WICK						.2	
9		22925002		OIL REGULATOR SCREW						1	
10		22924906		OIL REGULATOR SCREW SPRING						1	
11		22924500		HOOK OIL TUBE						1	
12		22923056		OIL PUMP ASM.						1	
13	R	22923312	11392057	OIL PUMP INSTALLING BASE		A	DLD5430	*		1	1.00
13	R	22923312	11404555	OIL PUMP INSTALLING BASE		B	DDL5600/- 8100e, DU1181	*		1	1.00
13	R	22923312	22923056	OIL PUMP INSTALLING BASE		C	DDL8700/- 8300/8500- /900A, DM- N5420/5400	*		1	1.00
14	R	22923015	22923056	OIL PUMP				*		1	1.00
15		22923700		IMPELLER				*		1	
16		SE4301041SR		SCREW D=3 L=10				*		3	
17		22923205		PUMP BODY COVER				*		1	
18		22923809		PUMP BODY SUPPORT PLATE				*		1	
19		22923403		PLUNGER				*		1	
20		22923601		PLUNGER SPRING				*		1	
21		22923502		PLUNGER SCREW				*		1	
22		22923908		HOOK DRIVING SH- AFT OILING PIPE				*		1	
23		SL4030851SF		SCREW M3 L=8				*		3	
24		SS6111010TP		SCREW 11/64-40 L=9.5						1	
25		22947105		PUMP BODY STRUT						1	
26		SS4151215SP		SCREW15/64-28L=12						1	
27		22924609		RUBBER JOINT						1	
28		WS0451040KP		SPRING WASHER 4.5X8.5X1						1	
29		WS0651310KP		SPRING WASHER 6.5X11X1.3						1	

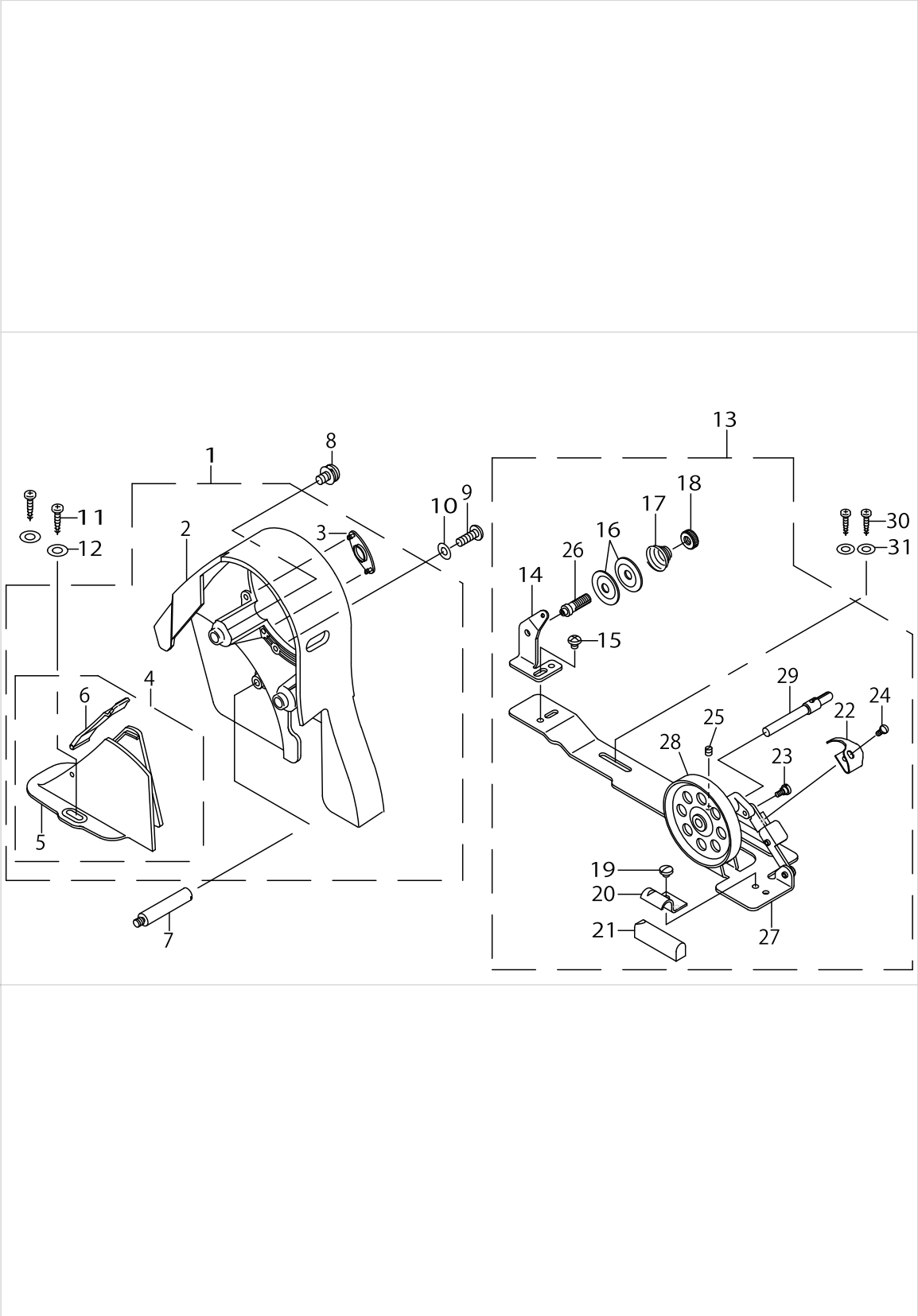
OIL RESERVOIR COMPONENTS



OIL RESERVOIR COMPONENTS

No.	Supply Code	Parts No.	Replacement	Parts name	Remarks	Choice	Step	Level	Cons	Qty	Rep. QTY
1	R	11047057	40102085	OIL RESERVOIR ASM.						1	1.00
2	R	11023017	40102085	OIL RESERVOIR				*		1	1.00
3		11024700		GASKET				*		1	
4		11047107		RUBBER CUSHION				*		1	
5		SS6700710SH		SCREW 5/16-24 L=7				*		1	
6		RO098240100		RUBBER RING				*		1	
7		22932156		KNEE LIFTER ROTATION ARM ASM.				*		1	
8		NM6060001SE		NUT M6				*		2	
9		SM8063012TR		SCREW M6 L=30				*		2	
10	R	22932107	22932156	KNEE LIFTING ROTATING ARM				*		1	1.00
11		RE1000000K0		E-RING 10				*		1	
12		22932453		BRACKET ASM.				*		1	
13	R	22932404	22932453	BRACKET				*		1	1.00
14	R	SM9062053SR	22934707	SCREW M6 L=20				*		2	1.00
15		22932305		KNEE PRESS CROSS SHAFT				*		1	
16		40101720		SCREW_M6				*		1	
17		22932206		SPRING				*		1	
18		NM6060001SE		NUT M6				*		1	
19		22934251		KNEE PAD PLATE ASM.						1	
20		22934202		KNEE PAD PLATE				*		1	
21		22934301		KNEE PAD PLATE SUPPORT				*		1	
22		SM9061203SE		SCREW M6 L=12				*		1	
23		22934509		KNEE PAD PLATE COVER				*		1	
24		22934608		KNEE PAD UPRIGHT SHAFT				*		1	
25		22934400		KNEE PAD PLATE RUBBER				*		1	
26		B8228125000		OIL RESERVOIR MAGNET						1	
27	R	11024304	22931703	KNEE PRESS LIFTER ROD						1	1.00

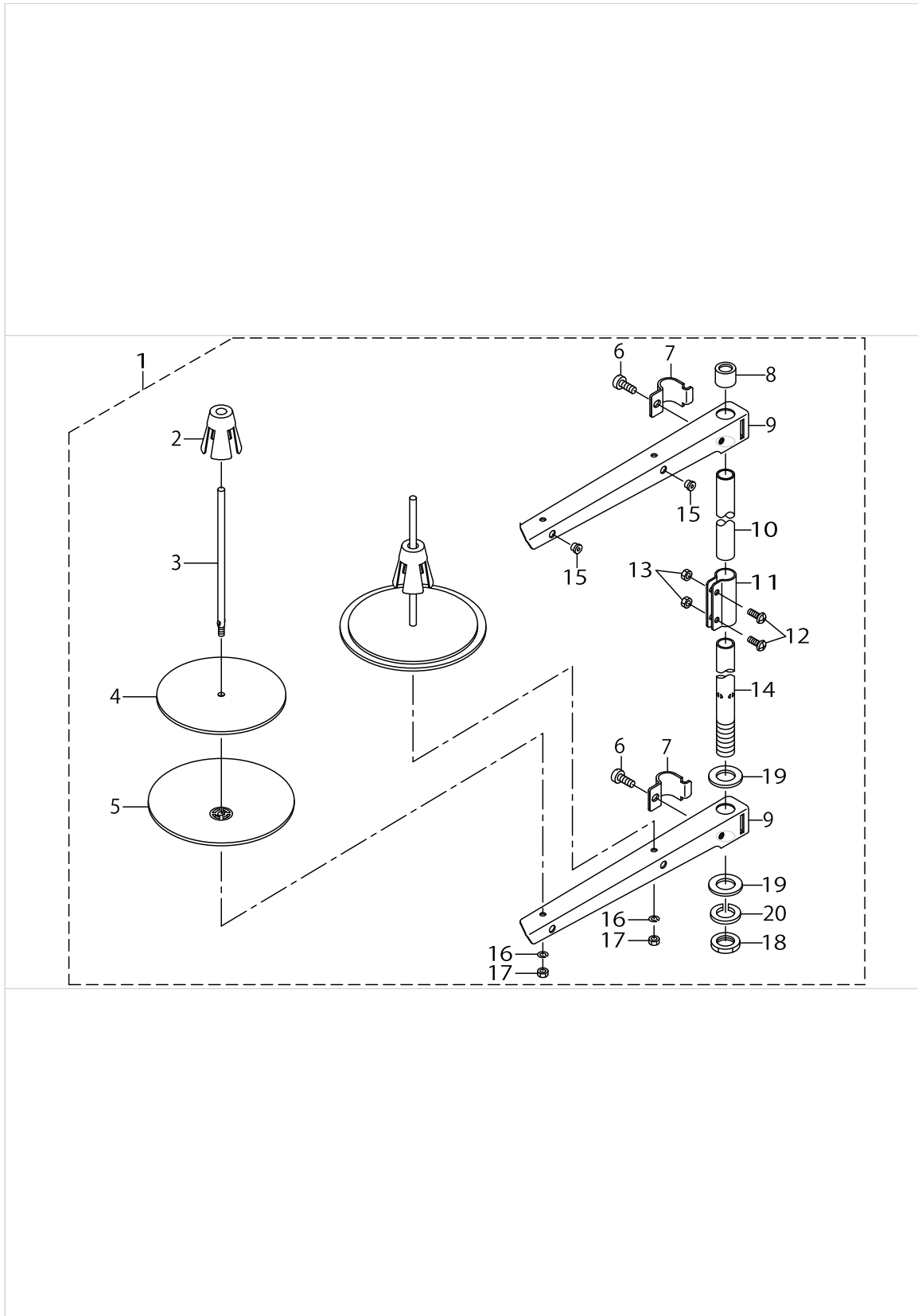
BELT COVER & BOBBIN WINDER COMPONENTS



BELT COVER & BOBBIN WINDER COMPONENTS

No.	Supply Code	Parts No.	Replacement	Parts name	Remarks	Choice	Step	Level	Cons	Qty	Rep. QTY
1	R	11076668	22933451	BELT COVER ASM. URBANE GRAY						1	1.00
2	R	11076601	22933451	BELT COVER A				*		1	1.00
3	R	11076700	22933451	BELT COVER A CAP				*		1	1.00
4	R	11076858	22933659	BELT COVER B ASM.				*		1	1.00
5	R	11076809	22933659	BELT COVER B				*		1	1.00
6	R	11076957	22933659	BELT COVER B CAP ASM.				*		1	1.00
7	R	11023504	22933907	BELT COVER SUPPORT A						1	1.00
8		11025202		BELT COVER A SCREW						2	
9		SS4121415SP		SCREW 3/16-28 L=14						1	
10		WP0501016SD		WASHER 5X10.5X1						1	
11	R	SK3412000SC	SK3412000SE	WOOD SCREW D=4.1 L=20						2	1.00
12		WP0450826SC		WASHER 4.5X10X0.8						2	
13		22927354		BOBBIN WINDER COMPL.						1	
14	R	22928501	11078250	THREAD TENSION POST BASE				*		1	1.00
15		SS4110515SP		SCREW 11/64-40 L=5				*		1	
16	R	22928907	22921506	THREAD TENSION DISK				*		2	1.00
17		22929004		THREAD TENSION SPRING				*		1	
18		22928808		NUT				*		1	
19		SS7110350SP		SCREW 11/64-40 L=3.5				*		1	
20	D	22928402		CONTROL RUBBER HOLDING PLATE				*		1	
21		22928303		CONTROL RUBBER				*		1	
22		22928105		BOBBIN PRESSER				*		1	
23		SD0490261SP		HINGE SCREW D=4.9 H=2.6				*		1	
24		SS7081310SP		SCREW 1/8-44 L=12.5				*		1	
25	R	SS8110510SP	SS8110520TP	SCREW 11/64-40 L=5				*		1	1.00
26	R	22928709	11078250	THREAD TENSION POST				*		1	1.00
27	R	22927305	22927354	BOBBIN WINDER BASE				*		1	1.00
28		22927404		BOBBIN WINDER				*		1	
29		22927602		BOBBIN WINDER SPINDLE				*		1	
30	R	SK3412000SC	SK3412000SE	WOOD SCREW D=4.1 L=20						2	1.00
31		WP0450826SC		WASHER 4.5X10X0.8						2	

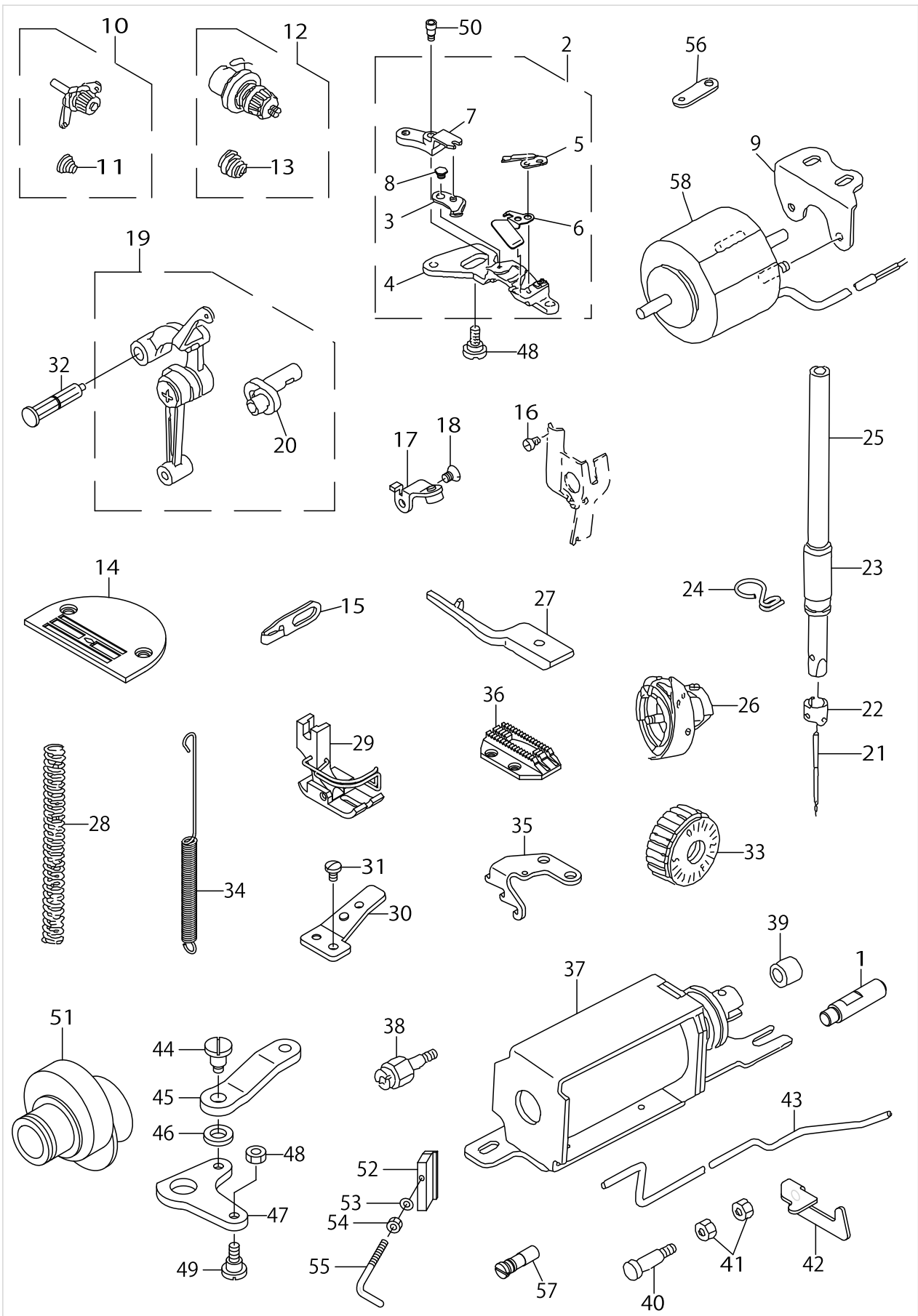
THREAD STAND COMPONENTS



THREAD STAND COMPONENTS

No.	Supply Code	Parts No.	Replacement	Parts name	Remarks	Choice	Step	Level	Cons	Qty	Rep. QTY
1	R	22930358	40096354	THREAD STAND ASM.						1	1.00
2	R	22931109	40085791	SPOOL RETAINER				*		2	1.00
3	R	22931000	40085790	SPOOL PIN				*		2	1.00
4		22930903		SPOOL REST CUSHION				*		2	
5		22930804		SPOOL REST				*		2	
6		SM6061610SC		SCREW M6 L=15				*		2	
7	R	22930705	40096354	THREAD GUIDE ARM JOINT				*		2	1.00
8		22931406		SPOOL REST ROD RUBBER CAP				*		1	
9	R	22930507	40096354	SPOOL REST ARM				*		2	1.00
10	R	22930408	40096354	SPOOL REST ROD UPPER				*		1	1.00
11	R	22931307	40096354	SPOOL REST ROD JOINT				*		1	1.00
12		SM4051405SE		SCREW M5 L=14				*		2	
13		NM6050001SE		NUT M5				*		2	
14	R	22930309	40096354	SPOOL REST ROD LOWER				*		1	1.00
15		22931208		THREAD GUIDE				*		2	
16		WS0510002KN		SPRING WASHER				*		2	
17		NM6050001SE		NUT M5				*		2	
18		NM6160511SE		NUT M16X1.5				*		1	
19		WP1612616SE		WASHER 16X30X2.6				*		2	
20	R	WS1643202KR	WP1612616SE	SPRING WASHER		A		*		1	2.00
20	R	WS1643202KR	40085796	SPRING WASHER		A		*		1	2.00

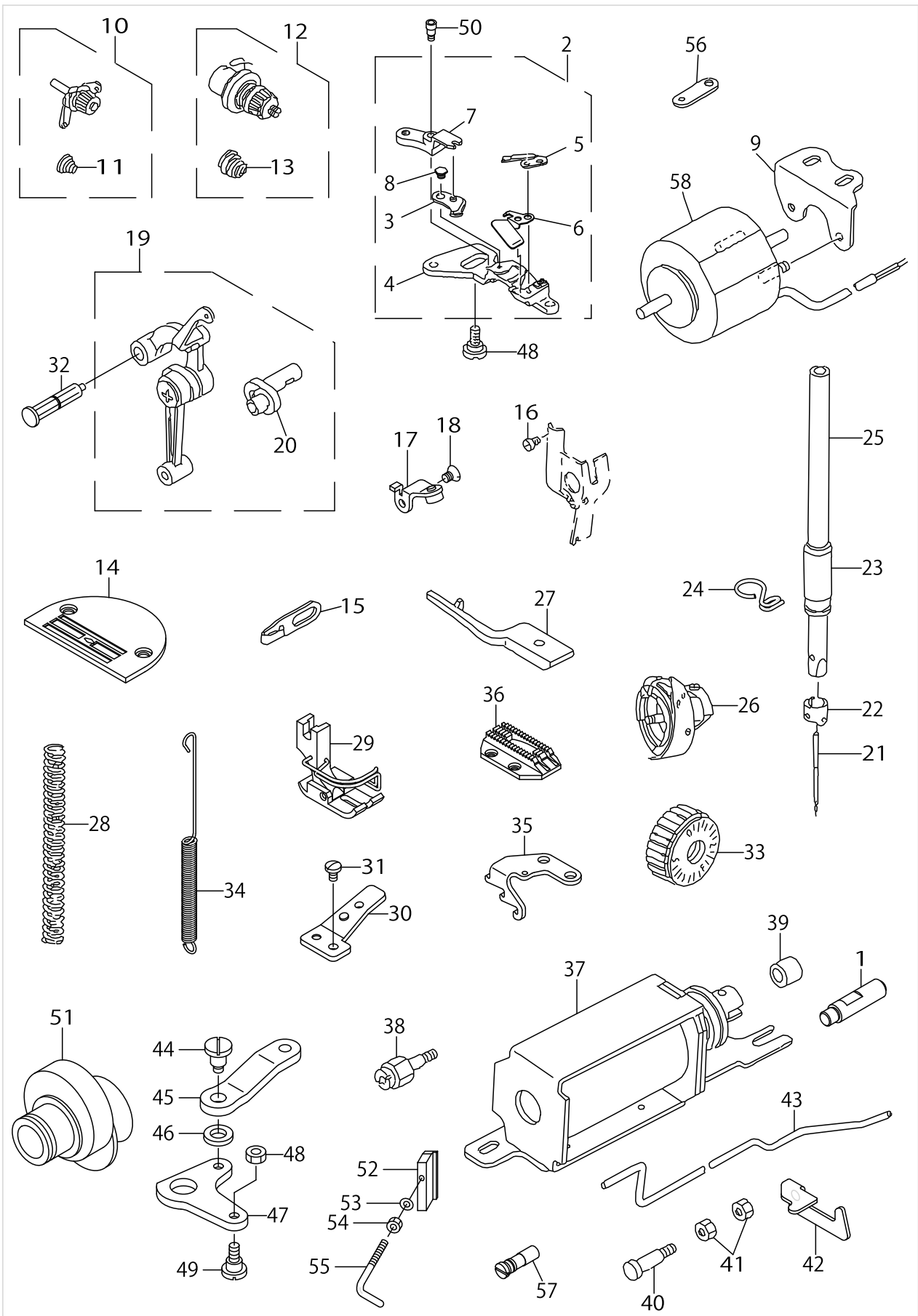
EXCLUSIVE PARTS FOR DDL-5571N-H



EXCLUSIVE PARTS FOR DDL-5571N-H

No.	Supply Code	Parts No.	Replacement	Parts name	Remarks	Choice	Step	Level	Cons	Qty	Rep. QTY
1		40010395		ADJUSTING LINK F-ULCRUM SHAFT B						1	
2		11095551		KNIFE UNIT						1	
3		11409257		MOVING KNIFE J ASM.				*		1	
4		11095502		KNIFE MOUNT BASE				*		1	
5		11409604		FIX KNIFE				*		1	
6		11095403		KNIFE THREAD GUIDE				*		1	
7		11095601		KNIFE BRANCH				*		1	
8		SD0500131TP		HINGE SCREW D=5 H=1.25				*		1	
9	R	11094901	11407608	SOLENOID BASE						1	1.00
10		22963458		THREAD TENSION ASM.						1	
11	R	22963409	22963458	THREAD TENSION SPRING				*		1	1.00
12		22962054		THREAD TENSION ASM.						1	
13	R	22962005	B3114232000	THREAD TENSION SPRING				*		1	1.00
14		11400801		THROAT PLATE J						1	
15		11091006		ARM THREAD GUIDE (HA)						1	
16		SS6080320SP		SCREW 1/8-44 L=2.5						1	
17		11095254		LEVER STOPPER ASM.						1	
18		SS1120710SP		SCREW 3/16-28 L=6.5						1	
19		40103560		LINK_THREAD_TAKE-UP_LENER-H_ASM.						1	
20		40109126		NEEDLE_BAR_CRANK_H				*		1	
21		MDB100B2100		NEEDLE DBX1 #21						1	
22		B1418415H00		NEEDLE BAR THREAD GUIDE						1	
23		B1403553000		NEEDLE BAR BUSHING LOWER						1	
24		40023223		NEEDLE BAR THREAD GUIDE						1	
25		22970206		NEEDLE BAR						1	
26		11092251		LUBRICATING BOBBIN ASM.						1	
27		22962401		POSITIONING FINGER H						1	
28		B1505552000A		PRESSER SPRING						1	
29	R	D1524555EBL	D1524555ECL	PRESSER FOOT ASM.						1	1.00
30		22962807		WIRE PRESSER PLATE B						1	
31		SS7110740TP		SCREW 11/64-40 L=7						1	
32		22919559		THREAD TAKE-UP CRANK SHAFT ASM.						1	
33		11071909		FEED DIAL						1	
34		40080725		ADJUSTING LINK SPRING						1	
35		22970602		FEED SPRING HOOK						1	
36		11403003		FEED J						1	
37		40090750		SOLENOID MOUNTING BASE ASM.						1	
38		11231503		OIL PUMP SUPPORT						1	
39		22962609		REVERSE FEED BASE COLLAR						1	
40		22962906		PLUNGER ARM PIN						1	
41		NS6110420SP		NUT 11/64-40						1	
42		22962708		TUBE HOLDER LOWER						1	
43		11094109		OIL TUBE						1	
44		SD0700711TP		HINGE SCREW D=7 H=7.1						1	
45		22962500		REVERSE FEED CONNECTING LINK H						1	

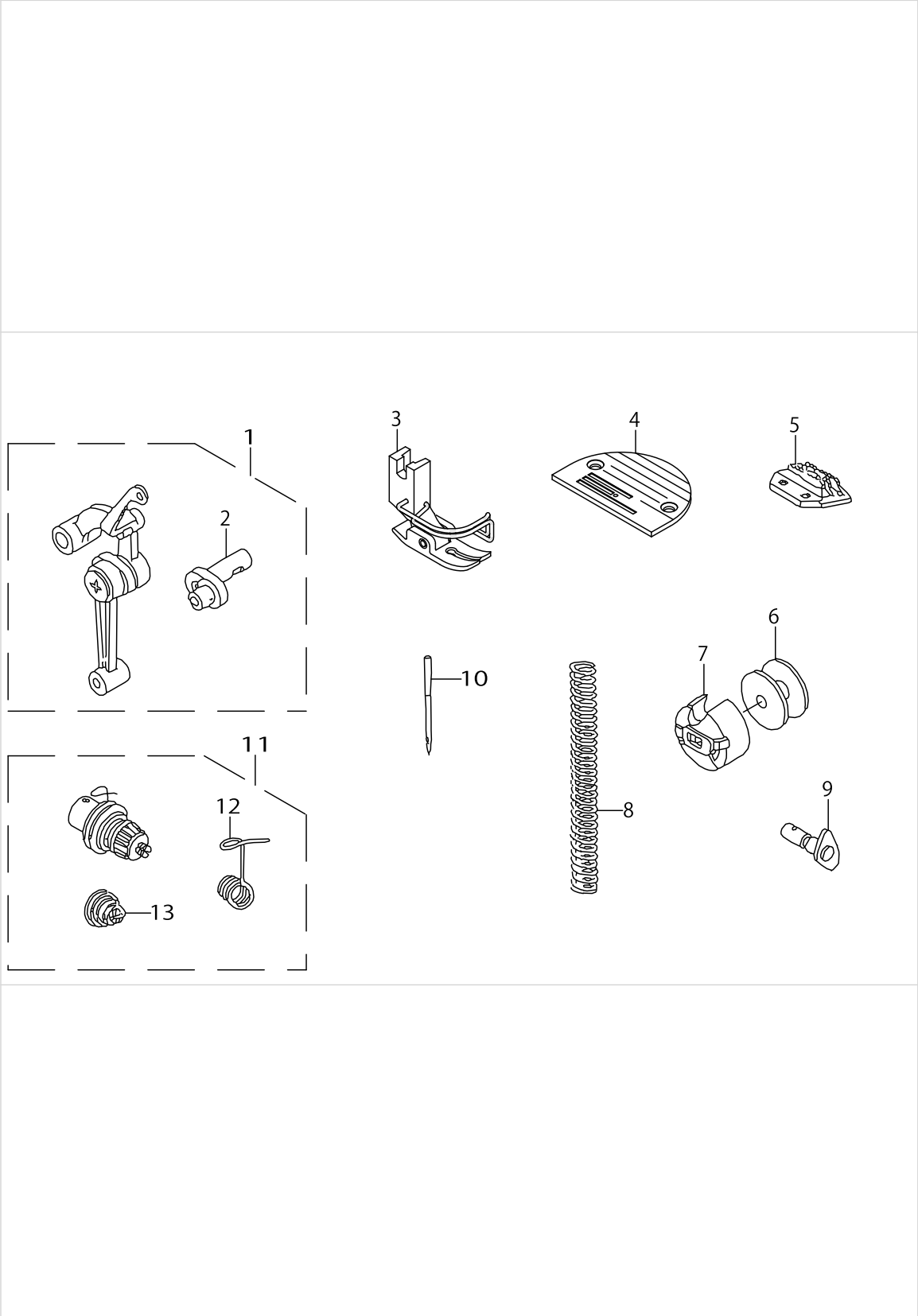
EXCLUSIVE PARTS FOR DDL-5571N-H



EXCLUSIVE PARTS FOR DDL-5571N-H

No.	Supply Code	Parts No.	Replacement	Parts name	Remarks	Choice	Step	Level	Cons	Qty	Rep. QTY
46		WP0722316SH		WASHER						1	
47		11101508		REVERSE FEED LINK						1	
48		NS6110420SP		NUT 11/64-40						2	
49		SD0700451TP		HINGE SCREW D=7 H=4.5						1	
50		SD0460703TP		HINGE SCREW D=4.6 H=7						1	
51		22962351		FEED DRIVE ECCEN- TRIC CAM ASM.						1	
52		11403805		THREAD GUIDE C FITTING PLATE						1	
53		WP0371016SD		WASHER 3.7X8X1						1	
54		NS6090310SP		NUT 9/64-40						1	
55		22972608		ARMTHREADGUIDEC						1	
56		11094604		CLUTCH LINK						1	
57		B1213552000A		OIL ADJUSTING PIN						1	
58	R	11096500	40090753	THREAD TRIMMER SOLENOID						1	1.00
59		SD0550701TP		STEP-SCREW D=5.5 H=7						1	

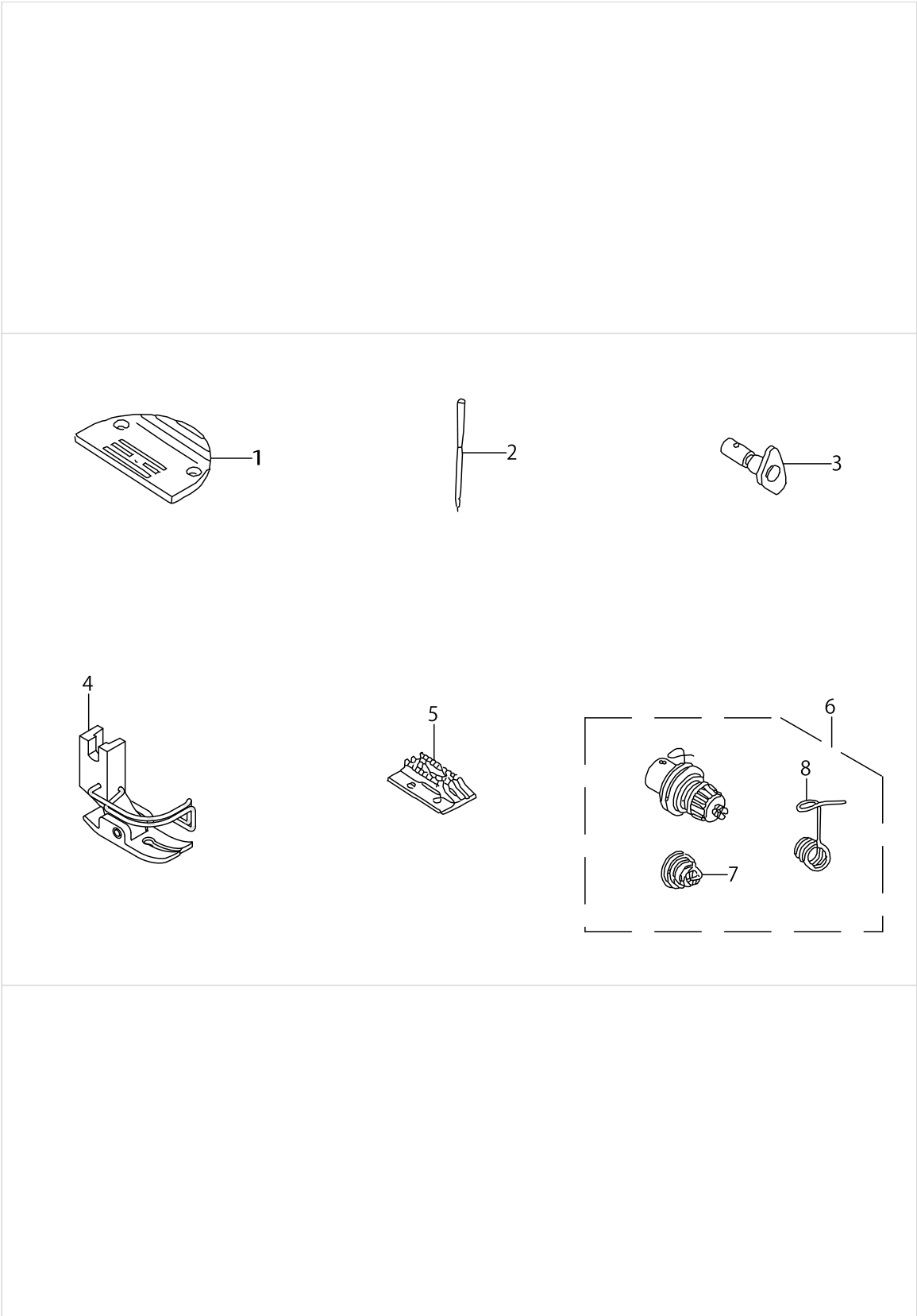
EXCLUSIVE PARTS FOR DDL-5571N-A, 5581N-A



EXCLUSIVE PARTS FOR DDL-5571N-A, 5581N-A

No.	Supply Code	Parts No.	Replacement	Parts name	Remarks	Choice	Step	Level	Cons	Qty	Rep. QTY
1		11091857		LINK THREAD TAKE- -UP LEVER ASM.						1	
2		11091808		NEEDLEBARCRANKA				*		1	
3		D1524555DBA		PRESSER FOOT ASM.						1	
4		11028008		THROAT PLATE						1	
5		B1613012I00		FEED DOG I						1	
6		22964001		BOBBIN A						1	
7		B18370120A0		BOBBIN CASE ASM.						1	
8		B1505227T00A		PRESSER SPRING T						1	
9		11092558		HAND LIFTER CAM ASM.						1	
10		MDA100B1100		NEEDLE DAX1 #11						1	
11		40011503		THREAD TENSION ASM.						1	
12		40054784		THREAD TAKE-UP SPRING				*		1	
13	R	40054785	D3129555D00	THREAD TENSION SPRING				*		1	1.00

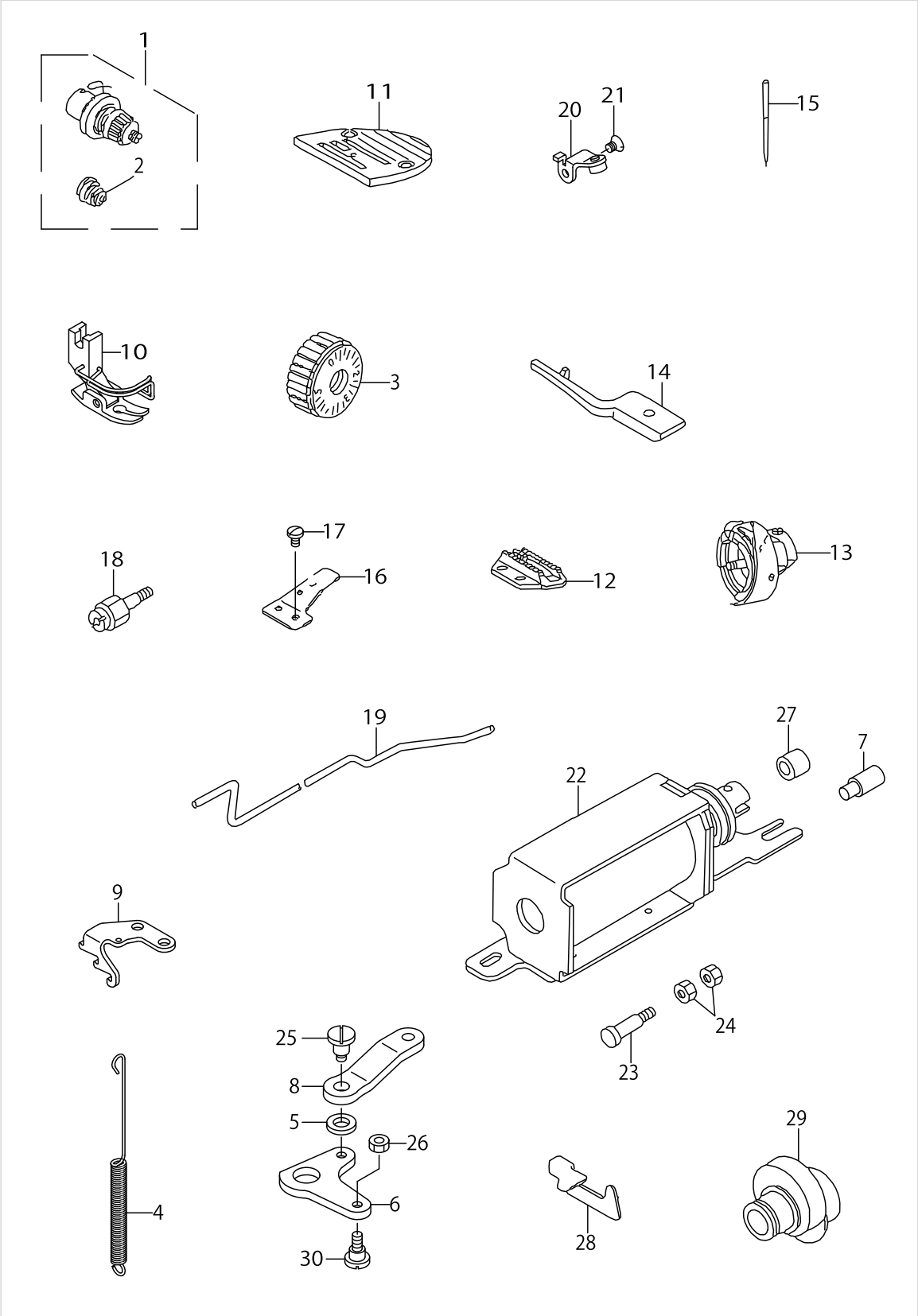
EXCLUSIVE PARTS FOR DDL-5571N-K, 5581N-K



EXCLUSIVE PARTS FOR DDL-5571N-K, 5581N-K

No.	Supply Code	Parts No.	Replacement	Parts name	Remarks	Choice	Step	Level	Cons	Qty	Rep. QTY
1		11001906		THROAT PLATE K						1	
2		MDB100B0900		NEEDLE DBX1 #9						1	
3		11092558		HAND LIFTER CAM ASM.						1	
4		D1524555DBA		PRESSER FOOT ASM.						1	
5		D1613155W00		FEED DOG W						1	
6		40011503		THREAD TENSION ASM.						1	
7	R	40054785	D3129555D00	THREAD TENSION SPRING				*		1	1.00
8		40054784		THREAD TAKE-UP SPRING				*		1	

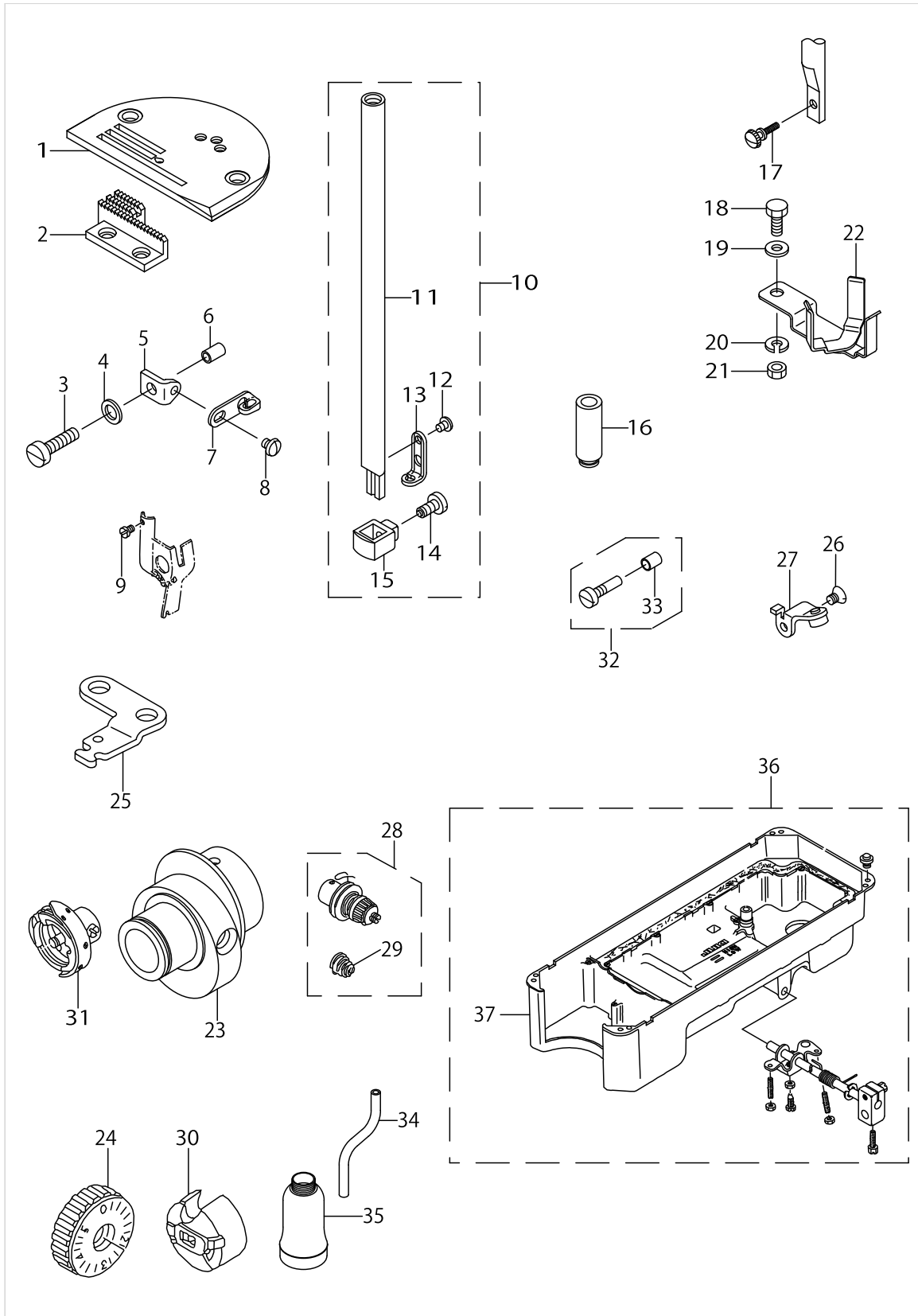
EXCLUSIVE PARTS FOR DDL-5571N-M, 5581N-M



EXCLUSIVE PARTS FOR DDL-5571N-M, 5581N-M

No.	Supply Code	Parts No.	Replacement	Parts name	Remarks	Choice	Step	Level	Cons	Qty	Rep. QTY
1		22962054		THREAD TENSION ASM.						1	
2	R	22962005	B3114232000	THREAD TENSION SPRING				*		1	1.00
3		11071909		FEED DIAL						1	
4		40080725		ADJUSTING LINK SPRING						1	
5		WP0722316SH		WASHER						1	
6		11101508		REVERSE FEED LINK						1	
7		40010395		ADJUSTING LINK F- ULCRUM SHAFT B						1	
8		22962500		REVERSE FEED CO- NNECTING LINK H						1	
9		22970602		FEED SPRING HOOK						1	
10		11080371		PRESSER ASM.						1	
11		11080009		THROAT PLATE						1	
12		11080603		FEED						1	
13		11092251		LUBRICATING BOBBIN ASM.						1	
14		22962401		POSITIONING FINGER H						1	
15		MDB100B1600		NEEDLE DBX1 #16						1	
16		22962807		WIRE PRESSER PLATE B						1	
17		SS7110740TP		SCREW 11/64-40 L=7						1	
18		11231503		OIL PUMP SUPPORT						1	
19		11094109		OIL TUBE						1	
20		11095254		LEVER STOPPER ASM.						1	
21		SS1120710SP		SCREW 3/16-28 L=6.5						1	
22		40090750		SOLENOID MOUNTING BASE ASM.						1	
23		22962906		PLUNGER ARM PIN						1	
24		NS6110420SP		NUT 11/64-40						1	
25		SD0700711TP		HINGE SCREW D=7 H=7.1						1	
26		NS6110420SP		NUT 11/64-40						1	
27		22962609		REVERSE FEE BASE COLLAR						1	
28		22962708		TUBE HOLDER LOWER						1	
29		22962351		FEED DRIVE ECCEN- TRIC CAM ASM.						1	
30		SD0700451TP		HINGE SCREW D=7 H=4.5						1	

EXCLUSIVE PARTS FOR DDL-5571NU



EXCLUSIVE PARTS FOR DDL-5571NU

No.	Supply Code	Parts No.	Replacement	Parts name	Remarks	Choice	Step	Level	Cons	Qty	Rep. QTY
1	D	B1109505U00		THROAT PLATE						1	
2		B1613505U00		FEED DOG						1	
3		SS6121850TP		SCREW 3/16-28 L=18						1	
4		WP0480856SP		WASHER 4.8X8.4X0.8						1	
5		B1128505U00		THREAD GUIDE MOUNTING BASE						1	
6		11142205		SPACER						1	
7		D1127555D00		FRAME THREAD GUIDE B						1	
8		SS5090420SP		SCREW 9/64-40 L=3.5						1	
9		SS6080320SP		SCREW 1/8-44 L=2.5						1	
10	D	B1401505UA0A		NEEDLE BAR ASM.						1	
11		B1401505U00A		NEEDLE BAR				*		1	
12		SS5060310SP		SCREW 3/32-56 L=2.8				*		1	
13	D	B1419505U00		THREAD GUIDE				*		1	
14		B1421505U00		NEEDLE CLAMP SCREW				*		1	
15		B1420505U00		NEEDLE CLAMP				*		1	
16		B1403553000		NEEDLE BAR BUSHING LOWER						1	
17		11142403		PRESSER SCREW						1	
18		SM9082023SE		SCREW M8 L=20						1	
19		WP0871602SE		WASHER 8.7X18X1.6						1	
20		WS0861410KR		SPRING WASHER 8.6X15X1.4						1	
21		NM6080721SE		NUT M8						1	
22		11074408		SUPPORT BASE						1	
23		11142304		FEED ECCENTRIC CAM						1	
24		11071909		FEED DIAL						1	
25	D	11074309		FEED SPRING HOOK						1	
26		SS1120710SP		SCREW 3/16-28 L=6.5						1	
27		11095254		LEVER STOPPER ASM.						1	
28		22962054		THREAD TENSION ASM.						1	
29	R	22962005	B3114232000	THREAD TENSION SPRING				*		1	1.00
30		B18370120A0		BOBBIN CASE ASM.						1	
31		D1830555BAG		HOOK ASM. FOR HEAVY						1	
32		B1808227HA0		HOOK DRIVING SH- AFT FRONT SCREW						1	
33	D	B1810227H00		OIL WICK				*		1	
34		BP900000000		VINYL TUBE D=9						.6	
35		B9121012000		OIL CAN						1	
36		11142064		OIL RESERVOIR ASM.						1	
37		11142056		OIL RESERVOIR ASM.				*		1	

LIST FOR INFORMATION OF CHANGE (1)

As to the place changed, refer to the corresponding Rev.No.
 When previous parts(Obsoleted part)and new parts(Added parts)are
 not interchangeable with each other:
 In this case,even obsoleted parts(D.)can be ordered with the
 obsoleted part number,so select the parts with changed dates and
 place your orders.

変更箇所は、該当Rev.No.版をご参照ください。
 部品の互換性がない変更の場合は、削除された品番でも、ご注文できます。

29121704
 No.0915-08}・Rev.No.

*A:Added parts追加部品/D:Obsoleted parts削除部品/E:Erratum訂正

* Rev. No.	Page 頁	Ref. No.	Parts No. 品番	* Rev. No.	Page 頁	Ref. No.	Parts No. 品番
D 07	2	18	111-00500	A 08	2	18	229-52501
D 07	2	20	111-00104	A 08	2	20	401-11022
D 07	2	58	M6012-350-AAL				
D 07	2	59	SS-4121215-SP				
D 07	2	60	WP-0501016-SD				
D 07	4	4	110-39070	A 08	4	4	229-18072
D 07	4	5	110-39062	A 08	4	5	229-18064
D 07	4	6	B1905-541-B00	A 08	4	6	229-18403
				A 08	4	7	229-18502
				A 08	4	8	229-18601
				A 08	4	9	229-18700
D 07	4	7	110-05204	A 08	4	10	229-18106
D 07	4	8	B1408-552-000	A 08	4	11	229-06606
D 07	4	9	B1903-552-000	A 08	4	12	229-18304
D 07	4	10	229-03157	A 08	4	13	401-06606
D 07	4	15	229-03108	A 08	4	15	401-06607
D 07	4	21	110-02508	A 08	4	21	401-05231
D 07	6	2	B1402-552-000-A	A 08	6	2	229-06101
D 07	6	6	B1414-555-000	A 08	6	6	400-90058
D 07	8	24	110-18207	A 08	8	24	229-20201
D 07	8	28	110-45952	A 08	8	28	229-44854
D 07	8	35	110-06004	A 08	8	35	229-07208
D 07	8	36	229-07000	A 08	8	36	400-17805
D 07	8	40	400-14007	A 08	8	40	400-60989
				A 08	10	11	229-10251
D 07	10	12	110-08208	A 08	10	12	229-10202
D 07	10	15	110-14008	A 08	10	15	229-15003
D 07	10	19	110-10154	A 08	10	19	229-12257
D 07	10	20	110-10410	A 08	10	20	229-12505
D 07	10	60	110-08703	A 08	10	60	400-89548
D 07	10	64	229-12604	A 08	10	64	401-00084
D 07	10	65	110-10709	A 08	10	65	229-12802
D 07	10	66	110-08604	A 08	10	66	400-93417
D 07	12	6	110-40300	A 08	12	6	229-47907
D 07	12	23	110-42264	A 08	12	23	229-49762
D 07	12	38	229-49309	A 08	12	38	110-43700

LIST FOR INFORMATION OF CHANGE (2)

*	Rev. No.	Page 頁	Ref. No.	Parts No. 品番	*	Rev. No.	Page 頁	Ref. No.	Parts No. 品番
	D 07	13	25	111-02753		A 08	13	25	400-85585
	D 07	14	15	111-10301		A 08	14	15	401-06936
	D 07	14	17	HA-0060000-00		A 08	14	17	HA-0060000-0A
	D 07	14	18	HW-2003900-00					
	D 07	14	19	HW-5000700-00					
	D 07	14	23	HK-0346400-0B					
	D 07	18	16	SM-9062563-TR		A 08	18	16	401-01720
	D 07	22	1	110-96062					
	D 07	22	10	110-73954		A 08	22	10	229-63458
	D 07	22	11	110-93606		A 08	22	11	229-63409
	D 07	22	19	110-91659		A 08	22	19	401-03560
	D 07	22	20	110-91600		A 08	22	20	401-09126
	D 07	22	25	110-91303		A 08	22	25	229-70206
	D 07	22	27	110-93804		A 08	22	27	229-62401
	D 07	22	34	110-91204		A 08	22	34	400-80725
	D 07	22	35	229-62203		A 08	22	35	229-70602
	D 07	22	37	110-96658		A 08	22	37	400-90750
	D 07	22	50	M6013-350-AAF					
	D 07	22	55	113-05513		A 08	22	55	229-72608
	D 07	23	9	M6019-350-AAA					
	D 07	24	6	M6019-350-AAA					
	D 07	26	4	110-91204		A 08	26	4	400-80725
	D 07	26	9	229-62203		A 08	26	9	229-70602
	D 07	26	14	110-93804		A 08	26	14	229-62401
	D 07	26	22	110-96658		A 08	26	22	400-90750
	D 07	26	25	M6017-350-AAF					
	D 07	28	22	M6020-350-AAA					

HOW TO MAKE USE OF THIS PARTS LIST

1.Explanation of codes

1)"*"mark.....means this part is changed from the previous parts book.

As to the details of the change, refer to the "List for information of change".

2)"#01".....refer to "Note" explanation at bottom of page.

2.Codes on the "Qty" column

- Each numeral indicates the number of parts required.
- "0.1" and "2.5" indicate the length (in meters) of the respective parts.

3.Parentheses mean that the corresponding part is a subpart that constructs an assembly part.

4.Dotted lines on the Figures indicate assembly parts.

1."注記"欄の記号説明

1) "*"印.....前回のパーツブックに比較して今回変更された部品を意味します。

変更内容は、"変更情報リスト"を参照してください。

2) "#01".....ページ下の"注記"の説明を参照してください。

2.数量欄の数字は、個数を表し、0.1、2.5等の数値は、長さ（単位メートル）を表します。

3.数量欄の（ ）は、組部品を構成している子部品であることを意味します。

4.イラストページの-----枠は、組構成であることを意味します。

NUMERICAL INDEX OF PARTS

PART NO	PAGE	REF NO.	PART NO	PAGE	REF NO.	PART NO	PAGE	REF NO.
11000304	2	2	11074309	46	25	11231503	44	18
11001906	42	1	11074408	46	22	11313103	20	7
11002409	6	20	11075058	24	1	11400801	36	14
11002904	6	42	11076601	32	2	11403003	36	36
11003308	2	11	11076668	32	1	11403805	38	52
11004207	10	26	11076700	32	3	11409257	36	3
11009800	16	5	11076809	32	5	11409604	36	5
11010311	16	17	11076858	32	4	22900401	2	10
11015906	10	39	11076957	32	6	22900609	2	28
11023017	30	2	11080009	44	11	22900757	2	4
11023504	32	7	11080371	44	10	22901003	4	55
11024304	30	27	11080603	44	12	22901201	4	52
11024700	30	3	11091006	36	15	22901250	4	51
11025202	32	8	11091808	40	2	22901300	4	53
11028008	4	44	11091857	40	1	22901409	10	1
11028008	40	4	11092251	36	26	22901805	2	14
11028172	14	42	11092251	44	13	22903009	6	38
11035003	10	3	11092558	40	9	22903207	6	25
11037405	16	22	11092558	42	3	22903306	6	27
11038650	10	24	11094109	36	43	22903900	6	40
11038759	10	28	11094109	44	19	22904155	6	23
11038809	10	32	11094604	38	56	22904155	18	61
11039203	6	3	11094901	36	9	22905004	10	23
11039351	6	2	11095254	36	17	22905103	10	25
11040052	20	5	11095254	44	20	22906101	10	2
11040359	20	1	11095254	46	27	22906200	10	8
11040409	20	4	11095403	36	6	22906309	10	10
11040508	20	3	11095502	36	4	22906457	10	4
11040854	20	45	11095551	36	2	22906606	6	11
11040953	20	44	11095601	36	7	22907208	12	35
11041852	20	30	11096500	38	58	22907307	12	37
11042504	20	14	11101300	24	15	22907406	12	34
11042553	20	13	11101508	38	47	22907505	12	33
11042850	20	19	11101508	44	6	22907554	12	31
11043304	22	57	11102308	24	12	22907604	12	32
11043700	20	38	11110152	26	20	22907703	14	43
11043908	22	53	11110301	26	15	22907802	12	1
11047057	30	1	11111051	26	23	22908008	12	7
11047107	30	4	11142056	46	37	22908156	12	10
11070851	2	1	11142064	46	36	22908305	12	9
11071453	6	34	11142205	46	6	22908354	12	5
11071495	6	30	11142304	46	23	22908552	12	4
11071909	36	33	11142403	46	17	22908701	12	11
11071909	44	3	11217601	24	28	22908800	12	15
11071909	46	24	11231503	36	38	22908909	12	12

NUMERICAL INDEX OF PARTS

PART NO	PAGE	REF NO.	PART NO	PAGE	REF NO.	PART NO	PAGE	REF NO.
22909006	12	14	22920102	12	30	22928907	32	16
22910004	8	45	22920201	12	24	22929004	32	17
22910053	6	43	22920300	12	27	22930309	34	14
22910103	6	28	22920409	12	25	22930358	34	1
22910202	16	12	22920508	2	30	22930408	34	10
22910251	16	11	22920607	4	47	22930507	34	9
22910350	16	43	22920805	10	7	22930705	34	7
22910806	16	28	22920904	2	43	22930804	34	5
22910905	18	59	22921001	2	31	22930903	34	4
22911002	16	40	22921209	2	38	22931000	34	3
22911101	16	13	22921308	2	33	22931109	34	2
22911507	16	2	22921407	2	34	22931208	34	15
22911606	16	4	22921506	2	37	22931307	34	11
22911804	16	7	22921605	2	39	22931406	34	8
22912000	16	9	22921704	2	35	22932107	30	10
22912109	16	8	22921803	2	36	22932156	30	7
22912257	16	19	22923015	28	14	22932206	30	17
22912505	16	20	22923056	28	12	22932305	30	15
22912703	16	26	22923205	28	17	22932404	30	13
22912752	16	23	22923312	28	13	22932453	30	12
22912802	18	65	22923403	28	19	22932909	10	41
22912901	16	39	22923502	28	21	22934202	30	20
22913008	18	51	22923601	28	20	22934251	30	19
22913701	16	38	22923700	28	15	22934301	30	21
22915003	16	15	22923809	28	18	22934400	30	25
22915151	16	45	22923908	28	22	22934509	30	23
22915201	18	48	22924153	28	6	22934608	30	24
22915359	18	57	22924302	28	7	22935407	4	57
22916001	10	31	22924401	28	3	22937965	6	37
22916100	10	35	22924500	28	11	22940506	16	10
22916308	10	27	22924609	28	27	22940654	18	52
22916506	10	40	22924807	22	64	22940753	16	35
22916555	10	38	22924906	28	10	22940803	16	31
22917058	10	36	22925002	28	9	22940951	16	27
22917157	10	29	22925101	28	5	22941108	16	1
22918064	6	5	22927305	32	27	22941306	16	36
22918072	6	4	22927354	32	13	22942601	10	34
22918106	6	10	22927404	32	28	22944508	12	19
22918304	6	12	22927602	32	29	22944607	12	21
22918403	6	6~9	22928105	32	22	22944706	12	16
22918502	6	6~9	22928303	32	21	22944854	12	28
22918601	6	6~9	22928402	32	20	22945109	12	22
22918700	6	6~9	22928501	32	14	22945307	2	40
22919203	6	29	22928709	32	26	22945356	2	32
22919559	36	32	22928808	32	18	22945406	2	22

NUMERICAL INDEX OF PARTS

PART NO	PAGE	REF NO.	PART NO	PAGE	REF NO.	PART NO	PAGE	REF NO.
22945463	2	21	22956908	26	9	40089548	18	60
22945505	2	25	22957005	26	24	40090058	10	6
22945604	2	23	22957203	26	21	40090750	36	37
22945703	2	26	22958300	2	7	40090750	44	22
22945802	2	24	22962005	36	13	40093417	18	66
22947006	28	1	22962005	44	2	40100084	18	64
22947105	28	25	22962005	46	29	40101720	30	16
22947907	20	6	22962054	36	12	40103560	36	19
22948301	20	35	22962054	44	1	40105231	6	21
22948400	20	37	22962054	46	28	40106606	6	13
22949002	20	43	22962351	38	51	40106607	6	15
22949101	20	40	22962351	44	29	40106936	26	16
22949200	20	41	22962401	36	27	40109126	36	20
22949408	20	29	22962401	44	14	40111022	2	20
22949754	20	24	22962500	36	45	B1109505U00	46	1
22949762	20	23	22962500	44	8	B1128505U00	46	5
22949903	22	50	22962609	36	39	B1213552000A	38	57
22950000	20	26	22962609	44	27	B1215552000	6	26
22950109	20	31	22962708	36	42	B13050120A0	10	14
22950356	20	15	22962708	44	28	B13061550A0	10	16
22950703	20	25	22962807	36	30	B13061550B0	10	13
22950950	20	21	22962807	44	16	B13061550C0	10	12
22951008	22	60	22962906	36	40	B13071550A0	10	19
22951164	22	49	22962906	44	23	B13071550B0	10	18
22951404	22	54	22963409	36	11	B13081550A0	10	21
22951552	22	61	22963458	36	10	B1401505U00A	46	11
22952501	2	18	22964001	40	6	B1401505UA0A	46	10
22953509	24	24	22970206	36	25	B1403553000	36	23
22953657	24	17	22970602	36	35	B1403553000	46	16
22953905	24	19	22970602	44	9	B1418415H00	36	22
22954101	24	4	22972608	38	55	B1419505U00	46	13
22954200	24	5	40010395	36	1	B1420505U00	46	15
22954309	24	6	40010395	44	7	B1421505U00	46	14
22954507	24	13	40011503	40	11	B1505227T00A	40	8
22954606	24	2	40011503	42	6	B1505552000A	36	28
22954705	2	9	40017805	12	36	B1521555000	12	2
22955504	26	2	40023223	36	24	B1613012A00	16	33
22955553	26	1	40054784	40	12	B1613012I00	40	5
22955900	26	13	40054784	42	8	B1613505U00	46	2
22956007	26	14	40054785	40	13	B1808227HA0	46	32
22956106	26	6	40054785	42	7	B1810227H00	46	33
22956205	26	10	40060989	12	40	B18370120A0	40	7
22956304	26	11	40080725	36	34	B18370120A0	46	30
22956403	26	7	40080725	44	4	B8228125000	30	26
22956809	26	18	40085585	24	25	B9121012000	46	35

NUMERICAL INDEX OF PARTS

PART NO	PAGE	REF NO.	PART NO	PAGE	REF NO.	PART NO	PAGE	REF NO.
BP900000000	46	34	RE0250000K0	26	8	SM4040655SP	24	3
CM300200001	2	13	RE0400000K0	20	39	SM4041655SP	24	7
CM301300001	2	12	RE0400000K0	24	23	SM4051405SE	34	12
CQ252000000	28	8	RE0400000KP	24	18	SM6061610SC	34	6
D1127555D00	46	7	RE0500000K0	12	44	SM8061010TP	16	24
D1524555DBA	40	3	RE0500000K0	14	44	SM8061050TP	16	25
D1524555DBA	42	4	RE0500000K0	16	21	SM8063012TR	30	9
D1524555EBL	36	29	RE0500000K0	20	51	SM9061203SE	30	22
D1613155W00	42	5	RE0500000K0	22	51	SM9062053SR	30	14
D1830555BAG	46	31	RE0500000K0	26	19	SM9082023SE	46	18
D2406555D0H	20	10	RE0500000KP	24	14	SS1120710SP	36	18
D2468555B00	24	22	RE0600000K0	20	34	SS1120710SP	44	21
EA9500B0100	6	24	RE0900000K0	24	16	SS1120710SP	46	26
HA001900000	24	11	RE1000000K0	30	11	SS2060210SP	20	8
HA00600000A	26	17	RE1200000K0	24	20	SS2110915SP	4	46
HK034610140	20	46	RO029180100	6	41	SS2110920TP	4	45
HK03464000B	20	11	RO037180100	12	3	SS4080620TP	16	34
HK03464000B	24	29	RO044240100	6	18	SS4080620TP	20	9
HW500070000	24	9	RO078190100	18	63	SS4090615SP	6	19
M40071100AA	6	35	RO092270200	16	16	SS4110515SP	12	26
M40071100AB	6	36	RO098240100	30	6	SS4110515SP	16	37
MDA100B1100	40	10	RO195240100	28	2	SS4110515SP	32	15
MDB100B0900	42	2	SD0460703TP	20	2	SS4110715SP	20	28
MDB100B1100	10	11	SD0460703TP	38	50	SS4110915TP	10	33
MDB100B1600	44	15	SD0490261SP	32	23	SS4120615SP	2	29
MDB100B2100	36	21	SD0500131TP	36	8	SS4120615SP	12	20
NM6040000SN	22	56	SD0550701TP	38	59	SS4120615SP	24	30
NM6050001SE	34	17	SD0600361SP	22	62	SS4120615SP	28	4
NM6060001SE	30	18	SD0630275SP	20	18	SS4120915SP	2	50
NM6080721SE	46	21	SD0640631TP	22	48	SS4120915SP	4	50
NM6160511SE	34	18	SD0641451SP	20	17	SS4120915SP	10	42
NS6090310SP	26	5	SD0650321TP	26	4	SS4120915SP	24	27
NS6090310SP	38	54	SD0700451TP	38	49	SS4120915SP	26	28
NS6110310SP	26	12	SD0700451TP	44	30	SS4121415SP	32	9
NS6110420SP	36	48	SD0700711TP	36	44	SS4150915SP	22	47
NS6110420SP	38	48	SD0700711TP	44	25	SS4151215SP	22	63
NS6110420SP	44	26	SD0720331SP	12	13	SS4151215SP	24	26
NS6150430SP	20	33	SD1000801SH	18	47	SS4151215SP	28	26
NS6620310SP	12	29	SE4301041SR	28	16	SS5060310SP	46	12
NS6660410SH	22	58	SK3412000SC	32	30	SS5090420SP	46	8
NS6660430SP	22	59	SL4030631SC	26	3	SS6060210SP	4	54
NS6680410SP	16	42	SL4030641SE	26	22	SS6080320SP	36	16
RC0150001KP	16	56	SL4030851SF	28	23	SS6080320SP	46	9
RC0150001KP	18	56	SL4051001MZ	6	39	SS6080410SP	2	3
RC1850001KP	6	22	SM4031501SC	24	8	SS6090510SP	20	16

NUMERICAL INDEX OF PARTS

PART NO	PAGE	REF NO.	PART NO	PAGE	REF NO.
SS6090540SP	26	25	TA1250705R0	2	6
SS6090620TP	16	41	TA2000502R0	2	16
SS6090670TP	10	5	TA2101002R0	2	19
SS6090670TP	16	3	WP0371016SD	38	53
SS6090810SP	12	39	WP0450000SD	22	55
SS6110420TP	10	30	WP0450801SD	6	32
SS6110610TP	4	48	WP0450826SC	32	31
SS6110710TP	22	52	WP0480856SP	18	54
SS6111010TP	28	24	WP0480856SP	46	4
SS6111210SP	6	31	WP0482086SD	26	27
SS6121210SP	18	46	WP0501016SD	32	10
SS6121610SP	16	44	WP0621016SH	20	32
SS6121840SP	2	17	WP0722316SH	38	46
SS6121850TP	46	3	WP0722316SH	44	5
SS6121860SP	18	67	WP0871602SE	46	19
SS6660610TP	20	20	WP1602616SZ	24	21
SS6661110SP	6	44	WP1612616SE	34	19
SS6700710SH	30	5	WS0451040KP	28	28
SS7080510TP	10	9	WS0510002KN	34	16
SS7081310SP	32	24	WS0651310KP	28	29
SS7090610SP	20	42	WS0861410KR	46	20
SS7091110SP	12	41	WS1643202KR	34	20
SS7110350SP	32	19	WT0530002KS	4	56
SS7110740TP	18	55			
SS7110740TP	36	31			
SS7110740TP	44	17			
SS7111120SP	18	58			
SS7120770SH	16	6			
SS7121410TP	18	53			
SS7681650TP	6	14			
SS8090670SP	2	41			
SS8110410TP	10	37			
SS8110510SP	32	25			
SS8110520TP	20	22			
SS8150710SP	2	42			
SS8150710TP	16	29			
SS8151150TP	6	1			
SS8151550SP	6	33			
SS8660610TP	6	17			
SS8660610TP	18	62			
SS8660810TP	10	22			
SS8660810TP	12	38			
SS8681650TP	6	16			
TA0850604R0	2	5			
TA1250406R0	4	49			