

MODEL : V045/V046

List No : 0973-02

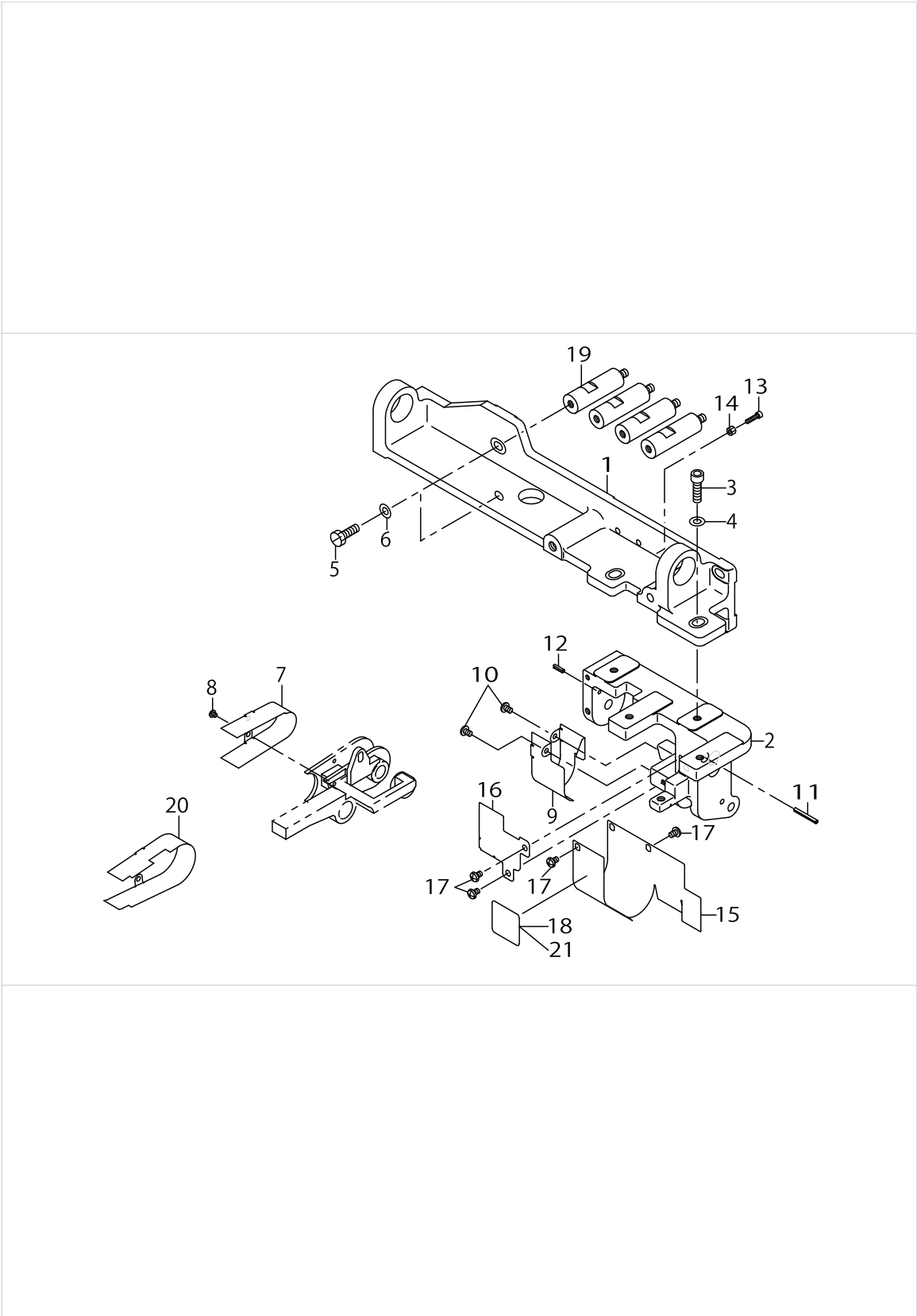
PARTS LIST

Published:05/12/2017

CONTENTS

FRAME & COVER COMPONENTS.....	1
DRIVE COMPONENTS	3
CLUTCH COMPONENTS	5
ROLLER DRIVE COMPONENTS.....	7
PRESSER COMPONENTS (V045 MODEL).....	9
PRESSER COMPONENTS (V046 MODEL).....	11
LOWER ROLLER COMPONENTS (V046 MODEL)	13
EXCHANGING PARTS AT USING VO45 UNIT (FOR MS-1190AEC P190M).....	15
EXCHANGING PARTS AT USING VO45 UNIT (FOR MS-126CPAE1260AEC P261M).....	17
TABLE OF V045 EXCHANGING GAUGE PARTS (FOR MS-1190AEC P190M)	19
TABLE OF V045 EXCHANGING GAUGE PARTS (FOR MS-1261AEC P26COAE1261M)	20
HOW TO MAKE USE OF THIS PARTS LIST	21

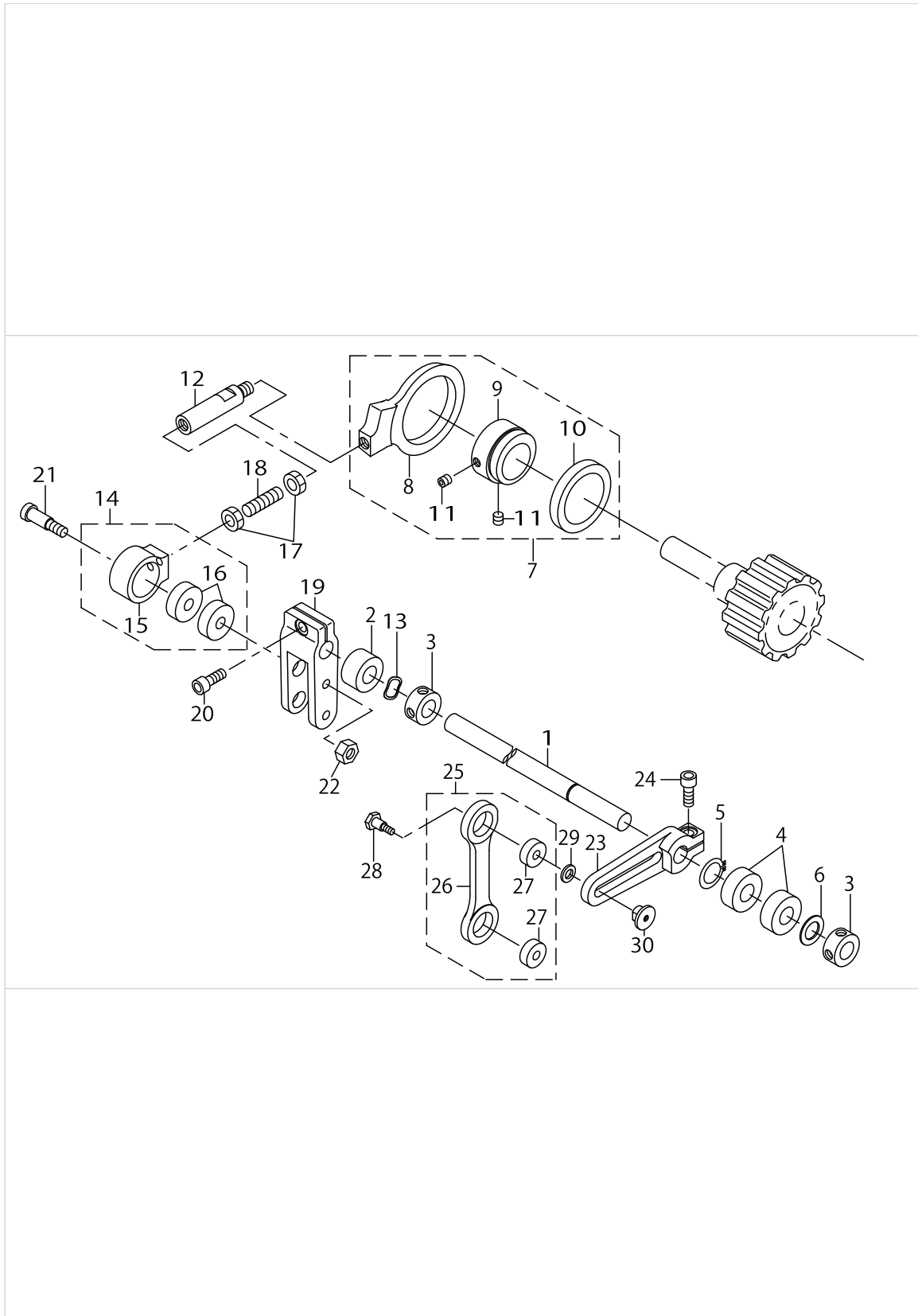
FRAME & COVER COMPONENTS



FRAME & COVER COMPONENTS

No.	Supply Code	Parts No.	Replacement	Parts name	Remarks	Choice	Step	Level	Cons	Qty	Rep. QTY
1		MAV04501000		MAIN BASE						1	
2		MAV04502000		CLUTCH BASE						1	
3		SM6062002TP		SCREW M6 L=20						2	
4		WP0641600SC		WASHEW6.4X12.5X1.6						2	
5		SM9061850SC		SCREW M6 L=18						4	
6		WP0641600SC		WASHEW6.4X12.5X1.6						4	
7		MAV04503000		ROLLER COVER	FOR V045					1	
8		SM5030355SE		SCREW						2	
9		MAV04504000		INTERMEDIATE PULLEY COVER						1	
10		SM5040655SN		SCREW						3	
11		PS0300242K0		SPRING PIN 3.0X24						1	
12		PS0300102K0		SPRING PIN 3.0X10						1	
13		SM6031202TP		SCREW M3X0.5 L=12						1	
14		NM6030003SC		NUT M3						1	
15	R	MAV04505000	40138864	CLUTCH COVER A		A				1	1.00
15	R	MAV04505000	40138861	CLUTCH COVER A		A				1	1.00
15	R	MAV04505000	40138863	CLUTCH COVER A		A				1	1.00
15	R	MAV04505000	40138862	CLUTCH COVER A		A				1	1.00
16	R	MAV04506000	40138863	CLUTCH COVER B		A				1	1.00
16	R	MAV04506000	40138862	CLUTCH COVER B		A				1	1.00
16	R	MAV04506000	40138864	CLUTCH COVER B		A				1	1.00
16	R	MAV04506000	40138861	CLUTCH COVER B		A				1	1.00
17		SM5040655SN		SCREW						5	
18	D	MAV04507000		MODEL PLATE	FOR V045					1	
19		MAV04611000		BASE FLOAT PIN	FOR V046					4	
20		MAV04603000		ROLLER COVER	FOR V046					1	
21	D	MAV04607000		MODEL PLATE	FOR V046					1	

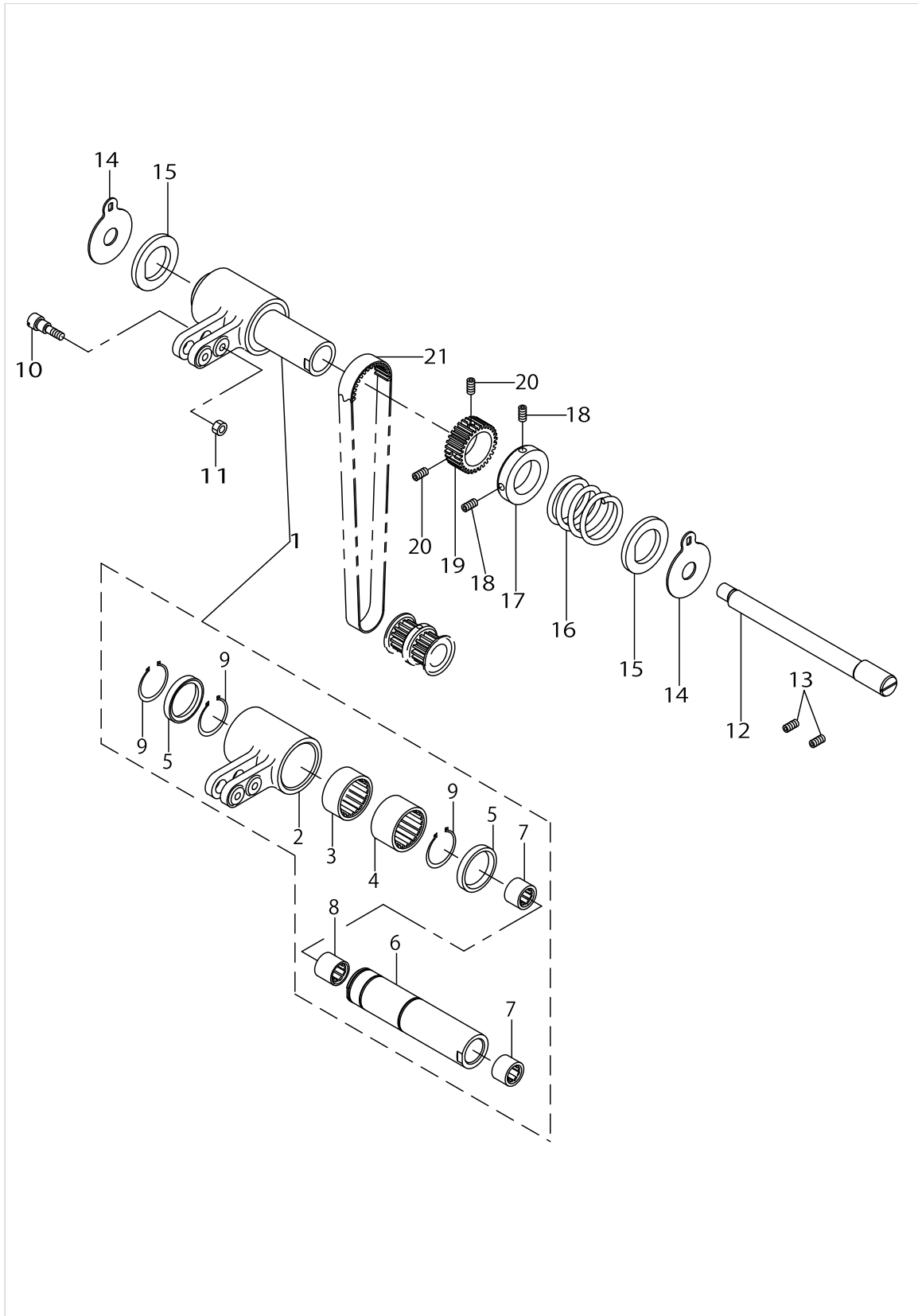
DRIVE COMPONENTS



DRIVE COMPONENTS

No.	Supply Code	Parts No.	Replacement	Parts name	Remarks	Choice	Step	Level	Cons	Qty	Rep. QTY
1		MAV04515000		ROCKING SHAFT						1	
2		SB212000100		BEARING						1	
3		CS1201010SH		THRUST COLLAR ASM. D=12 W=10						2	
4		SB112000500		BEARING						2	
5		RC1200001KP		C-SHAPED SNAP RING						1	
6		WP1221016SP		WASHER						1	
7		MAV045160B0		ROCKING CRANK						1	
8		MAV04516000		ROCKING CRANK				*		1	
9		MAV04517000		ECCENTRIC SHAFT				*		1	
10		SB135000300		BEARING				*		1	
11		SM8060602TP		SCREW M6X6				*		2	
12		MAV04610000		CONNECTING ROD	FOR V046					1	
13		WZ1200200KP		WAVED WASHER						1	
14		MAV045180A0		ROCKING CRANK HOUSING ASM.						1	
15		MAV04518000		ROCKING CRANK HOUSING				*		1	
16		SB108000600		BEARING				*		2	
17		NM6080003SC		NUT M8						2	
18		SM8082502TP		SCREW						1	
19		MAV04519000		ROCKING ROD						1	
20		SM6061602TP		SCREW M6 L=16						1	
21		SD0801606SH		STEP-SCREW						1	
22		NM6060003SC		NUT M6						1	
23		MAV04520000		ADJUSTING ROD						1	
24		SM6061602TP		SCREW M6 L=16						1	
25		MAV045210A0		JOINT ROD ASM.						1	
26		MAV04521000		JOINT ROD				*		1	
27		SB106000200		BEARING 6X17				*		2	
28	R	SD0600756TP	40076305	STEP-SCREW						1	1.00
29		WP0641600SC		WASHEW6.4X12.5X1.6						1	
30		MAV04522000		ADJUSTING PIN						1	

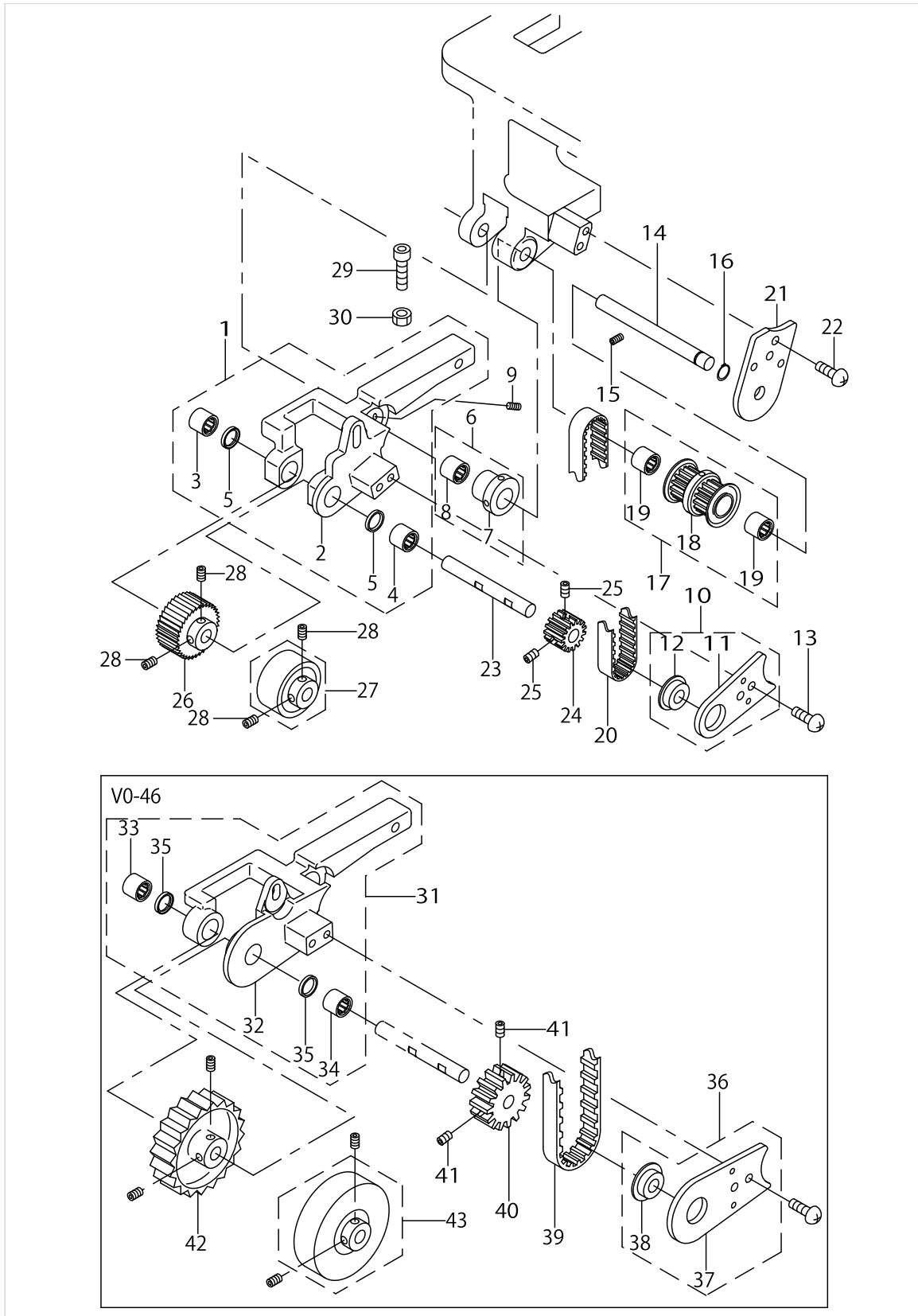
CLUTCH COMPONENTS



CLUTCH COMPONENTS

No.	Supply Code	Parts No.	Replacement	Parts name	Remarks	Choice	Step	Level	Cons	Qty	Rep. QTY
1	R	MAV045250A0	40138861	CLUTCH CASE ASM.		A				1	1.00
1	R	MAV045250A0	40138862	CLUTCH CASE ASM.		A				1	1.00
1	R	MAV045250A0	40138863	CLUTCH CASE ASM.		A				1	1.00
1	R	MAV045250A0	40138864	CLUTCH CASE ASM.		A				1	1.00
2	D	MAV04525000		CLUTCH CASE				*		1	
3		SB320000300		BALL BEARING				*		1	
4		SB320000400		BALL BEARING				*		1	
5		MAV04534000		CLUTCH OIL SHIEL				*		2	
6	D	MAV04526000		CLUTCH ROCKING SHAFT				*		1	
7		SB310000300		BALL BEARING				*		2	
8		SB310000700		BALL BEARING				*		1	
9		RC1851217KP		C-RING				*		3	
10		SD0600596SH		STEP-SCREW						1	
11		NM6040003SC		NUT M4						1	
12		MAV04527000		CLUTCH SHAFT						1	
13		SM8050602TP		SCREW M5 L=6						2	
14	R	MAV04528000	40011122	BRAKE PLATE						2	1.00
15		MAV04529000		BRAKE WASHER						2	
16		MAV04530000		BRAKE SPRING						1	
17		MAV04531000		CLUTCH BRAKE COLLER						1	
18		SM8040602TP		SCREW M4X0.7 L=6						2	
19		MAV04532000		CLUTCH PULLEY						1	
20		SM8040302TP		SETSCREW						2	
21		MAV04533000		CLUTCHTIMINGBELT						1	

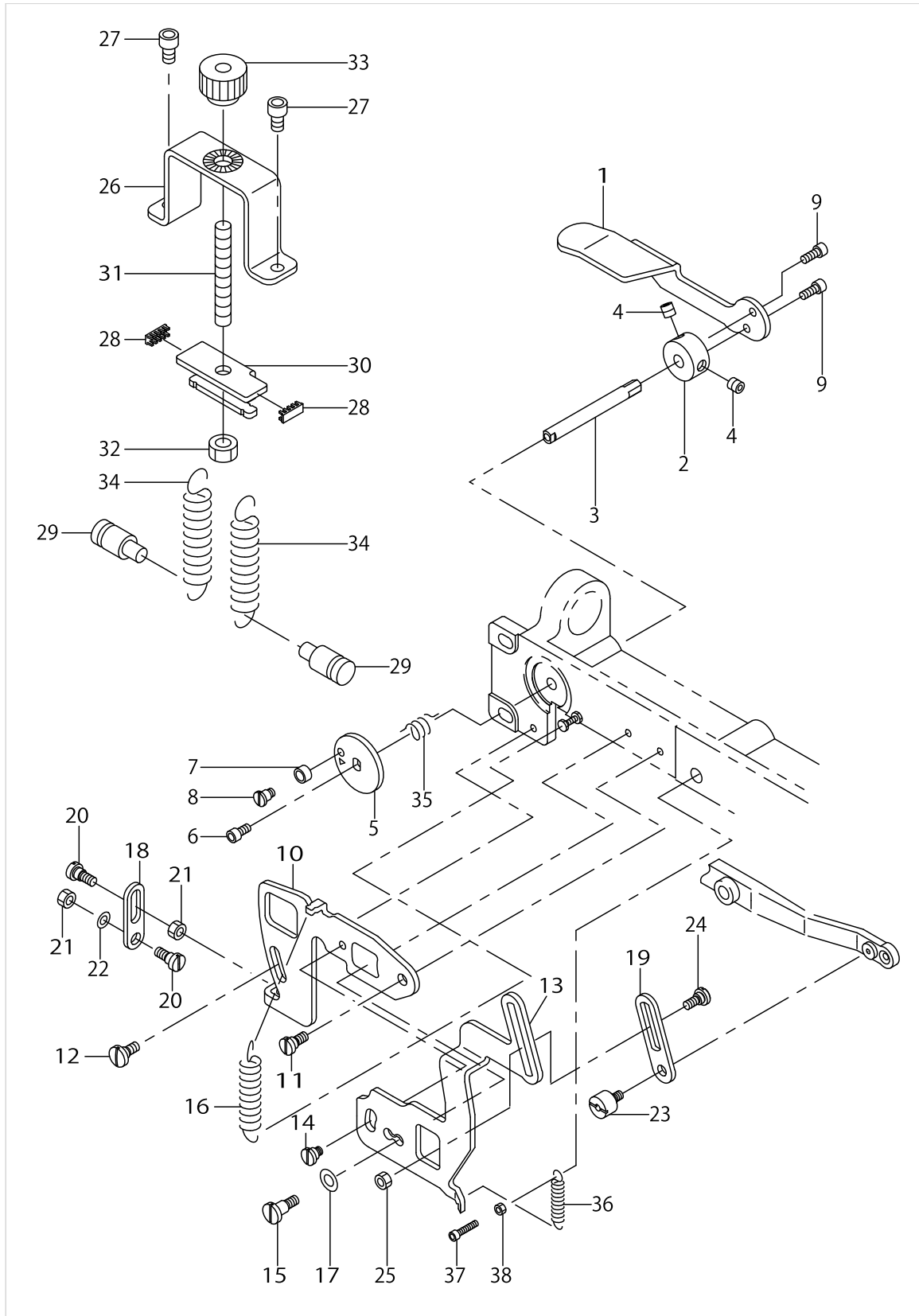
ROLLER DRIVE COMPONENTS



ROLLER DRIVE COMPONENTS

No.	Supply Code	Parts No.	Replacement	Parts name	Remarks	Choice	Step	Level	Cons	Qty	Rep. QTY
1		MAV045350A0		ROLLER BASE ASM.						1	
2		MAV04535000		ROLLER BASE				*		1	
3		SB307000500		BEARING				*		1	
4		SB307000400		BEARING				*		1	
5		MAV04546000		ROLLER SHAFT OIL SHIEL				*		2	
6		MAV045360A0		ECCENTRIC COLLER ASM.						1	
7		MAV04536000		ROLLER BASE ECC- ENTRIC COLLER				*		1	
8		SB307000400		BEARING				*		1	
9		SM8040402TP		SCREW M4X0.7 L=4						1	
10		MAV045470A0		ROLLER SHAFT PLATE ASM.						1	
11		MAV04547000		ROLLER SHAFT PLATE				*		1	
12		SB107000100		BEARING				*		1	
13		SM6040802TP		SCREW M4X0.7 L=8						2	
14		MAV04537000		PULLEY SHAFT						1	
15		SM8050502TP		SCREW M5 L=5						2	
16		RC0650811KP		RETAINING RING						1	
17		MAV045380B0		INTERMEDIATE PULLEY ASM.						1	
18		MAV045380A0		INTERMEDIATE PULLEY ASM.				*		1	
19		SB307000400		BEARING				*		2	
20		MAV04541000		ROLLER TIMING BELT						1	
21	R	MAV04542000	40138861	SUPPORT PLATE		A				1	1.00
21	R	MAV04542000	40138862	SUPPORT PLATE		A				1	1.00
21	R	MAV04542000	40138863	SUPPORT PLATE		A				1	1.00
21	R	MAV04542000	40138864	SUPPORT PLATE		A				1	1.00
22		SM6040802TP		SCREW M4X0.7 L=8						2	
23		MAV04543000		ROLLER SHAFT						1	
24		MAV04544000		ROLLER PULLEY						1	
25		SM8040602TP		SCREW M4X0.7 L=6						2	
26		MAV04545000		STEEL ROLLER	SELECTIVE PART					1	
27		MAV045500A0		URETHANE ROLLER ASM.	SELECTIVE PART					1	
28		SM8040402TP		SCREW M4X0.7 L=4						2	
29		SM6062002TP		SCREW M6 L=20						1	
30		NM6060003SC		NUT M6						1	
31		MAV046350A0		ROLLER BASE ASM.						1	
32		MAV04635000		ROLLER BASE				*		1	
33		SB307000500		BEARING				*		1	
34		SB307000400		BEARING				*		1	
35		MAV04546000		ROLLER SHAFT OIL SHIEL				*		2	
36		MAV046360A0		ROLLER SHAFT PLATE ASM.						1	
37		MAV04636000		ROLLER SHAFT PLATE				*		1	
38		SB107000100		BEARING				*		1	
39		MAV04637000		ROLLER TIMING BELT						1	
40		MAV04638000		ROLLER PULLY						1	
41		SM8040802TP		SCREW M4X8						2	
42		MAV04640000		STEEL ROLLER	SELECTIVE PART					1	
43		MAV046410A0		URETHANE ROLLER ASM.	SELECTIVE PART					1	

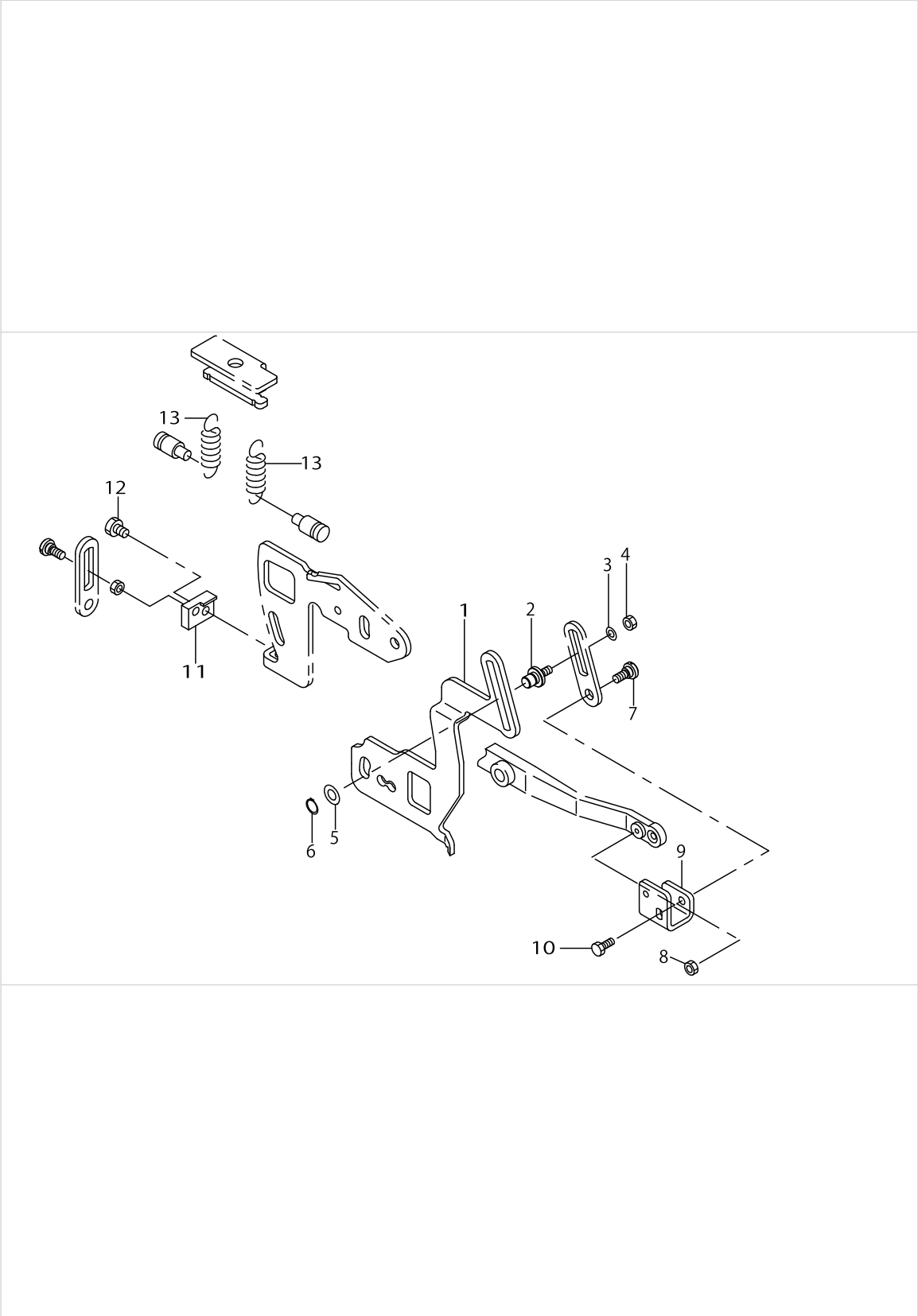
PRESSER COMPONENTS (V045 MODEL)



PRESSER COMPONENTS (V045 MODEL)

No.	Supply Code	Parts No.	Replacement	Parts name	Remarks	Choice	Step	Level	Cons	Qty	Rep. QTY
1		MAV04555000		PRESSER LIFTING LEVER						1	
2		MAV04556000		PRESSER LIFTING LEVER COLLER						1	
3		MAV04557000		PRESSER LIFTING SHAFT						1	
4		SM8060602TP		SCREW M6X6						2	
5		MAV04558000		PRESSER LIFTING CAM PLATE						1	
6		SM6040802TP		SCREW M4X0.7 L=8						1	
7		D2587L8WB00		ROLLER						1	
8		SD0550451SP		HINGE SCREW						1	
9		SM6041002TP		SCREW M4 L=10						2	
10		MAV04559000		PRESSER LIFTING PLATE						1	
11		SD0640325SP		HINGE SCREW						1	
12		SD0600361SP		HINGE SCREW D=6 H=3.6						1	
13		MAV04560000		PRESSER LIFTING JOINT PLATE						1	
14		SD0640321TP		HINGE SCREW D=6.35 H=3.2						1	
15		SD0640751SP		HINGE SCREW D= 6.35 H= 7.5						1	
16		B2056781000		BLOCKING ARM SPRING						1	
17		WP0651056SH		WASHER 6.5X11X1						1	
18		MAV04561000		PRESSER LIFTING ROD						1	
19		MAV04616000		PRESSER LIFTING LINK						1	
20		SD0600402TP		HINGE SCREW D= 6 H= 4						2	
21		NS6620310SP		NUT 3/16-32						2	
22		WP0480856SP		WASHER 4.8X8.4X0.8						1	
23		MAV04562000		KNEE LIFTER LEVER COLLER						1	
24		SD0600271SP		HINGE SCREW D= 6 H= 2.7						1	
25		NS6110430SP		NUT 11/64-40						1	
26		MAV04564000		PRESSER LIFTING BASE						1	
27		SM6061002TP		SCREW M6 L=10						2	
28		MAV04565000		SPRING PLATE COVER						2	
29	R	B1506352000	26226407	TENSION SPRING RACK B						2	1.00
30		MAV04566000		SPRING PLATE						1	
31		MAV04567000		PRESSER ADJUSTING SCREW						1	
32		NM6080001SC		NUT M8X1.25						1	
33		MAV04568000		PRESSER ADJUSTING KNOB						1	
34		MAV04569000		PRESSER SPRING						2	
35		MAV04563000		PRESSER LIFTING LEVER SPRING						1	
36	R	13515606	26226209	SPRING						1	1.00
37		SM6031402TP		SCREW						1	
38		NM6030003SC		NUT M3						1	

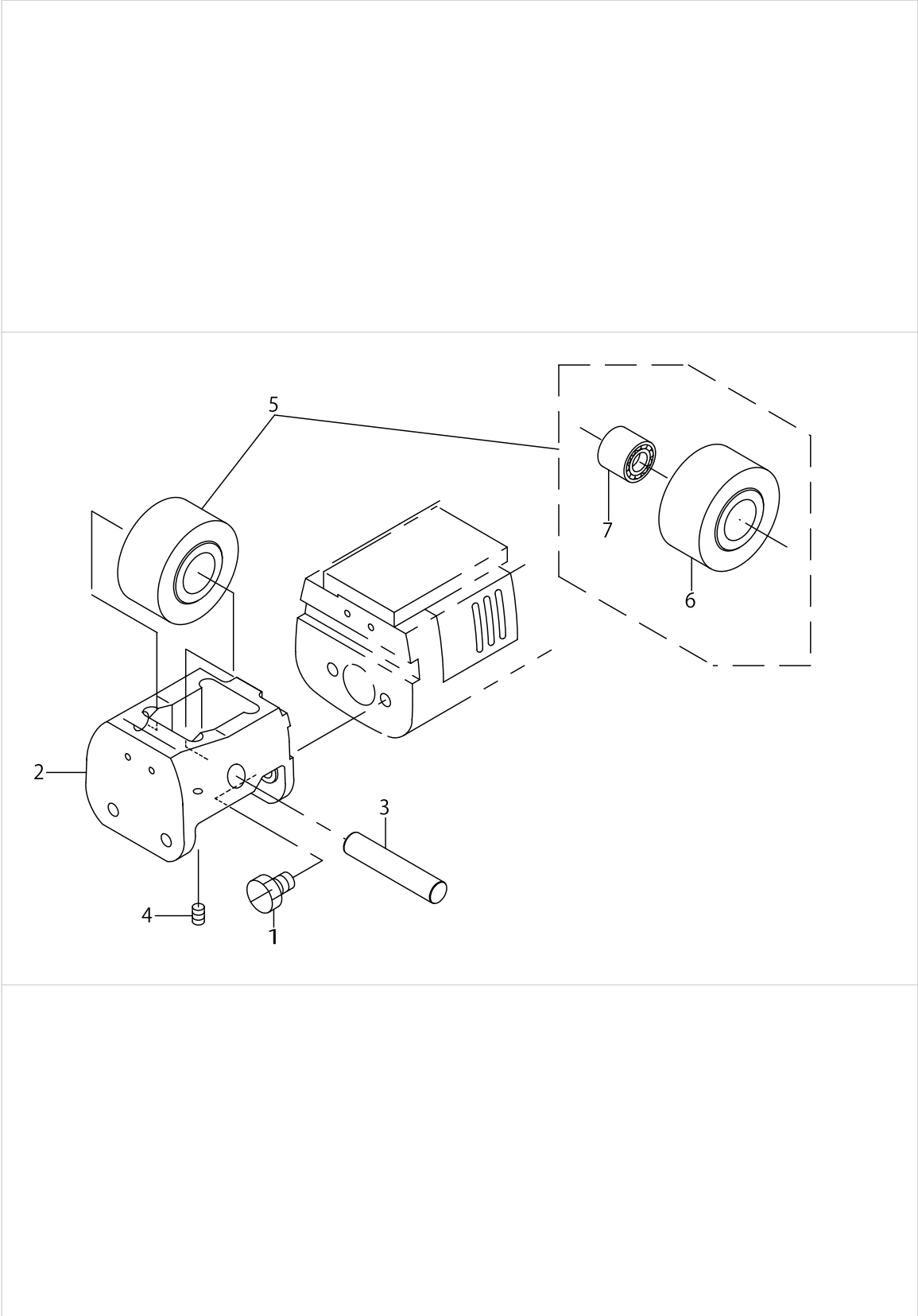
PRESSER COMPONENTS (V046 MODEL)



PRESSER COMPONENTS (V046 MODEL)

No.	Supply Code	Parts No.	Replacement	Parts name	Remarks	Choice	Step	Level	Cons	Qty	Rep. QTY
1		MAV04615000		LIFTING PRESSER JOINT PLATE						1	
2		MAV04617000		LIFTING PRESSER LINK PIN						1	
3		WP0430800SC		WASHER M4						1	
4		NM6040001SC		NUT M4						1	
5		WP0651056SH		WASHER 6.5X11X1						1	
6		RC0560711KP		RETAINING RING						1	
7		SD0600271SP		HINGE SCREW D= 6 H= 2.7						1	
8		NS6110350SP		NUT 11/64-40						1	
9		MAV04618000		LEVER BRACKET						1	
10		SS9090823TP		BOLT 9/64-40 L=8						1	
11		MAV04655000		CONNECTING BLOCK						1	
12		SS6620730SP		SCREW 3/16-32 L= 7.0						1	
13		MAV04656000		PRESSER SPRING						2	

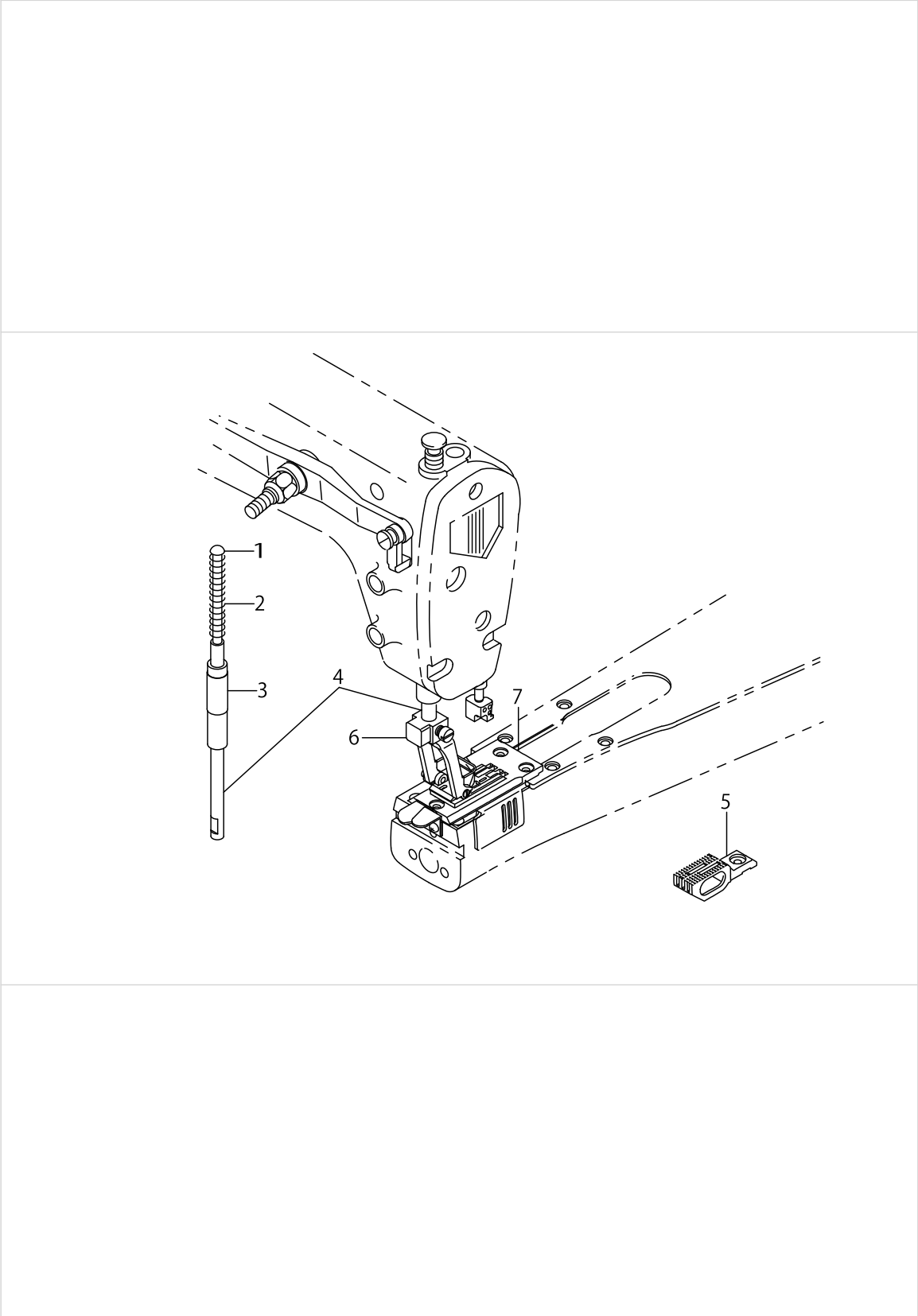
LOWER ROLLER COMPONENTS (V046 MODEL)



LOWER ROLLER COMPONENTS (V046 MODEL)

No.	Supply Code	Parts No.	Replacement	Parts name	Remarks	Choice	Step	Level	Cons	Qty	Rep. QTY
1		SS9120910TP		SCREW 3/16-28 L=9						2	
2		MAV04620000		LOWERROLLERBASE						1	
3		MAV04623000		LOWER ROLLER SHAFT						1	
4		SM8040602TP		SCREW M4X0.7 L=6						1	
5		MAV046210B0		LOWER ROLLER COMPL.						1	
6		MAV046210A0		LOWER ROLLER ASM.				*		1	
7	D	GBR01174000A		NEEDLE BEARING				*		1	

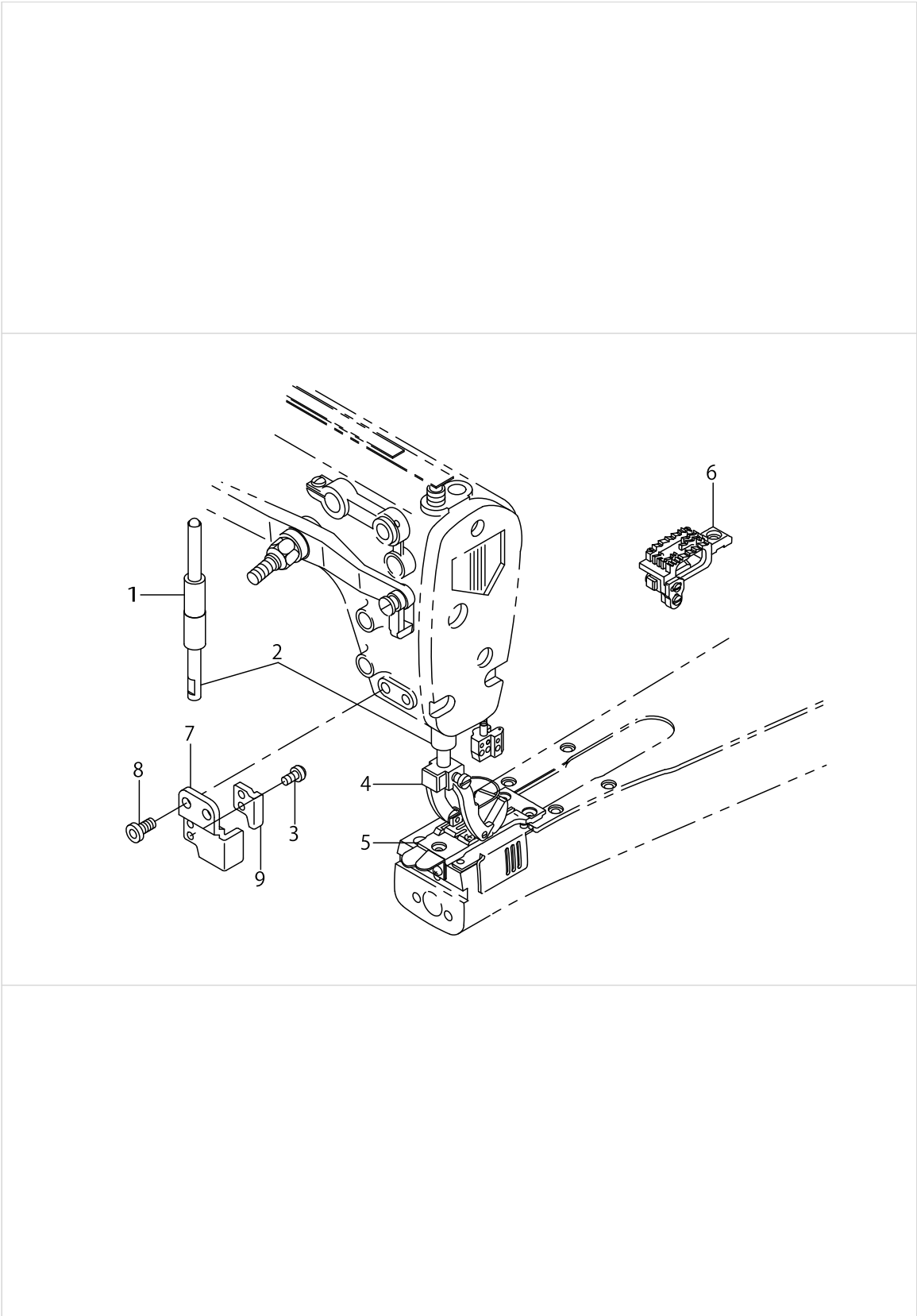
EXCHANGING PARTS AT USING VO45 UNIT (FOR MS-1190AEC190M)



EXCHANGING PARTS AT USING VO45 UNIT (FOR MS-1190AEC190M)

No.	Supply Code	Parts No.	Replacement	Parts name	Remarks	Choice	Step	Level	Cons	Qty	Rep. QTY
1		MAV01510000		PRESSER GUIDE BAR						1	
2		MAV01511000		SPRING						1	
3		MAV01512000A		BUSHING,LOWER						1	
4		MAV04580000		V0-45 PRESSER BAR						1	
5		MAV04593000		V0-45 FEED DOG	REFER TO THE TABLE OF EXCHANGING PARTS ON PAGE 13					1	
6		MAV04583CB0		PRESSER FOOT ASM. 3/16	REFER TO THE TABLE OF EXCHANGING PARTS ON PAGE 13					1	
7		MAV04572C00		V0-45 THROAT PLATE (3/16)	REFER TO THE TABLE OF EXCHANGING PARTS ON PAGE 13					1	

EXCHANGING PARTS AT USING VO45 UNIT (FOR MS-126CPAE1260AEC261M)

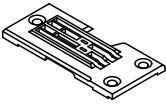
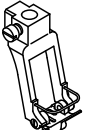
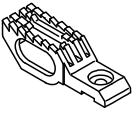


EXCHANGING PARTS AT USING VO45 UNIT (FOR MS-126CPAE1260AEC261M)

No.	Supply Code	Parts No.	Replacement	Parts name	Remarks	Choice	Step	Level	Cons	Qty	Rep. QTY
1		12958609		BUSHING,LOWER						1	
2		12958559		PRESSER BAR ASM.						1	
3		SS7110910TP		SCREW 11/64-40 L= 8.5						2	
4		12960068		PRESSER 1/4" (ASM) EXPORT	REFER TO THE TABLE OF EXCHANGING PARTS ON PAGE 14					1	
5		12953204		THROAT PLATE XH (1/4")	REFER TO THE TABLE OF EXCHANGING PARTS ON PAGE 14					1	
6		12963351		FEED DOG XH(1/4") ASM.	REFER TO THE TABLE OF EXCHANGING PARTS ON PAGE 14					1	
7		12959300		PRESSER FOOT GUIDE (A)						1	
8		SM6061202TP		SCREW M6 L=12						2	
9		12959409		PRESSER FOOT GUIDE (B)						1	

TABLE OF V045 EXCHANGING GAUGE PARTS (FOR MS-1190A/ECP190M)

FOR MS-1190
MS-1190用

			1	2	3	4	5
Description 品名	Gauge set		Gauge set (with finger guard)	V045 Throat plate	V045 Presser foot asm. (with finger guard)	V045 Feed dog	
	ゲージセット		ゲージセット (指ガード付)	V045 針板	V045 押え(組) (指ガード付)	V045 送り歯	
Needle gauge size 針幅							
Code ゲージ 記号	inch	mm					
B	1/8	3.2	MAV04570AA0	MAV04570AB0	MAV04570A00	MAV04581AB0	MAV04593000
C	5/32	4.0	MAV04571BA0	MAV04571BB0	MAV04571B00	MAV04582BB0	↑
D	3/16	4.8	MAV04572CA0	MAV04572CB0	MAV04572C00	MAV04583CB0	↑
E	7/32	5.6	MAV04573DA0	MAV04573DB0	MAV04573D00	MAV04584DB0	↑
F	1/4	6.4	MAV04574EA0	MAV04574EB0	MAV04574E00	MAV04585EB0	MAV04594000

FOR MS-1190M
MS-1190M用

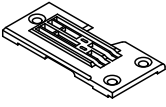
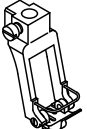
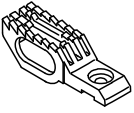
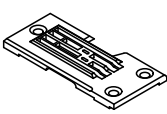

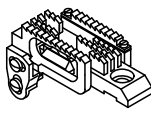
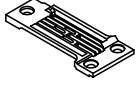

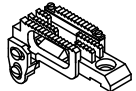
			1	2	3	4	5
Description 品名	Gauge set		Gauge set (with finger guard)	V045 Throat plate	V045 Presser foot asm. (with finger guard)	V045 Feed dog	
	ゲージセット		ゲージセット (指ガード付)	V045 針板	V045 押え(組) (指ガード付)	V045 送り歯	
Needle gauge size 針幅							
Code ゲージ 記号	inch	mm					
B	1/8	3.2	MAV04575AA0	MAV04575AB0	MAV04575A00	MAV04586AB0	MAV04595000
C	5/32	4.0	MAV04576BA0	MAV04576BB0	MAV04576B00	MAV04587BB0	↑
D	3/16	4.8	MAV04577CA0	MAV04577CB0	MAV04577C00	MAV04588CB0	↑
E	7/32	5.6	MAV04578DA0	MAV04578DB0	MAV04578D00	MAV04589DB0	↑
F	1/4	6.4	MAV04579EA0	MAV04579EB0	MAV04579E00	MAV04590EB0	MAV04596000

TABLE OF V045 EXCHANGING GAUGE PARTS (FOR MS-1261AEC P26COAE1261M)

FOR MS-1 2 6 1
MS-1 2 6 1用

		1	2	3	4	5	
Description 品名		Gauge set	Gauge set (with finger guard)	Throat plate	Presser foot asm. (with finger guard)	Feed dog asm.	
		ゲージセット	ゲージセット (指ガード付)	針板	押え(組) (指ガード付)	送り歯(組)	
Needle gauge size 針幅		/	/				
Code ゲージ 記号							
	inch mm						
E	7/32	5.6	MAV04570ECO	MAV04570EDO	12953303	12960167	12963450
F	1/4	6.4	MAV04570FCO	MAV04570FDO	12953204	12960068	12963351
G	9/32	7.2	MAV04570GCO	MAV04570GDO	12953402	12960266	12963559
H	5/16	8.0	MAV04570HCO	MAV04570HDO	12953501	12960365	12963658
K	3/8	9.5	MAV04570KCO	MAV04570KDO	12953600	12960464	12963757

FOR MS-1 2 6 0 · 1 2 6 1 M
MS-1 2 6 0 · 1 2 6 1 M用

		1	2	3	4	5		
Model 機種	Description 品名	Gauge set	Gauge set (with finger guard)	Throat plate	Presser foot asm. (with finger guard)	Feed dog asm.		
		ゲージセット	ゲージセット (指ガード付)	針板	押え(組) (指ガード付)	送り歯(組)		
Needle gauge size 針幅		/	/					
Code ゲージ 記号								
	inch mm							
MS-1260	D	3/16	4.8	MAV04572DCO	MAV04572DDO	12977906	12978268	12978755
	E	7/32	5.6	MAV04571ECO	MAV04571EDO	12972907	12960183	12975058
MS-1261M	F	1/4	6.4	MAV04571FCO	MAV04571FDO	12972808	12960084	12974952
	G	9/32	7.2	MAV04571GCO	MAV04571GDO	12973004	12960282	12975157
	H	5/16	8.0	MAV04571HCO	MAV04571HDO	12973103	12960381	12975256
	K	3/8	9.5	MAV04571KCO	MAV04571KDO	12973202	12960480	12975355

HOW TO MAKE USE OF THIS PARTS LIST

1.As to "#01" and "#02" refer to the "Note" given at the bottom of the respective pages.

2.Codes on the "Qty" column

- Each numeral indicates the number of parts required.
- "0.1" and "2.5" indicate the length (in meters) of the respective parts.

3.Parentheses mean that the corresponding part is a subpart that constructs an assembly part.

4.Dotted lines on the Figures indicate assembly parts.

1. リストページの# 0 1、# 0 2の印は、ページ下の"注記"の説明を参照下さい。
2. 数量欄の数字は、個数を表し、0. 1、2. 5等の数値は、長さ（単位メートル）を表します。
3. 数量欄の（ ）は、組部品を構成している子部品であることを意味します。
4. イラストページの-----枠は、組構成であることを意味します。

NUMERICAL INDEX OF PARTS

PART NO	PAGE	REF NO.	PART NO	PAGE	REF NO.	PART NO	PAGE	REF NO.
12953204	18	5	MAV04535000	8	2	MAV046210B0	14	5
12958559	18	2	MAV045350A0	8	1	MAV04623000	14	3
12958609	18	1	MAV04536000	8	7	MAV04635000	8	32
12959300	18	7	MAV045360A0	8	6	MAV046350A0	8	31
12959409	18	9	MAV04537000	8	14	MAV04636000	8	37
12960068	18	4	MAV045380A0	8	18	MAV046360A0	8	36
12963351	18	6	MAV045380B0	8	17	MAV04637000	8	39
13515606	10	36	MAV04541000	8	20	MAV04638000	8	40
B1506352000	10	29	MAV04542000	8	21	MAV04640000	8	42
B2056781000	10	16	MAV04543000	8	23	MAV046410A0	8	43
CS1201010SH	4	3	MAV04544000	8	24	MAV04655000	12	11
D2587L8WB00	10	7	MAV04545000	8	26	MAV04656000	12	13
GBR01174000A	14	7	MAV04546000	8	35	NM6030003SC	2	14
MAV01510000	16	1	MAV04547000	8	11	NM6030003SC	10	38
MAV01511000	16	2	MAV045470A0	8	10	NM6040001SC	12	4
MAV01512000A	16	3	MAV045500A0	8	27	NM6040003SC	6	11
MAV04501000	2	1	MAV04555000	10	1	NM6060003SC	4	22
MAV04502000	2	2	MAV04556000	10	2	NM6060003SC	8	30
MAV04503000	2	7	MAV04557000	10	3	NM6080001SC	10	32
MAV04504000	2	9	MAV04558000	10	5	NM6080003SC	4	17
MAV04505000	2	15	MAV04559000	10	10	NS6110350SP	12	8
MAV04506000	2	16	MAV04560000	10	13	NS6110430SP	10	25
MAV04507000	2	18	MAV04561000	10	18	NS6620310SP	10	21
MAV04515000	4	1	MAV04562000	10	23	PS0300102K0	2	12
MAV04516000	4	8	MAV04563000	10	35	PS0300242K0	2	11
MAV045160B0	4	7	MAV04564000	10	26	RC0560711KP	12	6
MAV04517000	4	9	MAV04565000	10	28	RC0650811KP	8	16
MAV04518000	4	15	MAV04566000	10	30	RC1200001KP	4	5
MAV045180A0	4	14	MAV04567000	10	31	RC1851217KP	6	9
MAV04519000	4	19	MAV04568000	10	33	SB106000200	4	27
MAV04520000	4	23	MAV04569000	10	34	SB107000100	8	38
MAV04521000	4	26	MAV04572C00	16	7	SB108000600	4	16
MAV045210A0	4	25	MAV04580000	16	4	SB112000500	4	4
MAV04522000	4	30	MAV04583CB0	16	6	SB135000300	4	10
MAV04525000	6	2	MAV04593000	16	5	SB212000100	4	2
MAV045250A0	6	1	MAV04603000	2	20	SB307000400	8	34
MAV04526000	6	6	MAV04607000	2	21	SB307000500	8	33
MAV04527000	6	12	MAV04610000	4	12	SB310000300	6	7
MAV04528000	6	14	MAV04611000	2	19	SB310000700	6	8
MAV04529000	6	15	MAV04615000	12	1	SB320000300	6	3
MAV04530000	6	16	MAV04616000	10	19	SB320000400	6	4
MAV04531000	6	17	MAV04617000	12	2	SD0550451SP	10	8
MAV04532000	6	19	MAV04618000	12	9	SD0600271SP	10	24
MAV04533000	6	21	MAV04620000	14	2	SD0600271SP	12	7
MAV04534000	6	5	MAV046210A0	14	6	SD0600361SP	10	12

NUMERICAL INDEX OF PARTS

PART NO	PAGE	REF NO.
SD0600402TP	10	20
SD0600596SH	6	10
SD0600756TP	4	28
SD0640321TP	10	14
SD0640325SP	10	11
SD0640751SP	10	15
SD0801606SH	4	21
SM5030355SE	2	8
SM5040655SN	2	17
SM6031202TP	2	13
SM6031402TP	10	37
SM6040802TP	8	22
SM6040802TP	10	6
SM6041002TP	10	9
SM6061002TP	10	27
SM6061202TP	18	8
SM6061602TP	4	24
SM6062002TP	2	3
SM6062002TP	8	29
SM8040302TP	6	20
SM8040402TP	8	28
SM8040602TP	6	18
SM8040602TP	8	25
SM8040602TP	14	4
SM8040802TP	8	41
SM8050502TP	8	15
SM8050602TP	6	13
SM8060602TP	4	11
SM8060602TP	10	4
SM8082502TP	4	18
SM9061850SC	2	5
SS6620730SP	12	12
SS7110910TP	18	3
SS9090823TP	12	10
SS9120910TP	14	1
WP0430800SC	12	3
WP0480856SP	10	22
WP0641600SC	2	6
WP0641600SC	4	29
WP0651056SH	10	17
WP0651056SH	12	5
WP1221016SP	4	6
WZ1200200KP	4	13