

MODEL : LH-3168-7/LH-3168

List No : 0944-10

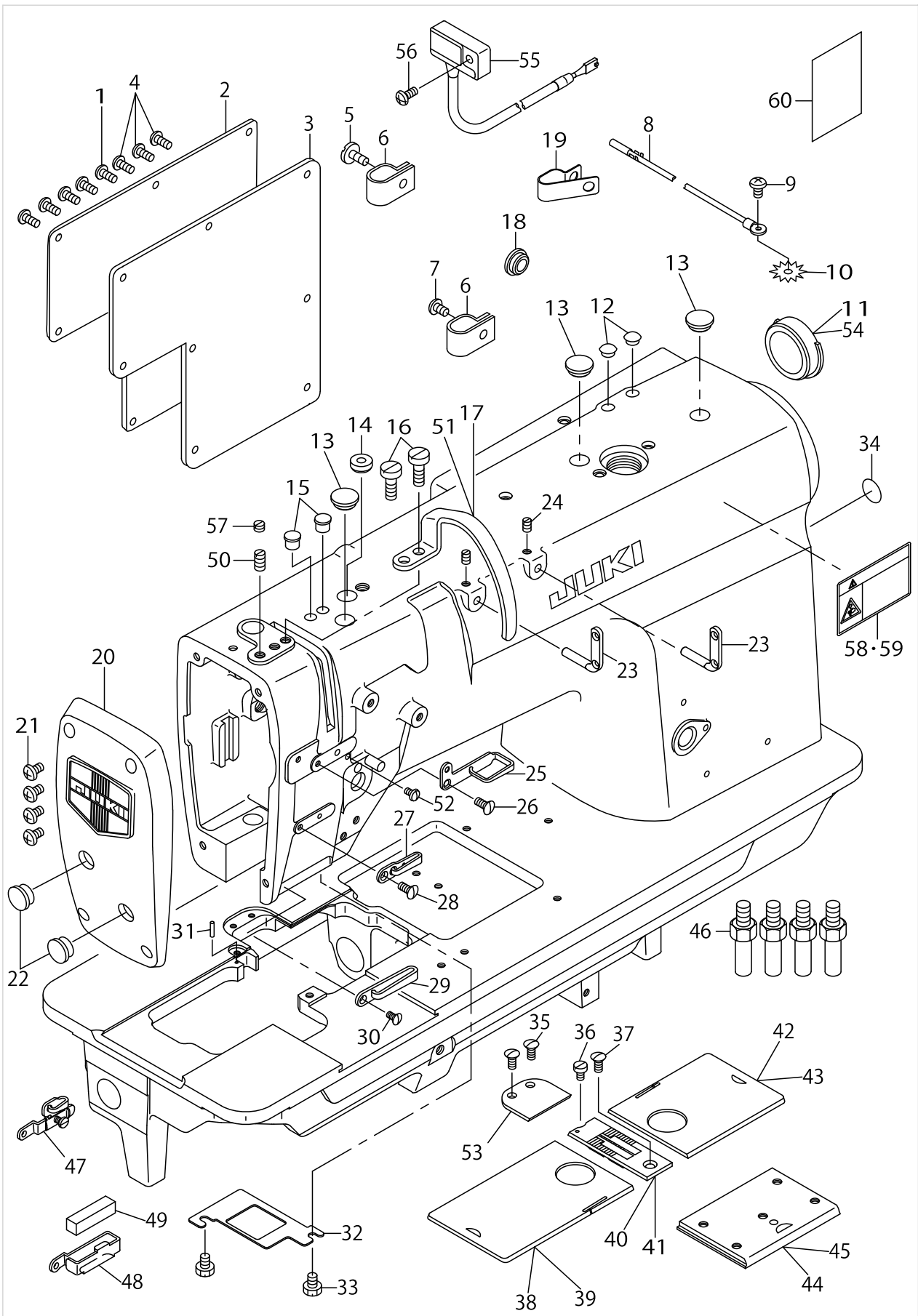
PARTS LIST

Published:05/12/2017

CONTENTS

FRAME & MISCELLANEOUS COVER COMPONENTS	1
MAIN SHAFT & THREAD TAKE-UP COMPONENTS	5
NEEDLE BAR COMPONENTS	7
TENSION POST COMPONENTS	13
HOOK DRIVING SHAFT COMPONENTS	17
HOOK COMPONENTS.....	19
FEED MECHANISM COMPONENTS.....	25
PRESSER BAR & TENSION RELEASE COMPONENTS.....	29
THREAD TRIMMER MECHANISM COMPONENTS (FOR LH-3168-7).....	33
AUTOMATIC REVERSE FEED MECHANISM COMPONENTS (FOR LH-3168-7).....	37
WIPER MECHANISM COMPONENTS (FOR LH-3168-7).....	39
LUBRICATION COMPONENTS	41
BELT COVER & BOBBIN WINDER COMPONENTS	45
OIL RESERVOIR & KNEE LIFTER COMPONENTS.....	47
THREAD STAND COMPONENTS (1) (FOR USE IN JAPAN).....	49
THREAD STAND COMPONENTS (2) (EXCEPT USE IN JAPAN)	51
TABLE OF EXCHANGING GAUGE PARTS (1).....	53
TABLE OF EXCHANGING GAUGE PARTS (2).....	57
TABLE OF EXCHANGING GAUGE PARTS (3).....	61
LIST FOR INFORMATION OF CHANGE.....	63
HOW TO MAKE USE OF THIS PARTS LIST	64

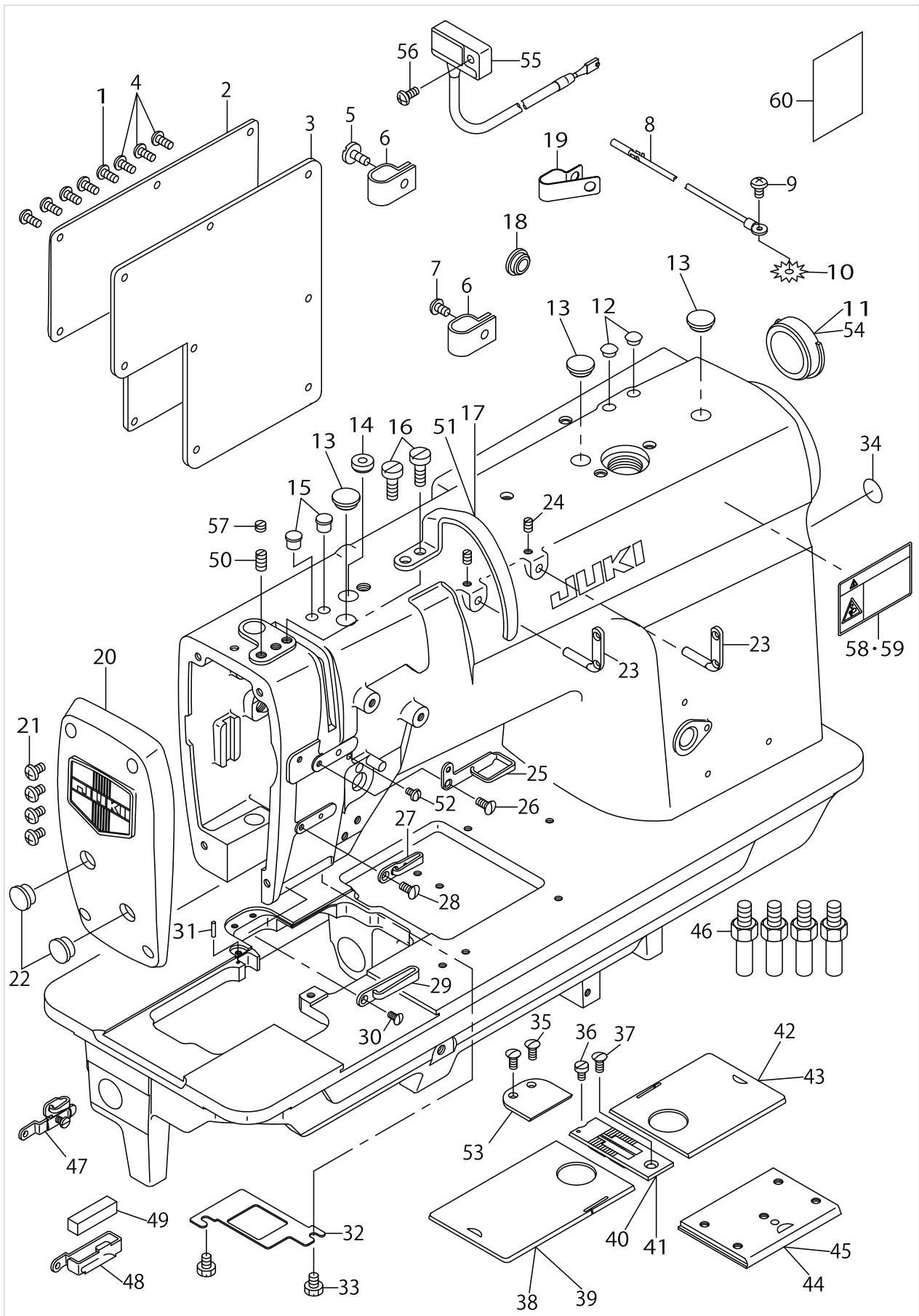
FRAME & MISCELLANEOUS COVER COMPONENTS



FRAME & MISCELLANEOUS COVER COMPONENTS

No.	Supply Code	Parts No.	Replacement	Parts name	Remarks	Choice	Step	Level	Cons	Qty	Rep. QTY
1		SS4110815SP		SCREW 11/64-40 L=8						5	
2		10602902		SLIDE PLATE						1	
3		10101004		GASKET						1	
4		SS4110815SP		SCREW 11/64-40 L=8	FOR LH-3168					3	
5		SS6111140SP		SCREW 11/64-40 L=11	FOR LH-3168-7					3	
6		D2112555B00		CORD HOLDER, LARGE	FOR LH-3168-7					2	
7		SS4120615SP		SCREW 3/16-28 L=6	FOR LH-3168-7					1	
8		22951552		GROUND WIRE ASM.	FOR LH-3168-7					1	
9		SS4120615SP		SCREW 3/16-28 L=6	FOR LH-3168-7					1	
10		WT0530002KS		TOOTHED WASHER D=5.3	FOR LH-3168-7					1	
11		22619100		CAP	FOR LH-3168					1	
12		TA0750404R0		PLUG D=7.5 L=3.5	FOR LH-3168					2	
13		TA1250406R0		RUBBER PLUG D=12.5 L=4						3	
14		22620900		CAP						1	
15		TA0750704R0		RUBBER PLUG						2	
16		SS6151780SP		SCREW 15/64-28 L=17.0						2	
17	D	22602007		THREAD TAKE-UP LEVER OIL GUARD	EXCEPT USE IN JAPAN & JE					1	
18		TA1250406R0		RUBBER PLUG D=12.5 L=4						1	
19		D2112555B00		CORD HOLDER, LARGE	FOR LH-3- 168-7-WB, -WO, -OB					2	
20		22680250		FACE PLATE ASM.						1	
21		SS4121015SP		SCREW 3/16-28 L=10						4	
22		TA1250406R0		RUBBER PLUG D=12.5 L=4						2	
23		22920706		TWO EYELET						2	
24		SS8120740SP		SCREW 3/16-28 L=7						2	
25	D	22603013		THREAD GUIDE (UPPER)						1	
26		SS2090710TP		SCREW 9/64-40 L=7.2						1	
27		22603112		THREAD GUIDE						1	
28		SS2090710TP		SCREW 9/64-40 L=7.2						1	
29	R	22603203	SS2090810SP	THREAD GUIDE(LOWER)	TYPE S,G	A				1	1.00
29	R	22603203	40084142	THREAD GUIDE(LOWER)	TYPE S,G	A				1	1.00
30		SS2090710TP		SCREW 9/64-40 L=7.2						1	
31		B1104051000		THROAT PLATE PIN						1	
32		22680003		PLATE						1	
33		SS9110460CP		SCREW 11/64-40 L=4						2	
34		22901805		GROUND MARK						1	
35		SS2090710TP		SCREW 9/64-40 L=7.2						2	
36	R	SS6090630SP	SS6090630TP	SCREW 9/64-40 L=6						1	1.00
37		SS2110920TP		SCREW 11/64-40 L=8.5						1	
38		22601058		BED SLIDE LEFT, ASM., A	EXCHANGI- NG GAUGE PARTS FOR LH-3168 (- SEE P.29~33)					1	
39		22650857		BED SLIDE LEFT, ASM., A	EXCHANGI- NG GAUGE PARTS FOR LH-3168-- 7(SEE P.29~33)					1	

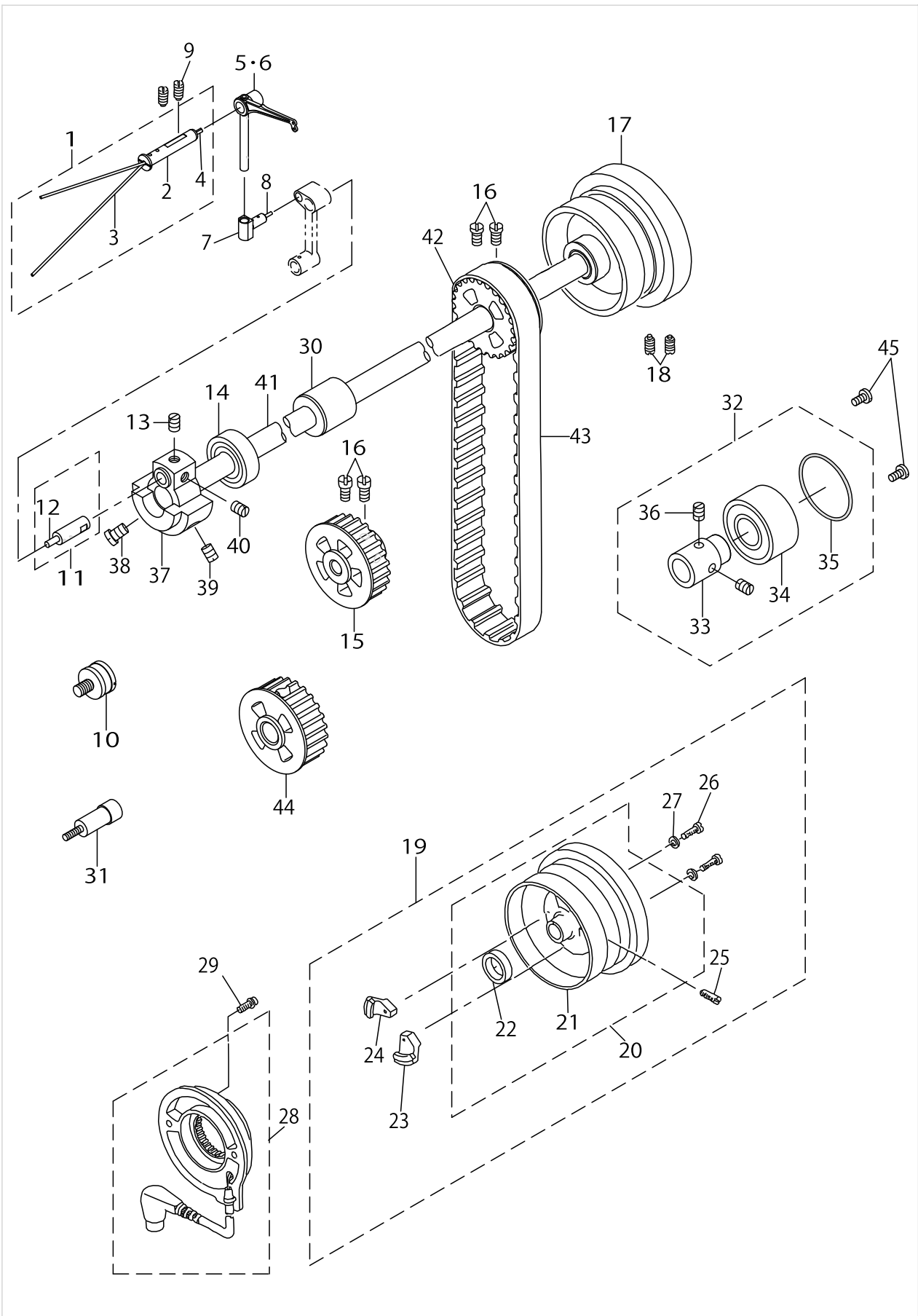
FRAME & MISCELLANEOUS COVER COMPONENTS



FRAME & MISCELLANEOUS COVER COMPONENTS

No.	Supply Code	Parts No.	Replacement	Parts name	Remarks	Choice	Step	Level	Cons	Qty	Rep. QTY
40		22625503		THROAT PLATE 1/4	EXCHANGI- NG GAUGE PARTS FOR LH-3168 (- SEE P.29~33)					1	
41		22660609		THROAT PLATE 1/4	EXCHANGI- NG GAUGE PARTS FOR LH- 3168-- 7(SEE P.29~33)					1	
42		22600555		BED SLIDE RIGHT, ASM., A	EXCHANGI- NG GAUGE PARTS FOR LH-3168 (- SEE P.29~33)					1	
43		22650352		BED SLIDE RIGHT, ASM., A	EXCHANGI- NG GAUGE PARTS FOR LH- 3168-- 7(SEE P.29~33)					1	
44		22650055		BED SLIDE ASM.						1	
45		22650055		BED SLIDE ASM.	FOR LH-3168-7					1	
46		22602601		BED SCREW STUD						4	
47		22651459		THREAD GUIDE ASM., E	OPTIONAL PARTS					1	
48		22603609		THREAD GUIDE	TYPE A					1	
49		22603708		FELT	TYPE A					1	
50	R	SS8151150SP	SS8151150TP	SCREW 15/64-28 L=10.5						1	1.00
51		22818009		BALANCE COVER(FOR JE)	FOR JE,US- E IN JAPAN					1	
52		SS5090610SP		SCREW 9/64-40 L=6						1	
53		22651202		AUXILIARY COVER						1	
54		22657803		RUBBER PLUG	FOR LH-3168-7					1	
55		M6043350AAA		RESISTANCE PACK ASM.,AA	FOR LH-3168-7					1	
56		SS4111015SP		SCREW11/64-40L=10	FOR LH-3168-7					1	
57		SS8150410TP		SCREW 15/64-28 L= 4.0						1	
58		CM3002001A1		SAFETY LABEL.,3 (SMALL).	EXCEPT U- SE IN JAPAN & JE					1	
59		CM300200101		SAFETY LABEL, 1(SMALL).	FOR USE IN JAPAN					1	
60		40021415		INSTRUCTION MAN- UAL(SUPPLEMENT)	FOR CHINA					1	

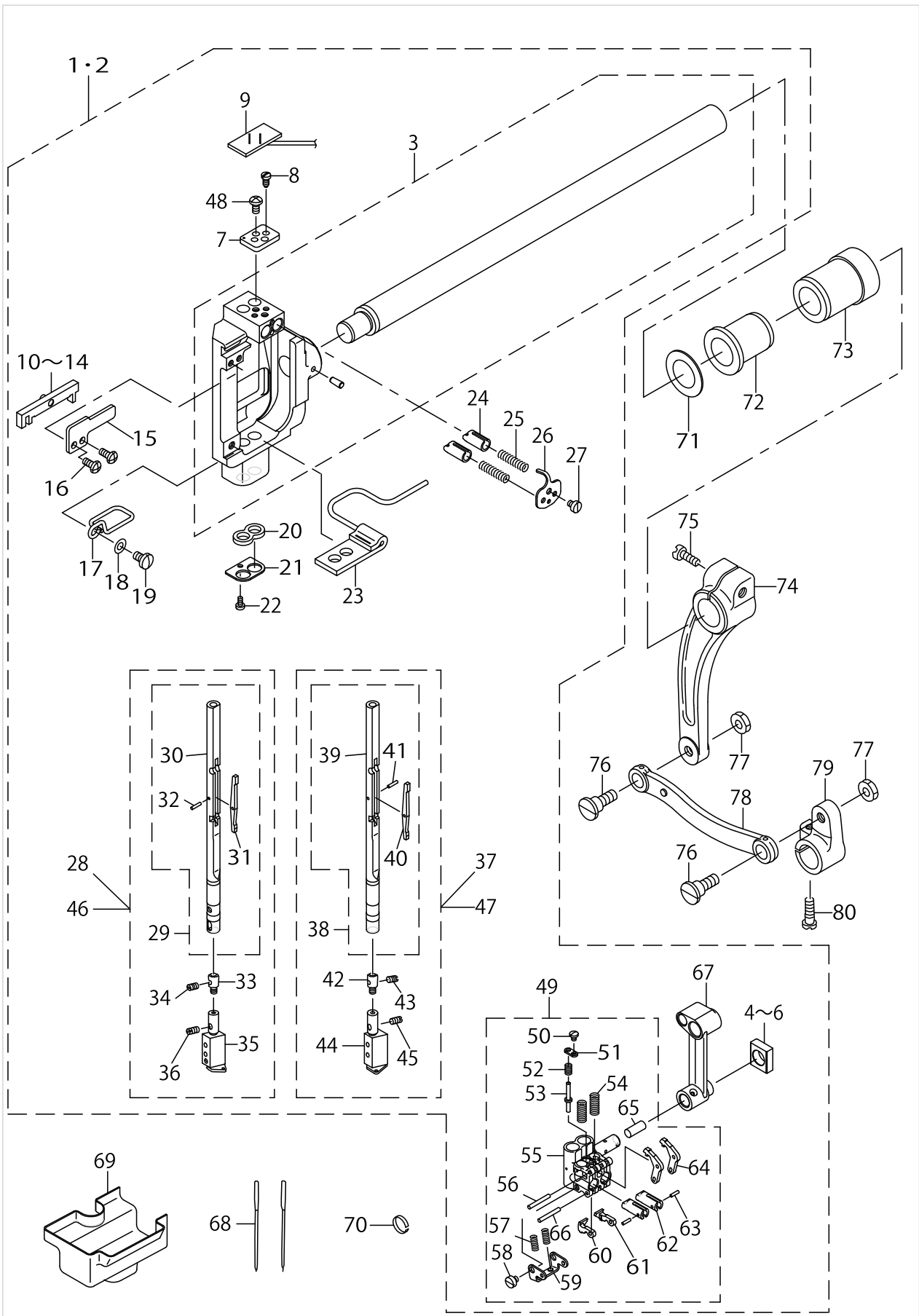
MAIN SHAFT & THREAD TAKE-UP COMPONENTS



MAIN SHAFT & THREAD TAKE-UP COMPONENTS

No.	Supply Code	Parts No.	Replacement	Parts name	Remarks	Choice	Step	Level	Cons	Qty	Rep. QTY
1		22605356		THREAD TAKE-UP LEVER PIN ASM.						1	
2		22605307		THREAD TAKE-UP LEVER PIN				*		1	
3		CQ202000000		OIL WICK				*		0.4	
4		CQ252000000		OIL WICK				*		0.04	
5		23203805		TAKE-UP LEVER B	FOR LH-3168					1	
6		23203904		TAKE-UP LEVER C	FOR LH-3168-7					1	
7		22605406		TAKE-UP LEVER THRUST PIN						1	
8		CQ252000000		OIL WICK						.03	
9		SS8151150TP		SCREW 15/64-28 L=10.5						2	
10		22622401		SYNCRO FRNGE	OPTIONAL PARTS					1	
11		22680656		NEEDLE BAR CRANK PIN ASM.						1	
12		CQ505000000		OIL WICK				*		0.1	
13		SS8680540SP		SCREW 9/32-28 L=4.5						1	
14		B1202512000		MAIN SHAFT BUSHING, FRONT						1	
15		22623201		SPROCKET WHEEL	FOR LH-3168					1	
16		SS6661110SP		SCREW 1/4-40 L=11						4	
17		22604508		HAND WHEEL	FOR LH-3168					1	
18		SS8151550SP		SCREW 15/64-28 L=15	FOR LH-3168					2	
19		22651566		HAND WHEEL ASM.	FOR LH-3168-7					1	
20		22651558		HAND WHEEL				*		1	
21	D	22651509		HAND WHEEL				*		1	
22		M4002110000		GENERATOR ROTOR				*		1	
23		M40071100AA		MAGNET FITTING BASE A ASM.				*		1	
24		M40071100AB		MAGNET FITTING BASE B ASM.				*		1	
25		SS8151550SP		SCREW 15/64-28 L=15				*		2	
26		SS6111210SP		SCREW 11/64-40 L=12				*		2	
27		WP0450801SD		WASHER 4.5X10X0.8				*		2	
28		22937965		DYNAMO STATOR	FOR LH-3168-7					1	
29		10604809		SCREW	FOR LH-3168-7					2	
30		22603906		UPPER SHAFT INNER METAL						1	
31		22622351		SENSOR SUPPORT SHAFT ASM.	OPTIONAL PARTS					1	
32		22604656		THRUST COLLAR ASM.						1	
33		22604607		THRUST COLLAR				*		1	
34		SB120000100		BEARING D=20X47				*		1	
35		RO437200200		RUBBER RING				*		1	
36		SS8660530TP		SCREW 1/4-40 L= 4.5				*		2	
37	D	22604409		COUNTERWEIGHT						1	
38		SS7681750TP		SCREW 9/32-28 L=16.5						1	
39		SS8681650TP		SCREW 9/32-28 L=16						1	
40		SS8680810TP		SCREW 9/32-28 L=8.0						1	
41		22604003		MAIN SHAFT						1	
42		22604904		UPPER SPROCKET						1	
43		22604300		TIMING BELT						1	
44		22651608		SPROCKET WHEEL	FOR LH-3168-7					1	
45		SS7120760SP		SCREW 3/16-28 L=7.0						2	

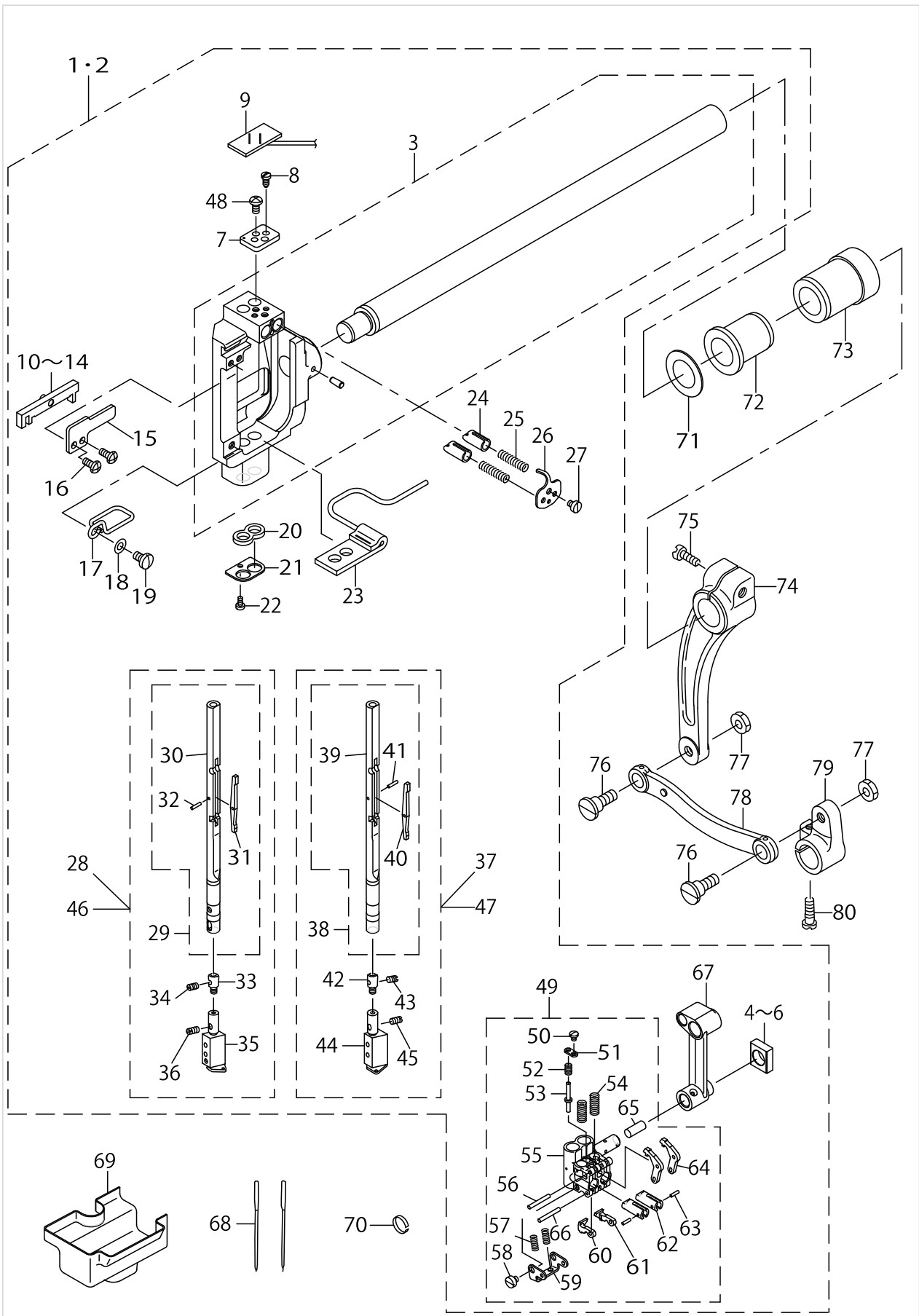
NEEDLE BAR COMPONENTS



NEEDLE BAR COMPONENTS

No.	Supply Code	Parts No.	Replacement	Parts name	Remarks	Choice	Step	Level	Cons	Qty	Rep. QTY
1		22682652		NEEDLE ROD ROCKING BASE ASM.	FOR LH-3168					1	
2		22693451		NEEDLE ROD ROCKING BASE ASM.	FOR LH-3168-7					1	
3		23204951		NEEDLE ROD ROCKING BASE ASM.				*		1	
4		23204506		ROCKING ROD SQUARE BLOCK A	SELECTIVE PARTS			*		1	
5		23204605		ROCKING ROD SQUARE BLOCK B	SELECTIVE PARTS			*		1	
6		23204704		ROCKING ROD SQUARE BLOCK C	SELECTIVE PARTS			*		1	
7		22682702		NEEDLE BAR SWIVEL STOPPER				*		1	
8		22681712		STOPPER SCREW				*		2	
9		22682850		FELT ASM.				*		1	
10		22681951		SLIDERBLOCKASM.A	SELECTIVE PARTS			*		1	
11		22682058		SLIDERBLOCKASM.B	SELECTIVE PARTS			*		1	
12		22682157		SLIDE BLOCK	SELECTIVE PARTS			*		1	
13		22682256		SLIDERBLOCKASM.D	SELECTIVE PARTS			*		1	
14		22682355		SLIDERBLOCKASM.E	SELECTIVE PARTS			*		1	
15		22681803		SLIDE BLOCK GUIDE PLATE				*		1	
16		SS4090815SP		SCREW 9/64-40 L=8				*		2	
17		22685903		FELT GUIDE				*		1	
18		WP0450000SD		WASHER 4.5X8X0.5				*		1	
19		SS7110710SP		SCREW 11/64-40 L=7				*		1	
20		22686000		NEEDLE BAR OIL SEAL FELT, A				*		1	
21		22685804		NEEDLE BAR OIL SEAL PLATE				*		1	
22		SS6060510TP		SCREW 3/32-56 L=4.5				*		1	
23		22686158		OILSEALFELTASM.,B				*		1	
24		22681407		NEEDLE BAR STOPPER				*		2	
25		22681506		SPRING				*		2	
26	R	22681316	40095222	STOPPER SPRING COVER				*		1	1.00
27		SS6080410SP		SCREW 1/8-44 L=4				*		1	
28	D	22693253		NEEDLE BAR UNIT, LEFT	FOR LH-3168-7			*		1	
29	D	22685150		NEEDLE BAR ASM., LEFT				*		1	
30	R	22685101	22685150	NEEDLE BAR, LEFT				*		1	1.00
31	R	22685200	40026984	SEESAW PLATE		A	LH- 右/ Right	*		1	1.00
31	R	22685200	40026983	SEESAW PLATE		B	LH- 左/Left	*		1	1.00
31	R	22685200	40064252	SEESAW PLATE		C	APW- 右 L-H-896N 右- /APW- Right LH-896N Right	*		1	1.00
31	R	22685200	40064253	SEESAW PLATE		D	APW- 左 L-H-896N 左- /APW- Left LH-896N Left	*		1	1.00
32		22685408		NEEDLE BAR PIN				*		1	
33		22682504		SPRING BEARING				*		1	
34		B1425526000		SCREW 1/8-44 L=6				*		1	
35		B1402528FALA		NEEDLE CLAMP ASM. 1/4				*		1	
36		B1425526000		SCREW 1/8-44 L=6				*		1	
37	D	22693352		NEEDLE BAR UNIT, RIGHT	FOR LH-3168-7			*		1	
38	D	22685358		NEEDLE BAR ASM., RIGHT				*		1	
39	R	22685309	22685358	NEEDLE BAR, RIGHT				*		1	1.00

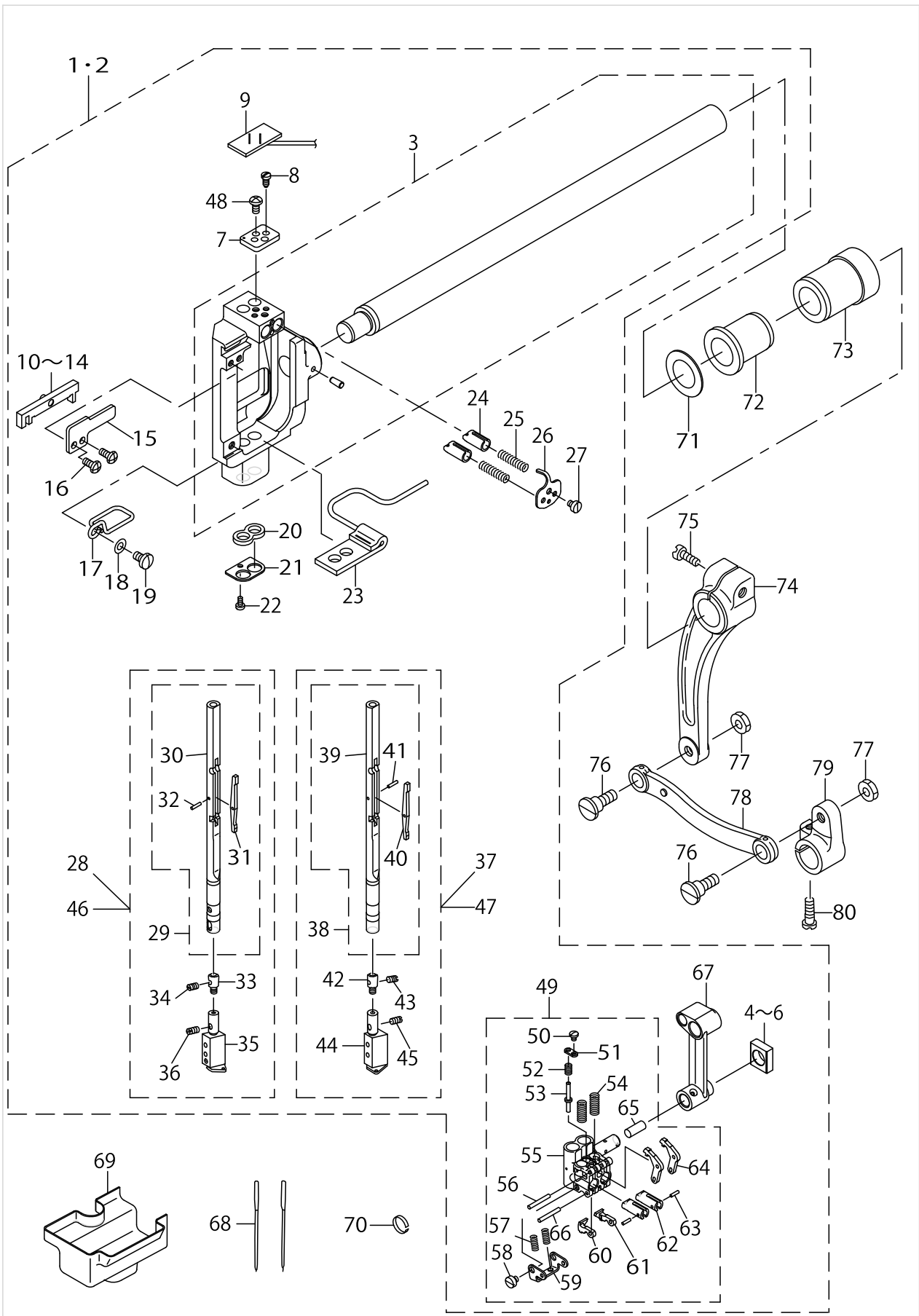
NEEDLE BAR COMPONENTS



NEEDLE BAR COMPONENTS

No.	Supply Code	Parts No.	Replacement	Parts name	Remarks	Choice	Step	Level	Cons	Qty	Rep. QTY
40	R	22685200	40026984	SEESAW PLATE		A	LH- 右/ Right	*		1	1.00
40	R	22685200	40026983	SEESAW PLATE		B	LH- 左/Left	*		1	1.00
40	R	22685200	40064252	SEESAW PLATE		C	APW- 右 L- H-896N 右- /APW- Rig- ht LH-896N Right	*		1	1.00
40	R	22685200	40064253	SEESAW PLATE		D	APW- 左 L- H-896N 左- /APW- Left LH-896N Left	*		1	1.00
41		22685408		NEEDLE BAR PIN				*		1	
42		22682504		SPRING BEARING				*		1	
43		B1425526000		SCREW 1/8-44 L=6				*		1	
44		B1402528FARA		NEEDLE CLAMP ASM. 1/4				*		1	
45		B1425526000		SCREW 1/8-44 L=6				*		1	
46	D	22685168		NEEDLE BAR UNIT, LEFT	FOR LH-3168			*		1	
47		22685366		NEEDLE BAR UNIT, RIGHT	FOR LH-3168			*		1	
48		SS4090715SP		SCREW 9/64-40 L=7				*		2	
49		22683056		NEEDLE BAR CONNECTION ASM.				*		1	
50		SS7060310SP		SCREW 3/32-56 L=3				*		1	
51		22683205		RELEASE PIN COVER				*		1	
52		22683304		SPRING				*		1	
53		22683106		RELEASE PIN				*		1	
54		22683809		SPRING				*		2	
55		22683007		NEEDLE BAR CONNECTION				*		1	
56		22683403		NEEDLE BAR CONNECTION PIN				*		1	
57		22684104		SPRING				*		2	
58		SS6080340SP		SCREW 1/8-44 L=2.9				*		2	
59		22684203		SPRING BRACKET				*		1	
60		22683908		CLUTCH STOPPER, LEFT				*		1	
61		22684005		CLUTCH STOPPER, RIGHT				*		1	
62		22683502		NEEDLEBARCLUTCH				*		2	
63		B1705850000		STOPPER PIN				*		2	
64		22683601		CLUTCH LEVER				*		2	
65		CQ252000000		OIL WICK				*		0.1	
66		40015144		NEEDLE BAR CONNECTION PIN				*		1	
67		22684609		NEEDLE BAR CRANK ROD				*		1	
68		MDP500B1400		NEEDLE DPX5 #14						2	
69		22685705		OIL GUARD RUBBER						1	
70		B1414512000		OIL WICK RETAINER						1	
71		B1438512B00		WASHER 17.1X28X1.5	SELECTIVE PARTS					1	
72		22607303		BUSHING						1	
73		22607402		BUSHING						1	
74		22607006		REAR ARM						1	
75		SS6152440SP		SCREW 15/64-28 L=23.5						1	
76		SD0870601SP		HINGE SCREW D= 8.73 H= 6.0						2	
77		NS6150430SP		NUT 15/64-28						2	
78		22607105		DRIVING ROD						1	
79	R	22607204	22607253	DRIVING ARM						1	1.00

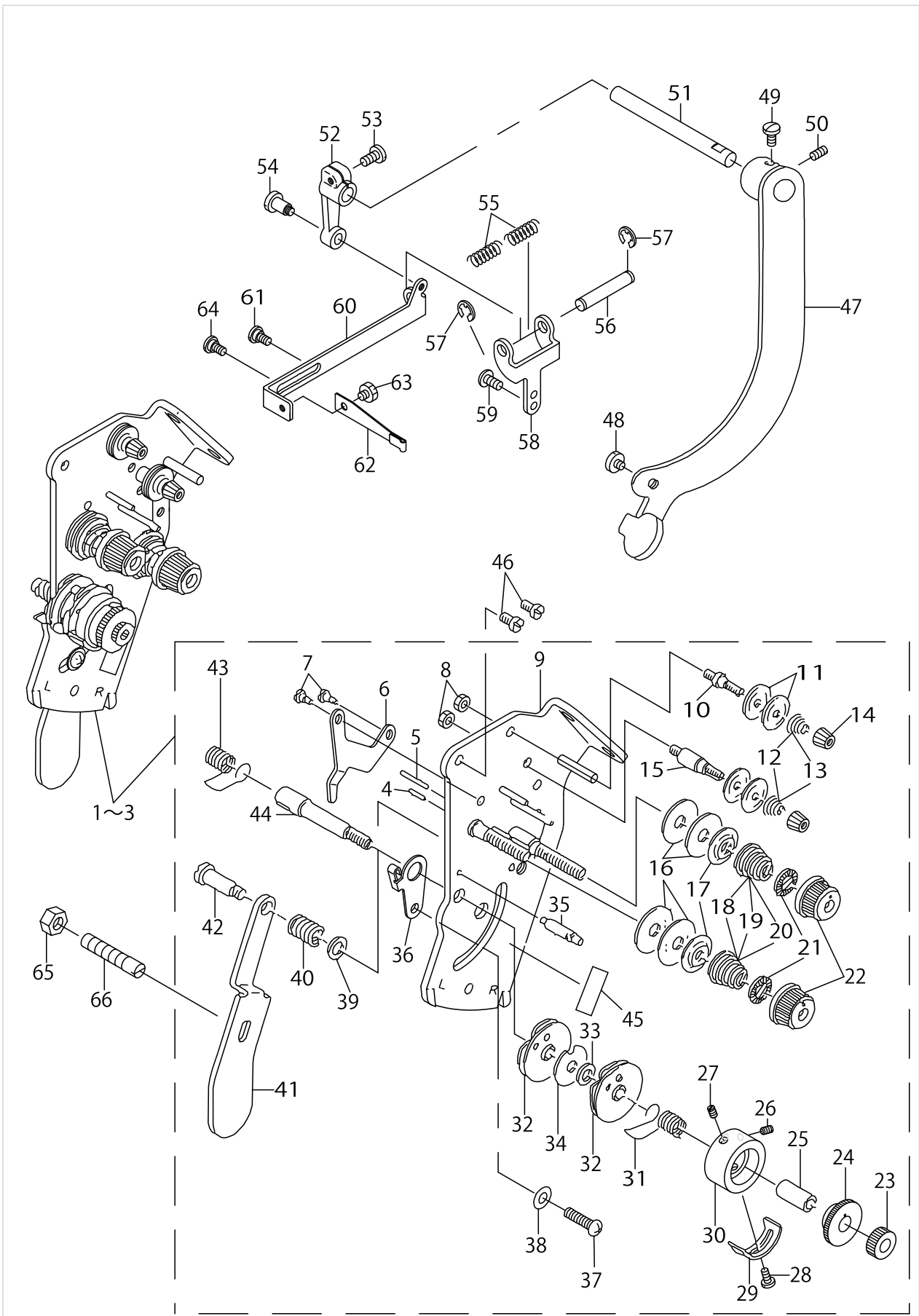
NEEDLE BAR COMPONENTS



NEEDLE BAR COMPONENTS

No.	Supply Code	Parts No.	Replacement	Parts name	Remarks	Choice	Step	Level	Cons	Qty	Rep. QTY
80		SS6121610TP		SCREW 3/16-28 L=15.5						1	

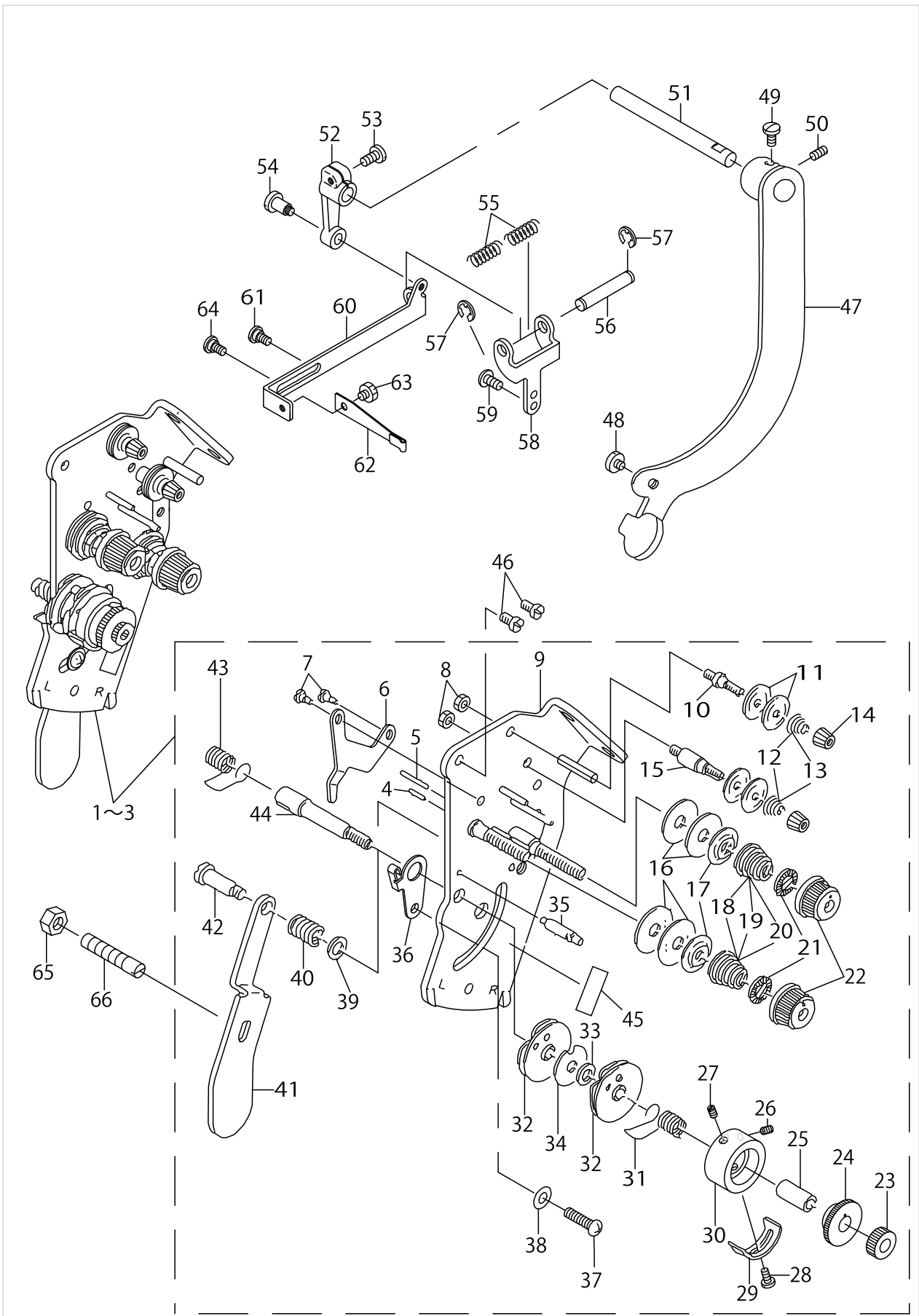
TENSION POST COMPONENTS



TENSION POST COMPONENTS

No.	Supply Code	Parts No.	Replacement	Parts name	Remarks	Choice	Step	Level	Cons	Qty	Rep. QTY
1		22689061		THREAD TENSION ASM., S						1	
2		22689558		THREAD TENSION ASM. A	TYPE A					1	
3		22689657		THREAD TENSION ASM.G	TYPE G					1	
4		22618201		TENSION RELEASE PIN, A				*		1	
5		22618300		TENSION RELEASE PIN, B				*		1	
6		22618102		TENSION RELEASE LEVER				*		1	
7		SD0470281SP		HINGE SCREW D=4.7 H=2.8				*		2	
8		NS6110310SP		NUT 11/64-40				*		2	
9		22689053		TENSION BASE PLATE ASM.				*		1	
10		10124204		THREAD TENSION POST, A				*		1	
11		10741106		FIRST THREAD TENSION PLATE				*		4	
12		11045101		THREAD TENSION SPRING	TYPE A, S			*		2	
13		11093606		THREAD TENSION SPRING	TYPE G			*		2	
14		11072402		THREAD TENSION NUT				*		2	
15		10124303		THREAD TENSION POST, B				*		1	
16	R	B3126012000	22921506	THREAD TENSION DISK				*		4	1.00
17		22617906		THREAD TENSION DISK PRESSER				*		2	
18		B3114232000		THREAD TENSION SPRING	TYPE G			*		2	
19		B3129012A00		TENSION SPRING	TYPE S			*		2	
20		D3129555D00		THREAD TENSION SPRING	TYPE A			*		2	
21		B3112704000		TENSION SPRING BUSHING				*		2	
22		11956802		THREAD TENSION KNOB, BLUE				*		2	
23	R	22617807	22928808	NUT				*		1	1.00
24		22617708		TAKE-UP SPRING GUIDE				*		1	
25		B3141527000		PRESSER COLLAR				*		1	
26	R	22618904	SM8030500SP	SET SCREW				*		1	1.00
27	R	22618904	SM8030500SP	SET SCREW				*		1	1.00
28		SS7090510SP		SCREW 9/64-40 L= 4.6				*		1	
29		B3138527000		ADJUSTING PLATE B				*		1	
30		22617609		THREAD TENSION POST				*		1	
31		22618805		THREAD TAKE-UP SPRING B				*		1	
32		B31375270A0		TAKE-UP SPRING GUIDE ASM.				*		2	
33		B3139527000		COLLAR				*		1	
34		B3142527000		TAKE-UP SPRING GUIDE PLATE				*		1	
35		B3143527000		TAKE-UP SPRING GUIDE STUD				*		1	
36		10697506		THREAD TENSION BRACKET, A				*		1	
37		SS4110615SP		SCREW 11/64-40 L=6				*		1	
38		WP0501016SD		WASHER 5X10.5X1				*		1	
39		WP0450801SP		WASHER				*		1	
40		B1449526000		REPOSITIONING LEVER SPRING				*		1	
41		22689103		REPOSITIONING LEVER				*		1	
42		SD0601171SP		HINGE SCREW D= 6 H=11.7				*		1	
43		22618706		THREAD TAKE-UP SPRING A				*		1	
44		10697605		THREAD TAKE-UP SPRING STUD				*		1	
45		NS6120310SP		NUT 3/16-28						1	
46		SS4120615SP		SCREW 3/16-28 L=6						2	

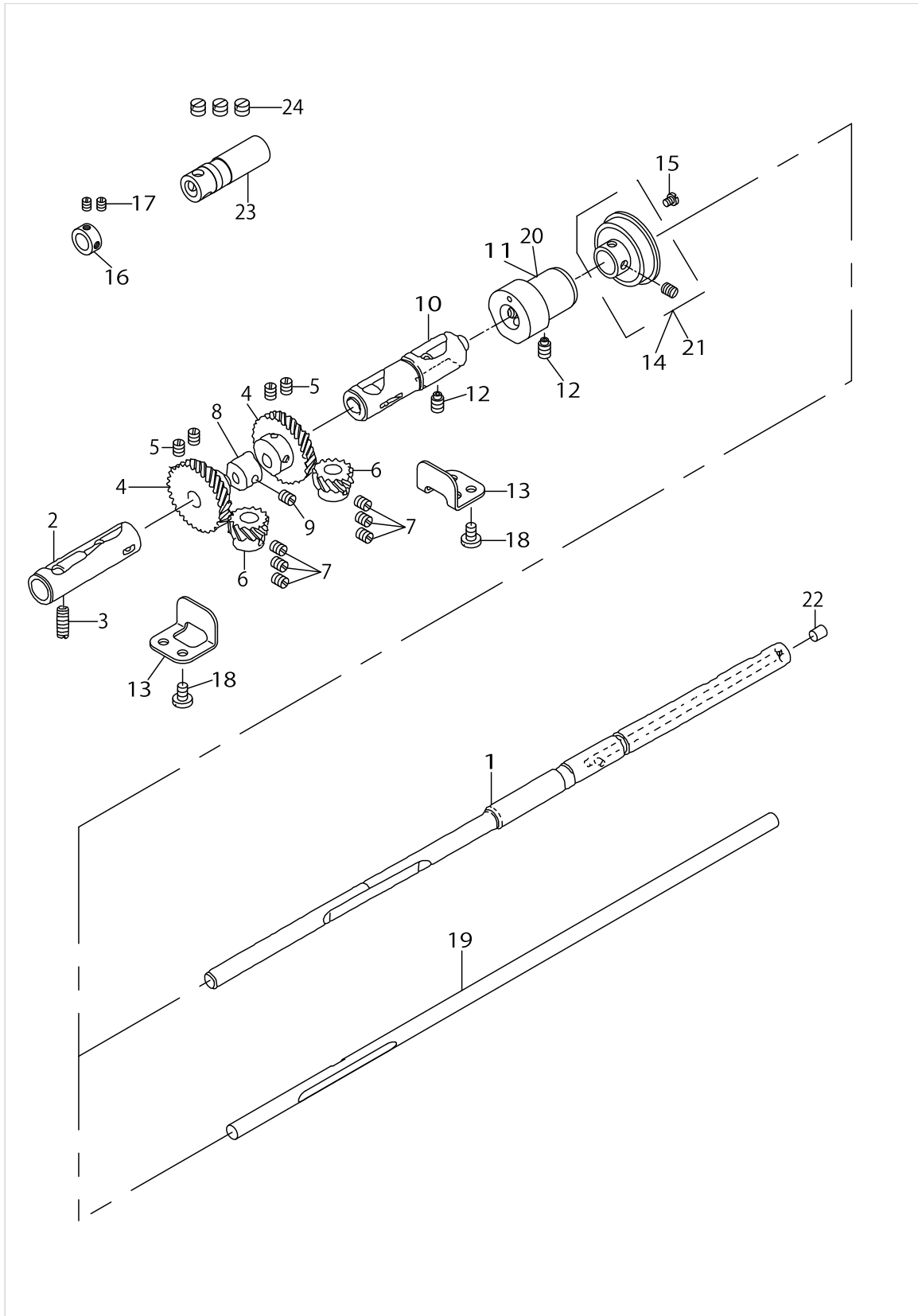
TENSION POST COMPONENTS



TENSION POST COMPONENTS

No.	Supply Code	Parts No.	Replacement	Parts name	Remarks	Choice	Step	Level	Cons	Qty	Rep. QTY
47		22687453		REPOSITIONING LEVER ASM.						1	
48		SS6110430TP		SCREW 11/64-40 L= 4.0						1	
49		SS7110740TP		SCREW 11/64-40 L=7						1	
50		SS8110520TP		SCREW 11/64-40 L= 4.5						1	
51		22687305		REPOSITIONING LEVER SHAFT						1	
52		22687800		REROSITIONING ARM						1	
53		SS7111410TP		SCREW11/64-40L=14						1	
54		SD0640752TP		HINGE SCREW D= 6.35 H= 7.5						1	
55		22687503		SPRING						2	
56		22687701		SPRING SHAFT						1	
57		RE0700000K0		E-RING 7						2	
58		22687602		SPRING BASE						1	
59		SS4120915SP		SCREW 3/16-28 L=9						2	
60		22687107		REPOSITIONING PLATE						1	
61		SD0640241SP		HINGE SCREW D= 6.35 H= 2.4						1	
62		22687008		LEAF SPRING						1	
63		SS9110460CP		SCREW 11/64-40 L=4						1	
64		SD0640241SP		HINGE SCREW D= 6.35 H= 2.4						1	
65		22689301		LABEL						1	
66		22689202		LEVER PIN SCREW						1	

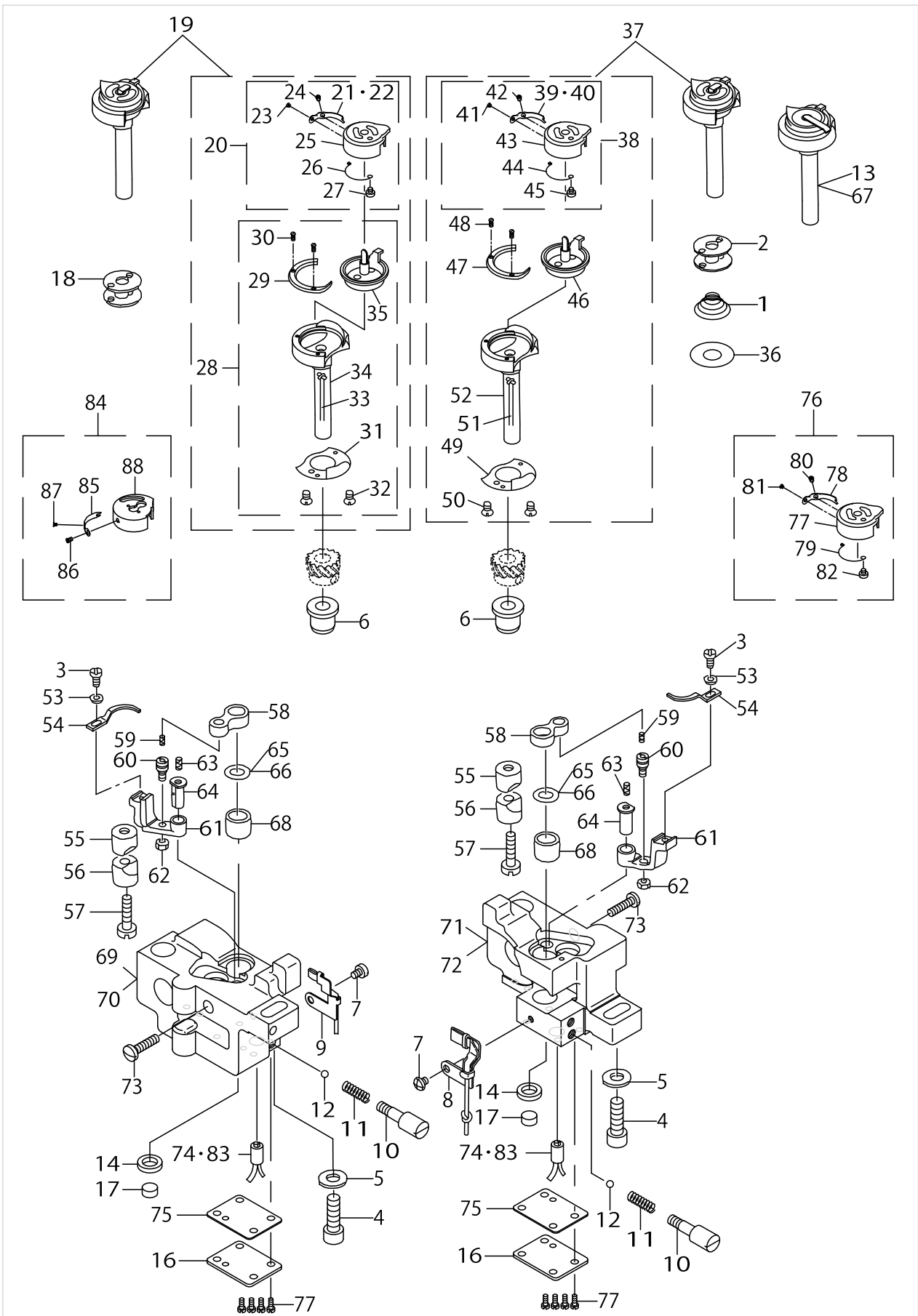
HOOK DRIVING SHAFT COMPONENTS



HOOK DRIVING SHAFT COMPONENTS

No.	Supply Code	Parts No.	Replacement	Parts name	Remarks	Choice	Step	Level	Cons	Qty	Rep. QTY
1		10108512		HOOK DRIVING SHAFT	FOR LH-3168-7					1	
2		B18025120A0A		BUSHING ASM., FRONT	SELECTIVE PARTS					1	
3	R	SS8151150SP	SS8151150TP	SCREW 15/64-28 L=10.5						1	1.00
4		B1816512000		HOOK DRIVING SHAFT, LARGE						2	
5		SS8660810TP		SCREW 1/4-40 L=8						4	
6		10112001		HOOK SHAFT GEAR, A	SELECTIVE PARTS					2	
7		SS8660530TP		SCREW 1/4-40 L= 4.5						6	
8		22609804		FEED DRIVING CAM						1	
9		SS8660530TP		SCREW 1/4-40 L= 4.5						1	
10		B18035150A0		BUSHING ASM., INTERMEDIATE	SELECTIVE PARTS					1	
11		10108611		PLUNGER BUSHING	FOR LH-3168-7					1	
12	R	SS8151150SP	SS8151150TP	SCREW 15/64-28 L=10.5						2	1.00
13		22613608		GEAR GUIDE						2	
14	D	10611457		THRUST COLLAR ASM.	FOR LH-3168-7					1	
15		SS7120760SP		SCREW 3/16-28 L=7.0						2	
16		CS1471012SH		THRUST COLLAR D=14.72 W=10	FOR LH-3168-7					1	
17		SS8660530TP		SCREW 1/4-40 L= 4.5	FOR LH-3168-7					2	
18		SS7110710SP		SCREW 11/64-40 L=7						4	
19		22623102		LOWER SHAFT B	FOR LH-3168					1	
20		22611701		PLUNGERBUSHING,B	FOR LH-3168					1	
21		22611651		THRUST COLLAR ASM., B	FOR LH-3168					1	
22		TA0500601M0		PLUG D=5X5.4 L=6	FOR LH-3168-7					1	
23		22611909		OIL PUMP SHAFT	FOR LH-3168					1	
24		SS8660530TP		SCREW 1/4-40 L= 4.5	FOR LH-3168					3	

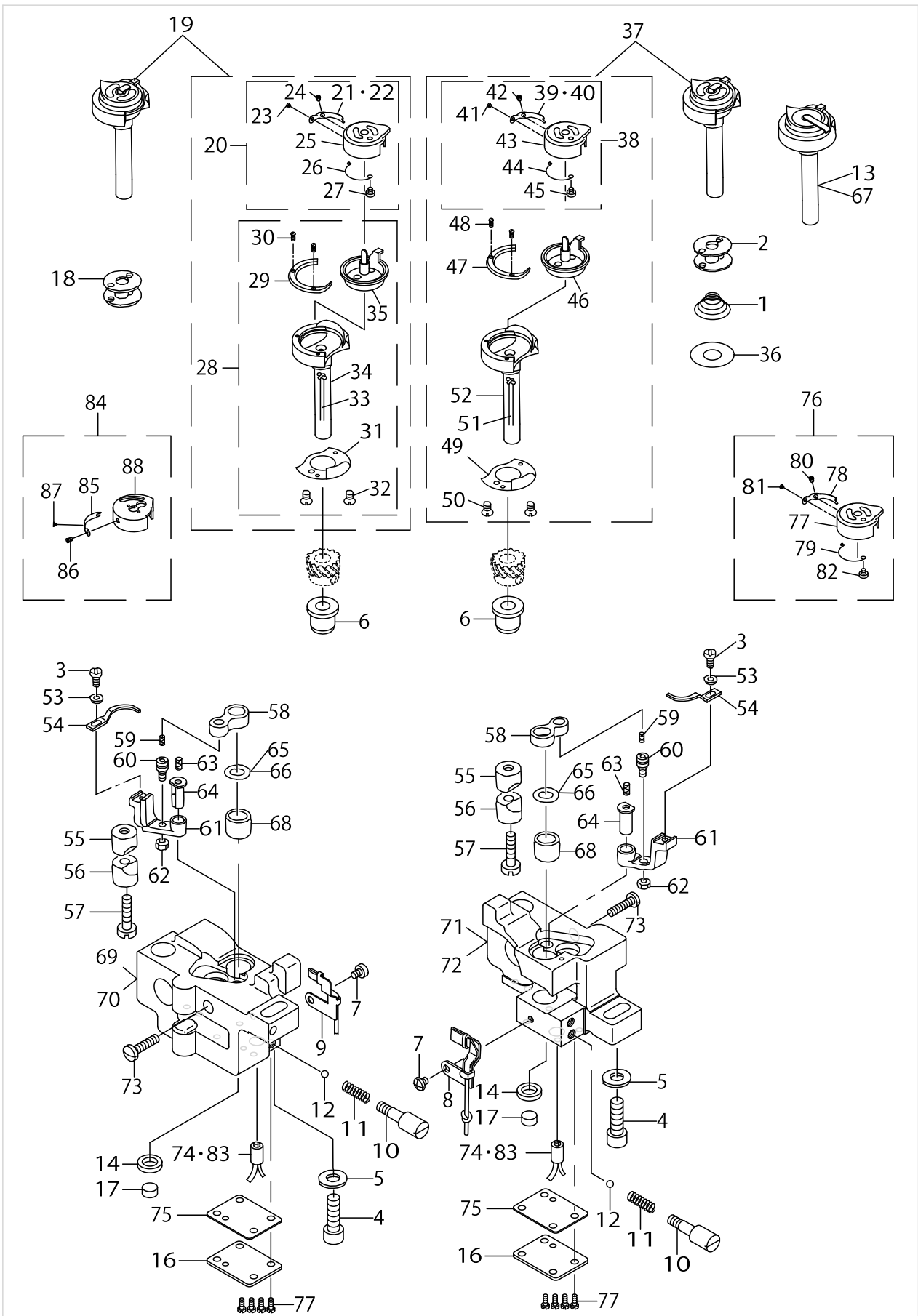
HOOK COMPONENTS



HOOK COMPONENTS

No.	Supply Code	Parts No.	Replacement	Parts name	Remarks	Choice	Step	Level	Cons	Qty	Rep. QTY
1		10111508		SPRING	FOR LH-3168-7					2	
2		10210805		HARD ALUMITE BOBBIN	FOR LH-3168-7					2	
3		SS6090810SP		SCREW 9/64-40 L= 7.5						2	
4		SM6082502TP		SCREW M8 L=25						2	
5		WP0850002SP		WASHER 8.5X18X1.6						2	
6	R	22613400	40017056	HOOK DRIVING SHAFT BUSHING						2	1.00
7		SS4110515SP		SCREW 11/64-40 L=5						2	
8	D	22616254		OIL WICK HOLDER ASM. RIGHT						1	
9		22615959		OIL WICK HOLDER ASM. LEFT						1	
10		22615801		OIL ADJUSTING SCREW						2	
11		D3171415B0H		PRESSER SPRING						2	
12		22615702		OIL ADJUSTING BALL						2	
13		22653158		RATCHET HOOK ASM.	FOR LH-3168-7, JS					2	
14		22615306		FELT HOLDER						2	
15		SS4110815SP		SCREW 11/64-40 L=8						8	
16		22615009		HOOK SHAFT SADDLE COVER						2	
17		22615207		FELT						2	
18		B9117051000		BOBBIN	FOR LH-3168					2	
19		22688253		HOOK ASM.	FOR LH-3168					2	
20		22688154		BOBBIN CASE ASM.				*		1	
21		22688402		TENSION ADJUSTING SPRING	SELECTIVE PARTS			*		1	
22		22688501		TENSION ADJUSTING SPRING	SELECTIVE PARTS			*		1	
23		10110500		TENSION SPRING I- NSTALLING SCRE				*		1	
24		22612907		TENSION ADJUSTING SCREW				*		1	
25		22688105		BOBBIN CASE				*		1	
26		22688204		SPRING				*		1	
27		SS6560150SH		SCREW 3/32-80 L=1.3				*		1	
28		22688055		HOOK ASM.	FOR LH-3168			*		1	
29		22612204		HOOK GIB				*		1	
30		10112803		SCREW				*		2	
31		22612303		NEEDLE POSITIONER				*		1	
32		10112902		SCREW				*		2	
33		22612501		LILY YARN				*		1	
34		22688006		OUTER HOOK				*		1	
35		22612709		BOBBIN BASKET				*		1	
36		22653802		SHEET	FOR LH-3168-7					2	
37		22693857		HOOK ASM.	FOR LH-3168-7					2	
38		22688154		BOBBIN CASE ASM.				*		2	
39		22688402		TENSION ADJUSTING SPRING	SELECTIVE PARTS			*		1	
40		22688501		TENSION ADJUSTING SPRING	SELECTIVE PARTS			*		1	
41		10110500		TENSION SPRING I- NSTALLING SCRE				*		1	
42		22612907		TENSION ADJUSTING SCREW				*		1	
43		22688105		BOBBIN CASE				*		1	
44		22688204		SPRING				*		1	
45		SS6560150SH		SCREW 3/32-80 L=1.3				*		1	

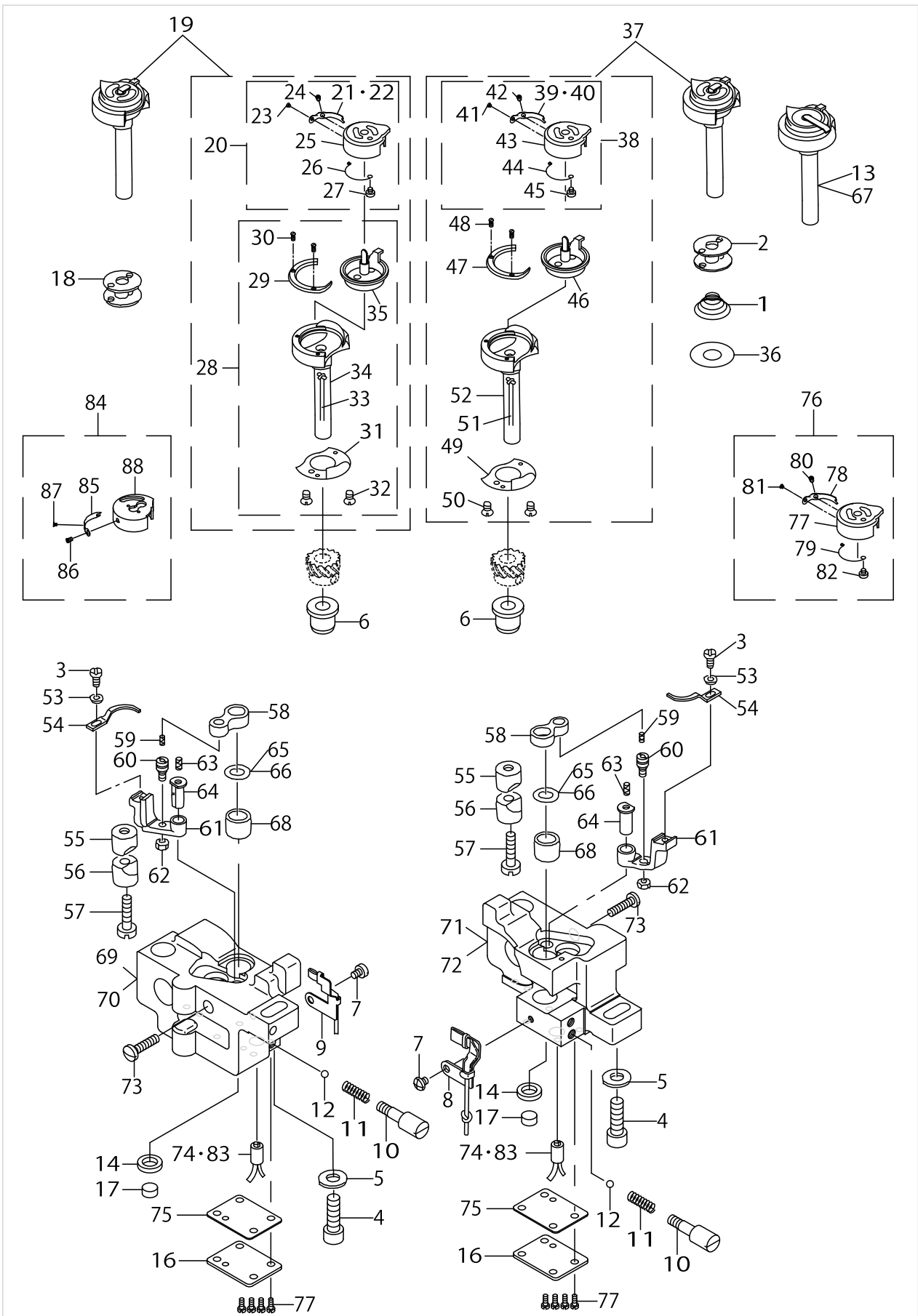
HOOK COMPONENTS



HOOK COMPONENTS

No.	Supply Code	Parts No.	Replacement	Parts name	Remarks	Choice	Step	Level	Cons	Qty	Rep. QTY
46		22653000		SEWING HOOK				*		1	
47		22653307		HOOK GIB				*		1	
48		10112803		SCREW				*		2	
49		22612303		NEEDLE POSITIONER				*		1	
50		10112902		SCREW				*		2	
51		22612501		LILYYARN				*		1	
52		22688006		OUTER HOOK				*		1	
53		WP0371016SD		WASHER 3.7X8X1						2	
54		22613509		BOBBIN CASE OPENING LEVER						2	
55		10109908		SADDLE INSTALLING BLOCK, UPPER						2	
56		10112407		SADDLE INSTALLING BLOCK, LOWER						2	
57		SS6153040SP		SCREW 15/64-28L=30						2	
58		B1820051000		BOBBIN CASE OPENING LEVER LINK						2	
59		CQ202000000		OIL WICK						.1	
60		B1821051000		CRANK SCREW STUD						2	
61		B1822051000		OPENING LEVER CRANK						2	
62		NS6110420SP		NUT 11/64-40						2	
63		CQ202000000		OIL WICK						.1	
64		B1823051000		OPENING LEVER CRANK PIN						2	
65		22614101		THRUST WASHER, B	SELECTIVE PARTS FOR LH-3168					2	
66		10111201		THRUST WASHER, F	SELECTIVE PARTS FOR LH-3168-7					2	
67		22612055		HOOK ASM.	FOR LH-3168, JS					2	
68		22613905		HOOK SHAFT UPPER METAL						2	
69		22613103		HOOK SHAFT SADDLE, LEFT	FOR LH-3168					1	
70		22653604		HOOK SHAFT SADDLE, LEFT	FOR LH-3168-7					1	
71		22613004		HOOK SHAFT SADDLE, RIGHT	FOR LH-3168					1	
72		22653505		HOOK SHAFT SADDLE, RIGHT	FOR LH-3168-7					1	
73	R	SS7111810SP	SS7111810TP	SCREW 11/64-40L=18						2	1.00
74		22615454		RUBBER BUSHING ASM.						2	
75		22615108		GASKET						2	
76		22694855		BOBBIN CASE ASM.	OPTIONAL PARTS					1	
77		22694806		BOBBIN CASE				*		1	
78		22688402		TENSION ADJUSTING SPRING(0.3)				*		1	
79	D	22694707		TENSION ADJUSTING SPRING(0.4)				*		1	
80		10110500		TENSION SPRING INSTALLING SCRE				*		1	
81		22612907		TENSION ADJUSTING SCREW				*		1	
82		SS6560150SH		SCREW 3/32-80 L=1.3				*		1	
83		22615462		RUBBER BUSHING ASM.	OPTIONAL PARTS					2	
84	D	40013657		BOBBIN CASE ASM.	OPTIONAL PARTS					1	
85		22688402		TENSION ADJUSTING SPRING				*		1	
86		10110500		TENSION SPRING INSTALLING SCRE				*		1	
87		22612907		TENSION ADJUSTING SCREW				*		1	

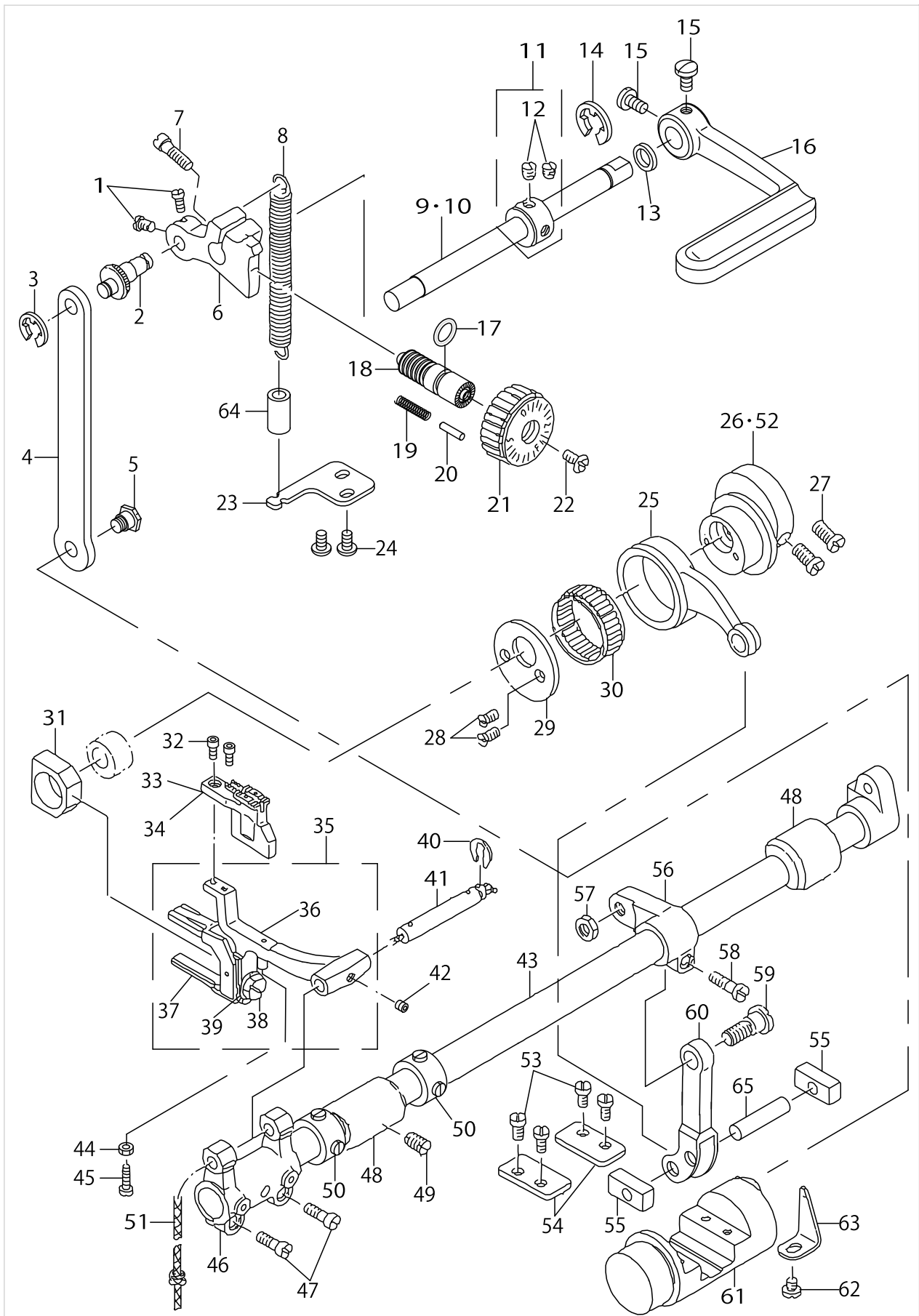
HOOK COMPONENTS



HOOK COMPONENTS

No.	Supply Code	Parts No.	Replacement	Parts name	Remarks	Choice	Step	Level	Cons	Qty	Rep. QTY
88		40013658		BOBBIN CASE				*		1	

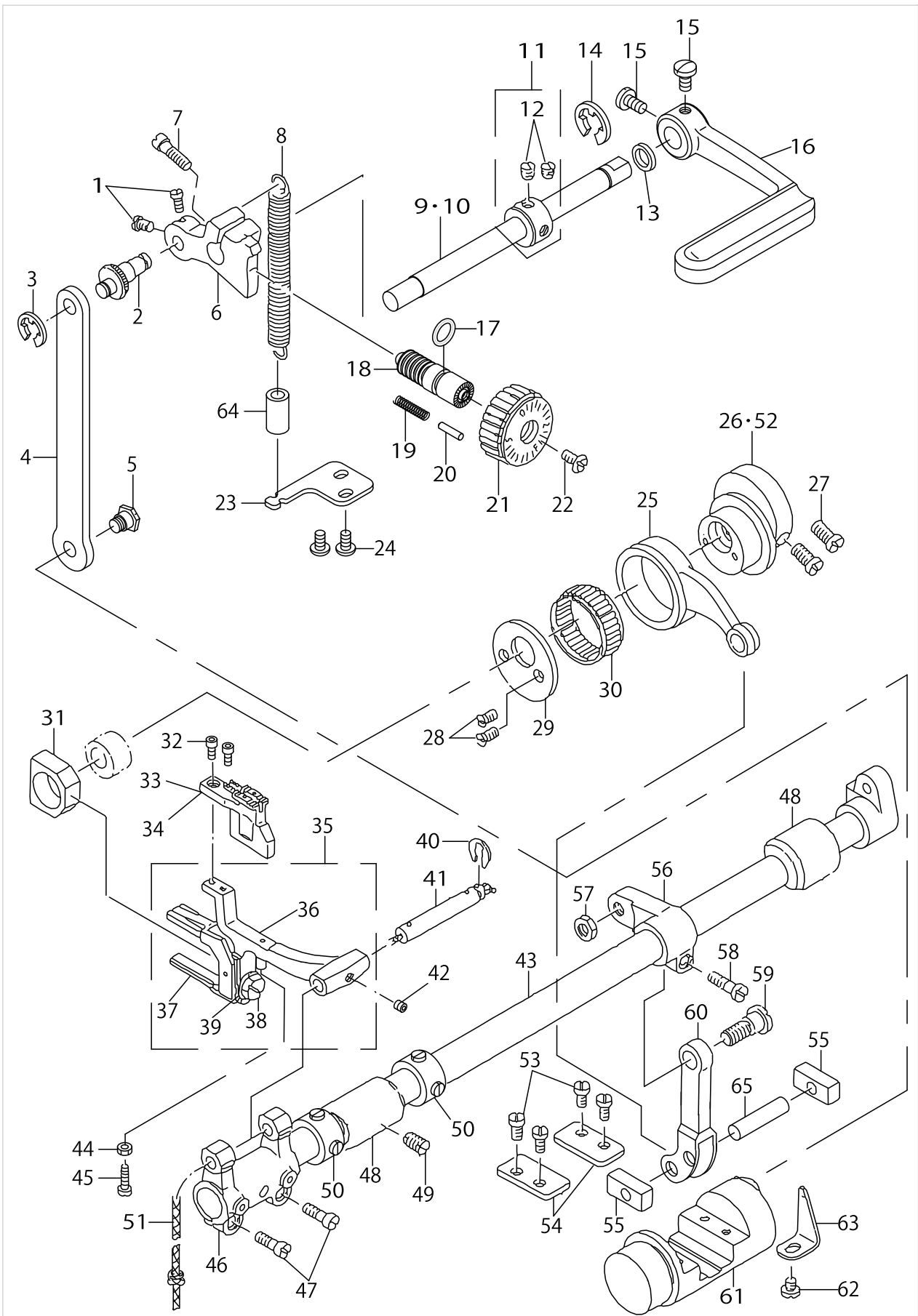
FEED MECHANISM COMPONENTS



FEED MECHANISM COMPONENTS

No.	Supply Code	Parts No.	Replacement	Parts name	Remarks	Choice	Step	Level	Cons	Qty	Rep. QTY
1		SS6090670TP		SCREW 9/64-40 L=6						2	
2		22610109		ROD PIN						1	
3		RE0500000K0		E-RING						1	
4		22610208		FEED REGULATOR CONNECTING ROD						1	
5		SD0800422CP		HINGE SCREW D= 8 H= 4.2						1	
6		22610000		FEED REGULATOR						1	
7	R	SS7121410SP	SS7121410TP	SCREW 3/16-28 L=14						1	1.00
8		22610307		FEED REGULATOR SPRING						1	
9		22610604		REVERSE FEED SHAFT						1	
10		22652101		REVERSE FEED SHAFT	FOR LH-3-168-7-WB, -OB					1	
11		GS102121ASH		THRUST COLLAR A-SM. D=10.2 W=12						1	
12		SS8660610TP		SCREW 1/4-40 L=6				*		2	
13		10108009		OIL SEAL						1	
14		RE0900000K0		E-RING 9						1	
15	R	SS7120910SP	SS7120910TP	SCREW 3/16-28 L=9						2	1.00
16	R	22610505	21388004	REVERSE FEED CONTROL LEVER						1	1.00
17		RO092270200		RUBBER RING						1	
18		22911804		FEED REGULATOR SCREW						1	
19		22912109		FEED REGULATOR PIN SPRING						1	
20		22912000		FEED REGULATOR PIN						1	
21		22911903		FEED DIAL						1	
22		SS6121860SP		SCREW 3/16-28 L=18						1	
23		22610406		SPRING BRACKET						1	
24		SS4110815SP		SCREW 11/64-40 L=8						2	
25		22609200		FEED ROCK SHAFT CONNECTING ROD						1	
26		22652002		FEED DRIVE ECCENTRIC CAM	FOR LH-3168-7					1	
27		SS6661110SP		SCREW 1/4-40 L=11						2	
28		SS7110710SP		SCREW 11/64-40 L=7						2	
29	D	22609101		CAM COVER						1	
30		B1636581B00		NEEDLE BEARING B						1	
31		B1610512000		FEED DRIVING SLIDE BLOCK						1	
32		SS6580752TP		SCREW 1/8-40 L=7						2	
33		22630602		FEED DOG 1/4	EXCHANGING GAUGE PARTS FOR LH-3168 (- SEE P.29~33)					1	
34		10238202		FEED DOG 1/4	EXCHANGING GAUGE PARTS FOR LH- 3168-- 7(SEE P.29~33)					1	
35	R	22609754	22609762	FEED BAR ASM.						1	1.00
36	R	22609705	22609762	FEED BAR				*		1	1.00
37	R	10107902	40039258	FEED BAR FORK		A	PLC-17*	*		1	1.00
37	R	10107902	21336060	FEED BAR FORK		B	LU-1510N-7 NA-7	*		1	1.00
37	R	10107902	21364252	FEED BAR FORK		C	LU-1560N N-7 LU-1565	*		1	1.00
37	R	10107902	21393459	FEED BAR FORK		D	LU-1520N-7	*		1	1.00

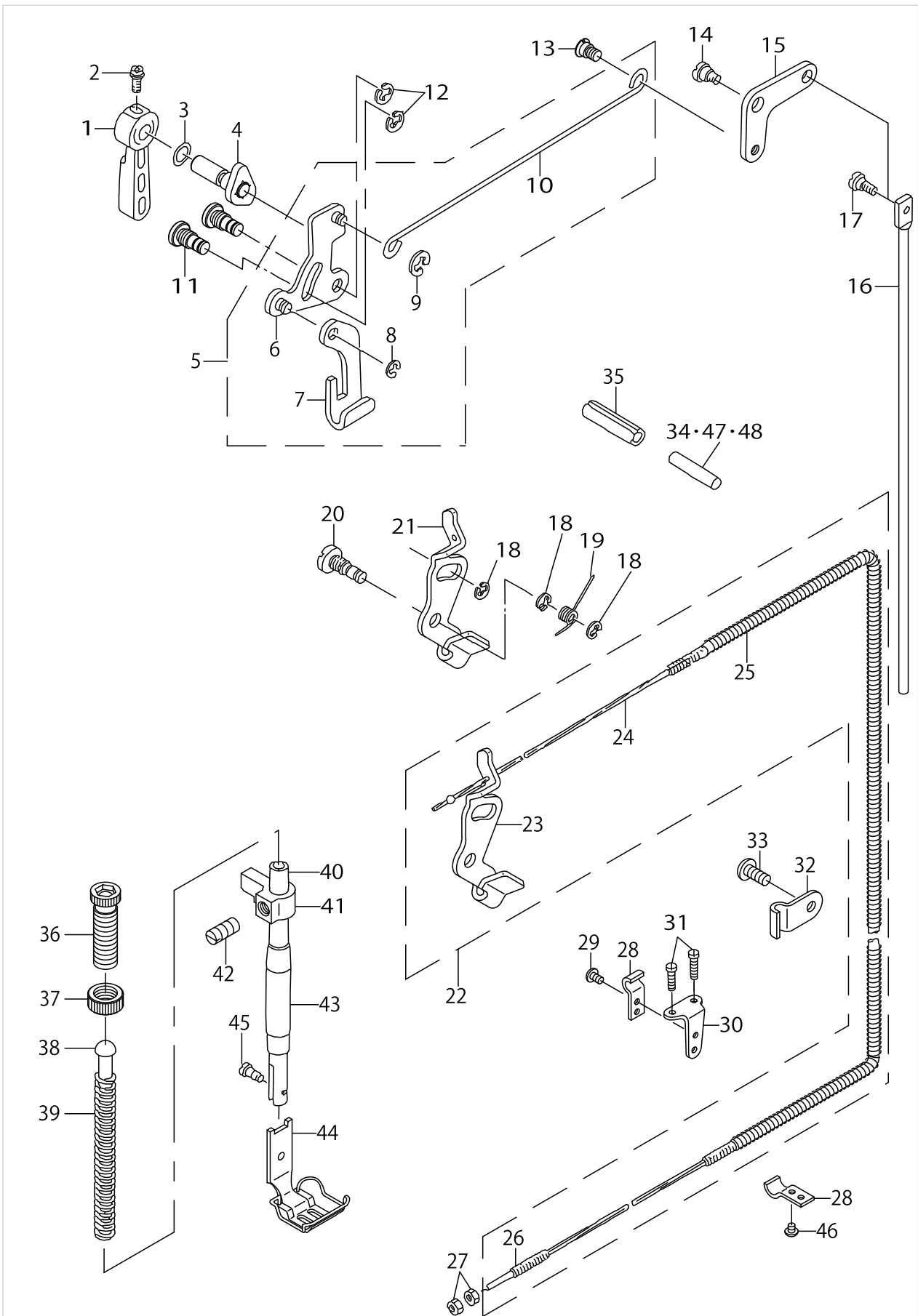
FEED MECHANISM COMPONENTS



FEED MECHANISM COMPONENTS

No.	Supply Code	Parts No.	Replacement	Parts name	Remarks	Choice	Step	Level	Cons	Qty	Rep. QTY
37	R	10107902	23003353	FEED BAR FORK		E	PLC-16*	*		1	1.00
37	R	10107902	21336052	FEED BAR FORK		G	LU-1510/1510-7	*		1	1.00
37	R	10107902	22609762	FEED BAR FORK				*		1	1.00
38		SS9151440CP		SCREW15/64-28L=14				*		1	
39		WP0621016SD		WASHER 6.2X13X1				*		1	
40		RE0500711KP		SNAP RING 5						1	
41		B1604012000A		FEED BAR SHAFT						1	
42		SM8050502TP		SCREW M5 L=5						1	
43		22609408		FEED ROCK SHAFT						1	
44		NS6080210SP		NUT 1/8-44						1	
45		SS6081810SP		SCREW 1/8-44 L=18.0						1	
46	R	B1603512000	21364104	FEED ROCKER						1	1.00
47		SS7111310TP		SCREW 11/64-40 L=12.8						2	
48		10106102		BUSHING						2	
49	R	SS8151150SP	SS8151150TP	SCREW 15/64-28 L=10.5						1	1.00
50		22904155		MAIN SHAFT THRU-ST COLLAR ASM.						2	
51		CQ252000000		OIL WICK						.26	
52	D	22609002		FEED DRIVE ECCENTRIC CAM, B	FOR LH-3168					1	
53	R	SS7110910SP	SS7110910TP	SCREW 11/64-40 L=8.5						4	1.00
54		10315505		PLATE						2	
55		22609606		FEED DRIVING ROCKER BLOCK, S						2	
56		22609309		FEED ROCKER SHAFT CRANK						1	
57		NS6680320SP		NUT 9/32-28						1	
58		SS6121610TP		SCREW 3/16-28 L=15.5						1	
59		SD0900701TP		HINGE SCREW D= 9 H= 7						1	
60		10315208		FEED ROCK CONNECTING ROD						1	
61		10315455		FEED DRIVING ROCKER ASM.						1	
62		SS7110510SP		SCREW 11/64-40 L=5						1	
63		B1633470000		STOPPER PLATE						1	
64		BT0500300EA		OIL TUBE						.09	
65	R	B1653470000	40032271	PIN						1	1.00

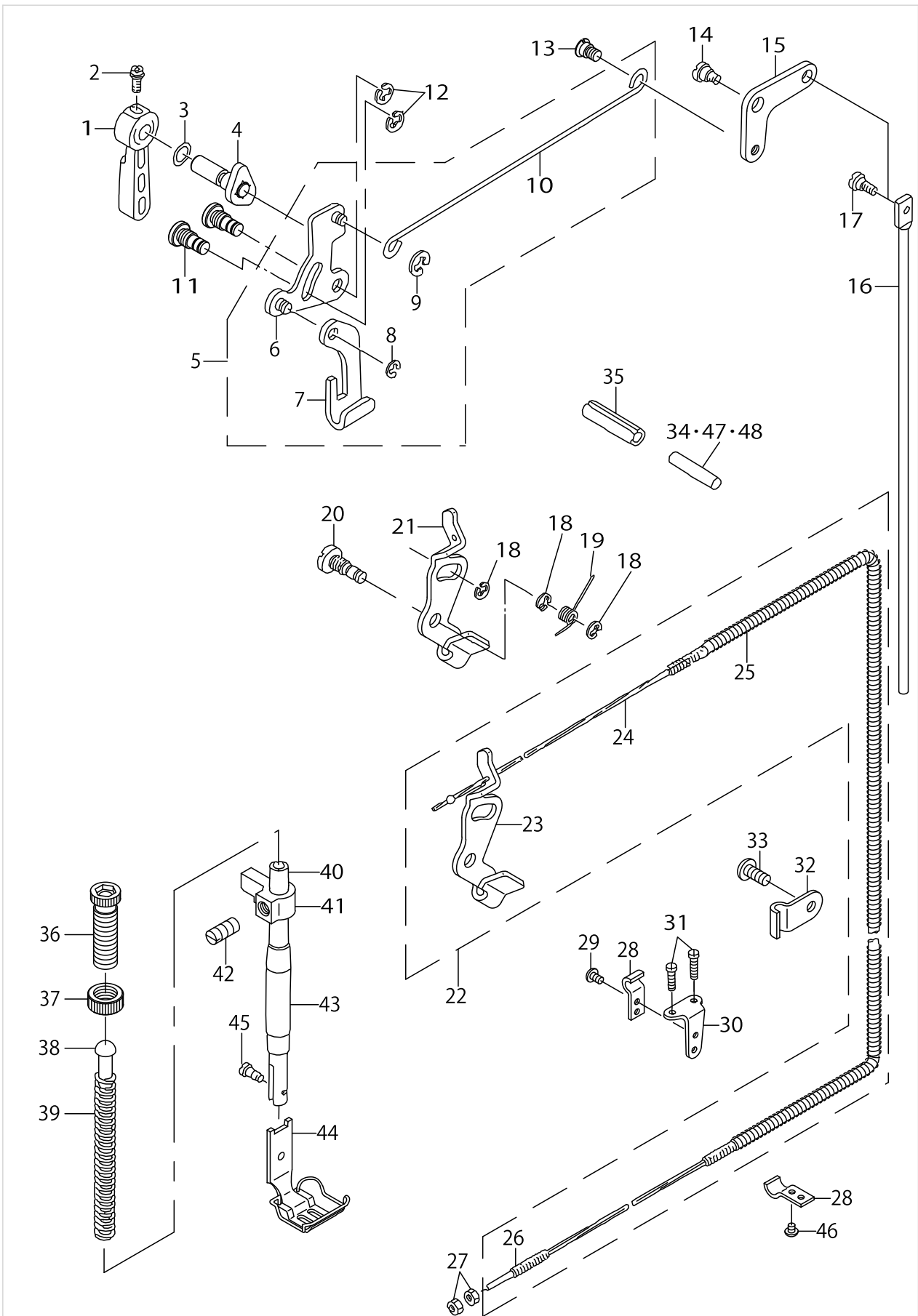
PRESSER BAR & TENSION RELEASE COMPONENTS



PRESSER BAR & TENSION RELEASE COMPONENTS

No.	Supply Code	Parts No.	Replacement	Parts name	Remarks	Choice	Step	Level	Cons	Qty	Rep. QTY
1		22907802		HAND LIFTER						1	
2		B1521555000		SCREW						1	
3		RO037180100		RUBBER RING						1	
4		22908552		HAND LIFTER CAM ASM.						1	
5		22608152		LIFTING LEVER ROD ASM.						1	
6	R	11006350	22908354	HAND LIFTER LINK				*		1	1.00
7	R	11006202	22908354	LIFTING LEVER		A	DDL-5550 5550N 555- ON-7 5556- N-7 5600NL-7	*		1	1.00
7	R	11006202	23609357	LIFTING LEVER		B	DDL-9000A 9000B	*		1	1.00
7	R	11006202	40057398	LIFTING LEVER		C	LH-3500	*		1	1.00
7	R	11006202	40174387	LIFTING LEVER		D	DDL-9000C	*		1	1.00
8		11007309		E-RING				*		1	
9		RE0500000K0		E-RING				*		1	
10		22608103		LIFTING LEVER CONNECTING ROD				*		1	
11		40034204		LINK SHAFT						2	
12		RE0500000K0		E-RING						2	
13		22908909		HINGE SCREW						1	
14		SD0720332SP		HINGE SCREW D= 7.24 H= 3.3						1	
15		22908800		KNEE LIFTER LINK						1	
16		10125201		CONNECTING ROD, VERTICAL						1	
17		SD0600322SD		HINGE SCREW D=6 H=3.2						1	
18		RE0500000K0		E-RING						3	
19		22920201		RETURN SPRING						1	
20	R	11018108	22920102	TENSION RELEASE SHAFT						1	1.00
21		22617104		TENSION RELEASE PLATE	FOR LH-3168					1	
22		22654958		TENSION RELEASE PLATE ASM.	FOR LH-3168-7					1	
23		22617104		TENSION RELEASE PLATE				*		1	
24		11394509		WIRE CABLE				*		1	
25		22654909		WIRE TUBE				*		1	
26		D3159555B00		SET SCREW				*		1	
27		NS6620310SP		NUT 3/16-32	FOR LH-3168-7					2	
28		D3164555B00		OUTER PRESSER PLATE	FOR LH-3168-7					2	
29		SS4110715SP		SCREW 11/64-40 L=7	FOR LH-3168-7					1	
30		D3163555B00A		FLEXIBLE TUBE SUPPORT PLATE	FOR LH-3168-7					1	
31		SS4111215SP		SCREW 11/64-40L=12	FOR LH-3168-7					2	
32		22620801		PIPE HOLDER	FOR LH-3168-7					1	
33		SS4111015SP		SCREW 11/64-40L=10	FOR LH-3168-7					1	
34		22617005		PUSH BAR	SELECTIVE PARTS					1	
35		PS0600502KP		SPRING PIN						1	
36	R	22907505	22907554	PRESSER SPRING REGULATOR						1	1.00
37	R	22907604	22907554	PRESSER SPRING REGULATOR NUT						1	1.00
38		22907703		PRESSER GUIDE BAR						1	
39		B1505227T00A		PRESSER SPRING T						1	
40		B1501581000		PRESSER BAR						1	
41		40017058		PRESSER BAR HOLDER						1	

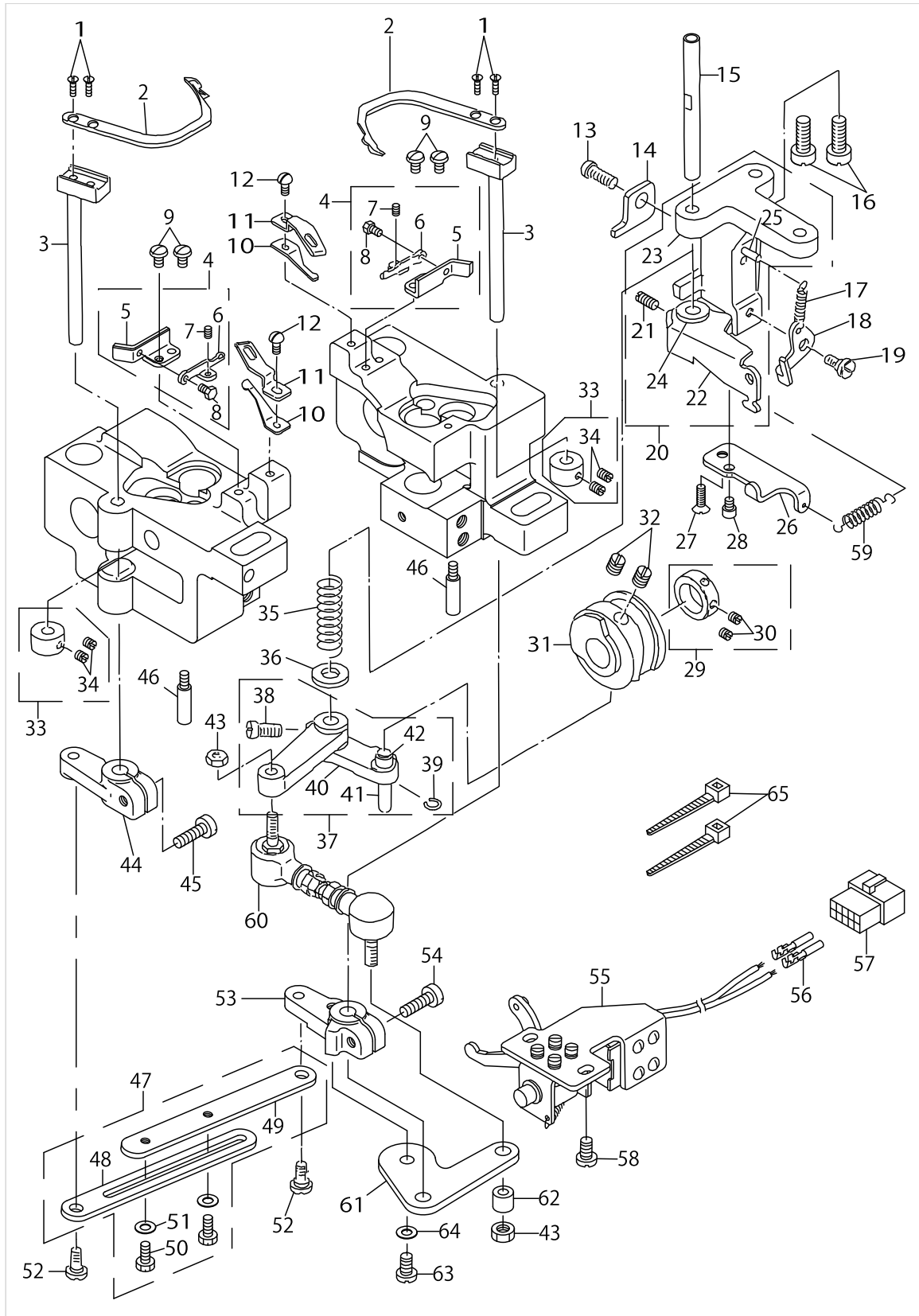
PRESSER BAR & TENSION RELEASE COMPONENTS



PRESSER BAR & TENSION RELEASE COMPONENTS

No.	Supply Code	Parts No.	Replacement	Parts name	Remarks	Choice	Step	Level	Cons	Qty	Rep. QTY
42		SS8660810TP		SCREW 1/4-40 L=8						1	
43		22907109		PRESSER BAR BUSHING, LOWER						1	
44		10152957		PRESSER FOOT ASM. 1/4	EXCHANGI- NG GAUGE PARTS (S- EEP.29~33)					1	
45		SS7090910TP		SCREW 9/64-40 L=8.5						1	
46		SS4110515SP		SCREW 11/64-40 L=5	FOR LH-3168-7					1	
47		40030133		PUSH BAR	SELECTIVE PARTS					1	
48		40039672		PUSH BAR	SELECTIVE PARTS					1	

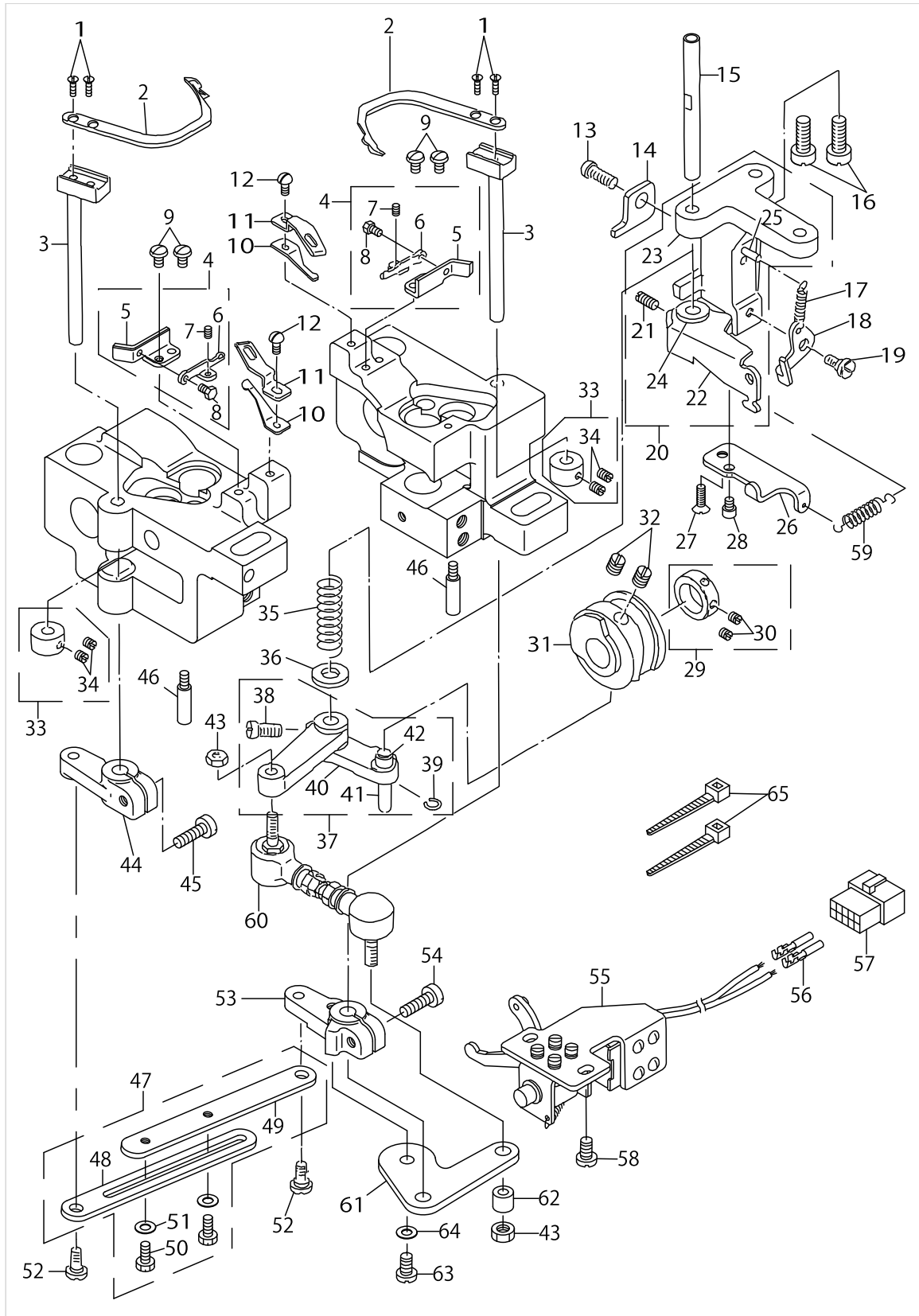
THREAD TRIMMER MECHANISM COMPONENTS (FOR LH-3168-7)



THREAD TRIMMER MECHANISM COMPONENTS (FOR LH-3168-7)

No.	Supply Code	Parts No.	Replacement	Parts name	Remarks	Choice	Step	Level	Cons	Qty	Rep. QTY
1		SS2080810SP		SCREW 1/8-44 L=7.5						4	
2		10211605		MOVING KNIFE						2	
3	D	10116051		MOVING KNIFE SHAFT ASM.						2	
4	D	22654255		MOVING KNIFE SUPPORT ASM.						2	
5		22654206		MOVING KNIFE SUPPORT PLATE				*		2	
6	D	10211407		THREAD PRESSER ADJUSTING PLATE				*		2	
7		SS8080610SP		SCREW 1/8-44 L=5.5				*		2	
8		SS9080410SP		SCREW 1/8-44 L=4.3				*		2	
9		SS5090610SP		SCREW 9/64-40 L=6						4	
10		22655401		THREAD PRESSER						2	
11		22655302		COUNTER KNIFE						2	
12		SS7090710SP		SCREW 9/64-40 L=6.8						2	
13		SS6121212TP		SCREW 3/16-28 L=12.0						1	
14		22654800		STOPPER, A						1	
15		10116804		SHAFT						1	
16		SS7151610SP		SCREW 15/64-28 L=16						2	
17		B3418180000		SPRING						1	
18	D	10117208		TENSION DISC RELEASE PLATE						1	
19		SD0600271SP		HINGE SCREW D=6 H=2.7						1	
20		22655153		LINK INSTALLING BASE ASM.						1	
21		SS8111010TP		SCREW 11/64-40 L=9.5				*		1	
22		22655104		TENSION DISC RELEASE ARM				*		1	
23		10116606		LINK INSTALLING BASE				*		1	
24		10117109		BUSHING				*		1	
25		PS0300201KP		SPRING PIN 3.0X20				*		1	
26		40012461		STOPPER PLATE						1	
27		SS2110920TP		SCREW 11/64-40 L=8.5						1	
28		SS6111052TP		SCREW						1	
29		CS1470710SH		THRUST COLLAR A-SM. D=14.72 W=7						1	
30		SS8110410TP		SCREW 11/64-40 L=3.5				*		2	
31	D	22654107		THREAD TRIMMER CAM						1	
32		SS8660810TP		SCREW 1/4-40 L=8						2	
33		CS070081BSH		THRUST COLLAR ASM. D=7 W=8						2	
34	R	SS8110510SP	SS8110520TP	SCREW 11/64-40 L=5				*		4	1.00
35		10116903		SPRING						1	
36		WP0753016SZ		WASHER 7.5X16.0X3.0						1	
37	D	10116754		CAM INSTALLING LINK ASM.						1	
38		SS6151220SP		SCREW 15/64-28 L=11.5				*		1	
39		D2430555B00		SNAP RING				*		1	
40	D	10116705		CAM INSTALLING LINK				*		1	
41	D	D2428555B00A		CAM ROLLER SHAFT				*		1	
42		D2427555B00B		CAM ROLLER				*		1	
43		NM6050001SP		NUT M5						2	
44	D	22654404		DRIVING ARM, LEFT						1	
45		SS6121610TP		SCREW 3/16-28 L=15.5						1	

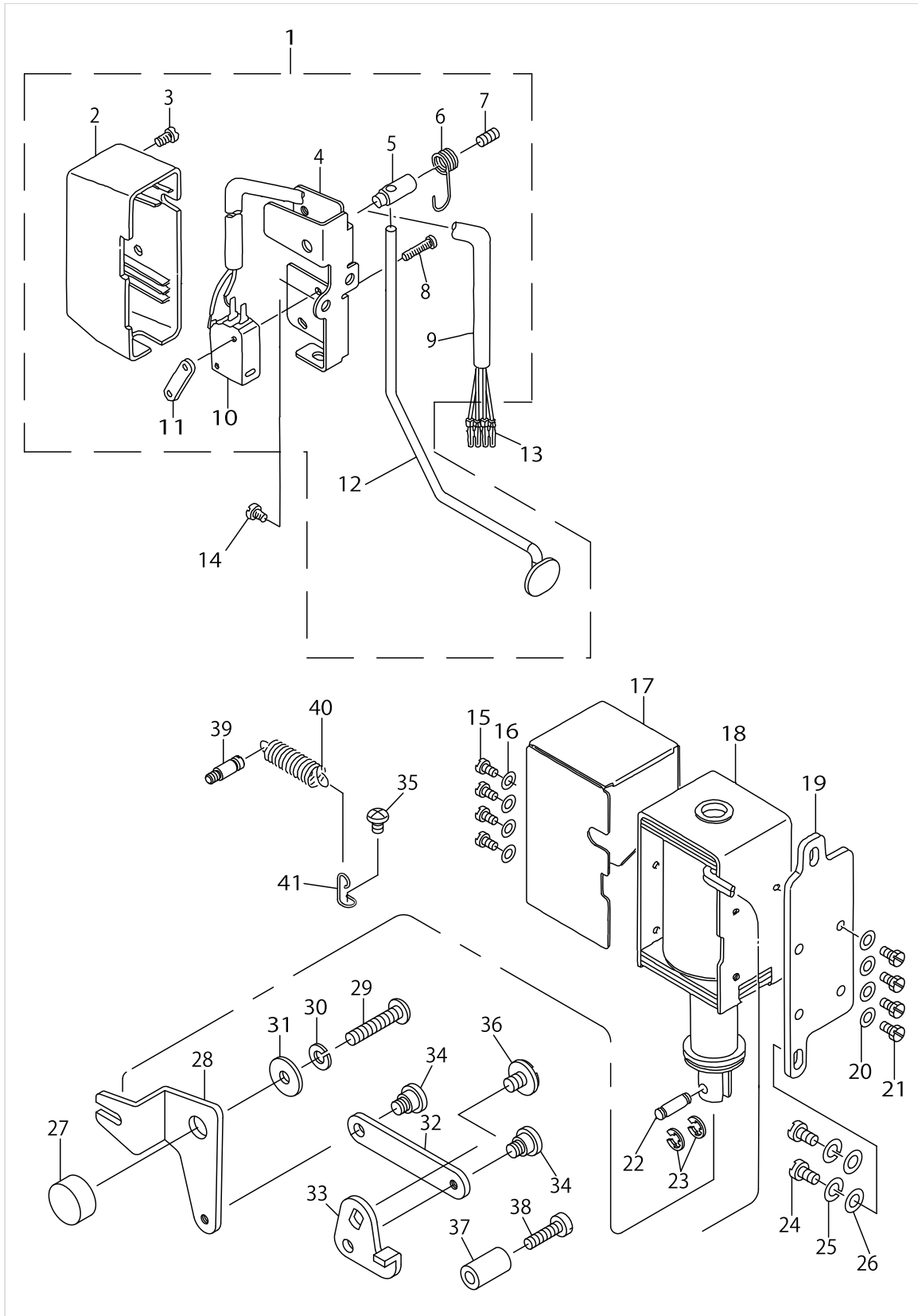
THREAD TRIMMER MECHANISM COMPONENTS (FOR LH-3168-7)



THREAD TRIMMER MECHANISM COMPONENTS (FOR LH-3168-7)

No.	Supply Code	Parts No.	Replacement	Parts name	Remarks	Choice	Step	Level	Cons	Qty	Rep. QTY
46		B1515051000		HAND LIFTER PIN						2	
47		22654552		CONNECTING LINK ASM.						1	
48		22654503		CONNECTING LINK, A				*		1	
49		22654602		CONNECTING LINK, B				*		1	
50		SS9111010SP		SCREW 11/64-40 L=9.5				*		2	
51		WP0501016SD		WASHER 5X10.5X1				*		2	
52		SD0650305TP		HINGE SCREW D= 6.5 H= 3						2	
53	D	22654305		DRIVING ARM, RIGHT						1	
54		SS6121610TP		SCREW 3/16-28 L=15.5						1	
55	D	10117851		SOLENOID ASM.						1	
56		HK03464000B		PIN CONTACT						2	
57		HK034610140		HOUSING 14P						1	
58		SS6151040SP		SCREW 15/64-28 L=10						2	
59		B3041980000		SPRING						1	
60		22655005		JOINT ROD						1	
61	D	22654008		DRIVING ARM PLATE						1	
62		B3417051000		REAR LIFTING BAR ROLLER						1	
63		SS6120940SP		SCREW 3/16-28 L=9						1	
64		WP0501016SD		WASHER 5X10.5X1						1	
65		EA9500B0100		CABLE BAND						2	

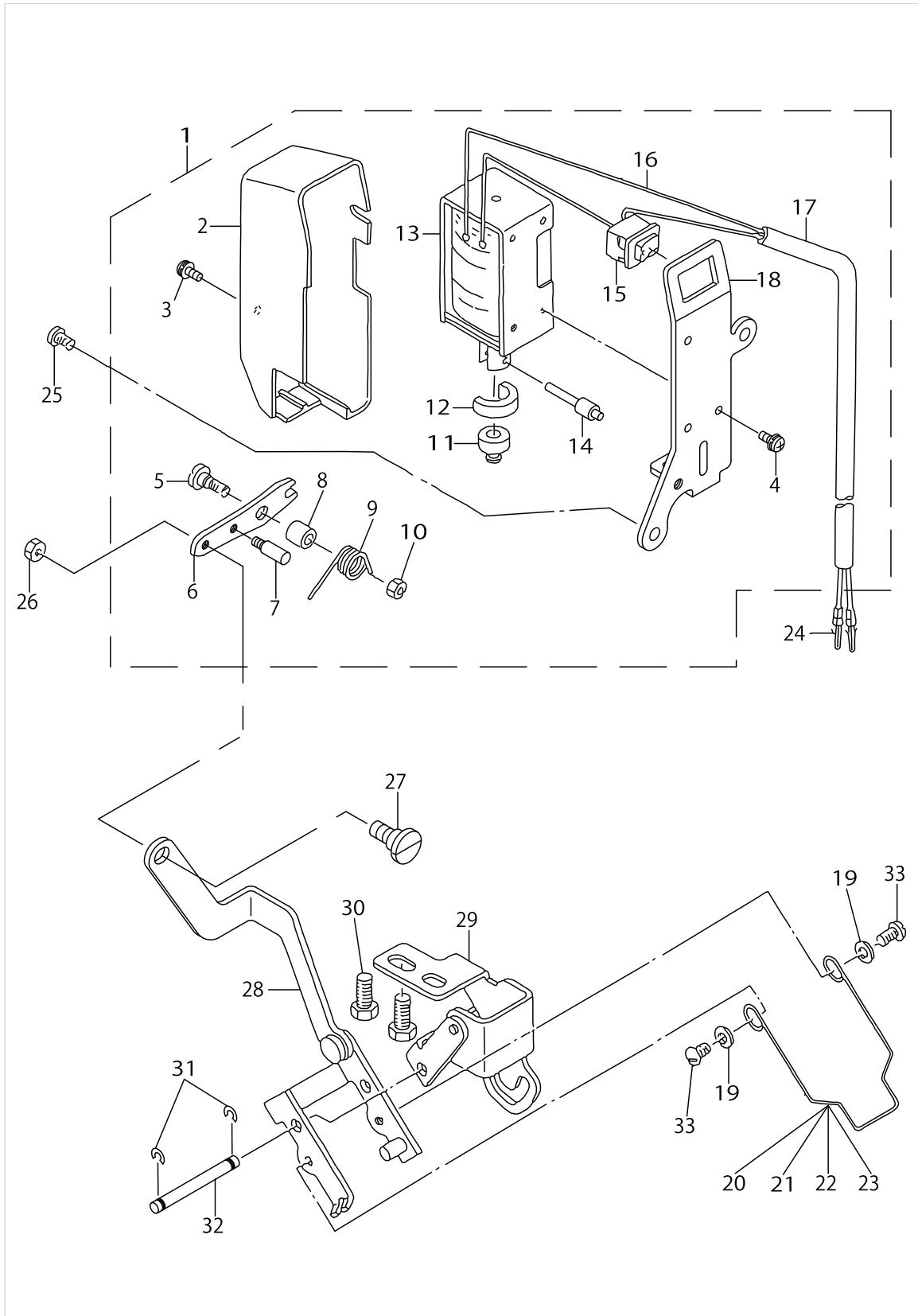
AUTOMATIC REVERSE FEED MECHANISM COMPONENTS (FOR LH-3168-7)



AUTOMATIC REVERSE FEED MECHANISM COMPONENTS (FOR LH-3168-7)

No.	Supply Code	Parts No.	Replacement	Parts name	Remarks	Choice	Step	Level	Cons	Qty	Rep. QTY
1		22656557		REVERSE FEED SWITCH ASM.						1	
2	R	11072501	22954606	REVERSE FEED SWITCH COVER				*		1	1.00
3		SM4040655SP		SCREW M4 L=6				*		1	
4		22656508		REVERSE FEED SWITCH BASE				*		1	
5	R	11102100	22954200	REVERSE FEED SWITCH SHAFT				*		1	1.00
6	R	11102209	22954309	REVERSE FEED SWITCH SPRING				*		1	1.00
7	R	SM8040802SP	SM8040802TP	SCREW M4X0.7 L=8				*		1	1.00
8		SM4031501SC		SCREW M3 L=15				*		2	
9		HW500070000		2-CORE CABTYRE CORD				*		1.4	
10		HA001900000		MICROSWITCH				*		1	
11	R	11102308	22954408	MICRO SWITCH PLATE				*		1	1.00
12		22656607		REVERSE FEED SWITCH LEVER				*		1	
13		HK03464000B		PIN CONTACT						4	
14		SS4120615SP		SCREW 3/16-28 L=6						2	
15		SS7110710SP		SCREW 11/64-40 L=7						4	
16		WP0501016SD		WASHER 5X10.5X1						4	
17		10161305		SOLENOID COVER						1	
18		10119105		REVERSE FEED SOLENOID, AC24V						1	
19		10119204		SOLENOID INSTALLING PLATE						1	
20		WP0501016SD		WASHER 5X10.5X1						4	
21		SS9111010SP		SCREW 11/64-40 L=9.5						4	
22		D2464555B00		LINK DRIVING MAGNET PIN						1	
23		RE0400000K0		E-RING 4						2	
24		SS7151210SP		SCREW 15/64-28 L=12						2	
25		WS0631510KP		SPRING WASHER						2	
26		WP0621016SD		WASHER 6.2X13X1						2	
27	D	22656409		LINK FULCULUM						1	
28		22656300		REVERSE FEED LINK, L						1	
29		SS4153015SP		PAN-SCREW 15/64-28 L=30						1	
30		WS0610002KP		SPRING WASHER						1	
31		WP0612056SD		WASHER 6.1X18.5X2						1	
32		22656201		REVERSE FEED LINK, (2)						1	
33		22656102		REVERSE FEED LINK, (1)						1	
34		SD0640321SP		HINGE SCREW D= 6.35 H= 3.2						2	
35		SS4120615SP		SCREW 3/16-28 L=6						1	
36		SS7120760SP		SCREW 3/16-28 L=7.0						1	
37		22952501		BACK LEVER STOPPER						1	
38		SS6121840SP		SCREW 3/16-28 L=18						1	
39		26226407		TENSION SPRING HOOK						1	
40		26226209		SPRING						1	
41		22656003		SPRINGSUSPENSION						1	

WIPER MECHANISM COMPONENTS (FOR LH-3168-7)



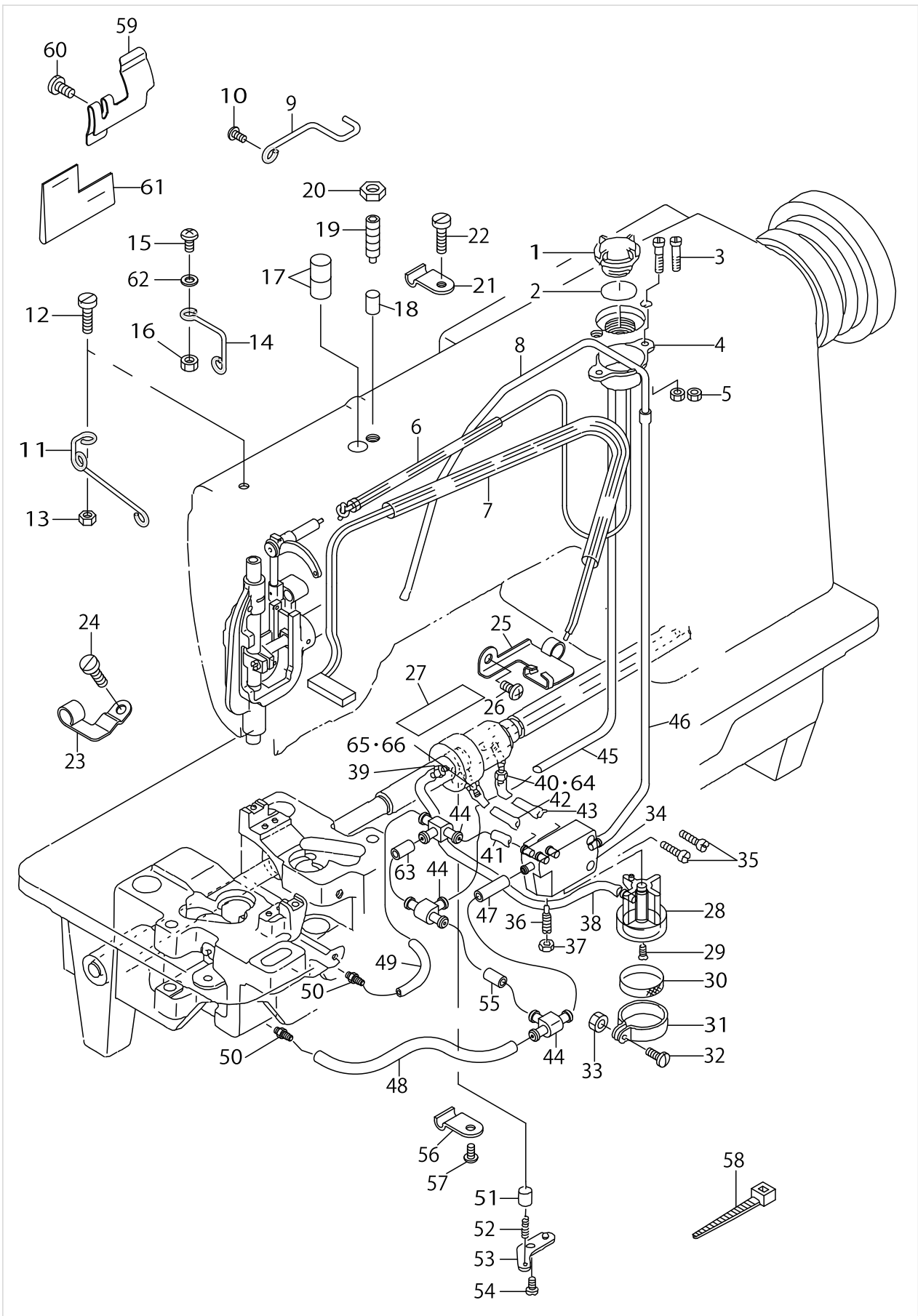
WIPER MECHANISM COMPONENTS (FOR LH-3168-7)

No.	Supply Code	Parts No.	Replacement	Parts name	Remarks	Choice	Step	Level	Cons	Qty	Rep. QTY
1		22657159		WIPER SOLENOID ASM.						1	
2	R	11072709	22955504	WIPER COVER				*		1	1.00
3		SL4030891SC		SCREW M3X8				*		1	
4		SL4030891SC		SCREW M3X8				*		3	
5		SD0650321TP		HINGE SCREW D=6.5 H=3.2				*		1	
6		22657209		WIPER LINK, A				*		1	
7		40009196		SUSPENSION SCREW				*		1	
8	R	11110707	22956205	WIPER HINGE SCREW COLLAR				*		1	1.00
9		22657308		WIPER SPRING				*		1	
10		NS6110310SP		NUT 11/64-40				*		1	
11	R	11110400	22955900	WIPER RUBBER A				*		1	1.00
12	R	11110509	22956007	WIPER RUBBER B				*		1	1.00
13	R	11110301	40106936	WIPER SOLENOID				*		1	1.00
14		22957104		WIPER SOLENOID SHAFT				*		1	
15		HA000590000		POWER SWITCH				*		1	
16		HW200390000		ELECTRIC WIRE				*		0.1	
17		HW500070000		2-CORE CABTYRE CORD				*		1.4	
18	D	22657100		WIPER SOLENOID BASE				*		1	
19		WP0371016SD		WASHER 3.7X8X1						2	
20		10209203		WIPER 3/32"-3/8	SELECTIVE PARTS					1	
21		10209500		WIPER	SELECTIVE PARTS					1	
22		10209807		WIPER	SELECTIVE PARTS					1	
23		10209906		WIPER	SELECTIVE PARTS					1	
24		HK03464000B		PIN CONTACT						2	
25		SS4120615SP		SCREW 3/16-28 L=6						1	
26		NS6090310SP		NUT 9/64-40						1	
27		SD0500301SP		HINGE SCREW D= 5 H= 3						1	
28		22657050		WIPER LINK ASM., 2						1	
29		10208551		WIPER BASE ASM.						1	
30		SS9111010SP		SCREW 11/64-40 L=9.5						2	
31		RE0320000K0		E-RING 3.2						2	
32		10208700		WIPER LINK SHAFT						1	
33		SS3090520SP		SCREW 9/64-40 L=4.5						2	

LUBRICATION COMPONENTS

No.	Supply Code	Parts No.	Replacement	Parts name	Remarks	Choice	Step	Level	Cons	Qty	Rep. QTY
1		22924708		OIL SIGHT WINDOW						1	
2		RO195240100		RUBBER RING						1	
3		SS4111815SP		SCREW 11/64 L=18						2	
4		10216703		OIL TANK						1	
5		NS6110310SN		NUT 11/64-40						2	
6		22620355		OIL PIPE ASM.						1	
7		22620454		FELT ASM.						1	
8		22620702		OIL TUBE						1	
9	D	22620108		PIPE HOLDER, B						1	
10		SS4110715SP		SCREW 11/64-40 L=7						1	
11	R	22619209	40017055	OIL WICK GUIDE						1	1.00
12		SS6121610TP		SCREW 3/16-28 L=15.5						1	
13		NS6120310SP		NUT 3/16-28						1	
14		22620504		OIL WICK HOLDER						1	
15		SS4111215SP		SCREW 11/64-40 L=12						1	
16		NS6110420SP		NUT 11/64-40						1	
17		B3517009000		OIL FELT REAR						2	
18	D	22619415		OIL ADJUSTING SHAFT						1	
19		SS8701782TP		SCREW 5/16-24 L=17.0						1	
20		NS6700420SP		NUT 5/16-24						1	
21		22620801		PIPE HOLDER						1	
22		SS6111610SP		SCREW 11/64-40 L=16						1	
23		40012577		PIPE HOLDER						1	
24		SS4110615SP		SCREW 11/64-40 L=6						1	
25	D	22619803		VILENE HOLDER						1	
26		SS4110715SP		SCREW 11/64-40 L=7						1	
27		22619605		VILENE						1	
28	D	22619001		SUCTION						1	
29		SS2110930SP		SCREW 11/64-40 L=8.7						1	
30		B1851512000		FILTER SCREEN						1	
31	R	B1850512000	40009379	BUSHING HOLDER						1	1.00
32	R	SS7090910SP	SS7090910TP	SCREW 9/64-40 L=8.5						1	1.00
33		NS6090310SP		NUT 9/64-40						1	
34		10623403		BASE						1	
35		SS6111610SP		SCREW 11/64-40 L=16						2	
36		B1834512000A		OIL ADJUSTING SCREW						1	
37		NS6110310SP		NUT 11/64-40						1	
38		23630007		TUBE						.12	
39		SQ1150451MZ		CONNECTING SCREW						1	
40		SQ1110401MZ		CONNECTING SCREW	FOR LH-3168-7					1	
41		23630007		TUBE						.02	
42		23630007		TUBE						.08	
43		23630007		TUBE						.09	
44		13765607		OIL CONNec. ARM						3	
45		23630007		TUBE						.51	
46		23630007		TUBE						.4	

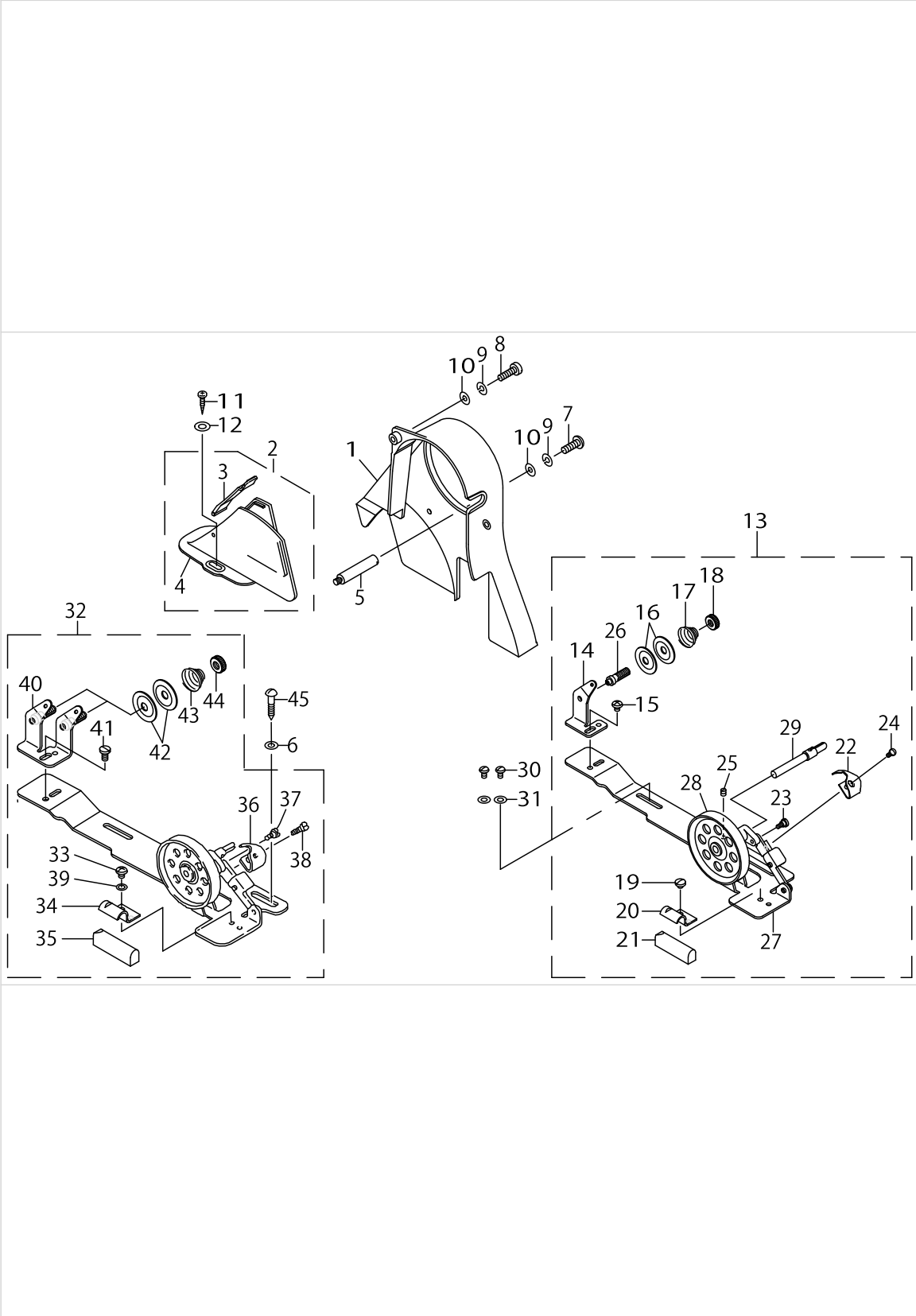
LUBRICATION COMPONENTS



LUBRICATION COMPONENTS

No.	Supply Code	Parts No.	Replacement	Parts name	Remarks	Choice	Step	Level	Cons	Qty	Rep. QTY
47		23630007		TUBE						.05	
48		23630007		TUBE						.21	
49		23630007		TUBE						.15	
50		SQ1110401MZ		CONNECTING SCREW						2	
51		B3534155000		PLUNGER						1	
52		B1214038000		PLUNGER SPRING						1	
53		B3524552000		PLUNGER THRUST PLATE						1	
54		SS4110815SP		SCREW 11/64-40 L=8						1	
55		23630007		TUBE						.02	
56		B3538112000		OIL RETURN TUBE HOLDER						1	
57		SS4110815SP		SCREW 11/64-40 L=8						1	
58		EA9500B0100		CABLE BAND						3	
59		23204803		LUBRICATING GUIDE						1	
60		SS7090610SP		SCREW 9/64-40 L=6						1	
61	D	22686455		NEEDLE BAR						1	
62		B3534012000		GASKET						1	
63		23630007		TUBE						.02	
64		22619704		OILING JOINT	FOR LH-3168					1	
65		22619704		OILING JOINT	FOR LH-3168-7					1	
66		SQ1110401MZ		CONNECTING SCREW	FOR LH-3168					1	

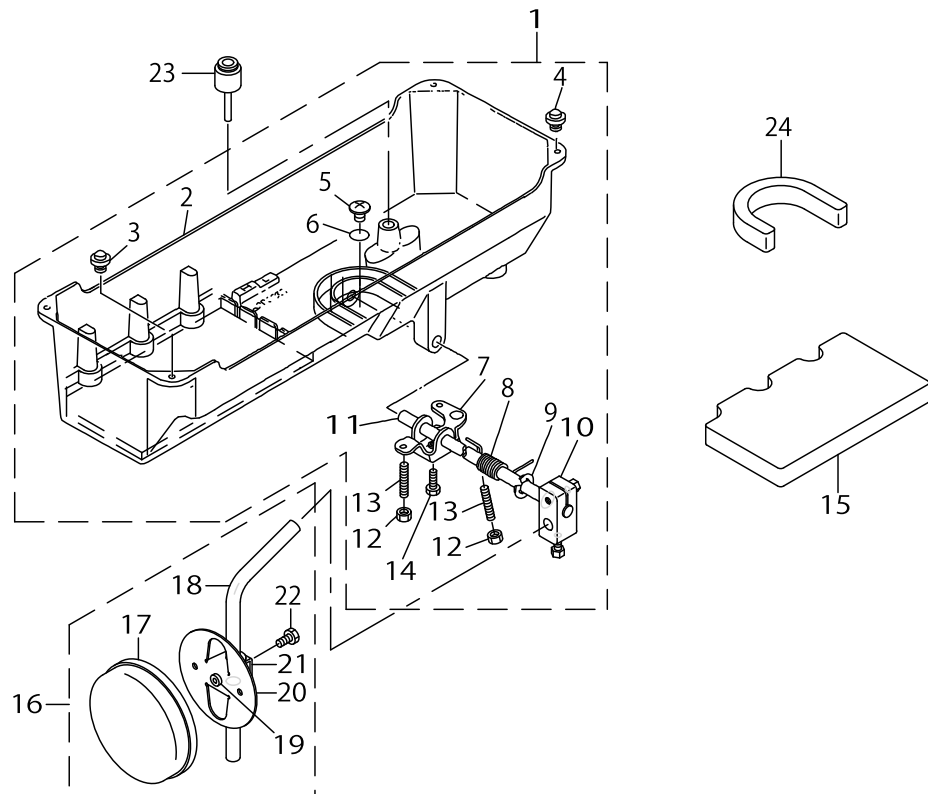
BELT COVER & BOBBIN WINDER COMPONENTS



BELT COVER & BOBBIN WINDER COMPONENTS

No.	Supply Code	Parts No.	Replacement	Parts name	Remarks	Choice	Step	Level	Cons	Qty	Rep. QTY
1	D	22603401		BELT COVER A ASM.						1	
2	R	11076858	22933659	BELT COVER B ASM.						1	1.00
3	R	11076957	22933659	BELT COVER B CAP ASM.				*		1	1.00
4	R	11076809	22933659	BELT COVER B				*		1	1.00
5		B8233555000		BELT COVER SUPPORT STUD						2	
6		WP0501016SC		WASHER 5X10.5X1						2	
7		SS4111215SP		SCREW 11/64-40L=12						2	
8		SS6121610TP		SCREW 3/16-28 L=15.5						1	
9		WS0451040KP		SPRING WASHER 4.5X8.5X1						3	
10		WP0501016SD		WASHER 5X10.5X1						3	
11	R	SK3412000SC	SK3412000SE	WOOD SCREW D=4.1 L=20						2	1.00
12		WP0501016SC		WASHER 5X10.5X1						2	
13		22927354		BOBBIN WINDER COMPL.						1	
14	R	22928501	11078250	THREAD TENSION POST BASE				*		1	1.00
15		SS4110515SP		SCREW 11/64-40 L=5				*		1	
16	R	22928907	22921506	THREAD TENSION DISK				*		2	1.00
17		22929004		THREAD TENSION SPRING				*		1	
18		22928808		NUT				*		1	
19		SS7110350SP		SCREW 11/64-40 L=3.5				*		1	
20	D	22928402		CONTROL RUBBER HOLDING PLATE				*		1	
21		22928303		CONTROL RUBBER				*		1	
22		22928105		BOBBIN PRESSER				*		1	
23		SD0490261SP		HINGE SCREW D=4.9 H=2.6				*		1	
24		SS7081310SP		SCREW 1/8-44 L=12.5				*		1	
25	R	SS8110510SP	SS8110520TP	SCREW 11/64-40 L=5				*		1	1.00
26	R	22928709	11078250	THREAD TENSION POST				*		1	1.00
27	R	22927305	22927354	BOBBIN WINDER BASE				*		1	1.00
28		22927404		BOBBIN WINDER				*		1	
29		22927602		BOBBIN WINDER SPINDLE				*		1	
30	R	SK3482500SC	SK3482501SE	WOOD SCREW D=4.8 L=25						2	1.00
31		WP0501016SC		WASHER 5X10.5X1						2	
32		22621155		THREAD WINDER ASM.	FOR JE					1	
33		SS4110515SP		SCREW 11/64-40 L=5				*		1	
34	D	22928402		CONTROL RUBBER HOLDING PLATE				*		1	
35		22928303		CONTROL RUBBER				*		1	
36		22621106		BOBBIN PRESSER				*		1	
37		SD0490261SP		HINGE SCREW D=4.9 H=2.6				*		1	
38		SS7081310SP		SCREW 1/8-44 L=12.5				*		1	
39		WP0480856SP		WASHER 4.8X8.4X0.8				*		1	
40		22621056		TENSION BAR BASE				*		1	
41		SS7110840SP		SCREW 11/64-40 L=7.8				*		1	
42	R	22928907	22921506	THREAD TENSION DISK				*		4	1.00
43		22929004		THREAD TENSION SPRING				*		2	
44		22928808		NUT				*		2	
45	R	SK3482500SC	SK3482501SE	WOOD SCREW D=4.8 L=25						2	1.00

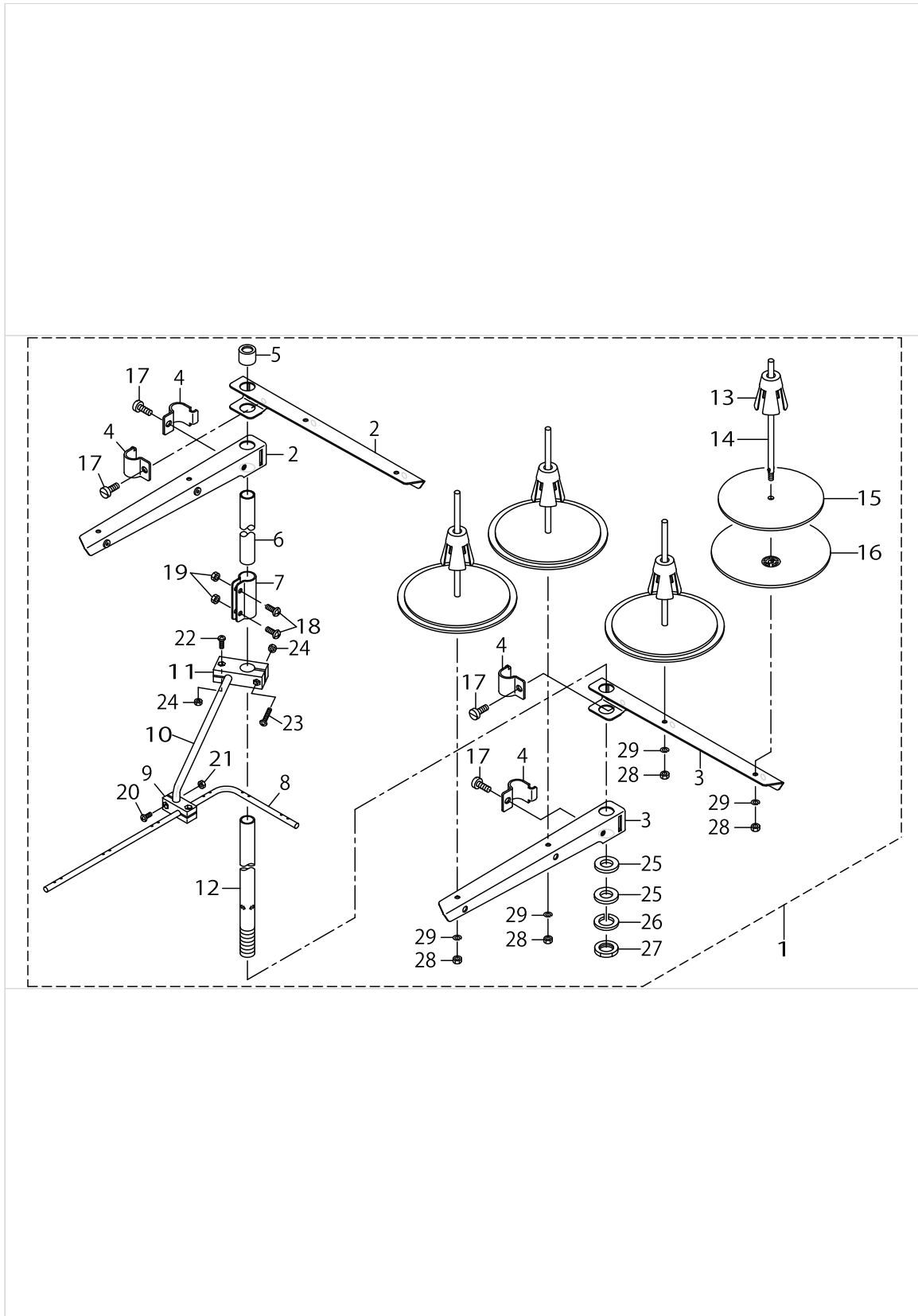
OIL RESERVOIR & KNEE LIFTER COMPONENTS



OIL RESERVOIR & KNEE LIFTER COMPONENTS

No.	Supply Code	Parts No.	Replacement	Parts name	Remarks	Choice	Step	Level	Cons	Qty	Rep. QTY
1		10162253		OIL RESERVOIR ASM.						1	
2	R	10162204	10162253	OIL RESERVOIR				*		1	1.00
3		10162600		RUBBER CUSHION				*		2	
4		11047107		RUBBER CUSHION				*		2	
5		SM0081001SD		SCREW				*		1	
6		RO098240100		RUBBER RING				*		1	
7	R	11024015	22932156	CONNECTING ROT, VERTICAL				*		1	1.00
8	R	11024106	22932206	SPRING				*		1	1.00
9		RE1000000K0		E-RING 10				*		1	
10		22932453		BRACKET ASM.				*		1	
11	R	11024205	22932305	KNEE PRESS ROD				*		1	1.00
12		NM6060001SE		NUT M6				*		2	
13		SM8063012TR		SCREW M6 L=30				*		2	
14		SM9061853SR		SCREW M6 L=17.5				*		1	
15		22622104		OIL RESERVOIR SPACER, B						1	
16		22934251		KNEE PAD PLATE ASM.						1	
17		22934509		KNEE PAD PLATE COVER				*		1	
18		22934608		KNEE PAD UPRIGHT SHAFT				*		1	
19		22934400		KNEE PAD PLATE RUBBER				*		1	
20		22934202		KNEE PAD PLATE				*		1	
21		22934301		KNEE PAD PLATE SUPPORT				*		1	
22		SM9061203SE		SCREW M6 L=12				*		1	
23	R	11024304	22931703	KNEE PRESS LIFTER ROD						1	1.00
24		22622005		OIL RESERVOIR SPACER, A						1	

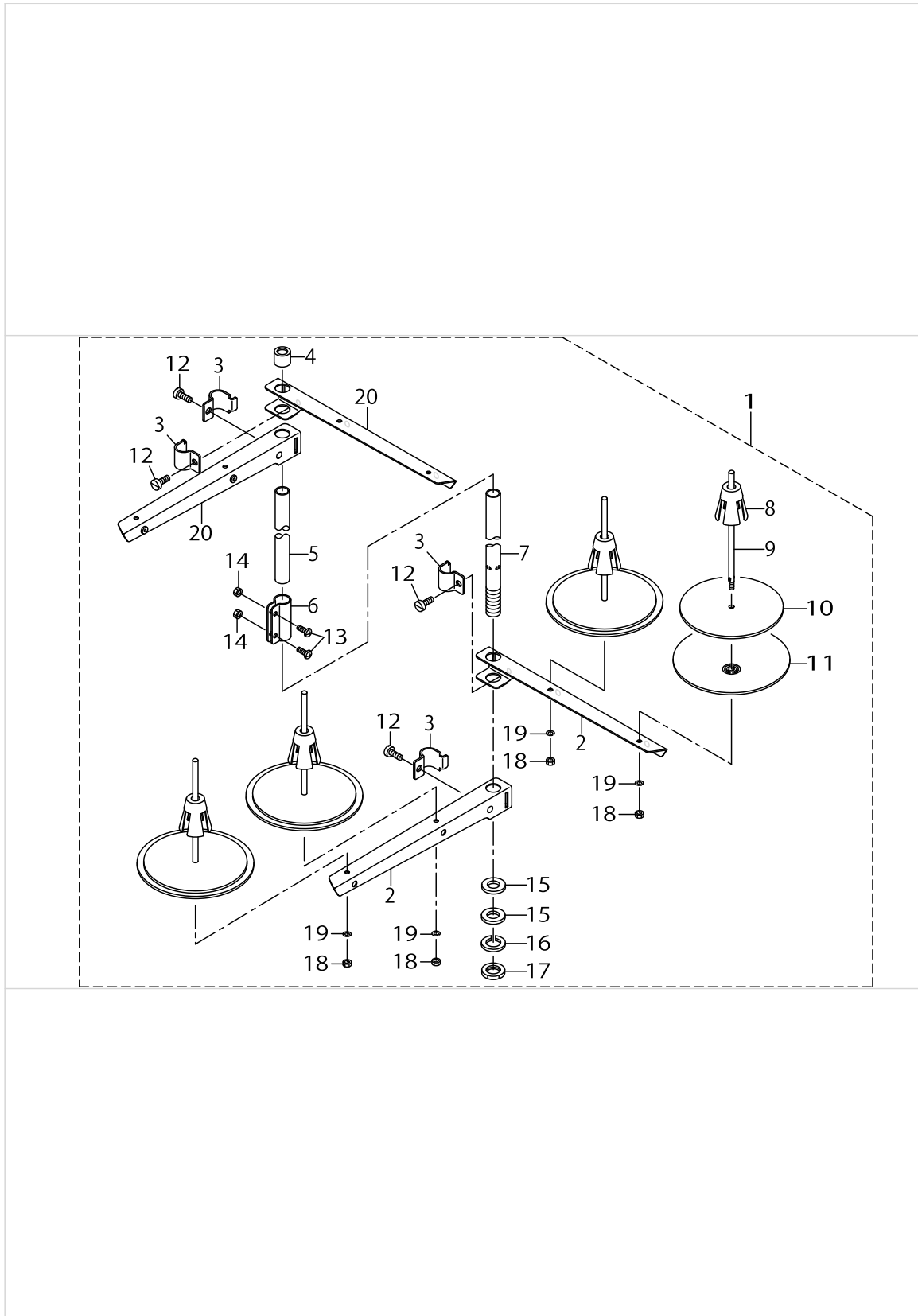
THREAD STAND COMPONENTS (1) (FOR USE IN JAPAN)



THREAD STAND COMPONENTS (1) (FOR USE IN JAPAN)

No.	Supply Code	Parts No.	Replacement	Parts name	Remarks	Choice	Step	Level	Cons	Qty	Rep. QTY
1	R	13167556	40106584	THREAD STANDING DEVICE ASM.						1	1.00
2	R	22930556	40096354	SPOOL REST ARM ASM.				*		2	1.00
3	R	22930507	40096354	SPOOL REST ARM				*		2	1.00
4	R	22930705	40096354	THREAD GUIDE ARM JOINT				*		4	1.00
5		22931406		THREAD STANDING ROD RUBBER CAP				*		1	
6	R	22930408	40096354	THREAD STANDING ROD, UPPER				*		1	1.00
7	R	22931307	40096354	THREAD STANDING ROD JOINT				*		1	1.00
8	R	13167903	26910059	THREAD STANDING THREAD GUIDE				*		1	1.00
9	D R	13168000	26910059	THREAD STANDING GUIDE BASE				*		1	1.00
10	R	13168109	26910059	THREAD STANDING GUIDE ARM				*		1	1.00
11	R	13168208	26910059	THREAD STANDING GUIDE ARM BASE				*		1	1.00
12	R	22930309	40096354	THREAD STANDING ROD, LOWER				*		1	1.00
13	R	22931109	40085791	SPOOL RETAINER				*		4	1.00
14	R	22931000	40085790	SPOOL PIN				*		4	1.00
15		22930903		SPOOL REST CUSHION				*		4	
16		22930804		SPOOL REST				*		4	
17		SM6061610SC		SCREW M6 L=16				*		4	
18		SM4051405SE		SCREW M5 L=14				*		2	
19		NM6050001SE		NUT M5				*		2	
20		SM4041001SC		SCREW M4X0.7 L=10				*		2	
21		NM6040002SE		NUT M4X0.7				*		2	
22		SM4041201SC		SCREW M4 L=12				*		1	
23		SM4042001SC		SCREW M4 X 20				*		1	
24		NM6040002SE		NUT M4X0.7				*		2	
25		WP1612616SE		WASHER 16X30X2.6				*		2	
26	R	WS1643202KR	WP1612616SE	SPRING WASHER		A		*		1	2.00
26	R	WS1643202KR	40085796	SPRING WASHER		A		*		1	2.00
27		NM6160511SE		NUT M16X1.5				*		1	
28		NM6050001SE		NUT M5				*		4	
29		WS0510002KN		SPRING WASHER				*		4	

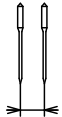
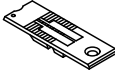
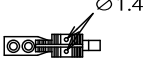


THREAD STAND COMPONENTS (2) (EXCEPT USE IN JAPAN)

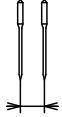
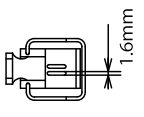
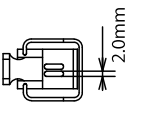
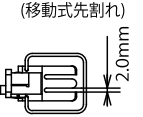


THREAD STAND COMPONENTS (2) (EXCEPT USE IN JAPAN)

No.	Supply Code	Parts No.	Replacement	Parts name	Remarks	Choice	Step	Level	Cons	Qty	Rep. QTY
1		26910158		THREAD STANDING DEVICE ASM.						1	
2	R	22930507	40096354	SPOOL REST ARM				*		2	1.00
3	R	22930705	40096354	THREAD GUIDE ARM JOINT				*		4	1.00
4		22931406		SPOOL REST ROD RUBBER CAP				*		1	
5	R	22930408	40096354	SPOOL REST ROD, UPPER				*		1	1.00
6	R	22931307	40096354	SPOOL REST ROD JOINT				*		1	1.00
7	R	22930309	40096354	SPOOL REST ROD, LOWER				*		1	1.00
8	R	22931109	40085791	SPOOL RETAINER				*		4	1.00
9	R	22931000	40085790	SPOOL PIN				*		4	1.00
10		22930903		SPOOL REST CUSHION				*		4	
11		22930804		SPOOL REST				*		4	
12		SM6061610SC		SCREW M6 L=16				*		4	
13		SM4051405SE		SCREW M5 L=14				*		2	
14		NM6050001SE		NUT M5				*		2	
15		WP1612616SE		WASHER 16X30X2.6				*		2	
16	R	WS1643202KR	WP1612616SE	SPRING WASHER		A		*		1	2.00
16	R	WS1643202KR	40085796	SPRING WASHER		A		*		1	2.00
17		NM6160511SE		NUT M16X1.5				*		1	
18		NM6050001SE		NUT M5				*		4	
19		WS0510002KN		SPRING WASHER				*		4	
20	R	22930556	40096354	THREAD STANDING ARM ASM.				*		2	1.00

TABLE OF EXCHANGING GAUGE PARTS (1)

Needle gauge size 針 幅			Throat plate 針 板		Feed dog 送 り 歯						
Code コード											
	inch	mm	Ref.No.	Part No.	Ref.No.	Part No.	Ref.No.	Part No.	Ref.No.	Part No.	
B	1/8	3.2	1	226-25107	13	226-30107					
C	5/32	4.4	2	226-25206	14	226-35205	25	226-30206			
D	3/16	4.8	3	226-25305	15	226-35304	26	226-30404	36	B1613-512-DOH	
E	7/32	5.6	4	226-25404	16	226-35403	27	226-30503	37	B1613-512-EOH	
F	1/4	6.4	5	226-25503	17	226-35502	28	226-30602	38	B1613-512-FOH	
G	9/32	7.1	6	226-25602	18	226-35700	29	226-30800	39	B1613-512-GOH	
H	5/16	7.9	7	226-25701	19	226-35809	30	226-30909	40	B1613-512-HOH	
K	3/8	9.5	8	226-25800	20	226-35908	31	226-31006	41	B1613-512-KOH	
L	1/2	12.7	9	226-26006	21	226-36203	32	226-31303	42	B1613-512-LOH	
M	5/8	15.9	10	226-26105	22	226-36302	33	226-31402	43	B1613-512-MOH	
N	3/4	19.1	11	226-26204	23	226-36401	34	226-31501	44	B1613-512-NOH	
Q	1	25.4	12	226-26402	24	226-36708	35	226-31808	45	B1613-512-QOH	
Stitch spec. 縫 仕 様	S		Spec. common 仕 様 共 通					★			
	A					★					
	G									★	

Needle gauge size 針 幅			Presser Foot asm. 押 さ え (組)						
Code コード									
	inch	mm	Ref.No.	Part No.	Ref.No.	Part No.	Ref.No.	Part No.	
B	1/8	3.2	46	226-37656					
C	5/32	4.4	47	226-37755	58	101-52650			
D	3/16	4.8	48	226-37854	59	101-52759	69	226-40353	
E	7/32	5.6	49	226-37953	60	101-52858	70	226-40452	
F	1/4	6.4	50	226-38050	61	101-52957	71	226-40551	
G	9/32	7.1	51	226-38258	62	101-53054	72	226-40759	
H	5/16	7.9	52	226-38357	63	101-53153	73	226-40858	
K	3/8	9.5	53	226-38456	64	101-53252	74	226-40957	
L	1/2	12.7	54	226-38753	65	101-53450	75	226-41252	
M	5/8	15.9	55	226-38852	66	101-53559	76	226-41351	
N	3/4	19.1	56	226-38951	67	101-53658	77	226-41450	
Q	1	25.4	57	226-39256	68	101-53856	78	226-41757	
Stitch spec. 縫 仕 様	S					★		☆	
	A		★						
	G					☆		★	

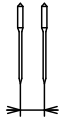
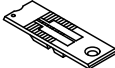
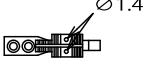
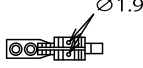
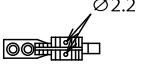
★ Standard spec.
☆ Substandard spec.
* Special order

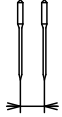
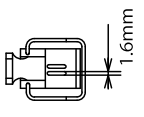
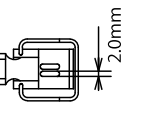
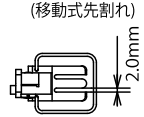
標準仕様
準標準仕様
特別注文

TABLE OF EXCHANGING GAUGE PARTS (1)

No.	Supply Code	Parts No.	Replacement	Parts name	Remarks	Choice	Step	Level	Cons	Qty	Rep. QTY
1		22625107		THROAT PLATE 1/8" (3.2MM)						1	
2		22625206		THROAT PLATE 5/32" (4MM)						1	
3		22625305		THROAT PLATE 3/16" (4.8MM)						1	
4		22625404		THROAT PLATE 7/32" (5.6MM)						1	
5		22625503		THROAT PLATE 1/4						1	
6		22625602		THROAT PLATE 9/32" (7.1MM)						1	
7		22625701		THROAT PLATE 5/16" (7.9MM)						1	
8		22625800		THROAT PLATE 3/8" (9.5MM)						1	
9		22626006		THROAT PLATE 1/2" (12.7MM)						1	
10		22626105		THROAT PLATE 5/8" (15.9MM)						1	
11		22626204		THROAT PLATE 3/4" (19.1MM)						1	
12		22626402		THROAT PLATE 1" (25.4MM)						1	
13		22630107		FEED DOG 1/8" (3.2MM)						1	
14		22635205		FEED DOG 5/32" (4.0MM)						1	
15		22635304		FEED DOG 3/16" (4.8MM)						1	
16		22635403		FEED DOG 7/32" (5.6MM)						1	
17		22635502		FEED DOG 1/4" (6.4MM)						1	
18		22635700		FEED DOG 9/32" (7.1MM)						1	
19	D	22635809		FEED DOG 5/16" (7.9MM)						1	
20		22635908		FEED DOG 3/8" (9.5MM)						1	
21		22636203		FEED DOG 1/2" (12.7MM)						1	
22		22636302		FEED DOG 5/8" (15.9MM)						1	
23		22636401		FEED DOG 3/4" (19.1MM)						1	
24		22636708		FEEDDOG1"(25.4MM)						1	
25		22630206		FEED DOG 5/32" (4.0MM)						1	
26		22630404		FEED DOG 3/16" (4.8MM)						1	
27		22630503		FEED DOG 7/32" (5.6MM)						1	
28		22630602		FEED DOG 1/4						1	
29		22630800		FEED DOG 9/32" (7.1MM)						1	
30		22630909		FEED DOG 5/16" (7.9MM)						1	
31		22631006		FEED DOG 3/8" (9.5MM)						1	
32		22631303		FEED DOG 1/2" (12.7MM)						1	
33		22631402		FEED DOG 5/8" (15.9MM)						1	
34		22631501		FEED DOG 3/4" (19.1MM)						1	
35		22631808		FEEDDOG1"(25.4MM)						1	
36		B1613512D0H		FEED DOG 3/16						1	
37		B1613512E0H		FEED DOG 7/32						1	
38		B1613512F0H		FEED DOG 1/4						1	
39		B1613512G0H		FEED DOG 9/32						1	
40		B1613512H0H		FEED DOG 5/16						1	
41		B1613512K0H		FEED DOG 3/8						1	
42		B1613512L0H		FEED DOG 1/2						1	
43		B1613512M0H		FEED DOG 5/8						1	
44		B1613512N0H		FEED DOG 3/4						1	
45		B1613512Q0H		FEED DOG 1						1	
46		22637656		PRESSER FOOT ASM.						1	

TABLE OF EXCHANGING GAUGE PARTS (1)

Needle gauge size 針 幅			Throat plate 針 板		Feed dog 送 り 歯					
Code コード										
	inch	mm	Ref.No.	Part No.	Ref.No.	Part No.	Ref.No.	Part No.	Ref.No.	Part No.
B	1/8	3.2	1	226-25107	13	226-30107				
C	5/32	4.4	2	226-25206	14	226-35205	25	226-30206		
D	3/16	4.8	3	226-25305	15	226-35304	26	226-30404	36	B1613-512-DOH
E	7/32	5.6	4	226-25404	16	226-35403	27	226-30503	37	B1613-512-EOH
F	1/4	6.4	5	226-25503	17	226-35502	28	226-30602	38	B1613-512-FOH
G	9/32	7.1	6	226-25602	18	226-35700	29	226-30800	39	B1613-512-GOH
H	5/16	7.9	7	226-25701	19	226-35809	30	226-30909	40	B1613-512-HOH
K	3/8	9.5	8	226-25800	20	226-35908	31	226-31006	41	B1613-512-KOH
L	1/2	12.7	9	226-26006	21	226-36203	32	226-31303	42	B1613-512-LOH
M	5/8	15.9	10	226-26105	22	226-36302	33	226-31402	43	B1613-512-MOH
N	3/4	19.1	11	226-26204	23	226-36401	34	226-31501	44	B1613-512-NOH
Q	1	25.4	12	226-26402	24	226-36708	35	226-31808	45	B1613-512-QOH
Stitch spec. 縫 仕 様	S		Spec. common 仕 様 共 通				★			
	A				★					
	G								★	

Needle gauge size 針 幅			Presser Foot asm. 押 さ え (組)					
Code コード								
	inch	mm	Ref.No.	Part No.	Ref.No.	Part No.	Ref.No.	Part No.
B	1/8	3.2	46	226-37656				
C	5/32	4.4	47	226-37755	58	101-52650		
D	3/16	4.8	48	226-37854	59	101-52759	69	226-40353
E	7/32	5.6	49	226-37953	60	101-52858	70	226-40452
F	1/4	6.4	50	226-38050	61	101-52957	71	226-40551
G	9/32	7.1	51	226-38258	62	101-53054	72	226-40759
H	5/16	7.9	52	226-38357	63	101-53153	73	226-40858
K	3/8	9.5	53	226-38456	64	101-53252	74	226-40957
L	1/2	12.7	54	226-38753	65	101-53450	75	226-41252
M	5/8	15.9	55	226-38852	66	101-53559	76	226-41351
N	3/4	19.1	56	226-38951	67	101-53658	77	226-41450
Q	1	25.4	57	226-39256	68	101-53856	78	226-41757
Stitch spec. 縫 仕 様	S				★		☆	
	A		★					
	G				☆		★	


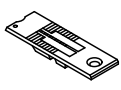
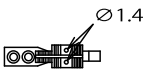
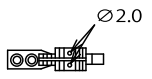
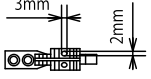
★ Standard spec.
☆ Substandard spec.
* Special order


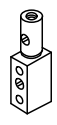
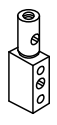
標準仕様
準標準仕様
特別注文

TABLE OF EXCHANGING GAUGE PARTS (1)

No.	Supply Code	Parts No.	Replacement	Parts name	Remarks	Choice	Step	Level	Cons	Qty	Rep. QTY
47		22637755		PRESSER FOOT ASM.						1	
48		22637854		PRESSER FOOT ASM.						1	
49		22637953		PRESSER FOOT ASM.						1	
50		22638050		PRESSER FOOT ASM.						1	
51		22638258		PRESSER FOOT ASM.						1	
52		22638357		PRESSER FOOT ASM.						1	
53		22638456		PRESSER FOOT ASM.						1	
54		22638753		PRESSER FOOT ASM.						1	
55		22638852		PRESSER FOOT ASM.						1	
56		22638951		PRESSER FOOT ASM.						1	
57		22639256		PRESSER FOOT ASM.						1	
58		10152650		PRESSER FOOT ASM. 5/32						1	
59		10152759		PRESSER FOOT ASM. 3/16						1	
60		10152858		PRESSER FOOT ASM. 7/32						1	
61		10152957		PRESSER FOOT ASM. 1/4						1	
62		10153054		PRESSER FOOT ASM. 9/32						1	
63		10153153		PRESSER FOOT ASM. 5/16						1	
64		10153252		PRESSER FOOT ASM. 3/8						1	
65		10153450		PRESSER FOOT ASM. 1/2						1	
66		10153559		PRESSER FOOT ASM. 5/8						1	
67		10153658		PRESSER FOOT ASM. 3/4						1	
68		10153856		PRESSER FOOT ASM. 1						1	
69		22640353		PRESSER FOOT ASM.						1	
70		22640452		PRESSER FOOT ASM.						1	
71		22640551		PRESSER FOOT ASM.						1	
72		22640759		PRESSER FOOT ASM.						1	
73		22640858		PRESSER FOOT ASM.						1	
74		22640957		PRESSER FOOT ASM.						1	
75		22641252		PRESSER FOOT ASM.						1	
76		22641351		PRESSER FOOT ASM.						1	
77		22641450		PRESSER FOOT ASM.						1	
78		22641757		PRESSER FOOT ASM.						1	

TABLE OF EXCHANGING GAUGE PARTS (2)

Needle gauge size 針 幅			Throat plate (with Thread Trimmer) 針板(糸切付)		Feed dog(with Thread Trimmer) 送 り 歯(糸切付)					
Code コード										
	inch	mm	Ref.No.	Part No.	Ref.No.	Part No.	Ref.No.	Part No.	Ref.No.	Part No.
B	1/8	3.2	1	226-60203	13	226-65103				
C	5/32	4.4	2	226-60302	14	226-65202	25	102-37907		
D	3/16	4.8	3	226-60401	15	226-65301	26	102-38004	36	102-39101
E	7/32	5.6	4	226-60500	16	226-65400	27	102-38103	37	102-39200
F	1/4	6.4	5	226-60609	17	226-65509	28	102-38202	38	102-39309
G	9/32	7.1	6	226-60708	18	226-65707	29	102-38301	39	102-39408
H	5/16	7.9	7	226-60807	19	226-65806	30	102-38400	40	102-39507
K	3/8	9.5	8	226-60906	20	226-65905	31	102-38509	41	102-39606
L	1/2	12.7	9	226-61102	21	226-66200	32	102-38707	42	102-39804
M	5/8	15.9	10	226-61201	22	226-66309	33	102-38806	43	102-39903
N	3/4	19.1	11	226-61300	23	226-66408	34	102-38905	44	101-71106
Q	1	25.4	12	226-61508	24	226-66705	35	102-39002	45	101-71304
Stitch spec. 縫 仕 様			S	Spec. common 仕様共通			★			
			A		★					
			G						★	


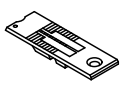
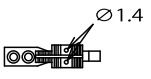
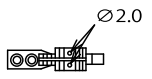
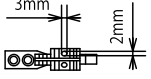
Needle gauge size 針 幅			Needle clamp asm. Left 針 留(組)左		Needle clamp asm. Right 針 留(組)右	
Code コード						
	inch	mm	Ref.No.	Part No.	Ref.No.	Part No.
B	1/8	3.2	46	B1402-528-BA0-A	58	B1402-528-BA0-A
C	5/32	4.4	47	B1402-528-CA0-A	59	B1402-528-CA0-A
D	3/16	4.8	48	B1402-528-DAL-A	60	B1402-528-DAR-A
E	7/32	5.6	49	B1402-528-EAL	61	B1402-528-EAR
F	1/4	6.4	50	B1402-528-FAL-A	62	B1402-528-FAR-A
G	9/32	7.1	51	B1402-528-GAL	63	B1402-528-GAR
H	5/16	7.9	52	B1402-528-HAL-A	64	B1402-528-HAR-A
K	3/8	9.5	53	B1402-528-KAL-A	65	B1402-528-KAR-A
L	1/2	12.7	54	B1402-528-LAL	66	B1402-528-LAR
M	5/8	15.9	55	B1402-528-MAL	67	B1402-528-MAR
N	3/4	19.1	56	B1402-528-NAL	68	B1402-528-NAR
Q	1	25.4	57	B1402-528-QAL	69	B1402-528-QAR
Stitch spec. 縫 仕 様			S	Spec. common 仕様共通		
			A			
			G			


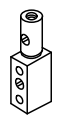
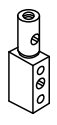
- ★ Standard spec. 標準仕様
- ☆ Substandard spec. 準標準仕様
- * Special order 特別注文

TABLE OF EXCHANGING GAUGE PARTS (2)

No.	Supply Code	Parts No.	Replacement	Parts name	Remarks	Choice	Step	Level	Cons	Qty	Rep. QTY
1		22660203		THROAT PLATE 1/8						1	
2		22660302		THROAT PLATE 5/32						1	
3		22660401		THROAT PLATE 3/16						1	
4		22660500		THROAT PLATE 7/32						1	
5		22660609		THROAT PLATE 1/4						1	
6		22660708		THROAT PLATE 9/32						1	
7		22660807		THROAT PLATE 5/16						1	
8		22660906		THROAT PLATE 3/8						1	
9		22661102		THROAT PLATE 1/2						1	
10		22661201		THROAT PLATE 5/8						1	
11		22661300		THROAT PLATE 3/4						1	
12		22661508		THROAT PLATE 1						1	
13		22665103		FEED DOG 1/8						1	
14	D	22665202		FEED DOG						1	
15		22665301		FEED DOG 3/16						1	
16		22665400		FEED DOG						1	
17		22665509		FEED DOG 1/4						1	
18		22665707		FEED DOG						1	
19		22665806		FEED DOG 5/16						1	
20		22665905		FEED DOG						1	
21	D	22666200		FEED DOG 1/2						1	
22		22666309		FEED DOG 5/8						1	
23		22666408		FEED DOG						1	
24		22666705		FEED DOG						1	
25		10237907		FEED DOG 5/32						1	
26	D	10238004		FEED DOG 3/16						1	
27		10238103		FEED DOG 7/32						1	
28		10238202		FEED DOG 1/4						1	
29		10238301		FEED DOG 9/32						1	
30		10238400		FEED DOG 5/16						1	
31		10238509		FEED DOG 3/8						1	
32		10238707		FEED DOG 1/2						1	
33		10238806		FEED DOG						1	
34		10238905		FEED DOG 3/4						1	
35		10239002		FEED DOG 1						1	
36		10239101		FEED DOG 3/16						1	
37		10239200		FEED DOG 7/32						1	
38		10239309		FEED DOG 1/4						1	
39		10239408		FEED DOG 9/32						1	
40	D	10239507		FEED DOG 5/16						1	
41		10239606		FEED DOG 3/8						1	
42		10239804		FEED DOG 1/2						1	
43		10239903		FEED DOG						1	
44		10171106		FEED DOG 3/4						1	
45		10171304		FEED DOG 1						1	
46		B1402528BA0A		NEEDLE CLAMP ASM. 1/8						1	

TABLE OF EXCHANGING GAUGE PARTS (2)

Needle gauge size 針 幅			Throat plate (with Thread Trimmer) 針板(糸切付)		Feed dog(with Thread Trimmer) 送 り 歯(糸切付)					
Code コード										
	inch	mm	Ref.No.	Part No.	Ref.No.	Part No.	Ref.No.	Part No.	Ref.No.	Part No.
B	1/8	3.2	1	226-60203	13	226-65103				
C	5/32	4.4	2	226-60302	14	226-65202	25	102-37907		
D	3/16	4.8	3	226-60401	15	226-65301	26	102-38004	36	102-39101
E	7/32	5.6	4	226-60500	16	226-65400	27	102-38103	37	102-39200
F	1/4	6.4	5	226-60609	17	226-65509	28	102-38202	38	102-39309
G	9/32	7.1	6	226-60708	18	226-65707	29	102-38301	39	102-39408
H	5/16	7.9	7	226-60807	19	226-65806	30	102-38400	40	102-39507
K	3/8	9.5	8	226-60906	20	226-65905	31	102-38509	41	102-39606
L	1/2	12.7	9	226-61102	21	226-66200	32	102-38707	42	102-39804
M	5/8	15.9	10	226-61201	22	226-66309	33	102-38806	43	102-39903
N	3/4	19.1	11	226-61300	23	226-66408	34	102-38905	44	101-71106
Q	1	25.4	12	226-61508	24	226-66705	35	102-39002	45	101-71304
Stitch spec. 縫 仕 様			S	Spec. common 仕様共通			★			
			A		★					
			G						★	


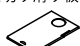


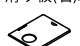
Needle gauge size 針 幅			Needle clamp asm. Left 針 留(組)左		Needle clamp asm. Right 針 留(組)右	
Code コード						
	inch	mm	Ref.No.	Part No.	Ref.No.	Part No.
B	1/8	3.2	46	B1402-528-BA0-A	58	B1402-528-BA0-A
C	5/32	4.4	47	B1402-528-CA0-A	59	B1402-528-CA0-A
D	3/16	4.8	48	B1402-528-DAL-A	60	B1402-528-DAR-A
E	7/32	5.6	49	B1402-528-EAL	61	B1402-528-EAR
F	1/4	6.4	50	B1402-528-FAL-A	62	B1402-528-FAR-A
G	9/32	7.1	51	B1402-528-GAL	63	B1402-528-GAR
H	5/16	7.9	52	B1402-528-HAL-A	64	B1402-528-HAR-A
K	3/8	9.5	53	B1402-528-KAL-A	65	B1402-528-KAR-A
L	1/2	12.7	54	B1402-528-LAL	66	B1402-528-LAR
M	5/8	15.9	55	B1402-528-MAL	67	B1402-528-MAR
N	3/4	19.1	56	B1402-528-NAL	68	B1402-528-NAR
Q	1	25.4	57	B1402-528-QAL	69	B1402-528-QAR
Stitch spec. 縫 仕 様			S	Spec. common 仕様共通		
			A			
			G			

- ★ Standard spec. 標準仕様
- ☆ Substandard spec. 準標準仕様
- * Special order 特別注文

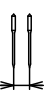
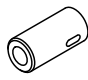
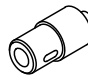
TABLE OF EXCHANGING GAUGE PARTS (2)

No.	Supply Code	Parts No.	Replacement	Parts name	Remarks	Choice	Step	Level	Cons	Qty	Rep. QTY
47		B1402528CA0A		NEEDLE CLAMP ASM. 5/32						1	
48		B1402528DALA		NEEDLE CLAMP ASM. LEFT						1	
49		B1402528EAL		NEEDLE CLAMP ASM. 7/32						1	
50		B1402528FALA		NEEDLE CLAMP ASM. 1/4						1	
51		B1402528GAL		NEEDLE CLAMP ASM., LEFT						1	
52		B1402528HALA		NEEDLE CLAMP ASM. 5/16						1	
53		B1402528KALA		NEEDLE CLAMP ASM. 3/8						1	
54		B1402528LAL		NEEDLE CLAMP ASM., LEFT 1/2						1	
55		B1402528MAL		NEEDLE CLAMP ASM., LEFT 5/8						1	
56		B1402528NAL		NEEDLE CLAMP ASM., LEFT 3/4						1	
57		B1402528QAL		NEEDLE CLAMP ASM., LEFT 1						1	
58		B1402528BA0A		NEEDLE CLAMP ASM. 1/8						1	
59		B1402528CA0A		NEEDLE CLAMP ASM. 5/32						1	
60		B1402528DARA		NEEDLE CLAMP ASM. RIGHT						1	
61		B1402528EAR		NEEDLE CLAMP ASM. 7/32						1	
62		B1402528FARA		NEEDLE CLAMP ASM. 1/4						1	
63		B1402528GAR		NEEDLE CLAMP ASM., RIGHT						1	
64		B1402528HARA		NEEDLE CLAMP ASM. 5/16						1	
65		B1402528KARA		NEEDLE CLAMP ASM. 3/8						1	
66		B1402528LAR		NEEDLE CLAMP ASM., RIGHT 1/2						1	
67		B1402528MAR		NEEDLE CLAMP ASM., RIGHT 5/8						1	
68		B1402528NAR		NEEDLE CLAMP ASM., RIGHT 3/4						1	
69		B1402528QAR		NEEDLE CLAMP ASM., RIGHT 1						1	

TABLE OF EXCHANGING GAUGE PARTS (3)

Needle gauge size 針 幅		Bed Slide asm. (with Tread Trimmer) 滑り板(組) (糸切り付)				Bed Slide asm. (without Tread Trimmer・Stitch spec.F) 滑り板 (組) (糸切り無・F仕様)				
Code コード			Bed Slide asm. (Left) 糸切り滑り板(左)組 		Bed Slide asm. (Right) 糸切り滑り板(右)組 		Bed Slide asm. (Left) 滑り板(左)組 		Bed Slide asm. (Right) 滑り板(右)組 	
	inch	mm	Ref.No.	Part No.	Ref.No.	Part No.	Ref.No.	Part No.	Ref.No.	Part No.
B S K	1/8 3/8	3.2 9.5	1	226-50857	4	226-50352	7	226-01058	10	226-00555
L S N	1/2 3/4	12.7 19.1	2	226-50956	5	226-50451	8	226-01157	11	226-00654
Q	1	25.4	3	226-51053	6	226-50550	9	226-01256	12	226-00753

下軸メタル

Needle gauge size 針 幅		Front Metal 前 メタル		Inner Metal 中 メタル		
Code コード						
	inch	mm	Ref.No.	Part No.	Ref.No.	Part No.
B S N	1/8 3/4	3.2 19.1	13	B1802-512-0A0-A	15	B1803-515-0A0
Q	1	25.4	14	B1802-512-0AB	16	101-12357

ワイパー



Needle gauge size 針 幅		Wiper ワイパー		
Code コード				
	inch	mm	Ref.No.	Part No.
B S K	2/8 3/8	3.2 9.5	17	102-09230
L S M	1/2 5/8	12.7 15.9	18	102-09500
N	3/4	19.1	19	102-09807
Q	1	25.4	20	102-09906

TABLE OF EXCHANGING GAUGE PARTS (3)

No.	Supply Code	Parts No.	Replacement	Parts name	Remarks	Choice	Step	Level	Cons	Qty	Rep. QTY
1		22650857		BED SLIDE LEFT, ASM., A						1	
2		22650956		LEFT SLIDER PLATE B ASM.						1	
3		22651053		BED SLIDE LEFT, ASM., C						1	
4		22650352		BED SLIDE RIGHT, ASM., A						1	
5		22650451		RIGHT SLIDER PLATE B ASM.						1	
6		22650550		BED SLIDE RIGHT, ASM., C						1	
7		22601058		BED SLIDE LEFT, ASM., A						1	
8		22601157		LEFT SLIDER PLATE B ASM.						1	
9		22601256		BED SLIDE LEFT, ASM., C						1	
10		22600555		BED SLIDE RIGHT, ASM., A						1	
11		22600654		RIGHT SLIDER PLATE B ASM.						1	
12		22600753		BED SLIDE RIGHT, ASM., C						1	
13		B18025120A0A		BUSHING ASM., FRONT						1	
14		B18025120AB		BUSHING ASM., FRONT						1	
15		B18035150A0		BUSHING ASM., INTERMEDIATE						1	
16		10112357		BUSHING ASM. INTERMEDIATE						1	
17		10209230		WIPER						1	
18		10209500		WIPER						1	
19		10209807		WIPER						1	
20		10209906		WIPER						1	

HOW TO MAKE USE OF THIS PARTS LIST

1.Explanation of codes

1)"*"mark.....means this part is changed from the previous parts book.

As to the details of the change, refer to the "List for information of change".

2)"#01".....refer to "Note" explanation at bottom of page.

2.Codes on the "Qty" column

- Each numeral indicates the number of parts required.
- "0.1" and "2.5" indicate the length (in meters) of the respective parts.

3.Parentheses mean that the corresponding part is a subpart that constructs an assembly part.

4.Dotted lines on the Figures indicate assembly parts.

1."注記"欄の記号説明

1) "*"印.....前回のパーツブックに比較して今回変更された部品を意味します。

変更内容は、"変更情報リスト"を参照してください。

2) "#01".....ページ下の"注記"の説明を参照してください。

2.数量欄の数字は、個数を表し、0.1、2.5等の数値は、長さ（単位メートル）を表します。

3.数量欄の（ ）は、組部品を構成している子部品であることを意味します。

4.イラストページの-----枠は、組構成であることを意味します。

NUMERICAL INDEX OF PARTS

PART NO	PAGE	REF NO.	PART NO	PAGE	REF NO.	PART NO	PAGE	REF NO.
10101004	2	3	10161305	38	17	10611457	18	14
10106102	28	48	10162204	48	2	10623403	42	34
10107902	26	37	10162253	48	1	10697506	14	36
10107902	28	37	10162600	48	3	10697605	14	44
10108009	26	13	10171106	58	44	10741106	14	11
10108512	18	1	10171304	58	45	11006202	30	7
10108611	18	11	10208551	40	29	11006350	30	6
10109908	22	55	10208700	40	32	11007309	30	8
10110500	20	86	10209203	40	20	11018108	30	20
10110500	22	86	10209230	62	17	11024015	48	7
10111201	22	66	10209500	40	21	11024106	48	8
10111508	20	1	10209500	62	18	11024205	48	11
10112001	18	6	10209807	40	22	11024304	48	23
10112357	62	16	10209807	62	19	11045101	14	12
10112407	22	56	10209906	40	23	11047107	48	4
10112803	20	48	10209906	62	20	11072402	14	14
10112803	22	48	10210805	20	2	11072501	38	2
10112902	20	50	10211407	34	6	11072709	40	2
10112902	22	50	10211605	34	2	11076809	46	4
10116051	34	3	10216703	42	4	11076858	46	2
10116606	34	23	10237907	58	25	11076957	46	3
10116705	34	40	10238004	58	26	11093606	14	13
10116754	34	37	10238103	58	27	11102100	38	5
10116804	34	15	10238202	26	34	11102209	38	6
10116903	34	35	10238202	58	28	11102308	38	11
10117109	34	24	10238301	58	29	11110301	40	13
10117208	34	18	10238400	58	30	11110400	40	11
10117851	36	55	10238509	58	31	11110509	40	12
10119105	38	18	10238707	58	32	11110707	40	8
10119204	38	19	10238806	58	33	11394509	30	24
10124204	14	10	10238905	58	34	11956802	14	22
10124303	14	15	10239002	58	35	13167556	50	1
10125201	30	16	10239101	58	36	13167903	50	8
10152650	56	58	10239200	58	37	13168000	50	9
10152759	56	59	10239309	58	38	13168109	50	10
10152858	56	60	10239408	58	39	13168208	50	11
10152957	32	44	10239507	58	40	13765607	42	44
10152957	56	61	10239606	58	41	22600555	4	42
10153054	56	62	10239804	58	42	22600555	62	10
10153153	56	63	10239903	58	43	22600654	62	11
10153252	56	64	10315208	28	60	22600753	62	12
10153450	56	65	10315455	28	61	22601058	2	38
10153559	56	66	10315505	28	54	22601058	62	7
10153658	56	67	10602902	2	2	22601157	62	8
10153856	56	68	10604809	6	29	22601256	62	9

NUMERICAL INDEX OF PARTS

PART NO	PAGE	REF NO.	PART NO	PAGE	REF NO.	PART NO	PAGE	REF NO.
22602007	2	17	22612055	22	67	22620108	42	9
22602601	4	46	22612204	20	29	22620355	42	6
22603013	2	25	22612303	20	49	22620454	42	7
22603112	2	27	22612303	22	49	22620504	42	14
22603203	2	29	22612501	20	51	22620702	42	8
22603401	46	1	22612501	22	51	22620801	30	32
22603609	4	48	22612709	20	35	22620801	42	21
22603708	4	49	22612907	20	87	22620900	2	14
22603906	6	30	22612907	22	87	22621056	46	40
22604003	6	41	22613004	22	71	22621106	46	36
22604300	6	43	22613103	22	69	22621155	46	32
22604409	6	37	22613400	20	6	22622005	48	24
22604508	6	17	22613509	22	54	22622104	48	15
22604607	6	33	22613608	18	13	22622351	6	31
22604656	6	32	22613905	22	68	22622401	6	10
22604904	6	42	22614101	22	65	22623102	18	19
22605307	6	2	22615009	20	16	22623201	6	15
22605356	6	1	22615108	22	75	22625107	54	1
22605406	6	7	22615207	20	17	22625206	54	2
22607006	10	74	22615306	20	14	22625305	54	3
22607105	10	78	22615454	22	74·83	22625404	54	4
22607204	10	79	22615462	22	74·83	22625503	4	40
22607303	10	72	22615702	20	12	22625503	54	5
22607402	10	73	22615801	20	10	22625602	54	6
22608103	30	10	22615959	20	9	22625701	54	7
22608152	30	5	22616254	20	8	22625800	54	8
22609002	28	26·52	22617005	30	34·47·48	22626006	54	9
22609101	26	29	22617104	30	23	22626105	54	10
22609200	26	25	22617609	14	30	22626204	54	11
22609309	28	56	22617708	14	24	22626402	54	12
22609408	28	43	22617807	14	23	22630107	54	13
22609606	28	55	22617906	14	17	22630206	54	25
22609705	26	36	22618102	14	6	22630404	54	26
22609754	26	35	22618201	14	4	22630503	54	27
22609804	18	8	22618300	14	5	22630602	26	33
22610000	26	6	22618706	14	43	22630602	54	28
22610109	26	2	22618805	14	31	22630800	54	29
22610208	26	4	22618904	14	27	22630909	54	30
22610307	26	8	22619001	42	28	22631006	54	31
22610406	26	23	22619100	2	11	22631303	54	32
22610505	26	16	22619209	42	11	22631402	54	33
22610604	26	9·10	22619415	42	18	22631501	54	34
22611651	18	21	22619605	42	27	22631808	54	35
22611701	18	20	22619704	44	65·66	22635205	54	14
22611909	18	23	22619803	42	25	22635304	54	15

NUMERICAL INDEX OF PARTS

PART NO	PAGE	REF NO.	PART NO	PAGE	REF NO.	PART NO	PAGE	REF NO.
22635403	54	16	22651608	6	44	22660609	58	5
22635502	54	17	22652002	26	26·52	22660708	58	6
22635700	54	18	22652101	26	9·10	22660807	58	7
22635809	54	19	22653000	22	46	22660906	58	8
22635908	54	20	22653158	20	13	22661102	58	9
22636203	54	21	22653307	22	47	22661201	58	10
22636302	54	22	22653505	22	72	22661300	58	11
22636401	54	23	22653604	22	70	22661508	58	12
22636708	54	24	22653802	20	36	22665103	58	13
22637656	54	46	22654008	36	61	22665202	58	14
22637755	56	47	22654107	34	31	22665301	58	15
22637854	56	48	22654206	34	5	22665400	58	16
22637953	56	49	22654255	34	4	22665509	58	17
22638050	56	50	22654305	36	53	22665707	58	18
22638258	56	51	22654404	34	44	22665806	58	19
22638357	56	52	22654503	36	48	22665905	58	20
22638456	56	53	22654552	36	47	22666200	58	21
22638753	56	54	22654602	36	49	22666309	58	22
22638852	56	55	22654800	34	14	22666408	58	23
22638951	56	56	22654909	30	25	22666705	58	24
22639256	56	57	22654958	30	22	22680003	2	32
22640353	56	69	22655005	36	60	22680250	2	20
22640452	56	70	22655104	34	22	22680656	6	11
22640551	56	71	22655153	34	20	22681316	8	26
22640759	56	72	22655302	34	11	22681407	8	24
22640858	56	73	22655401	34	10	22681506	8	25
22640957	56	74	22656003	38	41	22681712	8	8
22641252	56	75	22656102	38	33	22681803	8	15
22641351	56	76	22656201	38	32	22681951	8	10~14
22641450	56	77	22656300	38	28	22682058	8	10~14
22641757	56	78	22656409	38	27	22682157	8	10~14
22650055	4	45	22656508	38	4	22682256	8	10~14
22650352	4	43	22656557	38	1	22682355	8	10~14
22650352	62	4	22656607	38	12	22682504	8	42
22650451	62	5	22657050	40	28	22682504	10	42
22650550	62	6	22657100	40	18	22682652	8	1·2
22650857	2	39	22657159	40	1	22682702	8	7
22650857	62	1	22657209	40	6	22682850	8	9
22650956	62	2	22657308	40	9	22683007	10	55
22651053	62	3	22657803	4	54	22683056	10	49
22651202	4	53	22660203	58	1	22683106	10	53
22651459	4	47	22660302	58	2	22683205	10	51
22651509	6	21	22660401	58	3	22683304	10	52
22651558	6	20	22660500	58	4	22683403	10	56
22651566	6	19	22660609	4	41	22683502	10	62

NUMERICAL INDEX OF PARTS

PART NO	PAGE	REF NO.	PART NO	PAGE	REF NO.	PART NO	PAGE	REF NO.
22683601	10	64	22689301	16	65	22930507	52	2
22683809	10	54	22689558	14	1~3	22930556	50	2
22683908	10	60	22689657	14	1~3	22930556	52	20
22684005	10	61	22693253	8	28	22930705	50	4
22684104	10	57	22693352	8	37	22930705	52	3
22684203	10	59	22693451	8	1·2	22930804	50	16
22684609	10	67	22693857	20	37	22930804	52	11
22685101	8	30	22694707	22	79	22930903	50	15
22685150	8	29	22694806	22	77	22930903	52	10
22685168	10	46	22694855	22	76	22931000	50	14
22685200	8	40	22818009	4	51	22931000	52	9
22685200	10	40	22901805	2	34	22931109	50	13
22685309	8	39	22904155	28	50	22931109	52	8
22685358	8	38	22907109	32	43	22931307	50	7
22685366	10	47	22907505	30	36	22931307	52	6
22685408	8	41	22907604	30	37	22931406	50	5
22685408	10	41	22907703	30	38	22931406	52	4
22685705	10	69	22907802	30	1	22932453	48	10
22685804	8	21	22908552	30	4	22934202	48	20
22685903	8	17	22908800	30	15	22934251	48	16
22686000	8	20	22908909	30	13	22934301	48	21
22686158	8	23	22911804	26	18	22934400	48	19
22686455	44	61	22911903	26	21	22934509	48	17
22687008	16	62	22912000	26	20	22934608	48	18
22687107	16	60	22912109	26	19	22937965	6	28
22687305	16	51	22920201	30	19	22951552	2	8
22687453	16	47	22920706	2	23	22952501	38	37
22687503	16	55	22924708	42	1	22957104	40	14
22687602	16	58	22927305	46	27	23203805	6	5·6
22687701	16	56	22927354	46	13	23203904	6	5·6
22687800	16	52	22927404	46	28	23204506	8	4~6
22688006	20	52	22927602	46	29	23204605	8	4~6
22688006	22	52	22928105	46	22	23204704	8	4~6
22688055	20	28	22928303	46	35	23204803	44	59
22688105	20	43	22928402	46	34	23204951	8	3
22688154	20	38	22928501	46	14	23630007	42	63
22688204	20	44	22928709	46	26	23630007	44	63
22688253	20	19	22928808	46	44	26226209	38	40
22688402	20	85	22928907	46	42	26226407	38	39
22688402	22	85	22929004	46	43	26910158	52	1
22688501	20	39·40	22930309	50	12	40009196	40	7
22689053	14	9	22930309	52	7	40012461	34	26
22689061	14	1~3	22930408	50	6	40012577	42	23
22689103	14	41	22930408	52	5	40013657	22	84
22689202	16	66	22930507	50	3	40013658	24	88

NUMERICAL INDEX OF PARTS

PART NO	PAGE	REF NO.	PART NO	PAGE	REF NO.	PART NO	PAGE	REF NO.
40015144	10	66	B1610512000	26	31	B3538112000	44	56
40017058	30	41	B1613512D0H	54	36	B8233555000	46	5
40021415	4	60	B1613512E0H	54	37	B9117051000	20	18
40030133	32	34·47·48	B1613512F0H	54	38	BT0500300EA	28	64
40034204	30	11	B1613512G0H	54	39	CM300200101	4	58·59
40039672	32	34·47·48	B1613512H0H	54	40	CM3002001A1	4	58·59
B1104051000	2	31	B1613512K0H	54	41	CQ202000000	6	3
B1202512000	6	14	B1613512L0H	54	42	CQ202000000	22	63
B1214038000	44	52	B1613512M0H	54	43	CQ252000000	6	8
B1402528BA0A	58	58	B1613512N0H	54	44	CQ252000000	10	65
B1402528BA0A	60	58	B1613512Q0H	54	45	CQ252000000	28	51
B1402528CA0A	60	59	B1633470000	28	63	CQ505000000	6	12
B1402528DALA	60	48	B1636581B00	26	30	CS070081BSH	34	33
B1402528DARA	60	60	B1653470000	28	65	CS102121ASH	26	11
B1402528EAL	60	49	B1705850000	10	63	CS1470710SH	34	29
B1402528EAR	60	61	B18025120A0A	18	2	CS1471012SH	18	16
B1402528FALA	8	35	B18025120A0A	62	13	D2112555B00	2	19
B1402528FALA	60	50	B18025120AB	62	14	D2427555B00B	34	42
B1402528FARA	10	44	B18035150A0	18	10	D2428555B00A	34	41
B1402528FARA	60	62	B18035150A0	62	15	D2430555B00	34	39
B1402528GAL	60	51	B1816512000	18	4	D2464555B00	38	22
B1402528GAR	60	63	B1820051000	22	58	D3129555D00	14	20
B1402528HALA	60	52	B1821051000	22	60	D3159555B00	30	26
B1402528HARA	60	64	B1822051000	22	61	D3163555B00A	30	30
B1402528KALA	60	53	B1823051000	22	64	D3164555B00	30	28
B1402528KARA	60	65	B1834512000A	42	36	D3171415B0H	20	11
B1402528LAL	60	54	B1850512000	42	31	EA9500B0100	36	65
B1402528LAR	60	66	B1851512000	42	30	EA9500B0100	44	58
B1402528MAL	60	55	B3041980000	36	59	HA000590000	40	15
B1402528MAR	60	67	B3112704000	14	21	HA001900000	38	10
B1402528NAL	60	56	B3114232000	14	18	HK034610140	36	57
B1402528NAR	60	68	B3126012000	14	16	HK03464000B	36	56
B1402528QAL	60	57	B3129012A00	14	19	HK03464000B	38	13
B1402528QAR	60	69	B31375270A0	14	32	HK03464000B	40	24
B1414512000	10	70	B3138527000	14	29	HW200390000	40	16
B1425526000	8	45	B3139527000	14	33	HW500070000	38	9
B1425526000	10	45	B3141527000	14	25	HW500070000	40	17
B1438512B00	10	71	B3142527000	14	34	M4002110000	6	22
B1449526000	14	40	B3143527000	14	35	M40071100AA	6	23
B1501581000	30	40	B3417051000	36	62	M40071100AB	6	24
B1505227T00A	30	39	B3418180000	34	17	M6043350AAA	4	55
B1515051000	36	46	B3517009000	42	17	MDP500B1400	10	68
B1521555000	30	2	B3524552000	44	53	NM6040002SE	50	24
B1603512000	28	46	B3534012000	44	62	NM6050001SE	50	28
B1604012000A	28	41	B3534155000	44	51	NM6050001SE	52	18

NUMERICAL INDEX OF PARTS

PART NO	PAGE	REF NO.	PART NO	PAGE	REF NO.	PART NO	PAGE	REF NO.
NM6050001SP	34	43	SD0650321TP	40	5	SS4110815SP	44	57
NM6060001SE	48	12	SD0720332SP	30	14	SS4111015SP	4	56
NM6160511SE	50	27	SD0800422CP	26	5	SS4111015SP	30	33
NM6160511SE	52	17	SD0870601SP	10	76	SS4111215SP	30	31
NS6080210SP	28	44	SD0900701TP	28	59	SS4111215SP	42	15
NS6090310SP	40	26	SK3412000SC	46	11	SS4111215SP	46	7
NS6090310SP	42	33	SK3482500SC	46	45	SS4111815SP	42	3
NS6110310SN	42	5	SL4030891SC	40	4	SS4120615SP	2	9
NS6110310SP	14	8	SM0081001SD	48	5	SS4120615SP	14	46
NS6110310SP	40	10	SM4031501SC	38	8	SS4120615SP	38	35
NS6110310SP	42	37	SM4040655SP	38	3	SS4120615SP	40	25
NS6110420SP	22	62	SM4041001SC	50	20	SS4120915SP	16	59
NS6110420SP	42	16	SM4041201SC	50	22	SS4121015SP	2	21
NS6120310SP	14	45	SM4042001SC	50	23	SS4153015SP	38	29
NS6120310SP	42	13	SM4051405SE	50	18	SS5090610SP	4	52
NS6150430SP	10	77	SM4051405SE	52	13	SS5090610SP	34	9
NS6620310SP	30	27	SM6061610SC	50	17	SS6060510TP	8	22
NS6680320SP	28	57	SM6061610SC	52	12	SS6080340SP	10	58
NS6700420SP	42	20	SM6082502TP	20	4	SS6080410SP	8	27
PS0300201KP	34	25	SM8040802SP	38	7	SS6081810SP	28	45
PS0600502KP	30	35	SM8050502TP	28	42	SS6090630SP	2	36
RE0320000K0	40	31	SM8063012TR	48	13	SS6090670TP	26	1
RE0400000K0	38	23	SM9061203SE	48	22	SS6090810SP	20	3
RE0500000K0	26	3	SM9061853SR	48	14	SS6110430TP	16	48
RE0500000K0	30	18	SQ1110401MZ	42	65-66	SS6111052TP	34	28
RE0500711KP	28	40	SQ1110401MZ	44	65-66	SS6111140SP	2	5
RE0700000K0	16	57	SQ11150451MZ	42	39	SS6111210SP	6	26
RE0900000K0	26	14	SS2080810SP	34	1	SS6111610SP	42	35
RE1000000K0	48	9	SS2090710TP	2	35	SS6120940SP	36	63
RO037180100	30	3	SS2110920TP	2	37	SS6121212TP	34	13
RO092270200	26	17	SS2110920TP	34	27	SS6121610TP	12	80
RO098240100	48	6	SS2110930SP	42	29	SS6121610TP	28	58
RO195240100	42	2	SS3090520SP	40	33	SS6121610TP	34	54
RO437200200	6	35	SS4090715SP	10	48	SS6121610TP	36	54
SB120000100	6	34	SS4090815SP	8	16	SS6121610TP	42	12
SD0470281SP	14	7	SS4110515SP	20	7	SS6121610TP	46	8
SD0490261SP	46	37	SS4110515SP	32	46	SS6121840SP	38	38
SD0500301SP	40	27	SS4110515SP	46	33	SS6121860SP	26	22
SD0600271SP	34	19	SS4110615SP	14	37	SS6151040SP	36	58
SD0600322SD	30	17	SS4110615SP	42	24	SS6151220SP	34	38
SD0601171SP	14	42	SS4110715SP	30	29	SS6151780SP	2	16
SD0640241SP	16	64	SS4110715SP	42	26	SS6152440SP	10	75
SD0640321SP	38	34	SS4110815SP	2	4	SS6153040SP	22	57
SD0640752TP	16	54	SS4110815SP	20	15	SS6560150SH	20	82
SD0650305TP	36	52	SS4110815SP	26	24	SS6560150SH	22	82

NUMERICAL INDEX OF PARTS

PART NO	PAGE	REF NO.	PART NO	PAGE	REF NO.
SS6580752TP	26	32	SS8660610TP	26	12
SS6661110SP	6	16	SS8660810TP	18	5
SS6661110SP	26	27	SS8660810TP	32	42
SS7060310SP	10	50	SS8660810TP	34	32
SS7081310SP	46	38	SS8680540SP	6	13
SS7090510SP	14	28	SS8680810TP	6	40
SS7090610SP	44	60	SS8681650TP	6	39
SS7090710SP	34	12	SS8701782TP	42	19
SS7090910SP	42	32	SS9080410SP	34	8
SS7090910TP	32	45	SS9110460CP	2	33
SS7110350SP	46	19	SS9110460CP	16	63
SS7110510SP	28	62	SS9111010SP	36	50
SS7110710SP	8	19	SS9111010SP	38	21
SS7110710SP	18	18	SS9111010SP	40	30
SS7110710SP	26	28	SS9151440CP	28	38
SS7110710SP	38	15	TA0500601M0	18	22
SS7110740TP	16	49	TA0750404R0	2	12
SS7110840SP	46	41	TA0750704R0	2	15
SS7110910SP	28	53	TA1250406R0	2	22
SS7111310TP	28	47	WP0371016SD	22	53
SS7111410TP	16	53	WP0371016SD	40	19
SS7111810SP	22	73	WP0450000SD	8	18
SS7120760SP	6	45	WP0450801SD	6	27
SS7120760SP	18	15	WP0450801SP	14	39
SS7120760SP	38	36	WP0480856SP	46	39
SS7120910SP	26	15	WP0501016SC	46	31
SS7121410SP	26	7	WP0501016SD	14	38
SS7151210SP	38	24	WP0501016SD	36	64
SS7151610SP	34	16	WP0501016SD	38	20
SS7681750TP	6	38	WP0501016SD	46	10
SS8080610SP	34	7	WP0612056SD	38	31
SS8110410TP	34	30	WP0621016SD	28	39
SS8110510SP	34	34	WP0621016SD	38	26
SS8110510SP	46	25	WP0753016SZ	34	36
SS8110520TP	16	50	WP0850002SP	20	5
SS8111010TP	34	21	WP1612616SE	50	25
SS8120740SP	2	24	WP1612616SE	52	15
SS8150410TP	4	57	WS0451040KP	46	9
SS8151150SP	4	50	WS0510002KN	50	29
SS8151150SP	18	12	WS0510002KN	52	19
SS8151150SP	28	49	WS0610002KP	38	30
SS8151150TP	6	9	WS0631510KP	38	25
SS8151550SP	6	25	WS1643202KR	50	26
SS8660530TP	6	36	WS1643202KR	52	16
SS8660530TP	18	24	WT0530002KS	2	10