

MODEL : MO-3700 SUBCLASSES 3712/3714

List No : 0996-01

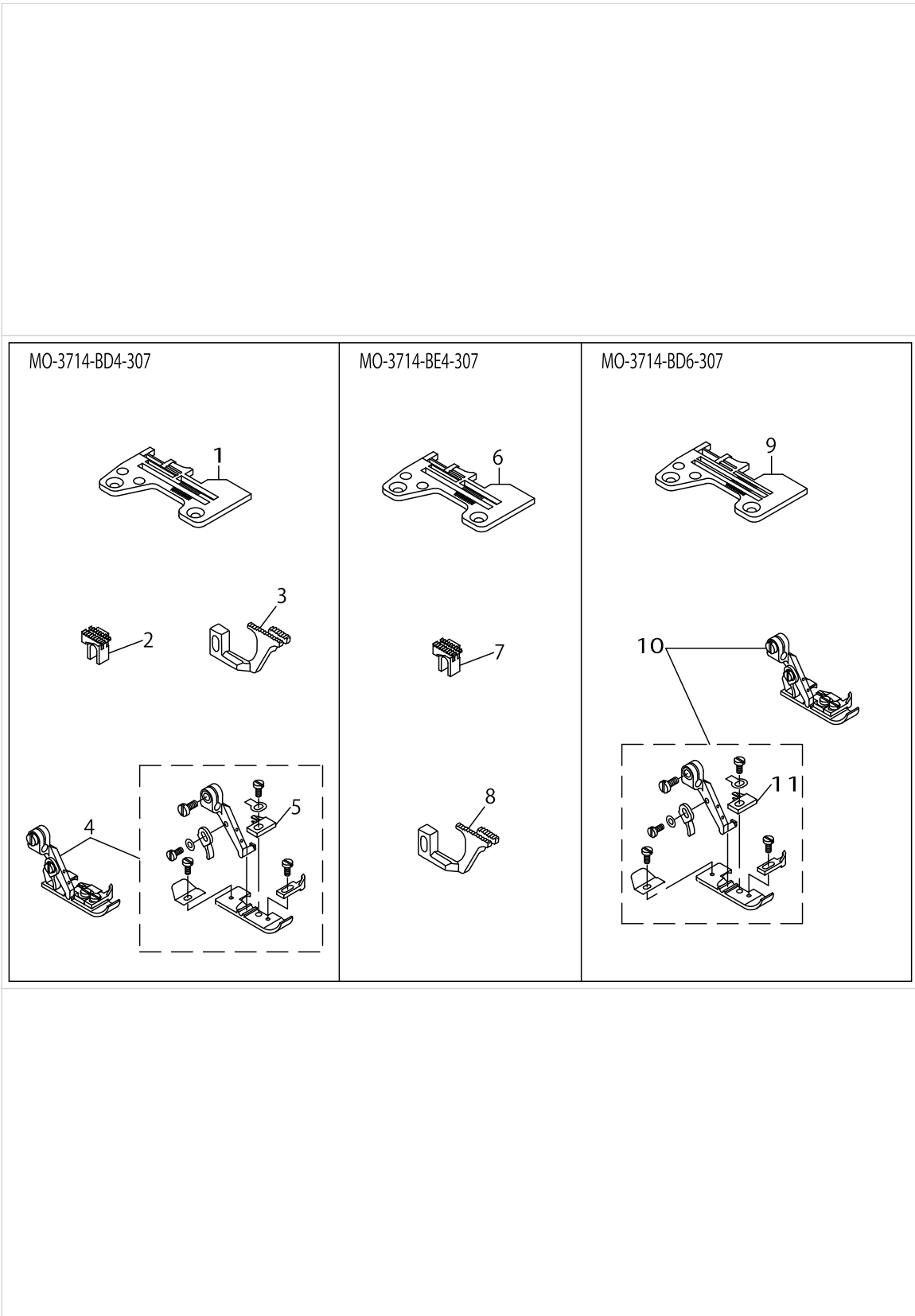
PARTS LIST

Published:05/12/2017

CONTENTS

MO-3700 SUBCLASSES (1).....	1
MO-3700 SUBCLASSES (2).....	3
MO-3700 SUBCLASSES (3).....	5
MO-3700 SUBCLASSES (4).....	7
MO-3700 SUBCLASSES (5).....	9
MO-3700 SUBCLASSES (6).....	11
MO-3700 SUBCLASSES (7).....	13
MO-3700 SUBCLASSES (8).....	15
MO-3700 SUBCLASSES (9).....	17
MO-3700 SUBCLASSES (10).....	19
HOW TO MAKE USE OF THIS PARTS LIST	21

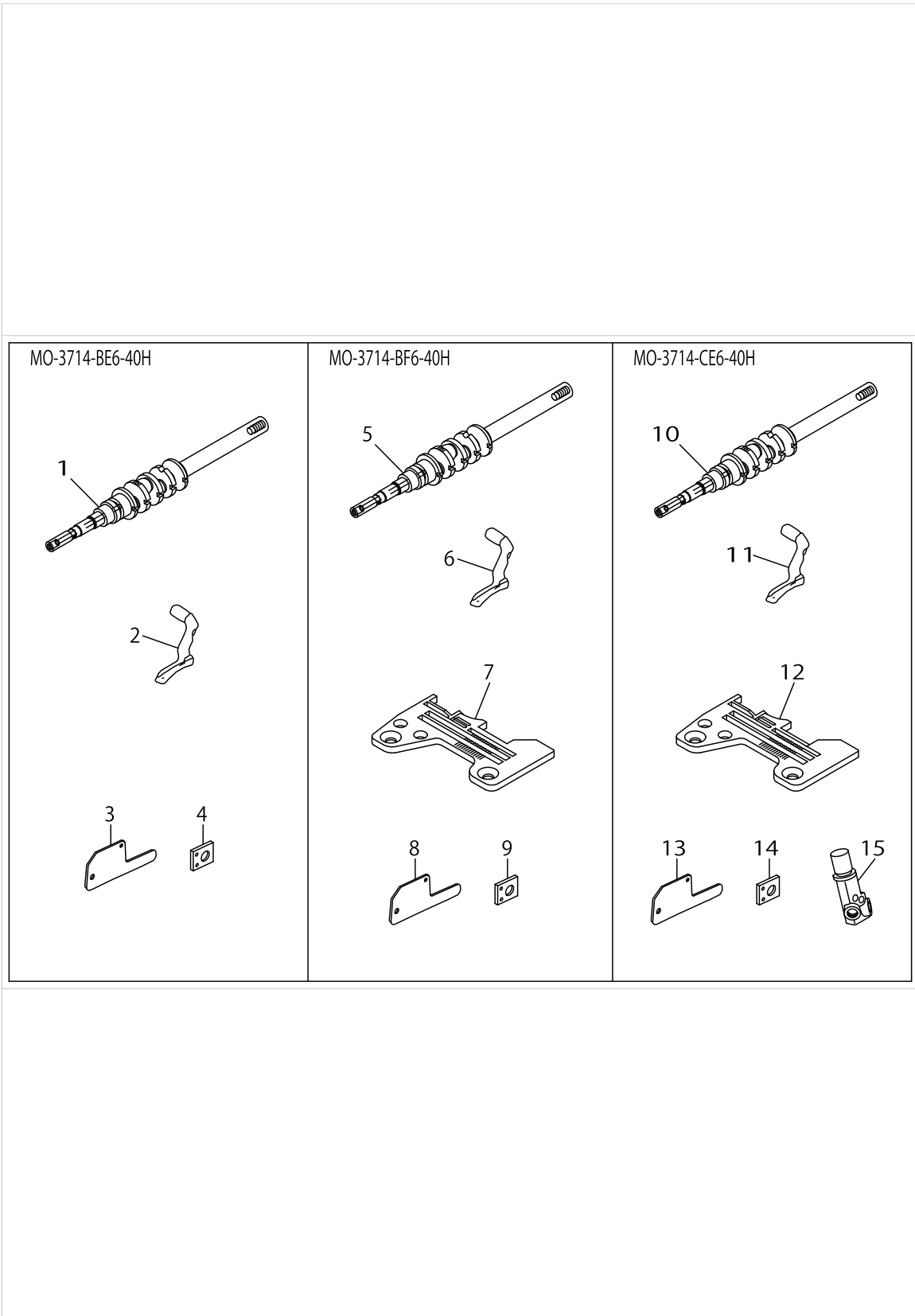
MO-3700 SUBCLASSES (1)



MO-3700 SUBCLASSES (1)

No.	Supply Code	Parts No.	Replacement	Parts name	Remarks	Choice	Step	Level	Cons	Qty	Rep. QTY
1	R	R4205J0DE00	R4205J6DE00	THROAT PLATE						1	1.00
2		11597101		MAIN FEED DOG						1	
3		B1657814B0E		DIFFERENTIAL FEED DOG						1	
4	R	12152559	12152567	PRESSER FOOT COMPL.	FOR DOME- STIC USE					1	1.00
5	D	12160107		STITCH TONGUE				*		1	
6	R	R4205J0EE00	R4205J6EE00	THROAT PLATE						1	1.00
7		11597101		MAIN FEED DOG						1	
8		B1657814B0E		DIFFERENTIAL FEED DOG						1	
9	R	R4305J0DE00	R4305J6DE00	THROAT PLATE						1	1.00
10	R	12152559	12152567	PRESSER FOOT COMPL.	FOR DOME- STIC USE					1	1.00
11	D	12160107		STITCH TONGUE				*		1	

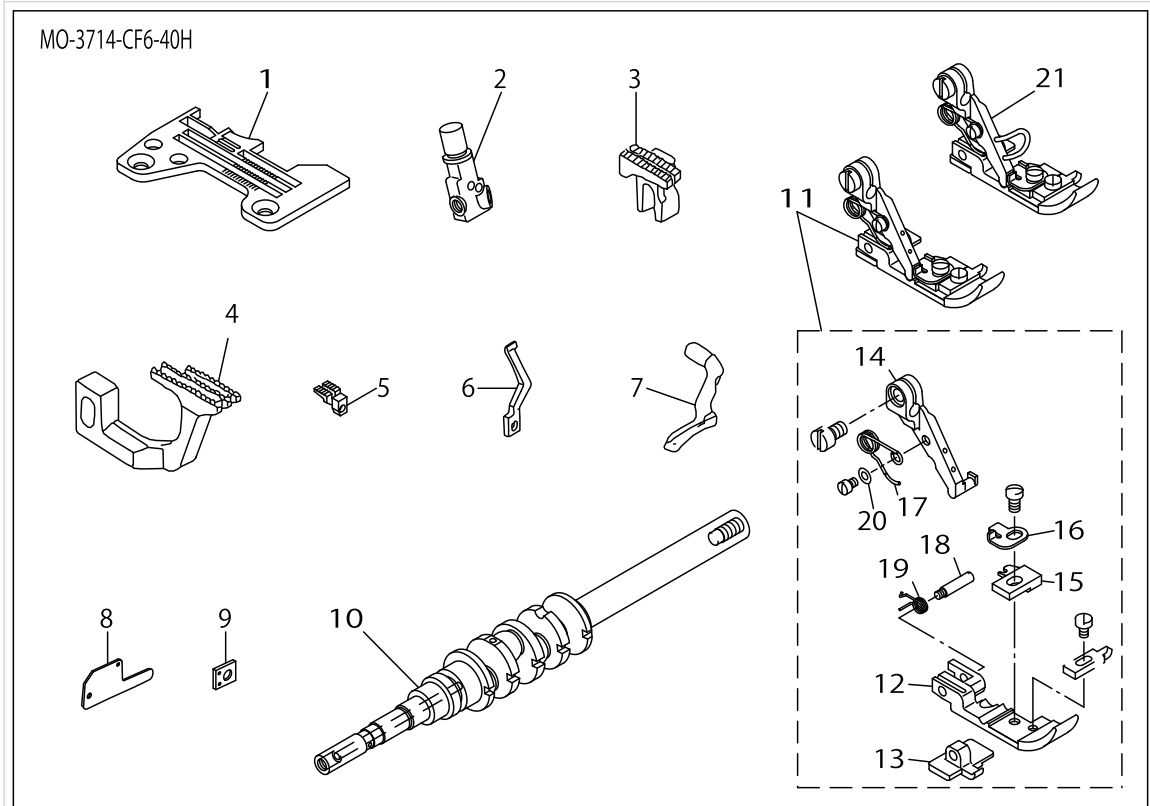
MO-3700 SUBCLASSES (2)



MO-3700 SUBCLASSES (2)

No.	Supply Code	Parts No.	Replacement	Parts name	Remarks	Choice	Step	Level	Cons	Qty	Rep. QTY
1	D	12107207		CRANKSHAFT						1	
2		12176103		UPPER LOOPER						1	
3		11991601		UPPER LOOPER GUIDE COVER						1	
4	R	11991809	13132006	GAUGE						1	1.00
5	D	12107207		CRANKSHAFT						1	
6		12176103		UPPER LOOPER						1	
7		R4305J0FE00		THROAT PLATE						1	
8		11991601		UPPER LOOPER GUIDE COVER						1	
9	R	11991809	13132006	GAUGE						1	1.00
10	D	12107207		CRANKSHAFT						1	
11		12176103		UPPER LOOPER						1	
12		R4306J0EE00		THROAT PLATE						1	
13		11991601		UPPER LOOPER GUIDE COVER						1	
14	R	11991809	13132006	GAUGE						1	1.00
15		12149209		NEEDLE CLAMP, 2-NEEDLE						1	

MO-3700 SUBCLASSES (3)

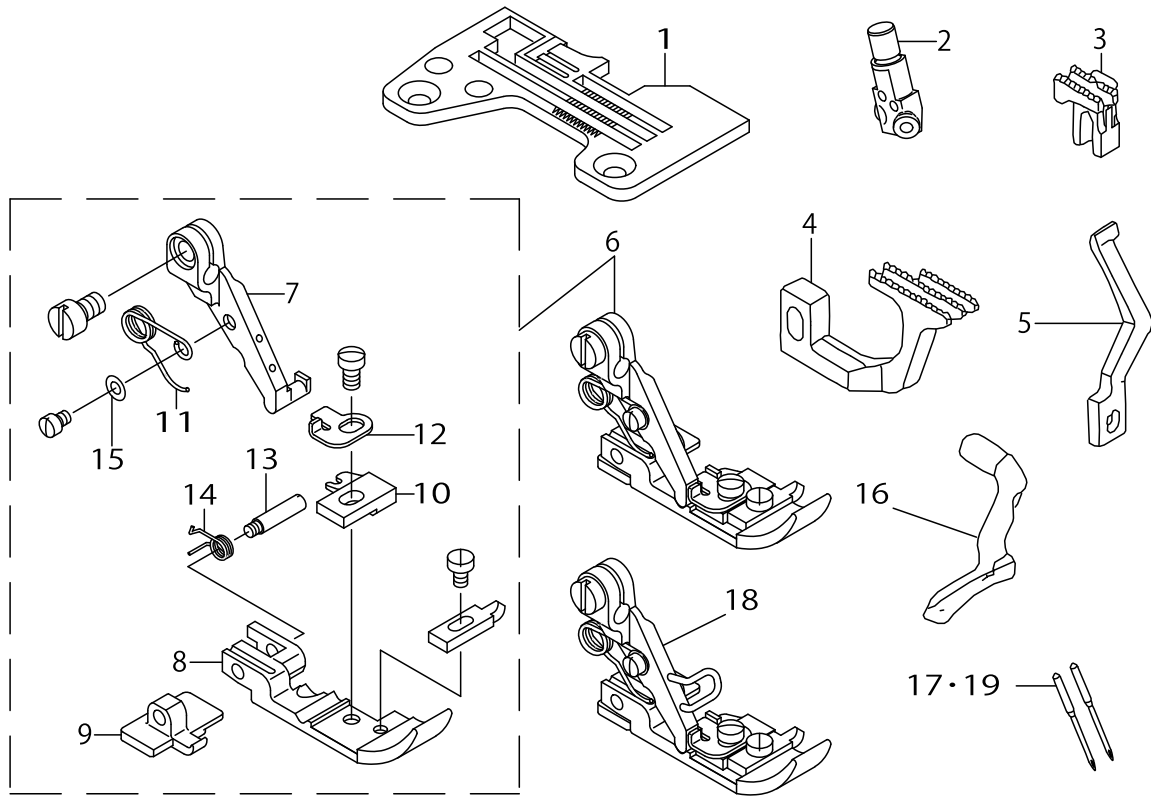


MO-3700 SUBCLASSES (3)

No.	Supply Code	Parts No.	Replacement	Parts name	Remarks	Choice	Step	Level	Cons	Qty	Rep. QTY
1	R	R4306J0FE00	R4306J6FE00	THROAT PLATE						1	1.00
2		12149308		NEEDLE CLAMP, 2-NEEDLE						1	
3		11882503		MAIN FEED DOG						1	
4		11790706		DIFFERENTIAL FEED DOG						1	
5		11887205		AUXILIARY FEED DOG						1	
6		11890407		NEEDLE GUARD						1	
7		12176103		UPPER LOOPER						1	
8		11991601		UPPER LOOPER GUIDE COVER						1	
9	R	11991809	13132006	GAUGE						1	1.00
10	D	12107207		CRANKSHAFT						1	
11	R	11984457	11984465	PRESSER ASM.						1	1.00
12	R	11983806	11983863	CLOTH PRESSER				*		1	1.00
13	R	11983905	11983863	REAR PRESSER FOOT				*		1	1.00
14		11984002		PRESSER HINGE				*		1	
15		11874401		STITCH TONGUE				*		1	
16		11984101		SPRING				*		1	
17		11984200		PRESSER SPRING				*		1	
18		11930807		HINGE PIN				*		1	
19		11931706		SPRING				*		1	
20		WP0371026SD		WASHER 3.7X7X1				*		1	
21		11984465		PRESSER FOOT ASM.	FOR EXPORT					1	

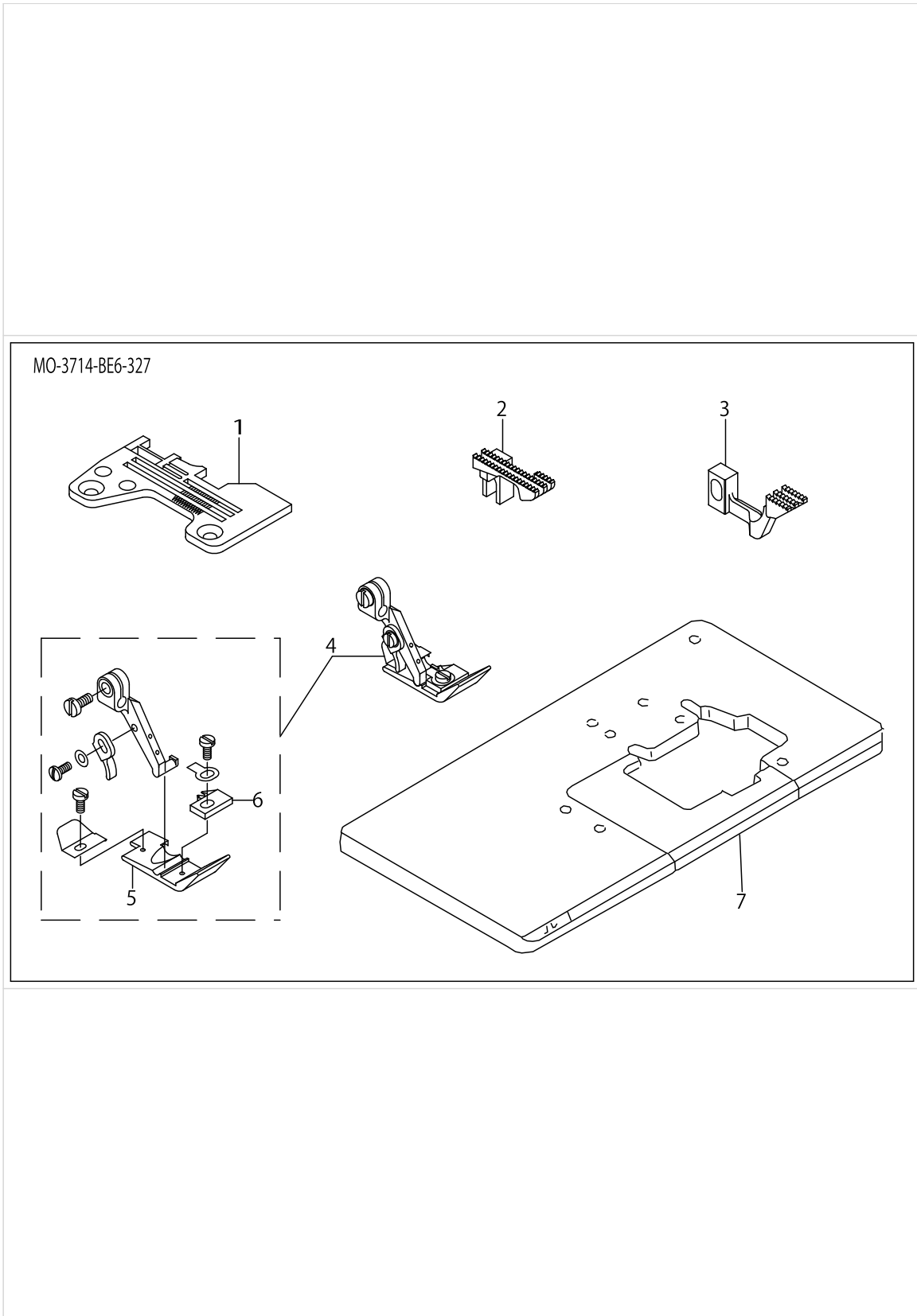
MO-3700 SUBCLASSES (4)

MO-3712-DF6-507



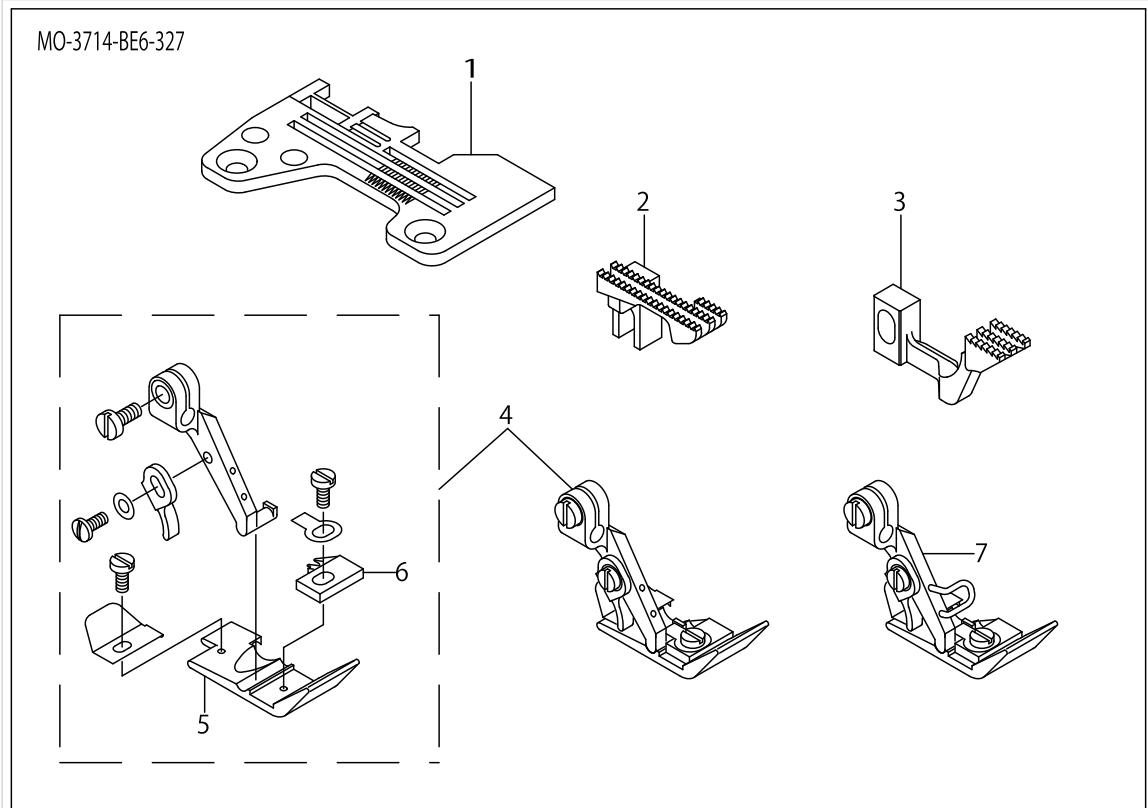
MO-3700 SUBCLASSES (4)

No.	Supply Code	Parts No.	Replacement	Parts name	Remarks	Choice	Step	Level	Cons	Qty	Rep. QTY
1	R	R4308J0FE0A	R4308J6FE0A	THROAT PLATE						1	1.00
2		12149407		NEEDLE CLAMP, 2-NEEDLE						1	
3		11984309		MAIN FEED DOG						1	
4		11980604		DIFFERENTIAL FEED DOG						1	
5		11890407		NEEDLE GUARD						1	
6	R	11983855	11983863	PRESSER ASM.						1	1.00
7		11984002		PRESSER HINGE				*		1	
8	R	11983806	11983863	CLOTH PRESSER				*		1	1.00
9	R	11983905	11983863	REARPRESSERFOOT				*		1	1.00
10		11790607		STITCH TONGUE				*		1	
11		11984200		PRESSER SPRING				*		1	
12		11984101		SPRING				*		1	
13		11930807		HINGE PIN				*		1	
14		11931706		SPRING				*		1	
15		WP0371026SD		WASHER 3.7X7X1				*		1	
16		12176103		UPPER LOOPER						1	
17	D	MC033600900		NEEDLE B-27 90	FOR JE					2	
18		11983863		PRESSER FOOT ASM	FOR EXPORT					1	
19		MDC270B1400		NEEDLE DCX27 #14						2	



MO-3700 SUBCLASSES (5)

No.	Supply Code	Parts No.	Replacement	Parts name	Remarks	Choice	Step	Level	Cons	Qty	Rep. QTY
1	R	R4305J0EE0A	R4305J6EE0A	THROAT PLATE						1	1.00
2		11883402		MAIN FEED DOG						1	
3		12171807		DIFFERENTIAL FEED DOG						1	
4	R	11879350	11879368	PRESSER FOOT ASM.						1	1.00
5	R	11974102	11879368	PRESSER FOOT				*		1	1.00
6		B150981400P		STITCH TONGUE				*		1	
7	D	11959954		TABLE B ASM.(FULLY SUNKEN TYPE						1	

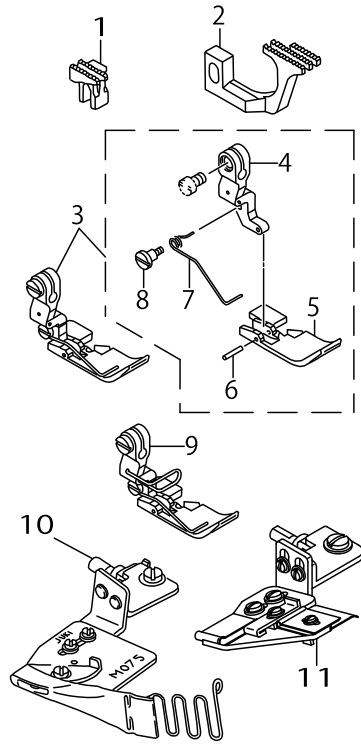


MO-3700 SUBCLASSES (6)

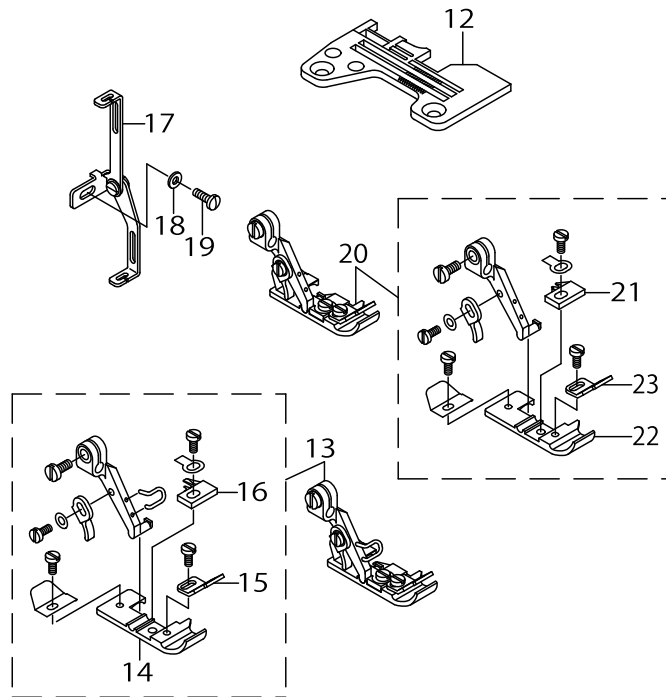
No.	Supply Code	Parts No.	Replacement	Parts name	Remarks	Choice	Step	Level	Cons	Qty	Rep. QTY
1	R	R4305J0EE0A	R4305J6EE0A	THROAT PLATE						1	1.00
2		11883402		MAIN FEED DOG						1	
3		12171807		DIFFERENTIAL FEED DOG						1	
4	R	11879350	11879368	PRESSER FOOT ASM.						1	1.00
5	R	11974102	11879368	PRESSER FOOT				*		1	1.00
6		B150981400P		STITCH TONGUE				*		1	
7		11879368		PRESSER FOOT ASM.	FOR EXPORT					1	

MO-3700 SUBCLASSES (7)

MO-3714-BE6-337/M075(M076)

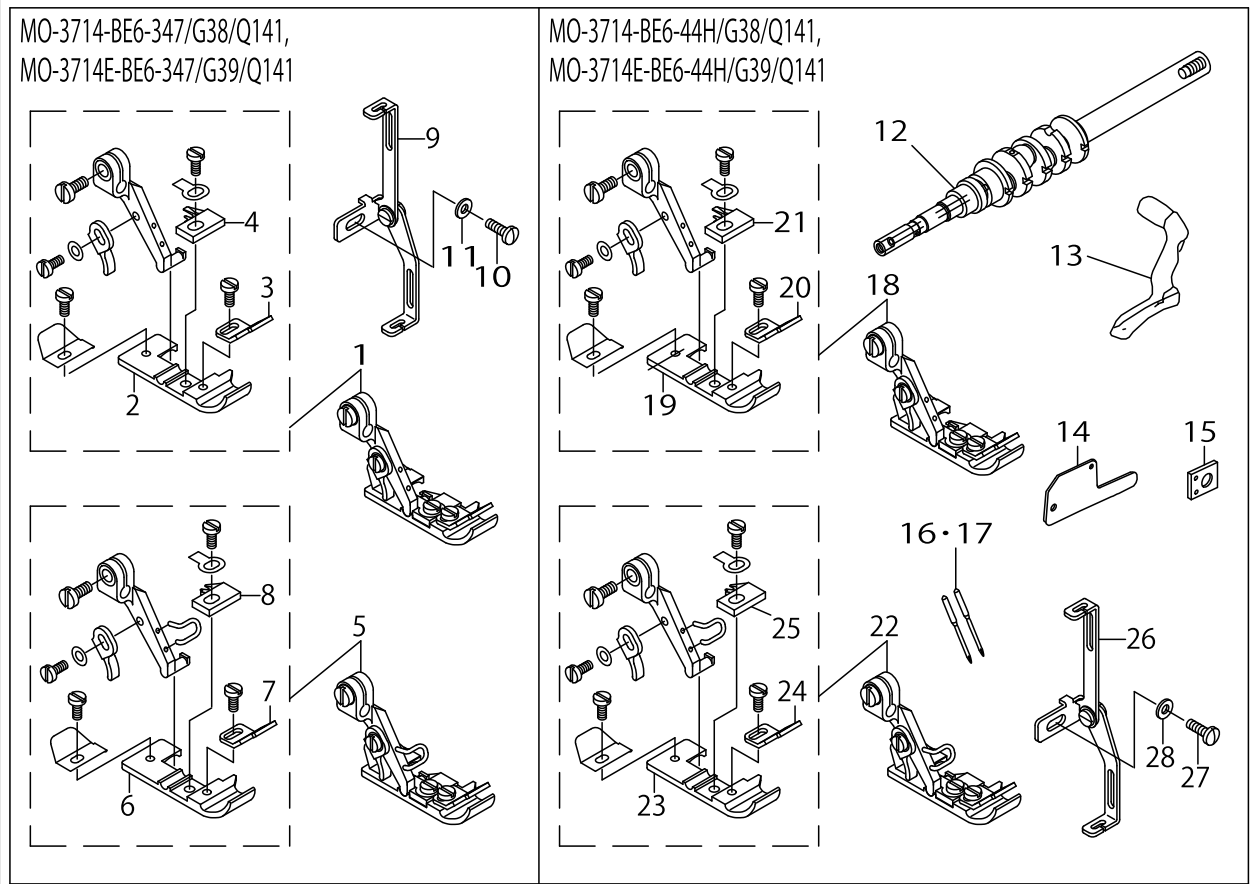


MO-3714-BD6-347/G38/Q141,
MO-3714E-BD6-347/G38/Q141



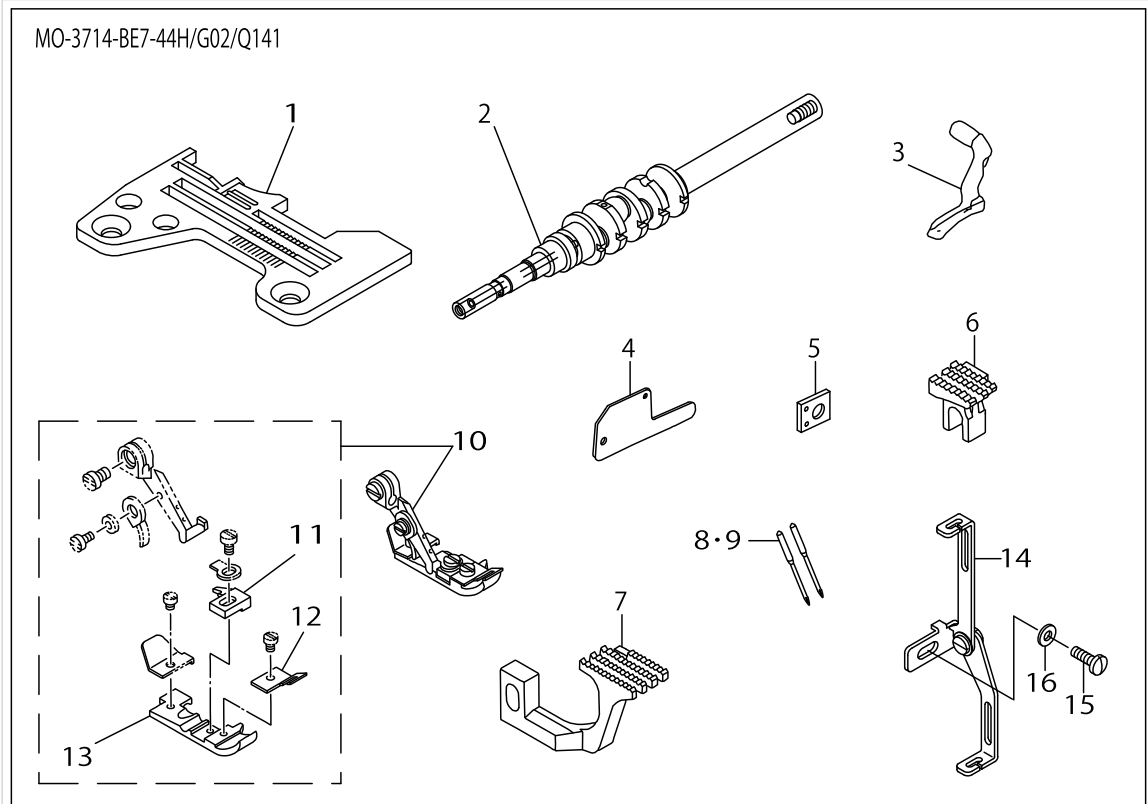
MO-3700 SUBCLASSES (7)

No.	Supply Code	Parts No.	Replacement	Parts name	Remarks	Choice	Step	Level	Cons	Qty	Rep. QTY
1		11882404		MAIN FEED DOG						1	
2	D	11793304		DIFFERENTIAL FEED DOG						1	
3	R	11879053	11879061	PRESSER FOOT ASM.						1	1.00
4		11872405		PRESSER FOOT HINGE				*		1	
5	R	B1507814B0D	B1507814BAD	PRESSER FOOT				*		1	1.00
6		11892106		PRESSER SPRING				*		1	
7		B1511357000		PIN				*		1	
8		SD0370401SP		HINGE SCREW D= 3.70 H= 4.0				*		1	
9	D	11879061		PRESSER FOOT ASM.	FOR EXPORT (G39)					1	
10		MAM0750J0A0		PIPING FOLDER ASM. 9MM						1	
11		MAM0760N0A0		PIPING GUIDE ASM. 8-13MM	SPECIAL ORDER PART					1	
12	R	R4305J0DE00	R4305J6DE00	THROAT PLATE						1	1.00
13	R	12152856	12152864	PRESSER FOOT ASM.	FOR DOME-STIC USE (G38)					1	1.00
14		12158002		PRESSER FOOT				*		1	
15		12160909		TAPE GUIDE				*		1	
16	D	12160206		STITCH TONGUE				*		1	
17	R	MAQ141000A0	MAQ141000B0	TAPE GUIDE ASM.						1	1.00
18		SS7091110TP		SCREW 9/64-40 L=10.5						1	
19		WP0371016SD		WASHER 3.7X8X1						1	
20		12152963		PRESSER FOOT ASM.	FOR EXPORT (G39)					1	
21		12160305		STITCH TONGUE				*		1	
22		12158002		PRESSER FOOT				*		1	
23		12160909		TAPE GUIDE				*		1	



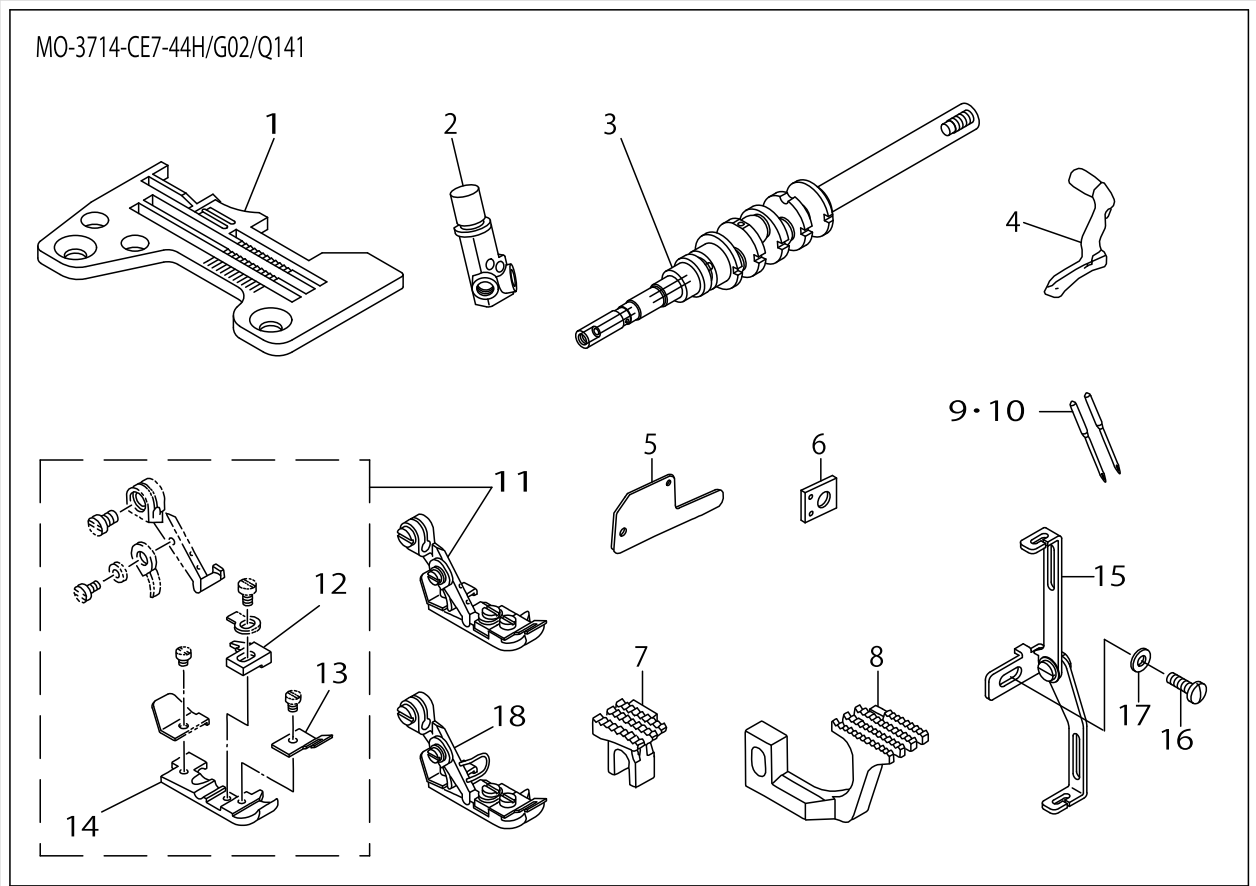
MO-3700 SUBCLASSES (8)

No.	Supply Code	Parts No.	Replacement	Parts name	Remarks	Choice	Step	Level	Cons	Qty	Rep. QTY
1	R	12152856	12152864	PRESSER FOOT ASM.	FOR DOME- STIC USE (G38)					1	1.00
2		12158002		PRESSER FOOT				*		1	
3		12160909		TAPE GUIDE				*		1	
4	D	12160206		STITCH TONGUE				*		1	
5		12152963		PRESSER FOOT ASM.	FOR EXPORT (G39)					1	
6		12158002		PRESSER FOOT				*		1	
7		12160909		TAPE GUIDE				*		1	
8		12160305		STITCH TONGUE				*		1	
9	R	MAQ141000A0	MAQ141000B0	TAPE GUIDE ASM.						1	1.00
10		SS7091110TP		SCREW 9/64-40 L=10.5						1	
11		WP0371016SD		WASHER 3.7X8X1						1	
12	D	12107207		CRANKSHAFT						1	
13		12176103		UPPER LOOPER						1	
14		11991601		UPPER LOOPER GUIDE COVER						1	
15	R	11991809	13132006	GAUGE						1	1.00
16		MDC270B1400		NEEDLE DCX27 #14						2	
17	D	MC033600900		NEEDLE B-27 90	FOR JE					2	
18	R	12152856	12152864	PRESSER FOOT ASM.	FOR DOME- STIC USE (G38)					1	1.00
19		12158002		PRESSER FOOT				*		1	
20		12160909		TAPE GUIDE				*		1	
21	D	12160206		STITCH TONGUE				*		1	
22		12152963		PRESSER FOOT ASM.	FOR EXPORT (G39)					1	
23		12158002		PRESSER FOOT				*		1	
24		12160909		TAPE GUIDE				*		1	
25		12160305		STITCH TONGUE				*		1	
26	R	MAQ141000A0	MAQ141000B0	TAPE GUIDE ASM.						1	1.00
27		SS7091110TP		SCREW 9/64-40 L=10.5						1	
28		WP0371016SD		WASHER 3.7X8X1						1	



MO-3700 SUBCLASSES (9)

No.	Supply Code	Parts No.	Replacement	Parts name	Remarks	Choice	Step	Level	Cons	Qty	Rep. QTY
1	R	R4405J0EE00	R4405J6EE00	THROAT PLATE						1	1.00
2	D	12107207		CRANKSHAFT						1	
3		12176103		UPPER LOOPER						1	
4		11991601		UPPER LOOPER GUIDE COVER						1	
5	R	11991809	13132006	GAUGE						1	1.00
6		11883501		MAIN FEED DOG						1	
7		B1657814B0F		DIFFERENTIAL FEED DOG						1	
8		MDC270B1400		NEEDLE DCX27 #14						2	
9	D	MC033600900		NEEDLE B-27 90	FOR JE					2	
10	R	11879251	11879269	PRESSER FOOT ASM.						1	1.00
11		B1509814B0B		STITCH TONGUE				*		1	
12		B1531814000		TAPE GUIDE PLATE				*		1	
13		B1507814B0B		PRESSER FOOT				*		1	
14	R	MAQ141000A0	MAQ141000B0	TAPE GUIDE ASM.						1	1.00
15		SS7091110TP		SCREW 9/64-40 L=10.5						1	
16		WP0371016SD		WASHER 3.7X8X1						1	



MO-3700 SUBCLASSES (10)

No.	Supply Code	Parts No.	Replacement	Parts name	Remarks	Choice	Step	Level	Cons	Qty	Rep. QTY
1	D	R4406J0EE00		THROAT PLATE						1	
2		12149209		NEEDLE CLAMP, 2-NEEDLE						1	
3	D	12107207		CRANKSHAFT						1	
4		12176103		UPPER LOOPER						1	
5		11991601		UPPER LOOPER GUIDE COVER						1	
6	R	11991809	13132006	GAUGE						1	1.00
7		11883501		MAIN FEED DOG						1	
8		B1657814B0F		DIFFERENTIAL FEED DOG						1	
9		MDC270B1400		NEEDLE DCX27 #14						2	
10	D	MC033600900		NEEDLE B-27 90	FOR JE					2	
11	R	11879251	11879269	PRESSER FOOT ASM.						1	1.00
12		B1509814B0B		STITCH TONGUE				*		1	
13		B1531814000		TAPE GUIDE PLATE				*		1	
14		B1507814B0B		PRESSER FOOT				*		1	
15	R	MAQ141000A0	MAQ141000B0	TAPE GUIDE ASM.						1	1.00
16		SS7091110TP		SCREW 9/64-40 L=10.5						1	
17		WP0371016SD		WASHER 3.7X8X1						1	
18		11879269		PRESSER FOOT ASM.	FOR EXPORT					1	

HOW TO MAKE USE OF THIS PARTS LIST

1.As to "#01" and "#02" refer to the "Note" given at the bottom of the respective pages.

2.Codes on the "Qty" column

- Each numeral indicates the number of parts required.
- "0.1" and "2.5" indicate the length (in meters) of the respective parts.

3.Parentheses mean that the corresponding part is a subpart that constructs an assembly part.

4.Dotted lines on the Figures indicate assembly parts.

1. リストページの# 0 1、# 0 2の印は、ページ下の"注記"の説明を参照下さい。
2. 数量欄の数字は、個数を表し、0. 1、2. 5等の数値は、長さ（単位メートル）を表します。
3. 数量欄の（ ）は、組部品を構成している子部品であることを意味します。
4. イラストページの-----枠は、組構成であることを意味します。

NUMERICAL INDEX OF PARTS

PART NO	PAGE	REF NO.	PART NO	PAGE	REF NO.	PART NO	PAGE	REF NO.
11597101	2	7	11984457	6	11	B1507814B0D	14	5
11790607	8	10	11984465	6	21	B150981400P	10	6
11790706	6	4	11991601	4	13	B150981400P	12	6
11793304	14	2	11991601	6	8	B1509814B0B	18	11
11872405	14	4	11991601	16	14	B1509814B0B	20	12
11874401	6	15	11991601	18	4	B1511357000	14	7
11879053	14	3	11991601	20	5	B1531814000	18	12
11879061	14	9	11991809	4	14	B1531814000	20	13
11879251	18	10	11991809	6	9	B1657814B0E	2	8
11879251	20	11	11991809	16	15	B1657814B0F	18	7
11879269	20	18	11991809	18	5	B1657814B0F	20	8
11879350	10	4	11991809	20	6	MAM0750J0A0	14	10
11879350	12	4	12107207	4	10	MAM0760N0A0	14	11
11879368	12	7	12107207	6	10	MAQ141000A0	14	17
11882404	14	1	12107207	16	12	MAQ141000A0	16	26
11882503	6	3	12107207	18	2	MAQ141000A0	18	14
11883402	10	2	12107207	20	3	MAQ141000A0	20	15
11883402	12	2	12149209	4	15	MC033600900	8	17-19
11883501	18	6	12149209	20	2	MC033600900	16	16-17
11883501	20	7	12149308	6	2	MC033600900	18	9
11887205	6	5	12149407	8	2	MC033600900	20	9-10
11890407	6	6	12152559	2	10	MDC270B1400	8	17-19
11890407	8	5	12152856	14	13	MDC270B1400	16	16-17
11892106	14	6	12152856	16	18	MDC270B1400	18	8
11930807	6	18	12152963	14	20	MDC270B1400	20	9-10
11930807	8	13	12152963	16	22	R4205J0DE00	2	1
11931706	6	19	12158002	14	22	R4205J0EE00	2	6
11931706	8	14	12158002	16	23	R4305J0DE00	2	9
11959954	10	7	12160107	2	11	R4305J0DE00	14	12
11974102	10	5	12160206	14	16	R4305J0EE0A	10	1
11974102	12	5	12160206	16	21	R4305J0EE0A	12	1
11980604	8	4	12160305	14	21	R4305J0FE00	4	7
11983806	6	12	12160305	16	25	R4306J0EE00	4	12
11983806	8	8	12160909	14	23	R4306J0FE00	6	1
11983855	8	6	12160909	16	24	R4308J0FE0A	8	1
11983863	8	18	12171807	10	3	R4405J0EE00	18	1
11983905	6	13	12171807	12	3	R4406J0EE00	20	1
11983905	8	9	12176103	4	11	SD0370401SP	14	8
11984002	6	14	12176103	6	7	SS7091110TP	14	18
11984002	8	7	12176103	8	16	SS7091110TP	16	27
11984101	6	16	12176103	16	13	SS7091110TP	18	15
11984101	8	12	12176103	18	3	SS7091110TP	20	16
11984200	6	17	12176103	20	4	WP0371016SD	14	19
11984200	8	11	B1507814B0B	18	13	WP0371016SD	16	28
11984309	8	3	B1507814B0B	20	14	WP0371016SD	18	16

NUMERICAL INDEX OF PARTS

PART NO	PAGE	REF NO.
WP0371016SD	20	17
WP0371026SD	6	20
WP0371026SD	8	15