

MODEL : MO-3704E/MO-3714E/MO-3716E

List No : 0987-04

# PARTS LIST

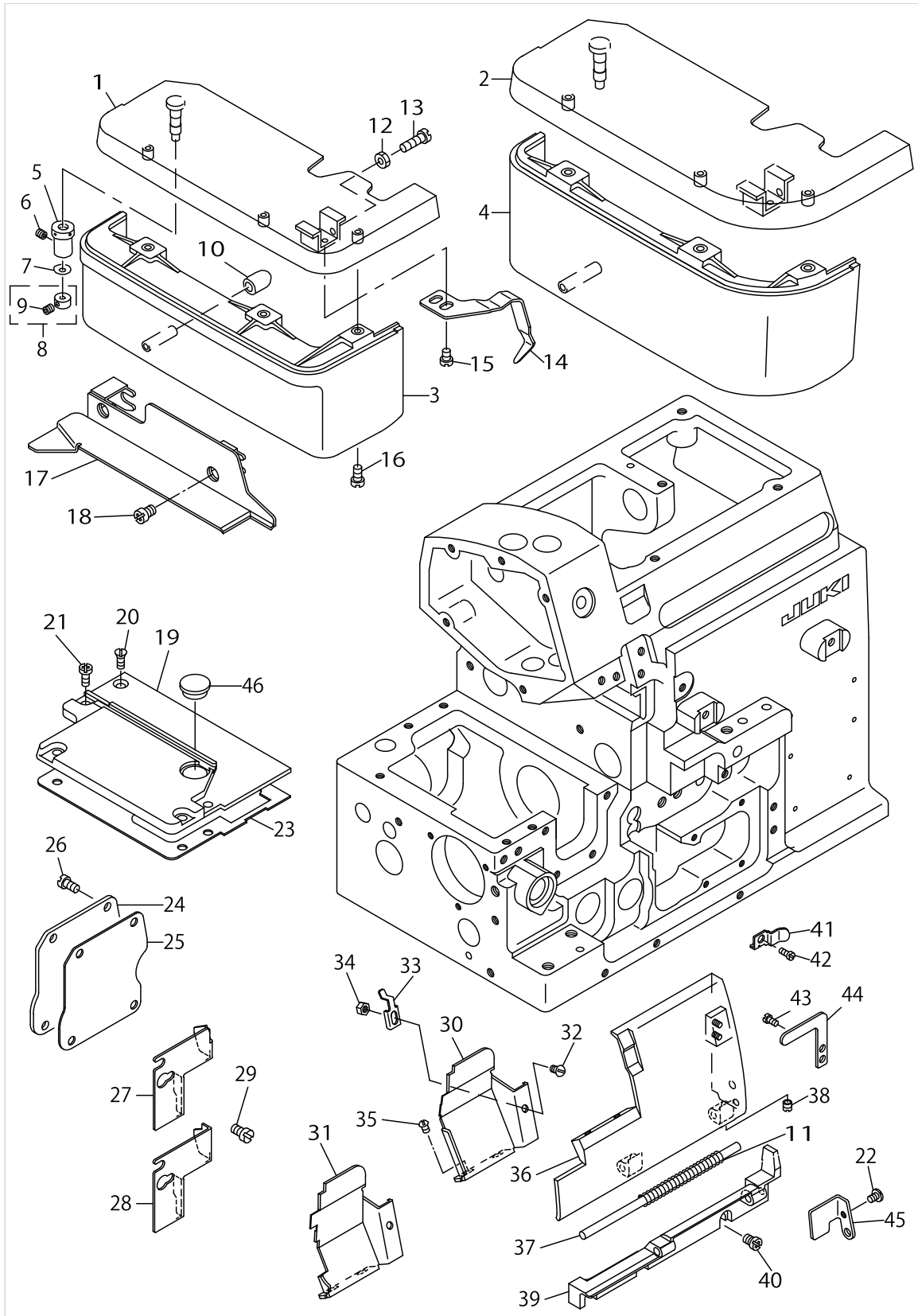
Published:05/12/2017

## CONTENTS

---

FRAME COMPONENTS(1).....	1
FRAME COMPONENTS(2).....	5
CRANKSHAFT COMPONENTS .....	7
NEEDLE DRIVING SHAFT COMPONENTS.....	11
FEED MECHANISM COMPONENTS(1).....	15
FEED MECHANISM COMPONENTS(2).....	17
CHAIN LOOPER COMPONENTS(FOR MO-3716) .....	21
UPPER & LOWER LOOPER COMPONENTS.....	23
PRESSER FOOT COMPONENTS(1).....	27
PRESSER FOOT COMPONENTS(2).....	29
THREAD TENSION COMPONENTS .....	33
UPPER KNIFE COMPONENTS .....	37
LOWER KNIFE COMPONENTS.....	39
LUBRICATION MECHANISM COMPONENTS.....	43
SEMI-SUNKEN TYPE TABLE COMPONENTS.....	45
FULLY-SUNKEN TYPE TABLE COMPONENTS.....	47
THREAD STAND COMPONENTS.....	49
HOW TO MAKE USE OF THIS PARTS LIST .....	53

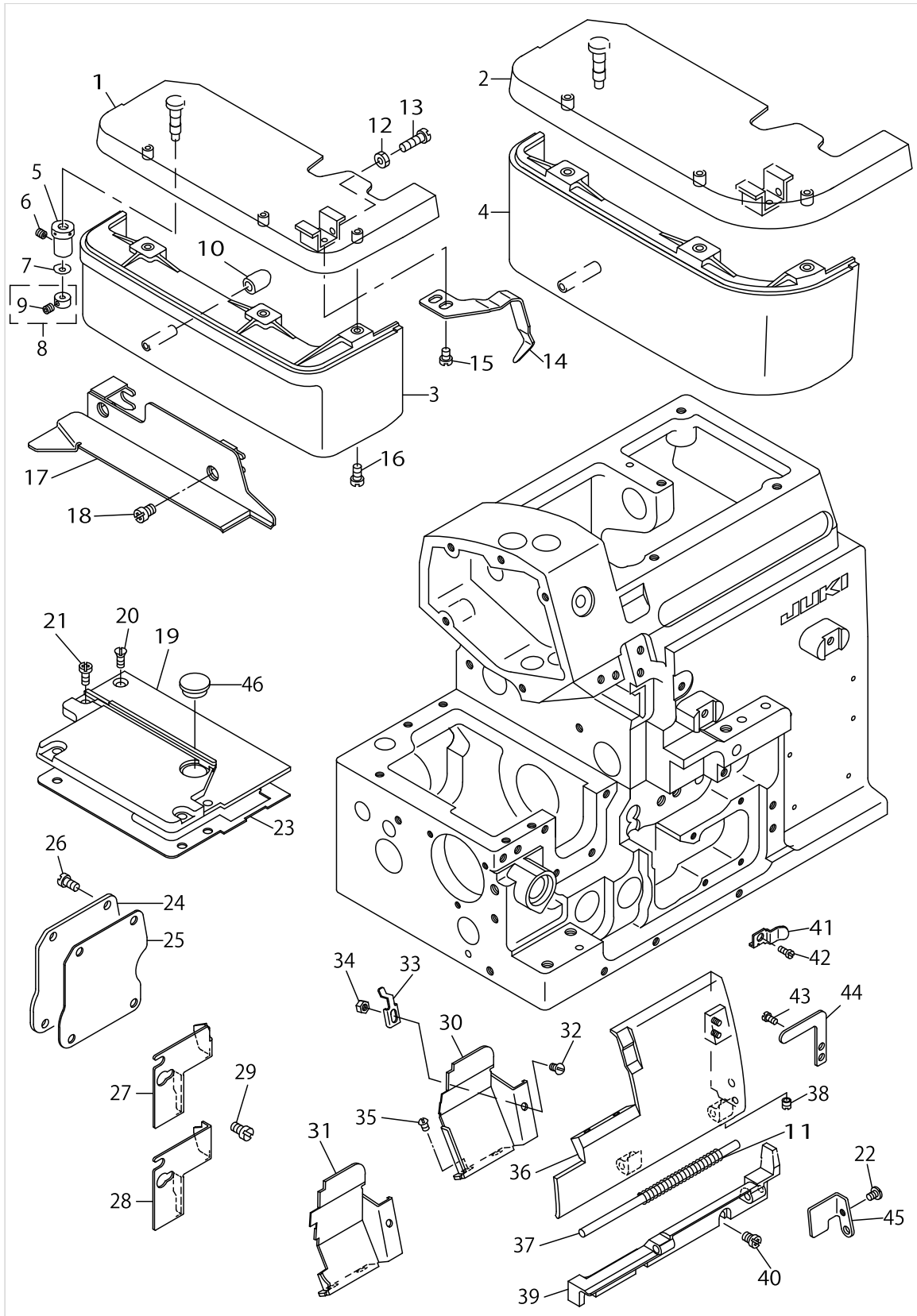
FRAME COMPONENTS(1)



FRAME COMPONENTS(1)

No.	Supply Code	Parts No.	Replacement	Parts name	Remarks	Choice	Step	Level	Cons	Qty	Rep. QTY
1	R	12104550	12105458	CLOTH PLATE ASM.	FOR MO-3716E					1	1.00
2	D	12104659		CLOTH PLATE ASM.	FOR MO-3-704E,MO-3714E					1	
3	D	11949104		CLOTH BASE COVER	FOR MO-3716E					1	
4		12104709		CLOTHPLATECOVER	FOR MO-3-704E,MO-3714E					1	
5		11501301		ECCENTRIC BUSHING						1	
6		SS8110410TP		SCREW 11/64-40 L= 3.5						1	
7		WZ0420350KP		DISC SPRING						1	
8		CS040051ASD		THRUST HOLDER D=4 W=5						1	
9		SS8080322TP		SCREW 1/8-44 L=3.2				*		1	
10	R	11802204	13104302	RUBBER PLUG						1	1.00
11	R	B1140716000	13101209	SPRING						1	1.00
12		NS6110420SP		NUT 11/64-40						1	
13		SS6111440SP		SCREW 11/64-40 L=14.0						1	
14		11810207		STOPPER						1	
15		SS7110510SP		SCREW 11/64-40 L=5						2	
16		SS4091015SP		SCREW 9/64-40 L=10						3	
17	R	12101655	13102306	CLOTH PLATE SIDE COVER ASM.						1	1.00
18		SS4120615SP		SCREW 3/16-28 L=6						2	
19		12250502		FEED MECHANISM COVER						1	
20		SM1040801SC		SCREW M4X0.7 L=8						1	
21		SM4040855SP		SCREW						4	
22		SS7090610SP		SCREW 9/64-40 L=6						1	
23		12250601		GASKET						1	
24	D	11951100		COVER						1	
25		11804309		GASKET						1	
26		SM4040855SP		SCREW						4	
27	D	12102307		CHIP GUARD COVER, LEFT	FOR MO-3-704E,MO-3714E					1	
28	D	12102406		CHIP GUARD COVER, LEFT	FOR MO-3716E					1	
29		SS7110510SP		SCREW 11/64-40 L=5						2	
30	R	12256707	13104005	CLOTH WASTE COVER	FOR MO-3-704E,MO-3714E					1	1.00
31	R	12147807	13104203	CLOTH WASTE COVER	FOR MO-3716E					1	1.00
32		SS2090520SL		SCREW 9/64-40 L=5						1	
33	R	12101515	13102405	CROTH WASTE COVER STOPPER						1	1.00
34		NS6090310SN		NUT 9/64-40						1	
35		SS3090610SP		SCREW 9/64-40 L=6						2	
36	R	12101309	13100904	LOOPER COVER						1	1.00
37	D	11803004		LOOPER COVER HINGE PIN						1	
38		SS8110410TP		SCREW 11/64-40 L= 3.5						1	
39	R	12101200	13100805	LOOPER COVER BRACKET						1	1.00
40		SM4041055SP		SCREW						3	
41	R	12103404	13101308	LOOPER COVER PRESSER SPRING						1	1.00
42		SM4040655SP		SCREW M4 L=6						1	
43		SS7090530SP		SCREW 9/64-40 L= 4.5						1	
44		12103206		LOOPER COVER PRESSER PLATE						1	
45	R	12101408	13101001	GUIDE PLATE						1	1.00

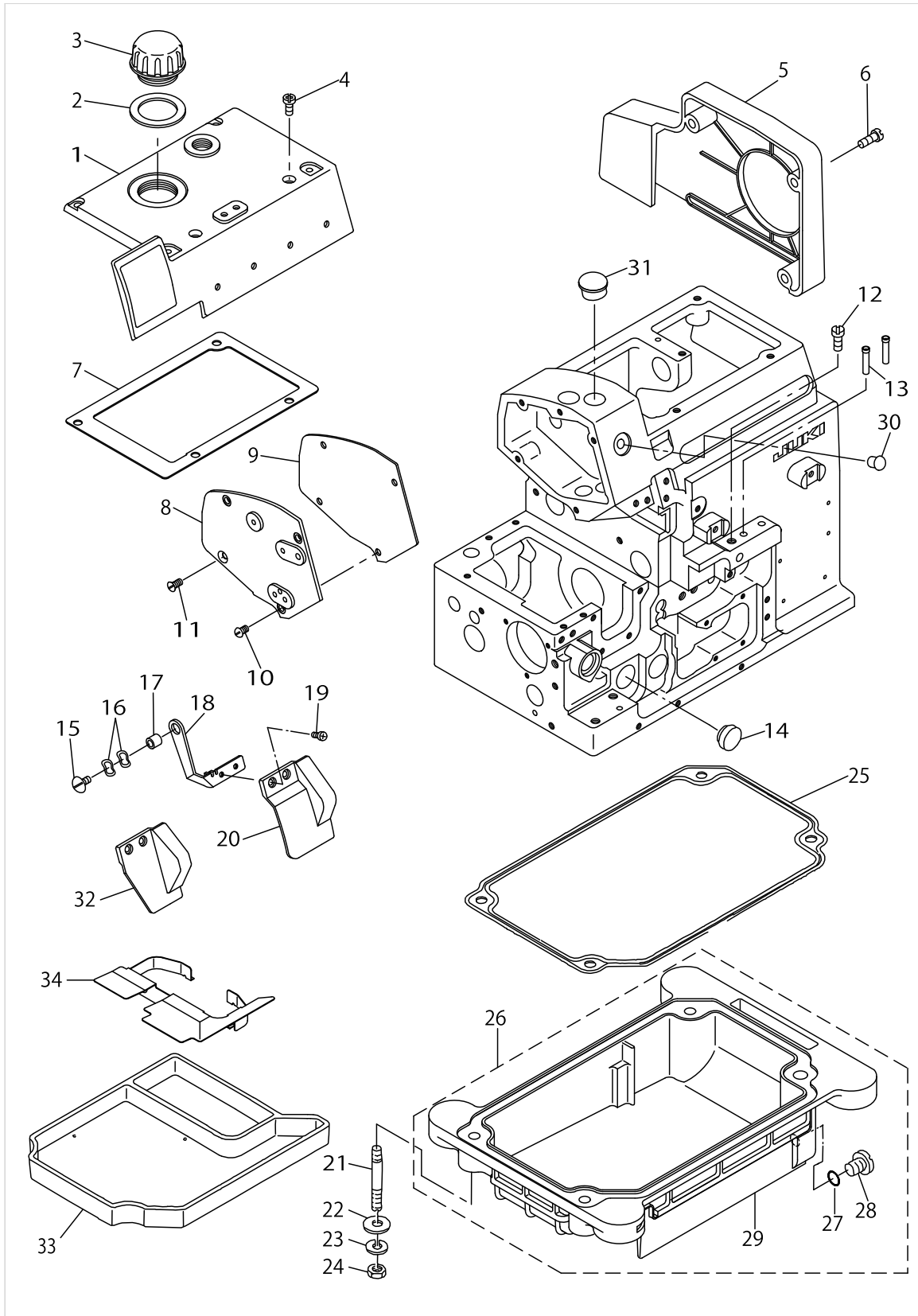
FRAME COMPONENTS(1)



FRAME COMPONENTS(1)

No.	Supply Code	Parts No.	Replacement	Parts name	Remarks	Choice	Step	Level	Cons	Qty	Rep. QTY
46		TA1250406R0		RUBBER PLUG D=12.5 L=4						1	

FRAME COMPONENTS(2)

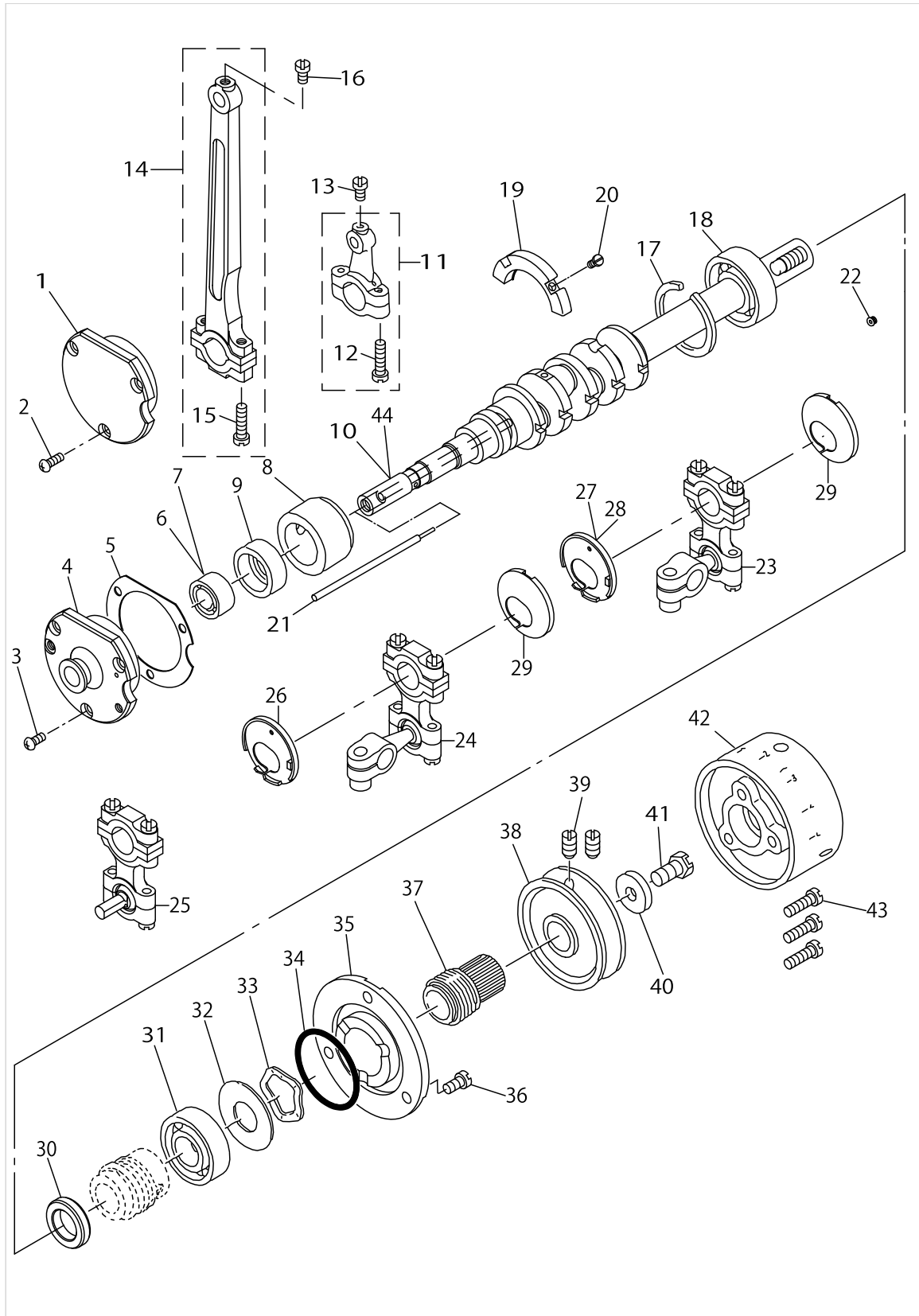


FRAME COMPONENTS(2)

No.	Supply Code	Parts No.	Replacement	Parts name	Remarks	Choice	Step	Level	Cons	Qty	Rep. QTY
1		12250304		UPPER COVER						1	
2	R	12100707	11500808	GASKET						1	1.00
3	D	12100608		OIL CAP						1	
4		SM4051055SP		SCREW						6	
5	R	12101903	12101952	BELT COVER						1	1.00
6		SS4151215SP		SCREW15/64-28L=12						3	
7		12250403		UPPER COVER GASKET						1	
8	D	12250205		SIDE COVER						1	
9	D	12100301		SIDE COVER GASKET						1	
10		SM4040855SP		SCREW						3	
11		SM1040801SC		SCREW M4X0.7 L=8						1	
12		SS9151210TP		SCREW 15/64-28 L=11.8						1	
13	R	11805207	13102900	THREAD GUIDE, LARGE						2	1.00
14		TA1871602R0		RUBBER PLUG	FOR MO-3-704E,MO-3714E					1	
15		SS5110710SP		SCREW 11/64-40 L=7						1	
16		WZ0850302K0		WAVED WASHER 8.5X12.5X0.3						2	
17		B3013141H0A		WASHER						1	
18	R	12102000	12342002	SAFETY PLATE BRACKET						1	1.00
19		SS7090611SL		SCREW 9/64-40 L=6.1						2	
20	D	12102109		SAFETY PLATE	FOR MO-3716E					1	
21		11503703		SCREW STUD						4	
22		WP0751576SD		WASHER 7.5X19X1.5						4	
23		WS0822010KP		SPRING WASHER 8.2X15X2						4	
24		NS6680410SP		NUT 9/32-28						4	
25	R	11503901	13102603	OIL RESERVOIR GASKET						1	1.00
26	R	11503851	13102553	OIL RESERVOIR ASM.						1	1.00
27		RO074240100		RUBBER RING				*		1	
28		SM0081001SD		SCREW				*		1	
29	R	11503810	13102553	OIL RESERVOIR				*		1	1.00
30		TA0750704R0		RUBBER PLUG						1	
31		TA1701107R0		RUBBER PLUG						1	
32		12104907		SAFETY PLATE	FOR MO-3-704E,MO-3714E					1	
33	D	11841350		FILTER BASE ASM.						1	
34	D	11842804		SHELTER PLATE						1	



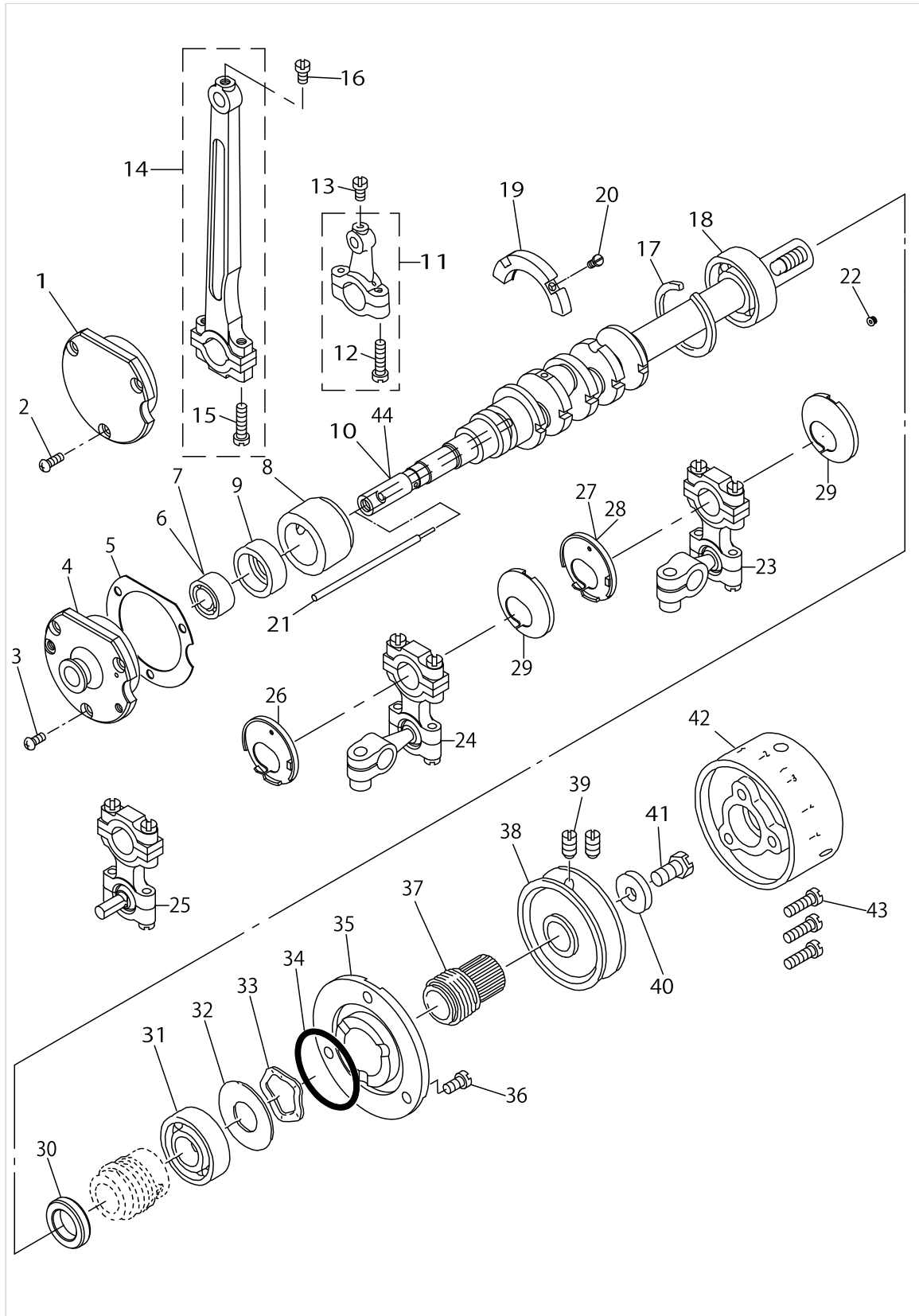
# CRANKSHAFT COMPONENTS



CRANKSHAFT COMPONENTS

No.	Supply Code	Parts No.	Replacement	Parts name	Remarks	Choice	Step	Level	Cons	Qty	Rep. QTY
1	R	12108213	13108006	CRANKSHAFT BUSHING D	FOR MO-3-704E,MO-3714E					1	1.00
2		SM4040855SP		SCREW	FOR MO-3-704E,MO-3714E					3	
3		SM4040855SP		SCREW	FOR MO-3716E					3	
4	R	12108304	13108105	CRANKSHAFT BUSHING D	FOR MO-3716E					1	1.00
5		12108403		GASKET						1	
6	R	B1215804000	13108808	BALL BEARING D	FOR MO-3-704E,MO-3714E					1	1.00
7	R	SB110000300	13108907	BALL BEARING	FOR MO-3716E					1	1.00
8	D	12108007		CRANKSHAFT BUSHING C						1	
9	D	11650900		RUBBER CAP	FOR MO-3-704E,MO-3714E					1	
10	D	12107207		CRANKSHAFT	FOR MO-3-704E,MO-3-714E, MO-3716E-40K-MO-3716E-50K					1	
11	R	12132155	13232558	KNIFE DRIVING ROD ASM.						1	1.00
12		SS7111810TP		SCREW 11/64-40L=18				*		2	
13		SS7110840SP		SCREW 11/64-40 L=7.8						1	
14	R	12109153	13207550	CONNECTING ROD ASM.						1	1.00
15		SS7111810TP		SCREW 11/64-40L=18				*		2	
16		SS7110840SP		SCREW 11/64-40 L=7.8						1	
17		B1212704000		BEARING RETAINER						1	
18	R	B1211804000	13108600	BALL BEARING B						1	1.00
19	D	12107900		BALANCER						1	
20		SS4080620TP		SCREW 1/8-44 L=6						2	
21		12108106		OIL ADJUSTING BAR						1	
22		SS5080212TP		SCREW 1/8-44 L=2						5	
23		12122362		UPPER LOOPER ROD ASM.						1	
24		12123360		LOWER LOOPER ROD ASM., A	FOR MO-3-704E,MO-3714E					1	
25		12120150		LOWER LOOPER ROD ASM., B	FOR MO-3716E					1	
26		12124400		STOPPER (L)						2	
27	R	12145108	12124400	LOOPER ROD STEADY REST	FOR MO-3716E-60K	A				2	1.00
27	R	12145108	12124509	LOOPER ROD STEADY REST	FOR MO-3716E-60K	A				2	1.00
28		12124400		STOPPER (L)						2	
29		12124509		STOPPER (R)						2	
30		12252508		THRUST COVER						1	
31	R	B1211804000	13108600	BALL BEARING B						1	1.00
32	R	11510609	13108303	WASHER						1	1.00
33		WZ2640310KH		WAVED WASHER 26.4X33.9X3.5						1	
34		RO347350100		RUBBER RING						1	
35	R	12107702	13107800	THRUST HOLDER						1	1.00
36		SM4051055SP		SCREW						3	
37	R	12280103	13108501	OIL SHIELD						1	1.00
38		11811205		HANDWHEEL A						1	
39	R	SS8151150SP	SS8151150TP	SCREW 15/64-28 L=10.5						2	1.00
40		WP0764016SP		WASHER						1	
41		SS9681610TP		SCREW 9/32-28 L=16						1	

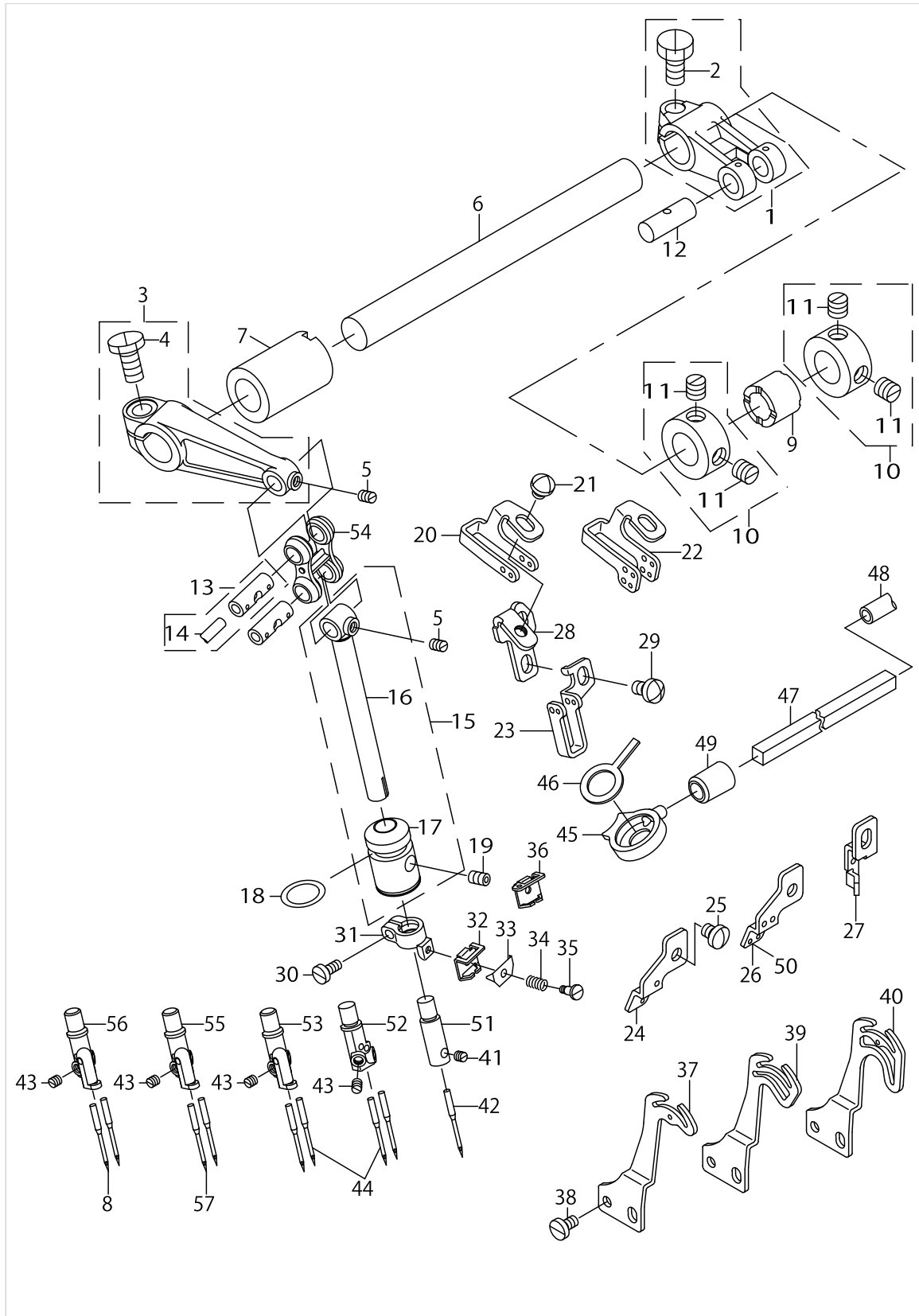
# CRANKSHAFT COMPONENTS



CRANKSHAFT COMPONENTS

No.	Supply Code	Parts No.	Replacement	Parts name	Remarks	Choice	Step	Level	Cons	Qty	Rep. QTY
42	R	11956505	13107701	HANDWHEEL C						1	1.00
43	R	SS7111410SP	SS7111410TP	SCREW11/64-40L=14						3	1.00
44		12107306		CRANKSHAFT	FOR MO-3716E-60K					1	

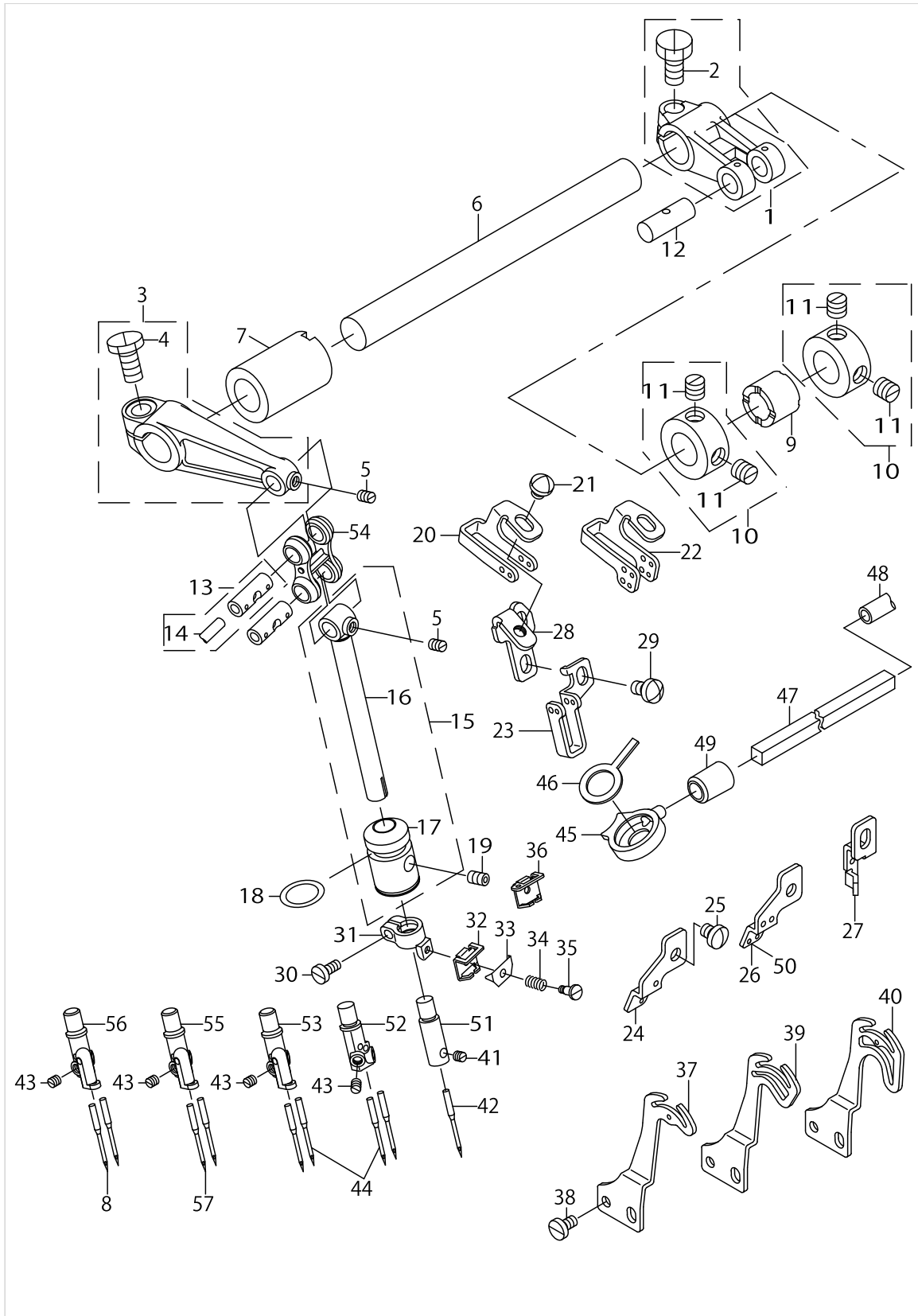
# NEEDLE DRIVING SHAFT COMPONENTS



NEEDLE DRIVING SHAFT COMPONENTS

No.	Supply Code	Parts No.	Replacement	Parts name	Remarks	Choice	Step	Level	Cons	Qty	Rep. QTY
1		12109260		FEED FORKED CRANK ASM.						1	
2		SM6061202TP		SCREW M6 L=12				*		1	
3	D	12109666		NEEDLE DRIVING ARM ASM.						1	
4		SM6061202TP		SCREW M6 L=12				*		1	
5		SS8090530TP		SCREW 9/64-40L=5.0						2	
6	R	12109302	13110606	NEEDLE DRIVING SHAFT						1	1.00
7		12252805		BUSHING,REAR						1	
8		MDC270B2100		NEEDLE DCX27 #21	FOR MO-3716E-60K					2	
9	R	12109500	13110101	BUSHING, REAR						1	1.00
10		CS1201010SH		THRUST COLLAR ASM. D=12 W=10						2	
11		SS8660610TP		SCREW 1/4-40 L=6				*		4	
12		11823804		CRANK PIN C	SELECTING PART FOR FIT TOLERANCE					1	
13	D	12109955		LINK PIN C ASM.	SELECTING PART FOR FIT TOLERANCE					2	
14		CQ252000000		OIL WICK				*		0.1	
15	D	12253050		NEEDLE HOLDER ASM.						1	
16	R	12110219	12110227	NEEDLE HOLDER				*		1	1.00
17	D	12253100		NEEDLE HOLDER BUSHING				*		1	
18	D	RO108240100		RUBBER RING						1	
19		SM8040612TP		SCREW M4 L=6						1	
20	D	12111209		NEEDLE THREAD GUIDE	FOR MO-3-704E,MO-3716E					1	
21		SS4110515SP		SCREW 11/64-40 L=5						1	
22		12111308		THREAD GUIDE, 2-NEEDLE	FOR MO-3714E					1	
23	D	12111407		THREAD GUIDE, CHAIN LOOPER	FOR MO-3716E					1	
24		12111803		TAKE-UP LEVER GUIDE	FOR MO-3-704E,MO-3716E					1	
25		SM4040855SP		SCREW						1	
26		12111902		TAKE-UP LEVER GUIDE, 2-NEEDLE	FOR MO-3714E					1	
27	R	12112009	13111703	TAKE-UP LEVER GUIDE,CHAIN LOOP	FOR MO-3716E					1	1.00
28		12112108		NEEDLE THREAD GUIDE STAND						1	
29		SM4040855SP		SCREW						2	
30		SS6080720SP		SCREW						1	
31	R	12253209	13110259	NEEDLE CLAMP HOLDER						1	1.00
32	R	12110607	13110705	NEEDLE THREAD PRESSER GUIDE, A	FOR MO-3-704E,MO-3714E					1	1.00
33	R	12110904	13111000	NEEDLE THREAD PRESSER PLATE						1	1.00
34	D	12110805		NEEDLE THREAD PRESSER SPRING						1	
35		SD0280401SL		HINGE SCREW D=2.8 H=4						1	
36	R	12110706	13110804	NEEDLE THREAD PRESSER GUIDE, B	FOR MO-3716E					1	1.00
37	R	12111506	13111208	NEEDLE THREAD TAKE-UP LEVER	FOR MO-3704E					1	1.00
38		SS6090670TP		SCREW 9/64-40 L=6						2	
39	R	12111605	13111307	TAKE-UP LEVER, 2-NEEDLE	FOR MO-3714E					1	1.00
40	D	12111704		TAKE-UP LEVER, CHAIN LOOPER	FOR MO-3716E					1	
41		SS8080310TP		SCREW 1/8-44 L=2.8	FOR MO-3704E					1	
42		MDC270B1100		NEEDLE DCX27 #11	FOR MO-3704E					1	

# NEEDLE DRIVING SHAFT COMPONENTS

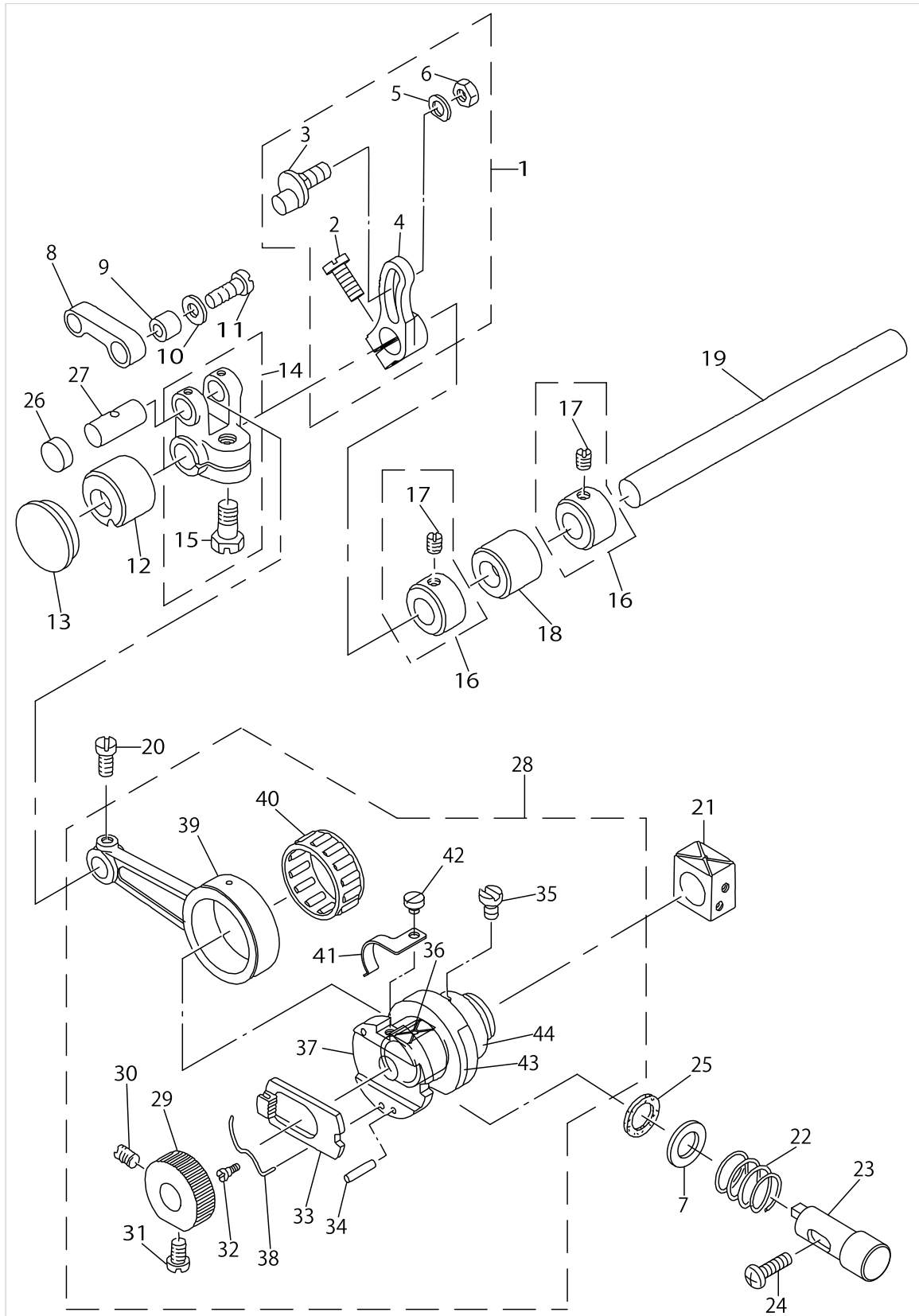


NEEDLE DRIVING SHAFT COMPONENTS

No.	Supply Code	Parts No.	Replacement	Parts name	Remarks	Choice	Step	Level	Cons	Qty	Rep. QTY
43		SS8080310TP		SCREW 1/8-44 L=2.8	FOR MO-3-714E,MO-3716E					2	
44		MDC270B1100		NEEDLE DCX27 #11	FOR MO-3-714E,MO-3716E					2	
45	D	12112207		COVER						1	
46	D	12112306		FELT A						1	
47	D	12112405		FELT B						1	
48		BT0600402EA		OIL TUBE						.2	
49	D	TA0951301R0		RUBBER PLUG						1	
50		12112801		TAKE-UP LEVER GUIDE	FOR MO-3716E-60K					1	
51	R	12256806	13175005	NEEDLE CLAMP,1-NEEDLE	FOR MO-3704E					1	1.00
52	R	12256905	13175203	NEEDLE CLAMP, 2-NEEDLE(BE6)	FOR MO-3714E					1	1.00
53	R	12257002	13175500	CHAIN LOOPER NEEDLE CLAMP, DEA	FOR MO-3716E					1	1.00
54		12252904		NEEDLE DRIVING LINK						1	
55		12257507		NEEDLE CLAMP, CHAIN LOOPER	FOR MO-3716E-50K					1	
56		12150702		NEEDLE CLAMP, CHAIN LOOPER	FOR MO-3716E-60K					1	
57		MDC270B1600		NEEDLE DCX27 #16	FOR MO-3716E-50K					2	



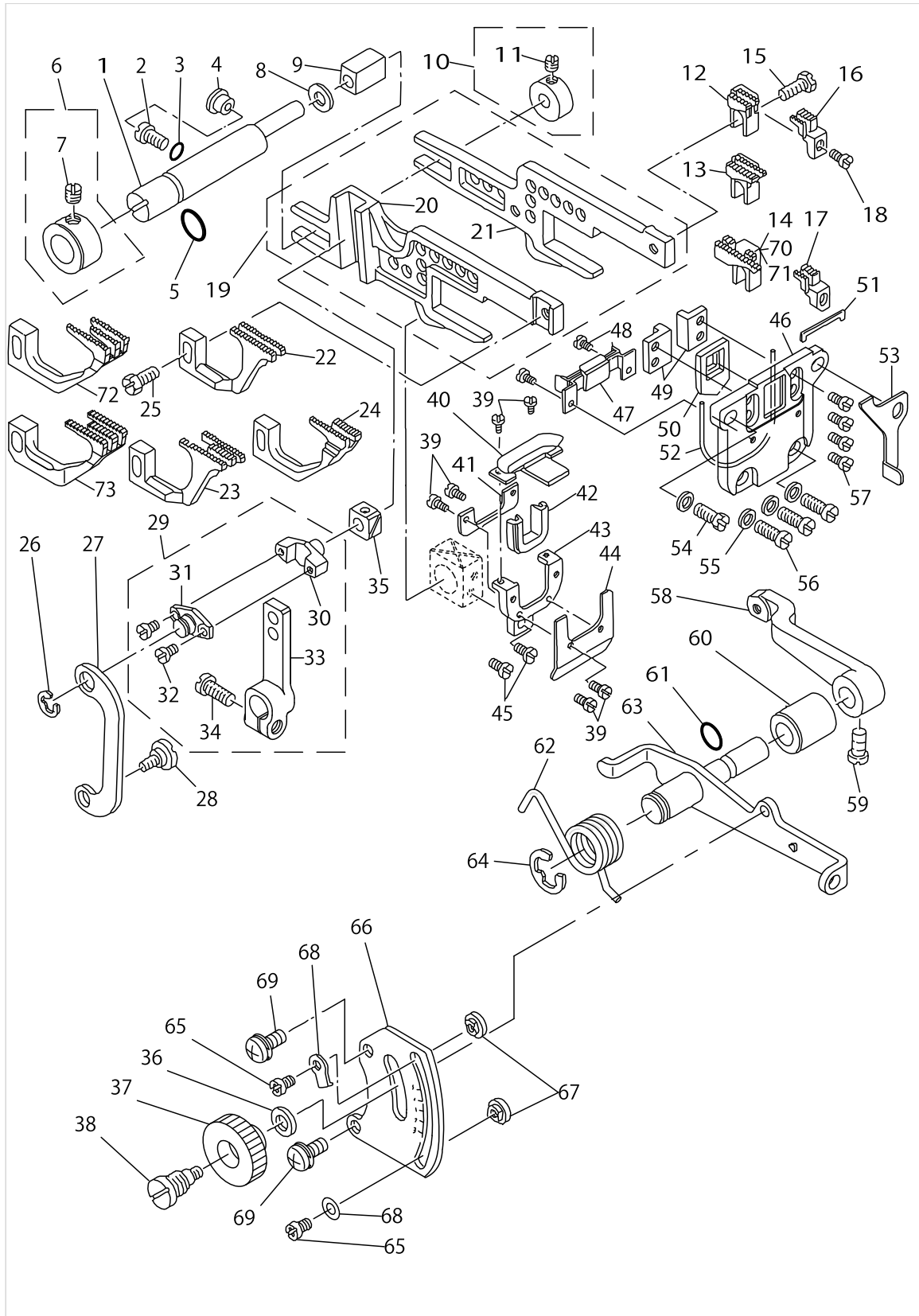
FEED MECHANISM COMPONENTS(1)



FEED MECHANISM COMPONENTS(1)

No.	Supply Code	Parts No.	Replacement	Parts name	Remarks	Choice	Step	Level	Cons	Qty	Rep. QTY
1		11824067		MAIN FEED ROCKER ASM.						1	
2		SM6051202TP		SCREW M5X0.8 L=12				*		1	
3	R	11824018	13119706	PIN				*		1	1.00
4	R	11530110	13119953	MAIN FEED ROCKER				*		1	1.00
5		11948601		WASHER B				*		1	
6		NS6620320SP		NUT 3/16-32				*		1	
7		B1654704000		WASHER						1	
8	R	11824109	13119805	MAIN FEED LINK						1	1.00
9	D	B1620804000		COLLAR						1	
10		B2107816000		WASHER						1	
11		SS6121220TP		SCREW 3/16-28 L=11.5						1	
12	R	12117206	13119409	FEED ROCKER SHAFT BUSHING, FRO						1	1.00
13		TA2050416R0		RUBBER PLUG						1	
14	R	B16118040A0A	13122452	FORKED LINK ASM.						1	1.00
15		SM6061002TP		SCREW M6 L=10				*		1	
16		CS095081ASH		THRUST COLLAR ASM. D=9.53 W=8						2	
17		SS8110410TP		SCREW 11/64-40 L= 3.5				*		4	
18	R	12117305	13119508	FEED ROCKER SHAFT BUSHING, REA						1	1.00
19		12118907		FEED SHAFT						1	
20		SS7110910TP		SCREW 11/64-40 L= 8.5						1	
21	R	11824406	11828704	SLIDE BLOCK						1	1.00
22	R	B1652704000	31256803	SPRING						1	1.00
23	R	B1650704000	12287603	PUSH BUTTON STUD						1	1.00
24		SM4041401SC		SCREW M4X0.7 L=14						1	
25	D	B1651704000		FELT						1	
26		TA1030402R0		RUBBER PLUG D=10.3 L=4						1	
27		11823804		CRANK PIN C	SELECTING PART FOR FIT TOLERANCE					1	
28	R	12116174	13118054	FEED ECCENTRIC BODY ASM.						1	1.00
29		B1605704000		RATCHET GEAR				*		1	
30		SS8110750SP		SCREW 11/64-40 L= 6.5				*		1	
31		SS6110710TP		SCREW 11/64-40 L= 6.5				*		1	
32		SD0260271SP		HINGE SCREW D= 2.60 H= 2.7				*		1	
33	R	B1604704000	13118609	RATCHET PAWL				*		1	1.00
34		PS0300132KH		SPRING PIN 3X13				*		2	
35		SS7110810SP		SCREW 11/64-40 L= 8.0				*		2	
36	R	12116307	13118302	FEED CAM BLOCK				*		1	1.00
37	R	12116406	13118054	FEED ADJUSTING CAM				*		1	1.00
38	R	B1606704000	13122502	RATCHET PAWL SPRING				*		1	1.00
39	R	12116505	13118708	CRANK ROD				*		1	1.00
40		12116703		NEEDLE BEARING B	SELECTING PART FOR FIT TOLERANCE			*		1	
41	R	12117107	13119300	RATCHET GEAR SPRING				*		1	1.00
42		SS6080320SP		SCREW 1/8-44 L= 2.5				*		1	
43	R	12116208	13118054	FEED CAM				*		1	1.00
44	R	12116109	13118054	FEED ECCENTRIC BODY				*		1	1.00

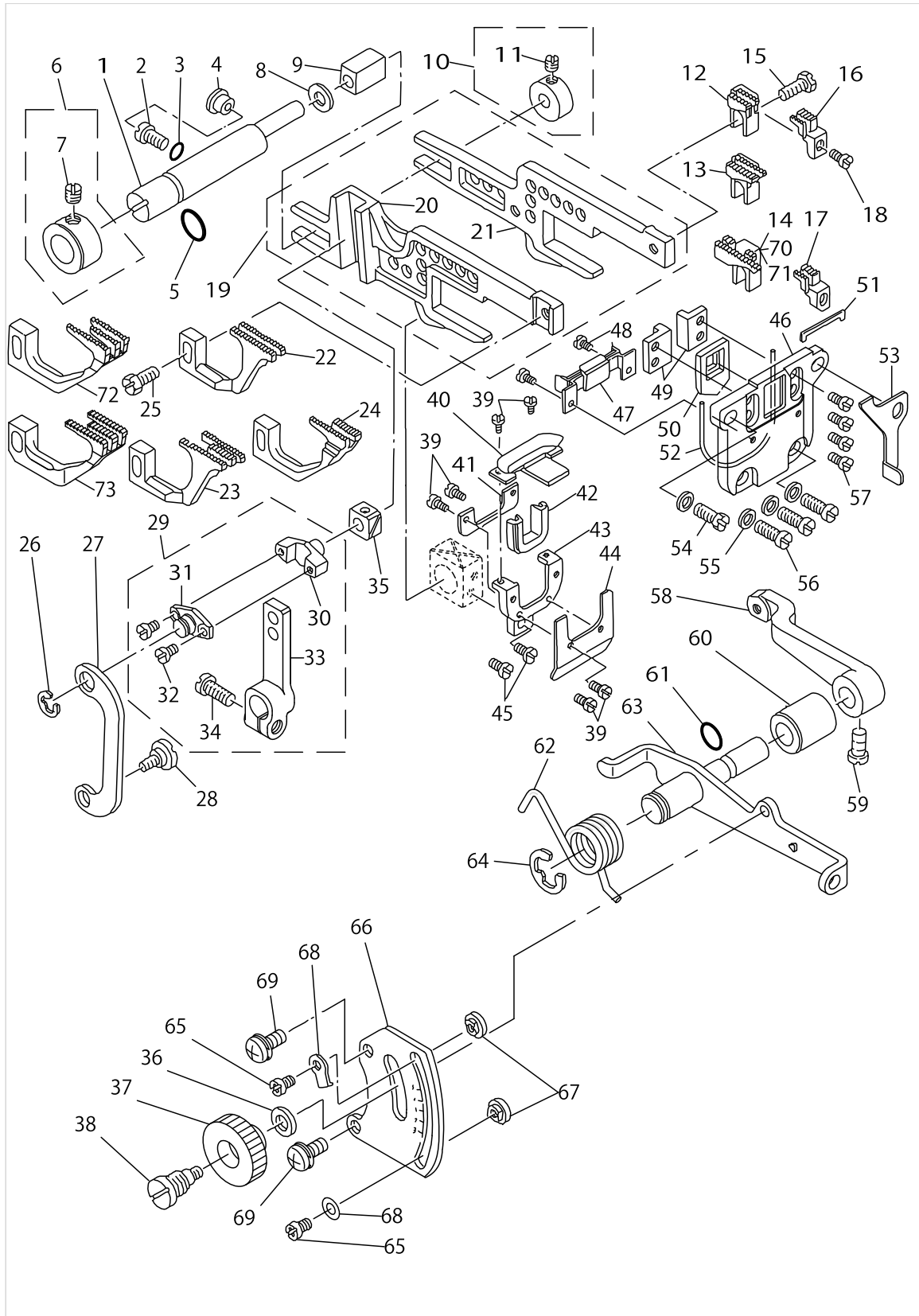
FEED MECHANISM COMPONENTS(2)



FEED MECHANISM COMPONENTS(2)

No.	Supply Code	Parts No.	Replacement	Parts name	Remarks	Choice	Step	Level	Cons	Qty	Rep. QTY
1	R	11824505	13120902	FEED BAR SHAFT						1	1.00
2		SM4040855SP		SCREW						1	
3		RO037180100		RUBBER RING						1	
4		TA0800504R0		PLUG D=8 L=4.5						1	
5		RO078190100		RUBBER RING						1	
6		11824653		THRUST COLLAR ASM.						1	
7		SS8660330SP		SCREW 1/4-40 L= 3.0				*		1	
8		11529914		WASHER						1	
9	R	B1624704000	13120803	SLIDE BLOCK						1	1.00
10	D	11828050		COLLAR ASM.						1	
11		SS8110410TP		SCREW 11/64-40 L= 3.5				*		1	
12	R	11882107	13191606	MAIN FEED DOG	FOR MO-3704E					1	1.00
13	R	11949807	13192000	MAIN FEED DOG	FOR MO-3714E					1	1.00
14	R	11882800	13192406	MAIN FEED DOG	FOR MO-3716E					1	1.00
15		SS9111050SP		SCREW 11/64-40 L=9.5						1	
16	R	11887106	13191309	AUXILIARY FEED DOG	FOR MO-3-704E,MO-3714E					1	1.00
17	R	11887403	13191408	AUXILIARY FEED DOG	FOR MO-3716E					1	1.00
18	R	SS4080610SP	SS4080620TP	SCREW 1/8-44 L=6.4						1	1.00
19	D	11824257		MAIN FEED BAR ASM.						1	
20	D	11824307		DIFFERENTIAL FEED BAR				*		1	
21	D	11824208		MAIN FEED BAR				*		1	
22	R	B165780400T	13192802	DIFFERENTIAL FEED DOG	FOR MO-3704E					1	1.00
23	R	11949906	13193206	DIFFERENTIAL FEED DOG	FOR MO-3714E					1	1.00
24	R	12172805	13193602	DIFFERENTIAL FEED DOG	FOR MO-3716E					1	1.00
25		SS9111010SP		SCREW 11/64-40 L=9.5						1	
26		RE0500000K0		E-RING						1	
27		11826310		ADJUSTING LINK						1	
28		SD0720271SP		HINGE SCREW D=7,2 H=2,7						1	
29	R	11828563	13218052	DIFFERENTIAL FEED ROCKER ASM.						1	1.00
30		11825304		PIN				*		1	
31	R	11826401	13218052	PIN COVER				*		1	1.00
32		SS6080410SP		SCREW 1/8-44 L=4				*		2	
33	R	11828514	13218052	DIFFERENTIAL FEED ROCKER ASM.				*		1	1.00
34		SM6051202TP		SCREW M5X0.8 L=12				*		1	
35		B1414555000		SLIDE BLOCK						1	
36		WP0621016SD		WASHER 6.2X13X1						1	
37		B1647704000A		DIFFERENTIAL FEED LOCK NUT						1	
38		B1646704000A		DIFFERENTIAL FEED HINGE SCREW						1	
39		SS7060310SP		SCREW 3/32-56 L=3						6	
40		11825601		RUBBER PRESSER PLATE ASM.						1	
41		11825205		OIL SHIELD RUBBER						1	
42		11825106		OIL SHIELD RUBBER						1	
43	D	11825007		RUBBER COVER						1	
44		11825403		RUBBER BASE PLATE						1	
45		SS7090620TP		SCREW 9/64-40 L=6.1						2	

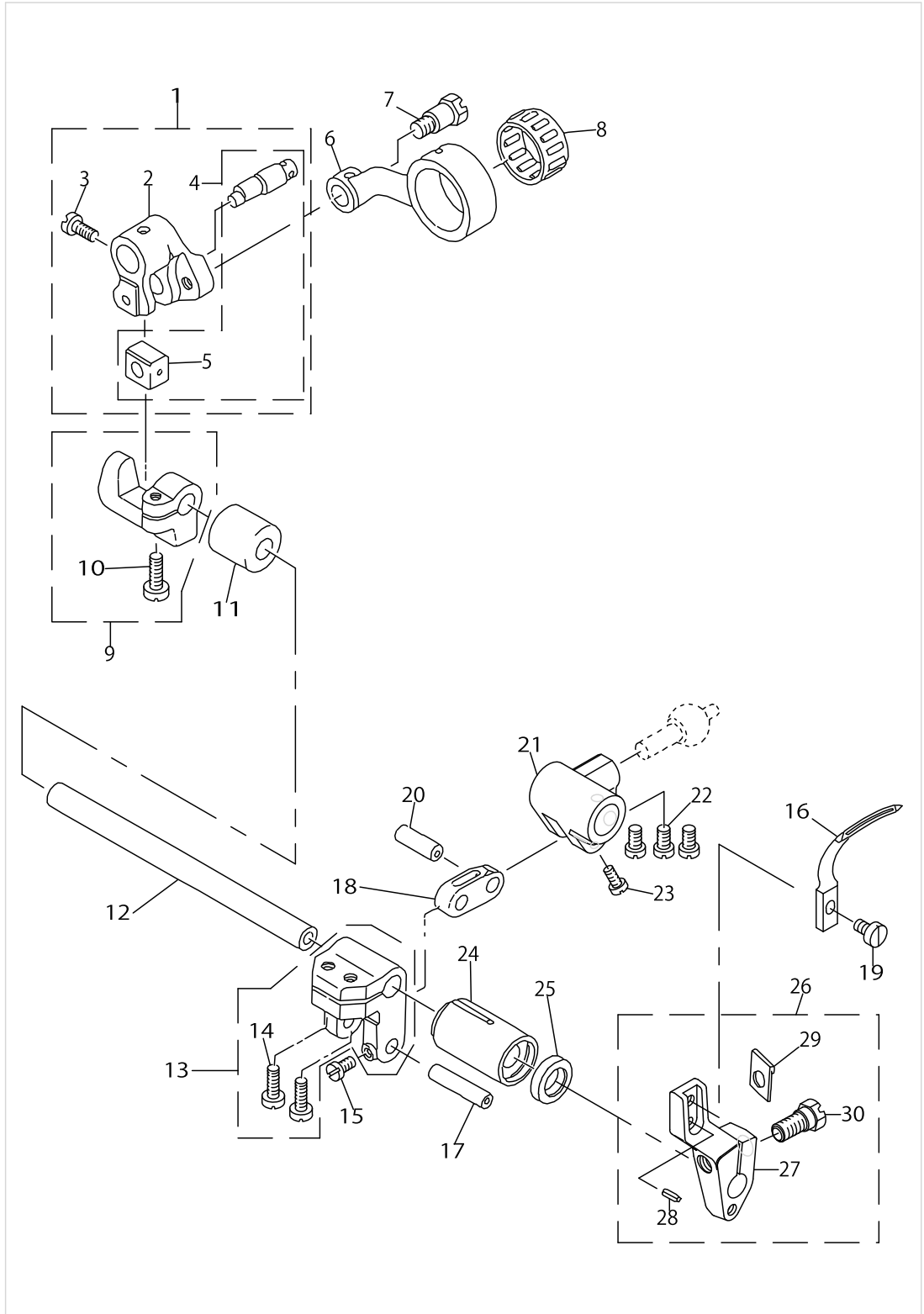
FEED MECHANISM COMPONENTS(2)



FEED MECHANISM COMPONENTS(2)

No.	Supply Code	Parts No.	Replacement	Parts name	Remarks	Choice	Step	Level	Cons	Qty	Rep. QTY
46	D	11824802		RUBBER CASE						1	
47		11827607		OIL SHIELD RUBBER,LOWER						1	
48		SS7060510SP		SCREW 3/32-56 L=4.8						2	
49	D	11824703		FEED BAR SUPPORT						2	
50	D	11824901		RUBBER						1	
51	D	11827904		RUBBER						1	
52	D	RO480120100		RUBBER RING						1	
53		11828308		SUPPORT THROAT PLATE						1	
54		SM6041002TP		SCREW M4 L=10						1	
55		WP0480856SP		WASHER 4.8X8.4X0.8						4	
56		SM4041055SP		SCREW						3	
57	R	SS6090620SP	SS6090620TP	SCREW 9/64-40 L=6						4	1.00
58	R	11828605	13121900	DIFFERENTIAL FEED ROCKER						1	1.00
59		SS6661110SP		SCREW 1/4-40 L=11						1	
60	R	B1645704000A	12118709	BUSHING						1	1.00
61		RO060150100		RUBBER RING						1	
62		11991502		SPRING						1	
63	R	11825858	12283255	ROCKER SHAFT ASM.						1	1.00
64		RE0900000KP		SNAP RING 9						1	
65		SS4090515SP		SCREW 9/64-40 L=5						2	
66	R	11827102	12283107	DIFFERENTIAL FEED GRADUATION						1	1.00
67		11529005		STOPPER						2	
68		WP0371016SD		WASHER 3.7X8X1						2	
69		SL4051231SC		SCREW M5 L=12						2	
70		12171104		MAIN FEED DOG	FOR MO-3716E-50K					1	
71		12171104		MAIN FEED DOG	FOR MO-3716E-60K					1	
72		12173704		DIFFERENTIAL FEED DOG	FOR MO-3716E-50K					1	
73		12174207		DIFFERENTIAL FEED DOG	FOR MO-3716E-60K					1	

CHAIN LOOPER COMPONENTS(FOR MO-3716)

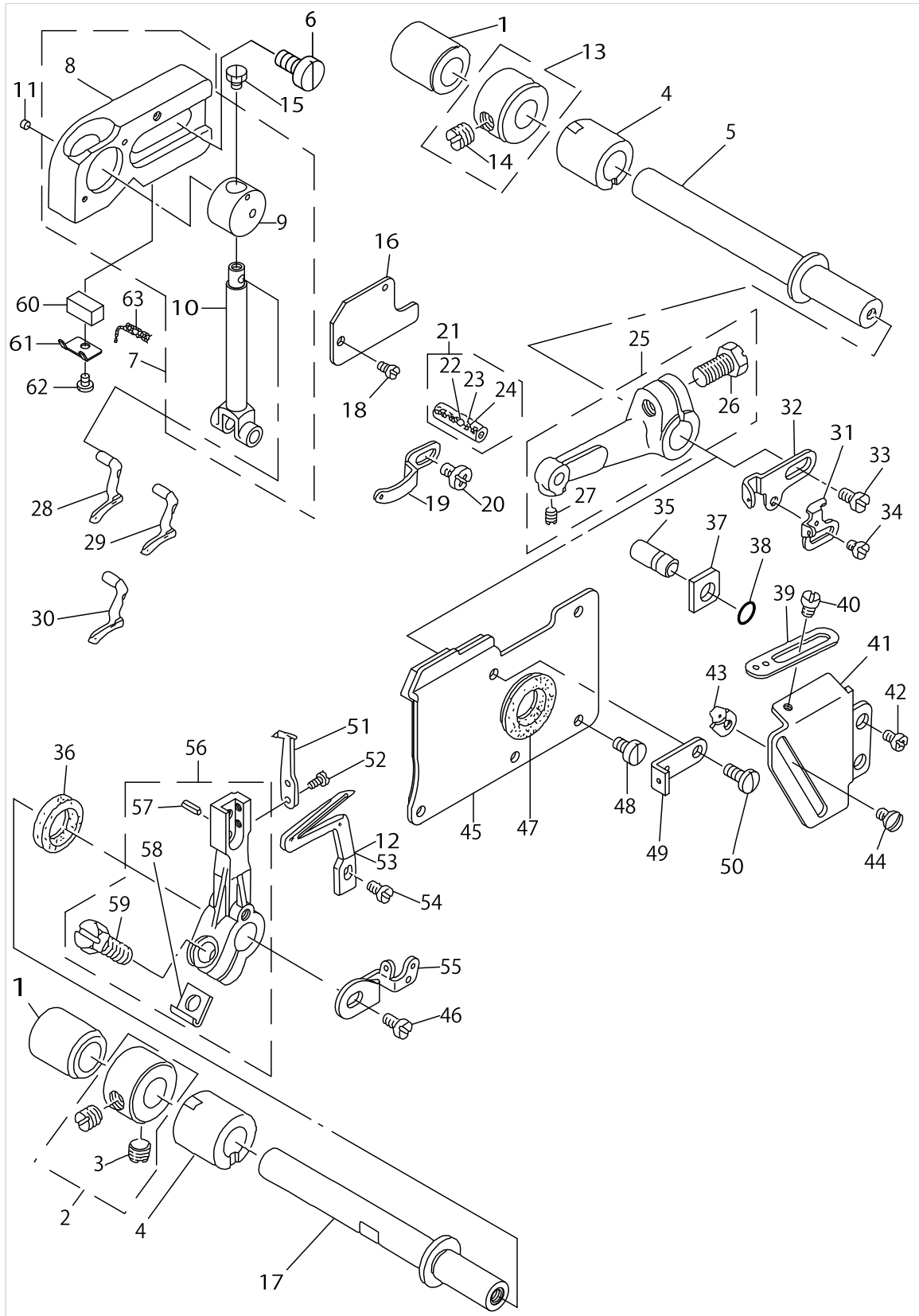


CHAIN LOOPER COMPONENTS(FOR MO-3716)

No.	Supply Code	Parts No.	Replacement	Parts name	Remarks	Choice	Step	Level	Cons	Qty	Rep. QTY
1	R	B21038160A0	13126354	SLIDER ARM ASM.		A				1	1.00
1	R	B21038160A0	13126008	SLIDER ARM ASM.		A				1	1.00
1	R	B21038160A0	SS7110720TP	SLIDER ARM ASM.		A				1	1.00
2	R	B2103816000B	13126008	CHAIN LOOPER SHAFT SLIDE ARM				*		1	1.00
3		SS7110720TP		SCREW 11/64-40 L=7				*		1	
4	R	11829751	13126354	CHAIN LOOPER SLIDE BLOCK PIN				*		1	1.00
5	R	B2105816000	13126305	CHAIN LOOPER SLIDE BLOCK				*		1	1.00
6	R	B2102816000A	12284105	CHAIN LOOPER ROD (22MM)						1	1.00
7		SD0720803TH		STEP-SCREW D=7.24 H=8						1	
8		B2119816B00		BEARING B	SELECTING PART FOR FIT TOLERANCE					1	
9	R	12120465	13129853	BRACKET ASM.						1	1.00
10		SM6051202TP		SCREW M5X0.8 L=12				*		1	
11	R	B2111716000	13127006	BUSHING, REAR						1	1.00
12	D	11829207		CHAIN LOOPER SHAFT						1	
13	D	11539061		CHAIN LOOPER SH-AFT DRIVING ARM						1	
14		SM6051202TP		SCREW M5X0.8 L=12				*		2	
15	R	SS4080610SP	SS4080620TP	SCREW 1/8-44 L=6.4						1	1.00
16		12120705		CHAIN LOOPER						1	
17	R	12258505	13126701	PIN, LONG	SELECTING PART FOR FIT TOLERANCE					1	1.00
18	R	11829801	13127105	CHAIN LOOPER SHAFT DRIV. LINK						1	1.00
19		SS6090620TP		SCREW						1	
20		12259008		PIN, SHORT						1	
21	R	12121612	12121653	DRIVING BALL ARM BRACKET						1	1.00
22		SS6110710TP		SCREW 11/64-40 L= 6.5						3	
23	R	SS4080610SP	SS4080620TP	SCREW 1/8-44 L=6.4						1	1.00
24	R	12122008	13128103	BUSHING, FRONT						1	1.00
25	R	B2525352000	40010805	OIL SEAL RING						1	1.00
26		12121554		CHAIN LOOPER DRIVING ARM ASM.						1	
27		12121513		CHAIN LOOPER DRIVING ARM				*		1	
28		PS0250062KH		SPRING PIN 2.5X6				*		1	
29	R	B2531704000	13129309	WASHER				*		1	1.00
30		SS9151210TP		SCREW 15/64-28 L=11.8				*		1	



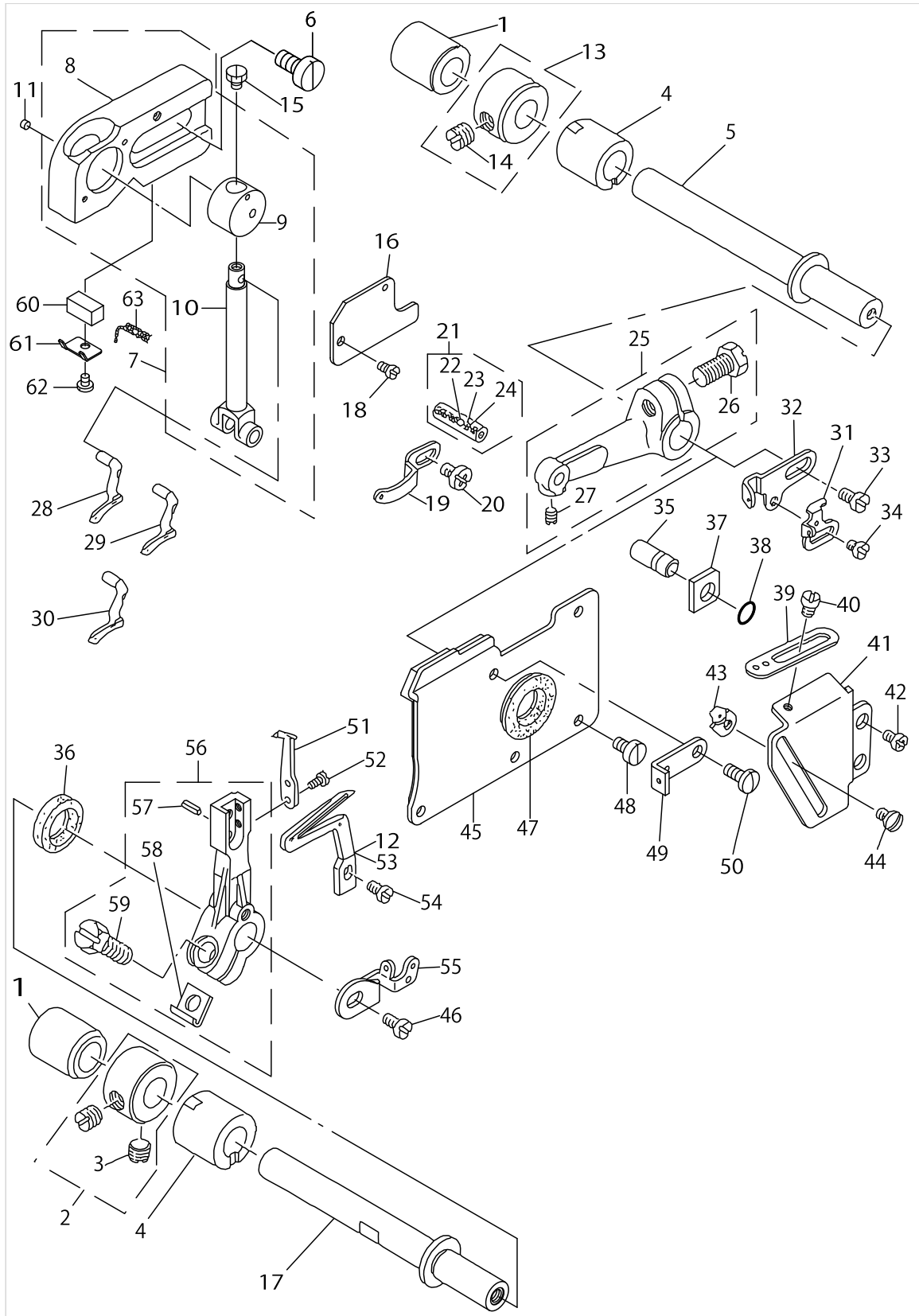
UPPER & LOWER LOOPER COMPONENTS



UPPER & LOWER LOOPER COMPONENTS

No.	Supply Code	Parts No.	Replacement	Parts name	Remarks	Choice	Step	Level	Cons	Qty	Rep. QTY
1	R	12254009	B2509704000	BUSHING, REAR						2	1.00
2		GS103121ASH		COLLAR ASM. D=10.32 W=12	FOR MO-3-704E,MO-3714E					2	
3		SS8660530TP		SCREW 1/4-40 L= 4.5				*		4	
4	R	B2507804000B	13222609	BUSHING, FRONT						2	1.00
5	R	12122404	13221403	UPPER LOOPER SHAFT		A				1	1.00
5	R	12122404	13221601	UPPER LOOPER SHAFT		A				1	1.00
5	R	12122404	13221502	UPPER LOOPER SHAFT		A				1	1.00
6		SM6061200SP		SCREW						2	
7	R	12273355	40015637	UPPER LOOPER GUIDE ASM.						1	1.00
8	D	11833613		UPPER LOOPER GUIDE SUPPORT				*		1	
9	R	12273108	40015637	UPPER LOOPER GUIDE		A		*		1	1.00
9	R	12273108	40011234	UPPER LOOPER GUIDE		A		*		1	1.00
9	R	12273108	40016841	UPPER LOOPER GUIDE		B		*		1	1.00
9	R	12273108	40011234	UPPER LOOPER GUIDE		B		*		1	1.00
9	R	12273108	12433553	UPPER LOOPER GUIDE		C		*		1	1.00
10	R	12273207	40015637	UPPER LOOPER HOLDER				*		1	1.00
10	R	12273207	40016841	UPPER LOOPER HOLDER				*		1	1.00
11	D	11842101		OIL FELT						1	
12		11999802		LOWER LOOPER	FOR MO-3-716E-FH6-60K					1	
13		GS103121ASH		COLLAR ASM. D=10.32 W=12	FOR MO-3716E					1	
14		SS8660530TP		SCREW 1/4-40 L= 4.5				*		2	
15		SS9090410TP		SCREW						1	
16		11991601		UPPER LOOPER GUIDE COVER						1	
17	R	12123410	13221700	LOWER LOOPER SHAFT						1	1.00
18		SS7060610SP		SCREW 3/32-56 L= 5.5						2	
19		11833308		UPPER LOOPER THREAD GUIDE						1	
20		SS4090615SP		SCREW 9/64-40 L=6						1	
21	D	11831757		PIN ASM.	SELECTING PART FOR FIT TOLERANCE					1	
22	R	11831708	13131701	OIL WICK STOPPER BALL						1	1.00
23		CQ202000000		OIL WICK						.1	
24		CQ200000000		OIL WICK						.1	
25	R	11831559	11831567	LOOPER HOLDER ASM. B						1	1.00
26		SS9151210TP		SCREW 15/64-28 L=11.8				*		1	
27		SS8090410SP		SCREW 9/64-40 L=3.5				*		1	
28		12176103		UPPER LOOPER	FOR MO-3714E					1	
29		11991908		UPPER LOOPER	FOR MO-3-704E,MO-3-716E-DE4,FF6					1	
30		12176202		UPPER LOOPER	FOR MO-3-716E-FH6-60K					1	
31		11833506		LOWER LOOPER TH-READ TAKE-UP						1	
32	D	12124004		THREAD TAKE-UP, RIGHT						1	
33		SS7110840SP		SCREW 11/64-40 L=7.8						1	
34		SS6080410SP		SCREW 1/8-44 L=4						1	
35		11831906		PIN						1	

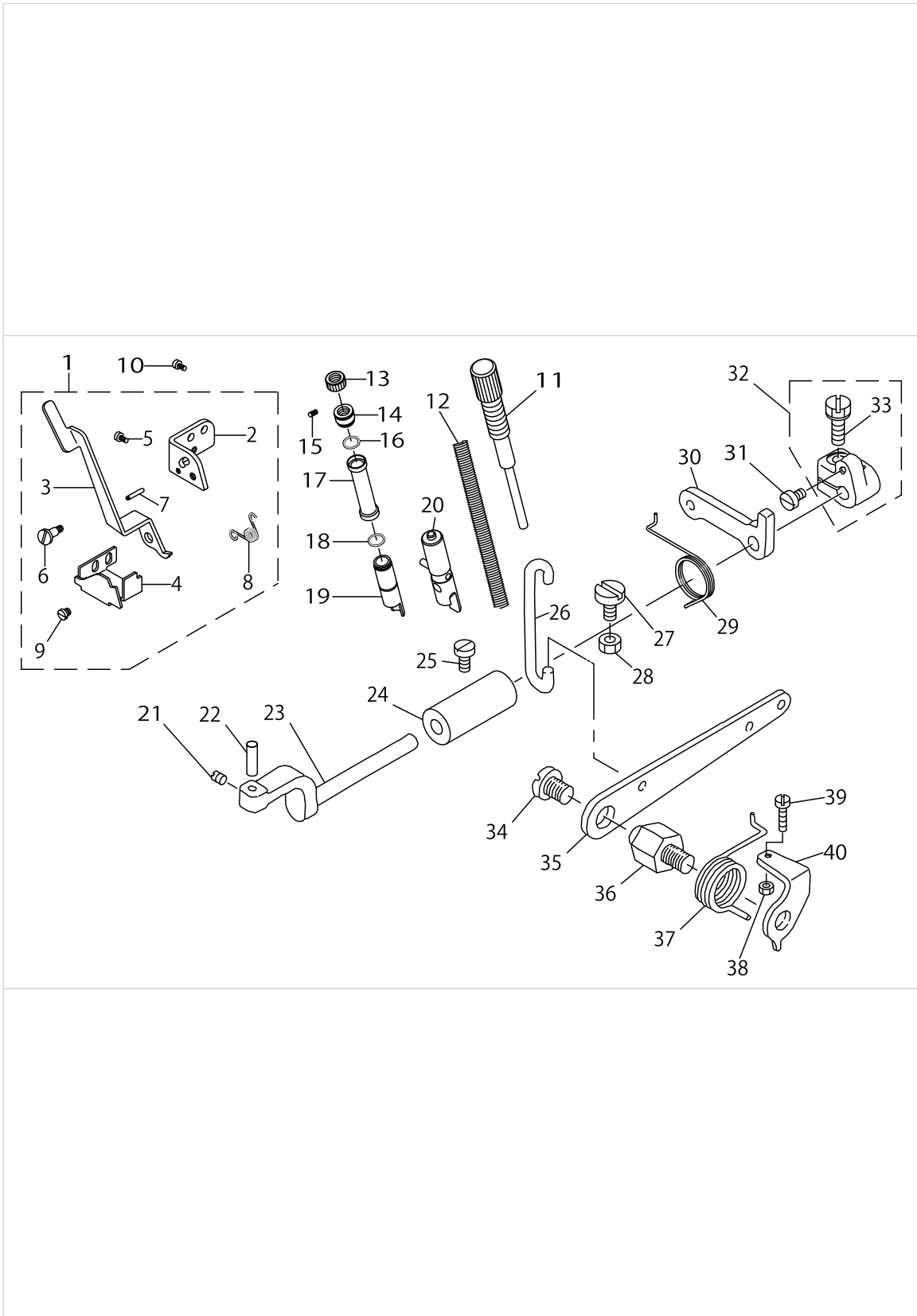
UPPER & LOWER LOOPER COMPONENTS



UPPER & LOWER LOOPER COMPONENTS

No.	Supply Code	Parts No.	Replacement	Parts name	Remarks	Choice	Step	Level	Cons	Qty	Rep. QTY
36	R	B2508704000	40176173	OIL SEAL						1	1.00
37	R	11991809	13132006	GAUGE						1	1.00
38		RO037180100		RUBBER RING						1	
39	D	12123907		THREAD GUIDE, RIGHT						1	
40		SS3090610SP		SCREW 9/64-40 L=6						1	
41	D	12123808		LOOPER THREAD TAKE-UP COVER						1	
42		SM4040655SP		SCREW M4 L=6						2	
43	D	11833407		LOWER LOOPER THREAD GUIDE						1	
44		SS3090610SP		SCREW 9/64-40 L=6						1	
45	R	12123659	13133053	OIL SHIELD PLATE ASM.						1	1.00
46		SS7110840SP		SCREW 11/64-40 L=7.8						1	
47		B2530704000		UPPER LOOPER SH-AFT RUBBER RING						1	
48	R	SS6090630SP	SS6090630TP	SCREW 9/64-40 L=6						4	1.00
49	R	11833100	12340600	LOOPER THREAD GUIDE						1	1.00
50		SS7090850SP		SCREW 9/64-40 L=8						1	
51		11890001		TRAVELING NEEDLE GUARD						1	
52		SS6060440TP		SCREW 3/32-56 L=3.5						2	
53		11999307		LOWER LOOPER						1	
54		SS6090620TP		SCREW						1	
55		11833209		LOOPER THREAD TAKE-UP, LEFT						1	
56		12123550		LOWER LOOPER SUPPORT ARM ASM.						1	
57		PS0300062KH		SPRING PIN 3X6				*		1	
58	R	B2531704000	13129309	WASHER				*		1	1.00
59		SS9151210TP		SCREW 15/64-28 L=11.8				*		1	
60	R	12130803	13143706	OIL FELT						1	1.00
61	R	12130704	13143607	FELT HOLDER						1	1.00
62		SS7060310SP		SCREW 3/32-56 L=3						1	
63		CQ202000000		OIL WICK						1	

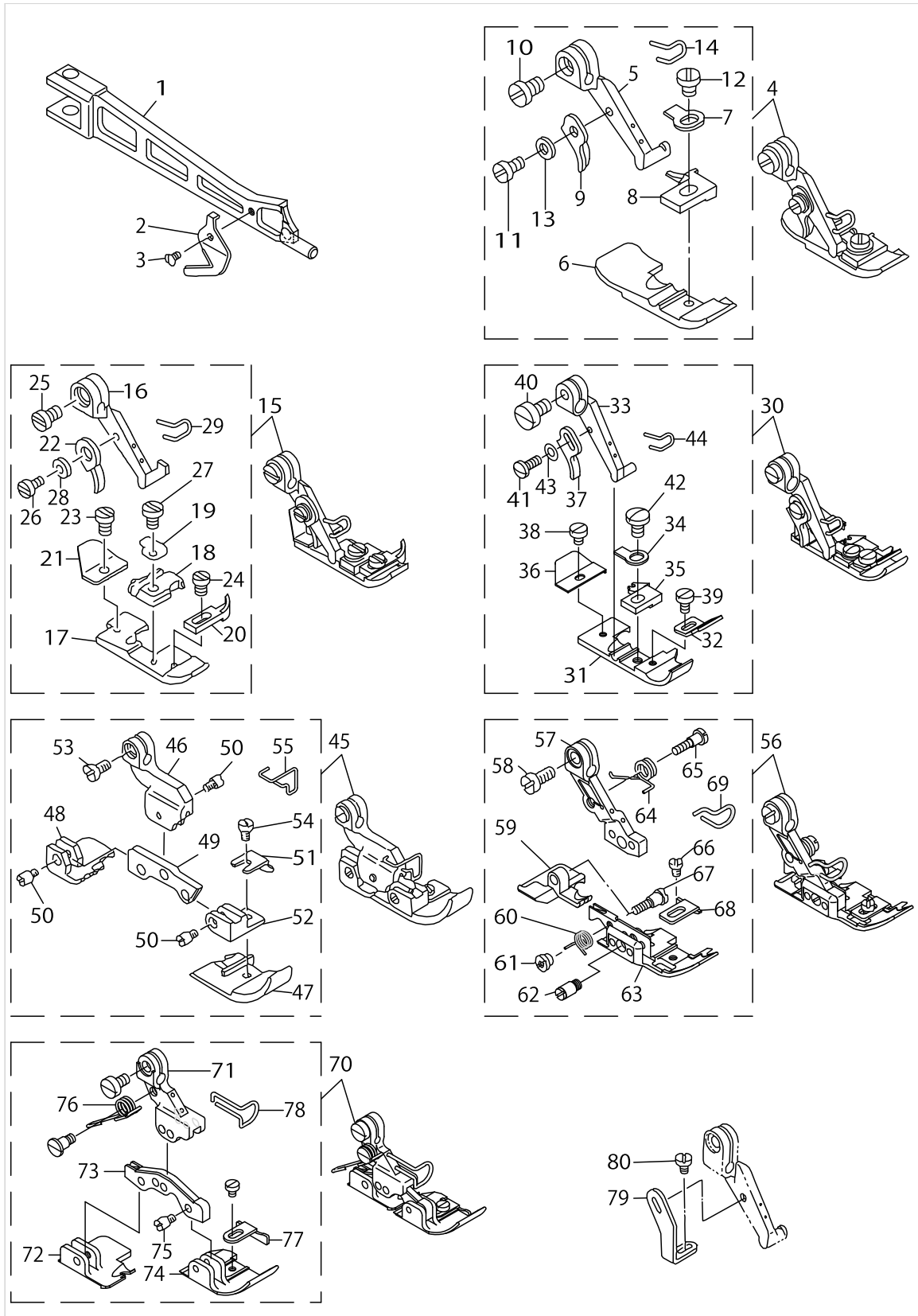
PRESSER FOOT COMPONENTS(1)



PRESSER FOOT COMPONENTS(1)

No.	Supply Code	Parts No.	Replacement	Parts name	Remarks	Choice	Step	Level	Cons	Qty	Rep. QTY
1	R	12115051	13115753	FOOT LIFTING LEV- ER STAND ASM.						1	1.00
2	R	12115002	13115803	FOOT LIFTING LEVER STAND				*		1	1.00
3	R	12115101	13115654	PRESSER FOOT LIFTING LEVER		A		*		1	1.00
3	R	12115101	13115902	PRESSER FOOT LIFTING LEVER				*		1	1.00
4	R	12115200	13116009	STOPPER				*		1	1.00
5		SS7110510SP		SCREW 11/64-40 L=5				*		2	
6		SD0640241SP		HINGE SCREW D= 6.35 H= 2.4				*		1	
7		PS0300142KH		SPRING PIN 0.3 X 14				*		1	
8	D	12115309		SPRING				*		1	
9		SS6080340SP		SCREW 1/8-44 L=2.9				*		1	
10		SS4110715SP		SCREW 11/64-40 L=7						2	
11		12114716		PRESSER REGULATOR SCREW						1	
12		12115903		PRESSER SPRING						1	
13		12114807		PRESSER REGULATOR NUT						1	
14	R	12114609	12288700	PRESSER REGULAT- OR SCREW WASHER						1	1.00
15		SM8040402TP		SCREW M4X0.7 L=4						1	
16		RO110090100		RUBBER RING						1	
17		12114906		PRESSERBARCOVER						1	
18		RO110090100		RUBBER RING						2	
19	R	12114302	13212501	PRESSER BAR BUSHING						1	1.00
20	R	12114468	13115654	PRESSER BAR ASM.						1	1.00
21	R	SS8110510SP	SS8110520TP	SCREW 11/64-40 L=5						1	1.00
22		B1534804000		PRESSER FOOT AR- M HINGE SHAFT						1	
23	R	12113205	13115001	PRESSER FOOT SHAFT						1	1.00
24	D	12113304		BUSHING						1	
25		SS6121020SP		SCREW 3/16-28 L=9.5						1	
26	R	11819414	13116405	LIFTING HOOK						1	1.00
27		SM6061200SP		SCREW						1	
28		NM6060003SC		NUT M6						1	
29		11819703		PRESSER FOOT ARM SPRING						1	
30		12113502		LIFTING ARM						1	
31		SS6110710TP		SCREW 11/64-40 L= 6.5						1	
32	R	12113452	12113403	PRESSER FOOT SH- AFT THRUST ASM.						1	1.00
33		SS9151210TP		SCREW 15/64-28 L=11.8				*		1	
34		SS7161040SP		SCREW 1/4-24 L= 9.5						1	
35	R	11819315	13116900	LIFTING LEVER						1	1.00
36		11819109		LIFTING LEVER SCREW						1	
37		11819208		LIFTING LEVER SPRING						1	
38		NS6110420SP		NUT 11/64-40						1	
39	R	SS7111410SP	SS7111410TP	SCREW 11/64-40 L=14						1	1.00
40	D	B1529804000		PRESSER FOOT LIF- TING LEVER STO						1	

PRESSER FOOT COMPONENTS(2)

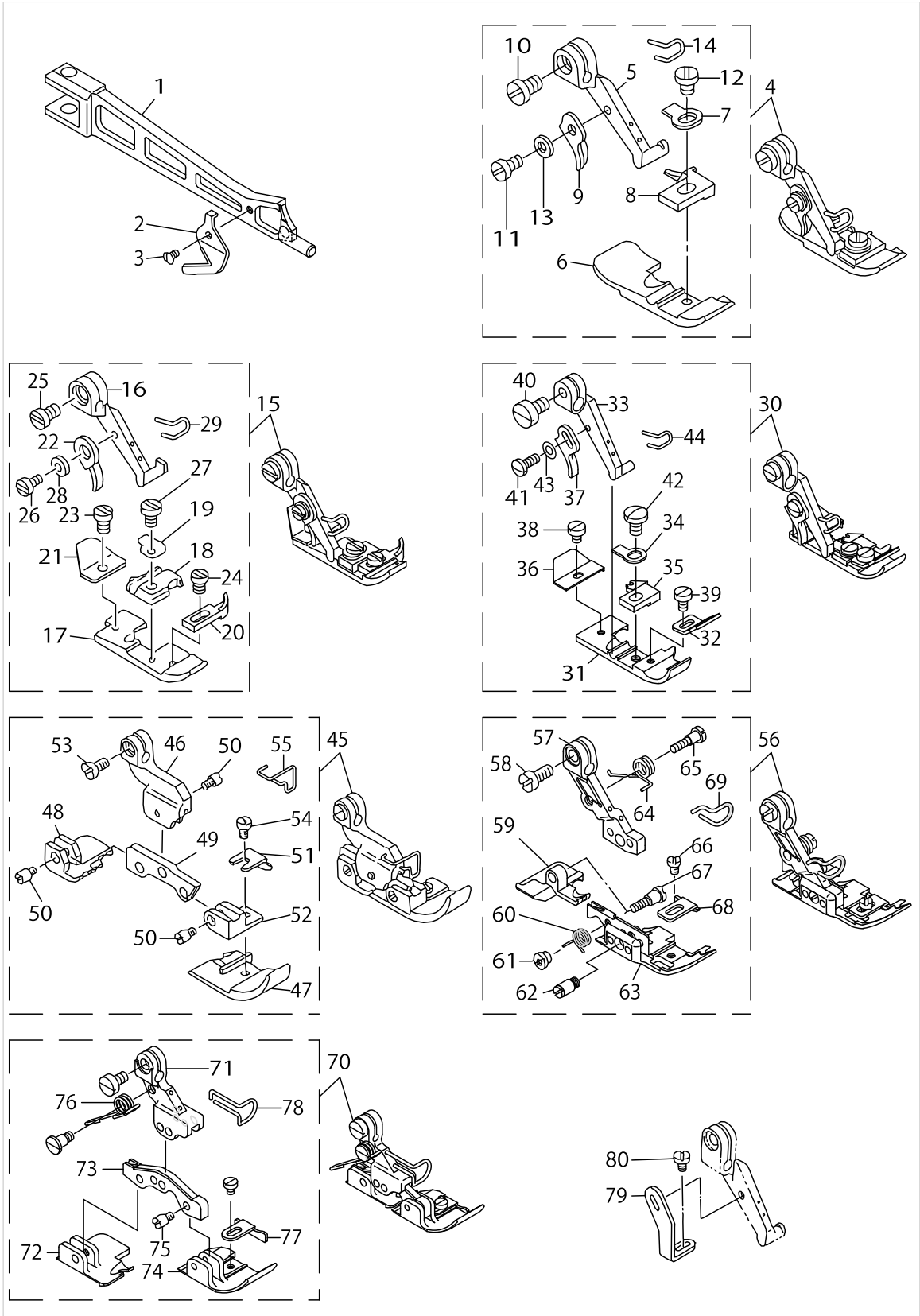


PRESSER FOOT COMPONENTS(2)

No.	Supply Code	Parts No.	Replacement	Parts name	Remarks	Choice	Step	Level	Cons	Qty	Rep. QTY
1	R	12253811	12253829	PRESSER FOOT ARM						1	1.00
2		B1528804000A		THREAD TRIMMER						1	
3		SS6060440TP		SCREW 3/32-56 L=3.5						1	
4		11992161		PRESSER FOOT ASM.	FOR MO-3-704E-0E4-40K/F					1	
5		11872009		PRESSER FOOT HINGE				*		1	
6	R	11992104	11992161	PRESSER FOOT				*		1	1.00
7		B1508804000		SPRING				*		1	
8		11874807		STITCH TONGUE				*		1	
9		B1530804000		STOPPER				*		1	
10	R	SS6090650SP	SS6090670TP	SCREW 9/64-40 L=6				*		1	1.00
11		SS7060610SP		SCREW 3/32-56 L=5.5				*		1	
12		SS7080520SP		SCREW 1/8-44 L=4.9				*		1	
13		WP0250516SD		WASHER 2.5X6X0.5				*		1	
14		11820701		FINGER GUARD				*		1	
15	D	11899861		PRESSER FOOT ASM.	FOR MO-3-714E-BE6--40K/F/G20					1	
16		11872009		PRESSER FOOT HINGE				*		1	
17	R	11873908	11899861	PRESSER FOOT				*		1	1.00
18	D	11899606		STITCH TONGUE				*		1	
19	D	11899408		SPRING				*		1	
20		B1510814000		CURL GUARD				*		1	
21		B1511814000		REARPRESSERFOOT				*		1	
22		B1530804000		STOPPER				*		1	
23		SS6060210SP		SCREW 3/32-56 L=1.9				*		1	
24		SS6060410TP		SCREW 3/32-56 L=3.5				*		1	
25	R	SS6090650SP	SS6090670TP	SCREW 9/64-40 L=6				*		1	1.00
26		SS7060610SP		SCREW 3/32-56 L=5.5				*		1	
27	R	SS4080610SP	SS4080620TP	SCREW 1/8-44 L=6.4				*		1	1.00
28		WP0250516SD		WASHER 2.5X6X0.5				*		1	
29		11820701		FINGER GUARD				*		1	
30		12152963		PRESSER FOOT ASM.	FOR MO-3-714E-BE6--40K/F,G39					1	
31		12158002		PRESSER FOOT				*		1	
32		12160909		TAPE GUIDE				*		1	
33		11872009		PRESSER FOOT HINGE				*		1	
34		B150880400B		SPRING				*		1	
35		12160305		STITCH TONGUE				*		1	
36		B1511814000		REARPRESSERFOOT				*		1	
37		B1530804000		STOPPER				*		1	
38		SS6060210SP		SCREW 3/32-56 L=1.9				*		1	
39		SS6060440TP		SCREW 3/32-56 L=3.5				*		1	
40	R	SS6090650SP	SS6090670TP	SCREW 9/64-40 L=6				*		1	1.00
41		SS7060610SP		SCREW 3/32-56 L=5.5				*		1	
42		SS7080520SP		SCREW 1/8-44 L=4.9				*		1	
43		WP0250516SD		WASHER 2.5X6X0.5				*		1	
44		11820701		FINGER GUARD				*		1	



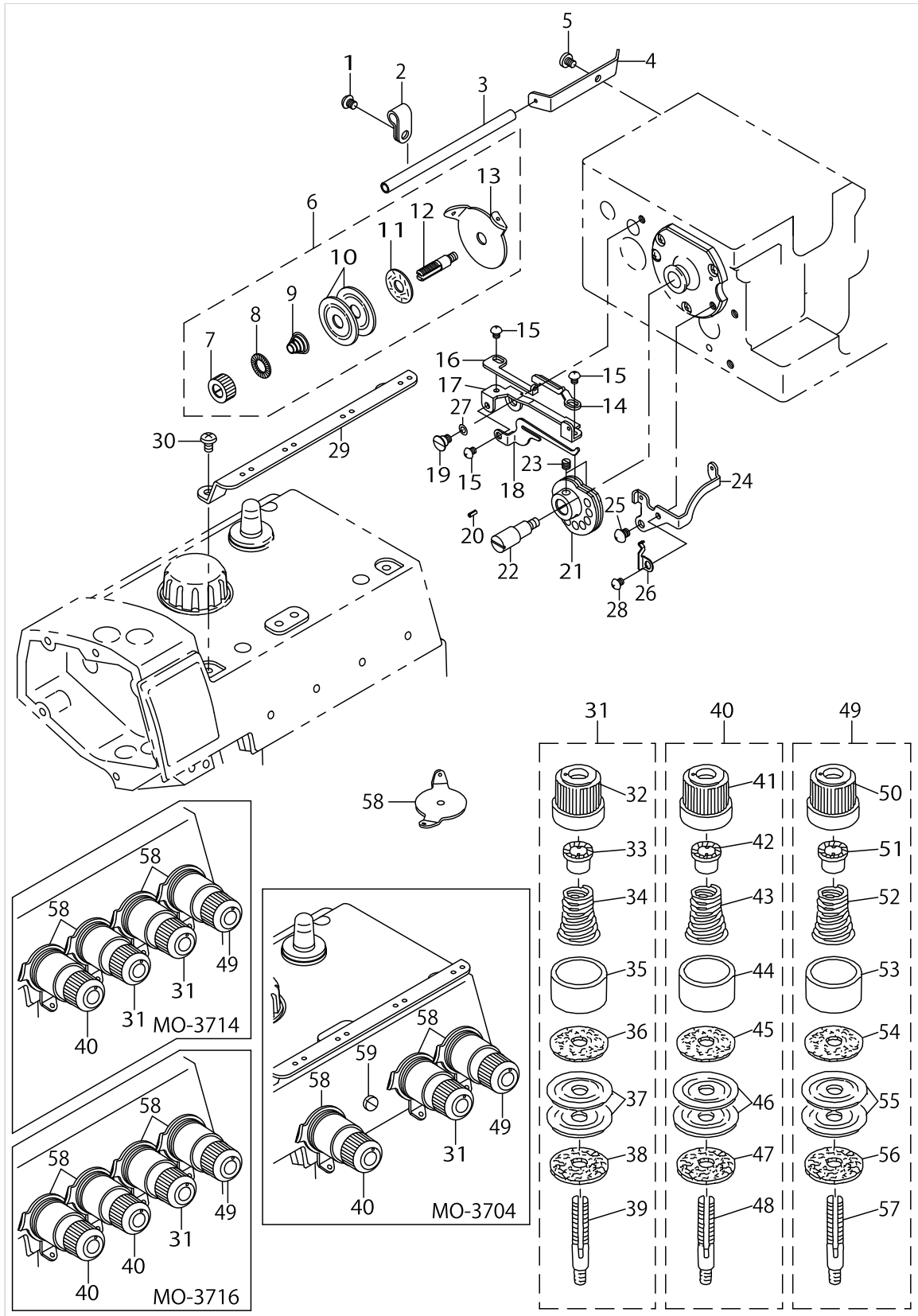
PRESSER FOOT COMPONENTS(2)



PRESSER FOOT COMPONENTS(2)

No.	Supply Code	Parts No.	Replacement	Parts name	Remarks	Choice	Step	Level	Cons	Qty	Rep. QTY
45		11880762		PRESSER FOOT ASM.	FOR MO-3-716E-FF6--50K/F/F26/G09					1	
46	D	11872702		PRESSER FOOT HINGE				*		1	
47	D	B1530816F00		PRESSER FOOT,FRONT				*		1	
48		B1531816000		REAR PRESSER				*		1	
49		B1532816000A		HINGED PRESSER FOOT HINGE				*		1	
50		B1534816000		HINGE SCREW				*		3	
51	D	B1535816000		CLOTH PRESSER				*		1	
52		B1536816000		FRONT PRESSER FOOT HINGE				*		1	
53	R	SS6090650SP	SS6090670TP	SCREW 9/64-40 L=6				*		1	1.00
54		SS7080510TP		SCREW 1/8-44 L=4.5				*		1	
55	D	11894805		FINGER GUARD				*		1	
56		12153763		PRESSER FOOT ASM.	FOR MO-3-716E-DE4-40K/F					1	
57		12156907		PRESSER FOOT HINGE				*		1	
58	R	SS6090650SP	SS6090670TP	SCREW 9/64-40 L=6				*		1	1.00
59	R	12164802	12153763	REARPRESSERFOOT				*		1	1.00
60		12167805		SPRING, FOR REAR PRESSER FOOT				*		1	
61		B1513816000		NUT, FOR REAR PRESSER FOOT				*		1	
62		12167409		HINGE PIN				*		1	
63	R	12162202	12153763	PRESSER FOOT				*		1	1.00
64		12167607		PRESSER FOOT ARM SPRING				*		1	
65		B1514816000		SCREW				*		1	
66		SS6060340SP		SCREW 3/32-56 L=2.5				*		1	
67		12167508		HINGE SCREW				*		1	
68		12167706		PRESSER FOOT				*		1	
69		12115408		FINGER GUARD				*		1	
70		12155560		PRESSER FOOT ASM.	FOR MO-3-716E-FH6-60K/F					1	
71		12157319		PRESSER FOOT HINGE ARM				*		1	
72		12165908		REARPRESSERFOOT				*		1	
73		12168407		PRESSER FOOT HINGE				*		1	
74	R	12164000	12155560	PRESSER FOOT				*		1	1.00
75		11930708		PRESSER FOOT HINGE PIN				*		3	
76		12168506		PRESSER FOOT ARM SPRING				*		1	
77		12168605		CLOTH GUIDE				*		1	
78		12168803		FINGER GUARD				*		1	
79	D	B1539804000		PRESSER FOOT FIXING PLATE	SPECIAL ORDER PART (FOR M-0-3704E,MO-3714E)					1	
80		SS6060410TP		SCREW 3/32-56 L=3.5	SPECIAL ORDER PART (FOR M-0-3704E,MO-3714E)					1	

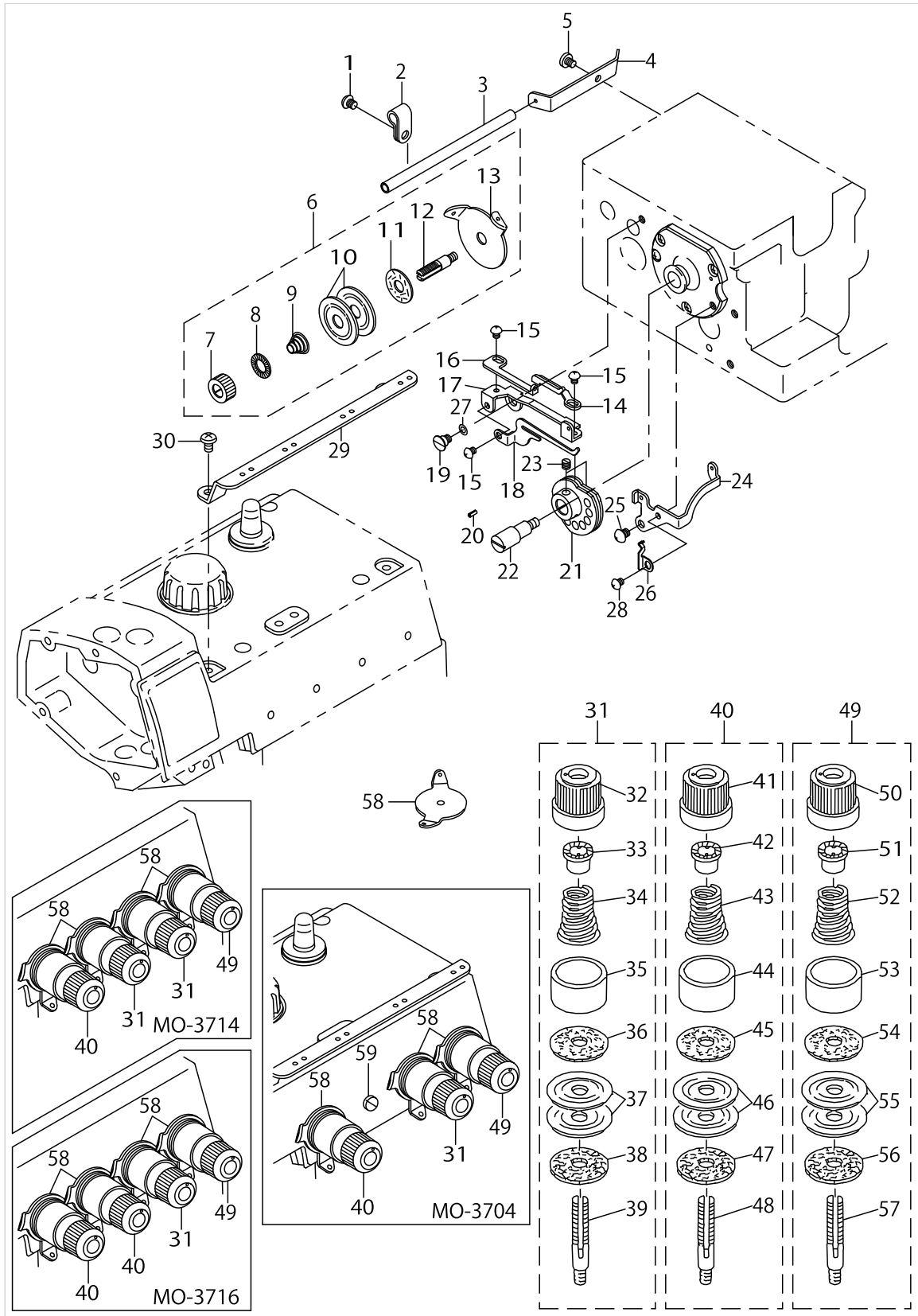
# THREAD TENSION COMPONENTS



THREAD TENSION COMPONENTS

No.	Supply Code	Parts No.	Replacement	Parts name	Remarks	Choice	Step	Level	Cons	Qty	Rep. QTY
1		SM4050855SP		SCREW						1	
2	R	B3113352000	13129259	MOUNTING BRACKET						1	1.00
3		B2401816000		LOOPER THREAD GUIDE TUBE						1	
4	R	B2402716000	13129101	LOOPER THREAD G- UIDE TUBE GUIDE						1	1.00
5		SS5150510SP		SCREW 15/64-28 L=5						1	
6	D	11550852		TENSION CONTROLLER ASM.						1	
7		B2314019000		TENSION POST NUT				*		1	
8		B3120125000		ROTATING STOPPER				*		1	
9		B2017372000		TENSION SPRING NO.1				*		1	
10	R	B3126012000	22921506	THREAD TENSION DISK				*		2	1.00
11	R	B3120352000	13139902	THREAD TENSION SPRING FELT				*		1	1.00
12	R	11550803	13139555	THREAD TENSION POST				*		1	1.00
13	R	11550308	13139605	THREAD GUIDE				*		1	1.00
14		12120903		THREAD GUIDE A						1	
15		SS4090415SP		SCREW 9/64-40 L=4						3	
16		12121000		THREAD GUIDE B						1	
17	D	12120804		THREAD GUIDE BASE						1	
18		12121109		THREAD GUIDE HOOK						1	
19		SD0600341TP		HINGE SCREW D=6.0 H=3.4						1	
20		PS0200052KH		SPRING PIN 2.3X5						1	
21	R	B220181600B	13129457	THREAD CAM						1	1.00
22	R	B2202816000	13130000	SHAFT						1	1.00
23		SS8110410TP		SCREW 11/64-40 L= 3.5						2	
24		12121208		THREAD GUIDE						1	
25		SS4110515SP		SCREW 11/64-40 L=5						1	
26		12121307		THREAD GUIDE SPRING						1	
27		WZ0640312K0		WAVED WASHER						1	
28		SS4090415SP		SCREW 9/64-40 L=4						1	
29	R	12254405	12287504	CENTER THREAD GUIDE						1	1.00
30		SS4110715SP		SCREW 11/64-40 L=7						2	
31	D	12254850		THREAD TENSION SPRING COMPL.						1	
32	D	11956901		THREAD TENSION KNOB, YELLOW				*		1	
33		B3112704000		TENSION SPRING BUSHING				*		1	
34		B3102804000		TENSION SPRING, YELLOW				*		1	
35	R	11957305	13137609	TENSION DISC PRESSER				*		1	1.00
36	R	B3120704000	13138102	THREAD TENSION SPRING FELT				*		1	1.00
37	D	12254504		THREAD TENSION DISK				*		2	
38	R	12254603	13138003	THREAD TENSION RUBBER				*		1	1.00
39		B3105804000		TENSION POST				*		1	
40	R	12254751	13137559	THREAD TENSION SPRING JUNCTION						1	1.00
41		11956703		THREAD TENSION KNOB, RED				*		1	
42		B3112704000		TENSION SPRING BUSHING				*		1	
43		B3101804000		TENSION SPRING, RED				*		1	
44	R	11957305	13137609	TENSION DISC PRESSER				*		1	1.00
45	R	B3120704000	13138102	THREAD TENSION SPRING FELT				*		1	1.00

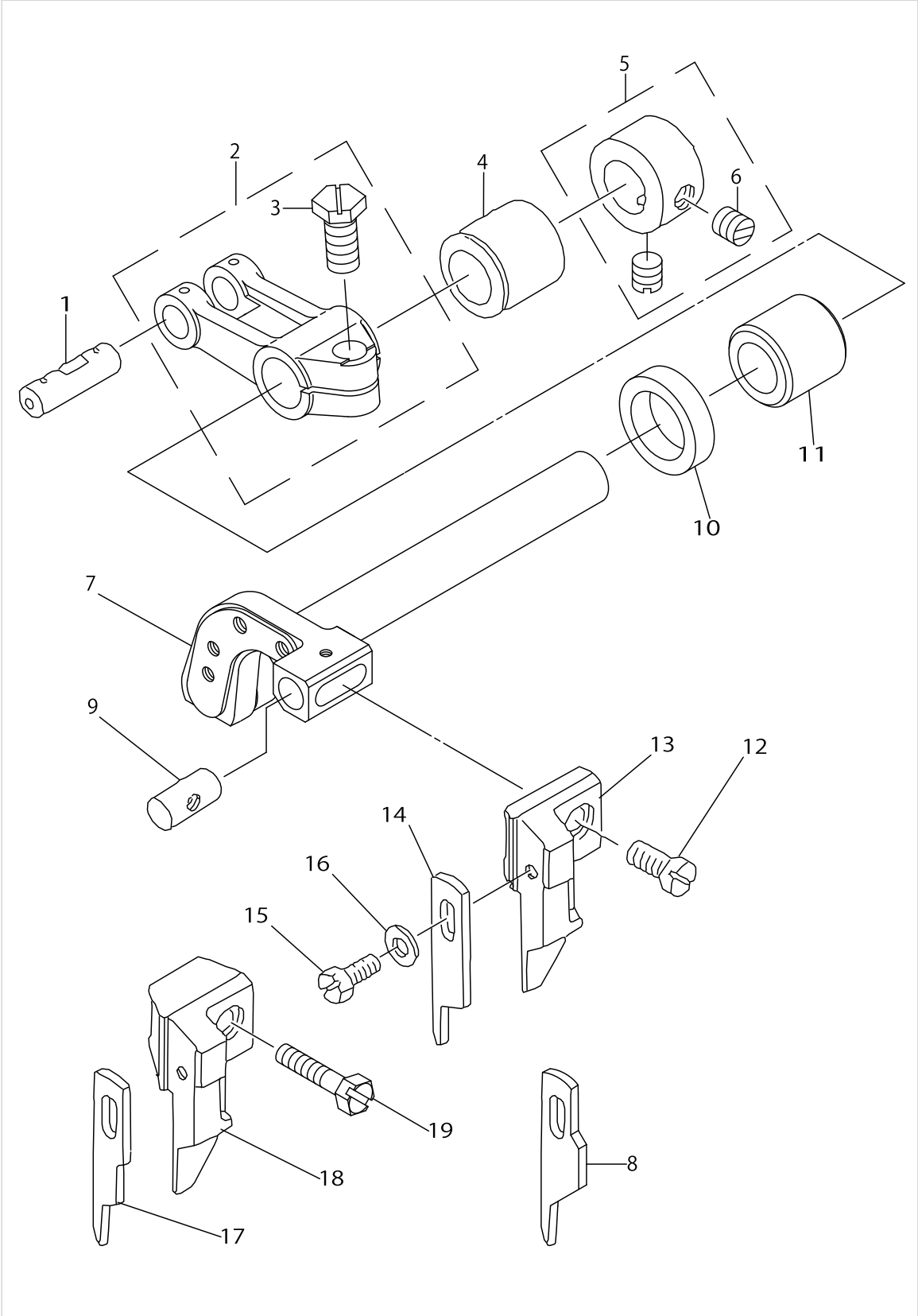
# THREAD TENSION COMPONENTS



THREAD TENSION COMPONENTS

No.	Supply Code	Parts No.	Replacement	Parts name	Remarks	Choice	Step	Level	Cons	Qty	Rep. QTY
46	D	12254504		THREAD TENSION DISK				*		2	
47	R	12254603	13138003	THREAD TENSION RUBBER				*		1	1.00
48		B3105804000		TENSION POST				*		1	
49	R	12254959	13138656	THREAD TENSION SPRING JUNCTION						1	1.00
50		11956802		THREAD TENSION KNOB, BLUE				*		1	
51		B3112704000		TENSION SPRING BUSHING				*		1	
52		B3103804000		TENSION SPRING, BLUE				*		1	
53	R	11957305	13137609	TENSION DISC PRESSER				*		1	1.00
54	R	B3120704000	13138102	THREAD TENSION SPRING FELT				*		1	1.00
55	D	12254504		THREAD TENSION DISK				*		2	
56	R	12254603	13138003	THREAD TENSION RUBBER				*		1	1.00
57		B3105804000		TENSION POST				*		1	
58	R	B3108704000	12285904	THREAD GUIDE						1	1.00
59		SS7110710SL		SCREW 11/64-40 L=7.0						1	

UPPER KNIFE COMPONENTS

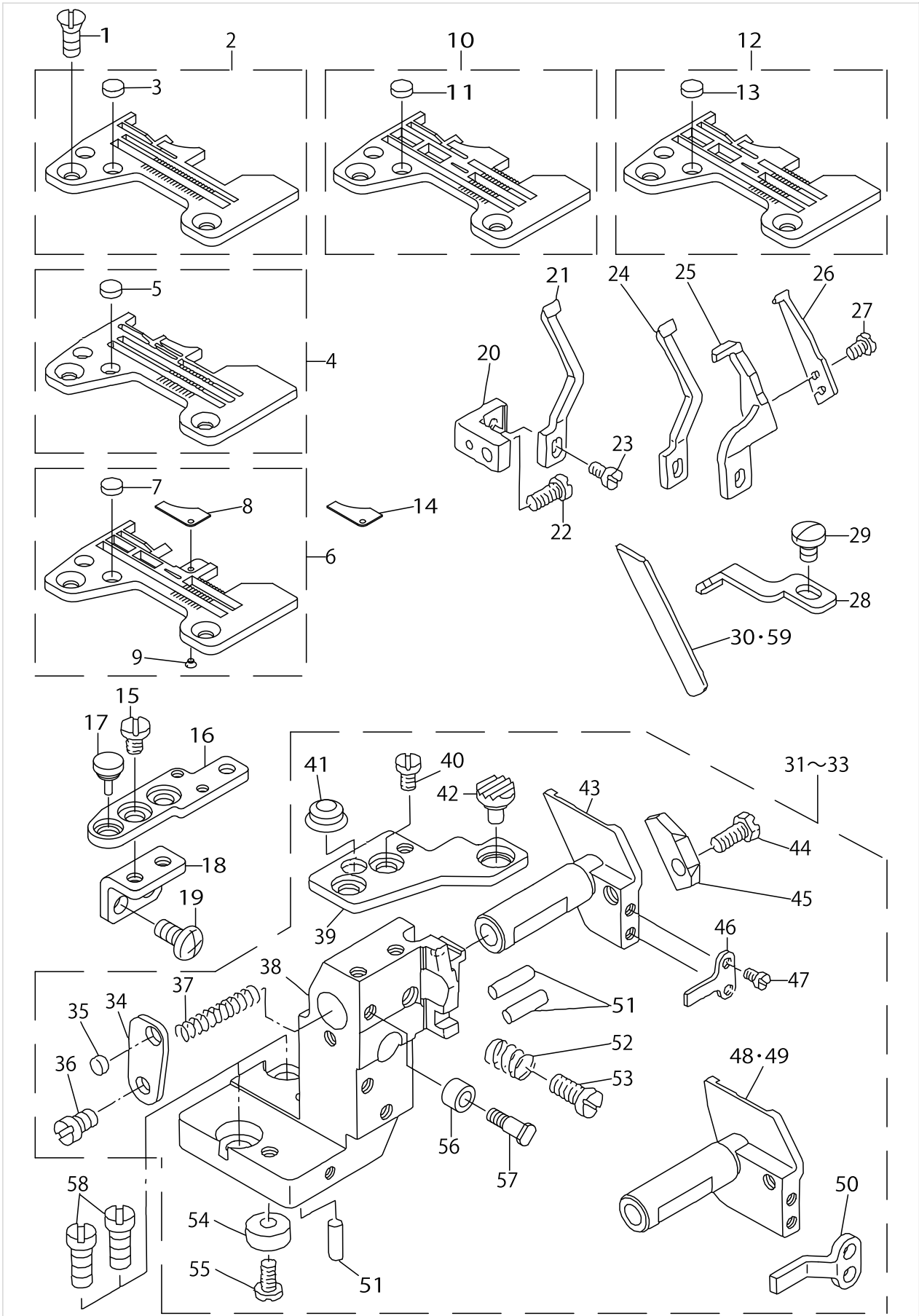


UPPER KNIFE COMPONENTS

No.	Supply Code	Parts No.	Replacement	Parts name	Remarks	Choice	Step	Level	Cons	Qty	Rep. QTY
1		11823804		CRANK PIN C	SELECTING PART FOR FIT TOLERANCE					1	
2		12132262		FEED FORKED ARM ASM.						1	
3		SM6061202TP		SCREW M6 L=12				*		1	
4	R	12132502	13151006	BUSHING, REAR						1	1.00
5		CS111101ESH		COLLAR ASM. D=11.11 W=10						1	
6		SS8660330SP		SCREW 1/4-40 L= 3.0				*		2	
7	R	12132304	13151303	KNIFE DRIVING ARM SHAFT						1	1.00
8		12004909		KNIFE	FOR MO-3716E-60K					1	
9	R	11565801	13150800	UPPER KNIFE GUIDE SHAFT						1	1.00
10		11566809		OIL SEAL						1	
11	R	12132403	13150909	BUSHING, FRONT						1	1.00
12		SS6111040SP		SCREW 11/64-40 L= 9.5	FOR MO-3-704E,MO-3714E					1	
13	R	12133302	13147400	UPPER KNIFE SUPPORT A	FOR MO-3-704E,MO-3714E					1	1.00
14		11845609		KNIFE	FOR MO-3-704E,MO-3714E					1	
15		SS9090813TP		SCREW 9/64-40 L=8						1	
16		WP0370316SD		WASHER 3.7X8X0.3						1	
17		11845708		KNIFE	FOR MO-3716E					1	
18	R	12133401	13147301	UPPER KNIFE SUPPORT	FOR MO-3716E					1	1.00
19		SS6111610SP		SCREW 11/64-40L=16	FOR MO-3716E					1	



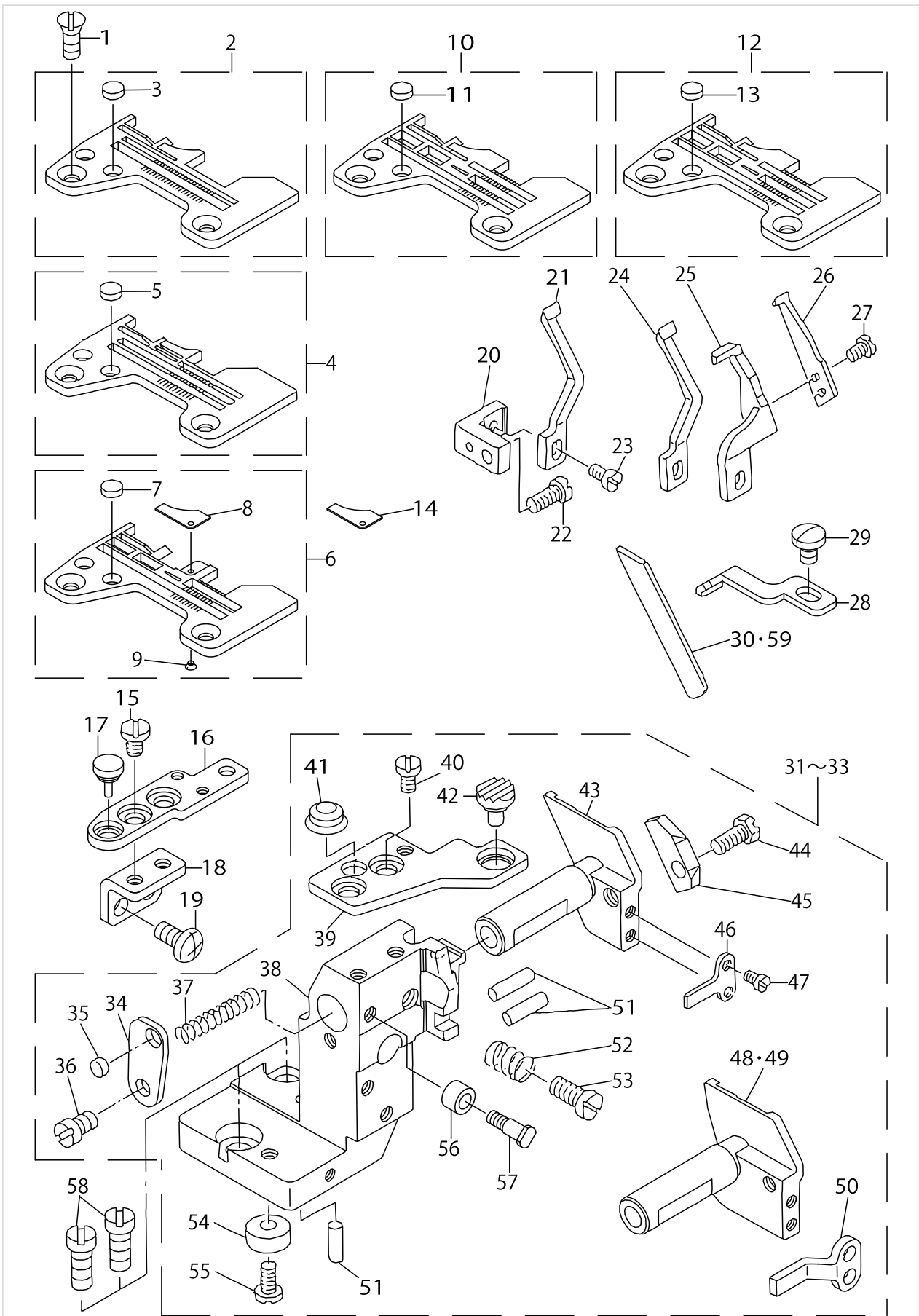
LOWER KNIFE COMPONENTS



LOWER KNIFE COMPONENTS

No.	Supply Code	Parts No.	Replacement	Parts name	Remarks	Choice	Step	Level	Cons	Qty	Rep. QTY
1		SS2110910SL		SCREW 11/64-40 L=9						2	
2	D	R4200J0EDA0		THROAT PLATE ASM.	FOR MO-3704E					1	
3	R	11806304	13102702	PLUG	FOR MO-3704E			*		2	1.00
4		R4305J0EEA0		THROAT PLATE ASM.	FOR MO-3714E					1	
5	R	11806304	13102702	PLUG	FOR MO-3714E			*		2	1.00
6		R4508J0EDAC		THROAT PLATE	FOR MO-3-716E-DE4-40K					1	
7	R	11806304	13102702	PLUG	FOR MO-3716E			*		2	1.00
8		12145207		THROAT PLATE CLICK				*		1	
9		SS1060210TP		SCREW 3/32-56 L=2.2				*		1	
10	R	R4612J0HKA0	R4612J6HK00	THROAT PLATE ASM.	FOR MO-3-716E-FH6-60K	A				1	1.00
10	R	R4612J0HKA0	13102702	THROAT PLATE ASM.	FOR MO-3-716E-FH6-60K	A				1	2.00
11	R	11806304	13102702	PLUG				*		1	1.00
12	D	R4612J0FGA0		THROAT PLATE ASM.	FOR MO-3-716E-FF6-50K					1	
13	R	11806304	13102702	PLUG				*		1	1.00
14	D	12145306		CLICK (H)	ACCESSORIES PART(H)					1	
15		SS6110610TP		SCREW 11/64-40 L=6						2	
16		11848603		THROAT PLATE BASE C						1	
17		11804606		RUBBER PLUG						1	
18		12288908		THROAT PLATE BASE B SUPPORT						1	
19		SM4051055SP		SCREW						2	
20		11847100		NEEDLE GUARD HOLDER						1	
21		11890100		NEEDLE GUARD	FOR MO-3704E					1	
22		SS7110840SP		SCREW 11/64-40 L=7.8						1	
23		SS7090610SP		SCREW 9/64-40 L=6						1	
24		11890308		NEEDLE GUARD	FOR MO-3714E					1	
25		12015301		NEEDLE HOLDER	FOR MO-3716E					1	
26		12015400		NEEDLE HOLDER	FOR MO-3716E					1	
27		SS7060510SP		SCREW 3/32-56 L=4.8	FOR MO-3716E					2	
28		12177903		NEEDLE HOLDER	FOR MO-3716E					1	
29		SS7090510SP		SCREW 9/64-40 L=4.6	FOR MO-3716E					1	
30		11846003		LOWER KNIFE						1	
31	R	12257259	12257267	LOWER KNIFE BRACKET	FOR MO-3-704E,MO-3714E					1	1.00
32		12257358		LOWER KNIFE BRACKET	FOR MO-3716E					1	
33		12257457		LOWER KNIFE BRACKET	FOR MO-3-716E-FH6-60K					1	
34	R	12133211	13149307	SPRING STOPPER				*		1	1.00
35	R	11806304	13102702	PLUG				*		1	1.00
36		SS7110720SP		SCREW 11/64-40 L=7				*		1	
37		11846607		SPRING				*		1	
38	R	12132619	13232657	LOWER KNIFE BRACKET				*		1	1.00
39		12102208		THROAT PLATE BASE A				*		1	
40		SS6110610TP		SCREW 11/64-40 L=6				*		2	
41		12103701		RUBBER PLUG B				*		1	
42	R	12103602	13235304	RUBBER PLUG A				*		1	1.00

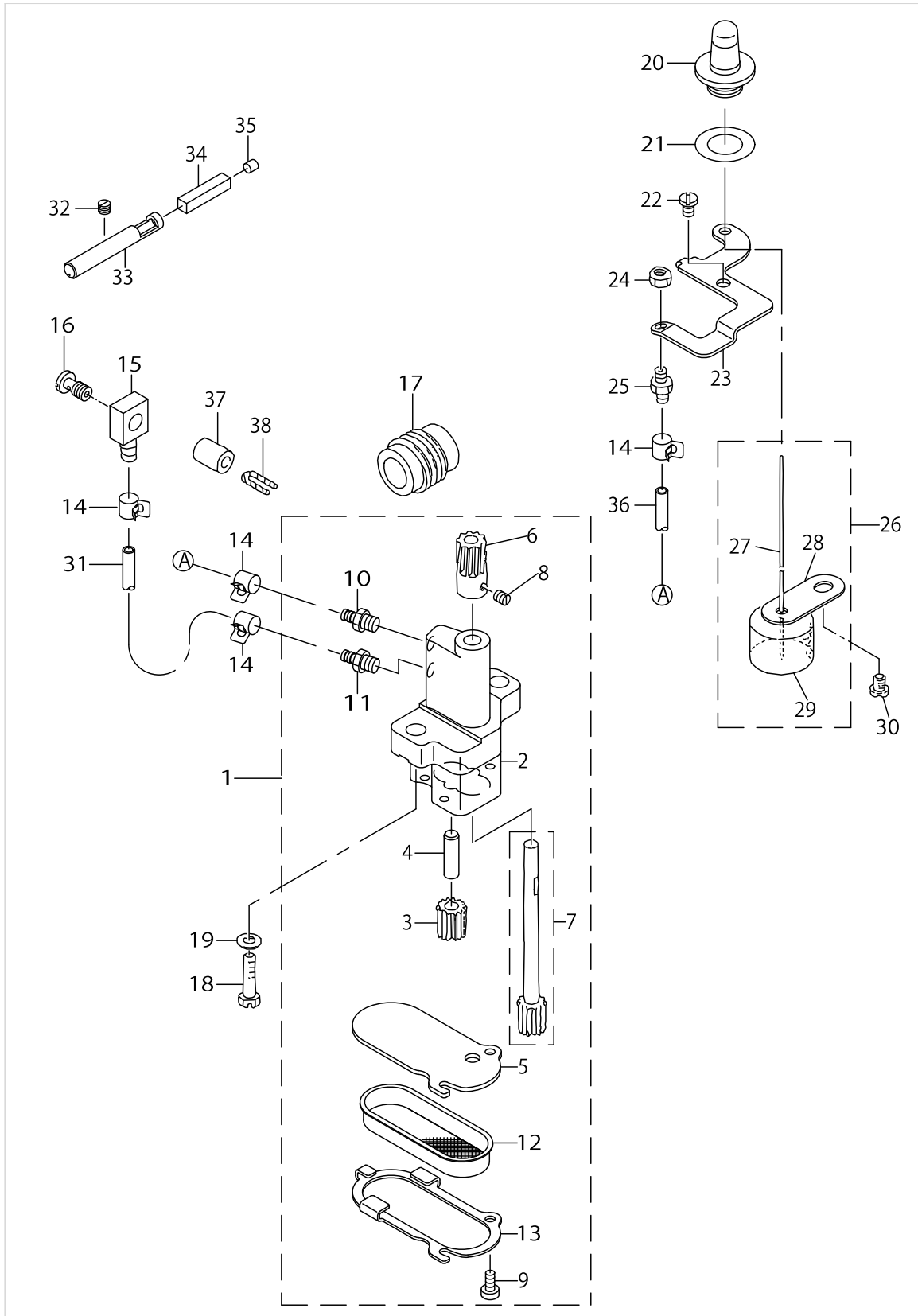
LOWER KNIFE COMPONENTS



LOWER KNIFE COMPONENTS

No.	Supply Code	Parts No.	Replacement	Parts name	Remarks	Choice	Step	Level	Cons	Qty	Rep. QTY
43	R	12132700	13149505	LOWER KNIFE SLIDE STUD	FOR MO-3-704E,MO-3714E			*		1	1.00
44		SS9111010SP		SCREW 11/64-40 L=9.5				*		1	
45	R	12133104	13149208	LOWER KNIFE PRESSER PLATE				*		1	1.00
46	R	12132908	13149703	ROTATING STOPPER	FOR MO-3-704E,MO-3714E			*		1	1.00
47		SS7090710SP		SCREW 9/64-40 L=6.8				*		2	
48	R	12132809	13149604	LOWER KNIFE SLIDE STUD	FOR MO-3716E			*		1	1.00
49	D	12133500		LOWER KNIFE SLIDE STUD	FOR MO-3-716E-FH6-60K			*		1	
50		12133005		ROTATING STOPPER	FOR MO-3716E			*		1	
51	R	12133708	12133666	HOLDER PIN		B	MO-3916, MOR-3916/3916E	*		3	1.00
51	R	12133708	12377586	HOLDER PIN		D	MOJ-3916, MOG-3716, MO-6916G/6916J	*		3	1.00
51	R	12133708	12377560	HOLDER PIN		F	MOJ-3904	*		3	1.00
51	R	12133708	12377552	HOLDER PIN		G	MOJ-3914, MOG-3704- /3714, MO- -6904G/6914G	*		3	1.00
51	R	12133708	13232657	HOLDER PIN		H	MO-6104D/6114D	*		3	1.00
51	R	12133708	13232756	HOLDER PIN		I	MO-6116D	*		3	1.00
51	R	12133708	13232657	HOLDER PIN				*		3	1.00
51	R	12133708	12257267	HOLDER PIN				*		3	1.00
52	D	B4115704000		SPRING				*		1	
53		SS7151120SP		SCREW 15/64-28L=11				*		1	
54	D	B2739761000		WASHER				*		1	
55		SS7110840SP		SCREW 11/64-40 L=7.8				*		1	
56		B4122804000		ROLLER				*		1	
57		B4123804000A		STOPPER ROLLER SHAFT				*		1	
58		SS6151440SP		SCREW 15/64-28L=14				*		2	
59		11566502		LOWER KNIFE	FOR MO-3-716E-FH6-60K			*		1	

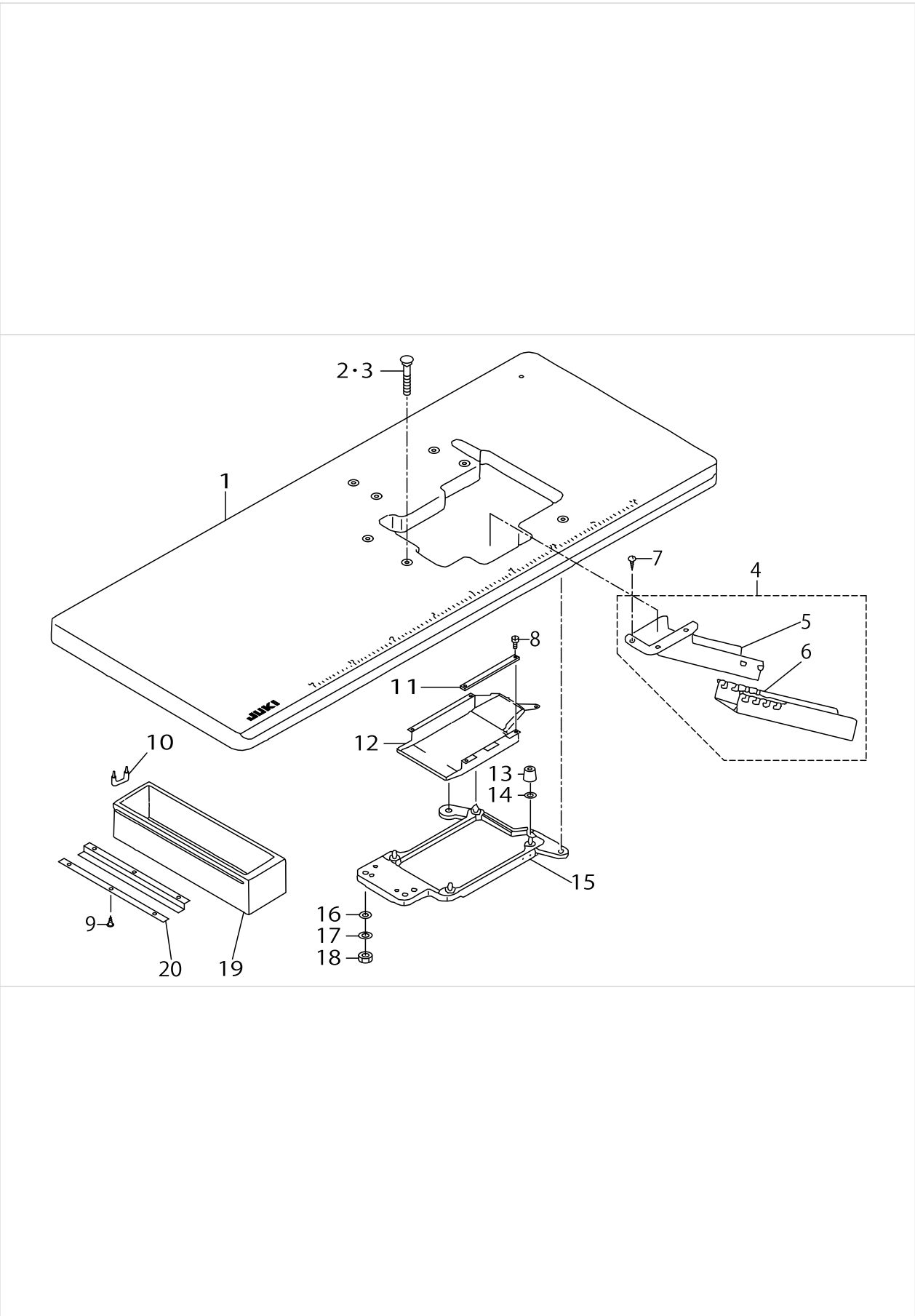
# LUBRICATION MECHANISM COMPONENTS



LUBRICATION MECHANISM COMPONENTS

No.	Supply Code	Parts No.	Replacement	Parts name	Remarks	Choice	Step	Level	Cons	Qty	Rep. QTY
1	D	12255550		OIL PUMP ASM.						1	
2		12255501		OIL PUMP				*		1	
3		11840303		OIL PUMP PINION				*		1	
4	D	11840402		GEAR PUMP SHAFT				*		1	
5	D	12255600		COVER				*		1	
6	R	11841707	13343009	WORM GEAR				*		1	1.00
7	D	11841855		OIL PUMP SHAFT LARGE ASM.				*		1	
8		SS8110410TP		SCREW 11/64-40 L= 3.5				*		2	
9		SS6090810SP		SCREW 9/64-40 L= 7.5				*		2	
10		SQ1150453MZ		CONNECTING SCREW				*		1	
11		SQ1150451MZ		CONNECTING SCREW				*		1	
12	D	12255709		PUMP NET				*		1	
13	D	12255808		PUMP NET SUPPORT				*		1	
14		12256004		OIL TUBE HOLDER						4	
15		SQ0000451MZ		CONNECTING SCREW						1	
16		SQ1150441SD		CONNECTING SCREW						1	
17	R	11840600	12129102	WORM						1	1.00
18		SS9152130CP		SCREW 15/64-28 L=20.5						2	
19		WP0651056SH		WASHER 6.5X11X1						2	
20	R	12130100	13143300	OIL GAUGE						1	1.00
21	D	12130209		RUBBER PACKING						1	
22		SS4120615SP		SCREW 3/16-28 L=6						2	
23		12255907		OILING EXIT SUPPORT						1	
24		NS6110310SP		NUT 11/64-40						1	
25		SQ1110451MZ		CONNECTING SCREW						1	
26	D	12129854		FLOAT ASM.						1	
27		12129904		OIL GAUGE BAR				*		1	
28		12130001		FLOAT SUPPORT				*		1	
29		12129805		FLOAT				*		1	
30		SS4150715SP		SCREW 15/64-28 L=7						1	
31		BP300000200		VINYL PIPE						.2	
32		SS8120410SP		SCREW 3/16-28 L=3.8						1	
33		12130308		OILING PIN						1	
34	R	12130407	13144209	OIL FELT						1	1.00
35		TA0400301M0		PLUG D=4X4.5 L=3						1	
36		BP300000200		VINYL PIPE						.3	
37	D	11834603		OIL SUPPLY BUSH						1	
38		CQ202000000		OIL WICK						.1	

SEMI-SUNKEN TYPE TABLE COMPONENTS

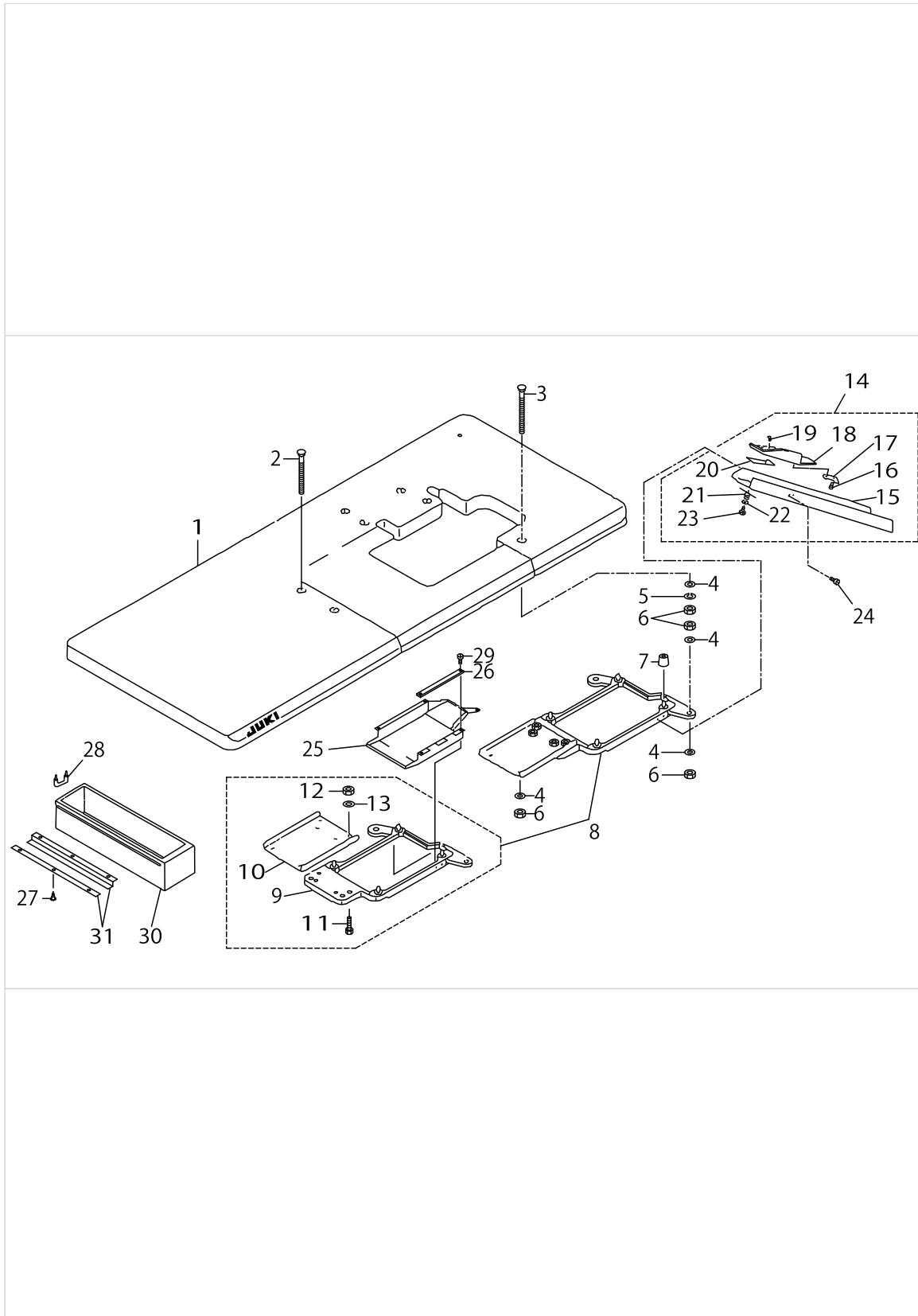


SEMI-SUNKEN TYPE TABLE COMPONENTS

No.	Supply Code	Parts No.	Replacement	Parts name	Remarks	Choice	Step	Level	Cons	Qty	Rep. QTY
1		11959400		TABLE (SEMI-SUNKEN)						1	
2	R	11966702	13155007	BOLT A	FOR JAPAN					4	1.00
3	R	11571601	MAS10704000	BOLT A	FOR EXPORT					4	1.00
4	D	11960150		CLOTH WASTE CHUTE ASM.(BENCH)						1	
5	D	11960101		CLOTH WASTE CHUTE,UPPER(BENCH)				*		1	
6	R	11960002	12341806	CLOTH WASTE CHUTE,LOWER(BENCH)				*		1	1.00
7		SK2351600SC		WOOD SCREW D=3.5 L=16						3	
8	R	SS6090630SP	SS6090630TP	SCREW 9/64-40 L=6						5	1.00
9	D	SK3311500SC		WOOD SCREW D=3.1 L=15						6	
10		D8204555D00		DRAWER STOPPER						1	
11	R	11850815	13161005	CASE SPONGE						1	1.00
12	R	11849411	13160908	COOLING FAN CASE						1	1.00
13	R	11571403	13155403	RUBBER CUSHION						4	1.00
14	R	11849601	13156500	SPACER						4	1.00
15	R	11849361	13161153	FRAME SUPPORT PLATE ASM.						1	1.00
16		WP1002036SE		WASHER 10X21X2						4	
17		WS1002560KR		SPRING WASHER 10X18X2.5						4	
18		NS6240630SE		NUT 3/8-18						4	
19	R	11155108	11155157	DRAWER						1	1.00
20		11155207		DRAWER SUPPORT						2	



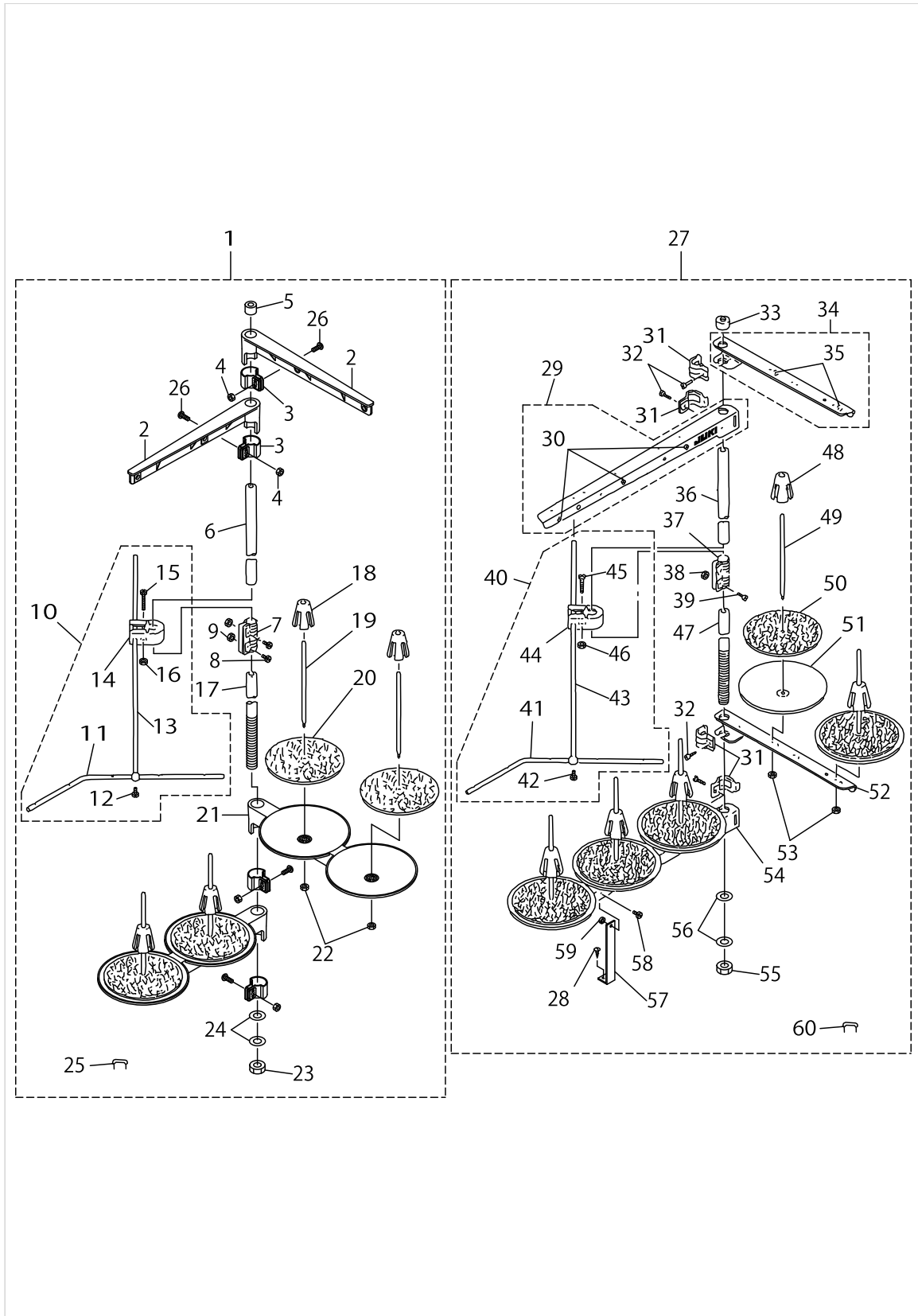
FULLY-SUNKEN TYPE TABLE COMPONENTS



FULLY-SUNKEN TYPE TABLE COMPONENTS

No.	Supply Code	Parts No.	Replacement	Parts name	Remarks	Choice	Step	Level	Cons	Qty	Rep. QTY
1		11959558		TABLE ASM.						1	
2	R	11571809	13155106	BOLT C						2	1.00
3	R	11571908	13155205	BOLT D						2	1.00
4		WP1002036SE		WASHER 10X21X2						12	
5		WS1002560KR		SPRING WASHER 10X18X2.5						4	
6		NS6240630SE		NUT 3/8-18						12	
7	R	11571403	13155403	RUBBER CUSHION						4	1.00
8		11849379		FRAME SUPPORT PLATE ASM.						1	
9	R	11849361	13161153	FRAME SUPPORT PLATE ASM.				*		1	1.00
10	R	11850906	13155304	FRAME SUPPORT A-UXILIARY PLATE				*		1	1.00
11		SM9082513CF		SCREW M8 L=25				*		4	
12		NM6080600SM		NUT M8				*		4	
13		WP0850002SC		WASHER 8.5X18X1.6				*		4	
14	R	11960259	13155858	CLOTH CHUTE ASM.						1	1.00
15	D	11960200		CLOTH WASTE CHUTE				*		1	
16		ST60308210A		SCREW D=3-24 L=8				*		2	
17		11850401		CLOTH WASTE CHUTE INLET LEVER				*		1	
18		11960309		CLOTH WASTE CHUTE HOLE				*		1	
19		SS6090420SP		SCREW 9/64-40 L=4.0				*		2	
20		11850609		RUBBER				*		1	
21		11850500		SPRING				*		1	
22		WP0370316SD		WASHER 3.7X8X0.3				*		1	
23		ST60308210A		SCREW D=3-24 L=8				*		1	
24		SS5110710SP		SCREW 11/64-40 L=7						2	
25	R	11849411	13160908	COOLING FAN CASE						1	1.00
26	R	11850815	13161005	CASE SPONGE						1	1.00
27	D	SK3311500SC		WOOD SCREW D=3.1 L=15						6	
28		D8204555D00		DRAWER STOPPER						1	
29	R	SS6090630SP	SS6090630TP	SCREW 9/64-40 L=6						5	1.00
30	R	11155108	11155157	DRAWER						1	1.00
31		11155207		DRAWER SUPPORT						2	

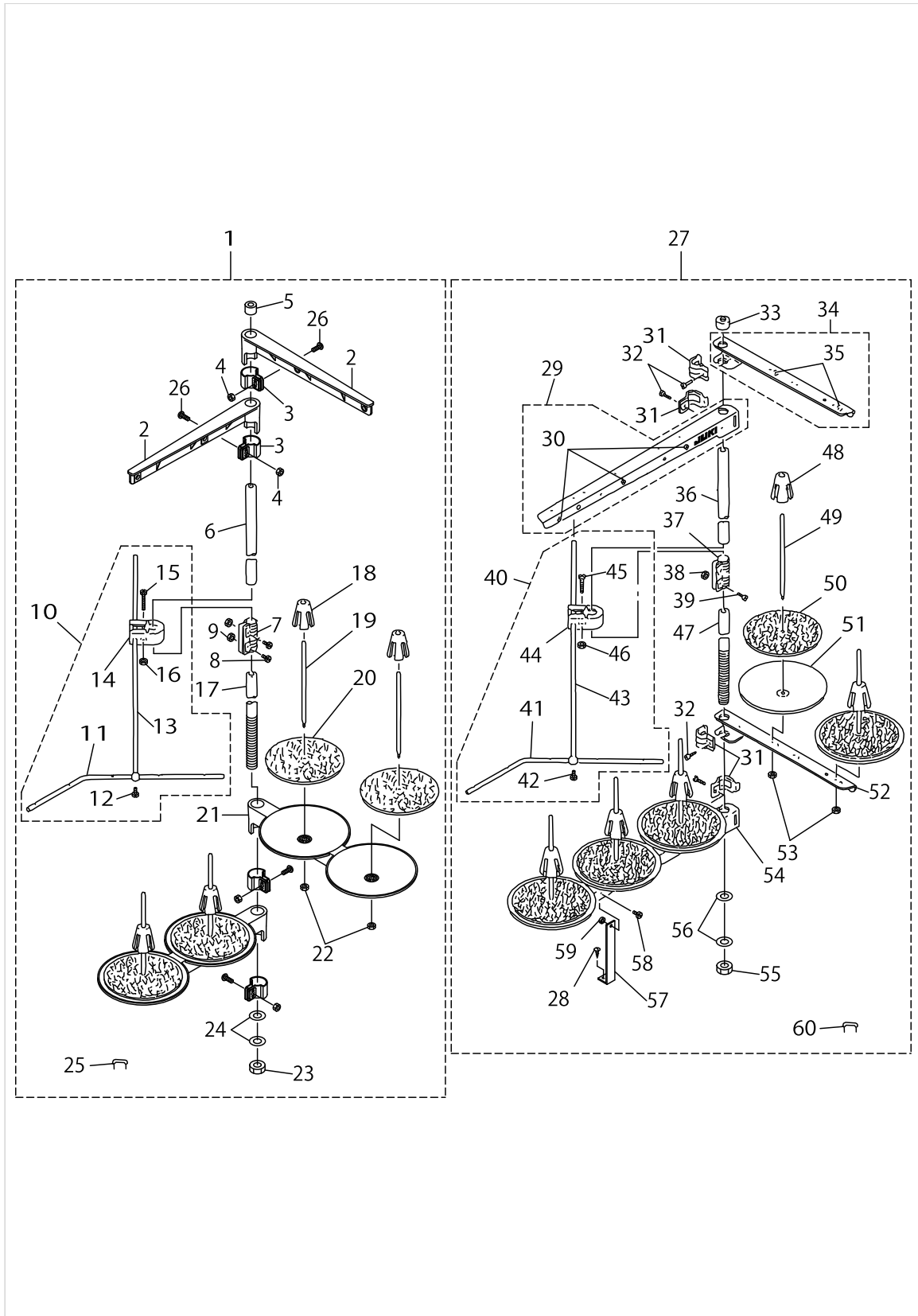
THREAD STAND COMPONENTS



THREAD STAND COMPONENTS

No.	Supply Code	Parts No.	Replacement	Parts name	Remarks	Choice	Step	Level	Cons	Qty	Rep. QTY
1	R	11969458	40106584	THREAD STANDING DEVICE ASM.	FOR MO-3-704E,MO-3714E					1	1.00
2	R	11185352	40096354	THREAD GUIDE ASM.				*		2	1.00
3	R	11185402	40096354	THREAD GUIDE ARM JOINT				*		4	1.00
4		NM6050001SE		NUT M5				*		4	
5	R	11184108	22931406	SPOOL REST ROD RUBBER CAP				*		1	1.00
6	R	11185204	40096354	SPOOL REST ROD,UPPER				*		1	1.00
7	R	B3305704000A	40096354	SPOOL REST ROD JOINT				*		1	1.00
8		SM4051405SE		SCREW M5 L=14				*		2	
9		NM6050001SE		NUT M5				*		2	
10	R	B33097040A0	26910059	THREAD GUIDE ARM ASM.				*		1	1.00
11	R	B3311804000	26910059	LOWER THREAD GUIDE				*		1	1.00
12		SS7110540SP		SCREW 11/64-40 L=5				*		1	
13	R	B3309704000	26910059	THREAD GUIDE ARM				*		1	1.00
14	D	B3304704000A		THREAD GUIDE ARM HOLDER				*		1	
15	D	SM6053000SE		SCREW M5X0.8 L=30				*		1	
16		NM6050001SE		NUT M5				*		1	
17	R	11185105	40096354	SPOOL REST ROD,LOWER				*		1	1.00
18	D	11185501		SPOOL RETAINER				*		4	
19	R	B3320704L00A	40085790	SPOOL PIN				*		4	1.00
20	D	B3311012000		SPOOL REST CUSHION				*		4	
21	D	11185006		SPOOL REST ARM				*		2	
22		NM6050001SE		NUT M5				*		4	
23	R	B3317704000	NM6160511SE	NUT				*		1	1.00
24		WP1702600S0		WASHER 17X30X2.6				*		2	
25		MA011532000		CORD STAPLE				*		3	
26		SM4051405SE		SCREW M5 L=14				*		4	
27	R	11969557	40106585	THREAD STANDING DEVICE ASM.	FOR MO-3716E					1	1.00
28		SK3382001SE		SCREW D=3.8 L=20				*		1	
29	D	11969565		SPOOL REST ARM A ASM.				*		1	
30	R	B3319704L00	22931208	THREAD GUIDE				*		3	1.00
31		B3318704L00A		THREAD GUIDE ARM JOINT				*		4	
32		SM6061610SC		SCREW M6 L=16				*		4	
33	R	B3311704000	22931406	SPOOL REST ROD CAP				*		1	1.00
34	D	11969466		THREAD GUIDE ARM B ASM.				*		1	
35	R	B3319704L00	22931208	THREAD GUIDE				*		2	1.00
36	R	11185204	40096354	SPOOL REST ROD,UPPER				*		1	1.00
37	R	B3305704000A	40096354	SPOOL REST ROD JOINT				*		1	1.00
38		NM6050001SE		NUT M5				*		2	
39		SM4051405SE		SCREW M5 L=14				*		2	
40	R	B33097040A0	26910059	THREAD GUIDE ARM ASM.				*		1	1.00
41	R	B3311804000	26910059	LOWER THREAD GUIDE				*		1	1.00
42		SS7110540SP		SCREW 11/64-40 L=5				*		1	
43	R	B3309704000	26910059	THREAD GUIDE ARM				*		1	1.00
44	D	B3304704000A		THREAD GUIDE ARM HOLDER				*		1	
45	D	SM6053000SE		SCREW M5X0.8 L=30				*		1	
46		NM6050001SE		NUT M5				*		1	

THREAD STAND COMPONENTS



THREAD STAND COMPONENTS

No.	Supply Code	Parts No.	Replacement	Parts name	Remarks	Choice	Step	Level	Cons	Qty	Rep. QTY
47	R	11185105	40096354	SPOOL REST ROD,LOWER				*		1	1.00
48	D	11185501		SPOOL RETAINER				*		5	
49	R	B3320704L00A	40085790	SPOOL PIN				*		5	1.00
50	D	B3311012000		SPOOL REST CUSHION				*		5	
51	R	11966504	22930804	SPOOL REST				*		5	1.00
52	D	11969409		THREADGUIDEARMB				*		1	
53		NM6050001SE		NUT M5				*		5	
54	R	11969508	13168802	SPOOL REST ARM A				*		1	1.00
55	R	B3317704000	NM6160511SE	NUT				*		1	1.00
56		WP1612616SE		WASHER 16X30X2.6				*		2	
57		B3321704L00		SPOOL REST ARM SUPPORT, A				*		1	
58		SM4061201SE		SCREW M6 L=12				*		1	
59		NM6060001SE		NUT M6				*		1	
60		MAO11532000		CORD STAPLE				*		3	

## HOW TO MAKE USE OF THIS PARTS LIST

1.As to "#01" and "#02" refer to the "Note" given at the bottom of the respective pages.

2.Codes on the "Qty" column

- Each numeral indicates the number of parts required.
- "0.1" and "2.5" indicate the length (in meters) of the respective parts.

3.Parentheses mean that the corresponding part is a subpart that constructs an assembly part.

4.Dotted lines on the Figures indicate assembly parts.

1. リストページの# 0 1、# 0 2の印は、ページ下の"注記"の説明を参照下さい。
2. 数量欄の数字は、個数を表し、0. 1、2. 5等の数値は、長さ（単位メートル）を表します。
3. 数量欄の（ ）は、組部品を構成している子部品であることを意味します。
4. イラストページの-----枠は、組構成であることを意味します。

# NUMERICAL INDEX OF PARTS

PART NO	PAGE	REF NO.	PART NO	PAGE	REF NO.	PART NO	PAGE	REF NO.
11155108	46	19	11819315	28	35	11833308	24	19
11155108	48	30	11819414	28	26	11833407	26	43
11155207	46	20	11819703	28	29	11833506	24	31
11155207	48	31	11820701	30	44	11833613	24	8
11184108	50	5	11823804	12	12	11834603	44	37
11185006	50	21	11823804	16	27	11840303	44	3
11185105	50	47	11823804	38	1	11840402	44	4
11185105	52	47	11824018	16	3	11840600	44	17
11185204	50	36	11824067	16	1	11841350	6	33
11185352	50	2	11824109	16	8	11841707	44	6
11185402	50	3	11824208	18	21	11841855	44	7
11185501	50	48	11824257	18	19	11842101	24	11
11185501	52	48	11824307	18	20	11842804	6	34
11501301	2	5	11824406	16	21	11845609	38	14
11503703	6	21	11824505	18	1	11845708	38	17
11503810	6	29	11824653	18	6	11846003	40	30-59
11503851	6	26	11824703	20	49	11846607	40	37
11503901	6	25	11824802	20	46	11847100	40	20
11510609	8	32	11824901	20	50	11848603	40	16
11529005	20	67	11825007	18	43	11849361	46	15
11529914	18	8	11825106	18	42	11849361	48	9
11530110	16	4	11825205	18	41	11849379	48	8
11539061	22	13	11825304	18	30	11849411	46	12
11550308	34	13	11825403	18	44	11849411	48	25
11550803	34	12	11825601	18	40	11849601	46	14
11550852	34	6	11825858	20	63	11850401	48	17
11565801	38	9	11826310	18	27	11850500	48	21
11566502	42	30-59	11826401	18	31	11850609	48	20
11566809	38	10	11827102	20	66	11850815	46	11
11571403	46	13	11827607	20	47	11850815	48	26
11571403	48	7	11827904	20	51	11850906	48	10
11571601	46	2-3	11828050	18	10	11872009	30	33
11571809	48	2	11828308	20	53	11872702	32	46
11571908	48	3	11828514	18	33	11873908	30	17
11650900	8	9	11828563	18	29	11874807	30	8
11802204	2	10	11828605	20	58	11880762	32	45
11803004	2	37	11829207	22	12	11882107	18	12
11804309	2	25	11829751	22	4	11882800	18	14
11804606	40	17	11829801	22	18	11887106	18	16
11805207	6	13	11831559	24	25	11887403	18	17
11806304	40	35	11831708	24	22	11890001	26	51
11810207	2	14	11831757	24	21	11890100	40	21
11811205	8	38	11831906	24	35	11890308	40	24
11819109	28	36	11833100	26	49	11894805	32	55
11819208	28	37	11833209	26	55	11899408	30	19



NUMERICAL INDEX OF PARTS

PART NO	PAGE	REF NO.	PART NO	PAGE	REF NO.	PART NO	PAGE	REF NO.
11899606	30	18	12101309	2	36	12111902	12	26
11899861	30	15	12101408	2	45	12112009	12	27
11930708	32	75	12101515	2	33	12112108	12	28
11948601	16	5	12101655	2	17	12112207	14	45
11949104	2	3	12101903	6	5	12112306	14	46
11949807	18	13	12102000	6	18	12112405	14	47
11949906	18	23	12102109	6	20	12112801	14	50
11951100	2	24	12102208	40	39	12113205	28	23
11956505	10	42	12102307	2	27	12113304	28	24
11956703	34	41	12102406	2	28	12113452	28	32
11956802	36	50	12103206	2	44	12113502	28	30
11956901	34	32	12103404	2	41	12114302	28	19
11957305	34	53	12103602	40	42	12114468	28	20
11957305	36	53	12103701	40	41	12114609	28	14
11959400	46	1	12104550	2	1	12114716	28	11
11959558	48	1	12104659	2	2	12114807	28	13
11960002	46	6	12104709	2	4	12114906	28	17
11960101	46	5	12104907	6	32	12115002	28	2
11960150	46	4	12107207	8	10	12115051	28	1
11960200	48	15	12107306	10	44	12115101	28	3
11960259	48	14	12107702	8	35	12115200	28	4
11960309	48	18	12107900	8	19	12115309	28	8
11966504	52	51	12108007	8	8	12115408	32	69
11966702	46	2-3	12108106	8	21	12115903	28	12
11969409	52	52	12108213	8	1	12116109	16	44
11969458	50	1	12108304	8	4	12116174	16	28
11969466	50	34	12108403	8	5	12116208	16	43
11969508	52	54	12109153	8	14	12116307	16	36
11969557	50	27	12109260	12	1	12116406	16	37
11969565	50	29	12109302	12	6	12116505	16	39
11991502	20	62	12109500	12	9	12116703	16	40
11991601	24	16	12109666	12	3	12117107	16	41
11991809	26	37	12109955	12	13	12117206	16	12
11991908	24	29	12110219	12	16	12117305	16	18
11992104	30	6	12110607	12	32	12118907	16	19
11992161	30	4	12110706	12	36	12120150	8	25
11999307	26	53	12110805	12	34	12120465	22	9
11999802	24	12	12110904	12	33	12120705	22	16
12004909	38	8	12111209	12	20	12120804	34	17
12015301	40	25	12111308	12	22	12120903	34	14
12015400	40	26	12111407	12	23	12121000	34	16
12100301	6	9	12111506	12	37	12121109	34	18
12100608	6	3	12111605	12	39	12121208	34	24
12100707	6	2	12111704	12	40	12121307	34	26
12101200	2	39	12111803	12	24	12121513	22	27

# NUMERICAL INDEX OF PARTS

PART NO	PAGE	REF NO.	PART NO	PAGE	REF NO.	PART NO	PAGE	REF NO.
12121554	22	26	12152963	30	30	12254603	36	56
12121612	22	21	12153763	32	56	12254751	34	40
12122008	22	24	12155560	32	70	12254850	34	31
12122362	8	23	12156907	32	57	12254959	36	49
12122404	24	5	12157319	32	71	12255501	44	2
12123360	8	24	12158002	30	31	12255550	44	1
12123410	24	17	12160305	30	35	12255600	44	5
12123550	26	56	12160909	30	32	12255709	44	12
12123659	26	45	12162202	32	63	12255808	44	13
12123808	26	41	12164000	32	74	12255907	44	23
12123907	26	39	12164802	32	59	12256004	44	14
12124004	24	32	12165908	32	72	12256707	2	30
12124400	8	28	12167409	32	62	12256806	14	51
12124509	8	29	12167508	32	67	12256905	14	52
12129805	44	29	12167607	32	64	12257002	14	53
12129854	44	26	12167706	32	68	12257259	40	31~33
12129904	44	27	12167805	32	60	12257358	40	31~33
12130001	44	28	12168407	32	73	12257457	40	31~33
12130100	44	20	12168506	32	76	12257507	14	55
12130209	44	21	12168605	32	77	12258505	22	17
12130308	44	33	12168803	32	78	12259008	22	20
12130407	44	34	12171104	20	71	12273108	24	9
12130704	26	61	12172805	18	24	12273207	24	10
12130803	26	60	12173704	20	72	12273355	24	7
12132155	8	11	12174207	20	73	12280103	8	37
12132262	38	2	12176103	24	28	12288908	40	18
12132304	38	7	12176202	24	30	B1140716000	2	11
12132403	38	11	12177903	40	28	B1211804000	8	31
12132502	38	4	12250205	6	8	B1212704000	8	17
12132619	40	38	12250304	6	1	B1215804000	8	6
12132700	42	43	12250403	6	7	B1414555000	18	35
12132809	42	48-49	12250502	2	19	B1508804000	30	7
12132908	42	46	12250601	2	23	B150880400B	30	34
12133005	42	50	12252508	8	30	B1510814000	30	20
12133104	42	45	12252805	12	7	B1511814000	30	36
12133211	40	34	12252904	14	54	B1513816000	32	61
12133302	38	13	12253050	12	15	B1514816000	32	65
12133401	38	18	12253100	12	17	B1528804000A	30	2
12133500	42	48-49	12253209	12	31	B1529804000	28	40
12133708	42	51	12253811	30	1	B1530804000	30	37
12145108	8	27	12254009	24	1	B1530816F00	32	47
12145207	40	8	12254405	34	29	B1531816000	32	48
12145306	40	14	12254504	34	55	B1532816000A	32	49
12147807	2	31	12254504	36	55	B1534804000	28	22
12150702	14	56	12254603	34	56	B1534816000	32	50

NUMERICAL INDEX OF PARTS

PART NO	PAGE	REF NO.	PART NO	PAGE	REF NO.	PART NO	PAGE	REF NO.
B1535816000	32	51	B3112704000	36	51	NM6050001SE	50	53
B1536816000	32	52	B3113352000	34	2	NM6050001SE	52	53
B1539804000	32	79	B3120125000	34	8	NM6060001SE	52	59
B1604704000	16	33	B3120352000	34	11	NM6060003SC	28	28
B1605704000	16	29	B3120704000	34	54	NM6080600SM	48	12
B1606704000	16	38	B3120704000	36	54	NS6090310SN	2	34
B16118040A0A	16	14	B3126012000	34	10	NS6110310SP	44	24
B1620804000	16	9	B3304704000A	50	44	NS6110420SP	2	12
B1624704000	18	9	B3305704000A	50	37	NS6110420SP	28	38
B1645704000A	20	60	B3309704000	50	43	NS6240630SE	46	18
B1646704000A	18	38	B33097040A0	50	40	NS6240630SE	48	6
B1647704000A	18	37	B3311012000	50	50	NS6620320SP	16	6
B1650704000	16	23	B3311012000	52	50	NS6680410SP	6	24
B1651704000	16	25	B3311704000	50	33	PS0200052KH	34	20
B1652704000	16	22	B3311804000	50	41	PS0250062KH	22	28
B1654704000	16	7	B3317704000	50	55	PS0300062KH	26	57
B165780400T	18	22	B3317704000	52	55	PS0300132KH	16	34
B2017372000	34	9	B3318704L00A	50	31	PS0300142KH	28	7
B2102816000A	22	6	B3319704L00	50	35	R4200J0EDA0	40	2
B2103816000B	22	2	B3320704L00A	50	49	R4305J0EEA0	40	4
B21038160A0	22	1	B3320704L00A	52	49	R4508J0EDAC	40	6
B2105816000	22	5	B3321704L00	52	57	R4612J0FGA0	40	12
B2107816000	16	10	B4115704000	42	52	R4612J0HKA0	40	10
B2111716000	22	11	B4122804000	42	56	RE0500000K0	18	26
B2119816B00	22	8	B4123804000A	42	57	RE0900000KP	20	64
B220181600B	34	21	BP300000200	44	36	RO037180100	18	3
B2202816000	34	22	BT0600402EA	14	48	RO037180100	26	38
B2314019000	34	7	CQ200000000	24	24	RO060150100	20	61
B2401816000	34	3	CQ202000000	24	63	RO074240100	6	27
B2402716000	34	4	CQ202000000	26	63	RO078190100	18	5
B2507804000B	24	4	CQ202000000	44	38	RO108240100	12	18
B2508704000	26	36	CQ252000000	12	14	RO110090100	28	18
B2525352000	22	25	CS040051ASD	2	8	RO347350100	8	34
B2530704000	26	47	CS095081ASH	16	16	RO480120100	20	52
B2531704000	22	29	CS103121ASH	24	13	SB110000300	8	7
B2531704000	26	58	CS111101ESH	38	5	SD0260271SP	16	32
B2739761000	42	54	CS1201010SH	12	10	SD0280401SL	12	35
B3013141H0A	6	17	D8204555D00	46	10	SD0600341TP	34	19
B3101804000	34	43	D8204555D00	48	28	SD0640241SP	28	6
B3102804000	34	34	MAO11532000	50	60	SD0720271SP	18	28
B3103804000	36	52	MAO11532000	52	60	SD0720803TH	22	7
B3105804000	34	57	MDC270B1100	12	44	SK2351600SC	46	7
B3105804000	36	57	MDC270B1100	14	44	SK3311500SC	46	9
B3108704000	36	58	MDC270B1600	14	57	SK3311500SC	48	27
B3112704000	34	51	MDC270B2100	12	8	SK3382001SE	50	28

NUMERICAL INDEX OF PARTS

PART NO	PAGE	REF NO.	PART NO	PAGE	REF NO.	PART NO	PAGE	REF NO.
SL4051231SC	20	69	SS4080610SP	22	23	SS6111040SP	38	12
SM0081001SD	6	28	SS4080610SP	30	27	SS6111440SP	2	13
SM1040801SC	2	20	SS4080620TP	8	20	SS6111610SP	38	19
SM1040801SC	6	11	SS4090415SP	34	28	SS6121020SP	28	25
SM4040655SP	2	42	SS4090515SP	20	65	SS6121220TP	16	11
SM4040655SP	26	42	SS4090615SP	24	20	SS6151440SP	42	58
SM4040855SP	2	26	SS4091015SP	2	16	SS6661110SP	20	59
SM4040855SP	6	10	SS4110515SP	12	21	SS7060310SP	18	39
SM4040855SP	8	3	SS4110515SP	34	25	SS7060310SP	26	62
SM4040855SP	12	29	SS4110715SP	28	10	SS7060510SP	20	48
SM4040855SP	18	2	SS4110715SP	34	30	SS7060510SP	40	27
SM4041055SP	2	40	SS4120615SP	2	18	SS7060610SP	24	18
SM4041055SP	20	56	SS4120615SP	44	22	SS7060610SP	30	41
SM4041401SC	16	24	SS4150715SP	44	30	SS7080510TP	32	54
SM4050855SP	34	1	SS4151215SP	6	6	SS7080520SP	30	42
SM4051055SP	6	4	SS5080212TP	8	22	SS7090510SP	40	29
SM4051055SP	8	36	SS5110710SP	6	15	SS7090530SP	2	43
SM4051055SP	40	19	SS5110710SP	48	24	SS7090610SP	2	22
SM4051405SE	50	39	SS5150510SP	34	5	SS7090610SP	40	23
SM4061201SE	52	58	SS6060210SP	30	38	SS7090611SL	6	19
SM6041002TP	20	54	SS6060340SP	32	66	SS7090620TP	18	45
SM6051202TP	16	2	SS6060410TP	30	80	SS7090710SP	42	47
SM6051202TP	18	34	SS6060410TP	32	80	SS7090850SP	26	50
SM6051202TP	22	14	SS6060440TP	26	52	SS7110510SP	2	29
SM6053000SE	50	45	SS6060440TP	30	39	SS7110510SP	28	5
SM6061002TP	16	15	SS6080320SP	16	42	SS7110540SP	50	42
SM6061200SP	24	6	SS6080340SP	28	9	SS7110710SL	36	59
SM6061200SP	28	27	SS6080410SP	18	32	SS7110720SP	40	36
SM6061202TP	12	4	SS6080410SP	24	34	SS7110720TP	22	3
SM6061202TP	38	3	SS6080720SP	12	30	SS7110810SP	16	35
SM6061610SC	50	32	SS6090420SP	48	19	SS7110840SP	8	16
SM8040402TP	28	15	SS6090620SP	20	57	SS7110840SP	24	46
SM8040612TP	12	19	SS6090620TP	22	19	SS7110840SP	26	46
SM9082513CF	48	11	SS6090620TP	26	54	SS7110840SP	40	55
SQ0000451MZ	44	15	SS6090630SP	26	48	SS7110840SP	42	55
SQ1110451MZ	44	25	SS6090630SP	46	8	SS7110910TP	16	20
SQ1150441SD	44	16	SS6090630SP	48	29	SS7111410SP	10	43
SQ1150451MZ	44	11	SS6090650SP	30	58	SS7111410SP	28	39
SQ1150453MZ	44	10	SS6090650SP	32	58	SS7111810TP	8	15
SS1060210TP	40	9	SS6090670TP	12	38	SS7151120SP	42	53
SS2090520SL	2	32	SS6090810SP	44	9	SS7161040SP	28	34
SS2110910SL	40	1	SS6110610TP	40	40	SS8080310TP	12	43
SS3090610SP	2	35	SS6110710TP	16	31	SS8080310TP	14	43
SS3090610SP	26	44	SS6110710TP	22	22	SS8080322TP	2	9
SS4080610SP	18	18	SS6110710TP	28	31	SS8090410SP	24	27

NUMERICAL INDEX OF PARTS

PART NO	PAGE	REF NO.	PART NO	PAGE	REF NO.
SS8090530TP	12	5	WP0850002SC	48	13
SS8110410TP	2	38	WP1002036SE	46	16
SS8110410TP	16	17	WP1002036SE	48	4
SS8110410TP	18	11	WP1612616SE	52	56
SS8110410TP	34	23	WP1702600S0	50	24
SS8110410TP	44	8	WS0822010KP	6	23
SS8110510SP	28	21	WS1002560KR	46	17
SS8110750SP	16	30	WS1002560KR	48	5
SS8120410SP	44	32	WZ0420350KP	2	7
SS8151150SP	8	39	WZ0640312K0	34	27
SS8660330SP	18	7	WZ0850302K0	6	16
SS8660330SP	38	6	WZ2640310KH	8	33
SS8660530TP	24	14			
SS8660610TP	12	11			
SS9090410TP	24	15			
SS9090813TP	38	15			
SS9111010SP	18	25			
SS9111010SP	42	44			
SS9111050SP	18	15			
SS9151210TP	6	12			
SS9151210TP	22	30			
SS9151210TP	24	59			
SS9151210TP	26	59			
SS9151210TP	28	33			
SS9152130CP	44	18			
SS9681610TP	8	41			
ST60308210A	48	23			
TA0400301M0	44	35			
TA0750704R0	6	30			
TA0800504R0	18	4			
TA0951301R0	14	49			
TA1030402R0	16	26			
TA1250406R0	4	46			
TA1701107R0	6	31			
TA1871602R0	6	14			
TA2050416R0	16	13			
WP0250516SD	30	43			
WP0370316SD	38	16			
WP0370316SD	48	22			
WP0371016SD	20	68			
WP0480856SP	20	55			
WP0621016SD	18	36			
WP0651056SH	44	19			
WP0751576SD	6	22			
WP0764016SP	8	40			