

MODEL : LH-3178/LH-3178-7

List No : 1047-08

# PARTS LIST

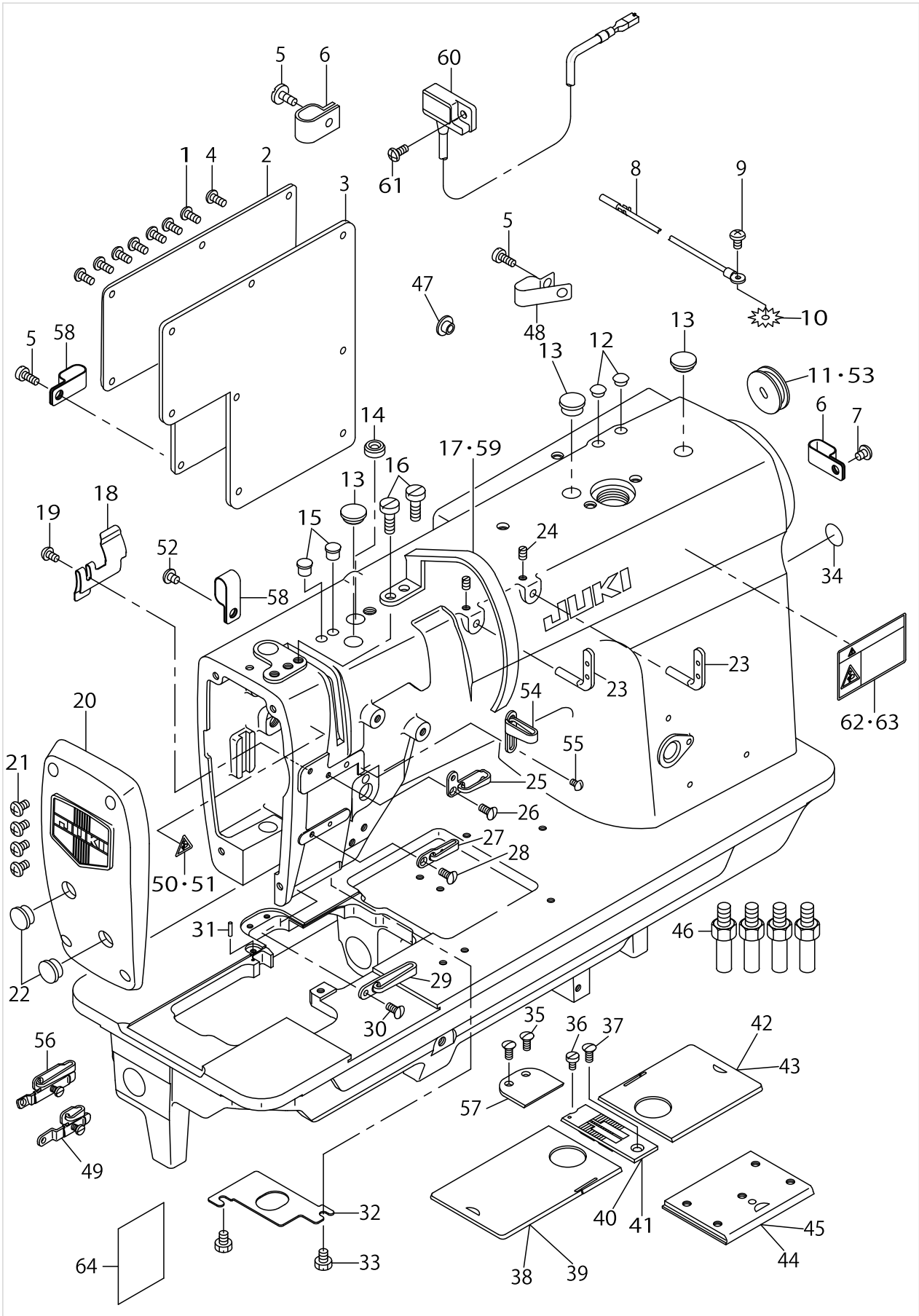
Published:05/12/2017

## CONTENTS

---

FRAME & MISCELLANEOUS COVER COMPONENTS .....	1
MAIN SHAFT, THREAD TAKE-UP & NEEDLE BAR COMPONENTS .....	5
TENSION POST COMPONENTS .....	9
HOOK & HOOK DRIVING SHAFT COMPONENTS .....	11
FEED MECHANISM COMPONENTS.....	17
PRESSER BAR & TENSION RELEASE COMPONENTS.....	21
THREAD TRIMMER MECHANISM COMPONENTS (FOR LH-3178-7).....	25
AUTOMATIC REVERSE FEED MECHANISM COMPONENTS (FOR LH-3178-7).....	29
WIPER MECHANISM COMPONENTS (FOR LH-3178-7).....	31
LUBRICATION COMPONENTS .....	33
BELT COVER & BOBBIN WINDER COMPONENTS .....	37
OIL RESERVOIR & KNEE LIFTER COMPONENTS.....	39
THREAD STAND COMPONENTS (1).....	41
THREAD STAND COMPONENTS (2) (FOR JH, JS) .....	43
TABLE OF EXCHANGING GAUGE PARTS (1).....	45
TABLE OF EXCHANGING GAUGE PARTS (2).....	49
TABLE OF EXCHANGING GAUGE PARTS (3).....	53
LIST FOR INFORMATION OF CHANGE.....	55
HOW TO MAKE USE OF THIS PARTS LIST .....	56

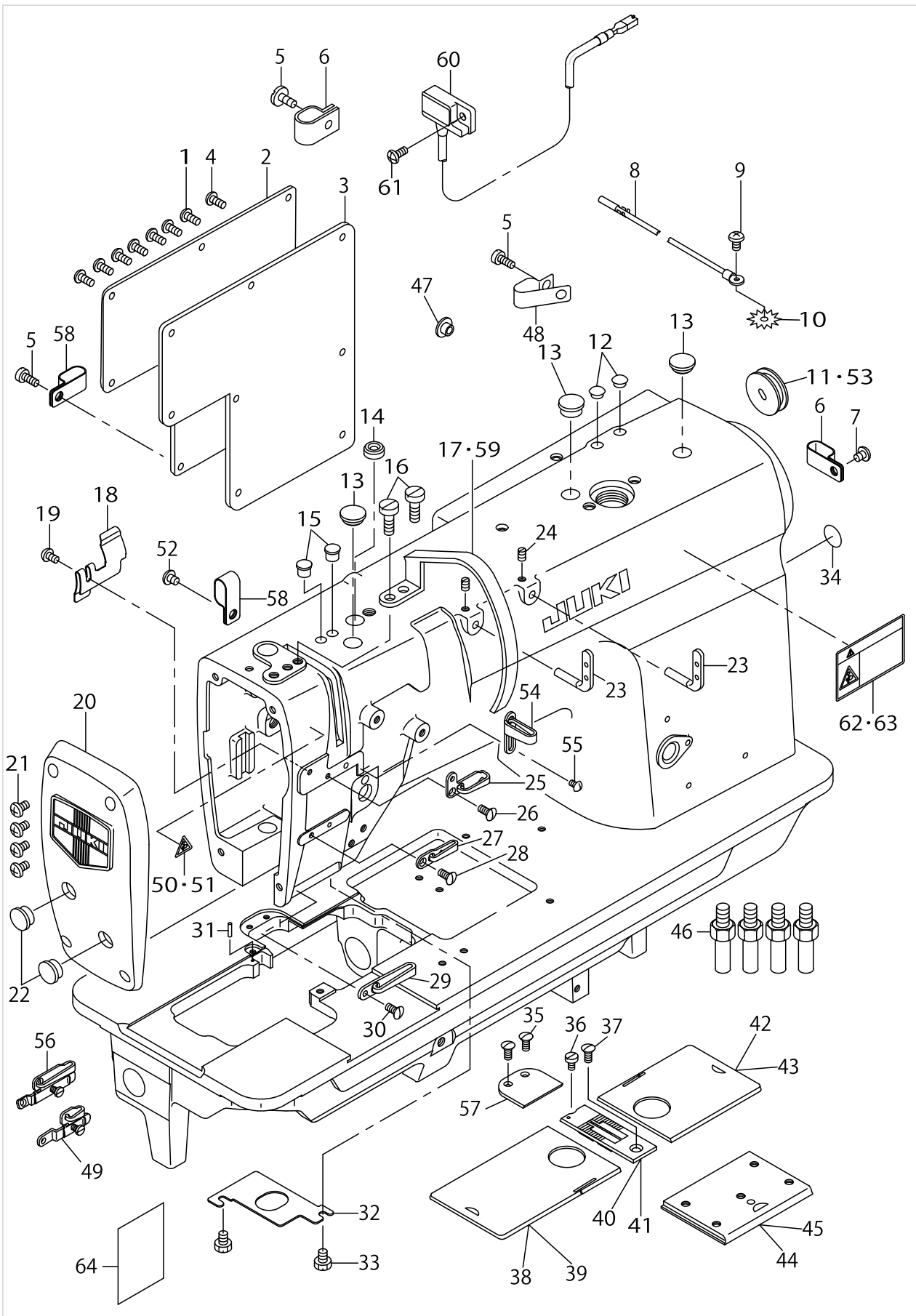
FRAME & MISCELLANEOUS COVER COMPONENTS



FRAME & MISCELLANEOUS COVER COMPONENTS

No.	Supply Code	Parts No.	Replacement	Parts name	Remarks	Choice	Step	Level	Cons	Qty	Rep. QTY
1		SS4110815SP		SCREW 11/64-40 L=8						5	
2		10602902		SLIDE PLATE						1	
3		10101004		GASKET						1	
4		SS4110815SP		SCREW 11/64-40 L=8	FOR LH-3178					3	
5		SS6111140SP		SCREW 11/64-40 L=11	FOR LH-3178-7					3	
6		D2112555B00		CORD HOLDER, LARGE	FOR LH-3178-7					2	
7		SS4120615SP		SCREW 3/16-28 L=6	FOR LH-3178-7					1	
8		22951552		GROUND WIRE ASM.	FOR LH-3178-7					1	
9		SS4120615SP		SCREW 3/16-28 L=6	FOR LH-3178-7					1	
10		WT0530002KS		TOOTHED WASHER D=5.3	FOR LH-3178-7					1	
11		22657803		RUBBER PLUG	FOR LH-3178-7					1	
12		TA0750404R0		PLUG D=7.5 L=3.5	FOR LH-3178					2	
13		TA1250406R0		RUBBER PLUG D=12.5 L=4						3	
14		22620900		CAP						1	
15		TA0750704R0		RUBBER PLUG						2	
16		SS4150915SP		SCREW 15/64-28 L=9						2	
17		22810105		THREAD TAKE-UP LEVER OIL GUARD	EXCEPT USE IN JAPAN & JE					1	
18		23204803		LUBRICATING GUIDE						1	
19		SS3090610SP		SCREW 9/64-40 L=6						1	
20		22602254		FACE PLATE ASM.						1	
21		SS4121015SP		SCREW 3/16-28 L=10						4	
22		TA1250406R0		RUBBER PLUG D=12.5 L=4						2	
23		22920706		TWO EYELET						2	
24		SS8120740SP		SCREW 3/16-28 L=7						2	
25	D	22811400		THREAD GUIDE(UPPER), LEFT						1	
26		SS2090710TP		SCREW 9/64-40 L=7.2						1	
27		22603112		THREAD GUIDE						1	
28		SS2090710TP		SCREW 9/64-40 L=7.2						1	
29	R	22603203	SS2090810SP	THREAD GUIDE(LOWER)	FOR LH-3178	A				1	1.00
29	R	22603203	40084142	THREAD GUIDE(LOWER)	FOR LH-3178	A				1	1.00
30		SS2090710TP		SCREW 9/64-40 L=7.2						1	
31		B1104051000		THROAT PLATE PIN						1	
32		22602304		PLATE						1	
33		SS9110460CP		SCREW 11/64-40 L=4						2	
34		22901805		GROUND MARK						1	
35		SS2090710TP		SCREW 9/64-40 L=7.2						2	
36	R	SS6090630SP	SS6090630TP	SCREW 9/64-40 L=6						1	1.00
37		SS2110920TP		SCREW 11/64-40 L=8.5						1	
38		22601058		BED SLIDE LEFT, ASM., A	SELECTIVE PARTS FOR LH-3178					1	
39		22650857		BED SLIDE LEFT, ASM., A	SELECTIVE PARTS FOR LH-3178-7					1	
40		22625503		THROAT PLATE 1/4	EXCHANGING GAUGE PARTS FOR LH-3178(S-EEP.25~29)					1	

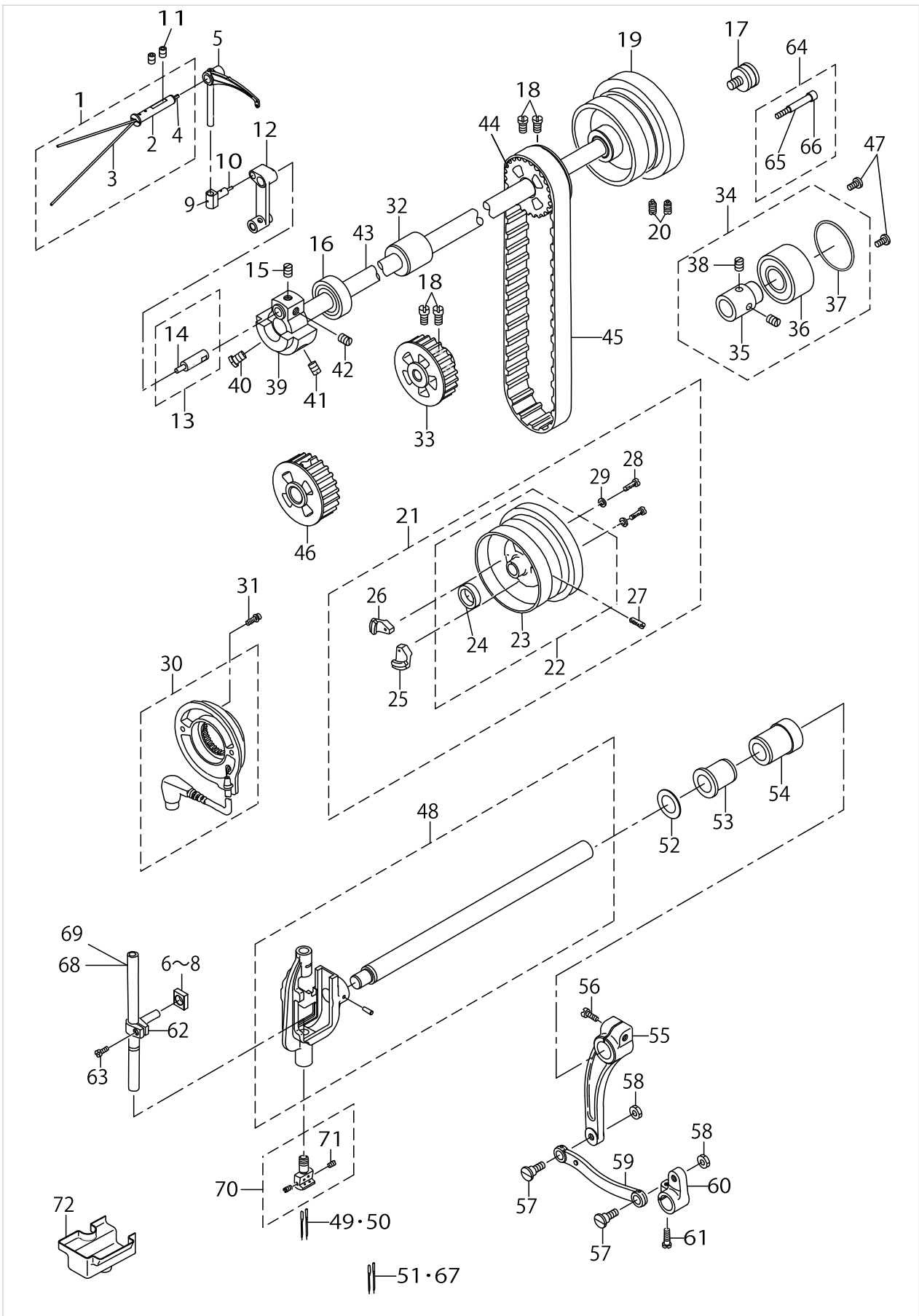
FRAME & MISCELLANEOUS COVER COMPONENTS



FRAME & MISCELLANEOUS COVER COMPONENTS

No.	Supply Code	Parts No.	Replacement	Parts name	Remarks	Choice	Step	Level	Cons	Qty	Rep. QTY
41		22660609		THROAT PLATE 1/4	EXCHANGING GAUGE PARTS FOR LH-3178-7- (SEE P.25~29)					1	
42		22600555		BED SLIDE RIGHT, ASM., A	SELECTIVE PARTS FOR LH-3178					1	
43		22650352		BED SLIDE RIGHT, ASM., A	SELECTIVE PARTS FOR LH-3178-7					1	
44		22650055		BED SLIDE ASM.	FOR LH-3178					1	
45		22650055		BED SLIDE ASM.	FOR LH-3178-7					1	
46		22602601		BED SCREW STUD						4	
47		TA1250406R0		RUBBER PLUG D=12.5 L=4						1	
48		D2112555B00		CORD HOLDER, LARGE	FOR LH-3-178-7-WB, -WO, -OB					1	
49		22651459		THREAD GUIDE ASM., E						1	
50		CM3002000B1		LABEL(16)	FOR USE IN JAPAN					1	
51		CM300200001		ATTENTION SEAL	FOR JE					1	
52		SS4120615SP		SCREW 3/16-28 L=6	FOR LH-3-178-7-WB, -WO, -OB					1	
53		22619100		CAP	FOR LH-3178					1	
54		22811301		THREAD GUIDE(UPPER), RIGHT						1	
55		SS3090610SP		SCREW 9/64-40 L=6						1	
56		22811558		THREADGUIDEFASM.	OPTIONAL PARTS					1	
57		22651202		AUXILIARY COVER						1	
58		D2112555B00		CORD HOLDER, LARGE	FOR LH-3-178-7-WB, -WO, -OB					2	
59		22818009		BALANCE COVER(FOR JE)	FOR USE IN JAPAN ,JE					1	
60		M6043350AAA		RESISTANCE PACK ASM.,AA	FOR LH-3178-7					1	
61		SS4111015SP		SCREW 11/64-40L=10	FOR LH-3178-7					1	
62		CM3002001A1		SAFETY LABEL,,3 (SMALL).	EXCEPT USE IN JAPAN & JE					1	
63		CM300200101		SAFETY LABEL, 1(SMALL).	FOR USE IN JAPAN					1	
64		40021415		INSTRUCTION MANUAL(SUPPLEMENT)	FOR CHINA					1	

MAIN SHAFT, THREAD TAKE-UP & NEEDLE BAR COMPONENTS

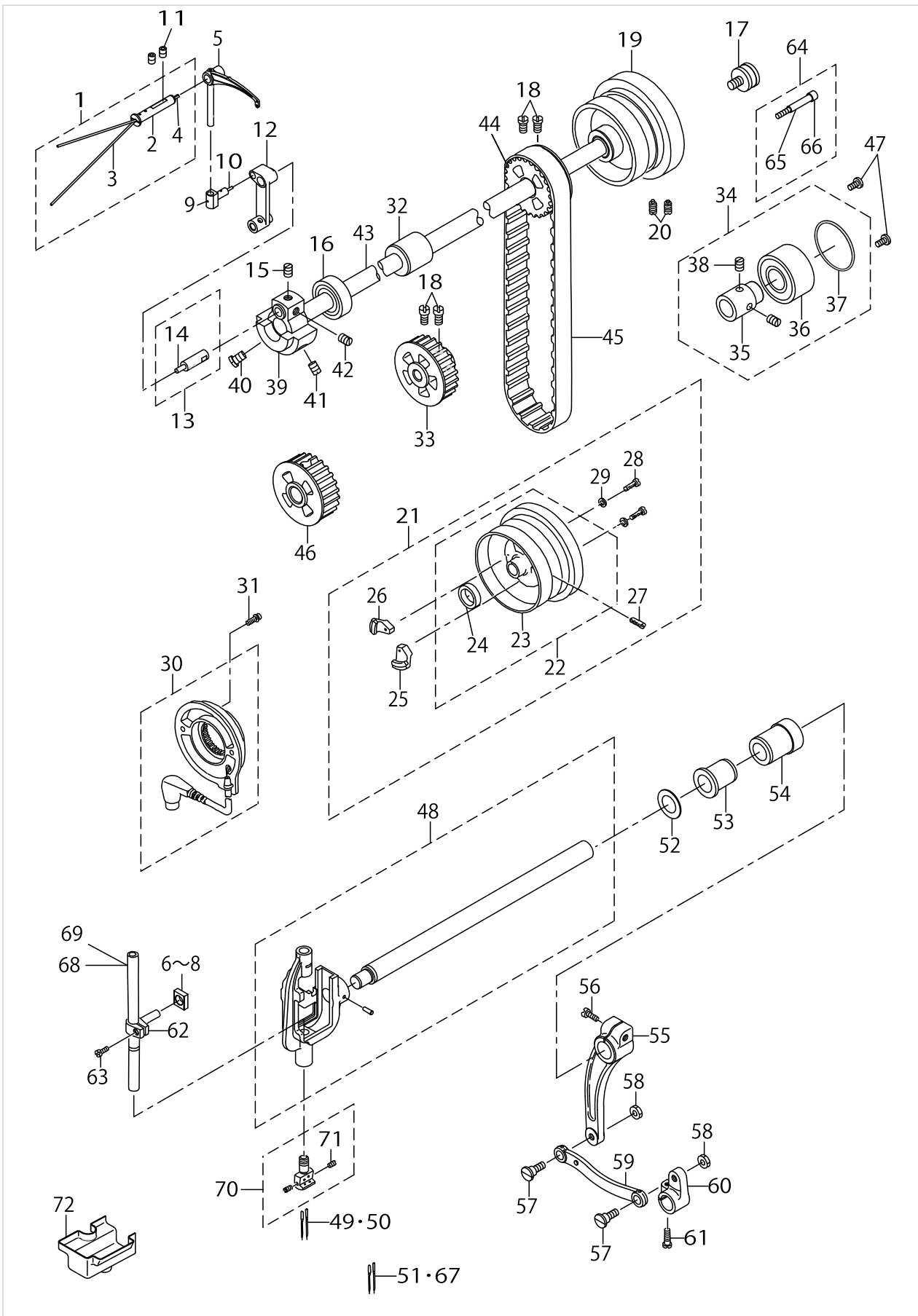


MAIN SHAFT, THREAD TAKE-UP & NEEDLE BAR COMPONENTS

No.	Supply Code	Parts No.	Replacement	Parts name	Remarks	Choice	Step	Level	Cons	Qty	Rep. QTY
1		22605356		THREAD TAKE-UP LEVER PIN ASM.						1	
2		22605307		THREAD TAKE-UP LEVER PIN				*		1	
3		CQ202000000		OIL WICK				*		0.4	
4		CQ252000000		OIL WICK				*		0.04	
5		23204001		THREAD TAKE-UP LEVER D						1	
6		23204506		ROCKING ROD SQUARE BLOCK A						1	
7		23204605		ROCKING ROD SQUARE BLOCK B						1	
8		23204704		ROCKING ROD SQUARE BLOCK C						1	
9		22605406		TAKE-UP LEVER THRUST PIN						1	
10		CQ252000000		OIL WICK						.03	
11		SS8150822TP		SCREW 15/64-28 L=8						2	
12		23204308		NEEDLE BAR CRANK ROD						1	
13		22680656		NEEDLE BAR CRANK PIN ASM.						1	
14		CQ505000000		OIL WICK				*		0.03	
15		SS8680540SP		SCREW 9/32-28 L=4.5						1	
16		B1202512000		MAIN SHAFT BUSHING, FRONT						1	
17		22622401		SYNCRO FRNGE	OPTIONAL PARTS					1	
18		SS6661110SP		SCREW 1/4-40 L=11						4	
19		22604508		HAND WHEEL	FOR LH-3178					1	
20		SS8151550SP		SCREW 15/64-28 L=15	FOR LH-3178					2	
21		22651566		HAND WHEEL ASM.	FOR LH-3178-7					1	
22		22651558		HAND WHEEL				*		1	
23	D	22651509		HAND WHEEL				*		1	
24		M4002110000		GENERATOR ROTOR				*		1	
25		M40071100AA		MAGNET FITTING BASE A ASM.				*		1	
26		M40071100AB		MAGNET FITTING BASE B ASM.				*		1	
27		SS8151550SP		SCREW 15/64-28 L=15				*		2	
28		SS6111210SP		SCREW 11/64-40 L=12				*		2	
29		WP0450801SD		WASHER 4.5X10X0.8				*		2	
30		22937965		DYNAMO STATOR	FOR LH-3178-7					1	
31		10604809		SCREW	FOR LH-3178-7					2	
32		22603906		UPPER SHAFT INNER METAL						1	
33		22623201		SPROCKET WHEEL	FOR LH-3178					1	
34		22604656		THRUST COLLAR ASM.						1	
35		22604607		THRUST COLLAR				*		1	
36		SB120000100		BEARING D=20X47				*		1	
37		RO437200200		RUBBER RING				*		1	
38		SS8660530TP		SCREW 1/4-40 L= 4.5				*		2	
39	D	22604409		COUNTERWEIGHT						1	
40		SS7681750TP		SCREW 9/32-28 L=16.5						1	
41		SS8681650TP		SCREW 9/32-28 L=16						1	
42		SS8680810TP		SCREW 9/32-28 L=8.0						1	
43		22604003		MAIN SHAFT						1	
44		22604904		UPPER SPROCKET						1	
45		22604300		TIMING BELT						1	
46		22651608		SPROCKET WHEEL	FOR LH-3178-7					1	



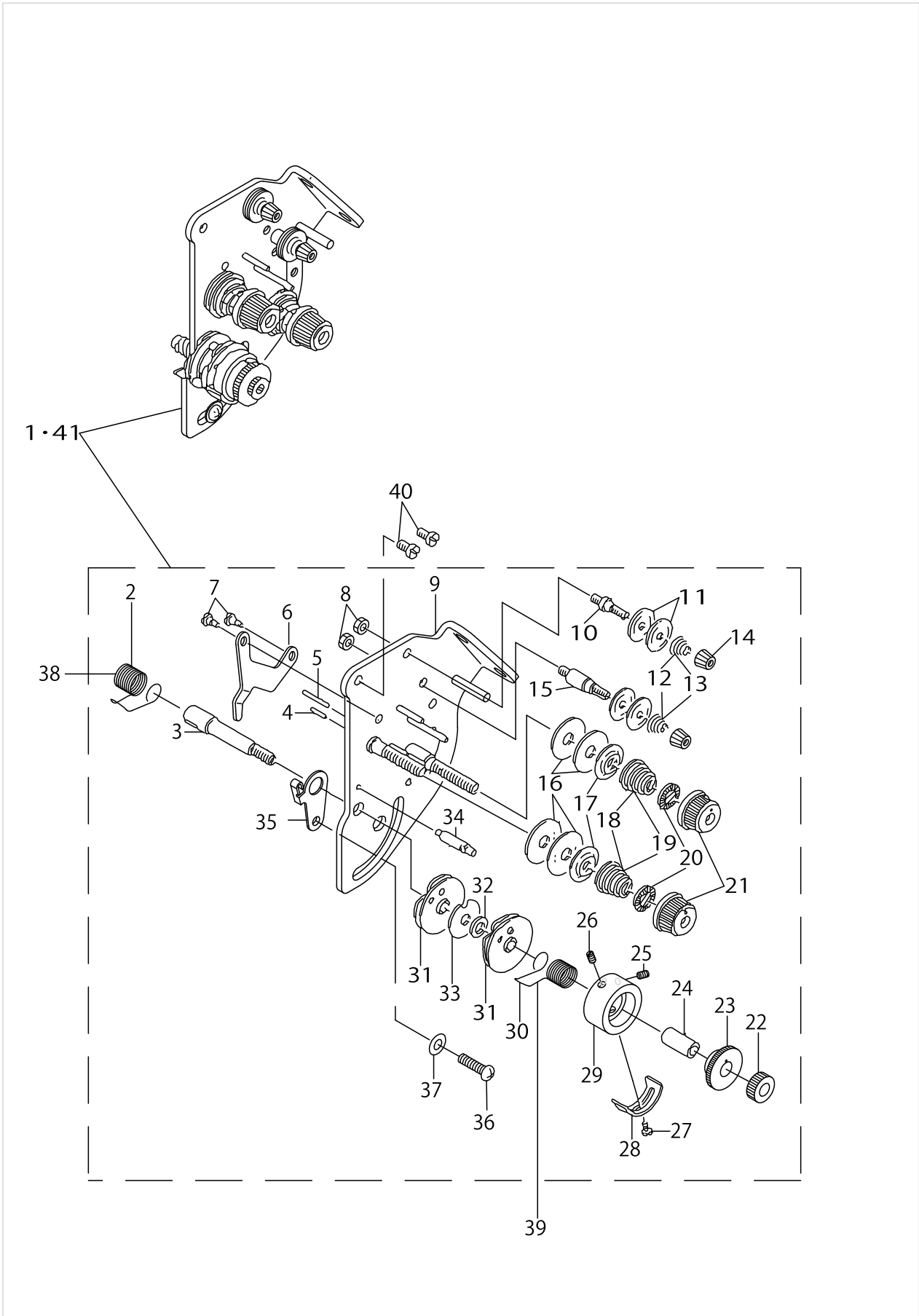
MAIN SHAFT, THREAD TAKE-UP & NEEDLE BAR COMPONENTS



MAIN SHAFT, THREAD TAKE-UP & NEEDLE BAR COMPONENTS

No.	Supply Code	Parts No.	Replacement	Parts name	Remarks	Choice	Step	Level	Cons	Qty	Rep. QTY
47		SS7120760SP		SCREW 3/16-28 L=7.0						2	
48		23204258		NEEDLE BAR FRAME ASM.						1	
49		MC200501300		NEEDLE 134 NM130	FOR THE DESTINATION					2	
50		MDP500B2100		NEEDLE DPX5 #21	FOR TYPE G					2	
51		MC200500900		NEEDLE 134 90	FOR THE DESTINATION					2	
52		B1438512B00		WASHER 17.1X28X1.5	SELECTIVE PARTS					1	
53		22607303		BUSHING						1	
54		22607402		BUSHING						1	
55		22607006		REAR ARM						1	
56		SS6152440SP		SCREW 15/64-28 L=23.5						1	
57		SD0870601SP		HINGE SCREW D= 8.73 H= 6.0						2	
58		NS6150430SP		NUT 15/64-28						2	
59		22607105		DRIVING ROD						1	
60	R	22607204	22607253	DRIVING ARM						1	1.00
61		SS6121610TP		SCREW 3/16-28 L=15.5						1	
62	D	10104800		NEEDLE BAR CONNECTION						1	
63	R	SS7090910SP	SS7090910TP	SCREW 9/64-40 L=8.5						1	1.00
64		22622351		SENSOR SUPPORT SHAFT ASM.	OPTIONAL PARTS					1	
65		22622302		SENSOR SUPPORT SHAFT				*		1	
66		BT0630520Z0		HOLDER COVER				*		0.01	
67		MDP500B1400		NEEDLE DPX5 #14	FOR TYPE S					2	
68	D	22606008		NEEDLE BAR	FOR LH-3178					1	
69	D	22651905		NEEDLE BAR	FOR LH-3178-7					1	
70		10148054		NEEDLE CLAMP ASM. 1/4	EXCHANGI- NG GAUGE PARTS FOR LH-3178(S- EE P.25~2- 9) (ORDER FOR NEED- LE CLAMP ONLY CAN- NOT BE A- CCEPTED)					1	
71		SS8080660TP		SCREW 1/8-44 L=5.5				*		2	
72	D	22606800		OIL GUARD RUBBER						1	

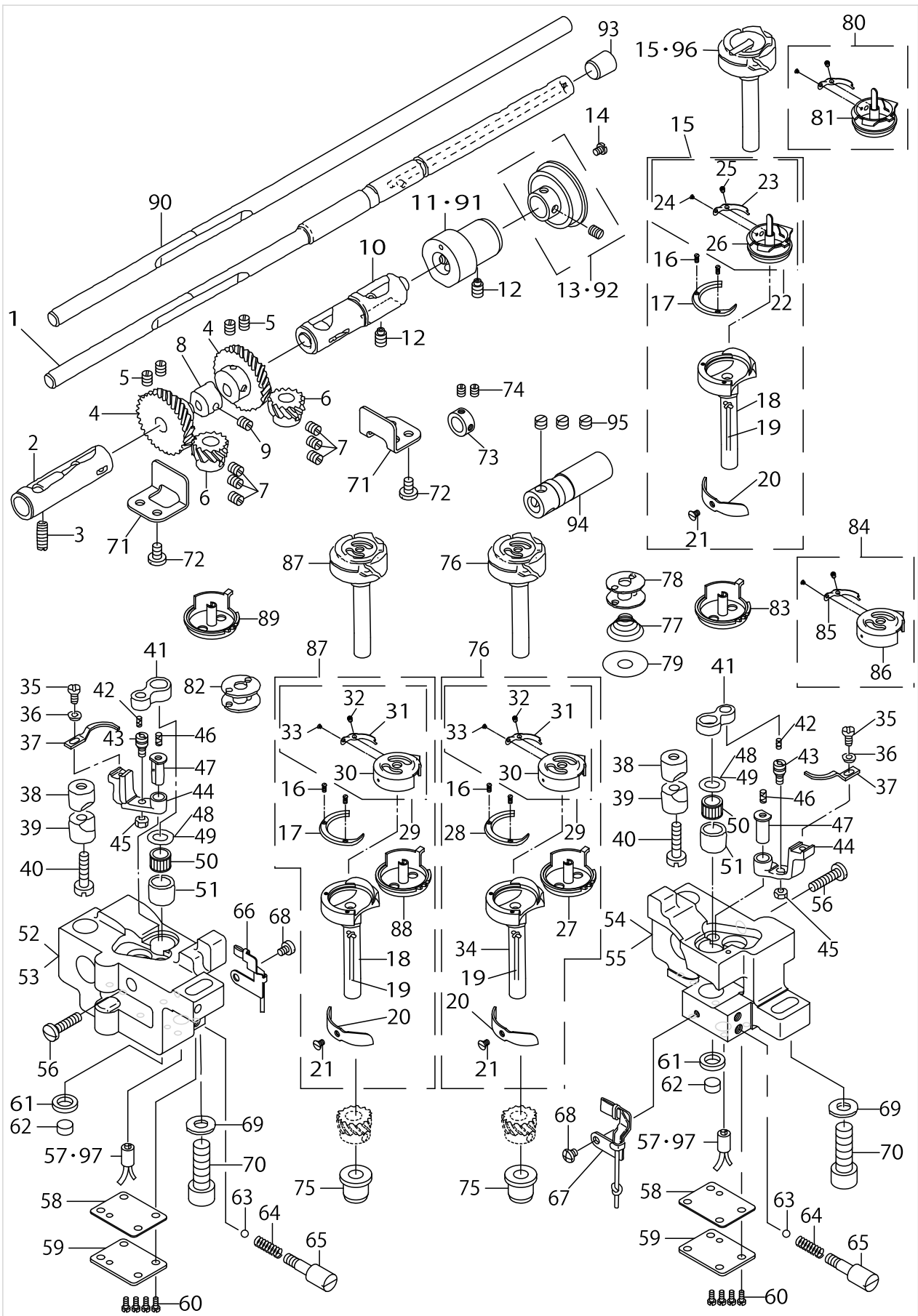
# TENSION POST COMPONENTS



TENSION POST COMPONENTS

No.	Supply Code	Parts No.	Replacement	Parts name	Remarks	Choice	Step	Level	Cons	Qty	Rep. QTY
1		22618557		THREAD TENSION ASM.	TYPE G					1	
2		22618706		THREAD TAKE-UP SPRING A				*		1	
3		10697605		THREAD TAKE-UP SPRING STUD				*		1	
4		22618201		TENSION RELEASE PIN, A				*		1	
5		22618300		TENSION RELEASE PIN, B				*		1	
6		22618102		TENSION RELEASE LEVER				*		1	
7		SD0470281SP		HINGE SCREW D=4.7 H=2.8				*		2	
8		NS6110310SP		NUT 11/64-40				*		2	
9		22618052		TENSION BASE PLATE ASM.				*		1	
10		10124204		THREAD TENSION POST, A				*		1	
11		10741106		FIRST THREAD TENSION PLATE				*		4	
12		11045101		THREAD TENSION SPRING	TYPE S			*		2	
13		11093606		THREAD TENSION SPRING	TYPE G			*		2	
14		11072402		THREAD TENSION NUT				*		2	
15		10124303		THREAD TENSION POST, B				*		1	
16	R	B3126012000	22921506	THREAD TENSION DISK				*		4	1.00
17		22617906		THREAD TENSION DISK PRESSER				*		2	
18		B3129012A00		TENSION SPRING	TYPE S			*		2	
19		B3114232000		THREAD TENSION SPRING	TYPE G			*		2	
20		B3112704000		TENSION SPRING BUSHING				*		2	
21		11956802		THREAD TENSION KNOB, BLUE				*		2	
22	R	22617807	22928808	NUT				*		1	1.00
23		22617708		TAKE-UP SPRING GUIDE				*		1	
24		B3141527000		PRESSER COLLAR				*		1	
25	R	22618904	SM8030500SP	SET SCREW				*		1	1.00
26	R	22618904	SM8030500SP	SET SCREW				*		1	1.00
27		SS7090510SP		SCREW 9/64-40 L=4.6				*		1	
28		B3138527000		ADJUSTING PLATE B				*		1	
29		22617609		THREAD TENSION POST				*		1	
30		22618805		THREAD TAKE-UP SPRING B				*		1	
31		B31375270A0		TAKE-UP SPRING GUIDE ASM.				*		2	
32		B3139527000		COLLAR				*		1	
33		B3142527000		TAKE-UP SPRING GUIDE PLATE				*		1	
34		B3143527000		TAKE-UP SPRING GUIDE STUD				*		1	
35		10697506		THREAD TENSION BRACKET, A				*		1	
36		SS4110615SP		SCREW 11/64-40 L=6				*		1	
37		WP0501016SD		WASHER 5X10.5X1				*		1	
38		B3128520000		TENSION SPRING	OPTIONAL PARTS					1	
39		22835805		TENSION SPRING(RIGHT) 0.8	OPTIONAL PARTS					1	
40		SS4120615SP		SCREW 3/16-28 L=6						2	
41		22618060		THREAD TENSION ASM., S	TYPE S					1	

HOOK & HOOK DRIVING SHAFT COMPONENTS



HOOK & HOOK DRIVING SHAFT COMPONENTS

No.	Supply Code	Parts No.	Replacement	Parts name	Remarks	Choice	Step	Level	Cons	Qty	Rep. QTY
1		10108512		HOOK DRIVING SHAFT	FOR LH-3178-7					1	
2		B18025120A0A		BUSHING ASM., FRONT	EXCHANGI- NG GAUGE PART (SEE P.25~29)					1	
3	R	SS8151150SP	SS8151150TP	SCREW 15/64-28 L=10.5						1	1.00
4		B1816512000		HOOK DRIVING SHAFT, LARGE						2	
5		SS8660810TP		SCREW 1/4-40 L=8						4	
6		10112001		HOOK SHAFT GEAR, A	SELECTIVE PART					2	
7		SS8660530TP		SCREW 1/4-40 L= 4.5						6	
8		22609804		FEED DRIVING CAM						1	
9		SS8660530TP		SCREW 1/4-40 L= 4.5						1	
10		B18035150A0		BUSHING ASM., INTERMEDIATE	EXCHANGI- NG GAUGE PART (SEE P.25~29)					1	
11		10108611		PLUNGER BUSHING	FOR LH-3178-7					1	
12	R	SS8151150SP	SS8151150TP	SCREW 15/64-28 L=10.5						2	1.00
13	D	10611457		THRUST COLLAR ASM.	FOR LH-3178-7					1	
14		SS7120760SP		SCREW 3/16-28L= 7.0						2	
15		22813455		HOOK ASM.	FOR LH-3- 178,JA & JS					2	
16		10112803		SCREW				*		6	
17		22813604		HOOK GIB				*		2	
18		22813505		HOOK				*		2	
19		22612501		LILYYARN				*		2	
20		22813703		NEEDLE POSITIONER				*		2	
21		22814008		SCREW				*		4	
22		22813356		SWING HOOK ASM.LARGE HOOK				*		2	
23		22813802		BOBBIN CASE TENSION SPRING				*		2	
24		10110500		TENSION SPRING I- NSTALLING SCRE				*		2	
25		10110609		TENSION ADJUSTING SCREW				*		2	
26	R	22813406	22813356	SEWING HOOK				*		2	1.00
27		22819403		CAP HOOK				*		2	
28		22819304		HOOK GIB				*		2	
29		22819650		BOBBIN CASE ASM.				*		2	
30		22819601		BOBBIN CASE				*		2	
31		22827406		SPRING(0.3)				*		2	
32		10110609		TENSION ADJUSTING SCREW				*		2	
33		10110500		TENSION SPRING I- NSTALLING SCRE				*		2	
34		22819502		HOOK				*		2	
35		SS6090810SP		SCREW 9/64-40 L= 7.5						2	
36		WP0371016SD		WASHER 3.7X8X1						2	
37		22813208		BOBBIN CASE OPENING LEVER						2	
38		10109908		SADDLE INSTALLIN- G BLOCK, UPPER						2	
39		10112407		SADDLE INSTALLIN- G BLOCK, LOWER						2	
40		SS6153040SP		SCREW 15/64-28L=30						2	
41		22813000		BOBBIN CASE OPE- NING LEVER LINK						2	

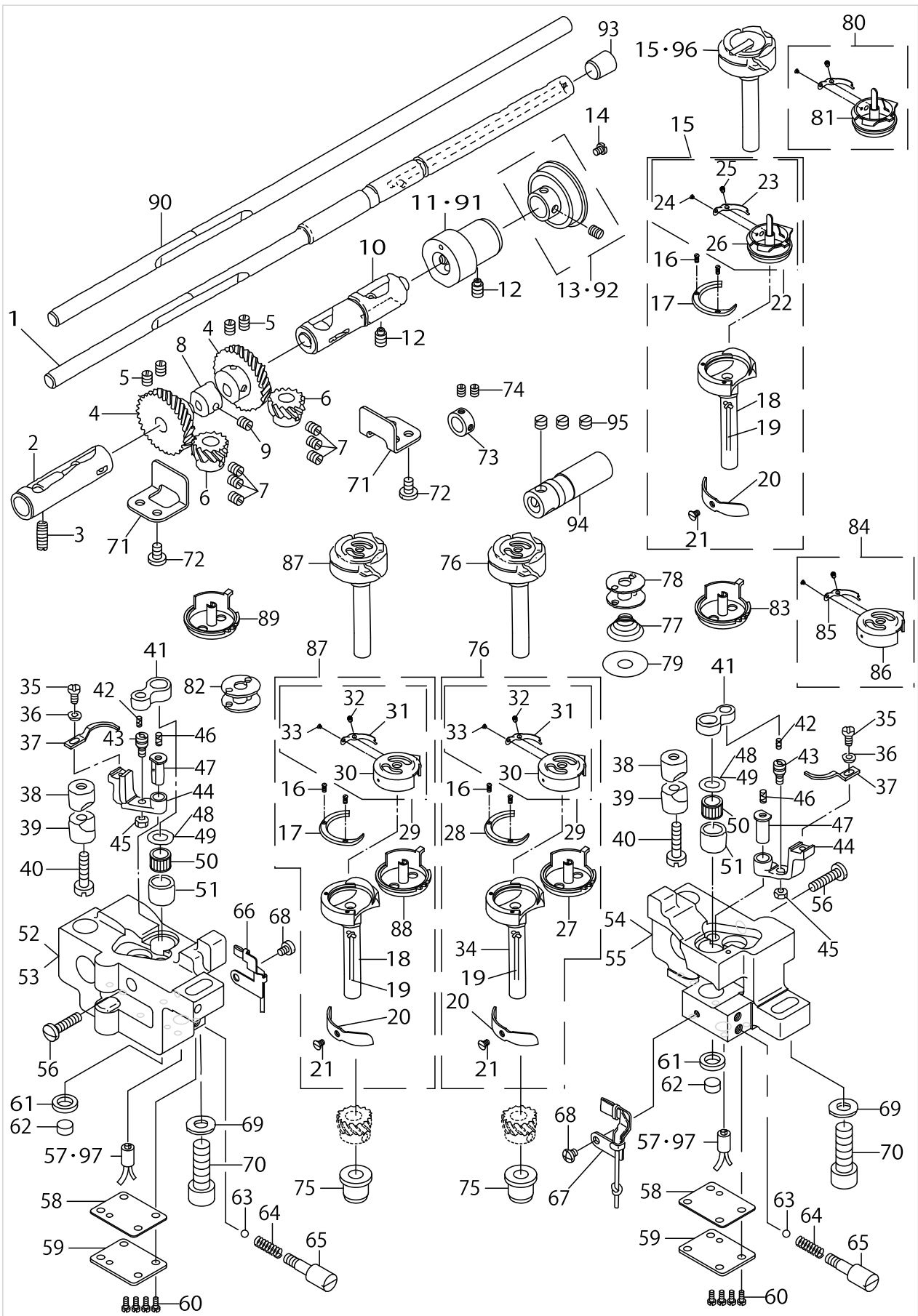


HOOK & HOOK DRIVING SHAFT COMPONENTS

No.	Supply Code	Parts No.	Replacement	Parts name	Remarks	Choice	Step	Level	Cons	Qty	Rep. QTY
42		CQ202000000		OIL WICK						.03	
43		B1821051000		CRANK SCREW STUD						2	
44		22813109		OPENING LEVER CRANK						2	
45		NS6110420SP		NUT 11/64-40						2	
46		CQ202000000		OIL WICK						.05	
47		B1823051000		OPENING LEVER CRANK PIN						2	
48		22614101		THRUST WASHER, B	SELECTIVE PART FOR LH-3178					2	
49		10111201		THRUST WASHER, F	SELECTIVE PART FOR LH-3178-7					2	
50		SB30953010A		NEEDLE BEARING 9.525X9.52	SELECTIVE PART					2	
51		22812952		BUSHING						2	
52		22812606		HOOK SHAFT SADDLE, LEFT	FOR LH-3178					1	
53		22819106		HOOK SHAFT SADDLE, LEFT	FOR LH-3178-7					1	
54		22812507		HOOK SHAFT SADDLE, RIGHT	FOR LH-3178					1	
55		22819007		HOOK SHAFT SADDLE, RIGHT	FOR LH-3178-7					1	
56	R	SS7111810SP	SS7111810TP	SCREW 11/64-40L=18						2	1.00
57		22615454		RUBBER BUSHING ASM.						2	
58		22615108		GASKET						2	
59		22615009		HOOK SHAFT SADDLE COVER						2	
60		SS4110815SP		SCREW 11/64-40 L=8						8	
61		22615306		FELT HOLDER						2	
62		22615207		FELT						2	
63		22615702		OIL ADJUSTING BALL						2	
64		D3171415B0H		PRESSER SPRING						2	
65		22615801		OIL ADJUSTING SCREW						2	
66		22615959		OIL WICK HOLDER ASM. LEFT						1	
67	D	22616254		OIL WICK HOLDER ASM. RIGHT						1	
68		SS4110515SP		SCREW 11/64-40 L=5						2	
69		WP0850002SP		WASHER 8.5X18X1.6						2	
70		SM6082502TP		SCREW M8 L=25						2	
71		22613608		GEAR GUIDE						2	
72		SS7110710SP		SCREW 11/64-40 L=7						4	
73		CS1471012SH		THRUST COLLAR D=14.72 W=10	FOR LH-3178-7					1	
74		SS8660530TP		SCREW 1/4-40 L= 4.5	FOR LH-3178-7					2	
75	R	22613400	40017056	HOOK DRIVING SHAFT BUSHING						2	1.00
76		22819452		HOOK ASM. (CAP)	FOR LH-3178-7					2	
77		22819908		SPRING	FOR LH-3178-7					2	
78		10231603		BOBBIN	FOR LH-3178-7					2	
79		22819809		SHEET	FOR LH-3178-7					2	
80		22814156		HOOK ASM.	OPTION PARTS					2	
81	R	22814107	22814156	HOOK				*		2	1.00
82		B9117563000		BOBBIN	FOR LH-3178					2	
83		22820005		CAP HOOK	OPTION PARTS					2	
84		22819254		BOBBIN CASE ASM.	OPTION PARTS					2	
85		22827505		TENSION SPRING				*		2	
86		22819601		BOBBIN CASE				*		2	



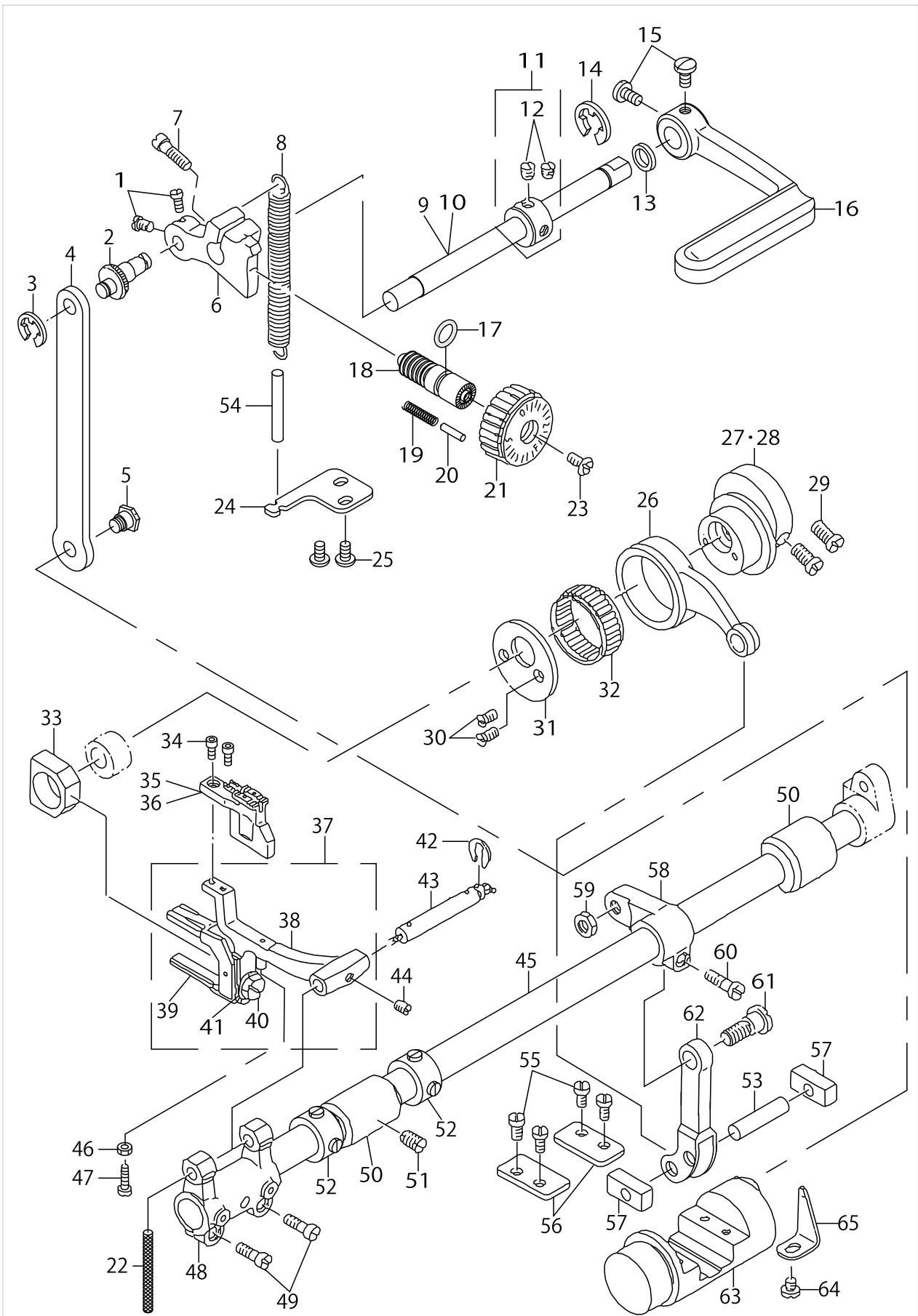
HOOK & HOOK DRIVING SHAFT COMPONENTS



HOOK & HOOK DRIVING SHAFT COMPONENTS

No.	Supply Code	Parts No.	Replacement	Parts name	Remarks	Choice	Step	Level	Cons	Qty	Rep. QTY
87		22814255		SHUTTLE ASM.	FOR LH-3178					2	
88		22827109		INNER HOOK (SHUTTLE)				*		2	
89		22827703		HOOK	OPTION PARTS					2	
90		22623102		LOWER SHAFT B	FOR LH-3178					1	
91		22611701		PLUNGERBUSHING,B	FOR LH-3178					1	
92		22611651		THRUST COLLAR ASM., B	FOR LH-3178					1	
93		TA0500601M0		PLUG D=5X5.4 L=6	FOR LH-3178-7					1	
94		22611909		OIL PUMP SHAFT	FOR LH-3178					1	
95		SS8660530TP		SCREW 1/4-40 L= 4.5	FOR LH-3178					3	
96		22820666		THREAD CUTTER S- WING HOOK ASM.	FOR LH-3- 178-7,JA & JS					2	
97		22615462		RUBBER BUSHING ASM.	OPTION PARTS					2	

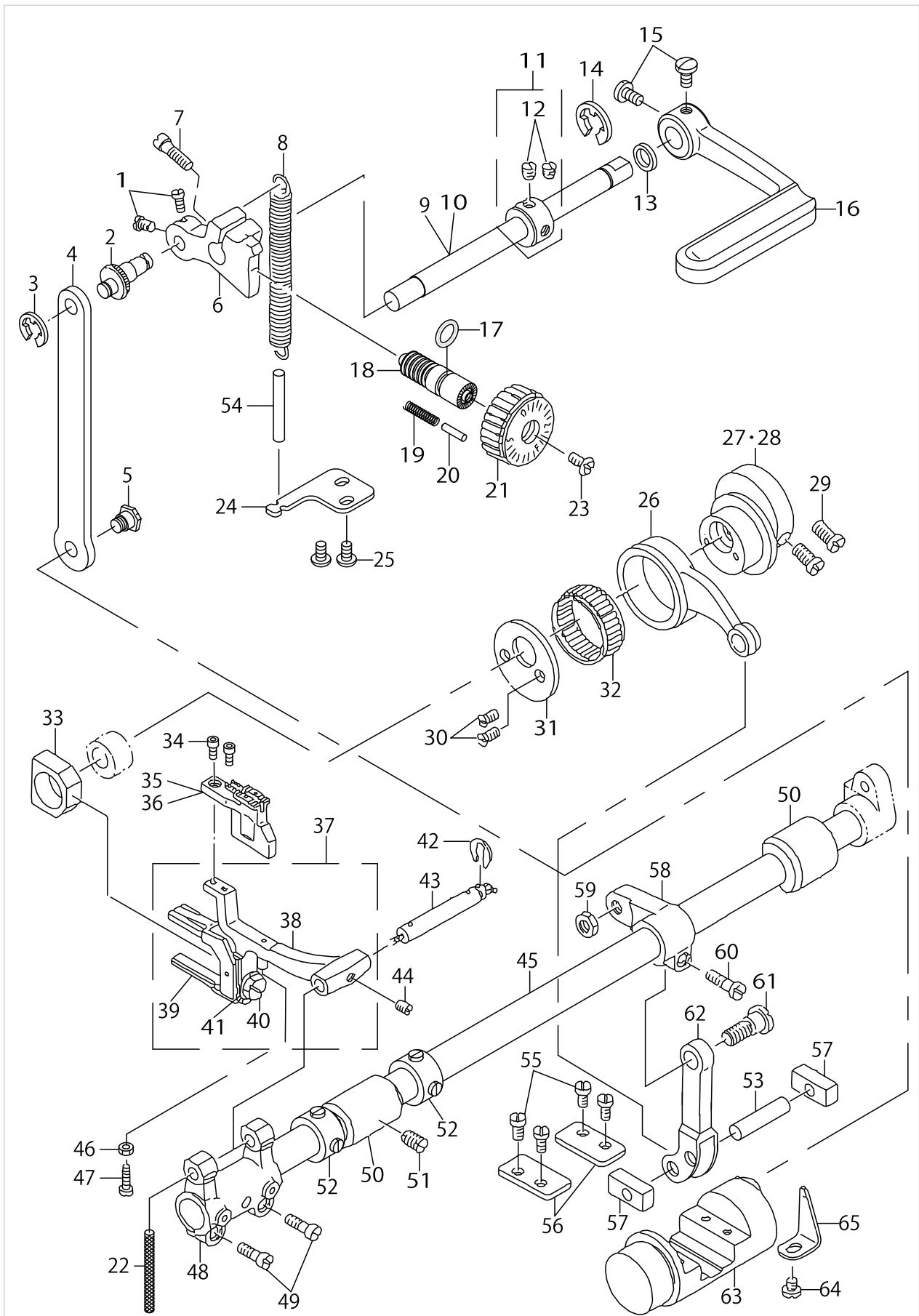
FEED MECHANISM COMPONENTS



FEED MECHANISM COMPONENTS

No.	Supply Code	Parts No.	Replacement	Parts name	Remarks	Choice	Step	Level	Cons	Qty	Rep. QTY
1		SS6090670TP		SCREW 9/64-40 L=6						2	
2		22610109		ROD PIN						1	
3		RE0500000K0		E-RING						1	
4		22610208		FEED REGULATOR CONNECTING ROD						1	
5		SD0800422CP		HINGE SCREW D= 8 H= 4.2						1	
6		22610000		FEED REGULATOR						1	
7	R	SS7121410SP	SS7121410TP	SCREW 3/16-28 L=14						1	1.00
8		22610307		FEED REGULATOR SPRING						1	
9		22610604		REVERSE FEED SHAFT						1	
10		22652101		REVERSE FEED SHAFT	FOR LH-3-178-7-WB, -OB					1	
11		GS102121ASH		THRUST COLLAR A-SM. D=10.2 W=12						1	
12		SS8660610TP		SCREW 1/4-40 L=6				*		2	
13		10108009		OIL SEAL						1	
14		RE0900000K0		E-RING 9						1	
15	R	SS7120910SP	SS7120910TP	SCREW 3/16-28 L=9						2	1.00
16	R	22610505	21388004	REVERSE FEED CONTROL LEVER						1	1.00
17		RO092270200		RUBBER RING						1	
18		22911804		FEED REGULATOR SCREW						1	
19		22912109		FEED REGULATOR PIN SPRING						1	
20		22912000		FEED REGULATOR PIN						1	
21		22911903		FEED DIAL						1	
22		CQ252000000		OIL WICK						.26	
23		SS6121860SP		SCREW 3/16-28 L=18						1	
24		22610406		SPRING BRACKET						1	
25		SS4110815SP		SCREW 11/64-40 L=8						2	
26		22609200		FEED ROCK SHAFT CONNECTING ROD						1	
27	D	22609002		FEED DRIVE ECCENTRIC CAM, B	FOR LH-3178					1	
28		22652002		FEED DRIVE ECCENTRIC CAM	FOR LH-3178-7					1	
29		SS6661110SP		SCREW 1/4-40 L=11						2	
30		SS7110710SP		SCREW 11/64-40 L=7						2	
31	D	22609101		CAM COVER						1	
32		B1636581B00		NEEDLE BEARING B						1	
33		B1610512000		FEED DRIVING SLIDE BLOCK						1	
34		SS6580752TP		SCREW 1/8-40 L=7						2	
35		22815609		FEED DOG(D=2.4) 1/4"(6.4MM)	EXCHANGING GAUGE PARTS FOR LH-3178(S-EEP.25~29)					1	
36		22821409		FEED DOG(D=2.4) 1/4"	EXCHANGING GAUGE PARTS FOR LH-3178-7-(SEE P.25~29)					1	
37	R	22609754	22609762	FEED BAR ASM.						1	1.00
38	R	22609705	22609762	FEED BAR				*		1	1.00
39	R	10107902	40039258	FEED BAR FORK		A	PLC-17*	*		1	1.00
39	R	10107902	21336060	FEED BAR FORK		B	LU-1510N-7 NA-7	*		1	1.00

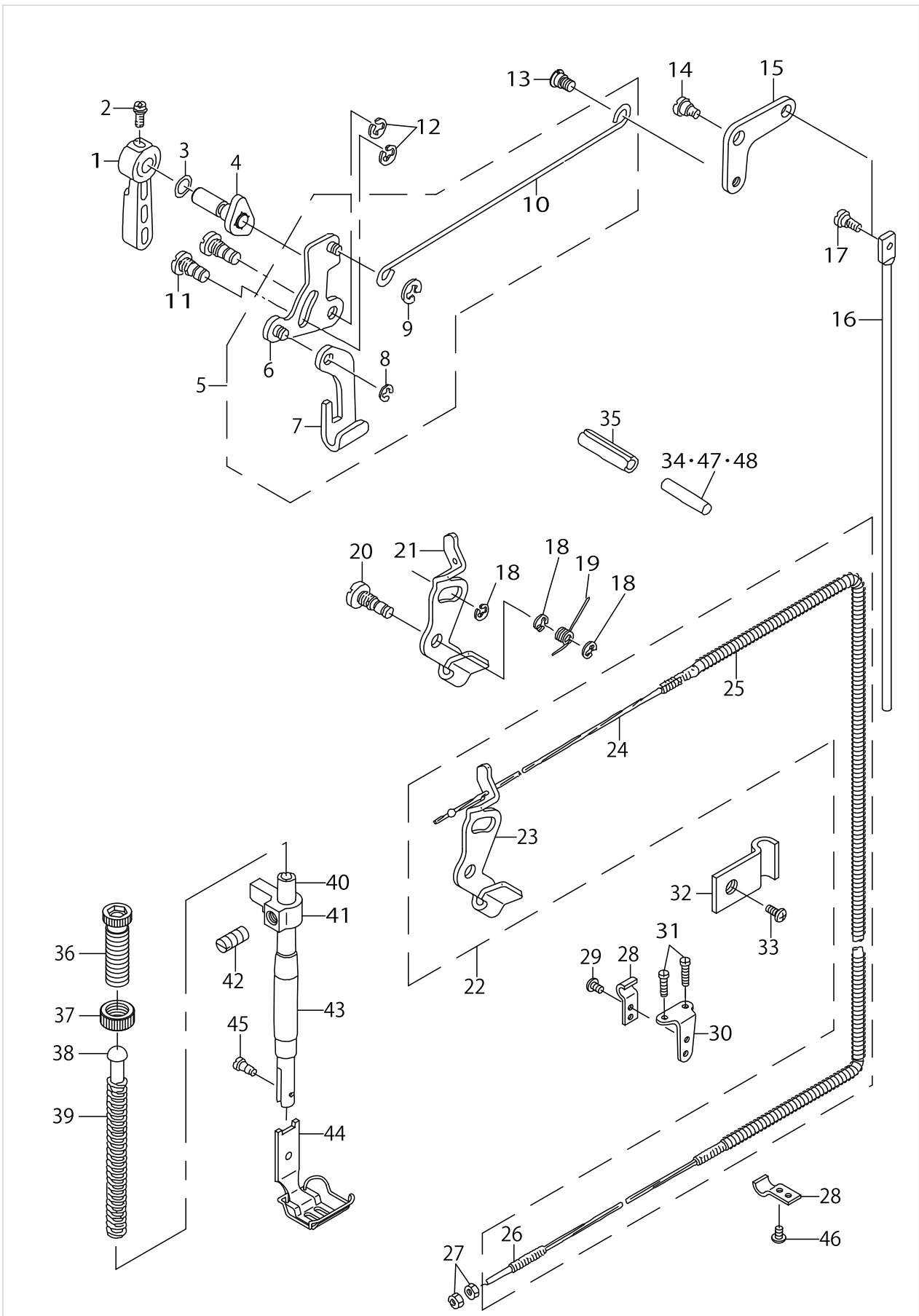
# FEED MECHANISM COMPONENTS



FEED MECHANISM COMPONENTS

No.	Supply Code	Parts No.	Replacement	Parts name	Remarks	Choice	Step	Level	Cons	Qty	Rep. QTY
39	R	10107902	21364252	FEED BAR FORK		C	LU-1560N N-7 LU-1565	*		1	1.00
39	R	10107902	21393459	FEED BAR FORK		D	LU-1520N-7	*		1	1.00
39	R	10107902	23003353	FEED BAR FORK		E	PLC-16*	*		1	1.00
39	R	10107902	21336052	FEED BAR FORK		G	LU-1510/1510-7	*		1	1.00
39	R	10107902	22609762	FEED BAR FORK				*		1	1.00
40		SS9151440CP		SCREW15/64-28L=14				*		1	
41		WP0621016SD		WASHER 6.2X13X1				*		1	
42		RE0500711KP		SNAP RING 5						1	
43		B1604012000A		FEED BAR SHAFT						1	
44		SM8050502TP		SCREW M5 L=5						1	
45		22609408		FEED ROCK SHAFT						1	
46		NS6080210SP		NUT 1/8-44						1	
47		SS6081810SP		SCREW 1/8-44 L=18.0						1	
48	R	B1603512000	21364104	FEED ROCKER						1	1.00
49		SS7111310TP		SCREW 11/64-40 L=12.8						2	
50		10106102		BUSHING						2	
51	R	SS8151150SP	SS8151150TP	SCREW 15/64-28 L=10.5						1	1.00
52		22904155		MAIN SHAFT THRU-ST COLLAR ASM.						2	
53	R	B1653470000	40032271	PIN						1	1.00
54		BT0500300EA		OIL TUBE						.09	
55	R	SS7110910SP	SS7110910TP	SCREW 11/64-40 L=8.5						4	1.00
56		10315505		PLATE						2	
57		22609606		FEED DRIVING ROCKER BLOCK, S						2	
58		22609309		FEED ROCKER SHAFT CRANK						1	
59		NS6680320SP		NUT 9/32-28						1	
60		SS6121610TP		SCREW 3/16-28 L=15.5						1	
61		SD0900701TP		HINGE SCREW D= 9 H= 7						1	
62		10315208		FEED ROCK CONNECTING ROD						1	
63		10315455		FEED DRIVING ROCKER ASM.						1	
64		SS7110510SP		SCREW 11/64-40 L=5						1	
65		B1633470000		STOPPER PLATE						1	

PRESSER BAR & TENSION RELEASE COMPONENTS

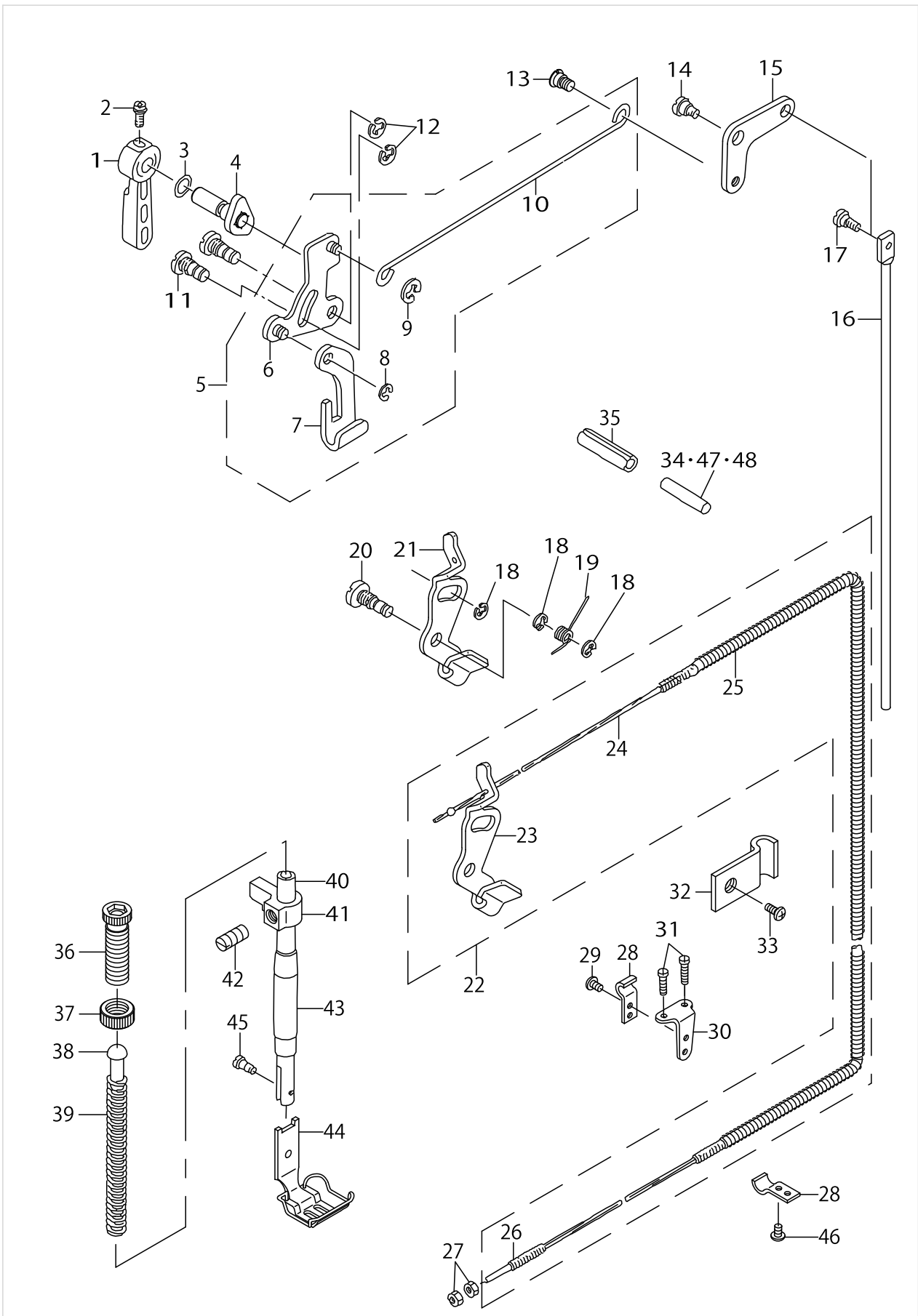


PRESSER BAR & TENSION RELEASE COMPONENTS

No.	Supply Code	Parts No.	Replacement	Parts name	Remarks	Choice	Step	Level	Cons	Qty	Rep. QTY
1		22907802		HAND LIFTER						1	
2		B1521555000		SCREW						1	
3		RO037180100		RUBBER RING						1	
4		22908552		HAND LIFTER CAM ASM.						1	
5		22608152		LIFTING LEVER ROD ASM.						1	
6	R	11006350	22908354	HAND LIFTER LINK				*		1	1.00
7	R	11006202	22908354	LIFTING LEVER		A	DDL-5550 5550N 555- ON-7 5556- N-7 5600NL-7	*		1	1.00
7	R	11006202	23609357	LIFTING LEVER		B	DDL-9000A 9000B	*		1	1.00
7	R	11006202	40057398	LIFTING LEVER		C	LH-3500	*		1	1.00
7	R	11006202	40174387	LIFTING LEVER		D	DDL-9000C	*		1	1.00
8		11007309		E-RING				*		1	
9		RE0500000K0		E-RING				*		1	
10		22608103		LIFTING LEVER CONNECTING ROD				*		1	
11		40034204		LINK SHAFT						2	
12		RE0500000K0		E-RING						2	
13		22908909		HINGE SCREW						1	
14		SD0720332SP		HINGE SCREW D= 7.24 H= 3.3						1	
15		22908800		KNEE LIFTER LINK						1	
16		10125201		CONNECTING ROD, VERTICAL						1	
17		SD0600322SD		HINGE SCREW D=6 H=3.2						1	
18		RE0500000K0		E-RING						3	
19		22920201		RETURN SPRING						1	
20	R	11018108	22920102	TENSION RELEASE SHAFT						1	1.00
21		22617104		TENSION RELEASE PLATE	FOR LH-3178					1	
22		22654958		TENSION RELEASE PLATE ASM.	FOR LH-3178-7					1	
23		22617104		TENSION RELEASE PLATE				*		1	
24		11394509		WIRE CABLE				*		1	
25		22654909		WIRE TUBE				*		1	
26		D3159555B00		SET SCREW				*		1	
27		NS6620310SP		NUT 3/16-32	FOR LH-3178-7					2	
28		D3164555B00		OUTER PRESSER PLATE	FOR LH-3178-7					2	
29		SS4110715SP		SCREW 11/64-40 L=7	FOR LH-3178-7					1	
30		D3163555B00A		FLEXIBLE TUBE SUPPORT PLATE	FOR LH-3178-7					1	
31		SS4111215SP		SCREW 11/64-40L=12	FOR LH-3178-7					2	
32		22620801		PIPE HOLDER	FOR LH-3178-7					1	
33		SS4111015SP		SCREW 11/64-40L=10	FOR LH-3178-7					1	
34		22617005		PUSH BAR	SELECTIVE PARTS					1	
35		PS0600502KP		SPRING PIN						1	
36	R	22907505	22907554	PRESSER SPRING REGULATOR						1	1.00
37	R	22907604	22907554	PRESSER SPRING REGULATOR NUT						1	1.00
38		22907703		PRESSER GUIDE BAR						1	
39		B1505227T00A		PRESSER SPRING T						1	
40		B1501581000		PRESSER BAR						1	
41		40017058		PRESSER BAR HOLDER						1	



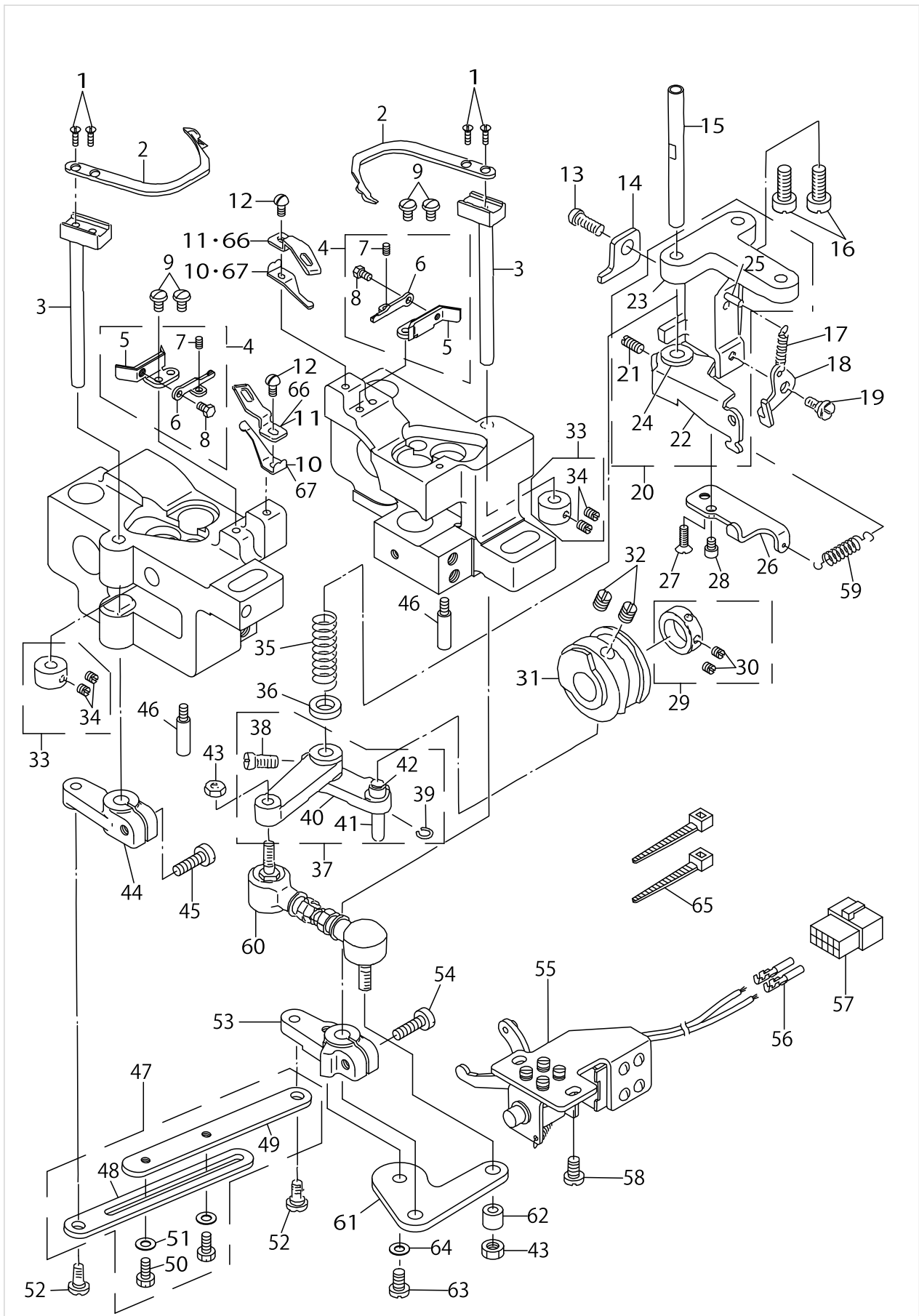
PRESSER BAR & TENSION RELEASE COMPONENTS



PRESSER BAR & TENSION RELEASE COMPONENTS

No.	Supply Code	Parts No.	Replacement	Parts name	Remarks	Choice	Step	Level	Cons	Qty	Rep. QTY
42		SS8660810TP		SCREW 1/4-40 L=8						1	
43		22907109		PRESSER BAR BUSHING, LOWER						1	
44		22816755		PRESSER FOOT ASM. 1/4	EXCHANGI- NG GAUGE PARTS (S- EEP.25~29)					1	
45		SS7090910TP		SCREW 9/64-40 L=8.5						1	
46		SS4110515SP		SCREW 11/64-40 L=5	FOR LH-3178-7					1	
47		40030133		PUSH BAR	SELECTIVE PARTS					1	
48		40039672		PUSH BAR	SELECTIVE PARTS					1	

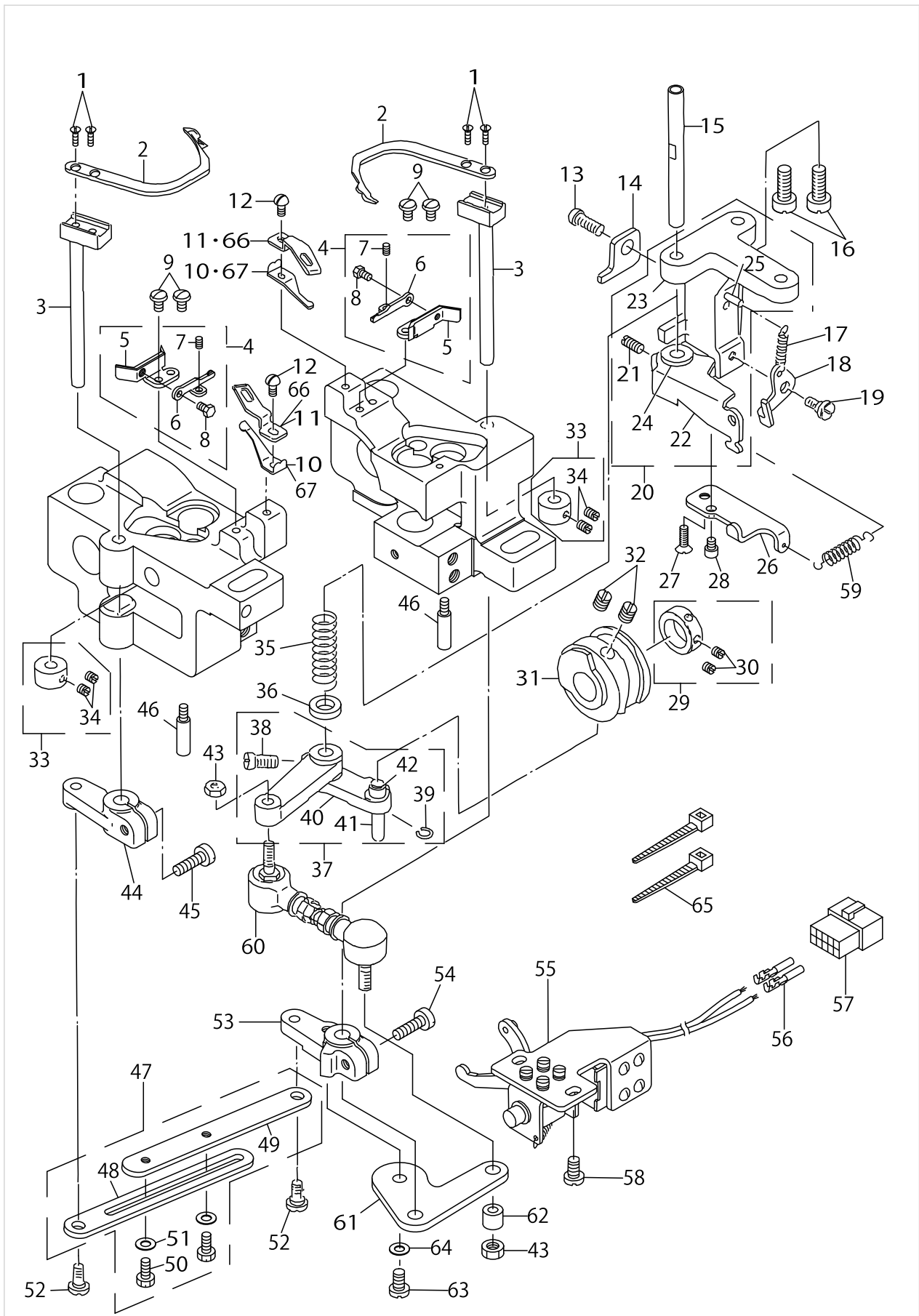
THREAD TRIMMER MECHANISM COMPONENTS (FOR LH-3178-7)



THREAD TRIMMER MECHANISM COMPONENTS (FOR LH-3178-7)

No.	Supply Code	Parts No.	Replacement	Parts name	Remarks	Choice	Step	Level	Cons	Qty	Rep. QTY
1		SS2080810SP		SCREW 1/8-44 L=7.5						4	
2		10211605		MOVING KNIFE						2	
3	D	10116051		MOVING KNIFE SHAFT ASM.						2	
4		22820153		MOVING KNIFE SUPPORT ASM. B						2	
5		22820104		MOVING KNIFE SUPPORT B				*		2	
6	D	10211407		THREAD PRESSER ADJUSTING PLATE				*		2	
7		SS8080610SP		SCREW 1/8-44 L=5.5				*		2	
8		SS9080410SP		SCREW 1/8-44 L=4.3				*		2	
9		SS5090610SP		SCREW 9/64-40 L=6						4	
10		22820203		THREAD PRESSER G	FOR TYPE G					2	
11		22820302		COUNTER KNIFE G	FOR TYPE G					2	
12		SS7090710SP		SCREW 9/64-40 L=6.8						2	
13		SS6121212TP		SCREW 3/16-28 L=12.0						1	
14		22654800		STOPPER, A						1	
15		10116804		SHAFT						1	
16		SS7151610SP		SCREW 15/64-28 L=16						2	
17		B3418180000		SPRING						1	
18	D	10117208		TENSION DISC RELEASE PLATE						1	
19		SD0600271SP		HINGE SCREW D=6 H=2.7						1	
20		22655153		LINK INSTALLING BASE ASM.						1	
21		SS8111010TP		SCREW 11/64-40 L=9.5				*		1	
22		22655104		TENSION DISC RELEASE ARM				*		1	
23		10116606		LINK INSTALLING BASE				*		1	
24		10117109		BUSHING				*		1	
25		PS0300201KP		SPRING PIN 3.0X20				*		1	
26		40012461		STOPPER PLATE						1	
27		SS2110920TP		SCREW 11/64-40 L=8.5						1	
28		SS6111052TP		SCREW						1	
29		CS1470710SH		THRUST COLLAR A-SM. D=14.72 W=7						1	
30		SS8110410TP		SCREW 11/64-40 L=3.5				*		2	
31	D	22654107		THREAD TRIMMER CAM						1	
32		SS8660810TP		SCREW 1/4-40 L=8						2	
33		CS070081BSH		THRUST COLLAR ASM. D=7 W=8						2	
34	R	SS8110510SP	SS8110520TP	SCREW 11/64-40 L=5				*		4	1.00
35		10116903		SPRING						1	
36		WP0753016SZ		WASHER 7.5X16.0X3.0						1	
37	D	10116754		CAM INSTALLING LINK ASM.						1	
38		SS6151220SP		SCREW 15/64-28 L=11.5				*		1	
39		D2430555B00		SNAP RING				*		1	
40	D	10116705		CAM INSTALLING LINK				*		1	
41	D	D2428555B00A		CAM ROLLER SHAFT				*		1	
42		D2427555B00B		CAM ROLLER				*		1	
43		NM6050001SP		NUT M5						2	
44	D	22654404		DRIVING ARM, LEFT						1	
45		SS6121610TP		SCREW 3/16-28 L=15.5						1	

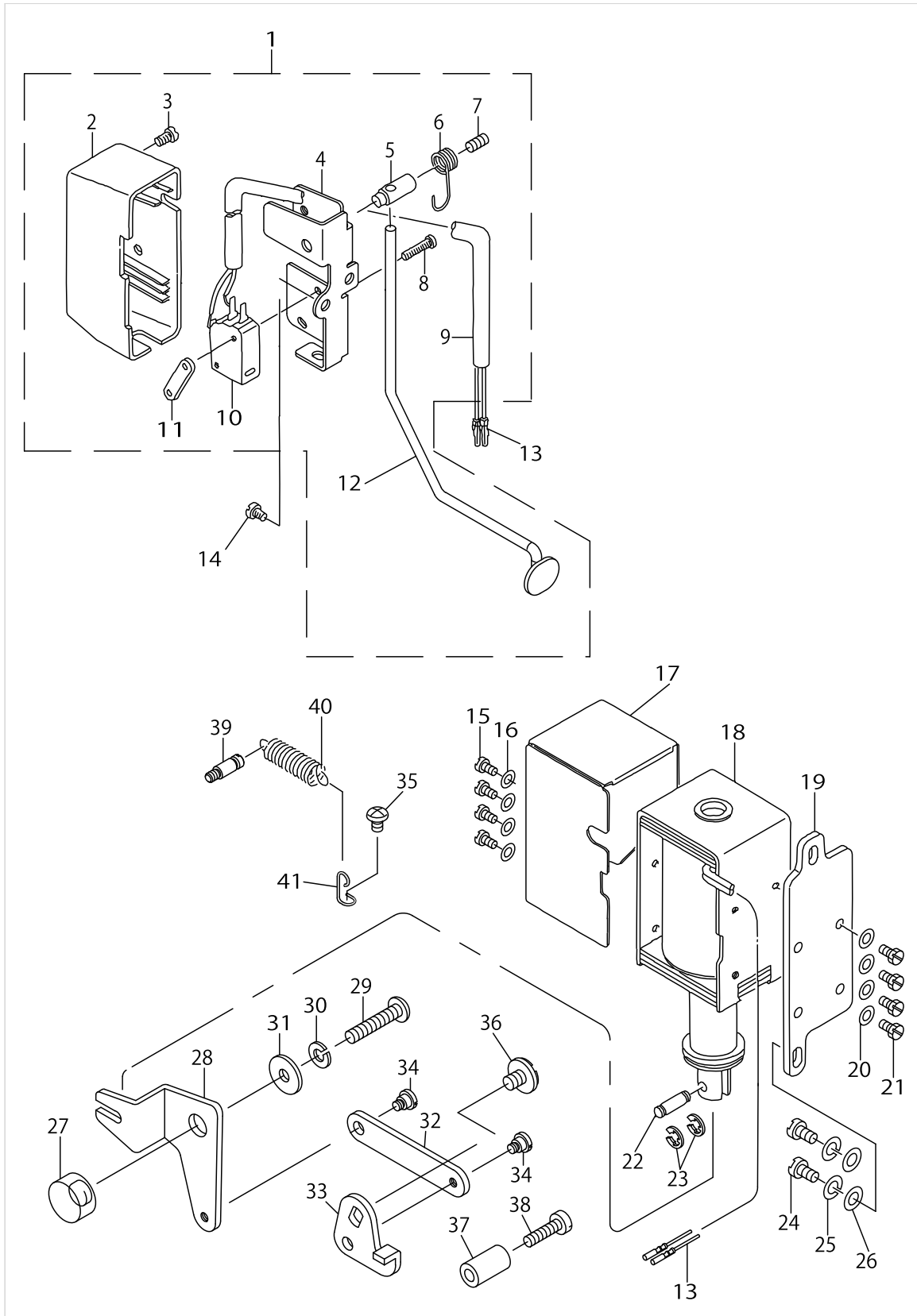
THREAD TRIMMER MECHANISM COMPONENTS (FOR LH-3178-7)



THREAD TRIMMER MECHANISM COMPONENTS (FOR LH-3178-7)

No.	Supply Code	Parts No.	Replacement	Parts name	Remarks	Choice	Step	Level	Cons	Qty	Rep. QTY
46		B1515051000		HAND LIFTER PIN						2	
47		22654552		CONNECTING LINK ASM.						1	
48		22654503		CONNECTING LINK, A				*		1	
49		22654602		CONNECTING LINK, B				*		1	
50		SS9111010SP		SCREW 11/64-40 L=9.5				*		2	
51		WP0501016SD		WASHER 5X10.5X1				*		2	
52		SD0650305TP		HINGE SCREW D= 6.5 H= 3						2	
53	D	22654305		DRIVING ARM, RIGHT						1	
54		SS6121610TP		SCREW 3/16-28 L=15.5						1	
55	D	10117851		SOLENOID ASM.						1	
56		HK03464000B		PIN CONTACT						2	
57		HK034610140		HOUSING 14P						1	
58		SS6151040SP		SCREW 15/64-28 L=10						2	
59		B3041980000		SPRING						1	
60		22655005		JOINT ROD						1	
61	D	22654008		DRIVING ARM PLATE						1	
62		B3417051000		REAR LIFTING BAR ROLLER						1	
63		SS6120940SP		SCREW 3/16-28 L=9						1	
64		WP0501016SD		WASHER 5X10.5X1						1	
65		EA9500B0100		CABLE BAND						2	
66		22655302		COUNTER KNIFE	FOR TYPE S					2	
67		22655401		THREAD PRESSER	FOR TYPE S					2	

AUTOMATIC REVERSE FEED MECHANISM COMPONENTS (FOR LH-3178-7)

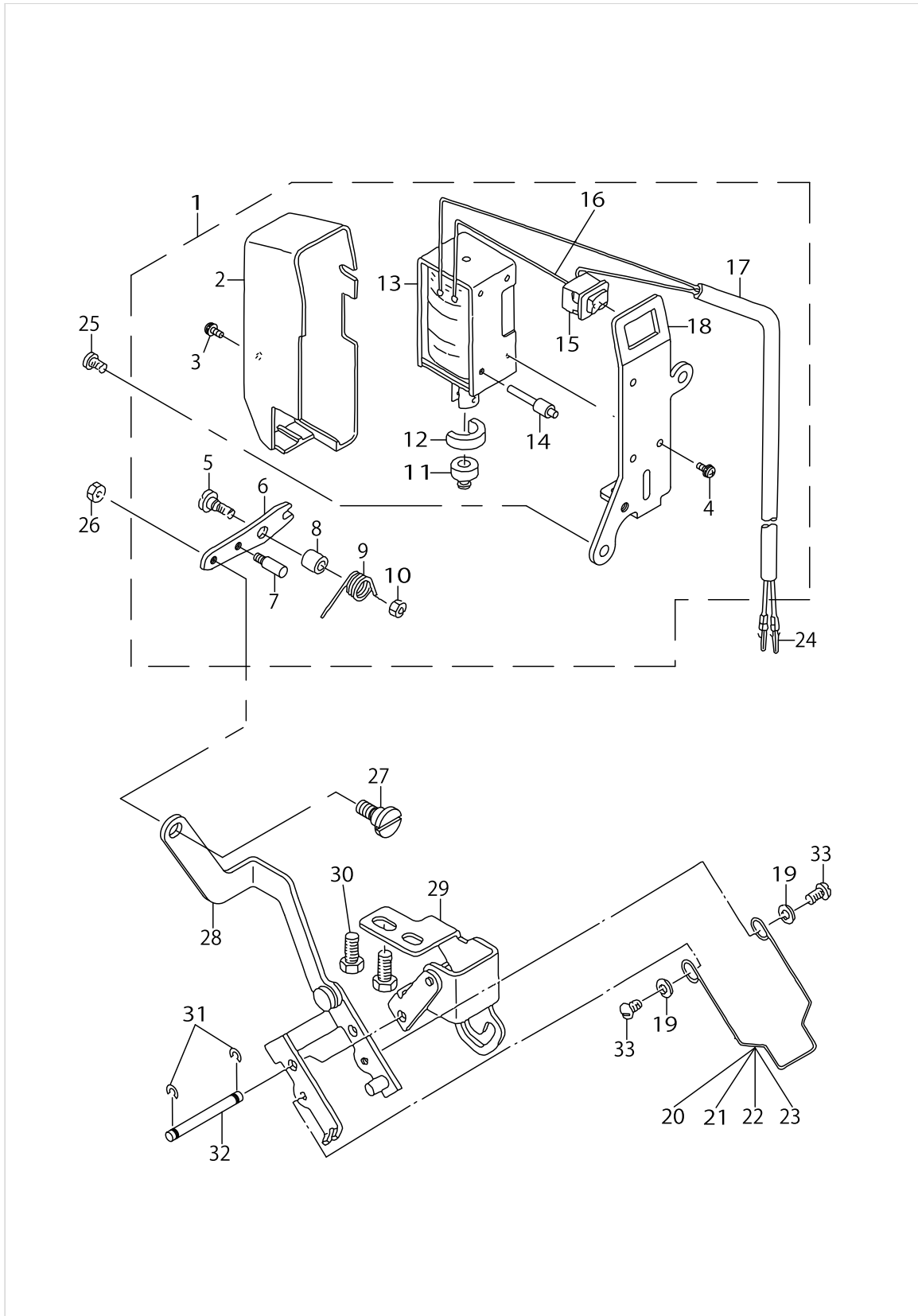


AUTOMATIC REVERSE FEED MECHANISM COMPONENTS (FOR LH-3178-7)

No.	Supply Code	Parts No.	Replacement	Parts name	Remarks	Choice	Step	Level	Cons	Qty	Rep. QTY
1		22656557		REVERSE FEED SWITCH ASM.						1	
2	R	11072501	22954606	REVERSE FEED SWITCH COVER				*		1	1.00
3		SM4040655SP		SCREW M4 L=6				*		1	
4		22656508		REVERSE FEED SWITCH BASE				*		1	
5	R	11102100	22954200	REVERSE FEED SWITCH SHAFT				*		1	1.00
6	R	11102209	22954309	REVERSE FEED SWITCH SPRING				*		1	1.00
7	R	SM8040802SP	SM8040802TP	SCREW M4X0.7 L=8				*		1	1.00
8		SM4031501SC		SCREW M3 L=15				*		2	
9		HW500070000		2-CORE CABTYRE CORD				*		1.4	
10		HA001900000		MICROSWITCH				*		1	
11	R	11102308	22954408	MICRO SWITCH PLATE				*		1	1.00
12		22656607		REVERSE FEED SWITCH LEVER				*		1	
13		HK03464000B		PIN CONTACT						4	
14		SS4120615SP		SCREW 3/16-28 L=6						2	
15		SS7110710SP		SCREW 11/64-40 L=7						4	
16		WP0501016SD		WASHER 5X10.5X1						4	
17		10161305		SOLENOID COVER						1	
18		10119105		REVERSE FEED SOLENOID, AC24V						1	
19		10119204		SOLENOID INSTALLING PLATE						1	
20		WP0501016SD		WASHER 5X10.5X1						4	
21		SS9111010SP		SCREW 11/64-40 L=9.5						4	
22		D2464555B00		LINK DRIVING MAGNET PIN						1	
23		RE0400000K0		E-RING 4						2	
24		SS7151210SP		SCREW 15/64-28 L=12						2	
25		WS0631510KP		SPRING WASHER						2	
26		WP0621016SD		WASHER 6.2X13X1						2	
27	D	22656409		LINK FULCULUM						1	
28		22656300		REVERSE FEED LINK, L						1	
29		SS4153015SP		PAN-SCREW 15/64-28 L=30						1	
30		WS0610002KP		SPRING WASHER						1	
31		WP0612056SD		WASHER 6.1X18.5X2						1	
32		22656201		REVERSE FEED LINK, (2)						1	
33		22656102		REVERSE FEED LINK, (1)						1	
34		SD0640321SP		HINGE SCREW D= 6.35 H= 3.2						2	
35		SS4120615SP		SCREW 3/16-28 L=6						1	
36		SS7120760SP		SCREW 3/16-28 L=7.0						1	
37		22952501		BACK LEVER STOPPER						1	
38		SS6121840SP		SCREW 3/16-28 L=18						1	
39		26226407		TENSION SPRING HOOK						1	
40		26226209		SPRING						1	
41		22656003		SPRINGSUSPENSION						1	



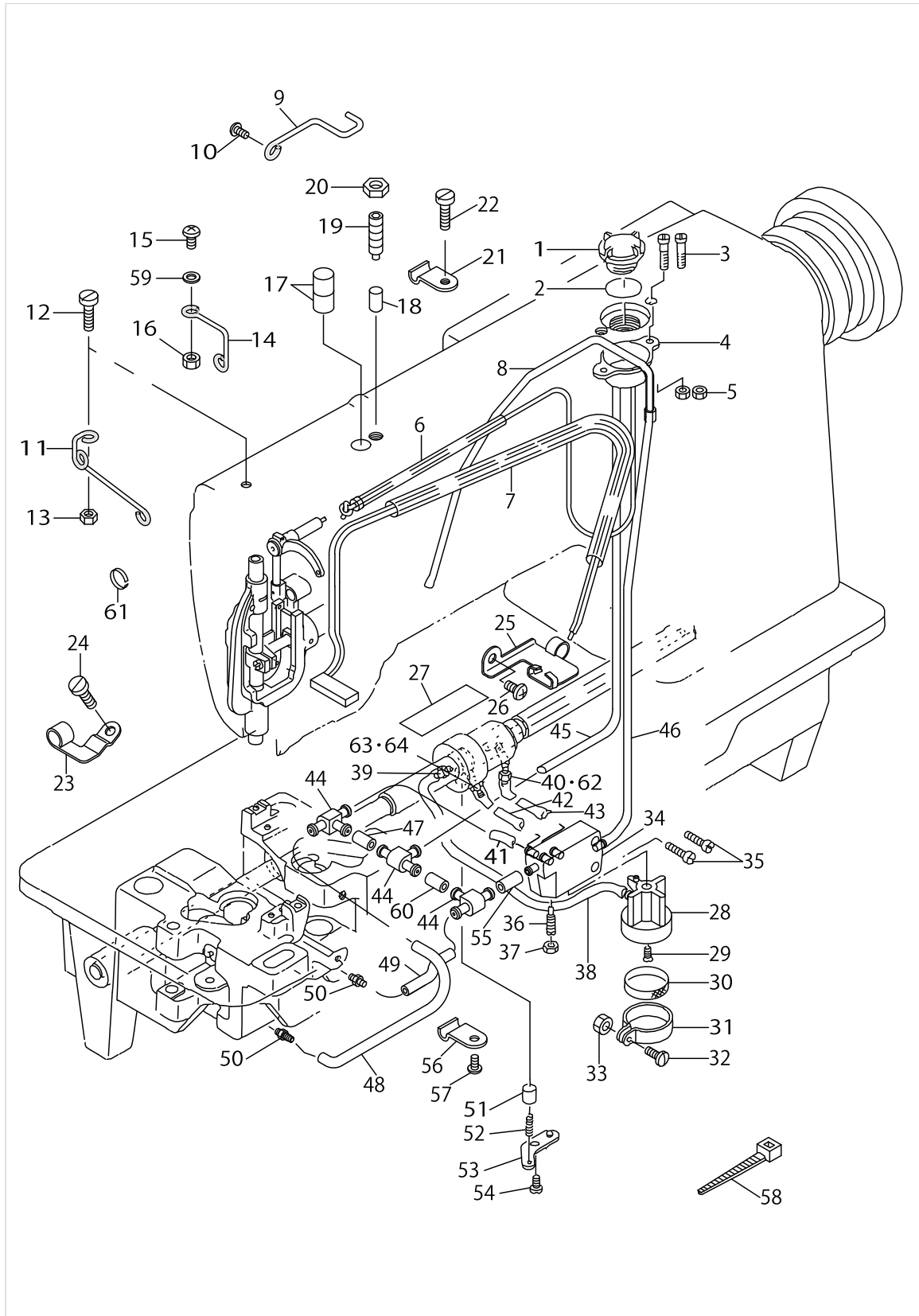
WIPER MECHANISM COMPONENTS (FOR LH-3178-7)



WIPER MECHANISM COMPONENTS (FOR LH-3178-7)

No.	Supply Code	Parts No.	Replacement	Parts name	Remarks	Choice	Step	Level	Cons	Qty	Rep. QTY
1		22657159		WIPER SOLENOID ASM.						1	
2	R	11072709	22955504	WIPER COVER				*		1	1.00
3		SL4030891SC		SCREW M3X8				*		1	
4		SL4030891SC		SCREW M3X8				*		3	
5		SD0650321TP		HINGE SCREW D=6.5 H=3.2				*		1	
6		22657209		WIPER LINK, A				*		1	
7		40009196		SUSPENSION SCREW				*		1	
8	R	11110707	22956205	WIPER HINGE SCREW COLLAR				*		1	1.00
9		22657308		WIPER SPRING				*		1	
10		NS6110310SP		NUT 11/64-40				*		1	
11	R	11110400	22955900	WIPER RUBBER A				*		1	1.00
12	R	11110509	22956007	WIPER RUBBER B				*		1	1.00
13	R	11110301	40106936	WIPER SOLENOID				*		1	1.00
14		22957104		WIPER SOLENOID SHAFT				*		1	
15		HA000590000		POWER SWITCH				*		1	
16		HW200390000		ELECTRIC WIRE				*		0.04	
17		HW500070000		2-CORE CABTYRE CORD				*		1.4	
18	D	22657100		WIPER SOLENOID BASE				*		1	
19		WP0371016SD		WASHER 3.7X8X1						2	
20		10209203		WIPER 3/32"-3/8	SELECTIVE PARTS (SEE P.29)					1	
21		10209500		WIPER	SELECTIVE PARTS (SEE P.29)					1	
22		10209807		WIPER	SELECTIVE PARTS (SEE P.29)					1	
23		10209906		WIPER	SELECTIVE PARTS (SEE P.29)					1	
24		HK03464000B		PIN CONTACT						2	
25		SS4120615SP		SCREW 3/16-28 L=6						2	
26		NS6090310SP		NUT 9/64-40						1	
27		SD0500301SP		HINGE SCREW D= 5 H= 3						1	
28		22657050		WIPER LINK ASM., 2						1	
29		10208551		WIPER BASE ASM.						1	
30		SS9111010SP		SCREW 11/64-40 L=9.5						2	
31		RE0320000K0		E-RING 3.2						2	
32		10208700		WIPER LINK SHAFT						1	
33		SS3090520SP		SCREW 9/64-40 L=4.5						2	

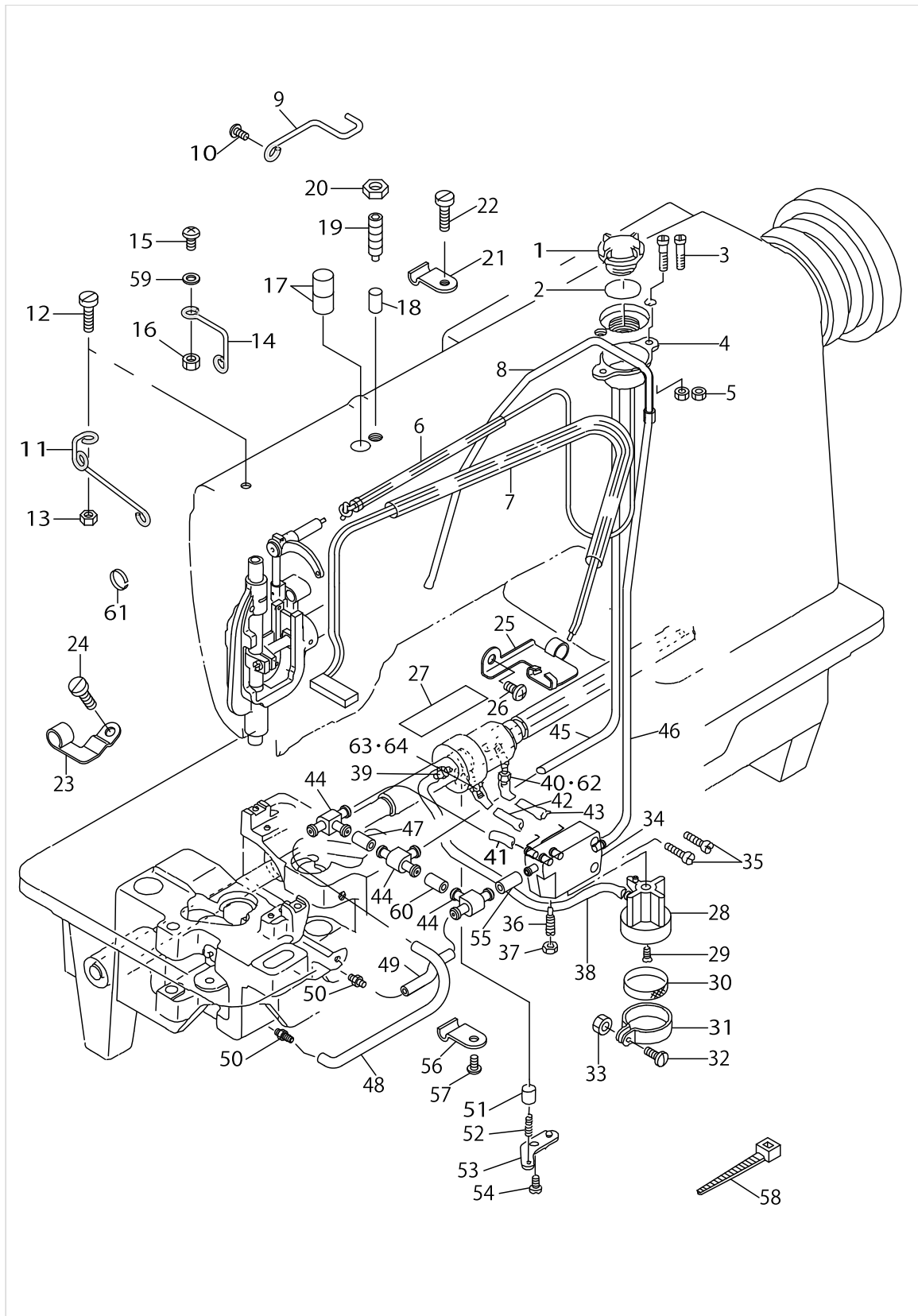
LUBRICATION COMPONENTS



LUBRICATION COMPONENTS

No.	Supply Code	Parts No.	Replacement	Parts name	Remarks	Choice	Step	Level	Cons	Qty	Rep. QTY
1		22924708		OIL SIGHT WINDOW						1	
2		RO195240100		RUBBER RING						1	
3		SS4111815SP		SCREW 11/64 L=18						2	
4		10216703		OIL TANK						1	
5		NS6110310SN		NUT 11/64-40						2	
6		22620355		OIL PIPE ASM.						1	
7		22620454		FELT ASM.						1	
8		22620702		OIL TUBE						1	
9	D	22620108		PIPE HOLDER, B						1	
10		SS4110715SP		SCREW 11/64-40 L=7						1	
11	R	22619209	40017055	OIL WICK GUIDE						1	1.00
12		SS6121610TP		SCREW 3/16-28 L=15.5						1	
13		NS6120310SP		NUT 3/16-28						1	
14		22620504		OIL WICK HOLDER						1	
15		SS4111215SP		SCREW11/64-40L=12						1	
16		NS6110420SP		NUT 11/64-40						1	
17		B3517009000		OIL FELT REAR						2	
18	D	22619415		OIL ADJUSTING SHAFT						1	
19		SS8701782TP		SCREW 5/16-24 L=17.0						1	
20		NS6700420SP		NUT 5/16-24						1	
21		22620801		PIPE HOLDER						1	
22		SS6111610SP		SCREW11/64-40L=16						1	
23		40012577		PIPE HOLDER						1	
24		SS4110615SP		SCREW 11/64-40 L=6						1	
25	D	22619803		VILENE HOLDER						1	
26		SS4110715SP		SCREW 11/64-40 L=7						1	
27		22619605		VILENE						1	
28	D	22619001		SUCTION						1	
29		SS2110930SP		SCREW 11/64-40 L=8.7						1	
30		B1851512000		FILTER SCREEN						1	
31	R	B1850512000	40009379	BUSHING HOLDER						1	1.00
32	R	SS7090910SP	SS7090910TP	SCREW 9/64-40 L=8.5						1	1.00
33		NS6090310SP		NUT 9/64-40						1	
34		10623403		BASE						1	
35		SS6111610SP		SCREW11/64-40L=16						2	
36		B1834512000A		OIL ADJUSTING SCREW						1	
37		NS6110310SP		NUT 11/64-40						1	
38		23630007		TUBE						.12	
39		SQ1150451MZ		CONNECTING SCREW						1	
40		SQ1110401MZ		CONNECTING SCREW	FOR LH-3178-7					1	
41		23630007		TUBE						.05	
42		23630007		TUBE						.08	
43		23630007		TUBE						.09	
44		13765607		OIL CONNec. ARM						3	
45		23630007		TUBE						.51	
46		23630007		TUBE						.4	

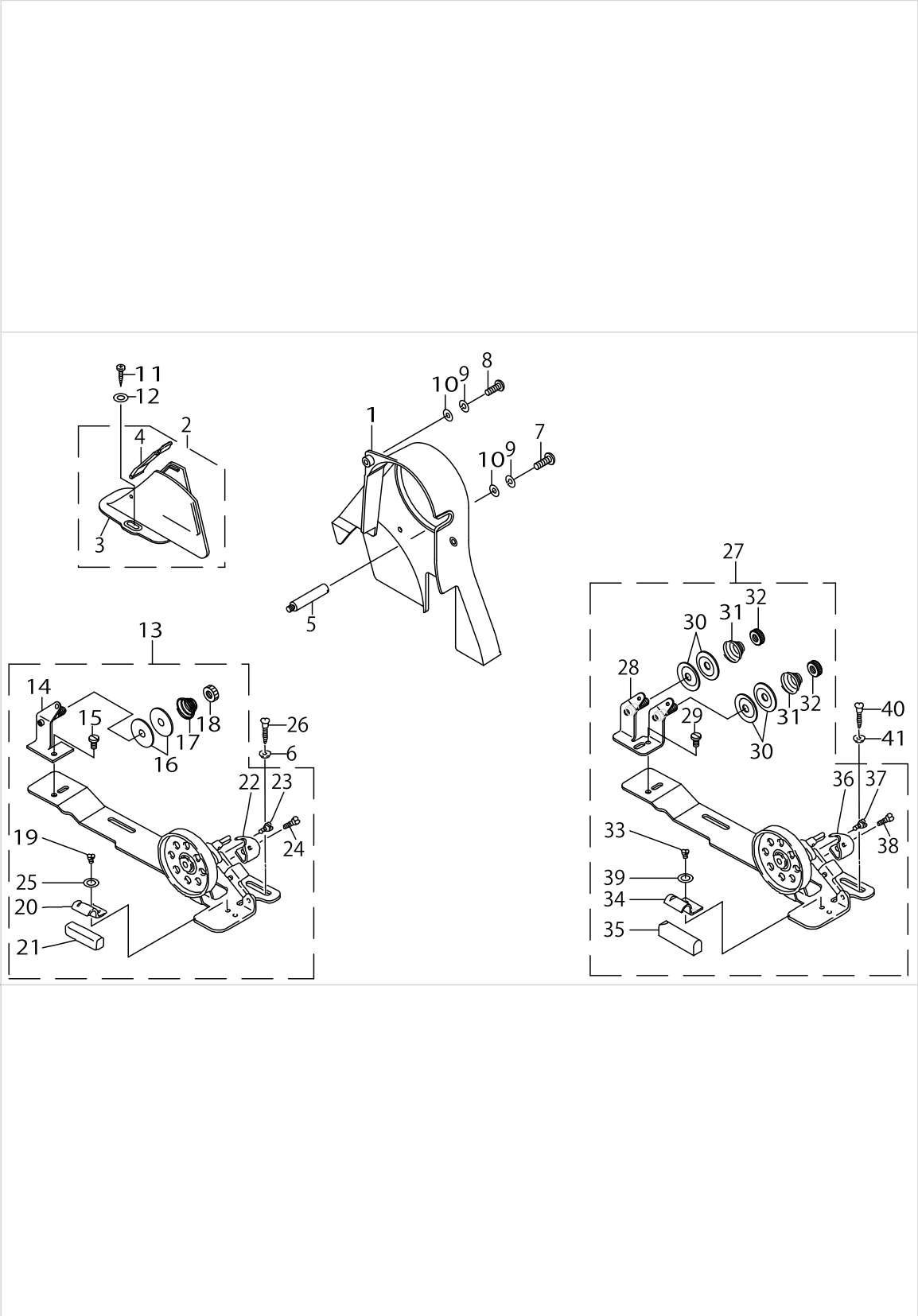
LUBRICATION COMPONENTS



LUBRICATION COMPONENTS

No.	Supply Code	Parts No.	Replacement	Parts name	Remarks	Choice	Step	Level	Cons	Qty	Rep. QTY
47		23630007		TUBE						.02	
48		23630007		TUBE						.21	
49		23630007		TUBE						.15	
50		SQ1110401MZ		CONNECTING SCREW						2	
51		B3534155000		PLUNGER						1	
52		B1214038000		PLUNGER SPRING						1	
53		B3524552000		PLUNGER THRUST PLATE						1	
54		SS4110815SP		SCREW 11/64-40 L=8						1	
55		23630007		TUBE						.02	
56		B3538112000		OIL RETURN TUBE HOLDER						1	
57		SS4110815SP		SCREW 11/64-40 L=8						1	
58		EA9500B0100		CABLE BAND						3	
59		B3534012000		GASKET						1	
60		23630007		TUBE						.02	
61		B1414512000		OIL WICK RETAINER						1	
62		22619704		OILING JOINT	FOR LH-3178					1	
63		22619704		OILING JOINT	FOR LH-3178-7					1	
64		SQ1110401MZ		CONNECTING SCREW	FOR LH-3178					1	

BELT COVER & BOBBIN WINDER COMPONENTS

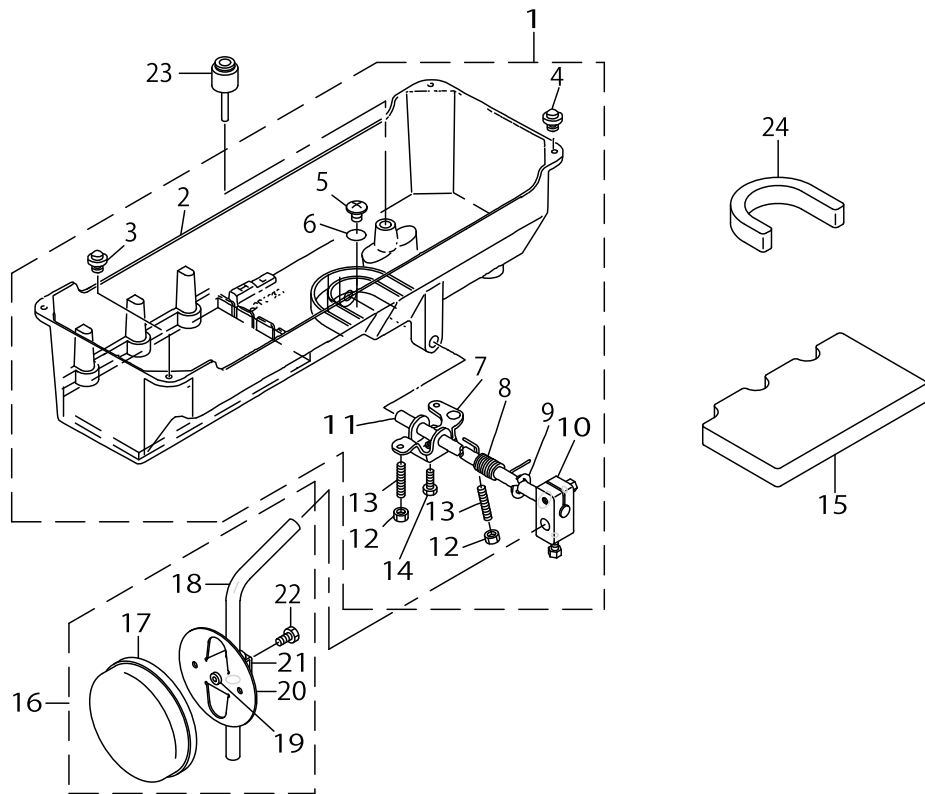


BELT COVER & BOBBIN WINDER COMPONENTS

No.	Supply Code	Parts No.	Replacement	Parts name	Remarks	Choice	Step	Level	Cons	Qty	Rep. QTY
1	D	22603401		BELT COVER A ASM.						1	
2	R	11076858	22933659	BELT COVER B ASM.						1	1.00
3	R	11076809	22933659	BELT COVER B				*		1	1.00
4	R	11076957	22933659	BELT COVER B CAP ASM.				*		1	1.00
5		B8233555000		BELT COVER SUPPORT STUD						2	
6		WP0501016SC		WASHER 5X10.5X1						2	
7		SS4111215SP		SCREW 11/64-40L=12						2	
8		SS6121610TP		SCREW 3/16-28 L=15.5						1	
9		WS0451040KP		SPRING WASHER 4.5X8.5X1						3	
10		WP0501016SD		WASHER 5X10.5X1						3	
11	R	SK3412000SC	SK3412000SE	WOOD SCREW D=4.1 L=20						2	1.00
12		WP0501016SC		WASHER 5X10.5X1						2	
13		11415866		BOBBIN WINDER COMPL						1	
14		11078250		THREAD TENSION BRACKET ASM.				*		1	
15		SS7110840SP		SCREW 11/64-40 L=7.8				*		1	
16	R	B3126012000	22921506	THREAD TENSION DISK				*		2	1.00
17	R	B3129012B00	22929004	THREAD TENSION SPRING				*		1	1.00
18	R	B3125012000	22928808	THREAD TENSION NUT				*		1	1.00
19		SS4110515SP		SCREW 11/64-40 L=5				*		1	
20		11078102		PRESSER PLATE				*		1	
21		B3211555000		RUBBER BRAKE				*		1	
22		11415908		POSITIONING FINGER				*		1	
23		SD0490261SP		HINGE SCREW D=4.9 H=2.6				*		1	
24		SS7081310SP		SCREW 1/8-44 L=12.5				*		1	
25		WP0480856SP		WASHER 4.8X8.4X0.8				*		1	
26	R	SK3482500SC	SK3482501SE	WOOD SCREW D=4.8 L=25						2	1.00
27		22837553		BOBBIN DEVICE	FOR JE					1	
28		22621056		TENSION BAR BASE				*		1	
29		SS7110840SP		SCREW 11/64-40 L=7.8				*		1	
30	R	22928907	22921506	THREAD TENSION DISK				*		4	1.00
31		22929004		THREAD TENSION SPRING				*		2	
32		22928808		NUT				*		2	
33		SS4110515SP		SCREW 11/64-40 L=5				*		1	
34	D	22928402		CONTROL RUBBER HOLDING PLATE				*		1	
35		22928303		CONTROL RUBBER				*		1	
36		22837504		BOBBIN PRESSER				*		1	
37		SD0490261SP		HINGE SCREW D=4.9 H=2.6				*		1	
38		SS7081310SP		SCREW 1/8-44 L=12.5				*		1	
39		WP0480856SP		WASHER 4.8X8.4X0.8				*		1	
40	R	SK3482500SC	SK3482501SE	WOOD SCREW D=4.8 L=25						2	1.00
41		WP0501016SC		WASHER 5X10.5X1						2	



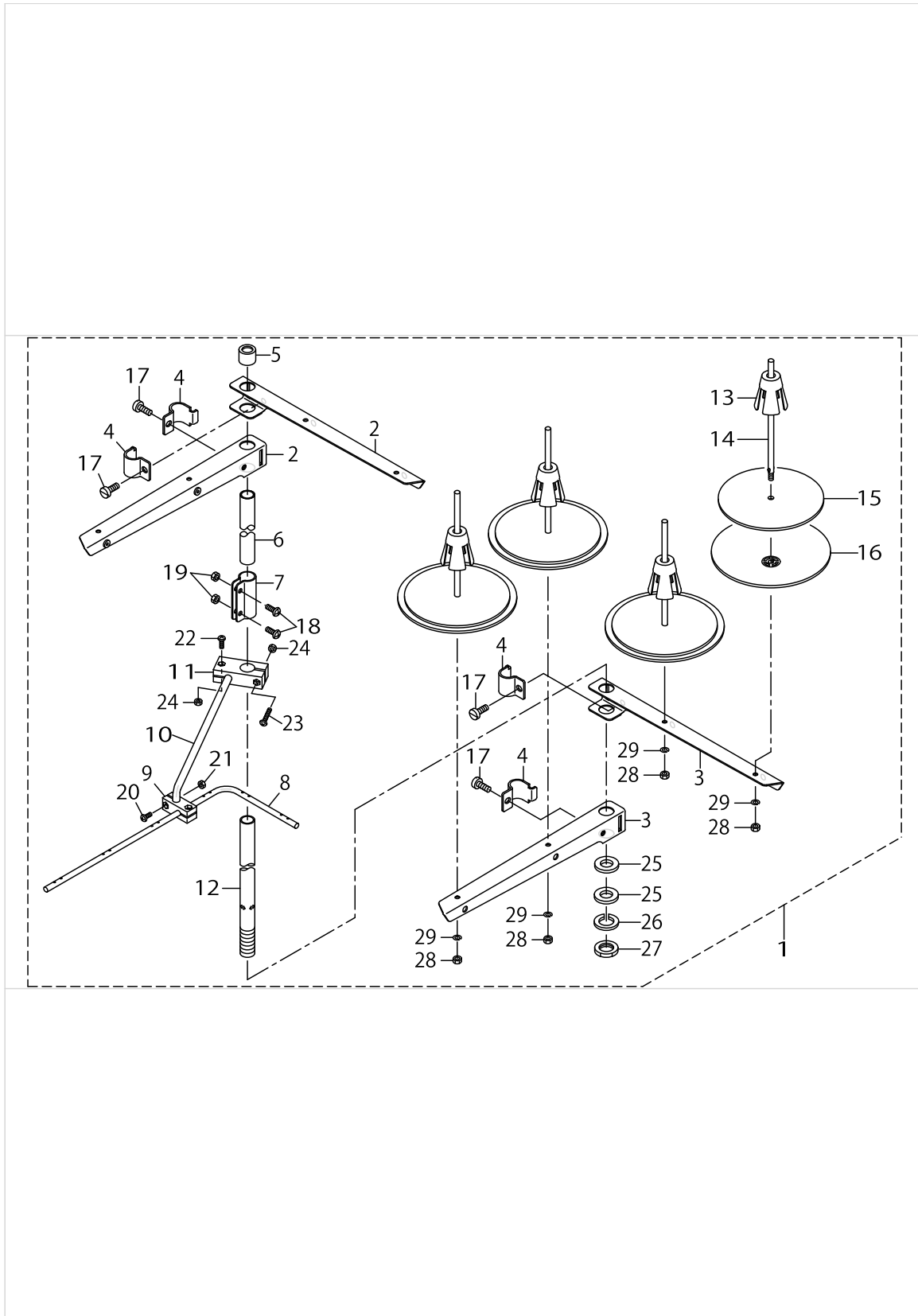
OIL RESERVOIR & KNEE LIFTER COMPONENTS



OIL RESERVOIR & KNEE LIFTER COMPONENTS

No.	Supply Code	Parts No.	Replacement	Parts name	Remarks	Choice	Step	Level	Cons	Qty	Rep. QTY
1		10162253		OIL RESERVOIR ASM.						1	
2	R	10162204	10162253	OIL RESERVOIR				*		1	1.00
3		10162600		RUBBER CUSHION				*		2	
4		11047107		RUBBER CUSHION				*		2	
5		SM0081001SD		SCREW				*		1	
6		RO098240100		RUBBER RING				*		1	
7	R	11024015	22932156	CONNECTING ROT, VERTICAL				*		1	1.00
8	R	11024106	22932206	SPRING				*		1	1.00
9		RE1000000K0		E-RING 10				*		1	
10		22932453		BRACKET ASM.				*		1	
11	R	11024205	22932305	KNEE PRESS ROD				*		1	1.00
12		NM6060001SE		NUT M6				*		2	
13		SM8063012TR		SCREW M6 L=30				*		2	
14		SM9061853SR		SCREW M6 L=17.5				*		1	
15		22622104		OIL RESERVOIR SPACER, B						1	
16		22934251		KNEE PAD PLATE ASM.						1	
17		22934509		KNEE PAD PLATE COVER				*		1	
18		22934608		KNEE PAD UPRIGHT SHAFT				*		1	
19		22934400		KNEE PAD PLATE RUBBER				*		1	
20		22934202		KNEE PAD PLATE				*		1	
21		22934301		KNEE PAD PLATE SUPPORT				*		1	
22		SM9061203SE		SCREW M6 L=12				*		1	
23	R	11024304	22931703	KNEE PRESS LIFTER ROD						1	1.00
24		22622005		OIL RESERVOIR SPACER, A						1	

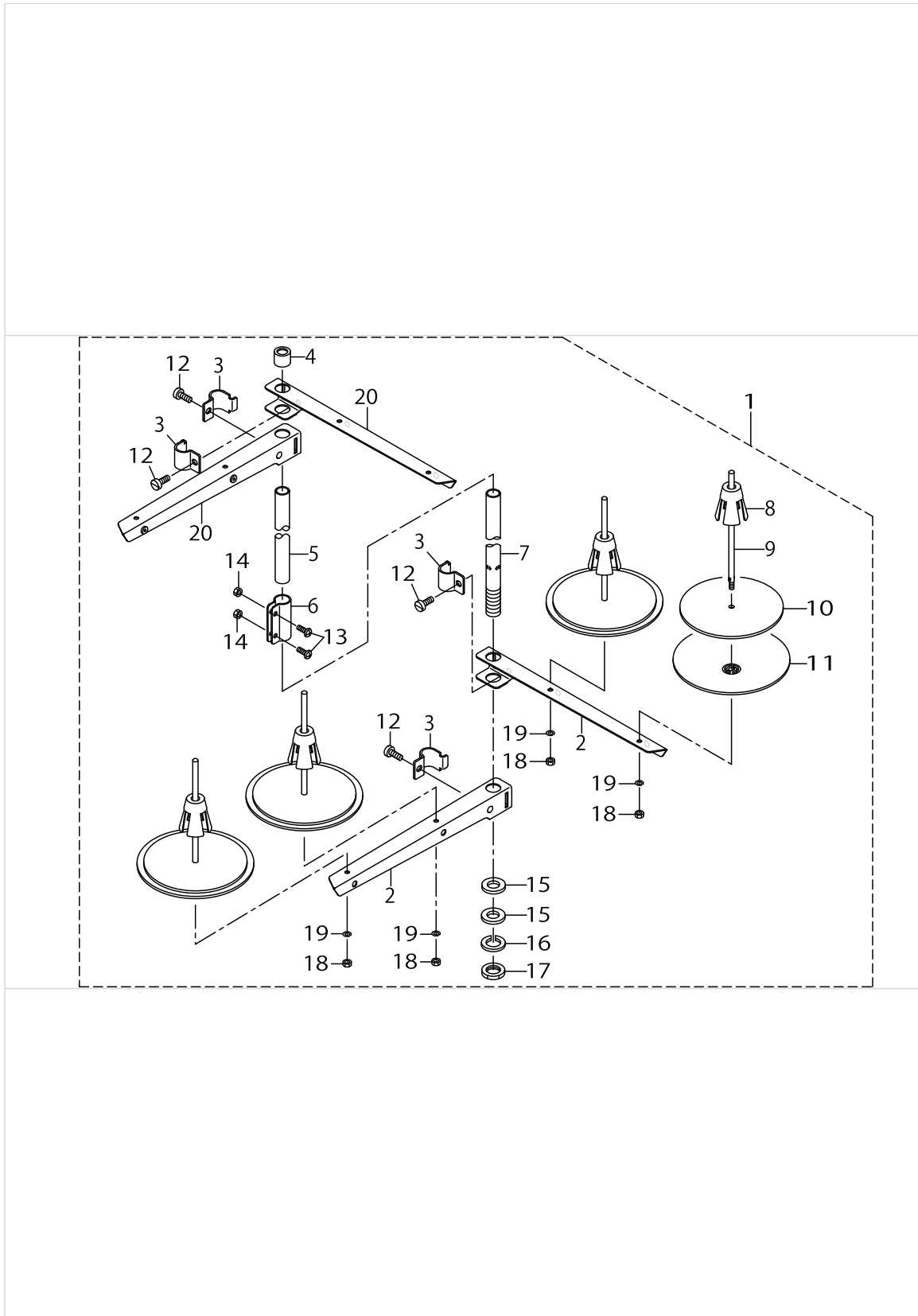
THREAD STAND COMPONENTS (1)



THREAD STAND COMPONENTS (1)

No.	Supply Code	Parts No.	Replacement	Parts name	Remarks	Choice	Step	Level	Cons	Qty	Rep. QTY
1	R	13167556	40106584	THREAD STANDING DEVICE ASM.						1	1.00
2	R	22930556	40096354	SPOOL REST ARM ASM.				*		2	1.00
3	R	22930507	40096354	SPOOL REST ARM				*		2	1.00
4	R	22930705	40096354	THREAD GUIDE ARM JOINT				*		4	1.00
5		22931406		THREAD STANDING ROD RUBBER CAP				*		1	
6	R	22930408	40096354	THREAD STANDING ROD, UPPER				*		1	1.00
7	R	22931307	40096354	THREAD STANDING ROD JOINT				*		1	1.00
8	R	13167903	26910059	THREAD STANDING THREAD GUIDE				*		1	1.00
9	D R	13168000	26910059	THREAD STANDING GUIDE BASE				*		1	1.00
10	R	13168109	26910059	THREAD STANDING GUIDE ARM				*		1	1.00
11	R	13168208	26910059	THREAD STANDING GUIDE ARM BASE				*		1	1.00
12	R	22930309	40096354	THREAD STANDING ROD, LOWER				*		1	1.00
13	R	22931109	40085791	SPOOL RETAINER				*		4	1.00
14	R	22931000	40085790	SPOOL PIN				*		4	1.00
15		22930903		SPOOL REST CUSHION				*		4	
16		22930804		SPOOL REST				*		4	
17		SM6061610SC		SCREW M6 L=16				*		4	
18		SM4051405SE		SCREW M5 L=14				*		2	
19		NM6050001SE		NUT M5				*		2	
20		SM4041001SC		SCREW M4X0.7 L=10				*		2	
21		NM6040002SE		NUT M4X0.7				*		2	
22		SM4041201SC		SCREW M4 L=12				*		1	
23		SM4042001SC		SCREW M4 X 20				*		1	
24		NM6040002SE		NUT M4X0.7				*		2	
25		WP1612616SE		WASHER 16X30X2.6				*		2	
26	R	WS1643202KR	WP1612616SE	SPRING WASHER		A		*		1	2.00
26	R	WS1643202KR	40085796	SPRING WASHER		A		*		1	2.00
27		NM6160511SE		NUT M16X1.5				*		1	
28		NM6050001SE		NUT M5				*		4	
29		WS0510002KN		SPRING WASHER				*		4	

THREAD STAND COMPONENTS (2) (FOR JH, JS)



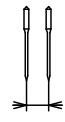
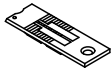
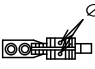
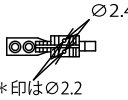
THREAD STAND COMPONENTS (2) (FOR JH, JS)

No.	Supply Code	Parts No.	Replacement	Parts name	Remarks	Choice	Step	Level	Cons	Qty	Rep. QTY
1		26910158		THREAD STANDING DEVICE ASM.						1	
2	R	22930507	40096354	SPOOL REST ARM				*		2	1.00
3	R	22930705	40096354	THREAD GUIDE ARM JOINT				*		4	1.00
4		22931406		SPOOL REST ROD RUBBER CAP				*		1	
5	R	22930408	40096354	SPOOL REST ROD, UPPER				*		1	1.00
6	R	22931307	40096354	SPOOL REST ROD JOINT				*		1	1.00
7	R	22930309	40096354	SPOOL REST ROD, LOWER				*		1	1.00
8	R	22931109	40085791	SPOOL RETAINER				*		4	1.00
9	R	22931000	40085790	SPOOL PIN				*		4	1.00
10		22930903		SPOOL REST CUSHION				*		4	
11		22930804		SPOOL REST				*		4	
12		SM6061610SC		SCREW M6 L=16				*		4	
13		SM4051405SE		SCREW M5 L=14				*		2	
14		NM6050001SE		NUT M5				*		2	
15		WP1612616SE		WASHER 16X30X2.6				*		2	
16	R	WS1643202KR	WP1612616SE	SPRING WASHER		A		*		1	2.00
16	R	WS1643202KR	40085796	SPRING WASHER		A		*		1	2.00
17		NM6160511SE		NUT M16X1.5				*		1	
18		NM6050001SE		NUT M5				*		4	
19		WS0510002KN		SPRING WASHER				*		4	
20	R	22930556	40096354	THREAD STANDING ARM ASM.				*		2	1.00

TABLE OF EXCHANGING GAUGE PARTS (1)

<FOR LH-3178> <LH-3178用>

★・・・Standard spec. 標準仕様

Needle gauge size 針 幅		Throat plate 針 板		Feed Dog 送 り 歯				
Code コード								
	inch	mm	Ref.No.	Part No.	Ref.No.	Part No.	Ref.No.	Part No.
A	3/32	2.4						
B	1/8	3.2	1	226-25107	19	226-30107		
C	5/32	4.0	2	226-25206	20	226-30206		
D	3/16	4.8	3	226-25305	21	226-30404	37	228-15401
E	7/32	5.6	4	226-25404	22	226-30503	38	228-15500
F	1/4	6.4	5	226-25503	23	226-30602	39	228-15609
G	9/32	7.1	6	226-25602	24	226-30800	40	228-15708
H	5/16	7.9	7	226-25701	25	226-30909	41	228-15807
K	3/8	9.5	8	226-25800	26	226-31006	42	228-15906
W	7/16	11.1	9	226-25909	27	226-31105		
L	1/2	12.7	10	226-26006	28	226-31303	43	228-16003
M	5/8	15.9	11	226-26105	29	226-31402		
N	3/4	19.1	12	226-26204	30	226-31501		
P	7/8	22.2	13	226-26303	31	226-31709		
Q	1	25.4	14	226-26402	32	226-31808	44	* B1613512Q0H
R	1 1/8	28.6	15	226-26501	33	226-31907	45	* B1613512R0H
S	1 1/4	31.8	16	226-26600	34	226-32004	46	* B1613512S0H
T	1 3/8	34.9	17	226-26709	35	226-32103	47	* B1613512T0H
U	1 1/2	38.1	18	226-26808	36	226-32202	48	* B1613512U0H
Stitch spec. 縫仕様	S		Spec.common 仕様共通		★			
	G						★	

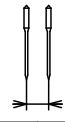

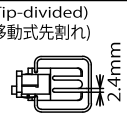
Needle gauge size 針 幅		Presser Foot asm. 押 さ え(組)				
Code コード						
	inch	mm	Ref.No.	Part No.	Ref.No.	Part No.
A	3/32	2.4				
B	1/8	3.2	49	226-37657		
C	5/32	4.0	50	101-52650		
D	3/16	4.8	51	101-52759	67	228-16557
E	7/32	5.6	52	101-52858	68	228-16656
F	1/4	6.4	53	101-52957	69	228-16755
G	9/32	7.1	54	101-53054	70	228-16854
H	5/16	7.9	55	101-53153	71	228-16953
K	3/8	9.5	56	101-53252	72	228-17050
W	7/16	11.1	57	101-53351		
L	1/2	12.7	58	101-53450	73	228-17159
M	5/8	15.9	59	101-53559		
N	3/4	19.1	60	101-53658		
P	7/8	22.2	61	101-53757		
Q	1	25.4	62	101-53856	74	226-41757
R	1 1/8	28.6	63	101-53955	75	226-41856
S	1 1/4	31.8	64	101-54052	76	226-41955
T	1 3/8	34.9	65	101-54151	77	226-42052
U	1 1/2	38.1	66	101-54250	78	226-42151
Stitch spec. 縫仕様	S		★			
	G				★	

TABLE OF EXCHANGING GAUGE PARTS (1)

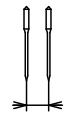
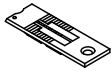
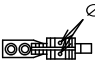
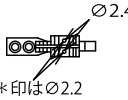
No.	Supply Code	Parts No.	Replacement	Parts name	Remarks	Choice	Step	Level	Cons	Qty	Rep. QTY
1		22625107		THROAT PLATE 1/8" (3.2MM)						1	
2		22625206		THROAT PLATE 5/32" (4MM)						1	
3		22625305		THROAT PLATE 3/16" (4.8MM)						1	
4		22625404		THROAT PLATE 7/32" (5.6MM)						1	
5		22625503		THROAT PLATE 1/4						1	
6		22625602		THROAT PLATE 9/32" (7.1MM)						1	
7		22625701		THROAT PLATE 5/16" (7.9MM)						1	
8		22625800		THROAT PLATE 3/8" (9.5MM)						1	
9		22625909		THROAT PLATE 7/16 (11.1MM)						1	
10		22626006		THROAT PLATE 1/2" (12.7MM)						1	
11		22626105		THROAT PLATE 5/8" (15.9MM)						1	
12		22626204		THROAT PLATE 3/4" (19.1MM)						1	
13		22626303		THROAT PLATE 7/8" (22.2MM)						1	
14		22626402		THROAT PLATE 1" (25.4MM)						1	
15		22626501		THROAT PLATE 1.1/8" (28.6MM)						1	
16		22626600		THROAT PLATE 1.1/4" (31.8MM)						1	
17		22626709		THROAT PLATE 1.3/8" (34.9MM)						1	
18		22626808		THROAT PLATE 1.1/2" (38.1MM)						1	
19		22630107		FEED DOG 1/8" (3.2MM)						1	
20		22630206		FEED DOG 5/32" (4.0MM)						1	
21		22630404		FEED DOG 3/16" (4.8MM)						1	
22		22630503		FEED DOG 7/32" (5.6MM)						1	
23		22630602		FEED DOG 1/4						1	
24		22630800		FEED DOG 9/32" (7.1MM)						1	
25		22630909		FEED DOG 5/16" (7.9MM)						1	
26		22631006		FEED DOG 3/8" (9.5MM)						1	
27		22631105		FEED DOG 7/16" (11.1MM)						1	
28		22631303		FEED DOG 1/2" (12.7MM)						1	
29		22631402		FEED DOG 5/8" (15.9MM)						1	
30		22631501		FEED DOG 3/4" (19.1MM)						1	
31		22631709		FEED DOG 7/8" (22.2MM)						1	
32		22631808		FEED DOG 1" (25.4MM)						1	
33		22631907		FEED DOG 1.1/8" (28.6MM)						1	
34		22632004		FEED DOG 1.1/4" (31.8MM)						1	
35		22632103		FEED DOG 1.3/8" (34.9MM)						1	
36		22632202		FEED DOG 1.1/2" (38.1MM)						1	
37		22815401		FEED DOG D=2.4 3/16 (4.8M)						1	
38	D	22815500		FEED DOG D=2.4 7/32 (5.6M)						1	
39		22815609		FEED DOG(D=2.4) 1/4"(6.4MM)						1	
40		22815708		FEED DOG D=2.4 9/32 (7.1M)						1	
41		22815807		FEED DOG D=2.4 5/16 (7.9M)						1	
42		22815906		FEED DOG 3/8 D=2.4						1	
43		22816003		FEED DOG 1/2 D=2.4						1	
44		B1613512Q0H		FEED DOG 1						1	
45		B1613512R0H		FEED DOG 1-1/8						1	
46		B1613512S0H		FEED DOG 1-1/4						1	



TABLE OF EXCHANGING GAUGE PARTS (1)

<FOR LH-3178> <LH-3178用>

★・・・Standard spec. 標準仕様

Needle gauge size 針 幅		Throat plate 針 板		Feed Dog 送 り 歯				
Code コード								
	inch	mm	Ref.No.	Part No.	Ref.No.	Part No.	Ref.No.	Part No.
A	3/32	2.4						
B	1/8	3.2	1	226-25107	19	226-30107		
C	5/32	4.0	2	226-25206	20	226-30206		
D	3/16	4.8	3	226-25305	21	226-30404	37	228-15401
E	7/32	5.6	4	226-25404	22	226-30503	38	228-15500
F	1/4	6.4	5	226-25503	23	226-30602	39	228-15609
G	9/32	7.1	6	226-25602	24	226-30800	40	228-15708
H	5/16	7.9	7	226-25701	25	226-30909	41	228-15807
K	3/8	9.5	8	226-25800	26	226-31006	42	228-15906
W	7/16	11.1	9	226-25909	27	226-31105		
L	1/2	12.7	10	226-26006	28	226-31303	43	228-16003
M	5/8	15.9	11	226-26105	29	226-31402		
N	3/4	19.1	12	226-26204	30	226-31501		
P	7/8	22.2	13	226-26303	31	226-31709		
Q	1	25.4	14	226-26402	32	226-31808	44	* B1613512Q0H
R	1 1/8	28.6	15	226-26501	33	226-31907	45	* B1613512R0H
S	1 1/4	31.8	16	226-26600	34	226-32004	46	* B1613512S0H
T	1 3/8	34.9	17	226-26709	35	226-32103	47	* B1613512T0H
U	1 1/2	38.1	18	226-26808	36	226-32202	48	* B1613512U0H
Stitch spec. 縫仕様	S		Spec.common 仕様共通		★			
	G						★	

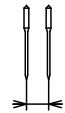
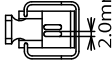
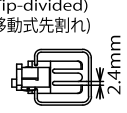
Needle gauge size 針 幅		Presser Foot asm. 押 さ え(組)				
Code コード						
	inch	mm	Ref.No.	Part No.	Ref.No.	Part No.
A	3/32	2.4				
B	1/8	3.2	49	226-37657		
C	5/32	4.0	50	101-52650		
D	3/16	4.8	51	101-52759	67	228-16557
E	7/32	5.6	52	101-52858	68	228-16656
F	1/4	6.4	53	101-52957	69	228-16755
G	9/32	7.1	54	101-53054	70	228-16854
H	5/16	7.9	55	101-53153	71	228-16953
K	3/8	9.5	56	101-53252	72	228-17050
W	7/16	11.1	57	101-53351		
L	1/2	12.7	58	101-53450	73	228-17159
M	5/8	15.9	59	101-53559		
N	3/4	19.1	60	101-53658		
P	7/8	22.2	61	101-53757		
Q	1	25.4	62	101-53856	74	226-41757
R	1 1/8	28.6	63	101-53955	75	226-41856
S	1 1/4	31.8	64	101-54052	76	226-41955
T	1 3/8	34.9	65	101-54151	77	226-42052
U	1 1/2	38.1	66	101-54250	78	226-42151
Stitch spec. 縫仕様	S		★			
	G				★	

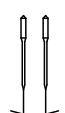
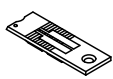


TABLE OF EXCHANGING GAUGE PARTS (1)

No.	Supply Code	Parts No.	Replacement	Parts name	Remarks	Choice	Step	Level	Cons	Qty	Rep. QTY
47		B1613512T0H		FEED DOG 1-3/8						1	
48		B1613512U0H		FEED DOG 1-1/2						1	
49		22637657		PRESSER FOOT ASM. 1/8						1	
50		10152650		PRESSER FOOT ASM. 5/32						1	
51		10152759		PRESSER FOOT ASM. 3/16						1	
52		10152858		PRESSER FOOT ASM. 7/32						1	
53		10152957		PRESSER FOOT ASM. 1/4						1	
54		10153054		PRESSER FOOT ASM. 9/32						1	
55		10153153		PRESSER FOOT ASM. 5/16						1	
56		10153252		PRESSER FOOT ASM. 3/8						1	
57		10153351		PRESSER FOOT ASM. 7/16						1	
58		10153450		PRESSER FOOT ASM. 1/2						1	
59		10153559		PRESSER FOOT ASM. 5/8						1	
60		10153658		PRESSER FOOT ASM. 3/4						1	
61		10153757		PRESSER FOOT ASM. 7/8						1	
62		10153856		PRESSER FOOT ASM. 1						1	
63		10153955		PRESSER FOOT ASM. 1-1/8						1	
64		10154052		PRESSER FOOT ASM. 1-1/4						1	
65		10154151		PRESSER FOOT ASM. 1-3/8						1	
66		10154250		PRESSER FOOT ASM. 1-1/2						1	
67		22816557		TIP-DIVIDED PRESSER ASM. 3/16						1	
68		22816656		TIP-DIVIDED PRESSER ASM. 7/32						1	
69		22816755		PRESSER FOOT ASM. 1/4						1	
70		22816854		TIP-DIVIDED PRESSER ASM. 9/32						1	
71		22816953		TIP-DIVIDED PRESSER ASM. 5/16						1	
72		22817050		PRESSER FOOT ASM. D=2.4 (3/8)						1	
73		22817159		PRESSER FOOT ASM. D=2.4 (1/2)						1	
74		22641757		PRESSER FOOT ASM.						1	
75		22641856		PRESSER FOOT ASM.						1	
76		22641955		PRESSER FOOT ASM.						1	
77		22642052		PRESSER FOOT ASM.						1	
78		22642151		PRESSER FOOT ASM.						1	

TABLE OF EXCHANGING GAUGE PARTS (2)

<FOR LH-3178-7> <LH-3178-7用>

★・・・Standard spec. 標準仕様

Needle gauge size 針 幅		Throat plate (with Thread Trimmer) 針板(糸切付)		Feed Dog (with Thread Trimmer) 送 り 歯(糸切付)				
Code コード								
	inch	mm	Ref.No.	Part No.	Ref.No.	Part No.	Ref.No.	Part No.
A	3/32	2.4						
B	1/8	3.2	1	226-60203	17	226-65103		
C	5/32	4.0	2	226-60302	18	102-37907		
D	3/16	4.8	3	226-60401	19	102-38004	33	228-21201
E	7/32	5.6	4	226-60500	20	102-38103	34	228-21300
F	1/4	6.4	5	226-60609	21	102-38202	35	228-21409
G	9/32	7.1	6	226-60708	22	102-38301	36	228-21508
H	5/16	7.9	7	226-60807	23	102-38400	37	228-21607
K	3/8	9.5	8	226-60906	24	102-38509	38	228-21706
W	7/16	11.1	9	226-61003	25	101-68300		
L	1/2	12.7	10	226-61102	26	101-38707	39	228-21805
M	5/8	15.9	11	226-61201	27	102-38806		
N	3/4	19.1	12	226-61300	28	102-38905		
P	7/8	22.2	13	226-61409	29	101-68706		
Q	1	25.4	14	226-61508	30	102-39002		
R	1 1/8	28.6	15	226-61607	31	101-68904		
S	1 1/4	31.8	16	226-61706	32	101-69001		
T	1 3/8	34.9						
U	1 1/2	38.1						
Stitch spec. 縫 仕 様	S G		Spec.common 仕様共通		★		★	

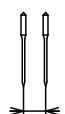
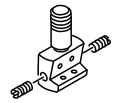
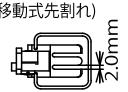

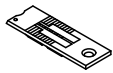


Needle gauge size 針 幅		Needle clamp asm. 針 留(組)		Presser Foot asm. 押 さ え(組)		
Code コード						
	inch	mm	Ref.No.	Part No.	Ref.No.	Part No.
A	3/32	2.4				
B	1/8	3.2	40	101-47650	58	102-22255
C	5/32	4.0	41	101-47759	59	102-22354
D	3/16	4.8	42	101-47858	60	226-40353
E	7/32	5.6	43	101-47957	61	226-40452
F	1/4	6.4	44	101-48054	62	226-40551
G	9/32	7.1	45	101-48153	63	226-40759
H	5/16	7.9	46	101-48252	64	226-40858
K	3/8	9.5	47	101-48351	65	226-40957
W	7/16	11.1	48	101-48450		
L	1/2	12.7	49	101-48559	66	226-41252
M	5/8	15.9	50	101-48658	67	226-41351
N	3/4	19.1	51	101-48757	68	226-41450
P	7/8	22.2	52	101-48856		
Q	1	25.4	53	101-48955	69	226-41757
R	1 1/8	28.6	54	101-49052		
S	1 1/4	31.8	55	101-49151		
T	1 3/8	34.9	56	101-49250		
U	1 1/2	38.1	57	101-49359		
Stitch spec. 縫 仕 様	S G		Spec. common 仕様共通		★	

TABLE OF EXCHANGING GAUGE PARTS (2)

No.	Supply Code	Parts No.	Replacement	Parts name	Remarks	Choice	Step	Level	Cons	Qty	Rep. QTY
1		22660203		THROAT PLATE 1/8						1	
2		22660302		THROAT PLATE 5/32						1	
3		22660401		THROAT PLATE 3/16						1	
4		22660500		THROAT PLATE 7/32						1	
5		22660609		THROAT PLATE 1/4						1	
6		22660708		THROAT PLATE 9/32						1	
7		22660807		THROAT PLATE 5/16						1	
8		22660906		THROAT PLATE 3/8						1	
9		22661003		THROAT PLATE 7/16						1	
10		22661102		THROAT PLATE 1/2						1	
11		22661201		THROAT PLATE 5/8						1	
12		22661300		THROAT PLATE 3/4						1	
13		22661409		THROAT PLATE 7/8						1	
14		22661508		THROAT PLATE 1						1	
15		22661607		THROAT PLATE 1.1/8						1	
16		22661706		THROAT PLATE 1.1/4						1	
17		22665103		FEED DOG 1/8						1	
18		10237907		FEED DOG 5/32						1	
19	D	10238004		FEED DOG 3/16						1	
20		10238103		FEED DOG 7/32						1	
21		10238202		FEED DOG 1/4						1	
22		10238301		FEED DOG 9/32						1	
23		10238400		FEED DOG 5/16						1	
24		10238509		FEED DOG 3/8						1	
25		10168300		FEED DOG 7/16						1	
26		10138707		FEED DOG 1/2						1	
27		10238806		FEED DOG 5/8						1	
28		10238905		FEED DOG 3/4						1	
29		10168706		FEED DOG 7/8						1	
30		10239002		FEED DOG 1						1	
31		10168904		FEED DOG 1-1/8						1	
32		10169001		FEED DOG 1-1/4						1	
33		22821201		THREAD CUTTING FEED DOG 3/16						1	
34		22821300		FEED DOG 7/32 D=2.4						1	
35		22821409		FEED DOG(D=2.4) 1/4						1	
36		22821508		FEED DOG D=2.4 9/32						1	
37		22821607		FEED DOG D=2.4 5/16						1	
38		22821706		FEED DOG 3/8 D=2.4						1	
39		22821805		FEED DOG(D=2.4) 1/2						1	
40		10147650		NEEDLE CLAMP ASM. 1/8						1	
41		10147759		NEEDLE CLAMP ASM. 5/32						1	
42		10147858		NEEDLE CLAMP ASM. 3/16						1	
43		10147957		NEEDLE CLAMP ASM. 7/32						1	
44		10148054		NEEDLE CLAMP ASM. 1/4						1	
45		10148153		NEEDLE CLAMP ASM. 9/32						1	
46		10148252		NEEDLE CLAMP ASM. 5/16						1	

TABLE OF EXCHANGING GAUGE PARTS (2)

<FOR LH-3178-7> <LH-3178-7用> ★・・・Standard spec. 標準仕様

Needle gauge size 針 幅		Throat plate (with Thread Trimmer) 針板(糸切付)		Feed Dog (with Thread Trimmer) 送 り 歯(糸切付)				
Code コード								
	inch	mm	Ref.No.	Part No.	Ref.No.	Part No.	Ref.No.	Part No.
A	3/32	2.4						
B	1/8	3.2	1	226-60203	17	226-65103		
C	5/32	4.0	2	226-60302	18	102-37907		
D	3/16	4.8	3	226-60401	19	102-38004	33	228-21201
E	7/32	5.6	4	226-60500	20	102-38103	34	228-21300
F	1/4	6.4	5	226-60609	21	102-38202	35	228-21409
G	9/32	7.1	6	226-60708	22	102-38301	36	228-21508
H	5/16	7.9	7	226-60807	23	102-38400	37	228-21607
K	3/8	9.5	8	226-60906	24	102-38509	38	228-21706
W	7/16	11.1	9	226-61003	25	101-68300		
L	1/2	12.7	10	226-61102	26	101-38707	39	228-21805
M	5/8	15.9	11	226-61201	27	102-38806		
N	3/4	19.1	12	226-61300	28	102-38905		
P	7/8	22.2	13	226-61409	29	101-68706		
Q	1	25.4	14	226-61508	30	102-39002		
R	1 1/8	28.6	15	226-61607	31	101-68904		
S	1 1/4	31.8	16	226-61706	32	101-69001		
T	1 3/8	34.9						
U	1 1/2	38.1						
Stitch spec. 縫仕様	S		Spec.common 仕様共通		★		★	
	G							

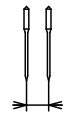
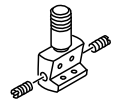
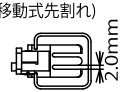
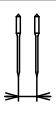


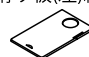

Needle gauge size 針 幅		Needle clamp asm. 針 留(組)		Presser Foot asm. 押 さ え(組)		
Code コード						
	inch	mm	Ref.No.	Part No.	Ref.No.	Part No.
A	3/32	2.4				
B	1/8	3.2	40	101-47650	58	102-22255
C	5/32	4.0	41	101-47759	59	102-22354
D	3/16	4.8	42	101-47858	60	226-40353
E	7/32	5.6	43	101-47957	61	226-40452
F	1/4	6.4	44	101-48054	62	226-40551
G	9/32	7.1	45	101-48153	63	226-40759
H	5/16	7.9	46	101-48252	64	226-40858
K	3/8	9.5	47	101-48351	65	226-40957
W	7/16	11.1	48	101-48450		
L	1/2	12.7	49	101-48559	66	226-41252
M	5/8	15.9	50	101-48658	67	226-41351
N	3/4	19.1	51	101-48757	68	226-41450
P	7/8	22.2	52	101-48856		
Q	1	25.4	53	101-48955	69	226-41757
R	1 1/8	28.6	54	101-49052		
S	1 1/4	31.8	55	101-49151		
T	1 3/8	34.9	56	101-49250		
U	1 1/2	38.1	57	101-49359		
Stitch spec. 縫仕様	S		Spec. common 仕様共通		★	
	G					



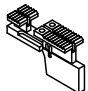

TABLE OF EXCHANGING GAUGE PARTS (2)


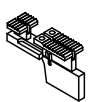


No.	Supply Code	Parts No.	Replacement	Parts name	Remarks	Choice	Step	Level	Cons	Qty	Rep. QTY
47		10148351		NEEDLE CLAMP ASM. 3/8						1	
48		10148450		NEEDLE CLAMP ASM. 7/16						1	
49		10148559		NEEDLE CLAMP ASM. 1/2						1	
50		10148658		NEEDLE CLAMP ASM. 5/8						1	
51		10148757		NEEDLE CLAMP ASM. 3/4						1	
52		10148856		NEEDLE CLAMP ASM. 7/8						1	
53		10148955		NEEDLE CLAMP ASM. 1						1	
54		10149052		NEEDLE CLAMP ASM. 1-1/8						1	
55		10149151		NEEDLE CLAMP ASM. 1-1/4						1	
56		10149250		NEEDLE CLAMP ASM. 1-3/8						1	
57		10149359		NEEDLE CLAMP ASM. 1-1/2						1	
58		10222255		PRESSER FOOT ASM. 1/8						1	
59		10222354		PRESSER FOOT ASM. 5/32						1	
60		22640353		PRESSER FOOT ASM.						1	
61		22640452		PRESSER FOOT ASM.						1	
62		22640551		PRESSER FOOT ASM.						1	
63		22640759		PRESSER FOOT ASM.						1	
64		22640858		PRESSER FOOT ASM.						1	
65		22640957		PRESSER FOOT ASM.						1	
66		22641252		PRESSER FOOT ASM.						1	
67		22641351		PRESSER FOOT ASM.						1	
68		22641450		PRESSER FOOT ASM.						1	
69		22641757		PRESSER FOOT ASM.						1	


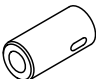
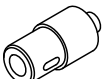
TABLE OF EXCHANGING GAUGE PARTS (3)

Needle gauge size 針 幅		Bed Slide asm. (with Tread Trimmer) 滑り板(組) (糸切り付)				Bed Slide asm. (without Tread Trimmer・stitch spec. F) 滑り板 (組) (糸切り無・F仕様)				
Code コード			Bed Slide asm. (Left) 糸切り滑り板(左)組 		Bed Slide asm. (Right) 糸切り滑り板(右)組 		Bed Slide asm. (Left) 滑り板(左)組 		Bed Slide asm. (Right) 滑り板(右)組 	
	inch	mm	Ref.No.	Part No.	Ref.No.	Part No.	Ref.No.	Part No.	Ref.No.	Part No.
A S W	$\frac{3}{32}$ S $\frac{7}{16}$	2.4 S 11.4	1	226-50857	5	226-50352	9	226-01058	13	226-00555
L S N	$\frac{1}{2}$ S $\frac{3}{4}$	12.7 S 19.1	2	226-50956	6	226-50451	10	226-01157	14	226-00654
P S Q	$\frac{1}{8}$ S $\frac{1}{8}$	22.2 S 28.6	3	226-51053	7	226-50550	11	226-01256	15	226-00753
S S U	$\frac{1}{4}$ S $\frac{1}{2}$	31.8 S 38.1	4	226-51152	8	226-50659	12	226-01355	16	226-00852

空環ゲージ

Needle gauge size 針 幅		Throat plate(with- out Thread Trimmer) 針板(糸切無)		Feed dog(without Thread Trimmer) 送り歯(糸切無)		Throat plate(with- Thread Trimmer) 針板(糸切付)		
Code コード								
	inch	mm	Ref.No.	Part No.	Ref.No.	Part No.	Ref.No.	Part No.
D	$\frac{3}{16}$	4.8	17	228-35003	19	228-35557	21	228-35201
F	$\frac{1}{4}$	6.4	18	228-35102	20	228-35656	22	228-35300

Needle gauge size 針 幅		Feed dog(with Thread Trimmer) 送り歯(糸切付)		Presser Foot asm. 押 さ え(組)		Feed Dog Screw 送り歯止めねじ		
Code コード								
	inch	mm	Ref.No.	Part No.	Ref.No.	Part No.	Ref.No.	Part No.
D	$\frac{3}{16}$	4.8	23	106-91053	25	B1524-512-DBH	27	SS-6580710-TP
F	$\frac{1}{4}$	6.4	24	106-98652	26	B1524-512-FBE	28	SS-6580710-TP

Needle gauge size 針 幅		Front Metal 前 メタル		Inner Metal 中 メタル		
Code コード						
	inch	mm	Ref.No.	Part No.	Ref.No.	Part No.
A S M	$\frac{3}{32}$ S $\frac{5}{8}$	2.4 S 15.9	29	B1802-512-0A0-A	31	B1803-515-0A0
N S U	$\frac{3}{4}$ S $\frac{1}{2}$	19.1 S 38.1	30	B1802-512-0AB	32	101-12357

ワイパー

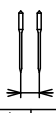
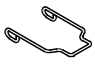
Needle gauge size 針 幅		Wiper ワイパー		
Code コード				
	inch	mm	Ref.No.	Part No.
A S K	$\frac{3}{32}$ S $\frac{3}{8}$	2.4 S 9.5	33	102-09203
W S M	$\frac{7}{16}$ S $\frac{5}{8}$	11.1 S 15.9	34	102-09500
N S P	$\frac{3}{4}$ S $\frac{7}{8}$	19.1 S 22.2	35	102-09807
Q S S	1 S $\frac{1}{4}$	25.4 S 31.8	36	102-09906

TABLE OF EXCHANGING GAUGE PARTS (3)

No.	Supply Code	Parts No.	Replacement	Parts name	Remarks	Choice	Step	Level	Cons	Qty	Rep. QTY
1		22650857		BED SLIDE LEFT, ASM., A						1	
2		22650956		LEFT SLIDER PLATE B ASM.						1	
3		22651053		BED SLIDE LEFT, ASM., C						1	
4		22651152		BED SLIDE LEFT, ASM., D						1	
5		22650352		BED SLIDE RIGHT, ASM., A						1	
6		22650451		RIGHT SLIDER PLATE B ASM.						1	
7		22650550		BED SLIDE RIGHT, ASM., C						1	
8		22650659		BED SLIDE RIGHT, ASM., D						1	
9		22601058		BED SLIDE LEFT, ASM., A						1	
10		22601157		LEFT SLIDER PLATE B ASM.						1	
11		22601256		BED SLIDE LEFT, ASM., C						1	
12		22601355		BED SLIDE LEFT, ASM., C						1	
13		22600555		BED SLIDE RIGHT, ASM., A						1	
14		22600654		RIGHT SLIDER PLATE B ASM.						1	
15		22600753		BED SLIDE RIGHT, ASM., C						1	
16		22600852		BED SLIDE RIGHT, ASM., D						1	
17		22835003		THROAT PLATE Z (P=4) 3/16						1	
18	D	22835102		THROAT PLATE (P=4) 1/4						1	
19		22835557		FEED DOG ASM. 3/16						1	
20	D	22835656		FEED DOG ASM. 1/4						1	
21		22835201		THROAT PLATE (P=4) 3/16						1	
22		22835300		THROAT PLATE (P=4) 1/4						1	
23	D	10691053		FEEDDOG 3/16" ASM.						1	
24		10698652		FEED DOG 1/4 ASM.						1	
25		B1524512DBH		PRESSER FOOT 3/16 ASM.						1	
26	D	B1524512FBE		PRESSER FOOT ASM. 1/4						1	
27		SS6580710TP		SCREW						1	
28		SS6580710TP		SCREW						1	
29		B18025120A0A		BUSHING ASM., FRONT						1	
30		B18025120AB		BUSHING ASM., FRONT						1	
31		B18035150A0		BUSHING ASM., INTERMEDIATE						1	
32		10112357		BUSHING ASM. INTERMEDIATE						1	
33		10209203		WIPER 3/32"-3/8						1	
34		10209500		WIPER						1	
35		10209807		WIPER						1	
36		10209906		WIPER						1	





## HOW TO MAKE USE OF THIS PARTS LIST

### 1.Explanation of codes

1)"\*"mark.....means this part is changed from the previous parts book.

As to the details of the change, refer to the "List for information of change".

2)"#01".....refer to "Note" explanation at bottom of page.

### 2.Codes on the "Qty" column

• Each numeral indicates the number of parts required.

• "0.1" and "2.5" indicate the length (in meters) of the respective parts.

3.Parentheses mean that the corresponding part is a subpart that constructs an assembly part.

4.Dotted lines on the Figures indicate assembly parts.

### 1."注記"欄の記号説明

1) "\*"印.....前回のパーツブックに比較して今回変更された部品を意味します。

変更内容は、"変更情報リスト"を参照してください。

2) "#01".....ページ下の"注記"の説明を参照してください。

2.数量欄の数字は、個数を表し、0.1、2.5等の数値は、長さ（単位メートル）を表します。

3.数量欄の（ ）は、組部品を構成している子部品であることを意味します。

4.イラストページの-----枠は、組構成であることを意味します。

# NUMERICAL INDEX OF PARTS

PART NO	PAGE	REF NO.	PART NO	PAGE	REF NO.	PART NO	PAGE	REF NO.
10101004	2	3	10148955	52	53	10231603	14	78
10104800	8	62	10149052	52	54	10237907	50	18
10106102	20	50	10149151	52	55	10238004	50	19
10107902	18	39	10149250	52	56	10238103	50	20
10107902	20	39	10149359	52	57	10238202	50	21
10108009	18	13	10152650	48	50	10238301	50	22
10108512	12	1	10152759	48	51	10238400	50	23
10108611	12	11-91	10152858	48	52	10238509	50	24
10109908	12	38	10152957	48	53	10238806	50	27
10110500	12	33	10153054	48	54	10238905	50	28
10110609	12	32	10153153	48	55	10239002	50	30
10111201	14	49	10153252	48	56	10315208	20	62
10112001	12	6	10153351	48	57	10315455	20	63
10112357	54	32	10153450	48	58	10315505	20	56
10112407	12	39	10153559	48	59	10602902	2	2
10112803	12	16	10153658	48	60	10604809	6	31
10116051	26	3	10153757	48	61	10611457	12	13-92
10116606	26	23	10153856	48	62	10623403	34	34
10116705	26	40	10153955	48	63	10691053	54	23
10116754	26	37	10154052	48	64	10697506	10	35
10116804	26	15	10154151	48	65	10697605	10	3
10116903	26	35	10154250	48	66	10698652	54	24
10117109	26	24	10161305	30	17	10741106	10	11
10117208	26	18	10162204	40	2	11006202	22	7
10117851	28	55	10162253	40	1	11006350	22	6
10119105	30	18	10162600	40	3	11007309	22	8
10119204	30	19	10168300	50	25	11018108	22	20
10124204	10	10	10168706	50	29	11024015	40	7
10124303	10	15	10168904	50	31	11024106	40	8
10125201	22	16	10169001	50	32	11024205	40	11
10138707	50	26	10208551	32	29	11024304	40	23
10147650	50	40	10208700	32	32	11045101	10	12
10147759	50	41	10209203	32	20	11047107	40	4
10147858	50	42	10209203	54	33	11072402	10	14
10147957	50	43	10209500	32	21	11072501	30	2
10148054	8	70	10209500	54	34	11072709	32	2
10148054	50	44	10209807	32	22	11076809	38	3
10148153	50	45	10209807	54	35	11076858	38	2
10148252	50	46	10209906	32	23	11076957	38	4
10148351	52	47	10209906	54	36	11078102	38	20
10148450	52	48	10211407	26	6	11078250	38	14
10148559	52	49	10211605	26	2	11093606	10	13
10148658	52	50	10216703	34	4	11102100	30	5
10148757	52	51	10222255	52	58	11102209	30	6
10148856	52	52	10222354	52	59	11102308	30	11

# NUMERICAL INDEX OF PARTS

PART NO	PAGE	REF NO.	PART NO	PAGE	REF NO.	PART NO	PAGE	REF NO.
11110301	32	13	22607204	8	60	22618060	10	1·41
11110400	32	11	22607303	8	53	22618102	10	6
11110509	32	12	22607402	8	54	22618201	10	4
11110707	32	8	22608103	22	10	22618300	10	5
11394509	22	24	22608152	22	5	22618557	10	1·41
11415866	38	13	22609002	18	27·28	22618706	10	2
11415908	38	22	22609101	18	31	22618805	10	30
11956802	10	21	22609200	18	26	22618904	10	26
13167556	42	1	22609309	20	58	22619001	34	28
13167903	42	8	22609408	20	45	22619100	4	11·53
13168000	42	9	22609606	20	57	22619209	34	11
13168109	42	10	22609705	18	38	22619415	34	18
13168208	42	11	22609754	18	37	22619605	34	27
13765607	34	44	22609804	12	8	22619704	36	63
22600555	4	42	22610000	18	6	22619803	34	25
22600555	54	13	22610109	18	2	22620108	34	9
22600654	54	14	22610208	18	4	22620355	34	6
22600753	54	15	22610307	18	8	22620454	34	7
22600852	54	16	22610406	18	24	22620504	34	14
22601058	2	38	22610505	18	16	22620702	34	8
22601058	54	9	22610604	18	9	22620801	22	32
22601157	54	10	22611651	16	13·92	22620801	34	21
22601256	54	11	22611701	16	11·91	22620900	2	14
22601355	54	12	22611909	16	94	22621056	38	28
22602254	2	20	22612501	12	19	22622005	40	24
22602304	2	32	22613400	14	75	22622104	40	15
22602601	4	46	22613608	14	71	22622302	8	65
22603112	2	27	22614101	14	48	22622351	8	64
22603203	2	29	22615009	14	59	22622401	6	17
22603401	38	1	22615108	14	58	22623102	16	90
22603906	6	32	22615207	14	62	22623201	6	33
22604003	6	43	22615306	14	61	22625107	46	1
22604300	6	45	22615454	14	57·97	22625206	46	2
22604409	6	39	22615462	16	57·97	22625305	46	3
22604508	6	19	22615702	14	63	22625404	46	4
22604607	6	35	22615801	14	65	22625503	2	40
22604656	6	34	22615959	14	66	22625503	46	5
22604904	6	44	22616254	14	67	22625602	46	6
22605307	6	2	22617005	22	34·47·48	22625701	46	7
22605356	6	1	22617104	22	23	22625800	46	8
22605406	6	9	22617609	10	29	22625909	46	9
22606008	8	68	22617708	10	23	22626006	46	10
22606800	8	72	22617807	10	22	22626105	46	11
22607006	8	55	22617906	10	17	22626204	46	12
22607105	8	59	22618052	10	9	22626303	46	13

# NUMERICAL INDEX OF PARTS

PART NO	PAGE	REF NO.	PART NO	PAGE	REF NO.	PART NO	PAGE	REF NO.
22626402	46	14	22650857	2	39	22660401	50	3
22626501	46	15	22650857	54	1	22660500	50	4
22626600	46	16	22650956	54	2	22660609	4	41
22626709	46	17	22651053	54	3	22660609	50	5
22626808	46	18	22651152	54	4	22660708	50	6
22630107	46	19	22651202	4	57	22660807	50	7
22630206	46	20	22651459	4	49	22660906	50	8
22630404	46	21	22651509	6	23	22661003	50	9
22630503	46	22	22651558	6	22	22661102	50	10
22630602	46	23	22651566	6	21	22661201	50	11
22630800	46	24	22651608	6	46	22661300	50	12
22630909	46	25	22651905	8	69	22661409	50	13
22631006	46	26	22652002	18	27·28	22661508	50	14
22631105	46	27	22652101	18	10	22661607	50	15
22631303	46	28	22654008	28	61	22661706	50	16
22631402	46	29	22654107	26	31	22665103	50	17
22631501	46	30	22654305	28	53	22680656	6	13
22631709	46	31	22654404	26	44	22810105	2	17·59
22631808	46	32	22654503	28	48	22811301	4	54
22631907	46	33	22654552	28	47	22811400	2	25
22632004	46	34	22654602	28	49	22811558	4	56
22632103	46	35	22654800	26	14	22812507	14	54
22632202	46	36	22654909	22	25	22812606	14	52
22637657	48	49	22654958	22	22	22812952	14	51
22640353	52	60	22655005	28	60	22813000	12	41
22640452	52	61	22655104	26	22	22813109	14	44
22640551	52	62	22655153	26	20	22813208	12	37
22640759	52	63	22655302	28	11·66	22813356	12	22
22640858	52	64	22655401	28	10·67	22813406	12	26
22640957	52	65	22656003	30	41	22813455	12	15·96
22641252	52	66	22656102	30	33	22813505	12	18
22641351	52	67	22656201	30	32	22813604	12	17
22641450	52	68	22656300	30	28	22813703	12	20
22641757	48	74	22656409	30	27	22813802	12	23
22641757	52	69	22656508	30	4	22814008	12	21
22641856	48	75	22656557	30	1	22814107	14	81
22641955	48	76	22656607	30	12	22814156	14	80
22642052	48	77	22657050	32	28	22814255	16	87
22642151	48	78	22657100	32	18	22815401	46	37
22650055	4	45	22657159	32	1	22815500	46	38
22650352	4	43	22657209	32	6	22815609	18	35
22650352	54	5	22657308	32	9	22815609	46	39
22650451	54	6	22657803	2	11·53	22815708	46	40
22650550	54	7	22660203	50	1	22815807	46	41
22650659	54	8	22660302	50	2	22815906	46	42

# NUMERICAL INDEX OF PARTS

PART NO	PAGE	REF NO.	PART NO	PAGE	REF NO.	PART NO	PAGE	REF NO.
22816003	46	43	22835656	54	20	22931307	44	6
22816557	48	67	22835805	10	39	22931406	42	5
22816656	48	68	22837504	38	36	22931406	44	4
22816755	24	44	22837553	38	27	22932453	40	10
22816755	48	69	22901805	2	34	22934202	40	20
22816854	48	70	22904155	20	52	22934251	40	16
22816953	48	71	22907109	24	43	22934301	40	21
22817050	48	72	22907505	22	36	22934400	40	19
22817159	48	73	22907604	22	37	22934509	40	17
22818009	4	17·59	22907703	22	38	22934608	40	18
22819007	14	55	22907802	22	1	22937965	6	30
22819106	14	53	22908552	22	4	22951552	2	8
22819254	14	84	22908800	22	15	22952501	30	37
22819304	12	28	22908909	22	13	22957104	32	14
22819403	12	27	22911804	18	18	23204001	6	5
22819452	14	76	22911903	18	21	23204258	8	48
22819502	12	34	22912000	18	20	23204308	6	12
22819601	12	86	22912109	18	19	23204506	6	6~8
22819601	14	86	22920201	22	19	23204605	6	6~8
22819650	12	29	22920706	2	23	23204704	6	6~8
22819809	14	79	22924708	34	1	23204803	2	18
22819908	14	77	22928303	38	35	23630007	34	60
22820005	14	83	22928402	38	34	23630007	36	60
22820104	26	5	22928808	38	32	26226209	30	40
22820153	26	4	22928907	38	30	26226407	30	39
22820203	26	10·67	22929004	38	31	26910158	44	1
22820302	26	11·66	22930309	42	12	40009196	32	7
22820666	16	15·96	22930309	44	7	40012461	26	26
22821201	50	33	22930408	42	6	40012577	34	23
22821300	50	34	22930408	44	5	40017058	22	41
22821409	18	36	22930507	42	3	40021415	4	64
22821409	50	35	22930507	44	2	40030133	24	34·47·48
22821508	50	36	22930556	42	2	40034204	22	11
22821607	50	37	22930556	44	20	40039672	24	34·47·48
22821706	50	38	22930705	42	4	B1104051000	2	31
22821805	50	39	22930705	44	3	B1202512000	6	16
22827109	16	88	22930804	42	16	B1214038000	36	52
22827406	12	31	22930804	44	11	B1414512000	36	61
22827505	14	85	22930903	42	15	B1438512B00	8	52
22827703	16	89	22930903	44	10	B1501581000	22	40
22835003	54	17	22931000	42	14	B1505227T00A	22	39
22835102	54	18	22931000	44	9	B1515051000	28	46
22835201	54	21	22931109	42	13	B1521555000	22	2
22835300	54	22	22931109	44	8	B1524512DBH	54	25
22835557	54	19	22931307	42	7	B1524512FBE	54	26

# NUMERICAL INDEX OF PARTS

PART NO	PAGE	REF NO.	PART NO	PAGE	REF NO.	PART NO	PAGE	REF NO.
B1603512000	20	48	B8233555000	38	5	MDP500B2100	8	49-50
B1604012000A	20	43	B9117563000	14	82	NM6040002SE	42	24
B1610512000	18	33	BT0500300EA	20	54	NM6050001SE	42	28
B1613512Q0H	46	44	BT0630520Z0	8	66	NM6050001SE	44	18
B1613512R0H	46	45	CM300200001	4	50-51	NM6050001SP	26	43
B1613512S0H	46	46	CM3002000B1	4	50-51	NM6060001SE	40	12
B1613512T0H	48	47	CM300200101	4	62-63	NM6160511SE	42	27
B1613512U0H	48	48	CM3002001A1	4	62-63	NM6160511SE	44	17
B1633470000	20	65	CQ202000000	6	3	NS6080210SP	20	46
B1636581B00	18	32	CQ202000000	14	46	NS6090310SP	32	26
B1653470000	20	53	CQ252000000	6	10	NS6090310SP	34	33
B18025120A0A	12	2	CQ252000000	18	22	NS6110310SN	34	5
B18025120A0A	54	29	CQ505000000	6	14	NS6110310SP	10	8
B18025120AB	54	30	CS070081BSH	26	33	NS6110310SP	32	10
B18035150A0	12	10	CS102121ASH	18	11	NS6110310SP	34	37
B18035150A0	54	31	CS1470710SH	26	29	NS6110420SP	14	45
B1816512000	12	4	CS1471012SH	14	73	NS6110420SP	34	16
B1821051000	14	43	D2112555B00	2	58	NS6120310SP	34	13
B1823051000	14	47	D2112555B00	4	58	NS6150430SP	8	58
B1834512000A	34	36	D2427555B00B	26	42	NS6620310SP	22	27
B1850512000	34	31	D2428555B00A	26	41	NS6680320SP	20	59
B1851512000	34	30	D2430555B00	26	39	NS6700420SP	34	20
B3041980000	28	59	D2464555B00	30	22	PS0300201KP	26	25
B3112704000	10	20	D3159555B00	22	26	PS0600502KP	22	35
B3114232000	10	19	D3163555B00A	22	30	RE0320000K0	32	31
B3125012000	38	18	D3164555B00	22	28	RE0400000K0	30	23
B3126012000	10	16	D3171415B0H	14	64	RE0500000K0	18	3
B3126012000	38	16	EA9500B0100	28	65	RE0500000K0	22	18
B3128520000	10	38	EA9500B0100	36	58	RE0500711KP	20	42
B3129012A00	10	18	HA000590000	32	15	RE0900000K0	18	14
B3129012B00	38	17	HA001900000	30	10	RE1000000K0	40	9
B31375270A0	10	31	HK034610140	28	57	RO037180100	22	3
B3138527000	10	28	HK03464000B	28	56	RO092270200	18	17
B3139527000	10	32	HK03464000B	30	13	RO098240100	40	6
B3141527000	10	24	HK03464000B	32	24	RO195240100	34	2
B3142527000	10	33	HW200390000	32	16	RO437200200	6	37
B3143527000	10	34	HW500070000	30	9	SB120000100	6	36
B3211555000	38	21	HW500070000	32	17	SB30953010A	14	50
B3417051000	28	62	M4002110000	6	24	SD0470281SP	10	7
B3418180000	26	17	M40071100AA	6	25	SD0490261SP	38	37
B3517009000	34	17	M40071100AB	6	26	SD0500301SP	32	27
B3524552000	36	53	M6043350AAA	4	60	SD0600271SP	26	19
B3534012000	36	59	MC200500900	8	51-67	SD0600322SD	22	17
B3534155000	36	51	MC200501300	8	49-50	SD0640321SP	30	34
B3538112000	36	56	MDP500B1400	8	51-67	SD0650305TP	28	52

NUMERICAL INDEX OF PARTS

PART NO	PAGE	REF NO.	PART NO	PAGE	REF NO.	PART NO	PAGE	REF NO.
SD0650321TP	32	5	SS4110815SP	36	57	SS7090910SP	8	63
SD0720332SP	22	14	SS4111015SP	4	61	SS7090910SP	34	32
SD0800422CP	18	5	SS4111015SP	22	33	SS7090910TP	24	45
SD0870601SP	8	57	SS4111215SP	22	31	SS7110510SP	20	64
SD0900701TP	20	61	SS4111215SP	34	15	SS7110710SP	14	72
SK3412000SC	38	11	SS4111215SP	38	7	SS7110710SP	18	30
SK3482500SC	38	40	SS4111815SP	34	3	SS7110710SP	30	15
SL4030891SC	32	4	SS4120615SP	2	52	SS7110840SP	38	29
SM0081001SD	40	5	SS4120615SP	4	52	SS7110910SP	20	55
SM4031501SC	30	8	SS4120615SP	10	40	SS7111310TP	20	49
SM4040655SP	30	3	SS4120615SP	30	35	SS7111810SP	14	56
SM4041001SC	42	20	SS4120615SP	32	25	SS7120760SP	8	47
SM4041201SC	42	22	SS4121015SP	2	21	SS7120760SP	12	14
SM4042001SC	42	23	SS4150915SP	2	16	SS7120760SP	30	36
SM4051405SE	42	18	SS4153015SP	30	29	SS7120910SP	18	15
SM4051405SE	44	13	SS5090610SP	26	9	SS7121410SP	18	7
SM6061610SC	42	17	SS6081810SP	20	47	SS7151210SP	30	24
SM6061610SC	44	12	SS6090630SP	2	36	SS7151610SP	26	16
SM6082502TP	14	70	SS6090670TP	18	1	SS7681750TP	6	40
SM8040802SP	30	7	SS6090810SP	12	35	SS8080610SP	26	7
SM8050502TP	20	44	SS6111052TP	26	28	SS8080660TP	8	71
SM8063012TR	40	13	SS6111140SP	2	5	SS8110410TP	26	30
SM9061203SE	40	22	SS6111210SP	6	28	SS8110510SP	26	34
SM9061853SR	40	14	SS6111610SP	34	35	SS8111010TP	26	21
SQ1110401MZ	34	64	SS6120940SP	28	63	SS8120740SP	2	24
SQ1110401MZ	36	64	SS6121212TP	26	13	SS8150822TP	6	11
SQ1150451MZ	34	39	SS6121610TP	8	61	SS8151150SP	12	12
SS2080810SP	26	1	SS6121610TP	20	60	SS8151150SP	20	51
SS2090710TP	2	35	SS6121610TP	26	54	SS8151550SP	6	27
SS2110920TP	2	37	SS6121610TP	28	54	SS8660530TP	6	38
SS2110920TP	26	27	SS6121610TP	34	12	SS8660530TP	12	95
SS2110930SP	34	29	SS6121610TP	38	8	SS8660530TP	14	95
SS3090520SP	32	33	SS6121840SP	30	38	SS8660530TP	16	95
SS3090610SP	2	55	SS6121860SP	18	23	SS8660610TP	18	12
SS3090610SP	4	55	SS6151040SP	28	58	SS8660810TP	12	5
SS4110515SP	14	68	SS6151220SP	26	38	SS8660810TP	24	42
SS4110515SP	24	46	SS6152440SP	8	56	SS8660810TP	26	32
SS4110515SP	38	33	SS6153040SP	12	40	SS8680540SP	6	15
SS4110615SP	10	36	SS6580710TP	54	28	SS8680810TP	6	42
SS4110615SP	34	24	SS6580752TP	18	34	SS8681650TP	6	41
SS4110715SP	22	29	SS6661110SP	6	18	SS8701782TP	34	19
SS4110715SP	34	26	SS6661110SP	18	29	SS9080410SP	26	8
SS4110815SP	2	4	SS7081310SP	38	38	SS9110460CP	2	33
SS4110815SP	14	60	SS7090510SP	10	27	SS9111010SP	28	50
SS4110815SP	18	25	SS7090710SP	26	12	SS9111010SP	30	21



## NUMERICAL INDEX OF PARTS

PART NO	PAGE	REF NO.
SS9111010SP	32	30
SS9151440CP	20	40
TA0500601M0	16	93
TA0750404R0	2	12
TA0750704R0	2	15
TA1250406R0	2	47
TA1250406R0	4	47
WP0371016SD	12	36
WP0371016SD	32	19
WP0450801SD	6	29
WP0480856SP	38	39
WP0501016SC	38	41
WP0501016SD	10	37
WP0501016SD	28	64
WP0501016SD	30	20
WP0501016SD	38	10
WP0612056SD	30	31
WP0621016SD	20	41
WP0621016SD	30	26
WP0753016SZ	26	36
WP0850002SP	14	69
WP1612616SE	42	25
WP1612616SE	44	15
WS0451040KP	38	9
WS0510002KN	42	29
WS0510002KN	44	19
WS0610002KP	30	30
WS0631510KP	30	25
WS1643202KR	42	26
WS1643202KR	44	16
WT0530002KS	2	10