

MODEL : DSU-144N

List No : 1067-04

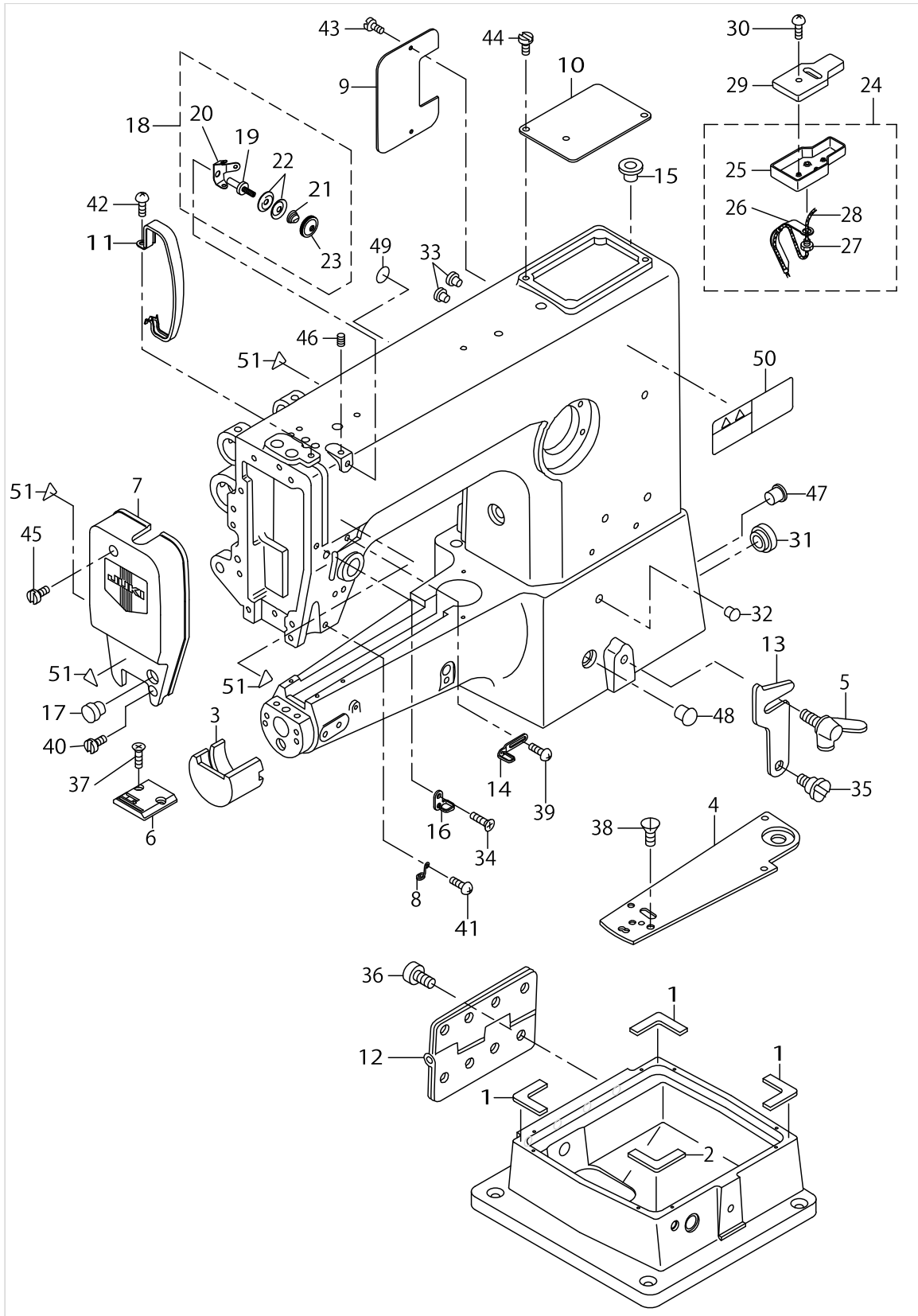
PARTS LIST

Published:05/12/2017

CONTENTS

FRAME & MISCELLANEOUS COVER COMPONENTS	1
MAIN SHAFT & ARM SHAFT COMPONENTS	5
NEEDLE BAR,THREAD TAKE-UP LEVER & PRESSER BAR COMPONENTS.....	7
FEED MECHANISM COMPONENTS.....	9
REVERSE FEED MECHANISM COMPONENTS (FOR DSU-144N-0B).....	13
HOOK DRIVING SHAFT COMPONENTS	15
UPPER FEED MECHANISM COMPONENTS	17
THREAD TENSION COMPONENTS	21
BELT COVER & BOBBIN WINDER COMPONENTS	23
THREAD STAND COMPONENTS.....	25
TABLE COMPONENTS	27
KNEE LIFTER COMPONENTS	29
ACCESSORIES PARTS COMPONENTS	31
EXCHANGING GAUGE PARTS (1).....	33
EXCHANGING GAUGE PARTS (2).....	35
OPTION COMPONENTS	37
LIST FOR INFORMATION OF CHANGE.....	39
HOW TO MAKE USE OF THIS PARTS LIST	40

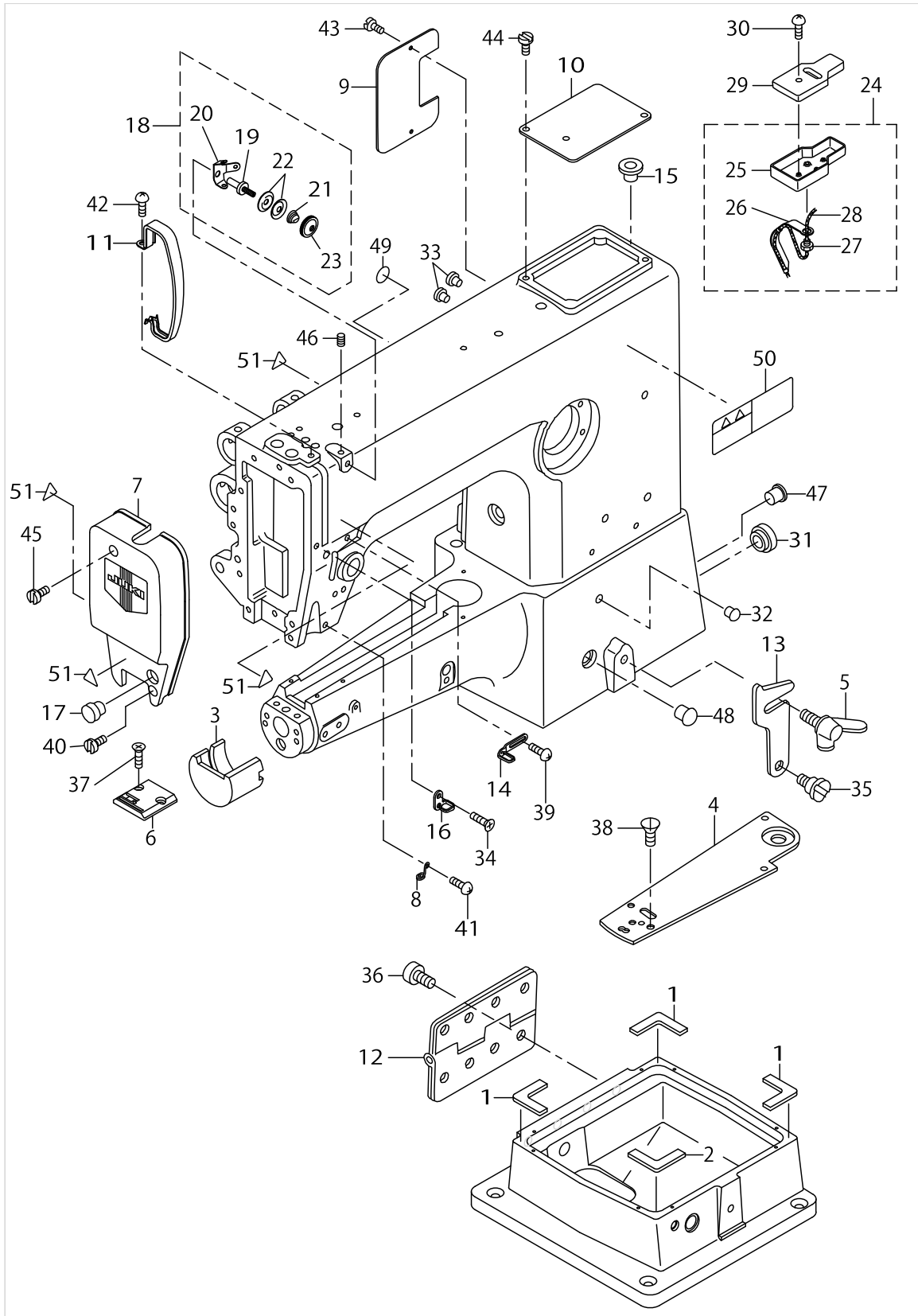
FRAME & MISCELLANEOUS COVER COMPONENTS



FRAME & MISCELLANEOUS COVER COMPONENTS

No.	Supply Code	Parts No.	Replacement	Parts name	Remarks	Choice	Step	Level	Cons	Qty	Rep. QTY
1		B118324500A		GASKET A						3	
2		B118324500B		GASKET B						1	
3		B1171145000		HOOK COVER						1	
4		B1173145000		BED COVER						1	
5		B1116246000		WING BOLT						1	
6		21283502		THROAT PLATE						1	
7		22860654		FACE PLATE ASM.						1	
8		B1129141H00		THREAD GUIDE						1	
9		B1118141H0AA		SIDE PLATE						1	
10		40032259		SIDE COVER						1	
11		11415205		THREAD TAKE-UP LEVER COVER(JE)						1	
12		B1128246000		HINGE						1	
13		B1117246000		HOOK						1	
14		D1126560E00A		ARM THREAD GUIDE A						1	
15		B1156115000		RUBBER PLUG						2	
16		B1131141H00		FRAME THREAD GUIDE B						1	
17		TA1250406R0		RUBBER PLUG D=12.5 L=4						1	
18		D3161560EA0		TENSION POST ASM.						1	
19		D3161555B00		FIRST TENSIONPOST				*		1	
20		D3162560E00		THREAD GUIDE				*		1	
21		D3168555H0B		SPRING				*		1	
22	R	B3214047000	22945802	BOBBIN WINDER TENSION DISC				*		2	1.00
23		B3216047000		BOBBIN WINDER TENSION NUT				*		1	
24	D	B35031450A0		OIL RESERVOIR ASM.						1	
25		B3503201000		OIL RESERVOIR				*		1	
26	D	B3527012000		HOLDER				*		1	
27		B3515201000		CLAMP SLEEVE NUT				*		1	
28		CQ202000000		OIL WICK				*		1	
29		B3504201000		OIL FELT						1	
30		SS7112420SP		SCREW 11/64-40L=24						1	
31		TA2100904R0		RUBBER PLUG						1	
32		TA0750704R0		RUBBER PLUG						1	
33		TA0550604R0		RUBBER PLUG						2	
34		SS2090710TP		SCREW 9/64-40 L=7.2						1	
35		SD0800352SP		HINGE SCREW D=8 H=3.5						1	
36		SM6081552TP		SCREW M8 L=15						8	
37		SS2110915SP		SCREW 11/64-40 L=8.5						2	
38		SS2090710TP		SCREW 9/64-40 L=7.2						3	
39		SS5090610SP		SCREW 9/64-40 L=6						1	
40		SS6111610SP		SCREW 11/64-40L=16						1	
41		SS7090620TP		SCREW 9/64-40 L=6.1						1	
42		SS7110510SP		SCREW 11/64-40 L=5						1	
43		SS7110710SP		SCREW 11/64-40 L=7						2	
44		SS7110710SP		SCREW 11/64-40 L=7						2	
45		SS7112420SP		SCREW 11/64-40L=24						1	
46		SS8110410TP		SCREW 11/64-40 L=3.5						1	

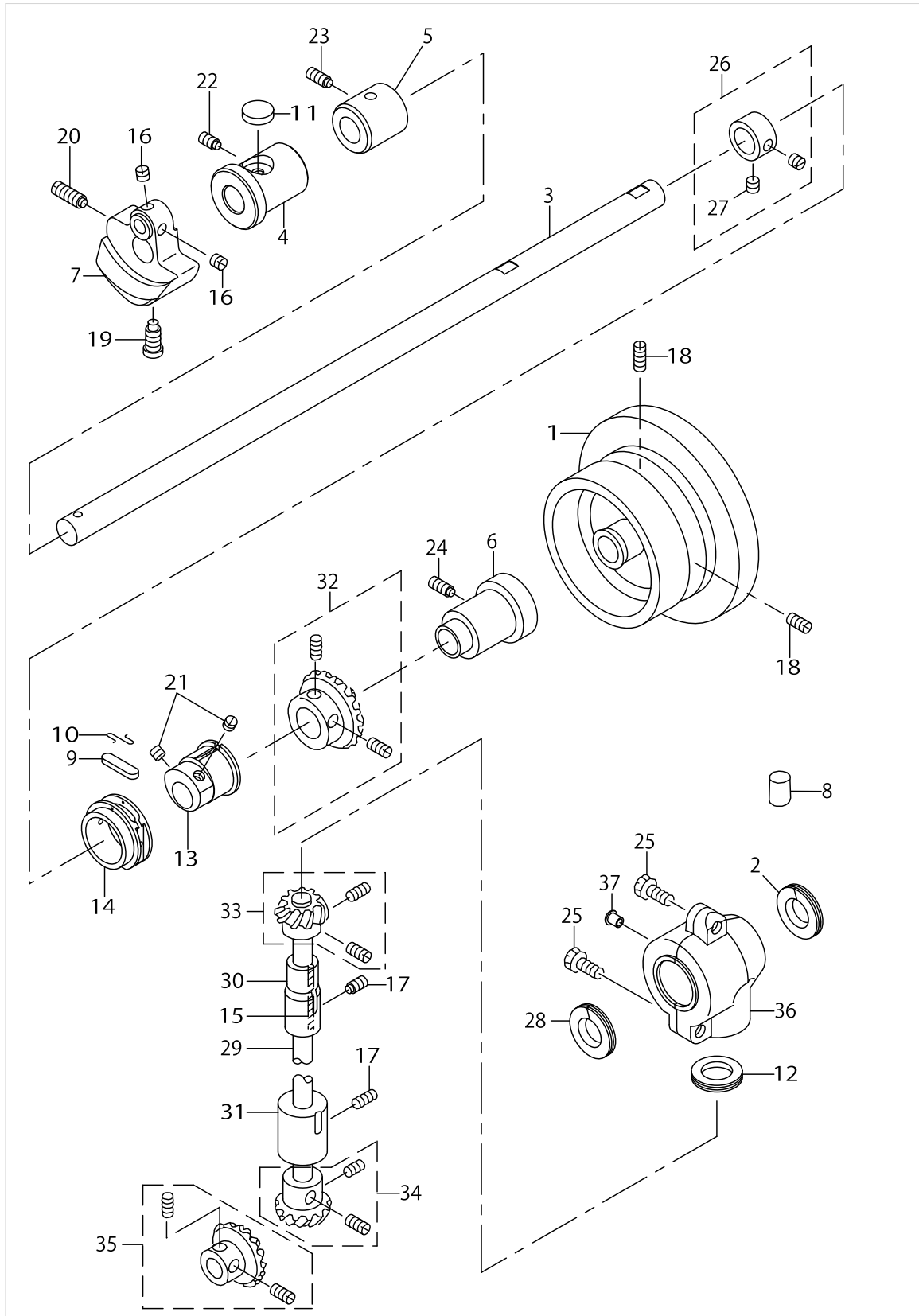
FRAME & MISCELLANEOUS COVER COMPONENTS



FRAME & MISCELLANEOUS COVER COMPONENTS

No.	Supply Code	Parts No.	Replacement	Parts name	Remarks	Choice	Step	Level	Cons	Qty	Rep. QTY
47		TA1120804R0		RUBBER PLUG						1	
48		TA1050504R0		RUBBER PLUG						1	
49		22901805		GROUND MARK						1	
50		CM301300001		SAFETY LABEL						1	
51		CM300200001		ATTENTION SEAL						4	

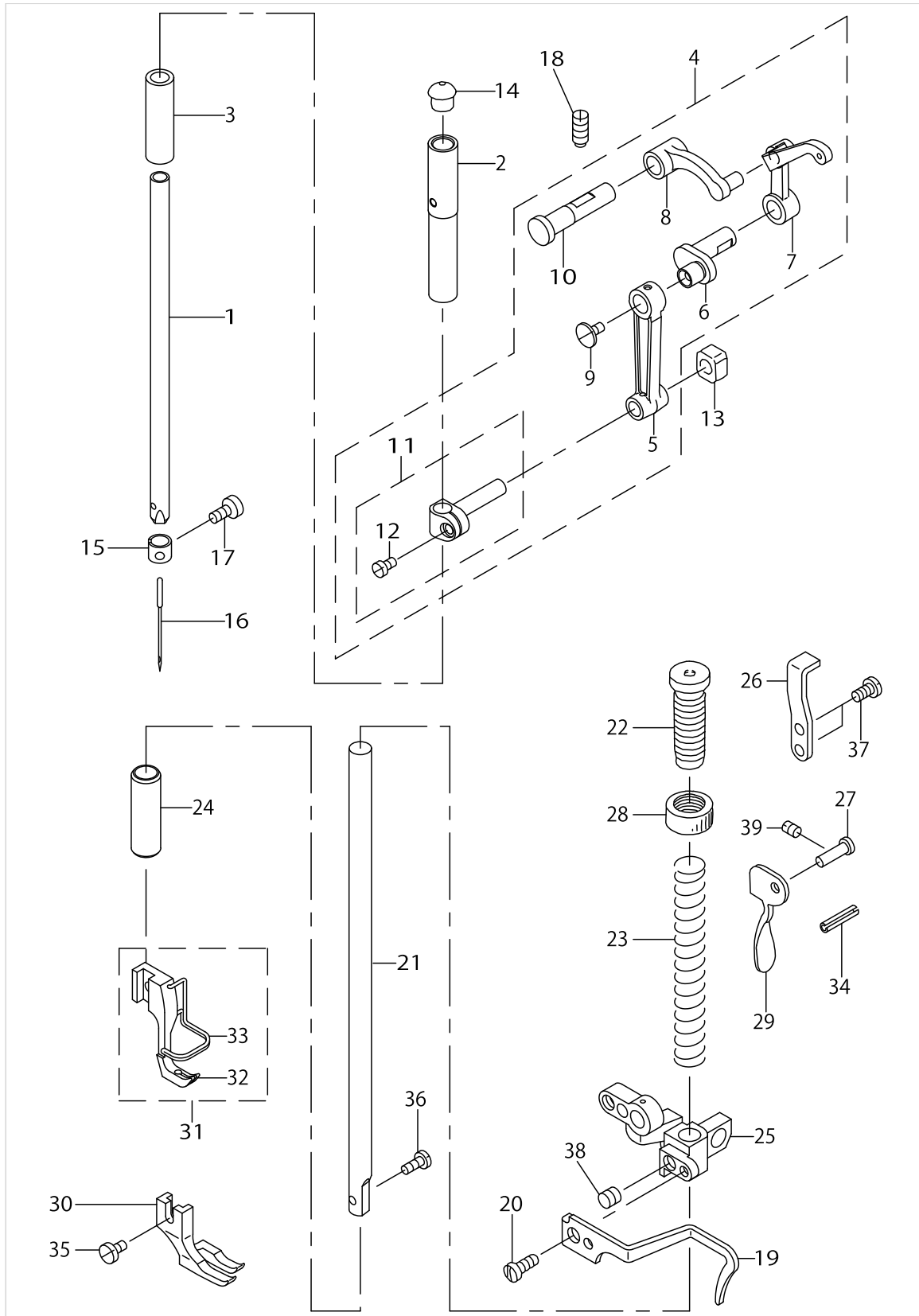
MAIN SHAFT & ARM SHAFT COMPONENTS



MAIN SHAFT & ARM SHAFT COMPONENTS

No.	Supply Code	Parts No.	Replacement	Parts name	Remarks	Choice	Step	Level	Cons	Qty	Rep. QTY
1		22860704		HAND WHEEL						1	
2		B1311012000		OIL SEAL (B)						1	
3		D1201141E00A		MAIN SHAFT						1	
4		B1202141H0A		MAIN SHAFT BUSHING (FRONT)						1	
5		B1203141H00		MAIN SHAFT BUSHING INTERMEDIA						1	
6		21205109		REAR BUSHING						1	
7		D1206141E00		COUNTERWEIGT						1	
8		B3517009000		OIL FELT REAR						1	
9		B1212012000		OIL FELT						1	
10		B1213012000		FELT RETAINER						1	
11		B1203051000		OIL FELT						1	
12		B1312012000		OIL SEAL (C)						1	
13		B1211141H00		FEED ECCENTRIC CAM						1	
14		B1211226000		ECCENTRIC RETAINER HOUSING						1	
15		CQ202000000		OIL WICK						1	
16		SS8660610TP		SCREW 1/4-40 L=6						2	
17		SS8151550SP		SCREW15/64-28L=15						2	
18		SS8151550SP		SCREW15/64-28L=15						2	
19		SS7681750TP		SCREW 9/32-28 L=16.5						1	
20		SS8681950SP		SCREW 9/32-28 L=19						1	
21		SS8150710TP		SCREW 15/64-28 L=7						2	
22	R	SS8151150SP	SS8151150TP	SCREW 15/64-28 L=10.5						1	1.00
23		SS8151550SP		SCREW15/64-28L=15						1	
24		SS8151550SP		SCREW15/64-28L=15						1	
25		SS9181520CP		SCREW 9/32-20 L=15.0						2	
26		22904155		MAIN SHAFT THRU-ST COLLAR ASM.						1	
27		SS8660610TP		SCREW 1/4-40 L=6				*		2	
28		B1310012000		OIL SEAL (A)						1	
29		B1301145000		UPRIGHT SHAFT						1	
30		B1302201000		BUSHING UPPER						1	
31		B1303271000		UPRIGHT SHAFT BUSHING LOWER						1	
32		B13050120A0		GEAR ASM.						1	
33		B13061550A0		PINION ASM.						1	
34		B13071550A0		GEAR ASM. LARGE						1	
35		B13081550A0		PINION ASM.						1	
36	D	B1308012000		GEAR CASE						1	
37		TA0550604R0		RUBBER PLUG						1	

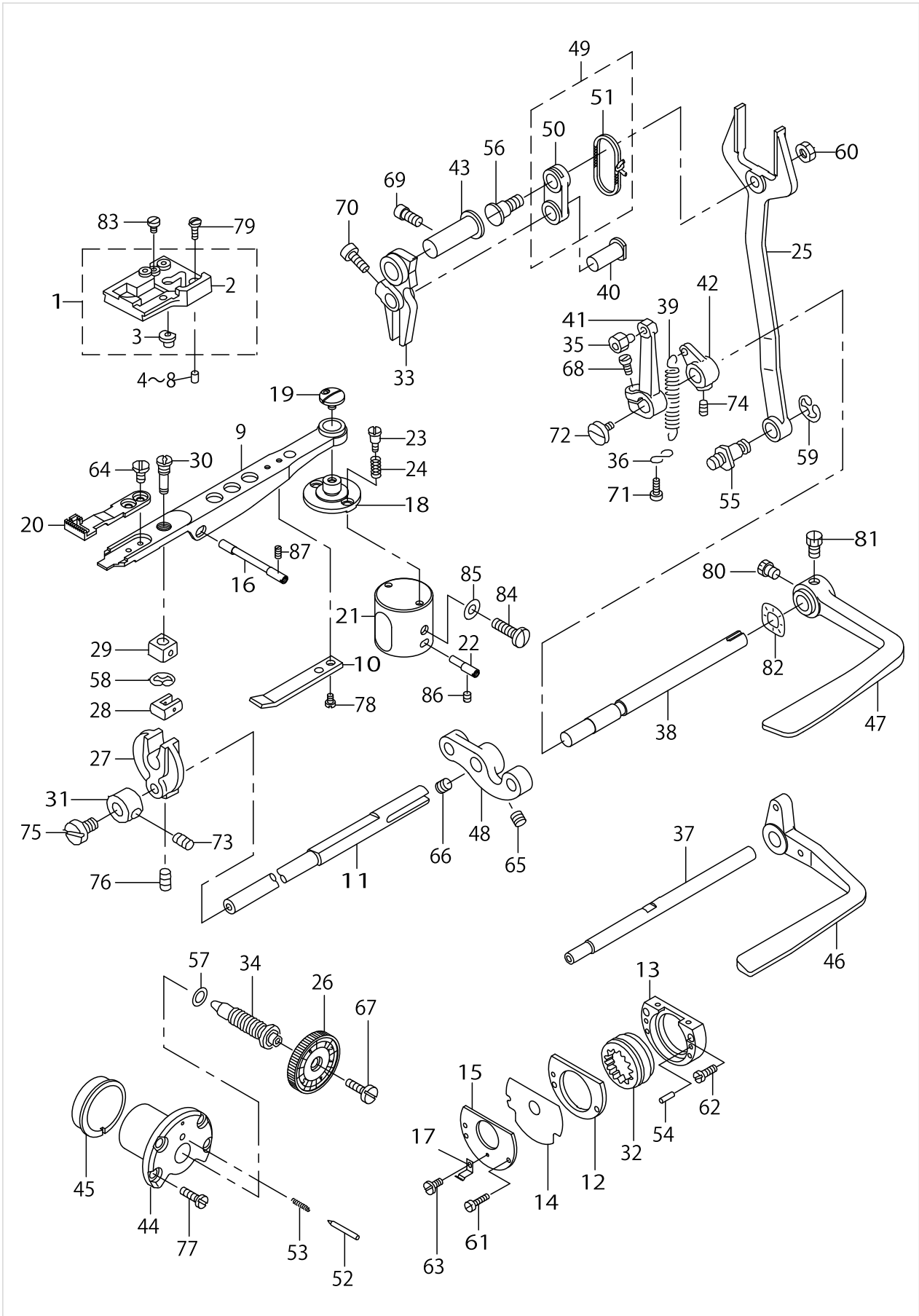
NEEDLE BAR, THREAD TAKE-UP LEVER & PRESSER BAR COMPONENTS



NEEDLE BAR,THREAD TAKE-UP LEVER & PRESSER BAR COMPONENTS

No.	Supply Code	Parts No.	Replacement	Parts name	Remarks	Choice	Step	Level	Cons	Qty	Rep. QTY
1		22861108		NEEDLE BAR						1	
2		22906101		NEEDLE BAR BUSHING UPPER						1	
3		D1403141E00		NEEDLE BAR BUSHING LOWER						1	
4		22861256		BALANCE ASM.						1	
5		22861207		NEEDLE BAR CRANK ROD				*		1	
6		21108204		NEEDLE BAR CRANK				*		1	
7	R	B1901141H00	B1901141HA0	THREAD TAKE-UP LEVER				*		1	1.00
8	R	B1902115000	B19011150A0	THREAD TAKE-UP CRANK				*		1	1.00
9	R	B1903141H00	B1903552000	END SCREW LEFT				*		1	1.00
10	D	B1904115000		THREAD TAKE-UP CRANK SHAFT STUD				*		1	
11		B14115520A0		NEEDLE ROD HOLDER ASM.				*		1	
12		SS6090670TP		SCREW 9/64-40 L=6				*		1	
13		B1414555000		SQUARE BLOCK						1	
14		22901409		NEEDLE BAR UPPER BUSH CAP						1	
15		D1418141E00		NEEDLE BAR THREAD GUIDE						1	
16		M13517B1600		NEEDLE 135X17 #160						1	
17		SS7080510TP		SCREW 1/8-44 L=4.5						1	
18		SS8151550SP		SCREW15/64-28L=15						1	
19		21286802		THREAD GUIDE						1	
20		SS6110610TP		SCREW 11/64-40 L=6						1	
21		B1501141H00		PRESSER BAR						1	
22		B1509141H00		PRESSER SPRING REGULATOR						1	
23		B1510141H00		PRESSER SPRING						1	
24		B1510155000		PRESSER BAR LOWER BUSHING						1	
25		21103304		PRESSER BAR GUIDE BRACKET						1	
26		B1515141H00		LIFTING LEVER						1	
27		B1513141H00		HAND LIFTER SHAFT						1	
28	R	22907604	22907554	PRESSER SPRING REGULATOR NUT						1	1.00
29		B1512141H00		HAND LIFTER						1	
30		B1526145000		PRESSURE FOOT						1	
31		D1525141EA0		PRESSER FOOT ASM.						1	
32	R	D1525141E00	40021791	PRESSER FOOT BOTTOM				*		1	1.00
33		B1421141H00		FINGER GUARD				*		1	
34		PS0300132KH		SPRING PIN 3X13						1	
35		SS7090610SP		SCREW 9/64-40 L=6						1	
36	R	SS7091110SP	SS7091110TP	SCREW 9/64-40 L=10.5						1	1.00
37		SS7110840SP		SCREW 11/64-40 L=7.8						2	
38		SS8660610TP		SCREW 1/4-40 L=6						1	
39		SS8110750SP		SCREW 11/64-40 L=6.5						1	

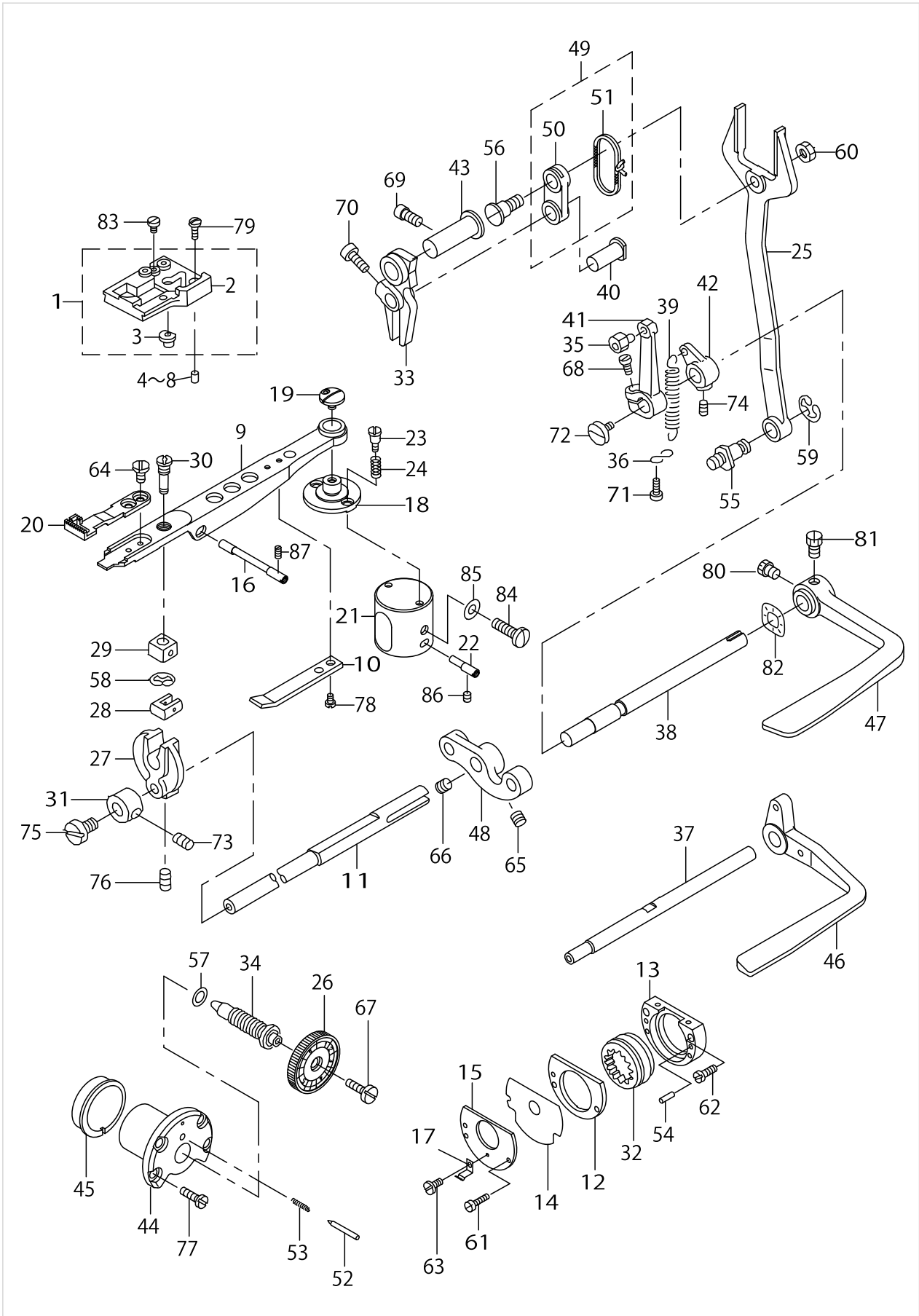
FEED MECHANISM COMPONENTS



FEED MECHANISM COMPONENTS

No.	Supply Code	Parts No.	Replacement	Parts name	Remarks	Choice	Step	Level	Cons	Qty	Rep. QTY
1		B16301450A0A		THROAT PLATE BASE ASM.						1	
2		B1630145000A		THROATPLATEBASE				*		1	
3		B1631245000		PIN BUSHING				*		1	
4		B163214500J		PIN	SELECTIVE PARTS					1	
5		B163214500H		PIN	SELECTIVE PARTS					1	
6		B163214500G		PIN	SELECTIVE PARTS					1	
7		B163214500F		PIN						1	
8		B163214500E		VERTICAL FEED PIN	SELECTIVE PARTS					1	
9		22861405		FEED BAR						1	
10		B1633245000		SPRING						1	
11	D	B1601145000		FEED ROCK SHAFT						1	
12		B1634145000		FEED DRIVING CAM HOLDER A						1	
13		B1635145000		FEED DRIVING CAM HOLDER B						1	
14		B1636145000		FEED DRIVING CAM HOLDER WASHER						1	
15		B1637145000		FEED DRIVING CAM HOLDER PLATE						1	
16		22861801		SCREW STUD						1	
17		B1172245000		HOOK COVER HOLDER						1	
18		B1639145000		FEED BAR STUD						1	
19		B1640145000		FEED BAR SLIDE SCRER STUD						1	
20		21284005		FEED DOG						1	
21		22861504		FEED BAR HINGE STUD BASIS						1	
22		22861603		FEED ADJUSTING SHAFT						1	
23		B1641245000		HINGE SCREW						2	
24		B1642245000		SPRING						2	
25	D	B1614145000		PITMAN						1	
26		B16231450A0		STITCH DIAL						1	
27		B1603145000		FEED ROCKER						1	
28		B1643145000		FEED BAR SLIDE BLOCK A						1	
29		B1644245000		FEED BAR SLIDE BLOCK B						1	
30		B1645245000		FEED BAR SLIDE SCREW STUD						1	
31		B1646245000		THRUST COLLAR						1	
32		B1647145000		FEED DRIVING CAM						1	
33		B1620145000		FEED REGULATOR						1	
34		B1634141H00A		STITCH LENGTH REGULATING SCREW						1	
35		B16331220A0		CRANK SLIDE BLOCK STUD ASM.						1	
36		B1648122000		SUSPENSION HOOK (B)						1	
37		D1621141E00		LEVER SHAFT	FOR DSU-144N-0B					1	
38		B1621141H00A		CONTROL LEVER SHAFT						1	
39		B1646201000		TENSION SPRING						1	
40		B1618226000		HINGE PIN						1	
41		B16272260A0		CONTROL LEVER CRANK ASM.						1	
42		B1647226000		SUSPENSION BRACKET (A)						1	
43		B1622141H00		HINGE PIN						1	
44		B1636141H0A		STITCH DIAL BASE						1	
45		B1637141H00		ECCENTRIC BUSHING						1	

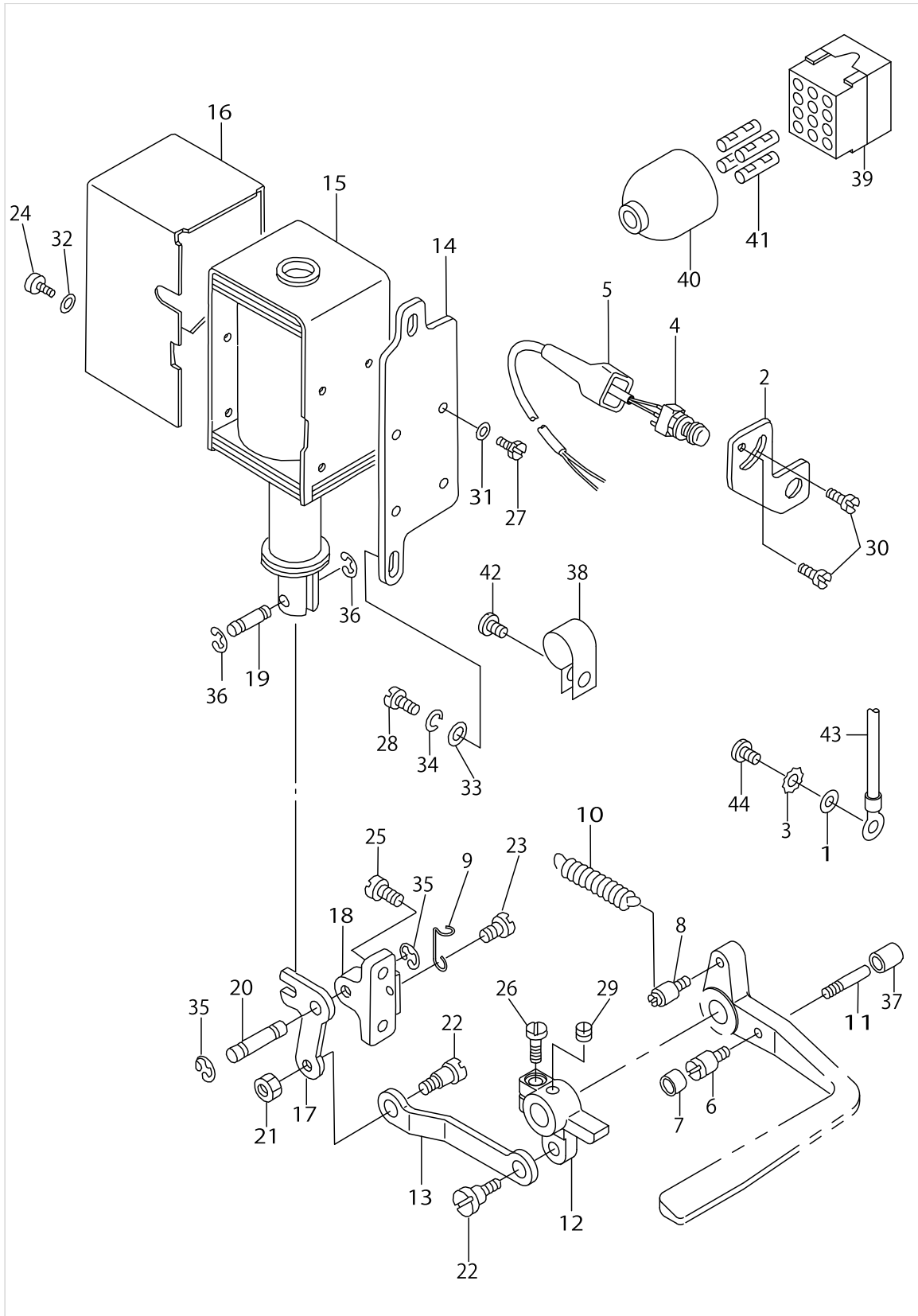
FEED MECHANISM COMPONENTS



FEED MECHANISM COMPONENTS

No.	Supply Code	Parts No.	Replacement	Parts name	Remarks	Choice	Step	Level	Cons	Qty	Rep. QTY
46		D1624141E0A		REVERSE FEED CONTROL LEVER	FOR DSU-144N-OB					1	
47		B1624141H0A		FEED LEVER						1	
48		B1605145000		FEED ROCK SHAFT CRANK						1	
49	D	B16191150A0		REGULATOR CONNECTING LINK ASM.						1	
50		B1619115000		FEED REGULATOR CONNECTING LINK				*		1	
51		CQ200000000		OIL WICK				*		1	
52		B1147141H00		PIN						1	
53		B1148141H00		SPRING						1	
54		B1660145000		SPRING PIN						2	
55		B1424158000		HINGE SCREW						1	
56		SD0950802SH		HINGE SCREW D=9.53 H=8						1	
57		RO074240100		RUBBER RING						1	
58		RE0300000K0		E-RING 3						1	
59		RE0700000K0		E-RING 7						1	
60		NS6680410SP		NUT 9/32-28						1	
61		SS6081210SP		SCREW 1/8-44 L=12						2	
62		B1651245000		SCREW						2	
63		SS6060210SP		SCREW 3/32-56 L=1.9						1	
64		B1652245000		SCREW						2	
65	R	SS8150830SP	SS8150822TP	SCREW						1	1.00
66	R	SS8150710SP	SS8150710TP	SCREW 15/64-28 L=7						1	1.00
67		SS6121050SP		SCREW 3/16-28 L=9.5						1	
68		SS6121210SP		SCREW 3/16-28 L=12						1	
69		SS6151220SP		SCREW 15/64-28 L=11.5						1	
70		SS6661110SP		SCREW 1/4-40 L=11						1	
71	R	SS7091110SP	SS7091110TP	SCREW 9/64-40 L=10.5						1	1.00
72		SS7620750SP		SCREW 3/16-32 L=6.5						2	
73		SS8110410TP		SCREW 11/64-40 L=3.5						2	
74	R	SS8150710SP	SS8150710TP	SCREW 15/64-28 L=7						1	1.00
75		SS5110710SP		SCREW 11/64-40 L=7						1	
76		SS8701042TP		SCREW 5/16-24 L=10.0						1	
77		B1638141H00		SCREW						4	
78		SS7080520SP		SCREW 1/8-44 L=4.9						2	
79		SS2090810SP		SCREW 9/64-40 L=7.5						2	
80		SS9660720SP		SCREW 1/4-40 L=7						1	
81		SS9660910SP		SCREW 1/4-40 L=9.4						1	
82		WZ1052010KP		WAVED WASHER						1	
83		SS6090610SP		SCREW 9/64-40 L=5.5						2	
84		SS7152040SP		SCREW 15/64-28 L=20.0						1	
85		WP0651056SD		WASHER 6.5X11X1						1	
86	R	SS8110510SP	SS8110520TP	SCREW 11/64-40 L=5						1	1.00
87		SS8090710SP		SCREW 9/64-40 L=7.0						1	

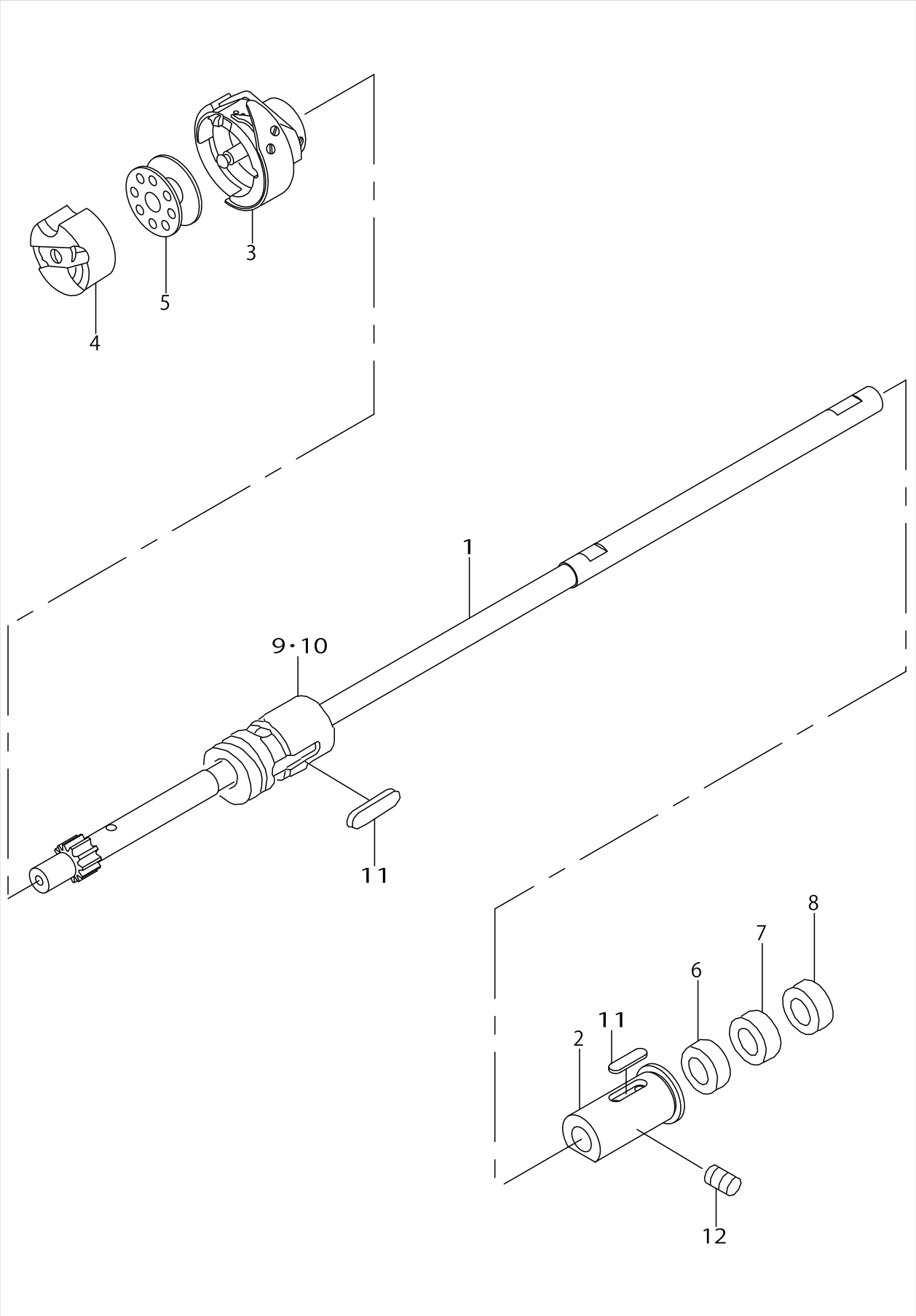
REVERSE FEED MECHANISM COMPONENTS (FOR DSU-144N-0B)



REVERSE FEED MECHANISM COMPONENTS (FOR DSU-144N-0B)

No.	Supply Code	Parts No.	Replacement	Parts name	Remarks	Choice	Step	Level	Cons	Qty	Rep. QTY
1		WP0501016SD		WASHER 5X10.5X1						1	
2		D1681141E0A		PLATE						1	
3		WT0530002KS		TOOTHED WASHER D=5.3						1	
4		D1680141EA0		TOUCH BUCK SWITCH ASM						1	
5		MAT81126T00		2-POLE PLUG COVER						1	
6		B1114280000		PIN						1	
7		10119907		CUSHION						1	
8		10120004		SPRINGSUSPENSION						1	
9		D1682141E00		SUSPENSIONHOOKB						1	
10		D1685141E00		LEVER SPRING						1	
11		B2733761000		PIN						1	
12		D1683141E00		CONNECTING ARM						1	
13		D1686141E00		REVERSE FEED ROD						1	
14		10119204		SOLENOID INSTALLING PLATE						1	
15		10119105		REVERSE FEED SOLENOID AC24V						1	
16		10161305		SOLENOID COVER						1	
17		10119402		LINK						1	
18		D1684141E00A		LINK INSTALLING BASE						1	
19		D2464555B00		LINK DRIVING MAGNET PIN						1	
20		D1687141E00		PIN						1	
21		NS6150430SP		NUT 15/64-28						1	
22		SD0720331SP		HINGE SCREW D=7.24 H=3.3						2	
23		SS7090710SP		SCREW 9/64-40 L 6.8						1	
24		SS7110710SP		SCREW 11/64-40 L=7						4	
25		SS7151210SP		SCREW15/64-28L=12						2	
26	R	SS7121410SP	SS7121410TP	SCREW 3/16-28 L=14						1	1.00
27		SS9111010SP		SCREW 11/64-40 L=9.5						4	
28		SS7151210SP		SCREW15/64-28L=12						2	
29		SS8150510TP		SCREW 15/64-28L4.7						1	
30		SS7110710SP		SCREW 11/64-40 L=7						2	
31		WP0501016SD		WASHER 5X10.5X1						4	
32		WP0501016SD		WASHER 5X10.5X1						4	
33		WP0621016SD		WASHER 6.2X13X1						2	
34		WS0631510KP		SPRING WASHER						2	
35		RE0600000K0		E-RING 6						2	
36		RE0400000K0		E-RING 4						2	
37		BP300000000		VINYL PIPE						1	
38		D2120555C00		CORD PRESSER (120V)						2	
39		M9640110000		12-POLE PLUG						1	
40		M9637110000		12-POLE PLUG COVER						1	
41		D6043555B00		PIN TERMINAL MALE						4	
42		SS7110710SP		SCREW 11/64-40 L=7						2	
43		B60375050A0		GROUND WIRE ASM.						1	
44		SS7110710SP		SCREW 11/64-40 L=7						1	

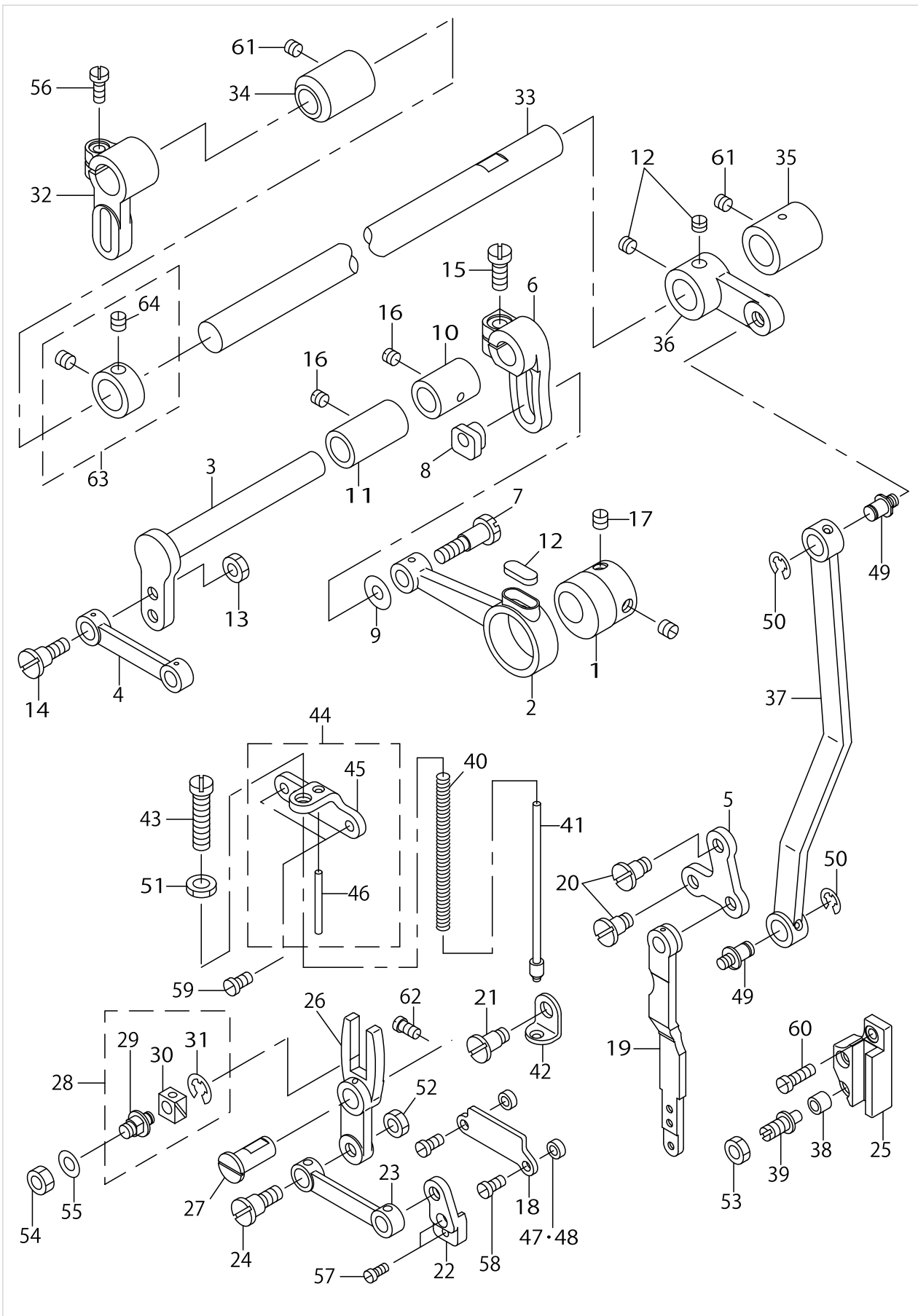
HOOK DRIVING SHAFT COMPONENTS



HOOK DRIVING SHAFT COMPONENTS

No.	Supply Code	Parts No.	Replacement	Parts name	Remarks	Choice	Step	Level	Cons	Qty	Rep. QTY
1	D	21286000		LOWER SHAFT						1	
2		21208707		BUSHING REAR						1	
3		B1830201SA0		SEWING HOOK ASM.						1	
4		D1837141EA0		BOBBIN CASE ASM.						1	
5		B9117201000		BOBBIN						1	
6		B183924500A		THRUST PLATE	SELECTIVE PARTS					1	
7		B183924500B		THRUST PLATE						1	
8		B183924500C		THRUST PLATE	SELECTIVE PARTS					1	
9		21136205		BUSHING FRONT						1	
10		21136304		BUSHING FRONT	SELECTIVE PARTS					1	
11		B1806038000		OIL FELT						2	
12		SS8151550SP		SCREW15/64-28L=15						1	

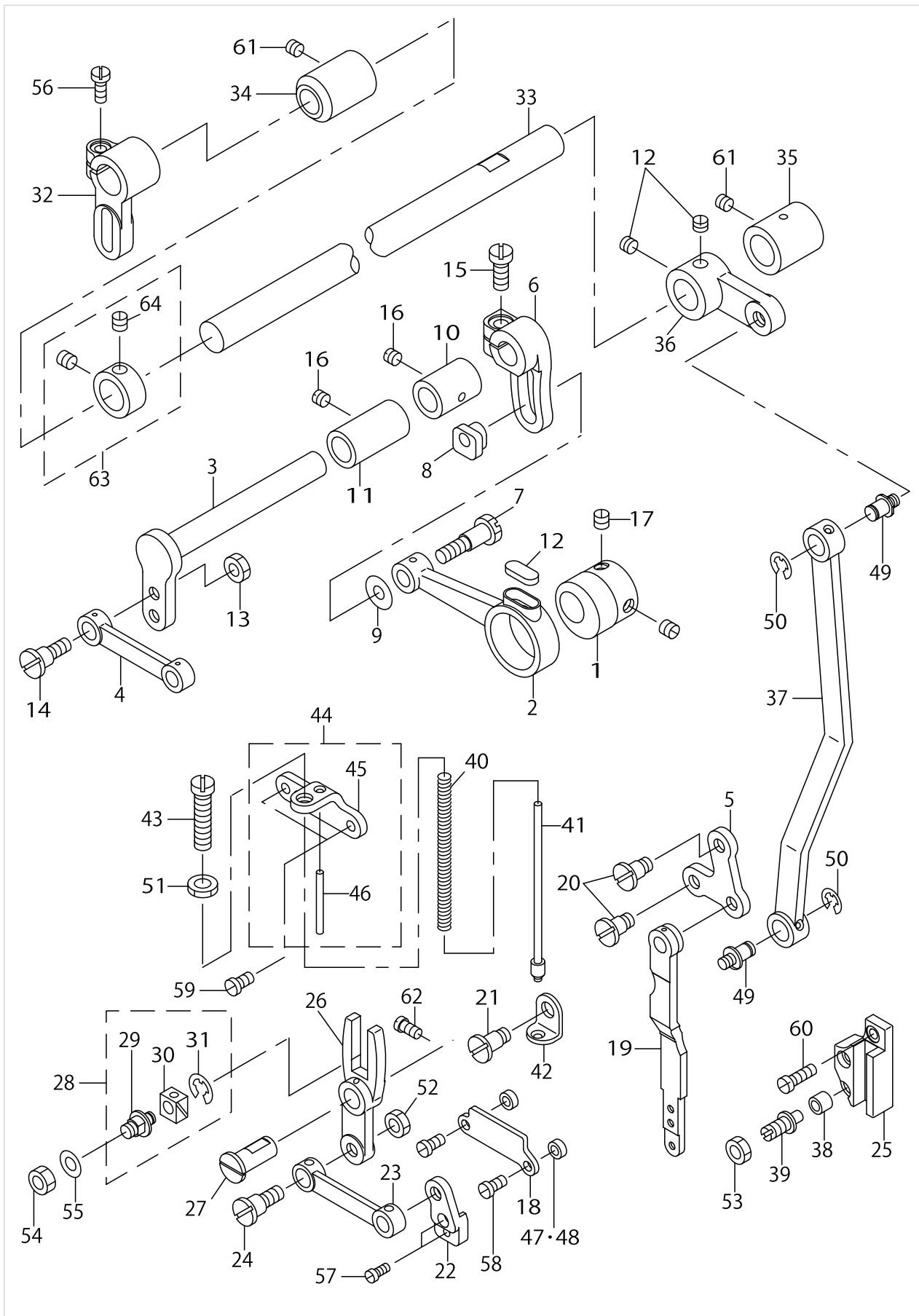
UPPER FEED MECHANISM COMPONENTS



UPPER FEED MECHANISM COMPONENTS

No.	Supply Code	Parts No.	Replacement	Parts name	Remarks	Choice	Step	Level	Cons	Qty	Rep. QTY
1		B3001141H00		FEED DRIVE ECCENTRIC CAM						1	
2		B3002141H00		CRANK CONNECTING ROD						1	
3		21109806		UPPER FEED SHAFT						1	
4		B3005141H00		CONNECTING LINK						1	
5		22861900		PLATE						1	
6	R	B3007141H00	B3007141HA0	UPPER FEED SPRING ROD						1	1.00
7		B3008141H00		HINGE SCREW						1	
8		B3009141H0A		NUT						1	
9		B3010141H00		WASHER						1	
10		B3011141H00		BUSHING						1	
11		B3011141H0A		BUSHING FRONT						1	
12		SS8660530TP		SCREW 1/4-40 L=4.5						2	
13		NS6150310SP		NUT 15/64-28						1	
14		SD0850751SP		HINGE SCREW D=8.50 H=7.5						1	
15		SS6151440SP		SCREW 15/64-28 L=14						1	
16		SS8150510TP		SCREW 15/64-28 L=4.7						2	
17		SS8660610TP		SCREW 1/4-40 L=6						2	
18		B3012141H00A		WALKING BAR DRIVING LINK						1	
19	R	B3014141H00B	40022000	L-SHAPED ROD						1	1.00
20		B3015141H00		HINGE SCREW						3	
21		B3016141H00		HINGE SCREW B						1	
22		22862007		HOLDER						1	
23		B3005141H00		CONNECTING LINK						1	
24		SD0850751SP		HINGE SCREW D=8.50 H=7.5						1	
25		B3020141H00		SLIDE BLOCK GUIDE						1	
26		B3038141H00		SLIDE FORK						1	
27		21272802		BRANCH LINK SHAFT						1	
28		B3023141HA0A		SLIDE BLOCK ASM.						1	
29	R	B3023141H00A	B3023141HA0A	SLIDE BLOCK PIN				*		1	1.00
30	R	B3024141H00	B3023141HA0A	SLIDE BLOCK				*		1	1.00
31		RE0400000K0		E-RING 4				*		1	
32		B3025141H00A		CONNECTING ARM						1	
33		B3026141H00		UPPER FEED DRIVING SHAFT						1	
34		10106102		BUSHING						1	
35		B3028141H00		BUSHING REAR						1	
36		B3029145000		CRANK						1	
37		B3030145000		NEEDLE BAR FRAME ROD						1	
38		B3031141H00		CONNECTING STUD						1	
39		B3032141H00		CONNECTING STUD SHAFT						1	
40		B3033141H00		SPRING						1	
41		B3034141H00		SPRING POLE						1	
42		B3035141H00		RETAINING PLATE						1	
43		B3036141H00		ADJUSTING THUMB SCREW						1	
44		22862155		UPPER FEED PRES- SER SPRING BASE						1	
45		22862106		STAND				*		1	
46		PS0300201KP		SPRING PIN 3.0X20				*		1	

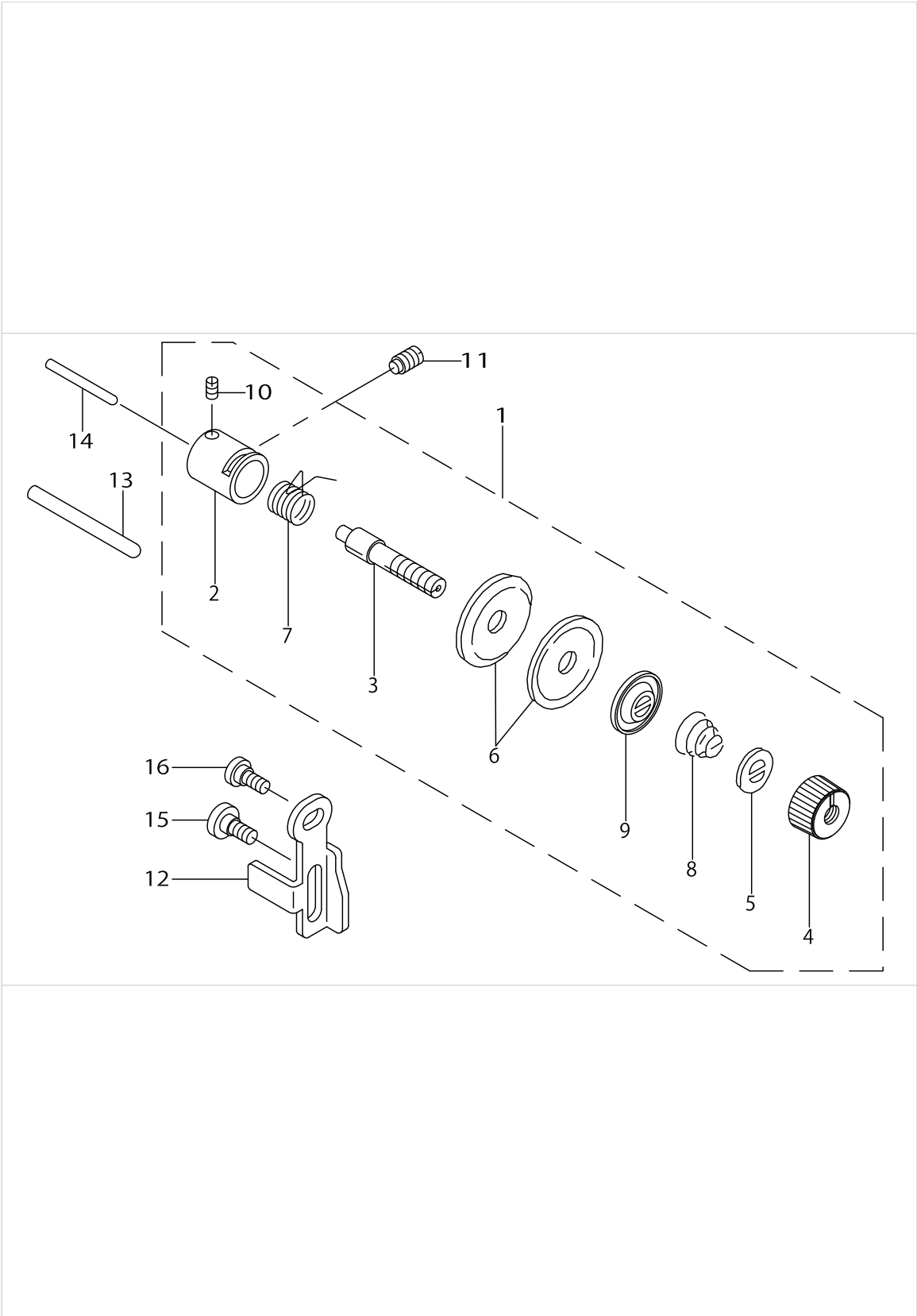
UPPER FEED MECHANISM COMPONENTS



UPPER FEED MECHANISM COMPONENTS

No.	Supply Code	Parts No.	Replacement	Parts name	Remarks	Choice	Step	Level	Cons	Qty	Rep. QTY
47		B3013141H0A		WASHER						2	
48		B3013141H0B		WASHER	SELECTIVE PARTS					2	
49		B1424158000		HINGE SCREW						2	
50		RE0700000K0		E-RING 7						2	
51		NS6680320SP		NUT 9/32-28						1	
52		NS6150310SP		NUT 15/64-28						1	
53		NS6660430SP		NUT 1/4-40						1	
54		NS6160520SP		NUT 1/4-24						1	
55		WP0650876SD		WASHER 6.5X13X0.8						1	
56		SS6121210SP		SCREW 3/16-28 L=12						1	
57		SS6090810SP		SCREW 9/64-40 L=7.5						2	
58	R	SS7110910SP	SS7110910TP	SCREW 11/64-40 L=8.5						2	1.00
59	R	SS7111120SP	SS7111120TP	SCREW 11/64-40 L=10.5						2	1.00
60		SS7111410TP		SCREW 11/64-40 L=14						3	
61		SS8150750SP		SCREW 15/64-28 L=7						2	
62		SS7120910TP		SCREW 3/16-28 L=9						1	
63		22904155		MAIN SHAFT THRU-ST COLLAR ASM.						1	
64		SS8660610TP		SCREW 1/4-40 L=6				*		2	

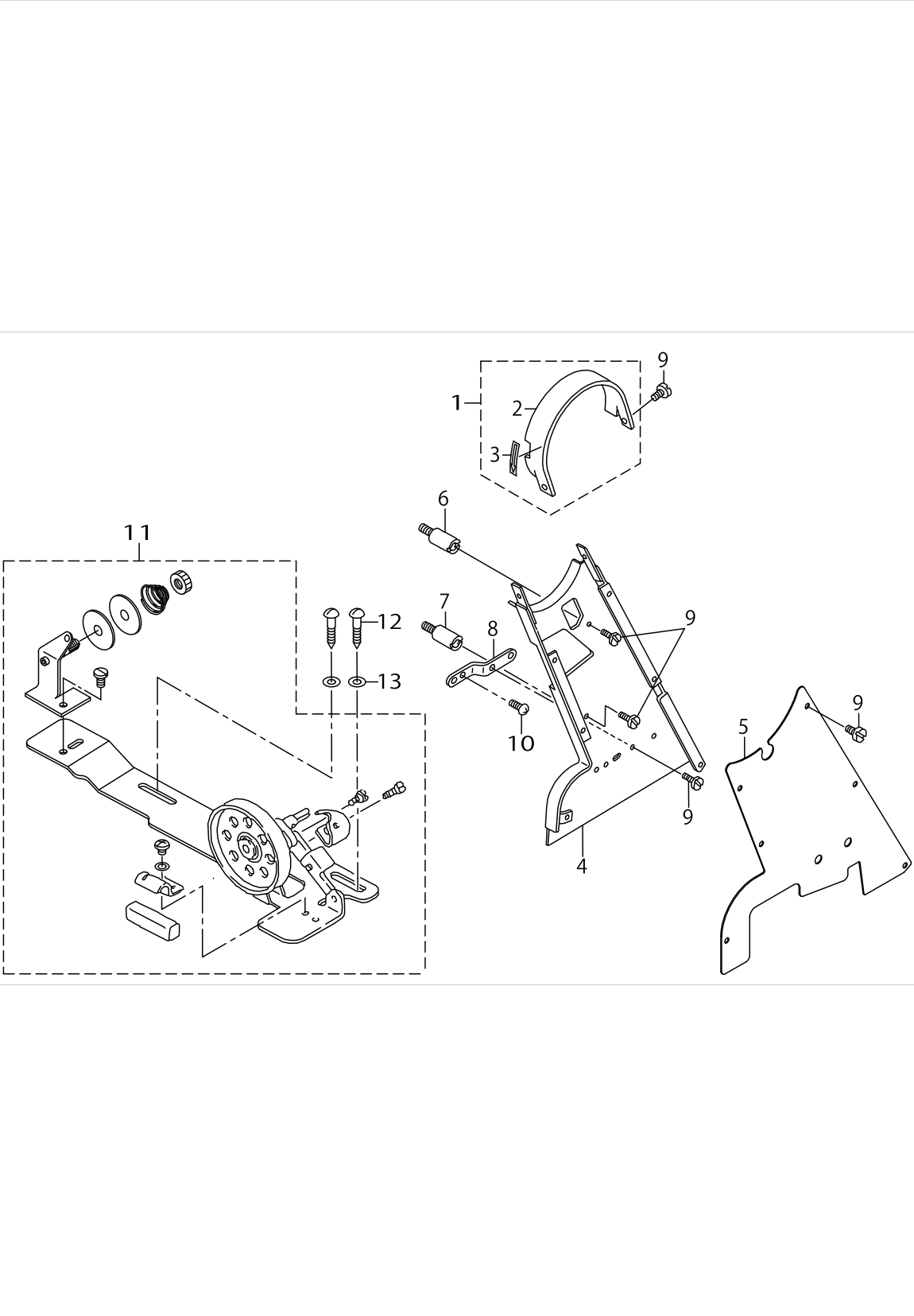
THREAD TENSION COMPONENTS



THREAD TENSION COMPONENTS

No.	Supply Code	Parts No.	Replacement	Parts name	Remarks	Choice	Step	Level	Cons	Qty	Rep. QTY
1		D3111141EAA		THREAD TENSION ASM.						1	
2	R	B3111126000	22945307	TENSION POST SOCKET				*		1	1.00
3		B3115552000		TENSION POST				*		1	
4		11072204		TENSION NUT				*		1	
5		B3120125000		ROTATING STOPPER				*		1	
6	R	B3126012000	22921506	THREAD TENSION DISK				*		2	1.00
7	R	B3128012000	22921605	TAKE-UP SPRING				*		1	1.00
8		B3129053000		TENSION SPRING				*		1	
9		B3132552000		THREAD TENSION DISK PRESSER				*		1	
10		SS8090670SP		SCREW 9/64-40 L=5.5				*		1	
11	R	SS8150710SP	SS8150710TP	SCREW 15/64-28 L=7						1	1.00
12		B3134141H00		TENSION RELEASE PLATE						1	
13		B3127127000		THREAD RELEASE AUXILIARY PIN						1	
14		B3118552F00		TENSION RELEASING PIN						1	
15		SD0600271SP		HINGE SCREW D=6 H=2.7						1	
16		SD0600321SP		HINGE SCREW D=6 H=3.2						1	

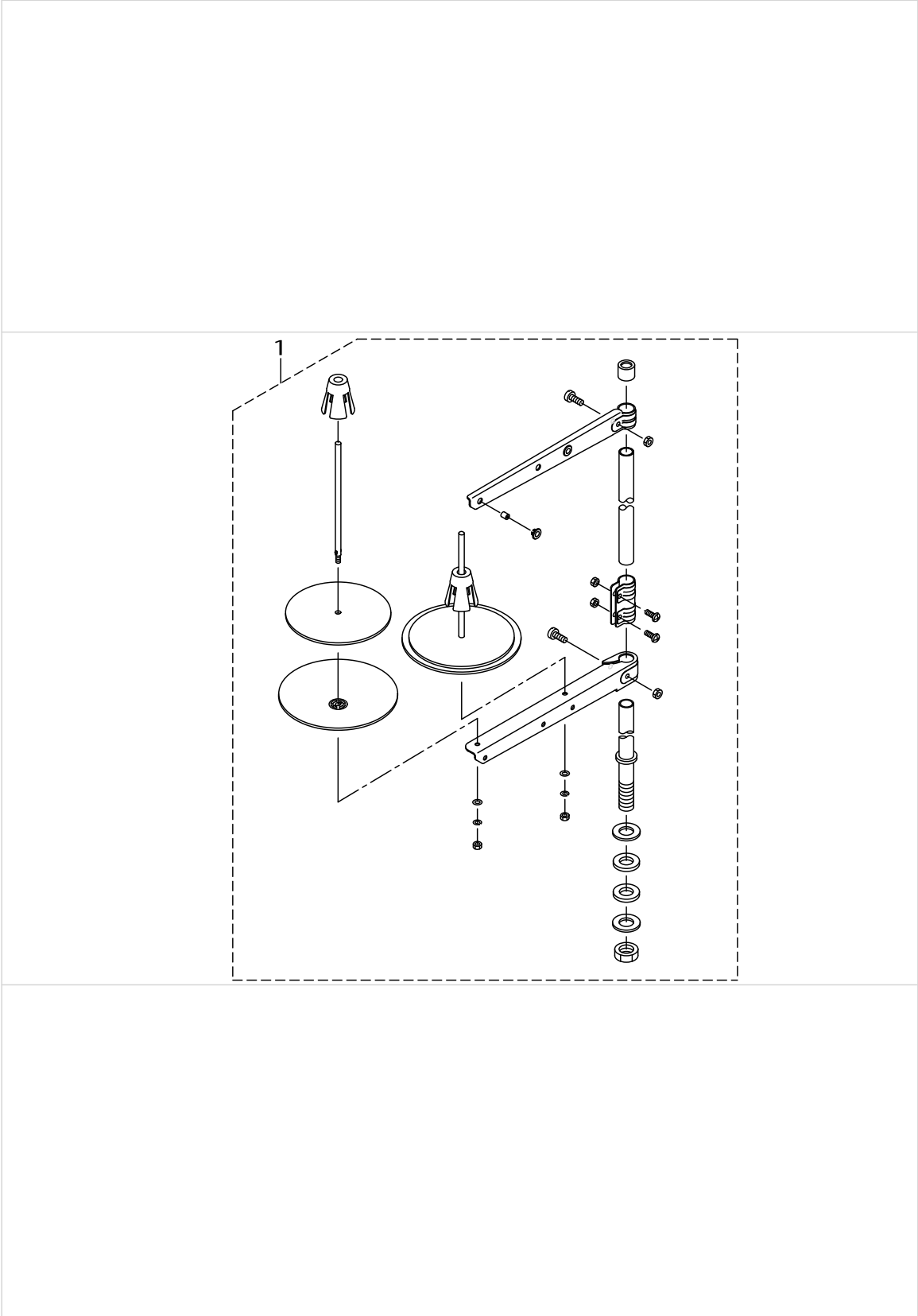
BELT COVER & BOBBIN WINDER COMPONENTS



BELT COVER & BOBBIN WINDER COMPONENTS

No.	Supply Code	Parts No.	Replacement	Parts name	Remarks	Choice	Step	Level	Cons	Qty	Rep. QTY
1		B91011450AA		TOP COVER (WITH LABEL)						1	
2		B910114500A		TOP COVER				*		1	
3		CM500300001		DIRECTION LABEL				*		1	
4		B91021450AA		BELT COVER						1	
5		21286901		BELT COVER PLATE						1	
6		B9106145000		BELT COVER SUPPORT STUD A						1	
7		B9107145000		BELT COVER SUPPORT STUD B						1	
8		B9108145000		BELT COVER SUPPORT PLATE						1	
9		SS6110480SP		SCREW 11/64-40 L=4.3						12	
10		SS7151210SP		SCREW15/64-28L=12						2	
11		11415866		BOBBIN WINDER COMPL						1	
12	R	SK3482500SC	SK3482501SE	WOOD SCREW D=4.8 L=25						2	1.00
13		WP0501016SC		WASHER 5X10.5X1						2	

THREAD STAND COMPONENTS



THREAD STAND COMPONENTS

No.	Supply Code	Parts No.	Replacement	Parts name	Remarks	Choice	Step	Level	Cons	Qty	Rep. QTY
1		40096354		THREAD STAND ASM.						1	

TABLE COMPONENTS

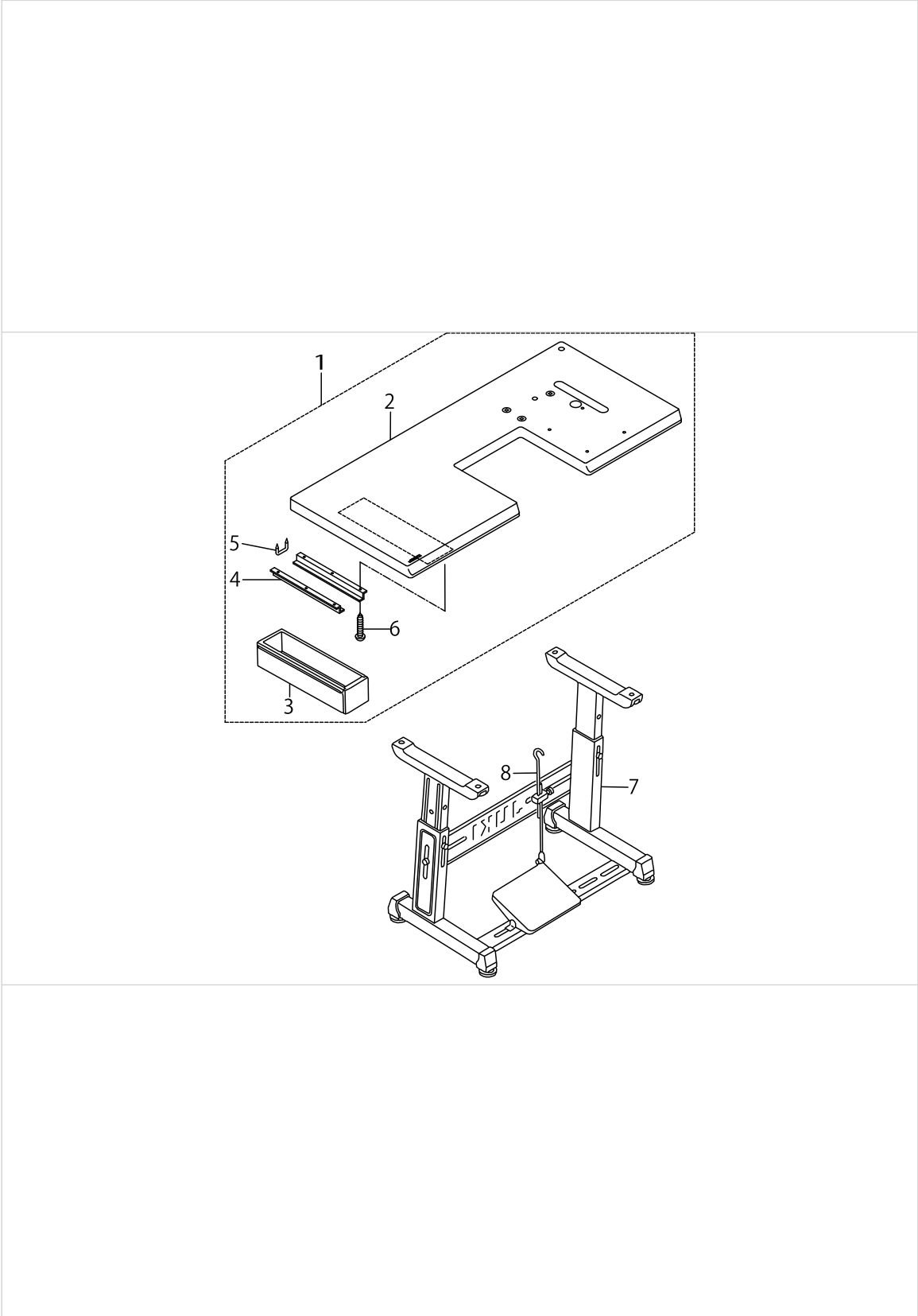
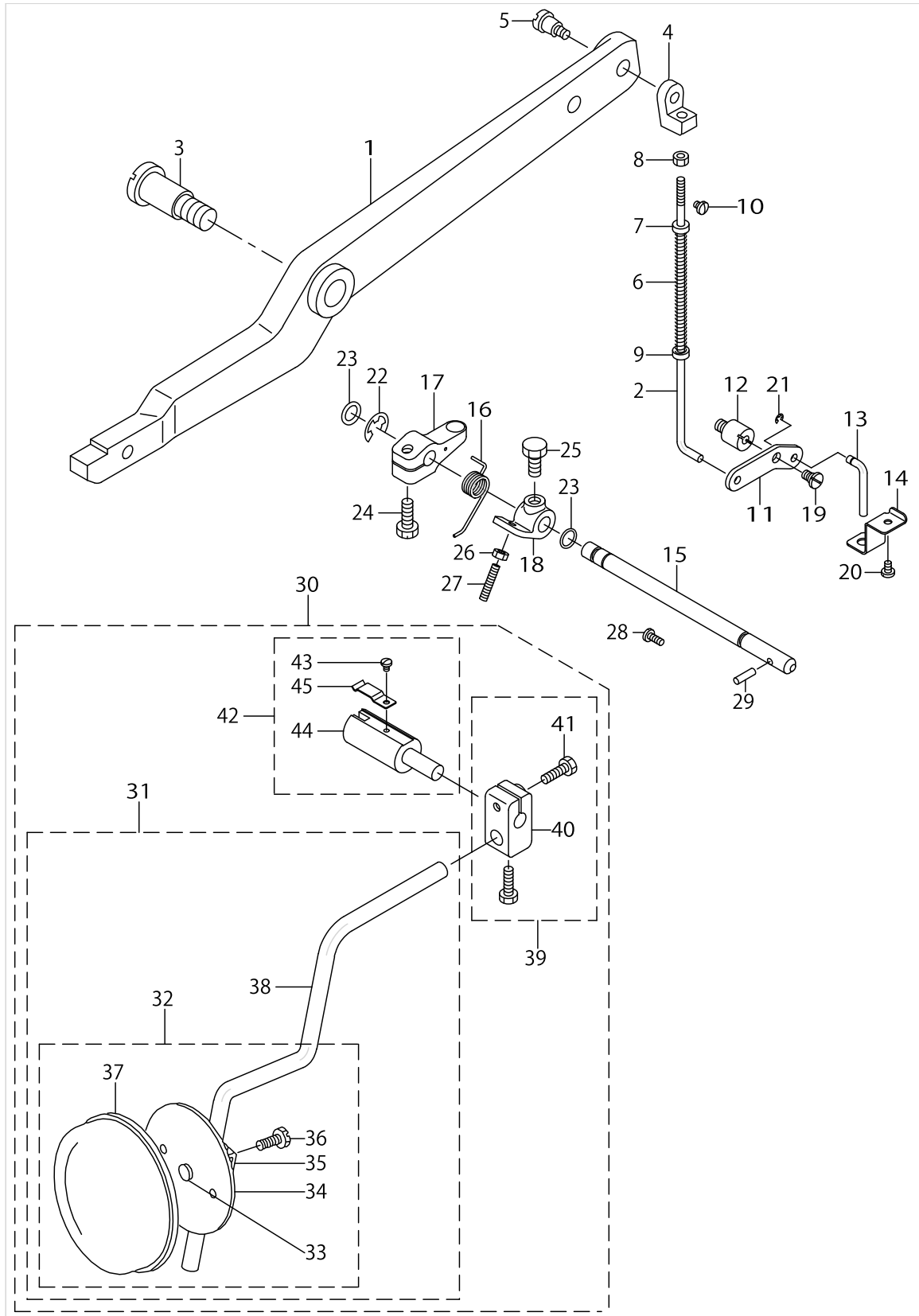


TABLE COMPONENTS

No.	Supply Code	Parts No.	Replacement	Parts name	Remarks	Choice	Step	Level	Cons	Qty	Rep. QTY
1		22864557		TABLE ASM.						1	
2		22864508		TABLE				*		1	
3	R	11155108	11155157	DRAWER				*		1	1.00
4		11155207		DRAWER SUPPORT				*		2	
5		D8204555D00		DRAWER STOPPER				*		1	
6		SK3311600SE		WOOD SCREW D=3.1 L=16				*		6	
7		11157567		T LEG JUNCTION						1	
8		B71140120A0		MOTOR CONNECTING ROD ASM.						1	

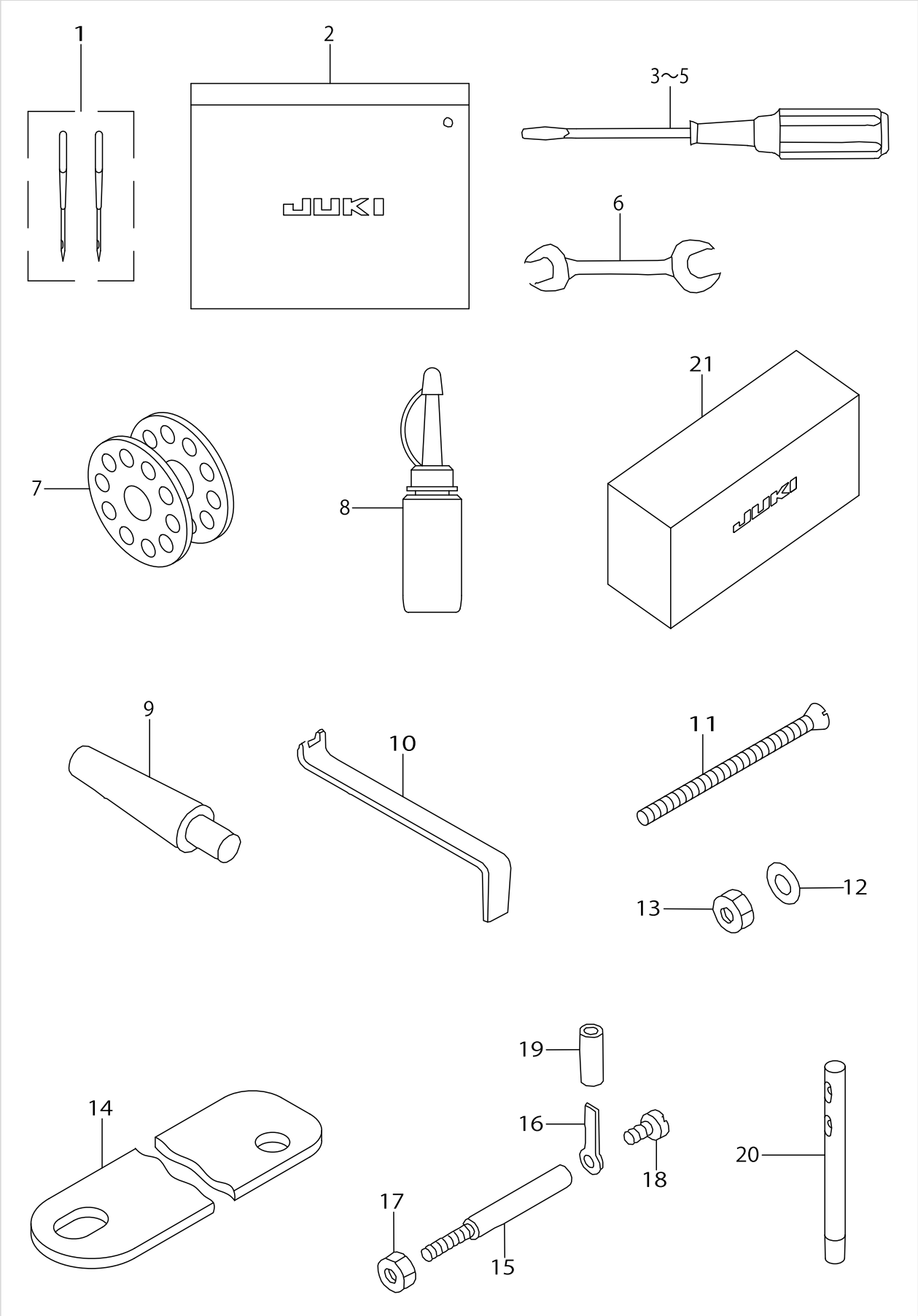
KNEE LIFTER COMPONENTS



KNEE LIFTER COMPONENTS

No.	Supply Code	Parts No.	Replacement	Parts name	Remarks	Choice	Step	Level	Cons	Qty	Rep. QTY
1		D3410141E0AA		KNEE LIFTER						1	
2		22862403		LIFTING LEVER CONNECTING ROD						1	
3		SD0991551SP		HINGE SCREW D=9.9 H=5.5						1	
4		B3416141H00A		SWIVEL						1	
5		SD0790351SP		HINGE SCREW D=7.9 H=3.5						1	
6		B3414245000		SPRING						1	
7		CS0510713SD		SPRING REST						1	
8		NS6620310SP		NUT 3/16-32						1	
9		WP0621016SD		WASHER 6.2X13X1						1	
10		SS7110540SP		SCREW 11/64-40 L=5						1	
11		22862502		LIFTING LEVER LINK						1	
12		22862601		STUD						1	
13		22862700		DRIVING LINK PIN						1	
14		22862809		DRIVING LINK GUIDE PLATE						1	
15		22863005		KNEE PRESS ROD						1	
16		22862908		SPRING						1	
17		B3425122000		KNEE PRESS LIFTER LEVER						1	
18		22863104		MOUNTING BRACKET						1	
19		SD0720332SP		HINGE SCREW D=7.24 H=3.3						1	
20		SS7110710SP		SCREW 11/64-40 L=7						1	
21		RE0320000K0		E-RING 3.2						1	
22		RE1000000K0		E-RING 10						1	
23		RO078190100		RUBBER RING						2	
24		SS9182010SN		SCREW 9/32-20 L=20						1	
25		SS9201813CP		MOUNTING BRACKET SET SCREW						1	
26		NM6050001SP		NUT M5						1	
27		SM8052502TP		SCREW M5X0.8 L=25						1	
28		SS7151120SP		SCREW 15/64-28 L=11						1	
29		B3432521000		PIN						1	
30		22863351		KNEE LIFTER PLATE ROD ASM.						1	
31	R	22863450	22863351	KNEE PRESS PLATE ASM.				*		1	1.00
32	R	B34262450A0	23037856	KNEE PRESS PLATE ASM.				*		1	1.00
33		22934400		KNEE PAD PLATE RUBBER				*		1	
34		22934202		KNEE PAD PLATE				*		1	
35		22934301		KNEE PAD PLATE SUPPORT				*		1	
36		SM9061203SE		SCREW M6 L=12				*		1	
37		22934509		KNEE PAD PLATE COVER				*		1	
38		22863302		KNEE LIFTER PLATE ROD				*		1	
39		22932453		BRACKET ASM.				*		1	
40	R	22932404	22932453	BRACKET				*		1	1.00
41		22934707		SCREW				*		2	
42		22863252		KNEE LIFTER JOINT ASM.				*		1	
43		SS7090510SP		SCREW 9/64-40 L=4.6				*		1	
44	R	22863203	22863252	KNEE LIFTER JOINT				*		1	1.00
45		B3428521000		PRESSER SPRING				*		1	

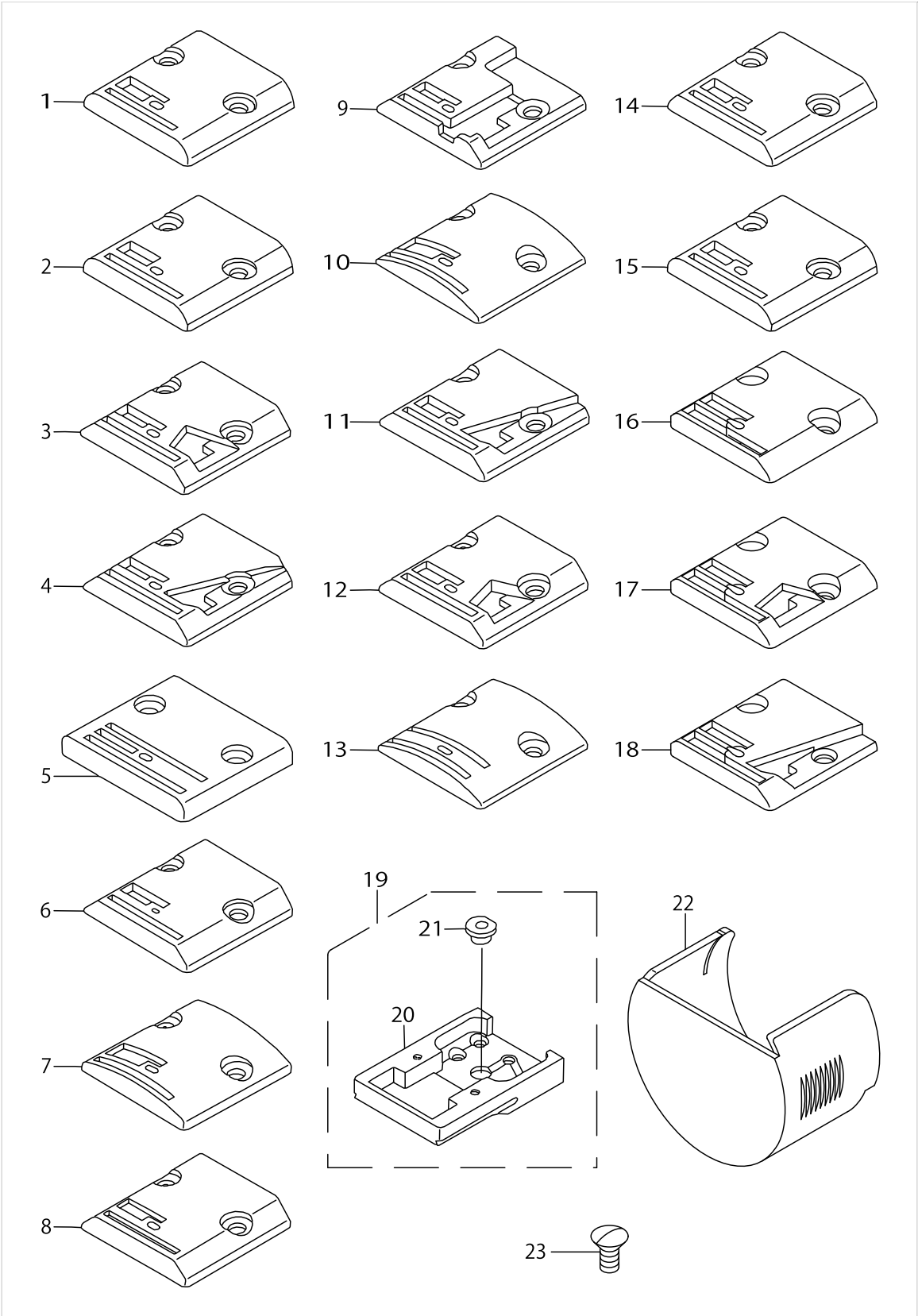
ACCESSORIES PARTS COMPONENTS



ACCESSORIES PARTS COMPONENTS

No.	Supply Code	Parts No.	Replacement	Parts name	Remarks	Choice	Step	Level	Cons	Qty	Rep. QTY
1		M13517B1602		NEEDLE 135X17 #160-2						1	
2	R	B9101552000	22932800	ACCESSORY BOX						1	1.00
3		22933006		SCREW DRIVER LARGE						1	
4		22933105		SCREW DRIVER MIDDLE						1	
5		22933204		SCREW DRIVER SMALL						1	
6	R	B9112012000	26034702	WRENCH (11X14)						1	1.00
7		B9117201000		BOBBIN						1	
8		B91212200A0		OILER (CONTAINING NO.2 OIL)						1	
9		B820424500A		FRAME SUPPORT BAR						1	
10		B9111245000		WRENCH						1	
11		B9130245000		BOLT						4	
12		WP0751576SD		WASHER 7.5X19X1.5						4	
13		NM6060001SD		NUT M6						4	
14		B9110245000		RUBBER PACKING						2	
15		D7101245E00		SYNCHRONIZER HOLDER STUD	OPTIONAL PARTS					1	
16		D7102245E00		SYNCHRONIZER HOLDER PLATE	OPTIONAL PARTS					1	
17		NS6150430SP		NUT 15/64-28	OPTIONAL PARTS					1	
18		SS7110710SP		SCREW 11/64-40 L=7	OPTIONAL PARTS					1	
19		BT0630520Z0		HOLDER COVER	OPTIONAL PARTS					1	
20		22958300		NEEDLE THREAD GUIDE PIN						1	
21		22933303		VINYL COVER						1	

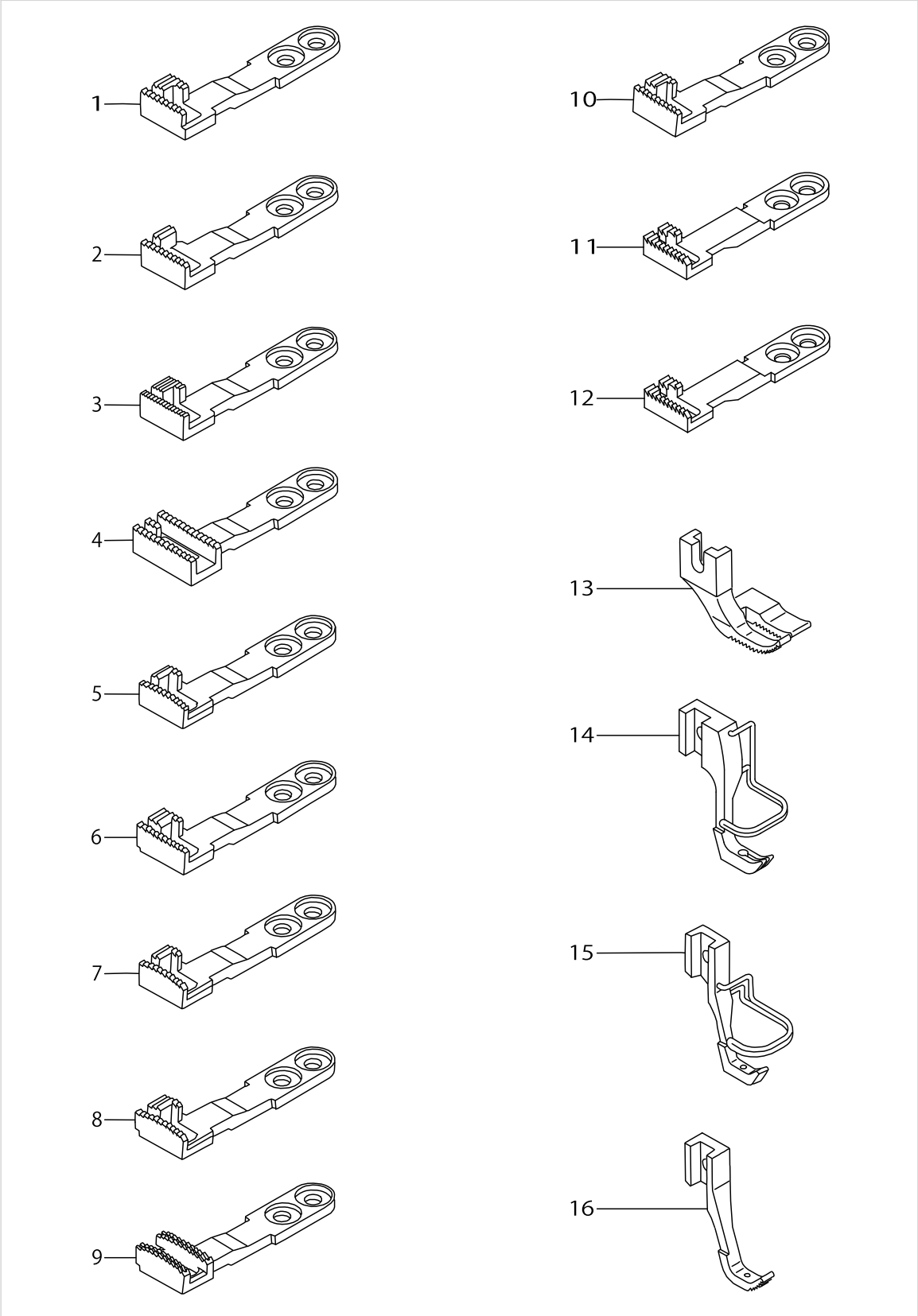
EXCHANGING GAUGE PARTS (1)



EXCHANGING GAUGE PARTS (1)

No.	Supply Code	Parts No.	Replacement	Parts name	Remarks	Choice	Step	Level	Cons	Qty	Rep. QTY
1		21282108		THROAT PLATE						1	
2		21282207		THROAT PLATE						1	
3		21282306		THROAT PLATE (FOR BINDER)						1	
4		21282405		THROAT PLATE (FOR BINDER)						1	
5		21282504		THROAT PLATE						1	
6		21282603		THROAT PLATE (T-WIN NEEDLE BAR)						1	
7		21282702		THROAT PLATE						1	
8		21282801		THROAT PLATE						1	
9		21282900		THROAT PLATE						1	
10		21283007		THROAT PLATE						1	
11		21283106		THROAT PLATE (FOR BINDER)						1	
12		21283205		THROAT PLATE (FOR BINDER)						1	
13		21283304		THROAT PLATE (SINGER 17 TYPE)						1	
14		21283403		THROAT PLATE						1	
15		21282009		THROAT PLATE						1	
16		22865000		THROAT PLATE	WITH USE OF22867006					1	
17		22865109		THROAT PLATE (FOR BINDER)	WITH USE OF22867105					1	
18	D	22865208		THROAT PLATE (FOR BINDER)	WITH USE OF22867105					1	
19		21286265		THROAT PLATE ASM.						1	
20		21286216		THROATPLATEBASE				*		1	
21		B1631245000		PIN BUSHING				*		1	
22	D	21286307		HOOK COVER						1	
23		SS2110930SP		SCREW 11/64-40 L=8.7	WITH USE OF22865208					1	

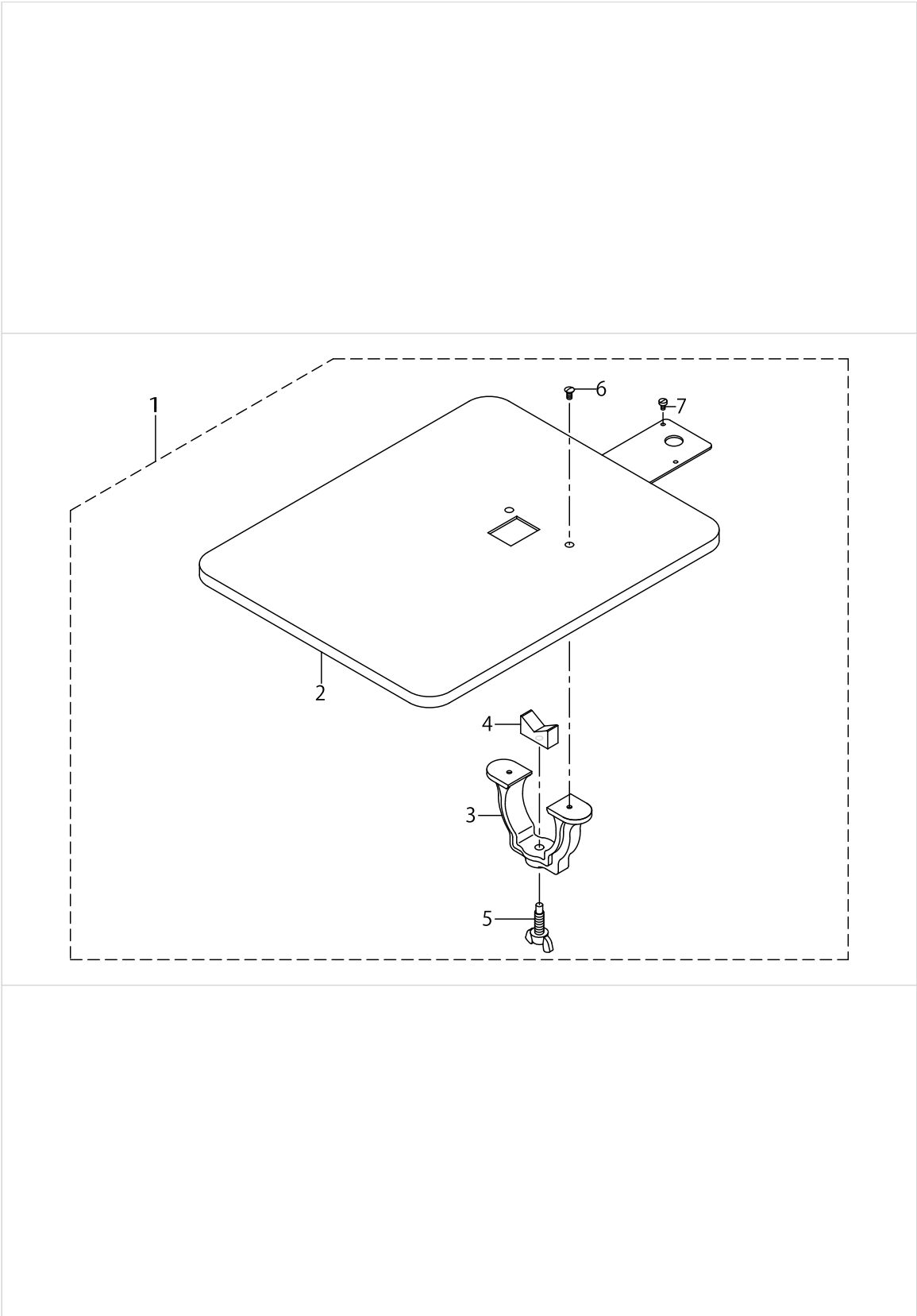
EXCHANGING GAUGE PARTS (2)



EXCHANGING GAUGE PARTS (2)

No.	Supply Code	Parts No.	Replacement	Parts name	Remarks	Choice	Step	Level	Cons	Qty	Rep. QTY
1		21284104		FEED DOG						1	
2		21284203		FEED DOG						1	
3		21284302		FEED DOG (THIN SEAM)						1	
4		21284401		FEED DOG						1	
5		21284500		FEED DOG						1	
6		21284609		FEED DOG						1	
7		21284708		FEED DOG						1	
8		21284807		FEED DOG						1	
9		21284906		FEED DOG						1	
10		21285002		FEED DOG						1	
11	D	22867006		FEED DOG	WITH USE OF 22865000					1	
12	D	22867105		FEED DOG (FOR BINDER)	WITH USE OF 228651-09 OR 22865208					1	
13	D	B152614500A		PRESSURE FOOT	WITH USE OF B152514500A					1	
14		D1525141EAA		PRESSER FOOT ASM.						1	
15		B1526141HA0		PRESSER FOOT ASM.						1	
16		B152514500A		PRESSURE FOOT	WITH USE OF B152614500A					1	

OPTION COMPONENTS



OPTION COMPONENTS

No.	Supply Code	Parts No.	Replacement	Parts name	Remarks	Choice	Step	Level	Cons	Qty	Rep. QTY
1		22864359		PLATE ASM.						1	
2		22864300		PLATE				*		1	
3		22864409		STAND				*		1	
4		21290309		V-BLOCK				*		1	
5		21290408		SET SCREW				*		1	
6		SS2110920TP		SCREW 11/64-40 L=8.5				*		2	
7	R	SS6090630SP	SS6090630TP	SCREW 9/64-40 L=6				*		2	1.00

HOW TO MAKE USE OF THIS PARTS LIST

1.Explanation of codes

1)"*"mark.....means this part is changed from the previous parts book.

As to the details of the change, refer to the "List for information of change".

2)"#01".....refer to "Note" explanation at bottom of page.

2.Codes on the "Qty" column

- Each numeral indicates the number of parts required.
- "0.1" and "2.5" indicate the length (in meters) of the respective parts.

3.Parentheses mean that the corresponding part is a subpart that constructs an assembly part.

4.Dotted lines on the Figures indicate assembly parts.

1."注記"欄の記号説明

1) "*"印.....前回のパーツブックに比較して今回変更された部品を意味します。

変更内容は、"変更情報リスト"を参照してください。

2) "#01".....ページ下の"注記"の説明を参照してください。

2.数量欄の数字は、個数を表し、0.1、2.5等の数値は、長さ（単位メートル）を表します。

3.数量欄の（ ）は、組部品を構成している子部品であることを意味します。

4.イラストページの-----枠は、組構成であることを意味します。

NUMERICAL INDEX OF PARTS

PART NO	PAGE	REF NO.	PART NO	PAGE	REF NO.	PART NO	PAGE	REF NO.
10106102	18	34	21284807	36	8	22867006	36	11
10119105	14	15	21284906	36	9	22867105	36	12
10119204	14	14	21285002	36	10	22901409	8	14
10119402	14	17	21286000	16	1	22901805	4	49
10119907	14	7	21286216	34	20	22904155	6	26
10120004	14	8	21286265	34	19	22904155	20	63
10161305	14	16	21286307	34	22	22906101	8	2
11072204	22	4	21286802	8	19	22907604	8	28
11155108	28	3	21286901	24	5	22932404	30	40
11155207	28	4	21290309	38	4	22932453	30	39
11157567	28	7	21290408	38	5	22933006	32	3~5
11415205	2	11	22860654	2	7	22933105	32	3~5
11415866	24	11	22860704	6	1	22933204	32	3~5
21103304	8	25	22861108	8	1	22933303	32	21
21108204	8	6	22861207	8	5	22934202	30	34
21109806	18	3	22861256	8	4	22934301	30	35
21136205	16	9-10	22861405	10	9	22934400	30	33
21136304	16	9-10	22861504	10	21	22934509	30	37
21205109	6	6	22861603	10	22	22934707	30	41
21208707	16	2	22861801	10	16	22958300	32	20
21272802	18	27	22861900	18	5	40032259	2	10
21282009	34	15	22862007	18	22	40096354	26	1
21282108	34	1	22862106	18	45	B1114280000	14	6
21282207	34	2	22862155	18	44	B1116246000	2	5
21282306	34	3	22862403	30	2	B1117246000	2	13
21282405	34	4	22862502	30	11	B1118141H0AA	2	9
21282504	34	5	22862601	30	12	B1128246000	2	12
21282603	34	6	22862700	30	13	B1129141H00	2	8
21282702	34	7	22862809	30	14	B1131141H00	2	16
21282801	34	8	22862908	30	16	B1147141H00	12	52
21282900	34	9	22863005	30	15	B1148141H00	12	53
21283007	34	10	22863104	30	18	B1156115000	2	15
21283106	34	11	22863203	30	44	B1171145000	2	3
21283205	34	12	22863252	30	42	B1172245000	10	17
21283304	34	13	22863302	30	38	B1173145000	2	4
21283403	34	14	22863351	30	30	B118324500A	2	1
21283502	2	6	22863450	30	31	B118324500B	2	2
21284005	10	20	22864300	38	2	B1202141H0A	6	4
21284104	36	1	22864359	38	1	B1203051000	6	11
21284203	36	2	22864409	38	3	B1203141H00	6	5
21284302	36	3	22864508	28	2	B1211141H00	6	13
21284401	36	4	22864557	28	1	B1211226000	6	14
21284500	36	5	22865000	34	16	B1212012000	6	9
21284609	36	6	22865109	34	17	B1213012000	6	10
21284708	36	7	22865208	34	18	B1301145000	6	29

NUMERICAL INDEX OF PARTS

PART NO	PAGE	REF NO.	PART NO	PAGE	REF NO.	PART NO	PAGE	REF NO.
B1302201000	6	30	B163214500G	10	6	B3011141H00	18	10
B1303271000	6	31	B163214500H	10	5	B3011141H0A	18	11
B13050120A0	6	32	B163214500J	10	4	B3012141H00A	18	18
B13061550A0	6	33	B16331220A0	10	35	B3013141H0A	20	47-48
B13071550A0	6	34	B1633245000	10	10	B3013141H0B	20	47-48
B1308012000	6	36	B1634141H00A	10	34	B3014141H00B	18	19
B13081550A0	6	35	B1634145000	10	12	B3015141H00	18	20
B1310012000	6	28	B1635145000	10	13	B3016141H00	18	21
B1311012000	6	2	B1636141H0A	10	44	B3020141H00	18	25
B1312012000	6	12	B1636145000	10	14	B3023141H00A	18	29
B14115520A0	8	11	B1637141H00	10	45	B3023141HA0A	18	28
B1414555000	8	13	B1637145000	10	15	B3024141H00	18	30
B1421141H00	8	33	B1638141H00	12	77	B3025141H00A	18	32
B1424158000	12	55	B1639145000	10	18	B3026141H00	18	33
B1424158000	20	49	B1640145000	10	19	B3028141H00	18	35
B1501141H00	8	21	B1641245000	10	23	B3029145000	18	36
B1509141H00	8	22	B1642245000	10	24	B3030145000	18	37
B1510141H00	8	23	B1643145000	10	28	B3031141H00	18	38
B1510155000	8	24	B1644245000	10	29	B3032141H00	18	39
B1512141H00	8	29	B1645245000	10	30	B3033141H00	18	40
B1513141H00	8	27	B1646201000	10	39	B3034141H00	18	41
B1515141H00	8	26	B1646245000	10	31	B3035141H00	18	42
B152514500A	36	16	B1647145000	10	32	B3036141H00	18	43
B1526141HA0	36	15	B1647226000	10	42	B3038141H00	18	26
B1526145000	8	30	B1648122000	10	36	B3111126000	22	2
B152614500A	36	13	B1651245000	12	62	B3115552000	22	3
B1601145000	10	11	B1652245000	12	64	B3118552F00	22	14
B1603145000	10	27	B1660145000	12	54	B3120125000	22	5
B1605145000	12	48	B1806038000	16	11	B3126012000	22	6
B1614145000	10	25	B1830201SA0	16	3	B3127127000	22	13
B1618226000	10	40	B183924500A	16	6	B3128012000	22	7
B1619115000	12	50	B183924500B	16	7	B3129053000	22	8
B16191150A0	12	49	B183924500C	16	8	B3132552000	22	9
B1620145000	10	33	B1901141H00	8	7	B3134141H00	22	12
B1621141H00A	10	38	B1902115000	8	8	B3214047000	2	22
B1622141H00	10	43	B1903141H00	8	9	B3216047000	2	23
B16231450A0	10	26	B1904115000	8	10	B3414245000	30	6
B1624141H0A	12	47	B2733761000	14	11	B3416141H00A	30	4
B16272260A0	10	41	B3001141H00	18	1	B3425122000	30	17
B1630145000A	10	2	B3002141H00	18	2	B34262450A0	30	32
B16301450A0A	10	1	B3005141H00	18	23	B3428521000	30	45
B1631245000	10	3	B3007141H00	18	6	B3432521000	30	29
B1631245000	34	21	B3008141H00	18	7	B35031450A0	2	24
B163214500E	10	8	B3009141H0A	18	8	B3503201000	2	25
B163214500F	10	7	B3010141H00	18	9	B3504201000	2	29

NUMERICAL INDEX OF PARTS

PART NO	PAGE	REF NO.	PART NO	PAGE	REF NO.	PART NO	PAGE	REF NO.
B3515201000	2	27	D1686141E00	14	13	SD0720331SP	14	22
B3517009000	6	8	D1687141E00	14	20	SD0720332SP	30	19
B3527012000	2	26	D1837141EA0	16	4	SD0790351SP	30	5
B60375050A0	14	43	D2120555C00	14	38	SD0800352SP	2	35
B71140120A0	28	8	D2464555B00	14	19	SD0850751SP	18	24
B820424500A	32	9	D3111141EAA	22	1	SD0950802SH	12	56
B910114500A	24	2	D3161555B00	2	19	SD0991551SP	30	3
B91011450AA	24	1	D3161560EA0	2	18	SK3311600SE	28	6
B9101552000	32	2	D3162560E00	2	20	SK3482500SC	24	12
B91021450AA	24	4	D3168555H0B	2	21	SM6081552TP	2	36
B9106145000	24	6	D3410141E0AA	30	1	SM8052502TP	30	27
B9107145000	24	7	D6043555B00	14	41	SM9061203SE	30	36
B9108145000	24	8	D7101245E00	32	15	SS2090710TP	2	38
B9110245000	32	14	D7102245E00	32	16	SS2090810SP	12	79
B9111245000	32	10	D8204555D00	28	5	SS2110915SP	2	37
B9112012000	32	6	M13517B1600	8	16	SS2110920TP	38	6
B9117201000	16	5	M13517B1602	32	1	SS2110930SP	34	23
B9117201000	32	7	M9637110000	14	40	SS5090610SP	2	39
B91212200A0	32	8	M9640110000	14	39	SS5110710SP	12	75
B9130245000	32	11	MAT81126T00	14	5	SS6060210SP	12	63
BP300000000	14	37	NM6050001SP	30	26	SS6081210SP	12	61
BT0630520Z0	32	19	NM6060001SD	32	13	SS6090610SP	12	83
CM300200001	4	51	NS6150310SP	18	52	SS6090630SP	38	7
CM301300001	4	50	NS6150310SP	20	52	SS6090670TP	8	12
CM500300001	24	3	NS6150430SP	14	21	SS6090810SP	20	57
CQ200000000	12	51	NS6150430SP	32	17	SS6110480SP	24	9
CQ202000000	2	28	NS6160520SP	20	54	SS6110610TP	8	20
CQ202000000	6	15	NS6620310SP	30	8	SS6111610SP	2	40
CS0510713SD	30	7	NS6660430SP	20	53	SS6121050SP	12	67
D1126560E00A	2	14	NS6680320SP	20	51	SS6121210SP	12	68
D1201141E00A	6	3	NS6680410SP	12	60	SS6121210SP	20	56
D1206141E00	6	7	PS0300132KH	8	34	SS6151220SP	12	69
D1403141E00	8	3	PS0300201KP	18	46	SS6151440SP	18	15
D1418141E00	8	15	RE0300000K0	12	58	SS6661110SP	12	70
D1525141E00	8	32	RE0320000K0	30	21	SS7080510TP	8	17
D1525141EA0	8	31	RE0400000K0	14	36	SS7080520SP	12	78
D1525141EAA	36	14	RE0400000K0	18	31	SS7090510SP	30	43
D1621141E00	10	37	RE0600000K0	14	35	SS7090610SP	8	35
D1624141E0A	12	46	RE0700000K0	12	59	SS7090620TP	2	41
D1680141EA0	14	4	RE0700000K0	20	50	SS7090710SP	14	23
D1681141E0A	14	2	RE1000000K0	30	22	SS7091110SP	8	36
D1682141E00	14	9	RO074240100	12	57	SS7091110SP	12	71
D1683141E00	14	12	RO078190100	30	23	SS7110510SP	2	42
D1684141E00A	14	18	SD0600271SP	22	15	SS7110540SP	30	10
D1685141E00	14	10	SD0600321SP	22	16	SS7110710SP	2	44

NUMERICAL INDEX OF PARTS

PART NO	PAGE	REF NO.	PART NO	PAGE	REF NO.
SS7110710SP	14	44	SS9660910SP	12	81
SS7110710SP	30	20	TA0550604R0	2	33
SS7110710SP	32	18	TA0550604R0	6	37
SS7110840SP	8	37	TA0750704R0	2	32
SS7110910SP	20	58	TA1050504R0	4	48
SS7111120SP	20	59	TA1120804R0	4	47
SS7111410TP	20	60	TA1250406R0	2	17
SS7112420SP	2	45	TA2100904R0	2	31
SS7120910TP	20	62	WP0501016SC	24	13
SS7121410SP	14	26	WP0501016SD	14	32
SS7151120SP	30	28	WP0621016SD	14	33
SS7151210SP	14	28	WP0621016SD	30	9
SS7151210SP	24	10	WP0650876SD	20	55
SS7152040SP	12	84	WP0651056SD	12	85
SS7620750SP	12	72	WP0751576SD	32	12
SS7681750TP	6	19	WS0631510KP	14	34
SS8090670SP	22	10	WT0530002KS	14	3
SS8090710SP	12	87	WZ1052010KP	12	82
SS8110410TP	2	46			
SS8110410TP	12	73			
SS8110510SP	12	86			
SS8110750SP	8	39			
SS8150510TP	14	29			
SS8150510TP	18	16			
SS8150710SP	12	74			
SS8150710SP	22	11			
SS8150710TP	6	21			
SS8150750SP	20	61			
SS8150830SP	12	65			
SS8151150SP	6	22			
SS8151550SP	6	24			
SS8151550SP	8	18			
SS8151550SP	16	12			
SS8660530TP	18	12			
SS8660610TP	6	27			
SS8660610TP	8	38			
SS8660610TP	18	64			
SS8660610TP	20	64			
SS8681950SP	6	20			
SS8701042TP	12	76			
SS9111010SP	14	27			
SS9181520CP	6	25			
SS9182010SN	30	24			
SS9201813CP	30	25			
SS9660720SP	12	80			