

MODEL : LK-1952/LK-1953/LK-1954

List No : 1068-05

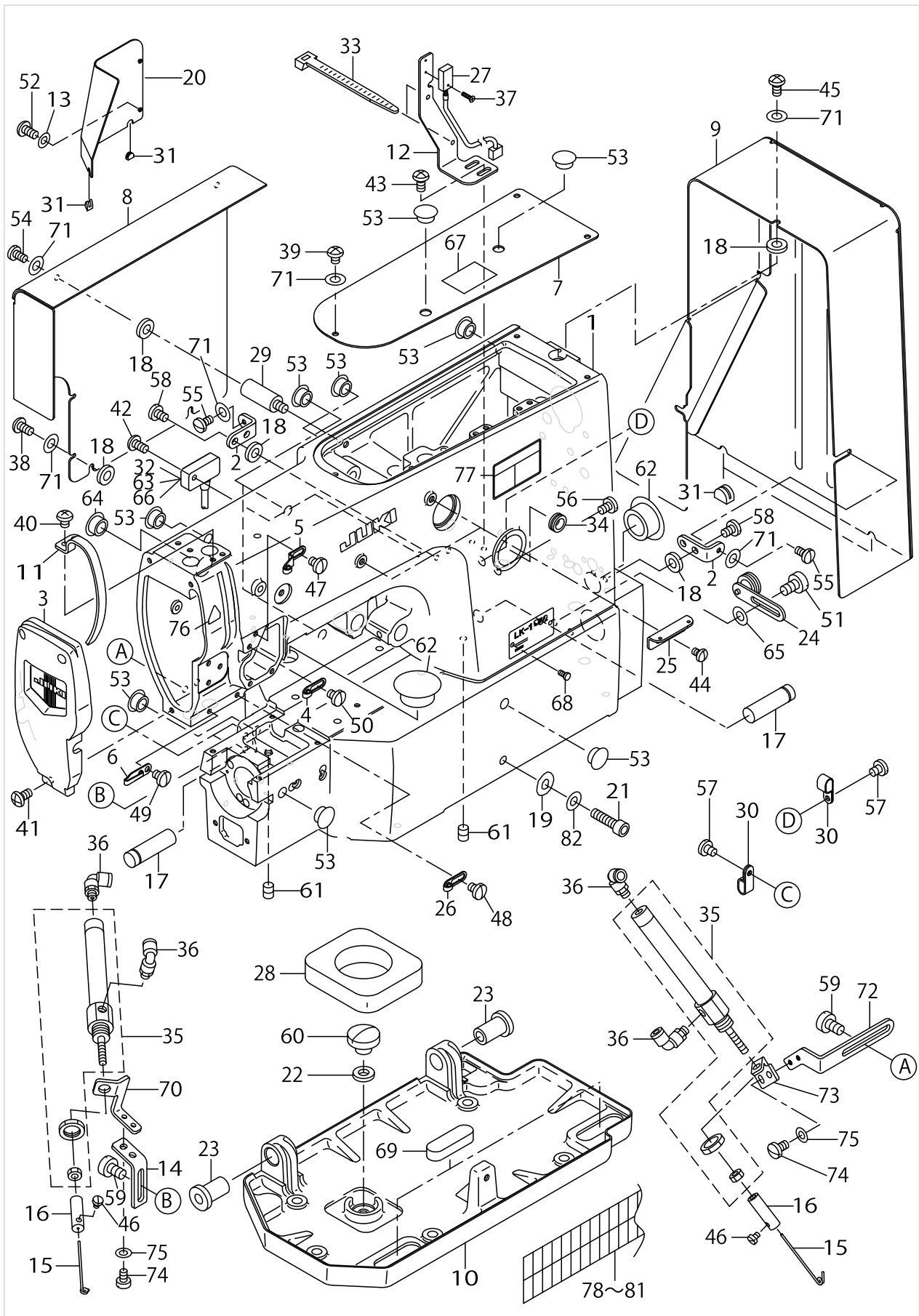
PARTS LIST

Published:05/12/2017

CONTENTS

MACHINE FRAME & MISCELLANEOUS COMPONENTS.....	1
MAIN SHAFT & NEEDLE BAR COMPONENTS.....	5
HOOK DRIVING SHAFT COMPONENTS.....	9
FEED MECHANISM COMPONENTS(1).....	13
FEED MECHANISM COMPONENTS(2).....	17
THREAD TENSION COMPONENTS.....	21
THREAD TRIMMER COMPONENTS.....	23
THREAD PRESSER COMPONENTS.....	27
BOBBIN WINDER COMPONENTS.....	29
HOOK BASE COMPONENTS(1).....	31
HOOK BASE COMPONENTS(2).....	35
DISH RISING COMPONENTS.....	39
SAFETY COMPONENTS.....	41
LUBRICATION COMPONENTS.....	43
THREAD STAND COMPONENTS.....	47
ACCESSORY PARTS COMPONENTS.....	49
PSC BOX UNIT COMPONENTS(1).....	51
PSC BOX UNIT COMPONENTS(2).....	53
PSC BOX UNIT COMPONENTS(3).....	57
PSC BOX UNIT COMPONENTS(4).....	59
LIST FOR INFORMATION OF CHANGE.....	61
HOW TO MAKE USE OF THIS PARTS LIST.....	62

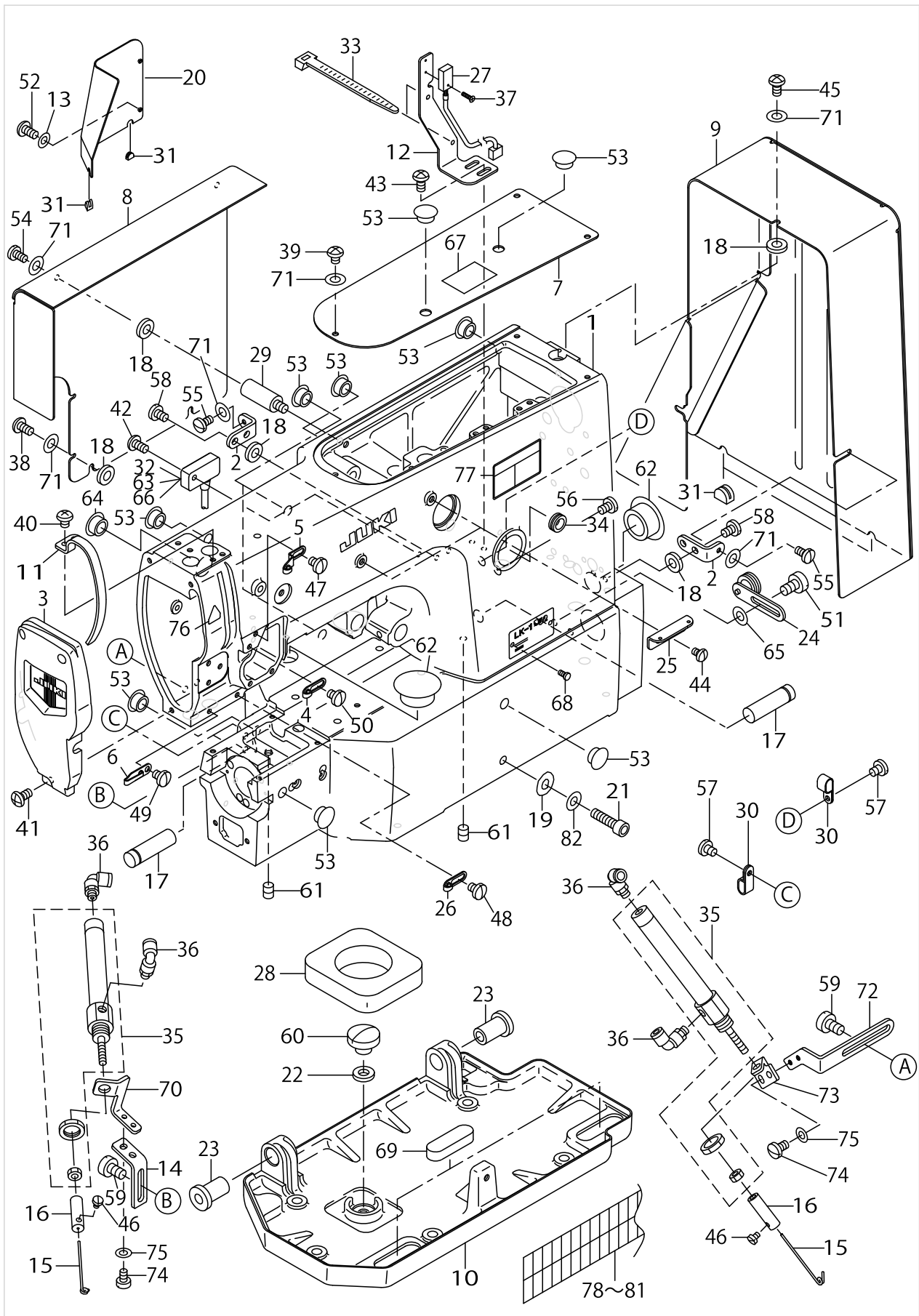
MACHINE FRAME & MISCELLANEOUS COMPONENTS



MACHINE FRAME & MISCELLANEOUS COMPONENTS

No.	Supply Code	Parts No.	Replacement	Parts name	Remarks	Choice	Step	Level	Cons	Qty	Rep. QTY
1		13870050		ARM BED ASM.						1	
2	D	13870704		BELT COVER FITTING PLATE						2	
3		13870852		FACE PLATE ASM.						1	
4		13870902		BALANCE THREAD GUIDE, C						1	
5		13871009		BALANCE THREAD GUIDE, A						1	
6		13871108		BALANCE THREAD GUIDE, B						1	
7		13871207		ARM COVER						1	
8		13871306		SIDE COVER						1	
9		13871454		BELT COVER ASM.						1	
10	D	13871504		HEAD BASE						1	
11		13871702		BALANCE COVER						1	
12	D	13871801		SENSOR FITTING PLATE						1	
13		WP0371016SD		WASHER 3.7X8X1						2	
14		13872007		WIPER CYLINDER BASE, B						1	
15		13872106		WIPER						2	
16		13872205		WIPER PRESSER						2	
17		B1107280000		BED FITTING PIN						2	
18		B1144771000		FRAME SIDE COVER GASKET (C)						9	
19		B1116804000		CLOTH PLATE WASHER						1	
20		13871603		SIDE COVER LID						1	
21		SM6083042CH		SCREW M8 L=30						1	
22		13502604		SLUSH HOLE PACKING						1	
23		13542006		BUSHING						2	
24		13768155		V-BELT PULLEY ASM.						1	
25	R	B2039373000	26021402	THREAD GUIDE NO.1						2	1.00
26		13922208		TAKE-UP THREAD GUIDE B						1	
27	D	13859657		SENSOR A ASM.						1	
28		B3502280000		LUBRICATING TANK FELT						1	
29		B8233555000		BELT COVER SUPPORT STUD						2	
30		D2112555B00		CORD HOLDER, LARGE						3	
31		GPK14012000		CORD BUSHING						4	
32		M6211350BAA		RESISTANCE PACK BA ASM.	FOR LK-1952					1	
33		EA9500B0100		CABLE BAND						2	
34		HX00221000F		BUSH						1	
35		PA1004001A0		AIR CYLINDER						2	
36		PJ304040504		ELBOW UNION						4	
37		SM1020801SN		SCREW M2 L=8						1	
38		SS4120915SP		SCREW 3/16-28 L=9						2	
39		SS4120615SP		SCREW 3/16-28 L=6						3	
40		SS4120615SP		SCREW 3/16-28 L=6						2	
41		SS4120915SP		SCREW 3/16-28 L=9						3	
42		SS4120915SP		SCREW 3/16-28 L=9						1	
43		SS4120915SP		SCREW 3/16-28 L=9						2	
44		SS4150915SP		SCREW 15/64-28 L=9						2	
45		SS4120915SP		SCREW 3/16-28 L=9						1	
46		SS6080410SP		SCREW 1/8-44 L=4						2	

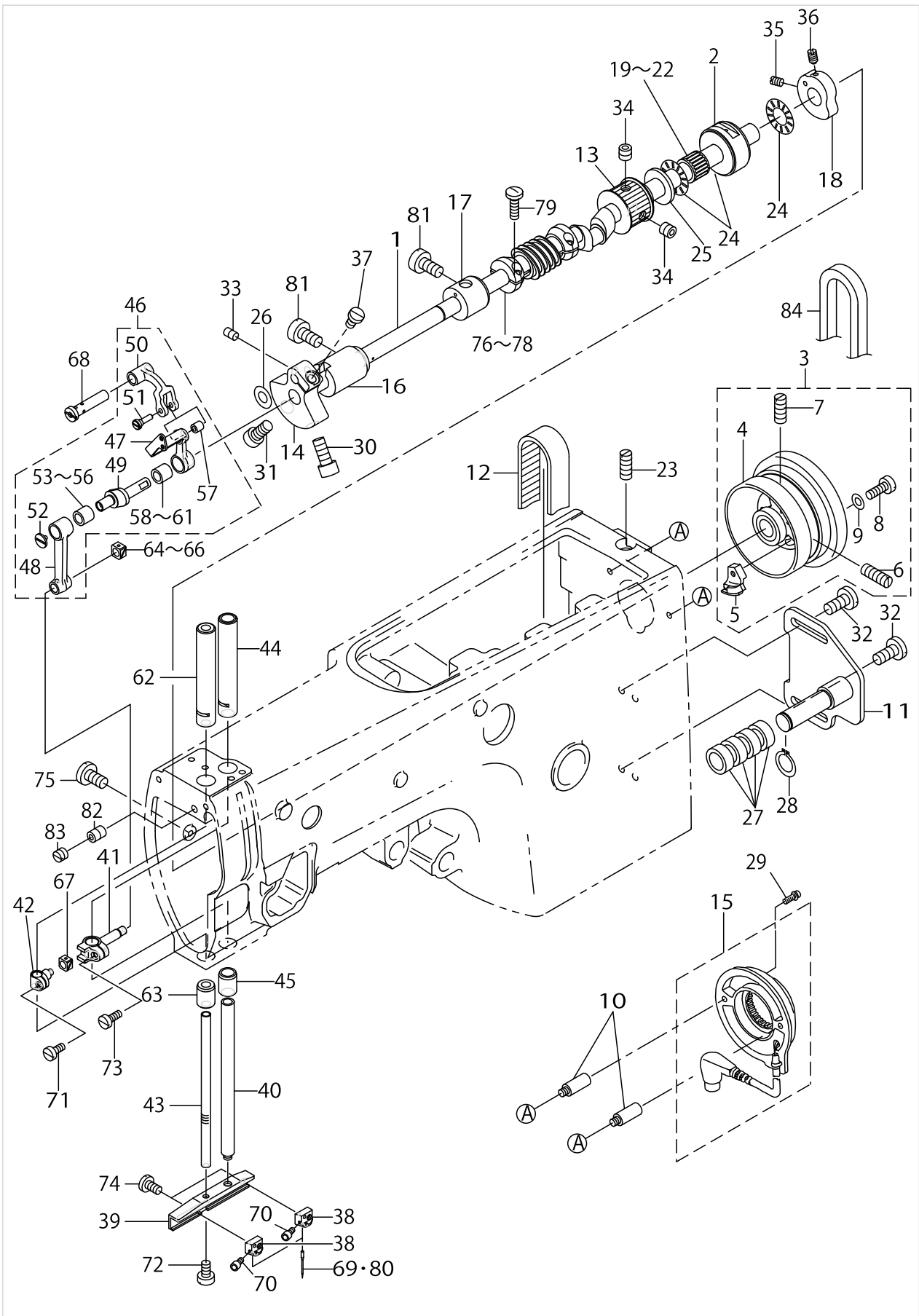
MACHINE FRAME & MISCELLANEOUS COMPONENTS



MACHINE FRAME & MISCELLANEOUS COMPONENTS

No.	Supply Code	Parts No.	Replacement	Parts name	Remarks	Choice	Step	Level	Cons	Qty	Rep. QTY
47		SS7120640SP		SCREW 3/16-28 L=6						1	
48		SS7120640SP		SCREW 3/16-28 L=6						1	
49		SS7120640SP		SCREW 3/16-28 L=6						1	
50		SS7120640SP		SCREW 3/16-28 L=6						1	
51		SS6151040SP		SCREW15/64-28L=10						2	
52		SS4090610SP		SCREW 9/64-40 L=6						2	
53		TA1050504R0		RUBBER PLUG						10	
54		SS7110840SP		SCREW 11/64-40 L=7.8						2	
55		SS7110840SP		SCREW 11/64-40 L=7.8						2	
56		SS4120615SP		SCREW 3/16-28 L=6						1	
57		SS4120615SP		SCREW 3/16-28 L=6						3	
58		SS6120940SP		SCREW 3/16-28 L=9						4	
59		SS6151040SP		SCREW15/64-28L=10						4	
60		SS7740740SP		SCREW 3/8-28 L= 6.5						1	
61		SS8150710TP		SCREW 15/64-28 L=7						2	
62		TA2050416R0		RUBBER PLUG						2	
63		M6212350BAA		RESISTANCE PACK BA ASM.	FOR LK-1953					1	
64		TA2100904R0		RUBBER PLUG						1	
65	D	WP0703216SP		WASHER						2	
66	D	M6213350BAA		RESISTANCE PACK BA ASM.	FOR LK-1954					1	
67		B1135210000		SEAL						1	
68	D	11001005		SCREW						1	
69		B1104280000		VIBRATION-PROOF RUBBER PAD						2	
70		13872304		WIPER CYLINDER BASE (C)						1	
71		WP0480856SP		WASHER 4.8X8.4X0.8						10	
72		13879804		WIPER CYLINDER BASE (A)						1	
73		13879903		WIPER CYLINDER BASE (D)						1	
74		SS7110710SP		SCREW 11/64-40 L=7						4	
75		WP0480856SP		WASHER 4.8X8.4X0.8						4	
76		CM3002000B1		LABEL(16)						1	
77		CM300200101		SAFETY LABEL, 1(SMALL).						1	
78		18036707		WIRE MARK (18)						2	
79	D	18036806		WIRE MARK (19)						2	
80		18036905		WIRE MARK (20)						1	
81		18037002		WIRE MARK (21)						1	
82		WP0850002SP		WASHER 8.5X18X1.6						1	

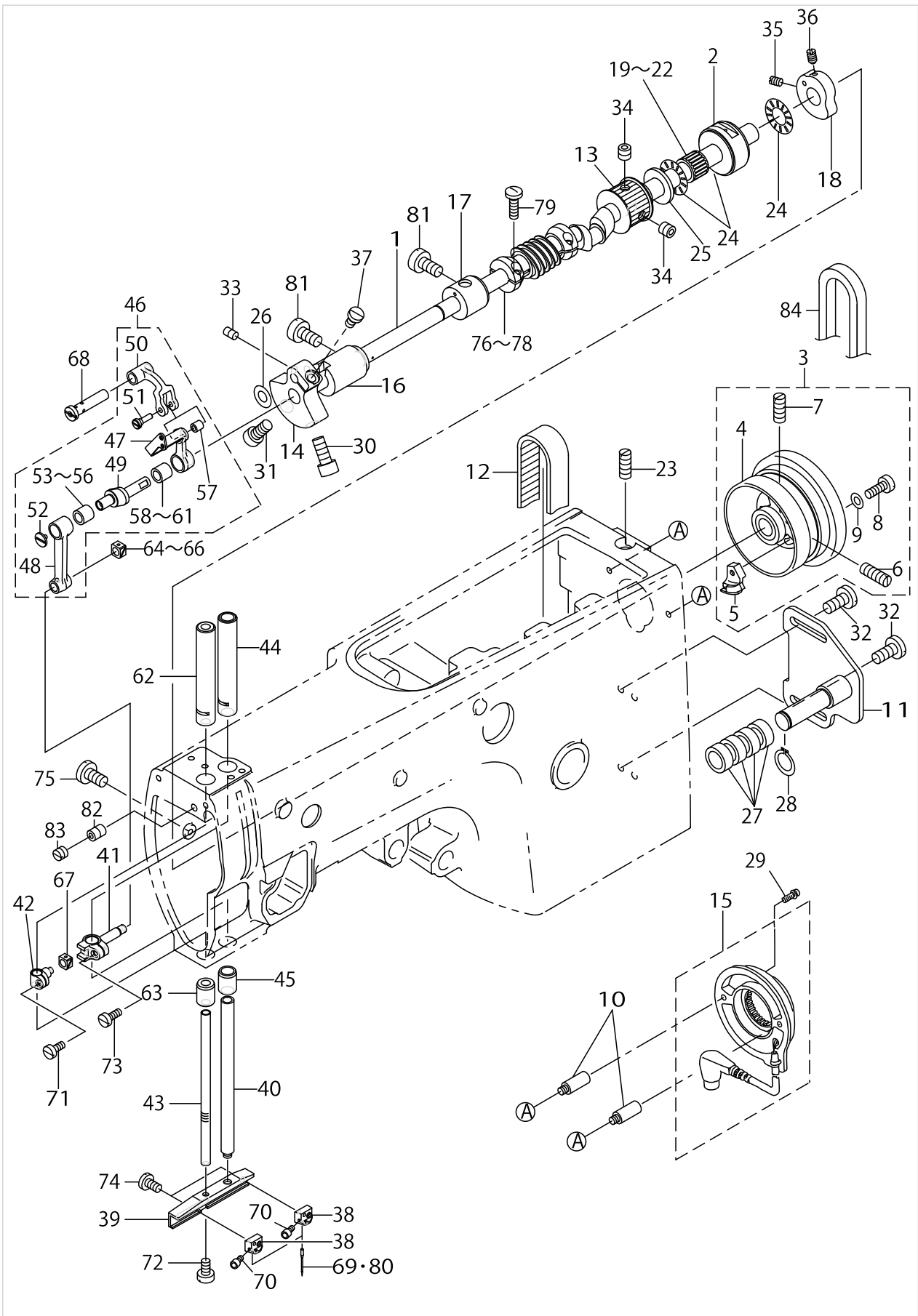
MAIN SHAFT & NEEDLE BAR COMPONENTS



MAIN SHAFT & NEEDLE BAR COMPONENTS

No.	Supply Code	Parts No.	Replacement	Parts name	Remarks	Choice	Step	Level	Cons	Qty	Rep. QTY
1		13873005		MAIN SHAFT						1	
2	D	13873104		UPPER SHAFT REAR METAL						1	
3	D	13873260		DRIVING PULLEY COMBINE						1	
4		13873252		DRIVING PULLEY ASM.				*		1	
5		13872650		MAGNET FITTING BASE COMPL. A				*		1	
6		SS8151770SP		SCREW 15/64-28 L=17.0				*		1	
7		SS8151550SP		SCREW 15/64-28L=15				*		1	
8		SS6111210SP		SCREW 11/64-40L=12				*		1	
9		WP0450801SD		WASHER 4.5X10X0.8				*		1	
10	D	13873302		BOSS						2	
11		13873658		IDLER FITTING PLATE						1	
12	D	13873708		TIMING BELT						1	
13		13873807		UPPER SHAFT SPROCKET						1	
14	R	13873906	13873955	CONTERWEIGHT						1	1.00
15	R	11032265	22937965	GENERATOR STARTER ASM.						1	1.00
16		13503206		UPPER SHAFT FRONT METAL						1	
17	D	13503305		UPPER SHAFT INNER METAL						1	
18		13503404		THREAD TRIMMING CAM						1	
19		B120898000A		MAIN SHAFT NEEDLE BEARING A	SELECTIVE PART					1	
20		B120898000B		MAIN SHAFT NEEDLE BEARING B	SELECTIVE PART					1	
21		B120898000C		MAIN SHAFT NEEDLE BEARING C	SELECTIVE PART					1	
22		B120898000D		MAIN SHAFT NEEDLE BEARING D	SELECTIVE PART					1	
23		B1210980000		SET SCREW						1	
24		B1211980000		UPPER SHAFT THRUST BEARING						2	
25		B1220771000		THRUST WASHER A						1	
26		B1223771000		NEEDLE ROD CRANK WASHER						1	
27	R	B1211804000	13108600	BALL BEARING B						4	1.00
28		RC0150001KP		RETAINING RING 13.8						1	
29		SL4051001MZ		SCREW M5 L=9.6						2	
30		SS6151412TP		SCREW 15/64-28L=14						1	
31		SS6681712TP		SCREW 9/32-28 L=16.5						1	
32		SS7151310TP		SCREW						4	
33		SS8660610TP		SCREW 1/4-40 L=6						1	
34		SS8660612TP		SCREW 1/4-40 L=6						2	
35		SS8661012TP		SCREW						1	
36		SS8661212TP		SCREW						1	
37		SS9661230CP		SCREW 1/4-40 L=12						1	
38	D	13874508		NEEDLE FITTING BASE						2	
39		13874607		NEEDLE BAR GUIDE						1	
40		13874706		NEEDLE BAR						1	
41	R	13874805	13874854	NEEDLE BAR CONNECTION, B						1	1.00
42	R	13874904	13874953	NEEDLE BAR CONNECTION, A						1	1.00
43		13875000		GUIDE SUPPORT SHAFT						1	
44		13875109		UPPER METAL, A						1	
45	D	13875208		LOWER METAL, A						1	
46		13875760		BALANCE COMBINE						1	

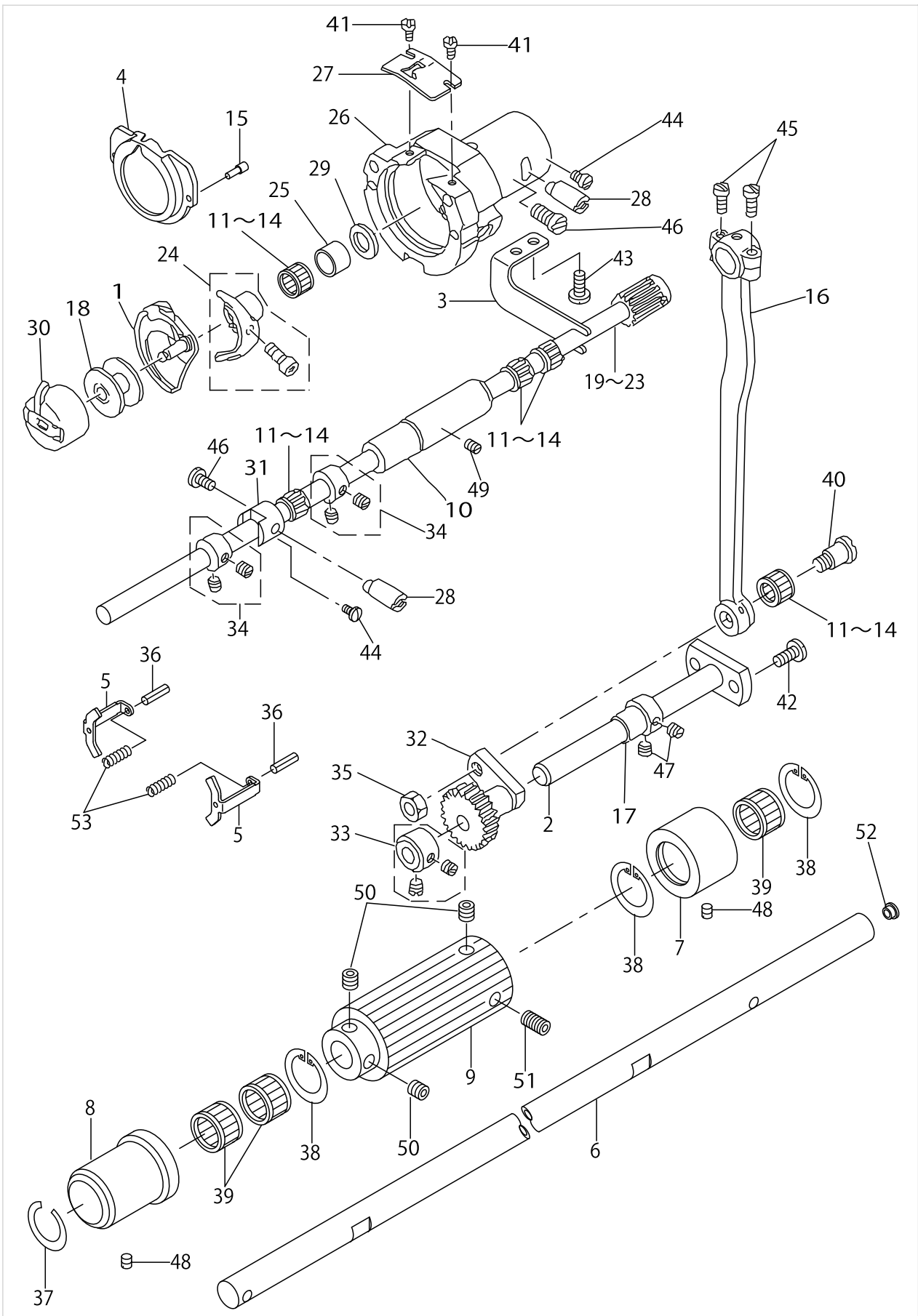
MAIN SHAFT & NEEDLE BAR COMPONENTS



MAIN SHAFT & NEEDLE BAR COMPONENTS

No.	Supply Code	Parts No.	Replacement	Parts name	Remarks	Choice	Step	Level	Cons	Qty	Rep. QTY
47	D	13875752		BALANCE ASM.				*		1	
48	D	13875307		NEEDLE BAR CRANK ROD				*		1	
49	D	13875406		NEEDLE BAR CRANK				*		1	
50		13875810		THREAD TAKE-UP CRANK				*		1	
51	D	13875919		NEEDLE BEARING SHAFT				*		1	
52		B1903552000		LEFT SCREW				*		1	
53		B1430180A00		NEEDLE BEARING	SELECTIVE PART			*		1	
54		B1430180B00		NEEDLE BEARING	SELECTIVE PART			*		1	
55		B1430180C00		NEEDLE BEARING C	SELECTIVE PART			*		1	
56		B1430180D00		NEEDLE BEARING	SELECTIVE PART			*		1	
57	D	SB30400020A		BUSHING	SELECTIVE PART			*		1	
58	D	SB30800080A		BUSHING	SELECTIVE PART			*		1	
59	D	SB30800080B		BUSHING	SELECTIVE PART			*		1	
60	D	SB30800080C		BUSHING	SELECTIVE PART			*		1	
61	D	SB30800080D		BUSHING	SELECTIVE PART			*		1	
62	D	13876008		UPPER METAL, B						1	
63	D	13876107		LOWER METAL, B						1	
64		B1414232000		SQUARE BLOCK	SELECTIVE PART					1	
65		B141423200A		CRANK SLIDE BLOCK	SELECTIVE PART					1	
66		B141423200B		GUIDE ROLLER	SELECTIVE PART					1	
67		B3035280000		SAFETY PLATE SLIDE BLOCK						1	
68		B1904280000		BALANCE CRANK PIN						1	
69		MDP170B2100		NEEDLE DPX17 #21						2	
70	D	SM6860552TP		SCREW M2.6X0.45 L=5						2	
71		SS6090670TP		SCREW 9/64-40 L=6						1	
72		SS6110820TP		SCREW 11/64-40 L=8						1	
73		SS6090810TP		SCREW 9/64-40 L=7.5						1	
74		SS7110840SP		SCREW 11/64-40 L=7.8						2	
75		SS7151120SP		SCREW 15/64-28L=11						1	
76	R	13890009	13890058	WORM 28	FOR LK-1952					1	1.00
77		13890108		WORM 36	FOR LK-1953					1	
78		13890207		WORM 42	FOR LK-1954					1	
79		SS7111410TP		SCREW 11/64-40L=14						4	
80		MDP170B1900		NEEDLE DPX17 #19	FOR LK-195ΔA					2	
81		SS6151220SP		SCREW 15/64-28 L=11.5						2	
82		SS8150822TP		SCREW 15/64-28 L=8						1	
83		SS8150510TP		SCREW 15/64-28 L= 4.7						1	
84		MTJVH00500A		V BELT, 50						1	

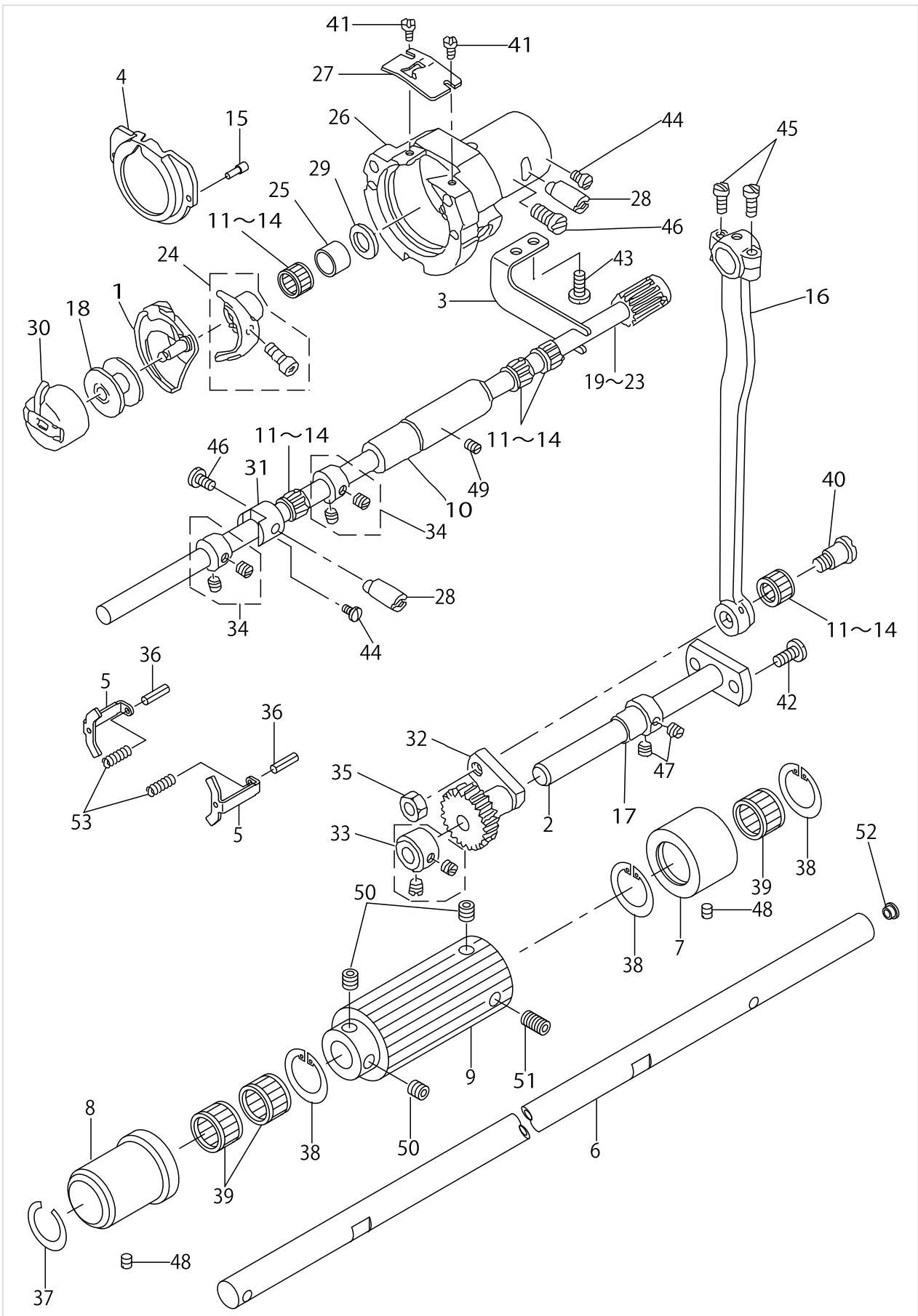
HOOK DRIVING SHAFT COMPONENTS



HOOK DRIVING SHAFT COMPONENTS

No.	Supply Code	Parts No.	Replacement	Parts name	Remarks	Choice	Step	Level	Cons	Qty	Rep. QTY
1		13876305		INNER HOOK						1	
2	D	13876404		OSCILLATING SHAFT						1	
3		13876503		BEARING SUPPORT						1	
4	D	13876602		INNER HOOK PRESSER						1	
5		13876719		INNER HOOK PRESSER HOOK						2	
6		13876800		REMOVING SHAFT						1	
7	D	13876909		REAR METAL						1	
8	D	13877006		INNER METAL						1	
9	D	13877105		SPROCKET						1	
10		13508403		LOWER SHAFT REAR METAL						1	
11		B1411804A00		BEARING (A)	SELECTIVE PART					5	
12		B1411804B00		NEEDLE DRIVING L- EVER BEARING B	SELECTIVE PART					5	
13		B1411804C00		NEEDLE DRIVING L- EVER BEARING C	SELECTIVE PART					5	
14		B1411804D00		BEARING (D)	SELECTIVE PART					5	
15		B1816280000		GUIDE PIN						2	
16	R	B1801980000	B18019800A0	CRANK ROD						1	1.00
17	D	B1804280000		OSCILLATOR THRU- ST COLLAR,LARGE						1	
18		B1805210A00		BOBBIN						1	
19	D	B18069800AA		SHUTTLE DRIVER SHAFT	SELECTIVE PART					1	
20	D	B18069800AB		LOWER SHAFT GEAR ASM., B	SELECTIVE PART					1	
21	D	B18069800AC		LOWER SHAFT GEAR ASM., C	SELECTIVE PART					1	
22		B18069800AY		LOWER SHAFT GEAR ASM., Y	SELECTIVE PART					1	
23	D	B18069800AZ		LOWER SHAFT GEAR ASM., Z	SELECTIVE PART					1	
24		B18122100A0		DRIVER ASM.						1	
25		B1813980000		SHUTTLE NEEDLE OUTER RING						1	
26		B1814980000		SHUTTLE						1	
27		B1815210000		INNER HOOK UPPER SPRING						1	
28	R	B1819280000	26222208	SHUTTLE RACE AD- JUSTING SHAFT						2	1.00
29		WP0952616SD		WASHER 9.5X14.8X2.6						1	
30		B18282100A0		BOBBIN CASE ASM.						1	
31		B1831220000		BUSHING, FRONT						1	
32		D1805MLBH00		OSCILLATING ROCK SHAFT						1	
33		CS079073ASH		THRUST COLLAR ASM.						1	
34		CS080081ASH		THRUST HOLDER ASM. D=8 W=8						2	
35		NS6660430SP		NUT 1/4-40						1	
36		PS0250162KH		SPRING PIN 2.5X16						2	
37		RC1991214KP		C-RING						1	
38		RC2200002KP		RETAINING RING						3	
39	D	SB312000400		BUSHING						3	
40		SD0801021TP		HINGE SCREW D= 8 H=10.2						1	
41		SS6060410TP		SCREW 3/32-56 L=3.5						2	
42		SS6121010SP		SCREW 3/16-28 L=10						2	
43		SS6121010SP		SCREW 3/16-28 L=10						2	
44		SS7110840SP		SCREW 11/64-40 L=7.8						2	
45		SS7111110TP		SCREW 11/64-40 L=10.5						2	

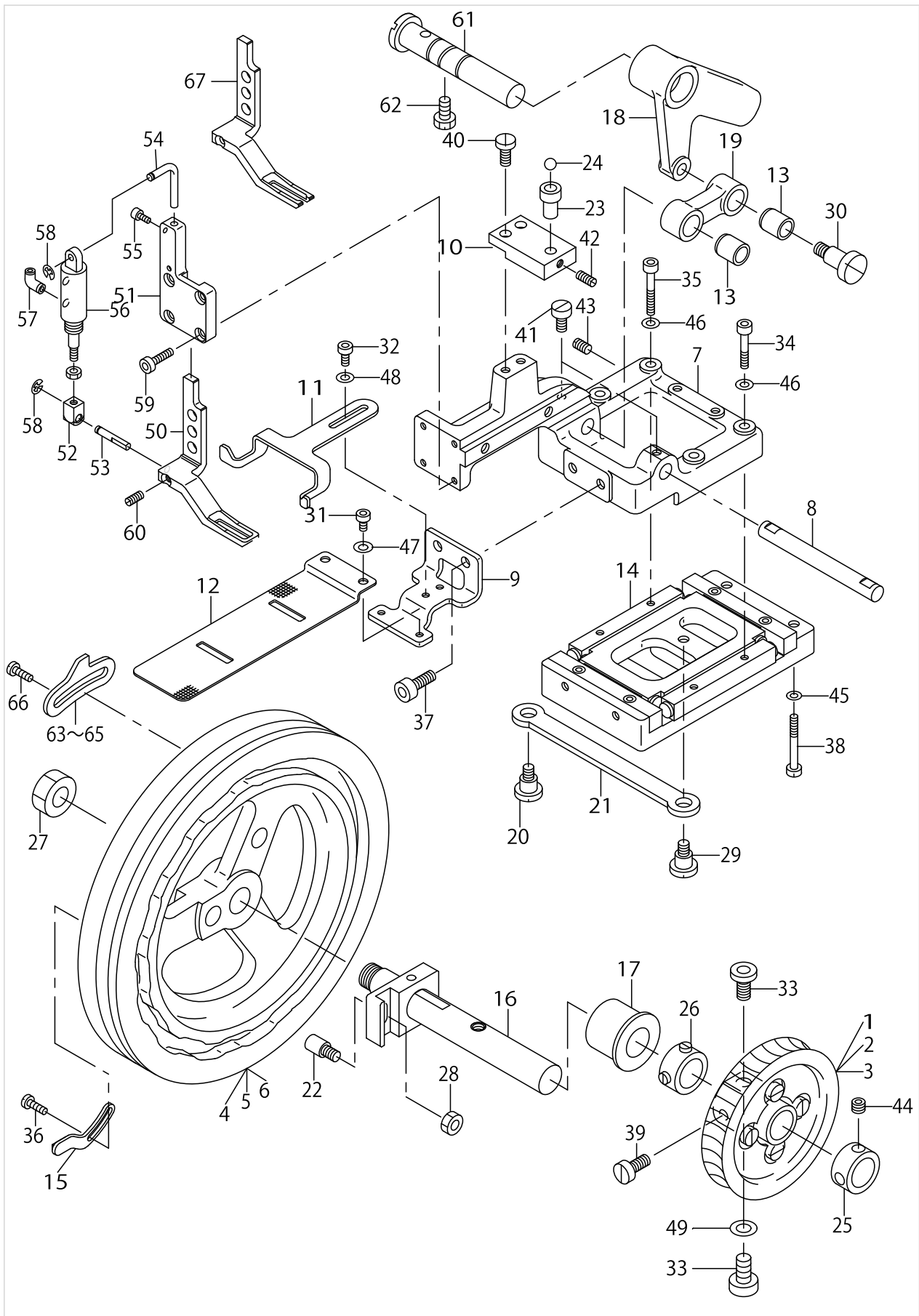
HOOK DRIVING SHAFT COMPONENTS



HOOK DRIVING SHAFT COMPONENTS

No.	Supply Code	Parts No.	Replacement	Parts name	Remarks	Choice	Step	Level	Cons	Qty	Rep. QTY
46		SS7151120SP		SCREW 15/64-28 L=11						2	
47	R	SS8110520SP	SS8110520TP	SCREW 11/64-40 L=5						2	1.00
48		SS8150710TP		SCREW 15/64-28 L=7						2	
49		SS8150710TP		SCREW 15/64-28 L=7						1	
50		SS8660612TP		SCREW 1/4-40 L=6						3	
51		SS8661212TP		SCREW						1	
52		TA0750404R0		PLUG D=7.5 L=3.5						1	
53	R	B1823280000	26222505	INNER HOOK PRESSER SPRING						2	1.00

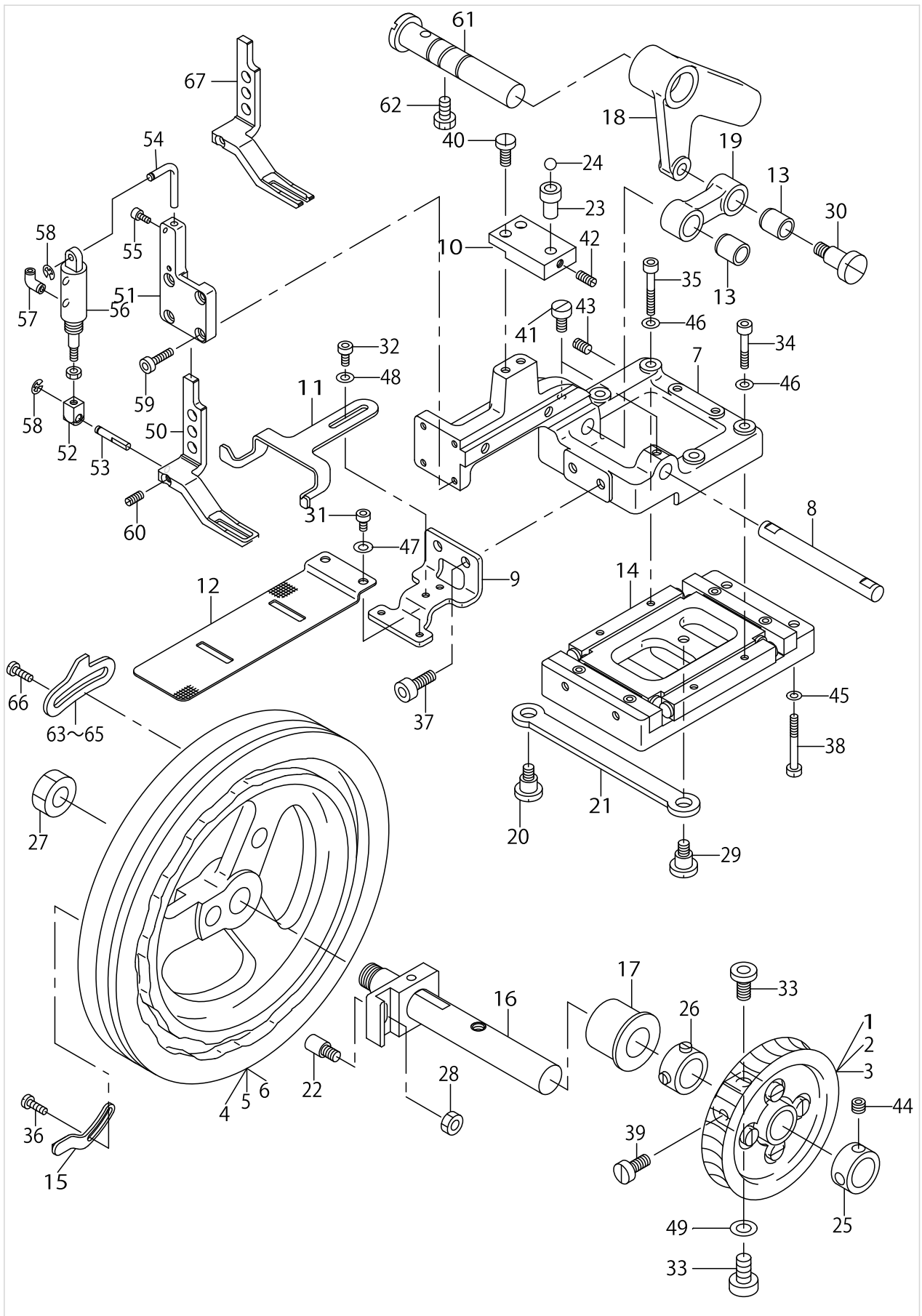
FEED MECHANISM COMPONENTS(1)



FEED MECHANISM COMPONENTS(1)

No.	Supply Code	Parts No.	Replacement	Parts name	Remarks	Choice	Step	Level	Cons	Qty	Rep. QTY
1	D	13878053		WORM GEAR ASM. (28 STITCHES)	FOR LK-1952					1	
2		13878251		WORM GEAR ASM.	FOR LK-1954					1	
3	D	13878152		WORM GEAR ASM.	FOR LK-1953					1	
4	D	13878707		CLOTH FEED CAM	FOR LK-1952					1	
5	D	13878905		CLOTH FEED CAM.	FOR LK-1954					1	
6	D	13878806		CLOTH FEED CAM.	FOR LK-1953					1	
7		13879705		CLOTH FEED BRACKET						1	
8		13880109		FEED CONNECTING SHAFT						1	
9	D	13880208		CLOTH FEED PLATE BASE						1	
10		13880505		BOLL HOLDING BASE						1	
11		13880307		CLOTH FEED PLATE GUIDE						1	
12		13880406		CLOTH PRESSER LOWER PLATE						1	
13		13879408		METAL						2	
14	D	13880000		X-Y TABLE						1	
15	D	13867957		MAGNET B ASM.						1	
16	D	13878558		CAM SHAFT ASM.						1	
17	D	13878608		CAM SHAFT METAL						1	
18		13879200		VERTICAL FEED LEVER						1	
19	D	13879309		CONNECTING LEVER						1	
20	R	B1605761000	40009137	LENGTH REGULATING HINGE STUD						1	1.00
21		B1606761000		WORK CLAMP ARM BRACKET PITMAN						1	
22	D	B2207280000		FEED CAM POSITION STUD						1	
23	R	B2548280000	26224808	BALL RETAINER						1	1.00
24		B2549280000		WORK CLAMP FOOT MOUNTING BASE						7	
25		CS1801211SH		THRUST COLLAR D=18 W=12						1	
26		CS180121ASH		THRUST COLLAR ASM. D=18 W=12						1	
27		NS6361040SP		NUT 9/16-20						1	
28		NS6660511SP		NUT 1/4						1	
29		SD0870602SP		HINGE SCREW D= 8.73 H= 6.0						1	
30		SD0951501SP		HINGE SCREW D= 9.53 H=15						1	
31		SM6040602TN		BOLT						2	
32		SM6040602TN		BOLT						2	
33		SM6081552TP		SCREW M8 L=15						2	
34		SM6052002TP		SCREW M5 L=20						2	
35		SM6052502TP		SCREW M5X0.8 L=25						2	
36		SS6090520SP		SCREW 9/64-40 L=5.0						2	
37		SS6151412TP		SCREW 15/64-28 L=14						2	
38		SS6153040SP		SCREW 15/64-28 L=30						4	
39		SS6661110SP		SCREW 1/4-40 L=11						1	
40		SS6121210SP		SCREW 3/16-28 L=12						2	
41	R	SS7120910SP	SS7120910TP	SCREW 3/16-28 L=9						2	1.00
42		SS8120740SP		SCREW 3/16-28 L=7						1	
43		SS8120740SP		SCREW 3/16-28 L=7						2	
44		SS8660410SP		SCREW 1/4-40 L=4.2						2	
45		WP0612516SD		WASHER 6.1X15.2X2.5						4	

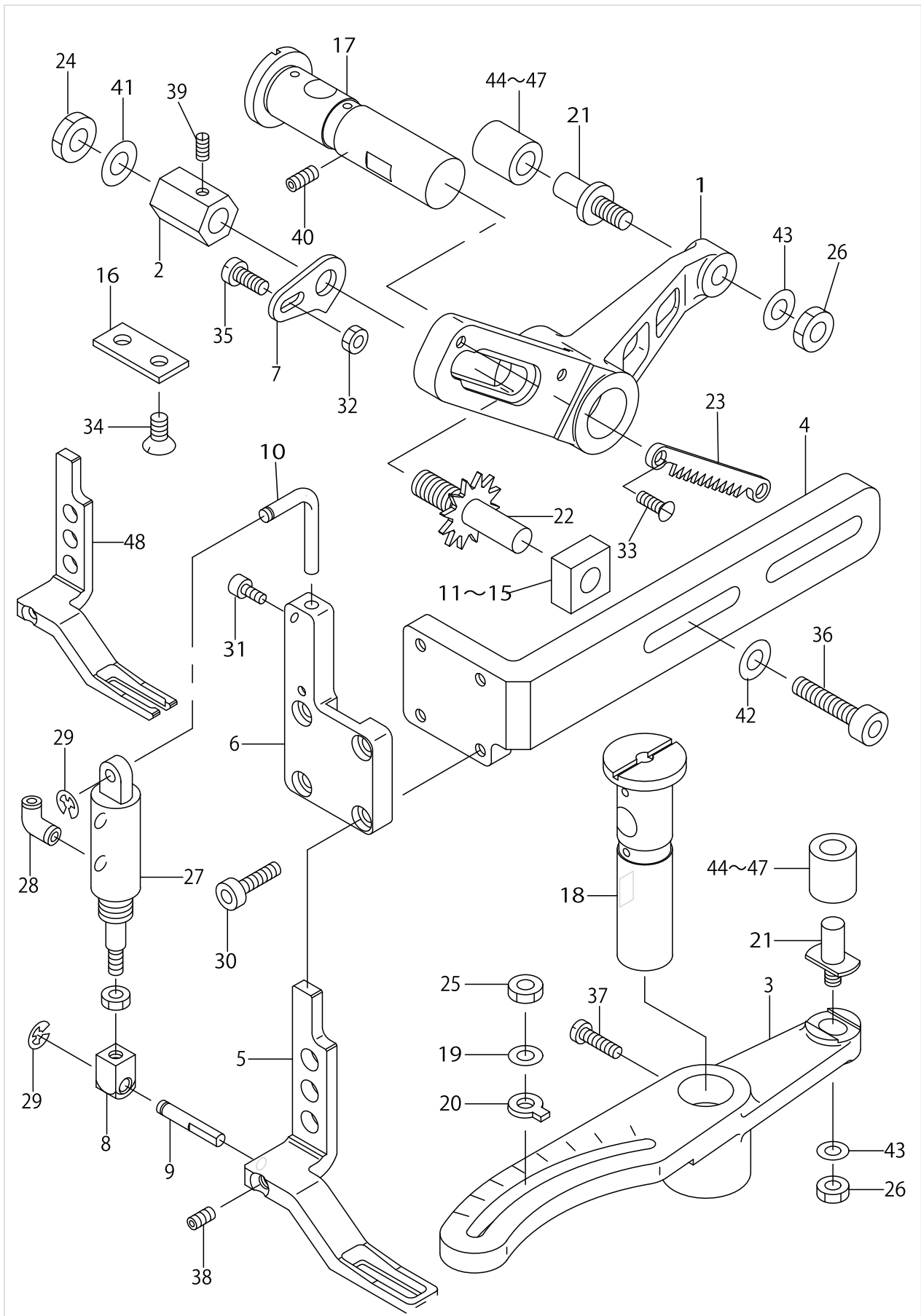
FEED MECHANISM COMPONENTS(1)



FEED MECHANISM COMPONENTS(1)

No.	Supply Code	Parts No.	Replacement	Parts name	Remarks	Choice	Step	Level	Cons	Qty	Rep. QTY
46		WP0550800SP		WASHER 5.5X10X0.8						4	
47		WP0450826SC		WASHER 4.5X10X0.8						2	
48		WP0450826SC		WASHER 4.5X10X0.8						2	
49		WS0822010KP		SPRING WASHER 8.2X15X2						1	
50		13875604		CLOTH PRESSER FOOT						1	
51		13877907		CLOTH PRESSER BASE COVER						1	
52		13880604		WASHER						1	
53		13880703		CYLINDER PIN						1	
54		13880802		L-TYPE CYLINDER BASE						1	
55		SM6030860SP		SCREW						1	
56	D	PA1002501A0		CYLINDER						1	
57		PJ304040504		ELBOW UNION						2	
58		RE0300000K0		E-RING 3						2	
59		SM6041202TN		SCREW M4X0.7 L=12						4	
60		SS8110422TP		SCREW 11/64-40 L=4						1	
61	R	13516208	26222703	FEED DRIVING ARM SHAFT						1	1.00
62		SS9151210TP		SCREW 15/64-28 L=11.8						1	
63		13884408		DISH RISING NOTCH	FOR LK-1952					1	
64		13884804		DISH RISING NOTCH	FOR LK-1953					1	
65	D	13884903		DISH RISING NOTCH	FOR LK-1954					1	
66		SS6151040SP		SCREW 15/64-28 L=10						2	
67		13877808		CLOTH PRESSER FOOT	FOR LK-195ΔF					1	

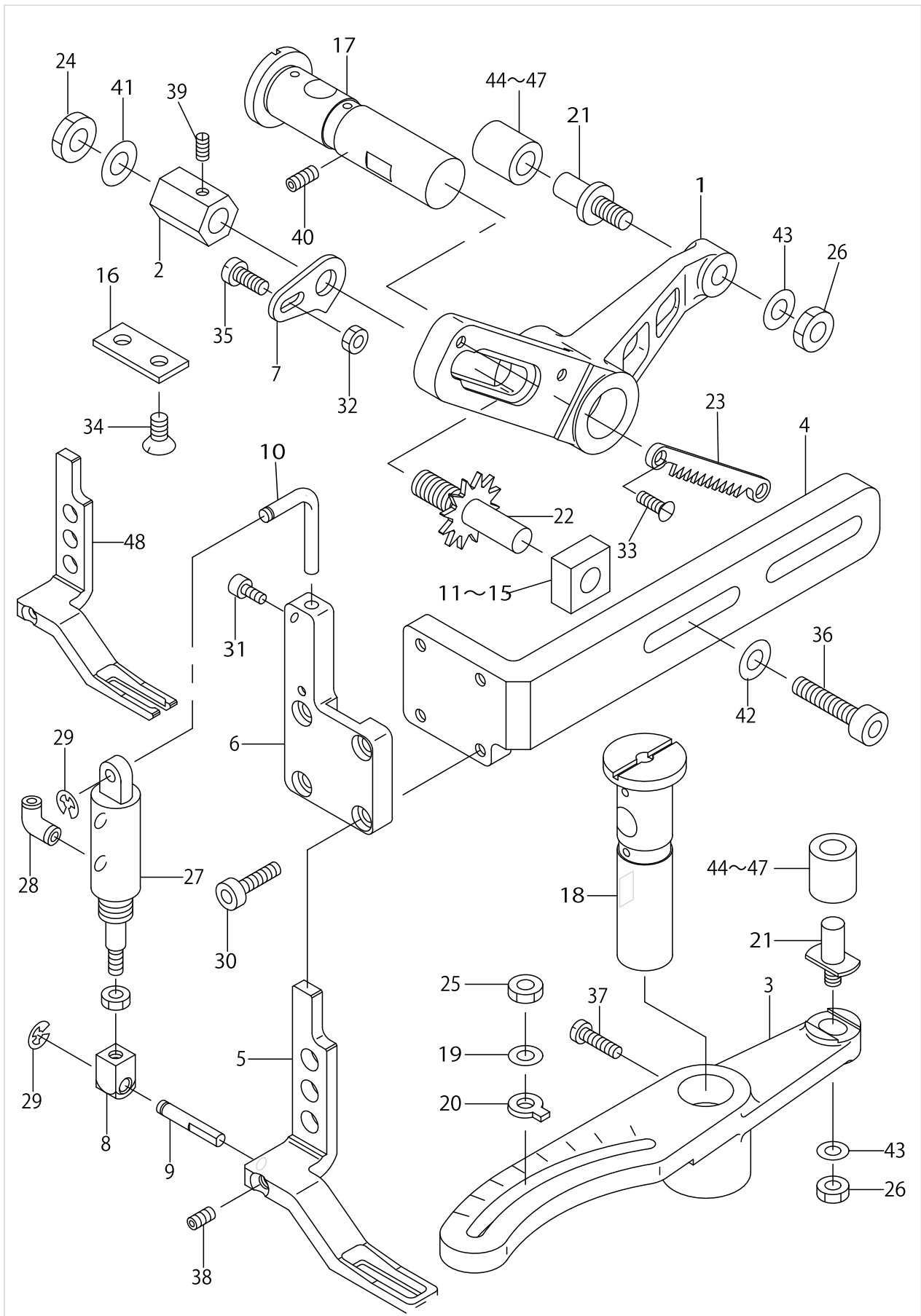
FEED MECHANISM COMPONENTS(2)



FEED MECHANISM COMPONENTS(2)

No.	Supply Code	Parts No.	Replacement	Parts name	Remarks	Choice	Step	Level	Cons	Qty	Rep. QTY
1		13879002		VERTICAL FEED ARM						1	
2		13879101		VERTICAL FEED KNOB						1	
3		13879507		CROSSFEED ARM						1	
4		13877709		CLOTH PRESSER FOOT BASE						1	
5		13875604		CLOTH PRESSER FOOT						1	
6		13877907		CLOTH PRESSER BASE COVER						1	
7	D	13880901		PLATE						1	
8		13880604		WASHER						1	
9		13880703		CYLINDER PIN						1	
10		13880802		L-TYPE CYLINDER BASE						1	
11		13516604		SLIDE BLOCK A	SELECTIVE PART					1	
12		13516703		SLIDE BLOCK B	SELECTIVE PART					1	
13		13516802		SLIDE BLOCK C	SELECTIVE PART					1	
14		13519103		SLIDE BLOCK	SELECTIVE PART					1	
15		13519202		SLIDE BLOCK	SELECTIVE PART					1	
16		13518907		SUPPORT PLATE						1	
17	R	13516208	26222703	FEED DRIVING ARM SHAFT						1	1.00
18	R	13516208	26222703	FEED DRIVING ARM SHAFT						1	1.00
19	D	WP0600116KP		WASHER						1	
20		B1608774000		LENGTH REGULATING SHAFT GUIDE						1	
21	R	B2501280000	26224600	FEED CAM ROLLER SHAFT						2	1.00
22	D	B2506980000		FEED REGULATOR PINION						1	
23		B2508280000		FEED REGULATOR RACK						1	
24		NS6150430SP		NUT 15/64-28						1	
25		NS6150440SP		NUT 15/64-28						1	
26		NS6660430SP		NUT 1/4-40						2	
27	D	PA1002501A0		CYLINDER						1	
28		PJ304040504		ELBOW UNION						2	
29		RE0300000K0		E-RING 3						2	
30		SM6041202TN		SCREW M4X0.7 L=12						4	
31		SM6030860SP		SCREW						1	
32		NS6090310SP		NUT 9/64-40						1	
33		SS1090920SP		SCREW 9/64-40 L=9						2	
34		SS1121010SP		SCREW						2	
35		SS6090520SP		SCREW 9/64-40 L=5.0						1	
36		SS6152212SP		SCREW 15/64-28 L=22.0						2	
37		SS6151220SP		SCREW 15/64-28 L=11.5						1	
38		SS8110422TP		SCREW 11/64-40 L=4						1	
39		SS8090710SP		SCREW 9/64-40 L=7.0						1	
40		SS8150822TP		SCREW 15/64-28 L=8						1	
41		WP0612516SD		WASHER 6.1X15.2X2.5						1	
42		WP0621016SH		WASHER						2	
43		WP0650876SD		WASHER 6.5X13X0.8						2	
44	R	B250228000A	26224709	FEED CAM ROLLER	SELECTIVE PART					2	1.00
45	R	B250228000B	26239806	FEED CAM ROLLER	SELECTIVE PART					2	1.00
46	R	B250228000C	26239905	FEED CAM ROLLER	SELECTIVE PART					2	1.00

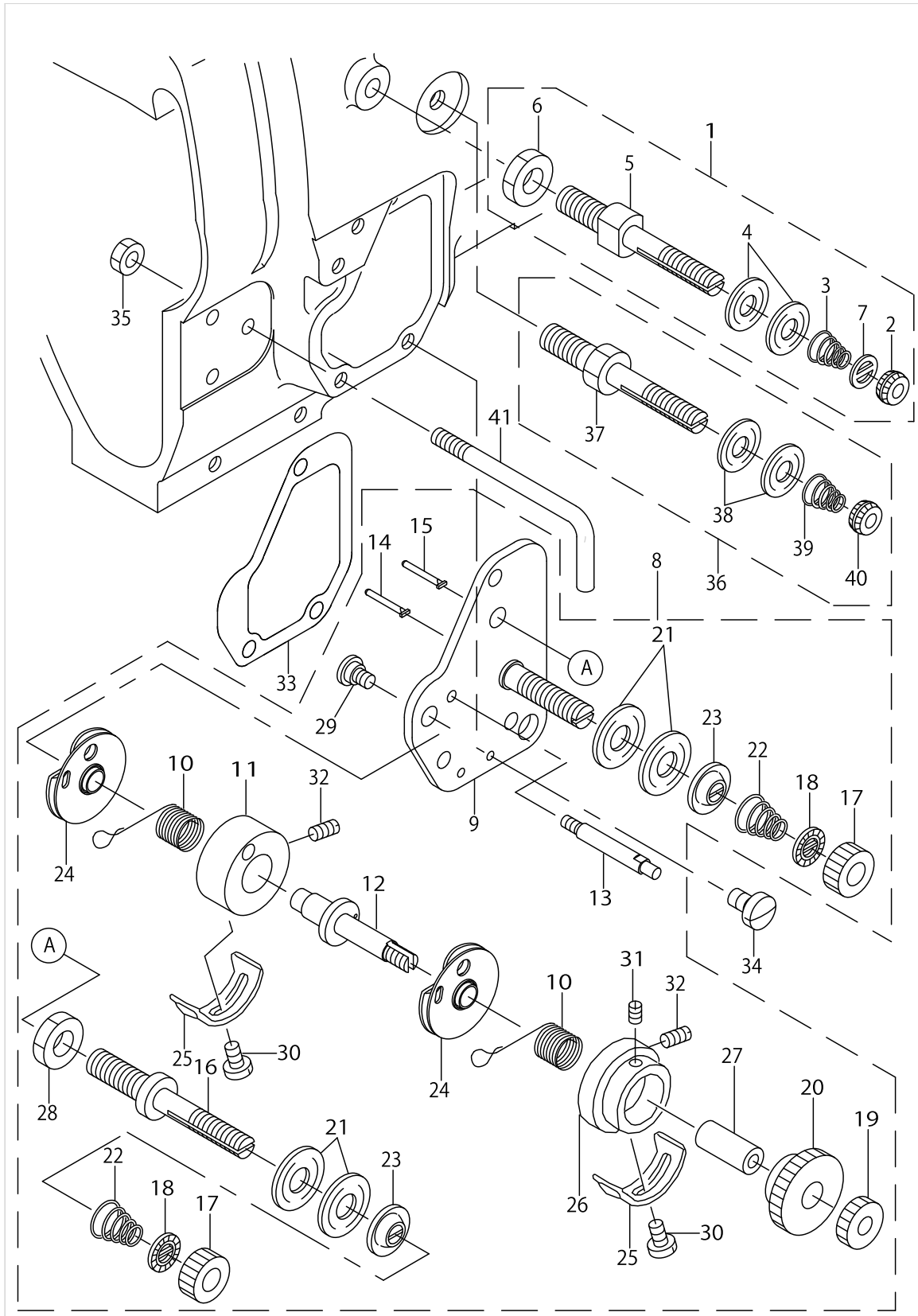
FEED MECHANISM COMPONENTS(2)



FEED MECHANISM COMPONENTS(2)

No.	Supply Code	Parts No.	Replacement	Parts name	Remarks	Choice	Step	Level	Cons	Qty	Rep. QTY
47	R	B250228000D	26240002	CLOTH FEED CAM ROLLER	SELECTIVE PART					2	1.00
48		13877808		CLOTH PRESSER FOOT	FOR LK-195ΔF					1	

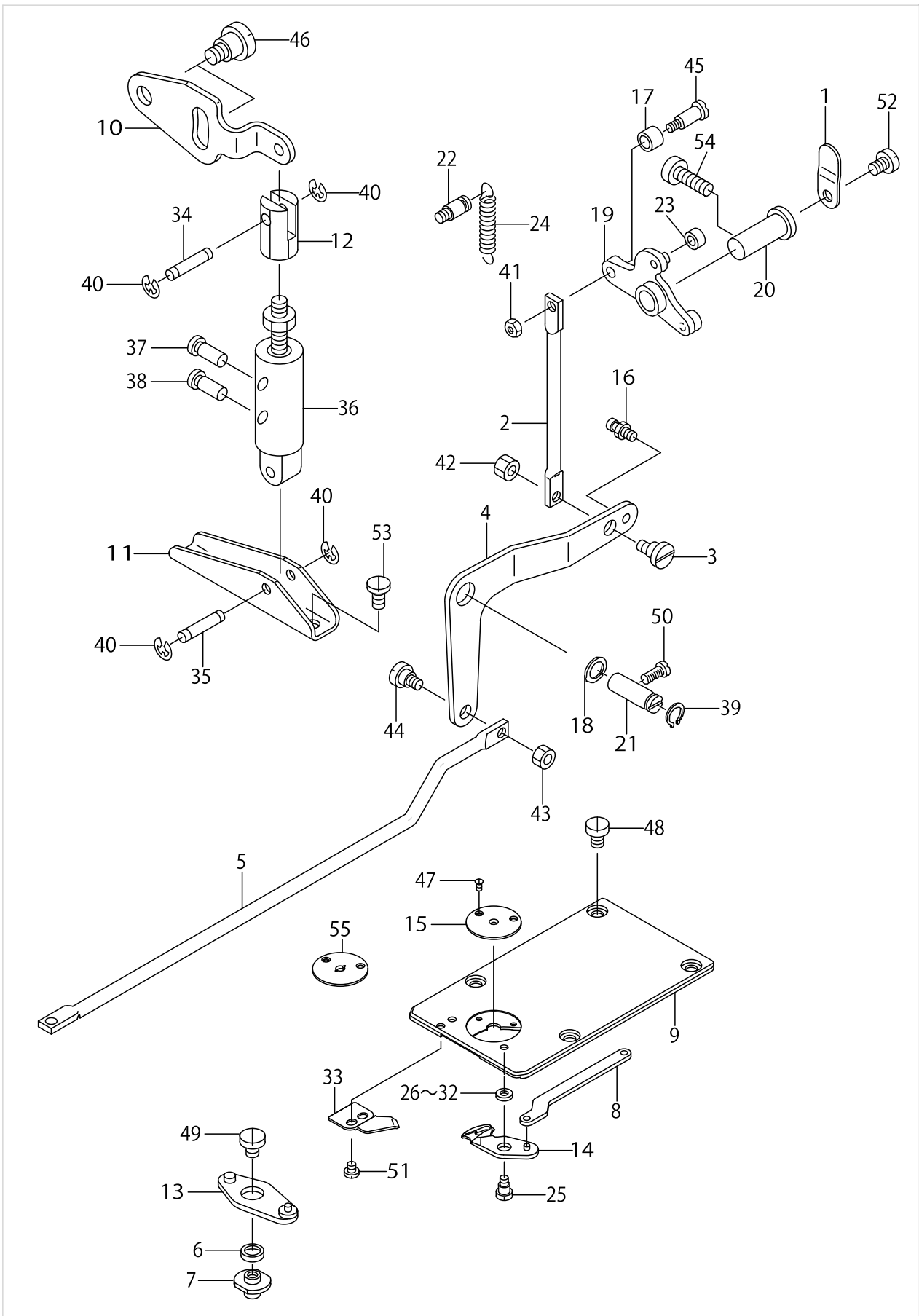
THREAD TENSION COMPONENTS



THREAD TENSION COMPONENTS

No.	Supply Code	Parts No.	Replacement	Parts name	Remarks	Choice	Step	Level	Cons	Qty	Rep. QTY
1	D	13883251		FIRST THREAD TENSION A ASM.						1	
2	D	A3125002000		TENSION NUT, NO.1				*		1	
3		B1115232000		FIRST THREAD TENSION SPRING				*		1	
4	R	B3126012000	22921506	THREAD TENSION DISK				*		2	1.00
5	D	B3928880000		THREAD SPREADER TENSION				*		1	
6		NS6150310SP		NUT 15/64-28				*		1	
7	D	13874102		FIRST THREAD TENSION WASHER				*		1	
8		13883368		THREAD TENSION PLATE JUNCTION						1	
9	D	13883350		THREAD TENSION PLATE ASM.				*		1	
10	D	13883004		THREAD TAKE-UP SPRING				*		2	
11	D	13883103		THREAD TAKE-UP SPRING BASE, B				*		1	
12	D	13883509		THREAD TAKE-UP SPRING SHAFT				*		1	
13	D	13883608		SPRING BASE SHAFT				*		1	
14	D	13884002		PIN, B				*		1	
15		13760707		PIN				*		1	
16		B2019372000		TENSION POST NO.2				*		1	
17		B3116125000		TENSION NUT				*		2	
18		B3120125000		ROTATING STOPPER				*		2	
19	R	B3125012000	22928808	THREAD TENSION NUT				*		1	1.00
20		B3125527000		TAKE-UP SPRING GUIDE				*		1	
21	R	B3126012000	22921506	THREAD TENSION DISK				*		4	1.00
22		B3114232000		THREAD TENSION SPRING				*		2	
23		B3132552000		THREAD TENSION DISK PRESSER				*		2	
24	D	13890454		SPRING GUIDE ASM.				*		2	
25		B3138527000		ADJUSTING PLATE B				*		2	
26	R	B3140527000	22617609	THREAD TENSION POST				*		1	1.00
27		B3141527000		PRESSER COLLAR				*		1	
28		NS6160520SP		NUT 1/4-24				*		1	
29		SD0640241SP		HINGE SCREW D= 6.35 H= 2.4				*		1	
30	R	SS7090520SP	SS7090520TP	SCREW 9/64-40 L= 4.5				*		2	1.00
31		SS8080410TP		SCREW 1/8-44 L=3.5				*		1	
32		SS8080610SP		SCREW 1/8-44 L=5.5				*		2	
33	D	13883400		PACKING						1	
34		SS6120940SP		SCREW 3/16-28 L=9						3	
35		NS6120310SP		NUT 3/16-28						1	
36	R	B11152320A0	26218651	FIRST THREAD TENSION ASM.						1	1.00
37	R	B3123352000	26220400	THREAD TENSION ROD				*		1	1.00
38	R	B3126012000	22921506	THREAD TENSION DISK				*		2	1.00
39		B1115232000		FIRST THREAD TENSION SPRING				*		1	
40	D	A3125002000		TENSION NUT, NO.1				*		1	
41		13883905		L-TYPE THREAD GUIDE						1	

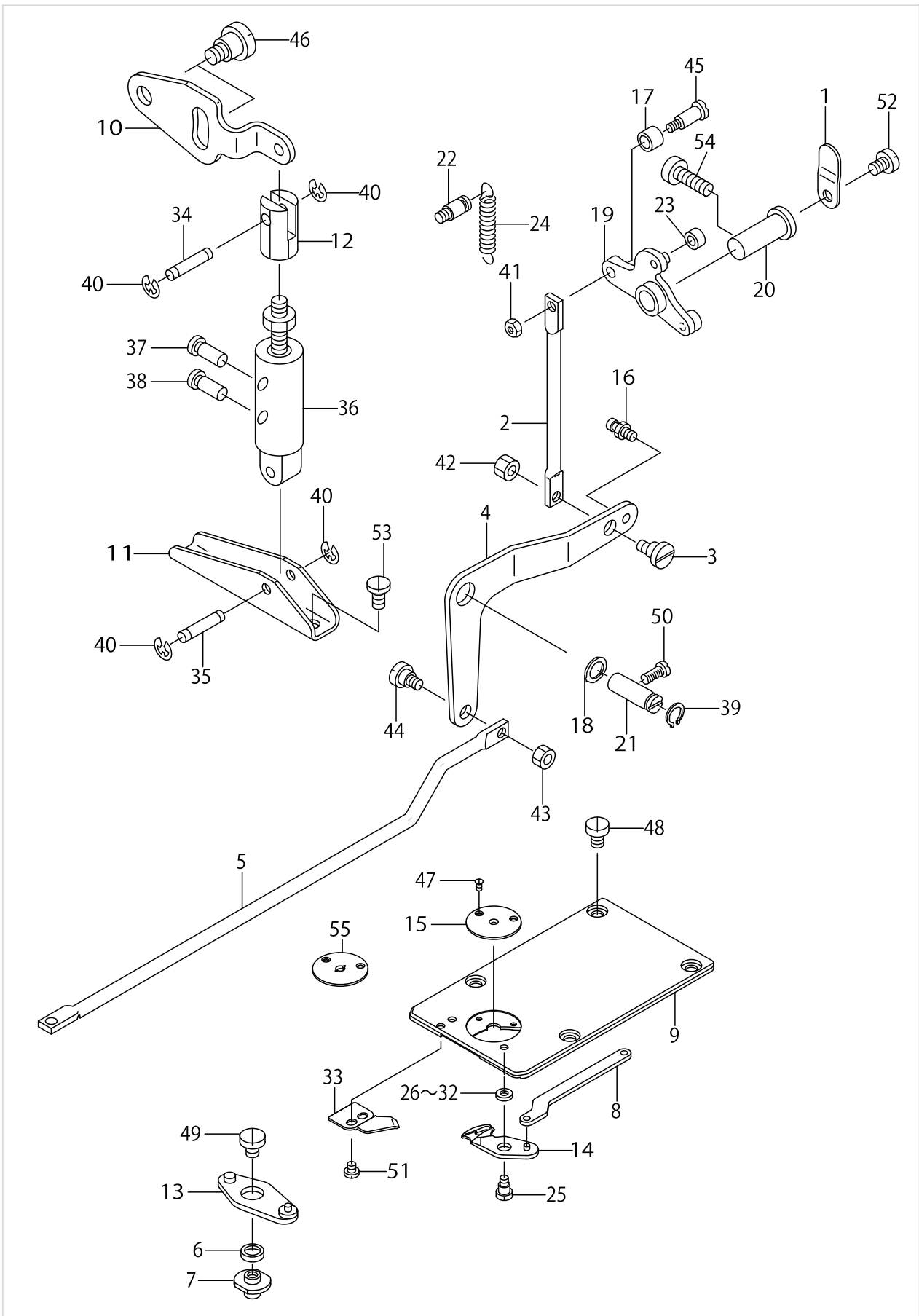
THREAD TRIMMER COMPONENTS



THREAD TRIMMER COMPONENTS

No.	Supply Code	Parts No.	Replacement	Parts name	Remarks	Choice	Step	Level	Cons	Qty	Rep. QTY
1		13881404		CAM LOLLER COVER						1	
2	D	13881503		CONNECTION BAR, SMAL						1	
3	D	13881602		ADJUSTING SCREW						1	
4		13881701		THREAD CUTTING LINK						1	
5	D	13881800		CONNECTION BAR, LARGE						1	
6		13881909		THREAD CUTTING LINK ROLLER						1	
7		13882006		THREAD CUTTING LEVER SHAFT						1	
8		13882105		MOVING KNIFE LINK						1	
9		13882204		NEEDLE PLATE						1	
10	D	13882303		AUXILIARY LEVER						1	
11	D	13882402		CYLINDER FITTING PLATE						1	
12	D	13881305		CYLINDER KNUCKLE						1	
13		13882659		THREAD CUTTING LEVER JUNCTION						1	
14		13881255		MOVING KNIFE JUNCTION						1	
15		13882501		NEEDLE HOLE GUIDE						1	
16		10120004		SPRINGSUSPENSION						1	
17	R	13514310	26225201	ROLLER						1	1.00
18	R	13515309	26226100	THREAD CUTTING RING						1	1.00
19		13534060		THREAD CUTTING CAM COMPL.						1	
20		13807904		THREAD TRIMMER ARM SHAFT						1	
21		13515101		THREAD CUTTING LINK SHAFT						1	
22		B1631012B00		SUSPENSION STUD B						1	
23	R	B2404280000	26226704	THREAD CUTTING CAM ROLLER						1	1.00
24		B2410980000		TENSION SPRING						1	
25		B2417210000		MOVING KNIFE HINGE SCREW						1	
26		B242328000A		MOVING KNIFE WASHER A	SELECTIVE PART					1	
27		B242328000B		MOVING KNIFE WASHER B	SELECTIVE PART					1	
28		B242328000C		MOVING KNIFE WASHER C	SELECTIVE PART					1	
29		B242328000D		MOVING KNIFE WASHER D	SELECTIVE PART					1	
30		B242328000E		MOVING KNIFE WASHER E	SELECTIVE PART					1	
31		B242328000F		MOVING KNIFE WASHER F	SELECTIVE PART					1	
32		B242328000G		MOVING KNIFE WASHER G	SELECTIVE PART					1	
33		B2424210000		COUNTER KNIFE						1	
34		D2464555B00		LINK DRIVING MAGNET PIN						1	
35		GAK33012000		SOLENOID PIN						1	
36	D	PA2001501A0		AIR CYLINDER						1	
37		PJ301060501		UNION						1	
38		PJ301065104		HALF UNION						1	
39		RC1021011KP		RETAINING RING 10.2						1	
40		RE0400000KP		E-RING 4						4	
41		NS6120310SP		NUT 3/16-28						1	
42		NS6120310SP		NUT 3/16-28						1	
43		NS6120310SP		NUT 3/16-28						1	
44		SD0650305TP		HINGE SCREW D= 6.5 H= 3						1	
45		SD0651301TH		HINGE SCREW D=6.5 H=13						1	
46		SD0901201TP		HINGE SCREW D=9 H=3.2						2	

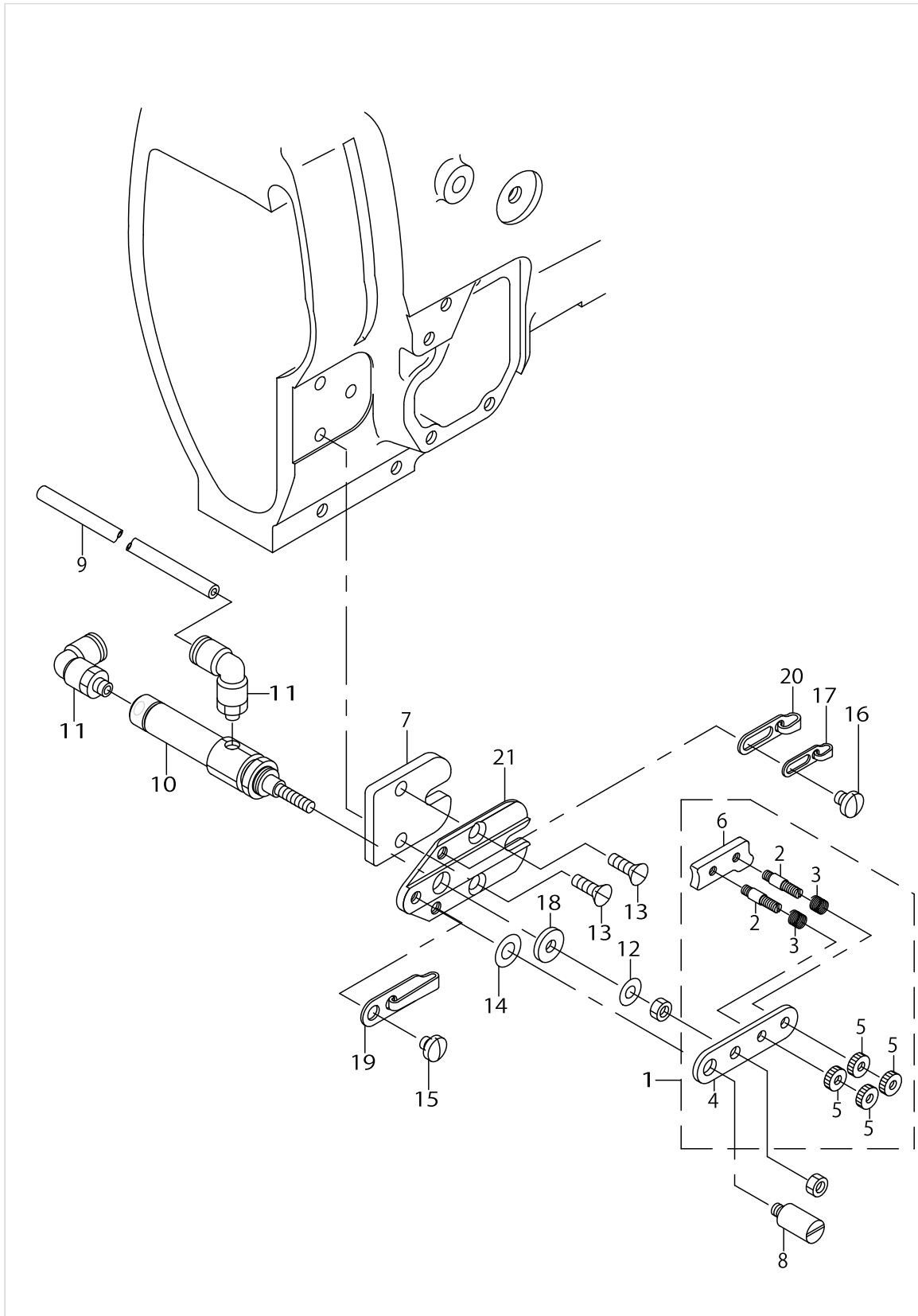
THREAD TRIMMER COMPONENTS



THREAD TRIMMER COMPONENTS

No.	Supply Code	Parts No.	Replacement	Parts name	Remarks	Choice	Step	Level	Cons	Qty	Rep. QTY
47		SS1060210TP		SCREW 3/32-56 L=2.2						2	
48		SS6110610TP		SCREW 11/64-40 L=6						4	
49		SS6110640SP		SCREW 11/64-40 L=6						1	
50		SS6151440SP		SCREW 15/64-28 L=14						1	
51		SS7090410SP		SCREW 9/64-40 L=3.5						2	
52		SS7120710SP		SCREW 3/16-28 L=7						1	
53		SS7150910TP		SCREW 15/64-28 L=9						2	
54		SS6151920TP		SCREW 15/64-28 L=19.0						1	
55		13884309		NEEDLE HOLE GUIDE 2.6	SPECIAL ORDER PART					1	

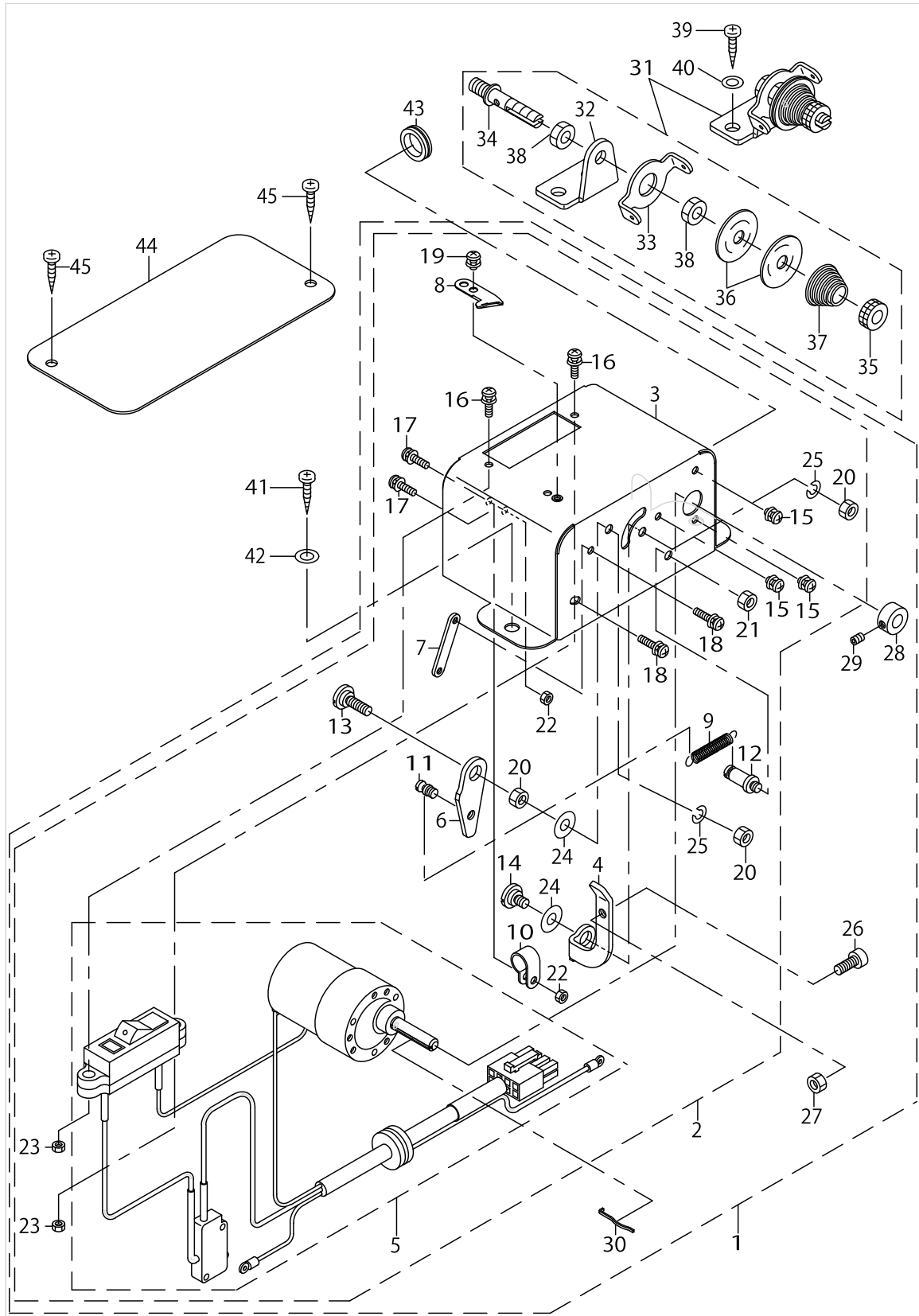
THREAD PRESSER COMPONENTS



THREAD PRESSER COMPONENTS

No.	Supply Code	Parts No.	Replacement	Parts name	Remarks	Choice	Step	Level	Cons	Qty	Rep. QTY
1		13883756		THREAD PRESSER PLATE COMPL.						1	
2		25002809		THREAD TENSION STUD				*		2	
3		B1136850000		TENSION SPRING B				*		2	
4		13884218		THREAD PRESSER PLATE LINK				*		1	
5		25002908		THREAD TENSION NUT				*		4	
6		13883715		THREAD PRESSER PLATE				*		1	
7		13883806		FITTING PLATE SPACER						1	
8		16201501		ROLLER PRESSURE SHAFT						1	
9		BT0400251ED		TUBE HOSE, GREEN						.9	
10		PA1001022A0		AIR CYLINDER						1	
11		PJ304040504		ELBOW UNION						2	
12		WP0450801SD		WASHER 4.5X10X0.8						1	
13		SS1121010SP		SCREW						2	
14		WP0482086SD		WASHER 4.8X11.5X2						1	
15		SS7110410SP		SCREW 11/64-40 L=4						1	
16		SS7110510SP		SCREW 11/64-40 L=5						1	
17		13922208		TAKE-UP THREAD GUIDE B						1	
18		B1144771000		FRAME SIDE COVER GASKET (C)						1	
19		13871108		BALANCE THREAD GUIDE, B						1	
20		13870902		BALANCE THREAD GUIDE, C						1	
21		13884119		THREAD PRESSER FITTING PLATE						1	

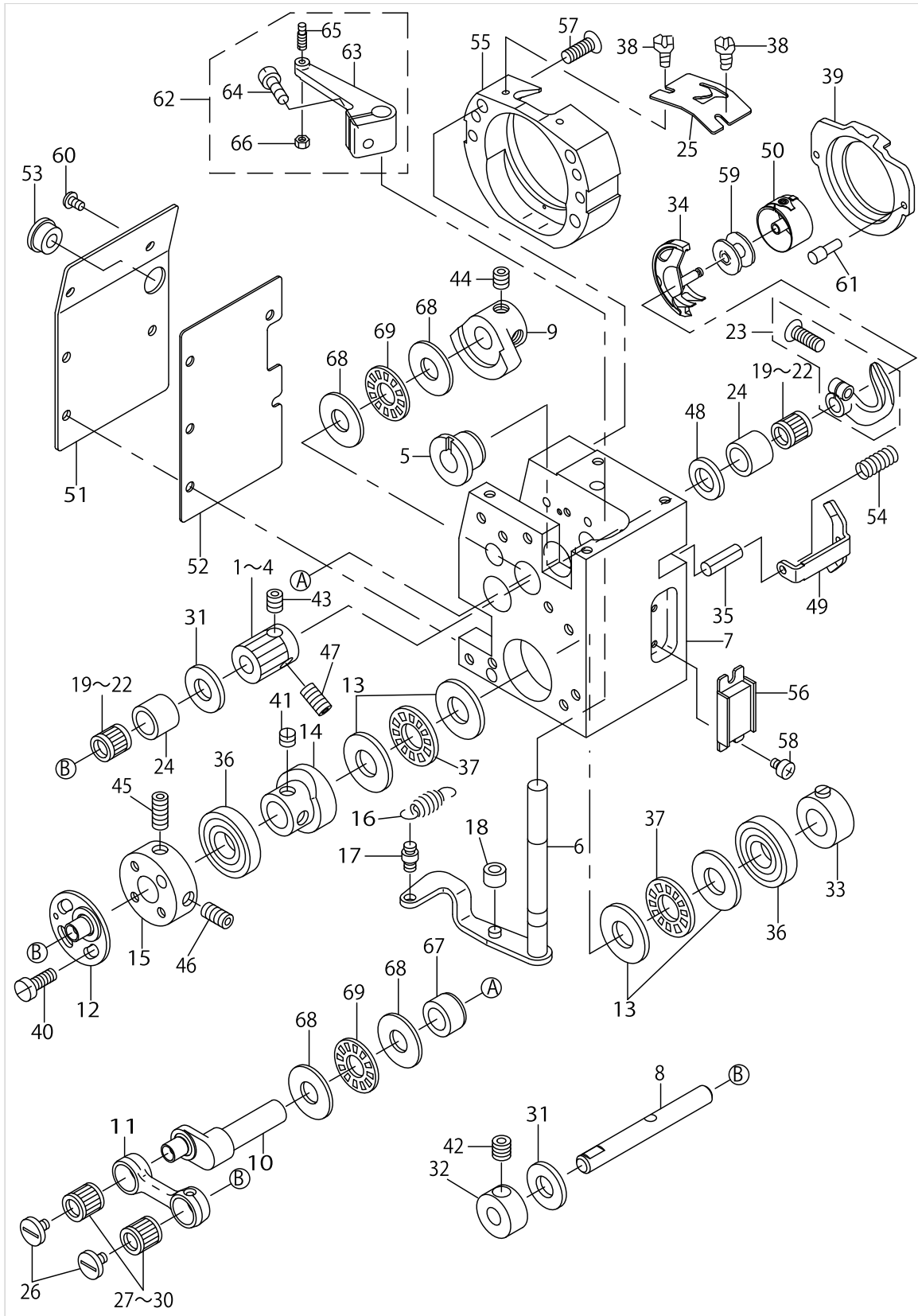
BOBBIN WINDER COMPONENTS



BOBBIN WINDER COMPONENTS

No.	Supply Code	Parts No.	Replacement	Parts name	Remarks	Choice	Step	Level	Cons	Qty	Rep. QTY
1		13870266		BOBBIN THREAD WINDING DEVICE						1	
2		13870258		BOBBIN THREAD WIDING DEVICE				*		1	
3		13870209		BOBBIN THREAD COVER				*		1	
4		13870605		BOBBIN GUIDE				*		1	
5		13874052		MOTOR ASM.				*		1	
6	D	13889704		SWITCH PUSHING PLATE				*		1	
7	R	11102308	22954408	MICRO SWITCH PLATE				*		1	1.00
8		10502300		THREAD CUTTER				*		1	
9		B3041980000		SPRING				*		1	
10		HX001230000		CABLE CLIP				*		1	
11	R	B1110280000	26017400	THREAD CUTTING LINK SPRING RAC				*		1	1.00
12		B3413227000		SPRINGSUSPENSION				*		1	
13		SD0720222TP		HINGE SCREW D=7.24 H=2.2				*		1	
14		SD0720221SP		HINGE SCREW D= 7.24 H= 2.2				*		1	
15		SL4030591SC		SCREW M3X5				*		3	
16		SL4031281SC		SCREW M3 L=12				*		2	
17		SL4031281SC		SCREW M3 L=12				*		2	
18		SL4031481SC		SCREW M3 X 14				*		2	
19		SL4030591SC		SCREW M3X5				*		1	
20		NS6110420SP		NUT 11/64-40				*		3	
21		NS6110420SP		NUT 11/64-40				*		1	
22		NM6030001SC		NUT M3				*		2	
23		NM6030001SC		NUT M3				*		2	
24		WP0551016SH		WASHER 5.5X13X1				*		2	
25		WS0451040KP		SPRING WASHER 4.5X8.5X1				*		2	
26		B3208280000		BOBBIN WINDER A-DJUSTING SCREW				*		1	
27		NS6110420SP		NUT 11/64-40				*		1	
28	R	CS0640611SP	CS064061ASP	THRUST HOLDER				*		1	1.00
29		SS8090530TP		SCREW 9/64-40L=5.0				*		1	
30		B3212761000		LATCH SPRING				*		1	
31		13889951		BOBBIN GUIDE ASM.				*		1	
32	R	B2612372000	26028308	STOP MOTION TRIP LEVER BRACKET				*		1	1.00
33		B3107352000		NEEDLE THREAD GUIDE				*		1	
34		B3108352000		NEEDLE THREAD TENSION POST				*		1	
35	R	B3125012000	22928808	THREAD TENSION NUT				*		1	1.00
36	R	B3126012000	22921506	THREAD TENSION DISK				*		2	1.00
37		B3129771000		TENSION SPRING				*		1	
38	R	NS6150430SN	NS6150430SP	NUT 15/64-28				*		2	1.00
39		SK3412001SC		WOOD SCREW D=4.1 L=20				*		2	
40		WP0501016SC		WASHER 5X10.5X1				*		2	
41		SK3412001SC		WOOD SCREW D=4.1 L=20				*		2	
42		WP0501016SC		WASHER 5X10.5X1				*		2	
43		HX00221000C		BUSH				*		1	
44		13890504		SPACER	SPECIAL ORDER PART			*		1	
45		SK3412001SC		WOOD SCREW D=4.1 L=20				*		2	

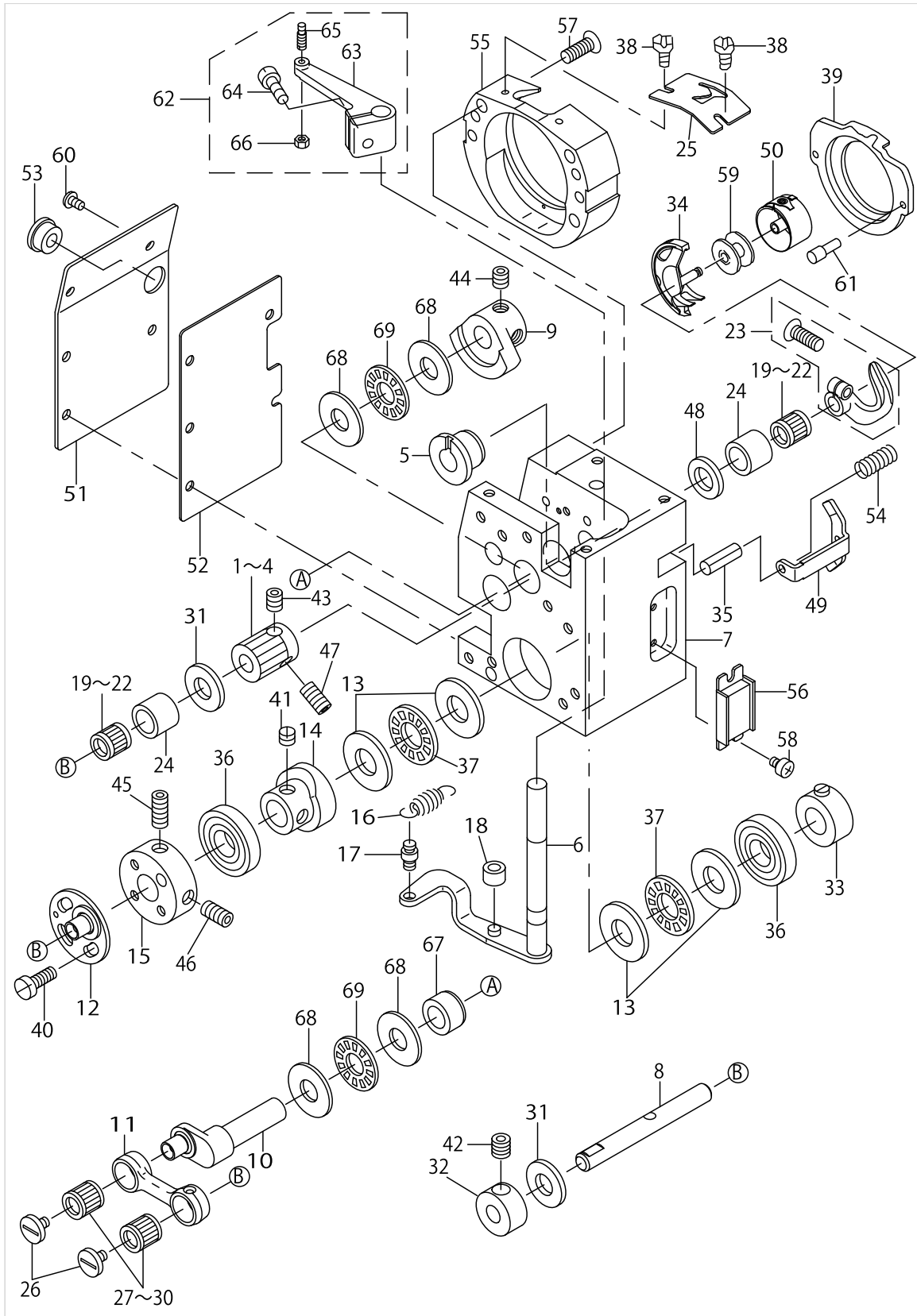
HOOK BASE COMPONENTS(1)



HOOK BASE COMPONENTS(1)

No.	Supply Code	Parts No.	Replacement	Parts name	Remarks	Choice	Step	Level	Cons	Qty	Rep. QTY
1		13877303		LOWER SHAFT WHEEL, A	SELECTIVE PART					1	
2	D	13877402		LOWER SHAFT WHEEL, B	SELECTIVE PART					1	
3		13877501		LOWER SHAFT WHEEL, C	SELECTIVE PART					1	
4		13877600		LOWER SHAFT WHEEL, D	SELECTIVE PART					1	
5		13885306		METAL						1	
6		13885454		THREAD CUTTING LEVER ASM.						1	
7		13885801		HOOK BASE						1	
8		13885900		LOWER SHAFT, B						1	
9		13886015		CRANK WHEEL						1	
10		13886411		CRANK						1	
11	D	13886502		CRANK ROD						1	
12	D	13886601		REMOVING SHAFT CRANK						1	
13		13887005		THRUST WASHER						4	
14		13887104		THREAD CUTTING CAM, B						1	
15		13887203		REMOVING SHAFT CRANK BASE						1	
16		13888201		SPRING						1	
17		10527208		HINGE SCREW						1	
18		11041100		ROLLER						1	
19		B1411804A00		BEARING (A)	SELECTIVE PART					2	
20		B1411804B00		NEEDLE DRIVING L- EVER BEARING B	SELECTIVE PART					2	
21		B1411804C00		NEEDLE DRIVING L- EVER BEARING C	SELECTIVE PART					2	
22		B1411804D00		BEARING (D)	SELECTIVE PART					2	
23		B18122100A0		DRIVER ASM.						1	
24		B1813980000		SHUTTLE NEEDLE OUTER RING						2	
25		B1815210000		INNER HOOK UPPER SPRING						1	
26		B1903552000		LEFT SCREW						2	
27		B1905541A00		NEEDLE BEARING, A	SELECTIVE PART					2	
28		B1905541B00		NEEDLE BEARING	SELECTIVE PART					2	
29		B1905541C00		NEEDLE BEARING	SELECTIVE PART					2	
30		B1905541D00		NEEDLE BEARING	SELECTIVE PART					2	
31		D1807555B00		THRUST COLLAR						2	
32		CS0801011TH		THRUST COLLAR D=8 W=10						1	
33		CS1201010SH		THRUST COLLAR ASM. D=12 W=10						1	
34		13876305		INNER HOOK						1	
35		PS0250162KH		SPRING PIN 2.5X16						2	
36		SB112000200		BEARING						2	
37		SB612000100		BEARING						2	
38		SS6060410TP		SCREW 3/32-56 L=3.5						2	
39	D	13876602		INNER HOOK PRESSER						1	
40		SS7111120TP		SCREW						3	
41		SS8660330SP		SCREW 1/4-40 L=3.0						2	
42		SS8660522TP		SCREW 1/4-40 L=4.5						2	
43		SS8660612TP		SCREW 1/4-40 L=6						1	
44		SS8660612TP		SCREW 1/4-40 L=6						2	
45		SS8661012TP		SCREW						1	

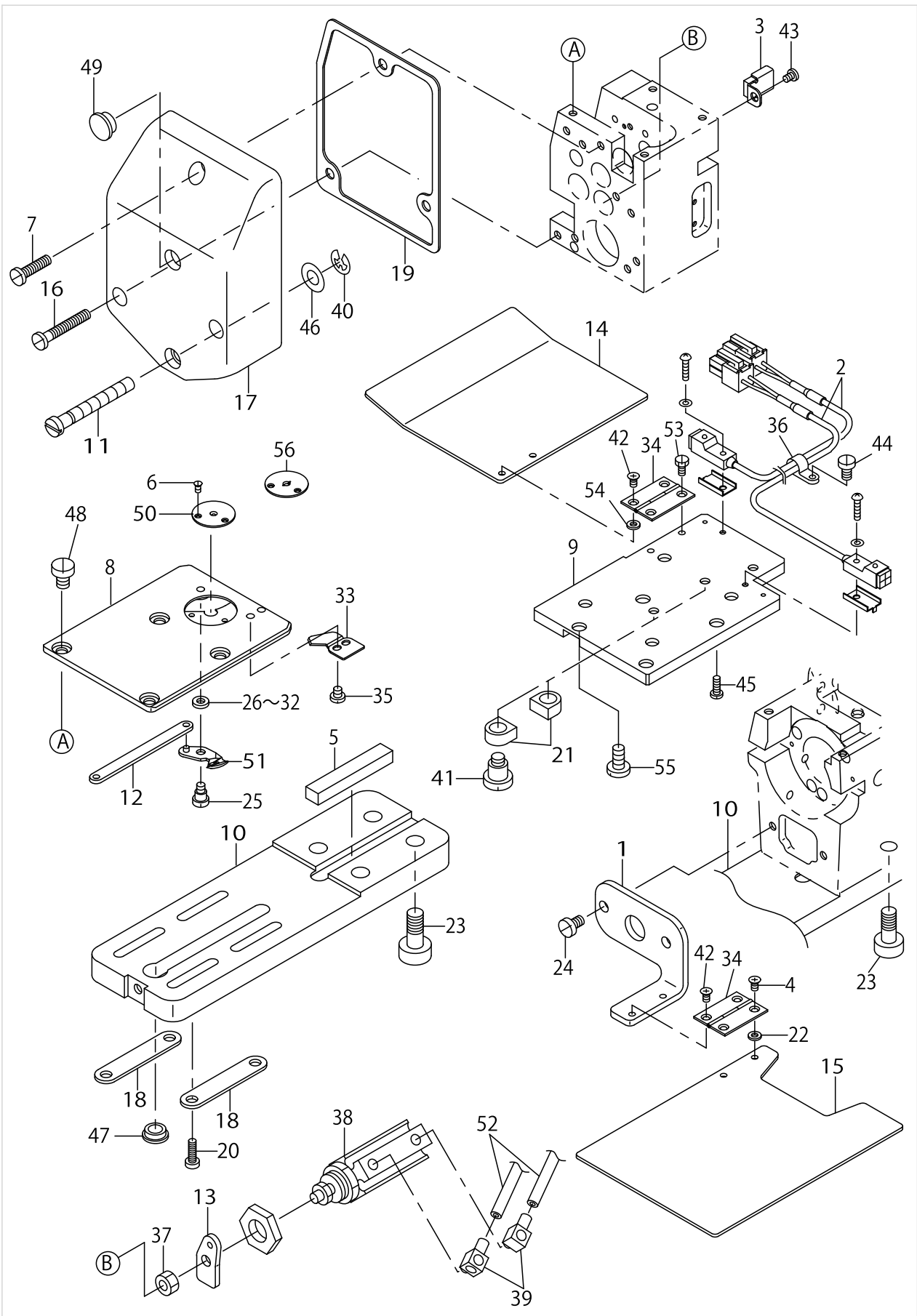
HOOK BASE COMPONENTS(1)



HOOK BASE COMPONENTS(1)

No.	Supply Code	Parts No.	Replacement	Parts name	Remarks	Choice	Step	Level	Cons	Qty	Rep. QTY
46		SS8661212TP		SCREW						1	
47		SS8661212TP		SCREW						1	
48		WP0952616SD		WASHER 9.5X14.8X2.6						1	
49		13876719		INNER HOOK PRESSER HOOK						2	
50		B18282100A0		BOBBIN CASE ASM.						1	
51		13887906		HOOK BASE COVER, LEFT						1	
52		13886205		PACKING						1	
53		TA1250406R0		RUBBER PLUG D=12.5 L=4						1	
54		16189508		ADJUSTING SPRING						2	
55	D	13885603		SHUTTLE, B						1	
56		13886106		HOOK COVER MAGNET, A						1	
57		SS2111140SP		SCREW 11/64-40L=11						3	
58		SM4030455SN		SCREW						2	
59		B1805210A00		BOBBIN						1	
60		SS5090610SP		SCREW 9/64-40 L=6						5	
61		B1816280000		GUIDE PIN						2	
62		13887450		THREAD CUTTING ARM ASM.						1	
63		13887401		THREAD CUTTING ARM				*		1	
64		SS7111120TP		SCREW				*		1	
65		13874300		THREAD CUTTING ARM PIN				*		1	
66		NS6090310SP		NUT 9/64-40				*		1	
67		13879606		HOOK CRANK METAL B						1	
68		16992604		THRUST WASHER						4	
69		11272408		THRUST COLLAR						2	

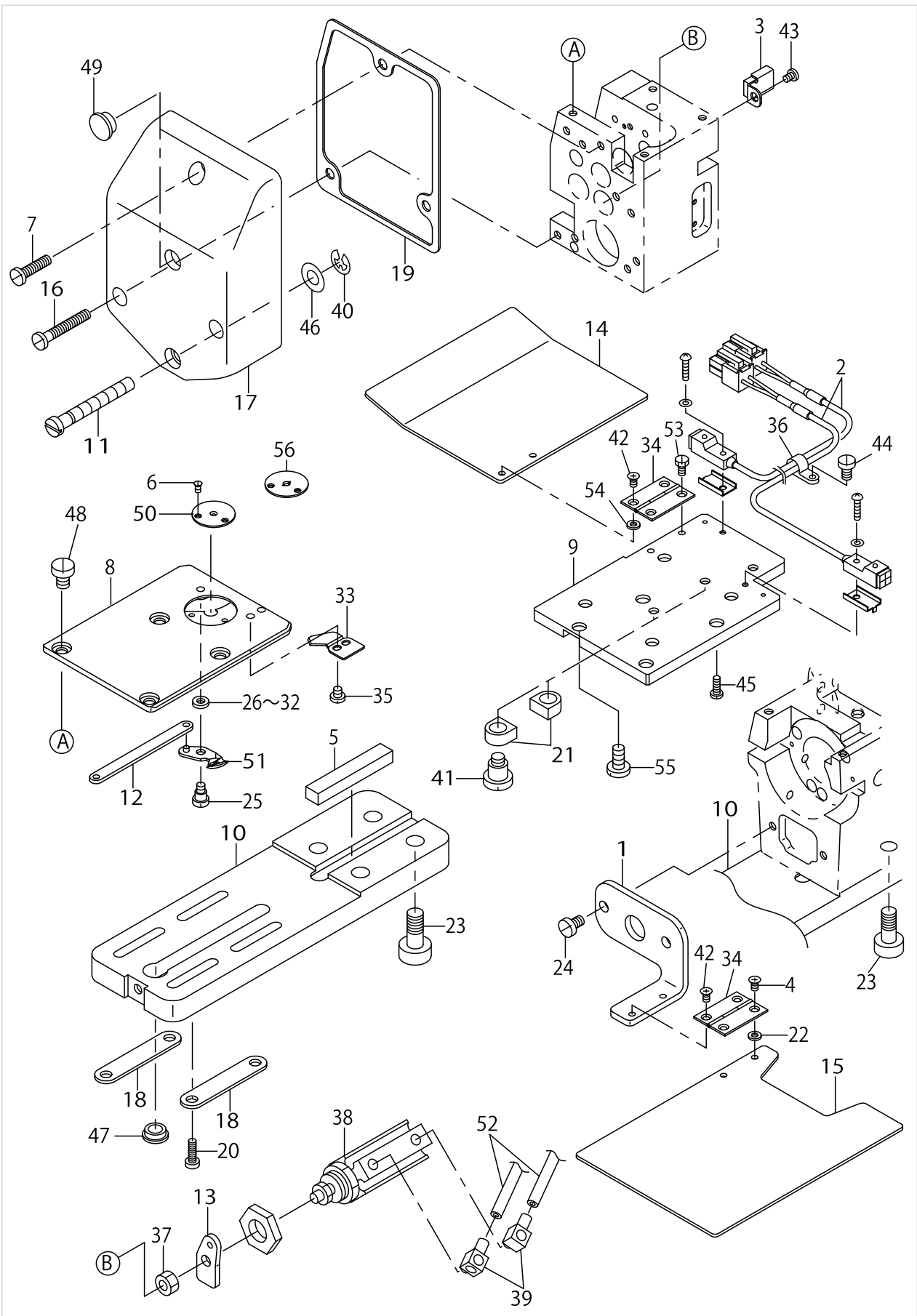
HOOK BASE COMPONENTS(2)



HOOK BASE COMPONENTS(2)

No.	Supply Code	Parts No.	Replacement	Parts name	Remarks	Choice	Step	Level	Cons	Qty	Rep. QTY
1		13872403		BED FACE COVER						1	
2	D	13873450		HOOK COVER SENSOR ASM.						2	
3	D	13885256		HOOK COVER MAGNET ASM., B						1	
4		SM4030455SN		SCREW						2	
5	D	13885702		KEY						1	
6		SS1060210TP		SCREW 3/32-56 L=2.2						2	
7		SS6121840SP		SCREW 3/16-28 L=18						1	
8		13886304		THROAT PLATE, B						1	
9	D	13886700		HOOK CONNECTING PLATE						1	
10		13886809		HOOK SUPPORT BASE						1	
11		13886908		ADJUSTING SHAFT						1	
12		13887302		MOVINGKNIFELINK,B						1	
13	D	13887500		SPRING RACK						1	
14		13887708		HOOK COVER, LEFT						1	
15		13887807		HOOK COVER, RIGHT						1	
16		SS6123010SP		SCREW 3/16-28 L=30.0						2	
17		13888003		HOOK BASE COVER						1	
18		13888102		WASHER						2	
19		13888805		PACKING						1	
20		SS6151412TP		SCREW15/64-28L=14						4	
21		B1414226000		SLIDE BLOCK						2	
22		B1623180000		WASHER						2	
23		SS6242272TP		SCREW3/8-18 L=22.0						4	
24		SS6121010SP		SCREW 3/16-28 L=10						2	
25		B2417210000		MOVING KNIFE HINGE SCREW						1	
26		B242328000A		MOVING KNIFE WASHER A	SELECTIVE PART					1	
27		B242328000B		MOVING KNIFE WASHER B	SELECTIVE PART					1	
28		B242328000C		MOVING KNIFE WASHER C	SELECTIVE PART					1	
29		B242328000D		MOVING KNIFE WASHER D	SELECTIVE PART					1	
30		B242328000E		MOVING KNIFE WASHER E	SELECTIVE PART					1	
31		B242328000F		MOVING KNIFE WASHER F	SELECTIVE PART					1	
32		B242328000G		MOVING KNIFE WASHER G	SELECTIVE PART					1	
33		B2424210000		COUNTER KNIFE						1	
34	D	B2597210000		CASSETTE HOLDER HINGE						2	
35		SS7090410SP		SCREW9/64-40 L=3.5						2	
36		HX00150000A		CABLE CLAMP						1	
37		NM6050001SP		NUT M5						1	
38		PA1501515A0		AIR CYLINDER						1	
39		PJ046054002		HOSE ELBOW						2	
40		RE0400000K0		E-RING 4						1	
41		SD0640752TP		HINGE SCREW D= 6.35 H= 7.5						2	
42		SM1030401SE		SCREW M3 L=4						4	
43		SS6111052TP		SCREW						1	
44		SS7110710SP		SCREW 11/64-40 L=7						1	
45		SS7150910TP		SCREW 15/64-28 L=9						3	
46		WP0621016SH		WASHER						1	

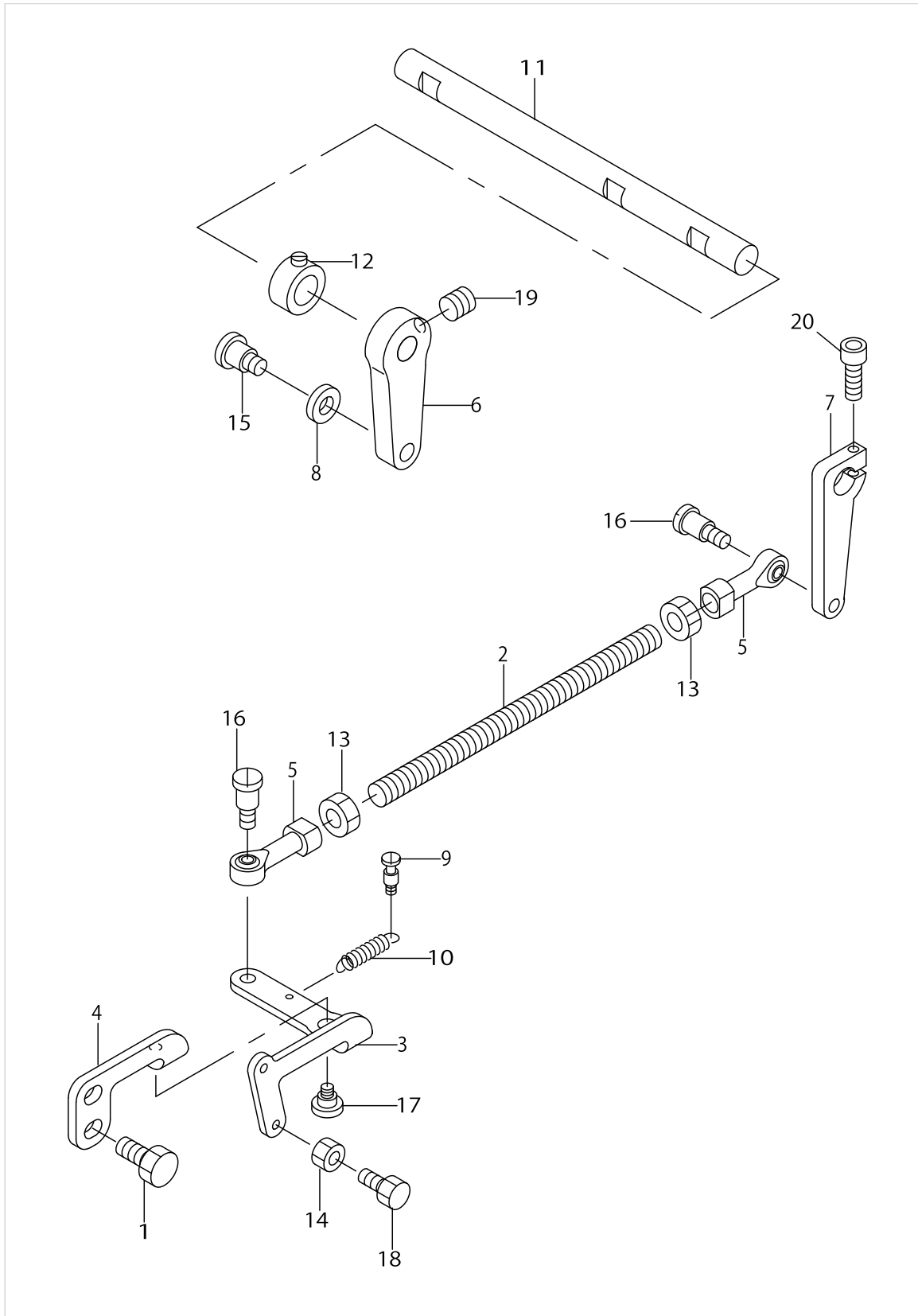
HOOK BASE COMPONENTS(2)



HOOK BASE COMPONENTS(2)

No.	Supply Code	Parts No.	Replacement	Parts name	Remarks	Choice	Step	Level	Cons	Qty	Rep. QTY
47		TA1330405R0		BUSHING						1	
48		SS6110610TP		SCREW 11/64-40 L=6						4	
49		TA1050504R0		RUBBER PLUG						1	
50		13882501		NEEDLE HOLE GUIDE						1	
51		13881255		MOVING KNIFE JUNCTION						1	
52		BT0600401EF		TUBE						1.17	
53	D	SM9030650SN		SCREW						2	
54		WP0371026SD		WASHER 3.7X7X1						2	
55		SS7150940SP		SCREW 15/64-28 L=9						1	
56		13884309		NEEDLE HOLE GUIDE 2.6	SPECIAL ORDER PART					1	

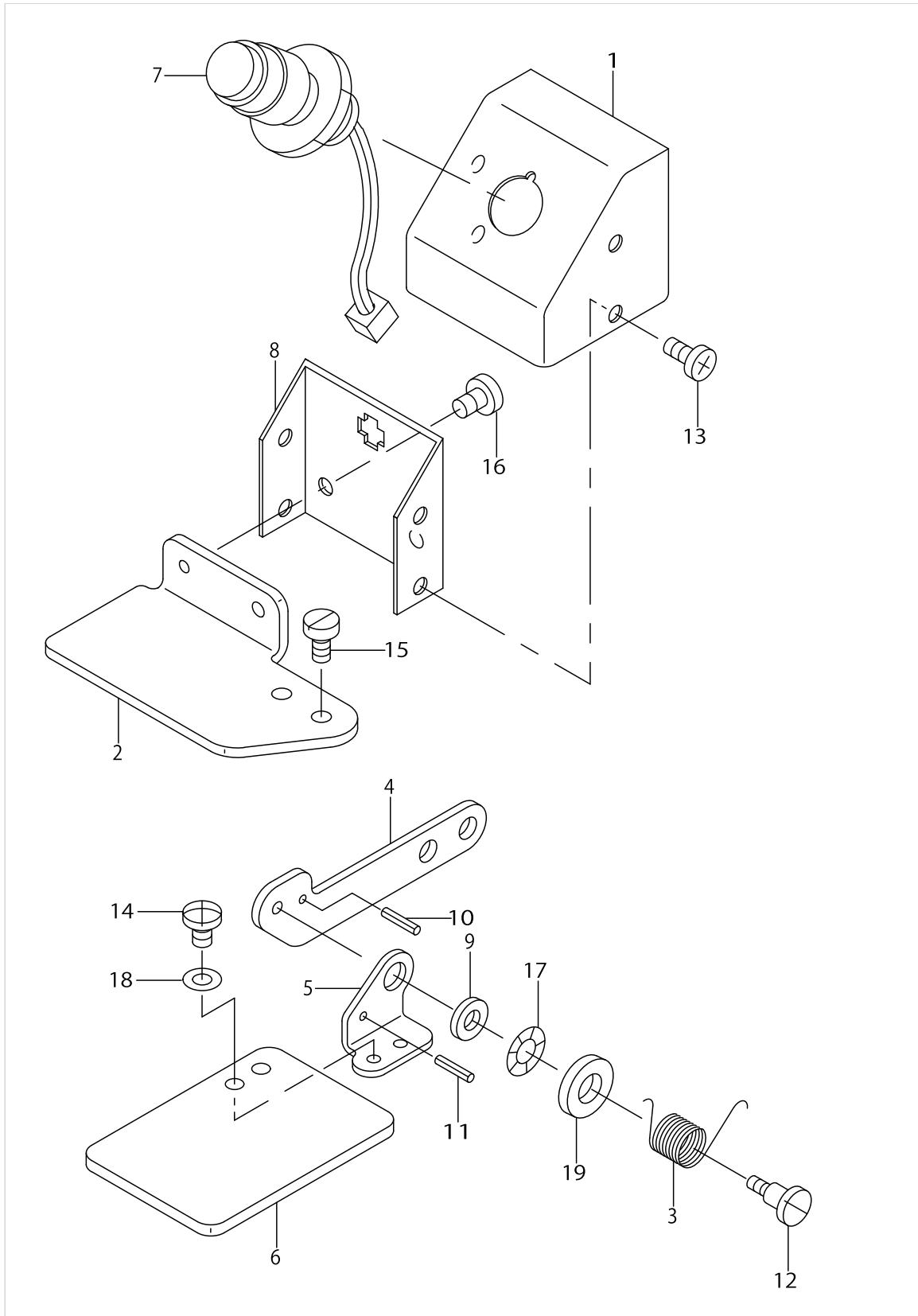
DISH RISING COMPONENTS



DISH RISING COMPONENTS

No.	Supply Code	Parts No.	Replacement	Parts name	Remarks	Choice	Step	Level	Cons	Qty	Rep. QTY
1		SS9120910TP		SCREW 3/16-28 L=9						2	
2	D	13884507		JOINT SHAFT						1	
3		13884606		LINK						1	
4	D	13884705		DISH RISING LINK BASE						1	
5		10064400		BALL JOINT B						2	
6		11274107		UPPER FEED LEVER SHAFT ARM						1	
7		13513114		TENSION RELEASE ARM						1	
8		13722509		DRIVING SAFETY ROLLER						1	
9		B1631012B00		SUSPENSION STUD B						1	
10		D2629M1YC0F		SPRING						1	
11	D	GBR01525000		OUTPUT AXIS						1	
12	D	CS100101BSH		THRUST COLLAR ASM.						1	
13		NM6060001SC		NUT M6						2	
14		NS6090310SP		NUT 9/64-40						2	
15		SD0600411TP		HINGE SCREW H=6 W=4.1						1	
16		SD0601021SP		HINGE SCREW D=6 H=10.2						2	
17		SD0550271TP		HINGE SCREW D= 5.50 H= 2.7						1	
18		SS9090813TP		SCREW 9/64-40 L=8						2	
19		SS8660612TP		SCREW 1/4-40 L=6						1	
20		SM6061802TP		SCREW M6 L=18						1	

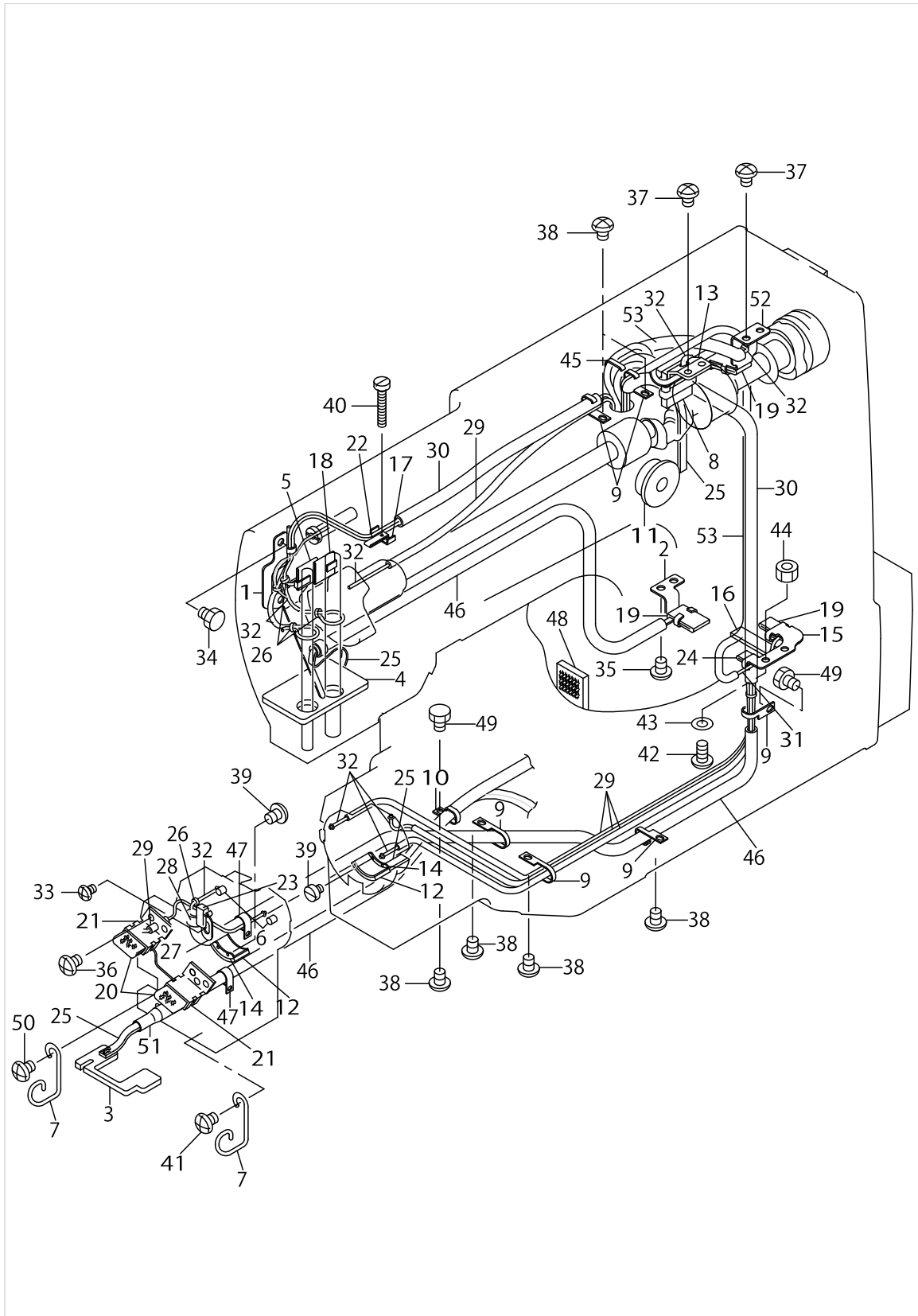
SAFETY COMPONENTS



SAFETY COMPONENTS

No.	Supply Code	Parts No.	Replacement	Parts name	Remarks	Choice	Step	Level	Cons	Qty	Rep. QTY
1		13889100		SWITCH COVER						1	
2		13889209		EMERGENCY STOP FITTING PLATE						1	
3		13874409		SPRING						1	
4		13889001		SAFETY PLATE MOUNTING BASE						1	
5		13889308		SAFETY PLATE MOUNTING PLATE						1	
6		13889407		SAFETY PLATE						1	
7		13874250		ONE TIME STOPPAGE SW ASM.						1	
8		17834706		SWITCH PLATE, LOWER						1	
9		B3013141H0A		WASHER						1	
10		PS0250202KH		SPRING PIN 2.5X20						1	
11		PS0250081K0		SPRING PIN 2.5X8						1	
12		SD0640851SP		STEP-SCREW						1	
13		SM5040601SC		SCREW M4X0.7 L=6						4	
14		SS4110615SP		SCREW 11/64-40 L=6						2	
15		SS6120940SP		SCREW 3/16-28 L=9						2	
16		SS7110570SP		SCREW 11/64-40 L= 4.8						2	
17		WZ0850302K0		WAVED WASHER 8.5X12.5X0.3						1	
18		WP0450801SD		WASHER 4.5X10X0.8						2	
19		WP0482086SD		WASHER 4.8X11.5X2						1	

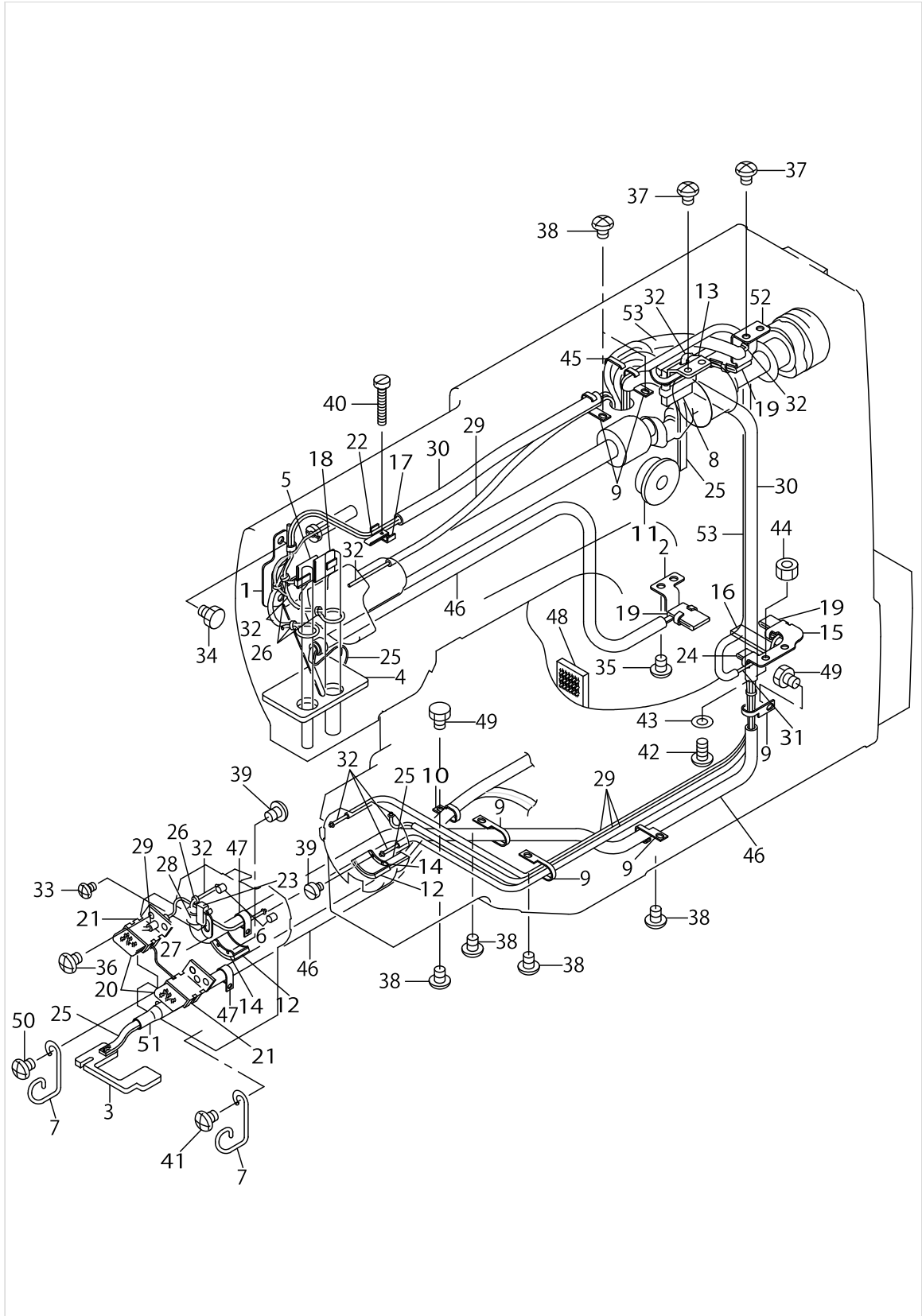
LUBRICATION COMPONENTS



LUBRICATION COMPONENTS

No.	Supply Code	Parts No.	Replacement	Parts name	Remarks	Choice	Step	Level	Cons	Qty	Rep. QTY
1	D	13888409		OIL WICK PRESSER						1	
2	D	13888508		LUBRICATING PLATE						1	
3		13888607		OIL FELT						1	
4	D	13888706		FACE OIL FELT						1	
5	D	13888904		FACE LUBRICATING						1	
6		11002904		ROLLER FELT						2	
7		11021607		TUBE HOLDER (UPPER)						2	
8		13529102		OIL FELT						1	
9	R	13530209	26230409	LUBRICATING OIL WICK STOPPER						6	1.00
10	R	13530001	40022407	UPPER SHAFT FRONT METAL OIL WI						1	1.00
11		B3501210000		OIL GAUGE						1	
12		B3504280000		SHUTTLE FELT						2	
13		B3505210000		OIL FELT SUPPORTING PLATE						1	
14	R	B3505280000	26231100	SHUTTLE LUBRICATING PLATE						2	1.00
15	D	B3506210000		OIL FELT SUPPORTING PLATE						1	
16		B3507210000		OIL FELT						1	
17	R	B3508280000	26231407	BALANCE LUBRICATING PLATE						1	1.00
18		B3509280000		NEEDLE ROD CRANK LUBRICATING						1	
19		B3509280000		NEEDLE ROD CRANK LUBRICATING						1	
20		B3509280000		NEEDLE ROD CRANK LUBRICATING						2	
21	R	B3512280000	26231605	CRANK ROD LUBRICATING PLATE						2	1.00
22		B3518280000		BALANCE LUBRICATING						1	
23		B3518280000		BALANCE LUBRICATING						1	
24		B3518280000		BALANCE LUBRICATING						1	
25		B3523220000		OIL FELT						4	
26	R	B1419026000	26230706	OIL WICK PRESSER						5	1.00
27		B3520210000		OIL FELT SUPPORTING PLATE						1	
28		B3523280000		OIL TUBE HOLDER						1	
29		BP300000000		VINYL PIPE						2.4	
30		BP600000000		VINYL PIPE						1.1	
31		CQ202000000		OIL WICK						3.7	
32		CQ252200000		OIL WICK						4.4	
33		SS4090515SP		SCREW 9/64-40 L=5						1	
34		SS9120643TP		SCREW 3/16-28 L=6						2	
35		SS4120615SP		SCREW 3/16-28 L=6						2	
36		SS4120615SP		SCREW 3/16-28 L=6						4	
37		SS4120615SP		SCREW 3/16-28 L=6						4	
38		SS4120615SP		SCREW 3/16-28 L=6						5	
39		SS6090440SP		SCREW 9/64-40 L=4.0						4	
40		SS6092120SP		SCREW 9/64-40 L=21.2						1	
41		SS4120615SP		SCREW 3/16-28 L=6						1	
42		SS4120915SP		SCREW 3/16-28 L=9						2	
43		WP0551016SH		WASHER 5.5X13X1						1	
44		NS6120310SP		NUT 3/16-28						1	
45	D	MAZ16526000		CLAMP						1	

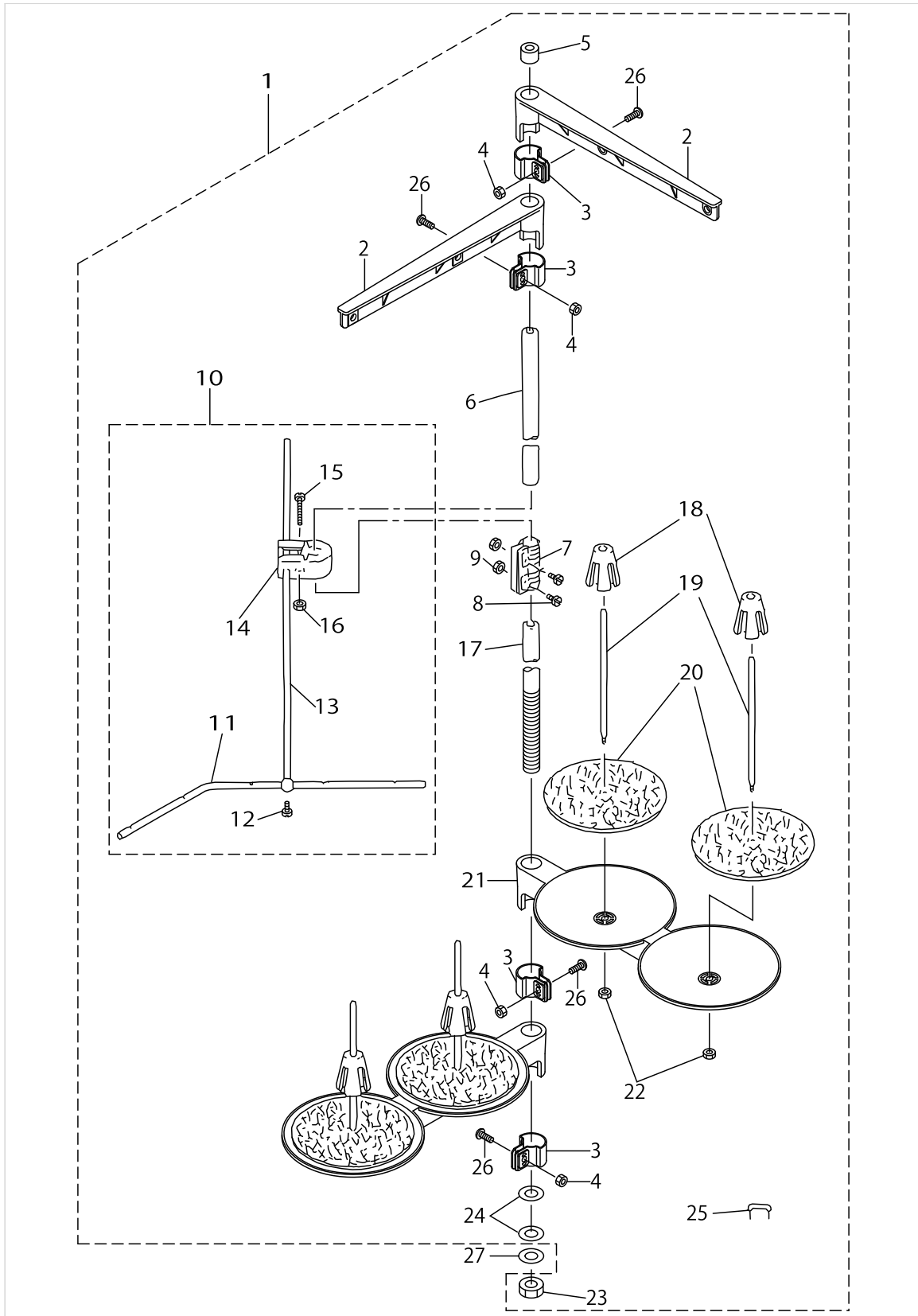
LUBRICATION COMPONENTS



LUBRICATION COMPONENTS

No.	Supply Code	Parts No.	Replacement	Parts name	Remarks	Choice	Step	Level	Cons	Qty	Rep. QTY
46		BP500000000		VINYL PIPE						1.1	
47		EA9500B0100		CABLE BAND						2	
48		B354677100A		LUBRICATING FELT						1	
49		SS9120643TP		SCREW 3/16-28 L=6						2	
50		SS4090615SP		SCREW 9/64-40 L=6						1	
51		E8760452M00		TUBE						.08	
52		B3505210D00		CRANK ROD LUBRICATION PLATE						1	
53		BP400000000		VINYL TUBE, WHITE D=4						.5	

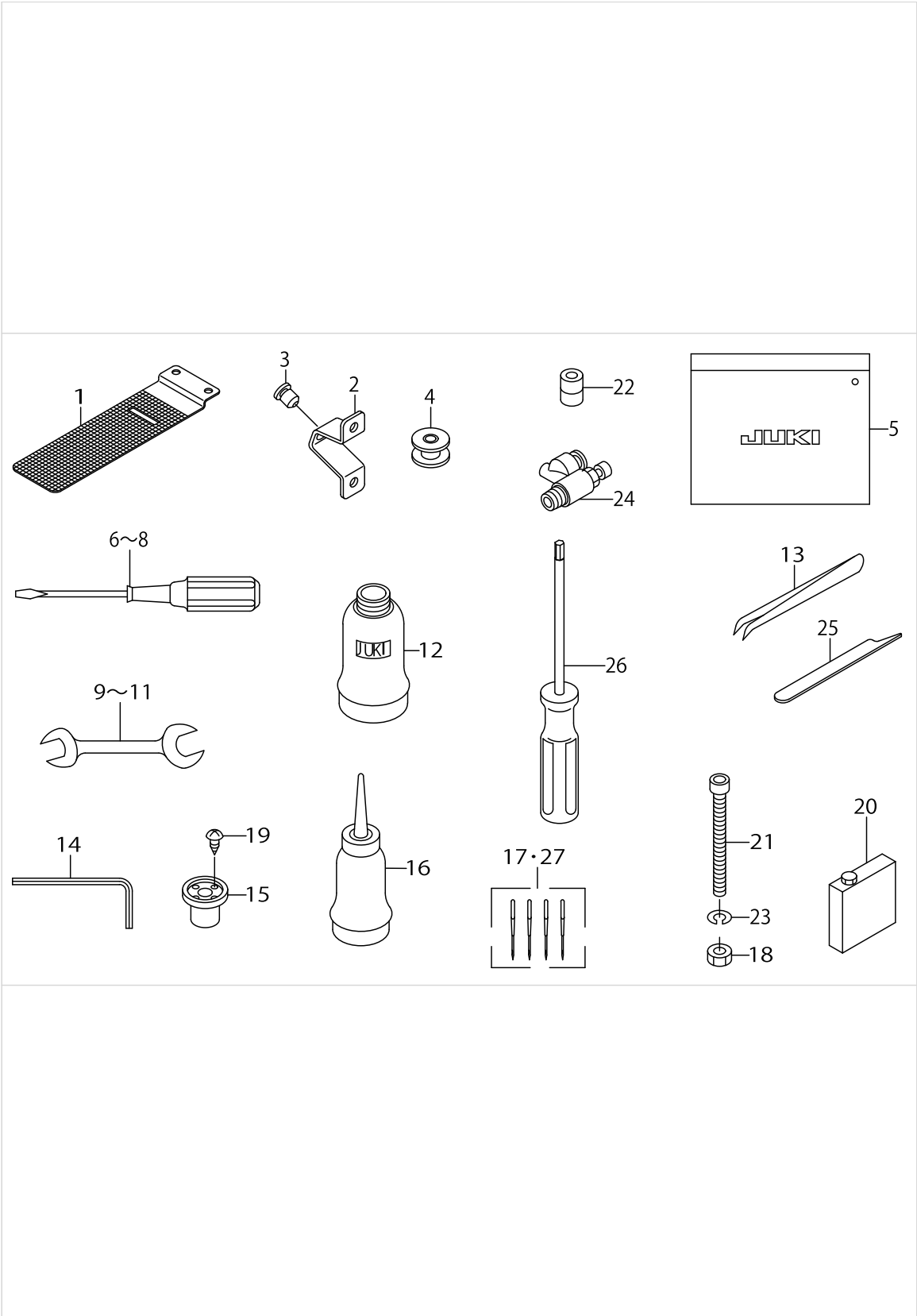
THREAD STAND COMPONENTS



THREAD STAND COMPONENTS

No.	Supply Code	Parts No.	Replacement	Parts name	Remarks	Choice	Step	Level	Cons	Qty	Rep. QTY
1	R	11969458	40106584	THREAD STANDING DEVICE ASM.						1	1.00
2	R	11185352	40096354	THREAD GUIDE ASM.				*		2	1.00
3	R	11185402	40096354	THREAD GUIDE ARM JOINT				*		4	1.00
4		NM6050001SE		NUT M5				*		4	
5	R	B3311704000	22931406	SPOOL REST ROD CAP				*		1	1.00
6	R	11185204	40096354	SPOOL REST ROD,UPPER				*		1	1.00
7	R	B3305704000A	40096354	SPOOL REST ROD JOINT				*		1	1.00
8		SM4051405SE		SCREW M5 L=14				*		2	
9		NM6050001SE		NUT M5				*		2	
10	R	B33097040A0	26910059	THREAD GUIDE ARM ASM.				*		1	1.00
11	R	B3311804000	26910059	LOWER THREAD GUIDE				*		1	1.00
12		SS7110540SP		SCREW 11/64-40 L=5				*		1	
13	R	B3309704000	26910059	THREAD GUIDE ARM				*		1	1.00
14	D	B3304704000A		THREAD GUIDE ARM HOLDER				*		1	
15	D	SM6053000SE		SCREW M5X0.8 L=30				*		1	
16		NM6050001SE		NUT M5				*		1	
17	R	11185105	40096354	SPOOL REST ROD,LOWER				*		1	1.00
18	D	11185501		SPOOL RETAINER				*		4	
19	R	B3320704L00A	40085790	SPOOL PIN				*		4	1.00
20	D	B3311012000		SPOOL REST CUSHION				*		4	
21	D	11185006		SPOOL REST ARM				*		2	
22		NM6050001SE		NUT M5				*		4	
23	R	B3317704000	NM6160511SE	NUT				*		1	1.00
24		WP1612616SE		WASHER 16X30X2.6				*		2	
25		MAO11532000		CORD STAPLE				*		3	
26		SM4051405SE		SCREW M5 L=14				*		4	
27	R	WS1643202KR	WP1612616SE	SPRING WASHER		A				1	2.00
27	R	WS1643202KR	40085796	SPRING WASHER		A				1	2.00

ACCESSORY PARTS COMPONENTS



ACCESSORY PARTS COMPONENTS

No.	Supply Code	Parts No.	Replacement	Parts name	Remarks	Choice	Step	Level	Cons	Qty	Rep. QTY
1		13881008		LOWERPLATEBLANK						1	
2	D	B1116205000		FRAME SUPPORT						1	
3		B1117205000		RUBBER PAD						1	
4		B1805210A00		BOBBIN						2	
5	R	B9101552000	22932800	ACCESSORY BOX						1	1.00
6	R	B9109555000	22933006	SCREW DRIVER, LARGE						1	1.00
7	R	B9110012000	22933105	SCREW DRIVER, MIDDLE						1	1.00
8	R	B9111012000	22933204	SCREW DRIVER, SMALL						1	1.00
9	R	B9112012000	26034702	WRENCH (11X14)						1	1.00
10		B9113012000		WRENCH (9X10)						1	
11		B9143372000		WRENCH (7.1 X 8.1)						1	
12		B9121012000		OIL CAN						1	
13		B9204804000		TWEEZERS						1	
14		G91011160A0		L-SHAPED WRENCH ASM.						1	
15		B8202205000		OIL MANAGEMENT						1	
16		J1067000000		OILER						1	
17	R	MDP170B2104	MDP170B2100	NEEDLE BAR DPX17 #21-4						1	1.00
18		NM6080001SC		NUT M8X1.25						5	
19	D	SK3311601SC		WOOD SCREW D=3.1 L=16						4	
20		MDFRX2700C0		NEW DEFRIX OIL NO.2(700CC)						1	
21		SM6087002TN		SCREW M8 L=70						5	
22		SS8150822TP		SCREW 15/64-28 L=8						2	
23		WS0820002KN		SPRING WASHER M8						5	
24		PC010521000		SPEED CONTROLLER						2	
25	D	13876206		BOBBIN CASE REMOVAL PLATE						1	
26		11851102		SCREW WRENCH						1	
27	D	MDP170B1904		NEEDLE DPX17 #19-4	FOR LK-1952ΔA					1	

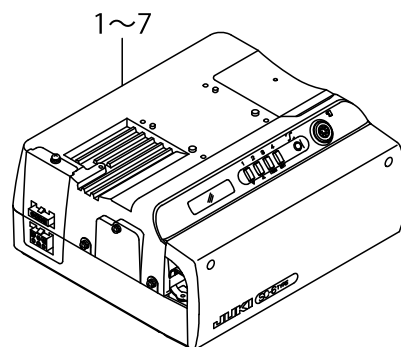
PSC BOX UNIT COMPONENTS(1)

(Note) The spare fuse is not included in the PSC Box of this part No.

The outward from of PSC box varies by the area for use.

(注 記) 交換用ヒューズはこのパーツナンバーのPSCボックスには含まれていません。PSCボックスの出荷状態は使用する地域により変わります。

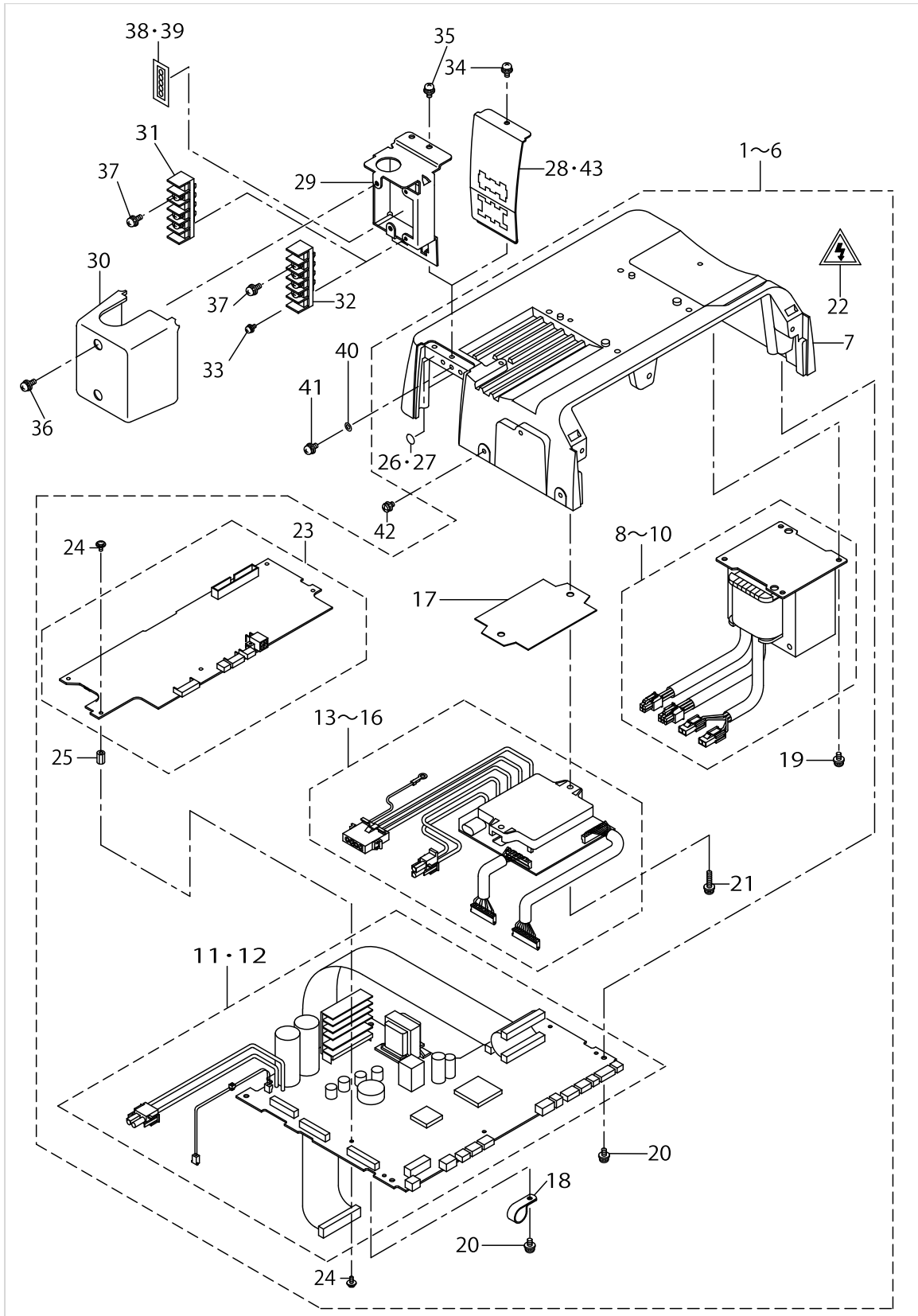
Ref. No.	Part No.	Export			JA		JE	EMC
		1 ϕ 100 ~120V	1 ϕ 200 ~240V	3 ϕ 200 ~240V	1 ϕ 100 ~120V	3 ϕ 200 ~240V	1 ϕ 200 ~240V	1 ϕ 200 ~240V
1	M2000356BA0			○				
2	M2000356CA0		○					
3	M2000356EA0					○		
4	M2000356FA0				○			
5	M2000356GA0						○	
6	M2000356HA0	○						
7	M2000356PA0							○



PSC BOX UNIT COMPONENTS(1)

No.	Supply Code	Parts No.	Replacement	Parts name	Remarks	Choice	Step	Level	Cons	Qty	Rep. QTY
1		M2000356BA0		PSC BOX BC ASM.						1	
2	D	M2000356CA0		PSC BOX CC ASM.						1	
3	D	M2000356EA0		PSC BOX EC ASM.						1	
4		M2000356FA0		PSC BOX FC ASM.						1	
5	D	M2000356GA0		PSC BOX GC ASM.						1	
6		M2000356HA0		PSC BOX HC ASM.						1	
7		M2000356PA0		PSC BOX PC ASM.						1	

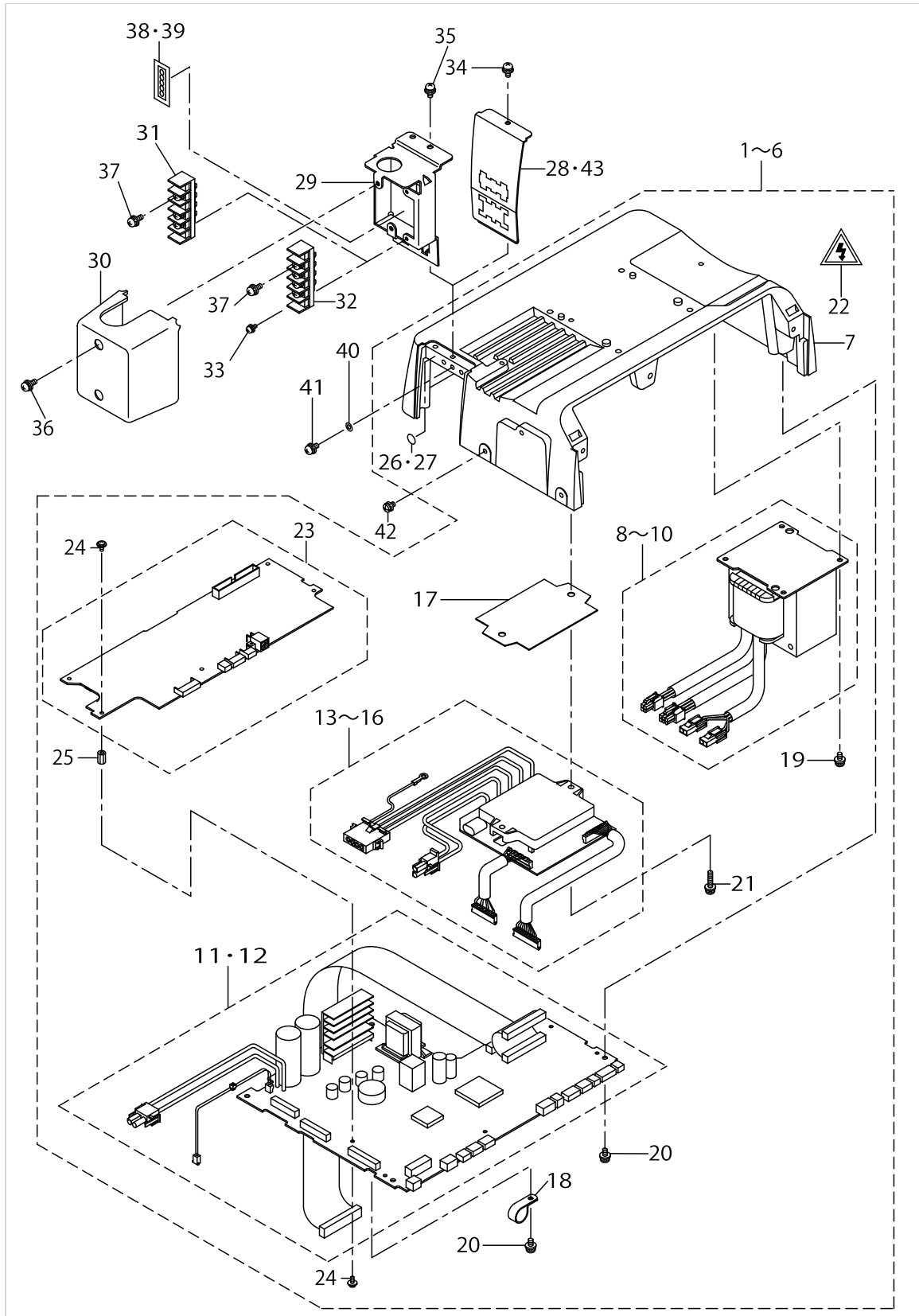
PSC BOX UNIT COMPONENTS(2)



PSC BOX UNIT COMPONENTS(2)

No.	Supply Code	Parts No.	Replacement	Parts name	Remarks	Choice	Step	Level	Cons	Qty	Rep. QTY
1		M3002356BA0		UPPERCOVERASM.,B	FOR JA,10-0V~120V 1φ					1	
2		M3002356CA0		UPPER COVER ASM., C	COMMON USE PART 02,03					1	
3		M3002356DA0		UPPER COVER ASM., D	FOR JE,20-0V~240V 1φ					1	
4		M3002356EA0		UPPERCOVERASM.,E	FOR JA,20-0V~240V 3φ					1	
5		M3002356FA0		UPPERCOVERASM.,F	FOR EXPO-RT,100V~120V 1φ					1	
6	D	M3002356PA0		UPPERCOVERASM.,P	FOR EMC,-200V~240V 1φ					1	
7		M3001351000		BOX TOP COVER				*		1	
8		M8502351BA0		TRANSFORMER ASM., B	COMMON USE PART 01,04			*		1	
9		M8502351CA0		TRANSFORMER ASM., C	COMMON USE PART 02,03,05			*		1	
10		M8502351DA0		TRANSFORMER ASM., D	COMMON USE PART 06,07			*		1	
11	D	M8601351SAA		CTL. BOARD ASM., SA	COMMON USE PART 01~05			*		1	
12	D	M8601351SAB		CTL. BOARD ASM., SB	COMMON USE PART 06,07			*		1	
13	R	M8610351AAA	40019577	DRV. BOARD ASM., AA	COMMON USE PART 01~03			*		1	1.00
14	D	M8602351AAB		DRV. BOARDASM.,AB	FOR JE,20-0V~240V 1φ			*		1	
15	R	M8610351AAC	40025942	DRV. BOARD ASM., AC	COMMON USE PART 04,05			*		1	1.00
16	D	M8610351AAP		DRV. BOARDASM.,AP	FOR EMC,-200V~240V 1φ					1	
17		M8802351000		TRANSISTOR SARCON				*		1	
18		HX00150000H		CABLE CLIP				*		1	
19		SL4041091SE		SCREW M4 L=10				*		4	
20		SL4041091SE		SCREW M4 L=10				*		6	
21		SL4041681SF		SCREW M4 L=16				*		2	
22		CM300100001		LABEL	COMMON USE PART 06,07			*		1	
23	D	M8601356AA0		LKSUB. BASE A ASM.				*		1	
24		SL4030891SC		SCREW M3X8				*		10	
25		HX004180000		PCB PARTS				*		5	
26		E9567319000		EARTH MARK	COMMON USE PART 01~05			*		1	
27		CM200100001		PE MARK LABEL	COMMON USE PART 06,07			*		1	
28	D	M3801351A00		CONNECTOR FITTING PLATE A	COMMON USE PART 01~03					1	
29	D	M3802351000		TERMINAL BASE FITTING PLATE	COMMON USE PART 04,05					1	
30	D	M3803351000		TERMINAL BASE COVER	COMMON USE PART 04,05					1	
31	D	HK04905003A		TERMINAL BASE 3P	FOR JA,10-0V~120V 1φ					1	
32	D	HK049050040		TERMINAL BASE 4P	FOR JA,20-0V~240V 3φ					1	
33		SL4031081SF		SCREW M3 L=10	COMMON USE PART 04,05					2	
34		SL4041091SE		SCREW M4 L=10	COMMON USE PART 01~03,06					1	
35		SL4041091SE		SCREW M4 L=10	COMMON USE PART 04,05					2	
36		SL4041281SF		SCREW M4 L=12	COMMON USE PART 04,05					2	

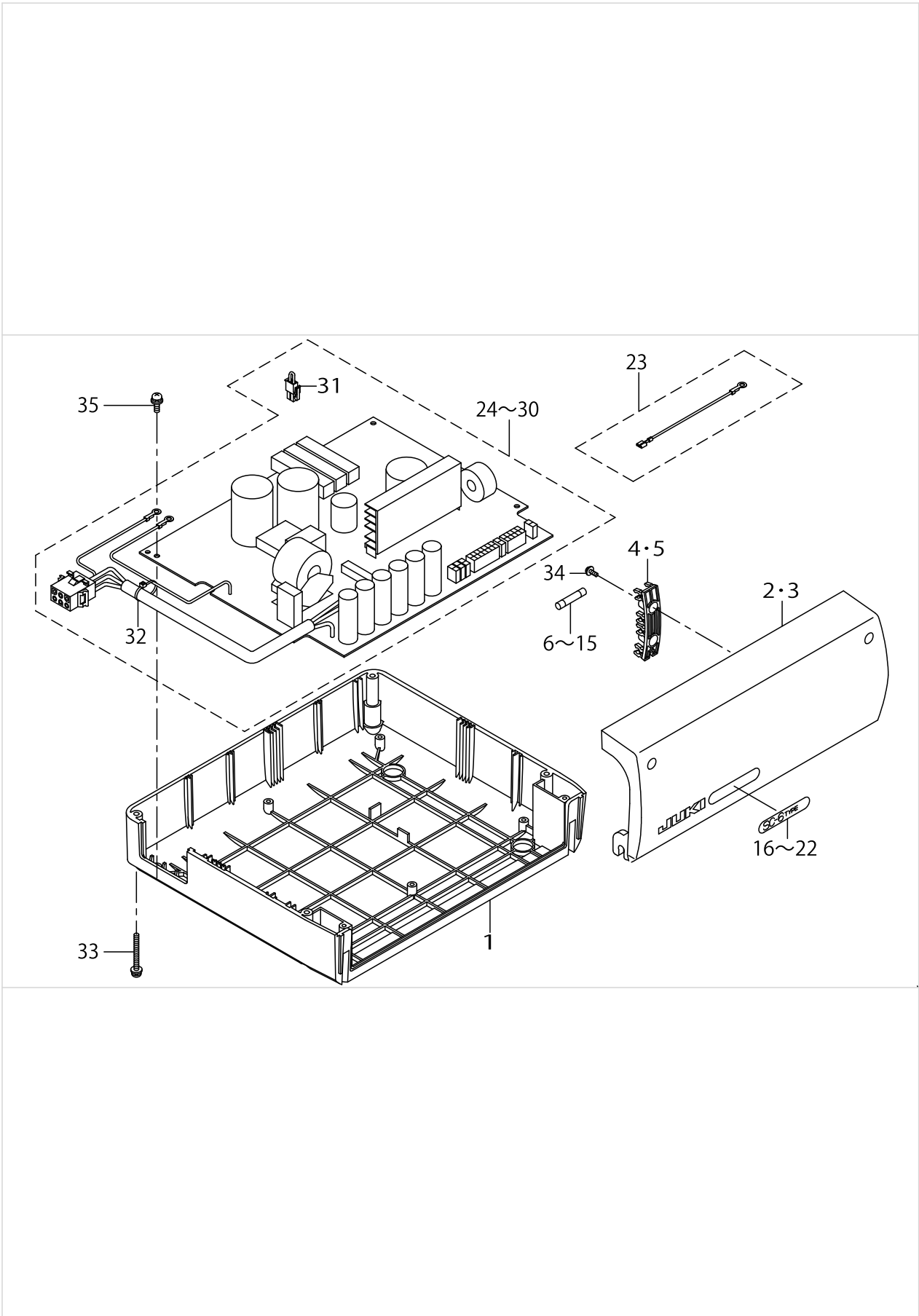
PSC BOX UNIT COMPONENTS(2)



PSC BOX UNIT COMPONENTS(2)

No.	Supply Code	Parts No.	Replacement	Parts name	Remarks	Choice	Step	Level	Cons	Qty	Rep. QTY
37		SL4040885SH		SCREW M4 L=8	COMMON USE PART 04,05					1	
38	D	M7007351A00		TERMINAL BASE LABEL, A	FOR JA,20- 0V~240V 3φ					1	
39		M7007351B00		TERMINAL BASE LABEL, B	FOR JA,10- 0V~120V 1φ					1	
40		WT0430001KN		TOOTHED WASHER						3	
41		SL4041091SE		SCREW M4 L=10						3	
42		SL4040855SE		SCREW M4 L=8						3	
43		M3801351000		CONNECTOR FITTING PLATE	COMMON USE PART 06,07					1	

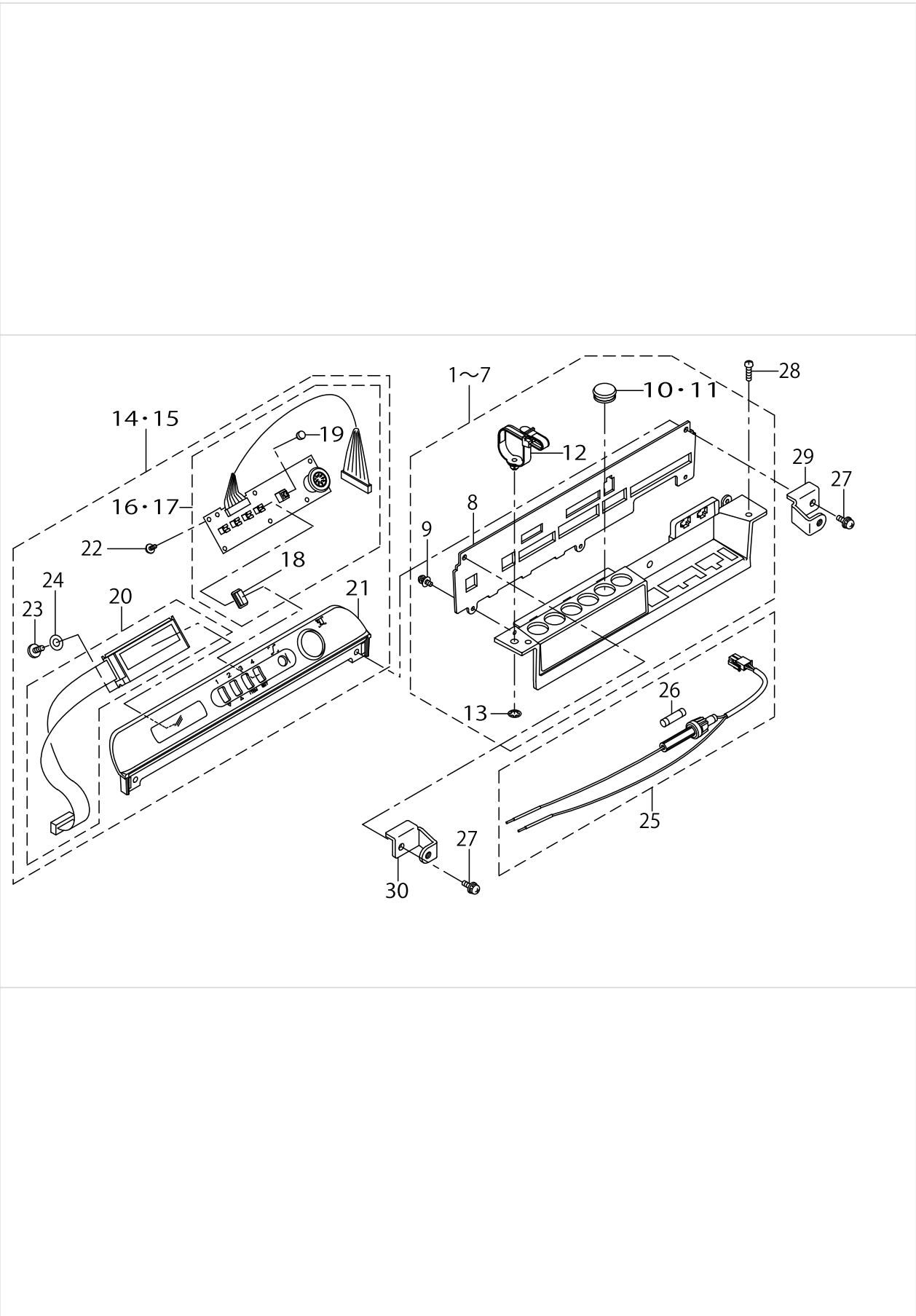
PSC BOX UNIT COMPONENTS(3)



PSC BOX UNIT COMPONENTS(3)

No.	Supply Code	Parts No.	Replacement	Parts name	Remarks	Choice	Step	Level	Cons	Qty	Rep. QTY
1	D	M3201351000A		BOTTOM COVER						1	
2	D	M3405351AAA		FRONT COVER ASM., A	COMMON USE PART 01~05					1	
3	D	M3405351AAA		FRONT COVER ASM., A	COMMON USE PART 06,07					1	
4	D	M3403351000		FUSE HOLDER A	COMMON USE PART 01~05					1	
5	D	M3404351000		FUSE HOLDER B	COMMON USE PART 06,07					1	
6		HF0078016P0		FUSE 250VT 1.6A	COMMON USE PART 06,07					1	
7		HF0078050S0		FUSE 250VT 0.5A	COMMON USE PART 06,07					1	
8		HF0079016P0		FUSE 250VT 1.6A	COMMON USE PART 01~05					1	
9		HF0079030P0		FUSE 250VT 3A	FOR EXPO- RT,100V~120V 1 φ					1	
10		HF0079050S0		FUSE 250VT 0.5A	COMMON USE PART 01~05					1	
11		HF008001200		FUSE 250V 12A	COMMON USE PART 03,05					1	
12	D	HF008102000		FUSE 250VT 20A	COMMON USE PART 01,02,04					1	
13		HF008101500		FUSE 250VT 15A	FOR EMC,- 200V~240V 1 φ					1	
14		HF0079018P0		FUSE 250VT 1.8A	FOR JA,20- 0V~240V 3 φ					1	
15		HF0079032P0		FUSE 250VT 3.2A	FOR JA,10- 0V~120V 1 φ					1	
16		M7002356B0C		SC-6TYPEPLATE,BC	FOR EXPO- RT,200V~240V 3 φ					1	
17		M7002356C0C		SC-6TYPEPLATE,CC	FOR EXPO- RT,200V~240V 1 φ					1	
18		M7002356E0C		SC-6TYPEPLATE,EC	FOR JA,20- 0V~240V 3 φ					1	
19		M7002356F0C		SC-6TYPEPLATE,FC	FOR JA,10- 0V~120V 1 φ					1	
20		M7002356G0C		SC-6TYPEPLATE,GC	FOR JE,20- 0V~240V 1 φ					1	
21		M7002356H0C		SC-6TYPEPLATE,HC	FOR EXPO- RT,100V~120V 1 φ					1	
22		M7002356P0C		SC-6TYPEPLATE,PC	FOR EMC,- 200V~240V 1 φ					1	
23		M8519351BA0		FG. CORD B ASM.	COMMON USE PART 04,05					1	
24	D	M8604351BAB		POWER SOURCE BOARD BB ASM.	FOR EXPO- RT,200V~240V 3 φ					1	
25	D	M8605351CAB		POWER SOURCE BOARD CB ASM.	FOR EXPO- RT,200V~240V 1 φ					1	
26		M8604351EAB		POWER SOURCE BOARD EB ASM.	FOR JA,20- 0V~240V 3 φ					1	
27		M8605351FAB		POWER SOURCE BOARD FB ASM.	FOR JA,10- 0V~120V 1 φ					1	
28	D	M8605351GAB		POWER SOURCE BOARD GB ASM.	FOR JE,20- 0V~240V 1 φ					1	
29		M8605351HAB		POWER SOURCE BOARD HB ASM.	FOR EXPO- RT,100V~120V 1 φ					1	
30	D	M8609351PAB		POWER SOURCE BOARD PB ASM.	FOR EMC,- 200V~240V 1 φ					1	
31		M8524351AA0		INPUT CHANGING CORD ASM., A				*		1	
32		EA9500B0100		CABLE BAND				*		1	
33		SL4044091SE		SCREW M4 L=40						4	
34		SV4030801SS		TAPPING SCREW						2	
35		SL4041081SF		SCREW M4 L=10						6	

PSC BOX UNIT COMPONENTS(4)



PSC BOX UNIT COMPONENTS(4)

No.	Supply Code	Parts No.	Replacement	Parts name	Remarks	Choice	Step	Level	Cons	Qty	Rep. QTY
1		M3401356BA0		CONNECTOR PANEL ASM., B	FOR EXPO-RT,200V~240V 3φ					1	
2		M3401356CA0		CONNECTOR PANEL ASM., C	FOR EXPO-RT,200V~240V 1φ					1	
3		M3401356EA0		CONNECTOR PANEL ASM., E	FOR JA,20-0V~240V 3φ					1	
4		M3401356FA0		CONNECTOR PANEL ASM., F	FOR JA,10-0V~120V 1φ					1	
5		M3401356GA0		CONNECTOR PANEL ASM., G	FOR JE,20-0V~240V 1φ					1	
6		M3401356HA0		CONNECTOR PANEL ASM., H	FOR EXPO-RT,100V~120V 1φ					1	
7	D	M3401356PA0		CONNECTOR PLATE ASM.,P	FOR EMC,-200V~240V 1φ					1	
8		M3401356000		CONNECTOR PANEL LKB				*		1	
9		SV4031006SR		SCREW M3 L=10				*		3	
10		HX00326000G		PLUG	FOR JE,20-0V~240V 1φ			*		3	
11		HX00326000G		PLUG	COMMON USE PART 01,02,04,07			*		1	
12		HX003820000		CABLE CLAMP				*		1	
13		NP210580000		PUSH NUT				*		1	
14	D	M3601355AA0		INDICATOR A ASM.	COMMON USE PART 01~05					1	
15	D	M3601355BA0		INDICATOR B ASM.	COMMON USE PART 06,07					1	
16		M8607351AAA		SW. BOARD ASM., AA	COMMON USE PART 01~05			*		1	
17	D	M8607351AAB		SW. BOARD ASM., AB	COMMON USE PART 06,07			*		1	
18	D	M3603351000		SWITCH KEY TOP				*		4	
19	D	HA003640010		SWITCH KEY TOP				*		1	
20	D	M8503351AA0		LCD. UNIT ASM., A				*		1	
21		M3601355000		SWITCH PANEL LK				*		1	
22		SV4030801SS		TAPPING SCREW				*		6	
23		ST4031021SR		TAPPING SCREW D=3 L=10				*		1	
24		M3604351000		SPACER				*		1	
25	D	M8525351AA0		LAMP FUSE HOLDER ASM., A	COMMON USE PART 01~05					1	
26		M9644110000		FUSE 8A	COMMON USE PART 01~05			*		1	
27		SL4042081SF		SCREW M4 L=20						2	
28		SL4031081SF		SCREW M3 L=10						2	
29		M3402356000		COVER BRACKET, R						1	
30		M3403356000		COVER BRACKET, L						1	

LIST FOR INFORMATION OF CHANGE

As to the place changed, refer to the corresponding Rev.No.
 When previous parts (Obsolated part) and new parts (Added parts) are not interchangeable with each other:
 In this case, even obsolated parts (D.) can be ordered with the obsolated part number, so select the parts with changed dates and place your orders.

変更箇所は、該当Rev.No.版をご参照ください。
 部品の互換性がない変更の場合は、削除された品番でも、ご注文できます。

29174406
 No.1068-05・・・Rev.No.

*A: Added parts 追加部品 / D: Obsolated parts 削除部品 / E: Erratum 訂正

* Rev. No.	Page 頁	Ref. No.	Parts No. 品番	* Rev. No.	Page 頁	Ref. No.	Parts No. 品番		
				A	05	2	78	180-36707	
				A	05	2	79	180-36806	
				A	05	2	80	180-36905	
				A	05	2	81	180-37002	
				A	05	2	82	WP-0850002-SP	
D	04	4	76	D2205-982-AA0	A	05	4	76	138-90009
D	04	4	77	D2205-983-QA0	A	05	4	77	138-90108
D	04	4	78	B2205-980-0A0	A	05	4	78	138-90207
D	04	12	24	B3137-527-0A0	A	05	12	24	138-90454
				A	05	16	1	138-83756	
D	04	18	9	G3215-270-000	A	05	18	9	B3041-980-000
				A	05	18	44	138-90504	
				A	05	18	45	SK-3412001-SC	

HOW TO MAKE USE OF THIS PARTS LIST

1.Explanation of codes

1)"*"mark.....means this part is changed from the previous parts book.

As to the details of the change, refer to the "List for information of change".

2)"#01".....refer to "Note" explanation at bottom of page.

2.Codes on the "Qty" column

- Each numeral indicates the number of parts required.
- "0.1" and "2.5" indicate the length (in meters) of the respective parts.

3.Parentheses mean that the corresponding part is a subpart that constructs an assembly part.

4.Dotted lines on the Figures indicate assembly parts.

1."注記"欄の記号説明

1) "*"印.....前回のパーツブックに比較して今回変更された部品を意味します。

変更内容は、"変更情報リスト"を参照してください。

2) "#01".....ページ下の"注記"の説明を参照してください。

2.数量欄の数字は、個数を表し、0.1、2.5等の数値は、長さ（単位メートル）を表します。

3.数量欄の（ ）は、組部品を構成している子部品であることを意味します。

4.イラストページの-----枠は、組構成であることを意味します。

NUMERICAL INDEX OF PARTS

PART NO	PAGE	REF NO.	PART NO	PAGE	REF NO.	PART NO	PAGE	REF NO.
10064400	40	5	13807904	24	20	13874706	6	40
10120004	24	16	13859657	2	27	13874805	6	41
10502300	30	8	13867957	14	15	13874904	6	42
10527208	32	17	13870050	2	1	13875000	6	43
11001005	4	68	13870209	30	3	13875109	6	44
11002904	44	6	13870258	30	2	13875208	6	45
11021607	44	7	13870266	30	1	13875307	8	48
11032265	6	15	13870605	30	4	13875406	8	49
11041100	32	18	13870704	2	2	13875604	16	50
11102308	30	7	13870852	2	3	13875604	18	5
11185006	48	21	13870902	2	4	13875752	8	47
11185105	48	17	13870902	28	20	13875760	6	46
11185204	48	6	13871009	2	5	13875810	8	50
11185352	48	2	13871108	2	6	13875919	8	51
11185402	48	3	13871108	28	19	13876008	8	62
11185501	48	18	13871207	2	7	13876107	8	63
11272408	34	69	13871306	2	8	13876206	50	25
11274107	40	6	13871454	2	9	13876305	10	1
11851102	50	26	13871504	2	10	13876305	32	34
11969458	48	1	13871603	2	20	13876404	10	2
13502604	2	22	13871702	2	11	13876503	10	3
13503206	6	16	13871801	2	12	13876602	10	4
13503305	6	17	13872007	2	14	13876602	32	39
13503404	6	18	13872106	2	15	13876719	10	5
13508403	10	10	13872205	2	16	13876719	34	49
13513114	40	7	13872304	4	70	13876800	10	6
13514310	24	17	13872403	36	1	13876909	10	7
13515101	24	21	13872650	6	5	13877006	10	8
13515309	24	18	13873005	6	1	13877105	10	9
13516208	16	61	13873104	6	2	13877303	32	1~4
13516208	18	18	13873252	6	4	13877402	32	1~4
13516604	18	11~15	13873260	6	3	13877501	32	1~4
13516703	18	11~15	13873302	6	10	13877600	32	1~4
13516802	18	11~15	13873450	36	2	13877709	18	4
13518907	18	16	13873658	6	11	13877808	16	67
13519103	18	11~15	13873708	6	12	13877808	20	48
13519202	18	11~15	13873807	6	13	13877907	16	51
13529102	44	8	13873906	6	14	13877907	18	6
13530001	44	10	13874052	30	5	13878053	14	1
13530209	44	9	13874102	22	7	13878152	14	3
13534060	24	19	13874250	42	7	13878251	14	2
13542006	2	23	13874300	34	65	13878558	14	16
13722509	40	8	13874409	42	3	13878608	14	17
13760707	22	15	13874508	6	38	13878707	14	4
13768155	2	24	13874607	6	39	13878806	14	6

NUMERICAL INDEX OF PARTS

PART NO	PAGE	REF NO.	PART NO	PAGE	REF NO.	PART NO	PAGE	REF NO.
13878905	14	5	13883350	22	9	13887807	36	15
13879002	18	1	13883368	22	8	13887906	34	51
13879101	18	2	13883400	22	33	13888003	36	17
13879200	14	18	13883509	22	12	13888102	36	18
13879309	14	19	13883608	22	13	13888201	32	16
13879408	14	13	13883715	28	6	13888409	44	1
13879507	18	3	13883756	28	1	13888508	44	2
13879606	34	67	13883806	28	7	13888607	44	3
13879705	14	7	13883905	22	41	13888706	44	4
13879804	4	72	13884002	22	14	13888805	36	19
13879903	4	73	13884119	28	21	13888904	44	5
13880000	14	14	13884218	28	4	13889001	42	4
13880109	14	8	13884309	26	55	13889100	42	1
13880208	14	9	13884309	38	56	13889209	42	2
13880307	14	11	13884408	16	63~65	13889308	42	5
13880406	14	12	13884507	40	2	13889407	42	6
13880505	14	10	13884606	40	3	13889704	30	6
13880604	16	52	13884705	40	4	13889951	30	31
13880604	18	8	13884804	16	63~65	13890009	8	76~78
13880703	16	53	13884903	16	63~65	13890108	8	76~78
13880703	18	9	13885256	36	3	13890207	8	76~78
13880802	16	54	13885306	32	5	13890454	22	24
13880802	18	10	13885454	32	6	13890504	30	44
13880901	18	7	13885603	34	55	13922208	2	26
13881008	50	1	13885702	36	5	13922208	28	17
13881255	24	14	13885801	32	7	16189508	34	54
13881255	38	51	13885900	32	8	16201501	28	8
13881305	24	12	13886015	32	9	16992604	34	68
13881404	24	1	13886106	34	56	17834706	42	8
13881503	24	2	13886205	34	52	18036707	4	78~81
13881602	24	3	13886304	36	8	18036806	4	78~81
13881701	24	4	13886411	32	10	18036905	4	78~81
13881800	24	5	13886502	32	11	18037002	4	78~81
13881909	24	6	13886601	32	12	25002809	28	2
13882006	24	7	13886700	36	9	25002908	28	5
13882105	24	8	13886809	36	10	A3125002000	22	40
13882204	24	9	13886908	36	11	B1104280000	4	69
13882303	24	10	13887005	32	13	B1107280000	2	17
13882402	24	11	13887104	32	14	B1110280000	30	11
13882501	24	15	13887203	32	15	B1115232000	22	39
13882501	38	50	13887302	36	12	B11152320A0	22	36
13882659	24	13	13887401	34	63	B1116205000	50	2
13883004	22	10	13887450	34	62	B1116804000	2	19
13883103	22	11	13887500	36	13	B1117205000	50	3
13883251	22	1	13887708	36	14	B1135210000	4	67

NUMERICAL INDEX OF PARTS

PART NO	PAGE	REF NO.	PART NO	PAGE	REF NO.	PART NO	PAGE	REF NO.
B1136850000	28	3	B18122100A0	10	24	B250228000A	18	44~47
B1144771000	2	18	B18122100A0	32	23	B250228000B	18	44~47
B1144771000	28	18	B1813980000	10	25	B250228000C	18	44~47
B120898000A	6	19~22	B1813980000	32	24	B250228000D	20	44~47
B120898000B	6	19~22	B1814980000	10	26	B2506980000	18	22
B120898000C	6	19~22	B1815210000	10	27	B2508280000	18	23
B120898000D	6	19~22	B1815210000	32	25	B2548280000	14	23
B1210980000	6	23	B1816280000	10	15	B2549280000	14	24
B1211804000	6	27	B1816280000	34	61	B2597210000	36	34
B1211980000	6	24	B1819280000	10	28	B2612372000	30	32
B1220771000	6	25	B1823280000	12	53	B3013141H0A	42	9
B1223771000	6	26	B18282100A0	10	30	B3035280000	8	67
B1411804A00	10	11~14	B18282100A0	34	50	B3041980000	30	9
B1411804A00	32	19~22	B1831220000	10	31	B3107352000	30	33
B1411804B00	10	11~14	B1903552000	8	52	B3108352000	30	34
B1411804B00	32	19~22	B1903552000	32	26	B3114232000	22	22
B1411804C00	10	11~14	B1904280000	8	68	B3116125000	22	17
B1411804C00	32	19~22	B1905541A00	32	27~30	B3120125000	22	18
B1411804D00	10	11~14	B1905541B00	32	27~30	B3123352000	22	37
B1411804D00	32	19~22	B1905541C00	32	27~30	B3125012000	22	19
B1414226000	36	21	B1905541D00	32	27~30	B3125012000	30	35
B1414232000	8	64~66	B2019372000	22	16	B3125527000	22	20
B141423200A	8	64~66	B2039373000	2	25	B3126012000	22	38
B141423200B	8	64~66	B2207280000	14	22	B3126012000	30	36
B1419026000	44	26	B2404280000	24	23	B3129771000	30	37
B1430180A00	8	53~56	B2410980000	24	24	B3132552000	22	23
B1430180B00	8	53~56	B2417210000	24	25	B3138527000	22	25
B1430180C00	8	53~56	B2417210000	36	25	B3140527000	22	26
B1430180D00	8	53~56	B242328000A	24	26~32	B3141527000	22	27
B1605761000	14	20	B242328000A	36	26~32	B3208280000	30	26
B1606761000	14	21	B242328000B	24	26~32	B3212761000	30	30
B1608774000	18	20	B242328000B	36	26~32	B3304704000A	48	14
B1623180000	36	22	B242328000C	24	26~32	B3305704000A	48	7
B1631012B00	24	22	B242328000C	36	26~32	B3309704000	48	13
B1631012B00	40	9	B242328000D	24	26~32	B33097040A0	48	10
B1801980000	10	16	B242328000D	36	26~32	B3311012000	48	20
B1804280000	10	17	B242328000E	24	26~32	B3311704000	48	5
B1805210A00	10	18	B242328000E	36	26~32	B3311804000	48	11
B1805210A00	34	59	B242328000F	24	26~32	B3317704000	48	23
B1805210A00	50	4	B242328000F	36	26~32	B3320704L00A	48	19
B18069800AA	10	19~23	B242328000G	24	26~32	B3413227000	30	12
B18069800AB	10	19~23	B242328000G	36	26~32	B3501210000	44	11
B18069800AC	10	19~23	B2424210000	24	33	B3502280000	2	28
B18069800AY	10	19~23	B2424210000	36	33	B3504280000	44	12
B18069800AZ	10	19~23	B2501280000	18	21	B3505210000	44	13

NUMERICAL INDEX OF PARTS

PART NO	PAGE	REF NO.	PART NO	PAGE	REF NO.	PART NO	PAGE	REF NO.
B3505210D00	46	52	D1807555B00	32	31	M3002356DA0	54	1~6
B3505280000	44	14	D2112555B00	2	30	M3002356EA0	54	1~6
B3506210000	44	15	D2464555B00	24	34	M3002356FA0	54	1~6
B3507210000	44	16	D2629M1YC0F	40	10	M3002356PA0	54	1~6
B3508280000	44	17	E8760452M00	46	51	M3201351000A	58	1
B3509280000	44	20	E9567319000	54	26·27	M3401356000	60	8
B3512280000	44	21	EA9500B0100	2	33	M3401356BA0	60	1~7
B3518280000	44	24	EA9500B0100	46	47	M3401356CA0	60	1~7
B3520210000	44	27	EA9500B0100	58	32	M3401356EA0	60	1~7
B3523220000	44	25	G91011160A0	50	14	M3401356FA0	60	1~7
B3523280000	44	28	GAK33012000	24	35	M3401356GA0	60	1~7
B354677100A	46	48	GBR01525000	40	11	M3401356HA0	60	1~7
B3928880000	22	5	GPK14012000	2	31	M3401356PA0	60	1~7
B8202205000	50	15	HA003640010	60	19	M3402356000	60	29
B8233555000	2	29	HF0078016P0	58	6~15	M3403351000	58	4·5
B9101552000	50	5	HF0078050S0	58	6~15	M3403356000	60	30
B9109555000	50	6~8	HF0079016P0	58	6~15	M3404351000	58	4·5
B9110012000	50	6~8	HF0079018P0	58	6~15	M3405351AAA	58	2·3
B9111012000	50	6~8	HF0079030P0	58	6~15	M3601355000	60	21
B9112012000	50	9~11	HF0079032P0	58	6~15	M3601355AA0	60	14·15
B9113012000	50	9~11	HF0079050S0	58	6~15	M3601355BA0	60	14·15
B9121012000	50	12	HF008001200	58	6~15	M3603351000	60	18
B9143372000	50	9~11	HF008101500	58	6~15	M3604351000	60	24
B9204804000	50	13	HF008102000	58	6~15	M3801351000	56	28·43
BP300000000	44	29	HK04905003A	54	31	M3801351A00	54	28·43
BP400000000	46	53	HK049050040	54	32	M3802351000	54	29
BP500000000	46	46	HX001230000	30	10	M3803351000	54	30
BP600000000	44	30	HX00150000A	36	36	M6211350BAA	2	32
BT0400251ED	28	9	HX00150000H	54	18	M6212350BAA	4	63
BT0600401EF	38	52	HX00221000C	30	43	M6213350BAA	4	66
CM200100001	54	26·27	HX00221000F	2	34	M7002356B0C	58	16~22
CM300100001	54	22	HX00326000G	60	10·11	M7002356C0C	58	16~22
CM3002000B1	4	76	HX003820000	60	12	M7002356E0C	58	16~22
CM300200101	4	77	HX004180000	54	25	M7002356F0C	58	16~22
CQ202000000	44	31	J1067000000	50	16	M7002356G0C	58	16~22
CQ252200000	44	32	M2000356BA0	52	1~7	M7002356H0C	58	16~22
CS0640611SP	30	28	M2000356CA0	52	1~7	M7002356P0C	58	16~22
CS079073ASH	10	33	M2000356EA0	52	1~7	M7007351A00	56	38·39
CS080081ASH	10	34	M2000356FA0	52	1~7	M7007351B00	56	38·39
CS0801011TH	32	32	M2000356GA0	52	1~7	M8502351BA0	54	8~10
CS100101BSH	40	12	M2000356HA0	52	1~7	M8502351CA0	54	8~10
CS1201010SH	32	33	M2000356PA0	52	1~7	M8502351DA0	54	8~10
CS1801211SH	14	25	M3001351000	54	7	M8503351AA0	60	20
CS180121ASH	14	26	M3002356BA0	54	1~6	M8519351BA0	58	23
D1805MLBH00	10	32	M3002356CA0	54	1~6	M8524351AA0	58	31

NUMERICAL INDEX OF PARTS

PART NO	PAGE	REF NO.	PART NO	PAGE	REF NO.	PART NO	PAGE	REF NO.
M8525351AA0	60	25	NS6361040SP	14	27	SD0651301TH	24	45
M8601351SAA	54	11·12	NS6660430SP	10	35	SD0720221SP	30	14
M8601351SAB	54	11·12	NS6660430SP	18	26	SD0720222TP	30	13
M8601356AA0	54	23	NS6660511SP	14	28	SD0801021TP	10	40
M8602351AAB	54	13~16	PA1001022A0	28	10	SD0870602SP	14	29
M8604351BAB	58	24~30	PA1002501A0	16	56	SD0901201TP	24	46
M8604351EAB	58	24~30	PA1002501A0	18	27	SD0951501SP	14	30
M8605351CAB	58	24~30	PA1004001A0	2	35	SK3311601SC	50	19
M8605351FAB	58	24~30	PA1501515A0	36	38	SK3412001SC	30	45
M8605351GAB	58	24~30	PA2001501A0	24	36	SL4030591SC	30	19
M8605351HAB	58	24~30	PC010521000	50	24	SL4030891SC	54	24
M8607351AAA	60	16·17	PJ046054002	36	39	SL4031081SF	54	33
M8607351AAB	60	16·17	PJ301060501	24	37	SL4031081SF	60	28
M8609351PAB	58	24~30	PJ301065104	24	38	SL4031281SC	30	17
M8610351AAA	54	13~16	PJ304040504	2	36	SL4031481SC	30	18
M8610351AAC	54	13~16	PJ304040504	16	57	SL4040855SE	56	42
M8610351AAP	54	13~16	PJ304040504	18	28	SL4040885SH	56	37
M8802351000	54	17	PJ304040504	28	11	SL4041081SF	58	35
M9644110000	60	26	PS0250081K0	42	11	SL4041091SE	54	41
MAO11532000	48	25	PS0250162KH	10	36	SL4041091SE	56	41
MAZ16526000	44	45	PS0250162KH	32	35	SL4041281SF	54	36
MDFRX2700C0	50	20	PS0250202KH	42	10	SL4041681SF	54	21
MDP170B1900	8	69·80	RC0150001KP	6	28	SL4042081SF	60	27
MDP170B1904	50	17·27	RC1021011KP	24	39	SL4044091SE	58	33
MDP170B2100	8	69·80	RC1991214KP	10	37	SL4051001MZ	6	29
MDP170B2104	50	17·27	RC2200002KP	10	38	SM1020801SN	2	37
MTJVH00500A	8	84	RE0300000K0	16	58	SM1030401SE	36	42
NM6030001SC	30	23	RE0300000K0	18	29	SM4030455SN	34	58
NM6050001SE	48	22	RE0400000K0	36	40	SM4030455SN	36	4
NM6050001SP	36	37	RE0400000KP	24	40	SM4051405SE	48	26
NM6060001SC	40	13	SB112000200	32	36	SM5040601SC	42	13
NM6080001SC	50	18	SB30400020A	8	57	SM6030860SP	16	55
NP210580000	60	13	SB30800080A	8	58~61	SM6030860SP	18	31
NS6090310SP	18	32	SB30800080B	8	58~61	SM6040602TN	14	32
NS6090310SP	34	66	SB30800080C	8	58~61	SM6041202TN	16	59
NS6090310SP	40	14	SB30800080D	8	58~61	SM6041202TN	18	30
NS6110420SP	30	27	SB312000400	10	39	SM6052002TP	14	34
NS6120310SP	22	35	SB612000100	32	37	SM6052502TP	14	35
NS6120310SP	24	43	SD0550271TP	40	17	SM6053000SE	48	15
NS6120310SP	44	44	SD0600411TP	40	15	SM6061802TP	40	20
NS6150310SP	22	6	SD0601021SP	40	16	SM6081552TP	14	33
NS6150430SN	30	38	SD0640241SP	22	29	SM6083042CH	2	21
NS6150430SP	18	24	SD0640752TP	36	41	SM6087002TN	50	21
NS6150440SP	18	25	SD0640851SP	42	12	SM6860552TP	8	70
NS6160520SP	22	28	SD0650305TP	24	44	SM9030650SN	38	53

NUMERICAL INDEX OF PARTS

PART NO	PAGE	REF NO.	PART NO	PAGE	REF NO.	PART NO	PAGE	REF NO.
SS1060210TP	26	47	SS6151412TP	14	37	SS8150710TP	12	49
SS1060210TP	36	6	SS6151412TP	36	20	SS8150822TP	8	82
SS1090920SP	18	33	SS6151440SP	26	50	SS8150822TP	18	40
SS1121010SP	18	34	SS6151920TP	26	54	SS8150822TP	50	22
SS1121010SP	28	13	SS6152212SP	18	36	SS8151550SP	6	7
SS2111140SP	34	57	SS6153040SP	14	38	SS8151770SP	6	6
SS4090515SP	44	33	SS6242272TP	36	23	SS8660330SP	32	41
SS4090610SP	4	52	SS6661110SP	14	39	SS8660410SP	14	44
SS4090615SP	46	50	SS6681712TP	6	31	SS8660522TP	32	42
SS4110615SP	42	14	SS7090410SP	26	51	SS8660610TP	6	33
SS4120615SP	2	57	SS7090410SP	36	35	SS8660612TP	6	34
SS4120615SP	4	57	SS7090520SP	22	30	SS8660612TP	12	50
SS4120615SP	44	41	SS7110410SP	28	15	SS8660612TP	32	44
SS4120915SP	2	45	SS7110510SP	28	16	SS8660612TP	40	19
SS4120915SP	44	42	SS7110540SP	48	12	SS8661012TP	6	35
SS4150915SP	2	44	SS7110570SP	42	16	SS8661012TP	32	45
SS5090610SP	34	60	SS7110710SP	4	74	SS8661212TP	6	36
SS6060410TP	10	41	SS7110710SP	36	44	SS8661212TP	12	51
SS6060410TP	32	38	SS7110840SP	4	55	SS8661212TP	34	47
SS6080410SP	2	46	SS7110840SP	8	74	SS9090813TP	40	18
SS6090440SP	44	39	SS7110840SP	10	44	SS9120643TP	44	49
SS6090520SP	14	36	SS7111110TP	10	45	SS9120643TP	46	49
SS6090520SP	18	35	SS7111120TP	32	64	SS9120910TP	40	1
SS6090670TP	8	71	SS7111120TP	34	64	SS9151210TP	16	62
SS6090810TP	8	73	SS7111410TP	8	79	SS9661230CP	6	37
SS6092120SP	44	40	SS7120640SP	4	50	ST4031021SR	60	23
SS6110610TP	26	48	SS7120710SP	26	52	SV4030801SS	58	34
SS6110610TP	38	48	SS7120910SP	14	41	SV4030801SS	60	22
SS6110640SP	26	49	SS7150910TP	26	53	SV4031006SR	60	9
SS6110820TP	8	72	SS7150910TP	36	45	TA0750404R0	12	52
SS6111052TP	36	43	SS7150940SP	38	55	TA1050504R0	4	53
SS6111210SP	6	8	SS7151120SP	8	75	TA1050504R0	38	49
SS6120940SP	4	58	SS7151120SP	12	46	TA1250406R0	34	53
SS6120940SP	22	34	SS7151310TP	6	32	TA1330405R0	38	47
SS6120940SP	42	15	SS7740740SP	4	60	TA2050416R0	4	62
SS6121010SP	10	43	SS8080410TP	22	31	TA2100904R0	4	64
SS6121010SP	36	24	SS8080610SP	22	32	WP0371016SD	2	13
SS6121210SP	14	40	SS8090530TP	30	29	WP0371026SD	38	54
SS6121840SP	36	7	SS8090710SP	18	39	WP0450801SD	6	9
SS6123010SP	36	16	SS8110422TP	16	60	WP0450801SD	28	12
SS6151040SP	4	59	SS8110422TP	18	38	WP0450801SD	42	18
SS6151040SP	16	66	SS8110520SP	12	47	WP0450826SC	16	48
SS6151220SP	8	81	SS8120740SP	14	43	WP0480856SP	4	75
SS6151220SP	18	37	SS8150510TP	8	83	WP0482086SD	28	14
SS6151412TP	6	30	SS8150710TP	4	61	WP0482086SD	42	19

NUMERICAL INDEX OF PARTS

PART NO	PAGE	REF NO.
WP0501016SC	30	42
WP0550800SP	16	46
WP0551016SH	30	24
WP0551016SH	44	43
WP0600116KP	18	19
WP0612516SD	14	45
WP0612516SD	18	41
WP0621016SH	18	42
WP0621016SH	36	46
WP0650876SD	18	43
WP0703216SP	4	65
WP0850002SP	4	82
WP0952616SD	10	29
WP0952616SD	34	48
WP1612616SE	48	24
WS0451040KP	30	25
WS0820002KN	50	23
WS0822010KP	16	49
WS1643202KR	48	27
WT0430001KN	56	40
WZ0850302K0	42	17