

MODEL : MO-3604/MO-3616

List No : 1098-05

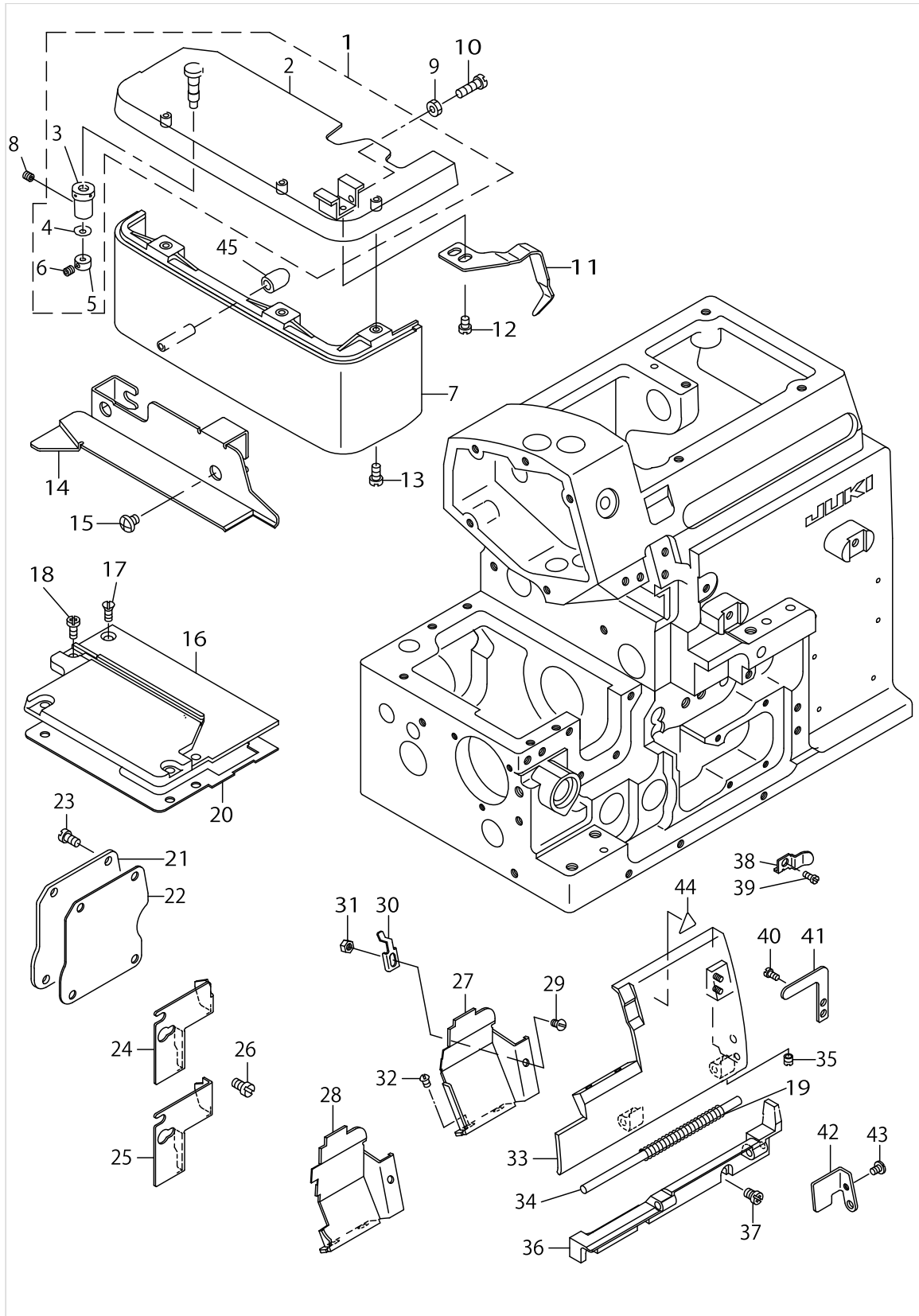
PARTS LIST

Published:05/12/2017

CONTENTS

FRAME COMPONENTS (1)	1
FRAME COMPONENTS (2)	3
CRANKSHAFT COMPONENTS	5
NEEDLE DRIVING SHAFT COMPONENTS	9
FEED MECHANISM COMPONENTS (1).....	13
FEED MECHANISM COMPONENTS (2).....	17
CHAIN LOOPER COMPONENTS (FOR MO-3616).....	21
UPPER & LOWER LOOPER COMPONENTS.....	23
PRESSER FOOT COMPONENTS (1).....	27
PRESSER FOOT COMPONENTS (2).....	29
THREAD TENSION COMPONENTS	33
UPPER KNIFE COMPONENTS	41
LOWER KNIFE COMPONENTS.....	43
LUBRICATION MECHANISM COMPONENTS.....	47
SEMI-SUNKEN TYPE TABLE COMPONENTS.....	49
FULLY-SUNKEN TYPE TABLE COMPONENTS.....	51
THREAD STAND COMPONENTS(FOR MO-3604,MO-3614).....	53
THREAD STAND COMPONENTS(FOR MO-3616).....	55
LIST FOR INFORMATION OF CHANGE.....	57
HOW TO MAKE USE OF THIS PARTS LIST	58

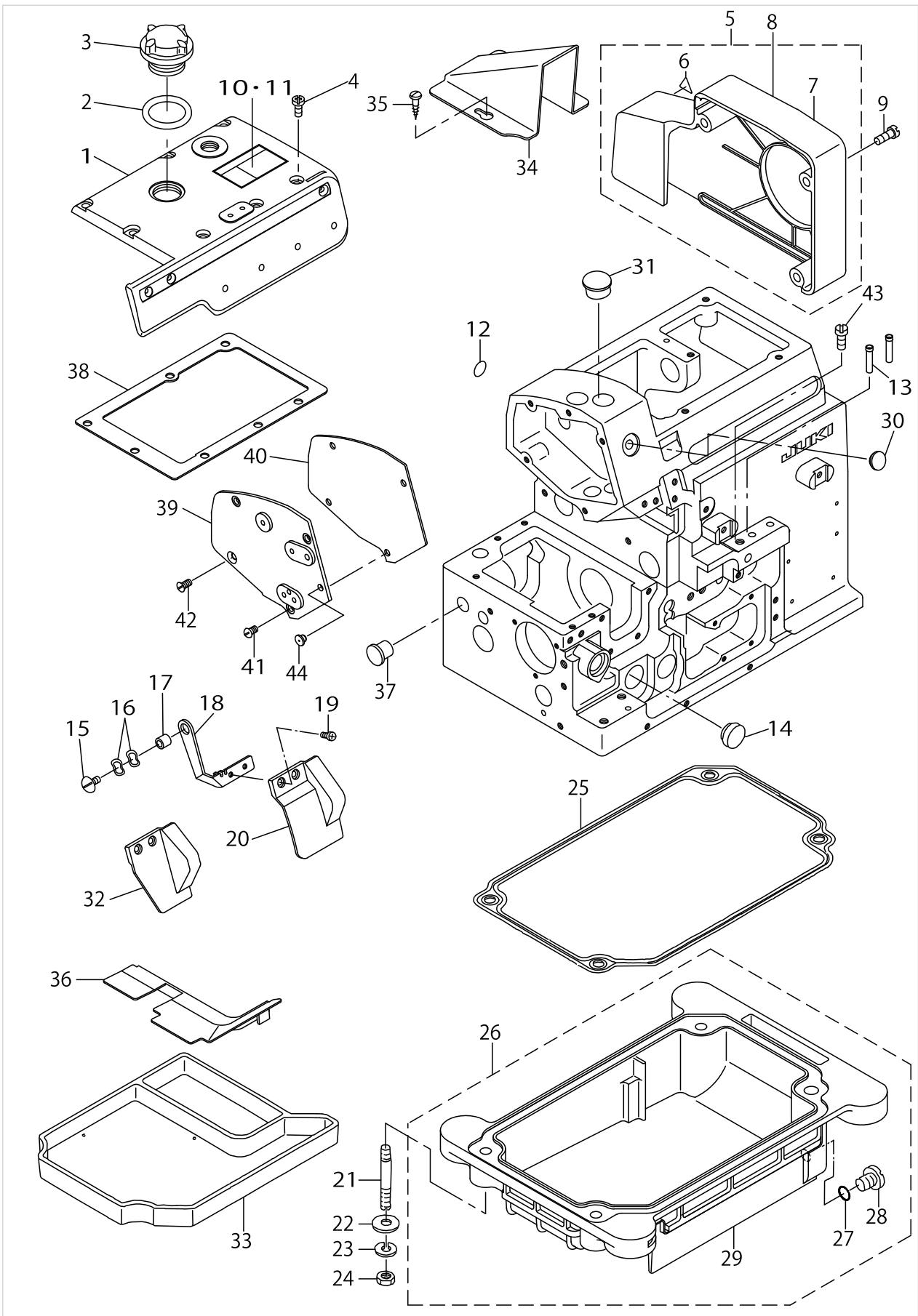
FRAME COMPONENTS (1)



FRAME COMPONENTS (1)

No.	Supply Code	Parts No.	Replacement	Parts name	Remarks	Choice	Step	Level	Cons	Qty	Rep. QTY
1	R	12105359	13103650	CLOTH PLATE ASM.						1	1.00
2	R	12102752	13103650	CLOTH PLATE ASM.				*		1	1.00
3		11501301		ECCENTRIC BUSHING				*		1	
4		WZ0420350KP		DISC SPRING				*		1	
5	R	CS0400671SD	13172903	THRUST HOLDER				*		1	1.00
6		SM8040302TP		SETSCREW				*		1	
7	D	11949005		CLOTH BASE COVER						1	
8		SS8110410TP		SCREW 11/64-40 L= 3.5						1	
9		NS6110420SP		NUT 11/64-40						1	
10		SS6111440SP		SCREW 11/64-40 L=14.0						1	
11		11810207		STOPPER						1	
12		SS7110510SP		SCREW 11/64-40 L=5						2	
13		SS4091015SP		SCREW 9/64-40 L=10						3	
14	R	12342101	13102306	CLOTH PLATE SIDE COVER						1	1.00
15		SS4120615SP		SCREW 3/16-28 L=6						2	
16		12344503		FEED MECHANISM COVER						1	
17		SM1040801SC		SCREW M4X0.7 L=8						1	
18		SM4040855SP		SCREW						4	
19	R	B1140716000	13101209	SPRING						1	1.00
20		12250601		GASKET						1	
21	D	11951100		COVER						1	
22	D	12270500		GASKET						1	
23		SM4040855SP		SCREW						4	
24	D	12102307		CHIP GUARD COVER, LEFT	FOR MO-3-604,MO-3614					1	
25	D	12102406		CHIP GUARD COVER, LEFT	FOR MO-3616					1	
26		SS7110510SP		SCREW 11/64-40 L=5						2	
27	R	12286803	13104005	CLOTH WASTE COVER	FOR MO-3-604,MO-3614					1	1.00
28	R	12286902	13104203	CLOTH WASTE COVER	FOR MO-3616					1	1.00
29		SS2090520SL		SCREW 9/64-40 L=5						1	
30	R	12101515	13102405	CROTH WASTE COVER STOPPER						1	1.00
31		NS6090310SN		NUT 9/64-40						1	
32		SS3090610SP		SCREW 9/64-40 L=6						2	
33	R	12101309	13100904	LOOPER COVER						1	1.00
34	D	11803004		LOOPER COVER HINGE PIN						1	
35		SS8110410TP		SCREW 11/64-40 L= 3.5						1	
36	R	12344909	13100805	LOOPER COVER BRACKET						1	1.00
37		SM4041055SP		SCREW						3	
38	R	12103404	13101308	LOOPER COVER PRESSER SPRING						1	1.00
39		SM4040655SP		SCREW M4 L=6						1	
40		SS7090530SP		SCREW 9/64-40 L= 4.5						1	
41		12103206		LOOPER COVER PRESSER PLATE						1	
42	R	12101408	13101001	GUIDE PLATE						1	1.00
43		SS7090610SP		SCREW 9/64-40 L=6						1	
44		CM300200001		ATTENTION SEAL	FOR JE					1	
45	R	11802204	13104302	RUBBER PLUG						1	1.00

FRAME COMPONENTS (2)



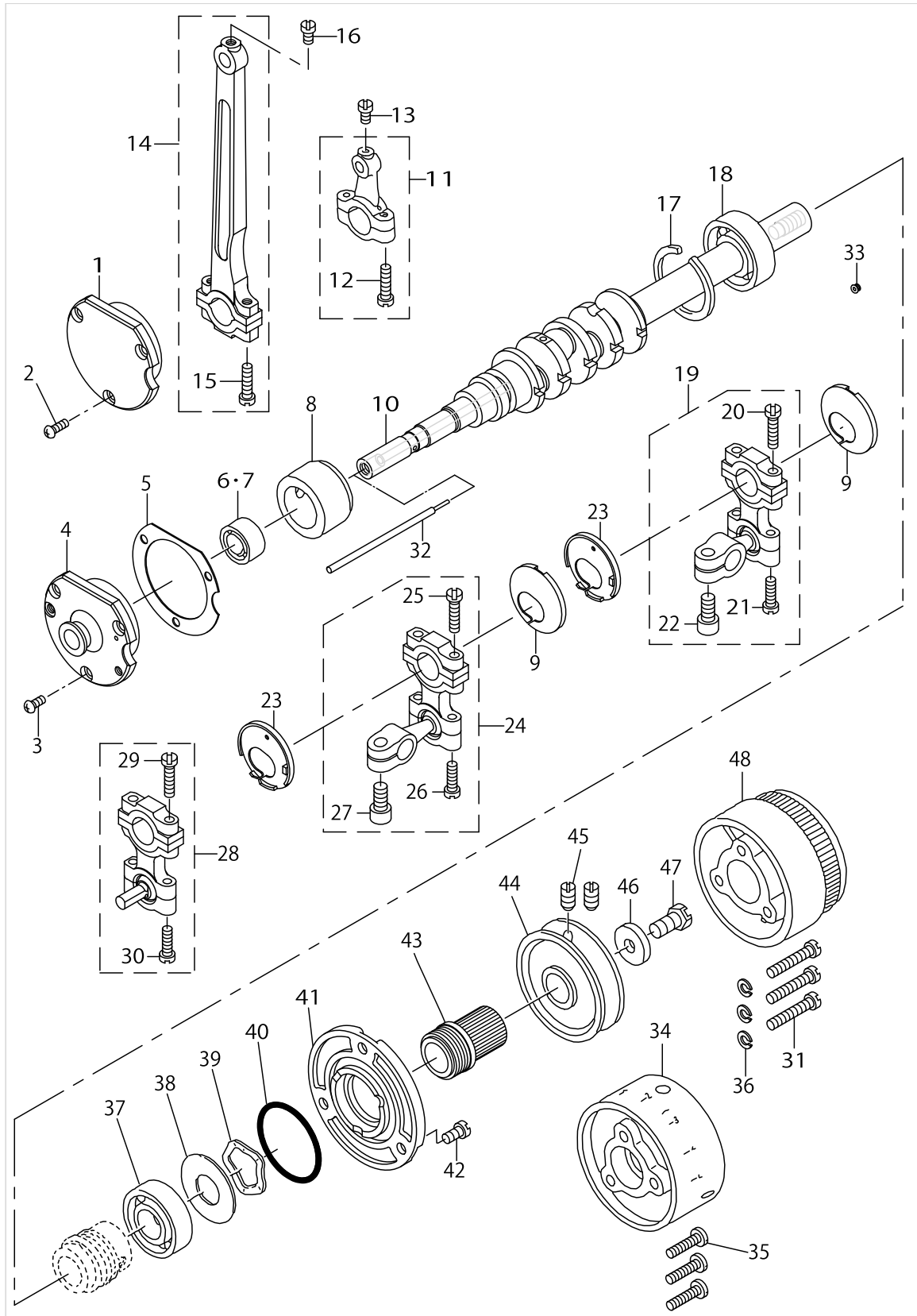
FRAME COMPONENTS (2)

No.	Supply Code	Parts No.	Replacement	Parts name	Remarks	Choice	Step	Level	Cons	Qty	Rep. QTY
1	D	12270203		UPPER COVER						1	
2		RO195240100		RUBBER RING						1	
3	R	B3530555000	22924708	OIL SIGHT WINDOW						1	1.00
4		SM4051255SP		SCREW.,M5 L=12.						7	
5	D	12101952		BELT COVER ASM.	FOR JAPAN					1	
6		CM3002000A1		CAUTION LABEL(16)	FOR JAPAN			*		1	
7	R	12101903	12101952	BELT COVER	FOR JAPAN			*		1	1.00
8	R	12101903	12101952	BELT COVER	FOR EXPORT					1	1.00
9		SS4151215SP		SCREW15/64-28L=12						3	
10		CM300200101		SAFETY LABEL, 1(SMALL).	FOR JAPAN					1	
11		CM3002001A1		SAFETY LABEL.,3 (SMALL).	FOR EXPO- RT(EXCEPT JE)					1	
12	R	10004109	22901805	GROUND MARK						1	1.00
13	R	11805207	13102900	THREAD GUIDE, LARGE						2	1.00
14		TA1871602R0		RUBBER PLUG	FOR MO-3- 604,MO-3614					1	
15		SS5110710SP		SCREW 11/64-40 L=7						1	
16		WZ0850302K0		WAVED WASHER 8.5X12.5X0.3						2	
17		B3013141H0A		WASHER						1	
18	D	12342002		SAFETY PLATE BRACKET						1	
19		SS7090611SL		SCREW 9/64-40 L=6.1						2	
20	D	12102109		SAFETY PLATE	FOR MO-3616					1	
21		11503703		SCREW STUD						4	
22		WP0751576SD		WASHER 7.5X19X1.5						4	
23		WS0822010KP		SPRING WASHER 8.2X15X2						4	
24		NS6680410SP		NUT 9/32-28						4	
25	R	11503919	13102603	OIL RESERVOIR GASKET						1	1.00
26	R	11503885	13102553	OIL RESERVOIR ASM.						1	1.00
27		RO074240100		RUBBER RING				*		1	
28		SM0081001SD		SCREW				*		1	
29	R	11503810	13102553	OIL RESERVOIR				*		1	1.00
30		TA1250406R0		RUBBER PLUG D=12.5 L=4						1	
31		TA1701107R0		RUBBER PLUG						1	
32		12104907		SAFETY PLATE	FOR MO-3- 604,MO-3614					1	
33	D	11841350		FILTER BASE ASM.						1	
34	D	12105201		BELT COVER	FOR JE					1	
35	R	SK3412000SC	SK3412000SE	WOOD SCREW D=4.1 L=20	FOR JE					2	1.00
36	D	12271904		SHELTER PLATE						1	
37		TA1120804R0		RUBBER PLUG						1	
38	D	12270302		UPPER COVER GASKET						1	
39		12345203		SIDE COVER						1	
40	D	12100301		SIDE COVER GASKET						1	
41		SM4040855SP		SCREW						3	
42		SM1040801SC		SCREW M4X0.7 L=8						1	
43		SS9151210TP		SCREW 15/64-28 L=11.8						1	
44		12258000		BUSH						1	

CRANKSHAFT COMPONENTS

No.	Supply Code	Parts No.	Replacement	Parts name	Remarks	Choice	Step	Level	Cons	Qty	Rep. QTY
1	R	12343406	13108006	CRANKSHAFT BUSHING D	FOR MO-3-604,MO-3614					1	1.00
2		SM4040855SP		SCREW	FOR MO-3-604,MO-3614					3	
3		SM4040855SP		SCREW	FOR MO-3616					3	
4	R	12343505	13108105	CRANKSHAFT BUSHING D	FOR MO-3616					1	1.00
5		12108403		GASKET						1	
6	R	B1215804000	13108808	BALL BEARING D	FOR MO-3-604,MO-3614					1	1.00
7	R	SB110000300	13108907	BALL BEARING	FOR MO-3616					1	1.00
8	D	12108007		CRANKSHAFT BUSHING C						1	
9		12124509		STOPPER (R)						2	
10	D	12107108		CRANKSHAFT						1	
11	R	12132155	13232558	KNIFE DRIVING ROD ASM.						1	1.00
12		SS7111810TP		SCREW 11/64-40L=18				*		1	
13		SS7110840SP		SCREW 11/64-40 L=7.8						2	
14	R	12109153	13207550	CONNECTING ROD ASM.						1	1.00
15		SS7111810TP		SCREW 11/64-40L=18				*		2	
16		SS7110840SP		SCREW 11/64-40 L=7.8						1	
17		B1212704000		BEARING RETAINER						1	
18	R	B1211804000	13108600	BALL BEARING B						1	1.00
19		12122362		UPPER LOOPER ROD ASM.						1	
20		SS7111810TP		SCREW 11/64-40L=18				*		2	
21		SS7111410TP		SCREW 11/64-40L=14				*		2	
22		SM6061202TP		SCREW M6 L=12				*		1	
23		12124400		STOPPER (L)						2	
24		12123360		LOWER LOOPER ROD ASM. A	FOR MO-3-604,MO-3614					1	
25		SS7111810TP		SCREW 11/64-40L=18				*		2	
26		SS7111410TP		SCREW 11/64-40L=14				*		2	
27		SM6061202TP		SCREW M6 L=12				*		1	
28		12120150		LOWER LOOPER ROD ASM. B	FOR MO-3616					1	
29		SS7111810TP		SCREW 11/64-40L=18				*		2	
30		SS7111410TP		SCREW 11/64-40L=14				*		2	
31		SS7112420SP		SCREW 11/64-40L=24	FOR EXPORT					3	
32		12108106		OIL ADJUSTING BAR						1	
33		SS5080212TP		SCREW 1/8-44 L=2						5	
34	R	11956505	13107701	HANDWHEEL C	FOR JAPAN					1	1.00
35	R	SS7111810SP	SS7111810TP	SCREW 11/64-40L=18	FOR JAPAN					3	1.00
36		WS0451040KP		SPRING WASHER 4.5X8.5X1	FOR EXPORT					3	
37	R	B1211804000	13108600	BALL BEARING B						1	1.00
38	R	11510609	13108303	WASHER						1	1.00
39		WZ2640310KH		WAVED WASHER 26.4X33.9X3.5						1	
40		RO347350100		RUBBER RING						1	
41	R	12271706	13107800	THRUST HOLDER						1	1.00
42		SM4050855SP		SCREW						3	
43	R	12280103	13108501	OIL SHIELD						1	1.00
44		11811205		HANDWHEEL A						1	
45	R	SS8151150SP	SS8151150TP	SCREW 15/64-28 L=10.5						2	1.00

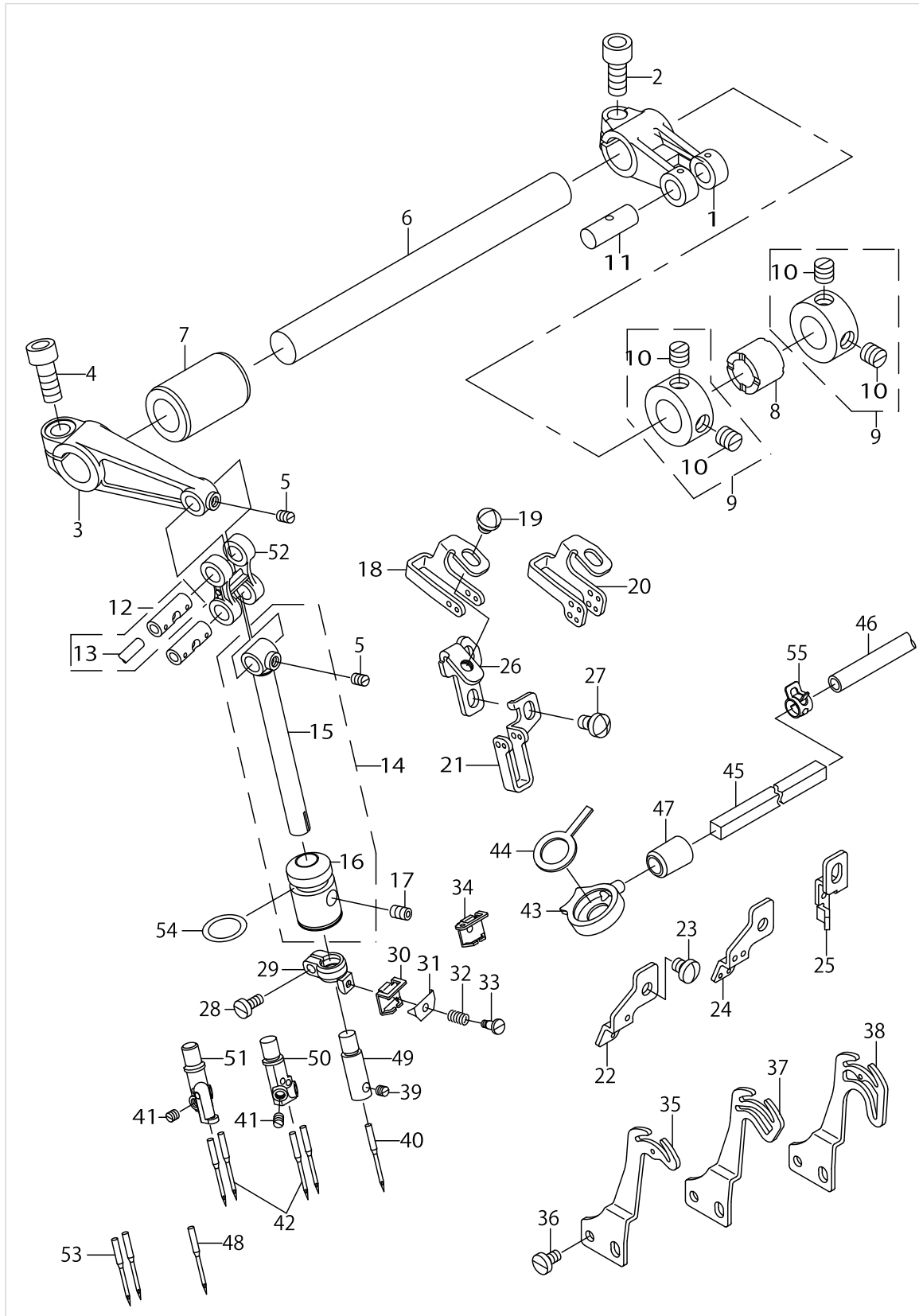
CRANKSHAFT COMPONENTS



CRANKSHAFT COMPONENTS

No.	Supply Code	Parts No.	Replacement	Parts name	Remarks	Choice	Step	Level	Cons	Qty	Rep. QTY
46		WP0764016SP		WASHER						1	
47		SS9681610TP		SCREW 9/32-28 L=16						1	
48	D	11956307		HAND WHEEL B	FOR EXPORT					1	

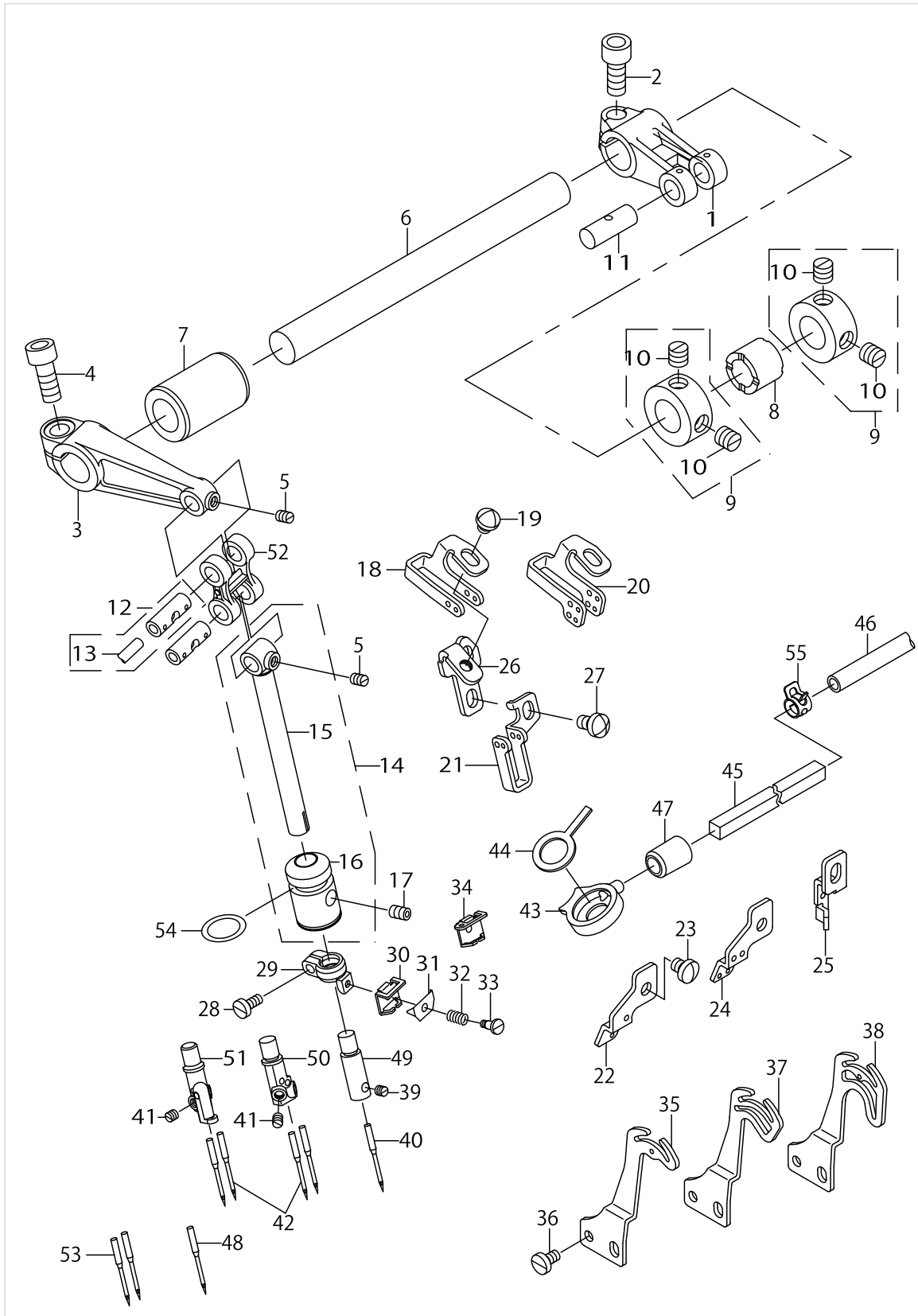
NEEDLE DRIVING SHAFT COMPONENTS



NEEDLE DRIVING SHAFT COMPONENTS

No.	Supply Code	Parts No.	Replacement	Parts name	Remarks	Choice	Step	Level	Cons	Qty	Rep. QTY
1	R	12280707	13110556	FEED FORKED CRANK						1	1.00
2		SM6061402TP		SCREW M6 L=14						1	
3	D	12280806		NEEDLE DRIVING ARM						1	
4		SM6061402TP		SCREW M6 L=14						1	
5		SS8090530TP		SCREW 9/64-40 L=5.0						2	
6	R	12287108	13110606	NEEDLE DRIVING SHAFT						1	1.00
7	R	12280202	13110002	BUSHING, FRONT						1	1.00
8	R	12280301	13110101	BUSHING, REAR						1	1.00
9		CS1201010SH		THRUST COLLAR ASM. D=12 W=10						2	
10		SS8660610TP		SCREW 1/4-40 L=6				*		4	
11		11823804		CRANK PIN C	SELECTING PART FOR FIT TOLERANCE					1	
12	D	12109955		LINK PIN C ASM.	SELECTING PART FOR FIT TOLERANCE					2	
13		CQ252000000		OIL WICK				*		0.1	
14	D	12272555		NEEDLE HOLDER ASM.						1	
15	D	12110227		NEEDLE HOLDER				*		1	
16	R	12272506	12272555	NEEDLE HOLDER BUSHING				*		1	1.00
17		SM8040612TP		SCREW M4 L=6						1	
18		12281101		NEEDLE THREAD GUIDE	FOR MO-3-604,MO-3616					1	
19		SS4110515SP		SCREW 11/64-40 L=5						1	
20	R	12281200	12111308	THREAD GUIDE, 2-NEEDLE	FOR MO-3614					1	1.00
21	R	12281309	13111109	THREAD GUIDE, CHAIN LOOPER	FOR MO-3616					1	1.00
22	R	12281705	13111505	TAKE-UP LEVER GUIDE	FOR MO-3-604,MO-3616					1	1.00
23		SM4040855SP		SCREW						1	
24	R	12281804	13111604	TAKE-UP LEVER GUIDE, 2-NEEDLE	FOR MO-3614					1	1.00
25	R	12281903	13111703	TAKE-UP LEVER GUIDE CHAIN LOOP	FOR MO-3616					1	1.00
26		12112108		NEEDLE THREAD GUIDE STAND						1	
27		SM4040855SP		SCREW						2	
28		SS6080720SP		SCREW						1	
29	R	12280608	13110259	NEEDLE CLAMP HOLDER						1	1.00
30	R	12280905	13110705	NEEDLE THREAD PRESSER GUIDE A	FOR MO-3-604,MO-3614					1	1.00
31	R	12110904	13111000	NEEDLE THREAD PRESSER PLATE						1	1.00
32	D	12110805		NEEDLE THREAD PRESSER SPRING						1	
33		SD0280401SL		HINGE SCREW D=2.8 H=4						1	
34	R	12281002	13110804	NEEDLE THREAD PRESSER GUIDE B	FOR MO-3616					1	1.00
35	R	12281408	13111208	NEEDLE THREAD TAKE-UP LEVER	FOR MO-3604					1	1.00
36		SS6090670TP		SCREW 9/64-40 L=6						2	
37	R	12281507	13111307	TAKE-UP LEVER, 2-NEEDLE	FOR MO-3614					1	1.00
38	R	12281606	13111406	TAKE-UP LEVER, CHAIN LOOPER	FOR MO-3616					1	1.00
39		SS8080310TP		SCREW 1/8-44 L=2.8	FOR MO-3604					1	
40		MDC270B1100		NEEDLE DCX27 #11	FOR MO-3604					1	
41		SS8080310TP		SCREW 1/8-44 L=2.8	FOR MO-3-614,MO-3616					2	

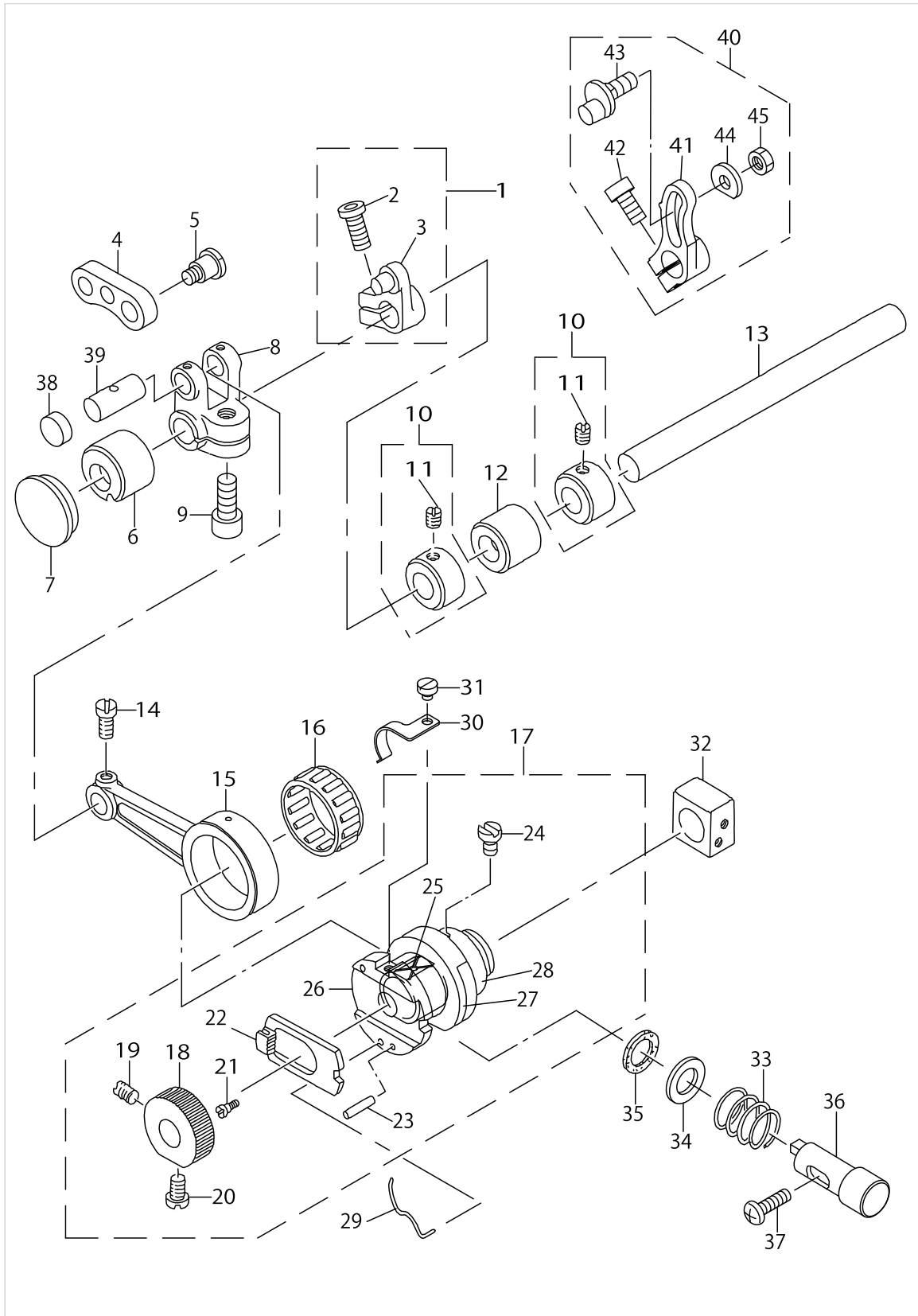
NEEDLE DRIVING SHAFT COMPONENTS



NEEDLE DRIVING SHAFT COMPONENTS

No.	Supply Code	Parts No.	Replacement	Parts name	Remarks	Choice	Step	Level	Cons	Qty	Rep. QTY
42		MDC270B1100		NEEDLE DCX27 #11	FOR MO-3-614,MO-3616					2	
43	D	12112207		COVER						1	
44	D	12112306		FELT A						1	
45	D	12253308		FELT B						1	
46		BT0600402EA		OIL TUBE						.1	
47	D	TA0951301R0		RUBBER PLUG						1	
48	D	MC033600750		NEEDLE B-27 NM75	FOR JE(MO-3604)					1	
49	R	12148607	13175005	NEEDLE CLAMP	FOR MO-3604					1	1.00
50	D	12148706		NEEDLE CLAMP, 2-NEEDLE	FOR MO-3614					1	
51	D	12149803		NEEDLE CLAMP, CHAIN LOOPER	FOR MO-3616					1	
52	D	12280400		NEEDLE DRIVING LINK						1	
53	D	MC033600750		NEEDLE B-27 NM75	FOR JE(M-0-3614,MO-3616)					2	
54		RO118180100		RUBBER RING						1	
55		12256004		OIL TUBE HOLDER						1	

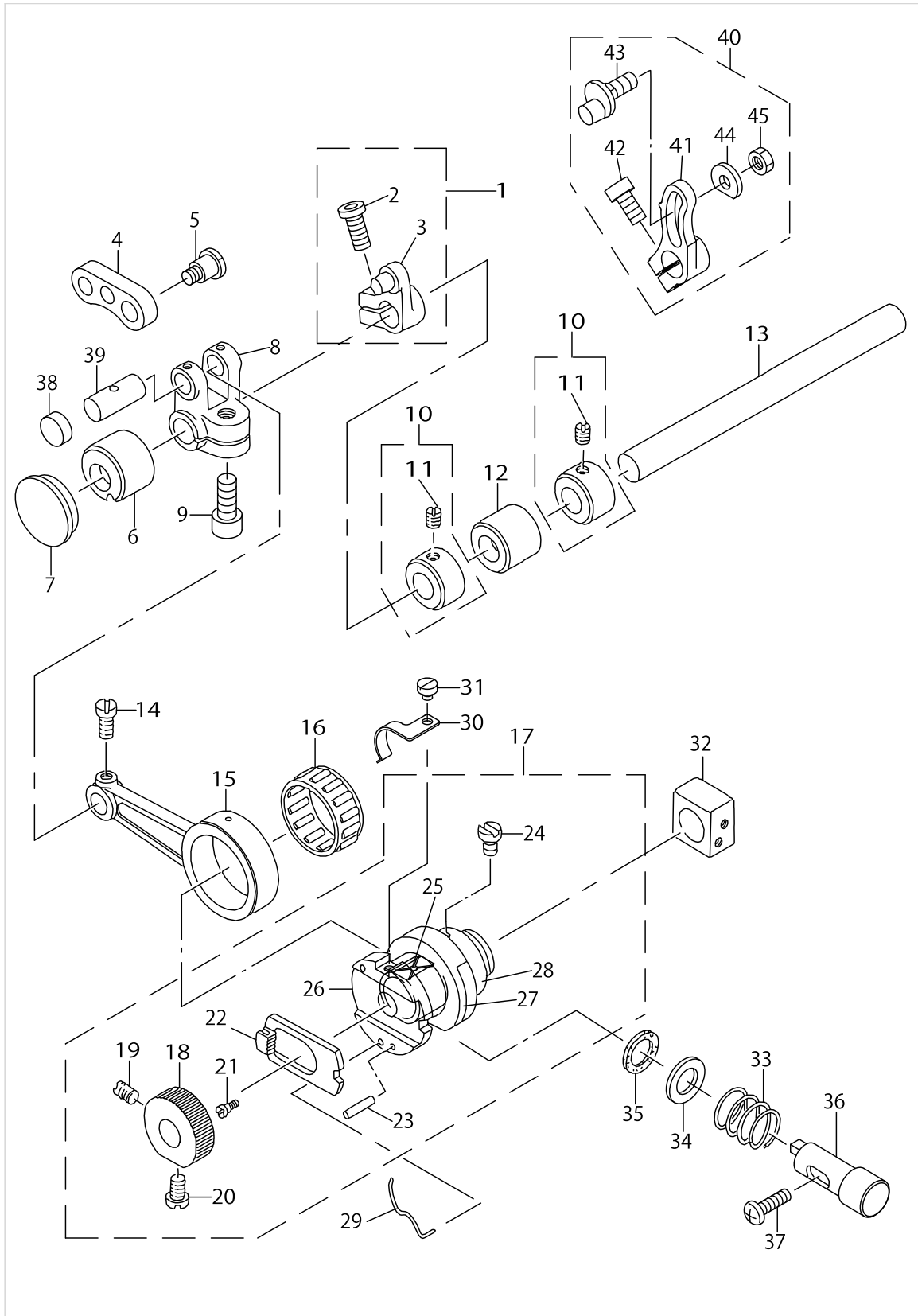
FEED MECHANISM COMPONENTS (1)



FEED MECHANISM COMPONENTS (1)

No.	Supply Code	Parts No.	Replacement	Parts name	Remarks	Choice	Step	Level	Cons	Qty	Rep. QTY
1		11827367		MAIN FEED ROCKER ASM.	FOR EXPORT					1	
2		SM6051202TP		SCREW M5X0.8 L=12	FOR EXPORT			*		1	
3		11827318		MAIN FEED ROCKER	FOR EXPORT			*		1	
4		12273009		MAIN FEED LINK						1	
5		SD0720601TH		HINGE SCREW D= 7.24 H= 6.0						1	
6	D	12282703		FEED ROCKER SHAFT BUSHING, FRO						1	
7		TA2050416R0		RUBBER PLUG						1	
8	R	12284303	13122403	FORKED LINK						1	1.00
9		SM6061402TP		SCREW M6 L=14						1	
10		CS095081ASH		THRUST COLLAR ASM. D=9.53 W=8						2	
11		SS8110410TP		SCREW 11/64-40 L= 3.5				*		4	
12	R	12282802	13119508	FEED ROCKER SHAFT BUSHING, REA						1	1.00
13	R	12283008	13119607	FEED SHAFT						1	1.00
14		SS7110910TP		SCREW 11/64-40 L= 8.5						1	
15	R	12282604	13118708	CRANK ROD						1	1.00
16		12116703		NEEDLE BEARING B	SELECTING PART FOR FIT TOLERANCE					1	
17	R	12116174	13118054	FEED ECCENTRIC BODY ASM.						1	1.00
18	R	12118808	13118054	RATCHET GEAR				*		1	1.00
19		SS8110750SP		SCREW 11/64-40 L= 6.5				*		1	
20		SS6110710TP		SCREW 11/64-40 L= 6.5				*		1	
21		SD0260271SP		HINGE SCREW D= 2.60 H= 2.7				*		1	
22	R	B1604704000	13118609	RATCHET PAWL				*		1	1.00
23		PS0300132KH		SPRING PIN 3X13				*		2	
24		SS7110810SP		SCREW 11/64-40 L= 8.0				*		2	
25	R	12116307	13118302	FEED CAM BLOCK				*		1	1.00
26	R	12116406	13118054	FEED ADJUSTING CAM				*		1	1.00
27	R	12116216	13118203	FEED CAM				*		1	1.00
28	R	12116117	13118104	FEED ECCENTRIC BODY				*		1	1.00
29	R	B1606704000	13122502	RATCHET PAWL SPRING						1	1.00
30	R	12117107	13119300	RATCHET GEAR SPRING						1	1.00
31		SS6080320SP		SCREW 1/8-44 L= 2.5						1	
32	D	11828704		SLIDE BLOCK						1	
33	R	B1652704000	31256803	SPRING						1	1.00
34		B1654704000		WASHER						1	
35	D	B1651704000		FELT						1	
36		12287603		PUSH BUTTON STUD						1	
37		SM4041455SN		SCREW M4 L=14						1	
38		TA1030402R0		RUBBER PLUG D=10.3 L=4						1	
39		11823804		CRANK PIN C	SELECTING PART FOR FIT TOLERANCE					1	
40		11824067		MAIN FEED ROCKER ASM.	FOR JAPAN					1	
41	R	11530110	13119953	MAIN FEED ROCKER				*		1	1.00
42		SM6051202TP		SCREW M5X0.8 L=12				*		1	
43	R	11824018	13119706	PIN				*		1	1.00
44		11948601		WASHER B				*		1	

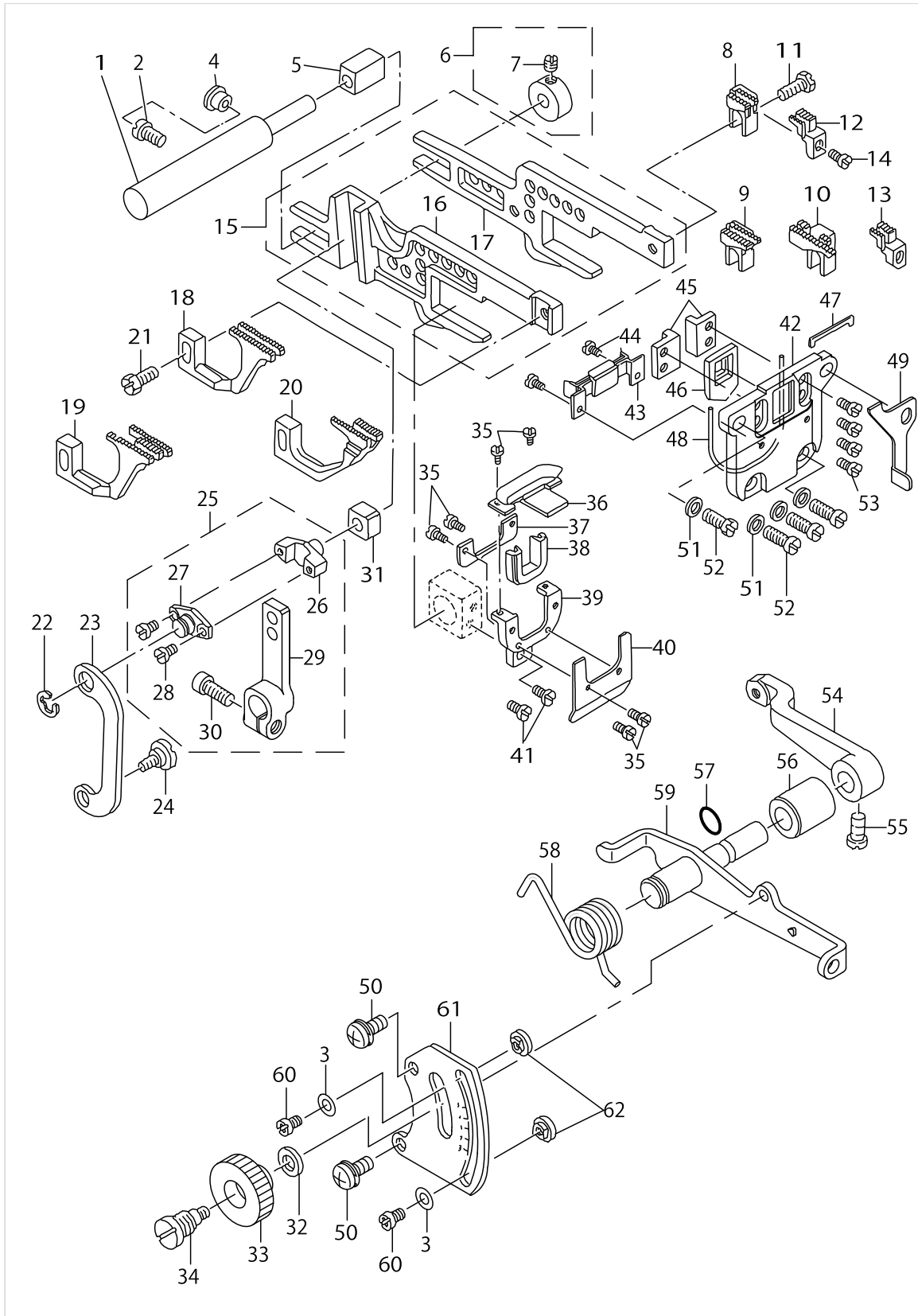
FEED MECHANISM COMPONENTS (1)



FEED MECHANISM COMPONENTS (1)

No.	Supply Code	Parts No.	Replacement	Parts name	Remarks	Choice	Step	Level	Cons	Qty	Rep. QTY
45		NS6620320SP		NUT 3/16-32				*		1	

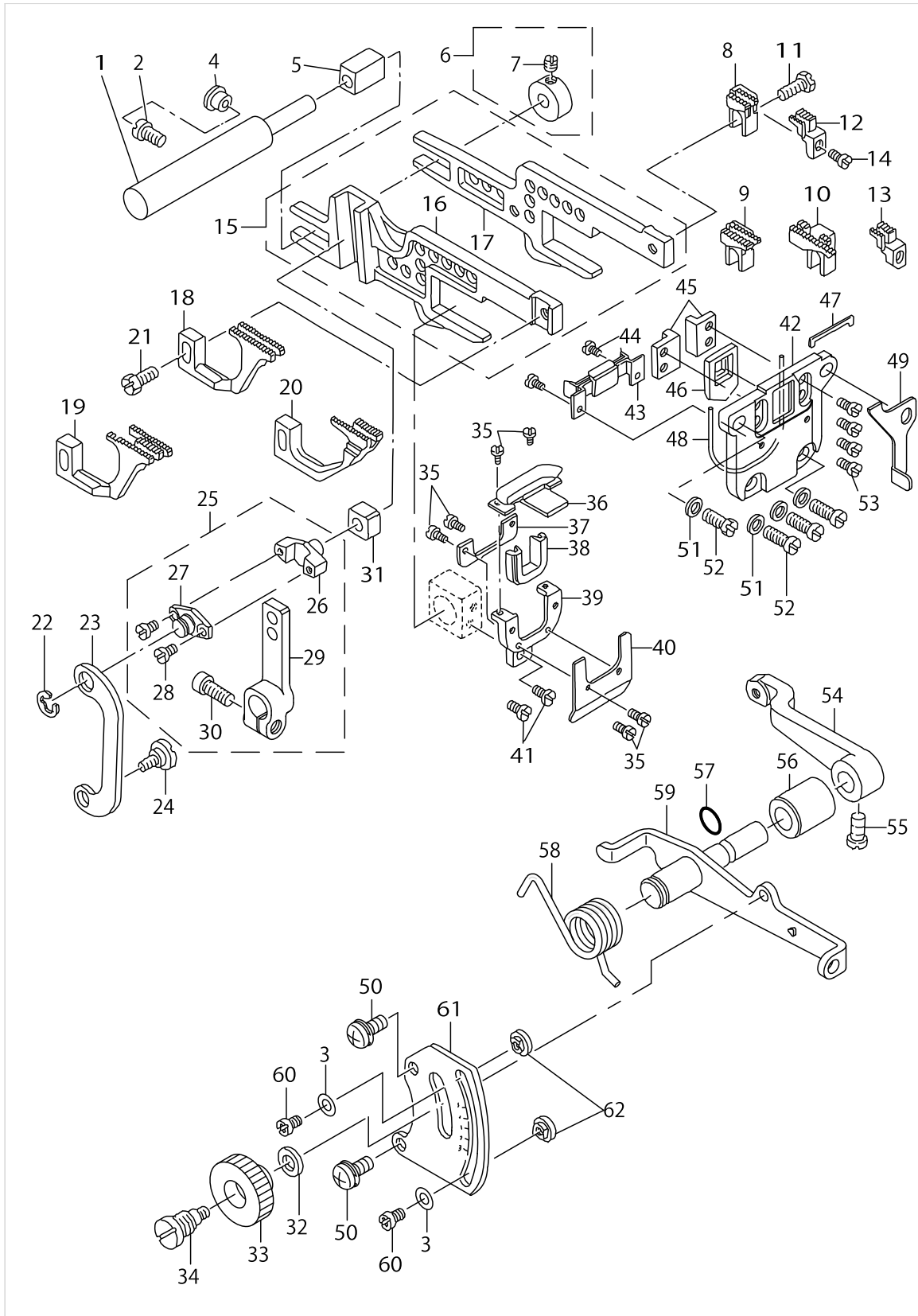
FEED MECHANISM COMPONENTS (2)



FEED MECHANISM COMPONENTS (2)

No.	Supply Code	Parts No.	Replacement	Parts name	Remarks	Choice	Step	Level	Cons	Qty	Rep. QTY
1		11827409		FEED BAR SHAFT						1	
2		SM4040855SP		SCREW						1	
3		WP0371016SD		WASHER 3.7X8X1						2	
4		TA0800504R0		PLUG D=8 L=4.5						1	
5	R	B1624704000	13120803	SLIDE BLOCK						1	1.00
6	D	11828050		COLLAR ASM.						1	
7		SS8110410TP		SCREW 11/64-40 L= 3.5				*		1	
8	R	11882107	13191606	MAIN FEED DOG	FOR MO-3604					1	1.00
9	R	11949807	13192000	MAIN FEED DOG	FOR MO-3614					1	1.00
10	R	11882800	13192406	MAIN FEED DOG	FOR MO-3616					1	1.00
11		SS9111050SP		SCREW 11/64-40 L=9.5						1	
12	R	11887106	13191309	AUXILIARY FEED DOG	FOR MO-3-604,MO-3614					1	1.00
13	R	11887403	13191408	AUXILIARY FEED DOG	FOR MO-3616					1	1.00
14	R	SS4080610SP	SS4080620TP	SCREW 1/8-44 L=6.4						1	1.00
15	D	12117461		MAIN FEED BAR ASM.						1	
16	R	12117511	12117461	DIFFERENTIAL FEED BAR				*		1	1.00
17	R	12117412	12117461	MAIN FEED BAR				*		1	1.00
18	R	B165780400T	13192802	DIFFERENTIAL FEED DOG	FOR MO-3604					1	1.00
19	R	11949906	13193206	DIFFERENTIAL FEED DOG	FOR MO-3614					1	1.00
20	R	12172805	13193602	DIFFERENTIAL FEED DOG	FOR MO-3616					1	1.00
21		SS9111010SP		SCREW 11/64-40 L=9.5						1	
22		RE0500000K0		E-RING						1	
23		11826310		ADJUSTING LINK						1	
24		SD0720271SP		HINGE SCREW D=7,2 H=2,7						1	
25	R	11828563	13218052	DIFFERENTIAL FEED ROCKER ASM.						1	1.00
26		11825304		PIN				*		1	
27	R	11826401	13218052	PIN COVER				*		1	1.00
28		SS6080410SP		SCREW 1/8-44 L=4				*		2	
29	R	11828514	13218052	DIFFERENTIAL FEED ROCKER ASM.				*		1	1.00
30		SM6051202TP		SCREW M5X0.8 L=12				*		1	
31		B1414555000		SLIDE BLOCK						1	
32		WP0621016SD		WASHER 6.2X13X1						1	
33		B1647704000A		DIFFERENTIAL FEED LOCK NUT						1	
34		B1646704000A		DIFFERENTIAL FEED HINGE SCREW						1	
35		SS7060310SP		SCREW 3/32-56 L=3						6	
36		12119756		RUBBER PLATE ASM.						1	
37	D	12119806		RUBBER PREESSER PLATE						1	
38		12119608		OIL SHIELD RUBBER						1	
39	D	12119905		RUBBER COVER						1	
40		12120002		RUBBER BASE PLATE						1	
41		SS7090620TP		SCREW 9/64-40 L=6.1						2	
42	D	12119400		RUBBER CASE						1	
43		11827607		OIL SHIELD RUBBER, LOWER						1	
44		SS7060510SP		SCREW 3/32-56 L=4.8						2	
45	R	12282901	11824703	FEED BAR SUPPORT						2	1.00

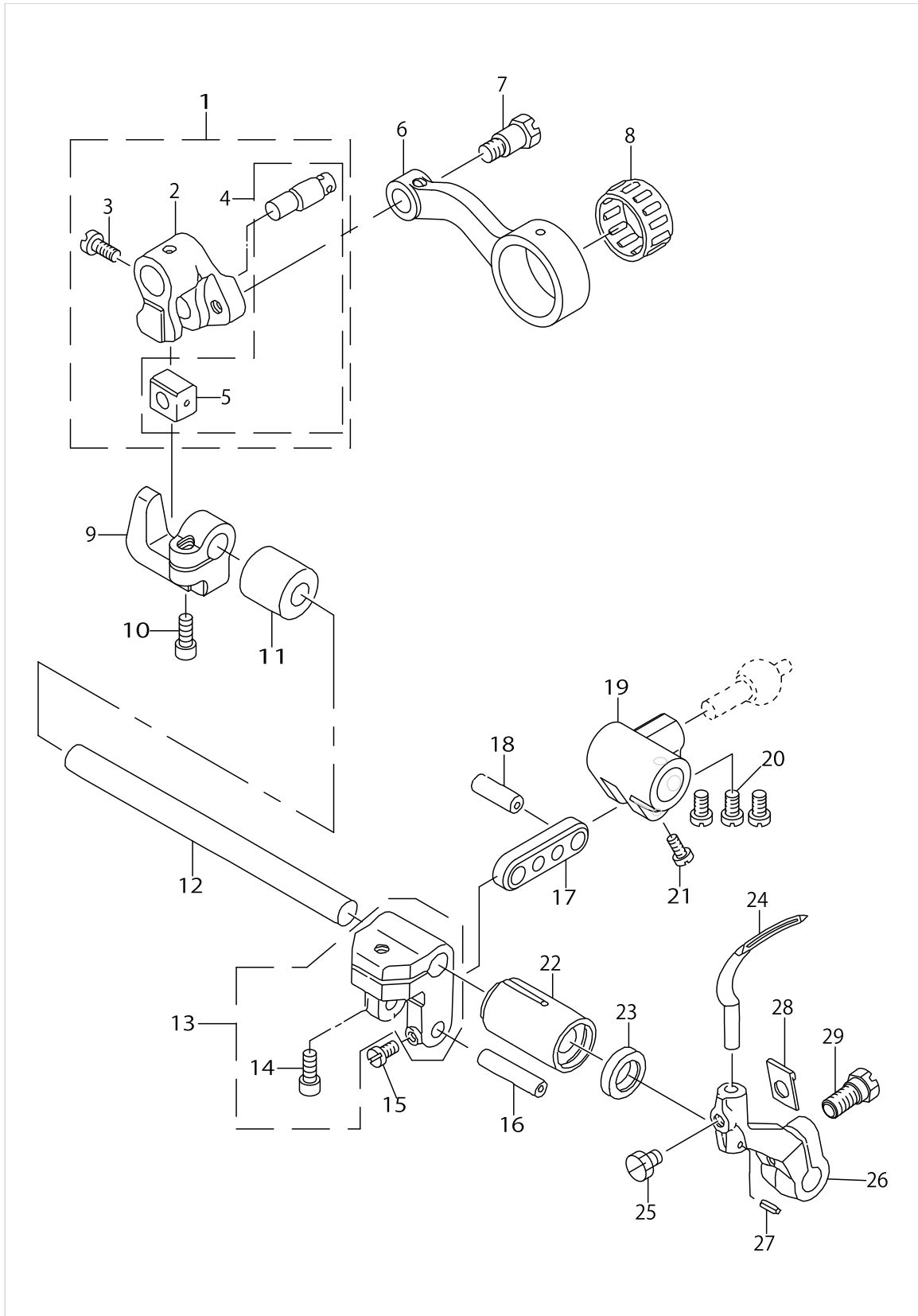
FEED MECHANISM COMPONENTS (2)



FEED MECHANISM COMPONENTS (2)

No.	Supply Code	Parts No.	Replacement	Parts name	Remarks	Choice	Step	Level	Cons	Qty	Rep. QTY
46		12119509		RUBBER						1	
47	D	11827904		RUBBER						1	
48	D	RO480120100		RUBBER RING						1	
49		11828308		SUPPORT THROAT PLATE						1	
50		SL4051231SC		SCREW M5 L=12						2	
51		WP0480856SP		WASHER 4.8X8.4X0.8						4	
52		SM4041055SP		SCREW						4	
53	R	SS6090620SP	SS6090620TP	SCREW 9/64-40 L=6						4	1.00
54	R	11828605	13121900	DIFFERENTIAL FEED ROCKER						1	1.00
55		SS6661110SP		SCREW 1/4-40 L=11						1	
56	R	B1645704000A	12118709	BUSHING						1	1.00
57		RO060150100		RUBBER RING						1	
58		11991502		SPRING						1	
59	D	12283255		ROCKER SHAFT ASM.						1	
60		SS4090515SP		SCREW 9/64-40 L=5						2	
61	D	12283107		DIFFERENTIAL FEED GRADUATION						1	
62		11529005		STOPPER						2	

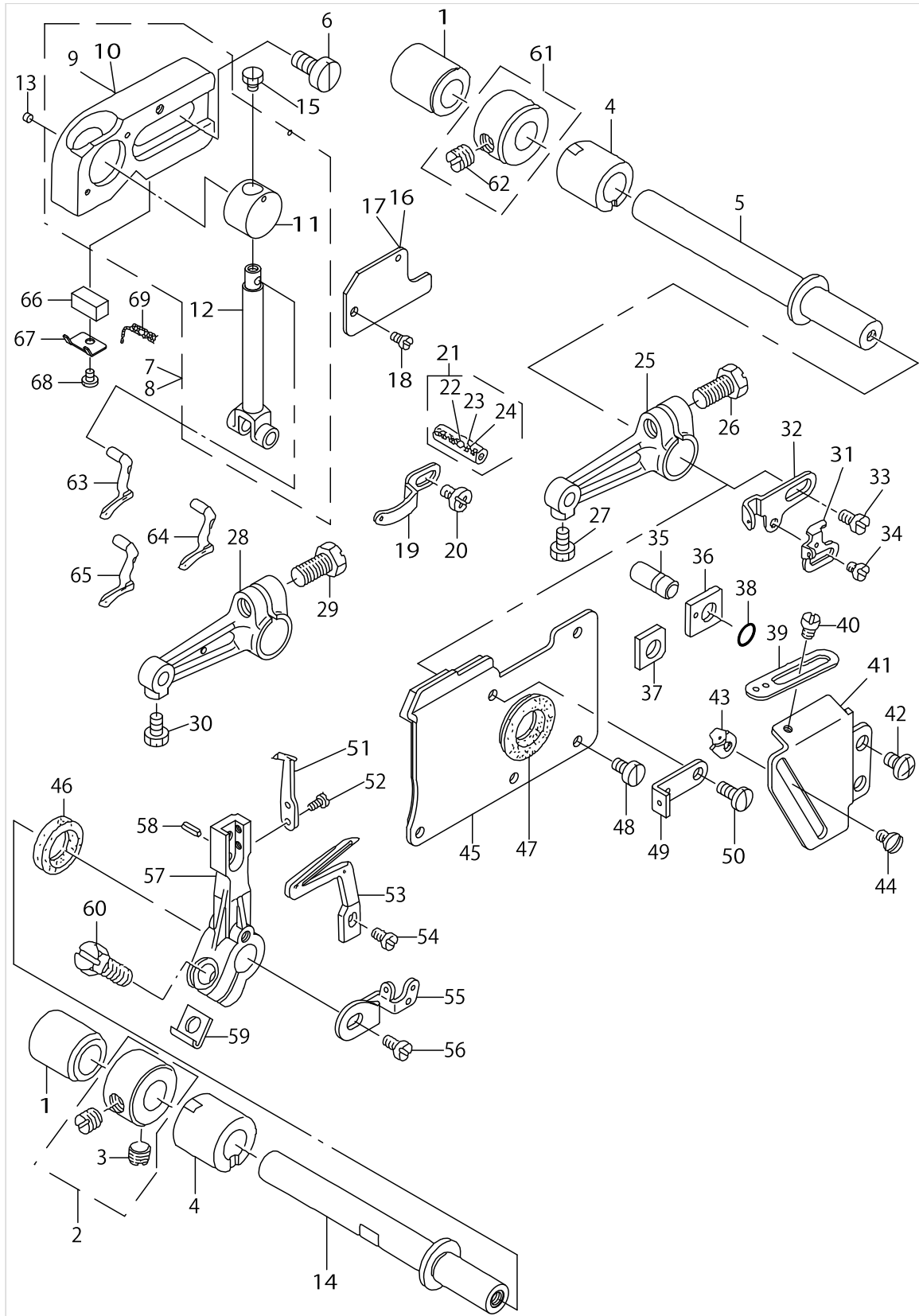
CHAIN LOOPER COMPONENTS (FOR MO-3616)



CHAIN LOOPER COMPONENTS (FOR MO-3616)

No.	Supply Code	Parts No.	Replacement	Parts name	Remarks	Choice	Step	Level	Cons	Qty	Rep. QTY
1	R	B21038160A0	13126354	SLIDER ARM ASM.		A				1	1.00
1	R	B21038160A0	13126008	SLIDER ARM ASM.		A				1	1.00
1	R	B21038160A0	SS7110720TP	SLIDER ARM ASM.		A				1	1.00
2	R	B2103816000B	13126008	CHAIN LOOPER SHAFT SLIDE ARM				*		1	1.00
3		SS7110720TP		SCREW 11/64-40 L=7				*		1	
4	R	11829751	13126354	CHAIN LOOPER SLIDE BLOCK PIN				*		1	1.00
5	R	B2105816000	13126305	CHAIN LOOPER SLIDE BLOCK				*		1	1.00
6		12284105		CHAIN LOOPER ROD						1	
7		SD0720803TH		STEP-SCREW D=7.24 H=8						1	
8		B2119816B00		BEARING B	SELECTING PART FOR FIT TOLERANCE					1	
9	R	12342309	13129853	BRACKET						1	1.00
10		SM6051202TP		SCREW M5X0.8 L=12						1	
11	R	B2111716000	13127006	BUSHING, REAR						1	1.00
12	D	12283404		CHAIN LOOPER SHAFT						1	
13	D	11539061		CHAIN LOOPER SH-AFT DRIVING ARM						1	
14		SM6051202TP		SCREW M5X0.8 L=12				*		1	
15	R	SS4080610SP	SS4080620TP	SCREW 1/8-44 L=6.4						1	1.00
16	R	12258505	13126701	PIN, LONG	SELECTING PART FOR FIT TOLERANCE					1	1.00
17	R	12342200	13127105	CHAIN LOOPER SHAFT DRIV. LINK						1	1.00
18		12259008		PIN, SHORT	SELECTING PART FOR FIT TOLERANCE					1	
19	R	12121612	12121653	DRIVING BALL ARM BRACKET						1	1.00
20		SS6110710TP		SCREW 11/64-40 L= 6.5						3	
21	R	SS4080610SP	SS4080620TP	SCREW 1/8-44 L=6.4						1	1.00
22	R	12122008	13128103	BUSHING, FRONT						1	1.00
23	R	B2525352000	40010805	OIL SEAL RING						1	1.00
24		11829405		CHAIN LOOPER						1	
25		SS9110430TP		SCREW 11/64-40 L=4						1	
26	R	12283503	12120705	CHAIN LOOPER DRIVING ARM		A				1	1.00
26	R	12283503	PS0250062KH	CHAIN LOOPER DRIVING ARM		A				1	1.00
26	R	12283503	13129952	CHAIN LOOPER DRIVING ARM		A				1	1.00
26	R	12283503	SS6090620TP	CHAIN LOOPER DRIVING ARM		A				1	1.00
27		PS0200062KH		SPRING PIN 2X6						1	
28	R	B2531704000	13129309	WASHER						1	1.00
29		SS9151210TP		SCREW 15/64-28 L=11.8						1	

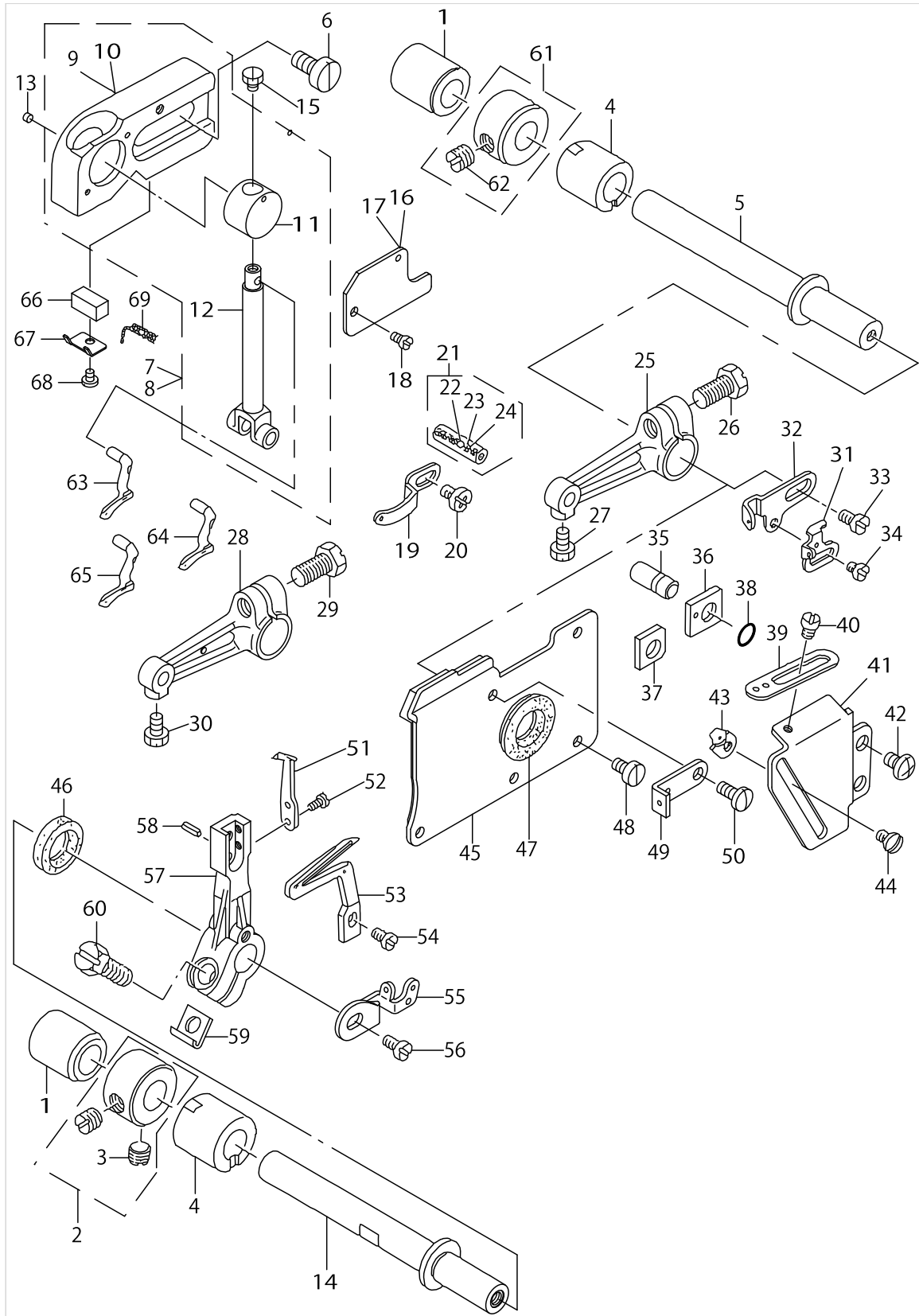
UPPER & LOWER LOOPER COMPONENTS



UPPER & LOWER LOOPER COMPONENTS

No.	Supply Code	Parts No.	Replacement	Parts name	Remarks	Choice	Step	Level	Cons	Qty	Rep. QTY
1	R	12254009	B2509704000	BUSHING, REAR						2	1.00
2		GS103121ASH		COLLAR ASM. D=10.32 W=12	FOR MO-3-604,MO-3614					2	
3		SS8660530TP		SCREW 1/4-40 L= 4.5				*		4	
4	R	B2507804000B	13222609	BUSHING, FRONT						2	1.00
5	R	12122404	13221403	UPPER LOOPER SHAFT		A				1	1.00
5	R	12122404	13221601	UPPER LOOPER SHAFT		A				1	1.00
5	R	12122404	13221502	UPPER LOOPER SHAFT		A				1	1.00
6		SM6061200SP		SCREW						2	
7	R	12273355	40015637	UPPER LOOPER GUIDE ASM.	FOR MO-3-604,MO-3616					1	1.00
8	R	12273454	40016841	UPPER LOOPER GUIDE B ASM.	FOR MO-3614					1	1.00
9	D	11833613		UPPER LOOPER GUIDE SUPPORT	FOR MO-3-604,MO-3616			*		1	
10	R	11893302	40016841	UPPER LOOPER GUIDE SUPPORT B	FOR MO-3614			*		1	1.00
11	R	12273108	40015637	UPPER LOOPER GUIDE		A		*		1	1.00
11	R	12273108	40011234	UPPER LOOPER GUIDE		A		*		1	1.00
11	R	12273108	40016841	UPPER LOOPER GUIDE		B		*		1	1.00
11	R	12273108	40011234	UPPER LOOPER GUIDE		B		*		1	1.00
11	R	12273108	12433553	UPPER LOOPER GUIDE		C		*		1	1.00
12	R	12273207	40015637	UPPER LOOPER HOLDER				*		1	1.00
12	R	12273207	40016841	UPPER LOOPER HOLDER				*		1	1.00
13	D	11842101		OIL FELT						1	
14	R	12123410	13221700	LOWER LOOPER SHAFT						1	1.00
15		SS9090410TP		SCREW						1	
16		11991601		UPPER LOOPER GUIDE COVER	FOR MO-3-604,MO-3616					1	
17		B251570400B		UPPER LOOPER GUIDE COVER B	FOR MO-3614					1	
18		SS7060610SP		SCREW 3/32-56 L= 5.5						2	
19		11833308		UPPER LOOPER THREAD GUIDE						1	
20		SS4090615SP		SCREW 9/64-40 L=6						1	
21	D	11831757		PIN ASM.	SELECTING PART FOR FIT TOLERANCE					1	
22	R	11831708	13131701	OIL WICK STOPPER BALL				*		1	1.00
23		CQ202000000		OIL WICK				*		0.1	
24		CQ200000000		OIL WICK				*		0.1	
25	R	12284402	12122750	LOOPER HOLDER, A	FOR MO-3-604,MO-3616					1	1.00
26		SS9151210TP		SCREW 15/64-28 L=11.8						1	
27		SS9090610TP		SCREW 9/64-40 L=5.5						1	
28	D	12284501		LOOPER HOLDER, B	FOR MO-3614					1	
29		SS9151210TP		SCREW 15/64-28 L=11.8						1	
30		SS9090610TP		SCREW 9/64-40 L=5.5						1	
31		11833506		LOWER LOOPER THREAD TAKE-UP						1	
32	D	12124004		THREAD TAKE-UP, RIGHT						1	
33		SS7110840SP		SCREW 11/64-40 L=7.8						1	
34		SS6080410SP		SCREW 1/8-44 L=4						1	
35		11831906		PIN						1	

UPPER & LOWER LOOPER COMPONENTS



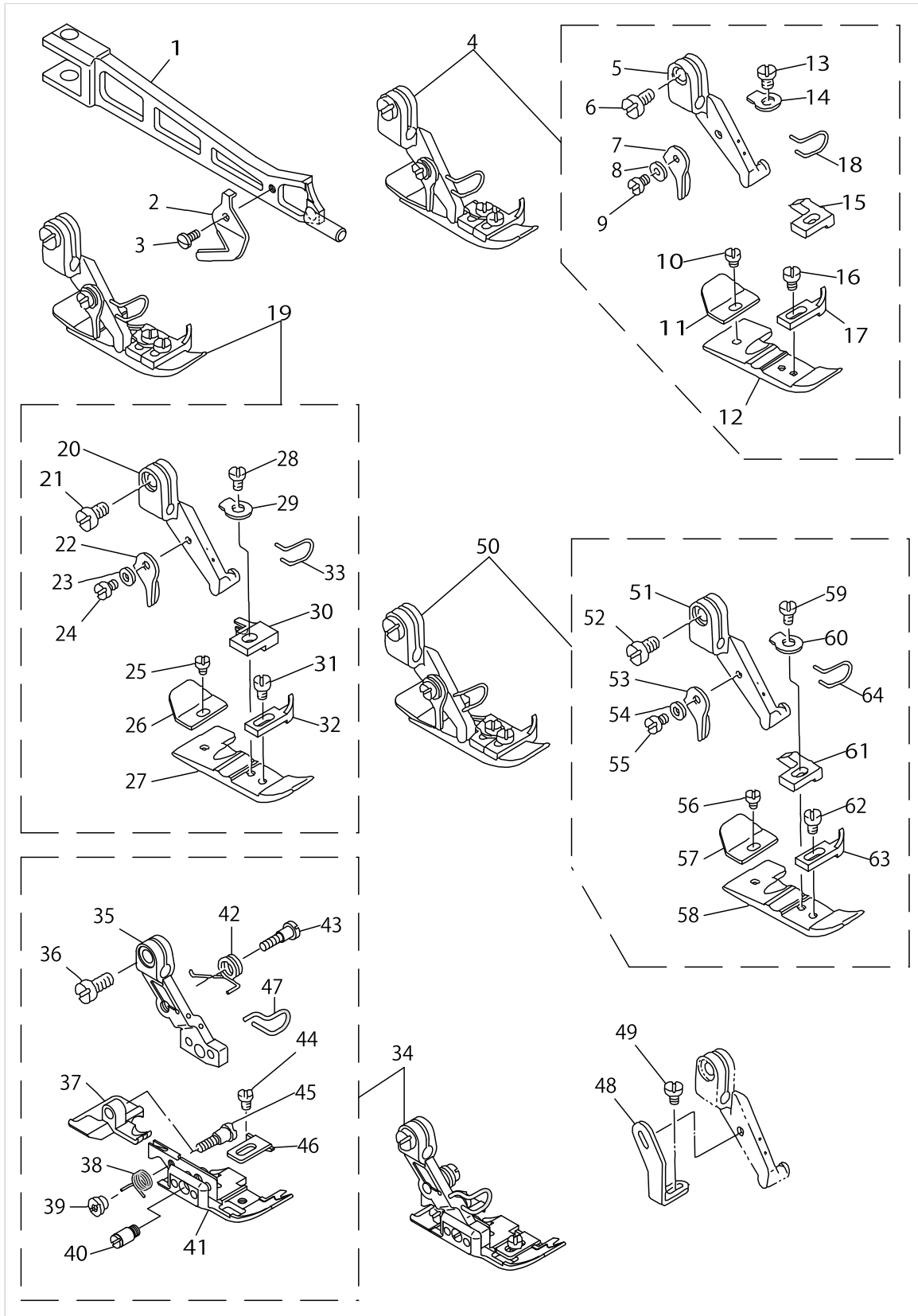
UPPER & LOWER LOOPER COMPONENTS

No.	Supply Code	Parts No.	Replacement	Parts name	Remarks	Choice	Step	Level	Cons	Qty	Rep. QTY
36	R	11831807	13131909	GAUGE	FOR MO-3-604,MO-3614					1	1.00
37	R	11991809	13132006	GAUGE	FOR MO-3616					1	1.00
38		RO037180100		RUBBER RING						1	
39	D	12123907		THREAD GUIDE, RIGHT						1	
40		SS3090610SP		SCREW 9/64-40 L=6						1	
41	D	12123808		LOOPER THREAD TAKE-UP COVER						1	
42		SM4040655SP		SCREW M4 L=6						2	
43	D	11833407		LOWER LOOPER THREAD GUIDE						1	
44		SS3090610SP		SCREW 9/64-40 L=6						1	
45	R	12123659	13133053	OIL SHIELD PLATE ASM.						1	1.00
46	R	B2508704000	40176173	OIL SEAL						1	1.00
47		B2530704000		UPPER LOOPER SHAFT RUBBER RING						1	
48	R	SS6090630SP	SS6090630TP	SCREW 9/64-40 L=6						4	1.00
49	R	11833100	12340600	LOOPER THREAD GUIDE						1	1.00
50		SS7090850SP		SCREW 9/64-40 L=8						1	
51		11890001		TRAVELING NEEDLE GUARD						1	
52		SS6060440TP		SCREW 3/32-56 L=3.5						2	
53		11999307		LOWER LOOPER						1	
54		SS6090620TP		SCREW						1	
55		11833209		LOOPER THREAD TAKE-UP, LEFT						1	
56		SS7110840SP		SCREW 11/64-40 L=7.8						1	
57	R	12287306	13132550	LOWER LOOPER ARM						1	1.00
58		PS0300062KH		SPRING PIN 3X6						1	
59	R	B2531704000	13129309	WASHER						1	1.00
60		SS9151210TP		SCREW 15/64-28 L=11.8						1	
61		CS103121ASH		COLLAR ASM. D=10.32 W=12	FOR MO-3616					1	
62		SS8660530TP		SCREW 1/4-40 L= 4.5				*		2	
63		12176004		UPPER LOOPER	FOR MO-3614					1	
64		11888104		UPPER LOOPER	FOR MO-3-604,MO-36-16 (NEEDLE #9,#11,#14)					1	
65		11999208		UPPER LOOPER	FOR MO-3-604,MO-36-16 (NEEDLE #14,#16,#18)					1	
66	R	12130803	13143706	OIL FELT						1	1.00
67	R	12130704	13143607	FELT HOLDER						1	1.00
68		SS7060310SP		SCREW 3/32-56 L=3						1	
69		CQ202000000		OIL WICK						.1	

PRESSER FOOT COMPONENTS (1)

No.	Supply Code	Parts No.	Replacement	Parts name	Remarks	Choice	Step	Level	Cons	Qty	Rep. QTY
1	R	12282257	13115753	FOOT LIFTING LEV- ER STAND ASM.						1	1.00
2	R	12282208	13115753	FOOT LIFTING LEVER STAND				*		1	1.00
3	R	12282307	13115753	PRESSER FOOT LIFTING LEVER				*		1	1.00
4	R	12282406	13115753	STOPPER				*		1	1.00
5		SM7040550SP		SCREW M4 L=5				*		2	
6		SD0640246SP		HINGE SCREW D=6.35 H=2.4				*		1	
7		PS0300142KH		SPRING PIN 0.3 X 14				*		1	
8	R	12282505	13116108	SPRING				*		1	1.00
9		SM6030350SD		SCREW M3 L=2.9				*		1	
10		SS4110715SP		SCREW 11/64-40 L=7						2	
11	D	12287207		PRESSER REGULATOR SCREW						1	
12		12115903		PRESSER SPRING						1	
13		12114807		PRESSER REGULATOR NUT						1	
14		12288700		RRESSER REGULAT- OR SCREW WASHER						1	
15		SM8040402TP		SCREW M4X0.7 L=4						1	
16		RO110090100		RUBBER RING						1	
17		12114906		PRESSERBARCOVER						1	
18		RO110090100		RUBBER RING						2	
19	R	12282109	13212501	PRESSER BAR BUSHING						1	1.00
20	R	12114468	13115654	PRESSER BAR ASM.						1	1.00
21	R	SS8110510SP	SS8110520TP	SCREW 11/64-40 L=5						1	1.00
22		B1534804000		PRESSER FOOT AR- M HINGE SHAFT						1	
23	R	12113205	13115001	PRESSER FOOT SHAFT						1	1.00
24	D	12113304		BUSHING						1	
25		SS6121020SP		SCREW 3/16-28 L=9.5						1	
26	R	11819414	13116405	LIFTING HOOK						1	1.00
27		SM6061200SP		SCREW						1	
28		NM6060003SC		NUT M6						1	
29		11819703		PRESSER FOOT ARM SPRING						1	
30		12113502		LIFTING ARM						1	
31	D	12113403		PRESSER FOOT SH- AFT THRUST ARM						1	
32		SS9151210TP		SCREW 15/64-28 L=11.8						1	
33		SS7161040SP		SCREW 1/4-24 L=9.5						1	
34	R	11819315	13116900	LIFTING LEVER						1	1.00
35		11819109		LIFTING LEVER SCREW						1	
36		11819208		LIFTING LEVER SPRING						1	
37		NS6110420SP		NUT 11/64-40						1	
38	R	SS7111410SP	SS7111410TP	SCREW 11/64-40 L=14						1	1.00
39	D	B1529804000		PRESSER FOOT LIF- TING LEVER STO						1	
40		SS6110710TP		SCREW 11/64-40 L=6.5						1	

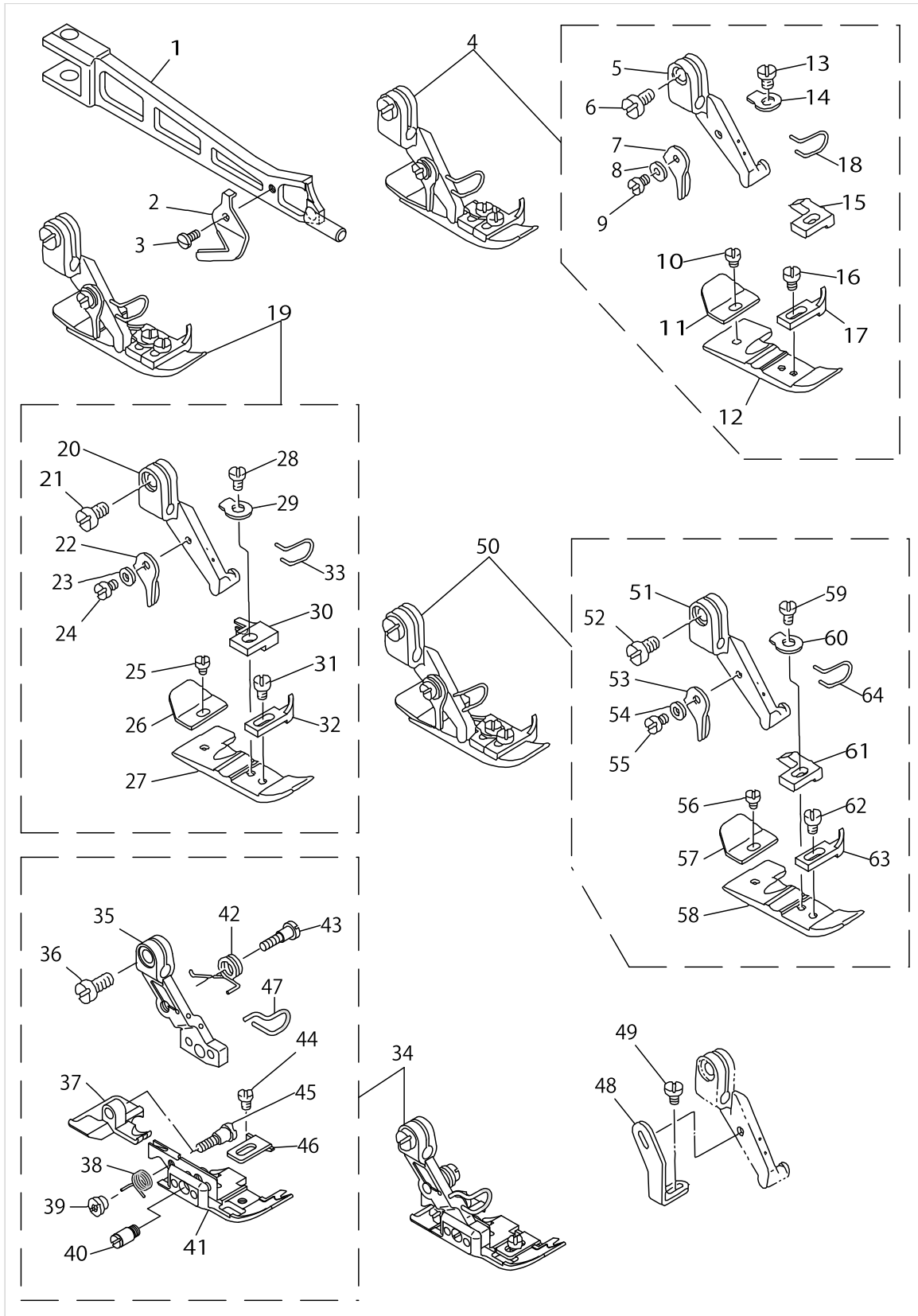
PRESSER FOOT COMPONENTS (2)



PRESSER FOOT COMPONENTS (2)

No.	Supply Code	Parts No.	Replacement	Parts name	Remarks	Choice	Step	Level	Cons	Qty	Rep. QTY
1	R	12253811	12253829	PRESSER FOOT ARM						1	1.00
2		B1528804000A		THREAD TRIMMER						1	
3		SS7060510SP		SCREW 3/32-56 L=4.8						1	
4		11876166		PRESSER FOOT ASM.	FOR MO-3604					1	
5		11872009		PRESSER FOOT HINGE				*		1	
6	R	SS6090650SP	SS6090670TP	SCREW 9/64-40 L=6				*		1	1.00
7		B1530804000		STOPPER				*		1	
8		WP0250516SD		WASHER 2.5X6X0.5				*		1	
9		SS7060610SP		SCREW 3/32-56 L=5.5				*		1	
10		SS6060210SP		SCREW 3/32-56 L=1.9				*		1	
11		B1511814000		REARPRESSERFOOT				*		1	
12		B1507804C00		PRESSER FOOT				*		1	
13		SS7080520SP		SCREW 1/8-44 L=4.9				*		1	
14		B150880400B		SPRING				*		1	
15		B1509804C00		STITCH TONGUE				*		1	
16		SS6060440TP		SCREW 3/32-56 L=3.5				*		1	
17		B1510814000		CURL GUARD				*		1	
18		11820701		FINGER GUARD				*		1	
19		12152468		PRESSER FOOT,(FINGER GUARD).	FOR MO-3-614(FOR JAPAN)					1	
20		11872009		PRESSER FOOT HINGE				*		1	
21	R	SS6090650SP	SS6090670TP	SCREW 9/64-40 L=6				*		1	1.00
22		B1530804000		STOPPER				*		1	
23		WP0250516SD		WASHER 2.5X6X0.5				*		1	
24		SS7060610SP		SCREW 3/32-56 L=5.5				*		1	
25		SS6060210SP		SCREW 3/32-56 L=1.9				*		1	
26		B1511814000		REARPRESSERFOOT				*		1	
27		B150781400P		PRESSER FOOT				*		1	
28		SS7080520SP		SCREW 1/8-44 L=4.9				*		1	
29		B150880400B		SPRING				*		1	
30		12160008		STITCH TONGUE				*		1	
31		SS6060440TP		SCREW 3/32-56 L=3.5				*		1	
32		B1510814000		CURL GUARD				*		1	
33		11820701		FINGER GUARD				*		1	
34		12153763		PRESSER FOOT ASM.	FOR MO-3616					1	
35		12156907		PRESSER FOOT HINGE				*		1	
36	R	SS6090650SP	SS6090670TP	SCREW 9/64-40 L=6				*		1	1.00
37	R	12164802	12153763	REARPRESSERFOOT				*		1	1.00
38		12167805		SPRING, FOR REAR PRESSER FOOT				*		1	
39		B1513816000		NUT, FOR REAR PRESSER FOOT				*		1	
40		12167409		HINGE PIN				*		1	
41	R	12162202	12153763	PRESSER FOOT				*		1	1.00
42		12167607		PRESSER FOOT ARM SPRING				*		1	
43		B1514816000		SCREW				*		1	
44		SS6060340SP		SCREW 3/32-56 L=2.5				*		1	
45		12167508		HINGE SCREW				*		1	

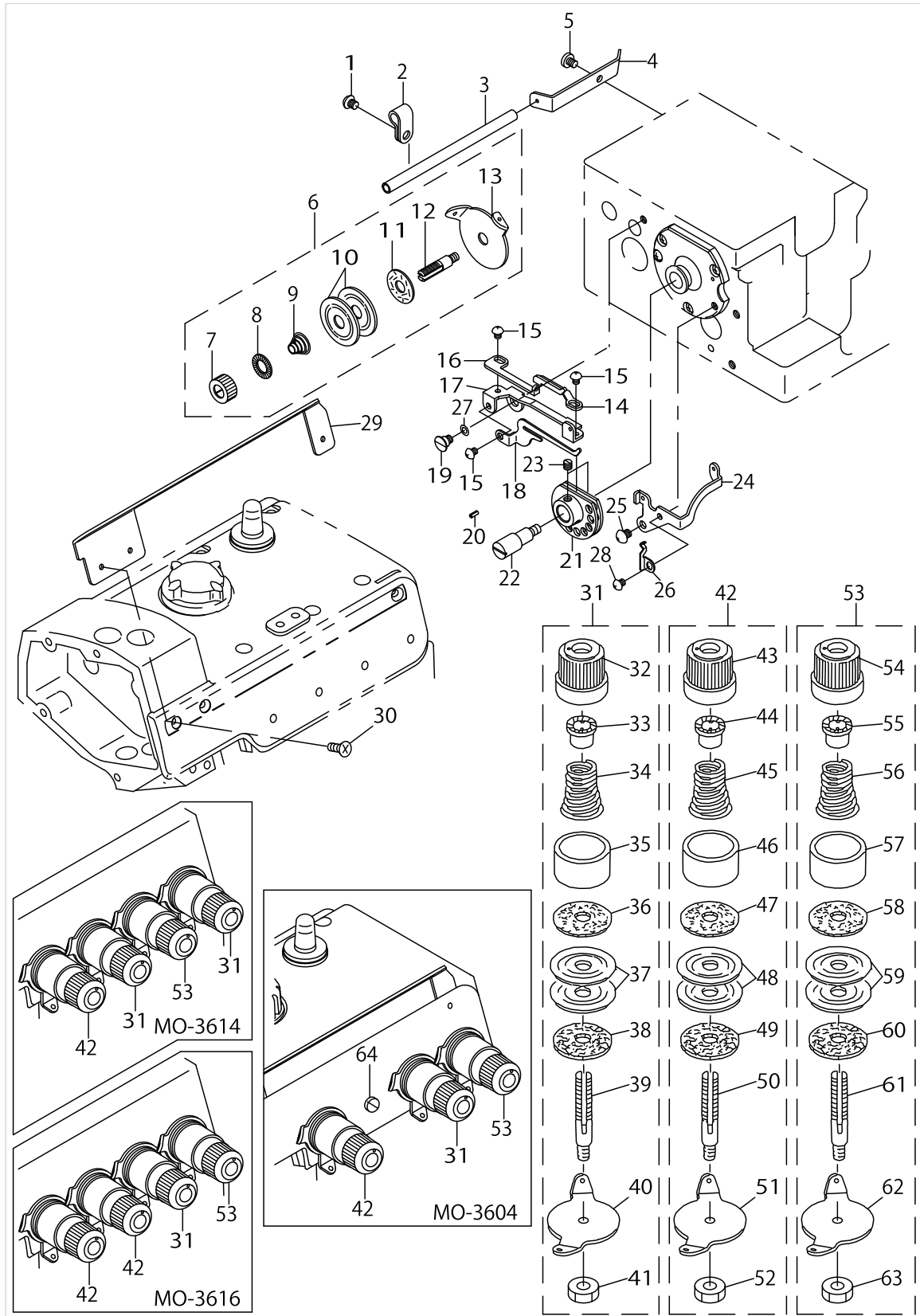
PRESSER FOOT COMPONENTS (2)



PRESSER FOOT COMPONENTS (2)

No.	Supply Code	Parts No.	Replacement	Parts name	Remarks	Choice	Step	Level	Cons	Qty	Rep. QTY
46		12167706		PRESSER FOOT				*		1	
47		12115408		FINGER GUARD				*		1	
48	D	B1539804000		PRESSER FOOT FIXING PLATE	SPECIAL ORDER PART (FOR MO-0-3604,MO-3614)					1	
49		SS6060410TP		SCREW 3/32-56 L=3.5	SPECIAL ORDER PART (FOR MO-0-3604,MO-3614)					1	
50		11876869		PRESSER FOOT ASM.	FOR MO-3-614(FOR EXPORT)					1	
51		11872009		PRESSER FOOT HINGE				*		1	
52	R	SS6090650SP	SS6090670TP	SCREW 9/64-40 L=6				*		1	1.00
53		B1530804000		STOPPER				*		1	
54		WP0250516SD		WASHER 2.5X6X0.5				*		1	
55		SS7060610SP		SCREW 3/32-56 L=5.5				*		1	
56		SS6060210SP		SCREW 3/32-56 L=1.9				*		1	
57		B1511814000		REARPRESSERFOOT				*		1	
58		B150781400P		PRESSER FOOT				*		1	
59		SS7080520SP		SCREW 1/8-44 L=4.9				*		1	
60		B150880400B		SPRING				*		1	
61		B150981400P		STITCH TONGUE				*		1	
62		SS6060440TP		SCREW 3/32-56 L=3.5				*		1	
63		B1510814000		CURL GUARD				*		1	
64		11820701		FINGER GUARD				*		1	

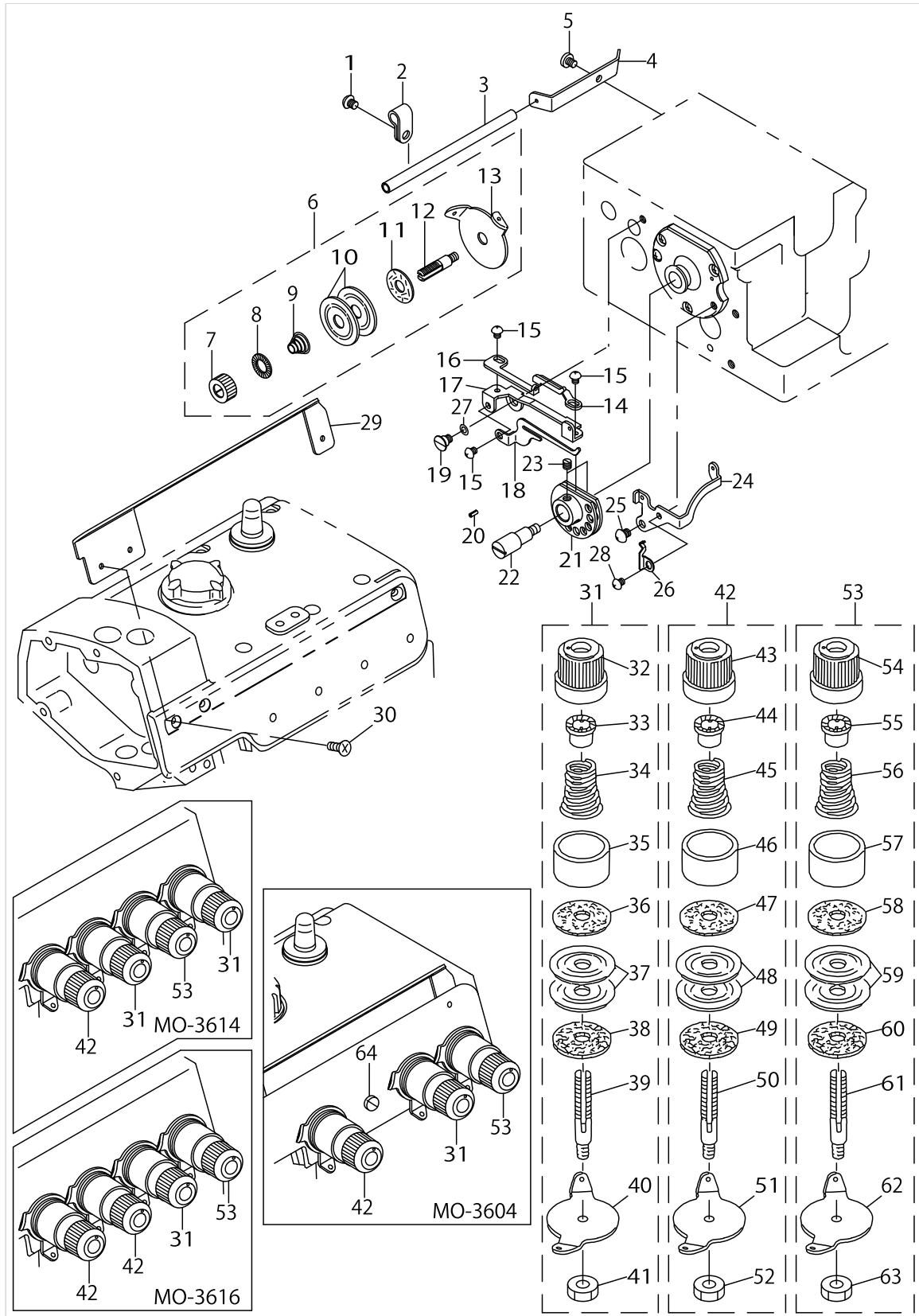
THREAD TENSION COMPONENTS



THREAD TENSION COMPONENTS

No.	Supply Code	Parts No.	Replacement	Parts name	Remarks	Choice	Step	Level	Cons	Qty	Rep. QTY
1		SM4050855SP		SCREW						1	
2	R	B3113352000	13129259	MOUNTING BRACKET						1	1.00
3		B2401816000		LOOPER THREAD GUIDE TUBE						1	
4	R	B2402716000	13129101	LOOPER THREAD G- UIDE TUBE GUIDE						1	1.00
5		SS5150510SP		SCREW 15/64-28 L=5						1	
6	R	12286050	13139555	TENSION CONTROLLER ASM.						1	1.00
7	R	12286308	13139555	TENSION POST NUT				*		1	1.00
8	R	12286506	13139555	ROTATING STOPPER				*		1	1.00
9	R	12286407	13139555	TENSION SPRING				*		1	1.00
10	R	12286605	13139555	THREAD TENSION DISK				*		2	1.00
11	R	12286209	13139555	THREAD TENSION FELT				*		1	1.00
12	R	12286001	13139555	THREAD TENSION POST				*		1	1.00
13	R	12286100	13139555	THREAD GUIDE				*		1	1.00
14	R	12283701	13128301	THREAD GUIDE A						1	1.00
15		SS4090415SP		SCREW 9/64-40 L=4						3	
16	R	12283800	13128400	THREAD GUIDE B						1	1.00
17	R	12283602	13128202	THREAD GUIDE BASE						1	1.00
18	R	12283909	13128509	THREAD GUIDE HOOK						1	1.00
19		SD0600341TP		HINGE SCREW D=6.0 H=3.4						1	
20		PS0200052KH		SPRING PIN 2.3X5						1	
21	R	12347555	13129457	LOWER THREAD CAM COMPL.						1	1.00
22	R	12287405	13130000	SHAFT						1	1.00
23		SS8110410TP		SCREW 11/64-40 L= 3.5						2	
24	R	12284006	13128608	THREAD GUIDE						1	1.00
25		SS4110515SP		SCREW 11/64-40 L=5						1	
26		12121307		THREAD GUIDE SPRING						1	
27		WZ0640312K0		WAVED WASHER						1	
28		SS4090415SP		SCREW 9/64-40 L=4						1	
29	D	12288502		CENTER THREAD GUIDE						1	
30		SM1030601SC		SCREW M3 L=6						3	
31	R	12284857	13138359	THREAD TENSION SPRING JUNCTION		A				1	1.00
31	R	12284857	12285904	THREAD TENSION SPRING JUNCTION						1	1.00
32	R	12285102	13138359	THREAD TENSION KNOB, YELLOW		A		*		1	1.00
32	R	12285102	12285904	THREAD TENSION KNOB, YELLOW				*		1	1.00
33	R	12285508	13137559	TENSION SPRING BUSHING		A		*		1	1.00
33	R	12285508	13138656	TENSION SPRING BUSHING		A		*		1	1.00
33	R	12285508	13138359	TENSION SPRING BUSHING		A		*		1	1.00
33	R	12285508	12285904	TENSION SPRING BUSHING				*		1	1.00
33	R	12285508	12285904	TENSION SPRING BUSHING				*		1	1.00
33	R	12285508	12285904	TENSION SPRING BUSHING				*		1	1.00
34	R	12284808	13138508	TENSION SPRING, YELLOW				*		1	1.00
35	R	12285409	13137559	TENSION DISK PRESSER		A		*		1	1.00
35	R	12285409	13138656	TENSION DISK PRESSER		A		*		1	1.00
35	R	12285409	13138359	TENSION DISK PRESSER		A		*		1	1.00
35	R	12285409	12285904	TENSION DISK PRESSER				*		1	1.00

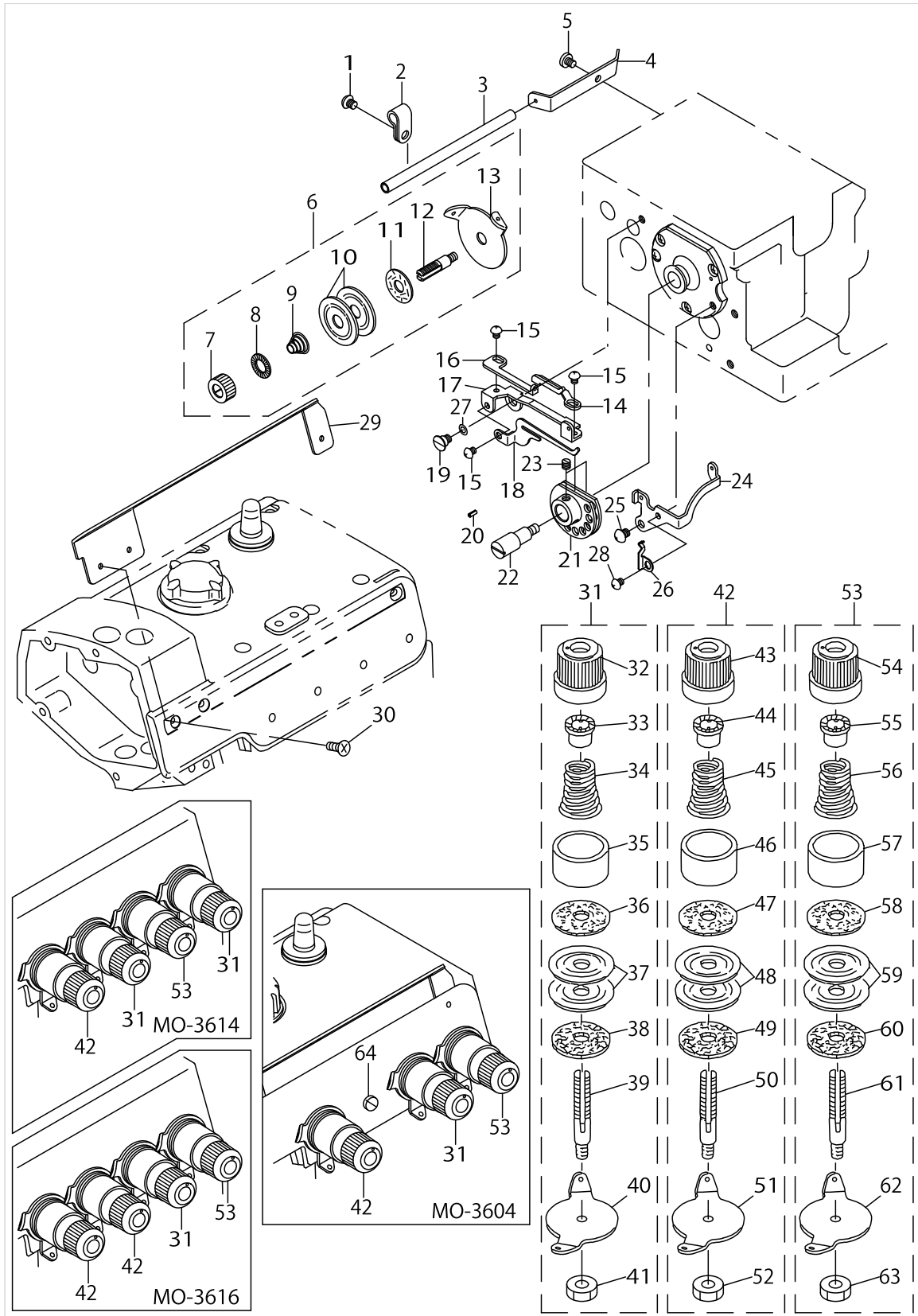
THREAD TENSION COMPONENTS



THREAD TENSION COMPONENTS

No.	Supply Code	Parts No.	Replacement	Parts name	Remarks	Choice	Step	Level	Cons	Qty	Rep. QTY
35	R	12285409	12285904	TENSION DISK PRESSER				*		1	1.00
35	R	12285409	12285904	TENSION DISK PRESSER				*		1	1.00
36	R	12285607	13137559	THREAD TENSION SPRING FELT		A		*		1	1.00
36	R	12285607	13138656	THREAD TENSION SPRING FELT		A		*		1	1.00
36	R	12285607	13138359	THREAD TENSION SPRING FELT		A		*		1	1.00
36	R	12285607	12285904	THREAD TENSION SPRING FELT				*		1	1.00
36	R	12285607	12285904	THREAD TENSION SPRING FELT				*		1	1.00
36	R	12285607	12285904	THREAD TENSION SPRING FELT				*		1	1.00
37	R	12285706	13137559	THREAD TENSION DISK		A		*		2	1.00
37	R	12285706	13138656	THREAD TENSION DISK		A		*		2	1.00
37	R	12285706	13138359	THREAD TENSION DISK		A		*		2	1.00
37	R	12285706	12285904	THREAD TENSION DISK				*		2	1.00
37	R	12285706	12285904	THREAD TENSION DISK				*		2	1.00
37	R	12285706	12285904	THREAD TENSION DISK				*		2	1.00
37	R	12285706	12285904	THREAD TENSION DISK				*		2	1.00
38	R	12285805	13137559	THREAD TENSION RUBBER		A		*		1	1.00
38	R	12285805	13138656	THREAD TENSION RUBBER		A		*		1	1.00
38	R	12285805	13138359	THREAD TENSION RUBBER		A		*		1	1.00
38	R	12285805	12285904	THREAD TENSION RUBBER				*		1	1.00
38	R	12285805	12285904	THREAD TENSION RUBBER				*		1	1.00
38	R	12285805	12285904	THREAD TENSION RUBBER				*		1	1.00
39	R	12285300	13137559	TENSION POST		A		*		1	1.00
39	R	12285300	13138656	TENSION POST		A		*		1	1.00
39	R	12285300	13138359	TENSION POST		A		*		1	1.00
39	R	12285300	12285904	TENSION POST				*		1	1.00
39	R	12285300	12285904	TENSION POST				*		1	1.00
39	R	12285300	12285904	TENSION POST				*		1	1.00
40		12285904		THREAD GUIDE				*		1	
41		NS6110420SP		NUT 11/64-40				*		1	
42	R	12284758	13137559	THREAD TENSION SPRING JUNCTION		A				1	1.00
42	R	12284758	12285904	THREAD TENSION SPRING JUNCTION						1	1.00
43	R	12285003	13137559	THREAD TENSION KNOB, RED		A		*		1	1.00
43	R	12285003	12285904	THREAD TENSION KNOB, RED				*		1	1.00
44	R	12285508	13137559	TENSION SPRING BUSHING		A		*		1	1.00
44	R	12285508	13138656	TENSION SPRING BUSHING		A		*		1	1.00
44	R	12285508	13138359	TENSION SPRING BUSHING		A		*		1	1.00
44	R	12285508	12285904	TENSION SPRING BUSHING				*		1	1.00
44	R	12285508	12285904	TENSION SPRING BUSHING				*		1	1.00
44	R	12285508	12285904	TENSION SPRING BUSHING				*		1	1.00
45	R	12284709	13137807	TENSION SPRING, RED				*		1	1.00
46	R	12285409	13137559	TENSION DISK PRESSER		A		*		1	1.00
46	R	12285409	13138656	TENSION DISK PRESSER		A		*		1	1.00
46	R	12285409	13138359	TENSION DISK PRESSER		A		*		1	1.00
46	R	12285409	12285904	TENSION DISK PRESSER				*		1	1.00
46	R	12285409	12285904	TENSION DISK PRESSER				*		1	1.00
46	R	12285409	12285904	TENSION DISK PRESSER				*		1	1.00

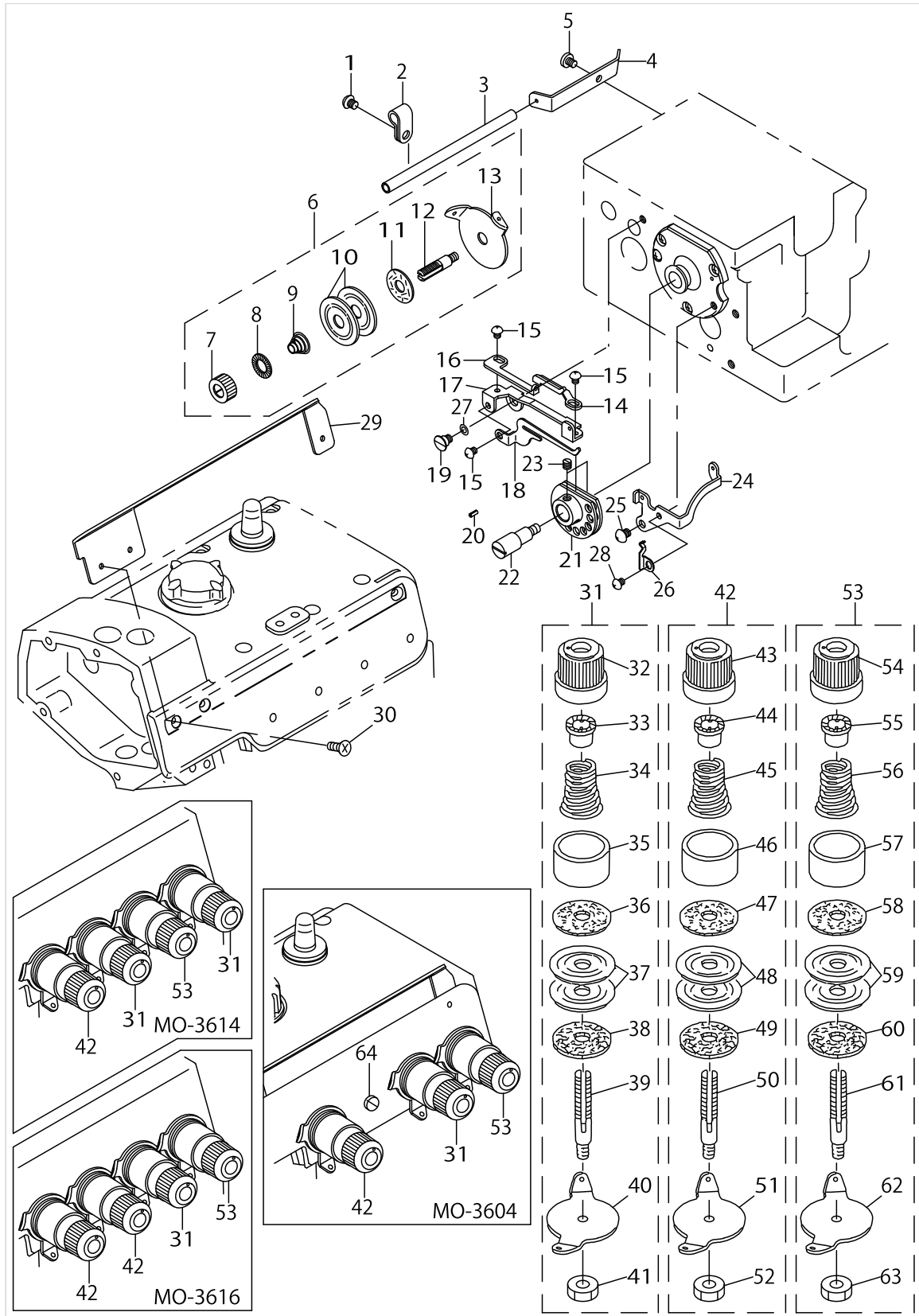
THREAD TENSION COMPONENTS



THREAD TENSION COMPONENTS

No.	Supply Code	Parts No.	Replacement	Parts name	Remarks	Choice	Step	Level	Cons	Qty	Rep. QTY
47	R	12285607	13137559	THREAD TENSION SPRING FELT		A		*		1	1.00
47	R	12285607	13138656	THREAD TENSION SPRING FELT		A		*		1	1.00
47	R	12285607	13138359	THREAD TENSION SPRING FELT		A		*		1	1.00
47	R	12285607	12285904	THREAD TENSION SPRING FELT				*		1	1.00
47	R	12285607	12285904	THREAD TENSION SPRING FELT				*		1	1.00
47	R	12285607	12285904	THREAD TENSION SPRING FELT				*		1	1.00
47	R	12285607	12285904	THREAD TENSION SPRING FELT				*		1	1.00
48	R	12285706	13137559	THREAD TENSION DISK		A		*		2	1.00
48	R	12285706	13138656	THREAD TENSION DISK		A		*		2	1.00
48	R	12285706	13138359	THREAD TENSION DISK		A		*		2	1.00
48	R	12285706	12285904	THREAD TENSION DISK				*		2	1.00
48	R	12285706	12285904	THREAD TENSION DISK				*		2	1.00
48	R	12285706	12285904	THREAD TENSION DISK				*		2	1.00
49	R	12285805	13137559	THREAD TENSION RUBBER		A		*		1	1.00
49	R	12285805	13138656	THREAD TENSION RUBBER		A		*		1	1.00
49	R	12285805	13138359	THREAD TENSION RUBBER		A		*		1	1.00
49	R	12285805	12285904	THREAD TENSION RUBBER				*		1	1.00
49	R	12285805	12285904	THREAD TENSION RUBBER				*		1	1.00
49	R	12285805	12285904	THREAD TENSION RUBBER				*		1	1.00
49	R	12285805	12285904	THREAD TENSION RUBBER				*		1	1.00
50	R	12285300	13137559	TENSION POST		A		*		1	1.00
50	R	12285300	13138656	TENSION POST		A		*		1	1.00
50	R	12285300	13138359	TENSION POST		A		*		1	1.00
50	R	12285300	12285904	TENSION POST				*		1	1.00
50	R	12285300	12285904	TENSION POST				*		1	1.00
50	R	12285300	12285904	TENSION POST				*		1	1.00
51		12285904		THREAD GUIDE				*		1	
52		NS6110420SP		NUT 11/64-40				*		1	
53	R	12284956	13138656	THREAD TENSION SPRING JUNCTION		A				1	1.00
53	R	12284956	12285904	THREAD TENSION SPRING JUNCTION						1	1.00
54	R	12285201	13138656	THREAD TENSION KNOB, BLUE		A		*		1	1.00
54	R	12285201	12285904	THREAD TENSION KNOB, BLUE				*		1	1.00
55	R	12285508	13137559	TENSION SPRING BUSHING		A		*		1	1.00
55	R	12285508	13138656	TENSION SPRING BUSHING		A		*		1	1.00
55	R	12285508	13138359	TENSION SPRING BUSHING		A		*		1	1.00
55	R	12285508	12285904	TENSION SPRING BUSHING				*		1	1.00
55	R	12285508	12285904	TENSION SPRING BUSHING				*		1	1.00
55	R	12285508	12285904	TENSION SPRING BUSHING				*		1	1.00
55	R	12285508	12285904	TENSION SPRING BUSHING				*		1	1.00
56	R	12284907	13138805	TENSION SPRING, BLUE				*		1	1.00
57	R	12285409	13137559	TENSION DISK PRESSER		A		*		1	1.00
57	R	12285409	13138656	TENSION DISK PRESSER		A		*		1	1.00
57	R	12285409	13138359	TENSION DISK PRESSER		A		*		1	1.00
57	R	12285409	12285904	TENSION DISK PRESSER				*		1	1.00
57	R	12285409	12285904	TENSION DISK PRESSER				*		1	1.00
57	R	12285409	12285904	TENSION DISK PRESSER				*		1	1.00
57	R	12285409	12285904	TENSION DISK PRESSER				*		1	1.00
58	R	12285607	13137559	THREAD TENSION SPRING FELT		A		*		1	1.00
58	R	12285607	13138656	THREAD TENSION SPRING FELT		A		*		1	1.00

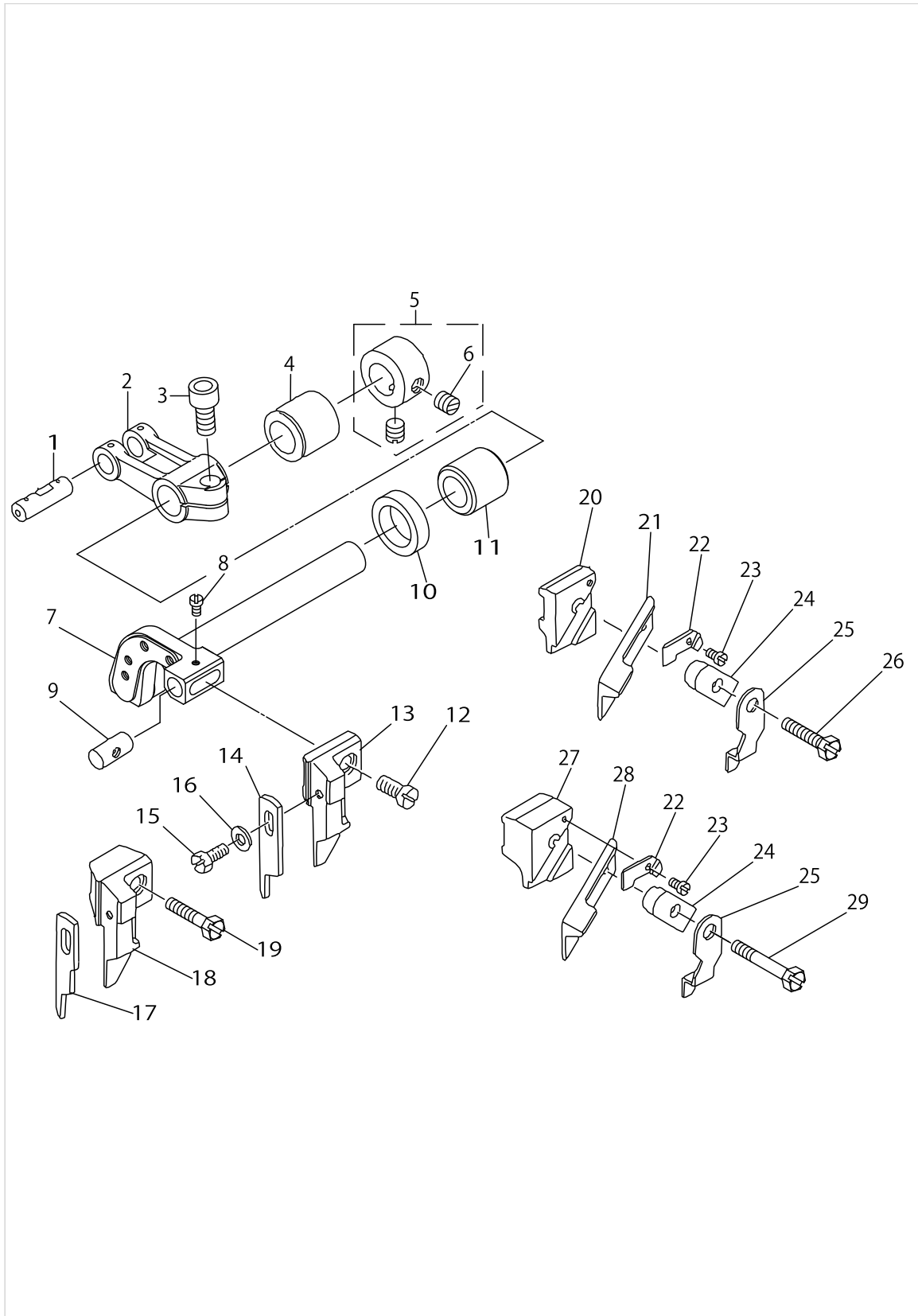
THREAD TENSION COMPONENTS



THREAD TENSION COMPONENTS

No.	Supply Code	Parts No.	Replacement	Parts name	Remarks	Choice	Step	Level	Cons	Qty	Rep. QTY
58	R	12285607	13138359	THREAD TENSION SPRING FELT		A		*		1	1.00
58	R	12285607	12285904	THREAD TENSION SPRING FELT				*		1	1.00
58	R	12285607	12285904	THREAD TENSION SPRING FELT				*		1	1.00
58	R	12285607	12285904	THREAD TENSION SPRING FELT				*		1	1.00
59	R	12285706	13137559	THREAD TENSION DISK		A		*		2	1.00
59	R	12285706	13138656	THREAD TENSION DISK		A		*		2	1.00
59	R	12285706	13138359	THREAD TENSION DISK		A		*		2	1.00
59	R	12285706	12285904	THREAD TENSION DISK				*		2	1.00
59	R	12285706	12285904	THREAD TENSION DISK				*		2	1.00
59	R	12285706	12285904	THREAD TENSION DISK				*		2	1.00
59	R	12285706	12285904	THREAD TENSION DISK				*		2	1.00
60	R	12285805	13137559	THREAD TENSION RUBBER		A		*		1	1.00
60	R	12285805	13138656	THREAD TENSION RUBBER		A		*		1	1.00
60	R	12285805	13138359	THREAD TENSION RUBBER		A		*		1	1.00
60	R	12285805	12285904	THREAD TENSION RUBBER				*		1	1.00
60	R	12285805	12285904	THREAD TENSION RUBBER				*		1	1.00
60	R	12285805	12285904	THREAD TENSION RUBBER				*		1	1.00
61	R	12285300	13137559	TENSION POST		A		*		1	1.00
61	R	12285300	13138656	TENSION POST		A		*		1	1.00
61	R	12285300	13138359	TENSION POST		A		*		1	1.00
61	R	12285300	12285904	TENSION POST				*		1	1.00
61	R	12285300	12285904	TENSION POST				*		1	1.00
61	R	12285300	12285904	TENSION POST				*		1	1.00
62		12285904		THREAD GUIDE				*		1	
63		NS6110420SP		NUT 11/64-40				*		1	
64		SS7110710SL		SCREW 11/64-40 L=7.0				*		1	

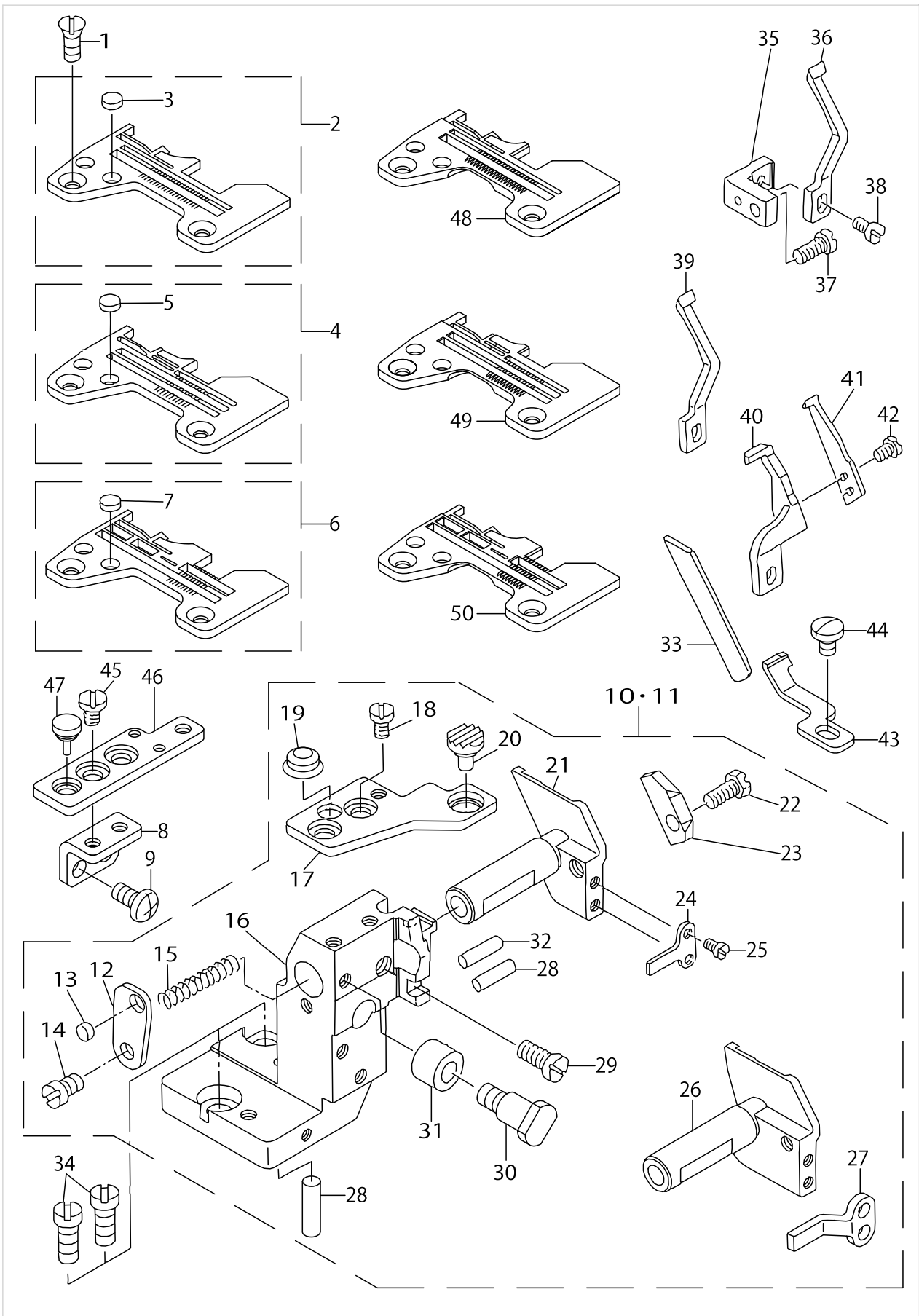
UPPER KNIFE COMPONENTS



UPPER KNIFE COMPONENTS

No.	Supply Code	Parts No.	Replacement	Parts name	Remarks	Choice	Step	Level	Cons	Qty	Rep. QTY
1		11823804		CRANK PIN C	SELECTING PART FOR FIT TOLERANCE					1	
2	R	12286704	12132262	FEED FORKED ARM						1	1.00
3		SM6061402TP		SCREW M6 L=14						1	
4	R	12132502	13151006	BUSHING, REAR						1	1.00
5		CS111101ESH		COLLAR ASM. D=11.11 W=10						1	
6		SS8660330SP		SCREW 1/4-40 L= 3.0				*		2	
7	R	12132304	13151303	KNIFE DRIVING ARM SHAFT						1	1.00
8		SS4060310SP		SCREW 3/32-56 L=2.5	FOR EXPORT					1	
9	R	11565801	13150800	UPPER KNIFE GUIDE SHAFT						1	1.00
10		11566809		OIL SEAL						1	
11	R	12132403	13150909	BUSHING, FRONT						1	1.00
12		SS6111040SP		SCREW 11/64-40 L= 9.5	FOR MO-3-604,MO-36-14(FOR JAPAN)					1	
13	R	12133302	13147400	UPPER KNIFE SUPPORT A	FOR MO-3-604,MO-36-14(FOR JAPAN)					1	1.00
14		11845609		KNIFE	FOR MO-3-604,MO-36-14(FOR JAPAN)					1	
15		SS9090813TP		SCREW 9/64-40 L=8	FOR JAPAN					1	
16		WP0370316SD		WASHER 3.7X8X0.3	FOR JAPAN					1	
17		11845708		KNIFE	FOR MO-3-616(FOR JAPAN)					1	
18	R	12133401	13147301	UPPER KNIFE SUPPORT	FOR MO-3-616(FOR JAPAN)					1	1.00
19		SS6111610SP		SCREW 11/64-40L=16	FOR MO-3-616(FOR JAPAN)					1	
20		11598000		UPPER KNIFE SUPPORT	FOR MO-3-604,MO-36-14(FOR EXPORT)					1	
21		11845807		UPPER KNIFE	FOR MO-3-604,MO-36-14(FOR EXPORT)					1	
22		11565702		WASHER	FOR EXPORT					1	
23		SS4060310SP		SCREW 3/32-56 L=2.5	FOR EXPORT					1	
24		11565504		UPPER KNIFE PRESSER PLATE	FOR EXPORT					1	
25		11848405		UPPER KNIFE COVER	FOR EXPORT					1	
26		SS9111610SP		SCREW 11/64-40L=16	FOR MO-3-604,MO-36-14(FOR EXPORT)					1	
27		11845500		UPPER KNIFE SUPPORT	FOR MO-3-616(FOR EXPORT)					1	
28		11845906		UPPER KNIFE	FOR MO-3-616(FOR EXPORT)					1	
29		SS9112310SP		SCREW 11/64-40L=23	FOR MO-3-616(FOR EXPORT)					1	

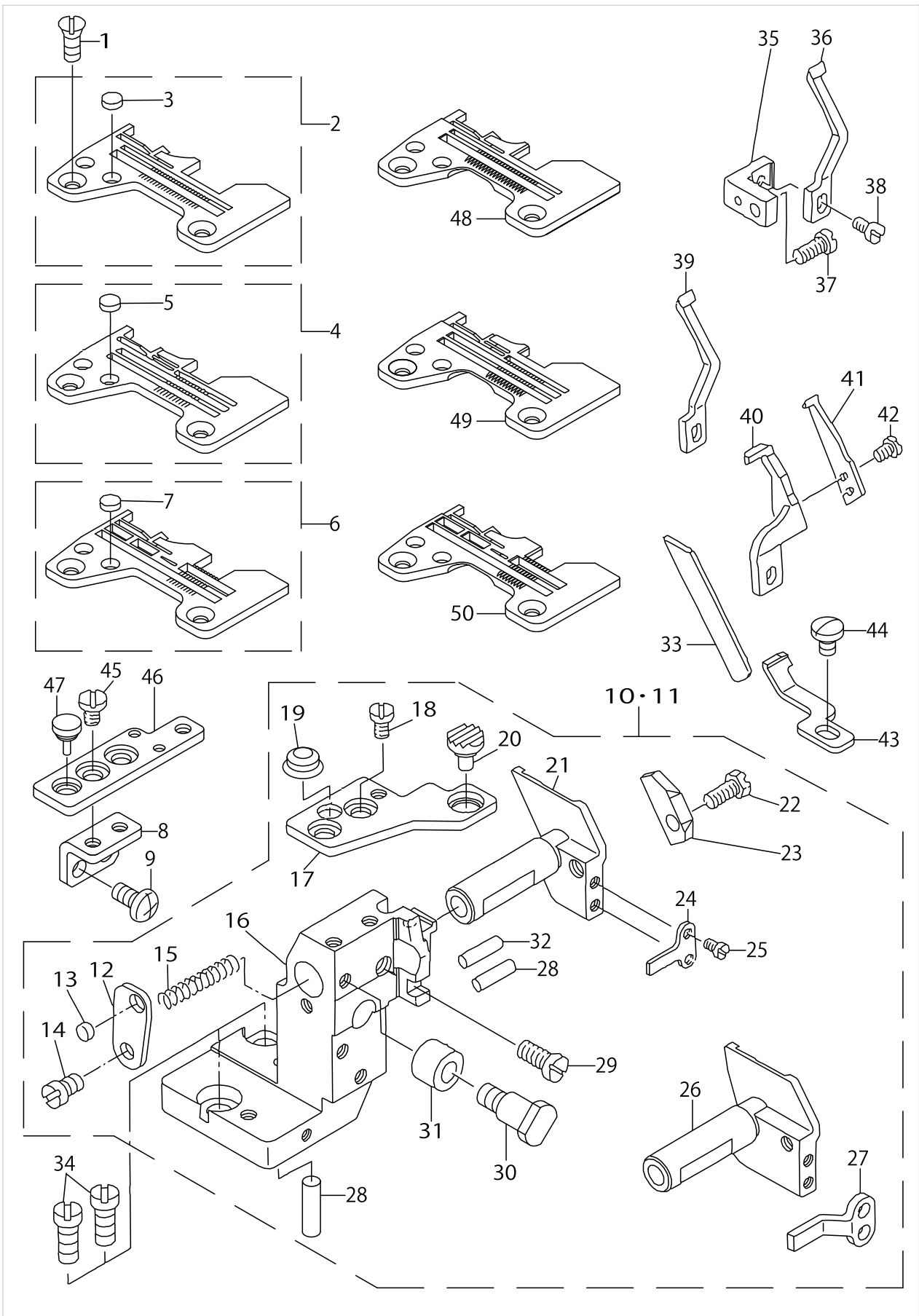
LOWER KNIFE COMPONENTS



LOWER KNIFE COMPONENTS

No.	Supply Code	Parts No.	Replacement	Parts name	Remarks	Choice	Step	Level	Cons	Qty	Rep. QTY
1		SS2110910SL		SCREW 11/64-40 L=9						2	
2	D	R4200J0EDA0		THROAT PLATE ASM.	FOR MO-3604					1	
3	R	11806304	13102702	PLUG				*		2	1.00
4		R4305J0EEA0		THROAT PLATE ASM.	FOR MO-3614					1	
5	R	11806304	13102702	PLUG				*		2	1.00
6	D	R4508J0EDA0		THROAT PLATE ASM.	FOR MO-3616					1	
7	R	11806304	13102702	PLUG				*		2	1.00
8		12288908		THROAT PLATE BASE B SUPPORT						1	
9		SM4051055SP		SCREW						2	
10		12257267		LOWER KNIFE BRACKET ASM.	FOR MO-3-604,MO-36-04(FOR JS-P) MO-361-4,MO-3614-(FOR JSP)					1	
11	D	12257366		LOWER KNIFE BRACKET ASM.	FOR MO-3-616,MO-36-16(FORJSP)					1	
12	R	12133211	13149307	SPRING STOPPER				*		1	1.00
13	R	11806304	13102702	PLUG				*		1	1.00
14		SS7110720SP		SCREW 11/64-40 L=7				*		1	
15		11846607		SPRING				*		1	
16	R	12132619	13232657	LOWER KNIFE BRACKET				*		1	1.00
17		12102208		THROAT PLATE BASE A				*		1	
18		SS6110610TP		SCREW 11/64-40 L=6				*		2	
19		12103701		RUBBER PLUG B				*		1	
20	R	12103602	13235304	RUBBER PLUG A				*		1	1.00
21	R	12132700	13149505	LOWER KNIFE SLIDE STUD	FOR MO-3-604,MO-36-04(FOR JS-P) MO-361-4,MO-3614-(FOR JSP)			*		1	1.00
22		SS9111010SP		SCREW 11/64-40 L=9.5				*		1	
23	R	12133104	13149208	LOWER KNIFE PRESSER PLATE				*		1	1.00
24	R	12132908	13149703	ROTATING STOPPER	FOR MO-3-604,MO-36-04(FOR JS-P) MO-361-4,MO-3614-(FOR JSP)			*		1	1.00
25		SS7090710SP		SCREW 9/64-40 L=6.8				*		2	
26	R	12132809	13149604	LOWER KNIFE SLIDE STUD	FOR MO-3-616,MO-36-16(FORJSP)			*		1	1.00
27		12133005		ROTATING STOPPER	FOR MO-3-616,MO-36-16(FORJSP)			*		1	
28		11846805		HOLDER PIN				*		2	
29		SS7151120SP		SCREW 15/64-28L=11				*		1	
30		B1423804000		UPPER PLATE				*		1	
31	D	B1422804000		PIN				*		1	
32		11846805		HOLDER PIN				*		1	
33		11846003		LOWER KNIFE				*		1	
34		SS6151440SP		SCREW 15/64-28L=14				*		2	
35		11847100		NEEDLE GUARD HOLDER				*		1	

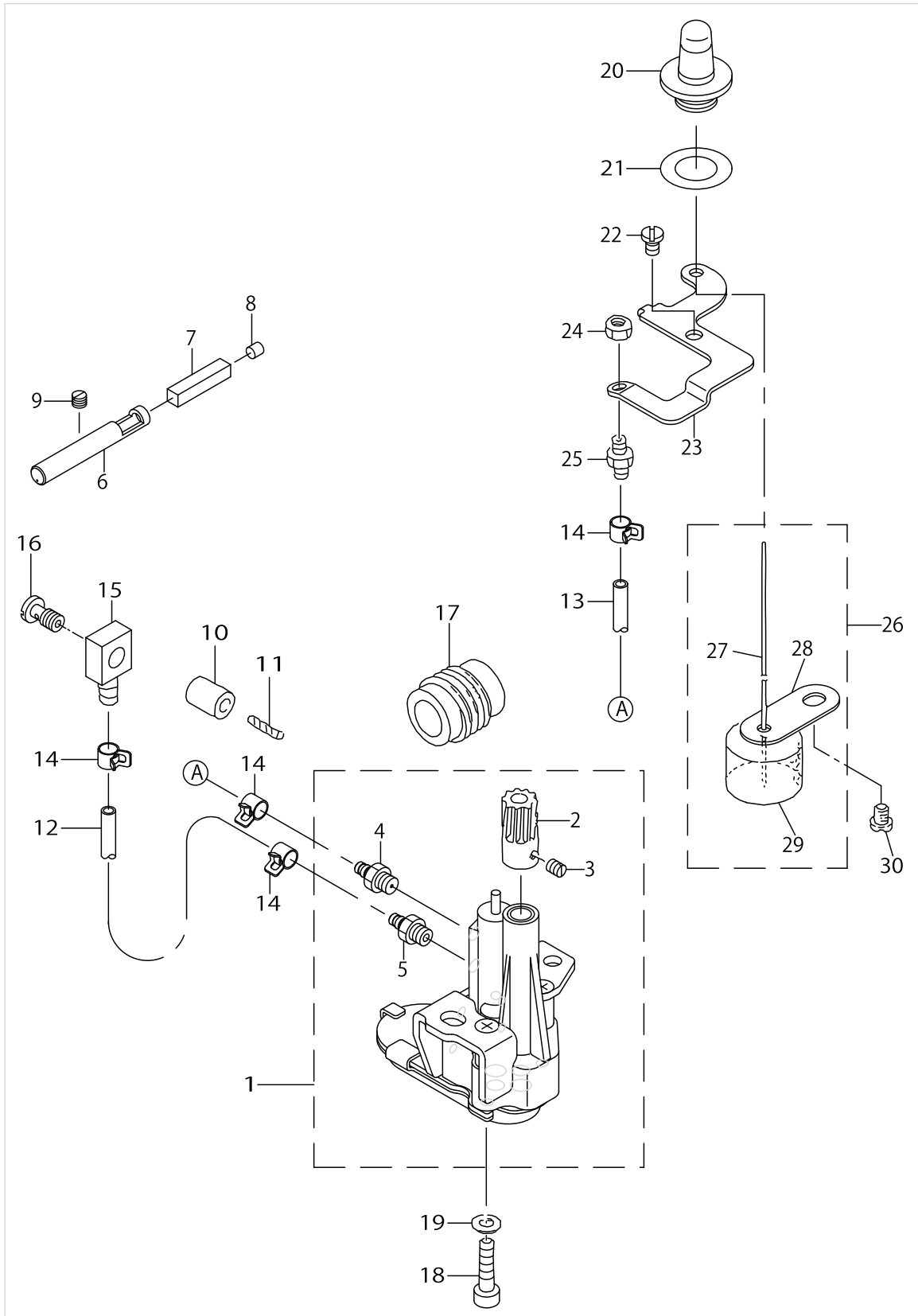
LOWER KNIFE COMPONENTS



LOWER KNIFE COMPONENTS

No.	Supply Code	Parts No.	Replacement	Parts name	Remarks	Choice	Step	Level	Cons	Qty	Rep. QTY
36		11890100		NEEDLE GUARD	FOR MO-3-604,MO-36-04(FORJSP)					1	
37		SS7110840SP		SCREW 11/64-40 L=7.8						1	
38		SS7090610SP		SCREW 9/64-40 L=6						1	
39		11890308		NEEDLE GUARD	FOR MO-3-614,MO-36-14(FORJSP)					1	
40		12015301		NEEDLE HOLDER	FOR MO-3-616,MO-36-16(FORJSP)					1	
41		12015400		NEEDLE HOLDER	FOR MO-3-616,MO-36-16(FORJSP)					1	
42		SS7060510SP		SCREW 3/32-56 L=4.8	FOR MO-3-616,MO-36-16(FORJSP)					2	
43		12177903		NEEDLE HOLDER	FOR MO-3-616,MO-36-16(FORJSP)					1	
44		SS7090510SP		SCREW 9/64-40 L=4.6	FOR MO-3-616,MO-36-16(FORJSP)					1	
45		SS6110610TP		SCREW 11/64-40 L=6						2	
46	R	12287801	11848603	THROAT PLATE BASE C						1	1.00
47		11804606		RUBBER PLUG						1	
48		R4200J6ED00		THROAT PLATE	FOR MO-3-604(FOR JSP)					1	
49		R4305J6EE00		THROAT PLATE	FOR MO-3-614(FOR JSP)					1	
50		R4508J6ED00		THROAT PLATE	FOR MO-3-616(FOR JSP)					1	

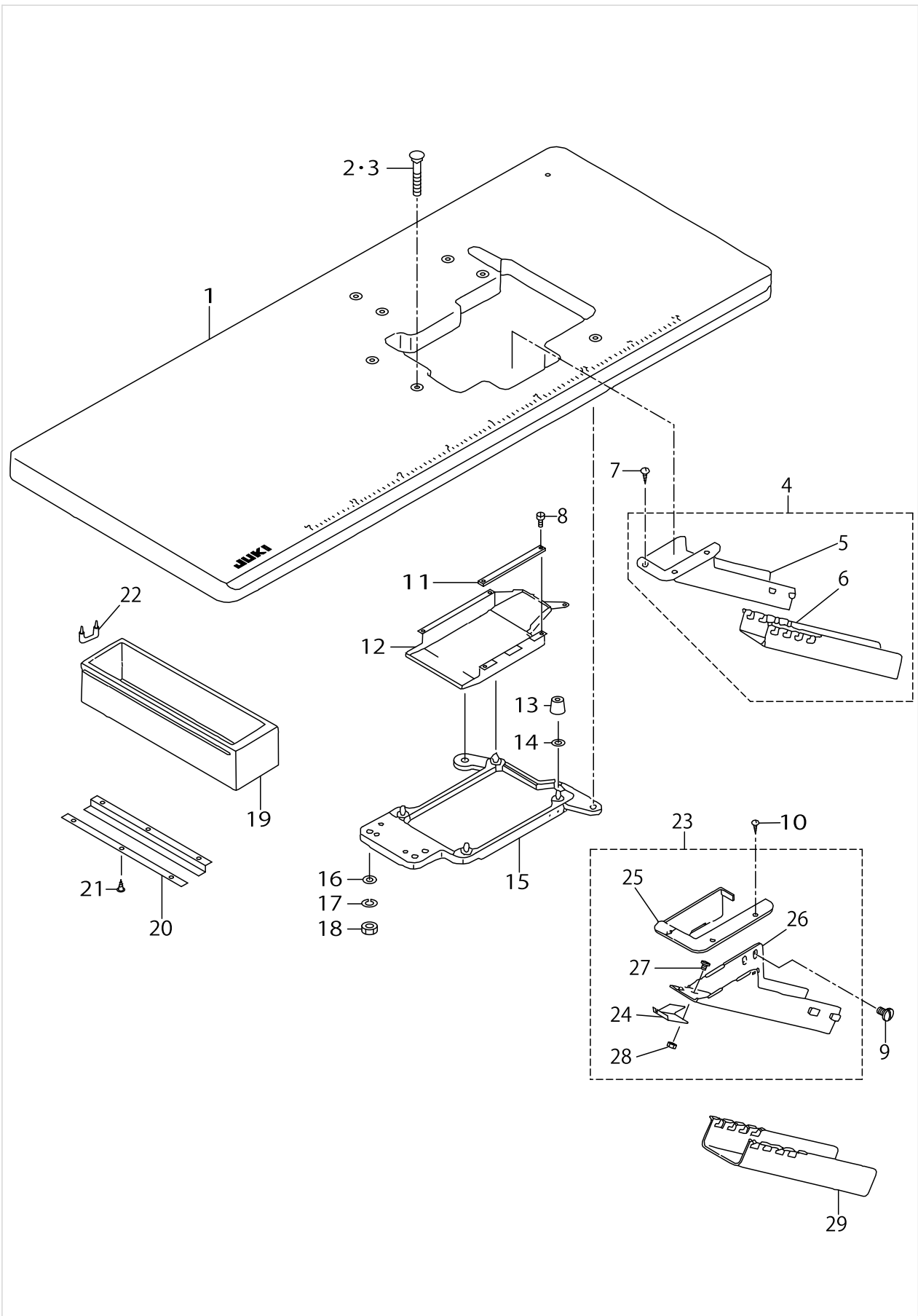
LUBRICATION MECHANISM COMPONENTS



LUBRICATION MECHANISM COMPONENTS

No.	Supply Code	Parts No.	Replacement	Parts name	Remarks	Choice	Step	Level	Cons	Qty	Rep. QTY
1	D	12275962		OIL PUMP ASM.						1	
2	R	12256103	13343009	WORM GEAR				*		1	1.00
3		SS8110410TP		SCREW 11/64-40 L= 3.5				*		2	
4		SQ1150453MZ		CONNECTING SCREW				*		1	
5		SQ1150451MZ		CONNECTING SCREW				*		1	
6		12130308		OILING PIN						1	
7	R	12130407	13144209	OIL FELT						1	1.00
8		TA0400301M0		PLUG D=4X4.5 L=3						1	
9		SM8050402TP		SCREW						1	
10	D	11834603		OIL SUPPLY BUSH						1	
11	D	12252706		OIL SUPPLY FELT						.1	
12		BP300000200		VINYL PIPE						.2	
13		BP300000200		VINYL PIPE						.3	
14		12256004		OIL TUBE HOLDER						4	
15		SQ0000451MZ		CONNECTING SCREW						1	
16		SQ1150441SD		CONNECTING SCREW						1	
17	R	12271805	12129102	WORM						1	1.00
18		SM6061802TP		SCREW M6 L=18						2	
19		WP0651056SH		WASHER 6.5X11X1						2	
20	R	12130100	13143300	OIL GAUGE						1	1.00
21	D	12130209		RUBBER PACKING						1	
22		SM4050855SP		SCREW						2	
23		12255907		OILING EXIT SUPPORT						1	
24		NS6110310SP		NUT 11/64-40						1	
25		SQ1110451MZ		CONNECTING SCREW						1	
26	D	12129854		FLOAT ASM.						1	
27		12129904		OIL GAUGE BAR				*		1	
28		12130001		FLOAT SUPPORT				*		1	
29		12129805		FLOAT				*		1	
30		SM4060801SE		SCREW						1	

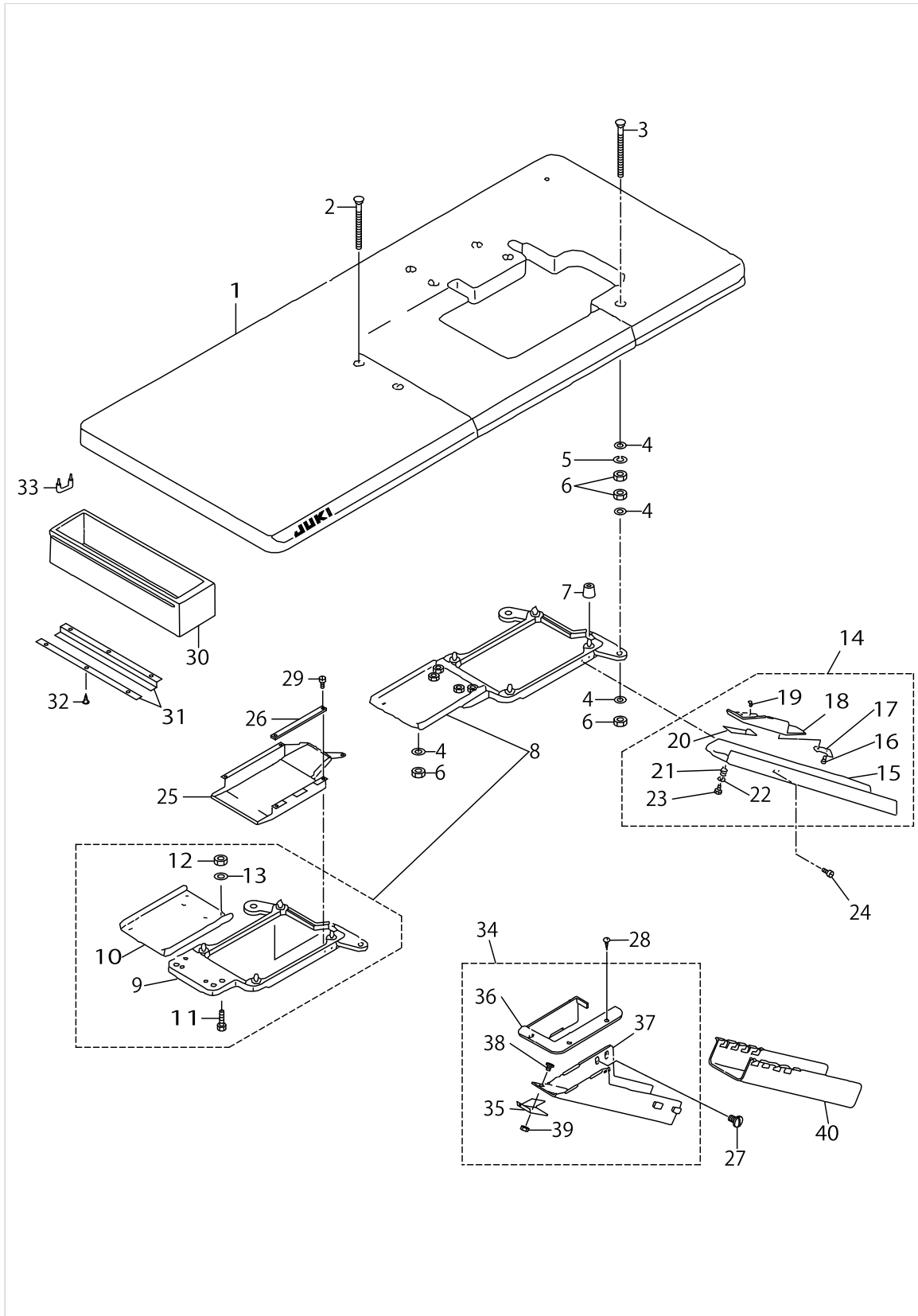
SEMI-SUNKEN TYPE TABLE COMPONENTS



SEMI-SUNKEN TYPE TABLE COMPONENTS

No.	Supply Code	Parts No.	Replacement	Parts name	Remarks	Choice	Step	Level	Cons	Qty	Rep. QTY
1		11959400		TABLE (SEMI-SUNKEN)						1	
2	R	11966702	13155007	BOLT A	FOR JAPAN					4	1.00
3	R	11571601	MAS10704000	BOLT A	FOR EXPORT					4	1.00
4		12341954		CLOTH WASTE CHUTE ASM.						1	
5		12341905		CLOTH WASTE CHUTE(SEMI-SUNKEN)				*		1	
6		12341806		CLOTH WASTE CHUTE				*		1	
7		SK2351600SC		WOOD SCREW D=3.5 L=16						3	
8	R	SS6090630SP	SS6090630TP	SCREW 9/64-40 L=6						5	1.00
9		SS5110710SP		SCREW 11/64-40 L=7	FOR JE					2	
10		SK2351600SC		WOOD SCREW D=3.5 L=16	FOR JE					3	
11	R	11850815	13161005	CASE SPONGE						1	1.00
12	R	11849411	13160908	COOLING FAN CASE						1	1.00
13	R	11571403	13155403	RUBBER CUSHION						4	1.00
14	R	11849601	13156500	SPACER						4	1.00
15	R	11849361	13161153	FRAME SUPPORT PLATE ASM.						1	1.00
16		WP1002036SE		WASHER 10X21X2						4	
17		WS1002560KR		SPRING WASHER 10X18X2.5						4	
18		NS6240630SE		NUT 3/8-18						4	
19	R	11155108	11155157	DRAWER						1	1.00
20		11155207		DRAWER SUPPORT						2	
21	D	SK3311500SC		WOOD SCREW D=3.1 L=15						6	
22		D8204555D00		DRAWER STOPPER						1	
23	D	12135554		CLOTH WASTE CHUTE ASM.	FOR JE					1	
24	D	12135505		CLOTH WASTE CHUTE SUPPORT				*		1	
25	R	11962800	13155759	CLOTH WASTE CHUTE INLET				*		1	1.00
26	R	11962909	13155759	CLOTH WASTE CHUTE, UPPER				*		1	1.00
27		SS5090610SP		SCREW 9/64-40 L=6				*		3	
28		NS6090310SP		NUT 9/64-40				*		3	
29	R	11960002	12341806	CLOTH WASTE CHUTE,LOWER(BENCH)	FOR JE					1	1.00

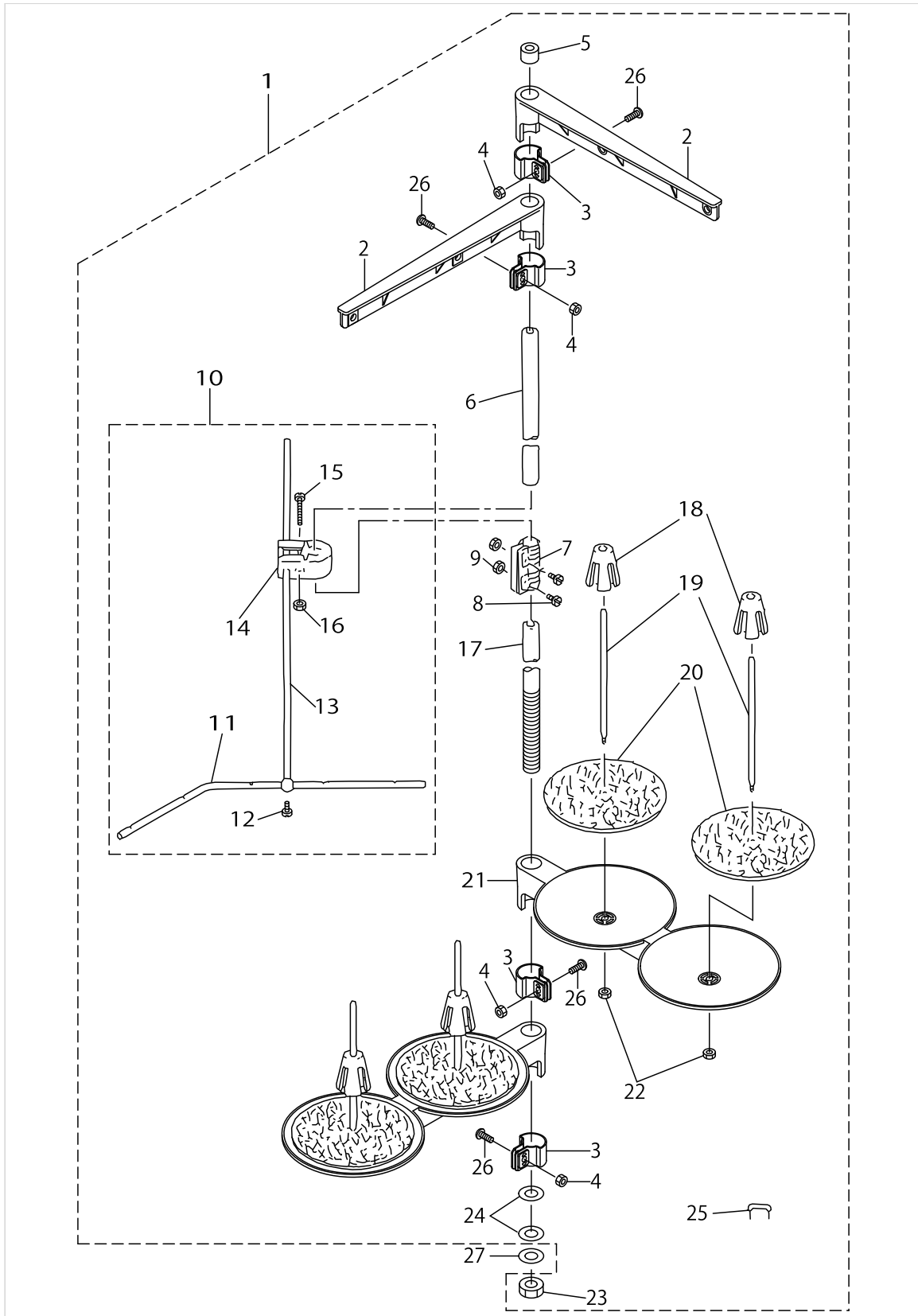
FULLY-SUNKEN TYPE TABLE COMPONENTS



FULLY-SUNKEN TYPE TABLE COMPONENTS

No.	Supply Code	Parts No.	Replacement	Parts name	Remarks	Choice	Step	Level	Cons	Qty	Rep. QTY
1		11959558		TABLE ASM.						1	
2	R	11571809	13155106	BOLT C						2	1.00
3	R	11571908	13155205	BOLT D						2	1.00
4		WP1002036SE		WASHER 10X21X2						12	
5		WS1002560KR		SPRING WASHER 10X18X2.5						4	
6		NS6240630SE		NUT 3/8-18						12	
7	R	11571403	13155403	RUBBER CUSHION						4	1.00
8		11849379		FRAME SUPPORT PLATE ASM.						1	
9	R	11849361	13161153	FRAME SUPPORT PLATE ASM.				*		1	1.00
10	R	11850906	13155304	FRAME SUPPORT A-UXILIARY PLATE				*		1	1.00
11		SM9082513CF		SCREW M8 L=25				*		4	
12		NM6080600SM		NUT M8				*		4	
13		WP0850002SC		WASHER 8.5X18X1.6				*		4	
14	R	11960259	13155858	CLOTH CHUTE ASM.						1	1.00
15	D	11960200		CLOTH WASTE CHUTE				*		1	
16		ST60308210A		SCREW D=3-24 L=8				*		2	
17		11850401		CLOTH WASTE CHUTE INLET LEVER				*		1	
18		11960309		CLOTH WASTE CHUTE HOLE				*		1	
19		SS6090420SP		SCREW 9/64-40 L=4.0				*		2	
20		11850609		RUBBER				*		1	
21		11850500		SPRING				*		1	
22		WP0370316SD		WASHER 3.7X8X0.3				*		1	
23		ST60308210A		SCREW D=3-24 L=8				*		1	
24		SS5110710SP		SCREW 11/64-40 L=7						2	
25	R	11849411	13160908	COOLING FAN CASE						1	1.00
26	R	11850815	13161005	CASE SPONGE						1	1.00
27		SS5110710SP		SCREW 11/64-40 L=7	FOR JE					2	
28		SK2351600SC		WOOD SCREW D=3.5 L=16	FOR JE					3	
29	R	SS6090630SP	SS6090630TP	SCREW 9/64-40 L=6						5	1.00
30	R	11155108	11155157	DRAWER						1	1.00
31		11155207		DRAWER SUPPORT						2	
32	D	SK3311500SC		WOOD SCREW D=3.1 L=15						6	
33		D8204555D00		DRAWER STOPPER						1	
34	D	12135554		CLOTH WASTE CHUTE ASM.	FOR JE					1	
35	D	12135505		CLOTH WASTE CHUTE SUPPORT				*		1	
36	R	11962800	13155759	CLOTH WASTE CHUTE INLET				*		1	1.00
37	R	11962909	13155759	CLOTH WASTE CHUTE, UPPER				*		1	1.00
38		SS5090610SP		SCREW 9/64-40 L=6				*		3	
39		NS6090310SP		NUT 9/64-40				*		3	
40	R	11960002	12341806	CLOTH WASTE CHUTE, LOWER(BENCH)	FOR JE					1	1.00

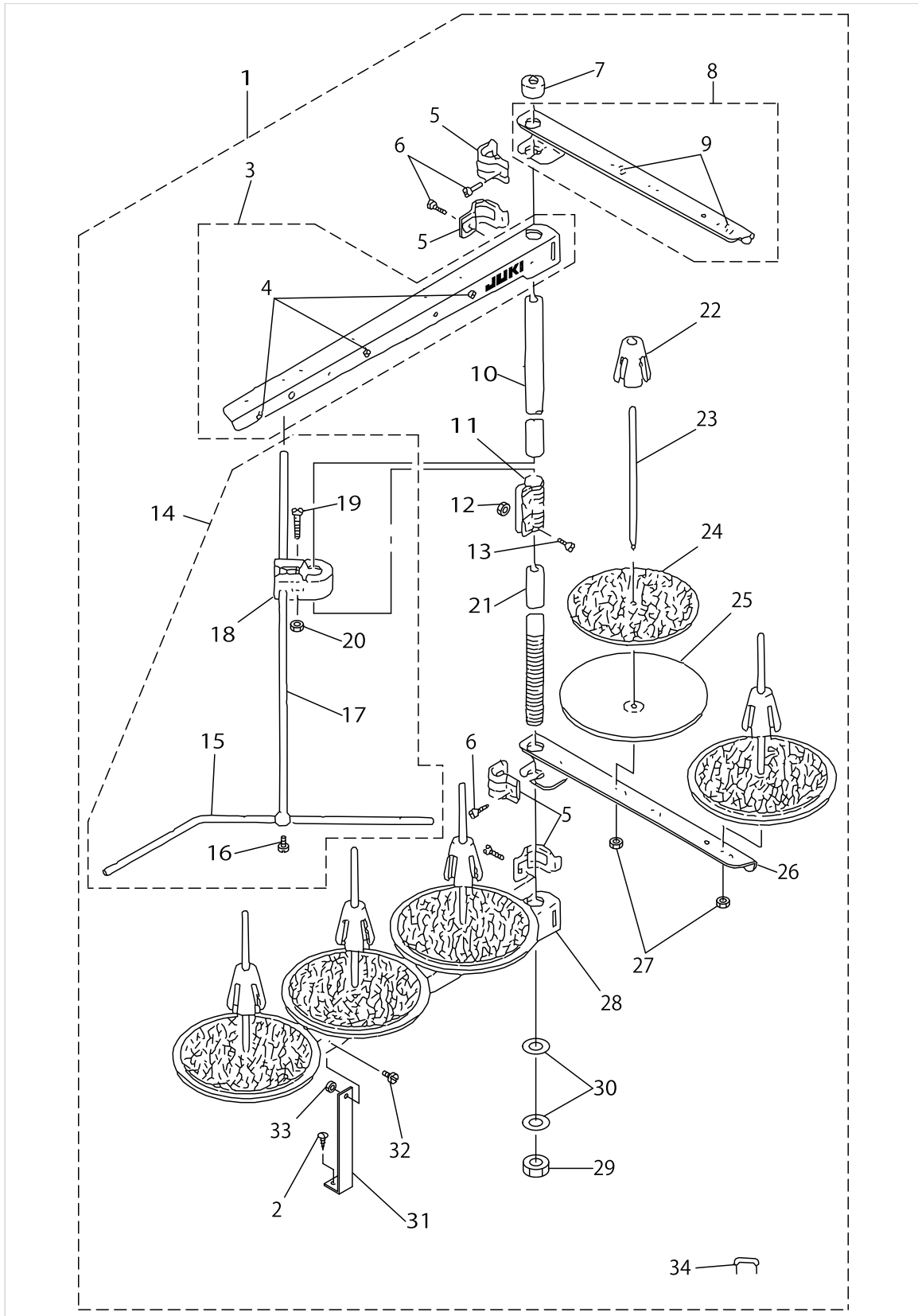
THREAD STAND COMPONENTS(FOR MO-3604,MO-3614)



THREAD STAND COMPONENTS(FOR MO-3604,MO-3614)

No.	Supply Code	Parts No.	Replacement	Parts name	Remarks	Choice	Step	Level	Cons	Qty	Rep. QTY
1	R	11969458	40106584	THREAD STANDING DEVICE ASM.						1	1.00
2	R	11185352	40096354	THREAD GUIDE ASM.				*		2	1.00
3	R	11185402	40096354	THREAD GUIDE ARM JOINT				*		4	1.00
4		NM6050001SE		NUT M5				*		4	
5	R	B3311704000	22931406	SPOOL REST ROD CAP				*		1	1.00
6	R	11185204	40096354	SPOOL REST ROD,UPPER				*		1	1.00
7	R	B3305704000A	40096354	SPOOL REST ROD JOINT				*		1	1.00
8		SM4051405SE		SCREW M5 L=14				*		2	
9		NM6050001SE		NUT M5				*		2	
10	R	B33097040A0	26910059	THREAD GUIDE ARM ASM.				*		1	1.00
11	R	B3311804000	26910059	LOWER THREAD GUIDE				*		1	1.00
12		SS7110540SP		SCREW 11/64-40 L=5				*		1	
13	R	B3309704000	26910059	THREAD GUIDE ARM				*		1	1.00
14	D	B3304704000A		THREAD GUIDE ARM HOLDER				*		1	
15	D	SM6053000SE		SCREW M5X0.8 L=30				*		1	
16		NM6050001SE		NUT M5				*		1	
17	R	11185105	40096354	SPOOL REST ROD,LOWER				*		1	1.00
18	D	11185501		SPOOL RETAINER				*		4	
19	R	B3320704L00A	40085790	SPOOL PIN				*		4	1.00
20	D	B3311012000		SPOOL REST CUSHION				*		4	
21	D	11185006		SPOOL REST ARM				*		2	
22		NM6050001SE		NUT M5				*		4	
23	R	B3317704000	NM6160511SE	NUT				*		1	1.00
24		WP1612616SE		WASHER 16X30X2.6				*		2	
25		MAO11532000		CORD STAPLE				*		3	
26		SM4051405SE		SCREW M5 L=14				*		4	
27	D	WS1643202KN		SPRING WASHER 16.4X26.6X3.2						1	

THREAD STAND COMPONENTS(FOR MO-3616)



THREAD STAND COMPONENTS(FOR MO-3616)

No.	Supply Code	Parts No.	Replacement	Parts name	Remarks	Choice	Step	Level	Cons	Qty	Rep. QTY
1	R	11969557	40106585	THREAD STANDING DEVICE ASM.						1	1.00
2		SK3382001SE		SCREW D=3.8 L=20				*		1	
3	D	11969565		SPOOL REST ARM A ASM.				*		1	
4	R	B3319704L00	22931208	THREAD GUIDE				*		3	1.00
5		B3318704L00A		THREAD GUIDE ARM JOINT				*		4	
6		SM6061610SC		SCREW M6 L=16				*		4	
7	R	B3311704000	22931406	SPOOL REST ROD CAP				*		1	1.00
8	D	11969466		THREAD GUIDE ARM B ASM.				*		1	
9	R	B3319704L00	22931208	THREAD GUIDE				*		2	1.00
10	R	11185204	40096354	SPOOL REST ROD,UPPER				*		1	1.00
11	R	B3305704000A	40096354	SPOOL REST ROD JOINT				*		1	1.00
12		NM6050001SE		NUT M5				*		2	
13		SM4051405SE		SCREW M5 L=14				*		2	
14	R	B33097040A0	26910059	THREAD GUIDE ARM ASM.				*		1	1.00
15	R	B3311804000	26910059	LOWER THREAD GUIDE				*		1	1.00
16		SS7110540SP		SCREW 11/64-40 L=5				*		1	
17	R	B3309704000	26910059	THREAD GUIDE ARM				*		1	1.00
18	D	B3304704000A		THREAD GUIDE ARM HOLDER				*		1	
19	D	SM6053000SE		SCREW M5X0.8 L=30				*		1	
20		NM6050001SE		NUT M5				*		1	
21	R	11185105	40096354	SPOOL REST ROD,LOWER				*		1	1.00
22	D	11185501		SPOOL RETAINER				*		5	
23	R	B3320704L00A	40085790	SPOOL PIN				*		5	1.00
24	D	B3311012000		SPOOL REST CUSHION				*		5	
25	R	11966504	22930804	SPOOL REST				*		5	1.00
26	D	11969409		THREAD GUIDE ARMB				*		1	
27		NM6050001SE		NUT M5				*		5	
28	R	11969508	13168802	SPOOL REST ARM A				*		1	1.00
29	R	B3317704000	NM6160511SE	NUT				*		1	1.00
30		WP1612616SE		WASHER 16X30X2.6				*		2	
31		B3321704L00		SPOOL REST ARM SUPPORT, A				*		1	
32		SM4061201SE		SCREW M6 L=12				*		1	
33		NM6060001SE		NUT M6				*		1	
34		MAO11532000		CORD STAPLE				*		3	

HOW TO MAKE USE OF THIS PARTS LIST

1.Explanation of codes

1)"*"mark.....means this part is changed from the previous parts book.

As to the details of the change, refer to the "List for information of change".

2)"#01".....refer to "Note" explanation at bottom of page.

2.Codes on the "Qty" column

• Each numeral indicates the number of parts required.

• "0.1" and "2.5" indicate the length (in meters) of the respective parts.

3.Parentheses mean that the corresponding part is a subpart that constructs an assembly part.

4.Dotted lines on the Figures indicate assembly parts.

1."注記"欄の記号説明

1) "*"印.....前回のパーツブックに比較して今回変更された部品を意味します。

変更内容は、"変更情報リスト"を参照してください。

2) "#01".....ページ下の"注記"の説明を参照してください。

2.数量欄の数字は、個数を表し、0.1、2.5等の数値は、長さ（単位メートル）を表します。

3.数量欄の（ ）は、組部品を構成している子部品であることを意味します。

4.イラストページの-----枠は、組構成であることを意味します。

NUMERICAL INDEX OF PARTS

PART NO	PAGE	REF NO.	PART NO	PAGE	REF NO.	PART NO	PAGE	REF NO.
10004109	4	12	11820701	30	64	11848405	42	25
11155108	50	19	11820701	32	64	11849361	50	15
11155108	52	30	11823804	10	11	11849361	52	9
11155207	50	20	11823804	14	39	11849379	52	8
11155207	52	31	11823804	42	1	11849411	50	12
11185006	54	21	11824018	14	43	11849411	52	25
11185105	54	17	11824067	14	40	11849601	50	14
11185105	56	21	11825304	18	26	11850401	52	17
11185204	54	6	11826310	18	23	11850500	52	21
11185204	56	10	11826401	18	27	11850609	52	20
11185352	54	2	11827318	14	3	11850815	50	11
11185402	54	3	11827367	14	1	11850815	52	26
11185501	54	18	11827409	18	1	11850906	52	10
11185501	56	22	11827607	18	43	11872009	30	51
11501301	2	3	11827904	20	47	11872009	32	51
11503703	4	21	11828050	18	6	11876166	30	4
11503810	4	29	11828308	20	49	11876869	32	50
11503885	4	26	11828514	18	29	11882107	18	8
11503919	4	25	11828563	18	25	11882800	18	10
11510609	6	38	11828605	20	54	11887106	18	12
11529005	20	62	11828704	14	32	11887403	18	13
11530110	14	41	11829405	22	24	11888104	26	64
11539061	22	13	11829751	22	4	11890001	26	51
11565504	42	24	11831708	24	22	11890100	46	36
11565702	42	22	11831757	24	21	11890308	46	39
11565801	42	9	11831807	26	36	11893302	24	10
11566809	42	10	11831906	24	35	11948601	14	44
11571403	50	13	11833100	26	49	11949005	2	7
11571403	52	7	11833209	26	55	11949807	18	9
11571601	50	2-3	11833308	24	19	11949906	18	19
11571809	52	2	11833407	26	43	11951100	2	21
11571908	52	3	11833506	24	31	11956307	8	48
11598000	42	20	11833613	24	9	11956505	6	34
11802204	2	45	11834603	48	10	11959400	50	1
11803004	2	34	11841350	4	33	11959558	52	1
11804606	46	47	11842101	24	13	11960002	50	29
11805207	4	13	11845500	42	27	11960002	52	40
11806304	44	13	11845609	42	14	11960200	52	15
11810207	2	11	11845708	42	17	11960259	52	14
11811205	6	44	11845807	42	21	11960309	52	18
11819109	28	35	11845906	42	28	11962800	50	25
11819208	28	36	11846003	44	33	11962800	52	36
11819315	28	34	11846607	44	15	11962909	50	26
11819414	28	26	11846805	44	32	11962909	52	37
11819703	28	29	11847100	44	35	11966504	56	25

NUMERICAL INDEX OF PARTS

PART NO	PAGE	REF NO.	PART NO	PAGE	REF NO.	PART NO	PAGE	REF NO.
11966702	50	2-3	12113304	28	24	12130209	48	21
11969409	56	26	12113403	28	31	12130308	48	6
11969458	54	1	12113502	28	30	12130407	48	7
11969466	56	8	12114468	28	20	12130704	26	67
11969508	56	28	12114807	28	13	12130803	26	66
11969557	56	1	12114906	28	17	12132155	6	11
11969565	56	3	12115408	32	47	12132304	42	7
11991502	20	58	12115903	28	12	12132403	42	11
11991601	24	16	12116117	14	28	12132502	42	4
11991809	26	37	12116174	14	17	12132619	44	16
11999208	26	65	12116216	14	27	12132700	44	21
11999307	26	53	12116307	14	25	12132809	44	26
12015301	46	40	12116406	14	26	12132908	44	24
12015400	46	41	12116703	14	16	12133005	44	27
12100301	4	40	12117107	14	30	12133104	44	23
12101309	2	33	12117412	18	17	12133211	44	12
12101408	2	42	12117461	18	15	12133302	42	13
12101515	2	30	12117511	18	16	12133401	42	18
12101903	4	8	12118808	14	18	12135505	50	24
12101952	4	5	12119400	18	42	12135505	52	35
12102109	4	20	12119509	20	46	12135554	50	23
12102208	44	17	12119608	18	38	12135554	52	34
12102307	2	24	12119756	18	36	12148607	12	49
12102406	2	25	12119806	18	37	12148706	12	50
12102752	2	2	12119905	18	39	12149803	12	51
12103206	2	41	12120002	18	40	12152468	30	19
12103404	2	38	12120150	6	28	12153763	30	34
12103602	44	20	12121307	34	26	12156907	30	35
12103701	44	19	12121612	22	19	12160008	30	30
12104907	4	32	12122008	22	22	12162202	30	41
12105201	4	34	12122362	6	19	12164802	30	37
12105359	2	1	12122404	24	5	12167409	30	40
12107108	6	10	12123360	6	24	12167508	30	45
12108007	6	8	12123410	24	14	12167607	30	42
12108106	6	32	12123659	26	45	12167706	32	46
12108403	6	5	12123808	26	41	12167805	30	38
12109153	6	14	12123907	26	39	12172805	18	20
12109955	10	12	12124004	24	32	12176004	26	63
12110227	10	15	12124400	6	23	12177903	46	43
12110805	10	32	12124509	6	9	12250601	2	20
12110904	10	31	12129805	48	29	12252706	48	11
12112108	10	26	12129854	48	26	12253308	12	45
12112207	12	43	12129904	48	27	12253811	30	1
12112306	12	44	12130001	48	28	12254009	24	1
12113205	28	23	12130100	48	20	12255907	48	23

NUMERICAL INDEX OF PARTS

PART NO	PAGE	REF NO.	PART NO	PAGE	REF NO.	PART NO	PAGE	REF NO.
12256004	12	55	12282505	28	8	12285805	40	60
12256004	48	14	12282604	14	15	12285904	36	62
12256103	48	2	12282703	14	6	12285904	38	62
12257267	44	10·11	12282802	14	12	12285904	40	62
12257366	44	10·11	12282901	18	45	12286001	34	12
12258000	4	44	12283008	14	13	12286050	34	6
12258505	22	16	12283107	20	61	12286100	34	13
12259008	22	18	12283255	20	59	12286209	34	11
12270203	4	1	12283404	22	12	12286308	34	7
12270302	4	38	12283503	22	26	12286407	34	9
12270500	2	22	12283602	34	17	12286506	34	8
12271706	6	41	12283701	34	14	12286605	34	10
12271805	48	17	12283800	34	16	12286704	42	2
12271904	4	36	12283909	34	18	12286803	2	27
12272506	10	16	12284006	34	24	12286902	2	28
12272555	10	14	12284105	22	6	12287108	10	6
12273009	14	4	12284303	14	8	12287207	28	11
12273108	24	11	12284402	24	25	12287306	26	57
12273207	24	12	12284501	24	28	12287405	34	22
12273355	24	7	12284709	36	45	12287603	14	36
12273454	24	8	12284758	36	42	12287801	46	46
12275962	48	1	12284808	34	34	12288502	34	29
12280103	6	43	12284857	34	31	12288700	28	14
12280202	10	7	12284907	38	56	12288908	44	8
12280301	10	8	12284956	38	53	12341806	50	6
12280400	12	52	12285003	36	43	12341905	50	5
12280608	10	29	12285102	34	32	12341954	50	4
12280707	10	1	12285201	38	54	12342002	4	18
12280806	10	3	12285300	36	61	12342101	2	14
12280905	10	30	12285300	38	61	12342200	22	17
12281002	10	34	12285300	40	61	12342309	22	9
12281101	10	18	12285409	34	57	12343406	6	1
12281200	10	20	12285409	36	57	12343505	6	4
12281309	10	21	12285409	38	57	12344503	2	16
12281408	10	35	12285508	34	55	12344909	2	36
12281507	10	37	12285508	36	55	12345203	4	39
12281606	10	38	12285508	38	55	12347555	34	21
12281705	10	22	12285607	36	58	B1140716000	2	19
12281804	10	24	12285607	38	58	B1211804000	6	37
12281903	10	25	12285607	40	58	B1212704000	6	17
12282109	28	19	12285706	36	59	B1215804000	6	6·7
12282208	28	2	12285706	38	59	B1414555000	18	31
12282257	28	1	12285706	40	59	B1422804000	44	31
12282307	28	3	12285805	36	60	B1423804000	44	30
12282406	28	4	12285805	38	60	B1507804C00	30	12

NUMERICAL INDEX OF PARTS

PART NO	PAGE	REF NO.	PART NO	PAGE	REF NO.	PART NO	PAGE	REF NO.
B150781400P	30	58	B3304704000A	56	18	NM6050001SE	56	27
B150781400P	32	58	B3305704000A	54	7	NM6060001SE	56	33
B150880400B	30	60	B3305704000A	56	11	NM6060003SC	28	28
B150880400B	32	60	B3309704000	54	13	NM6080600SM	52	12
B1509804C00	30	15	B3309704000	56	17	NS6090310SN	2	31
B150981400P	32	61	B33097040A0	54	10	NS6090310SP	50	28
B1510814000	30	63	B33097040A0	56	14	NS6090310SP	52	39
B1510814000	32	63	B3311012000	54	20	NS6110310SP	48	24
B1511814000	30	57	B3311012000	56	24	NS6110420SP	2	9
B1511814000	32	57	B3311704000	54	5	NS6110420SP	28	37
B1513816000	30	39	B3311704000	56	7	NS6110420SP	36	63
B1514816000	30	43	B3311804000	54	11	NS6110420SP	38	63
B1528804000A	30	2	B3311804000	56	15	NS6110420SP	40	63
B1529804000	28	39	B3317704000	54	23	NS6240630SE	50	18
B1530804000	30	53	B3317704000	56	29	NS6240630SE	52	6
B1530804000	32	53	B3318704L00A	56	5	NS6620320SP	16	45
B1534804000	28	22	B3319704L00	56	9	NS6680410SP	4	24
B1539804000	32	48	B3320704L00A	54	19	PS0200052KH	34	20
B1604704000	14	22	B3320704L00A	56	23	PS0200062KH	22	27
B1606704000	14	29	B3321704L00	56	31	PS0300062KH	26	58
B1624704000	18	5	B3530555000	4	3	PS0300132KH	14	23
B1645704000A	20	56	BP300000200	48	13	PS0300142KH	28	7
B1646704000A	18	34	BT0600402EA	12	46	R4200J0EDA0	44	2
B1647704000A	18	33	CM300200001	2	44	R4200J6ED00	46	48
B1651704000	14	35	CM3002000A1	4	6	R4305J0EEA0	44	4
B1652704000	14	33	CM300200101	4	10·11	R4305J6EE00	46	49
B1654704000	14	34	CM3002001A1	4	10·11	R4508J0EDA0	44	6
B165780400T	18	18	CQ200000000	24	24	R4508J6ED00	46	50
B2103816000B	22	2	CQ202000000	24	69	RE0500000K0	18	22
B21038160A0	22	1	CQ202000000	26	69	RO037180100	26	38
B2105816000	22	5	CQ252000000	10	13	RO060150100	20	57
B2111716000	22	11	CS0400671SD	2	5	RO074240100	4	27
B2119816B00	22	8	CS095081ASH	14	10	RO110090100	28	18
B2401816000	34	3	CS103121ASH	24	61	RO118180100	12	54
B2402716000	34	4	CS103121ASH	26	61	RO195240100	4	2
B2507804000B	24	4	CS111101ESH	42	5	RO347350100	6	40
B2508704000	26	46	CS1201010SH	10	9	RO480120100	20	48
B251570400B	24	17	D8204555D00	50	22	SB110000300	6	6·7
B2525352000	22	23	D8204555D00	52	33	SD0260271SP	14	21
B2530704000	26	47	MAO11532000	54	25	SD0280401SL	10	33
B2531704000	22	28	MAO11532000	56	34	SD0600341TP	34	19
B2531704000	26	59	MC033600750	12	53	SD0640246SP	28	6
B3013141H0A	4	17	MDC270B1100	10	42	SD0720271SP	18	24
B3113352000	34	2	MDC270B1100	12	42	SD0720601TH	14	5
B3304704000A	54	14	NM6050001SE	54	22	SD0720803TH	22	7

NUMERICAL INDEX OF PARTS

PART NO	PAGE	REF NO.	PART NO	PAGE	REF NO.	PART NO	PAGE	REF NO.
SK2351600SC	50	10	SM8040302TP	2	6	SS6090620SP	20	53
SK2351600SC	52	28	SM8040402TP	28	15	SS6090620TP	26	54
SK3311500SC	50	21	SM8040612TP	10	17	SS6090630SP	26	48
SK3311500SC	52	32	SM8050402TP	48	9	SS6090630SP	50	8
SK3382001SE	56	2	SM9082513CF	52	11	SS6090630SP	52	29
SK3412000SC	4	35	SQ0000451MZ	48	15	SS6090650SP	30	52
SL4051231SC	20	50	SQ1110451MZ	48	25	SS6090650SP	32	52
SM0081001SD	4	28	SQ1150441SD	48	16	SS6090670TP	10	36
SM1030601SC	34	30	SQ1150451MZ	48	5	SS6110610TP	44	45
SM1040801SC	2	17	SQ1150453MZ	48	4	SS6110610TP	46	45
SM1040801SC	4	42	SS2090520SL	2	29	SS6110710TP	14	20
SM4040655SP	2	39	SS2110910SL	44	1	SS6110710TP	22	20
SM4040655SP	26	42	SS3090610SP	2	32	SS6110710TP	28	40
SM4040855SP	2	23	SS3090610SP	26	44	SS6111040SP	42	12
SM4040855SP	4	41	SS4060310SP	42	23	SS6111440SP	2	10
SM4040855SP	6	3	SS4080610SP	18	14	SS6111610SP	42	19
SM4040855SP	10	27	SS4080610SP	22	21	SS6121020SP	28	25
SM4040855SP	18	2	SS4090415SP	34	28	SS6151440SP	44	34
SM4041055SP	2	37	SS4090515SP	20	60	SS6661110SP	20	55
SM4041055SP	20	52	SS4090615SP	24	20	SS7060310SP	18	35
SM4041455SN	14	37	SS4091015SP	2	13	SS7060310SP	26	68
SM4050855SP	6	42	SS4110515SP	10	19	SS7060510SP	18	44
SM4050855SP	34	1	SS4110515SP	34	25	SS7060510SP	30	3
SM4050855SP	48	22	SS4110715SP	28	10	SS7060510SP	46	42
SM4051055SP	44	9	SS4120615SP	2	15	SS7060610SP	24	18
SM4051255SP	4	4	SS4151215SP	4	9	SS7060610SP	30	55
SM4051405SE	54	26	SS5080212TP	6	33	SS7060610SP	32	55
SM4051405SE	56	13	SS5090610SP	50	27	SS7080520SP	30	59
SM4060801SE	48	30	SS5090610SP	52	38	SS7080520SP	32	59
SM4061201SE	56	32	SS5110710SP	4	15	SS7090510SP	46	44
SM6030350SD	28	9	SS5110710SP	50	9	SS7090530SP	2	40
SM6051202TP	14	42	SS5110710SP	52	27	SS7090610SP	2	43
SM6051202TP	18	30	SS5150510SP	34	5	SS7090610SP	46	38
SM6051202TP	22	14	SS6060210SP	30	56	SS7090611SL	4	19
SM6053000SE	54	15	SS6060210SP	32	56	SS7090620TP	18	41
SM6053000SE	56	19	SS6060340SP	30	44	SS7090710SP	44	25
SM6061200SP	24	6	SS6060410TP	32	49	SS7090850SP	26	50
SM6061200SP	28	27	SS6060440TP	26	52	SS7110510SP	2	26
SM6061202TP	6	27	SS6060440TP	30	62	SS7110540SP	54	12
SM6061402TP	10	4	SS6060440TP	32	62	SS7110540SP	56	16
SM6061402TP	14	9	SS6080320SP	14	31	SS7110710SL	40	64
SM6061402TP	42	3	SS6080410SP	18	28	SS7110720SP	44	14
SM6061610SC	56	6	SS6080410SP	24	34	SS7110720TP	22	3
SM6061802TP	48	18	SS6080720SP	10	28	SS7110810SP	14	24
SM7040550SP	28	5	SS6090420SP	52	19	SS7110840SP	6	16

NUMERICAL INDEX OF PARTS

PART NO	PAGE	REF NO.	PART NO	PAGE	REF NO.
SS7110840SP	24	56	TA1120804R0	4	37
SS7110840SP	26	56	TA1250406R0	4	30
SS7110840SP	46	37	TA1701107R0	4	31
SS7110910TP	14	14	TA1871602R0	4	14
SS7111410SP	28	38	TA2050416R0	14	7
SS7111410TP	6	30	WP0250516SD	30	54
SS7111810SP	6	35	WP0250516SD	32	54
SS7111810TP	6	29	WP0370316SD	42	16
SS7112420SP	6	31	WP0370316SD	52	22
SS7151120SP	44	29	WP0371016SD	18	3
SS7161040SP	28	33	WP0480856SP	20	51
SS8080310TP	10	41	WP0621016SD	18	32
SS8090530TP	10	5	WP0651056SH	48	19
SS8110410TP	2	35	WP0751576SD	4	22
SS8110410TP	14	11	WP0764016SP	8	46
SS8110410TP	18	7	WP0850002SC	52	13
SS8110410TP	34	23	WP1002036SE	50	16
SS8110410TP	48	3	WP1002036SE	52	4
SS8110510SP	28	21	WP1612616SE	54	24
SS8110750SP	14	19	WP1612616SE	56	30
SS8151150SP	6	45	WS0451040KP	6	36
SS8660330SP	42	6	WS0822010KP	4	23
SS8660530TP	24	62	WS1002560KR	50	17
SS8660530TP	26	62	WS1002560KR	52	5
SS8660610TP	10	10	WS1643202KN	54	27
SS9090410TP	24	15	WZ0420350KP	2	4
SS9090610TP	24	30	WZ0640312K0	34	27
SS9090813TP	42	15	WZ0850302K0	4	16
SS9110430TP	22	25	WZ2640310KH	6	39
SS9111010SP	18	21			
SS9111010SP	44	22			
SS9111050SP	18	11			
SS9111610SP	42	26			
SS9112310SP	42	29			
SS9151210TP	4	43			
SS9151210TP	22	29			
SS9151210TP	24	60			
SS9151210TP	26	60			
SS9151210TP	28	32			
SS9681610TP	8	47			
ST60308210A	52	23			
TA0400301M0	48	8			
TA0800504R0	18	4			
TA0951301R0	12	47			
TA1030402R0	14	38			