

MODEL : MOF-3900 SUBCLASSES/MOF-3914

List No : 1115-00

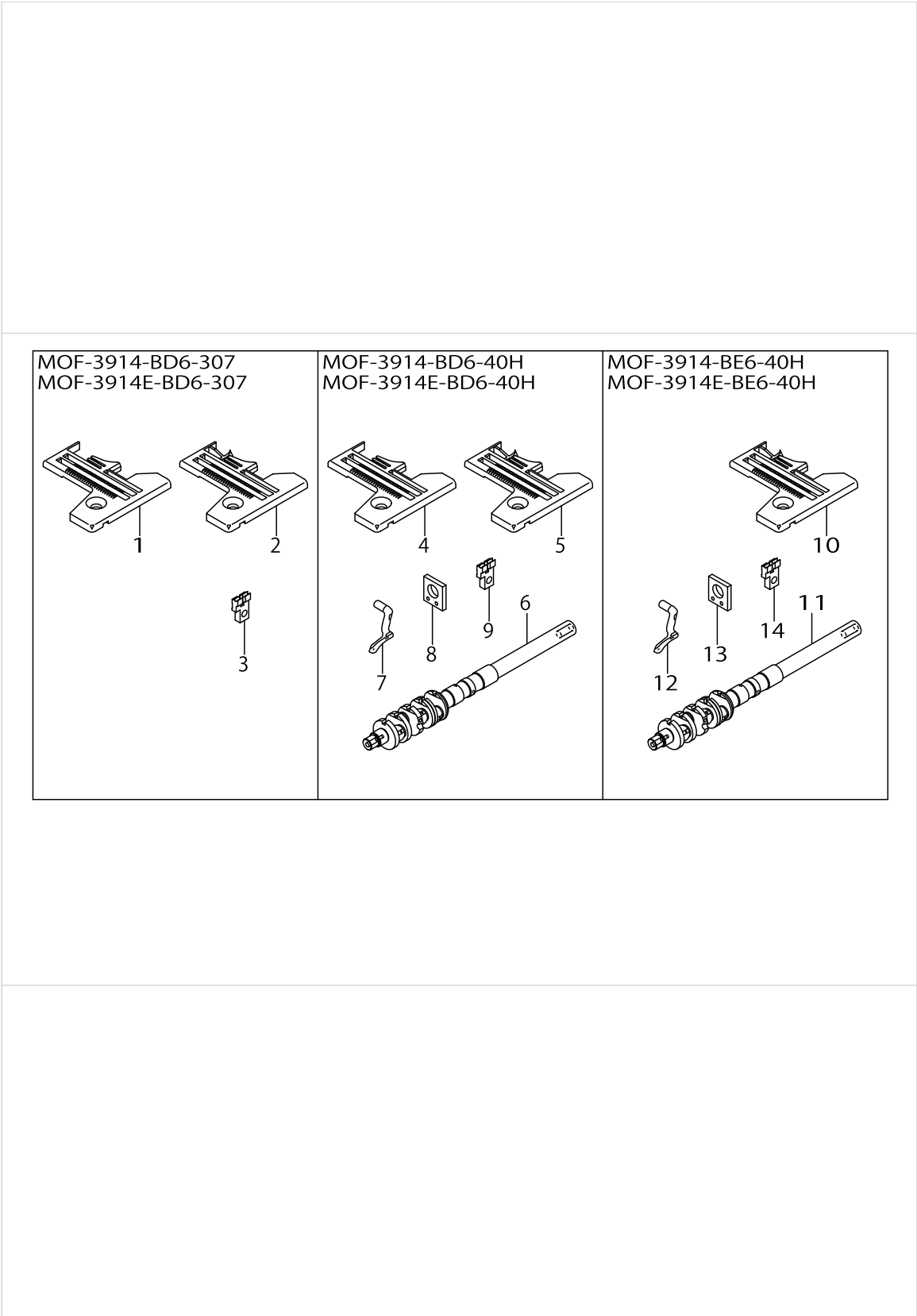
PARTS LIST

Published:05/12/2017

CONTENTS

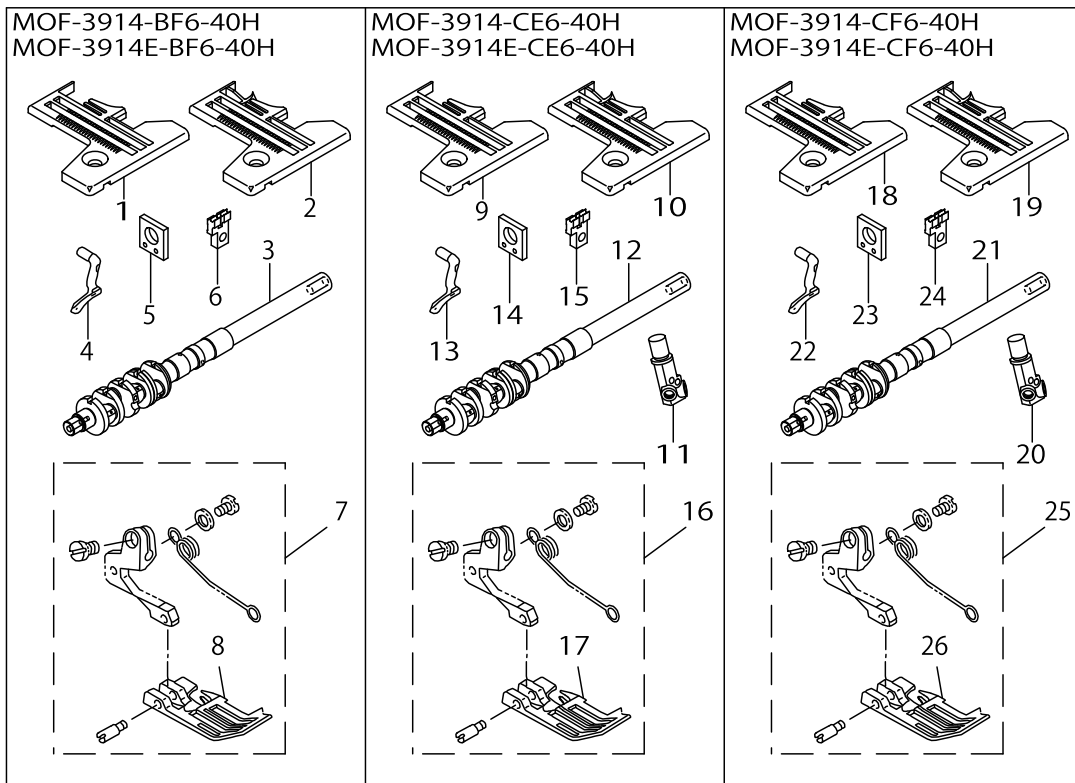
| | |
|--|---|
| MOF-3900 SUBCLASSES (1) | 1 |
| MOF-3900 SUBCLASSES (2) | 3 |
| HOW TO MAKE USE OF THIS PARTS LIST | 5 |

MOF-3900 SUBCLASSES (1)



MOF-3900 SUBCLASSES (1)

| No. | Supply Code | Parts No. | Replacement | Parts name | Remarks | Choice | Step | Level | Cons | Qty | Rep. QTY |
|-----|-------------|-------------|-------------|--------------------|---------------------------|--------|------|-------|------|-----|----------|
| 1 | R | R4305K0DE00 | R4305K6DE00 | THROAT PLATE | | | | | | 1 | 1.00 |
| 2 | | R4305K0DE0A | | THROAT PLATE | P04/Q01 E-XCHANGING PARTS | | | | | 1 | |
| 3 | D | 12238200 | | AUXILIARY FEED DOG | P04/Q01 E-XCHANGING PARTS | | | | | 1 | |
| 4 | R | R4305K0DE00 | R4305K6DE00 | THROAT PLATE | | | | | | 1 | 1.00 |
| 5 | | R4305K0DE0A | | THROAT PLATE | P04/Q01 E-XCHANGING PARTS | | | | | 1 | |
| 6 | | 12292108 | | MAIN SHAFT | | | | | | 1 | |
| 7 | | 12247102 | | UPPER LOOPER | | | | | | 1 | |
| 8 | D | 11893609 | | GAUGE | | | | | | 1 | |
| 9 | D | 12238200 | | AUXILIARY FEED DOG | P04/Q01 E-XCHANGING PARTS | | | | | 1 | |
| 10 | D | R4305K0EE0A | | THROAT PLATE | P05/Q01 E-XCHANGING PARTS | | | | | 1 | |
| 11 | | 12292108 | | MAIN SHAFT | | | | | | 1 | |
| 12 | | 12247102 | | UPPER LOOPER | | | | | | 1 | |
| 13 | D | 11893609 | | GAUGE | | | | | | 1 | |
| 14 | D | 12238200 | | AUXILIARY FEED DOG | P05/Q01 E-XCHANGING PARTS | | | | | 1 | |



MOF-3900 SUBCLASSES (2)

| No. | Supply Code | Parts No. | Replacement | Parts name | Remarks | Choice | Step | Level | Cons | Qty | Rep. QTY |
|-----|-------------|-------------|-------------|------------------------|---------------------------|--------|------|-------|------|-----|----------|
| 1 | | R4305K0FE00 | | THROAT PLATE | | | | | | 1 | |
| 2 | D | R4305K0FE0A | | THROAT PLATE | P06/Q01 E-XCHANGING PARTS | | | | | 1 | |
| 3 | | 12292108 | | MAIN SHAFT | | | | | | 1 | |
| 4 | | 12247102 | | UPPER LOOPER | | | | | | 1 | |
| 5 | D | 11893609 | | GAUGE | | | | | | 1 | |
| 6 | D | 12238200 | | AUXILIARYFEEDDOG | P06/Q01 E-XCHANGING PARTS | | | | | 1 | |
| 7 | | 11932654 | | PRESSER FOOT ASM. | | | | | | 1 | |
| 8 | R | 11926508 | 11932654 | PRESSER FOOT | | | | * | | 1 | 1.00 |
| 9 | | R4306K0EE00 | | THROAT PLATE | | | | | | 1 | |
| 10 | D | R4306K0EE0A | | THROAT PLATE | P07/Q01 E-XCHANGING PARTS | | | | | 1 | |
| 11 | | 12149209 | | NEEDLE CLAMP, 2-NEEDLE | | | | | | 1 | |
| 12 | | 12292108 | | MAIN SHAFT | | | | | | 1 | |
| 13 | | 12247102 | | UPPER LOOPER | | | | | | 1 | |
| 14 | D | 11893609 | | GAUGE | | | | | | 1 | |
| 15 | D | 12238200 | | AUXILIARYFEEDDOG | P07/Q01 E-XCHANGING PARTS | | | | | 1 | |
| 16 | D | 11942653 | | PRESSER FOOT ASM. | | | | | | 1 | |
| 17 | | 11942604 | | PRESSER FOOT | | | | * | | 1 | |
| 18 | | R4306K0FE00 | | THROAT PLATE | | | | | | 1 | |
| 19 | D | R4306K0FE0A | | THROAT PLATE | P08/Q01 E-XCHANGING PARTS | | | | | 1 | |
| 20 | | 12149209 | | NEEDLE CLAMP, 2-NEEDLE | | | | | | 1 | |
| 21 | | 12292108 | | MAIN SHAFT | | | | | | 1 | |
| 22 | | 12247102 | | UPPER LOOPER | | | | | | 1 | |
| 23 | D | 11893609 | | GAUGE | | | | | | 1 | |
| 24 | D | 12238200 | | AUXILIARYFEEDDOG | P08/Q01 E-XCHANGING PARTS | | | | | 1 | |
| 25 | D | 11942653 | | PRESSER FOOT ASM. | | | | | | 1 | |
| 26 | | 11942604 | | PRESSER FOOT | | | | * | | 1 | |

HOW TO MAKE USE OF THIS PARTS LIST

1.As to "#01" and "#02" refer to the "Note" given at the bottom of the respective pages.

2.Codes on the "Qty" column

- Each numeral indicates the number of parts required.
- "0.1" and "2.5" indicate the length (in meters) of the respective parts.

3.Parentheses mean that the corresponding part is a subpart that constructs an assembly part.

4.Dotted lines on the Figures indicate assembly parts.

1. リストページの# 0 1、# 0 2の印は、ページ下の"注記"の説明を参照下さい。
2. 数量欄の数字は、個数を表し、0. 1、2. 5等の数値は、長さ（単位メートル）を表します。
3. 数量欄の（ ）は、組部品を構成している子部品であることを意味します。
4. イラストページの-----枠は、組構成であることを意味します。

NUMERICAL INDEX OF PARTS

| PART NO | PAGE | REF NO. |
|-------------|------|---------|
| 11893609 | 2 | 13 |
| 11893609 | 4 | 23 |
| 11926508 | 4 | 8 |
| 11932654 | 4 | 7 |
| 11942604 | 4 | 26 |
| 11942653 | 4 | 25 |
| 12149209 | 4 | 20 |
| 12238200 | 2 | 14 |
| 12238200 | 4 | 24 |
| 12247102 | 2 | 12 |
| 12247102 | 4 | 22 |
| 12292108 | 2 | 11 |
| 12292108 | 4 | 21 |
| R4305K0DE00 | 2 | 4 |
| R4305K0DE0A | 2 | 5 |
| R4305K0EE0A | 2 | 10 |
| R4305K0FE00 | 4 | 1 |
| R4305K0FE0A | 4 | 2 |
| R4306K0EE00 | 4 | 9 |
| R4306K0EE0A | 4 | 10 |
| R4306K0FE00 | 4 | 18 |
| R4306K0FE0A | 4 | 19 |