

MODEL : MOG-3700 SUBCLASSES

List No : 1154-02

# PARTS LIST

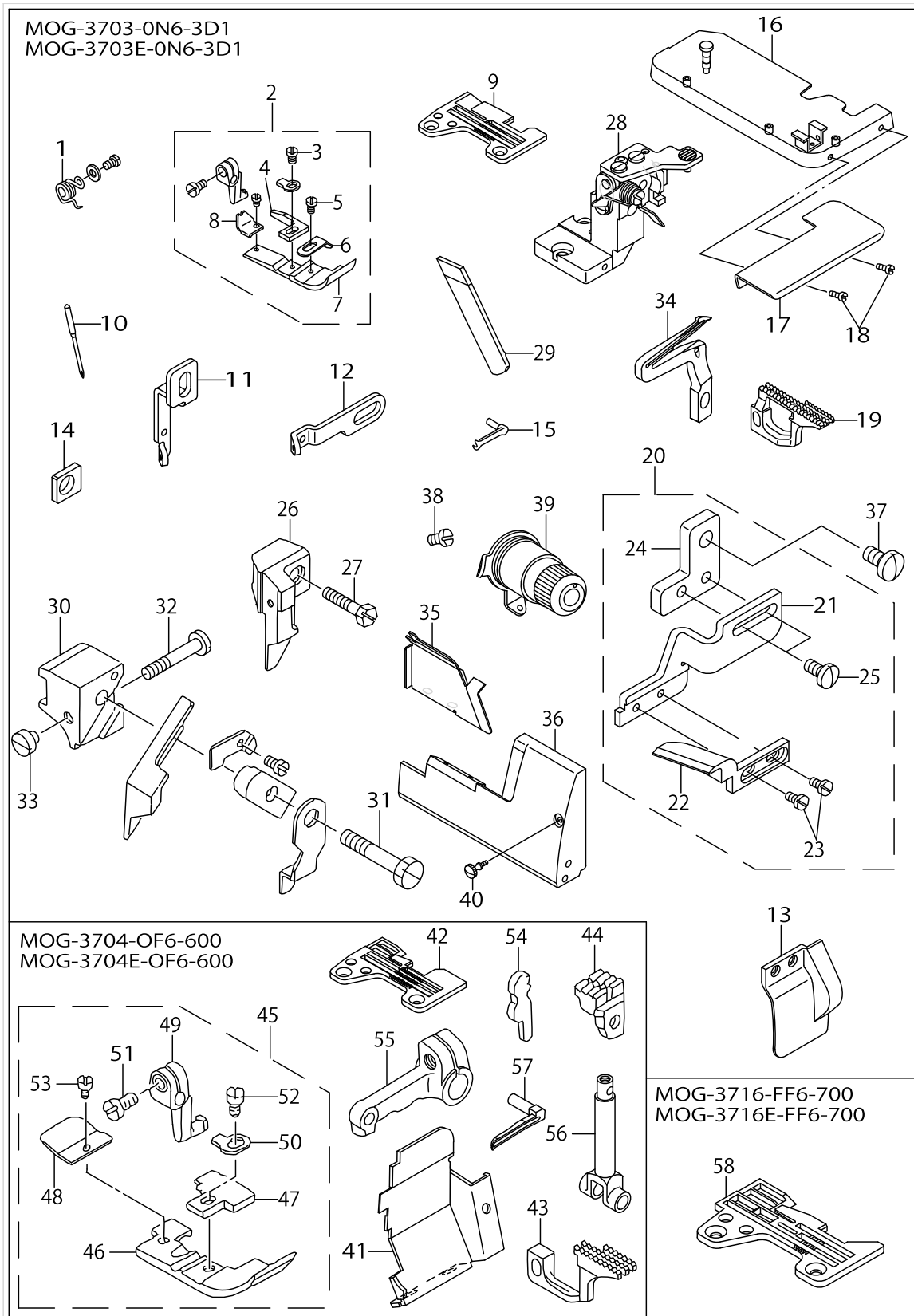
Published:05/12/2017

## CONTENTS

---

MOG-3700 SUBCLASSES (1).....	1
MOG-3700 SUBCLASSES (2).....	5
HOW TO MAKE USE OF THIS PARTS LIST .....	9

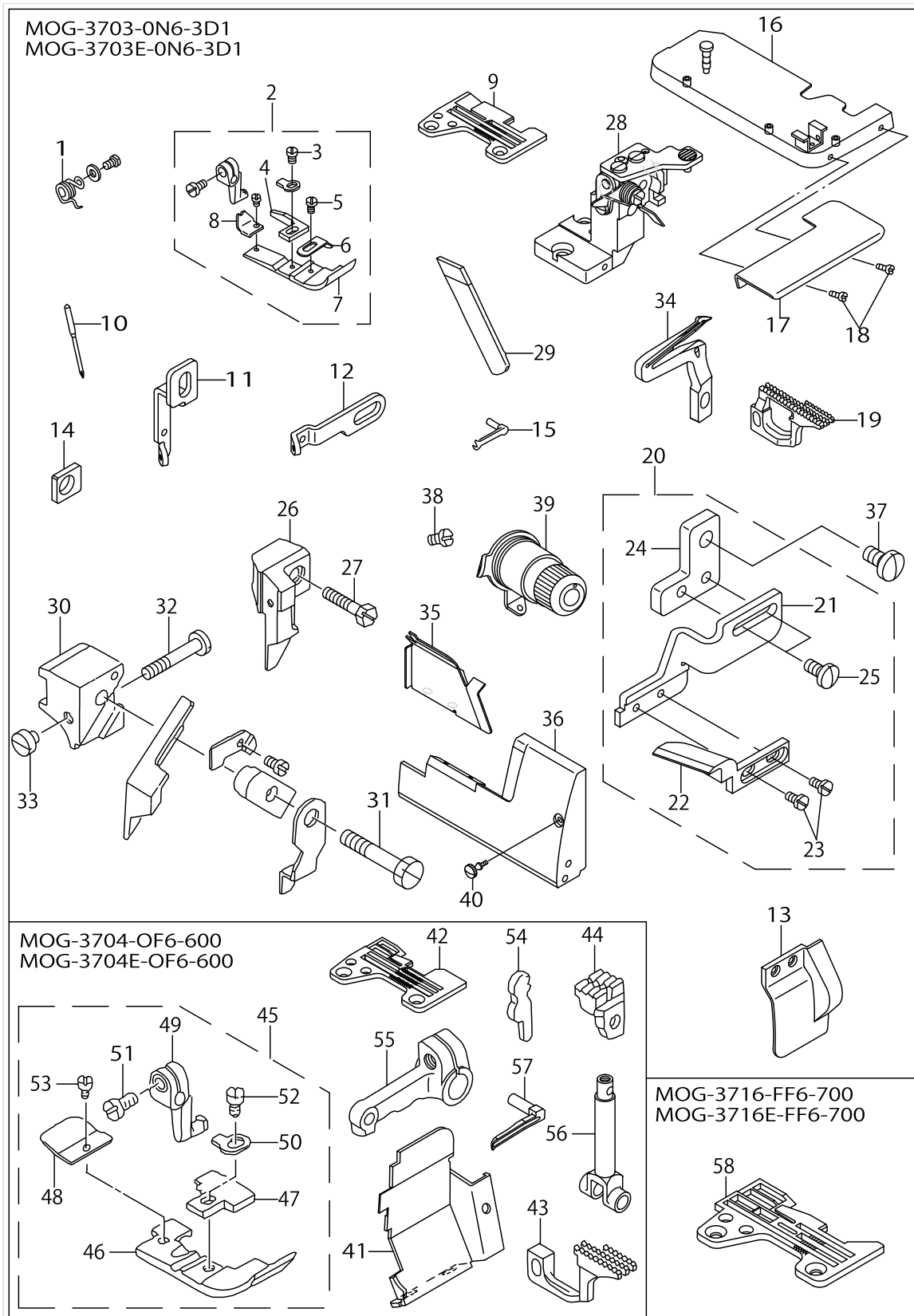
MOG-3700 SUBCLASSES (1)



## MOG-3700 SUBCLASSES (1)

No.	Supply Code	Parts No.	Replacement	Parts name	Remarks	Choice	Step	Level	Cons	Qty	Rep. QTY
1		11693900		SPRING						1	
2		12381554		PRESSER FOOT ASM.						1	
3		SS7080520SP		SCREW 1/8-44 L=4.9				*		1	
4		12381505		STITCH TONGUE				*		1	
5		SS7060310SP		SCREW 3/32-56 L=3				*		1	
6		12012902		CLOTH PRESSER				*		1	
7	R	12012704	12012761	PRESSER FOOT				*		1	1.00
8		11693801		REAR PRESSER PLATE				*		1	
9	R	R4300J0NJ00	R4300J6NJ00	THROAT PLATE						1	1.00
10		MDO500S1600		NEEDLE DOX5 #16S						1	
11		12372504		NEEDLE THREAD BALANCE GUIDE						1	
12		12376000		LOOPER BALANCE (RIGHT)						1	
13	D	12102109		SAFETY PLATE						1	
14		12375606		SUPPORT GAUGE						1	
15		12014817		SPREADER, UPPER						1	
16	D	12371266		CLOTH PLATE COMPL.						1	
17		12006813		CLOTH GUIDE BASE						1	
18		SS7110510SP		SCREW 11/64-40 L=5						2	
19		12013504		FEED DOG						1	
20	D	12382156		SUPPORTCLICKASM.						1	
21		12382206		SUPPORT CLICK BASE				*		1	
22		12382107		SUPPORT CLICK				*		1	
23		SS7060310SP		SCREW 3/32-56 L=3				*		2	
24		12382305		SUPPORT CLICK FITTING PLATE				*		1	
25		SS7090710SP		SCREW 9/64-40 L=6.8				*		2	
26		12004800		UPPER KNIFE SUPPORT						1	
27		SS6111610SP		SCREW 11/64-40 L=16						1	
28		12377586		LOWER KNIFE BRACKET ASM.						1	
29		12005302		SINTERED LOWER KNIFE						1	
30		11565405		UPPER KNIFE SUPPORT						1	
31		SS9112420TP		SCREW 11/64-40 L=24						1	
32		SS7092110TP		SCREW 9/64-40 L=21						1	
33	R	SS6090310SP	SS6090550SP	SCREW 9/64-40 L=4.6						1	1.00
34		12384301		LOWER LOOPER						1	
35		12379707		CHIP GUARD COVER						1	
36	R	12371308	13105903	LOOPER COVER						1	1.00
37		SS7110840SP		SCREW 11/64-40 L=7.8						1	
38		SS7110710SL		SCREW 11/64-40 L=7.0						1	
39	R	12254959	13138656	THREAD TENSION SPRING JUNCTION						2	1.00
40		B2549372000		CLAMP SCREW A						1	
41	R	12256707	13104005	CLOTH WASTE COVER						1	1.00
42	R	R4300J0FL00	R4300J6FL00	THROAT PLATE						1	1.00
43		11700507		DIFFERENTIAL FEED DOG						1	
44		11651809		AUXILIARY FEED DOG						1	
45		12381752		PRESSER FOOT COMPL.						1	
46		11680501		PRESSER FOOT				*		1	

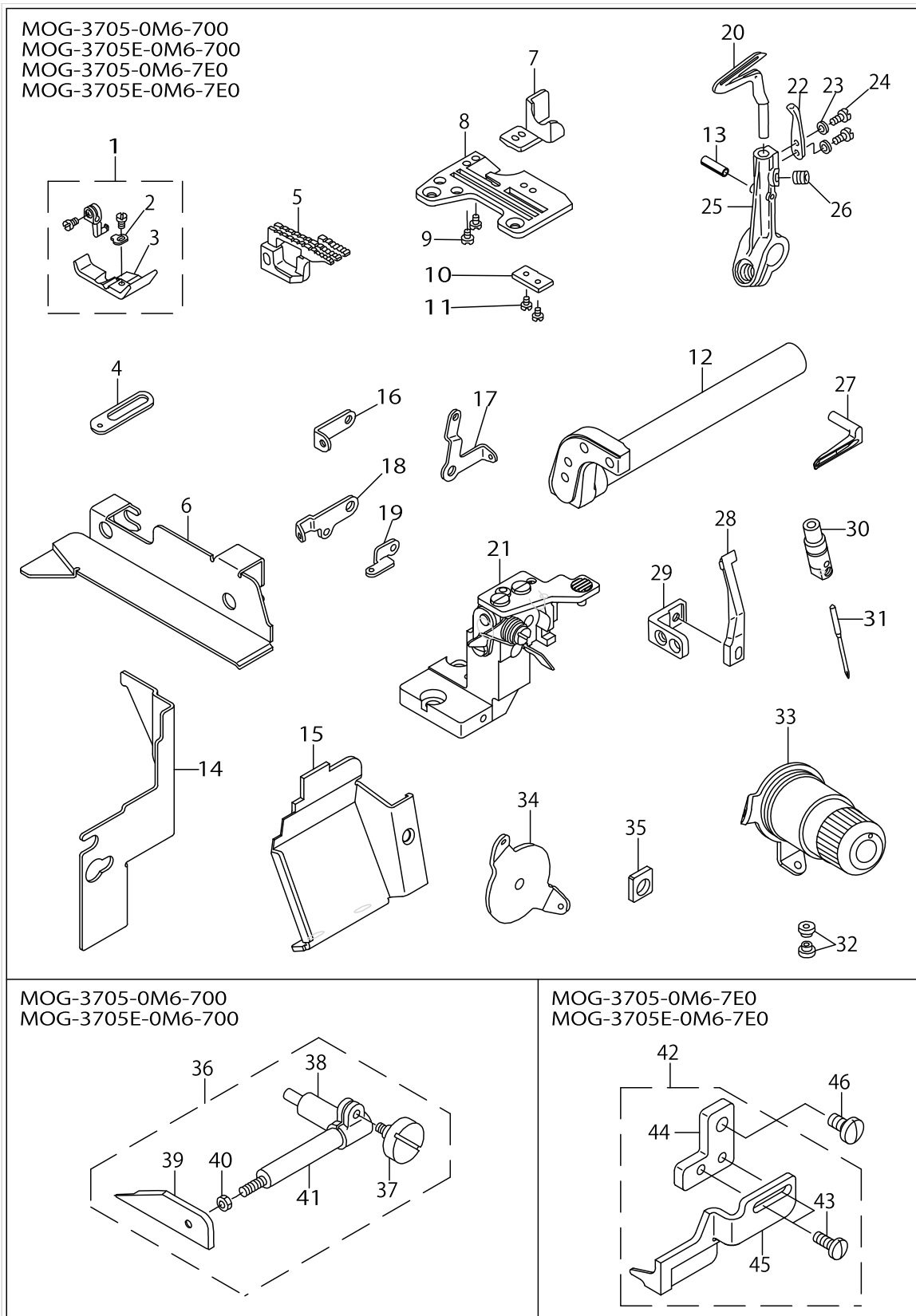
MOG-3700 SUBCLASSES (1)



MOG-3700 SUBCLASSES (1)

No.	Supply Code	Parts No.	Replacement	Parts name	Remarks	Choice	Step	Level	Cons	Qty	Rep. QTY
47	R	11700408	11700457	STITCH TONGUE				*		1	1.00
48	D	11680709		REARPRESSERFOOT				*		1	
49		11651304		PRESSER FOOT HINGE				*		1	
50		B1508804000		SPRING				*		1	
51	R	SS6090650SP	SS6090670TP	SCREW 9/64-40 L=6				*		1	1.00
52		SS7080520SP		SCREW 1/8-44 L=4.9				*		1	
53		SS6060340SP		SCREW 3/32-56 L=2.5				*		1	
54		11841608		UPPER LOOPER GUIDE OIL FELT						1	
55	D	11582012		UPPER LOOPER ARM						1	
56	D	11582103		UPPER LOOPER HOLDER						1	
57		12383501		UPPER LOOPER						1	
58	R	R4612J0FL00	R4612J6FL00	THROAT PLATE						1	1.00

MOG-3700 SUBCLASSES (2)

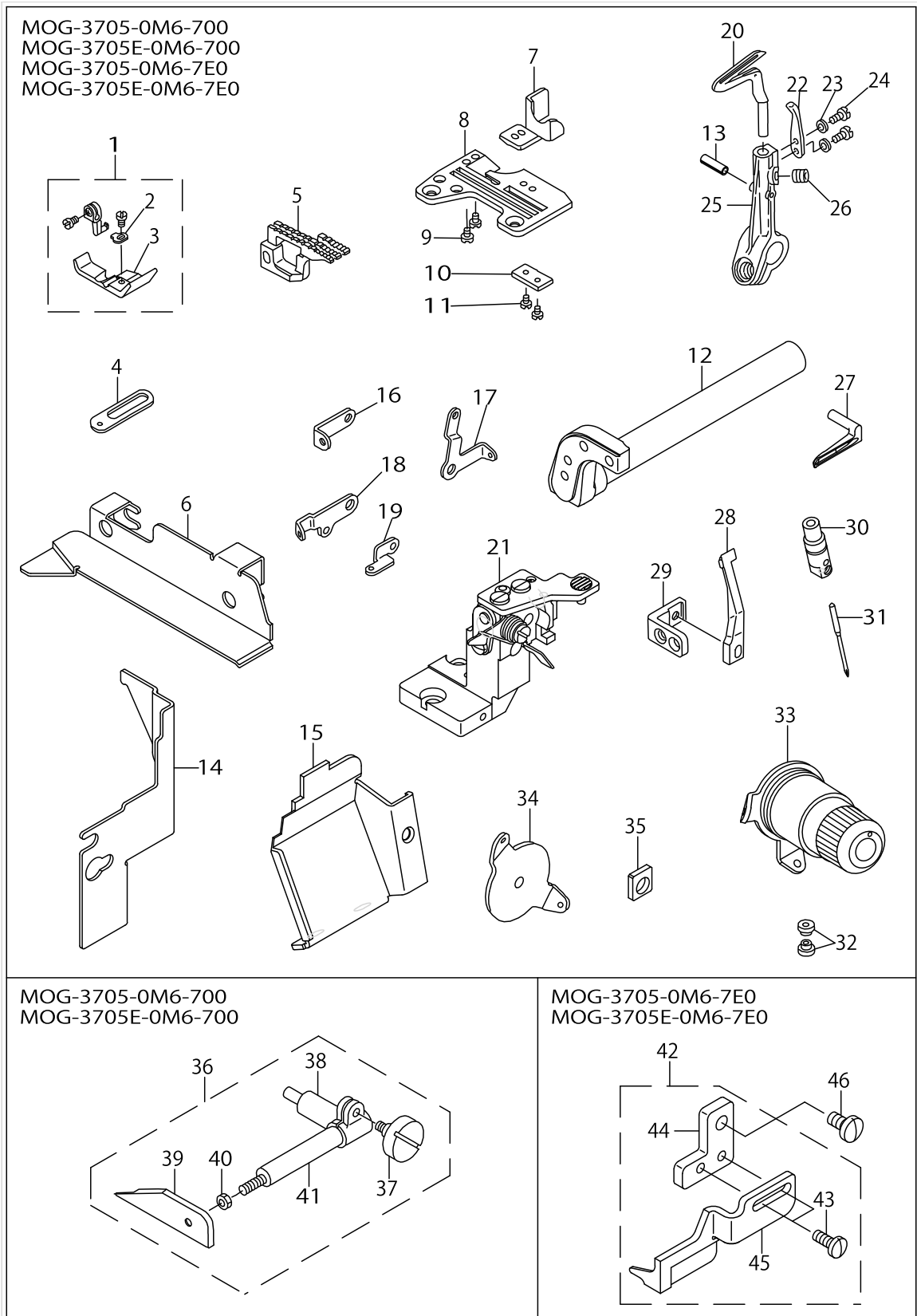


MOG-3700 SUBCLASSES (2)

No.	Supply Code	Parts No.	Replacement	Parts name	Remarks	Choice	Step	Level	Cons	Qty	Rep. QTY
1		12381653		PRESSER FOOT COMPL.						1	
2		B150880400B		SPRING				*		1	
3		12381604		PRESSER FOOT				*		1	
4		12008306		LOOPER THREAD GUIDE, RIGHT						1	
5		11681004		FEED DOG						1	
6		12371407		CLOTH PLATE SIDE COVER						1	
7		11681715		UPPER LOOPER COVER						1	
8	R	R4300J0MQ00	R4300J6MQ00	THROAT PLATE						1	1.00
9		SS3090520SP		SCREW 9/64-40 L=4.5						2	
10		11681905		NEEDLE GUARD SUPPORT PLATE						1	
11		SS4080310SP		SCREW 1/8-44 L=3.4						2	
12		12378600		KNIFE ARM SHAFT						1	
13		PS0300102KH		SPRING PIN 3X10						1	
14	R	12379806	13105804	CHIP CUARD COVER, LEFT						1	1.00
15	R	12379905	13105705	CHIP CUARD COVER						1	1.00
16		12008009		LOOPER THREAD GUIDE						1	
17		12008207		LOOPER THREAD TAKE-UP, LEFT						1	
18		12008108		LOOPER THREAD TAKE-UP, RIGHT						1	
19		11691607		UPPER LOOPER THREAD GUIDE						1	
20		11544905		LOWER LOOPER						1	
21		12377594		LOWER KNIFE BRACKET ASM.						1	
22		11566908		TRAVELING NEEDLE GUARD						1	
23		WP0280500SC		WASHER						2	
24		SS6060510TP		SCREW 3/32-56 L=4.5						2	
25		12375853		LOWER LOOPER SUPPORT ARM						1	
26		SS8110422TP		SCREW 11/64-40 L=4						1	
27		12383709		UPPER LOOPER						1	
28		11681400		NEEDLE GUARD						1	
29		12008603		NEEDLE GUARD HOLDER						1	
30	D	12379202		NEEDLE CLAMP						1	
31		MDC100B2400		NEEDLE DCX1 #24						1	
32		YE0450510MB		UPPER LOOPER THREAD GUIDE						2	
33	D	12254850		THREAD TENSION SPRING COMPL.						1	
34	D	11691706		THREAD GUIDE						1	
35		12375606		SUPPORT GAUGE						1	
36		11690450		CLOTH GUIDE ASM.	FOR MOG-- 3705N-0M6-700					1	
37		MAT80110L00		CLAMP SCREW				*		1	
38		MAT80109L00		SUPPORTER				*		1	
39		11690401		CLOTH GUIDE				*		1	
40		NS6110310SP		NUT 11/64-40				*		1	
41		11691003		CLOTH GUIDE SHAFT				*		1	
42		12382453		SUPPORTCLICKASM.	FOR MOG-- 3705N-0M6-7E0					1	
43		SS7090710SP		SCREW 9/64-40 L=6.8				*		2	
44		12382305		SUPPORT CLICK FITTING PLATE				*		1	
45	R	12382404	12382453	SUPPORT CLICK				*		1	1.00



MOG-3700 SUBCLASSES (2)



MOG-3700 SUBCLASSES (2)

No.	Supply Code	Parts No.	Replacement	Parts name	Remarks	Choice	Step	Level	Cons	Qty	Rep. QTY
46		SS7110840SP		SCREW 11/64-40 L=7.8						1	

## HOW TO MAKE USE OF THIS PARTS LIST

1.As to "#01" and "#02" refer to the "Note" given at the bottom of the respective pages.

2.Codes on the "Qty" column

- Each numeral indicates the number of parts required.
- "0.1" and "2.5" indicate the length (in meters) of the respective parts.

3.Parentheses mean that the corresponding part is a subpart that constructs an assembly part.

4.Dotted lines on the Figures indicate assembly parts.

1. リストページの# 0 1、# 0 2の印は、ページ下の"注記"の説明を参照下さい。
2. 数量欄の数字は、個数を表し、0. 1、2. 5等の数値は、長さ（単位メートル）を表します。
3. 数量欄の（ ）は、組部品を構成している子部品であることを意味します。
4. イラストページの-----枠は、組構成であることを意味します。

NUMERICAL INDEX OF PARTS

PART NO	PAGE	REF NO.	PART NO	PAGE	REF NO.	PART NO	PAGE	REF NO.
11544905	6	20	12375853	6	25	SS7080520SP	2	52
11565405	2	30	12376000	2	12	SS7080520SP	4	52
11566908	6	22	12377586	2	28	SS7090710SP	2	25
11582012	4	55	12377594	6	21	SS7090710SP	6	43
11582103	4	56	12378600	6	12	SS7092110TP	2	32
11651304	4	49	12379202	6	30	SS7110510SP	2	18
11651809	2	44	12379707	2	35	SS7110710SL	2	38
11680501	2	46	12379806	6	14	SS7110840SP	2	37
11680709	4	48	12379905	6	15	SS7110840SP	8	46
11681004	6	5	12381505	2	4	SS8110422TP	6	26
11681400	6	28	12381554	2	2	SS9112420TP	2	31
11681715	6	7	12381604	6	3	WP0280500SC	6	23
11681905	6	10	12381653	6	1	YE0450510MB	6	32
11690401	6	39	12381752	2	45			
11690450	6	36	12382107	2	22			
11691003	6	41	12382156	2	20			
11691607	6	19	12382206	2	21			
11691706	6	34	12382305	2	24			
11693801	2	8	12382305	6	44			
11693900	2	1	12382404	6	45			
11700408	4	47	12382453	6	42			
11700507	2	43	12383501	4	57			
11841608	4	54	12383709	6	27			
12004800	2	26	12384301	2	34			
12005302	2	29	B1508804000	4	50			
12006813	2	17	B150880400B	6	2			
12008009	6	16	B2549372000	2	40			
12008108	6	18	MAT80109L00	6	38			
12008207	6	17	MAT80110L00	6	37			
12008306	6	4	MDC100B2400	6	31			
12008603	6	29	MDO500S1600	2	10			
12012704	2	7	NS6110310SP	6	40			
12012902	2	6	PS0300102KH	6	13			
12013504	2	19	R4300J0FL00	2	42			
12014817	2	15	R4300J0MQ00	6	8			
12102109	2	13	R4300J0NJ00	2	9			
12254850	6	33	R4612J0FL00	4	58			
12254959	2	39	SS3090520SP	6	9			
12256707	2	41	SS4080310SP	6	11			
12371266	2	16	SS6060340SP	4	53			
12371308	2	36	SS6060510TP	6	24			
12371407	6	6	SS6090310SP	2	33			
12372504	2	11	SS6090650SP	4	51			
12375606	2	14	SS6111610SP	2	27			
12375606	6	35	SS7060310SP	2	23			