

MODEL : AK-104/AK-105

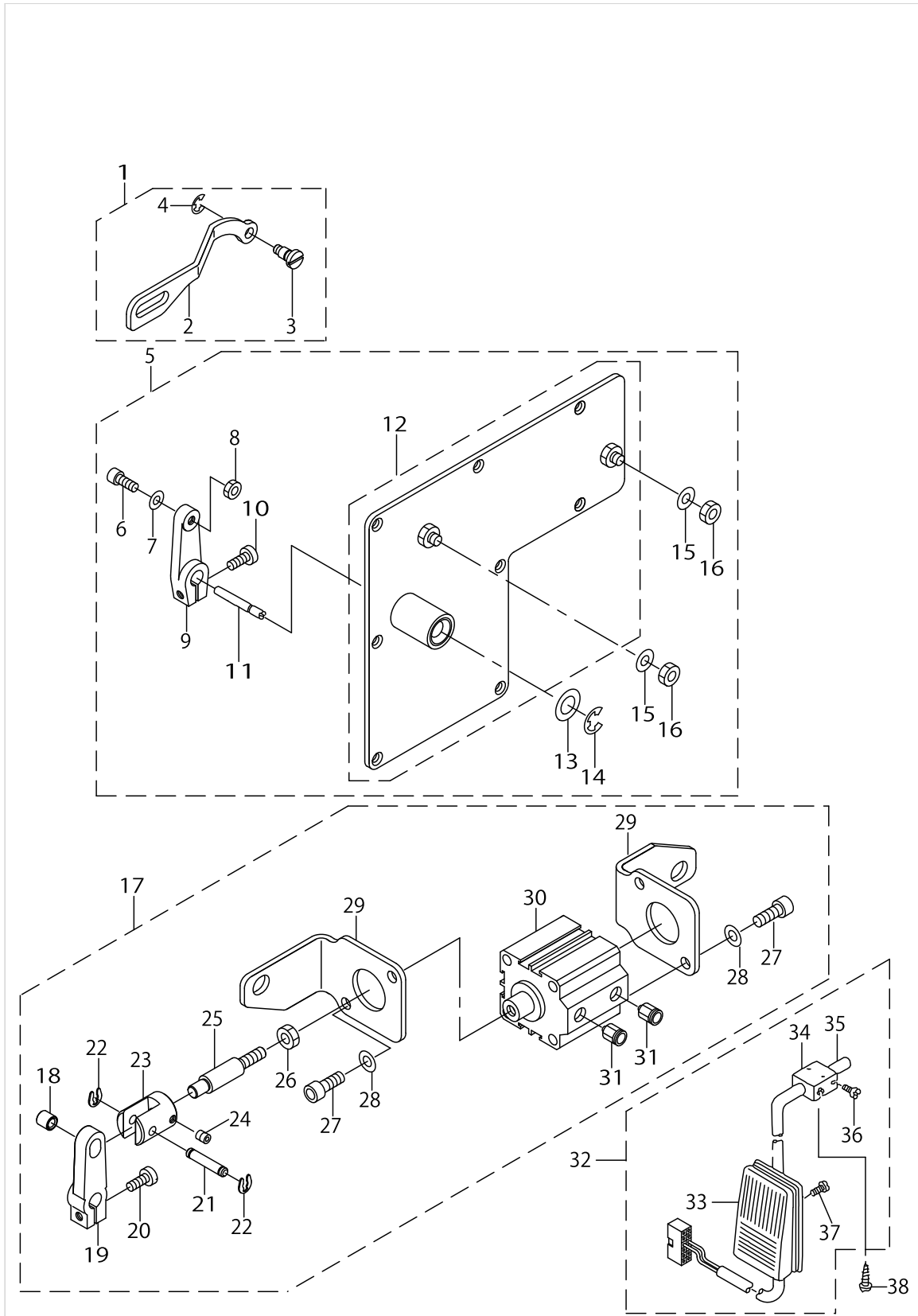
List No : 1157-01

PARTS LIST

Published:05/12/2017

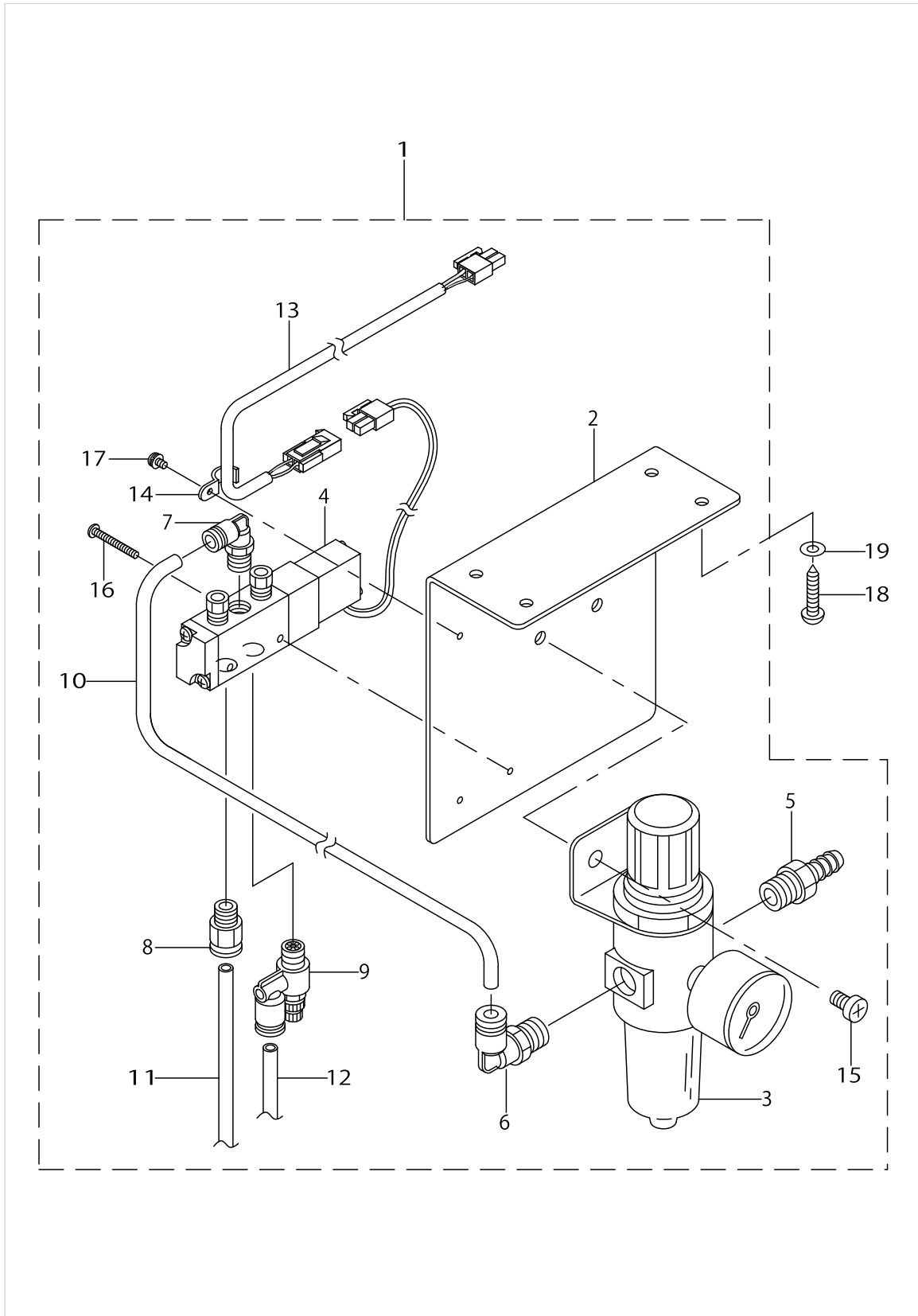
CONTENTS

AK104,105 (1)	1
AK104,105 (2)	3
HOW TO MAKE USE OF THIS PARTS LIST	5



AK104,105 (1)

No.	Supply Code	Parts No.	Replacement	Parts name	Remarks	Choice	Step	Level	Cons	Qty	Rep. QTY
1		GAKA05020A0		AKDRIVINGLINKASM.						1	
2		GAKA0502000		AK DRIVING LINK				*		1	
3		GAKA0501000		KNEELIFTERLINKPIN				*		1	
4		RE0500000K0		E-RING				*		1	
5	D	GAKA05030B0		AK WINDOW PLATE ASM.,B						1	
6		SS6621212TP		SCREW 3/16-32 L=12.0				*		1	
7		WP0551016SH		WASHER 5.5X13X1				*		1	
8		NS6620310SP		NUT 3/16-32				*		1	
9		GAKA0505000		AK DRIVING CONNECTING ARM				*		1	
10		SS6121210SP		SCREW 3/16-28 L=12				*		1	
11	R	GAK33028000	22991400	SOLENOID SHAFT				*		1	1.00
12		GAKA05030A0		AK WINDOW PLATE ASM.,A				*		1	
13		WP1021016SD		WASHER				*		1	
14		RE0700000K0		E-RING 7				*		1	
15		WP0621036SP		WASHER				*		2	
16		NS6150430SP		NUT 15/64-28				*		2	
17		GAKA05060A0		AK CYLINDER ASM.						1	
18		GAK33013000		SOLENOID PIN COLLAR				*		1	
19		GAK33011000		SOLENOID ARM, A				*		1	
20		SS6121210SP		SCREW 3/16-28 L=12				*		1	
21		GAK33012000		SOLENOID PIN				*		1	
22	R	GAK33014000	RE0400000KP	SNAP RING				*		2	1.00
23		GAK33035000		SOLENOID COLLAR				*		1	
24		SM8050602TP		SCREW M5 L=6				*		1	
25		GAKA0508000		CYLINDER CONNECTING SHAFT				*		1	
26		NM6060001SE		NUT M6				*		1	
27		SM6061602TP		SCREW M6 L=16				*		4	
28		WP0621016SD		WASHER 6.2X13X1				*		4	
29		GAKA0507000		AK CYLINDER BASIS				*		2	
30		PA320150200		JIG CYLINDER				*		1	
31		PJ301065104		HALF UNION				*		2	
32		GAK840900B0		LIFTER KNEE SWITCH ASM. B	FOR AK104					1	
33	D	GAK840900A0		KNEE SWITCH ASM. A				*		1	
34		MAT80230T00		KNEE SWITCH SUPPORT BASE				*		2	
35		MAT80231T00		DRIVING BAR, T002				*		1	
36		SS6151220SP		SCREW 15/64-28 L=11.5				*		4	
37	R	SS7111410SP	SS7111410TP	SCREW 11/64-40L=14				*		2	1.00
38	R	SK3514000SC	SK3514001SE	WOOD SCREW D=5.1 L=40	FOR AK104					2	1.00



AK104,105 (2)

No.	Supply Code	Parts No.	Replacement	Parts name	Remarks	Choice	Step	Level	Cons	Qty	Rep. QTY
1		GAKA14010A0		AIR COMPONENTS ASM.						1	
2		GAKA1401000		SOLENOID VALVE MOUNTING PLATE				*		1	
3		GAK29007000		FILTER REGULATOR				*		1	
4		GAKA14030A0		SOLENOID VALVE ASM.				*		1	
5		GAK29011000		NIPPLE				*		1	
6		GAK29009000		ELBOW				*		1	
7		GAK29010000		ELBOW B				*		1	
8		GAK29015000		JOINT A				*		1	
9		GAK29016000		SPEED CONTROLLER				*		1	
10		BT0600401EB		TUBE				*		0.18	
11		BT0600401EB		TUBE				*		1.1	
12		BT0600401EB		TUBE				*		1.2	
13		GAKA14020A0		CORD ASM.				*		1	
14		B3538112000		OIL RETURN TUBE HOLDER				*		1	
15		SM4061001SB		SCREW M6 L=10				*		2	
16		SM4032501SB		SCREW M3X0.5 L=25.0				*		2	
17		SL4030691SC		SCREW M3X6				*		1	
18	R	SK3482500SC	SK3482501SE	WOOD SCREW D=4.8 L=25						4	1.00
19		WP0501016SC		WASHER 5X10.5X1						4	

HOW TO MAKE USE OF THIS PARTS LIST

1.As to "#01" and "#02" refer to the "Note" given at the bottom of the respective pages.

2.Codes on the "Qty" column

- Each numeral indicates the number of parts required.
- "0.1" and "2.5" indicate the length (in meters) of the respective parts.

3.Parentheses mean that the corresponding part is a subpart that constructs an assembly part.

4.Dotted lines on the Figures indicate assembly parts.

1. リストページの# 0 1、# 0 2の印は、ページ下の"注記"の説明を参照下さい。
2. 数量欄の数字は、個数を表し、0. 1、2. 5等の数値は、長さ（単位メートル）を表します。
3. 数量欄の（ ）は、組部品を構成している子部品であることを意味します。
4. イラストページの-----枠は、組構成であることを意味します。

NUMERICAL INDEX OF PARTS

PART NO	PAGE	REF NO.	PART NO	PAGE	REF NO.
B3538112000	4	14	SS6121210SP	2	20
BT0600401EB	4	12	SS6151220SP	2	36
GAK29007000	4	3	SS6621212TP	2	6
GAK29009000	4	6	SS7111410SP	2	37
GAK29010000	4	7	WP0501016SC	4	19
GAK29011000	4	5	WP0551016SH	2	7
GAK29015000	4	8	WP0621016SD	2	28
GAK29016000	4	9	WP0621036SP	2	15
GAK33011000	2	19	WP1021016SD	2	13
GAK33012000	2	21			
GAK33013000	2	18			
GAK33014000	2	22			
GAK33028000	2	11			
GAK33035000	2	23			
GAK840900A0	2	33			
GAK840900B0	2	32			
GAKA0501000	2	3			
GAKA0502000	2	2			
GAKA05020A0	2	1			
GAKA05030A0	2	12			
GAKA05030B0	2	5			
GAKA0505000	2	9			
GAKA05060A0	2	17			
GAKA0507000	2	29			
GAKA0508000	2	25			
GAKA1401000	4	2			
GAKA14010A0	4	1			
GAKA14020A0	4	13			
GAKA14030A0	4	4			
MAT80230T00	2	34			
MAT80231T00	2	35			
NM6060001SE	2	26			
NS6150430SP	2	16			
NS6620310SP	2	8			
PA320150200	2	30			
PJ301065104	2	31			
RE0500000K0	2	4			
RE0700000K0	2	14			
SK3482500SC	4	18			
SK3514000SC	2	38			
SL4030691SC	4	17			
SM4032501SB	4	16			
SM4061001SB	4	15			
SM6061602TP	2	27			
SM8050602TP	2	24			