

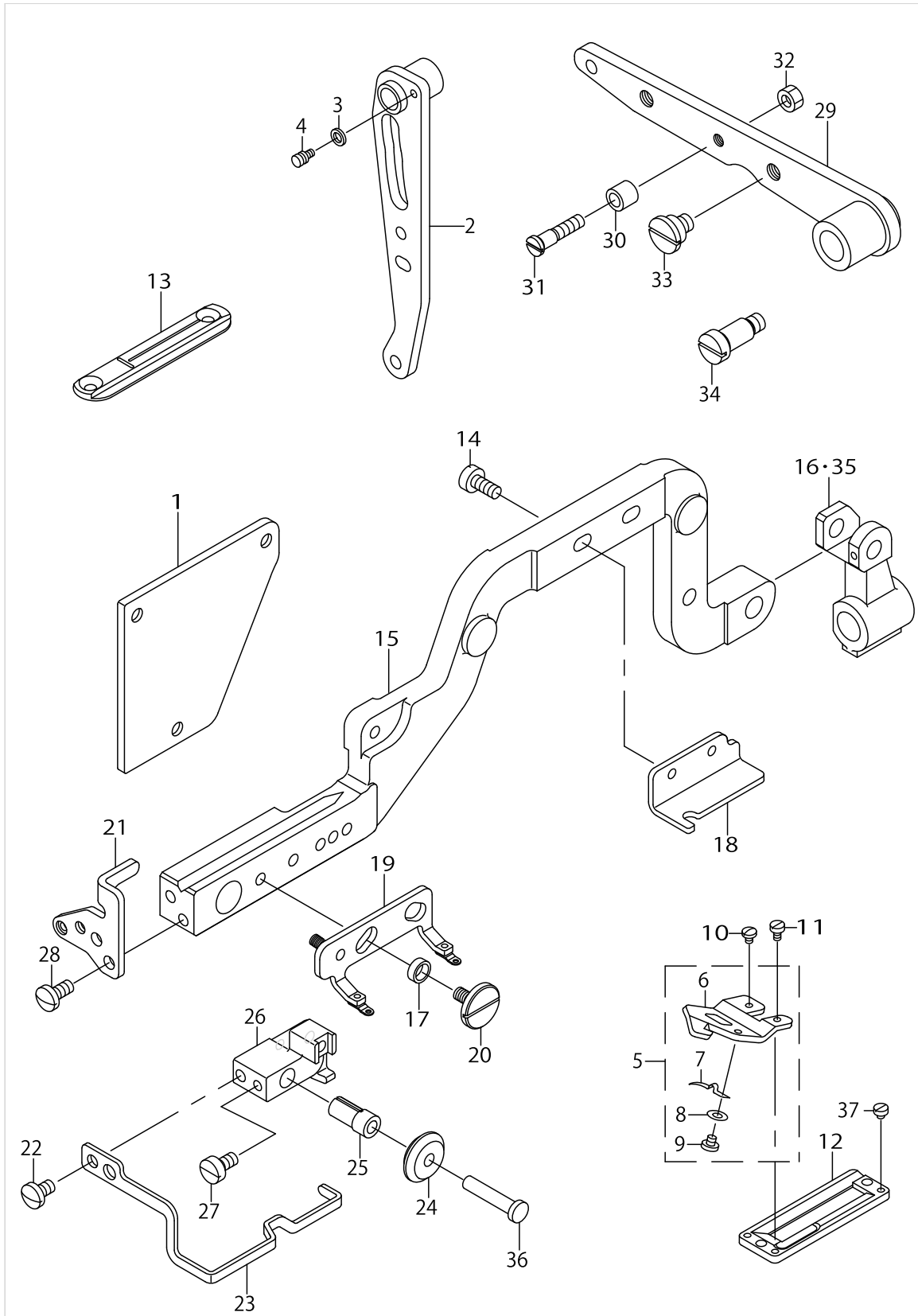
MODEL : LBH-770NV/LBH-NB-1 SERIE/LBH-780NV/LBH-780NB-1 SERIES
List No : 1132-04

PARTS LIST

Published:05/12/2017

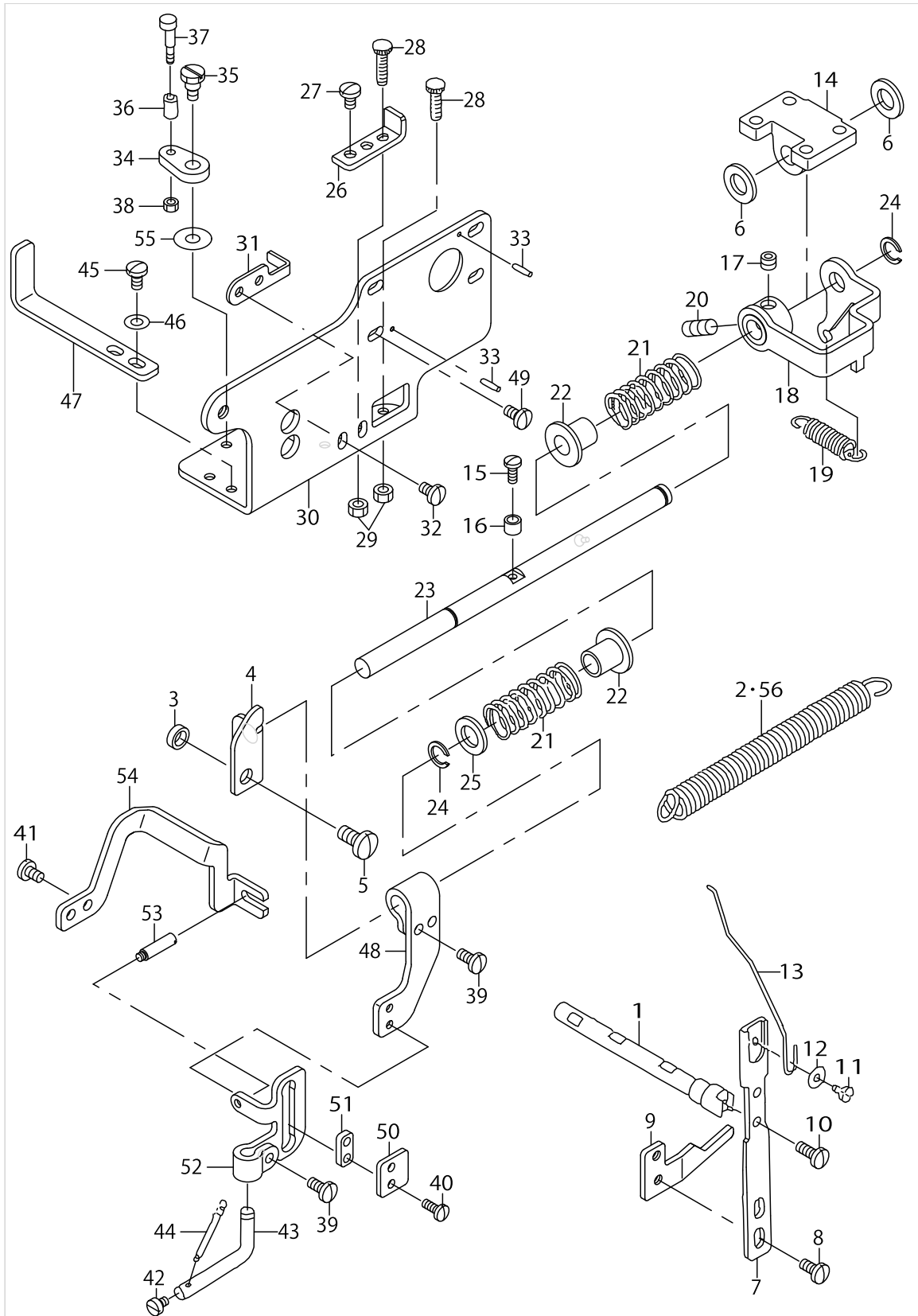
CONTENTS

LBH-772NV-1, LBH-782NV (1).....	1
LBH-772NV-1, LBH-782NV (2).....	3
LBH-772NV-1, LBH-782NV (3).....	7
LBH-773NV-1, LBH-783NV.....	11
LBH-774NV-1, LBH-784NV.....	13
LBH-772NB-1, LBH-782NB.....	15
LBH-773NB-1, LBH-783NB.....	19
LBH-774NB-1, LBH-784NB.....	21
THREAD STAND COMPONENTS.....	23
LBH-77*NV1-1, NB1-1, LBH-78*NV1, NB1 (SEMI-CIRCULAR BARTACKING).....	25
LIST FOR INFORMATION OF CHANGE.....	27
HOW TO MAKE USE OF THIS PARTS LIST.....	28



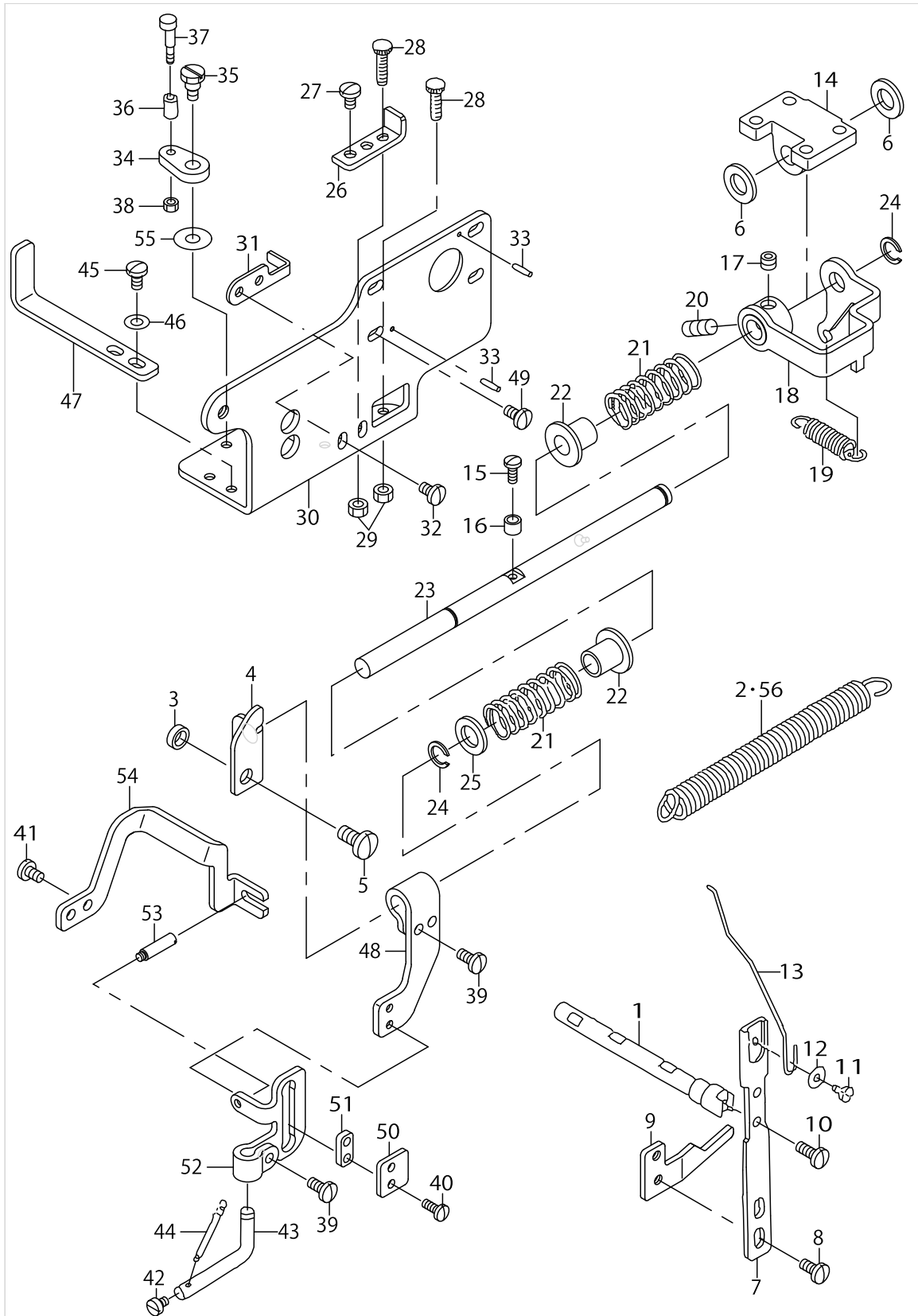
LBH-772NV-1, LBH-782NV (1)

No.	Supply Code	Parts No.	Replacement	Parts name	Remarks	Choice	Step	Level	Cons	Qty	Rep. QTY
1		B111376100AA		SIDE COVER						1	
2		13953054		LOWER THREAD DRIVING ARM ASM.						1	
3		WP0371036SD		WASHER 3.7X6X1						1	
4	R	B2024771000	40009196	SUSPENSION SCREW						1	1.00
5		D9335762TA0		GIMP TRIMMER BLADE ASM. (B)						1	
6	D	D9335762T00		GIMP TRIMMER BLADE (B)				*		1	
7		D9336762T00		SPRING B				*		1	
8		WP0250516SD		WASHER 2.5X6X0.5				*		1	
9		SS5060410SP		SCREW 3/32-56 L=3.5				*		1	
10		SS7060310SP		SCREW 3/32-56 L=3						1	
11		SS6060410TP		SCREW 3/32-56 L=3.5						1	
12		D1508772K00		WORK CLAMP CHECK (2K)						1	
13		D2402772K00		THROAT PLATE (K)						1	
14		SS6111040SP		SCREW 11/64-40 L= 9.5						2	
15		13951207		PRESSER ARM						1	
16		D1516772B00		BEARING ARM 2B	FOR LBH-780					1	
17		13951009		PRESSER FOOT ROLLER						2	
18		13955802		PAD CORD GUIDE FEED PLATE						1	
19		13950753		PRESSER FOOT 2V ASM.						1	
20		13951405		PRESSER FOOT STEP SCREW						2	
21		13951108		PRESSER LIFTER ARM						1	
22		SS7110710SP		SCREW 11/64-40 L=7						1	
23		13952502		FINGER GUARD						1	
24		13925805		SLIDE ROLLER						1	
25		13926308		COLLAR						1	
26		13950902		PRESSER ROLLER FITTING BASE						1	
27		SS6110820TP		SCREW 11/64-40 L=8						1	
28		SS7110910TP		SCREW 11/64-40 L= 8.5						2	
29		13954052		PRESSER LIFTER LEVER ASM.						1	
30		13737804		DRIVING ARM BOSS ROLLER						1	
31		SD0500722TP		HINGE SCREW						1	
32		NS6110420SP		NUT 11/64-40						1	
33		SD1000401SP		HINGE SCREW D=10 H= 4						1	
34		SD0791271SP		HINGE SCREW D= 7.94 H=12.7						1	
35		13915004		PRESSER SUPPORT ARM (2B)						1	
36		13925904		CONNECTING PIN						1	
37		SS6060210SP		SCREW 3/32-56 L= 1.9						1	



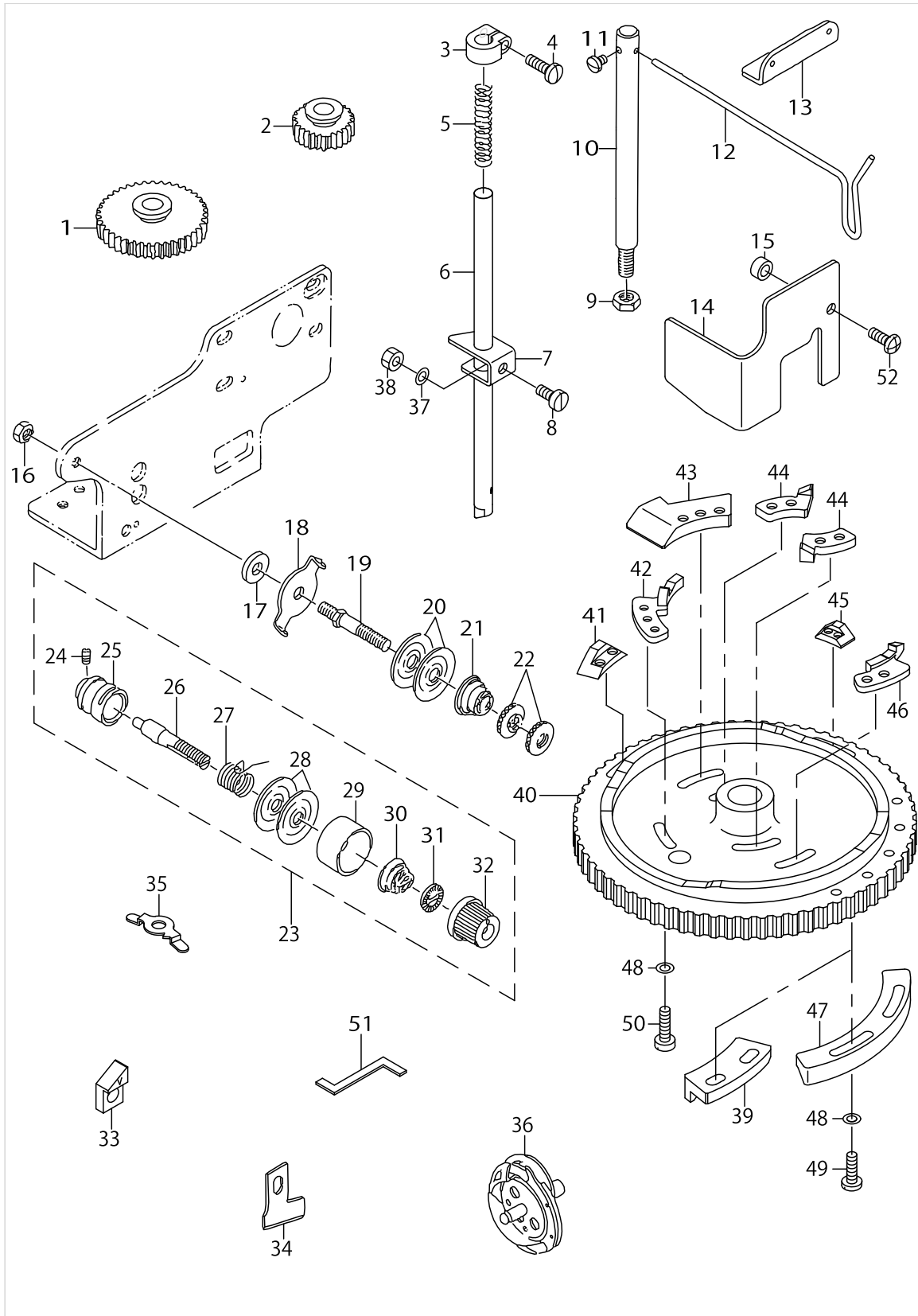
LBH-772NV-1, LBH-782NV (2)

No.	Supply Code	Parts No.	Replacement	Parts name	Remarks	Choice	Step	Level	Cons	Qty	Rep. QTY
1		D3106772B00		TENSION RELEASE LEVER SHAFT						1	
2		D2604772B00		TENSION SPRING	FOR LBH-780					1	
3		B1504280000		COLLAR						1	
4		13954300		GUIDE SHAFT HOLDER FRONT						1	
5		SS7151210SP		SCREW 15/64-28L=12						1	
6		B8219125000		OIL DRAIN CAP GASKET						2	
7		D3130772B00		GIMP DRIVING ARM						1	
8		SS7110910TP		SCREW 11/64-40 L= 8.5						2	
9		13956107		PAD CORD THREAD HANDLER BLOCK						1	
10	R	SS7111120SP	SS7111120TP	SCREW 11/64-40 L=10.5						1	1.00
11		SS7110710SP		SCREW 11/64-40 L=7						1	
12		WP0501016SD		WASHER 5X10.5X1						1	
13		D2083772B00		THREAD PULLING WIRE						1	
14		13954409		PAD CORD GUIDE SHAFT HOLDER						1	
15	R	SS7090910SP	SS7090910TP	SCREW 9/64-40 L=8.5						1	1.00
16		B4122804000		ROLLER						1	
17		SS8660512TP		SCREW 1/4-40 L=5						1	
18		13954656		PAD CORD GUIDE SHAFT ARM ASM.						1	
19	R	13515606	26226209	SPRING						1	1.00
20		SS8661212TP		SCREW						1	
21		D9317762T00		GIMP GUIDE SHAFT SPRING						2	
22		13954805		PAD CORD GUIDE SHAFT COLLAR						2	
23		13954508		PAD CORD GUIDE SHAFT						1	
24		RC0841011KP		RETAINING RING 8.4						2	
25		WP1002066SZ		WASHER 10.0X17.0X2.0						1	
26		D9302762T00		GIMP GUIDE SHAFT STOP BRACKET						1	
27		SS7110740TP		SCREW 11/64-40 L=7						2	
28		D9303762T00		GIMP REPOSITIONING SCREW						2	
29		NS6110420SP		NUT 11/64-40						2	
30		13955406		PAD CORD GUIDE FITTING BASE						1	
31		13955505		POSITION ADJUSTING PLATE						1	
32		SS7110740TP		SCREW 11/64-40 L=7						2	
33		PS0200102KH		SPRING PIN 2.0 X 10						2	
34		13955604		PAD CORD GUIDE FEED ARM						1	
35		SD0640482SP		HINGE SCREW D= 6.35 H= 4.8						1	
36		D9309762T00		GIMP GUIDE HOLDER CRANK ROLLER						1	
37		13955703		PAD CORD GUIDE FEED ARM PIN						1	
38		NS6090310SP		NUT 9/64-40						1	
39		SS7110910TP		SCREW 11/64-40 L= 8.5						3	
40		SS7090910TP		SCREW 9/64-40 L=8.5						2	
41		SS7110710SP		SCREW 11/64-40 L=7						2	
42	R	SS6090510SP	SS6090510TP	SCREW 9/64-40 L=5						1	1.00
43		D9314762T00		GIMP GUIDE HOLDER						1	
44		D9315762T00		GIMP GUIDE						1	
45		SS7110840SP		SCREW 11/64-40 L=7.8						2	



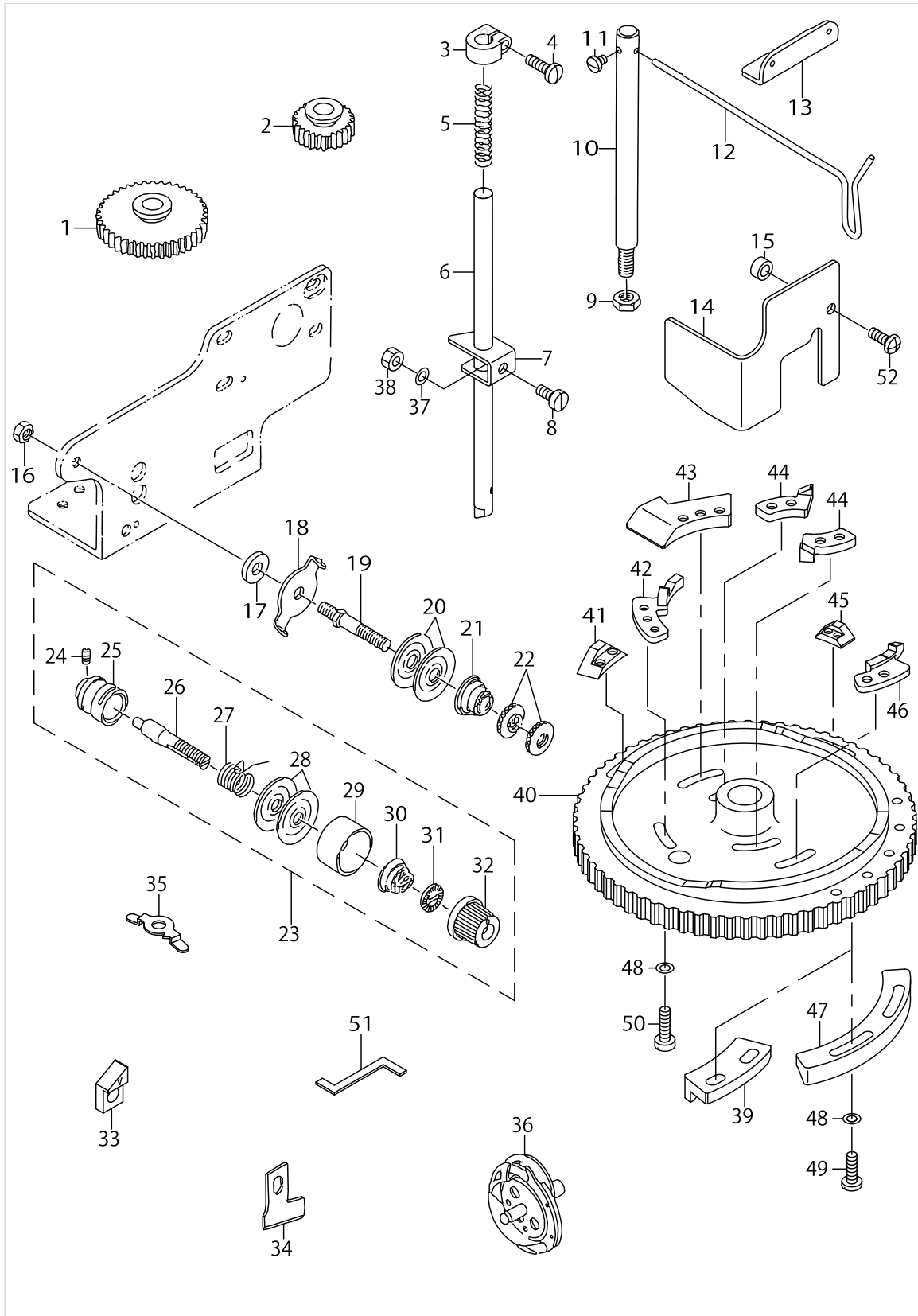
LBH-772NV-1, LBH-782NV (2)

No.	Supply Code	Parts No.	Replacement	Parts name	Remarks	Choice	Step	Level	Cons	Qty	Rep. QTY
46		WP0501016SD		WASHER 5X10.5X1						2	
47		13951306		PRESSER ARM SUPPORT PLATE						1	
48		13954904		PAD CORD GUIDE ARM						1	
49		SS7110840SP		SCREW 11/64-40 L=7.8						4	
50		13955208		PAD CORD GUIDE BASE PLATE						1	
51		13955109		GUIDE BASE SQUARE HORSE						1	
52		13955000		ANGLE FITTING PLATE						1	
53		B152752700C		EDGE GUIDE SUPPORTING STUD						1	
54		13955307		SLIDE GUIDE PLATE						1	
55		WP0600816SP		WASHER						1	
56	D	13915103		STOP MOTION FRAME SPRING						1	



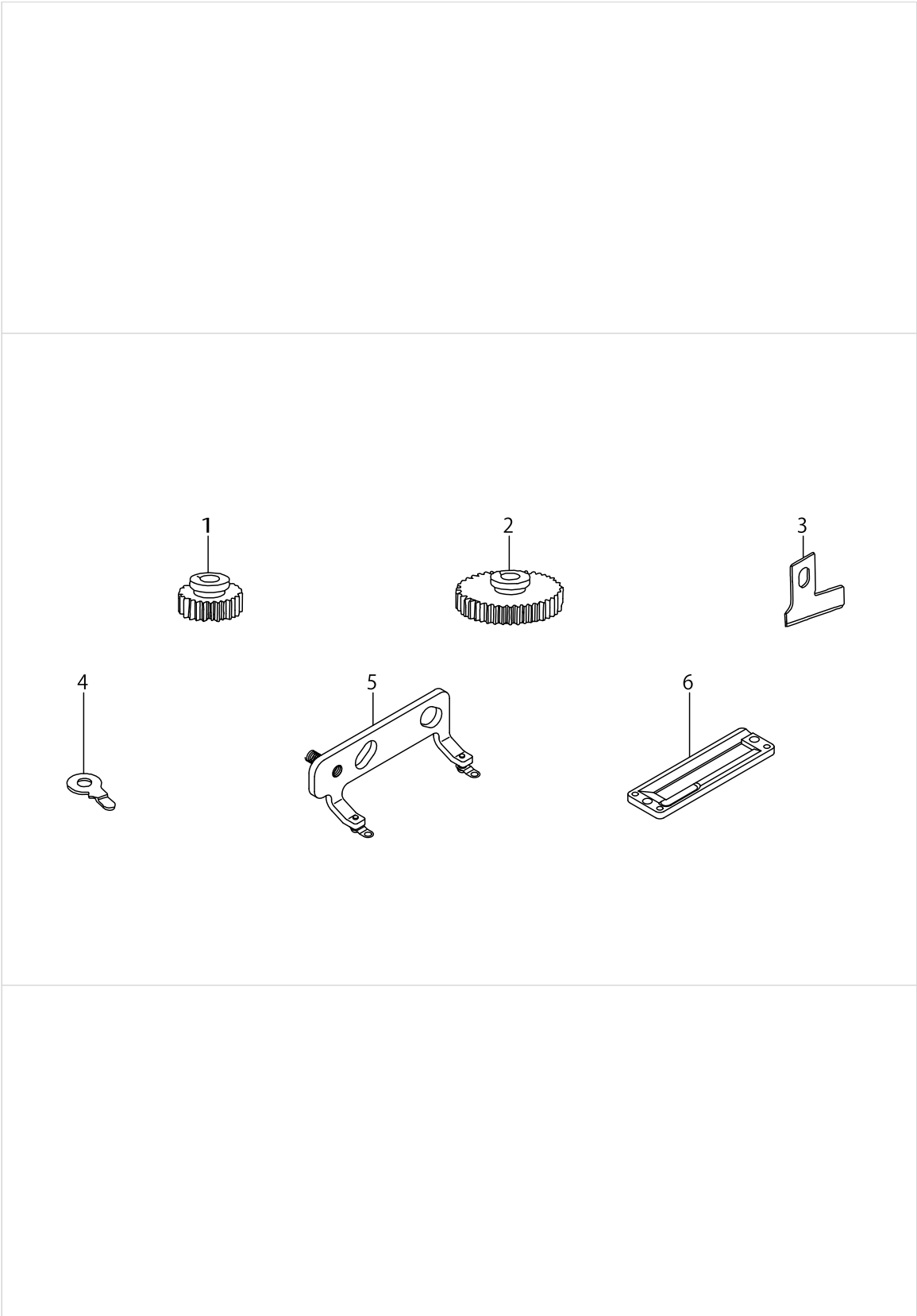
LBH-772NV-1, LBH-782NV (3)

No.	Supply Code	Parts No.	Replacement	Parts name	Remarks	Choice	Step	Level	Cons	Qty	Rep. QTY
1		B2945761000		SPUR GEAR 252						1	
2		B2944761000		SPUR GEAR (74)						1	
3		B2016357A00		SLIDE BLOCK (A)						1	
4		SS7111410TP		SCREW 11/64-40L=14						1	
5		D9332762T00		DRIVING ROD TENSION SPRING						1	
6		13955901		GUIDE SHAFT OPERATING STICK						1	
7		13956008		SHAFT OPERATING STICK PLATE						1	
8		SS6111010TP		SCREW 11/64-40 L= 9.5						1	
9		NS6700420SP		NUT 5/16-24						1	
10		D9333762T00		GIMP SPOOL REST ROD						1	
11		SS7090520SL		SCREW 9/64-40L=4.5						1	
12		D9334762T00		GIMP SPOOL REST ROD EXTENSION						1	
13	R	B2039373000	26021402	THREAD GUIDE NO.1						1	1.00
14		13950407		SIDE COVER A						1	
15		11528809		WASHER						1	
16		NS6150310SP		NUT 15/64-28						1	
17		WP0612516SD		WASHER 6.1X15.2X2.5						1	
18		B3107352000		NEEDLE THREAD GUIDE						1	
19		B3119352000		THREAD TENSION POST						1	
20	R	B3126012000	22921506	THREAD TENSION DISK						2	1.00
21		B3118352000		THREAD TENSION SPRING						1	
22		B3117352000		THREAD TENSION POST NUT						2	
23		D3110772TA0		THREAD TENSION NO.3 ASM. K						1	
24		SS8090670SP		SCREW 9/64-40L=5.5				*		1	
25		B3110771000		TENSION POST SOCKET				*		1	
26		B3111761000		TENSION POST NO.3				*		1	
27		B3112761000		THREAD TAKE-UP SPRING				*		1	
28	R	B3126012000	22921506	THREAD TENSION DISK				*		2	1.00
29		B3107804000		THREAD TENSION DISK PRESSER				*		1	
30		B3129012A00		TENSION SPRING				*		1	
31		B3120125000		ROTATING STOPPER				*		1	
32	R	B3119771000	13817408	THREAD TENSION NUT				*		1	1.00
33		D2615762V00		LATCH (C)	FOR LBH-780					1	
34	R	B2702047Q00	B2702047Q00A	KNIFE 1						1	1.00
35		D1608772E00A		LENGTH REGULATING SHAFT GUIDE						1	
36		B18087610AB		HOOK ASM.						1	
37		WP0450000SD		WASHER 4.5X8X0.5						1	
38		NS6110530SP		NUT 11/64-40						1	
39		D2951782V00		SPEED CHANGING CAM 2V	FOR LBH-780					1	
40		D2901772V0C		FEED CAM (2V)						1	
41		D2902762V00		BAR TRIPPING SEGMENT 2V						1	
42		13953500		PAD CORD BASE 2 CHANGE CAM						1	
43		D2904762V00		KNIFE TRIPPING SEGMENT (2V)						1	
44		D9301762V00		GIMP GUIDE TRIPPING SEGMENT NO.1						2	
45		D2903762V00		BAR TRIPPING SEGMENT 2V						1	



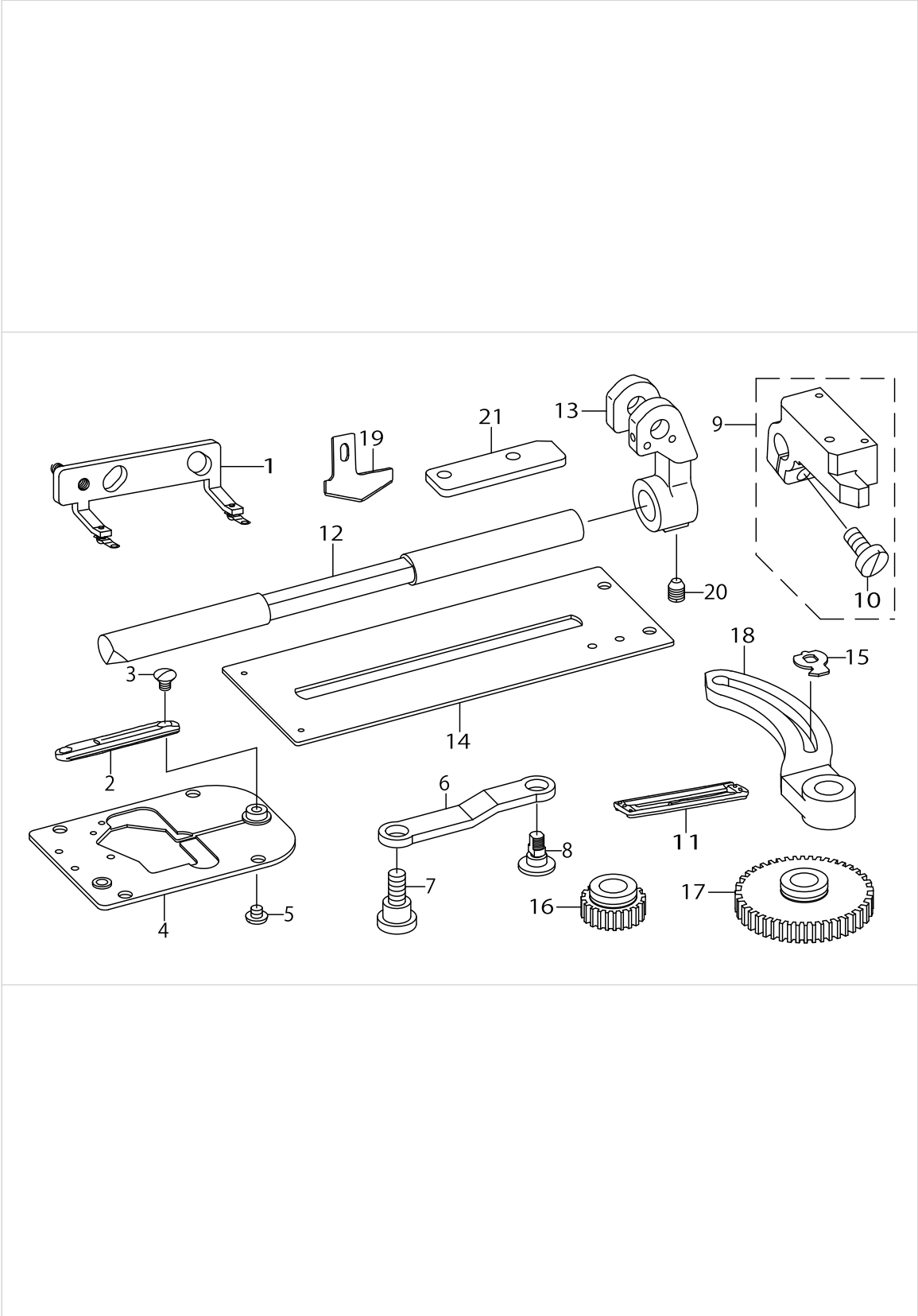
LBH-772NV-1, LBH-782NV (3)

No.	Supply Code	Parts No.	Replacement	Parts name	Remarks	Choice	Step	Level	Cons	Qty	Rep. QTY
46		13953609		PAD CORD BASE 4 CHANGE CAM						1	
47		13913801		SPEED CHANGING SEGMENT						1	
48		WP0480856SP		WASHER 4.8X8.4X0.8						20	
49	R	SS7111410SP	SS7111410TP	SCREW11/64-40L=14						2	1.00
50		SS6111610SP		SCREW11/64-40L=16						14	
51		D9101771K00		HOOK TIMING GAUGE (K)						1	
52		SS4111215SP		SCREW11/64-40L=12						1	



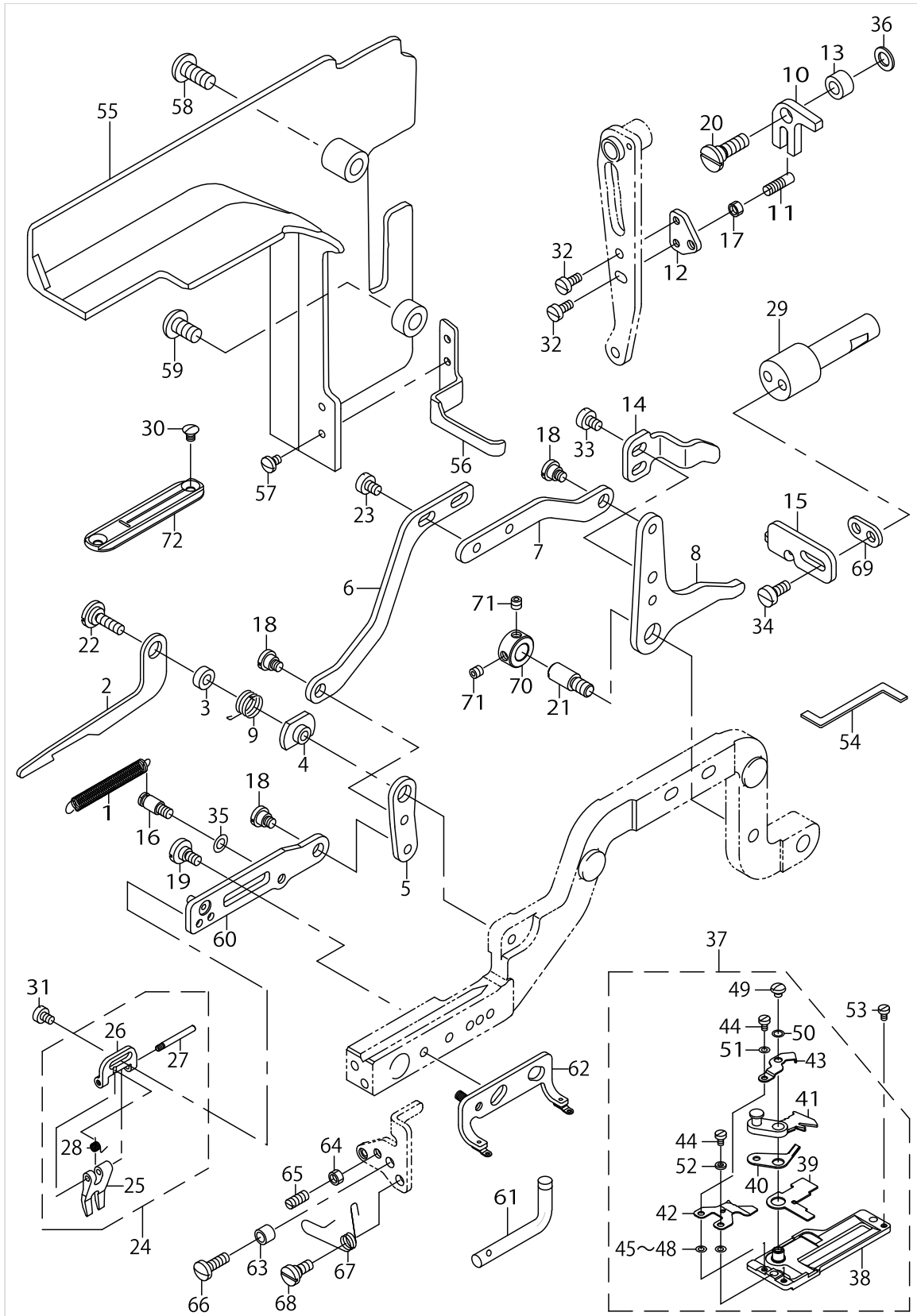
LBH-773NV-1, LBH-783NV

No.	Supply Code	Parts No.	Replacement	Parts name	Remarks	Choice	Step	Level	Cons	Qty	Rep. QTY
1		B2938761000		SPUR GEAR (63)						1	
2		B2939761000		SPUR GEAR (300)						1	
3	R	B2702047S00	B2702047S00A	KNIFE 1-1/4						1	1.00
4		D1608773E00		LENGTH REGULATING SHAFT GUIDE						1	
5		13959051		PRESSER FOOT 3V ASM.						1	
6		D1508773K00		WORK CLAMP CHECK (3K)						1	



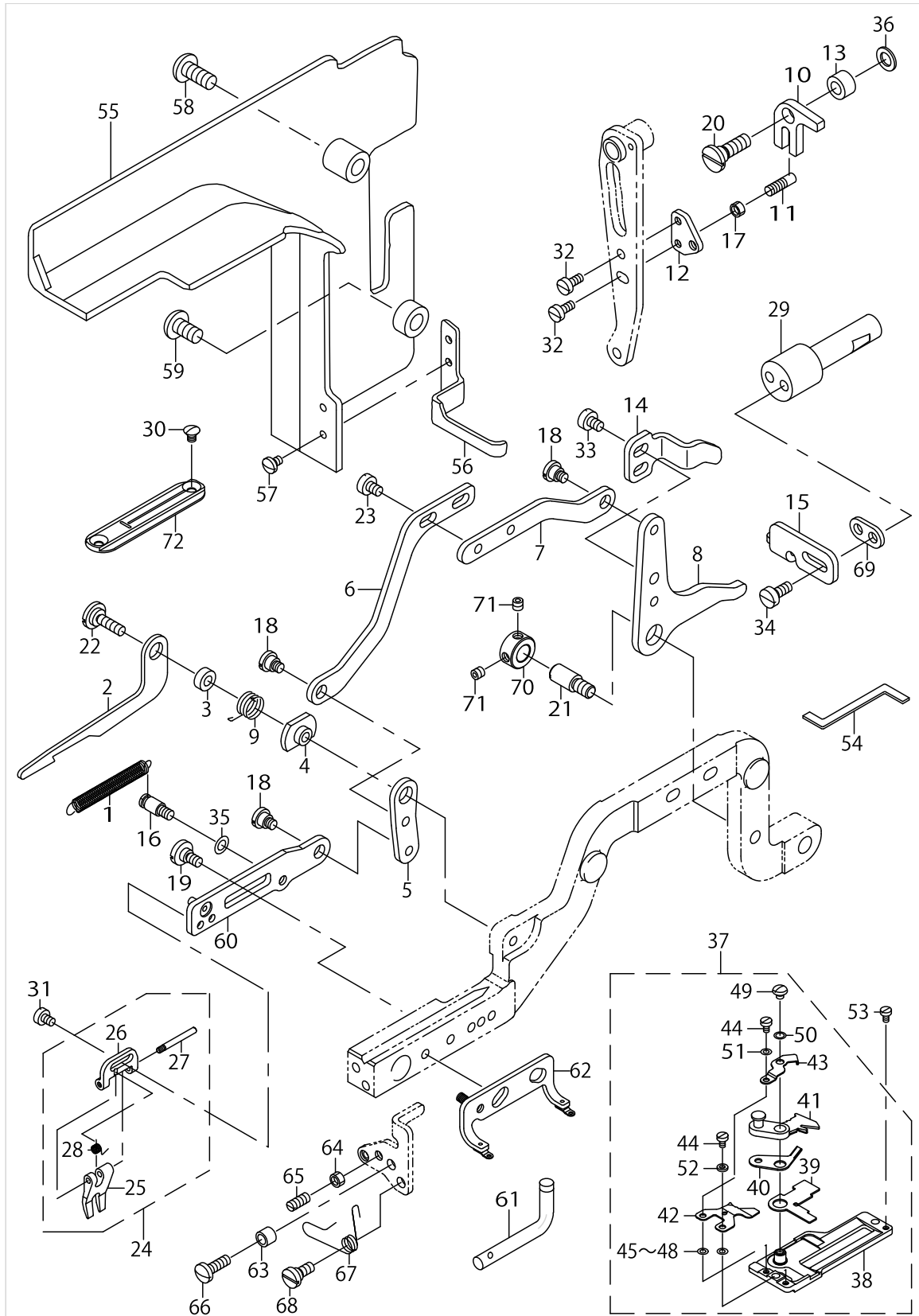
LBH-774NV-1, LBH-784NV

No.	Supply Code	Parts No.	Replacement	Parts name	Remarks	Choice	Step	Level	Cons	Qty	Rep. QTY
1		13960059		PRESSER FOOT 4V ASM.						1	
2		D2402774K00		THROAT PLATE, K						1	
3		SS2090530SP		SCREW 9/64-40 L=4.8						2	
4		B24017740A0		THROAT PLATE BASE ASM.						1	
5		SS5090320SP		SCREW 9/64-40 L=3.2						1	
6		B1606774000		WORK CLAMP CARRIER PITMAN						1	
7		SD0870401SP		HINGE SCREW D= 8.73 H= 4						1	
8		B1605774000		FEED ADJUSTING SHAFT						1	
9		B16117740A0		WORK CLAMP ARM BRACKET ASM.						1	
10		SS6151440SP		SCREW 15/64-28 L=14				*		1	
11		D1508774K00		WORK CLAMP CHECK, K						1	
12	D	13960703		WORK CLAMP CHECK 4						1	
13		13960505		PRESSER ARM REGISTER ARM 4						1	
14	R	B1613774000	40009447	WORK CLAMP CARRIER						1	1.00
15		B1608774000		LENGTH REGULATING SHAFT GUIDE						1	
16	D	B2936761000		SPUR GEAR (54)						1	
17		B2937761000		SPUR GEAR (345)						1	
18		B1603774000		LENGTH REGULATING ARM						1	
19	R	B274577400B	B274577400BA	KNIFE 1-1/2						1	1.00
20	D	13960802		WORK CLAMP SHAFT SET SCREW 4						1	
21		B1612774000		WORK CLAMP ARM BRACKET GUIDE						1	



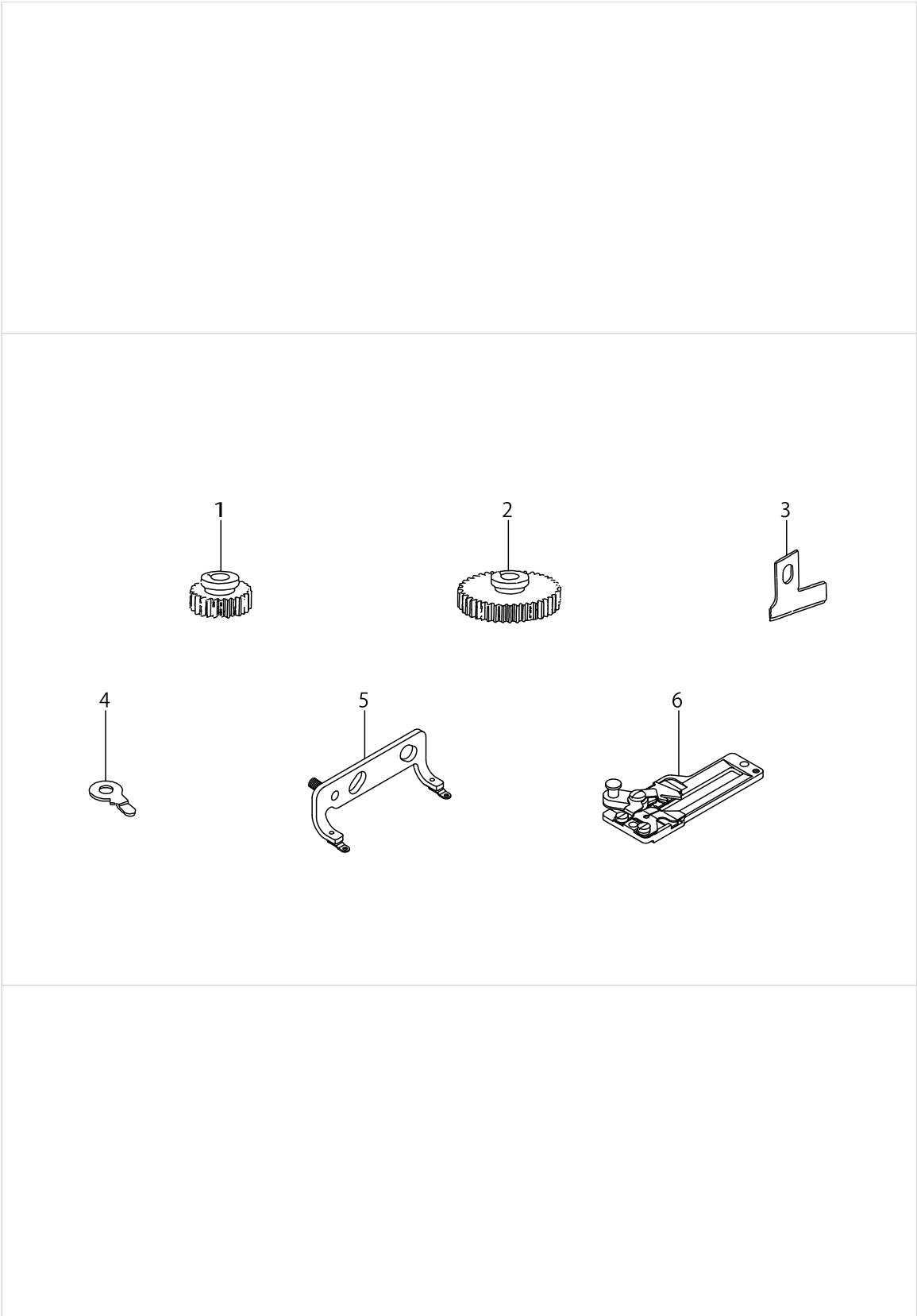
LBH-772NB-1, LBH-782NB

No.	Supply Code	Parts No.	Replacement	Parts name	Remarks	Choice	Step	Level	Cons	Qty	Rep. QTY
1		13957303		THREAD CUTTING RETURN SPRING						1	
2		13957410		FIXING PLATE						1	
3		D2063772B00		LOCKING CAM PLATE HOLDER						1	
4		13957501		FIXEDPLATESPACER						1	
5		13957600		LINK FRONT						1	
6		13957709		LINK INSIDE						1	
7		13957808		LINK REAR						1	
8		13957907		ACTUATING PLATE						1	
9		D2064772B00		TENSION SPRING						1	
10		13958509		THREAD TRIM DRIVING BLOCK						1	
11		D2073772B00		BLOCK PIN						1	
12		13958608		PIN INSTALL BASE						1	
13		D2075772B00		GIMP HOOK BLOCK BASE						1	
14		13958012		RELEASE PLATE A						1	
15		13958103		CANCELLATION PLATE B						1	
16		10120004		SPRINGSUSPENSION						1	
17		NS6110310SP		NUT 11/64-40						1	
18		SD0640321SP		HINGE SCREW D= 6.35 H= 3.2						3	
19		SD0600291TP		HINGE SCREW D=6 H=2.9						1	
20		SD0720421SP		HINGE SCREW D= 7.24 H= 4.2						1	
21		B1456057000		HINGE SCREW						1	
22		SD0790204SP		HINGE SCREW D= 7.94 H= 2						1	
23		SS6110610TP		SCREW 11/64-40 L=6						2	
24		13956354		PAD CORD CUTTING BRANCH COMPL.						1	
25		13956305		PAD CORD CUTTING BRANCH				*		1	
26	D	13956404		BRANCH FITTING BASE				*		1	
27		13956503		PAD CORD CUTTING BRANCH SHAFT				*		1	
28	D	13956602		PAD CORD CUTTING BRANCH SPRING				*		1	
29		MAO32003000		WORK CLAMP LIFTING SHAFT (AO)						1	
30		SS2090530SP		SCREW 9/64-40 L=4.8						1	
31		SS6090560TP		SCREW 9/64-40 L=4.5						2	
32		SS6090810TP		SCREW 9/64-40 L=7.5						2	
33		SS6110610TP		SCREW 11/64-40 L=6						2	
34	R	SS6111010SP	SS6111010TP	SCREW 11/64-40 L= 9.5						2	1.00
35		WP0480856SP		WASHER 4.8X8.4X0.8						1	
36		WP0651056SD		WASHER 6.5X11X1						1	
37		13958368		PRESSER COMPL. (2B)						1	
38		13958350		PRESSER ASM.(2B)				*		1	
39		13951801		FIXED KNIFE				*		1	
40		13951900		MOVING KNIFE				*		1	
41		13952007		HAUL PLATE				*		1	
42		13952114		RETAINING SPRING				*		1	
43		13952312		FULCRUM SHAFT SPRING				*		1	
44		SS6060440TP		SCREW 3/32-56 L=3.5				*		2	



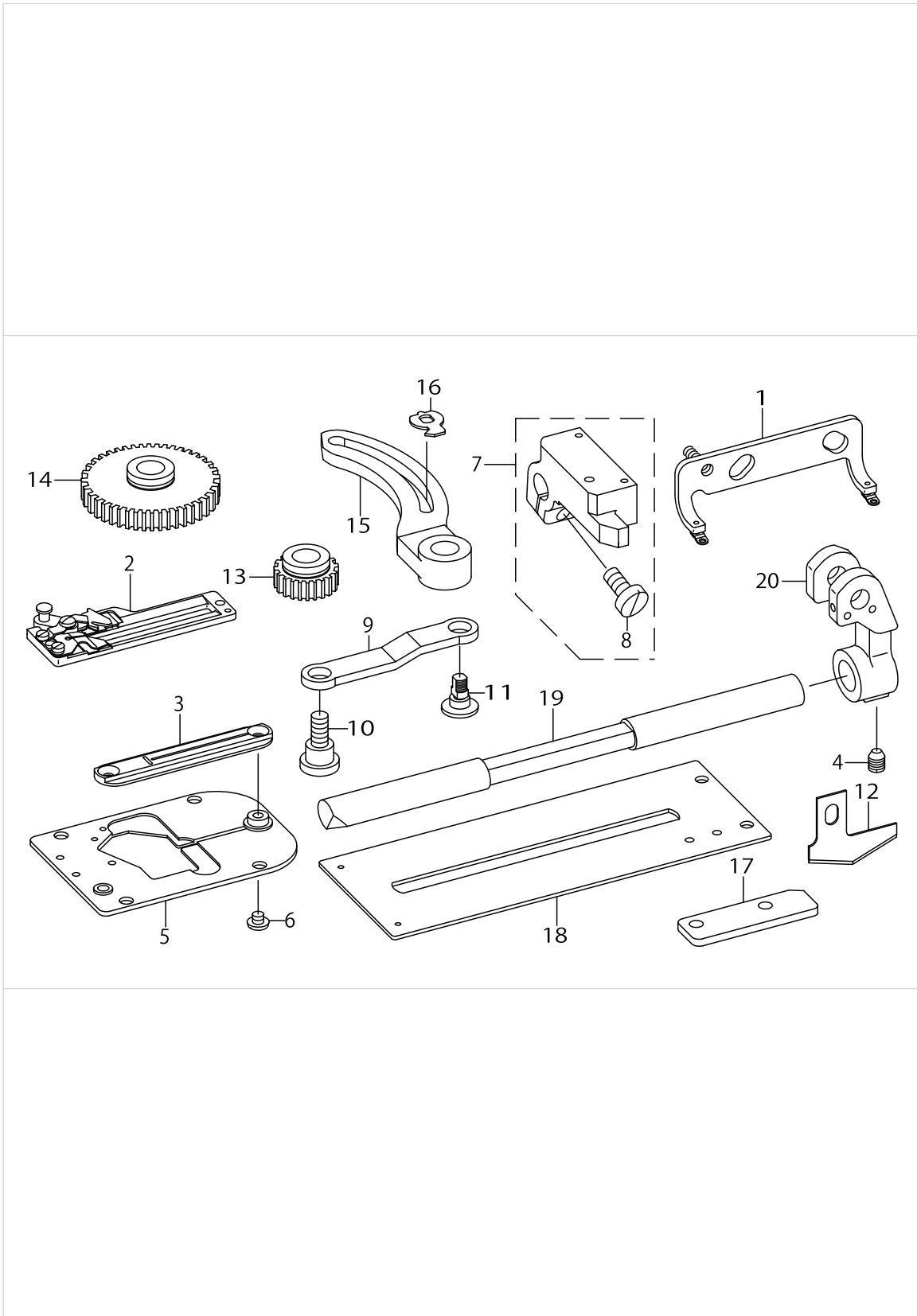
LBH-772NB-1, LBH-782NB

No.	Supply Code	Parts No.	Replacement	Parts name	Remarks	Choice	Step	Level	Cons	Qty	Rep. QTY
45		D2056772B0B		WASHER B T=0.4	SELECTIVE PARTS			*		2	
46	D	D2056772B0A		SPRING WASHER B D=0.3	SELECTIVE PARTS			*		2	
47		D2056772B0C		SPRING WASHER B D=0.5	SELECTIVE PARTS			*		2	
48	D	D2056772B0D		WASHER B T=0.6	SELECTIVE PARTS			*		2	
49		SS4080320TP		SCREW 1/8-44 L=3.4				*		1	
50		WP0360516SD		WASHER M3				*		1	
51		D2056772B0B		WASHER B T=0.4				*		1	
52		D2055772B00		WASHER A T=1.0				*		1	
53		SS6060410TP		SCREW 3/32-56 L=3.5						1	
54		D9101772B00		HOOK TIMING GAUGE VB						1	
55	D	D1130772B0A		FRAME SIDE COVER 2B						1	
56		D1131772B0A		AUXILIARY SIDE COVER						1	
57	R	SS7090520SP	SS7090520TP	SCREW 9/64-40 L=4.5						2	1.00
58		SS4111015SP		SCREW 11/64-40 L=10						1	
59		SS4110815SP		SCREW 11/64-40 L=8						1	
60		13957253		GUIDE PLATE ASM.						1	
61		D2082772B00		GIMP GUIDE HOLDER						1	
62		13950852		PRESSER FOOT 2B ASM.						1	
63		B4122804000		ROLLER						1	
64		NS6110310SP		NUT 11/64-40						1	
65		SS8111010TP		SCREW 11/64-40 L=9.5						1	
66		SS7111310TP		SCREW 11/64-40 L=12.8						1	
67		13952601		FINGER GUARD (LEFT)						1	
68		SD0600271SP		HINGE SCREW D= 6 H= 2.7						1	
69		B3917880000		WASHER						1	
70	R	CS0790731SH	CS079073ASH	THRUST COLLAR						1	1.00
71		SS8110422TP		SCREW 11/64-40 L=4						2	
72	D	D2402772B00		NEEDLE PLATE 2B						1	



LBH-773NB-1, LBH-783NB

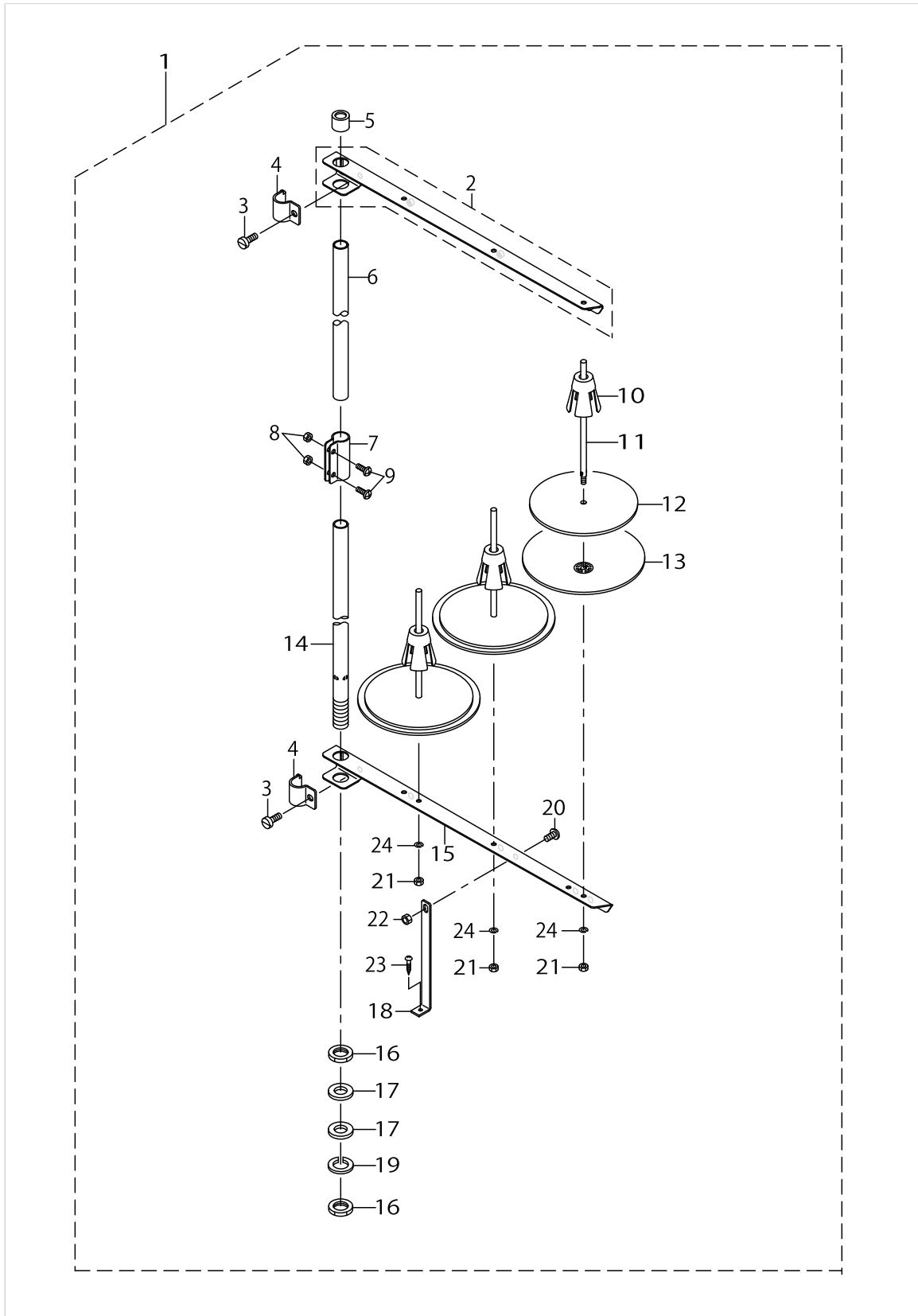
No.	Supply Code	Parts No.	Replacement	Parts name	Remarks	Choice	Step	Level	Cons	Qty	Rep. QTY
1		B2938761000		SPUR GEAR (63)						1	
2		B2939761000		SPUR GEAR (300)						1	
3	R	B2702047S00	B2702047S00A	KNIFE 1-1/4						1	1.00
4		D1608773E00		LENGTH REGULATING SHAFT GUIDE						1	
5		13959150		PRESSER FOOT 3B ASM.						1	
6		13959564		PRESSER JUNCTION (3B)						1	



LBH-774NB-1, LBH-784NB

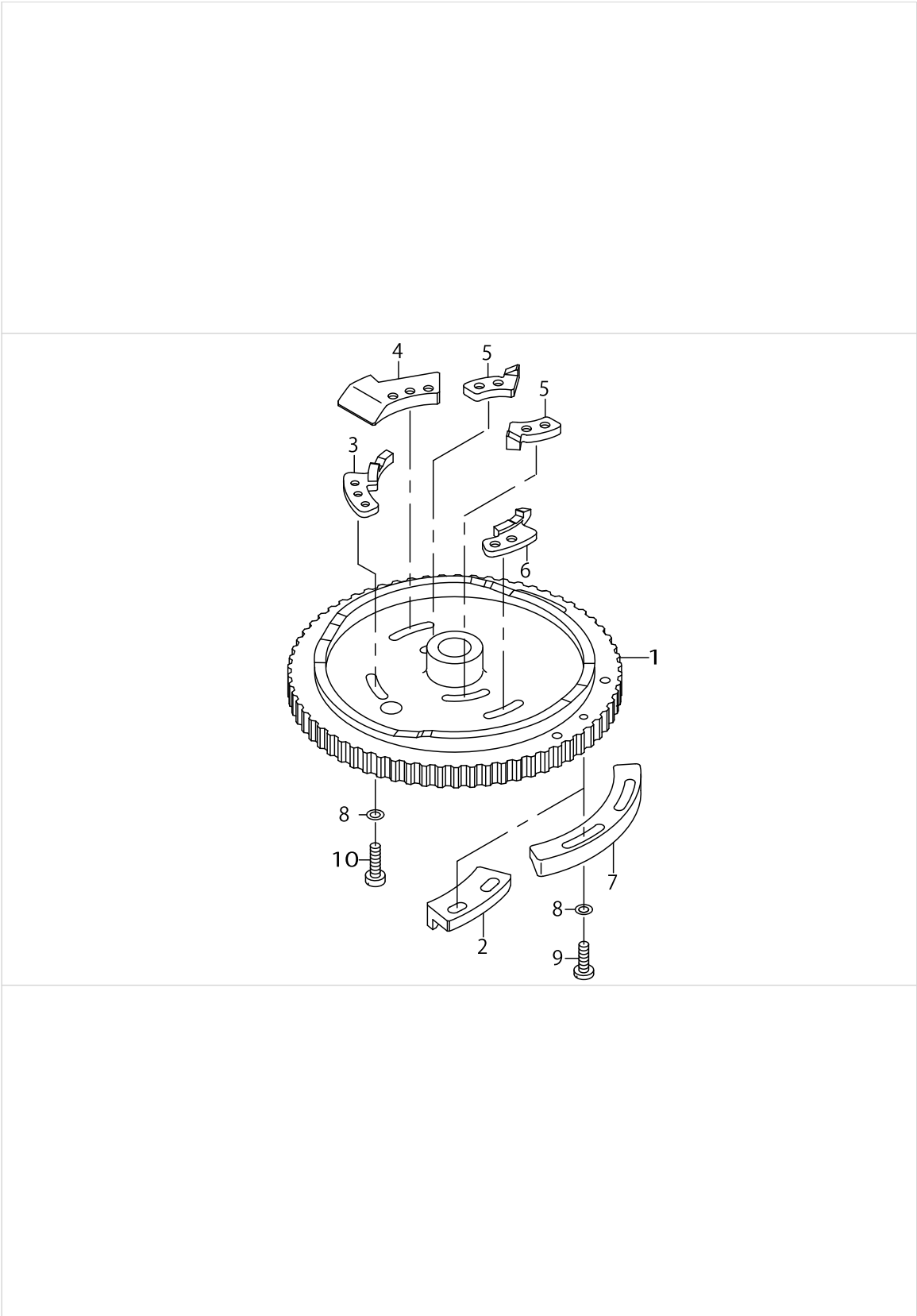
No.	Supply Code	Parts No.	Replacement	Parts name	Remarks	Choice	Step	Level	Cons	Qty	Rep. QTY
1		13960158		PRESSER FOOT 4B ASM.						1	
2		13961263		PRESSER JUNCTION (4B)						1	
3	R	13799200	13799556	NEEDLE PLATE 4B		A	A:			1	1.00
3	R	13799200	13961057	NEEDLE PLATE 4B		B	B:			1	1.00
4	D	13960802		WORK CLAMP SHAFT SET SCREW 4						1	
5		B24017740A0		THROAT PLATE BASE ASM.						1	
6		SS5090320SP		SCREW 9/64-40 L=3.2						1	
7		B16117740A0		WORK CLAMP ARM BRACKET ASM.						1	
8		SS6151440SP		SCREW 15/64-28 L=14				*		1	
9		B1606774000		WORK CLAMP CARRIER PITMAN						1	
10		SD0870401SP		HINGE SCREW D= 8.73 H= 4						1	
11		B1605774000		FEED ADJUSTING SHAFT						1	
12	R	B274577400B	B274577400BA	KNIFE 1-1/2						1	1.00
13	D	B2936761000		SPUR GEAR (54)						1	
14		B2937761000		SPUR GEAR (345)						1	
15		B1603774000		LENGTH REGULATING ARM						1	
16		B1608774000		LENGTH REGULATING SHAFT GUIDE						1	
17		B1612774000		WORK CLAMP ARM BRACKET GUIDE						1	
18	R	B1613774000	40009447	WORK CLAMP CARRIER						1	1.00
19	D	13960703		WORK CLAMP CHECK 4						1	
20		13960505		PRESSER ARM REGISTER ARM 4						1	

THREAD STAND COMPONENTS



THREAD STAND COMPONENTS

No.	Supply Code	Parts No.	Replacement	Parts name	Remarks	Choice	Step	Level	Cons	Qty	Rep. QTY
1		26105551		THREAD STAND ASM.						1	
2		13168356		THREAD STANDING ARM ASM. ,LONG				*		1	
3		SM6061610SC		SCREW M6 L=16				*		2	
4	R	22930705	40096354	THREAD GUIDE ARM JOINT				*		2	1.00
5		22931406		SPOOL REST ROD RUBBER CAP				*		1	
6	R	22930408	40096354	SPOOL REST ROD, UPPER				*		1	1.00
7	R	22931307	40096354	SPOOL REST ROD JOINT				*		1	1.00
8		NM6050001SE		NUT M5				*		2	
9		SM4051405SE		SCREW M5 L=14				*		2	
10	R	22931109	40085791	SPOOL RETAINER				*		3	1.00
11	R	22931000	40085790	SPOOL PIN				*		3	1.00
12		22930903		SPOOL REST CUSHION				*		3	
13		22930804		SPOOL REST				*		3	
14	R	22930309	40096354	SPOOL REST ROD, LOWER				*		1	1.00
15		13168802		THREAD STANDING ARM ,LONG				*		1	
16		NM6160511SE		NUT M16X1.5				*		2	
17		WP1612616SE		WASHER 16X30X2.6				*		2	
18		13168406		THREAD STANDING ARM SUPPORT A				*		1	
19	R	WS1643202KR	WP1612616SE	SPRING WASHER		A		*		1	2.00
19	R	WS1643202KR	40085796	SPRING WASHER		A		*		1	2.00
20		SM4061201SE		SCREW M6 L=12				*		1	
21		NM6050001SE		NUT M5				*		3	
22		NM6060001SE		NUT M6				*		1	
23		SK3382001SE		SCREW D=3.8 L=20				*		1	
24		WS0510002KN		SPRING WASHER				*		3	



LBH-77*NV1-1,NB1-1,LBH-78*NV1,NB1(SEMI-CIRCULAR BARTACKING)

No.	Supply Code	Parts No.	Replacement	Parts name	Remarks	Choice	Step	Level	Cons	Qty	Rep. QTY
1	D	13953708		ROUND BEARING CAM (2V)						1	
2		D2951782V00		SPEED CHANGING CAM 2V	FOR LBH-780					1	
3		13953500		PAD CORD BASE 2 CHANGE CAM						1	
4		D2904762V00		KNIFE TRIPPING SEGMENT (2V)						1	
5		D9301762V00		GIMP GUIDE TRIPPING SEGMENT NO.1						2	
6		13953609		PAD CORD BASE 4 CHANGE CAM						1	
7		13913801		SPEED CHANGING SEGMENT						1	
8		WP0480856SP		WASHER 4.8X8.4X0.8						12	
9	R	SS7111410SP	SS7111410TP	SCREW11/64-40L=14						2	1.00
10		SS6111610SP		SCREW11/64-40L=16						10	

HOW TO MAKE USE OF THIS PARTS LIST

1.Explanation of codes

1)"*"mark.....means this part is changed from the previous parts book.

As to the details of the change, refer to the "List for information of change".

2)"#01".....refer to "Note" explanation at bottom of page.

2.Codes on the "Qty" column

- Each numeral indicates the number of parts required.
- "0.1" and "2.5" indicate the length (in meters) of the respective parts.

3.Parentheses mean that the corresponding part is a subpart that constructs an assembly part.

4.Dotted lines on the Figures indicate assembly parts.

1."注記"欄の記号説明

1) "*"印.....前回のパーツブックに比較して今回変更された部品を意味します。

変更内容は、"変更情報リスト"を参照してください。

2) "#01".....ページ下の"注記"の説明を参照してください。

2.数量欄の数字は、個数を表し、0.1、2.5等の数値は、長さ（単位メートル）を表します。

3.数量欄の（ ）は、組部品を構成している子部品であることを意味します。

4.イラストページの-----枠は、組構成であることを意味します。

Other parts list related to this model.

この機種に関するパーツリストとして下記のパーツリストがあります。

1.LBH-771,2,3,4-1 & Subclasses(No.0715)

High-speed 1-Needle Lockstitch Straight Button-holing Industrial Sewing Machine

高速一本針本縫眠り穴かがりミシン

2.LBH-781,2,3,4(No.0158)

High-speed 1-Needle Lockstitch Straight Button-holing Industrial Sewing Machine

高速一本針本縫眠り穴かがりミシン

NUMERICAL INDEX OF PARTS

PART NO	PAGE	REF NO.	PART NO	PAGE	REF NO.	PART NO	PAGE	REF NO.
10120004	16	16	13955109	6	51	22930804	24	13
11528809	8	15	13955208	6	50	22930903	24	12
13168356	24	2	13955307	6	54	22931000	24	11
13168406	24	18	13955406	4	30	22931109	24	10
13168802	24	15	13955505	4	31	22931307	24	7
13515606	4	19	13955604	4	34	22931406	24	5
13737804	2	30	13955703	4	37	26105551	24	1
13799200	22	3	13955802	2	18	B111376100AA	2	1
13913801	10	47	13955901	8	6	B1456057000	16	21
13913801	26	7	13956008	8	7	B1504280000	4	3
13915004	2	35	13956107	4	9	B152752700C	6	53
13915103	6	56	13956305	16	25	B1603774000	14	18
13925805	2	24	13956354	16	24	B1603774000	22	15
13925904	2	36	13956404	16	26	B1605774000	14	8
13926308	2	25	13956503	16	27	B1605774000	22	11
13950407	8	14	13956602	16	28	B1606774000	14	6
13950753	2	19	13957253	18	60	B1606774000	22	9
13950852	18	62	13957303	16	1	B1608774000	14	15
13950902	2	26	13957410	16	2	B1608774000	22	16
13951009	2	17	13957501	16	4	B16117740A0	14	9
13951108	2	21	13957600	16	5	B16117740A0	22	7
13951207	2	15	13957709	16	6	B1612774000	14	21
13951306	6	47	13957808	16	7	B1612774000	22	17
13951405	2	20	13957907	16	8	B1613774000	14	14
13951801	16	39	13958012	16	14	B1613774000	22	18
13951900	16	40	13958103	16	15	B18087610AB	8	36
13952007	16	41	13958350	16	38	B2016357A00	8	3
13952114	16	42	13958368	16	37	B2024771000	2	4
13952312	16	43	13958509	16	10	B2039373000	8	13
13952502	2	23	13958608	16	12	B24017740A0	14	4
13952601	18	67	13959051	12	5	B24017740A0	22	5
13953054	2	2	13959150	20	5	B2702047Q00	8	34
13953500	8	42	13959564	20	6	B2702047S00	12	3
13953500	26	3	13960059	14	1	B2702047S00	20	3
13953609	10	46	13960158	22	1	B274577400B	14	19
13953609	26	6	13960505	14	13	B274577400B	22	12
13953708	26	1	13960505	22	20	B2936761000	14	16
13954052	2	29	13960703	14	12	B2936761000	22	13
13954300	4	4	13960703	22	19	B2937761000	14	17
13954409	4	14	13960802	14	20	B2937761000	22	14
13954508	4	23	13960802	22	4	B2938761000	12	1
13954656	4	18	13961263	22	2	B2938761000	20	1
13954805	4	22	22930309	24	14	B2939761000	12	2
13954904	6	48	22930408	24	6	B2939761000	20	2
13955000	6	52	22930705	24	4	B2944761000	8	2

NUMERICAL INDEX OF PARTS

PART NO	PAGE	REF NO.	PART NO	PAGE	REF NO.	PART NO	PAGE	REF NO.
B2945761000	8	1	D2903762V00	8	45	SD0791271SP	2	34
B3107352000	8	18	D2904762V00	8	43	SD0870401SP	14	7
B3107804000	8	29	D2904762V00	26	4	SD0870401SP	22	10
B3110771000	8	25	D2951782V00	8	39	SD1000401SP	2	33
B3111761000	8	26	D2951782V00	26	2	SK3382001SE	24	23
B3112761000	8	27	D3106772B00	4	1	SM4051405SE	24	9
B3117352000	8	22	D3110772TA0	8	23	SM4061201SE	24	20
B3118352000	8	21	D3130772B00	4	7	SM6061610SC	24	3
B3119352000	8	19	D9101771K00	10	51	SS2090530SP	14	3
B3119771000	8	32	D9101772B00	18	54	SS2090530SP	16	30
B3120125000	8	31	D9301762V00	8	44	SS4080320TP	18	49
B3126012000	8	28	D9301762V00	26	5	SS4110815SP	18	59
B3129012A00	8	30	D9302762T00	4	26	SS4111015SP	18	58
B3917880000	18	69	D9303762T00	4	28	SS4111215SP	10	52
B4122804000	4	16	D9309762T00	4	36	SS5060410SP	2	9
B4122804000	18	63	D9314762T00	4	43	SS5090320SP	14	5
B8219125000	4	6	D9315762T00	4	44	SS5090320SP	22	6
CS0790731SH	18	70	D9317762T00	4	21	SS6060210SP	2	37
D1130772B0A	18	55	D9332762T00	8	5	SS6060410TP	2	11
D1131772B0A	18	56	D9333762T00	8	10	SS6060410TP	18	53
D1508772K00	2	12	D9334762T00	8	12	SS6060440TP	16	44
D1508773K00	12	6	D9335762T00	2	6	SS6090510SP	4	42
D1508774K00	14	11	D9335762TA0	2	5	SS6090560TP	16	31
D1516772B00	2	16	D9336762T00	2	7	SS6090810TP	16	32
D1608772E00A	8	35	MAO32003000	16	29	SS6110610TP	16	33
D1608773E00	12	4	NM6050001SE	24	21	SS6110820TP	2	27
D1608773E00	20	4	NM6060001SE	24	22	SS6111010SP	16	34
D2055772B00	18	52	NM6160511SE	24	16	SS6111010TP	8	8
D2056772B0A	18	46	NS6090310SP	4	38	SS6111040SP	2	14
D2056772B0B	18	51	NS6110310SP	16	64	SS6111610SP	10	50
D2056772B0C	18	47	NS6110310SP	18	64	SS6111610SP	26	10
D2056772B0D	18	48	NS6110420SP	2	32	SS6151440SP	14	10
D2063772B00	16	3	NS6110420SP	4	29	SS6151440SP	22	8
D2064772B00	16	9	NS6110530SP	8	38	SS7060310SP	2	10
D2073772B00	16	11	NS6150310SP	8	16	SS7090520SL	8	11
D2075772B00	16	13	NS6700420SP	8	9	SS7090520SP	18	57
D2082772B00	18	61	PS0200102KH	4	33	SS7090910SP	4	15
D2083772B00	4	13	RC0841011KP	4	24	SS7090910TP	4	40
D2402772B00	18	72	SD0500722TP	2	31	SS7110710SP	2	22
D2402772K00	2	13	SD0600271SP	18	68	SS7110710SP	4	41
D2402774K00	14	2	SD0600291TP	16	19	SS7110740TP	4	32
D2604772B00	4	2	SD0640321SP	16	18	SS7110840SP	4	49
D2615762V00	8	33	SD0640482SP	4	35	SS7110840SP	6	49
D2901772V0C	8	40	SD0720421SP	16	20	SS7110910TP	2	28
D2902762V00	8	41	SD0790204SP	16	22	SS7110910TP	4	39

NUMERICAL INDEX OF PARTS

PART NO	PAGE	REF NO.
SS7111120SP	4	10
SS71111310TP	18	66
SS7111410SP	10	49
SS7111410SP	26	9
SS7111410TP	8	4
SS7151210SP	4	5
SS8090670SP	8	24
SS8110422TP	18	71
SS8111010TP	18	65
SS8660512TP	4	17
SS8661212TP	4	20
WP0250516SD	2	8
WP0360516SD	18	50
WP0371036SD	2	3
WP0450000SD	8	37
WP0480856SP	10	48
WP0480856SP	16	35
WP0480856SP	26	8
WP0501016SD	4	46
WP0501016SD	6	46
WP0600816SP	6	55
WP0612516SD	8	17
WP0651056SD	16	36
WP1002066SZ	4	25
WP1612616SE	24	17
WS0510002KN	24	24
WS1643202KR	24	19