

MODEL : MOG-3700

List No : 1144-02

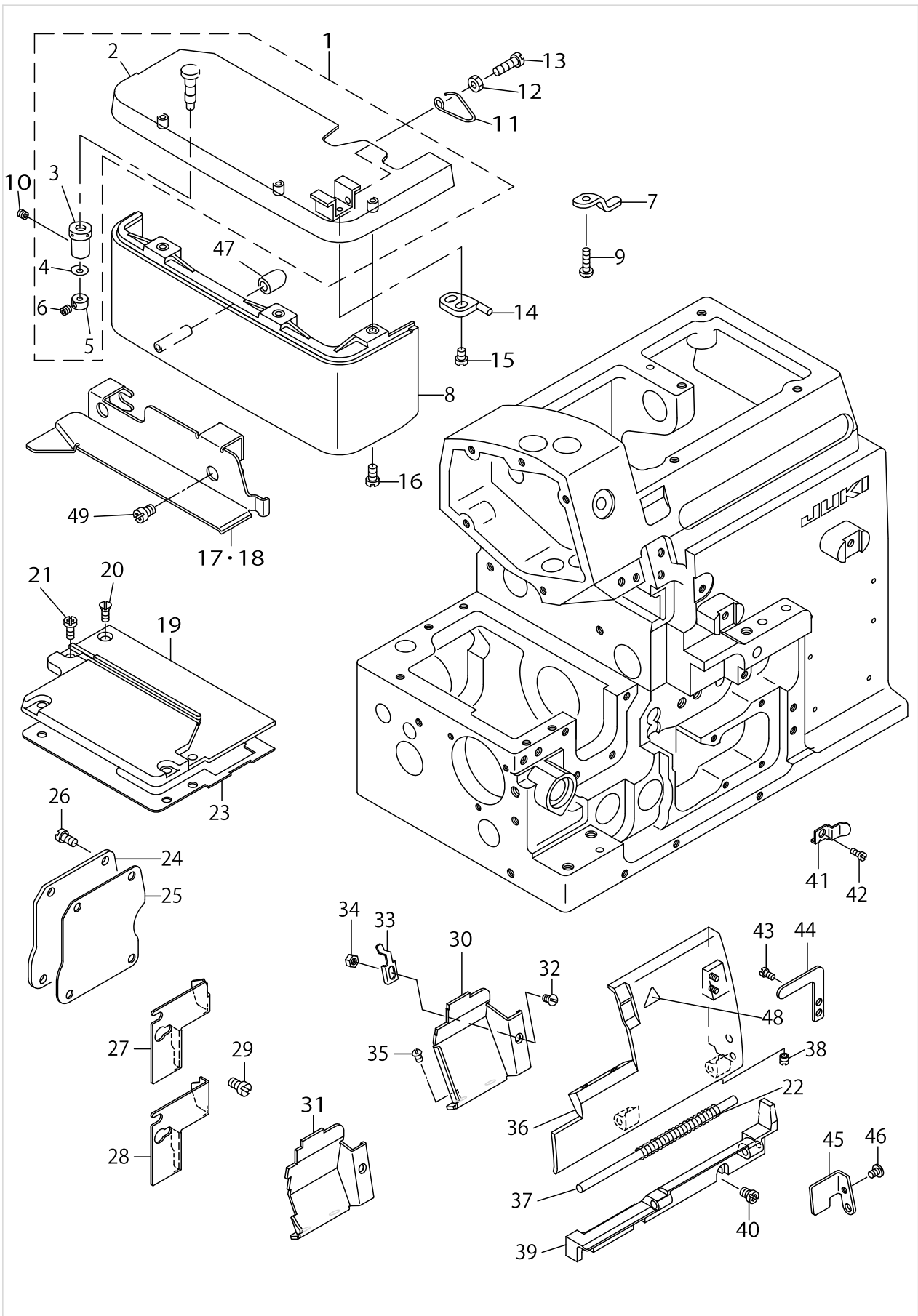
PARTS LIST

Published:05/12/2017

CONTENTS

FRAME COMPONENTS (1)	1
FRAME COMPONENTS (2)	5
CRANKSHAFT COMPONENTS	9
NEEDLE DRIVING SHAFT COMPONENTS	13
FEED MECHANISM COMPONENTS (1).....	17
FEED MECHANISM COMPONENTS (2).....	19
CHAIN LOOPER COMPONENTS (FOR MOG-3716).....	23
UPPER & LOWER LOOPER COMPONENTS.....	25
PRESSER FOOT COMPONENTS (1).....	29
PRESSER FOOT COMPONENTS (2).....	31
THREAD TENSION COMPONENTS	33
UPPER KNIFE COMPONENTS	37
LOWER KNIFE COMPONENTS.....	39
LUBRICATION MECHANISM COMPONENTS.....	43
SEMI-SUNKEN TYPE TABLE COMPONENTS.....	45
FULLY-SUNKEN TYPE TABLE COMPONENTS.....	47
THREAD STAND COMPONENTS (FOR MOG-3704,MOG-3714).....	49
THREAD STAND COMPONENTS (FOR MOG-3716)	53
LIST FOR INFORMATION OF CHANGE.....	57
HOW TO MAKE USE OF THIS PARTS LIST	58

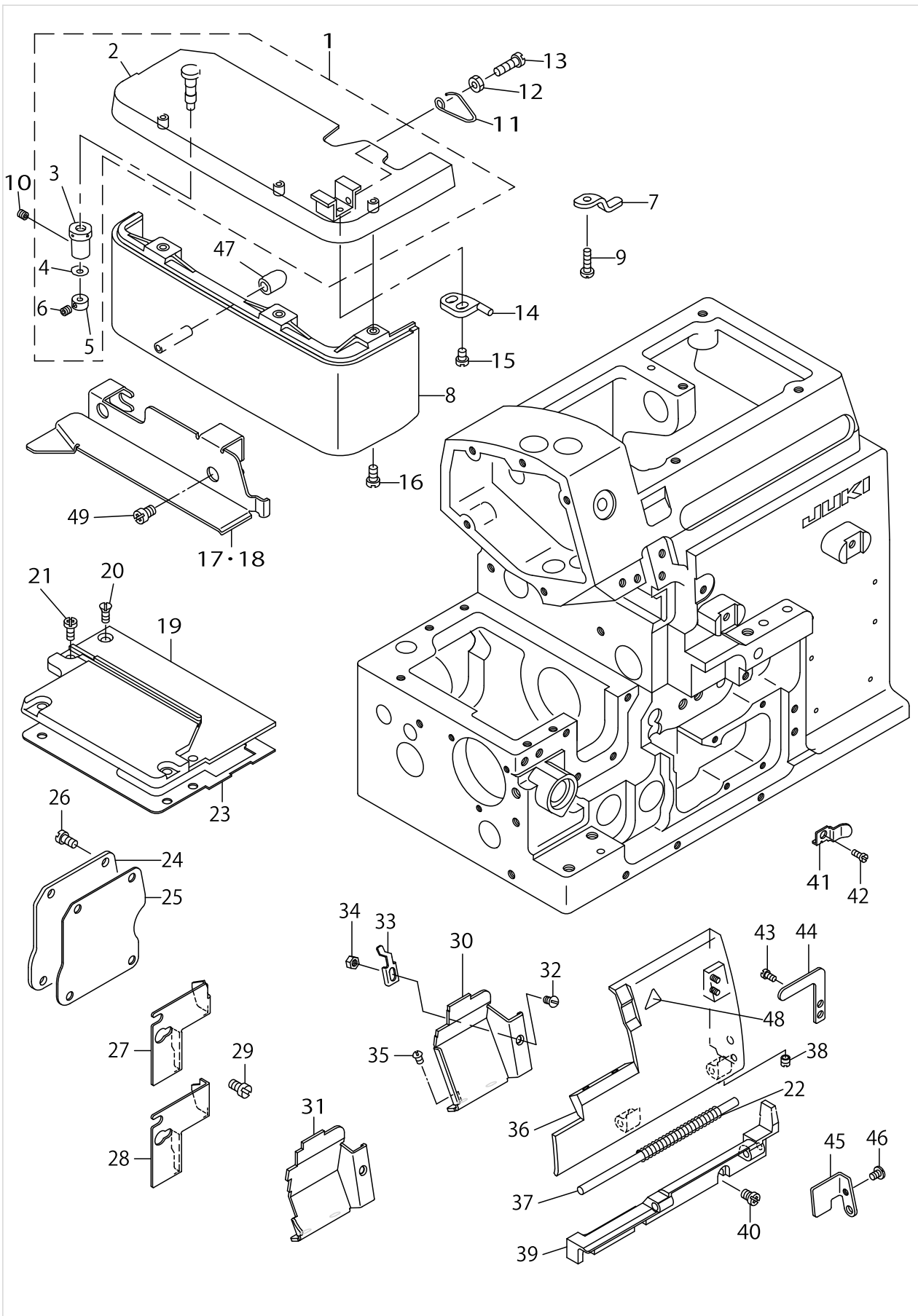
FRAME COMPONENTS (1)



FRAME COMPONENTS (1)

No.	Supply Code	Parts No.	Replacement	Parts name	Remarks	Choice	Step	Level	Cons	Qty	Rep. QTY
1	R	12105359	13103650	CLOTH PLATE ASM.						1	1.00
2	R	12102752	13103650	CLOTH PLATE ASM.				*		1	1.00
3		11501301		ECCENTRIC BUSHING				*		1	
4		WZ0420350KP		DISC SPRING				*		1	
5	R	CS0400671SD	13172903	THRUST HOLDER				*		1	1.00
6		SM8040302TP		SETSCREW				*		1	
7	D	12103511		CROTH PLATE SUPPORTER						1	
8	D	11949005		CLOTH BASE COVER						1	
9		SS7091410SP		SCREW 9/64-40 L=13.5						1	
10		SS8110410TP		SCREW 11/64-40 L= 3.5						1	
11		11802402		SPRING						1	
12		NS6110420SP		NUT 11/64-40						1	
13		SS6111440SP		SCREW 11/64-40 L=14.0						1	
14	R	12103305	13101704	STOPPER						1	1.00
15		SS7110710SP		SCREW 11/64-40 L=7						2	
16		SS4091015SP		SCREW 9/64-40 L=10						2	
17		12370201		CLOTH BASE SIDE COVER (OVER)	FOR MOG-- 3704,MOG-3714					1	
18		12370300		CLOTH BASE SIDE COVER (INTER)	FOR MOG-3716					1	
19		12250510		FEED MECHANISM COVER						1	
20		SM1040801SC		SCREW M4X0.7 L=8						1	
21		SM4040855SP		SCREW						4	
22	R	B1140716000	13101209	SPRING						1	1.00
23		12250601		GASKET						1	
24	D	11951100		COVER						1	
25		11804309		GASKET						1	
26		SM4040855SP		SCREW						4	
27	D	12102307		CHIP GUARD COVER, LEFT	FOR MOG-- 3704,MOG-3714					1	
28	D	12102406		CHIP GUARD COVER, LEFT	FOR MOG-3716					1	
29		SS7110510SP		SCREW 11/64-40 L=5						2	
30		12379509		CLOTH WASTE COVER FOR 04, 14	FOR MOG-- 3704,MOG-3714					1	
31	R	12379608	13105507	CLOTH WASTE COVER (FOR 16.43)	FOR MOG-3716					1	1.00
32		SS2090520SL		SCREW 9/64-40 L=5						1	
33	R	12101515	13102405	CROTH WASTE COVER STOPPER						1	1.00
34		NS6090310SN		NUT 9/64-40						1	
35		SS3090610SP		SCREW 9/64-40 L=6						2	
36	R	12101309	13100904	LOOPER COVER						1	1.00
37	D	11803004		LOOPER COVER HINGE PIN						1	
38		SS8110410TP		SCREW 11/64-40 L= 3.5						1	
39	R	12101200	13100805	LOOPER COVER BRACKET						1	1.00
40		SM4041055SP		SCREW						3	
41	R	12103404	13101308	LOOPER COVER PRESSER SPRING						1	1.00
42		SM4040655SP		SCREW M4 L=6						1	
43		SS7090530SP		SCREW 9/64-40 L= 4.5						1	
44		12103206		LOOPER COVER PRESSER PLATE						1	
45	R	12101408	13101001	GUIDE PLATE						1	1.00

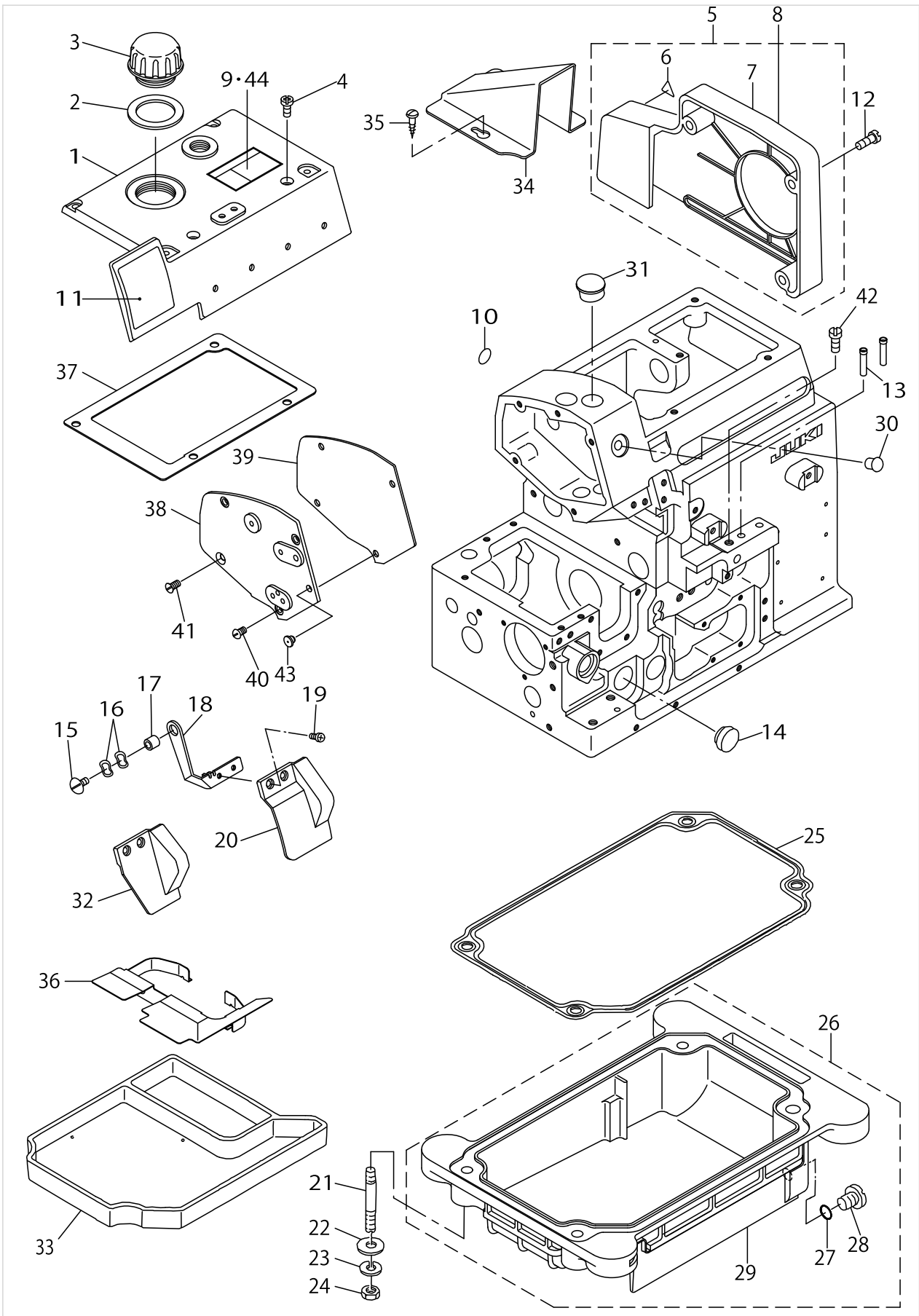
FRAME COMPONENTS (1)



FRAME COMPONENTS (1)

No.	Supply Code	Parts No.	Replacement	Parts name	Remarks	Choice	Step	Level	Cons	Qty	Rep. QTY
46		SS7090610SP		SCREW 9/64-40 L=6						1	
47	R	11802204	13104302	RUBBER PLUG						1	1.00
48		CM300200001		ATTENTION SEAL	FOR JE					1	
49		SS4120615SP		SCREW 3/16-28 L=6						2	

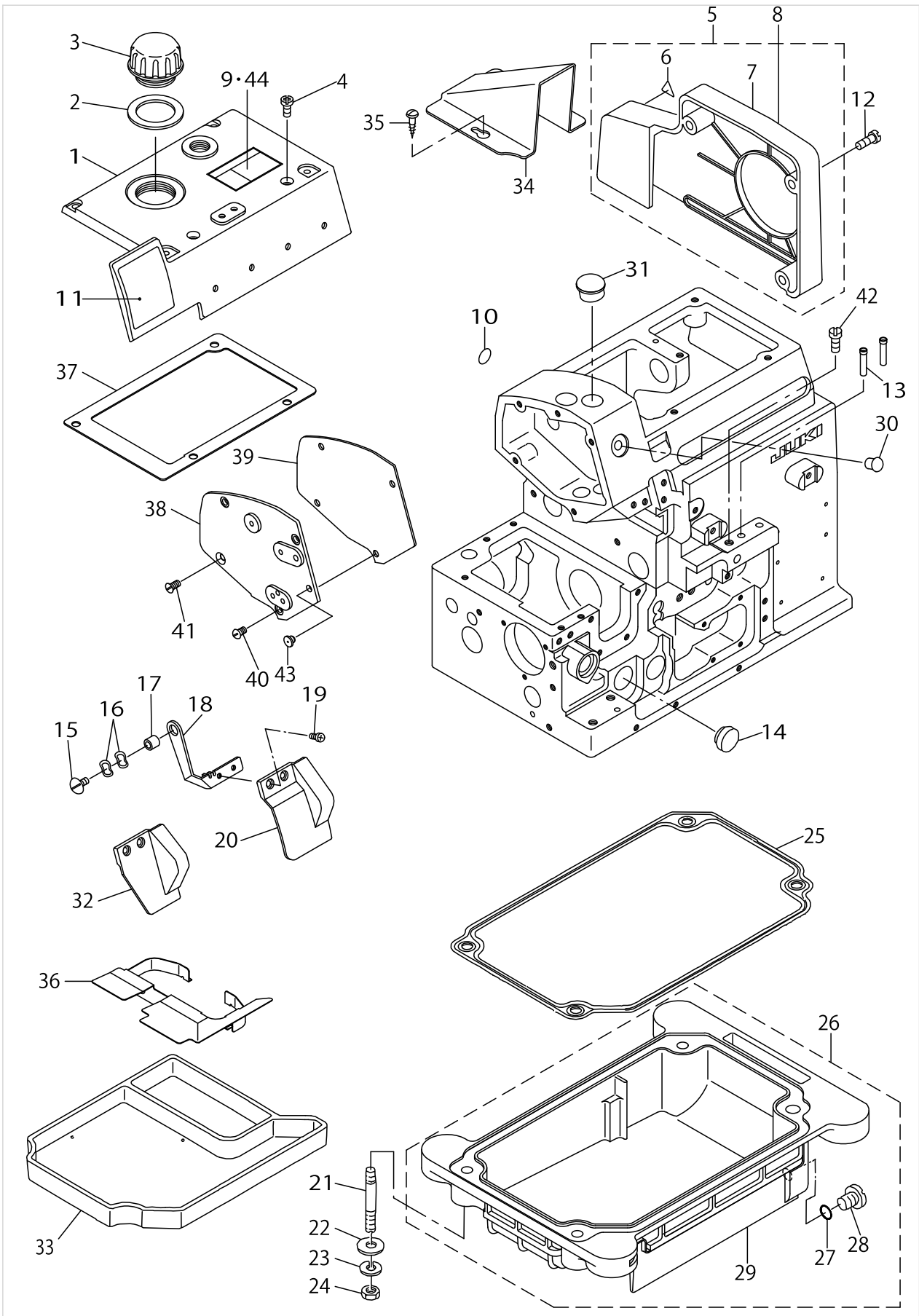
FRAME COMPONENTS (2)



FRAME COMPONENTS (2)

No.	Supply Code	Parts No.	Replacement	Parts name	Remarks	Choice	Step	Level	Cons	Qty	Rep. QTY
1		12250304		UPPER COVER						1	
2	R	12100707	11500808	GASKET						1	1.00
3	D	12100608		OIL CAP						1	
4		SM4051255SP		SCREW.,M5 L=12.						6	
5	D	12101952		BELT COVER ASM.	FOR JAPAN					1	
6		CM3002000A1		CAUTION LABEL(16)	FOR JAPAN			*		1	
7	R	12101903	12101952	BELT COVER	FOR JAPAN			*		1	1.00
8	R	12101903	12101952	BELT COVER	FOR EXPORT					1	1.00
9		CM3002001A1		SAFETY LABEL.,3 (SMALL).	FOR EXPO- RT(EXCEPT JE)					1	
10	R	10004109	22901805	GROUND MARK						1	1.00
11		12371100		BRAND LABEL						1	
12		SS4151215SP		SCREW15/64-28L=12						3	
13	R	11805207	13102900	THREAD GUIDE, LARGE						2	1.00
14		TA1871602R0		RUBBER PLUG	FOR MOG-- 3704.MOG-3714					1	
15		SS5110710SP		SCREW 11/64-40 L=7						1	
16		WZ0850302K0		WAVED WASHER 8.5X12.5X0.3						2	
17		B3013141H0A		WASHER						1	
18	R	12102000	12342002	SAFETY PLATE BRACKET						1	1.00
19		SS7090611SL		SCREW 9/64-40 L=6.1						2	
20	D	12102109		SAFETY PLATE	FOR MOG-3716					1	
21		11503703		SCREW STUD						4	
22		WP0751576SD		WASHER 7.5X19X1.5						4	
23		WS0822010KP		SPRING WASHER 8.2X15X2						4	
24		NS6680410SP		NUT 9/32-28						4	
25	R	11503919	13102603	OIL RESERVOIR GASKET						1	1.00
26	R	11503885	13102553	OIL RESERVOIR ASM.						1	1.00
27		RO074240100		RUBBER RING				*		1	
28		SM0081001SD		SCREW				*		1	
29	R	11503810	13102553	OIL RESERVOIR				*		1	1.00
30		TA0750704R0		RUBBER PLUG						1	
31		TA1701107R0		RUBBER PLUG						1	
32		12104907		SAFETY PLATE	FOR MOG-- 3704.MOG-3714					1	
33	D	11841350		FILTER BASE ASM.						1	
34	D	12105201		BELT COVER	FOR JE					1	
35	R	SK3412000SC	SK3412000SE	WOOD SCREW D=4.1 L=20	FOR JE					2	1.00
36	D	11842804		SHELTER PLATE						1	
37		12250403		UPPER COVER GASKET						1	
38	D	12250205		SIDE COVER						1	
39	D	12100301		SIDE COVER GASKET						1	
40		SM4040855SP		SCREW						3	
41		SM1040801SC		SCREW M4X0.7 L=8						1	
42		SS9151210TP		SCREW 15/64-28 L=11.8						1	
43		12258000		BUSH						1	
44		CM300200101		SAFETY LABEL, 1(SMALL).	FOR JAPAN					1	
45		CM3002001A1		SAFETY LABEL.,3 (SMALL).	FOR EXPO- RT(EXCEPT JE)					1	

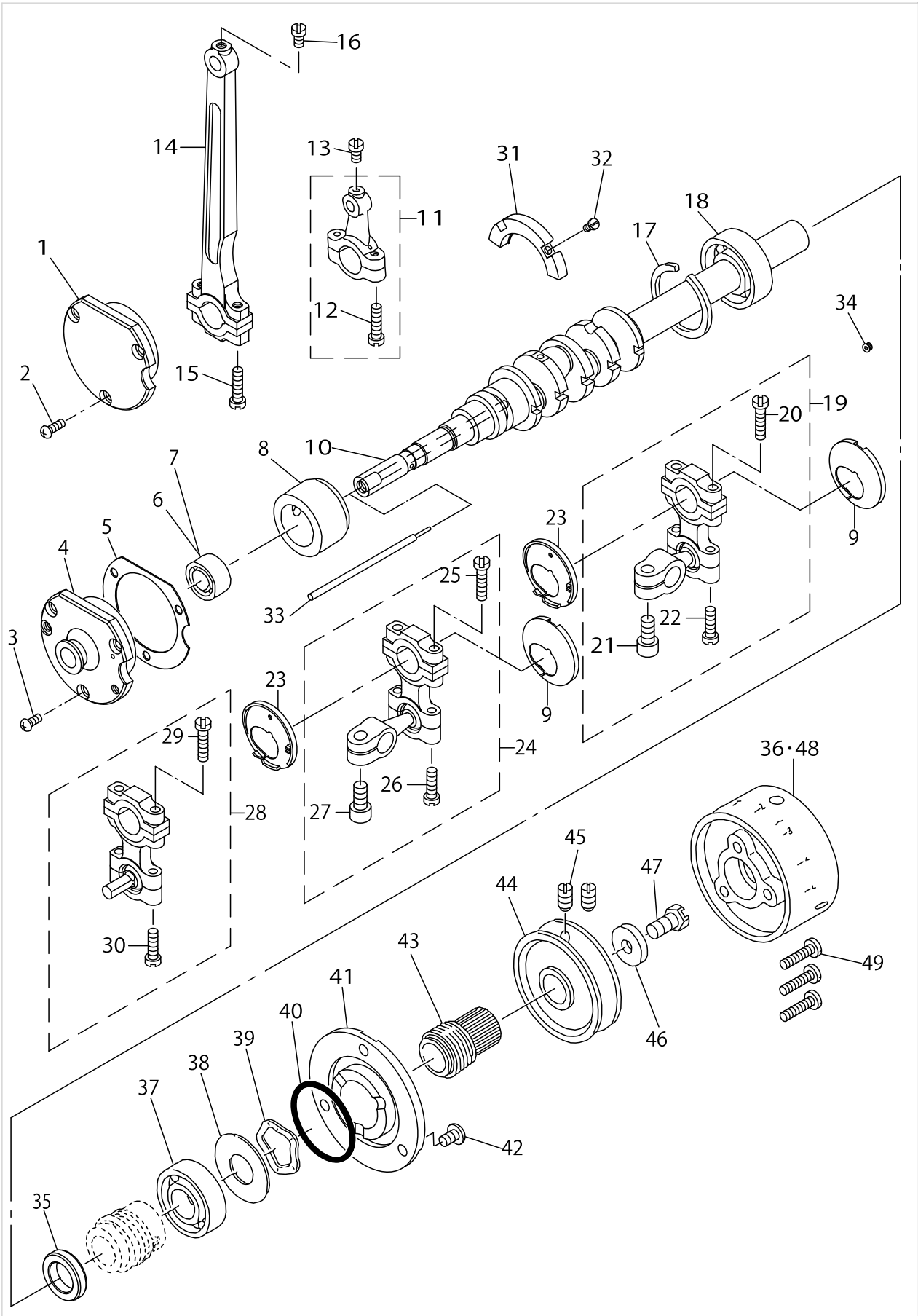
FRAME COMPONENTS (2)



FRAME COMPONENTS (2)

No.	Supply Code	Parts No.	Replacement	Parts name	Remarks	Choice	Step	Level	Cons	Qty	Rep. QTY
46	R	10004109	22901805	GROUND MARK						1	1.00
47		12371100		BRAND LABEL						1	

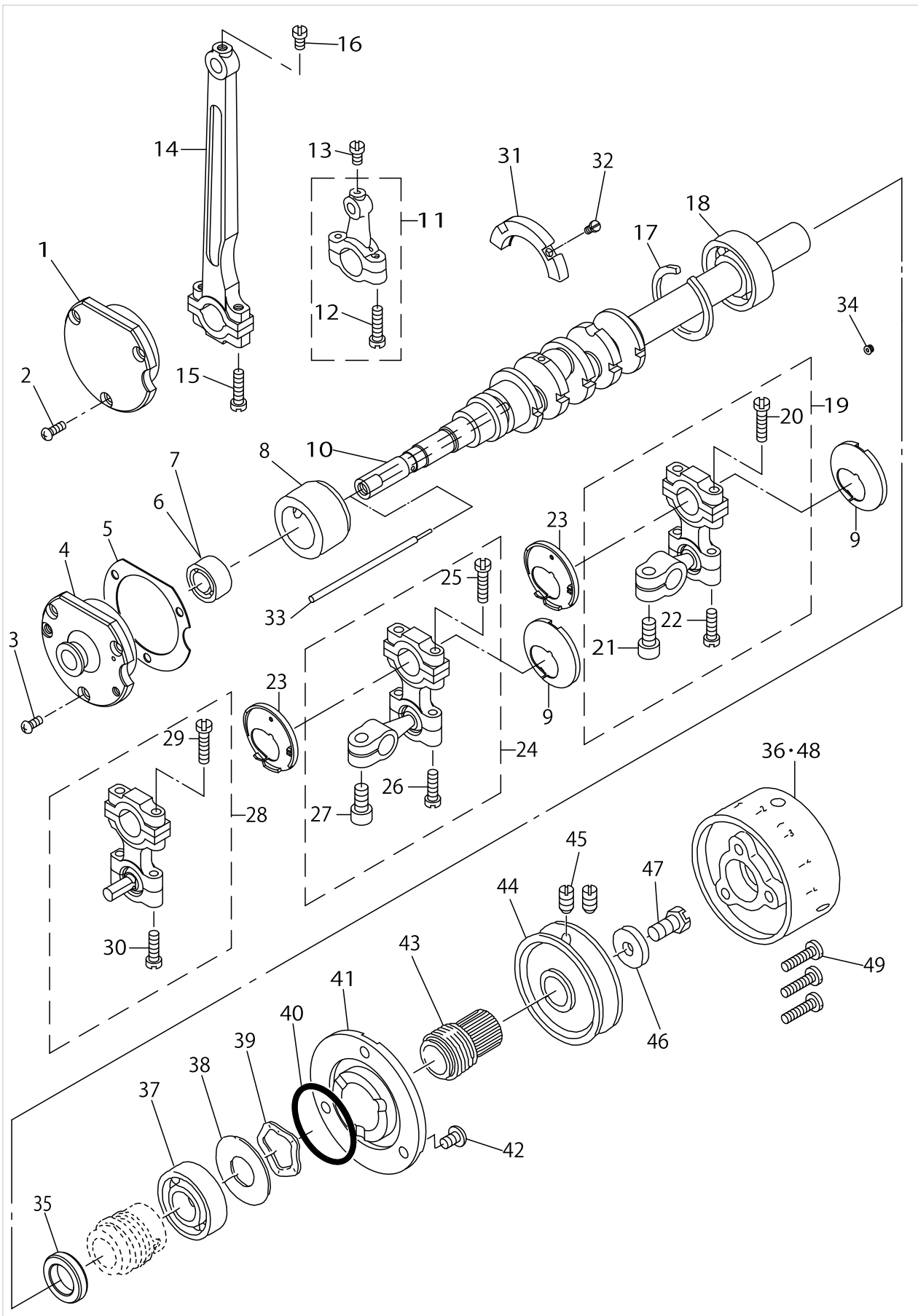
CRANKSHAFT COMPONENTS



CRANKSHAFT COMPONENTS

No.	Supply Code	Parts No.	Replacement	Parts name	Remarks	Choice	Step	Level	Cons	Qty	Rep. QTY
1	R	12108213	13108006	CRANKSHAFT BUSHING D	FOR MOG-- 3704.MOG-3714					1	1.00
2		SM4040855SP		SCREW	FOR MOG-- 3704.MOG-3714					3	
3		SM4040855SP		SCREW	FOR MOG-3716					3	
4	R	12108304	13108105	CRANKSHAFT BUSHING D	FOR MOG-3716					1	1.00
5		12108403		GASKET						1	
6	R	B1215804000	13108808	BALL BEARING D	FOR MOG-- 3704.MOG-3714					1	1.00
7	R	SB110000300	13108907	BALL BEARING	FOR MOG-3716					1	1.00
8	D	12108007		CRANKSHAFT BUSHING C						1	
9	D	12375408		STOPPER (R)						2	
10	D	12371506		CRANK SHAFT						1	
11	R	12132155	13232558	KNIFE DRIVING ROD ASM.						1	1.00
12		SS7111810TP		SCREW11/64-40L=18				*		1	
13		SS7110840SP		SCREW 11/64-40 L=7.8						2	
14	R	12372603	12372652	CONNECTING ROD						1	1.00
15		SS7111810TP		SCREW11/64-40L=18						2	
16		SS7110840SP		SCREW 11/64-40 L=7.8						1	
17		B1212704000		BEARING RETAINER						1	
18	R	B1211804000	13108600	BALL BEARING B						1	1.00
19	R	12375051	70003341	UPPER LOOPER ARM ASM.						1	1.00
20		SS7111810TP		SCREW11/64-40L=18				*		2	
21		SM6061202TP		SCREW M6 L=12				*		1	
22		SS7111410TP		SCREW11/64-40L=14				*		2	
23	D	12375309		STOPPER (L)						2	
24		12375150		LOWER LOOPER ARM A ASM.	FOR MOG-- 3704.MOG-3714					1	
25		SS7111810TP		SCREW11/64-40L=18				*		2	
26		SS7111410TP		SCREW11/64-40L=14				*		2	
27		SM6061202TP		SCREW M6 L=12				*		1	
28		12375259		LOWER LOOPER ARM B ASM.	FOR MOG-3716					1	
29		SS7111810TP		SCREW11/64-40L=18				*		2	
30		SS7111410TP		SCREW11/64-40L=14				*		2	
31	D	12107900		BALANCER						1	
32		SS4080620TP		SCREW 1/8-44 L=6						2	
33		12108106		OIL ADJUSTING BAR						1	
34		SS5080212TP		SCREW 1/8-44 L=2						5	
35		12252508		THRUST COVER						1	
36	R	11956505	13107701	HANDWHEEL C	FOR MOG-3714					1	1.00
37	R	B1211804000	13108600	BALL BEARING B						1	1.00
38	R	11510609	13108303	WASHER						1	1.00
39		WZ2640310KH		WAVED WASHER 26.4X33.9X3.5						1	
40		RO347350100		RUBBER RING						1	
41	R	12107702	13107800	THRUST HOLDER						1	1.00
42		SM4050855SP		SCREW						3	
43	R	12280103	13108501	OIL SHIELD						1	1.00
44		12002606		HANDWHEEL A						1	
45	R	SS8151150SP	SS8151150TP	SCREW 15/64-28 L=10.5						2	1.00

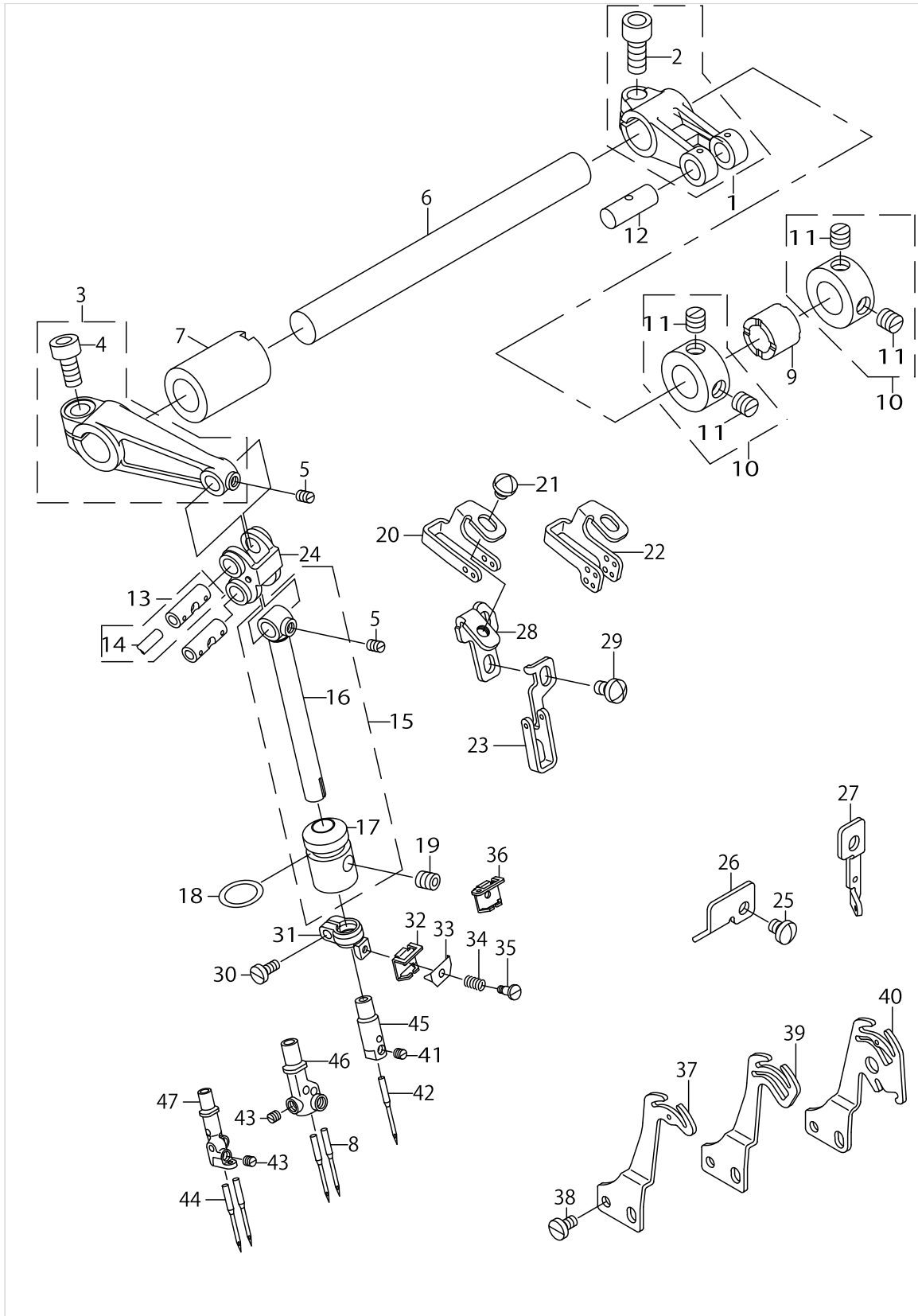
CRANKSHAFT COMPONENTS



CRANKSHAFT COMPONENTS

No.	Supply Code	Parts No.	Replacement	Parts name	Remarks	Choice	Step	Level	Cons	Qty	Rep. QTY
46		WP0764016SP		WASHER						1	
47		SS9681610TP		SCREW 9/32-28 L=16						1	
48		12025706		FLYWHEEL (C)	FOR MOG-- 3704,MOG-3716					1	
49	R	SS7111810SP	SS7111810TP	SCREW11/64-40L=18						3	1.00
50	D	12107900		BALANCER						1	
51		SS4080620TP		SCREW 1/8-44 L=6						2	
52		12108106		OIL ADJUSTING BAR						1	
53		SS5080212TP		SCREW 1/8-44 L=2						5	
54		12252508		THRUST COVER						1	
55	R	11956505	13107701	HANDWHEEL C	FOR MOG-3714					1	1.00

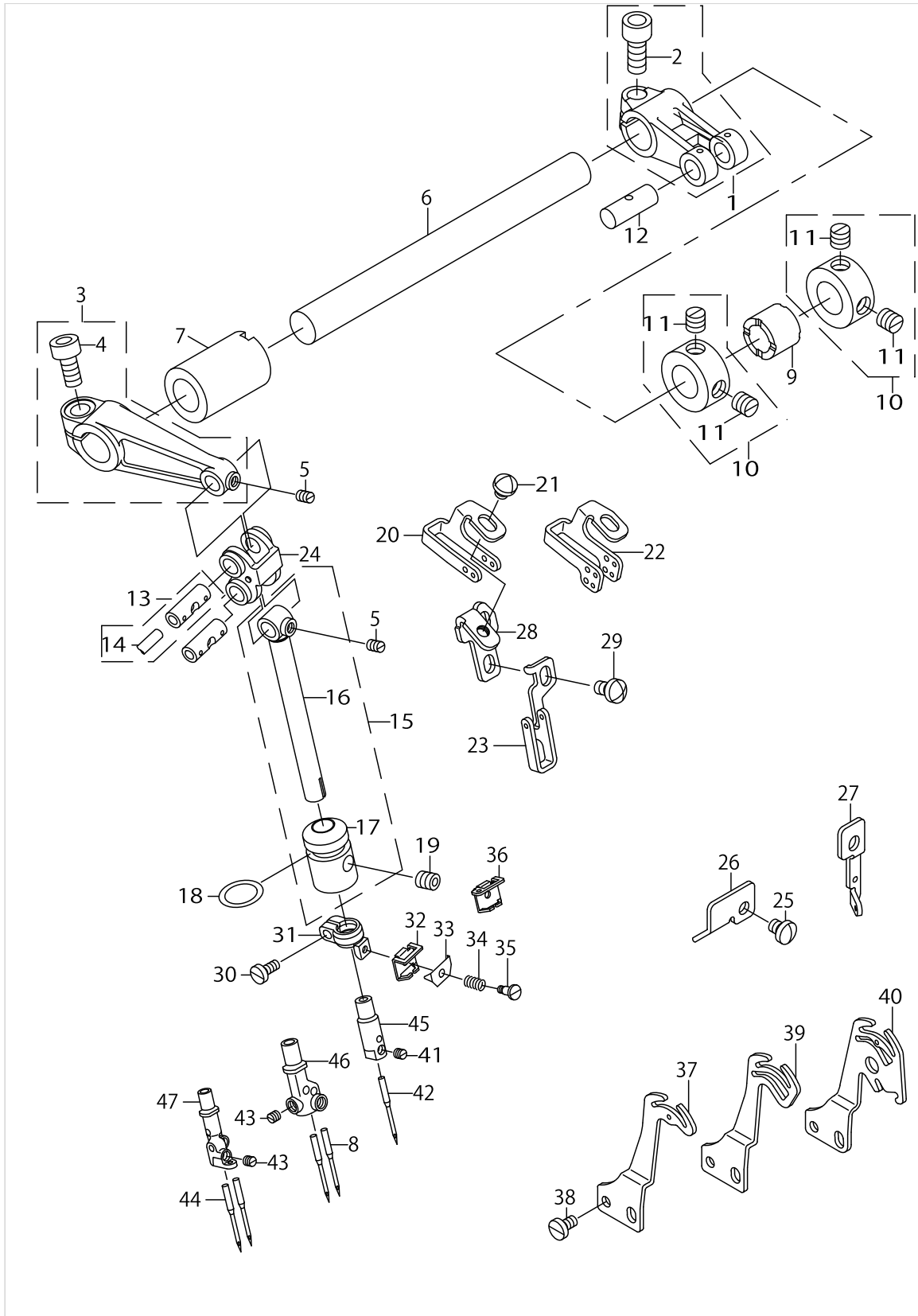
NEEDLE DRIVING SHAFT COMPONENTS



NEEDLE DRIVING SHAFT COMPONENTS

No.	Supply Code	Parts No.	Replacement	Parts name	Remarks	Choice	Step	Level	Cons	Qty	Rep. QTY
1		12109260		FEED FORKED CRANK ASM.						1	
2		SM6061402TP		SCREW M6 L=14				*		1	
3	D	12109666		NEEDLE DRIVING ARM ASM.						1	
4		SM6061402TP		SCREW M6 L=14				*		1	
5		SS8090530TP		SCREW 9/64-40L=5.0						2	
6	R	12109302	13110606	NEEDLE DRIVING SHAFT						1	1.00
7		12252805		BUSHING,REAR						1	
8		MDO500S1800		NEEDLE DOX5 #18S	FOR MOG-3714					2	
9	R	12109500	13110101	BUSHING, REAR						1	1.00
10		CS1201010SH		THRUST COLLAR ASM. D=12 W=10						2	
11		SS8660610TP		SCREW 1/4-40 L=6				*		4	
12		11823804		CRANK PIN C	SELECTING PART FOR FIT TOLERANCE					1	
13	D	12109955		LINK PIN C ASM.	SELECTING PART FOR FIT TOLERANCE					2	
14		CQ252000000		OIL WICK				*		0.1	
15	D	12372157		NEEDLE HOLDER ASM.						1	
16	D	12110227		NEEDLE BAR				*		1	
17	D	12372108		NEEDLE HOLDER METAL				*		1	
18	D	RO108240100		RUBBER RING						1	
19		SM8040612TP		SCREW M4 L=6						1	
20	D	12111209		NEEDLE THREAD GUIDE	FOR MOG--3704,MOG-3716					1	
21		SS4110515SP		SCREW 11/64-40 L=5						1	
22		12111308		THREAD GUIDE, 2-NEEDLE	FOR MOG-3714					1	
23		12386603		THREAD GUIDE, CHAIN LOOPER	FOR MOG-3716					1	
24		12372009		NEEDLE DRIVING LINK						1	
25		SM4040855SP		SCREW						1	
26	D	12372306		TAKE-UP LEVER GUIDE	FOR MOG-3714					1	
27		12372405		CHAIN LOOP	FOR MOG-3716					1	
28		12112108		NEEDLE THREAD GUIDE STAND						1	
29		SM4040855SP		SCREW						2	
30		SS6080720SP		SCREW						1	
31	R	12280608	13110259	NEEDLE CLAMP HOLDER						1	1.00
32	R	12110607	13110705	NEEDLE THREAD P-RESSER GUIDE, A	FOR MOG--3704,MOG-3714					1	1.00
33	R	12110904	13111000	NEEDLE THREAD PRESSER PLATE						1	1.00
34	D	12110805		NEEDLE THREAD P-RESSER SPRING						1	
35		SD0280401SL		HINGE SCREW D=2.8 H=4						1	
36	R	12110706	13110804	NEEDLE THREAD P-RESSER GUIDE, B	FOR MOG-3716					1	1.00
37	R	12111506	13111208	NEEDLE THREAD TAKE-UP LEVER	FOR MOG-3704					1	1.00
38		SS6090670TP		SCREW 9/64-40 L=6						2	
39	R	12111605	13111307	TAKE-UP LEVER, 2-NEEDLE	FOR MOG-3714					1	1.00
40		12372207		THREAD TAKE-UP LEVER	FOR MOG-3716					1	
41		SS8080310TP		SCREW 1/8-44 L=2.8	FOR MOG-3704					1	
42		MDO500S2100		NEEDLE DOX5 #21S	FOR MOG-3704					1	

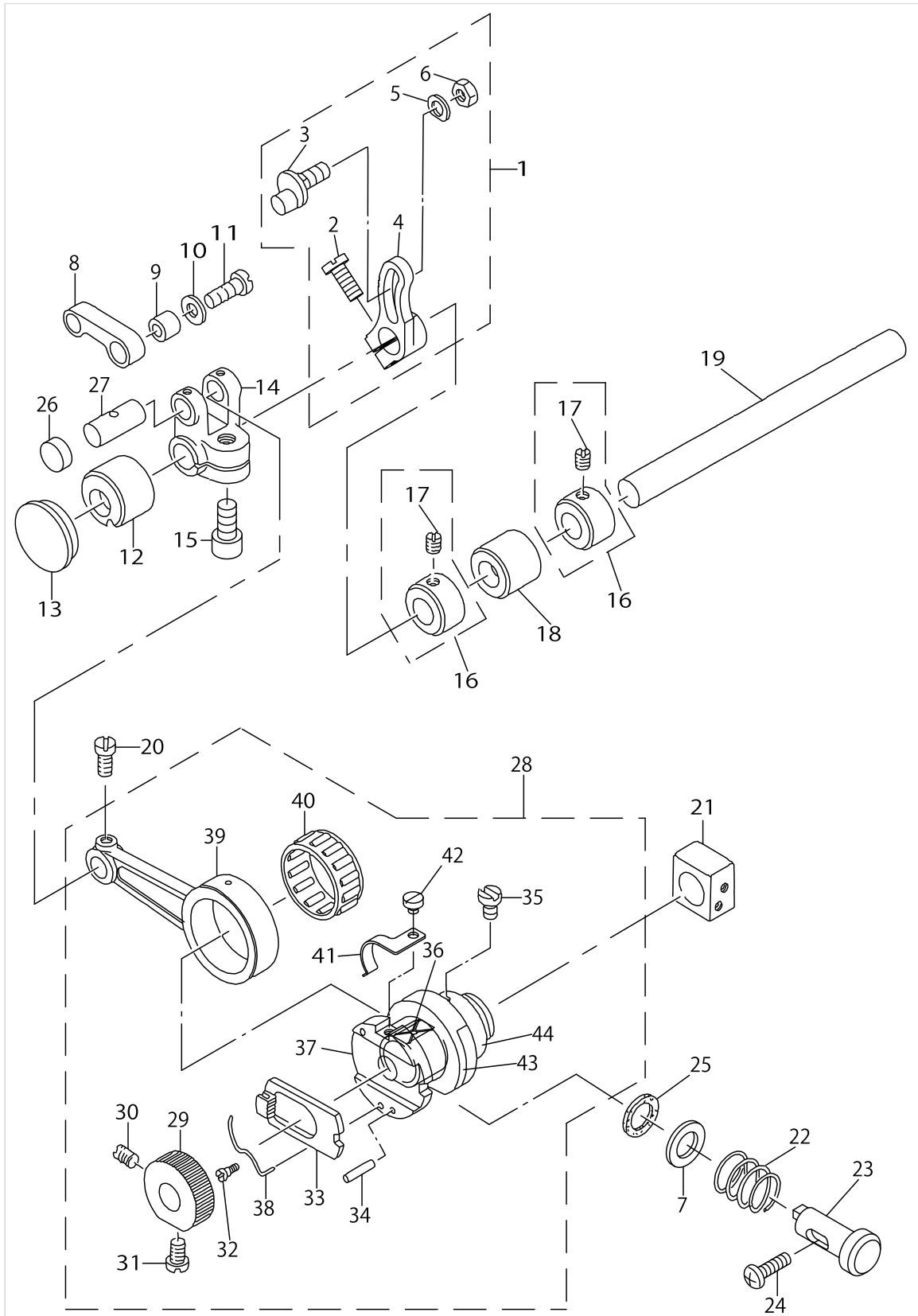
NEEDLE DRIVING SHAFT COMPONENTS



NEEDLE DRIVING SHAFT COMPONENTS

No.	Supply Code	Parts No.	Replacement	Parts name	Remarks	Choice	Step	Level	Cons	Qty	Rep. QTY
43		SS8080310TP		SCREW 1/8-44 L=2.8	FOR MOG-- 3714,MOG-3716					2	
44		MDO500S2100		NEEDLE DOX5 #21S	FOR MOG-3716					2	
45		12378816		NEEDLE CLAMP	FOR MOG-3704					1	
46	D	12378915		2-NEEDLE NEEDLE CLAMP	FOR MOG-3714					1	
47	D	12379012		NEEDLE CLAMP	FOR MOG-3716					1	

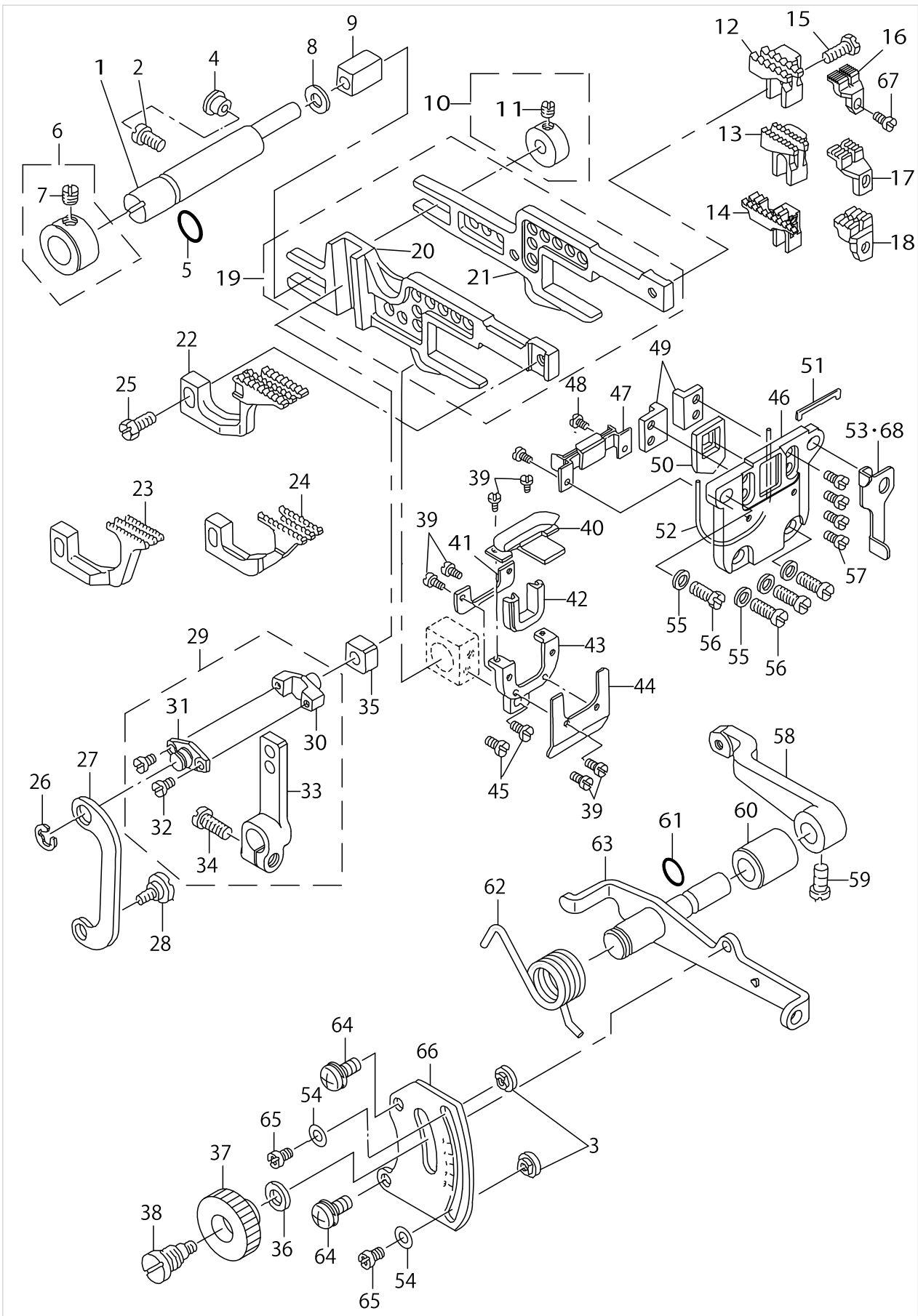
FEED MECHANISM COMPONENTS (1)



FEED MECHANISM COMPONENTS (1)

No.	Supply Code	Parts No.	Replacement	Parts name	Remarks	Choice	Step	Level	Cons	Qty	Rep. QTY
1		11824067		MAIN FEED ROCKER ASM.						1	
2		SM6051202TP		SCREW M5X0.8 L=12				*		1	
3	R	11824018	13119706	PIN				*		1	1.00
4	R	11530110	13119953	MAIN FEED ROCKER				*		1	1.00
5		11948601		WASHER B				*		1	
6		NS6620320SP		NUT 3/16-32				*		1	
7		B1654704000		WASHER						1	
8	R	11824109	13119805	MAIN FEED LINK						1	1.00
9	D	B1620804000		COLLAR						1	
10		B2107816000		WASHER						1	
11		SS6121220TP		SCREW 3/16-28 L=11.5						1	
12	R	12117206	13119409	FEED ROCKER SHAFT BUSHING, FRO						1	1.00
13		TA2050416R0		RUBBER PLUG						1	
14		12119210		FORKED CRANK						1	
15		SM6061402TP		SCREW M6 L=14						1	
16		CS095081ASH		THRUST COLLAR ASM. D=9.53 W=8						2	
17		SS8110410TP		SCREW 11/64-40 L= 3.5				*		4	
18	R	12117305	13119508	FEED ROCKER SHAFT BUSHING, REA						1	1.00
19		12118907		FEED SHAFT						1	
20		SS7110910TP		SCREW 11/64-40 L= 8.5						1	
21	D	11828704		SLIDE BLOCK						1	
22	R	B1652704000	31256803	SPRING						1	1.00
23		12287603		PUSH BUTTON STUD						1	
24		SM4041455SN		SCREW M4 L=14						1	
25	D	B1651704000		FELT						1	
26		TA1030402R0		RUBBER PLUG D=10.3 L=4						1	
27		11823804		CRANK PIN C	SELECTING PART FOR FIT TOLERANCE					1	
28	R	12116174	13118054	FEED ECCENTRIC BODY ASM.						1	1.00
29		B1605704000		RATCHET GEAR				*		1	
30		SS8110750SP		SCREW 11/64-40 L= 6.5				*		1	
31		SS6110710TP		SCREW 11/64-40 L= 6.5				*		1	
32		SD0260271SP		HINGE SCREW D= 2.60 H= 2.7				*		1	
33	R	B1604704000	13118609	RATCHET PAWL				*		1	1.00
34		PS0300132KH		SPRING PIN 3X13				*		2	
35		SS7110810SP		SCREW 11/64-40 L= 8.0				*		2	
36	R	12116307	13118302	FEED CAM BLOCK				*		1	1.00
37	R	12116406	13118054	FEED ADJUSTING CAM				*		1	1.00
38	R	B1606704000	13122502	RATCHET PAWL SPRING				*		1	1.00
39	R	12116505	13118708	CRANK ROD				*		1	1.00
40		12116703		NEEDLE BEARING B	SELECTING PART FOR FIT TOLERANCE			*		1	
41	R	12117107	13119300	RATCHET GEAR SPRING				*		1	1.00
42		SS6080320SP		SCREW 1/8-44 L= 2.5				*		1	
43	R	12116208	13118054	FEED CAM				*		1	1.00
44	R	12116109	13118054	FEED ECCENTRIC BODY				*		1	1.00

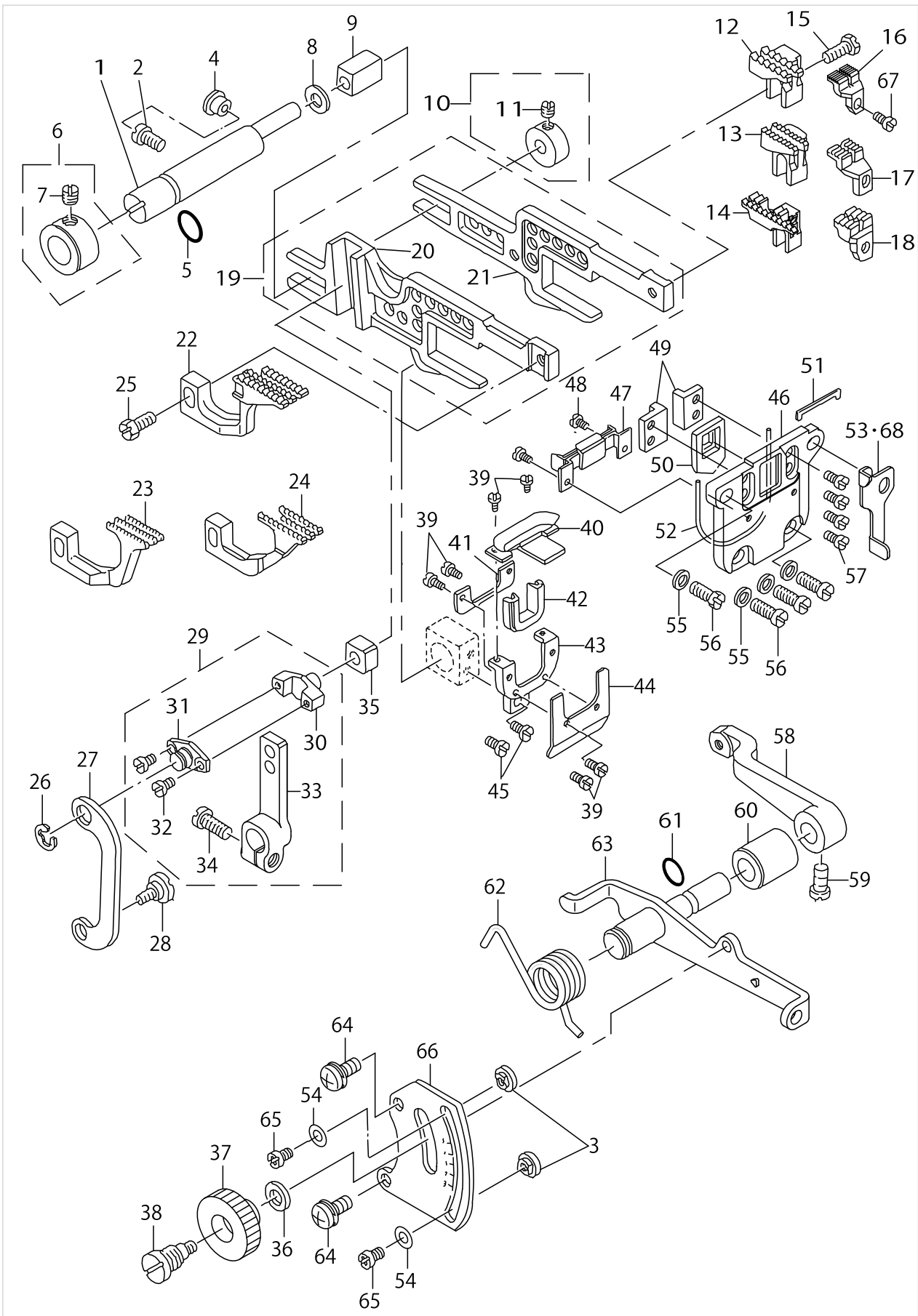
FEED MECHANISM COMPONENTS (2)



FEED MECHANISM COMPONENTS (2)

No.	Supply Code	Parts No.	Replacement	Parts name	Remarks	Choice	Step	Level	Cons	Qty	Rep. QTY
1	R	11824505	13120902	FEED BAR SHAFT						1	1.00
2		SM4040855SP		SCREW						1	
3		11529005		STOPPER						2	
4		TA0800504R0		PLUG D=8 L=4.5						1	
5		RO078190100		RUBBER RING						1	
6		11824653		THRUST COLLAR ASM.						1	
7		SS8660330SP		SCREW 1/4-40 L= 3.0				*		1	
8		11529914		WASHER						1	
9	R	B1624704000	13120803	SLIDE BLOCK						1	1.00
10	D	11828050		COLLAR ASM.						1	
11		SS8110410TP		SCREW 11/64-40 L= 3.5				*		1	
12		11701604		MAIN FEED DOG	FOR MOG-3704					1	
13		12013306		MAIN FEED DOG	FOR MOG-3714					1	
14		12382503		MAIN FEED DOG	FOR MOG-3716					1	
15		SS9111050SP		SCREW 11/64-40 L=9.5						1	
16	D	12383402		AUXILIARY FEED DOG	FOR MOG-3704					1	
17		11651809		AUXILIARY FEED DOG	FOR MOG-3714					1	
18		11528502		AUXILIARY FEED DOG	FOR MOG-3716					1	
19	D	12117461		MAIN FEED BAR ASM.						1	
20	R	12117511	12117461	DIFFERENTIAL FEED BAR				*		1	1.00
21	R	12117412	12117461	MAIN FEED BAR				*		1	1.00
22		11701703		DIFFERENTIAL FEED DOG	FOR MOG-3704					1	
23		12013405		SUB FEED DOG	FOR MOG-3714					1	
24		11528403		DIFFERENTIAL FEED DOG	FOR MOG-3716					1	
25		SS9111010SP		SCREW 11/64-40 L=9.5						1	
26		RE0500000K0		E-RING						1	
27		11826310		ADJUSTING LINK						1	
28		SD0720271SP		HINGE SCREW D=7,2 H=2,7						1	
29	R	11828563	13218052	DIFFERENTIAL FEED ROCKER ASM.						1	1.00
30		11825304		PIN				*		1	
31	R	11826401	13218052	PIN COVER				*		1	1.00
32		SS6080410SP		SCREW 1/8-44 L=4				*		2	
33	R	11828514	13218052	DIFFERENTIAL FEED ROCKER ASM.				*		1	1.00
34		SM6051202TP		SCREW M5X0.8 L=12				*		1	
35		B1414555000		SLIDE BLOCK						1	
36		WP0621016SD		WASHER 6.2X13X1						1	
37		B1647704000A		DIFFERENTIAL FEED LOCK NUT						1	
38		B1646704000A		DIFFERENTIAL FEED HINGE SCREW						1	
39		SS7060310SP		SCREW 3/32-56 L=3						6	
40		12119756		RUBBER PLATE ASM.						1	
41	D	12119806		RUBBER PREESSER PLATE						1	
42		12119608		OIL SHIELD RUBBER						1	
43	D	12119905		RUBBER COVER						1	
44		12120002		RUBBERBASE PLATE						1	
45		SS7090620TP		SCREW 9/64-40 L=6.1						2	

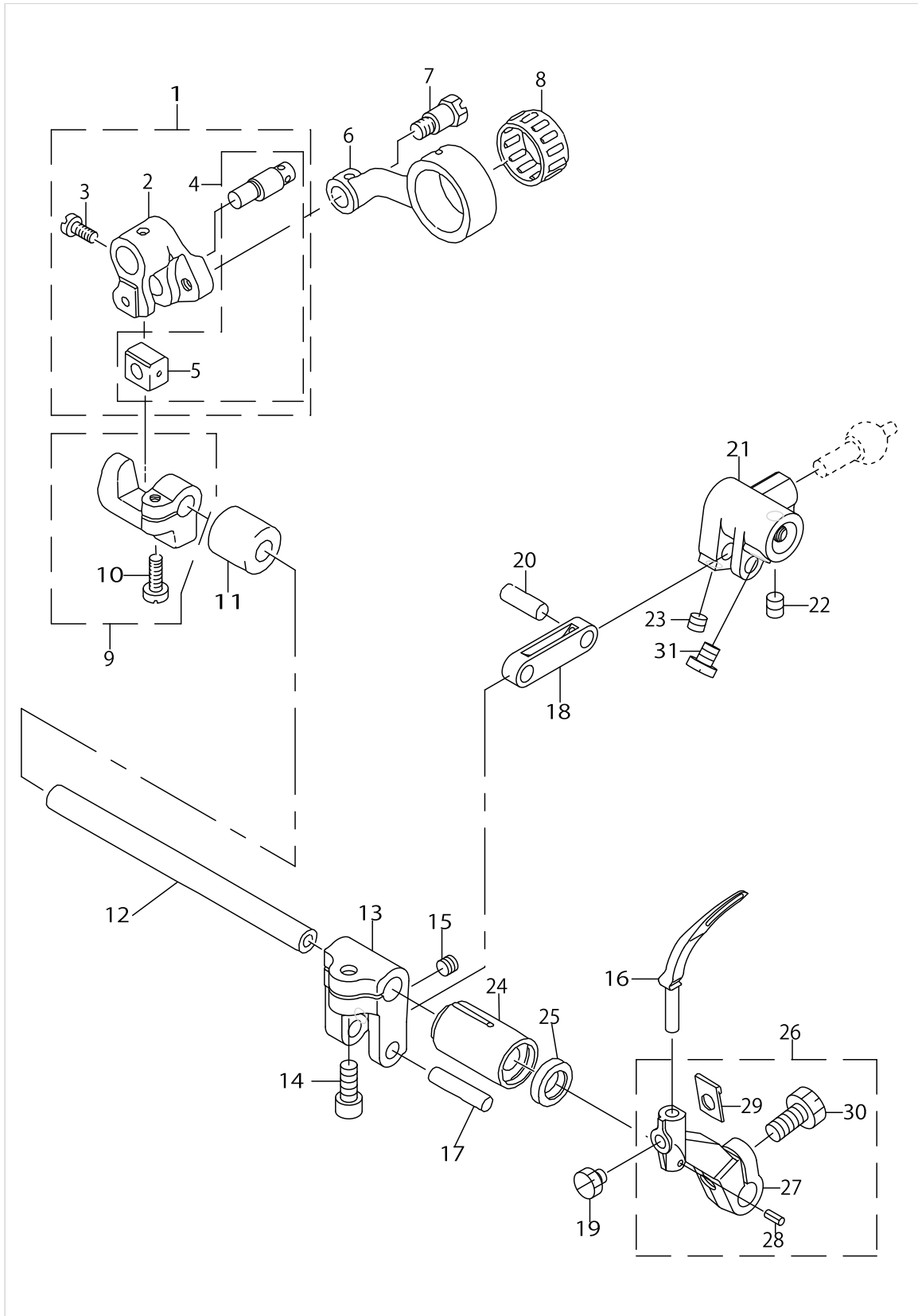
FEED MECHANISM COMPONENTS (2)



FEED MECHANISM COMPONENTS (2)

No.	Supply Code	Parts No.	Replacement	Parts name	Remarks	Choice	Step	Level	Cons	Qty	Rep. QTY
46	D	12119400		RUBBER CASE						1	
47		11827607		OIL SHIELD RUBBER,LOWER						1	
48		SS7060510SP		SCREW 3/32-56 L=4.8						2	
49	D	11824703		FEED BAR SUPPORT						2	
50		12119509		RUBBER						1	
51	D	11827904		RUBBER						1	
52	D	RO480120100		RUBBER RING						1	
53		11828407		THROAT PLATE SUPPORT G	FOR MOG-3716					1	
54		WP0371016SD		WASHER 3.7X8X1						2	
55		WP0480856SP		WASHER 4.8X8.4X0.8						4	
56		SM4041055SP		SCREW						4	
57	R	SS6090620SP	SS6090620TP	SCREW 9/64-40 L=6						4	1.00
58	R	11828605	13121900	DIFFERENTIAL FEED ROCKER						1	1.00
59		SS6661110SP		SCREW 1/4-40 L=11						1	
60	R	B1645704000A	12118709	BUSHING						1	1.00
61		RO060150100		RUBBER RING						1	
62		11991502		SPRING						1	
63	R	11825858	12283255	ROCKER SHAFT ASM.						1	1.00
64		SL4051231SC		SCREW M5 L=12						2	
65		SS4090515SP		SCREW 9/64-40 L=5						2	
66	R	11827102	12283107	DIFFERENTIAL FEED GRADUATION						1	1.00
67	R	SS4080610SP	SS4080620TP	SCREW 1/8-44 L=6.4						1	1.00
68		11828308		SUPPORT THROAT PLATE	FOR MOG-- 3704,MOG-3714					1	

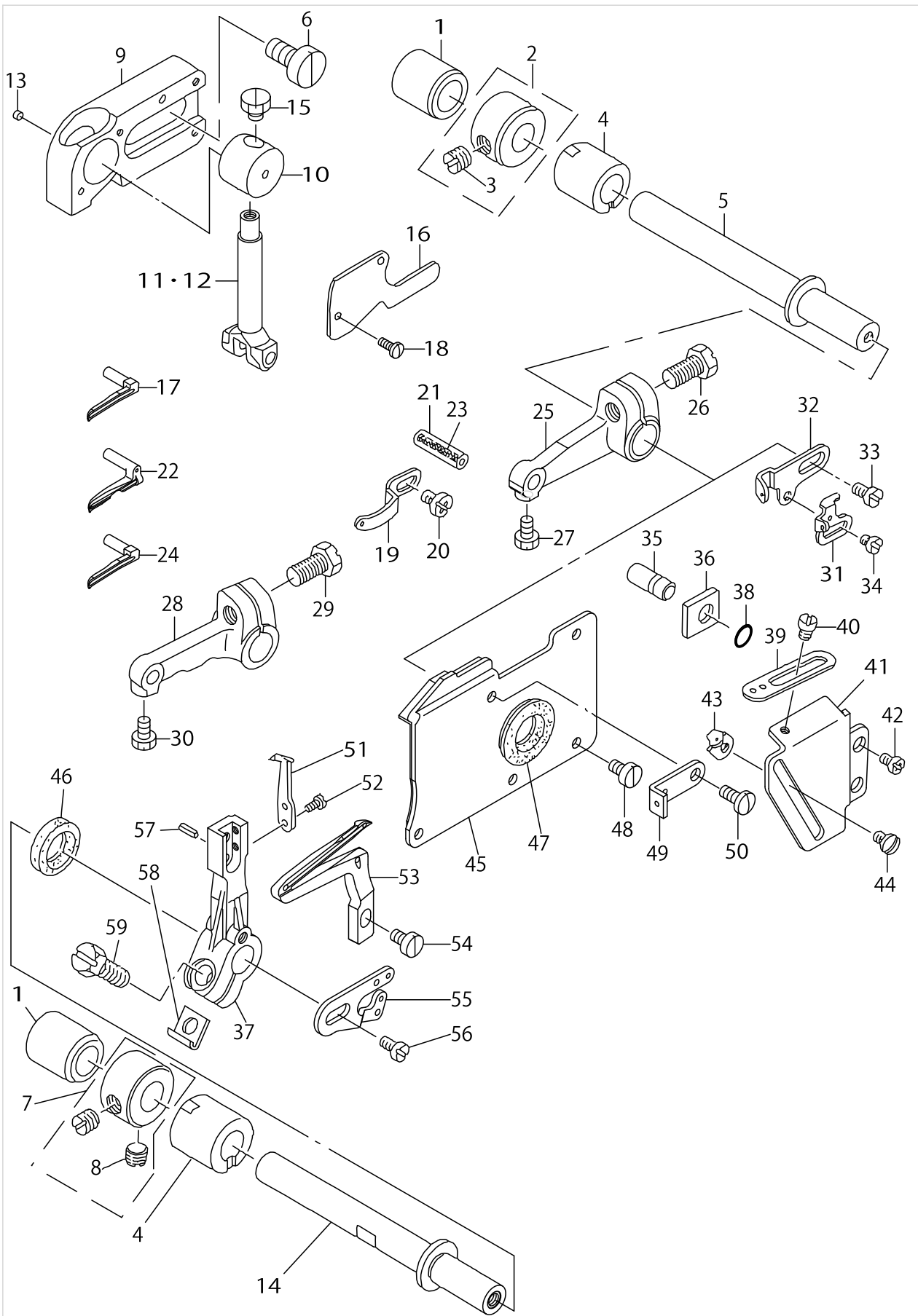
CHAIN LOOPER COMPONENTS (FOR MOG-3716)



CHAIN LOOPER COMPONENTS (FOR MOG-3716)

No.	Supply Code	Parts No.	Replacement	Parts name	Remarks	Choice	Step	Level	Cons	Qty	Rep. QTY
1	R	B21038160A0	13126354	SLIDER ARM ASM.		A				1	1.00
1	R	B21038160A0	13126008	SLIDER ARM ASM.		A				1	1.00
1	R	B21038160A0	SS7110720TP	SLIDER ARM ASM.		A				1	1.00
2	R	B2103816000B	13126008	CHAIN LOOPER SHAFT SLIDE ARM				*		1	1.00
3		SS7110720TP		SCREW 11/64-40 L=7				*		1	
4	R	11829751	13126354	CHAIN LOOPER SLIDE BLOCK PIN				*		1	1.00
5	R	B2105816000	13126305	CHAIN LOOPER SLIDE BLOCK				*		1	1.00
6	R	B2102816000A	12284105	CHAIN LOOPER ROD (22MM)						1	1.00
7		SD0720803TH		STEP-SCREW D=7.24 H=8						1	
8		B2119816B00		BEARING B	SELECTING PART FOR FIT TOLERANCE					1	
9	R	12120465	13129853	BRACKET ASM.						1	1.00
10		SM6051202TP		SCREW M5X0.8 L=12				*		1	
11	R	B2111716000	13127006	BUSHING, REAR						1	1.00
12	D	11829207		CHAIN LOOPER SHAFT						1	
13	R	12374104	SM8050402TP	DRIVING ARM		A				1	1.00
13	R	12374104	40078484	DRIVING ARM		A				1	1.00
13	R	12374104	SS4080620TP	DRIVING ARM		A				1	1.00
14		SM6051202TP		SCREW M5X0.8 L=12				*		1	
15		SM8050402TP		SCREW						1	
16		12384400		CHAIN LOOPER						1	
17	R	12258505	13126701	PIN, LONG	SELECTING PART FOR FIT TOLERANCE					1	1.00
18		12374203		DRIVING LINK						1	
19		SS9110430TP		SCREW 11/64-40 L=4						1	
20		12259008		PIN, SHORT						1	
21	D	12374013		LOWER LOOPER BALL ARM BRACKET						1	
22		SM8050602TP		SCREW M5 L=6						1	
23		SM8050402TP		SCREW						1	
24	R	12122008	13128103	BUSHING, FRONT						1	1.00
25	R	B2525352000	40010805	OIL SEAL RING						1	1.00
26		11829363		CHAIN LOOPER DRIVING ARM ASM.						1	
27		11829314		CHAIN LOOPER DRIVING ARM				*		1	
28		PS0200062KH		SPRING PIN 2X6				*		1	
29	R	B2531704000	13129309	WASHER				*		1	1.00
30		SS9151210TP		SCREW 15/64-28 L=11.8				*		1	
31		SS6110710TP		SCREW 11/64-40 L= 6.5						2	

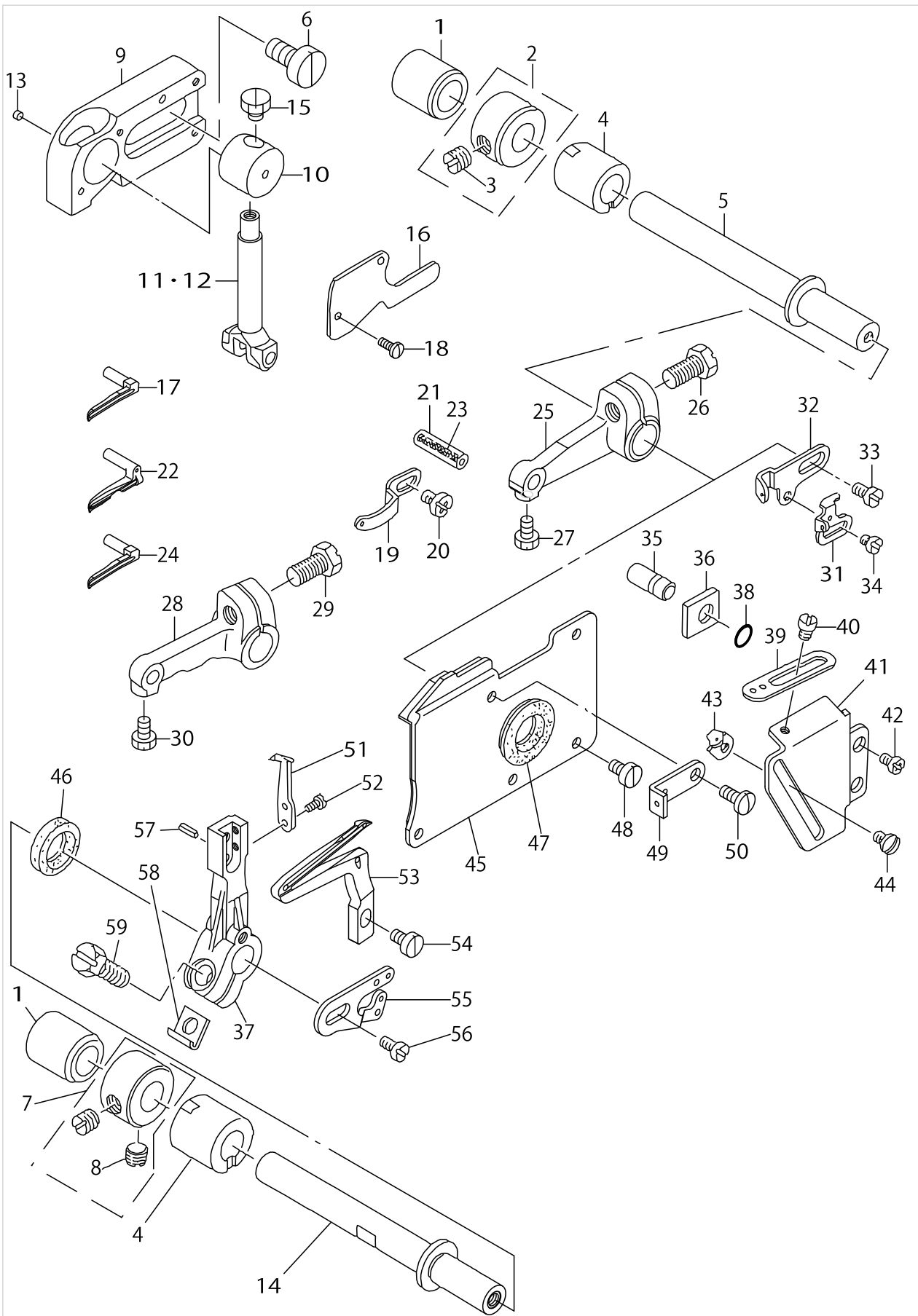
UPPER & LOWER LOOPER COMPONENTS



UPPER & LOWER LOOPER COMPONENTS

No.	Supply Code	Parts No.	Replacement	Parts name	Remarks	Choice	Step	Level	Cons	Qty	Rep. QTY
1		B2509704000		BUSHING, REAR						2	
2		CS1031210SH		THRUST COLLAR A-SM. D=10.32 W=1						2	
3		SS8660610TP		SCREW 1/4-40 L=6				*		4	
4	R	11834702	13222609	BUSHING,FRONT						2	1.00
5	R	12122404	13221403	UPPER LOOPER SHAFT		A				1	1.00
5	R	12122404	13221601	UPPER LOOPER SHAFT		A				1	1.00
5	R	12122404	13221502	UPPER LOOPER SHAFT		A				1	1.00
6		SM6061200SP		SCREW						2	
7		CS1031210SH		THRUST COLLAR A-SM. D=10.32 W=1	FOR MOG--3704,MOG-3714					1	
8		SS8660610TP		SCREW 1/4-40 L=6				*		2	
9	R	11544400	11544590	UPPER LOOPER GUIDE RETAINER		A	A: MO2500J			1	1.00
9	R	11544400	11544582	UPPER LOOPER GUIDE RETAINER		B	B: MO2500G			1	1.00
9	R	11544400	11544350	UPPER LOOPER GUIDE RETAINER		C	C: MO2500G			1	1.00
10	R	11544517	11544350	UPPER LOOPER GUIDE		A	A: MO1516G			1	1.00
10	R	11544517	11544590	UPPER LOOPER GUIDE		B	B: MO2500J			1	1.00
10	R	11544517	11544582	UPPER LOOPER GUIDE		C	C: MO2500G			1	1.00
11	R	11544301	11544350	UPPER LOOPER HOLDER	FOR MOG-3704	A	A: MO1516G			1	1.00
11	R	11544301	11544582	UPPER LOOPER HOLDER	FOR MOG-3704	B	B: MO2500G			1	1.00
12	D	11582103		UPPER LOOPER HOLDER	FOR MOG--3714,MOG-3716					1	
13		12004503		UPPER LOOPER GUIDE FELT						1	
14	R	12123410	13221700	LOWER LOOPER SHAFT						1	1.00
15		SS9090410TP		SCREW						1	
16		12004206		UPPER LOOPER GUIDE COVER						1	
17		12383808		UPPER SPRING	FOR MOG-3704					1	
18		SS7060610SP		SCREW 3/32-56 L=5.5						2	
19		11833308		UPPER LOOPER THREAD GUIDE						1	
20		SS4090615SP		SCREW 9/64-40 L=6						1	
21		B1422804A00		PIN (A)	SELECTING PART FOR FIT TOLERANCE					1	
22		12383600		UPPER LOOPER	FOR MOG-3714					1	
23		CQ202000000		OIL WICK						.1	
24		12383501		UPPER LOOPER	FOR MOG-3716					1	
25		12375507		UPPER LOOPER ARM	FOR MOG-3704					1	
26		SS9151210TP		SCREW 15/64-28 L=11.8						1	
27		SS9090610TP		SCREW 9/64-40 L=5.5						1	
28	D	11582012		UPPER LOOPER ARM	FOR MOG--3714,MOG-3716					1	
29		SS9151210TP		SCREW 15/64-28 L=11.8						1	
30		SS9090610TP		SCREW 9/64-40 L=5.5						1	
31		11833506		LOWER LOOPER TH-READ TAKE-UP						1	
32	D	12124004		THREAD TAKE-UP, RIGHT						1	
33		SS7110840SP		SCREW 11/64-40 L=7.8						1	
34		SS6080410SP		SCREW 1/8-44 L=4						1	
35		11831906		PIN						1	
36		11545100		GAUGE						1	

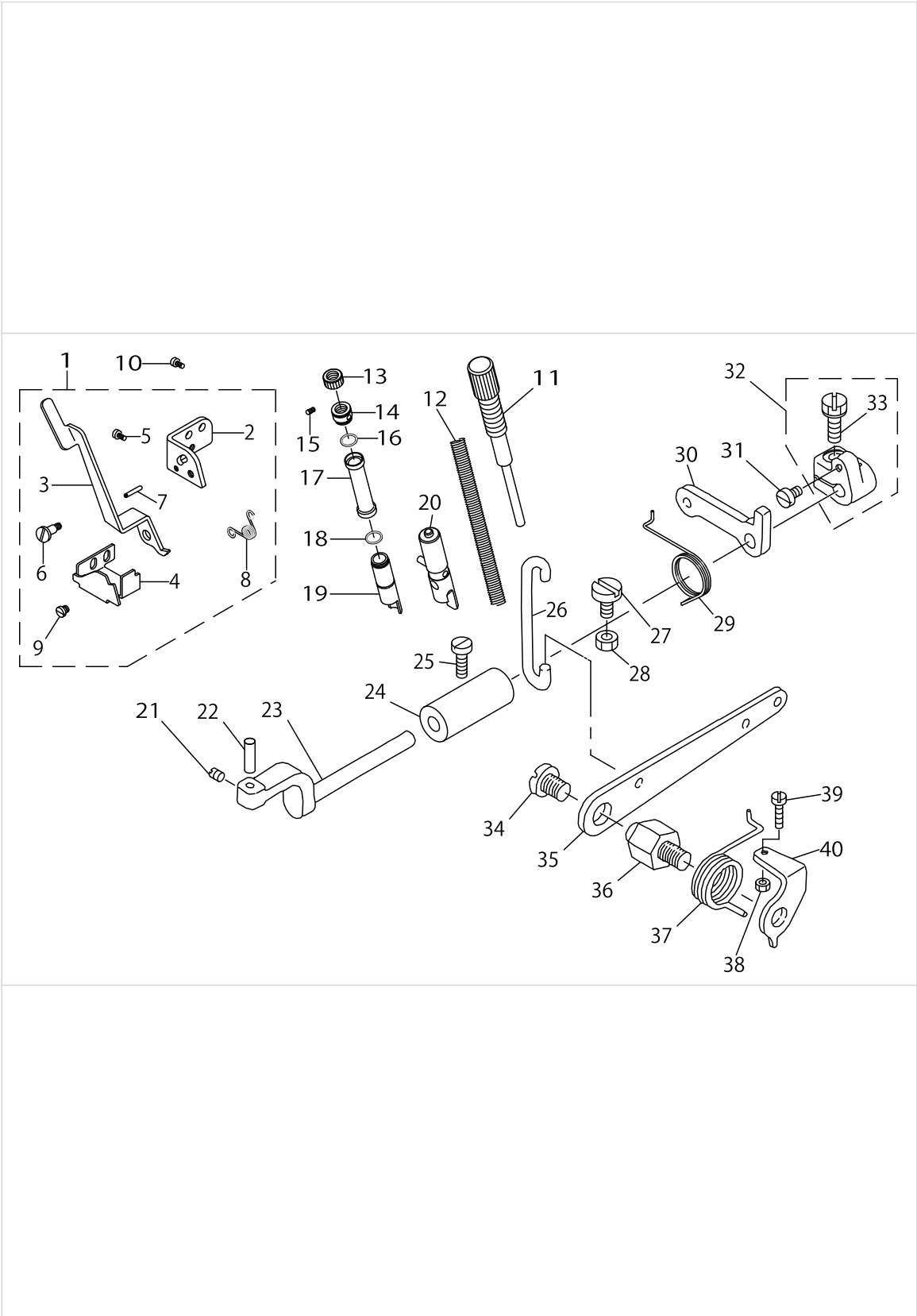
UPPER & LOWER LOOPER COMPONENTS



UPPER & LOWER LOOPER COMPONENTS

No.	Supply Code	Parts No.	Replacement	Parts name	Remarks	Choice	Step	Level	Cons	Qty	Rep. QTY
37		12124806		LOWER LOOPER SUPPORT ARM.						1	
38		RO037180100		RUBBER RING						1	
39	D	12123907		THREAD GUIDE, RIGHT						1	
40		SS3090610SP		SCREW 9/64-40 L=6						1	
41	D	12123808		LOOPER THREAD T-AKE-UP COVER						1	
42		SM4040655SP		SCREW M4 L=6						2	
43	D	11833407		LOWER LOOPER THREAD GUIDE						1	
44		SS3090610SP		SCREW 9/64-40 L=6						1	
45		12375952		OIL SHIELD ASM.						1	
46	R	B2508704000	40176173	OIL SEAL						1	1.00
47		B2530704000		UPPER LOOPER SH-AFT RUBBER RING						1	
48	R	SS6090630SP	SS6090630TP	SCREW 9/64-40 L=6						4	1.00
49	R	11833100	12340600	LOOPER THREAD GUIDE						1	1.00
50		SS7090850SP		SCREW 9/64-40 L=8						1	
51		11890001		TRAVELING NEEDLE GUARD						1	
52		SS6060440TP		SCREW 3/32-56 L=3.5						2	
53		12384202		LOWER LOOPER						1	
54		SS6090620TP		SCREW						1	
55		12375705		LOOPER THREAD TAKE-UP, LEFT						1	
56		SS7110840SP		SCREW 11/64-40 L=7.8						1	
57		PS0300062KH		SPRING PIN 3X6						1	
58	R	B2531704000	13129309	WASHER						1	1.00
59		SS9151210TP		SCREW 15/64-28 L=11.8						1	

PRESSER FOOT COMPONENTS (1)



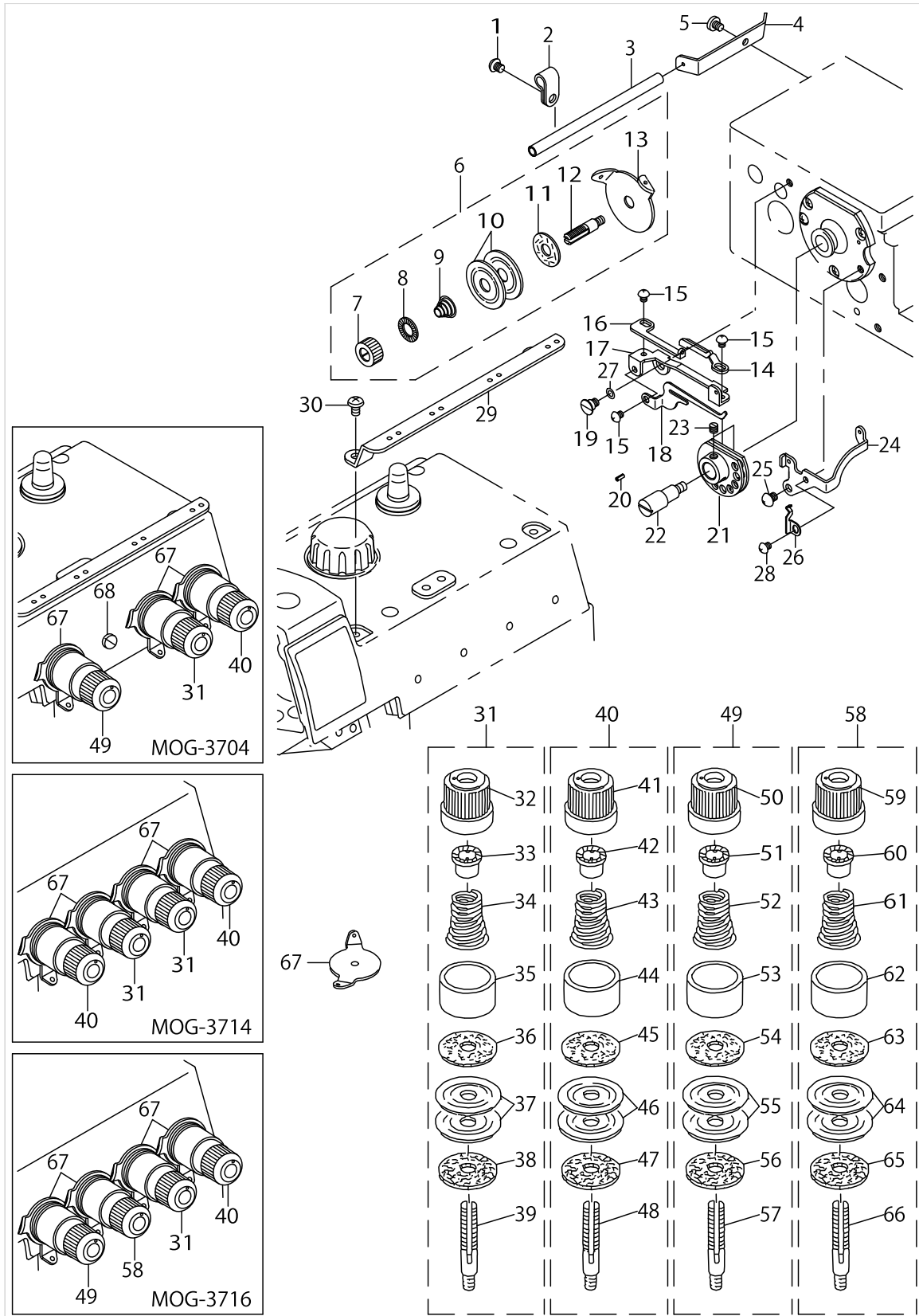
PRESSER FOOT COMPONENTS (1)

No.	Supply Code	Parts No.	Replacement	Parts name	Remarks	Choice	Step	Level	Cons	Qty	Rep. QTY
1	R	12115051	13115753	FOOT LIFTING LEV- ER STAND ASM.						1	1.00
2	R	12115002	13115803	FOOT LIFTING LEVER STAND				*		1	1.00
3	R	12115101	13115654	PRESSER FOOT LIFTING LEVER		A		*		1	1.00
3	R	12115101	13115902	PRESSER FOOT LIFTING LEVER				*		1	1.00
4	R	12115200	13116009	STOPPER				*		1	1.00
5		SS7110510SP		SCREW 11/64-40 L=5				*		2	
6		SD0640241SP		HINGE SCREW D= 6.35 H= 2.4				*		1	
7		PS0300142KH		SPRING PIN 0.3 X 14				*		1	
8	D	12115309		SPRING				*		1	
9		SS6080340SP		SCREW 1/8-44 L=2.9				*		1	
10		SS4110715SP		SCREW 11/64-40 L=7						2	
11		12114716		PRESSER REGULATOR SCREW						1	
12		12115903		PRESSER SPRING						1	
13		12114807		PRESSER REGULATOR NUT						1	
14		12288700		PRESSER REGULAT- OR SCREW WASHER						1	
15		SM8040402TP		SCREW M4X0.7 L=4						1	
16		RO110090100		RUBBER RING						1	
17		12114906		PRESSERBARCOVER						1	
18		RO110090100		RUBBER RING						2	
19		12373007		PRESSERBARMETAL						1	
20	R	12114468	13115654	PRESSER BAR ASM.						1	1.00
21	R	SS8110510SP	SS8110520TP	SCREW 11/64-40 L=5						1	1.00
22		B1534804000		PRESSER FOOT AR- M HINGE SHAFT						1	
23	R	12113205	13115001	PRESSER FOOT SHAFT						1	1.00
24	D	12113304		BUSHING						1	
25		SS6121510SP		SCREW 3/16-28 L=15.0						1	
26	R	11819414	13116405	LIFTING HOOK						1	1.00
27		SM6061200SP		SCREW						1	
28		NM6060003SC		NUT M6						1	
29		11819703		PRESSER FOOT ARM SPRING						1	
30		12113502		LIFTING ARM						1	
31		SS6110710TP		SCREW 11/64-40 L= 6.5						1	
32	R	12113452	12113403	PRESSER FOOT SH- AFT THRUST ASM.						1	1.00
33		SS9151210TP		SCREW 15/64-28 L=11.8				*		1	
34		SS7161040SP		SCREW 1/4-24 L= 9.5						1	
35	R	11819315	13116900	LIFTING LEVER						1	1.00
36		11819109		LIFTING LEVER SCREW						1	
37		11819208		LIFTING LEVER SPRING						1	
38		NS6110420SP		NUT 11/64-40						1	
39	R	SS7111410SP	SS7111410TP	SCREW 11/64-40 L=14						1	1.00
40	D	B1529804000		PRESSER FOOT LIF- TING LEVER STO						1	

PRESSER FOOT COMPONENTS (2)

No.	Supply Code	Parts No.	Replacement	Parts name	Remarks	Choice	Step	Level	Cons	Qty	Rep. QTY
1		12114112		PRESSER FOOT ARM	FOR MOG-- 3704,MOG-3714					1	
2	R	12253811	12253829	PRESSER FOOT ARM	FOR MOG-3716					1	1.00
3	D	12381059		PRESSER CONNECTION	FOR MOG-3704					1	
4	D	11680600		STITCH TONGUE				*		1	
5		11651304		PRESSER FOOT HINGE				*		1	
6		11680501		PRESSER FOOT				*		1	
7		B1508804000		SPRING				*		1	
8	D	11680709		REARPRESSERFOOT				*		1	
9		SS6060340SP		SCREW 3/32-56 L=2.5				*		1	
10	R	SS6090650SP	SS6090670TP	SCREW 9/64-40 L=6				*		1	1.00
11		SS7080520SP		SCREW 1/8-44 L=4.9				*		1	
12		11522802		FINGER GUARD	FOR MOG-3704					1	
13		12381158		PRESSER FOOT COMPL.	FOR MOG-3714					1	
14		11651304		PRESSER FOOT HINGE				*		1	
15		11700101		STITCH TONGUE				*		1	
16		12010807		PRESSER FOOT				*		1	
17		B1508804000		SPRING				*		1	
18		B1510814000		CURL GUARD				*		1	
19		B1511814000		REARPRESSERFOOT				*		1	
20		SS6060210SP		SCREW 3/32-56 L=1.9				*		1	
21		SS6060440TP		SCREW 3/32-56 L=3.5				*		1	
22	R	SS6090650SP	SS6090670TP	SCREW 9/64-40 L=6				*		1	1.00
23		SS7080520SP		SCREW 1/8-44 L=4.9				*		1	
24		11522802		FINGER GUARD	FOR MOG-3714					1	
25		12381257		PRESSER FOOT ASM.	FOR MOG-3716					1	
26		12157319		PRESSER FOOT HINGE ARM				*		1	
27		12381208		FRONT PRESSER (FOR 16)				*		1	
28		12381307		REAR PRESSER (FOR 16)				*		1	
29		12168407		PRESSER FOOT HINGE				*		1	
30		12168506		PRESSER FOOT ARM SPRING				*		1	
31		12381406		CLOTH PRESSER				*		1	
32		11930708		PRESSER FOOT HINGE PIN				*		3	
33		B1514816000		SCREW				*		1	
34	R	SS6090650SP	SS6090670TP	SCREW 9/64-40 L=6				*		1	1.00
35		SS6060340SP		SCREW 3/32-56 L=2.5				*		1	
36		12160800		STOPPER	FOR MOG-3716					1	
37		B1528804000A		THREAD TRIMMER						1	
38		SS7060510SP		SCREW 3/32-56 L=4.8						1	
39	R	WP0350516SD	WP0320500SD	WASHER 3.5X6X0.5						1	1.00
40		SS7080520SP		SCREW 1/8-44 L=4.9						1	
41		12168803		FINGER GUARD	FOR MOG-3716					1	

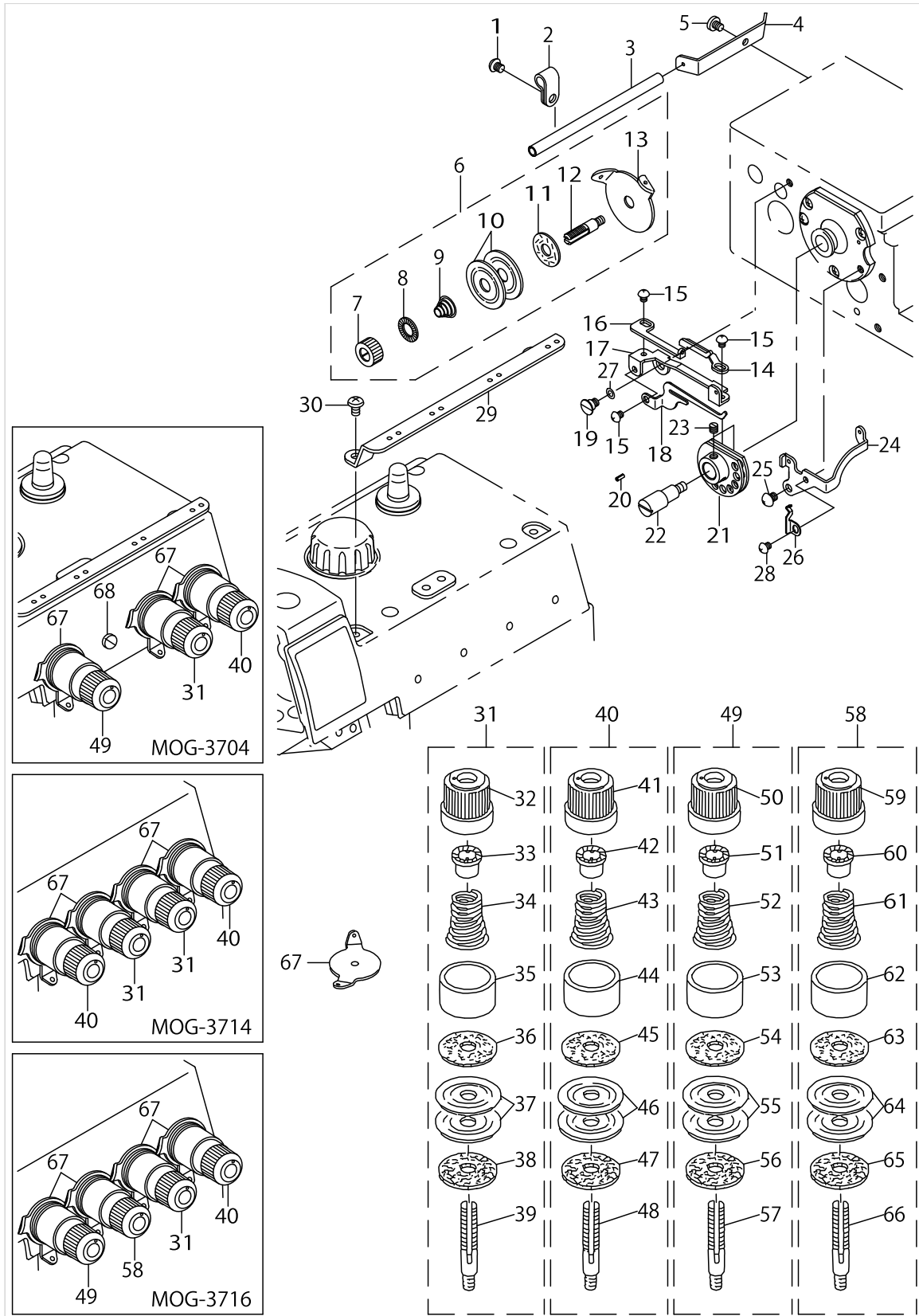
THREAD TENSION COMPONENTS



THREAD TENSION COMPONENTS

No.	Supply Code	Parts No.	Replacement	Parts name	Remarks	Choice	Step	Level	Cons	Qty	Rep. QTY
1		SM4050855SP		SCREW						1	
2	R	B3113352000	13129259	MOUNTING BRACKET						1	1.00
3		B2401816000		LOOPER THREAD GUIDE TUBE						1	
4	R	B2402716000	13129101	LOOPER THREAD G- UIDE TUBE GUIDE						1	1.00
5		SS5150510SP		SCREW 15/64-28 L=5						1	
6	D	11550852		TENSION CONTROLLER ASM.						1	
7		B2314019000		TENSION POST NUT				*		1	
8		B3120125000		ROTATING STOPPER				*		1	
9		B2017372000		TENSION SPRING NO.1				*		1	
10	R	B3126012000	22921506	THREAD TENSION DISK				*		2	1.00
11	R	B3120352000	13139902	THREAD TENSION SPRING FELT				*		1	1.00
12	R	11550803	13139555	THREAD TENSION POST				*		1	1.00
13	R	11550308	13139605	THREAD GUIDE				*		1	1.00
14		12120903		THREAD GUIDE A						1	
15		SS4090415SP		SCREW 9/64-40 L=4						3	
16		12121000		THREAD GUIDE B						1	
17	D	12120804		THREAD GUIDE BASE						1	
18		12121109		THREAD GUIDE HOOK						1	
19		SD0600341TP		HINGE SCREW D=6.0 H=3.4						1	
20		PS0200052KH		SPRING PIN 2.3X5						1	
21	R	12347555	13129457	LOWER THREAD CAM COMPL.						1	1.00
22	R	B2202816000	13130000	SHAFT						1	1.00
23		SS8110410TP		SCREW 11/64-40 L= 3.5						2	
24		12121208		THREAD GUIDE						1	
25		SS4110515SP		SCREW 11/64-40 L=5						1	
26		12121307		THREAD GUIDE SPRING						1	
27		WZ0640312K0		WAVED WASHER						1	
28		SS4090415SP		SCREW 9/64-40 L=4						1	
29	R	12254405	12287504	CENTER THREAD GUIDE						1	1.00
30		SS4110715SP		SCREW 11/64-40 L=7						2	
31	D	12254850		THREAD TENSION SPRING COMPL.						1	
32	D	11956901		THREAD TENSION KNOB, YELLOW				*		1	
33		B3112704000		TENSION SPRING BUSHING				*		1	
34		B3102804000		TENSION SPRING, YELLOW				*		1	
35	R	11957305	13137609	TENSION DISC PRESSER				*		1	1.00
36	R	B3120704000	13138102	THREAD TENSION SPRING FELT				*		1	1.00
37	D	12254504		THREAD TENSION DISK				*		2	
38	R	12254603	13138003	THREAD TENSION RUBBER				*		1	1.00
39		B3105804000		TENSION POST				*		1	
40	R	12254751	13137559	THREAD TENSION SPRING JUNCTION						1	1.00
41		11956703		THREAD TENSION KNOB, RED				*		1	
42		B3112704000		TENSION SPRING BUSHING				*		1	
43		B3101804000		TENSION SPRING, RED				*		1	
44	R	11957305	13137609	TENSION DISC PRESSER				*		1	1.00
45	R	B3120704000	13138102	THREAD TENSION SPRING FELT				*		1	1.00

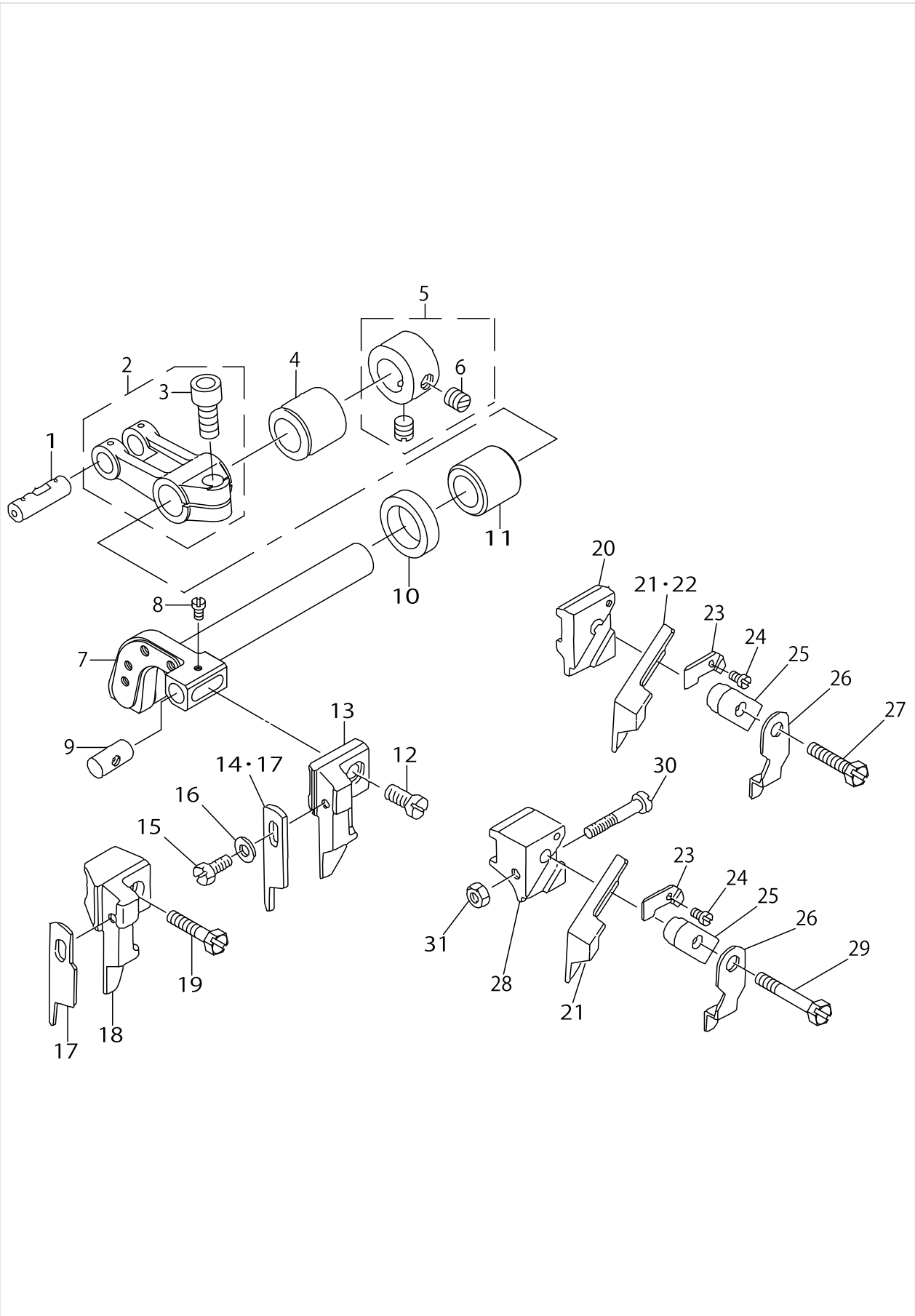
THREAD TENSION COMPONENTS



THREAD TENSION COMPONENTS

No.	Supply Code	Parts No.	Replacement	Parts name	Remarks	Choice	Step	Level	Cons	Qty	Rep. QTY
46	D	12254504		THREAD TENSION DISK				*		2	
47	R	12254603	13138003	THREAD TENSION RUBBER				*		1	1.00
48		B3105804000		TENSION POST				*		1	
49	R	12376554	13140355	THREAD TENSION SPRING				*		1	1.00
50		11957107		THREAD TENSION KNOB, PURPLE				*		1	
51		B3112704000		TENSION SPRING BUSHING				*		1	
52		11550100		TENSION SPRING, PURPLE				*		1	
53	R	11957305	13137609	TENSION DISC PRESSER				*		1	1.00
54	R	B3120704000	13138102	THREAD TENSION SPRING FELT				*		1	1.00
55	D	12254504		THREAD TENSION DISK				*		2	
56	R	12254603	13138003	THREAD TENSION RUBBER				*		1	1.00
57		B3105804000		TENSION POST				*		1	
58	R	12255451	13140652	THREAD TENSION SPRING ASM.				*		1	1.00
59		11957206		THREAD TENSION KNOB, GREEN				*		1	
60		B3112704000		TENSION SPRING BUSHING				*		1	
61	R	11550209	13140504	TENSION SPRING, GREEN				*		1	1.00
62	R	11957305	13137609	TENSION DISC PRESSER				*		1	1.00
63	R	B3120704000	13138102	THREAD TENSION SPRING FELT				*		1	1.00
64	D	12254504		THREAD TENSION DISK				*		2	
65	R	12254603	13138003	THREAD TENSION RUBBER				*		1	1.00
66		B3105804000		TENSION POST				*		1	
67	R	B3108704000	12285904	THREAD GUIDE				*		1	1.00
68		SS7110710SL		SCREW 11/64-40 L=7.0				*		1	

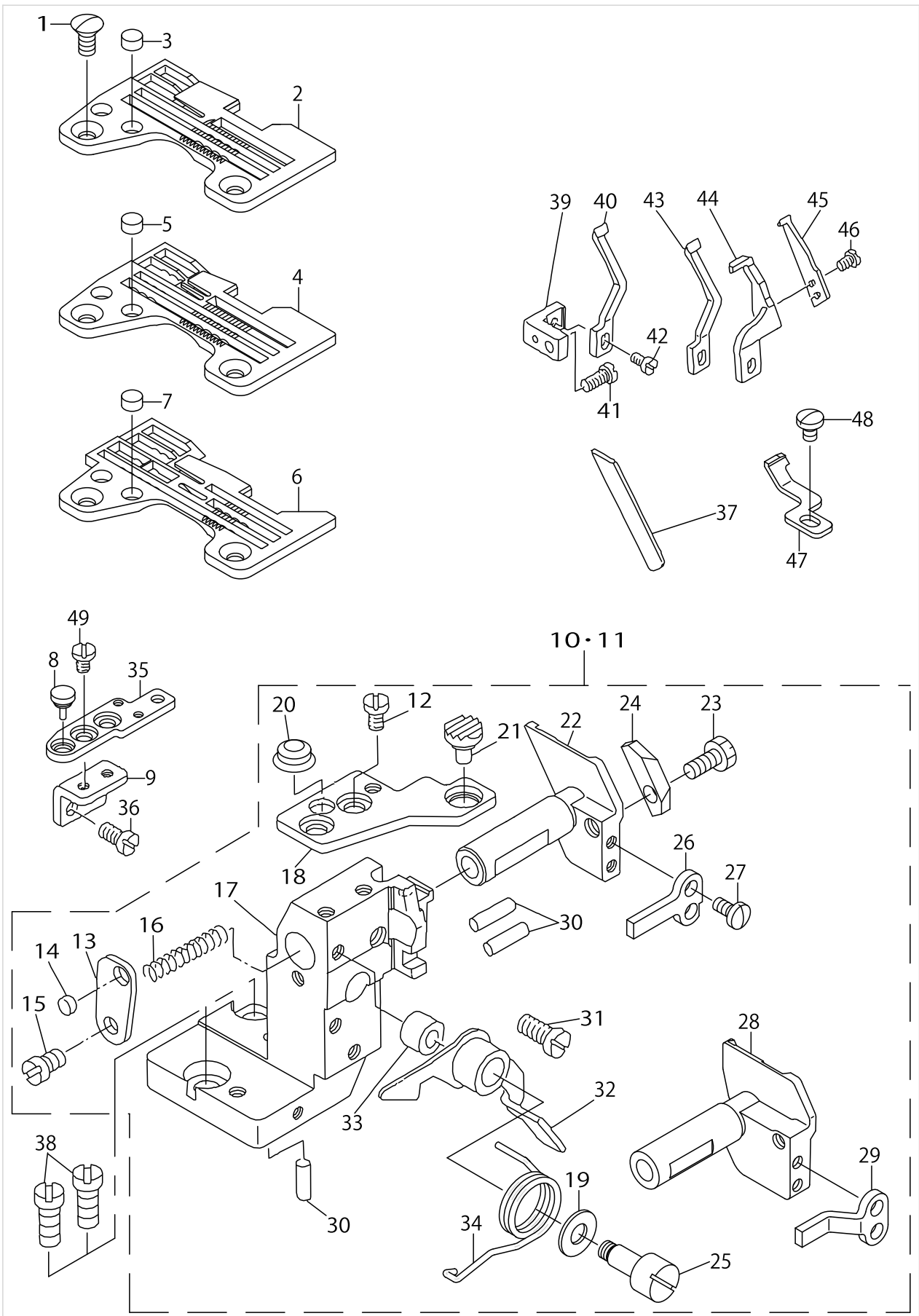
UPPER KNIFE COMPONENTS



UPPER KNIFE COMPONENTS

No.	Supply Code	Parts No.	Replacement	Parts name	Remarks	Choice	Step	Level	Cons	Qty	Rep. QTY
1		11823804		CRANK PIN C	SELECTING PART FOR FIT TOLERANCE					1	
2		12132262		FEED FORKED ARM ASM.						1	
3		SM6061402TP		SCREW M6 L=14				*		1	
4	R	12132502	13151006	BUSHING, REAR						1	1.00
5		CS111101ESH		COLLAR ASM. D=11.11 W=10						1	
6		SS8660330SP		SCREW 1/4-40 L= 3.0				*		2	
7	R	12132304	13151303	KNIFE DRIVING ARM SHAFT						1	1.00
8		SS4060310SP		SCREW 3/32-56 L=2.5	FOR EXPORT					1	
9	R	11565801	13150800	UPPER KNIFE GUIDE SHAFT						1	1.00
10		11566809		OIL SEAL						1	
11	R	12132403	13150909	BUSHING, FRONT						1	1.00
12		SS6111040SP		SCREW 11/64-40 L= 9.5	FOR MOG-- 3704,MOG-- -3714 (FOR JAPAN)					1	
13	R	12133302	13147400	UPPER KNIFE SUPPORT A	FOR MOG-- 3704,MOG-- -3714 (FOR JAPAN)					1	1.00
14		11845609		KNIFE	FOR MOG-- 3714(FOR JAPAN)					1	
15		SS9090813TP		SCREW 9/64-40 L=8	FOR JAPAN					1	
16		WP0370316SD		WASHER 3.7X8X0.3	FOR JAPAN					1	
17		12004909		KNIFE	FOR MOG-- 3704,MOG-- -3716 (FOR JAPAN)					1	
18		12004800		UPPER KNIFE SUPPORT	FOR MOG-- 3716(FOR JAPAN)					1	
19		SS6111610SP		SCREW 11/64-40L=16	FOR MOG-- 3716(FOR JAPAN)					1	
20		11598000		UPPER KNIFE SUPPORT	FOR MOG-- 3704,MOG-- -3714 (FOR EXPORT)					1	
21		11565900		UPPER KNIFE	FOR MOG-- 3704,MOG-- -3716 (FOR EXPORT)					1	
22		B411180400E		UPPER KNIFE	FOR MOG-- 3714(FOR EXPORT)					1	
23		11565702		WASHER	FOR EXPORT					1	
24		SS4060310SP		SCREW 3/32-56 L=2.5	FOR EXPORT					1	
25		11565504		UPPER KNIFE PRESSER PLATE	FOR EXPORT					1	
26		11565603		UPPER KNIFE COVER	FOR MOG-- 3704,MOG-- -3716 (FOR EXPORT)					1	
27		SS9111610SP		SCREW 11/64-40L=16	FOR MOG-- 3704,MOG-- -3714 (FOR EXPORT)					1	
28		11565405		UPPER KNIFE SUPPORT	FOR MOG-- 3716(FOR EXPORT)					1	
29		SS9112420TP		SCREW 11/64-40L=24	FOR MOG-- 3716(FOR EXPORT)					1	
30		SS7092110TP		SCREW 9/64-40 L=21	FOR MOG-- 3716(FOR EXPORT)					1	
31		NS6090310SP		NUT 9/64-40	FOR MOG-- 3716(FOR EXPORT)					1	

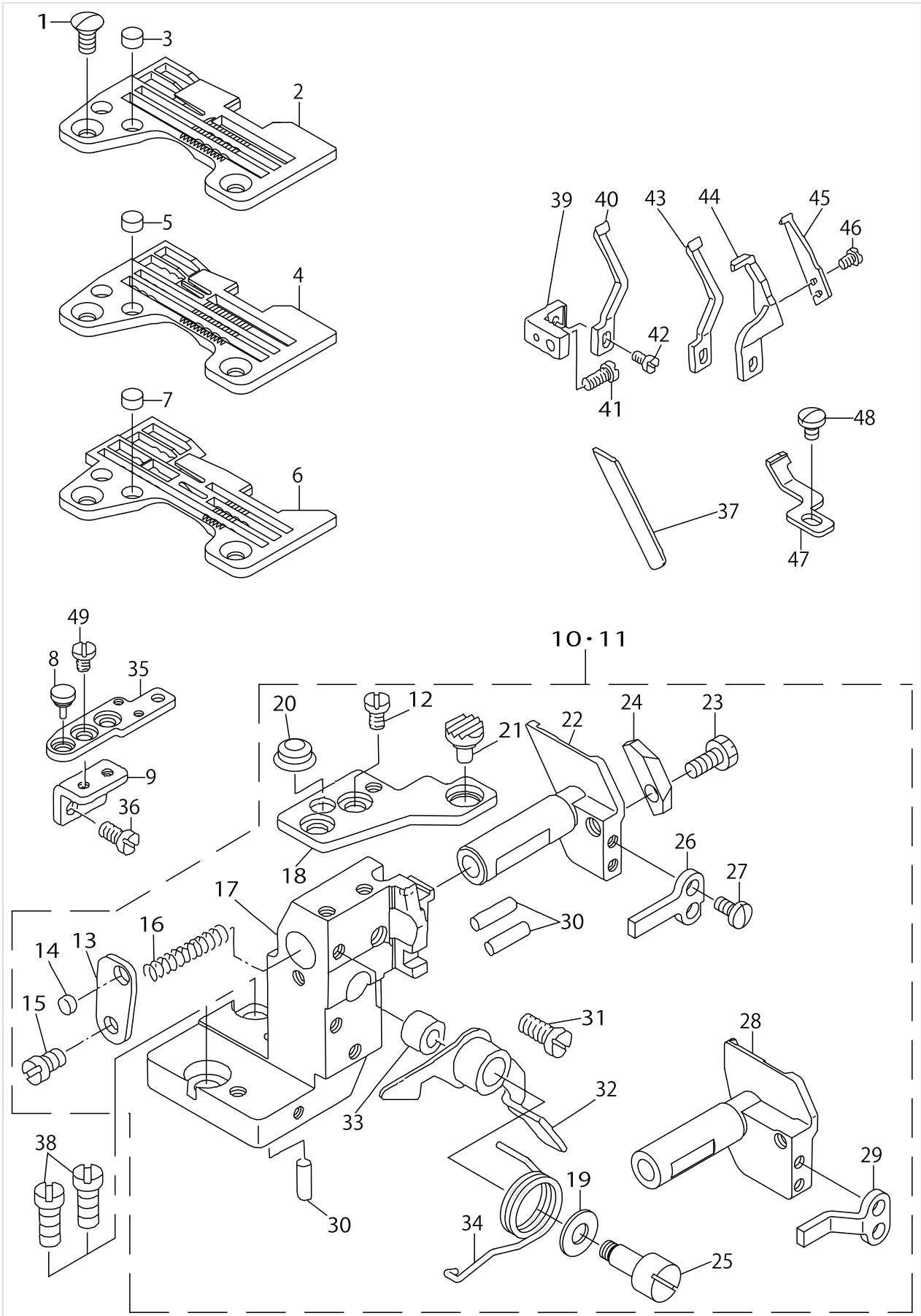
LOWER KNIFE COMPONENTS



LOWER KNIFE COMPONENTS

No.	Supply Code	Parts No.	Replacement	Parts name	Remarks	Choice	Step	Level	Cons	Qty	Rep. QTY
1		SS2110910SL		SCREW 11/64-40 L=9						2	
2	R	R4300J0ML00	R4300J6ML00	THROAT PLATE	FOR MOG-3704					1	1.00
3	R	11806304	13102702	PLUG						2	1.00
4	R	R4306J0HJ00	R4306J6HJ00	THROAT PLATE	FOR MOG-3714					1	1.00
5	R	11806304	13102702	PLUG						2	1.00
6	R	R4612J0HL00	R4612J6HL00	THROAT PLATE (FH6-700)	FOR MOG-3716					1	1.00
7	R	11806304	13102702	PLUG						2	1.00
8		11804606		RUBBER PLUG						1	
9		12378303		THROAT PLATE BASE B RETAINER						1	
10		12377552		LOWER KNIFE BRACKET ASM.	FOR MOG--3704,MOG-3714					1	
11		12377586		LOWER KNIFE BRACKET ASM.	FOR MOG-3716					1	
12		SS6110610TP		SCREW 11/64-40 L=6				*		2	
13	R	12133211	13149307	SPRING STOPPER				*		1	1.00
14	R	11806304	13102702	PLUG				*		1	1.00
15		SS7110720SP		SCREW 11/64-40 L=7				*		1	
16		11846607		SPRING				*		1	
17	R	12132619	13232657	LOWER KNIFE BRACKET				*		1	1.00
18	R	12378105	12377552	THROAT PLATE BASE A				*		1	1.00
19		WP0621036SP		WASHER				*		1	
20		12103701		RUBBER PLUG B				*		1	
21	R	12103602	13235304	RUBBER PLUG A				*		1	1.00
22	R	12132700	13149505	LOWER KNIFE SLIDE STUD	FOR MOG--3704,MOG-3714			*		1	1.00
23		SS9111010SP		SCREW 11/64-40 L=9.5				*		1	
24		12377602		LOWER KNIFE PRESSER				*		1	
25		12378204		LEVER SHAFT				*		1	
26	D	12377701		ROTATING STOPPER	FOR MOG--3704,MOG-3714			*		1	
27		SS7090710SP		SCREW 9/64-40 L=6.8				*		2	
28		12377800		LOWER KNIFE SLIDE SHAFT	FOR MOG-3716			*		1	
29		12377909		ROTATING STOPPER	FOR MOG-3716			*		1	
30	R	12133708	12133666	HOLDER PIN		B	MO-3916, MOR-3916/3916E	*		3	1.00
30	R	12133708	12377586	HOLDER PIN		D	MOJ-3916, MOG-3716, MO-6916G/6916J	*		3	1.00
30	R	12133708	12377560	HOLDER PIN		F	MOJ-3904	*		3	1.00
30	R	12133708	12377552	HOLDER PIN		G	MOJ-3914, MOG-3704- /3714, MO- -6904G/6914G	*		3	1.00
30	R	12133708	13232657	HOLDER PIN		H	MO-6104D/6114D	*		3	1.00
30	R	12133708	13232756	HOLDER PIN		I	MO-6116D	*		3	1.00
30	R	12133708	13232657	HOLDER PIN				*		3	1.00
30	R	12133708	12257267	HOLDER PIN				*		3	1.00
31		SS7151120SP		SCREW 15/64-28L=11				*		1	
32	R	12102950	13148556	LEVER ASM.				*		1	1.00
33	R	12103107	13148903	RUBBER PLUG				*		1	1.00
34	R	12378006	12133666	SPRING		B	MO-3916.- MOR-3916.3916E	*		1	1.00

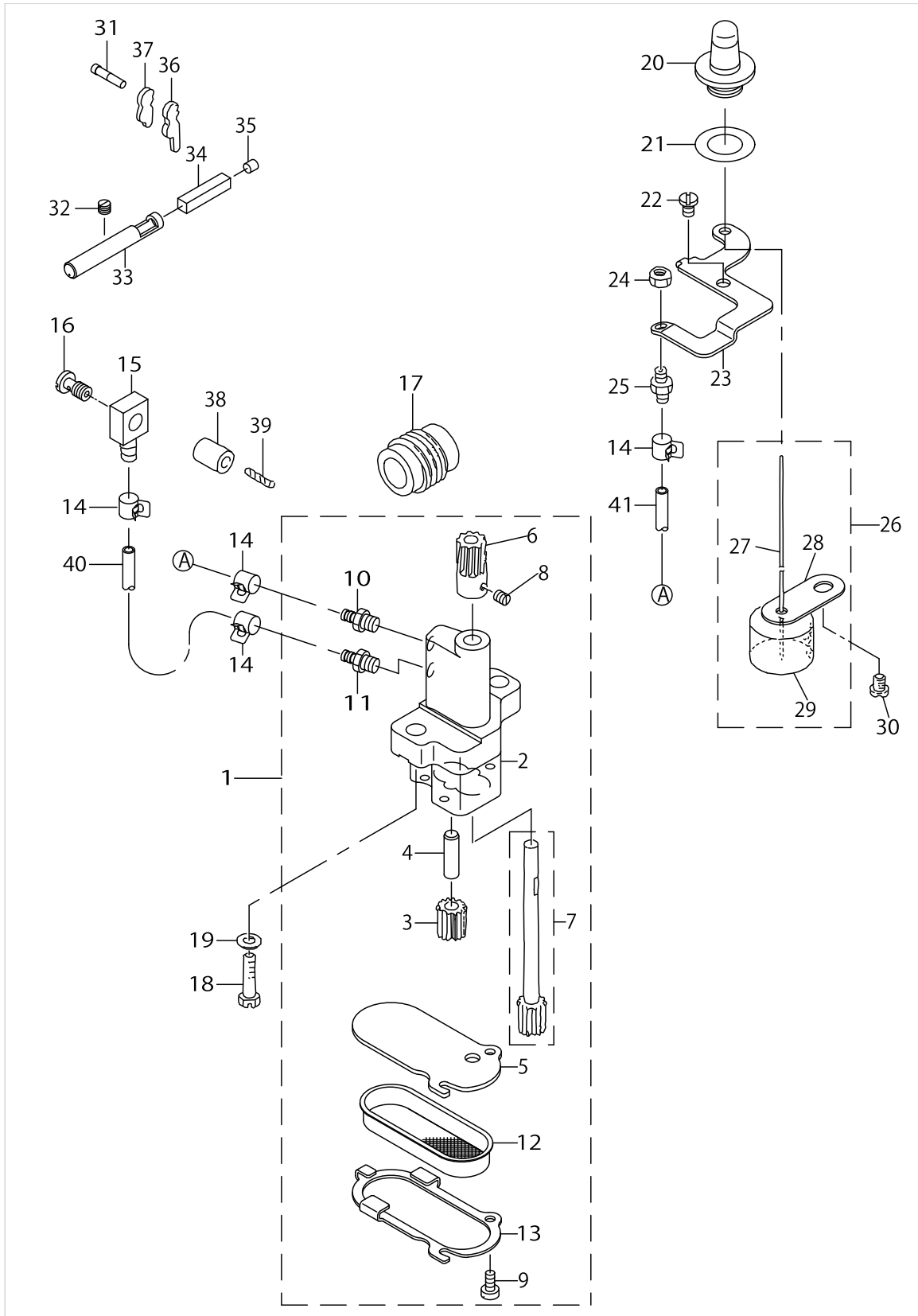
LOWER KNIFE COMPONENTS



LOWER KNIFE COMPONENTS

No.	Supply Code	Parts No.	Replacement	Parts name	Remarks	Choice	Step	Level	Cons	Qty	Rep. QTY
34	R	12378006	12377586	SPRING		D	MOJ-3916.- MOG-3716- .MO-6916G.-6916J	*		1	1.00
34	R	12378006	12377560	SPRING		E	MOJ-3904	*		1	1.00
34	R	12378006	12377552	SPRING		F	MOJ-3914.- MOG-3704- .3714.MO- -6904G.-6914G	*		1	1.00
34	R	12378006	13232657	SPRING		G	MO-6104D.-6114D	*		1	1.00
34	R	12378006	13232756	SPRING		H	MO-6116D	*		1	1.00
34	R	12378006	13232657	SPRING				*		1	1.00
34	R	12378006	12257267	SPRING				*		1	1.00
35		11848603		THROAT PLATE BASE C						1	
36		SM4051055SP		SCREW						2	
37		11566502		LOWER KNIFE						1	
38		SS6151440SP		SCREW 15/64-28L=14						2	
39		11847100		NEEDLE GUARD HOLDER						1	
40		11890100		NEEDLE GUARD	FOR MOG-3704					1	
41		SS7110840SP		SCREW 11/64-40 L=7.8						1	
42		SS7090610SP		SCREW 9/64-40 L=6						1	
43		11890308		NEEDLE GUARD	FOR MOG-3714					1	
44		12015301		NEEDLE HOLDER	FOR MOG-3716					1	
45		12015400		NEEDLE HOLDER	FOR MOG-3716					1	
46		SS7060510SP		SCREW 3/32-56 L=4.8	FOR MOG-3716					2	
47		12384509		NEEDLE HOLDER	FOR MOG-3716					1	
48		SS7090510SP		SCREW 9/64-40 L=4.6	FOR MOG-3716					1	
49		SS6110610TP		SCREW 11/64-40 L=6						2	

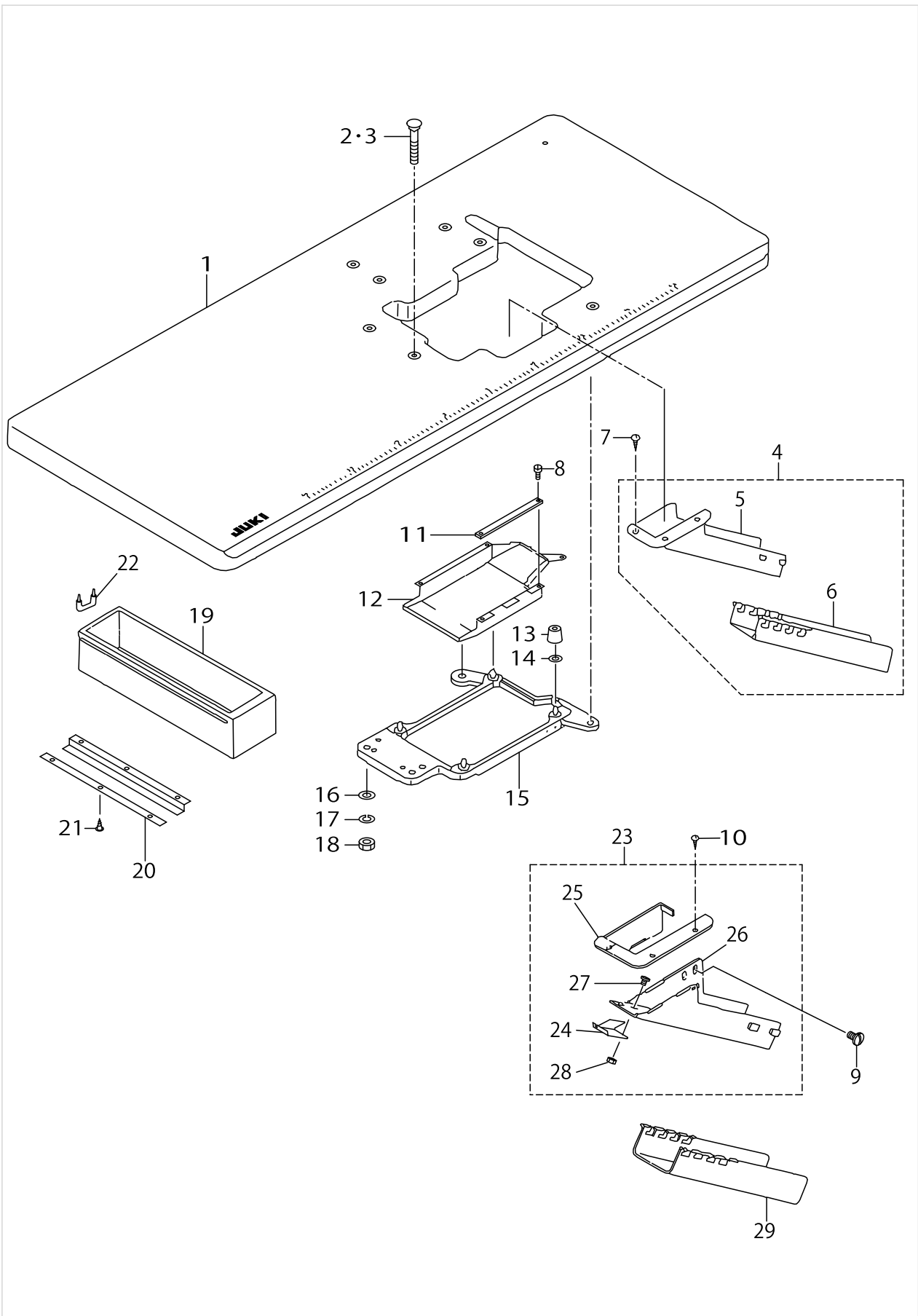
LUBRICATION MECHANISM COMPONENTS



LUBRICATION MECHANISM COMPONENTS

No.	Supply Code	Parts No.	Replacement	Parts name	Remarks	Choice	Step	Level	Cons	Qty	Rep. QTY
1	D	12255550		OIL PUMP ASM.						1	
2		12255501		OIL PUMP				*		1	
3		11840303		OIL PUMP PINION				*		1	
4	D	11840402		GEAR PUMP SHAFT				*		1	
5	D	12255600		COVER				*		1	
6	R	12256103	13343009	WORM GEAR				*		1	1.00
7	D	11841855		OIL PUMP SHAFT LARGE ASM.				*		1	
8		SS8110410TP		SCREW 11/64-40 L= 3.5				*		2	
9		SS6090810SP		SCREW 9/64-40 L= 7.5				*		2	
10		SQ1150453MZ		CONNECTING SCREW				*		1	
11		SQ1150451MZ		CONNECTING SCREW				*		1	
12	D	12255709		PUMP NET				*		1	
13	D	12255808		PUMP NET SUPPORT				*		1	
14		12256004		OIL TUBE HOLDER						4	
15		SQ0000451MZ		CONNECTING SCREW						1	
16		SQ1150441SD		CONNECTING SCREW						1	
17	R	11840600	12129102	WORM						1	1.00
18		SM6061802TP		SCREW M6 L=18						2	
19		WP0651056SH		WASHER 6.5X11X1						2	
20	R	12130100	13143300	OIL GAUGE						1	1.00
21	D	12130209		RUBBER PACKING						1	
22		SM4050855SP		SCREW						2	
23		12255907		OILING EXIT SUPPORT						1	
24		NS6110310SP		NUT 11/64-40						1	
25		SQ1110451MZ		CONNECTING SCREW						1	
26	D	12129854		FLOAT ASM.						1	
27		12129904		OIL GAUGE BAR				*		1	
28		12130001		FLOAT SUPPORT				*		1	
29		12129805		FLOAT				*		1	
30		SM4060801SE		SCREW						1	
31		11404704		OIL WICK						.1	
32		SM8050402TP		SCREW						1	
33		12130308		OILING PIN						1	
34	R	12130407	13144209	OIL FELT						1	1.00
35		TA0400301M0		PLUG D=4X4.5 L=3						1	
36		11841608		UPPER LOOPER GUIDE OIL FELT	FOR MOG-- 3714.MOG-3716					1	
37	D	12004404		UPPER LOOPER GUIDE OIL FELT	FOR MOG-3704					1	
38	D	11834603		OIL SUPPLY BUSH						1	
39	D	12252706		OIL SUPPLY FELT						.1	
40		BP300000200		VINYL PIPE						.2	
41		BP300000200		VINYL PIPE						.3	

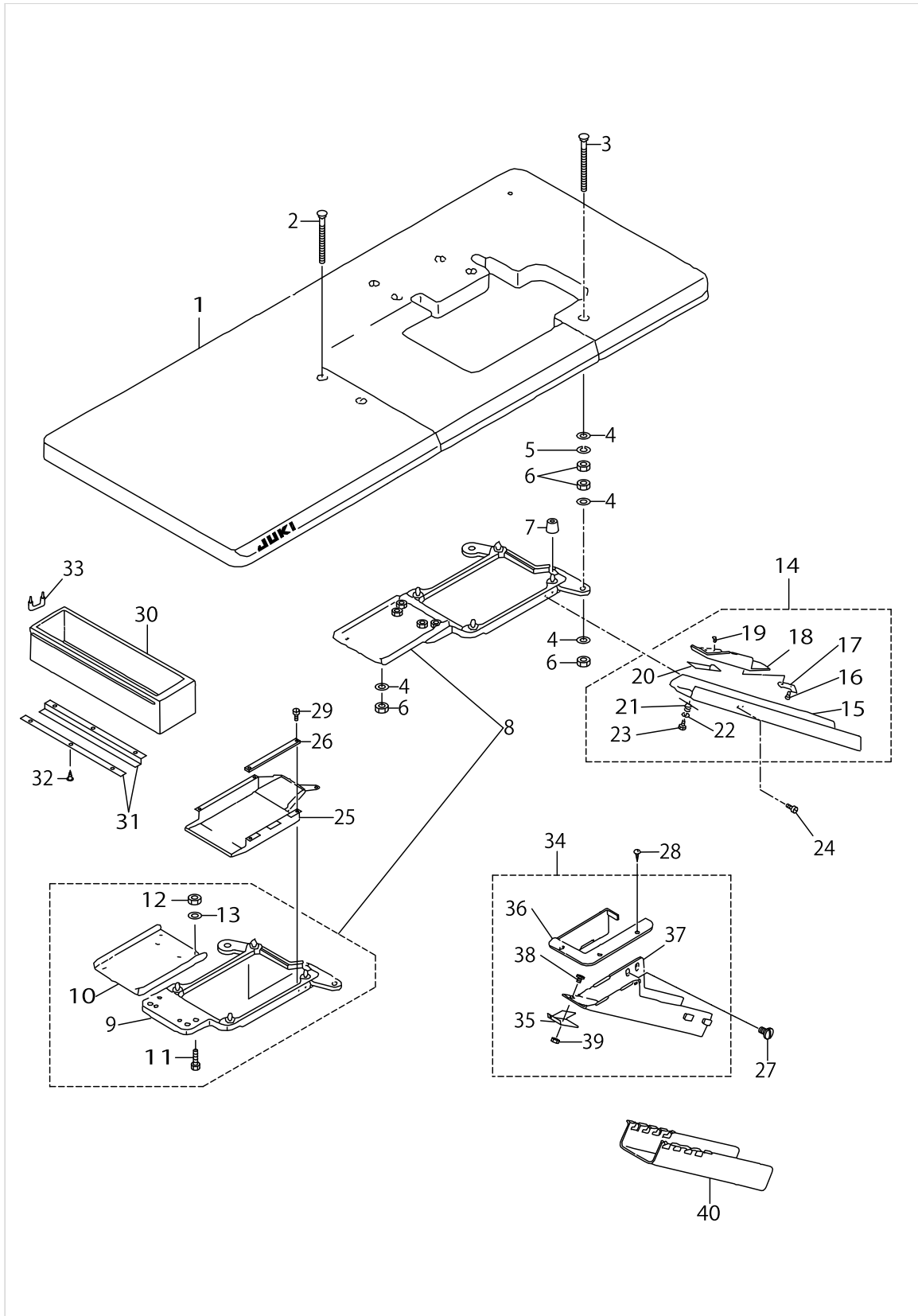
SEMI-SUNKEN TYPE TABLE COMPONENTS



SEMI-SUNKEN TYPE TABLE COMPONENTS

No.	Supply Code	Parts No.	Replacement	Parts name	Remarks	Choice	Step	Level	Cons	Qty	Rep. QTY
1		11959400		TABLE (SEMI-SUNKEN)						1	
2	R	11966702	13155007	BOLT A						4	1.00
3	R	11571601	MAS10704000	BOLT A						4	1.00
4		12341954		CLOTH WASTE CHUTE ASM.						1	
5		12341905		CLOTH WASTE CHUTE(SEMI-SUNKEN)				*		1	
6		12341806		CLOTH WASTE CHUTE				*		1	
7		SK2351600SC		WOOD SCREW D=3.5 L=16						3	
8	R	SS6090630SP	SS6090630TP	SCREW 9/64-40 L=6						5	1.00
9		SS5110710SP		SCREW 11/64-40 L=7						2	
10		SK2351600SC		WOOD SCREW D=3.5 L=16						3	
11	R	11850815	13161005	CASE SPONGE						1	1.00
12	R	11849411	13160908	COOLING FAN CASE						1	1.00
13	R	11571403	13155403	RUBBER CUSHION						4	1.00
14	R	11849601	13156500	SPACER						4	1.00
15	R	11849361	13161153	FRAME SUPPORT PLATE ASM.						1	1.00
16		WP1102016SC		WASHER 11X21X2						4	
17		WS1002560KR		SPRING WASHER 10X18X2.5						4	
18	R	NS6240630SN	NS6240630SE	NUT 3/8-18						4	1.00
19	R	11155108	11155157	DRAWER						1	1.00
20		11155207		DRAWER SUPPORT						2	
21	D	SK3311500SC		WOOD SCREW D=3.1 L=15						6	
22		D8204555D00		DRAWER STOPPER						1	
23	D	12135554		CLOTH WASTE CHUTE ASM.						1	
24	D	12135505		CLOTH WASTE CHUTE SUPPORT				*		1	
25	R	11962800	13155759	CLOTH WASTE CHUTE INLET				*		1	1.00
26	R	11962909	13155759	CLOTH WASTE CHUTE, UPPER				*		1	1.00
27		SS5090610SP		SCREW 9/64-40 L=6				*		3	
28		NS6090310SP		NUT 9/64-40				*		3	
29	R	11960002	12341806	CLOTH WASTE CHUTE,LOWER(BENCH)						1	1.00

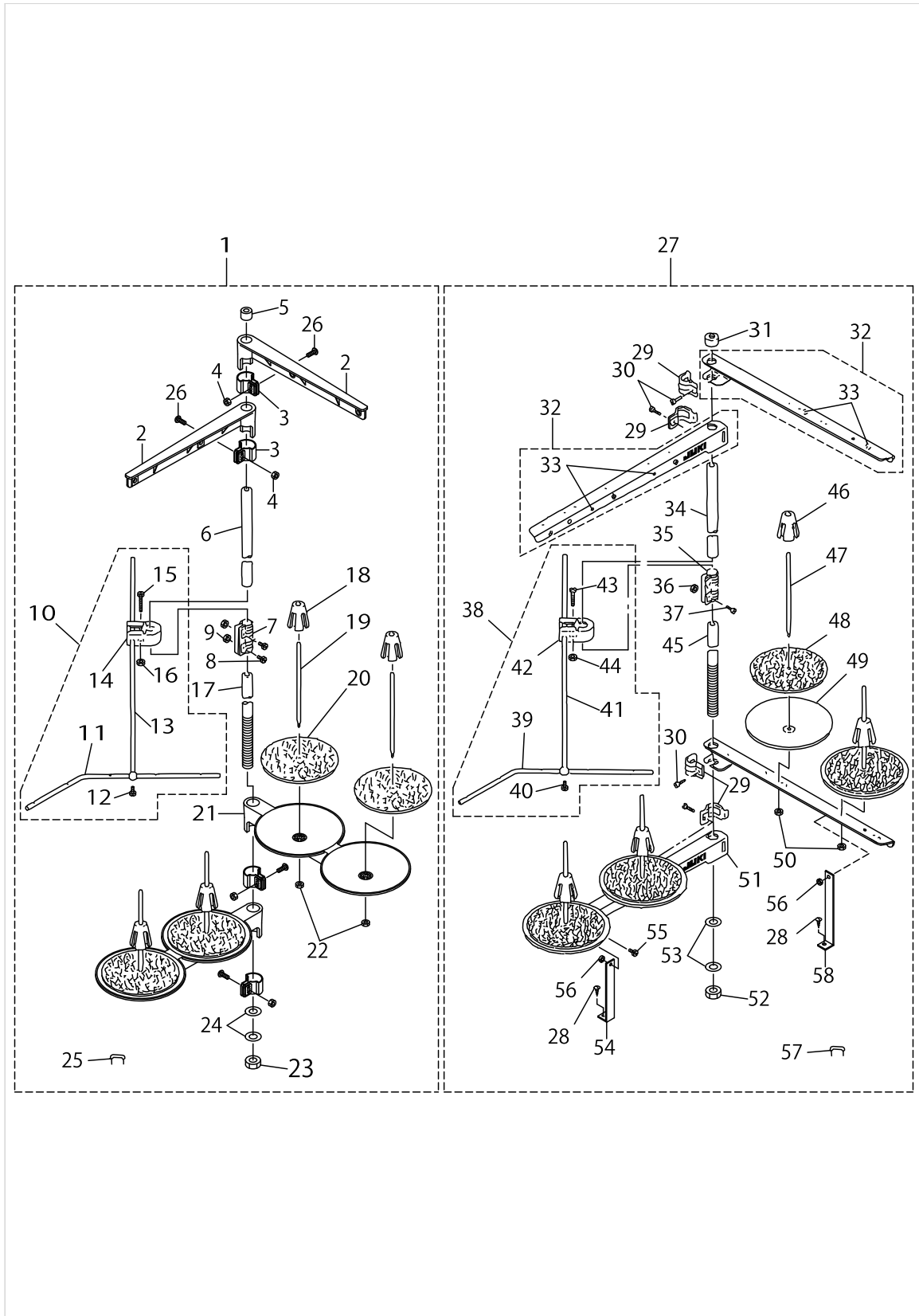
FULLY-SUNKEN TYPE TABLE COMPONENTS



FULLY-SUNKEN TYPE TABLE COMPONENTS

No.	Supply Code	Parts No.	Replacement	Parts name	Remarks	Choice	Step	Level	Cons	Qty	Rep. QTY
1		11959558		TABLE ASM.						1	
2	R	11571809	13155106	BOLT C						2	1.00
3	R	11571908	13155205	BOLT D						2	1.00
4		WP1102016SC		WASHER 11X21X2						12	
5		WS1002560KR		SPRING WASHER 10X18X2.5						4	
6	R	NS6240630SN	NS6240630SE	NUT 3/8-18						12	1.00
7	R	11571403	13155403	RUBBER CUSHION						4	1.00
8		11849379		FRAME SUPPORT PLATE ASM.						1	
9	R	11849361	13161153	FRAME SUPPORT PLATE ASM.				*		1	1.00
10	R	11850906	13155304	FRAME SUPPORT A-UXILIARY PLATE				*		1	1.00
11		SM9082513CF		SCREW M8 L=25				*		4	
12		NM6080600SM		NUT M8				*		4	
13		WP0850002SC		WASHER 8.5X18X1.6				*		4	
14	R	11960259	13155858	CLOTH CHUTE ASM.						1	1.00
15	D	11960200		CLOTH WASTE CHUTE				*		1	
16		ST60308210A		SCREW D=3-24 L=8				*		2	
17		11850401		CLOTH WASTE CHUTE INLET LEVER				*		1	
18		11960309		CLOTH WASTE CHUTE HOLE				*		1	
19		SS6090420SP		SCREW 9/64-40 L=4.0				*		2	
20		11850609		RUBBER				*		1	
21		11850500		SPRING				*		1	
22		WP0370316SD		WASHER 3.7X8X0.3				*		1	
23		ST60308210A		SCREW D=3-24 L=8				*		1	
24		SS5110710SP		SCREW 11/64-40 L=7						2	
25	R	11849411	13160908	COOLING FAN CASE						1	1.00
26	R	11850815	13161005	CASE SPONGE						1	1.00
27		SS5110710SP		SCREW 11/64-40 L=7	FOR JE					2	
28		SK2351600SC		WOOD SCREW D=3.5 L=16	FOR JE					3	
29	R	SS6090630SP	SS6090630TP	SCREW 9/64-40 L=6						5	1.00
30	R	11155108	11155157	DRAWER						1	1.00
31		11155207		DRAWER SUPPORT						2	
32	D	SK3311500SC		WOOD SCREW D=3.1 L=15						6	
33		D8204555D00		DRAWER STOPPER						1	
34	D	12135554		CLOTH WASTE CHUTE ASM.	FOR JE					1	
35	D	12135505		CLOTH WASTE CHUTE SUPPORT				*		1	
36	R	11962800	13155759	CLOTH WASTE CHUTE INLET				*		1	1.00
37	R	11962909	13155759	CLOTH WASTE CHUTE, UPPER				*		1	1.00
38		SS5090610SP		SCREW 9/64-40 L=6				*		3	
39		NS6090310SP		NUT 9/64-40				*		3	
40	R	11960002	12341806	CLOTH WASTE CHUTE, LOWER(BENCH)	FOR JE					1	1.00

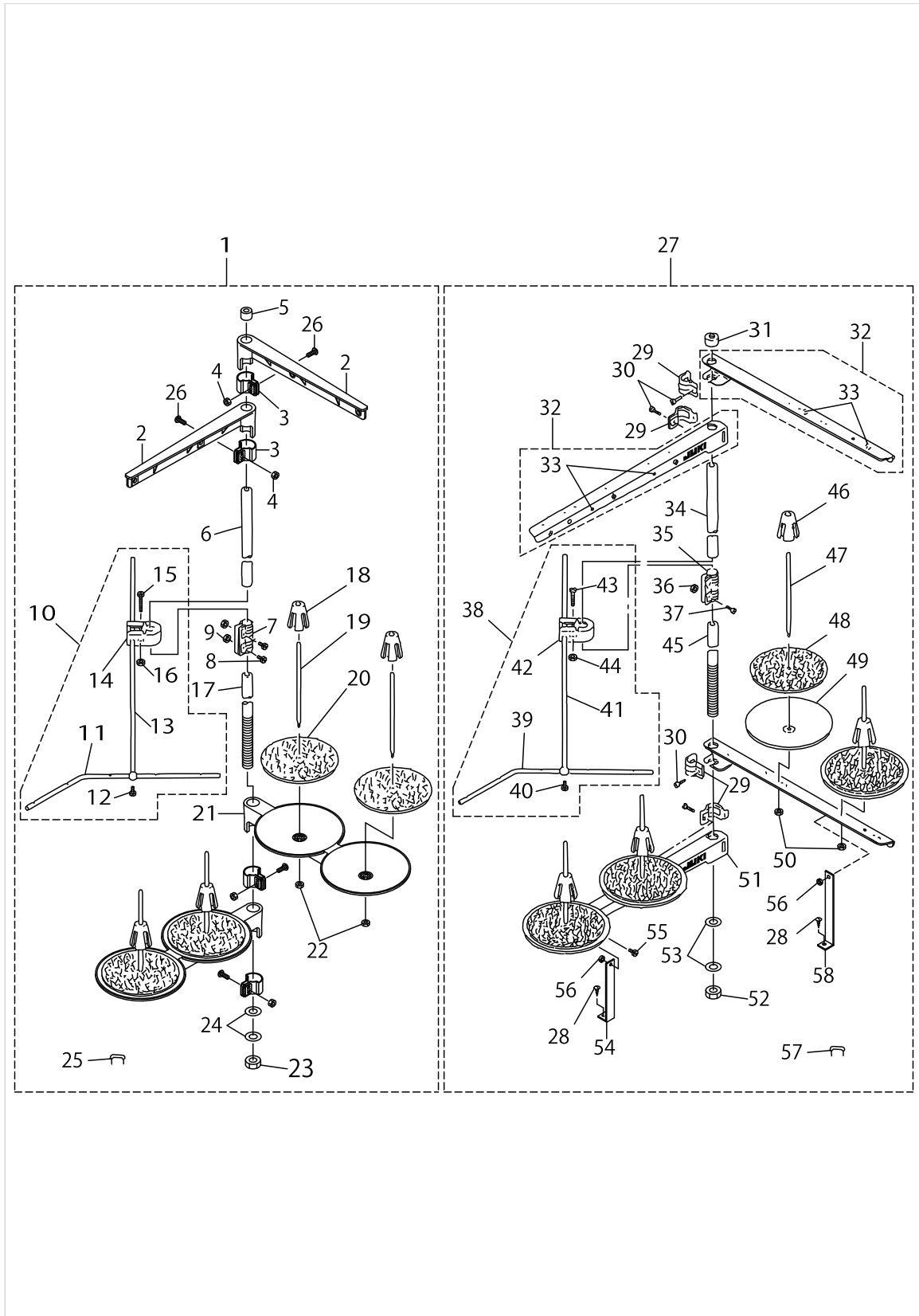
THREAD STAND COMPONENTS (FOR MOG-3704,MOG-3714)



THREAD STAND COMPONENTS (FOR MOG-3704,MOG-3714)

No.	Supply Code	Parts No.	Replacement	Parts name	Remarks	Choice	Step	Level	Cons	Qty	Rep. QTY
1	R	11969458	40106584	THREAD STANDING DEVICE ASM.						1	1.00
2	R	11185352	40096354	THREAD GUIDE ASM.				*		2	1.00
3	R	11185402	40096354	THREAD GUIDE ARM JOINT				*		4	1.00
4		NM6050001SE		NUT M5				*		4	
5	R	B3311704000	22931406	SPOOL REST ROD CAP				*		1	1.00
6	R	11185204	40096354	SPOOL REST ROD,UPPER				*		1	1.00
7	R	B3305704000A	40096354	SPOOL REST ROD JOINT				*		1	1.00
8		SM4051405SE		SCREW M5 L=14				*		2	
9		NM6050001SE		NUT M5				*		2	
10	R	B33097040A0	26910059	THREAD GUIDE ARM ASM.				*		1	1.00
11	R	B3311804000	26910059	LOWER THREAD GUIDE				*		1	1.00
12		SS7110540SP		SCREW 11/64-40 L=5				*		1	
13	R	B3309704000	26910059	THREAD GUIDE ARM				*		1	1.00
14	D	B3304704000A		THREAD GUIDE ARM HOLDER				*		1	
15	D	SM6053000SE		SCREW M5X0.8 L=30				*		1	
16		NM6050001SE		NUT M5				*		1	
17	R	11185105	40096354	SPOOL REST ROD,LOWER				*		1	1.00
18	D	11185501		SPOOL RETAINER				*		4	
19	R	B3320704L00A	40085790	SPOOL PIN				*		4	1.00
20	D	B3311012000		SPOOL REST CUSHION				*		4	
21	D	11185006		SPOOL REST ARM				*		2	
22		NM6050001SE		NUT M5				*		4	
23	R	B3317704000	NM6160511SE	NUT				*		1	1.00
24		WP1612616SE		WASHER 16X30X2.6				*		2	
25		MAO11532000		CORD STAPLE				*		3	
26		SM4051405SE		SCREW M5 L=14				*		4	
27	R	11969953	40106587	THREAD STANDING DEVICE ASM.	SPECIAL ORDER PART FOR LARGE SPOOL THREAD STAND (FOR JE)					1	1.00
28		SK3382001SE		SCREW D=3.8 L=20				*		2	
29		B3318704L00A		THREAD GUIDE ARM JOINT				*		4	
30		SM6061610SC		SCREW M6 L=16				*		4	
31	R	B3311704000	22931406	SPOOL REST ROD CAP				*		1	1.00
32	R	11969573	13168851	SPOOL REST ARM A ASM.				*		2	1.00
33	R	B3319704L00	22931208	THREAD GUIDE				*		4	1.00
34	R	11185204	40096354	SPOOL REST ROD,UPPER				*		1	1.00
35	R	B3305704000A	40096354	SPOOL REST ROD JOINT				*		1	1.00
36		NM6050001SE		NUT M5				*		2	
37		SM4051405SE		SCREW M5 L=14				*		2	
38	R	B33097040A0	26910059	THREAD GUIDE ARM ASM.				*		2	1.00
39	R	B3311804000	26910059	LOWER THREAD GUIDE				*		1	1.00
40		SS7110540SP		SCREW 11/64-40 L=5				*		1	
41	R	B3309704000	26910059	THREAD GUIDE ARM				*		1	1.00
42	D	B3304704000A		THREAD GUIDE ARM HOLDER				*		1	
43	D	SM6053000SE		SCREW M5X0.8 L=30				*		1	

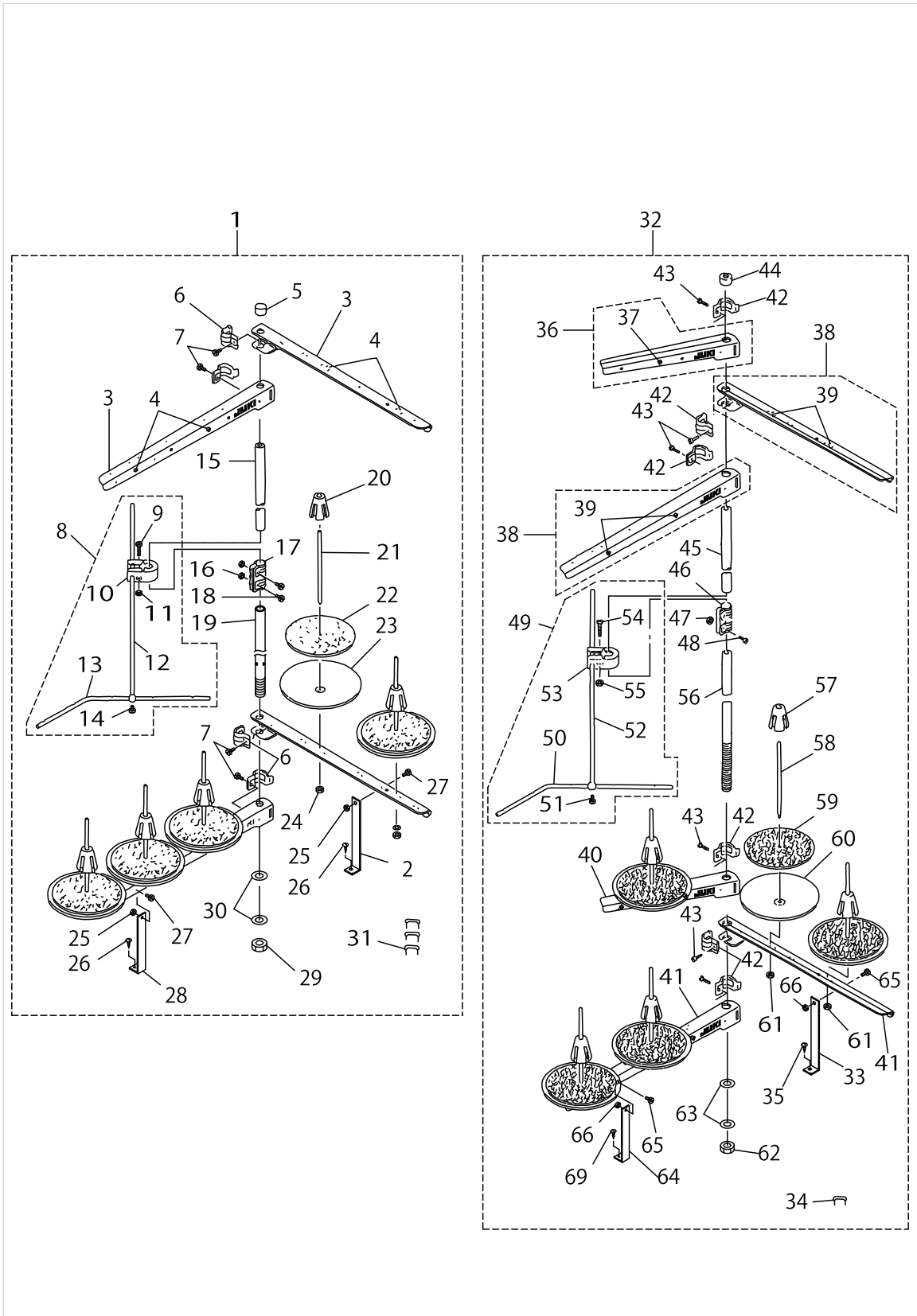
THREAD STAND COMPONENTS (FOR MOG-3704,MOG-3714)



THREAD STAND COMPONENTS (FOR MOG-3704,MOG-3714)

No.	Supply Code	Parts No.	Replacement	Parts name	Remarks	Choice	Step	Level	Cons	Qty	Rep. QTY
44		NM6050001SE		NUT M5				*		2	
45	R	11185105	40096354	SPOOL REST ROD,LOWER				*		1	1.00
46	D	11185501		SPOOL RETAINER				*		4	
47	R	B3320704L00A	40085790	SPOOL PIN				*		4	1.00
48	D	B3311012000		SPOOL REST CUSHION				*		4	
49	R	11966504	22930804	SPOOL REST				*		4	1.00
50		NM6050001SE		NUT M5				*		4	
51	R	11969508	13168802	SPOOL REST ARM A				*		2	1.00
52	R	B3317704000	NM6160511SE	NUT				*		1	1.00
53		WP1612616SE		WASHER 16X30X2.6				*		2	
54		B3321704L00		SPOOL REST ARM SUPPORT, A				*		1	
55		SM4061201SE		SCREW M6 L=12				*		2	
56		NM6060001SE		NUT M6				*		2	
57		MAO11532000		CORD STAPLE				*		3	
58	D	B3321704LOB		SPOOL REST ARM SUPPORT, B				*		1	

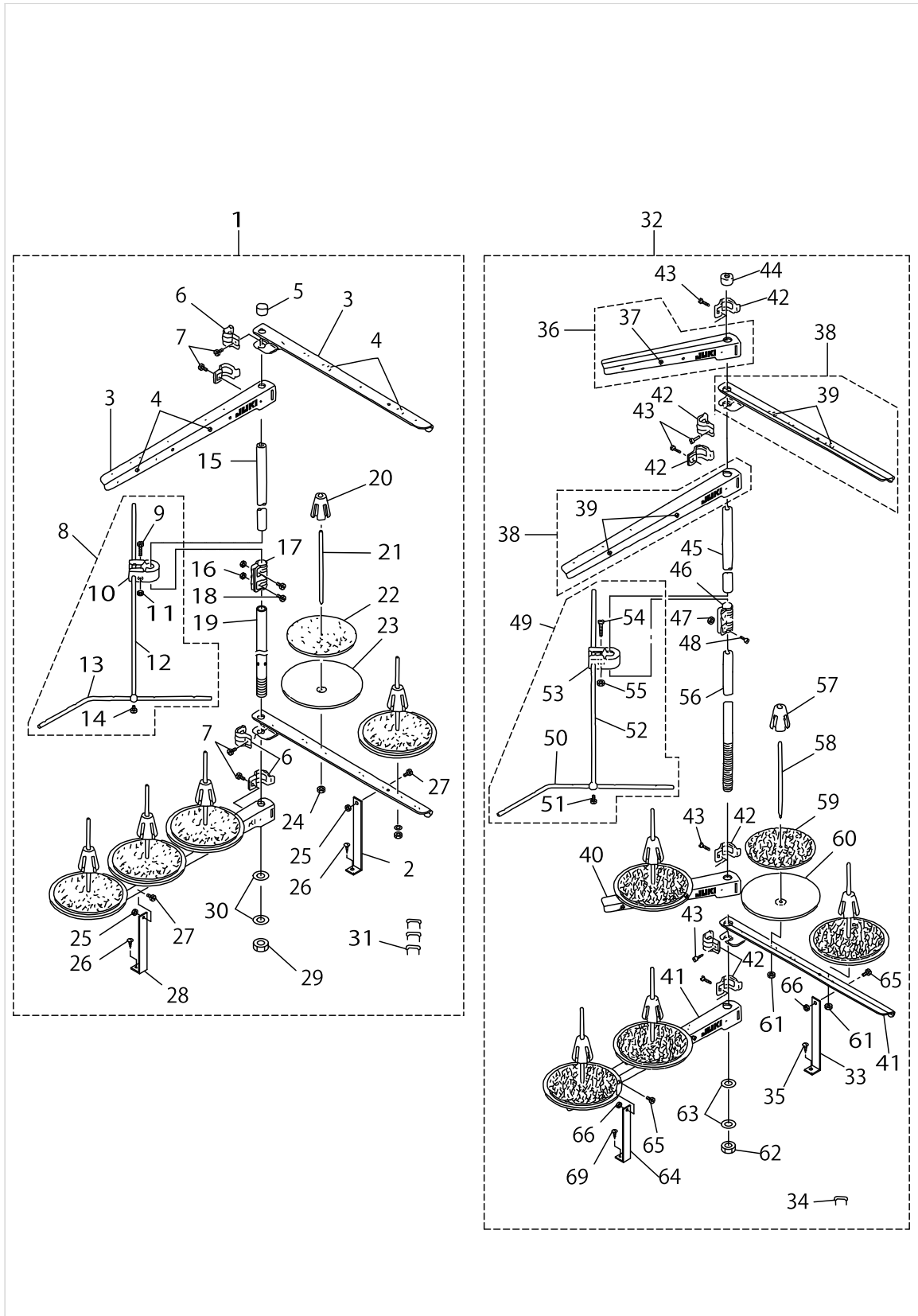
THREAD STAND COMPONENTS (FOR MOG-3716)



THREAD STAND COMPONENTS (FOR MOG-3716)

No.	Supply Code	Parts No.	Replacement	Parts name	Remarks	Choice	Step	Level	Cons	Qty	Rep. QTY
1	R	12027850	40106589	THREAD STAND ASM.						1	1.00
2	D	B3321704LOB		SPOOL REST ARM SUPPORT, B				*		1	
3	R	11969508	13168802	SPOOL REST ARM A				*		4	1.00
4	R	B3319704L00	22931208	THREAD GUIDE				*		5	1.00
5	R	B3311704000	22931406	SPOOL REST ROD CAP				*		1	1.00
6		B3318704L00A		THREAD GUIDE ARM JOINT				*		4	
7		SM6061610SC		SCREW M6 L=16				*		4	
8	R	B33097040A0	26910059	THREAD GUIDE ARM ASM.				*		1	1.00
9	D	SM6053000SE		SCREW M5X0.8 L=30				*		1	
10	D	B3304704000A		THREAD GUIDE ARM HOLDER				*		1	
11		NM6050001SE		NUT M5				*		1	
12	R	B3309704000	26910059	THREAD GUIDE ARM				*		1	1.00
13	R	B3311804000	26910059	LOWER THREAD GUIDE				*		1	1.00
14		SS7110540SP		SCREW 11/64-40 L=5				*		1	
15	R	11185204	40096354	SPOOL REST ROD,UPPER				*		1	1.00
16		NM6050001SE		NUT M5				*		2	
17	R	B3305704000A	40096354	SPOOL REST ROD JOINT				*		1	1.00
18		SM4051405SE		SCREW M5 L=14				*		2	
19	R	11185105	40096354	SPOOL REST ROD,LOWER				*		1	1.00
20	D	11185501		SPOOL RETAINER				*		5	
21	R	B3320704L00A	40085790	SPOOL PIN				*		5	1.00
22	D	B3311012000		SPOOL REST CUSHION				*		5	
23	R	11966504	22930804	SPOOL REST				*		5	1.00
24		NM6050001SE		NUT M5				*		5	
25		NM6060001SE		NUT M6				*		2	
26		SK3382001SE		SCREW D=3.8 L=20				*		2	
27		SM4061201SE		SCREW M6 L=12				*		2	
28		B3321704L00		SPOOL REST ARM SUPPORT, A				*		1	
29	R	B3317704000	NM6160511SE	NUT				*		1	1.00
30		WP1612616SE		WASHER 16X30X2.6				*		2	
31		MAO11532000		CORD STAPLE				*		3	
32	R	11970050	40106588	THREAD STANDING DEVICE ASM.	SPECIAL ORDER PART FOR LARGE SPOOL THREAD STAND (FOR JE)					1	1.00
33	D	B3321704LOB		SPOOL REST ARM SUPPORT, B				*		1	
34		MAO11532000		CORD STAPLE				*		3	
35		SK3382001SE		SCREW D=3.8 L=20				*		2	
36	R	11969474	11969466	THREAD GUIDE ARM B ASM.				*		1	1.00
37	R	B3319704L00	22931208	THREAD GUIDE				*		1	1.00
38	R	11969573	13168851	SPOOL REST ARM A ASM.				*		2	1.00
39	R	B3319704L00	22931208	THREAD GUIDE				*		4	1.00
40	D	11969409		THREAD GUIDE ARM B				*		1	
41	R	11969508	13168802	SPOOL REST ARM A				*		2	1.00
42		B3318704L00A		THREAD GUIDE ARM JOINT				*		6	
43		SM6061610SC		SCREW M6 L=16				*		6	

THREAD STAND COMPONENTS (FOR MOG-3716)



THREAD STAND COMPONENTS (FOR MOG-3716)

No.	Supply Code	Parts No.	Replacement	Parts name	Remarks	Choice	Step	Level	Cons	Qty	Rep. QTY
44	R	B3311704000	22931406	SPOOL REST ROD CAP				*		1	1.00
45	R	11185204	40096354	SPOOL REST ROD,UPPER				*		1	1.00
46	R	B3305704000A	40096354	SPOOL REST ROD JOINT				*		1	1.00
47		NM6050001SE		NUT M5				*		2	
48		SM4051405SE		SCREW M5 L=14				*		2	
49	R	B33097040A0	26910059	THREAD GUIDE ARM ASM.				*		1	1.00
50	R	B3311804000	26910059	LOWER THREAD GUIDE				*		1	1.00
51		SS7110540SP		SCREW 11/64-40 L=5				*		1	
52	R	B3309704000	26910059	THREAD GUIDE ARM				*		1	1.00
53	D	B3304704000A		THREAD GUIDE ARM HOLDER				*		1	
54	D	SM6053000SE		SCREW M5X0.8 L=30				*		1	
55		NM6050001SE		NUT M5				*		1	
56	R	11185105	40096354	SPOOL REST ROD,LOWER				*		1	1.00
57	D	11185501		SPOOL RETAINER				*		5	
58	R	B3320704L00A	40085790	SPOOL PIN				*		5	1.00
59	D	B3311012000		SPOOL REST CUSHION				*		5	
60	R	11966504	22930804	SPOOL REST				*		5	1.00
61		NM6050001SE		NUT M5				*		5	
62	R	B3317704000	NM6160511SE	NUT				*		1	1.00
63		WP1612616SE		WASHER 16X30X2.6				*		2	
64		B3321704L00		SPOOL REST ARM SUPPORT, A				*		1	
65		SM4061201SE		SCREW M6 L=12				*		2	
66		NM6060001SE		NUT M6				*		2	

HOW TO MAKE USE OF THIS PARTS LIST

1.Explanation of codes

1)"*"mark.....means this part is changed from the previous parts book.

As to the details of the change, refer to the "List for information of change".

2)"#01".....refer to "Note" explanation at bottom of page.

2.Codes on the "Qty" column

• Each numeral indicates the number of parts required.

• "0.1" and "2.5" indicate the length (in meters) of the respective parts.

3.Parentheses mean that the corresponding part is a subpart that constructs an assembly part.

4.Dotted lines on the Figures indicate assembly parts.

1."注記"欄の記号説明

1) "*"印.....前回のパーツブックに比較して今回変更された部品を意味します。

変更内容は、"変更情報リスト"を参照してください。

2) "#01".....ページ下の"注記"の説明を参照してください。

2.数量欄の数字は、個数を表し、0.1、2.5等の数値は、長さ（単位メートル）を表します。

3.数量欄の（ ）は、組部品を構成している子部品であることを意味します。

4.イラストページの-----枠は、組構成であることを意味します。

NUMERICAL INDEX OF PARTS

PART NO	PAGE	REF NO.	PART NO	PAGE	REF NO.	PART NO	PAGE	REF NO.
10004109	6	46	11565702	38	23	11826401	20	31
10004109	8	46	11565801	38	9	11827102	22	66
11155108	46	19	11565900	38	21·22	11827607	22	47
11155108	48	30	11566502	42	37	11827904	22	51
11155207	46	20	11566809	38	10	11828050	20	10
11155207	48	31	11571403	46	13	11828308	22	53·68
11185006	50	21	11571403	48	7	11828407	22	53·68
11185105	50	45	11571601	46	2·3	11828514	20	33
11185105	52	45	11571809	48	2	11828563	20	29
11185105	54	56	11571908	48	3	11828605	22	58
11185105	56	56	11582012	26	28	11828704	18	21
11185204	50	34	11582103	26	11·12	11829207	24	12
11185204	54	45	11598000	38	20	11829314	24	27
11185204	56	45	11651304	32	14	11829363	24	26
11185352	50	2	11651809	20	17	11829751	24	4
11185402	50	3	11680501	32	6	11831906	26	35
11185501	50	46	11680600	32	4	11833100	28	49
11185501	52	46	11680709	32	8	11833308	26	19
11185501	54	57	11700101	32	15	11833407	28	43
11185501	56	57	11701604	20	12	11833506	26	31
11404704	44	31	11701703	20	22	11834603	44	38
11501301	2	3	11802204	4	47	11834702	26	4
11503703	6	21	11802402	2	11	11840303	44	3
11503810	6	29	11803004	2	37	11840402	44	4
11503885	6	26	11804309	2	25	11840600	44	17
11503919	6	25	11804606	40	8	11841350	6	33
11510609	10	38	11805207	6	13	11841608	44	36
11522802	32	12·24	11806304	40	14	11841855	44	7
11528403	20	24	11819109	30	36	11842804	6	36
11528502	20	18	11819208	30	37	11845609	38	14·17
11529005	20	3	11819315	30	35	11846607	40	16
11529914	20	8	11819414	30	26	11847100	42	39
11530110	18	4	11819703	30	29	11848603	42	35
11544301	26	11·12	11823804	14	12	11849361	46	15
11544400	26	9	11823804	18	27	11849361	48	9
11544517	26	10	11823804	38	1	11849379	48	8
11545100	26	36	11824018	18	3	11849411	46	12
11550100	36	52	11824067	18	1	11849411	48	25
11550209	36	61	11824109	18	8	11849601	46	14
11550308	34	13	11824505	20	1	11850401	48	17
11550803	34	12	11824653	20	6	11850500	48	21
11550852	34	6	11824703	22	49	11850609	48	20
11565405	38	28	11825304	20	30	11850815	46	11
11565504	38	25	11825858	22	63	11850815	48	26
11565603	38	26	11826310	20	27	11850906	48	10

NUMERICAL INDEX OF PARTS

PART NO	PAGE	REF NO.	PART NO	PAGE	REF NO.	PART NO	PAGE	REF NO.
11890001	28	51	12004909	38	14-17	12109666	14	3
11890100	42	40	12010807	32	16	12109955	14	13
11890308	42	43	12013306	20	13	12110227	14	16
11930708	32	32	12013405	20	23	12110607	14	32
11948601	18	5	12015301	42	44	12110706	14	36
11949005	2	8	12015400	42	45	12110805	14	34
11951100	2	24	12025706	12	36-48	12110904	14	33
11956505	10	55	12027850	54	1	12111209	14	20
11956505	12	55	12100301	6	39	12111308	14	22
11956703	34	41	12100608	6	3	12111506	14	37
11956901	34	32	12100707	6	2	12111605	14	39
11957107	36	50	12101200	2	39	12112108	14	28
11957206	36	59	12101309	2	36	12113205	30	23
11957305	34	62	12101408	2	45	12113304	30	24
11957305	36	62	12101515	2	33	12113452	30	32
11959400	46	1	12101903	6	8	12113502	30	30
11959558	48	1	12101952	6	5	12114112	32	1
11960002	46	29	12102000	6	18	12114468	30	20
11960002	48	40	12102109	6	20	12114716	30	11
11960200	48	15	12102307	2	27	12114807	30	13
11960259	48	14	12102406	2	28	12114906	30	17
11960309	48	18	12102752	2	2	12115002	30	2
11962800	46	25	12102950	40	32	12115051	30	1
11962800	48	36	12103107	40	33	12115101	30	3
11962909	46	26	12103206	2	44	12115200	30	4
11962909	48	37	12103305	2	14	12115309	30	8
11966504	52	49	12103404	2	41	12115903	30	12
11966504	54	60	12103511	2	7	12116109	18	44
11966504	56	60	12103602	40	21	12116174	18	28
11966702	46	2-3	12103701	40	20	12116208	18	43
11969409	54	40	12104907	6	32	12116307	18	36
11969458	50	1	12105201	6	34	12116406	18	37
11969474	54	36	12105359	2	1	12116505	18	39
11969508	52	51	12107702	10	41	12116703	18	40
11969508	54	41	12107900	10	50	12117107	18	41
11969573	50	32	12107900	12	50	12117206	18	12
11969573	54	38	12108007	10	8	12117305	18	18
11969953	50	27	12108106	10	52	12117412	20	21
11970050	54	32	12108106	12	52	12117461	20	19
11991502	22	62	12108213	10	1	12117511	20	20
12002606	10	44	12108304	10	4	12118907	18	19
12004206	26	16	12108403	10	5	12119210	18	14
12004404	44	37	12109260	14	1	12119400	22	46
12004503	26	13	12109302	14	6	12119509	22	50
12004800	38	18	12109500	14	9	12119608	20	42

NUMERICAL INDEX OF PARTS

PART NO	PAGE	REF NO.	PART NO	PAGE	REF NO.	PART NO	PAGE	REF NO.
12119756	20	40	12250205	6	38	12372207	14	40
12119806	20	41	12250304	6	1	12372306	14	26
12119905	20	43	12250403	6	37	12372405	14	27
12120002	20	44	12250510	2	19	12372603	10	14
12120465	24	9	12250601	2	23	12373007	30	19
12120804	34	17	12252508	10	54	12374013	24	21
12120903	34	14	12252508	12	54	12374104	24	13
12121000	34	16	12252706	44	39	12374203	24	18
12121109	34	18	12252805	14	7	12375051	10	19
12121208	34	24	12253811	32	2	12375150	10	24
12121307	34	26	12254405	34	29	12375259	10	28
12122008	24	24	12254504	34	64	12375309	10	23
12122404	26	5	12254504	36	64	12375408	10	9
12123410	26	14	12254603	34	65	12375507	26	25
12123808	28	41	12254603	36	65	12375705	28	55
12123907	28	39	12254751	34	40	12375952	28	45
12124004	26	32	12254850	34	31	12376554	36	49
12124806	28	37	12255451	36	58	12377552	40	10·11
12129805	44	29	12255501	44	2	12377586	40	10·11
12129854	44	26	12255550	44	1	12377602	40	24
12129904	44	27	12255600	44	5	12377701	40	26
12130001	44	28	12255709	44	12	12377800	40	28
12130100	44	20	12255808	44	13	12377909	40	29
12130209	44	21	12255907	44	23	12378006	40	34
12130308	44	33	12256004	44	14	12378006	42	34
12130407	44	34	12256103	44	6	12378105	40	18
12132155	10	11	12258000	6	43	12378204	40	25
12132262	38	2	12258505	24	17	12378303	40	9
12132304	38	7	12259008	24	20	12378816	16	45
12132403	38	11	12280103	10	43	12378915	16	46
12132502	38	4	12280608	14	31	12379012	16	47
12132619	40	17	12287603	18	23	12379509	2	30
12132700	40	22	12288700	30	14	12379608	2	31
12133211	40	13	12341806	46	6	12381059	32	3
12133302	38	13	12341905	46	5	12381158	32	13
12133708	40	30	12341954	46	4	12381208	32	27
12135505	46	24	12347555	34	21	12381257	32	25
12135505	48	35	12370201	2	17·18	12381307	32	28
12135554	46	23	12370300	2	17·18	12381406	32	31
12135554	48	34	12371100	6	47	12382503	20	14
12157319	32	26	12371100	8	47	12383402	20	16
12160800	32	36	12371506	10	10	12383501	26	24
12168407	32	29	12372009	14	24	12383600	26	22
12168506	32	30	12372108	14	17	12383808	26	17
12168803	32	41	12372157	14	15	12384202	28	53

NUMERICAL INDEX OF PARTS

PART NO	PAGE	REF NO.	PART NO	PAGE	REF NO.	PART NO	PAGE	REF NO.
12384400	24	16	B3013141H0A	6	17	B3320704L00A	52	47
12384509	42	47	B3101804000	34	43	B3320704L00A	54	58
12386603	14	23	B3102804000	34	34	B3320704L00A	56	58
B1140716000	2	22	B3105804000	34	66	B3321704L00	52	54
B1211804000	10	37	B3105804000	36	66	B3321704L00	54	64
B1212704000	10	17	B3108704000	36	67	B3321704L00	56	64
B1215804000	10	6	B3112704000	34	60	B3321704L0B	52	58
B1414555000	20	35	B3112704000	36	60	B3321704L0B	54	33
B1422804A00	26	21	B3113352000	34	2	B411180400E	38	21·22
B1508804000	32	17	B3120125000	34	8	BP300000200	44	41
B1510814000	32	18	B3120352000	34	11	CM300200001	4	48
B1511814000	32	19	B3120704000	34	63	CM3002000A1	6	6
B1514816000	32	33	B3120704000	36	63	CM300200101	6	9·44
B1528804000A	32	37	B3126012000	34	10	CM3002001A1	6	45
B1529804000	30	40	B3304704000A	50	42	CQ202000000	26	23
B1534804000	30	22	B3304704000A	54	53	CQ252000000	14	14
B1604704000	18	33	B3304704000A	56	53	CS0400671SD	2	5
B1605704000	18	29	B3305704000A	50	35	CS095081ASH	18	16
B1606704000	18	38	B3305704000A	54	46	CS1031210SH	26	7
B1620804000	18	9	B3305704000A	56	46	CS111101ESH	38	5
B1624704000	20	9	B3309704000	50	41	CS1201010SH	14	10
B1645704000A	22	60	B3309704000	54	52	D8204555D00	46	22
B1646704000A	20	38	B3309704000	56	52	D8204555D00	48	33
B1647704000A	20	37	B33097040A0	50	38	MAO11532000	50	57
B1651704000	18	25	B33097040A0	54	49	MAO11532000	52	57
B1652704000	18	22	B33097040A0	56	49	MAO11532000	54	34
B1654704000	18	7	B3311012000	50	48	MDO500S1800	14	8
B2017372000	34	9	B3311012000	52	48	MDO500S2100	14	44
B2102816000A	24	6	B3311012000	54	59	MDO500S2100	16	44
B2103816000B	24	2	B3311012000	56	59	NM6050001SE	50	50
B21038160A0	24	1	B3311704000	50	31	NM6050001SE	52	50
B2105816000	24	5	B3311704000	54	44	NM6050001SE	54	61
B2107816000	18	10	B3311704000	56	44	NM6050001SE	56	61
B2111716000	24	11	B3311804000	50	39	NM6060001SE	52	56
B2119816B00	24	8	B3311804000	54	50	NM6060001SE	54	66
B2202816000	34	22	B3311804000	56	50	NM6060001SE	56	66
B2314019000	34	7	B3317704000	50	52	NM6060003SC	30	28
B2401816000	34	3	B3317704000	52	52	NM6080600SM	48	12
B2402716000	34	4	B3317704000	54	62	NS6090310SN	2	34
B2508704000	28	46	B3317704000	56	62	NS6090310SP	38	31
B2509704000	26	1	B3318704L00A	50	29	NS6090310SP	46	28
B2525352000	24	25	B3318704L00A	54	42	NS6090310SP	48	39
B2530704000	28	47	B3319704L00	50	33	NS6110310SP	44	24
B2531704000	24	29	B3319704L00	54	39	NS6110420SP	2	12
B2531704000	28	58	B3320704L00A	50	47	NS6110420SP	30	38

NUMERICAL INDEX OF PARTS

PART NO	PAGE	REF NO.	PART NO	PAGE	REF NO.	PART NO	PAGE	REF NO.
NS6240630SN	46	18	SM4040855SP	20	2	SS3090610SP	2	35
NS6240630SN	48	6	SM4041055SP	2	40	SS3090610SP	28	44
NS6620320SP	18	6	SM4041055SP	22	56	SS4060310SP	38	24
NS6680410SP	6	24	SM4041455SN	18	24	SS4080610SP	22	67
PS0200052KH	34	20	SM4050855SP	10	42	SS4080620TP	10	51
PS0200062KH	24	28	SM4050855SP	34	1	SS4080620TP	12	51
PS0300062KH	28	57	SM4050855SP	44	22	SS4090415SP	34	28
PS0300132KH	18	34	SM4051055SP	42	36	SS4090515SP	22	65
PS0300142KH	30	7	SM4051255SP	6	4	SS4090615SP	26	20
R4300J0ML00	40	2	SM4051405SE	50	37	SS4091015SP	2	16
R4306J0HJ00	40	4	SM4051405SE	54	48	SS4110515SP	14	21
R4612J0HL00	40	6	SM4051405SE	56	48	SS4110515SP	34	25
RE0500000K0	20	26	SM4060801SE	44	30	SS4110715SP	30	10
RO037180100	28	38	SM4061201SE	52	55	SS4110715SP	34	30
RO060150100	22	61	SM4061201SE	54	65	SS4120615SP	4	49
RO074240100	6	27	SM4061201SE	56	65	SS4151215SP	6	12
RO078190100	20	5	SM6051202TP	18	2	SS5080212TP	10	53
RO108240100	14	18	SM6051202TP	20	34	SS5080212TP	12	53
RO110090100	30	18	SM6051202TP	24	14	SS5090610SP	46	27
RO347350100	10	40	SM6053000SE	50	43	SS5090610SP	48	38
RO480120100	22	52	SM6053000SE	54	54	SS5110710SP	6	15
SB110000300	10	7	SM6053000SE	56	54	SS5110710SP	46	9
SD0260271SP	18	32	SM6061200SP	26	6	SS5110710SP	48	27
SD0280401SL	14	35	SM6061200SP	30	27	SS5150510SP	34	5
SD0600341TP	34	19	SM6061202TP	10	27	SS6060210SP	32	20
SD0640241SP	30	6	SM6061402TP	14	4	SS6060340SP	32	35
SD0720271SP	20	28	SM6061402TP	18	15	SS6060440TP	28	52
SD0720803TH	24	7	SM6061402TP	38	3	SS6060440TP	32	21
SK2351600SC	46	10	SM6061610SC	50	30	SS6080320SP	18	42
SK2351600SC	48	28	SM6061610SC	54	43	SS6080340SP	30	9
SK3311500SC	46	21	SM6061802TP	44	18	SS6080410SP	20	32
SK3311500SC	48	32	SM8040302TP	2	6	SS6080410SP	26	34
SK3382001SE	50	28	SM8040402TP	30	15	SS6080720SP	14	30
SK3382001SE	54	35	SM8040612TP	14	19	SS6090420SP	48	19
SK3412000SC	6	35	SM8050402TP	24	23	SS6090620SP	22	57
SL4051231SC	22	64	SM8050402TP	44	32	SS6090620TP	28	54
SM0081001SD	6	28	SM8050602TP	24	22	SS6090630SP	28	48
SM1040801SC	2	20	SM9082513CF	48	11	SS6090630SP	46	8
SM1040801SC	6	41	SQ0000451MZ	44	15	SS6090630SP	48	29
SM4040655SP	2	42	SQ1110451MZ	44	25	SS6090650SP	32	34
SM4040655SP	28	42	SQ1150441SD	44	16	SS6090670TP	14	38
SM4040855SP	2	26	SQ1150451MZ	44	11	SS6090810SP	44	9
SM4040855SP	6	40	SQ1150453MZ	44	10	SS6110610TP	40	49
SM4040855SP	10	3	SS2090520SL	2	32	SS6110610TP	42	49
SM4040855SP	14	29	SS2110910SL	40	1	SS6110710TP	18	31

NUMERICAL INDEX OF PARTS

PART NO	PAGE	REF NO.	PART NO	PAGE	REF NO.	PART NO	PAGE	REF NO.
SS6110710TP	24	31	SS7161040SP	30	34	WP0621036SP	40	19
SS6110710TP	30	31	SS8080310TP	14	43	WP0651056SH	44	19
SS6111040SP	38	12	SS8080310TP	16	43	WP0751576SD	6	22
SS6111440SP	2	13	SS8090530TP	14	5	WP0764016SP	12	46
SS6111610SP	38	19	SS8110410TP	2	38	WP0850002SC	48	13
SS6121220TP	18	11	SS8110410TP	18	17	WP1102016SC	46	16
SS6121510SP	30	25	SS8110410TP	20	11	WP1102016SC	48	4
SS6151440SP	42	38	SS8110410TP	34	23	WP1612616SE	50	53
SS6661110SP	22	59	SS8110410TP	44	8	WP1612616SE	52	53
SS7060310SP	20	39	SS8110510SP	30	21	WP1612616SE	54	63
SS7060510SP	22	48	SS8110750SP	18	30	WP1612616SE	56	63
SS7060510SP	32	38	SS8151150SP	10	45	WS0822010KP	6	23
SS7060510SP	42	46	SS8660330SP	20	7	WS1002560KR	46	17
SS7060610SP	26	18	SS8660330SP	38	6	WS1002560KR	48	5
SS7080520SP	32	40	SS8660610TP	14	11	WZ0420350KP	2	4
SS7090510SP	42	48	SS8660610TP	26	8	WZ0640312K0	34	27
SS7090530SP	2	43	SS9090410TP	26	15	WZ0850302K0	6	16
SS7090610SP	4	46	SS9090610TP	26	30	WZ2640310KH	10	39
SS7090610SP	42	42	SS9090813TP	38	15			
SS7090611SL	6	19	SS9110430TP	24	19			
SS7090620TP	20	45	SS9111010SP	20	25			
SS7090710SP	40	27	SS9111010SP	40	23			
SS7090850SP	28	50	SS9111050SP	20	15			
SS7091410SP	2	9	SS9111610SP	38	27			
SS7092110TP	38	30	SS9112420TP	38	29			
SS7110510SP	2	29	SS9151210TP	6	42			
SS7110510SP	30	5	SS9151210TP	24	30			
SS7110540SP	50	40	SS9151210TP	26	59			
SS7110540SP	54	51	SS9151210TP	28	59			
SS7110540SP	56	51	SS9151210TP	30	33			
SS7110710SL	36	68	SS9681610TP	12	47			
SS7110710SP	2	15	ST60308210A	48	23			
SS7110720SP	40	15	TA0400301M0	44	35			
SS7110720TP	24	3	TA0750704R0	6	30			
SS7110810SP	18	35	TA0800504R0	20	4			
SS7110840SP	10	16	TA1030402R0	18	26			
SS7110840SP	26	56	TA1701107R0	6	31			
SS7110840SP	28	56	TA1871602R0	6	14			
SS7110840SP	42	41	TA2050416R0	18	13			
SS7110910TP	18	20	WP0350516SD	32	39			
SS7111410SP	30	39	WP0370316SD	38	16			
SS7111410TP	10	30	WP0370316SD	48	22			
SS7111810SP	12	49	WP0371016SD	22	54			
SS7111810TP	10	29	WP0480856SP	22	55			
SS7151120SP	40	31	WP0621016SD	20	36			