

MODEL : PLC-1660/PLC-1660-7/PLC-1660L

List No : 1181-04

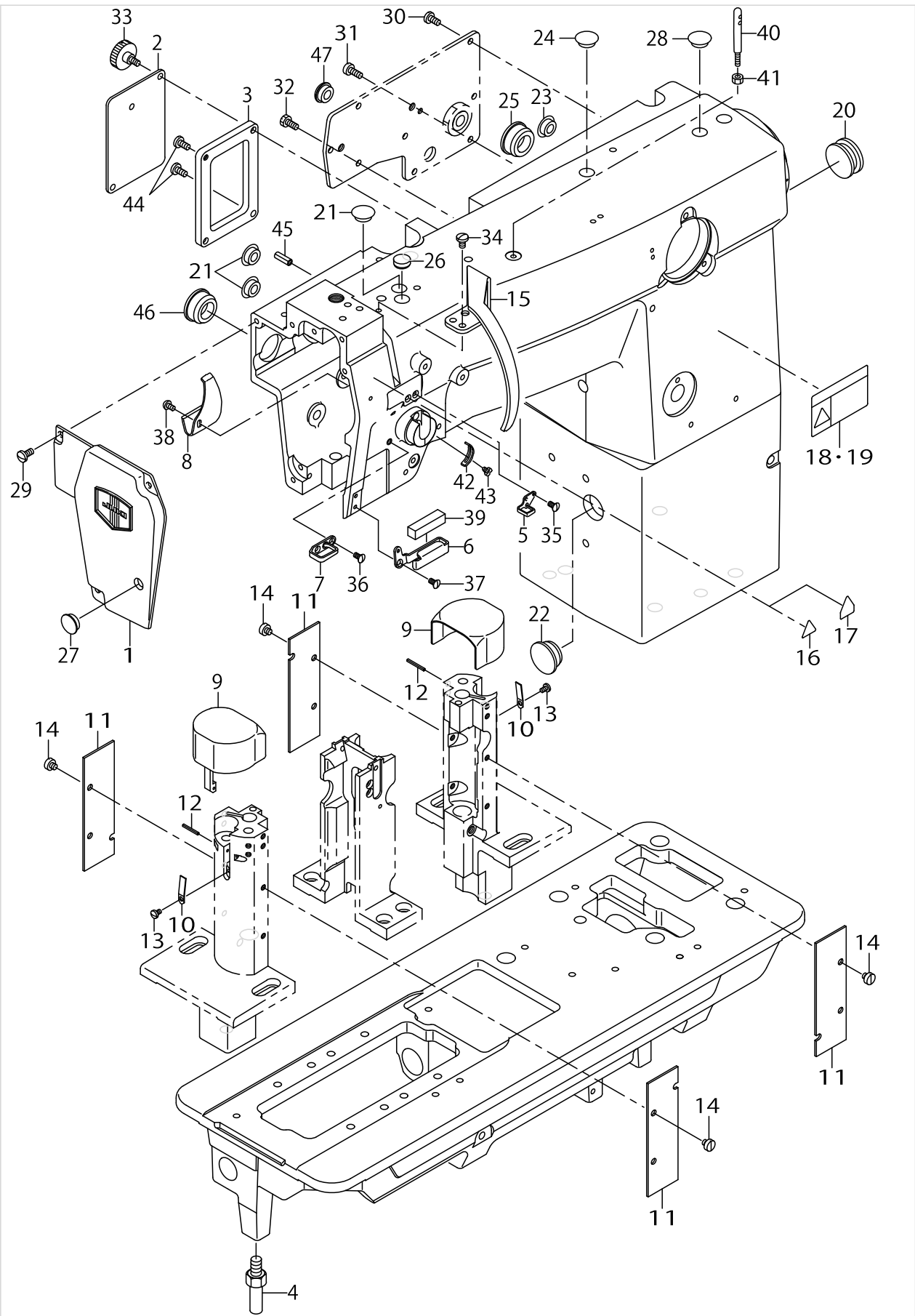
PARTS LIST

Published:05/12/2017

CONTENTS

FRAME & MISCELLANEOUS COVER COMPONENTS	1
MAIN SHAFT,HOOK DRIVING SHAFT DELIVERY & THREAD TAKE-UP LEVER COMPONENTS.....	5
NEEDLE BAR ROCKING COMPONENTS	9
PRESSURE ADJUSTING & UPPER FEED MECHANISM COMPONENTS.....	11
FEED MECHANISM COMPONENTS.....	13
HOOK SHAFT & HOOK DRIVING SHAFT COMPONENTS.....	17
HOOK COMPONENTS.....	19
THREAD TRIMMER MECHANISM COMPONENTS(FOR PLC-1660-7).....	21
AUTOMATIC REVERSE FEED MECHANISM COMPONENTS	25
THREAD TENSION COMPONENTS(FOR PLC-1660-7)	27
THREAD TENSION COMPONENTS(FOR PLC-1660)	29
THREAD TENSION COMPONENTS(FOR PLC-1660L)	31
LOWER THREAD WINDER MECHANISM COMPONENTS	33
PRESSER LIFTING SOLENOID COMPONENTS(FOR AK-131A).....	35
PRESSER LIFTING SOLENOID COMPONENTS(FOR AK-131B).....	39
LUBRICATION COMPONENTS	43
GAUGE COMPONENTS(STANDARD PARTS).....	45
TABLE AND STAND& BELT COVER COMPONENTS	47
EXCLUSIVE PARTS FOR PLC-1660-7	49
ACCESSORIES PARTS COMPONENTS	51
TABLE OF EXCHANGING GAUGE PARTS.....	53
LIST FOR INFORMATION OF CHANGE.....	57
HOW TO MAKE USE OF THIS PARTS LIST	58

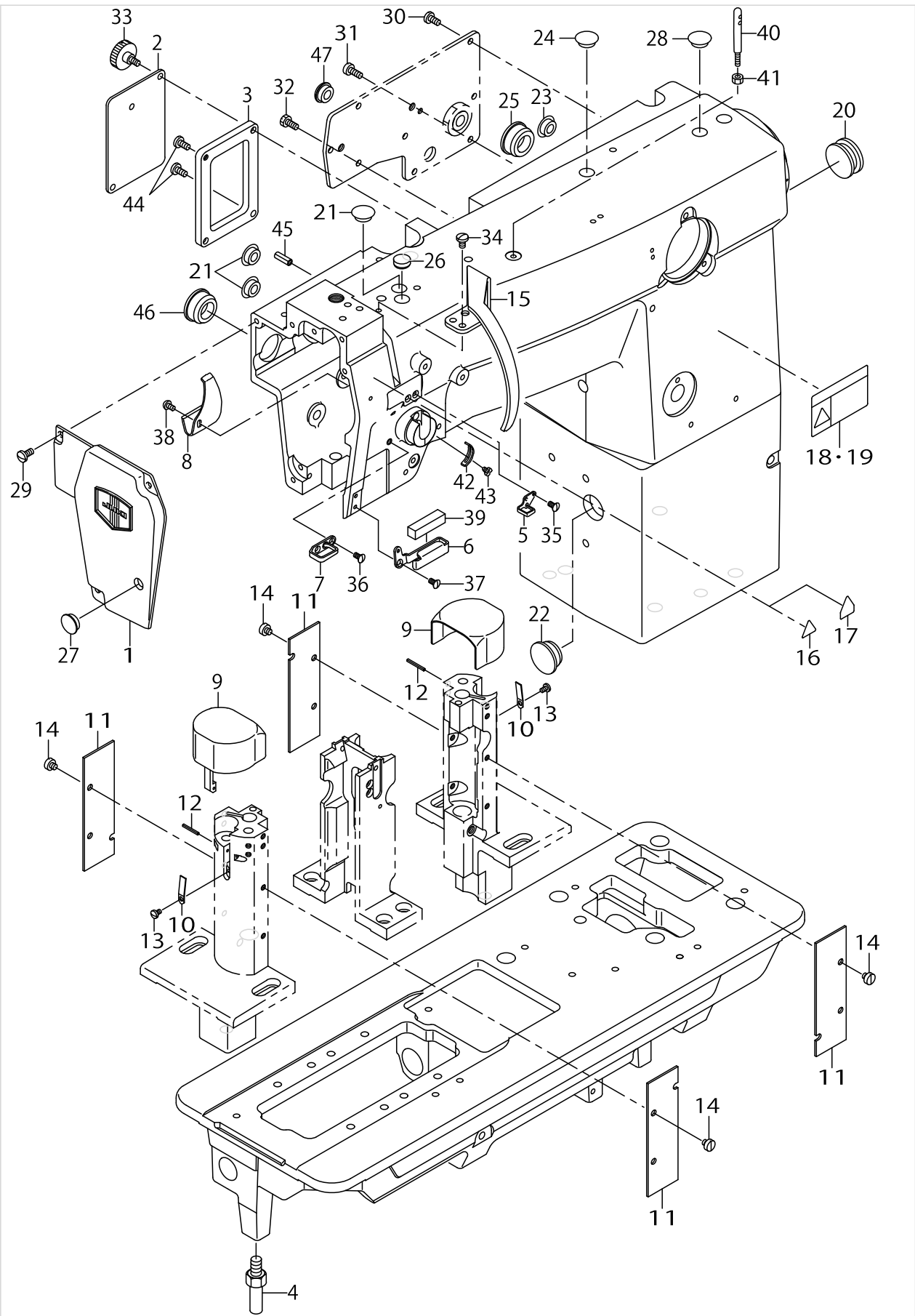
FRAME & MISCELLANEOUS COVER COMPONENTS



FRAME & MISCELLANEOUS COVER COMPONENTS

No.	Supply Code	Parts No.	Replacement	Parts name	Remarks	Choice	Step	Level	Cons	Qty	Rep. QTY
1		10301950		FACE PLATE ASM.						1	
2		40032259		SIDE COVER						1	
3	D	23007404		SIDE PLATE SPACER						1	
4		22602601		BED SCREW STUD						4	
5		B1129521000		THREAD GUIDE, UPPER						1	
6		10774008		FELT THREAD GUIDE						1	
7		B1129051000		FRAME THREAD GUIDE, UPPER						1	
8		B1140526000		TAKE-UP OIL SPLASHER						1	
9		23000656		HOOK COVER ASM.						2	
10		23000805		HOOKECOVERSPRING						2	
11		23000904		HOOKE SHAFT SADDLE COVER						4	
12		PS0200182KR		SPRING PIN 2X18						2	
13		SS7080520SP		SCREW 1/8-44 L=4.9						2	
14		SS6110480SP		SCREW 11/64-40 L=4.3						8	
15		10439008		THREAD TAKE-UP LEVER COVER(JE)						1	
16		CM3002000B1		LABEL(16)	FOR USE IN JAPAN					1	
17		CM300200001		ATTENTION SEAL	FOR JE					1	
18		CM300200101		SAFETY LABEL, 1(SMALL).	FOR USE IN JAPAN					1	
19		CM3002001A1		SAFETY LABEL.,3 (SMALL).	FOR EXPORT					1	
20		10201200		RUBBER PLUG						1	
21		TA1250504R0		RUBBER PLUG						3	
22		TA2100904R0		RUBBER PLUG						1	
23		TA1250504R0		RUBBER PLUG						1	
24		TA1250504R0		RUBBER PLUG						1	
25		TA2351004R0		RUBBER PLUG						1	
26		TA1270502R0		RUBBER PLUG						1	
27		TA1250406R0		RUBBER PLUG D=12.5 L=4						1	
28		TA1250504R0		RUBBER PLUG						1	
29	R	SS7110910SP	SS7110910TP	SCREW 11/64-40 L=8.5						3	1.00
30	R	SS7110910SP	SS7110910TP	SCREW 11/64-40 L=8.5						5	1.00
31		SS6111140SP		SCREW 11/64-40 L=11	FOR PLC-1660-7					1	
32		SS9111010SP		SCREW 11/64-40 L=9.5						1	
33		MAT80110L00		CLAMP SCREW						2	
34		SS7110710SP		SCREW 11/64-40 L=7						1	
35		SS2090520SL		SCREW 9/64-40 L=5						2	
36		SS2090520SL		SCREW 9/64-40 L=5						2	
37		SS2090520SL		SCREW 9/64-40 L=5						1	
38		SS3090610SP		SCREW 9/64-40 L=6						1	
39		22603708		FELT						1	
40		B1114517000		NEEDLE THREAD GUIDE PIN						1	
41		NS6620310SP		NUT 3/16-32						1	
42		B3138512000		TAKE-UP SPRING A-DJUSTING PLATE						1	
43	R	SS7090520SP	SS7090520TP	SCREW 9/64-40 L=4.5						1	1.00
44	R	SS7110910SP	SS7110910TP	SCREW 11/64-40 L=8.5						2	1.00
45		PS0500142KP		SPRING PIN						1	

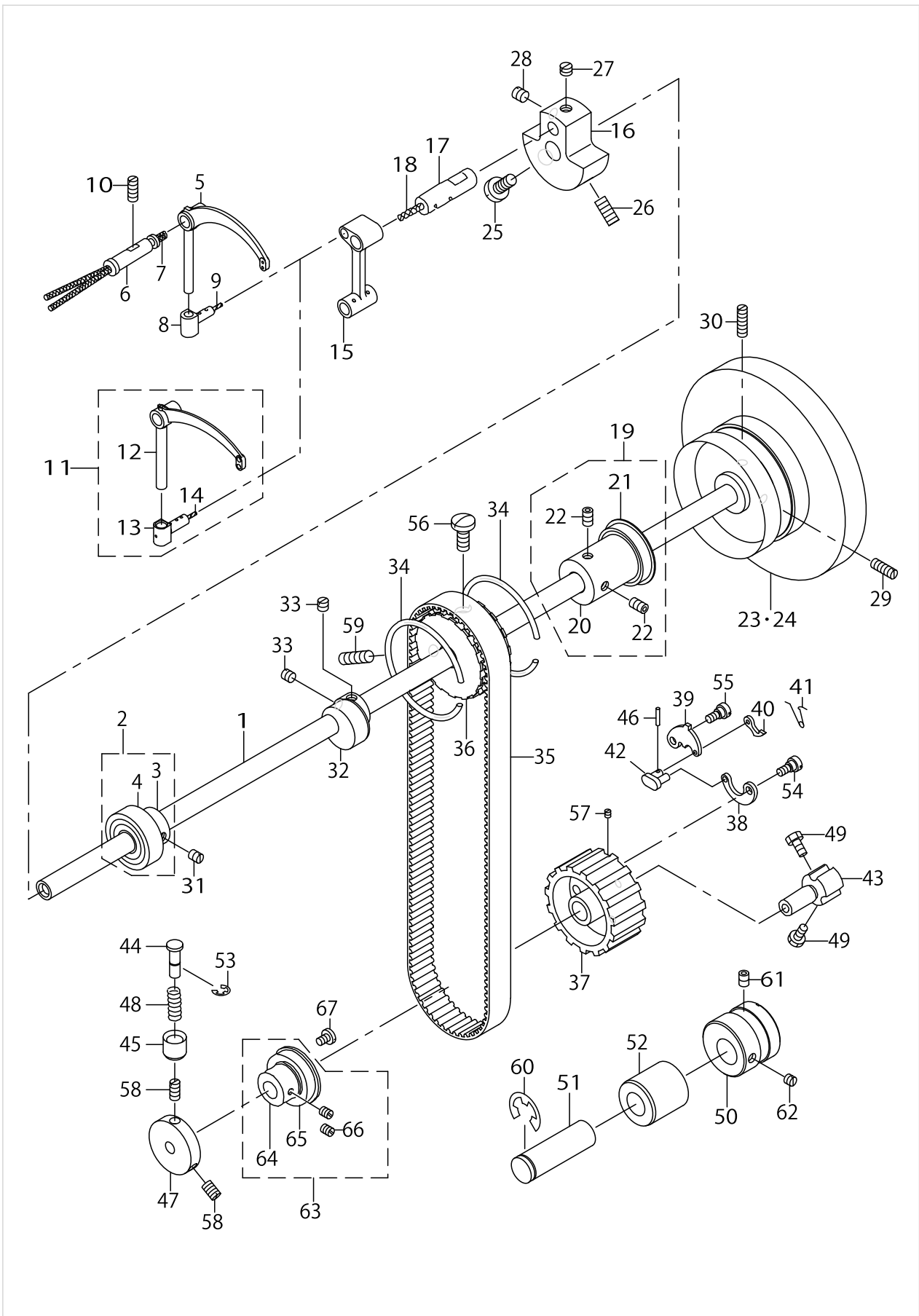
FRAME & MISCELLANEOUS COVER COMPONENTS



FRAME & MISCELLANEOUS COVER COMPONENTS

No.	Supply Code	Parts No.	Replacement	Parts name	Remarks	Choice	Step	Level	Cons	Qty	Rep. QTY
46		TA2351004R0		RUBBER PLUG						1	
47		TA1250406R0		RUBBER PLUG D=12.5 L=4						1	

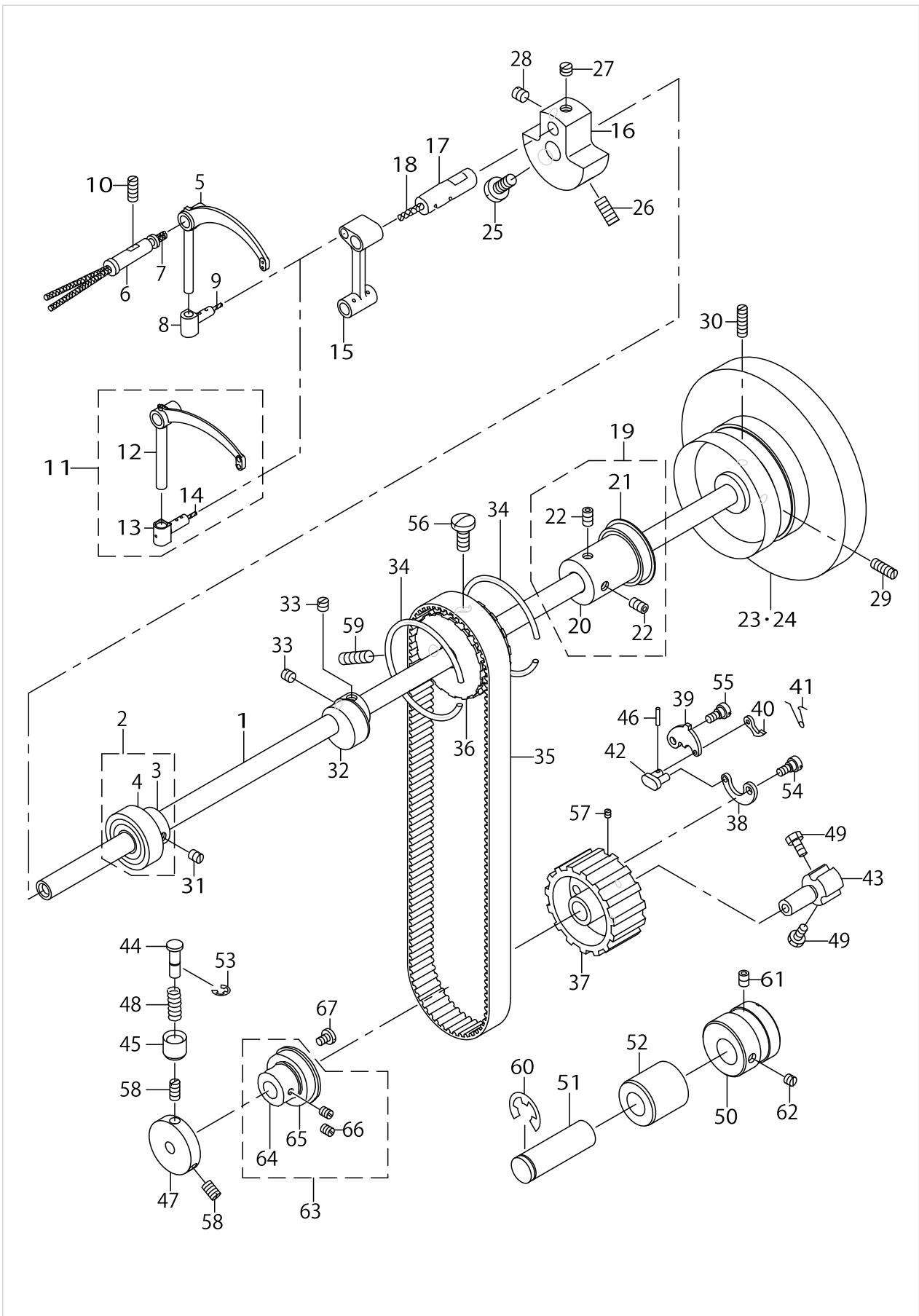
MAIN SHAFT, HOOK DRIVING SHAFT DELIVERY & THREAD TAKE-UP LEVER COMPONENTS



MAIN SHAFT,HOOK DRIVING SHAFT DELIVERY & THREAD TAKE-UP LEVER COMPONENTS

No.	Supply Code	Parts No.	Replacement	Parts name	Remarks	Choice	Step	Level	Cons	Qty	Rep. QTY
1		10305001		MAIN SHAFT						1	
2		10305159		MAIN SHAFT BUSHING, FRONT						1	
3		10305100		MAIN SHAFT BUSHING, FRONT				*		1	
4		B1202512000		MAIN SHAFT BUSHING, FRONT				*		1	
5		23001001		THREAD TAKE-UP LEVER						1	
6		B1906051000		TAKE-UP LEVER PIN						1	
7		CQ200000000		OIL WICK						.2	
8		B1907526000		TAKE-UP LEVER THRUST PIN						1	
9		CQ252000000		OIL WICK						.03	
10		SS8151550SP		SCREW15/64-28L=15						1	
11	R	B19055200A0	B19055200C0	THREAD TAKE-UP LEVER	FOR PLC-1660L					1	1.00
12		B1905520000		THREAD TAKE-UP LEVER				*		1	
13		B1907057000		THRUST PIN				*		1	
14		CQ202000000		OIL WICK				*		0.02	
15		B1408051000		NEEDLE BAR CRANK ROD						1	
16		B1206051000		COUNTERWEIGHT						1	
17		B1210051000		NEEDLE BAR CRANK PIN						1	
18		CQ303000000		OIL WICK						.06	
19		23008055		MAIN SHAFT THRU- ST COLLAR ASM.						1	
20		23008006		MAIN SHAFT THRUST COLLAR				*		1	
21		B1203512000		BUSHING, REAR				*		1	
22		SM8061002TP		SCREW M6 L=10				*		2	
23		23001100		HAND WHEEL						1	
24		23001209		HAND WHEEL	FOR PLC-1660L					1	
25		SS7681750TP		SCREW 9/32-28 L=16.5						1	
26		SS8681650TP		SCREW 9/32-28 L=16						1	
27		SS8680540SP		SCREW 9/32-28L=4.5						1	
28		SS8680730SP		SCREW 9/32-28 L=7						1	
29		SS8150912TH		SCREW 15/64-28 L=9						1	
30		SS8150822TP		SCREW 15/64-28 L=8						1	
31		SS8150760TP		SCREW 15/64-28 L=7.0						1	
32		B1450057000		ADJUSTING FEED ECCENTRIC						1	
33		SS8660610TP		SCREW 1/4-40 L=6						2	
34		B1214019000		SPROCKET RING						2	
35		23001308		TIMING BELT						1	
36		23001407		UPPER SPROCKET						1	
37		23001506		SPROCKET WHEEL						1	
38		B1305055000A		SAFETY CLUTCH SPRING						1	
39	R	B1307055000	21387600	SAFETY CLUTCH HOOK						1	1.00
40		B1308055000		SAFETY CLUTCH COUNTER-HOOK						1	
41	R	B1309055000	40113224	COUNTER-HOOK SPRING						1	1.00
42		B1310055000		SAFETY CLUTCH SMALL LINK						1	
43		10503605		SAFETY BASE						1	
44		23001605		SAFETY CLUTCH						1	
45		B1313055000		SAFETY CLUTCH KNOB SLEEVE						1	
46		B1314055000		SAFETY CLUTCH SMALL LINK PIN						1	

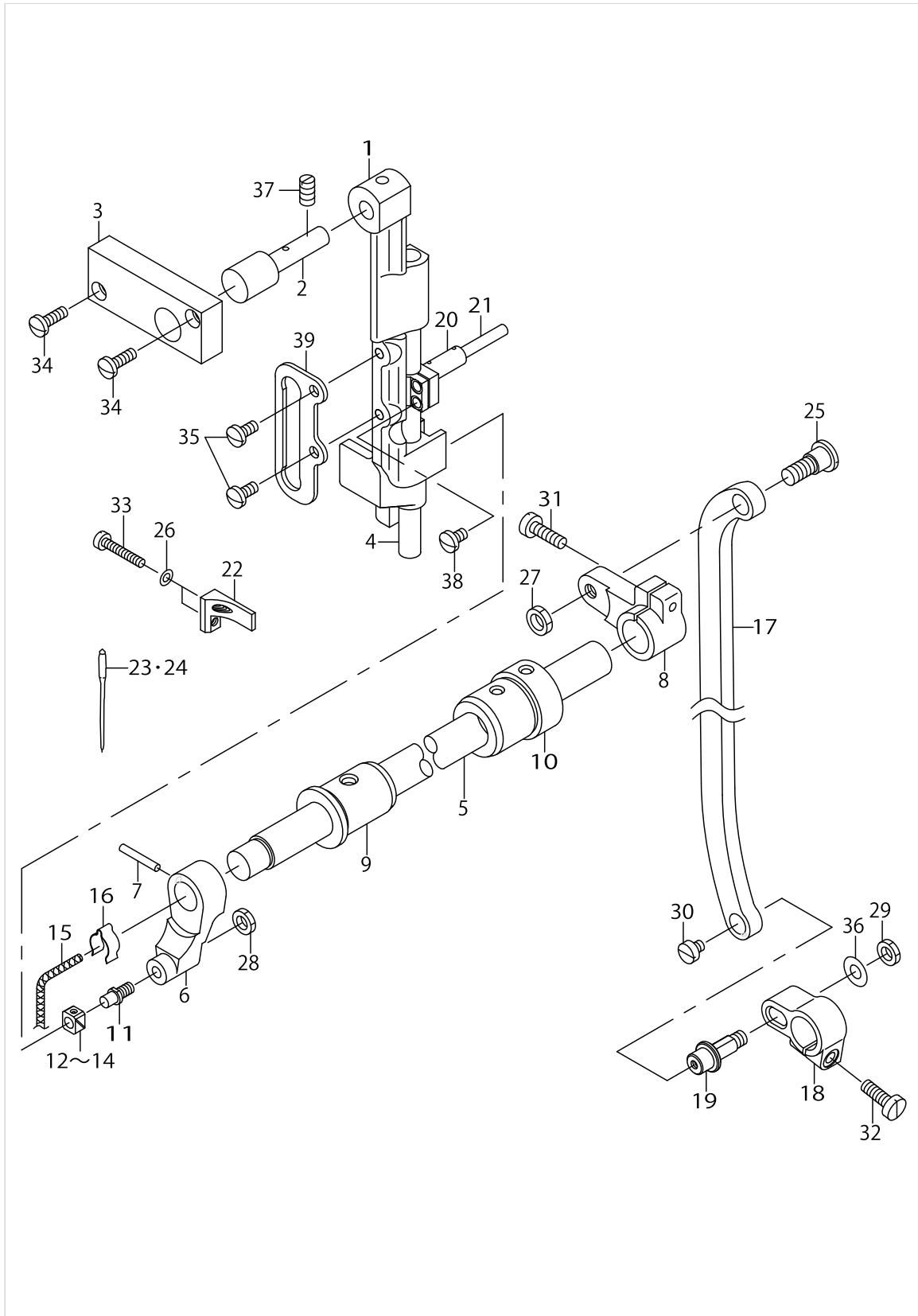
MAIN SHAFT, HOOK DRIVING SHAFT DELIVERY & THREAD TAKE-UP LEVER COMPONENTS



MAIN SHAFT,HOOK DRIVING SHAFT DELIVERY & THREAD TAKE-UP LEVER COMPONENTS

No.	Supply Code	Parts No.	Replacement	Parts name	Remarks	Choice	Step	Level	Cons	Qty	Rep. QTY
47		23001704		SAFETY CLUTCH DISK						1	
48		B1639051000		SPRING						1	
49		SS6661110SP		SCREW 1/4-40 L=11						2	
50		23001803		IDLER BUSH						1	
51		23001902		IDLER SHAFT						1	
52		22603906		UPPER SHAFT INNER METAL						1	
53		RE0500000K0		E-RING						1	
54		SD0640322TP		HINGE SCREW D= 6.35 H= 3.2						1	
55		SD0640322TP		HINGE SCREW D= 6.35 H= 3.2						1	
56		SS7681750TP		SCREW 9/32-28 L=16.5						1	
57		SS8090410SP		SCREW 9/64-40 L=3.5						1	
58		SS8151230SP		SCREW 15/64-28 L=12						2	
59		SS8681950SP		SCREW 9/32-28 L=19						1	
60		RE1200000K0		E-RING 12						1	
61		SM8060802TP		SCREW M6 L=8						1	
62		SS8150510TP		SCREW 15/64-28 L= 4.7						1	
63		22611651		THRUST COLLAR ASM., B						1	
64		22611602		THRUST COLLAR, B				*		1	
65		SB120000200		BEARING 20X42				*		1	
66		SS8661030SP		SCREW 1/4-40 L=10				*		2	
67		SS7120760SP		SCREW 3/16-28 L=7.0				*		2	

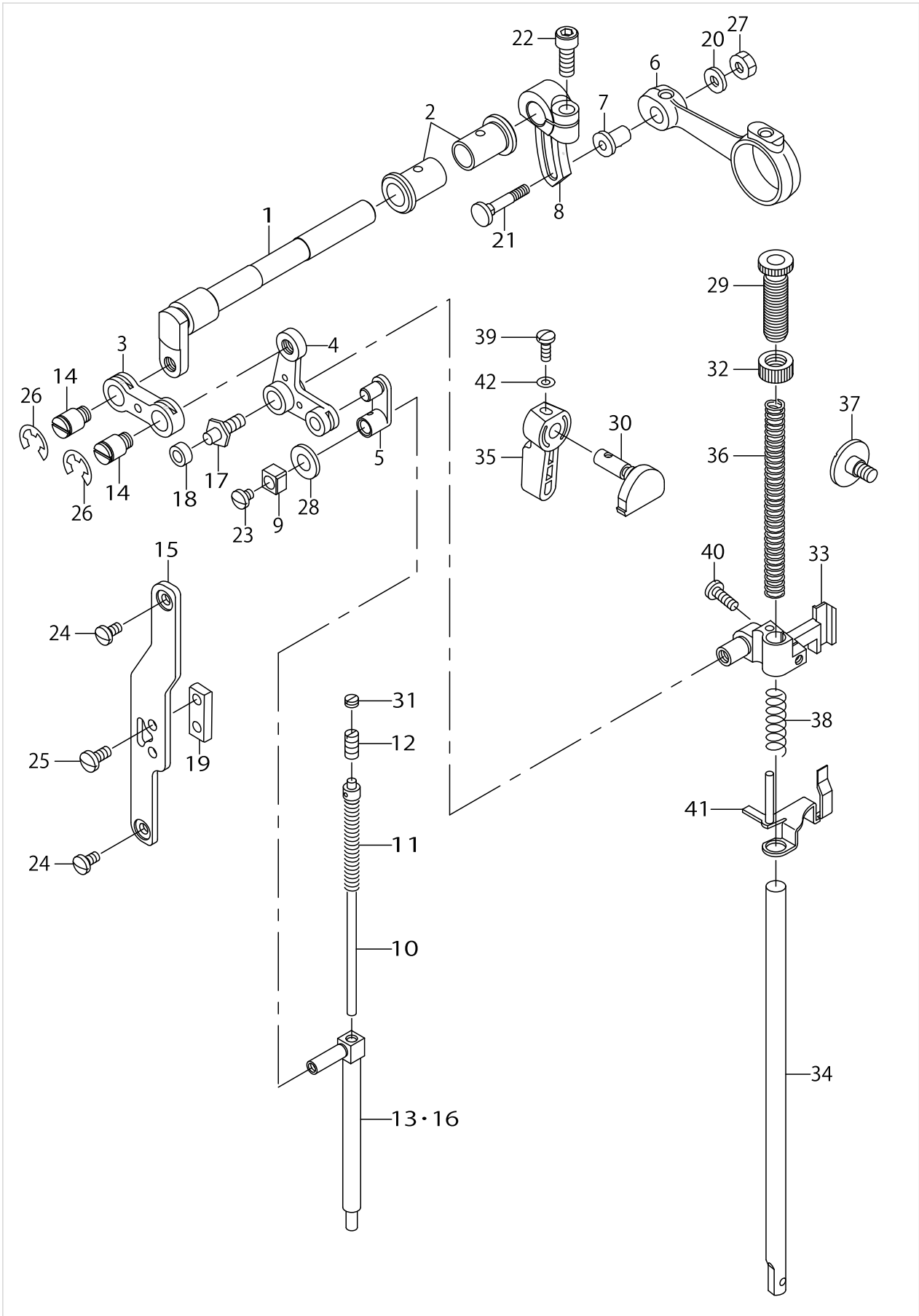
NEEDLE BAR ROCKING COMPONENTS



NEEDLE BAR ROCKING COMPONENTS

No.	Supply Code	Parts No.	Replacement	Parts name	Remarks	Choice	Step	Level	Cons	Qty	Rep. QTY
1		40016538		NEEDLE BAR FRAME						1	
2		10308203		NEEDLE BAR FRAME SHAFT ASM.						1	
3		10301307		NEEDLE BAR FRAME SHAFT BASE						1	
4		23002108		NEEDLE BAR						1	
5		10204709		NEEDLE BAR FRAME ROCK SHAFT						1	
6		23002207		ROCK SHAFT FRONT CRANK						1	
7		PT0302000S0		TAPERED PIN 3.0X20						1	
8		23008303		OCK SHAFT REAR CRANK						1	
9		23002306		ROCK SHAFT FRONT BUSHING						1	
10		23002405		ROCK SHAFT REAR BUSHING						1	
11		B1410771000		STUD						1	
12		B1414232000		SQUARE BLOCK	SELECTIVE PARTS					1	
13		B141423200A		CRANK SLIDE BLOCK	SELECTIVE PARTS					1	
14		B141423200B		GUIDE ROLLER	SELECTIVE PARTS					1	
15		CQ202000000		OIL WICK						.12	
16		B1437051000		OIL WICK RETAINER						1	
17		23002504		NEEDLE BAR FRAME ROD						1	
18		23002603		ROCK SHAFT CRANK						1	
19		23002702		CONNECTING STUD						1	
20	R	B1411057000	B14110570A0	NEEDLE BAR CONNECTION						1	1.00
21		B1412051000		FELT						1	
22		23004104		FEED LEVER SUPPORT						1	
23		MC321001400		NEEDLE 134-35 #140						2	
24		MC321001800		NEEDLE 134-35 #180	FOR PLC-1660L					2	
25		SD0900701TP		HINGE SCREW D= 9 H= 7						1	
26		WP0371026SD		WASHER 3.7X7X1						2	
27		NS6680320SP		NUT 9/32-28						1	
28		NS6150310SP		NUT 15/64-28						1	
29		NS6150310SP		NUT 15/64-28						1	
30		SS6110520TP		SCREW 11/64-40 L=4.5						1	
31		SS6121610TP		SCREW 3/16-28 L=15.5						1	
32		SS6121610TP		SCREW 3/16-28 L=15.5						1	
33		SS6092120SP		SCREW 9/64-40 L=21.2						2	
34		SS7111310TP		SCREW 11/64-40 L=12.8						2	
35	R	SS7110910SP	SS7110910TP	SCREW 11/64-40 L=8.5						2	1.00
36		WP0650876SD		WASHER 6.5X13X0.8						1	
37		SS8150920SP		SET-SCREW						1	
38		SS7110720SP		SCREW 11/64-40 L=7						2	
39		23007008		WALKING BAR GUIDE						1	

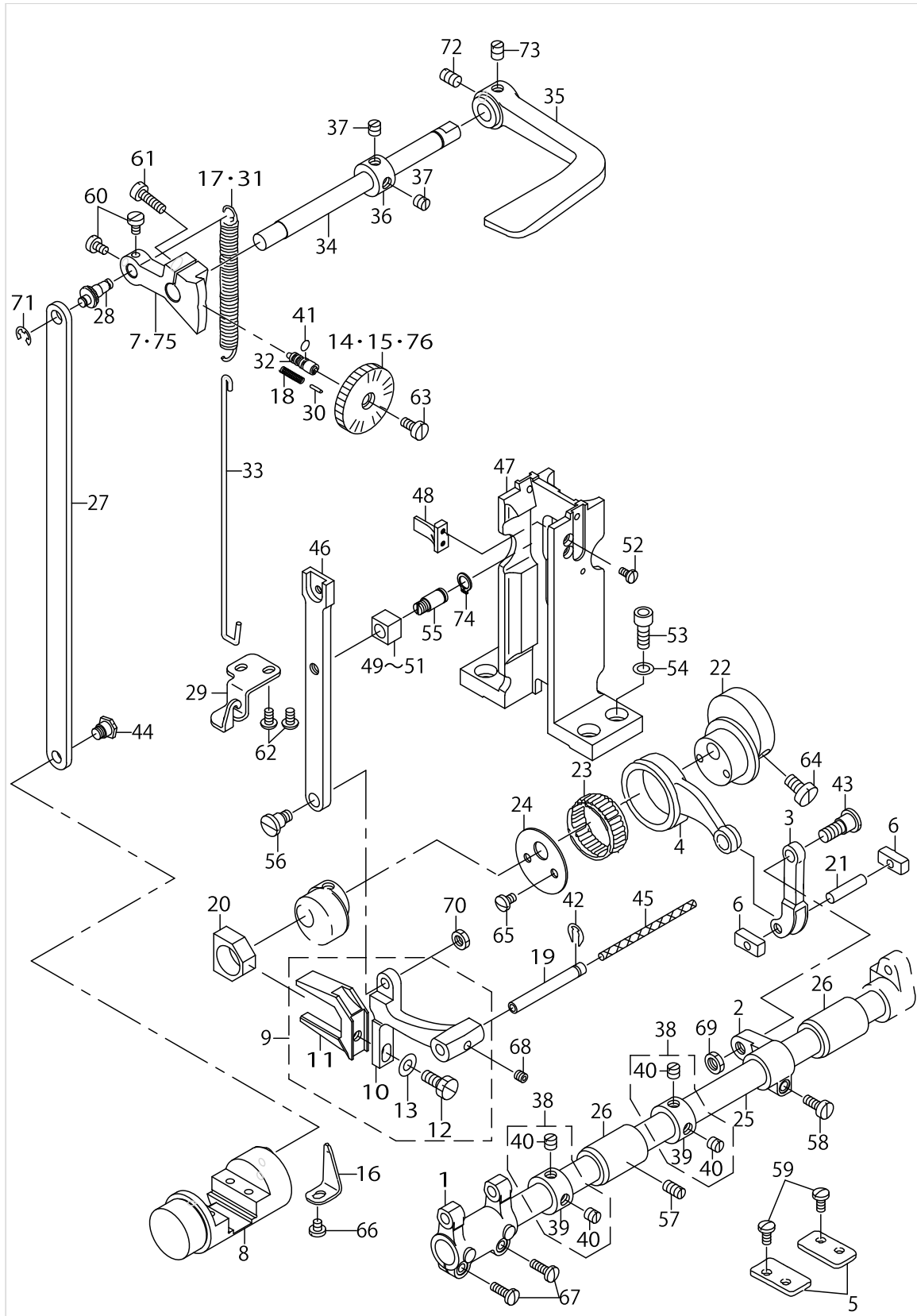
PRESSURE ADJUSTING & UPPER FEED MECHANISM COMPONENTS



PRESSURE ADJUSTING & UPPER FEED MECHANISM COMPONENTS

No.	Supply Code	Parts No.	Replacement	Parts name	Remarks	Choice	Step	Level	Cons	Qty	Rep. QTY
1		23006505		UPPER FEED DRIVING SHAFT						1	
2		B1455053000		BUSHING						2	
3		23006604		CONNECTING LINK						1	
4		23006703		L SHAPED LINK						1	
5		23006802		WALKING BAR DRIVING LINK						1	
6		23006901		UPPER FEED DRIVING ROD						1	
7		D1455055B00		CONNECTING STUD						1	
8		D1454055B00		UPPER FEED SPRING ROD						1	
9		B1414555000		SLIDE BLOCK						1	
10		B14670530A0		WALKING BAR ASM.						1	
11		B1468053000		WALKING BAR SPRING						1	
12		SS8151550SP		SCREW15/64-28L=15						1	
13	R	23007107	40033033	WALKING BAR						1	1.00
14		21048707		HINGE SCREW						2	
15		23003007		GUIDE PLATE						1	
16		23007206		WALKING BAR	OPTIONAL PARTS					1	
17		B1461245000		GUIDE SHAFT HINGE SCREW						1	
18		D1462241E00		CONNECTING PIN ROLLER						1	
19		D1463241E00		PRESSER BAR BRACKET GUIDE						1	
20		WP0482086SD		WASHER 4.8X11.5X2						1	
21		D1456055B00		HINGE SCREW						1	
22		23009608		UPPER FEED ARM CLAMP SCREW						1	
23		SS7110510SP		SCREW 11/64-40 L=5						1	
24		SS7110840SP		SCREW 11/64-40 L=7.8						2	
25		SS7621040SP		SCREW 3/16-32 L=9.5						2	
26		RE0800000K0		E-SHAPED SNAP RING (8MM)						2	
27		NS6110530SP		NUT 11/64-40						1	
28		10509701		FELT						1	
29		B1509141H00		PRESSER SPRING REGULATOR						1	
30		10310712		HAND LIFTER CAM						1	
31		SS8150310SP		SCREW 15/64-28 L= 3.4						1	
32	R	11071701	22907554	NUT						1	1.00
33		23002801		HAND LIFTER BRACKET						1	
34		B1501141H00		PRESSER BAR						1	
35	R	11071800	22907802	HAND LIFTER						1	1.00
36		B1502246000		PRESSER SPRING						1	
37		SD0800481SP		HINGE SCREW D= 8 H= 4.9						1	
38		B1462053000		THREAD RELEASE SPRING						1	
39		SS7091110TP		SCREW 9/64-40 L=10.5						1	
40	R	SS7111310SP	SS7111310TP	SCREW 11/64-40 L=12.8						1	1.00
41		23002959		THREAD RELEASE GUIDE						1	
42		WP0370316SD		WASHER 3.7X8X0.3						1	

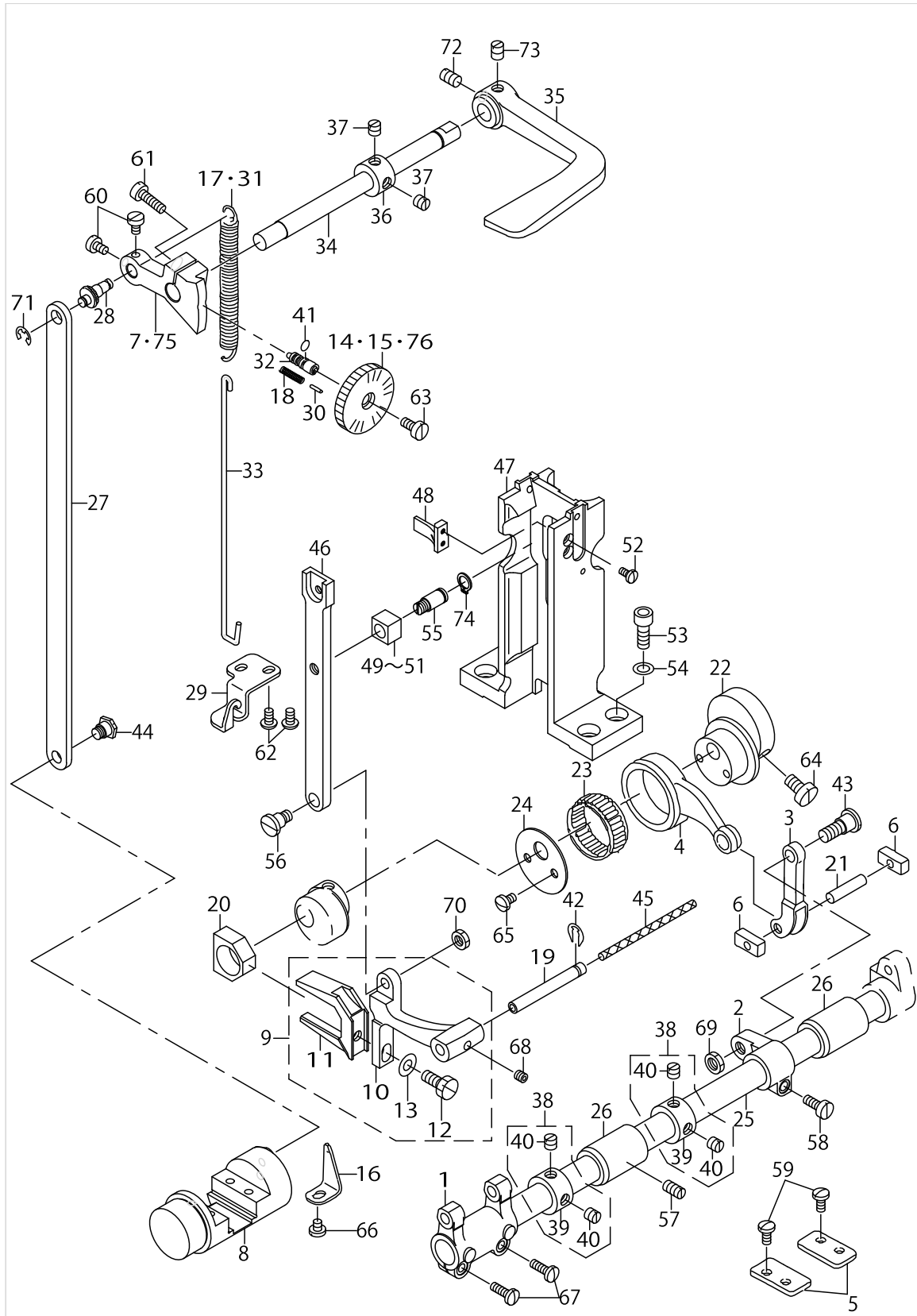
FEED MECHANISM COMPONENTS



FEED MECHANISM COMPONENTS

No.	Supply Code	Parts No.	Replacement	Parts name	Remarks	Choice	Step	Level	Cons	Qty	Rep. QTY
1	R	10315000	21364104	FEED ROCKER						1	1.00
2		10315109		FEED ROCKER SHAFT CRANK						1	
3		10315208		FEED ROCK CONNECTING ROD						1	
4		22609200		FEED ROCK SHAFT CONNECTING ROD						1	
5		10315505		PLATE						2	
6		22609606		FEED DRIVING ROCKER BLOCK, S						2	
7		23003106		FEED REGULATOR						1	
8		23003254		FEED DRIVING ROCKER ASM.						1	
9		23003353		FEED BAR ASM.						1	
10		23003304		FEED BAR				*		1	
11	R	10107902	40039258	FEED BAR FORK		A	PLC-17*	*		1	1.00
11	R	10107902	21336060	FEED BAR FORK		B	LU-1510N-7 NA-7	*		1	1.00
11	R	10107902	21364252	FEED BAR FORK		C	LU-1560N N-7 LU-1565	*		1	1.00
11	R	10107902	21393459	FEED BAR FORK		D	LU-1520N-7	*		1	1.00
11	R	10107902	23003353	FEED BAR FORK		E	PLC-16*	*		1	1.00
11	R	10107902	21336052	FEED BAR FORK		G	LU-1510/1510-7	*		1	1.00
11	R	10107902	22609762	FEED BAR FORK				*		1	1.00
12		SS9151440CP		SCREW15/64-28L=14				*		1	
13		WP0621016SD		WASHER 6.2X13X1				*		1	
14		23003403		STITCH DIAL						1	
15		B16232010AA		STITCH DIAL	FOR PLC-1660L					1	
16		B1633470000		STOPPER PLATE						1	
17		B1513280000		TENSION SPRING						1	
18		22912109		FEED REGULATOR PIN SPRING						1	
19		B1604012000A		FEED BAR SHAFT						1	
20		B1610512000		FEED DRIVING SLIDE BLOCK						1	
21	R	B1653470000	40032271	PIN						1	1.00
22		23003601		FEED DRIVE ECCENTRIC CAM						1	
23		B1636581B00		NEEDLE BEARING B						1	
24		23003700		THRUST COLLAR						1	
25		23007305		FEED ROCK SHAFT						1	
26		10106102		BUSHING						2	
27	D	23003809		FEED REGULATOR CONNECTING ROD						1	
28		22610109		ROD PIN						1	
29		22610406		SPRING BRACKET						1	
30		10207405		PIN						1	
31		21055009		SPRING	FOR PLC-1660L					1	
32		10207116		FEED REGULATOR SCREW						1	
33		21026307		SPRING HOLDER						1	
34		10107506		REVERSE FEED SHAFT	FOR PLC-- 1660,PLC-1660L					1	
35		B162438000A		REVERSE FEED CONTROL LEVER	FOR PLC-- 1660,PLC-1660L					1	
36		CS1021211SH		THRUST COLLAR D=10.2 W=12						1	
37		SS8660610TP		SCREW 1/4-40 L=6						2	
38		22904155		MAIN SHAFT THRU-ST COLLAR ASM.						2	

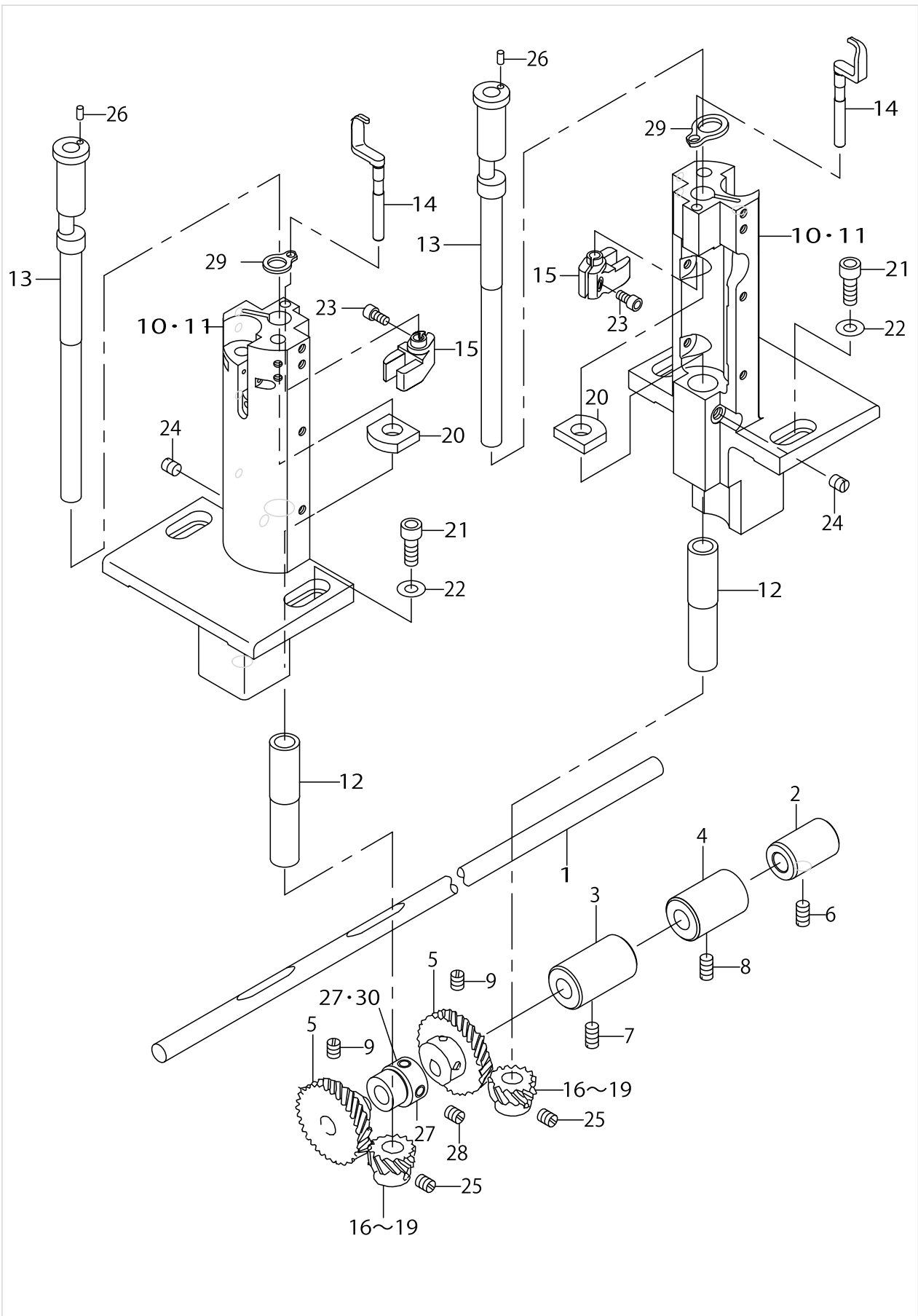
FEED MECHANISM COMPONENTS



FEED MECHANISM COMPONENTS

No.	Supply Code	Parts No.	Replacement	Parts name	Remarks	Choice	Step	Level	Cons	Qty	Rep. QTY
39	R	22904106	22904155	MAIN SHAFT THRUST COLLAR				*		2	1.00
40		SS8660610TP		SCREW 1/4-40 L=6				*		4	
41		RO074240100		RUBBER RING						1	
42		RE0500711KP		SNAP RING 5						1	
43		SD0900701TP		HINGE SCREW D= 9 H= 7						1	
44		SD0800422CP		HINGE SCREW D= 8 H= 4.2						1	
45		CQ202000000		OIL WICK						.1	
46	D	23003908		FEED LEVER						1	
47		23004005		FEED LEVER BASE						1	
48		23004104		FEED LEVER SUPPORT						1	
49		13516703		SLIDE BLOCK B	SELECTIVE PARTS					1	
50		13516604		SLIDE BLOCK A	SELECTIVE PARTS					1	
51		13519202		SLIDE BLOCK	SELECTIVE PARTS					1	
52		SS7090710SP		SCREW 9/64-40 L=6.8						2	
53		SM6061602TP		SCREW M6 L=16						4	
54		WP0651056SD		WASHER 6.5X11X1						4	
55		23009509		FEED LEVER SHAFT						1	
56		SD0790601SP		HINGE SCREW D=7.94 H=6						1	
57	R	SS8151150SP	SS8151150TP	SCREW 15/64-28 L=10.5						1	1.00
58		SS6121610TP		SCREW 3/16-28 L=15.5						1	
59	R	SS7110910SP	SS7110910TP	SCREW 11/64-40 L=8.5						4	1.00
60	R	SS6110710SP	SS6110710TP	SCREW 11/64-40 L=7						2	1.00
61		SS6121610TP		SCREW 3/16-28 L=15.5						1	
62		SS4110815SP		SCREW 11/64-40 L=8						2	
63		SS6121050SP		SCREW 3/16-28 L=9.5						1	
64		SS6661110SP		SCREW 1/4-40 L=11						2	
65		SS7110710SP		SCREW 11/64-40 L=7						2	
66		SS7110510SP		SCREW 11/64-40 L=5						1	
67		SS7111310TP		SCREW 11/64-40 L=12.8						2	
68		SM8050502TP		SCREW M5 L=5						1	
69		NS6680320SP		NUT 9/32-28						1	
70		NS6150310SP		NUT 15/64-28						1	
71		RE0500000K0		E-RING						1	
72		SS8661040TP		SCREW 1/4-40 L=10	FOR PLC-- 1660,PLC-1660L					1	
73		SS8660810TP		SCREW 1/4-40 L=8	FOR PLC-- 1660,PLC-1660L					1	
74		RC0740811KP		C-RING						1	
75		40025467		FEED REGULATOR	FOR PLC-1660-7					1	
76		B16231450A0		STITCH DIAL	FOR PLC-1660-7					1	

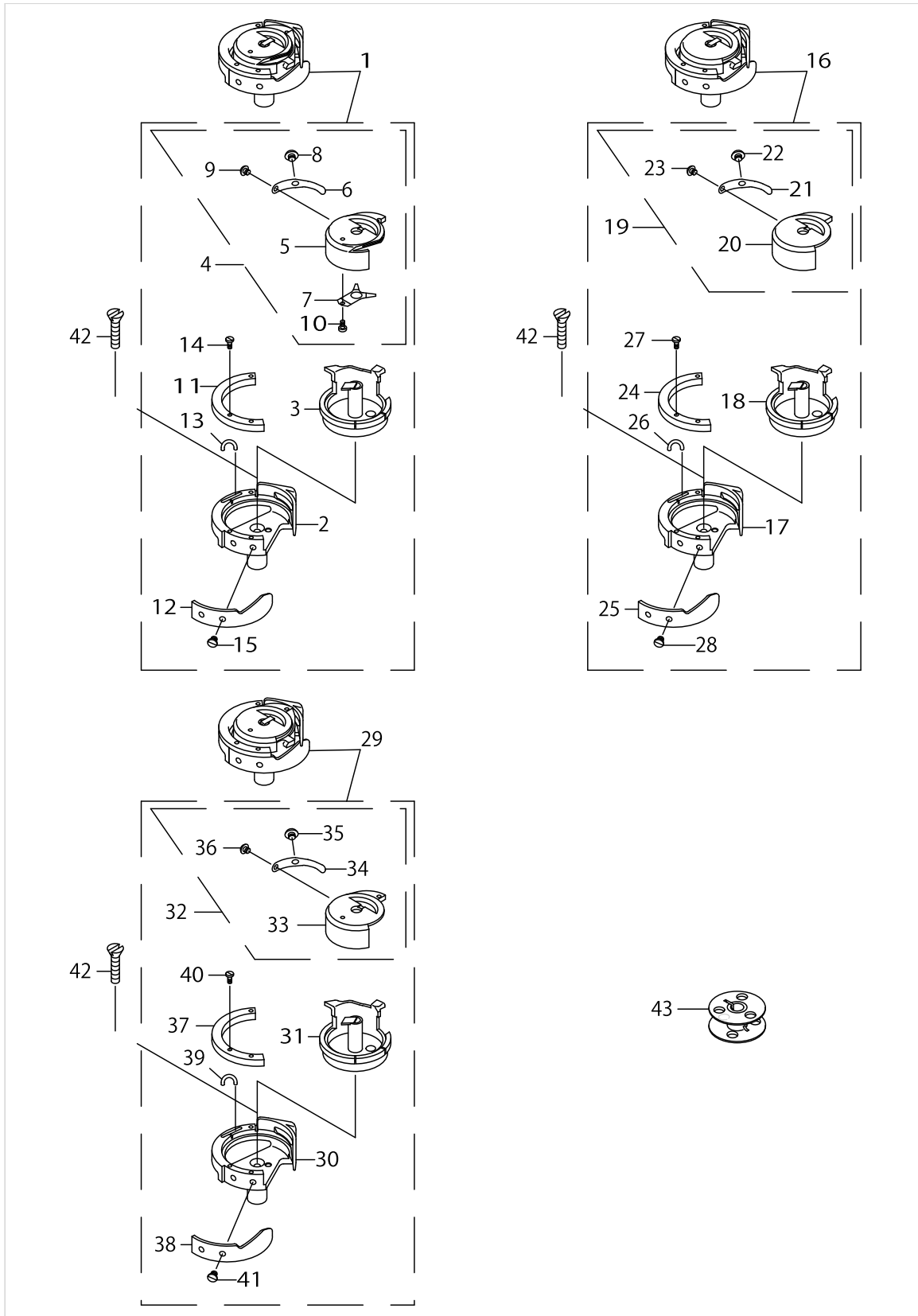
HOOK SHAFT & HOOK DRIVING SHAFT COMPONENTS



HOOK SHAFT & HOOK DRIVING SHAFT COMPONENTS

No.	Supply Code	Parts No.	Replacement	Parts name	Remarks	Choice	Step	Level	Cons	Qty	Rep. QTY
1		23004203		HOOK DRIVING SHAFT						1	
2		21427307		LOWER SHAFT METAL , REAR						1	
3		23004302		BUSHING,INTERMEDIATE						1	
4		B1807512000		BUSHING B, INTERMEDIATE						1	
5		B1816512000		HOOK DRIVING SHAFT, LARGE						1	
6	R	SS8151150SP	SS8151150TP	SCREW 15/64-28 L=10.5						1	1.00
7	R	SS8151150SP	SS8151150TP	SCREW 15/64-28 L=10.5						1	1.00
8	R	SS8151150SP	SS8151150TP	SCREW 15/64-28 L=10.5						1	1.00
9		SS8660810TP		SCREW 1/4-40 L=8						4	
10		23022106		THREAD CUTTER H- OOK SHAFT BASE						2	
11		23022205		HOOK SHAFT BASE	FOR PLC-- 1660,PLC-1660L					2	
12		23004500		HOOK SHAFT BASE,LOWER METAL						2	
13		23004609		HOOK SHAFT						2	
14		23041304		OPENER						2	
15		23004906		OPENER GUIDE ARM						2	
16		10112001		HOOK SHAFT GEAR, A	SELECTIVE PARTS					2	
17		10112100		HOOK SHAFT GEAR, B	SELECTIVE PARTS					2	
18		10112209		HOOK SHAFT GEAR, C	SELECTIVE PARTS					2	
19		10111904		HOOK SHAFT GEAR	SELECTIVE PARTS					2	
20		23008105		LOWER METAL LUB- RICATING FELT						2	
21		SM6061602TP		SCREW M6 L=16						4	
22		WP0651056SD		WASHER 6.5X11X1						4	
23		SM6040802TP		SCREW M4X0.7 L=8						2	
24	R	SS8150710SP	SS8150710TP	SCREW 15/64-28 L=7						2	1.00
25		SS8660530TP		SCREW 1/4-40 L= 4.5						6	
26		PH0300062C0		PIN						2	
27		23003502		VERTICAL FEED CAM						1	
28		SS8150710TP		SCREW 15/64-28 L=7						2	
29		23004708		HOOK SHAFT SPACER	FOR PLC-- 1660,PLC-1660L					2	
30		23003502		VERTICAL FEED CAM	FOR PLC-1660L					1	

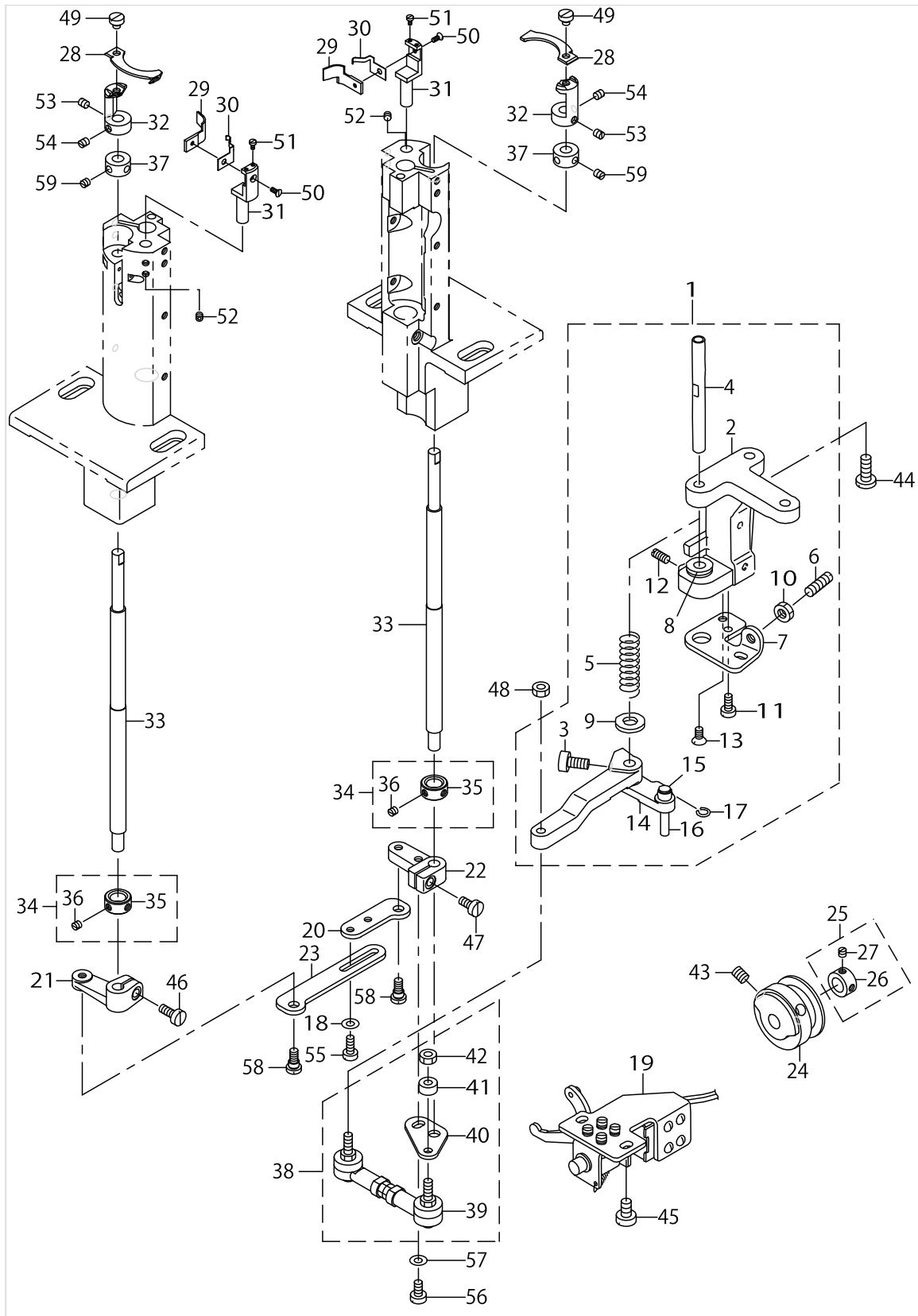
HOOK COMPONENTS



HOOK COMPONENTS

No.	Supply Code	Parts No.	Replacement	Parts name	Remarks	Choice	Step	Level	Cons	Qty	Rep. QTY
1		23025059		HOOK WITH CAP ASM.	FOR PLC-1660-7					2	
2		23025000		HOOK				*		2	
3		23025158		INNER HOOK ASM.				*		2	
4		23025257		CAP ASM.				*		2	
5		23025208		CAP				*		2	
6		23025802		TENSION SPRING				*		2	
7		23026503		SPRING				*		2	
8		23026107		SCREW				*		2	
9		23026206		SCREW				*		2	
10		23026602		SCREW				*		2	
11		23025307		HOLDER				*		2	
12		23025901		NEEDLE GUARD				*		2	
13		23026404		FELT				*		2	
14		10723104		PRESSER SETSCREW				*		6	
15		22814008		SCREW				*		4	
16		23039159		HOOK WITH CAP ASM.	FOR PLC-1660					2	
17		23025000		HOOK				*		2	
18		23027063		INNER HOOK ASM.				*		2	
19		23027154		CAP ASM.				*		2	
20		23027105		CAP				*		2	
21		23025802		TENSION SPRING				*		2	
22		23026107		SCREW				*		2	
23		23026206		SCREW				*		2	
24		23025307		HOLDER				*		2	
25		23025901		NEEDLE GUARD				*		2	
26		23026404		FELT				*		2	
27		10723104		PRESSER SETSCREW				*		6	
28		22814008		SCREW				*		4	
29		23028053		HOOK WITH CAP ASM.	FOR PLC-1660L					2	
30		23025000		HOOK				*		2	
31		23027063		INNER HOOK ASM.				*		2	
32		23028061		CAP ASM.				*		2	
33		23028004		CAP				*		2	
34		23025802		TENSION SPRING				*		2	
35		23026107		SCREW				*		2	
36		23026206		SCREW				*		2	
37		23025307		HOLDER				*		2	
38		23025901		NEEDLE GUARD				*		2	
39		23026404		FELT				*		2	
40		10723104		PRESSER SETSCREW				*		6	
41		22814008		SCREW				*		4	
42		SS1092810SP		SCREW 9/64-40 L=25.4						2	
43		10759603		ALUMINUM BOBBIN (DOUBLE-CUT)						2	

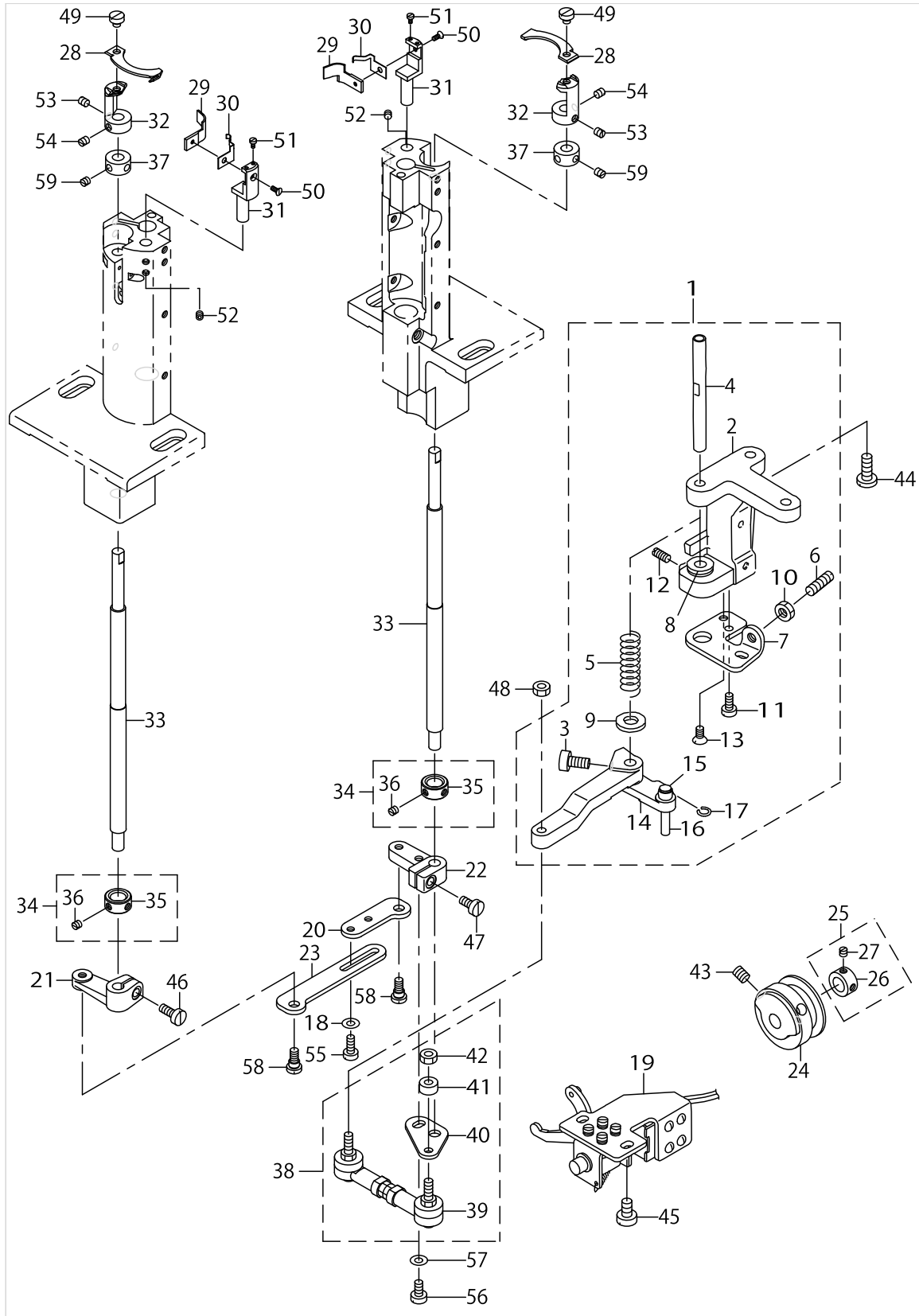
THREAD TRIMMER MECHANISM COMPONENTS(FOR PLC-1660-7)



THREAD TRIMMER MECHANISM COMPONENTS(FOR PLC-1660-7)

No.	Supply Code	Parts No.	Replacement	Parts name	Remarks	Choice	Step	Level	Cons	Qty	Rep. QTY
1		23005051		LINK INSTALLING BASE ASM.						1	
2		10116606		LINK INSTALLING BASE				*		1	
3		SS6151220SP		SCREW 15/64-28 L=11.5				*		1	
4		10116804		SHAFT				*		1	
5		10116903		SPRING				*		1	
6		SS8152030SP		SCREW15/64-28L=20				*		1	
7		23022007		STOPPER				*		1	
8		10117109		BUSHING				*		1	
9		WP0753016SZ		WASHER 7.5X16.0X3.0				*		1	
10		NS6150430SP		NUT 15/64-28				*		1	
11	R	SS6111010SP	SS6111010TP	SCREW 11/64-40 L= 9.5				*		1	1.00
12		SS8111010TP		SCREW 11/64-40 L=9.5				*		1	
13		SS2110920TP		SCREW 11/64-40 L=8.5				*		1	
14		23005002		CAM INSTALLING LINK				*		1	
15		D2427555B00B		CAM ROLLER				*		1	
16	D	D2428555B00A		CAM ROLLER SHAFT				*		1	
17		D2430555B00		SNAP RING				*		1	
18		WP0501016SD		WASHER 5X10.5X1						2	
19	D	10117851		SOLENOID ASM.						1	
20		23005606		CONNECTING LING,B						1	
21		23005101		DRIVING ARM,LEFT						1	
22		23005200		DRIVING ARM,RIGHT						1	
23		23005507		CONNECTING LINK,A						1	
24	D	23014806		THREAD TRIMMER CAM						1	
25		CS0950810SH		THRUST COLLAR ASM. D=9.5 W=8						1	
26	R	CS0950816SH	CS0950810SH	THRUST COLLAR D=9.5 W=8				*		1	1.00
27		SS8110410TP		SCREW 11/64-40 L= 3.5				*		2	
28		23005804		MOVING KNIFE						2	
29		23005903		FIXED KNIFE						2	
30		23006000		CLAMP SPRING						2	
31	D	23006109		COUNTER KNIFE IN- STALLING BASE						2	
32	R	23006208	40038749	MOVING KNIFE INSTALLING BASE						2	1.00
33	D	23006307		MOVING KNIFE DRIVING SHAFT						2	
34		CS0950810SH		THRUST COLLAR ASM. D=9.5 W=8						2	
35	R	CS0950816SH	CS0950810SH	THRUST COLLAR D=9.5 W=8				*		2	1.00
36		SS8110410TP		SCREW 11/64-40 L= 3.5				*		4	
37		CS0700811SH		THRUST COLLAR D=7 W=8						2	
38	D	23005358		JOINT ROD ASM.						1	
39	D	23005309		JOINT ROD				*		1	
40		23021900		DRIVING ARM PLATE				*		1	
41		B3417051000		REAR LIFTING BAR ROLLER				*		1	
42		NM6050001SP		NUT M5				*		1	
43		SS8661012TP		SCREW						2	
44		SS7151610SP		SCREW15/64-28L=16						2	
45		SS6151040SP		SCREW15/64-28L=10						2	
46		SS6121210SP		SCREW 3/16-28 L=12						1	

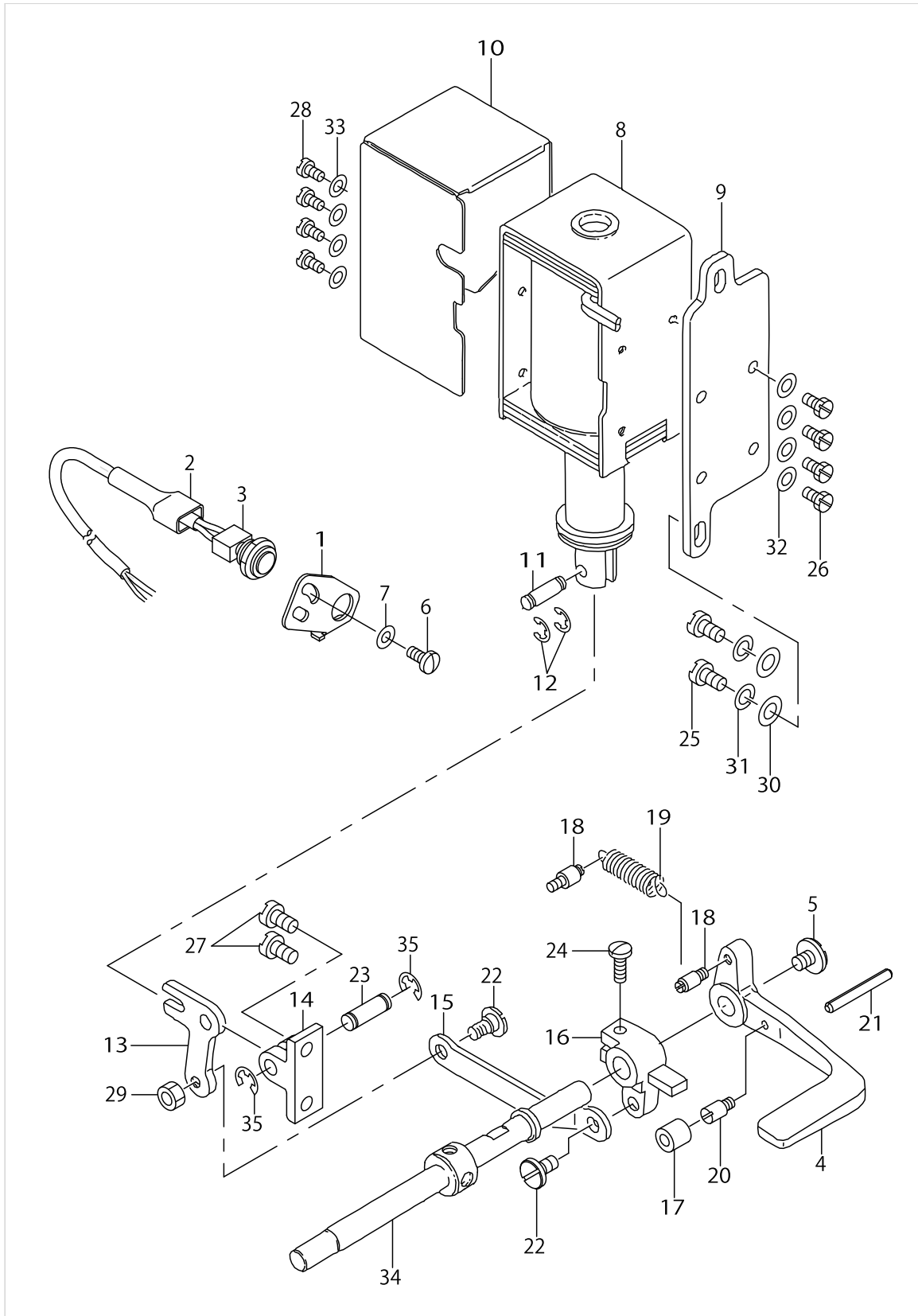
THREAD TRIMMER MECHANISM COMPONENTS(FOR PLC-1660-7)



THREAD TRIMMER MECHANISM COMPONENTS(FOR PLC-1660-7)

No.	Supply Code	Parts No.	Replacement	Parts name	Remarks	Choice	Step	Level	Cons	Qty	Rep. QTY
47		SS6121010SP		SCREW 3/16-28 L=10						1	
48		NM6050001SP		NUT M5						1	
49		SS6110480SP		SCREW 11/64-40 L=4.3						2	
50		D2436245E00		SCREW						2	
51		SM6020450TP		SCREW						4	
52		SM8040402TP		SCREW M4X0.7 L=4						4	
53	R	SS8110510SP	SS8110520TP	SCREW 11/64-40 L=5						2	1.00
54		SS8110520TP		SCREW 11/64-40 L= 4.5						2	
55		SS6111140SP		SCREW11/64-40L=11						2	
56		SS6120940SP		SCREW 3/16-28 L=9						1	
57		WP0501016SD		WASHER 5X10.5X1						1	
58		SD0640325SP		HINGE SCREW						2	
59		SS8110410TP		SCREW 11/64-40 L= 3.5						4	

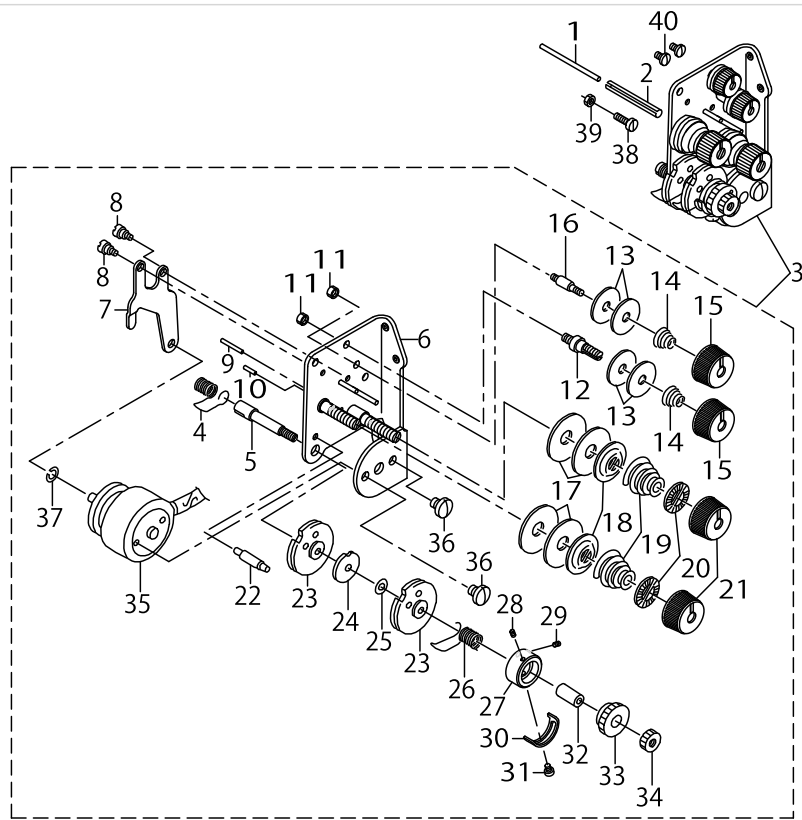
AUTOMATIC REVERSE FEED MECHANISM COMPONENTS



AUTOMATIC REVERSE FEED MECHANISM COMPONENTS

No.	Supply Code	Parts No.	Replacement	Parts name	Remarks	Choice	Step	Level	Cons	Qty	Rep. QTY
1		D1681241E0A		SWITCH INSTALLING BASE						1	
2		MAT81126T00		2-POLE PLUG COVER						1	
3		D1680141EA0		TOUCH BUCK SWITCH ASM						1	
4		10161206		REVERSE FEED CONTROL LEVER						1	
5		SS7620750SP		SCREW 3/16-32 L=6.5						1	
6		SS7621040SP		SCREW 3/16-32 L=9.5						2	
7		WP0501016SD		WASHER 5X10.5X1						2	
8		23008402		REVERSE FEED SOLENOID (AC24V)						1	
9		10119204		SOLENOID INSTALLING PLATE						1	
10		10161305		SOLENOID COVER						1	
11		D2464555B00		LINK DRIVING MAGNET PIN						1	
12		RE0400000K0		E-RING 4						2	
13		10119402		LINK						1	
14		D1684141E00A		LINK INSTALLING BASE						1	
15		10212009		REVERSE FEED ROD						1	
16		10119709		REVERSE FEED CONNECTING ARM						1	
17		10119907		CUSHION						1	
18		10120004		SPRINGSUSPENSION						2	
19		D2515232D00		TORSION SPRING						1	
20		B1114280000		PIN						1	
21		PS0400322KP		SPRING PIN 4.0X32						1	
22		SD0720331SP		HINGE SCREW D= 7.24 H= 3.3						2	
23		D1687141E00		PIN						1	
24	R	SS7121410SP	SS7121410TP	SCREW 3/16-28 L=14						1	1.00
25		SS7151210SP		SCREW 15/64-28 L=12						2	
26		SS9111010SP		SCREW 11/64-40 L=9.5						4	
27		SS7151210SP		SCREW 15/64-28 L=12						2	
28		SS7110710SP		SCREW 11/64-40 L=7						4	
29		NS6150430SP		NUT 15/64-28						1	
30		WP0621016SD		WASHER 6.2X13X1						2	
31		WS0631510KP		SPRING WASHER						2	
32		WP0501016SD		WASHER 5X10.5X1						4	
33		WP0501016SD		WASHER 5X10.5X1						4	
34		10107407		REVERSE FEED SHAFT						1	
35		RE0600000K0		E-RING 6						2	

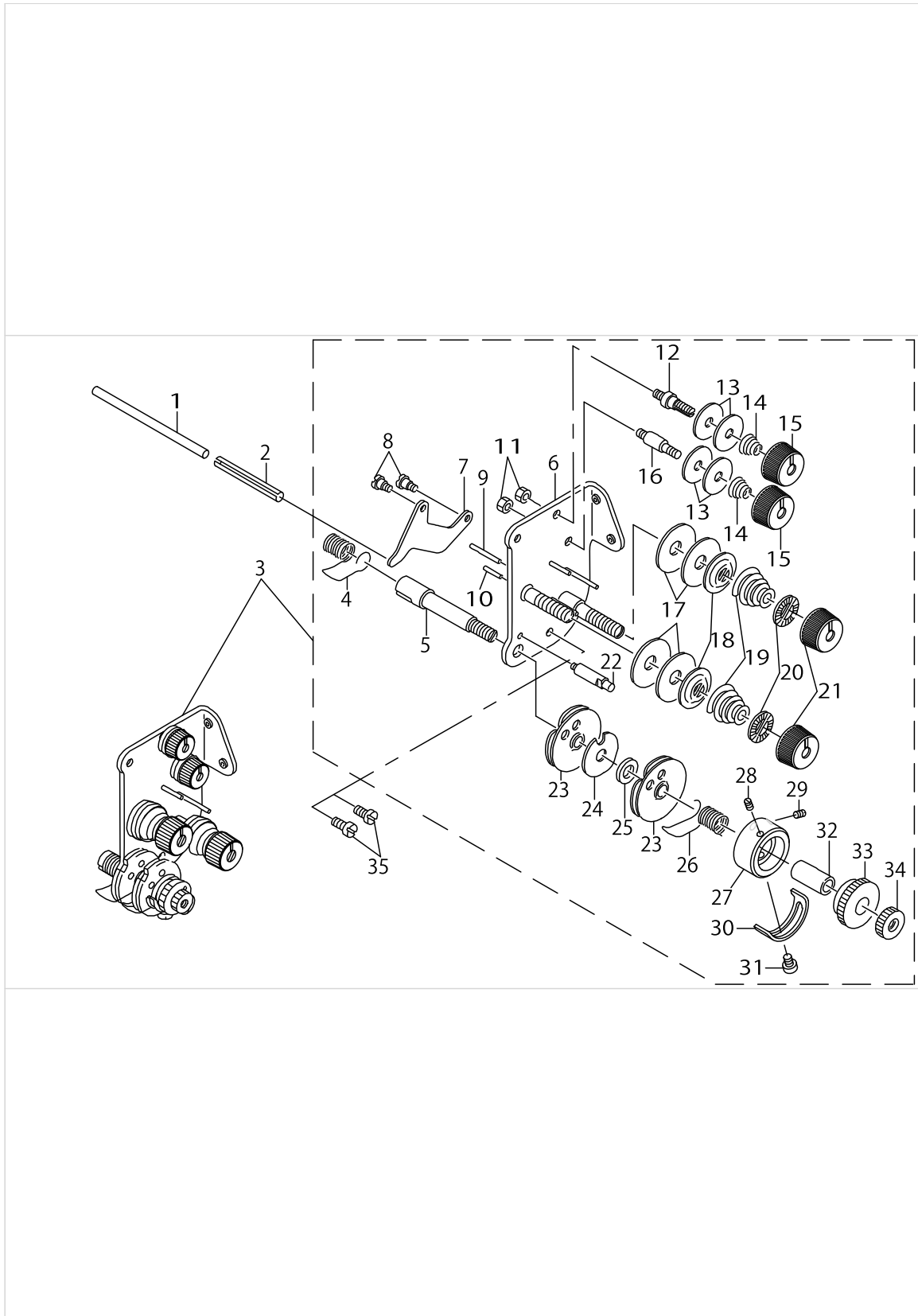
THREAD TENSION COMPONENTS(FOR PLC-1660-7)



THREAD TENSION COMPONENTS(FOR PLC-1660-7)

No.	Supply Code	Parts No.	Replacement	Parts name	Remarks	Choice	Step	Level	Cons	Qty	Rep. QTY
1		23006406		TENSION RELEASE BAR						1	
2		PS0600502KP		SPRING PIN						1	
3		23007768		THREAD TENSION ASM.						1	
4		B3128051000		THREAD TAKE-UP SPRING, A				*		1	
5		10124501		THREAD TAKE-UP SPRING STUD				*		1	
6	R	23007750	23007768	TENSION BASE PLATE COMPL.				*		1	1.00
7		10320505		TENSION RELEASE LEVER				*		1	
8		SD0470281SP		HINGE SCREW D=4.7 H=2.8				*		2	
9		B3127527000		PIN B				*		1	
10		B3127051000		TENSION RELEASE PIN, SHORT				*		1	
11		NS6110310SP		NUT 11/64-40				*		2	
12		10124204		THREAD TENSION POST, A				*		1	
13	R	B3214047000	22945802	BOBBIN WINDER TENSION DISC				*		4	1.00
14		D3168555H0B		TENSION SPRING NO.1				*		2	
15		11072402		THREAD TENSION NUT				*		2	
16		10124303		THREAD TENSION POST, B				*		1	
17		B3126051000		TENSION DISC				*		4	
18		B3132051000		TENSION DISC HOLDER				*		2	
19		B3129053000		TENSION SPRING				*		2	
20		B3120125000		ROTATING STOPPER				*		2	
21		11072204		TENSION NUT				*		2	
22		B3143527000		TAKE-UP SPRING GUIDE STUD				*		1	
23		B31375270A0		TAKE-UP SPRING GUIDE ASM.				*		2	
24		B3142527000		TAKE-UP SPRING GUIDE PLATE				*		1	
25		B3139527000		COLLAR				*		1	
26		B3128527000		THREAD TAKE-UP SPRING B				*		1	
27		22617609		THREAD TENSION POST				*		1	
28	R	22618904	SM8030500SP	SET SCREW				*		1	1.00
29	R	22618904	SM8030500SP	SET SCREW				*		1	1.00
30		B3138527000		ADJUSTING PLATE B				*		1	
31	R	SS7090520SP	SS7090520TP	SCREW 9/64-40 L=4.5				*		1	1.00
32		B3141527000		PRESSER COLLAR				*		1	
33		B3125527000		TAKE-UP SPRING GUIDE				*		1	
34	R	B3125012000	22928808	THREAD TENSION NUT				*		1	1.00
35		10320703		TENSION RELEASE SOLENOID				*		1	
36		SS7110510SP		SCREW 11/64-40 L=5				*		2	
37		WS0310002KR		SPRING WASHER 3.1X5.9X0.7				*		1	
38		SS6111140SP		SCREW 11/64-40 L=11				*		1	
39		NS6110350SP		NUT 11/64-40				*		1	
40		SS7110710SP		SCREW 11/64-40 L=7				*		2	

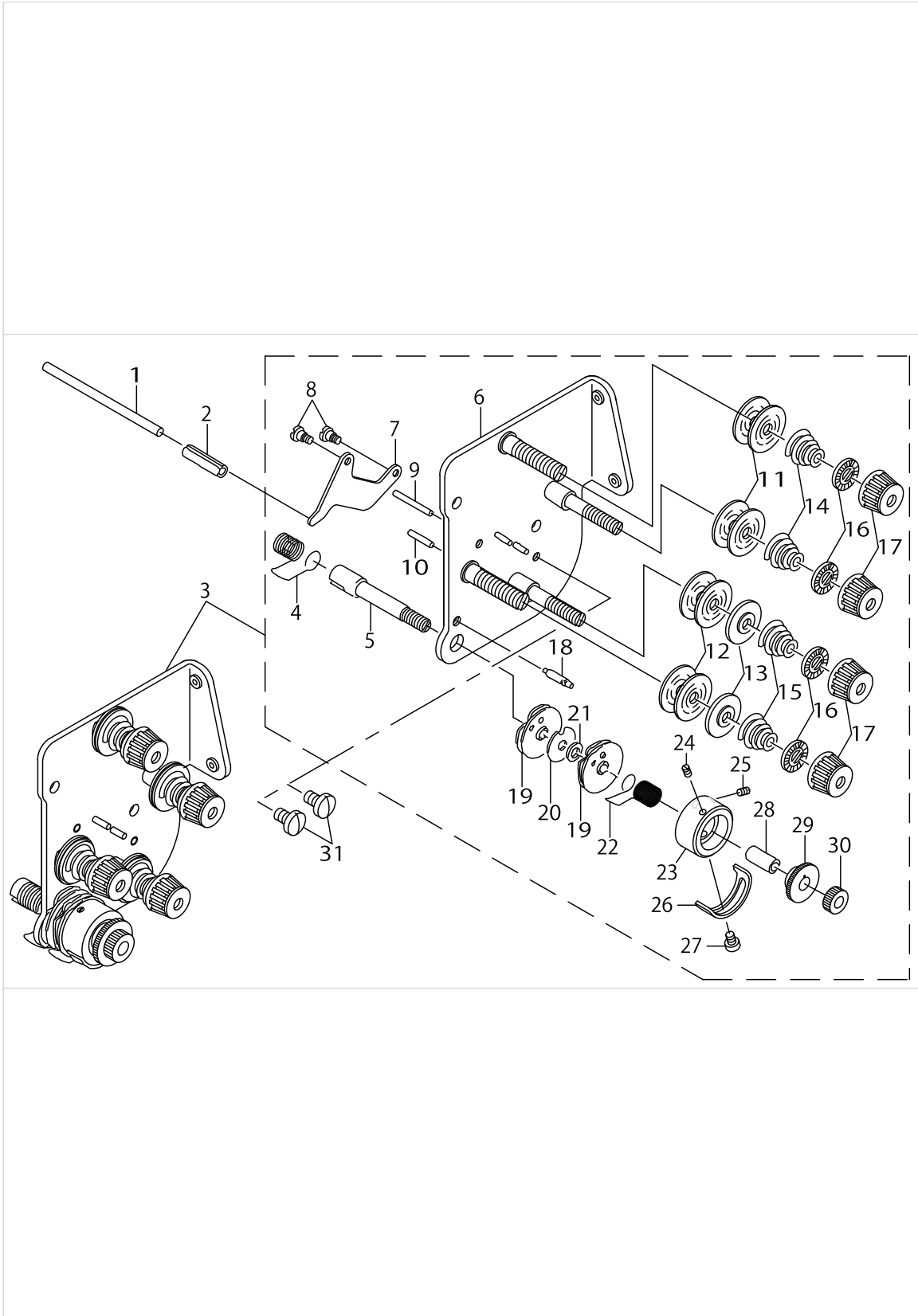
THREAD TENSION COMPONENTS(FOR PLC-1660)



THREAD TENSION COMPONENTS(FOR PLC-1660)

No.	Supply Code	Parts No.	Replacement	Parts name	Remarks	Choice	Step	Level	Cons	Qty	Rep. QTY
1		23006406		TENSION RELEASE BAR						1	
2		PS0600502KP		SPRING PIN						1	
3	D	23022353		THREAD TENSION ASM.						1	
4		B3128051000		THREAD TAKE-UP SPRING, A				*		1	
5		10124501		THREAD TAKE-UP SPRING STUD				*		1	
6		10355055		TENSION POST ASM.				*		1	
7		B3134521000		TENSION RELEASE LEVER				*		1	
8		SD0470281SP		HINGE SCREW D=4.7 H=2.8				*		2	
9		B3127527000		PIN B				*		1	
10		B3127051000		TENSION RELEASE PIN, SHORT				*		1	
11		NS6110310SP		NUT 11/64-40				*		2	
12		10124204		THREAD TENSION POST, A				*		1	
13	R	B3214047000	22945802	BOBBIN WINDER TENSION DISC				*		4	1.00
14		D3168555H0B		TENSION SPRING NO.1				*		2	
15		11072402		THREAD TENSION NUT				*		2	
16		10124303		THREAD TENSION POST, B				*		1	
17		B3126051000		TENSION DISC				*		4	
18		B3132051000		TENSION DISC HOLDER				*		2	
19		B3129053000		TENSION SPRING				*		2	
20		B3120125000		ROTATING STOPPER				*		2	
21		11072204		TENSION NUT				*		2	
22		B3143527000		TAKE-UP SPRING GUIDE STUD				*		1	
23		B31375270A0		TAKE-UP SPRING GUIDE ASM.				*		2	
24		B3142527000		TAKE-UP SPRING GUIDE PLATE				*		1	
25		B3139527000		COLLAR				*		1	
26		B3128527000		THREAD TAKE-UP SPRING B				*		1	
27		22617609		THREAD TENSION POST				*		1	
28	R	22618904	SM8030500SP	SET SCREW				*		1	1.00
29	R	22618904	SM8030500SP	SET SCREW				*		1	1.00
30		B3138527000		ADJUSTING PLATE B				*		1	
31	R	SS7090520SP	SS7090520TP	SCREW 9/64-40 L=4.5				*		1	1.00
32		B3141527000		PRESSER COLLAR				*		1	
33		B3125527000		TAKE-UP SPRING GUIDE				*		1	
34	R	B3125012000	22928808	THREAD TENSION NUT				*		1	1.00
35		SS7110710SP		SCREW 11/64-40 L=7						2	

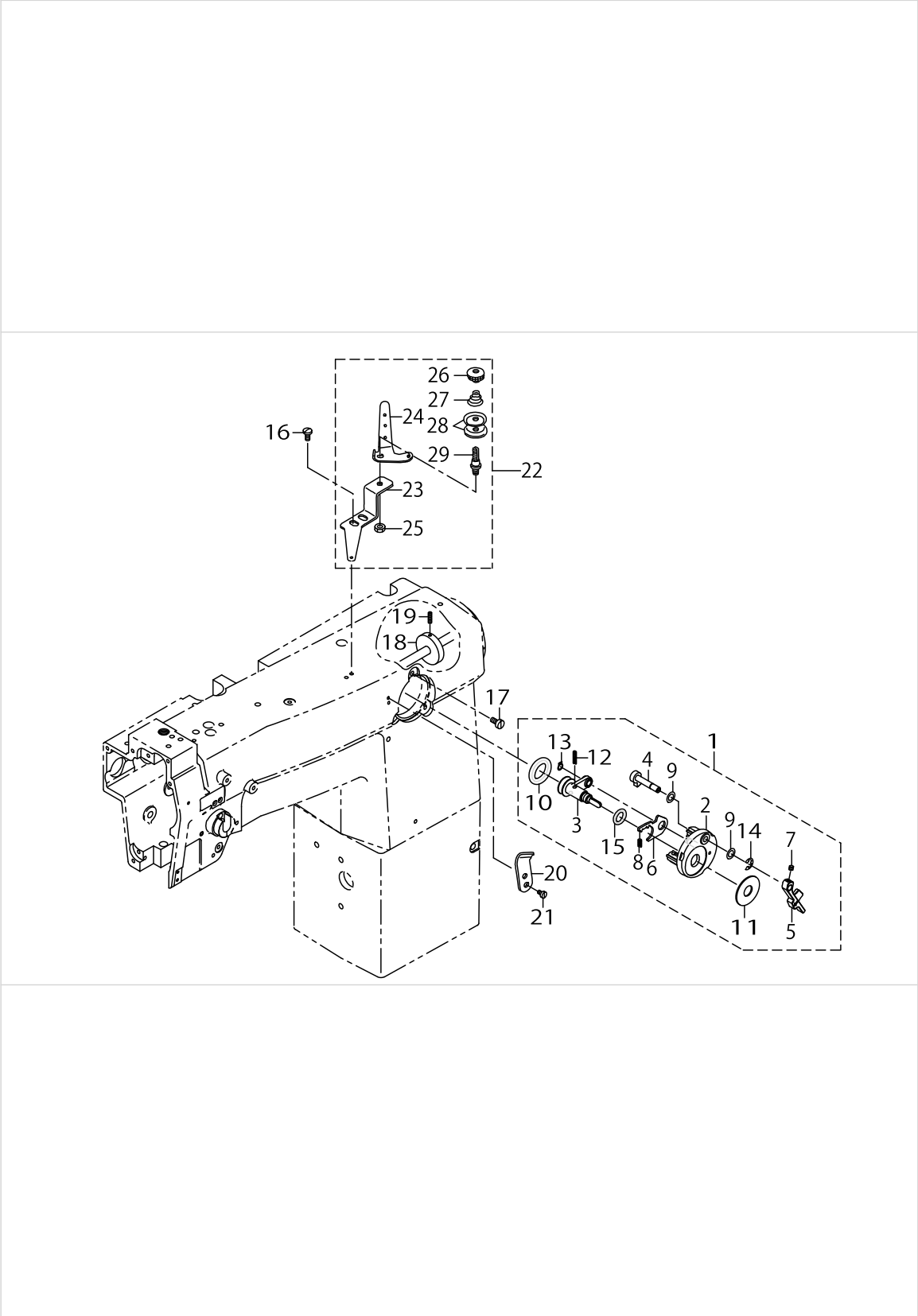
THREAD TENSION COMPONENTS(FOR PLC-1660L)



THREAD TENSION COMPONENTS(FOR PLC-1660L)

No.	Supply Code	Parts No.	Replacement	Parts name	Remarks	Choice	Step	Level	Cons	Qty	Rep. QTY
1		23006406		TENSION RELEASE BAR						1	
2		PS0600502KP		SPRING PIN						1	
3		23007867		THREAD TENSION ASM.						1	
4		B3128051000		THREAD TAKE-UP SPRING, A				*		1	
5		10124501		THREAD TAKE-UP SPRING STUD				*		1	
6		23007859		TENSION BASE COMPL.				*		1	
7		B3134521000		TENSION RELEASE LEVER				*		1	
8		SD0470281SP		HINGE SCREW D=4.7 H=2.8				*		2	
9		B3127527000		PIN B				*		1	
10		B3127051000		TENSION RELEASE PIN, SHORT				*		1	
11	R	B3126012000	22921506	THREAD TENSION DISK				*		4	1.00
12		B3126051000		TENSION DISC				*		4	
13		B3132051000		TENSION DISC HOLDER				*		2	
14		D3129555D00		THREAD TENSION SPRING				*		2	
15		B3129053000		TENSION SPRING				*		2	
16		B3120125000		ROTATING STOPPER				*		4	
17		11072204		TENSION NUT				*		4	
18		B3143527000		TAKE-UP SPRING GUIDE STUD				*		1	
19		B31375270A0		TAKE-UP SPRING GUIDE ASM.				*		2	
20		B3142527000		TAKE-UP SPRING GUIDE PLATE				*		1	
21		B3139527000		COLLAR				*		1	
22		B3128527000		THREAD TAKE-UP SPRING B				*		1	
23		22617609		THREAD TENSION POST				*		1	
24	R	22618904	SM8030500SP	SET SCREW				*		1	1.00
25	R	22618904	SM8030500SP	SET SCREW				*		1	1.00
26		B3138527000		ADJUSTING PLATE B				*		1	
27	R	SS7090520SP	SS7090520TP	SCREW 9/64-40 L=4.5				*		1	1.00
28		B3141527000		PRESSER COLLAR				*		1	
29		B3125527000		TAKE-UP SPRING GUIDE				*		1	
30	R	B3125012000	22928808	THREAD TENSION NUT				*		1	1.00
31		SS7110710SP		SCREW 11/64-40 L=7						2	

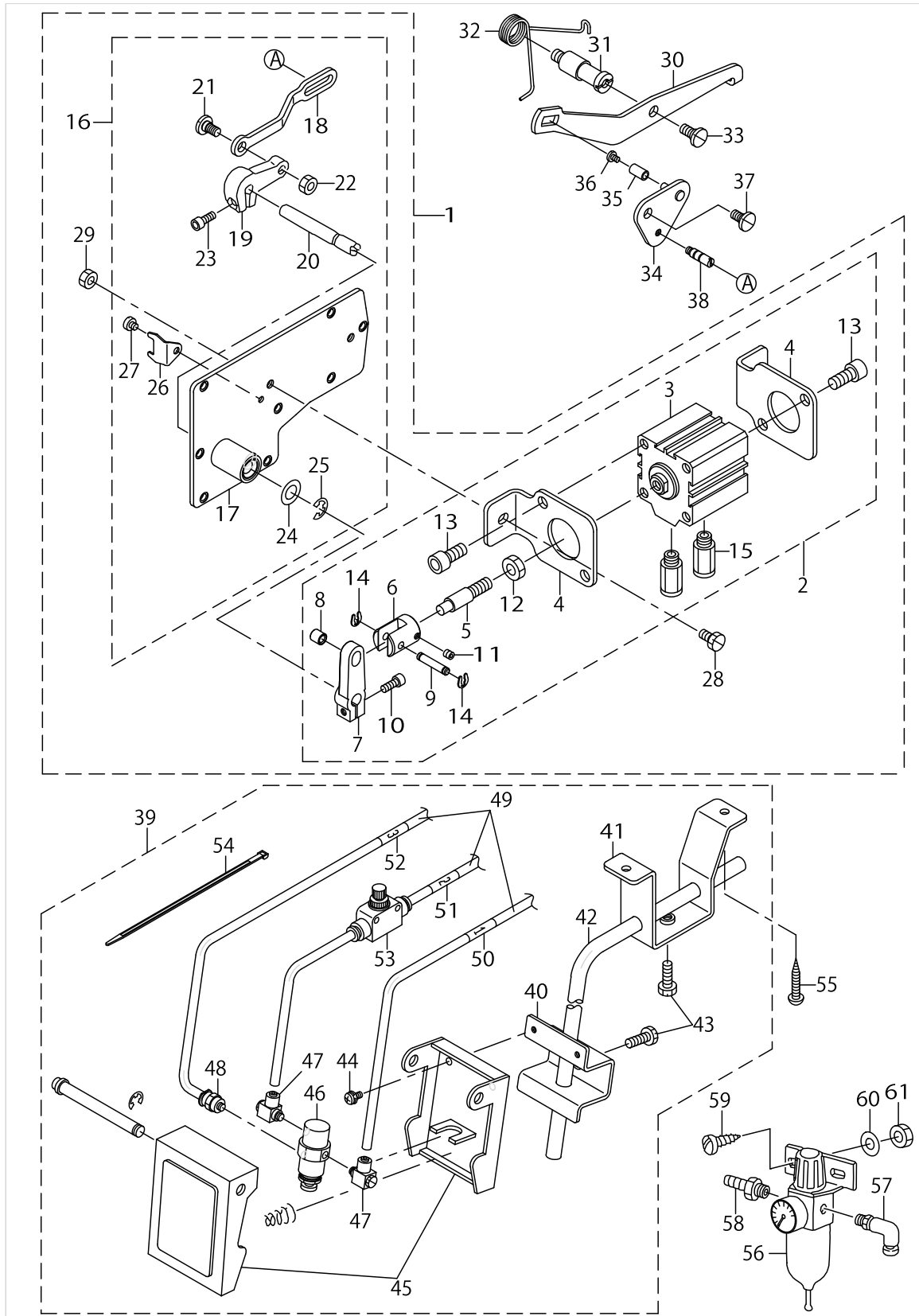
LOWER THREAD WINDER MECHANISM COMPONENTS



LOWER THREAD WINDER MECHANISM COMPONENTS

No.	Supply Code	Parts No.	Replacement	Parts name	Remarks	Choice	Step	Level	Cons	Qty	Rep. QTY
1		23009764		BOBBIN DEVICE ASM.						1	
2		22537658		BOBBIN FITTING BASIS COMPL.				*		1	
3		23009756		BOBBIN SHAFT COMPL.				*		1	
4		22538151		BOBBIN CAM SHAFT COMPL.				*		1	
5		22538300		BOBBIN LEVER				*		1	
6		22538409		ADJUSTING PLATE				*		1	
7		SS8110422TP		SCREW 11/64-40 L=4				*		1	
8		B152989000CA		PRESSUR FOOT SPRING				*		1	
9		10618304		VERTICAL ROLLER WASHER				*		2	
10		A321600100A		RUBBER RING				*		1	
11		B3205210000		CUSHION				*		1	
12	R	B1148555000	22912109	SPRING				*		1	1.00
13		RC0560711KP		RETAINING RING				*		1	
14		RE0500000K0		E-RING				*		1	
15		RO092270200		RUBBER RING				*		1	
16		SS7621040SP		SCREW 3/16-32 L=9.5						2	
17		SS6121030SP		SCREW 3/16-28 L=10						3	
18		B3213205000		BOBBIN WINDER DRIVING WHEEL						1	
19		SS8111610SP		SCREW 11/64-40 L=15.5						2	
20		10502300		THREAD CUTTER						1	
21	R	SS6090620SP	SS6090620TP	SCREW 9/64-40 L=6						2	1.00
22		10704153		BOBBIN THREAD G- UIDE PLATE ASM.						1	
23		10704104		BOBBIN THREAD GUIDE PLATE				*		1	
24		10088003		THREAD GUIDE				*		1	
25		NS6110310SP		NUT 11/64-40				*		1	
26		B3216047000		BOBBIN WINDER TENSION NUT				*		1	
27		D3168555H0B		TENSION SPRING NO.1				*		1	
28	R	B3214047000	22945802	BOBBIN WINDER TENSION DISC				*		2	1.00
29		10124204		THREAD TENSION POST, A				*		1	

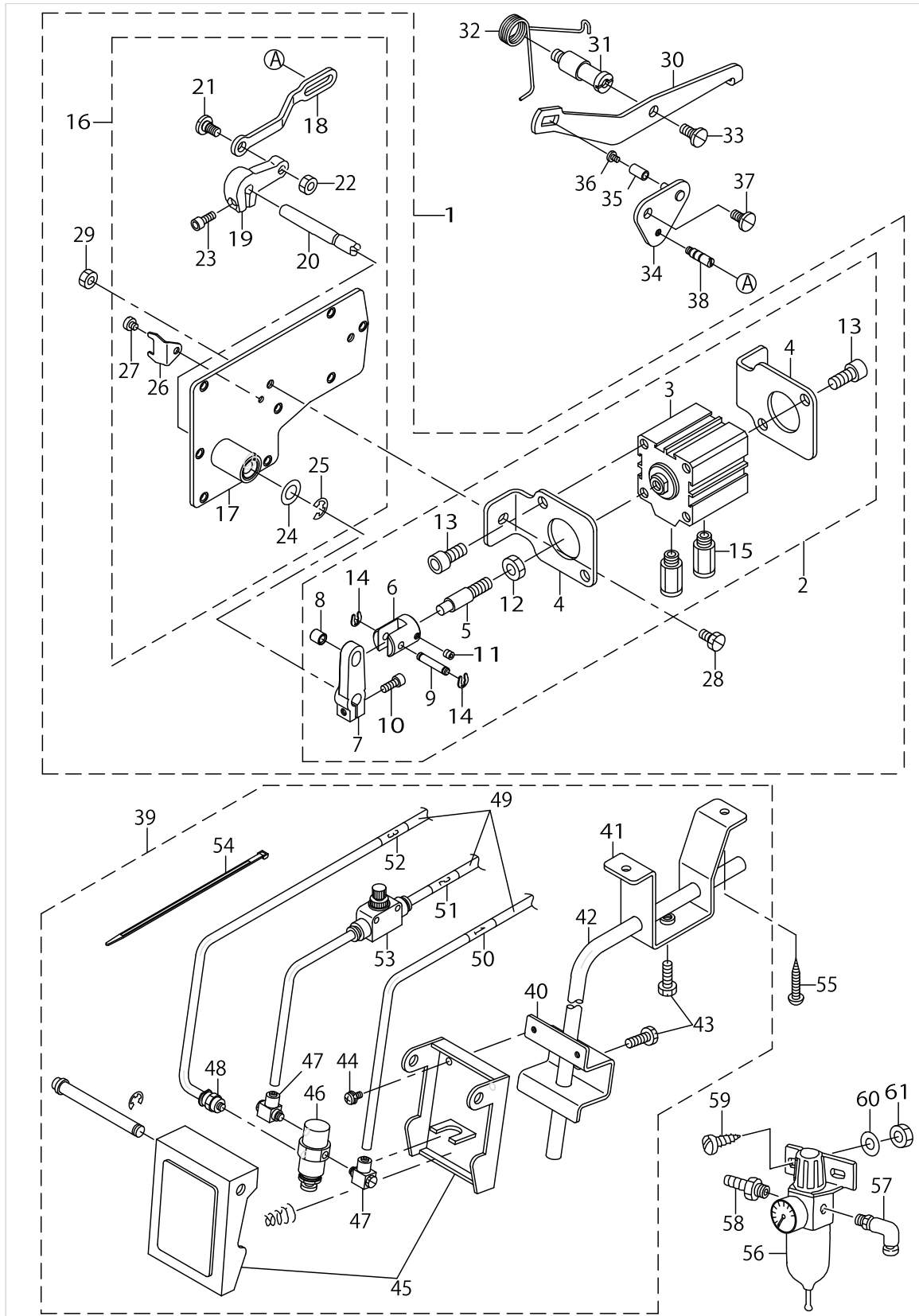
PRESSER LIFTING SOLENOID COMPONENTS(FOR AK-131A)



PRESSER LIFTING SOLENOID COMPONENTS(FOR AK-131A)

No.	Supply Code	Parts No.	Replacement	Parts name	Remarks	Choice	Step	Level	Cons	Qty	Rep. QTY
1		GAKA16010A0		AKDRIVINGLINKASM.						1	
2		GAKA16030A0		AK CYLINDER ASM.				*		1	
3		PA400200200		AIR CYLINDER				*		1	
4		GAKA1604000		AK CYLINDER BASE				*		2	
5		GAKA1605000		CYLINDER CONNECTING SHAFT				*		1	
6		GAK33035000		SOLENOID COLLAR				*		1	
7		GAK33011000		SOLENOID ARM, A				*		1	
8		GAK33013000		SOLENOID PIN COLLAR				*		1	
9		GAK33012000		SOLENOID PIN				*		1	
10		SS6121212TP		SCREW 3/16-28 L=12.0				*		1	
11		SM8050502TP		SCREW M5 L=5				*		1	
12		NM6080001SE		NUT M8				*		1	
13		SM6081802TP		SCREW				*		4	
14	R	GAK33014000	RE0400000KP	SNAP RING				*		2	1.00
15		PJ301065104		HALF UNION				*		2	
16		GAKA16020A0		AK WINDOW PLATE ASM.				*		1	
17	R	GAKA16020B0	GAKA16020A0	WINDOW PLATE ASM.				*		1	1.00
18		GAKA1606000		SOLENOID LINK				*		1	
19		GAK33027000		SOLENOID ARM				*		1	
20	R	GAK33028000	22991400	SOLENOID SHAFT				*		1	1.00
21		SD0720331SP		HINGE SCREW D= 7.24 H= 3.3				*		1	
22		NS6150310SP		NUT 15/64-28				*		1	
23		SS6121212TP		SCREW 3/16-28 L=12.0				*		1	
24		WP1021016SD		WASHER				*		1	
25		RE0700000K0		E-RING 7				*		1	
26	R	GAK33024000	22991202	SOLENOID LINK HOLDER				*		1	1.00
27		SS6110480SP		SCREW 11/64-40 L=4.3				*		1	
28		SS9151160CP		SCREW 15/64-28 L=10.5				*		2	
29		NS6150310SP		NUT 15/64-28				*		2	
30		10312106		KNEE LIFTER FRONT LEVER						1	
31		10311504		HOLDER STUD						1	
32		10312213		SPRING						1	
33		SD0790361SP		HINGE SCREW D= 7.94 H= 3.6						1	
34		GAKA16070A0		KNEE LIFT REAR LEVER ASM.						1	
35		10311801		LEVER SHAFT ROLLER						1	
36		SS7090530SP		SCREW 9/64-40 L= 4.5						1	
37		SD0720331SP		HINGE SCREW D= 7.24 H= 3.3						1	
38		GAK88040000		PIN						1	
39		GAKA16080A0		KNEE LIFTER SWITCH ASM.						1	
40		GAK81007000		KNEE LIFTER SWITCH BRACKET				*		1	
41		GAK81008000		HOLDER				*		1	
42		GAK81009000		ROD				*		1	
43		SM9061850SC		SCREW M6 L=18				*		2	
44		SL4041091SC		SCREW M4 L=10				*		2	
45		PX020002000		ACTUATOR				*		1	
46		PV010502000		AIR VALVE				*		1	

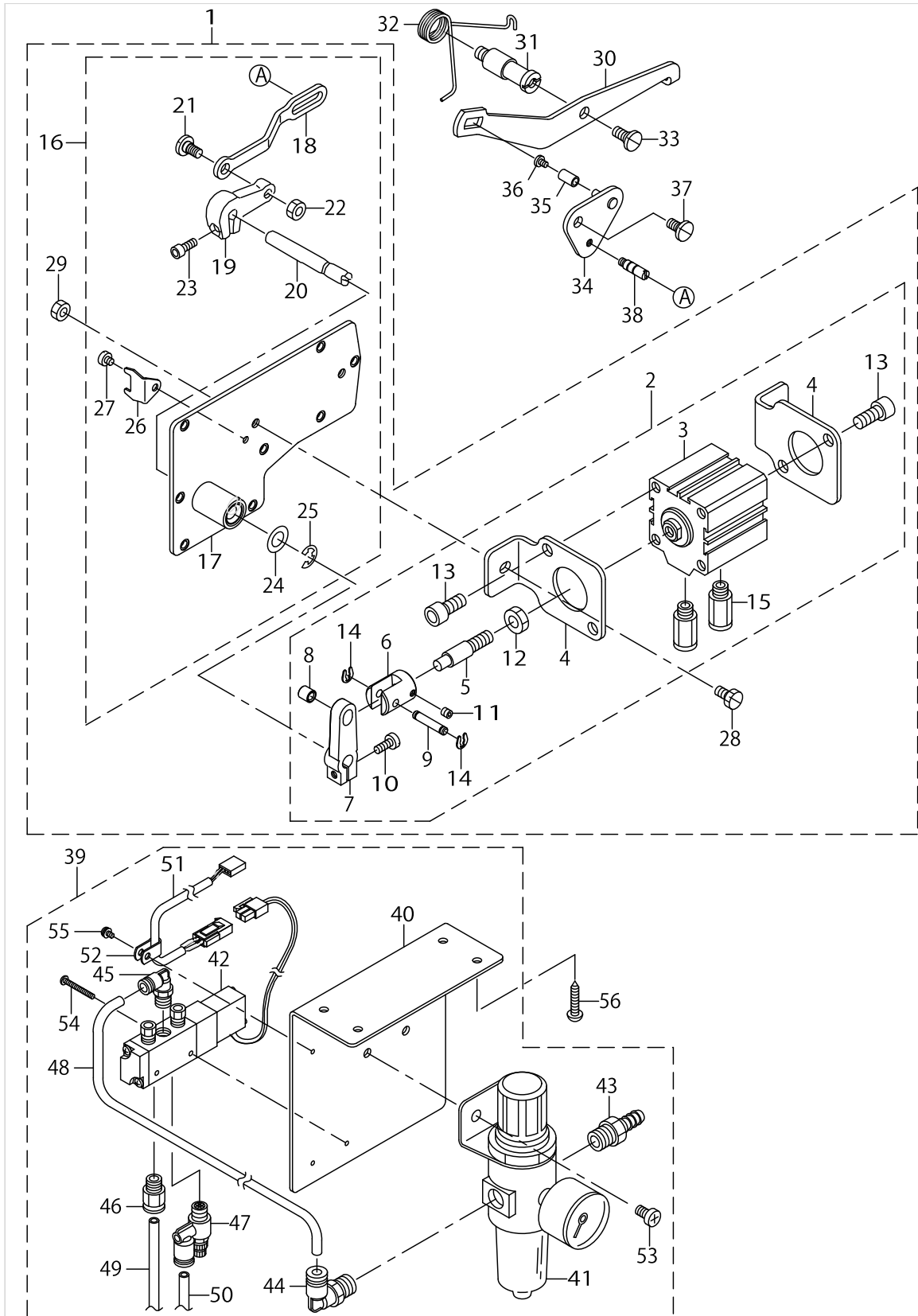
PRESSER LIFTING SOLENOID COMPONENTS(FOR AK-131A)



PRESSER LIFTING SOLENOID COMPONENTS(FOR AK-131A)

No.	Supply Code	Parts No.	Replacement	Parts name	Remarks	Choice	Step	Level	Cons	Qty	Rep. QTY
47		PJ046059002		ELBOW				*		2	
48		PJ301060504		JOINT				*		1	
49		BT0600401EB		TUBE				*		4.34	
50		18035006		CABLE MARK NO.1				*		1	
51		18035105		WIRE MARK (2)				*		1	
52		18035204		WIRE MARK (3)				*		1	
53		PC012601000		SPEED CONTROLLER				*		1	
54		EA9500B0200		CABLE BAND 150				*		1	
55	R	SK3513200SC	SK3513201SE	WOOD SCREW D=5.1 L=32						2	1.00
56		PF0552100A0		FILTER REGULATER ASM.						1	
57		PJ304065201		ELBOW UNION 6XPT1/4						1	
58		F1021003000		HOSE JOINT						1	
59		SL4041291SC		SCREW M4 L=12						2	
60		WP0430801SC		WASHER 4.3X9X0.8						2	
61		NM6040001SC		NUT M4						2	

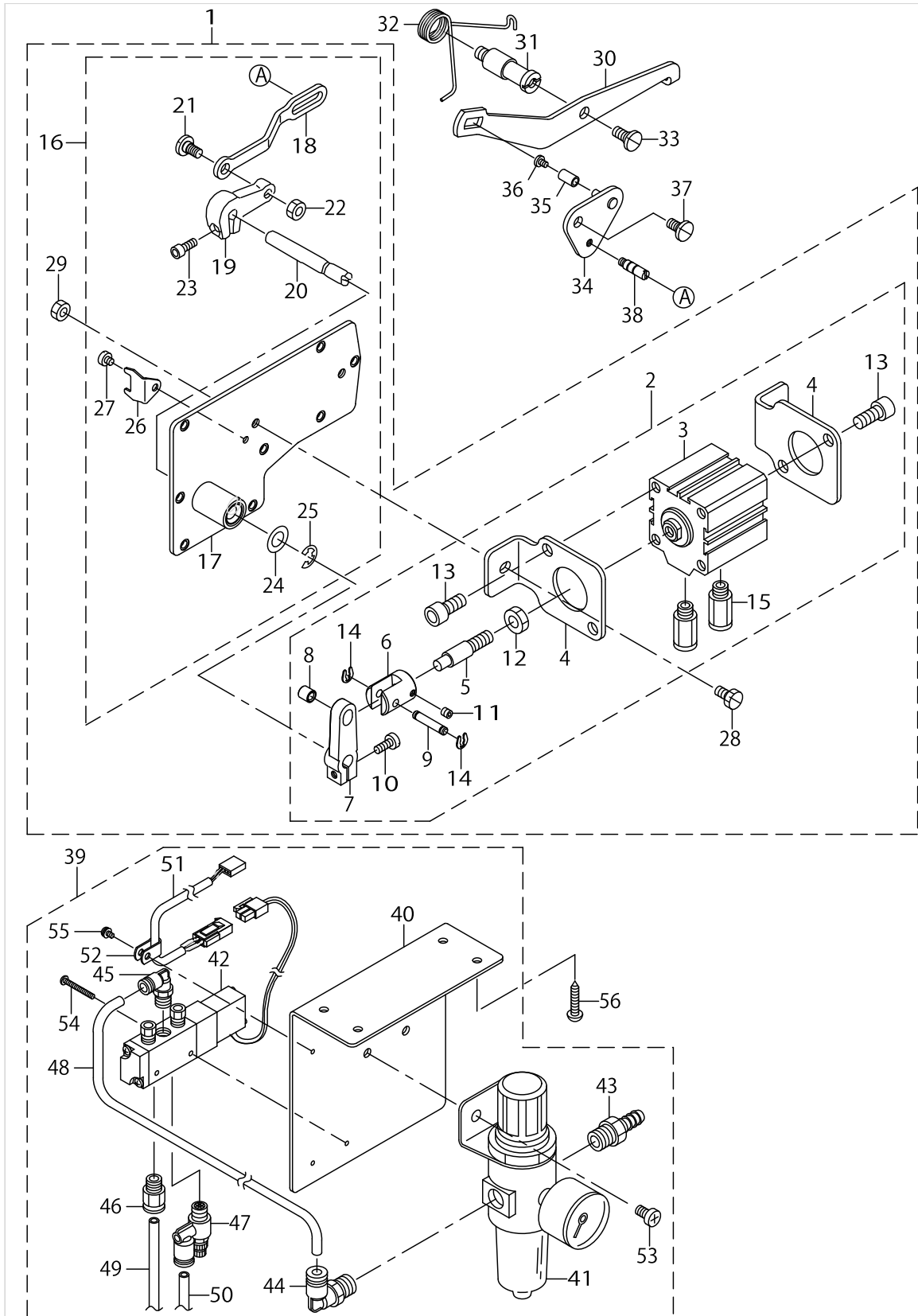
PRESSER LIFTING SOLENOID COMPONENTS(FOR AK-131B)



PRESSER LIFTING SOLENOID COMPONENTS(FOR AK-131B)

No.	Supply Code	Parts No.	Replacement	Parts name	Remarks	Choice	Step	Level	Cons	Qty	Rep. QTY
1		GAKA16010A0		AKDRIVINGLINKASM.						1	
2		GAKA16030A0		AK CYLINDER ASM.				*		1	
3		PA400200200		AIR CYLINDER				*		1	
4		GAKA1604000		AK CYLINDER BASE				*		2	
5		GAKA1605000		CYLINDER CONNECTING SHAFT				*		1	
6		GAK33035000		SOLENOID COLLAR				*		1	
7		GAK33011000		SOLENOID ARM, A				*		1	
8		GAK33013000		SOLENOID PIN COLLAR				*		1	
9		GAK33012000		SOLENOID PIN				*		1	
10		SS6121210TP		SCREW 3/16-28 L=12				*		1	
11		SM8050502TP		SCREW M5 L=5				*		1	
12		NM6080001SE		NUT M8				*		1	
13		SM6081802TP		SCREW				*		4	
14	R	GAK33014000	RE0400000KP	SNAP RING				*		2	1.00
15		PJ301065104		HALF UNION				*		2	
16		GAKA16020A0		AK WINDOW PLATE ASM.				*		1	
17	R	GAKA16020B0	GAKA16020A0	WINDOW PLATE ASM.				*		1	1.00
18		GAKA1606000		SOLENOID LINK				*		1	
19		GAK33027000		SOLENOID ARM				*		1	
20	R	GAK33028000	22991400	SOLENOID SHAFT				*		1	1.00
21		SD0720331SP		HINGE SCREW D= 7.24 H= 3.3				*		1	
22		NS6150310SP		NUT 15/64-28				*		1	
23		SS6121212TP		SCREW 3/16-28 L=12.0				*		1	
24		WP1021016SD		WASHER				*		1	
25		RE0700000K0		E-RING 7				*		1	
26	R	GAK33024000	22991202	SOLENOID LINK HOLDER				*		1	1.00
27		SS6110480SP		SCREW 11/64-40 L=4.3				*		1	
28		SS9151160CP		SCREW 15/64-28 L=10.5				*		2	
29		NS6150310SP		NUT 15/64-28				*		2	
30		10312106		KNEE LIFTER FRONT LEVER						1	
31		10311504		HOLDER STUD						1	
32		10312213		SPRING						1	
33		SD0790361SP		HINGE SCREW D= 7.94 H= 3.6						1	
34		GAKA16070A0		KNEE LIFT REAR LEVER ASM.						1	
35		10311801		LEVER SHAFT ROLLER						1	
36		SS7090530SP		SCREW 9/64-40 L= 4.5						1	
37		SD0720331SP		HINGE SCREW D= 7.24 H= 3.3						1	
38		GAK88040000		PIN						1	
39		40024970		AIR APPARATUS (A) ASM.						1	
40		GAKA1401000		SOLENOID VALVE MOUNTING PLATE				*		1	
41		GAK29007000		FILTER REGULATOR				*		1	
42		GAKA14030A0		SOLENOID VALVE ASM.				*		1	
43		GAK29011000		NIPPLE				*		1	
44		GAK29009000		ELBOW				*		1	
45		GAK29010000		ELBOW B				*		1	
46		GAK29015000		JOINT A				*		1	

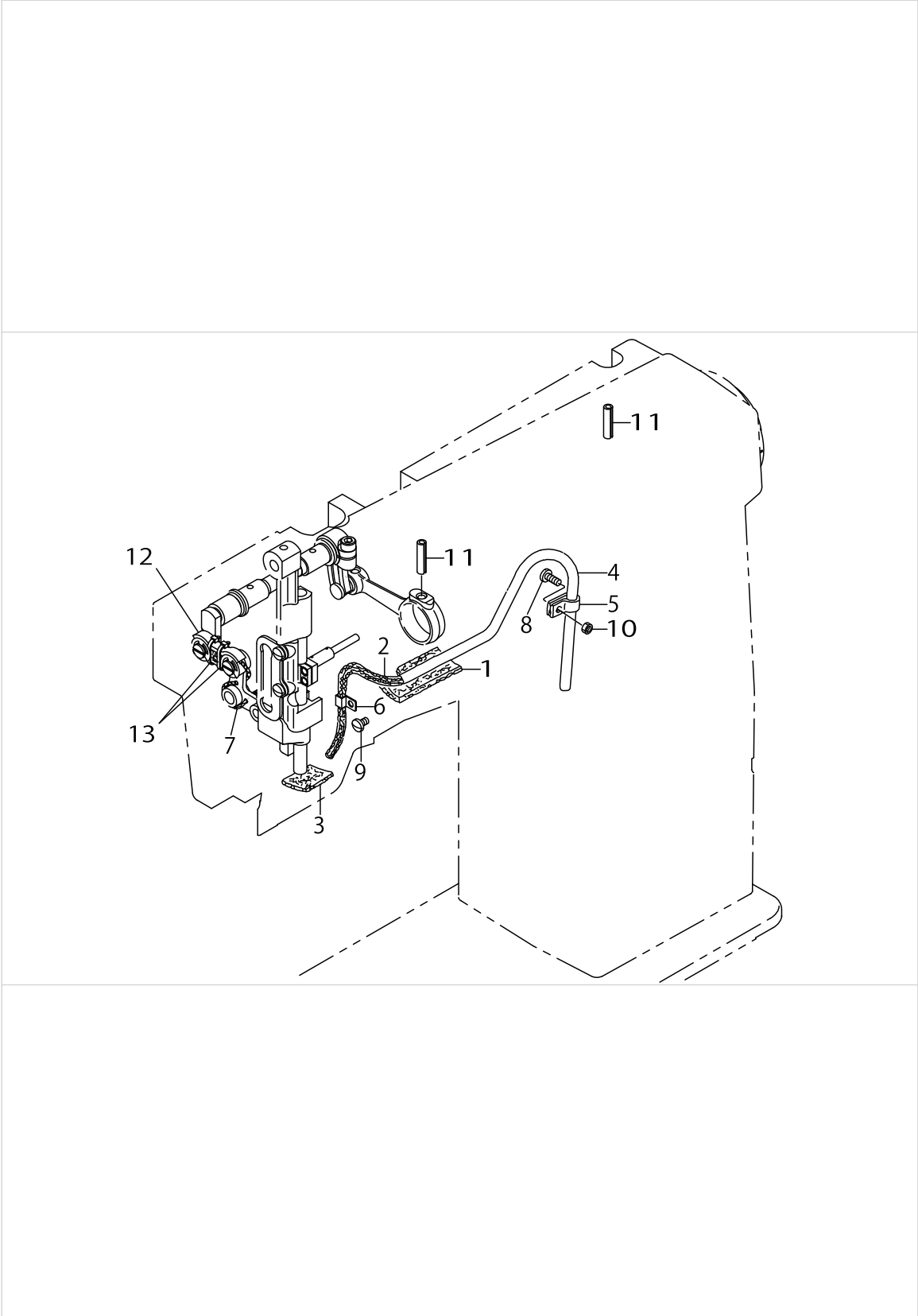
PRESSER LIFTING SOLENOID COMPONENTS(FOR AK-131B)



PRESSER LIFTING SOLENOID COMPONENTS(FOR AK-131B)

No.	Supply Code	Parts No.	Replacement	Parts name	Remarks	Choice	Step	Level	Cons	Qty	Rep. QTY
47		GAK29016000		SPEED CONTROLLER				*		1	
48		BT0600401EB		TUBE				*		0.18	
49		BT0600401EB		TUBE				*		1.45	
50		BT0600401EB		TUBE				*		1.45	
51		40025359		AK CORD ASM.				*		1	
52		HX001230000		CABLE CLIP				*		1	
53		SM4061001SB		SCREW M6 L=10				*		2	
54		SM4032501SB		SCREW M3X0.5 L=25.0				*		2	
55		SL4030691SC		SCREW M3X6				*		1	
56	R	SK3482500SC	SK3482501SE	WOOD SCREW D=4.8 L=25						4	1.00

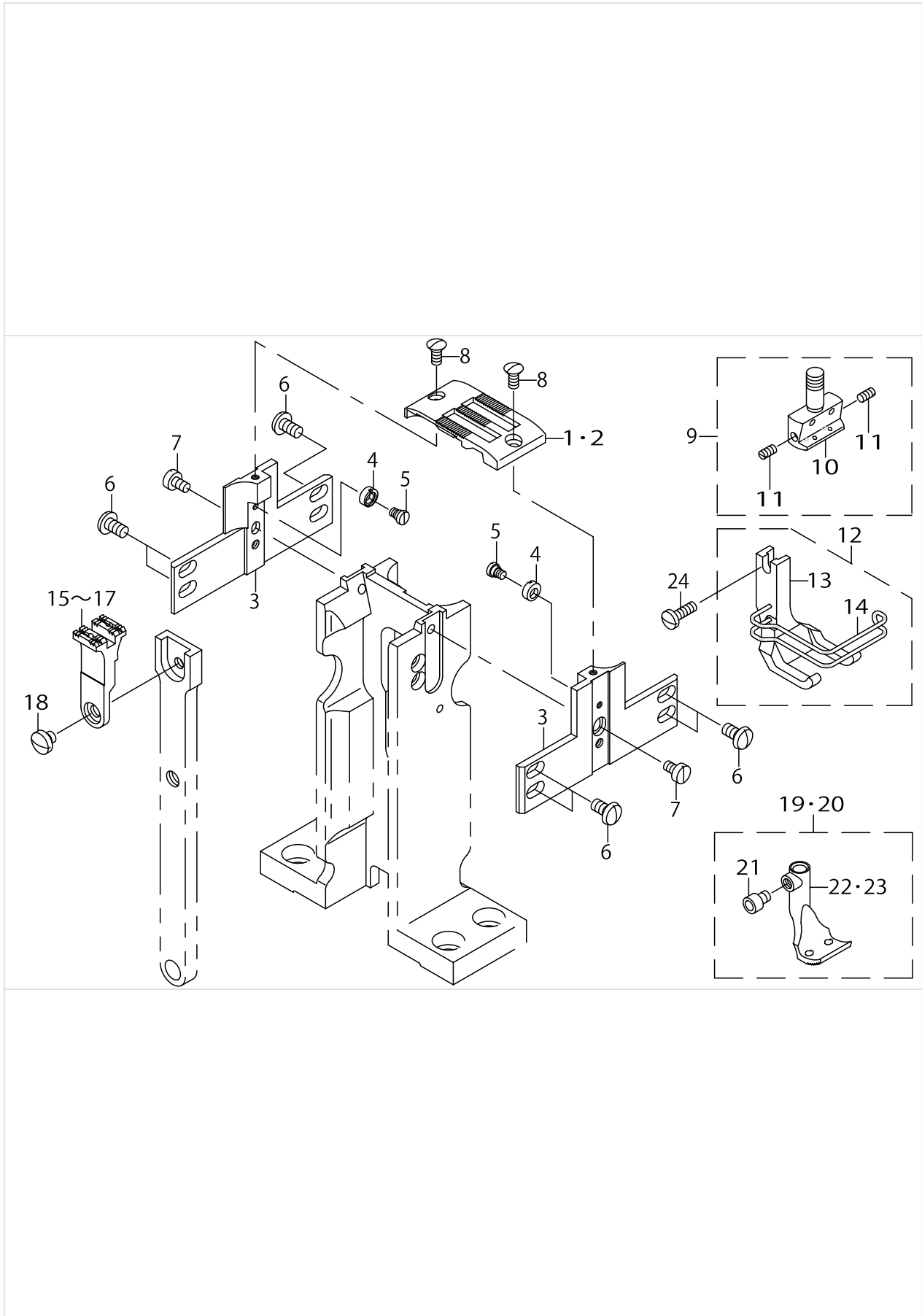
LUBRICATION COMPONENTS



LUBRICATION COMPONENTS

No.	Supply Code	Parts No.	Replacement	Parts name	Remarks	Choice	Step	Level	Cons	Qty	Rep. QTY
1	D	10321602		FELT						1	
2		10321701		OIL RETURN WICK						1	
3		B3526226000		OIL SPONGE						1	
4		BP800000000		VINYL TUBE, WHITE D=8						.3	
5		EA9502B0500		CABLE CLIP						1	
6		B3508512000		OIL FELT HOLDER						1	
7		CQ202000000		OIL WICK						.2	
8		SS7110710SP		SCREW 11/64-40 L=7						1	
9	R	SS7111140SP	SS7111120TP	SCREW 11/64-40 L=11						1	1.00
10		NS6110310SP		NUT 11/64-40						1	
11		PS060024100		SPRING PIN 6X24						2	
12		23014608		CONNECTING LINK FELT						1	
13		EA9500B0000		CLIP CV-70S						2	

GAUGE COMPONENTS(STANDARD PARTS)



GAUGE COMPONENTS(STANDARD PARTS)

No.	Supply Code	Parts No.	Replacement	Parts name	Remarks	Choice	Step	Level	Cons	Qty	Rep. QTY
1		23015001		THROAT PLATE,(10MM)						1	
2	D	23016108		THROAT PLATE,(10-MM)LONG PITCH	FOR PLC-1660L					1	
3		23016900		THROAT PLATE HOLDER ,10MM						2	
4		23007503		ECCENTRIC ROLLER						2	
5		23007602		HINGE SCREW						2	
6		SS5110810SP		SCREW 11/64-40 L=8						8	
7	R	SS6090620SP	SS6090620TP	SCREW 9/64-40 L=6						2	1.00
8		SS2090810SP		SCREW 9/64-40 L= 7.5						2	
9		23017551		NEEDLE CLAMP ASM. 10MM						1	
10		23017502		NEEDLE CLAMP, 10MM				*		1	
11		SS8080660TP		SCREW 1/8-44 L=5.5				*		2	
12	D	23018658		PRESSER FOOT ASM. 10MM						1	
13	R	23018609	23018658	PRESSER FOOT, 10MM				*		1	1.00
14		23019409		FINGER GUARD				*		1	
15		23020001		FEED DOG,10MM						1	
16		23020209		FEED DOG,10MM	FOR PLC-1660					1	
17		23020407		FEED DOG,10MM, LONG PITCH	FOR PLC-1660L					1	
18		SS7110410SP		SCREW 11/64-40 L=4						1	
19		10783355		FEED FOOT ASM. 10MM						1	
20		23022551		FEED FOOT ASM. 10MM	FOR PLC-1660L					1	
21		SM6040552TP		SCREW M4 L=4.5				*		1	
22	R	10783306	10783355	FEED FOOT ASM. 10MM				*		1	1.00
23	R	23022502	23022551	FEED FOOT ASM. 10MM	FOR PLC-1660L			*		1	1.00
24		SS7091110TP		SCREW 9/64-40 L=10.5						1	

TABLE AND STAND & BELT COVER COMPONENTS

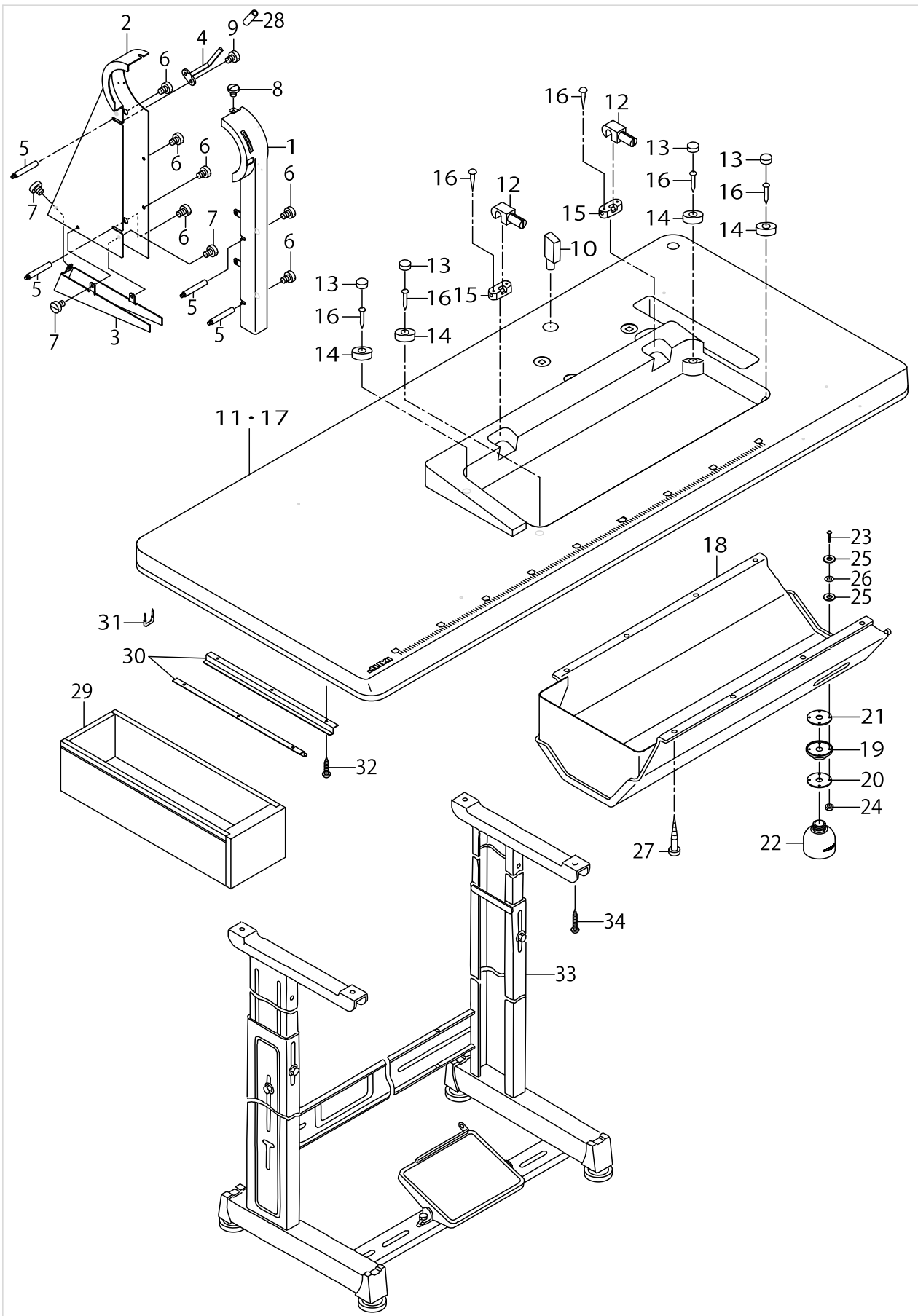
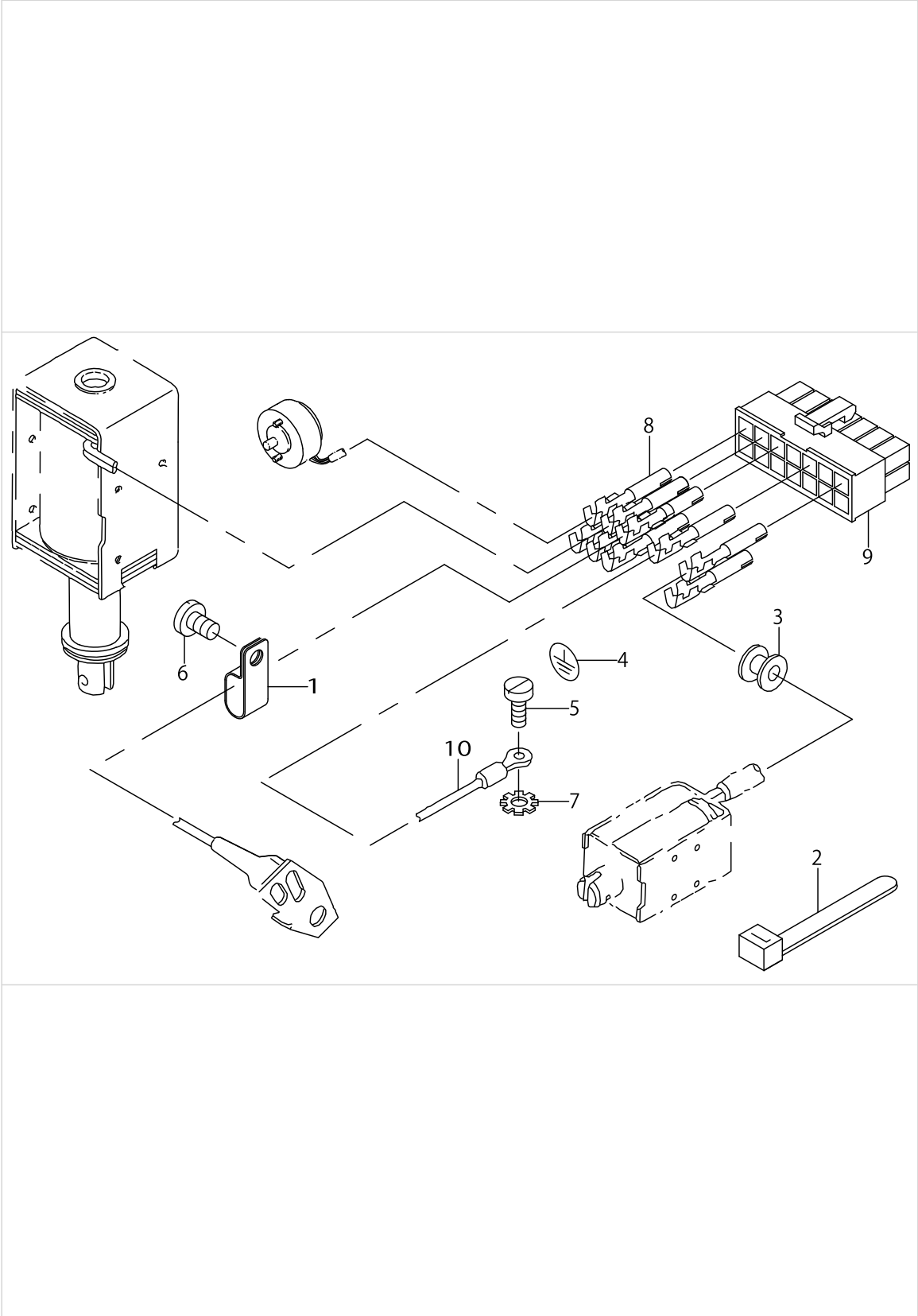


TABLE AND STAND& BELT COVER COMPONENTS

No.	Supply Code	Parts No.	Replacement	Parts name	Remarks	Choice	Step	Level	Cons	Qty	Rep. QTY
1		23012859		BELT COVER (LABEL STICK)						1	
2		23012909		BELT COVER (REAR)						1	
3	D	23013006		BELT COVER (UNDER)						1	
4		23013105		SYNCHRO SUPPORT						1	
5		D8232141E00		BELT COVER SUPPORT						4	
6		SS6110610TP		SCREW 11/64-40 L=6						6	
7		SS6110610TP		SCREW 11/64-40 L=6						3	
8		SS7110510SP		SCREW 11/64-40 L=5						1	
9		SS6110610TP		SCREW 11/64-40 L=6						2	
10		10528800		FRAME SUPPORT BAR						1	
11		23012701		OBLIQUE TABLE						1	
12		B8213012000		BED HINGE CONNECTION						2	
13		B8206012000		FELT CUSHION						4	
14		B8209012000		RUBBER CUSHION						4	
15		10529600		WASHER						2	
16		10539906		SET NAIL						8	
17	D	23012602		FLAT TABLE	FOR FLAT TABLE					1	
18		10772952		OIL RESERVOIR ASM.						1	
19		40025299		OIL POT JOINT						1	
20		21379003		OIL MANAGEMENT WASHER						1	
21		B8112220000		OIL SEAL						1	
22		40025300		OIL POT						1	
23		SM3031401SE		SCREW M3X0.5 L=14						4	
24		NM6030001SC		NUT M3						4	
25		10748101		OIL REMOVING SET-SCREW PACKING						8	
26		WP0320501SC		WASHER M3						4	
27		SK3241601SC		WOOD SCREW D=2.4 L=16						8	
28		BT0630520Z0		HOLDER COVER						.01	
29	R	11155108	11155157	DRAWER						1	1.00
30		11155207		DRAWER SUPPORT						2	
31		D8204555D00		DRAWER STOPPER						1	
32		SK3311600SE		WOOD SCREW D=3.1 L=16						6	
33		11157567		T LEG JUNCTION						1	
34	R	SK3513200SC	SK3513201SE	WOOD SCREW D=5.1 L=32						4	1.00

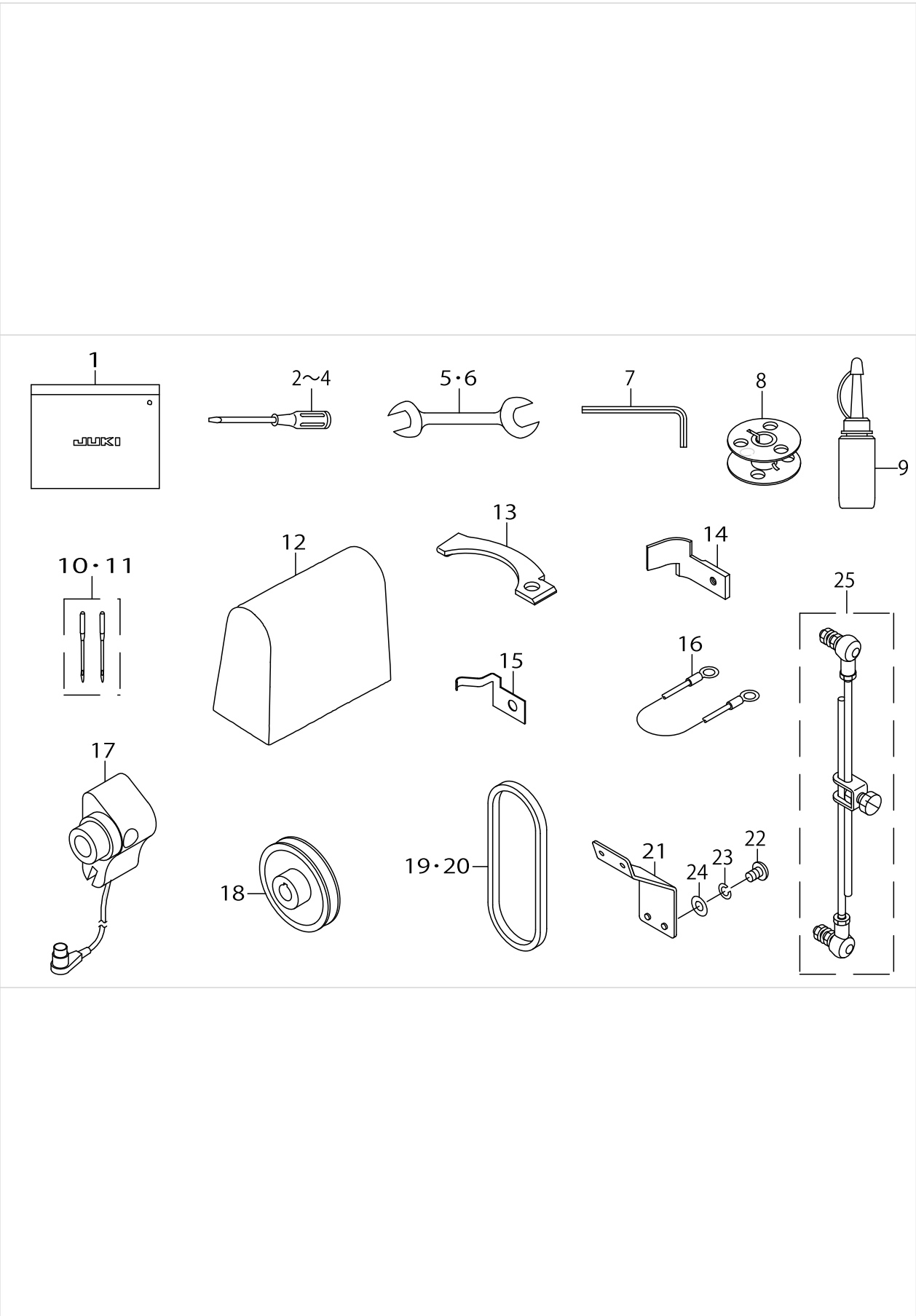
EXCLUSIVE PARTS FOR PLC-1660-7



EXCLUSIVE PARTS FOR PLC-1660-7

No.	Supply Code	Parts No.	Replacement	Parts name	Remarks	Choice	Step	Level	Cons	Qty	Rep. QTY
1		MAZ02508000		CORD HOLDER						2	
2		EA9500B0000		CLIP CV-70S						3	
3		D2414141E00		LORD BUSHING						1	
4	R	10004109	22901805	GROUND MARK						1	1.00
5		SS6111140SP		SCREW11/64-40L=11						1	
6		SS7110710SP		SCREW 11/64-40 L=7						1	
7		WT0530002KS		TOOTHED WASHER D=5.3						1	
8		HK03464000B		PIN CONTACT						8	
9		HK034610140		HOUSING 14P						1	
10		22951552		GROUND WIRE ASM.	FOR PLC-- 1660-7(SC-510)					1	


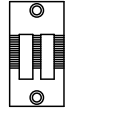
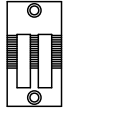
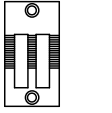
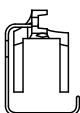
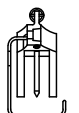
ACCESSORIES PARTS COMPONENTS


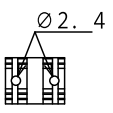
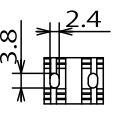
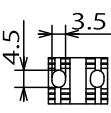
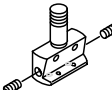
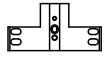


ACCESSORIES PARTS COMPONENTS

No.	Supply Code	Parts No.	Replacement	Parts name	Remarks	Choice	Step	Level	Cons	Qty	Rep. QTY
1	R	B9101552000	22932800	ACCESSORY BOX						1	1.00
2		22933006		SCREW DRIVER,LARGE						1	
3	R	B9110012000	22933105	SCREW DRIVER, MIDDLE						1	1.00
4	R	B9111012000	22933204	SCREW DRIVER, SMALL						1	1.00
5		B9143372000		WRENCH (7.1 X 8.1)						1	
6		B9113012000		WRENCH (9X10)						1	
7		B9141372000		HEXAGONAL WRENCH, LARGE						1	
8		10759603		ALUMINUM BOBBIN (DOUBLE-CUT)						2	
9		B91212200A0		OILER (CONTAINING NO.2 OIL)						1	
10	R	MC321001402	MC321001400	NEEDLE 134-35 #140-2						2	1.00
11	R	MC321001802	MC321001800	NEEDLE 134-35 #180-2	FOR PLC-1660L					2	1.00
12	R	10529808	22933303	COVER						1	1.00
13		23005804		MOVING KNIFE	FOR PLC-1660-7					1	
14		23005903		FIXED KNIFE	FOR PLC-1660-7					1	
15		23006000		CLAMP SPRING	FOR PLC-1660-7					1	
16		10741759		GROUND WIRE ASM.	FOR PLC-- 1660-7 (H- EAD ONLY DELIVERY TO JUS,JE)					1	
17		40026920		SYNCHRONIZERASM.	FOR PLC-- 1660-7(SC-510)					1	
18		MTSP00750B0		MOTOR PULLEY ASM. P.C.D 75	FOR PLC-- 1660-7(SC-510)					1	
19		MTJVH00530A		V BELT 53INCH	FOR PLC-- 1660-7(SC-510)					1	
20		MTJVH00510A		V BELT 51INCH	FOR PLC-- 1660-7 (FL- AT TABLE)					1	
21	D	D1114245F00		PANEL THREAD GUIDE	FOR PLC-1660-7					1	
22		SM4040601SC		SCREW M4X0.7 L=6	FOR PLC-1660-7					1	
23		WS0410002KN		SPRING WASHER	FOR PLC-1660-7					1	
24		WP0430800SC		WASHER M4	FOR PLC-1660-7					1	
25		22958458		CONNECTING ROD ASM. B	EXCEPT P- LC-1660-7					1	

TABLE OF EXCHANGING GAUGE PARTS

PLC-1660	○			○		○				
PLC-1660L			○				○			
PLC-1660-7	○				○		○		○	
NEEDLE GAUGE SIZE 針 幅	THROAT PLATE 針 板				THROAT PLATE FOR LOWER TAPE ATTACHING 下テープ付用針板		PRESSER FOOT ASM. 押え足 (組)		PRESSER FOOT WITH GUIDE ガイド付き押え足	
	 Stitch length 縫ピッチ: 6 mm		 Stitch length 縫ピッチ: 1.0 mm		 Stitch length 縫ピッチ: 6 mm					
mm	Ref.No	Part No.	Ref.No	Part No.	Ref.No	Part No.	Ref.No	Part No.	Ref.No	Part No.
3	1	230-15506		-		-	10	230-18955		-
6	2	230-15407		-		-	11	230-18856	14	230-29556
8	3	230-15100		-	8	230-15357	12	230-18757	15	230-29457
9.5	4	230-16009		-		-		-	16	230-19250
10	5	230-15001	7	230-16108	9	230-15258	13	230-18658	17	230-19854
12	6	230-15803		-		-		-	18	230-29655

PLC-1660	○		○			○		○		
PLC-1660L						○			○	
PLC-1660-7	○						○		○	
NEEDLE GAUGE SIZE 針 幅	FEED 送 り					NEEDLE CLAMP ASM. 針留 (組)		THROAT PLATE HOLDER 針板受け		
	 ∅ 2.4		 2.4 3.8		 3.5 4.5					
mm	Ref.No	Part No.	Ref.No	Part No.	Ref.No	Part No.	Ref.No	Part No.	Ref.No	Part No.
3	19	230-20704		-		-	28	230-17858	34	230-17254
6	20	230-20605		-		-	29	230-17759	35	230-17155
8	21	230-20100	25	230-20308		-	30	230-17650	36	230-17056
9.5	22	230-21405		-		-	31	230-18005	37	230-16751
10	23	230-20001	26	230-20209	27	230-20407	32	230-17551	38	230-16959
12	24	230-21009		-		-	33	230-17908	39	230-16850


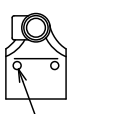

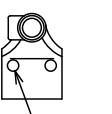



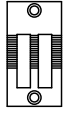

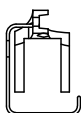


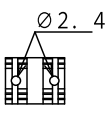
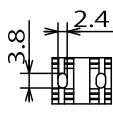
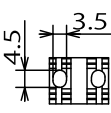
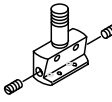
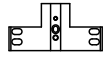
PLC-1660	○		○						
PLC-1660L							○		
PLC-1660-7	○		○					○	
NEEDLE GAUGE SIZE 針 幅	FEED FOOT ASM. 送り足 (組)		FEED FOOT ASM. WITH CENTER GUIDE 送り足 (組) センターガイド付		FEED FOOT ASM. 送り足 (組)		FEED FOOT FOR GUIDE ガイド用送り足		
	 ∅ 2.1		 ∅ 2.1		 ∅ 3				
mm	Ref.No	Part No.	Ref.No	Part No.	Ref.No	Part No.	Ref.No	Part No.	Part No.
3	40	230-22957		-		-			-
6	41	107-83157		-		-	46	230-23559	
8	42	107-83256	44	230-22759		-	47	230-23658	
9.5		-		-		-	48	230-23153	
10	43	107-83355		-	45	230-22551	49	230-23351	
12		-		-		-	50	230-23757	

TABLE OF EXCHANGING GAUGE PARTS

No.	Supply Code	Parts No.	Replacement	Parts name	Remarks	Choice	Step	Level	Cons	Qty	Rep. QTY
1		23015506		THROAT PLATE 3MM						1	
2		23015407		THROAT PLATE 6MM						1	
3		23015100		THROAT PLATE 8MM						1	
4		23016009		THROAT PLATE 9.5MM						1	
5		23015001		THROAT PLATE (10MM)						1	
6		23015803		THROATPLATE 12MM						1	
7	D	23016108		THROAT PLATE (10-MM)LONG PITCH						1	
8		23015357		THROAT PLATE 8MM						1	
9		23015258		THROATPLATE 10MM						1	
10	D	23018955		PRESSER FOOT ASM. 3MM	EXCEPT PLC-1660L					1	
11		23018856		PRESSER FOOT ASM. 6MM						1	
12		23018757		PRESSER FOOT ASM. 8MM	EXCEPT PLC-1660L					1	
13	D	23018658		PRESSER FOOT ASM. 10MM						1	
14		23029556		PRESSER FOOT WITH GUIDE ASM.						1	
15		23029457		PRESSER FOOT WITH GUIDE ASM.						1	
16		23019250		PRESSER FOOT WITH GUIDE ASM.						1	
17		23019854		PRESSER FOOT WITH GUIDE ASM.						1	
18		23029655		PRESSER FOOT WITH GUIDE ASM.						1	
19	D	23020704		FEED 3MM,SPECIAL						1	
20	D	23020605		FEED DOG 6MM						1	
21		23020100		FEED DOG,8MM						1	
22		23021405		FEED DOG,9.5MM						1	
23		23020001		FEED DOG,10MM						1	
24		23021009		FEED DOG,12MM						1	
25		23020308		FEED DOG,8MM						1	
26		23020209		FEED DOG,10MM						1	
27		23020407		FEED DOG,10MM,LONG PITCH						1	
28	D	23017858		NEEDLE CLAMP AS-M. 3MM SPECIAL	EXCEPT PLC-1660L					1	
29		23017759		NEEDLE CLAMP ASM. 6MM						1	
30		23017650		NEEDLE CLAMP ASM. 8MM	EXCEPT PLC-1660L					1	
31		23018005		NEEDLE CLAMP ASM. 9.5MM	EXCEPT PLC-1660L					1	
32		23017551		NEEDLE CLAMP ASM. 10MM						1	
33		23017908		NEEDLE CLAMP 12MM	EXCEPT PLC-1660L					1	
34		23017254		THROAT PLATE HOLDER ASM. 3MM	EXCEPT PLC-1660L					1	
35		23017155		THROAT PLATE HOLDER ASM. 6MM						1	
36		23017056		THROAT PLATE HOLDER ASM. 8MM	EXCEPT PLC-1660L					1	
37		23016751		THROAT PLATE HOLDER ASM.9.5MM	EXCEPT PLC-1660L					1	
38		23016959		THROAT PLATE HOLDER ASM. 10MM						1	
39		23016850		THROAT PLATE HOLDER ASM. 12MM	EXCEPT PLC-1660L					1	
40	D	23022957		FEEDFOOT ASM. 3MM						1	
41		10783157		FEEDFOOT ASM. 6MM						1	
42		10783256		FEEDFOOT ASM. 8MM						1	
43		10783355		FEED FOOT ASM. 10MM						1	

TABLE OF EXCHANGING GAUGE PARTS

PLC-1660	○		○		○		○		○	
PLC-1660L			○		○		○		○	
PLC-1660-7	○		○		○		○		○	
NEEDLE GAUGE SIZE 針 幅	THROAT PLATE 針 板				THROAT PLATE FOR LOWER TAPE ATTACHING 下テープ付用針板		PRESSER FOOT ASM. 押え足 (組)		PRESSER FOOT WITH GUIDE ガイド付き押え足	
	 Stitch length 縫ピッチ: 6 mm		 Stitch length 縫ピッチ: 1.0 mm		 Stitch length 縫ピッチ: 6mm					
mm	Ref.No	Part No.	Ref.No	Part No.	Ref.No	Part No.	Ref.No	Part No.	Ref.No	Part No.
3	1	230-15506		-		-	10	230-18955		-
6	2	230-15407		-		-	11	230-18856	14	230-29556
8	3	230-15100		-	8	230-15357	12	230-18757	15	230-29457
9.5	4	230-16009		-		-		-	16	230-19250
10	5	230-15001	7	230-16108	9	230-15258	13	230-18658	17	230-19854
12	6	230-15803		-		-		-	18	230-29655

PLC-1660	○		○		○		○		○	
PLC-1660L					○		○		○	
PLC-1660-7	○		○		○		○		○	
NEEDLE GAUGE SIZE 針 幅	FEED 送 り						NEEDLE CLAMP ASM. 針留 (組)		THROAT PLATE HOLDER 針板受け	
	 ∅2.4		 2.4		 3.5					
mm	Ref.No	Part No.	Ref.No	Part No.	Ref.No	Part No.	Ref.No	Part No.	Ref.No	Part No.
3	19	230-20704		-		-	28	230-17858	34	230-17254
6	20	230-20605		-		-	29	230-17759	35	230-17155
8	21	230-20100	25	230-20308		-	30	230-17650	36	230-17056
9.5	22	230-21405		-		-	31	230-18005	37	230-16751
10	23	230-20001	26	230-20209	27	230-20407	32	230-17551	38	230-16959
12	24	230-21009		-		-	33	230-17908	39	230-16850




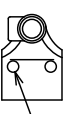
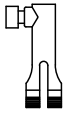
PLC-1660	○		○		○		○		○	
PLC-1660L					○		○		○	
PLC-1660-7	○		○		○		○		○	
NEEDLE GAUGE SIZE 針 幅	FEED FOOT ASM. 送り足 (組)		FEED FOOT ASM. WITH CENTER GUIDE 送り足 (組) センターガイド付		FEED FOOT ASM. 送り足 (組)		FEED FOOT FOR GUIDE ガイド用送り足			
	 ∅2.1		 ∅2.1		 ∅3					
mm	Ref.No	Part No.	Ref.No	Part No.	Ref.No	Part No.	Ref.No	Part No.	Ref.No	Part No.
3	40	230-22957		-		-		-		-
6	41	107-83157		-		-	46	230-23559		-
8	42	107-83256	44	230-22759		-	47	230-23658		-
9.5		-		-		-	48	230-23153		-
10	43	107-83355		-	45	230-22551	49	230-23351		-
12		-		-		-	50	230-23757		-

TABLE OF EXCHANGING GAUGE PARTS

No.	Supply Code	Parts No.	Replacement	Parts name	Remarks	Choice	Step	Level	Cons	Qty	Rep. QTY
44	D	23022759		WALKING FOOT ASM. 8MM						1	
45		23022551		FEED FOOT ASM. 10MM						1	
46		23023559		FEED FOOT FOR GUIDE ASM. 6MM						1	
47		23023658		FEED FOOT FOR GUIDE ASM. 8MM						1	
48		23023153		FEED FOOT FOR G- UIDE ASM. 9.5MM						1	
49		23023351		FEED FOOT FOR G- UIDE ASM. 10MM						1	
50		23023757		FEED FOOT FOR G- UIDE ASM. 12MM						1	

HOW TO MAKE USE OF THIS PARTS LIST

1.Explanation of codes

1)"*"mark.....means this part is changed from the previous parts book.

As to the details of the change, refer to the "List for information of change".

2)"#01".....refer to "Note" explanation at bottom of page.

2.Codes on the "Qty" column

• Each numeral indicates the number of parts required.

• "0.1" and "2.5" indicate the length (in meters) of the respective parts.

3.Parentheses mean that the corresponding part is a subpart that constructs an assembly part.

4.Dotted lines on the Figures indicate assembly parts.

1."注記"欄の記号説明

1) "*"印.....前回のパーツブックに比較して今回変更された部品を意味します。

変更内容は、"変更情報リスト"を参照してください。

2) "#01".....ページ下の"注記"の説明を参照してください。

2.数量欄の数字は、個数を表し、0.1、2.5等の数値は、長さ（単位メートル）を表します。

3.数量欄の（ ）は、組部品を構成している子部品であることを意味します。

4.イラストページの-----枠は、組構成であることを意味します。

NUMERICAL INDEX OF PARTS

PART NO	PAGE	REF NO.	PART NO	PAGE	REF NO.	PART NO	PAGE	REF NO.
10004109	50	4	10311801	40	35	11155207	48	30
10088003	34	24	10312106	36	30	11157567	48	33
10106102	14	26	10312106	40	30	13516604	16	49~51
10107407	26	34	10312213	36	32	13516703	16	49~51
10107506	14	34	10312213	40	32	13519202	16	49~51
10107902	14	11	10315000	14	1	18035006	38	50
10111904	18	16~19	10315109	14	2	18035105	38	51
10112001	18	16~19	10315208	14	3	18035204	38	52
10112100	18	16~19	10315505	14	5	21026307	14	33
10112209	18	16~19	10320505	28	7	21048707	12	14
10116606	22	2	10320703	28	35	21055009	14	17·31
10116804	22	4	10321602	44	1	21379003	48	20
10116903	22	5	10321701	44	2	21427307	18	2
10117109	22	8	10355055	30	6	22537658	34	2
10117851	22	19	10439008	2	15	22538151	34	4
10119204	26	9	10502300	34	20	22538300	34	5
10119402	26	13	10503605	6	43	22538409	34	6
10119709	26	16	10509701	12	28	22602601	2	4
10119907	26	17	10528800	48	10	22603708	2	39
10120004	26	18	10529600	48	15	22603906	8	52
10124204	28	12	10529808	52	12	22609200	14	4
10124204	30	12	10539906	48	16	22609606	14	6
10124204	34	29	10618304	34	9	22610109	14	28
10124303	28	16	10704104	34	23	22610406	14	29
10124303	30	16	10704153	34	22	22611602	8	64
10124501	28	5	10723104	20	40	22611651	8	63
10124501	30	5	10741759	52	16	22617609	28	27
10124501	32	5	10748101	48	25	22617609	30	27
10161206	26	4	10759603	20	43	22617609	32	23
10161305	26	10	10759603	52	8	22618904	28	29
10201200	2	20	10772952	48	18	22618904	30	29
10204709	10	5	10774008	2	6	22618904	32	25
10207116	14	32	10783157	54	41	22814008	20	41
10207405	14	30	10783256	54	42	22904106	16	39
10212009	26	15	10783306	46	22·23	22904155	14	38
10301307	10	3	10783355	46	19·20	22912109	14	18
10301950	2	1	10783355	54	43	22933006	52	2~4
10305001	6	1	11071701	12	32	22951552	50	10
10305100	6	3	11071800	12	35	22958458	52	25
10305159	6	2	11072204	28	21	23000656	2	9
10308203	10	2	11072204	30	21	23000805	2	10
10310712	12	30	11072204	32	17	23000904	2	11
10311504	36	31	11072402	28	15	23001001	6	5
10311504	40	31	11072402	30	15	23001100	6	23·24
10311801	36	35	11155108	48	29	23001209	6	23·24

NUMERICAL INDEX OF PARTS

PART NO	PAGE	REF NO.	PART NO	PAGE	REF NO.	PART NO	PAGE	REF NO.
23001308	6	35	23005804	52	13	23015001	54	5
23001407	6	36	23005903	22	29	23015100	54	3
23001506	6	37	23005903	52	14	23015258	54	9
23001605	6	44	23006000	22	30	23015357	54	8
23001704	8	47	23006000	52	15	23015407	54	2
23001803	8	50	23006109	22	31	23015506	54	1
23001902	8	51	23006208	22	32	23015803	54	6
23002108	10	4	23006307	22	33	23016009	54	4
23002207	10	6	23006406	28	1	23016108	46	1·2
23002306	10	9	23006406	30	1	23016108	54	7
23002405	10	10	23006406	32	1	23016751	54	37
23002504	10	17	23006505	12	1	23016850	54	39
23002603	10	18	23006604	12	3	23016900	46	3
23002702	10	19	23006703	12	4	23016959	54	38
23002801	12	33	23006802	12	5	23017056	54	36
23002959	12	41	23006901	12	6	23017155	54	35
23003007	12	15	23007008	10	39	23017254	54	34
23003106	14	7·75	23007107	12	13·16	23017502	46	10
23003254	14	8	23007206	12	13·16	23017551	46	9
23003304	14	10	23007305	14	25	23017551	54	32
23003353	14	9	23007404	2	3	23017650	54	30
23003403	14	14·15·76	23007503	46	4	23017759	54	29
23003502	18	27·30	23007602	46	5	23017858	54	28
23003601	14	22	23007750	28	6	23017908	54	33
23003700	14	24	23007768	28	3	23018005	54	31
23003809	14	27	23007859	32	6	23018609	46	13
23003908	16	46	23007867	32	3	23018658	46	12
23004005	16	47	23008006	6	20	23018658	54	13
23004104	10	22	23008055	6	19	23018757	54	12
23004104	16	48	23008105	18	20	23018856	54	11
23004203	18	1	23008303	10	8	23018955	54	10
23004302	18	3	23008402	26	8	23019250	54	16
23004500	18	12	23009509	16	55	23019409	46	14
23004609	18	13	23009608	12	22	23019854	54	17
23004708	18	29	23009756	34	3	23020001	46	15~17
23004906	18	15	23009764	34	1	23020001	54	23
23005002	22	14	23012602	48	11·17	23020100	54	21
23005051	22	1	23012701	48	11·17	23020209	46	15~17
23005101	22	21	23012859	48	1	23020209	54	26
23005200	22	22	23012909	48	2	23020308	54	25
23005309	22	39	23013006	48	3	23020407	46	15~17
23005358	22	38	23013105	48	4	23020407	54	27
23005507	22	23	23014608	44	12	23020605	54	20
23005606	22	20	23014806	22	24	23020704	54	19
23005804	22	28	23015001	46	1·2	23021009	54	24

NUMERICAL INDEX OF PARTS

PART NO	PAGE	REF NO.	PART NO	PAGE	REF NO.	PART NO	PAGE	REF NO.
23021405	54	22	40025467	16	7-75	B16232010AA	14	14-15-76
23021900	22	40	40026920	52	17	B162438000A	14	35
23022007	22	7	40032259	2	2	B1633470000	14	16
23022106	18	10-11	A321600100A	34	10	B1636581B00	14	23
23022205	18	10-11	B1114280000	26	20	B1639051000	8	48
23022353	30	3	B1114517000	2	40	B1653470000	14	21
23022502	46	22-23	B1129051000	2	7	B1807512000	18	4
23022551	46	19-20	B1129521000	2	5	B1816512000	18	5
23022551	56	45	B1140526000	2	8	B1905520000	6	12
23022759	56	44	B1148555000	34	12	B19055200A0	6	11
23022957	54	40	B1202512000	6	4	B1906051000	6	6
23023153	56	48	B1203512000	6	21	B1907057000	6	13
23023351	56	49	B1206051000	6	16	B1907526000	6	8
23023559	56	46	B1210051000	6	17	B3120125000	28	20
23023658	56	47	B1214019000	6	34	B3120125000	30	20
23023757	56	50	B1305055000A	6	38	B3120125000	32	16
23025000	20	30	B1307055000	6	39	B3125012000	28	34
23025059	20	1	B1308055000	6	40	B3125012000	30	34
23025158	20	3	B1309055000	6	41	B3125012000	32	30
23025208	20	5	B1310055000	6	42	B3125527000	28	33
23025257	20	4	B1313055000	6	45	B3125527000	30	33
23025307	20	37	B1314055000	6	46	B3125527000	32	29
23025802	20	34	B1408051000	6	15	B3126012000	32	11
23025901	20	38	B1410771000	10	11	B3126051000	28	17
23026107	20	35	B1411057000	10	20	B3126051000	30	17
23026206	20	36	B1412051000	10	21	B3126051000	32	12
23026404	20	39	B1414232000	10	12~14	B3127051000	28	10
23026503	20	7	B141423200A	10	12~14	B3127051000	30	10
23026602	20	10	B141423200B	10	12~14	B3127051000	32	10
23027063	20	31	B1414555000	12	9	B3127527000	28	9
23027105	20	20	B1437051000	10	16	B3127527000	30	9
23027154	20	19	B1450057000	6	32	B3127527000	32	9
23028004	20	33	B1455053000	12	2	B3128051000	28	4
23028053	20	29	B1461245000	12	17	B3128051000	30	4
23028061	20	32	B1462053000	12	38	B3128051000	32	4
23029457	54	15	B14670530A0	12	10	B3128527000	28	26
23029556	54	14	B1468053000	12	11	B3128527000	30	26
23029655	54	18	B1501141H00	12	34	B3128527000	32	22
23039159	20	16	B1502246000	12	36	B3129053000	28	19
23041304	18	14	B1509141H00	12	29	B3129053000	30	19
40016538	10	1	B1513280000	14	17-31	B3129053000	32	15
40024970	40	39	B152989000CA	34	8	B3132051000	28	18
40025299	48	19	B1604012000A	14	19	B3132051000	30	18
40025300	48	22	B1610512000	14	20	B3132051000	32	13
40025359	42	51	B16231450A0	16	14-15-76	B3134521000	30	7

NUMERICAL INDEX OF PARTS

PART NO	PAGE	REF NO.	PART NO	PAGE	REF NO.	PART NO	PAGE	REF NO.
B3134521000	32	7	CM3002000B1	2	16	GAK29011000	40	43
B31375270A0	28	23	CM300200101	2	18·19	GAK29015000	40	46
B31375270A0	30	23	CM3002001A1	2	18·19	GAK29016000	42	47
B31375270A0	32	19	CQ200000000	6	7	GAK33011000	36	7
B3138512000	2	42	CQ202000000	6	14	GAK33011000	40	7
B3138527000	28	30	CQ202000000	10	15	GAK33012000	36	9
B3138527000	30	30	CQ202000000	16	45	GAK33012000	40	9
B3138527000	32	26	CQ202000000	44	7	GAK33013000	36	8
B3139527000	28	25	CQ252000000	6	9	GAK33013000	40	8
B3139527000	30	25	CQ303000000	6	18	GAK33014000	36	14
B3139527000	32	21	CS0700811SH	22	37	GAK33014000	40	14
B3141527000	28	32	CS0950810SH	22	34	GAK33024000	36	26
B3141527000	30	32	CS0950816SH	22	35	GAK33024000	40	26
B3141527000	32	28	CS1021211SH	14	36	GAK33027000	36	19
B3142527000	28	24	D1114245F00	52	21	GAK33027000	40	19
B3142527000	30	24	D1454055B00	12	8	GAK33028000	36	20
B3142527000	32	20	D1455055B00	12	7	GAK33028000	40	20
B3143527000	28	22	D1456055B00	12	21	GAK33035000	36	6
B3143527000	30	22	D1462241E00	12	18	GAK33035000	40	6
B3143527000	32	18	D1463241E00	12	19	GAK81007000	36	40
B3205210000	34	11	D1680141EA0	26	3	GAK81008000	36	41
B3213205000	34	18	D1681241E0A	26	1	GAK81009000	36	42
B3214047000	28	13	D1684141E00A	26	14	GAK88040000	36	38
B3214047000	30	13	D1687141E00	26	23	GAK88040000	40	38
B3214047000	34	28	D2414141E00	50	3	GAKA1401000	40	40
B3216047000	34	26	D2427555B00B	22	15	GAKA14030A0	40	42
B3417051000	22	41	D2428555B00A	22	16	GAKA16010A0	36	1
B3508512000	44	6	D2430555B00	22	17	GAKA16010A0	40	1
B3526226000	44	3	D2436245E00	24	50	GAKA16020A0	36	16
B8112220000	48	21	D2464555B00	26	11	GAKA16020A0	40	16
B8206012000	48	13	D2515232D00	26	19	GAKA16020B0	36	17
B8209012000	48	14	D3129555D00	32	14	GAKA16020B0	40	17
B8213012000	48	12	D3168555H0B	28	14	GAKA16030A0	36	2
B9101552000	52	1	D3168555H0B	30	14	GAKA16030A0	40	2
B9110012000	52	2~4	D3168555H0B	34	27	GAKA1604000	36	4
B9111012000	52	2~4	D8204555D00	48	31	GAKA1604000	40	4
B9113012000	52	5·6	D8232141E00	48	5	GAKA1605000	36	5
B91212200A0	52	9	EA9500B0000	44	13	GAKA1605000	40	5
B9141372000	52	7	EA9500B0000	50	2	GAKA1606000	36	18
B9143372000	52	5·6	EA9500B0200	38	54	GAKA1606000	40	18
BP800000000	44	4	EA9502B0500	44	5	GAKA16070A0	36	34
BT0600401EB	38	49	F1021003000	38	58	GAKA16070A0	40	34
BT0600401EB	42	50	GAK29007000	40	41	GAKA16080A0	36	39
BT0630520Z0	48	28	GAK29009000	40	44	HK034610140	50	9
CM300200001	2	17	GAK29010000	40	45	HK03464000B	50	8

NUMERICAL INDEX OF PARTS

PART NO	PAGE	REF NO.	PART NO	PAGE	REF NO.	PART NO	PAGE	REF NO.
HX001230000	42	52	PS060024100	44	11	SM3031401SE	48	23
MAT80110L00	2	33	PS0600502KP	28	2	SM4032501SB	42	54
MAT81126T00	26	2	PS0600502KP	30	2	SM4040601SC	52	22
MAZ02508000	50	1	PS0600502KP	32	2	SM4061001SB	42	53
MC321001400	10	23·24	PT0302000S0	10	7	SM6020450TP	24	51
MC321001402	52	10·11	PV010502000	36	46	SM6040552TP	46	21
MC321001800	10	23·24	PX020002000	36	45	SM6040802TP	18	23
MC321001802	52	10·11	RC0560711KP	34	13	SM6061602TP	16	53
MTJVH00510A	52	19·20	RC0740811KP	16	74	SM6061602TP	18	21
MTJVH00530A	52	19·20	RE0400000K0	26	12	SM6081802TP	36	13
MTSP00750B0	52	18	RE0500000K0	8	53	SM6081802TP	40	13
NM6030001SC	48	24	RE0500000K0	16	71	SM8040402TP	24	52
NM6040001SC	38	61	RE0500000K0	34	14	SM8050502TP	16	68
NM6050001SP	22	48	RE0500711KP	16	42	SM8050502TP	36	11
NM6050001SP	24	48	RE0600000K0	26	35	SM8050502TP	40	11
NM6080001SE	36	12	RE0700000K0	36	25	SM8060802TP	8	61
NM6080001SE	40	12	RE0700000K0	40	25	SM8061002TP	6	22
NS6110310SP	28	11	RE0800000K0	12	26	SM9061850SC	36	43
NS6110310SP	30	11	RE1200000K0	8	60	SS1092810SP	20	42
NS6110310SP	34	25	RO074240100	16	41	SS2090520SL	2	37
NS6110310SP	44	10	RO092270200	34	15	SS2090810SP	46	8
NS6110350SP	28	39	SB120000200	8	65	SS2110920TP	22	13
NS6110530SP	12	27	SD0470281SP	28	8	SS3090610SP	2	38
NS6150310SP	10	29	SD0470281SP	30	8	SS4110815SP	16	62
NS6150310SP	16	70	SD0470281SP	32	8	SS5110810SP	46	6
NS6150310SP	36	29	SD0640322TP	8	55	SS6090620SP	34	21
NS6150310SP	40	29	SD0640325SP	24	58	SS6090620SP	46	7
NS6150430SP	22	10	SD0720331SP	26	22	SS6092120SP	10	33
NS6150430SP	26	29	SD0720331SP	36	37	SS6110480SP	2	14
NS6620310SP	2	41	SD0720331SP	40	37	SS6110480SP	24	49
NS6680320SP	10	27	SD0790361SP	36	33	SS6110480SP	36	27
NS6680320SP	16	69	SD0790361SP	40	33	SS6110480SP	40	27
PA400200200	36	3	SD0790601SP	16	56	SS6110520TP	10	30
PA400200200	40	3	SD0800422CP	16	44	SS6110610TP	48	9
PC012601000	38	53	SD0800481SP	12	37	SS6110710SP	16	60
PF0552100A0	38	56	SD0900701TP	10	25	SS6111010SP	22	11
PH0300062C0	18	26	SD0900701TP	16	43	SS6111140SP	2	31
PJ046059002	38	47	SK3241601SC	48	27	SS6111140SP	24	55
PJ301060504	38	48	SK3311600SE	48	32	SS6111140SP	28	38
PJ301065104	36	15	SK3482500SC	42	56	SS6111140SP	50	5
PJ301065104	40	15	SK3513200SC	38	55	SS6120940SP	24	56
PJ304065201	38	57	SK3513200SC	48	34	SS6121010SP	24	47
PS0200182KR	2	12	SL4030691SC	42	55	SS6121030SP	34	17
PS0400322KP	26	21	SL4041091SC	36	44	SS6121050SP	16	63
PS0500142KP	2	45	SL4041291SC	38	59	SS6121210SP	22	46

NUMERICAL INDEX OF PARTS

PART NO	PAGE	REF NO.	PART NO	PAGE	REF NO.	PART NO	PAGE	REF NO.
SS6121210TP	40	10	SS7620750SP	26	5	SS9151160CP	40	28
SS6121212TP	36	23	SS7621040SP	12	25	SS9151440CP	14	12
SS6121212TP	40	23	SS7621040SP	26	6	TA1250406R0	2	47
SS6121610TP	10	32	SS7621040SP	34	16	TA1250406R0	4	47
SS6121610TP	16	61	SS7681750TP	6	56	TA1250504R0	2	28
SS6151040SP	22	45	SS7681750TP	8	56	TA1270502R0	2	26
SS6151220SP	22	3	SS8080660TP	46	11	TA2100904R0	2	22
SS6661110SP	8	49	SS8090410SP	8	57	TA2351004R0	2	46
SS6661110SP	16	64	SS8110410TP	22	59	TA2351004R0	4	46
SS7080520SP	2	13	SS8110410TP	24	59	WP0320501SC	48	26
SS7090520SP	2	43	SS8110422TP	34	7	WP0370316SD	12	42
SS7090520SP	28	31	SS8110510SP	24	53	WP0371026SD	10	26
SS7090520SP	30	31	SS8110520TP	24	54	WP0430800SC	52	24
SS7090520SP	32	27	SS8111010TP	22	12	WP0430801SC	38	60
SS7090530SP	36	36	SS8111610SP	34	19	WP0482086SD	12	20
SS7090530SP	40	36	SS8150310SP	12	31	WP0501016SD	22	57
SS7090710SP	16	52	SS8150510TP	8	62	WP0501016SD	24	57
SS7091110TP	12	39	SS8150710SP	18	24	WP0501016SD	26	33
SS7091110TP	46	24	SS8150710TP	18	28	WP0621016SD	14	13
SS7110410SP	46	18	SS8150760TP	6	31	WP0621016SD	26	30
SS7110510SP	12	23	SS8150822TP	6	30	WP0650876SD	10	36
SS7110510SP	16	66	SS8150912TH	6	29	WP0651056SD	16	54
SS7110510SP	28	36	SS8150920SP	10	37	WP0651056SD	18	22
SS7110510SP	48	8	SS8151150SP	16	57	WP0753016SZ	22	9
SS7110710SP	2	34	SS8151150SP	18	8	WP1021016SD	36	24
SS7110710SP	16	65	SS8151230SP	8	58	WP1021016SD	40	24
SS7110710SP	26	28	SS8151550SP	6	10	WS0310002KR	28	37
SS7110710SP	28	40	SS8151550SP	12	12	WS0410002KN	52	23
SS7110710SP	30	35	SS8152030SP	22	6	WS0631510KP	26	31
SS7110710SP	32	31	SS8660530TP	18	25	WT0530002KS	50	7
SS7110710SP	44	8	SS8660610TP	6	33			
SS7110710SP	50	6	SS8660610TP	14	40			
SS7110720SP	10	38	SS8660610TP	16	40			
SS7110840SP	12	24	SS8660810TP	16	73			
SS7110910SP	2	44	SS8660810TP	18	9			
SS7110910SP	10	35	SS8661012TP	22	43			
SS7110910SP	16	59	SS8661030SP	8	66			
SS7111140SP	44	9	SS8661040TP	16	72			
SS7111310SP	12	40	SS8680540SP	6	27			
SS7111310TP	10	34	SS8680730SP	6	28			
SS7111310TP	16	67	SS8681650TP	6	26			
SS7120760SP	8	67	SS8681950SP	8	59			
SS7121410SP	26	24	SS9111010SP	2	32			
SS7151210SP	26	27	SS9111010SP	26	26			
SS7151610SP	22	44	SS9151160CP	36	28			