

MODEL : MOJ-3900

List No : 1142-02

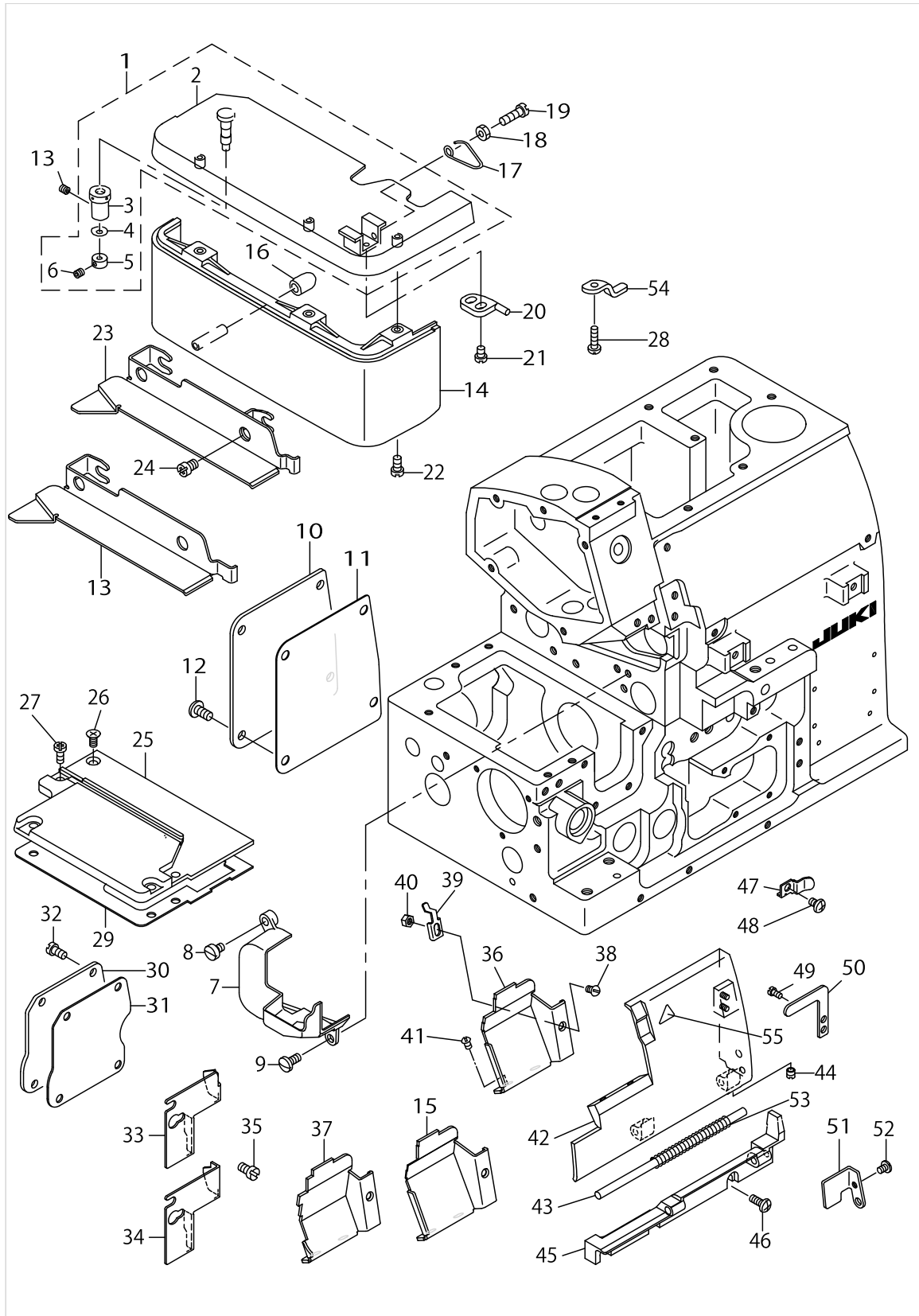
PARTS LIST

Published:05/12/2017

CONTENTS

FRAME COMPONENTS (1)	1
FRAME COMPONENTS (2)	5
CRANKSHAFT COMPONENTS	9
NEEDLE DRIVING SHAFT COMPONENTS	13
FEED MECHANISM COMPONENTS (1).....	17
FEED MECHANISM COMPONENTS (2).....	21
UPPER FEED MECHANISM COMPONENTS (1).....	25
UPPER FEED MECHANISM COMPONENTS (2).....	29
UPPER & LOWER LOOPER COMPONENTS	33
CHAIN LOOPER COMPONENTS (FOR MOJ-3916)	37
PRESSER FOOT COMPONENTS (1).....	41
PRESSER FOOT COMPONENTS (2).....	43
THREAD TENSION COMPONENTS	45
LOWER KNIFE COMPONENTS.....	49
UPPER KNIFE COMPONENTS	53
NEEDLE COOLING MECHANISM COMPONENTS.....	55
LUBRICATION MECHANISM COMPONENTS.....	57
SEMI-SUNKEN TYPE TABLE COMPONENTS.....	61
FULLY-SUNKEN TYPE TABLE COMPONENTS.....	63
STAND COMPONENTS	65
THREAD STAND COMPONENTS (FOR MOJ-3904,MOJ-3914).....	67
THREAD STAND COMPONENTS (FOR MOJ-3916)	71
LIST FOR INFORMATION OF CHANGE.....	75

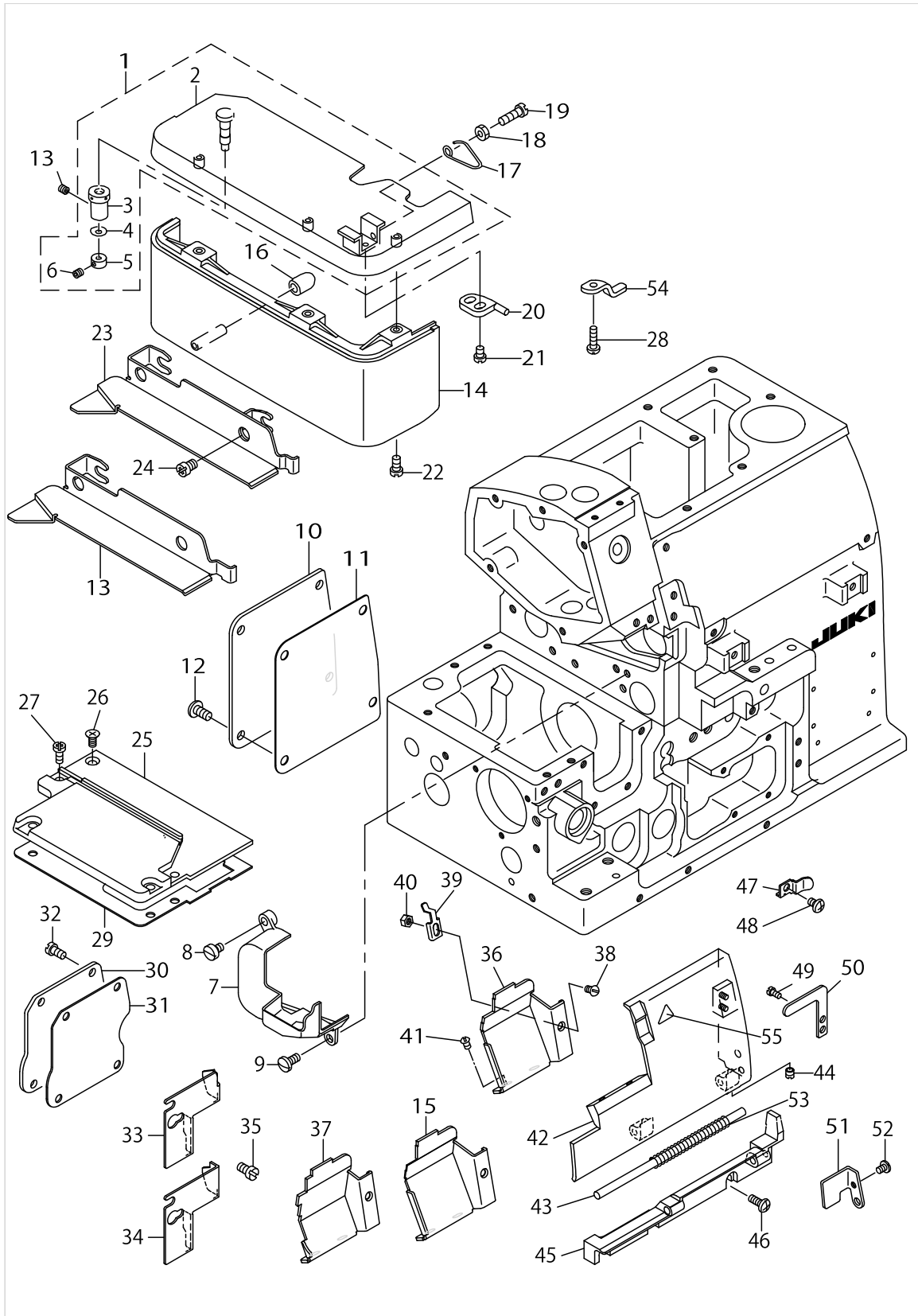
FRAME COMPONENTS (1)



FRAME COMPONENTS (1)

No.	Supply Code	Parts No.	Replacement	Parts name	Remarks	Choice	Step	Level	Cons	Qty	Rep. QTY
1	R	12105359	13103650	CLOTH PLATE ASM.						1	1.00
2	R	12102752	13103650	CLOTH PLATE ASM.				*		1	1.00
3		11501301		ECCENTRIC BUSHING				*		1	
4		WZ0420350KP		DISC SPRING				*		1	
5	R	CS0400671SD	13172903	THRUST HOLDER				*		1	1.00
6		SM8040302TP		SETSCREW				*		1	
7	R	12300505	31200504	UPPER FEED COVER						1	1.00
8		SS6110610TP		SCREW 11/64-40 L=6						1	
9	R	SS7110910SP	SS7110910TP	SCREW 11/64-40 L=8.5						1	1.00
10		12300109		REAR PLATE						1	
11		12300208		PLANE COVER PACKING						1	
12		SM4051055SP		SCREW						4	
13		12385357		CLOTH PLATE SIDE COVER	FOR MOJ-3916					1	
14	D	11949005		CLOTH BASE COVER						1	
15	R	12388500	31200900	CLOTH WASTE COVER	FOR MOJ-3914					1	1.00
16	R	11802204	13104302	RUBBER PLUG						1	1.00
17		11802402		SPRING						1	
18		NS6110420SP		NUT 11/64-40						1	
19		SS6111440SP		SCREW 11/64-40 L=14.0						1	
20	R	12103305	13101704	STOPPER						1	1.00
21		SS7110710SP		SCREW 11/64-40 L=7						2	
22		SS4091015SP		SCREW 9/64-40 L=10						2	
23		12385258		CLOTH PLATE SIDE COVER	FOR MOJ-- 3904,MOJ-3914					1	
24		SS4120615SP		SCREW 3/16-28 L=6						2	
25		12250510		FEED MECHANISM COVER						1	
26		SM1040801SC		SCREW M4X0.7 L=8						1	
27		SM4040855SP		SCREW						4	
28		SS7091410SP		SCREW 9/64-40 L=13.5						1	
29		12250601		GASKET						1	
30	D	11951100		COVER						1	
31		11804309		GASKET						1	
32		SM4040855SP		SCREW						4	
33	D	12102307		CHIP GUARD COVER, LEFT	FOR MOJ-- 3904,MOJ-3914					1	
34	D	12102406		CHIP GUARD COVER, LEFT	FOR MOJ-3916					1	
35		SS7110510SP		SCREW 11/64-40 L=5						2	
36	R	12147203	13104104	CLOTH WASTE COVER	FOR MOJ-3904					1	1.00
37	R	12379608	13105507	CLOTH WASTE COVER (FOR 16.43)	FOR MOJ-3916					1	1.00
38		SS2090520SL		SCREW 9/64-40 L=5						1	
39	R	12101515	13102405	CROTH WASTE COVER STOPPER						1	1.00
40		NS6090310SN		NUT 9/64-40						1	
41		SS3090610SP		SCREW 9/64-40 L=6						2	
42	R	12101309	13100904	LOOPER COVER						1	1.00
43	D	11803004		LOOPER COVER HINGE PIN						1	
44		SS8110410TP		SCREW 11/64-40 L= 3.5						1	
45	R	12101200	13100805	LOOPER COVER BRACKET						1	1.00

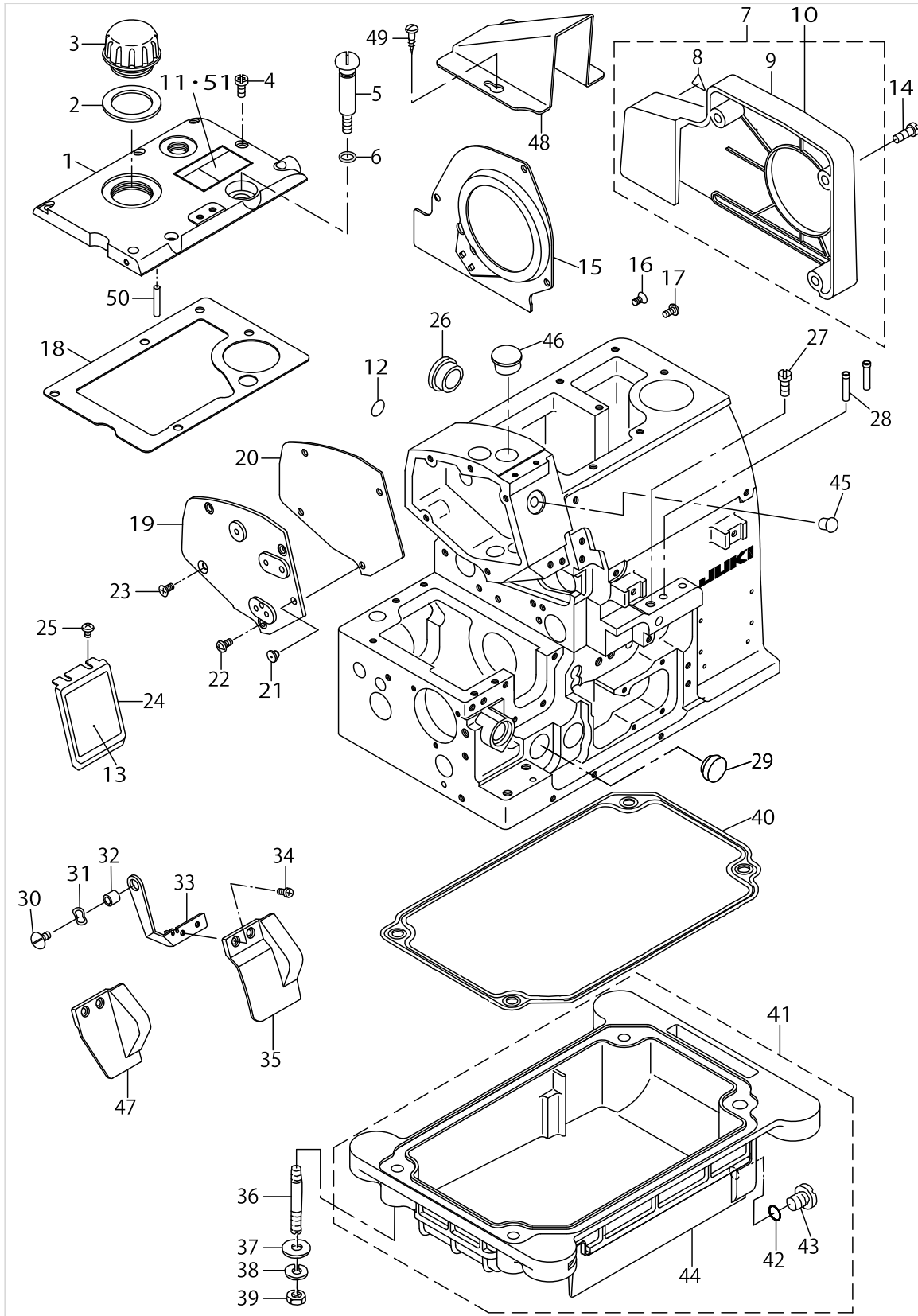
FRAME COMPONENTS (1)



FRAME COMPONENTS (1)

No.	Supply Code	Parts No.	Replacement	Parts name	Remarks	Choice	Step	Level	Cons	Qty	Rep. QTY
46		SM4041055SP		SCREW						3	
47	R	12103404	13101308	LOOPER COVER PRESSER SPRING						1	1.00
48		SM4040655SP		SCREW M4 L=6						1	
49		SS7090530SP		SCREW 9/64-40 L= 4.5						1	
50		12103206		LOOPER COVER PRESSER PLATE						1	
51	R	12101408	13101001	GUIDE PLATE						1	1.00
52		SS7090610SP		SCREW 9/64-40 L=6						1	
53	R	B1140716000	13101209	SPRING						1	1.00
54	D	12103511		CROTH PLATE SUPPORTER						1	
55		CM300200001		ATTENTION SEAL	FOR JE					1	

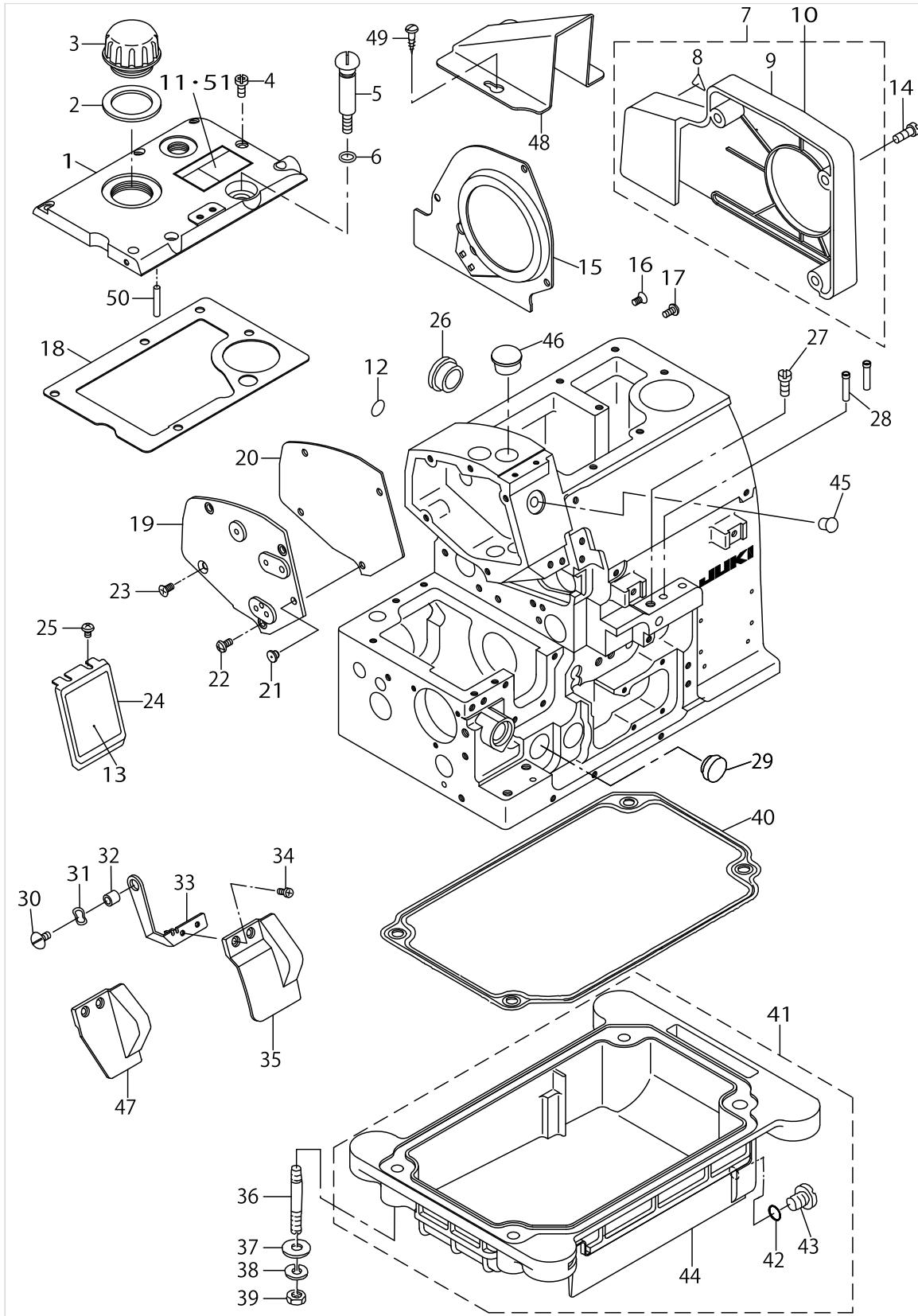
FRAME COMPONENTS (2)



FRAME COMPONENTS (2)

No.	Supply Code	Parts No.	Replacement	Parts name	Remarks	Choice	Step	Level	Cons	Qty	Rep. QTY
1	D	12100418		UPPER COVER						1	
2	D	11500808		GASKET						1	
3	D	12100608		OIL CAP						1	
4		SM4051255SP		SCREW.,M5 L=12.						6	
5	D	12100806		OIL DRAIN SCREW						1	
6		RO078190100		RUBBER RING						1	
7	D	12101952		BELT COVER ASM.	FOR JAPAN					1	
8		CM3002000A1		CAUTION LABEL(16)	FOR JAPAN			*		1	
9	R	12101903	12101952	BELT COVER	FOR JAPAN			*		1	1.00
10	R	12101903	12101952	BELT COVER	FOR EXPORT					1	1.00
11		CM3002001A1		SAFETY LABEL.,3 (SMALL).	FOR EXPO- RT(EXCEPT JE)					1	
12	R	10004109	22901805	GROUND MARK						1	1.00
13		12386009		BRAND LABEL						1	
14		SS4151215SP		SCREW15/64-28L=12						3	
15		12101804		COOLING FAN PLATE						1	
16		SM1040801SC		SCREW M4X0.7 L=8						1	
17		SM4040855SP		SCREW						2	
18	D	12100517		UPPER COVER GASKET						1	
19	D	12250205		SIDE COVER						1	
20	D	12100301		SIDE COVER GASKET						1	
21		12258000		BUSH						1	
22		SM4040855SP		SCREW						3	
23		SM1040801SC		SCREW M4X0.7 L=8						1	
24		12300653		BRAND LABEL ASM.						1	
25		SM4040601SC		SCREW M4X0.7 L=6						2	
26		TA2050805R0		RUBBER PLUG						1	
27		SS9151210TP		SCREW 15/64-28 L=11.8						1	
28	R	11805207	13102900	THREAD GUIDE, LARGE						2	1.00
29		TA1871602R0		RUBBER PLUG	FOR MOJ-- 3904,MOJ-3914					1	
30		SS5110710SP		SCREW 11/64-40 L=7						1	
31		WZ0850302K0		WAVED WASHER 8.5X12.5X0.3						1	
32		B3013141H0A		WASHER						1	
33	R	12102000	12342002	SAFETY PLATE BRACKET						1	1.00
34		SS7090611SL		SCREW 9/64-40 L=6.1						2	
35	D	12102109		SAFETY PLATE	FOR MOJ-3916					1	
36		11503703		SCREW STUD						4	
37		WP0751576SD		WASHER 7.5X19X1.5						4	
38		WS0822010KP		SPRING WASHER 8.2X15X2						4	
39		NS6680410SP		NUT 9/32-28						4	
40	R	11503919	13102603	OIL RESERVOIR GASKET						1	1.00
41	R	11503885	13102553	OIL RESERVOIR ASM.						1	1.00
42		RO074240100		RUBBER RING				*		1	
43		SM0081001SD		SCREW				*		1	
44	R	11503810	13102553	OIL RESERVOIR				*		1	1.00
45		TA0750704R0		RUBBER PLUG						1	

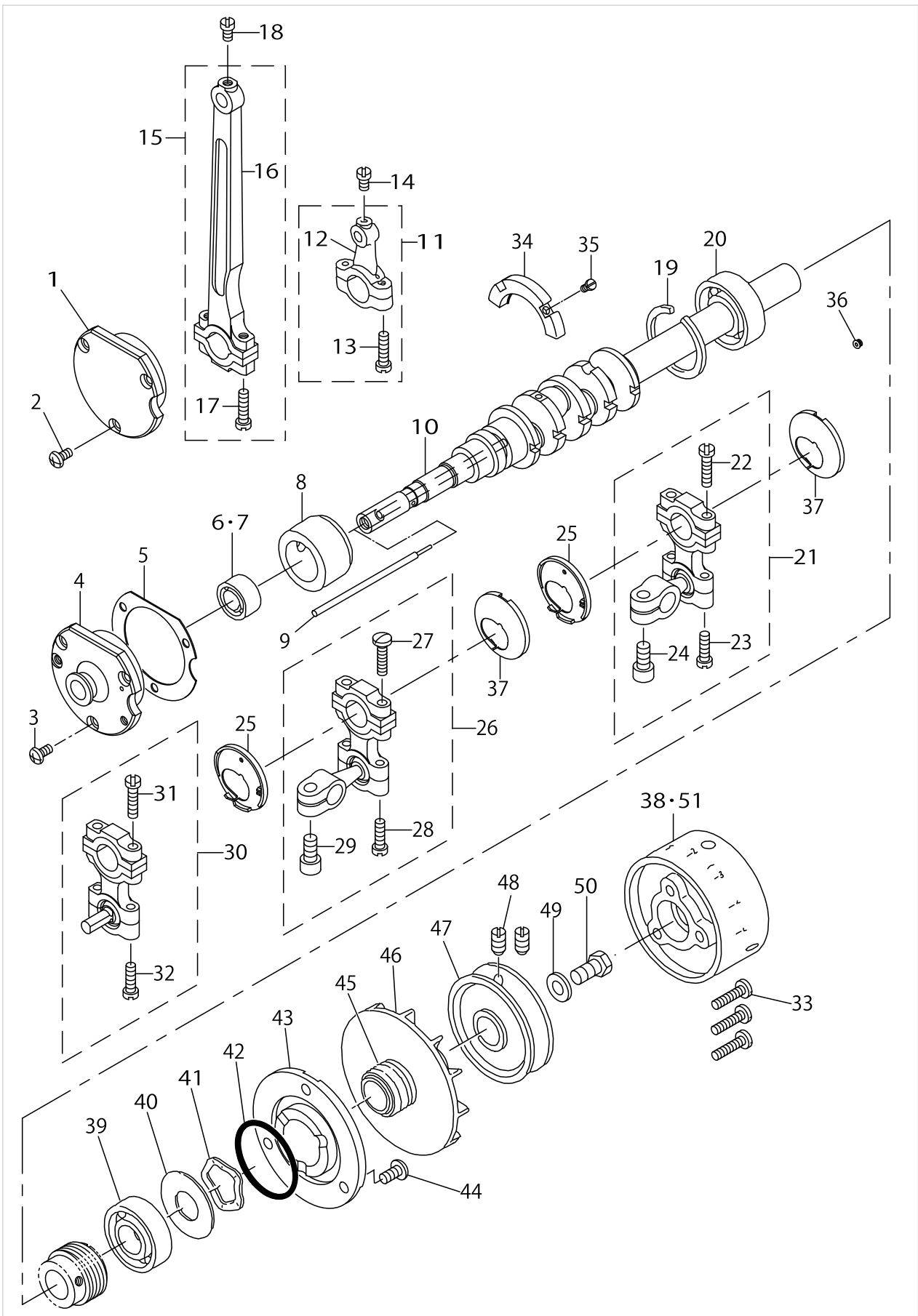
FRAME COMPONENTS (2)



FRAME COMPONENTS (2)

No.	Supply Code	Parts No.	Replacement	Parts name	Remarks	Choice	Step	Level	Cons	Qty	Rep. QTY
46		TA1701107R0		RUBBER PLUG						1	
47		12104907		SAFETY PLATE	FOR MOJ-- 3904,MOJ-3914					1	
48	D	12105201		BELT COVER	FOR JE					1	
49	R	SK3412000SC	SK3412000SE	WOOD SCREW D=4.1 L=20	FOR JE					3	1.00
50		PS0300132KH		SPRING PIN 3X13						1	
51		CM300200101		SAFETY LABEL, 1(SMALL).	FOR JAPAN					1	

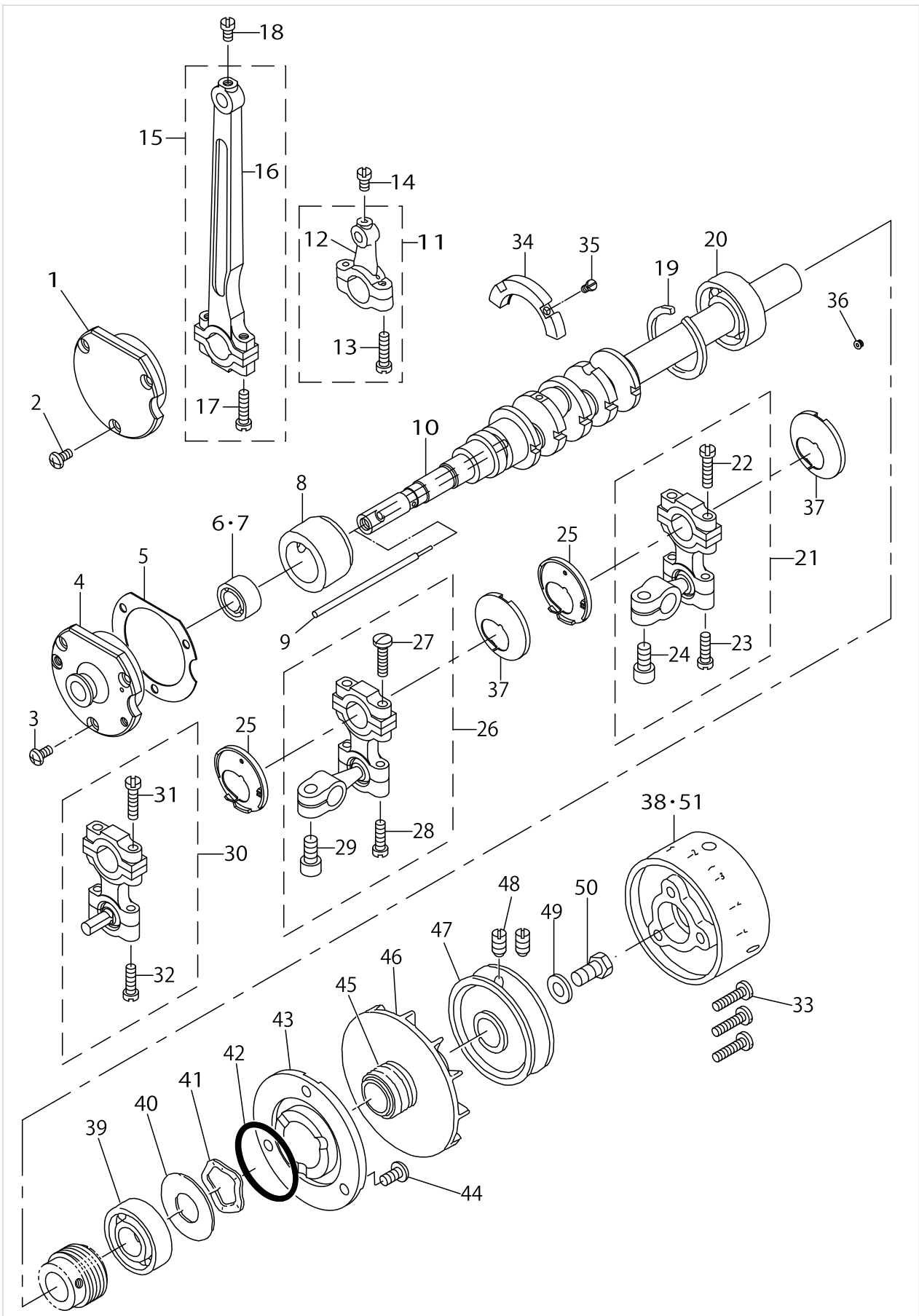
CRANKSHAFT COMPONENTS



CRANKSHAFT COMPONENTS

No.	Supply Code	Parts No.	Replacement	Parts name	Remarks	Choice	Step	Level	Cons	Qty	Rep. QTY
1	R	12108213	13108006	CRANKSHAFT BUSHING D	FOR MOJ-- 3904,MOJ-3914					1	1.00
2		SM4040855SP		SCREW	FOR MOJ-- 3904,MOJ-3914					3	
3		SM4040855SP		SCREW	FOR MOJ-3916					3	
4	R	12108304	13108105	CRANKSHAFT BUSHING D	FOR MOJ-3916					1	1.00
5		12108403		GASKET						1	
6	R	B1215804000	13108808	BALL BEARING D	FOR MOJ-- 3904,MOJ-3914					1	1.00
7	R	SB110000300	13108907	BALL BEARING	FOR MOJ-3916					1	1.00
8	D	12108007		CRANKSHAFT BUSHING C						1	
9		12108106		OIL ADJUSTING BAR						1	
10	D	12371506		CRANK SHAFT						1	
11	R	12132155	13232558	KNIFE DRIVING ROD ASM.						1	1.00
12	R	12132106	13232558	KNIFE DRIVING ROD				*		1	1.00
13		SS7111810TP		SCREW11/64-40L=18				*		2	
14		SS7110840SP		SCREW 11/64-40 L=7.8						1	
15		12372652		NEEDLE DRIVING ROD ASM.						1	
16	R	12372603	12372652	CONNECTING ROD				*		1	1.00
17		SS7111810TP		SCREW11/64-40L=18				*		2	
18		SS7110840SP		SCREW 11/64-40 L=7.8						1	
19		B1212704000		BEARING RETAINER						1	
20	R	B1211804000	13108600	BALL BEARING B	SELECTIVE PART					1	1.00
21	R	12375051	70003341	UPPER LOOPER ARM ASM.						1	1.00
22		SS7111810TP		SCREW11/64-40L=18				*		2	
23		SS7111410TP		SCREW11/64-40L=14				*		2	
24		SM6061202TP		SCREW M6 L=12				*		1	
25	D	12375309		STOPPER (L)						2	
26		12375150		LOWER LOOPER ARM A ASM.	FOR MOJ-- 3904,MOJ-3914					1	
27		SS7111810TP		SCREW11/64-40L=18				*		2	
28		SS7111410TP		SCREW11/64-40L=14				*		2	
29		SM6061202TP		SCREW M6 L=12				*		1	
30		12375259		LOWER LOOPER ARM B ASM.	FOR MOJ-3916					1	
31		SS7111810TP		SCREW11/64-40L=18				*		2	
32		SS7111410TP		SCREW11/64-40L=14				*		2	
33	R	SS7111810SP	SS7111810TP	SCREW11/64-40L=18						3	1.00
34	D	12107900		BALANCER						1	
35		SS4080620TP		SCREW 1/8-44 L=6						2	
36		SS5080212TP		SCREW 1/8-44 L=2						5	
37	D	12375408		STOPPER (R)						2	
38	R	11956505	13107701	HANDWHEEL C	FOR MOJ-3914					1	1.00
39	R	B1211804000	13108600	BALL BEARING B	SELECTIVE PART					1	1.00
40	R	11510609	13108303	WASHER						1	1.00
41		WZ2640310KH		WAVED WASHER 26.4X33.9X3.5						1	
42		RO347350100		RUBBER RING						1	
43	R	12107702	13107800	THRUST HOLDER						1	1.00
44		SM4050855SP		SCREW						3	
45	R	12280103	13108501	OIL SHIELD						1	1.00

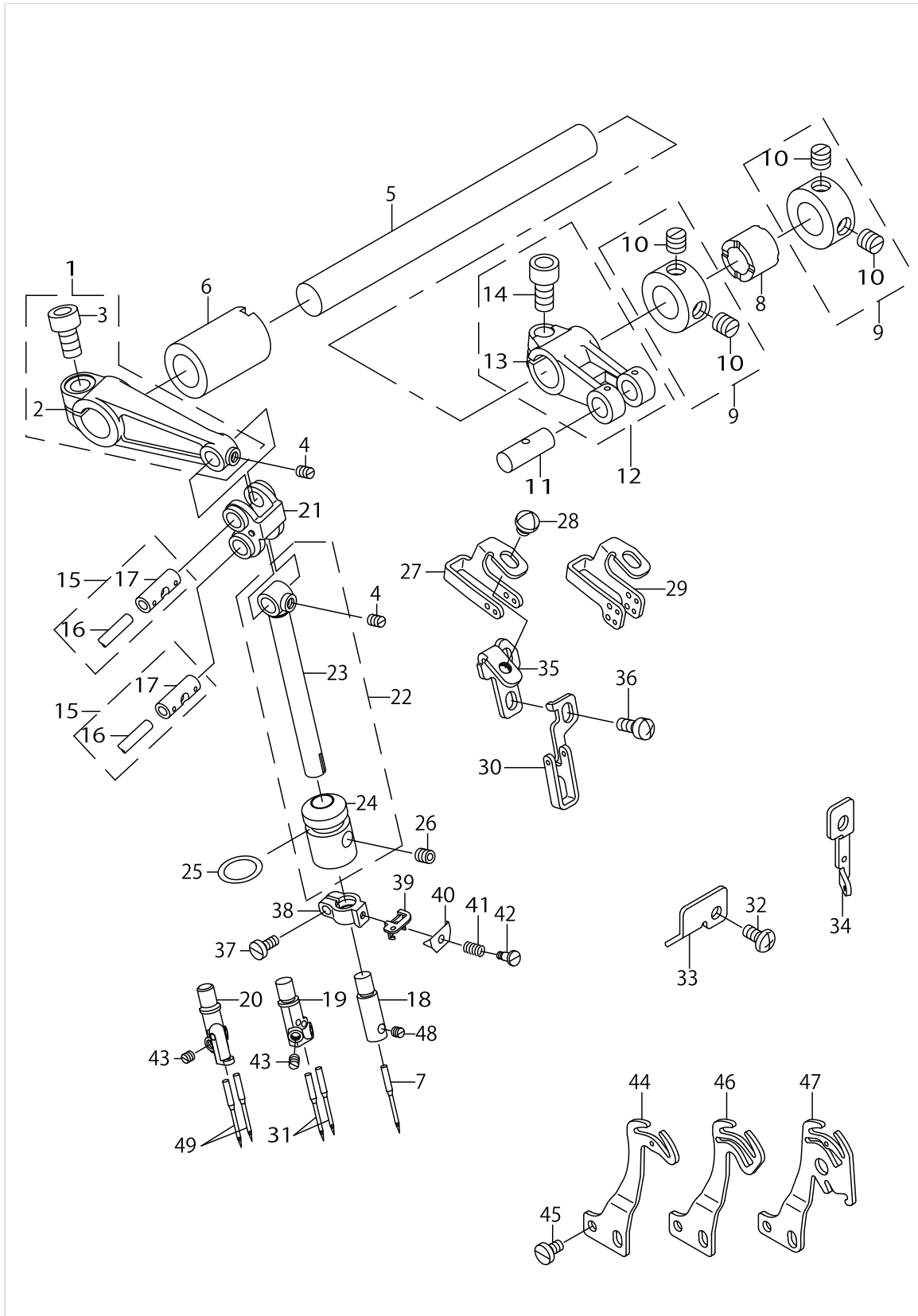
CRANKSHAFT COMPONENTS



CRANKSHAFT COMPONENTS

No.	Supply Code	Parts No.	Replacement	Parts name	Remarks	Choice	Step	Level	Cons	Qty	Rep. QTY
46	R	11811619	13108402	COOLING FAN						1	1.00
47		12002606		HANDWHEEL A						1	
48	R	SS8151150SP	SS8151150TP	SCREW 15/64-28 L=10.5						2	1.00
49		WP0764016SP		WASHER						1	
50		SS9681610TP		SCREW 9/32-28 L=16						1	
51		12025706		FLYWHEEL (C)	FOR MOJ-- 3904,MOJ-3916					1	

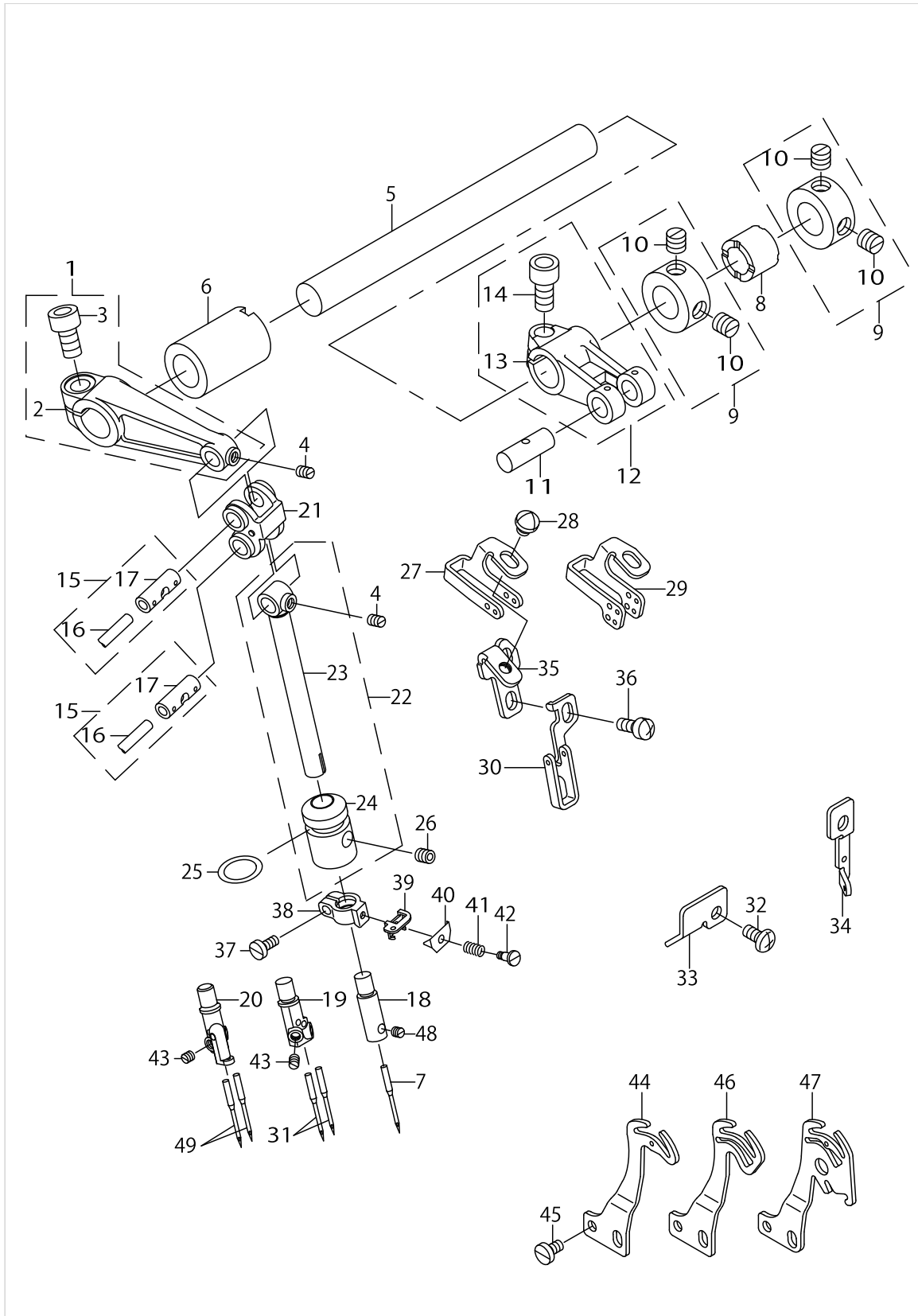
NEEDLE DRIVING SHAFT COMPONENTS



NEEDLE DRIVING SHAFT COMPONENTS

No.	Supply Code	Parts No.	Replacement	Parts name	Remarks	Choice	Step	Level	Cons	Qty	Rep. QTY
1	D	12109666		NEEDLE DRIVING ARM ASM.						1	
2	R	12109617	12109666	NEELED RIVING ARM				*		1	1.00
3		SM6061402TP		SCREW M6 L=14				*		1	
4		SS8090530TP		SCREW 9/64-40 L=5.0						2	
5	R	12109302	13110606	NEEDLE DRIVING SHAFT						1	1.00
6		12252805		BUSHING, REAR						1	
7		MDO500S2100		DOX5 (S-SHAPE) #21S	FOR MOJ-3904					1	
8	R	12109500	13110101	BUSHING, REAR						1	1.00
9		CS1201010SH		THRUST COLLAR ASM. D=12 W=10						2	
10		SS8660610TP		SCREW 1/4-40 L=6				*		4	
11		11823804		CRANK PIN C	SELECTING PART FOR FIT TOLERANCE					1	
12		12109260		FEED FORKED CRANK ASM.						1	
13	R	12109211	12109260	NEEDLE DRIVING FORKED CRANK				*		1	1.00
14		SM6061402TP		SCREW M6 L=14				*		1	
15	D	12109955		LINK PIN C ASM.	SELECTING PART FOR FIT TOLERANCE					2	
16		CQ252000000		OIL WICK				*		0.07	
17	D	12109906		LINK PIN C	SELECTING PART FOR FIT TOLERANCE			*		2	
18		12378816		NEEDLE CLAMP FOR ONE NEEDLE	FOR MOJ-3904					1	
19	D	12378915		NEEDLE CLAMP FOR TWO NEEDLE	FOR MOJ-3914					1	
20	D	12379012		NEEDLE CLAMP, CHAIN LOOPER	FOR MOJ-3916					1	
21		12372009		NEEDLE DRIVING LINK						1	
22	D	12372157		NEEDLE HOLDER ASM.						1	
23	D	12110227		NEEDLE BAR				*		1	
24	D	12372108		NEEDLE HOLDER METAL				*		1	
25	D	RO108240100		RUBBER RING						1	
26		SM8040612TP		SCREW M4 L=6						1	
27	D	12111209		NEEDLE THREAD GUIDE	FOR MOJ-3904, MOJ-3916					1	
28		SS4110515SP		SCREW 11/64-40 L=5						1	
29		12111308		THREAD GUIDE, 2-NEEDLE	FOR MOJ-3914					1	
30		12386603		THREAD GUIDE, CHAIN LOOPER	FOR MOJ-3916					1	
31		MDO500S1800		DOX5 (S-SHAPE) #18S	FOR MOJ-3914					2	
32		SM4040855SP		SCREW						1	
33	D	12372306		TAKE-UP LEVER GUIDE	FOR MOJ-3914					1	
34		12372405		CHAIN LOOP	FOR MOJ-3916					1	
35		12112108		NEEDLE THREAD GUIDE STAND						1	
36		SM4040855SP		SCREW						2	
37		SS6080720SP		SCREW						1	
38		12304309		NEEDLE CLAMP HOLDER						1	
39	R	12304408	31203201	NEEDLE THREAD PRESSER GUIDE						1	1.00
40	R	12110904	13111000	NEEDLE THREAD PRESSER PLATE						1	1.00
41	D	12110805		NEEDLE THREAD PRESSER SPRING						1	
42		SD0280401SL		HINGE SCREW D=2.8 H=4						1	

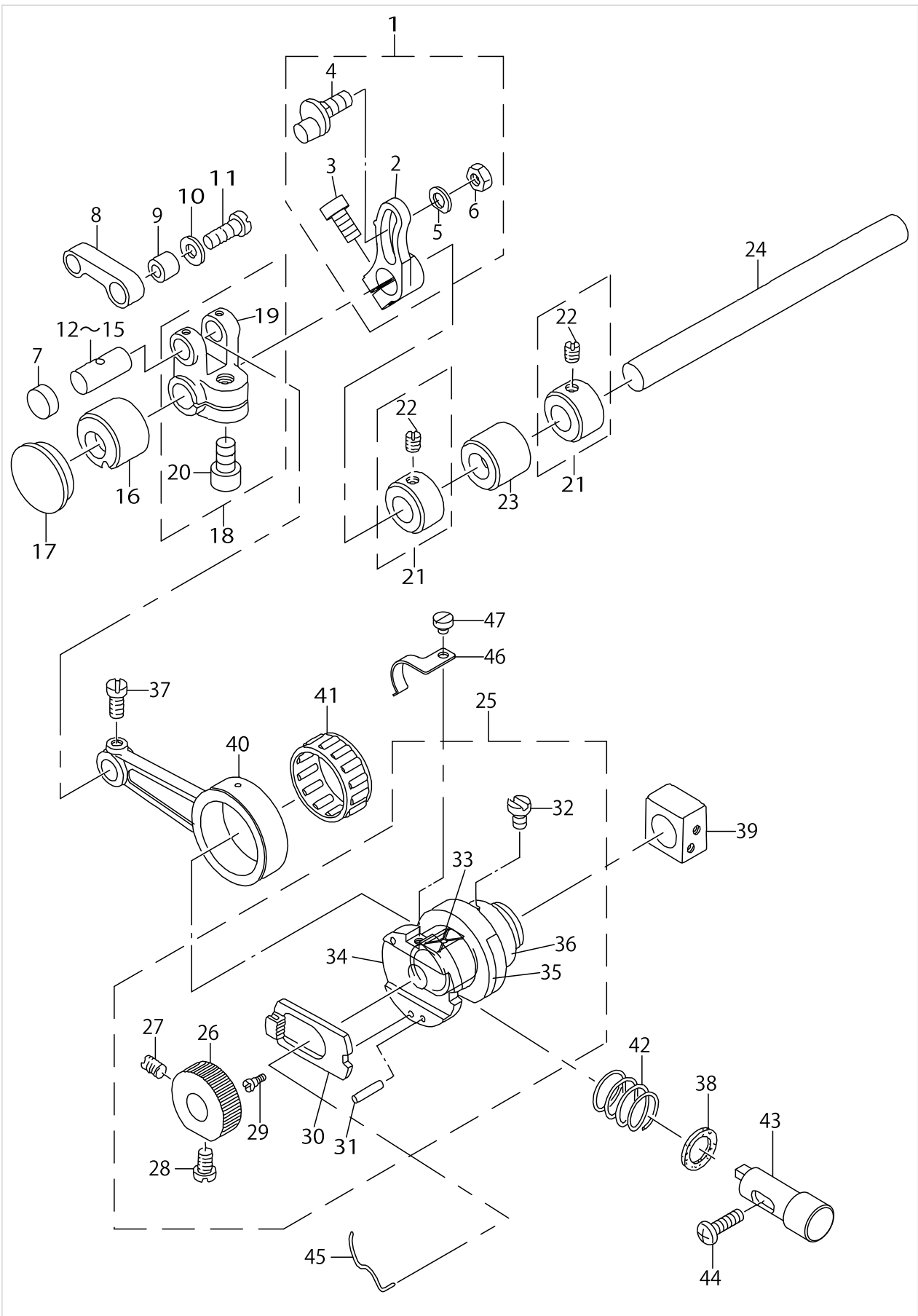
NEEDLE DRIVING SHAFT COMPONENTS



NEEDLE DRIVING SHAFT COMPONENTS

No.	Supply Code	Parts No.	Replacement	Parts name	Remarks	Choice	Step	Level	Cons	Qty	Rep. QTY
43		SS8080310TP		SCREW 1/8-44 L=2.8	FOR MOJ-- 3914,MOJ-3916					2	
44	R	12304002	31202609	NEEDLE THREAD BALANCE	FOR MOJ-3904					1	1.00
45		SS6090670TP		SCREW 9/64-40 L=6						2	
46	R	12304101	31202708	TAKE-UP LEVER, 2-NEEDLE	FOR MOJ-3914					1	1.00
47	R	12386504	31202906	TAKE-UP LEVER, CHAIN LOOPER	FOR MOJ-3916					1	1.00
48		SS8080310TP		SCREW 1/8-44 L=2.8	FOR MOJ-3904					1	
49		MDO500S2100		DOX5 (S-SHAPE) #21S	FOR MOJ-3916					2	

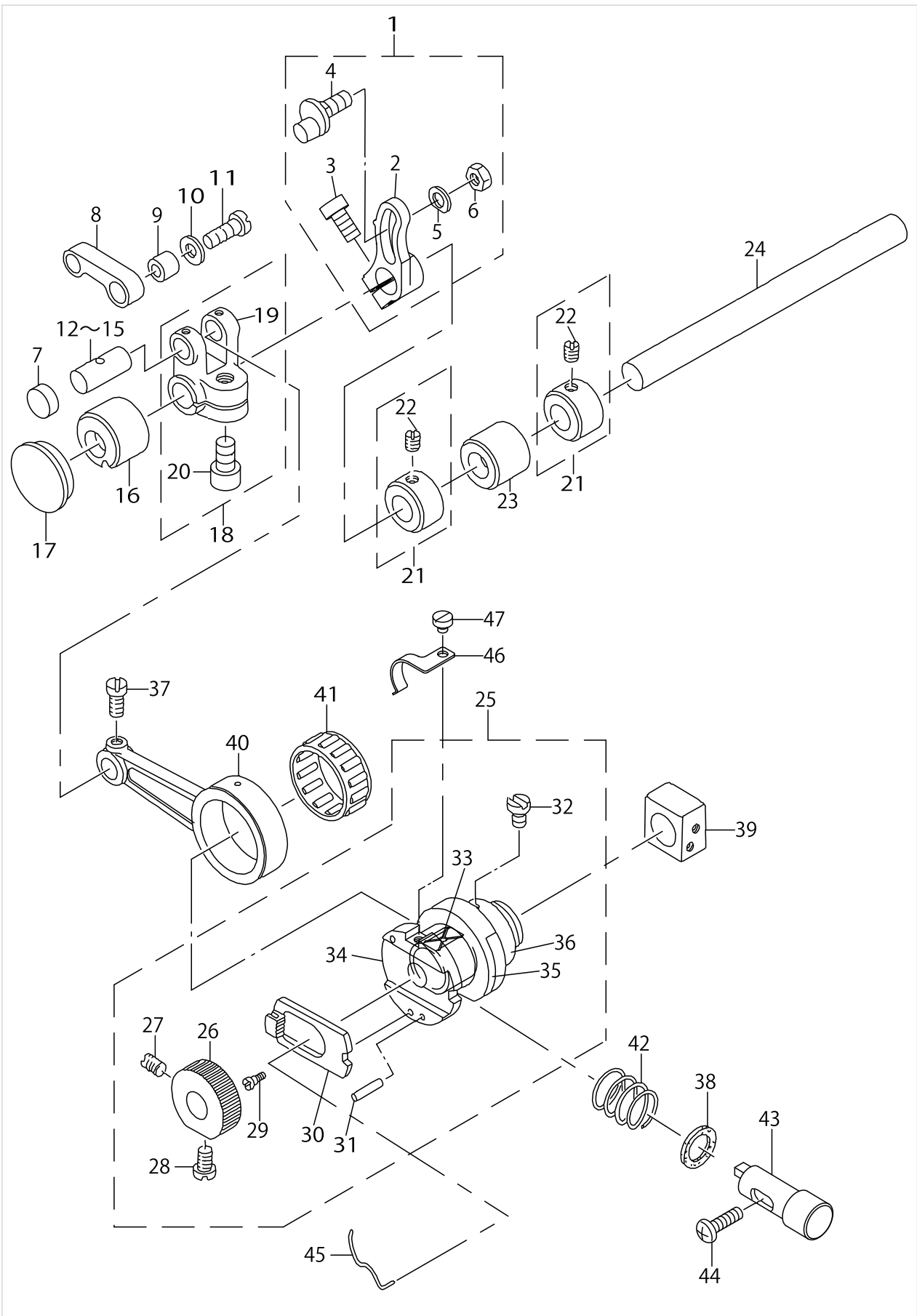
FEED MECHANISM COMPONENTS (1)



FEED MECHANISM COMPONENTS (1)

No.	Supply Code	Parts No.	Replacement	Parts name	Remarks	Choice	Step	Level	Cons	Qty	Rep. QTY
1		11824067		MAIN FEED ROCKER ASM.						1	
2	R	11530110	13119953	MAIN FEED ROCKER				*		1	1.00
3		SM6051202TP		SCREW M5X0.8 L=12				*		1	
4	R	11824018	13119706	PIN				*		1	1.00
5		11948601		WASHER B				*		1	
6		NS6620320SP		NUT 3/16-32				*		1	
7		TA1030402R0		RUBBER PLUG D=10.3 L=4						1	
8	R	11824109	13119805	MAIN FEED LINK						1	1.00
9	D	B1620804000		COLLAR						1	
10		B2107816000		WASHER						1	
11		SS6121220TP		SCREW 3/16-28 L=11.5						1	
12		11823606		CRANK PIN	SELECTING PART FOR FIT TOLERANCE					1	
13		11823705		CRANK PIN B	SELECTING PART FOR FIT TOLERANCE					1	
14		11823804		CRANK PIN C	SELECTING PART FOR FIT TOLERANCE					1	
15		11823903		CRANK PIN D	SELECTING PART FOR FIT TOLERANCE					1	
16	R	12117206	13119409	FEED ROCKER SHAFT BUSHING, FRO						1	1.00
17		TA2050416R0		RUBBER PLUG						1	
18	R	B16118040A0A	13122452	FORKED LINK ASM.						1	1.00
19		12119210		FORKED CRANK				*		1	
20		SM6061402TP		SCREW M6 L=14				*		1	
21		CS095081ASH		THRUST COLLAR ASM. D=9.53 W=8						2	
22		SS8110410TP		SCREW 11/64-40 L= 3.5				*		4	
23	R	12117305	13119508	FEED ROCKER SHAFT BUSHING, REA						1	1.00
24		12118907		FEED SHAFT						1	
25	R	12116174	13118054	FEED ECCENTRIC BODY ASM.						1	1.00
26	R	12118808	13118054	RATCHET GEAR				*		1	1.00
27		SS8110750SP		SCREW 11/64-40 L= 6.5				*		1	
28		SS6110710TP		SCREW 11/64-40 L= 6.5				*		1	
29		SD0260271SP		HINGE SCREW D= 2.60 H= 2.7				*		1	
30	R	B1604704000	13118609	RATCHET PAWL				*		1	1.00
31		PS0300132KH		SPRING PIN 3X13				*		2	
32		SS7110810SP		SCREW 11/64-40 L= 8.0				*		2	
33	R	12116307	13118302	FEED CAM BLOCK				*		1	1.00
34	R	12116406	13118054	FEED ADJUSTING CAM				*		1	1.00
35	R	12116216	13118203	FEED CAM				*		1	1.00
36	R	12116117	13118104	FEED ECCENTRIC BODY				*		1	1.00
37		SS7110910TP		SCREW 11/64-40 L= 8.5						1	
38		12118600		OIL SHEET						1	
39	D	11828704		SLIDE BLOCK						1	
40	R	12116505	13118708	CRANK ROD						1	1.00
41		12116703		NEEDLE BEARING B	SELECTING PART FOR FIT TOLERANCE					1	

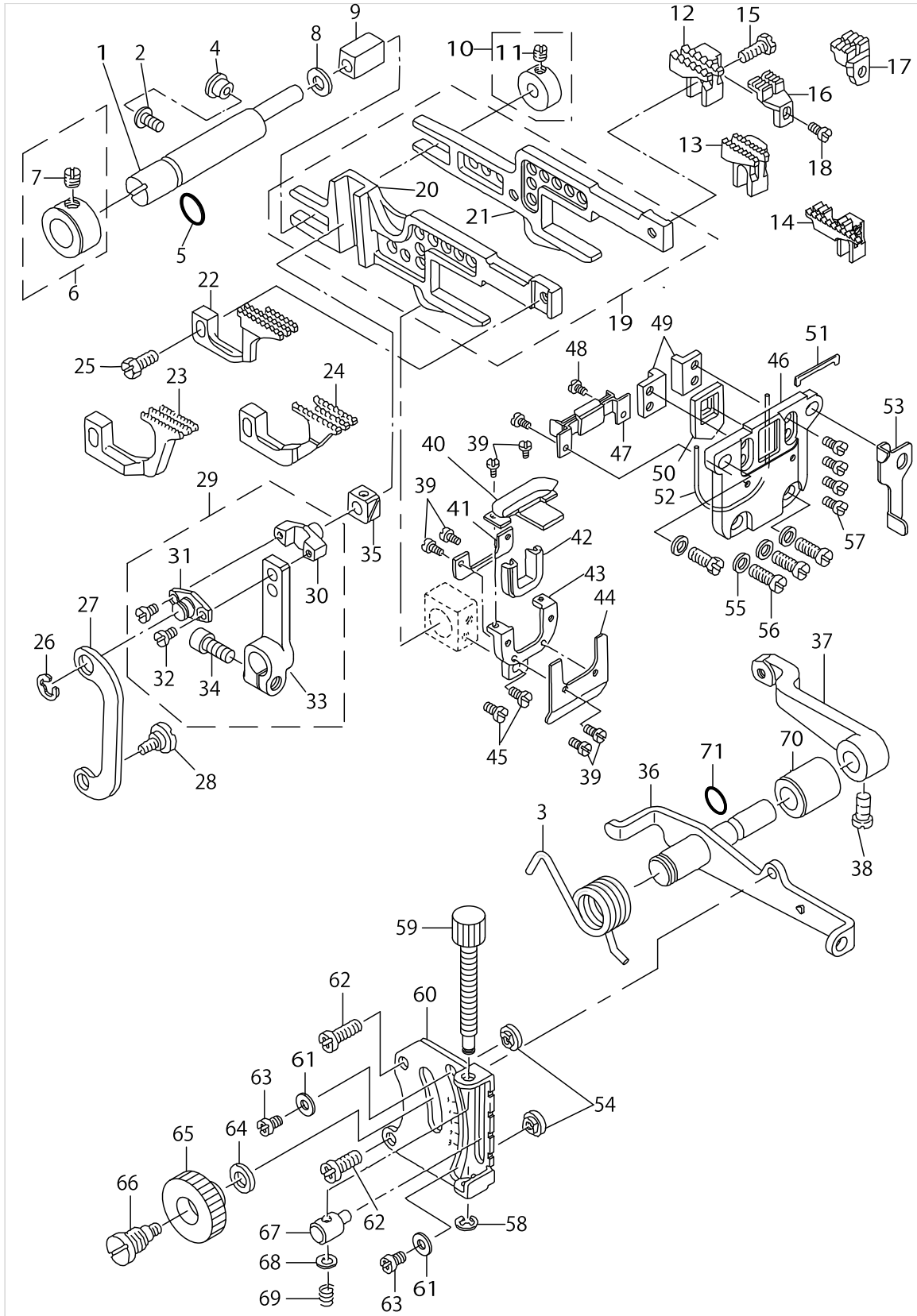
FEED MECHANISM COMPONENTS (1)



FEED MECHANISM COMPONENTS (1)

No.	Supply Code	Parts No.	Replacement	Parts name	Remarks	Choice	Step	Level	Cons	Qty	Rep. QTY
42	R	B1652704000	31256803	SPRING						1	1.00
43	D	12118501		PUSH BUTTON STUD						1	
44		SM4041401SC		SCREW M4X0.7 L=14						1	
45	R	B1606704000	13122502	RATCHET PAWL SPRING						1	1.00
46	R	12117107	13119300	RATCHET GEAR SPRING						1	1.00
47		SS6080320SP		SCREW 1/8-44 L=2.5						1	

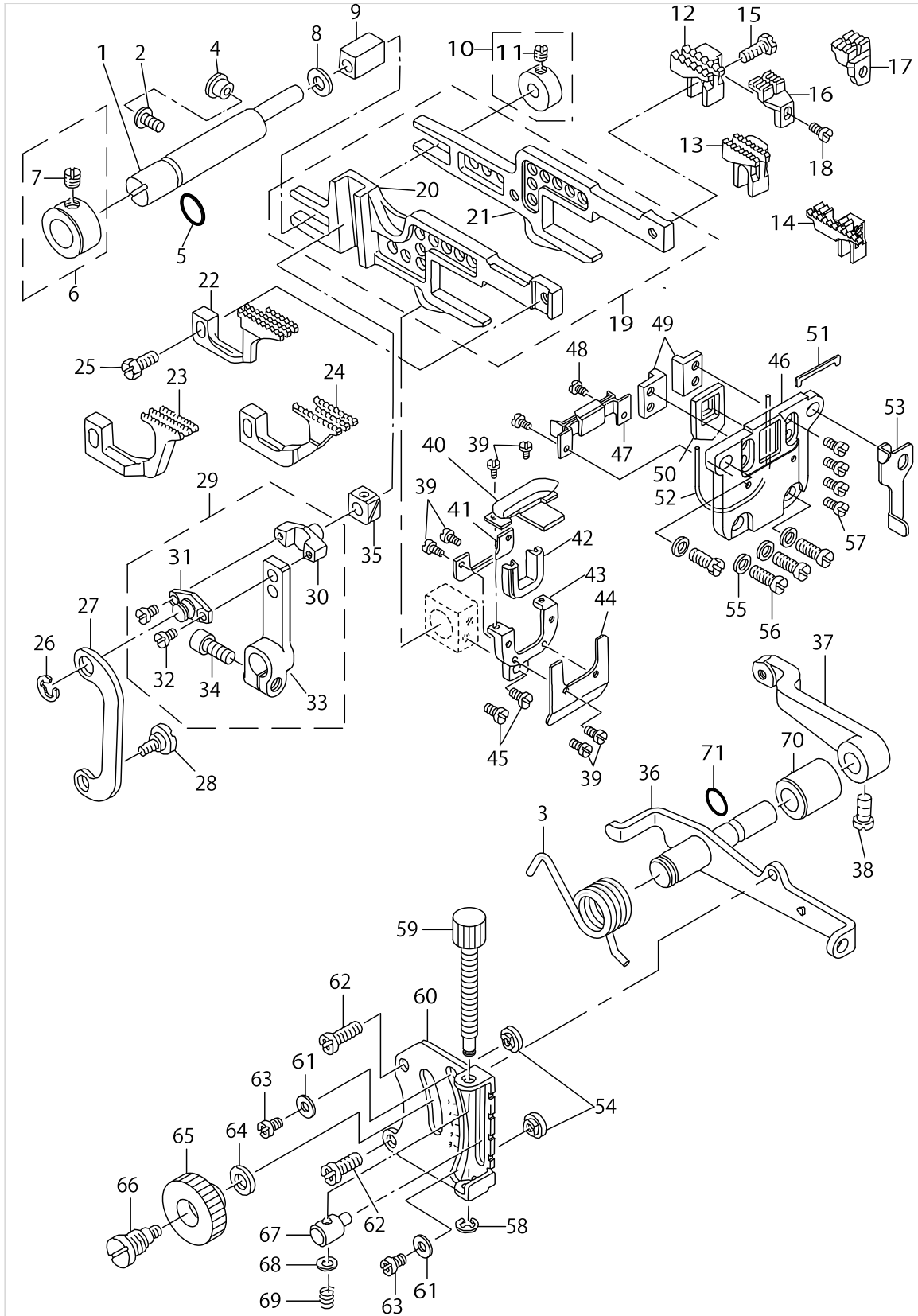
FEED MECHANISM COMPONENTS (2)



FEED MECHANISM COMPONENTS (2)

No.	Supply Code	Parts No.	Replacement	Parts name	Remarks	Choice	Step	Level	Cons	Qty	Rep. QTY
1	R	11824505	13120902	FEED BAR SHAFT						1	1.00
2		SM4040855SP		SCREW						1	
3		11991502		SPRING						1	
4		TA0800504R0		PLUG D=8 L=4.5						1	
5		RO078190100		RUBBER RING						1	
6		11824653		THRUST COLLAR ASM.						1	
7		SS8660330SP		SCREW 1/4-40 L= 3.0				*		1	
8		11529914		WASHER						1	
9	R	B1624704000	13120803	SLIDE BLOCK						1	1.00
10	D	11828050		COLLAR ASM.						1	
11		SS8110410TP		SCREW 11/64-40 L= 3.5				*		1	
12		11701604		MAIN FEED DOG	FOR MOJ-3904					1	
13		12013306		MAIN FEED DOG	FOR MOJ-3914					1	
14		12382503		MAIN FEED DOG	FOR MOJ-3916					1	
15		SS9111050SP		SCREW 11/64-40 L=9.5						1	
16		11651809		AUXILIARY FEED DOG	FOR MOJ-- 3904,MOJ-3914					1	
17		11528502		AUXILIARY FEED DOG	FOR MOJ-3916					1	
18	R	SS4080610SP	SS4080620TP	SCREW 1/8-44 L=6.4						1	1.00
19	D	12117461		MAIN FEED BAR ASM.						1	
20	R	12117511	12117461	DIFFERENTIAL FEED BAR				*		1	1.00
21	R	12117412	12117461	MAIN FEED BAR				*		1	1.00
22		11700507		DIFFERENTIAL FEED DOG	FOR MOJ-3904					1	
23		12013405		SUB FEED DOG	FOR MOJ-3914					1	
24		11528403		DIFFERENTIAL FEED DOG	FOR MOJ-3916					1	
25		SS9111010SP		SCREW 11/64-40 L=9.5						1	
26		RE0500000K0		E-RING						1	
27		11826310		ADJUSTING LINK						1	
28		SD0720271SP		HINGE SCREW D=7,2 H=2,7						1	
29	R	11828563	13218052	DIFFERENTIAL FEED ROCKER ASM.						1	1.00
30		11825304		PIN				*		1	
31	R	11826401	13218052	PIN COVER				*		1	1.00
32		SS6080410SP		SCREW 1/8-44 L=4				*		2	
33	R	11828514	13218052	DIFFERENTIAL FEED ROCKER ASM.				*		1	1.00
34		SM6051202TP		SCREW M5X0.8 L=12				*		1	
35		B1414555000		SLIDE BLOCK						1	
36	R	11825858	12283255	ROCKER SHAFT ASM.						1	1.00
37	R	11828605	13121900	DIFFERENTIAL FEED ROCKER						1	1.00
38		SS6661110SP		SCREW 1/4-40 L=11						1	
39		SS7060310SP		SCREW 3/32-56 L=3						6	
40		12119756		RUBBER PLATE ASM.						1	
41	D	12119806		RUBBER PREESSER PLATE						1	
42		12119608		OIL SHIELD RUBBER						1	
43	D	12119905		RUBBER COVER						1	
44		12120002		RUBBERBASE PLATE						1	
45		SS7090620TP		SCREW 9/64-40 L=6.1						2	

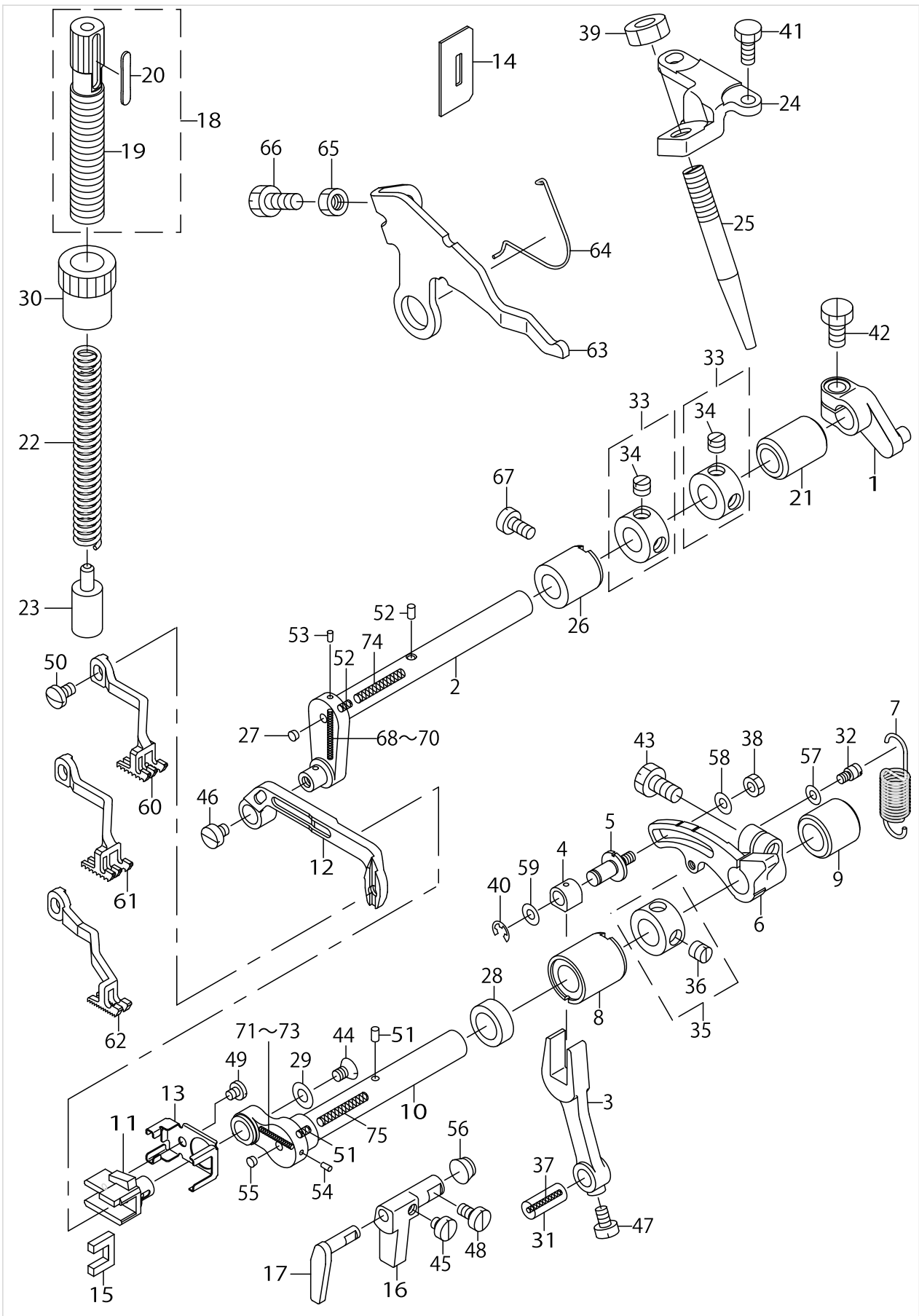
FEED MECHANISM COMPONENTS (2)



FEED MECHANISM COMPONENTS (2)

No.	Supply Code	Parts No.	Replacement	Parts name	Remarks	Choice	Step	Level	Cons	Qty	Rep. QTY
46	D	12119400		RUBBER CASE						1	
47		11827607		OIL SHIELD RUBBER,LOWER						1	
48		SS7060510SP		SCREW 3/32-56 L=4.8						2	
49	D	11824703		FEED BAR SUPPORT						2	
50		12119509		RUBBER						1	
51	D	11827904		RUBBER						1	
52	D	RO480120100		RUBBER RING						1	
53		11828407		THROAT PLATE SUPPORT G	FOR MOJ-3916					1	
54		11529005		STOPPER						2	
55		WP0480856SP		WASHER 4.8X8.4X0.8						4	
56		SM4041055SP		SCREW						4	
57	R	SS6090620SP	SS6090620TP	SCREW 9/64-40 L=6						4	1.00
58		RE0300000K0		E-RING 3						1	
59		11826104		DIFFERENTIAL FEED SCREW						1	
60	D	11825908		DIFFERENTIAL FEED GRADUATION						1	
61		WP0371016SD		WASHER 3.7X8X1						2	
62		SL4051231SC		SCREW M5 L=12						2	
63		SS4090515SP		SCREW 9/64-40 L=5						2	
64		WP0621016SD		WASHER 6.2X13X1						1	
65		B1647704000A		DIFFERENTIAL FEED LOCK NUT						1	
66		B1646704000A		DIFFERENTIAL FEED HINGE SCREW						1	
67		11826005		DIFFERENTIAL FEED BLOCK						1	
68		WP0460556SD		WASHER 4.6X7.5X0.5						1	
69		11826203		SPRING						1	
70		12118709		ROCKER SHAFT METAL						1	
71		RO060150100		RUBBER RING						1	

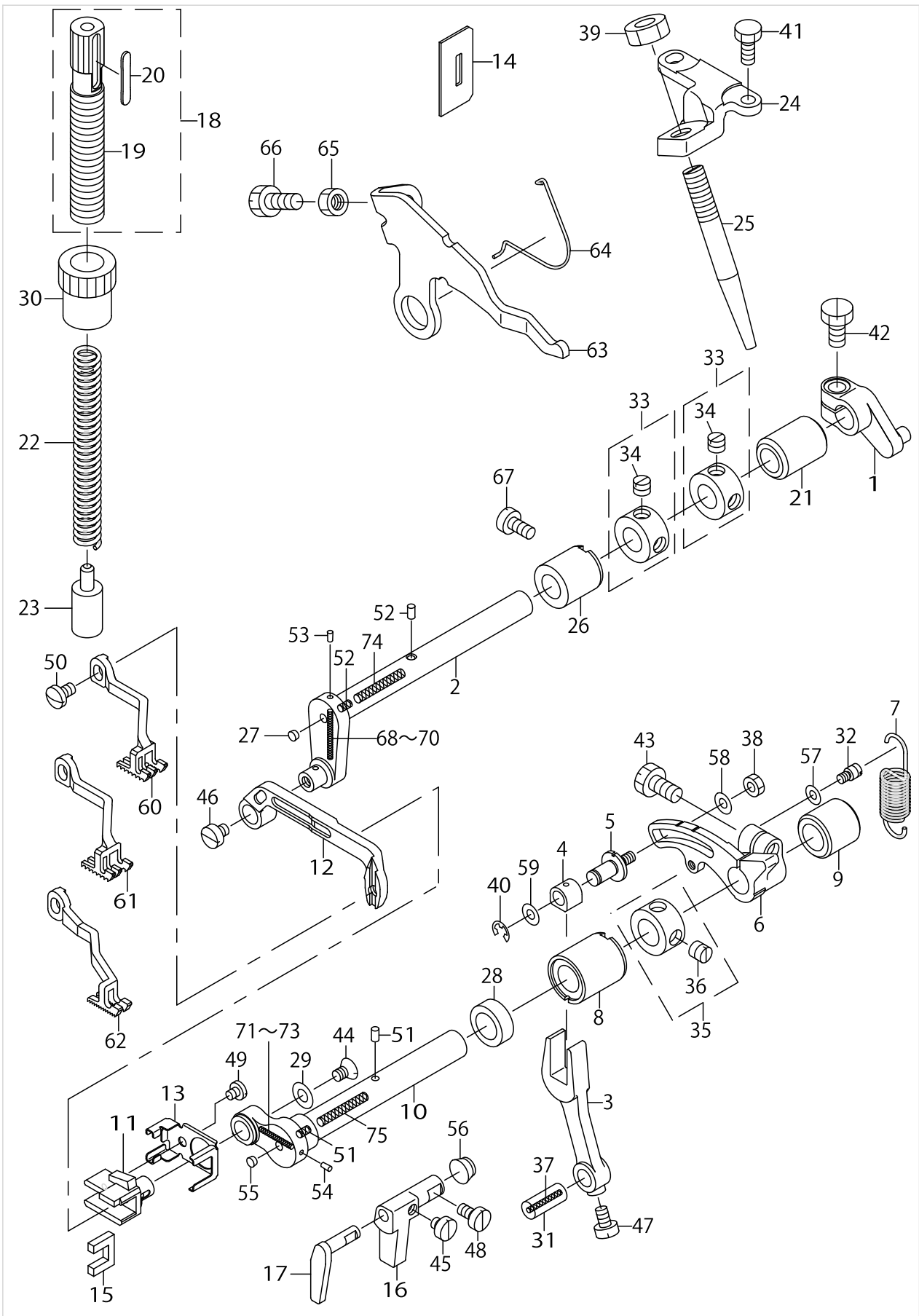
UPPER FEED MECHANISM COMPONENTS (1)



UPPER FEED MECHANISM COMPONENTS (1)

No.	Supply Code	Parts No.	Replacement	Parts name	Remarks	Choice	Step	Level	Cons	Qty	Rep. QTY
1	R	12309100	31208507	HORIZONTAL ARM C						1	1.00
2	D	12309209		HORIZONTAL SHAFT						1	
3	R	12309308	31208705	VERTICAL ROD						1	1.00
4	R	12309407	31208804	VERTICAL SLIDE BLOCK						1	1.00
5	R	12309506	31208903	VERTICAL ADJUST PIN						1	1.00
6		12309605		ADJUST ARM						1	
7		12309704		ADJUST ARM SPRING						1	
8	R	12309803	13277405	SHAFT METAL(FRONT)						1	1.00
9		12309902		VERTICAL SHAFT REAR METAL						1	
10		12310009		SHAFT						1	
11	R	12310108	13276308	UPPER FEED SLIDE BLOCK						1	1.00
12		12310207		UPPER FEED BAR						1	
13		12310306		OIL THROWER RUBBER PRESSER						1	
14		12306007		LIFTER RUBBER						1	
15		12310504		FEED BAR FELT						1	
16	R	12310603	13276407	GUIDE A						1	1.00
17		12310702		GUIDE B						1	
18		12310850		ADJUST SCREW ASM.						1	
19		12310801		ADJUST SCREW				*		1	
20	R	12310900	12310850	ADJUST SCREW PLATE				*		1	1.00
21		12308409		METAL, REAR						1	
22		12311007		UPPER PRESSER SPRING						1	
23		12311106		UPPER PRESSER SLIDE BLOCK						1	
24		12312203		SHAFT SCREW BACE						1	
25	R	12312302	31211402	SHAFT SCREW						1	1.00
26		12308300		METAL,FRONT						1	
27		TA0340201R0		PLUG D=3.4X3.9 L=S						1	
28		11566809		OIL SEAL						1	
29		11913407		SLIDE BLOCK WASHER						1	
30		11914405		NUT						1	
31		B1612804C00		CRANK PIN C	SELECTIVE PART					1	
32	R	B2024771000	40009196	SUSPENSION SCREW						1	1.00
33		CS100101ESH		THRUST COLLAR ASM.						2	
34		SS8660530TP		SCREW 1/4-40 L= 4.5				*		2	
35		CS111101HSH		THRUST COLLAR ASM.						1	
36		SS8660330SP		SCREW 1/4-40 L= 3.0				*		1	
37		CQ202000000		OIL WICK						.08	
38		NM6040000SN		NUT M4						1	
39		NM6080011SF		NUT M8						1	
40		RE0400000K0		E-RING 4						1	
41		SM9051203CP		SCREW M5 L=12						2	
42		SM9061250TP		SCREW M6 L=12						1	
43		SM9061250TP		SCREW M6 L=12						1	
44		SS2110710TP		SCREW 11/64-40 L=7						1	
45		SS6110420TP		SCREW 11/64-40 L=4.8						1	
46		SS6110520TP		SCREW 11/64-40 L=4.5						1	

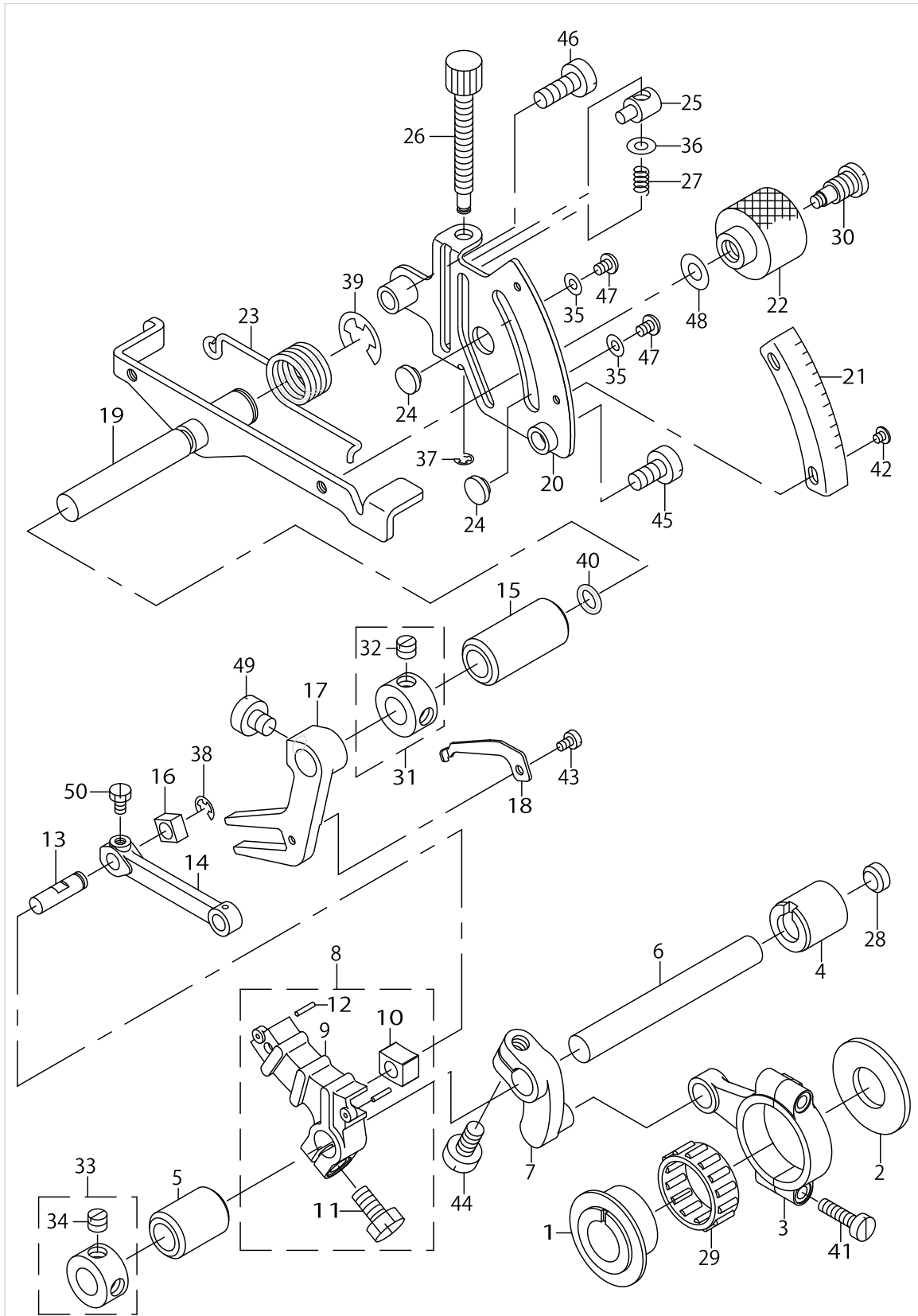
UPPER FEED MECHANISM COMPONENTS (1)



UPPER FEED MECHANISM COMPONENTS (1)

No.	Supply Code	Parts No.	Replacement	Parts name	Remarks	Choice	Step	Level	Cons	Qty	Rep. QTY
47		SS6110710TP		SCREW 11/64-40 L= 6.5						1	
48		SS6110820TP		SCREW 11/64-40 L=8						1	
49		SS7090410SP		SCREW 9/64-40 L=3.5						1	
50		SS7110740TP		SCREW 11/64-40 L=7						1	
51		B3525704000		OIL FELT						2	
52		B3525704000		OIL FELT						2	
53		TA0180401M0		NEEDLE COOLER PLUG CAP						1	
54		TA0180401M0		NEEDLE COOLER PLUG CAP						1	
55		TA0340201R0		PLUG D=3.4X3.9 L=S						1	
56		TA0800501R0		PLUG D=8X8.2 L=5						1	
57		WP0371036SD		WASHER 3.7X6X1						1	
58		WP0451026SH		WASHER						1	
59		WP0621016SH		WASHER						1	
60		12388807		UPPER FEED DOG	FOR MOJ-3904					1	
61		12388906		UPPER FEED DOG	FOR MOJ-3914					1	
62		12389003		TOP FEED DOG	FOR MOJ-3916					1	
63	R	12305405	31204407	TOP FEED DOG LIFTER B						1	1.00
64		12305504		UPPER FEED DOG LIFTER B SPRING						1	
65		NS6150430SP		NUT 15/64-28						1	
66		SS9151210TP		SCREW 15/64-28 L=11.8						1	
67		SS6121020SP		SCREW 3/16-28 L=9.5						1	
68		12316402		OIL WICK(VERTICAL A)	SELECTIVE PART					1	
69		12316501		OIL WICK(VERTICAL B)	SELECTIVE PART					1	
70		12316600		OIL WICK(VERTICAL C)	SELECTIVE PART					1	
71		12316709		OIL WICK(VERTICAL A)	SELECTIVE PART					1	
72		12316808		OIL WICK(VERTICAL B)	SELECTIVE PART					1	
73		12316907		OIL WICK(VERTICAL C)	SELECTIVE PART					1	
74		12317103		OIL WICK(HORIZONTAL)						1	
75		12317202		OIL WICK (HORIZONTAL)						1	

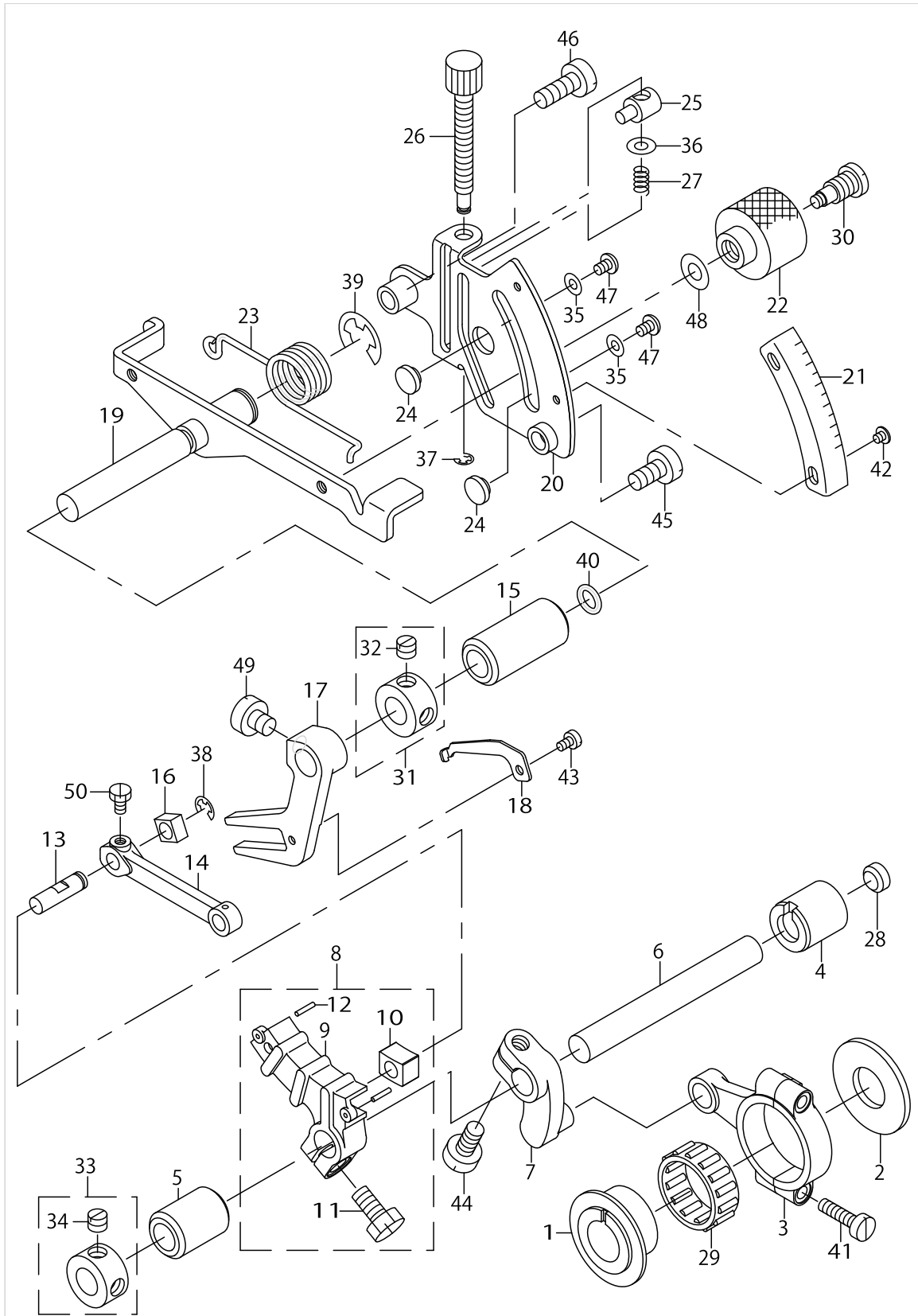
UPPER FEED MECHANISM COMPONENTS (2)



UPPER FEED MECHANISM COMPONENTS (2)

No.	Supply Code	Parts No.	Replacement	Parts name	Remarks	Choice	Step	Level	Cons	Qty	Rep. QTY
1	D	12308003		HORIZONTAL FEED CAM						1	
2		12308102		CAM SPACER						1	
3	R	12308201	12308250	HORIZONTAL ROD						1	1.00
4		12308300		METAL,FRONT						1	
5		12308409		METAL, REAR						1	
6		12308508		HORIZONTAL DRIVING SHAFT						1	
7	R	12308607	31207905	HORIZONTAL ARM A						1	1.00
8		12308755		HORIZONTAL ARM B ASM.						1	
9	R	12308706	12308755	HORIZONTAL ARM B				*		1	1.00
10	R	12308805	12308755	HORIZONTAL SLIDE BLOCK A				*		1	1.00
11		SM9061250TP		SCREW M6 L=12				*		1	
12		PS0150082KH		SPRING PIN				*		2	
13		12308904		HORIZONTAL FEED PIN						1	
14	D	12309001		VERTICAL FEED LINK						1	
15		12311205		METAL						1	
16	R	12311304	31210305	HORIZONTAL SLIDE BLOCK B						1	1.00
17	D	12311403		VERTICAL FORKED ARM						1	
18	R	12311502	31210503	HORIZONTAL BRANCH STOPPER						1	1.00
19	R	12311650	31210750	ADJUSTING SHAFT ASM.						1	1.00
20		12311809		UPPER FEED SCALE PLATE						1	
21		12311908		UPPER FEED GRADUATION B						1	
22		12312005		UPPER FEED LOCK NUT						1	
23		12312104		UPPER FEED LEVER SPRING						1	
24		11529005		STOPPER						2	
25		11826005		DIFFERENTIAL FEED BLOCK						1	
26		11826104		DIFFERENTIAL FEED SCREW						1	
27		11826203		SPRING						1	
28		11898400		RUBBER PLUG B						1	
29		12116703		NEEDLE BEARING B	SELECTIVE PART					1	
30		B1646704000A		DIFFERENTIAL FEED HINGE SCREW						1	
31		CS100101ESH		THRUST COLLAR ASM.						1	
32		SS8660530TP		SCREW 1/4-40 L= 4.5				*		1	
33		CS100101ESH		THRUST COLLAR ASM.						1	
34		SS8660530TP		SCREW 1/4-40 L= 4.5				*		1	
35		WP0371016SD		WASHER 3.7X8X1						2	
36		WP0460556SD		WASHER 4.6X7.5X0.5						1	
37		RE0300000K0		E-RING 3						1	
38		RE0400000K0		E-RING 4						1	
39		RE0900000K0		E-RING 9						1	
40		RO068190100		RUBBER RING						1	
41		SS7111810TP		SCREW11/64-40L=18						2	
42		SM0030301SN		SCREW						2	
43		SM6030510SC		SCREW M3X0.5 L=5						1	
44		SM9061250TP		SCREW M6 L=12						1	
45		SM6061210SC		SCREW M6 L=12						1	
46		SM6061610SC		SCREW M6 L=16						1	

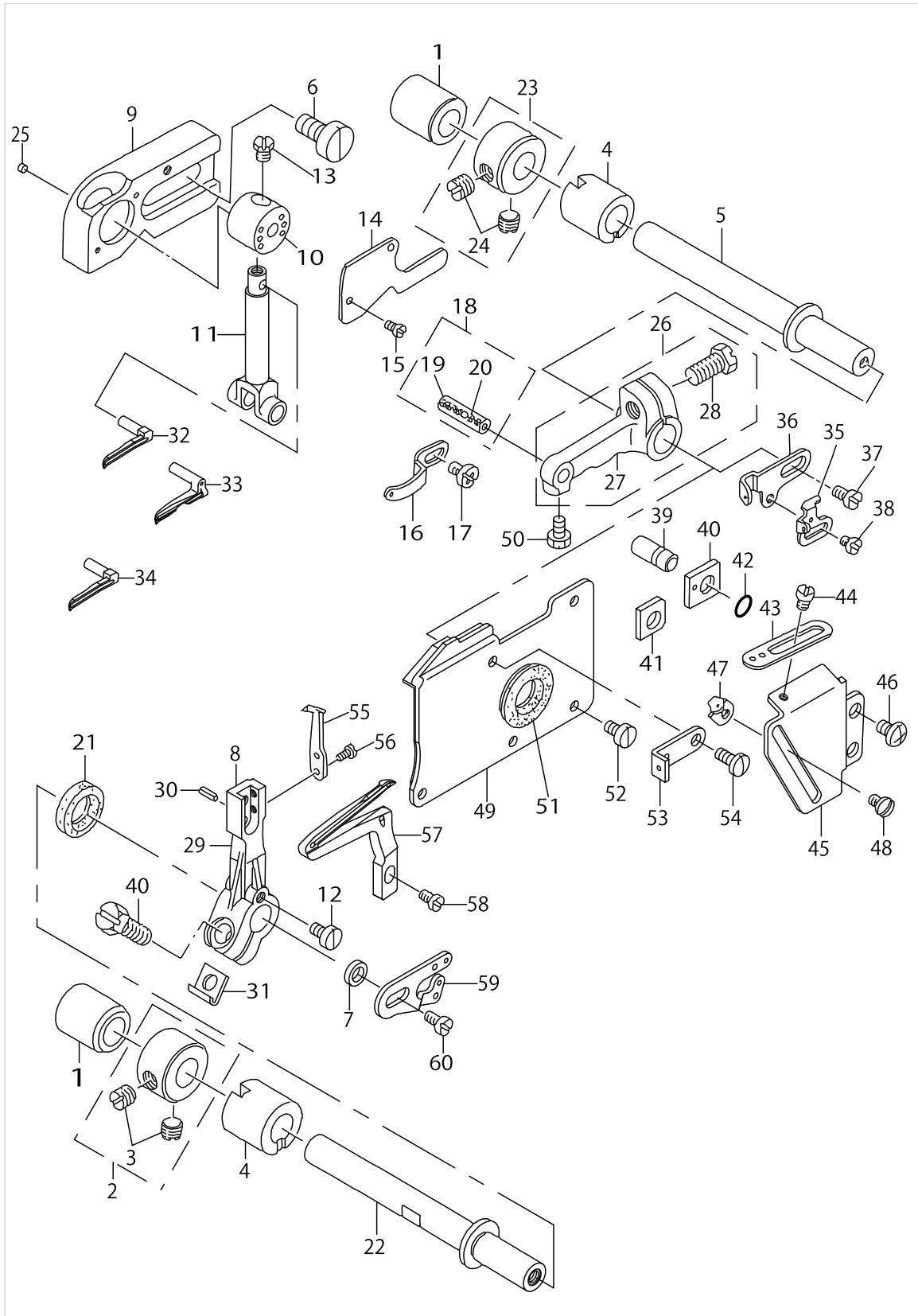
UPPER FEED MECHANISM COMPONENTS (2)



UPPER FEED MECHANISM COMPONENTS (2)

No.	Supply Code	Parts No.	Replacement	Parts name	Remarks	Choice	Step	Level	Cons	Qty	Rep. QTY
47		SS4090515SP		SCREW 9/64-40 L=5						2	
48		WP0621016SD		WASHER 6.2X13X1						1	
49		SS6660710TP		SCREW 1/4-40 L=7						1	
50		SS9090610TP		SCREW 9/64-40 L=5.5						1	

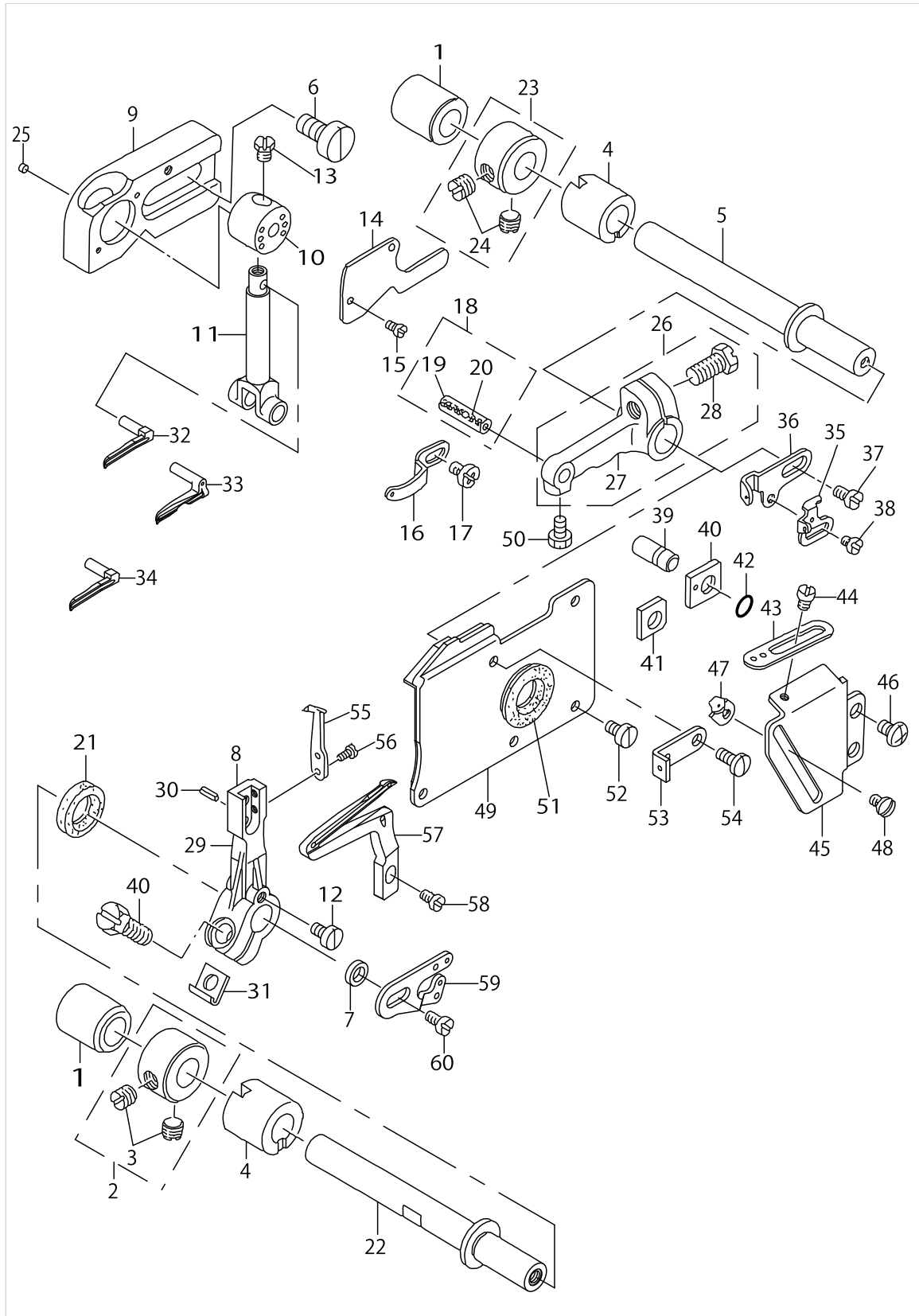
UPPER & LOWER LOOPER COMPONENTS



UPPER & LOWER LOOPER COMPONENTS

No.	Supply Code	Parts No.	Replacement	Parts name	Remarks	Choice	Step	Level	Cons	Qty	Rep. QTY
1	D	12122610		BUSHING REAR						2	
2		CS1031210SH		THRUST COLLAR A-SM. D=10.32 W=1	FOR MOJ--3904,MOJ-3914					1	
3		SS8660610TP		SCREW 1/4-40 L=6				*		2	
4	R	12122511	13222609	LOOPER SHAFT FRONT BUSHING						2	1.00
5	R	12122404	13221403	UPPER LOOPER SHAFT		A				1	1.00
5	R	12122404	13221601	UPPER LOOPER SHAFT		A				1	1.00
5	R	12122404	13221502	UPPER LOOPER SHAFT		A				1	1.00
6		SM6061200SP		SCREW						2	
7	R	12124608	13132600	COLLAR						1	1.00
8		12124806		LOWER LOOPER SUPPORT ARM.						1	
9	R	11544400	11544590	UPPER LOOPER GUIDE RETAINER		A	A: MO2500J	*		1	1.00
9	R	11544400	11544582	UPPER LOOPER GUIDE RETAINER		B	B: MO2500G	*		1	1.00
9	R	11544400	11544350	UPPER LOOPER GUIDE RETAINER		C	C: MO2500G	*		1	1.00
10	R	11544517	11544350	UPPER LOOPER GUIDE		A	A: MO1516G	*		1	1.00
10	R	11544517	11544590	UPPER LOOPER GUIDE		B	B: MO2500J	*		1	1.00
10	R	11544517	11544582	UPPER LOOPER GUIDE		C	C: MO2500G	*		1	1.00
11	D	11582103		UPPER LOOPER HOLDER				*		1	
12		SS6090630TP		SCREW 9/64-40 L=6						1	
13		SS9090410TP		SCREW						1	
14		12004206		UPPER LOOPER GUIDE COVER						1	
15		SS7060610SP		SCREW 3/32-56 L=5.5						2	
16		11833308		UPPER LOOPER THREAD GUIDE						1	
17		SS4090615SP		SCREW 9/64-40 L=6						1	
18	D	11831757		PIN ASM.	SELECTING PART FOR FIT TOLERANCE					1	
19		B1422804A00		PIN (A)	SELECTING PART FOR FIT TOLERANCE			*		1	
20		CQ202000000		OIL WICK				*		0.04	
21	R	B2508704000	40176173	OIL SEAL						1	1.00
22	R	12123410	13221700	LOWER LOOPER SHAFT						1	1.00
23		CS1031210SH		THRUST COLLAR A-SM. D=10.32 W=1						1	
24		SS8660610TP		SCREW 1/4-40 L=6				*		2	
25		12004503		UPPER LOOPER GUIDE FELT						1	
26	D	11582079		LOOPER HOLDER ASM.						1	
27	D	11582012		UPPER LOOPER ARM				*		1	
28		SS9151210TP		SCREW 15/64-28 L=11.8				*		1	
29	R	12123501	13132550	LOWER LOOPER SUPPORT ARM						1	1.00
30		PS0300062KH		SPRING PIN 3X6						1	
31	R	B2531704000	13129309	WASHER						1	1.00
32		12383808		UPPER SPRING	FOR MOJ-3904					1	
33		12383600		UPPER LOOPER	FOR MOJ-3914					1	
34		12383501		UPPER LOOPER	FOR MOJ-3916					1	
35		11833506		LOWER LOOPER TH-READ TAKE-UP						1	
36	D	12124004		THREAD TAKE-UP, RIGHT						1	
37		SS7110840SP		SCREW 11/64-40 L=7.8						1	

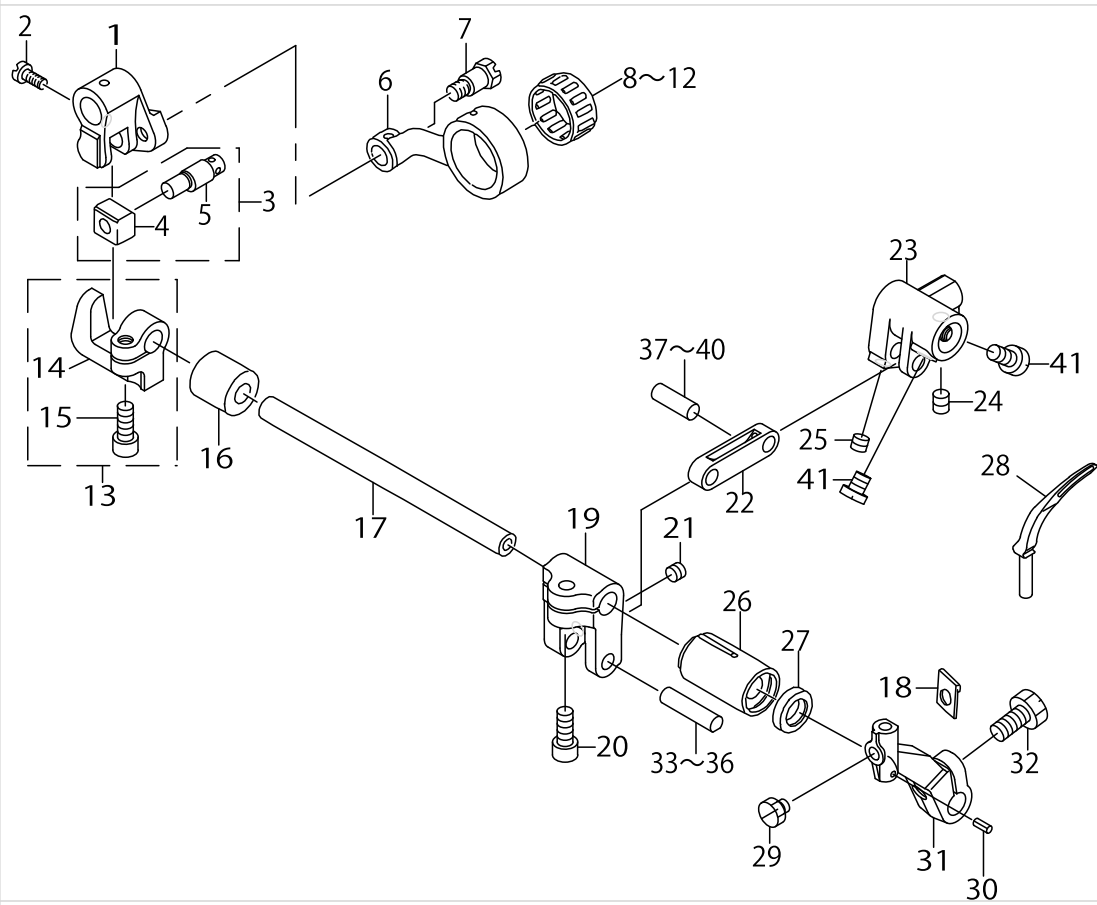
UPPER & LOWER LOOPER COMPONENTS



UPPER & LOWER LOOPER COMPONENTS

No.	Supply Code	Parts No.	Replacement	Parts name	Remarks	Choice	Step	Level	Cons	Qty	Rep. QTY
38		SS6080410SP		SCREW 1/8-44 L=4						1	
39		11831906		PIN						1	
40		SS9151210TP		SCREW 15/64-28 L=11.8						1	
41		12375606		SUPPORT GAUGE	FOR MOJ-3916					1	
42		RO037180100		RUBBER RING						1	
43	D	12123907		THREAD GUIDE, RIGHT						1	
44		SS3090610SP		SCREW 9/64-40 L=6						1	
45	D	12123808		LOOPER THREAD TAKE-UP COVER						1	
46		SM4040655SP		SCREW M4 L=6						2	
47	D	11833407		LOWER LOOPER THREAD GUIDE						1	
48		SS3090610SP		SCREW 9/64-40 L=6						1	
49		12375952		OIL SHIELD ASM.						1	
50		SS9090610TP		SCREW 9/64-40 L=5.5						1	
51		B2530704000		UPPER LOOPER SHAFT RUBBER RING						1	
52	R	SS6090630SP	SS6090630TP	SCREW 9/64-40 L=6						4	1.00
53	R	11833100	12340600	LOOPER THREAD GUIDE						1	1.00
54		SS7090850SP		SCREW 9/64-40 L=8						1	
55		11890001		TRAVELING NEEDLE GUARD						1	
56		SS6060440TP		SCREW 3/32-56 L=3.5						2	
57		12384202		LOWER LOOPER						1	
58		SS6090620TP		SCREW						1	
59		12375705		LOOPER THREAD TAKE-UP, LEFT						1	
60		SS7110840SP		SCREW 11/64-40 L=7.8						1	

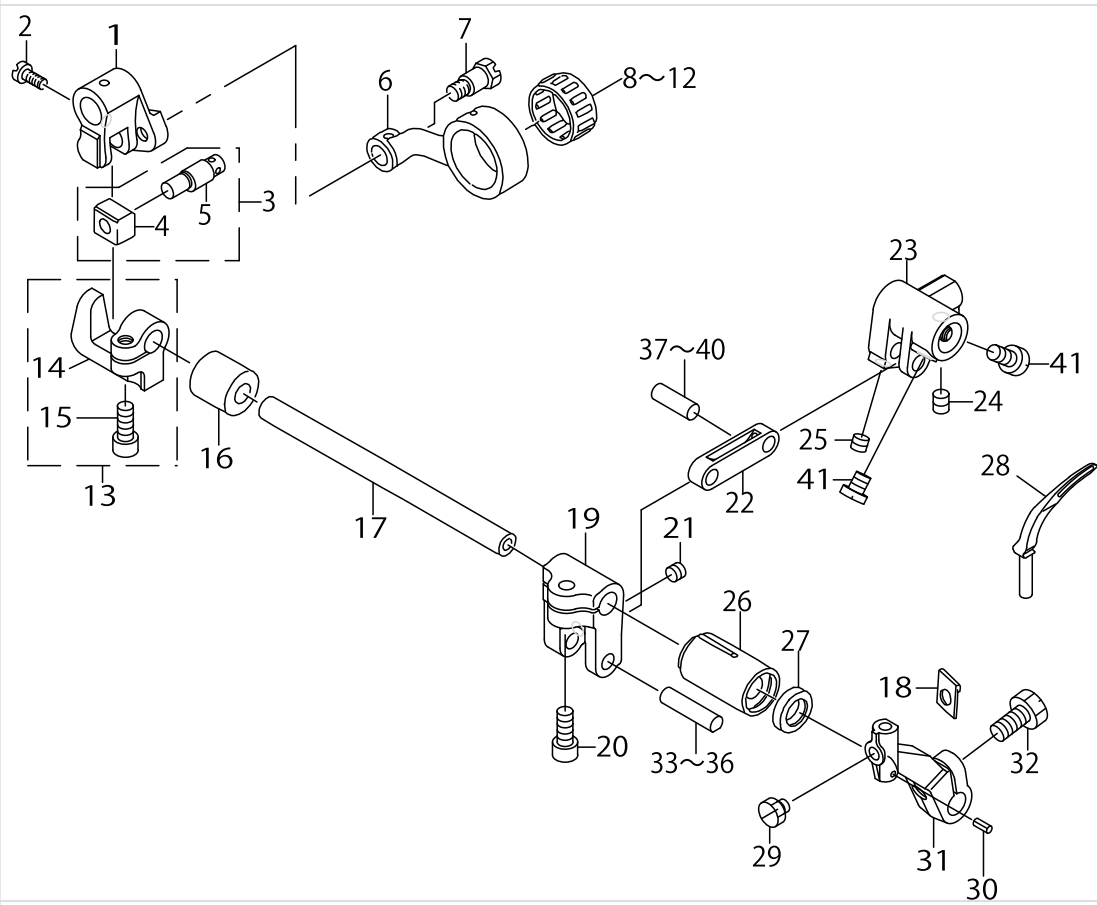
CHAIN LOOPER COMPONENTS (FOR MOJ-3916)



CHAIN LOOPER COMPONENTS (FOR MOJ-3916)

No.	Supply Code	Parts No.	Replacement	Parts name	Remarks	Choice	Step	Level	Cons	Qty	Rep. QTY
1	R	11829900	13126008	CHAIN LOOPER SHAFT SLIDE ARM						1	1.00
2		SS7110720TP		SCREW 11/64-40 L=7						1	
3	R	11829751	13126354	CHAIN LOOPER SLIDE BLOCK PIN						1	1.00
4	R	B2105816000	13126305	CHAIN LOOPER SLIDE BLOCK				*		1	1.00
5	R	B2120816000	13126354	CHAIN LOOPER SLIDE BLOCK PIN				*		1	1.00
6	R	B2102816000A	12284105	CHAIN LOOPER ROD (22MM)						1	1.00
7		SD0720803TH		STEP-SCREW D=7.24 H=8						1	
8		B2119816A00		BEARING A	SELECTING PART FOR FIT TOLERANCE					1	
9		B2119816B00		BEARING B	SELECTING PART FOR FIT TOLERANCE					1	
10		B2119816C00		BEARING C	SELECTING PART FOR FIT TOLERANCE					1	
11		B2119816D00		BEARING D	SELECTING PART FOR FIT TOLERANCE					1	
12	D	B2119816E00		BEARING E	SELECTING PART FOR FIT TOLERANCE					1	
13	R	12120465	13129853	BRACKET ASM.						1	1.00
14	R	12120416	13129853	BRACKET				*		1	1.00
15		SM6051202TP		SCREW M5X0.8 L=12				*		1	
16	R	B2111716000	13127006	BUSHING, REAR						1	1.00
17	D	12120507		CHAIN LOOPER SHAFT						1	
18	R	B2531704000	13129309	WASHER						1	1.00
19	R	12374104	SM8050402TP	DRIVING ARM		A				1	1.00
19	R	12374104	40078484	DRIVING ARM		A				1	1.00
19	R	12374104	SS4080620TP	DRIVING ARM		A				1	1.00
20		SM6051202TP		SCREW M5X0.8 L=12						1	
21		SM8050402TP		SCREW						1	
22		12374203		DRIVING LINK						1	
23	D	12374013		LOWER LOOPER BALL ARM BRACKET						1	
24		SM8050602TP		SCREW M5 L=6						1	
25		SM8050402TP		SCREW						1	
26	R	12122008	13128103	BUSHING, FRONT						1	1.00
27	R	B2525352000	40010805	OIL SEAL RING						1	1.00
28		12384400		CHAIN LOOPER						1	
29		SS9110430TP		SCREW 11/64-40 L=4						1	
30		PS0200062KH		SPRING PIN 2X6						1	
31		11829314		CHAIN LOOPER DRIVING ARM						1	
32		SS9151210TP		SCREW 15/64-28 L=11.8						1	
33	R	12258505	13126701	PIN, LONG	SELECTING PART FOR FIT TOLERANCE					1	1.00
34	R	12258604	13126800	PIN, LONG	SELECTING PART FOR FIT TOLERANCE					1	1.00
35	R	12258307	13126503	PIN, LONG	SELECTING PART FOR FIT TOLERANCE					1	1.00

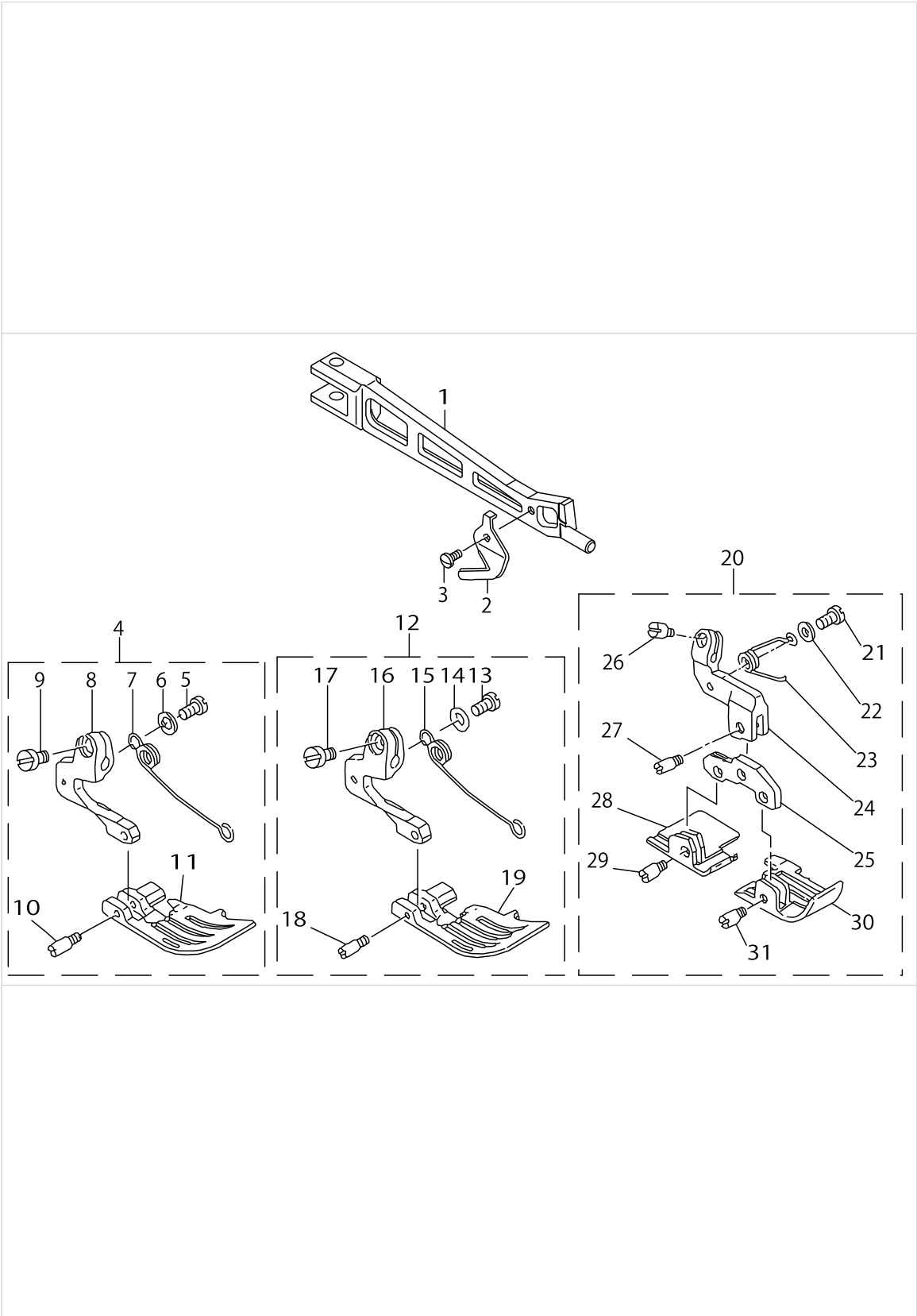
CHAIN LOOPER COMPONENTS (FOR MOJ-3916)



CHAIN LOOPER COMPONENTS (FOR MOJ-3916)

No.	Supply Code	Parts No.	Replacement	Parts name	Remarks	Choice	Step	Level	Cons	Qty	Rep. QTY
36	R	12258406	13126602	PIN, LONG	SELECTING PART FOR FIT TOLERANCE					1	1.00
37		12259008		PIN, SHORT	SELECTING PART FOR FIT TOLERANCE					1	
38	D	12259107		PIN, SHORT	SELECTING PART FOR FIT TOLERANCE					1	
39		12258802		PIN, SHORT	SELECTING PART FOR FIT TOLERANCE					1	
40		12258901		PIN, SHORT	SELECTING PART FOR FIT TOLERANCE					1	
41		SS6110710TP		SCREW 11/64-40 L= 6.5						2	

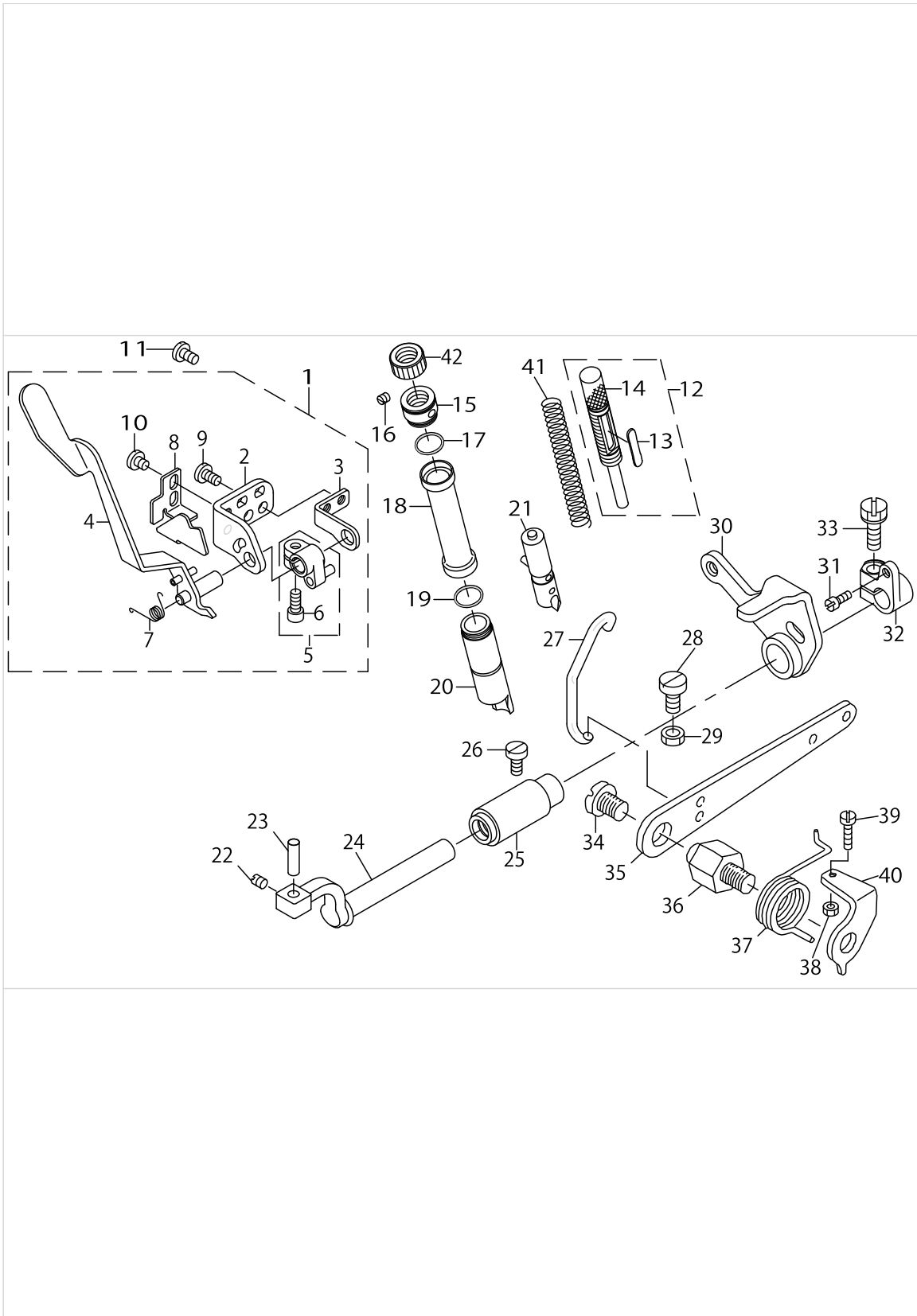
PRESSER FOOT COMPONENTS (1)



PRESSER FOOT COMPONENTS (1)

No.	Supply Code	Parts No.	Replacement	Parts name	Remarks	Choice	Step	Level	Cons	Qty	Rep. QTY
1	D	12305603		PRESSER FOOT ARM						1	
2		B1528804000A		THREAD TRIMMER						1	
3		SS7060510SP		SCREW 3/32-56 L=4.8						1	
4		12022950		PRESSER FOOT ASM.	FOR MOJ-3904					1	
5		SS7080520SP		SCREW 1/8-44 L=4.9				*		1	
6		WP0371026SD		WASHER 3.7X7X1				*		1	
7		11930906		PRESSER FOOT SPRING				*		1	
8		11925104		PRESSER FOOT HINGE				*		1	
9	R	SS6090650SP	SS6090670TP	SCREW 9/64-40 L=6				*		1	1.00
10		11930609		HINGE PIN				*		1	
11	R	12022901	12022950	PRESSER FOOT				*		1	1.00
12		12012555		PRESSER ASM.	FOR MOJ-3914					1	
13		SS7080520SP		SCREW 1/8-44 L=4.9				*		1	
14		WP0371026SD		WASHER 3.7X7X1				*		1	
15		11930906		PRESSER FOOT SPRING				*		1	
16		11925104		PRESSER FOOT HINGE				*		1	
17	R	SS6090650SP	SS6090670TP	SCREW 9/64-40 L=6				*		1	1.00
18		11930609		HINGE PIN				*		1	
19	R	12012506	12012555	PRESSER FOOT				*		1	1.00
20		12023255		PRESSER FOOT ASM.	FOR MOJ-3916					1	
21		SS7080520SP		SCREW 1/8-44 L=4.9				*		1	
22		WP0371026SD		WASHER 3.7X7X1				*		1	
23		11929403		PRESSER FOOT SPRING				*		1	
24		12024303		HINGE ARM				*		1	
25	R	12024402	12023255	PRESSER FOOT HINGE				*		1	1.00
26	R	SS6090650SP	SS6090670TP	SCREW 9/64-40 L=6				*		1	1.00
27		12024501		HINGE PIN				*		1	
28	R	12023305	12023255	REARPRESSERFOOT				*		1	1.00
29		12024501		HINGE PIN				*		1	
30		12023206		FRONT PRESSER FOOT				*		1	
31		12024501		HINGE PIN				*		1	

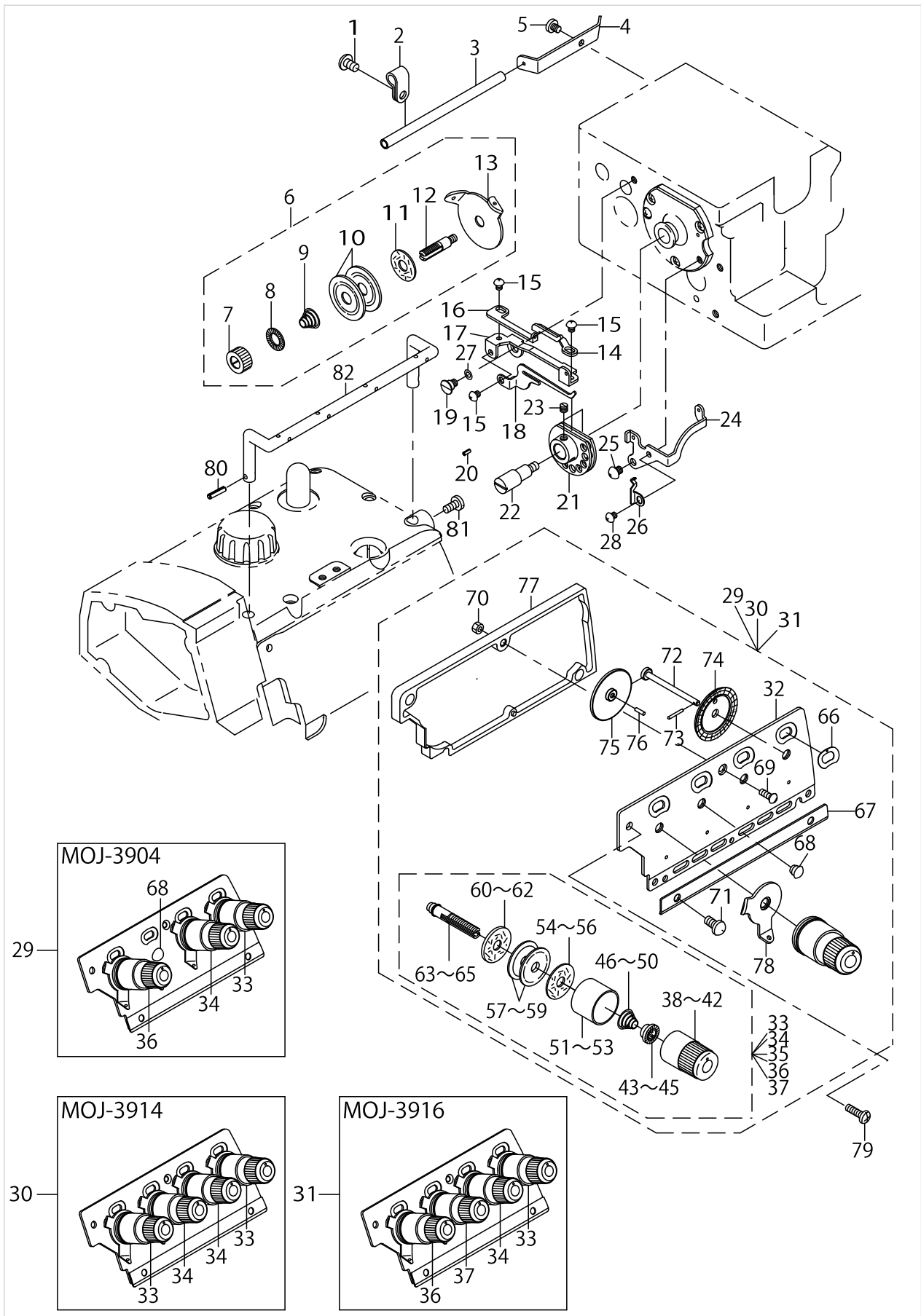
PRESSER FOOT COMPONENTS (2)



PRESSER FOOT COMPONENTS (2)

No.	Supply Code	Parts No.	Replacement	Parts name	Remarks	Choice	Step	Level	Cons	Qty	Rep. QTY
1	R	12306155	13274253	FOOT LIFTING LEV- ER STAND ASM.						1	1.00
2		12306106		FOOT LIFTING LEVER STAND A				*		1	
3		12306205		FOOT LIFTING LEVER STAND B				*		1	
4		12306353		FOOT LIFTING LEVER JUNCTION				*		1	
5		12306551		UPPER FEED DOG LIFTER A ASM.				*		1	
6		SS6111052TP		SCREW				*		1	
7		12306601		SPRING				*		1	
8		12306700		PRESSER ARM STOPPER				*		1	
9		SS7110840SP		SCREW 11/64-40 L=7.8				*		2	
10		SS7110510SP		SCREW 11/64-40 L=5				*		2	
11		SS7110840SP		SCREW 11/64-40 L=7.8						2	
12	D	12305959		PRESSER REGULAT- OR SCREW ASM.						1	
13	R	12310900	12310850	ADJUST SCREW PLATE				*		1	1.00
14		12305900		PRESSER REGULATOR SCREW				*		1	
15		12288700		RRESSER REGULAT- OR SCREW WASHER						1	
16		SM8040402TP		SCREW M4X0.7 L=4						1	
17		RO110090100		RUBBER RING						1	
18		12114906		PRESSERBARCOVER						1	
19		RO110090100		RUBBER RING						2	
20		12373007		PRESSERBARMETAL						1	
21	R	12305850	40011753	PRESSER BAR ASM.						1	1.00
22		SS8110520TP		SCREW 11/64-40 L= 4.5						1	
23		B1534804000		PRESSER FOOT AR- M HINGE SHAFT						1	
24	R	12113205	13115001	PRESSER FOOT SHAFT						1	1.00
25		12305009		BUSHING						1	
26		SS6121020SP		SCREW 3/16-28 L=9.5						1	
27		12306809		LIFTING HOOK						1	
28		SM6061200SP		SCREW						1	
29		NM6060003SC		NUT M6						1	
30	R	12305256	31204258	PRESSER LIFTING ARM ASM.						1	1.00
31		SS6110710TP		SCREW 11/64-40 L= 6.5						1	
32		12113817		PRESSER FOOT SH- AFT THRUST ARM						1	
33		SS9151210TP		SCREW 15/64-28 L=11.8						1	
34		SS7161040SP		SCREW 1/4-24 L= 9.5						1	
35	R	11819315	13116900	LIFTING LEVER						1	1.00
36		11819109		LIFTING LEVER SCREW						1	
37		11819208		LIFTING LEVER SPRING						1	
38		NS6110420SP		NUT 11/64-40						1	
39	R	SS7111410SP	SS7111410TP	SCREW 11/64-40 L=14						1	1.00
40	D	B1529804000		PRESSER FOOT LIF- TING LEVER STO						1	
41		12115903		PRESSER SPRING						1	
42		12114807		PRESSER REGULATOR NUT						1	

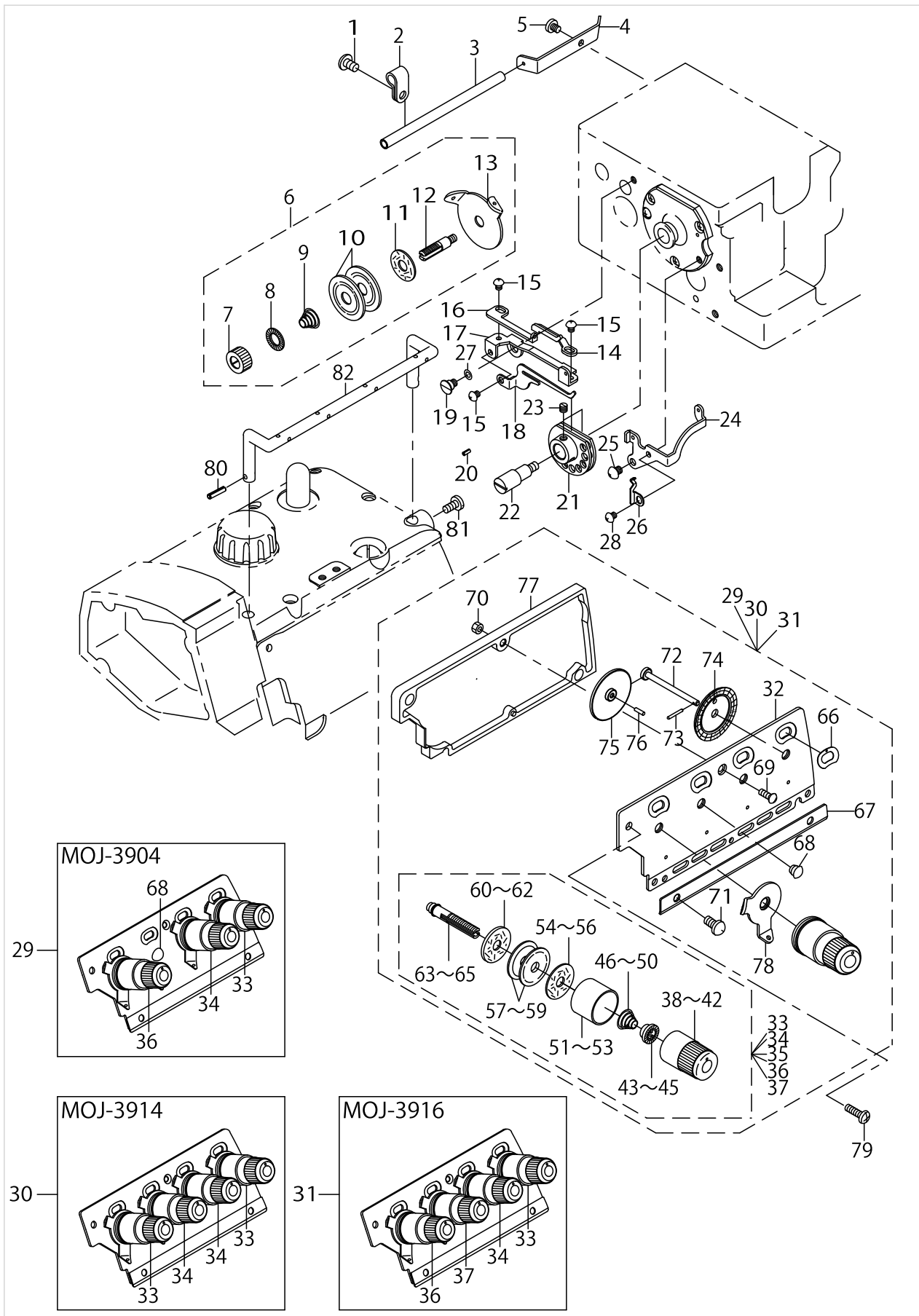
THREAD TENSION COMPONENTS



THREAD TENSION COMPONENTS

No.	Supply Code	Parts No.	Replacement	Parts name	Remarks	Choice	Step	Level	Cons	Qty	Rep. QTY
1		SM4050855SP		SCREW	FOR MOJ-3916					1	
2	R	B3113352000	13129259	MOUNTING BRACKET	FOR MOJ-3916					1	1.00
3		B2401816000		LOOPER THREAD GUIDE TUBE	FOR MOJ-3916					1	
4	R	B2402716000	13129101	LOOPER THREAD G- UIDE TUBE GUIDE	FOR MOJ-3916					1	1.00
5		SS5150510SP		SCREW 15/64-28 L=5	FOR MOJ-3916					1	
6	D	11550852		TENSION CONTROLLER ASM.	FOR MOJ-3916					1	
7		B2314019000		TENSION POST NUT				*		1	
8		B3120125000		ROTATING STOPPER				*		1	
9		B2017372000		TENSION SPRING NO.1				*		1	
10	R	B3126012000	22921506	THREAD TENSION DISK				*		2	1.00
11	R	B3120352000	13139902	THREAD TENSION SPRING FELT				*		1	1.00
12	R	11550803	13139555	THREAD TENSION POST				*		1	1.00
13	R	11550308	13139605	THREAD GUIDE				*		1	1.00
14		12120903		THREAD GUIDE A	FOR MOJ-3916					1	
15		SS4090415SP		SCREW 9/64-40 L=4	FOR MOJ-3916					3	
16		12121000		THREAD GUIDE B	FOR MOJ-3916					1	
17	D	12120804		THREAD GUIDE BASE	FOR MOJ-3916					1	
18		12121109		THREAD GUIDE HOOK	FOR MOJ-3916					1	
19		SD0600341TP		HINGE SCREW D=6.0 H=3.4	FOR MOJ-3916					1	
20		PS0200052KH		SPRING PIN 2.3X5	FOR MOJ-3916					1	
21	R	12347555	13129457	LOWER THREAD CAM COMPL.	FOR MOJ-3916					1	1.00
22	R	B2202816000	13130000	SHAFT	FOR MOJ-3916					1	1.00
23		SS8110410TP		SCREW 11/64-40 L= 3.5	FOR MOJ-3916					2	
24		12121208		THREAD GUIDE	FOR MOJ-3916					1	
25		SS4110515SP		SCREW 11/64-40 L=5	FOR MOJ-3916					1	
26		12121307		THREAD GUIDE SPRING	FOR MOJ-3916					1	
27		WZ0640312K0		WAVED WASHER	FOR MOJ-3916					1	
28		SS4090415SP		SCREW 9/64-40 L=4	FOR MOJ-3916					1	
29		12388054		THREAD GUIDE PLATE	FOR MOJ-3904					1	
30	D	12388153		THREAD GUIDE PLATE	FOR MOJ-- 3914,MOJ-3916					1	
31	D	12388252		THREAD GUIDE PLATE	FOR MOJ-3916					1	
32		12126207		THREAD GUIDE PLATE				*		1	
33	D	12126868		KNOB ASM.,RED				*		1	
34	D	12126967		KNOB ASM.,YELLOW				*		1	
35	D	12127064		KNOB ASM.,BLUE				*		1	
36		12127163		KNOB ASM.,VIOLET				*		1	
37	D	12127262		KNOB ASM.,GREEN				*		1	
38	D	12126918		KNOB ,YELLOW				*		1	
39	D	12126819		KNOB ,RED				*		1	
40	D	12127015		KNOB ,BLUE				*		1	
41		12127114		KNOB,VIOLET				*		1	
42		12127213		KNOB,GREEN				*		1	
43		B3112704000		TENSION SPRING BUSHING				*		1	
44		B3112704000		TENSION SPRING BUSHING				*		1	
45		B3112704000		TENSION SPRING BUSHING				*		1	

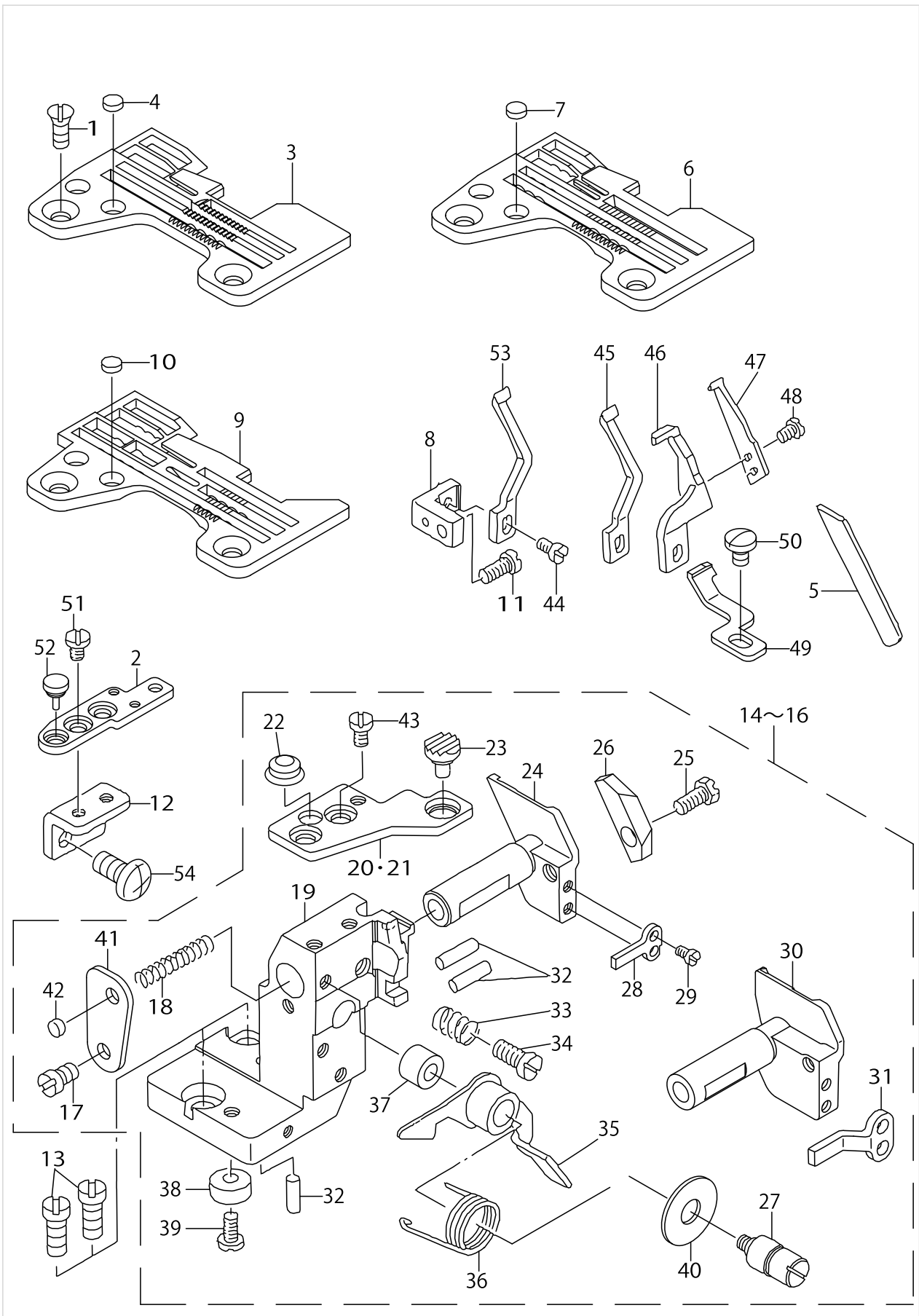
THREAD TENSION COMPONENTS



THREAD TENSION COMPONENTS

No.	Supply Code	Parts No.	Replacement	Parts name	Remarks	Choice	Step	Level	Cons	Qty	Rep. QTY
46		B3102804000		TENSION SPRING, YELLOW				*		1	
47		B3101804000		TENSION SPRING, RED				*		1	
48		B3103804000		TENSION SPRING, BLUE				*		1	
49		11550100		TENSION SPRING, PURPLE				*		1	
50	R	11550209	13140504	TENSION SPRING, GREEN				*		1	1.00
51		12126702		TESION DISK PRESSER				*		1	
52		12126702		TESION DISK PRESSER				*		1	
53		12126702		TESION DISK PRESSER				*		1	
54	R	B3120704000	13138102	THREAD TENSION SPRING FELT				*		1	1.00
55	R	B3120704000	13138102	THREAD TENSION SPRING FELT				*		1	1.00
56	R	B3120704000	13138102	THREAD TENSION SPRING FELT				*		1	1.00
57	R	B3126012000	22921506	THREAD TENSION DISK				*		2	1.00
58	R	B3126012000	22921506	THREAD TENSION DISK				*		2	1.00
59	R	B3126012000	22921506	THREAD TENSION DISK				*		2	1.00
60	R	B3120352000	13139902	THREAD TENSION SPRING FELT				*		1	1.00
61	R	B3120352000	13139902	THREAD TENSION SPRING FELT				*		1	1.00
62	R	B3120352000	13139902	THREAD TENSION SPRING FELT				*		1	1.00
63	D	12126405		THREAD TENSION BAR				*		1	
64	D	12126405		THREAD TENSION BAR				*		1	
65	D	12126405		THREAD TENSION BAR				*		1	
66		12128203		SCALE SIDE PLATE				*		1	
67		12128302		THREAD LOOPER GUIDE				*		1	
68		TA0620504R0		CAP	FOR MOJ-3904			*		1	
69	D	SS2090830SL		SCREW				*		1	
70		NS6090310SP		NUT 9/64-40				*		1	
71		SS7110740TL		SCREW 11/64-40 L= 7.0				*		1	
72		12127403		SCALE SHAFT				*		1	
73		12127502		SCALE SHAFT PIN				*		1	
74		12127601		SCALE GEAR				*		1	
75	D	12127700		GEAR				*		1	
76		12127809		GEAR SHAFT				*		1	
77		12127957		SCALE CASE ASM.				*		1	
78		12126504		NEEDLE THREAD GUIDE				*		1	
79		SM4041455SN		SCREW M4 L=14						2	
80		PS0300132KH		SPRING PIN 3X13						1	
81		SS7110910TP		SCREW 11/64-40 L= 8.5						1	
82		12126108		CENTER THREAD GUIDE						1	

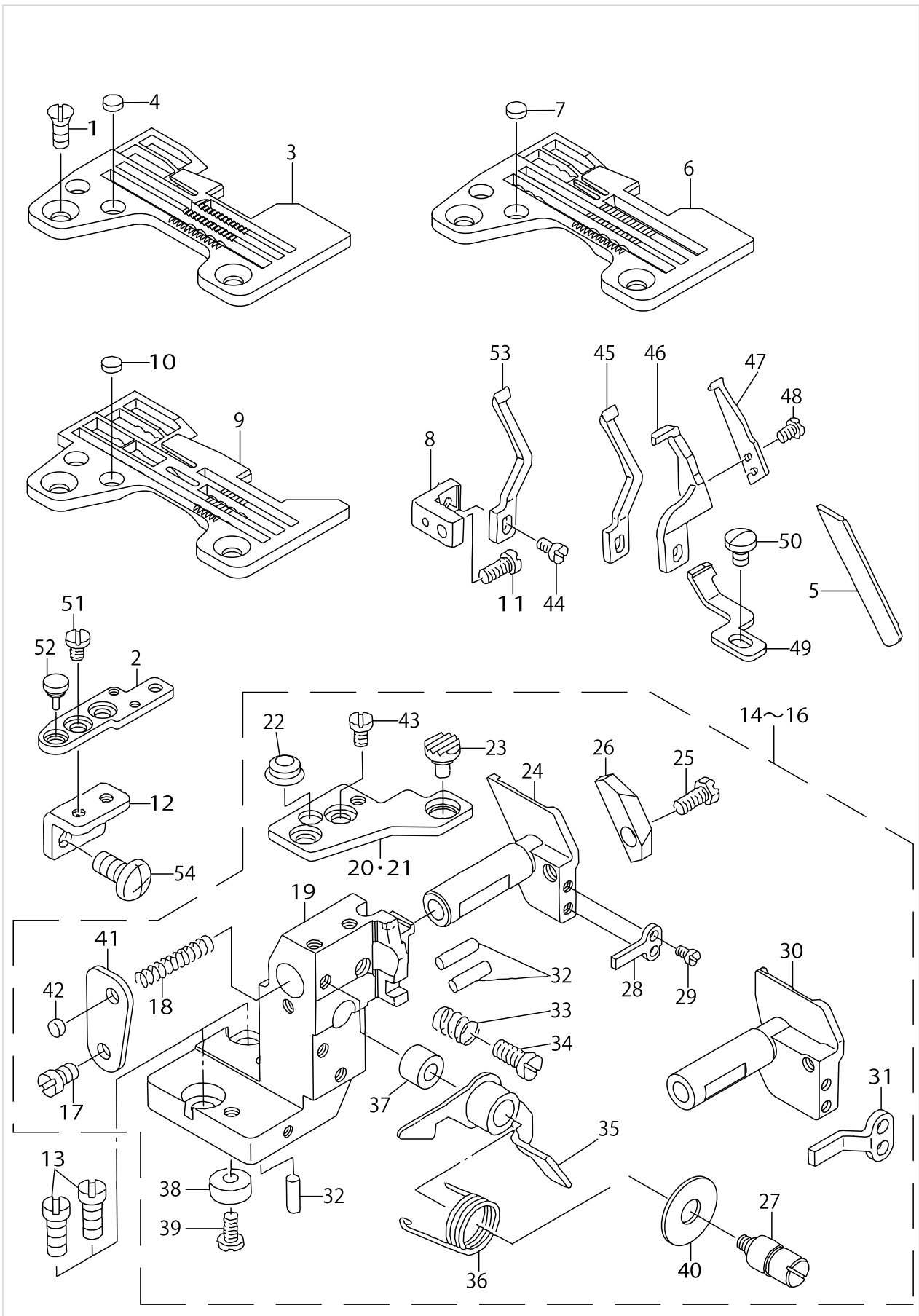
LOWER KNIFE COMPONENTS



LOWER KNIFE COMPONENTS

No.	Supply Code	Parts No.	Replacement	Parts name	Remarks	Choice	Step	Level	Cons	Qty	Rep. QTY
1		SS2110910SL		SCREW 11/64-40 L=9						2	
2		11848603		THROAT PLATE BASE C						1	
3	R	R4300J0FL00	R4300J6FL00	THROAT PLATE	FOR MOJ-3904					1	1.00
4	R	11806304	13102702	PLUG						2	1.00
5		11566502		LOWER KNIFE						1	
6	R	R4306J0HJ00	R4306J6HJ00	THROAT PLATE	FOR MOJ-3914					1	1.00
7	R	11806304	13102702	PLUG						2	1.00
8		11847100		NEEDLE GUARD HOLDER						1	
9	R	R4612J0HL00	R4612J6HL00	THROAT PLATE (FH6-700)	FOR MOJ-3916					1	1.00
10	R	11806304	13102702	PLUG						2	1.00
11		SS7110840SP		SCREW 11/64-40 L=7.8						1	
12		12378303		THROAT PLATE BASE B RETAINER						1	
13		SS6151440SP		SCREW 15/64-28L=14						2	
14		12377586		LOWER KNIFE BRACKET ASM.	FOR MOJ-3916					1	
15		12377560		LOWER KNIFE BRACKET ASM.	FOR MOJ-3904					1	
16		12377552		LOWER KNIFE BRACKET ASM.	FOR MOJ-3914					1	
17		SS7110720SP		SCREW 11/64-40 L=7				*		1	
18		11846607		SPRING				*		1	
19	R	12132619	13232657	LOWER KNIFE BRACKET				*		1	1.00
20	R	12378105	12377552	THROAT PLATE BASE A	FOR MOJ-- 3914,MOJ-3916			*		1	1.00
21		12102208		THROAT PLATE BASE A	FOR MOJ-3904			*		1	
22		12103701		RUBBER PLUG B				*		1	
23	R	12103602	13235304	RUBBER PLUG A				*		1	1.00
24	R	12132700	13149505	LOWER KNIFE SLIDE STUD	FOR MOJ-- 3904,MOJ-3914			*		1	1.00
25		SS9111010SP		SCREW 11/64-40 L=9.5				*		1	
26		12377602		LOWER KNIFE PRESSER				*		1	
27	R	12102810	13148408	LEVER SHAFT				*		1	1.00
28	D	12377701		ROTATING STOPPER	FOR MOJ-- 3904,MOJ-3914			*		1	
29		SS7090710SP		SCREW 9/64-40 L=6.8				*		2	
30		12377800		LOWER KNIFE SLIDE SHAFT	FOR MOJ-3916			*		1	
31		12377909		ROTATING STOPPER	FOR MOJ-3916			*		1	
32	R	12133708	12133666	HOLDER PIN		B	MO-3916, MOR-3916/3916E	*		3	1.00
32	R	12133708	12377586	HOLDER PIN		D	MOJ-3916, MOG-3716, MO-6916G/6916J	*		3	1.00
32	R	12133708	12377560	HOLDER PIN		F	MOJ-3904	*		3	1.00
32	R	12133708	12377552	HOLDER PIN		G	MOJ-3914, MOG-3704- /3714, MO- -6904G/6914G	*		3	1.00
32	R	12133708	13232657	HOLDER PIN		H	MO-6104D/6114D	*		3	1.00
32	R	12133708	13232756	HOLDER PIN		I	MO-6116D	*		3	1.00
32	R	12133708	13232657	HOLDER PIN				*		3	1.00
32	R	12133708	12257267	HOLDER PIN				*		3	1.00
33	D	B4115704000		SPRING				*		1	
34		SS7151120SP		SCREW 15/64-28L=11				*		1	
35	R	12102950	13148556	LEVER ASM.				*		1	1.00

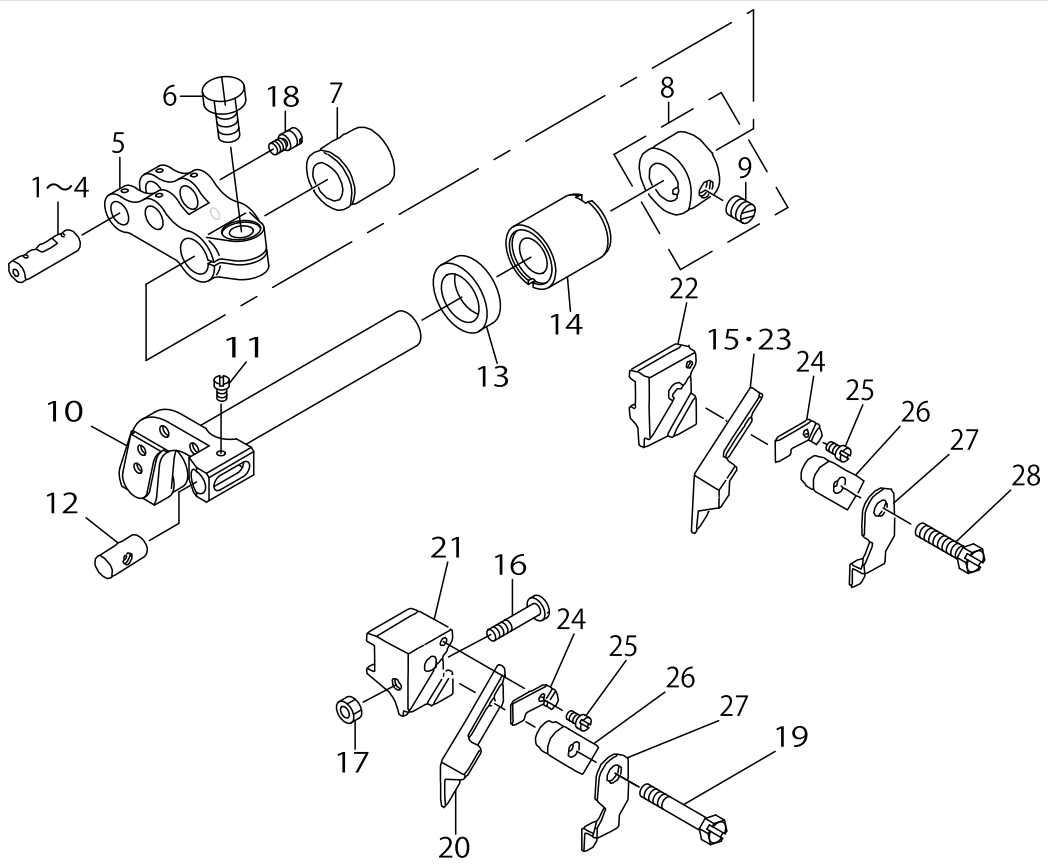
LOWER KNIFE COMPONENTS



LOWER KNIFE COMPONENTS

No.	Supply Code	Parts No.	Replacement	Parts name	Remarks	Choice	Step	Level	Cons	Qty	Rep. QTY
36		11802006		LEVER SPRING				*		1	
37	R	12103107	13148903	RUBBER PLUG				*		1	1.00
38	D	B2739761000		WASHER				*		1	
39		SS7110840SP		SCREW 11/64-40 L=7.8				*		1	
40		WP0621036SP		WASHER				*		1	
41	R	12133211	13149307	SPRING STOPPER				*		1	1.00
42	R	11806304	13102702	PLUG				*		1	1.00
43		SS6110610TP		SCREW 11/64-40 L=6				*		2	
44		SS7090610SP		SCREW 9/64-40 L=6						1	
45		11890308		NEEDLE GUARD	FOR MOJ-3914					1	
46		12015301		NEEDLE HOLDER	FOR MOJ-3916					1	
47		12015400		NEEDLE HOLDER	FOR MOJ-3916					1	
48		SS7060510SP		SCREW 3/32-56 L=4.8	FOR MOJ-3916					2	
49		12384509		NEEDLE HOLDER	FOR MOJ-3916					1	
50		SS7090510SP		SCREW 9/64-40 L=4.6	FOR MOJ-3916					1	
51		SS6110610TP		SCREW 11/64-40 L=6						2	
52		11804606		RUBBER PLUG						1	
53		11890100		NEEDLE GUARD	FOR MOJ-3904					1	
54		SM4051055SP		SCREW						2	

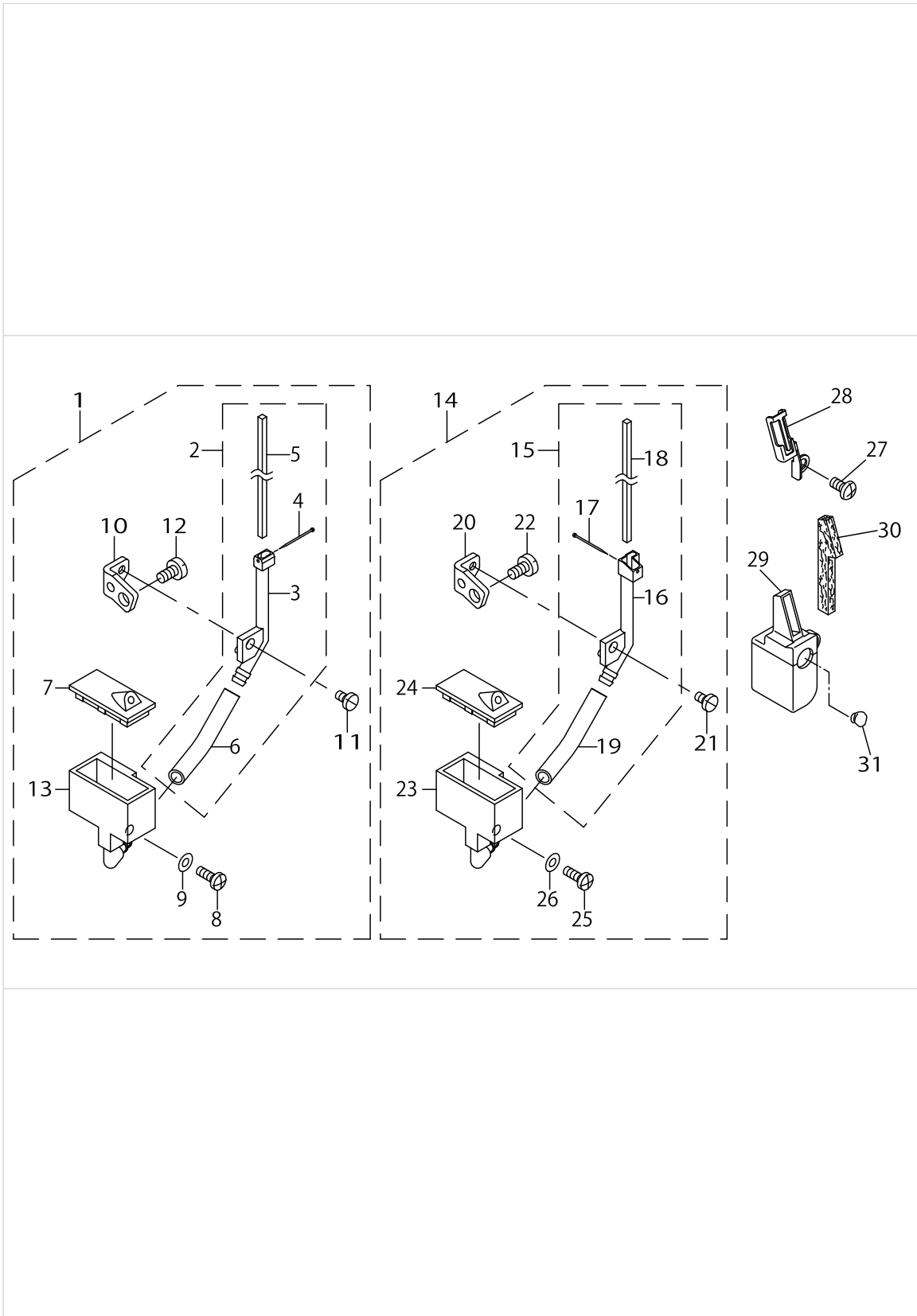
UPPER KNIFE COMPONENTS



UPPER KNIFE COMPONENTS

No.	Supply Code	Parts No.	Replacement	Parts name	Remarks	Choice	Step	Level	Cons	Qty	Rep. QTY
1		11823606		CRANK PIN	SELECTING PART FOR FIT TOLERANCE					1	
2		11823705		CRANK PIN B	SELECTING PART FOR FIT TOLERANCE					1	
3		11823804		CRANK PIN C	SELECTING PART FOR FIT TOLERANCE					1	
4		11823903		CRANK PIN D	SELECTING PART FOR FIT TOLERANCE					1	
5	R	12318002	31215957	UPPER KNIFE DRIVING ARM						1	1.00
6		SM9061250TP		SCREW M6 L=12						1	
7	R	12132502	13151006	BUSHING, REAR						1	1.00
8		CS111101HSH		THRUST COLLAR ASM.						1	
9		SS8660330SP		SCREW 1/4-40 L=3.0				*		1	
10	R	12318101	31216005	KNIFE ARM SHAFT						1	1.00
11		SS4060310SP		SCREW 3/32-56 L=2.5	FOR EXPORT					1	
12	R	11565801	13150800	UPPER KNIFE GUIDE SHAFT						1	1.00
13		11566809		OIL SEAL						1	
14	R	12309803	13277405	SHAFT METAL(FRONT)						1	1.00
15		B411180400E		UPPER KNIFE	FOR MOJ-3914					1	
16		SS7091810SP		SCREW 9/64-40 L=17.5	FOR MOJ-3916					1	
17		NS6090310SP		NUT 9/64-40	FOR MOJ-3916					1	
18	R	B2024771000	40009196	SUSPENSION SCREW						1	1.00
19		SS9112420TP		SCREW 11/64-40L=24	FOR MOJ--3916(FOR EXPORT)					1	
20		11565900		UPPER KNIFE	FOR MOJ--3916(FOR EXPORT)					1	
21		11565405		UPPER KNIFE SUPPORT	FOR MOJ--3916(FOR EXPORT)					1	
22		11598000		UPPER KNIFE SUPPORT	FOR MOJ--3904,MOJ--3914 (FOR EXPORT)					1	
23		11565900		UPPER KNIFE	FOR MOJ-3904					1	
24		11565702		WASHER	FOR EXPORT					1	
25		SS4060310SP		SCREW 3/32-56 L=2.5	FOR EXPORT					1	
26		11565504		UPPER KNIFE PRESSER PLATE	FOR EXPORT					1	
27		11565603		UPPER KNIFE COVER	FOR MOJ--3904,MOJ-3916					1	
28		SS9111610SP		SCREW 11/64-40L=16	FOR MOJ--3904,MOJ--3914 (FOR EXPORT)					1	

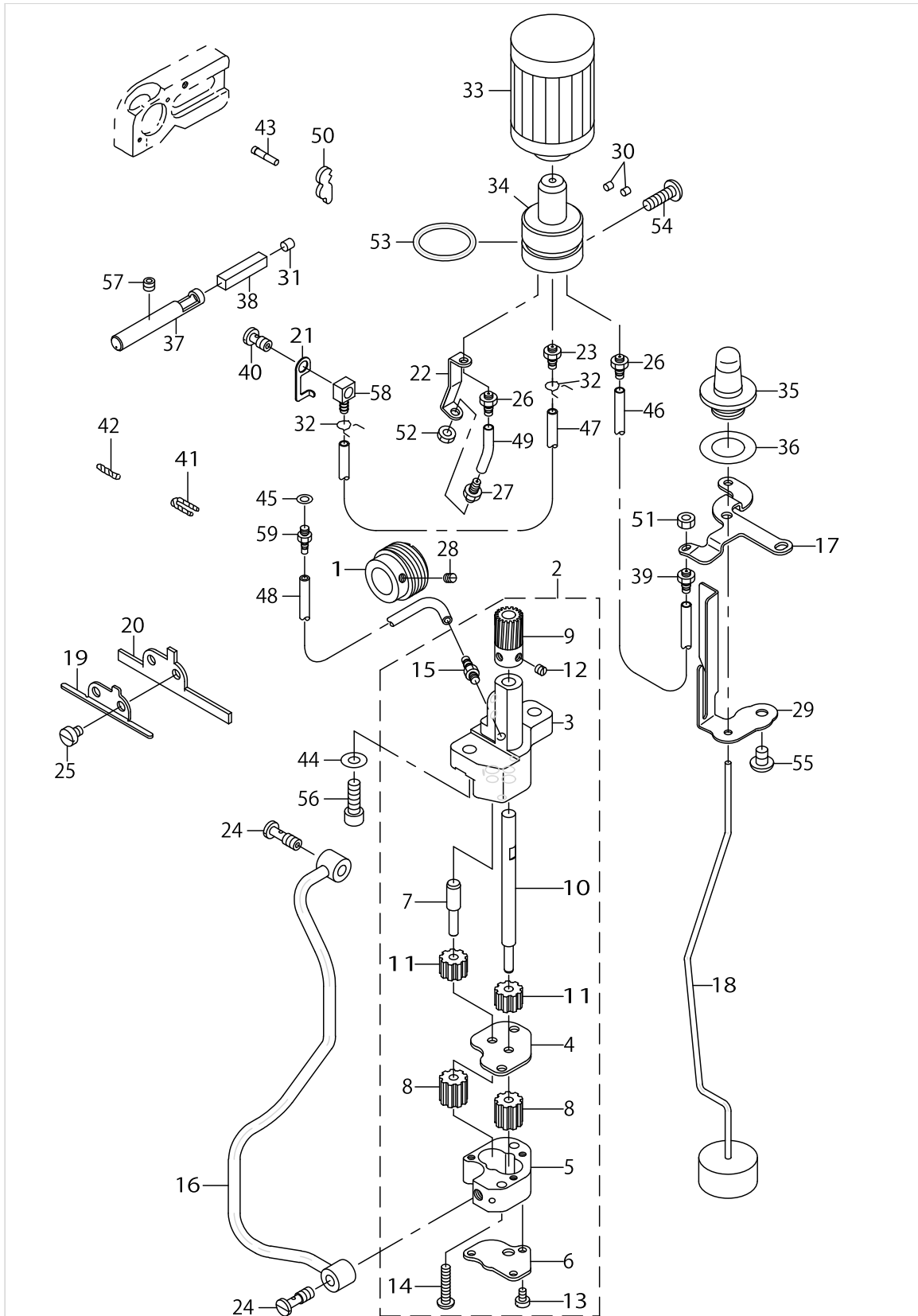
NEEDLE COOLING MECHANISM COMPONENTS



NEEDLE COOLING MECHANISM COMPONENTS

No.	Supply Code	Parts No.	Replacement	Parts name	Remarks	Choice	Step	Level	Cons	Qty	Rep. QTY
1	R	11855954	13162557	NEEDLE COOLER U-NIT ASM. (OVER)	FOR MOJ--3904,MOJ-3914					1	1.00
2	D	11855970		NEEDLE COOLER ASM. (OVER)				*		1	
3	D	11855905		NEEDLE COOLER (OVER)				*		1	
4		11856101		NEEDLE COOLER PIN				*		1	
5		11856200		NEEDLE COOLER FELT				*		1	
6		BT0700500EA		TUBE				*		0.1	
7	D	11856507		TANK COVER				*		1	
8		SS4091015SP		SCREW 9/64-40 L=10				*		1	
9		WP0371026SD		WASHER 3.7X7X1				*		1	
10		11856309		SUPPORT				*		1	
11		SS7090610SP		SCREW 9/64-40 L=6				*		1	
12		SS7110840SP		SCREW 11/64-40 L=7.8				*		1	
13		11856408		TANK				*		1	
14	R	11856051	13163159	NEEDLE COOLER U-NIT ASM.(INTER)	FOR MOJ-3916					1	1.00
15		11856077		NEEDLE COOLER ASM. (INTER)				*		1	
16		11856002		NEEDLE COOLER (INTER)				*		1	
17		11856101		NEEDLE COOLER PIN				*		1	
18		11856200		NEEDLE COOLER FELT				*		1	
19		BT0700500EA		TUBE				*		0.1	
20		11856309		SUPPORT				*		1	
21		SS7090610SP		SCREW 9/64-40 L=6				*		1	
22		SS7110840SP		SCREW 11/64-40 L=7.8				*		1	
23		11856408		TANK				*		1	
24	D	11856507		TANK COVER				*		1	
25		SS4091015SP		SCREW 9/64-40 L=10				*		1	
26		WP0371026SD		WASHER 3.7X7X1				*		1	
27		SM4040855SP		SCREW						1	
28		12138400		PRESSER						1	
29	R	12138152	13163456	SILICON TANK ASM.						1	1.00
30	R	12138301	13163803	FELT						1	1.00
31		TA0950806R0		RUBBER PLUG						1	

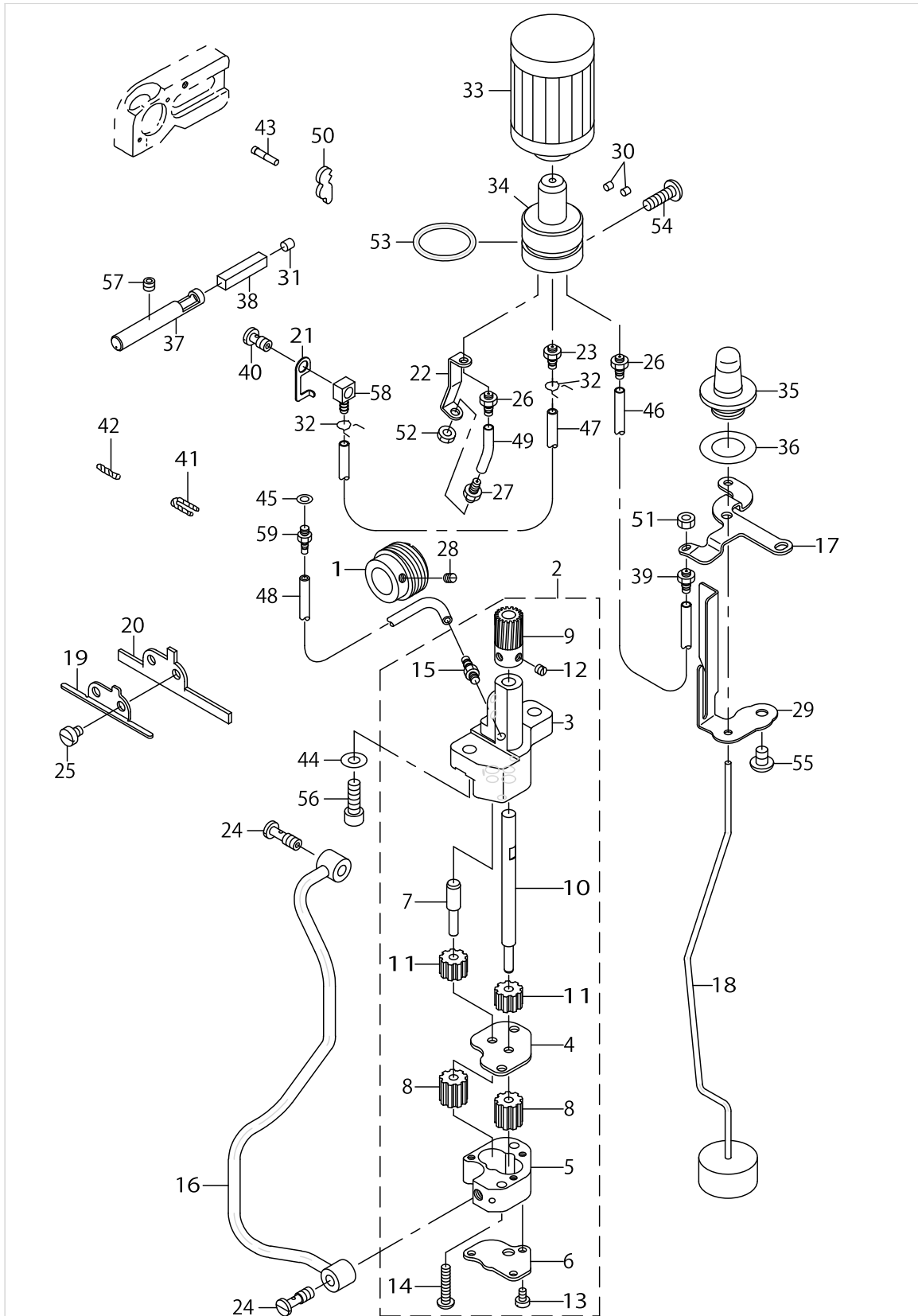
LUBRICATION MECHANISM COMPONENTS



LUBRICATION MECHANISM COMPONENTS

No.	Supply Code	Parts No.	Replacement	Parts name	Remarks	Choice	Step	Level	Cons	Qty	Rep. QTY
1		12315008		WORM						1	
2	R	12315958	40018044	OIL PUMP ASM.						1	1.00
3	R	12315909	40018044	OIL PUMP				*		1	1.00
4	R	12316006	40018044	PINION SPACER				*		1	1.00
5	D	12316105		CASING				*		1	
6	R	12316204	40018044	COVER				*		1	1.00
7	R	12317004	40018044	GEAR PUMP SHAFT		A	MO6700/6900G	*		1	1.00
7	R	12317004	40018045	GEAR PUMP SHAFT		B	MO6900R/6900J	*		1	1.00
8		11840303		OIL PUMP PINION				*		2	
9	R	11841707	13343009	WORM GEAR				*		1	1.00
10	R	11918109	40018044	GEAR PUMP SHAFT LARGE				*		1	1.00
11	R	B3534352000	13228309	PINION GEAR				*		2	1.00
12		SS8110410TP		SCREW 11/64-40 L= 3.5				*		2	
13	R	SS6090650SP	SS6090670TP	SCREW 9/64-40 L=6				*		3	1.00
14		SS4112215SP		SCREW 11/64-40 L=22				*		2	
15		SQ1110401MZ		CONNECTING SCREW				*		1	
16	D	12315354		OIL PIPE ASM.						1	
17		12315800		OILING EXIT SUPPORT						1	
18		12315156		FLOAT ASM.						1	
19		12315503		ONCE THROUGH OIL FELT PRESSER						1	
20	D	12315602		FELT						1	
21		12315701		PIPE SUPPORT						1	
22	D	12316303		WORM OILING EXIT GUIDE						1	
23		SQ1150451MZ		CONNECTING SCREW						1	
24		SQ1150454SD		CONNECTING SCREW						2	
25		SS6120620TP		SCREW						2	
26		SQ1110451MZ		CONNECTING SCREW						2	
27		SQ1110451MZ		CONNECTING SCREW						1	
28		SS8110520TP		SCREW 11/64-40 L= 4.5						1	
29		12315206		FLOAT SUPPORT						1	
30		TA0290301M0		RUBBER PLUG						2	
31		TA0400301M0		PLUG D=4X4.5 L=3						1	
32		10126803		OIL TUBE HOLDER						2	
33	R	11843208	13142500	CARTRIDGE FILTER						1	1.00
34	D	12129706		FILTER GUIDE						1	
35	R	12130100	13143300	OIL GAUGE						1	1.00
36	D	12130209		RUBBER PACKING						1	
37		12130308		OILING PIN						1	
38	R	12130407	13144209	OIL FELT						1	1.00
39		SQ1110451MZ		CONNECTING SCREW						1	
40		SQ1150441SD		CONNECTING SCREW						1	
41	D	11834603		OIL SUPPLY BUSH						1	
42	D	12252706		OIL SUPPLY FELT						1	
43		11404704		OIL WICK						1	
44		WP0651056SD		WASHER 6.5X11X1						2	
45		B3534012000		GASKET						1	

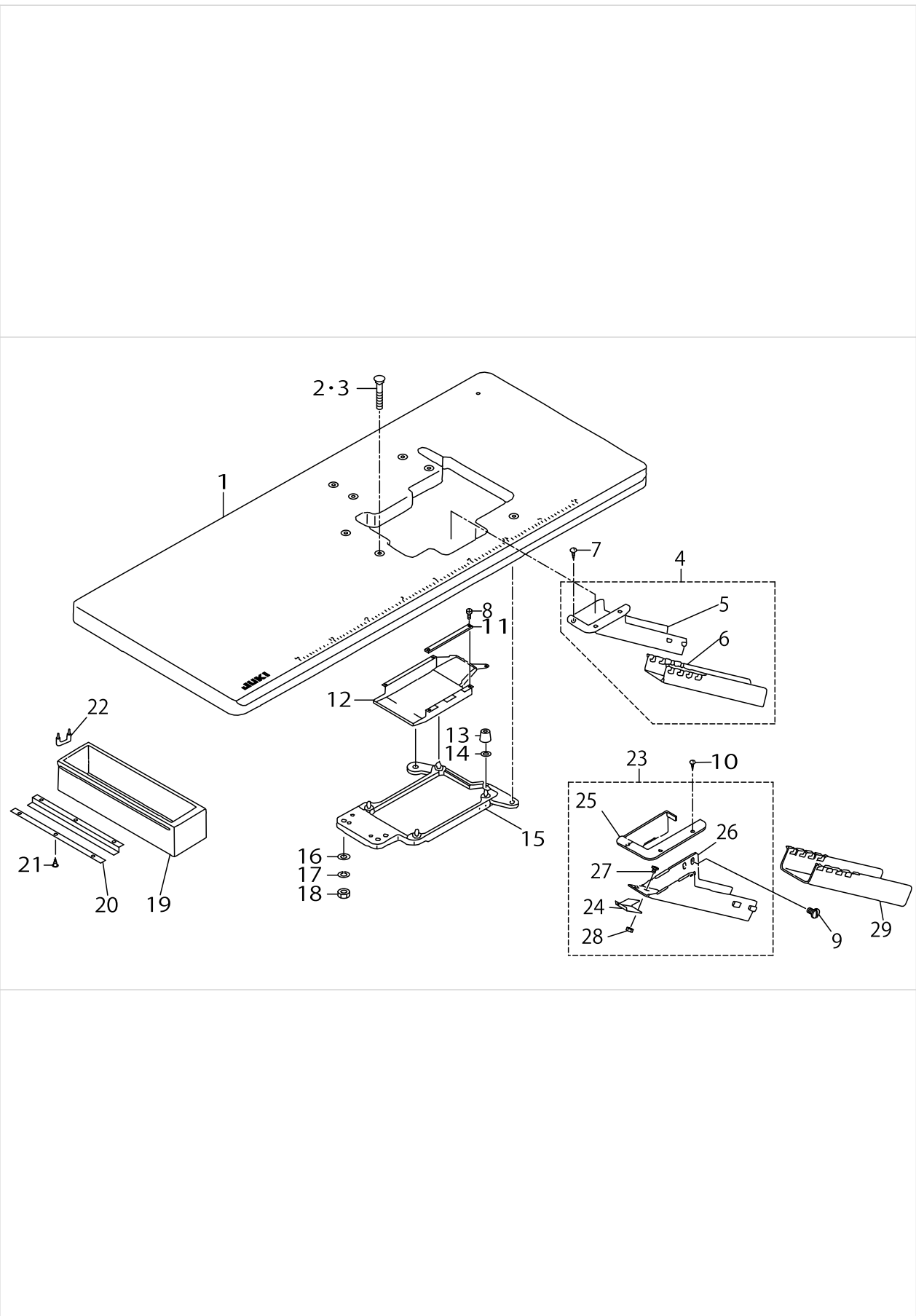
LUBRICATION MECHANISM COMPONENTS



LUBRICATION MECHANISM COMPONENTS

No.	Supply Code	Parts No.	Replacement	Parts name	Remarks	Choice	Step	Level	Cons	Qty	Rep. QTY
46		BT0500300EA		OIL TUBE						.17	
47		BT0500300EG		OIL TUBE						.35	
48		BT0500300EG		OIL TUBE						.29	
49		BT0500300EG		OIL TUBE						.03	
50	D	12004404		UPPER LOOPER GUIDE OIL FELT						1	
51		NS6110310SP		NUT 11/64-40						1	
52		NS6110310SP		NUT 11/64-40						1	
53	D	RO218240100		RUBBER RING						1	
54		SM4051601SC		SCREW M5X0.8 L=16						1	
55		SM4060801SE		SCREW						1	
56		SM6061802TP		SCREW M6 L=18						2	
57		SM8050402TP		SCREW						1	
58		SQ0000451MZ		CONNECTING SCREW						1	
59		SQ1110401MZ		CONNECTING SCREW						1	

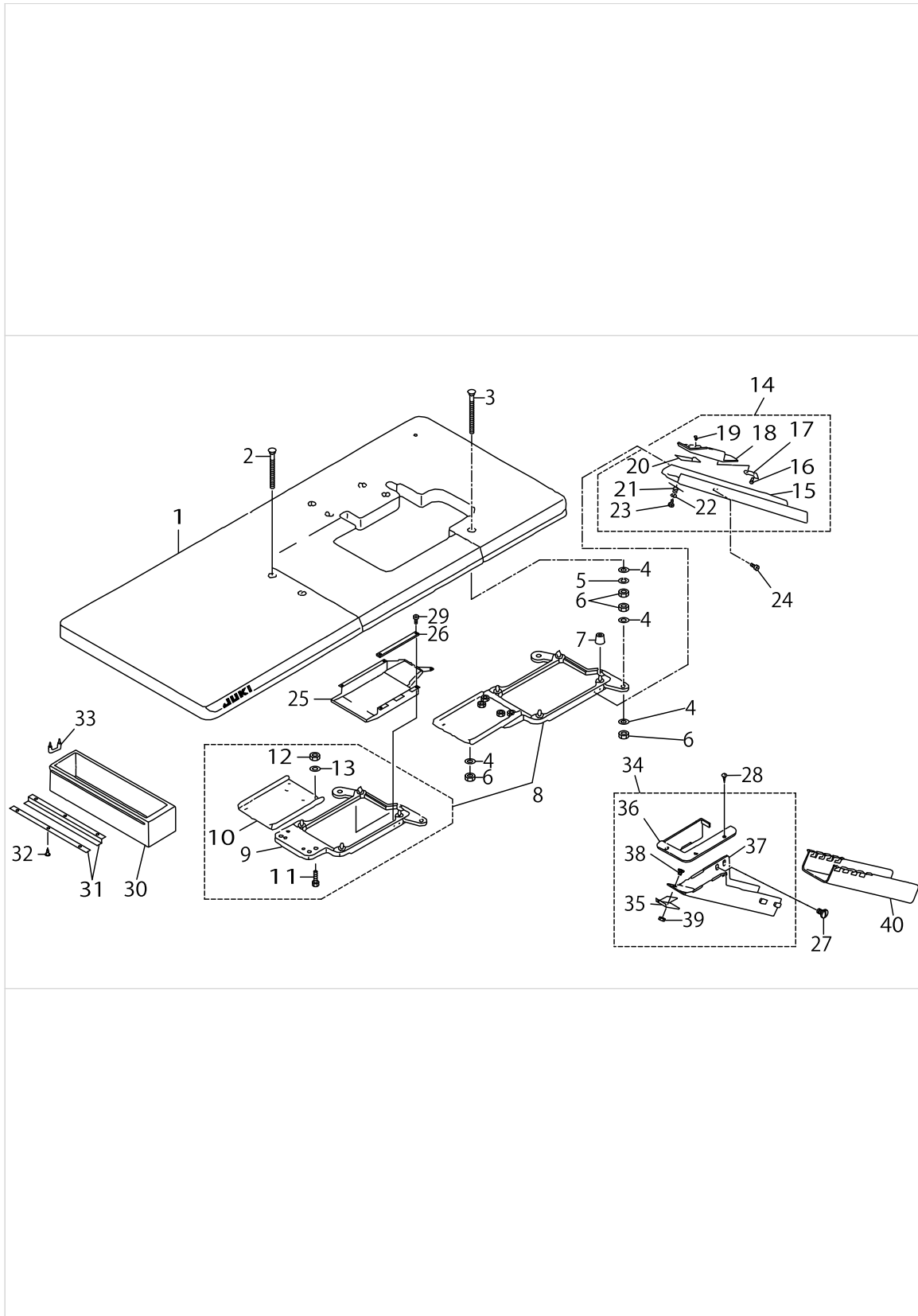
SEMI-SUNKEN TYPE TABLE COMPONENTS



SEMI-SUNKEN TYPE TABLE COMPONENTS

No.	Supply Code	Parts No.	Replacement	Parts name	Remarks	Choice	Step	Level	Cons	Qty	Rep. QTY
1		11959400		TABLE (SEMI-SUNKEN)						1	
2	R	11966702	13155007	BOLT A	FOR JAPAN					4	1.00
3	R	11571601	MAS10704000	BOLT A	FOR EXPORT					4	1.00
4		12341954		CLOTH WASTE CHUTE ASM.	EXCEPT JE					1	
5		12341905		CLOTH WASTE CHUTE(SEMI-SUNKEN)				*		1	
6		12341806		CLOTH WASTE CHUTE				*		1	
7		SK2351600SC		WOOD SCREW D=3.5 L=16	EXCEPT JE					3	
8	R	SS6090630SP	SS6090630TP	SCREW 9/64-40 L=6						5	1.00
9		SS5110710SP		SCREW 11/64-40 L=7	FOR JE					2	
10		SK2351600SC		WOOD SCREW D=3.5 L=16	FOR JE					3	
11	R	11850815	13161005	CASE SPONGE						1	1.00
12	R	11849411	13160908	COOLING FAN CASE						1	1.00
13	R	11571403	13155403	RUBBER CUSHION						4	1.00
14	R	11849601	13156500	SPACER						4	1.00
15	R	11849361	13161153	FRAME SUPPORT PLATE ASM.						1	1.00
16		WP1102016SC		WASHER 11X21X2						4	
17		WS1002560KR		SPRING WASHER 10X18X2.5						4	
18	R	NS6240630SN	NS6240630SE	NUT 3/8-18						4	1.00
19	R	11155108	11155157	DRAWER						1	1.00
20		11155207		DRAWER SUPPORT						2	
21	D	SK3311500SC		WOOD SCREW D=3.1 L=15						6	
22		D8204555D00		DRAWER STOPPER						1	
23	D	12135554		CLOTH WASTE CHUTE ASM.	FOR JE					1	
24	D	12135505		CLOTH WASTE CHUTE SUPPORT				*		1	
25	R	11962800	13155759	CLOTH WASTE CHUTE INLET				*		1	1.00
26	R	11962909	13155759	CLOTH WASTE CHUTE, UPPER				*		1	1.00
27		SS5090610SP		SCREW 9/64-40 L=6				*		3	
28		NS6090310SP		NUT 9/64-40				*		3	
29	R	11960002	12341806	CLOTH WASTE CHUTE,LOWER(BENCH)	FOR JE					1	1.00

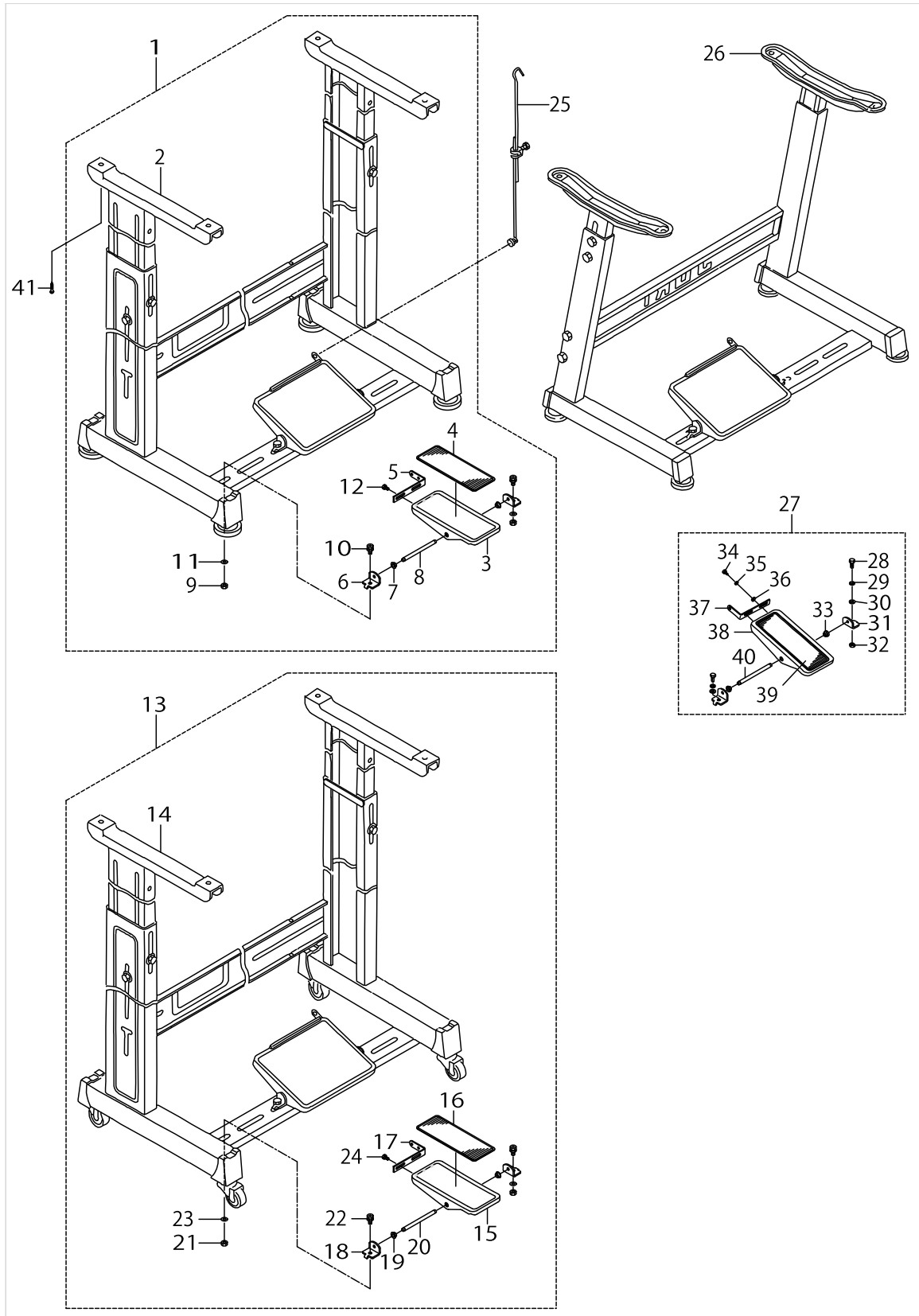
FULLY-SUNKEN TYPE TABLE COMPONENTS



FULLY-SUNKEN TYPE TABLE COMPONENTS

No.	Supply Code	Parts No.	Replacement	Parts name	Remarks	Choice	Step	Level	Cons	Qty	Rep. QTY
1		11959558		TABLE ASM.						1	
2	R	11571809	13155106	BOLT C						2	1.00
3	R	11571908	13155205	BOLT D						2	1.00
4		WP1102016SC		WASHER 11X21X2						12	
5		WS1002560KR		SPRING WASHER 10X18X2.5						4	
6	R	NS6240630SN	NS6240630SE	NUT 3/8-18						12	1.00
7	R	11571403	13155403	RUBBER CUSHION						4	1.00
8		11849379		FRAME SUPPORT PLATE ASM.						1	
9	R	11849361	13161153	FRAME SUPPORT PLATE ASM.				*		1	1.00
10	R	11850906	13155304	FRAME SUPPORT A-UXILIARY PLATE				*		1	1.00
11		SM9082513CF		SCREW M8 L=25				*		4	
12		NM6080600SM		NUT M8				*		4	
13		WP0850002SC		WASHER 8.5X18X1.6				*		4	
14	R	11960259	13155858	CLOTH CHUTE ASM.	EXCEPT JE					1	1.00
15	D	11960200		CLOTH WASTE CHUTE				*		1	
16		ST60308210A		SCREW D=3-24 L=8				*		2	
17		11850401		CLOTH WASTE CHUTE INLET LEVER				*		1	
18		11960309		CLOTH WASTE CHUTE HOLE				*		1	
19		SS6090420SP		SCREW 9/64-40 L=4.0				*		2	
20		11850609		RUBBER				*		1	
21		11850500		SPRING				*		1	
22		WP0370316SD		WASHER 3.7X8X0.3				*		1	
23		ST60308210A		SCREW D=3-24 L=8				*		1	
24		SS5110710SP		SCREW 11/64-40 L=7	EXCEPT JE					2	
25	R	11849411	13160908	COOLING FAN CASE						1	1.00
26	R	11850815	13161005	CASE SPONGE						1	1.00
27		SS5110710SP		SCREW 11/64-40 L=7	FOR JE					2	
28		SK2351600SC		WOOD SCREW D=3.5 L=16	FOR JE					3	
29	R	SS6090630SP	SS6090630TP	SCREW 9/64-40 L=6						5	1.00
30	R	11155108	11155157	DRAWER						1	1.00
31		11155207		DRAWER SUPPORT						2	
32	D	SK3311500SC		WOOD SCREW D=3.1 L=15						6	
33		D8204555D00		DRAWER STOPPER						1	
34	D	12135554		CLOTH WASTE CHUTE ASM.	FOR JE					1	
35	D	12135505		CLOTH WASTE CHUTE SUPPORT				*		1	
36	R	11962800	13155759	CLOTH WASTE CHUTE INLET				*		1	1.00
37	R	11962909	13155759	CLOTH WASTE CHUTE, UPPER				*		1	1.00
38		SS5090610SP		SCREW 9/64-40 L=6				*		3	
39		NS6090310SP		NUT 9/64-40				*		3	
40	R	11960002	12341806	CLOTH WASTE CHUTE, LOWER(BENCH)	FOR JE					1	1.00

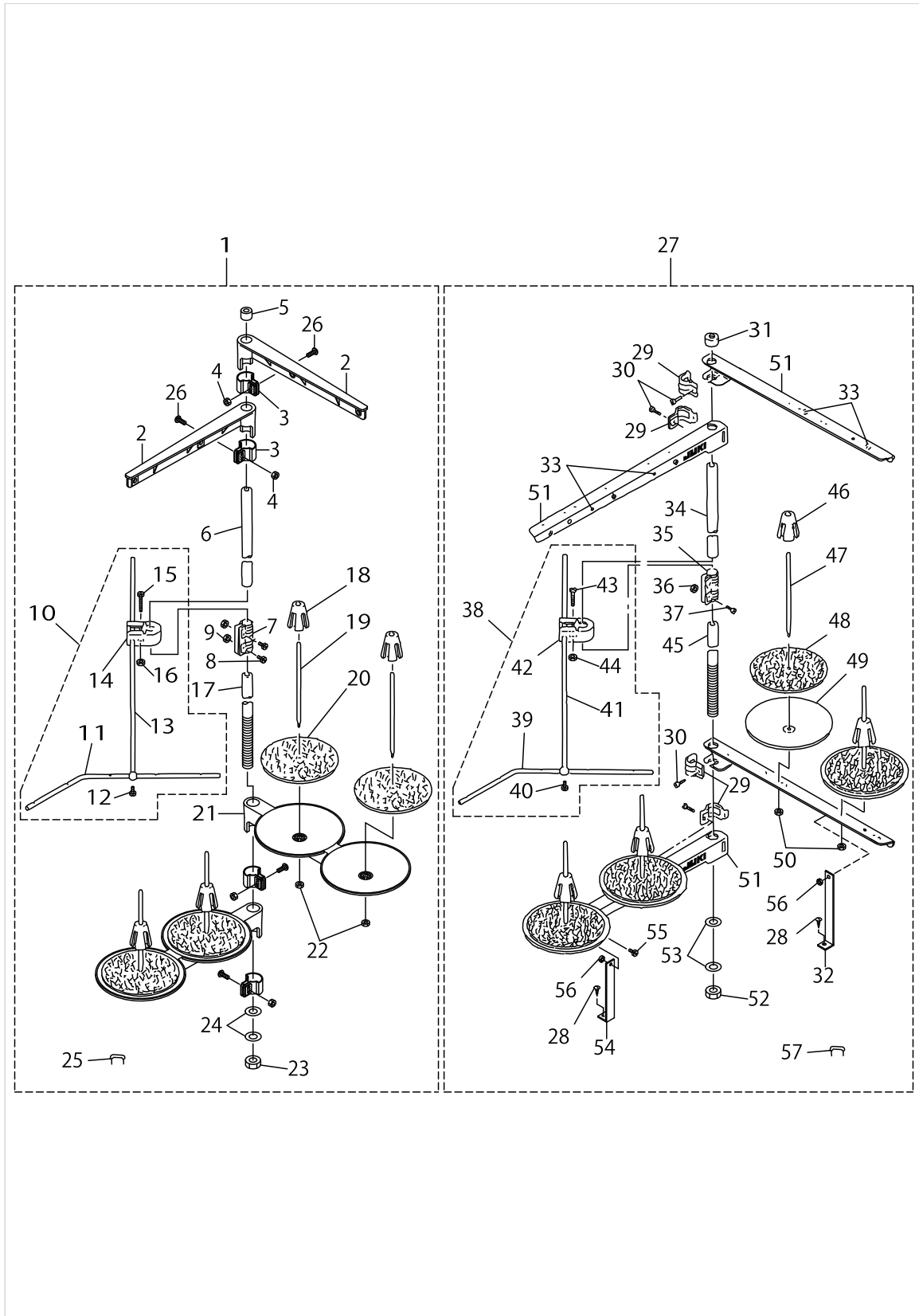
STAND COMPONENTS



STAND COMPONENTS

No.	Supply Code	Parts No.	Replacement	Parts name	Remarks	Choice	Step	Level	Cons	Qty	Rep. QTY
1		11960655		T STAND JUNCTION	FOR JAPAN					1	
2		11157567		T LEG JUNCTION				*		1	
3	R	GPF06060000	GPF060600A0	PEDAL				*		1	1.00
4		GPF06070000		PEDAL MAT				*		1	
5		GPF06080000		PEDAL ADJUSTING PLATE				*		1	
6		11159001		PEDAL SHAFT BRACKET				*		2	
7		D8113555B00		PEDAL BUSHING				*		2	
8		B8153771000		PEDAL CONNECTING ROD				*		1	
9		NM6080721SE		NUT M8				*		2	
10		SL9082091SE		WASHER HEXAGONAL BOLT				*		2	
11		WP0871602SE		WASHER 8.7X18X1.6				*		2	
12		SL9061291SE		WASHER HEXAGONAL BOLT M6 L=12				*		2	
13	R	11960754	11159407	T STAND JUNCTION(WITH CASTER)	SELECTIVE PART(FOR JAPAN)	A				1	4.00
13	R	11960754	11960655	T STAND JUNCTION(WITH CASTER)	SELECTIVE PART(FOR JAPAN)	A				1	1.00
14		11159365		T STAND JUNCTION				*		1	
15	R	GPF06060000	GPF060600A0	PEDAL				*		1	1.00
16		GPF06070000		PEDAL MAT				*		1	
17		GPF06080000		PEDAL ADJUSTING PLATE				*		1	
18		11159001		PEDAL SHAFT BRACKET				*		2	
19		D8113555B00		PEDAL BUSHING				*		2	
20		B8153771000		PEDAL CONNECTING ROD				*		1	
21		NM6080721SE		NUT M8				*		2	
22		SL9082091SE		WASHER HEXAGONAL BOLT				*		2	
23		WP0871602SE		WASHER 8.7X18X1.6				*		2	
24		SL9061291SE		WASHER HEXAGONAL BOLT M6 L=12				*		2	
25		B71140120A0		MOTOR CONNECTING ROD ASM.						1	
26	D	11151065		Z LEG JUNCTION (B)	FOR EXPORT					1	
27	D	B81517710A0		PEDAL ASM.	FOR EXPORT					1	
28		SM9082023SE		SCREW M8 L=20				*		2	
29		WS0861410KR		SPRING WASHER 8.6X15X1.4				*		2	
30		WP0871602SE		WASHER 8.7X18X1.6				*		4	
31		D8114555B0E		PEDAL SHAFT BRACKET				*		2	
32		NM6080721SE		NUT M8				*		2	
33		D8113555B00		PEDAL BUSHING				*		2	
34		SM9061203SE		SCREW M6 L=12				*		2	
35		WS0621210KR		SPRING WASHER 6.2X11.4X1.2				*		2	
36		WP0671016SE		WASHER 6.7X13X1				*		2	
37		D8125772B00		PEDAL ADJUSTING PLATE				*		1	
38	D	B8151771000		PEDAL				*		1	
39		B8152771000		PEDAL MAT				*		1	
40		B8153771000		PEDAL CONNECTING ROD				*		1	
41	R	SK3513200SC	SK3513201SE	WOOD SCREW D=5.1 L=32						4	1.00

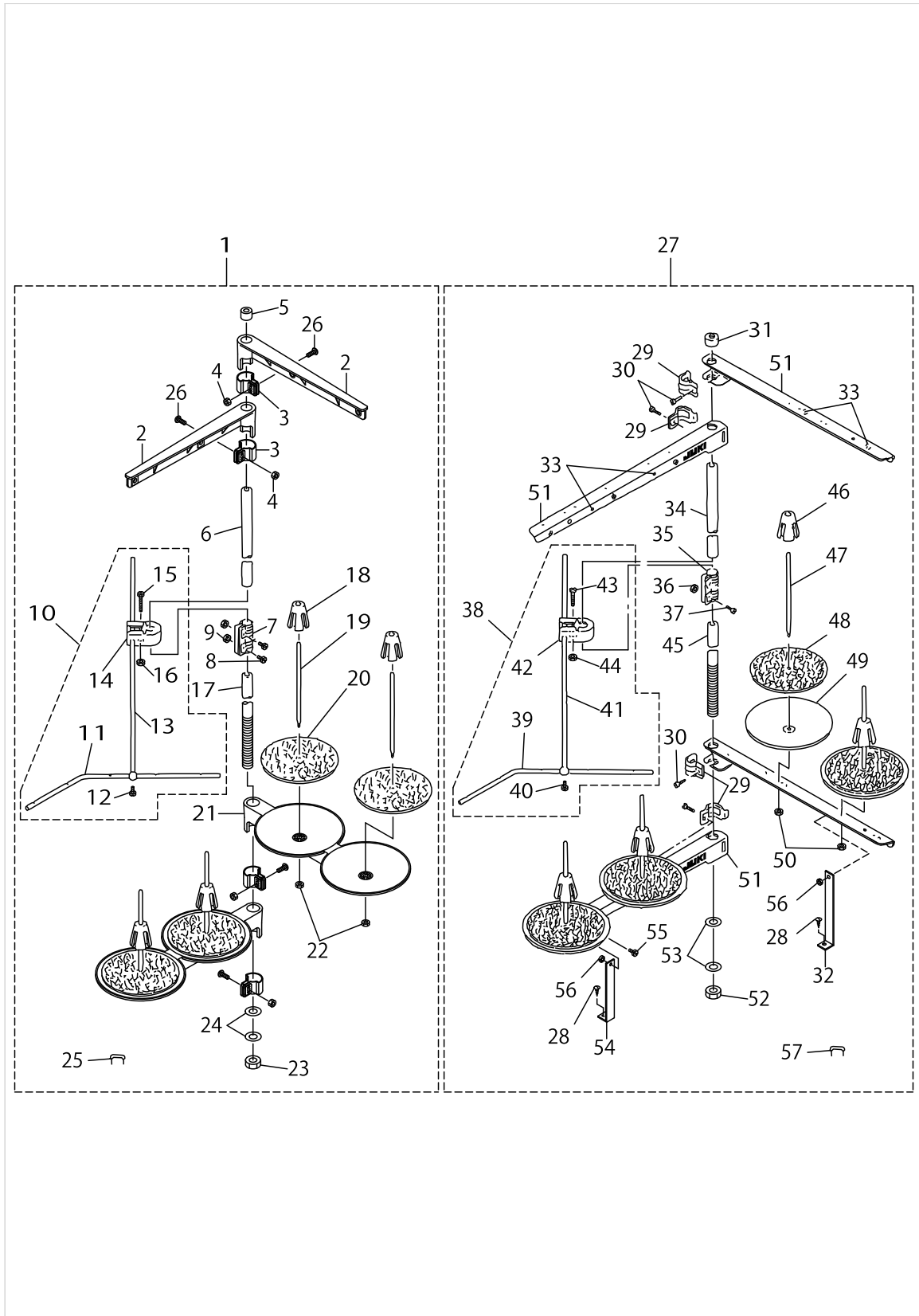
THREAD STAND COMPONENTS (FOR MOJ-3904,MOJ-3914)



THREAD STAND COMPONENTS (FOR MOJ-3904,MOJ-3914)

No.	Supply Code	Parts No.	Replacement	Parts name	Remarks	Choice	Step	Level	Cons	Qty	Rep. QTY
1	R	11969458	40106584	THREAD STANDING DEVICE ASM.	EXCEPT JE					1	1.00
2	R	11185352	40096354	THREAD GUIDE ASM.				*		2	1.00
3	R	11185402	40096354	THREAD GUIDE ARM JOINT				*		4	1.00
4		NM6050001SE		NUT M5				*		4	
5	R	B3311704000	22931406	SPOOL REST ROD CAP				*		1	1.00
6	R	11185204	40096354	SPOOL REST ROD,UPPER				*		1	1.00
7	R	B3305704000A	40096354	SPOOL REST ROD JOINT				*		1	1.00
8		SM4051405SE		SCREW M5 L=14				*		2	
9		NM6050001SE		NUT M5				*		2	
10	R	B33097040A0	26910059	THREAD GUIDE ARM ASM.				*		1	1.00
11	R	B3311804000	26910059	LOWER THREAD GUIDE				*		1	1.00
12		SS7110540SP		SCREW 11/64-40 L=5				*		1	
13	R	B3309704000	26910059	THREAD GUIDE ARM				*		1	1.00
14	D	B3304704000A		THREAD GUIDE ARM HOLDER				*		1	
15	D	SM6053000SE		SCREW M5X0.8 L=30				*		1	
16		NM6050001SE		NUT M5				*		1	
17	R	11185105	40096354	SPOOL REST ROD,LOWER				*		1	1.00
18	D	11185501		SPOOL RETAINER				*		4	
19	R	B3320704L00A	40085790	SPOOL PIN				*		4	1.00
20	D	B3311012000		SPOOL REST CUSHION				*		4	
21	D	11185006		SPOOL REST ARM				*		2	
22		NM6050001SE		NUT M5				*		4	
23	R	B3317704000	NM6160511SE	NUT				*		1	1.00
24		WP1612616SE		WASHER 16X30X2.6				*		2	
25		MAO11532000		CORD STAPLE				*		3	
26		SM4051405SE		SCREW M5 L=14				*		4	
27	R	11969953	40106587	THREAD STANDING DEVICE ASM.	SPECIAL ORDER PART FOR LARGE SPOOL THREAD STAND (FOR JE)					1	1.00
28		SK3382001SE		SCREW D=3.8 L=20				*		2	
29		B3318704L00A		THREAD GUIDE ARM JOINT				*		4	
30		SM6061610SC		SCREW M6 L=16				*		4	
31	R	B3311704000	22931406	SPOOL REST ROD CAP				*		1	1.00
32	D	B3321704LOB		SPOOL REST ARM SUPPORT, B				*		1	
33	R	B3319704L00	22931208	THREAD GUIDE				*		4	1.00
34	R	11185204	40096354	SPOOL REST ROD,UPPER				*		1	1.00
35	R	B3305704000A	40096354	SPOOL REST ROD JOINT				*		1	1.00
36		NM6050001SE		NUT M5				*		2	
37		SM4051405SE		SCREW M5 L=14				*		2	
38	R	B33097040A0	26910059	THREAD GUIDE ARM ASM.				*		1	1.00
39	R	B3311804000	26910059	LOWER THREAD GUIDE				*		1	1.00
40		SS7110540SP		SCREW 11/64-40 L=5				*		1	
41	R	B3309704000	26910059	THREAD GUIDE ARM				*		1	1.00
42	D	B3304704000A		THREAD GUIDE ARM HOLDER				*		1	
43	D	SM6053000SE		SCREW M5X0.8 L=30				*		1	

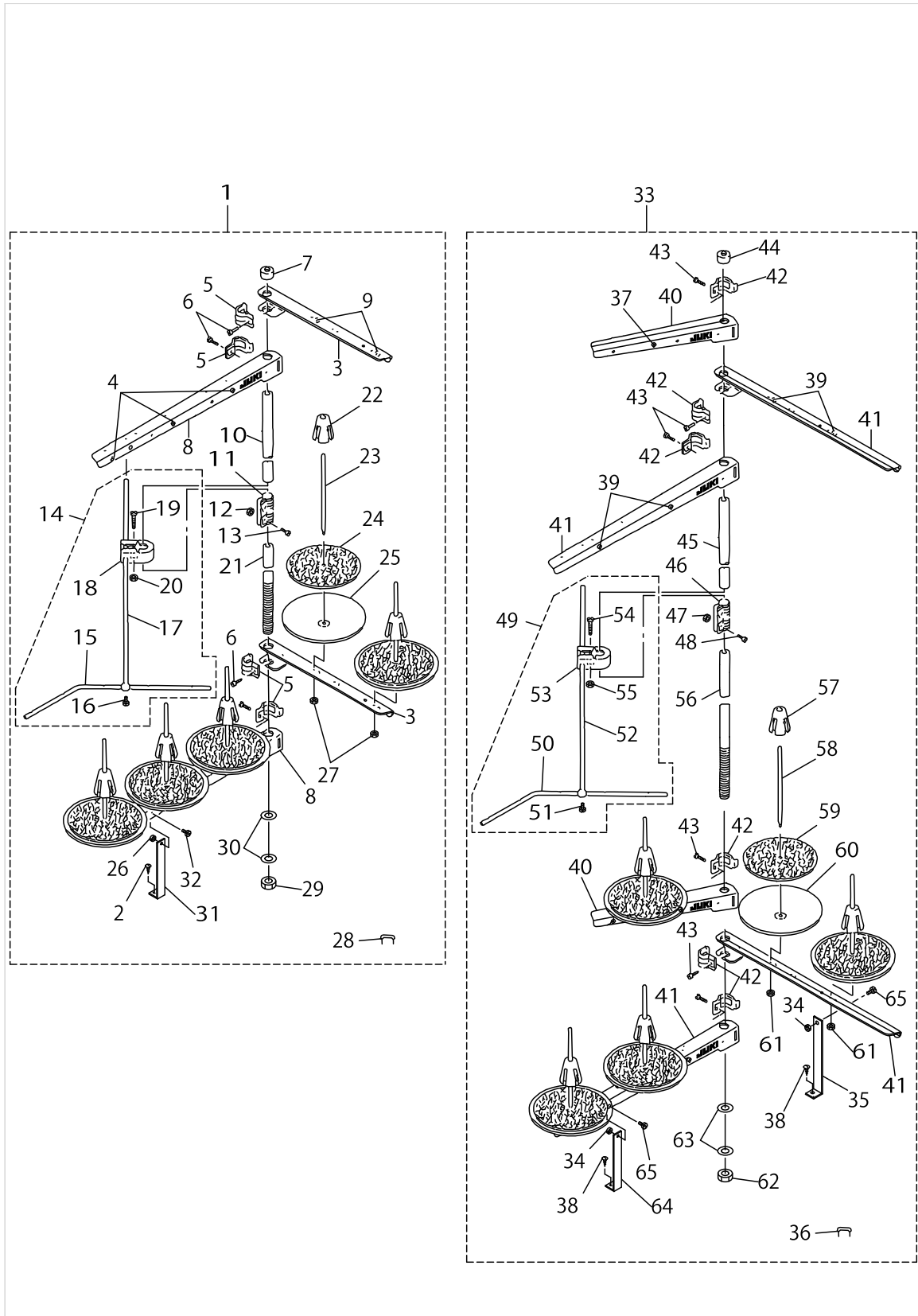
THREAD STAND COMPONENTS (FOR MOJ-3904,MOJ-3914)



THREAD STAND COMPONENTS (FOR MOJ-3904,MOJ-3914)

No.	Supply Code	Parts No.	Replacement	Parts name	Remarks	Choice	Step	Level	Cons	Qty	Rep. QTY
44		NM6050001SE		NUT M5				*		1	
45	R	11185105	40096354	SPOOL REST ROD,LOWER				*		1	1.00
46	D	11185501		SPOOL RETAINER				*		4	
47	R	B3320704L00A	40085790	SPOOL PIN				*		4	1.00
48	D	B3311012000		SPOOL REST CUSHION				*		4	
49	R	11966504	22930804	SPOOL REST				*		4	1.00
50		NM6050001SE		NUT M5				*		4	
51	R	11969508	13168802	SPOOL REST ARM A				*		4	1.00
52	R	B3317704000	NM6160511SE	NUT				*		1	1.00
53		WP1612616SE		WASHER 16X30X2.6				*		2	
54		B3321704L00		SPOOL REST ARM SUPPORT, A				*		1	
55		SM4061201SE		SCREW M6 L=12				*		2	
56		NM6060001SE		NUT M6				*		2	
57		MAO11532000		CORD STAPLE				*		3	

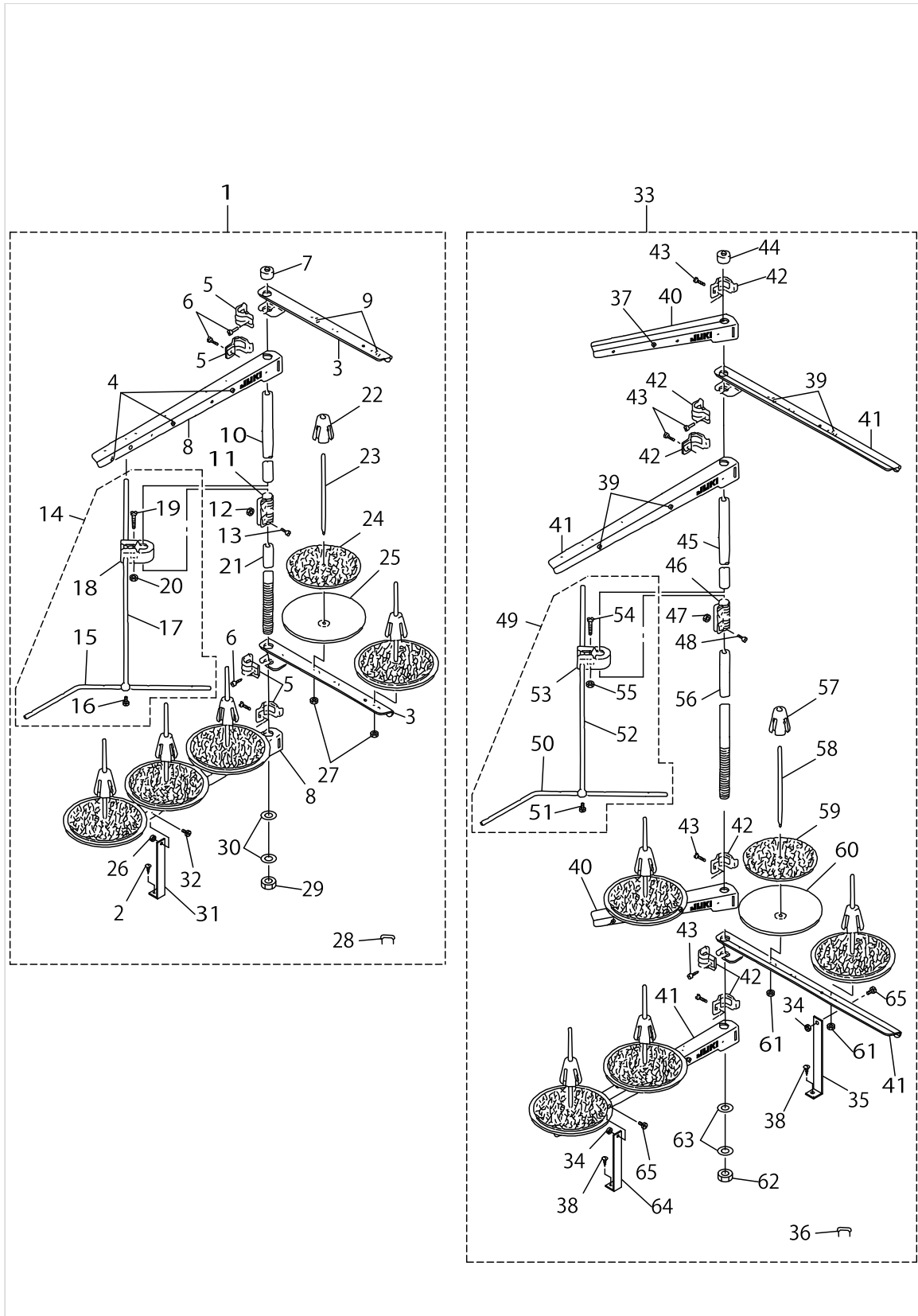
THREAD STAND COMPONENTS (FOR MOJ-3916)



THREAD STAND COMPONENTS (FOR MOJ-3916)

No.	Supply Code	Parts No.	Replacement	Parts name	Remarks	Choice	Step	Level	Cons	Qty	Rep. QTY
1	R	11969557	40106585	THREAD STANDING DEVICE ASM.	EXCEPT JE					1	1.00
2		SK3382001SE		SCREW D=3.8 L=20				*		1	
3	D	11969409		THREAD GUIDEARM B				*		2	
4	R	B3319704L00	22931208	THREAD GUIDE				*		3	1.00
5		B3318704L00A		THREAD GUIDE ARM JOINT				*		4	
6		SM6061610SC		SCREW M6 L=16				*		4	
7	R	B3311704000	22931406	SPOOL REST ROD CAP				*		1	1.00
8	R	11969508	13168802	SPOOL REST ARM A				*		2	1.00
9	R	B3319704L00	22931208	THREAD GUIDE				*		2	1.00
10	R	11185204	40096354	SPOOL REST ROD,UPPER				*		1	1.00
11	R	B3305704000A	40096354	SPOOL REST ROD JOINT				*		1	1.00
12		NM6050001SE		NUT M5				*		2	
13		SM4051405SE		SCREW M5 L=14				*		2	
14	R	B33097040A0	26910059	THREAD GUIDE ARM ASM.				*		1	1.00
15	R	B3311804000	26910059	LOWER THREAD GUIDE				*		1	1.00
16		SS7110540SP		SCREW 11/64-40 L=5				*		1	
17	R	B3309704000	26910059	THREAD GUIDE ARM				*		1	1.00
18	D	B3304704000A		THREAD GUIDE ARM HOLDER				*		1	
19	D	SM6053000SE		SCREW M5X0.8 L=30				*		1	
20		NM6050001SE		NUT M5				*		1	
21	R	11185105	40096354	SPOOL REST ROD,LOWER				*		1	1.00
22	D	11185501		SPOOL RETAINER				*		5	
23	R	B3320704L00A	40085790	SPOOL PIN				*		5	1.00
24	D	B3311012000		SPOOL REST CUSHION				*		5	
25	R	11966504	22930804	SPOOL REST				*		5	1.00
26		NM6060001SE		NUT M6				*		1	
27		NM6050001SE		NUT M5				*		5	
28		MAO11532000		CORD STAPLE				*		3	
29	R	B3317704000	NM6160511SE	NUT				*		1	1.00
30		WP1612616SE		WASHER 16X30X2.6				*		2	
31		B3321704L00		SPOOL REST ARM SUPPORT, A				*		1	
32		SM4061201SE		SCREW M6 L=12				*		1	
33	R	11970050	40106588	THREAD STANDING DEVICE ASM.	SPECIAL ORDER PART FOR LARGE SPOOL THREAD STAND (FOR JE)					1	1.00
34		NM6060001SE		NUT M6				*		2	
35	D	B3321704LOB		SPOOL REST ARM SUPPORT, B				*		1	
36		MAO11532000		CORD STAPLE				*		3	
37	R	B3319704L00	22931208	THREAD GUIDE				*		1	1.00
38		SK3382001SE		SCREW D=3.8 L=20				*		2	
39	R	B3319704L00	22931208	THREAD GUIDE				*		4	1.00
40	D	11969409		THREAD GUIDEARM B				*		2	
41	R	11969508	13168802	SPOOL REST ARM A				*		4	1.00
42		B3318704L00A		THREAD GUIDE ARM JOINT				*		6	
43		SM6061610SC		SCREW M6 L=16				*		6	

THREAD STAND COMPONENTS (FOR MOJ-3916)



THREAD STAND COMPONENTS (FOR MOJ-3916)

No.	Supply Code	Parts No.	Replacement	Parts name	Remarks	Choice	Step	Level	Cons	Qty	Rep. QTY
44	R	B3311704000	22931406	SPOOL REST ROD CAP				*		1	1.00
45	R	11185204	40096354	SPOOL REST ROD,UPPER				*		1	1.00
46	R	B3305704000A	40096354	SPOOL REST ROD JOINT				*		1	1.00
47		NM6050001SE		NUT M5				*		2	
48		SM4051405SE		SCREW M5 L=14				*		2	
49	R	B33097040A0	26910059	THREAD GUIDE ARM ASM.				*		1	1.00
50	R	B3311804000	26910059	LOWER THREAD GUIDE				*		1	1.00
51		SS7110540SP		SCREW 11/64-40 L=5				*		1	
52	R	B3309704000	26910059	THREAD GUIDE ARM				*		1	1.00
53	D	B3304704000A		THREAD GUIDE ARM HOLDER				*		1	
54	D	SM6053000SE		SCREW M5X0.8 L=30				*		1	
55		NM6050001SE		NUT M5				*		1	
56	R	11185105	40096354	SPOOL REST ROD,LOWER				*		1	1.00
57	D	11185501		SPOOL RETAINER				*		5	
58	R	B3320704L00A	40085790	SPOOL PIN				*		5	1.00
59	D	B3311012000		SPOOL REST CUSHION				*		5	
60	R	11966504	22930804	SPOOL REST				*		5	1.00
61		NM6050001SE		NUT M5				*		5	
62	R	B3317704000	NM6160511SE	NUT				*		1	1.00
63		WP1612616SE		WASHER 16X30X2.6				*		2	
64		B3321704L00		SPOOL REST ARM SUPPORT, A				*		1	
65		SM4061201SE		SCREW M6 L=12				*		2	

LIST FOR INFORMATION OF CHANGE

As to the place changed, refer to the corresponding Rev.No.
 When previous parts(Obsoleted part)and new parts(Added parts)are not interchangeable with each other:
 In this case,even obsoleted parts(D.)can be ordered with the obsoleted part number,so select the parts with changed dates and place your orders.

変更箇所は,該当Rev.No.版をご参照ください。
 部品の互換性がない変更の場合は,削除された品番でも,ご注文できます。

29281607
 No.1142-02 Rev.No.

*A:Added parts追加部品/D:Obsoleted parts削除部品/E:Erratum訂正

*	Rev. No.	Page 頁	Ref. No.	Parts No. 品番	*	Rev. No.	Page 頁	Ref. No.	Parts No. 品番
D	01	4	8	121-01960					
D	01	4	12	CM-5002000-01					
D	01	4	13	CM-5002000-01					
D	01	6	23	121-25001					
D	01	6	25	121-22313					
D	01	6	30	121-25001					
D	01	6	32	121-23311					
D	01	6	36	121-25001					
D	01	6	38	121-20101					
D	01	6	45	121-07801	A	02	6	45	122-80103
D	01	8	7	M1420-5B1-300	A	02	8	7	MD-0500S21-00
D	01	8	18	121-48607	A	02	8	18	123-78816
D	01	8	19	121-48706	A	02	8	19	123-78915
D	01	8	20	121-49803	A	02	8	20	123-79012
D	01	8	23	121-10219	A	02	8	23	121-10227
D	01	8	26	SM-8040602-TP	A	02	8	26	SM-8040612-TP
D	01	8	31	M1420-5B1-100	A	02	8	31	MD-0500S18-00
D	01	8	49	M1420-5B1-300	A	02	8	49	MD-0500S21-00
D	01	24	21	B2201-816-000	A	02	24	21	123-47555
D	01	26	11	118-04408					

NUMERICAL INDEX OF PARTS

PART NO	PAGE	REF NO.	PART NO	PAGE	REF NO.	PART NO	PAGE	REF NO.
10004109	6	12	11565405	54	21	11824109	18	8
10126803	58	32	11565504	54	26	11824505	22	1
11151065	66	26	11565603	54	27	11824653	22	6
11155108	62	19	11565702	54	24	11824703	24	49
11155108	64	30	11565801	54	12	11825304	22	30
11155207	62	20	11565900	54	15·23	11825858	22	36
11155207	64	31	11566502	50	5	11825908	24	60
11157567	66	2	11566809	26	28	11826005	24	67
11159001	66	18	11566809	54	13	11826005	30	25
11159365	66	14	11571403	62	13	11826104	24	59
11185006	68	21	11571403	64	7	11826104	30	26
11185105	68	45	11571601	62	2·3	11826203	24	69
11185105	70	45	11571809	64	2	11826203	30	27
11185105	72	56	11571908	64	3	11826310	22	27
11185105	74	56	11582012	34	27	11826401	22	31
11185204	68	34	11582079	34	26	11827607	24	47
11185204	72	45	11582103	34	11	11827904	24	51
11185204	74	45	11598000	54	22	11828050	22	10
11185352	68	2	11651809	22	16	11828407	24	53
11185402	68	3	11700507	22	22	11828514	22	33
11185501	68	46	11701604	22	12	11828563	22	29
11185501	70	46	11802006	52	36	11828605	22	37
11185501	72	57	11802204	2	16	11828704	18	39
11185501	74	57	11802402	2	17	11829314	38	31
11404704	58	43	11803004	2	43	11829751	38	3
11500808	6	2	11804309	2	31	11829900	38	1
11501301	2	3	11804606	52	52	11831757	34	18
11503703	6	36	11805207	6	28	11831906	36	39
11503810	6	44	11806304	50	42	11833100	36	53
11503885	6	41	11806304	52	42	11833308	34	16
11503919	6	40	11811619	12	46	11833407	36	47
11510609	10	40	11819109	44	36	11833506	34	35
11528403	22	24	11819208	44	37	11834603	58	41
11528502	22	17	11819315	44	35	11840303	58	8
11529005	24	54	11823606	18	12~15	11841707	58	9
11529005	30	24	11823606	54	1~4	11843208	58	33
11529914	22	8	11823705	18	12~15	11846607	50	18
11530110	18	2	11823705	54	1~4	11847100	50	8
11544400	34	9	11823804	14	11	11848603	50	2
11544517	34	10	11823804	18	12~15	11849361	62	15
11550100	48	46~50	11823804	54	1~4	11849361	64	9
11550209	48	46~50	11823903	18	12~15	11849379	64	8
11550308	46	13	11823903	54	1~4	11849411	62	12
11550803	46	12	11824018	18	4	11849411	64	25
11550852	46	6	11824067	18	1	11849601	62	14

NUMERICAL INDEX OF PARTS

PART NO	PAGE	REF NO.	PART NO	PAGE	REF NO.	PART NO	PAGE	REF NO.
11850401	64	17	11966504	70	49	12102208	50	20-21
11850500	64	21	11966504	72	60	12102307	2	33
11850609	64	20	11966504	74	60	12102406	2	34
11850815	62	11	11966702	62	2-3	12102752	2	2
11850815	64	26	11969409	72	40	12102810	50	27
11850906	64	10	11969458	68	1	12102950	50	35
11855905	56	3	11969508	70	51	12103107	52	37
11855954	56	1	11969508	72	41	12103206	4	50
11855970	56	2	11969557	72	1	12103305	2	20
11856002	56	16	11969953	68	27	12103404	4	47
11856051	56	14	11970050	72	33	12103511	4	54
11856077	56	15	11991502	22	3	12103602	50	23
11856101	56	17	12002606	12	47	12103701	50	22
11856200	56	18	12004206	34	14	12104907	8	47
11856309	56	20	12004404	60	50	12105201	8	48
11856408	56	23	12004503	34	25	12105359	2	1
11856507	56	24	12012506	42	19	12107702	10	43
11890001	36	55	12012555	42	12	12107900	10	34
11890100	52	53	12013306	22	13	12108007	10	8
11890308	52	45	12013405	22	23	12108106	10	9
11898400	30	28	12015301	52	46	12108213	10	1
11913407	26	29	12015400	52	47	12108304	10	4
11914405	26	30	12022901	42	11	12108403	10	5
11918109	58	10	12022950	42	4	12109211	14	13
11925104	42	16	12023206	42	30	12109260	14	12
11929403	42	23	12023255	42	20	12109302	14	5
11930609	42	18	12023305	42	28	12109500	14	8
11930906	42	15	12024303	42	24	12109617	14	2
11948601	18	5	12024402	42	25	12109666	14	1
11949005	2	14	12024501	42	31	12109906	14	17
11951100	2	30	12025706	12	38-51	12109955	14	15
11956505	10	38-51	12100301	6	20	12110227	14	23
11959400	62	1	12100418	6	1	12110805	14	41
11959558	64	1	12100517	6	18	12110904	14	40
11960002	62	29	12100608	6	3	12111209	14	27
11960002	64	40	12100806	6	5	12111308	14	29
11960200	64	15	12101200	2	45	12112108	14	35
11960259	64	14	12101309	2	42	12113205	44	24
11960309	64	18	12101408	4	51	12113817	44	32
11960655	66	1	12101515	2	39	12114807	44	42
11960754	66	13	12101804	6	15	12114906	44	18
11962800	62	25	12101903	6	10	12115903	44	41
11962800	64	36	12101952	6	7	12116117	18	36
11962909	62	26	12102000	6	33	12116174	18	25
11962909	64	37	12102109	6	35	12116216	18	35

NUMERICAL INDEX OF PARTS

PART NO	PAGE	REF NO.	PART NO	PAGE	REF NO.	PART NO	PAGE	REF NO.
12116307	18	33	12126207	46	32	12252706	58	42
12116406	18	34	12126405	48	63~65	12252805	14	6
12116505	18	40	12126504	48	78	12258000	6	21
12116703	18	41	12126702	48	51~53	12258307	38	33~36
12116703	30	29	12126819	46	38~42	12258406	40	33~36
12117107	20	46	12126868	46	33	12258505	38	33~36
12117206	18	16	12126918	46	38~42	12258604	38	33~36
12117305	18	23	12126967	46	34	12258802	40	37~40
12117412	22	21	12127015	46	38~42	12258901	40	37~40
12117461	22	19	12127064	46	35	12259008	40	37~40
12117511	22	20	12127114	46	38~42	12259107	40	37~40
12118501	20	43	12127163	46	36	12280103	10	45
12118600	18	38	12127213	46	38~42	12288700	44	15
12118709	24	70	12127262	46	37	12300109	2	10
12118808	18	26	12127403	48	72	12300208	2	11
12118907	18	24	12127502	48	73	12300505	2	7
12119210	18	19	12127601	48	74	12300653	6	24
12119400	24	46	12127700	48	75	12304002	16	44
12119509	24	50	12127809	48	76	12304101	16	46
12119608	22	42	12127957	48	77	12304309	14	38
12119756	22	40	12128203	48	66	12304408	14	39
12119806	22	41	12128302	48	67	12305009	44	25
12119905	22	43	12129706	58	34	12305256	44	30
12120002	22	44	12130100	58	35	12305405	28	63
12120416	38	14	12130209	58	36	12305504	28	64
12120465	38	13	12130308	58	37	12305603	42	1
12120507	38	17	12130407	58	38	12305850	44	21
12120804	46	17	12132106	10	12	12305900	44	14
12120903	46	14	12132155	10	11	12305959	44	12
12121000	46	16	12132502	54	7	12306007	26	14
12121109	46	18	12132619	50	19	12306106	44	2
12121208	46	24	12132700	50	24	12306155	44	1
12121307	46	26	12133211	52	41	12306205	44	3
12122008	38	26	12133708	50	32	12306353	44	4
12122404	34	5	12135505	62	24	12306551	44	5
12122511	34	4	12135505	64	35	12306601	44	7
12122610	34	1	12135554	62	23	12306700	44	8
12123410	34	22	12135554	64	34	12306809	44	27
12123501	34	29	12138152	56	29	12308003	30	1
12123808	36	45	12138301	56	30	12308102	30	2
12123907	36	43	12138400	56	28	12308201	30	3
12124004	34	36	12147203	2	36	12308300	26	26
12124608	34	7	12250205	6	19	12308300	30	4
12124806	34	8	12250510	2	25	12308409	26	21
12126108	48	82	12250601	2	29	12308409	30	5

NUMERICAL INDEX OF PARTS

PART NO	PAGE	REF NO.	PART NO	PAGE	REF NO.	PART NO	PAGE	REF NO.
12308508	30	6	12315503	58	19	12377552	50	14~16
12308607	30	7	12315602	58	20	12377560	50	14~16
12308706	30	9	12315701	58	21	12377586	50	14~16
12308755	30	8	12315800	58	17	12377602	50	26
12308805	30	10	12315909	58	3	12377701	50	28
12308904	30	13	12315958	58	2	12377800	50	30
12309001	30	14	12316006	58	4	12377909	50	31
12309100	26	1	12316105	58	5	12378105	50	20·21
12309209	26	2	12316204	58	6	12378303	50	12
12309308	26	3	12316303	58	22	12378816	14	18
12309407	26	4	12316402	28	68~70	12378915	14	19
12309506	26	5	12316501	28	68~70	12379012	14	20
12309605	26	6	12316600	28	68~70	12379608	2	37
12309704	26	7	12316709	28	71~73	12382503	22	14
12309803	26	8	12316808	28	71~73	12383501	34	34
12309803	54	14	12316907	28	71~73	12383600	34	33
12309902	26	9	12317004	58	7	12383808	34	32
12310009	26	10	12317103	28	74	12384202	36	57
12310108	26	11	12317202	28	75	12384400	38	28
12310207	26	12	12318002	54	5	12384509	52	49
12310306	26	13	12318101	54	10	12385258	2	23
12310504	26	15	12341806	62	6	12385357	2	13
12310603	26	16	12341905	62	5	12386009	6	13
12310702	26	17	12341954	62	4	12386504	16	47
12310801	26	19	12347555	46	21	12386603	14	30
12310850	26	18	12371506	10	10	12388054	46	29
12310900	26	20	12372009	14	21	12388153	46	30
12310900	44	13	12372108	14	24	12388252	46	31
12311007	26	22	12372157	14	22	12388500	2	15
12311106	26	23	12372306	14	33	12388807	28	60
12311205	30	15	12372405	14	34	12388906	28	61
12311304	30	16	12372603	10	16	12389003	28	62
12311403	30	17	12372652	10	15	B1140716000	4	53
12311502	30	18	12373007	44	20	B1211804000	10	39
12311650	30	19	12374013	38	23	B1212704000	10	19
12311809	30	20	12374104	38	19	B1215804000	10	6·7
12311908	30	21	12374203	38	22	B1414555000	22	35
12312005	30	22	12375051	10	21	B1422804A00	34	19
12312104	30	23	12375150	10	26	B1528804000A	42	2
12312203	26	24	12375259	10	30	B1529804000	44	40
12312302	26	25	12375309	10	25	B1534804000	44	23
12315008	58	1	12375408	10	37	B1604704000	18	30
12315156	58	18	12375606	36	41	B1606704000	20	45
12315206	58	29	12375705	36	59	B16118040A0A	18	18
12315354	58	16	12375952	36	49	B1612804C00	26	31

NUMERICAL INDEX OF PARTS

PART NO	PAGE	REF NO.	PART NO	PAGE	REF NO.	PART NO	PAGE	REF NO.
B1620804000	18	9	B3305704000A	72	46	BT0500300EA	60	46
B1624704000	22	9	B3305704000A	74	46	BT0500300EG	60	49
B1646704000A	24	66	B3309704000	68	41	BT0700500EA	56	19
B1646704000A	30	30	B3309704000	72	52	CM300200001	4	55
B1647704000A	24	65	B3309704000	74	52	CM3002000A1	6	8
B1652704000	20	42	B33097040A0	68	38	CM300200101	8	11·51
B2017372000	46	9	B33097040A0	72	49	CM3002001A1	6	11·51
B2024771000	26	32	B33097040A0	74	49	CQ202000000	26	37
B2024771000	54	18	B3311012000	68	48	CQ202000000	34	20
B2102816000A	38	6	B3311012000	70	48	CQ252000000	14	16
B2105816000	38	4	B3311012000	72	59	CS0400671SD	2	5
B2107816000	18	10	B3311012000	74	59	CS095081ASH	18	21
B2111716000	38	16	B3311704000	68	31	CS100101ESH	26	33
B2119816A00	38	8~12	B3311704000	72	44	CS100101ESH	30	33
B2119816B00	38	8~12	B3311704000	74	44	CS1031210SH	34	23
B2119816C00	38	8~12	B3311804000	68	39	CS111101HSH	26	35
B2119816D00	38	8~12	B3311804000	72	50	CS111101HSH	54	8
B2119816E00	38	8~12	B3311804000	74	50	CS1201010SH	14	9
B2120816000	38	5	B3317704000	68	52	D8113555B00	66	33
B2202816000	46	22	B3317704000	70	52	D8114555B0E	66	31
B2314019000	46	7	B3317704000	72	62	D8125772B00	66	37
B2401816000	46	3	B3317704000	74	62	D8204555D00	62	22
B2402716000	46	4	B3318704L00A	68	29	D8204555D00	64	33
B2508704000	34	21	B3318704L00A	72	42	GPF06060000	66	15
B2525352000	38	27	B3319704L00	68	33	GPF06070000	66	16
B2530704000	36	51	B3319704L00	72	39	GPF06080000	66	17
B2531704000	34	31	B3320704L00A	68	47	MAO11532000	68	57
B2531704000	38	18	B3320704L00A	70	47	MAO11532000	70	57
B2739761000	52	38	B3320704L00A	72	58	MAO11532000	72	36
B3013141H0A	6	32	B3320704L00A	74	58	MDO500S1800	14	31
B3101804000	48	46~50	B3321704L00	70	54	MDO500S2100	14	49
B3102804000	48	46~50	B3321704L00	72	64	MDO500S2100	16	49
B3103804000	48	46~50	B3321704L00	74	64	NM6040000SN	26	38
B3112704000	46	43~45	B3321704L0B	68	32	NM6050001SE	68	50
B3113352000	46	2	B3321704L0B	72	35	NM6050001SE	70	50
B3120125000	46	8	B3525704000	28	52	NM6050001SE	72	61
B3120352000	46	60~62	B3534012000	58	45	NM6050001SE	74	61
B3120352000	48	60~62	B3534352000	58	11	NM6060001SE	70	56
B3120704000	48	54~56	B411180400E	54	15·23	NM6060001SE	72	34
B3126012000	46	57~59	B4115704000	50	33	NM6060003SC	44	29
B3126012000	48	57~59	B71140120A0	66	25	NM6080011SF	26	39
B3304704000A	68	42	B8151771000	66	38	NM6080600SM	64	12
B3304704000A	72	53	B81517710A0	66	27	NM6080721SE	66	32
B3304704000A	74	53	B8152771000	66	39	NS6090310SN	2	40
B3305704000A	68	35	B8153771000	66	40	NS6090310SP	48	70

NUMERICAL INDEX OF PARTS

PART NO	PAGE	REF NO.	PART NO	PAGE	REF NO.	PART NO	PAGE	REF NO.
NS6090310SP	54	17	SK2351600SC	64	28	SM6053000SE	72	54
NS6090310SP	62	28	SK3311500SC	62	21	SM6053000SE	74	54
NS6090310SP	64	39	SK3311500SC	64	32	SM6061200SP	34	6
NS6110310SP	60	52	SK3382001SE	68	28	SM6061200SP	44	28
NS6110420SP	2	18	SK3382001SE	72	38	SM6061202TP	10	29
NS6110420SP	44	38	SK3412000SC	8	49	SM6061210SC	30	45
NS6150430SP	28	65	SK3513200SC	66	41	SM6061402TP	14	14
NS6240630SN	62	18	SL4051231SC	24	62	SM6061402TP	18	20
NS6240630SN	64	6	SL9061291SE	66	24	SM6061610SC	30	46
NS6620320SP	18	6	SL9082091SE	66	22	SM6061610SC	68	30
NS6680410SP	6	39	SM0030301SN	30	42	SM6061610SC	72	43
PS0150082KH	30	12	SM0081001SD	6	43	SM6061802TP	60	56
PS0200052KH	46	20	SM1040801SC	2	26	SM8040302TP	2	6
PS0200062KH	38	30	SM1040801SC	6	23	SM8040402TP	44	16
PS0300062KH	34	30	SM4040601SC	6	25	SM8040612TP	14	26
PS0300132KH	8	50	SM4040655SP	4	48	SM8050402TP	38	25
PS0300132KH	18	31	SM4040655SP	36	46	SM8050402TP	60	57
PS0300132KH	48	80	SM4040855SP	2	32	SM8050602TP	38	24
R4300J0FL00	50	3	SM4040855SP	6	22	SM9051203CP	26	41
R4306J0HJ00	50	6	SM4040855SP	10	3	SM9061203SE	66	34
R4612J0HL00	50	9	SM4040855SP	14	36	SM9061250TP	26	43
RE0300000K0	24	58	SM4040855SP	22	2	SM9061250TP	30	44
RE0300000K0	30	37	SM4040855SP	56	27	SM9061250TP	54	6
RE0400000K0	26	40	SM4041055SP	4	46	SM9082023SE	66	28
RE0400000K0	30	38	SM4041055SP	24	56	SM9082513CF	64	11
RE0500000K0	22	26	SM4041401SC	20	44	SQ0000451MZ	60	58
RE0900000K0	30	39	SM4041455SN	48	79	SQ1110401MZ	58	59
RO037180100	36	42	SM4050855SP	10	44	SQ1110401MZ	60	59
RO060150100	24	71	SM4050855SP	46	1	SQ1110451MZ	58	39
RO068190100	30	40	SM4051055SP	2	12	SQ1150441SD	58	40
RO074240100	6	42	SM4051055SP	52	54	SQ1150451MZ	58	23
RO078190100	6	6	SM4051255SP	6	4	SQ1150454SD	58	24
RO078190100	22	5	SM4051405SE	68	37	SS2090520SL	2	38
RO108240100	14	25	SM4051405SE	72	48	SS2090830SL	48	69
RO110090100	44	19	SM4051405SE	74	48	SS2110710TP	26	44
RO218240100	60	53	SM4051601SC	60	54	SS2110910SL	50	1
RO347350100	10	42	SM4060801SE	60	55	SS3090610SP	2	41
RO480120100	24	52	SM4061201SE	70	55	SS3090610SP	36	48
SB110000300	10	6-7	SM4061201SE	72	65	SS4060310SP	54	25
SD0260271SP	18	29	SM4061201SE	74	65	SS4080610SP	22	18
SD0280401SL	14	42	SM6030510SC	30	43	SS4080620TP	10	35
SD0600341TP	46	19	SM6051202TP	18	3	SS4090415SP	46	28
SD0720271SP	22	28	SM6051202TP	22	34	SS4090515SP	24	63
SD0720803TH	38	7	SM6051202TP	38	20	SS4090515SP	32	47
SK2351600SC	62	10	SM6053000SE	68	43	SS4090615SP	34	17

NUMERICAL INDEX OF PARTS

PART NO	PAGE	REF NO.	PART NO	PAGE	REF NO.	PART NO	PAGE	REF NO.
SS4091015SP	2	22	SS6660710TP	32	49	SS7111810TP	30	41
SS4091015SP	56	25	SS6661110SP	22	38	SS7151120SP	50	34
SS4110515SP	14	28	SS7060310SP	22	39	SS7161040SP	44	34
SS4110515SP	46	25	SS7060510SP	24	48	SS8080310TP	16	48
SS4112215SP	58	14	SS7060510SP	42	3	SS8090530TP	14	4
SS4120615SP	2	24	SS7060510SP	52	48	SS8110410TP	2	44
SS4151215SP	6	14	SS7060610SP	34	15	SS8110410TP	18	22
SS5080212TP	10	36	SS7080520SP	42	21	SS8110410TP	22	11
SS5090610SP	62	27	SS7090410SP	28	49	SS8110410TP	46	23
SS5090610SP	64	38	SS7090510SP	52	50	SS8110410TP	58	12
SS5110710SP	6	30	SS7090530SP	4	49	SS8110520TP	44	22
SS5110710SP	62	9	SS7090610SP	4	52	SS8110520TP	58	28
SS5110710SP	64	27	SS7090610SP	52	44	SS8110750SP	18	27
SS5150510SP	46	5	SS7090610SP	56	21	SS8151150SP	12	48
SS6060440TP	36	56	SS7090611SL	6	34	SS8660330SP	22	7
SS6080320SP	20	47	SS7090620TP	22	45	SS8660330SP	26	36
SS6080410SP	22	32	SS7090710SP	50	29	SS8660330SP	54	9
SS6080410SP	36	38	SS7090850SP	36	54	SS8660530TP	26	34
SS6080720SP	14	37	SS7091410SP	2	28	SS8660530TP	30	34
SS6090420SP	64	19	SS7091810SP	54	16	SS8660610TP	14	10
SS6090620SP	24	57	SS7110510SP	2	35	SS8660610TP	34	24
SS6090620TP	36	58	SS7110510SP	44	10	SS9090410TP	34	13
SS6090630SP	36	52	SS7110540SP	68	40	SS9090610TP	32	50
SS6090630SP	62	8	SS7110540SP	72	51	SS9090610TP	36	50
SS6090630SP	64	29	SS7110540SP	74	51	SS9110430TP	38	29
SS6090630TP	34	12	SS7110710SP	2	21	SS9111010SP	22	25
SS6090650SP	42	26	SS7110720SP	50	17	SS9111010SP	50	25
SS6090650SP	58	13	SS7110720TP	38	2	SS9111050SP	22	15
SS6090670TP	16	45	SS7110740TL	48	71	SS9111610SP	54	28
SS6110420TP	26	45	SS7110740TP	28	50	SS9112420TP	54	19
SS6110520TP	26	46	SS7110810SP	18	32	SS9151210TP	6	27
SS6110610TP	2	8	SS7110840SP	10	18	SS9151210TP	28	66
SS6110610TP	52	51	SS7110840SP	34	60	SS9151210TP	34	40
SS6110710TP	18	28	SS7110840SP	36	60	SS9151210TP	36	40
SS6110710TP	28	47	SS7110840SP	44	11	SS9151210TP	38	32
SS6110710TP	40	41	SS7110840SP	50	39	SS9151210TP	44	33
SS6110710TP	44	31	SS7110840SP	52	39	SS9681610TP	12	50
SS6110820TP	28	48	SS7110840SP	56	22	ST60308210A	64	23
SS6111052TP	44	6	SS7110910SP	2	9	TA0180401M0	28	54
SS6111440SP	2	19	SS7110910TP	18	37	TA0290301M0	58	30
SS6120620TP	58	25	SS7110910TP	48	81	TA0340201R0	26	55
SS6121020SP	28	67	SS7111410SP	44	39	TA0340201R0	28	55
SS6121020SP	44	26	SS7111410TP	10	32	TA0400301M0	58	31
SS6121220TP	18	11	SS7111810SP	10	33	TA0620504R0	48	68
SS6151440SP	50	13	SS7111810TP	10	31	TA0750704R0	6	45

NUMERICAL INDEX OF PARTS

PART NO	PAGE	REF NO.
TA0800501R0	28	56
TA0800504R0	22	4
TA0950806R0	56	31
TA1030402R0	18	7
TA1701107R0	8	46
TA1871602R0	6	29
TA2050416R0	18	17
TA2050805R0	6	26
WP0370316SD	64	22
WP0371016SD	24	61
WP0371016SD	30	35
WP0371026SD	42	22
WP0371026SD	56	26
WP0371036SD	28	57
WP0451026SH	28	58
WP0460556SD	24	68
WP0460556SD	30	36
WP0480856SP	24	55
WP0621016SD	24	64
WP0621016SD	32	48
WP0621016SH	28	59
WP0621036SP	52	40
WP0651056SD	58	44
WP0671016SE	66	36
WP0751576SD	6	37
WP0764016SP	12	49
WP0850002SC	64	13
WP0871602SE	66	30
WP1102016SC	62	16
WP1102016SC	64	4
WP1612616SE	68	53
WP1612616SE	70	53
WP1612616SE	72	63
WP1612616SE	74	63
WS0621210KR	66	35
WS0822010KP	6	38
WS0861410KR	66	29
WS1002560KR	62	17
WS1002560KR	64	5
WZ0420350KP	2	4
WZ0640312K0	46	27
WZ0850302K0	6	31
WZ2640310KH	10	41