

MODEL : AMS-210D

List No : 1159-07

# PARTS LIST

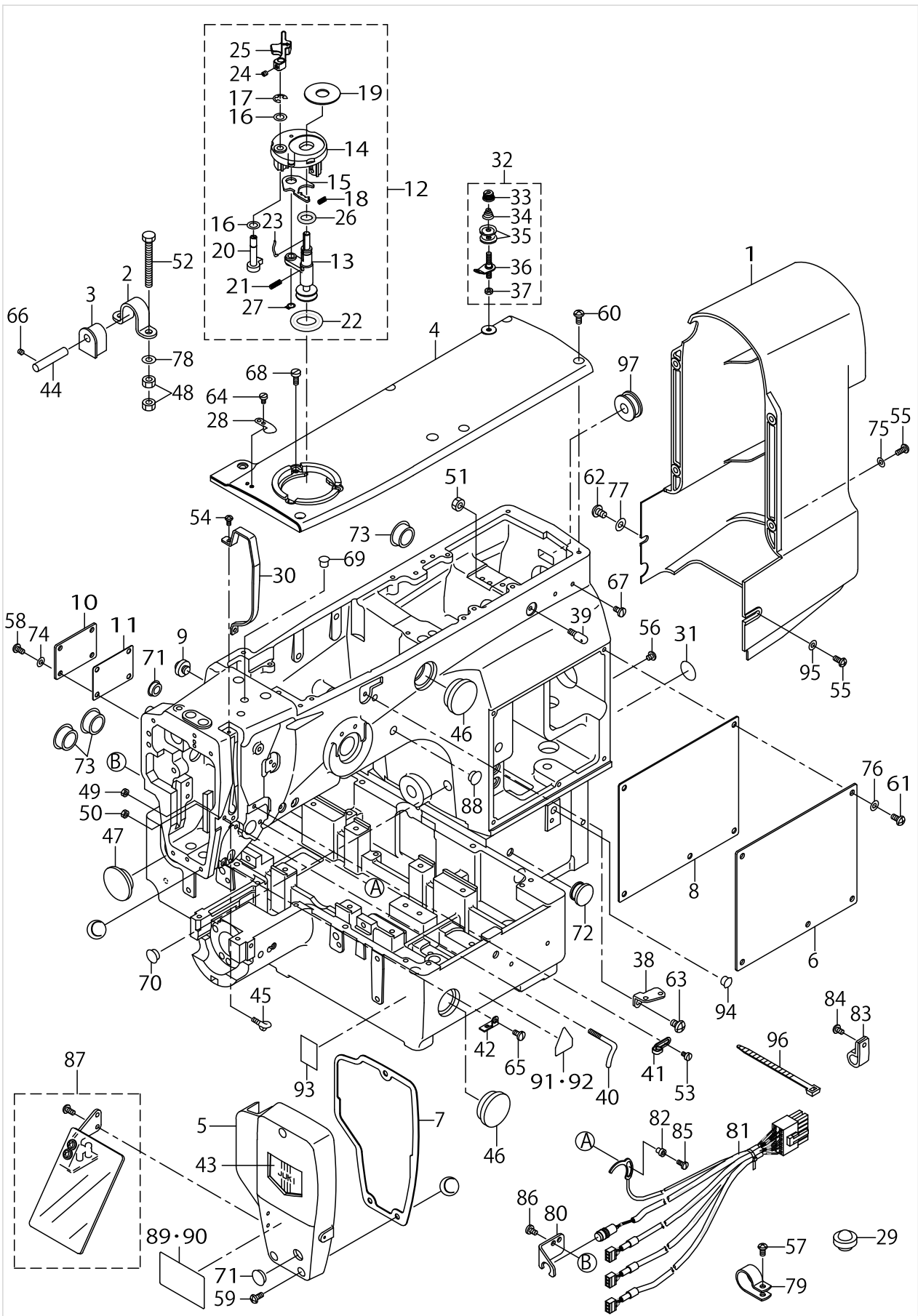
Published:05/12/2017

## CONTENTS

---

FRAME & MISCELLANEOUS COVER COMPONENTS (1) .....	1
FRAME & MISCELLANEOUS COVER COMPONENTS (2) .....	7
MAIM SHAFT & NEEDLE BAR COMPONENTS .....	9
PRESSER PLATE & MANUAL PRESSER MECHANISM COMPONENTS .....	13
PRESSER MECHANISM COMPONENTS .....	17
SHUTTLE DRIVER SHAFT COMPONENTS.....	21
WIPER MECHANISM COMPONENTS .....	25
TENSION RELEASE & THREAD TENSION COMPONENTS.....	27
TENSION RELEASE & THREAD TRIMMER MECHANISM COMPONENTS.....	29
X-Y COMPONENTS (1) .....	33
X-Y COMPONENTS (2) .....	37
CLOTH FEED MECHANISM COMPONENTS(FOR 210DSS,210DHS).....	39
CLOTH FEED MECHANISM COMPONENTS(FOR 210DSL,210DHL) .....	43
PNEUMATIC COMPONENTS(FOR 210DSL,210DHL).....	47
LUBRICATION COMPONENTS .....	49
TABLE COMPONENTS .....	51
THREAD STAND COMPONENTS.....	53
OPERATION BOX COMPONENTS .....	55
CONTROL BOX COMPONENTS .....	57
WIRING DIAGRAM .....	61
PEDAL & ELECTRICAL EQUIPMENT ACCESSORIE PART COMPONENTS .....	65
ACCESSORIE PART COMPONENTS .....	67
OPTIONAL PART COMPONENTS.....	69
ASM-210D PERFECT STITCH EXCLUSIVE PART COMPONENTS.....	73
LIST FOR INFORMATION OF CHANGE.....	77
HOW TO MAKE USE OF THIS PARTS LIST .....	78

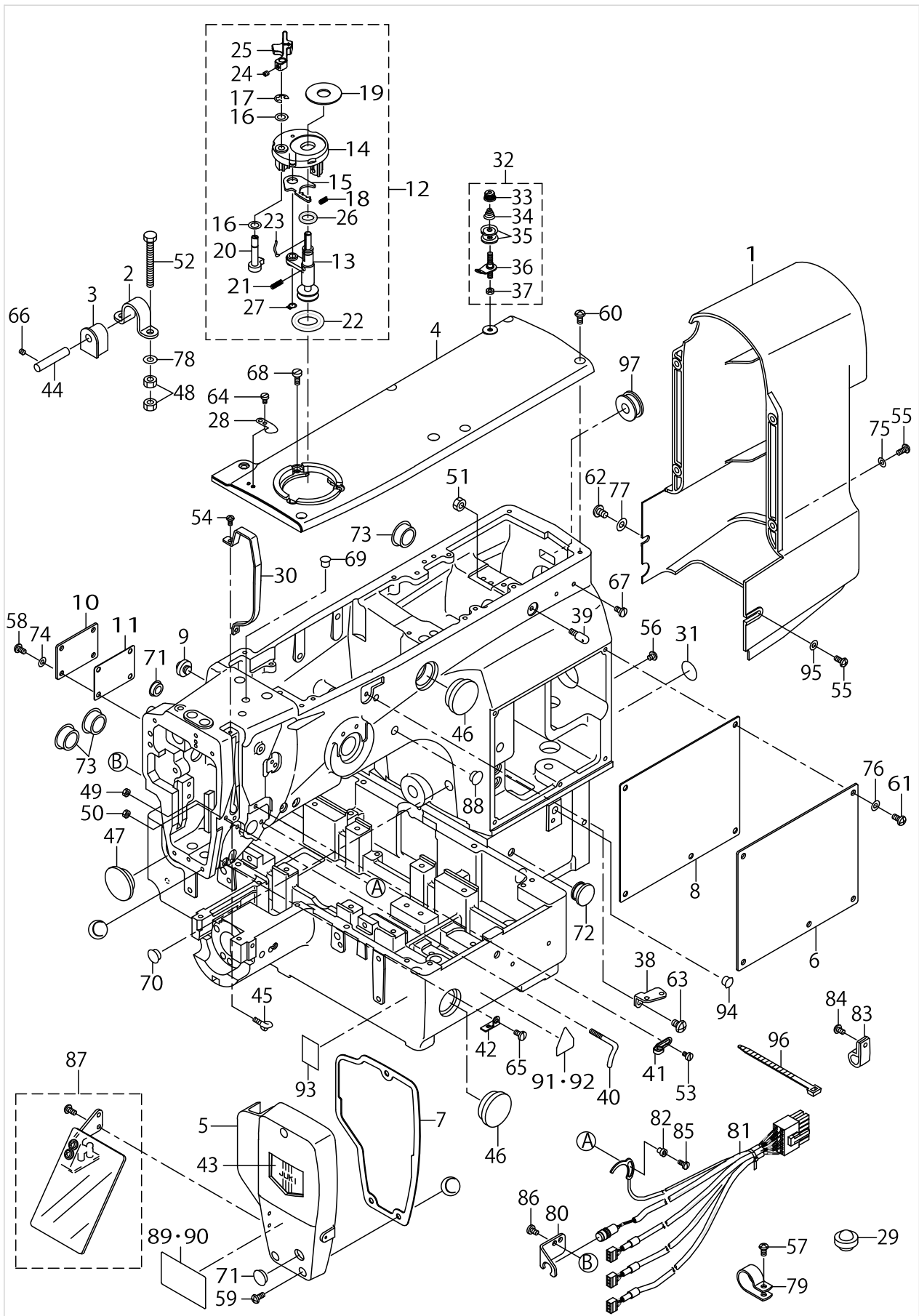
FRAME & MISCELLANEOUS COVER COMPONENTS (1)



FRAME & MISCELLANEOUS COVER COMPONENTS (1)

No.	Supply Code	Parts No.	Replacement	Parts name	Remarks	Choice	Step	Level	Cons	Qty	Rep. QTY
1	D	B1107210D00		MOTOR COVER						1	
2		B1111210D00		BED HINGE						2	
3		B1115210D00		HINGE RUBBER						2	
4		B1104210D00		TOP COVER						1	
5	D	B1105210D00		FACE PLATE						1	
6		B1121210D00		SIDE COVER						1	
7		B1117210D00		FACE PLATE GASKET						1	
8		B1122210D00		SIDE PLATE GASKET						1	
9		B1116210D00		FRAME SUPPORT RUBBER						1	
10		B1123210D00		COVER						1	
11		B1125210D00		COVER GASKET						1	
12		B3204210DB0		BOBBINWINDERASM.						1	
13		B3204210DA0		BOBBIN WINDER SHAFT COMPL.				*		1	
14		22537658		BOBBIN FITTING BASIS COMPL.				*		1	
15		22538409		ADJUSTING PLATE				*		1	
16		10618304		VERTICAL ROLLER WASHER				*		2	
17		RE0500000K0		E-RING				*		1	
18		B152989000CA		PRESSUR FOOT SPRING				*		1	
19		B3205210000		CUSHION				*		1	
20		22538151		BOBBIN CAM SHAFT COMPL.				*		1	
21	R	B1148555000	22912109	SPRING				*		1	1.00
22		A321600100A		RUBBER RING				*		1	
23		B3212761000		LATCH SPRING				*		1	
24		SS8110422TP		SCREW 11/64-40 L=4				*		1	
25		22538300		BOBBIN LEVER				*		1	
26		RO092270200		RUBBER RING				*		1	
27		RC0560711KP		RETAINING RING				*		1	
28		10502300		THREAD CUTTER						1	
29		11047107		RUBBER CUSHION						3	
30		26211607		BALANCE COVER						1	
31	R	10004109	22901805	GROUND MARK						1	1.00
32		14113468		BOBBIN THREAD TENSION ASM.						1	
33		11072402		THREAD TENSION NUT				*		1	
34		D7133555B00		CONNECTING ROD SPRING				*		1	
35	R	B3126012000	22921506	THREAD TENSION DISK				*		2	1.00
36		14113450		BOBBIN THREAD T- ENSION ROD ASM.				*		1	
37		NS6110310SP		NUT 11/64-40				*		1	
38	R	B1111232000	26211904	THREAD GUIDE PLATE						1	1.00
39	R	B1123280000	26212001	FIRST THREAD GUIDE						1	1.00
40		B1125215P00		L-SHAPED THREAD GUIDE						1	
41		22920508		ARMTHREAD GUIDE A						1	
42		B1129210000		FRAME THREAD GUIDE (B)						1	
43		B1178191000		FACE PLATE DRESSING TABLE						1	
44	R	B2707761000	40009290	HINGE STUD						2	1.00
45		B3114771000		THREAD GUIDE						1	
46		B3501210000		OIL GAUGE						2	

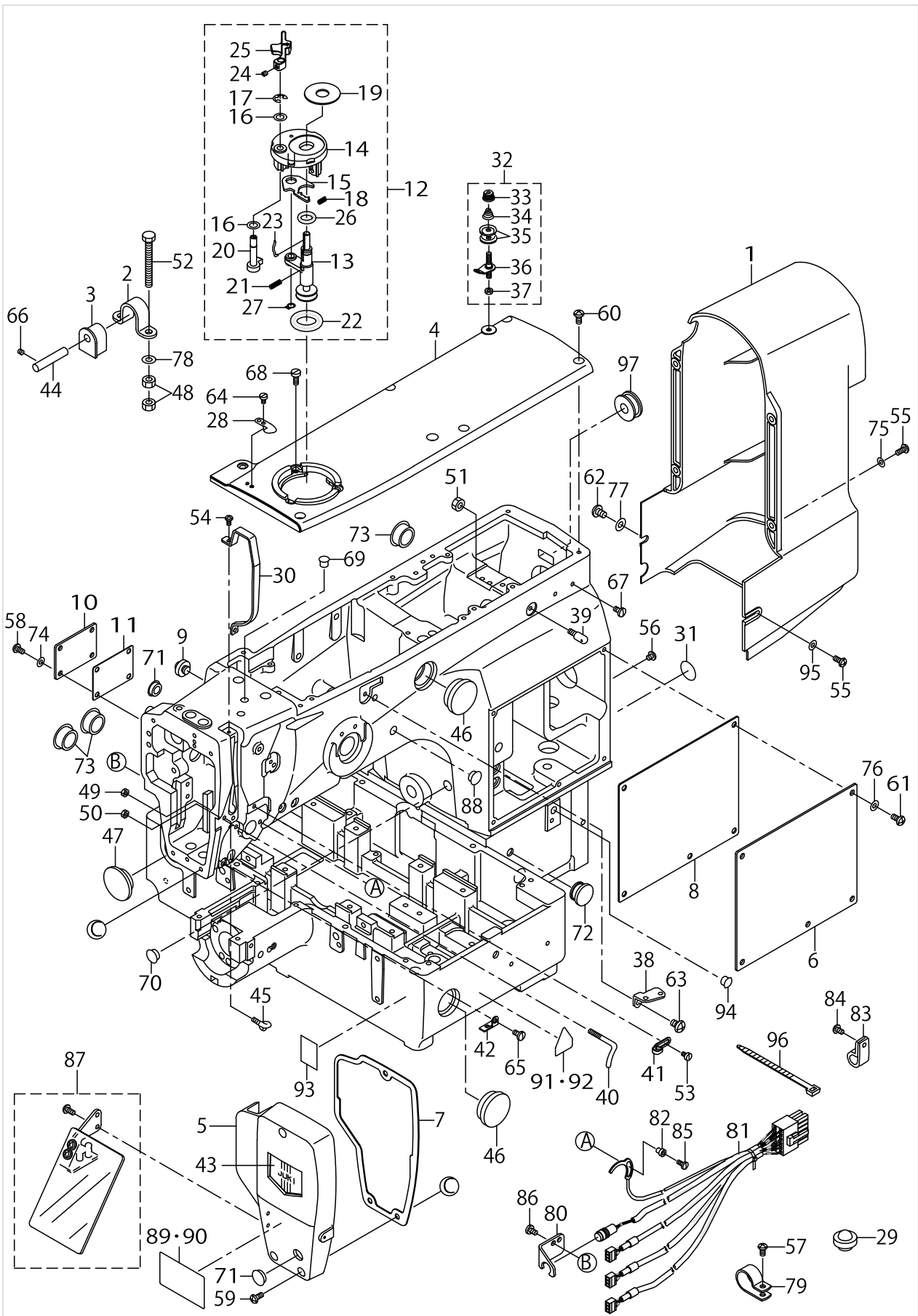
FRAME & MISCELLANEOUS COVER COMPONENTS (1)



FRAME & MISCELLANEOUS COVER COMPONENTS (1)

No.	Supply Code	Parts No.	Replacement	Parts name	Remarks	Choice	Step	Level	Cons	Qty	Rep. QTY
47		B8267180000		RUBBER PLUG						1	
48		NM6060001SC		NUT M6						8	
49		NS6090310SP		NUT 9/64-40						1	
50		NS6090310SP		NUT 9/64-40						1	
51		NS6150310SP		NUT 15/64-28						1	
52		SM9065513SF		SCREW M6X55						4	
53		SS6090630TP		SCREW 9/64-40 L=6						1	
54		SS4090715SP		SCREW 9/64-40 L=7						2	
55		SS4111015SP		SCREW 11/64-40 L=10						5	
56		SS4110515SP		SCREW 11/64-40 L=5						1	
57		SS4110915SP		SCREW 11/64-40 L=9						1	
58		SS4110815SP		SCREW 11/64-40 L=8						3	
59		SS4111015SP		SCREW 11/64-40 L=10						3	
60		SS4121015SP		SCREW 3/16-28 L=10						6	
61		SS4121015SP		SCREW 3/16-28 L=10						5	
62		SS4150915SP		SCREW 15/64-28 L=9						1	
63		SS4150915SP		SCREW 15/64-28 L=9						1	
64	R	SS6090620SP	SS6090620TP	SCREW 9/64-40 L=6						1	1.00
65		SS7110840SP		SCREW 11/64-40 L=7.8						1	
66		SS8110422TP		SCREW 11/64-40 L=4						2	
67		SS7110840SP		SCREW 11/64-40 L=7.8						2	
68		SS6111140SP		SCREW 11/64-40 L=11						3	
69		TA0750704R0		RUBBER PLUG						1	
70		TA1050504R0		RUBBER PLUG						1	
71		TA1250406R0		RUBBER PLUG D=12.5 L=4						2	
72		TA1850805R0		PLUG						1	
73		TA2100904R0		RUBBER PLUG						3	
74		WP0450000SD		WASHER 4.5X8X0.5						3	
75		WP0450000SD		WASHER 4.5X8X0.5						4	
76		WP0501016SD		WASHER 5X10.5X1						5	
77		WP0621016SD		WASHER 6.2X13X1						1	
78		WP0621016SD		WASHER 6.2X13X1						4	
79		HX00150000K		CABLE CLIP						1	
80		B4110210D00A		STOP SWITCH INSTALLING PLATE						1	
81	D	40022507		SENSOR CABLE ASM.						1	
82		B2703210000		BUSHING						1	
83		HX00123000A		CABLE CLIP						3	
84		SS4110715SP		SCREW 11/64-40 L=7						3	
85		SS7090850SP		SCREW 9/64-40 L=8						1	
86		SS7110710SP		SCREW 11/64-40 L=7						2	
87	R	13551254	40052806	SAFETY PLATE ASM.						1	1.00
88		TA1050504R0		RUBBER PLUG	FOR 210DSL,DHL					2	
89		CM300200301		SAFETY LABEL, 5(SMALL).	FOR USE IN JAPAN					1	
90		CM3002003A1		SAFETY LABEL.,6 (SMALL).	FOR EXPORT					1	
91		CM3002000B2		LABEL(25).	FOR USE IN JAPAN					1	
92		CM300200002		CAUTION LABEL(25)						1	

FRAME & MISCELLANEOUS COVER COMPONENTS (1)

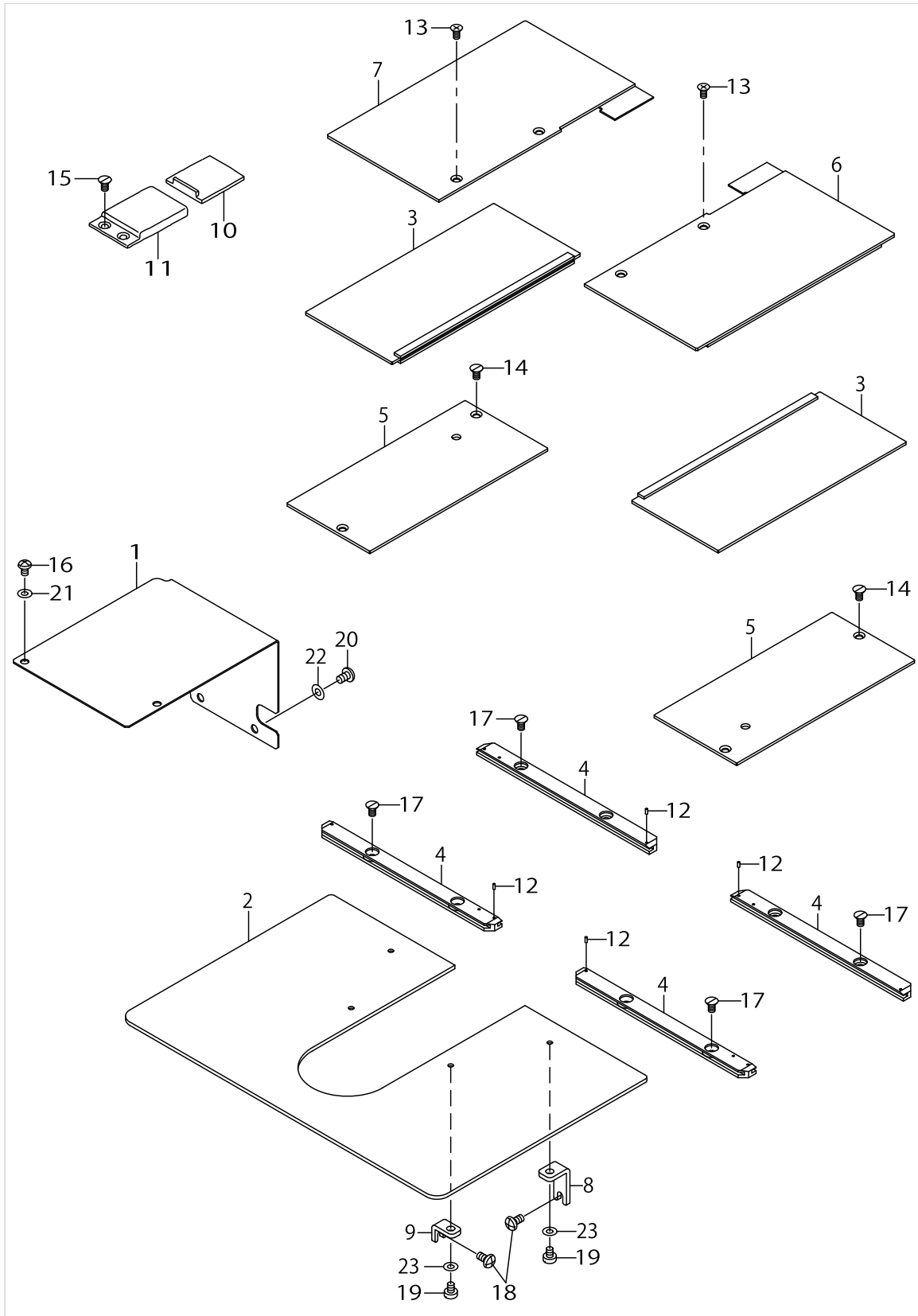


FRAME & MISCELLANEOUS COVER COMPONENTS (1)

No.	Supply Code	Parts No.	Replacement	Parts name	Remarks	Choice	Step	Level	Cons	Qty	Rep. QTY
93	D	B1143210000		LABEL						1	
94		TA0850604R0		RUBBER PLUG	FOR 210DSL,DHL					1	
95		WP0450801SD		WASHER 4.5X10X0.8						1	
96		EA9500B0100		CABLE BAND						3	
97		B1126210000		WIRE BUSHING						1	



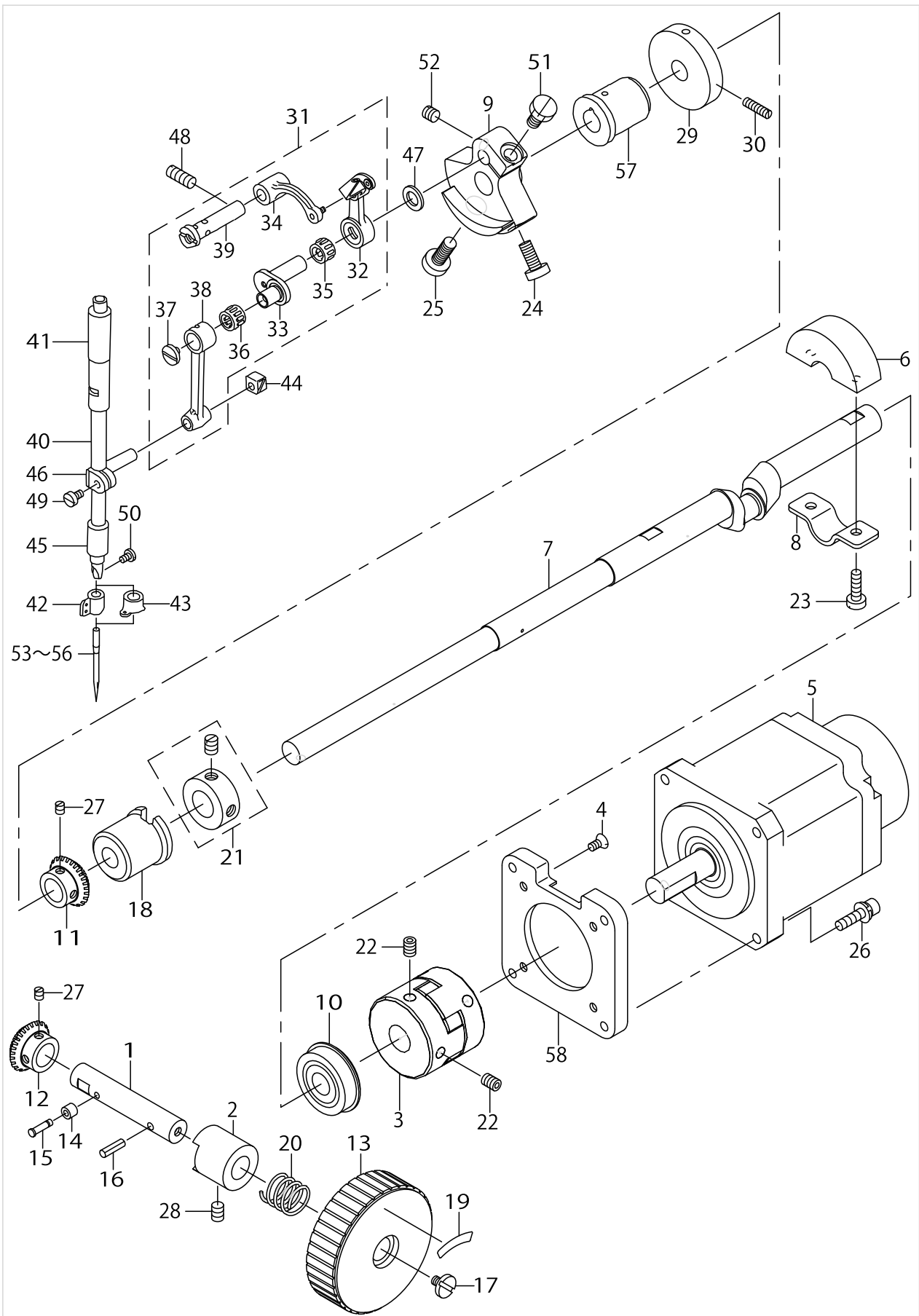
FRAME & MISCELLANEOUS COVER COMPONENTS (2)



FRAME & MISCELLANEOUS COVER COMPONENTS (2)

No.	Supply Code	Parts No.	Replacement	Parts name	Remarks	Choice	Step	Level	Cons	Qty	Rep. QTY
1		B1106210D00		X MOTOR COVER						1	
2	D	B1112210D00		NEEDLE PLATE SUPPORT COVER						1	
3		B1109210DA0		X MOVEMENT LOWER COVER ASM.						2	
4		B1181210D00		X MOVEMENT COVER RAIL						4	
5		B1108210D00		FEED BASE COVER						2	
6		B1110210DA0		X MOVEMENT UPPER COVER ASM.,R						1	
7		B1118210DA0		X MOVEMENT UPPER COVER ASM.,L						1	
8	D	B1113210D00		COVER SUPPORT						2	
9		B1113223C00		COVER SUPPORTER						2	
10		B1123210000		Y DRIVE COVER						1	
11		B1124210000		Y FIXED COVER						1	
12		PS0150042K0		SPRING PIN 1.5X 4						4	
13		SM1040801SC		SCREW M4X0.7 L=8						4	
14		SS1110840SP		SCREW 11/64-40 L=8						4	
15		SS1110840SP		SCREW 11/64-40 L=8						2	
16		SS4110715SP		SCREW 11/64-40 L=7						2	
17		SS1110840SP		SCREW 11/64-40 L=8						8	
18		SS4120915SP		SCREW 3/16-28 L=9						4	
19		SS6110610TP		SCREW 11/64-40 L=6						4	
20		SM4050855SP		SCREW						2	
21		WP0450801SD		WASHER 4.5X10X0.8						2	
22		WP0531000SD		WASHER M5						2	
23		WP0520656SA		WASHER 5.2X9.5X0.6						4	

MAIM SHAFT & NEEDLE BAR COMPONENTS

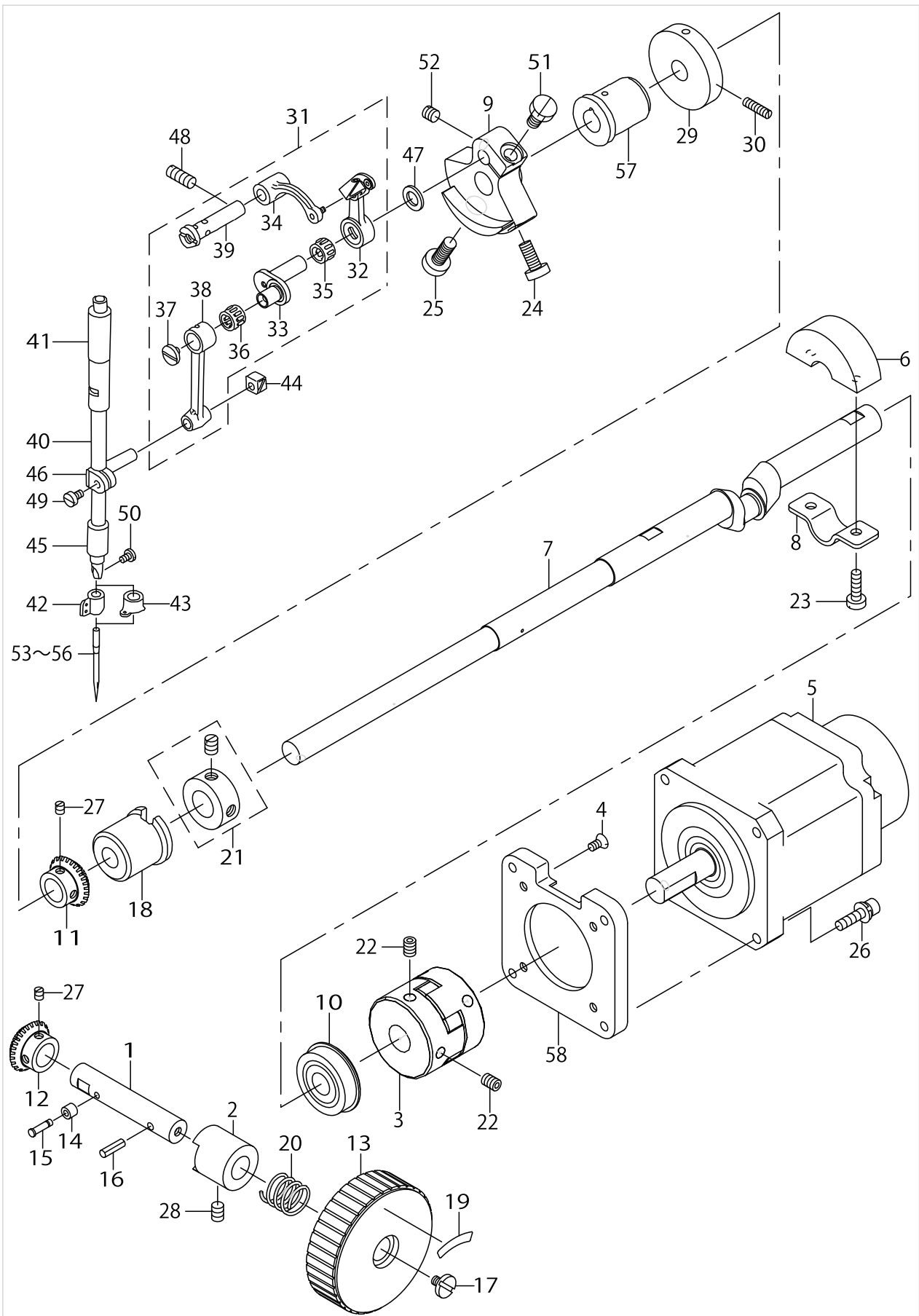


MAIM SHAFT & NEEDLE BAR COMPONENTS

No.	Supply Code	Parts No.	Replacement	Parts name	Remarks	Choice	Step	Level	Cons	Qty	Rep. QTY
1	R	B1213210D00	40044053	PULLEY SHAFT						1	1.00
2		B1214210D00		PULLEY BUSHING						1	
3	R	23604309	40051473	COUPLING						1	1.00
4		SS1110840SP		SCREW 11/64-40 L=8						4	
5	D	40022517		AC SERVO MOTOR						1	
6		B1207210D00		CRANK BALANCER						1	
7	D	B1201210D00		MAIN SHAFT						1	
8	D	B1208210D00		CRANK BALANCER FIX PLATE						1	
9		B1206210D00		COUNTER WEIGHT						1	
10		G1216870000		UPPER SHAFT REAR BEARING						1	
11		B1215210D00		PULLEY GEAR,A						1	
12		B1216210D00		PULLEY GEAR,B						1	
13		B1212210D00		PULLEY						1	
14		11217213		ROLLER						1	
15		11217114		ROLLER SHAFT						1	
16		PS0400142KH		SPRING PIN 4X14						1	
17		A1230500000A		HANDWHEEL SETSCREW						1	
18		B1203210000		BUSHING, INTERMEDIATE						1	
19		B1144210000		REVOLVING DIRECTION LABEL						1	
20		GAF01007000		SPRING						1	
21		CS147121ESH		THRUST COLLAR A- SM.D=14.72 W=12						1	
22		SM8060812TP		SCREW M6 L=8						4	
23		SS6121610SP		SCREW 3/16-28 L=15.5						2	
24		SS6151412TP		SCREW 15/64-28 L=14						1	
25		SS6681712TP		SCREW 9/32-28 L=16.5						1	
26		SL6052092TN		SCREW						4	
27	R	SS8110510SP	SS8110520TP	SCREW 11/64-40 L=5						4	1.00
28		SS8150822TP		SCREW 15/64-28 L=8						1	
29		B3213205000		BOBBIN WINDER DRIVING WHEEL						1	
30		SS8111610SP		SCREW 11/64-40 L=15.5						2	
31		B1901210DC0		LINK THREAD TAKE-UP						1	
32		B1901210DA0		THREAD TAKE-UP LEVER COMPL.				*		1	
33	D	B1407210D00		NEEDLE BAR CRANK				*		1	
34	R	B1903210000	B19012100C0	THREAD TAKE-UP CRANK				*		1	1.00
35	R	B1905541000	B1905541A00	NEEDLE BUSHING		A		*		1	1.00
35	R	B1905541000	B1905541B00	NEEDLE BUSHING		B		*		1	1.00

A:ローラー径2-  
φ公差 0  
-0.002/A:R-  
OLLER dia-  
meter2φ to-  
lerance 0 ~ -0.002  
B::ローラー径-  
2φ公差 -0-  
.002 ~ -0.0-  
04/B::ROL-  
LER diame-  
ter2φ toler-  
ance -0.002 ~ -0.004

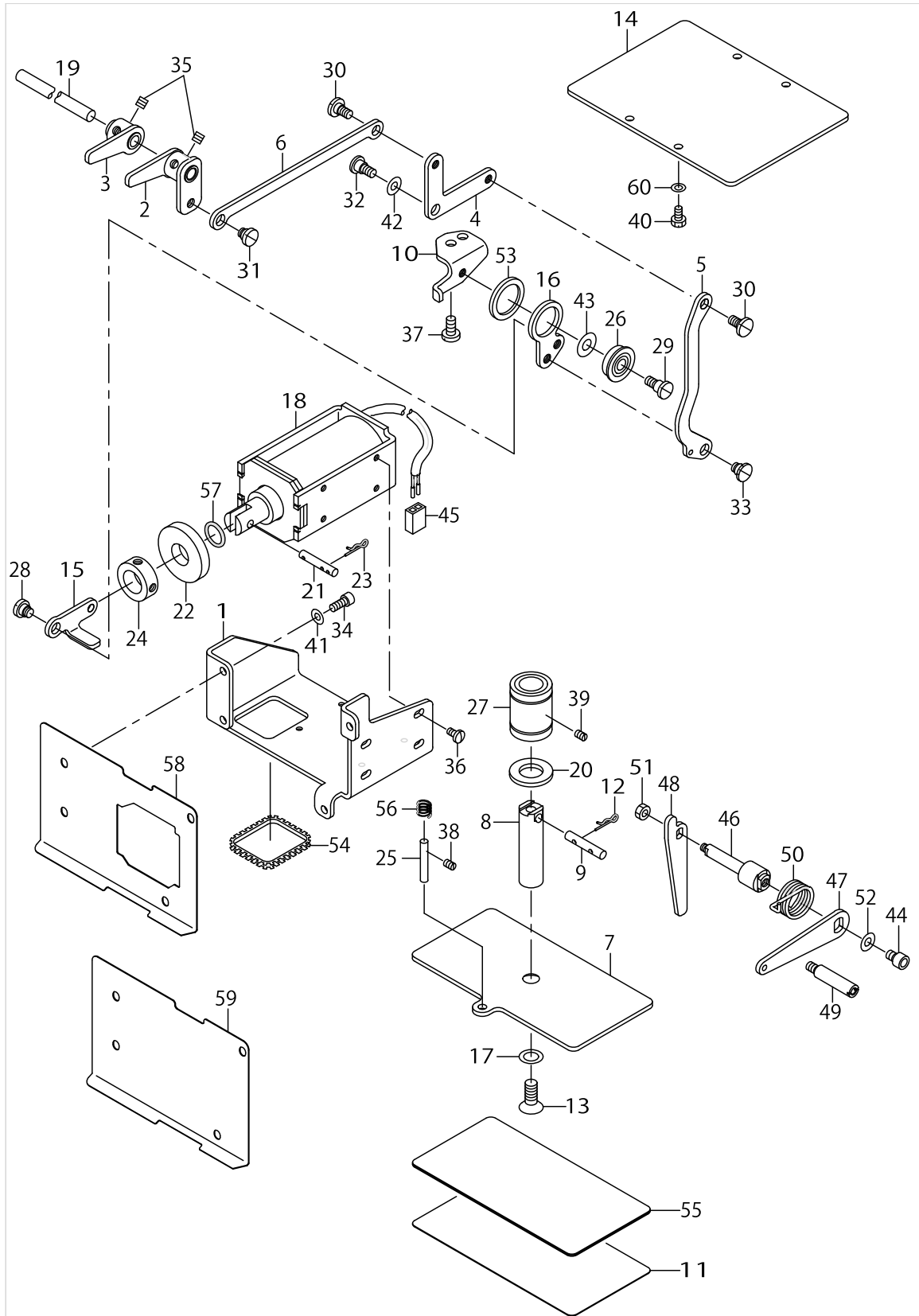
MAIM SHAFT & NEEDLE BAR COMPONENTS



MAIM SHAFT & NEEDLE BAR COMPONENTS

No.	Supply Code	Parts No.	Replacement	Parts name	Remarks	Choice	Step	Level	Cons	Qty	Rep. QTY
35	R	B1905541000	B1905541C00	NEEDLE BUSHING		C	C::ローラー径-2φ公差 -0.004~-0.006/C::ROLLER diameter 2φ tolerance -0.004~-0.006	*		1	1.00
35	R	B1905541000	B1905541D00	NEEDLE BUSHING		D	D::ローラー径-2φ公差 -0.006~-0.008/D::ROLLER diameter 2φ tolerance -0.006~-0.008	*		1	1.00
36	R	B1411804000	B1411804A00	NEEDLE DRIVING LEVER BEARING		A	A:	*		1	1.00
36	R	B1411804000	B1411804B00	NEEDLE DRIVING LEVER BEARING		B	B:	*		1	1.00
36	R	B1411804000	B1411804C00	NEEDLE DRIVING LEVER BEARING		C	C:	*		1	1.00
36	R	B1411804000	B1411804D00	NEEDLE DRIVING LEVER BEARING		D	D:	*		1	1.00
37		B1903552000		LEFT SCREW				*		1	
38		B1404280000		NEEDLE BAR CRANK ROD				*		1	
39		B1904280000		BALANCE CRANK PIN				*		1	
40		B1401210A00		NEEDLE BAR						1	
41	R	B1402280000	26203208	NEEDLE ROD METAL						1	1.00
42		B1405210000		THREAD GUIDE A	FOR 210DSS,DSL					1	
43	R	B1406210000	40026884	THREAD GUIDE	FOR 210DHS,DHL					1	1.00
44		B1414232000		SQUARE BLOCK						1	
45		B1403280000		NEEDLE ROD LOWER METAL						1	
46		B14115520A0		NEEDLE BAR CONNECTING ASM.						1	
47		B1223771000		NEEDLE ROD CRANK WASHER						1	
48		SS8151550SP		SCREW 15/64-28L=15						1	
49		SS6090670TP		SCREW 9/64-40 L=6						1	
50		SS7080510TP		SCREW 1/8-44 L=4.5						1	
51		SS9661230CP		SCREW 1/4-40 L=12						1	
52		SS8660610TP		SCREW 1/4-40 L=6						1	
53		MDP500B1400		NEEDLE DPX5 #14	FOR 210DSS,DSL					1	
54		MDP170B1800		NEEDLE DPX17 #18	FOR 210DHS,DHL					1	
55		MC200501000		NEEDLE #100	FOR 210DSS,DSL					1	
56		MC372001100		NEEDLE 135X17 #110	FOR 210DHS,DHL					1	
57		B1202210000		BUSHING, FRONT						1	
58	D	40022327		MOTOR FITTING PLATE						1	

PRESSER PLATE & MANUAL PRESSER MECHANISM COMPONENTS

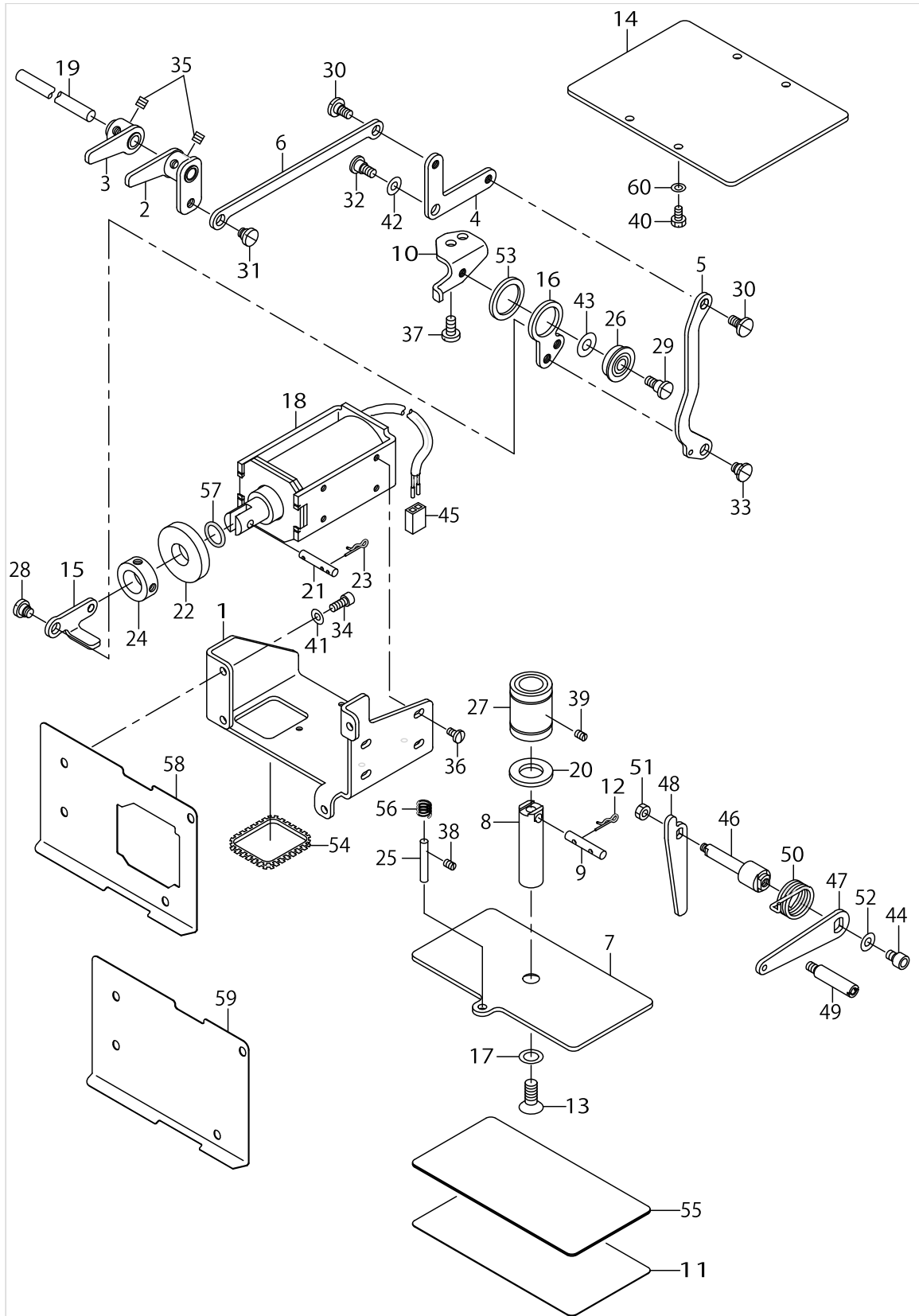


PRESSER PLATE & MANUAL PRESSER MECHANISM COMPONENTS

No.	Supply Code	Parts No.	Replacement	Parts name	Remarks	Choice	Step	Level	Cons	Qty	Rep. QTY
1	D	B1507210D00		MAGNET INSTALLING PLATE						1	
2		B1501210DA0		ARM ASM.,A	FOR 210DSS,DHS					1	
3		B1503210DA0		ARM ASM.,B	FOR 210DSS,DHS					1	
4		B1504210D00		L-SHAPED LINK	FOR 210DSS,DHS					1	
5		B1505210D00		CONNECTING PLATE	FOR 210DSS,DHS					1	
6		B1506210D00		CONNECTING LINK	FOR 210DSS,DHS					1	
7		B1502210D00		PRESSER PLATE	FOR 210DSS,DHS					1	
8		B1525210D00		PRESSER SHAFT	FOR 210DSS,DHS					1	
9		B1508210D00		PIN	FOR 210DSS,DHS					1	
10		B1509210D00		LINK GUIDE PLATE	FOR 210DSS,DHS					1	
11		B1520210D00A		PRESSER PLATE SHEET						1	
12		B1515210D00		PIN	FOR 210DSS,DHS					2	
13		B1516210D00		SCREW	FOR 210DSS,DHS					1	
14		B1522210D00		PRESSER PLATE(P-NEUMATIC TYPE)	FOR 210DSL,DHL					1	
15	D	B1510210D00		MAGNET LINK	FOR 210DSS,DHS					1	
16		B1511210D00		PRESSER LINK	FOR 210DSS,DHS					1	
17		B1530210D00		PRESSER PLATE SHEET WASHER	FOR 210DSS,DHS					3	
18		B1628210D0B		SOLENOID	FOR 210DSS,DHS					1	
19		B1701210000		LOWERING SHAFT	FOR 210DSS,DHS					1	
20	D	D3310555D00		RUBBER WASHER	FOR 210DSS,DHS					1	
21		B1513210D00		MAGNET PIN	FOR 210DSS,DHS					1	
22		D2468555B00		RUBBER PLUNGER	FOR 210DSS,DHS					1	
23		B1515210D00		PIN	FOR 210DSS,DHS					2	
24		CS1701011SZ		THRUST COLLAR D=17 W=10	FOR 210DSS,DHS					1	
25		PH0500322C0		PIN 5X32	FOR 210DSS,DHS					1	
26		SB108000500		RADIAL BEARING	FOR 210DSS,DHS					1	
27		SB716000200		BEARING	FOR 210DSS,DHS					1	
28		SD0800341SP		HINGE SCREW D=8 H=3.4	FOR 210DSS,DHS					1	
29		SD0790601SP		HINGE SCREW D=7.94 H=6	FOR 210DSS,DHS					1	
30		SD0720331SP		HINGE SCREW D= 7.24 H= 3.3	FOR 210DSS,DHS					2	
31		SD0800341SP		HINGE SCREW D=8 H=3.4	FOR 210DSS,DHS					1	
32		SD0790501SP		HINGE SCREW D=7.94 H=5	FOR 210DSS,DHS					1	
33		SD0800422CP		HINGE SCREW D= 8 H= 4.2	FOR 210DSS,DHS					1	
34		SM6051202TP		SCREW M5X0.8 L=12						4	
35		SM8060612TP		SCREW M6 L=6	FOR 210DSS,DHS					4	
36		SS7110840SP		SCREW 11/64-40 L=7.8	FOR 210DSS,DHS					4	
37		SS7151210SP		SCREW 15/64-28L=12	FOR 210DSS,DHS					2	
38		SS8120740SP		SCREW 3/16-28 L=7	FOR 210DSS,DHS					1	
39		SS8120740SP		SCREW 3/16-28 L=7	FOR 210DSS,DHS					1	
40		SS9120910TP		SCREW 3/16-28 L=9	FOR 210DSL,DHL					4	
41		WP0531001SC		WASHER						4	
42		WP0850002SP		WASHER 8.5X18X1.6	FOR 210DSS,DHS					1	
43		WP0621016SH		WASHER	FOR 210DSS,DHS					1	
44		SM6060802TP		SCREW M6 L=8						1	
45		HK03461002D		HOUSING	FOR 210DSS,DHS					1	
46		B1701210D00		LOWERING LEVER SHAFT						1	



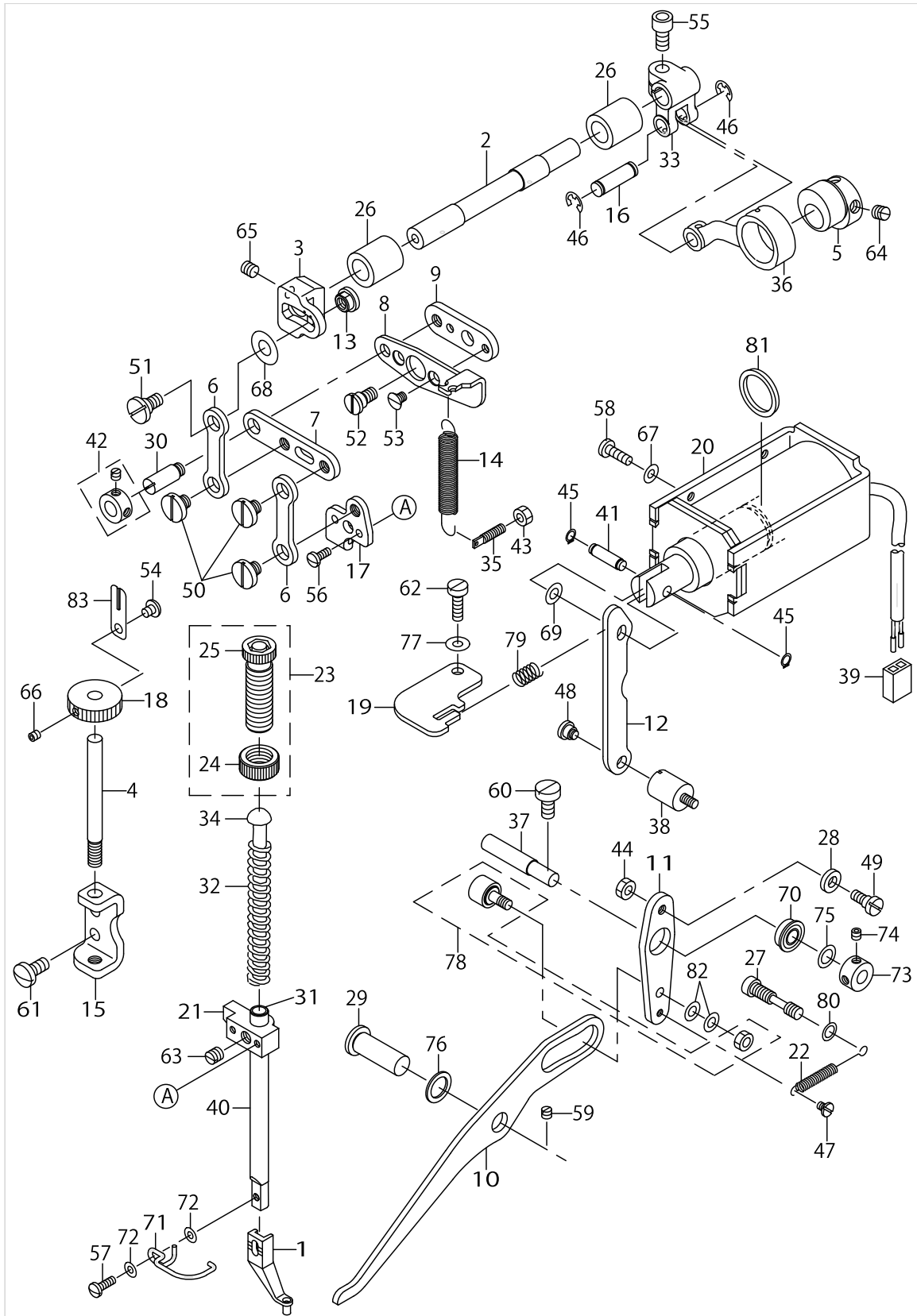
PRESSER PLATE & MANUAL PRESSER MECHANISM COMPONENTS



PRESSER PLATE & MANUAL PRESSER MECHANISM COMPONENTS

No.	Supply Code	Parts No.	Replacement	Parts name	Remarks	Choice	Step	Level	Cons	Qty	Rep. QTY
47	D	B1702210D00		LOWERING LEVER						1	
48		B1703210D00		LOWERING PLATE						1	
49		22924005		PUMP BODY STRUT						1	
50		B1526804000		SPRING						1	
51		NM6050001SD		NUT M5X0.8						1	
52		WP0641601SC		WASHER						1	
53		WP2232916SZ		WASHER	FOR 210DSS,DHS					1	
54		HX00223000A		BUSHING						1	
55		B1531210D00		PRESSER PLATE FITTING SHEET						1	
56		12210803		SPRING	FOR 210DSS,DHS					1	
57		RO137230100		RUBBER RING	FOR 210DSS,DHS					1	
58	D	B3511210D00A		BED OIL PREVENTION PLATE	FOR 210DSS,DHS					1	
59	D	B3511210D0AA		BED OIL PREVENTION PLATE	FOR 210DSL,DHL					1	
60		WP0520656SA		WASHER 5.2X9.5X0.6	FOR 210DSL,DHL					4	

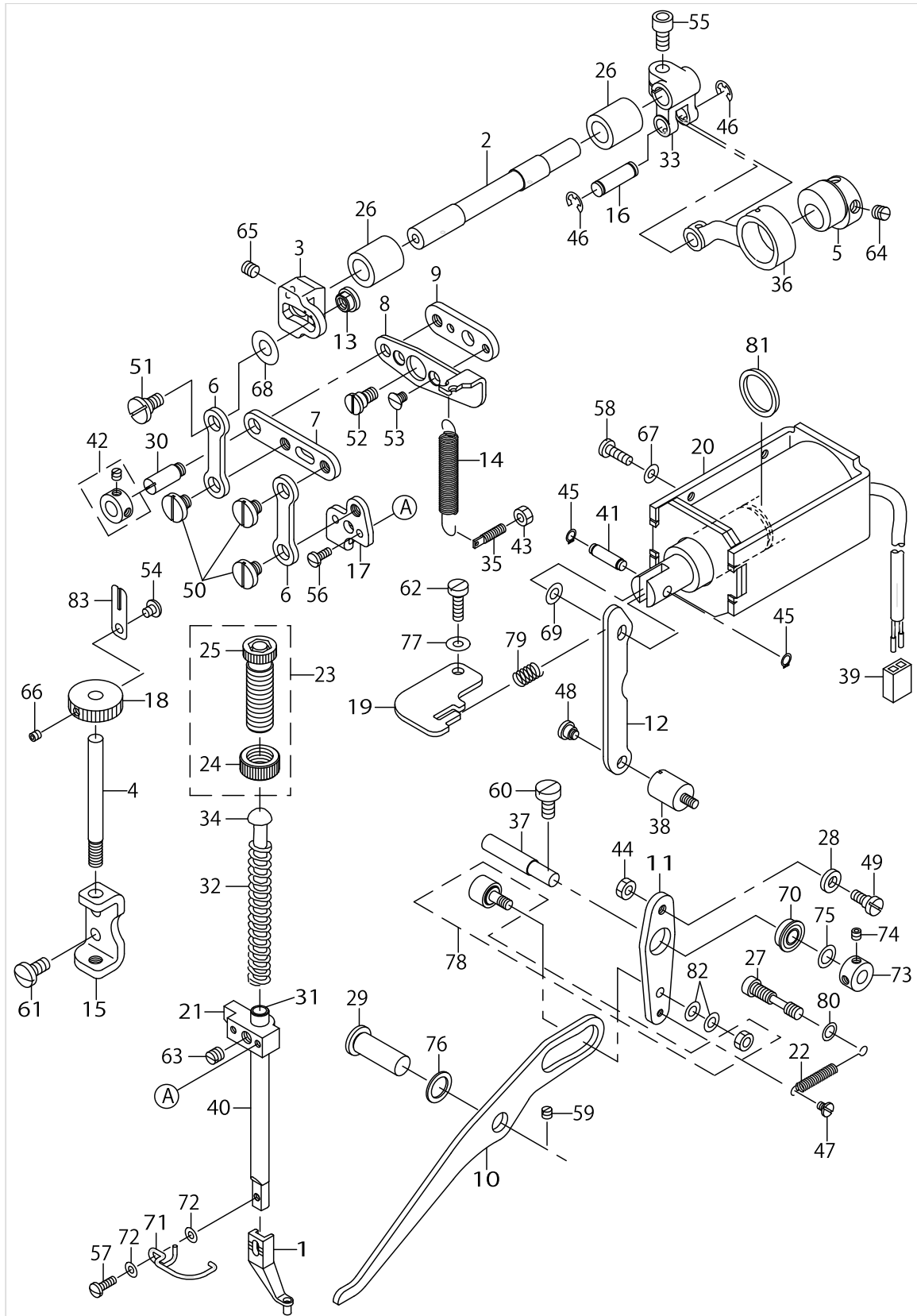
PRESSER MECHANISM COMPONENTS



PRESSER MECHANISM COMPONENTS

No.	Supply Code	Parts No.	Replacement	Parts name	Remarks	Choice	Step	Level	Cons	Qty	Rep. QTY
1	R	B1601210D00A	40023632	INTERMEDIATE PRESSER A						1	1.00
2	D	B1604210D00		INTERMEDIATE PRESSER SHAFT						1	
3	D	B1603210D00		ADJUSTING ARM						1	
4		B1630210D00		ADJUSTING SHAFT						1	
5	R	B1609210D00	B1609210DA0	ECCENTRIC CAM						1	1.00
6		B1612210D00		INTERMEDIATE PRESSER LINK,A						2	
7		B1610210D00		INTERMEDIATE PRESSER LINK,B						1	
8		B1606210D00		POSITIONING LINK A						1	
9		B1607210D00		POSITIONING LINK B						1	
10	D	B1620210D00		LIFTING LINK A						1	
11	D	B1621210D00A		LIFTING LINK B						1	
12		B1622210D00		LIFTING LINK C						1	
13		B1633210D00		ADJUSTING NUT						1	
14		B1642210D00		INTERMEDIATE PRE- SSER SPRING B						1	
15		B1632210D00		ADJUSTING SHAFT BRACKET						1	
16		B1627210D00		ROD CONNECTING SHAFT						1	
17		B1611210D00		LINK CONNECTING PLATE						1	
18		B1631210D00		HEIGHT ADJUSTING KNOB						1	
19		B1629210D00A		INNERPRESSER MA- GNET STOPPER						1	
20		B1628210D0B		SOLENOID						1	
21		22907208		PRESSER BAR GUIDE BRACKET						1	
22	R	11010303	11010311	FEED REVERSE SPRING						1	1.00
23		22907554		PRESSER SPRING REG NUT ASM.						1	
24	R	22907604	22907554	PRESSER SPRING REGULATOR NUT				*		1	1.00
25	R	22907505	22907554	PRESSER SPRING REGULATOR				*		1	1.00
26	R	11847308	B1602141H00	BUSHING, REAR						1	1.00
27		B1614210D00		SPRING RACK						1	
28		13722509		DRIVING SAFETY ROLLER						1	
29		B1641562000		FEED REGULATING ARM SHAFT						1	
30		B1408180000		HINGE SCREW						1	
31		26502906		INNER PRESSER BAR						1	
32		B161121000A		INNER PRESSER SPRING.						1	
33	R	12284303	13122403	FORKED LINK						1	1.00
34		B1629224000		PRESSER GUIDE BAR						1	
35	R	B1649161000	26226506	TENSION SPRING A- DJUSTING SCREW						1	1.00
36	R	B2102816000A	12284105	CHAIN LOOPER ROD (22MM)						1	1.00
37		B1615210D00		LIFTINGLINKB SHAFT						1	
38	R	B8404352000	40101368	BELT COVER SUPPORT STUD						1	1.00
39		HK03461002E		CONNECTOR						1	
40	R	D1510491D00	40014007	BUSHING, LOWER						1	1.00
41		B1626210D00		PIN						1	
42		CS079073ASH		THRUST COLLAR ASM.						1	
43		NS6110310SP		NUT 11/64-40						1	
44		NS6620310SP		NUT 3/16-32						1	
45		RC0470611KP		RETAINING RING 4.7						2	

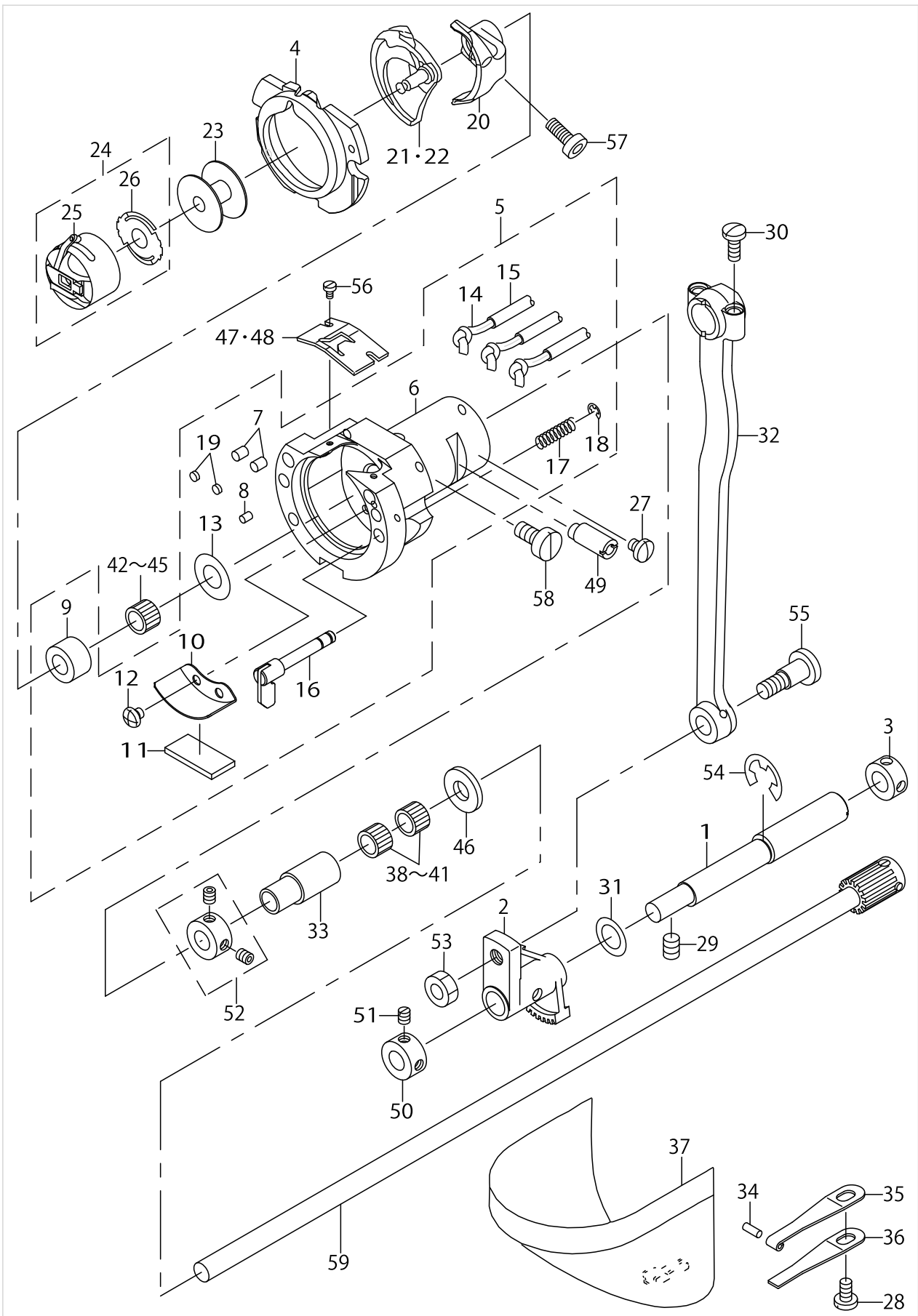
PRESSER MECHANISM COMPONENTS



PRESSER MECHANISM COMPONENTS

No.	Supply Code	Parts No.	Replacement	Parts name	Remarks	Choice	Step	Level	Cons	Qty	Rep. QTY
46		RE050000K0		E-RING						2	
47		SD0400191TP		HINGE SCREW D=4 H=1.9						1	
48		SD0640321SP		HINGE SCREW D= 6.35 H= 3.2						1	
49		SD0600402TP		HINGE SCREW D= 6 H= 4						1	
50		SD0800331TH		HINGE SCREW D=8 H=3.25						3	
51		SD0800402TP		HINGE SCREW D= 8 H= 4						1	
52		B1605210D00		HINGE SCREW						1	
53		SS1110640TP		SCREW 11/64-40 L= 5.5						2	
54		SS6110610TP		SCREW 11/64-40 L=6						1	
55		SM6061202TP		SCREW M6 L=12						1	
56	R	SS7090910SP	SS7090910TP	SCREW 9/64-40 L=8.5						2	1.00
57	R	SS7091110SP	SS7091110TP	SCREW 9/64-40 L=10.5						1	1.00
58	R	SS7111410SP	SS7111410TP	SCREW 11/64-40 L=14						2	1.00
59		SS8120410SP		SCREW 3/16-28 L=3.8						1	
60		SS6151220SP		SCREW 15/64-28 L=11.5						1	
61		SS7151210SP		SCREW 15/64-28 L=12						2	
62		SS6121610SP		SCREW 3/16-28 L=15.5						1	
63		SS8660610TP		SCREW 1/4-40 L=6						1	
64		SS8660610TP		SCREW 1/4-40 L=6						2	
65		SM8060602TP		SCREW M6X6						1	
66		SM8040412TP		SET SCREW M4 L=4						1	
67		WP0480856SP		WASHER 4.8X8.4X0.8						2	
68		WP0611626SP		WASHER 15X6X1.6						1	
69		WP0611626SP		WASHER 15X6X1.6						1	
70		SB107000100		BEARING						1	
71		B1634210D00		FINGER GUARD						1	
72		WP0430800SC		WASHER M4						2	
73		CS0700811SH		THRUST COLLAR D=7 W=8						1	
74		SS8110422TP		SCREW 11/64-40 L=4						2	
75		WP0740516SP		WASHER 7.4X11.8X0.5						1	
76		26226001		WASHER						1	
77		WP0482086SD		WASHER 4.8X11.5X2						1	
78		B1619210D00		CAM FOLLOWER						1	
79		B1673180000		SPRING						1	
80		WP0621026SP		WASHER 6.2X9.5X1						1	
81		B1652210D00		GASKET						1	
82		WP0531000SD		WASHER M5						2	
83		13717707		ROCKING ADJUSTING SCREW STOPPE						1	

SHUTTLE DRIVER SHAFT COMPONENTS

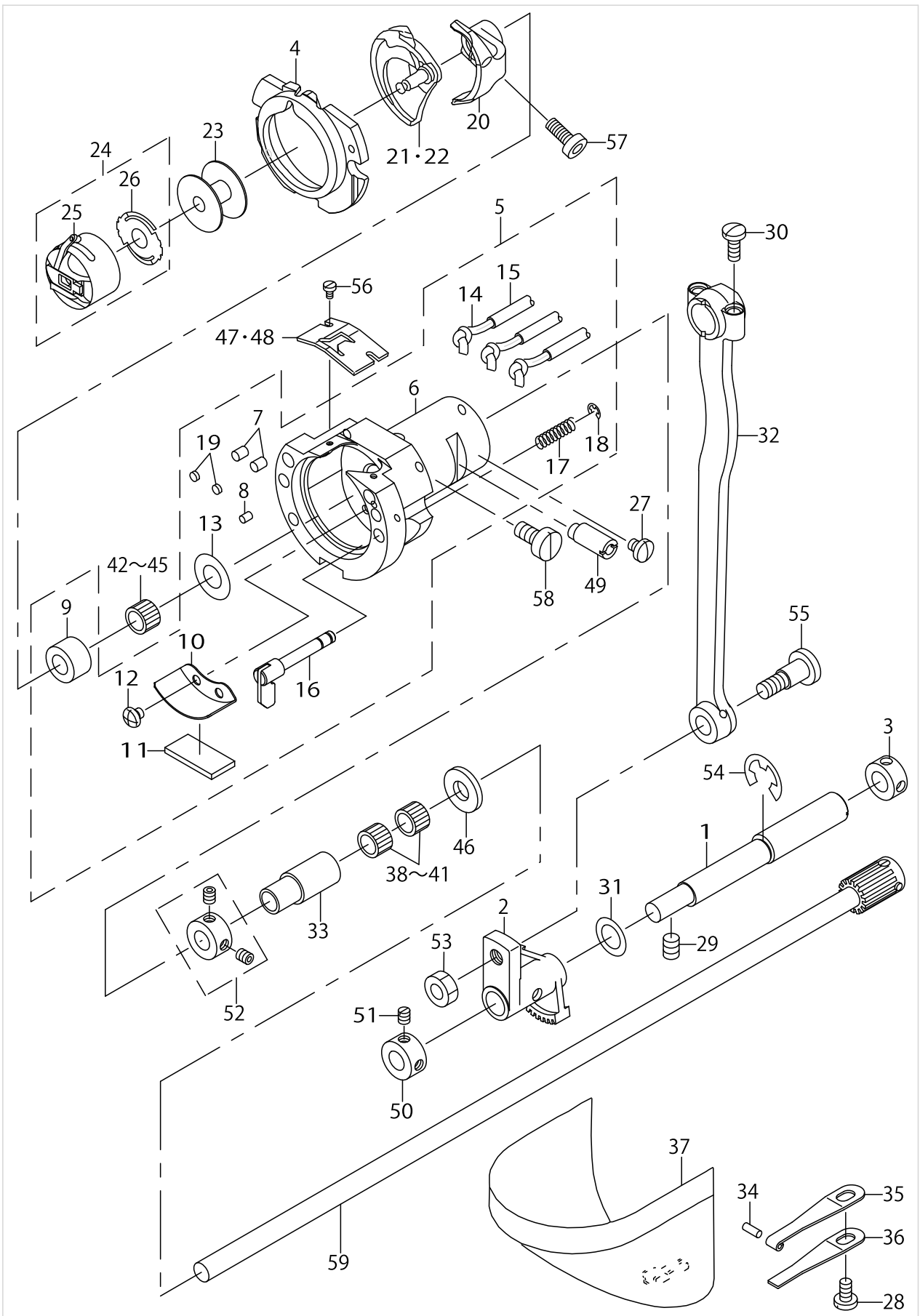


SHUTTLE DRIVER SHAFT COMPONENTS

No.	Supply Code	Parts No.	Replacement	Parts name	Remarks	Choice	Step	Level	Cons	Qty	Rep. QTY
1		B1836210D00		OSCILLATING ECCENTRIC SHAFT						1	
2	R	B1805210D00	14103402	OSCILLATOR						1	1.00
3		CS1201010SH		THRUST COLLAR ASM. D=12 W=10						1	
4	R	B1817210DAB	14103352	SHUTTLE RACE RING COMPL.,B						1	1.00
5	D	B1814210DA0		SHUTTLE ASM.						1	
6		B1814210D00		SHUTTLE				*		1	
7		B1820210D00		SHUTTLE OIL FELT,A				*		2	
8		B1821210D00		SHUTTLE OIL FELT,B				*		1	
9		B1813980000		SHUTTLE NEEDLE OUTER RING				*		1	
10		26231100		SHUTTLE LUBRICATING PLATE				*		1	
11		B3504280000		SHUTTLE FELT				*		1	
12		SS4090415SP		SCREW 9/64-40 L=4				*		2	
13		WP0952616SD		WASHER 9.5X14.8X2.6				*		1	
14		CQ252200000		OIL WICK				*		1.3	
15		BP300000000		VINYL PIPE				*		0.8	
16		26501858		INNER HOOK PRESSER ASM.				*		2	
17		B1822215P00		INNER HOOK PRESSER SPRING				*		2	
18		RE0300000K0		E-RING 3				*		2	
19		13529607		SHUTTLE PACKING				*		2	
20		B1812210D00		SHUTTLE DRIVER						1	
21		B1818210D0A		SHUTTLE	FOR 210DSS,DSL					1	
22		B1818210D0B		SHUTTLE,H	FOR 210DHS,DHL					1	
23		B1806210D00		BOBBIN						1	
24		B1828210DAA		BOBBIN CASE ASM.						1	
25		B1828210D0A		BOBBIN CASE				*		1	
26		B1808210D00		SPRING				*		1	
27		SS7110510SP		SCREW 11/64-40 L=5						1	
28		SS7110840SP		SCREW 11/64-40 L=7.8						1	
29		SS8150822TP		SCREW 15/64-28 L=8						2	
30		SS7111110TP		SCREW 11/64-40 L=10.5						2	
31		10523504		WASHER						1	
32	R	B1802210D00	B1802210DA0	CRANK ROD						1	1.00
33		13508403		LOWER SHAFT REAR METAL						1	
34		13508700		HOOK COVER PRESSER SPRING PIN						1	
35		26221101		HOOK COVER PRESSER SPRING A						1	
36		26221200		HOOK COVER PRESSER SPRING B						1	
37	R	13816855	40142674	HOOK COVER ASM.						1	1.00
38		B1411804A00		BEARING (A)	SELECTIVE PARTS					2	
39		B1411804B00		NEEDLE DRIVING L-EVER BEARING B	SELECTIVE PARTS					2	
40		B1411804C00		NEEDLE DRIVING L-EVER BEARING C	SELECTIVE PARTS					2	
41		B1411804D00		BEARING (D)	SELECTIVE PARTS					2	
42		B1411804A00		BEARING (A)	SELECTIVE PARTS					1	
43		B1411804B00		NEEDLE DRIVING L-EVER BEARING B	SELECTIVE PARTS					1	
44		B1411804C00		NEEDLE DRIVING L-EVER BEARING C	SELECTIVE PARTS					1	



# SHUTTLE DRIVER SHAFT COMPONENTS



SHUTTLE DRIVER SHAFT COMPONENTS

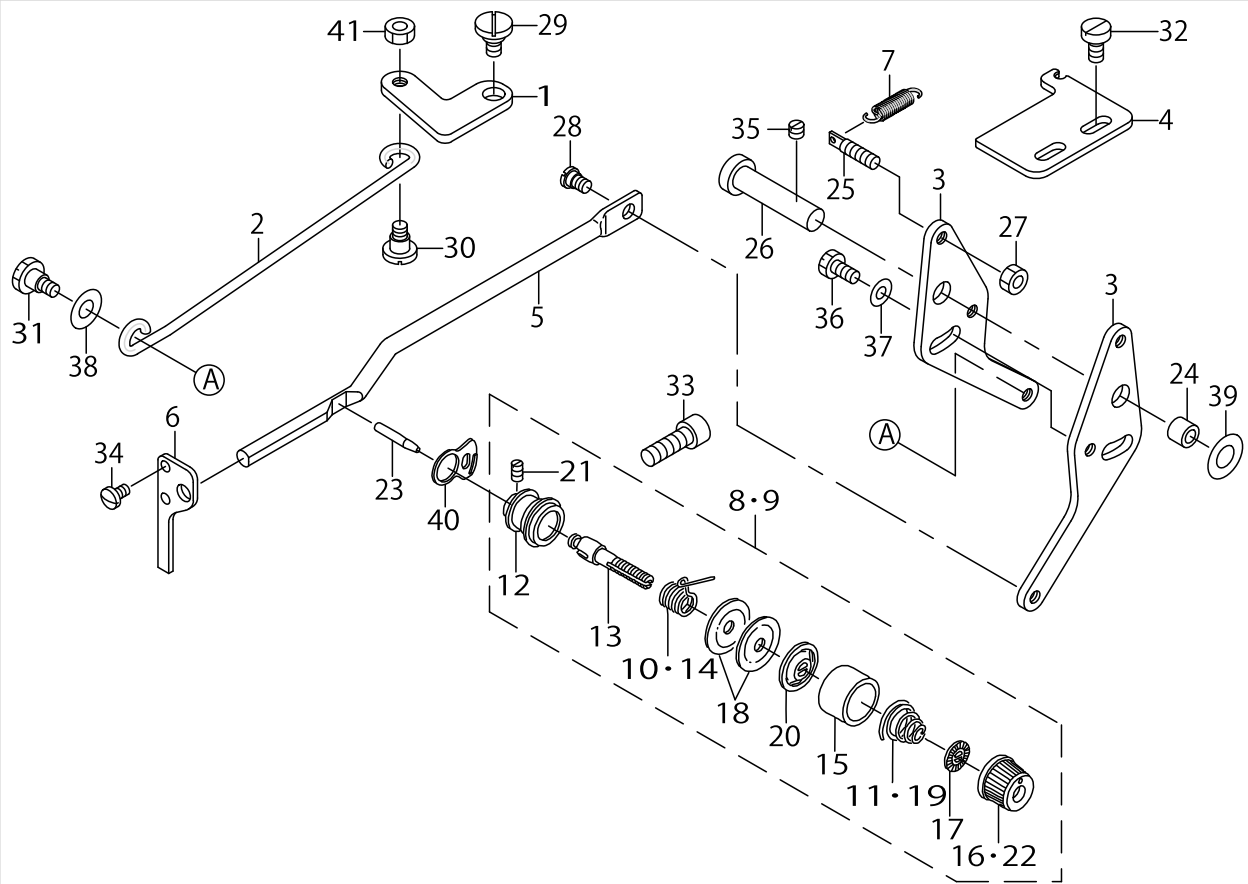
No.	Supply Code	Parts No.	Replacement	Parts name	Remarks	Choice	Step	Level	Cons	Qty	Rep. QTY
45		B1411804D00		BEARING (D)	SELECTIVE PARTS					1	
46		B1808980000		LOWER SHAFT THRUST WASHER						1	
47	R	B1815980000	26222109	SHUTTLE UPPER SPRING	FOR 210DSS,DSL					1	1.00
48		B1815210000		INNER HOOK UPPER SPRING	FOR 210DHS,DHL					1	
49		26222208		SHUTTLE RACE AD- JUSTING SHAFT						1	
50		CS1000811SP		THRUST COLLAR						1	
51		SS8110520TP		SCREW 11/64-40 L= 4.5						2	
52		CS080081CSH		THRUST COLLAR ASM. D=8.0 W=8						1	
53		NS6660430SP		NUT 1/4-40						1	
54		RE0900000K0		E-RING 9						1	
55		SD0801021TP		HINGE SCREW D= 8 H=10.2						1	
56		SS6060410TP		SCREW 3/32-56 L=3.5						2	
57		SS6121212TP		SCREW 3/16-28 L=12.0						1	
58		SS6151220SP		SCREW 15/64-28 L=11.5						1	
59	D	B1811210DA0		SHUTTLE DRIVER SHAFT ASM.						1	



WIPER MECHANISM COMPONENTS

No.	Supply Code	Parts No.	Replacement	Parts name	Remarks	Choice	Step	Level	Cons	Qty	Rep. QTY
1		B2107210DA0		WIPER ASM.						1	
2		B2107210D00		WIPER				*		1	
3		B2111210D00		WIPER SHAFT CAP				*		1	
4		22955504		WIPER COVER				*		1	
5		40034676		WIPER BASE ASM				*		1	
6	R	11110301	40106936	WIPER SOLENOID				*		1	1.00
7		22955900		WIPER RUBBER A				*		1	
8		22956007		WIPER RUBBER B				*		1	
9		22956106		WIPER LINK A				*		1	
10		22956205		WIPER HINGE SCREW COLLAR				*		1	
11		B2130210D00		WIPER SPRING				*		1	
12		22956403		WIPER LINK B				*		1	
13	R	11111051	40041419	WIPER DRIVING SHAFT ASM.				*		1	1.00
14		22956908		WIPER LINK B HINGE SCREW				*		1	
15		22957104		WIPER SOLENOID SHAFT				*		1	
16		22957203		WIPER LINK COLLAR				*		1	
17		HK034610020		2-POLE NYLON PLUG				*		1	
18		HK03464000B		PIN CONTACT				*		2	
19		HA000590000		POWER SWITCH				*		1	
20		HW200390000		ELECTRIC WIRE				*		0.1	
21		HW500070000		2-CORE CABTYRE CORD				*		1.2	
22		WS0310002KR		SPRING WASHER 3.1X5.9X0.7				*		3	
23		NS6090310SP		NUT 9/64-40				*		1	
24		NS6110310SP		NUT 11/64-40				*		1	
25		RE0250000K0		E-RING 2.5				*		1	
26		RE0500000K0		E-RING				*		1	
27		SS6090620TP		SCREW				*		1	
28		SS8110422TP		SCREW 11/64-40 L=4				*		1	
29		SD0650321TP		HINGE SCREW D=6.5 H=3.2				*		1	
30		SM4030601SN		SCREW M3 X 6				*		1	
31		SM4030601SN		SCREW M3 X 6				*		3	
32		WP0320501SC		WASHER M3				*		1	
33		B2110210D00		WIPER SHAFT SUPPORT BRACKET						1	
34		17700402		FACE COVER JOINT						1	
35	R	B3549850000	40009384	LOOPER COVER OIL SHIELD STUD						1	1.00
36		SS7110840SP		SCREW 11/64-40 L=7.8						2	
37	R	SS7110910SP	SS7110910TP	SCREW 11/64-40 L=8.5						2	1.00
38		WP0450801SD		WASHER 4.5X10X0.8						2	
39		WP0482086SD		WASHER 4.8X11.5X2						1	

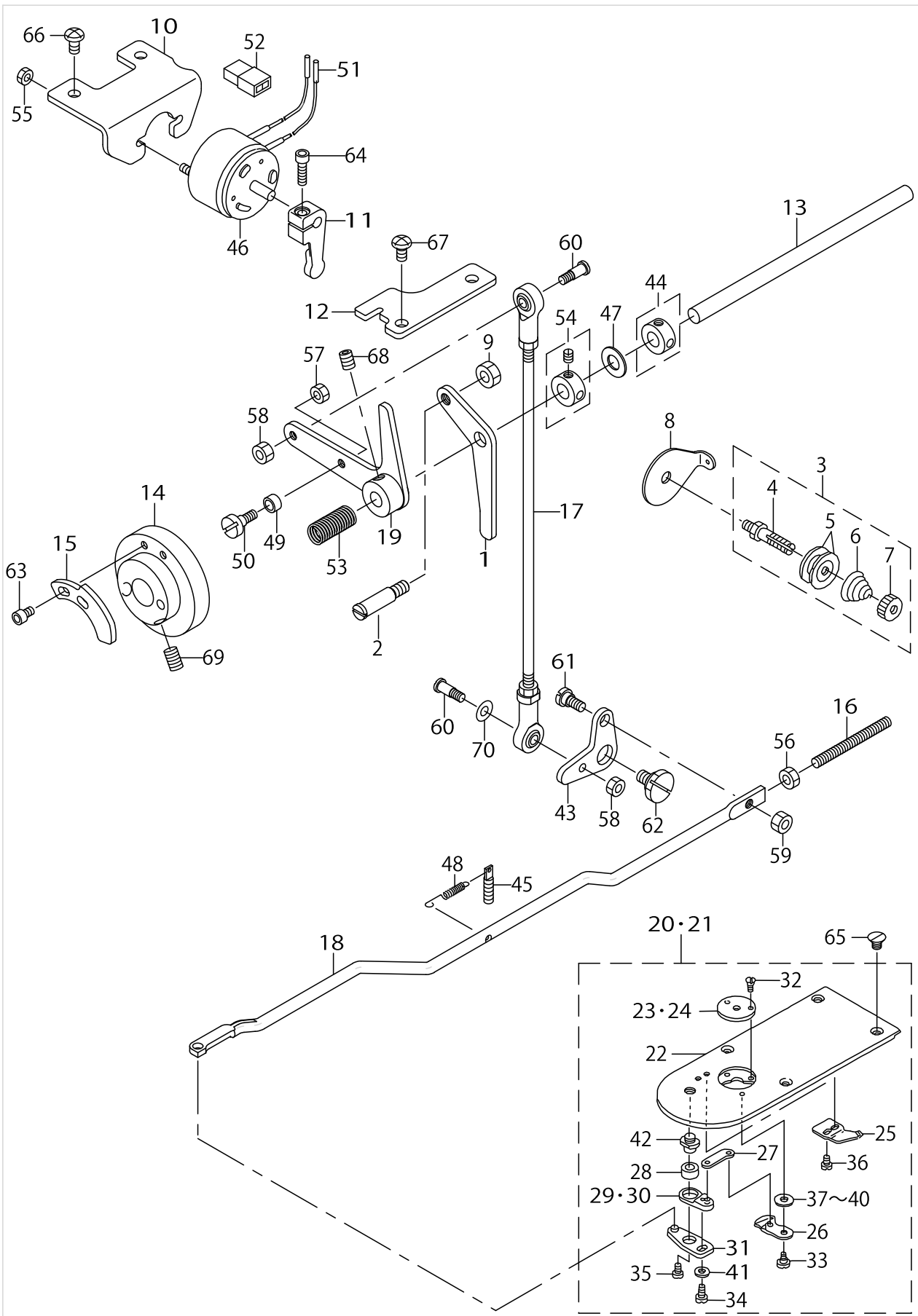
TENSION RELEASE & THREAD TENSION COMPONENTS



TENSION RELEASE & THREAD TENSION COMPONENTS

No.	Supply Code	Parts No.	Replacement	Parts name	Remarks	Choice	Step	Level	Cons	Qty	Rep. QTY
1		B2304210D00		TENSION RELEASE LINK						1	
2		B2308210D00		TENSION RELEASE CONNECTING ROD						1	
3		26500900		TENSION RELEASE ADJUSTING ARM						2	
4		B2315210D00		STOPPER PLATE						1	
5	D	13513205		TENSION RELEASE BAR						1	
6	R	13513304	26218404	THREAD TENSION ARM						1	1.00
7		13716808		SPRING						1	
8		B23022800A0		SECOND THREAD TENSION ASM.	FOR 210DSS,DSL					1	
9		B23022050AA		SECOND THREAD TENSION.	FOR 210DHS,DHL					1	
10		D3112L4BB00		TAKE-UP SPRING (HEAVY)	FOR 210DHS,DHL			*		1	
11		B2305205000		TENSION SPRING	FOR 210DHS,DHL			*		1	
12		B2313280000		THREAD TENSION ROD, LARGE				*		1	
13		B2302280000		SECOND THREAD TENSION ROD				*		1	
14		B3112761000		THREAD TAKE-UP SPRING	FOR 210DSS,DSL			*		1	
15		B3107804000		THREAD TENSION DISK PRESSER	FOR 210DSS,DSL			*		1	
16	R	B3119771000	13817408	THREAD TENSION NUT	FOR 210DSS,DSL			*		1	1.00
17		B3120125000		ROTATING STOPPER				*		1	
18	R	B3126012000	22921506	THREAD TENSION DISK				*		2	1.00
19		B3114232000		THREAD TENSION SPRING	FOR 210DSS,DSL			*		1	
20		B3132552000		THREAD TENSION DISK PRESSER				*		1	
21		SS8090610SP		SCREW 9/64-40 L=5.9				*		1	
22		13817408		THREAD TENSION NUT	FOR 210DHS,DHL			*		1	
23		B2303280000		TENSION RELEASE PIN						1	
24	R	B2619372000	26028803	STOP MOTION TRIPPING LEVER CAM						1	1.00
25	R	B1649161000	26226506	TENSION SPRING ADJUSTING SCREW						1	1.00
26		D2431555B00		THREAD TRIMMER SHAFT						1	
27		NS6110310SP		NUT 11/64-40						1	
28		SD0530221SP		HINGE SCREW D= 5.3 H= 2.2						1	
29		SD0720321TP		HINGE SCREW						1	
30		SD0640391TP		HINGE SCREW D= 6.35 H= 3.9						1	
31		SD0640482SP		HINGE SCREW D= 6.35 H= 4.8						1	
32		SS6120940SP		SCREW 3/16-28 L=9						2	
33		SS6151812TP		SCREW 15/64-28 L=18						1	
34		SS7090620TP		SCREW 9/64-40 L=6.1						2	
35		SS8120410SP		SCREW 3/16-28 L=3.8						1	
36		SS9110920CP		SCREW 11/64-40 L=9						1	
37		WP0482086SD		WASHER 4.8X11.5X2						1	
38		WP0651056SD		WASHER 6.5X11X1						1	
39		WP0841600SE		WASHER 8,4X15,5X1,6						1	
40		B2702210000		GUIDE PLATE						1	
41		NS6120310SP		NUT 3/16-28						1	

TENSION RELEASE & THREAD TRIMMER MECHANISM COMPONENTS

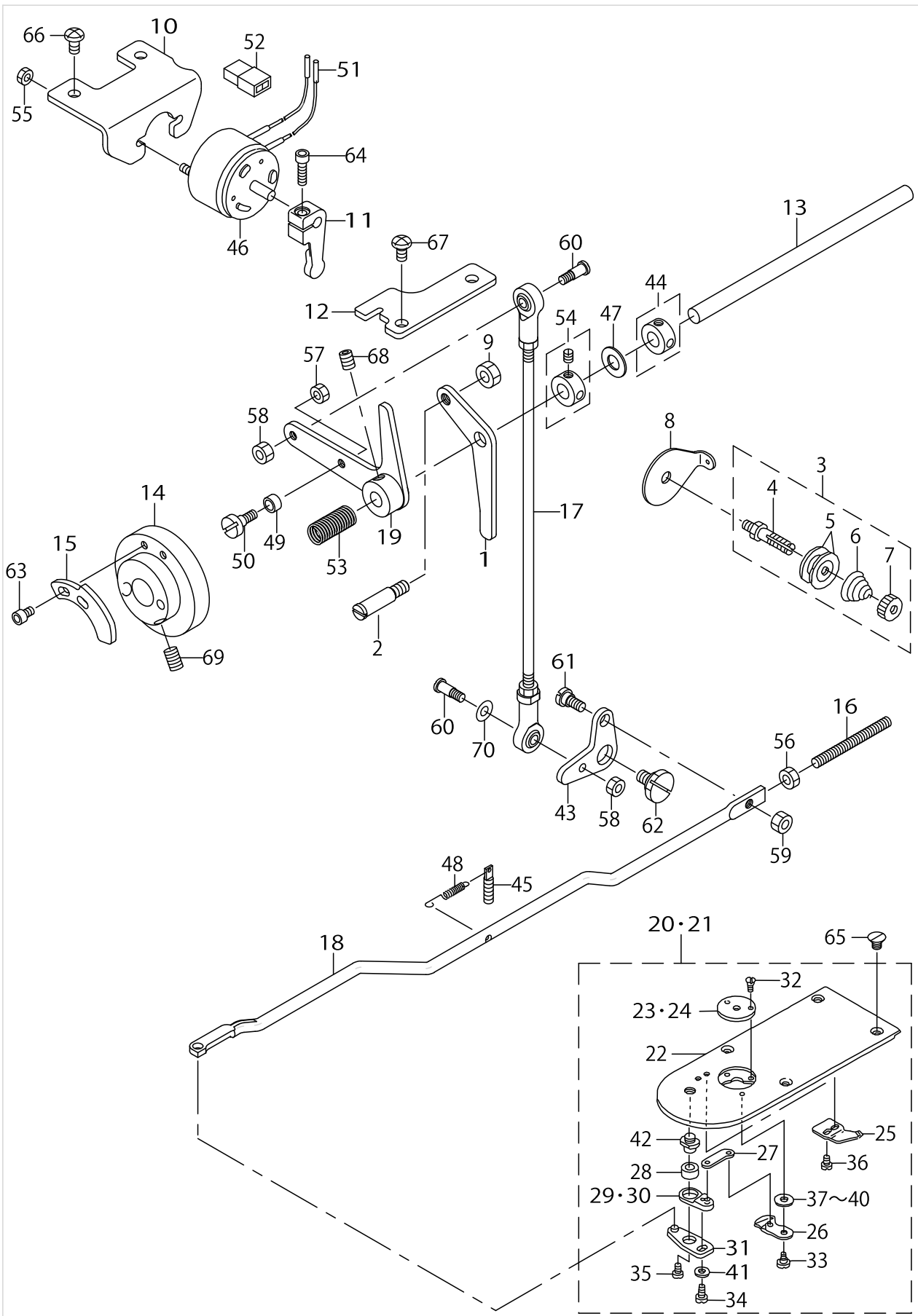


TENSION RELEASE & THREAD TRIMMER MECHANISM COMPONENTS

No.	Supply Code	Parts No.	Replacement	Parts name	Remarks	Choice	Step	Level	Cons	Qty	Rep. QTY
1	D	B2301210D00		TENSION RELEASE ARM						1	
2	R	14107809	26500504	TENSION RELEASE ARM PIN						1	1.00
3	R	B11152320A0	26218651	FIRST THREAD TENSION ASM.						1	1.00
4	R	B3123352000	26220400	THREAD TENSION ROD				*		1	1.00
5	R	B3126012000	22921506	THREAD TENSION DISK				*		2	1.00
6		B1115232000		FIRST THREAD TENSION SPRING				*		1	
7	R	B3125012000	22928808	THREAD TENSION NUT				*		1	1.00
8		B3111352000		UPPER LOOPER THREAD GUIDE						1	
9		NS6150310SP		NUT 15/64-28						1	
10	D	B2402210D00		MAGNET INSTALLING PLATE						1	
11		B2409210D00		THREAD TRIMMER MAGNET ARM						1	
12		B2412210D00		CAM INSTALLING LINK STOPPER						1	
13		B2408210D00		THREAD TRIMMER SHAFT						1	
14		B2401210D00		THREAD TRIMMER CAM						1	
15		B2312210D00		TENSION RELEASE NOTCH						1	
16		B2440210D00		LINK STOPPER SCREW						1	
17	D	B2407210D00		THREAD TRIMMER CONNECTING ROD						1	
18		B2413210D00		THREAD TRIMMER CONNECTING BAR						1	
19		B2404210DA0		CAM INSTALLING LINK						1	
20		B2425210DAA		NEEDLE PLATE ASM.	FOR 210DSS,DSL					1	
21		B2425210DAB		NEEDLE PLATE H ASM.	FOR 210DHS,DHL					1	
22		B2425210000		NEEDLE PLATE				*		1	
23		B242621000A		NEEDLE HOLE GUIDE D=1.6	FOR 210DSS,DSL			*		1	
24		B242621000B		NEEDLE HOLE GUIDE D=2.0	FOR 210DHS,DHL			*		1	
25		B2424210000		COUNTER KNIFE				*		1	
26		B2421210AA0		MOVING KNIFE COMPL.				*		1	
27		B2418280000		MOVING KNIFE LINK				*		1	
28		B2416280000		THREAD CUTTING LEVER RING				*		1	
29		B24152800A0		THREAD CUTTER L- EVER ASM., SMAL	FOR 210DSS,DSL			*		1	
30		B24162100A0		THREAD CUTTER S- MALL LEVER ASM.	FOR 210DHS,DHL			*		1	
31		B24142800A0		THREAD CUTTER L- EVER ASM., LARG				*		1	
32		SS1060210TP		SCREW 3/32-56 L=2.2				*		2	
33		B2417210000		MOVING KNIFE HINGE SCREW				*		1	
34		SS7110740TP		SCREW 11/64-40 L=7				*		1	
35		SS6110430TP		SCREW 11/64-40 L= 4.0				*		1	
36		SS7090410SP		SCREW 9/64-40 L=3.5				*		2	
37		B242328000A		MOVING KNIFE WASHER A	SELECTIVE PARTS			*		1	
38		B242328000B		MOVING KNIFE WASHER B	SELECTIVE PARTS			*		1	
39		B242328000C		MOVING KNIFE WASHER C	SELECTIVE PARTS			*		1	
40		B242328000D		MOVING KNIFE WASHER D	SELECTIVE PARTS			*		1	
41		WP0450846SP		WASHER				*		1	
42		B2417280000		THREAD CUTTER LEVER SHAFT				*		1	
43		B2411210000		THREAD TRIMMER LINK						1	
44		CS080081CSH		THRUST COLLAR ASM. D=8.0 W=8						1	



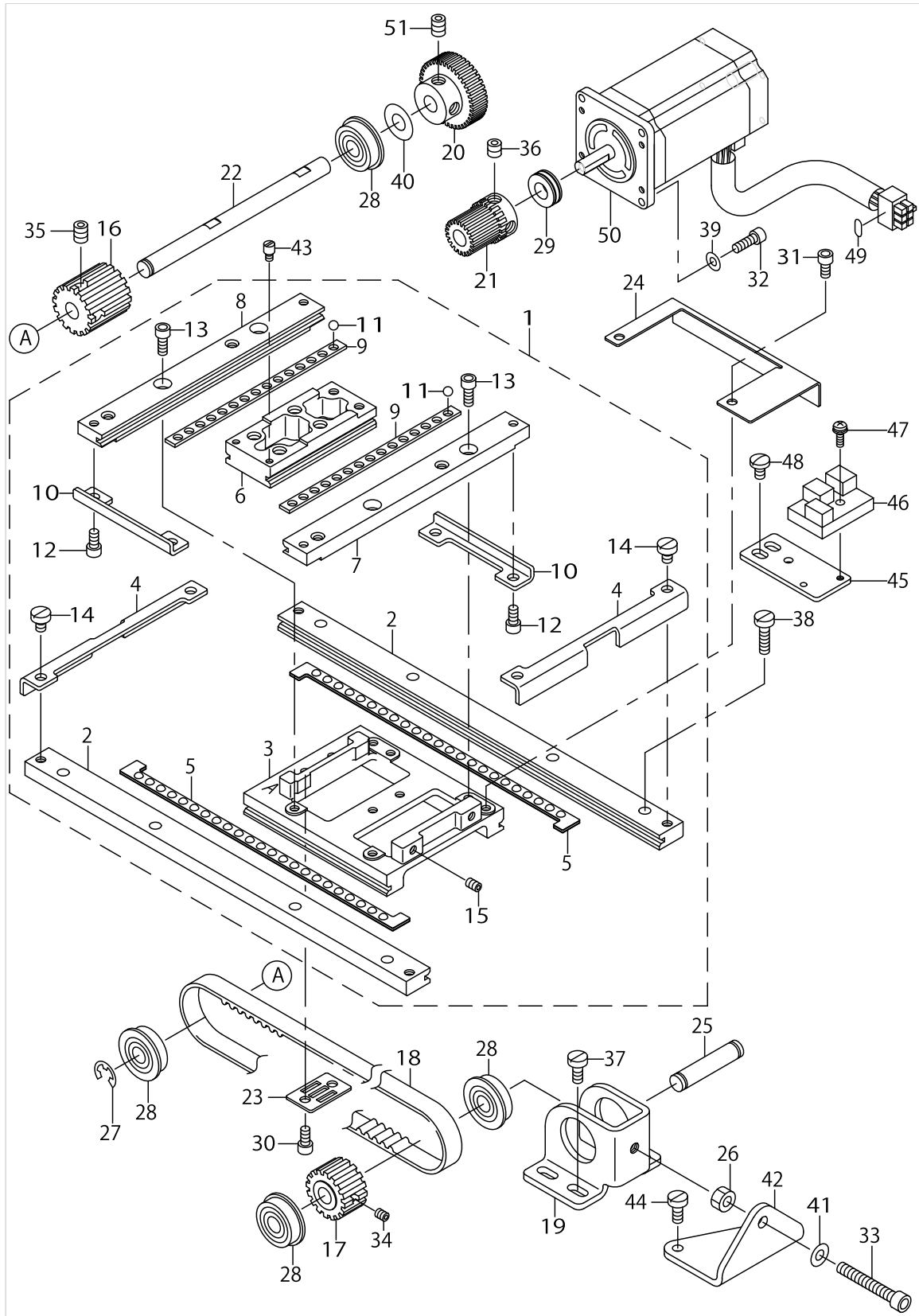
TENSION RELEASE & THREAD TRIMMER MECHANISM COMPONENTS



TENSION RELEASE & THREAD TRIMMER MECHANISM COMPONENTS

No.	Supply Code	Parts No.	Replacement	Parts name	Remarks	Choice	Step	Level	Cons	Qty	Rep. QTY
45	R	B1649161000	26226506	TENSION SPRING A-DJUSTING SCREW						1	1.00
46		B2303205000		SOLENOID						1	
47		B1116804000		CLOTH PLATE WASHER						1	
48		B2431215000		THREAD TRIMMER LINK SPRING						1	
49		D2587L8WB00		ROLLER						1	
50		D2588L8WB00		ROLLER SHAFT						1	
51		HK034630000		TERMINAL						2	
52		HK034620020		2P PLUG						1	
53		B2617771000		TRIPPING LEVER T-TENSION SPRING						1	
54		CS080081CSH		THRUST COLLAR ASM. D=8.0 W=8						1	
55		NM6040003SC		NUT M4						2	
56		NM6050001SP		NUT M5						1	
57		NS6110420SP		NUT 11/64-40						1	
58		NS6110420SP		NUT 11/64-40						2	
59		NS6120630SP		NUT 3/16-28						1	
60		SD0500803TP		HINGESCREWD=5H=8						2	
61		SD0650305TP		HINGE SCREW D= 6.5 H= 3						1	
62		SD1100301TP		HINGE SCREW H=11 W=3						1	
63		SM6040602TP		SCREW M4 L=6						2	
64		SM6041402TP		SCREW M4 L=14						1	
65		SS1110640TP		SCREW 11/64-40 L= 5.5						4	
66		SS4120915SP		SCREW 3/16-28 L=9						2	
67		SS4120915SP		SCREW 3/16-28 L=9						2	
68		SS8150822TP		SCREW 15/64-28 L=8						1	
69		SS8661012TP		SCREW						2	
70		WP0501016SD		WASHER 5X10.5X1						1	

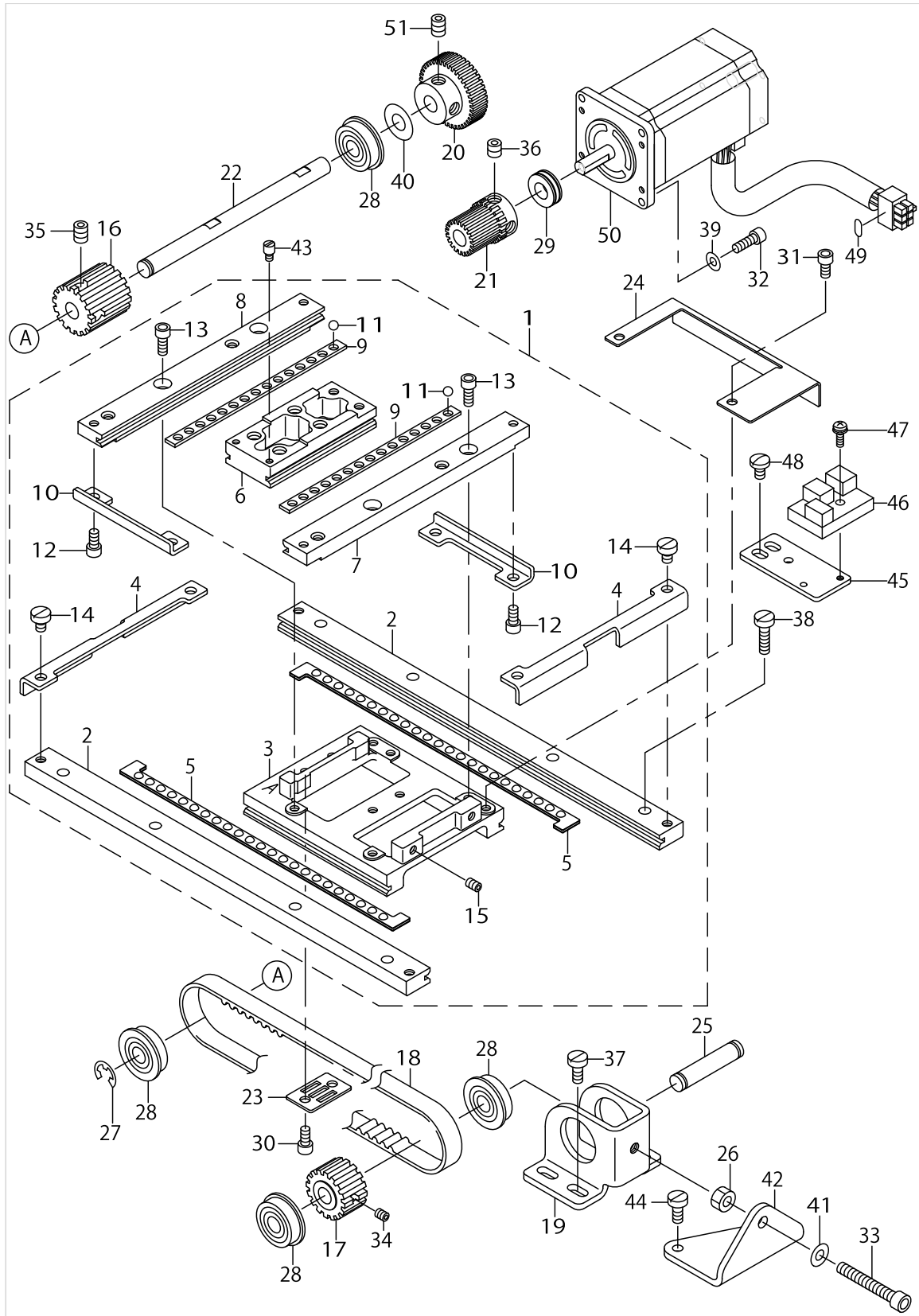
X-Y COMPONENTS (1)



X-Y COMPONENTS (1)

No.	Supply Code	Parts No.	Replacement	Parts name	Remarks	Choice	Step	Level	Cons	Qty	Rep. QTY
1	D	B2501210DA0A		X-Y TABLE ASM.						1	
2	D	B2501210D00		X FIXED RACE				*		2	
3		B2502210D00A		RACE TABLE				*		1	
4		B2507210D00		X STOPPER				*		2	
5		B2508210DA0		X BALL GAUGE ASM.				*		2	
6		B2519210D00		Y REMOVAL RACE				*		1	
7		B2520210D0A		Y FIXED RACE,RIGHT				*		1	
8		B2520210D0B		Y FIXED RACE,LEFT				*		1	
9		B2521210D00		Y BALL GAUGE				*		2	
10		B2522210D00		Y STOPPER				*		2	
11		B2527210000		BALL				*		30	
12		SM6040802TP		SCREW M4X0.7 L=8				*		4	
13		SM6041002TP		SCREW M4 L=10				*		4	
14		SS6110610TP		SCREW 11/64-40 L=6				*		4	
15		SM8040602TP		SCREW M4X0.7 L=6				*		2	
16		B2513210D00A		DRIVE SPROCKET						1	
17		B2514210D00A		DRIVEN SPROCKET						1	
18		B2512210D00A		X TIMING BELT						1	
19		B2505210D00		X DRIVEN BRACKET						1	
20		B2534210D00		X DRIVEN GEAR						1	
21		B2526210D00		X DRIVE GEAR						1	
22		B2506210D00		X DRIVE SHAFT						1	
23		B2509210D00		BELT RECEIVER						1	
24		B4007210D00		X SENSOR SLIT						1	
25	R	13518105	26223701	LIFTING LEVER SHAFT						1	1.00
26		NM6050001SP		NUT M5						1	
27		RE0600000K0		E-RING 6						1	
28		SB108000500		RADIAL BEARING						4	
29		SB408000100		BEARING						1	
30		SM6040802TP		SCREW M4X0.7 L=8						2	
31		SM6040602TP		SCREW M4 L=6						2	
32		SM6041202TP		SCREW M4X0.7 L=12						4	
33		SM6053502TP		BOLT						1	
34		SM8040502TP		SCREW M4X0.7 L=5						1	
35		SM8060802TP		SCREW M6 L=8						2	
36		SM8060602TP		SCREW M6X6						2	
37	R	SS6111010SP	SS6111010TP	SCREW 11/64-40 L= 9.5						4	1.00
38		SS6111620SP		SCREW 11/64-40 L=16.0						8	
39		WP0450846SP		WASHER						4	
40		WP0820526SD		WASHER 8.2X14X0.5						1	
41		WP0531001SC		WASHER						1	
42		B2530210D00		X BELT ADJUSTING BRACKET						1	
43		B151902600G		HINGE STUD						2	
44	R	SS6111010SP	SS6111010TP	SCREW 11/64-40 L= 9.5						2	1.00
45		B4004210D00		X SENSOR INSTALLING PLATE						1	
46		HD00057000A		PHOTO SENSOR						1	

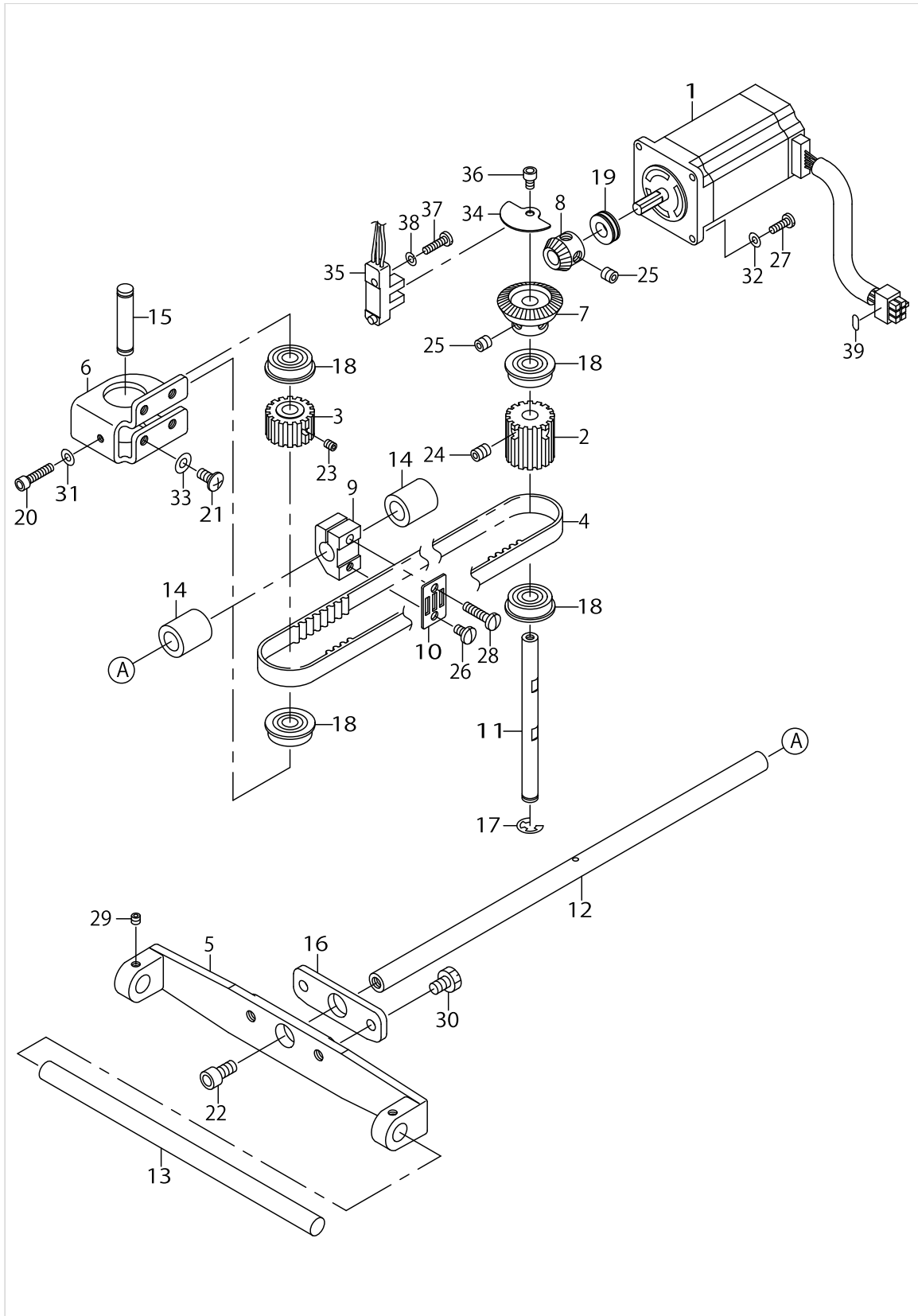
X-Y COMPONENTS (1)



X-Y COMPONENTS (1)

No.	Supply Code	Parts No.	Replacement	Parts name	Remarks	Choice	Step	Level	Cons	Qty	Rep. QTY
47		SL4031081SF		SCREW M3 L=10						1	
48		SS7110710SP		SCREW 11/64-40 L=7						2	
49		E2650453000		CONNECTOR MARKER J50						1	
50		B2529210D00		FEED STEPPING MOTOR						1	
51		SM8060802TP		SCREW M6 L=8						2	

X-Y COMPONENTS (2)

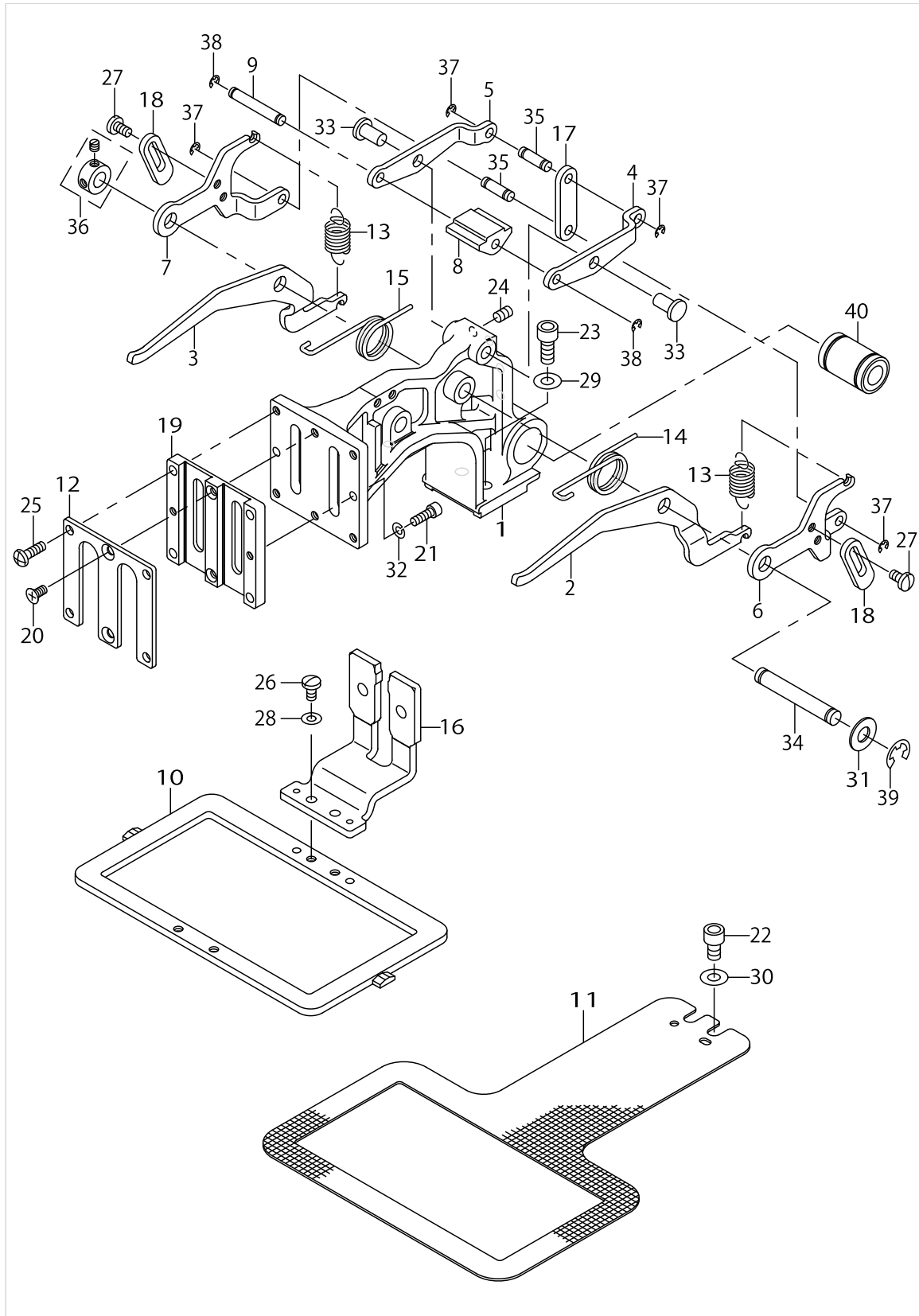


X-Y COMPONENTS (2)

No.	Supply Code	Parts No.	Replacement	Parts name	Remarks	Choice	Step	Level	Cons	Qty	Rep. QTY
1		B2529210D00		FEED STEPPING MOTOR						1	
2		B2513210D00A		DRIVE SPROCKET						1	
3		B2514210D00A		DRIVEN SPROCKET						1	
4		B2528210D00A		Y TIMING BELT						1	
5		B2511210D00		X GUIDE SHAFT BRACKET						1	
6		B2518210D00		Y DRIVEN BRACKET						1	
7	D	B2548210D00		Y DRIVEN GEAR						1	
8		B2525210D00		Y DRIVE GEAR						1	
9	D	B2536210D00A		Y BELT BRACKET						1	
10		B2509210D00		BELT RECEIVER						1	
11		B2523210D00		Y DRIVE SHAFT						1	
12		B2524210D00		Y REMOVAL SHAFT						1	
13		B2510210D00		X GUIDE SHAFT						1	
14		B2509704000		BUSHING, REAR						2	
15	R	13518105	26223701	LIFTING LEVER SHAFT						1	1.00
16		B2525205000		Y REMOVAL BRACKET						1	
17		RE0600000K0		E-RING 6						1	
18		SB108000500		RADIAL BEARING						4	
19		SB408000100		BEARING						1	
20		SM6041802TP		SCREW M4 L=18						1	
21		SM0051001SC		SCREW						4	
22		SM6061202TP		SCREW M6 L=12						1	
23		SM8040502TP		SCREW M4X0.7 L=5						1	
24		SM8060802TP		SCREW M6 L=8						2	
25		SM8060602TP		SCREW M6X6						4	
26		SS7110720SP		SCREW 11/64-40 L=7						1	
27	R	SS7091110SP	SS7091110TP	SCREW 9/64-40 L=10.5						4	1.00
28		SS7111810TP		SCREW 11/64-40 L=18						1	
29		SS8110422TP		SCREW 11/64-40 L=4						2	
30		SS9150910SP		SCREW						2	
31		WP0430801SC		WASHER 4.3X9X0.8						1	
32		WP0450846SP		WASHER						4	
33		WP0551016SH		WASHER 5.5X13X1						4	
34		B4008210D00		Y SENSOR SLIT						1	
35		HD002230000		PHOTO SENSOR						1	
36		SM6040602TP		SCREW M4 L=6						1	
37		SS7091410SP		SCREW 9/64-40 L=13.5						1	
38		WS0410002KP		SPRING WASHER						1	
39		E2651453000		CONNECTOR MARKER J51						1	



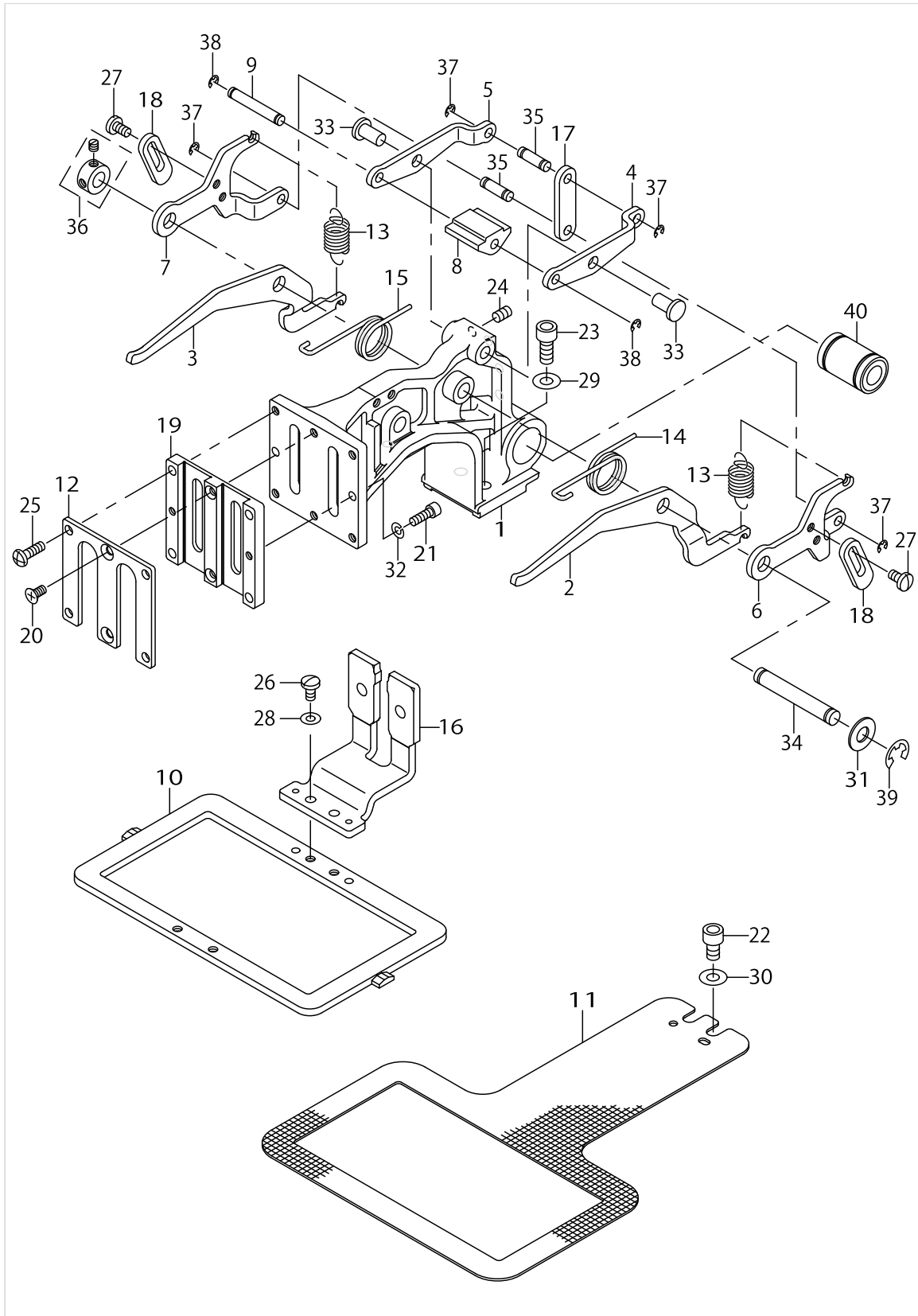
CLOTH FEED MECHANISM COMPONENTS(FOR 210DSS,210DHS)



CLOTH FEED MECHANISM COMPONENTS(FOR 210DSS,210DHS)

No.	Supply Code	Parts No.	Replacement	Parts name	Remarks	Choice	Step	Level	Cons	Qty	Rep. QTY
1	R	B2550210D00	SB710000200	FEED BRACKET		A	イ7-式/Air type			1	1.00
1	R	B2550210D00	SM4041655SP	FEED BRACKET		A	イ7-式/Air type			1	4.00
1	R	B2550210D00	SM6450610TP	FEED BRACKET		A	イ7-式/Air type			1	4.00
1	R	B2550210D00	40023636	FEED BRACKET		A	イ7-式/Air type			1	1.00
1	R	B2550210D00	40023636	FEED BRACKET		B	電磁式/Electromagnetic type			1	1.00
1	R	B2550210D00	SM4041655SP	FEED BRACKET		B	電磁式/Electromagnetic type			1	4.00
1	R	B2550210D00	SB710000200	FEED BRACKET		B	電磁式/Electromagnetic type			1	1.00
2		B2570210D00		LIFTING LEVER,RIGHT						1	
3		B2571210D00		LIFTING LEVER,LEFT						1	
4		B2577210D00		FEED BRACKET UPPER LINK,RIGHT						1	
5		B2578210D00		FEED BRACKET UPPER LINK,LEFT						1	
6		B2574210D00		SUPPORT LINK,RIGHT						1	
7		B2575210D00		SUPPORT LINK,LEFT						1	
8		B2579210D00A		SLIDER						1	
9		B2573210D00		SLIDER SHAFT						1	
10		B2553210D00		FEEDING FRAME						1	
11		B2552210D00		LOWER PLATE						1	
12		B2572210D00		WORK CLAMP FOOT PLATE COVER						1	
13		B2583210D00		SPRING						2	
14		B2581210D00		SPRING,RIGHT						1	
15		B2582210D00		SPRING,LEFT						1	
16		B2551210DA0A		SLIDE PLATE COMPL.						1	
17		B2576210D00		FEED BRACKET LINK						1	
18		B2580210D00		LINK STOPPER						2	
19		B2610210D00		WORK CLAMP FOOT PLATE						1	
20		SM1040801SP		SCREW M4X0.7 L=8						2	
21		SM6041202TP		SCREW M4X0.7 L=12						2	
22		SM6061002TP		SCREW M6 L=10						2	
23		SM6061402TN		BOLT						2	
24		SM8050802TP		SCREW M5X0.8 L=8						2	
25		SS4111415SP		SCREW 11/64-40L=14						4	
26		SS7110840SP		SCREW 11/64-40 L=7.8						2	
27		SS7110840SP		SCREW 11/64-40 L=7.8						4	
28		WP0480856SP		WASHER 4.8X8.4X0.8						2	
29		WP0651001SC		WASHER						2	
30		WP0651001SC		WASHER						2	
31		B255728000C		WASHER						1	
32		WS0410002KP		SPRING WASHER						2	
33		B1626555000		FEED REGULATOR CONNECTING ROD						2	
34		D2502232D00		SHAFT BLOCK SHAFT						1	
35		B1626220000		CYLINDER PIN						2	
36		CS079073ASH		THRUST COLLAR ASM.						1	
37		RE0300000K0		E-RING 3						4	
38		RE0300000K0		E-RING 3						2	

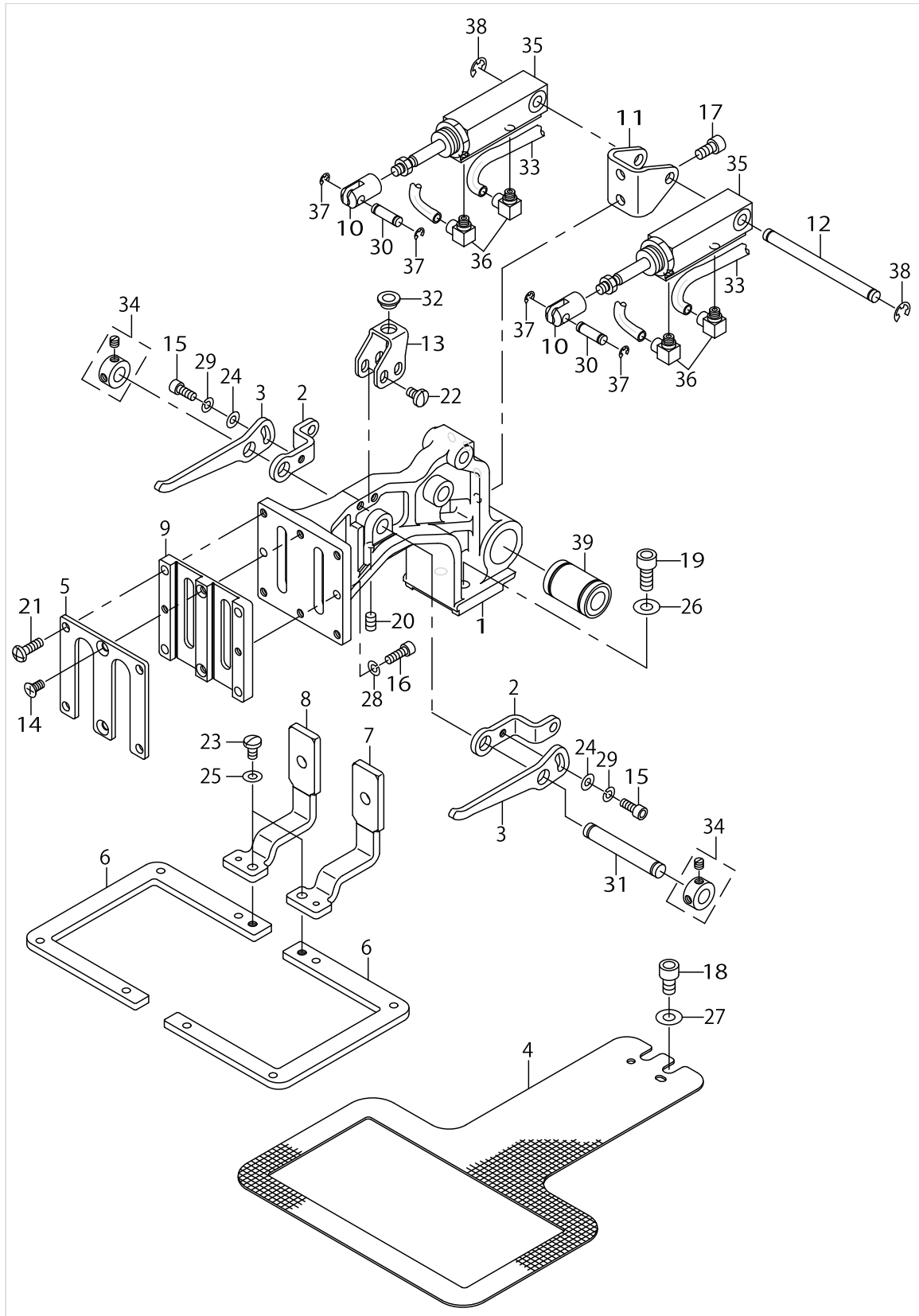
CLOTH FEED MECHANISM COMPONENTS(FOR 210DSS,210DHS)



CLOTH FEED MECHANISM COMPONENTS(FOR 210DSS,210DHS)

No.	Supply Code	Parts No.	Replacement	Parts name	Remarks	Choice	Step	Level	Cons	Qty	Rep. QTY
39		RE070000K0		E-RING 7						1	
40		SB710000200		SLIDE BEARING						1	

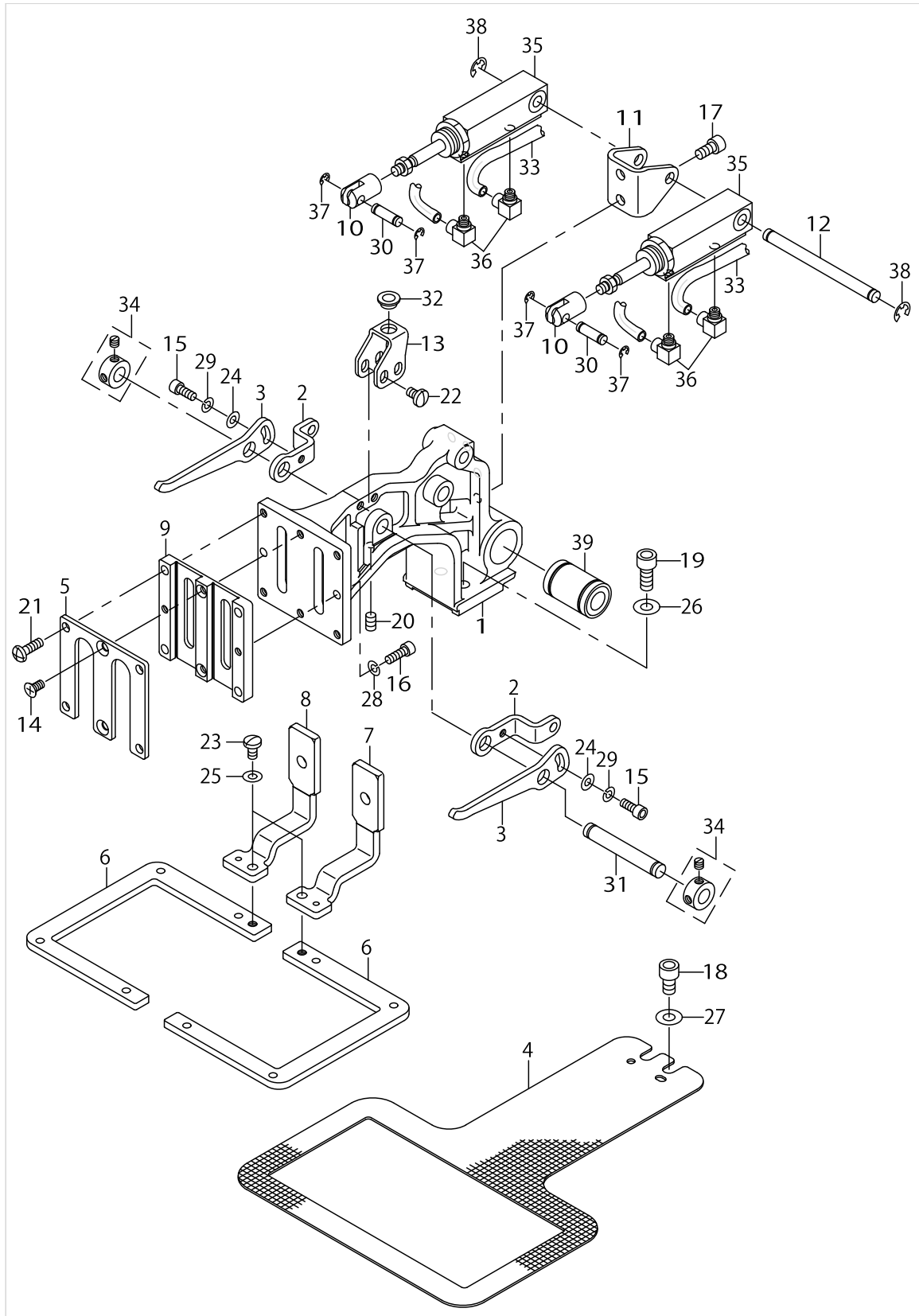
CLOTH FEED MECHANISM COMPONENTS(FOR 210DSL,210DHL)



CLOTH FEED MECHANISM COMPONENTS(FOR 210DSL,210DHL)

No.	Supply Code	Parts No.	Replacement	Parts name	Remarks	Choice	Step	Level	Cons	Qty	Rep. QTY
1	R	B2550210D00	SB710000200	FEED BRACKET		A	イ7-式/Air type			1	1.00
1	R	B2550210D00	SM4041655SP	FEED BRACKET		A	イ7-式/Air type			1	4.00
1	R	B2550210D00	SM6450610TP	FEED BRACKET		A	イ7-式/Air type			1	4.00
1	R	B2550210D00	40023636	FEED BRACKET		A	イ7-式/Air type			1	1.00
1	R	B2550210D00	40023636	FEED BRACKET		B	電磁式/Ele- ctromagnetic type			1	1.00
1	R	B2550210D00	SM4041655SP	FEED BRACKET		B	電磁式/Ele- ctromagnetic type			1	4.00
1	R	B2550210D00	SB710000200	FEED BRACKET		B	電磁式/Ele- ctromagnetic type			1	1.00
2		B2564210D00		LINK PLATE A						2	
3	D	B2560210D00		LINK PLATE B						2	
4		B2552210D00		LOWER PLATE						1	
5		B2572210D00		WORK CLAMP FOOT PLATE COVER						1	
6		B2554210D00		FEEDING FRAME						2	
7		B2590210DA0		WORK CLAMP FOOT COMPL.,RIGHT						1	
8		B2591210DA0		WORK CLAMP FOOT COMPL.,LEFT						1	
9		B2610210D00		WORK CLAMP FOOT PLATE						1	
10		B2566210D00		CYLINDER KNUCKLE						2	
11		B2567210D00		CYLINDER INSTALLING BASE						1	
12		B2561210D00		CYLINDER SHAFT						1	
13		B2562210D00		SLIDER BASE						1	
14		SM1040801SP		SCREW M4X0.7 L=8						2	
15		SM6041002TP		SCREW M4 L=10						2	
16		SM6041202TP		SCREW M4X0.7 L=12						2	
17		SM6051002TP		SCREW M5X0.8 L=10						2	
18		SM6061002TP		SCREW M6 L=10						2	
19		SM6061402TN		BOLT						2	
20		SM8050812TP		SCREW M5X8						1	
21		SS4111415SP		SCREW 11/64-40L=14						4	
22		SS7110710SP		SCREW 11/64-40 L=7						4	
23		SS7110840SP		SCREW 11/64-40 L=7.8						2	
24		WP0450000SD		WASHER 4.5X8X0.5						2	
25		WP0480856SP		WASHER 4.8X8.4X0.8						2	
26		WP0651001SC		WASHER						2	
27		WP0651001SC		WASHER						2	
28		WS0410002KP		SPRING WASHER						2	
29		WS0410002KP		SPRING WASHER						2	
30		B1626220000		CYLINDER PIN						2	
31		D2502232D00		SHAFTBLOCKSHAFT						1	
32		G5126172000		CLAMP SHAFT HOLDER						1	
33		BT0400251EB		URETHANE HOSE, BLACK						4	
34		CS079073ASH		THRUST COLLAR ASM.						2	
35		PA1602006A0		AIR CYLINDER						2	
36		PJ046052503		HOSE ELBOW						4	
37		RE0300000K0		E-RING 3						4	
38		RE0500000K0		E-RING						2	

CLOTH FEED MECHANISM COMPONENTS(FOR 210DSL,210DHL)

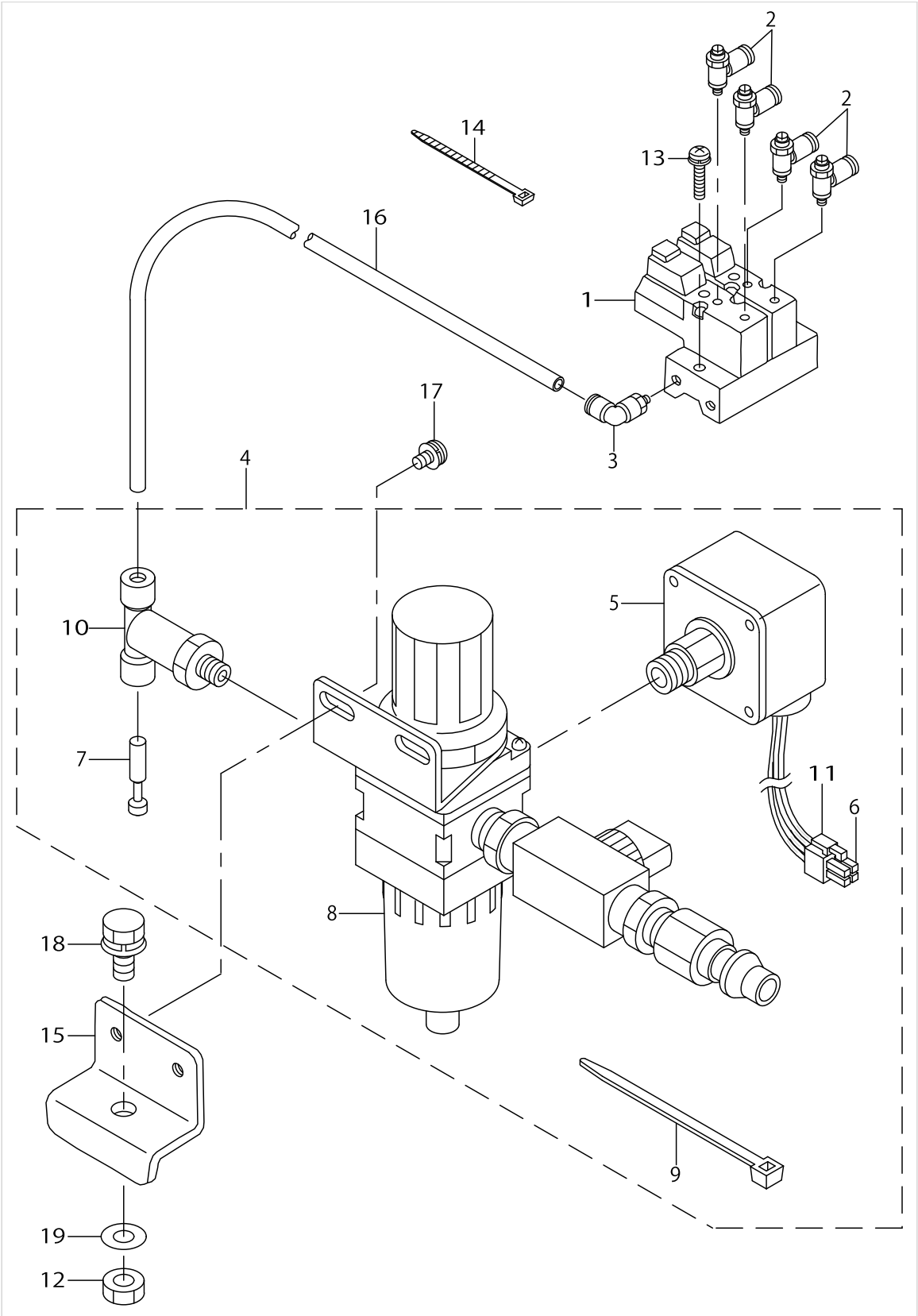


CLOTH FEED MECHANISM COMPONENTS(FOR 210DSL,210DHL)

No.	Supply Code	Parts No.	Replacement	Parts name	Remarks	Choice	Step	Level	Cons	Qty	Rep. QTY
39		SB710000200		SLIDE BEARING						1	



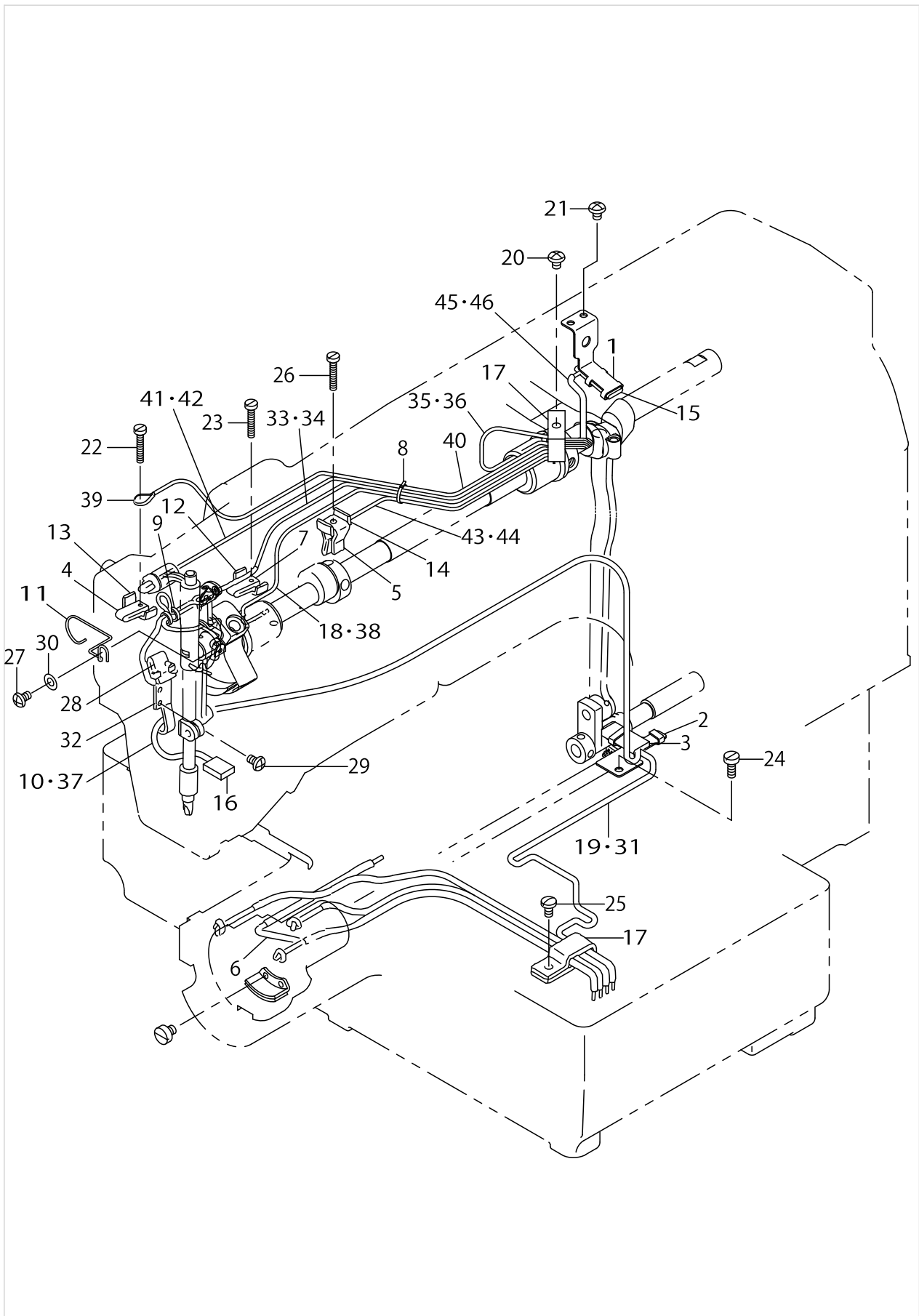
PNEUMATIC COMPONENTS(FOR 210DSL,210DHL)



PNEUMATIC COMPONENTS(FOR 210DSL,210DHL)

No.	Supply Code	Parts No.	Replacement	Parts name	Remarks	Choice	Step	Level	Cons	Qty	Rep. QTY
1		PV0351130A0		SOLENOID VALVE ASM.						1	
2		PC010507000		SPEED CONTROLLER						4	
3		PJ304065101		ELBOW UNION 6XPT1/8						1	
4		B47152150A0		FILTER REGULATOR ASM.						1	
5	R	G8124270000	G85048750A0	AIRPRESSUESWITCH		A	AVP-875	*		1	1.00
5	R	G8124270000	40030951	AIRPRESSUESWITCH		B	AMS-210E- N,AMS-221EN	*		1	1.00
5	R	G8124270000	B47152150A0	AIRPRESSUESWITCH		C	MEB-3200,- LK-1910/2- 0/30/41,AMS-224E	*		1	1.00
6		HK034640000		PIN CONTACT				*		3	
7		PX950009000		PLUG				*		1	
8		PF0552040B0		FILTER REGULATOR				*		1	
9		EA9500B0100		CABLE BAND				*		5	
10		PJ305065202		TEE				*		1	
11		HK034610040		HOUSING				*		1	
12		NM6080721SE		NUT M8						1	
13		SL4042081SC		SCREW						2	
14		EA9500B0100		CABLE BAND						1	
15	R	B8211206000	40023662	FILTER INSTALLING PLATE						1	1.00
16		BT0600401EB		TUBE						1	
17		SL4051091SC		SCREW M5X0.8 L=10						2	
18		SL9082093SE		SCREW						1	
19		WP0871602SE		WASHER 8.7X18X1.6						1	

LUBRICATION COMPONENTS



LUBRICATION COMPONENTS

No.	Supply Code	Parts No.	Replacement	Parts name	Remarks	Choice	Step	Level	Cons	Qty	Rep. QTY
1		B3505210D00		CRANK ROD LUBRICATION PLATE						1	
2		B3506210D00		LUBRICATION PLATE						1	
3		B3509210D00		OIL FELT						1	
4		B3518280000		BALANCE LUBRICATING						1	
5	D	B3520220000		OIL SPONGE						1	
6		B35222100A0		OIL FELT ASM.						1	
7		B3518280000		BALANCE LUBRICATING						1	
8		EA9500B0100		CABLE BAND						1	
9		26230706		OIL WICK PRESSER						3	
10		B3523220000		OIL FELT						1	
11		B3507220000		OIL WICK HOLDER						1	
12	R	B3508280000	26231407	BALANCE LUBRICATING PLATE						1	1.00
13	R	B3508280000	26231407	BALANCE LUBRICATING PLATE						1	1.00
14	R	B3508280000	26231407	BALANCE LUBRICATING PLATE						1	1.00
15		B3509280000		NEEDLE ROD CRANK LUBRICATING						1	
16		B3507280000		OIL FELT						1	
17		D2112555B00		CORD HOLDER, LARGE						2	
18		CQ200000000		OIL WICK						1.2	
19		CQ252200000		OIL WICK						.65	
20		SS4120615SP		SCREW 3/16-28 L=6						1	
21		SS4120615SP		SCREW 3/16-28 L=6						2	
22		SS6092120SP		SCREW 9/64-40 L=21.2						1	
23		SS6092120SP		SCREW 9/64-40 L=21.2						1	
24		SS6111140SP		SCREW 11/64-40 L=11						2	
25		SS7110840SP		SCREW 11/64-40 L=7.8						1	
26		SS6092120SP		SCREW 9/64-40 L=21.2						1	
27		SS4110715SP		SCREW 11/64-40 L=7						1	
28		B3509220000		OIL SPONGE						1	
29		SS4110715SP		SCREW 11/64-40 L=7						2	
30		WP0450000SD		WASHER 4.5X8X0.5						1	
31		BP300000000		VINYL PIPE						.46	
32	D	B3502220000		OIL WICK HOLDER						1	
33		BP300000000		VINYL PIPE						.27	
34		CQ202000000		OIL WICK						1.3	
35		CQ252200000		OIL WICK						.35	
36		BP300000000		VINYL PIPE						.12	
37		BP600000000		VINYL PIPE						.4	
38		BP300000000		VINYL PIPE						.26	
39		CQ200000000		OIL WICK						.9	
40		BP300000000		VINYL PIPE						.3	
41		CQ252200000		OIL WICK						.6	
42		BP300000000		VINYL PIPE						.26	
43		CQ252200000		OIL WICK						.4	
44		BP300000000		VINYL PIPE						.2	
45		CQ200000000		OIL WICK						.6	
46		BP300000000		VINYL PIPE						.21	

TABLE COMPONENTS

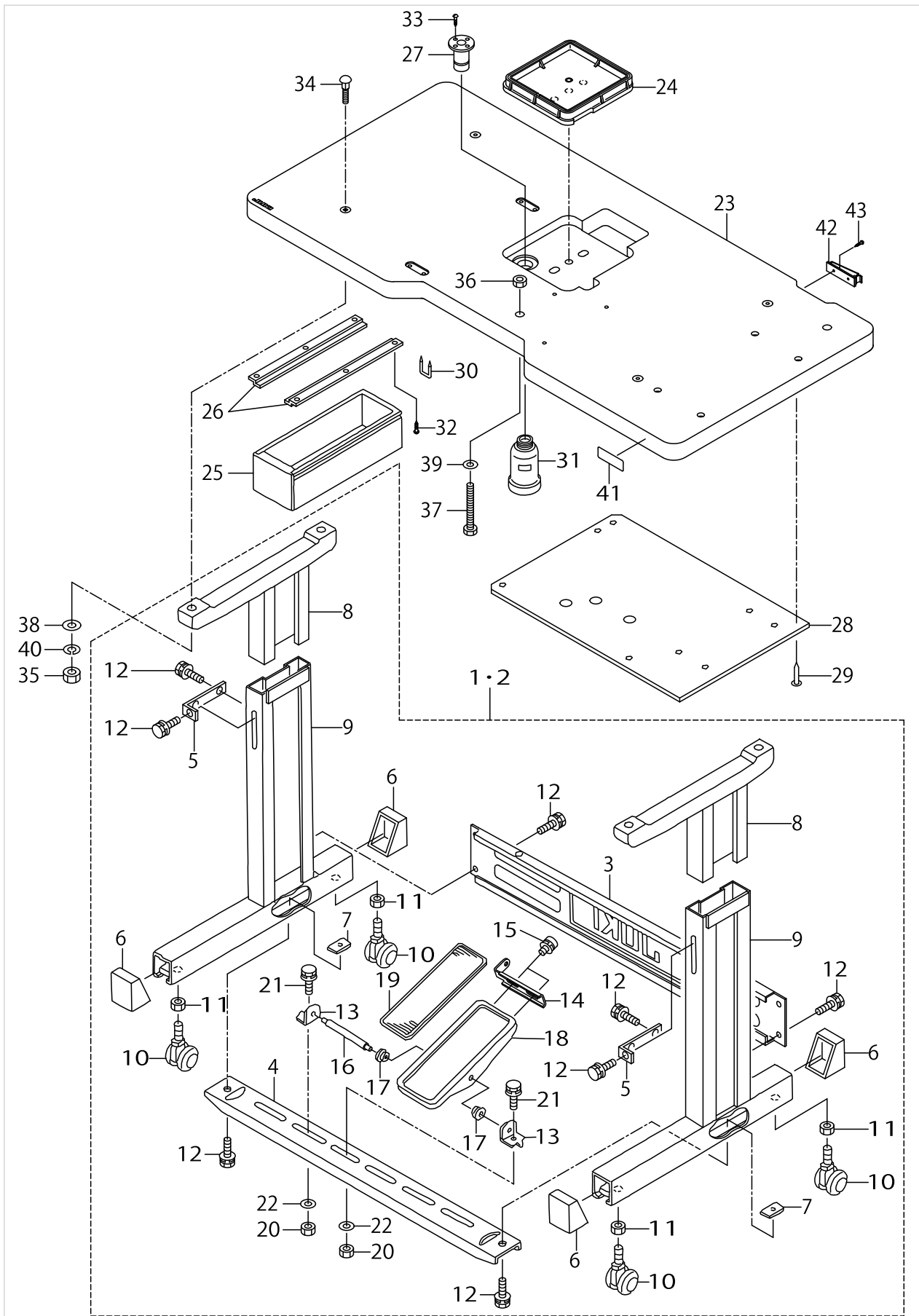
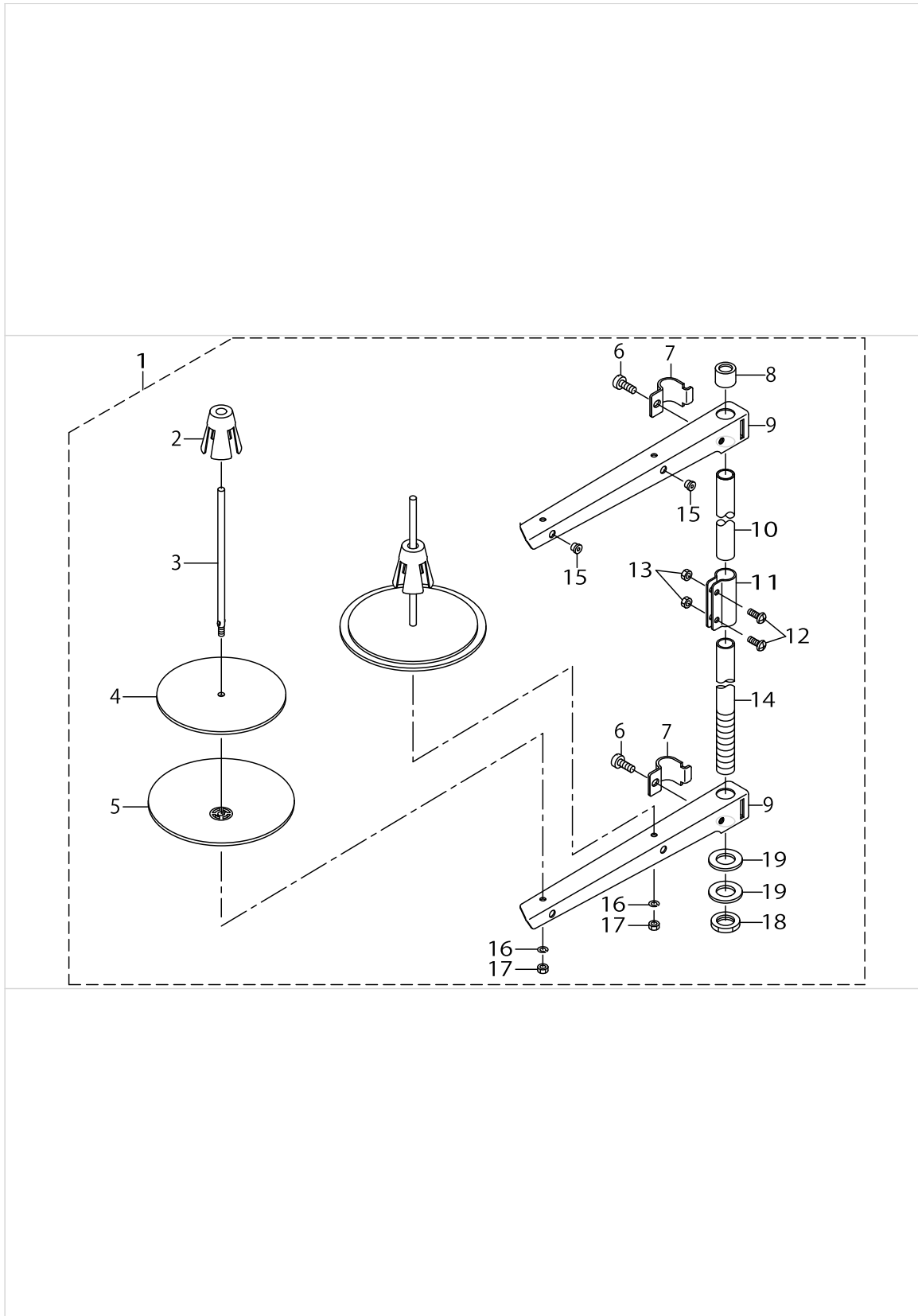


TABLE COMPONENTS

No.	Supply Code	Parts No.	Replacement	Parts name	Remarks	Choice	Step	Level	Cons	Qty	Rep. QTY
1		B8101210DA0		T-STAND ASM.(MAGNET TYPE)	FOR 210DSS,DHS					1	
2	D	B8101210DAA		T-STAND ASM.(PNEUMATIC TYPE)	FOR 210DSL,DHL					1	
3	D	11158300		STAND SIDE SUPPORT				*		1	
4		11158409		STAND SIDE SUPPORT				*		1	
5		11158516		UPPERSTAND PLATE				*		2	
6		11158607		RUBBER CAP				*		4	
7		17007402		NUT				*		2	
8		B8101210AAB		UPPER STAND ASM.				*		2	
9		B8105210AAA		STAND ASM.				*		2	
10		B8150210000		CASTER				*		4	
11		NM6120003SE		NUT M12				*		4	
12		SL9082093SE		SCREW				*		12	
13		11159001		PEDAL SHAFT BRACKET	FOR 210DSS,DHS			*		2	
14		GPF06080000		PEDAL ADJUSTING PLATE	FOR 210DSS,DHS			*		1	
15		SL9061293SE		WASHER HEXAGONAL BOLT	FOR 210DSS,DHS			*		2	
16		B8153771000		PEDAL CONNECTING ROD	FOR 210DSS,DHS			*		1	
17		D8113555B00		PEDAL BUSHING	FOR 210DSS,DHS			*		2	
18	R	GPF06060000	GPF060600A0	PEDAL	FOR 210DSS,DHS			*		1	1.00
19		GPF06070000		PEDAL MAT	FOR 210DSS,DHS			*		1	
20		NM6080721SE		NUT M8	FOR 210DSS,DHS			*		2	
21		SL9082093SE		SCREW	FOR 210DSS,DHS			*		2	
22		WP0871602SE		WASHER 8.7X18X1.6	FOR 210DSS,DHS			*		2	
23	D	B8201210D00A		TABLE						1	
24		B8110221D00		OIL RESERVOIR						1	
25	R	11155108	11155157	DRAWER						1	1.00
26		11155207		DRAWER SUPPORT						2	
27		B8202205000		OIL MANAGEMENT						1	
28		B8203205000A		TABLE EARTH PLATE						1	
29		B8210012000		CUSHION SET NAIL						2	
30		D8204555D00		DRAWER STOPPER						1	
31		B9121012000		OIL CAN						1	
32	R	SK3311600SC	SK3311601SE	WOOD SCREW D=3.1 L=16						6	1.00
33	R	SK3311600SC	SK3311601SE	WOOD SCREW D=3.1 L=16						2	1.00
34		MAO11108N00		PEDAL SWITCH FRAME BOLT						4	
35		NM6060001SC		NUT M6						4	
36		NM6080001SC		NUT M8X1.25						1	
37	R	SM9086503SM	SM9086513SC	SCREW M8 L=65						1	1.00
38		WP0641601SC		WASHER						4	
39		WP0851846SC		WASHER 8.5X22.0X1.8						1	
40		WS0610002KN		SPRING WASHER 6.1X12.2X1.5						4	
41		CM500100001		CE MARKING LABEL	FOR JE					1	
42		M964051000A		CABLE CLIP						1	
43		SK3382001SE		SCREW D=3.8 L=20						2	

# THREAD STAND COMPONENTS

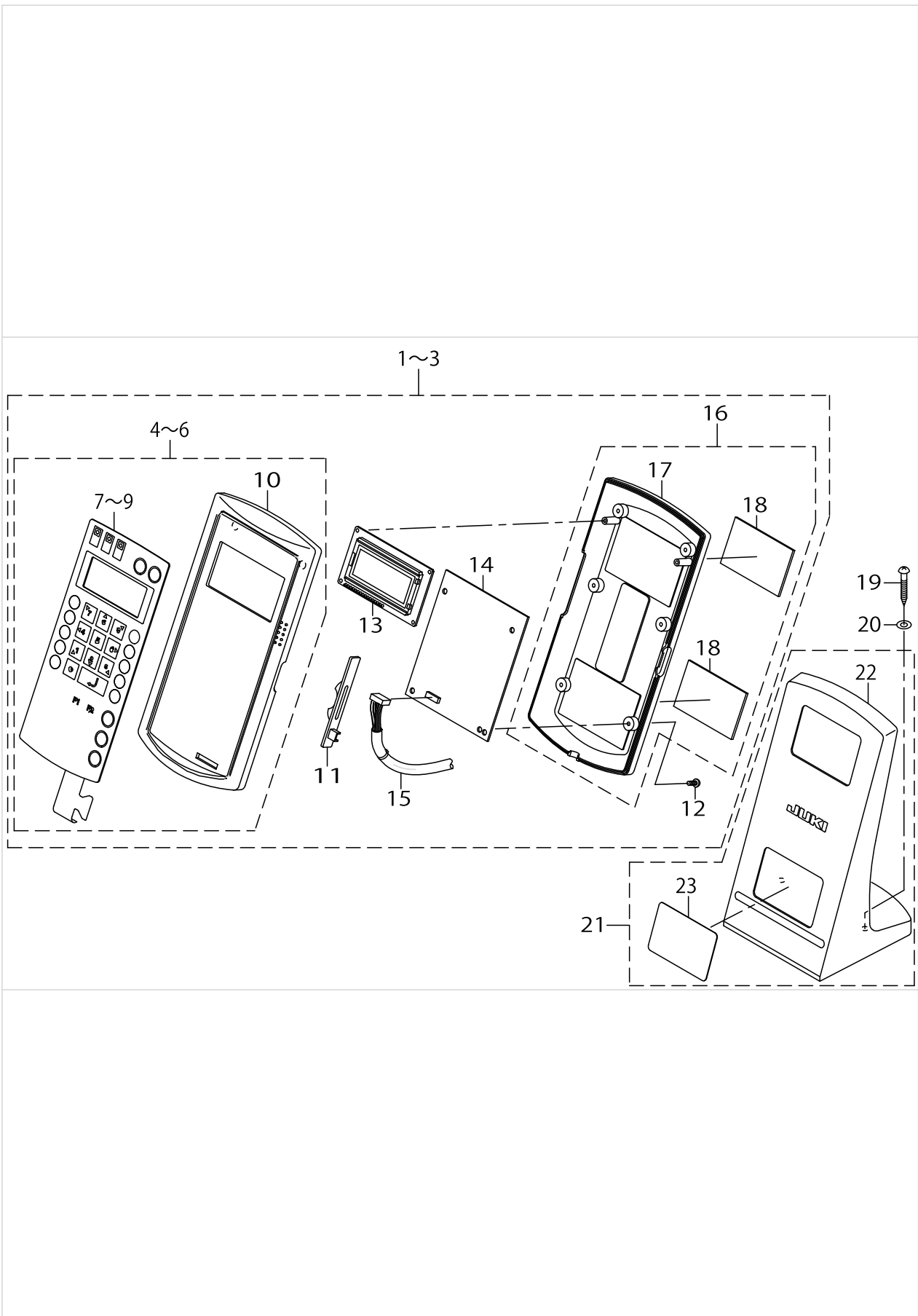


THREAD STAND COMPONENTS

No.	Supply Code	Parts No.	Replacement	Parts name	Remarks	Choice	Step	Level	Cons	Qty	Rep. QTY
1	R	22930358	40096354	THREAD STAND ASM.						1	1.00
2	R	22931109	40085791	SPOOL RETAINER				*		2	1.00
3	R	22931000	40085790	SPOOL PIN				*		2	1.00
4		22930903		SPOOL REST CUSHION				*		2	
5		22930804		SPOOL REST				*		2	
6		SM6061610SC		SCREW M6 L=16				*		2	
7	R	22930705	40096354	THREAD GUIDE ARM JOINT				*		2	1.00
8		22931406		SPOOL REST ROD RUBBER CAP				*		1	
9	R	22930507	40096354	SPOOL REST ARM				*		2	1.00
10	R	22930408	40096354	SPOOL REST ROD, UPPER				*		1	1.00
11	R	22931307	40096354	SPOOL REST ROD JOINT				*		1	1.00
12		SM4051405SE		SCREW M5 L=14				*		2	
13		NM6050001SE		NUT M5				*		2	
14	R	22930309	40096354	SPOOL REST ROD, LOWER				*		1	1.00
15		22931208		THREAD GUIDE				*		2	
16		WS0510002KN		SPRING WASHER				*		2	
17		NM6050001SE		NUT M5				*		2	
18		NM6160511SE		NUT M16X1.5				*		1	
19		WP1702600S0		WASHER 17X30X2.6				*		2	



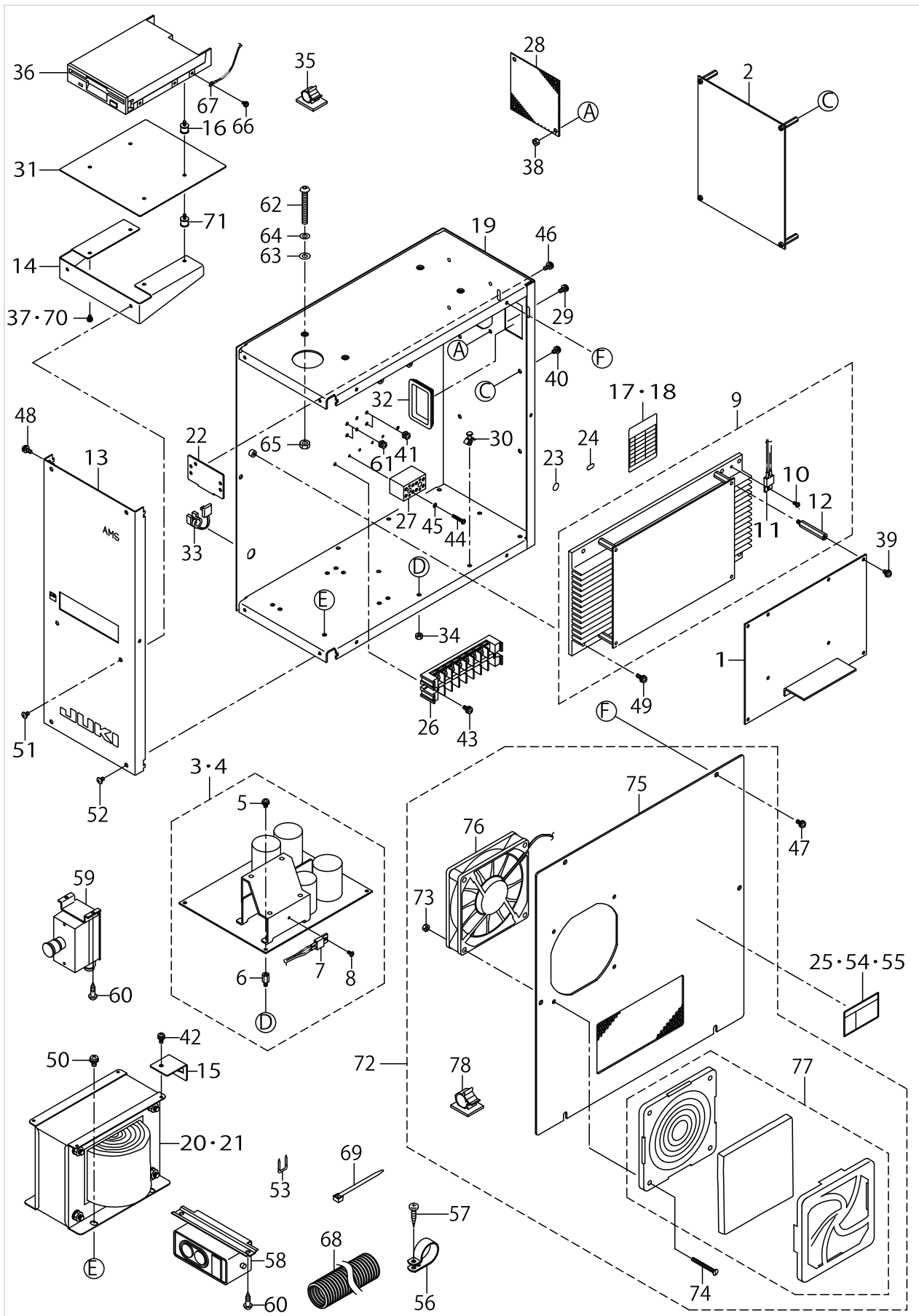
OPERATION BOX COMPONENTS



OPERATION BOX COMPONENTS

No.	Supply Code	Parts No.	Replacement	Parts name	Remarks	Choice	Step	Level	Cons	Qty	Rep. QTY
1		M8510580AA0		OPERATION BOX J ASM.	FOR USE IN JAPAN					1	
2		M8510580BA0		OPERATION BOX E ASM.	FOR EXPORT(EXCEPT JHK)					1	
3	D	40022185		OPERATION BOX C ASM.	FOR EXPORT(JHK)					1	
4		M10305800A0		OPERATION BOX UPPER CASE A ASM	FOR USE IN JAPAN			*		1	
5		M10305800B0		OPERATION BOX UPPER CASE B ASM	FOR EXPORT(EXCEPT JHK)			*		1	
6		40022182		OPERATION BOX UPPER CASE ASM	FOR EXPORT(JHK)			*		1	
7		M30055800AA		OPERATION PANEL SHEET (JPN)	FOR USE IN JAPAN			*		1	
8		M30055800BA		OPERATION PANEL SHEET (ENG)	FOR EXPORT(EXCEPT JHK)			*		1	
9	D	40022157		OPERATION PANEL SHEET (CHINA)	FOR EXPORT(JHK)			*		1	
10		M1030580000A		OPERATION BOX UPPER CASE				*		1	
11		M1032580000		VOLUME TONGUE				*		1	
12		ST4031051SN		TAPPING SCREW D=3-24 L=10				*		6	
13		M85415800A0		LCD ASM.				*		1	
14		M86065800A0		OPERATION CIRCUIT BOARD ASM.				*		1	
15		M90125800A0		PANEL SIGNAL CORD ASM.				*		1	
16		M10315800A0		OPERATION BOX LOWER CASE ASM.				*		1	
17		M1031580000		OPERATION BOX LOWER CASE				*		1	
18		M1011580000		MAGNET SHEET				*		2	
19	R	SK3451600SC	SK3451601SE	WOOD SCREW D=4.5 L=16						2	1.00
20		WP0501016SC		WASHER 5X10.5X1						2	
21	R	M10175800A0	40035024	OPERATION BOX FIXED PLATE ASM.						1	1.00
22	R	M1017580000A	40035024	OPERATION BOX FIXED PLATE				*		1	1.00
23		M1019580000		OPERATION BOX FIXING PLATE				*		2	

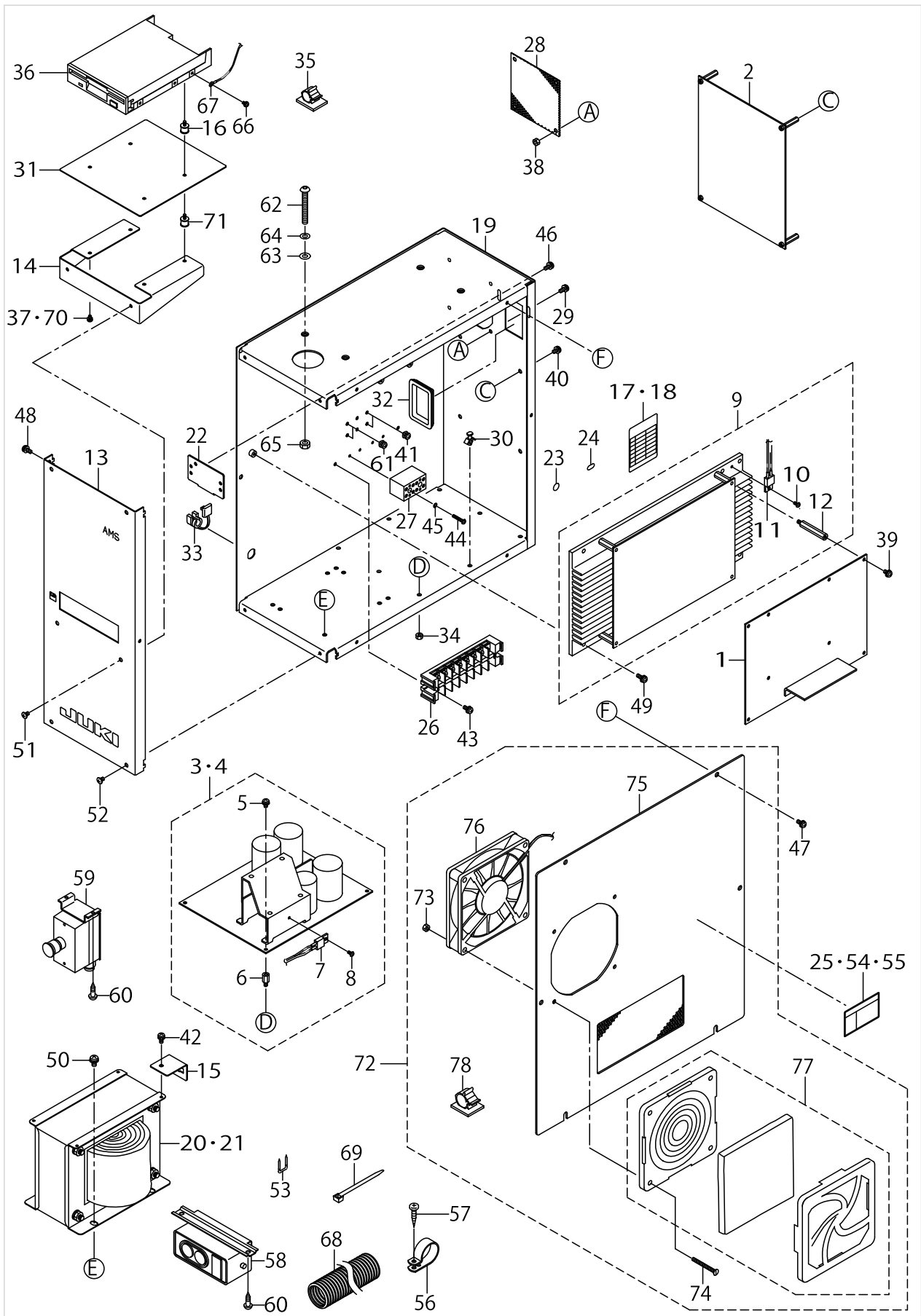
CONTROL BOX COMPONENTS



CONTROL BOX COMPONENTS

No.	Supply Code	Parts No.	Replacement	Parts name	Remarks	Choice	Step	Level	Cons	Qty	Rep. QTY
1	R	M8601580AA0	40043115	MAIN CIRCUIT BOARD A ASM.						1	1.00
2	D	40022269		SDC CIRCUIT BOARD ASM.						1	
3	R	M86045900B0A	M86045900E0	POWER CIRCUIT BOARD ASM.	FOR 100~200V					1	1.00
4	R	M8604590AB0A	M8604590AE0	POWER CIRCUIT BOARD A ASM.	FOR 380V					1	1.00
5		SL4030681SF		SCREW M3 L=6				*		4	
6		HX00056000B		SPACER				*		4	
7		M9012581AA0		THERMAL SWITCH A ASM.				*		1	
8		SL4030681SF		SCREW M3 L=6				*		1	
9	D	M86055800A0A		PMDC CIRCUIT BOARD ASM.						1	
10		SL4030681SF		SCREW M3 L=6				*		1	
11		M90125810A0		THERMAL SWITCH ASM.				*		1	
12		HX00339000D		SPACER				*		4	
13		M1003580000		CONTROL BOX PANEL						1	
14		M1006580000		FDD MOUNT PLATE						1	
15		M1014580000		CONNECTOR HOLDER PLATE						1	
16		M2001580000		FDD VIBROISOLATING RUBBER	FOR 100~200V					4	
17		M300551100A		SEAL A	FOR 100~200V					1	
18		M300258000B		SEAL B	FOR 380V					1	
19	R	M1001590000	40098641	CONTROL BOX						1	1.00
20	D	M8901580AA0A		TRANSFORMER A ASM.	FOR 100~200V					1	
21		M8901580BA0A		TRANSFORMER B ASM.	FOR 380V					1	
22		17845009		CORD FITTING PLATE						1	
23		E9567319000		EARTH MARK						1	
24		CM200100001		PE MARK LABEL	FOR 380V					1	
25		CM300100001		LABEL	FOR 380V					1	
26		HK026650080		TERMINAL BASE 8P	FOR 100~200V					1	
27		HK054250040		TERMINAL BASE	FOR 380V					2	
28		M1004581000		VENTILATION COVER						1	
29		SL4041091SC		SCREW M4 L=10						4	
30		HX00147000C		SPACER						4	
31		M1005580000		FDD COVER PLATE						1	
32		HX004070000		BUSH						1	
33		HX004100000		BUSH						1	
34		NM3034000SF		FLANGE NUT						4	
35		E9608603000		STICKER (MIDDLE)						1	
36	D	S9622710000		MICRO FLOPPY DISC DEVICE						1	
37		SL4030681SF		SCREW M3 L=6	FOR 100~200V					4	
38		NM3040520SF		FLANGE NUT M4						4	
39		SL4040881SF		SCREW M4 L=8						4	
40		SL4030891SC		SCREW M3X8						4	
41		SL4040681SC		COMBINATION SCREW M4 X 8						2	
42		SL4041081SF		SCREW M4 L=10						1	
43		SL4041081SF		SCREW M4 L=10	FOR 100~200V					2	
44		SM4031851SR		SCREW	FOR 380V					4	
45		WS0310702KS		SPRING WASHER	FOR 380V					4	
46		SL4041091SC		SCREW M4 L=10						2	

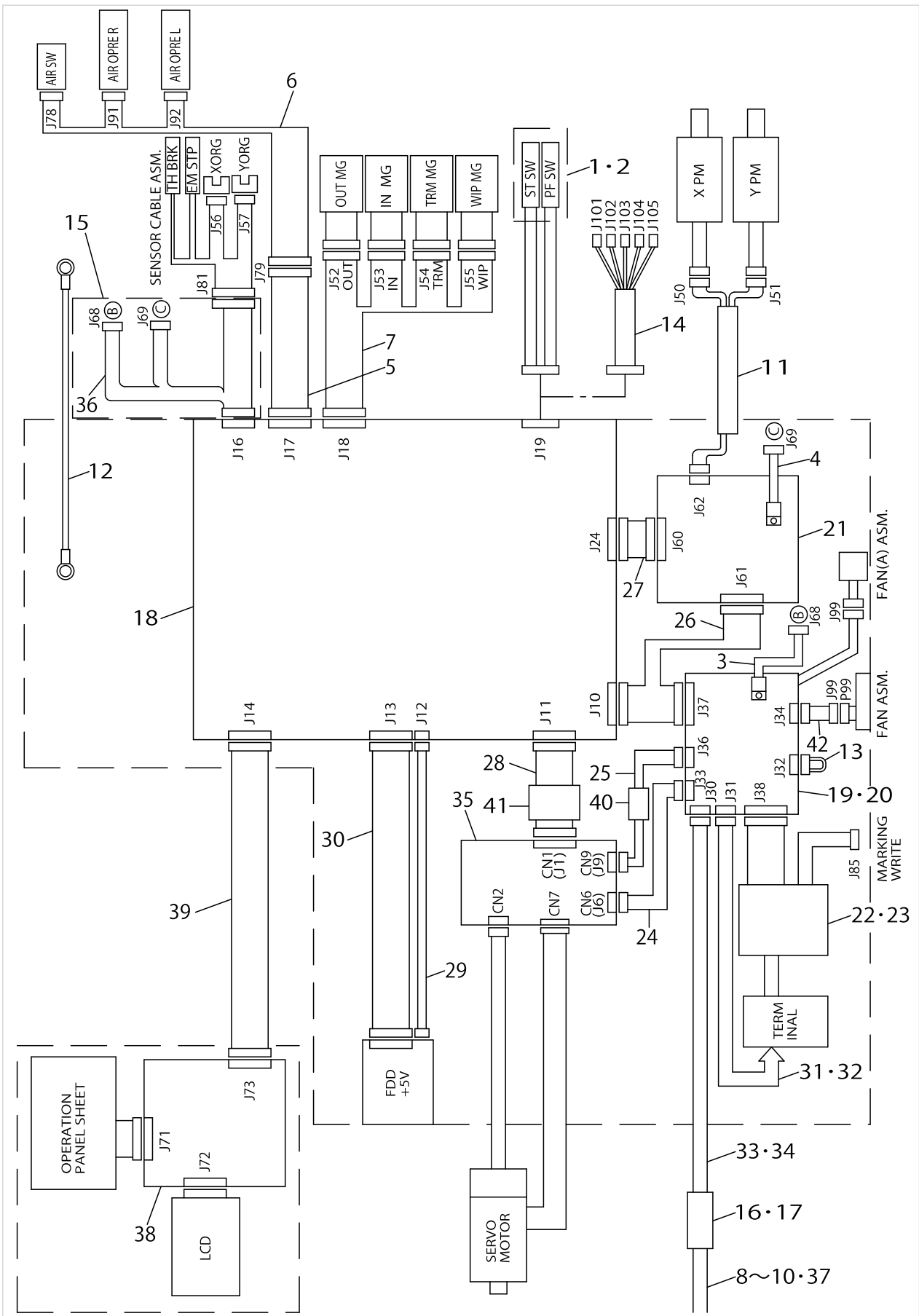
CONTROL BOX COMPONENTS



CONTROL BOX COMPONENTS

No.	Supply Code	Parts No.	Replacement	Parts name	Remarks	Choice	Step	Level	Cons	Qty	Rep. QTY
47		SL4041091SC		SCREW M4 L=10						6	
48		SL4041091SC		SCREW M4 L=10						3	
49		SL4041281SF		SCREW M4 L=12						4	
50	D	SL4051081SF		SCREW M5 L=10						4	
51		SM0040601SC		SCREW M4X0.7 L=6						2	
52		SM0040601SC		SCREW M4X0.7 L=6						4	
53		MA011532000		CORD STAPLE						2	
54		CM300100101		DANGER LABEL (SMALL)	FOR 100~- 200V(USE IN JAPAN)					1	
55		G6705152U0A		LABEL	FOR 100~- 200V(EXPORT)					1	
56		HX00150000N		CABLE CLIP						2	
57		SK3382001SE		SCREW D=3.8 L=20						2	
58		HA004250000		SWITCH	FOR 1-PH- ASE,3-PH- ASE(100~200V)					1	
59		M85125810A0		SWITCH ASM.	FOR 3-PH- ASE(380V)					1	
60		SK3512001SF		WOOD SCREW						2	
61		SL4040681SC		COMBINATION SCREW M4 X 8						2	
62		SM3065052TC		SCREW						4	
63		WP0651001SC		WASHER						4	
64		WS0610002KN		SPRING WASHER 6.1X12.2X1.5						4	
65		NM6060001SC		NUT M6						4	
66		SL4030681SF		SCREW M3 L=6						1	
67		M90295800A0		FDD EARTH CORD ASM.						1	
68		HX00307000E		CHUBE						.3	
69		EA9500B0200		CABLE BAND 150						5	
70		SL4030681SF		SCREW M3 L=6	FOR 380V					2	
71		M2001580000		FDD VIBROISOLATING RUBBER	FOR 380V					4	
72		M85115810A0		FAN COVER ASM.						1	
73		NM3040520SF		FLANGE NUT M4				*		4	
74		SM1044050SM		SCREW M4X0.7 L=40				*		4	
75	R	M10025810A0	M85115810A0	CONTROL BOX COVER ASM.				*		1	1.00
76		M85105810A0		FAN ASM.				*		1	
77		HM000630010		FILTER				*		1	
78		E9607603000		STICKER (SMALL)				*		1	

WIRING DIAGRAM

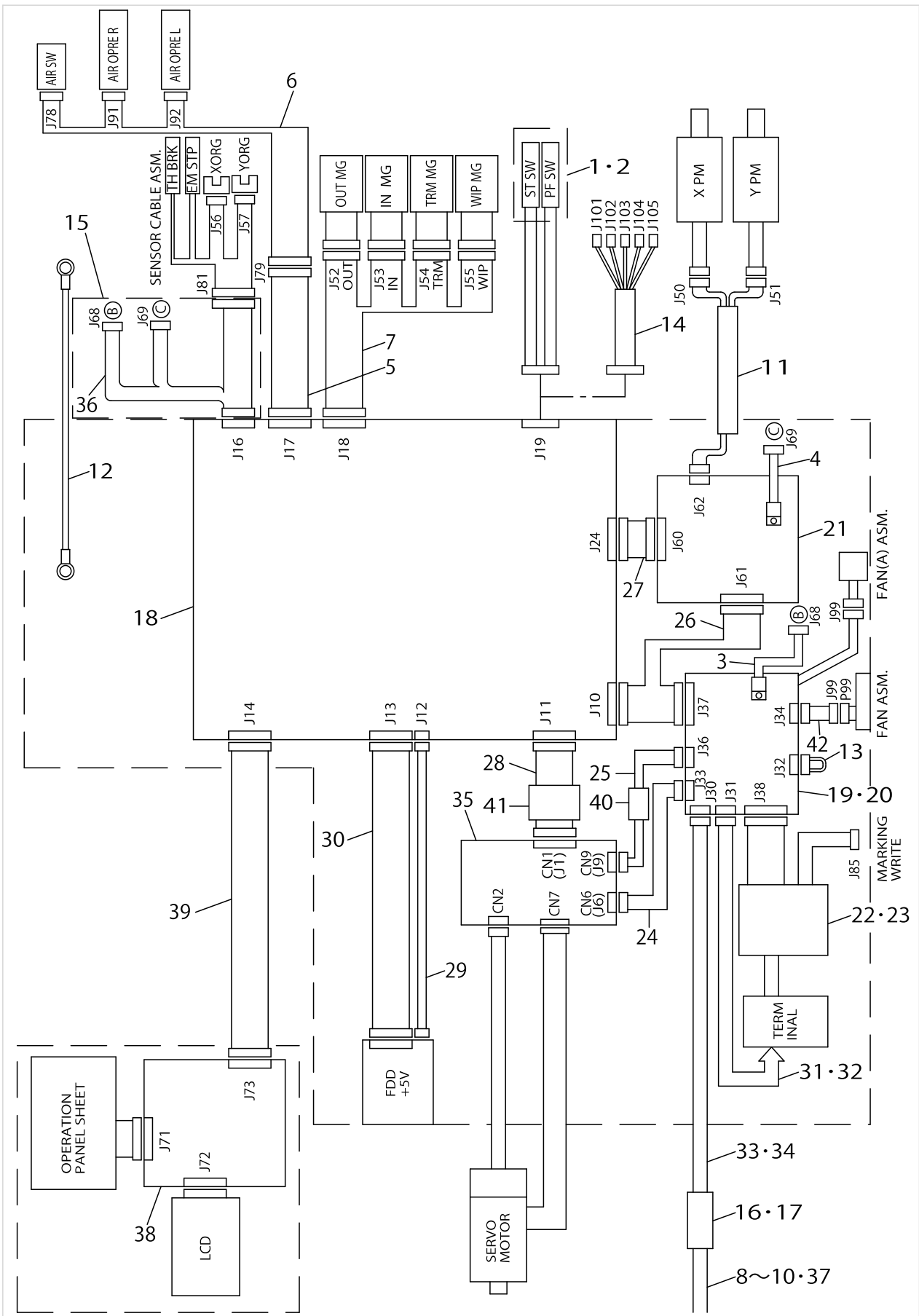


WIRING DIAGRAM

No.	Supply Code	Parts No.	Replacement	Parts name	Remarks	Choice	Step	Level	Cons	Qty	Rep. QTY
1		M85205800A0		2-PEDAL ASM.	SELECTIVE PARTS					1	
2		M85215800A0		3-PEDAL ASM.	SELECTIVE PARTS					1	
3		M9012581AA0		THERMAL SWITCH A ASM.						1	
4		M90125810A0		THERMAL SWITCH ASM.						1	
5		M90145800A0		RELAY CABLE ASM.	FOR 210DSL,DHL					1	
6		M90155800A0		SOLENOID VALVE CABLE ASM.	FOR 210DSL,DHL					1	
7		M90165800A0		SOLENOID CABLE ASM.						1	
8		M90175800A0		POWER CABLE ASM.	FOR 3-PH-ASE(100~200V)					1	
9		M90245800A0		POWER CABLE ASM.,100V	FOR 1-PH-ASE(100~200V)					1	
10		M90145810A0		POWER CABLE ASM.	FOR 3-PH-ASE(380V)					1	
11		M90185800A0		PULSE MOTOR CABLE ASM.						1	
12		M90195800A0		EARTH CABLE ASM.						1	
13		M90215800A0		VOLTAGE TRANSFER CORD ASM.	FOR 100V					1	
14		M90255800A0		PEDAL SW.TRANSFER CABLE ASM.	FOR OPTI-ON PARTS					1	
15		40022520		SENSOR RELAY CABLE ASM.						1	
16		HA004250000		SWITCH	FOR 1-PH-ASE,3-PH-ASE(100~200V)					1	
17		M85125810A0		SWITCH ASM.	FOR 3-PH-ASE(380V)					1	
18	R	M8601580AA0	40043115	MAIN CIRCUIT BOARD A ASM.						1	1.00
19	R	M86045800A0	M86045900E0	POWER CIRCUIT BOARD ASM.	FOR 100~200V	A	A:			1	1.00
19	R	M86045800A0	40008076	POWER CIRCUIT BOARD ASM.	FOR 100~200V	B	B:380V地-域用/B:380VArea			1	1.00
20	R	M8604580AA0	M8604590AE0	POWER CIRCUIT BOARD A ASM.	FOR 380V					1	1.00
21	R	M86055800A0	M86055800A0A	PMDC CIRCUIT BOARD ASM.						1	1.00
22	D	M8901580AA0A		TRANSFORMER A ASM.	FOR 100~200V					1	
23		M8901580BA0A		TRANSFORMER B ASM.	FOR 380V					1	
24	D	M90015800A0		SERVO POWER CORD ASM.,A						1	
25		M90025800A0		SERVO POWER CORD ASM.,B						1	
26		M90055800A0		MP POWER CORD ASM.						1	
27		M90075800A0		PMDC SIGNAL CORD ASM.						1	
28		M90085800A0		SERVO SIGNAL CORD ASM.						1	
29		M90095800A0		FDD POWER CORD ASM.						1	
30		M90105800A0		FDD SIGNAL CORD ASM.						1	
31		M90205800A0		TRANSFORMER POWER CORD ASM.	FOR 100~200V					1	
32		M9020580AA0		TRANSFORMER POWER CORD ASM.,A	FOR 380V					1	
33		M90225800A0		POWER CORD ASM.	FOR 100~200V					1	
34		M90135810A0		POWER CORD ASM.	FOR 380V					1	
35	D	40022269		SERVO CIRCUIT BOARD ASM.						1	
36		M90115810A0		THERMAL SWITCH RELAY CORD ASM.						1	
37		M90285800A0		POWER CABLE ASM.	FOR 1-PH-ASE(380V)					1	
38		M86065800A0		OPERATION CIRCUIT BOARD ASM.						1	
39		M90125800A0		PANEL SIGNAL CORD ASM.						1	
40		HN00149000A		CLAMP FILTER	FOR JE					1	
41		HN001490000		CLAMP FILTER(L)	FOR JE					1	



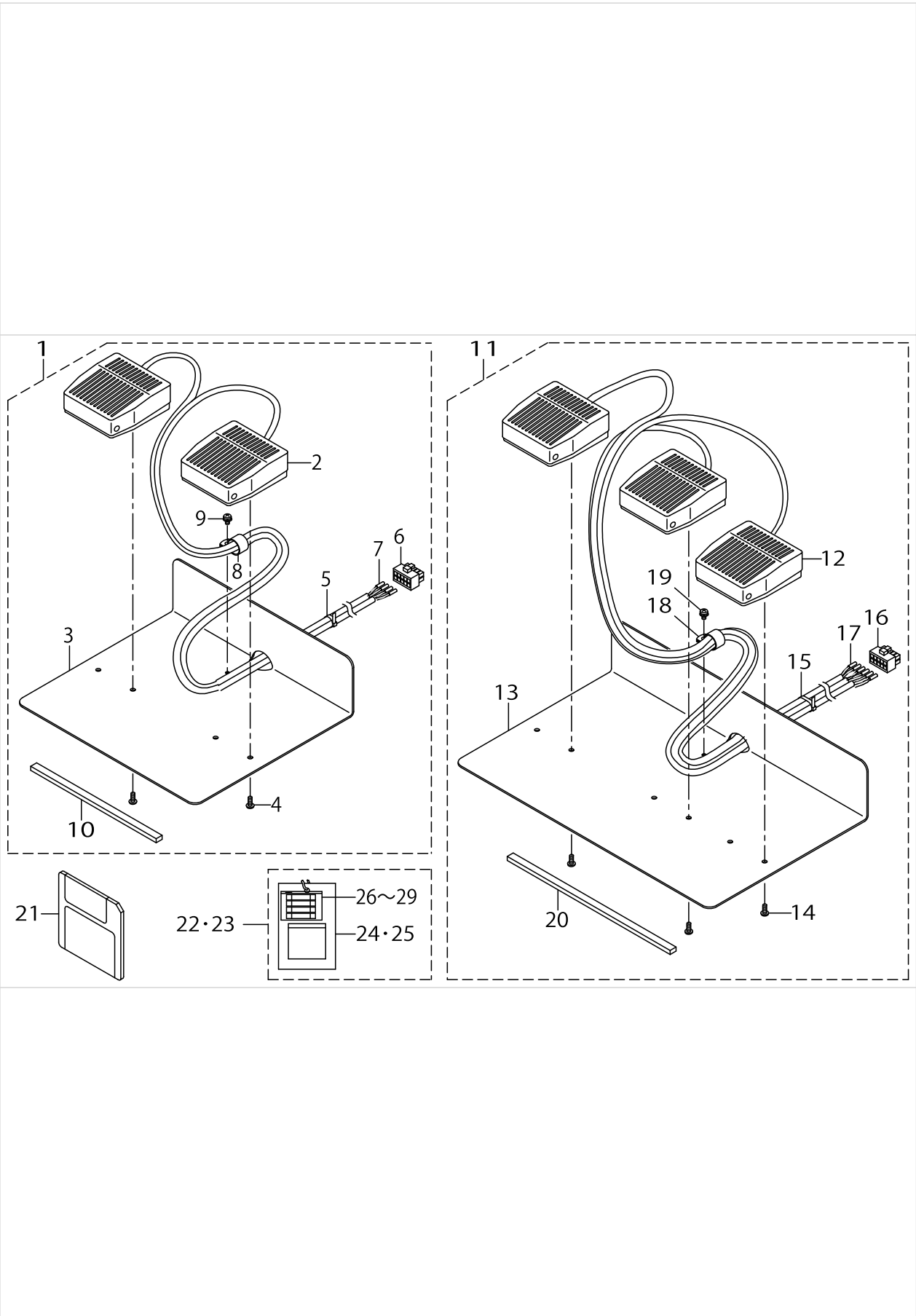
WIRING DIAGRAM



WIRING DIAGRAM

No.	Supply Code	Parts No.	Replacement	Parts name	Remarks	Choice	Step	Level	Cons	Qty	Rep. QTY
42		M90105810A0		FAN CONNECTING CORD ASM.						1	

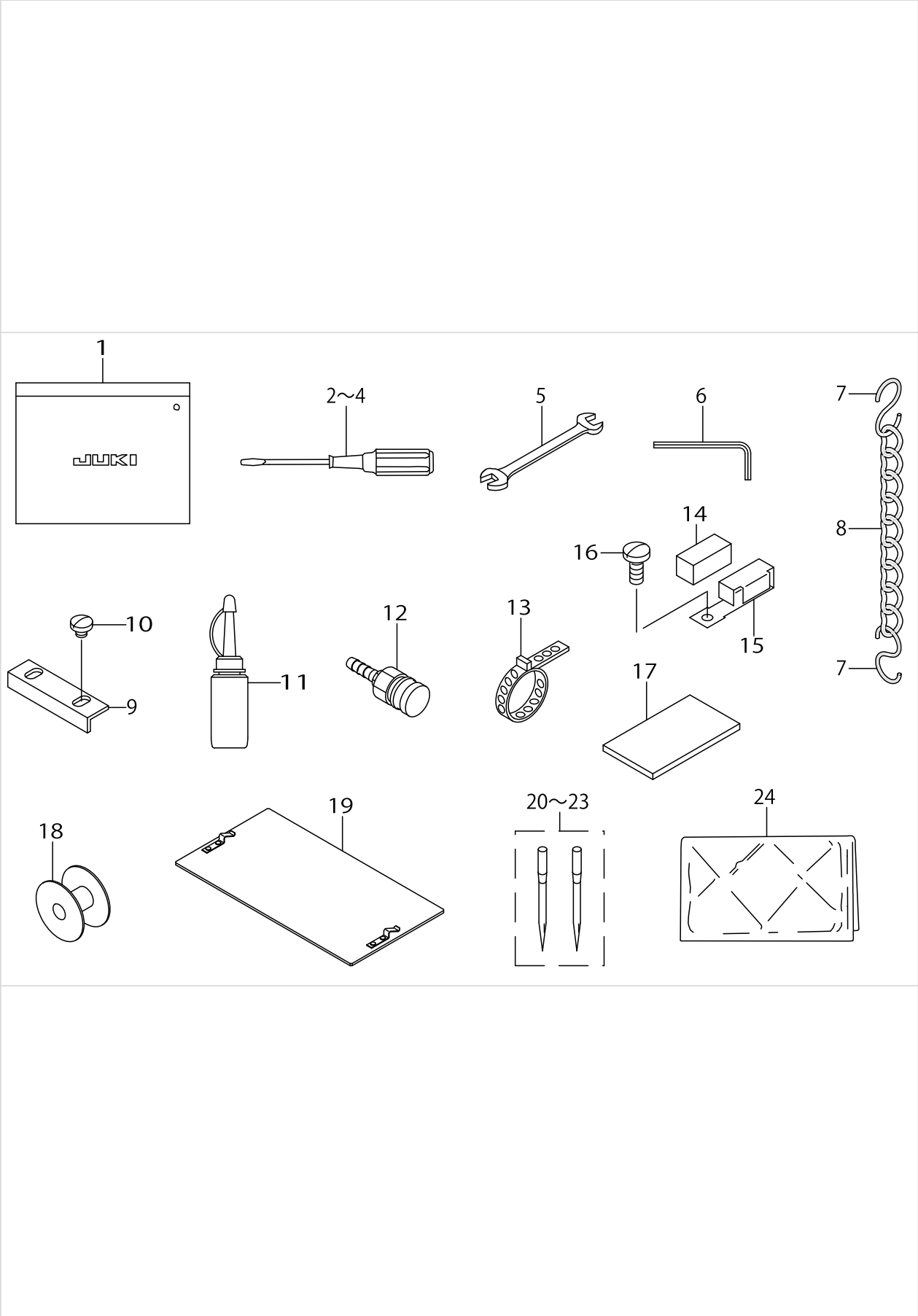
PEDAL & ELECTRICAL EQUIPMENT ACCESSORIE PART COMPONENTS



PEDAL & ELECTRICAL EQUIPMENT ACCESSORIE PART COMPONENTS

No.	Supply Code	Parts No.	Replacement	Parts name	Remarks	Choice	Step	Level	Cons	Qty	Rep. QTY
1		M85205800A0		2-PEDAL ASM.	SELECTIVE PARTS						1
2		HA004260000		FOOT SWITCH				*			2
3		M1012580000		SW. MOUNT PLATE A				*			1
4		ST5041051SN		SCREW				*			4
5		EA9500B0100		CABLE BAND				*			4
6		HK034610100		10P CONNECTOR				*			1
7		HK034640000		PIN CONTACT				*			4
8		EA9502B0500		CABLE CLIP				*			1
9		SL4040881SF		SCREW M4 L=8				*			1
10		GPK26002000		PEDALBASE RUBBER				*			2
11		M85215800A0		3-PEDAL ASM.	SELECTIVE PARTS						1
12		HA004260000		FOOT SWITCH				*			3
13		M1016580000		SW. MOUNT PLATE,B				*			1
14		ST5041051SN		SCREW				*			6
15		EA9500B0100		CABLE BAND				*			4
16		HK034610100		10P CONNECTOR				*			1
17		HK034640000		PIN CONTACT				*			6
18		EA9502B0500		CABLE CLIP				*			1
19		SL4040881SF		SCREW M4 L=8				*			1
20		GPK26002000		PEDALBASE RUBBER				*			1
21		M8902580000		FLOPPY DISC							1
22		M85995800A0		ACCESSORIE PART ASM.	FOR 100~200V						1
23		M8599580AA0		ACCESSORIE PART ASM.,A	FOR 380V						1
24		M300451100A		VOLTAGE INDICATION CARD,A	FOR 100~200V			*			1
25		M3003580000		VOLTAGE INDICATION CARD,B	FOR 380V			*			1
26		E9613601000		FUSE 2A				*			1
27		HF004101000		FUSE 10A				*			1
28		E8523304000		FUSE 10A				*			1
29		HF0041050P0		FUSE				*			1

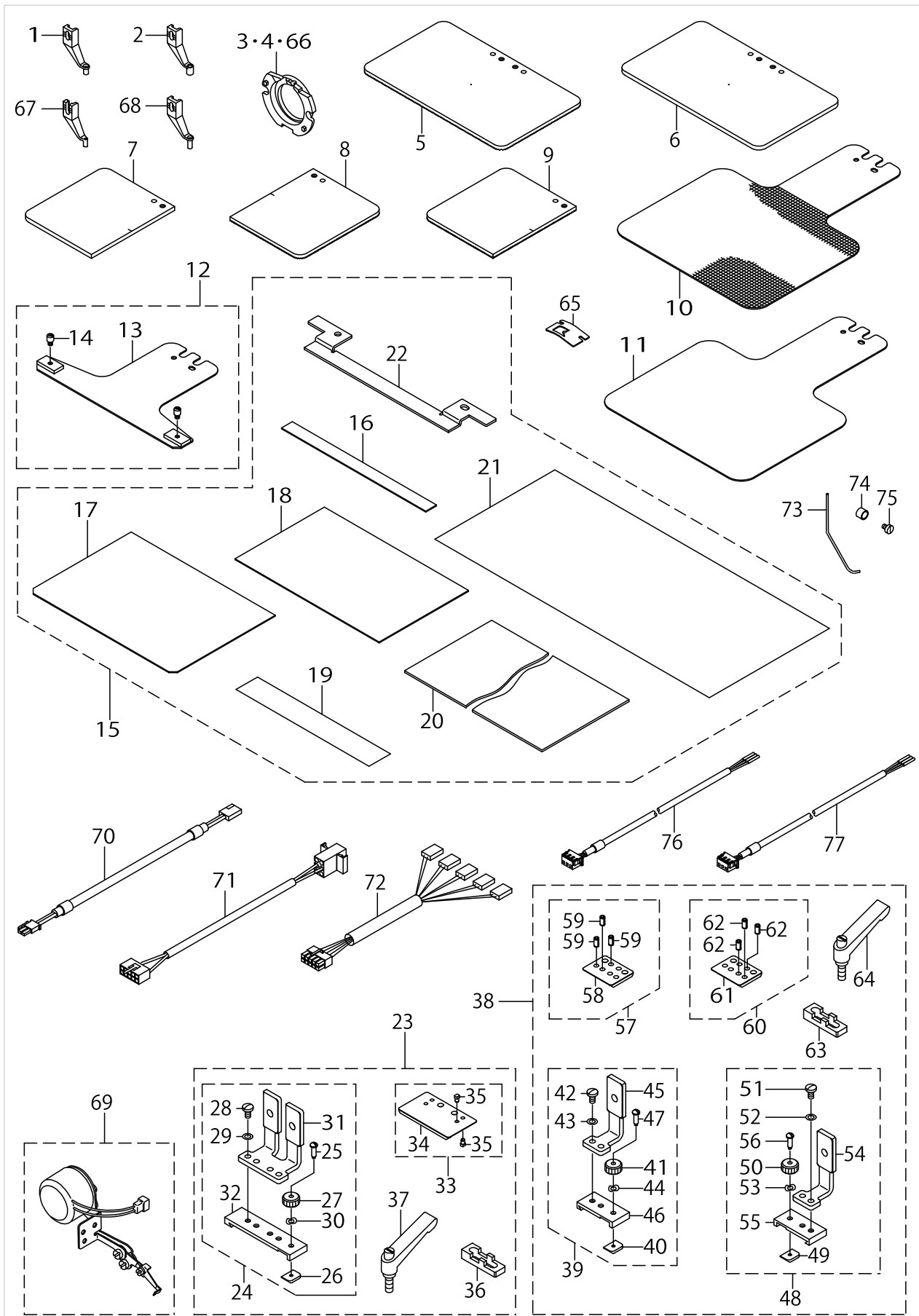
ACCESSORIE PART COMPONENTS



ACCESSORIE PART COMPONENTS

No.	Supply Code	Parts No.	Replacement	Parts name	Remarks	Choice	Step	Level	Cons	Qty	Rep. QTY
1	R	B9101552000	22932800	ACCESSORY BOX						1	1.00
2	R	B9109555000	22933006	SCREW DRIVER, LARGE						1	1.00
3	R	B9110012000	22933105	SCREW DRIVER, MIDDLE						1	1.00
4	R	B9111012000	22933204	SCREW DRIVER, SMALL						1	1.00
5		B9113012000		WRENCH (9X10)						1	
6		B9140372000		HEXAGONAL WRENCH, SMALL						1	
7	R	B8133019000	13160304	S SHAPED HOOK	FOR 210DSS,DHS					2	1.00
8	R	B8103980000	26037903	CHAIN	FOR 210DSS,DHS					1	1.00
9		B2592210000		PLASTIC PLATE STOPPER	FOR 210DSS,DHS					1	
10		SS7110340SP		SCREW 11/64-40 L= 3.2	FOR 210DSS,DHS					2	
11		B91212200A0		OILER (CONTAINING NO.2 OIL)						1	
12		PJ309520001		SOCKET	FOR 210DSL,DHL					1	
13		PB000010000		HOSE BAND	FOR 210DSL,DHL					1	
14		B1131528000		FELT						1	
15		10102259		THREADGUIDEASM.F						1	
16	R	SS7090910SP	SS7090910TP	SCREW 9/64-40 L= 8.5						1	1.00
17		B2564215000		SPONGE						1	
18		B1806210D00		BOBBIN						1	
19		B2557210DA0		PLASTIC BLANK PLATE ASM.	FOR 210DSS,DHS					2	
20	R	MDP500B1402	MDP500B1400	NEEDLE DPX5#14-2	FOR 210D-SS,DSL(EXCEPT JE)					1	1.00
21	R	MDP170B1802	MDP170B1800	NEEDLE DPZ17#18-2	FOR 210D-HS,DHL(EXCEPT JE)					1	1.00
22		MC200501002		NEEDLE 134 #100-2	FOR 210D-SS,DSL(FOR JE)					1	
23		MC372001102		NEEDLE SY3355 #110-2	FOR 210D-HS,DHL(FOR JE)					1	
24		26234005		VINYL COVER						1	

OPTIONAL PART COMPONENTS

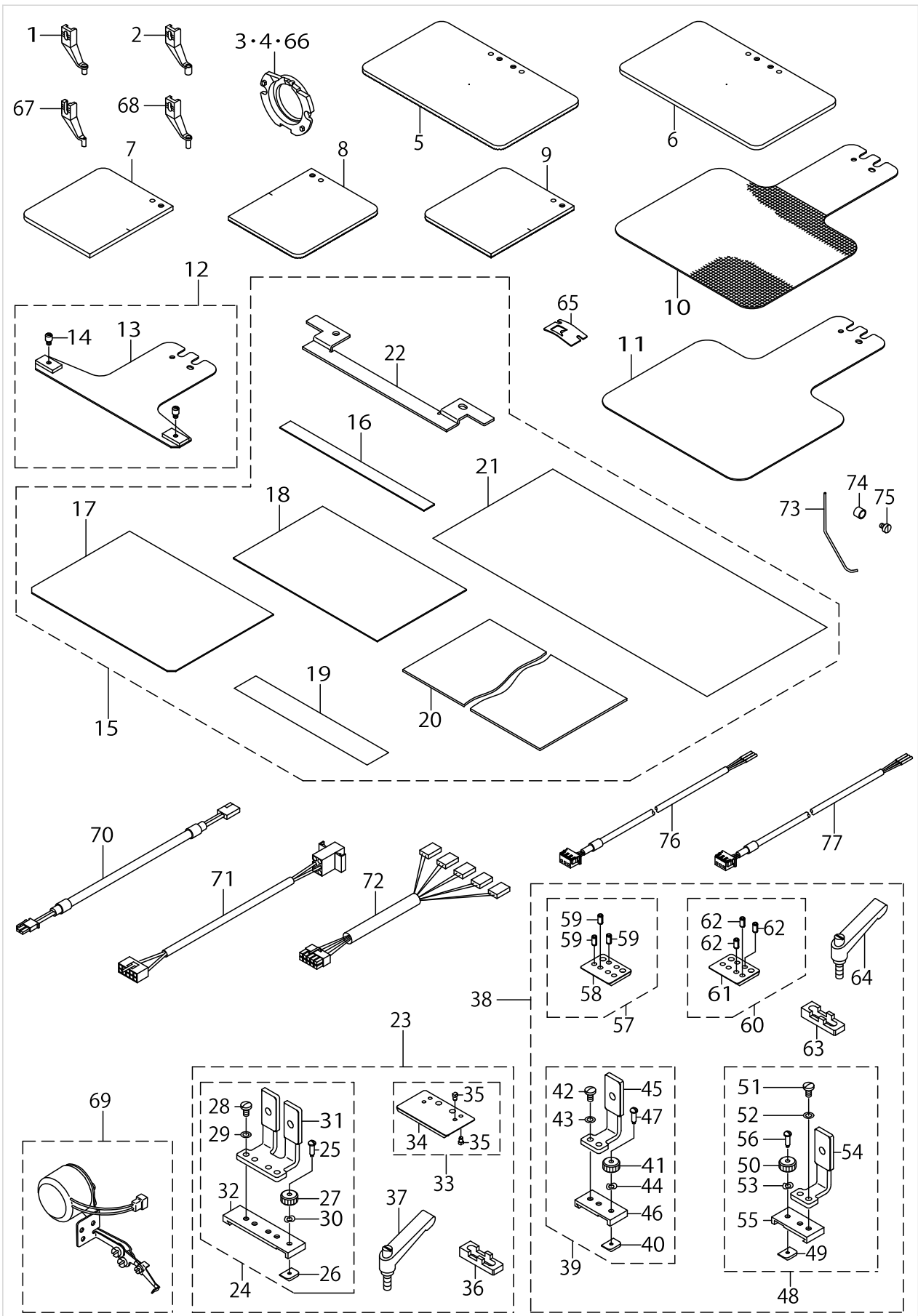


OPTIONAL PART COMPONENTS

No.	Supply Code	Parts No.	Replacement	Parts name	Remarks	Choice	Step	Level	Cons	Qty	Rep. QTY
1		B1601210D0BA		INTERMEDIATE PRESSER B						1	
2		B1601210D0CA		INTERMEDIATE PRESSER C						1	
3	R	B1817210DAC	14103659	SHUTTLE RACE RING ASM.,C						1	1.00
4		B1817210DAD		SHUTTLE RACE RING ASM.,D						1	
5		B2553210D0A		FEEDING FRAME BLANK						1	
6		B2553210D0B		FEEDING FRAME BLANK						1	
7		B2554210D0A		FEEDING FRAME BLANK						1	
8		B2554210D0B		FEEDING FRAME BLANK,RIGHT						1	
9		B2554210D0C		FEEDING FRAME BLANK,LEFT						1	
10		B2556210D0A		LOWERPLATEBLANK						1	
11		B2556210D0B		LOWERPLATEBLANK						1	
12		B2593210DA0		CASSETTE HOLDER FIX PLATE ASM.						1	
13		B2593210D00		CASSETTE HOLDER FIXING PLATE				*		1	
14		B2560372000		BUTTON CLAMP STOP PIN				*		2	
15		B2594210DA0		CASSETTE PRESSER ASM.						1	
16		B2589210D00		CASSETTE PRESSER SPACER				*		1	
17		B2598210D00		CASSETTE PRESSE- R LOWER PLATE				*		1	
18		B2599210D00		CASSETTE PRESSE- R UPPER PLATE				*		1	
19		B2572229000		FILAMENT TAPE				*		1	
20		B2587210000		MATERIAL PLATE A				*		1	
21		B2646215000		TAPE				*		1	
22		B2594210D00		CASSETTE PRESSER BASE PLATE				*		1	
23		B2585210DB0		ONE-TOUCH CLAMP ASM.	FOR 210DSS,DHS					1	
24		B2585210DA0		SLIDING PLATE ASM.				*		1	
25		B5038206000		SET SC				*		1	
26		B5039206000		SET PLATE				*		1	
27		16108300		NUT B				*		1	
28		SS7110840SP		SCREW 11/64-40 L=7.8				*		2	
29		WP0480856SP		WASHER 4.8X8.4X0.8				*		2	
30		WZ0430200KH		WAVED WASHER				*		1	
31		B2585210D00		SLIDING PLATE				*		1	
32		B2587210D00		SLIDER HOLDING				*		1	
33		B2595210DA0		SLIDER ASM.				*		1	
34		B2595210D00		SLIDER				*		1	
35		B1816280000		GUIDE PIN				*		4	
36		B2597210D00		CLAMP PLATE				*		1	
37		B5115210000		FEEDING FRAME CLAMP LEVER				*		2	
38		B2586210DB0		ONE-TOUCH CLAMP ASM.	FOR 210DSL,DHL					1	
39		B2586210DA0		SLIDING PLATE ASM., RIGHT				*		1	
40		B5039206000		SET PLATE				*		1	
41		16108300		NUT B				*		1	
42		SS7110840SP		SCREW 11/64-40 L=7.8				*		2	
43		WP0480856SP		WASHER 4.8X8.4X0.8				*		2	
44		WZ0430200KH		WAVED WASHER				*		1	
45	D	B2586210D00		SLIDING PLATE				*		1	



OPTIONAL PART COMPONENTS



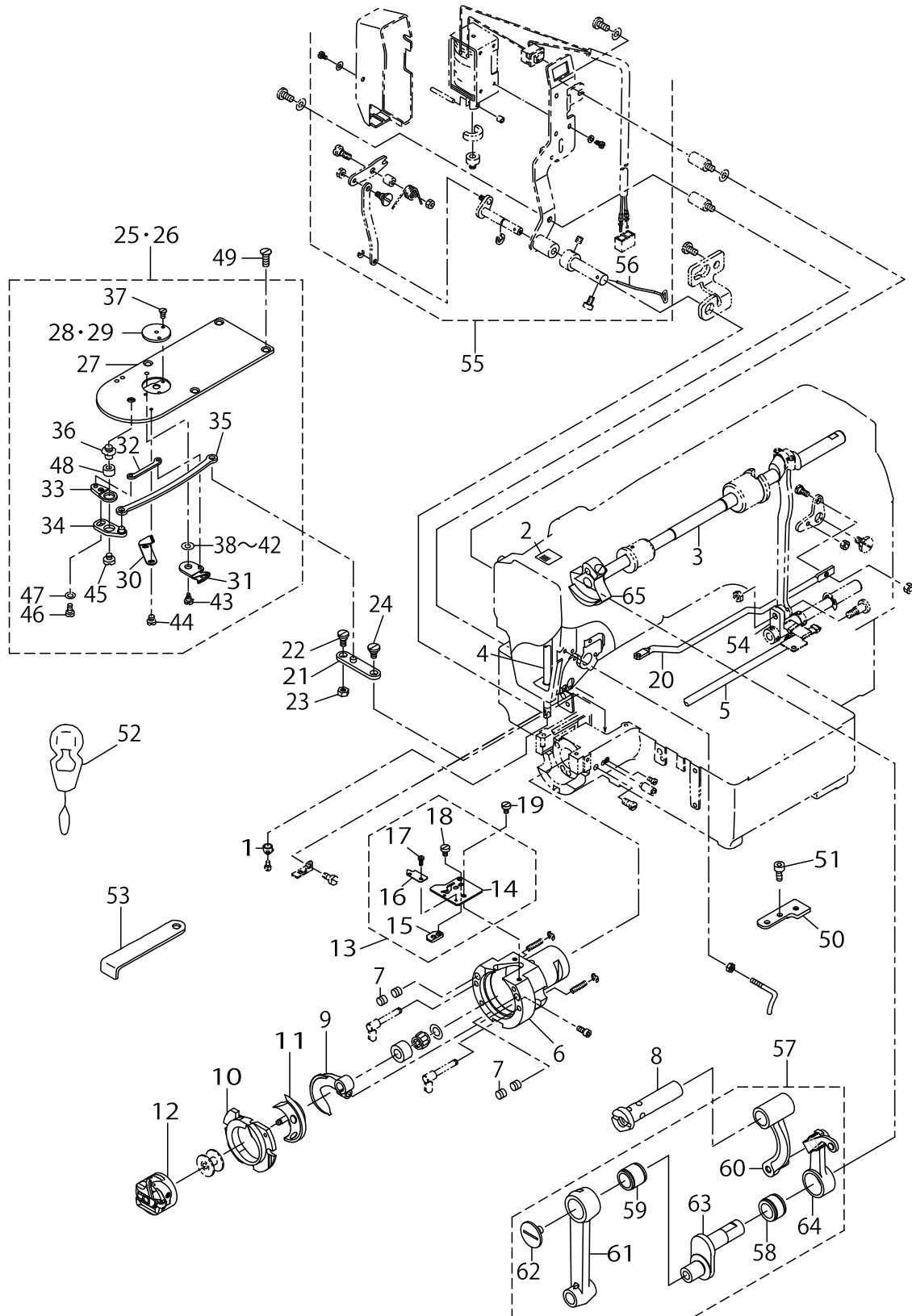
OPTIONAL PART COMPONENTS

No.	Supply Code	Parts No.	Replacement	Parts name	Remarks	Choice	Step	Level	Cons	Qty	Rep. QTY
46		B2588210D00		SLIDER HOLDING				*		1	
47		B5038206000		SET SC				*		1	
48		B2586210DAA		SLIDING PLATE ASM., LEFT				*		1	
49		B5039206000		SET PLATE				*		1	
50		16108300		NUT B				*		1	
51		SS7110840SP		SCREW 11/64-40 L=7.8				*		2	
52		WP0480856SP		WASHER 4.8X8.4X0.8				*		2	
53		WZ0430200KH		WAVED WASHER				*		1	
54	D	B2586210D00		SLIDING PLATE				*		1	
55		B2588210D00		SLIDER HOLDING				*		1	
56		B5038206000		SET SC				*		1	
57		B2596210DA0		SLIDER ASM., RIGHT				*		1	
58		B2596210D00		SLIDER				*		1	
59		PS0400082KP		SPRING PIN				*		3	
60		B2596210DAA		SLIDER ASM., LEFT				*		1	
61		B2596210D00		SLIDER				*		1	
62		PS0400082KP		SPRING PIN				*		3	
63		B2597210D00		CLAMP PLATE				*		1	
64		B5115210000		FEEDING FRAME CLAMP LEVER				*		2	
65		B1815210D00		SHUTTLE UPPER SPRING						1	
66	R	B1817210DAA	14103253	SHUTTLE RACE RING COMPL.,A						1	1.00
67		B1601210D0E		INNER PRESSER E						1	
68		B1601210D0FA		INTERMEDIATE PRESSER F						1	
69		B21012200A0		WIPER ASM.						1	
70		B4150210DA0		WIPER RELAY CABLE ASM.						1	
71		M90315800A0		2-PEDAL CONNECTING CORD ASM.						1	
72		M90255800A0		PEDAL SW.TRANSFER CABLE ASM.						1	
73		B2107210D0B		WIPER						1	
74		22956809		BRACKET INSTALLING COLLAR						1	
75		SS6090540SP		SCREW 9/64-40 L=5.0						1	
76		B4131210DA0		UPPER SHAFT SENSOR CABLE ASM.						1	
77		B4132210DA0		Y SENSOR CABLE ASM.						1	

# ASM-210D PERFECT STITCH EXCLUSIVE PART COMPONENTS

(Caution) Please understand that the standard stitch specifications of the current AMS-210D cannot be modified to the perfect stitch specifications of the AMS-210D.

(注) 現行のAMS-210D標準ステッチ仕様からAMS-210Dパーフェクトステッチ仕様へ改造による仕様変更はできません。ご了承ください。



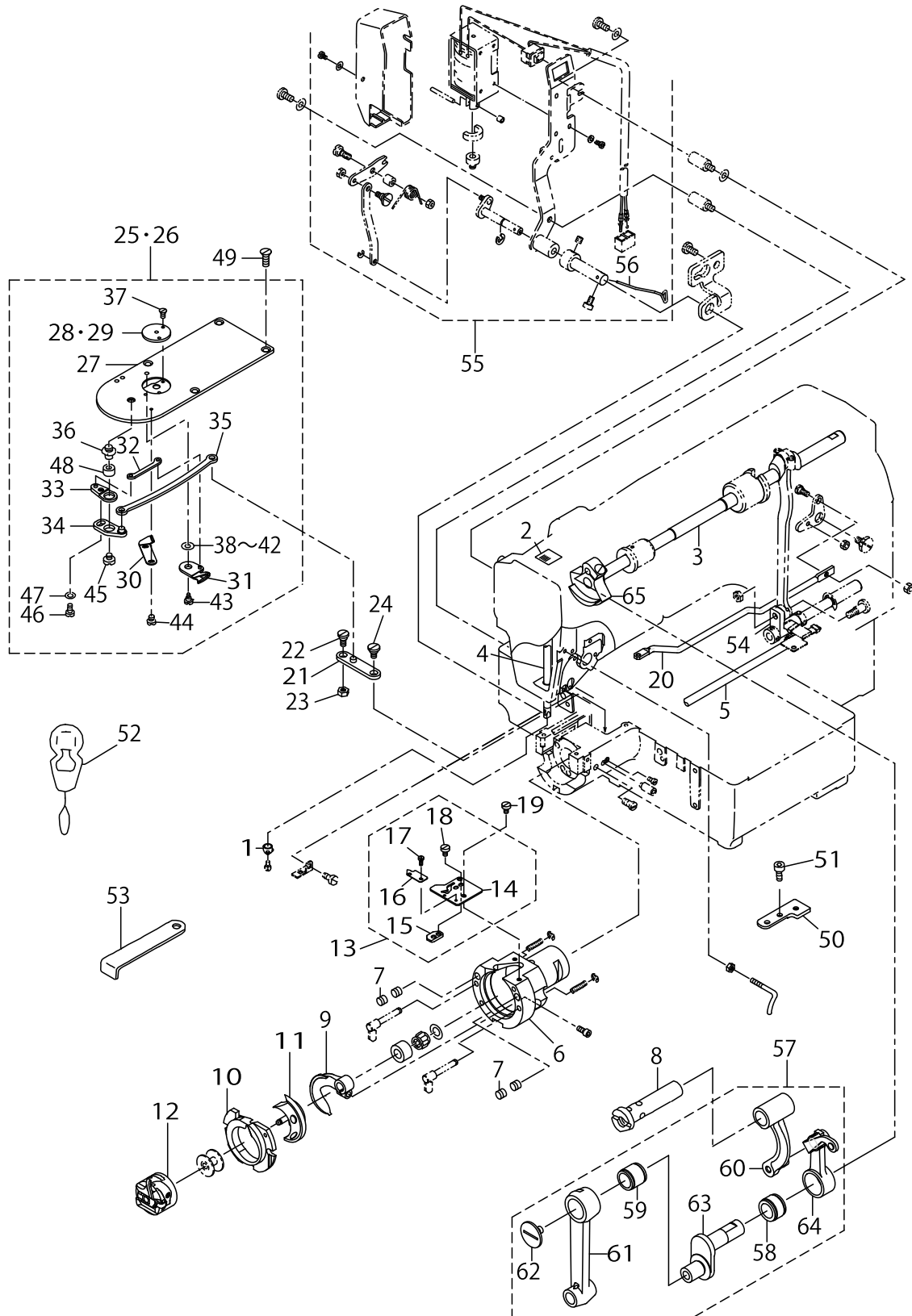
ASM-210D PERFECT STITCH EXCLUSIVE PART COMPONENTS

No.	Supply Code	Parts No.	Replacement	Parts name	Remarks	Choice	Step	Level	Cons	Qty	Rep. QTY
1		B1406215P00		THREAD GUIDE H						1	
2		B1191215P00		NEEDLE SETTING LABEL						1	
3		B1201210D0A		P UPPER SHAFT						1	
4	D	B1401210D00		NEEDLE BAR,TYPE P						1	
5		B1811210DAA		P LOWER SHAFT GEAR JUNCTION						1	
6		B1814215P00		SHUTTLE						1	
7		B1226552000		ROLLER FELT						4	
8		B1904280000		BALANCE CRANK PIN						1	
9		B1812215P00		SHUTTLE DRIVER						1	
10	D	B1854210DA0		P INNER HOOK PRE-SSER JUMCTION						1	
11		B1818215P00		SHUTTLE						1	
12		B1852210DA0		P BOBBIN CASE ASM.						1	
13		B1816210DA0		UPPER SPRING ASM.						1	
14		B1816210D00		SHUTTLE UPPER SPRING, P TYPE				*		1	
15		B1840210D00		LOOP RECEIVING PLATE				*		1	
16		B1841210D00		LOWER THREAD HOLDER				*		1	
17		SS6060220SP		SCREW 3/32-56 L=2.0				*		2	
18		SS6090420SP		SCREW 9/64-40 L=4.0				*		2	
19		SS6090420SP		SCREW 9/64-40 L=4.0						2	
20	D	B2430210D00		THREAD CUTTING CONNECTING BAR						1	
21		B2430215PA0		CONNECTING ARM ASM.						1	
22		SD0640326TP		HINGE SCREW						1	
23		NS6110310SP		NUT 11/64-40						1	
24		SD0640326TP		HINGE SCREW						1	
25	D	B2425210PA0		NEEDLE PLATE ASM.						1	
26	D	B2425210PAB		NEEDLE PLATE ASM., H	FOR HEAVY-WEIGHT MATERIAL					1	
27	D	B2425210P00		NEEDLE PLATE				*		1	
28		B2426215P0A		NEEDLE HOLE GUIDE D=1.6				*		1	
29		B2426215P0B		NEEDLE HOLE GUIDE D=2.0	FOR HEAVY-WEIGHT MATERIAL			*		1	
30		B2424215P00		COUNTER KNIFE				*		1	
31		B2421215PA0		MOVING KNIFE ASM.				*		1	
32	D	B2418215P00		MOVING KNIFE LINK				*		1	
33		B2415215PA0		TRIMMING LEVER ASM. (SMALL)				*		1	
34		B2414215PA0		MOVING KNIFE DRIVING LEVER ASM				*		1	
35		B2432215P00		THREAD TRIMMING ROD				*		1	
36		B2417280000		THREAD CUTTER LEVER SHAFT				*		1	
37		SS1060210TP		SCREW 3/32-56 L=2.2				*		2	
38		B242328000C		MOVING KNIFE WASHER C	SELECTIVE PARTS			*		1	
39		B242328000D		MOVING KNIFE WASHER D	SELECTIVE PARTS			*		1	
40		B242328000E		MOVING KNIFE WASHER E	SELECTIVE PARTS			*		1	
41		B242328000F		MOVING KNIFE WASHER F	SELECTIVE PARTS			*		1	
42		B242328000G		MOVING KNIFE WASHER G	SELECTIVE PARTS			*		1	
43		B2417210000		MOVING KNIFE HINGE SCREW				*		1	

# ASM-210D PERFECT STITCH EXCLUSIVE PART COMPONENTS

(Caution) Please understand that the standard stitch specifications of the current AMS-210D cannot be modified to the perfect stitch specifications of the AMS-210D.

(注) 現行のAMS-210D標準ステッチ仕様からAMS-210Dパーフェクトステッチ仕様へ改造による仕様変更はできません。ご了承ください。



ASM-210D PERFECT STITCH EXCLUSIVE PART COMPONENTS

No.	Supply Code	Parts No.	Replacement	Parts name	Remarks	Choice	Step	Level	Cons	Qty	Rep. QTY
44		SS7060310SP		SCREW 3/32-56 L=3				*		2	
45		SS6110430TP		SCREW 11/64-40 L= 4.0				*		1	
46		SS7110740TP		SCREW 11/64-40 L=7				*		1	
47		WP0450846SP		WASHER				*		1	
48		B2416280000		THREAD CUTTING LEVER RING				*		1	
49		SS1110640TP		SCREW 11/64-40 L= 5.5						4	
50		B2431215P00A		THREAD CONNECTION PLATE						1	
51		SS6111052TP		SCREW						2	
52		B9107761000		THREAD PASSING INSTRUMENT						1	
53		B9101490000		DRIVER						1	
54		B1805210D0A		P LOWER SHAFT OSCILLATOR						1	
55		B2107210DAA		P WIPER ASM.						1	
56		B2107210D0A		P WIPER				*		1	
57		B19012800B0		LINK BALANCE ASM.						1	
58	R	B1905541000	B1905541A00	NEEDLE BUSHING		A		*		1	1.00
58	R	B1905541000	B1905541B00	NEEDLE BUSHING		B		*		1	1.00
58	R	B1905541000	B1905541C00	NEEDLE BUSHING		C		*		1	1.00
58	R	B1905541000	B1905541D00	NEEDLE BUSHING		D		*		1	1.00
59	R	B1411804000	B1411804A00	NEEDLE DRIVING LEVER BEARING		A	A:	*		1	1.00
59	R	B1411804000	B1411804B00	NEEDLE DRIVING LEVER BEARING		B	B:	*		1	1.00
59	R	B1411804000	B1411804C00	NEEDLE DRIVING LEVER BEARING		C	C:	*		1	1.00
59	R	B1411804000	B1411804D00	NEEDLE DRIVING LEVER BEARING		D	D:	*		1	1.00
60	R	B1903280000	B19012800A0	THREAD TAKE-UP CRANK				*		1	1.00
61		B1404280000		NEEDLE BAR CRANK ROD				*		1	
62		B1903552000		LEFT SCREW				*		1	
63		B1203280000		NEEDLE ROD CRANK				*		1	
64	R	B1901280000	B19012800A0	THREAD TAKE-UP LEVER				*		1	1.00
65	D	B1206210000		COUNTERWEIGHT						1	

A:ローラー径2φ公差 0<sup>~</sup>-0.002/A:ROLLER diameter 2φ tolerance 0<sup>~</sup>-0.002  
 B::ローラー径2φ公差 -0.002<sup>~</sup>-0.004/B::ROLLER diameter 2φ tolerance -0.002<sup>~</sup>-0.004  
 C::ローラー径2φ公差 -0.004<sup>~</sup>-0.006/C::ROLLER diameter 2φ tolerance -0.004<sup>~</sup>-0.006  
 D::ローラー径2φ公差 -0.006<sup>~</sup>-0.008/D::ROLLER diameter 2φ tolerance -0.006<sup>~</sup>-0.008



## HOW TO MAKE USE OF THIS PARTS LIST

### 1.Explanation of codes

1)"\*"mark.....means this part is changed from the previous parts book.

As to the details of the change, refer to the "List for information of change".

2)"#01".....refer to "Note" explanation at bottom of page.

### 2.Codes on the "Qty" column

- Each numeral indicates the number of parts required.
- "0.1" and "2.5" indicate the length (in meters) of the respective parts.

3.Parentheses mean that the corresponding part is a subpart that constructs an assembly part.

4.Dotted lines on the Figures indicate assembly parts.

### 1."注記"欄の記号説明

1) "\*"印.....前回のパーツブックに比較して今回変更された部品を意味します。

変更内容は、"変更情報リスト"を参照してください。

2) "#01".....ページ下の"注記"の説明を参照してください。

2.数量欄の数字は、個数を表し、0.1、2.5等の数値は、長さ（単位メートル）を表します。

3.数量欄の（ ）は、組部品を構成している子部品であることを意味します。

4.イラストページの-----枠は、組構成であることを意味します。



# NUMERICAL INDEX OF PARTS

PART NO	PAGE	REF NO.	PART NO	PAGE	REF NO.	PART NO	PAGE	REF NO.
10004109	2	31	22538300	2	25	40022269	58	2
10102259	68	15	22538409	2	15	40022269	62	35
10502300	2	28	22907208	18	21	40022327	12	58
10523504	22	31	22907505	18	25	40022507	4	81
10618304	2	16	22907554	18	23	40022517	10	5
11010303	18	22	22907604	18	24	40022520	62	15
11047107	2	29	22920508	2	41	40034676	26	5
11072402	2	33	22924005	16	49	A1230500000A	10	17
11110301	26	6	22930309	54	14	A321600100A	2	22
11111051	26	13	22930358	54	1	B1104210D00	2	4
11155108	52	25	22930408	54	10	B1105210D00	2	5
11155207	52	26	22930507	54	9	B1106210D00	8	1
11158300	52	3	22930705	54	7	B1107210D00	2	1
11158409	52	4	22930804	54	5	B1108210D00	8	5
11158516	52	5	22930903	54	4	B1109210DA0	8	3
11158607	52	6	22931000	54	3	B1110210DA0	8	6
11159001	52	13	22931109	54	2	B1111210D00	2	2
11217114	10	15	22931208	54	15	B1111232000	2	38
11217213	10	14	22931307	54	11	B1112210D00	8	2
11847308	18	26	22931406	54	8	B1113210D00	8	8
12210803	16	56	22955504	26	4	B1113223C00	8	9
12284303	18	33	22955900	26	7	B1115210D00	2	3
13508403	22	33	22956007	26	8	B1115232000	30	6
13508700	22	34	22956106	26	9	B11152320A0	30	3
13513205	28	5	22956205	26	10	B1116210D00	2	9
13513304	28	6	22956403	26	12	B1116804000	32	47
13518105	34	25	22956809	72	74	B1117210D00	2	7
13518105	38	15	22956908	26	14	B1118210DA0	8	7
13529607	22	19	22957104	26	15	B1121210D00	2	6
13551254	4	87	22957203	26	16	B1122210D00	2	8
13716808	28	7	23604309	10	3	B1123210000	8	10
13717707	20	83	26211607	2	30	B1123210D00	2	10
13722509	18	28	26221101	22	35	B1123280000	2	39
13816855	22	37	26221200	22	36	B1124210000	8	11
13817408	28	16·22	26222208	24	49	B1125210D00	2	11
14107809	30	2	26226001	20	76	B1125215P00	2	40
14113450	2	36	26230706	50	9	B1126210000	6	97
14113468	2	32	26231100	22	10	B1129210000	2	42
16108300	70	50	26234005	68	24	B1131528000	68	14
16108300	72	50	26500900	28	3	B1143210000	6	93
17007402	52	7	26501858	22	16	B1144210000	10	19
17700402	26	34	26502906	18	31	B1148555000	2	21
17845009	58	22	40022157	56	7~9	B1178191000	2	43
22537658	2	14	40022182	56	4~6	B1181210D00	8	4
22538151	2	20	40022185	56	1~3	B1191215P00	74	2

NUMERICAL INDEX OF PARTS

PART NO	PAGE	REF NO.	PART NO	PAGE	REF NO.	PART NO	PAGE	REF NO.
B1201210D00	10	7	B1510210D00	14	15	B1632210D00	18	15
B1201210D0A	74	3	B1511210D00	14	16	B1633210D00	18	13
B1202210000	12	57	B1513210D00	14	21	B1634210D00	20	71
B1203210000	10	18	B1515210D00	14	23	B1641562000	18	29
B1203280000	76	63	B1516210D00	14	13	B1642210D00	18	14
B1206210000	76	65	B151902600G	34	43	B1649161000	18	35
B1206210D00	10	9	B1520210D00A	14	11	B1649161000	28	25
B1207210D00	10	6	B1522210D00	14	14	B1649161000	32	45
B1208210D00	10	8	B1525210D00	14	8	B1652210D00	20	81
B1212210D00	10	13	B1526804000	16	50	B1673180000	20	79
B1213210D00	10	1	B152989000CA	2	18	B1701210000	14	19
B1214210D00	10	2	B1530210D00	14	17	B1701210D00	14	46
B1215210D00	10	11	B1531210D00	16	55	B1702210D00	16	47
B1216210D00	10	12	B1601210D00A	18	1	B1703210D00	16	48
B1223771000	12	47	B1601210D0BA	70	1	B1802210D00	22	32
B1226552000	74	7	B1601210D0CA	70	2	B1805210D00	22	2
B1401210A00	12	40	B1601210D0E	72	67	B1805210D0A	76	54
B1401210D00	74	4	B1601210D0FA	72	68	B1806210D00	22	23
B1402280000	12	41	B1603210D00	18	3	B1806210D00	68	18
B1403280000	12	45	B1604210D00	18	2	B1808210D00	22	26
B1404280000	12	38	B1605210D00	20	52	B1808980000	24	46
B1404280000	76	61	B1606210D00	18	8	B1811210DA0	24	59
B1405210000	12	42	B1607210D00	18	9	B1811210DAA	74	5
B1406210000	12	43	B1609210D00	18	5	B1812210D00	22	20
B1406215P00	74	1	B1610210D00	18	7	B1812215P00	74	9
B1407210D00	10	33	B161121000A	18	32	B1813980000	22	9
B1408180000	18	30	B1611210D00	18	17	B1814210D00	22	6
B14115520A0	12	46	B1612210D00	18	6	B1814210DA0	22	5
B1411804000	12	36	B1614210D00	18	27	B1814215P00	74	6
B1411804000	76	59	B1615210D00	18	37	B1815210000	24	47·48
B1411804A00	22	42~45	B1619210D00	20	78	B1815210D00	72	65
B1411804B00	22	42~45	B1620210D00	18	10	B1815980000	24	47·48
B1411804C00	22	42~45	B1621210D00A	18	11	B1816210D00	74	14
B1411804D00	22	42~45	B1622210D00	18	12	B1816210DA0	74	13
B1411804D00	24	42~45	B1626210D00	18	41	B1816280000	70	35
B1414232000	12	44	B1626220000	40	35	B1817210DAA	72	3·4·66
B1501210DA0	14	2	B1626220000	44	30	B1817210DAB	22	4
B1502210D00	14	7	B1626555000	40	33	B1817210DAC	70	3·4·66
B1503210DA0	14	3	B1627210D00	18	16	B1817210DAD	70	3·4·66
B1504210D00	14	4	B1628210D0B	14	18	B1818210D0A	22	21·22
B1505210D00	14	5	B1628210D0B	18	20	B1818210D0B	22	21·22
B1506210D00	14	6	B1629210D00A	18	19	B1818215P00	74	11
B1507210D00	14	1	B1629224000	18	34	B1820210D00	22	7
B1508210D00	14	9	B1630210D00	18	4	B1821210D00	22	8
B1509210D00	14	10	B1631210D00	18	18	B1822215P00	22	17

# NUMERICAL INDEX OF PARTS

PART NO	PAGE	REF NO.	PART NO	PAGE	REF NO.	PART NO	PAGE	REF NO.
B1828210D0A	22	25	B2407210D00	30	17	B2431215P00A	76	50
B1828210DAA	22	24	B2408210D00	30	13	B2432215P00	74	35
B1836210D00	22	1	B2409210D00	30	11	B2440210D00	30	16
B1840210D00	74	15	B2411210000	30	43	B2501210D00	34	2
B1841210D00	74	16	B2412210D00	30	12	B2501210DA0A	34	1
B1852210DA0	74	12	B2413210D00	30	18	B2502210D00A	34	3
B1854210DA0	74	10	B2414215PA0	74	34	B2505210D00	34	19
B1901210DA0	10	32	B24142800A0	30	31	B2506210D00	34	22
B1901210DC0	10	31	B2415215PA0	74	33	B2507210D00	34	4
B1901280000	76	64	B24152800A0	30	29·30	B2508210DA0	34	5
B19012800B0	76	57	B24162100A0	30	29·30	B2509210D00	34	23
B1903210000	10	34	B2416280000	30	28	B2509210D00	38	10
B1903280000	76	60	B2416280000	76	48	B2509704000	38	14
B1903552000	12	37	B2417210000	30	33	B2510210D00	38	13
B1903552000	76	62	B2417210000	74	43	B2511210D00	38	5
B1904280000	12	39	B2417280000	30	42	B2512210D00A	34	18
B1904280000	74	8	B2417280000	74	36	B2513210D00A	34	16
B1905541000	10	35	B2418215P00	74	32	B2513210D00A	38	2
B1905541000	12	35	B2418280000	30	27	B2514210D00A	34	17
B1905541000	76	58	B2421210AA0	30	26	B2514210D00A	38	3
B21012200A0	72	69	B2421215PA0	74	31	B2518210D00	38	6
B2102816000A	18	36	B242328000A	30	37~40	B2519210D00	34	6
B2107210D00	26	2	B242328000B	30	37~40	B2520210D0A	34	7
B2107210D0A	76	56	B242328000C	30	37~40	B2520210D0B	34	8
B2107210D0B	72	73	B242328000C	74	38~42	B2521210D00	34	9
B2107210DA0	26	1	B242328000D	30	37~40	B2522210D00	34	10
B2107210DAA	76	55	B242328000D	74	38~42	B2523210D00	38	11
B2110210D00	26	33	B242328000E	74	38~42	B2524210D00	38	12
B2111210D00	26	3	B242328000F	74	38~42	B2525205000	38	16
B2130210D00	26	11	B242328000G	74	38~42	B2525210D00	38	8
B2301210D00	30	1	B2424210000	30	25	B2526210D00	34	21
B23022050AA	28	8·9	B2424215P00	74	30	B2527210000	34	11
B2302280000	28	13	B2425210000	30	22	B2528210D00A	38	4
B23022800A0	28	8·9	B2425210DAA	30	20·21	B2529210D00	36	50
B2303205000	32	46	B2425210DAB	30	20·21	B2529210D00	38	1
B2303280000	28	23	B2425210P00	74	27	B2530210D00	34	42
B2304210D00	28	1	B2425210PA0	74	25·26	B2534210D00	34	20
B2305205000	28	11·19	B2425210PAB	74	25·26	B2536210D00A	38	9
B2308210D00	28	2	B242621000A	30	23·24	B2548210D00	38	7
B2312210D00	30	15	B242621000B	30	23·24	B2550210D00	40	1
B2313280000	28	12	B2426215P0A	74	28·29	B2550210D00	44	1
B2315210D00	28	4	B2426215P0B	74	28·29	B2551210DA0A	40	16
B2401210D00	30	14	B2430210D00	74	20	B2552210D00	40	11
B2402210D00	30	10	B2430215PA0	74	21	B2552210D00	44	4
B2404210DA0	30	19	B2431215000	32	48	B2553210D00	40	10

NUMERICAL INDEX OF PARTS

PART NO	PAGE	REF NO.	PART NO	PAGE	REF NO.	PART NO	PAGE	REF NO.
B2553210D0A	70	5	B2589210D00	70	16	B3504280000	22	11
B2553210D0B	70	6	B2590210DA0	44	7	B3505210D00	50	1
B2554210D00	44	6	B2591210DA0	44	8	B3506210D00	50	2
B2554210D0A	70	7	B2592210000	68	9	B3507220000	50	11
B2554210D0B	70	8	B2593210D00	70	13	B3507280000	50	16
B2554210D0C	70	9	B2593210DA0	70	12	B3508280000	50	14
B2556210D0A	70	10	B2594210D00	70	22	B3509210D00	50	3
B2556210D0B	70	11	B2594210DA0	70	15	B3509220000	50	28
B2557210DA0	68	19	B2595210D00	70	34	B3509280000	50	15
B255728000C	40	31	B2595210DA0	70	33	B3511210D00A	16	58
B2560210D00	44	3	B2596210D00	72	61	B3511210D0AA	16	59
B2560372000	70	14	B2596210DA0	72	57	B3518280000	50	7
B2561210D00	44	12	B2596210DAA	72	60	B3520220000	50	5
B2562210D00	44	13	B2597210D00	70	63	B35222100A0	50	6
B2564210D00	44	2	B2597210D00	72	63	B3523220000	50	10·37
B2564215000	68	17	B2598210D00	70	17	B3549850000	26	35
B2566210D00	44	10	B2599210D00	70	18	B4004210D00	34	45
B2567210D00	44	11	B2610210D00	40	19	B4007210D00	34	24
B2570210D00	40	2	B2610210D00	44	9	B4008210D00	38	34
B2571210D00	40	3	B2617771000	32	53	B4110210D00A	4	80
B2572210D00	40	12	B2619372000	28	24	B4131210DA0	72	76
B2572210D00	44	5	B2646215000	70	21	B4132210DA0	72	77
B2572229000	70	19	B2702210000	28	40	B4150210DA0	72	70
B2573210D00	40	9	B2703210000	4	82	B47152150A0	48	4
B2574210D00	40	6	B2707761000	2	44	B5038206000	70	56
B2575210D00	40	7	B3107804000	28	15	B5038206000	72	56
B2576210D00	40	17	B3111352000	30	8	B5039206000	70	49
B2577210D00	40	4	B3112761000	28	10·14	B5039206000	72	49
B2578210D00	40	5	B3114232000	28	11·19	B5115210000	70	64
B2579210D00A	40	8	B3114771000	2	45	B5115210000	72	64
B2580210D00	40	18	B3119771000	28	16·22	B8101210AAB	52	8
B2581210D00	40	14	B3120125000	28	17	B8101210DA0	52	1·2
B2582210D00	40	15	B3123352000	30	4	B8101210DAA	52	1·2
B2583210D00	40	13	B3125012000	30	7	B8103980000	68	8
B2585210D00	70	31	B3126012000	2	35	B8105210AAA	52	9
B2585210DA0	70	24	B3126012000	28	18	B8110221D00	52	24
B2585210DB0	70	23	B3126012000	30	5	B8133019000	68	7
B2586210D00	70	54	B3132552000	28	20	B8150210000	52	10
B2586210D00	72	54	B3204210DA0	2	13	B8153771000	52	16
B2586210DA0	70	39	B3204210DB0	2	12	B8201210D00A	52	23
B2586210DAA	72	48	B3205210000	2	19	B8202205000	52	27
B2586210DB0	70	38	B3212761000	2	23	B8203205000A	52	28
B2587210000	70	20	B3213205000	10	29	B8210012000	52	29
B2587210D00	70	32	B3501210000	2	46	B8211206000	48	15
B2588210D00	72	55	B3502220000	50	32	B8267180000	4	47

# NUMERICAL INDEX OF PARTS

PART NO	PAGE	REF NO.	PART NO	PAGE	REF NO.	PART NO	PAGE	REF NO.
B8404352000	18	38	D2587L8WB00	32	49	HK034640000	48	6
B9101490000	76	53	D2588L8WB00	32	50	HK034640000	66	17
B9101552000	68	1	D3112L4BB00	28	10·14	HK03464000B	26	18
B9107761000	76	52	D3310555D00	14	20	HK054250040	58	27
B9109555000	68	2~4	D7133555B00	2	34	HM000630010	60	77
B9110012000	68	2~4	D8113555B00	52	17	HN001490000	62	41
B9111012000	68	2~4	D8204555D00	52	30	HN00149000A	62	40
B9113012000	68	5	E2650453000	36	49	HW200390000	26	20
B9121012000	52	31	E2651453000	38	39	HW500070000	26	21
B91212200A0	68	11	E8523304000	66	26~29	HX00056000B	58	6
B9140372000	68	6	E9567319000	58	23	HX00123000A	4	83
BP300000000	22	15	E9607603000	60	78	HX00147000C	58	30
BP300000000	50	45·46	E9608603000	58	35	HX00150000K	4	79
BP600000000	50	10·37	E9613601000	66	26~29	HX00150000N	60	56
BT0400251EB	44	33	EA9500B0100	6	96	HX00223000A	16	54
BT0600401EB	48	16	EA9500B0100	48	14	HX00307000E	60	68
CM200100001	58	24	EA9500B0100	50	8	HX00339000D	58	12
CM300100001	58	25·54·55	EA9500B0100	66	15	HX004070000	58	32
CM300100101	60	25·54·55	EA9500B0200	60	69	HX004100000	58	33
CM300200002	4	91·92	EA9502B0500	66	18	M1001590000	58	19
CM3002000B2	4	91·92	G1216870000	10	10	M10025810A0	60	75
CM300200301	4	89·90	G5126172000	44	32	M1003580000	58	13
CM3002003A1	4	89·90	G6705152U0A	60	25·54·55	M1004581000	58	28
CM500100001	52	41	G8124270000	48	5	M1005580000	58	31
CQ200000000	50	45·46	GAF01007000	10	20	M1006580000	58	14
CQ202000000	50	33·34	GPF06060000	52	18	M1011580000	56	18
CQ252200000	22	14	GPF06070000	52	19	M1012580000	66	3
CQ252200000	50	43·44	GPF06080000	52	14	M1014580000	58	15
CS0700811SH	20	73	GPK26002000	66	20	M1016580000	66	13
CS079073ASH	18	42	HA000590000	26	19	M1017580000A	56	22
CS079073ASH	40	36	HA004250000	60	58	M10175800A0	56	21
CS079073ASH	44	34	HA004250000	62	16·17	M1019580000	56	23
CS080081CSH	24	52	HA004260000	66	12	M1030580000A	56	10
CS080081CSH	30	54	HD00057000A	34	46	M10305800A0	56	4~6
CS080081CSH	32	54	HD002230000	38	35	M10305800B0	56	4~6
CS1000811SP	24	50	HF004101000	66	26~29	M1031580000	56	17
CS1201010SH	22	3	HF0041050P0	66	26~29	M10315800A0	56	16
CS147121ESH	10	21	HK026650080	58	26	M1032580000	56	11
CS1701011SZ	14	24	HK034610020	26	17	M2001580000	58	71
D1510491D00	18	40	HK03461002D	14	45	M2001580000	60	71
D2112555B00	50	17	HK03461002E	18	39	M300258000B	58	17·18
D2431555B00	28	26	HK034610040	48	11	M3003580000	66	24·25
D2468555B00	14	22	HK034610100	66	16	M300451100A	66	24·25
D2502232D00	40	34	HK034620020	32	52	M300551100A	58	17·18
D2502232D00	44	31	HK034630000	32	51	M300558000AA	56	7~9

# NUMERICAL INDEX OF PARTS

PART NO	PAGE	REF NO.	PART NO	PAGE	REF NO.	PART NO	PAGE	REF NO.
M300558000BA	56	7~9	M90145800A0	62	5	NM6120003SE	52	11
M8510580AA0	56	1~3	M90145810A0	62	8~	NM6160511SE	54	18
M8510580BA0	56	1~3			10·37	NS6090310SP	4	50
M85105810A0	60	76	M90155800A0	62	6	NS6090310SP	26	23
M85115810A0	60	72	M90165800A0	62	7	NS6110310SP	2	37
M85125810A0	60	59	M90175800A0	62	8~	NS6110310SP	18	43
M85125810A0	62	16·17			10·37	NS6110310SP	26	24
M85205800A0	62	1·2	M90185800A0	62	11	NS6110310SP	28	27
M85205800A0	66	1	M90195800A0	62	12	NS6110310SP	74	23
M85215800A0	62	1·2	M90205800A0	62	31·32	NS6110420SP	32	58
M85215800A0	66	11	M9020580AA0	62	31·32	NS6120310SP	28	41
M85415800A0	56	13	M90215800A0	62	13	NS6120630SP	32	59
M85995800A0	66	22·23	M90225800A0	62	33·34	NS6150310SP	4	51
M8599580AA0	66	22·23	M90245800A0	62	8~	NS6150310SP	30	9
M8601580AA0	58	1			10·37	NS6620310SP	18	44
M8601580AA0	62	18	M90255800A0	62	14	NS6660430SP	24	53
M86045800A0	62	19·20	M90255800A0	72	72	PA1602006A0	44	35
M8604580AA0	62	19·20	M90285800A0	62	8~	PB000010000	68	13
M86045900B0A	58	3·4			10·37	PC010507000	48	2
M8604590AB0A	58	3·4	M90295800A0	60	67	PF0552040B0	48	8
M86055800A0	62	21	M90315800A0	72	71	PH0500322C0	14	25
M86055800A0A	58	9	M964051000A	52	42	PJ046052503	44	36
M86065800A0	56	14	MAO11108N00	52	34	PJ304065101	48	3
M86065800A0	62	38	MAO11532000	60	53	PJ305065202	48	10
M8901580AA0A	58	20·21	MC200501000	12	53~56	PJ309520001	68	12
M8901580AA0A	62	22·23	MC200501002	68	20~23	PS0150042K0	8	12
M8901580BA0A	58	20·21	MC372001100	12	53~56	PS0400082KP	72	62
M8901580BA0A	62	22·23	MC372001102	68	20~23	PS0400142KH	10	16
M8902580000	66	21	MDP170B1800	12	53~56	PV0351130A0	48	1
M90015800A0	62	24	MDP170B1802	68	20~23	PX950009000	48	7
M90025800A0	62	25	MDP500B1400	12	53~56	RC0470611KP	18	45
M90055800A0	62	26	MDP500B1402	68	20~23	RC0560711KP	2	27
M90075800A0	62	27	NM3034000SF	58	34	RE0250000K0	26	25
M90085800A0	62	28	NM3040520SF	58	73	RE0300000K0	22	18
M90095800A0	62	29	NM3040520SF	60	73	RE0300000K0	40	38
M90105800A0	62	30	NM6040003SC	32	55	RE0300000K0	44	37
M90105810A0	64	42	NM6050001SD	16	51	RE0500000K0	2	17
M90115810A0	62	36	NM6050001SE	54	17	RE0500000K0	20	46
M90125800A0	56	15	NM6050001SP	32	56	RE0500000K0	26	26
M90125800A0	62	39	NM6050001SP	34	26	RE0500000K0	44	38
M90125810A0	58	11	NM6060001SC	4	48	RE0600000K0	34	27
M90125810A0	62	4	NM6060001SC	52	35	RE0600000K0	38	17
M9012581AA0	58	7	NM6060001SC	60	65	RE0700000K0	42	39
M9012581AA0	62	3	NM6080001SC	52	36	RE0900000K0	24	54
M90135810A0	62	33·34	NM6080721SE	48	12	RO092270200	2	26
			NM6080721SE	52	20			

NUMERICAL INDEX OF PARTS

PART NO	PAGE	REF NO.	PART NO	PAGE	REF NO.	PART NO	PAGE	REF NO.
RO137230100	16	57	SL4041091SC	58	48	SM8040502TP	38	23
S9622710000	58	36	SL4041091SC	60	48	SM8040602TP	34	15
SB107000100	20	70	SL4041281SF	60	49	SM8050802TP	40	24
SB108000500	14	26	SL4042081SC	48	13	SM8050812TP	44	20
SB108000500	34	28	SL4051081SF	60	50	SM8060602TP	20	65
SB108000500	38	18	SL4051091SC	48	17	SM8060602TP	34	36
SB408000100	34	29	SL6052092TN	10	26	SM8060602TP	38	25
SB408000100	38	19	SL9061293SE	52	15	SM8060612TP	14	35
SB710000200	42	40	SL9082093SE	48	18	SM8060802TP	34	51
SB710000200	46	39	SL9082093SE	52	21	SM8060802TP	36	51
SB716000200	14	27	SM0040601SC	60	52	SM8060802TP	38	24
SD0400191TP	20	47	SM0051001SC	38	21	SM8060812TP	10	22
SD0500803TP	32	60	SM1040801SC	8	13	SM9065513SF	4	52
SD0530221SP	28	28	SM1040801SP	40	20	SM9086503SM	52	37
SD0600402TP	20	49	SM1040801SP	44	14	SS1060210TP	30	32
SD0640321SP	20	48	SM1044050SM	60	74	SS1060210TP	74	37
SD0640326TP	74	24	SM3065052TC	60	62	SS1110640TP	20	53
SD0640391TP	28	30	SM4030601SN	26	31	SS1110640TP	32	65
SD0640482SP	28	31	SM4031851SR	58	44	SS1110640TP	76	49
SD0650305TP	32	61	SM4050855SP	8	20	SS1110840SP	8	17
SD0650321TP	26	29	SM4051405SE	54	12	SS1110840SP	10	4
SD0720321TP	28	29	SM6040602TP	32	63	SS4090415SP	22	12
SD0720331SP	14	30	SM6040602TP	34	31	SS4090715SP	4	54
SD0790501SP	14	32	SM6040602TP	38	36	SS4110515SP	4	56
SD0790601SP	14	29	SM6040802TP	34	30	SS4110715SP	4	84
SD0800331TH	20	50	SM6041002TP	34	13	SS4110715SP	8	16
SD0800341SP	14	31	SM6041002TP	44	15	SS4110715SP	50	29
SD0800402TP	20	51	SM6041202TP	34	32	SS4110815SP	4	58
SD0800422CP	14	33	SM6041202TP	40	21	SS4110915SP	4	57
SD0801021TP	24	55	SM6041202TP	44	16	SS4111015SP	4	59
SD1100301TP	32	62	SM6041402TP	32	64	SS4111415SP	40	25
SK3311600SC	52	33	SM6041802TP	38	20	SS4111415SP	44	21
SK3382001SE	52	43	SM6051002TP	44	17	SS4120615SP	50	21
SK3382001SE	60	57	SM6051202TP	14	34	SS4120915SP	8	18
SK3451600SC	56	19	SM6053502TP	34	33	SS4120915SP	32	67
SK3512001SF	60	60	SM6060802TP	14	44	SS4121015SP	4	61
SL4030681SF	58	37-70	SM6061002TP	40	22	SS4150915SP	4	63
SL4030681SF	60	37-70	SM6061002TP	44	18	SS6060220SP	74	17
SL4030891SC	58	40	SM6061202TP	20	55	SS6060410TP	24	56
SL4031081SF	36	47	SM6061202TP	38	22	SS6090420SP	74	19
SL4040681SC	58	61	SM6061402TN	40	23	SS6090540SP	72	75
SL4040681SC	60	61	SM6061402TN	44	19	SS6090620SP	4	64
SL4040881SF	58	39	SM6061610SC	54	6	SS6090620TP	26	27
SL4040881SF	66	19	SM8040412TP	20	66	SS6090630TP	4	53
SL4041081SF	58	43	SM8040502TP	34	34	SS6090670TP	12	49



NUMERICAL INDEX OF PARTS

PART NO	PAGE	REF NO.	PART NO	PAGE	REF NO.	PART NO	PAGE	REF NO.
SS6092120SP	50	26	SS7110840SP	70	51	WP0450801SD	6	95
SS6110430TP	30	35	SS7110840SP	72	51	WP0450801SD	8	21
SS6110430TP	76	45	SS7110910SP	26	37	WP0450801SD	26	38
SS6110610TP	8	19	SS7111110TP	22	30	WP0450846SP	30	41
SS6110610TP	20	54	SS7111410SP	20	58	WP0450846SP	34	39
SS6110610TP	34	14	SS7111810TP	38	28	WP0450846SP	38	32
SS6111010SP	34	44	SS7151210SP	14	37	WP0450846SP	76	47
SS6111052TP	76	51	SS7151210SP	20	61	WP0480856SP	20	67
SS6111140SP	4	68	SS8090610SP	28	21	WP0480856SP	40	28
SS6111140SP	50	24	SS8110422TP	2	66	WP0480856SP	44	25
SS6111620SP	34	38	SS8110422TP	4	66	WP0480856SP	70	52
SS6120940SP	28	32	SS8110422TP	20	74	WP0480856SP	72	52
SS6121212TP	24	57	SS8110422TP	26	28	WP0482086SD	20	77
SS6121610SP	10	23	SS8110422TP	38	29	WP0482086SD	26	39
SS6121610SP	20	62	SS8110510SP	10	27	WP0482086SD	28	37
SS6151220SP	20	60	SS8110520TP	24	51	WP0501016SC	56	20
SS6151220SP	24	58	SS8111610SP	10	30	WP0501016SD	4	76
SS6151412TP	10	24	SS8120410SP	20	59	WP0501016SD	32	70
SS6151812TP	28	33	SS8120410SP	28	35	WP0520656SA	8	23
SS6681712TP	10	25	SS8120740SP	14	39	WP0520656SA	16	60
SS7060310SP	76	44	SS8150822TP	10	28	WP0531000SD	8	22
SS7080510TP	12	50	SS8150822TP	22	29	WP0531000SD	20	82
SS7090410SP	30	36	SS8150822TP	32	68	WP0531001SC	14	41
SS7090620TP	28	34	SS8151550SP	12	48	WP0531001SC	34	41
SS7090850SP	4	85	SS8660610TP	12	52	WP0551016SH	38	33
SS7090910SP	20	56	SS8660610TP	20	64	WP0611626SP	20	69
SS7090910SP	68	16	SS8661012TP	32	69	WP0621016SD	4	78
SS7091110SP	20	57	SS9110920CP	28	36	WP0621016SH	14	43
SS7091110SP	38	27	SS9120910TP	14	40	WP0621026SP	20	80
SS7091410SP	38	37	SS9150910SP	38	30	WP0641601SC	16	52
SS7110340SP	68	10	SS9661230CP	12	51	WP0641601SC	52	38
SS7110510SP	22	27	ST4031051SN	56	12	WP0651001SC	40	30
SS7110710SP	4	86	ST5041051SN	66	14	WP0651001SC	44	27
SS7110710SP	36	48	TA0750704R0	4	69	WP0651001SC	60	63
SS7110710SP	44	22	TA0850604R0	6	94	WP0651056SD	28	38
SS7110720SP	38	26	TA1050504R0	4	88	WP0740516SP	20	75
SS7110740TP	30	34	TA1250406R0	4	71	WP0820526SD	34	40
SS7110740TP	76	46	TA1850805R0	4	72	WP0841600SE	28	39
SS7110840SP	4	67	TA2100904R0	4	73	WP0850002SP	14	42
SS7110840SP	14	36	WP0320501SC	26	32	WP0851846SC	52	39
SS7110840SP	22	28	WP0430800SC	20	72	WP0871602SE	48	19
SS7110840SP	26	36	WP0430801SC	38	31	WP0871602SE	52	22
SS7110840SP	40	27	WP0450000SD	4	75	WP0952616SD	22	13
SS7110840SP	44	23	WP0450000SD	44	24	WP1702600S0	54	19
SS7110840SP	50	25	WP0450000SD	50	30	WP2232916SZ	16	53



## NUMERICAL INDEX OF PARTS

PART NO	PAGE	REF NO.
WS0310002KR	26	22
WS0310702KS	58	45
WS0410002KP	38	38
WS0410002KP	40	32
WS0410002KP	44	29
WS0510002KN	54	16
WS0610002KN	52	40
WS0610002KN	60	64
WZ0430200KH	70	53
WZ0430200KH	72	53