

MODEL : V060

List No : 1189-00

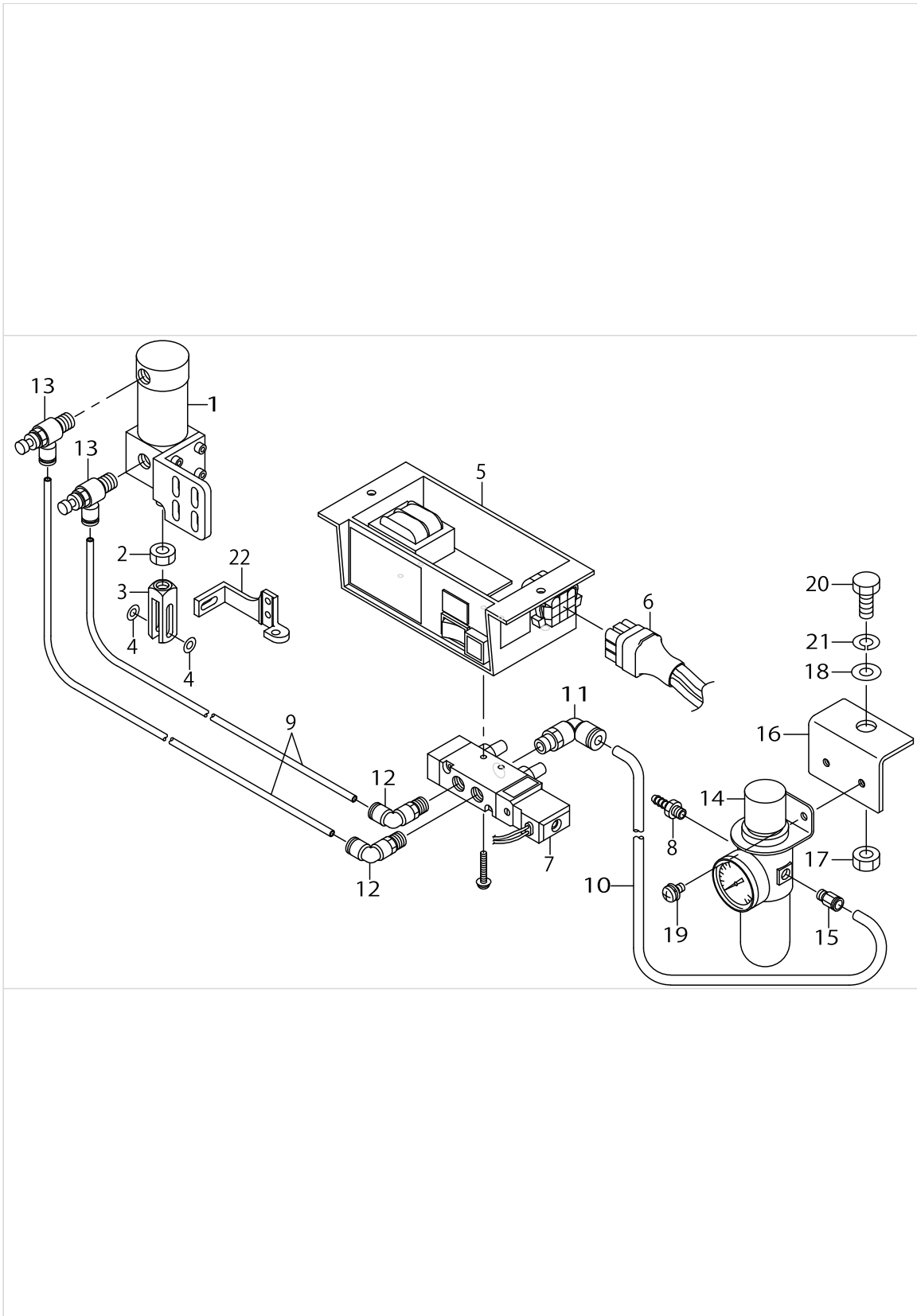
# PARTS LIST

Published:05/12/2017

## CONTENTS

---

V060.....	1
HOW TO MAKE USE OF THIS PARTS LIST .....	3



V060

No.	Supply Code	Parts No.	Replacement	Parts name	Remarks	Choice	Step	Level	Cons	Qty	Rep. QTY
1		MAUAPS00200		LIFTER CYLINDER						1	
2		MAUAPS00201		KNUCKLE STOPPER NUT						1	
3		MAUAPS00202		LIFTER CYLINDER KNUCKLE						1	
4	D	MAUAPS00203		WASHER						2	
5		MAUAPS00204		CONTROL BOX						1	
6	D	MAUAPS00205		CONNECTING CORD						1	
7		MAUAPS00206		SOLENOID VALVE						1	
8		F1021003000		HOSE JOINT						1	
9		BT0400251EB		URETHANE HOSE, BLACK						3.5	
10		BT0600401EB		TUBE						1	
11		PJ304065101		ELBOW UNION 6XPT1/8						1	
12		PJ304045102		ELBOW UNION, C						2	
13		PC015108000		SPEED CONTROLLER						2	
14		PF0252040A0		FILTER REGULATOR ASM.						1	
15		PJ301065201		HALF UNION 6XPT1/4						1	
16		GAT36016000		REGULATOR BRACKET						1	
17		NM6080721SE		NUT M8						1	
18		WP0871602SE		WASHER 8.7X18X1.6						1	
19		SL4051091SC		SCREW M5X0.8 L=10						2	
20		SM9082023SE		SCREW M8 L=20						1	
21		WS0861410KR		SPRING WASHER 8.6X15X1.4						1	

## HOW TO MAKE USE OF THIS PARTS LIST

1.As to "#01" and "#02" refer to the "Note" given at the bottom of the respective pages.

2.Codes on the "Qty" column

- Each numeral indicates the number of parts required.
- "0.1" and "2.5" indicate the length (in meters) of the respective parts.

3.Parentheses mean that the corresponding part is a subpart that constructs an assembly part.

4.Dotted lines on the Figures indicate assembly parts.

1. リストページの# 0 1、# 0 2の印は、ページ下の"注記"の説明を参照下さい。
2. 数量欄の数字は、個数を表し、0. 1、2. 5等の数値は、長さ（単位メートル）を表します。
3. 数量欄の（ ）は、組部品を構成している子部品であることを意味します。
4. イラストページの-----枠は、組構成であることを意味します。

## NUMERICAL INDEX OF PARTS

PART NO	PAGE	REF NO.
BT0400251EB	2	9
BT0600401EB	2	10
F1021003000	2	8
GAT36016000	2	16
MAUAPS00200	2	1
MAUAPS00201	2	2
MAUAPS00202	2	3
MAUAPS00203	2	4
MAUAPS00204	2	5
MAUAPS00205	2	6
MAUAPS00206	2	7
NM6080721SE	2	17
PC015108000	2	13
PF0252040A0	2	14
PJ301065201	2	15
PJ304045102	2	12
PJ304065101	2	11
SL4051091SC	2	19
SM9082023SE	2	20
WP0871602SE	2	18
WS0861410KR	2	21