

MODEL : PK-75

List No : 1238-00

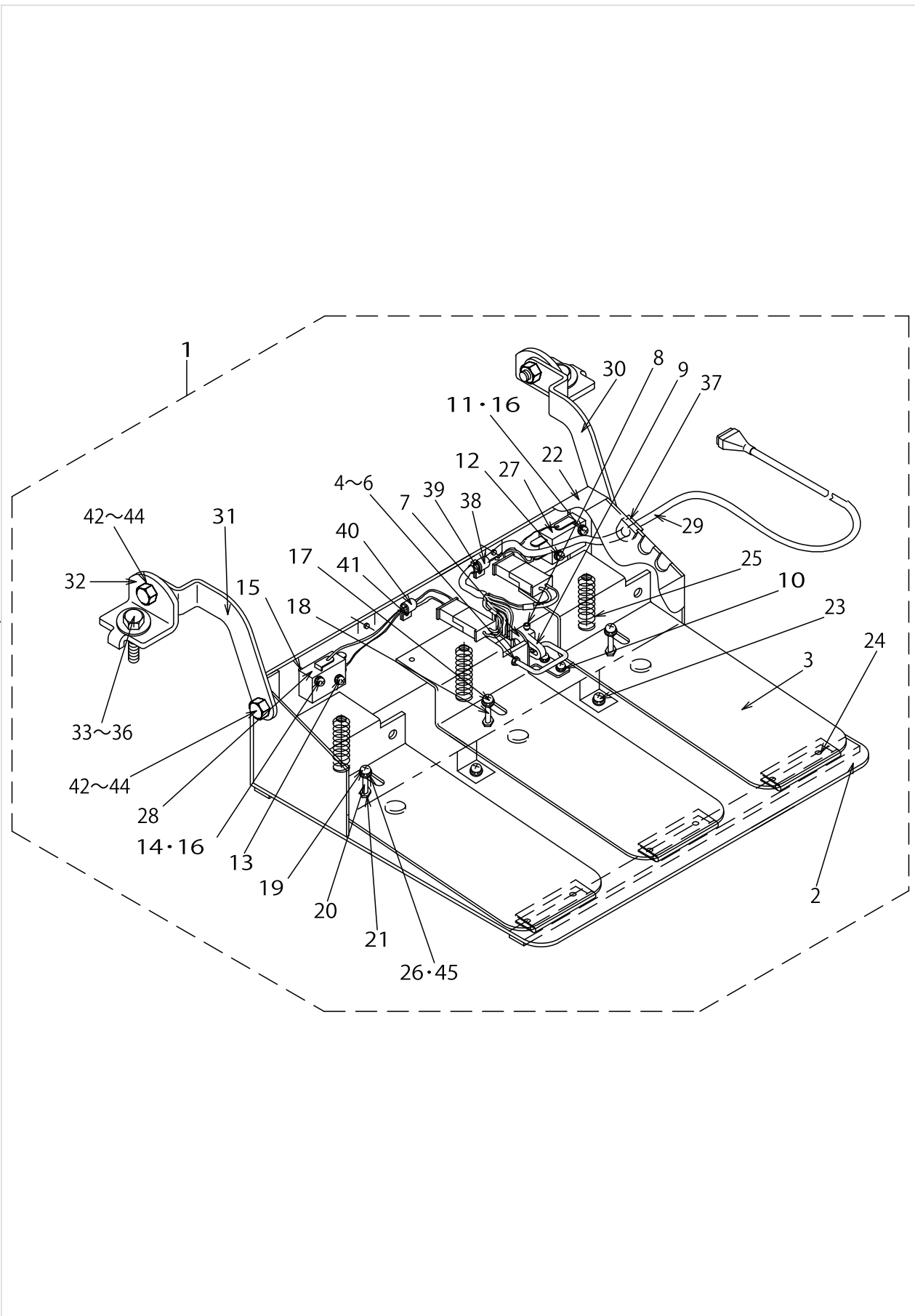
PARTS LIST

Published:05/12/2017

CONTENTS

3-JOINT PEDAL COMPONENTS.....	1
HOW TO MAKE USE OF THIS PARTS LIST	3

3-JOINT PEDAL COMPONENTS



3-JOINT PEDAL COMPONENTS

No.	Supply Code	Parts No.	Replacement	Parts name	Remarks	Choice	Step	Level	Cons	Qty	Rep. QTY
1	D	GPK750010A0		3-JOINT PEDAL ASM., 75						1	
2		GPK750020A0		PEDAL BASE ASM., 75				*		1	
3		GPK260030AA		PEDAL				*		3	
4		GPK71021000		PEDAL VOLUME DIFFERENTIAL ARM				*		1	
5		WP0430801SC		WASHER 4.3X9X0.8				*		2	
6		NM6040003SC		NUT M4				*		2	
7		GPK71020000		VOLUME INSTALLING PLATE				*		1	
8		SM6030802TN		BOLT				*		1	
9		M2004110000		VOLUME LINK				*		1	
10		SL4030681SC		SCREW M3 L=6				*		2	
11		SL4031891SC		SCREW M3 L=18				*		1	
12		SL4031691SC		SCREW M3 L=16				*		1	
13		SL4031891SC		SCREW M3 L=18				*		1	
14		SL4032081SC		SCREW M3 L=20				*		1	
15		GPK18022000		MICRO SWITCH COLLAR				*		2	
16		NM6030003SC		NUT M3				*		2	
17		SL4043091SC		SCREW M4 L=30				*		1	
18		GPK26005000		VARIABLE PEDAL GUIDE COLLAR				*		1	
19		SL4042591SC		SCREW M4 L=25				*		2	
20		GPK26004000		SWITCH PEDAL GUIDE COLLAR				*		2	
21		NM6040003SC		NUT M4				*		3	
22		GPK1800200A		SWITCH COVER				*		1	
23		SL4040691SC		SCREW M4 L=6				*		4	
24		SM1030501SC		SCREW M3 L=5				*		6	
25		GPK14013000		PEDAL SPRING				*		3	
26		WP0430801SC		WASHER 4.3X9X0.8				*		3	
27		GPK700030A0		SWITCH ASM., RIGHT				*		1	
28		GPK700040A0		SWITCH ASM., LEFT				*		1	
29		GPK700050A0		SENSOR VOLUME ASM.				*		1	
30		GPK1800600AA		PEDAL BASE JOINT, RIGHT				*		1	
31		GPK1800700AA		PEDAL BASE JOINT, LEFT				*		1	
32		11159001		PEDAL SHAFT BRACKET				*		2	
33		SM9082023SE		SCREW M8 L=20				*		2	
34		WP0871602SE		WASHER 8.7X18X1.6				*		2	
35		WS0861410KR		SPRING WASHER 8.6X15X1.4				*		2	
36		NM6080721SE		NUT M8				*		2	
37		GPK26023000		BUSH A				*		1	
38		MAZ02508000		CORD HOLDER				*		1	
39		SL4040891SC		SCREW M4 L=8				*		1	
40		HX001230000		CABLE CLIP				*		1	
41		SL4040881SC		SCREW M4 L=8				*		1	
42		SM9081620SE		SCREW M8 L=16				*		4	
43		NM6080002SE		NUT M8				*		4	
44		GPK26022000		JOINT FITTING COLLAR				*		4	
45		WP0430801SC		WASHER 4.3X9X0.8				*		3	

HOW TO MAKE USE OF THIS PARTS LIST

1.As to "#01" and "#02" refer to the "Note" given at the bottom of the respective pages.

2.Codes on the "Qty" column

- Each numeral indicates the number of parts required.
- "0.1" and "2.5" indicate the length (in meters) of the respective parts.

3.Parentheses mean that the corresponding part is a subpart that constructs an assembly part.

4.Dotted lines on the Figures indicate assembly parts.

1. リストページの# 0 1、# 0 2の印は、ページ下の"注記"の説明を参照下さい。
2. 数量欄の数字は、個数を表し、0. 1、2. 5等の数値は、長さ（単位メートル）を表します。
3. 数量欄の（ ）は、組部品を構成している子部品であることを意味します。
4. イラストページの-----枠は、組構成であることを意味します。

NUMERICAL INDEX OF PARTS

PART NO	PAGE	REF NO.
11159001	2	32
GPK14013000	2	25
GPK1800200A	2	22
GPK1800600AA	2	30
GPK1800700AA	2	31
GPK18022000	2	15
GPK260030AA	2	3
GPK26004000	2	20
GPK26005000	2	18
GPK26022000	2	42~44
GPK26023000	2	37
GPK700030A0	2	27
GPK700040A0	2	28
GPK700050A0	2	29
GPK71020000	2	7
GPK71021000	2	4~6
GPK750010A0	2	1
GPK750020A0	2	2
HX001230000	2	40
M2004110000	2	9
MAZ02508000	2	38
NM6030003SC	2	11·16
NM6040003SC	2	21
NM6080002SE	2	42~44
NM6080721SE	2	33~36
SL4030681SC	2	10
SL4031691SC	2	12
SL4031891SC	2	13
SL4032081SC	2	14
SL4040691SC	2	23
SL4040881SC	2	41
SL4040891SC	2	39
SL4042591SC	2	19
SL4043091SC	2	17
SM1030501SC	2	24
SM6030802TN	2	8
SM9081620SE	2	42~44
SM9082023SE	2	33~36
WP0430801SC	2	26·45
WP0871602SE	2	33~36
WS0861410KR	2	33~36