

MODEL : EC10B

List No : 1232-01

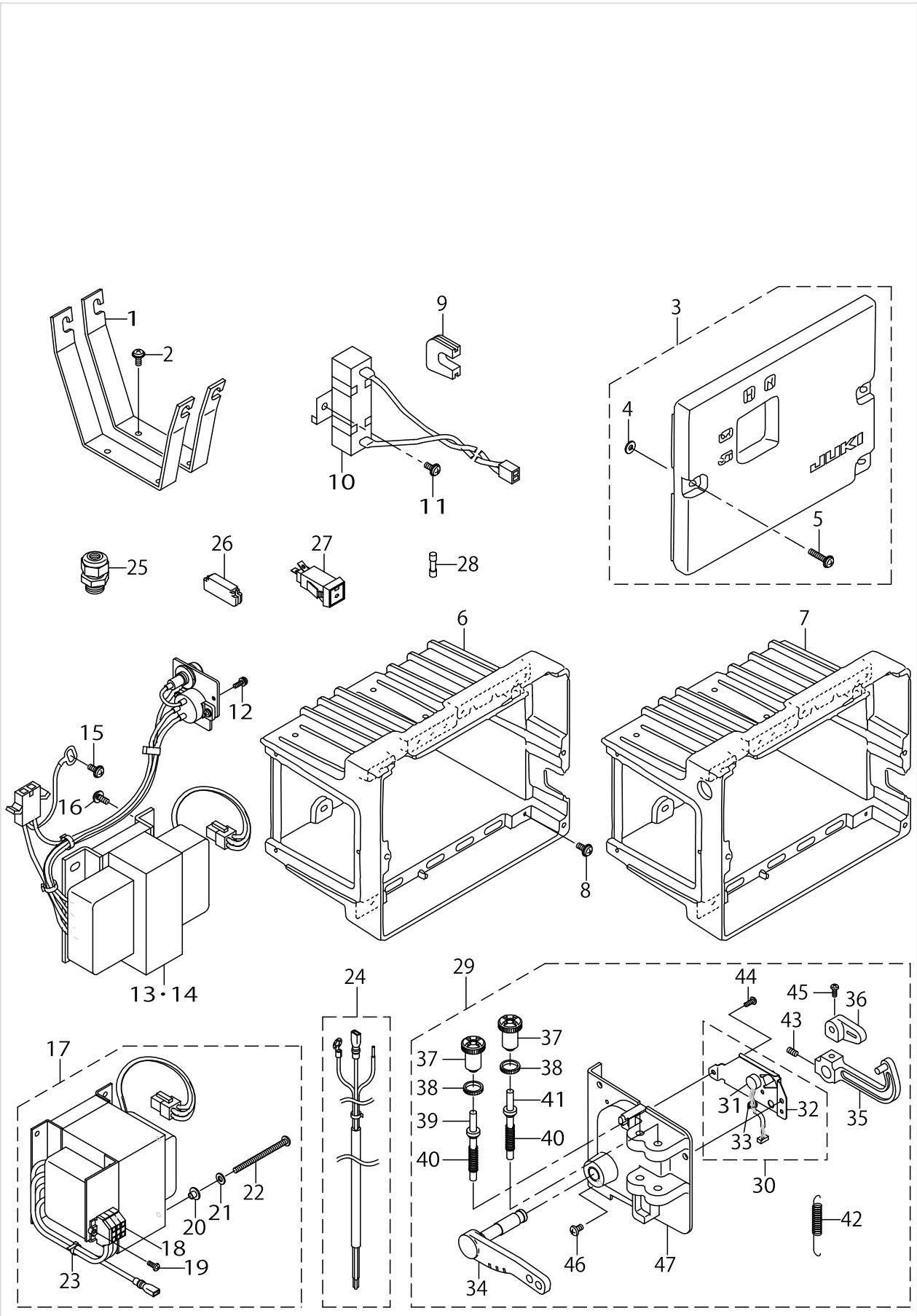
PARTS LIST

Published:05/12/2017

CONTENTS

PSC BOX COMPONENTS	1
MAIN CIRCUIT BOARD COMPONENTS	5
HOW TO MAKE USE OF THIS PARTS LIST	9

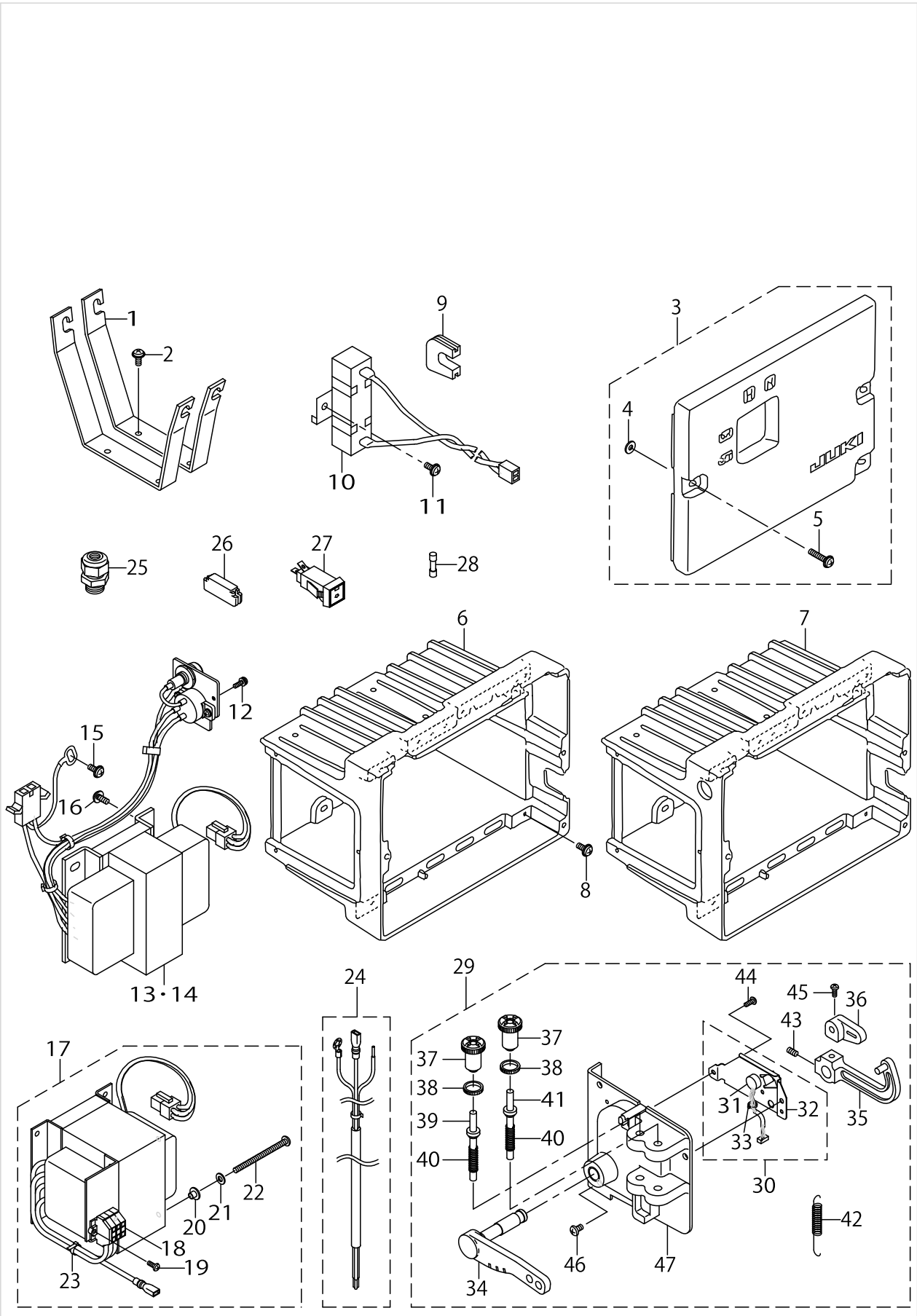
PSC BOX COMPONENTS



PSC BOX COMPONENTS

No.	Supply Code	Parts No.	Replacement	Parts name	Remarks	Choice	Step	Level	Cons	Qty	Rep. QTY
1		M3002430000		BOX SUSPEND METAL FITTINGS						2	
2		SL4041201CF		SCREW M4 L=12						4	
3		M85034300A0		BOX COVER ASM.						1	
4		M8002430000		STOPPER				*		3	
5		SL4042091SC		SCREW M4X0.7 L=20				*		3	
6	D	M3001439000		PSC BOX B						1	
7		M3002439000		PSC BOX B (CE)	FOR CE					1	
8		SL4041081SF		SCREW M4 L=10						6	
9	D	M3301439000		RUBBER BUSH						1	
10	D	M85064350A0		RADIATION RESISTANCE ASM.						1	
11		SL4041081SF		SCREW M4 L=10						1	
12		SL4031081SF		SCREW M3 L=10						2	
13		M8502439AA0		TRANSFORMER ASM.,A	FOR 220~240V					1	
14		M8502439CA0		TRANSFORMER ASM.,C	FOR 110,220V					1	
15		SL4041081SF		SCREW M4 L=10						1	
16		SL4041081SF		SCREW M4 L=10						4	
17		M8502439BA0		TRANSFORMER ASM.,B	FOR CE					1	
18		HK044350030		3-POLE TERMINAL BASE.				*		1	
19		SM4030801SF		SCREW M3X0.5 L=8				*		2	
20	D	M8801435000		INSULATINGWASHER				*		2	
21		WP0430801SC		WASHER 4.3X9X0.8				*		2	
22		SM4045551SF		SCREW M4 L=55				*		2	
23		EA9500B0100		CABLE BAND				*		1	
24	D	M85084350A0		AC INPUT POWER SOURCE CORD ASM	FOR CE					1	
25		HX00252000B		CORD PART	FOR CE					1	
26	D	M3302435000		RUBBER COVER.	FOR CE					1	
27	R	HF008811000	HF0088180P0	FUSE HOLDER.	FOR CE	A				1	1.00
27	R	HF008811000	40065517	FUSE HOLDER.	FOR CE	A				1	1.00
28		HF003000200		FUSE 2A (220/240V)	FOR CE					1	
29	D	M8505439BA0		PEDAL SENSOR UNIT B ASM.						1	
30	D	M85074390A0A		VR MOUNT PLATE ASM.				*		1	
31	D	M85084390A0A		VR ASM.				*		1	
32	D	M3210430000		SENSOR VR FITTING PLATE				*		1	
33		EA9500B0100		CABLE BAND				*		1	
34		M3205301000		PEDAL LEVER				*		1	
35		M2003110000		PEDAL LINK				*		1	
36		M2004110000		VOLUME LINK				*		1	
37		M4012351000		ADJUST SCREW				*		2	
38		M2010110000		ADJUST NUT				*		2	
39		M4008351000A		SPRING SHAFT A				*		1	
40		M4011351000		SPRING B				*		2	
41		M4009351000A		SPRING SHAFT B				*		1	
42		M3202430000		SPRING				*		1	
43		SM8040802TP		SCREW M4X8				*		2	
44		SL4030681SF		SCREW M3 L=6				*		2	
45		SM4030801SF		SCREW M3X0.5 L=8				*		1	

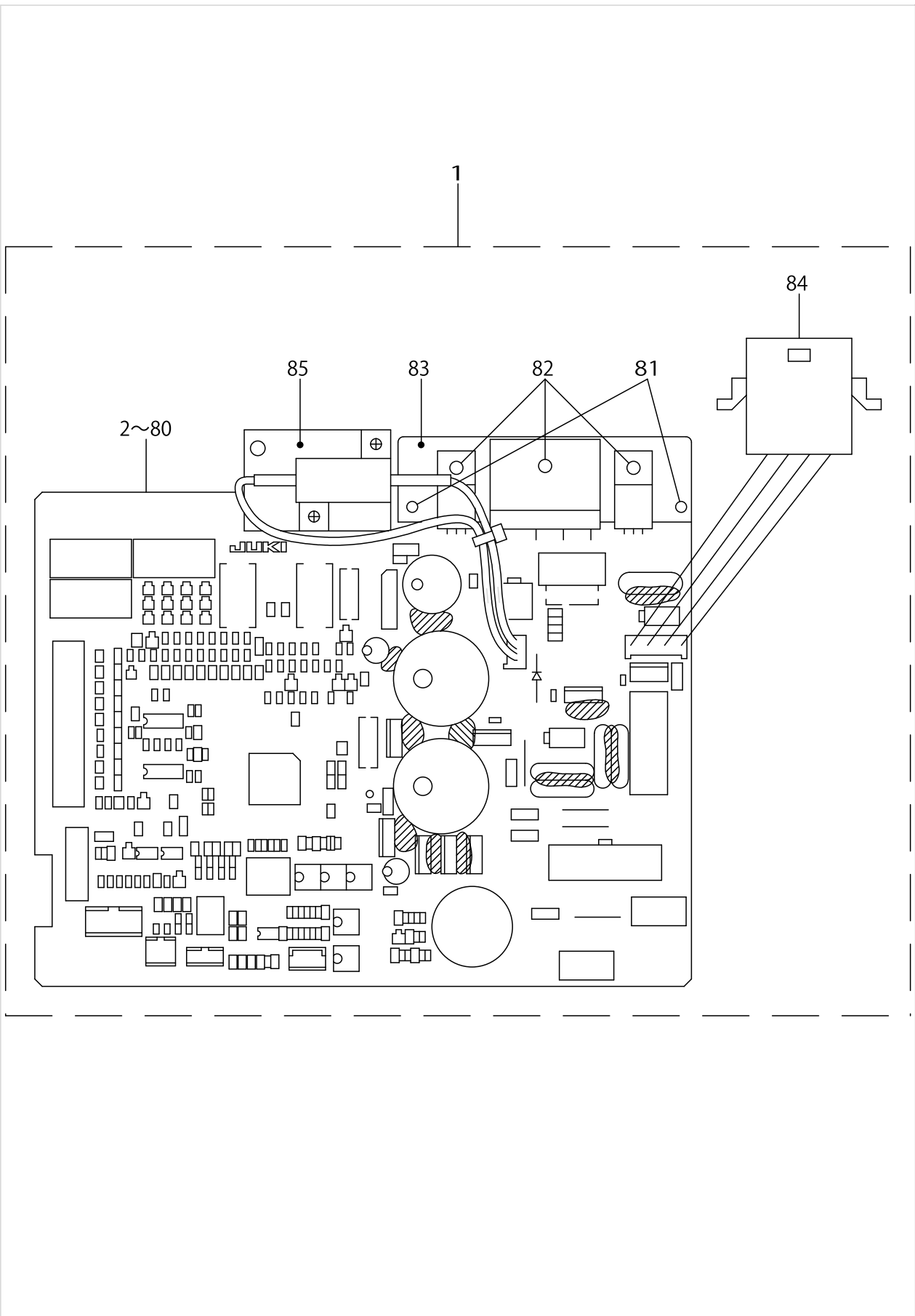
PSC BOX COMPONENTS



PSC BOX COMPONENTS

No.	Supply Code	Parts No.	Replacement	Parts name	Remarks	Choice	Step	Level	Cons	Qty	Rep. QTY
46		SL4041081SF		SCREW M4 L=10				*		3	
47	D	M3201435000		PEDALSENSORBASE				*		1	

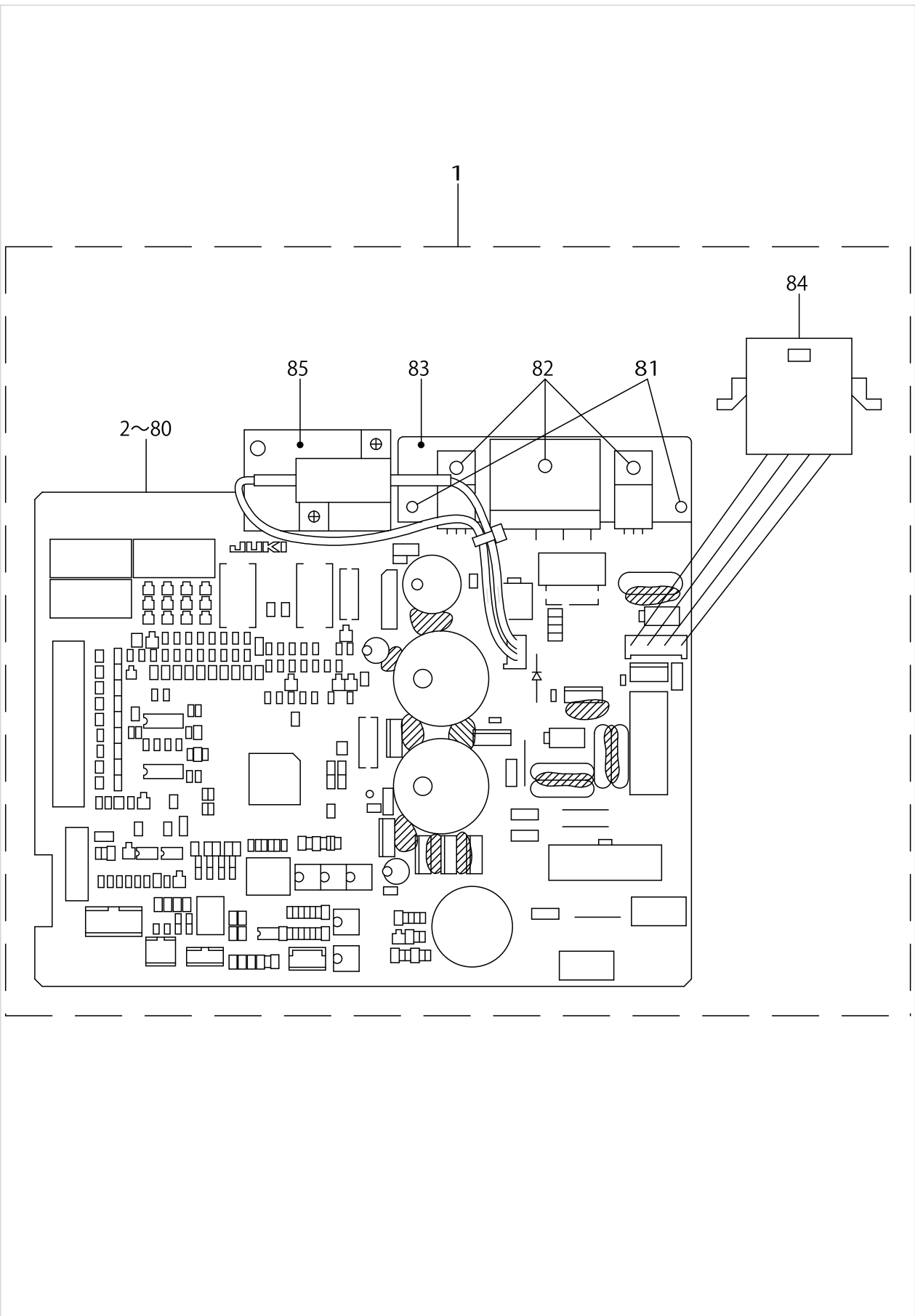
MAIN CIRCUIT BOARD COMPONENTS



MAIN CIRCUIT BOARD COMPONENTS

No.	Supply Code	Parts No.	Replacement	Parts name	Remarks	Choice	Step	Level	Cons	Qty	Rep. QTY
1	D	M8601439AA0A		MAIN CIRCUIT BOARD ASM. A						1	
2	R	M8601439000	M8601439BA0	MAINCIRCUITBOARD		B	B:	*		1	1.00
2	R	M8601439000	M8601439AA0A	MAINCIRCUITBOARD		A		*		1	1.00
2	R	M8601439000	M85084390A0A	MAINCIRCUITBOARD		A		*		1	1.00
3		HL008450000		IC (UPC339G)				*		2	
4		HL006320000		IC (UPC393G)				*		1	
5		HL013100000		IC (UPC358G2)				*		1	
6		HL013240000		IC (M51957BFP)				*		1	
7		HL017480000		EEPROM 93LC46				*		1	
8		KL000000060		MICRO COMPUTER				*		1	
9		HT004880000		TRANSISTOR ARRAY (XP1211)				*		7	
10		HT002880000		TRANSISTOR (RN1406)				*		4	
11	R	HT002920000	HT00292000X	TRANSISTOR (RN2406)				*		2	1.00
12		HT004900000		FET (2SK2462)				*		3	
13	R	HT004910000	HT004900000	FET (2SK2461)				*		3	1.00
14		HT004400000		TRANSISTER (2SD1795)				*		1	
15		HT004440000		TRANSISTOR (2SC3739)				*		1	
16		HG003760000		DIODE (FMM-22S)				*		1	
17	R	HG005220000	HG00522000W	DIODE (SC015-2)				*		7	1.00
18		HG26740140P		DIODE (U05E)				*		2	
19		HG003710000		DIODE (1SS226)				*		1	
20		HG006200000		DIODE ARRAY (1SS321)				*		1	
21		HG006190000		DIODE ARRAY (1SS301)				*		13	
22	R	HG005640000	HG006480000	DIODE BRIGDE (S1VB20)				*		1	1.00
23		HG005630000		DIODE BRIGDE (RBV1506)				*		1	
24		HG003740000		LIGHT EMITTING DIODE,RED				*		1	
25	D	HK034600040		HEADER 4P (WHITE)				*		1	
26		HK03460002B		HEADER 2P (YELLOW)				*		1	
27	D	HK056600200		STRAIGHT HEADER 20P				*		1	
28		HK032000030		STRAIGHT HEADER 3P				*		1	
29	D	HK003810070		7-POLE STRAIGHT PLUG				*		1	
30		HK019800040		HEADER 4P				*		1	
31		HK04890012A		HEADER 12P				*		1	
32		HK00632007B		7 POLE CONNECTOR				*		1	
33		HK034600140		14-POLE CONNECTOR				*		1	
34		HK034600020		HEADER 2P (WHITE)				*		1	
35		HK04890006A		HEADER 6P				*		1	
36		HN00037000B		SURGE ABSORBER 220V				*		1	
37		HN000370000		SURGE ABSORBER 22V				*		4	
38		HC037304720		CAPACITOR 4700MF/25V				*		1	
39	D	HC040603320		CAPACITOR 3300MF/50V				*		2	
40		HC037301010		CAPACITOR 100MF/25V				*		2	
41	D	HC0377033S0		CAPACITOR 0.33MF/35V				*		1	
42	R	HC0216010S0	HC0216010SX	CAPACITOR 0.1MF				*		25	1.00
43	R	HC0216010T0	HC0216010TX	CAPACITOR 0.01MF				*		21	1.00
44	R	HC036511020	HC03651102X	CAPACITOR 1000PF				*		14	1.00

MAIN CIRCUIT BOARD COMPONENTS



MAIN CIRCUIT BOARD COMPONENTS

No.	Supply Code	Parts No.	Replacement	Parts name	Remarks	Choice	Step	Level	Cons	Qty	Rep. QTY
45	R	HC037811010	HC03781101X	CAPACITOR 100PF				*		1	1.00
46		HR02230472A		RESISTOR 4.7K OHM 2W				*		1	
47		HR029101000		RESISTOR 10 OHM 1W				*		3	
48		HR029104720		RESISTOR 4.7K OHM 1W				*		1	
49		HR017705100		RESISTOR 51 OHM 5W				*		1	
50		HR02230220A		RESISTOR 22 OHM 2W				*		1	
51		HR039412100		RESISTOR 1% 1/16W 121				*		1	
52		HR039437400		RESISTOR 1% 1/16W 374				*		1	
53		HR039426110		RESISTOR 1% 1/16W 2.61K				*		1	
54		HR039410010		RESISTOR 1% 1/16W 1.0K				*		1	
55		HR039459020		RESISTOR 1% 1/16W 59.0K				*		4	
56		HR039301010		RESISTOR 5% 1/16W 100				*		18	
57		HR039301020		RESISTOR 5% 1/16W 1.0K				*		31	
58		HR039302220		RESISTOR 5% 1/16W 2.2K				*		10	
59		HR039303320		RESISTOR 5% 1/16W 3.3K				*		2	
60		HR039304720		RESISTOR 5% 1/16W 4.7K				*		42	
61		HR039306820		RESISTOR 5% 1/16W 6.8K				*		1	
62		HR039308220		RESISTOR 5% 1/16W 8.2K				*		1	
63		HR039301030		RESISTOR 5% 1/16W 10.0K				*		14	
64	R	HR039304730	HR03930473X	RESISTOR 5% 1/16W 47K				*		7	1.00
65		HR039301040		RESISTOR 5% 1/16W 100K				*		2	
66		HR039301540		RESISTOR 5% 1/16W 150K				*		1	
67		HR034330100		RESISTOR 1% 1/10W 301				*		3	
68		HR034203020		RESISTOR 5% 1/10W 3K				*		7	
69	R	HR034201030	HR03420103X	RESISTOR 5% 1/10W 10K				*		2	1.00
70		HR034202730		RESISTOR 5% 1/10W 27K				*		2	
71		HR034203910		RESISTOR 5% 1/10W 390				*		2	
72		HR034205610		RESISTOR 5% 1/10W 560				*		2	
73		HR02770103A		ADJUSTABLE RESISTOR				*		5	
74		HA003880000		SWITCH				*		2	
75	D	HA001820080		DIP SWITCH 8P				*		3	
76	D	HA001820040		DIP SWITCH 4P				*		1	
77		E9646252G00		LEVER				*		2	
78	R	HY001390000	HY00139000X	OSCILLATOR				*		1	1.00
79		HL013320000		IC (78M12F)				*		1	
80		HL010540000		IC(TA7805S)				*		1	
81		SL4030881SF		SCREW M3 L=8				*		2	
82		SL4031081SF		SCREW M3 L=10				*		3	
83		M8001430000		RADIATOR PLATE				*		1	
84	D	M85034350A0		CLUTCH BRAKE CORD ASM.				*		1	
85	D	M85044350A0		RADIATORRESISTOR				*		1	

HOW TO MAKE USE OF THIS PARTS LIST

1.As to "#01" and "#02" refer to the "Note" given at the bottom of the respective pages.

2.Codes on the "Qty" column

- Each numeral indicates the number of parts required.
- "0.1" and "2.5" indicate the length (in meters) of the respective parts.

3.Parentheses mean that the corresponding part is a subpart that constructs an assembly part.

4.Dotted lines on the Figures indicate assembly parts.

1. リストページの# 0 1、# 0 2の印は、ページ下の"注記"の説明を参照下さい。
2. 数量欄の数字は、個数を表し、0. 1、2. 5等の数値は、長さ（単位メートル）を表します。
3. 数量欄の（ ）は、組部品を構成している子部品であることを意味します。
4. イラストページの-----枠は、組構成であることを意味します。

NUMERICAL INDEX OF PARTS

PART NO	PAGE	REF NO.	PART NO	PAGE	REF NO.	PART NO	PAGE	REF NO.
E9646252G00	8	2~80	HR017705100	8	2~80	M3202430000	2	42
EA9500B0100	2	33	HR02230220A	8	2~80	M3205301000	2	34
HA001820040	8	2~80	HR02230472A	8	2~80	M3210430000	2	32
HA001820080	8	2~80	HR02770103A	8	2~80	M3301439000	2	9
HA003880000	8	2~80	HR029101000	8	2~80	M3302435000	2	26
HC0216010S0	6	2~80	HR029104720	8	2~80	M4008351000A	2	39
HC0216010T0	6	2~80	HR034201030	8	2~80	M4009351000A	2	41
HC036511020	6	2~80	HR034202730	8	2~80	M4011351000	2	40
HC037301010	6	2~80	HR034203020	8	2~80	M4012351000	2	37
HC037304720	6	2~80	HR034203910	8	2~80	M8001430000	8	83
HC0377033S0	6	2~80	HR034205610	8	2~80	M8002430000	2	4
HC037811010	8	2~80	HR034330100	8	2~80	M8502439AA0	2	13·14
HC040603320	6	2~80	HR039301010	8	2~80	M8502439BA0	2	17
HF003000200	2	28	HR039301020	8	2~80	M8502439CA0	2	13·14
HF008811000	2	27	HR039301030	8	2~80	M85034300A0	2	3
HG003710000	6	2~80	HR039301040	8	2~80	M85034350A0	8	84
HG003740000	6	2~80	HR039301540	8	2~80	M85044350A0	8	85
HG003760000	6	2~80	HR039302220	8	2~80	M8505439BA0	2	29
HG005220000	6	2~80	HR039303320	8	2~80	M85064350A0	2	10
HG005630000	6	2~80	HR039304720	8	2~80	M85074390A0A	2	30
HG005640000	6	2~80	HR039304730	8	2~80	M85084350A0	2	24
HG006190000	6	2~80	HR039306820	8	2~80	M85084390A0A	2	31
HG006200000	6	2~80	HR039308220	8	2~80	M8601439000	6	2~80
HG26740140P	6	2~80	HR039410010	8	2~80	M8601439AA0A	6	1
HK003810070	6	2~80	HR039412100	8	2~80	M8801435000	2	20
HK00632007B	6	2~80	HR039426110	8	2~80	SL4030681SF	2	44
HK019800040	6	2~80	HR039437400	8	2~80	SL4030881SF	8	81
HK032000030	6	2~80	HR039459020	8	2~80	SL4031081SF	2	12
HK034600020	6	2~80	HT002880000	6	2~80	SL4031081SF	8	82
HK03460002B	6	2~80	HT002920000	6	2~80	SL4041081SF	2	46
HK034600040	6	2~80	HT004400000	6	2~80	SL4041081SF	4	46
HK034600140	6	2~80	HT004440000	6	2~80	SL4041201CF	2	2
HK044350030	2	18	HT004880000	6	2~80	SL4042091SC	2	5
HK04890006A	6	2~80	HT004900000	6	2~80	SM4030801SF	2	45
HK04890012A	6	2~80	HT004910000	6	2~80	SM4045551SF	2	22
HK056600200	6	2~80	HX00252000B	2	25	SM8040802TP	2	43
HL006320000	6	2~80	HY001390000	8	2~80	WP0430801SC	2	21
HL008450000	6	2~80	KL000000060	6	2~80			
HL010540000	8	2~80	M2003110000	2	35			
HL013100000	6	2~80	M2004110000	2	36			
HL013240000	6	2~80	M2010110000	2	38			
HL013320000	8	2~80	M3001439000	2	6			
HL017480000	6	2~80	M3002430000	2	1			
HN000370000	6	2~80	M3002439000	2	7			
HN00037000B	6	2~80	M3201435000	4	47			