

MODEL : T051

List No : 1245-02

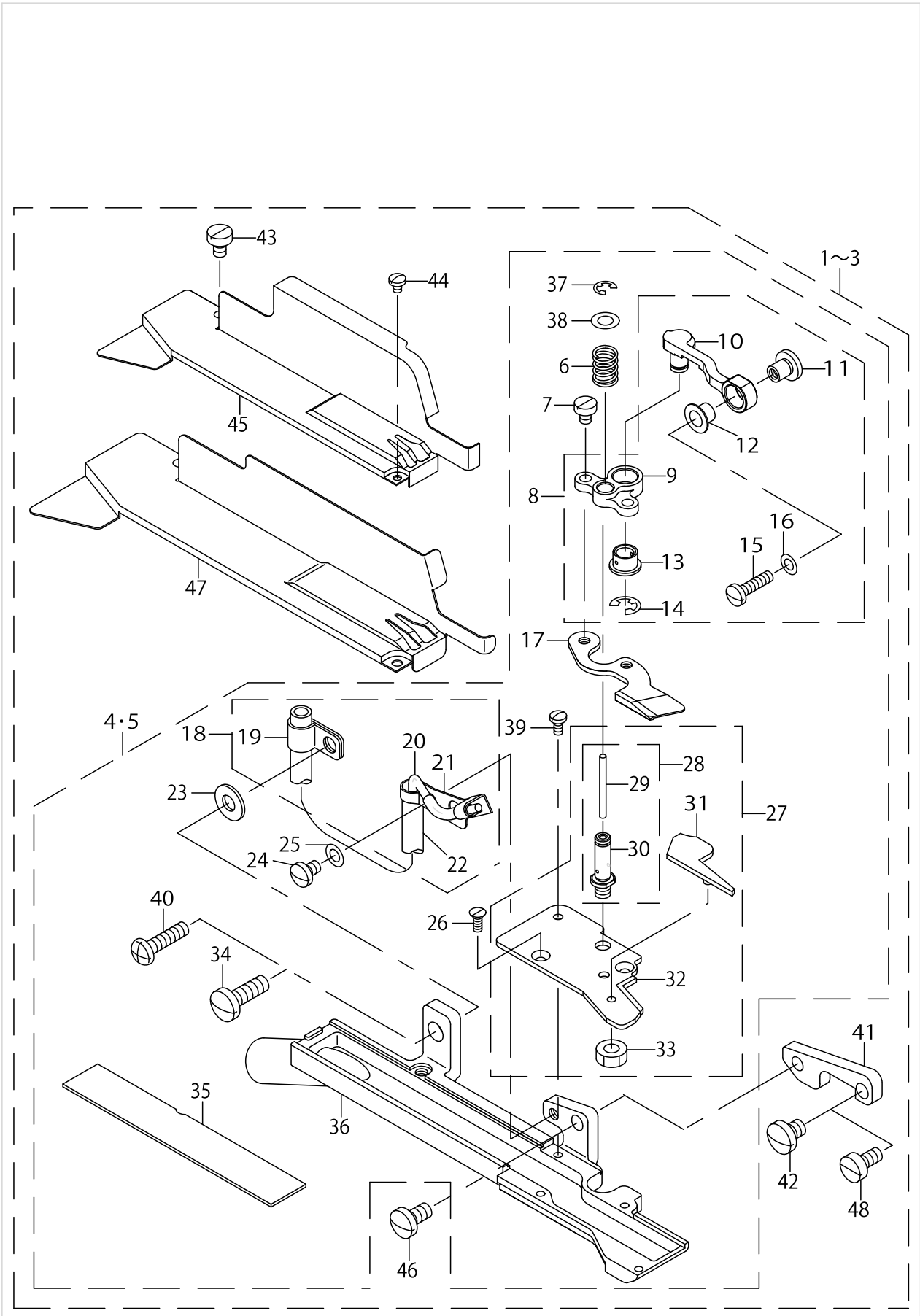
PARTS LIST

Published:05/12/2017

CONTENTS

PNEUMATIC FLAT CUTTER (T051)	1
HOW TO MAKE USE OF THIS PARTS LIST	5

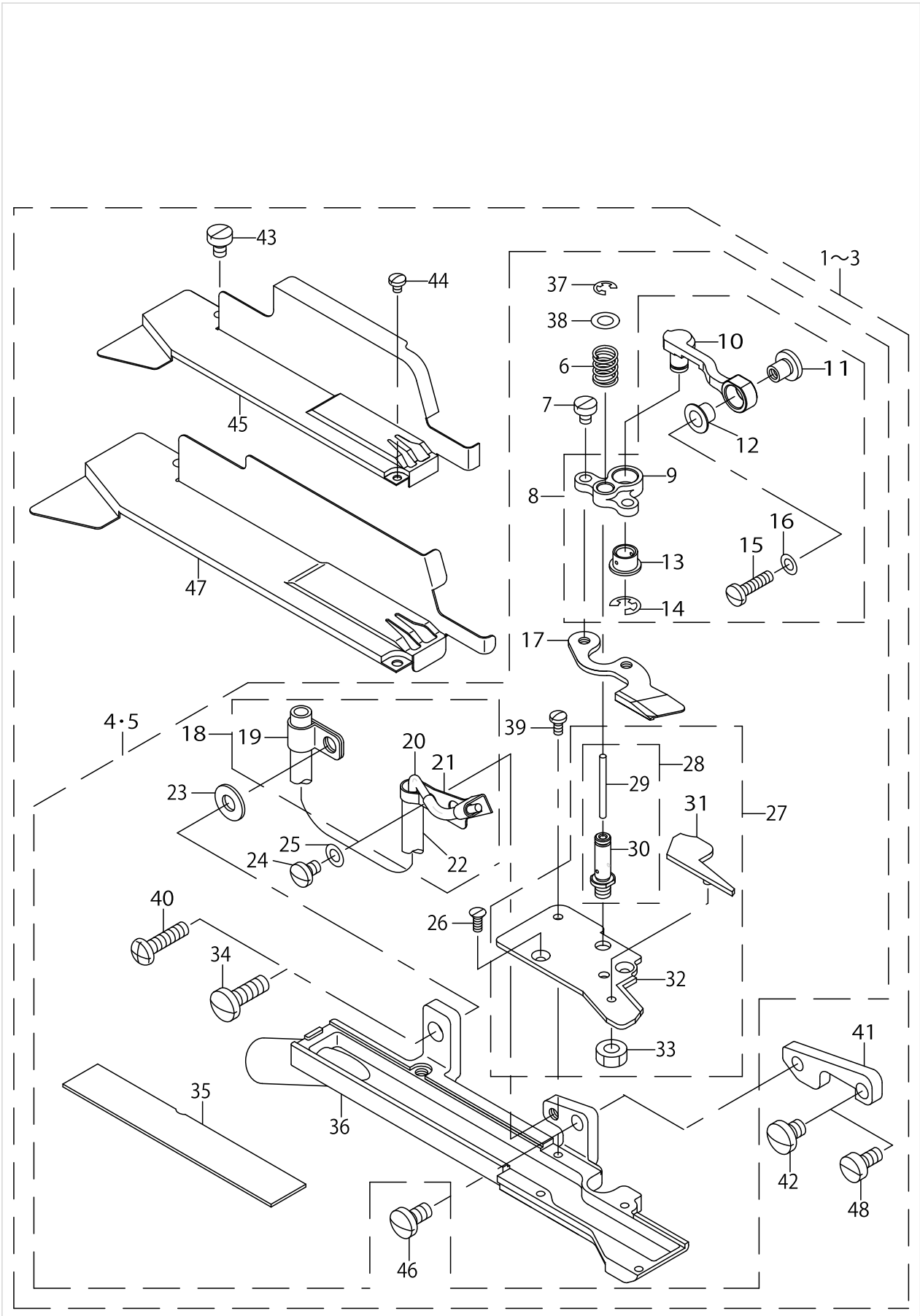
PNEUMATIC FLAT CUTTER (T051)



PNEUMATIC FLAT CUTTER (T051)

No.	Supply Code	Parts No.	Replacement	Parts name	Remarks	Choice	Step	Level	Cons	Qty	Rep. QTY
1		MAT051000A0		PNEUMATIC FLAT CUTTER ASM.	FOR MO-3- △00SERIES					1	
2		MAT051000AB		PNEUMATIC FLAT CUTTER ASM.	FOR MOR-3900					1	
3	D	MAT051000AC		PNEUMATIC FLAT CUTTER ASM.	FOR MO-3300					1	
4	D	MAT051010A0		KNIFE PLATE ASM.	FOR MO-3- △00SERIE- S,MOR-3900			*		1	
5		MAT051010AA		KNIFE PLATE ASM.	FOR MO-3300			*		1	
6		MAT03509000		SPRING				*		1	
7		SS6080410SP		SCREW 1/8-44 L=4				*		2	
8		MAT051050A0		MOVING KNIFE BRACKET ASM.				*		1	
9	D	MAT05105000		MOVING KNIFE BRACKET				*		1	
10	D	MAT05106000		KNIFE DRIVING LINK				*		1	
11	D	MAT05107000		KNIFE DRIVING LINK BRACKET				*		1	
12		MAT03510000		KNIFE DRIVING LINK PIECE				*		1	
13		MAT03510000		KNIFE DRIVING LINK PIECE				*		1	
14		RE0400000K0		E-RING 4				*		1	
15		SS7081310SP		SCREW 1/8-44 L=12.5				*		1	
16		WP0371016SD		WASHER 3.7X8X1				*		1	
17	D	MAT05102000		MOVING KNIFE				*		1	
18		MAT051080A0		OIL TUBE ASM.				*		1	
19		MAT03516000		OIL TUBE HOLDER				*		1	
20		MAT035140A0		OIL TUBE ASM.				*		1	
21		MAT05108000		OIL TUBE HOLDER				*		1	
22		BP400000000		VINYL TUBE, WHITE D=4				*		0.1	
23		WP0502616SD		WASHER				*		1	
24		SS7090520TP		SCREW 9/64-40 L=4.5				*		1	
25		WP0371016SD		WASHER 3.7X8X1				*		1	
26		SS1060610SP		SCREW 3/32-56 L=5.5				*		2	
27		MAT051030A0		FIXED KNIFE ASM.				*		1	
28		MAT051040A0		MOVING KNIFE SHAFT ASM.				*		1	
29		CQ202000000		OIL WICK				*		0.1	
30		MAT05104000		KNIFE BAR DRIVING SHAFT				*		1	
31		MAT05109000		AIR LEAL STOPPER				*		1	
32		MAT05103000		FIXED KNIFE				*		1	
33		NS6110310SP		NUT 11/64-40				*		1	
34		SS7121410TP		SCREW 3/16-28 L=14	FOR MO-3- △00SERIE- S,MOR-3900			*		1	
35		MAT03518000		KNIFE PLATE COVER				*		1	
36		MAT05101000		KNIFE PLATE				*		1	
37		RE0300000K0		E-RING 3				*		1	
38		WP0450000SD		WASHER 4.5X8X0.5				*		1	
39		SS7060510SP		SCREW 3/32-56 L=4.8				*		1	
40		SM4041655SP		SCREW M4 L=16	FOR MO-3300			*		1	
41		MAT04102000		KNIFE PLATE				*		1	
42		SS7120640SP		SCREW 3/16-28 L=6	FOR MO-3- △00SERIE- S,MOR-3900			*		1	
43		SS6090520SP		SCREW 9/64-40 L=5.0				*		1	

PNEUMATIC FLAT CUTTER (T051)



PNEUMATIC FLAT CUTTER (T051)

No.	Supply Code	Parts No.	Replacement	Parts name	Remarks	Choice	Step	Level	Cons	Qty	Rep. QTY
44		SS7060310SP		SCREW 3/32-56 L=3				*		1	
45		MAT04101000		KNIFE PLATE COVER	FOR MO-3- △00 SERIES			*		1	
46		SS7110840SP		SCREW 11/64-40 L=7.8				*		1	
47		MAT04105000		KNIFE PLATE COVER	FOR MOR-- 3900,MO-3300			*		1	
48		SM6040800SP		SCREW	FOR MO-3300			*		1	

HOW TO MAKE USE OF THIS PARTS LIST

1.As to "#01" and "#02" refer to the "Note" given at the bottom of the respective pages.

2.Codes on the "Qty" column

- Each numeral indicates the number of parts required.
- "0.1" and "2.5" indicate the length (in meters) of the respective parts.

3.Parentheses mean that the corresponding part is a subpart that constructs an assembly part.

4.Dotted lines on the Figures indicate assembly parts.

1. リストページの# 0 1、# 0 2の印は、ページ下の"注記"の説明を参照下さい。
2. 数量欄の数字は、個数を表し、0. 1、2. 5等の数値は、長さ（単位メートル）を表します。
3. 数量欄の（ ）は、組部品を構成している子部品であることを意味します。
4. イラストページの-----枠は、組構成であることを意味します。

NUMERICAL INDEX OF PARTS

PART NO	PAGE	REF NO.	PART NO	PAGE	REF NO.
BP40000000	2	22	WP0502616SD	2	23
CQ20200000	2	29			
MAT03509000	2	6			
MAT03510000	2	13			
MAT035140A0	2	20			
MAT03516000	2	19			
MAT03518000	2	35			
MAT04101000	4	45			
MAT04102000	2	41			
MAT04105000	4	47			
MAT051000A0	2	1~3			
MAT051000AB	2	1~3			
MAT051000AC	2	1~3			
MAT05101000	2	36			
MAT051010A0	2	4·5			
MAT051010AA	2	4·5			
MAT05102000	2	17			
MAT05103000	2	32			
MAT051030A0	2	27			
MAT05104000	2	30			
MAT051040A0	2	28			
MAT05105000	2	9			
MAT051050A0	2	8			
MAT05106000	2	10			
MAT05107000	2	11			
MAT05108000	2	21			
MAT051080A0	2	18			
MAT05109000	2	31			
NS6110310SP	2	33			
RE0300000K0	2	37			
RE0400000K0	2	14			
SM4041655SP	2	40			
SM6040800SP	4	48			
SS1060610SP	2	26			
SS6080410SP	2	7			
SS6090520SP	2	43			
SS7060310SP	4	44			
SS7060510SP	2	39			
SS7081310SP	2	15			
SS7090520TP	2	24			
SS7110840SP	4	46			
SS7120640SP	2	42			
SS7121410TP	2	34			
WP0371016SD	2	25			
WP0450000SD	2	38			