

MODEL : LU-2212N-7/2210N-6,-7/2210W-6,-7/2260N-7/2260W-6,-7  
List No : 1235-10

# PARTS LIST

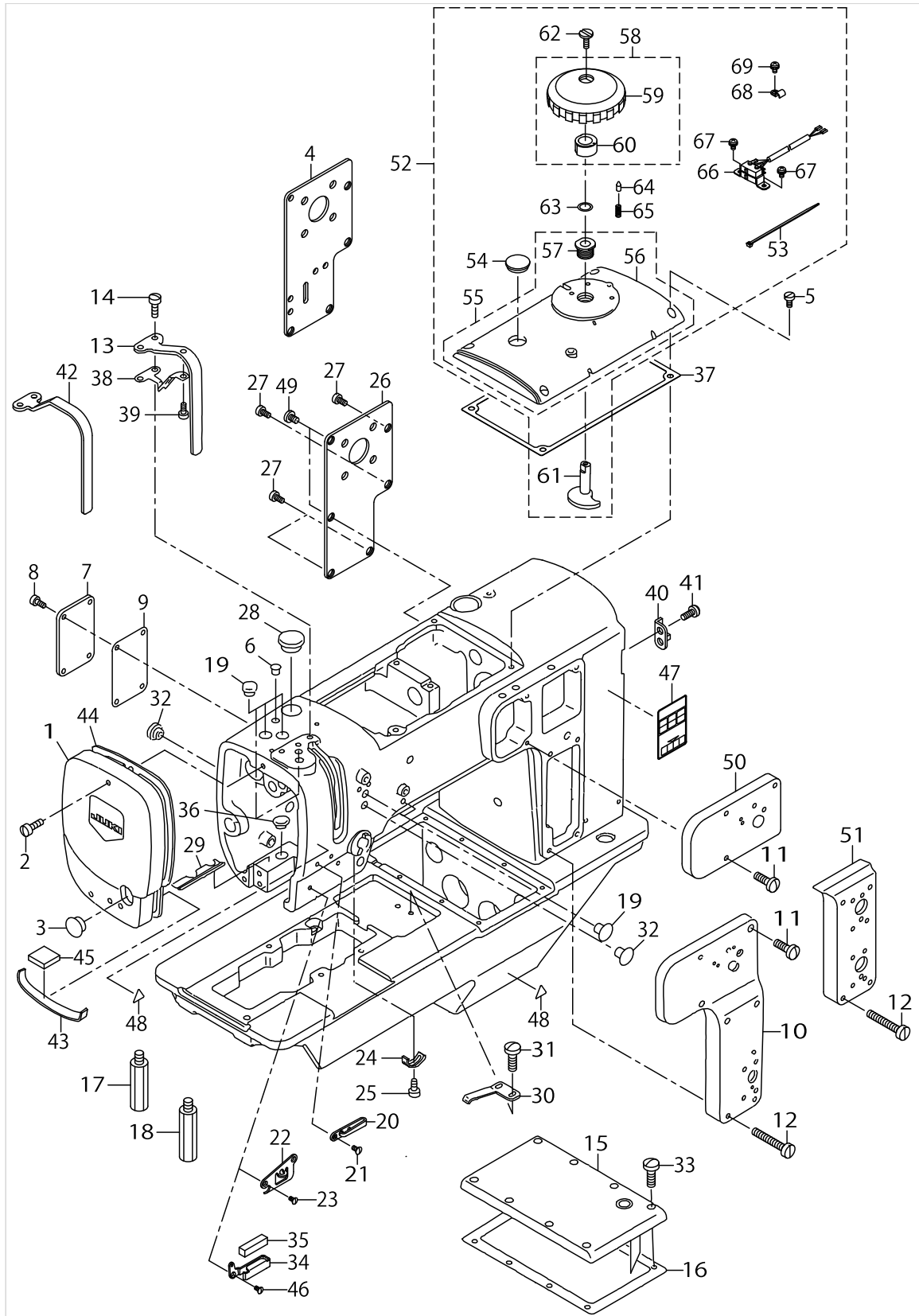
Published:05/12/2017

## CONTENTS

---

FRAME & MISCELLANEOUS COVER COMPONENTS .....	1
MAIN SHAFT,HOOK DRIVING SHAFT DELIVERY & THREAD TAKE-UP LEVER COMPONENTS....	5
NEEDLE BAR ROCKING COMPONENTS .....	9
UPPER FEED MECHANISM COMPONENTS .....	11
FEED ADJUSTMENT & REVERSE FEED MECHANISM COMPONENTS .....	15
LOWER FEED MECHANISM COMPONENTS .....	19
RIGHT HOOK SHAFT BASE THREAD TRIMMER COMPONENTS .....	23
LEFT HOOK SHAFT BASE THREAD TRIMMER COMPONENTS(FOR LU-2260*-*) .....	27
RIGHT HOOK SHAFT BASE COMPONENTS .....	29
LEFT HOOK SHAFT BASE COMPONENTS(FOR LU-2260*-*) .....	33
HOOK COMPONENTS.....	37
THREAD TENSION COMPONENTS .....	41
LOWER THREAD WINDER MECHANISM COMPONENTS .....	45
PRESSURE ADJUSTING COMPONENTS.....	47
PRESSER LIFTER,AUTOMATIC PRESSER LIFTER & TENSION RELEASE MECHANISM.....	49
COMPONENTS	
2P DEVICE (FOR LU-2212N-7) .....	51
LUBRICATION COMPONENTS .....	53
CONTROL DEVICE COMPONENTS.....	57
CONTROL DEVICE COMPONENTS (FOR LU-2212N-7) .....	61
TABLE & BELT COVER COMPONENTS .....	63
THREAD STAND COMPONENTS.....	65
GAUGE COMPONENTS(LU-2210 STANDARD PARTS).....	67
GAUGE COMPONENTS(LU-2260 STANDARD PARTS).....	69
ACCESSORIES PARTS COMPONENTS .....	71
MUTUAL RISING QUANTITY TRANSFER COMPONENTS.....	75
BACK TUCK COMPONENTS .....	77
TABLE OF EXCHANGING GAUGE PARTS(FOR LU-2260*-*).....	79
TABLE OF EXCHANGING GAUGE PARTS(FOR LU-2210*-*,LU-2212N-7)(1).....	85
TABLE OF EXCHANGING GAUGE PARTS(FOR LU-2210*-*,LU-2212N-7)(2).....	87
LIST FOR INFORMATION OF CHANGE.....	89
HOW TO MAKE USE OF THIS PARTS LIST .....	90

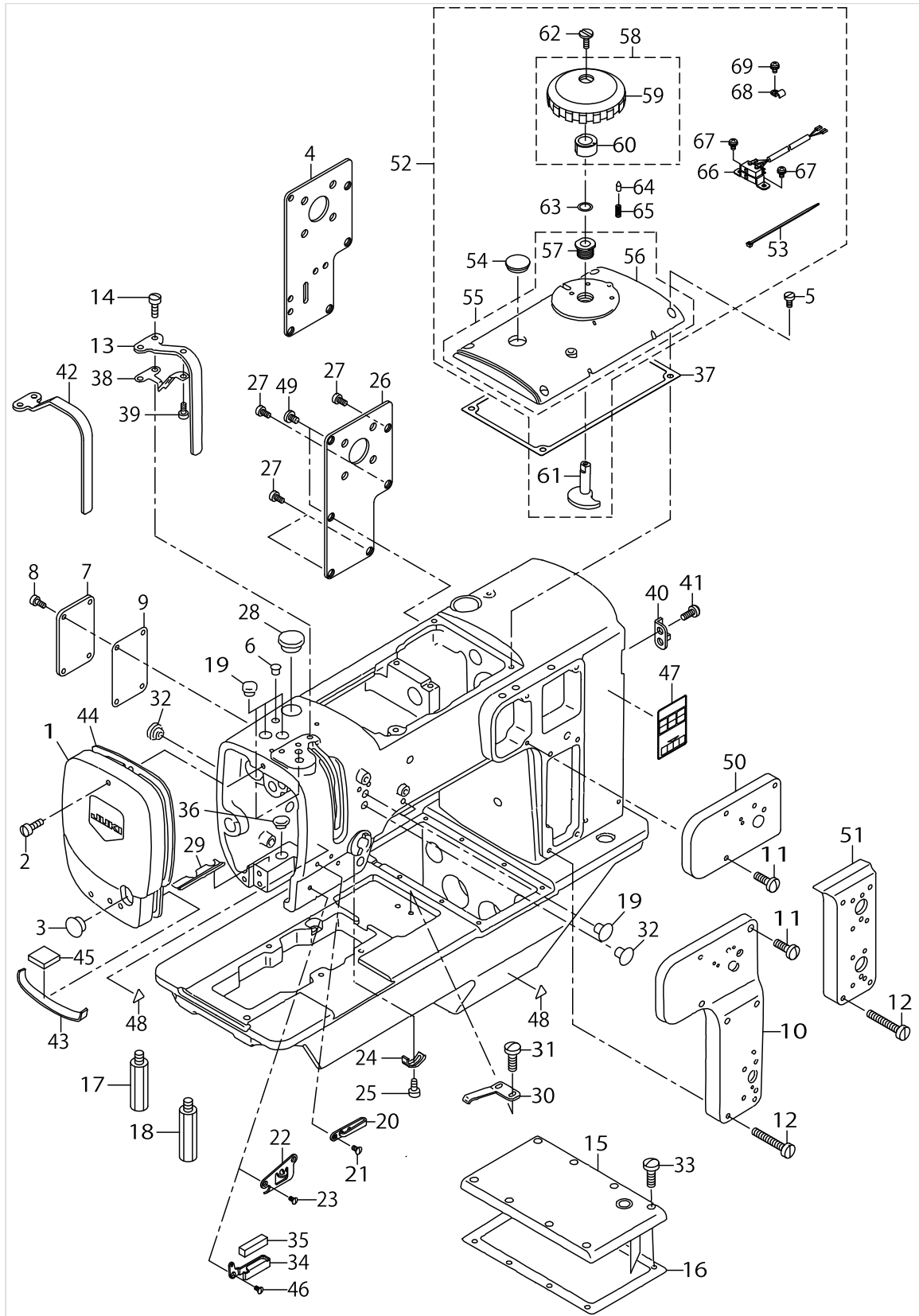
# FRAME & MISCELLANEOUS COVER COMPONENTS



FRAME & MISCELLANEOUS COVER COMPONENTS

No.	Supply Code	Parts No.	Replacement	Parts name	Remarks	Choice	Step	Level	Cons	Qty	Rep. QTY
1		10743151		FACE PLATE ASM.						1	
2		SS7121610SP		SCREW 3/16-28 L=15.5						2	
3		TA1250406R0		RUBBER PLUG D=12.5 L=4						1	
4		40025562		APERTURE PLATE (A)	FOR LU-2212N-7					1	
5		SS6121010SP		SCREW 3/16-28 L=10						4	
6		TA0750704R0		RUBBER PLUG						1	
7		10743003		SIDE COVER						1	
8		SS6121010SP		SCREW 3/16-28 L=10						4	
9		10700706		SIDE COVER PACKING						1	
10		10742757		FACE APERTURE PLATE						1	
11		SS7121610SP		SCREW 3/16-28 L=15.5						3	
12		SS6123010SP		SCREW 3/16-28 L=30.0						4	
13		10743201		THREAD TAKE-UP COVER						1	
14		SS6121010SP		SCREW 3/16-28 L=10						2	
15		40067331		BED TOP COVER ASM.						1	
16		10701209		TOP COVER PACKING						1	
17		10701308		BED STRUT						1	
18		10777308		BED STEW C						1	
19		TA1050504R0		RUBBER PLUG						4	
20		40084142		THREAD_GUIDE_LOWER						1	
21		SS2090810SP		SCREW 9/64-40 L=7.5						1	
22		10755700		ARM THREAD GUIDED						1	
23		SS2090710TP		SCREW 9/64-40 L=7.2						2	
24		B3138512000		TAKE-UP SPRING A-DJUSTING PLATE						1	
25	R	SS7090520SP	SS7090520TP	SCREW 9/64-40 L=4.5						1	1.00
26	D	40027139		APERTURE PLATE						1	
27		SS6121010SP		SCREW 3/16-28 L=10						4	
28		TA2050406R0		RUBBER PLUG						1	
29		10731701		RUBBER						1	
30		B1111563000		BED SLIDE SPRING						1	
31		SS7110510SP		SCREW 11/64-40 L=5						2	
32		B1150490000		RUBBER PLUG						2	
33	R	SS7110910SP	SS7110910TP	SCREW 11/64-40 L=8.5						8	1.00
34		10774008		FELT THREAD GUIDE	FOR LU-2260*-*					1	
35		22603708		FELT	FOR LU-2260*-*					1	
36		TA1250504R0		RUBBER PLUG	FOR LU-2260*-*					1	
37		10700508		TOP COVER PACKING						1	
38		10709004		PLATE						1	
39		SS6110480SP		SCREW 11/64-40 L=4.3						1	
40		10745800		FLYWHEEL POINTER						1	
41		SS7110510SP		SCREW 11/64-40 L=5						2	
42		10754901		THREAD TAKE-UP COVER	FOR JE					1	
43		10733103		FACE PLATE FELT						1	
44		10704609		FACE PLATE PACKING						1	
45		B3510019000		OIL FELT						1	
46		SS2090710TP		SCREW 9/64-40 L=7.2	FOR LU-2260*-*					1	

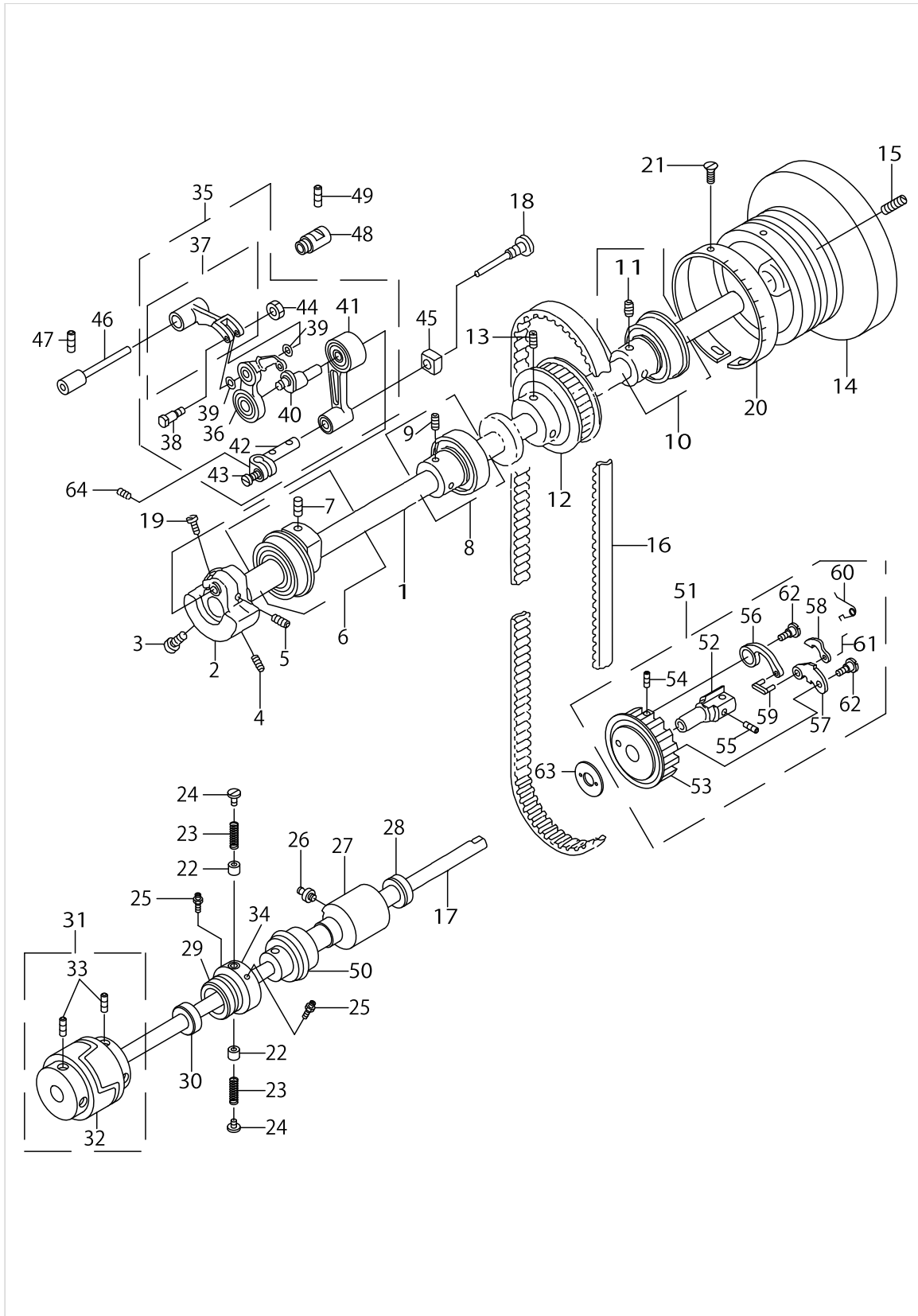
FRAME & MISCELLANEOUS COVER COMPONENTS



FRAME & MISCELLANEOUS COVER COMPONENTS

No.	Supply Code	Parts No.	Replacement	Parts name	Remarks	Choice	Step	Level	Cons	Qty	Rep. QTY
47		CM301200001		SAFETY LABEL_S						1	
48		CM300200001		ATTENTION SEAL						1	
49		SS7150940SP		SCREW 15/64-28 L=9						2	
50		40027140		FACE APERTURE PLATE (A) ASM.	FOR LU-2212N-7					1	
51		40027141		FACE APERTURE PLATE (B) ASM.	FOR LU-2212N-7					1	
52		40100943		TOP COVER ASM.						1	
53		EA9500B0100		CABLE BAND				*		1	
54		TA2050406R0		RUBBER PLUG				*		1	
55		10774651		TOP COVER ASM.				*		1	
56		10774602		TOP COVER				*		1	
57		40052251		VERTICAL DIAL SHAFT BUSHING				*		1	
58		10774354		UPPER AND LOWER DIAL ASM.				*		1	
59	R	10774305	10774354	VERTICAL DIAL				*		1	1.00
60		10774404		VERTICAL CAM				*		1	
61		40108542		VERTICAL ADJUSTING CAM				*		1	
62		SS6110630TP		SCREW 11/64-40 L=6				*		1	
63		WZ1052010KP		WAVED WASHER				*		1	
64		10715704		VERTICAL DIAL PIN				*		1	
65		B152652700G		SPRING				*		1	
66		40024852		VERTICAL DETECT-OR SWITCH ASM.				*		1	
67		SL4040881SC		SCREW M4 L=8				*		2	
68		B3538112000		OIL RETURN TUBE HOLDER				*		1	
69		SL4040881SC		SCREW M4 L=8				*		1	

MAIN SHAFT, HOOK DRIVING SHAFT DELIVERY & THREAD TAKE-UP LEVER COMPONENTS

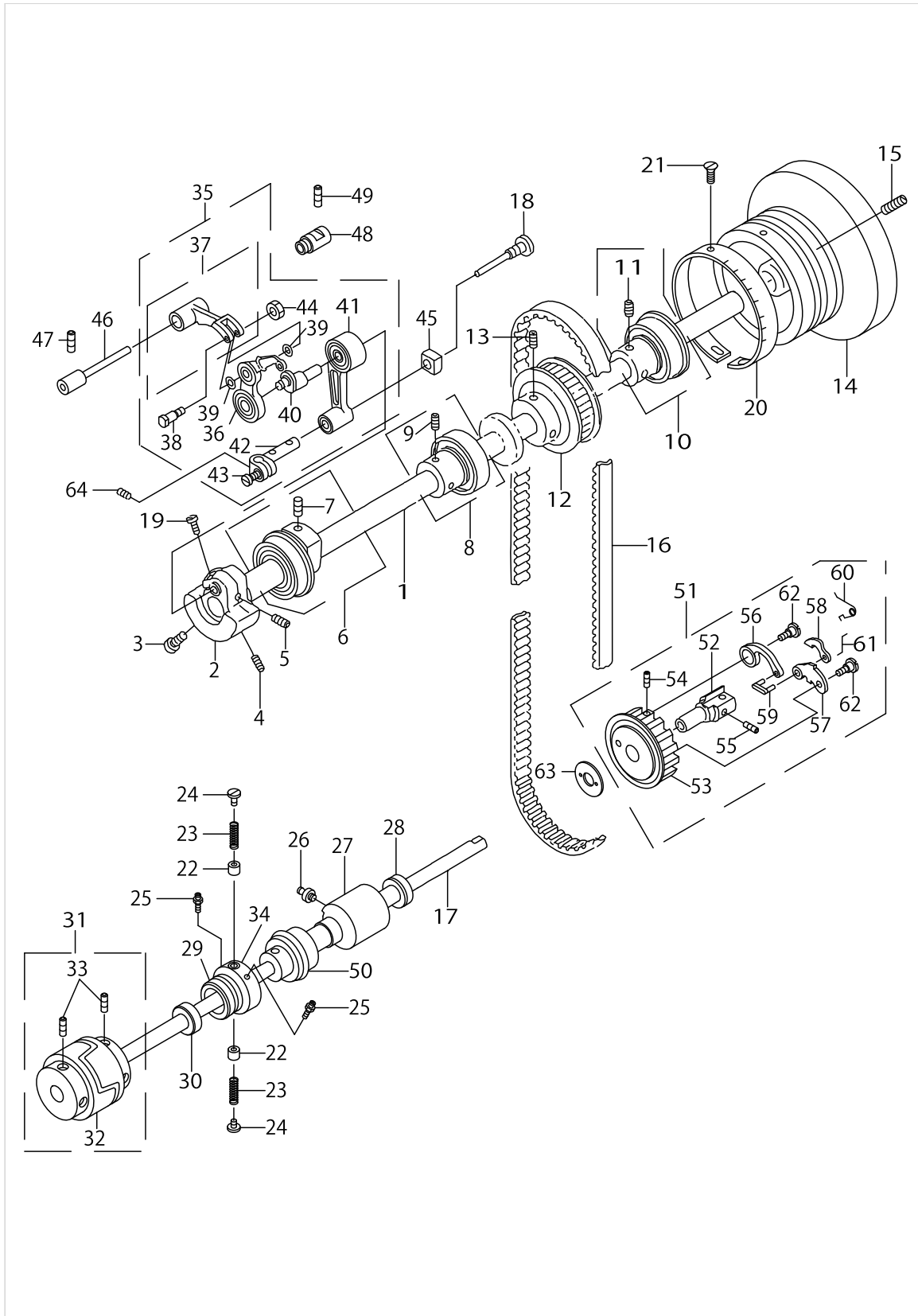


MAIN SHAFT,HOOK DRIVING SHAFT DELIVERY & THREAD TAKE-UP LEVER COMPONENTS

No.	Supply Code	Parts No.	Replacement	Parts name	Remarks	Choice	Step	Level	Cons	Qty	Rep. QTY
1		10704401		UPPER SHAFT						1	
2		10704500		BALANCE WEIGHT						1	
3		SS7681750TP		SCREW 9/32-28 L=16.5						1	
4		SS8681650TP		SCREW 9/32-28 L=16						1	
5		SS8660512TP		SCREW 1/4-40 L=5						1	
6		10704757		BALANCE WEIGHT						1	
7		SM8080802TP		SCREW				*		1	
8		10704955		UPPER SHAFT BEA- RING HOOK A ASM						1	
9		SM8060602TP		SCREW M6X6				*		2	
10		10704963		UPPER SHAFT BEA- RING HOOK B ASM						1	
11		SM8060602TP		SCREW M6X6				*		2	
12	D	10705002		UPPER SPROCKET						1	
13		SM8080802TP		SCREW						2	
14		10741007		FLYWHEEL LARGE						1	
15		SS8150822TP		SCREW 15/64-28 L=8						2	
16		10706703		TIMING BELT						1	
17		10705408		LOWER SHAFT						1	
18		10708303		NEEDLE ROD THRUST SCREW						1	
19		SS6621220SP		SCREW 3/16-32 L=12						2	
20		10745909		FLYWHEEL SCALE PLATE						1	
21		SM3030650SC		SCREW M3X0.5 L=6						3	
22	R	11020401	22923403	PLUNGER						2	1.00
23	R	11020609	22923601	PLUNGER SPRING						2	1.00
24	R	11020500	22923502	PLUNGER SCREW						2	1.00
25		SQ1110401MZ		CONNECTING SCREW						2	
26		SQ1150451MZ		CONNECTING SCREW						1	
27		10775500		LOWER SHAFT REAR METAL						1	
28		10705606		LOWER SHAFT METAL OIL SEAL						1	
29		10705754		LOWER SHAFT FRO- NT METAL ASM.						1	
30		10705606		LOWER SHAFT METAL OIL SEAL						1	
31		40064519		LOWER SHAFT COUPLING SET						1	
32	R	10776656	40064519	LOWER SHAFT COUPLING ASM.				*		1	1.00
33		SM8060602TP		SCREW M6X6				*		4	
34		RO294310100		RUBBER RING						1	
35		10771269		BALANCE ASM.						1	
36	R	10771251	10771269	BALANCE JUNCTION COMPL.				*		1	1.00
37		10707156		BALANCE CRANK JUNCTION				*		1	
38		10754802		BALANCE CRANK PIN.				*		1	
39		10523702		WASHER				*		2	
40		10707602		NEEDLE ROD CRANK				*		1	
41		10707750		NEEDLE ROD CRANK ROD ASM.				*		1	
42		10707958		NEEDLE ROD HOLDER ASM.				*		1	
43		SS7090910TP		SCREW 9/64-40 L=8.5				*		1	
44		NM6040001SN		NUT M4X0.7				*		1	
45		10708006		NEEDLE ROD SQUARE BLOCK						1	



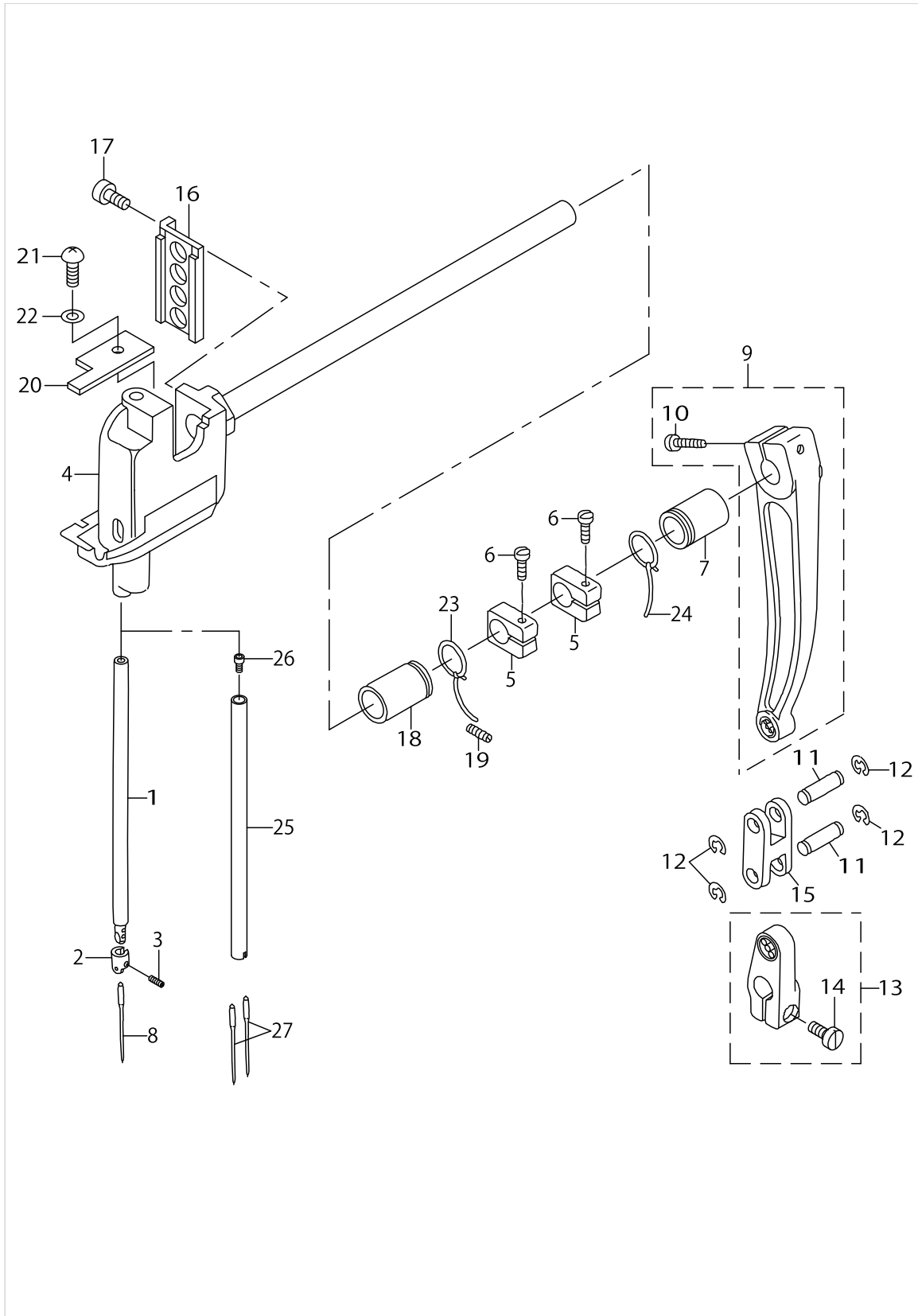
MAIN SHAFT, HOOK DRIVING SHAFT DELIVERY & THREAD TAKE-UP LEVER COMPONENTS



MAIN SHAFT,HOOK DRIVING SHAFT DELIVERY & THREAD TAKE-UP LEVER COMPONENTS

No.	Supply Code	Parts No.	Replacement	Parts name	Remarks	Choice	Step	Level	Cons	Qty	Rep. QTY
46		10707206		BALANCE CRANK SHAFT						1	
47		SS8120740SP		SCREW 3/16-28 L=7						1	
48		10707305		BALANCE CRANK S-HAFT SUPPORT						1	
49		SM8061212TP		SCREW M6X12						1	
50		RO312240100		O-RING						1	
51		10775658		SAFETY DEVICE ASM.						1	
52		10775609		SAFETY DEVICE HOOK				*		1	
53		10706315		LOWER SPROCKET				*		1	
54		SM8040502TP		SCREW M4X0.7 L=5				*		1	
55		SM8060602TP		SCREW M6X6				*		2	
56		10591709		SAFETY SPRING				*		1	
57		10748002		SAFETY CLUTCH PAWL				*		1	
58		B1308055000		SAFETY CLUTCH COUNTER-HOOK				*		1	
59		B1310055000		SAFETY CLUTCH SMALL LINK				*		1	
60		40113224		COUNTER HOOK SPRING				*		1	
61		B1314055000		SAFETY CLUTCH SMALL LINK PIN				*		1	
62		SD0640322TP		HINGE SCREW D= 6.35 H=3.2				*		2	
63		40052266		LOWER SHAFT COUPLING PLATE						1	
64		SM8030402TP		SCREW M3X0.5 L=4						1	

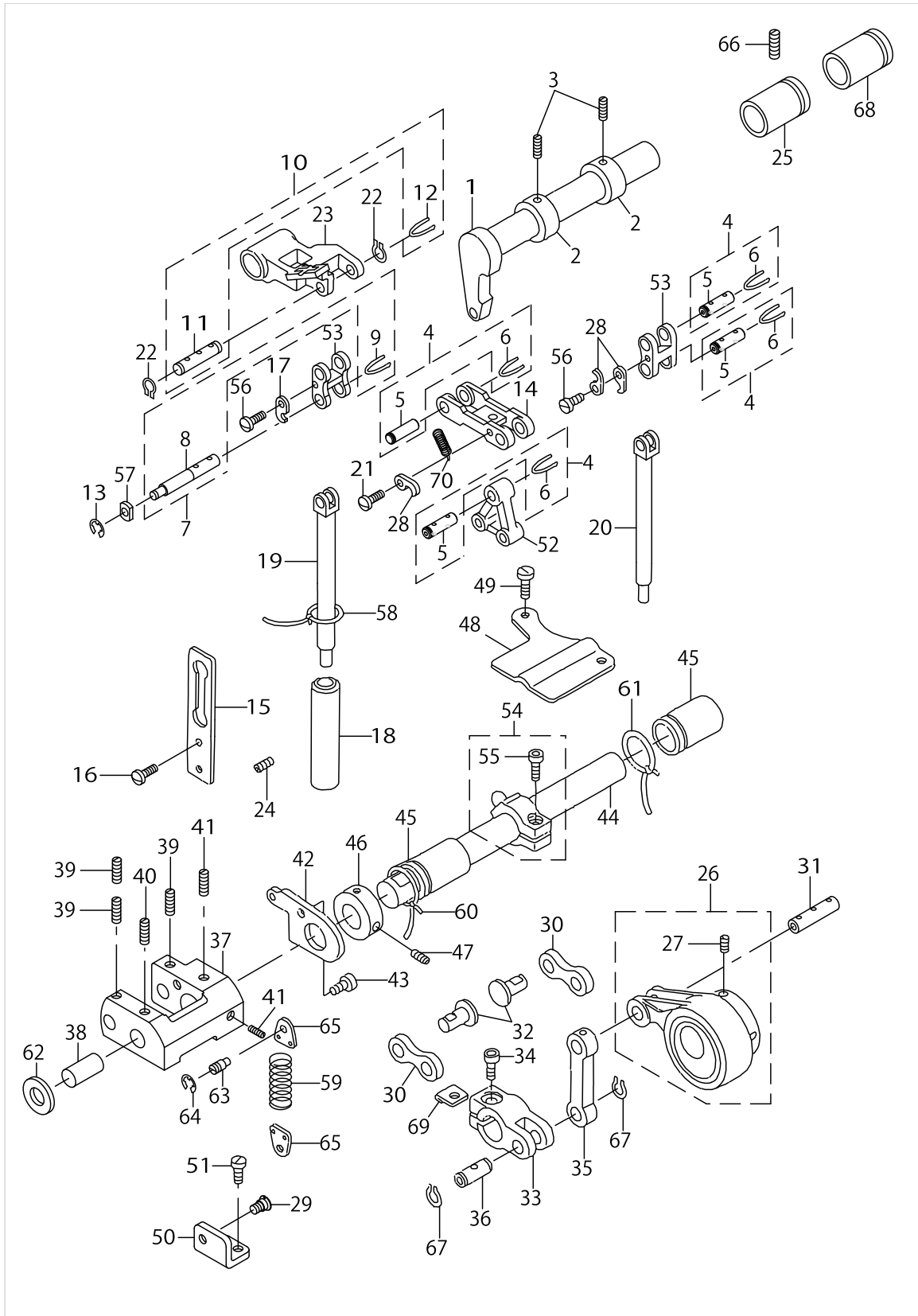
# NEEDLE BAR ROCKING COMPONENTS



NEEDLE BAR ROCKING COMPONENTS

No.	Supply Code	Parts No.	Replacement	Parts name	Remarks	Choice	Step	Level	Cons	Qty	Rep. QTY
1		10708105		NEEDLE ROD						1	
2		10708204		NEEDLE BAR THREAD GUIDE						1	
3		SS8080410TP		SCREW 1/8-44 L=3.5						1	
4		10708469		NEEDLE ROD ROCKING BASE SET						1	
5		10708808		THRUST COLLAR						2	
6		SS7111810TP		SCREW11/64-40L=18						2	
7		10708907		ROCKING SHAFT METAL						1	
8		MC321001400		NEEDLE 134-35 #140						1	
9		10709152		NEEDLE ROD ROCKING LINK ASM.						1	
10		SS6152440SP		SCREW 15/64-28 L=23.5				*		1	
11		10709202		NEEDLE ROD LINK PIN						2	
12		RE0600000K0		E-RING 6						4	
13		10709350		FEED ARM ASM.						1	
14		SS6151440SP		SCREW15/64-28L=14				*		1	
15		10709400		NEEDLE ROD ROCKING LINK						1	
16		10708501		ROLLER GUIDE BASE						1	
17		SM6041012TP		SCREW M4X0.7 L=10						2	
18		10709608		ROCKING SHAFT METAL						1	
19		SS8120740SP		SCREW 3/16-28 L=7						1	
20		10733806		SWING STAND FELT LOWER						1	
21		SM1040801SC		SCREW M4X0.7 L=8						1	
22		WP0450000SD		WASHER 4.5X8X0.5						1	
23		CQ202000000		OIL WICK						.2	
24		CQ202000000		OIL WICK						.2	
25		10771103		NEEDLE BAR	FOR LU-2260*-*					1	
26		SM6030602TP		SCREW M3X0.5 L=6	FOR LU-2260*-*					1	
27		MC321001400		NEEDLE 134-35 #140	FOR LU-2260*-*					2	

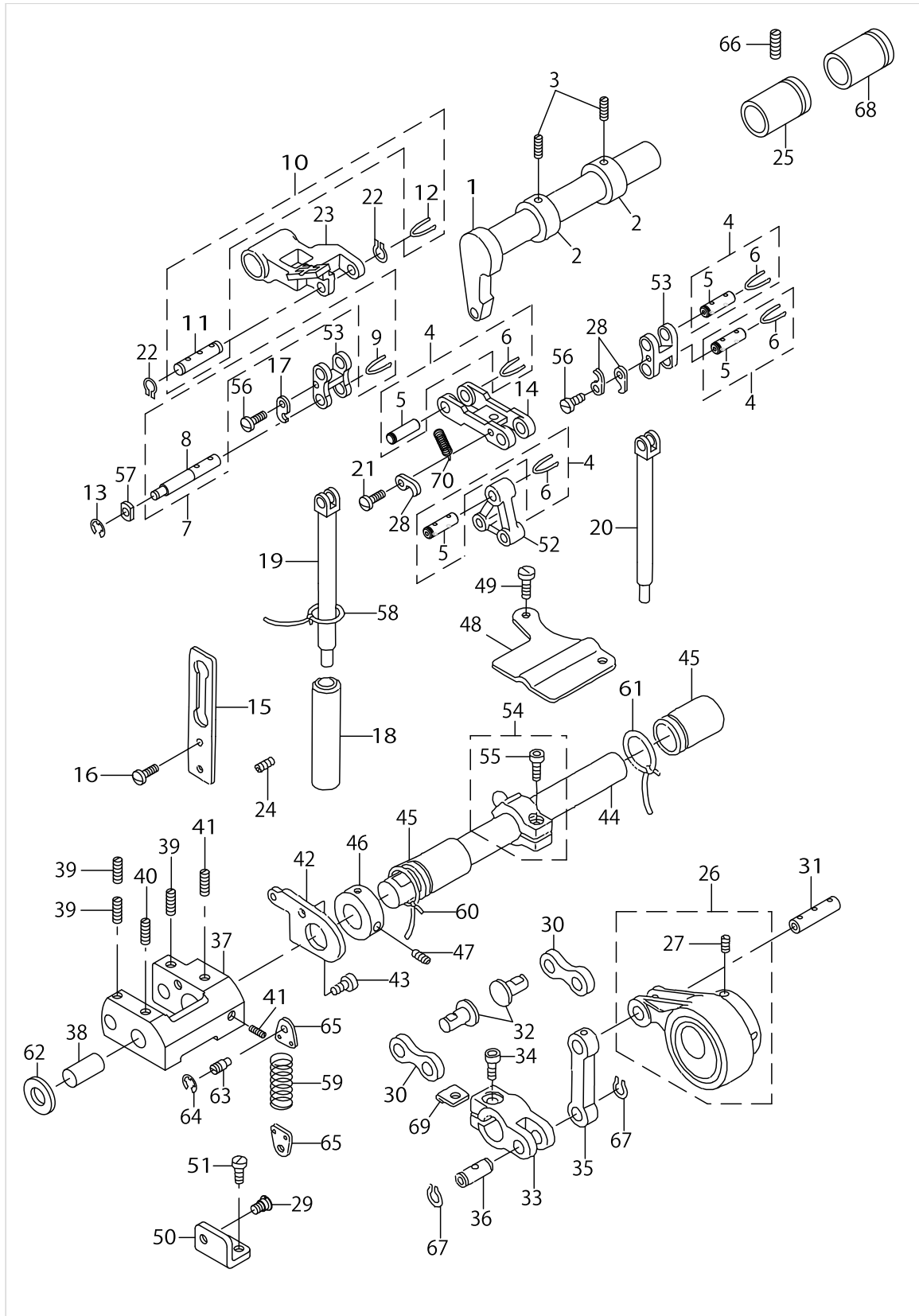
UPPER FEED MECHANISM COMPONENTS



UPPER FEED MECHANISM COMPONENTS

No.	Supply Code	Parts No.	Replacement	Parts name	Remarks	Choice	Step	Level	Cons	Qty	Rep. QTY
1		10709707		UPPER FEED SHAFT						1	
2		CS1501011TH		THRUST COLLAR						2	
3		SS8660410SP		SCREW 1/4-40 L=4.2						4	
4		40132152		TRIANGLE LEVER SHAFT ASM.						4	
5		40130995		TRIANGLE LEVER SHAFT				*		1	
6		CQ252000000		OIL WICK				*		0.1	
7		40132151		PRESSER ROD GUIDE SHAFT ASM.						1	
8		10710309		PRESSER ROD GUIDE SHAFT				*		1	
9		CQ252000000		OIL WICK				*		0.1	
10		40132153		PRESSER ROD SHAFT ASM.						1	
11		10711000		PRESSER ROD SHAFT				*		1	
12		CQ252000000		OIL WICK				*		0.1	
13		RE0400000K0		E-RING 4						1	
14		40052240		CONNECTION LINK						1	
15		10710408		PRESSER ROD GUIDE						1	
16		SS6121050SP		SCREW 3/16-28 L=9.5						2	
17		10710804		TRIANGLE LEVER S-HAFT STOPPER						1	
18		10710507		PRESSER ROD LOWER METAL						1	
19		10710606		PRESSER ROD						1	
20		10710705		UPPER FEED ROD						1	
21		SS7080510TP		SCREW 1/8-44 L=4.5						1	
22		RC0560711KP		RETAINING RING						2	
23		10711117		PRESSER BAR GUIDE ARM						1	
24		SS8120740SP		SCREW 3/16-28 L=7						1	
25		10709608		ROCKING SHAFT METAL						1	
26		10713766		ECCENTRIC ROD (SET)						1	
27		SS8660810TP		SCREW 1/4-40 L=8				*		2	
28		10710804		TRIANGLE LEVER S-HAFT STOPPER						3	
29		22908909		HINGE SCREW						1	
30		40107949		CONNECTION LINK B						2	
31		10713808		CONNECTION LINK PIN B						1	
32		40052263		CONNECTION LINK B SUPPORT PIN						2	
33		10713907		UPPER FEED CAM						1	
34		SM6061602TP		SCREW M6 L=16						1	
35		10714004		CONNECTION LINK A						1	
36		10714103		CONNECTION LINK PIN A						1	
37		10714202		VERTICAL CHANGE BELT						1	
38		10751303		CHANGE BELT SUPPORT PIN						1	
39		SM8050602TP		SCREW M5 L=6						3	
40		SM8050512TP		SCREW M5 L=5						1	
41		SM8050602TP		SCREW M5 L=6						2	
42		10714400		VERTICAL STOPPER PLATE						1	
43		SM6051002TP		SCREW M5X0.8 L=10						1	
44		10714301		VERTICAL CHANGE BELT SHAFT						1	
45		10708907		ROCKING SHAFT METAL						2	

# UPPER FEED MECHANISM COMPONENTS

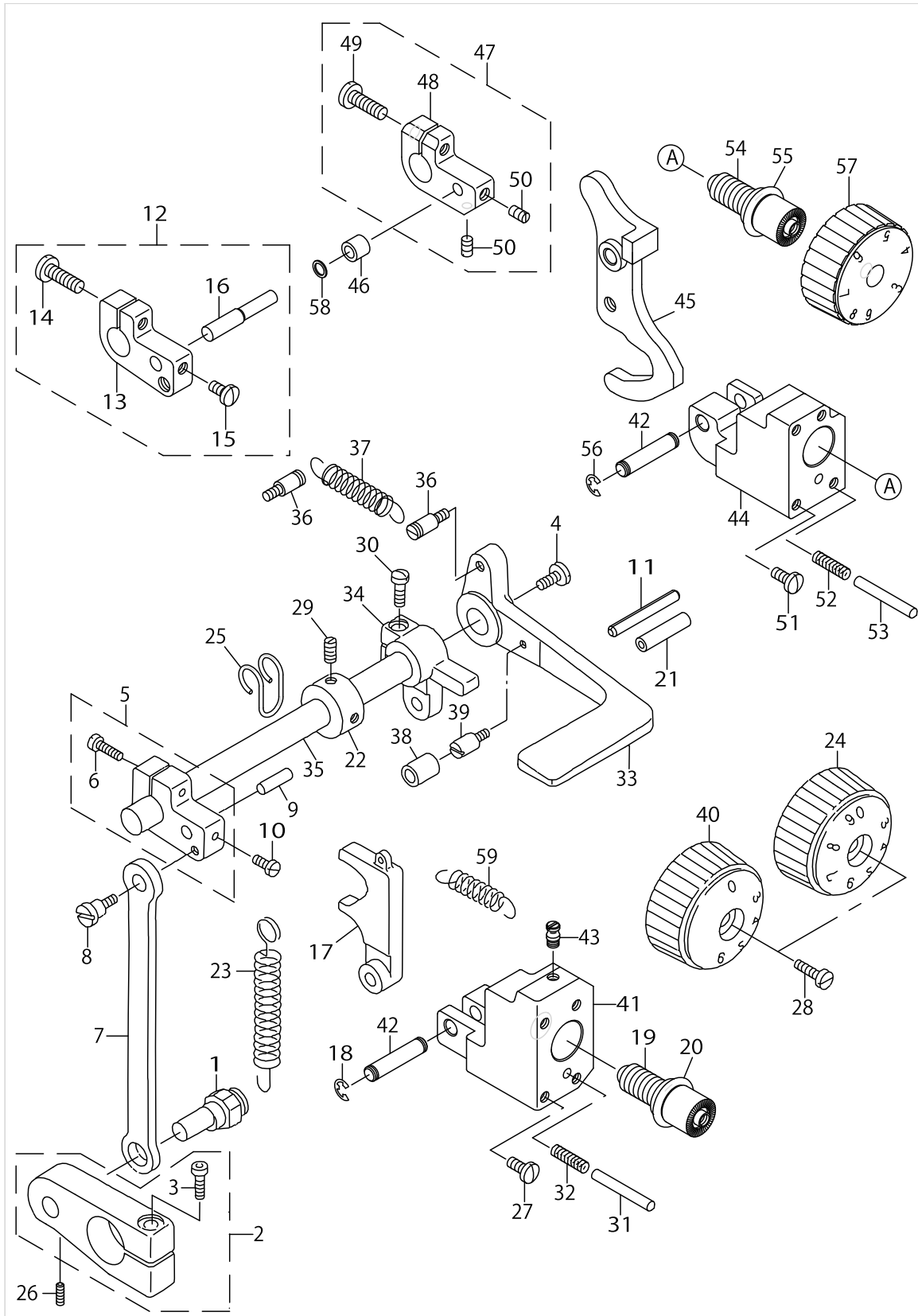


UPPER FEED MECHANISM COMPONENTS

No.	Supply Code	Parts No.	Replacement	Parts name	Remarks	Choice	Step	Level	Cons	Qty	Rep. QTY
46		GS1501011TH		THRUST COLLAR						1	
47		SS8660410SP		SCREW 1/4-40 L=4.2						2	
48		10714806		VERTICAL STOPPER PLATE						1	
49		SS6121010SP		SCREW 3/16-28 L=10						2	
50		10714905		VERTICAL SHAFT SPRING RACK						1	
51		SS7120710SP		SCREW 3/16-28 L=7						1	
52		10710002		TRIANGLE LEVER						1	
53		10710101		ROCKING LINK						2	
54		10715258		VERTICAL ADJUSTING ARM ASM.						1	
55		SM6051402TP		SCREW M5X0.8 L=14				*		1	
56		SS7080510TP		SCREW 1/8-44 L=4.5						2	
57		10710200		PRESSER ROD SQUARE BLOCK						1	
58		CQ202000000		OIL WICK						.2	
59		10716504		VERTICAL SHAFT SPRING						1	
60		CQ202000000		OIL WICK						.3	
61		CQ202000000		OIL WICK						.3	
62		10109809		THRUST WASHER B						1	
63		B3416552000		CONNECTING ROD HINGE SCREW						1	
64		RE0500000K0		E-RING						1	
65		10713501		SPRING HOOK						2	
66		SS8120740SP		SCREW 3/16-28 L=7						1	
67		RC0740811KP		C-RING						2	
68		10708907		ROCKING SHAFT METAL						1	
69		10710903		SPACER A						1	
70		10739506		GUIDE SPRING						1	



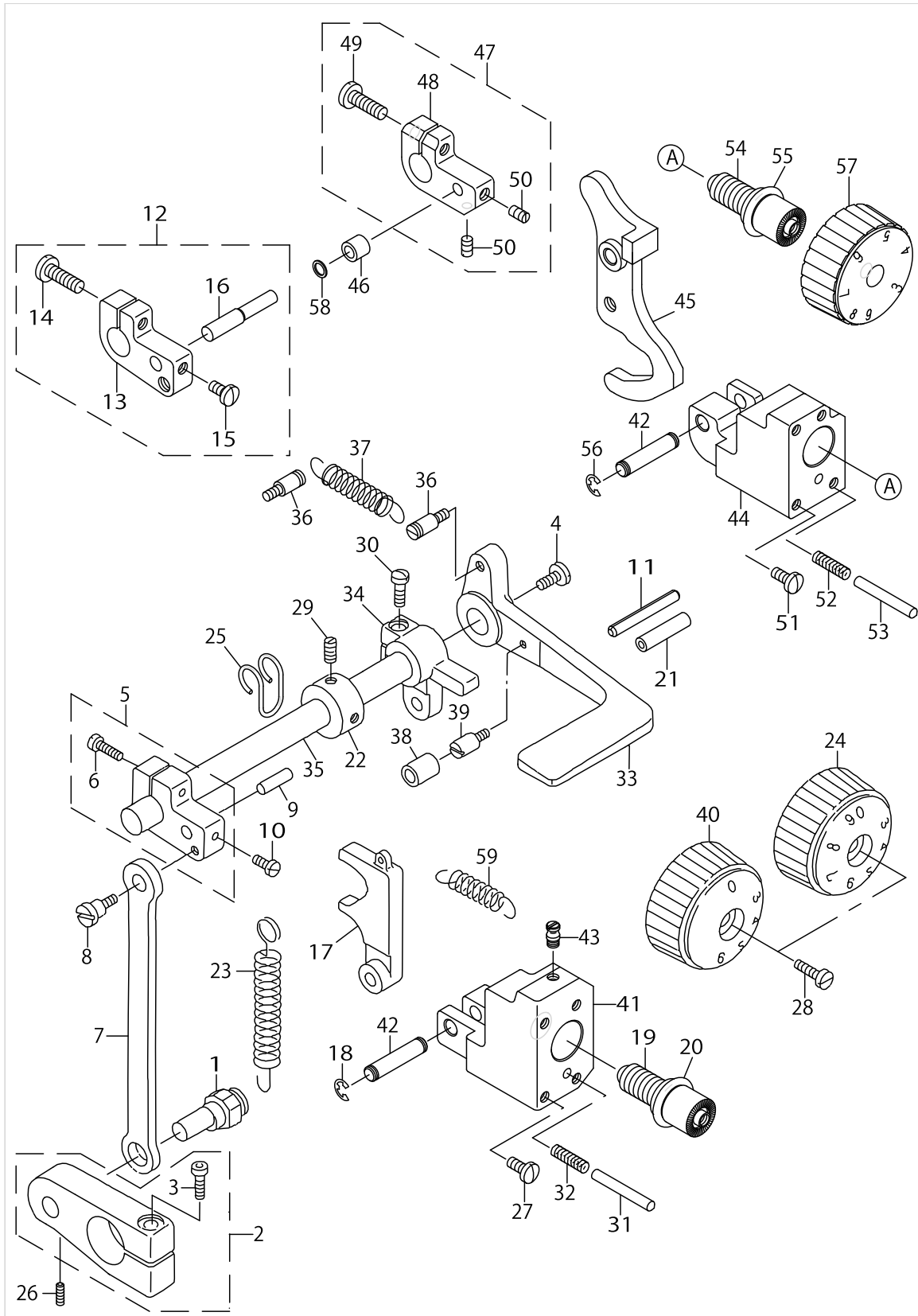
FEED ADJUSTMENT & REVERSE FEED MECHANISM COMPONENTS



FEED ADJUSTMENT & REVERSE FEED MECHANISM COMPONENTS

No.	Supply Code	Parts No.	Replacement	Parts name	Remarks	Choice	Step	Level	Cons	Qty	Rep. QTY
1		40052255		FEED ADJUSTING ECCENTRIC PIN						1	
2		10720357		ADJUSTING CHANGE ARM ASM.						1	
3		SM6062502TP		SCREW M6 L=25				*		1	
4		SS7620750SP		SCREW 3/16-32 L=6.5						1	
5		10720555		ADJUSTING ARM ASM.	EXCEPT L-U-2212N-7					1	
6		SS7121610SP		SCREW 3/16-28 L=15.5	EXCEPT L-U-2212N-7			*		1	
7		10720407		ADJUSTING CONNECTION RING						1	
8		10725307		ADJUSTING CONNECTION RING PIN						1	
9		10721504		FEED ADJUSTING PIN	EXCEPT L-U-2212N-7					1	
10		SS7110810SP		SCREW 11/64-40 L=8.0	EXCEPT L-U-2212N-7					1	
11		PS0400322KP		SPRING PIN 4.0X32						1	
12		40027219		FEED ADJUSTING PIN HOLDER ASM.	FOR LU-2212N-7					1	
13		10720506		ADJUSTING ARM				*		1	
14		SS7121610SP		SCREW 3/16-28 L=15.5				*		1	
15		SS7110810SP		SCREW 11/64-40 L=8.0				*		1	
16		40025557		FEED ADJUSTING PIN (A)				*		1	
17		10720605		ADJUSTING BELT						1	
18		RE0400000K0		E-RING 4						2	
19		10721009		ADJUSTING DIAL SCREW						1	
20		RO118240100		O-RING						1	
21		BT0600402EA		OIL TUBE						.1	
22		CS1201011SH		THRUST COLLAR D=12 W=10						1	
23		10722007		PULLING SPRING						1	
24		10744308		ADJUSTMENT DIAL	EXCEPT L-U-2260*-*					1	
25		10733509		SPRING RACK HOOK						1	
26		SM8060602TP		SCREW M6X6						1	
27	R	SS7110910SP	SS7110910TP	SCREW 11/64-40 L=8.5						4	1.00
28		SS6121860SP		SCREW 3/16-28 L=18						1	
29		SS8660610TP		SCREW 1/4-40 L=6						2	
30		SS7121610SP		SCREW 3/16-28 L=15.5						1	
31		10718401		DIAL PIN						1	
32		B1148141H00		SPRING						1	
33		40052267		BACKWARD FEED LEVER						1	
34		10721207		BACKWARD FEED CONNECTION ARM						1	
35		10721900		BACKWARD FEED LEVER SHAFT						1	
36		40023289		SPRING SUSPENSION						2	
37		D2515232D00		TORSION SPRING						1	
38		10119907		CUSHION						1	
39		B1114280000		PIN						1	
40		10771459		ADJUSTMENT DIAL ASM.	FOR LU-2260*-*					1	
41		40052241		FEED ADJUSTING BASE A						1	
42		22949101		ROLLER FULCRUM SHAFT						2	
43		26017400		SPRING RAC						1	

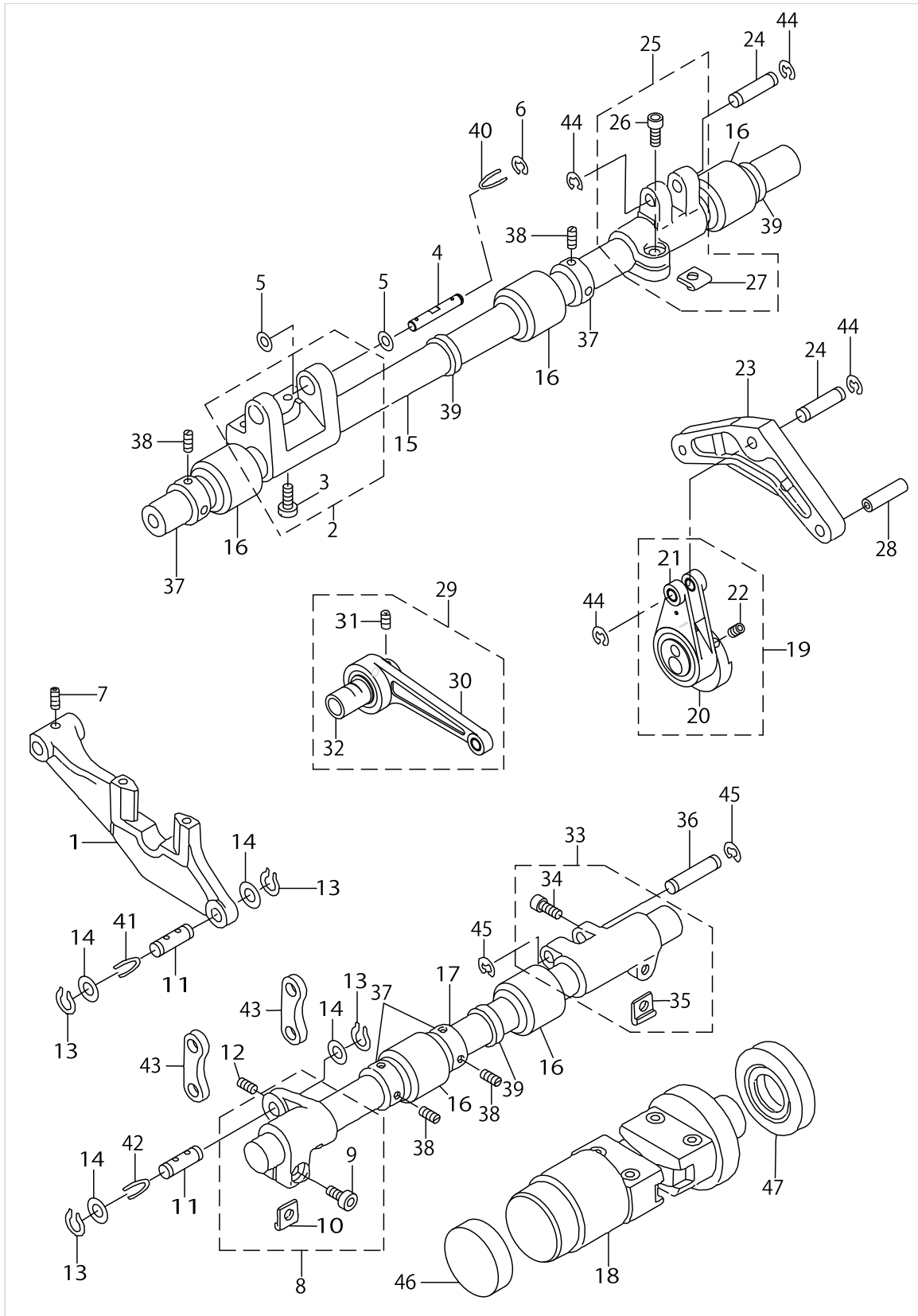
FEED ADJUSTMENT & REVERSE FEED MECHANISM COMPONENTS



FEED ADJUSTMENT & REVERSE FEED MECHANISM COMPONENTS

No.	Supply Code	Parts No.	Replacement	Parts name	Remarks	Choice	Step	Level	Cons	Qty	Rep. QTY
44		40052242		FEED ADJUSTING BASE B	FOR LU-2212N-7					1	
45		40025556		FEED ADJUSTING (A)	FOR LU-2212N-7					1	
46		13737804		DRIVING ARM BOSS ROLLER	FOR LU-2212N-7					1	
47		40067341		FEED ADJUSTING P-IN HOLDER ASM.	FOR LU-2212N-7					1	
48		40052252		FEED ADJUSTING PIN HOLDER				*		1	
49		SS7121610SP		SCREW 3/16-28 L=15.5				*		1	
50		SS8090710SP		SCREW 9/64-40 L=7.0				*		2	
51	R	SS7110910SP	SS7110910TP	SCREW 11/64-40 L=8.5	FOR LU-2212N-7					4	1.00
52		B1148141H00		SPRING	FOR LU-2212N-7					1	
53		10718401		DIAL PIN	FOR LU-2212N-7					1	
54		10721009		ADJUSTING DIAL SCREW	FOR LU-2212N-7					1	
55		RO118240100		O-RING	FOR LU-2212N-7					1	
56		RE0400000K0		E-RING 4	FOR LU-2212N-7					2	
57		40027231		FEED DIAL(A) ASM.	FOR LU-2212N-7					1	
58		40035542		ROLLER SPACER	FOR LU-2212N-7					1	
59		10721306		CHANGE SPRING						1	

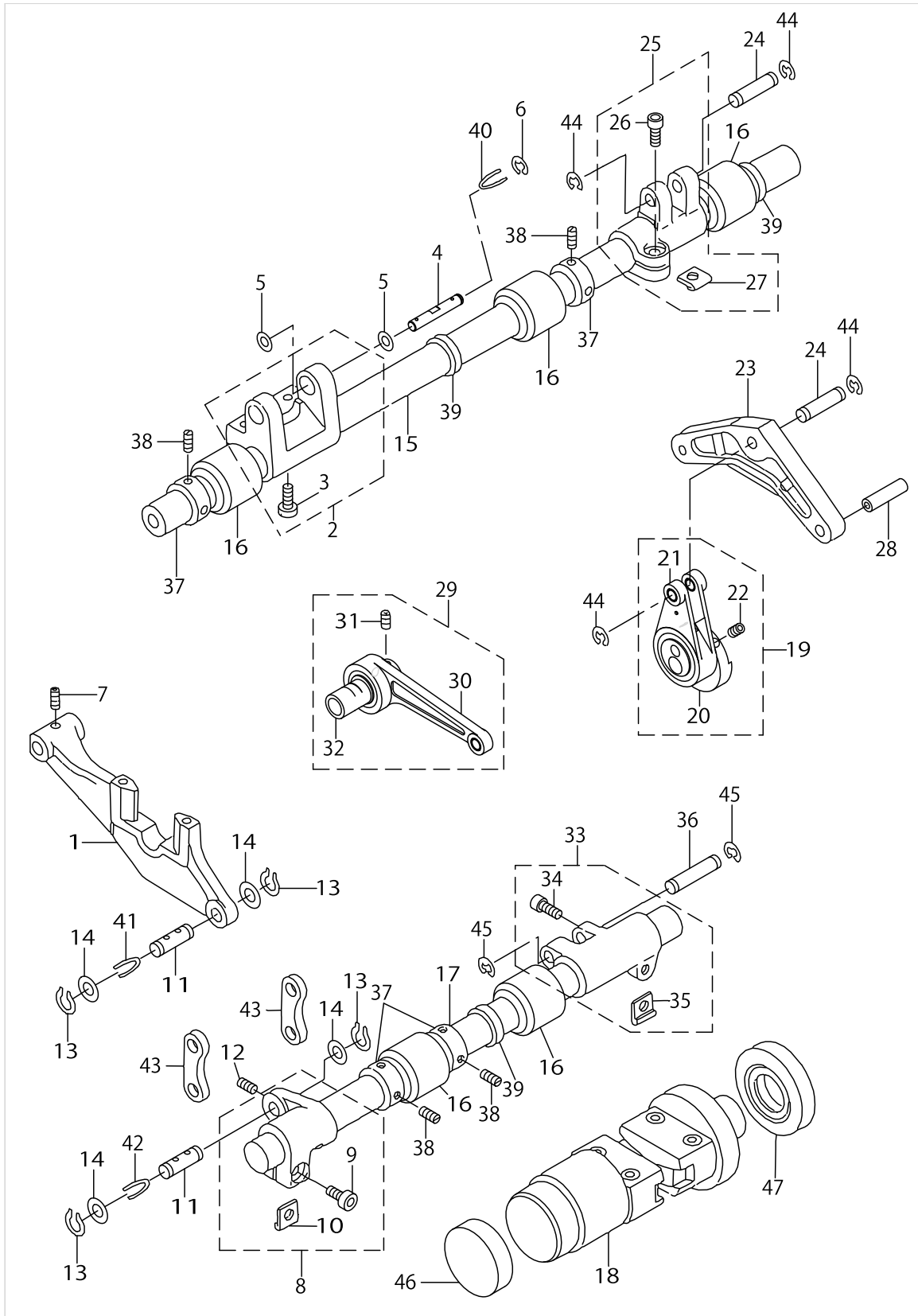
LOWER FEED MECHANISM COMPONENTS



LOWER FEED MECHANISM COMPONENTS

No.	Supply Code	Parts No.	Replacement	Parts name	Remarks	Choice	Step	Level	Cons	Qty	Rep. QTY
1		10717502		FEED BASE						1	
2		10717668		FEEDBASE ARM ASM.						1	
3		SM6061650TP		SCREW				*		2	
4		40052258		FEED BASE SHAFT						1	
5		10746709		WASHER						2	
6		RE0500000K0		E-RING						1	
7		SS8110422TP		SCREW 11/64-40 L=4						1	
8		10718658		VERTICAL FEED ARM ASM.						1	
9		SS6151412TP		SCREW 15/64-28L=14				*		1	
10		10710903		SPACER A				*		1	
11		10718906		VERTICAL FEED LINK SHAFT						2	
12		SM8030402TP		SCREW M3X0.5 L=4						1	
13		RC0650811KP		RETAINING RING						4	
14		WP0740516SP		WASHER 7.4X11.8X0.5						4	
15	D	10717908		HORIZONTAL FEED SHAFT						1	
16		10718203		FEED SHAFT FRONT METAL						5	
17		10718807		VERTICAL FEED SHAFT						1	
18		10719052		FEED CHANGE BELT ASM.						1	
19		10719664		HORIZONTAL FEED ROD						1	
20		10719201		HORIZONTAL FEED CAM				*		1	
21	D	10719656		HORIZONTAL FEED ROD ASM.				*		1	
22		SS8661012TP		SCREW				*		2	
23		10719300		BELL CRANK						1	
24		10718005		FEED ARM SHAFT						2	
25		10718153		FEED SHAFT ARM ASM.						1	
26	R	SM6061552TP	SM6061552SP	SCREW M6 L=15				*		1	1.00
27		10710903		SPACER A				*		1	
28		10719508		ADJUSTING BLOCK SHAFT						1	
29		10719961		VERTICAL FEED ROD ASM.						1	
30	R	10719953	10719961	VERTICAL FEED ROD COMPL.				*		1	1.00
31		SM8060552TP		SCREW M6 L=5				*		2	
32	R	10720001	10719961	VERTICAL FEED CAM				*		1	1.00
33		10718153		FEED SHAFT ARM ASM.						1	
34	R	SM6061552TP	SM6061552SP	SCREW M6 L=15				*		1	1.00
35		10710903		SPACER A				*		1	
36		10718005		FEED ARM SHAFT						1	
37		CS1501011TH		THRUST COLLAR						4	
38		SS8660410SP		SCREW 1/4-40 L=4.2						8	
39		13707500		OIL SEAL						3	
40		CQ202000000		OIL WICK						.1	
41		CQ202000000		OIL WICK						.1	
42		CQ202000000		OIL WICK						.1	
43		10718500		VERTICAL LINK						2	
44		RE0500000K0		E-RING						4	
45		RE0500000K0		E-RING						2	
46		10719706		CHANGE BELT OIL SEAL A						1	

LOWER FEED MECHANISM COMPONENTS

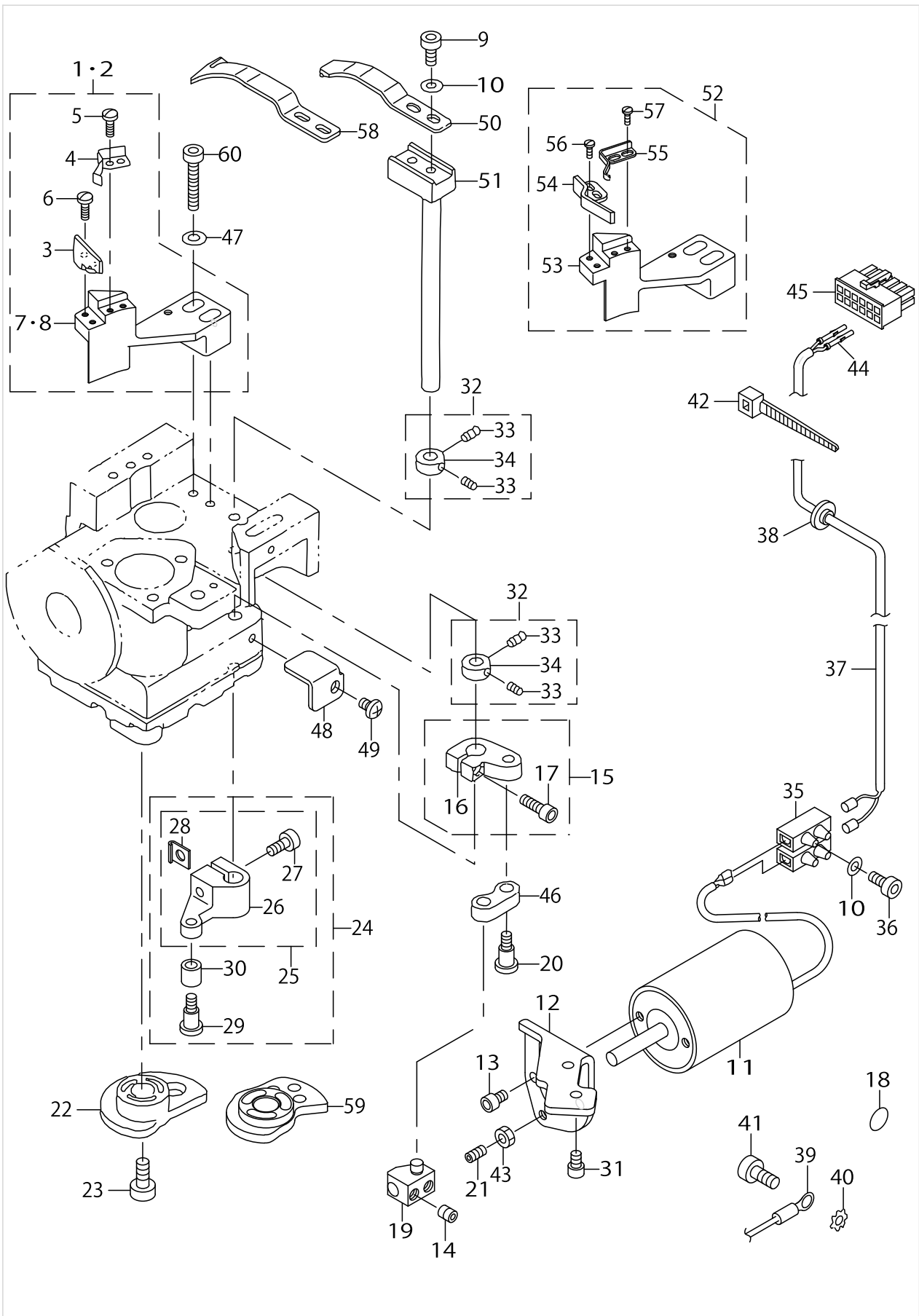


LOWER FEED MECHANISM COMPONENTS

No.	Supply Code	Parts No.	Replacement	Parts name	Remarks	Choice	Step	Level	Cons	Qty	Rep. QTY
47		10719805		CHANGE BELT OIL SEAL B						1	



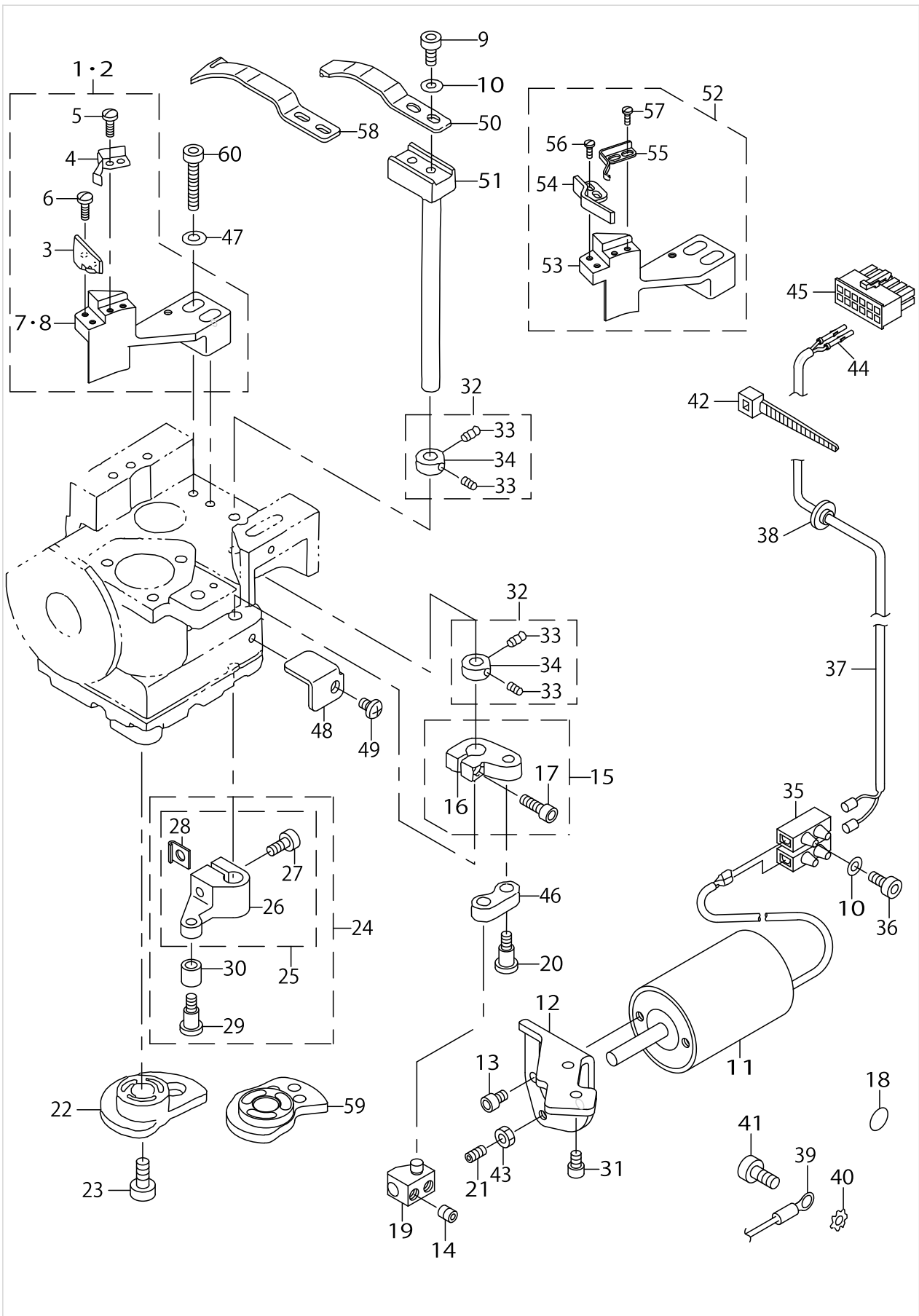
RIGHT HOOK SHAFT BASE THREAD TRIMMER COMPONENTS



RIGHT HOOK SHAFT BASE THREAD TRIMMER COMPONENTS

No.	Supply Code	Parts No.	Replacement	Parts name	Remarks	Choice	Step	Level	Cons	Qty	Rep. QTY
1		10761450		FIXED KNIFE BASE ASM.	FOR LU-2210N-*					1	
2		10726552		FIXED KNIFE BASE ASM.	FOR LU-2210W-*					1	
3		10726404		FIXED KNIFE				*		1	
4		10726909		CLAMP SPRING				*		1	
5		SS7060610SP		SCREW 3/32-56 L=5.5				*		2	
6		SS7060610SP		SCREW 3/32-56 L=5.5				*		2	
7	R	10761401	10761450	FIXED KNIFE BASE				*		1	1.00
8		10726503		FIXED KNIFE BASE	FOR LU-2210W-*			*		1	
9		SM6030802TP		SCREW M3X0.5 L=8						2	
10		WP0320501SC		WASHER M3						3	
11		10772804		THREAD CUTTING SOLENOID						1	
12		10772309		SOLENOID FITTING PLATE RIGHT						1	
13		SM6040602TP		SCREW M4 L=6						2	
14		SM8050602TP		SCREW M5 L=6						2	
15		10727857		DRIVING ARM B ASM.						1	
16	R	10727808	10727857	DRIVING ARM B				*		1	1.00
17		SM6041202TP		SCREW M4X0.7 L=12				*		1	
18		22901805		GROUND MARK						1	
19		10754505		THREAD CUTTING SOLENOID ARM						1	
20		SD0500481TP		HINGE SCREW D=5 H=4.8						1	
21		SM8040802TP		SCREW M4X8						1	
22		10727709		THREAD CUTTING CAM						1	
23		SM6041202TP		SCREW M4X0.7 L=12						3	
24		10728160		DRIVING ARM A COMPL.						1	
25		10728152		DRIVING ARM A ASM.				*		1	
26		10728103		DRIVING ARM A				*		1	
27		SM6051402TP		SCREW M5X0.8 L=14				*		1	
28		10711406		SPACER B				*		1	
29		SD0500721SP		HINGE SCREW D=5 H=7.2				*		1	
30		B3031141H00		CONNECTING STUD				*		1	
31		SM6040602TP		SCREW M4 L=6						2	
32		40101351		THRUST COLLAR ASM.						2	
33		SS8110422TP		SCREW 11/64-40 L=4				*		2	
34		22917009		THRUST COLLAR				*		1	
35		10728301		TERMINAL BASE						1	
36		SM6031202TP		SCREW M3X0.5 L=12						1	
37		HW500140000		2-C CABLE						1	
38		10732204		CORD BUSH						1	
39		22951552		GROUND WIRE ASM.						1	
40		WT0530002KS		TOOTHED WASHER D=5.3						1	
41		SS6111140SP		SCREW 11/64-40 L=11						1	
42		EA9500B0200		CABLE BAND 150						1	
43		NM6040001SC		NUT M4						1	
44		HK03464000B		PIN CONTACT						2	
45		HK034610120		HOUSING 12P						1	
46		10727907		DRIVING LINK B						1	

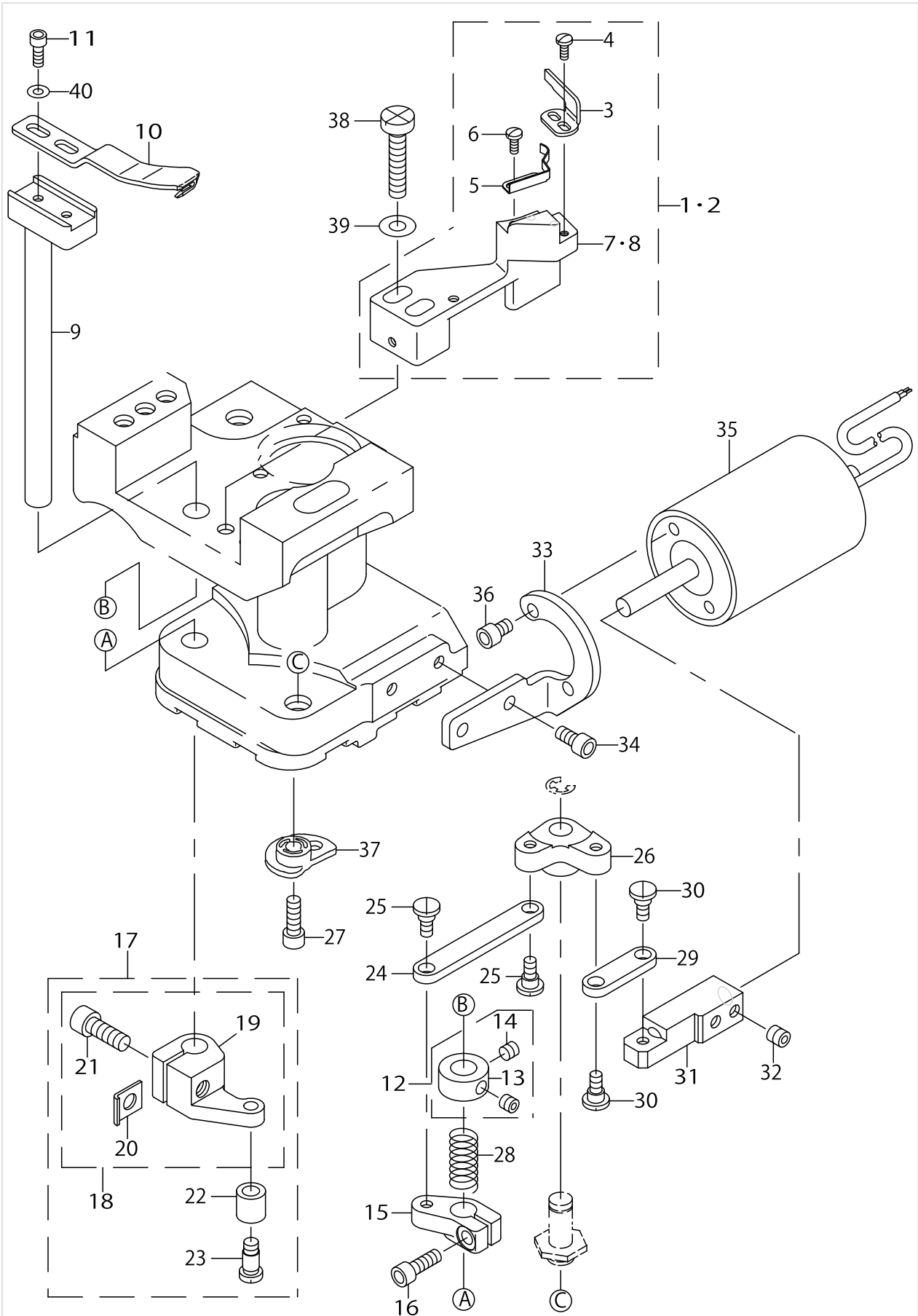
RIGHT HOOK SHAFT BASE THREAD TRIMMER COMPONENTS



RIGHT HOOK SHAFT BASE THREAD TRIMMER COMPONENTS

No.	Supply Code	Parts No.	Replacement	Parts name	Remarks	Choice	Step	Level	Cons	Qty	Rep. QTY
47		WP0520656SA		WASHER 5.2X9.5X0.6						2	
48		10754604		SOLENOID ARM GUIDE PLATE						1	
49		SM4040601SB		SCREW M4 L=6						1	
50		10726305		MOVING KNIFE						1	
51		10726800		MOVINGKNIFESHAF						1	
52		40027119		FIXED KNIFE BASE ASM.	FOR LU-2212N-7					1	
53	R	40027118	40027119	FIXED KNIFE BASE (B)				*		1	1.00
54		21389309		FIXED KNIFE				*		1	
55		21389408		CLAMP SPRING				*		1	
56		SS7060610SP		SCREW 3/32-56 L=5.5				*		2	
57		SS7060610SP		SCREW 3/32-56 L=5.5				*		2	
58		21389200		MOVING KNIFE	FOR LU-2212N-7					1	
59		40025563		THRED TRIMMER CAM (A)	FOR LU-2212N-7					1	
60		SM6052502TP		SCREW M5X0.8 L=25						2	

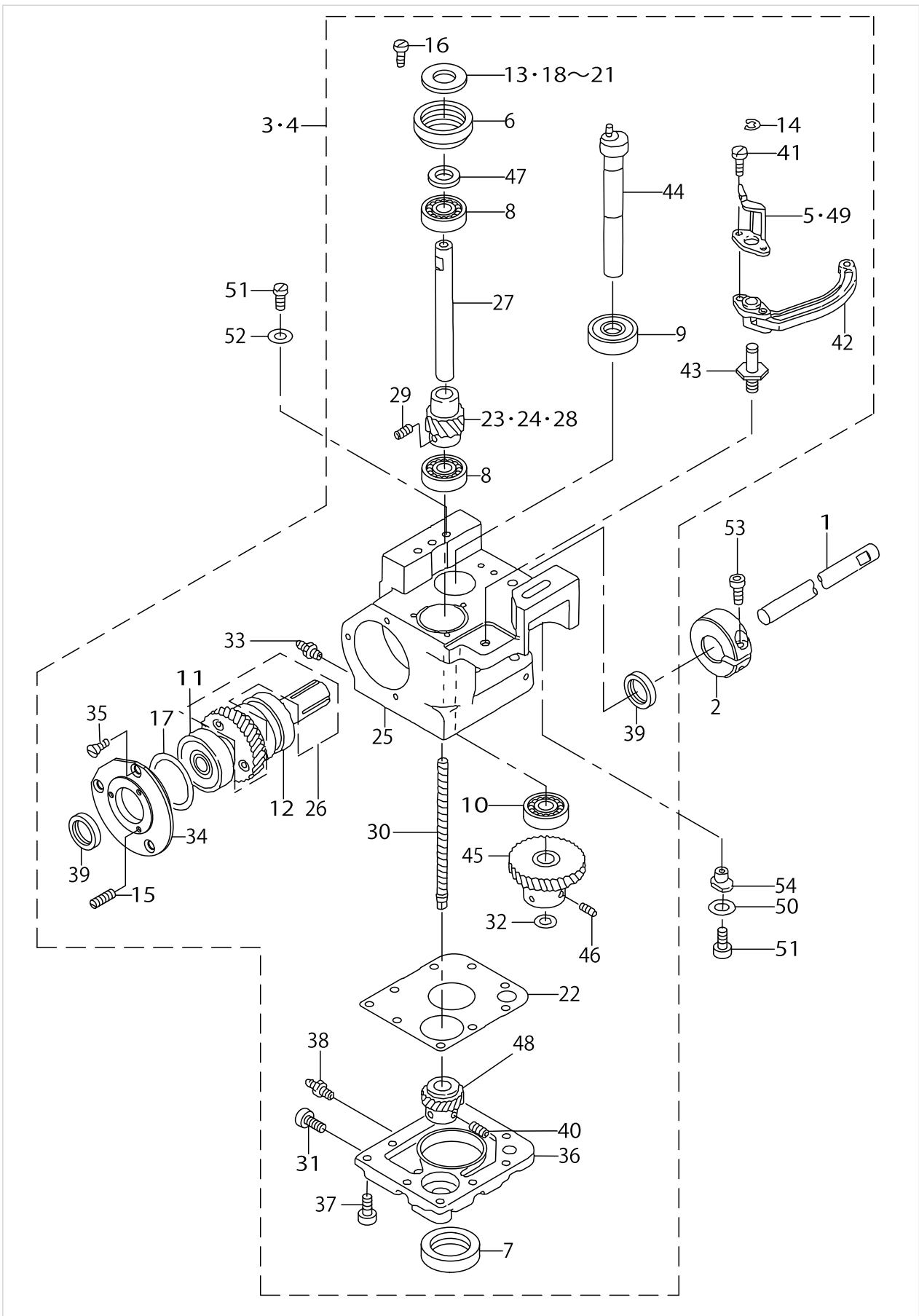
LEFT HOOK SHAFT BASE THREAD TRIMMER COMPONENTS(FOR LU-2260\*~\*)



LEFT HOOK SHAFT BASE THREAD TRIMMER COMPONENTS(FOR LU-2260\*-\*\*)

No.	Supply Code	Parts No.	Replacement	Parts name	Remarks	Choice	Step	Level	Cons	Qty	Rep. QTY
1		10761450		FIXED KNIFE BASE ASM.	FOR LU-2260N*-*					2	
2		10726552		FIXED KNIFE BASE ASM.	FOR LU-2260W*-*					2	
3		10726404		FIXED KNIFE				*		1	
4		SS7060610SP		SCREW 3/32-56 L=5.5				*		2	
5		10726909		CLAMP SPRING				*		1	
6		SS7060610SP		SCREW 3/32-56 L=5.5				*		2	
7	R	10761401	10761450	FIXED KNIFE BASE	FOR LU-2260N*-*			*		1	1.00
8		10726503		FIXED KNIFE BASE	FOR LU-2260W*-*			*		1	
9		10726800		MOVINGKNIFESHAFT						1	
10		10726305		MOVING KNIFE						1	
11		SM6030802TP		SCREW M3X0.5 L=8						2	
12		40101351		THRUST COLLAR ASM.						1	
13	R	CS0790731SH	CS079073ASH	THRUST COLLAR				*		1	1.00
14		SS8110422TP		SCREW 11/64-40 L=4				*		2	
15		10771806		DRIVING ARM C						1	
16		SM6041202TP		SCREW M4X0.7 L=12						1	
17		10728160		DRIVING ARM A COMPL.						1	
18		10728152		DRIVING ARM A ASM.				*		1	
19		10728103		DRIVING ARM A				*		1	
20		10711406		SPACER B				*		1	
21		SM6051402TP		SCREW M5X0.8 L=14				*		1	
22		B3031141H00		CONNECTING STUD				*		1	
23		SD0500721SP		HINGE SCREW D=5 H=7.2				*		1	
24		10771905		DRIVING LINK A						1	
25		SD0500301SP		HINGESCREWD=5H=3						2	
26		10772507		DRIVING ARM E						1	
27		SM6041202TP		SCREW M4X0.7 L=12						3	
28		B2311019000		TENSION SPRING						1	
29		10772002		DRIVING LINK B						1	
30		SD0500301SP		HINGESCREWD=5H=3						2	
31		10772101		SOLENOID ARM,LEFT						1	
32		SM8050502TP		SCREW M5 L=5						2	
33		10772200		MAGNET FITTING BASE LEFT						1	
34		SM6040802TP		SCREW M4X0.7 L=8						2	
35		10772804		THREAD CUTTING SOLENOID						1	
36		SM6040602TP		SCREW M4 L=6						2	
37		10727709		THREAD CUTTING CAM						1	
38		SM6052502TP		SCREW M5X0.8 L=25						2	
39		WP0520656SA		WASHER 5.2X9.5X0.6						2	
40		WP0320501SC		WASHER M3						2	

RIGHT HOOK SHAFT BASE COMPONENTS

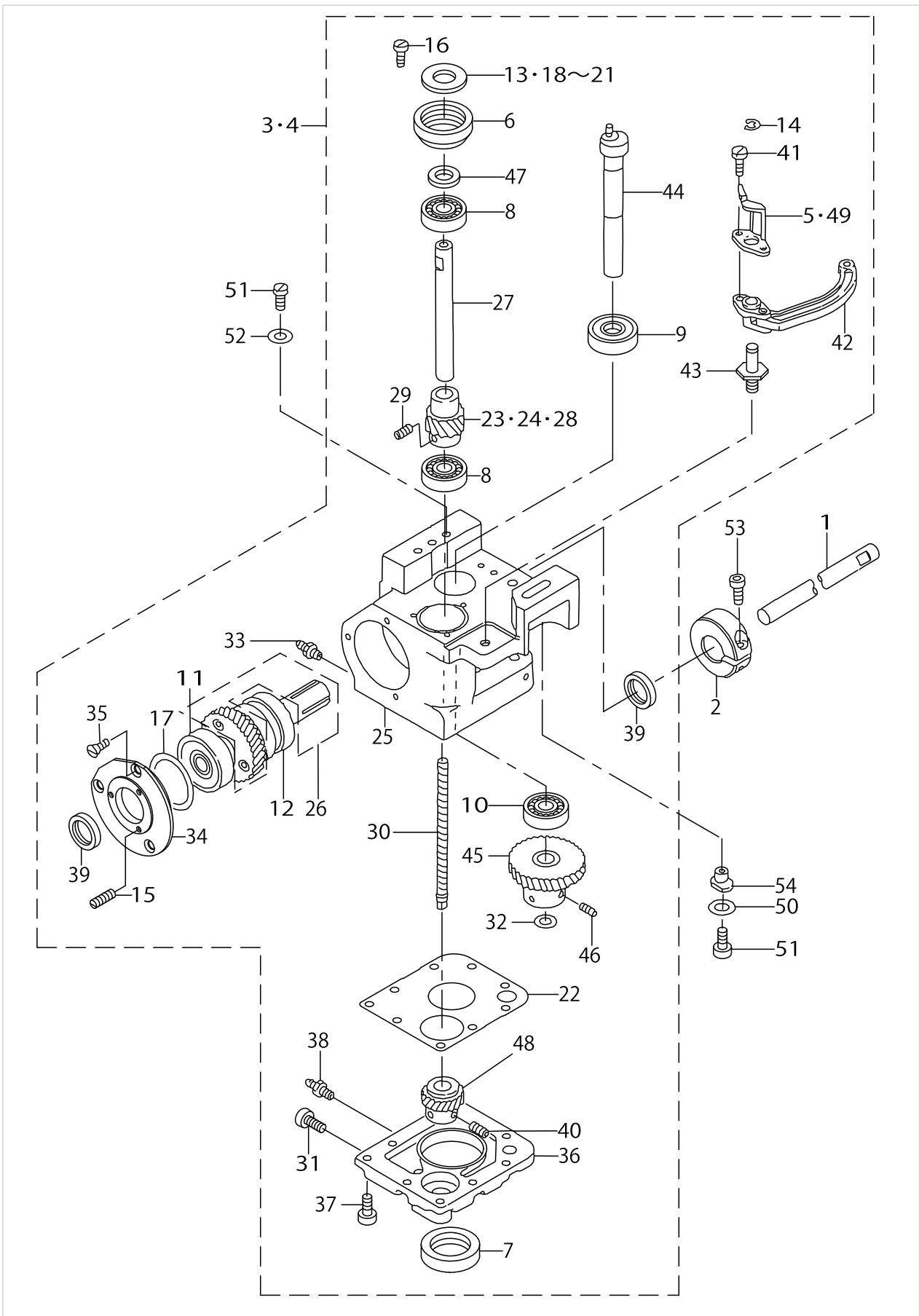


RIGHT HOOK SHAFT BASE COMPONENTS

No.	Supply Code	Parts No.	Replacement	Parts name	Remarks	Choice	Step	Level	Cons	Qty	Rep. QTY
1		10722403		LOWER SHAFT B	FOR LU-221**-*					1	
2		40052253		SET COLLAR						1	
3		10770352		HOOK SHAFT BASE RIGHT ASM.						1	
4		40033672		HOOK SHAFT BASE RIGHT ASM.	EXCEPT L-U-2212N-7					1	
5		40033293		OPENER	EXCEPT L-U-2212N-7			*		1	
6		10755601		BEARING COLLAR				*		1	
7		10726107		OIL SEAL				*		1	
8	R	B1215804000	13108808	BALL BEARING D				*		2	1.00
9		SB110000900		BEARING				*		1	
10		SB110001000		BEARING				*		1	
11		SB115000400		RADIAL BEARING				*		1	
12		SB115000900		BEARING				*		2	
13		10111201		THRUST WASHER F	SELECTIVE PARTS			*		1	
14		RE0400000K0		E-RING 4				*		1	
15		SS8080610SP		SCREW 1/8-44 L=5.5				*		3	
16		SS6111140SP		SCREW 11/64-40L=11				*		3	
17		RO357350100		O-RING				*		1	
18		10112605		THRUST WASHER 1.7	SELECTIVE PARTS			*		1	
19		10112704		THRUST WASHER 1.8	SELECTIVE PARTS			*		1	
20		10109809		THRUST WASHER B	SELECTIVE PARTS			*		1	
21		10112506		THRUST WASHER 1.6	SELECTIVE PARTS			*		1	
22		10770402		HOOK SHAFT BOTTOM PACKING				*		1	
23		10739308		HOOK SHAFT SCREW GEAR	SELECTIVE PARTS			*		1	
24		10739407		HOOK SHAFT SCREW GEAR	SELECTIVE PARTS			*		1	
25		10770303		HOOK SHAFT BASE RIGHT				*		1	
26		10722353		LOWERSHAFT A ASM.				*		1	
27		10723708		HOOK SHAFT				*		1	
28		10723807		SCREW GEAR	SELECTIVE PARTS			*		1	
29		SM8050502TP		SCREW M5 L=5				*		2	
30		10723906		LUBRICATING SHAFT				*		1	
31		SM4030601SC		SCREW M3X6				*		1	
32		RO098240100		RUBBER RING				*		1	
33		SQ1150451MZ		CONNECTING SCREW				*		1	
34		10724201		BEARING HOLDER				*		1	
35		SS1110840SP		SCREW 11/64-40 L=8				*		3	
36		10775302		HOOK SHAFT LOWE-R PLATE RIGHT				*		1	
37		SM6041002TP		SCREW M4 L=10				*		9	
38		SQ1150501SD		CONNECTING SCREW				*		1	
39		10724805		OIL SEAL				*		2	
40		SM8050502TP		SCREW M5 L=5				*		2	
41		SS6080610TP		SCREW 1/8-44 L=6				*		2	
42		10725158		OPENER ARM COMPL.				*		1	
43		10770501		OPNER ARM SHAFT B				*		1	
44		10725604		OPENER SHAFT				*		1	
45		40063991		OPENER_SHAFT_SCREW_GEAR				*		1	



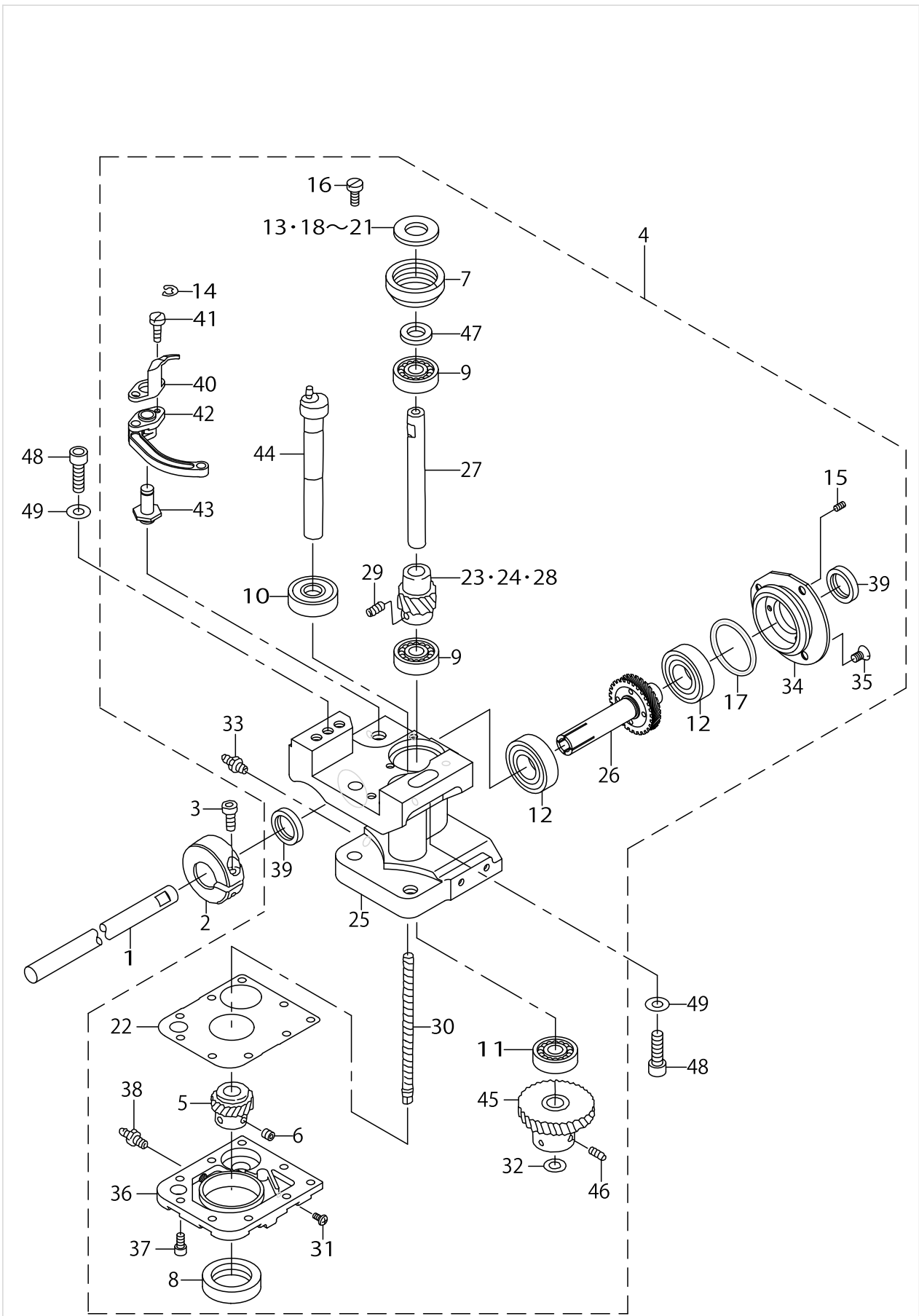
RIGHT HOOK SHAFT BASE COMPONENTS



RIGHT HOOK SHAFT BASE COMPONENTS

No.	Supply Code	Parts No.	Replacement	Parts name	Remarks	Choice	Step	Level	Cons	Qty	Rep. QTY
46		SM8050502TP		SCREW M5 L=5				*		2	
47		10724706		BEARING SPACER				*		1	
48		40063992		HOOK_SHAFT_SCREW_GEAR				*		1	
49	R	10725000	40033293	OPENER				*		1	1.00
50		WP0651056SH		WASHER 6.5X11X1						1	
51		SM6062002TP		SCREW M6 L=20						2	
52		WP0621016SH		WASHER						3	
53		SM6051402TP		SCREW M5X0.8 L=14						1	
54		40052244		HOOK SHAFT BASE ECCENTRIC PIN						1	

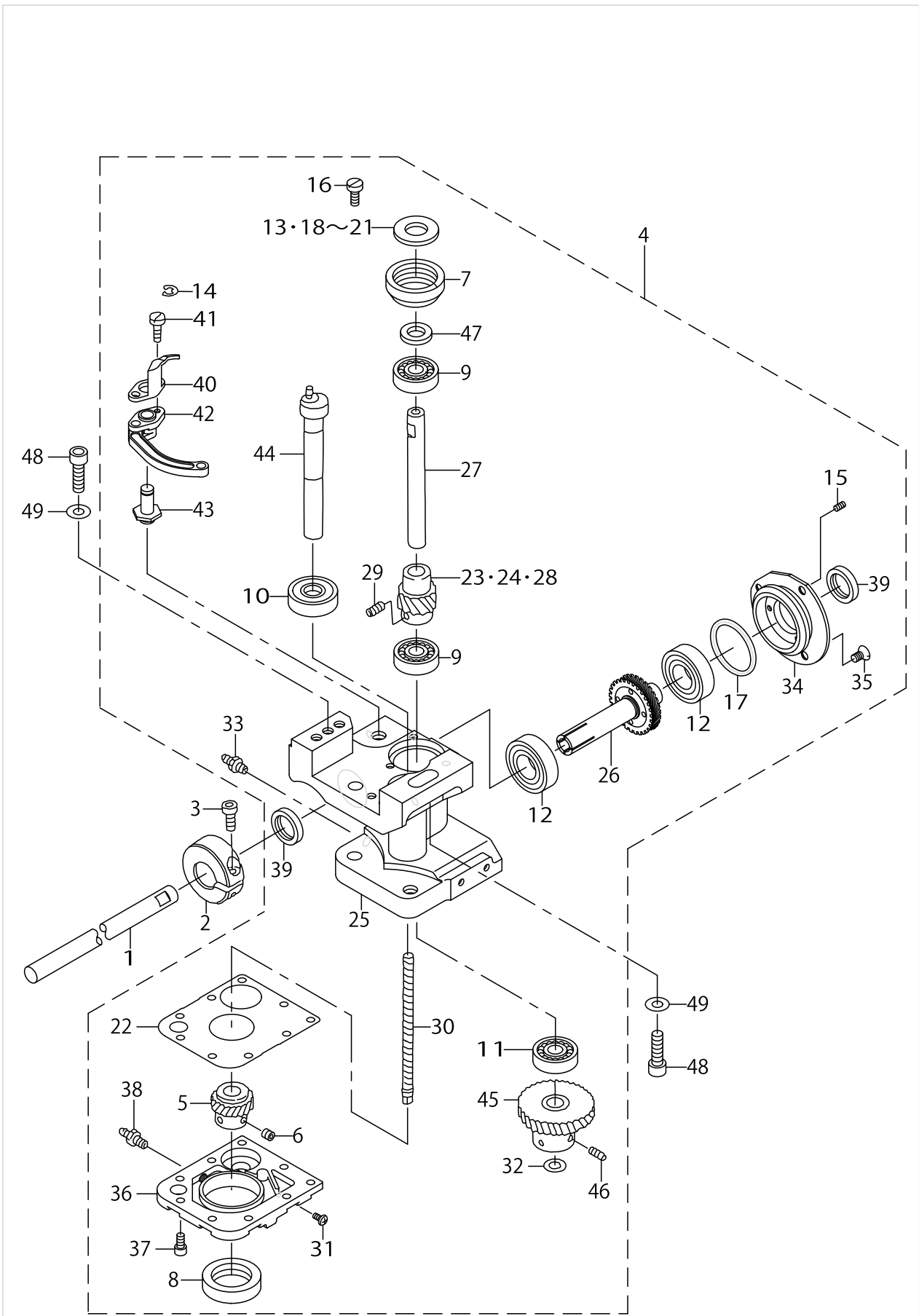
LEFT HOOK SHAFT BASE COMPONENTS(FOR LU-2260\*~\*)



LEFT HOOK SHAFT BASE COMPONENTS(FOR LU-2260\*~\*)

No.	Supply Code	Parts No.	Replacement	Parts name	Remarks	Choice	Step	Level	Cons	Qty	Rep. QTY
1		10772705		LOWER SHAFT C						1	
2		40052253		SET COLLAR						1	
3		SM6051402TP		SCREW M5X0.8 L=14						1	
4		10771756		HOOK SHAFT BASE LEFT ASM.						1	
5		40063992		HOOK_SHAFT_SCREW_GEAR				*		1	
6		SM8050502TP		SCREW M5 L=5				*		2	
7		10755601		BEARING COLLAR				*		1	
8		10726107		OIL SEAL				*		1	
9	R	B1215804000	13108808	BALL BEARING D				*		2	1.00
10		SB110000900		BEARING				*		1	
11		SB110001000		BEARING				*		1	
12		SB115000400		RADIAL BEARING				*		2	
13		10111201		THRUST WASHER F	SELECTIVE PARTS			*		1	
14		RE0400000K0		E-RING 4				*		1	
15		SS8080610SP		SCREW 1/8-44 L=5.5				*		3	
16		SS6111140SP		SCREW11/64-40L=11				*		3	
17		RO357350100		O-RING				*		1	
18		10112605		THRUST WASHER 1.7	SELECTIVE PARTS			*		1	
19		10112704		THRUST WASHER 1.8	SELECTIVE PARTS			*		1	
20		10109809		THRUST WASHER B	SELECTIVE PARTS			*		1	
21		10112506		THRUST WASHER 1.6	SELECTIVE PARTS			*		1	
22		10770402		HOOK SHAFT BOTTOM PACKING				*		1	
23		10739308		HOOK SHAFT SCREW GEAR	SELECTIVE PARTS			*		1	
24		10739407		HOOK SHAFT SCREW GEAR	SELECTIVE PARTS			*		1	
25	D	10771707		HOOK SHAFT BASE LEFT				*		1	
26		10722353		LOWERSHAFTAASM.				*		1	
27		10723708		HOOK SHAFT				*		1	
28		10723807		SCREW GEAR				*		1	
29		SM8050502TP		SCREW M5 L=5				*		2	
30		10723906		LUBRICATING SHAFT				*		1	
31		SM4030601SC		SCREW M3X6				*		1	
32		RO098240100		RUBBER RING				*		1	
33		SQ1150451MZ		CONNECTINGSCREW				*		1	
34		10724201		BEARING HOLDER				*		1	
35		SS1110840SP		SCREW 11/64-40 L=8				*		3	
36		10772408		HOOK SHAFT LOWER PLATE LEFT				*		1	
37		SM6040802TP		SCREW M4X0.7 L=8				*		9	
38		SQ1150501SD		CONNECTINGSCREW				*		1	
39		10724805		OIL SEAL				*		2	
40	R	10725000	40033293	OPENER				*		1	1.00
41		SS6080610TP		SCREW 1/8-44 L=6				*		2	
42		10725158		OPENNER ARM COMPL.				*		1	
43		10770501		OPNER ARM SHAFT B				*		1	
44		10725604		OPENER SHAFT				*		1	
45		40063991		OPENER_SHAFT_SCREW_GEAR				*		1	
46		SM8050502TP		SCREW M5 L=5				*		2	

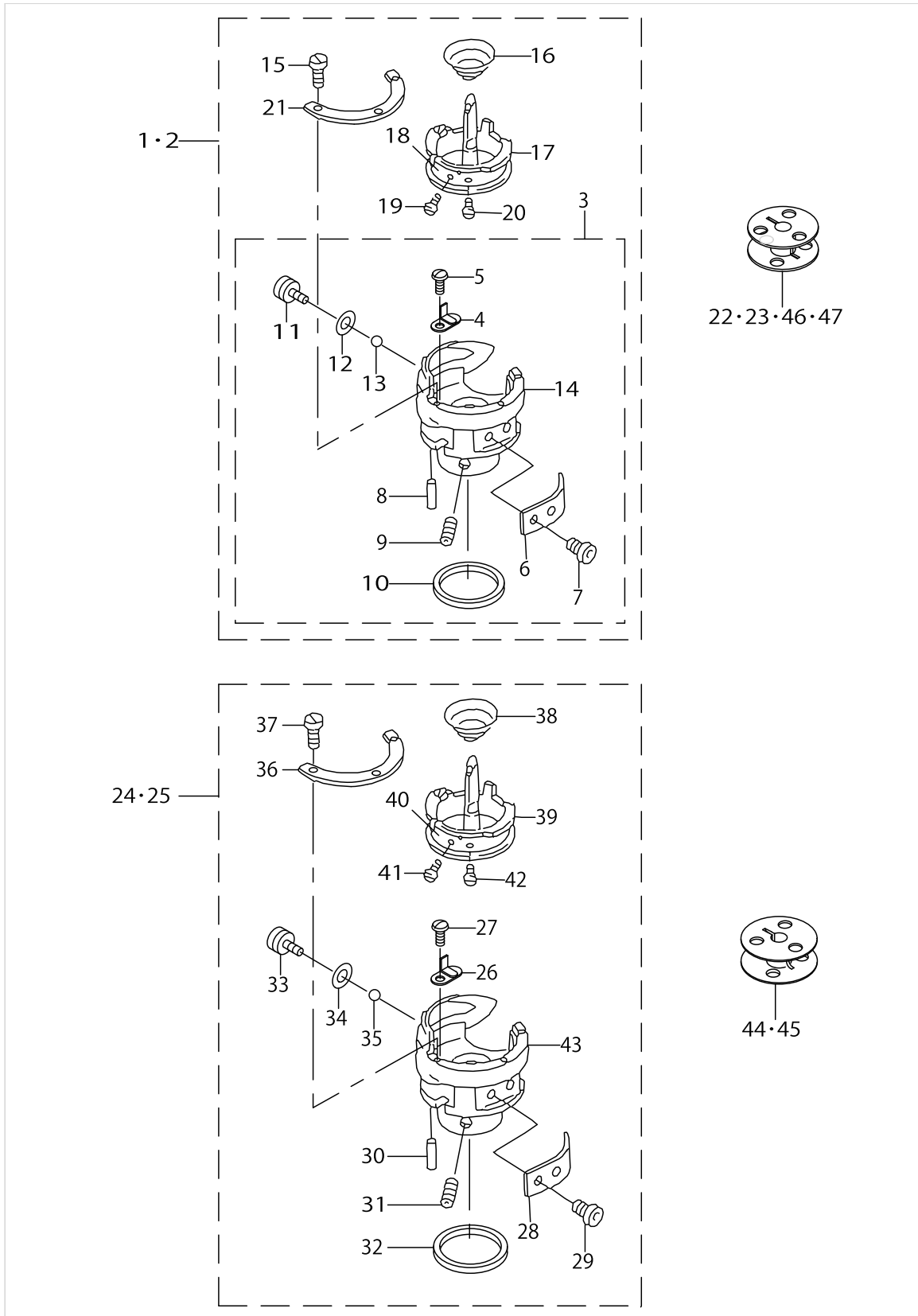
LEFT HOOK SHAFT BASE COMPONENTS(FOR LU-2260\*~\*)



LEFT HOOK SHAFT BASE COMPONENTS(FOR LU-2260\*-\*\*)

No.	Supply Code	Parts No.	Replacement	Parts name	Remarks	Choice	Step	Level	Cons	Qty	Rep. QTY
47		10724706		BEARING SPACER				*		1	
48		SM6062002TP		SCREW M6 L=20						2	
49		WP0621016SH		WASHER						2	

HOOK COMPONENTS

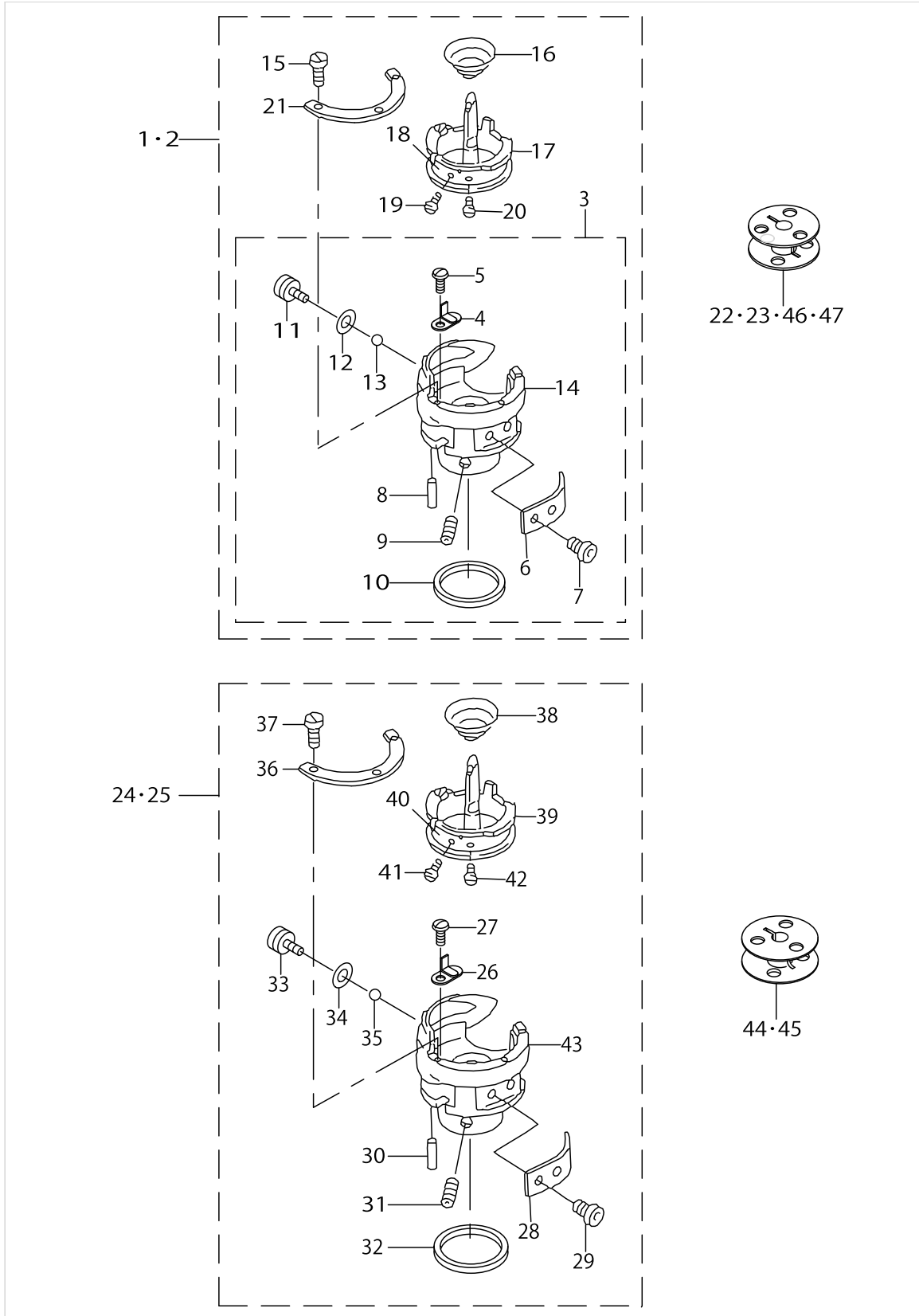


HOOK COMPONENTS

No.	Supply Code	Parts No.	Replacement	Parts name	Remarks	Choice	Step	Level	Cons	Qty	Rep. QTY
1		10761252		HOOK ASM.	FOR LU-2210N-*					1	
2		10761252		HOOK ASM.	FOR LU-2260N-*					2	
3		10752467		OUTER HOOK ASM.				*		1	
4		10752202		OIL CAP				*		1	
5		10752301		OIL CAP SETSCREW				*		1	
6		10723013		NEEDLE HOLDER				*		1	
7		10723203		NEEDLE HOLDER SETSCREW				*		2	
8		10728509		FILTER				*		1	
9		SM8050602TP		SCREW M5 L=6				*		2	
10		10728608		RUBBER RING				*		1	
11		10722601		ADJUSTING SCREW				*		1	
12		10728707		RUBBER RING				*		1	
13		10728400		URETHAN BALL				*		1	
14	R	10752418	10752467	OUTER HOOK				*		1	1.00
15		10723104		PRESSER SETSCREW				*		3	
16		10723500		IDLING PREVENTION SPRING				*		1	
17		10761203		INNER HOOK				*		1	
18		10722908		TENSION SPRING				*		1	
19		10723302		ADJUSTING SCREW				*		1	
20		10723401		TENSION SPRING SETSCREW				*		1	
21		10722809		INNER HOOK PRESSER				*		1	
22		10759603		ALUMINUM BOBBIN (DOUBLE-CUT)	FOR LU-2210N-*					1	
23		10759603		ALUMINUM BOBBIN (DOUBLE-CUT)	FOR LU-2260N-*					2	
24		10756757		HOOK ASM.(DOUBLE-SIZE)	FOR LU-2210W-*					1	
25		10756757		HOOK ASM.(DOUBLE-SIZE)	FOR LU-2260W-*					2	
26		10752202		OIL CAP				*		1	
27		10752301		OIL CAP SETSCREW				*		1	
28		10757003		NEEDLE HOLDER				*		1	
29		10723203		NEEDLE HOLDER SETSCREW				*		2	
30		10728509		FILTER				*		1	
31		SM8050602TP		SCREW M5 L=6				*		2	
32		10728608		RUBBER RING				*		1	
33		10722601		ADJUSTING SCREW				*		1	
34		10728707		RUBBER RING				*		1	
35		10728400		URETHAN BALL				*		1	
36		10756906		INNER HOOK PRESSER				*		1	
37		10723104		PRESSER SETSCREW				*		3	
38		10723500		IDLING PREVENTION SPRING				*		1	
39		10756807		INNER HOOK				*		1	
40		10722908		TENSION SPRING				*		1	
41		10723302		ADJUSTING SCREW				*		1	
42		10723401		TENSION SPRING SETSCREW				*		1	
43		10756708		OUTER HOOK				*		1	
44		21334800		ALUMINUM BOBBIN WITH KNURL	FOR LU-2210W-*					1	
45		21334800		ALUMINUM BOBBIN WITH KNURL	FOR LU-2260W-*					2	



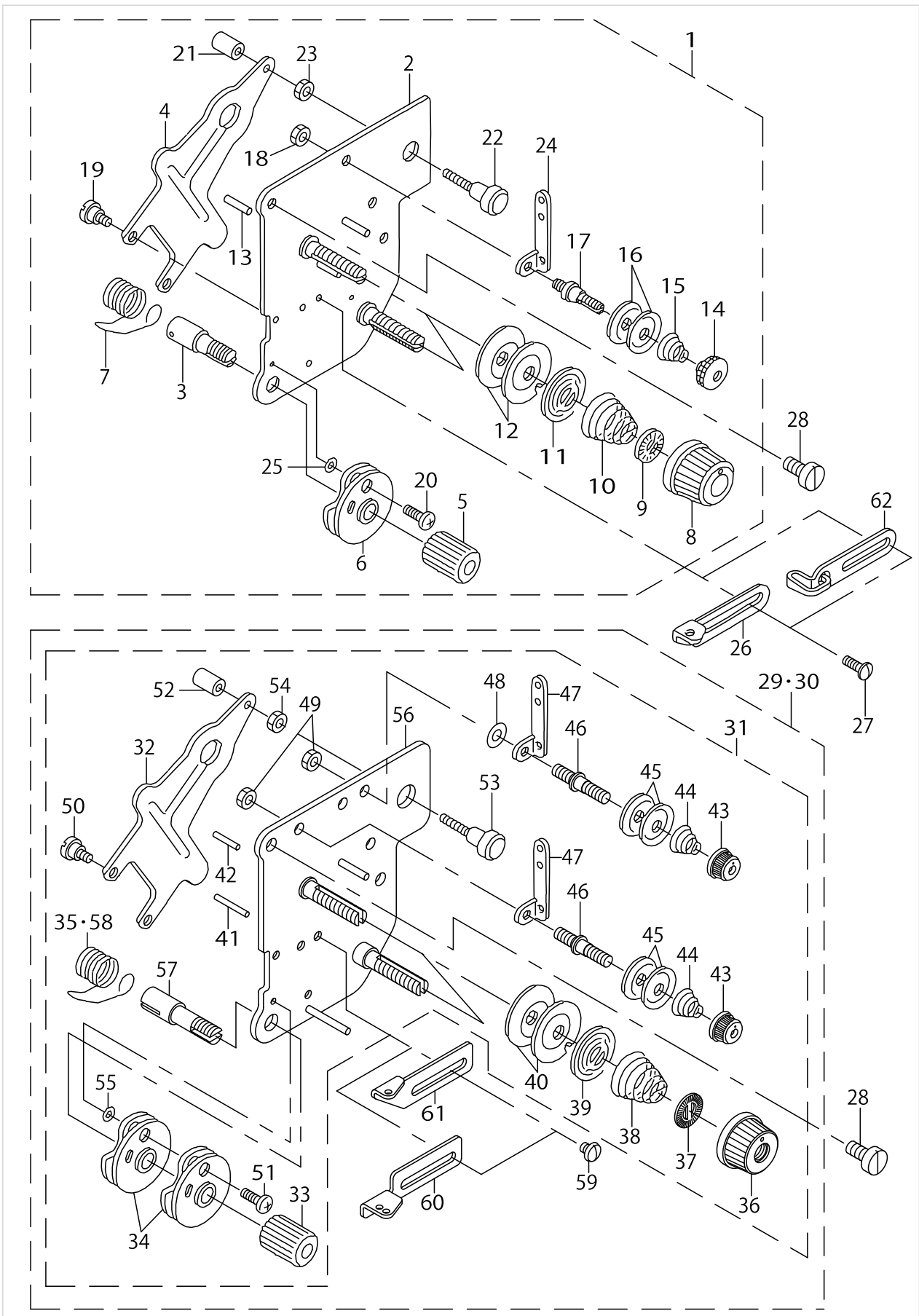
HOOK COMPONENTS



## HOOK COMPONENTS

No.	Supply Code	Parts No.	Replacement	Parts name	Remarks	Choice	Step	Level	Cons	Qty	Rep. QTY
46		40018350		ALUMINUM BOBBIN A	FOR AE-9(- LU-221*N-7)					1	
47		40018350		ALUMINUM BOBBIN A	FOR AE-9(- LU-2260N-7)					2	

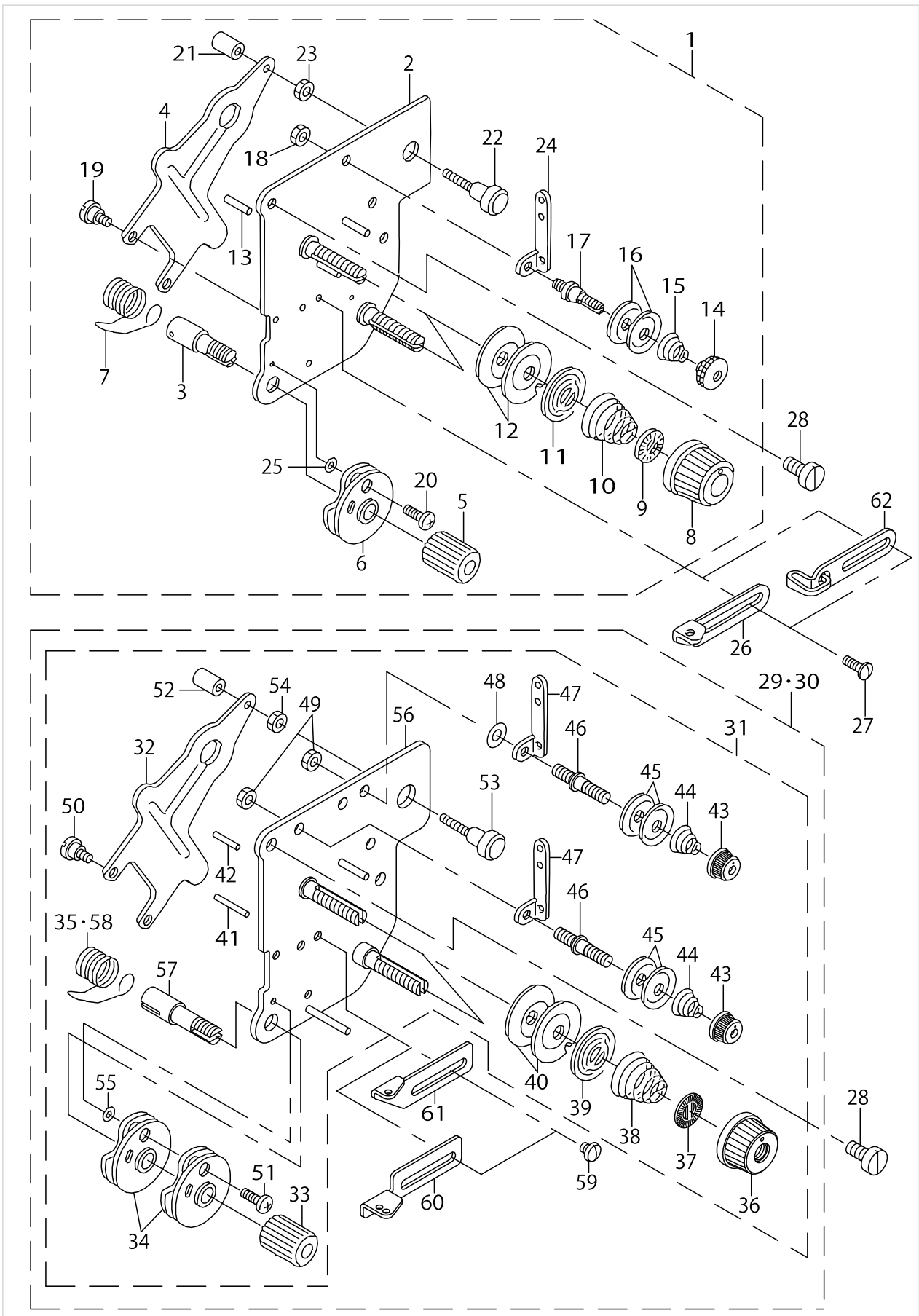
THREAD TENSION COMPONENTS



THREAD TENSION COMPONENTS

No.	Supply Code	Parts No.	Replacement	Parts name	Remarks	Choice	Step	Level	Cons	Qty	Rep. QTY
1		10702561		THREAD TENSION ASM.	FOR LU-2210*-*					1	
2		10702553		THREAD TENSION JUNCTION				*		1	
3		10320109		SCREW STUD				*		1	
4		10702603		THREAD LOOSENING PLATE				*		1	
5		10320208		THRED TENSION STUD NUT				*		1	
6		10741452		THREAD TAKE-UP GUIDE ASM.				*		1	
7		10702405		THREAD TAKE-UP SPRING				*		1	
8	R	10744704	11957008	THREAD TENSION NUT				*		2	1.00
9		10744803		ROTATIONANDSTOP				*		2	
10		B3129012A00		TENSION SPRING				*		2	
11		10744902		THREAD TENSION PLATE SUPPERSI				*		2	
12		40113091		THREAD TENSION DISK				*		4	
13		10741601		THREAD LOOSEN PIN				*		2	
14		B3216047000		BOBBIN WINDER TENSION NUT				*		1	
15		D3168555H0B		TENSION SPRING NO.1				*		1	
16		10741106		FIRST THREAD TENSION PLATE				*		2	
17		10703304		FIRST THREAD TENSION BAR				*		1	
18		NS6110310SP		NUT 11/64-40				*		1	
19		SD0470281SP		HINGE SCREW D=4.7 H=2.8				*		2	
20		10741502		STOP SCREW				*		1	
21		10702702		THREAD LOOSENING PIN				*		1	
22		10702801		THREAD LOOSENING SCREW				*		1	
23		NM6040003SC		NUT M4				*		1	
24		10703205		FIRST THREAD TENSION GUIDE				*		1	
25		WP0320501SC		WASHER M3				*		1	
26		10703106		BALANCE THREAD GUIDE	FOR LU-2210N-*					1	
27		SS5090420SP		SCREW 9/64-40 L=3.5						2	
28		SS6121010SP		SCREW 3/16-28 L=10						2	
29		10773364		THREAD TENSION ASM.	FOR LU-2260N-*					1	
30		10795151		THREAD TENSION ASM.	FOR LU-2260W-*					1	
31	R	10773554	10773364	THREAD TENSION PLATE ASM.				*		1	1.00
32		10702603		THREAD LOOSENING PLATE				*		1	
33		10320208		THRED TENSION STUD NUT				*		1	
34		10741452		THREAD TAKE-UP GUIDE ASM.				*		2	
35		B3128526000		THREAD TAKE-UP SPRING				*		1	
36	R	10744704	11957008	THREAD TENSION NUT				*		2	1.00
37		10744803		ROTATIONANDSTOP				*		2	
38		B3129053000		TENSION SPRING				*		2	
39		B3132552000		THREAD TENSION DISK PRESSER				*		2	
40	R	B3126012000	22921506	THREAD TENSION DISK				*		4	1.00
41		10773703		THREAD LOOSEN PIN RIGHT				*		1	
42		10773802		THREAD LOOSEN PIN LEFT				*		1	
43		11072402		THREAD TENSION NUT				*		2	
44		11045101		THREAD TENSION SPRING				*		2	
45		10741106		FIRST THREAD TENSION PLATE				*		4	
46		10773406		FIRST THREAD TENSION BAR				*		2	

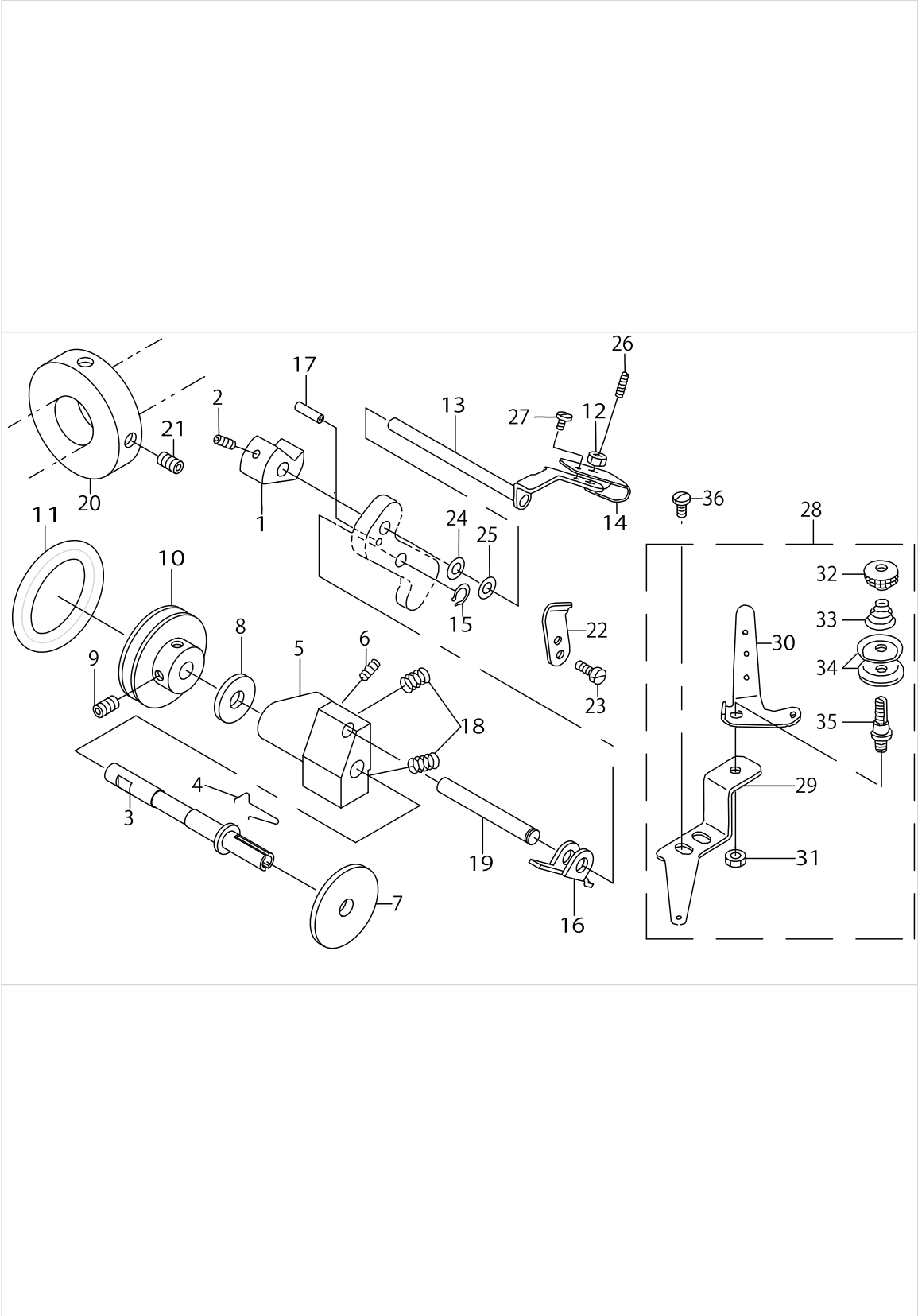
THREAD TENSION COMPONENTS



THREAD TENSION COMPONENTS

No.	Supply Code	Parts No.	Replacement	Parts name	Remarks	Choice	Step	Level	Cons	Qty	Rep. QTY
47		10703205		FIRST THREAD TENSION GUIDE				*		2	
48		WP0482086SD		WASHER 4.8X11.5X2				*		1	
49		NS6110310SP		NUT 11/64-40				*		2	
50		SD0470281SP		HINGE SCREW D=4.7 H=2.8				*		2	
51		SS3061310SP		SCREW 3/32-56 L=13				*		1	
52		10702702		THREAD LOOSENING PIN				*		1	
53		10702801		THREAD LOOSENING SCREW				*		1	
54		NM6040003SC		NUT M4				*		1	
55		WP0320501SC		WASHER M3				*		1	
56		10773356		THREAD TENSION JUNCTION				*		1	
57		10773505		SCREW STUD				*		1	
58		10775401		THREAD TAKE-UP SPRING A	OPTIONAL PARTS			*		1	
59		SS5090420SP		SCREW 9/64-40 L=3.5				*		2	
60		10795102		BALANCE THREAD GUIDE	FOR LU-2260W-*			*		1	
61		10773109		BALANCE THREAD GUIDE	FOR LU-2260N-*			*		1	
62		10756609		THREAD GUIDE	FOR LU-2210W-*			*		1	

LOWER THREAD WINDER MECHANISM COMPONENTS

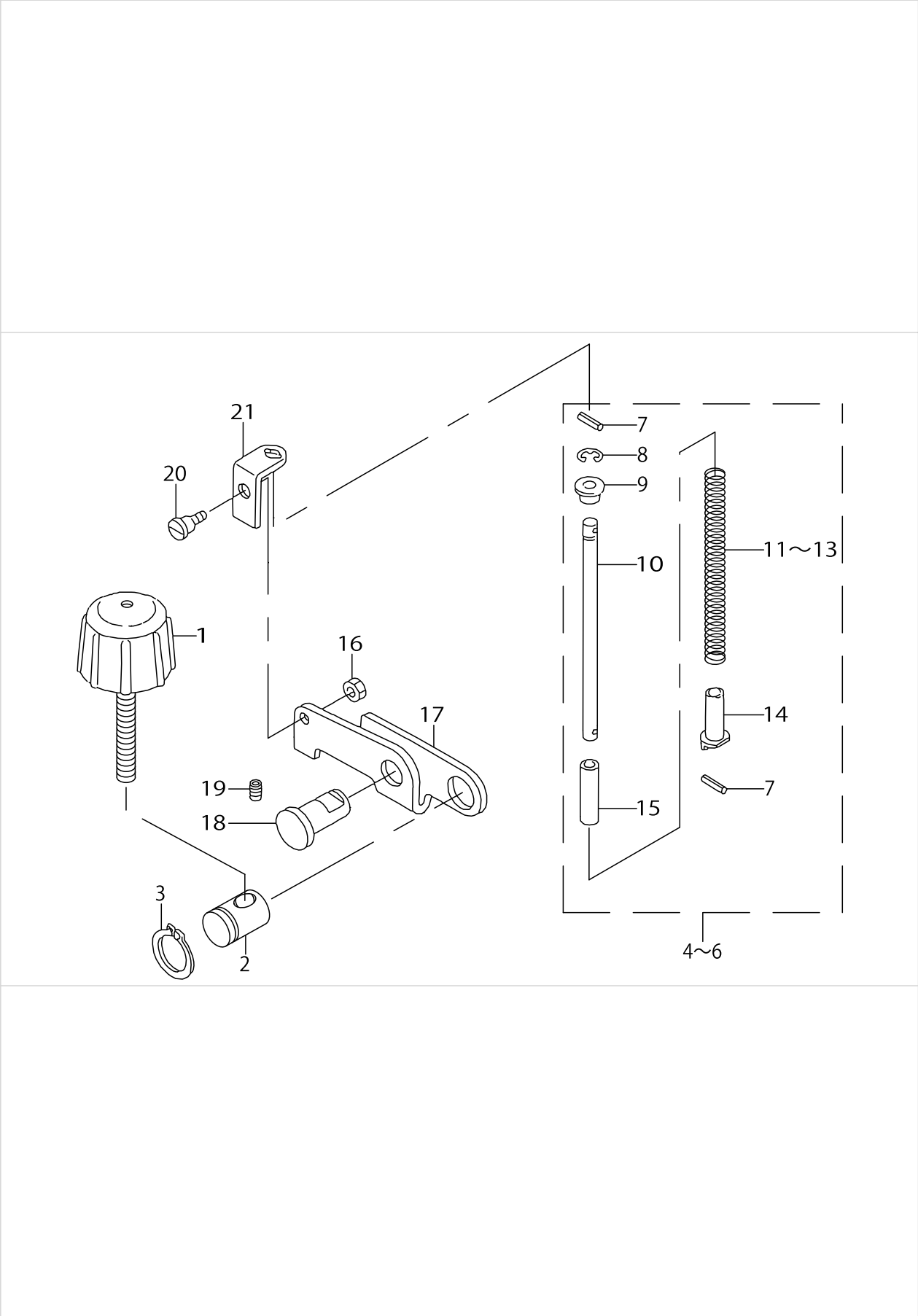


LOWER THREAD WINDER MECHANISM COMPONENTS

No.	Supply Code	Parts No.	Replacement	Parts name	Remarks	Choice	Step	Level	Cons	Qty	Rep. QTY
1		10703502		BOBBIN CUM						1	
2		SM8040602TP		SCREW M4X0.7 L=6						1	
3		10703601		BOBBIN SHAFT	FOR LU-22*0N-*					1	
4		10703700		BOBBIN SPRING	FOR LU-22*0N-*					1	
5		10703908		BOBBIN SHAFT BASE						1	
6		SM8040602TP		SCREW M4X0.7 L=6						1	
7		B3205210000		CUSHION						1	
8		WP0651056SH		WASHER 6.5X11X1						1	
9		SS7110810SP		SCREW 11/64-40 L=8.0						2	
10		B3211210000		BOBBIN WINDER WHEEL						1	
11		40011368		FRICTION WHEEL						1	
12		NS6110360SP		NUT						1	
13		10703452		BOBBIN PRESSER ASM.						1	
14		10703809		BOBBIN PRESSER SPRING						1	
15		D2430555B00		SNAP RING						1	
16		B3207210000		TRIP LATCH						1	
17		PS0200102KH		SPRING PIN 2.0X10						1	
18		B3208210000		SPRING A						2	
19		10704005		BOBBIN SHAFT BASE SHAFT						1	
20		10704807		BOBBIN FRICTION WHEEL						1	
21		SM8050602TP		SCREW M5 L=6						2	
22		10502300		THREAD CUTTER						1	
23	R	SS6090620SP	SS6090620TP	SCREW 9/64-40 L=6						2	1.00
24		WP0531001SC		WASHER						1	
25		WP0520656SA		WASHER 5.2X9.5X0.6						1	
26		SS8111610SP		SCREW 11/64-40 L=15.5						1	
27		SS7110340SP		SCREW 11/64-40 L=3.2						1	
28		10704153		BOBBIN THREAD G- UIDE PLATE ASM.						1	
29		10704104		BOBBIN THREAD GUIDE PLATE				*		1	
30		10088003		THREAD GUIDE				*		1	
31		NS6110310SP		NUT 11/64-40				*		1	
32		B3216047000		BOBBIN WINDER TENSION NUT				*		1	
33		D3168555H0B		TENSION SPRING NO.1				*		1	
34		40113092		THREAD TENSION DISK				*		2	
35		10124204		THREAD TENSION POST A				*		1	
36		SS7621040SP		SCREW 3/16-32 L=9.5						2	



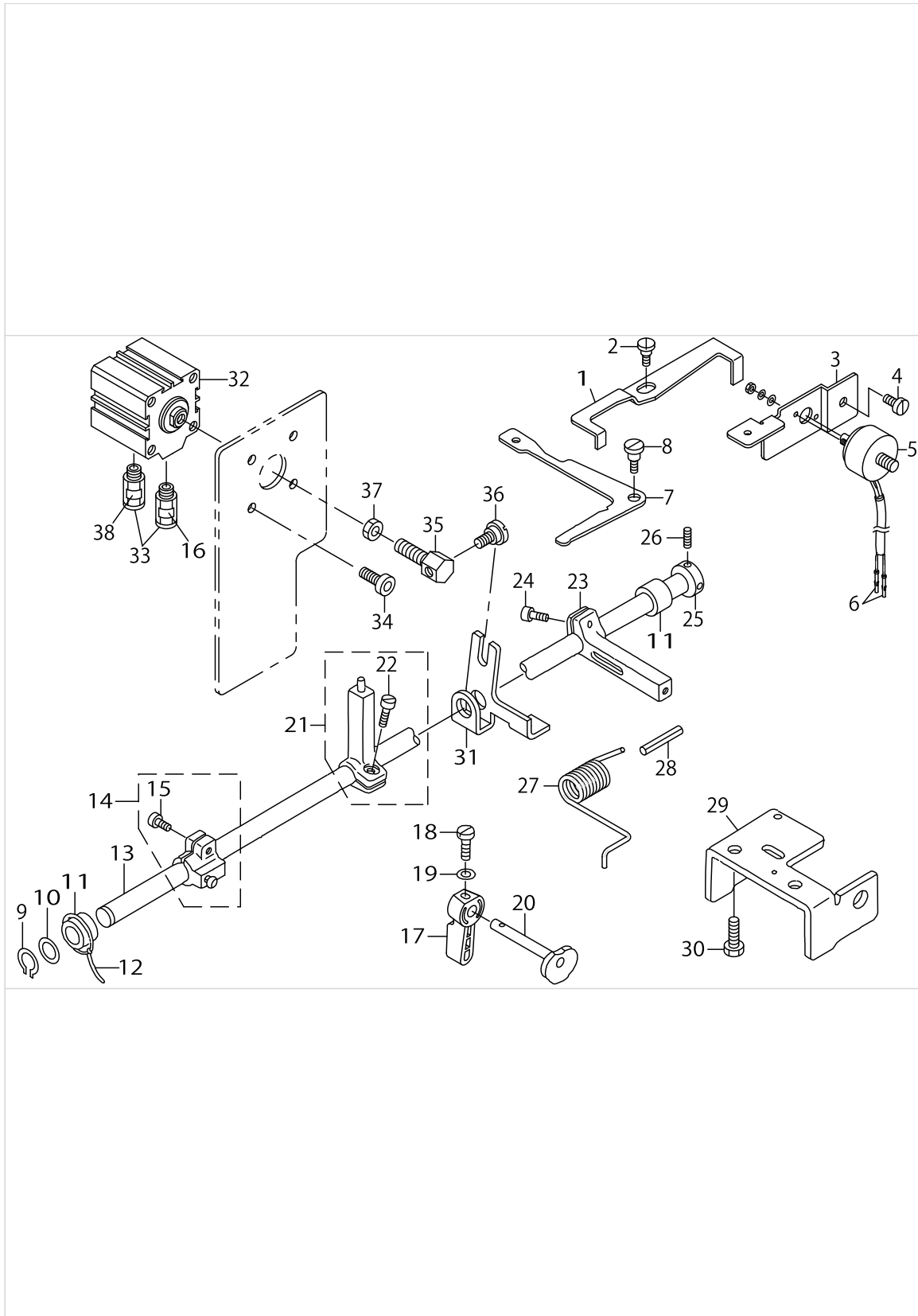
PRESSURE ADJUSTING COMPONENTS



PRESSURE ADJUSTING COMPONENTS

No.	Supply Code	Parts No.	Replacement	Parts name	Remarks	Choice	Step	Level	Cons	Qty	Rep. QTY
1		10743300		ADJUSTMENT DIAL						1	
2		10716009		ADJUSTING HINGE PIN						1	
3		RC1200001KP		C-SHAPED SNAP RING						1	
4		40073881		ADJUSTMENT SPRING ASM.	STANDARD PARTS FOR LU-2260*-*					1	
					OPTIONAL PARTS FOR LU-2210*-*						
5		40064240		ADJUSTMENT_SPRING_ASM.	STANDARD PARTS FOR LU-2210*-*					1	
					OPTIONAL PARTS FOR LU-2260*-*						
6		10718351		ADJUSTMENT SPRING ASM.	OPTIONAL PARTS					1	
7		PS0300082KH		SPRING PIN 3X8				*		2	
8		RE0500000K0		E-RING				*		1	
9		10715506		SPRING RECEIVING UPPER				*		1	
10		40052260		ADJUSTING SPRING SHAFT				*		1	
11		10717007		ADJUSTING SPRING	STANDARD PARTS FOR LU-2260*-*			*		1	
					OPTIONAL PARTS FOR LU-2210*-*						
12		10715902		ADJUSTMENT SPRING 1.8	STANDARD PARTS FOR LU-2210*-*			*		1	
					OPTIONAL PARTS FOR LU-2260*-*						
13		10718302		ADJUSTMENT SPRING 1.4	OPTIONAL PARTS			*		1	
14		10715605		SPRING RECEIVING LOWER				*		1	
15		BP600000000		VINYL PIPE				*		0.1	
16		NS6150430SP		NUT 15/64-28						1	
17		10716108		ADJUSTING ARM						1	
18		10716207		ADJUSTING ARM SHAFT						1	
19		SS8120740SP		SCREW 3/16-28 L=7						1	
20		SD0700332SP		HINGE SCREW D=7 H=3.5						1	
21		10716603		ADJUSTING SPRING SUPPORT						1	

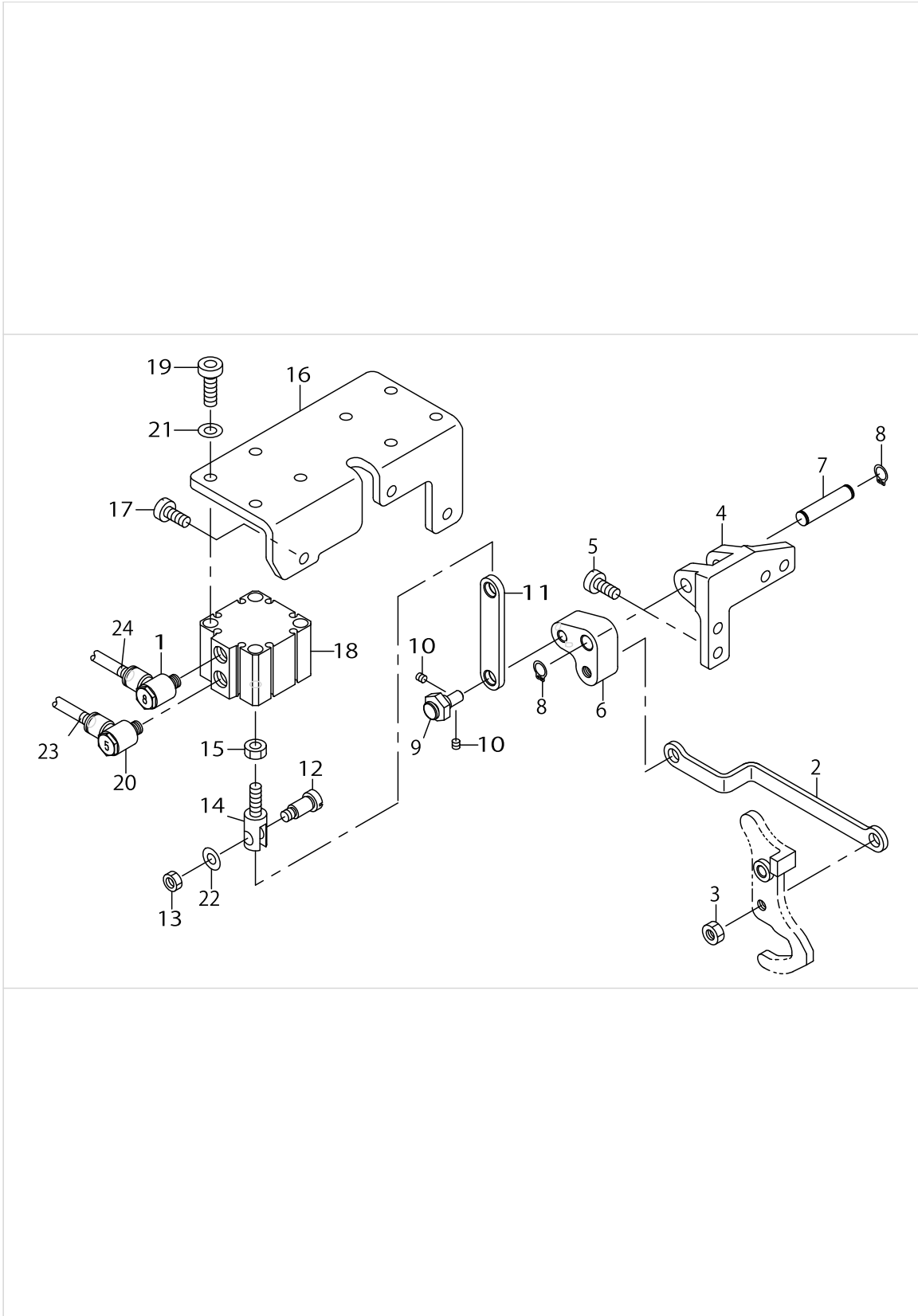
PRESSER LIFTER,AUTOMATIC PRESSER LIFTER & TENSION RELEASE MECHANISM COMPONENTS



PRESSER LIFTER,AUTOMATIC PRESSER LIFTER & TENSION RELEASE MECHANISM COMPONENTS

No.	Supply Code	Parts No.	Replacement	Parts name	Remarks	Choice	Step	Level	Cons	Qty	Rep. QTY
1		10729010		THREAD LOOSENING ARM						1	
2		SD0790203SP		HINGE SCREW D=7.94 H=2						1	
3		10729218		SOLENOID FITTING PLATE						1	
4		SS6121010SP		SCREW 3/16-28 L=10						2	
5		10728905		THREAD LOOSENING SOLENOID						1	
6		HK03464000B		PIN CONTACT						2	
7		10728806		THREAD LOOSENING LEVER						1	
8		SD0901201TP		HINGE SCREW D=9 H=3.2						1	
9		RC1200001KP		C-SHAPED SNAP RING						1	
10		WP1221016SP		WASHER						1	
11		40052264		KNEE LIFT SHAFT FRONT METAL						2	
12		CQ200000000		OIL WICK						.2	
13		10730513		KNEE LIFT SHAFT						1	
14		10729754		PRESSER LIFT ARM ASM.						1	
15		SM6051402TP		SCREW M5X0.8 L=14				*		1	
16		HX00295000A		WIRE MARK(2)						1	
17		22907802		HAND LIFTER						1	
18		SS7090910TP		SCREW 9/64-40 L=8.5						1	
19		WP0371016SD		WASHER 3.7X8X1						1	
20		10729606		PRESSER LIFT CAM						1	
21		10729952		THREAD LOOSENING ARM ASM.						1	
22		SM6061210SC		SCREW M6 L=12				*		1	
23		10730109		KNEE LIFT ARM A						1	
24		SM6061202TP		SCREW M6 L=12						1	
25		CS1201011SH		THRUST COLLAR D=12 W=10						1	
26		SS8660610TP		SCREW 1/4-40 L=6						2	
27		10755502		KNEE LIFTER SPRING						1	
28		PS0500302KH		SPRING PIN 5X30						1	
29		10730703		KNEE SIDE SHAFT HOLDER						1	
30		SM9081050SE		SCREW						2	
31		10736908		PRESSER LIFT LEVER						1	
32		PA400200200		AIR CYLINDER						1	
33		PJ301065104		HALF UNION						2	
34		SM6081802TP		SCREW						2	
35		40052259		CYLINDER CONNECTION SCREW						1	
36		SD0720331SP		HINGE SCREW D=7.24 H=3.3						1	
37		NM6080001SE		NUT M8						1	
38		HX00295000B		WIRE MARK(3)						1	

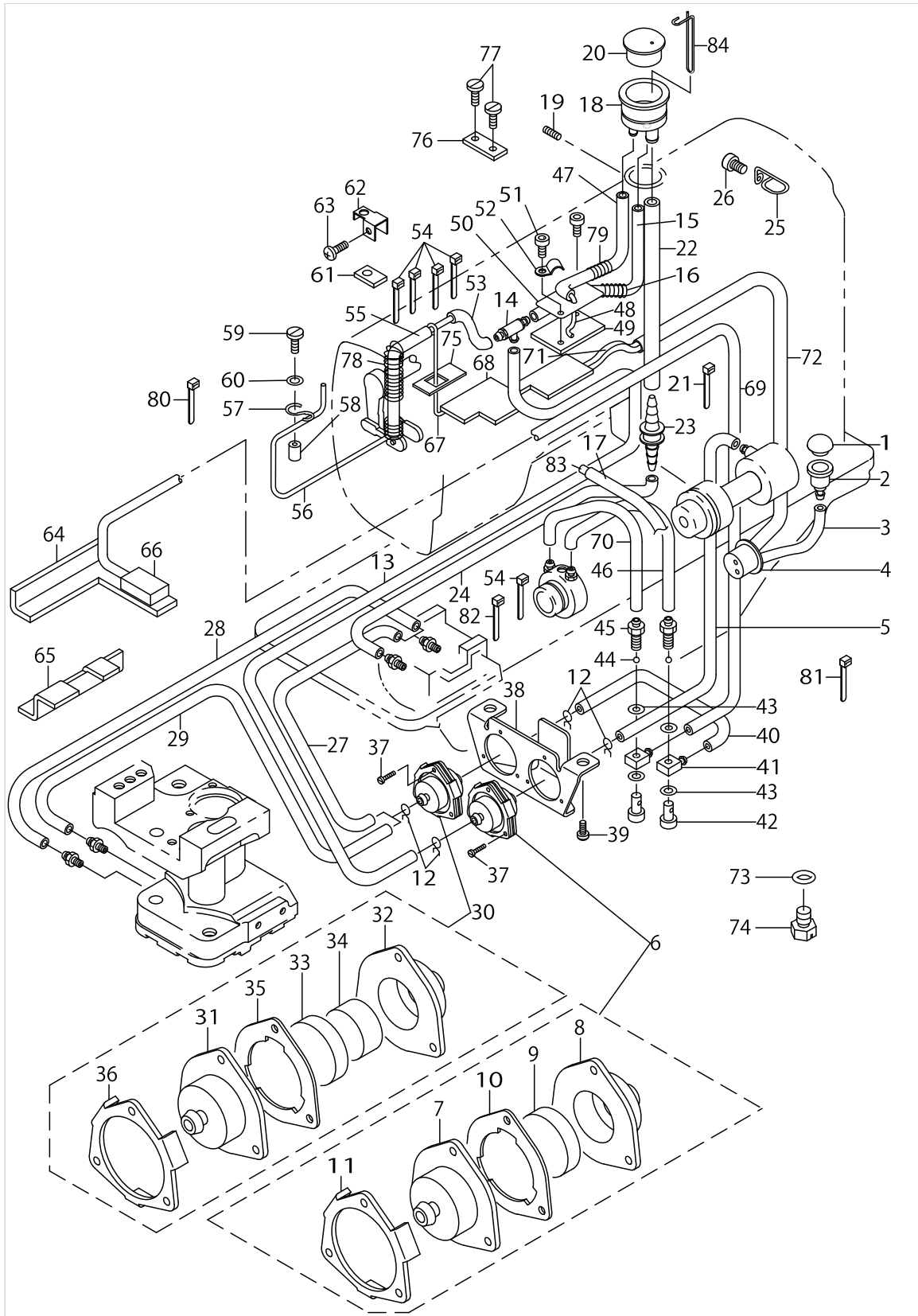
2P DEVICE (FOR LU-2212N-7)



2P DEVICE (FOR LU-2212N-7)

No.	Supply Code	Parts No.	Replacement	Parts name	Remarks	Choice	Step	Level	Cons	Qty	Rep. QTY
1		PC015118H00		SPEED CONTROLL- ER WITH FIXED ORIFICE 0.8						1	
2		40025561		FEED CONNECTING LINK						1	
3		NS6150540SP		NUT 15/64-28						1	
4		40031233		TRANSFORM LINK BASE						1	
5		SS6151440SP		SCREW15/64-28L=14						4	
6		40031234		TRANSFORM LINK						1	
7		40031235		FULCRUM SHAFT						1	
8		RC0740811KP		C-RING						2	
9		21337902		ECCENTRIC PIN						1	
10		SM8040412TP		SET SCREW M4 L=4						2	
11		40052246		CYLINDER CONNECTING LINK						1	
12		SD0791271SP		HINGE SCREW D=7.94 H=12.7						1	
13		NS6150430SP		NUT 15/64-28						1	
14		40052254		CYLINDER KNUCKLE JOINT						1	
15		NM6060001SE		NUT M6						1	
16		40025559		CYLINDER INSTALLATION BASE						1	
17		SS6151440SP		SCREW15/64-28L=14						3	
18		PA320100400		AIR CYLINDER						1	
19		SM6061802TP		SCREW M6 L=18						4	
20		PC015118E00		SPEED CONTROLL- ER WITH FIXED ORIFICE 0.5						1	
21		WP0641601SD		WASHER M6						4	
22		WP0621016SD		WASHER 6.2X13X1						1	
23		HX00295000K		WIRE MARK (B)						1	
24		HX00295000L		WIRE MARK (C)						1	

# LUBRICATION COMPONENTS

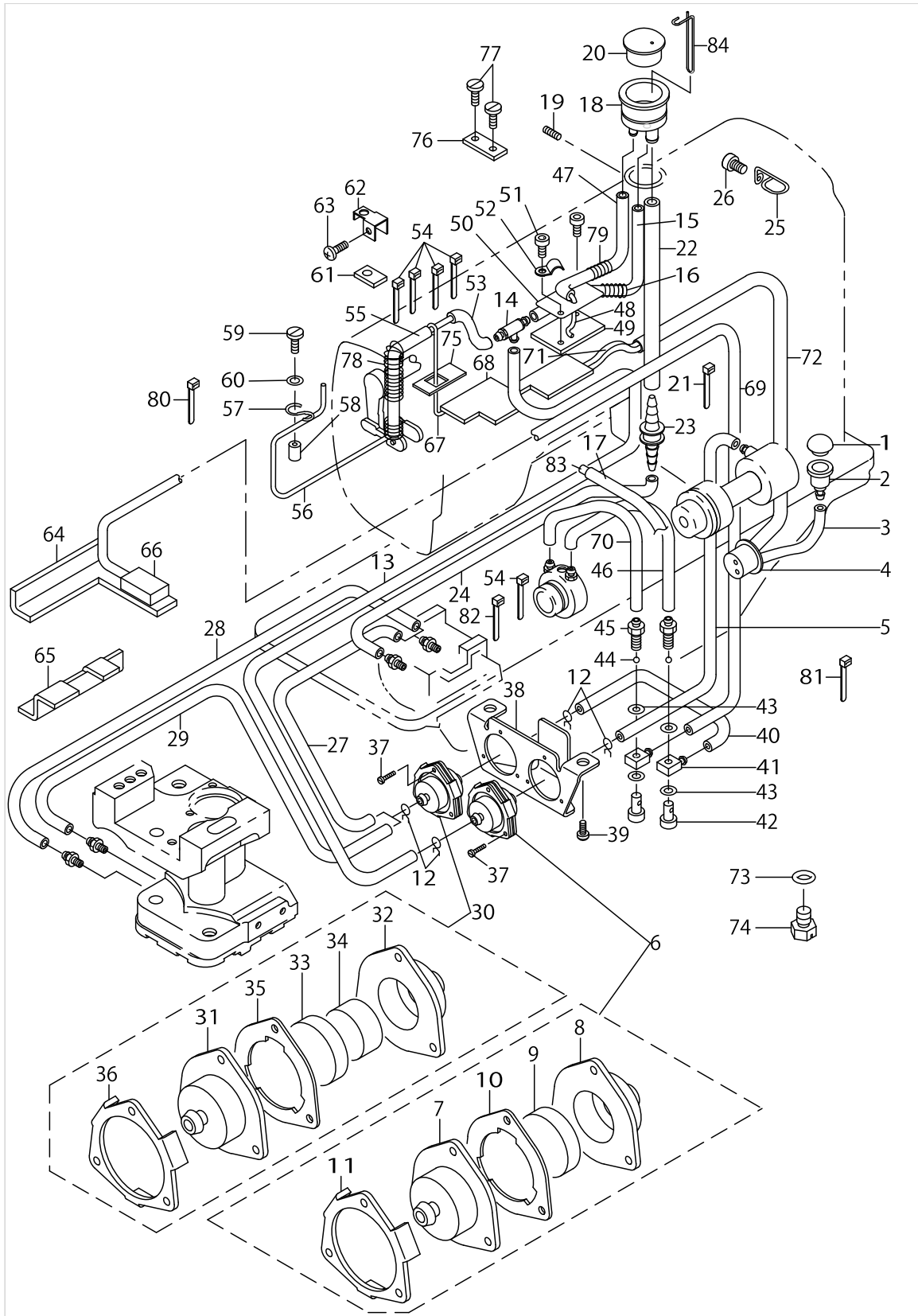


LUBRICATION COMPONENTS

No.	Supply Code	Parts No.	Replacement	Parts name	Remarks	Choice	Step	Level	Cons	Qty	Rep. QTY
1		TA1450404R0		RUBBER PLUG D=14.5 L=4						1	
2		10731404		LUBRICATING HOLE						1	
3		BT0600402EA		OIL TUBE						.2	
4		10733004		BED TANK LUBRICATING COVER						1	
5		BT0500300E0		OIL TUBE						.3	
6		10727154		FILTER A ASM.						1	
7		10727105		FILTER CASE				*		1	
8		10727204		FILTER CAP				*		1	
9		B8228125000		OIL RESERVOIR MAGNET				*		1	
10		10739209		FILTER PACKING				*		1	
11		10753002		FILTER PLATE				*		1	
12		10126803		OIL TUBE HOLDER						4	
13		BT0500300E0		OIL TUBE						.6	
14		B3521245000		RUBBER JOINT						1	
15		BT0500300E0		OIL TUBE						.2	
16		B3520245000		SPRING						1	
17		BT0800602E0		URETHANE TUBE 6-X8 TRANSPARENT						.14	
18		10771509		OIL WINDOW						1	
19		SS8150750SP		SCREW 15/64-28 L=7						1	
20		10760304		OIL SIGHT WINDOW						1	
21		EA9500B0000		CLIP CV-70S						3	
22		BT0800602E0		URETHANE TUBE 6-X8 TRANSPARENT						.17	
23		10771301		PIPE CONNECTOR B						1	
24		BT0600402EA		OIL TUBE						.45	
25		10732709		CORD GUIDE						1	
26		SS6121010SP		SCREW 3/16-28 L=10						1	
27		BT0500300E0		OIL TUBE						.15	
28		BT0600402EA		OIL TUBE	FOR LU-2260*-*					.18	
29		BT0500300E0		OIL TUBE	FOR LU-2260*-*					.26	
30		10727162		FILTER B ASM.						1	
31		10727105		FILTER CASE				*		1	
32		10727204		FILTER CAP				*		1	
33		B8228125000		OIL RESERVOIR MAGNET				*		1	
34		10727303		FILTER				*		1	
35		10739209		FILTER PACKING				*		1	
36		10753002		FILTER PLATE				*		1	
37		SM6021000TP		SCREW						6	
38		10755403		FILTER FIXING PLATE						1	
39		SM6061210SC		SCREW M6 L=12						2	
40		BT0500300E0		OIL TUBE						.1	
41		40082707		CONNECTING SCREW						2	
42		B3525357000		CONNECTING SCREW (B)						2	
43		B3534012000		GASKET						4	
44		21054903		BALL						2	
45		10702108		CONNECTING SCREW						2	



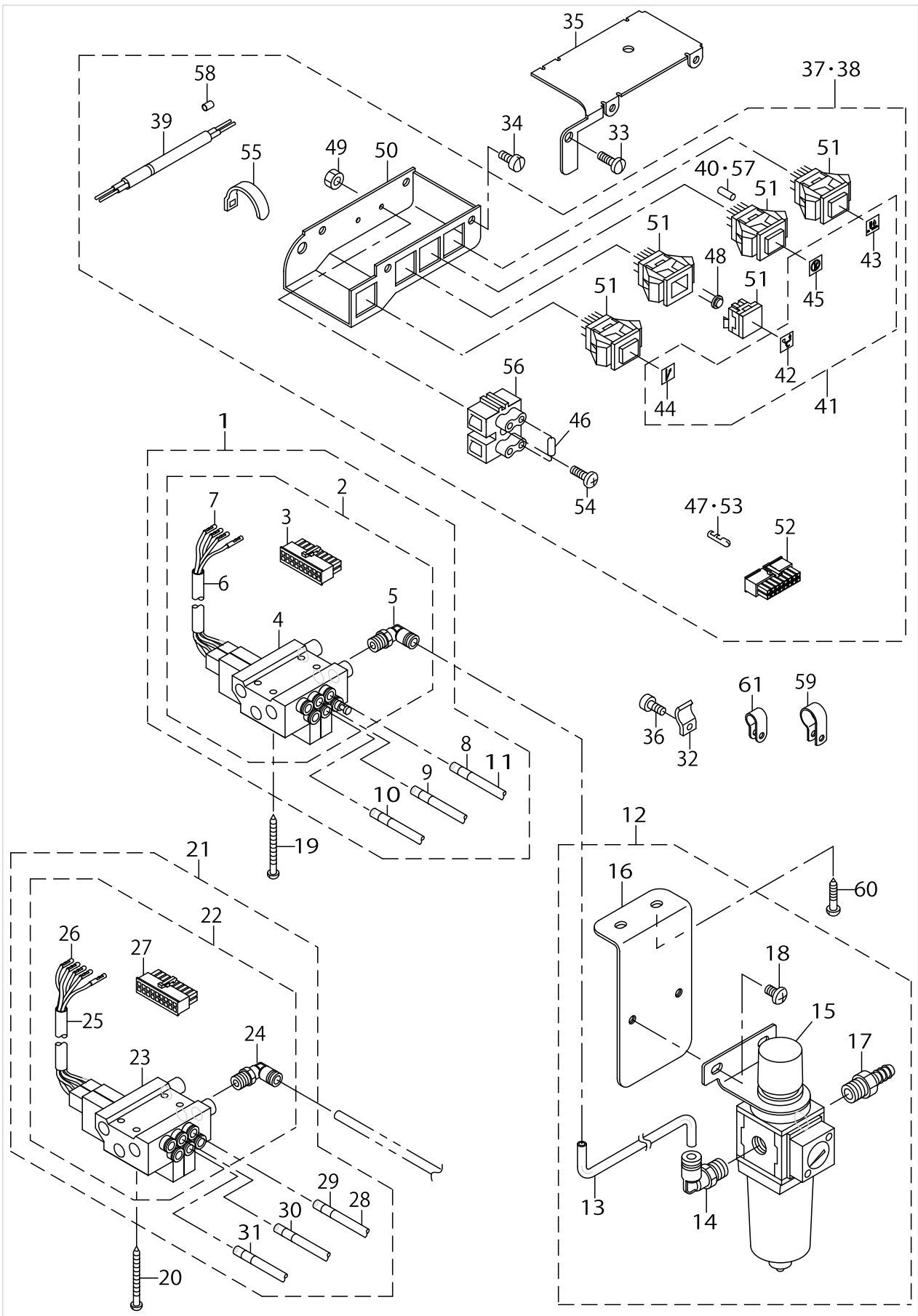
# LUBRICATION COMPONENTS



LUBRICATION COMPONENTS

No.	Supply Code	Parts No.	Replacement	Parts name	Remarks	Choice	Step	Level	Cons	Qty	Rep. QTY
46		BT0500300E0		OIL TUBE						.13	
47		BT0600402EA		OIL TUBE						.28	
48		CQ252000000		OIL WICK						.55	
49		10732402		VERTICAL LUBRICATING FELT						1	
50		10732600		LUBRICATING FELT PRESSER B						1	
51		SM6050802TP		SCREW M5X0.8 L=8						1	
52		D2611555B00A		CABLE HOLDER						1	
53		BT0600402EA		OIL TUBE						.04	
54		EA9500B0100		CABLE BAND						11	
55		BT0400251EA		TUBE HOSE BLUE						.16	
56		CQ202000000		OIL WICK						.4	
57		B1648122000		SUSPENSION HOOK (B)						1	
58		10734606		FELT PRESSER SPACER						1	
59		SS6081210SP		SCREW 1/8-44 L=12						1	
60		WP0320501SC		WASHER M3						1	
61		10733608		SWING STAND FELT UPPER						1	
62		10733707		SWING STAND FELT SUPPORT UPPER						1	
63		SM4040601SC		SCREW M4X0.7 L=6						1	
64		10734119		RETURN CURRENT FELT						1	
65		10702207		FELT						1	
66		10527901		FELT						1	
67		CQ202000000		OIL WICK						.25	
68		10734309		FELT						1	
69		BT0500300E0		OIL TUBE						.68	
70		BT0500300E0		OIL TUBE						.13	
71		10773000		FELT						1	
72		BT0800602E0		URETHANE TUBE 6-X8 TRANSPARENT						.4	
73		RO068190100		RUBBER RING						1	
74		40079568		DRAIN_COCK						1	
75		10747111		LUBRICATING FELT						1	
76		10734507		PIPE HOLDER	NO USE F-OR DL DE-VICE ADDED					1	
77		SM6040800SP		SCREW	NO USE F-OR DL DE-VICE ADDED					2	
78		10746907		SPRING						1	
79	D	10123701		PRESSER SPRING						1	
80		EA9500B0000		CLIP CV-70S						1	
81		EA9500B0200		CABLE BAND 150						2	
82		EA9500B0100		CABLE BAND	FOR LU-2260*-*					1	
83		SQ1680701MZ		CONNECTING SCREW						1	
84	D	10760502		LUBRICATION GUIDE BAR						1	

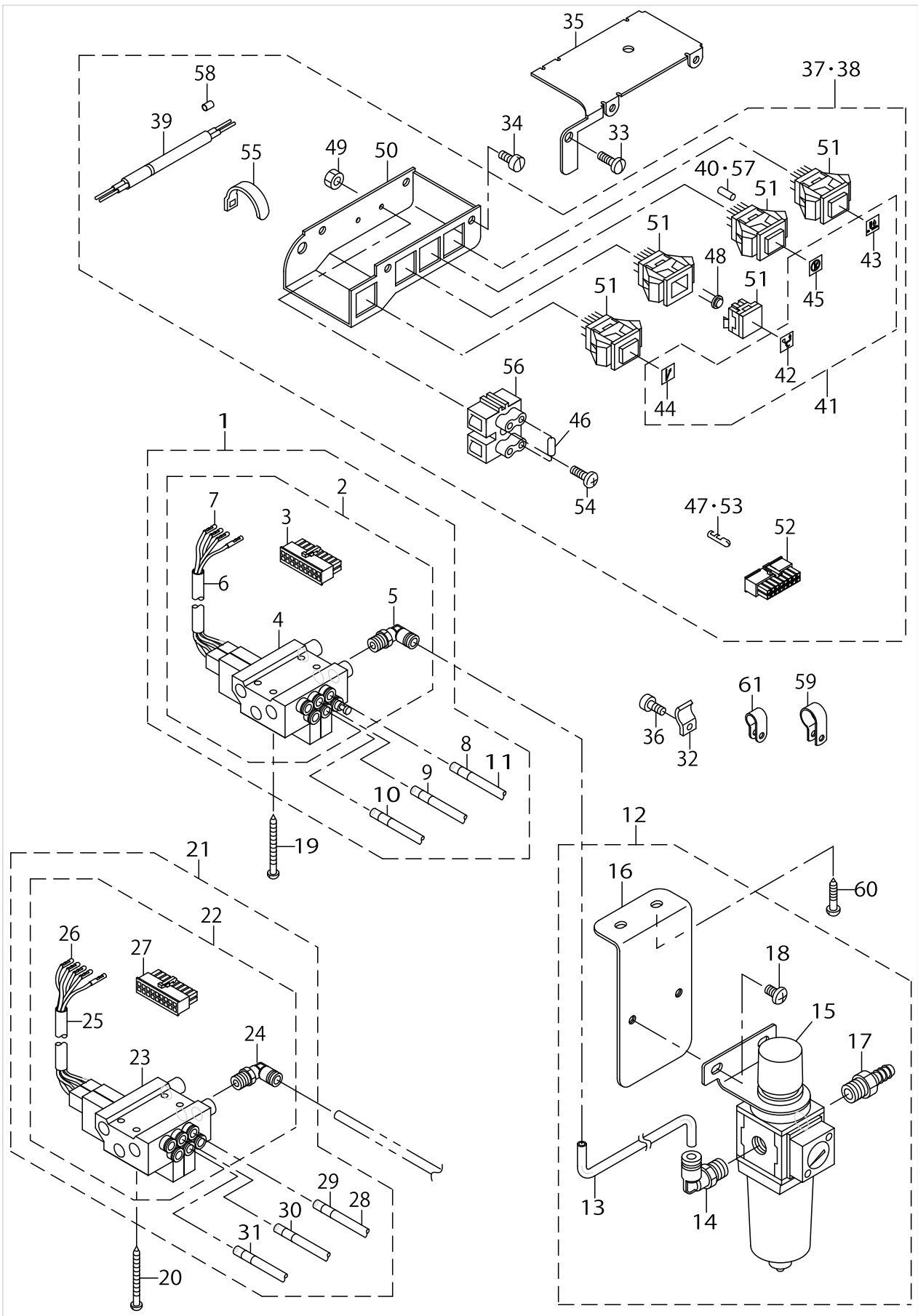
CONTROL DEVICE COMPONENTS



CONTROL DEVICE COMPONENTS

No.	Supply Code	Parts No.	Replacement	Parts name	Remarks	Choice	Step	Level	Cons	Qty	Rep. QTY
1		40102065		AIR APPARATUS B ASM.	WITH NO D-LFUNCTION					1	
2		40102063		ELECTROMAGNETIC VALVE B ASM.				*		1	
3		HK034610180		CONNECTOR				*		1	
4		GAKA2302B00		SOLENOID B				*		1	
5		GAK29010000		ELBOW B				*		1	
6		GAKA1503000		INSULATION TUBE				*		1	
7		HK03464000A		TERMINAL FEMALE				*		4	
8		HX002950000		WIRE MARK(1)				*		4	
9		HX00295000A		WIRE MARK(2)				*		4	
10		HX00295000B		WIRE MARK(3)				*		4	
11		BT0600401EB		TUBE				*		3.9	
12		40038722		FILTER REGULATAR ASM.						1	
13		BT0600401EB		TUBE				*		1	
14		GAK29009000		ELBOW				*		1	
15		PF0552170A0		FILTER REGULATOR				*		1	
16		40038723		FILTER REGULATOR MOUNTING PLATE				*		1	
17		40107618		NIPPLE				*		1	
18		SM4061001SB		SCREW M6 L=10				*		2	
19		SK3385001SE		WOOD SCREW D=3.8 L=50						4	
20		SK3385001SE		WOOD SCREW D=3.8 L=50						4	
21		40103167		AIR APPARATUS (A) ASM.	WITH DL FUNCTION					1	
22		40102064		ELECTROMAGNETIC VALVE C ASM.				*		1	
23	R	GAKA2302C00	GAKA2302CA0	ELECTROMAGNETIC VALVE C				*		1	1.00
24		GAK29010000		ELBOW B				*		1	
25		GAKA1503000		INSULATION TUBE				*		1	
26		HK03464000A		TERMINAL FEMALE				*		5	
27		HK034610180		CONNECTOR				*		1	
28		BT0600401EB		TUBE				*		3	
29		HX002950000		WIRE MARK(1)				*		4	
30		HX00295000A		WIRE MARK(2)				*		4	
31		HX00295000B		WIRE MARK(3)				*		4	
32		D2611555B00A		CABLE HOLDER						1	
33		SS7120710SP		SCREW 3/16-28 L=7						2	
34		SS6110610TP		SCREW 11/64-40 L=6						4	
35		10740710		TOUCH BACK SWITCH COVER						1	
36		SS6121010SP		SCREW 3/16-28 L=10						2	
37		40103913		TOUCH BACK SWITCH ASM. E	WITH DL FUNCTION					1	
38		40103914		TOUCH BACK SWITCH ASM. F	WITH NO D-LFUNCTION					1	
39		HW000840080		4-CORE CABTYRE CORD				*		1.26	
40		E8760452D00		TUBE 0.015M	WITH NO D-LFUNCTION			*		0.1	
41		40026740		BUTTON SHEET ASM. A				*		1	
42		40026734		BUTTON SHEET B	WITH DL FUNCTION			*		1	
43		40026736		BUTTON SHEET E				*		1	
44		40026733		BUTTON SHEET A				*		1	

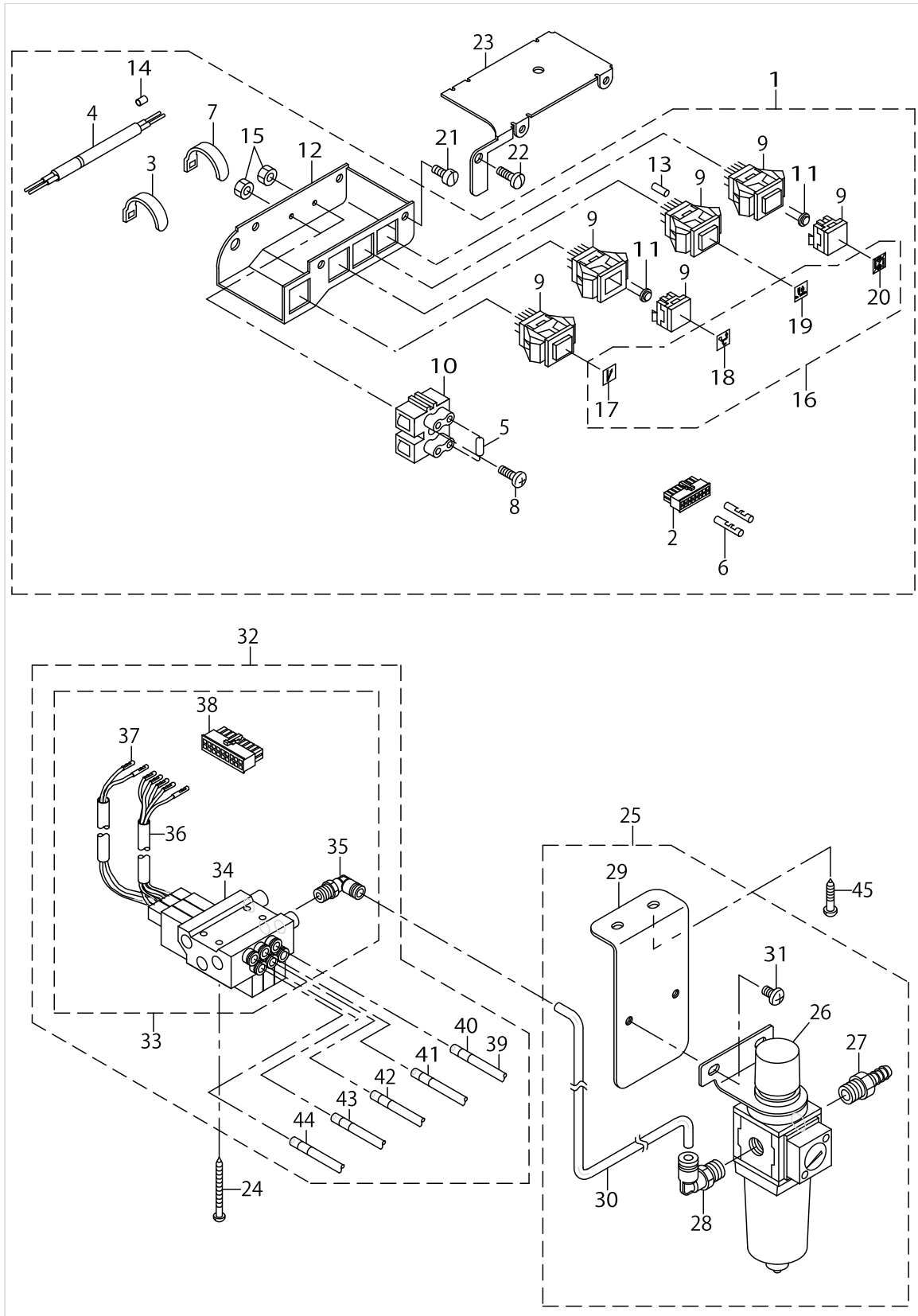
CONTROL DEVICE COMPONENTS



CONTROL DEVICE COMPONENTS

No.	Supply Code	Parts No.	Replacement	Parts name	Remarks	Choice	Step	Level	Cons	Qty	Rep. QTY
45		40026735		BUTTON SHEET C				*		1	
46	D	HR029101520		RESISTOR 1.5K	WITH DL FUNCTION			*		1	
47		HK03464000A		TERMINAL FEMALE	WITH NO D-L FUNCTION			*		4	
48		10740801		LED CORD	WITH DL FUNCTION			*		1	
49		NM6860003SC		NUT M2.6	WITH DL FUNCTION			*		1	
50		10740611		TOUCH BACK SWITCH BASE				*		1	
51		10748507		TOUCHBACKSWITCH				*		4	
52		HK034610160		16-POLE RECEPTACLE				*		1	
53		HK03464000A		TERMINAL FEMALE	WITH DL FUNCTION			*		7	
54		SM4861201SC		SCREW M2.6 L=12	WITH DL FUNCTION			*		1	
55		EA9500B0100		CABLE BAND				*		1	
56		10741908		2-P TERMINAL BASE	WITH DL FUNCTION			*		1	
57		E8760452D00		TUBE 0.015M	WITH DL FUNCTION			*		0.15	
58		E8760452K00		TUBE (220/240V)				*		0.02	
59		HX00150000F		CABLE CLIP						1	
60		SK3482501SE		WOOD SCREW D=4.8 L=25						2	
61		HX00123000A		CABLE CLIP						1	

CONTROL DEVICE COMPONENTS (FOR LU-2212N-7)



CONTROL DEVICE COMPONENTS (FOR LU-2212N-7)

No.	Supply Code	Parts No.	Replacement	Parts name	Remarks	Choice	Step	Level	Cons	Qty	Rep. QTY
1		40103916		TOUCH BACK SWITCH ASM. G						1	
2		HK034610160		16-POLE RECEPTACLE				*		1	
3		EA9500B0000		CLIP CV-70S				*		1	
4		HW000840080		4-CORE CABTYRE CORD				*		1.5	
5	D	HR029101520		RESISTOR 1.5K				*		2	
6		HK03464000A		TERMINAL FEMALE				*		7	
7		EA9500B0100		CABLE BAND				*		1	
8		SM4861201SC		SCREW M2.6 L=12				*		2	
9		10748507		TOUCHBACKSWITCH				*		4	
10		10741908		2-P TERMINAL BASE				*		2	
11		10740801		LED CORD				*		2	
12		10740611		TOUCH BACK SWITCH BASE				*		1	
13		E8760452D00		TUBE 0.015M				*		0.2	
14		E8760452K00		TUBE (220/240V)				*		0.02	
15		NM6860003SC		NUT M2.6				*		2	
16		40026741		BUTTON SHEET ASM. B				*		1	
17		40026733		BUTTON SHEET A				*		1	
18		40026734		BUTTON SHEET B				*		1	
19		40026736		BUTTON SHEET E				*		1	
20		40026737		BUTTON SHEET F				*		1	
21		SS6110610TP		SCREW 11/64-40 L=6						4	
22		SS7120710SP		SCREW 3/16-28 L=7						2	
23		10740710		TOUCH BACK SWITCH COVER						1	
24		SK3385001SE		WOOD SCREW D=3.8 L=50						4	
25		40038722		FILTER REGULATAR ASM.						1	
26		PF0552170A0		FILTER REGULATOR				*		1	
27		40107618		NIPPLE				*		1	
28		GAK29009000		ELBOW				*		1	
29		40038723		FILTER REGULATOR MOUNTING PLATE				*		1	
30		BT0600401EB		TUBE				*		1	
31		SM4061001SB		SCREW M6 L=10				*		2	
32		40103168		AIR APPARATUS (L) ASM.						1	
33		40103169		ELECTROMAGNETIC VALVE (L) ASM.				*		1	
34		40025964		ELECTROMAGNETIC VALVE (L)				*		1	
35		GAK29010000		ELBOW B				*		1	
36		GAKA1503000		INSULATION TUBE				*		2	
37		HK03464000A		TERMINAL FEMALE				*		7	
38		HK034610180		CONNECTOR				*		1	
39		BT0600401EB		TUBE				*		5	
40		HX002950000		WIRE MARK(1)				*		4	
41		HX00295000A		WIRE MARK(2)				*		4	
42		HX00295000B		WIRE MARK(3)				*		4	
43		HX00295000K		WIRE MARK(B)				*		4	
44		HX00295000L		WIRE MARK(C)				*		4	
45		SK3482501SE		WOOD SCREW D=4.8 L=25						2	



TABLE & BELT COVER COMPONENTS

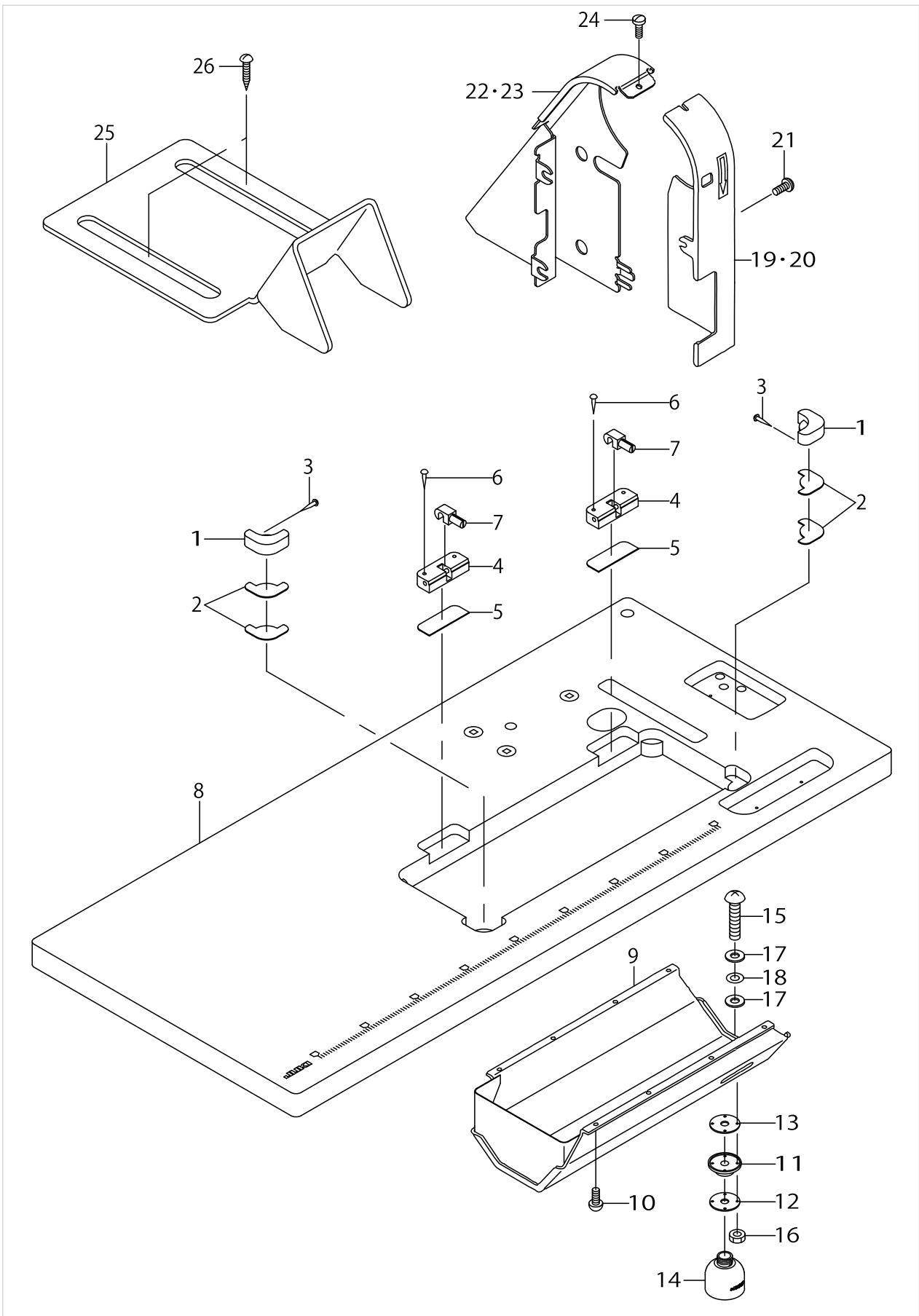
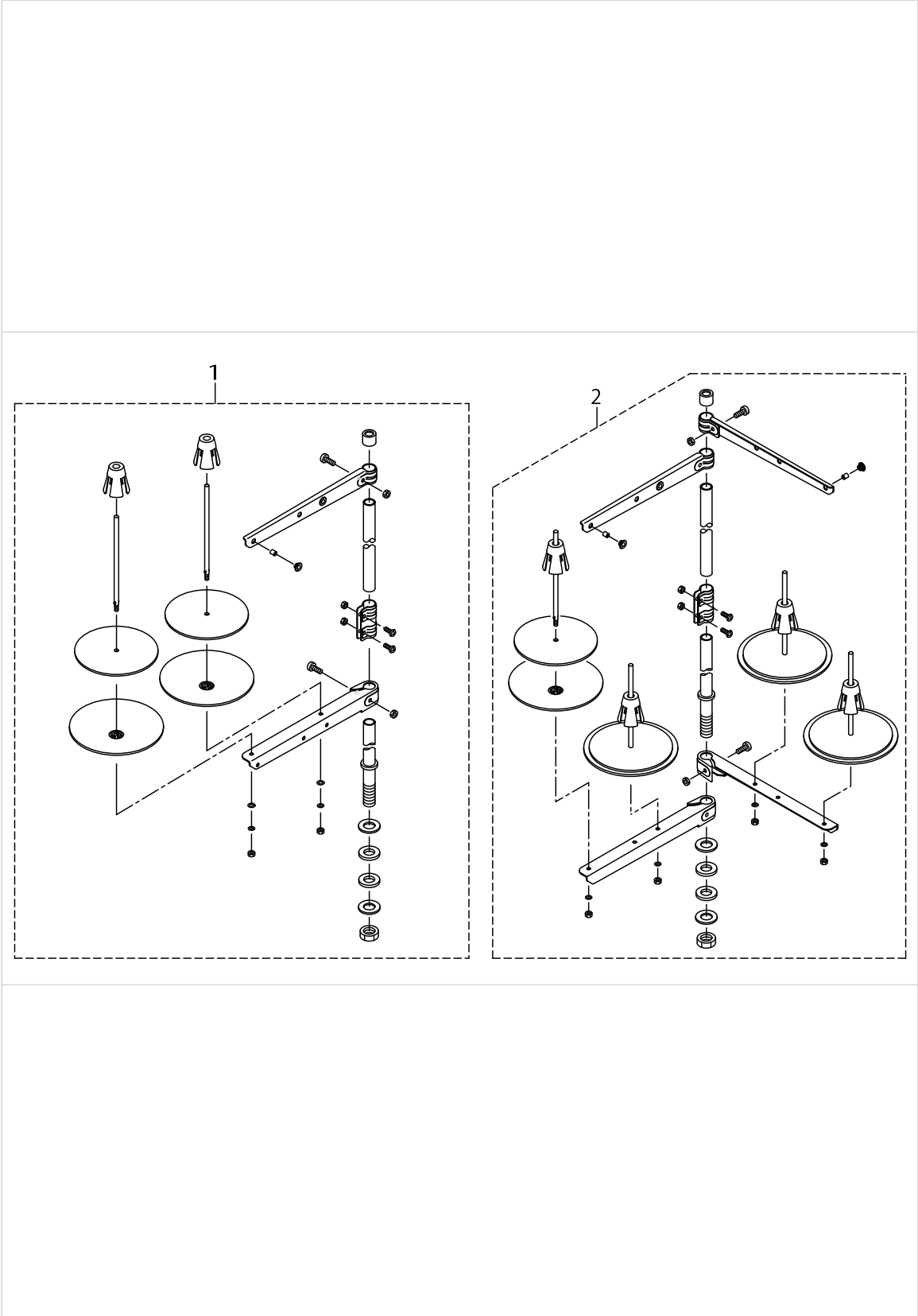


TABLE & BELT COVER COMPONENTS

No.	Supply Code	Parts No.	Replacement	Parts name	Remarks	Choice	Step	Level	Cons	Qty	Rep. QTY
1		10742302		HEAD SUPPORT RUBBER						2	
2		10740900		RUBBER						4	
3		10539906		SET NAIL						4	
4		10734853		HINGE ASM.						2	
5		10742005		SPACER						2	
6		10539906		SET NAIL						4	
7		B8213012000		BED HINGE CONNECTION						2	
8		10735306		TABLE						1	
9		10772952		OIL RESERVOIR ASM.						1	
10		SK3241601SC		WOOD SCREW D=2.4 L=16						8	
11		40025299		OIL POT JOINT						1	
12		21379003		OIL MANAGEMENT WASHER						1	
13		B8112220000		OIL SEAL						1	
14		40025300		OIL POT						1	
15		SM3031401SE		SCREW M3X0.5 L=14						4	
16		NM6030001SC		NUT M3						4	
17		10748101		OIL REMOVING SET- SCREW PACKING						8	
18		WP0320501SC		WASHER M3						4	
19		10743656		BELT COVER LEFT						1	
20	D	10755155		BELT COVER LEFT(JE)	FOR JE					1	
21		SS5150510SP		SCREW 15/64-28 L=5						3	
22		40059694		BELT COVER RIGHT						1	
23		40059695		BELT COVER RIGHT (JE)	FOR JE					1	
24		SS7110510SP		SCREW 11/64-40 L=5						1	
25		10755205		BELT COVER C(JE)	FOR JE					1	
26	R	SK3482500SC	SK3482501SE	WOOD SCREW D=4.8 L=25	FOR JE					2	1.00

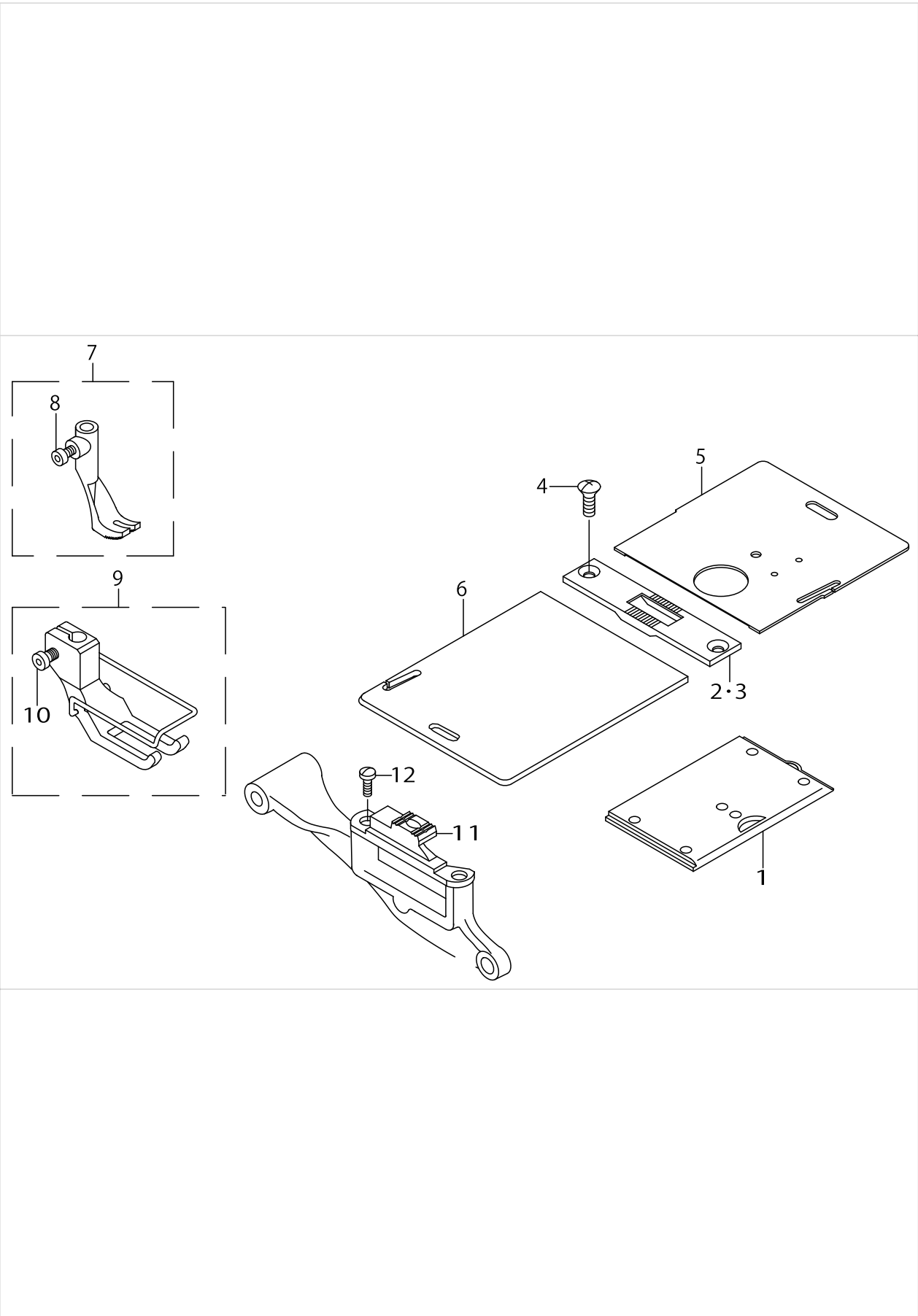
THREAD STAND COMPONENTS



THREAD STAND COMPONENTS

No.	Supply Code	Parts No.	Replacement	Parts name	Remarks	Choice	Step	Level	Cons	Qty	Rep. QTY
1		40096354		THREAD STAND ASM.						1	
2		26910158		THREAD STANDING DEVICE ASM.	FOR LU-2260*-*					1	

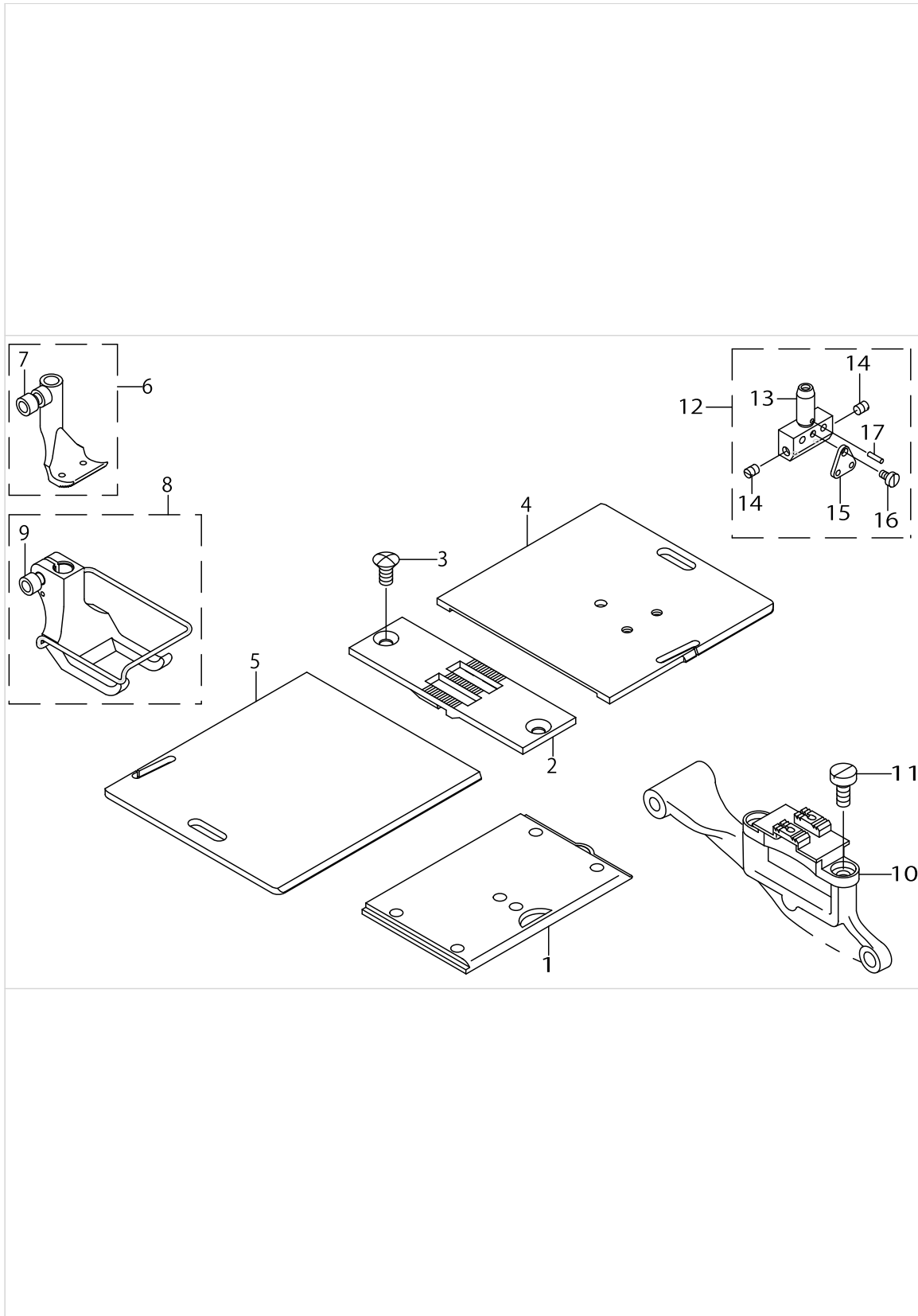
GAUGE COMPONENTS(LU-2210 STANDARD PARTS)



GAUGE COMPONENTS(LU-2210 STANDARD PARTS)

No.	Supply Code	Parts No.	Replacement	Parts name	Remarks	Choice	Step	Level	Cons	Qty	Rep. QTY
1		10701654		SLIDE PLATE ASM.						1	
2		10701704		THROAT PLATE						1	
3		10702009		THROAT PLATE	OPTIONAL PARTS					1	
4		SS2110915SP		SCREW 11/64-40 L=8.5						2	
5		10753150		SLIDER PLATE ASM. RIGHT						1	
6		10701902		SLIDE PLATE LEFT						1	
7		10711653		FEED FOOT ASM.						1	
8		SM6040552TP		SCREW M4 L=4.5				*		1	
9		10712552		PRESSER FOOT ASM.						1	
10		SM6040802TP		SCREW M4X0.7 L=8				*		1	
11		10717106		FEED DOG						1	
12	R	SS6111010SP	SS6111010TP	SCREW 11/64-40 L=9.5						2	1.00

GAUGE COMPONENTS(LU-2260 STANDARD PARTS)

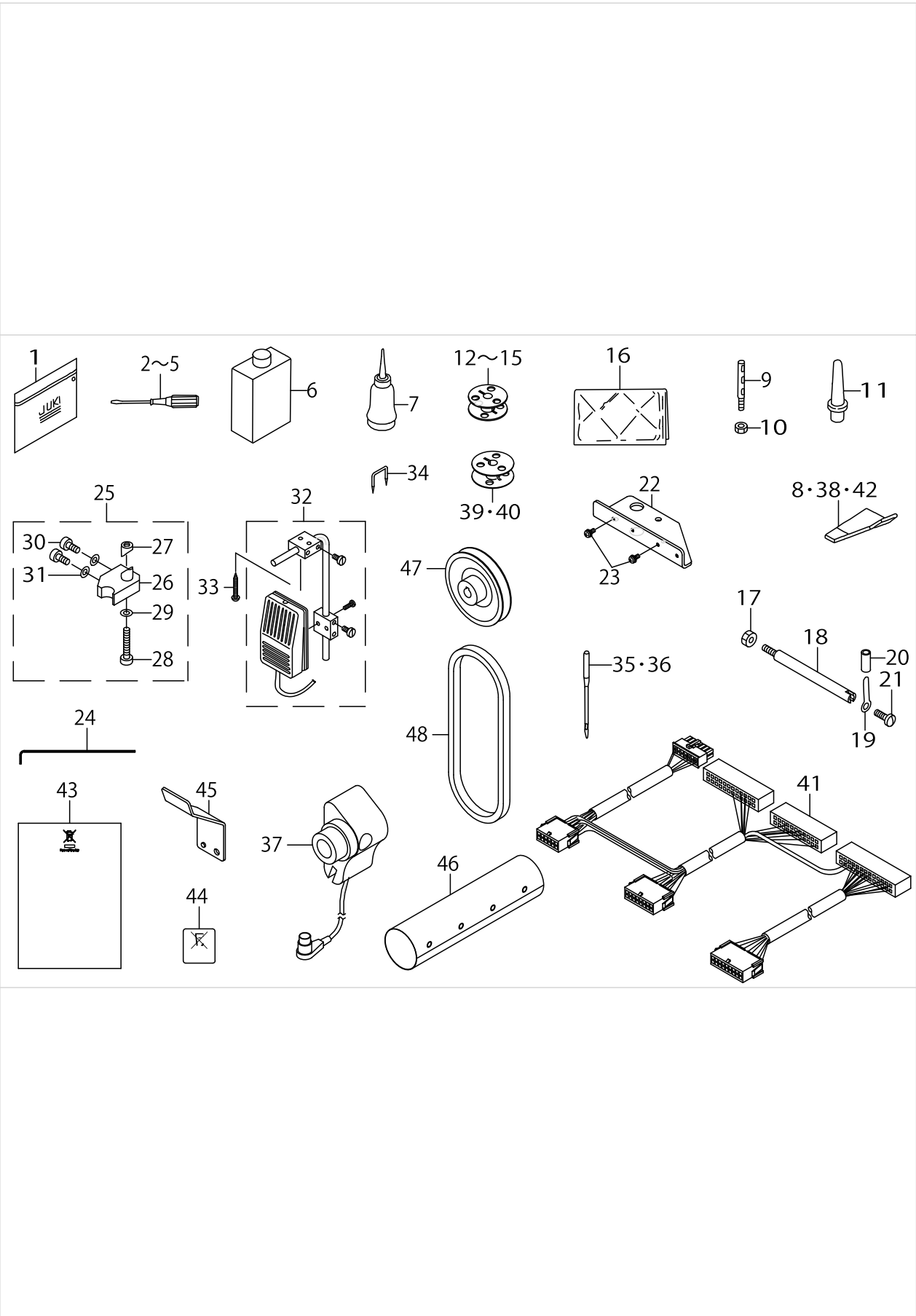


GAUGE COMPONENTS(LU-2260 STANDARD PARTS)

No.	Supply Code	Parts No.	Replacement	Parts name	Remarks	Choice	Step	Level	Cons	Qty	Rep. QTY
1		10701654		SLIDE PLATE ASM.						1	
2		10784809		THROAT PLATE(10MM)						1	
3		SS2110915SP		SCREW 11/64-40 L=8.5						2	
4		10786002		SLIDE PLATE RIGHT 10-18MM						1	
5		10786408		SLIDE PLATE LEFT 10-18MM						1	
6		10783355		FEED FOOT ASM. 10MM						1	
7		SM6040552TP		SCREW M4 L=4.5				*		1	
8		10781854		PRESSER FOOT ASM.						1	
9		SM6040802TP		SCREW M4X0.7 L=8				*		1	
10		10780302		FEED DOG						1	
11	R	SS6111010SP	SS6111010TP	SCREW 11/64-40 L= 9.5						2	1.00
12		10777852		NEEDLE CLAMP ASM.10MM						1	
13		10777803		NEEDLE CLAMP 10MM				*		1	
14		SS8080410TP		SCREW 1/8-44 L=3.5				*		2	
15		10779007		NEEDLE BAR THREE-AD GUIDE 4-8MM				*		1	
16		SS6060440TP		SCREW 3/32-56 L=3.5				*		1	
17		PS0150065KP		SPRING PIN 1.5X6				*		1	



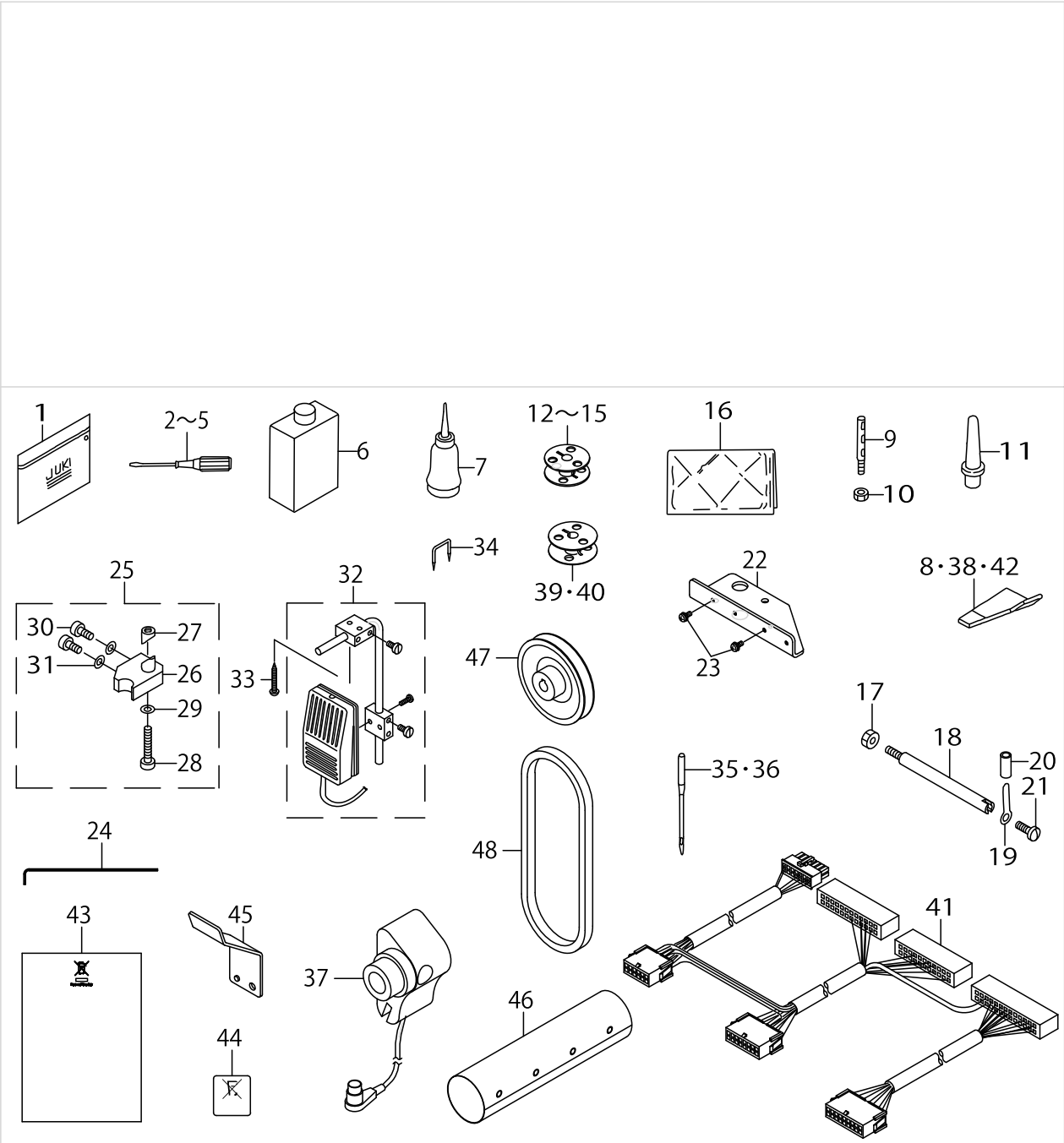
ACCESSORIES PARTS COMPONENTS



ACCESSORIES PARTS COMPONENTS

No.	Supply Code	Parts No.	Replacement	Parts name	Remarks	Choice	Step	Level	Cons	Qty	Rep. QTY
1	R	B9101552000	22932800	ACCESSORY BOX						1	1.00
2		22933006		SCREW DRIVER LARGE	EXCEPT JA					1	
3		22933105		SCREW DRIVER MIDDLE						1	
4		22933204		SCREW DRIVER SMALL						1	
5		12347308		SCREW DRIVER (SMALL)						1	
6		MDFRX1600C0		DEFRIX OIL NO.1(600CC)						1	
7		B91210120A0		OILER ASM.						1	
8		10742203		FIXED SURGICAL KNIFE GAUGE						1	
9		40052262		THREAD GUIDE PIN						1	
10		NS6620310SP		NUT 3/16-32						1	
11		22931604		FRAME SUPPORT BAR						1	
12		10759603		ALUMINUM BOBBIN (DOUBLE-CUT)						1	
13		10759603		ALUMINUM BOBBIN (DOUBLE-CUT)	FOR LU-2260N-*					2	
14		40018350		ALUMINUM BOBBIN A	FOR AE(L-U-221*N-7)					1	
15		40018350		ALUMINUM BOBBIN A	FOR AE(L-U-2260N-7)					2	
16		22933303		VINYL COVER						1	
17		NS6150430SP		NUT 15/64-28						1	
18		D7101245E00		SYNCHRONIZER HOLDER STUD						1	
19		D7102245E00		SYNCHRONIZER HOLDER PLATE						1	
20		BT0630520Z0		HOLDER COVER						.02	
21		SS7110710SP		SCREW 11/64-40 L=7						1	
22		10774701		PANEL FIXED SUPPORT PLATE						1	
23		SL4041081SC		SCREW M4 L=10						2	
24		10777407		WRENCH 2.5MM	FOR LU-2260*-*					1	
25		10735868		FIXING BASE ASM.	EXCEPT JA					1	
26		10735801		FIXING BASE					*	1	
27		10737401		FIXING BASE NUT					*	1	
28		SM6063502TP		SCREW M6 L=35					*	1	
29		WP0621016SD		WASHER 6.2X13X1					*	1	
30		SM6051602TP		SCREW M5X0.8 L=16					*	2	
31		WP0531000SE		WASHER					*	2	
32		40025036		KNEE SWITCH ASM.	FOR DL K-NEE SWITCH TYPE					1	
33	R	SK3514000SC	SK3514001SE	WOOD SCREW D=5.1 L=40	FOR DL K-NEE SWITCH TYPE					2	1.00
34		MAO11532000		CORD STAPLE	FOR DL K-NEE SWITCH TYPE					2	
35	R	MC321001402	MC321001400	NEEDLE 134-35 #140-2						1	1.00
36	R	MC321001402	MC321001400	NEEDLE 134-35 #140-2	FOR LU-2260*-*					2	1.00
37		40026920		SYNCHRONIZER ASM	FOR 7 TYPE(FOR LU-22*0W-7)					1	
38		10757409		COUNTER KNIFE GAUGE	FOR LU-22*0W-*					1	
39		21334800		ALUMINUM BOBBIN WITH KNURL	FOR LU-2210W-*					1	
40		21334800		ALUMINUM BOBBIN WITH KNURL	FOR LU-2260W-*					2	
41		40101742		RELAY CORD ASM.	FOR 7 TYPE(FOR LU-22*0W-7)					1	
42		40027117		FIXED KNIFE GAGE	FOR LU-2212N-7					1	
43		CM600100201		WEEE INFORMATION SHEET						1	

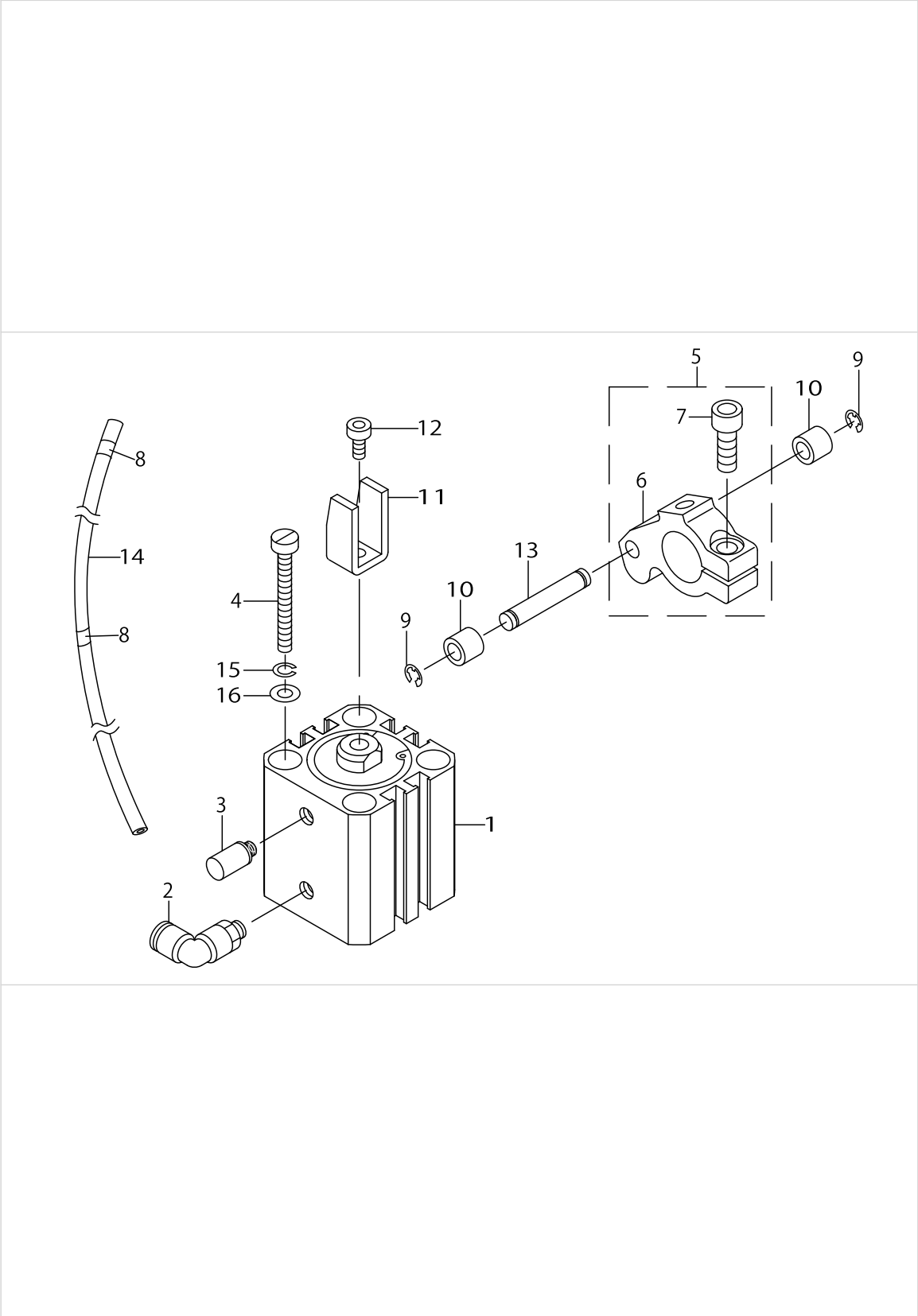
ACCESSORIES PARTS COMPONENTS



ACCESSORIES PARTS COMPONENTS

No.	Supply Code	Parts No.	Replacement	Parts name	Remarks	Choice	Step	Level	Cons	Qty	Rep. QTY
44		CM600100101		WEEE MARK LABEL S						1	
45		40052256		PANEL THREAD GUIDE						1	
46		40102736		BUTTON TUBE	FOR 7 TYP- E(FOR LU-22*0W-7)					.35	
47		MTSP00850B0		MOTOR PULLEY ASM. P.C.D 85	FOR 7 TYP- E(FOR LU-22*0W-7)					1	
48		MTJVH00430A		V BELT 43INCH	FOR 7 TYP- E(FOR LU-22*0W-7)					1	

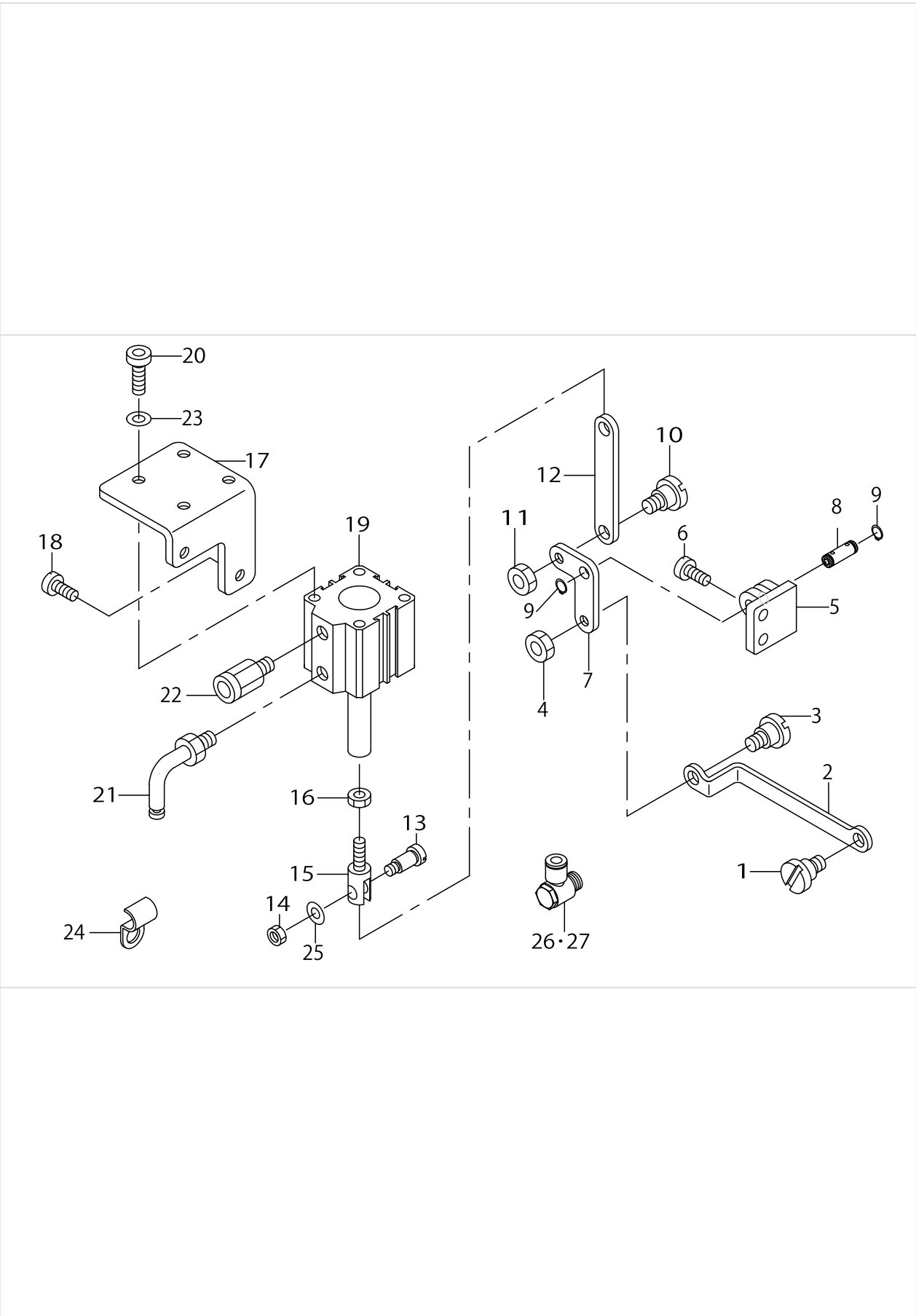
MUTUAL RISING QUANTITY TRANSFER COMPONENTS



MUTUAL RISING QUANTITY TRANSFER COMPONENTS

No.	Supply Code	Parts No.	Replacement	Parts name	Remarks	Choice	Step	Level	Cons	Qty	Rep. QTY
1		PA250200600		JIG CYLINDER	OPTIONAL PARTS					1	
2		PJ304060505		ELBOW	OPTIONAL PARTS					1	
3		PX050501000		SILENCER	OPTIONAL PARTS					1	
4		SM6044500SP		SCREW	OPTIONAL PARTS					2	
5		10735959		VERTICAL CYLINDER ARM ASM.	OPTIONAL PARTS					1	
6		10735900		VERTICAL CYLINDER ARM				*		1	
7		SM6051402TP		SCREW M5X0.8 L=14				*		1	
8		HX00295000C		WIRE MARK(4)	OPTIONAL PARTS					2	
9		RE0320000K0		E-RING 3.2	OPTIONAL PARTS					2	
10		B3031141H00		CONNECTING STUD	OPTIONAL PARTS					2	
11		10736007		ROLLER HOLDER	OPTIONAL PARTS					1	
12		SM6050802TP		SCREW M5X0.8 L=8	OPTIONAL PARTS					1	
13		B1504210000		CONNECTING SHAFT	OPTIONAL PARTS					1	
14		BT0600401EB		TUBE	OPTIONAL PARTS					1.2	
15		WS0410002KN		SPRING WASHER	OPTIONAL PARTS					2	
16		WP0450846SP		WASHER	OPTIONAL PARTS					2	

BACK TUCK COMPONENTS



BACK TUCK COMPONENTS

No.	Supply Code	Parts No.	Replacement	Parts name	Remarks	Choice	Step	Level	Cons	Qty	Rep. QTY
1		SD0800352SP		HINGE SCREW D=8 H=3.5						1	
2		10736403		BACKWARD FEED ROD						1	
3		SD0800352SP		HINGE SCREW D=8 H=3.5						1	
4		NS6150540SP		NUT 15/64-28						1	
5		10775807		LINK FITTING BASE						1	
6		SS6151440SP		SCREW15/64-28L=14						2	
7		10775906		BACKWARD FEED LINK						1	
8		10718906		VERTICAL FEED LINK SHAFT						1	
9		RC0650811KP		RETAINING RING						2	
10		SD0800402TP		HINGESCREWD=8H=4						1	
11		NS6150430SP		NUT 15/64-28						1	
12		10737302		CYLINDER CONNECTION RING						1	
13		SD0791271SP		HINGE SCREW D=7.94 H=12.7						1	
14		NS6150430SP		NUT 15/64-28						2	
15		40052254		CYLINDER KNUCKLE JOINT						1	
16		NM6060001SE		NUT M6						1	
17		10744506		CYLINDER INSTALLATION BASE	EXCEPT L-U-2212N-7					1	
18		SS6151440SP		SCREW15/64-28L=14	EXCEPT L-U-2212N-7					2	
19		PA320150200		JIG CYLINDER						1	
20		SM6061802TP		SCREW M6 L=18						4	
21		PJ304065101		ELBOW UNION 6XPT1/8						1	
22		PX015101000		MUFFLER						1	
23		WP0641601SD		WASHER M6						4	
24		B3538112000		OIL RETURN TUBE HOLDER						1	
25		WP0621016SD		WASHER 6.2X13X1						1	
26		PC015118E00		SPEED CONTROLLER WITH FIXED ORIFICE 0.5	FOR LU-2212N-7					1	
27		PC015118H00		SPEED CONTROLLER WITH FIXED ORIFICE 0.8	FOR LU-2212N-7					1	



TABLE OF EXCHANGING GAUGE PARTS(FOR LU-2260\*~\*)

Needle width 針幅	Set number 代表品番		Needle clamp asm. 針止め (組)		Needle rod thread rack 針棒系かけ		Feed dog 送り歯		Presser foot asm. 押え足 (組)		Finger guard 指ガード	
	mm	Ref.No	Parts No.	Ref.No	Parts No.	Ref.No	Parts No.	Ref.No	Parts No.	Ref.No	Parts No.	
(4)	1	107-84551		—	27	107-79007	30	107-80005	43	107-81557	56	107-86903
6	2	107-84650	15	107-77654	27	107-79007	31	107-80104	44	107-81656	56	107-86903
8	3	107-84759	16	107-77753	27	107-79007	32	107-80203	45	107-81755	56	107-86903
10	4	107-84858	17	107-77852	27	107-79007	33	107-80302	46	107-81854	57	107-87000
12	5	107-84957	18	107-77951	28	107-79106	34	107-80401	47	107-81953	57	107-87000
(14)	6	107-85053	19	107-78058	28	107-79106	35	107-80500	48	107-82050	58	107-87109
(16)	7	107-85152	20	107-78157	28	107-79106	36	107-80609	49	107-82159	58	107-87109
(18)	8	107-85251	21	107-78256	28	107-79106	37	107-80708	50	107-82258	58	107-87109
20	9	107-85350	22	107-78355	29	B1403-526-000	38	107-80807	51	107-82357	59	107-87208
(22)	10	107-85459	23	107-78454	29	B1403-526-000	39	107-80906	52	107-82456	59	107-87208
(24)	11	107-85558	24	107-78553	29	B1403-526-000	40	107-81003	53	107-82555	59	107-87208
(30)	12	107-85657	25	107-78652	29	B1403-526-000	41	107-81102	54	107-82654	60	107-87307
(36)	13	107-85756	26	107-78751	29	B1403-526-000	42	107-81201	55	107-82753	61	107-87406

Needle width 針幅	Set number 代表品番		Walking foot asm. 送り足 (組)		Throat plate 針板		Sliding plate(left) 滑り板 (左)		Sliding plate(right) 滑り板 (右)	
	mm	Ref.No	Parts No.	Ref.No	Parts No.	Ref.No	Parts No.	Ref.No	Parts No.	
(4)	1	107-84551	62	107-83058	75	107-84502	88	107-86309	92	107-01803
6	2	107-84650	63	107-83157	76	107-84601	88	107-86309	92	107-01803
8	3	107-84759	64	107-83256	77	107-84700	88	107-86309	92	107-01803
10	4	107-84858	65	107-83355	78	107-84809	89	107-86408	93	107-86002
12	5	107-84957	66	107-83454	79	107-84908	89	107-86408	93	107-86002
(14)	6	107-85053	67	107-83553	80	107-85004	89	107-86408	93	107-86002
(16)	7	107-85152	68	107-83652	81	107-85103	89	107-86408	93	107-86002
(18)	8	107-85251	69	107-83751	82	107-85202	89	107-86408	93	107-86002
20	9	107-85350	70	107-83850	83	107-85301	90	107-86507	94	107-86101
(22)	10	107-85459	71	107-83959	84	107-85400	90	107-86507	94	107-86101
(24)	11	107-85558	72	107-84056	85	107-85509	90	107-86507	94	107-86101
(30)	12	107-85657	73	107-84155	86	107-85608	90	107-86507	94	107-86101
(36)	13	107-85756	74	107-84254	87	107-85707	91	107-86606	14	107-86200

Note...Sets having ( ) with needle width are specially made to order.

Sliding plate(right) and sliding plate(left) are not included in the set nos.  
注記...針幅に ( ) のついているセットは、特別注文部品です。

代表品番の構成内容に滑り板(右),滑り板(左)は含まれません。

TABLE OF EXCHANGING GAUGE PARTS(FOR LU-2260\*~\*)

No.	Supply Code	Parts No.	Replacement	Parts name	Remarks	Choice	Step	Level	Cons	Qty	Rep. QTY
1		10784551		GAUGE SET 4MM						1	
2		10784650		GAUGE SET 6MM						1	
3		10784759		GAUGE SET 8MM						1	
4		10784858		GAUGE SET 10MM						1	
5		10784957		GAUGE SET 12MM						1	
6		10785053		GAUGE SET 14MM						1	
7		10785152		GAUGE SET 16MM						1	
8		10785251		GAUGE SET 18MM						1	
9		10785350		GAUGE SET 20MM						1	
10		10785459		GAUGE SET 22MM						1	
11		10785558		GAUGE SET 24MM						1	
12		10785657		GAUGE SET 30MM						1	
13		10785756		GAUGE SET 36MM						1	
14		10786200		SLIDING PLATE RIGHT 36MM						1	
15		10777654		NEEDLE CLAMP ASM. 6MM						1	
16		10777753		NEEDLE CLAMP ASM. 8MM						1	
17		10777852		NEEDLE CLAMP ASM. 10MM						1	
18		10777951		NEEDLE CLAMP ASM. 12MM						1	
19		10778058		NEEDLE CLAMP ASM. 14MM						1	
20		10778157		NEEDLE CLAMP ASM. 16MM						1	
21		10778256		NEEDLE CLAMP ASM. 18MM						1	
22		10778355		NEEDLE CLAMP ASM. 20MM						1	
23		10778454		NEEDLE CLAMP ASM. 22MM						1	
24		10778553		NEEDLE CLAMP ASM. 24MM						1	
25		10778652		NEEDLE CLAMP ASM. 30MM(SP)						1	
26		10778751		NEEDLE CLAMP ASM. 36MM						1	
27		10779007		NEEDLE BAR THREE- AD GUIDE 4-8MM						1	
28		10779106		NEEDLE BAR THREE- AD GUIDE PLATE						1	
29		B1403526000		THREAD GUIDE						1	
30		10780005		FEED DOG (4MM)						1	
31		10780104		FEED DOG (6MM)						1	
32		10780203		FEED DOG (8MM)						1	
33		10780302		FEED DOG						1	
34		10780401		FEED DOG (12MM)						1	
35		10780500		FEED DOG (14MM)						1	
36		10780609		FEED DOG (16MM)						1	
37		10780708		FEED DOG (18MM)						1	
38		10780807		FEED DOG (20MM)						1	
39		10780906		FEED DOG (22MM)						1	
40		10781003		FEED DOG (24MM)						1	
41		10781102		FEED DOG 30MM(SP)						1	
42		10781201		FEED DOG 36MM						1	
43		10781557		PRESSER FOOT ASM. 4MM						1	
44		10781656		PRESSER FOOT ASM. 6MM						1	
45		10781755		PRESSER FOOT ASM. 8MM						1	

TABLE OF EXCHANGING GAUGE PARTS(FOR LU-2260\*~\*)

Needle width 針幅	Set number 代表品番		Needle clamp asm. 針止め (組)		Needle rod thread rack 針棒系かけ		Feed dog 送り歯		Presser foot asm. 押え足 (組)		Finger guard 指ガード	
	mm	Ref.No	Parts No.	Ref.No	Parts No.	Ref.No	Parts No.	Ref.No	Parts No.	Ref.No	Parts No.	
(4)	1	107-84551		—	27	107-79007	30	107-80005	43	107-81557	56	107-86903
6	2	107-84650	15	107-77654	27	107-79007	31	107-80104	44	107-81656	56	107-86903
8	3	107-84759	16	107-77753	27	107-79007	32	107-80203	45	107-81755	56	107-86903
10	4	107-84858	17	107-77852	27	107-79007	33	107-80302	46	107-81854	57	107-87000
12	5	107-84957	18	107-77951	28	107-79106	34	107-80401	47	107-81953	57	107-87000
(14)	6	107-85053	19	107-78058	28	107-79106	35	107-80500	48	107-82050	58	107-87109
(16)	7	107-85152	20	107-78157	28	107-79106	36	107-80609	49	107-82159	58	107-87109
(18)	8	107-85251	21	107-78256	28	107-79106	37	107-80708	50	107-82258	58	107-87109
20	9	107-85350	22	107-78355	29	B1403-526-000	38	107-80807	51	107-82357	59	107-87208
(22)	10	107-85459	23	107-78454	29	B1403-526-000	39	107-80906	52	107-82456	59	107-87208
(24)	11	107-85558	24	107-78553	29	B1403-526-000	40	107-81003	53	107-82555	59	107-87208
(30)	12	107-85657	25	107-78652	29	B1403-526-000	41	107-81102	54	107-82654	60	107-87307
(36)	13	107-85756	26	107-78751	29	B1403-526-000	42	107-81201	55	107-82753	61	107-87406

Needle width 針幅	Set number 代表品番		Walking foot asm. 送り足 (組)		Throat plate 針板		Sliding plate(left) 滑り板 (左)		Sliding plate(right) 滑り板 (右)	
	mm	Ref.No	Parts No.	Ref.No	Parts No.	Ref.No	Parts No.	Ref.No	Parts No.	
(4)	1	107-84551	62	107-83058	75	107-84502	88	107-86309	92	107-01803
6	2	107-84650	63	107-83157	76	107-84601	88	107-86309	92	107-01803
8	3	107-84759	64	107-83256	77	107-84700	88	107-86309	92	107-01803
10	4	107-84858	65	107-83355	78	107-84809	89	107-86408	93	107-86002
12	5	107-84957	66	107-83454	79	107-84908	89	107-86408	93	107-86002
(14)	6	107-85053	67	107-83553	80	107-85004	89	107-86408	93	107-86002
(16)	7	107-85152	68	107-83652	81	107-85103	89	107-86408	93	107-86002
(18)	8	107-85251	69	107-83751	82	107-85202	89	107-86408	93	107-86002
20	9	107-85350	70	107-83850	83	107-85301	90	107-86507	94	107-86101
(22)	10	107-85459	71	107-83959	84	107-85400	90	107-86507	94	107-86101
(24)	11	107-85558	72	107-84056	85	107-85509	90	107-86507	94	107-86101
(30)	12	107-85657	73	107-84155	86	107-85608	90	107-86507	94	107-86101
(36)	13	107-85756	74	107-84254	87	107-85707	91	107-86606	14	107-86200

Note...Sets having ( ) with needle width are specially made to order.

Sliding plate(right) and sliding plate(left) are not included in the set nos.  
注記...針幅に ( ) のついているセットは、特別注文部品です。

代表品番の構成内容に滑り板(右),滑り板(左)は含まれません。

TABLE OF EXCHANGING GAUGE PARTS(FOR LU-2260\*~\*)

No.	Supply Code	Parts No.	Replacement	Parts name	Remarks	Choice	Step	Level	Cons	Qty	Rep. QTY
46		10781854		PRESSER FOOT ASM.						1	
47		10781953		PRESSER FOOT ASM. 12MM						1	
48		10782050		PRESSER FOOT ASM. 14MM						1	
49		10782159		PRESSER FOOT ASM. 16MM						1	
50		10782258		PRESSER FOOT ASM. 18MM						1	
51		10782357		PRESSER FOOT ASM. 20MM						1	
52		10782456		PRESSER FOOT ASM. 22MM						1	
53		10782555		PRESSER FOOT ASM. 24MM						1	
54		10782654		PRESSER FOOT ASM. 30MM(SP)						1	
55		10782753		PRESSER FOOT ASM. 36MM						1	
56		10786903		FINGER GUARD COVER (4-8MM)						1	
57		10787000		FINGER GUARD COVER (10-12MM)						1	
58		10787109		FINGER GUARD COVER (14-18MM)						1	
59		10787208		FINGER GUARD COVER (20-24MM)						1	
60		10787307		FINGER GUARD COVER (30MM)						1	
61		10787406		FINGER GUARD COVER (36MM)						1	
62		10783058		FEED FOOT ASM. 4MM						1	
63		10783157		FEED FOOT ASM. 6MM						1	
64		10783256		FEED FOOT ASM. 8MM						1	
65		10783355		FEED FOOT ASM. 10MM						1	
66		10783454		FEED FOOT ASM. 12MM						1	
67		10783553		FEED FOOT ASM. 14MM						1	
68		10783652		FEED FOOT ASM. 16MM						1	
69		10783751		FEED FOOT ASM. 18MM						1	
70		10783850		FEED FOOT ASM. 20MM						1	
71		10783959		FEED FOOT ASM. 22MM						1	
72		10784056		FEED FOOT ASM. 24MM						1	
73		10784155		FEED FOOT ASM. 30MM(SP)						1	
74		10784254		FEED FOOT ASM. 36MM						1	
75		10784502		THROAT PLATE (4MM)						1	
76		10784601		THROAT PLATE (6MM)						1	
77		10784700		THROAT PLATE (8MM)						1	
78		10784809		THROAT PLATE(10MM)						1	
79		10784908		THROAT PLATE (12MM)						1	
80		10785004		THROAT PLATE (14MM)						1	
81		10785103		THROAT PLATE (16MM)						1	
82		10785202		THROAT PLATE (18MM)						1	
83		10785301		THROAT PLATE (20MM)						1	
84		10785400		THROAT PLATE (22MM)						1	
85		10785509		THROAT PLATE (24MM)						1	
86		10785608		THROAT PLATE 30MM(SP)						1	
87		10785707		THROATPLATE 36MM						1	
88		10786309		SLIDE PLATE LEFT 4-8MM						1	
89		10786408		SLIDE PLATE LEFT 10-18MM						1	
90		10786507		SLIDE PLATE LEFT 20-30MM						1	
91		10786606		SLIDING PLATE LEFT 36MM						1	

TABLE OF EXCHANGING GAUGE PARTS(FOR LU-2260\*~\*)

Needle width 針幅	Set number 代表品番		Needle clamp asm. 針止め (組)		Needle rod thread rack 針棒系かけ		Feed dog 送り歯		Presser foot asm. 押え足 (組)		Finger guard 指ガード	
	mm	Ref.No	Parts No.	Ref.No	Parts No.	Ref.No	Parts No.	Ref.No	Parts No.	Ref.No	Parts No.	
(4)	1	107-84551		—	27	107-79007	30	107-80005	43	107-81557	56	107-86903
6	2	107-84650	15	107-77654	27	107-79007	31	107-80104	44	107-81656	56	107-86903
8	3	107-84759	16	107-77753	27	107-79007	32	107-80203	45	107-81755	56	107-86903
10	4	107-84858	17	107-77852	27	107-79007	33	107-80302	46	107-81854	57	107-87000
12	5	107-84957	18	107-77951	28	107-79106	34	107-80401	47	107-81953	57	107-87000
(14)	6	107-85053	19	107-78058	28	107-79106	35	107-80500	48	107-82050	58	107-87109
(16)	7	107-85152	20	107-78157	28	107-79106	36	107-80609	49	107-82159	58	107-87109
(18)	8	107-85251	21	107-78256	28	107-79106	37	107-80708	50	107-82258	58	107-87109
20	9	107-85350	22	107-78355	29	B1403-526-000	38	107-80807	51	107-82357	59	107-87208
(22)	10	107-85459	23	107-78454	29	B1403-526-000	39	107-80906	52	107-82456	59	107-87208
(24)	11	107-85558	24	107-78553	29	B1403-526-000	40	107-81003	53	107-82555	59	107-87208
(30)	12	107-85657	25	107-78652	29	B1403-526-000	41	107-81102	54	107-82654	60	107-87307
(36)	13	107-85756	26	107-78751	29	B1403-526-000	42	107-81201	55	107-82753	61	107-87406

Needle width 針幅	Set number 代表品番		Walking foot asm. 送り足 (組)		Throat plate 針板		Sliding plate(left) 滑り板 (左)		Sliding plate(right) 滑り板 (右)	
	mm	Ref.No	Parts No.	Ref.No	Parts No.	Ref.No	Parts No.	Ref.No	Parts No.	
(4)	1	107-84551	62	107-83058	75	107-84502	88	107-86309	92	107-01803
6	2	107-84650	63	107-83157	76	107-84601	88	107-86309	92	107-01803
8	3	107-84759	64	107-83256	77	107-84700	88	107-86309	92	107-01803
10	4	107-84858	65	107-83355	78	107-84809	89	107-86408	93	107-86002
12	5	107-84957	66	107-83454	79	107-84908	89	107-86408	93	107-86002
(14)	6	107-85053	67	107-83553	80	107-85004	89	107-86408	93	107-86002
(16)	7	107-85152	68	107-83652	81	107-85103	89	107-86408	93	107-86002
(18)	8	107-85251	69	107-83751	82	107-85202	89	107-86408	93	107-86002
20	9	107-85350	70	107-83850	83	107-85301	90	107-86507	94	107-86101
(22)	10	107-85459	71	107-83959	84	107-85400	90	107-86507	94	107-86101
(24)	11	107-85558	72	107-84056	85	107-85509	90	107-86507	94	107-86101
(30)	12	107-85657	73	107-84155	86	107-85608	90	107-86507	94	107-86101
(36)	13	107-85756	74	107-84254	87	107-85707	91	107-86606	14	107-86200

Note...Sets having ( ) with needle width are specially made to order.

















Sliding plate(right) and sliding plate(left) are not included in the set nos.  
 注記...針幅に ( ) のついているセットは、特別注文部品です。

代表品番の構成内容に滑り板(右),滑り板(左)は含まれません。

TABLE OF EXCHANGING GAUGE PARTS(FOR LU-2260\*--\*)

No.	Supply Code	Parts No.	Replacement	Parts name	Remarks	Choice	Step	Level	Cons	Qty	Rep. QTY
92		10701803		SLIDE PLATE RIGHT						1	
93		10786002		SLIDE PLATE RIGHT 10-18MM						1	
94		10786101		SLIDE PLATE RIGHT 20-30MM						1	

TABLE OF EXCHANGING GAUGE PARTS(FOR LU-2210\*~\*,LU-2212N-7)(1)

Walking foot 上送り足																	
		Ref.No	Part No.	Ref.No	Part No.	Ref.No	Part No.	Ref.No	Part No.	Ref.No	Part No.	Ref.No	Part No.	Ref.No	Part No.	Ref.No	Part No.
Presser foot 押え足		1	107-11653	2	107-11752	3	107-11851	4	107-11950	5	107-45354	9	107-46352	13	107-12354 *01	14	107-12057
		6	107-45453	10	107-46451												
		7	107-45552	11	107-46550												
		8	107-45651	12	107-46659												
	15	107-12552	Standard 標準 	—	—	—	—	—	—	—	—	—	—	○	—	—	—
	16	107-58456	*02	—	—	—	—	—	—	—	—	—	—	○	—	—	—
	17	107-12651	 *03	—	—	—	—	—	—	—	—	—	—	○	—	—	—
	18	107-12750	 *04	 *05	—	—	—	—	—	—	—	—	—	—	—	—	—

\*01...Without groove.

溝無しタイプ

To be used when the thread cannot be grasped at the sewing start.

縫い始めに糸が絡みにくい時に使用

\*02...For overlapped sections of material.

段部用

Common type for overlapped sections and flat sections,

Intermediate type between 10712552 and 10712651.

段部用・平部でも使用できる両用タイプ, 10712552と10712651の中間タイプ

\*03...For overlapped sections of material.

段部用

To be used when overlapped sections cannot be smoothly fed.

段部での乗り越えが悪い時に使用

\*04...For light-weight sponge.

薄いスポンジ用

To be used for resilient materials such as sponge.

スポンジ等の弾力性の有る素材に使用

\*05...For heavy-weight sponge.

厚いスポンジ用

To be used for further resilient materials.









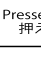






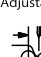

より弾力性の有る素材に使用

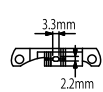
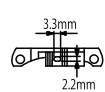
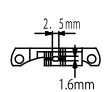
TABLE OF EXCHANGING GAUGE PARTS(FOR LU-2210\*~\*,LU-2212N-7)(1)

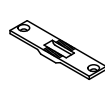
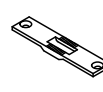
No.	Supply Code	Parts No.	Replacement	Parts name	Remarks	Choice	Step	Level	Cons	Qty	Rep. QTY
1		10711653		FEED FOOT ASM.						1	
2		10711752		FEEDING FOOT (URETHANE)						1	
3		10711851		FEEDING FOOT ASM. RIGHT						1	
4		10711950		FEEDING FOOT ASM. LEFT						1	
5		10745354		FEEDING FOOT (PIPING) 3MM						1	
6		10745453		FEEDING FOOT (PIPING) 4MM						1	
7		10745552		FEEDING FOOT (PIPING) 5MM						1	
8		10745651		FEEDING FOOT (PIPING) 6MM						1	
9		10746352		FEEDING FOOT (PI-PING) 3MM ADJUSTABLE						1	
10		10746451		FEEDING FOOT (PI-PING) 4MM ADJUSTABLE						1	
11		10746550		FEEDING FOOT (PI-PING) 5MM ADJUSTABLE						1	
12		10746659		FEEDING FOOT (PI-PING) 6MM ADJUSTABLE						1	
13		10712354		FEED FOOT ASM.						1	
14		10712057		FEED FOOT ASM.						1	
15		10712552		PRESSER FOOT ASM.						1	
16		10758456		PRESSER FOOT ASM.						1	
17		10712651		PRESSER FOOT ASM						1	
18		10712750		PRESSER FOOT URETHANE						1	

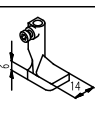
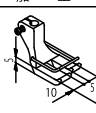
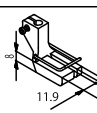
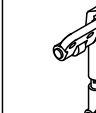


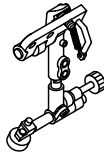
TABLE OF EXCHANGING GAUGE PARTS(FOR LU-2210\*~\*,LU-2212N-7)(2)

Walking foot 上送り足																
	Ref.No	Part No.	Ref.No	Part No.	Ref.No	Part No.	Ref.No	Part No.	Ref.No	Part No.	Ref.No	Part No.	Ref.No	Part No.	Ref.No	Part No.
	1	107-11653	2	107-11752	3	107-11851	4	107-11950	5	107-45354	9	107-46352	13	107-12354 *01	14	107-12057
	6	107-45453	10	107-46451												
	7	107-45552	11	107-46550												
	8	107-45651	12	107-46659												
	15	107-12859	—	—		*02	—	—	—	—	—	—	—	—	—	—
	16	107-12958	—	—	—	—		*03	—	—	—	—	—	—	—	—
	17	107-47350	—	—	—	—	—		*04	Adjustable 調製式		*05	—	—	—	—
	18	107-47459														
	19	107-47558														
	20	107-47657														
	21	107-13055	—	—	—	—	—	—	—	—	—	—	—	—	—	*06

Feed dog 送り歯				
	3.3mm 2.2mm		3.3mm 2.2mm	
Standard 標準		For fine thread 細糸用		Wide type 幅広タイプ
Ref.No	22	23	24	25
Part No.	107-17106	107-17205	107-17304	107-39001

Throat plate 針板	
	
Standard 標準	Wide type 幅広タイプ
Ref.No	26
Part No.	107-01704

For machining 加工用			
			
To be machined to a walking foot. 送り足加工用	Type B to be machined to a walking foot. 送り足加工用B	Type A to be machined to a walking foot. 送り足加工用A	
Ref.No	28	29	30
Part No.	107-12255	107-48358	107-13253

Swing edge guide 吊り定規

31
MAH-152010A0

\*01...Without groove.

溝無しタイプ

To be used when the thread cannot be grasped at the sewing start.  
縫い始めに糸が絡みにくい時に使用

\*02...Right-edge presser.

右片押え

To be used to sew edges of material.  
イッジを縫製する場合に使用

\*03...Left-edge presser.

左片押え

To be used to sew edges of material.  
イッジを縫製する場合に使用

\*04...For piping.

パイピング用

To be used for general piping processes.  
一般のパイピング工程に使用

\*05...For piping.

パイピング用

Permits adjustment of the needle position with respect to the pipe.  
パイプに対する針の位置が調整出来ます。

\*06...Wide type.

幅広タイプ

To be used when a sewing product cannot be smoothly fed.  
縫製物の送りが悪い場合に使用

TABLE OF EXCHANGING GAUGE PARTS(FOR LU-2210\*~\*,LU-2212N-7)(2)

No.	Supply Code	Parts No.	Replacement	Parts name	Remarks	Choice	Step	Level	Cons	Qty	Rep. QTY
1		10711653		FEED FOOT ASM.						1	
2		10711752		FEEDING FOOT (URETHANE)						1	
3		10711851		FEEDING FOOT ASM. RIGHT						1	
4		10711950		FEEDING FOOT ASM. LEFT						1	
5		10745354		FEEDING FOOT (PIPING) 3MM						1	
6		10745453		FEEDING FOOT (PIPING) 4MM						1	
7		10745552		FEEDING FOOT (PIPING) 5MM						1	
8		10745651		FEEDING FOOT (PIPING) 6MM						1	
9		10746352		FEEDING FOOT (PI- PING) 3MM ADJUSTABLE						1	
10		10746451		FEEDING FOOT (PI- PING) 4MM ADJUSTABLE						1	
11		10746550		FEEDING FOOT (PI- PING) 5MM ADJUSTABLE						1	
12		10746659		FEEDING FOOT (PI- PING) 6MM ADJUSTABLE						1	
13		10712354		FEED FOOT ASM.						1	
14		10712057		FEED FOOT ASM.						1	
15		10712859		FEEDINGFOOTRIGHT						1	
16		10712958		PRESSER FOOT LEFT						1	
17		10747350		PRESSER FOOT (PIPING) 3MM						1	
18		10747459		PRESSER FOOT (PIPING) 4MM						1	
19		10747558		PRESSER FOOT (PIPING) 5MM						1	
20		10747657		PIPING FOOT 6MM						1	
21		10713055		FEED FOOT ASM.						1	
22		10717106		FEED DOG						1	
23		10717205		FEED DOG W10 GROOVE						1	
24		10717304		FEED DOG (THIN THREAD)						1	
25		10739001		FEED DOG						1	
26		10701704		THROAT PLATE						1	
27		10702009		THROAT PLATE						1	
28		10712255		FEED FOOT ASM.						1	
29		10748358		PRESSER FOOT ASM.						1	
30	D	10713253		PRESSER FOOT ASM.						1	
31		MAH152010A0		RULER ASM.						1	



## HOW TO MAKE USE OF THIS PARTS LIST

### 1.Explanation of codes

1)"\*"mark.....means this part is changed from the previous parts book.

As to the details of the change, refer to the "List for information of change".

2)"#01".....refer to "Note" explanation at bottom of page.

### 2.Codes on the "Qty" column

- Each numeral indicates the number of parts required.
- "0.1" and "2.5" indicate the length (in meters) of the respective parts.

3.Parentheses mean that the corresponding part is a subpart that constructs an assembly part.

4.Dotted lines on the Figures indicate assembly parts.

### 1."注記"欄の記号説明

1) "\*"印.....前回のパーツブックに比較して今回変更された部品を意味します。

変更内容は、"変更情報リスト"を参照してください。

2) "#01".....ページ下の"注記"の説明を参照してください。

2.数量欄の数字は、個数を表し、0.1、2.5等の数値は、長さ（単位メートル）を表します。

3.数量欄の（ ）は、組部品を構成している子部品であることを意味します。

4.イラストページの-----枠は、組構成であることを意味します。

# NUMERICAL INDEX OF PARTS

PART NO	PAGE	REF NO.	PART NO	PAGE	REF NO.	PART NO	PAGE	REF NO.
10088003	46	30	10703106	42	26	10709350	10	13
10109809	14	62	10703205	42	47	10709400	10	15
10109809	30	13·18~21	10703205	44	47	10709608	10	18
10109809	34	13·18~21	10703304	42	17	10709608	12	25
10111201	30	13·18~21	10703452	46	13	10709707	12	1
10111201	34	13·18~21	10703502	46	1	10710002	14	52
10112506	30	13·18~21	10703601	46	3	10710101	14	53
10112506	34	13·18~21	10703700	46	4	10710200	14	57
10112605	30	13·18~21	10703809	46	14	10710309	12	8
10112605	34	13·18~21	10703908	46	5	10710408	12	15
10112704	30	13·18~21	10704005	46	19	10710507	12	18
10112704	34	13·18~21	10704104	46	29	10710606	12	19
10119907	16	38	10704153	46	28	10710705	12	20
10123701	56	79	10704401	6	1	10710804	12	28
10124204	46	35	10704500	6	2	10710903	14	69
10126803	54	12	10704609	2	44	10710903	20	35
10320109	42	3	10704757	6	6	10711000	12	11
10320208	42	33	10704807	46	20	10711117	12	23
10502300	46	22	10704955	6	8	10711406	24	28
10523702	6	39	10704963	6	10	10711406	28	20
10527901	56	66	10705002	6	12	10711653	68	7
10539906	64	6	10705408	6	17	10711653	86	1
10591709	8	56	10705606	6	30	10711653	88	1
10700508	2	37	10705754	6	29	10711752	86	2
10700706	2	9	10706315	8	53	10711752	88	2
10701209	2	16	10706703	6	16	10711851	86	3
10701308	2	17	10707156	6	37	10711851	88	3
10701654	68	1	10707206	8	46	10711950	86	4
10701654	70	1	10707305	8	48	10711950	88	4
10701704	68	2·3	10707602	6	40	10712057	86	14
10701704	88	26	10707750	6	41	10712057	88	14
10701803	84	92	10707958	6	42	10712255	88	28
10701902	68	6	10708006	6	45	10712354	86	13
10702009	68	2·3	10708105	10	1	10712354	88	13
10702009	88	27	10708204	10	2	10712552	68	9
10702108	54	45	10708303	6	18	10712552	86	15
10702207	56	65	10708469	10	4	10712651	86	17
10702405	42	7	10708501	10	16	10712750	86	18
10702553	42	2	10708808	10	5	10712859	88	15
10702561	42	1	10708907	10	7	10712958	88	16
10702603	42	32	10708907	12	68	10713055	88	21
10702702	42	52	10708907	14	68	10713253	88	30
10702702	44	52	10709004	2	38	10713501	14	65
10702801	42	53	10709152	10	9	10713766	12	26
10702801	44	53	10709202	10	11	10713808	12	31

# NUMERICAL INDEX OF PARTS

PART NO	PAGE	REF NO.	PART NO	PAGE	REF NO.	PART NO	PAGE	REF NO.
10713907	12	33	10719805	22	47	10725604	30	44
10714004	12	35	10719953	20	30	10725604	34	44
10714103	12	36	10719961	20	29	10726107	30	7
10714202	12	37	10720001	20	32	10726107	34	8
10714301	12	44	10720357	16	2	10726305	26	50
10714400	12	42	10720407	16	7	10726305	28	10
10714806	14	48	10720506	16	13	10726404	24	3
10714905	14	50	10720555	16	5	10726404	28	3
10715258	14	54	10720605	16	17	10726503	24	7·8
10715506	48	9	10721009	16	54	10726503	28	7·8
10715605	48	14	10721009	18	54	10726552	24	1·2
10715704	4	64	10721207	16	34	10726552	28	1·2
10715902	48	11~13	10721306	18	59	10726800	26	51
10716009	48	2	10721504	16	9	10726800	28	9
10716108	48	17	10721900	16	35	10726909	24	4
10716207	48	18	10722007	16	23	10726909	28	5
10716504	14	59	10722353	30	26	10727105	54	31
10716603	48	21	10722353	34	26	10727154	54	6
10717007	48	11~13	10722403	30	1	10727162	54	30
10717106	68	11	10722601	38	33	10727204	54	32
10717106	88	22	10722809	38	21	10727303	54	34
10717205	88	23	10722908	38	40	10727709	24	22
10717304	88	24	10723013	38	6	10727709	28	37
10717502	20	1	10723104	38	37	10727808	24	16
10717668	20	2	10723203	38	29	10727857	24	15
10717908	20	15	10723302	38	41	10727907	24	46
10718005	20	36	10723401	38	42	10728103	24	26
10718153	20	33	10723500	38	38	10728103	28	19
10718203	20	16	10723708	30	27	10728152	24	25
10718302	48	11~13	10723708	34	27	10728152	28	18
10718351	48	4~6	10723807	30	23·24·28	10728160	24	24
10718401	16	53	10723807	34	23·24·28	10728160	28	17
10718401	18	53	10723906	30	30	10728301	24	35
10718500	20	43	10723906	34	30	10728400	38	35
10718658	20	8	10724201	30	34	10728509	38	30
10718807	20	17	10724201	34	34	10728608	38	32
10718906	20	11	10724706	32	47	10728707	38	34
10718906	78	8	10724706	36	47	10728806	50	7
10719052	20	18	10724805	30	39	10728905	50	5
10719201	20	20	10724805	34	39	10729010	50	1
10719300	20	23	10725000	32	5·49	10729218	50	3
10719508	20	28	10725000	34	40	10729606	50	20
10719656	20	21	10725158	30	42	10729754	50	14
10719664	20	19	10725158	34	42	10729952	50	21
10719706	20	46	10725307	16	8	10730109	50	23

# NUMERICAL INDEX OF PARTS

PART NO	PAGE	REF NO.	PART NO	PAGE	REF NO.	PART NO	PAGE	REF NO.
10730513	50	13	10741452	42	34	10748101	64	17
10730703	50	29	10741502	42	20	10748358	88	29
10731404	54	2	10741601	42	13	10748507	60	51
10731701	2	29	10741908	60	56	10748507	62	9
10732204	24	38	10741908	62	10	10751303	12	38
10732402	56	49	10742005	64	5	10752202	38	26
10732600	56	50	10742203	72	8·38·42	10752301	38	27
10732709	54	25	10742302	64	1	10752418	38	14
10733004	54	4	10742757	2	10	10752467	38	3
10733103	2	43	10743003	2	7	10753002	54	36
10733509	16	25	10743151	2	1	10753150	68	5
10733608	56	61	10743201	2	13	10754505	24	19
10733707	56	62	10743300	48	1	10754604	26	48
10733806	10	20	10743656	64	19·20	10754802	6	38
10734119	56	64	10744308	16	24	10754901	2	42
10734309	56	68	10744506	78	17	10755155	64	19·20
10734507	56	76	10744704	42	36	10755205	64	25
10734606	56	58	10744803	42	37	10755403	54	38
10734853	64	4	10744902	42	11	10755502	50	27
10735306	64	8	10745354	86	5	10755601	30	6
10735801	72	26	10745354	88	5	10755601	34	7
10735868	72	25	10745453	86	6	10755700	2	22
10735900	76	6	10745453	88	6	10756609	44	62
10735959	76	5	10745552	86	7	10756708	38	43
10736007	76	11	10745552	88	7	10756757	38	24·25
10736403	78	2	10745651	86	8	10756807	38	39
10736908	50	31	10745651	88	8	10756906	38	36
10737302	78	12	10745800	2	40	10757003	38	28
10737401	72	27	10745909	6	20	10757409	72	8·38·42
10739001	88	25	10746352	86	9	10758456	86	16
10739209	54	35	10746352	88	9	10759603	38	22·23·46-47
10739308	30	23·24·28	10746451	86	10	10759603	72	12~15
10739308	34	23·24·28	10746451	88	10	10760304	54	20
10739407	30	23·24·28	10746550	86	11	10760502	56	84
10739407	34	23·24·28	10746550	88	11	10761203	38	17
10739506	14	70	10746659	86	12	10761252	38	1·2
10740611	60	50	10746659	88	12	10761401	24	7·8
10740611	62	12	10746709	20	5	10761401	28	7·8
10740710	58	35	10746907	56	78	10761450	24	1·2
10740710	62	23	10747111	56	75	10761450	28	1·2
10740801	60	48	10747350	88	17	10770303	30	25
10740801	62	11	10747459	88	18	10770352	30	3·4
10740900	64	2	10747558	88	19	10770402	30	22
10741007	6	14	10747657	88	20	10770402	34	22
10741106	42	45	10748002	8	57			

# NUMERICAL INDEX OF PARTS

PART NO	PAGE	REF NO.	PART NO	PAGE	REF NO.	PART NO	PAGE	REF NO.
10770501	30	43	10776656	6	32	10782555	82	53
10770501	34	43	10777308	2	18	10782654	82	54
10771103	10	25	10777407	72	24	10782753	82	55
10771251	6	36	10777654	80	15	10783058	82	62
10771269	6	35	10777753	80	16	10783157	82	63
10771301	54	23	10777803	70	13	10783256	82	64
10771459	16	40	10777852	70	12	10783355	70	6
10771509	54	18	10777852	80	17	10783355	82	65
10771707	34	25	10777951	80	18	10783454	82	66
10771756	34	4	10778058	80	19	10783553	82	67
10771806	28	15	10778157	80	20	10783652	82	68
10771905	28	24	10778256	80	21	10783751	82	69
10772002	28	29	10778355	80	22	10783850	82	70
10772101	28	31	10778454	80	23	10783959	82	71
10772200	28	33	10778553	80	24	10784056	82	72
10772309	24	12	10778652	80	25	10784155	82	73
10772408	34	36	10778751	80	26	10784254	82	74
10772507	28	26	10779007	70	15	10784502	82	75
10772705	34	1	10779007	80	27	10784551	80	1
10772804	24	11	10779106	80	28	10784601	82	76
10772804	28	35	10780005	80	30	10784650	80	2
10772952	64	9	10780104	80	31	10784700	82	77
10773000	56	71	10780203	80	32	10784759	80	3
10773109	44	61	10780302	70	10	10784809	70	2
10773356	44	56	10780302	80	33	10784809	82	78
10773364	42	29·30	10780401	80	34	10784858	80	4
10773406	42	46	10780500	80	35	10784908	82	79
10773505	44	57	10780609	80	36	10784957	80	5
10773554	42	31	10780708	80	37	10785004	82	80
10773703	42	41	10780807	80	38	10785053	80	6
10773802	42	42	10780906	80	39	10785103	82	81
10774008	2	34	10781003	80	40	10785152	80	7
10774305	4	59	10781102	80	41	10785202	82	82
10774354	4	58	10781201	80	42	10785251	80	8
10774404	4	60	10781557	80	43	10785301	82	83
10774602	4	56	10781656	80	44	10785350	80	9
10774651	4	55	10781755	80	45	10785400	82	84
10774701	72	22	10781854	70	8	10785459	80	10
10775302	30	36	10781854	82	46	10785509	82	85
10775401	44	35·58	10781953	82	47	10785558	80	11
10775500	6	27	10782050	82	48	10785608	82	86
10775609	8	52	10782159	82	49	10785657	80	12
10775658	8	51	10782258	82	50	10785707	82	87
10775807	78	5	10782357	82	51	10785756	80	13
10775906	78	7	10782456	82	52	10786002	70	4



# NUMERICAL INDEX OF PARTS

PART NO	PAGE	REF NO.	PART NO	PAGE	REF NO.	PART NO	PAGE	REF NO.
10786002	84	93	26910158	66	2	40038723	62	29
10786101	84	94	40011368	46	11	40052240	12	14
10786200	80	14	40018350	40	22·23·46-	40052241	16	41
10786309	82	88	40018350	72	·47	40052242	18	44
10786408	70	5	40023289	16	12~15	40052244	32	54
10786408	82	89	40024852	4	36	40052246	52	11
10786507	82	90	40025036	72	66	40052251	4	57
10786606	82	91	40025299	64	32	40052252	18	48
10786903	82	56	40025300	64	11	40052253	30	2
10787000	82	57	40025556	18	14	40052253	34	2
10787109	82	58	40025557	16	45	40052254	52	14
10787208	82	59	40025559	52	16	40052254	78	15
10787307	82	60	40025561	52	16	40052255	16	1
10787406	82	61	40025562	2	2	40052256	74	45
10795102	44	60	40025563	26	4	40052258	20	4
10795151	42	29·30	40025964	62	59	40052259	50	35
11020401	6	22	40026733	58	34	40052260	48	10
11020500	6	24	40026733	62	44	40052262	72	9
11020609	6	23	40026733	62	17	40052263	12	32
11045101	42	44	40026734	58	42	40052264	50	11
11072402	42	43	40026734	62	18	40052266	8	63
12347308	72	2~5	40026735	60	45	40052267	16	33
13707500	20	39	40026736	58	43	40059694	64	22·23
13737804	18	46	40026736	62	19	40059695	64	22·23
21054903	54	44	40026737	62	20	40063991	30	45
21334800	38	44·45	40026740	58	41	40063991	34	45
21334800	72	39·40	40026741	62	16	40063992	32	48
21337902	52	9	40026920	72	37	40063992	34	5
21379003	64	12	40027117	72	8·38·42	40064240	48	4~6
21389200	26	58	40027118	26	53	40064519	6	31
21389309	26	54	40027119	26	52	40067331	2	15
21389408	26	55	40027139	2	26	40067341	18	47
22603708	2	35	40027140	4	50	40073881	48	4~6
22901805	24	18	40027141	4	51	40079568	56	74
22907802	50	17	40027219	16	12	40082707	54	41
22908909	12	29	40027231	18	57	40084142	2	20
22917009	24	34	40031233	52	4	40096354	66	1
22931604	72	11	40031234	52	6	40100943	4	52
22933006	72	2~5	40031235	52	7	40101351	24	32
22933105	72	2~5	40033293	30	5·49	40101351	28	12
22933204	72	2~5	40033672	30	3·4	40101742	72	41
22933303	72	16	40035542	18	58	40102063	58	2
22949101	16	42	40038722	58	12	40102064	58	22
22951552	24	39	40038722	62	25	40102065	58	1
26017400	16	43	40038723	58	16	40102736	74	46

# NUMERICAL INDEX OF PARTS

PART NO	PAGE	REF NO.	PART NO	PAGE	REF NO.	PART NO	PAGE	REF NO.
40103167	58	21	B3216047000	42	14	D2430555B00	46	15
40103168	62	32	B3216047000	46	32	D2515232D00	16	37
40103169	62	33	B3416552000	14	63	D2611555B00A	56	52
40103913	58	37-38	B3510019000	2	45	D2611555B00A	58	32
40103914	58	37-38	B3520245000	54	16	D3168555H0B	42	15
40103916	62	1	B3521245000	54	14	D3168555H0B	46	33
40107618	58	17	B3525357000	54	42	D7101245E00	72	18
40107618	62	27	B3534012000	54	43	D7102245E00	72	19
40107949	12	30	B3538112000	4	68	E8760452D00	58	40-57
40108542	4	61	B3538112000	78	24	E8760452D00	60	40-57
40113091	42	12	B8112220000	64	13	E8760452D00	62	13
40113092	46	34	B8213012000	64	7	E8760452K00	60	58
40113224	8	60	B8228125000	54	33	E8760452K00	62	14
40130995	12	5	B9101552000	72	1	EA9500B0000	54	80
40132151	12	7	B91210120A0	72	7	EA9500B0000	56	80
40132152	12	4	BP600000000	48	15	EA9500B0000	62	3
40132153	12	10	BT0400251EA	56	55	EA9500B0100	4	53
B1111563000	2	30	BT0500300E0	54	70	EA9500B0100	56	82
B1114280000	16	39	BT0500300E0	56	70	EA9500B0100	60	55
B1148141H00	16	52	BT0600401EB	58	28	EA9500B0100	62	7
B1148141H00	18	52	BT0600401EB	62	39	EA9500B0200	24	42
B1150490000	2	32	BT0600401EB	76	14	EA9500B0200	56	81
B1215804000	30	8	BT0600402EA	16	21	GAK29009000	58	14
B1215804000	34	9	BT0600402EA	54	53	GAK29009000	62	28
B1308055000	8	58	BT0600402EA	56	53	GAK29010000	58	24
B1310055000	8	59	BT0630520Z0	72	20	GAK29010000	62	35
B1314055000	8	61	BT0800602E0	54	72	GAKA1503000	58	25
B1403526000	80	29	BT0800602E0	56	72	GAKA1503000	62	36
B1504210000	76	13	CM300200001	4	48	GAKA2302B00	58	4
B152652700G	4	65	CM301200001	4	47	GAKA2302C00	58	23
B1648122000	56	57	CM600100101	74	44	HK034610120	24	45
B2311019000	28	28	CM600100201	72	43	HK034610160	60	52
B3031141H00	24	30	CQ200000000	50	12	HK034610160	62	2
B3031141H00	28	22	CQ202000000	10	24	HK034610180	58	27
B3031141H00	76	10	CQ202000000	14	61	HK034610180	62	38
B3126012000	42	40	CQ202000000	20	42	HK03464000A	58	47-53
B3128526000	42	35-58	CQ202000000	56	67	HK03464000A	60	47-53
B3129012A00	42	10	CQ252000000	12	12	HK03464000A	62	37
B3129053000	42	38	CQ252000000	56	48	HK03464000B	24	44
B3132552000	42	39	CS0790731SH	28	13	HK03464000B	50	6
B3138512000	2	24	CS1201011SH	16	22	HR029101520	60	46
B3205210000	46	7	CS1201011SH	50	25	HR029101520	62	5
B3207210000	46	16	CS1501011TH	12	46	HW000840080	58	39
B3208210000	46	18	CS1501011TH	14	46	HW000840080	62	4
B3211210000	46	10	CS1501011TH	20	37	HW500140000	24	37

# NUMERICAL INDEX OF PARTS

PART NO	PAGE	REF NO.	PART NO	PAGE	REF NO.	PART NO	PAGE	REF NO.
HX00123000A	60	61	PA320150200	78	19	SB110000900	34	10
HX00150000F	60	59	PA400200200	50	32	SB110001000	30	10
HX002950000	58	29	PC015118E00	52	20	SB110001000	34	11
HX002950000	62	40	PC015118E00	78	26-27	SB115000400	30	11
HX00295000A	50	16	PC015118H00	52	1	SB115000400	34	12
HX00295000A	58	30	PC015118H00	78	26-27	SB115000900	30	12
HX00295000A	62	41	PF0552170A0	58	15	SD0470281SP	42	50
HX00295000B	50	38	PF0552170A0	62	26	SD0470281SP	44	50
HX00295000B	58	31	PJ301065104	50	33	SD0500301SP	28	30
HX00295000B	62	42	PJ304060505	76	2	SD0500481TP	24	20
HX00295000C	76	8	PJ304065101	78	21	SD0500721SP	24	29
HX00295000K	52	23	PS0150065KP	70	17	SD0500721SP	28	23
HX00295000K	62	43	PS0200102KH	46	17	SD0640322TP	8	62
HX00295000L	52	24	PS0300082KH	48	7	SD0700332SP	48	20
HX00295000L	62	44	PS0400322KP	16	11	SD0720331SP	50	36
MAH152010A0	88	31	PS0500302KH	50	28	SD0790203SP	50	2
MAO11532000	72	34	PX015101000	78	22	SD0791271SP	52	12
MC321001400	10	27	PX050501000	76	3	SD0791271SP	78	13
MC321001402	72	35-36	RC0560711KP	12	22	SD0800352SP	78	3
MDFRX1600C0	72	6	RC0650811KP	20	13	SD0800402TP	78	10
MTJVH00430A	74	48	RC0650811KP	78	9	SD0901201TP	50	8
MTSP00850B0	74	47	RC0740811KP	14	67	SK3241601SC	64	10
NM6030001SC	64	16	RC0740811KP	52	8	SK3385001SE	58	20
NM6040001SC	24	43	RC1200001KP	48	3	SK3385001SE	62	24
NM6040001SN	6	44	RC1200001KP	50	9	SK3482500SC	64	26
NM6040003SC	42	54	RE0320000K0	76	9	SK3482501SE	60	60
NM6040003SC	44	54	RE0400000K0	12	13	SK3482501SE	62	45
NM6060001SE	52	15	RE0400000K0	16	56	SK3514000SC	72	33
NM6060001SE	78	16	RE0400000K0	18	56	SL4040881SC	4	69
NM6080001SE	50	37	RE0400000K0	30	14	SL4041081SC	72	23
NM6860003SC	60	49	RE0400000K0	34	14	SM1040801SC	10	21
NM6860003SC	62	15	RE0500000K0	14	64	SM3030650SC	6	21
NS6110310SP	42	49	RE0500000K0	20	45	SM3031401SE	64	15
NS6110310SP	44	49	RE0500000K0	48	8	SM4030601SC	30	31
NS6110310SP	46	31	RE0600000K0	10	12	SM4030601SC	34	31
NS6110360SP	46	12	RO068190100	56	73	SM4040601SB	26	49
NS6150430SP	48	16	RO098240100	30	32	SM4040601SC	56	63
NS6150430SP	52	13	RO098240100	34	32	SM4061001SB	58	18
NS6150430SP	72	17	RO118240100	16	55	SM4061001SB	62	31
NS6150430SP	78	14	RO118240100	18	55	SM4861201SC	60	54
NS6150540SP	52	3	RO294310100	6	34	SM4861201SC	62	8
NS6150540SP	78	4	RO312240100	8	50	SM6021000TP	54	37
NS6620310SP	72	10	RO357350100	30	17	SM6030602TP	10	26
PA250200600	76	1	RO357350100	34	17	SM6030802TP	24	9
PA320100400	52	18	SB110000900	30	9	SM6030802TP	28	11

# NUMERICAL INDEX OF PARTS

PART NO	PAGE	REF NO.	PART NO	PAGE	REF NO.	PART NO	PAGE	REF NO.
SM6031202TP	24	36	SM8040602TP	46	6	SS6111010SP	70	11
SM6040552TP	68	8	SM8040802TP	24	21	SS6111140SP	24	41
SM6040552TP	70	7	SM8050502TP	28	32	SS6111140SP	30	16
SM6040602TP	24	31	SM8050502TP	30	46	SS6111140SP	34	16
SM6040602TP	28	36	SM8050502TP	32	46	SS6121010SP	2	27
SM6040800SP	56	77	SM8050502TP	34	46	SS6121010SP	14	49
SM6040802TP	28	34	SM8050512TP	12	40	SS6121010SP	42	28
SM6040802TP	34	37	SM8050602TP	12	41	SS6121010SP	50	4
SM6040802TP	68	10	SM8050602TP	24	14	SS6121010SP	54	26
SM6040802TP	70	9	SM8050602TP	38	31	SS6121010SP	58	36
SM6041002TP	30	37	SM8050602TP	46	21	SS6121050SP	12	16
SM6041012TP	10	17	SM8060552TP	20	31	SS6121860SP	16	28
SM6041202TP	24	23	SM8060602TP	6	55	SS6123010SP	2	12
SM6041202TP	28	27	SM8060602TP	8	55	SS6151412TP	20	9
SM6044500SP	76	4	SM8060602TP	16	26	SS6151440SP	10	14
SM6050802TP	56	51	SM8061212TP	8	49	SS6151440SP	52	17
SM6050802TP	76	12	SM8080802TP	6	13	SS6151440SP	78	18
SM6051002TP	12	43	SM9081050SE	50	30	SS6152440SP	10	10
SM6051402TP	14	55	SQ1110401MZ	6	25	SS6621220SP	6	19
SM6051402TP	24	27	SQ1150451MZ	6	26	SS7060610SP	24	57
SM6051402TP	28	21	SQ1150451MZ	30	33	SS7060610SP	26	57
SM6051402TP	32	53	SQ1150451MZ	34	33	SS7060610SP	28	6
SM6051402TP	34	3	SQ1150501SD	30	38	SS7080510TP	12	56
SM6051402TP	50	15	SQ1150501SD	34	38	SS7080510TP	14	56
SM6051402TP	76	7	SQ1680701MZ	56	83	SS7090520SP	2	25
SM6051602TP	72	30	SS1110840SP	30	35	SS7090910TP	6	43
SM6052502TP	26	60	SS1110840SP	34	35	SS7090910TP	50	18
SM6052502TP	28	38	SS2090710TP	2	46	SS7110340SP	46	27
SM6061202TP	50	24	SS2090810SP	2	21	SS7110510SP	2	41
SM6061210SC	50	22	SS2110915SP	68	4	SS7110510SP	64	24
SM6061210SC	54	39	SS2110915SP	70	3	SS7110710SP	72	21
SM6061552TP	20	34	SS3061310SP	44	51	SS7110810SP	16	15
SM6061602TP	12	34	SS5090420SP	42	59	SS7110810SP	46	9
SM6061650TP	20	3	SS5090420SP	44	59	SS7110910SP	2	33
SM6061802TP	52	19	SS5150510SP	64	21	SS7110910SP	16	51
SM6061802TP	78	20	SS6060440TP	70	16	SS7110910SP	18	51
SM6062002TP	32	51	SS6080610TP	30	41	SS7111810TP	10	6
SM6062002TP	36	48	SS6080610TP	34	41	SS7120710SP	14	51
SM6062502TP	16	3	SS6081210SP	56	59	SS7120710SP	58	33
SM6063502TP	72	28	SS6090620SP	46	23	SS7120710SP	62	22
SM6081802TP	50	34	SS6110480SP	2	39	SS7121610SP	2	11
SM8030402TP	8	64	SS6110610TP	58	34	SS7121610SP	16	49
SM8030402TP	20	12	SS6110610TP	62	21	SS7121610SP	18	49
SM8040412TP	52	10	SS6110630TP	4	62	SS7150940SP	4	49
SM8040502TP	8	54	SS6111010SP	68	12	SS7620750SP	16	4

NUMERICAL INDEX OF PARTS

PART NO	PAGE	REF NO.	PART NO	PAGE	REF NO.
SS7621040SP	46	36	WP0520656SA	28	39
SS7681750TP	6	3	WP0520656SA	46	25
SS8080410TP	10	3	WP0531000SE	72	31
SS8080410TP	70	14	WP0531001SC	46	24
SS8080610SP	30	15	WP0621016SD	52	22
SS8080610SP	34	15	WP0621016SD	72	29
SS8090710SP	18	50	WP0621016SD	78	25
SS8110422TP	20	7	WP0621016SH	32	52
SS8110422TP	24	33	WP0621016SH	36	49
SS8110422TP	28	14	WP0641601SD	52	21
SS8111610SP	46	26	WP0641601SD	78	23
SS8120740SP	8	47	WP0651056SH	32	50
SS8120740SP	10	19	WP0651056SH	46	8
SS8120740SP	12	66	WP0740516SP	20	14
SS8120740SP	14	66	WP1221016SP	50	10
SS8120740SP	48	19	WS0410002KN	76	15
SS8150750SP	54	19	WT0530002KS	24	40
SS8150822TP	6	15	WZ1052010KP	4	63
SS8660410SP	12	47			
SS8660410SP	14	47			
SS8660410SP	20	38			
SS8660512TP	6	5			
SS8660610TP	16	29			
SS8660610TP	50	26			
SS8660810TP	12	27			
SS8661012TP	20	22			
SS8681650TP	6	4			
TA0750704R0	2	6			
TA1050504R0	2	19			
TA1250406R0	2	3			
TA1250504R0	2	36			
TA1450404R0	54	1			
TA2050406R0	2	54			
TA2050406R0	4	54			
WP0320501SC	24	10			
WP0320501SC	28	40			
WP0320501SC	42	55			
WP0320501SC	44	55			
WP0320501SC	56	60			
WP0320501SC	64	18			
WP0371016SD	50	19			
WP0450000SD	10	22			
WP0450846SP	76	16			
WP0482086SD	44	48			
WP0520656SA	26	47			