

MODEL : LK-1910/LK-1920

List No : 1243-10

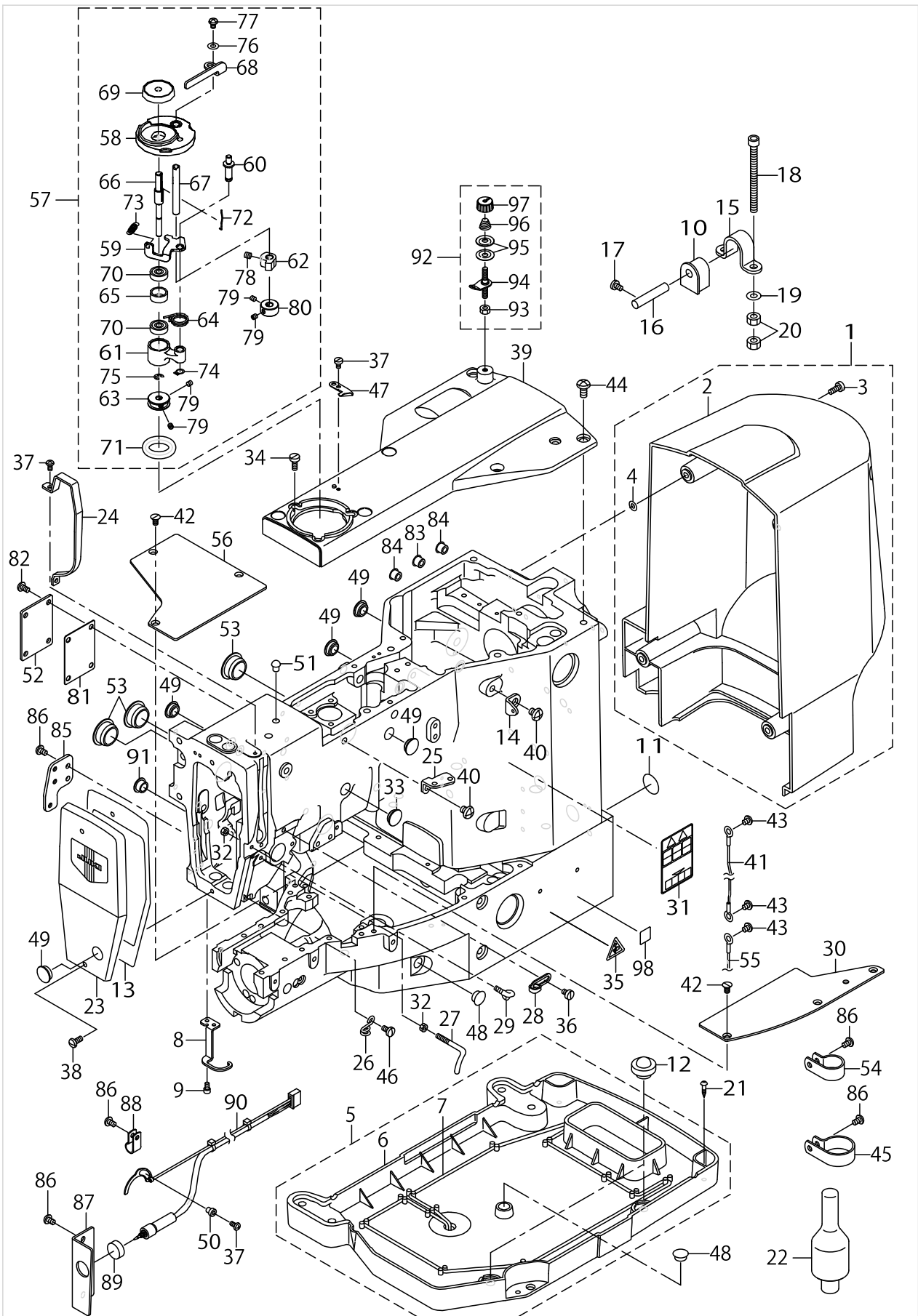
PARTS LIST

Published:05/12/2017

CONTENTS

FRAME & MISCELLANEOUS COVER COMPONENTS	1
MAIN SHAFT & NEEDLE BAR COMPONENTS	7
PRESSER LIFTER & MANUAL PEDAL COMPONENTS	11
PRESSER MECHANISM COMPONENTS(FOR LK-1920).....	15
SHUTTLE DRIVER SHAFT COMPONENTS.....	19
WIPER MECHANISM COMPONENTS	23
TENSION RELEASE & THREAD TENSION COMPONENTS.....	25
TENSION RELEASE & THREAD TRIMMER MECHANISM COMPONENTS.....	27
FEED MECHANISM COMPONENTS.....	31
CLOTH FEED MECHANISM COMPONENTS (FOR LK-19 Δ 0SS,19 Δ 0HS).....	35
CLOTH FEED MECHANISM COMPONENTS (FOR LK-19 Δ 0HA,19 Δ 0SA)	37
LUBRICATION COMPONENTS	41
SENSOR & EXTENSION CABLE COMPONENTS	43
THREAD STAND COMPONENTS.....	45
CONTROL BOX COMPONENTS	47
OPERATION BOX & PEDAL COMPONENTS.....	51
WIRING DIAGRAM.....	53
ACCESSORIE PART COMPONENTS	55
TABLE COMPONENTS.....	59
OPTIONAL PART COMPONENTS.....	61
LIST FOR INFORMATION OF CHANGE.....	65
HOW TO MAKE USE OF THIS PARTS LIST	66

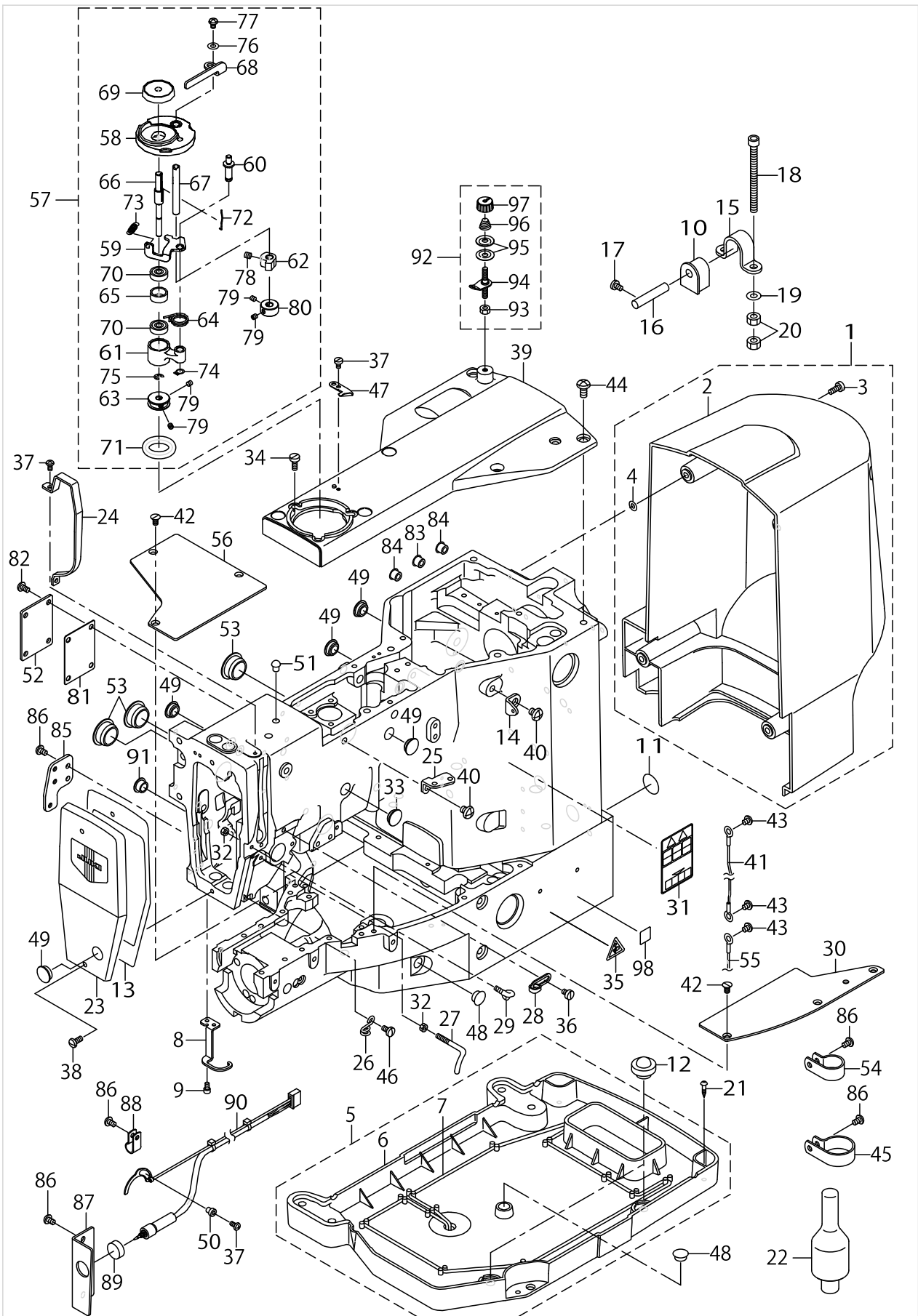
FRAME & MISCELLANEOUS COVER COMPONENTS



FRAME & MISCELLANEOUS COVER COMPONENTS

No.	Supply Code	Parts No.	Replacement	Parts name	Remarks	Choice	Step	Level	Cons	Qty	Rep. QTY
1		14100457		MOTOR COVER ASM.						1	
2	R	14100408	14100457	MOTOR COVER				*		1	1.00
3		SS6111140SP		SCREW11/64-40L=11				*		4	
4		M8002430000		STOPPER				*		4	
5		14100754		OIL PAN ASM.						1	
6	R	14100705	14100754	OIL PAN				*		1	1.00
7		CQ252200000		OIL WICK				*		1	
8		14201602		FINGER GUARD(1910)	FOR LK-1910					1	
9		SS6090612TP		SCREW 9/64-40 L=6	FOR LK-1910					2	
10		B1115210D00		HINGE RUBBER						2	
11		22901805		GROUND MARK						2	
12		B1116210D00		FRAME SUPPORT RUBBER						2	
13		13502307		FACE PACKING						1	
14		40010414		THREAD_GUIDE_NO.1						1	
15		B1111210D00		BED HINGE						2	
16		40009290		HINGE STUD						2	
17		SS7110730SP		SCREW 11/64-40 L= 6.5						2	
18		SM6067552TP		HEXAGONAL-HOLE BOLT M6 L=75						4	
19		WP0651646SC		WASHER						4	
20		NM6060001SC		NUT M6						8	
21		SK3382001SE		SCREW D=3.8 L=20						4	
22		14101208		HEAD SUPPORT BAR						1	
23		26211755		FACE COVER ASM.						1	
24		40030828		THREAD_TAKE_UP_LEVER_COVER						1	
25		26211904		THREAD GUIDE PLATE						1	
26		26212100		ARMTHREADGUIDEB						1	
27		B1125215P00		L-SHAPED THREAD GUIDE						1	
28		22920508		ARMTHREADGUIDEA						1	
29		B3114771000		THREAD GUIDE						1	
30		14200901		BED COVER B						1	
31		CM301200001		SAFETY LABEL_S						1	
32		NS6090310SP		NUT 9/64-40						2	
33		TA1250406R0		RUBBER PLUG D=12.5 L=4	FOR LK-1920					1	
34		SS6111140SP		SCREW11/64-40L=11						3	
35		CM300200002		CAUTION LABEL(25)						3	
36		SS6110610TP		SCREW 11/64-40 L=6						1	
37		SS4090715SP		SCREW 9/64-40 L=7						4	
38		SS4111015SP		SCREW11/64-40L=10						2	
39		14100309		TOP COVER						1	
40		SS4150715SP		SCREW 15/64-28 L=7						2	
41		14115653		HEAD GROUND CABLE B ASM.						1	
42		SS1110840SP		SCREW 11/64-40 L=8						6	
43		SS4110515SP		SCREW 11/64-40 L=5						3	
44		SS4151215SP		SCREW15/64-28L=12						6	
45		HX00150000N		CABLE CLIP						1	
46		SS7110840SP		SCREW 11/64-40 L=7.8						1	

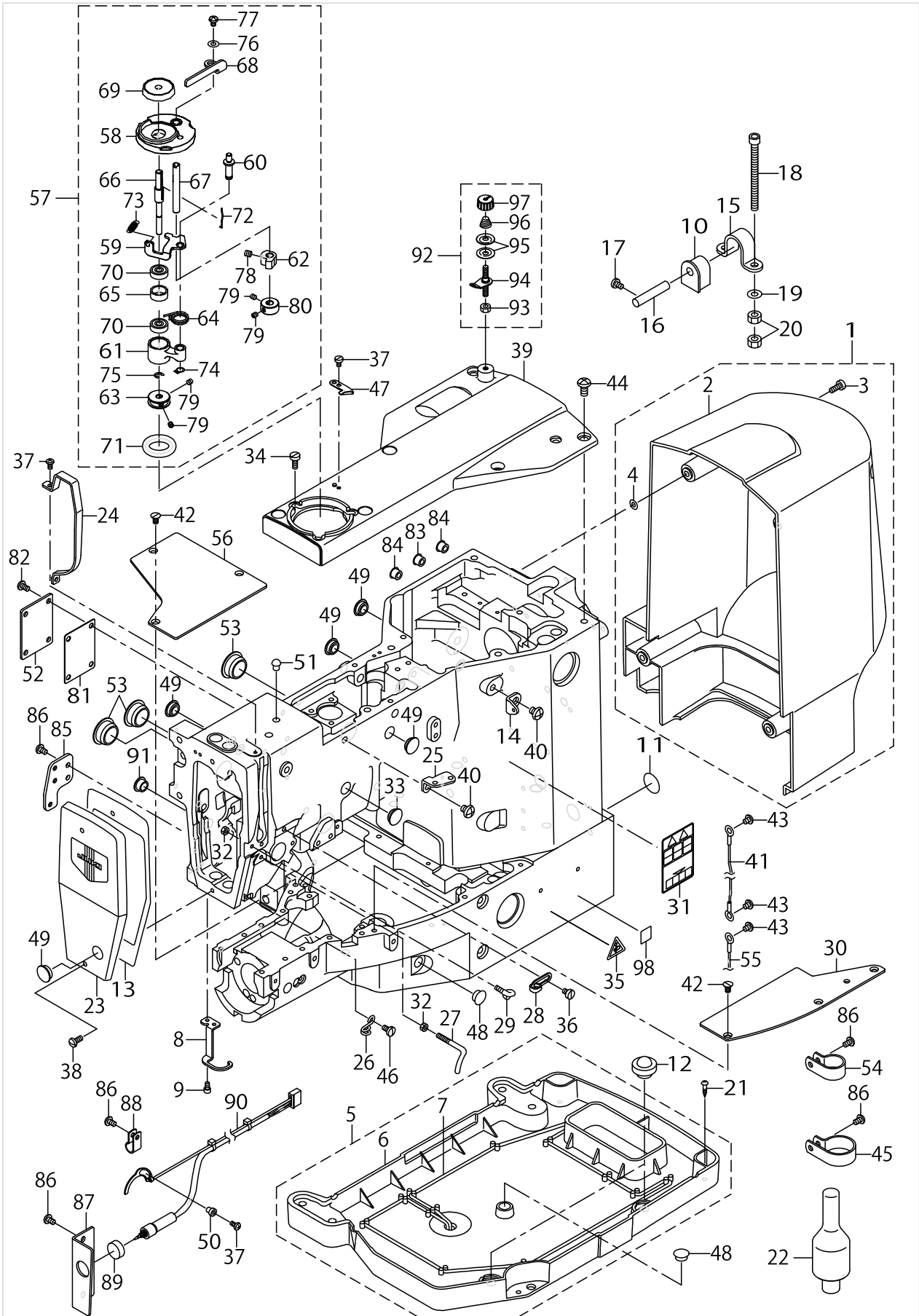
FRAME & MISCELLANEOUS COVER COMPONENTS



FRAME & MISCELLANEOUS COVER COMPONENTS

No.	Supply Code	Parts No.	Replacement	Parts name	Remarks	Choice	Step	Level	Cons	Qty	Rep. QTY
47		10502300		THREAD CUTTER						1	
48		TA1050504R0		RUBBER PLUG						2	
49		TA1250406R0		RUBBER PLUG D=12.5 L=4						5	
50		B2703210000		BUSHING						1	
51		TA0550604R0		RUBBER PLUG						1	
52		B1123210D00		COVER						1	
53		TA2100904R0		RUBBER PLUG						3	
54		HX00150000J		CLIP						1	
55		M90195800A0		EARTH CABLE ASM.						1	
56		14200802		BED COVER A						1	
57		40026746		BOBBINWINDERUNIT						1	
58	R	26260109	26260000	BTW_BASE				*		1	1.00
59		26260208		BTW_CAM_PLATE				*		1	
60		26260307		BTW_BASE_SHAFT				*		1	
61		26260406		BTW_SHAFT_BASE				*		1	
62		26260505		BTW_CAM_LEVER				*		1	
63		40026730		BTW_WHEEL				*		1	
64		40011144		BTW_TORSION_SPRING				*		1	
65	R	26260802	26260000	BTW_BEARING_SPACER				*		1	1.00
66		26260901		BTW_SHAFT				*		1	
67		26261008		BTW_LEVER_SHAFT				*		1	
68		26261107		BTW_LEVER				*		1	
69		26261206		BTW_SPACER				*		1	
70	R	26261305	26260000	BTW_BEARING				*		2	1.00
71		A321600100A		RUBBER RING				*		1	
72		26261602		BOBBIN_SPRING				*		1	
73		26261701		BTW_SPRING				*		1	
74		RC0560711KP		RETAINING RING				*		1	
75		RE0400000K0		E-RING 4				*		1	
76		WP0450826SC		WASHER 4.5X10X0.8				*		1	
77		SM5040655SN		SCREW				*		1	
78		SM8050502TP		SCREW M5 L=5				*		1	
79		SM8040412TP		SET SCREW M4 L=4				*		4	
80		40026745		COLLAR				*		1	
81		B1125210D00		COVER GASKET						1	
82		SS4110815SP		SCREW 11/64-40 L=8						4	
83		TA0850604R0		RUBBER PLUG	FOR LK-1920					1	
84		TA0850604R0		RUBBER PLUG	FOR LK-19- △0SA,HA					2	
85		14201305		EYE GUARD INSTALLING PLATE						1	
86		SS4110715SP		SCREW 11/64-40 L=7						9	
87		14220503		SWITCH INSTALLING PLATE						1	
88		HX00150000C		CABLE CLIP						3	
89		HA001690010		SWITCH						1	
90		14220750		SWITCH CABLE ASM.						1	
91		TA1050504R0		RUBBER PLUG	FOR LK-1920					1	
92		14113468		BOBBIN THREAD TENSION ASM.						1	

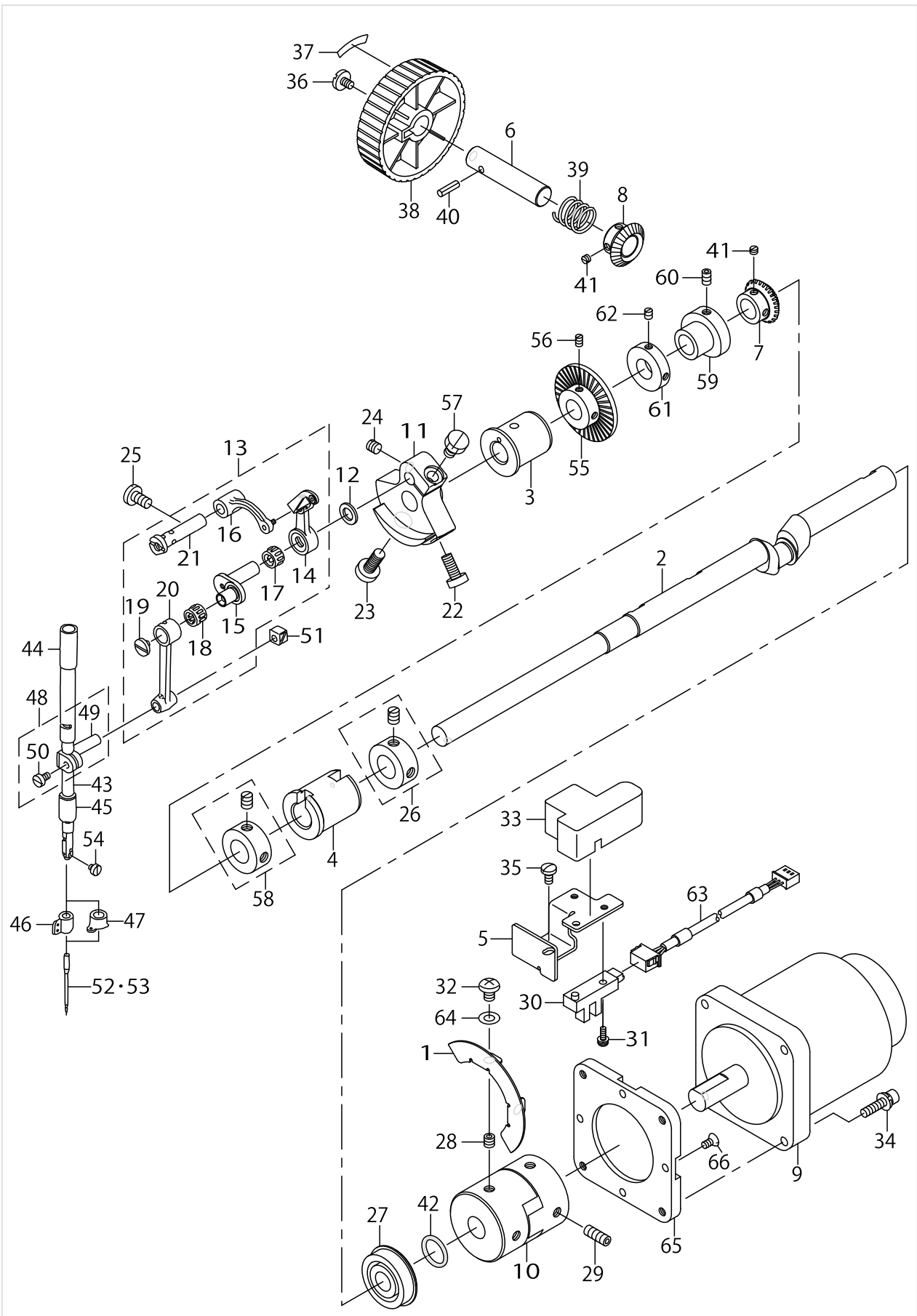
FRAME & MISCELLANEOUS COVER COMPONENTS



FRAME & MISCELLANEOUS COVER COMPONENTS

No.	Supply Code	Parts No.	Replacement	Parts name	Remarks	Choice	Step	Level	Cons	Qty	Rep. QTY
93		NS6110310SP		NUT 11/64-40				*		1	
94		14113450		BOBBIN THREAD T- ENSION ROD ASM.				*		1	
95	R	B3126012000	22921506	THREAD TENSION DISK				*		2	1.00
96		D7133555B00		CONNECTING ROD SPRING				*		1	
97		11072402		THREAD TENSION NUT				*		1	
98		CM600100101		WEEE MARK LABEL S	FOR JE					1	

MAIN SHAFT & NEEDLE BAR COMPONENTS

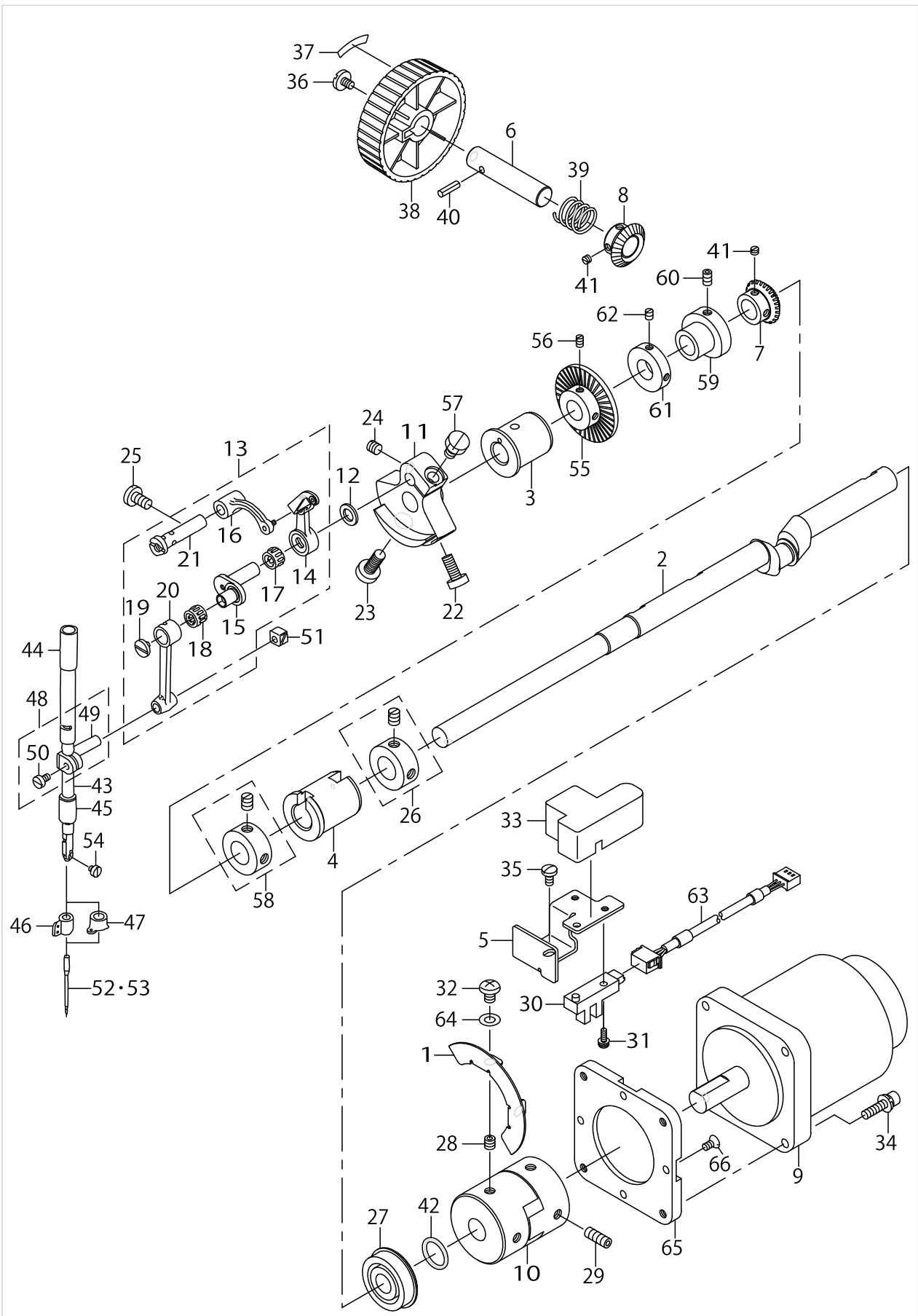


MAIN SHAFT & NEEDLE BAR COMPONENTS

No.	Supply Code	Parts No.	Replacement	Parts name	Remarks	Choice	Step	Level	Cons	Qty	Rep. QTY
1		14102404		MAIN SHAFT SLIT PLATE						1	
2		14102107		MAIN SHAFT						1	
3		B1202210000		BUSHING, FRONT						1	
4		B1203215000		BUSHING INNER						1	
5		14102503		SENSOR INSTALLING BASE						1	
6		26500306		HAND PULLEY SHAFT						1	
7		14102701		HANDPULLEYGEARA						1	
8		14102800		HANDPULLEYGEARB						1	
9		40053326		SERVO MOTOR 550W						1	
10		B1231210D00		COUPLING						1	
11		B1206210D00		COUNTER WEIGHT						1	
12		B1223771000		NEEDLE ROD CRANK WASHER						1	
13		B1901210DC0		LINK THREAD TAKE-UP						1	
14		B1901210DA0		THREAD TAKE-UP LEVER COMPL.				*		1	
15	D	B1407210D00		NEEDLE BAR CRANK				*		1	
16	R	B1903210000	B19012100C0	THREAD TAKE-UP CRANK				*		1	1.00
17	R	B1905541000	B1905541A00	NEEDLE BUSHING		A		*		1	1.00
17	R	B1905541000	B1905541B00	NEEDLE BUSHING		B		*		1	1.00
17	R	B1905541000	B1905541C00	NEEDLE BUSHING		C		*		1	1.00
17	R	B1905541000	B1905541D00	NEEDLE BUSHING		D		*		1	1.00
18	R	B1411804000	B1411804A00	NEEDLE DRIVING LEVER BEARING		A	A:	*		1	1.00
18	R	B1411804000	B1411804B00	NEEDLE DRIVING LEVER BEARING		B	B:	*		1	1.00
18	R	B1411804000	B1411804C00	NEEDLE DRIVING LEVER BEARING		C	C:	*		1	1.00
18	R	B1411804000	B1411804D00	NEEDLE DRIVING LEVER BEARING		D	D:	*		1	1.00
19		B1903552000		LEFT SCREW				*		1	
20		B1404280000		NEEDLE BAR CRANK ROD				*		1	
21		B1904280000		BALANCE CRANK PIN				*		1	
22		SS6151412TP		SCREW15/64-28L=14						1	
23		SS6681712TP		SCREW 9/32-28 L=16.5						1	
24		SS8660610TP		SCREW 1/4-40 L=6						1	
25		SS7151120SP		SCREW15/64-28L=11						1	
26		22904155		MAIN SHAFT THRU-ST COLLAR ASM.						1	
27		G1216870000		UPPER SHAFT REAR BEARING						1	

A:ローラー径2φ公差 0~-0.002/A:ROLLER diameter 2φ tolerance 0~-0.002
 B::ローラー径2φ公差 -0.002~-0.004/B::ROLLER diameter 2φ tolerance -0.002~-0.004
 C::ローラー径2φ公差 -0.004~-0.006/C::ROLLER diameter 2φ tolerance -0.004~-0.006
 D::ローラー径2φ公差 -0.006~-0.008/D::ROLLER diameter 2φ tolerance -0.006~-0.008

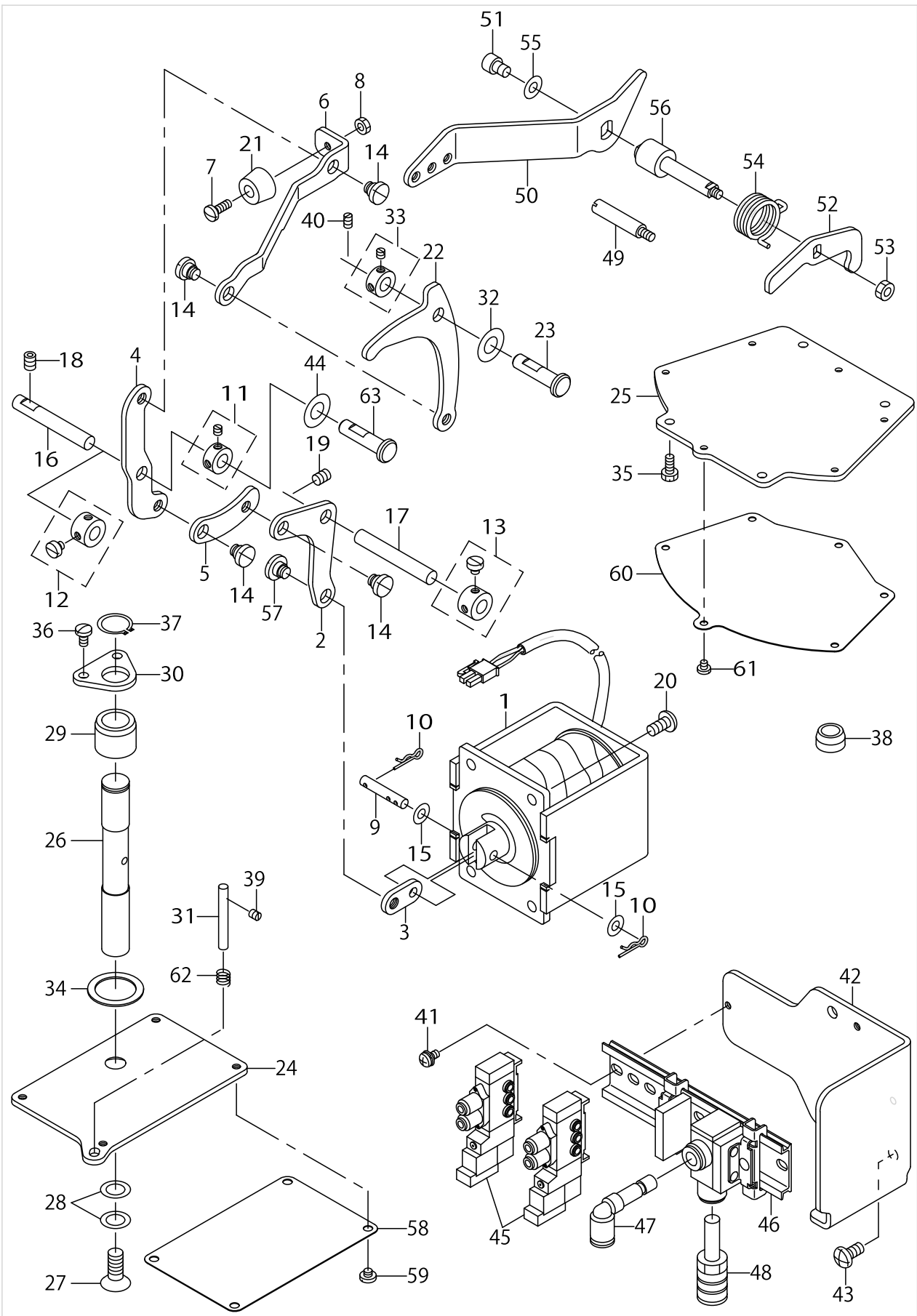
MAIN SHAFT & NEEDLE BAR COMPONENTS



MAIN SHAFT & NEEDLE BAR COMPONENTS

No.	Supply Code	Parts No.	Replacement	Parts name	Remarks	Choice	Step	Level	Cons	Qty	Rep. QTY
28		SM8060612TP		SCREW M6 L=6						2	
29		SM8061612TP		SCREW M6X16						2	
30		HD002230000		PHOTO SENSOR						1	
31		SL4041291SC		SCREW M4 L=12						1	
32		SM4060801SE		SCREW						2	
33		14114508		MAIN SHAFT SENSOR COVER						1	
34		SL6052092TN		SCREW						4	
35		SS7110840SP		SCREW 11/64-40 L=7.8						1	
36		A1230500000A		HANDWHEEL SETSCREW						1	
37		B1144210000		REVOLVING DIRECTION LABEL						1	
38		B1212210D00		PULLEY						1	
39		GAF01007000		SPRING						1	
40		PS0400142KH		SPRING PIN 4X14						1	
41		SS8110310SP		SCREW 11/64-40 L=2.8						4	
42		RO154240100		RUBBER RING						1	
43		B1401210000		NEEDLE BAR						1	
44		26203208		NEEDLE ROD METAL						1	
45		B1403280000		NEEDLE ROD LOWER METAL						1	
46		B1405210000		THREAD GUIDE A	FOR LK-19- Δ0SS,SA					1	
47		40026884		NEEDLE_BAR_SHREAD_GUIDE_H	FOR LK-19- Δ0HS,HA					1	
48		B14115520A0		NEEDLE BAR CONNECTING ASM.						1	
49	R	B1411552000	B14115520A0	NEEDLE BAR CLAMP				*		1	1.00
50		SS6090670TP		SCREW 9/64-40 L=6				*		1	
51		B1414232000		SQUARE BLOCK						1	
52		MDP500B1400		NEEDLE DPX5 #14	FOR LK-19- Δ0SS,SA					1	
53		MDP170B1800		NEEDLE DPX17 #18	FOR LK-19- Δ0HS,HA					1	
54		SS7080510TP		SCREW 1/8-44 L=4.5						1	
55		40026917		BOBBIN WINDER DRIVING WHEEL						1	
56		SM8040600SP		SCREW 11/64-40 L=15.5						2	
57		SS9661230CP		SCREW 1/4-40 L=12						1	
58		CS147121ESH		THRUST COLLAR A- SM.D=14.72 W=12						1	
59		14206502		INTERMEDIATE CAM	FOR LK-1920					1	
60		SM8050812TP		SCREW M5X8	FOR LK-1920					2	
61		14208607		INTERMEDIATE CAM STOPPER	FOR LK-1920					1	
62	R	SS8110510SP	SS8110520TP	SCREW 11/64-40 L=5	FOR LK-1920					2	1.00
63		14115356		MAIN SHAFT SENSOR CABLE ASM.						1	
64		WS0610002KN		SPRING WASHER 6.1X12.2X1.5						2	
65		40045548		MOTOR INSTALLING BRACKET						1	
66		SS1110840SP		SCREW 11/64-40 L=8						4	

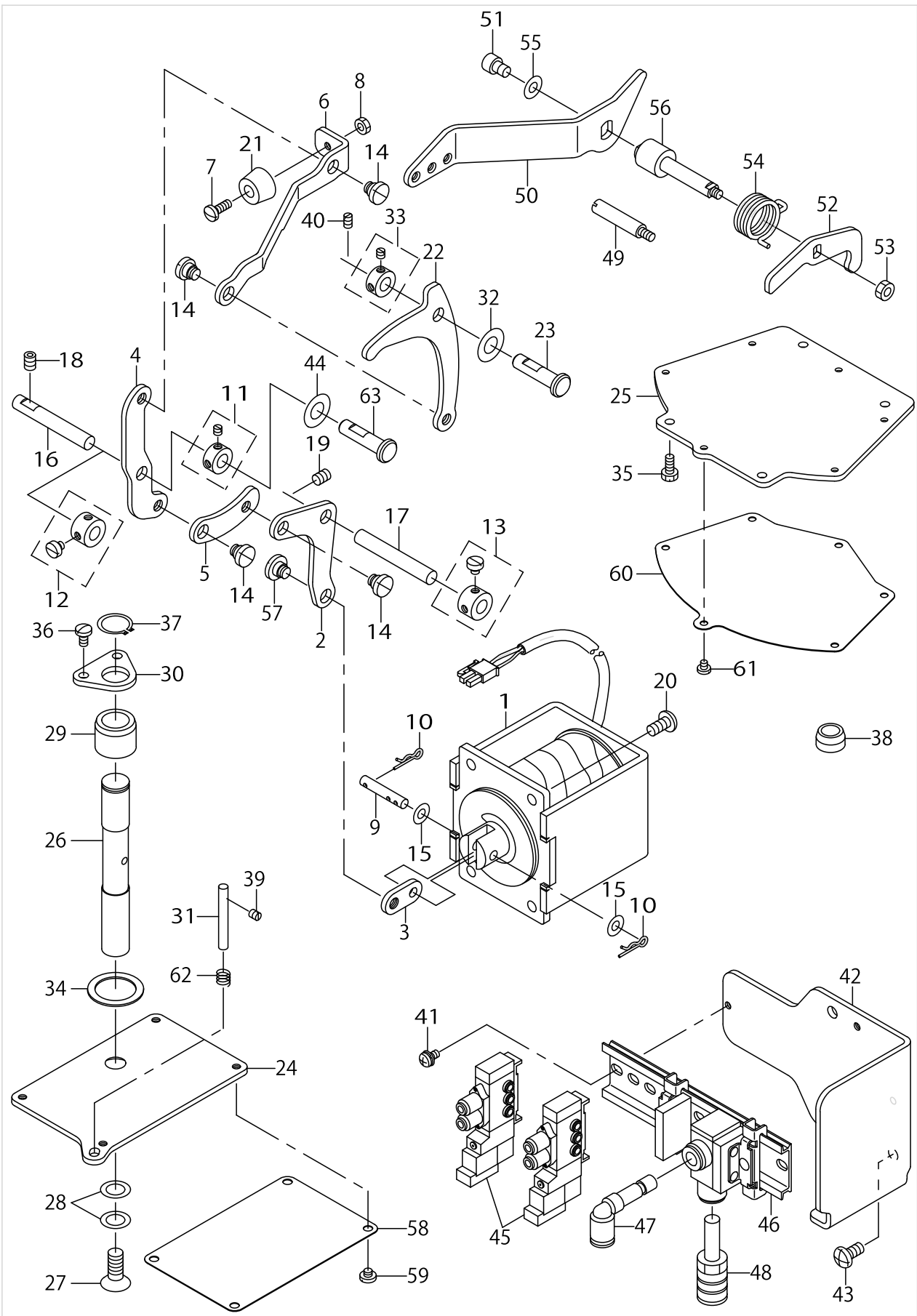
PRESSER LIFTER & MANUAL PEDAL COMPONENTS



PRESSER LIFTER & MANUAL PEDAL COMPONENTS

No.	Supply Code	Parts No.	Replacement	Parts name	Remarks	Choice	Step	Level	Cons	Qty	Rep. QTY
1		14104152		PRESSER LIFTING SOLENOID ASM.	FOR LK-19- Δ0SS,HS					1	
2		14203301		LINK D	FOR LK-19- Δ0SS,HS					1	
3		14104707		SOLENOID LINK	FOR LK-19- Δ0SS,HS					1	
4		14203103		LINK B	FOR LK-19- Δ0SS,HS					1	
5		14203202		LINK C	FOR LK-19- Δ0SS,HS					1	
6		14203004		LINK A	FOR LK-19- Δ0SS,HS					1	
7		SS7111120TP		SCREW	FOR LK-19- Δ0SS,HS					1	
8		NS6110310SP		NUT 11/64-40	FOR LK-19- Δ0SS,HS					1	
9		B1513210D00		MAGNET PIN	FOR LK-19- Δ0SS,HS					1	
10		B1515210D00		PIN	FOR LK-19- Δ0SS,HS					2	
11		22917058		THRUST COLLAR ASM., FRONT	FOR LK-1920SS,HS					1	
12		22917157		THRUST COLLAR ASM., REAR	FOR LK-1920SA,HA					1	
13		22917157		THRUST COLLAR ASM., REAR	FOR LK-19- Δ0SS,HS					1	
14		SD0800341SP		HINGE SCREW D=8 H=3.4	FOR LK-19- Δ0SS,HS					4	
15		WP0560860SE		WASHER 5.6X12X0.8	FOR LK-19- Δ0SS,HS					2	
16		14203509		LINK B FULCRUM SHAFT	FOR LK-1920					1	
17		14203509		LINK B FULCRUM SHAFT	FOR LK-19- Δ0SS,HS					1	
18		SS8150822TP		SCREW 15/64-28 L=8	EXCEPT L- K-1910SA,HA					2	
19		SS8150822TP		SCREW 15/64-28 L=8	FOR LK-19- Δ0SS,HS					2	
20		SS4151215SP		SCREW 15/64-28 L=12	FOR LK-19- Δ0SS,HS					4	
21		14204200		STOPPER RUBBER	FOR LK-19- Δ0SS,HS					1	
22		14203400		LINK E	FOR LK-19- Δ0SS,HS					1	
23		14204309		LINK FULCRUM SHAFT	FOR LK-19- Δ0SS,HS					1	
24		14203608		PRESSER PLATE	FOR LK-19- Δ0SS,HS					1	
25		14203806		PRESSERPLATE(AIR)	FOR LK-19- Δ0SA,HA					1	
26		14204002		SHAFT	FOR LK-19- Δ0SS,HS					1	
27		B1516210D00		SCREW	FOR LK-19- Δ0SS,HS					1	
28		B1530210D00		PRESSER PLATE SHEET WASHER	FOR LK-19- Δ0SS,HS					2	
29		B1702155000		BUSHING, REAR						1	
30		14204101		SHAFT GUIDE	FOR LK-19- Δ0SS,HS					1	
31		GNP01330000		CONTROL PIN	FOR LK-19- Δ0SS,HS					1	
32		B1208019000		WASHER	FOR LK-19- Δ0SS,HS					1	
33		22917058		THRUST COLLAR ASM., FRONT	FOR LK-19- Δ0SS,HS					1	
34		B1220771000		THRUST WASHER A	FOR LK-19- Δ0SS,HS					1	
35		SS9111010SP		SCREW 11/64-40 L=9.5	FOR LK-19- Δ0SA,HA					4	

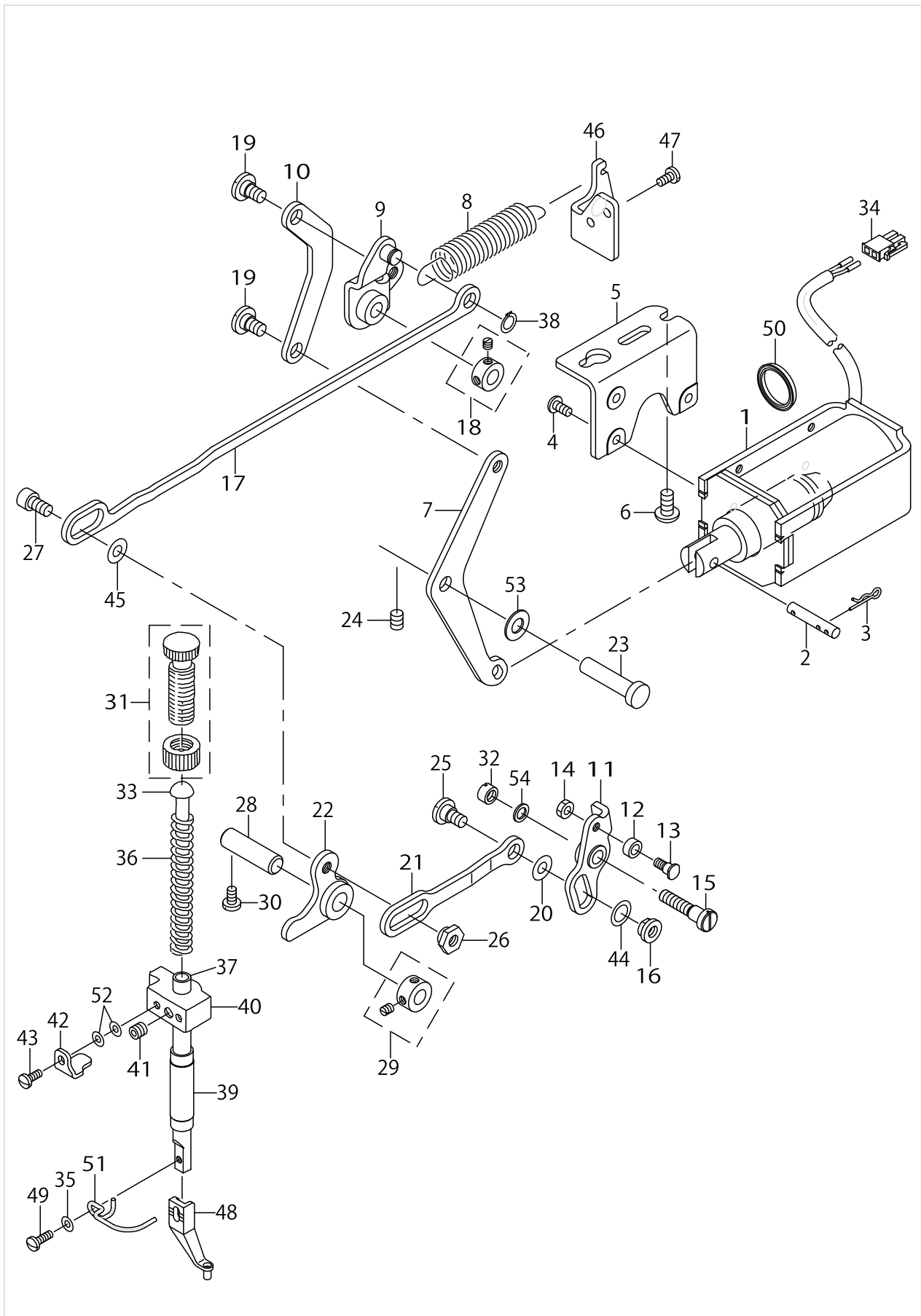
PRESSER LIFTER & MANUAL PEDAL COMPONENTS



PRESSER LIFTER & MANUAL PEDAL COMPONENTS

No.	Supply Code	Parts No.	Replacement	Parts name	Remarks	Choice	Step	Level	Cons	Qty	Rep. QTY
36		SS7110840SP		SCREW 11/64-40 L=7.8	FOR LK-19- Δ0SS,HS					2	
37		RC0150001KP		RETAINING RING 13.8	FOR LK-19- Δ0SS,HS					1	
38		TA1550902R0		PLUG	FOR LK-19- Δ0SA,HA					1	
39	R	SS8110510SP	SS8110520TP	SCREW 11/64-40 L=5	FOR LK-19- Δ0SS,HS					1	1.00
40		SS8150822TP		SCREW 15/64-28 L=8	FOR LK-19- Δ0SS,HS					1	
41		SL4041291SC		SCREW M4 L=12	FOR LK-19- Δ0SA,HA					2	
42		14204911		FITTING BASE	FOR LK-19- Δ0SA,HA					1	
43		SS4151215SP		SCREW 15/64-28 L=12	FOR LK-19- Δ0SA,HA					2	
44		B1223771000		NEEDLE ROD CRANK WASHER	FOR LK-1910SS,HS					1	
45		PV150209000		5 PORT SOLENOID VALVE	FOR LK-19- Δ0SA,HA					2	
46		PV915005000		SOLENOID VALVE I- NSTALLING BASE	FOR LK-19- Δ0SA,HA					1	
47		PJ304060001		ELBOW	FOR LK-19- Δ0SA,HA					1	
48		PX050003000		SILENCER	FOR LK-19- Δ0SA,HA					1	
49		22924005		PUMP BODY STRUT	FOR LK-19- Δ0SS,HS					1	
50		14205009		MANUAL PEDAL LINK A	FOR LK-19- Δ0SS,HS					1	
51		SM6060802TP		SCREW M6 L=8	FOR LK-19- Δ0SS,HS					1	
52		14205108		MANUAL PEDAL LINK B	FOR LK-19- Δ0SS,HS					1	
53		NM6050001SP		NUT M5	FOR LK-19- Δ0SS,HS					1	
54		14205207		MANUAL PEDAL RETURN SPRING	FOR LK-19- Δ0SS,HS					1	
55		WP0641601SC		WASHER	FOR LK-19- Δ0SS,HS					1	
56		B1701210D00		LOWERING LEVER SHAFT	FOR LK-19- Δ0SS,HS					1	
57		SD0800331TH		HINGE SCREW D=8 H=3.25	FOR LK-19- Δ0SS,HS					1	
58		14203707		PRESSER PLATE SHEET	FOR LK-19- Δ0SS,HS					1	
59		SS7110340SP		SCREW 11/64-40 L=3.2	FOR LK-19- Δ0SS,HS					4	
60		14203905		PRESSER PLATE SHEET	FOR LK-19- Δ0SA,HA					1	
61		SS7090410SP		SCREW 9/64-40 L=3.5	FOR LK-19- Δ0SA,HA					6	
62		12210803		SPRING	FOR LK-19- Δ0SS,HS					1	
63		14204309		LINK FULCRUM SHAFT	FOR LK-1910SS,HS					1	

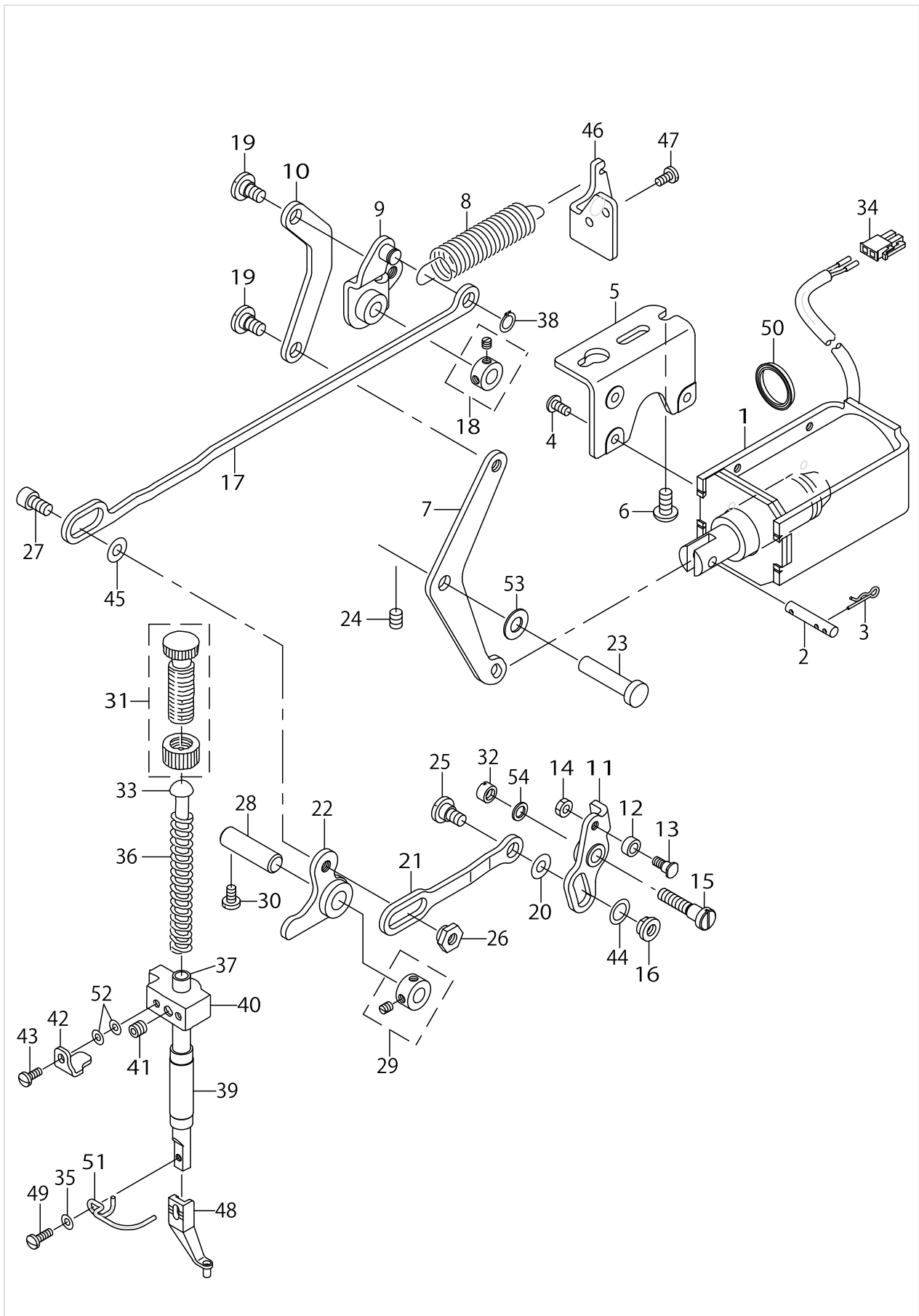
PRESSER MECHANISM COMPONENTS(FOR LK-1920)



PRESSER MECHANISM COMPONENTS(FOR LK-1920)

No.	Supply Code	Parts No.	Replacement	Parts name	Remarks	Choice	Step	Level	Cons	Qty	Rep. QTY
1		14209001		SOLENOID						1	
2		B1513210D00		MAGNET PIN						1	
3		B1515210D00		PIN						2	
4		SS4110815SP		SCREW 11/64-40 L=8						3	
5		14207807		SOLENOID INSTALLING PLATE						1	
6		SS4151215SP		SCREW15/64-28L=12						2	
7		14207609		LINK C						1	
8		14208201		SPRING						1	
9		14207252		LINK A COMPL.						1	
10		14207500		LINK B						1	
11		14206650		DRIVE ARM COMPL.						1	
12		D2587L8WB00		ROLLER						1	
13		14209308		INNER PRESSER ROLLER SHAFT						1	
14		NS6110420SP		NUT 11/64-40						1	
15		40031323		HINGE SCREW						1	
16		B1633210D00		ADJUSTING NUT						1	
17		40025746		LINK						1	
18		22917058		THRUST COLLAR ASM., FRONT						1	
19		SD0800341SP		HINGE SCREW D=8 H=3.4						2	
20		WP0612066SP		WASHER 6.1X11X2						1	
21		14206908		ROD						1	
22		14207054		LINK COMPL.						1	
23		14204309		LINK FULCRUM SHAFT						1	
24		SS8150822TP		SCREW 15/64-28 L=8						1	
25		SD0800431SP		HINGE SCREW D=8 H=4.3						1	
26		26227702		NUT						1	
27		SS6151142TP		SCREW 15/64-28 L=10.5						1	
28		PH1000332SH		PIN 10X33						1	
29		CS100081CSP		THRUST COLLAR ASM.						1	
30		SS7110810SP		SCREW 11/64-40 L=8.0						1	
31		22907554		PRESSER SPRING REGULATOR ASM.						1	
32		40031324		NUT						1	
33		40023631		PRESSER GUIDE BAR						1	
34		HK034610020		2-POLE NYLON PLUG						1	
35		WP0371016SD		WASHER 3.7X8X1						1	
36		14208300		SPRING						1	
37		26502906		INNER PRESSER ROD						1	
38		RC0740811KP		C-RING						1	
39		40014007		PRESSER BAR BUSHING LOWER						1	
40	R	11006004	22907208	PRESSER BAR GUIDE BRACKET						1	1.00
41		SS8660612TP		SCREW 1/4-40 L=6						1	
42		14208508		GUIDE BRACKET SUPPORT PLATE						1	
43		SS7091110TP		SCREW 9/64-40 L=10.5						1	
44		WP0951016SP		WASHER 9.53X15X1						1	
45		WP0600816SP		WASHER						1	
46		40022462		RETURN SPRING HOOK						1	

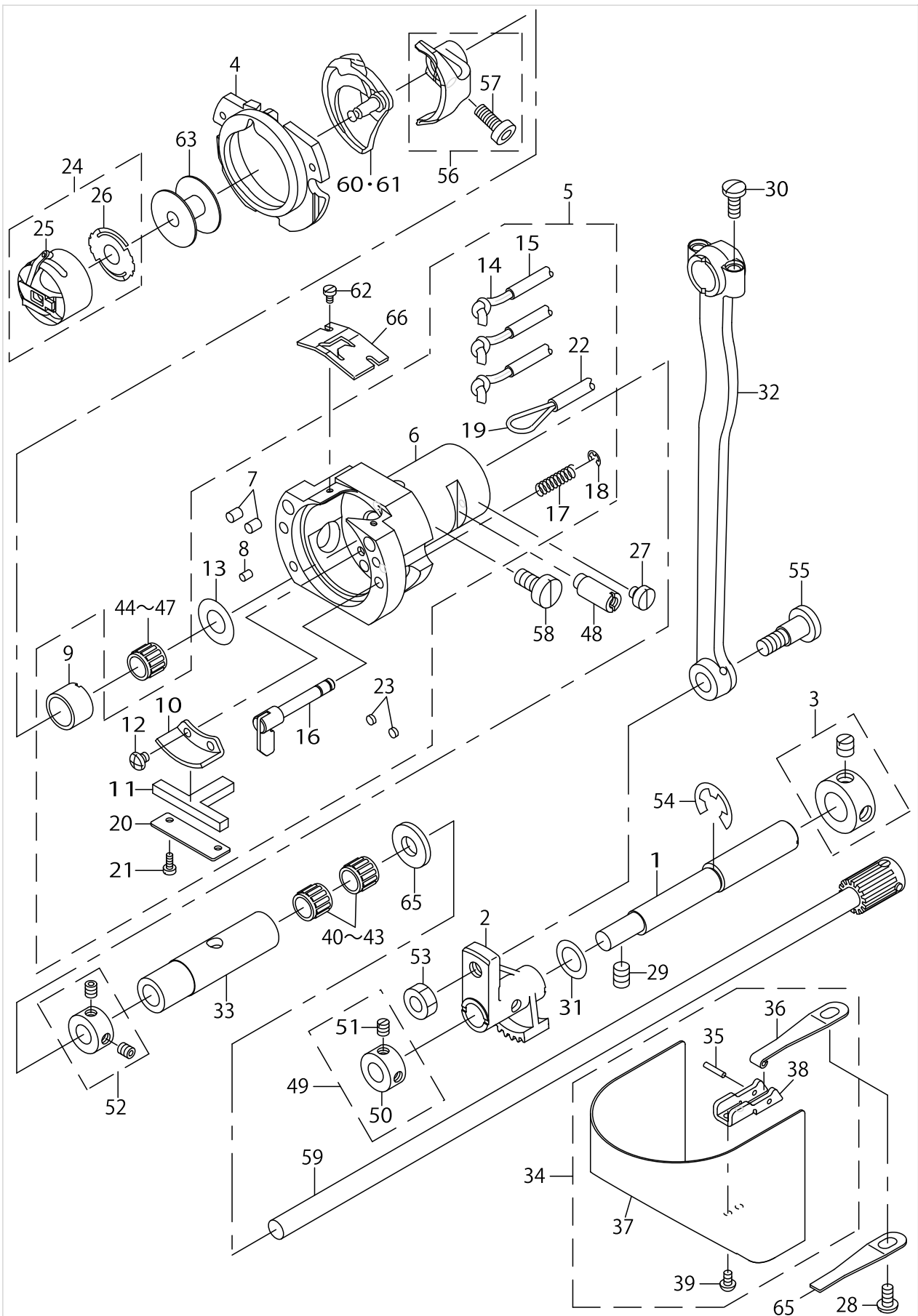
PRESSER MECHANISM COMPONENTS(FOR LK-1920)



PRESSER MECHANISM COMPONENTS(FOR LK-1920)

No.	Supply Code	Parts No.	Replacement	Parts name	Remarks	Choice	Step	Level	Cons	Qty	Rep. QTY
47		SS7110840SP		SCREW 11/64-40 L=7.8						2	
48		40023632		INTERMEDIATE PRESSER A						1	
49		SS7091110TP		SCREW 9/64-40 L=10.5						1	
50		B1652210D00		GASKET						1	
51		B1634210D00		FINGER GUARD						1	
52		WP0371016SD		WASHER 3.7X8X1						2	
53		B1223771000		NEEDLE ROD CRANK WASHER						1	
54		WP0621026SP		WASHER 6.2X9.5X1						1	

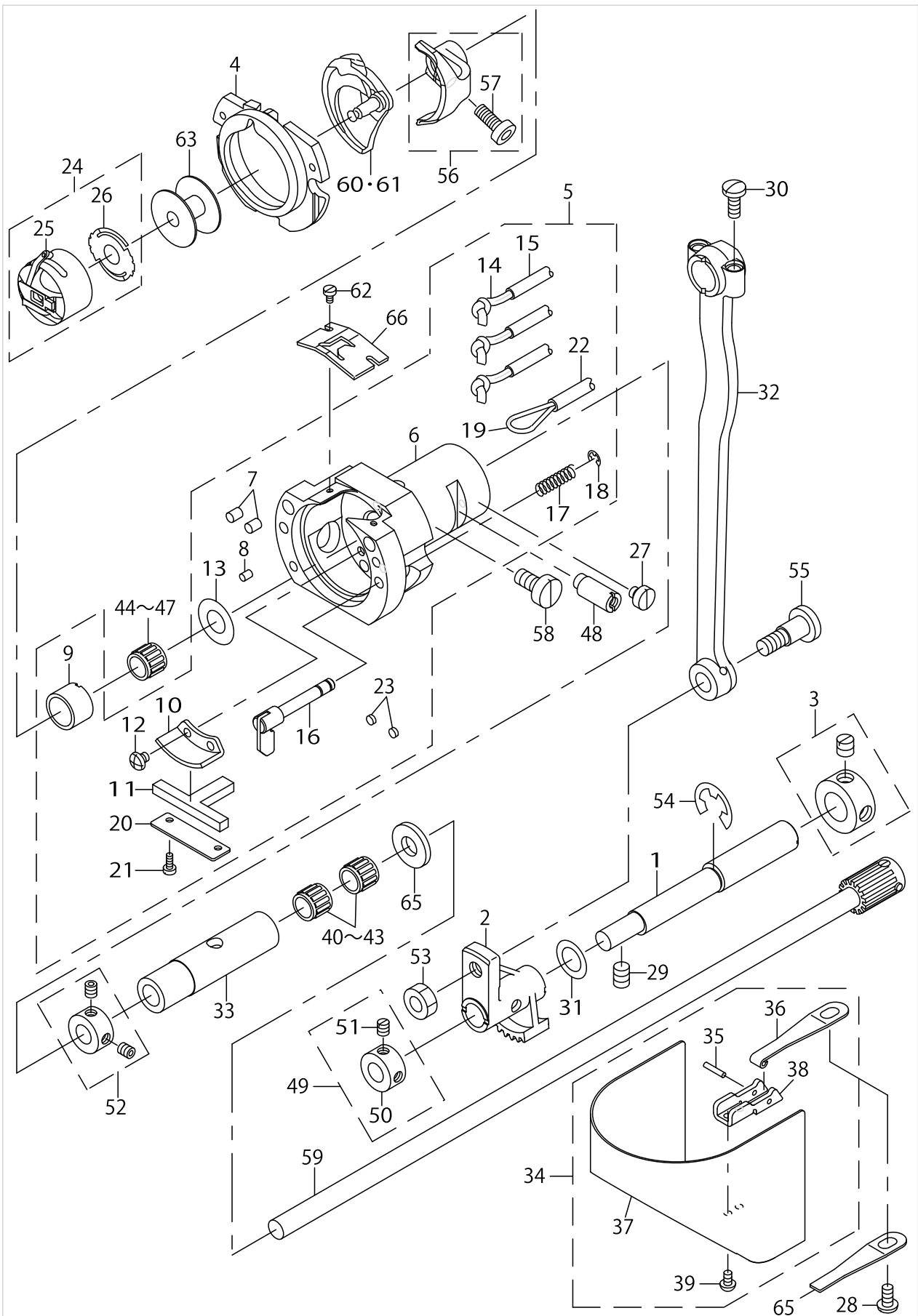
SHUTTLE DRIVER SHAFT COMPONENTS



SHUTTLE DRIVER SHAFT COMPONENTS

No.	Supply Code	Parts No.	Replacement	Parts name	Remarks	Choice	Step	Level	Cons	Qty	Rep. QTY
1		B1836210D00		OSCILLATING ECCENTRIC SHAFT						1	
2		14106702		OSCILLATOR						1	
3		CS1201010SH		THRUST COLLAR ASM. D=12 W=10						1	
4		14103352		INNER HOOK PRESSER ASM., B						1	
5		14103758		SHUTTLE ASM.						1	
6		14103006		SHUTTLE				*		1	
7		B1820210D00		SHUTTLE OIL FELT,A				*		2	
8		B1821210D00		SHUTTLE OIL FELT,B				*		1	
9		14106405		SHUTTLE NEEDLE OUTER RING				*		1	
10	R	B3505280000	26231100	SHUTTLE LUBRICATING PLATE				*		1	1.00
11		14103907		SHUTTLE ONCE TH- ROUGH OIL FELT				*		1	
12		SS4090415SP		SCREW 9/64-40 L=4				*		2	
13		WP0952616SD		WASHER 9.5X14.8X2.6				*		1	
14		CQ202000000		OIL WICK				*		1.06	
15		23630007		TUBE				*		1.59	
16		26501858		INNER-HOOK-PRESSER ASM.				*		0.99	
17		B1822215P00		INNER HOOK PRESSER SPRING				*		2	
18		RE0300000K0		E-RING 3				*		2	
19		CQ200000000		OIL WICK				*		0.43	
20		14104004		ONCE THROUGH OIL FELT PRESSER				*		1	
21		SS6060410TP		SCREW 3/32-56 L=3.5				*		2	
22		BT0500300EA		OIL TUBE				*		0.19	
23		13529607		SHUTTLE PACKING				*		2	
24		B1828210DAA		BOBBIN CASE ASM.						1	
25		B1828210D0A		BOBBIN CASE				*		1	
26		B1808210D00		SPRING				*		1	
27		SS6110480SP		SCREW 11/64-40 L=4.3						1	
28		SS7110840SP		SCREW 11/64-40 L=7.8						1	
29		SS8150822TP		SCREW 15/64-28 L=8						2	
30		SS7111110TP		SCREW 11/64-40 L=10.5						2	
31		10523504		WASHER						1	
32	R	B1802210D00	B1802210DA0	CRANK ROD						1	1.00
33		14106306		LOWER SHAFT METAL, REAR						1	
34		40142674		CYLINDER_ARM_CAP_ASM.						1	
35		13508700		HOOK COVER PRE- SSER SPRING PIN				*		1	
36		26221101		HOOK COVER PRESSER SPRING A				*		1	
37		40142675		CYLINDER ARM CAP				*		1	
38	R	40142677	40142674	CYLINDER ARM CAP PLATE		A		*		1	1.00
38	R	40142677	40146832	CYLINDER ARM CAP PLATE		B	LK1903B-- BS-301專- 用/Only L- K1903B-BS-301	*		1	1.00
39		SM3030552TN		SCREW M3 L=5				*		2	
40		SB30800100A		BEARING	SELECTIVE PARTS					2	
41		SB30800100B		BEARING	SELECTIVE PARTS					2	
42		SB30800100C		BEARING	SELECTIVE PARTS					2	
43		SB30800100D		BEARING	SELECTIVE PARTS					2	

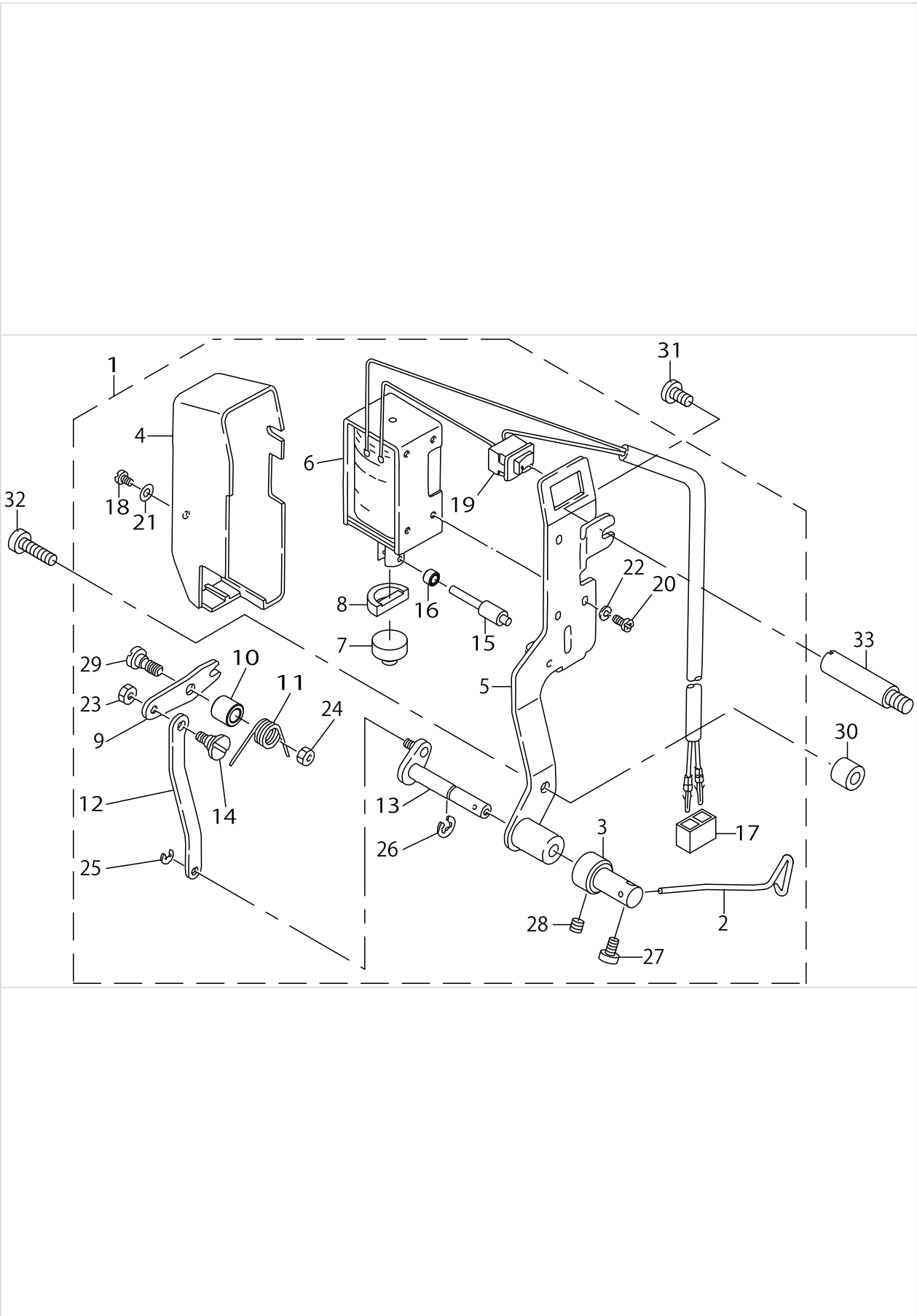
SHUTTLE DRIVER SHAFT COMPONENTS



SHUTTLE DRIVER SHAFT COMPONENTS

No.	Supply Code	Parts No.	Replacement	Parts name	Remarks	Choice	Step	Level	Cons	Qty	Rep. QTY
44		SB30800100A		BEARING	SELECTIVE PARTS					1	
45		SB30800100B		BEARING	SELECTIVE PARTS					1	
46		SB30800100C		BEARING	SELECTIVE PARTS					1	
47		SB30800100D		BEARING	SELECTIVE PARTS					1	
48		26222208		SHUTTLE RACE AD- JUSTING SHAFT						1	
49		CS100081CSP		THRUST COLLAR ASM.						1	
50		CS1000811SP		THRUST COLLAR				*		1	
51		SS8110520TP		SCREW 11/64-40 L=4.5				*		2	
52		CS080081CSH		THRUST COLLAR ASM. D=8.0 W=8						1	
53		NS6660430SP		NUT 1/4-40						1	
54		RE0900000K0		E-RING 9						1	
55		SD0801021TP		HINGE SCREW D=8 H=10.2						1	
56		40060888		SHUTTLE_DRIVER_ASM						1	
57		SS6121212TP		SCREW 3/16-28 L=12.0				*		1	
58		SS6151220SP		SCREW 15/64-28 L=11.5						1	
59		14106256		LOWER SHAFT GEAR ASM.						1	
60		B1818210D0A		SHUTTLE	FOR LK-19- Δ0SS,SA					1	
61		B1818210D0B		SHUTTLE,H	FOR LK-19- Δ0HS,HA					1	
62		SS6060410TP		SCREW 3/32-56 L=3.5						2	
63		B1806210D00		BOBBIN						1	
64		26221200		HOOK COVER PRESSER SPRING B						1	
65		B1808980000		LOWER SHAFT THRUST WASHER						1	
66		26222109		SHUTTLE UPPER SPRING						1	

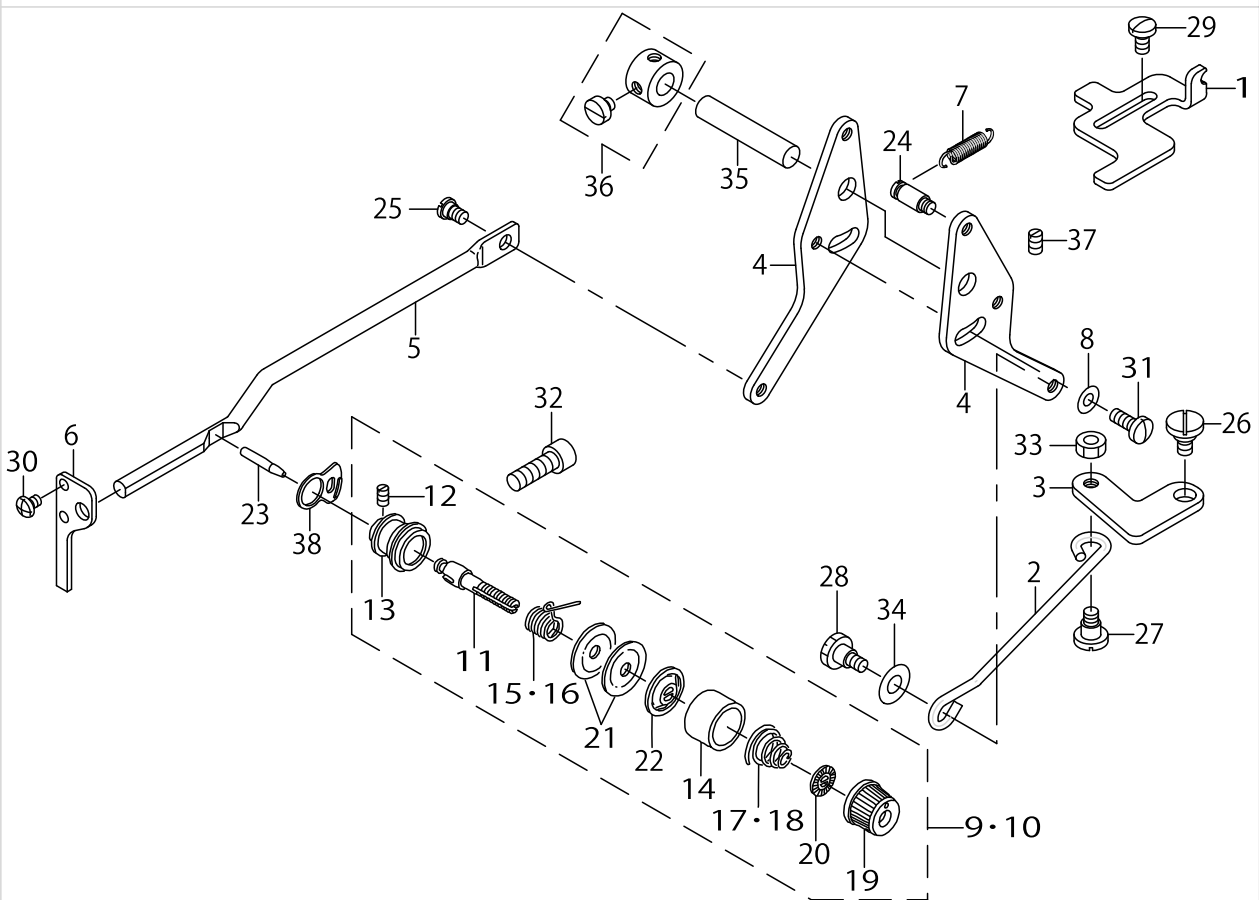
WIPER MECHANISM COMPONENTS



WIPER MECHANISM COMPONENTS

No.	Supply Code	Parts No.	Replacement	Parts name	Remarks	Choice	Step	Level	Cons	Qty	Rep. QTY
1		14211551		WIPER ASM.						1	
2		B2107210D0A		P WIPER				*		1	
3		14211502		WIPER SHAFT CAP				*		1	
4		22955504		WIPER COVER				*		1	
5		40034676		WIPER BASE ASM				*		1	
6		40097998		WIPER SOLENOID ASM.				*		1	
7		22955900		WIPER RUBBER A				*		1	
8		22956007		WIPER RUBBER B				*		1	
9		22956106		WIPER LINK A				*		1	
10		22956205		WIPER HINGE SCREW COLLAR				*		1	
11		B2130210D00		WIPER SPRING				*		1	
12		22956403		WIPER LINK B				*		1	
13	R	11111051	40041419	WIPER DRIVING SHAFT ASM.				*		1	1.00
14		22956908		WIPER LINK B HINGE SCREW				*		1	
15		22957104		WIPER SOLENOID SHAFT				*		1	
16		22957203		WIPER LINK COLLAR				*		1	
17		HK034610020		2-POLE NYLON PLUG				*		1	
18		SM4030601SN		SCREW M3X6				*		1	
19		HA00600000A		SWITCH				*		1	
20		SM4030601SN		SCREW M3X6				*		3	
21		WP0320501SC		WASHER M3				*		1	
22		WS0310002KR		SPRING WASHER 3.1X5.9X0.7				*		3	
23		NS6090310SP		NUT 9/64-40				*		1	
24		NS6110310SP		NUT 11/64-40				*		1	
25		RE0250000K0		E-RING 2.5				*		1	
26		RE0500000K0		E-RING				*		1	
27		SS6090620TP		SCREW				*		1	
28		SS8110422TP		SCREW 11/64-40 L=4				*		1	
29		SD0650321TP		HINGE SCREW D=6.5 H=3.2				*		1	
30		11315108		COLLAR						1	
31		SS7110840SP		SCREW 11/64-40 L=7.8						1	
32		SS6111610SP		SCREW 11/64-40 L=16						1	
33		22924005		PUMP BODY STRUT						1	

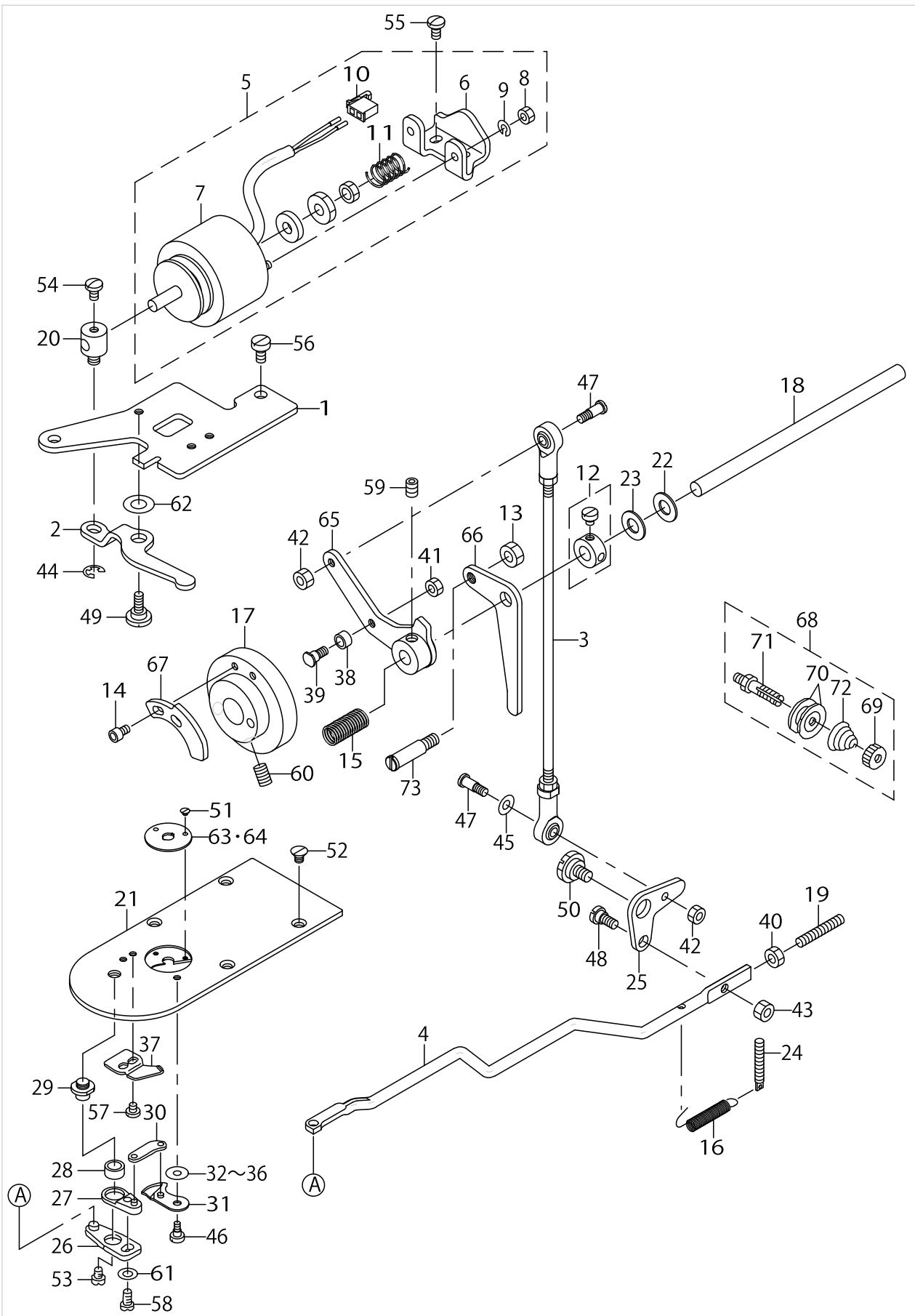
TENSION RELEASE & THREAD TENSION COMPONENTS



TENSION RELEASE & THREAD TENSION COMPONENTS

No.	Supply Code	Parts No.	Replacement	Parts name	Remarks	Choice	Step	Level	Cons	Qty	Rep. QTY
1		14107502		STOPPER						1	
2		14107700		CONNECTING BAR						1	
3		B2304210D00		TENSION RELEASE LINK						1	
4		26500900		TENSION RELEASE ADJUSTING ARM						2	
5		26501304		TENSION RELEASE BAR						1	
6		26218404		THREAD TENSION ARM						1	
7		B2545280000		PRESSURE SPRING						1	
8		WP0482086SD		WASHER 4.8X11.5X2						1	
9		B23022800A0		SECOND THREAD TENSION ASM.	FOR LK-19- Δ0SS,SA					1	
10		B23022050A0		TENSION CONTROLLER NO.2 ASM.	FOR LK-19- Δ0HS,HA					1	
11		B2302280000		SECOND THREAD TENSION ROD				*		1	
12		SS8090610SP		SCREW 9/64-40 L=5.9				*		1	
13		B2313280000		THREAD TENSION ROD, LARGE				*		1	
14		B3107804000		THREAD TENSION DISK PRESSER				*		1	
15		B3112761000		THREAD TAKE-UP SPRING				*		1	
16		D3112L4BB00		TAKE-UP SPRING (HEAVY)				*		1	
17		B3114232000		THREAD TENSION SPRING				*		1	
18		B3129053000		TENSION SPRING				*		1	
19	R	B3119771000	13817408	THREAD TENSION NUT				*		1	1.00
20		B3120125000		ROTATING STOPPER				*		1	
21	R	B3126012000	22921506	THREAD TENSION DISK				*		2	1.00
22		B3132552000		THREAD TENSION DISK PRESSER				*		1	
23		B2303280000		TENSION RELEASE PIN						1	
24		26229302		SUSPENSION SCREW						1	
25		SD0530221SP		HINGE SCREW D=5.3 H=2.2						1	
26		SD0720321TP		HINGE SCREW						1	
27		SD0640391TP		HINGE SCREW D=6.35 H=3.9						1	
28		SD0640482SP		HINGE SCREW D=6.35 H=4.8						1	
29		SS6110810TP		SCREW 11/64-40 L=8						2	
30		SS4090515SP		SCREW 9/64-40 L=5						2	
31		SS7111120TP		SCREW						1	
32		SS6151812TP		SCREW 15/64-28 L=18						1	
33		NS6120310SP		NUT 3/16-28						1	
34		WP0651056SD		WASHER 6.5X11X1						1	
35		40009290		HINGE STUD						1	
36		22917157		THRUST COLLAR ASM., REAR						1	
37	R	SS8110510SP	SS8110520TP	SCREW 11/64-40 L=5						1	1.00
38		B2702210000		GUIDE PLATE						1	

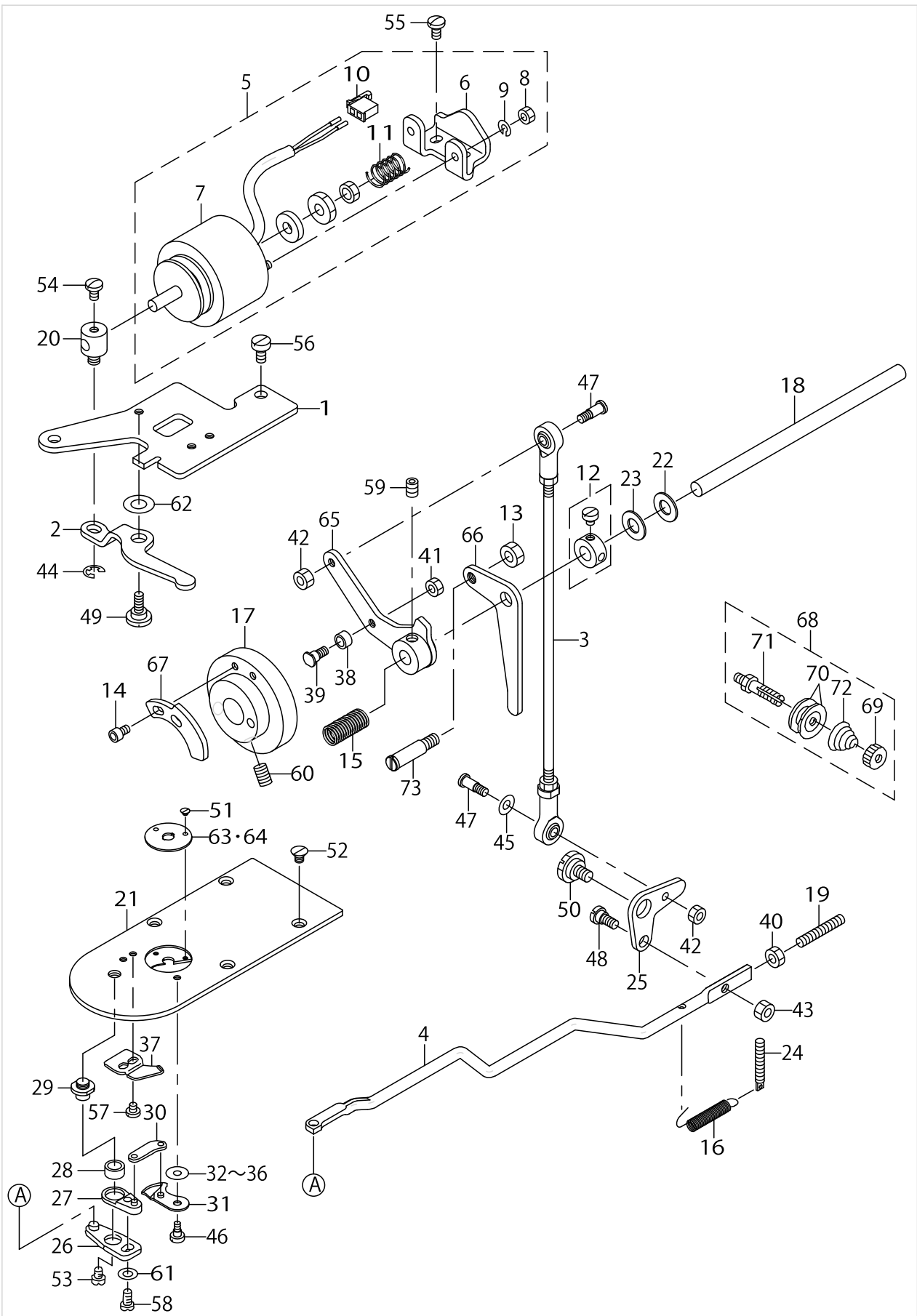
TENSION RELEASE & THREAD TRIMMER MECHANISM COMPONENTS



TENSION RELEASE & THREAD TRIMMER MECHANISM COMPONENTS

No.	Supply Code	Parts No.	Replacement	Parts name	Remarks	Choice	Step	Level	Cons	Qty	Rep. QTY
1		26501205		CAM FOLLOWER STOPPER						1	
2		14108500		SOLENOID ARM						1	
3		14108609		CONNECTING ROD						1	
4		26501908		CONNECTING BAR						1	
5		40104895		THREAD TRIMMER SOLENOID ASM.						1	
6		14108807		SOLENOID INSTALLING BASE				*		1	
7		40104889		THREAD TRIMMER SOLENOID				*		1	
8		NM6040001SE		NUT M4				*		2	
9		WS0410002KR		SPRING WASHER, M4				*		2	
10		HK034610020		2-POLE NYLON PLUG				*		1	
11		13216601		PUSH BUTTON SPRING				*		1	
12		CS080081BSH		THRUST COLLAR ASM. D=8.0 W=8						1	
13		NS6150310SP		NUT 15/64-28						1	
14		SM6040602TP		SCREW M4 L=6						2	
15		B2617771000		TRIPPING LEVER T-ENSION SPRING						1	
16		14109300		THREAD TRIM LINK SPRING						1	
17		B2401210D00		THREAD TRIMMER CAM						1	
18		B2408210D00		THREAD TRIMMER SHAFT						1	
19		SM8053002TP		SCREW M5 L=30						1	
20		22951008		SOLENOID PIN						1	
21		14213003		NEEDLE PLATE						1	
22		B1223771000		NEEDLE ROD CRANK WASHER						1	
23		B1116804000		CLOTH PLATE WASHER						1	
24		26226506		SPRING HOOK						1	
25		B2411210000		THREAD TRIMMER LINK						1	
26		B24142800A0		THREAD CUTTER L-EVER ASM., LARGE						1	
27		B24152800A0		THREAD CUTTER L-EVER ASM., SMALE						1	
28		B2416280000		THREAD CUTTING LEVER RING						1	
29		B2417280000		THREAD CUTTER LEVER SHAFT						1	
30		B2418280000		MOVING KNIFE LINK						1	
31		B24212800A0		MOVING KNIFE ASM.						1	
32		B242328000A		MOVING KNIFE WASHER A	SELECTIVE PARTS					1	
33		B242328000B		MOVING KNIFE WASHER B	SELECTIVE PARTS					1	
34		B242328000C		MOVING KNIFE WASHER C	SELECTIVE PARTS					1	
35		B242328000D		MOVING KNIFE WASHER D	SELECTIVE PARTS					1	
36		B242328000E		MOVING KNIFE WASHER E	SELECTIVE PARTS					1	
37		B2424280000		FIXING KNIFE						1	
38		D2587L8WB00		ROLLER						1	
39		D2588L8WB00		ROLLER SHAFT						1	
40		NM6050001SP		NUT M5						1	
41		NS6110420SP		NUT 11/64-40						1	
42		NS6110420SP		NUT 11/64-40						2	
43		NS6120310SP		NUT 3/16-28						1	
44		RE0500000K0		E-RING						1	
45		WP0501016SD		WASHER 5X10.5X1						1	

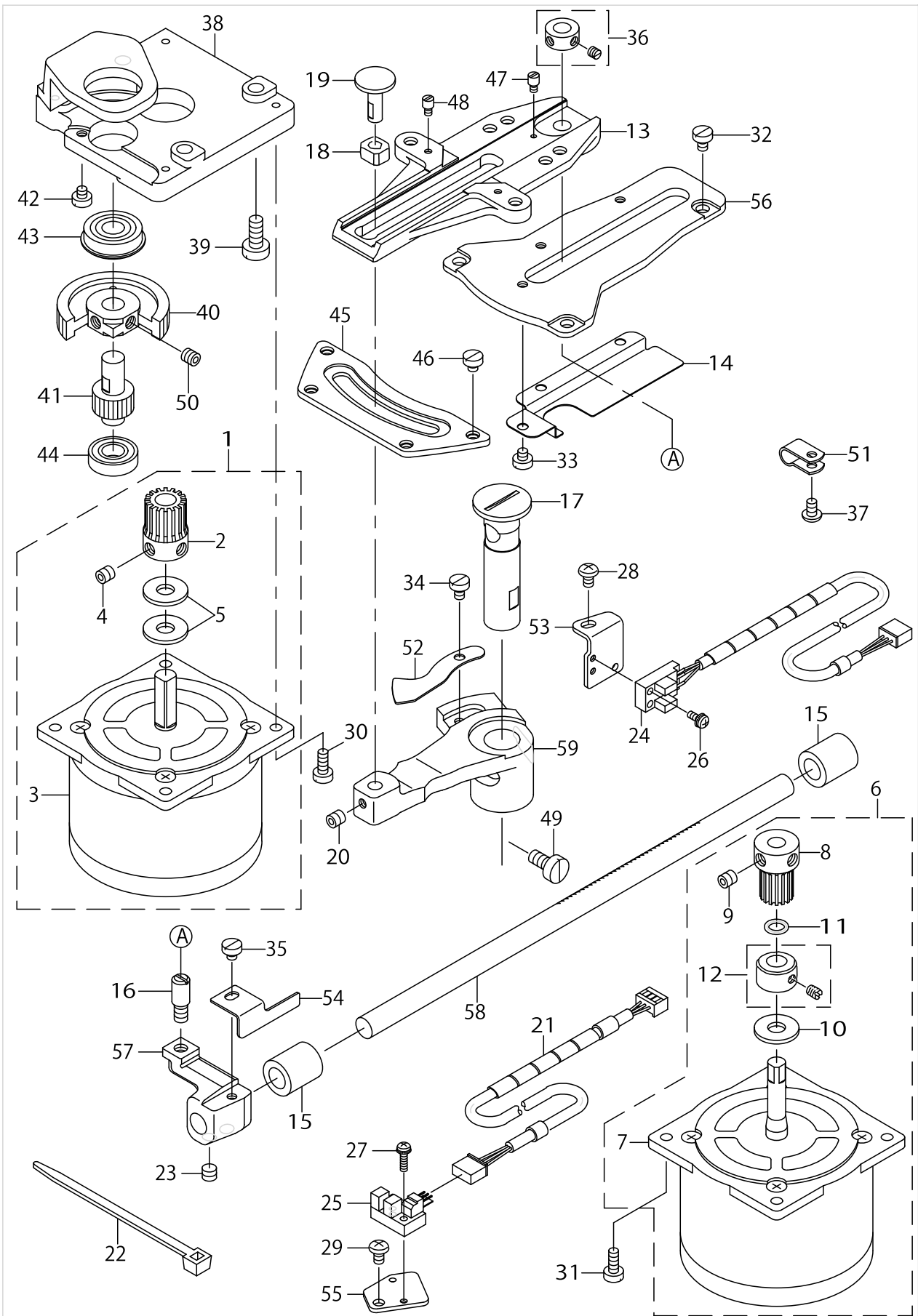
TENSION RELEASE & THREAD TRIMMER MECHANISM COMPONENTS



TENSION RELEASE & THREAD TRIMMER MECHANISM COMPONENTS

No.	Supply Code	Parts No.	Replacement	Parts name	Remarks	Choice	Step	Level	Cons	Qty	Rep. QTY
46		SD0500091TP		HINGE SCREW D=5.0 H=0.9						1	
47		SD0500803TP		HINGE SCREW D=5 H=8						2	
48		SD0650305TP		HINGE SCREW D=6.5 H=3						1	
49		SD0790311TP		HINGE SCREW D=7.94 H=3.1						1	
50		SD1100301TP		HINGE SCREW H=11 W=3						1	
51		SS1060210TP		SCREW 3/32-56 L=2.2						2	
52		SS1110640TP		SCREW 11/64-40 L=5.5						4	
53		SS6110430TP		SCREW 11/64-40 L=4.0						1	
54		SS7110740TP		SCREW 11/64-40 L=7						1	
55		SS7110840SP		SCREW 11/64-40 L=7.8						2	
56	R	SS6120930SP	SS6120930TP	SCREW 3/16-28 L=9						2	1.00
57		SS7090410SP		SCREW 9/64-40 L=3.5						2	
58		SS7110740TP		SCREW 11/64-40 L=7						1	
59		SS8150822TP		SCREW 15/64-28 L=8						1	
60		SS8661012TP		SCREW						2	
61		WP0450846SP		WASHER						1	
62		WP0553216SD		WASHER						1	
63		D2426284M00		NEEDLE HOLE GUIDE	FOR LK-19- Δ0SS,SA					1	
64		14109607		NEEDLE HOLE GUIDE	FOR LK-19- Δ0HS,HA					1	
65		14109250		CAM FOLLOWER ASM.						1	
66		14107601		THREAD RELEASE ARM						1	
67		B2312210D00		TENSION RELEASE NOTCH						1	
68		26218651		FIRST THREAD TENSION ASM.						1	
69		22928808		NUT				*		1	
70		22921506		THREAD TENSION DISK				*		2	
71		26220400		THREAD TENSION ROD				*		1	
72		26218602		FIRST THREAD TENSION SPRING				*		1	
73		26500504		TENSION RELEASE ARM PIN						1	

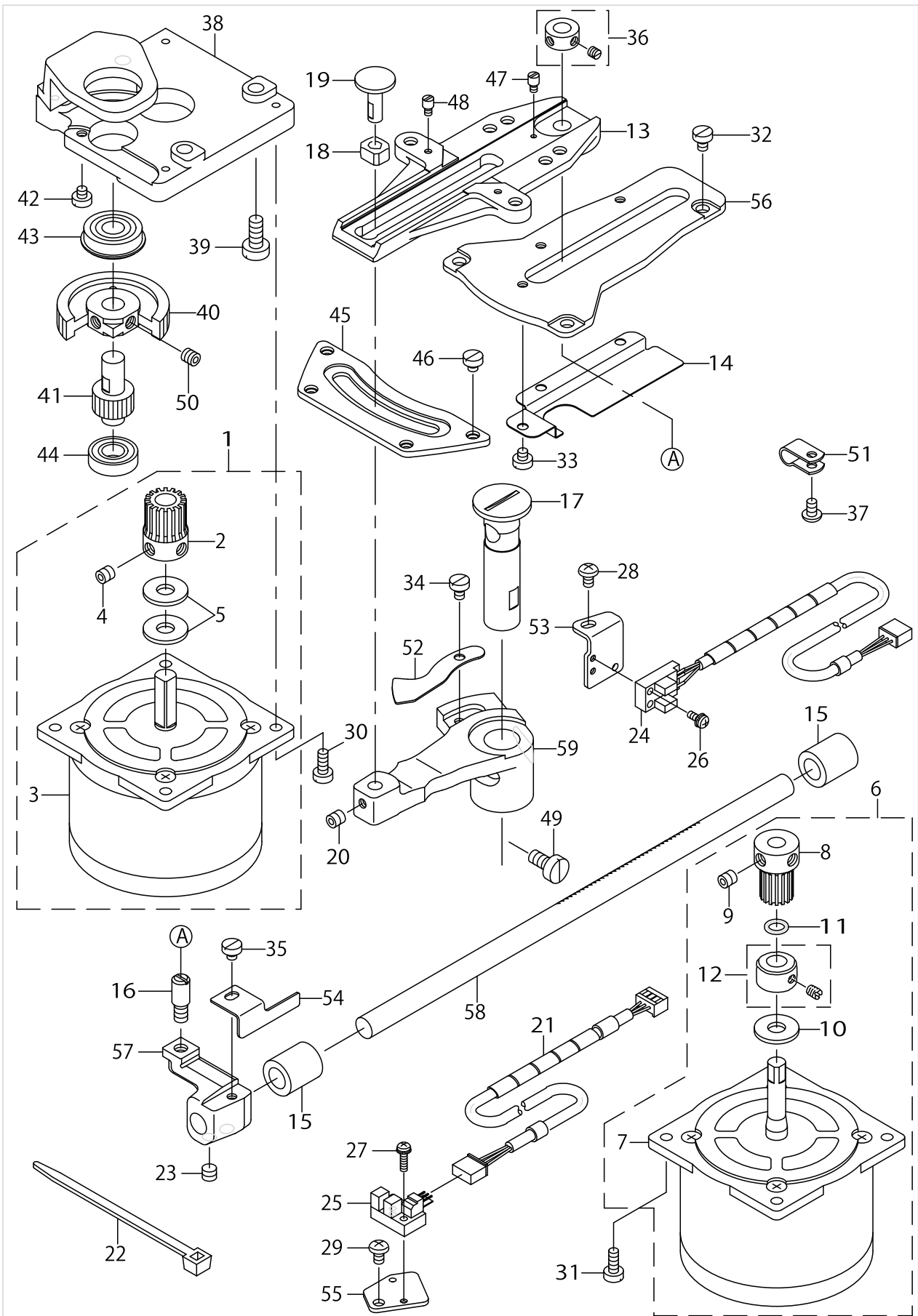
FEED MECHANISM COMPONENTS



FEED MECHANISM COMPONENTS

No.	Supply Code	Parts No.	Replacement	Parts name	Remarks	Choice	Step	Level	Cons	Qty	Rep. QTY
1	R	14216352	14112502	CROSSFEED MOTOR ASM.		A				1	2.00
1	R	14216352	SM8060612TP	CROSSFEED MOTOR ASM.		A				1	1.00
1	R	14216352	26501403	CROSSFEED MOTOR ASM.		A				1	1.00
1	R	14216352	14216303	CROSSFEED MOTOR ASM.		A				1	1.00
2		26501403		CROSSFEED GEAR				*		1	
3		14216303		CROSSFEED STEPPING MOTOR				*		1	
4		SM8060812TP		SCREW M6 L=8				*		2	
5		14112502		RUBBER WASHER				*		2	
6		14216469		VERTICAL FEED MOTOR ASM.						1	
7		14216410		LENGTHWISE STEPPING MOTOR				*		1	
8		26501502		VERTICAL FEED GEAR				*		1	
9		SM8060812TP		SCREW M6 L=8				*		2	
10		14112502		RUBBER WASHER				*		1	
11		RO069180100		RUBBER RING				*		1	
12		CS095081ASH		THRUST COLLAR ASM. D=9.53 W=8				*		1	
13		14214019		CLOTH FEED PLATE						1	
14		14215701		CLOTH FEED SUPPORT PLATE COVER						1	
15		B2509704000		BUSHING, REAR						2	
16		B1456057000		HINGE SCREW						1	
17		14214506		CROSSFEED FULCRUM SHAFT						1	
18		B1414232000		SQUARE BLOCK						1	
19		26223305		SLIDE BLOCK STUD						1	
20		SM8060612TP		SCREW M6 L=6						1	
21		14221352		Y SENSOR CABLE ASM.						1	
22		EA9500B0100		CABLE BAND						1	
23		SS8660612TP		SCREW 1/4-40 L=6						2	
24		14221451		CROSSFEED ZERO SENSOR ASM.						1	
25		HD00057000A		PHOTO SENSOR						1	
26		SL4030881SC		SCREW M3X8						2	
27		SL4031291SC		SCREW M3X12						1	
28		SS4110715SP		SCREW 11/64-40 L=7						1	
29		SS4110715SP		SCREW 11/64-40 L=7						1	
30		SS6111140SP		SCREW 11/64-40 L=11						4	
31		SS6111140SP		SCREW 11/64-40 L=11						4	
32		SS6110610TP		SCREW 11/64-40 L=6						3	
33		SS7110410SP		SCREW 11/64-40 L=4						3	
34		SS6110610TP		SCREW 11/64-40 L=6						1	
35		SS6110480SP		SCREW 11/64-40 L=4.3						1	
36		CS079073BSH		THRUST COLLAR						1	
37		SS4110715SP		SCREW 11/64-40 L=7						2	
38		14215057		MOTORBASE COMPL.						1	
39		SS6151440SP		SCREW 15/64-28 L=14						3	
40		14215404		CROSSFEED GEAR (LARGE)						1	
41		14215305		CROSSFEED GEAR (SMALL)						1	
42		SS6110480SP		SCREW 11/64-40 L=4.3						1	
43		SB110001300		BEARING						1	

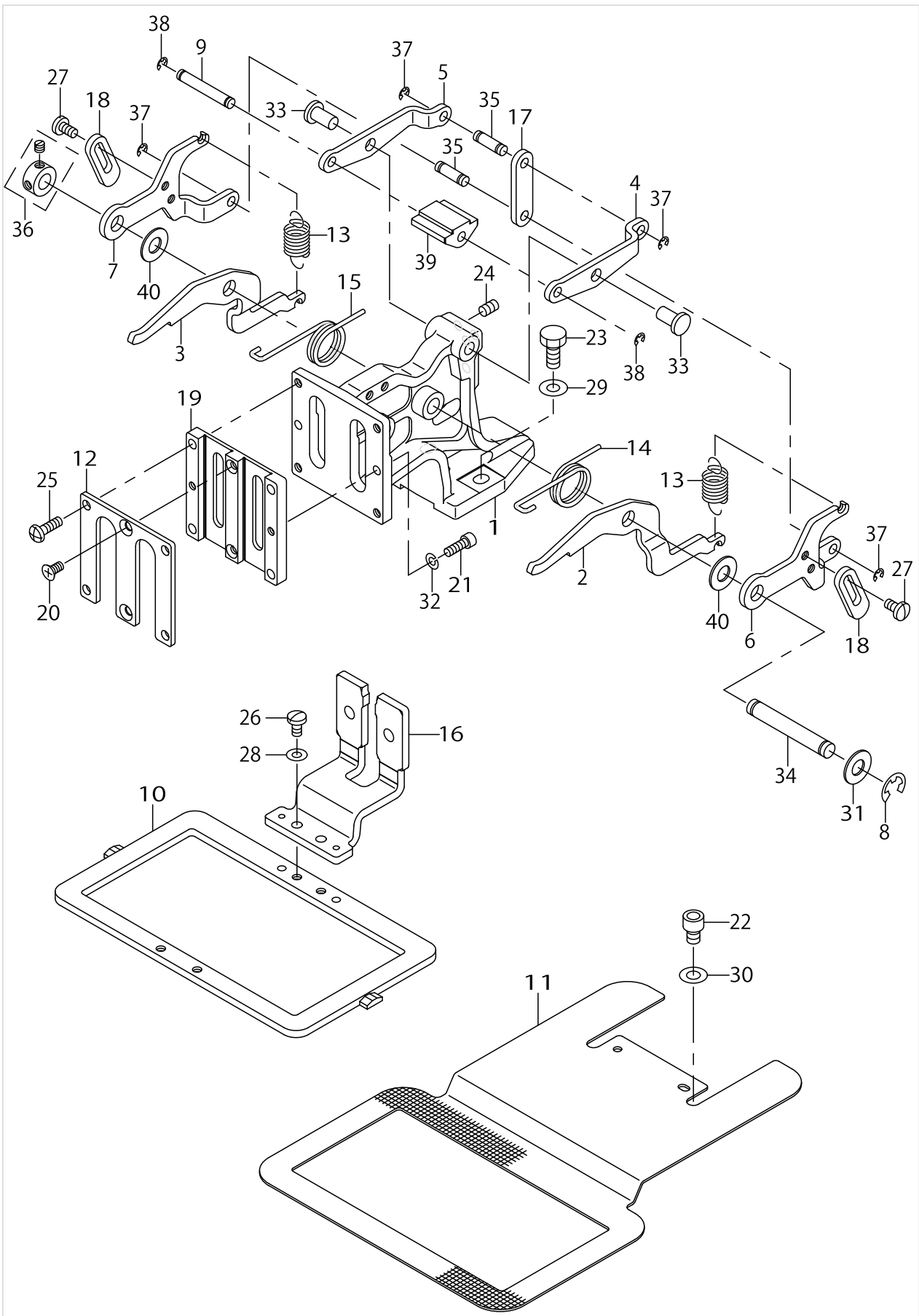
FEED MECHANISM COMPONENTS



FEED MECHANISM COMPONENTS

No.	Supply Code	Parts No.	Replacement	Parts name	Remarks	Choice	Step	Level	Cons	Qty	Rep. QTY
44		SB110000900		BEARING						1	
45		14214308		CROSSFEED SLIDE PLATE						1	
46		SS6110420TP		SCREW 11/64-40 L=4.8						4	
47		B151902600G		HINGE STUD						1	
48		B151902600G		HINGE STUD						2	
49		SS6151220SP		SCREW 15/64-28 L=11.5						1	
50		SM8060612TP		SCREW M6 L=6						2	
51		HX00150000B		CABLE CLIP						1	
52		14214712		CROSSFEED SENSOR UNIT						1	
53		14214803		CROSSFEED SENSOR FITTING BASE						1	
54		14216006		VERTICAL FEED SENSOR SLIT						1	
55		40028986		SENSOR INSTALLING BASE						1	
56		14215602		CLOTH FEED SUPPORT PLATE						1	
57		14215909		VERTICAL FEED ARM						1	
58		14216204		VERTICAL FEED SHAFT						1	
59		14214605		CROSSFEED ARM						1	

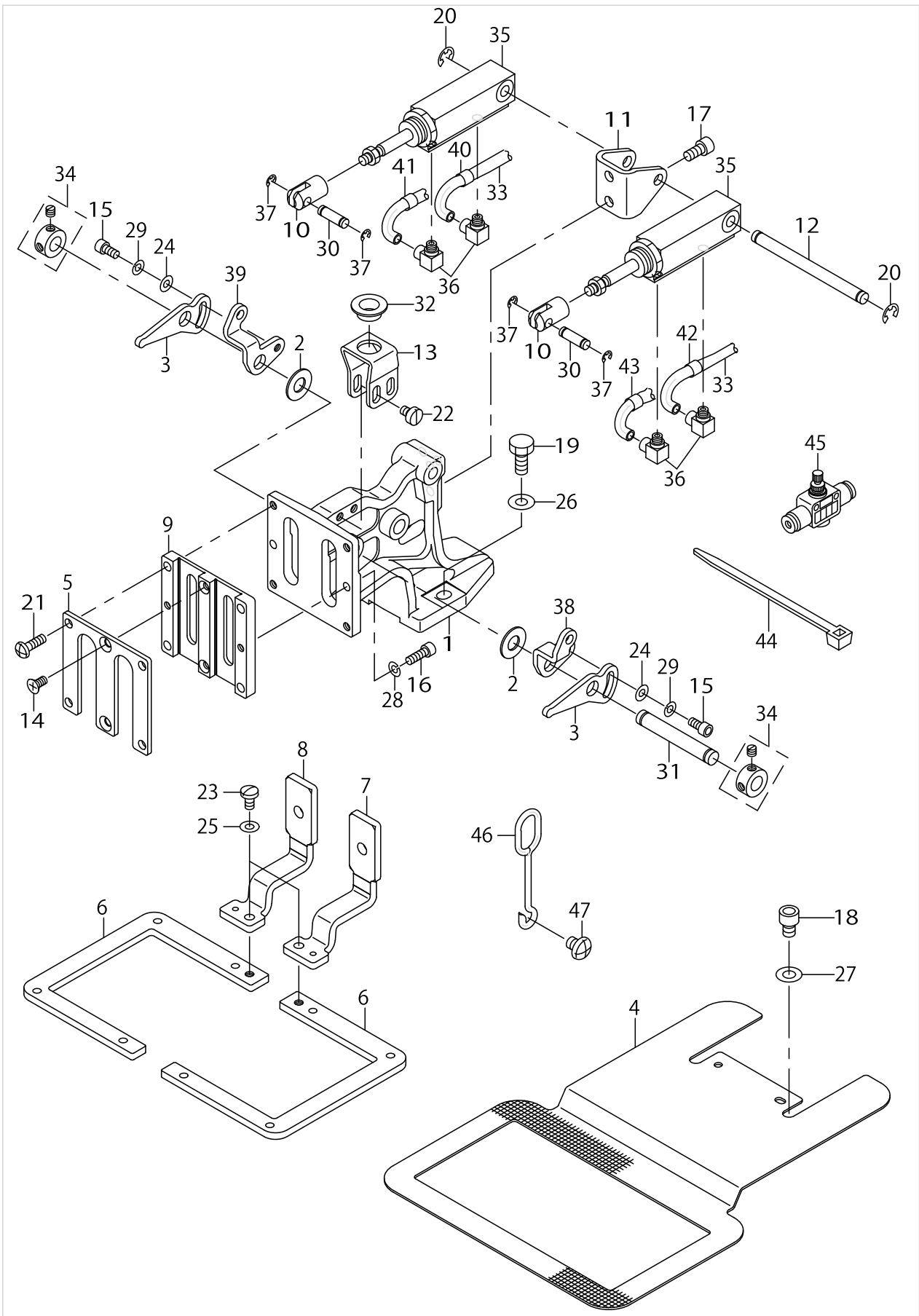
CLOTH FEED MECHANISM COMPONENTS (FOR LK-19△0SS,19△0HS)



CLOTH FEED MECHANISM COMPONENTS (FOR LK-19△0SS,19△0HS)

No.	Supply Code	Parts No.	Replacement	Parts name	Remarks	Choice	Step	Level	Cons	Qty	Rep. QTY
1		14216501		CLOTH FEED BASE						1	
2		14217004		CLOTH PRESSER HOOK,RIGHT						1	
3		14217103		CLOTH PRESSER HOOK,LEFT						1	
4		B2577210D00		FEED BRACKET UPPER LINK,RIGHT						1	
5		B2578210D00		FEED BRACKET UPPER LINK,LEFT						1	
6		B2574210D00		SUPPORT LINK,RIGHT						1	
7		B2575210D00		SUPPORT LINK,LEFT						1	
8		RE0700000K0		E-RING 7						1	
9		B2573210D00		SLIDER SHAFT						1	
10		B2553210D00		FEEDING FRAME						1	
11		14218002		LOWER PLATE						1	
12		B2572210D00		WORK CLAMP FOOT PLATE COVER						1	
13		14216808		SPRING						2	
14		B2581210D00		SPRING,RIGHT						1	
15		B2582210D00		SPRING,LEFT						1	
16		14217764		WORK CLAMP FOOT COMPL.						1	
17		B2576210D00		FEED BRACKET LINK						1	
18		B2580210D00		LINK STOPPER						2	
19		B2610210D00		WORK CLAMP FOOT PLATE						1	
20		SM1040801SP		SCREW M4X0.7 L=8						2	
21		SM6041202TP		SCREW M4X0.7 L=12						2	
22		SM6060802TP		SCREW M6 L=8						2	
23		SM9061403CP		SCREW M6 L=14						2	
24		SM8050812TP		SCREW M5X8						2	
25		SS4111415SP		SCREW 11/64-40L=14						4	
26		SS7110840SP		SCREW 11/64-40 L=7.8						2	
27		SS7110840SP		SCREW 11/64-40 L=7.8						4	
28		WP0480856SP		WASHER 4.8X8.4X0.8						2	
29		WP0621016SD		WASHER 6.2X13X1						2	
30		WP0621016SD		WASHER 6.2X13X1						2	
31		B255728000C		WASHER						1	
32		WS0410002KP		SPRING WASHER						2	
33		B1626555000		FEED REGULATOR CONNECTING ROD						2	
34		D2502232D00		SHAFTBLOCKSHAFT						1	
35		MAT80114T00		PLUNGER PIN						2	
36		22917058		THRUST COLLAR ASM., FRONT						1	
37		RE0300000K0		E-RING 3						4	
38		RE0300000K0		E-RING 3						2	
39		B2579210D00A		SLIDER						1	
40		13540406		WASHER						2	

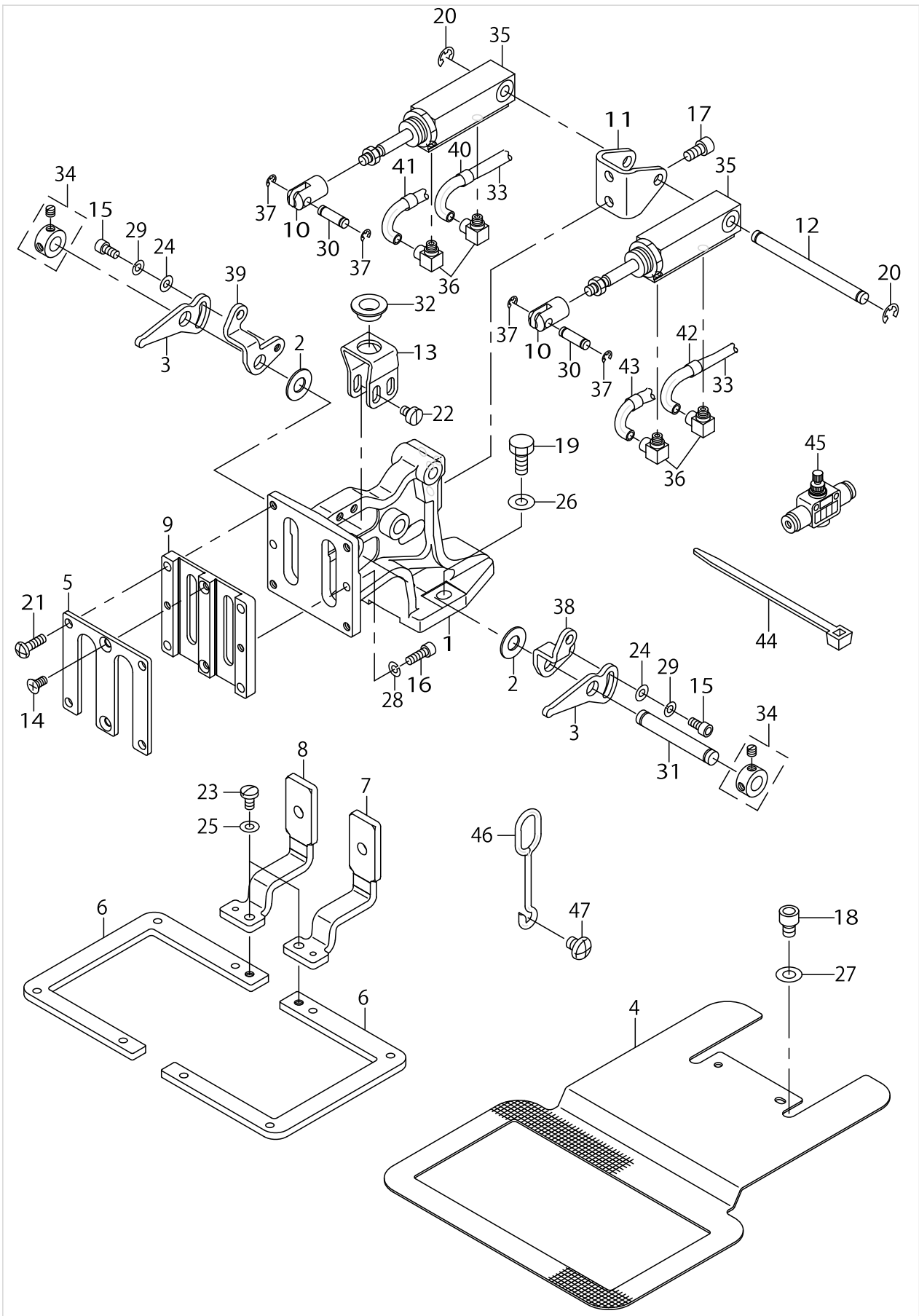
CLOTH FEED MECHANISM COMPONENTS (FOR LK-19△0HA,19△0SA)



CLOTH FEED MECHANISM COMPONENTS (FOR LK-19△0HA,19△0SA)

No.	Supply Code	Parts No.	Replacement	Parts name	Remarks	Choice	Step	Level	Cons	Qty	Rep. QTY
1		14216501		CLOTH FEED BASE						1	
2		B255728000C		WASHER						2	
3		14217202		HOOK A						2	
4		14218002		LOWER PLATE						1	
5		B2572210D00		WORK CLAMP FOOT PLATE COVER						1	
6		B2554210D00		FEEDING FRAME						2	
7		14217855		WORK CLAMP FOOT COMPL.,RIGHT						1	
8		14217954		WORK CLAMP FOOT COMPL.,LEFT						1	
9		B2610210D00		WORK CLAMP FOOT PLATE						1	
10		B2566210D00		CYLINDER KNUCKLE						2	
11		B2567210D00		CYLINDER INSTALLING BASE						1	
12		B2561210D00		CYLINDER SHAFT						1	
13		14217509		SLIDER BASE						1	
14		SM1040801SP		SCREW M4X0.7 L=8						2	
15		SM6040802TP		SCREW M4X0.7 L=8						2	
16		SM6041202TP		SCREW M4X0.7 L=12						2	
17		SM6051002TP		SCREW M5X0.8 L=10						2	
18		SM6060802TP		SCREW M6 L=8						2	
19		SM9061403CP		SCREW M6 L=14						2	
20		RE0500000K0		E-RING						2	
21		SS4111415SP		SCREW11/64-40L=14						4	
22		SS6110610TP		SCREW 11/64-40 L=6						4	
23		SS7110840SP		SCREW 11/64-40 L=7.8						2	
24		WP0450000SD		WASHER 4.5X8X0.5						2	
25		WP0480856SP		WASHER 4.8X8.4X0.8						2	
26		WP0621016SD		WASHER 6.2X13X1						2	
27		WP0621016SD		WASHER 6.2X13X1						2	
28		WS0410002KP		SPRING WASHER						2	
29		WS0410002KP		SPRING WASHER						2	
30		B1626220000		CYLINDER PIN						2	
31		D2502232D00		SHAFTBLOCKSHAFT						1	
32		E2193172000		PT EV PP METAL						1	
33		BT0400251EB		URETHANE HOSE, BLACK						2.4	
34		22917058		THRUST COLLAR ASM., FRONT						2	
35		PA1602006A0		AIR CYLINDER						2	
36		PJ046052503		HOSE ELBOW						4	
37		RE0300000K0		E-RING 3						4	
38		14217301		HOOK B,RIGHT						1	
39		14217400		HOOK B,LEFT						1	
40		B471122000D		AIR TUBE LABEL J04 LEFT						1	
41		B471122000C		AIR TUBE LABEL J03 LEFT						1	
42		B471122000H		AIR TUBE LABEL J04 RIGHT						1	
43		B471122000G		AIR TUBE LABEL J03 RIGHT						1	
44		EA9500B0100		CABLE BAND						3	
45		PC012401000		SPEED CONTROLLER						2	

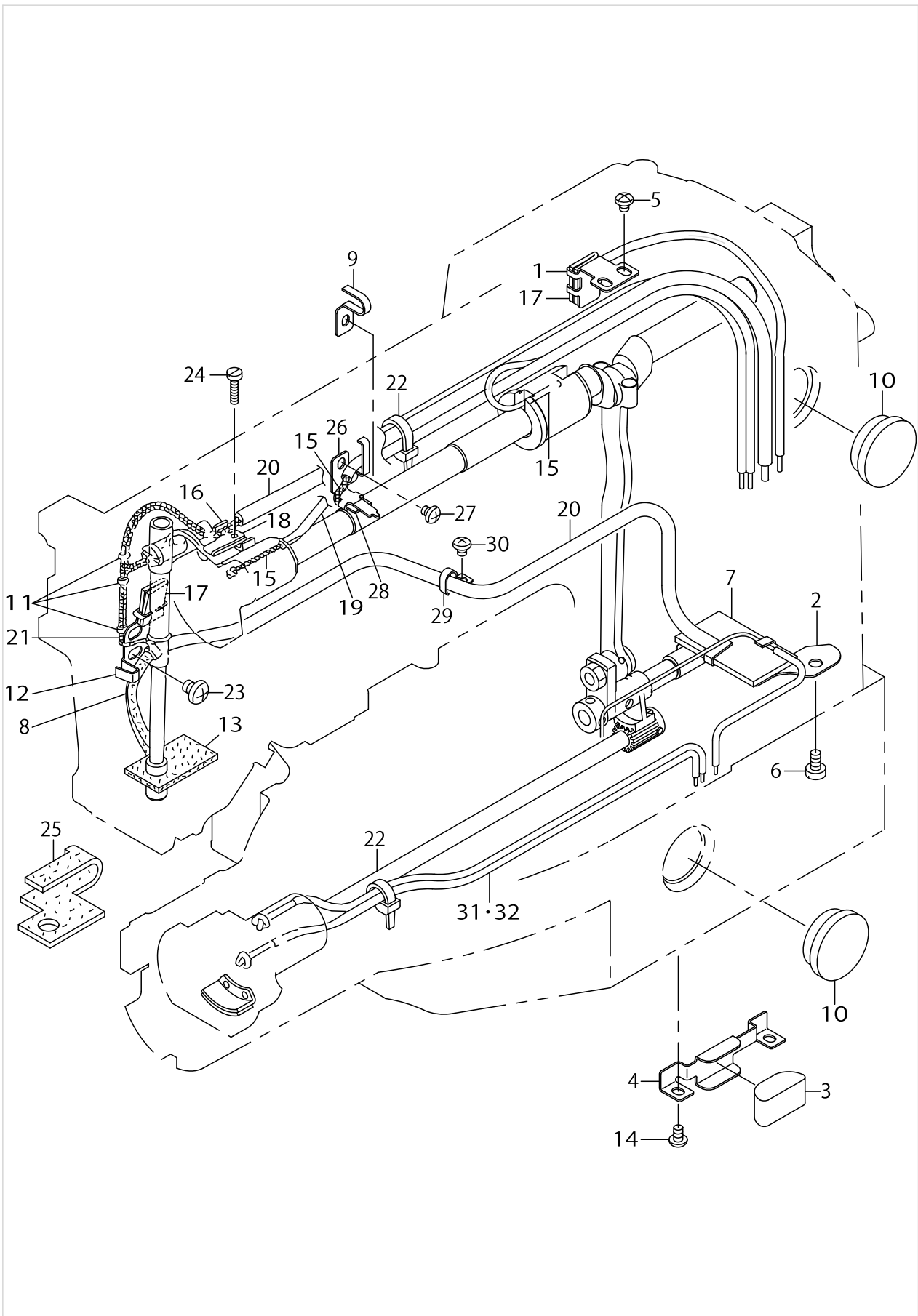
CLOTH FEED MECHANISM COMPONENTS (FOR LK-19△0HA,19△0SA)



CLOTH FEED MECHANISM COMPONENTS (FOR LK-19△0HA,19△0SA)

No.	Supply Code	Parts No.	Replacement	Parts name	Remarks	Choice	Step	Level	Cons	Qty	Rep. QTY
46		B3403761000		PRESSER BAR LIFTING ROD	FOR LK-1910SA,HA					1	
47		SS4150715SP		SCREW 15/64-28 L=7	FOR LK-1910SA,HA					1	

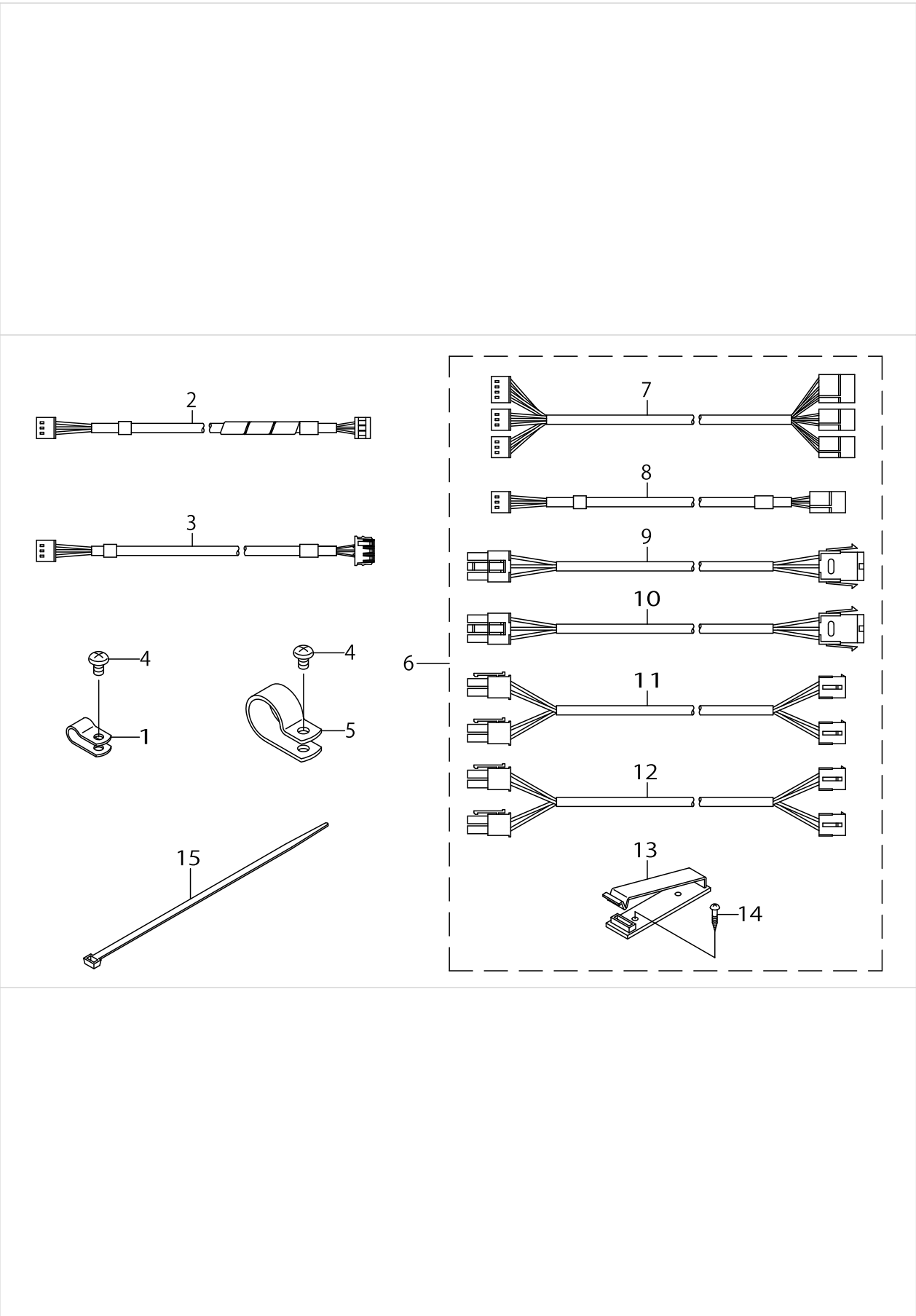
LUBRICATION COMPONENTS



LUBRICATION COMPONENTS

No.	Supply Code	Parts No.	Replacement	Parts name	Remarks	Choice	Step	Level	Cons	Qty	Rep. QTY
1		14114102		CLUTCH ROD OIL SHIELD						1	
2		14114904		LOWER SHAFT OIL SHIELD						1	
3		14114300		OIL FELT						1	
4		14114409		FELT PRESSER						1	
5		SS4110515SP		SCREW 11/64-40 L=5						2	
6	R	SS6120930SP	SS6120930TP	SCREW 3/16-28 L=9						1	1.00
7		B3509210D00		OIL FELT						1	
8		B3541012000		OIL WICK						.51	
9	R	B3523980000	26231902	OIL WICK PIPE STOPPER	FOR LK-1910					1	1.00
10		B3501210000		OIL GAUGE						2	
11		26230706		OIL WICK PRESSER						3	
12		14219513		LUBRICATION PLATE						1	
13		14114607		FACE FELT	FOR LK-1910					1	
14		SS4110715SP		SCREW 11/64-40 L=7						2	
15		CQ200000000		OIL WICK						1.8	
16		26231407		BALANCE LUBRICATING PLATE						1	
17		B3509280000		NEEDLE ROD CRANK LUBRICATING						2	
18		B3518280000		BALANCE LUBRICATING						1	
19		23630007		TUBE						.7	
20		BP600000000		VINYL PIPE						.67	
21		CQ252200000		OIL WICK						1.6	
22		EA9500B0100		CABLE BAND						2	
23		SS4150715SP		SCREW 15/64-28 L=7						2	
24		SS6092120SP		SCREW 9/64-40 L=21.2						1	
25		14219604		OIL FELT	FOR LK-1920					1	
26		14219711		LUBRICATION PLATE	FOR LK-1920					1	
27		SS4110515SP		SCREW 11/64-40 L=5	FOR LK-1920					1	
28		B3518280000		BALANCE LUBRICATING	FOR LK-1920					1	
29		26231902		OIL WICK PIPE STOPPER						1	
30		SS4110515SP		SCREW 11/64-40 L=5						1	
31		CQ202000000		OIL WICK						1.06	
32		BP300000100		VINYL TUBE						.7	

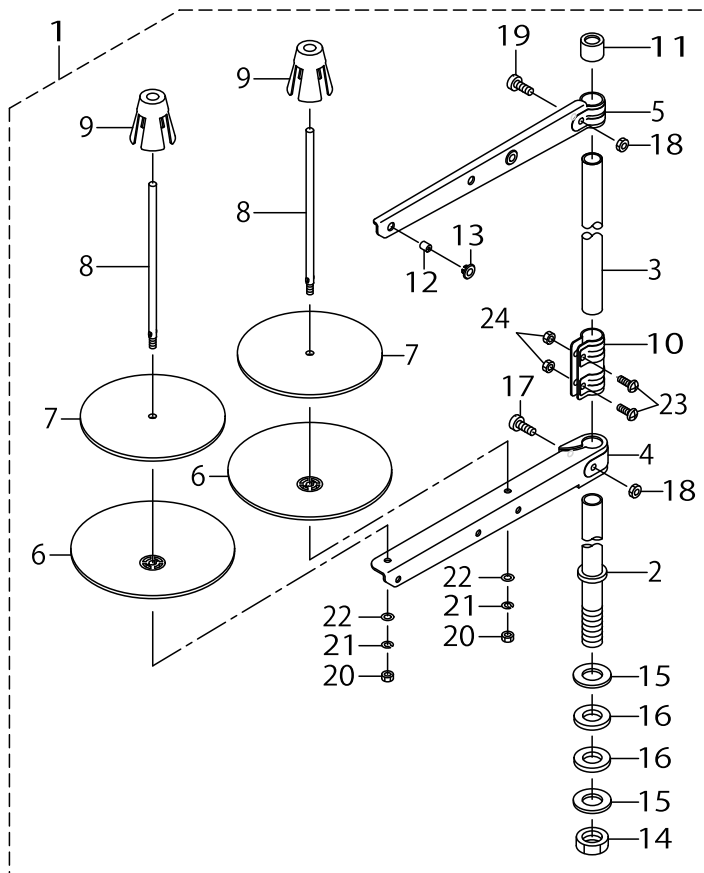
SENSOR & EXTENSION CABLE COMPONENTS



SENSOR & EXTENSION CABLE COMPONENTS

No.	Supply Code	Parts No.	Replacement	Parts name	Remarks	Choice	Step	Level	Cons	Qty	Rep. QTY
1		HX00150000B		CABLE CLIP	FOR LK-1920,30					1	
2		14221352		Y SENSOR CABLE ASM.						1	
3		14115356		MAIN SHAFT SENSOR CABLE ASM.						1	
4		SS4110715SP		SCREW 11/64-40 L=7						1	
5		HX00150000J		CLIP	FOR LK-1910					1	
6		M85985920A0		EXTENSION CABLE MAS.ASM.	FOR JUS					1	
7		M90445920A0		SENSOR EXTENSION CABLE ASM.				*		1	
8		M90475900A0		SENSOR EXTENSION CABLE ASM.				*		1	
9		M90415900A0		EXTENSION CABLE ASM.				*		1	
10		M90425900A0		EXTENSION CABLE ASM.				*		1	
11		M90435900A0		SOLENOID EXTENSION CABLE ASM.				*		1	
12		M90435920A0		SOLENOID EXTENSION CABLE A ASM				*		1	
13		M964051000A		CABLE CLIP				*		1	
14		SK3382001SE		SCREW D=3.8 L=20				*		2	
15		EA9500B0200		CABLE BAND 150	FOR LK-1910					1	

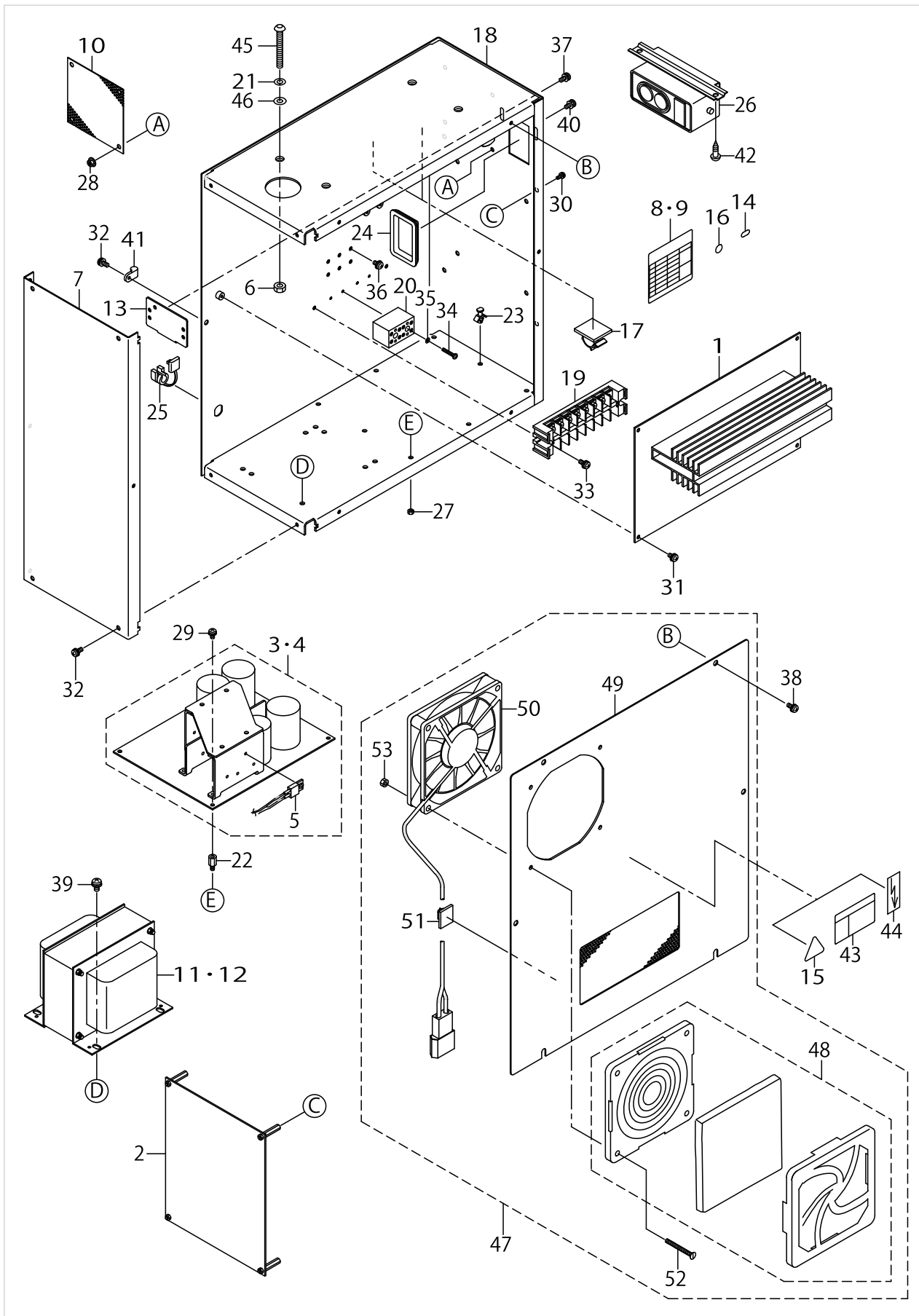
THREAD STAND COMPONENTS



THREAD STAND COMPONENTS

No.	Supply Code	Parts No.	Replacement	Parts name	Remarks	Choice	Step	Level	Cons	Qty	Rep. QTY
1		40096354		THREAD STAND ASM.						1	
2		40085784		SPOOL REST ROD LOWER				*		1	
3		40085785		SPOOL REST ROD UPPER				*		1	
4		40085786		SPOOL REST ARM LOWER				*		1	
5		40085787		SPOOL REST ARM UPPER				*		1	
6		40085788		SPOOL REST				*		2	
7		40085789		SPOOL REST CUSHION				*		2	
8		40085790		SPOOL PIN				*		2	
9		40085791		SPOOL RETAINER				*		2	
10		40085792		SPOOL REST ROD JOINT				*		1	
11		40085793		SPOOL REST ROD RUBBER CAP				*		1	
12		40085794		THREAD GUIDE				*		2	
13		40085795		THREAD GUIDE BUSHING				*		2	
14		40096325		SPOOL REST ROD NUT				*		1	
15		WP1612616SE		WASHER 16X30X2.6				*		2	
16		40085796		SPOOL REST ROD RUBBER CUSHION				*		2	
17		40096326		SPOOL REST ARM LOWER SCREW				*		1	
18		NM6050001SE		NUT M5				*		2	
19	R	40096327	SM4053001SE	SPOOL REST ARM UPPER SCREW				*		1	1.00
20		NM6050001SE		NUT M5				*		2	
21		WS0510002KN		SPRING WASHER M5				*		2	
22		WP0531001SC		WASHER M5				*		2	
23		SM4051405SE		SCREW M5 L=14				*		2	
24		NM6050001SE		NUT M5				*		2	

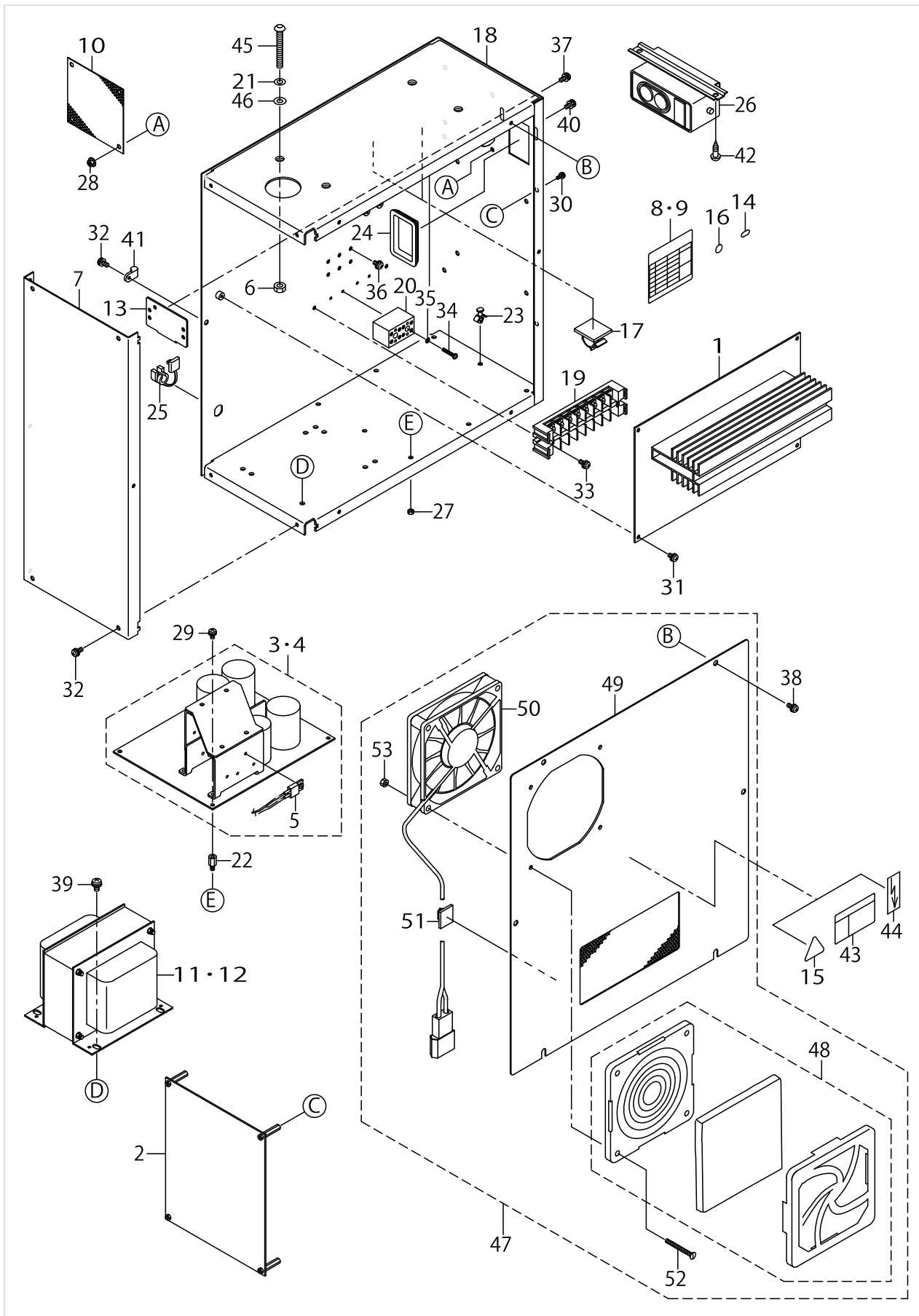
CONTROL BOX COMPONENTS



CONTROL BOX COMPONENTS

No.	Supply Code	Parts No.	Replacement	Parts name	Remarks	Choice	Step	Level	Cons	Qty	Rep. QTY
1		M8601592AA0		MAIN CIRCUIT BOARD A ASM.						1	
2		40150001		SDC PCB ASSY						1	
3		M86045900C0		POWER CIRCUIT BOARD ASM.	FOR 100V~200V					1	
4		M8604590AC0		POWER CIRCUIT BOARD A ASM.	FOR 380V					1	
5		M89105900A0		THERMOSTAT ASM.				*		1	
6		NM6060001SC		NUT M6						4	
7	R	M1003590000	40098642	CONTROL BOX PANEL						1	1.00
8		M300359000A		SEAL A	FOR 100V~200V					1	
9		M300258000B		SEAL B	FOR 380V					1	
10		M1004581000		VENTILATION COVER						1	
11		M8901592AA0		TRANSFORMER A ASM.	FOR 100V~200V					1	
12		M8901592BA0		TRANSFORMER B ASM.	FOR 380V					1	
13		17845009		CORD FITTING PLATE						1	
14		CM200100001		PE MARK LABEL	FOR 380V					1	
15		CM300100001		LABEL	FOR 380V					1	
16		E9567319000		EARTH MARK						1	
17		E9609603000		STICKER (LARGE)						2	
18	R	M1001590000	40098641	CONTROL BOX						1	1.00
19		HK026650080		TERMINAL BASE 8P	FOR 100V~200V					1	
20		HK054250040		TERMINAL BASE	FOR 380V					2	
21		WS0610002KN		SPRING WASHER 6.1X12.2X1.5						4	
22		HX00056000B		SPACER						4	
23		HX00147000C		SPACER						4	
24		HX004070000		BUSH						1	
25		HX004100000		BUSH						1	
26		HA004250000		SWITCH	EXCEPT JE					1	
27		NM3034000SF		FLANGE NUT						4	
28		NM3040520SF		FLANGE NUT M4						4	
29		SL4030681SF		SCREW M3 L=6						4	
30		SL4030891SC		SCREW M3X8						4	
31		SL4040881SF		SCREW M4 L=8						4	
32		SL4041091SC		SCREW M4 L=10						7	
33		SL4041081SF		SCREW M4 L=10	FOR 100V~200V					2	
34		SM4031851SR		SCREW	FOR 380V					4	
35		WS0310702KS		SPRING WASHER	FOR 380V					4	
36		SL4040681SC		SCREW M4 L=6						4	
37		SL4041091SC		SCREW M4 L=10						2	
38		SL4041091SC		SCREW M4 L=10						6	
39		SL4051091SC		SCREW M5X0.8 L=10						4	
40		SL4041091SC		SCREW M4 L=10						4	
41		HX00123000B		CABLE CLIP						1	
42		SK3482001SE		WOOD SCREW D=4.8 L=20	EXCEPT JE					2	
43		CM300100101		DANGER LABEL (SMALL)	FOR 100~200V(USE IN JAPAN)					1	
44		G6705152U0A		LABEL	FOR 100~200V(EXPORT)					1	
45		SM3065052TC		SCREW						4	

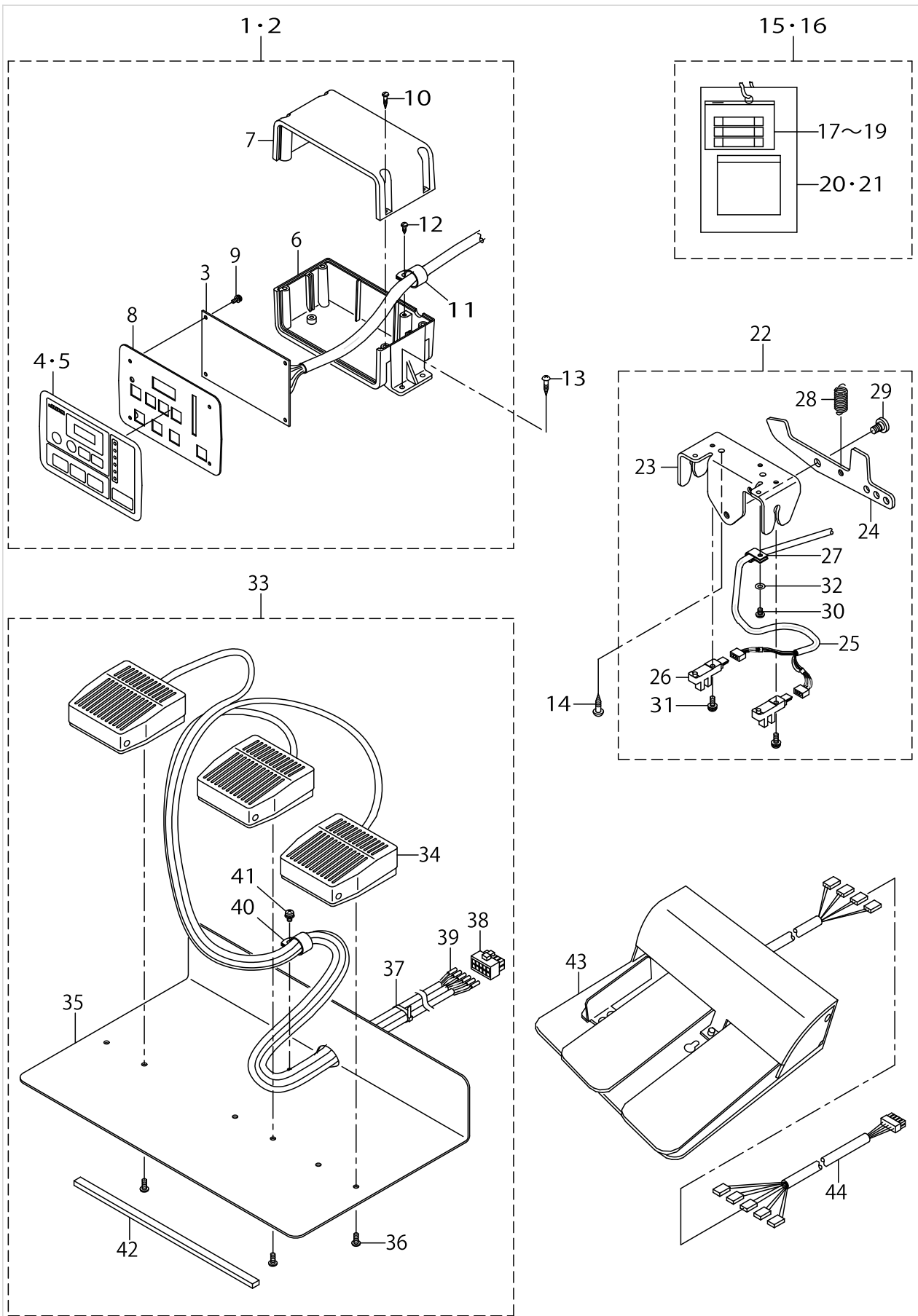
CONTROL BOX COMPONENTS



CONTROL BOX COMPONENTS

No.	Supply Code	Parts No.	Replacement	Parts name	Remarks	Choice	Step	Level	Cons	Qty	Rep. QTY
46		WP0651001SC		WASHER						4	
47		M85205920A0		FAN COVER ASM.						1	
48		HM000630010		FILTER				*		1	
49		M10025920A0		CONTROL BOX COVER ASM.				*		1	
50		M85105810A0		FAN ASM.				*		1	
51		E9607603000		STICKER (SMALL)				*		1	
52		SM1044050SM		SCREW M4X0.7 L=40				*		4	
53		NM3040520SF		FLANGE NUT M4				*		4	

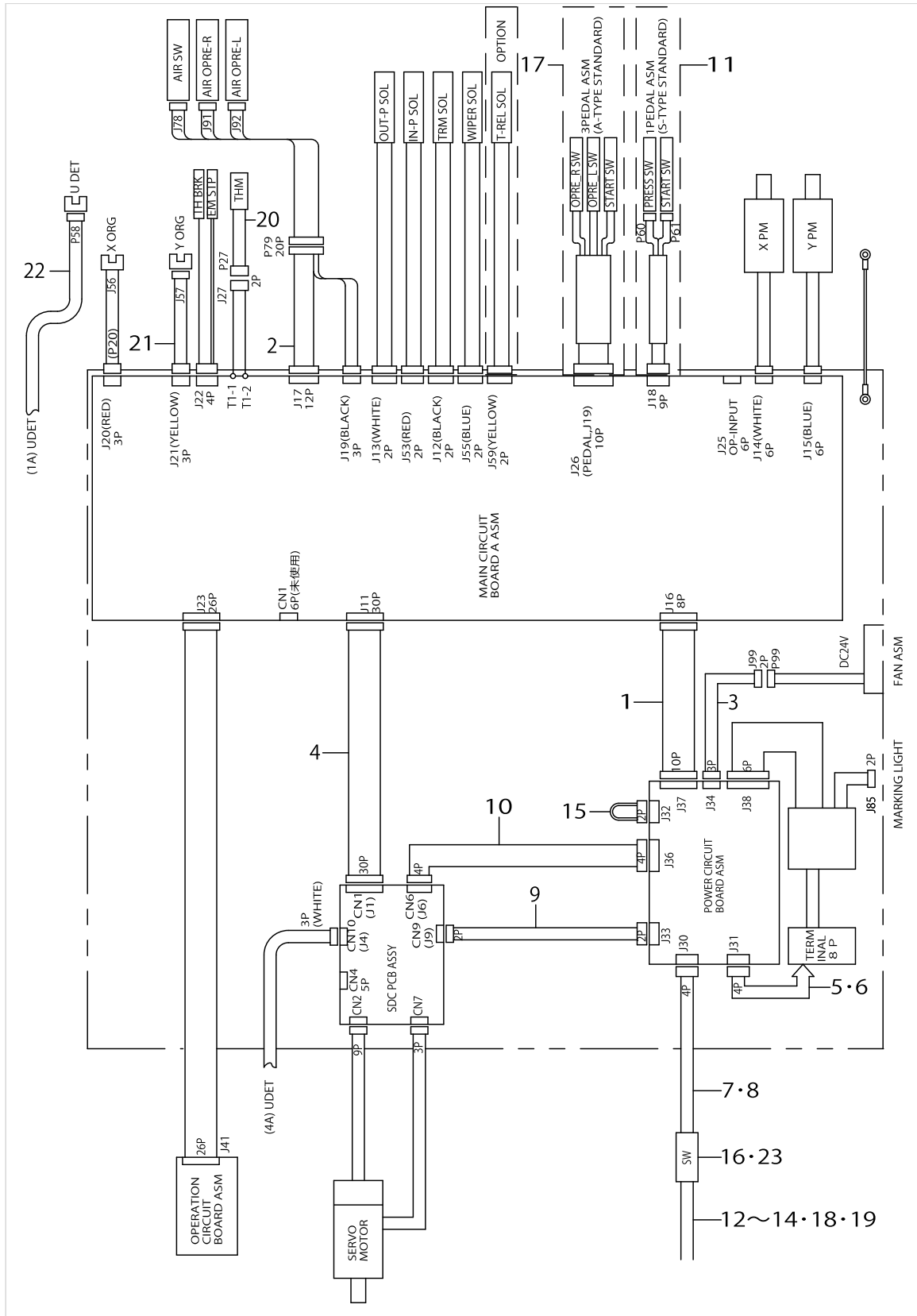
OPERATION BOX & PEDAL COMPONENTS



OPERATION BOX & PEDAL COMPONENTS

No.	Supply Code	Parts No.	Replacement	Parts name	Remarks	Choice	Step	Level	Cons	Qty	Rep. QTY
1		M8510592AA0		OPERATION BOX A ASM.	FOR USE IN JAPAN					1	
2		M8510592BA0		OPERATION BOX B ASM.	FOR EXPORT					1	
3		M86065920A0		OPERATION CIRCUIT BOARD ASM.				*		1	
4		M300259200A		OP. PANEL SHEET(JAPANESE)	FOR USE IN JAPAN			*		1	
5		M300259200B		OP. PANEL SHEET(ENGLISH,PICT)	FOR EXPORT			*		1	
6		M1010590000		OPERATION BOX A				*		1	
7		M1011590000		OPERATION BOX B				*		1	
8		M1012592000		OPERATION PANEL PLATE				*		1	
9		SL4030881SF		SCREW M3 L=8				*		4	
10		ST40316110R		TAPPING SCREW D=3 L=16				*		4	
11		EA9502B0500		CABLE CLIP				*		1	
12		SV4031006SR		SCREW M3 L=10				*		1	
13		SK3382001SE		SCREW D=3.8 L=20						4	
14		SK3482001SE		WOOD SCREW D=4.8 L=20						2	
15		M85995900A0		ACCESSORIES PART ASM.	FOR 100~200V					1	
16		M8599590AA0		ACCESSORIES PART A ASM.	FOR 380V					1	
17		HF001301000		TIMING LAG FUSE				*		1	
18		HF0041080P0		FUSE 8A				*		1	
19		E8523304000		FUSE 10A				*		1	
20		M300451100A		VOLTAGE INDICATION CARD,A	FOR 100~200V			*		1	
21		M3003580000		VOLTAGE INDICATION CARD,B	FOR 380V			*		1	
22		M85205900A0		1-PEDAL ASM.						1	
23		M1030590000		PEDAL SWITCH FRAME				*		1	
24		M1031590000		PEDAL SWITCH LEVER				*		1	
25		M90115900A0		PEDAL SWITCH CABLE ASM.				*		1	
26		HD002230000		PHOTO SENSOR				*		2	
27		HX001230000		CABLE CLIP				*		1	
28		B2583210D00		SPRING				*		1	
29		SD0800331TH		HINGE SCREW D=8 H=3.25				*		1	
30		SM4040601SC		SCREW M4X0.7 L=6				*		1	
31		SL4041291SC		SCREW M4 L=12				*		2	
32		WP0430801SC		WASHER 4.3X9X0.8				*		1	
33		M85215800A0		3-PEDAL ASM.	FOR LK-19- Δ0SA,HA					1	
34		HA004260000		FOOT SWITCH				*		3	
35		M1016580000		SW. MOUNT PLATE,B				*		1	
36		ST5041051SN		SCREW				*		6	
37		EA9500B0100		CABLE BAND				*		4	
38		HK034610100		10P CONNECTOR				*		1	
39		HK034640000		PIN CONTACT				*		6	
40		EA9502B0500		CABLE CLIP				*		1	
41		SL4040881SF		SCREW M4 L=8				*		1	
42		GPK26002000		PEDALBASE RUBBER				*		1	
43		GPK470010AB		3-PEDAL ASM.	FOR LK-19- Δ0SA,HA					1	
44		M90255800A0		PEDAL SW.TRANSF- ER CABLE ASM.	FOR LK-19- Δ0SA,HA					1	

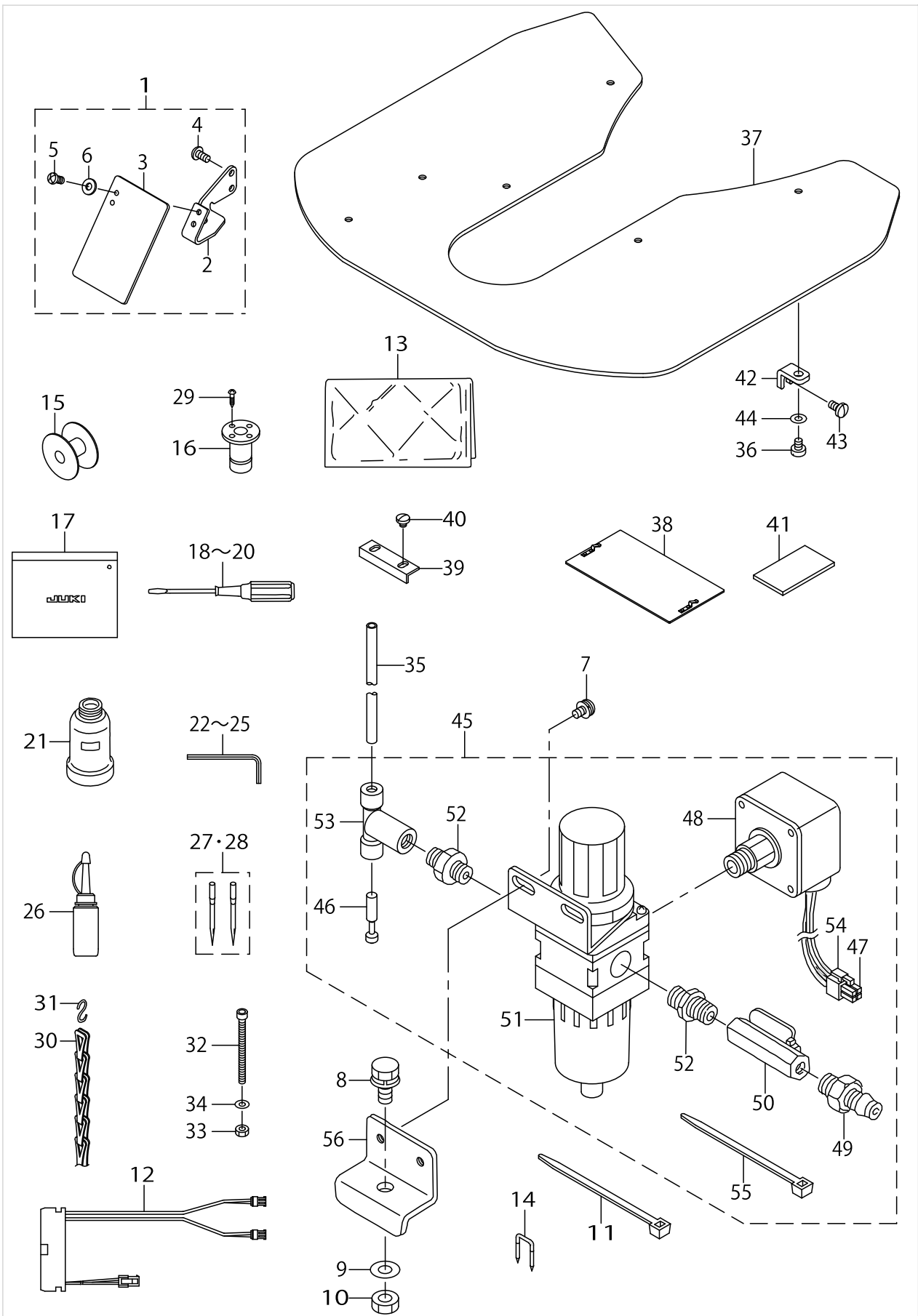
WIRING DIAGRAM



WIRING DIAGRAM

No.	Supply Code	Parts No.	Replacement	Parts name	Remarks	Choice	Step	Level	Cons	Qty	Rep. QTY
1		M90015900A0		MAIN POWER CORD ASM.						1	
2		M90145920A0		SOLENOID VALVE RELAY CABLE ASM	FOR LK-19- Δ 0SA,HA					1	
3		M90105810A0		FAN CONNECTING CORD ASM.						1	
4		M90085800A0		SERVO SIGNAL CORD ASM.						1	
5		M90205800A0		TRANSFORMER POWER CORD ASM.	FOR 100~200V					1	
6		M9020580AA0		TRANSFORMER POWER CORD ASM.,A	FOR 380V					1	
7		M90225900A0		POWER CORD ASM.	FOR 100~200V					1	
8		M90235900A0		POWER CORD A ASM.	FOR 380V					1	
9		M90025800A0		SERVO POWER CORD ASM.,B						1	
10		M90315900A0		SERVO POWER CORD ASM.,A						1	
11		M85205900A0		1-PEDAL ASM.						1	
12		M90175800A0		POWER CABLE ASM.	FOR 100~200V(3-PHASE), 380V-(FOR EXPORT)					1	
13		M90285800A0		POWER CABLE ASM.	FOR MC-592- Δ M					1	
14		M90245800A0		POWER CABLE ASM.,100V	FOR 1-PHASE					1	
15		M90215800A0		VOLTAGE TRANSFER CORD ASM.	FOR 100,110,120V					1	
16		HA004250000		SWITCH	EXCEPT MC-592- Δ M					1	
17		M85215800A0		3-PEDAL ASM.	FOR LK-19- Δ 0SA,HA					1	
18		M90355800A0		POWER SOURCE CORD ASM.	FOR 100V(-FOR USE IN JAPAN)					1	
19		M90345800A0		GROUND CORD ASM.	FOR 100V(-FOR USE IN JAPAN)					1	
20		M89105920A0		THERMOSTAT ASM.						1	
21		14221352		Y SENSOR CABLE ASM.						1	
22		14115356		MAIN SHAFT SENSOR CABLE ASM.						1	
23	R	HA00303000A	M85065220A0	SWITCH	FOR MC-592- Δ M					1	1.00

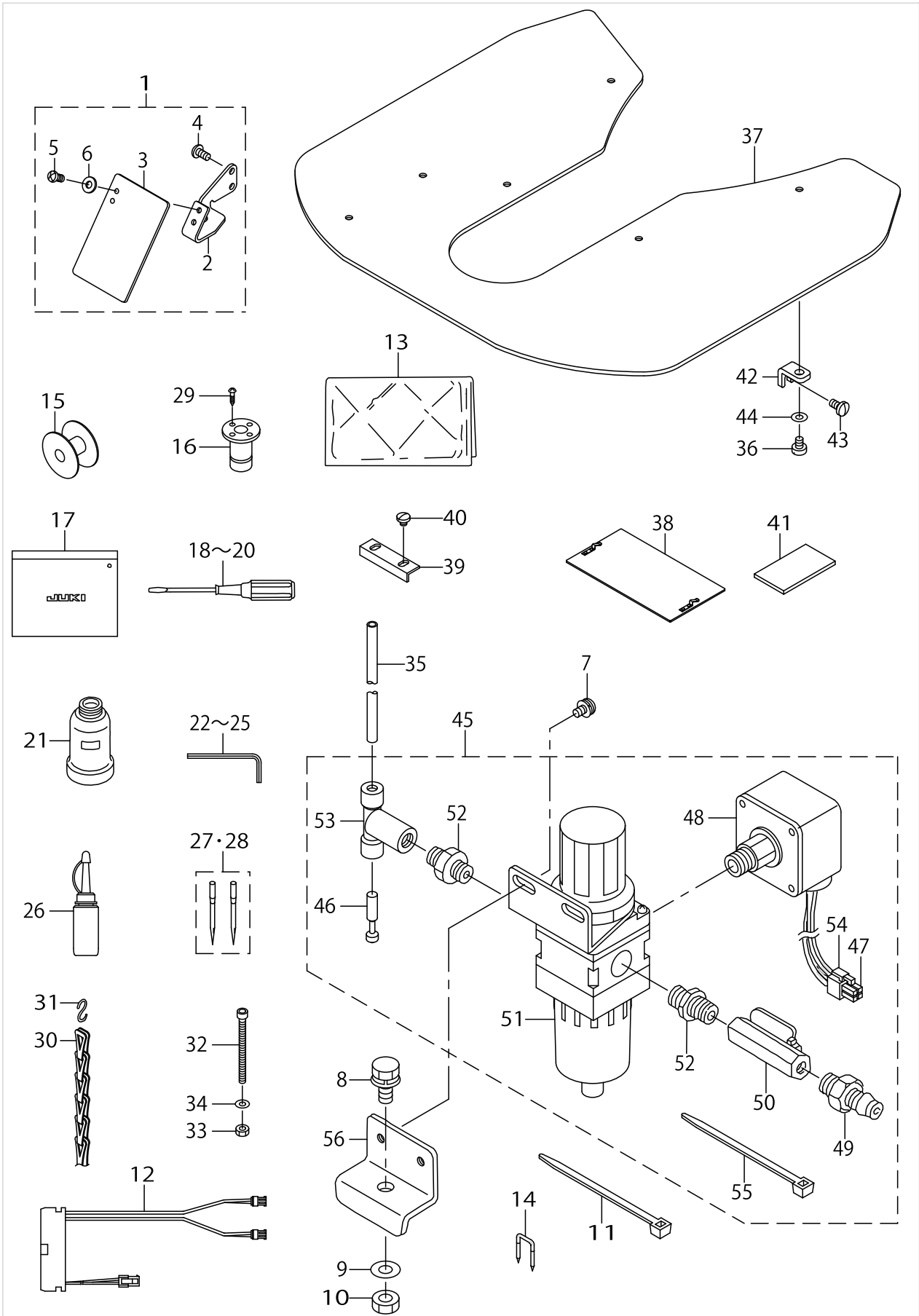
ACCESSORIE PART COMPONENTS



ACCESSORIE PART COMPONENTS

No.	Supply Code	Parts No.	Replacement	Parts name	Remarks	Choice	Step	Level	Cons	Qty	Rep. QTY
1		40052806		SAFETY PLATE ASM						1	
2		40051987		SAFETY PLATE BASE				*		1	
3		26037200		SAFETY PLATE				*		1	
4		SS4110715SP		SCREW 11/64-40 L=7				*		2	
5		SM4040655SP		SCREW M4 L=6				*		2	
6		WP0450801SD		WASHER 4.5X10X0.8				*		2	
7		SL4051091SC		SCREW M5X0.8 L=10	FOR LK-19- Δ0SA,HA					2	
8		SL9082093SE		SCREW	FOR LK-19- Δ0SA,HA					1	
9		WP0871602SE		WASHER 8.7X18X1.6	FOR LK-19- Δ0SA,HA					1	
10		NM6080721SE		NUT M8	FOR LK-19- Δ0SA,HA					1	
11		EA9500B0100		CABLE BAND	FOR LK-19- Δ0SA,HA					5	
12		14204853		SOLENOID VALVE CABLE ASM.	FOR LK-19- Δ0SA,HA					1	
13		26234005		VINYL COVER						1	
14		MA011532000		CORD STAPLE						10	
15		B1806210D00		BOBBIN						1	
16		B8202205000		OIL MANAGEMENT						1	
17		22932800		ACCESSORIE BAG						1	
18		22933006		SCREW DRIVER,LARGE						1	
19		22933105		SCREW DRIVER,MIDDLE						1	
20		22933204		SCREW DRIVER,SMALL						1	
21		B9121012000		OIL CAN						1	
22		B9140372000		HEXAGONAL WRENCH, SMALL						1	
23		10038909		HEXAGONAL WRENCH						1	
24		J106600000D		HEXAGONAL WRENCH KEY						1	
25		GCT02906000		HEXAGONAL SPANNER						1	
26		B91212200A0		OILER (CONTAINING NO.2 OIL)						1	
27	R	MDP500B1402	MDP500B1400	NEEDLE DPX5#14-2	FOR LK-19- Δ0SS,SA					1	1.00
28	R	MDP170B1802	MDP170B1800	NEEDLE DPZ17#18-2	FOR LK-19- Δ0HS,HA					1	1.00
29		SK3311601SE		WOOD SCREW D=3.1 L=16						4	
30		26037903		CHAIN	FOR LK-19- Δ0SS,HS					2	
31		13160304		S SHAPED HOOK	FOR LK-19- Δ0SS,HS					4	
32		SM6067552TP		HEXAGONAL-HOLE BOLT M6 L=75						1	
33		NM6060001SC		NUT M6						1	
34		WP0651646SC		WASHER						1	
35		BT0600401EB		TUBE	FOR LK-19- Δ0SA,HA					1	
36		SS6110610TP		SCREW 11/64-40 L=6						4	
37		14223010		NEEDLE PLATE SUPPORT COVER						1	
38		B2557210DA0		PLASTIC BLANK PLATE ASM.	FOR LK-19- Δ0SS,HS					1	
39		B2592210000		PLASTIC PLATE STOPPER	FOR LK-19- Δ0SS,HS					1	
40		SS7110340SP		SCREW 11/64-40 L=3.2	FOR LK-19- Δ0SS,HS					2	
41		B2564215000		SPONGE						1	

ACCESSORIE PART COMPONENTS



ACCESSORIE PART COMPONENTS

No.	Supply Code	Parts No.	Replacement	Parts name	Remarks	Choice	Step	Level	Cons	Qty	Rep. QTY
42		B1113223C00		COVER SUPPORTER						4	
43		SS7110840SP		SCREW 11/64-40 L=7.8						4	
44		WP0520656SA		WASHER 5.2X9.5X0.6						4	
45		B47152150A0		FILTER REGULATOR ASM.	FOR LK-19- △0SA,HA					1	
46		PX950009000		PLUG				*		1	
47		HK034640000		PIN CONTACT				*		3	
48	R	G8124270000	G85048750A0	AIRPRESSUESWITCH		A	AVP-875	*		1	1.00
48	R	G8124270000	40030951	AIRPRESSUESWITCH		B	AMS-210E- N,AMS-221EN	*		1	1.00
48	R	G8124270000	B47152150A0	AIRPRESSUESWITCH		C	MEB-3200,- LK-1910/2- 0/30/41,AMS-224E	*		1	1.00
49		PJ309005203		QUICK JOINT PLUG				*		1	
50	R	G5430116000	40030951	AIR COCK				*		1	1.00
51		PF0552040B0		FILTER REGULATOR				*		1	
52		PJ030520001		RING JOINT (NIPPLE)				*		2	
53		PJ305065202		TEE				*		1	
54		HK034610040		HOUSING				*		1	
55		EA9500B0100		CABLE BAND				*		5	
56		40023662		FILTER INSTALLING PLATE	FOR LK-19- △0SA,HA					1	

TABLE COMPONENTS

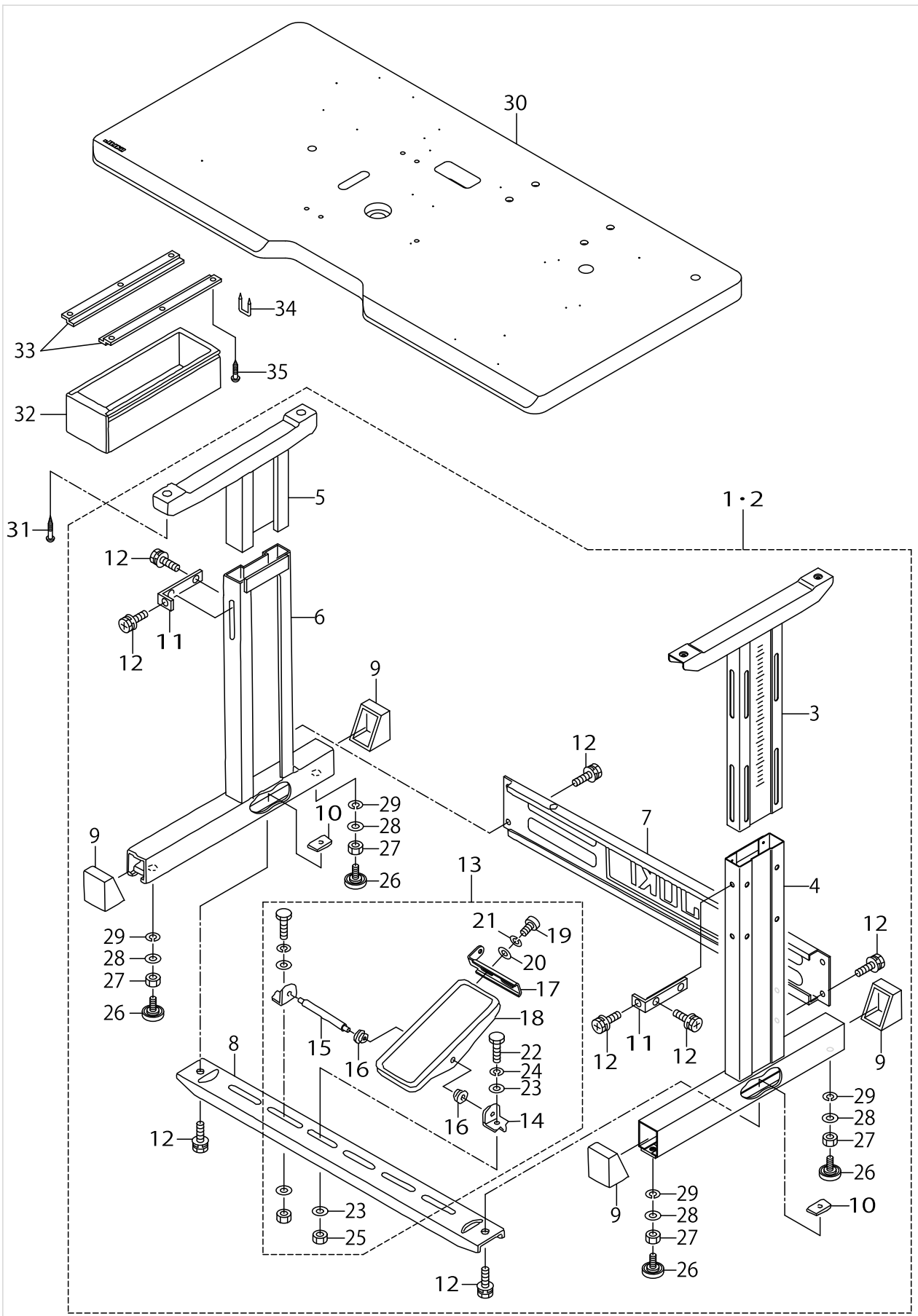
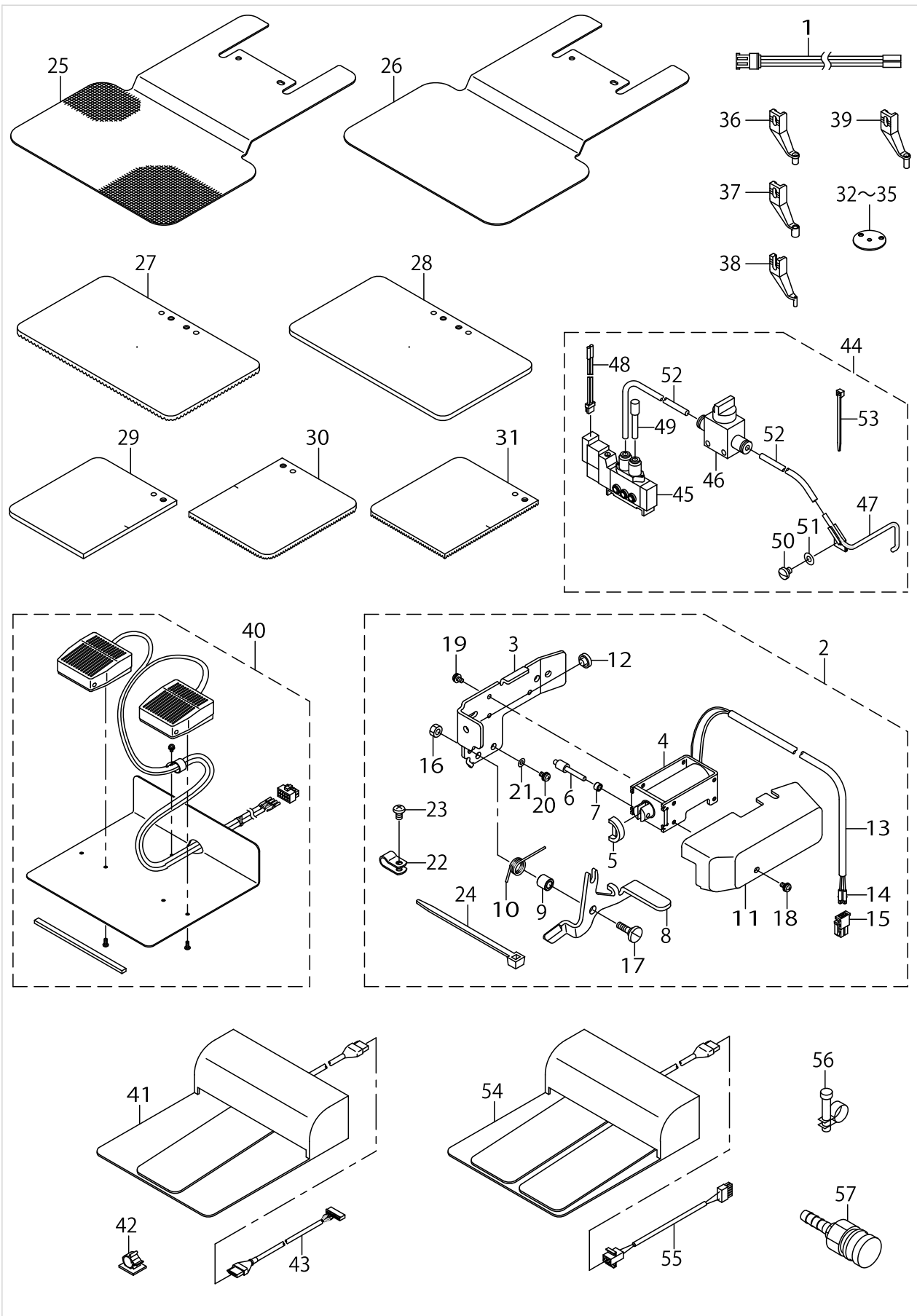


TABLE COMPONENTS

No.	Supply Code	Parts No.	Replacement	Parts name	Remarks	Choice	Step	Level	Cons	Qty	Rep. QTY
1		14222053		T-STAND COMPL.(-SOLENOID TYPE)	FOR LK-19- △0SS,HS					1	
2		14222152		T-STAND COMPL.(AIR TYPE)	FOR LK-19- △0SA,HA					1	
3		14118152		UPPER STAND ASM.,RIGHT				*		1	
4		14118251		STAND ASM.,RIGHT				*		1	
5		B8101210AAB		UPPER STAND ASM.				*		1	
6		B8105210AAA		STAND ASM.				*		1	
7	D	11158300		STAND SIDE SUPPORT				*		1	
8		11158409		STAND SIDE SUPPORT				*		1	
9		11158607		RUBBER CAP				*		4	
10		17007402		NUT				*		2	
11		11158516		UPPERSTANDPLATE				*		2	
12		SL9082091SE		WASHER HEXAGONAL BOLT				*		12	
13		13817754		Z-STAND PEDAL ASM.	FOR LK-19- △0SS,HS			*		2	
14		11159001		PEDAL SHAFT BRACKET				*		2	
15		B8153771000		PEDAL CONNECTING ROD				*		1	
16		D8113555B00		PEDAL BUSHING				*		2	
17		GPF06080000		PEDAL ADJUSTING PLATE				*		1	
18		GPF060600A0		PEDAL ASM.				*		1	
19		SM9061203SE		SCREW M6 L=12				*		2	
20		WP0671016SE		WASHER 6.7X13X1				*		2	
21		WS0621210KR		SPRING WASHER 6.2X11.4X1.2				*		2	
22		SM9082023SE		SCREW M8 L=20				*		2	
23		WP0871602SE		WASHER 8.7X18X1.6				*		4	
24		WS0861410KR		SPRING WASHER 8.6X15X1.4				*		2	
25		NM6080721SE		NUT M8				*		2	
26		B81085550A0		ADJUSTING SCREW ASM. WITH CAP				*		4	
27		NM6120001SE		NUT M12				*		4	
28		WP1302501SE		WASHER M12				*		4	
29		WS1253010KN		SPRING WASHER 12.5X21.5X3				*		4	
30	R	14117519	14117550	UPRIGHT TABLE						1	1.00
31		SK3513201SE		WOOD SCREW D=5.1 L=32						4	
32	R	11155108	11155157	DRAWER						1	1.00
33		11155207		DRAWER SUPPORT						2	
34		D8204555D00		DRAWER STOPPER						1	
35		SK3311601SE		WOOD SCREW D=3.1 L=16						6	

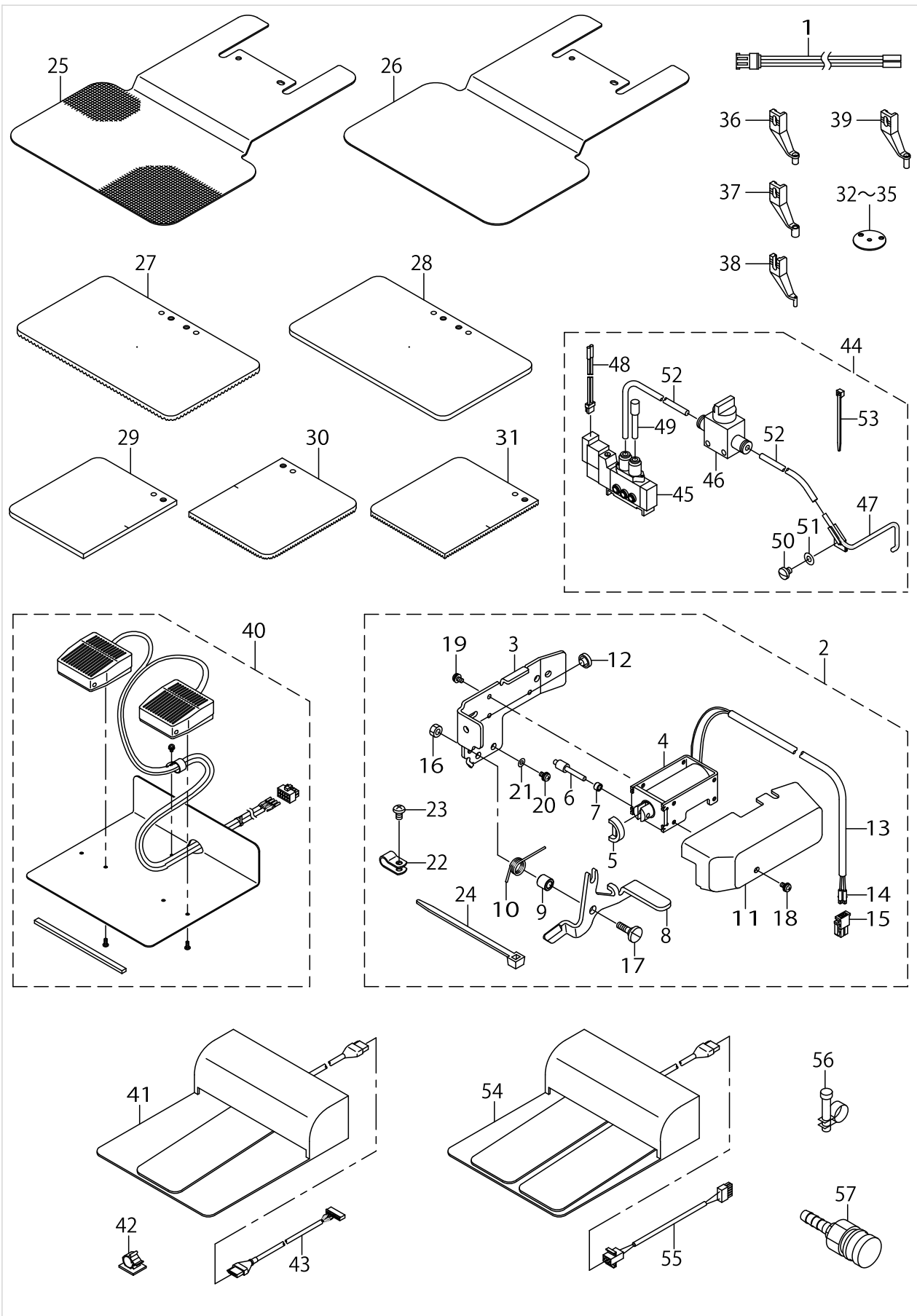
OPTIONAL PART COMPONENTS



OPTIONAL PART COMPONENTS

No.	Supply Code	Parts No.	Replacement	Parts name	Remarks	Choice	Step	Level	Cons	Qty	Rep. QTY
1		14204754		SOLENOID VALVE CONNECTOR ASM.						1	
2	D	14224760		DISK-RAISING DEVICE ASM.						1	
3		14224703		DISK-RAISING BASE				*		1	
4	R	11110301	40106936	WIPER SOLENOID				*		1	1.00
5		22956007		WIPER RUBBER B				*		1	
6		22957104		WIPER SOLENOID SHAFT				*		1	
7		22957203		WIPER LINK COLLAR				*		1	
8	D	14224802		DISK RAISING LEVER				*		1	
9		22956205		WIPER HINGE SCREW COLLAR				*		1	
10	R	11110806	22956304	WIPER SPRING				*		1	1.00
11		22955504		WIPER COVER				*		1	
12		12258000		BUSH				*		1	
13		HW500070000		2-CORE CABTYRE CORD				*		1.75	
14		HK034640000		PIN CONTACT				*		2	
15		HK034610020		2-POLE NYLON PLUG				*		1	
16		NS6110310SP		NUT 11/64-40				*		1	
17		SD0650321TP		HINGE SCREW D=6.5 H=3.2				*		1	
18		SL4030681SC		SCREW M3 L=6				*		1	
19		SL4030681SC		SCREW M3 L=6				*		3	
20		SS4110915SP		SCREW 11/64-40 L=9				*		2	
21		WP0480856SP		WASHER 4.8X8.4X0.8				*		2	
22		HX00150000B		CABLE CLIP				*		2	
23		SS4110715SP		SCREW 11/64-40 L=7				*		2	
24		EA9500B0200		CABLE BAND 150				*		3	
25		14224000		LOWERPLATEBLANK						1	
26		14224109		LOWERPLATEBLANK						1	
27		B2553210D0A		FEEDING FRAME BLANK						1	
28		B2553210D0B		FEEDING FRAME BLANK						1	
29		B2554210D0A		FEEDING FRAME BLANK						1	
30		B2554210D0B		FEEDING FRAME BLANK,RIGHT						1	
31		B2554210D0C		FEEDING FRAME BLANK,LEFT						1	
32		D2426282C00		NEEDLE HOLE GUIDE						1	
33		14224307		NEEDLE HOLE GUIDE D=2						1	
34	D	B242628000D		NEEDLE HOLE GUIDE D						1	
35	D	D2426MMCK0C		NEEDLE PLATE NEEDLE HOLE GUIDE						1	
36		B1601210D0BA		INTERMEDIATE PRESSER B						1	
37		B1601210D0CA		INTERMEDIATE PRESSER C						1	
38		B1601210D0E		INNER PRESSER E						1	
39		B1601210D0FA		INTERMEDIATE PRESSER F						1	
40		M85205800A0		2-PEDAL ASM.						1	
41		GPK570010B0		PEDAL SWITCH ASM.						1	
42		E9607603000		STICKER (SMALL)						2	
43		M90135900A0		PK57 TRANSFER CABLE ASM.						1	
44		14225056		NEEDLE COOLER ASM.						1	
45		PV150209000		5 PORT SOLENOID VALVE				*		1	

OPTIONAL PART COMPONENTS



OPTIONAL PART COMPONENTS

No.	Supply Code	Parts No.	Replacement	Parts name	Remarks	Choice	Step	Level	Cons	Qty	Rep. QTY
46		PV010011000		VALVE				*		1	
47		B47202150A0		NEEDLE COOLER UNION				*		1	
48		14204754		SOLENOID VALVE CONNECTOR ASM.				*		1	
49		PX500014000		PLUG				*		1	
50		SS7110510SP		SCREW 11/64-40 L=5				*		1	
51		WP0450000SD		WASHER 4.5X8X0.5				*		1	
52		BT0400251EB		URETHANE HOSE, BLACK				*		2	
53		HX002330000		CLIP				*		3	
54		M85905130AA		PEDAL SWITCH ASM.						1	
55		M90315800A0		2-PEDAL CONNECTING CORD ASM.						1	
56		PB000010000		HOSE BAND	FOR LK-19- Δ0SA,HA					1	
57		PJ309520001		SOCKET	FOR LK-19- Δ0SA,HA					1	

LIST FOR INFORMATION OF CHANGE

As to the place changed, refer to the corresponding Rev.No.
 When previous parts(Obsoleted part)and new parts(Added parts)are
 not interchangeable with each other:
 In this case, even obsoleted parts(D.)can be ordered with the
 obsoleted part number, so select the parts with changed dates and
 place your orders.

変更箇所は、該当Rev.No.版をご参照ください。
 部品の互換性がない変更の場合は、削除された品番でも、ご注文できます。

29320108
 No.1243-10 Rev.No.

*A:Added parts追加部品/D:Obsoleted parts削除部品/E:Erratum訂正

* Rev. No.	Page 頁	Ref. No.	Parts No. 品番	* Rev. No.	Page 頁	Ref. No.	Parts No. 品番
D 09	2	24	262-11607	A 10	2	24	400-30828
D 09	4	47	B1406-210-000	A 10	4	47	400-26884
D 09	8	33	142-08409	A 10	8	33	400-23631
D 09	8	48	B1601-210-D00-A	A 10	8	48	400-23632
D 09	10	34	400-86483	A 10	10	34	401-42674
D 09	10	37	138-16855	A 10	10	37	401-42675
				A 10	10	38	401-42677
				A 10	10	39	SM-3030552-TN
D 09	11	6	111-10301	A 10	11	6	400-97998
D 09	11	18	HK-0346400-0B				
D 09	11	19	HA-0060000-00	A 10	11	19	HA-0060000-0A
D 09	11	20	HW-2003900-00				
D 09	11	21	HW-5000700-00				
D 09	14	5	141-08955	A 10	14	5	401-04895
D 09	14	7	141-08906	A 10	14	7	401-04889
D 09	14	8	110-43304				
D 09	14	9	NS-6660410-SH				
D 09	14	10	NM-6040000-SN	A 10	14	8	NM-6040001-SE
D 09	14	11	NS-6660430-SP				
D 09	14	12	WP-0450000-SD	A 10	14	9	WS-0410002-KR
D 09	14	13	HK-0346100-2D	A 10	14	10	HK-0346100-20
D 09	14	15	B1652-704-000	A 10	14	11	132-16601
D 09	16	4	SM-8060612-TP	A 10	16	4	SM-8060812-TP
D 09	16	9	SM-8060612-TP	A 10	16	9	SM-8060812-TP
D 09	24	1	229-30358	A 10	24	1	400-96354
D 09	26	2	400-55170	A 10	26	2	401-50001
D 09	32	36	PB-0000100-00	A 10	36	56	PB-0000100-00
D 09	32	37	PJ-3095200-01	A 10	36	57	PJ-3095200-01
D 09	32	58	B8211-206-000	A 10	32	56	400-23662

HOW TO MAKE USE OF THIS PARTS LIST

1.Explanation of codes

1)"*"mark.....means this part is changed from the previous parts book.

As to the details of the change, refer to the "List for information of change".

2)"#01".....refer to "Note" explanation at bottom of page.

2.Codes on the "Qty" column

- Each numeral indicates the number of parts required.
- "0.1" and "2.5" indicate the length (in meters) of the respective parts.

3.Parentheses mean that the corresponding part is a subpart that constructs an assembly part.

4.Dotted lines on the Figures indicate assembly parts.

1."注記"欄の記号説明

1) "*"印.....前回のパーツブックに比較して今回変更された部品を意味します。

変更内容は、"変更情報リスト"を参照してください。

2) "#01".....ページ下の"注記"の説明を参照してください。

2.数量欄の数字は、個数を表し、0.1、2.5等の数値は、長さ（単位メートル）を表します。

3.数量欄の（ ）は、組部品を構成している子部品であることを意味します。

4.イラストページの-----枠は、組構成であることを意味します。

NUMERICAL INDEX OF PARTS

PART NO	PAGE	REF NO.	PART NO	PAGE	REF NO.	PART NO	PAGE	REF NO.
10038909	56	22~25	14106405	20	9	14204309	14	63
10502300	4	47	14106702	20	2	14204309	16	23
10523504	20	31	14107502	26	1	14204754	62	48
11006004	16	40	14107601	30	66	14204754	64	48
11072402	6	97	14107700	26	2	14204853	56	12
11110301	62	4	14108500	28	2	14204911	14	42
11110806	62	10	14108609	28	3	14205009	14	50
11111051	24	13	14108807	28	6	14205108	14	52
11155108	60	32	14109250	30	65	14205207	14	54
11155207	60	33	14109300	28	16	14206502	10	59
11158300	60	7	14109607	30	63·64	14206650	16	11
11158409	60	8	14112502	32	10	14206908	16	21
11158516	60	11	14113450	6	94	14207054	16	22
11158607	60	9	14113468	4	92	14207252	16	9
11159001	60	14	14114102	42	1	14207500	16	10
11315108	24	30	14114300	42	3	14207609	16	7
12210803	14	62	14114409	42	4	14207807	16	5
12258000	62	12	14114508	10	33	14208201	16	8
13160304	56	31	14114607	42	13	14208300	16	36
13216601	28	11	14114904	42	2	14208508	16	42
13502307	2	13	14115356	10	63	14208607	10	61
13508700	20	35	14115356	44	3	14209001	16	1
13529607	20	23	14115356	54	22	14209308	16	13
13540406	36	40	14115653	2	41	14211502	24	3
13817754	60	13	14117519	60	30	14211551	24	1
14100309	2	39	14118152	60	3	14213003	28	21
14100408	2	2	14118251	60	4	14214019	32	13
14100457	2	1	14200802	4	56	14214308	34	45
14100705	2	6	14200901	2	30	14214506	32	17
14100754	2	5	14201305	4	85	14214605	34	59
14101208	2	22	14201602	2	8	14214712	34	52
14102107	8	2	14203004	12	6	14214803	34	53
14102404	8	1	14203103	12	4	14215057	32	38
14102503	8	5	14203202	12	5	14215305	32	41
14102701	8	7	14203301	12	2	14215404	32	40
14102800	8	8	14203400	12	22	14215602	34	56
14103006	20	6	14203509	12	17	14215701	32	14
14103352	20	4	14203608	12	24	14215909	34	57
14103758	20	5	14203707	14	58	14216006	34	54
14103907	20	11	14203806	12	25	14216204	34	58
14104004	20	20	14203905	14	60	14216303	32	3
14104152	12	1	14204002	12	26	14216352	32	1
14104707	12	3	14204101	12	30	14216410	32	7
14106256	22	59	14204200	12	21	14216469	32	6
14106306	20	33	14204309	12	63	14216501	36	1

NUMERICAL INDEX OF PARTS

PART NO	PAGE	REF NO.	PART NO	PAGE	REF NO.	PART NO	PAGE	REF NO.
14216501	38	1	22924005	14	49	26234005	56	13
14216808	36	13	22924005	24	33	26260109	4	58
14217004	36	2	22928808	30	69	26260208	4	59
14217103	36	3	22932800	56	17	26260307	4	60
14217202	38	3	22933006	56	18~20	26260406	4	61
14217301	38	38	22933105	56	18~20	26260505	4	62
14217400	38	39	22933204	56	18~20	26260802	4	65
14217509	38	13	22951008	28	20	26260901	4	66
14217764	36	16	22955504	24	4	26261008	4	67
14217855	38	7	22955504	62	11	26261107	4	68
14217954	38	8	22955900	24	7	26261206	4	69
14218002	36	11	22956007	24	8	26261305	4	70
14218002	38	4	22956007	62	5	26261602	4	72
14219513	42	12	22956106	24	9	26261701	4	73
14219604	42	25	22956205	24	10	26500306	8	6
14219711	42	26	22956205	62	9	26500504	30	73
14220503	4	87	22956403	24	12	26500900	26	4
14220750	4	90	22956908	24	14	26501205	28	1
14221352	32	21	22957104	24	15	26501304	26	5
14221352	44	2	22957104	62	6	26501403	32	2
14221352	54	21	22957203	24	16	26501502	32	8
14221451	32	24	22957203	62	7	26501858	20	16
14222053	60	1·2	23630007	20	15	26501908	28	4
14222152	60	1·2	23630007	42	19	26502906	16	37
14223010	56	37	26037200	56	3	40009290	2	16
14224000	62	25	26037903	56	30	40009290	26	35
14224109	62	26	26203208	10	44	40010414	2	14
14224307	62	32~35	26211755	2	23	40011144	4	64
14224703	62	3	26211904	2	25	40014007	16	39
14224760	62	2	26212100	2	26	40022462	16	46
14224802	62	8	26218404	26	6	40023631	16	33
14225056	62	44	26218602	30	72	40023632	18	48
17007402	60	10	26218651	30	68	40023662	58	56
17845009	48	13	26220400	30	71	40025746	16	17
22901805	2	11	26221101	20	36	40026730	4	63
22904155	8	26	26221200	22	64	40026745	4	80
22907554	16	31	26222109	22	66	40026746	4	57
22917058	12	33	26222208	22	48	40026884	10	47
22917058	16	18	26223305	32	19	40026917	10	55
22917058	36	36	26226506	28	24	40028986	34	55
22917058	38	34	26227702	16	26	40030828	2	24
22917157	12	13	26229302	26	24	40031323	16	15
22917157	26	36	26230706	42	11	40031324	16	32
22920508	2	28	26231407	42	16	40034676	24	5
22921506	30	70	26231902	42	29	40045548	10	65

NUMERICAL INDEX OF PARTS

PART NO	PAGE	REF NO.	PART NO	PAGE	REF NO.	PART NO	PAGE	REF NO.
40051987	56	2	B1223771000	8	12	B1828210DAA	20	24
40052806	56	1	B1223771000	14	44	B1836210D00	20	1
40053326	8	9	B1223771000	18	53	B1901210DA0	8	14
40060888	22	56	B1223771000	28	22	B1901210DC0	8	13
40085784	46	2	B1231210D00	8	10	B1903210000	8	16
40085785	46	3	B1401210000	10	43	B1903552000	8	19
40085786	46	4	B1403280000	10	45	B1904280000	8	21
40085787	46	5	B1404280000	8	20	B1905541000	8	17
40085788	46	6	B1405210000	10	46	B2107210D0A	24	2
40085789	46	7	B1407210D00	8	15	B2130210D00	24	11
40085790	46	8	B1411552000	10	49	B23022050A0	26	9·10
40085791	46	9	B14115520A0	10	48	B2302280000	26	11
40085792	46	10	B1411804000	8	18	B23022800A0	26	9·10
40085793	46	11	B1414232000	10	51	B2303280000	26	23
40085794	46	12	B1414232000	32	18	B2304210D00	26	3
40085795	46	13	B1456057000	32	16	B2312210D00	30	67
40085796	46	16	B1513210D00	12	9	B2313280000	26	13
40096325	46	14	B1513210D00	16	2	B2401210D00	28	17
40096326	46	17	B1515210D00	12	10	B2408210D00	28	18
40096327	46	19	B1515210D00	16	3	B2411210000	28	25
40096354	46	1	B1516210D00	12	27	B24142800A0	28	26
40097998	24	6	B151902600G	34	48	B24152800A0	28	27
40104889	28	7	B1530210D00	12	28	B2416280000	28	28
40104895	28	5	B1601210D0BA	62	36	B2417280000	28	29
40142674	20	34	B1601210D0CA	62	37	B2418280000	28	30
40142675	20	37	B1601210D0E	62	38	B24212800A0	28	31
40142677	20	38	B1601210D0FA	62	39	B242328000A	28	32~36
40150001	48	2	B1626220000	38	30	B242328000B	28	32~36
A1230500000A	10	36	B1626555000	36	33	B242328000C	28	32~36
A321600100A	4	71	B1633210D00	16	16	B242328000D	28	32~36
B1111210D00	2	15	B1634210D00	18	51	B242328000E	28	32~36
B1113223C00	58	42	B1652210D00	18	50	B2424280000	28	37
B1115210D00	2	10	B1701210D00	14	56	B242628000D	62	32~35
B1116210D00	2	12	B1702155000	12	29	B2509704000	32	15
B1116804000	28	23	B1802210D00	20	32	B2545280000	26	7
B1123210D00	4	52	B1806210D00	22	63	B2553210D00	36	10
B1125210D00	4	81	B1806210D00	56	15	B2553210D0A	62	27
B1125215P00	2	27	B1808210D00	20	26	B2553210D0B	62	28
B1144210000	10	37	B1808980000	22	65	B2554210D00	38	6
B1202210000	8	3	B1818210D0A	22	60·61	B2554210D0A	62	29
B1203215000	8	4	B1818210D0B	22	60·61	B2554210D0B	62	30
B1206210D00	8	11	B1820210D00	20	7	B2554210D0C	62	31
B1208019000	12	32	B1821210D00	20	8	B2557210DA0	56	38
B1212210D00	10	38	B1822215P00	20	17	B255728000C	36	31
B1220771000	12	34	B1828210D0A	20	25	B255728000C	38	2

NUMERICAL INDEX OF PARTS

PART NO	PAGE	REF NO.	PART NO	PAGE	REF NO.	PART NO	PAGE	REF NO.
B2561210D00	38	12	B47152150A0	58	45	D3112L4BB00	26	15-16
B2564215000	56	41	B47202150A0	64	47	D7133555B00	6	96
B2566210D00	38	10	B8101210AAB	60	5	D8113555B00	60	16
B2567210D00	38	11	B8105210AAA	60	6	D8204555D00	60	34
B2572210D00	36	12	B81085550A0	60	26	E2193172000	38	32
B2572210D00	38	5	B8153771000	60	15	E8523304000	52	17~19
B2573210D00	36	9	B8202205000	56	16	E9567319000	48	16
B2574210D00	36	6	B9121012000	56	21	E9607603000	50	51
B2575210D00	36	7	B91212200A0	56	26	E9607603000	62	42
B2576210D00	36	17	B9140372000	56	22~25	E9609603000	48	17
B2577210D00	36	4	BP300000100	42	31-32	EA9500B0100	32	22
B2578210D00	36	5	BP600000000	42	20	EA9500B0100	38	44
B2579210D00A	36	39	BT0400251EB	38	33	EA9500B0100	42	22
B2580210D00	36	18	BT0400251EB	64	52	EA9500B0100	52	37
B2581210D00	36	14	BT0500300EA	20	22	EA9500B0100	56	55
B2582210D00	36	15	BT0600401EB	56	35	EA9500B0100	58	55
B2583210D00	52	28	CM200100001	48	14	EA9500B0200	44	15
B2592210000	56	39	CM300100001	48	15	EA9500B0200	62	24
B2610210D00	36	19	CM300100101	48	43	EA9502B0500	52	40
B2610210D00	38	9	CM300200002	2	35	G1216870000	8	27
B2617771000	28	15	CM301200001	2	31	G5430116000	58	50
B2702210000	26	38	CM600100101	6	98	G6705152U0A	48	44
B2703210000	4	50	CQ200000000	20	19	G8124270000	58	48
B3107804000	26	14	CQ200000000	42	15	GAF01007000	10	39
B3112761000	26	15-16	CQ202000000	20	14	GCT02906000	56	22~25
B3114232000	26	17-18	CQ202000000	42	31-32	GNP01330000	12	31
B3114771000	2	29	CQ252200000	2	7	GPF060600A0	60	18
B3119771000	26	19	CQ252200000	42	21	GPF06080000	60	17
B3120125000	26	20	CS079073BSH	32	36	GPK26002000	52	42
B3126012000	6	95	CS080081BSH	28	12	GPK470010AB	52	43
B3126012000	26	21	CS080081CSH	22	52	GPK570010B0	62	41
B3129053000	26	17-18	CS095081ASH	32	12	HA001690010	4	89
B3132552000	26	22	CS1000811SP	22	50	HA00303000A	54	16-23
B3403761000	40	46	CS100081CSP	16	29	HA004250000	48	26
B3501210000	42	10	CS100081CSP	22	49	HA004250000	54	16-23
B3505280000	20	10	CS1201010SH	20	3	HA004260000	52	34
B3509210D00	42	7	CS147121ESH	10	58	HA00600000A	24	19
B3509280000	42	17	D2426282C00	62	32~35	HD00057000A	32	25
B3518280000	42	28	D2426284M00	30	63-64	HD002230000	10	30
B3523980000	42	9	D2426MMCK0C	62	32~35	HD002230000	52	26
B3541012000	42	8	D2502232D00	36	34	HF001301000	52	17~19
B471122000C	38	41	D2502232D00	38	31	HF0041080P0	52	17~19
B471122000D	38	40	D2587L8WB00	16	12	HK026650080	48	19
B471122000G	38	43	D2587L8WB00	28	38	HK034610020	16	34
B471122000H	38	42	D2588L8WB00	28	39	HK034610020	24	17

NUMERICAL INDEX OF PARTS

PART NO	PAGE	REF NO.	PART NO	PAGE	REF NO.	PART NO	PAGE	REF NO.
HK034610020	28	10	M85205800A0	62	40	M90435920A0	44	12
HK034610020	62	15	M85205900A0	52	22	M90445920A0	44	7
HK034610040	58	54	M85205900A0	54	11	M90475900A0	44	8
HK034610100	52	38	M85205920A0	50	47	M964051000A	44	13
HK034640000	52	39	M85215800A0	52	33	MAO11532000	56	14
HK034640000	58	47	M85215800A0	54	17	MAT80114T00	36	35
HK034640000	62	14	M85905130AA	64	54	MDP170B1800	10	52·53
HK054250040	48	20	M85985920A0	44	6	MDP170B1802	56	27·28
HM000630010	50	48	M85995900A0	52	15·16	MDP500B1400	10	52·53
HW500070000	62	13	M8599590AA0	52	15·16	MDP500B1402	56	27·28
HX00056000B	48	22	M8601592AA0	48	1	NM3034000SF	48	27
HX001230000	52	27	M86045900C0	48	3·4	NM3040520SF	48	53
HX00123000B	48	41	M8604590AC0	48	3·4	NM3040520SF	50	53
HX00147000C	48	23	M86065920A0	52	3	NM6040001SE	28	8
HX00150000B	34	51	M8901592AA0	48	11·12	NM6050001SE	46	24
HX00150000B	44	1	M8901592BA0	48	11·12	NM6050001SP	14	53
HX00150000B	62	22	M89105900A0	48	5	NM6050001SP	28	40
HX00150000C	4	88	M89105920A0	54	20	NM6060001SC	2	20
HX00150000J	4	54	M90015900A0	54	1	NM6060001SC	48	6
HX00150000J	44	5	M90025800A0	54	9	NM6060001SC	56	33
HX00150000N	2	45	M90085800A0	54	4	NM6080721SE	56	10
HX002330000	64	53	M90105810A0	54	3	NM6080721SE	60	25
HX004070000	48	24	M90115900A0	52	25	NM6120001SE	60	27
HX004100000	48	25	M90135900A0	62	43	NS6090310SP	2	32
J106600000D	56	22~25	M90145920A0	54	2	NS6090310SP	24	23
M1001590000	48	18	M90175800A0	54	12~ 14·18·19	NS6110310SP	6	93
M10025920A0	50	49	M90195800A0	4	55	NS6110310SP	12	8
M1003590000	48	7	M90205800A0	54	5·6	NS6110310SP	24	24
M1004581000	48	10	M9020580AA0	54	5·6	NS6110310SP	62	16
M1010590000	52	6	M90215800A0	54	15	NS6110420SP	16	14
M1011590000	52	7	M90225900A0	54	7·8	NS6110420SP	28	42
M1012592000	52	8	M90235900A0	54	7·8	NS6120310SP	26	33
M1016580000	52	35	M90245800A0	54	12~ 14·18·19	NS6120310SP	28	43
M1030590000	52	23	M90255800A0	52	44	NS6150310SP	28	13
M1031590000	52	24	M90285800A0	54	12~ 14·18·19	NS6660430SP	22	53
M300258000B	48	8·9	M90315800A0	64	55	PA1602006A0	38	35
M300259200A	52	4·5	M90315900A0	54	10	PB000010000	64	56
M300259200B	52	4·5	M90345800A0	54	12~ 14·18·19	PC012401000	38	45
M3003580000	52	20·21	M90355800A0	54	12~ 14·18·19	PF0552040B0	58	51
M300359000A	48	8·9	M90415900A0	44	9	PH1000332SH	16	28
M300451100A	52	20·21	M90425900A0	44	10	PJ030520001	58	52
M8002430000	2	4	M90435900A0	44	11	PJ046052503	38	36
M85105810A0	50	50				PJ304060001	14	47
M8510592AA0	52	1·2				PJ305065202	58	53
M8510592BA0	52	1·2				PJ309005203	58	49

NUMERICAL INDEX OF PARTS

PART NO	PAGE	REF NO.	PART NO	PAGE	REF NO.	PART NO	PAGE	REF NO.
PJ309520001	64	57	SD0800331TH	52	29	SM6040602TP	28	14
PS0400142KH	10	40	SD0800341SP	12	14	SM6040802TP	38	15
PV010011000	64	46	SD0800341SP	16	19	SM6041202TP	36	21
PV150209000	14	45	SD0800431SP	16	25	SM6041202TP	38	16
PV150209000	62	45	SD0801021TP	22	55	SM6051002TP	38	17
PV915005000	14	46	SD1100301TP	30	50	SM6060802TP	14	51
PX050003000	14	48	SK3311601SE	56	29	SM6060802TP	36	22
PX500014000	64	49	SK3311601SE	60	35	SM6060802TP	38	18
PX950009000	58	46	SK3382001SE	2	21	SM6067552TP	2	18
RC0150001KP	14	37	SK3382001SE	44	14	SM6067552TP	56	32
RC0560711KP	4	74	SK3382001SE	52	13	SM8040412TP	4	79
RC0740811KP	16	38	SK3482001SE	48	42	SM8040600SP	10	56
RE0250000K0	24	25	SK3482001SE	52	14	SM8050502TP	4	78
RE0300000K0	20	18	SK3513201SE	60	31	SM8050812TP	10	60
RE0300000K0	36	38	SL4030681SC	62	19	SM8050812TP	36	24
RE0300000K0	38	37	SL4030681SF	48	29	SM8053002TP	28	19
RE0400000K0	4	75	SL4030881SC	32	26	SM8060612TP	10	28
RE0500000K0	24	26	SL4030881SF	52	9	SM8060612TP	32	50
RE0500000K0	28	44	SL4030891SC	48	30	SM8060612TP	34	50
RE0500000K0	38	20	SL4031291SC	32	27	SM8060812TP	32	9
RE0700000K0	36	8	SL4040681SC	48	36	SM8061612TP	10	29
RE0900000K0	22	54	SL4040881SF	48	31	SM9061203SE	60	19
RO069180100	32	11	SL4040881SF	52	41	SM9061403CP	36	23
RO154240100	10	42	SL4041081SF	48	33	SM9061403CP	38	19
SB110000900	34	44	SL4041091SC	48	40	SM9082023SE	60	22
SB110001300	32	43	SL4041291SC	10	31	SS1060210TP	30	51
SB30800100A	20	44~47	SL4041291SC	14	41	SS1110640TP	30	52
SB30800100A	22	44~47	SL4041291SC	52	31	SS1110840SP	2	42
SB30800100B	20	44~47	SL4051091SC	48	39	SS1110840SP	10	66
SB30800100B	22	44~47	SL4051091SC	56	7	SS4090415SP	20	12
SB30800100C	20	44~47	SL6052092TN	10	34	SS4090515SP	26	30
SB30800100C	22	44~47	SL9082091SE	60	12	SS4090715SP	2	37
SB30800100D	20	44~47	SL9082093SE	56	8	SS4110515SP	2	43
SB30800100D	22	44~47	SM1040801SP	36	20	SS4110515SP	42	30
SD0500091TP	30	46	SM1040801SP	38	14	SS4110715SP	4	86
SD0500803TP	30	47	SM1044050SM	50	52	SS4110715SP	32	37
SD0530221SP	26	25	SM3030552TN	20	39	SS4110715SP	42	14
SD0640391TP	26	27	SM3065052TC	48	45	SS4110715SP	44	4
SD0640482SP	26	28	SM4030601SN	24	20	SS4110715SP	56	4
SD0650305TP	30	48	SM4031851SR	48	34	SS4110715SP	62	23
SD0650321TP	24	29	SM4040601SC	52	30	SS4110815SP	4	82
SD0650321TP	62	17	SM4040655SP	56	5	SS4110815SP	16	4
SD0720321TP	26	26	SM4051405SE	46	23	SS4110915SP	62	20
SD0790311TP	30	49	SM4060801SE	10	32	SS4111015SP	2	38
SD0800331TH	14	57	SM5040655SN	4	77	SS4111415SP	36	25

NUMERICAL INDEX OF PARTS

PART NO	PAGE	REF NO.	PART NO	PAGE	REF NO.	PART NO	PAGE	REF NO.
SS4111415SP	38	21	SS7110730SP	2	17	WP0320501SC	24	21
SS4150715SP	2	40	SS7110740TP	30	58	WP0371016SD	16	52
SS4150715SP	40	47	SS7110810SP	16	30	WP0371016SD	18	52
SS4150715SP	42	23	SS7110840SP	2	46	WP0430801SC	52	32
SS4151215SP	2	44	SS7110840SP	10	35	WP0450000SD	38	24
SS4151215SP	12	43	SS7110840SP	14	36	WP0450000SD	64	51
SS4151215SP	14	43	SS7110840SP	18	47	WP0450801SD	56	6
SS4151215SP	16	6	SS7110840SP	20	28	WP0450826SC	4	76
SS6060410TP	20	62	SS7110840SP	24	31	WP0450846SP	30	61
SS6060410TP	22	62	SS7110840SP	30	55	WP0480856SP	36	28
SS6090612TP	2	9	SS7110840SP	36	27	WP0480856SP	38	25
SS6090620TP	24	27	SS7110840SP	38	23	WP0480856SP	62	21
SS6090670TP	10	50	SS7110840SP	58	43	WP0482086SD	26	8
SS6092120SP	42	24	SS7111110TP	20	30	WP0501016SD	28	45
SS6110420TP	34	46	SS7111120TP	12	7	WP0520656SA	58	44
SS6110430TP	30	53	SS7111120TP	26	31	WP0531001SC	46	22
SS6110480SP	20	27	SS7151120SP	8	25	WP0553216SD	30	62
SS6110480SP	32	42	SS8090610SP	26	12	WP0560860SE	12	15
SS6110610TP	2	36	SS8110310SP	10	41	WP0600816SP	16	45
SS6110610TP	32	34	SS8110422TP	24	28	WP0612066SP	16	20
SS6110610TP	38	22	SS8110510SP	10	62	WP0621016SD	36	30
SS6110610TP	56	36	SS8110510SP	14	39	WP0621016SD	38	27
SS6110810TP	26	29	SS8110510SP	26	37	WP0621026SP	18	54
SS6111140SP	2	34	SS8110520TP	22	51	WP0641601SC	14	55
SS6111140SP	32	31	SS8150822TP	12	40	WP0651001SC	50	46
SS6111610SP	24	32	SS8150822TP	14	40	WP0651056SD	26	34
SS6120930SP	30	56	SS8150822TP	16	24	WP0651646SC	2	19
SS6120930SP	42	6	SS8150822TP	20	29	WP0651646SC	56	34
SS6121212TP	22	57	SS8150822TP	30	59	WP0671016SE	60	20
SS6151142TP	16	27	SS8660610TP	8	24	WP0871602SE	56	9
SS6151220SP	22	58	SS8660612TP	16	41	WP0871602SE	60	23
SS6151220SP	34	49	SS8660612TP	32	23	WP0951016SP	16	44
SS6151412TP	8	22	SS8661012TP	30	60	WP0952616SD	20	13
SS6151440SP	32	39	SS9111010SP	12	35	WP1302501SE	60	28
SS6151812TP	26	32	SS9661230CP	10	57	WP1612616SE	46	15
SS6681712TP	8	23	ST40316110R	52	10	WS0310002KR	24	22
SS7080510TP	10	54	ST5041051SN	52	36	WS0310702KS	48	35
SS7090410SP	14	61	SV4031006SR	52	12	WS0410002KP	36	32
SS7090410SP	30	57	TA0550604R0	4	51	WS0410002KP	38	29
SS7091110TP	16	49	TA0850604R0	4	84	WS0410002KR	28	9
SS7091110TP	18	49	TA1050504R0	4	91	WS0510002KN	46	21
SS7110340SP	14	59	TA1250406R0	2	49	WS0610002KN	10	64
SS7110340SP	56	40	TA1250406R0	4	49	WS0610002KN	48	21
SS7110410SP	32	33	TA1550902R0	14	38	WS0621210KR	60	21
SS7110510SP	64	50	TA2100904R0	4	53	WS0861410KR	60	24

NUMERICAL INDEX OF PARTS

PART NO	PAGE	REF NO.
WS1253010KN	60	29