

MODEL : DDL-9000

List No : 1259-07

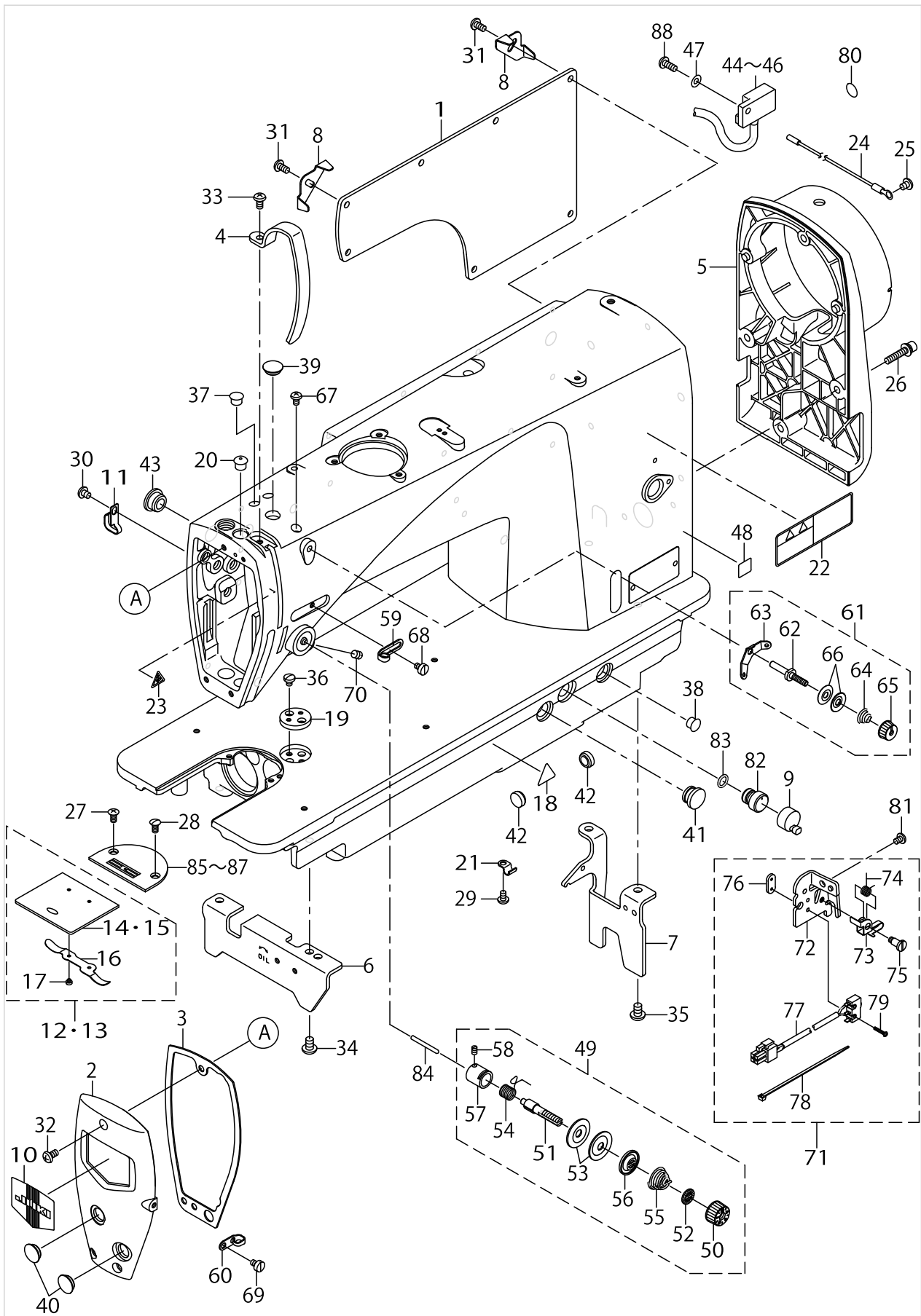
PARTS LIST

Published:05/12/2017

CONTENTS

MACHINE FRAME & MISCELLANEOUS COVER COMPONENTS	1
BOBBIN WINDER COMPONENTS.....	7
MAIN SHAFT & NEEDLE BAR COMPONENTS.....	9
HAND LIFTER & TENSION RELEASE COMPONENTS.....	13
FEED ADJUST MECHANISM COMPONENTS	17
HORIZONTAL FEED, VERTICAL FEED & HOOK DRIVING SHAFT COMPONENTS.....	21
THREAD TRIMMER COMPONENTS	25
OIL LUBRICATION COMPONENTS	29
AUTOMATIC REVERSE FEED COMPONENTS.....	33
WIPER COMPONENTS(FOR DDL-9000-WB)	35
THREAD STAND COMPONENTS.....	37
UNDER COVER COMPONENTS.....	39
ACCESSORIE PART COMPONENTS.....	41
EXCLUSIVE PART FOR DDL-9000DS.....	43
EXCLUSIVE PART FOR DDL-9000DF.....	45
EXCLUSIVE PART FOR DDL-9000SH-WB,0B.....	49
TABLE & STAND COMPONENTS.....	53
LIST FOR INFORMATION OF CHANGE.....	55
HOW TO MAKE USE OF THIS PARTS LIST	56

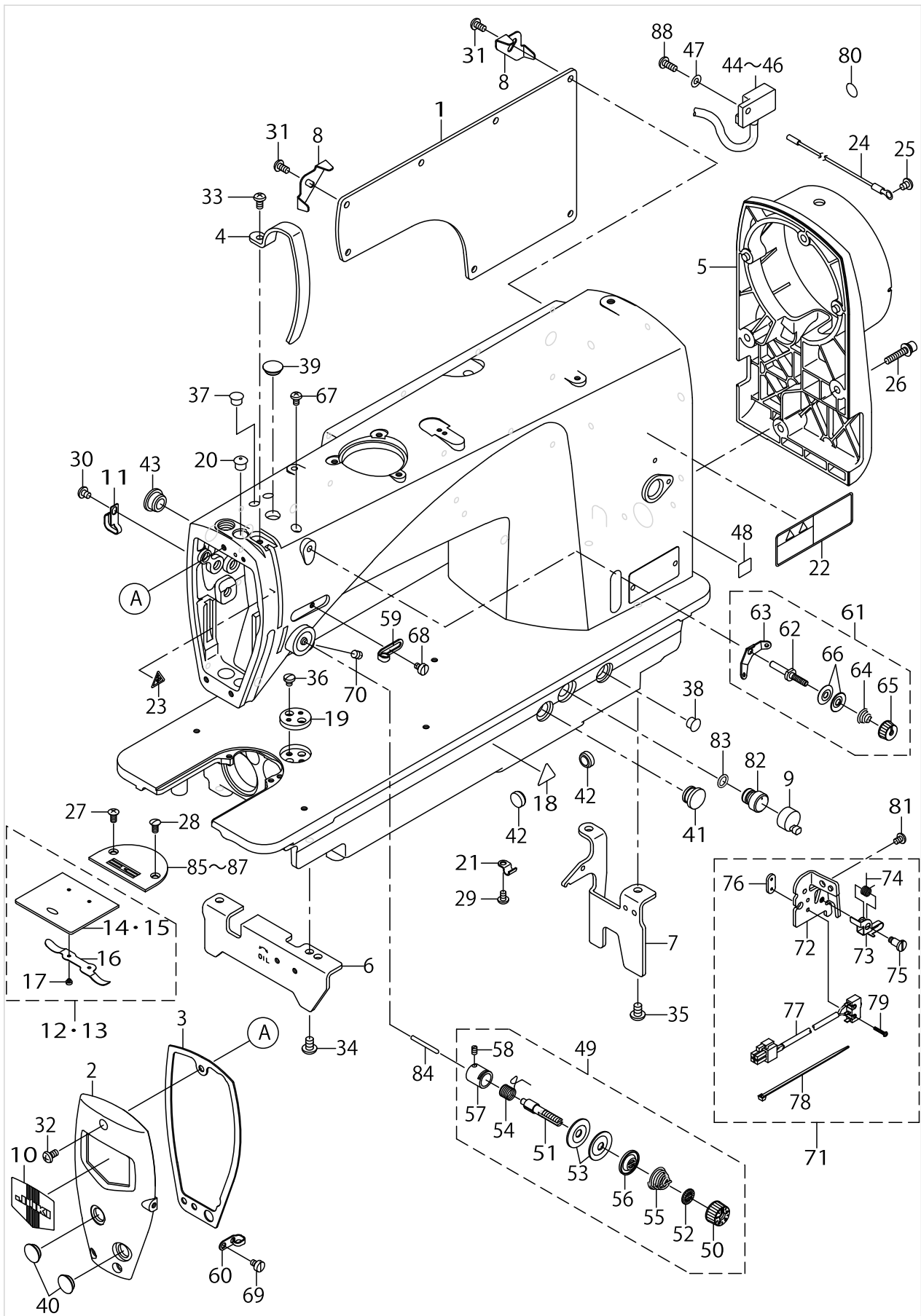
MACHINE FRAME & MISCELLANEOUS COVER COMPONENTS



MACHINE FRAME & MISCELLANEOUS COVER COMPONENTS

No.	Supply Code	Parts No.	Replacement	Parts name	Remarks	Choice	Step	Level	Cons	Qty	Rep. QTY
1		23600208		SIDE PLATE						1	
2		23600307		FACE PLATE						1	
3		23600406		FACE PLATE PACKING						1	
4		23600505		THREAD TAKE-UP LEVER COVER						1	
5		23600604		PULLEY COVER						1	
6		23600703		BED STUD A						1	
7		23600802		BED STUD B						1	
8		22954705		CORD FIXING METAL FITTING						2	
9		23601305		AIR-DISCHARGING CAP						1	
10		22902506		FACE PLATE						1	
11		40022407		CORD HOLDER						1	
12		22901250		SLIDE PLATE ASM.	EXCEPT JH					1	
13		22902753		SLIDE PLATE ASM.	FOR JH					1	
14	R	22901201	22901250	SLIDE PLATE	EXCEPT JH			*		1	1.00
15		22902704		SLIDE PLATE	FOR JH			*		1	
16		22901300		SLIDE PLATE SPRING				*		1	
17		SS6060210SP		SCREW 3/32-56 L=1.9				*		2	
18		CM300200003		ATTENTION LABEL						1	
19		22902605		RULER STOP SEAT						1	
20		22901409		NEEDLE BAR UPPER BUSH CAP						1	
21		B3538112000		OIL RETURN TUBE HOLDER						1	
22		CM301300001		SAFETY LABEL						1	
23		CM300200001		ATTENTION SEAL						1	
24		23601057		EARTH CORD ASM.	FOR GENERAL EXPORT,JA,JE					1	
25		SS4120615SP		SCREW 3/16-28 L=6	FOR GENERAL EXPORT,JA,JE					1	
26		SL6052592TN		BOLT						4	
27		SS2110915SP		SCREW 11/64-40 L=8.5						1	
28		SS2110920TP		SCREW 11/64-40 L=8.5						1	
29		SS4110715SP		SCREW 11/64-40 L=7						1	
30		SS4120615SP		SCREW 3/16-28 L=6						1	
31		SS4120915SP		SCREW 3/16-28 L=9						7	
32		SS4120915SP		SCREW 3/16-28 L=9						3	
33		SS4120915SP		SCREW 3/16-28 L=9						1	
34		SS4150915SP		SCREW 15/64-28 L=9						2	
35		SS4150915SP		SCREW 15/64-28 L=9						2	
36		SS7110540SP		SCREW 11/64-40 L=5						2	
37		TA0850604R0		RUBBER PLUG						1	
38		TA0850604R0		RUBBER PLUG						1	
39		TA1250406R0		RUBBER PLUG D=12.5 L=4						1	
40		TA1250406R0		RUBBER PLUG D=12.5 L=4						2	
41		TA1250705R0		RUBBER PLUG						1	
42		TA1270502R0		RUBBER PLUG						2	
43		TA1470704R0		RUBBER PLUG						1	
44	D	M6022350AAA		RESISTOR PACK AA ASM.	FOR JA					1	

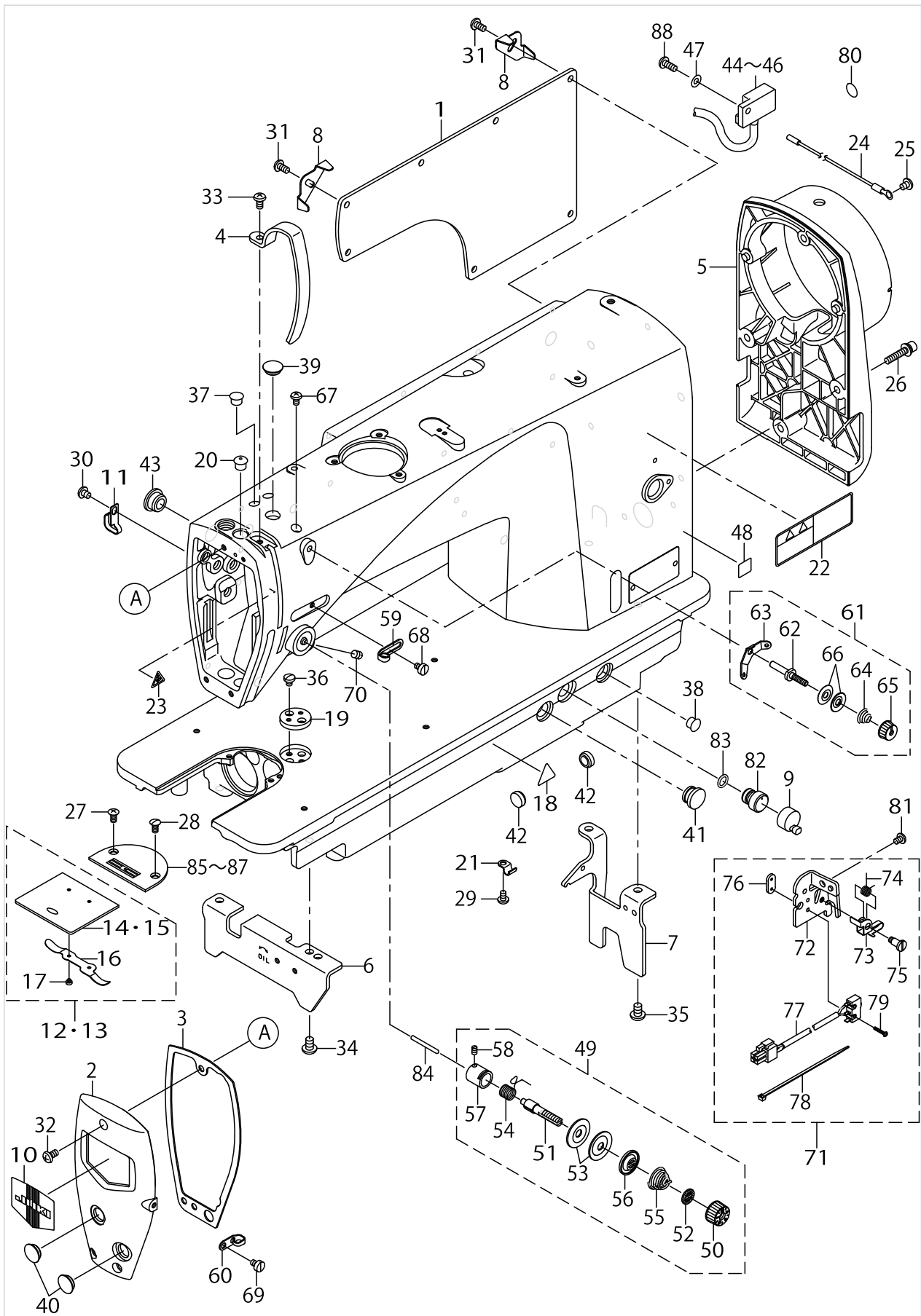
MACHINE FRAME & MISCELLANEOUS COVER COMPONENTS



MACHINE FRAME & MISCELLANEOUS COVER COMPONENTS

No.	Supply Code	Parts No.	Replacement	Parts name	Remarks	Choice	Step	Level	Cons	Qty	Rep. QTY
45		M6022350AAL		RESISTOR PACK AL ASM.	FOR GENERAL EXPORT, USE IN JAPAN, JH					1	
46	D	M6022350AAF		RESISTOR PACK AF ASM.	FOR JE					1	
47		WP0501016SD		WASHER 5X10.5X1						1	
48		CM600100101		WEEE MARK LABEL S	FOR JE					1	
49	R	23627359	23626054	THREAD TENSION ASM.						1	1.00
50		23626005		THREAD TENSION NUT				*		1	
51		B3115552000		TENSION POST				*		1	
52		B3120125000		ROTATING STOPPER				*		1	
53	R	B3126012000	22921506	THREAD TENSION DISK				*		2	1.00
54	R	B3128012000	22921605	TAKE-UP SPRING				*		1	1.00
55		B3129012A00		TENSION SPRING				*		1	
56		B3132552000		THREAD TENSION DISK PRESSER				*		1	
57	R	B3111126000	22945307	TENSION POST SOCKET				*		1	1.00
58		SS8090670SP		SCREW 9/64-40 L=5.5				*		1	
59		23626104		ARMTHREADGUIDEA						1	
60		22920607		ARMTHREADGUIDEB						1	
61		22945463		THREAD TENSION ASM. NO.1						1	
62		22945414		THREAD TENSION POST				*		1	
63	R	22945604	22963458	THREAD TENSION GUIDE		A		*		1	1.00
63	R	22945604	22945463	THREAD TENSION GUIDE		B		*		1	1.00
64		22945505		THREAD TENSION SPRING				*		1	
65		22945703		THREAD TENSION NUT				*		1	
66		22945802		THREAD TENSION DISK				*		2	
67		SS4110715SP		SCREW 11/64-40 L=7						1	
68		SS6110610TP		SCREW 11/64-40 L=6						1	
69		SS6110610TP		SCREW 11/64-40 L=6						1	
70		SS8150710TP		SCREW 15/64-28 L=7						1	
71		23638059		SAFETY SWITCH ASM.						1	
72	R	23638000	23638059	SAFETY SWITCH BASE				*		1	1.00
73		23638109		SAFETY SWITCH ARM				*		1	
74	R	23638208	23638059	SAFETY SWITCH SPRING				*		1	1.00
75		23638307		SAFETY SWITCH ARM SHAFT				*		1	
76	R	23638406	23638059	SAFETY SWITCH NUT				*		1	1.00
77		23638554		SAFETY SWITCH CORD ASM.				*		1	
78		EA9500B0100		CABLE BAND				*		1	
79		SM4021201SC		SCREW M2 L=12				*		2	
80		22901805		GROUND MARK	FOR GENERAL EXPORT, JA, JE					1	
81		SS4110615SP		SCREW 11/64-40 L=6						1	
82		23629900		AIR-DISCHARGING						1	
83		RO080150200		RUBBER RING						1	
84		B3118552F00		TENSION RELEASING PIN						1	
85		B110901210B		THROAT PLATE (I)	FOR JE, GENERAL EXPORT					1	

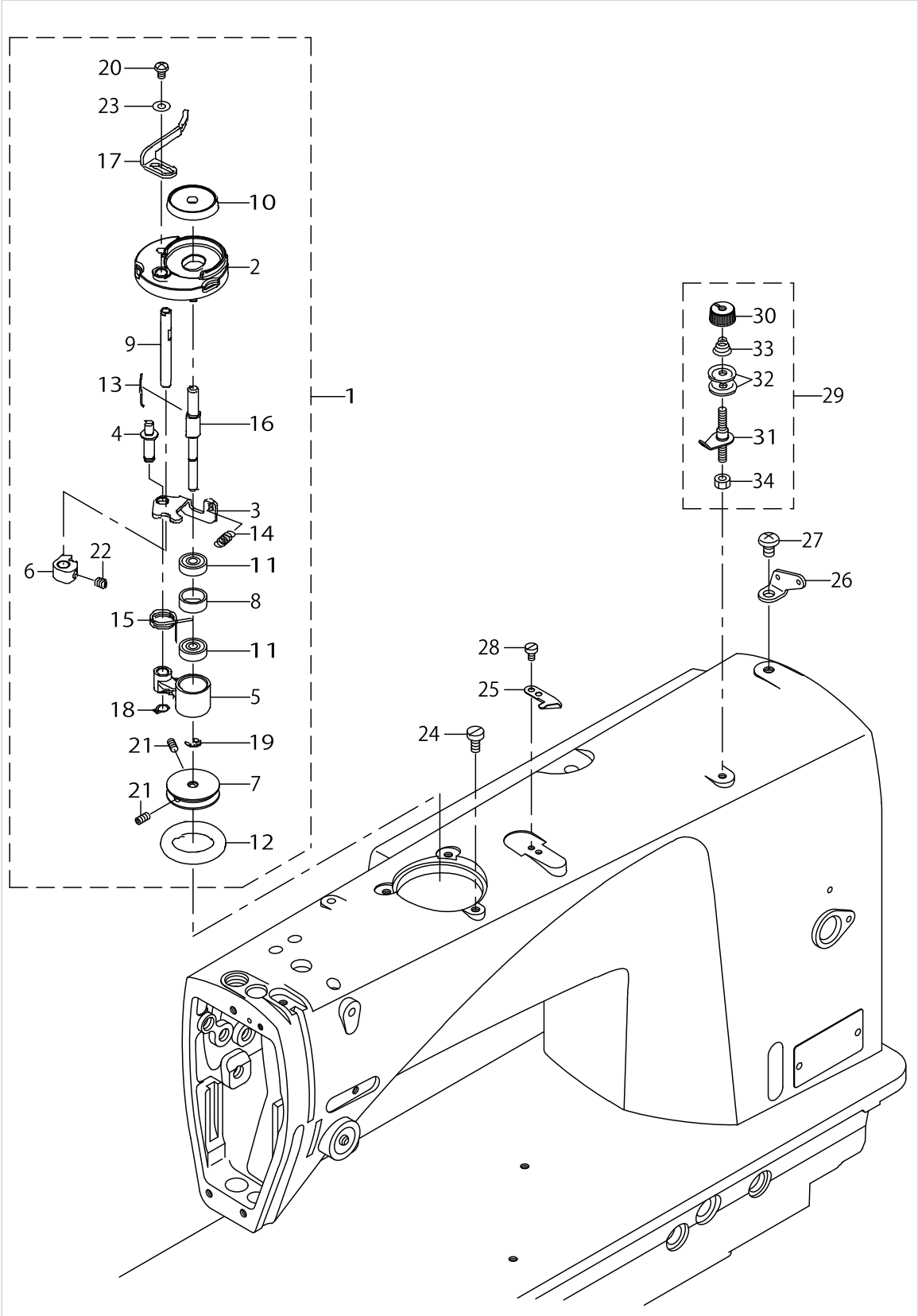
MACHINE FRAME & MISCELLANEOUS COVER COMPONENTS



MACHINE FRAME & MISCELLANEOUS COVER COMPONENTS

No.	Supply Code	Parts No.	Replacement	Parts name	Remarks	Choice	Step	Level	Cons	Qty	Rep. QTY
86		11028008		THROAT PLATE	FOR USE IN JAPAN					1	
87		B1109552000		THROAT PLATE	FOR JA,JH					1	
88		SS4121215SP		SCREW 3/16-28 L=12						1	

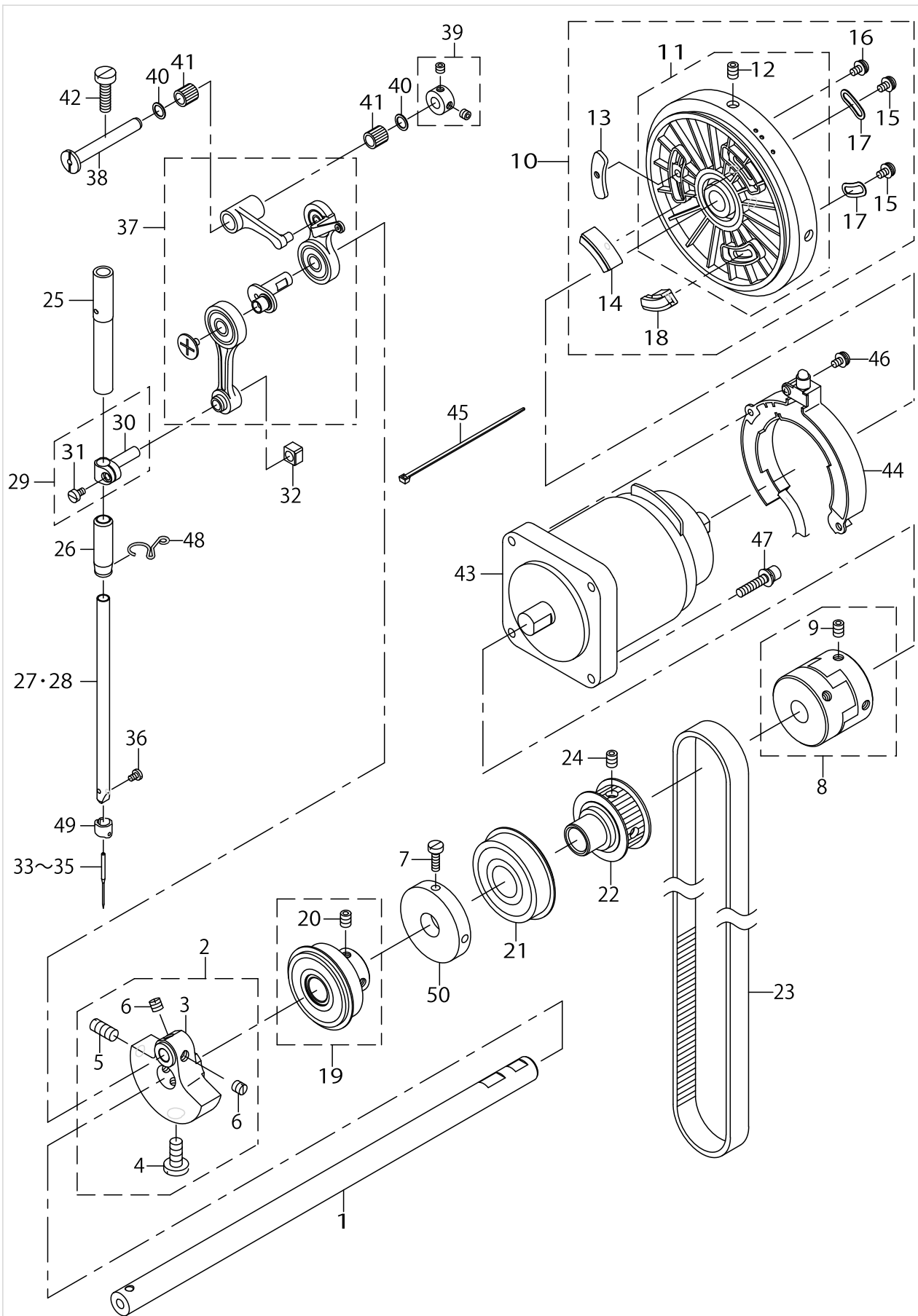
BOBBIN WINDER COMPONENTS



BOBBIN WINDER COMPONENTS

No.	Supply Code	Parts No.	Replacement	Parts name	Remarks	Choice	Step	Level	Cons	Qty	Rep. QTY
1		40023021		BOBBINWINDERUNIT						1	
2	R	26260109	26260000	BTW_BASE				*		1	1.00
3		26260208		BTW_CAM_PLATE				*		1	
4		26260307		BTW_BASE_SHAFT				*		1	
5		26260406		BTW_SHAFT_BASE				*		1	
6		26260505		BTW_CAM_LEVER				*		1	
7		26260604		BTW_WHEEL				*		1	
8	R	26260802	26260000	BTW_BEARING_SPACER				*		1	1.00
9		26261008		BTW_LEVER_SHAFT				*		1	
10		26261206		BTW_SPACER				*		1	
11	R	26261305	26260000	BTW_BEARING				*		2	1.00
12		26261503		BTW_WHEEL_RUBBER				*		1	
13		26261602		BOBBIN_SPRING				*		1	
14		26261701		BTW_SPRING				*		1	
15		40011144		BTW_TORSION_SPRING				*		1	
16		40014837		BTW_SHAFT				*		1	
17		40023022		BTW LEVER				*		1	
18		RC0560711KP		RETAINING RING				*		1	
19		RE0400000K0		E-RING 4				*		1	
20		SM5040655SN		SCREW				*		1	
21		SM8040802TP		SCREW M4X8				*		2	
22		SM8050502TP		SCREW M5 L=5				*		1	
23		WP0450826SC		WASHER 4.5X10X0.8				*		1	
24		SS6121030SN		SCREW 3/16-28 L=10						3	
25		10502300		THREAD CUTTER						1	
26		40023291		THREAD GUIDE NO.1						1	
27		SS4150915SP		SCREW 15/64-28 L=9						1	
28		SS6090620TP		SCREW						2	
29		23636657		BOBBIN THREAD TENSION ASM.						1	
30		11072402		THREAD TENSION NUT				*		1	
31		14113450		BOBBIN THREAD T- ENSION ROD ASM.				*		1	
32	R	B3126012000	22921506	THREAD TENSION DISK				*		2	1.00
33		D7133555B00		CONNECTING ROD SPRING				*		1	
34		NS6110530SP		NUT 11/64-40				*		1	

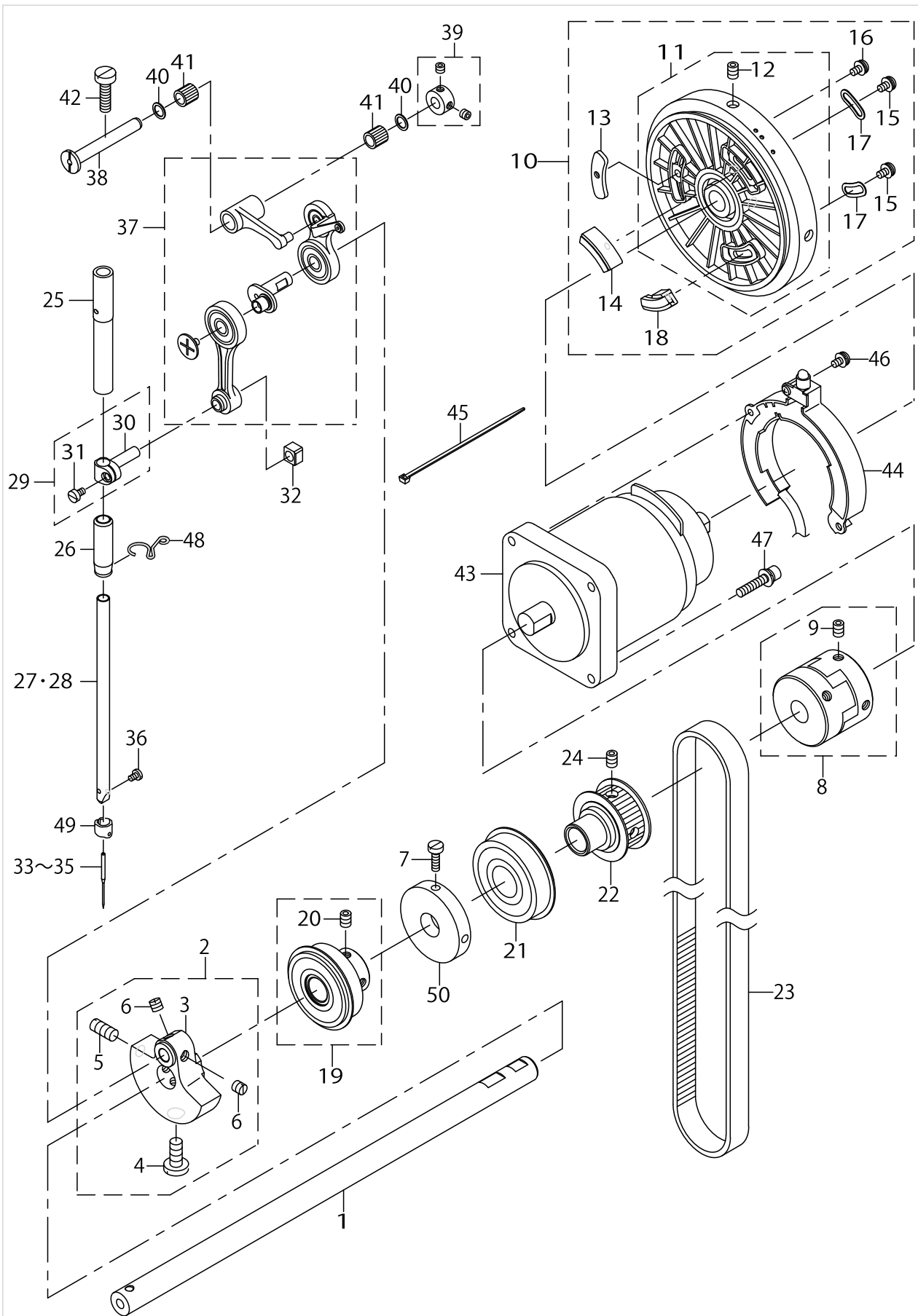
MAIN SHAFT & NEEDLE BAR COMPONENTS



MAIN SHAFT & NEEDLE BAR COMPONENTS

No.	Supply Code	Parts No.	Replacement	Parts name	Remarks	Choice	Step	Level	Cons	Qty	Rep. QTY
1		23604010		MAIN SHAFT						1	
2		23604168		COUNTER WEIGHT ASM.						1	
3	R	23604119	23604168	COUNTER WEIGHT				*		1	1.00
4		SS7681650TP		SCREW 9/32-28 L=16				*		1	
5		SS8681650TP		SCREW 9/32-28 L=16				*		1	
6		SS8660610TP		SCREW 1/4-40 L=6				*		2	
7		SS6111440SP		SCREW 11/64-40 L=14.0						2	
8		40051473		COUPLING ASM.						1	
9		SM80608A2TP		L=8SCREW M6 L=8				*		4	
10		23604457		HAND WHEEL ASM.						1	
11		40044906		HAND WHEEL ASM.				*		1	
12		SM8060812TP		SCREW M6 L=8				*		2	
13		23604804		BALANCE PLATE				*		1	
14		23604655		MAGNET BASE COMPL. ,A				*		1	
15		SL4040881SC		SCREW M4 L=8				*		2	
16		SL4040881SC		SCREW M4 L=8				*		1	
17		23605009		HAND WHEEL WASHER				*		2	
18		23604754		MAGNET BASE COMPL. ,B				*		1	
19		23605256		BEARING COMPL.						1	
20		SM80608A2TP		L=8SCREW M6 L=8				*		2	
21		SB120000800		BEARING						1	
22		40039946		SPROCKET ASM.						1	
23		23607302		TIMING BELT						1	
24		SM8060812TP		SCREW M6 L=8						2	
25		23608003		NEEDLE BAR METAL,UPPER						1	
26	R	23608102	40107707	NEEDLE BAR METAL,LOWER						1	1.00
27		22939508		NEEDLE BAR	EXCEPT JE					1	
28		11141207		NEEDLE BAR B	FOR JE					1	
29		22906457		NEEDLE BAR HOLDER ASM.						1	
30	R	22906408	22906457	NEEDLERODHOLDER				*		1	1.00
31		SS6090670TP		SCREW 9/64-40 L=6				*		1	
32		B1414555000		SLIDE BLOCK						1	
33		MDB100B1400		NEEDLE DBX1 #14	FOR GENERAL EXPORT,JA,JH					1	
34		MDB100B1100		NEEDLE DBX1 #11	FOR USE IN JAPAN					1	
35		MC200500750		NEEDLE 134 NM75	FOR JE					1	
36		SS7080510TP		SCREW 1/8-44 L=4.5						1	
37		23622061		THREAD TAKE-UP ASM.						1	
38		23622400		THREAD TAKE-UP CRANK SHAFT						1	
39		40010434		THRUST_COLLAR_ASM.						1	
40		22891204		BEARING SUPPORT						2	
41		SB307000200		BEARING						2	
42		SS6151920TP		SCREW 15/64-28 L=19.0						1	
43		40028014		AC SERVO MOTOR						1	
44		M68014710A0		SYNC ASM.						1	
45		EA9500B0100		CABLE BAND						2	
46		SL4040881SC		SCREW M4 L=8						2	

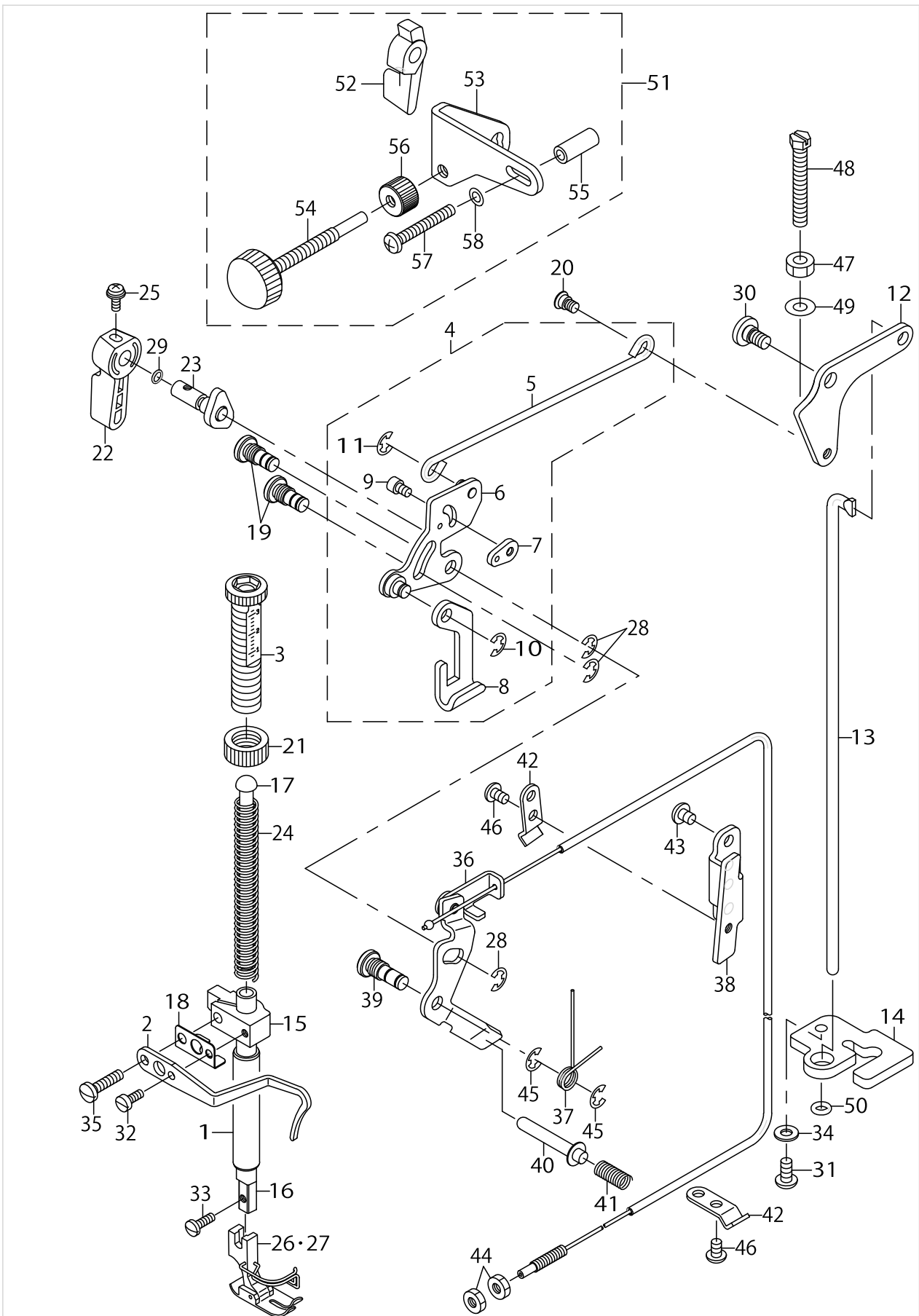
MAIN SHAFT & NEEDLE BAR COMPONENTS



MAIN SHAFT & NEEDLE BAR COMPONENTS

No.	Supply Code	Parts No.	Replacement	Parts name	Remarks	Choice	Step	Level	Cons	Qty	Rep. QTY
47		SL6052592TN		BOLT						4	
48		23626203		NEEDLE BAR THREAD GUIDE						1	
49		22906309		NEEDLE BAR THREAD GUIDE						1	
50		40020455		BTW DRIVING WHEEL						1	

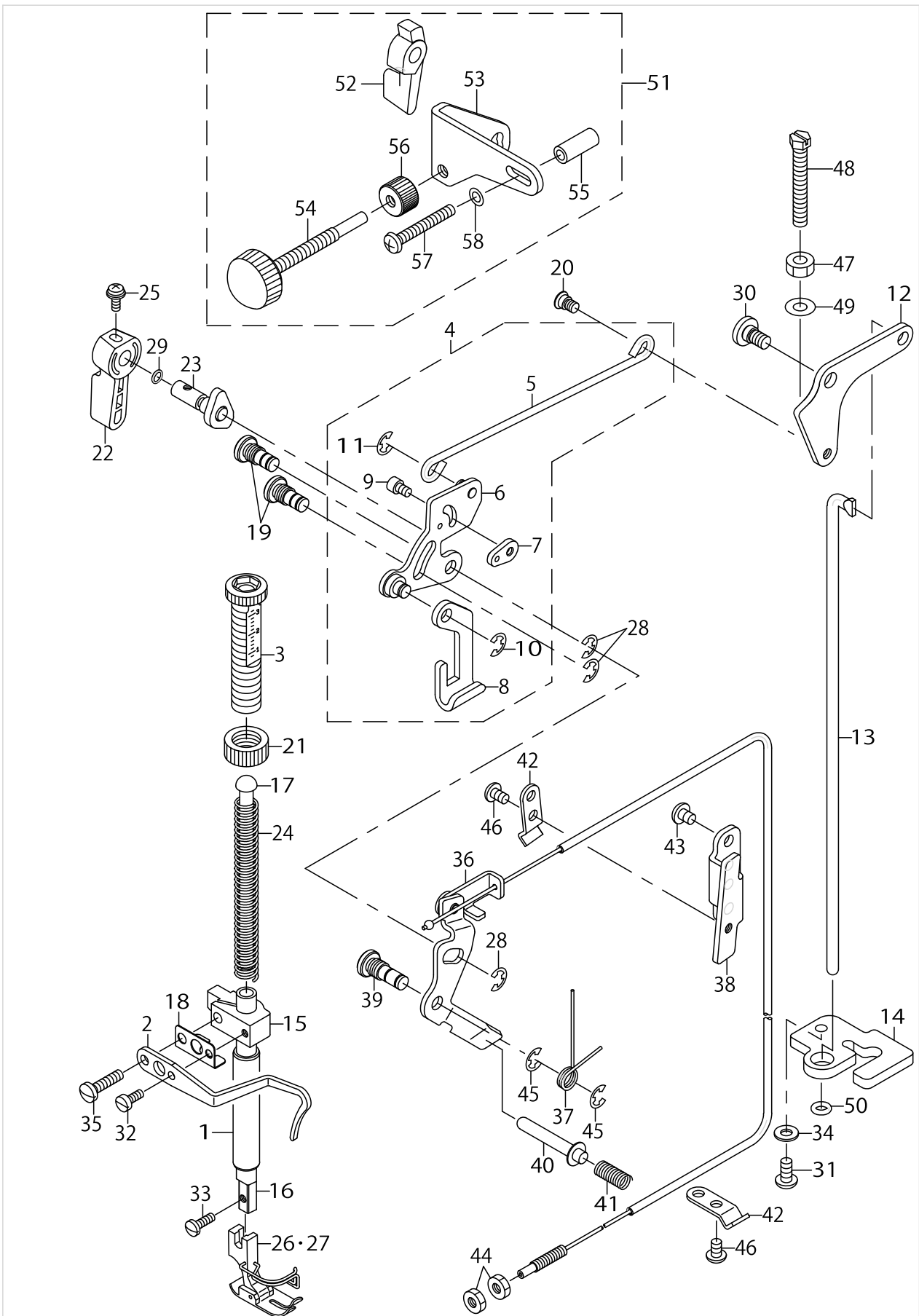
HAND LIFTER & TENSION RELEASE COMPONENTS



HAND LIFTER & TENSION RELEASE COMPONENTS

No.	Supply Code	Parts No.	Replacement	Parts name	Remarks	Choice	Step	Level	Cons	Qty	Rep. QTY
1		23609001		BUSHING						1	
2	D	23609100		PRESSER BAR THREAD GUIDE						1	
3		23609209		PRESSER SPRING REGULATOR						1	
4		23609357		LIFTING LEVER CONNECT ROD ASM.						1	
5	R	23609308	23609357	LIFTING LEVER CONNECT ROD				*		1	1.00
6	R	23609456	23609357	LIFTING LINK COMPL.				*		1	1.00
7		23609605		PLATE				*		1	
8	R	22908008	22908354	LIFTING PLATE		A	DDL-5550 5550N 555- ON-7 5556- N-7 5600NL-7	*		1	1.00
8	R	22908008	23609357	LIFTING PLATE		B	DDL-9000A 9000B	*		1	1.00
8	R	22908008	40057398	LIFTING PLATE		C	LH-3500	*		1	1.00
8	R	22908008	40174387	LIFTING PLATE		D	DDL-9000C	*		1	1.00
9		SM6040602TP		SCREW M4 L=6				*		1	
10		RE0500000K0		E-RING				*		1	
11		RE0500000K0		E-RING				*		1	
12		23609704		LIFTING LEVER LINK						1	
13		23609803		CONNECTING ROD						1	
14		23609902		CONNECTING ROD GUIDE						1	
15		23610108		PRESSER BAR GUIDE BRACKET						1	
16		23610207		PRESSER BAR						1	
17		23610306		PRESSER GUIDE BAR						1	
18	D	23610405		GUIDE BRACKET PLATE						1	
19		22908701		LINK SHAFT						2	
20		22908909		HINGE SCREW						1	
21	R	22907604	22907554	PRESSER SPRING REGULATOR NUT						1	1.00
22		22907802		HAND LIFTER						1	
23		22908552		HAND LIFTER CAM ASM.						1	
24		22907406		PRESSER SPRING						1	
25		B1521555000		SCREW						1	
26		B15240120BA		PRESSER FOOT ASM.	EXCEPT JA					1	
27		B15245520BA		PRESSER FOOT ASM.	FOR JA					1	
28		RE0500000K0		E-RING						3	
29		RO037180100		RUBBER RING						1	
30		SD0720331SP		HINGE SCREW D= 7.24 H= 3.3						1	
31		SS4121015SP		SCREW 3/16-28 L=10						1	
32		SS6090910SP		SCREW 9/64-40 L=9						1	
33		SS7091110TP		SCREW 9/64-40 L=10.5						1	
34		WP0501016SD		WASHER 5X10.5X1						1	
35		SS7111810TP		SCREW 11/64-40L=18						1	
36		23626351		THREAD TENSION RELEASE WIRE						1	
37		23626807		TENSION RELEASE RETURN SPRING						1	
38		23626906		WIRE HOLDER BRACKET						1	
39		22920102		TENSION RELEASE SHAFT						1	
40		22920300		THREAD RELEASE SUPPORTING PIN						1	

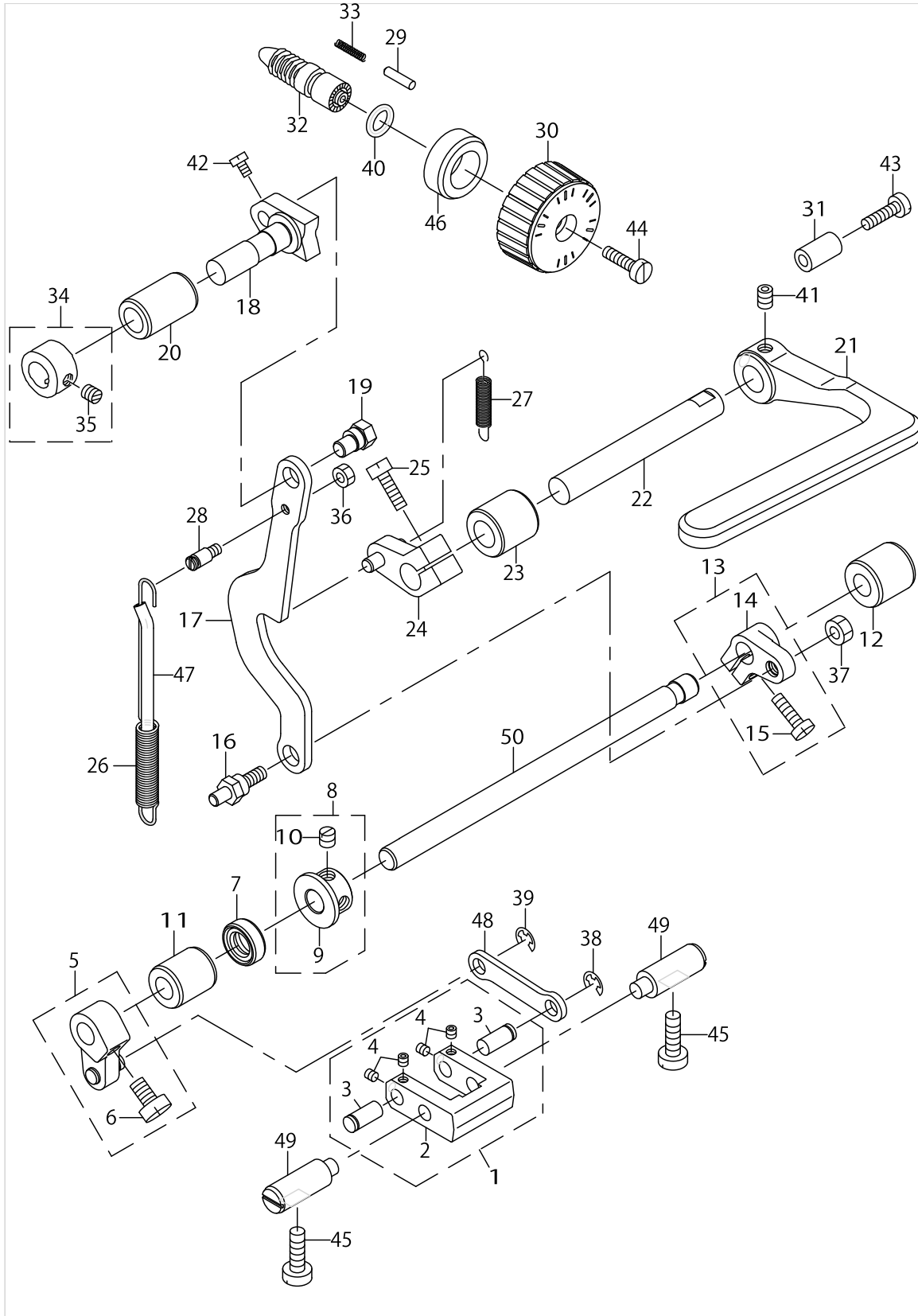
HAND LIFTER & TENSION RELEASE COMPONENTS



HAND LIFTER & TENSION RELEASE COMPONENTS

No.	Supply Code	Parts No.	Replacement	Parts name	Remarks	Choice	Step	Level	Cons	Qty	Rep. QTY
41	R	11018405	22920409	TENSION RELEASE PIN SPRING						1	1.00
42		22944508		WIRE PRESSER A						2	
43		SS4120615SP		SCREW 3/16-28 L=6						2	
44		NS6620310SP		NUT 3/16-32						2	
45		RE0500000K0		E-RING						2	
46		SS4110715SP		SCREW 11/64-40 L=7						2	
47		NS6150310SP		NUT 15/64-28						1	
48		23610801		BOLT						1	
49		WP0621016SD		WASHER 6.2X13X1						1	
50		RO044240100		RUBBER RING						1	
51		23611056		MINUTE LIFTING DEVICE ASM.	SPECIAL ORDER PART					1	
52		23611106		HAND LIFTER				*		1	
53		23610504		STOPPER BASE				*		1	
54		23610652		STOPPER SCREW ASM.				*		1	
55		11244019		STOPPER COLLAR				*		1	
56		23610702		STOPPER SCREW NUT				*		1	
57		11433802		SET SCREW				*		1	
58		WP0480856SP		WASHER 4.8X8.4X0.8				*		1	

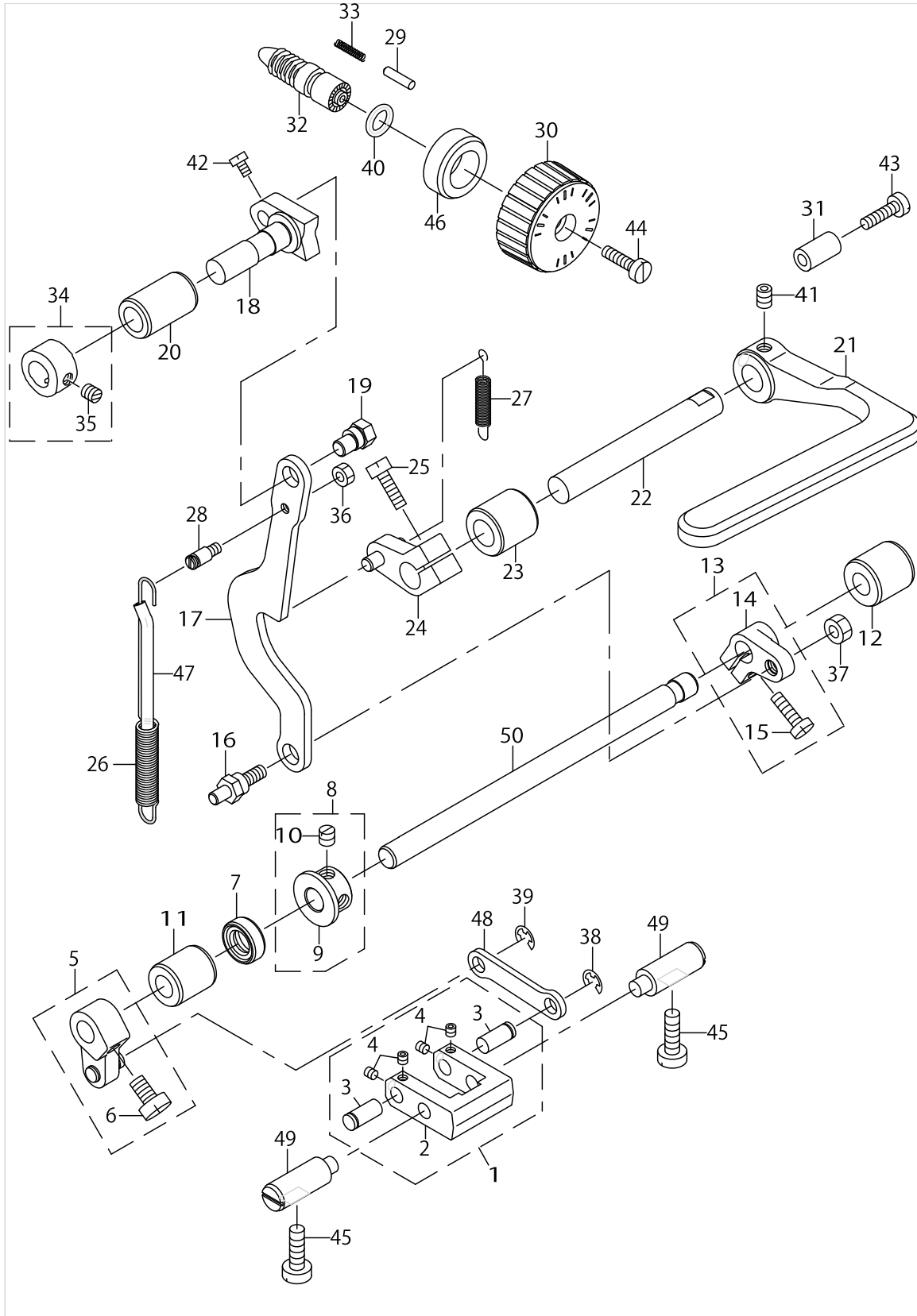
FEED ADJUST MECHANISM COMPONENTS



FEED ADJUST MECHANISM COMPONENTS

No.	Supply Code	Parts No.	Replacement	Parts name	Remarks	Choice	Step	Level	Cons	Qty	Rep. QTY
1		40033391		ADJUSTING LINK ASM.						1	
2		40033392		ADJUSTING LINK				*		1	
3		40033393		ADJUSTING LINK PIN				*		2	
4		SM8040412TP		SET SCREW M4 L=4				*		4	
5		23612450		FEED CHANGING S-HAFT ARM ASM.,A						1	
6		SS6661110SP		SCREW 1/4-40 L=11				*		1	
7		23612609		FEED CHANGING SHAFT OIL SEAL						1	
8		23612765		THRUST COLLAR ASM.						1	
9	R	23612716	23612765	THRUST COLLAR				*		1	1.00
10		SS8660610TP		SCREW 1/4-40 L=6				*		2	
11		23612807		METAL,A						1	
12		40052274		METAL B						1	
13		23613052		FEED CHANGING S-HAFT ARM ASM.,B						1	
14		23613003		FEED CHANGING SHAFT ARM,B				*		1	
15		SS6121610SP		SCREW 3/16-28 L=15.5				*		1	
16		23613102		FEED CHANGING S-HAFT ARM B PIN						1	
17	D	23613201		FEED ADJUSTING ROD						1	
18		23613300		FEED ADJUSTING BASE						1	
19		23613409		FEED ADJUSTING PIN						1	
20		23613508		ADJUSTING BASE SHAFT METAL						1	
21		23613607		FEED LEVER						1	
22		23613706		FEED LEVER SHAFT						1	
23		23613805		FEED LEVER SHAFT METAL						1	
24		23613953		FEED LEVER ARM ASM.						1	
25		SS6121610SP		SCREW 3/16-28 L=15.5						1	
26		23614001		FEED ADJUSTING SPRING						1	
27		23614308		FEED LEVER SPRING						1	
28		40023289		SPRINGSUSPENSION						1	
29		22912000		FEED REGULATOR PIN						1	
30		11071909		FEED DIAL						1	
31		22952501		BACK LEVER STOPPER						1	
32		22911804		FEED REGULATOR SCREW						1	
33		22912109		FEED REGULATOR PIN SPRING						1	
34		CS111101ESH		COLLAR ASM. D=11.11 W=10						1	
35		SS8660330SP		SCREW 1/4-40 L= 3.0				*		2	
36		NS6110310SP		NUT 11/64-40						1	
37		NS6150310SP		NUT 15/64-28						1	
38		RE0500000K0		E-RING						1	
39		RE0500000K0		E-RING						1	
40		RO092270200		RUBBER RING						1	
41		SM8060812TP		SCREW M6 L=8						2	
42		SS6090670TP		SCREW 9/64-40 L=6						2	
43		SS6121840SP		SCREW 3/16-28 L=18						1	
44		SS6121860SP		SCREW 3/16-28 L=18						1	
45		SS6151920TP		SCREW 15/64-28 L=19.0						2	

FEED ADJUST MECHANISM COMPONENTS



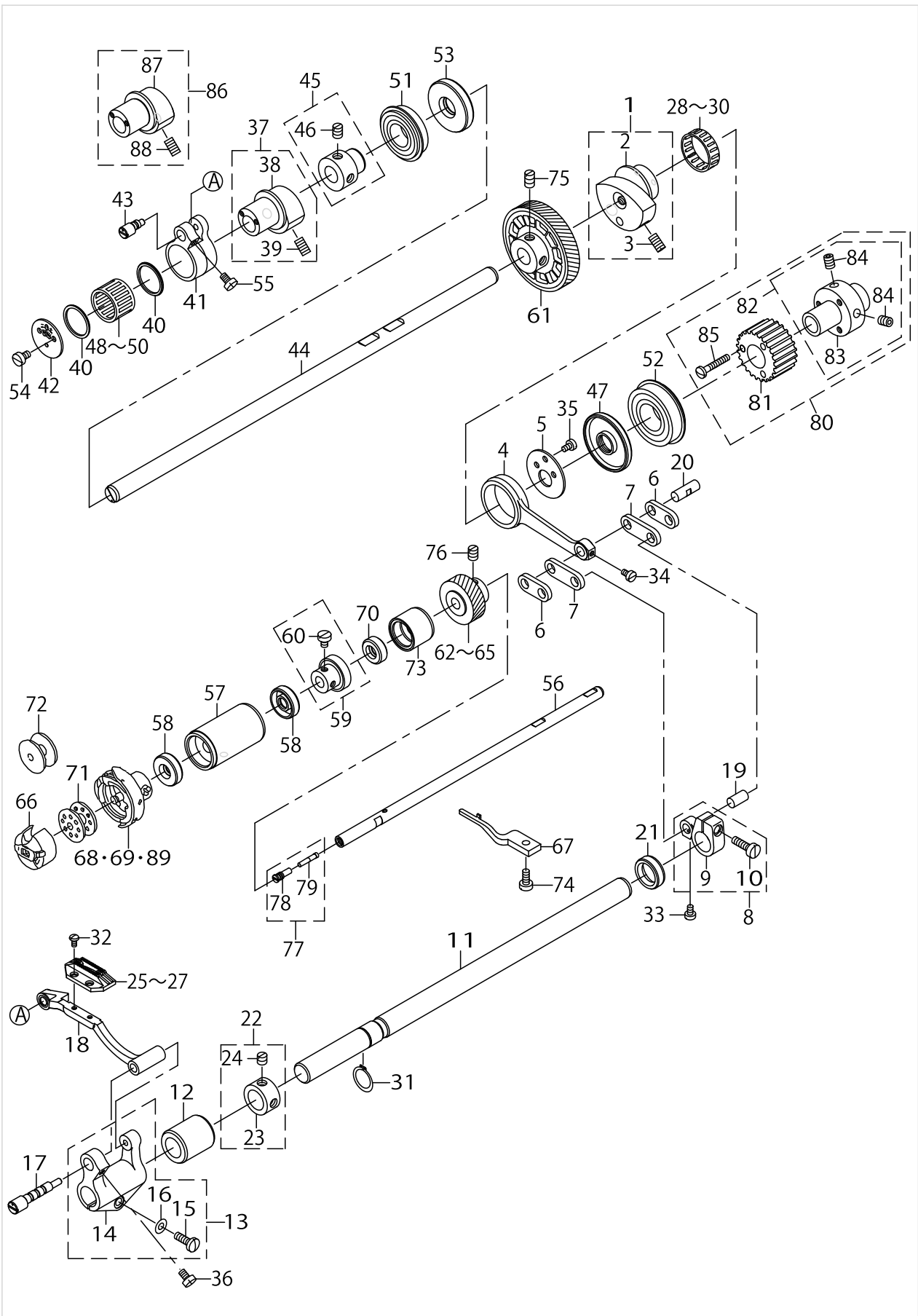
FEED ADJUST MECHANISM COMPONENTS

No.	Supply Code	Parts No.	Replacement	Parts name	Remarks	Choice	Step	Level	Cons	Qty	Rep. QTY
46		23614407		FEED DIAL RUBBER						1	
47		23630007		TUBE						.09	
48		23612104		ADJUSTING LINK C- ONNECTING LINK						1	
49		40012032		ADJUSTING LINK F- ULCRUM SHAFT						2	
50		23612500		FEED CHANGING SHAFT						1	

HORIZONTAL FEED, VERTICAL FEED & HOOK DRIVING SHAFT COMPONENTS

No.	Supply Code	Parts No.	Replacement	Parts name	Remarks	Choice	Step	Level	Cons	Qty	Rep. QTY
1		23616055		FEED ROCKER CAM ASM.						1	
2		23616006		FEED ROCKER CAM				*		1	
3		SS8151150TP		SCREW 15/64-28 L=10.5				*		2	
4		23616105		FEED ROCKER ROD						1	
5		23616204		FEED ROCKER CAM PLATE						1	
6		23616303		CONNECTING LINK,A						2	
7		23616402		CONNECTING LINK,B						2	
8		23616550		FEED ROCKER ARM ASM.						1	
9	R	23616501	23616550	FEED ROCKER ARM				*		1	1.00
10		SS6121610SP		SCREW 3/16-28 L=15.5				*		1	
11		23616600		FEED ROCKER SHAFT						1	
12		23616709		FEED ROCKER SHAFT METAL						1	
13		23616857		FEED ROCKER BASE ARM ASM.						1	
14	R	23616808	23616857	FEED ROCKER BASE ARM				*		1	1.00
15		SS7121410TP		SCREW 3/16-28 L=14				*		1	
16		WP0480856SP		WASHER 4.8X8.4X0.8				*		1	
17		23616907		FEED ROCKER BASE SHAFT						1	
18		23617053		FEED BASE COMPL.						1	
19		22911002		WALKING FOOT PIN B						1	
20		22911101		WALKING FOOT PIN C						1	
21		40029963		OIL SEAL						1	
22		22904155		MAIN SHAFT THRU- ST COLLAR ASM.						1	
23	R	22904106	22904155	MAIN SHAFT THRUST COLLAR				*		1	1.00
24		SS8660610TP		SCREW 1/4-40 L=6				*		2	
25		B1613012I00		FEED DOG I	FOR GENE- RAL EXPORT,JE,JH					1	
26		23614506		FEED DOG A	FOR USE IN JAPAN					1	
27		B1613012I00		FEED DOG I	FOR JA					1	
28		B412352200A		NEEDLE ROLLAR A	SELECTIVE PART					1	
29		B412352200B		NEEDLE ROLLAR B	SELECTIVE PART					1	
30		B412352200C		NEEDLE ROLLAR C	SELECTIVE PART					1	
31		RC0150001KP		RETAINING RING 13.8						1	
32		SS4080620TP		SCREW 1/8-44 L=6						2	
33		SS6090620TP		SCREW						1	
34		SS6090620TP		SCREW						1	
35		SS6090670TP		SCREW 9/64-40 L=6						2	
36		SS7110740TP		SCREW 11/64-40 L=7						1	
37		23618051		FEED DRIVING CAM ASM.						1	
38	R	23618002	23618051	FEED DRIVING CAM				*		1	1.00
39		SS8151150TP		SCREW 15/64-28 L=10.5				*		2	
40		23618101		FEED DRIVING CAM THRUST BUSH						2	
41	R	40022668	23618200	FEED DRIVING BASE ARM						1	1.00
42		23618309		FEED DRIVING CAM PLATE						1	
43		23618408		FEED DRIVING BASE SHAFT						1	
44		40011711		FEED DRIVING SHAFT						1	
45	D	40044875		BEARING SUPPORT ASM.						1	

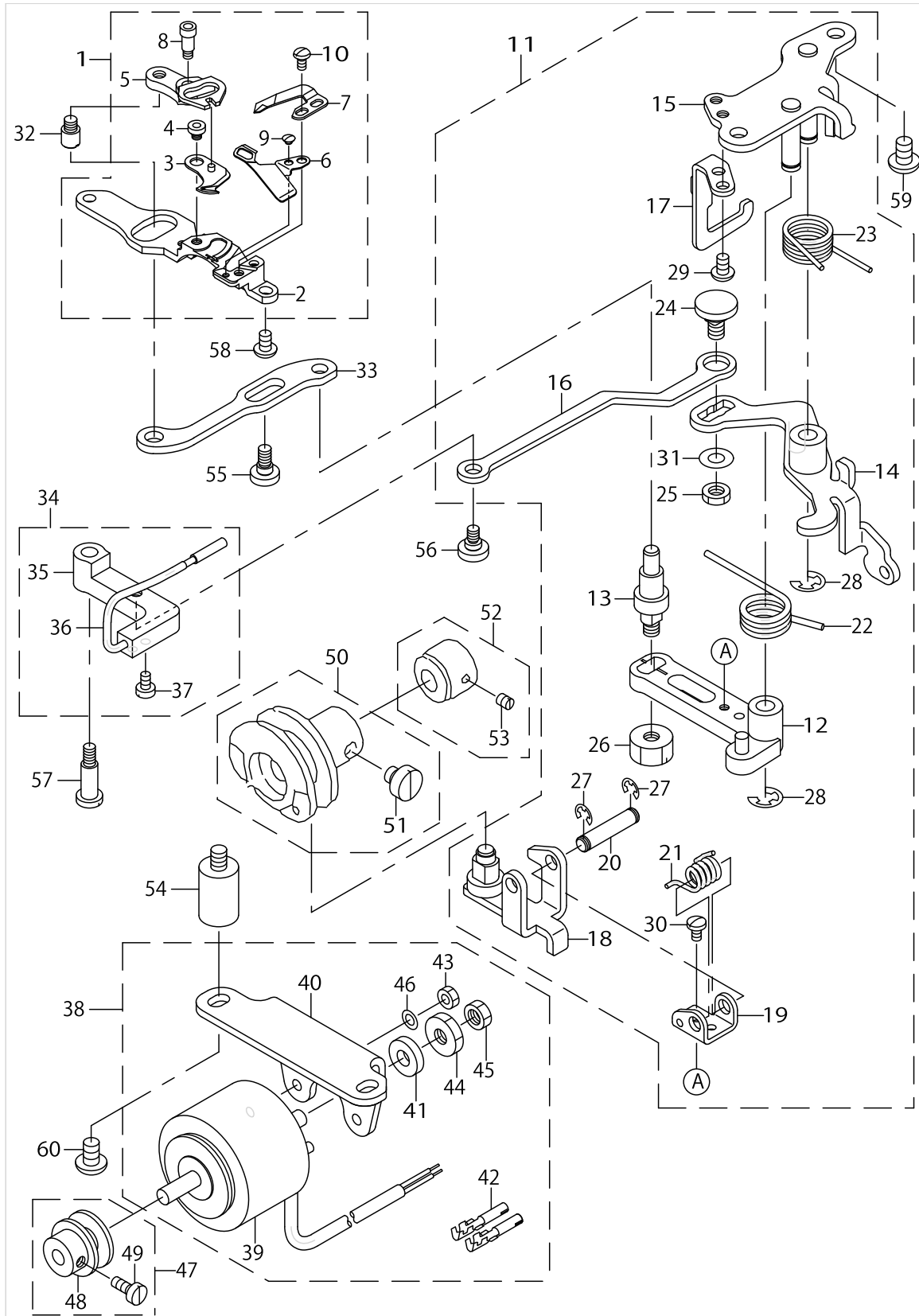
HORIZONTAL FEED, VERTICAL FEED & HOOK DRIVING SHAFT COMPONENTS



HORIZONTAL FEED, VERTICAL FEED & HOOK DRIVING SHAFT COMPONENTS

No.	Supply Code	Parts No.	Replacement	Parts name	Remarks	Choice	Step	Level	Cons	Qty	Rep. QTY
46		SS8660810TP		SCREW 1/4-40 L=8				*		2	
47		23618804		OIL SEAL						1	
48		SB32000060A		BEARING	SELECTIVE PART					1	
49		SB32000060B		BEARING	SELECTIVE PART					1	
50		SB32000060C		BEARING	SELECTIVE PART					1	
51		SB117000400		BEARING						1	
52		SB120001000		BEARING						1	
53		23618705		OIL SEAL						1	
54		SS6090670TP		SCREW 9/64-40 L=6						2	
55		SS6110710TP		SCREW 11/64-40 L= 6.5						1	
56		23620008		HOOK SHAFT						1	
57		23620156		HOOK SHAFT METAL COMPL.						1	
58	R	23620206	40145927	OIL SEAL						2	1.00
59		23620354		BEARING SUPPORT ASM.						1	
60		SS6110650TP		SCREW 11/64-40 L=5.5				*		2	
61		23620503		GEAR,LARGE						1	
62		23620701		GEAR,SMALL(A)	SELECTIVE PART					1	
63		23620800		GEAR,SMALL(B)	SELECTIVE PART					1	
64		23620909		GEAR,SMALL(C)	SELECTIVE PART					1	
65		23621006		GEAR,SMALL(D)	SELECTIVE PART					1	
66		11038759		BOBBIN CASE ASM.						1	
67	R	11038809	22942502	BOBBIN CASE HOLDER						1	1.00
68		11141355		HOOK ASM. C	FOR GENERAL EXPORT,JE,JA					1	
69		11038650		HOOK ASM.	FOR USE IN JAPAN,JH					1	
70		22890008		HOOK DRIVING SHAFT OIL SEAL						1	
71	R	B9117012000	22932909	BOBBIN	EXCEPT USE IN JAPAN					1	1.00
72		22964001		BOBBIN A	FOR USE IN JAPAN					1	
73		23620404		HOOK SHAFT REAR METAL						1	
74		SS6111010TP		SCREW 11/64-40 L= 9.5						1	
75		SS8661030SP		SCREW 1/4-40 L=10						2	
76		SS8660810TP		SCREW 1/4-40 L=8						2	
77		22916555		OILSEALSCREWASM.						1	
78		22916506		SET SCREW				*		1	
79		11015906		OIL WICK				*		1	
80		40031608		SPROCKET ASM.						1	
81		40031605		SPROCKET				*		1	
82		40031607		SPROCKET SUPPORT ASM.				*		1	
83		40031606		SPROCKET SUPPORT				*		1	
84		SS8150822TP		SCREW 15/64-28 L=8				*		2	
85		SS7112420SP		SCREW11/64-40L=24				*		3	
86		23619158		FEED DRIVING CAM ASM. F	OPTIONAL PARTS					1	
87		23619109		FEED DRIVING CAM F				*		1	
88		SS8151150TP		SCREW 15/64-28 L=10.5				*		2	
89		23621303		HOOK ASM. K	OPTIONAL PARTS					1	

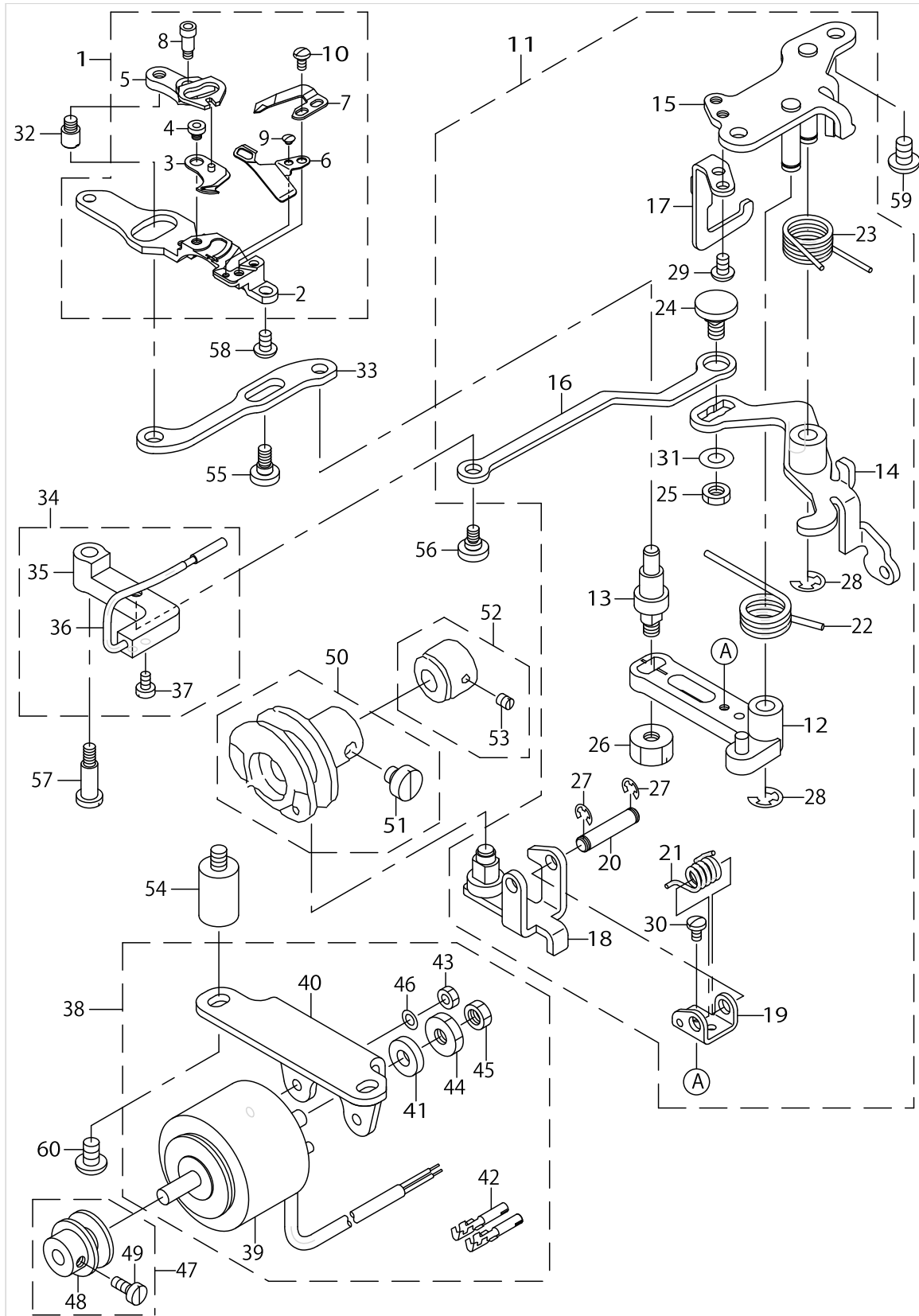
THREAD TRIMMER COMPONENTS



THREAD TRIMMER COMPONENTS

No.	Supply Code	Parts No.	Replacement	Parts name	Remarks	Choice	Step	Level	Cons	Qty	Rep. QTY
1		23623051		KNIFE UNIT						1	
2		23623002		KNIFE INSTALLING BASE				*		1	
3		11040052		MOVING KNIFE ASM.				*		1	
4		11040409		MOVING KNIFE HINGE SCREW				*		1	
5		11040508		FORKED BASE FOR KNIFE				*		1	
6	R	11313103	22947808	THREAD GUIDE FOR KNIFE				*		1	1.00
7		D2406555D0H		COUNTER KNIFE				*		1	
8		SD0460703TP		HINGE SCREW D=4.6 H=7				*		1	
9		SS2060210SP		SCREW 3/32-56 L=2.3				*		1	
10		SS4080620TP		SCREW 1/8-44 L=6				*		2	
11		23623168		THREAD TRIMMER DRIVING UNIT						1	
12		23623150		KNIFE DRIVING ARM ASM.				*		1	
13		23623200		MOVING KNIFE LINK PIN				*		1	
14		23623358		CLUTCH PLATE ASM.				*		1	
15		23623556		BASE PLATE ASM.				*		1	
16		23623705		PICKER LINK				*		1	
17		23623804		DRIVING ARM STOPPER				*		1	
18		11040953		ROLLER ARM ASM.				*		1	
19		22949002		ROLLER ARM SEAT				*		1	
20		22949101		ROLLER FULCRUM SHAFT				*		1	
21		22949200		ROLLER RETURN SPRING				*		1	
22	R	11043700	22949309	KNIFE RETURN SPRING, B				*		1	1.00
23		22949408		CLUTCH SPRING				*		1	
24		22950000		PICKER LINK PIN				*		1	
25		NS6150310SP		NUT 15/64-28				*		1	
26		NS6150810SP		NUT 15/64-28				*		1	
27		RE0400000K0		E-RING 4				*		2	
28		RE0600000K0		E-RING 6				*		2	
29		SS4110715SP		SCREW 11/64-40 L=7				*		2	
30		SS7090610SP		SCREW 9/64-40 L=6				*		1	
31		WP0621016SH		WASHER				*		1	
32		23623903		PIN						1	
33		23624000		MOVING KNIFE LINK						1	
34		23624158		PICKER ARM ASM.						1	
35		23624109		PICKER ARM				*		1	
36		23624257		THREAD TAKE-UP PICKER ASM.				*		1	
37		SS6090620TP		SCREW				*		2	
38		23624356		SOLENOID ASM.						1	
39	R	23624307	23624356	SOLENOID				*		1	1.00
40		23624406		SOLENOID BASE				*		1	
41		11043304		SOLENOID RUBBER				*		1	
42		HK03464000B		PIN CONTACT				*		2	
43		NM6040000SN		NUT M4				*		2	
44		NS6660410SH		NUT				*		1	
45		NS6660430SP		NUT 1/4-40				*		1	
46		WP0450000SD		WASHER 4.5X8X0.5				*		2	

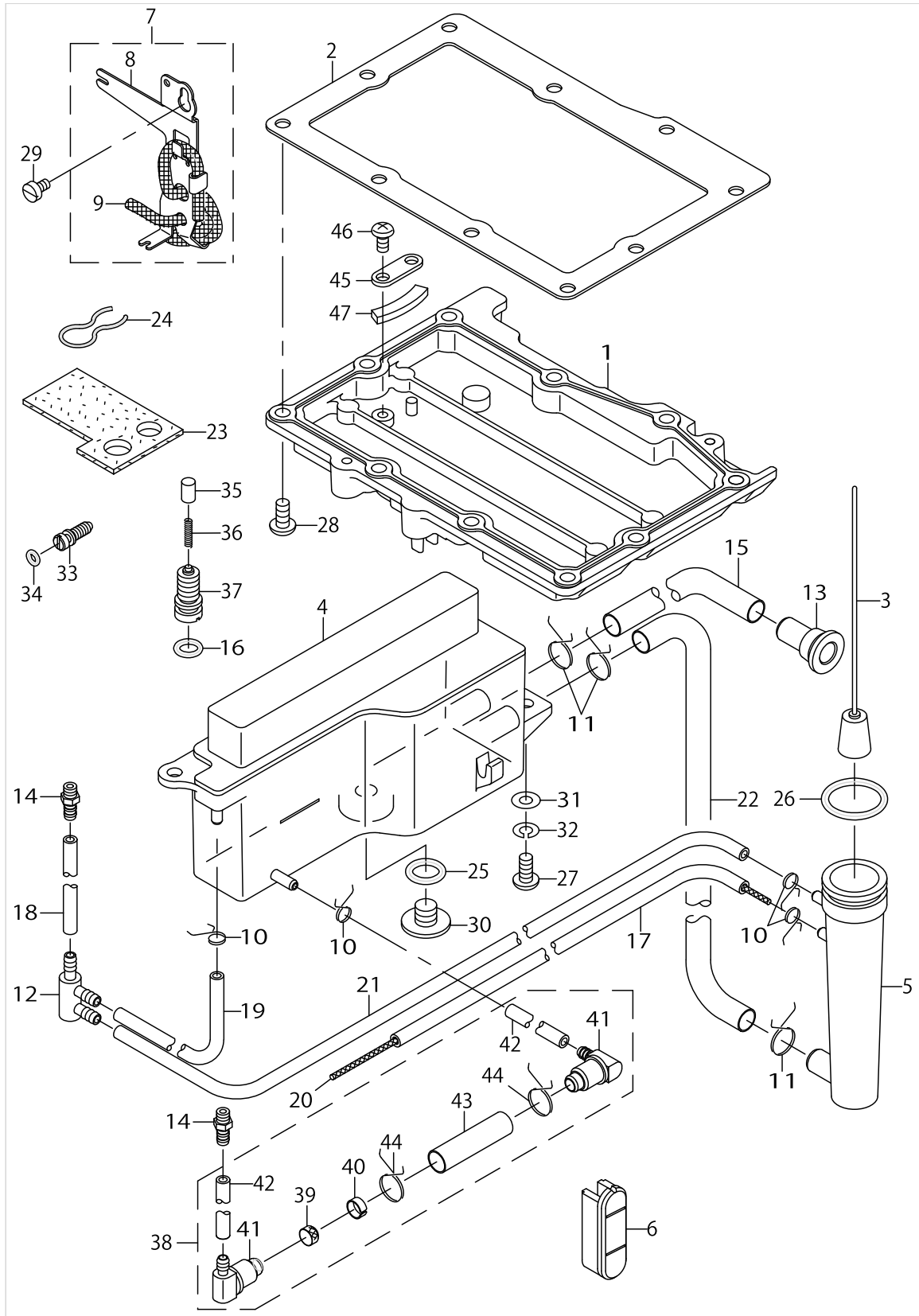
THREAD TRIMMER COMPONENTS



THREAD TRIMMER COMPONENTS

No.	Supply Code	Parts No.	Replacement	Parts name	Remarks	Choice	Step	Level	Cons	Qty	Rep. QTY
47		23624554		DRIVING BLOCK ASM.						1	
48		23624505		DRIVING BLOCK				*		1	
49		SS6110710TP		SCREW 11/64-40 L= 6.5				*		1	
50	R	11042850	22950851	THREAD TRIMMER CAM ASM.						1	1.00
51		SS6660610TP		SCREW 1/4-40 L=6				*		2	
52		22950950		CAM COLLAR ASM.						1	
53		SS8110520TP		SCREW 11/64-40 L= 4.5				*		1	
54		40023290		SOLENOID BASE STUD						2	
55		SD0600321SP		HINGE SCREW D=6 H=3.2						1	
56		SD0630275SP		HINGE SCREW D= 6.35 H= 2.7						1	
57		SD0641452TP		HINGE SCREW D=6.35 H=14.5						1	
58		SS4110715SP		SCREW 11/64-40 L=7						2	
59		SS4150915SP		SCREW 15/64-28 L=9						2	
60		SS4150915SP		SCREW 15/64-28 L=9						2	

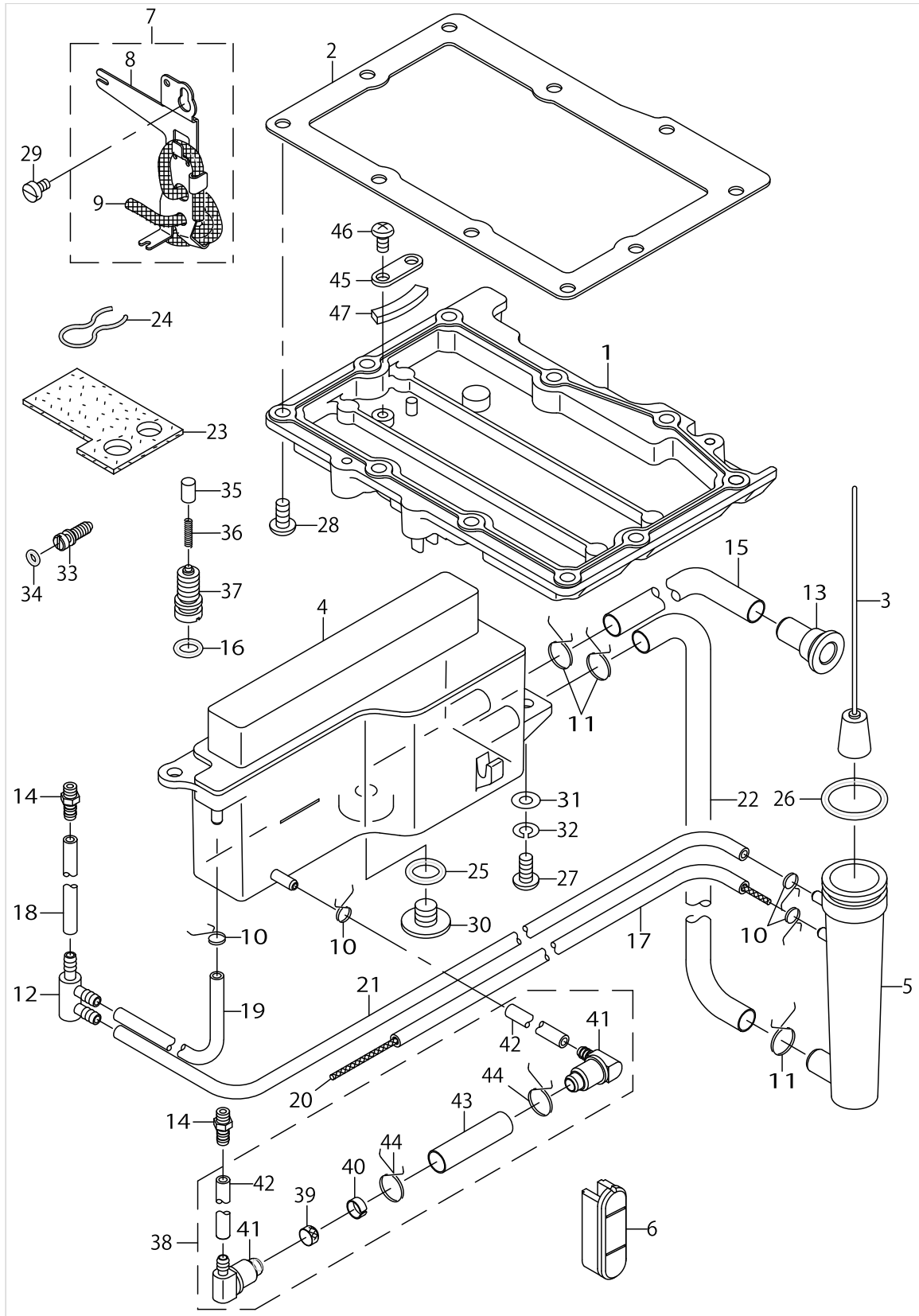
OIL LUBRICATION COMPONENTS



OIL LUBRICATION COMPONENTS

No.	Supply Code	Parts No.	Replacement	Parts name	Remarks	Choice	Step	Level	Cons	Qty	Rep. QTY
1		40011344		GEAR BOX COVER						1	
2		23628100		GEAR BOX PACKING						1	
3		23628357		FLOATER ASM.						1	
4		23628555		OIL TANK ASM.						1	
5		23628704		FLOATER CASE						1	
6		23629108		OIL SIGHT WINDOW						1	
7		23629256		OIL WICK SUPPORT ASM.						1	
8	R	23629207	23629256	OIL WICK SUPPORT				*		1	1.00
9		23629702		OIL WICK				*		0.25	
10		23629306		PIPE STOPPER A						4	
11		23629405		PIPE STOPPER B						3	
12		23629504		DISTRIBUTOR						1	
13		23629603		OIL INLET						1	
14		23629801		LUBRICATION CONNECTOR						2	
15		23630106		TUBE B						.25	
16		RO068190100		RUBBER RING						1	
17		23630007		TUBE						.57	
18		23630007		TUBE						.04	
19		23630007		TUBE						.07	
20		CQ200000001		OIL WICK						.75	
21		23630007		TUBE						.38	
22		23630106		TUBE B						.23	
23		23630304		FELT						1	
24		22925101		OIL FELT PRESSER						1	
25		RO098240100		RUBBER RING						1	
26		RO195240100		RUBBER RING						1	
27		SS4121015SP		SCREW 3/16-28 L=10						2	
28		SS4121015SP		SCREW 3/16-28 L=10						10	
29		SS6090620TP		SCREW						1	
30		23630205		SCREW						1	
31		WP0501016SD		WASHER 5X10.5X1						2	
32		WS0510002KP		SPRING WASHER 5.1X9.2X1.3						2	
33		23628209		OIL ADJUSTING SCREW						1	
34		RO029180100		RUBBER RING						1	
35		23628803		PLUNGER						1	
36		23628902		PLUNGER SPRING						1	
37		23629009		PLUNGER SCREW						1	
38		23630452		OIL FILTER ASM.						1	
39	R	23630403	23630650	OIL FILTER				*		1	1.00
40	R	23630502	23630650	OIL FILTER STOPPER				*		1	1.00
41		23630601		OIL FILTER JOINT				*		2	
42		23630007		TUBE				*		0.09	
43		23630106		TUBE B				*		0.04	
44		23629405		PIPE STOPPER B				*		2	
45		40024644		MAGNET WASHER						1	
46		ST4040821SS		TAPPING SCREW						1	

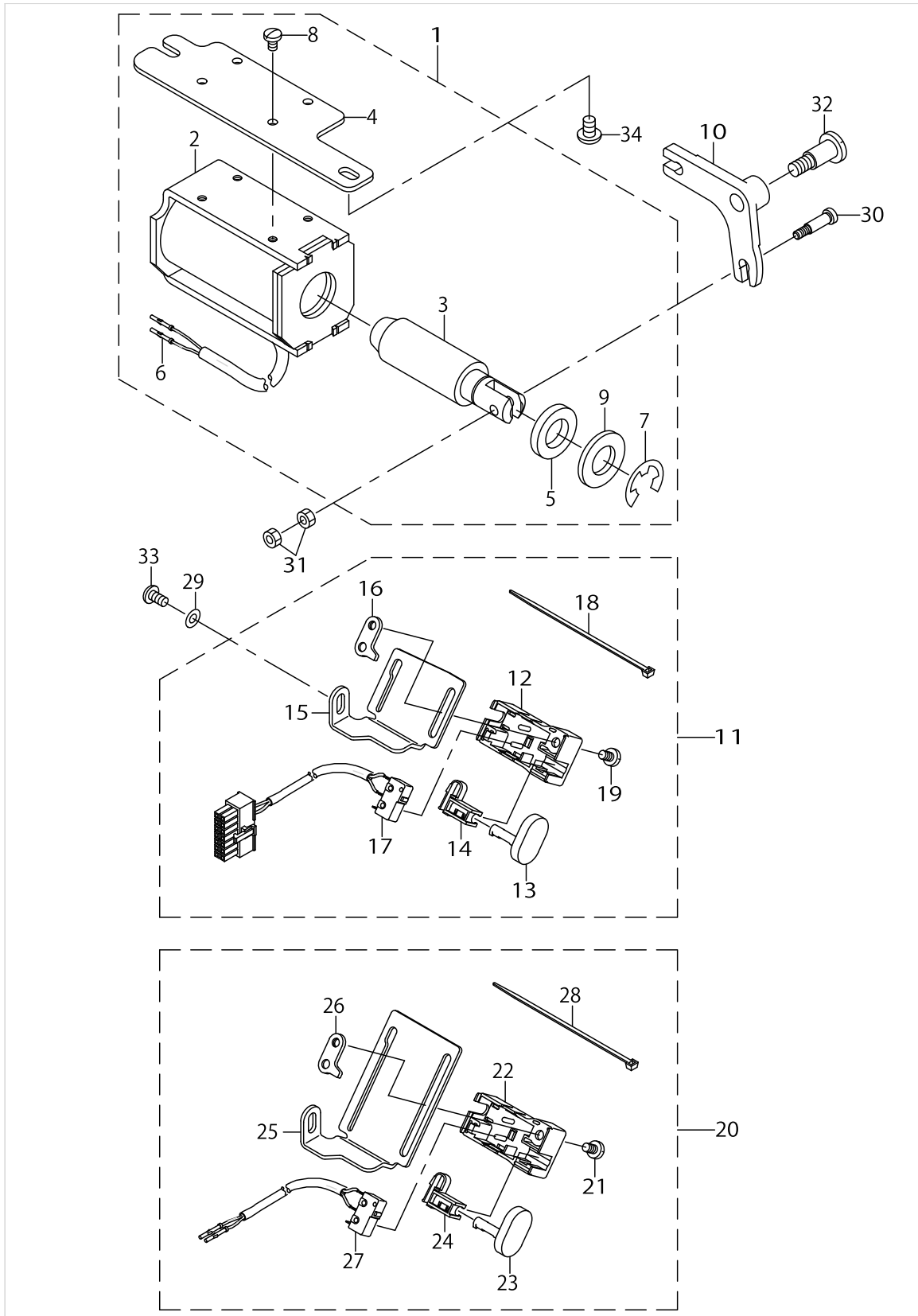
OIL LUBRICATION COMPONENTS



OIL LUBRICATION COMPONENTS

No.	Supply Code	Parts No.	Replacement	Parts name	Remarks	Choice	Step	Level	Cons	Qty	Rep. QTY
47		23604705		MAGNET						1	

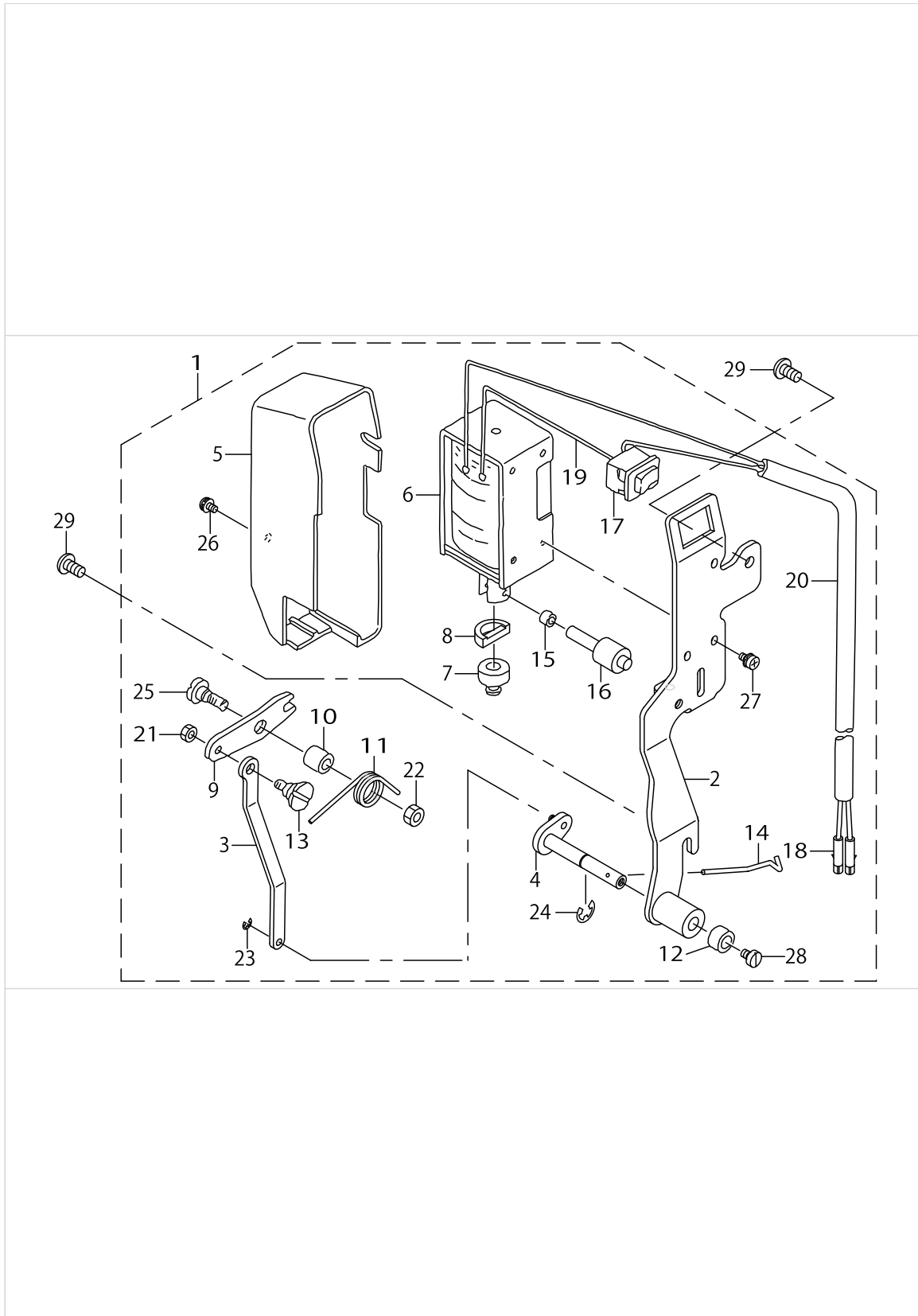
AUTOMATIC REVERSE FEED COMPONENTS



AUTOMATIC REVERSE FEED COMPONENTS

No.	Supply Code	Parts No.	Replacement	Parts name	Remarks	Choice	Step	Level	Cons	Qty	Rep. QTY
1		23631054		REVERSE FEED SOLENOID BASE ASM						1	
2	R	23631005	23631054	REVERSE FEED SOLENOID				*		1	1.00
3	R	23631104	40083305	REVERSE FEED SOLENOID PLUNGER				*		1	1.00
4		23631203		REVERSE FEED SOLENOID BASE				*		1	
5		D2468555B00		RUBBER PLUNGER				*		1	
6		HK03464000B		PIN CONTACT				*		2	
7		RE1200000K0		E-RING 12				*		1	
8		SS7110740TP		SCREW 11/64-40 L=7				*		4	
9		WP1703001SC		WASHER 17X30X3				*		1	
10		23631302		REVERSE FEED ARM						1	
11		23631757		REVERSE FEED SWITCH ASM.						1	
12		23631708		REVERSE FEED SWITCH COVER				*		1	
13		23631807		REVERSE FEED SWITCH SHAFT				*		1	
14		23631906		REVERSE FEED SWITCH SUPPORT				*		1	
15	R	23632003	23631757	REVERSE FEED SWITCH BASE				*		1	1.00
16		23632102		REVERSE FEED SWITCH BASE GUIDE				*		1	
17	R	23632359	23631757	REVERSE FEED CORD ASM.				*		1	1.00
18		EA9500B0100		CABLE BAND				*		1	
19		SS7110740TP		SCREW 11/64-40 L=7				*		1	
20		23632656		OPTIONSWITCHASM.	OPTIONAL PARTS					1	
21		SS7110740TP		SCREW 11/64-40 L=7				*		1	
22		23631708		REVERSE FEED SWITCH COVER				*		1	
23		23631807		REVERSE FEED SWITCH SHAFT				*		1	
24		23631906		REVERSE FEED SWITCH SUPPORT				*		1	
25		23632607		OPTION SWITCH BASE				*		1	
26		23632102		REVERSE FEED SWITCH BASE GUIDE				*		1	
27		23632250		REVERSE FEED CORD ASM.				*		1	
28		EA9500B0100		CABLE BAND				*		1	
29		WP0501016SD		WASHER 5X10.5X1	FOR 0B TYPE					1	
30		22962906		PLUNGER ARM PIN						1	
31		NS6110350SP		NUT 11/64-40						2	
32		SD0951501SP		HINGE SCREW D= 9.53 H=15						1	
33		SS4120915SP		SCREW 3/16-28 L=9						1	
34		SS4150915SP		SCREW 15/64-28 L=9						2	

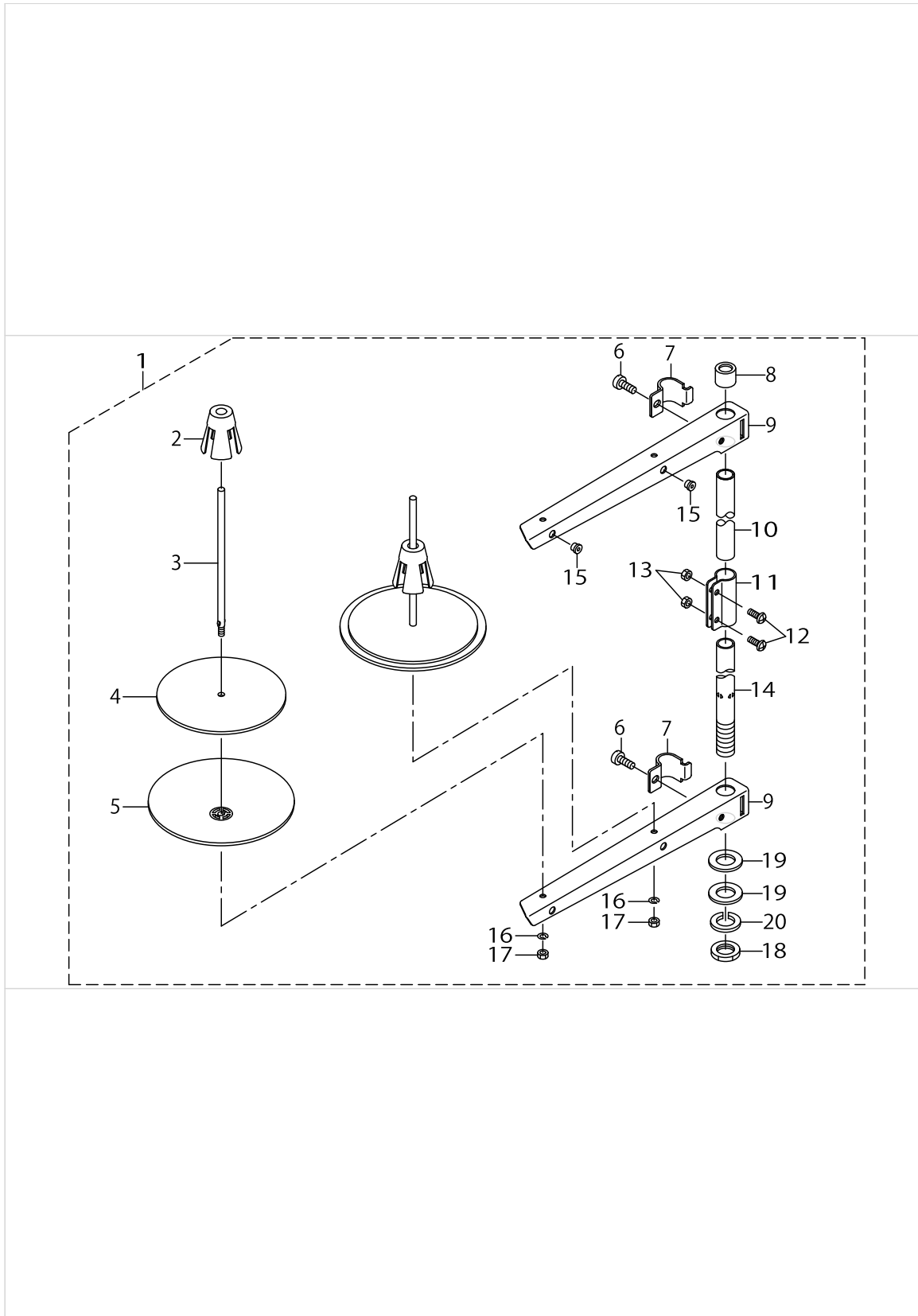
WIPER COMPONENTS(FOR DDL-9000-WB)



WIPER COMPONENTS(FOR DDL-9000-WB)

No.	Supply Code	Parts No.	Replacement	Parts name	Remarks	Choice	Step	Level	Cons	Qty	Rep. QTY
1		23633167		WIPER ASM.						1	
2	R	23633159	40077853	WIPER BASE ASM.				*		1	1.00
3		23633209		WIPER LINK B				*		1	
4		23633357		WIPER SHAFT ASM.				*		1	
5		22955504		WIPER COVER				*		1	
6	R	11110301	40106936	WIPER SOLENOID				*		1	1.00
7		22955900		WIPER RUBBER A				*		1	
8		22956007		WIPER RUBBER B				*		1	
9		22956106		WIPER LINK A				*		1	
10		22956205		WIPER HINGE SCREW COLLAR				*		1	
11		22956304		WIPER SPRING				*		1	
12		22956809		WIPER COLLAR				*		1	
13		22956908		WIPER LINK B HINGE SCREW				*		1	
14		22957005		WIPER				*		1	
15		22957203		WIPER LINK COLLAR				*		1	
16		22957104		WIPER SOLENOID SHAFT				*		1	
17		HA000590000		POWER SWITCH				*		1	
18		HK03464000B		PIN CONTACT				*		2	
19		HW200390000		ELECTRIC WIRE				*		0.04	
20		HW500070000		2-CORE CABTYRE CORD				*		1.3	
21		NS6090310SP		NUT 9/64-40				*		1	
22		NS6110310SP		NUT 11/64-40				*		1	
23		RE0250000K0		E-RING 2.5				*		1	
24		RE0500000K0		E-RING				*		1	
25		SD0650321TP		HINGE SCREW D=6.5 H=3.2				*		1	
26		SL4030631SC		SCREW M3X6				*		1	
27		SL4030641SE		SCREW				*		3	
28		SS6090540SP		SCREW 9/64-40 L= 5.0				*		1	
29		SS4120915SP		SCREW 3/16-28 L=9				*		2	

THREAD STAND COMPONENTS



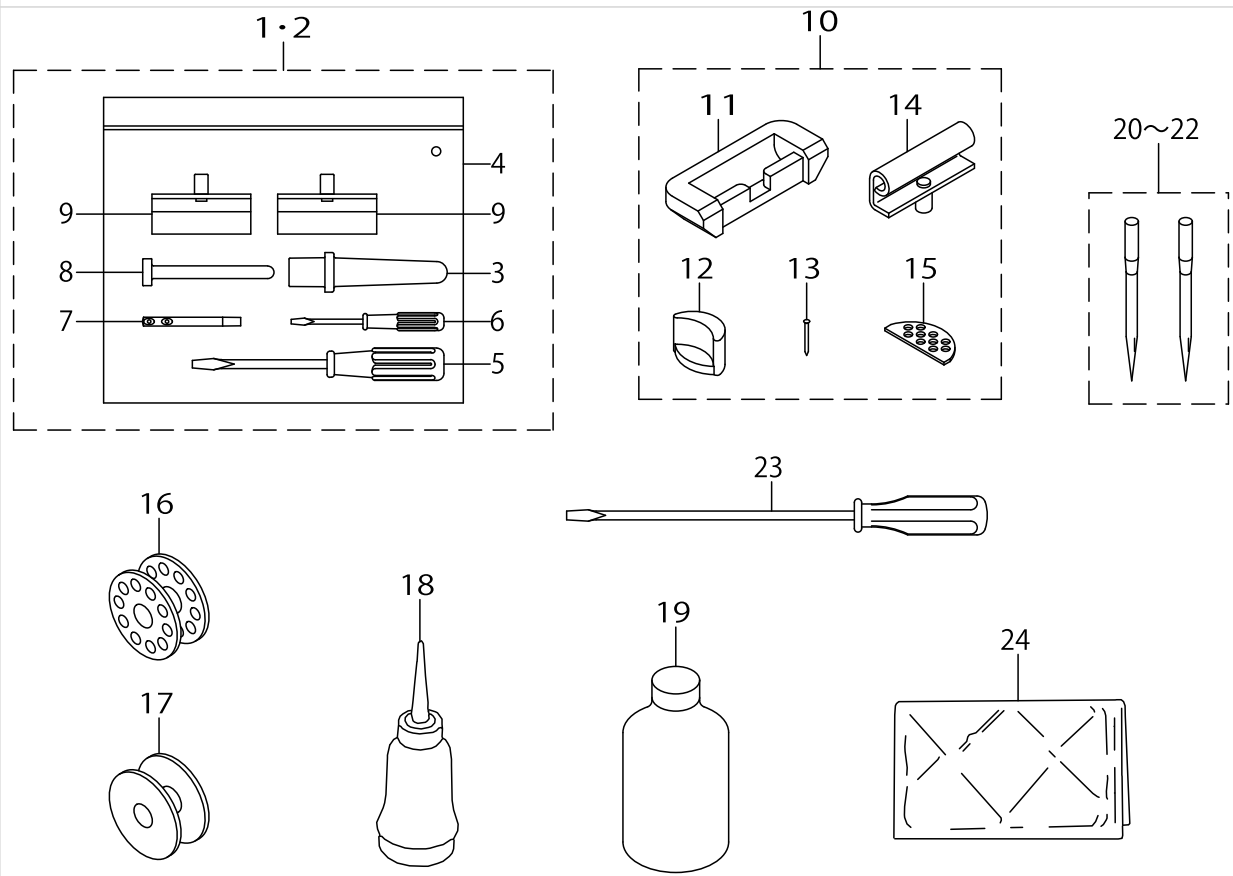
THREAD STAND COMPONENTS

No.	Supply Code	Parts No.	Replacement	Parts name	Remarks	Choice	Step	Level	Cons	Qty	Rep. QTY
1	R	22930358	40096354	THREAD STAND ASM.						1	1.00
2	R	22931109	40085791	SPOOL RETAINER				*		2	1.00
3	R	22931000	40085790	SPOOL PIN				*		2	1.00
4		22930903		SPOOL REST CUSHION				*		2	
5		22930804		SPOOL REST				*		2	
6		SM6061610SC		SCREW M6 L=16				*		2	
7	R	22930705	40096354	THREAD GUIDE ARM JOINT				*		2	1.00
8		22931406		SPOOL REST ROD RUBBER CAP				*		1	
9	R	22930507	40096354	SPOOL REST ARM				*		2	1.00
10	R	22930408	40096354	SPOOL REST ROD, UPPER				*		1	1.00
11	R	22931307	40096354	SPOOL REST ROD JOINT				*		1	1.00
12		SM4051405SE		SCREW M5 L=14				*		2	
13		NM6050001SE		NUT M5				*		2	
14	R	22930309	40096354	SPOOL REST ROD, LOWER				*		1	1.00
15		22931208		THREAD GUIDE				*		2	
16		WS0510002KN		SPRING WASHER				*		2	
17		NM6050001SE		NUT M5				*		2	
18		NM6160511SE		NUT M16X1.5				*		1	
19		WP1612616SE		WASHER 16X30X2.6				*		2	
20	R	WS1643202KR	WP1612616SE	SPRING WASHER		A		*		1	2.00
20	R	WS1643202KR	40085796	SPRING WASHER		A		*		1	2.00

UNDER COVER COMPONENTS

No.	Supply Code	Parts No.	Replacement	Parts name	Remarks	Choice	Step	Level	Cons	Qty	Rep. QTY
1	R	23639057	40062321	UNDER COVER ASM.						1	1.00
2	R	23639008	40062321	UNDER COVER				*		1	1.00
3		23639156		BRACKET ASM.				*		1	
4	R	23639107	23639156	BRACKET				*		1	1.00
5		NM6060001SE		NUT M6				*		2	
6		SM8063012TR		SCREW M6 L=30				*		2	
7		23639206		CONNECTING ROT				*		1	
8		23639305		KNEE PRESS ROD				*		1	
9		23639404		SHAFT				*		1	
10		23639503		SPRING				*		1	
11		23639602		CONNECTING ROD				*		1	
12		10162600		RUBBER CUSHION				*		2	
13		11047107		RUBBER CUSHION				*		2	
14		22932453		BRACKET ASM.				*		1	
15	R	22932404	22932453	BRACKET				*		1	1.00
16	R	SM9062053SR	22934707	SCREW M6 L=20				*		2	1.00
17		NS6150310SP		NUT 15/64-28				*		2	
18		RE1000000K0		E-RING 10				*		2	
19		RE1000000K0		E-RING 10				*		1	
20		SD0720331SP		HINGE SCREW D= 7.24 H= 3.3				*		2	
21		SM9061853SR		SCREW M6 L=17.5				*		1	
22		SM9061853SR		SCREW M6 L=17.5				*		1	
23		WP0650876SD		WASHER 6.5X13X0.8				*		2	
24		22934251		KNEE PAD PLATE ASM.						1	
25		22934301		KNEE PAD PLATE SUPPORT				*		1	
26		22934400		KNEE PAD PLATE RUBBER				*		1	
27		22934509		KNEE PAD PLATE COVER				*		1	
28		22934608		KNEE PAD UPRIGHT SHAFT				*		1	
29		SM9061203SE		SCREW M6 L=12				*		1	
30		22934202		KNEE PAD PLATE				*		1	

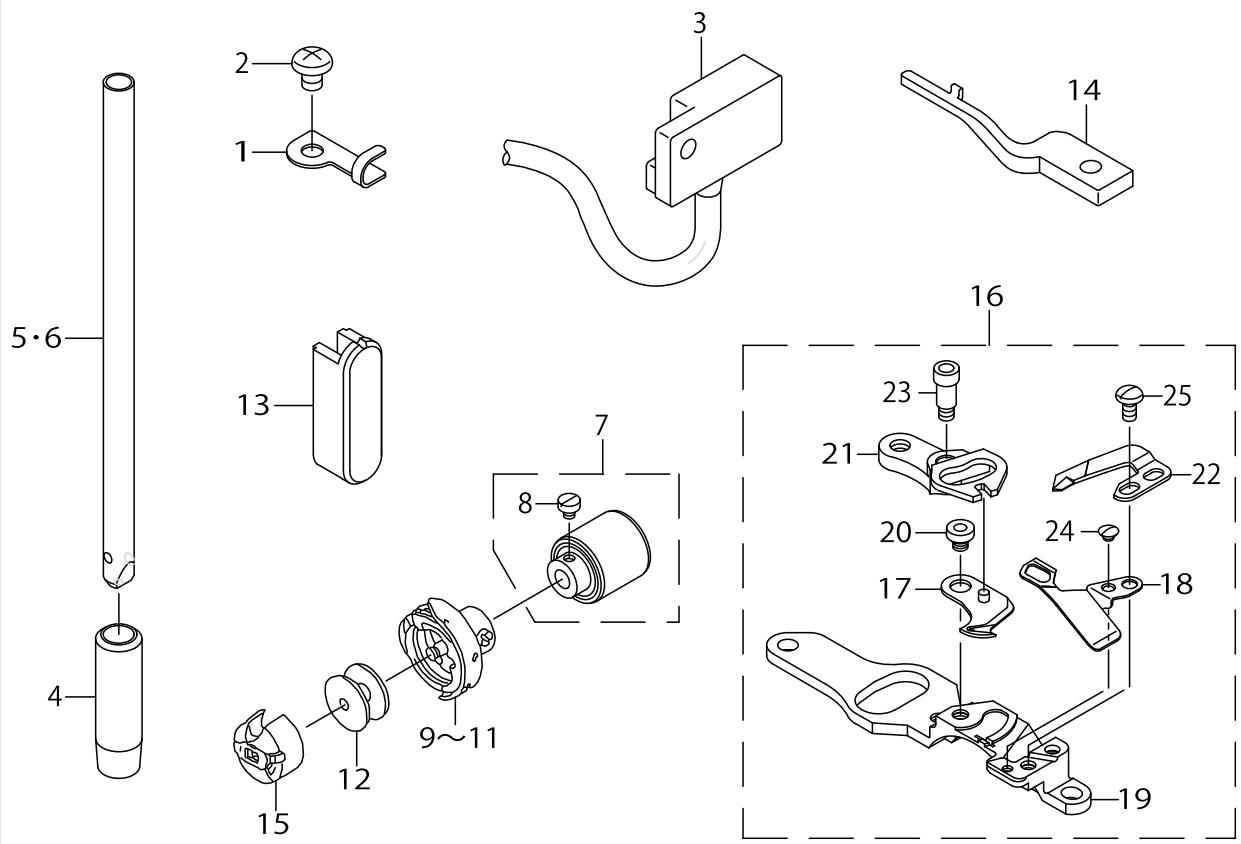
ACCESSORIE PART COMPONENTS



ACCESSORIE PART COMPONENTS

No.	Supply Code	Parts No.	Replacement	Parts name	Remarks	Choice	Step	Level	Cons	Qty	Rep. QTY
1		23639750		ACCESSORIE BAG ASM.	EXCEPT U- SE IN JAPAN					1	
2		23639958		ACCESSORIE BAG ASM. .A	FOR USE IN JAPAN					1	
3		22931604		FRAME SUPPORT BAR				*		1	
4		22932800		ACCESSORIE BAG				*		1	
5		22933105		SCREW DRIVER,MIDDLE				*		1	
6		22933204		SCREW DRIVER,SMALL				*		1	
7		22958300		NEEDLE THREAD GUIDE PIN				*		1	
8		23639701		KNEE LIFTER PRESSER ROD				*		1	
9	R	22926356	22958052	HINGE COMPL.	FOR USE IN JAPAN			*		2	1.00
10		22958052		RUBBER HINGE ASM.	EXCEPT U- SE IN JAPAN					1	
11	R	22926000	22958052	RUBBER CUSHION				*		2	1.00
12	R	22958003	11075900	FRAME BUBBER CUSHION				*		2	1.00
13	D	22926208		NAIL				*		8	
14	R	22926356	22958052	HINGE COMPL.				*		2	1.00
15	R	22926505	D8226555E00	WASHER				*		2	1.00
16		22932909		BOBBIN	EXCEPT U- SE IN JAPAN					1	
17		22964001		BOBBIN A	FOR USE IN JAPAN					1	
18		B91210120A0		OILER ASM.						1	
19		MDFRX1600C0		DEFRIX OIL NO.1(600CC)						1	
20	D	MDB100B1402		NEEDLE DBX1#14-2	FOR GENE- RAL EXPORT,JA,JH					1	
21		MDB100B1102		NEEDLE DBX1#11-2	FOR USE IN JAPAN					1	
22	D	MC200500752		134 #75-2	FOR JE					1	
23		22933006		SCREW DRIVER,LARGE						1	
24		22933303		VINYL COVER						1	

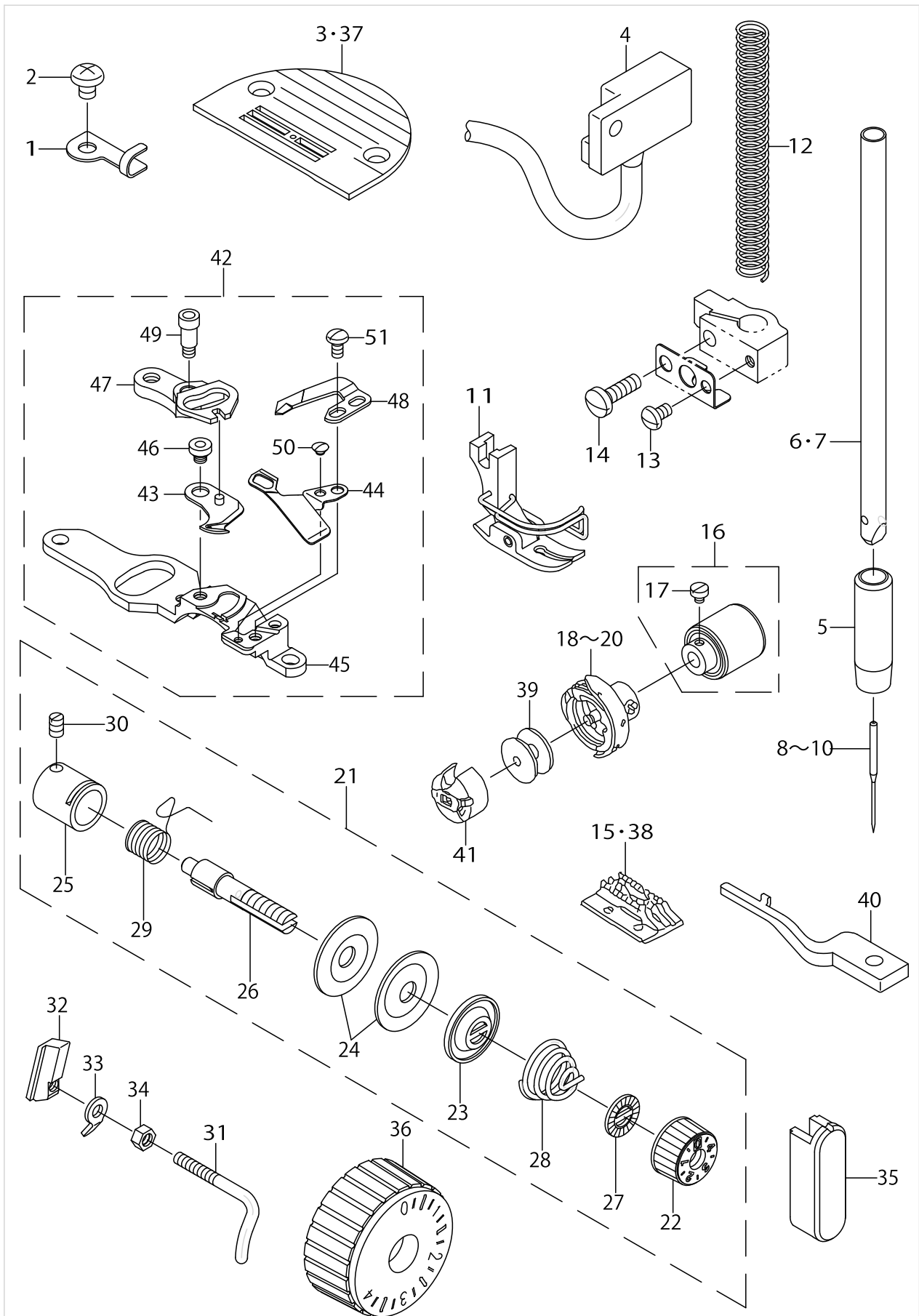
EXCLUSIVE PART FOR DDL-9000DS



EXCLUSIVE PART FOR DDL-9000DS

No.	Supply Code	Parts No.	Replacement	Parts name	Remarks	Choice	Step	Level	Cons	Qty	Rep. QTY
1		11030301		CABLE HOLDER						1	
2		SS4120615SP		SCREW 3/16-28 L=6						1	
3		M6023350AAA		RESISTOR PACK AA ASM.						1	
4		23608706		NEEDLE BAR LOWER METAL D						1	
5		22887004		NEEDLE BAR (B)	FOR JE					1	
6		22886907		NEEDLE BAR (A)	EXCEPT JE					1	
7		22889851		HOOK DRIVING SH-AFT BEARING ASM						1	
8		SS6110420TP		SCREW 11/64-40 L=4.8				*		2	
9		22890404		RP HOOK C	FOR GENERAL EXPORT,JE,JA					1	
10		22890206		RP HOOK	FOR USE IN JAPAN					1	
11		22890305		RP HOOK S	FOR JH					1	
12		22964001		BOBBIN A						1	
13		23630700		OIL SIGHT WINDOW D						1	
14	D	22896302		BOBBIN CASE HOLDER						1	
15		22896252		BOBBIN CASE ASM.						1	
16		23624653		KNIFE UNIT D						1	
17		11040052		MOVING KNIFE ASM.				*		1	
18		22896104		THREAD GUIDE FOR KNIFE				*		1	
19		23623002		KNIFE INSTALLING BASE				*		1	
20		11040409		MOVING KNIFE HINGE SCREW				*		1	
21		22896005		FORKED BASE FOR KNIFE				*		1	
22		22895908		COUNTER KNIFE				*		1	
23		SD0460703TP		HINGE SCREW D=4.6 H=7				*		1	
24		SS2060210SP		SCREW 3/32-56 L=2.3				*		1	
25		SS4080620TP		SCREW 1/8-44 L=6				*		2	

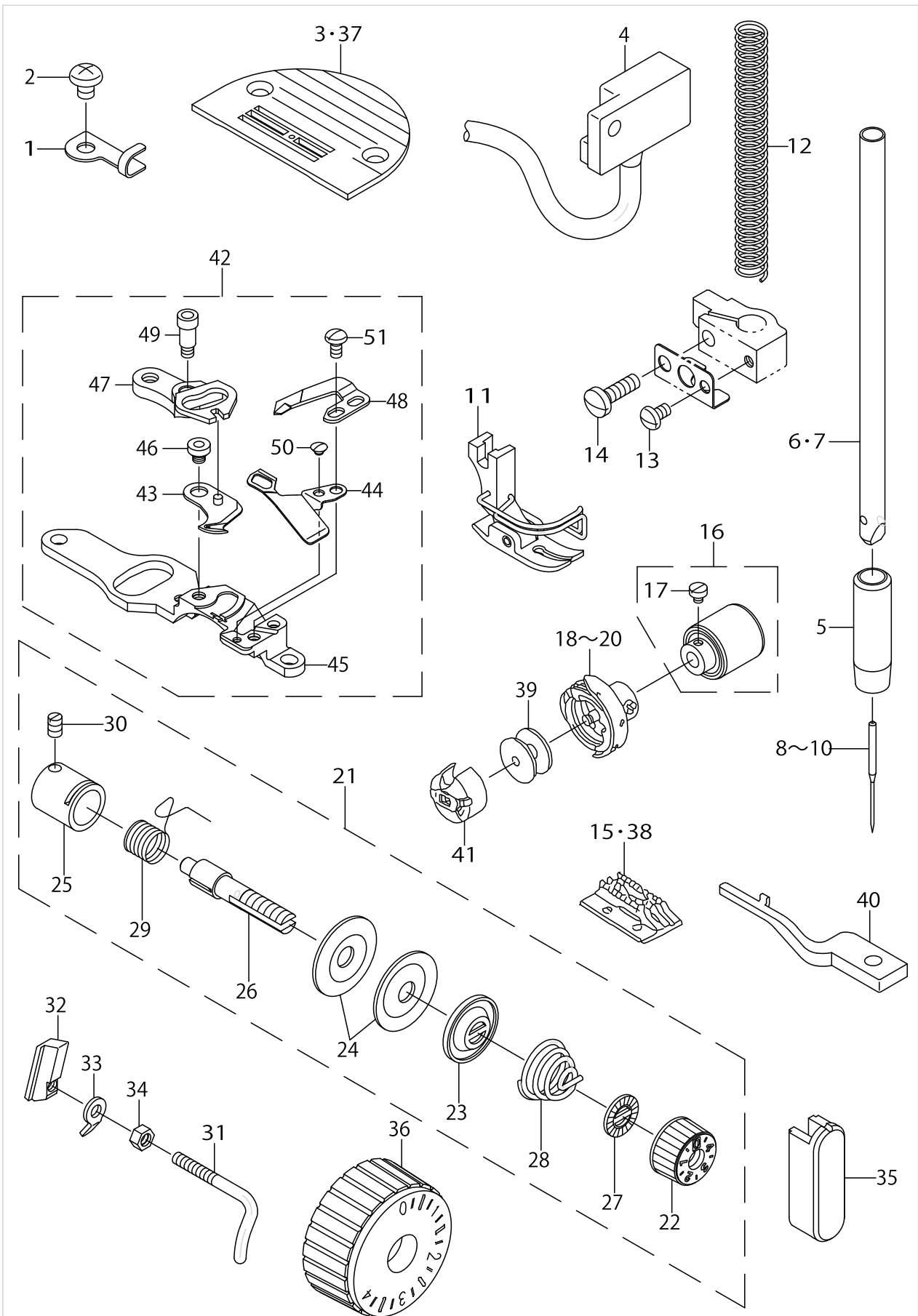
EXCLUSIVE PART FOR DDL-9000DF



EXCLUSIVE PART FOR DDL-9000DF

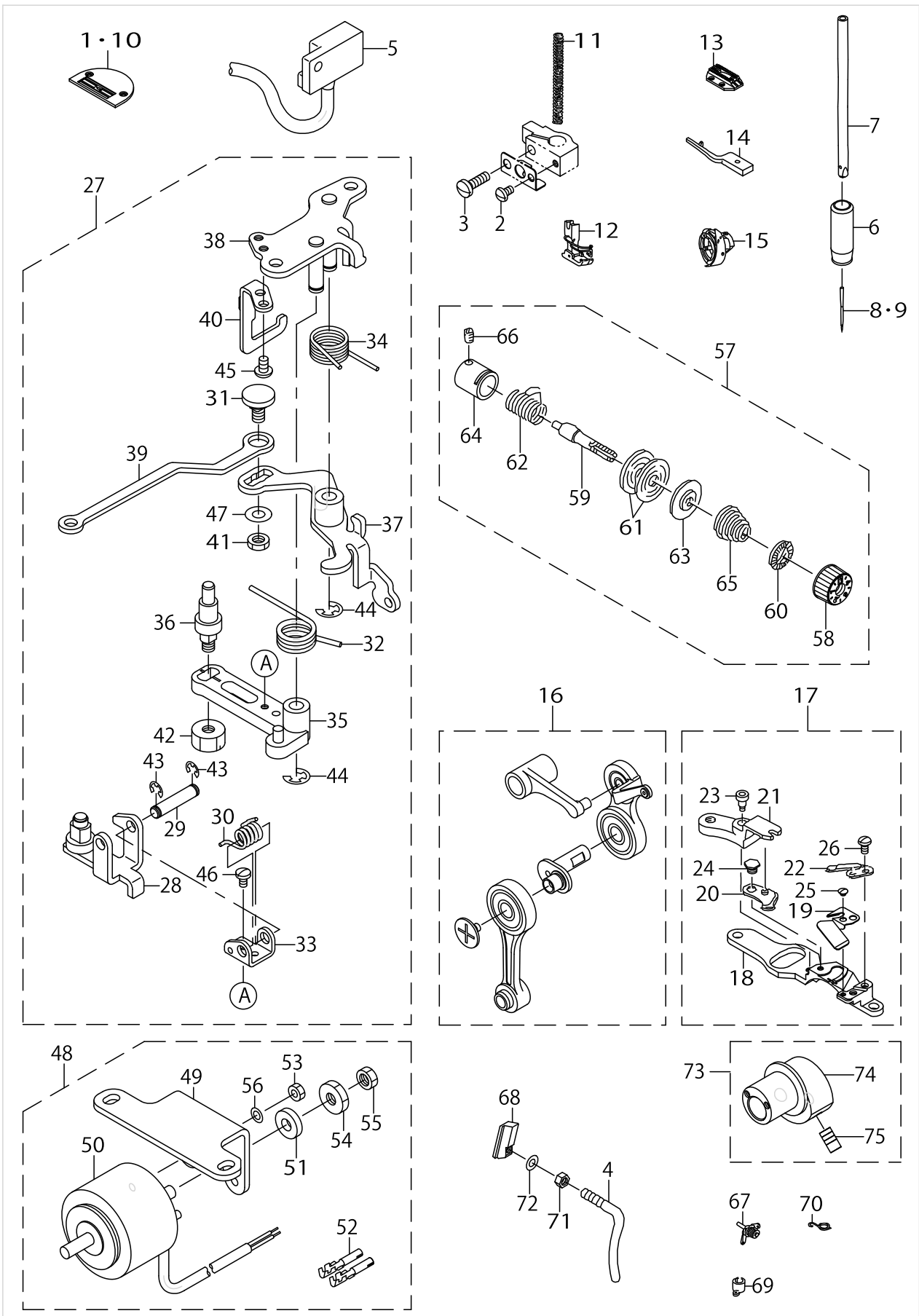
No.	Supply Code	Parts No.	Replacement	Parts name	Remarks	Choice	Step	Level	Cons	Qty	Rep. QTY
1		11030301		CABLE HOLDER						1	
2		SS4120615SP		SCREW 3/16-28 L=6						1	
3		11001906		THROAT PLATE K	FOR USE IN JAPAN					1	
4	D	M6023350AAF		RESISTOR PACK AF ASM.						1	
5		23608706		NEEDLE BAR LOWER METAL D						1	
6		22886907		NEEDLE BAR (A)	EXCEPT JE					1	
7		22887004		NEEDLE BAR (B)	FOR JE					1	
8		MDB1SFB0900		NEEDLE DBX1SF #9	FOR USE IN JAPAN					1	
9		MC200500650		NEEDLE 134 NM65	FOR JE					1	
10		MDB100B0900		NEEDLE DBX1 #9	FOR GENERAL EXPORT,JA,JH					1	
11		D1524555DBB		PRESSER FOOT ASM.						1	
12		11162104		SPRING						1	
13		SS4090610SP		SCREW 9/64-40 L=6						1	
14		SS7111410TP		SCREW 11/64-40 L=14						1	
15		D1613155W00		FEED DOG W	FOR USE IN JAPAN					1	
16		22889851		HOOK DRIVING SHAFT BEARING ASM						1	
17		SS6110420TP		SCREW 11/64-40 L=4.8				*		2	
18		22890404		RP HOOK C	FOR GENERAL EXPORT,JE,JA					1	
19		22890206		RP HOOK	FOR USE IN JAPAN					1	
20		22890305		RP HOOK S	FOR ,JH					1	
21		23627458		THREAD TENSION ASM. F						1	
22		23626005		THREAD TENSION NUT				*		1	
23		B3132552000		THREAD TENSION DISK PRESSER				*		1	
24	R	B3126012000	22921506	THREAD TENSION DISK				*		2	1.00
25	R	B3111126000	22945307	TENSION POST SOCKET				*		1	1.00
26		B3115552000		TENSION POST				*		1	
27		B3120125000		ROTATING STOPPER				*		1	
28		D3129555D00		THREAD TENSION SPRING				*		1	
29		D3128555D00		TAKE-UP SPRING				*		1	
30		SS8090670SP		SCREW 9/64-40 L=5.5				*		1	
31	R	11305513	22972608	ARM THREAD GUIDE, C						1	1.00
32		11403805		THREAD GUIDE C FITTING PLATE						1	
33		11404209		SPACER						1	
34		11404308		NUT						1	
35		23630700		OIL SIGHT WINDOW D						1	
36		22940506		FEED DIAL						1	
37		B1109012I0B		THROAT PLATE (I)	EXCEPT USE IN JAPAN					1	
38		B1613012I00		FEED DOG I	EXCEPT USE IN JAPAN					1	
39		22964001		BOBBIN A						1	
40	D	22896302		BOBBIN CASE HOLDER						1	
41		22896252		BOBBIN CASE ASM.						1	
42		23624653		KNIFE UNIT D						1	
43		11040052		MOVING KNIFE ASM.				*		1	
44		22896104		THREAD GUIDE FOR KNIFE				*		1	

EXCLUSIVE PART FOR DDL-9000DF



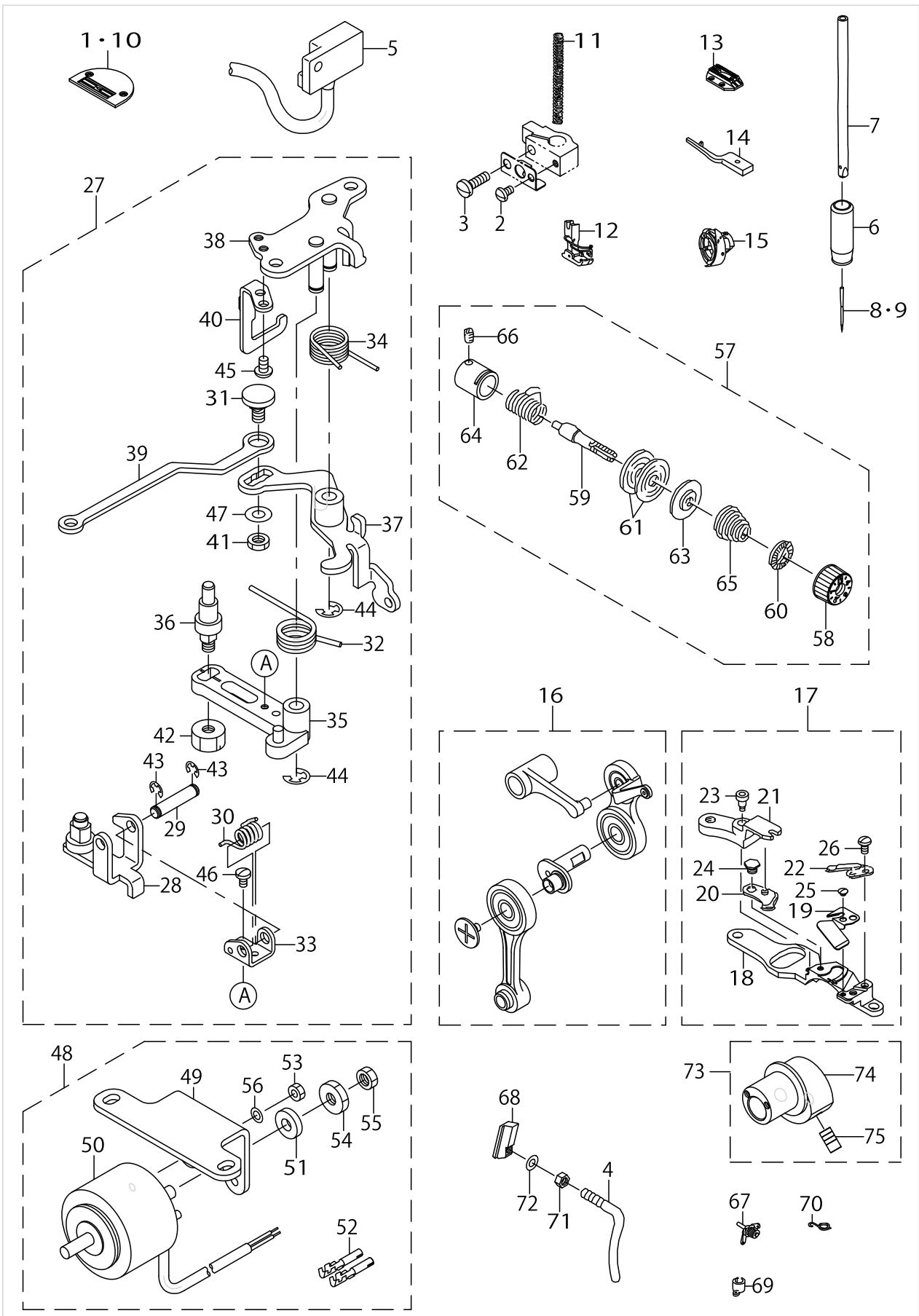
EXCLUSIVE PART FOR DDL-9000DF

No.	Supply Code	Parts No.	Replacement	Parts name	Remarks	Choice	Step	Level	Cons	Qty	Rep. QTY
45		23623002		KNIFE INSTALLING BASE				*		1	
46		11040409		MOVING KNIFE HINGE SCREW				*		1	
47		22896005		FORKED BASE FOR KNIFE				*		1	
48		22895908		COUNTER KNIFE				*		1	
49		SD0460703TP		HINGE SCREW D=4.6 H=7				*		1	
50		SS2060210SP		SCREW 3/32-56 L=2.3				*		1	
51		SS4080620TP		SCREW 1/8-44 L=6				*		2	



EXCLUSIVE PART FOR DDL-9000SH-WB,0B

No.	Supply Code	Parts No.	Replacement	Parts name	Remarks	Choice	Step	Level	Cons	Qty	Rep. QTY
1		11400801		THROAT PLATE J						1	
2		SS4090610SP		SCREW 9/64-40 L=6						1	
3		SS7111410TP		SCREW11/64-40L=14						1	
4	R	11305513	22972608	ARM THREAD GUIDE, C						1	1.00
5		M6024350AAF		RESISTOR PACK AF ASM.						1	
6	R	23645609	40107708	NEEDLE BAR METAL,LOWER H						1	1.00
7	R	11091303	22970206	NEEDLE BAR						1	1.00
8		MDB100B2100		NEEDLE DBX1 #21	EXCEPT JE					1	
9		MC200501300		NEEDLE 134 NM130	FOR JE					1	
10		23645807		THROAT PLATE H	EXCHANGI- NG PARTS (FOR DDL- -9000SH-WB)					1	
11		B1505552000A		PRESSER SPRING						1	
12	R	D1524555EBL	D1524555ECL	PRESSER FOOT ASM.						1	1.00
13		11403003		FEED J						1	
14		23646003		POSITIONING FINGER H						1	
15		11092251		LUBRICATING BOBBIN ASM.						1	
16		23645559		THREAD TAKE-UP ASM. ,H						1	
17		23645252		KNIFE UNIT H						1	
18		23645203		KNIFE INSTALLING BASE H				*		1	
19		23645401		THREAD GUIDE FOR KNIFE H				*		1	
20		11409257		MOVING KNIFE J ASM.				*		1	
21		11095601		KNIFE BRANCH				*		1	
22		11409604		FIX KNIFE				*		1	
23		SD0460703TP		HINGE SCREW D=4.6 H=7				*		1	
24		SD0500131TP		HINGE SCREW D=5 H=1.25				*		1	
25		SS2060210SP		SCREW 3/32-56 L=2.3				*		1	
26		SS4080620TP		SCREW 1/8-44 L=6				*		2	
27		23623176		THREAD TRIMMER DRIVING UNIT H						1	
28		11040953		ROLLER ARM ASM.				*		1	
29	R	11041407	22949101	ROLLER FULCRUM SHAFT				*		1	1.00
30		22949200		ROLLER RETURN SPRING				*		1	
31	R	11042306	22950000	PICKER LINK PIN				*		1	1.00
32	R	11043700	22949309	KNIFE RETURN SPRING, B				*		1	1.00
33		11094307		ROLLER ARM BRACKET				*		1	
34		11094406		SPRING				*		1	
35		23623150		KNIFE DRIVING ARM ASM.				*		1	
36		23623200		MOVING KNIFE LINK PIN				*		1	
37		23623358		CLUTCH PLATE ASM.				*		1	
38		23623556		BASE PLATE ASM.				*		1	
39		23623705		PICKER LINK				*		1	
40		23623804		DRIVING ARM STOPPER				*		1	
41		NS6150310SP		NUT 15/64-28				*		1	
42		NS6150810SP		NUT 15/64-28				*		1	
43		RE0400000K0		E-RING 4				*		2	
44		RE0600000K0		E-RING 6				*		2	



EXCLUSIVE PART FOR DDL-9000SH-WB,0B

No.	Supply Code	Parts No.	Replacement	Parts name	Remarks	Choice	Step	Level	Cons	Qty	Rep. QTY
45		SS4110715SP		SCREW 11/64-40 L=7				*		2	
46		SS7090610SP		SCREW 9/64-40 L=6				*		1	
47		WP0621016SH		WASHER				*		1	
48		23645153		SOLENOID ASM. ,H						1	
49		23645005		SOLENOID BASE H				*		1	
50		23645104		SOLENOID H				*		1	
51		11043304		SOLENOID RUBBER				*		1	
52		HK03464000B		PIN CONTACT				*		2	
53		NM6040000SN		NUT M4				*		2	
54		NS6660410SH		NUT				*		1	
55		NS6660430SP		NUT 1/4-40				*		1	
56		WP0430800SC		WASHER M4				*		2	
57		23626062		THREAD TENSION ASM. ,H						1	
58		23626005		THREAD TENSION NUT				*		1	
59		22921209		THREAD TENSION POST				*		1	
60		22921407		ROTATION STOPPER				*		1	
61		22921506		THREAD TENSION DISK				*		2	
62		22921605		THREAD TAKE-UP SPRING				*		1	
63		22921803		DISK STOPPER				*		1	
64		22945307		THREAD TENSION POST BASE				*		1	
65	R	22962005	B3114232000	THREAD TENSION SPRING				*		1	1.00
66		SS8090670SP		SCREW 9/64-40 L=5.5				*		1	
67	R	11073954	22963458	THREAD TENSION ASM.						1	1.00
68		11403805		THREAD GUIDE C FITTING PLATE						1	
69		B1418415H00		NEEDLE BAR THREAD GUIDE						1	
70	R	B1419553000	40023223	NEEDLE BAR THREAD GUIDE						1	1.00
71		11404308		NUT						1	
72		WP0371016SD		WASHER 3.7X8X1						1	
73		23619059		VERTICAL FEED CAM H ASM.						1	
74	R	23619000	23619059	VERTICAL FEED CAM H				*		1	1.00
75		SS8151150TP		SCREW 15/64-28 L=10.5				*		2	

TABLE & STAND COMPONENTS

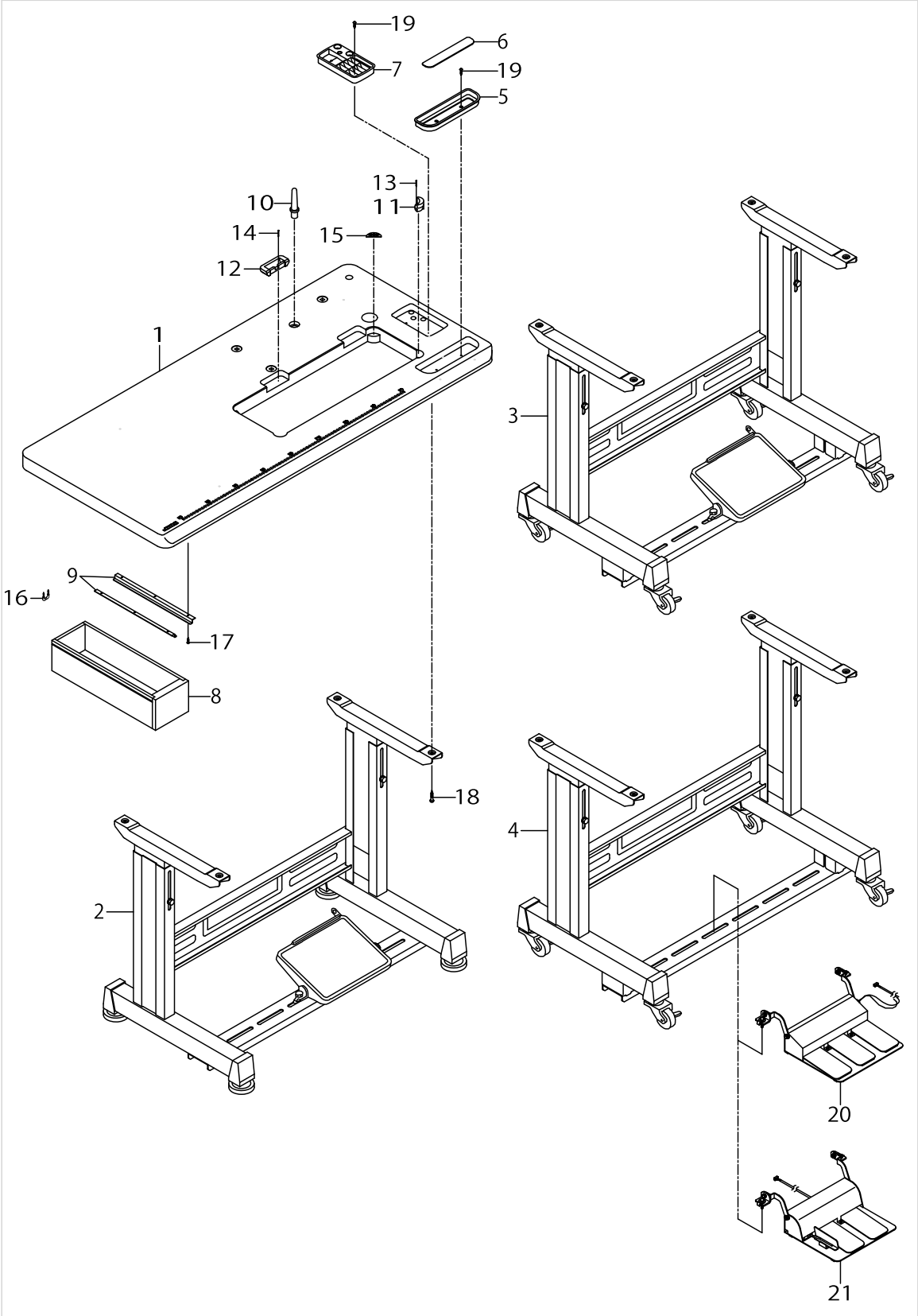


TABLE & STAND COMPONENTS

No.	Supply Code	Parts No.	Replacement	Parts name	Remarks	Choice	Step	Level	Cons	Qty	Rep. QTY
1	R	23642200	23642259	TABLE						1	1.00
2		11157567		T LEG JUNCTION	FOR JT-D950					1	
3		11159365		T STAND JUNCTION	FOR JT-D952					1	
4		11159357		T-STAND ASM.	FOR JT-D-95J,-D95K					1	
5		11156007		CASE						1	
6		11155801		CASE MAGNET						1	
7		11155751		CASE ASM. B						1	
8	R	11155108	11155157	DRAWER						1	1.00
9		11155207		DRAWER SUPPORT						2	
10	R	11073103	22931604	RUBBER CUSHION	EXCEPT AK TYPE					1	1.00
11		11075900		RUBBER SPACER						2	
12		11075801		RUBBER SPACER						2	
13		B8210012000		CUSHION SET NAIL						4	
14		B8210012000		CUSHION SET NAIL						4	
15		D8226555E00		FRAME RUBBER CUSHION A						2	
16		D8204555D00		DRAWER STOPPER						1	
17		SK3311600SE		WOOD SCREW D=3.1 L=16						6	
18	R	SK3513200SC	SK3513201SE	WOOD SCREW D=5.1 L=32						4	1.00
19		SK3382001SC		WOOD SCREW D=3.8 L=20						4	
20		GPK700010A0		3-JOINT PEDAL, 70	FOR JT-D-95J,-D95K					1	
21		GPK710010A0		2-PEDAL ASM., 71	FOR JT-D-95J,-D95K					1	

HOW TO MAKE USE OF THIS PARTS LIST

1.Explanation of codes

1)"*"mark.....means this part is changed from the previous parts book.

As to the details of the change, refer to the "List for information of change".

2)"#01".....refer to "Note" explanation at bottom of page.

2.Codes on the "Qty" column

• Each numeral indicates the number of parts required.

• "0.1" and "2.5" indicate the length (in meters) of the respective parts.

3.Parentheses mean that the corresponding part is a subpart that constructs an assembly part.

4.Dotted lines on the Figures indicate assembly parts.

1."注記"欄の記号説明

1) "*"印.....前回のパーツブックに比較して今回変更された部品を意味します。

変更内容は、"変更情報リスト"を参照してください。

2) "#01".....ページ下の"注記"の説明を参照してください。

2.数量欄の数字は、個数を表し、0.1、2.5等の数値は、長さ（単位メートル）を表します。

3.数量欄の（ ）は、組部品を構成している子部品であることを意味します。

4.イラストページの-----枠は、組構成であることを意味します。

NUMERICAL INDEX OF PARTS

PART NO	PAGE	REF NO.	PART NO	PAGE	REF NO.	PART NO	PAGE	REF NO.
10162600	40	12	11155801	54	6	22901201	2	14·15
10502300	8	25	11156007	54	5	22901250	2	12·13
11001906	46	3·37	11157567	54	2	22901300	2	16
11015906	24	79	11159357	54	4	22901409	2	20
11018405	16	41	11159365	54	3	22901805	4	80
11028008	6	85~87	11162104	46	12	22902506	2	10
11030301	44	1	11244019	16	55	22902605	2	19
11030301	46	1	11305513	46	31	22902704	2	14·15
11038650	24	68·69·89	11305513	50	4	22902753	2	12·13
11038759	24	66	11313103	26	6	22904106	22	23
11038809	24	67	11400801	50	1·10	22904155	22	22
11040052	26	3	11403003	50	13	22906309	12	49
11040052	44	17	11403805	46	32	22906408	10	30
11040052	46	43	11403805	52	68	22906457	10	29
11040409	26	4	11404209	46	33	22907406	14	24
11040409	44	20	11404308	46	34	22907604	14	21
11040409	48	46	11404308	52	71	22907802	14	22
11040508	26	5	11409257	50	20	22908008	14	8
11040953	26	18	11409604	50	22	22908552	14	23
11040953	50	28	11433802	16	57	22908701	14	19
11041407	50	29	14113450	8	31	22908909	14	20
11042306	50	31	22886907	44	5·6	22911002	22	19
11042850	28	50	22886907	46	6·7	22911101	22	20
11043304	26	41	22887004	44	5·6	22911804	18	32
11043304	52	51	22887004	46	6·7	22912000	18	29
11043700	26	22	22889851	44	7	22912109	18	33
11043700	50	32	22889851	46	16	22916506	24	78
11047107	40	13	22890008	24	70	22916555	24	77
11071909	18	30	22890206	44	9~11	22920102	14	39
11072402	8	30	22890206	46	18~20	22920300	14	40
11073103	54	10	22890305	44	9~11	22920607	4	60
11073954	52	67	22890305	46	18~20	22921209	52	59
11075801	54	12	22890404	44	9~11	22921407	52	60
11075900	54	11	22890404	46	18~20	22921506	52	61
11091303	50	7	22891204	10	40	22921605	52	62
11092251	50	15	22895908	44	22	22921803	52	63
11094307	50	33	22895908	48	48	22925101	30	24
11094406	50	34	22896005	44	21	22926000	42	11
11095601	50	21	22896005	48	47	22926208	42	13
11110301	36	6	22896104	44	18	22926356	42	14
11141207	10	27·28	22896104	46	44	22926505	42	15
11141355	24	68·69·89	22896252	44	15	22930309	38	14
11155108	54	8	22896252	46	41	22930358	38	1
11155207	54	9	22896302	44	14	22930408	38	10
11155751	54	7	22896302	46	40	22930507	38	9

NUMERICAL INDEX OF PARTS

PART NO	PAGE	REF NO.	PART NO	PAGE	REF NO.	PART NO	PAGE	REF NO.
22930705	38	7	22956106	36	9	23609357	14	4
22930804	38	5	22956205	36	10	23609456	14	6
22930903	38	4	22956304	36	11	23609605	14	7
22931000	38	3	22956809	36	12	23609704	14	12
22931109	38	2	22956908	36	13	23609803	14	13
22931208	38	15	22957005	36	14	23609902	14	14
22931307	38	11	22957104	36	16	23610108	14	15
22931406	38	8	22957203	36	15	23610207	14	16
22931604	42	3	22958003	42	12	23610306	14	17
22932404	40	15	22958052	42	10	23610405	14	18
22932453	40	14	22958300	42	7	23610504	16	53
22932800	42	4	22962005	52	65	23610652	16	54
22932909	42	16	22962906	34	30	23610702	16	56
22933006	42	23	22964001	24	72	23610801	16	48
22933105	42	5	22964001	42	17	23611056	16	51
22933204	42	6	22964001	44	12	23611106	16	52
22933303	42	24	22964001	46	39	23612104	20	48
22934202	40	30	23600208	2	1	23612450	18	5
22934251	40	24	23600307	2	2	23612500	20	50
22934301	40	25	23600406	2	3	23612609	18	7
22934400	40	26	23600505	2	4	23612716	18	9
22934509	40	27	23600604	2	5	23612765	18	8
22934608	40	28	23600703	2	6	23612807	18	11
22939508	10	27·28	23600802	2	7	23613003	18	14
22940506	46	36	23601057	2	24	23613052	18	13
22944508	16	42	23601305	2	9	23613102	18	16
22945307	52	64	23604010	10	1	23613201	18	17
22945414	4	62	23604119	10	3	23613300	18	18
22945463	4	61	23604168	10	2	23613409	18	19
22945505	4	64	23604457	10	10	23613508	18	20
22945604	4	63	23604655	10	14	23613607	18	21
22945703	4	65	23604705	32	47	23613706	18	22
22945802	4	66	23604754	10	18	23613805	18	23
22949002	26	19	23604804	10	13	23613953	18	24
22949101	26	20	23605009	10	17	23614001	18	26
22949200	26	21	23605256	10	19	23614308	18	27
22949200	50	30	23607302	10	23	23614407	20	46
22949408	26	23	23608003	10	25	23614506	22	25~27
22950000	26	24	23608102	10	26	23616006	22	2
22950950	28	52	23608706	44	4	23616055	22	1
22952501	18	31	23608706	46	5	23616105	22	4
22954705	2	8	23609001	14	1	23616204	22	5
22955504	36	5	23609100	14	2	23616303	22	6
22955900	36	7	23609209	14	3	23616402	22	7
22956007	36	8	23609308	14	5	23616501	22	9

NUMERICAL INDEX OF PARTS

PART NO	PAGE	REF NO.	PART NO	PAGE	REF NO.	PART NO	PAGE	REF NO.
23616550	22	8	23623705	26	16	23630007	20	47
23616600	22	11	23623705	50	39	23630007	30	42
23616709	22	12	23623804	26	17	23630106	30	43
23616808	22	14	23623804	50	40	23630205	30	30
23616857	22	13	23623903	26	32	23630304	30	23
23616907	22	17	23624000	26	33	23630403	30	39
23617053	22	18	23624109	26	35	23630452	30	38
23618002	22	38	23624158	26	34	23630502	30	40
23618051	22	37	23624257	26	36	23630601	30	41
23618101	22	40	23624307	26	39	23630700	44	13
23618309	22	42	23624356	26	38	23630700	46	35
23618408	22	43	23624406	26	40	23631005	34	2
23618705	24	53	23624505	28	48	23631054	34	1
23618804	24	47	23624554	28	47	23631104	34	3
23619000	52	74	23624653	44	16	23631203	34	4
23619059	52	73	23624653	46	42	23631302	34	10
23619109	24	87	23626005	4	50	23631708	34	22
23619158	24	86	23626005	46	22	23631757	34	11
23620008	24	56	23626005	52	58	23631807	34	23
23620156	24	57	23626062	52	57	23631906	34	24
23620206	24	58	23626104	4	59	23632003	34	15
23620354	24	59	23626203	12	48	23632102	34	26
23620404	24	73	23626351	14	36	23632250	34	27
23620503	24	61	23626807	14	37	23632359	34	17
23620701	24	62~65	23626906	14	38	23632607	34	25
23620800	24	62~65	23627359	4	49	23632656	34	20
23620909	24	62~65	23627458	46	21	23633159	36	2
23621006	24	62~65	23628100	30	2	23633167	36	1
23621303	24	68·69·89	23628209	30	33	23633209	36	3
23622061	10	37	23628357	30	3	23633357	36	4
23622400	10	38	23628555	30	4	23636657	8	29
23623002	26	2	23628704	30	5	23638000	4	72
23623002	44	19	23628803	30	35	23638059	4	71
23623002	48	45	23628902	30	36	23638109	4	73
23623051	26	1	23629009	30	37	23638208	4	74
23623150	26	12	23629108	30	6	23638307	4	75
23623150	50	35	23629207	30	8	23638406	4	76
23623168	26	11	23629256	30	7	23638554	4	77
23623176	50	27	23629306	30	10	23639008	40	2
23623200	26	13	23629405	30	44	23639057	40	1
23623200	50	36	23629504	30	12	23639107	40	4
23623358	26	14	23629603	30	13	23639156	40	3
23623358	50	37	23629702	30	9	23639206	40	7
23623556	26	15	23629801	30	14	23639305	40	8
23623556	50	38	23629900	4	82	23639404	40	9

NUMERICAL INDEX OF PARTS

PART NO	PAGE	REF NO.	PART NO	PAGE	REF NO.	PART NO	PAGE	REF NO.
23639503	40	10	40029963	22	21	B91210120A0	42	18
23639602	40	11	40031605	24	81	CM300200001	2	23
23639701	42	8	40031606	24	83	CM300200003	2	18
23639750	42	1·2	40031607	24	82	CM301300001	2	22
23639958	42	1·2	40031608	24	80	CM600100101	4	48
23642200	54	1	40033391	18	1	CQ200000001	30	20
23645005	52	49	40033392	18	2	CS111101ESH	18	34
23645104	52	50	40033393	18	3	D1524555DBB	46	11
23645153	52	48	40039946	10	22	D1524555EBL	50	12
23645203	50	18	40044875	22	45	D1613155W00	46	15·38
23645252	50	17	40044906	10	11	D2406555D0H	26	7
23645401	50	19	40051473	10	8	D2468555B00	34	5
23645559	50	16	40052274	18	12	D3128555D00	46	29
23645609	50	6	B1109012I0B	4	85~87	D3129555D00	46	28
23645807	50	1·10	B1109012I0B	46	3·37	D7133555B00	8	33
23646003	50	14	B1109552000	6	85~87	D8204555D00	54	16
26260109	8	2	B1414555000	10	32	D8226555E00	54	15
26260208	8	3	B1418415H00	52	69	EA9500B0100	4	78
26260307	8	4	B1419553000	52	70	EA9500B0100	10	45
26260406	8	5	B1505552000A	50	11	EA9500B0100	34	28
26260505	8	6	B1521555000	14	25	GPK700010A0	54	20
26260604	8	7	B15240120BA	14	26·27	GPK710010A0	54	21
26260802	8	8	B15245520BA	14	26·27	HA000590000	36	17
26261008	8	9	B1613012I00	22	25~27	HK03464000B	26	42
26261206	8	10	B1613012I00	46	15·38	HK03464000B	34	6
26261305	8	11	B3111126000	4	57	HK03464000B	36	18
26261503	8	12	B3111126000	46	25	HK03464000B	52	52
26261602	8	13	B3115552000	4	51	HW200390000	36	19
26261701	8	14	B3115552000	46	26	HW500070000	36	20
40010434	10	39	B3118552F00	4	84	M6022350AAA	2	44~46
40011144	8	15	B3120125000	4	52	M6022350AAF	4	44~46
40011344	30	1	B3120125000	46	27	M6022350AAL	4	44~46
40011711	22	44	B3126012000	4	53	M6023350AAA	44	3
40012032	20	49	B3126012000	8	32	M6023350AAF	46	4
40014837	8	16	B3126012000	46	24	M6024350AAF	50	5
40020455	12	50	B3128012000	4	54	M68014710A0	10	44
40022407	2	11	B3129012A00	4	55	MC200500650	46	8~10
40022668	22	41	B3132552000	4	56	MC200500750	10	33~35
40023021	8	1	B3132552000	46	23	MC200500752	42	20~22
40023022	8	17	B3538112000	2	21	MC200501300	50	8·9
40023289	18	28	B412352200A	22	28~30	MDB100B0900	46	8~10
40023290	28	54	B412352200B	22	28~30	MDB100B1100	10	33~35
40023291	8	26	B412352200C	22	28~30	MDB100B1102	42	20~22
40024644	30	45	B8210012000	54	14	MDB100B1400	10	33~35
40028014	10	43	B9117012000	24	71	MDB100B1402	42	20~22

NUMERICAL INDEX OF PARTS

PART NO	PAGE	REF NO.	PART NO	PAGE	REF NO.	PART NO	PAGE	REF NO.
MDB100B2100	50	8·9	RO098240100	30	25	SS2060210SP	44	24
MDB1SFB0900	46	8~10	RO195240100	30	26	SS2060210SP	48	50
MDFRX1600C0	42	19	SB117000400	24	51	SS2060210SP	50	25
NM6040000SN	26	43	SB120000800	10	21	SS2110915SP	2	27
NM6040000SN	52	53	SB120001000	24	52	SS2110920TP	2	28
NM6050001SE	38	17	SB307000200	10	41	SS4080620TP	22	32
NM6060001SE	40	5	SB32000060A	24	48~50	SS4080620TP	26	10
NM6160511SE	38	18	SB32000060B	24	48~50	SS4080620TP	44	25
NS6090310SP	36	21	SB32000060C	24	48~50	SS4080620TP	48	51
NS6110310SP	18	36	SD0460703TP	26	8	SS4080620TP	50	26
NS6110310SP	36	22	SD0460703TP	44	23	SS4090610SP	46	13
NS6110350SP	34	31	SD0460703TP	48	49	SS4090610SP	50	2
NS6110530SP	8	34	SD0460703TP	50	23	SS4110615SP	4	81
NS6150310SP	16	47	SD0500131TP	50	24	SS4110715SP	2	67
NS6150310SP	18	37	SD0600321SP	28	55	SS4110715SP	4	67
NS6150310SP	26	25	SD0630275SP	28	56	SS4110715SP	16	46
NS6150310SP	40	17	SD0641452TP	28	57	SS4110715SP	26	58
NS6150310SP	50	41	SD0650321TP	36	25	SS4110715SP	28	58
NS6150810SP	26	26	SD0720331SP	14	30	SS4110715SP	52	45
NS6150810SP	50	42	SD0720331SP	40	20	SS4120615SP	2	30
NS6620310SP	16	44	SD0951501SP	34	32	SS4120615SP	16	43
NS6660410SH	26	44	SK3311600SE	54	17	SS4120615SP	44	2
NS6660410SH	52	54	SK3382001SC	54	19	SS4120615SP	46	2
NS6660430SP	26	45	SK3513200SC	54	18	SS4120915SP	2	33
NS6660430SP	52	55	SL4030631SC	36	26	SS4120915SP	34	33
RC0150001KP	22	31	SL4030641SE	36	27	SS4120915SP	36	29
RC0560711KP	8	18	SL4040881SC	10	46	SS4121015SP	14	31
RE0250000K0	36	23	SL6052592TN	2	26	SS4121015SP	30	28
RE0400000K0	8	19	SL6052592TN	12	47	SS4121215SP	6	88
RE0400000K0	26	27	SM4021201SC	4	79	SS4150915SP	2	35
RE0400000K0	50	43	SM4051405SE	38	12	SS4150915SP	8	27
RE0500000K0	14	45	SM5040655SN	8	20	SS4150915SP	28	60
RE0500000K0	16	45	SM6040602TP	14	9	SS4150915SP	34	34
RE0500000K0	18	39	SM6061610SC	38	6	SS6060210SP	2	17
RE0500000K0	36	24	SM8040412TP	18	4	SS6090540SP	36	28
RE0600000K0	26	28	SM8040802TP	8	21	SS6090620TP	8	28
RE0600000K0	50	44	SM8050502TP	8	22	SS6090620TP	22	34
RE1000000K0	40	19	SM8060812TP	10	24	SS6090620TP	26	37
RE1200000K0	34	7	SM8060812TP	18	41	SS6090620TP	30	29
RO029180100	30	34	SM80608A2TP	10	20	SS6090670TP	10	31
RO037180100	14	29	SM8063012TR	40	6	SS6090670TP	18	42
RO044240100	16	50	SM9061203SE	40	29	SS6090670TP	22	54
RO068190100	30	16	SM9061853SR	40	22	SS6090670TP	24	54
RO080150200	4	83	SM9062053SR	40	16	SS6090910SP	14	32
RO092270200	18	40	SS2060210SP	26	9	SS6110420TP	44	8

NUMERICAL INDEX OF PARTS

PART NO	PAGE	REF NO.	PART NO	PAGE	REF NO.
SS6110420TP	46	17	ST4040821SS	30	46
SS6110610TP	4	69	TA0850604R0	2	38
SS6110650TP	24	60	TA1250406R0	2	40
SS6110710TP	24	55	TA1250705R0	2	41
SS6110710TP	28	49	TA1270502R0	2	42
SS6111010TP	24	74	TA1470704R0	2	43
SS6111440SP	10	7	WP0371016SD	52	72
SS6121030SN	8	24	WP0430800SC	52	56
SS6121610SP	18	25	WP0450000SD	26	46
SS6121610SP	22	10	WP0450826SC	8	23
SS6121840SP	18	43	WP0480856SP	16	58
SS6121860SP	18	44	WP0480856SP	22	16
SS6151920TP	10	42	WP0501016SD	4	47
SS6151920TP	18	45	WP0501016SD	14	34
SS6660610TP	28	51	WP0501016SD	30	31
SS6661110SP	18	6	WP0501016SD	34	29
SS7080510TP	10	36	WP0621016SD	16	49
SS7090610SP	26	30	WP0621016SH	26	31
SS7090610SP	52	46	WP0621016SH	52	47
SS7091110TP	14	33	WP0650876SD	40	23
SS7110540SP	2	36	WP1612616SE	38	19
SS7110740TP	22	36	WP1703001SC	34	9
SS7110740TP	34	21	WS0510002KN	38	16
SS7111410TP	46	14	WS0510002KP	30	32
SS7111410TP	50	3	WS1643202KR	38	20
SS7111810TP	14	35			
SS7112420SP	24	85			
SS7121410TP	22	15			
SS7681650TP	10	4			
SS8090670SP	4	58			
SS8090670SP	46	30			
SS8090670SP	52	66			
SS8110520TP	28	53			
SS8150710TP	4	70			
SS8150822TP	24	84			
SS8151150TP	22	88			
SS8151150TP	24	88			
SS8151150TP	52	75			
SS8660330SP	18	35			
SS8660610TP	10	6			
SS8660610TP	18	10			
SS8660610TP	22	24			
SS8660810TP	24	76			
SS8661030SP	24	75			
SS8681650TP	10	5			