

MODEL : MOL-254

List No : 1265-06

# PARTS LIST

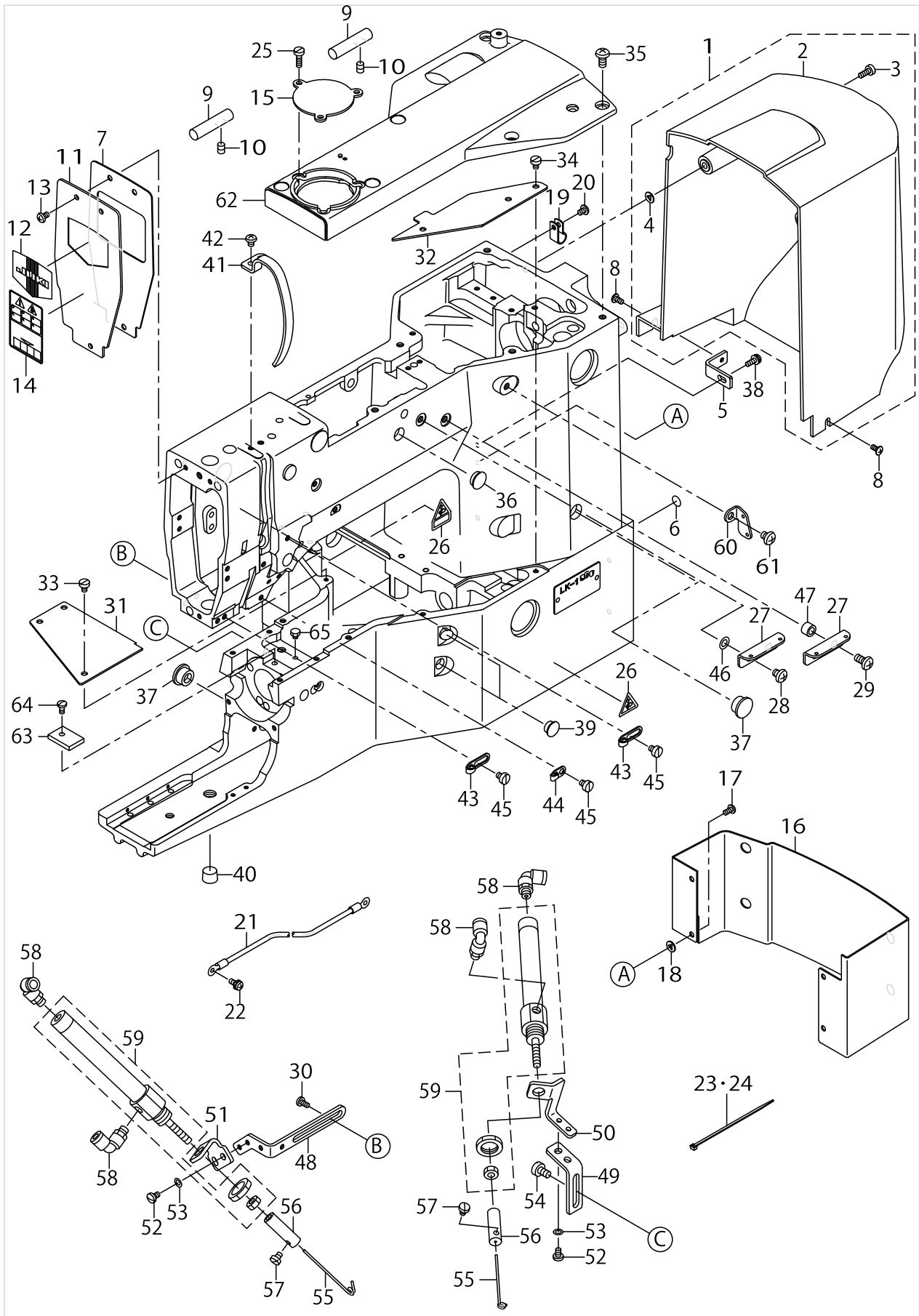
Published:05/12/2017

## CONTENTS

---

MACHINE FRAME & MISCELLANEOUS COMPONENTS.....	1
NEEDLE BAR COMPONENTS .....	5
MAIN SHAFT COMPONENTS .....	9
HOOK DRIVING SHAFT COMPONENTS .....	11
FEED MECHANISM COMPONENTS.....	15
TENSION RELEASE & THEREAD TRIMMER MECHANISM COMPONENTS.....	21
THREAD TENSION & DISK RISING COMPONENTS .....	25
THREAD PRESSER COMPONENTS .....	29
HOOK BASE COMPONENTS(1).....	31
HOOK BASE COMPONENTS(2).....	35
2ND HOOK MOVE COMPONENTS.....	39
LUBRICATION COMPONENTS .....	41
SAFETY COMPONENTS .....	43
BELT LOOP SUPPLY COMPONENTS.....	45
BELT LOOP FOLDING COMPONENTS.....	49
BELT RECEIVER COMPONENTS.....	51
BELT LOOP FEED COMPONENTS.....	55
CLAMP FEED COMPONENTS.....	59
KNIFE COMPONENTS.....	61
SUPPLYING DEVICE BASE COMPONENTS.....	65
FACING & FILTER COMPONENTS.....	67
PNEUMATIC COMPONENTS .....	69
TABLE COMPONENTS.....	73
CONTROL BOX COMPONENTS .....	77
OPERATION BOX COMPONENTS .....	81
WIRING DIAGRAM.....	83
THREAD STAND COMPONENTS.....	89
ACCESSORY PARTS COMPONENTS.....	91
FULLNESS DEVICE COMPONENTS (OPTION).....	93
NEEDLE COOLER COMPONENTS (OPTION) .....	95
THREAD BREAKAGE DETECT DEVICE COMPONENTS (OPTION).....	97
THREAD GUIDE COMPONENTS (OPTION) .....	99
AIR GUN COMPONENTS (OPTION) .....	101
LOOP PULL-OUT DEVICE COMPONENTS (OPTION).....	103
LIST FOR INFORMATION OF CHANGE.....	105
HOW TO MAKE USE OF THIS PARTS LIST .....	106

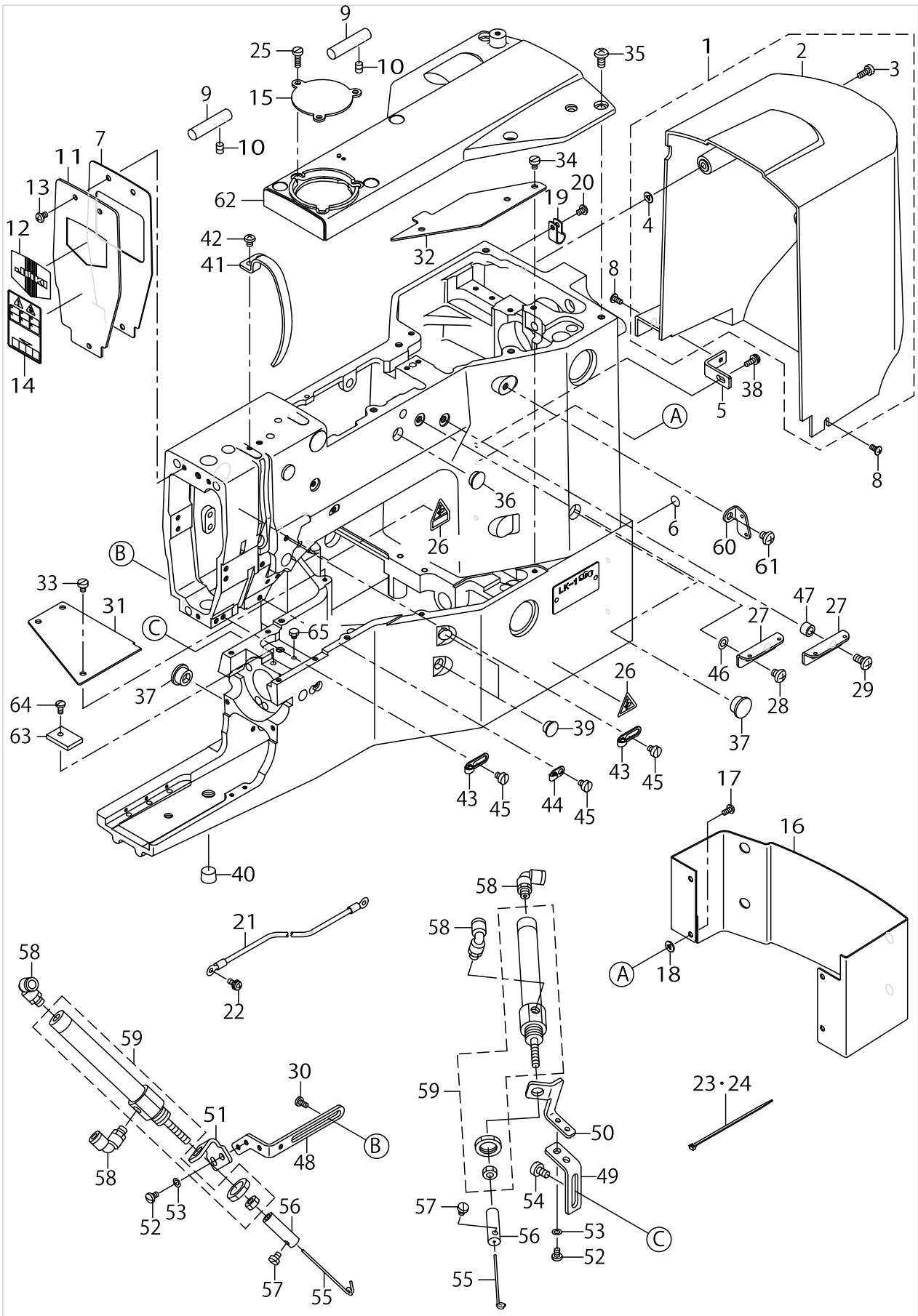
MACHINE FRAME & MISCELLANEOUS COMPONENTS



MACHINE FRAME & MISCELLANEOUS COMPONENTS

No.	Supply Code	Parts No.	Replacement	Parts name	Remarks	Choice	Step	Level	Cons	Qty	Rep. QTY
1		14400055		HEAD COVER A ASM.						1	
2	D	14400006		HEAD COVER A				*		1	
3		SS6111140SP		SCREW11/64-40L=11				*		2	
4		M8002430000		STOPPER				*		2	
5		14400204		HEAD COVER FIXED PLATE						1	
6		22901805		GROUND MARK						2	
7		14401400		FACE GASKET						1	
8		SM0040801SC		SCREW						2	
9		14402002		HEAD FIXED SHAFT						2	
10		SS8150822TP		SCREW 15/64-28 L=8						2	
11		14401301		FACE PLATE						1	
12	R	11000403	22902506	PLATE						1	1.00
13		SS4110715SP		SCREW 11/64-40 L=7	FOR USE IN JAPAN					3	
14		CM301200001		SAFETY LABEL_S						1	
15		14401707		BOBBIN COVER						1	
16		14400105		HEAD COVER B						1	
17		SS4110815SP		SCREW 11/64-40 L=8						4	
18		M8002430000		STOPPER						4	
19		HX00150000C		CABLE CLIP						1	
20		SS4110615SP		SCREW 11/64-40 L=6						1	
21		G85152860A0		BREARTHCORDASM.						1	
22		SL4041091SC		SCREW M4 L=10						1	
23		EA9500B0100		CABLE BAND	FOR USE IN JAPAN					10	
24		EA9500B0200		CABLE BAND 150	FOR EXPORT					2	
25		SS6111140SP		SCREW11/64-40L=11						3	
26		CM300200002		CAUTION LABEL(25)						4	
27	R	B2039373000	26021402	THREAD GUIDE NO.1						2	1.00
28		SS4150715SP		SCREW 15/64-28 L=7						1	
29		SS4151215SP		SCREW15/64-28L=12						1	
30		SS7110840SP		SCREW 11/64-40 L=7.8						2	
31		14401509		BED COVER A						1	
32		14401608		BED COVER B						1	
33		SS6110610TP		SCREW 11/64-40 L=6						3	
34		SS6110610TP		SCREW 11/64-40 L=6						2	
35		SS4151215SP		SCREW15/64-28L=12						6	
36		TA1250406R0		RUBBER PLUG D=12.5 L=4						1	
37		TA1470704R0		RUBBER PLUG						2	
38		SL4041291SC		SCREW M4 L=12						1	
39		TA1050504R0		RUBBER PLUG						2	
40		PJ025200001		RUBBER PLUG						1	
41		13871702		BALANCE COVER						1	
42		SS4120615SP		SCREW 3/16-28 L=6						2	
43		13870902		BALANCE THREAD GUIDE, C						3	
44		13922208		TAKE-UP THREAD GUIDE B						1	
45		SS6120620TP		SCREW						4	
46		WP0641600SC		WASHEW6.4X12.5X1.6						1	

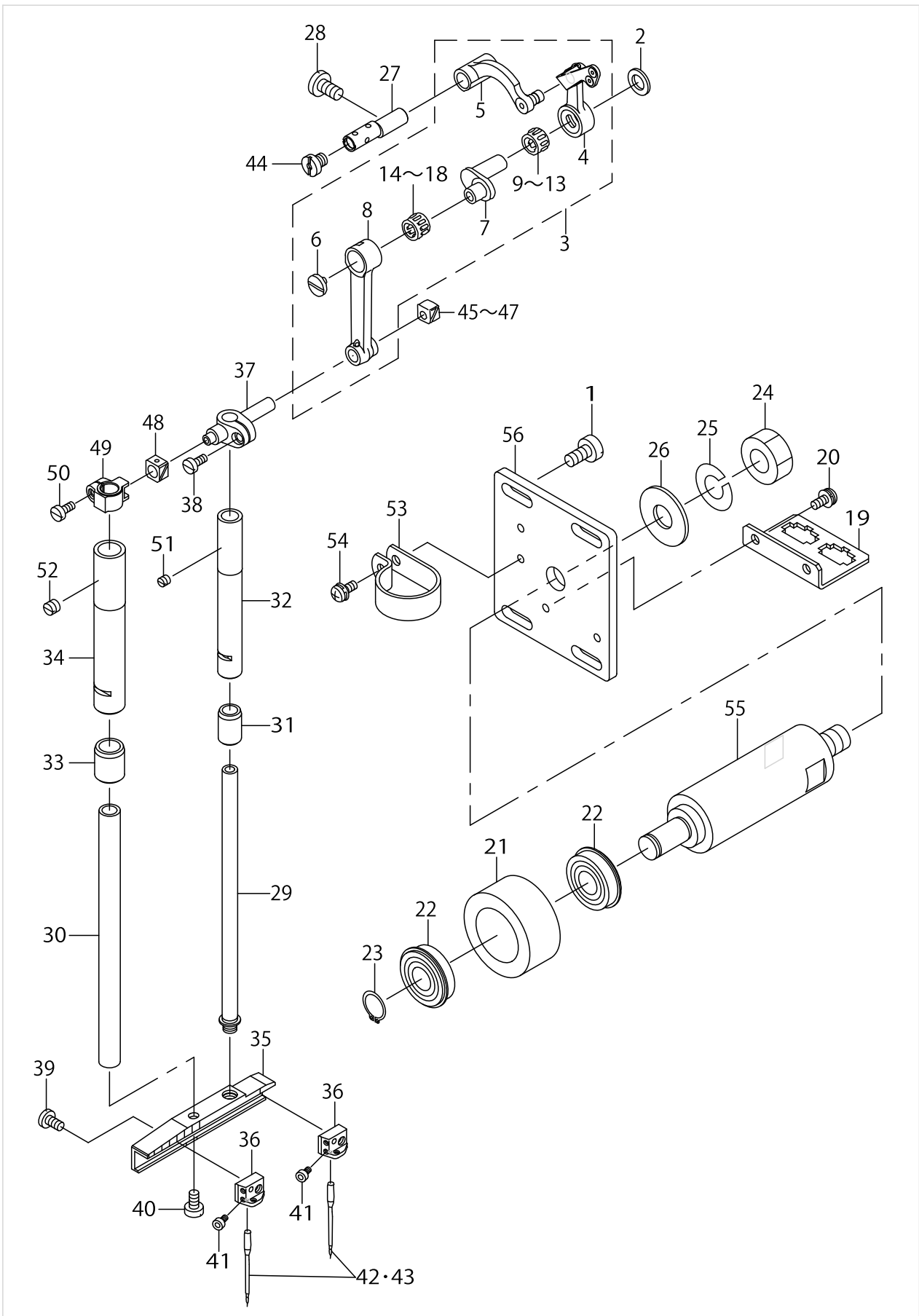
MACHINE FRAME & MISCELLANEOUS COMPONENTS



MACHINE FRAME & MISCELLANEOUS COMPONENTS

No.	Supply Code	Parts No.	Replacement	Parts name	Remarks	Choice	Step	Level	Cons	Qty	Rep. QTY
47		MAZ12665000		MAGNET FITTING BASE COLLAR						1	
48		14401806		WIPER CYLINDER BASE (A)						1	
49		13872007		WIPER CYLINDER BASE, B						1	
50		13872304		WIPER CYLINDER BASE (C)						1	
51		13879903		WIPER CYLINDER BASE (D)						1	
52		SS7110710SP		SCREW 11/64-40 L=7						4	
53		WP0480856SP		WASHER 4.8X8.4X0.8						4	
54		SS6151040SP		SCREW15/64-28L=10						2	
55		13872106		WIPER						2	
56		13872205		WIPER PRESSER						2	
57		SS6080410SP		SCREW 1/8-44 L=4						2	
58		PJ304040504		ELBOW UNION						4	
59		PA1004001A0		AIR CYLINDER						2	
60	R	B1111232000	26211904	THREAD GUIDE PLATE						1	1.00
61		SS4150715SP		SCREW 15/64-28 L=7						1	
62		14100309		TOP COVER						1	
63		40091332		THREAD_CUT_LEVER_FELT						1	
64		SS7110840SP		SCREW 11/64-40 L=7.8						1	
65		SS9110453TP		SCREW						1	

NEEDLE BAR COMPONENTS

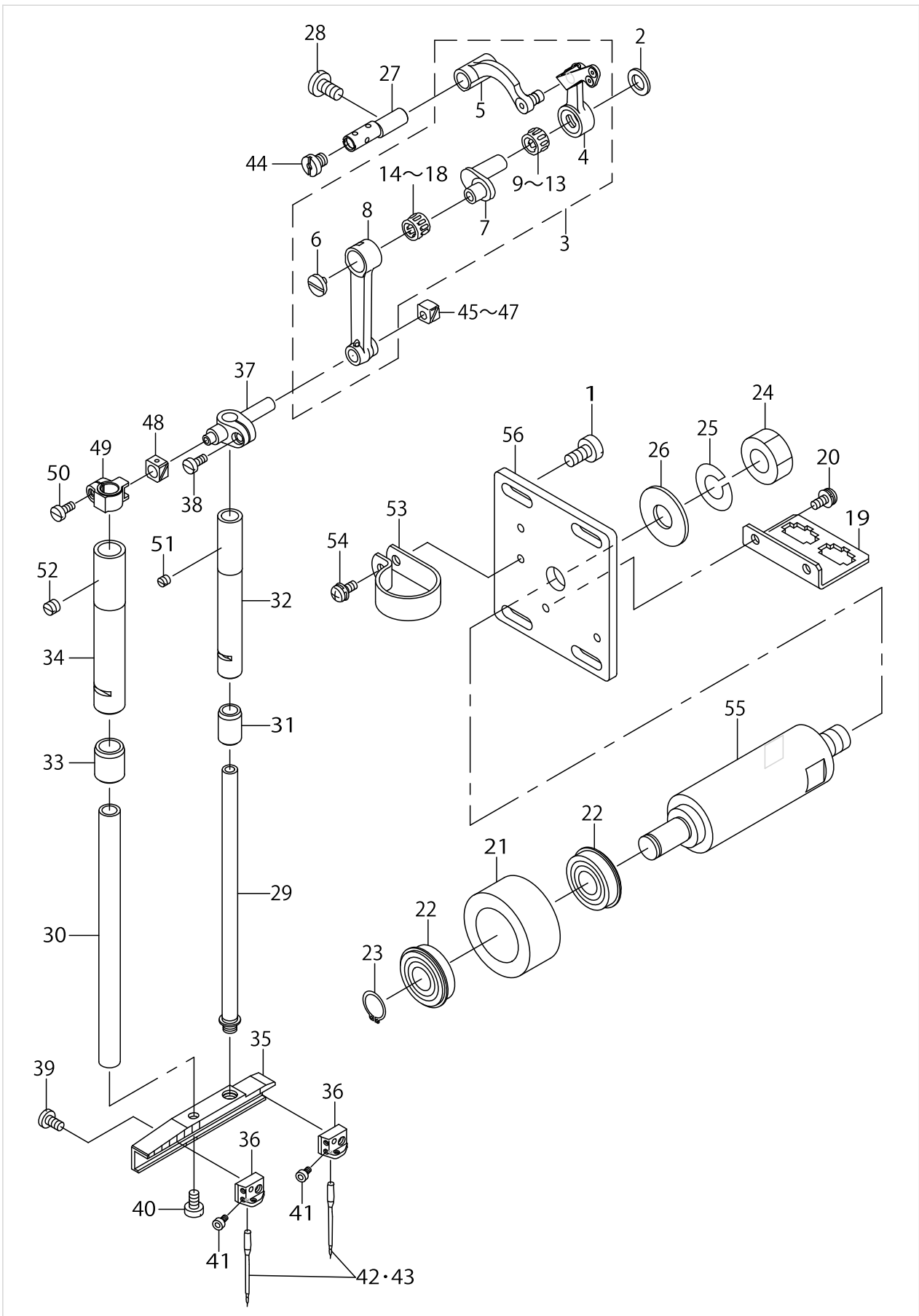


NEEDLE BAR COMPONENTS

No.	Supply Code	Parts No.	Replacement	Parts name	Remarks	Choice	Step	Level	Cons	Qty	Rep. QTY
1		SS6151210SP		SCREW15/64-28L=12						4	
2		B1223771000		NEEDLE ROD CRANK WASHER						1	
3		14402960		LINK BALANCE ASM.						1	
4	R	14402952	14402960	LINK BALANCE COMPL.				*		1	1.00
5	R	14403000	14402960	BALANCE CRANK				*		1	1.00
6		B1903552000		LEFT SCREW				*		1	
7		D1203L7VV00		NEEDLE BAR CRANK, HEAVY				*		1	
8	R	14403109	14402960	NEEDLE BAR CRANK ROD				*		1	1.00
9	R	B1905541000	B1905541A00	NEEDLE BUSHING	SELECTIVE PARTS	A	A:ローラー径2φ公差0~-0.002/A:ROLLER diameter2φtolerance0~-0.002	*		1	1.00
9	R	B1905541000	B1905541B00	NEEDLE BUSHING	SELECTIVE PARTS	B	B:ローラー径2φ公差-0.002~-0.004/B:ROLLER diameter2φtolerance-0.002~-0.004	*		1	1.00
9	R	B1905541000	B1905541C00	NEEDLE BUSHING	SELECTIVE PARTS	C	C:ローラー径2φ公差-0.004~-0.006/C:ROLLER diameter2φtolerance-0.004~-0.006	*		1	1.00
9	R	B1905541000	B1905541D00	NEEDLE BUSHING	SELECTIVE PARTS	D	D:ローラー径2φ公差-0.006~-0.008/D:ROLLER diameter2φtolerance-0.006~-0.008	*		1	1.00
10		B1905541A00		NEEDLE BEARING, A	SELECTIVE PARTS			*		1	
11		B1905541B00		NEEDLE BEARING	SELECTIVE PARTS			*		1	
12		B1905541C00		NEEDLE BEARING	SELECTIVE PARTS			*		1	
13		B1905541D00		NEEDLE BEARING	SELECTIVE PARTS			*		1	
14	R	B1411804000	B1411804A00	NEEDLE DRIVING LEVER BEARING	SELECTIVE PARTS	A	A:	*		1	1.00
14	R	B1411804000	B1411804B00	NEEDLE DRIVING LEVER BEARING	SELECTIVE PARTS	B	B:	*		1	1.00
14	R	B1411804000	B1411804C00	NEEDLE DRIVING LEVER BEARING	SELECTIVE PARTS	C	C:	*		1	1.00
14	R	B1411804000	B1411804D00	NEEDLE DRIVING LEVER BEARING	SELECTIVE PARTS	D	D:	*		1	1.00
15		B1411804A00		BEARING (A)	SELECTIVE PARTS			*		1	
16		B1411804B00		NEEDLE DRIVING LEVER BEARING B	SELECTIVE PARTS			*		1	
17		B1411804C00		NEEDLE DRIVING LEVER BEARING C	SELECTIVE PARTS			*		1	
18		B1411804D00		BEARING (D)	SELECTIVE PARTS			*		1	
19		14400303		MOTOR WIRE HARN-ESS RELAY BASE						1	
20		SL4041091SC		SCREW M4 L=10						2	
21		14404305		IDLER PULLEY						1	
22		SB112000700		BEARING						2	
23		RC1200001KP		C-SHAPED SNAP RING						1	
24		NM6120001CP		NUT M12						1	
25		WS1220002KP		SPRING WASHER						1	
26		14023303		SPACER						1	



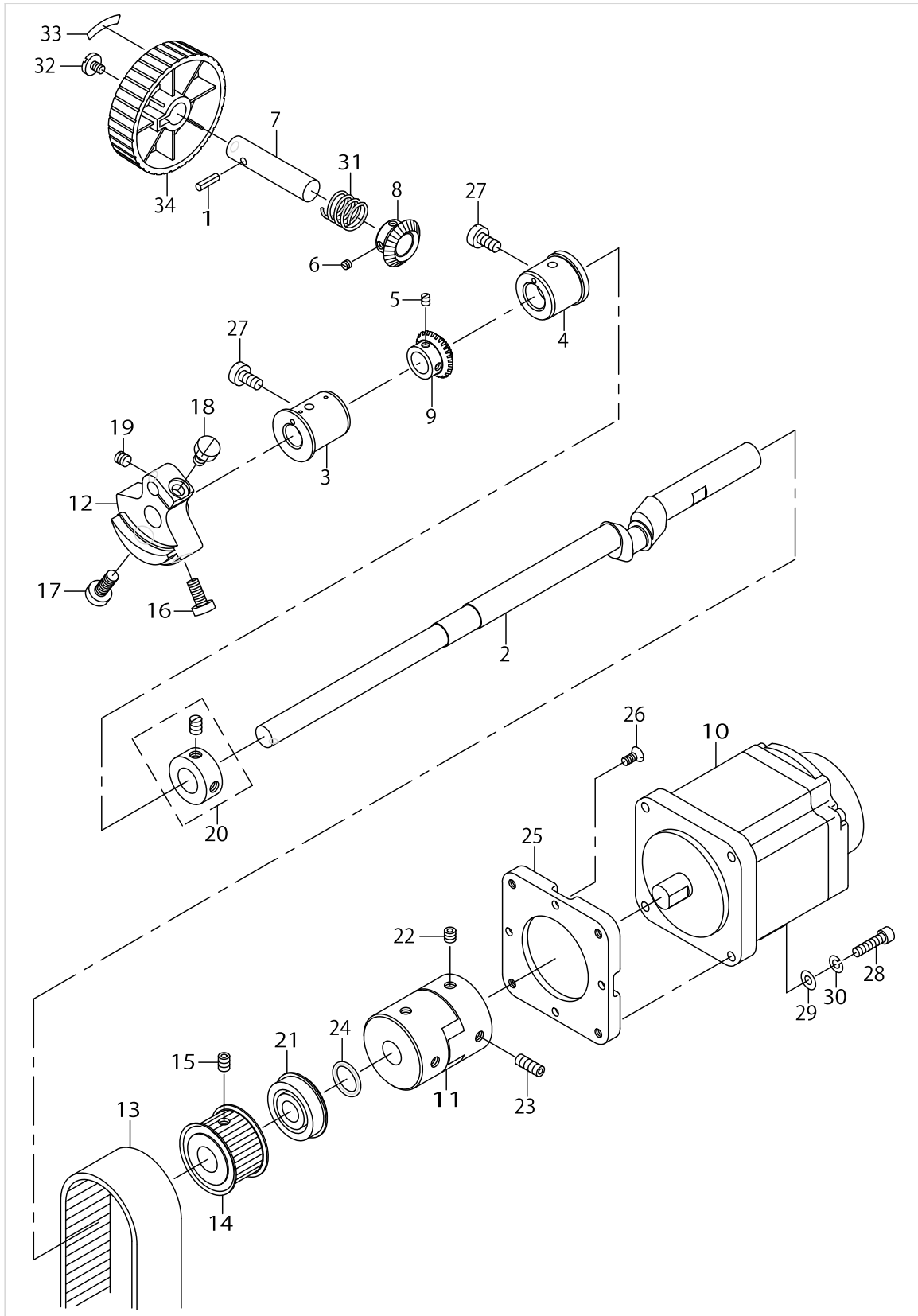
NEEDLE BAR COMPONENTS



NEEDLE BAR COMPONENTS

No.	Supply Code	Parts No.	Replacement	Parts name	Remarks	Choice	Step	Level	Cons	Qty	Rep. QTY
27		D1904L7VV00		LINK TAKE-UP LEVER PIN, HEAVY						1	
28		SS7151120SP		SCREW 15/64-28L=11						1	
29		14403612		NEEDLE ROD						1	
30		14403711		NEEDLE ROD SUPPORT SHAFT						1	
31		14403208		NEEDLE ROD LOWER METAL A						1	
32	R	B1402280000	26203208	NEEDLE ROD METAL						1	1.00
33		14403307		NEEDLE ROD LOWER METAL B						1	
34		14403406		NEEDLE ROD UPPER METAL A						1	
35		14404016		NEEDLE ROD BASE						1	
36		14404800		NEEDLE INSTALLING BASE						2	
37		14403802		NEEDLE ROD HOLDER A						1	
38		SS6090810TP		SCREW 9/64-40 L=7.5						1	
39		SS7110840SP		SCREW 11/64-40 L=7.8						2	
40		SS6110820TP		SCREW 11/64-40 L=8						1	
41		SM6850502TN		SCREW M2.5 L=5						2	
42		MDP170B1900		NEEDLE DPX17 #19	FOR USE IN JAPAN					2	
43		MDP170B2100		NEEDLE DPX17 #21	FOR EXPORT					2	
44		D1906L7VV00		SET SCREW						1	
45		B1414232000		SQUARE BLOCK	SELECTIVE PARTS					1	
46		B141423200A		CRANK SLIDE BLOCK	SELECTIVE PARTS					1	
47		B141423200B		GUIDE ROLLER	SELECTIVE PARTS					1	
48		B3035280000		SAFETY PLATE SLIDE BLOCK						1	
49		14403901		NEEDLE ROD HOLDER B						1	
50		SS6090810TP		SCREW 9/64-40 L=7.5						1	
51		SS8110422TP		SCREW 11/64-40 L=4						1	
52		SS8150510TP		SCREW 15/64-28 L= 4.7						1	
53		HX00150000N		CABLE CLIP						1	
54		SL4041091SC		SCREW M4 L=10						1	
55		14404404		IDLER PULLEY SHAFT						1	
56		14404503		IDLER PULLEY BASE						1	

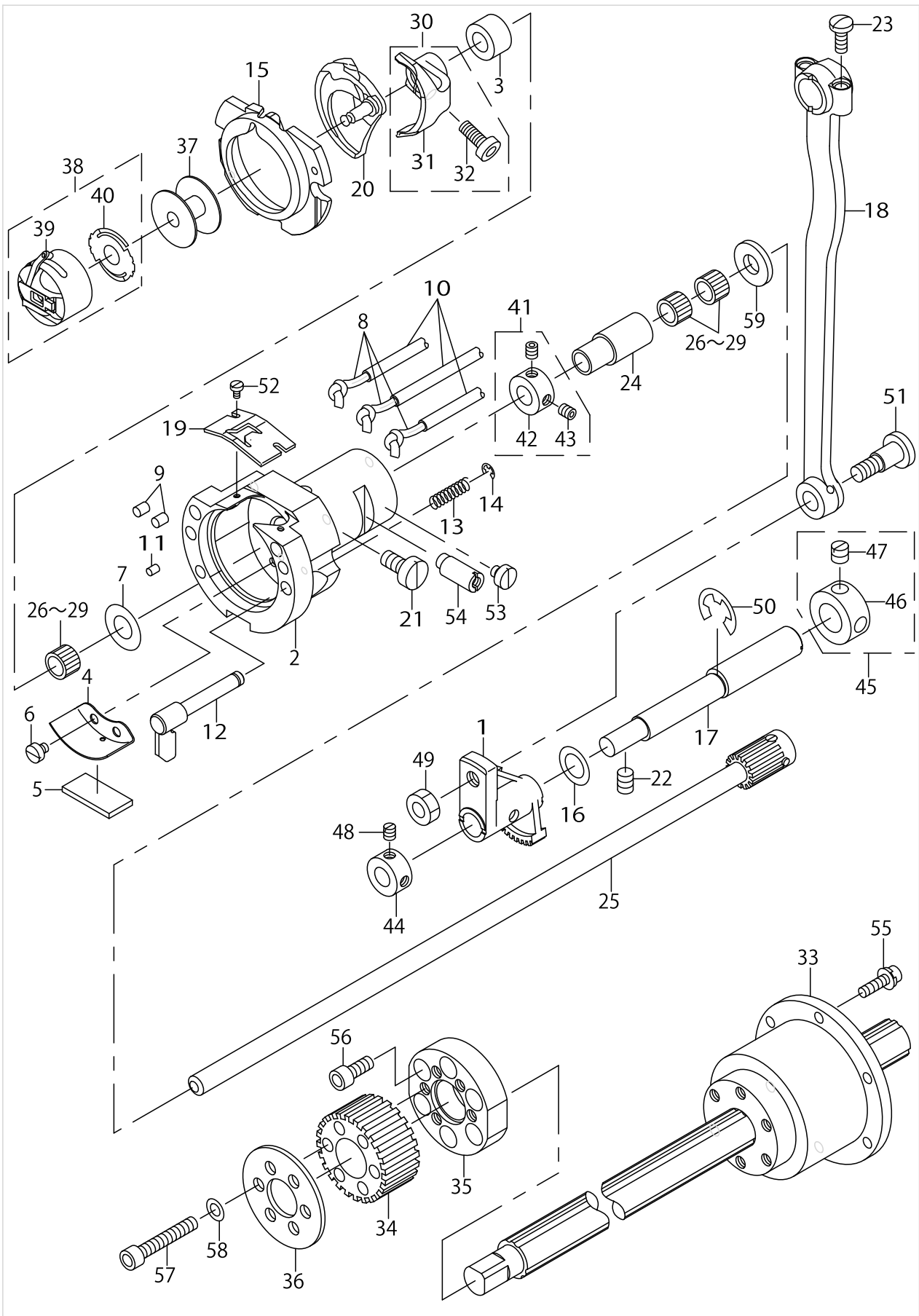
# MAIN SHAFT COMPONENTS



MAIN SHAFT COMPONENTS

No.	Supply Code	Parts No.	Replacement	Parts name	Remarks	Choice	Step	Level	Cons	Qty	Rep. QTY
1		PS0400142KH		SPRING PIN 4X14						1	
2		14402705		MAIN SHAFT						1	
3		14403505		MAIN SHAFT FRONT METAL						1	
4		14102305		MAIN SHAFT BUSHING, MIDDLE						1	
5		SS8110520TP		SCREW 11/64-40 L= 4.5						2	
6		SS8110310SP		SCREW 11/64-40 L= 2.8						2	
7		26500306		HAND PULLEY SHAFT						1	
8		14102800		HANDPULLEYGEARB						1	
9		14102701		HANDPULLEYGEARA						1	
10		40098090		SERVO MOTOR 550W						1	
11		B1231210D00		COUPLING						1	
12		14402804		COUNTER WEIGHT						1	
13		14404206		TIMING BELT						1	
14		14404107		DRIVING SPROCKET						1	
15		SM8060802TP		SCREW M6 L=8						2	
16		SS6151412TP		SCREW15/64-28L=14						1	
17		SS6681712TP		SCREW 9/32-28 L=16.5						1	
18		SS9661230CP		SCREW 1/4-40 L=12						1	
19		SS8660610TP		SCREW 1/4-40 L=6						1	
20	R	CS147121ASH	22904155	THRUST COLLAR A- SM.D=14.72 W=12						1	1.00
21		G1216870000		UPPER SHAFT REAR BEARING						1	
22		SM8060612TP		SCREW M6 L=6						2	
23		SM8061612TP		SCREW M6X16						2	
24		RO154240100		RUBBER RING						1	
25		14402507		MOTOR INSTALLING BRACKET						1	
26		SS2110920TP		SCREW 11/64-40 L=8.5						4	
27		SS6151220SP		SCREW 15/64-28 L=11.5						2	
28		SM6052002TP		SCREW M5 L=20						4	
29		WP0531000SD		WASHER M5						4	
30		WS0510002KP		SPRING WASHER 5.1X9.2X1.3						4	
31		GAF01007000		SPRING						1	
32		A1230500000A		HANDWHEEL SETSCREW						1	
33		B1144210000		REVOLVING DIRECTION LABEL						1	
34		B1212210D00		PULLEY						1	

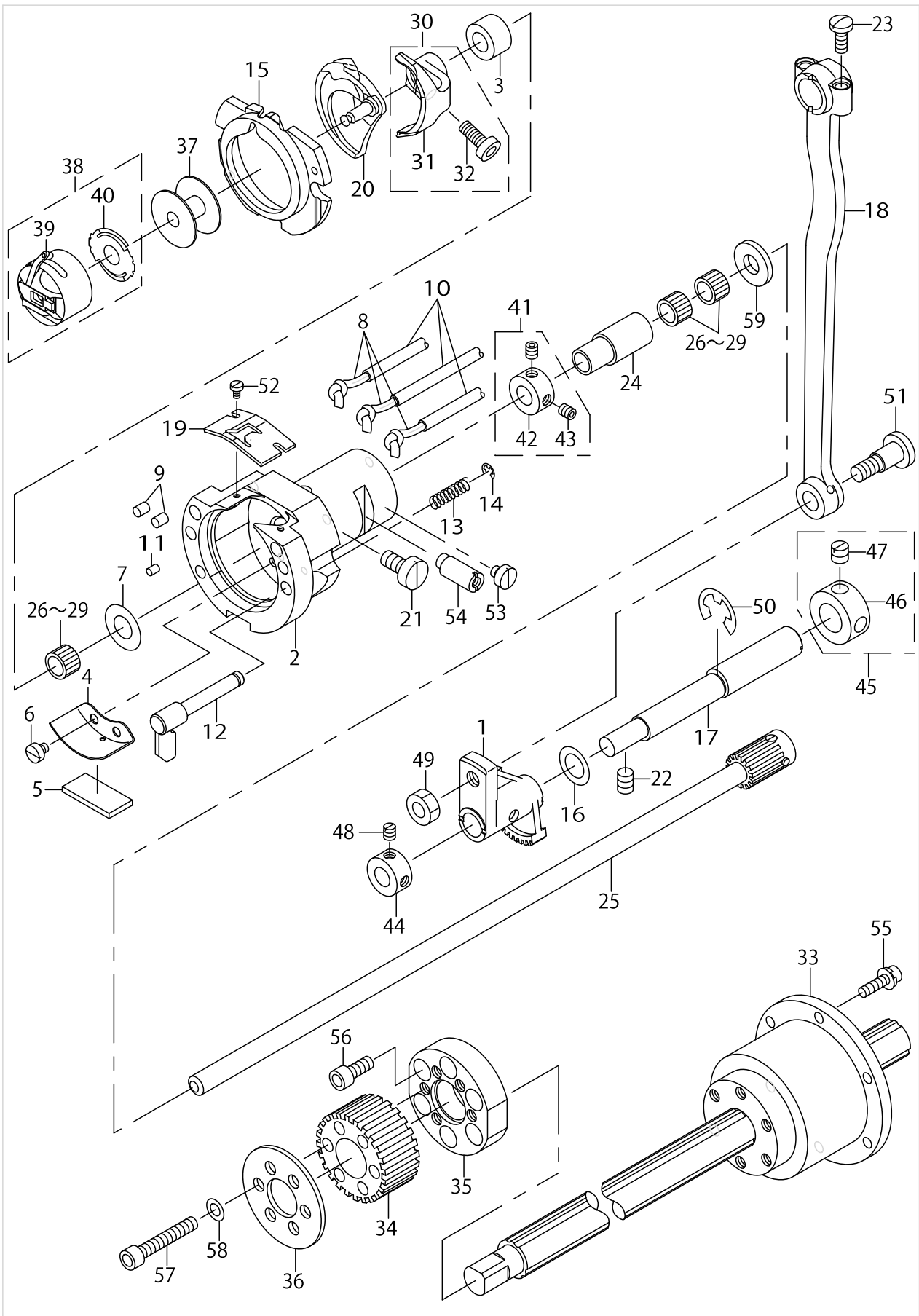
# HOOK DRIVING SHAFT COMPONENTS



HOOK DRIVING SHAFT COMPONENTS

No.	Supply Code	Parts No.	Replacement	Parts name	Remarks	Choice	Step	Level	Cons	Qty	Rep. QTY
1		14103402		OSCILLATOR						1	
2		B1814210D00		SHUTTLE						1	
3		B1813980000		SHUTTLE NEEDLE OUTER RING						1	
4		26231100		SHUTTLE LUBRICATING PLATE						1	
5		B3504280000		SHUTTLE FELT						1	
6		SS6090440SP		SCREW 9/64-40 L= 4.0						2	
7		WP0952616SD		WASHER 9.5X14.8X2.6						1	
8		CQ252200000		OIL WICK						1.6	
9		B1820210D00		SHUTTLE OIL FELT,A						2	
10		23630007		TUBE						1	
11		B1821210D00		SHUTTLE OIL FELT,B						1	
12	R	B1820215PA0A	26501858	INNER HOOK PRESSER ASM.						2	1.00
13		B1822215P00		INNER HOOK PRESSER SPRING						2	
14		RE0300000K0		E-RING 3						2	
15		14103659		SHUTTLE RACE RING ASM.,C						1	
16		10523504		WASHER						1	
17		B1836210D00		OSCILLATING ECCENTRIC SHAFT						1	
18	R	B1802210D00	B1802210DA0	CRANK ROD						1	1.00
19		B1815210000		INNER HOOK UPPER SPRING						1	
20		B1818210D0B		SHUTTLE,H						1	
21		SS6151220SP		SCREW 15/64-28 L=11.5						1	
22		SS8150822TP		SCREW 15/64-28 L=8						2	
23		SS7111110TP		SCREW 11/64-40 L=10.5						2	
24		13508403		LOWER SHAFT REAR METAL						1	
25		14407951		LOWER SHAFT GEAR COMPL.						1	
26		B1411804A00		BEARING (A)	SELECTIVE PARTS					3	
27		B1411804B00		NEEDLE DRIVING L- EVER BEARING B	SELECTIVE PARTS					3	
28		B1411804C00		NEEDLE DRIVING L- EVER BEARING C	SELECTIVE PARTS					3	
29		B1411804D00		BEARING (D)	SELECTIVE PARTS					3	
30		40062404		SHUTTLE_DRIVER_ASM						1	
31	R	14405005	40062404	SHUTTLE DRIVER				*		1	1.00
32		SS6121212TP		SCREW 3/16-28 L=12.0				*		1	
33		14407506		ROTARY BOLL SPLINE						1	
34		14407605		FOLLOWER SPROCKET						1	
35		14407704		SPROCKET BASE						1	
36		14407803		BELT GUIDE						1	
37		B1806210D00		BOBBIN						1	
38		B1828210DAA		BOBBIN CASE ASM.						1	
39		B1828210D0A		BOBBIN CASE				*		1	
40		B1808210D00		SPRING				*		1	
41		CS080081CSH		THRUST COLLAR ASM. D=8.0 W=8						1	
42		CS0800816SH		THRUST HOLDER D=8 W=8				*		1	
43		SS8110520TP		SCREW 11/64-40 L= 4.5				*		2	
44		CS1000811SP		THRUST COLLAR						1	
45		CS1201010SH		THRUST COLLAR ASM. D=12 W=10						1	

# HOOK DRIVING SHAFT COMPONENTS

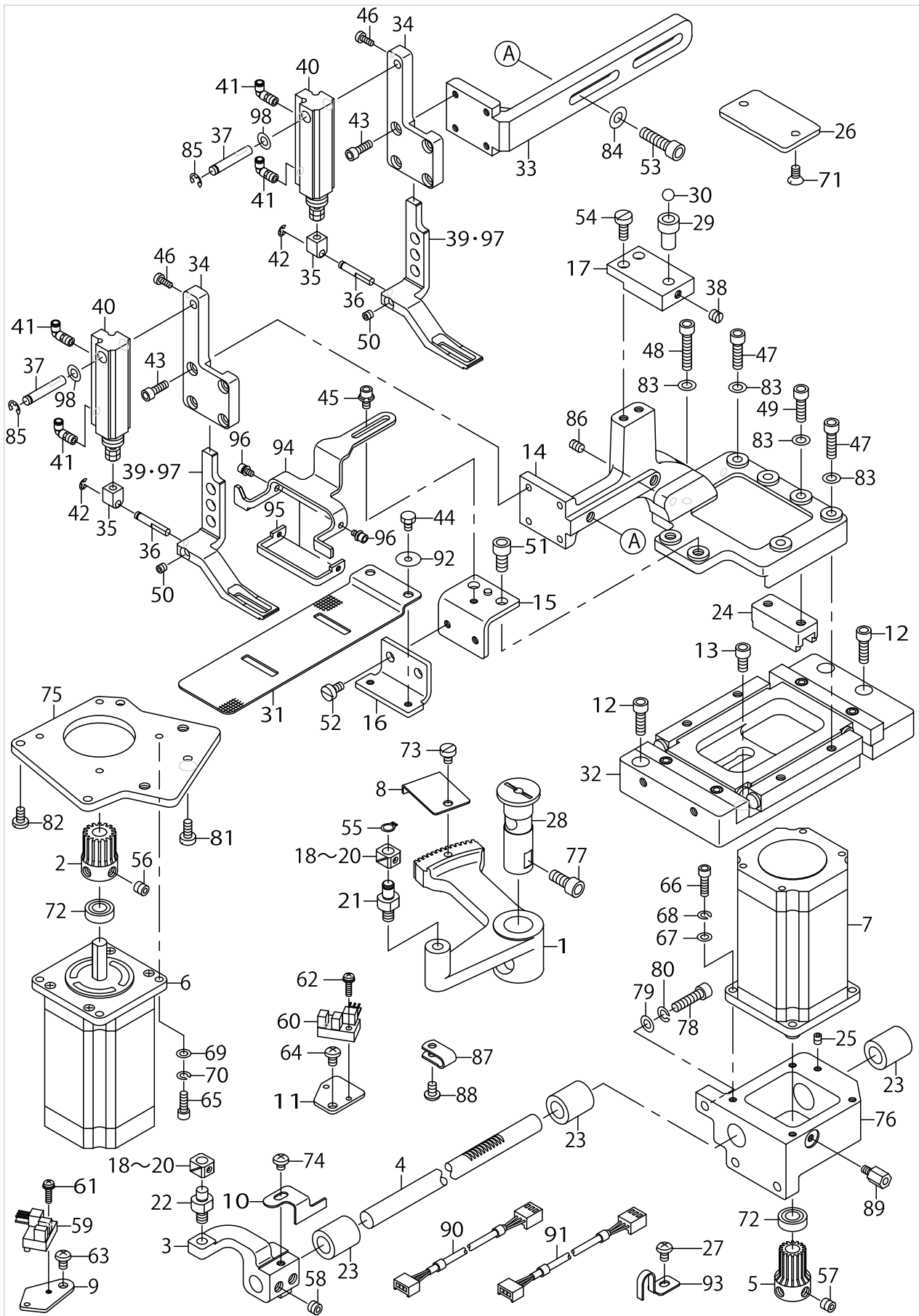


## HOOK DRIVING SHAFT COMPONENTS

No.	Supply Code	Parts No.	Replacement	Parts name	Remarks	Choice	Step	Level	Cons	Qty	Rep. QTY
46		GS1201011SH		THRUST COLLAR D=12 W=10				*		1	
47		SS8660610TP		SCREW 1/4-40 L=6				*		2	
48		SS8110520TP		SCREW 11/64-40 L= 4.5						2	
49		NS6660430SP		NUT 1/4-40						1	
50		RE0900000K0		E-RING 9						1	
51		SD0801021TP		HINGE SCREW D= 8 H=10.2						1	
52		SS6060410TP		SCREW 3/32-56 L=3.5						2	
53		SS6110480SP		SCREW 11/64-40 L=4.3						1	
54		26222208		SHUTTLE RACE AD- JUSTING SHAFT						1	
55		SL6041492TN		SCREW						6	
56		SM6051202TP		SCREW M5X0.8 L=12						6	
57		SM6053502TP		BOLT						6	
58		WS0510002KP		SPRING WASHER 5.1X9.2X1.3						6	
59		B1808980000		LOWER SHAFT THRUST WASHER						1	



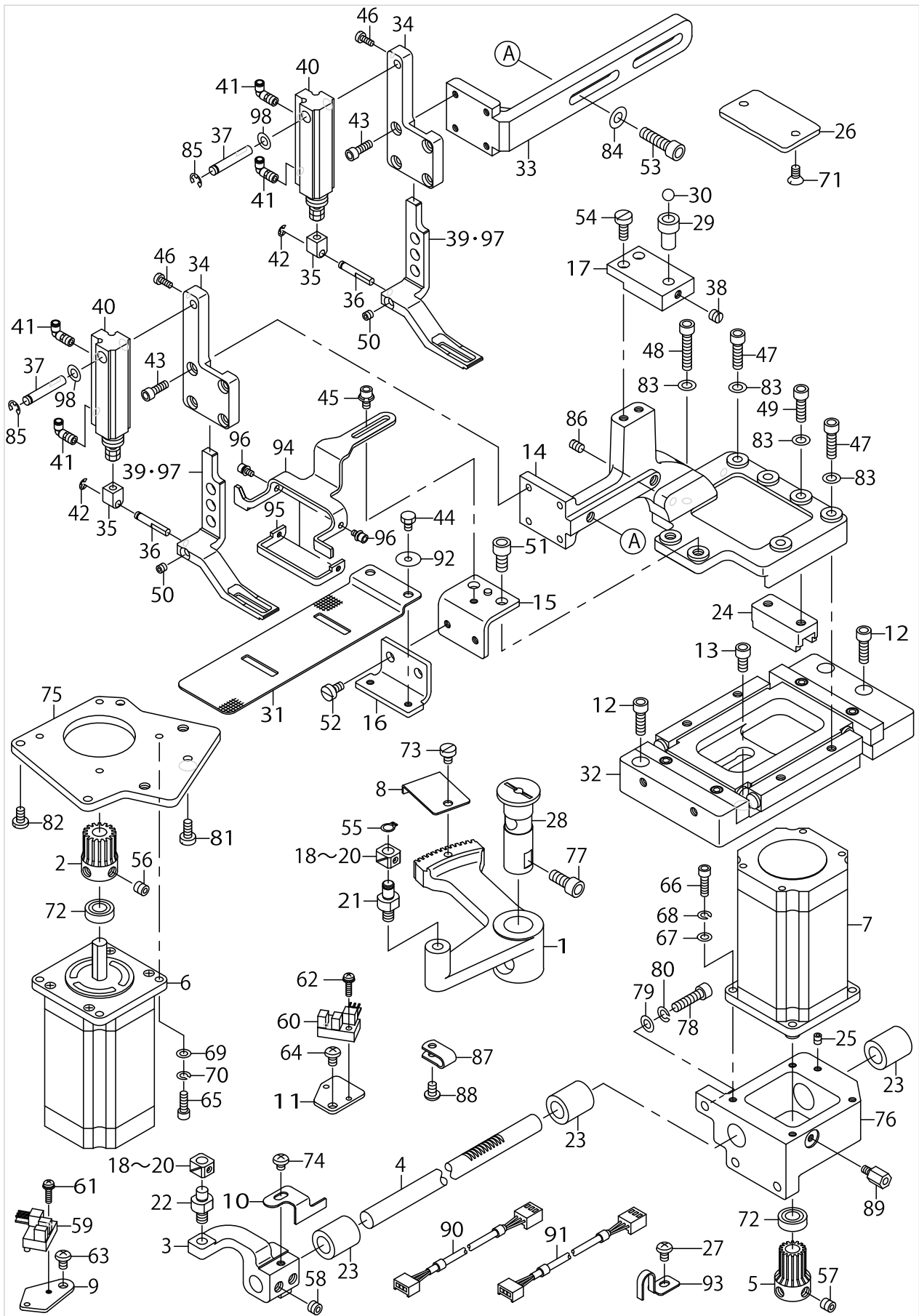
FEED MECHANISM COMPONENTS



FEED MECHANISM COMPONENTS

No.	Supply Code	Parts No.	Replacement	Parts name	Remarks	Choice	Step	Level	Cons	Qty	Rep. QTY
1		14411201		CROSSFEED ARM						1	
2		14411805		CROSSFEED GEAR						1	
3		14411706		LENGTHWISE FEED ARM						1	
4		14410401		LENGTHWISE FEED SHAFT						1	
5	R	14110407	26501502	LENGTHWISE FEED GEAR						1	1.00
6		14410203		X FEED STEPPING MOTOR						1	
7		14410104		Y FEED STEPPING MOTOR						1	
8		14411409		CROSSFEED SENSOR SLIT						1	
9		14411508		SENSOR INSTALLING BASE						1	
10		14136402		LENGTHWISE FEED SENSOR SLIT						1	
11	R	14111801	40028986	SENSOR INSTALLING BASE						1	1.00
12		SM6051602TP		SCREW M5X0.8 L=16						3	
13		SM6051002TP		SCREW M5X0.8 L=10						1	
14		14410708		CLOTH FEED BASE						1	
15		14412209		CLOTH FEED PLATE BASE A						1	
16		14412308		CLOTH FEED PLATE BASE B						1	
17		13880505		BOLL HOLDING BASE						1	
18		B1414232000		SQUARE BLOCK	SELECTIVE PARTS					2	
19		B141423200A		CRANK SLIDE BLOCK	SELECTIVE PARTS					2	
20		B141423200B		GUIDE ROLLER	SELECTIVE PARTS					2	
21		14411904		CROSSFEED SUPPORT ARM						1	
22		14412001		LENGTHWISE FEED SUPPORT ARM						1	
23		B2509704000		BUSHING, REAR						2	
24		14411607		LENGTHWISE FEED BASE						1	
25		SM8040502TP		SCREW M4X0.7 L=5						1	
26		13518907		SUPPORT PLATE						1	
27		SS4110715SP		SCREW 11/64-40 L=7						1	
28		14411300		FEED DRIVING ARM SHAFT						1	
29	R	B2548280000	26224808	BALL RETAINER						1	1.00
30		B2549280000		WORK CLAMP FOOT MOUNTING BASE						7	
31		13880406		CLOTH PRESSER LOWER PLATE						1	
32		14411102		X-Y TABLE						1	
33		14410807		FRONT PRESSER FOOT BASE						1	
34		14410906		CLOTH PRESSER BASE COVER						2	
35		13880604		WASHER						2	
36		13880703		CYLINDER PIN						2	
37		14411003		CLOTH PRESSER C-YLINDER SHAFT						2	
38		SS8120740SP		SCREW 3/16-28 L=7						1	
39		13875612		CLOTH PRESSER FOOT						2	
40		PA1002507A0		AIR CYLINDER						2	
41		PJ304040504		ELBOW UNION						4	
42		RE0300000K0		E-RING 3						2	
43		SM6041202TN		SCREW M4X0.7 L=12						8	
44		SM9040603SC		SCREW M4 L=6						2	
45		SL6040892TN		BOLT						1	

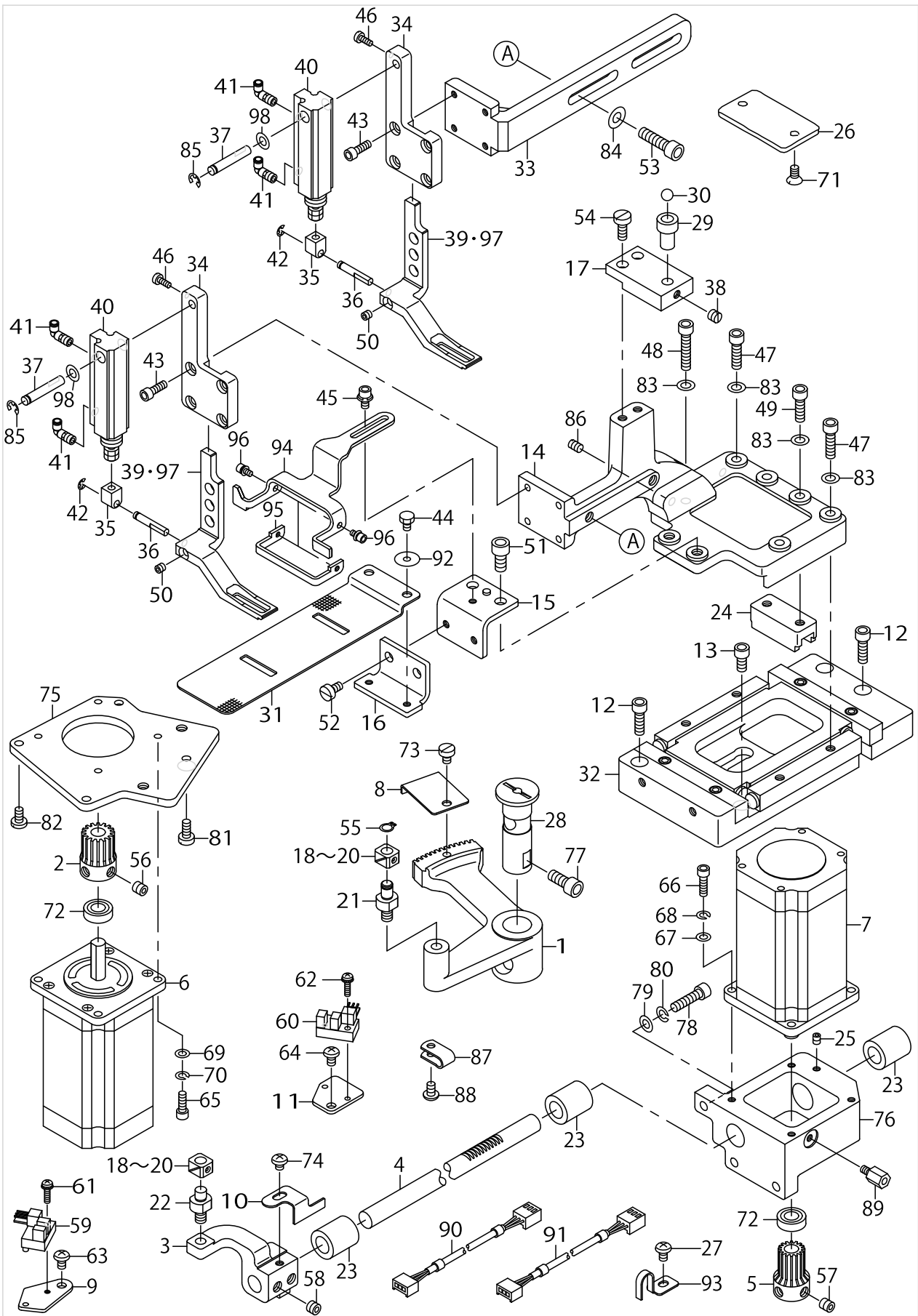
FEED MECHANISM COMPONENTS



FEED MECHANISM COMPONENTS

No.	Supply Code	Parts No.	Replacement	Parts name	Remarks	Choice	Step	Level	Cons	Qty	Rep. QTY
46		SM6030860SP		SCREW						2	
47		SM6051802TP		SCREW M5 L=18						3	
48		SM6052502TP		SCREW M5X0.8 L=25						1	
49		SM6051602TP		SCREW M5X0.8 L=16						2	
50		SS8110422TP		SCREW 11/64-40 L=4						2	
51		SM6061202TN		BOLT						2	
52		SS6110810TP		SCREW 11/64-40 L=8						2	
53		SS6152212SP		SCREW 15/64-28 L=22.0						2	
54		SS6121210SP		SCREW 3/16-28 L=12						2	
55		RC0560711KP		RETAINING RING						1	
56		SM8060602TP		SCREW M6X6						2	
57		SM8060602TP		SCREW M6X6						2	
58		SS8660512TP		SCREW 1/4-40 L=5						2	
59		HD00057000A		PHOTO SENSOR						1	
60		HD00057000A		PHOTO SENSOR						1	
61		SL4031291SC		SCREW M3X12						1	
62		SL4031291SC		SCREW M3X12						1	
63		SS4110715SP		SCREW 11/64-40 L=7						1	
64		SS4110715SP		SCREW 11/64-40 L=7						1	
65		SM6041202TP		SCREW M4X0.7 L=12						4	
66		SM6041202TP		SCREW M4X0.7 L=12						3	
67		WP0430800SD		WASHER M4						3	
68		WS0410002KP		SPRING WASHER						3	
69		WP0430800SD		WASHER M4						4	
70		WS0410002KP		SPRING WASHER						4	
71		SS2110920TP		SCREW 11/64-40 L=8.5						2	
72		SB408000100		BEARING						2	
73		SS6110610TP		SCREW 11/64-40 L=6						1	
74		SS4110515SP		SCREW 11/64-40 L=5						1	
75		14410005		X MOTOR INSTALLING BASE						1	
76		14410302		Y MOTOR INSTALLING BASE						1	
77		SS6151412TP		SCREW15/64-28L=14						1	
78		SM6052002TP		SCREW M5 L=20						3	
79		WP0531000SD		WASHER M5						3	
80		WS0510002KP		SPRING WASHER 5.1X9.2X1.3						3	
81		SS6111010TP		SCREW 11/64-40 L= 9.5						2	
82		SS7110840SP		SCREW 11/64-40 L=7.8						2	
83		WP0550800SP		WASHER 5.5X10X0.8						6	
84		WP0621016SH		WASHER						2	
85		RE0400000K0		E-RING 4						2	
86		SS8120740SP		SCREW 3/16-28 L=7						2	
87		HX00150000F		CABLE CLIP						1	
88		SS4110715SP		SCREW 11/64-40 L=7						1	
89		HX003390000		STUD						1	
90		14410658		X SENSOR CABLE ASM.						1	
91		14410559		Y SENSOR CABLE ASM.						1	

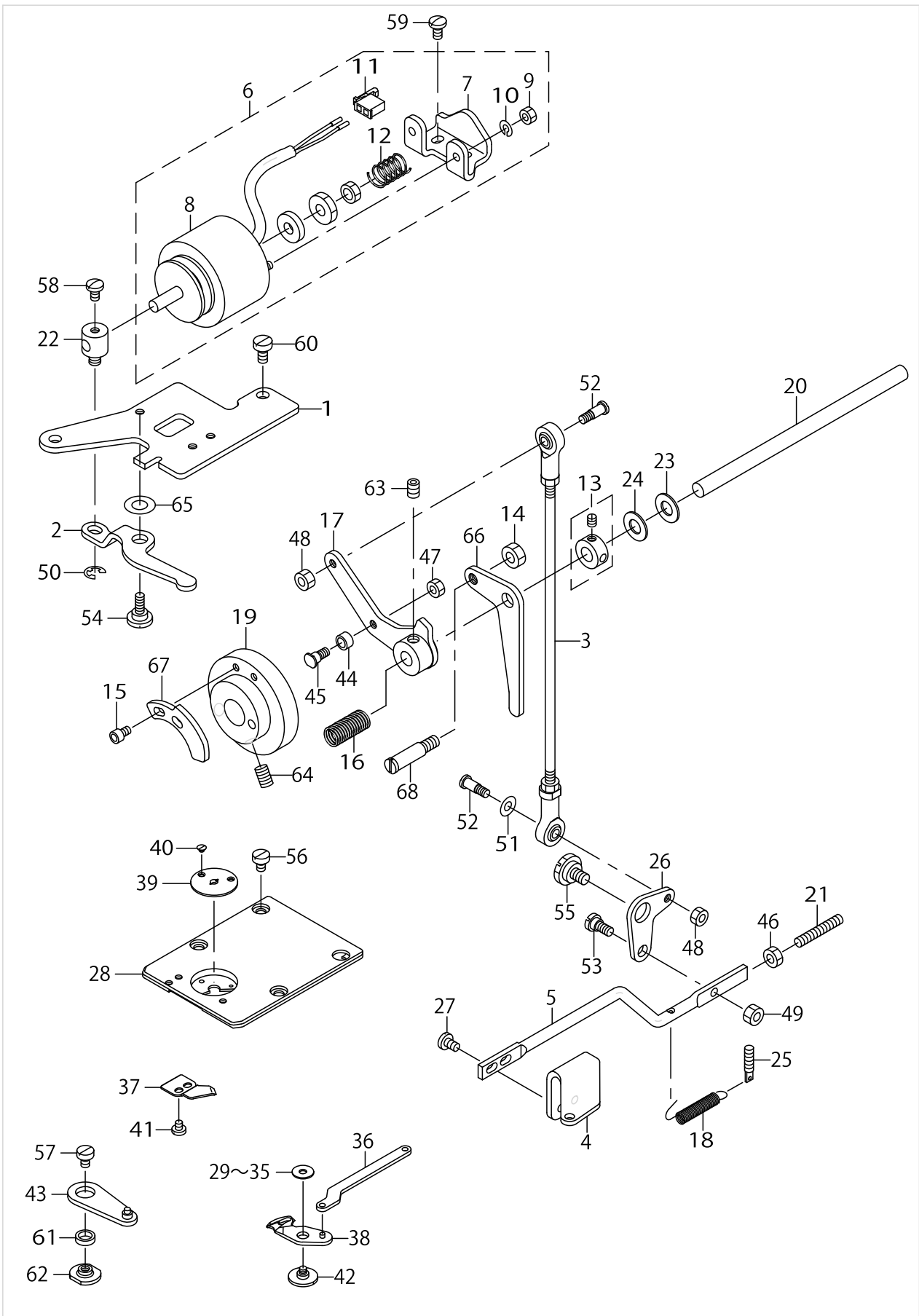
FEED MECHANISM COMPONENTS



FEED MECHANISM COMPONENTS

No.	Supply Code	Parts No.	Replacement	Parts name	Remarks	Choice	Step	Level	Cons	Qty	Rep. QTY
92		22913503		WASHER						2	
93	R	B3523980000	26231902	OIL WICK PIPE STOPPER						1	1.00
94		G5560254000		CLOTH FEED PLATE GUIDE						1	
95		G5561254000		SUPPORT GUIDE						1	
96		SL6030692TN		BOLT						2	
97		13877816		PRESSER FOOT(FOR FULLNESS)						2	
98		WP0531000SC		WASHER 5.3X10X1						2	

TENSION RELEASE & THEREAD TRIMMER MECHANISM COMPONENTS

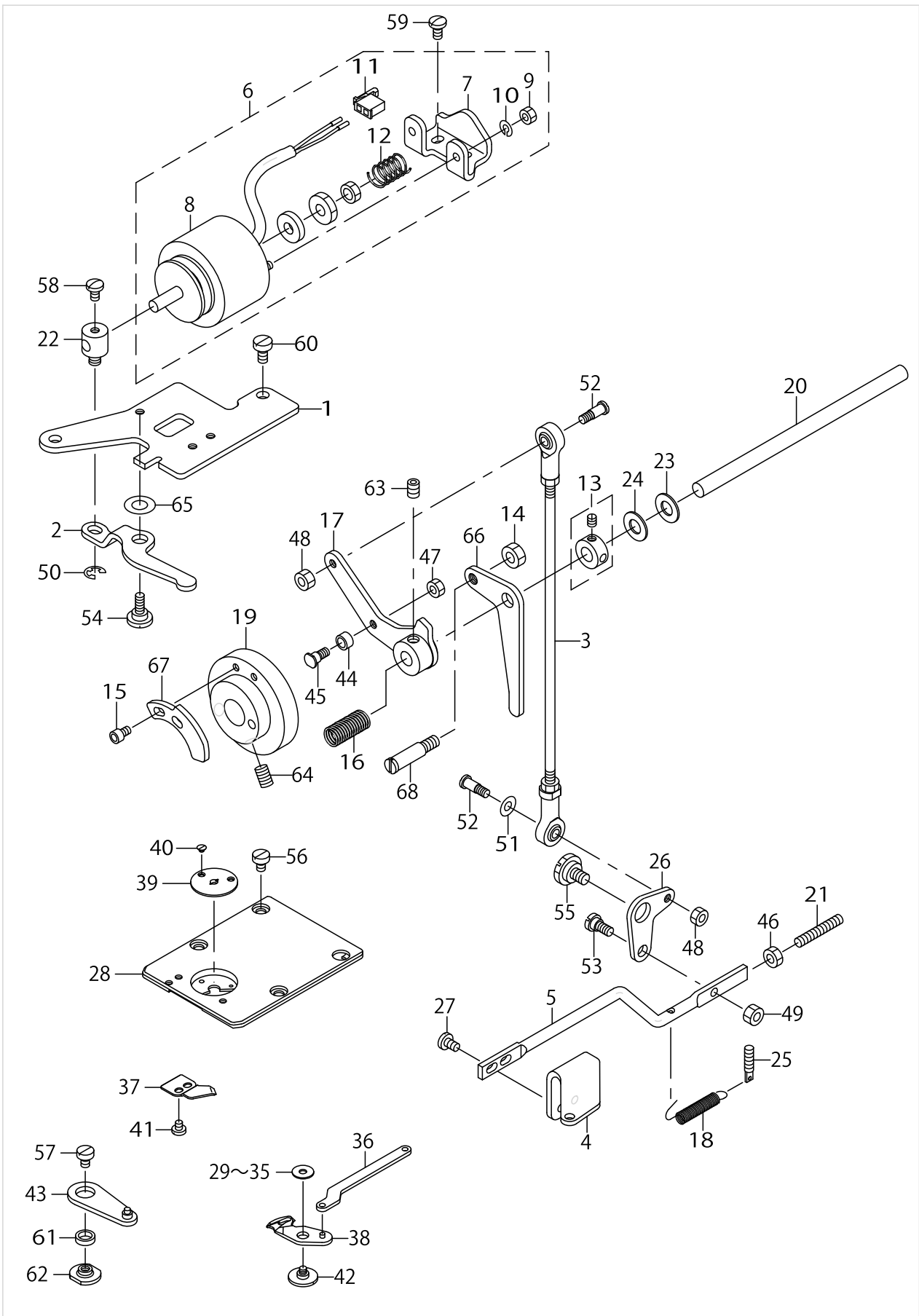


TENSION RELEASE & THERAD TRIMMER MECHANISM COMPONENTS

No.	Supply Code	Parts No.	Replacement	Parts name	Remarks	Choice	Step	Level	Cons	Qty	Rep. QTY
1		26501205		CAM FOLLOWER STOPPER						1	
2		14108500		SOLENOID ARM						1	
3		14108609		CONNECTING ROD						1	
4		14412902		CONNECTION PLATE A						1	
5		14413009		CONNECTION PLATE B						1	
6		40104895		THREAD TRIMMER SOLENOID ASM.						1	
7		14108807		SOLENOID INSTALLING BASE				*		1	
8		40104889		THREAD TRIMMER SOLENOID				*		1	
9		NM6040001SE		NUT M4				*		2	
10		WS0410002KR		SPRING WASHER, M4				*		2	
11		HK034610020		2-POLE NYLON PLUG				*		1	
12		13216601		PUSH BUTTON SPRING				*		1	
13		CS080081CSH		THRUST COLLAR ASM. D=8.0 W=8						1	
14		NS6150310SP		NUT 15/64-28						1	
15		SM6040602TP		SCREW M4 L=6						2	
16		B2617771000		TRIPPING LEVER T-ENSION SPRING						1	
17		14109250		CAMFOLLOWERASM.						1	
18		14109300		THREAD TRIM LINK SPRING						1	
19		B2401210D00		THREAD TRIMMER CAM						1	
20		B2408210D00		THREAD TRIMMER SHAFT						1	
21		SM8053002TP		SCREW M5 L=30						1	
22	R	11043007	22951008	SOLENOID PIN						1	1.00
23		B1223771000		NEEDLE ROD CRANK WASHER						1	
24		B1116804000		CLOTH PLATE WASHER						1	
25	R	B1649161000	26226506	TENSION SPRING A-DJUSTING SCREW						1	1.00
26		14412803		THREAD CUTTING LINK						1	
27		SS7110740TP		SCREW 11/64-40 L=7						2	
28		14412506		NEEDLE PLATE						1	
29		B242328000A		MOVING KNIFE WASHER A	SELECTIVE PARTS					1	
30		B242328000B		MOVING KNIFE WASHER B	SELECTIVE PARTS					1	
31		B242328000C		MOVING KNIFE WASHER C	SELECTIVE PARTS					1	
32		B242328000D		MOVING KNIFE WASHER D	SELECTIVE PARTS					1	
33		B242328000E		MOVING KNIFE WASHER E	SELECTIVE PARTS					1	
34		B242328000F		MOVING KNIFE WASHER F	SELECTIVE PARTS					1	
35		B242328000G		MOVING KNIFE WASHER G	SELECTIVE PARTS					1	
36		13882105		MOVING KNIFE LINK						1	
37		B2424210000		COUNTER KNIFE						1	
38		13881255		MOVING KNIFE JUNCTION						1	
39		13882501		NEEDLE HOLE GUIDE						1	
40		SS1060210TP		SCREW 3/32-56 L=2.2						2	
41		SS7090410SP		SCREW 9/64-40 L=3.5						2	
42		B2417210000		MOVING KNIFE HINGE SCREW						1	
43		14412654		THREAD CUTTING LEVER COMPL.						1	
44		D2587L8WB00		ROLLER						1	
45		D2588L8WB00		ROLLER SHAFT						1	



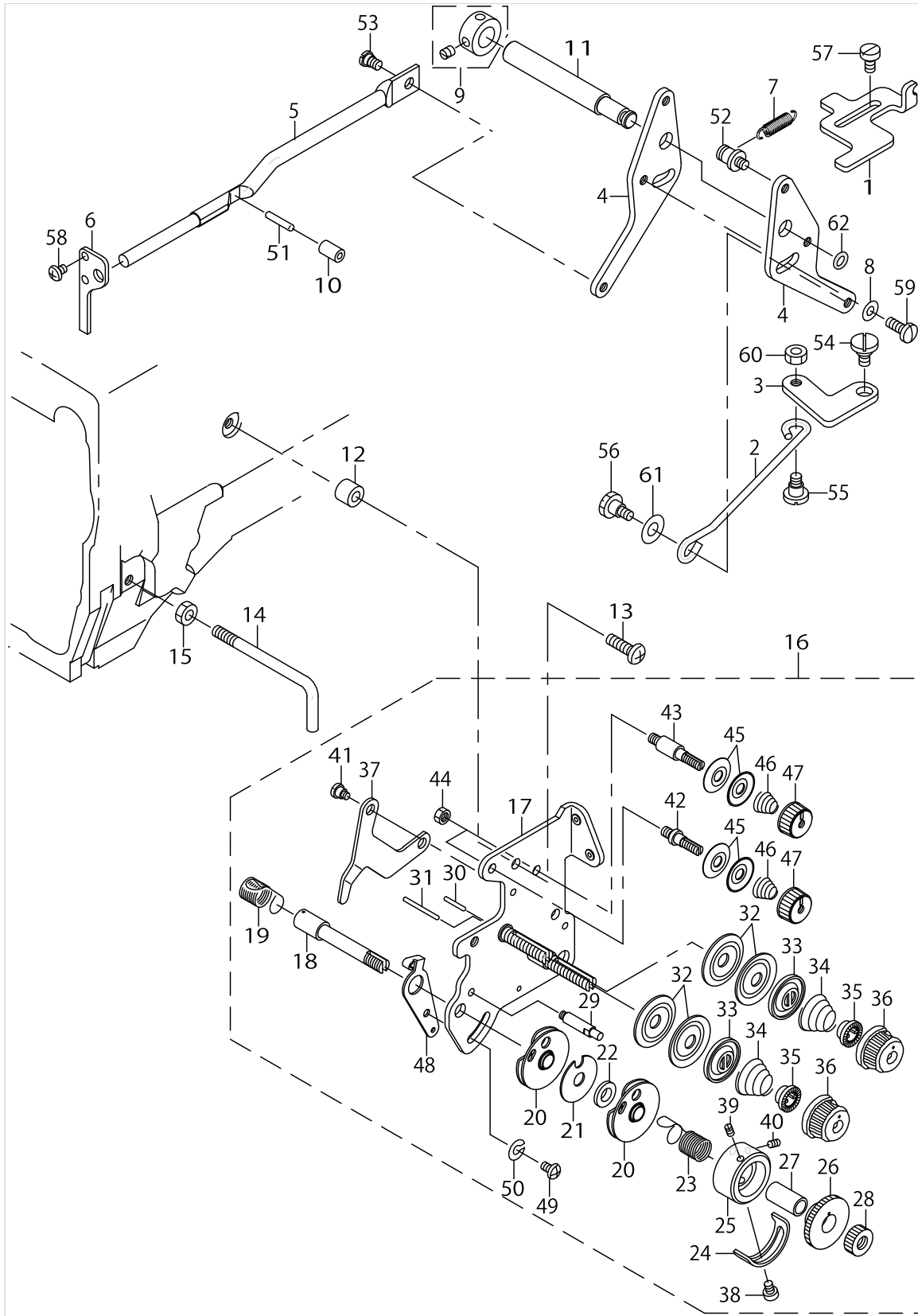
TENSION RELEASE & THEREAD TRIMMER MECHANISM COMPONENTS



TENSION RELEASE & THEREAD TRIMMER MECHANISM COMPONENTS

No.	Supply Code	Parts No.	Replacement	Parts name	Remarks	Choice	Step	Level	Cons	Qty	Rep. QTY
46		NM6050001SP		NUT M5						1	
47		NS6110420SP		NUT 11/64-40						1	
48		NS6110420SP		NUT 11/64-40						2	
49		NS6120310SP		NUT 3/16-28						1	
50		RE0500000K0		E-RING						1	
51		WP0501016SD		WASHER 5X10.5X1						1	
52		SD0500803TP		HINGESCREWD=5H=8						2	
53		SD0650305TP		HINGE SCREW D= 6.5 H= 3						1	
54		SD0790311TP		HINGE SCREW D= 7.94 H= 3.1						1	
55		SD1100301TP		HINGE SCREW H=11 W=3						1	
56		SS6110610TP		SCREW 11/64-40 L=6						4	
57		SS6110640SP		SCREW 11/64-40 L=6						1	
58		SS7110710SP		SCREW 11/64-40 L=7						1	
59		SS7110840SP		SCREW 11/64-40 L=7.8						2	
60	R	SS6120930SP	SS6120930TP	SCREW 3/16-28 L=9						2	1.00
61		13881909		THREAD CUTTING LINK ROLLER						1	
62		13882006		THREAD CUTTING LEVER SHAFT						1	
63		SS8150822TP		SCREW 15/64-28 L=8						1	
64		SS8661012TP		SCREW						2	
65		WP0553216SD		WASHER						1	
66		14107601		THREAD RELEASE ARM						1	
67		B2312210D00		TENSION RELEASE NOTCH						1	
68	R	14107809	26500504	TENSION RELEASE ARM PIN						1	1.00

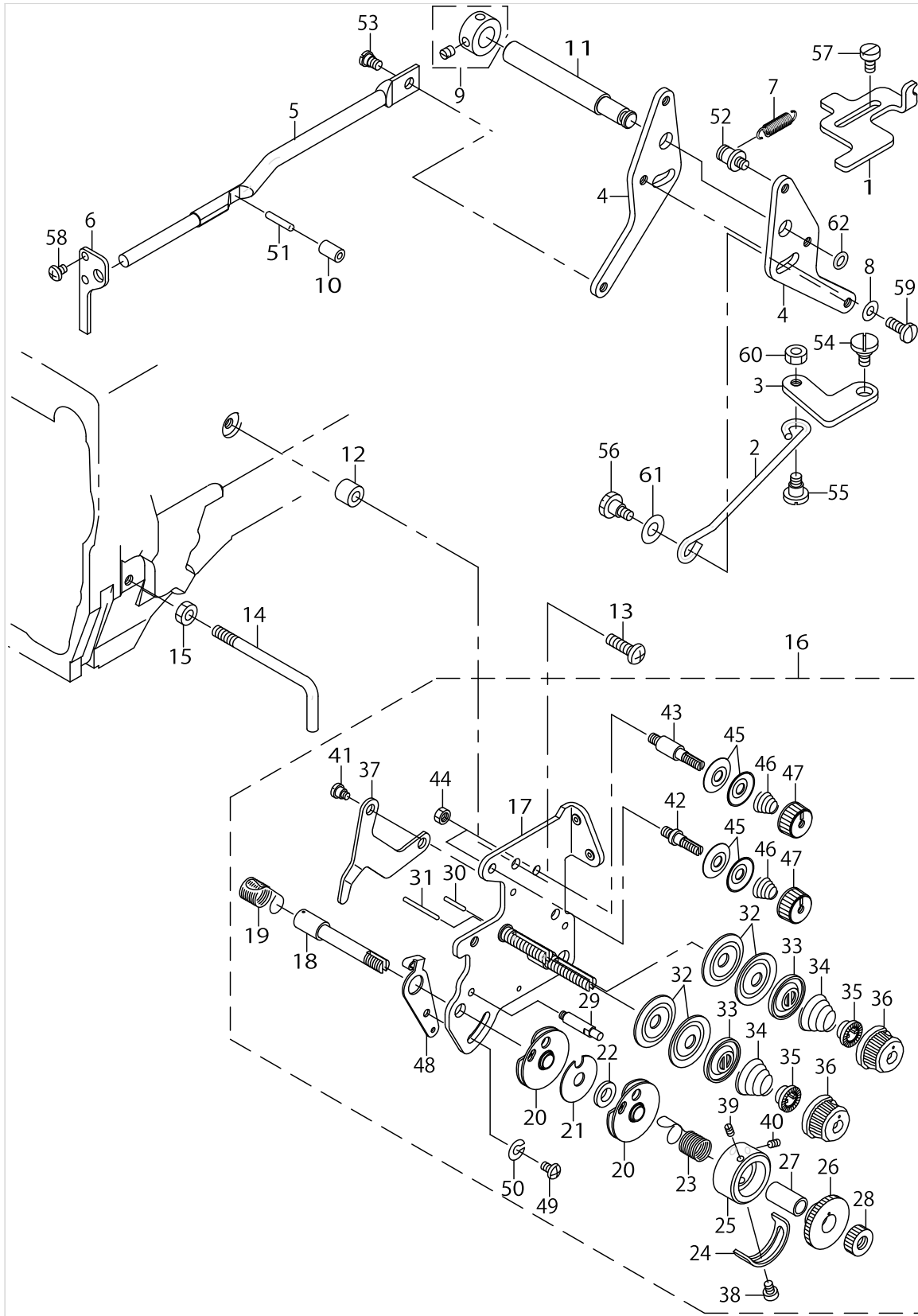
# THREAD TENSION & DISK RISING COMPONENTS



THREAD TENSION & DISK RISING COMPONENTS

No.	Supply Code	Parts No.	Replacement	Parts name	Remarks	Choice	Step	Level	Cons	Qty	Rep. QTY
1		14107502		STOPPER						1	
2		14107700		CONNECTING BAR						1	
3		B2304210D00		TENSION RELEASE LINK						1	
4		26500900		TENSION RELEASE ADJUSTING ARM						2	
5		14413512		DISK RISING ROD						1	
6	R	13513304	26218404	THREAD TENSION ARM						1	1.00
7		B2545280000		PRESSURE SPRING						1	
8		WP0482086SD		WASHER 4.8X11.5X2						1	
9		CS100081ASP		THRUST COLLAR ASM.						1	
10		14413603		DISK RISING COLLAR						1	
11		26500405		CONNECTING SHAFT						1	
12		11315108		COLLAR						2	
13		SS4121615SP		SCREW 3/16-28 L=16						2	
14		13883905		L-TYPE THREAD GUIDE						1	
15		NS6120310SP		NUT 3/16-28						1	
16		14413165		THREAD TENSION ASM.						1	
17		14413157		THREAD TENSION PLATE COMPL.				*		1	
18		10697605		THREAD TAKE-UP SPRING STUD				*		1	
19		14413306		TAKE-UP SPRING SPRING A				*		1	
20		B31375270A0		TAKE-UP SPRING GUIDE ASM.				*		2	
21		B3142527000		TAKE-UP SPRING GUIDE PLATE				*		1	
22		B3139527000		COLLAR				*		1	
23		14413405		TAKE-UP SPRING SPRING B				*		1	
24		B3138527000		ADJUSTING PLATE B				*		1	
25		22617609		THREAD TENSION POST				*		1	
26		22617708		TAKE-UP SPRING GUIDE				*		1	
27		B3141527000		PRESSER COLLAR				*		1	
28	R	22617807	22928808	NUT				*		1	1.00
29		B3143527000		TAKE-UP SPRING GUIDE STUD				*		1	
30		22618201		TENSION RELEASE PIN, A				*		1	
31		22618300		TENSION RELEASE PIN, B				*		1	
32	R	B3126012000	22921506	THREAD TENSION DISK				*		4	1.00
33		22617906		THREAD TENSION DISK PRESSER				*		2	
34		B3129012A00		TENSION SPRING				*		2	
35		B3112704000		TENSION SPRING BUSHING				*		2	
36		11956802		THREAD TENSION KNOB, BLUE				*		2	
37		22618102		TENSION RELEASE LEVER				*		1	
38		SS7090510SP		SCREW 9/64-40 L= 4.6				*		1	
39	R	22618904	SM8030500SP	SET SCREW				*		1	1.00
40	R	22618904	SM8030500SP	SET SCREW				*		1	1.00
41		SD0470281SP		HINGE SCREW D=4.7 H=2.8				*		2	
42		10124204		THREAD TENSION POST, A				*		1	
43		10124303		THREAD TENSION POST, B				*		1	
44		NS6110310SP		NUT 11/64-40				*		2	
45		10741106		FIRST THREAD TENSION PLATE				*		4	
46		11093606		THREAD TENSION SPRING				*		2	

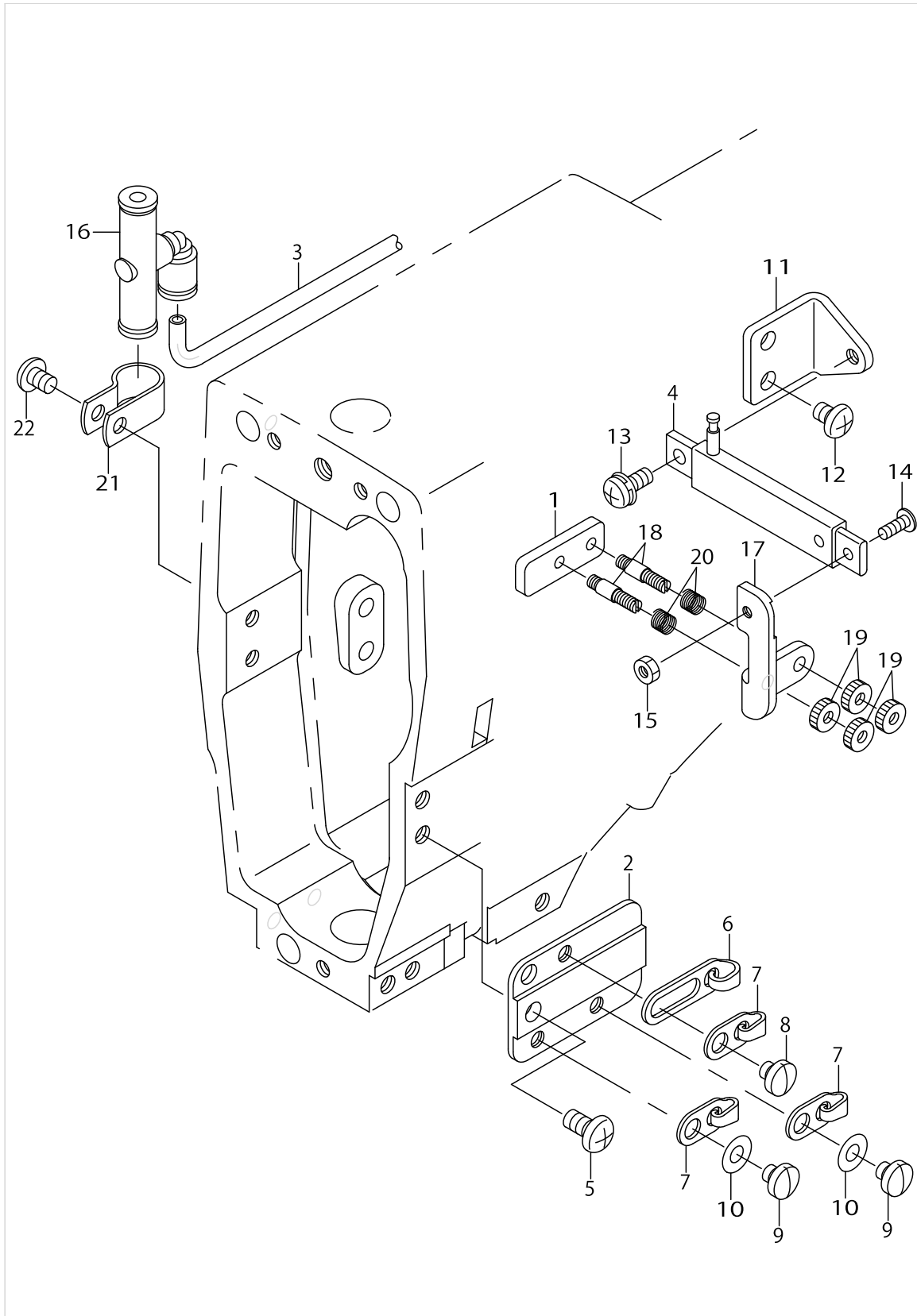
# THREAD TENSION & DISK RISING COMPONENTS



THREAD TENSION & DISK RISING COMPONENTS

No.	Supply Code	Parts No.	Replacement	Parts name	Remarks	Choice	Step	Level	Cons	Qty	Rep. QTY
47		11072402		THREAD TENSION NUT				*		2	
48		14413207		ADJUSTING PLATE A				*		1	
49		SS4090615SP		SCREW 9/64-40 L=6				*		1	
50		WP0450801SD		WASHER 4.5X10X0.8				*		1	
51		14414106		DISK RISING PIN						1	
52	R	B3413552000	26229302	SUSPENSION SCREW						1	1.00
53		SD0530221SP		HINGE SCREW D= 5.3 H= 2.2						1	
54		SD0720321TP		HINGE SCREW						1	
55		SD0640391TP		HINGE SCREW D= 6.35 H= 3.9						1	
56		SD0640482SP		HINGE SCREW D= 6.35 H= 4.8						1	
57		SS6110810TP		SCREW 11/64-40 L=8						2	
58		SS4090515SP		SCREW 9/64-40 L=5						2	
59	R	SS7111120SP	SS7111120TP	SCREW 11/64-40 L=10.5						1	1.00
60		NS6120310SP		NUT 3/16-28						1	
61		WP0651056SD		WASHER 6.5X11X1						1	
62		RO048190100		RUBBER RING						1	

# THREAD PRESSER COMPONENTS

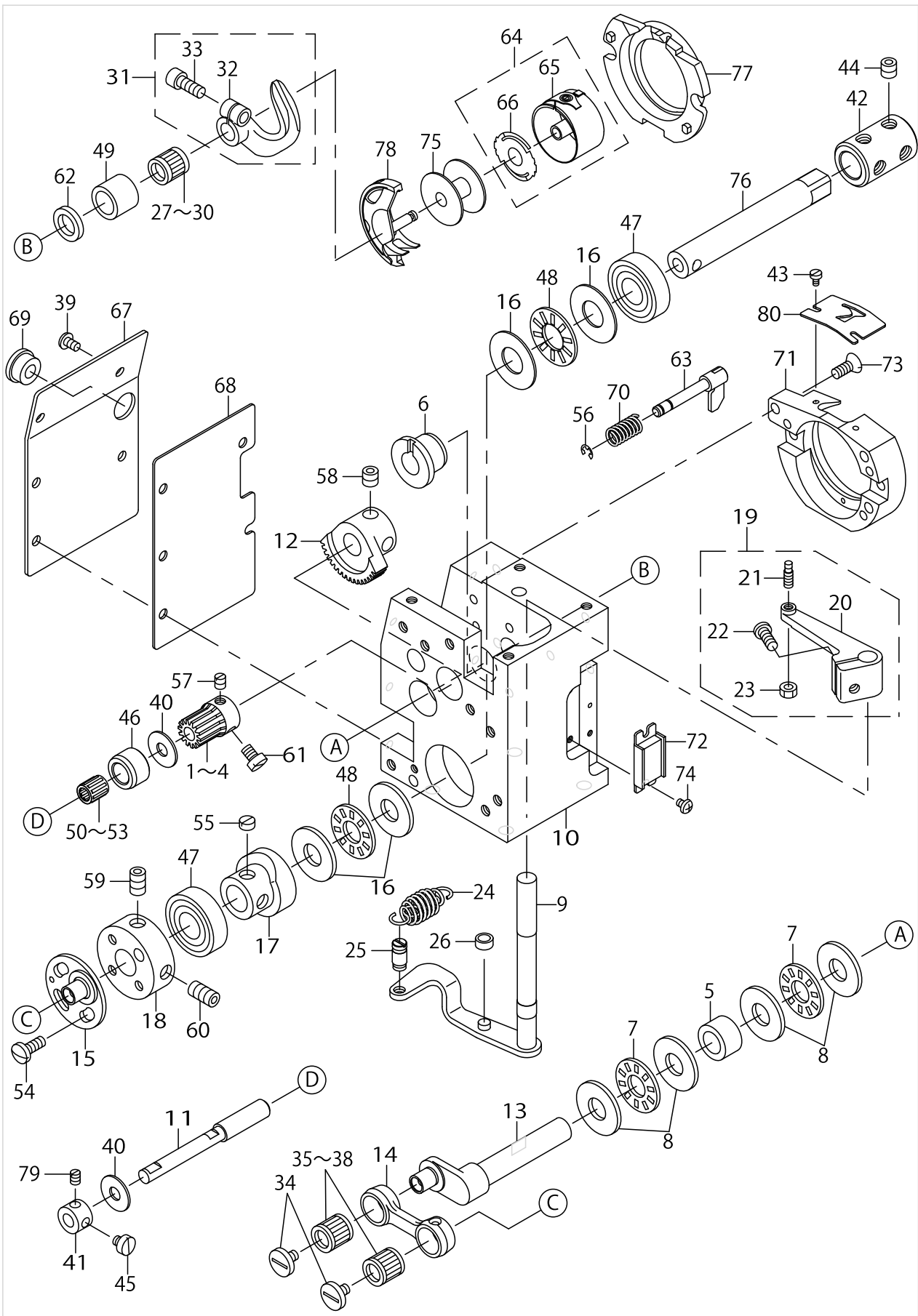


THREAD PRESSER COMPONENTS

No.	Supply Code	Parts No.	Replacement	Parts name	Remarks	Choice	Step	Level	Cons	Qty	Rep. QTY
1		14414007		THREAD PRESSER						1	
2		14413702		THREAD PRESSER FITTING PLATE						1	
3		BT0400251EB		URETHANE HOSE, BLACK						.1	
4		PA060101500		AIR CYLINDER						1	
5		SS4120915SP		SCREW 3/16-28 L=9						2	
6		13870902		BALANCE THREAD GUIDE, C						1	
7		13922208		TAKE-UP THREAD GUIDE B						3	
8		SS7110350SP		SCREW 11/64-40 L=3.5						1	
9		SS7110350SP		SCREW 11/64-40 L=3.5						2	
10		WP0450801SP		WASHER						2	
11		14413900		CYLINDER INSTALLING PLATE						1	
12		SS4110615SP		SCREW 11/64-40 L=6						2	
13		SL4041091SC		SCREW M4 L=10						1	
14		SM0030801SC		SCREW M3 X 8						1	
15		NM6030001SC		NUT M3						1	
16		PV010014000		QUICK EXHAUST VALVE						1	
17		14413801		THREAD PRESSER PLATE LINK						1	
18		25002809		THREAD TENSION STUD						2	
19		25002908		THREAD TENSION NUT						4	
20		B1136850000		TENSION SPRING B						2	
21		HX00150000D		CABLE CLIP						1	
22		SS4110615SP		SCREW 11/64-40 L=6						1	



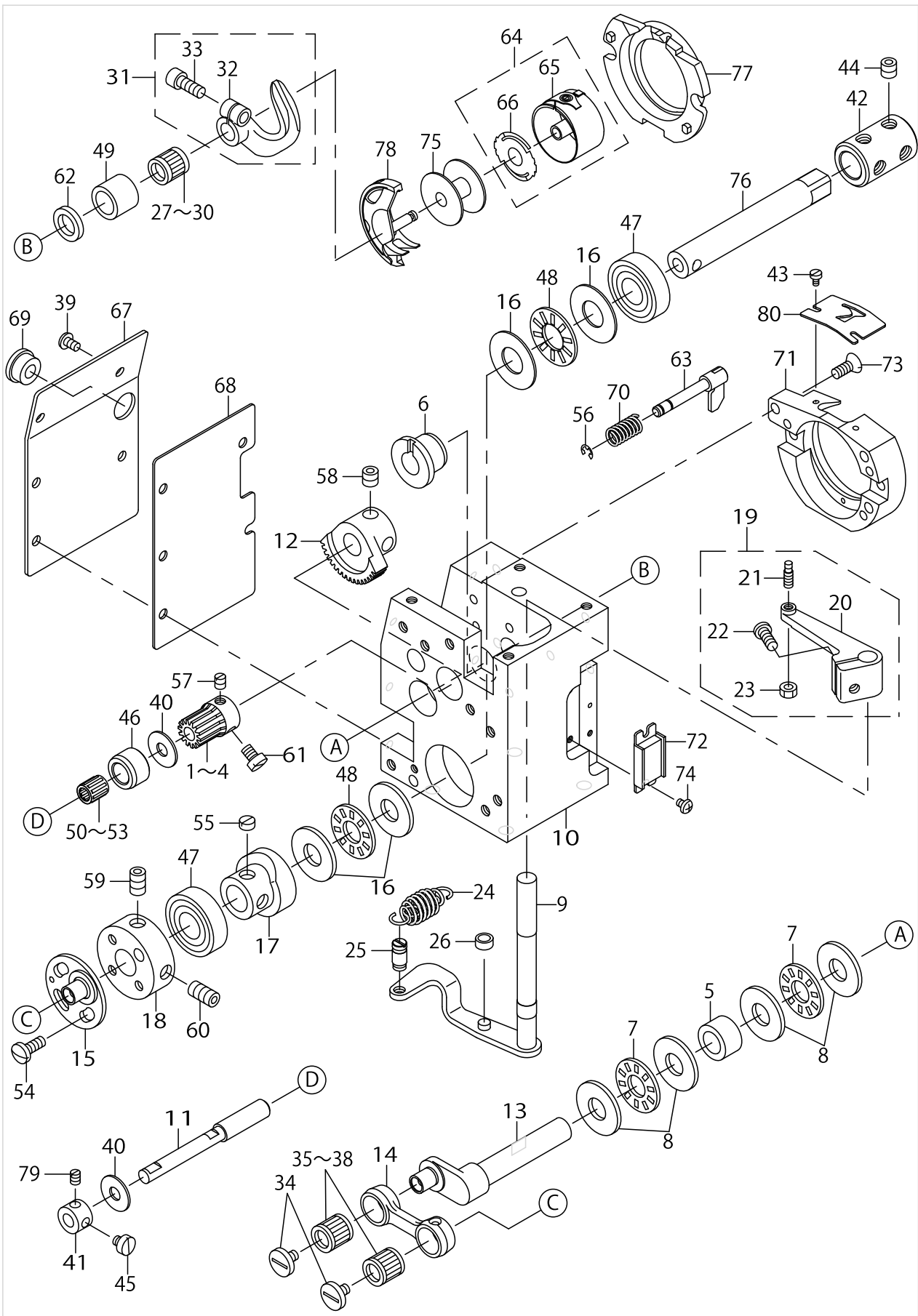
HOOK BASE COMPONENTS(1)



HOOK BASE COMPONENTS(1)

No.	Supply Code	Parts No.	Replacement	Parts name	Remarks	Choice	Step	Level	Cons	Qty	Rep. QTY
1		14418305		LOWER SHAFT GEAR A	SELECTIVE PARTS					1	
2		14418404		LOWER SHAFT GEAR B	SELECTIVE PARTS					1	
3		14418503		LOWER SHAFT GEAR C	SELECTIVE PARTS					1	
4		14418602		LOWER SHAFT GEAR D	SELECTIVE PARTS					1	
5		13879606		HOOK CRANK METAL B						1	
6		13885306		METAL						1	
7		11272408		THRUST COLLAR						2	
8		16992604		THRUST WASHER						4	
9		13885454		THREAD CUTTING LEVER ASM.						1	
10		14417802		HOOK BASE						1	
11		14418206		LOWER SHAFT B						1	
12		14418107		HOOK BASE CRANK GEAR						1	
13		14417901		HOOK BASE CRANK						1	
14		14418008		HOOK BASE CRANK ROD						1	
15		14419501		REMOVING SHAFT CRANK						1	
16		13887005		THRUST WASHER						4	
17		13887104		THREAD CUTTING CAM, B						1	
18		13887203		REMOVING SHAFT CRANK BASE						1	
19		13887450		THREAD CUTTING ARM ASM.						1	
20		13887401		THREAD CUTTING ARM				*		1	
21		13874300		THREAD CUTTING ARM PIN				*		1	
22		SS7111120TP		SCREW				*		1	
23		NS6090310SP		NUT 9/64-40				*		1	
24		14420004		SPRING						1	
25		14420103		SPRING RACK A						1	
26		11041100		ROLLER						1	
27		B1411804A00		BEARING (A)	SELECTIVE PARTS					1	
28		B1411804B00		NEEDLE DRIVING L- EVER BEARING B	SELECTIVE PARTS					1	
29		B1411804C00		NEEDLE DRIVING L- EVER BEARING C	SELECTIVE PARTS					1	
30		B1411804D00		BEARING (D)	SELECTIVE PARTS					1	
31		40062404		SHUTTLE_DRIVER_ASM						1	
32	R	14405005	40062404	SHUTTLE DRIVER				*		1	1.00
33		SS6121212TP		SCREW 3/16-28 L=12.0				*		1	
34		B1903552000		LEFT SCREW						2	
35		B1905541A00		NEEDLE BEARING, A	SELECTIVE PARTS					2	
36		B1905541B00		NEEDLE BEARING	SELECTIVE PARTS					2	
37		B1905541C00		NEEDLE BEARING	SELECTIVE PARTS					2	
38		B1905541D00		NEEDLE BEARING	SELECTIVE PARTS					2	
39		SS5090610SP		SCREW 9/64-40 L=6						5	
40		14418800		B METAL THRUST HOLDER PLATE						2	
41	R	B2579229000	B25792290A0	CYLINDER SHAFT T- HRUST HOLDER						1	1.00
42		14417604		CONNECTING COLLAR						1	
43		SS6060410TP		SCREW 3/32-56 L=3.5						2	
44		SS8660612TP		SCREW 1/4-40 L=6						4	
45		SS6110420TP		SCREW 11/64-40 L=4.8						1	

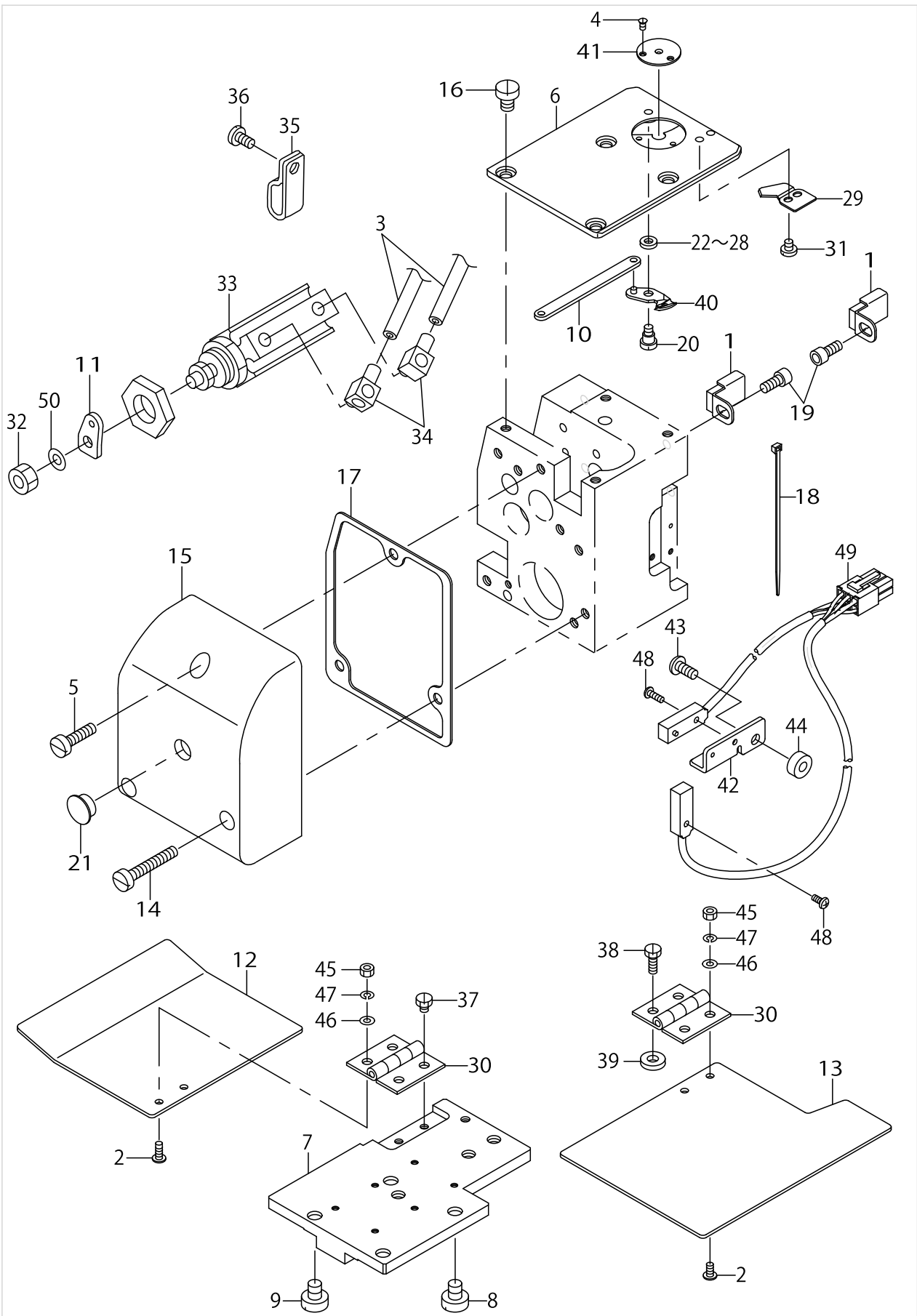
HOOK BASE COMPONENTS(1)



HOOK BASE COMPONENTS(1)

No.	Supply Code	Parts No.	Replacement	Parts name	Remarks	Choice	Step	Level	Cons	Qty	Rep. QTY
46		14418701		LOWER SHAFT B METAL						1	
47		SB112000200		BEARING						2	
48		SB612000100		BEARING						2	
49		B1813980000		SHUTTLE NEEDLE OUTER RING						1	
50		SB30600070A		BEARING	SELECTIVE PARTS					1	
51		SB30600070B		BEARING	SELECTIVE PARTS					1	
52		SB30600070C		BEARING	SELECTIVE PARTS					1	
53		SB30600070D		BEARING	SELECTIVE PARTS					1	
54		SS7111120TP		SCREW						3	
55		SS8660330SP		SCREW 1/4-40 L= 3.0						2	
56		RE0300000K0		E-RING 3						2	
57		SS8110520TP		SCREW 11/64-40 L= 4.5						1	
58		SS8660612TP		SCREW 1/4-40 L=6						2	
59		SS8661012TP		SCREW						1	
60		SS8661212TP		SCREW						1	
61		SS6110820TP		SCREW 11/64-40 L=8						1	
62		WP0952616SD		WASHER 9.5X14.8X2.6						1	
63	R	B1820215PA0A	26501858	INNER HOOK PRESSER ASM.						2	1.00
64		B1828210DAA		BOBBIN CASE ASM.						1	
65		B1828210D0A		BOBBIN CASE				*		1	
66		B1808210D00		SPRING				*		1	
67		13887906		HOOK BASE COVER, LEFT						1	
68		13886205		PACKING						1	
69		TA1250406R0		RUBBER PLUG D=12.5 L=4						1	
70		B1822215P00		INNER HOOK PRESSER SPRING						2	
71		14418909		SHUTTLE B						1	
72		13886106		HOOK COVER MAGNET, A						1	
73		SS2111140SP		SCREW 11/64-40 L=11						3	
74		SM4030455SN		SCREW						2	
75		B1806210D00		BOBBIN						1	
76		14417505		HOOK BASE INSTALLING SHAFT						1	
77		14103659		SHUTTLE RACE RING ASM.,C						1	
78		B1818210D0B		SHUTTLE,H						1	
79		SS8110520TP		SCREW 11/64-40 L= 4.5						1	
80		B1815210000		INNER HOOK UPPER SPRING						1	

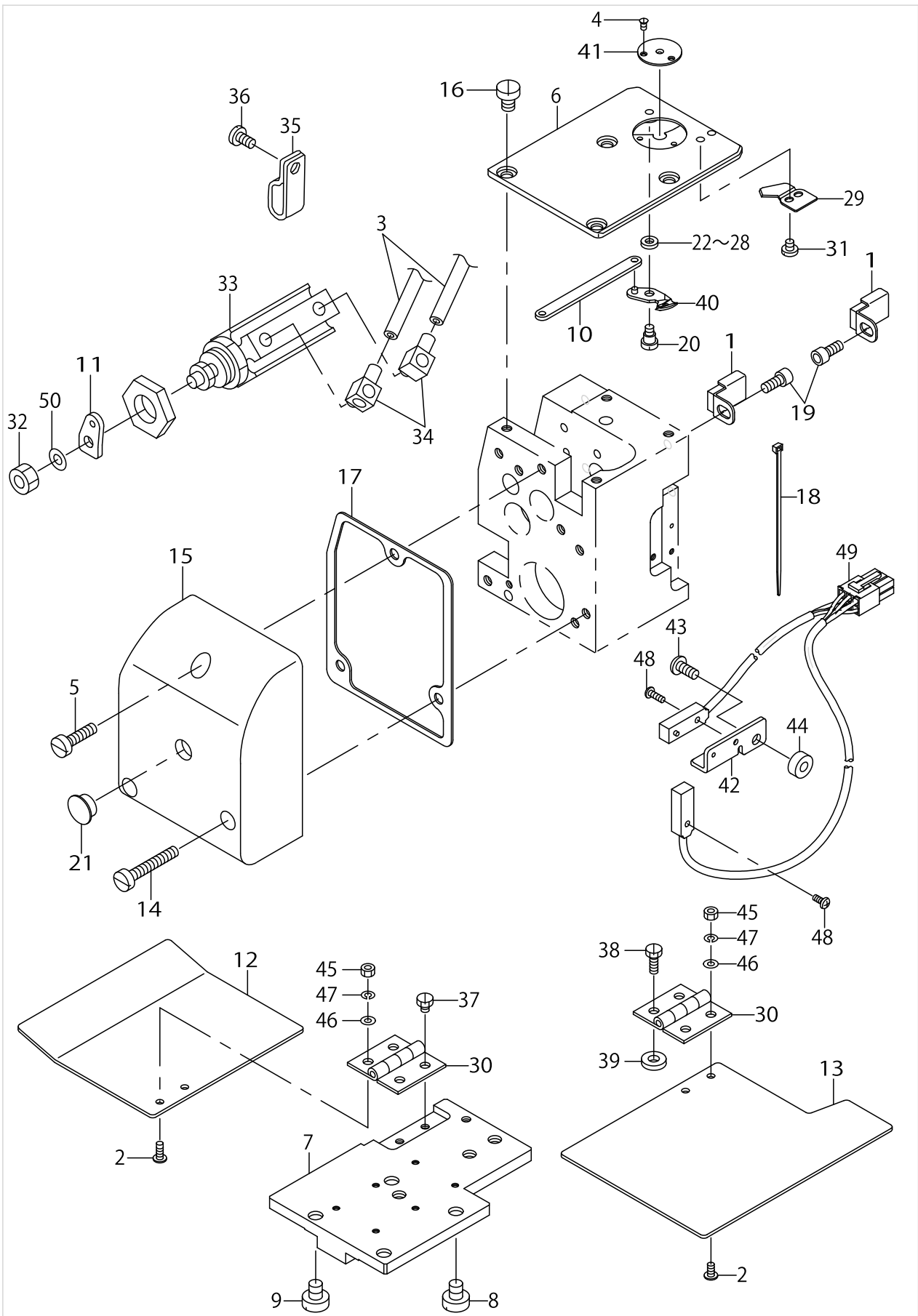
HOOK BASE COMPONENTS(2)



HOOK BASE COMPONENTS(2)

No.	Supply Code	Parts No.	Replacement	Parts name	Remarks	Choice	Step	Level	Cons	Qty	Rep. QTY
1		14419451		MAGNET INSTALLING PLATE ASM.						2	
2		SM0030801SC		SCREW M3 X 8						4	
3		BT0600401EF		TUBE						1.5	
4		SS1060210TP		SCREW 3/32-56 L=2.2						2	
5		SS6121840SP		SCREW 3/16-28 L=18						1	
6		13886304		THROAT PLATE, B						1	
7		14419303		HOOK CONNECTING PLATE						1	
8		SS6150760SN		SCREW 15/64-28 L=6.5						2	
9		SS6150710SP		SCREW						2	
10		13887302		MOVINGKNIFELINK,B						1	
11		14420202		SPRING RACK B						1	
12		14419006		HOOK COVER, LEFT						1	
13		14419105		HOOK COVER, RIGHT						1	
14		SS6123010SP		SCREW 3/16-28 L=30.0						2	
15		14419600		HOOK BASE COVER						1	
16		SS6110610TP		SCREW 11/64-40 L=6						4	
17		13888805		PACKING						1	
18		EA9500B0100		CABLE BAND						2	
19		SS6111052TP		SCREW						2	
20		B2417210000		MOVING KNIFE HINGE SCREW						1	
21		TA1050504R0		RUBBER PLUG						1	
22		B242328000A		MOVING KNIFE WASHER A	SELECTIVE PARTS					1	
23		B242328000B		MOVING KNIFE WASHER B	SELECTIVE PARTS					1	
24		B242328000C		MOVING KNIFE WASHER C	SELECTIVE PARTS					1	
25		B242328000D		MOVING KNIFE WASHER D	SELECTIVE PARTS					1	
26		B242328000E		MOVING KNIFE WASHER E	SELECTIVE PARTS					1	
27		B242328000F		MOVING KNIFE WASHER F	SELECTIVE PARTS					1	
28		B242328000G		MOVING KNIFE WASHER G	SELECTIVE PARTS					1	
29		B2424210000		COUNTER KNIFE						1	
30		14417703		HOOK COVER HINGE						2	
31		SS7090410SP		SCREW 9/64-40 L=3.5						2	
32		NM6050001SP		NUT M5						1	
33		PA1501515A0		AIR CYLINDER						1	
34		PJ046054002		HOSE ELBOW						2	
35		D2112555B00		CORD HOLDER, LARGE						1	
36		SS7110840SP		SCREW 11/64-40 L=7.8						1	
37		SS9090410TP		SCREW						2	
38		SS9091010SP		SCREW 9/64-40 L=10						2	
39		WP0502616SD		WASHER						2	
40		13881255		MOVING KNIFE JUNCTION						1	
41		13882501		NEEDLE HOLE GUIDE						1	
42		14419204		SENSOR INSTALLING BASE						1	
43		SS4111015SP		SCREW 11/64-40L=10						1	
44		D2063772B00		LOCKING CAM PLATE HOLDER						1	
45		NM6030001SC		NUT M3						4	
46		WP0320500SC		WASHER M3						4	

HOOK BASE COMPONENTS(2)

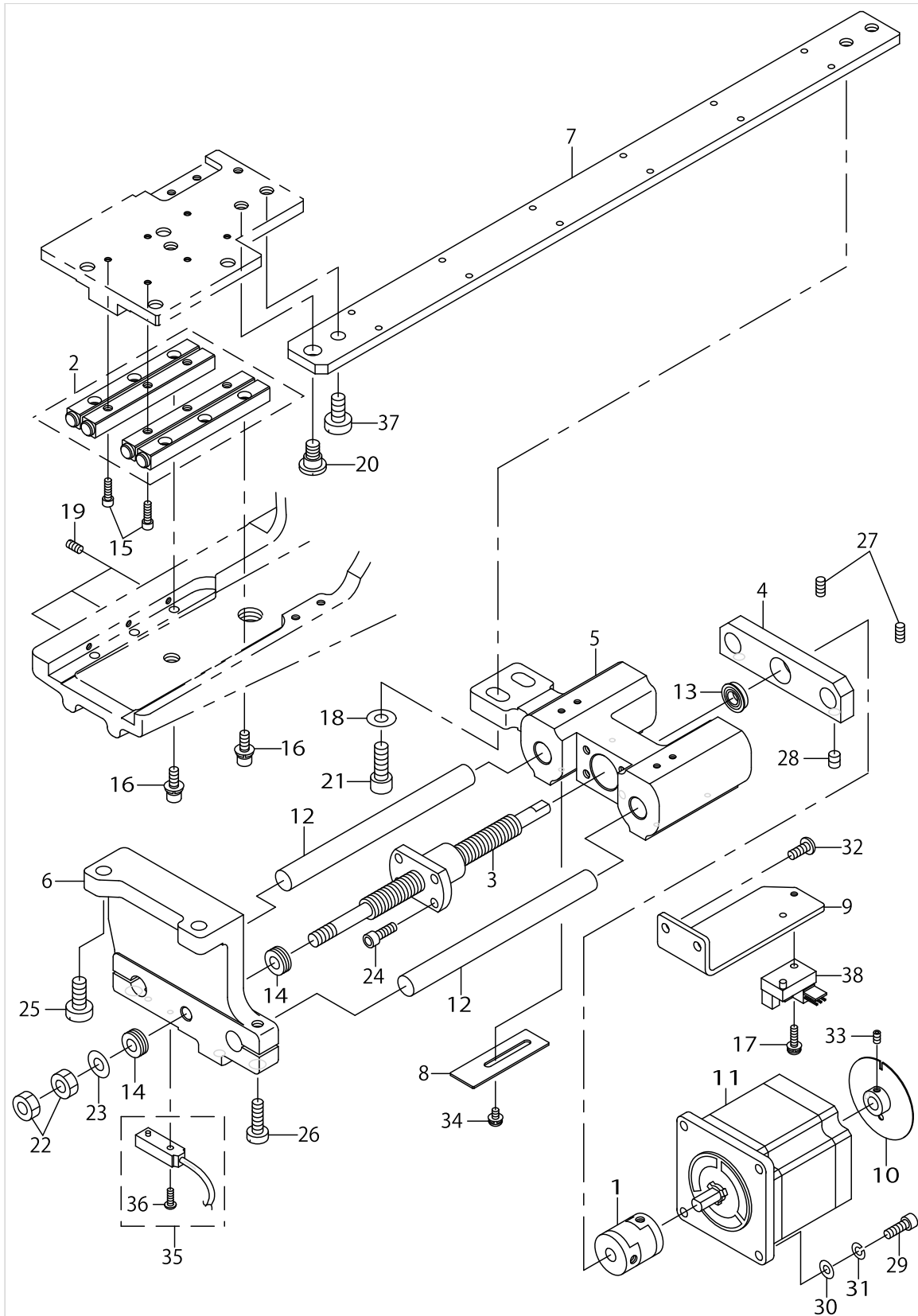


HOOK BASE COMPONENTS(2)

No.	Supply Code	Parts No.	Replacement	Parts name	Remarks	Choice	Step	Level	Cons	Qty	Rep. QTY
47		WS0310002KR		SPRING WASHER 3.1X5.9X0.7						4	
48		SM4860801SC		SCREW M2.6 L=8						2	
49		14400451		HOOK COVER SENSOR CABER ASM.						1	
50		WP0501016SD		WASHER 5X10.5X1						1	



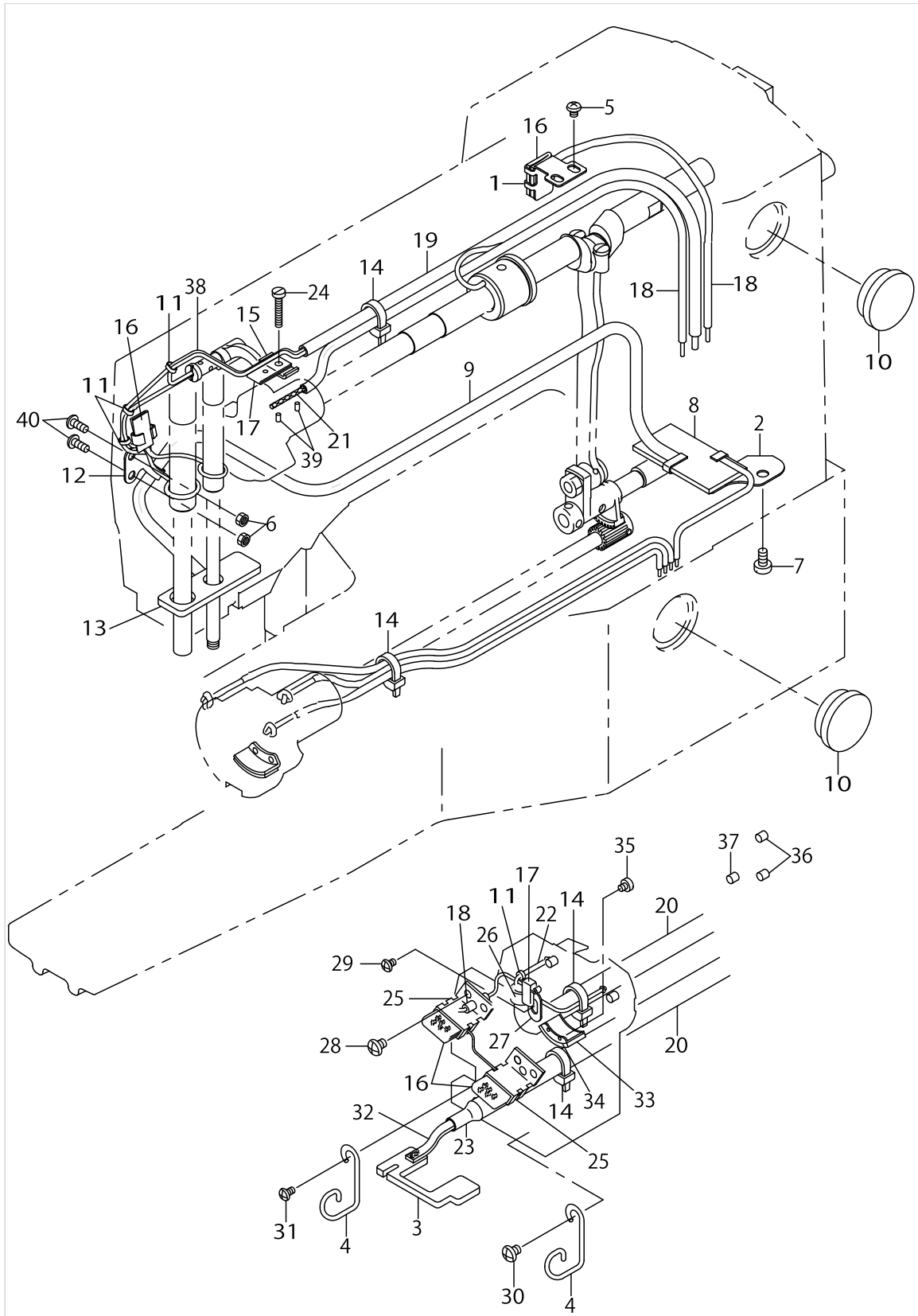
# 2ND HOOK MOVE COMPONENTS



2ND HOOK MOVE COMPONENTS

No.	Supply Code	Parts No.	Replacement	Parts name	Remarks	Choice	Step	Level	Cons	Qty	Rep. QTY
1		14422604		COUPLING						1	
2		14422703		CROSS ROLLER UPPER						1	
3		14422505		BALL SCREW						1	
4		14423107		BALL SCREW SUPPORT BASE						1	
5		14422802		SLIDER ARM						1	
6		14422901		ERMOVING BASE						1	
7		14423008		SLIDE BAR						1	
8		14423206		SENSOR DETECTOR PLATE						1	
9		14423305		SENSOR INSTALLING PLATE						1	
10		14423453		SENSOR SLIT ASM.						1	
11		G5230254000		FEED-OUT MOTOR						1	
12		12292504		HORIZONTAL DRIVING SHAFT						2	
13		SB106350100		BEARING						1	
14		SB406000100		THRUST BEARING						2	
15		SM6031002TP		HEXAGONAL BOLT M3 X 10						6	
16		SL6041292TN		SCREW						6	
17		SL4031291SC		SCREW M3X12						1	
18		WP0611626SP		WASHER 15X6X1.6						2	
19		SS8090710SP		SCREW 9/64-40L=7.0						3	
20		SD0790433TP		HINGE SCREW D= 7.94 H= 4.3						1	
21		SS6151712TP		SCREW 15/64-28 L=16.5						2	
22		NM6060001SC		NUT M6						2	
23		WP0612066SP		WASHER 6.1X11X2						1	
24		SM6041202TP		SCREW M4X0.7 L=12						4	
25		SS6151440SP		SCREW 15/64-28L=14						2	
26		SS6121610TP		SCREW 3/16-28 L=15.5						2	
27		SM8040802TP		SCREW M4X8						2	
28		SM8050602TP		SCREW M5 L=6						2	
29		SM6041202TP		SCREW M4X0.7 L=12						4	
30		WP0430800SD		WASHER M4						4	
31		WS0410002KP		SPRING WASHER						4	
32		SL4041091SC		SCREW M4 L=10						2	
33		SM8030502TP		SCREW M3 L=5						2	
34		SL4030691SC		SCREW M3X6						2	
35		14423651		HOOK REMDVAL SENSOR 1						1	
36		SM4860801SC		SCREW M2.6 L=8				*		1	
37		SS6151210SP		SCREW 15/64-28L=12						1	
38		HD00057000A		PHOTO SENSOR						1	

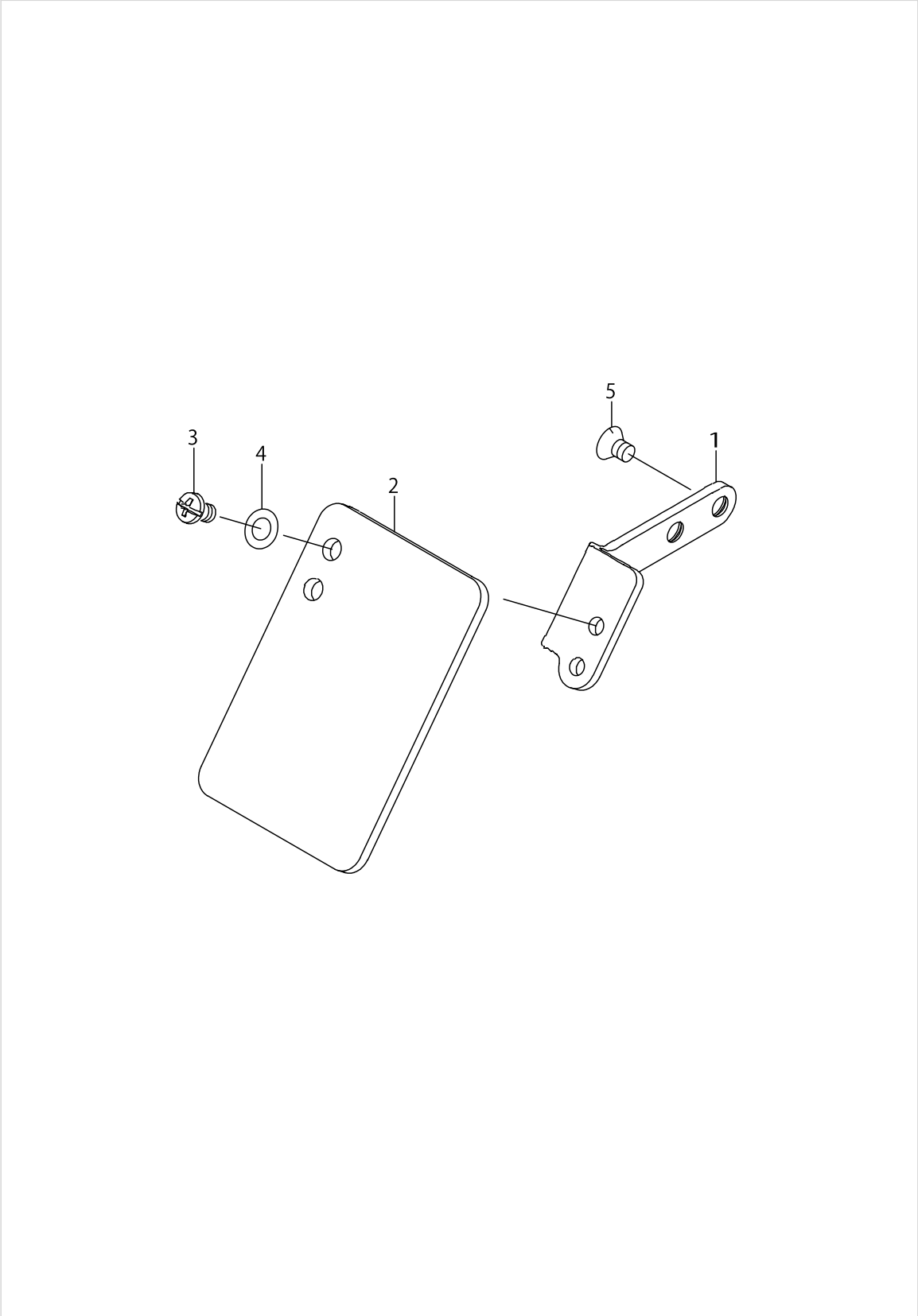
LUBRICATION COMPONENTS



LUBRICATION COMPONENTS

No.	Supply Code	Parts No.	Replacement	Parts name	Remarks	Choice	Step	Level	Cons	Qty	Rep. QTY
1		14114102		OIL SHIELD						1	
2		14114201		OIL SHIELD						1	
3		13888607		OIL FELT						1	
4		11021607		TUBE HOLDER (UPPER)						2	
5		SS4110515SP		SCREW 11/64-40 L=5						2	
6		NS6110310SP		NUT 11/64-40						2	
7	R	SS6120930SP	SS6120930TP	SCREW 3/16-28 L=9						1	1.00
8		B3509210D00		OIL FELT						1	
9		13529003		ONCE THROUGH OIL FELT						.56	
10		B3501210000		OIL GAUGE						2	
11	R	B1419026000	26230706	OIL WICK PRESSER						5	1.00
12	D	B3506280000		OIL WICK PRESSER						1	
13		14424006		FACE FELT						1	
14		EA9500B0100		CABLE BAND						4	
15	R	B3508280000	26231407	BALANCE LUBRICATING PLATE						1	1.00
16		B3509280000		NEEDLE ROD CRANK LUBRICATING						4	
17		B3518280000		BALANCE LUBRICATING						2	
18		BP300000000		VINYL PIPE						2.7	
19		BP600000000		VINYL PIPE						1.5	
20		BP500000000		VINYL PIPE						1.1	
21		CQ200000000		OIL WICK						3	
22		CQ252200000		OIL WICK						.6	
23		E8760452M00		TUBE						.1	
24		SS6092120SP		SCREW 9/64-40 L=21.2						1	
25		26231605		CRANK ROD LUBRICATING PLATE						2	
26		B3523280000		OIL TUBE HOLDER						1	
27		B3520210000		OIL FELT SUPPORTING PLATE						1	
28		SS4120615SP		SCREW 3/16-28 L=6						4	
29		SS4090515SP		SCREW 9/64-40 L=5						1	
30		SS4120615SP		SCREW 3/16-28 L=6						1	
31		SS4090615SP		SCREW 9/64-40 L=6						1	
32		B3523220000		OIL FELT						1	
33		B3504280000		SHUTTLE FELT						1	
34		26231100		SHUTTLE LUBRICATING PLATE						1	
35		SS6090440SP		SCREW 9/64-40 L=4.0						2	
36		B1820210D00		SHUTTLE OIL FELT,A						2	
37		B1821210D00		SHUTTLE OIL FELT,B						1	
38		CQ252000000		OIL WICK						2.5	
39		B1821210D00		SHUTTLE OIL FELT,B						2	
40		SS4111015SP		SCREW 11/64-40 L=10						2	

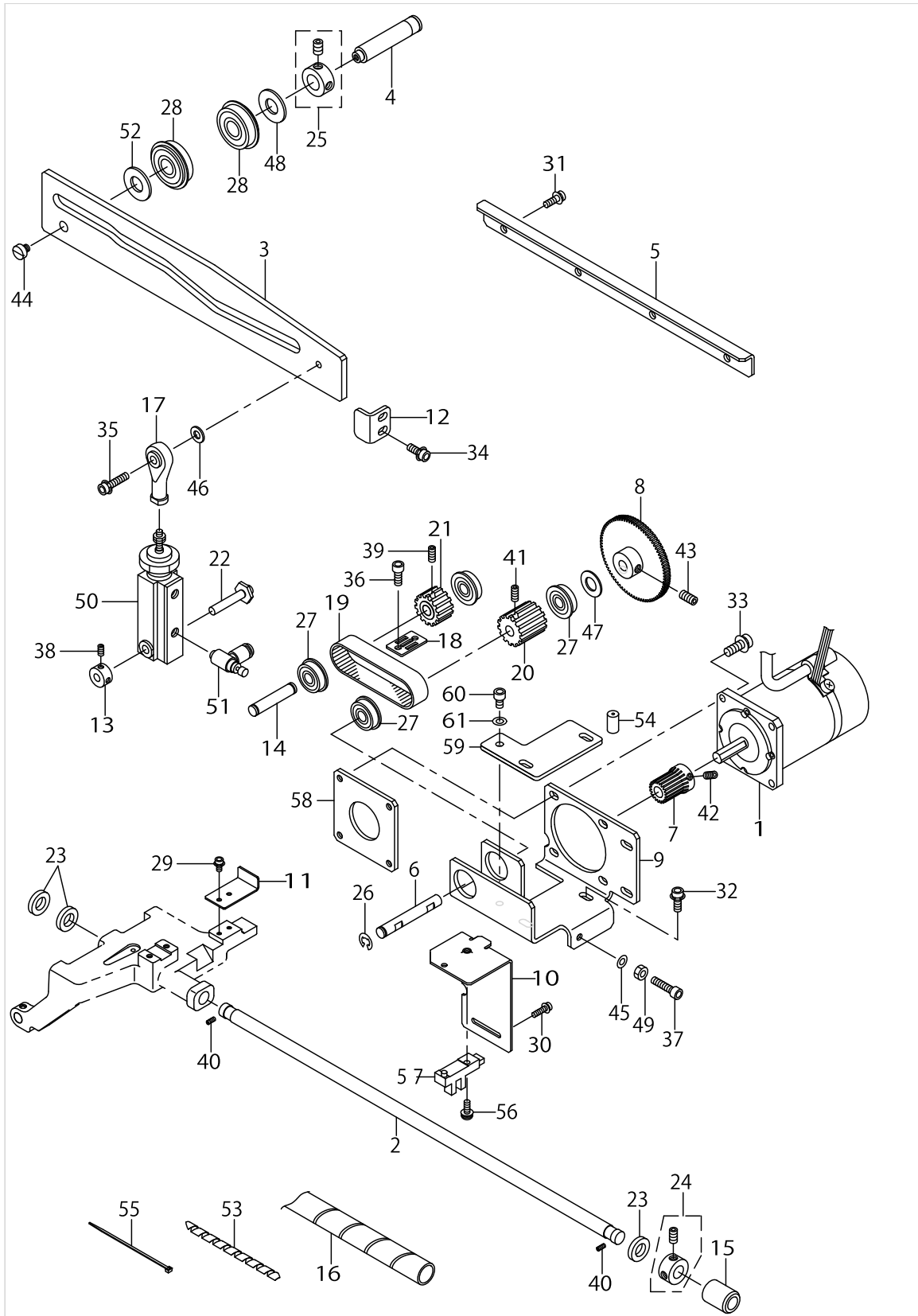
SAFETY COMPONENTS



## SAFETY COMPONENTS

No.	Supply Code	Parts No.	Replacement	Parts name	Remarks	Choice	Step	Level	Cons	Qty	Rep. QTY
1		40049798		SAFETY PLATE BASE						1	
2		13889407		SAFETY PLATE						1	
3		SM4040855SP		SCREW						2	
4		WP0450801SD		WASHER 4.5X10X0.8						2	
5		SS1110640TP		SCREW 11/64-40 L= 5.5						2	

# BELT LOOP SUPPLY COMPONENTS

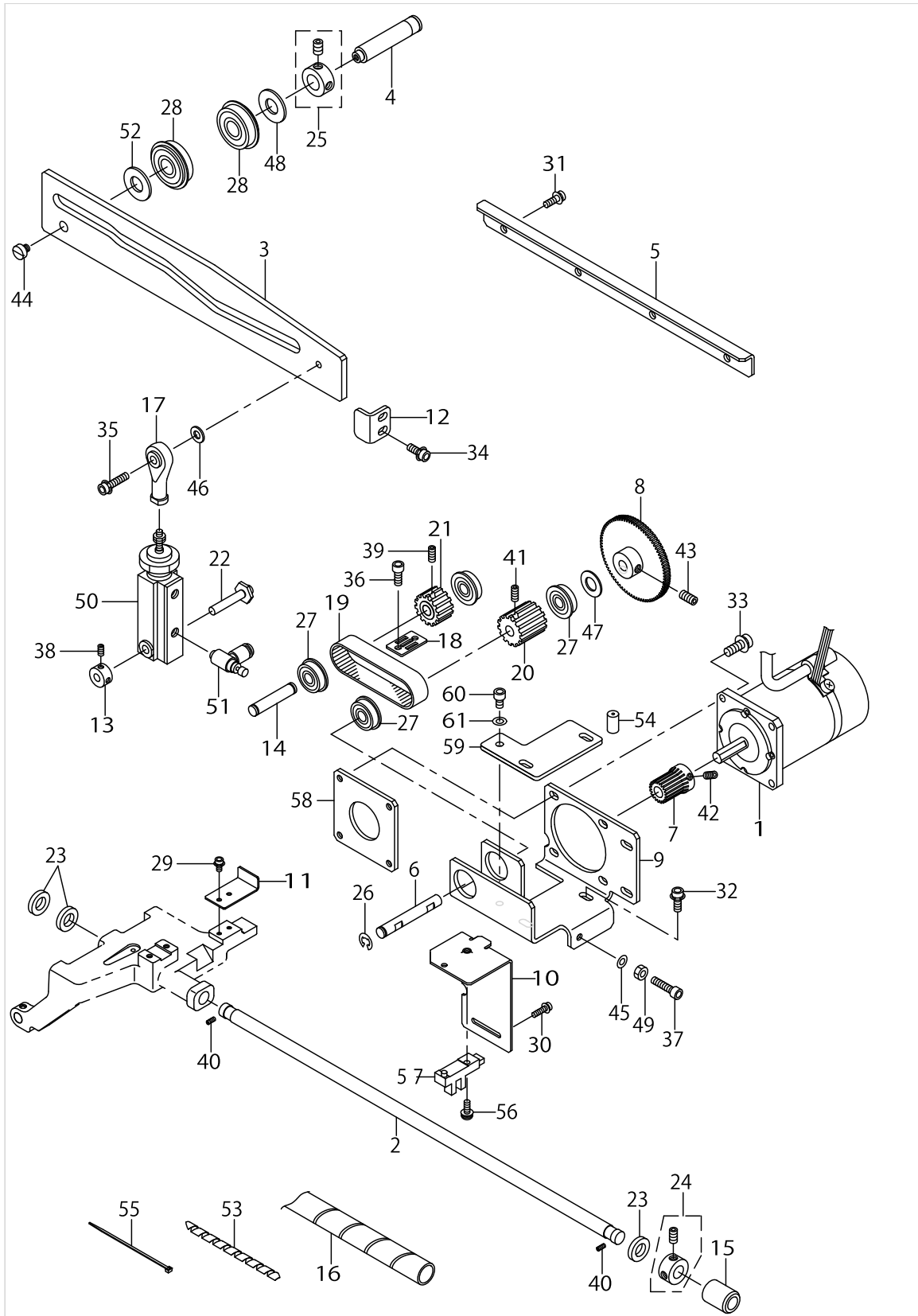


BELT LOOP SUPPLY COMPONENTS

No.	Supply Code	Parts No.	Replacement	Parts name	Remarks	Choice	Step	Level	Cons	Qty	Rep. QTY
1		G5001254000		UNIT SERVO MOTOR						1	
2		G5002254000		LOOP SUPPLY GUIDE SHAFT						1	
3		G5003254000		LOOP SUPPLY CAM						1	
4		G5004254000		LOOP SUPPLY CAM ROTARY SHAFT						1	
5		G5005254000		LOOP SUPPLY SLIDE GUIDE						1	
6		G5006254000		DRIVING SPROCKET SHAFT						1	
7		G5007254000		DRIVING GEAR						1	
8		G5008254000		FOLLOWER GEAR						1	
9		40058131		MOTOR_INSTALLING_PLATE_A						1	
10		G5010254000		SUPPLY SENSOR FITTING PLATE						1	
11		G5011254000		LOOP SUPPLY SENSOR SLIT						1	
12		G5012254000		CAM MAINTENANCE PLATE						1	
13		G6014880000		LINK THRUST HOLDER						1	
14	R	13518105	26223701	LIFTING LEVER SHAFT						1	1.00
15		12308300		METAL_FRONT						1	
16		E1022760000		SPIRAL TUBE						.7	
17		B1632180000		FEED ADJUSTING JOINT						1	
18		B2509210D00		BELT RECEIVER						1	
19		B2512210D0A		X TIMING BELT(EXTENSION)						1	
20		B2513210D00		DRIVE SPROCKET						1	
21		B2514210D00		DRIVEN SPROCKET						1	
22		B2528215000		SHAFT						1	
23		B2740771000		THRUST WASHER						3	
24		CS100101DSH		THRUST COLLAR ASM.						1	
25		CS1201010SH		THRUST COLLAR ASM. D=12 W=10						1	
26		RE0600000K0		E-RING 6						1	
27		SB108000500		RADIAL BEARING						4	
28		SB112000100		BEARING D=12X32						2	
29		SL6030892TN		SCREW						2	
30		SL6041292TN		SCREW						2	
31		SL6051292TN		BOLT						4	
32		SL6051292TN		BOLT						2	
33		SL6051692TN		BOLT						4	
34		SL6051292TN		BOLT						2	
35		SL6051642TN		BOLT						1	
36		SM6041002TP		SCREW M4 L=10						2	
37		SM6052002TP		SCREW M5 L=20						1	
38		SM8040502TP		SCREW M4X0.7 L=5						2	
39		SM8040502TP		SCREW M4X0.7 L=5						1	
40		SM8050602TP		SCREW M5 L=6						2	
41		SM8060802TP		SCREW M6 L=8						2	
42		SM8060802TP		SCREW M6 L=8						2	
43		SM8060802TP		SCREW M6 L=8						2	
44		SS6110630TP		SCREW 11/64-40 L=6						1	
45		WP0531000SD		WASHER M5						1	
46		WP0561616SC		WASHER 5.6X16X1.6						1	



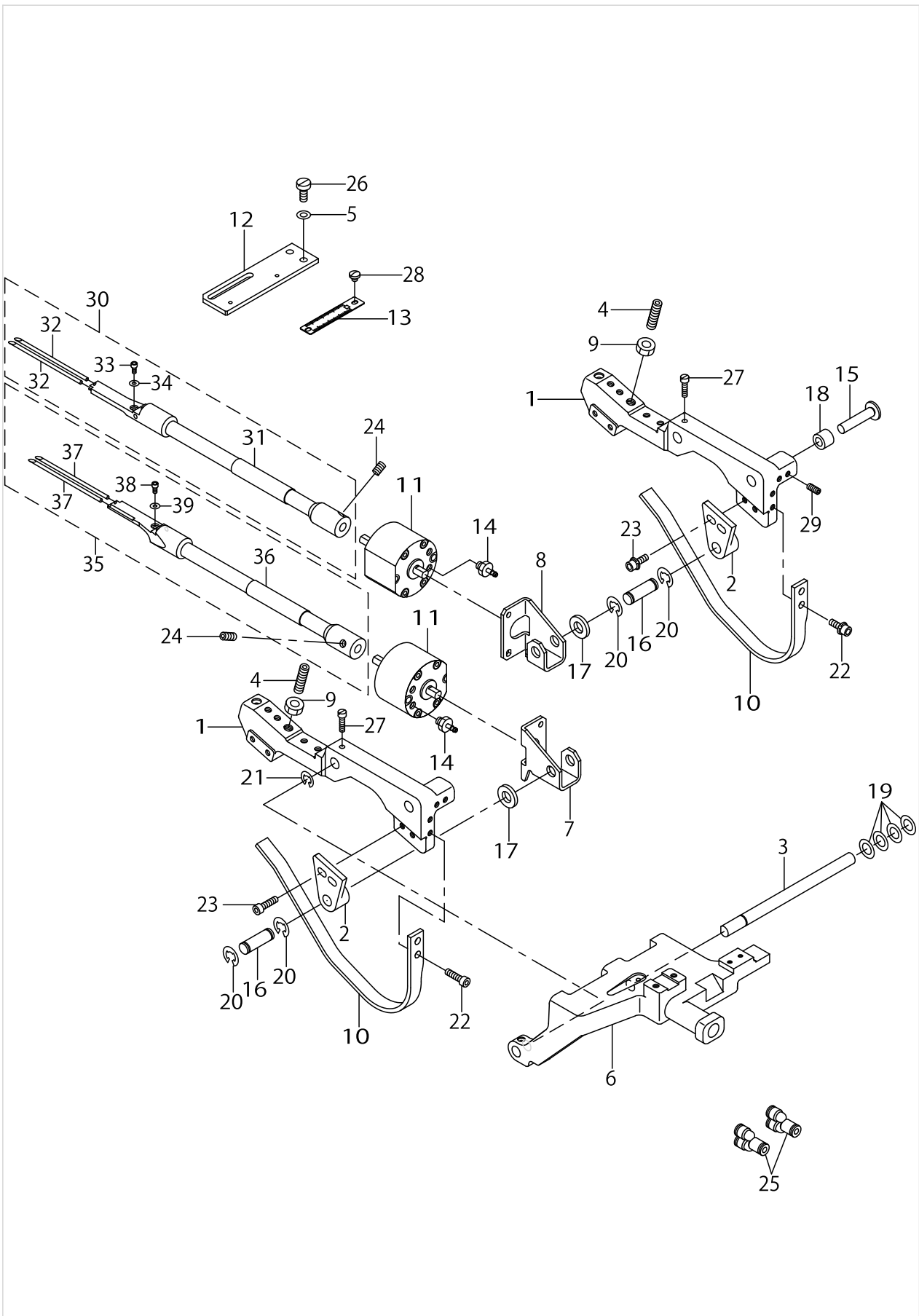
BELT LOOP SUPPLY COMPONENTS



BELT LOOP SUPPLY COMPONENTS

No.	Supply Code	Parts No.	Replacement	Parts name	Remarks	Choice	Step	Level	Cons	Qty	Rep. QTY
47		WP0820526SD		WASHER 8.2X14X0.5						1	
48		WP1221016SP		WASHER						1	
49		NM6050001SD		NUT M5X0.8						1	
50		PA1602006B0		AIR CYLINDER						1	
51		PC010508000		SPEED CONTROLLER						2	
52		G5013254000		WASHER						1	
53		HX001890000		SPIRAL TUBE						.5	
54		G5014254000		MOTOR GUIDE PIN						1	
55		EA9500B0100		CABLE BAND						2	
56		SL4041291SC		SCREW M4 L=12						1	
57		HD002230000		PHOTO SENSOR						1	
58		40058132		MOTOR_INSTALLING_PLATE_B						1	
59		40066097		MOTOR_INSTALLING_SUPPORT_PLATE						1	
60		SM6050802TP		SCREW M5X0.8 L=8						1	
61		WP0531000SD		WASHER M5						1	

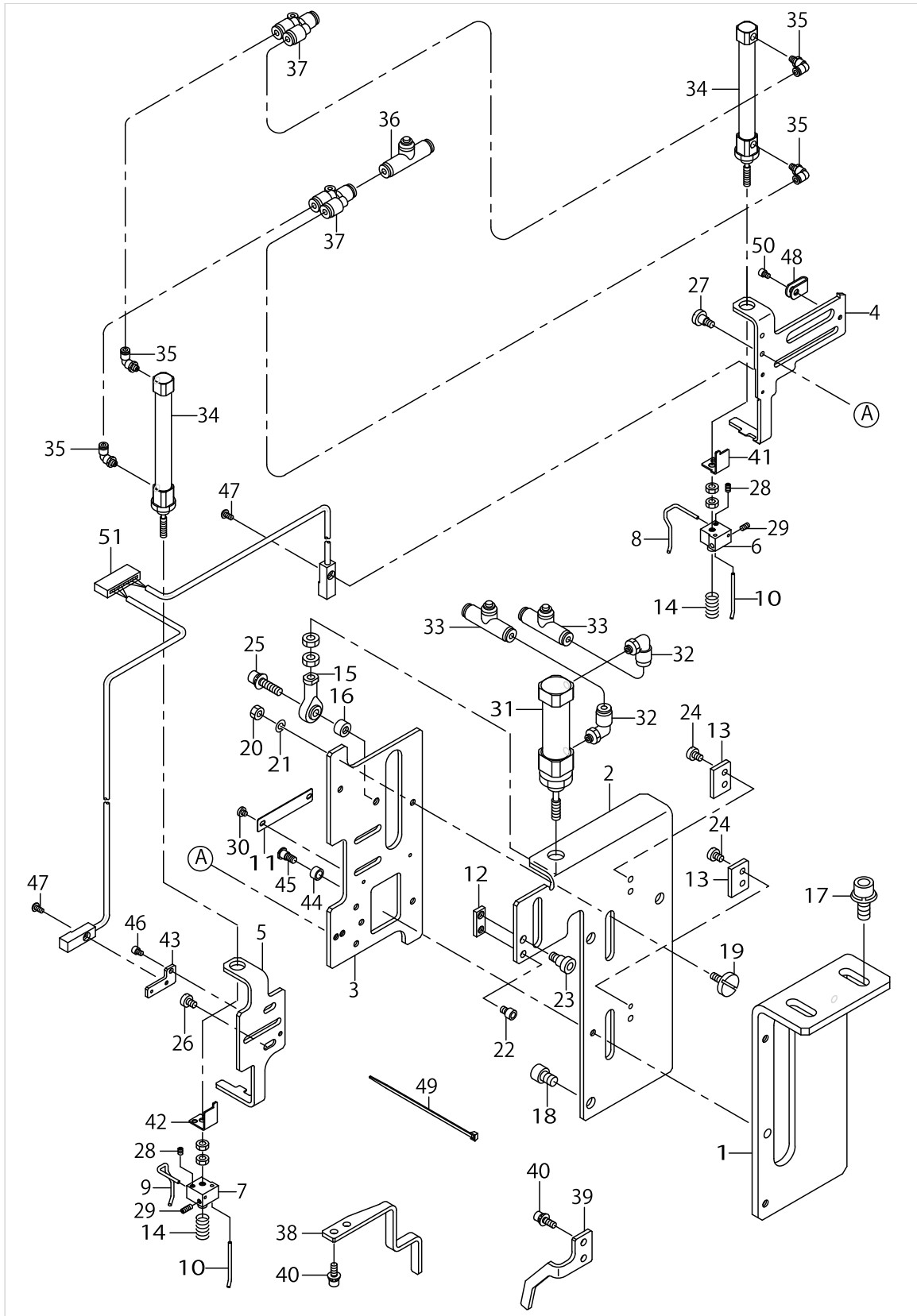
BELT LOOP FOLDING COMPONENTS



BELT LOOP FOLDING COMPONENTS

No.	Supply Code	Parts No.	Replacement	Parts name	Remarks	Choice	Step	Level	Cons	Qty	Rep. QTY
1		G5051254000		BENDING SHAFT METAL							2
2		G5052254000		BENDING SHAFT METAL BRACKET							2
3		G5053254000		SUPPLY CAM LEVER SHAFT							1
4		SS8151230SP		SCREW15/64-28L=12							2
5		WP0450801SD		WASHER 4.5X10X0.8							3
6		G5056254000		LOOP SUPPLY SLIDE BASE							1
7		G5057254000		FRONT BENDING S-HAFT ROTOR BASE							1
8		G5058254000		REAR BENDING SH-AFT ROTOR BASE							1
9		NS6150540SP		NUT 15/64-28							2
10		G5060254000		BENDING SHAFT P-RESSER SPRING							2
11		G5061254000		FOLDING SHAFT ROTOR							2
12		G5062254000		LOOP BENDING CO-NNECTING PLATE							1
13		G5063254000		FORK WIDTH SCALE PLATE							1
14		PJ032059006		BARB JOINT							4
15		22585707		SHAFT							1
16		13860606		PIN							2
17		B185351200E		HOOK SHAFT WASHER							2
18		40009143		ROLLER							1
19		WP0820526SD		WASHER 8.2X14X0.5							4
20		RE0600000K0		E-RING 6							4
21		RE0700000K0		E-RING 7							1
22		SL6041292TN		SCREW							4
23		SL6041292TN		SCREW							4
24		SM8050602TP		SCREW M5 L=6							2
25		PJ308040002		QUICK COUPLING							2
26		SS6111010TP		SCREW 11/64-40 L= 9.5							3
27		SS6111010TP		SCREW 11/64-40 L= 9.5							2
28		SS7060310SP		SCREW 3/32-56 L=3							2
29		SM8040802TP		SCREW M4X8							2
30		G50542540A0		FRONT BENDING SHAFT ASM.							1
31		G5054254000A		FRONT BENDING SHAFT					*		1
32		G5059254000		LOWERFOLDINGDOG					*		2
33		SM6850502TN		SCREW M2.5 L=5					*		1
34		WP0250501SC		WASHER 2.5X6.5					*		1
35		G50552540A0		REAR BENDING SHAFT ASM.							1
36		G5055254000A		REAR BENDING SHAFT					*		1
37		G5059254000		LOWERFOLDINGDOG					*		2
38		SM6850502TN		SCREW M2.5 L=5					*		1
39		WP0250501SC		WASHER 2.5X6.5					*		1

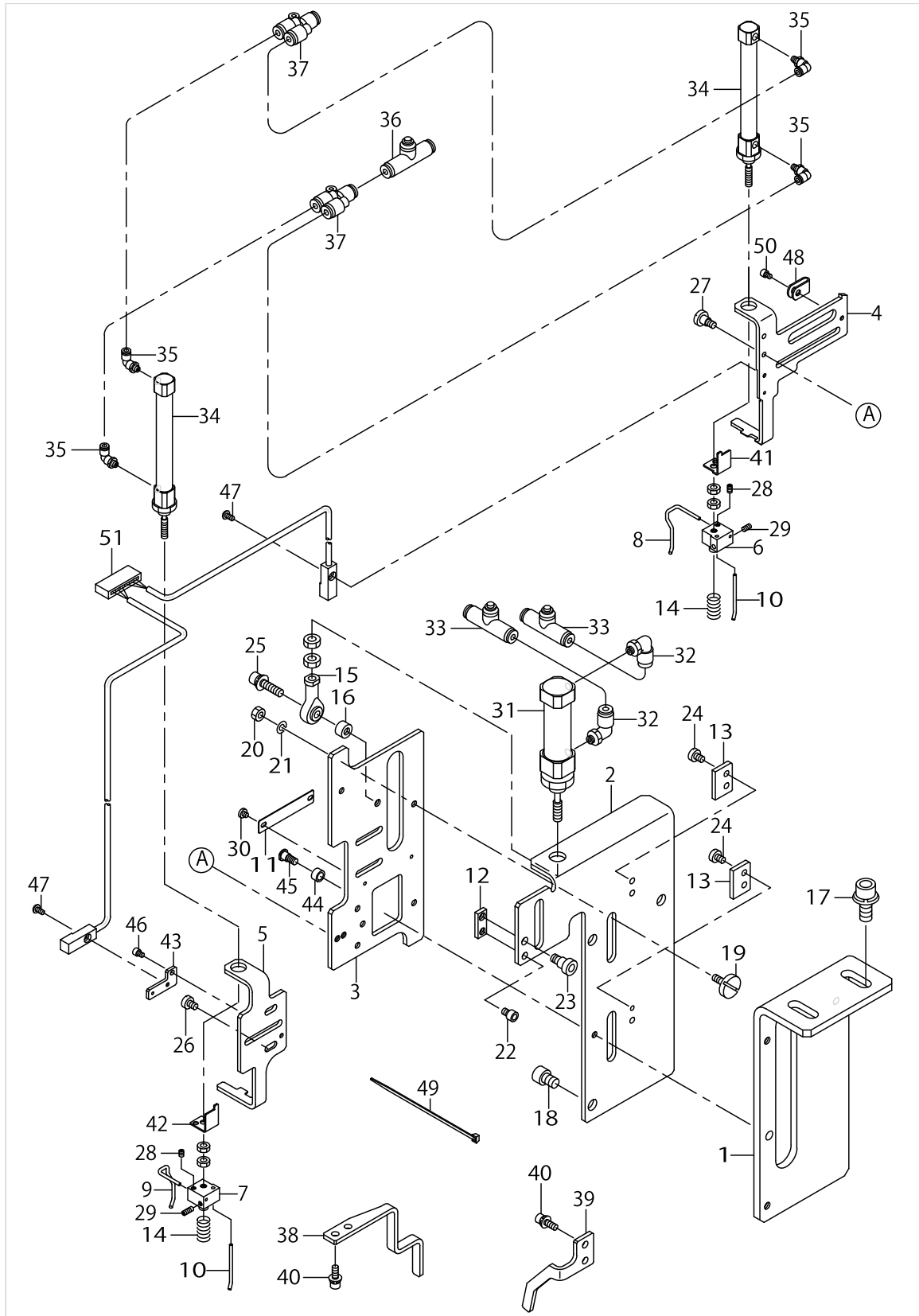
BELT RECEIVER COMPONENTS



BELT RECEIVER COMPONENTS

No.	Supply Code	Parts No.	Replacement	Parts name	Remarks	Choice	Step	Level	Cons	Qty	Rep. QTY
1		G5101254000A		LOOP PRESSER UNIT BASE						1	
2		G5102254000A		LOOP PRESSER SUPPORT BASE						1	
3		G5103254000A		LOOP PRESSER REMOVING BASE						1	
4		G5104254000A		LOOP CATCH,FRONT						1	
5		G5105254000A		LOOP CATCH,REAR						1	
6		G5106254000		LOOP GATHER BRACKET, FRONT						1	
7		G5107254000		LOOP GATHER BRACKET, REAR						1	
8		G5108254000		LOOP DRAWING CLICK A, FRONT						1	
9		G5109254000		LOOP DRAWING CLICK A, REAR						1	
10		G5110254000		LOOP DRAWING CLICK B						2	
11		G5063254000		FORK WIDTH SCALE PLATE						1	
12		B4127352000		BOTTOM GUIDE						1	
13		26303404		PLATE A						2	
14		B1449526000		REPOSITIONING LEVER SPRING						2	
15		B1632180000		FEED ADJUSTING JOINT						1	
16		B1606210000		ROLLER						1	
17		SL6082092TN		BOLT						2	
18		SM6061002TP		SCREW M6 L=10						3	
19		SD0700312SD		HINGE SCREW D= 7 H= 3.13						3	
20		NS6110310SP		NUT 11/64-40						3	
21		WS0441040KP		SPRING WASHER 4.4X7.4X1						3	
22		SS6110610TP		SCREW 11/64-40 L=6						1	
23		SD0550212TP		HINGE SCREW D=5.5 H=2.1						1	
24		SS6110610TP		SCREW 11/64-40 L=6						4	
25		SL6052042TN		SCREW						1	
26		SS6110610TP		SCREW 11/64-40 L=6						2	
27		SD0500481TP		HINGE SCREW D= 5 H= 4.8						2	
28		SM8030402TP		SCREW M3X0.5 L=4						2	
29		SM8030802TP		SCREW M3X0.5 L=8						2	
30		SS7060310SP		SCREW 3/32-56 L=3						2	
31		PA1602005A0		AIR CYLINDER						1	
32		PJ304040506		ELBOW UNION						2	
33		PC012406000		SPEED CONTROLLER						2	
34		PA1005501A0		CYLINDER						2	
35		PJ304040504		ELBOW UNION						4	
36		PC012406000		SPEED CONTROLLER						1	
37		PJ308040002		QUICK COUPLING						2	
38		G5112254000		LOOP SWEEPING PLATE,FRONT						1	
39		G5113254000		LOOP SWEEPING PLATE,REAR						1	
40		SL6041292TN		SCREW						4	
41		G5114254000		LOOP CATCH SENS-OR BKT.,FRONT						1	
42		G5115254000		LOOP CATCH SENSOR BKT.,REAR						1	
43		G5116254000		LOOP CATCH SENS-OR FITTING BKT.						1	
44		D2587L8WB00		ROLLER						1	
45		D2588L8WB00		ROLLER SHAFT						1	

# BELT RECEIVER COMPONENTS

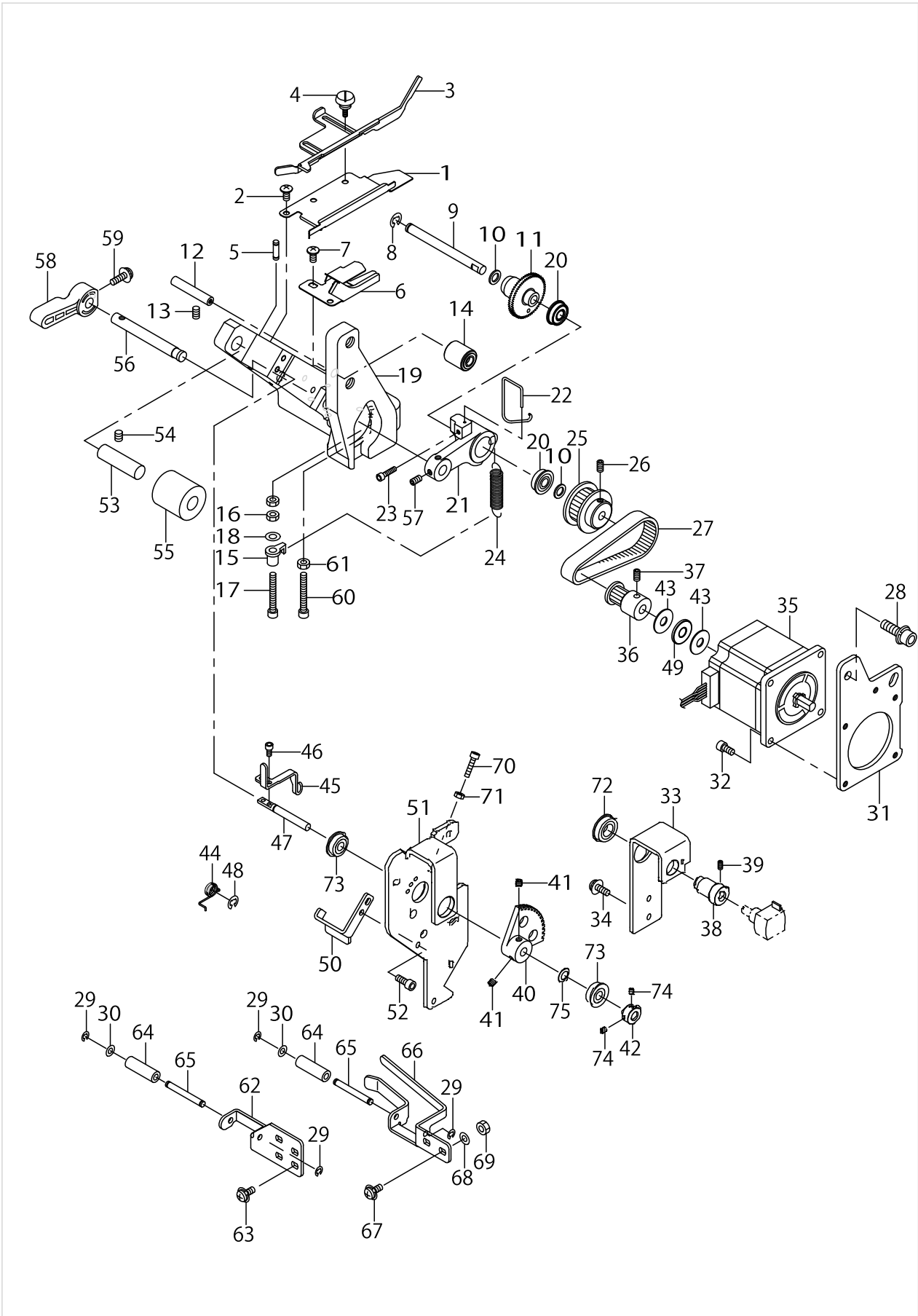


BELT RECEIVER COMPONENTS

No.	Supply Code	Parts No.	Replacement	Parts name	Remarks	Choice	Step	Level	Cons	Qty	Rep. QTY
46		SM6030402TP		SCREW M3X0.5 L=4						1	
47		SM4860601SC		SCREW M2.6 L=6						2	
48		HX001500000		CLIP						1	
49		EA9500B0100		CABLE BAND						5	
50		SM6030402TP		SCREW M3X0.5 L=4						1	
51		M85226100A0		LOOP GATHER DESCENT SENSOR ASM						1	



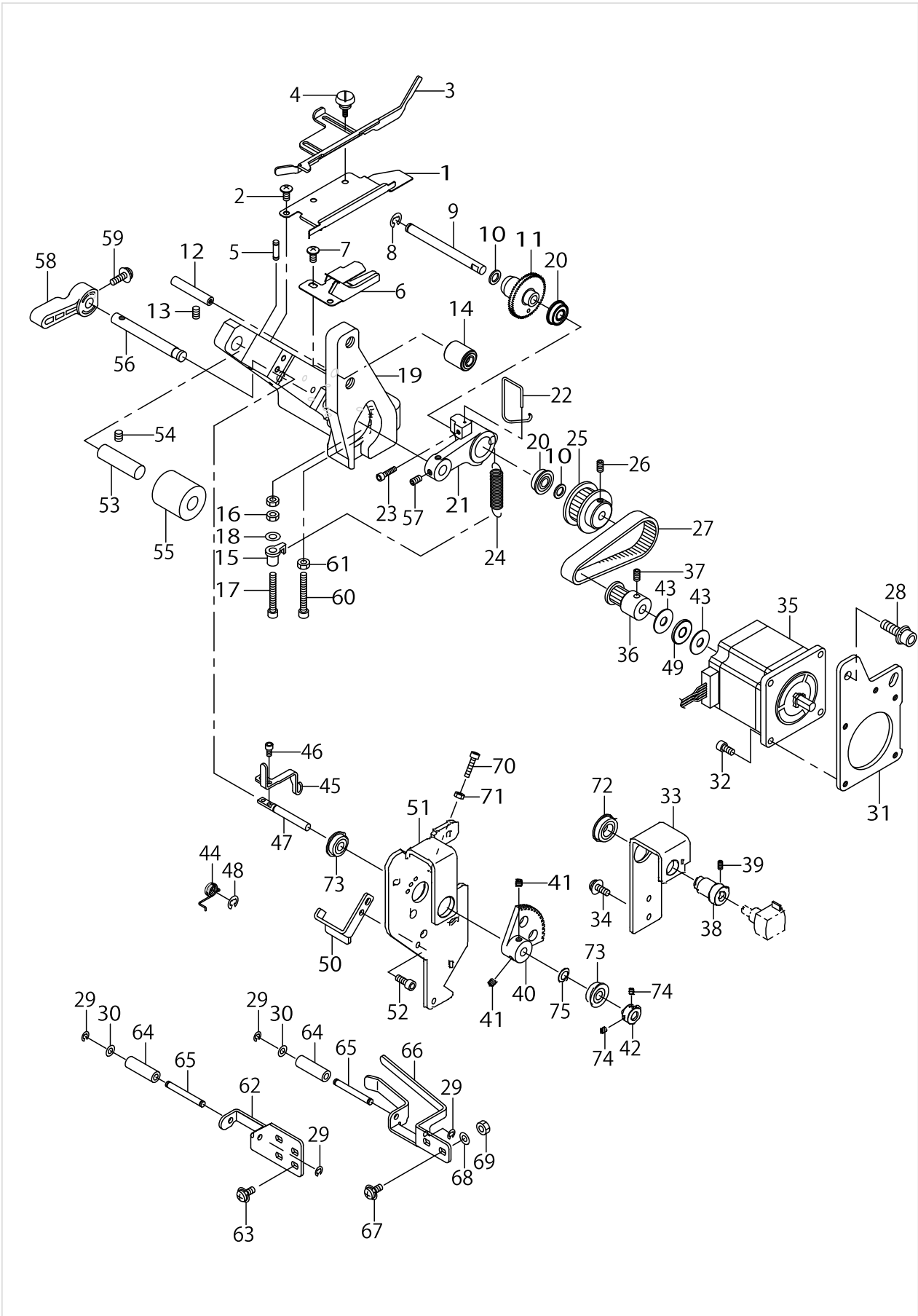
# BELT LOOP FEED COMPONENTS



BELT LOOP FEED COMPONENTS

No.	Supply Code	Parts No.	Replacement	Parts name	Remarks	Choice	Step	Level	Cons	Qty	Rep. QTY
1		G5201254000		LOOP BINDER B						1	
2		SM0040801SC		SCREW						1	
3		G5202254000		LOOP WIDTH GUIDE						1	
4		B2549372000		CLAMP SCREW A						2	
5		10632511		PLUNGER PIN						1	
6		G5203254000		LOOP BINDER A						1	
7		SM0040801SC		SCREW						2	
8		RE0400000K0		E-RING 4						1	
9		G5204254000		FEED ROLLER SHAFT						1	
10		B1618804000		WASHER						2	
11		G52312540B0		FEED ROLLER ASM.						1	
12		G5207254000		ROLLER SHAFT						1	
13		SM8040602TP		SCREW M4X0.7 L=6						1	
14		G52082540A0		FEED ROLLER ASM.						1	
15		14045306		ADJUST PIN						1	
16		NM6040003SC		NUT M4						2	
17		SM6043052TN		SCREW M4 L=30						1	
18		WP0430801SE		WASHER 4.3X9X0.8						1	
19		G5209254000		LOOP FEED BASE						1	
20		SB106000300		BEARING						2	
21		G5210254000		FEED ROLLER LEVER						1	
22		G5211254000		LOOP GUIDE A						1	
23		SM6031202TP		SCREW M3X0.5 L=12						1	
24		G5212254000		FEED ROLLER SPRING						1	
25		G5213254000		FEED ROLLER SPROCKET						1	
26		SM8040602TP		SCREW M4X0.7 L=6						2	
27		G5214254000		FEED TIMING BELT						1	
28		SL6062092TN		SCREW M6 L=20						2	
29		RE0300000K0		E-RING 3						4	
30		WZ0430200KH		WAVED WASHER						2	
31		G5215254000		FEED MOTOR BRACKET						1	
32		SM6040802TP		SCREW M4X0.7 L=8						4	
33		40021803		SENSOR_PLATE						1	
34		SL4041091SC		SCREW M4 L=10						2	
35		G5230254000		FEED-OUT MOTOR						1	
36		G5217254000A		FEED-OUT MOTOR SPROCKET						1	
37		SM8040602TP		SCREW M4X0.7 L=6						2	
38		40021805		GEAR						1	
39		SM8030402TP		SCREW M3X0.5 L=4						1	
40		G5219254000A		SHAFT GEAR						1	
41		SM8040412TP		SET SCREW M4 L=4						2	
42		40021806		BEARING_COLLAR						1	
43		G5236254000		THRUST RING						2	
44		G5220254000		SHAFT SPRING						1	
45		G5221254000		DETECTOR PLATE						1	
46		SM6030602TP		SCREW M3X0.5 L=6						2	

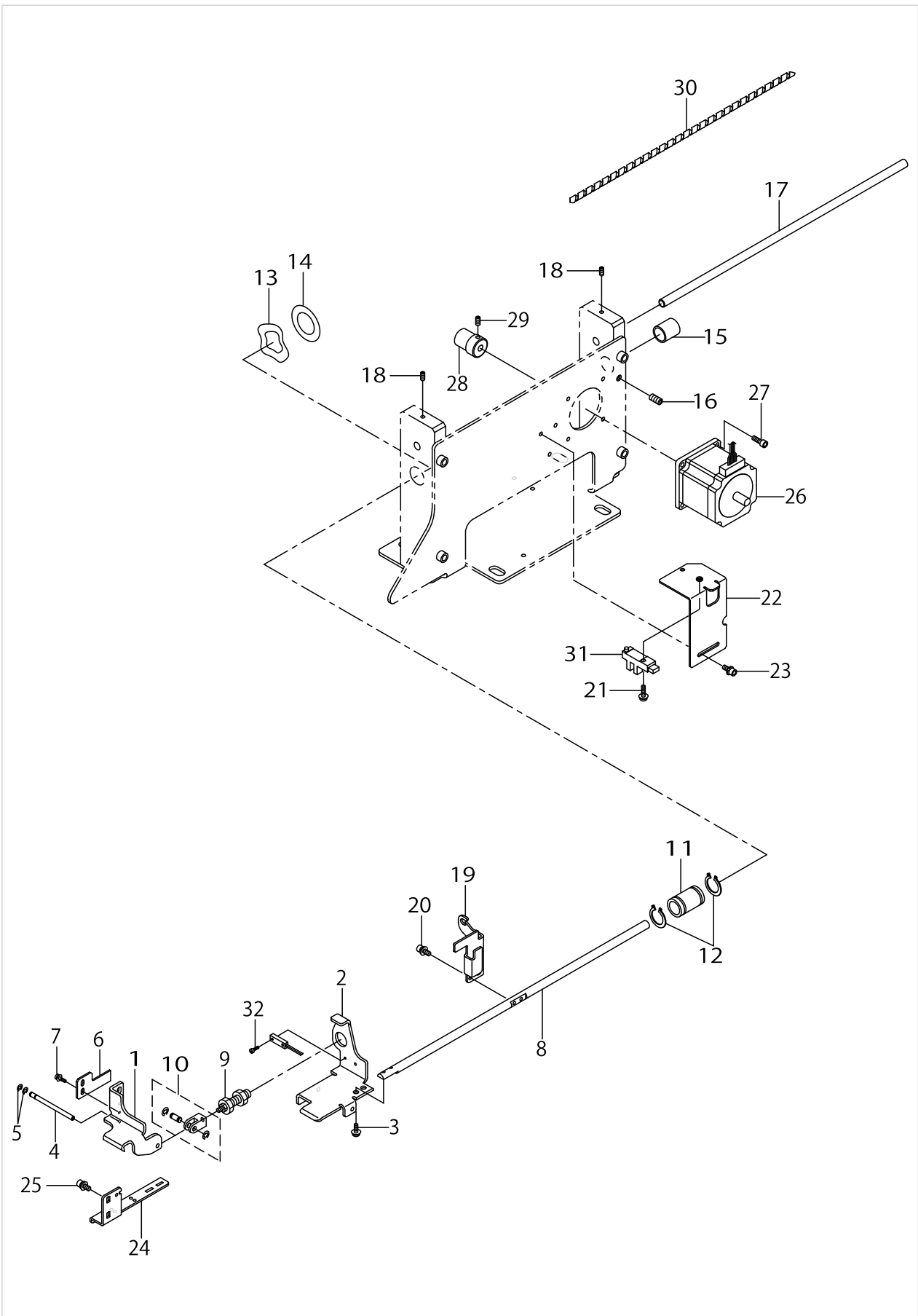
# BELT LOOP FEED COMPONENTS



BELT LOOP FEED COMPONENTS

No.	Supply Code	Parts No.	Replacement	Parts name	Remarks	Choice	Step	Level	Cons	Qty	Rep. QTY
47		40021804		SHAFT						1	
48		RE040000K0		E-RING 4						1	
49		SB606350100		BEARING						1	
50		G5227254000		LOOP GUIDE						1	
51		40021802		GEAR_PLATE						1	
52		SM6041002TP		SCREW M4 L=10						3	
53		G5224254000		LOOPROLLERSHAFT						1	
54		SM8050602TP		SCREW M5 L=6						1	
55		G5225254000		LOOP ROLLER						1	
56		G5226254000		ROLLER LEVER SHAFT						1	
57		SM8040602TP		SCREW M4X0.7 L=6						2	
58		22907802		HAND LIFTER						1	
59		SL4041281SC		SCREW M4X0.7 L=12						1	
60		SM6043052TN		SCREW M4 L=30						1	
61		NM6040000SN		NUT M4						1	
62		G5228254000A		GUIDE ROLLER CATCH A						1	
63		SL4041091SC		SCREW M4 L=10						2	
64		E3705715000		VCS SPACER						2	
65		10208700		WIPER LINK SHAFT						2	
66		G5229254000		GUIDE ROLLER CATCH B						1	
67		SL4041091SC		SCREW M4 L=10						2	
68		WP0430801SE		WASHER 4.3X9X0.8						2	
69		NM6040000SN		NUT M4						2	
70		SM6031402TP		SCREW						1	
71		NM6030001SC		NUT M3						1	
72		SB109000300		BEARING						1	
73		SB106000300		BEARING						2	
74		SM8030412TP		SCREW						2	
75		B1618804000		WASHER						1	

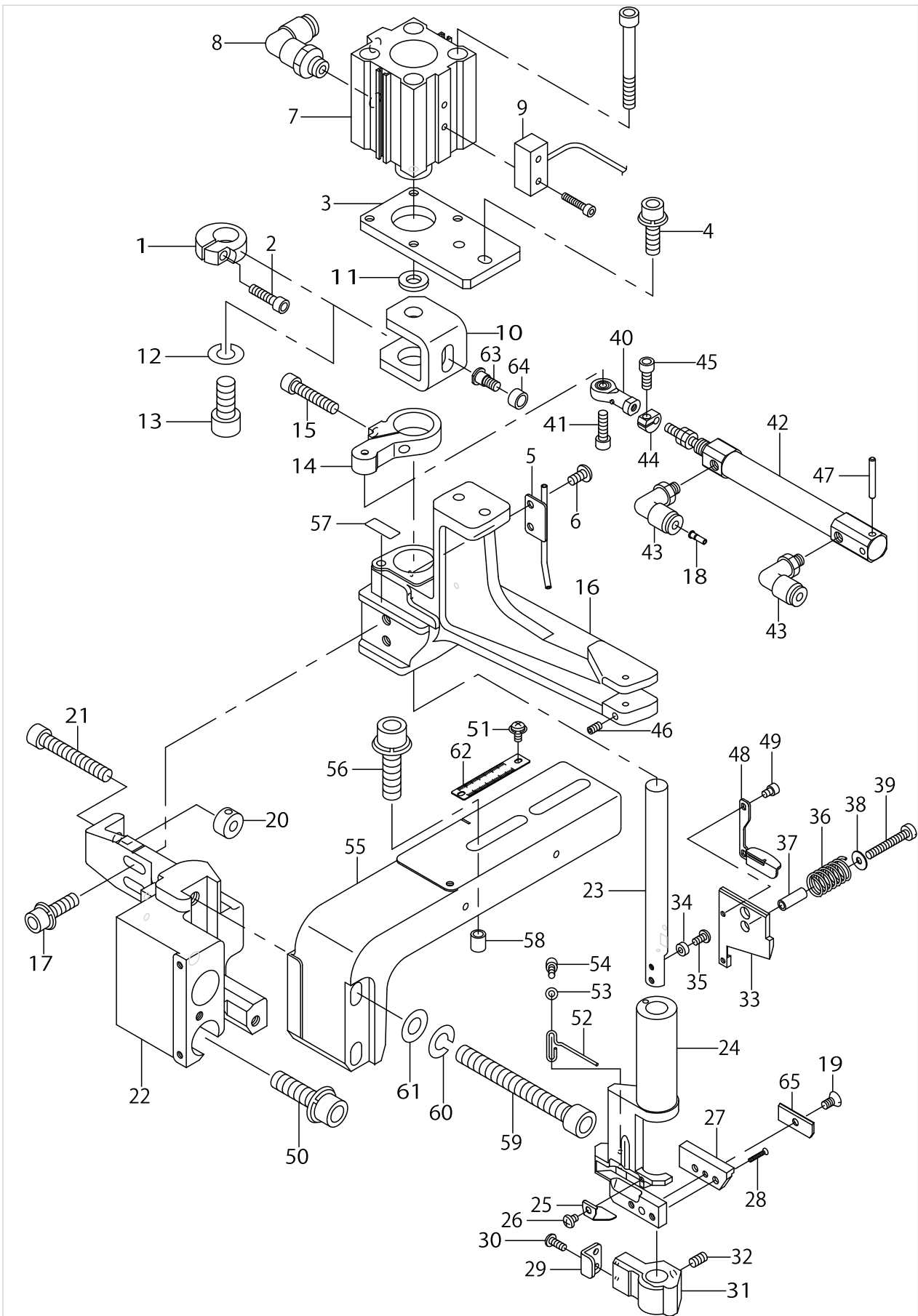
# CLAMP FEED COMPONENTS



CLAMP FEED COMPONENTS

No.	Supply Code	Parts No.	Replacement	Parts name	Remarks	Choice	Step	Level	Cons	Qty	Rep. QTY
1		G5301254000A		LOOP CLAMP LEVER						1	
2		G5302254000		LOOP CLAMP BASE PLATE						1	
3		SL6041092TN		SCREW						2	
4		G5303254000		LOOP CLAMP LEVER SHAFT						1	
5		RE0300000K0		E-RING 3						2	
6		G5305254000		LOOP CLAMP DETECTOR PLATE						1	
7		SL6030892TN		SCREW						2	
8		G5306254000		LOOP CLAMP FEED SHAFT						1	
9		PA1001025A0		PIN CYLINDER						1	
10		PA900034000		JOINT						1	
11		SB710000200		SLIDE BEARING						1	
12		RC1900001KP		C-RING						2	
13		WZ2200300KP		WAVED WASHER						1	
14		WP2103001SE		PLAIN WASHER						1	
15		12308409		METAL, REAR						1	
16		SM8060602TP		SCREW M6X6						1	
17		B1811205000		LOWER SHAFT						1	
18		SM8040602TP		SCREW M4X0.7 L=6						2	
19		G5307254000		CLAMP FEED GUIDE PLATE						1	
20		SL6041092TN		SCREW						2	
21		SL4041291SC		SCREW M4 L=12						1	
22		G5010254000		SUPPLY SENSOR FITTING PLATE						1	
23		SL6041092TN		SCREW						2	
24		G5308254000		CLAMP END SENSOR BRACKET						1	
25		SL6041092TN		SCREW						2	
26		G5230254000		FEED-OUT MOTOR						1	
27		SM6040802TP		SCREW M4X0.7 L=8						4	
28		G5309254000		CLAMP FEED MOTOR GEAR						1	
29		SM8050602TP		SCREW M5 L=6						2	
30		HX001890000		SPIRAL TUBE						.3	
31		HD002230000		PHOTO SENSOR						1	
32		SM6850802TN		SCREW M2.5 L=8						1	

KNIFE COMPONENTS

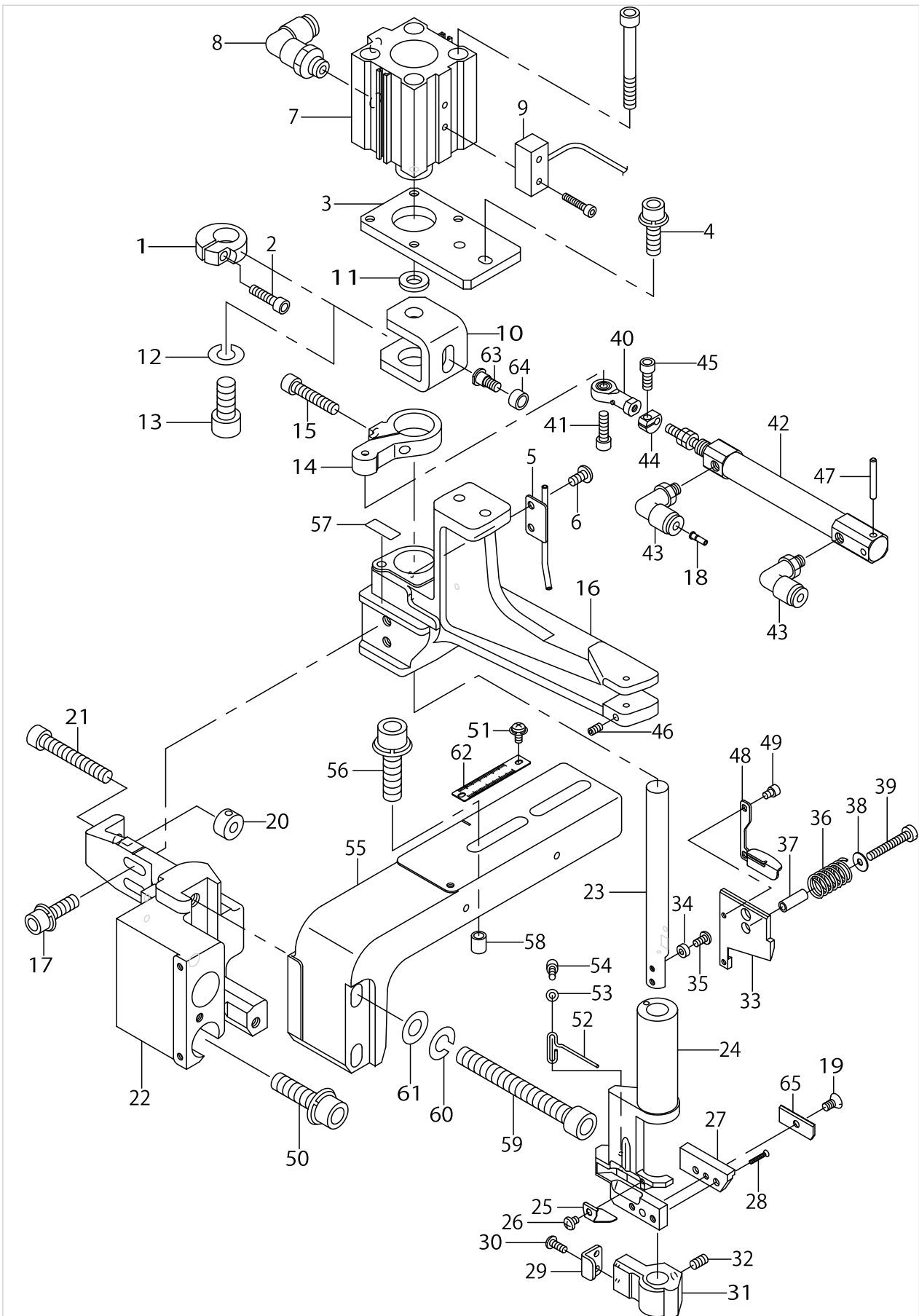


KNIFE COMPONENTS

No.	Supply Code	Parts No.	Replacement	Parts name	Remarks	Choice	Step	Level	Cons	Qty	Rep. QTY
1		14006506		COLLAR						1	
2		SM6041602TP		SCREW M4X0.7 L=16						1	
3		G5401254000		KNIFE CYLINDER BRACKET						1	
4		SL6062092TN		SCREW M6 L=20						2	
5		G5420254000		BLOW PIPE						1	
6		SM4040801SN		SCREW M4 L=8						2	
7		PA3201503A0		AIR CYLINDER						1	
8		PJ304065101		ELBOW UNION 6XPT1/8						2	
9		G54212540A0		KNIFE LOWERING SENSOR ASM.						1	
10		G5402254000		KNIFE SHAFT JOINT						1	
11		B185351200AA		HOOK SHAFT WASHER, A						1	
12		WS0820002KN		SPRING WASHER M8						1	
13		SM6081802TP		SCREW						1	
14		G5403254000		FIXING KNIFE POSITION BRACKET						1	
15		SM6052502TP		SCREW M5X0.8 L=25						1	
16		G5404254000		KNIFE BASE BRACKET						1	
17		SL6062092TN		SCREW M6 L=20						2	
18		PC022403F00		INSERT RING						1	
19		SS2090710TP		SCREW 9/64-40 L=7.2						1	
20		G6014880000		LINK THRUST HOLDER						1	
21		SM6064002TR		SCREW M6 L=40						1	
22		G5405254000		KNIFE DEVICE BRACKET						1	
23		G5406254000		MOVINGKNIFESHAFT						1	
24		G5407254000A		FIXING KNIFE BASE						1	
25		G5408254000		KNIFE BASE LOOP GUIDE						1	
26		SM4030401SC		SCREW M3X0.5 L=4						1	
27		G5409254000A		FIXING KNIFE						1	
28		SM1041001SC		SCREW M4X0.7 L=10						2	
29		G5410254000		MOVING KNIFE GUIDE						1	
30		SM4030855SN		SCREW M3 L=8.0						2	
31		G5411254000		MOVING KNIFE BASE						1	
32		SM8050602TP		SCREW M5 L=6						1	
33		G5412254000		UPPER KNIFE						1	
34		11217213		ROLLER						1	
35	R	SS4080610SP	SS4080620TP	SCREW 1/8-44 L=6.4						1	1.00
36		G5413254000		KNIFE PRESSER SPRING						1	
37		GPK26004000		SWITCH PEDAL GUIDE COLLAR						1	
38		B242328000E		MOVING KNIFE WASHER E						1	
39		SS6092420SP		SCREW 9/64-40 L=23.5						1	
40		G5414254000		ROD END						1	
41		SM6041402TP		SCREW M4 L=14						1	
42		PA1004513A0		AIR CYLINDER						1	
43		PJ304040504		ELBOW UNION						2	
44		G5415254000		CYLINDER ADJUSTING COLLAR						1	
45		SM6041002TP		SCREW M4 L=10						1	
46		SM8040602TP		SCREW M4X0.7 L=6						1	



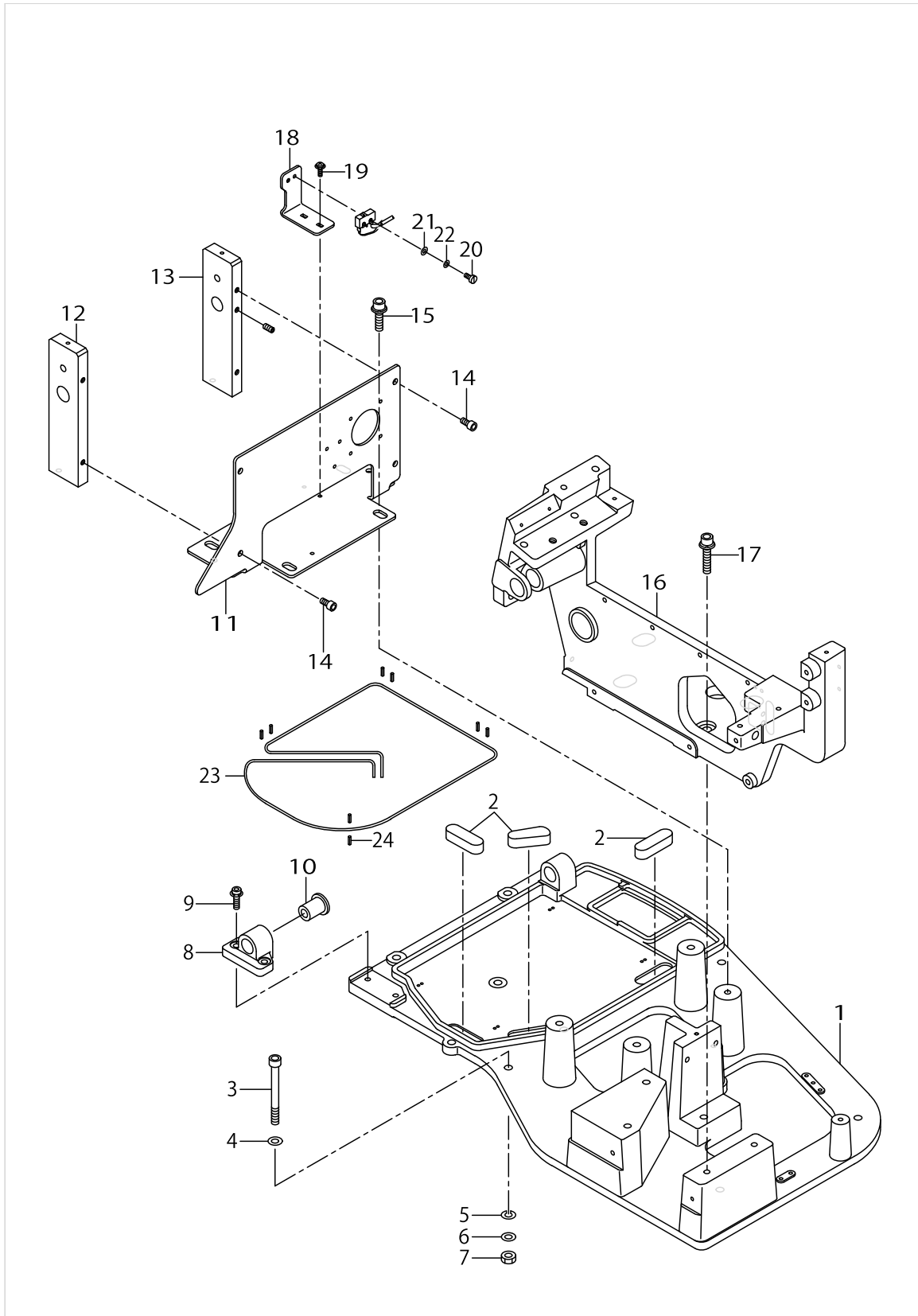
# KNIFE COMPONENTS



KNIFE COMPONENTS

No.	Supply Code	Parts No.	Replacement	Parts name	Remarks	Choice	Step	Level	Cons	Qty	Rep. QTY
47		G5416254000		CYLINDER PIN						1	
48		G5417254000		CLOTH CUT SUPPORT						1	
49		SM6030402TP		SCREW M3X0.5 L=4						2	
50		SL6083092TN		SCREW						2	
51		SL4030631SC		SCREW M3X6						2	
52		G5418254000		LOOP GUIDE B						1	
53		WP0320501SD		WASHER						2	
54		SM6030502TP		BOLT M3X5						2	
55		G5419254000		KNIFE UNIT GUIDE RAIL						1	
56		SL6083092TN		SCREW						2	
57		G5422254000		LOOP WIDTH KNIFE POSITION SEAL						1	
58		22571400		CAM ROLLER, D						2	
59		SM6087002TN		SCREW M8 L=70						2	
60		WS0820002KN		SPRING WASHER M8						2	
61		WP0841601SC		WASHER 8.4X17.4X1.6						2	
62		G5063254000		FORK WIDTH SCALE PLATE						1	
63		D2588L8WB00		ROLLER SHAFT						1	
64		D2587L8WB00		ROLLER						1	
65		G5424254000		FIXING KNIFE GUIDE PLATE						1	

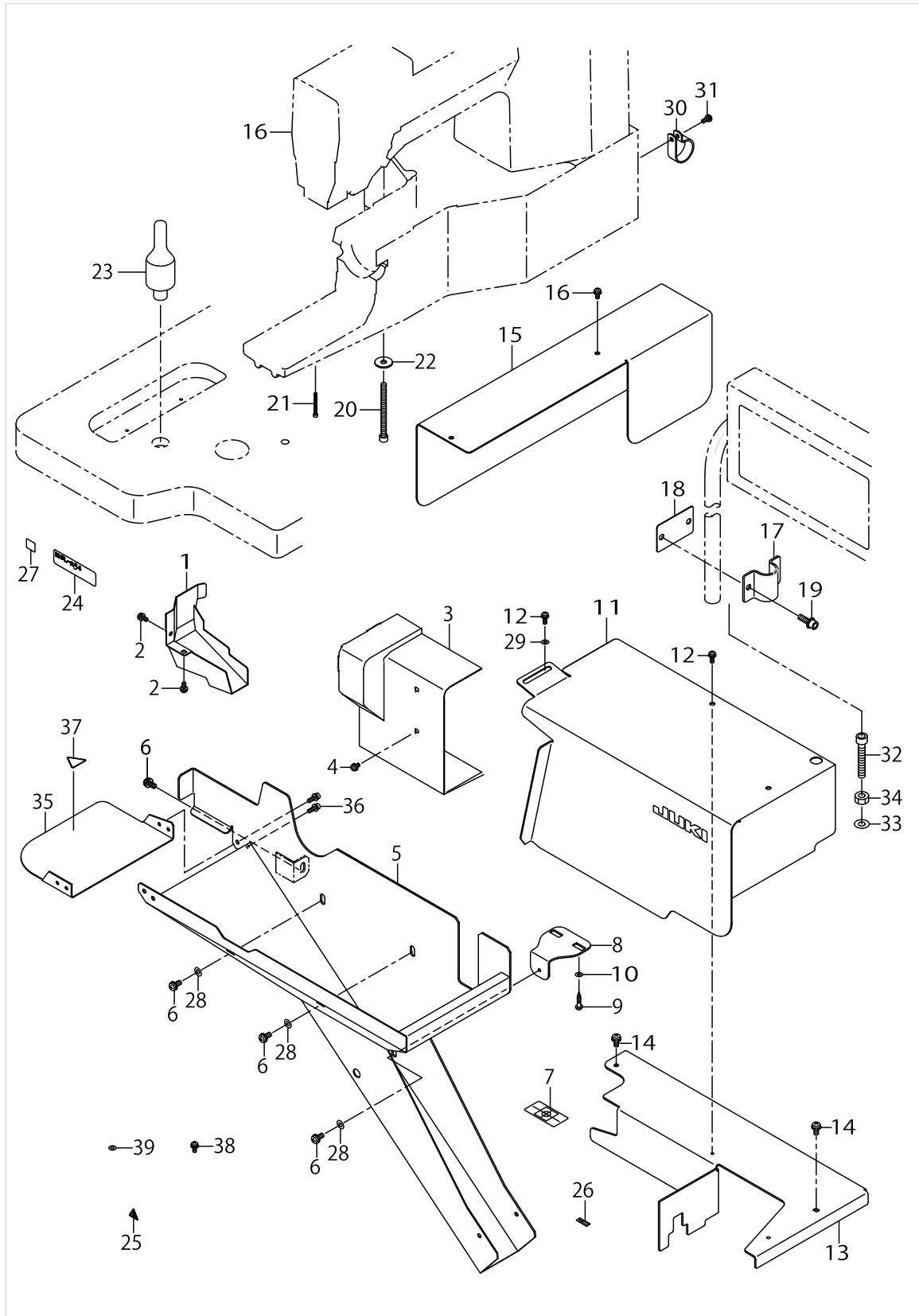
# SUPPLYING DEVICE BASE COMPONENTS



SUPPLYING DEVICE BASE COMPONENTS

No.	Supply Code	Parts No.	Replacement	Parts name	Remarks	Choice	Step	Level	Cons	Qty	Rep. QTY
1		G5501254000		BASE PLATE						1	
2		B1104280000		VIBRATION-PROOF RUBBER PAD						3	
3		SM6087002TN		SCREW M8 L=70						6	
4		WP0841601SC		WASHER 8.4X17.4X1.6						6	
5		WP0852086SC		WASHER M8						6	
6		WS0820002KN		SPRING WASHER M8						6	
7		NM6080001SC		NUT M8X1.25						6	
8		G5506254000		FRAME FIXING HINGE						1	
9		SL6062042TN		BOLT						2	
10		G5507254000		BASE PLATE BUSH						2	
11		G5503254000		CLAMP FEED BASE PLATE						1	
12		G5504254000		CLAMP FEED PLATE,FRONT						1	
13		G5505254000		CLAMP FEED PLATE,REAR						1	
14		SM6061202TR		HOLED BOLT						6	
15		SL6083092TN		SCREW						4	
16		G5502254000		LOOP SUPPLY FRAME						1	
17		SL6084092TN		BOLT						4	
18		G5508254000		SWITCH INSTALLING PLATE						1	
19		SL4041291SC		SCREW M4 L=12						2	
20	R	SS6111010SP	SS6111010TP	SCREW 11/64-40 L= 9.5						1	1.00
21		WP0450801SD		WASHER 4.5X10X0.8						1	
22		WS0451040KP		SPRING WASHER 4.5X8.5X1						1	
23		CQ252200000		OIL WICK						1.5	
24		PS0300102K0		SPRING PIN 3.0X10						8	

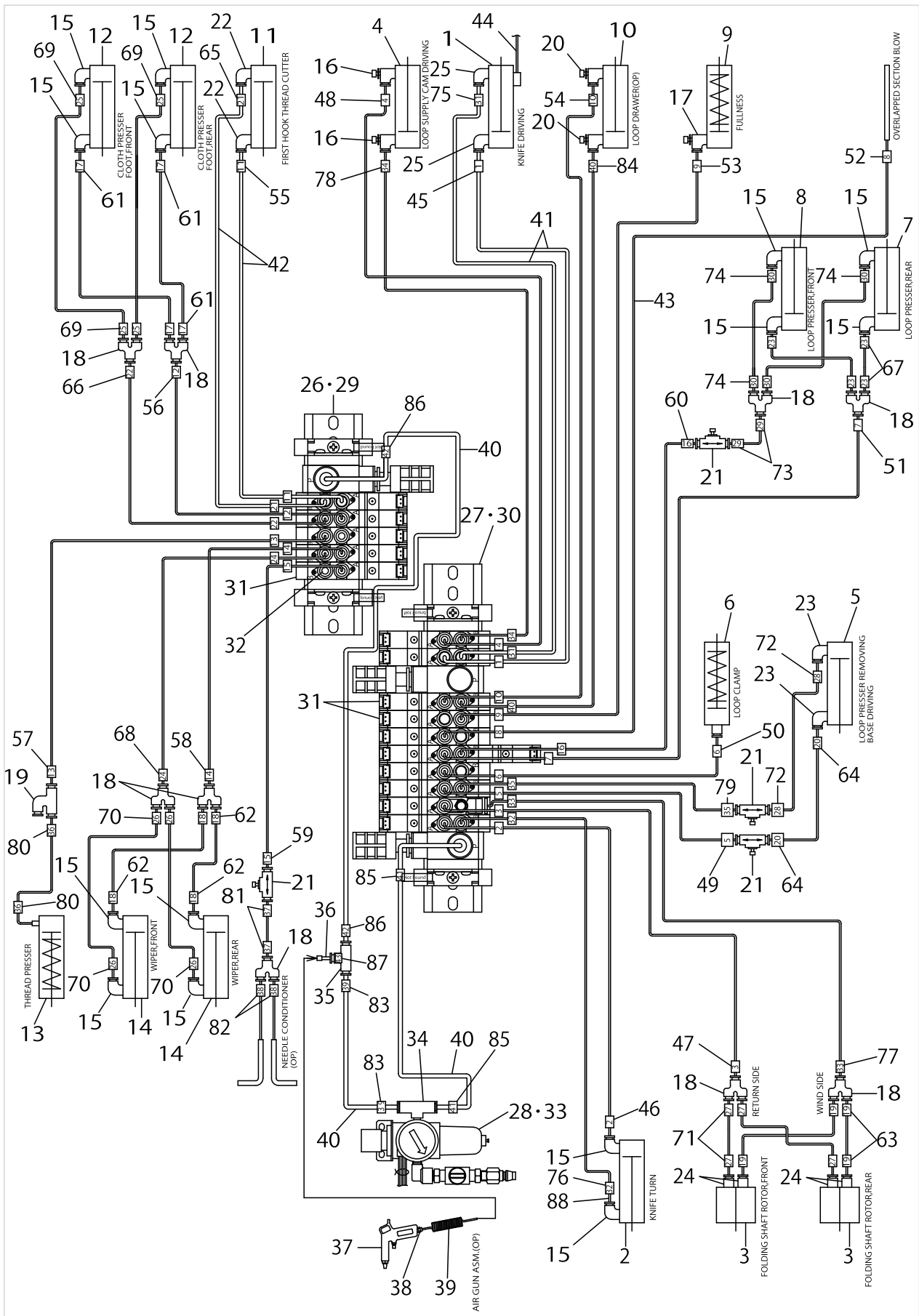
FACING & FILTER COMPONENTS



FACING & FILTER COMPONENTS

No.	Supply Code	Parts No.	Replacement	Parts name	Remarks	Choice	Step	Level	Cons	Qty	Rep. QTY
1		G5551254000		CHIP COVER						1	
2		SL4041091SC		SCREW M4 L=10						2	
3		40021793		GEAR_COVER						1	
4		SL4041091SC		SCREW M4 L=10						5	
5		G5553254000A		CLOTH WASTE SUPPORT						1	
6		SL4051291SC		SCREW M5X0.8 L=12						4	
7		16870206		GRAVITY SEAL						1	
8		G5554254000		CLOTH WASTE SUPPORT STAY						1	
9		SK3412001SC		WOOD SCREW D=4.1 L=20						2	
10		WP0501046SC		WASHER 5 X 13 X 1						2	
11		G5555254000		SUPPLY FRAME COVER						1	
12		SL4041091SC		SCREW M4 L=10						3	
13		G5556254000		CHIP BOARD						1	
14		SL4051291SC		SCREW M5X0.8 L=12						2	
15		G5557254000		CLAMP FEED BRACKET COVER						1	
16		SL4041091SC		SCREW M4 L=10						2	
17		G1015192000		CLAMP						1	
18		G5558254000		OPERATION PANEL RUBBER						1	
19		SL6062092TN		SCREW M6 L=20						2	
20		SM6067552TP		HEXAGONAL-HOLE BOLT M6 L=75						2	
21		SM6062002TP		SCREW M6 L=20						1	
22		WP0612516SD		WASHER 6.1X15.2X2.5						3	
23		14101208		HEAD SUPPORT BAR						1	
24		G5559254000		PLATE						1	
25		CM300200001		ATTENTION SEAL						6	
26		B1140761000		OILING LABEL						9	
27		CM600100101		WEEE MARK LABEL S	FOR JE					1	
28		WP0501046SC		WASHER 5 X 13 X 1						3	
29		WP0501046SC		WASHER 5 X 13 X 1						1	
30		HX00150000N		CABLE CLIP						1	
31		SL4041091SC		SCREW M4 L=10						1	
32		SM6085002TN		BOLT						1	
33		WP0841601SC		WASHER 8.4X17.4X1.6						1	
34		NM6080001SC		NUT M8X1.25						1	
35		G5563254000		CLOTH WASTE FRONT CATCH						1	
36		SL4041291SC		SCREW M4 L=12						2	
37		CM300200002		CAUTION LABEL(25)						1	
38		SL4041091SC		SCREW M4 L=10						8	
39		WP0501046SC		WASHER 5 X 13 X 1						1	

PNEUMATIC COMPONENTS

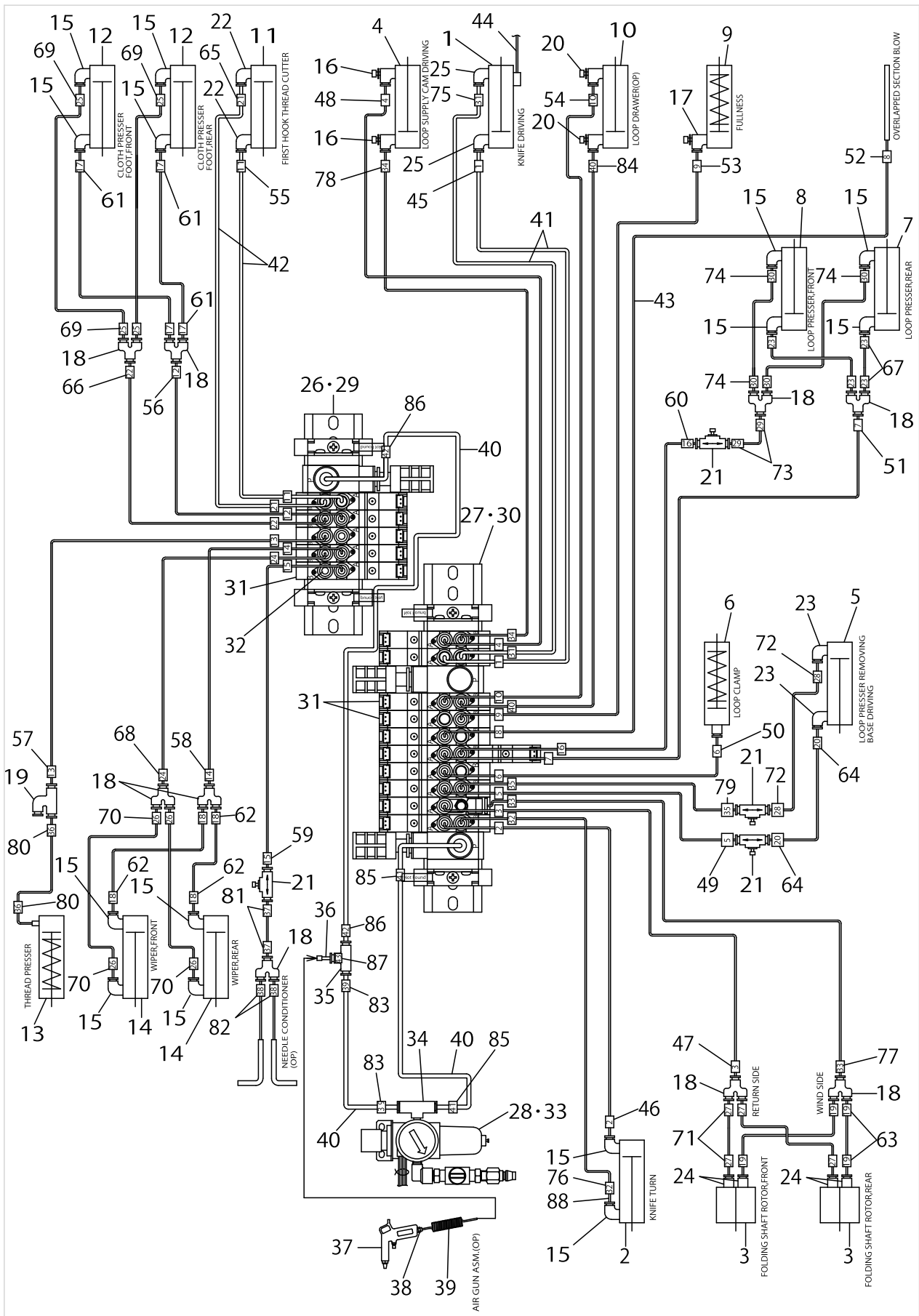


PNEUMATIC COMPONENTS

No.	Supply Code	Parts No.	Replacement	Parts name	Remarks	Choice	Step	Level	Cons	Qty	Rep. QTY
1		PA3201503A0		AIR CYLINDER						1	
2		PA1004513A0		AIR CYLINDER						1	
3		G5061254000		FOLDING SHAFT ROTOR						2	
4		PA1602006A0		AIR CYLINDER						1	
5		PA1602005A0		AIR CYLINDER						1	
6		PA1001025A0		PIN CYLINDER						1	
7		PA1005501A0		CYLINDER						1	
8		PA1005501A0		CYLINDER						1	
9		PA1003003A0		PEN CYLINDER						1	
10		PA2015005A0		AIR CYLINDER						1	
11		PA1501515A0		AIR CYLINDER						1	
12		PA1002507A0		AIR CYLINDER						2	
13		PA060101500		AIR CYLINDER						1	
14		PA1004001A0		AIR CYLINDER						2	
15		PJ304040504		ELBOW UNION						14	
16		PC010508000		SPEED CONTROLLER						2	
17		PC010507000		SPEED CONTROLLER						1	
18		PJ308040002		QUICK COUPLING						4	
19		PV010014000		QUICK EXHAUST VALVE						1	
20		PC015108000		SPEED CONTROLLER						2	
21		PC012406000		SPEED CONTROLLER						4	
22		PJ046054002		HOSE ELBOW						2	
23		PJ304040506		ELBOW UNION						2	
24		PJ032059006		BARB JOINT						4	
25		PJ304065101		ELBOW UNION 6XPT1/8						2	
26		SL4041091SC		SCREW M4 L=10						2	
27		SL6051292TN		BOLT						2	
28		SL6051292TN		BOLT						2	
29		G56012540A0		SOLENOID VALVE A ASM.						1	
30		G56022540A0		SOLENOID VALVE B ASM.						1	
31		PV150209000		5 PORT SOLENOID VALVE						3	
32		PX500014000		PLUG						2	
33		G56042540A0		FILTER REGULATER ASM.						1	
34		PJ308085202		UNION Y						1	
35		PJ305080001		PIPE TEE						1	
36		PX950001000		PLUG						1	
37		16111403		AIR GUN						1	
38		PJ301065103		HALF UNION 6XPT1/8						1	
39		G5458116000		CURLED TUBE						1	
40		BT0800501EB		VINYL TUBE						3	
41		BT0600401EB		TUBE						2	
42		BT0600401EF		TUBE						.6	
43		BT0400251EB		URETHANE HOSE, BLACK						20	
44		G54212540A0		KNIFE LOWERING SENSOR ASM.						1	
45		18035006		CABLE MARK NO.1						4	
46		18035105		WIRE MARK (2)						4	



PNEUMATIC COMPONENTS



PNEUMATIC COMPONENTS

No.	Supply Code	Parts No.	Replacement	Parts name	Remarks	Choice	Step	Level	Cons	Qty	Rep. QTY
47		18035204		WIRE MARK (3)						4	
48		18035303		WIRE MARK (4)						4	
49		18035402		WIRE MARK (5)						4	
50		18035501		WIRE MARK (6)						4	
51		18035600		WIRE MARK (7)						4	
52		18035709		WIRE MARK (8)						4	
53		18035808		WIRE MARK (9)						4	
54		18035907		WIRE MARK (10)						4	
55		18036004		WIRE MARK						1	
56		18036103		WIRE MARK (12)						4	
57		18036202		WIRE MARK (13)						4	
58		18036301		WIRE MARK (14)						4	
59		18036400		WIRE MARK (15)						4	
60		18036509		WIRE MARK (16)						4	
61		18036608		WIRE MARK (17)						8	
62		18036707		WIRE MARK (18)						8	
63	D	18036806		WIRE MARK (19)						8	
64		18036905		WIRE MARK (20)						4	
65		18037002		WIRE MARK (21)						4	
66		18037101		WIRE MARK (22)						4	
67		18037200		WIRE MARK (23)						8	
68		18037309		WIRE MARK (24)						4	
69		18037408		WIRE MARK (25)						8	
70		18037507		WIRE MARK 26						8	
71		18037606		WIRE MARK 27						8	
72	D	18037705		WIRE MARK (28)						4	
73	D	18037804		WIRE MARK (29)						4	
74		18037903		WIRE MARK (33)						8	
75	D	18038000		WIRE MARK (31)						4	
76		18038109		WIRE MARK (32)						4	
77		18038208		WIRE MARK (33)						4	
78	D	18038307		WIRE MARK (34)						4	
79		18038406		WIRE MARK (35)						4	
80		18038505		WIRE MARK (36)						3	
81		18038604		WIRE MARK (37)						4	
82		18038703		WIRE MARK (38)						4	
83		18038802		WIRE MARK (39)						4	
84		18038901		WIRE MARK (40)						4	
85		18039008		WIRE MARK (41)						4	
86		18039107		WIRE MARK (42)						4	
87		18039206		WIRE MARK (43)						1	
88		PC022403F00		INSERT RING						2	

TABLE COMPONENTS

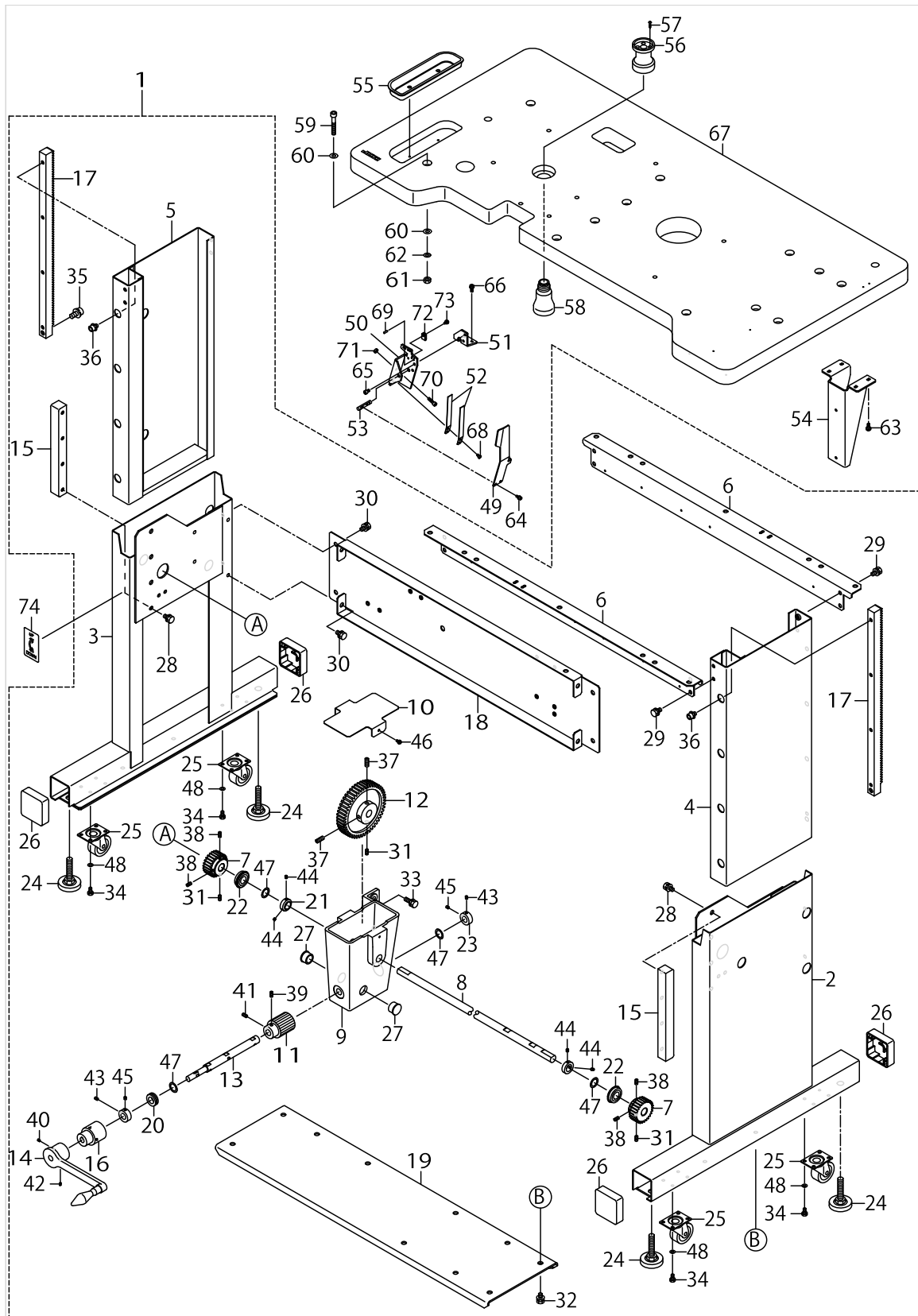


TABLE COMPONENTS

No.	Supply Code	Parts No.	Replacement	Parts name	Remarks	Choice	Step	Level	Cons	Qty	Rep. QTY
1		17077058		TABLE & STAND ASM.						1	
2	D	17077009		LOWERSTAND,RIGHT				*		1	
3	D	17077108		LOWER STAND,LEFT				*		1	
4	D	17077207		UPPER STAND,RIGHT				*		1	
5	D	17077306		UPPER STAND,LEFT				*		1	
6	D	17077405		UPPER SUPPORT				*		2	
7		40008602		GEAR				*		2	
8		40008600		WORM_WHEEL_SHAFT				*		1	
9		17077710		GEAR BOX				*		1	
10	D	17077801		GEAR BOX COVER				*		1	
11	D	17077900		WORM				*		1	
12		40008601		WORM_WHEEL				*		1	
13		17078114		WORM SHAFT				*		1	
14		17078213		HANDLE				*		1	
15	D	17078304		GUIDE BAR				*		2	
16		17078700		TORQUE RIMITER				*		1	
17		17078502		RACK				*		2	
18		B8306223C00		SIDE STRUT				*		1	
19		B8307220000		LOWER STRUT A				*		1	
20	D	GHP03217000		SHAFT HOLDER.				*		1	
21		E4087172000		COLLAR				*		2	
22		SB117000200		ROLLING BEARING				*		2	
23		E4087172000		COLLAR				*		2	
24		17833658		ADJUSTING BOLT ASM.				*		4	
25		B8150221D00		CASTER				*		4	
26		20243200		STAND CAP, W				*		4	
27		TA2351305R0		RUBBER PLUG				*		2	
28		SL9081693SE		HEXAGON SCREW WITH WASHER				*		8	
29		SL9081693SE		HEXAGON SCREW WITH WASHER				*		8	
30		SL9081693SE		HEXAGON SCREW WITH WASHER				*		8	
31		SM8061242TP		SCREW				*		3	
32		SL9081693SE		HEXAGON SCREW WITH WASHER				*		4	
33		SL9082583SE		BOLT WITH WASHER				*		2	
34		SM9061203SE		SCREW M6 L=12				*		16	
35		SL6102042TN		SCREW				*		1	
36		SL6081242TN		BOLT				*		8	
37		SM8082012TN		SCREW M8 L=20				*		2	
38		SM8061212TP		SCREW M6X12				*		4	
39		SM8061212TP		SCREW M6X12				*		1	
40		SM8040612TP		SCREW M4 L=6				*		1	
41		SM8061242TP		SCREW				*		1	
42		SM8040612TP		SCREW M4 L=6				*		1	
43		SM8050842TP		SETSCREW				*		2	
44		SM8050612TP		SCREW M5X6				*		4	
45		SM8050612TP		SCREW M5X6				*		2	
46		SL4041081SC		SCREW M4 L=10				*		1	

TABLE COMPONENTS

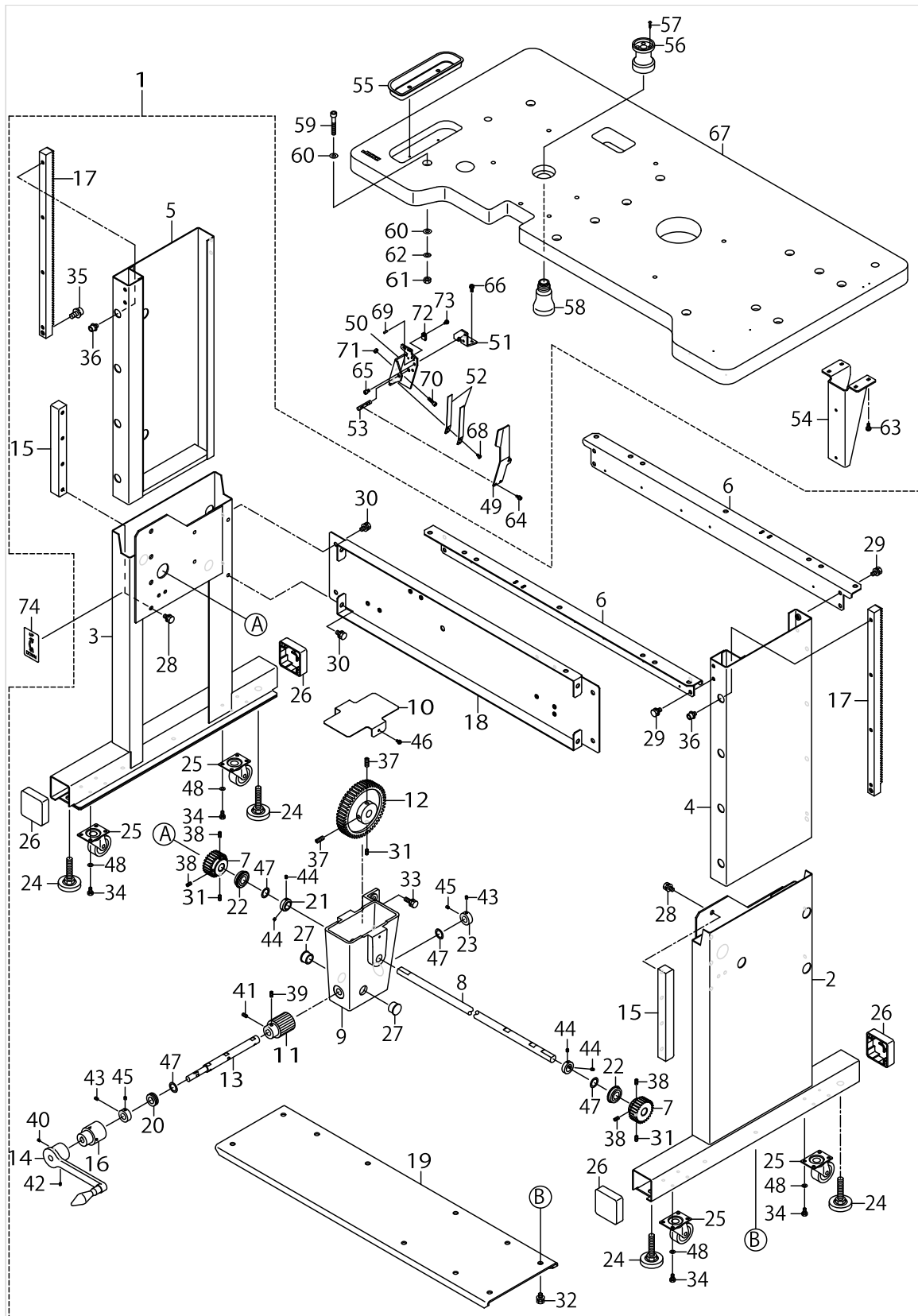
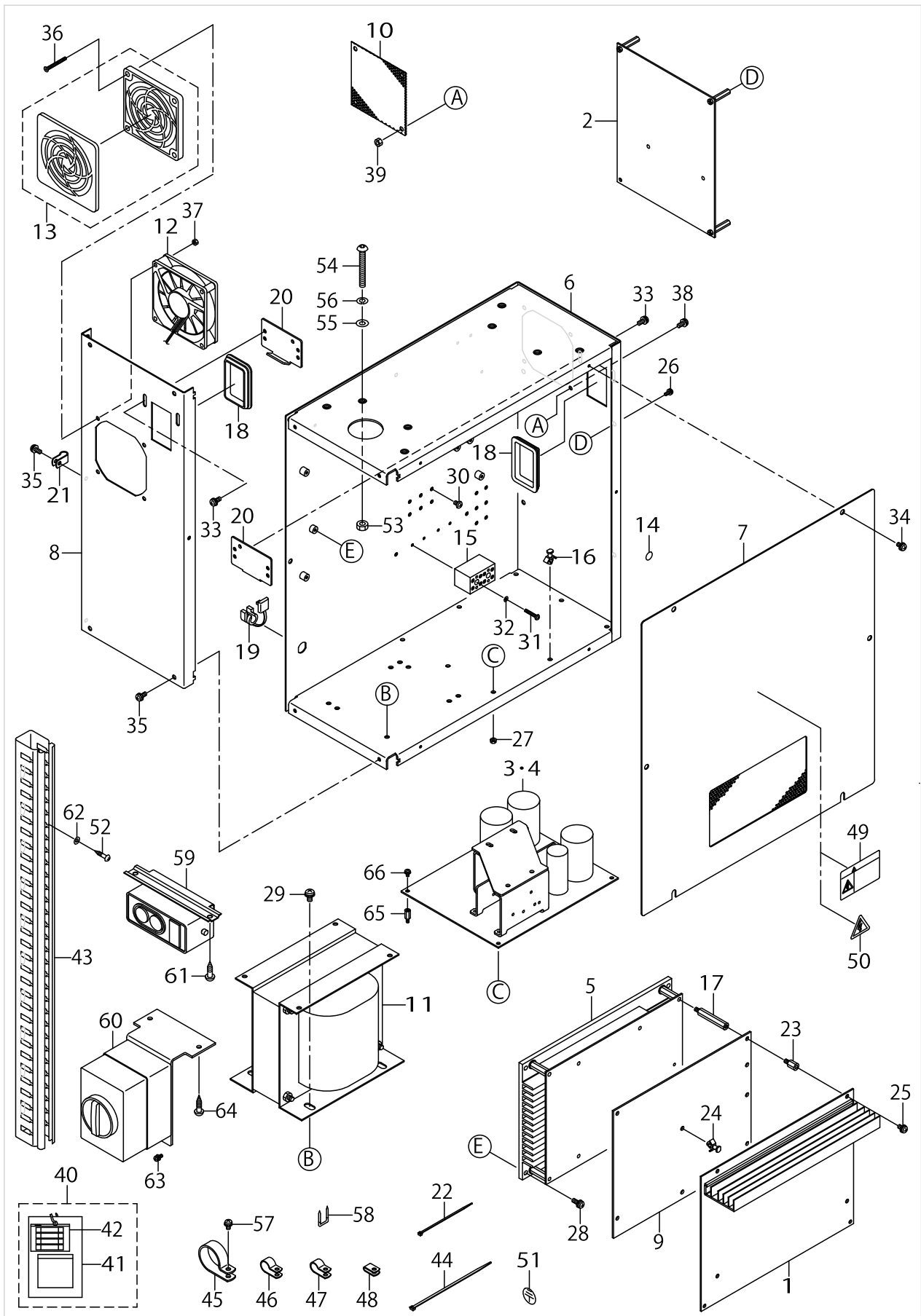


TABLE COMPONENTS

No.	Supply Code	Parts No.	Replacement	Parts name	Remarks	Choice	Step	Level	Cons	Qty	Rep. QTY
47		GBR22107000		SPACER				*		4	
48		WS0610002KN		SPRING WASHER 6.1X12.2X1.5				*		16	
49		17079500		START SW PLATE						1	
50		17079609		START SW BRACKET A						1	
51		17079708		START SW BRACKET B						1	
52		17079807		START SWITCH RETURN SPRING						2	
53		17079906		START SW FULCRUM SHAFT						1	
54		17080110		JE POWER SW BRACKET	FOR JE,EX- PORT HIGH VOLTAGE					1	
55		11156056		SMALL CASTINGS CASE ASM.						1	
56		B8202205000		OIL MANAGEMENT						1	
57		SK3311601SE		WOOD SCREW D=3.1 L=16						4	
58		B9121012000		OIL CAN						1	
59		SM6085002TN		BOLT						6	
60		WP0850002SC		WASHER 8.5X18X1.6						12	
61		NM6080001SC		NUT M8X1.25						6	
62		WS0820002KR		SPRING WASHER, M8						6	
63	R	SL4051485SE	SL4041295SE	BASE PLATE SETSCREW	FOR JE,EX- PORT HIGH VOLTAGE	A	MOL254			4	1.00
63	R	SL4051485SE	SL4051485SC	BASE PLATE SETSCREW	FOR JE,EX- PORT HIGH VOLTAGE	B	MOL254以 外/Except MOL254			4	1.00
64		SL6041092TN		SCREW						2	
65		SM6050802TN		BOLT						2	
66		SL6051292TN		BOLT						2	
67		17078601		TABLE						1	
68		SM6040602TN		BOLT						2	
69		PS0300102K0		SPRING PIN 3.0X10						4	
70		SM6052002TN		BOLT						1	
71		NM6050001SC		NUT M5						1	
72		HX001500000		CLIP						1	
73		SL4040891SC		SCREW M4 L=8						1	
74		G5564254000		DIRECTION INSTRUCTION SEAL						1	

CONTROL BOX COMPONENTS

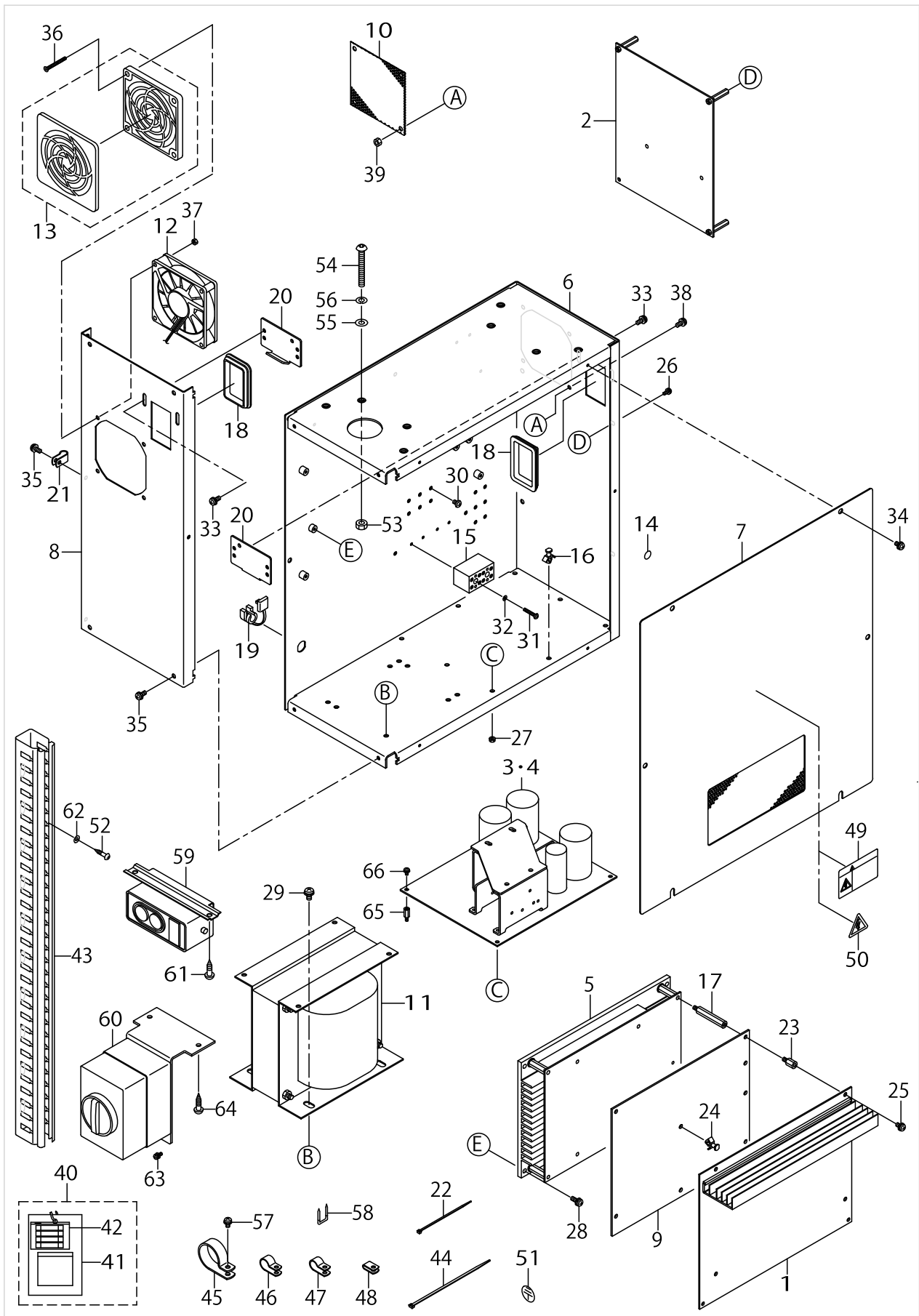


CONTROL BOX COMPONENTS

No.	Supply Code	Parts No.	Replacement	Parts name	Remarks	Choice	Step	Level	Cons	Qty	Rep. QTY
1		40059340		MAIN PCB ASSY						1	
2	D	40022269		SDC PCB ASSY						1	
3		M86045900C0		POWER CIRCUIT BOARD ASM.	FOR USE IN JAPAN (200V)					1	
4		M8604590AC0		POWER CIRCUIT BOARD A ASM.	FOR EXPORT (LOW VOLTAGE 220~400V), FOR JE, HIGH VOLTAGE (220~400V)					1	
5		40059356		PMDC PCB ASSY						1	
6	D	M1001581000		CONTROL BOX						1	
7	R	M10025800A0	40098646	CONTROL BOX COVER ASM.						1	1.00
8		M1001610000		CONTROL BOX PANEL						1	
9		M1013610000		MAIN CIRCUIT BOARD PLATE						1	
10		M1004581000		VENTILATION COVER						1	
11		40059338		TRANSFORMER B ASM.						1	
12		M85405800A0		FAN ASM.						1	
13		HM000860010		FAN FILTER						1	
14		E9567319000		EARTH MARK						2	
15		HK054250040		TERMINAL BASE						2	
16		HX00147000C		SPACER						4	
17		HX00339000D		SPACER						4	
18		HX004070000		BUSH						2	
19		HX004100000		BUSH						1	
20		17845009		CORD FITTING PLATE						2	
21		HX00123000B		CABLE CLIP						1	
22		EA9500B0100		CABLE BAND						11	
23		HX003390000		STUD						4	
24		HX00147000C		SPACER						3	
25		SL4040881SF		SCREW M4 L=8						4	
26		SL4030891SC		SCREW M3X8						4	
27		NM3034000SF		FLANGE NUT						4	
28		SL4041281SF		SCREW M4 L=12						4	
29	D	SL4051081SF		SCREW M5 L=10						4	
30		SL4040681SC		COMBINATION SCREW M4 X 8						7	
31		SM4031851SR		SCREW						4	
32		WS0310702KS		SPRING WASHER						4	
33		SL4041091SC		SCREW M4 L=10						4	
34		SL4040891SC		SCREW M4 L=8						6	
35		SL4041091SC		SCREW M4 L=10						7	
36	D	SM1033001SC		SCREW						2	
37		NM6030003SC		NUT M3						2	
38		SL4041091SC		SCREW M4 L=10						4	
39		NM3040520SF		FLANGE NUT M4						4	
40		M85996100A0A		ACCESSORIE PART ASM.						1	
41		M3001140000		LABEL				*		1	
42		HF0084063P0		FUSE				*		3	



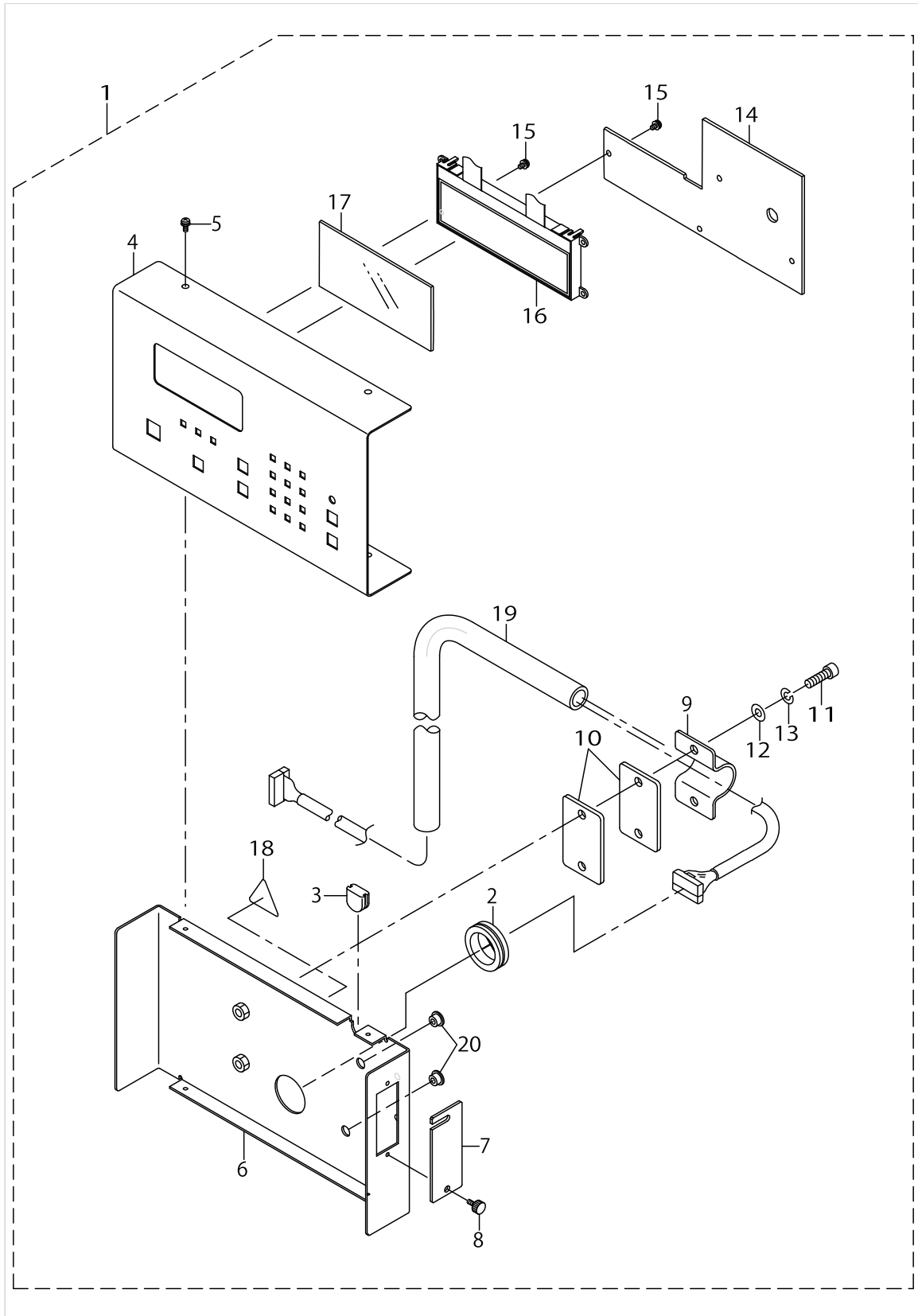
CONTROL BOX COMPONENTS



CONTROL BOX COMPONENTS

No.	Supply Code	Parts No.	Replacement	Parts name	Remarks	Choice	Step	Level	Cons	Qty	Rep. QTY
43		HX00013000B		WIRE HARNESS PART						.5	
44		EA9500B0200		CABLE BAND 150						5	
45		EA9502B0400		CABLE CLIP E						1	
46		HX00150000F		CABLE CLIP						2	
47		HX00150000D		CABLE CLIP						2	
48		HX001500000		CLIP						2	
49		CM300100101		DANGER LABEL (SMALL)	FOR USE IN JAPAN (200V)					1	
50		CM300100001		LABEL	FOR EXPORT (LOW VOLTAGE 220~400V), FOR JE, HIGH VOLTAGE (220~400V)					1	
51		E9567319000		EARTH MARK						4	
52		SK3382001SE		SCREW D=3.8 L=20						2	
53		NM6060001SC		NUT M6						3	
54		SM3065052TC		SCREW						4	
55		WP0612056SE		WASHER 6.1X18.5X2						4	
56		WS0610002KN		SPRING WASHER 6.1X12.2X1.5						4	
57		SL4040891SC		SCREW M4 L=8						9	
58		MA011532000		CORD STAPLE						2	
59		HA004250000		SWITCH	FOR USE IN JAPAN (200V), FOR EXPORT (LOW VOLTAGE 200~240V)					1	
60		HA005820000		SWITCH	FOR JE, HIGH VOLTAGE (220~400V)					1	
61		SK3512001SF		WOOD SCREW	FOR USE IN JAPAN (200V), FOR EXPORT (LOW VOLTAGE 200~240V)					2	
62		WP0450826SC		WASHER 4.5X10X0.8						2	
63	R	SL4051485SE	SL4041295SE	BASE PLATE SETSCREW	FOR JE, HIGH VOLTAGE (220~400V)	A	MOL254			2	1.00
63	R	SL4051485SE	SL4051485SC	BASE PLATE SETSCREW	FOR JE, HIGH VOLTAGE (220~400V)	B	MOL254以外/Except MOL254			2	1.00
64		SK3482001SE		WOOD SCREW D=4.8 L=20	FOR JE, HIGH VOLTAGE (220~400V)					4	
65		HX00056000B		SPACER						4	
66		SL4030681SF		SCREW M3 L=6						4	

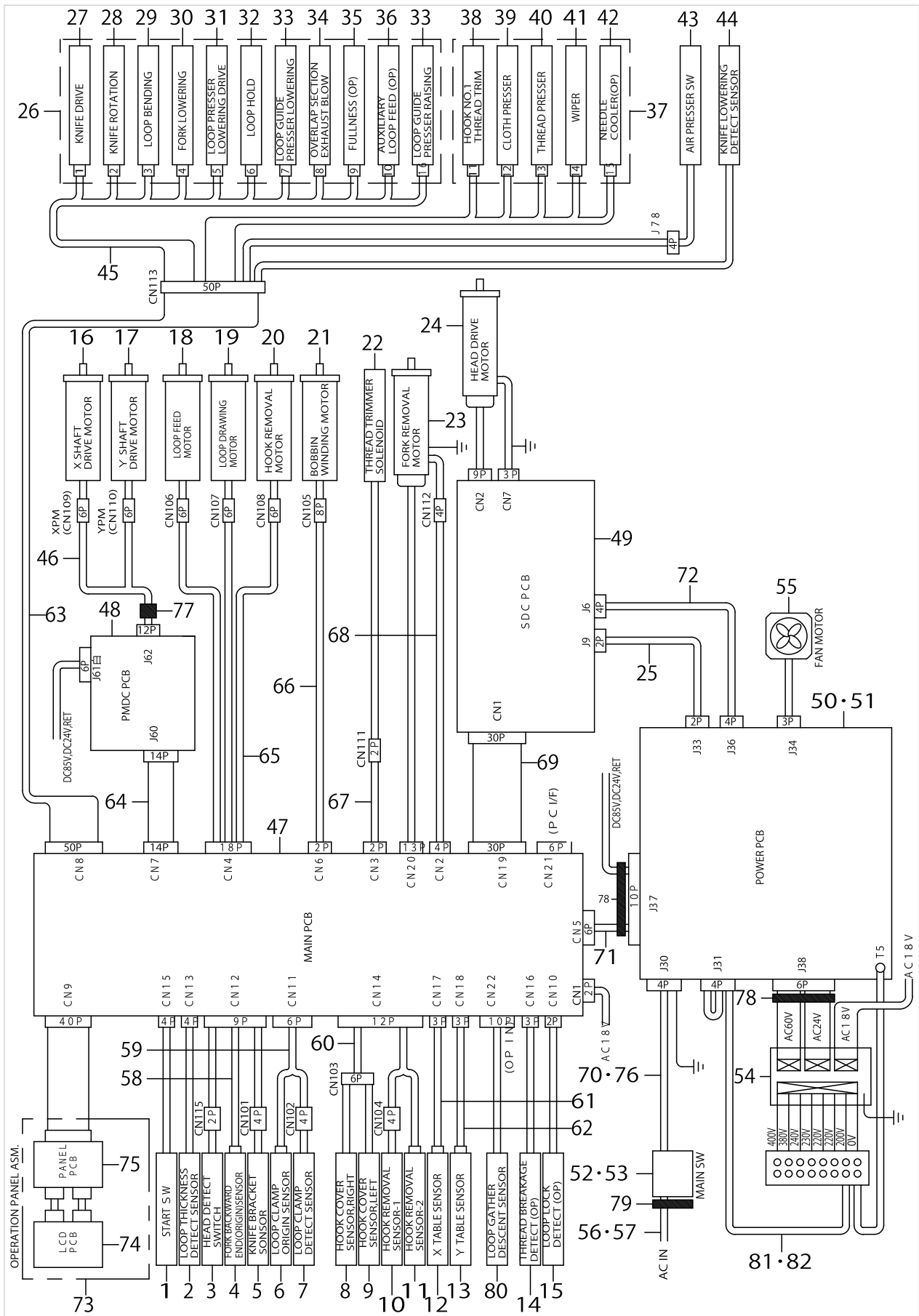
# OPERATION BOX COMPONENTS



OPERATION BOX COMPONENTS

No.	Supply Code	Parts No.	Replacement	Parts name	Remarks	Choice	Step	Level	Cons	Qty	Rep. QTY
1		40039939		OPERATION PANEL ASM.						1	
2		HX00221000E		BUSH				*		1	
3		M1001060000		PLUG				*		1	
4		40059350		PANELFRONTCOVER				*		1	
5		SL4030891SC		SCREW M3X8				*		4	
6		G1013192000		REAR PLATE				*		1	
7		G1014192000		SWITCH COVER				*		1	
8		G6010003000		KNOB SCREW				*		2	
9		G1015192000		CLAMP				*		1	
10		G1016192000		CLAMP BOTTOM PLATE				*		2	
11		SM6062002TN		SCREW M6 L=20				*		2	
12		WP0641601SC		WASHER				*		2	
13		WS0610002KN		SPRING WASHER 6.1X12.2X1.5				*		2	
14		40039936		PANEL PCB ASSY				*		1	
15		SL4030681SC		SCREW M3 L=6				*		10	
16		KG000000140		LCD				*		1	
17		40059352		LCD COVER				*		1	
18		CM300100001		LABEL				*		1	
19		40060972		PANEL CABLE ASM.				*		1	
20		TA0800504R0		PLUG D=8 L=4.5				*		2	

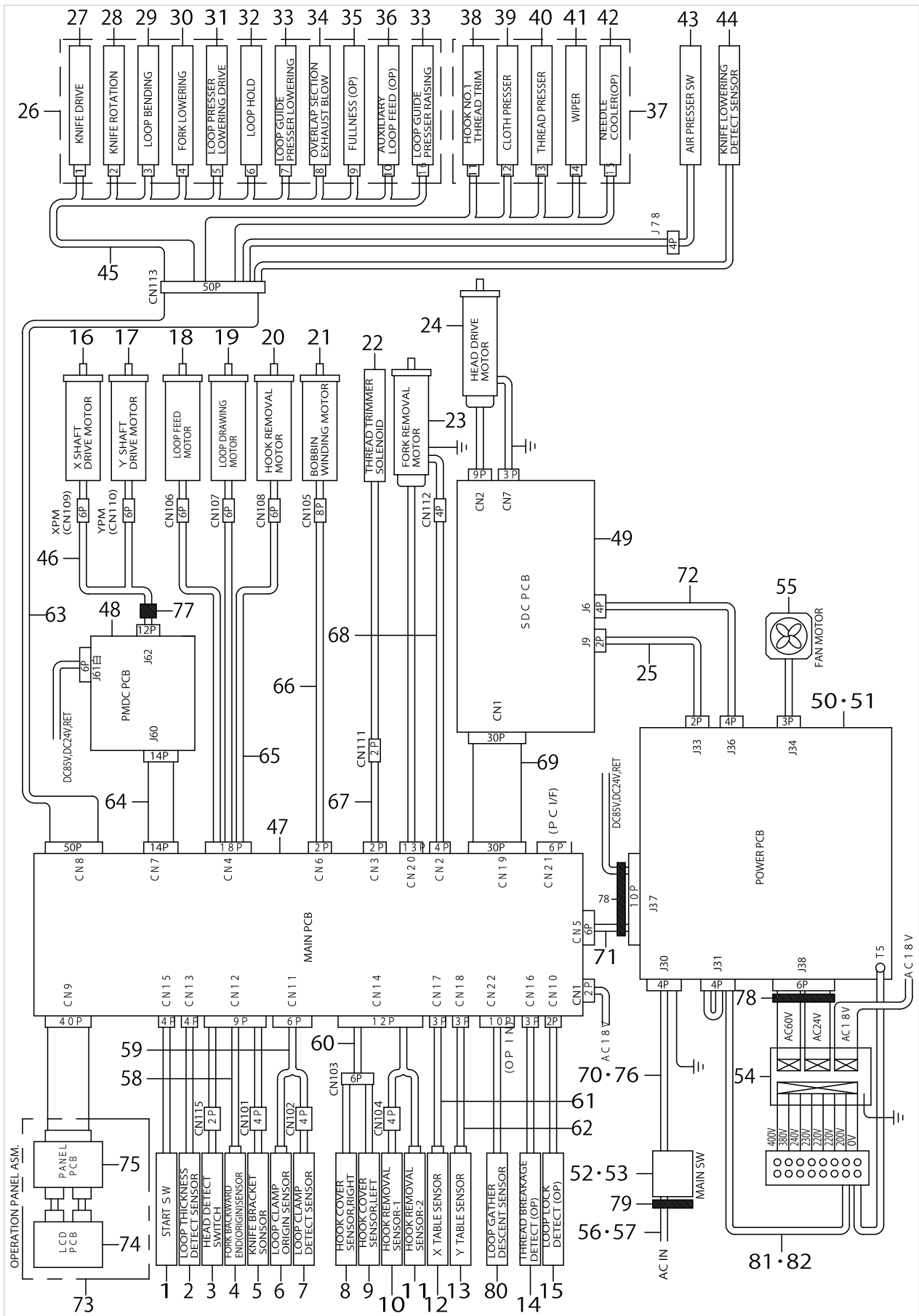
# WIRING DIAGRAM



WIRING DIAGRAM

No.	Supply Code	Parts No.	Replacement	Parts name	Remarks	Choice	Step	Level	Cons	Qty	Rep. QTY
1		M85156100A0		START SWITCH ASM.						1	
2		40059335		LOOPSENSORCASM.						1	
3		M85986100A0		HED DETECT SWASM.						1	
4	R	HD001350000	HD002230000	SENSOR						1	1.00
5		M85916100A0		KNIFE BRACKET SENSOR ASM.						1	
6	R	HD001350000	HD002230000	SENSOR						1	1.00
7		M85926100A0		LOOP CLAMP DETE- CT SENSOR ASM.						1	
8		14400451		HOOK COVER SEN- SOR CABER ASM.						1	
9		14400451		HOOK COVER SEN- SOR CABER ASM.						1	
10		14423651		HOOK REMDVAL SENSOR 1						1	
11		HD00057000A		PHOTO SENSOR						1	
12		HD00057000A		PHOTO SENSOR						1	
13		HD00057000A		PHOTO SENSOR						1	
14		M85166100A0		THREAD BREAKAGE DETECT CABLE						1	
15		M85106100A0		LOOP LOCK DETECT SWITCH ASM.						1	
16		14410203		X FEED STEPPING MOTOR						1	
17		14410104		Y FEED STEPPING MOTOR						1	
18		G5230254000		FEED-OUT MOTOR						1	
19		G5230254000		FEED-OUT MOTOR						1	
20		G5230254000		FEED-OUT MOTOR						1	
21		13870266		BOBBIN THREAD WINDING DEVICE						1	
22		14108906		SOLENOID FOR TH- READ TRIMMING						1	
23		G5001254000		UNIT SERVO MOTOR						1	
24		40098090		SERVO MOTOR 550W						1	
25		M90025800A0		SERVO POWER CORD ASM.,B						1	
26		G56022540A0		SOLENOID VALVE B ASM.						1	
27		PV150209200		5-PORT SOLENOID VALVE				*		1	
28		PV150209000		5 PORT SOLENOID VALVE				*		1	
29		PV150209100		SOLENOID VALVE				*		1	
30		PV150209000		5 PORT SOLENOID VALVE				*		1	
31		PV150209000		5 PORT SOLENOID VALVE				*		1	
32		PV150209000		5 PORT SOLENOID VALVE				*		1	
33		PV150210000		5 PORT SOLENOID VALVE				*		1	
34		PV150209000		5 PORT SOLENOID VALVE				*		1	
35		PV150209000		5 PORT SOLENOID VALVE				*		1	
36		PV150209000		5 PORT SOLENOID VALVE				*		1	
37		G56012540A0		SOLENOID VALVE A ASM.						1	
38		PV150209000		5 PORT SOLENOID VALVE				*		1	
39		PV150209000		5 PORT SOLENOID VALVE				*		1	
40		PV150209000		5 PORT SOLENOID VALVE				*		1	
41		PV150209000		5 PORT SOLENOID VALVE				*		1	
42		PV150209000		5 PORT SOLENOID VALVE				*		1	
43		G56042540A0		FILTER REGULATER ASM.						1	
44		G54212540A0		KNIFE LOWERING SENSOR ASM.						1	

# WIRING DIAGRAM

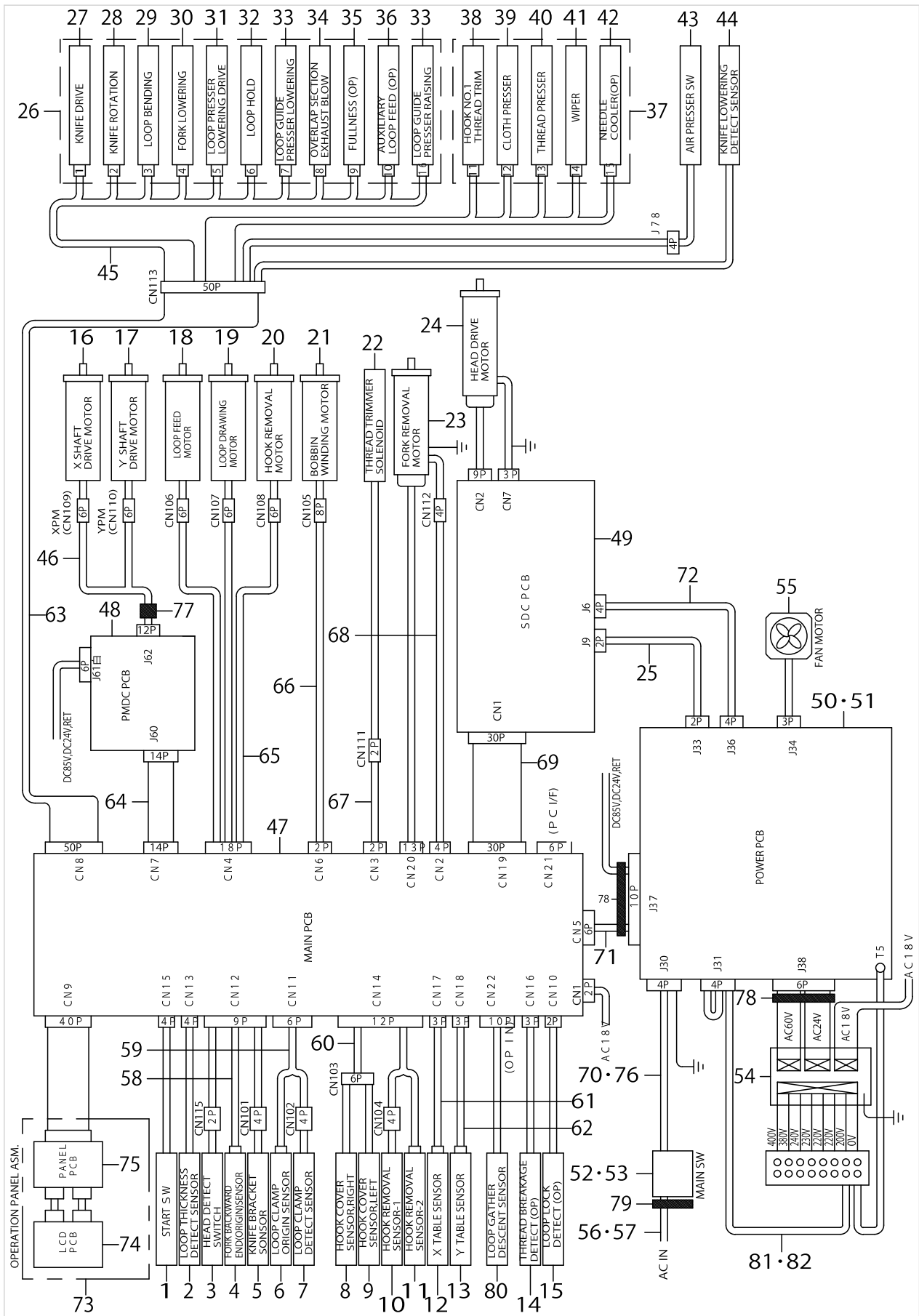


WIRING DIAGRAM

No.	Supply Code	Parts No.	Replacement	Parts name	Remarks	Choice	Step	Level	Cons	Qty	Rep. QTY
45		G56032540A0		SOLENOID VALVE CABLE ASM.						1	
46		M85626100A0		XY MOTOR RELAY CABLE ASM.						1	
47		40059340		MAIN PCB ASSY						1	
48		40059356		PMD C PCB ASSY						1	
49	R	40059355	40141055	SDC PCB ASSY						1	1.00
50		M86045900C0		POWER CIRCUIT BOARD ASM.	FOR USE IN JAPAN (200V)					1	
51		M8604590AC0		POWER CIRCUIT BOARD A ASM.	FOR EXPORT (LOW VOLTAGE 200~240V), FOR JE, HIGH VOLTAGE (220~400V)					1	
52		HA004250000		SWITCH	FOR USE IN JAPAN (200V), FOR EXPORT (LOW VOLTAGE 200~240V)					1	
53	R	HA00303000A	M85065220A0	SWITCH	FOR JE, HIGH VOLTAGE (220~400V)					1	1.00
54		40059338		TRANSFORMER B ASM.						1	
55		M85405800A0		FAN ASM.						1	
56		M90175800A0		POWER CABLE ASM.	FOR USE IN JAPAN (200V), FOR EXPORT (LOW VOLTAGE 200~240V)					1	
57		G85122980A0		POWER CABLE ASM.	FOR JE, HIGH VOLTAGE (220~400V)					1	
58		M85126100A0		SUPPLY DEVICE SENSOR CABLE						1	
59		M85116100A0		LOOP CLAMP SENSOR RELAY CABLE						1	
60		M85146100A0		HOOK SENSOR RELAY CABLE ASM.						1	
61		14410658		X SENSOR CABLE ASM.						1	
62		14410559		Y SENSOR CABLE ASM.						1	
63		M85086100A0		SOLENOID VALVE RELAY CABLE ASM						1	
64		M85076100A0		PMDCI/FCABLEASM.						1	
65		M85046100A0		STEPPING MOTOR RELAY CABLE ASM						1	
66	D	M85066100A0		BOBBIN WINDER RELAY CABLE ASM.						1	
67		M85036100A0		THREAD TRIM MAGNET RELAY CABLE ASM.						1	
68		M85026100A0		FORK MOTOR RELAY CABLE ASM.						1	
69		40059336		SDC I/F CABLE ASM.						1	
70		40059500		AC POWER CABLE ASM. D	FOR USE IN JAPAN (200V), FOR EXPORT (LOW VOLTAGE 200~240V)					1	
71		M90055800A0		MP POWER CORD ASM.						1	
72		40059337		SERVO POWER CORD B ASM.						1	
73		40039939		OPERATION PANEL ASM.						1	
74		KG000000140		LCD				*		1	



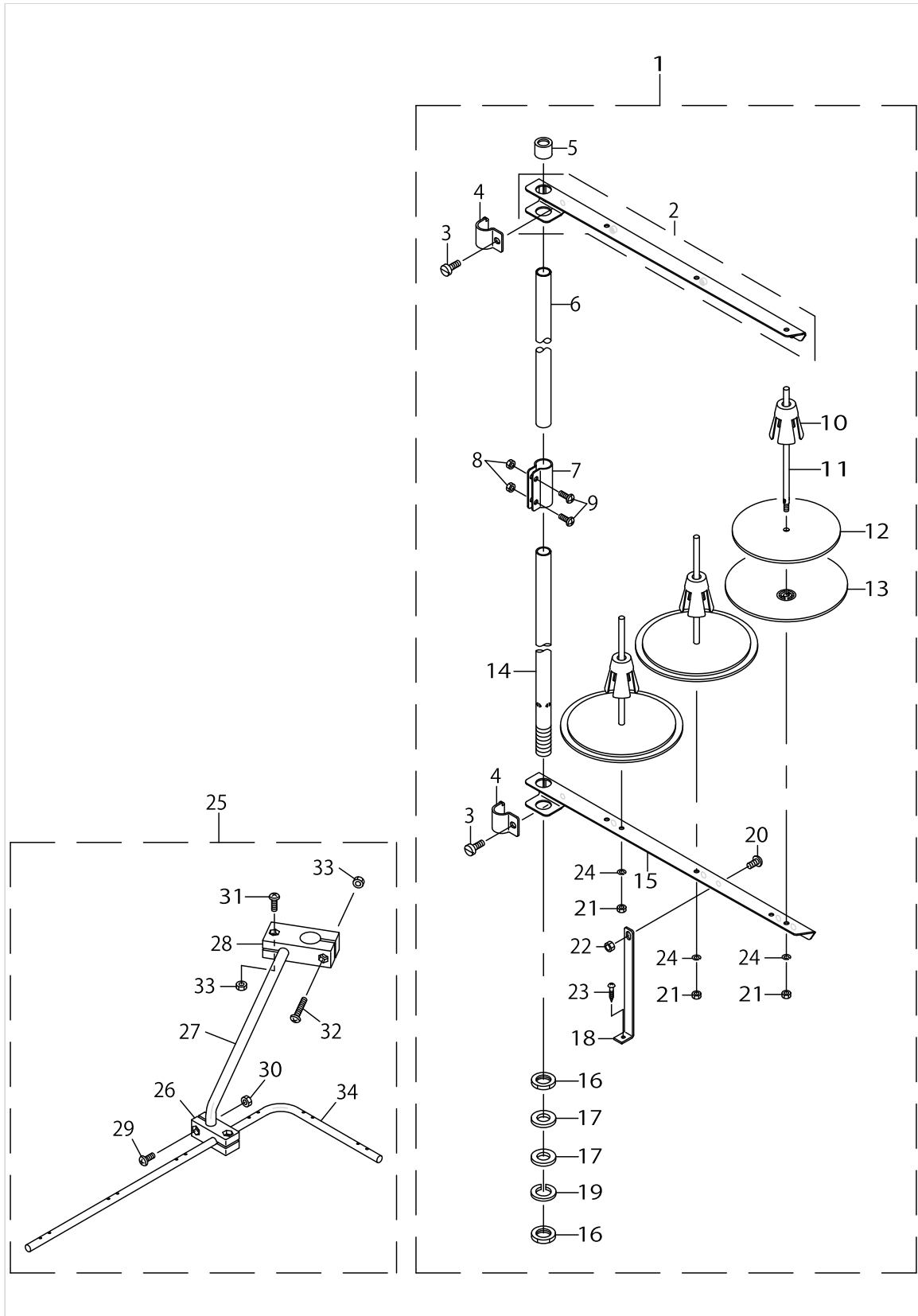
# WIRING DIAGRAM



WIRING DIAGRAM

No.	Supply Code	Parts No.	Replacement	Parts name	Remarks	Choice	Step	Level	Cons	Qty	Rep. QTY
75		40039936		PANEL PCB ASSY				*		1	
76		40059501		AC POWER CABLE ASM. E	FOR JE, HI-HIGH VOLTAGE (220~400V)					1	
77		HN001490000		CLAMP FILTER(L)	FOR JE, HI-HIGH VOLTAGE (220~400V)					1	
78		HN00179000C		FERRITE CLAMP	FOR JE, HI-HIGH VOLTAGE (220~400V)					2	
79		HA004860010		SWITCH CLAMP	FOR JE, HI-HIGH VOLTAGE (220~400V)					1	
80		M85226100A0		LOOP GATHER DESCENT SEN. ASM.						1	
81		40059354		TRANSFORMER POWER CORD ASM.	FOR USE IN JAPAN (200V)					1	
82		M9020580AA0		TRANSFORMER POWER CORD ASM..A	FOR EXPORT (LOW VOLTAGE 200~240V), FOR JE, HI-HIGH VOLTAGE (220~400V)					1	

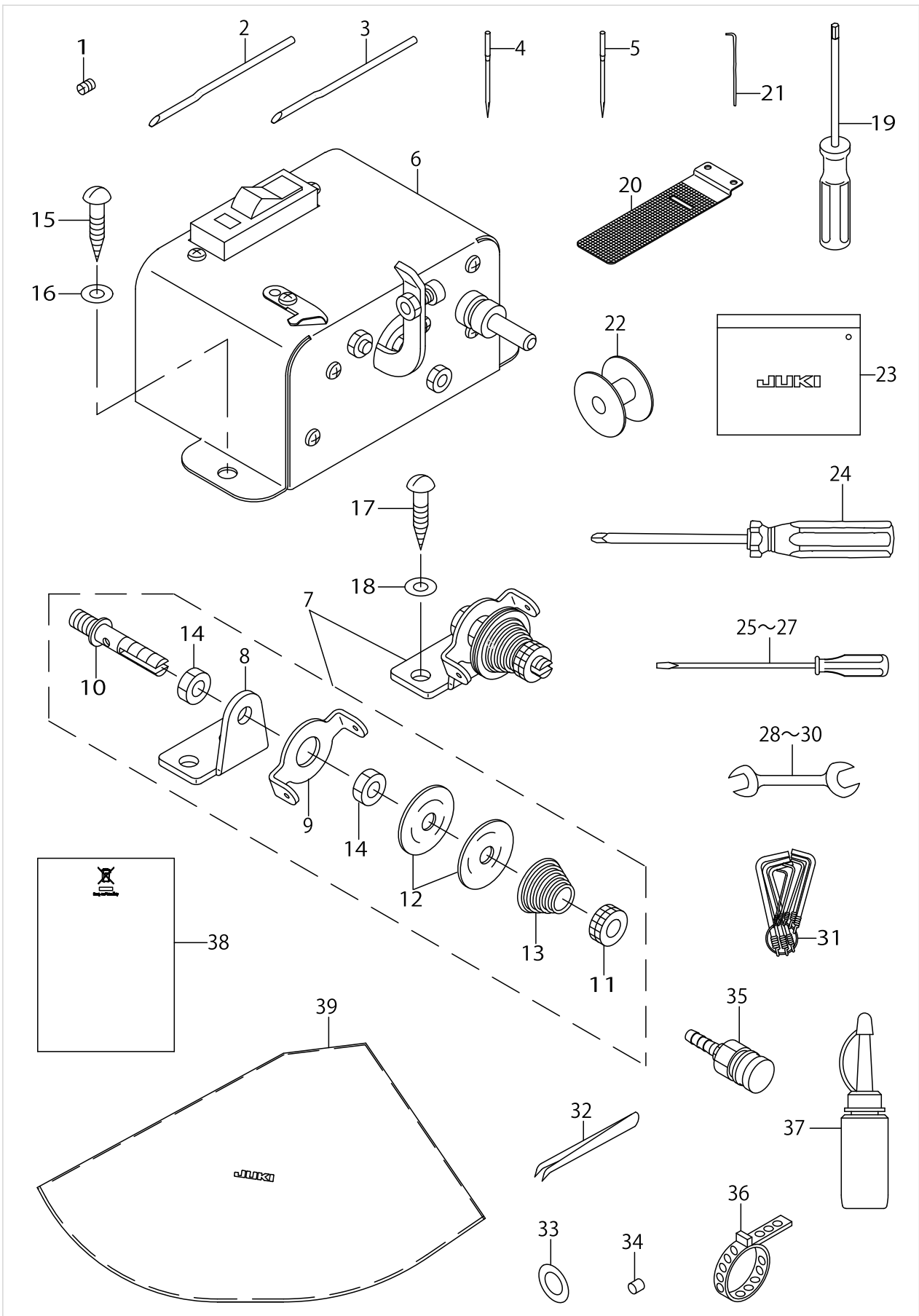
# THREAD STAND COMPONENTS



THREAD STAND COMPONENTS

No.	Supply Code	Parts No.	Replacement	Parts name	Remarks	Choice	Step	Level	Cons	Qty	Rep. QTY
1		26105551		THREAD STAND ASM.						1	
2		13168356		THREAD STANDING ARM ASM. ,LONG				*		1	
3		SM6061610SC		SCREW M6 L=16				*		2	
4	R	22930705	40096354	THREAD GUIDE ARM JOINT				*		2	1.00
5		22931406		SPOOL REST ROD RUBBER CAP				*		1	
6	R	22930408	40096354	SPOOL REST ROD, UPPER				*		1	1.00
7	R	22931307	40096354	SPOOL REST ROD JOINT				*		1	1.00
8		NM6050001SE		NUT M5				*		2	
9		SM4051405SE		SCREW M5 L=14				*		2	
10	R	22931109	40085791	SPOOL RETAINER				*		3	1.00
11	R	22931000	40085790	SPOOL PIN				*		3	1.00
12		22930903		SPOOL REST CUSHION				*		3	
13		22930804		SPOOL REST				*		3	
14	R	22930309	40096354	SPOOL REST ROD, LOWER				*		1	1.00
15		13168802		THREAD STANDING ARM ,LONG				*		1	
16		NM6160511SE		NUT M16X1.5				*		2	
17		WP1612616SE		WASHER 16X30X2.6				*		2	
18		13168406		THREAD STANDING ARM SUPPORT A				*		1	
19	R	WS1643202KR	WP1612616SE	SPRING WASHER		A		*		1	2.00
19	R	WS1643202KR	40085796	SPRING WASHER		A		*		1	2.00
20		SM4061201SE		SCREW M6 L=12				*		1	
21		NM6050001SE		NUT M5				*		3	
22		NM6060001SE		NUT M6				*		1	
23		SK3382001SE		SCREW D=3.8 L=20				*		1	
24		WS0510002KN		SPRING WASHER				*		3	
25		26910059		THREAD GUIDE ARM ASM.						1	
26	D R	13168000	26910059	THREAD GUIDE BASE, LOWER				*		1	1.00
27	R	13168109	26910059	THREAD GUIDE ARM BASE				*		1	1.00
28	R	13168208	26910059	THREAD GUIDE ARM BASE				*		1	1.00
29		SM4041001SC		SCREW M4X0.7 L=10				*		2	
30		NM6040002SE		NUT M4X0.7				*		2	
31		SM4041201SC		SCREW M4 L=12				*		1	
32		SM4042001SC		SCREW M4 X 20				*		1	
33		NM6040002SE		NUT M4X0.7				*		2	
34	R	13167903	26910059	THREAD STANDING THREAD GUIDE				*		1	1.00

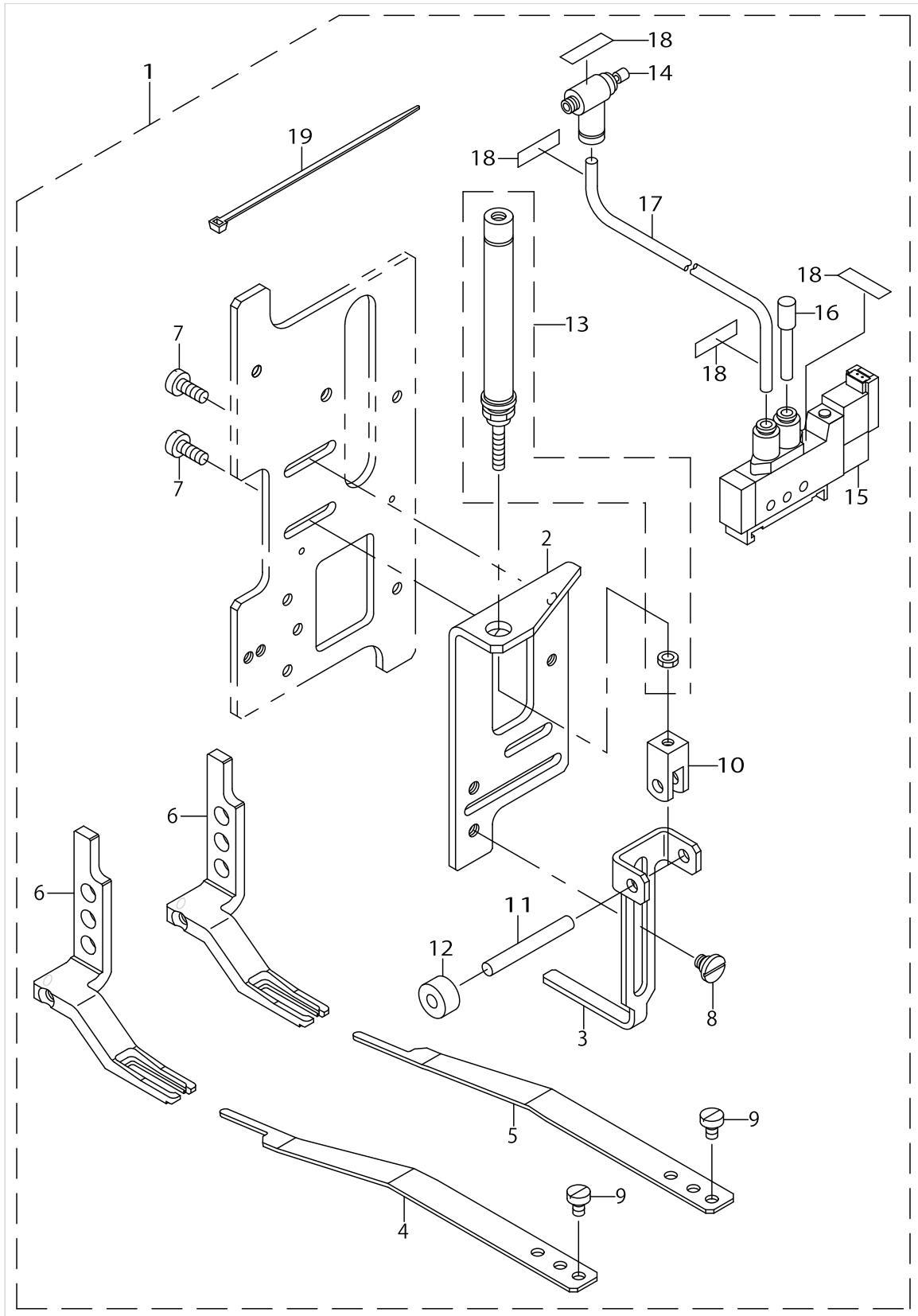
ACCESSORY PARTS COMPONENTS



ACCESSORY PARTS COMPONENTS

No.	Supply Code	Parts No.	Replacement	Parts name	Remarks	Choice	Step	Level	Cons	Qty	Rep. QTY
1		SS5680740SP		SCREW 9/32-28 L=6.8						1	
2		G5641254000		UPPER FOLDING DOG, 4MM WIDTH						2	
3		G5642254000		UPPER FOLDING D-OG, 2.6MM WIDTH						2	
4		MDP170B1902		NEEDLE DPX17#19-2	FOR USE IN JAPAN					2	
5		MDP170B2102		NEEDLE DPX17#21-2	FOR EXPORT					2	
6		13870266		BOBBIN THREAD WINDING DEVICE						1	
7		13889951		BOBBIN GUIDE ASM.						1	
8	R	B2612372000	26028308	STOP MOTION TRIP LEVER BRACKET				*		1	1.00
9		B3107352000		NEEDLE THREAD GUIDE				*		1	
10		B3108352000		NEEDLE THREAD TENSION POST				*		1	
11	R	B3125012000	22928808	THREAD TENSION NUT				*		1	1.00
12	R	B3126012000	22921506	THREAD TENSION DISK				*		2	1.00
13		B3129771000		TENSION SPRING				*		1	
14	R	NS6150430SN	NS6150430SP	NUT 15/64-28				*		2	1.00
15		SK3412001SE		WOOD SCREW D=4.1 L=20						2	
16		WP0501016SC		WASHER 5X10.5X1						2	
17		SK3412001SE		WOOD SCREW D=4.1 L=20						2	
18		WP0501016SC		WASHER 5X10.5X1						2	
19		11851102		SCREW WRENCH						1	
20		13881008		LOWERPLATEBLANK						1	
21		B9101490000		DRIVER						1	
22		B1806210D00		BOBBIN						2	
23		22932800		ACCESSORIE BAG						1	
24		J1071000000		SCREW DRIVER						1	
25		22933006		SCREW DRIVER,LARGE						1	
26		22933105		SCREW DRIVER,MIDDLE						1	
27		22933204		SCREW DRIVER,SMALL						1	
28		26034702		WRENCH (14X11)						1	
29		B9113012000		WRENCH (9X10)						1	
30		B9143372000		WRENCH (7.1 X 8.1)						1	
31		G91011160A0		L-SHAPED WRENCH ASM.						1	
32		B9204804000		TWEEZERS						1	
33		WP0820526SD		WASHER 8.2X14X0.5						4	
34		MAL01129000		MAGNET						1	
35		PJ309520001		SOCKET						1	
36		PB000010000		HOSE BAND						1	
37		B91212200A0		OILER (CONTAINING NO.2 OIL)						1	
38		CM600100201		WEEE INFORMATION SHEET	FOR JE					1	
39		40049817		COVER						1	

FULLNESS DEVICE COMPONENTS (OPTION)

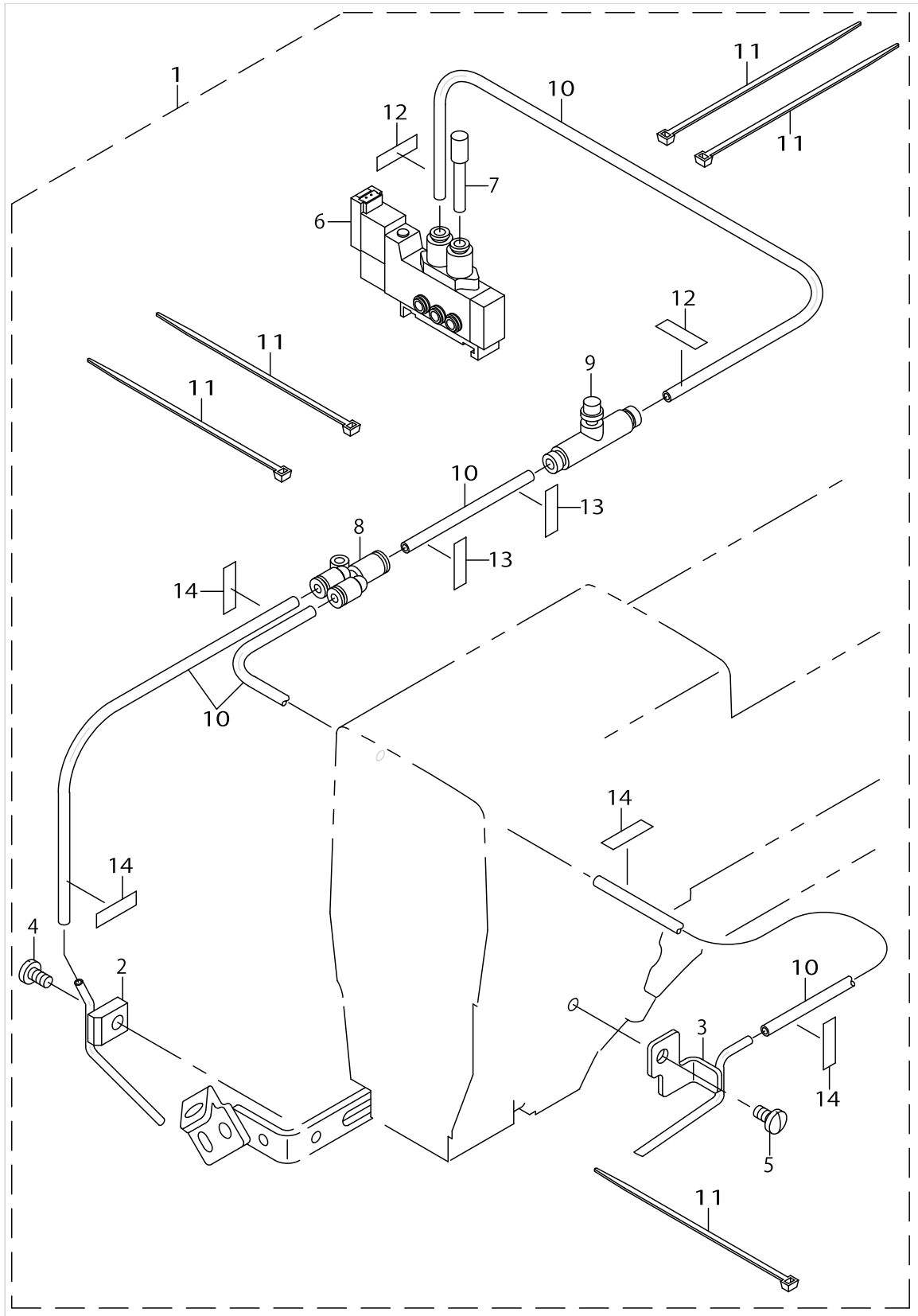


FULLNESS DEVICE COMPONENTS (OPTION)

No.	Supply Code	Parts No.	Replacement	Parts name	Remarks	Choice	Step	Level	Cons	Qty	Rep. QTY
1		G57002540A0		FULLNESS DEVICE ASM.						1	
2		G5701254000		FULLNESS BASE				*		1	
3		G5702254000		FULLNESS LEVER				*		1	
4		G5703254000		FULLNESS BELT PRESSER,FRONT				*		1	
5		G5704254000		FULLNESS BELT PRESSER,REAR				*		1	
6		13877816		CLOTH PRESSER FOOT				*		2	
7		SS6111140SP		SCREW11/64-40L=11				*		2	
8		SD0640271TP		HINGE SCREW				*		2	
9		SS6110610TP		SCREW 11/64-40 L=6				*		4	
10		PA900034000		JOINT				*		1	
11		GNP01330000		CONTROL PIN				*		1	
12		CS051071BSD		THRUST COLLAR ASM. 5MM				*		1	
13		PA1003003A0		PEN CYLINDER				*		1	
14		PC010507000		SPEED CONTROLLER				*		1	
15		PV150209000		5 PORT SOLENOID VALVE				*		1	
16		PX500014000		PLUG				*		1	
17		BT0400251EB		URETHANE HOSE, BLACK				*		0.5	
18		18035808		WIRE MARK (9)				*		4	
19		EA9500B0100		CABLE BAND				*		3	



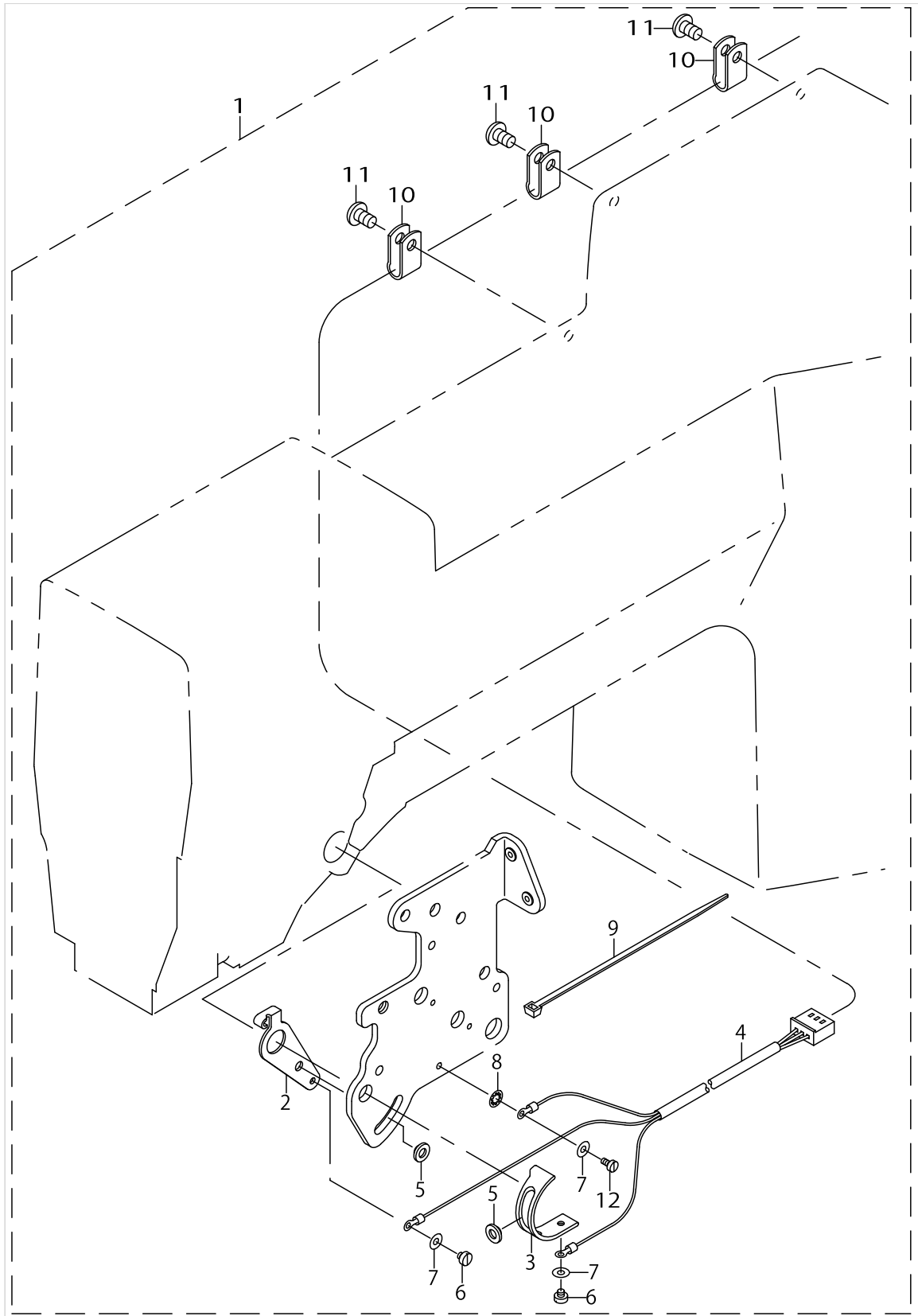
NEEDLE COOLER COMPONENTS (OPTION)



NEEDLE COOLER COMPONENTS (OPTION)

No.	Supply Code	Parts No.	Replacement	Parts name	Remarks	Choice	Step	Level	Cons	Qty	Rep. QTY
1		G57702540A0		NEEDLE COOLER MAS.ASM.						1	
2		G57712540A0		NC BASE A ASM.				*		1	
3		G57732540A0		NC BASE B ASM.				*		1	
4		SS7110840SP		SCREW 11/64-40 L=7.8				*		1	
5		SS7110840SP		SCREW 11/64-40 L=7.8				*		1	
6		PV150209000		5 PORT SOLENOID VALVE				*		1	
7		PX500014000		PLUG				*		1	
8		PJ308040002		QUICK COUPLING				*		1	
9		PC012406000		SPEED CONTROLLER				*		1	
10		BT0400251EB		URETHANE HOSE, BLACK				*		2	
11		EA9500B0100		CABLE BAND				*		5	
12		18036400		WIRE MARK (15)				*		4	
13		18038604		WIRE MARK (37)				*		4	
14		18038703		WIRE MARK (38)				*		4	

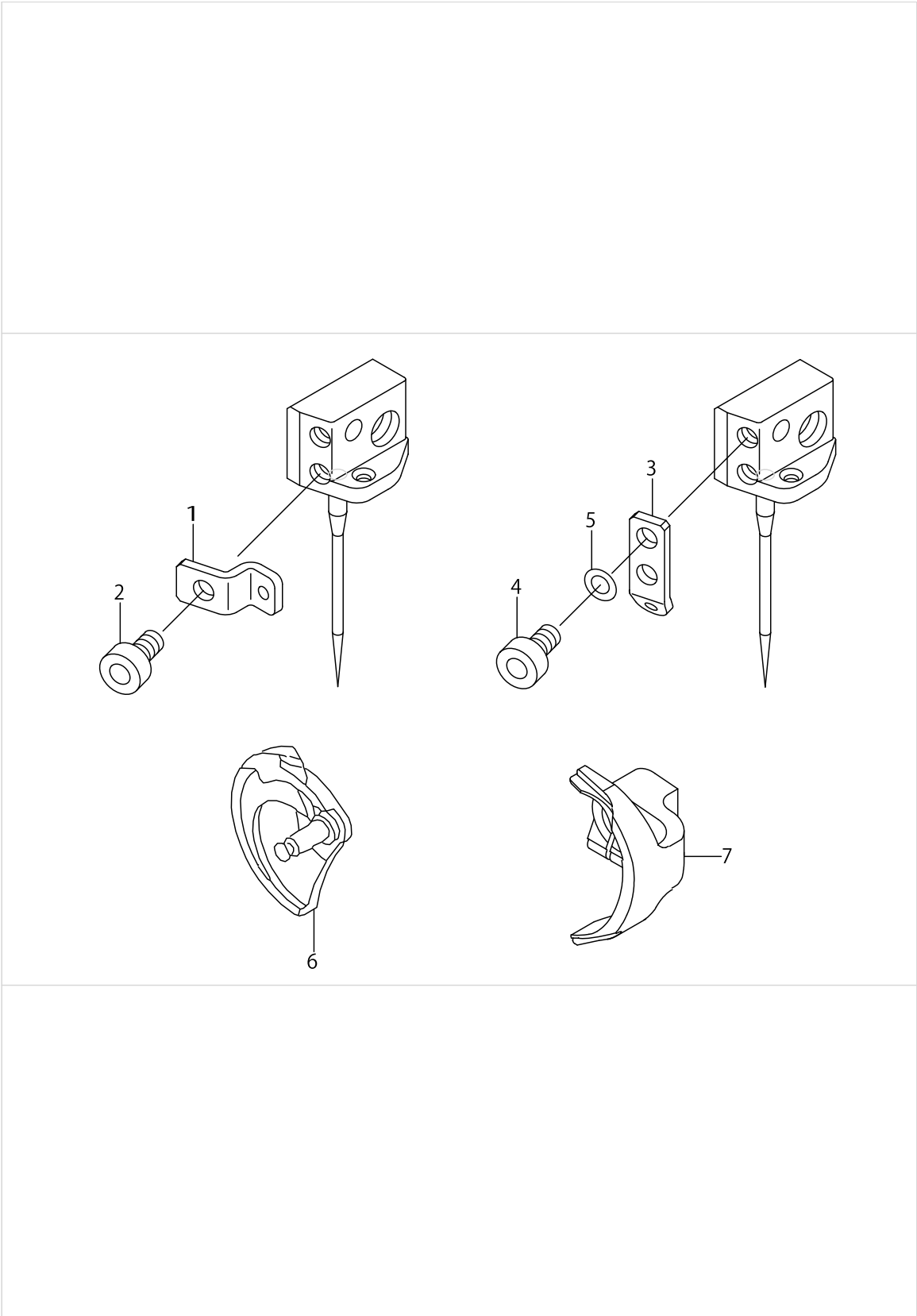
THREAD BREAKAGE DETECT DEVICE COMPONENTS (OPTION)



THREAD BREAKAGE DETECT DEVICE COMPONENTS (OPTION)

No.	Supply Code	Parts No.	Replacement	Parts name	Remarks	Choice	Step	Level	Cons	Qty	Rep. QTY
1		G57802540A0		THREAD BREAKAGE SENSOR ASM.						1	
2		G5781254000		THREAD TAKE-UP SPRING PLATE B				*		1	
3		G5782254000		THREAD TAKE-UP SPRING PLATE C				*		1	
4		M85166100A0		THREAD BREAKAGE DETECT CABLE				*		1	
5		G3197116000		INSULATING BUSHING				*		2	
6		SS6060220SP		SCREW 3/32-56 L=2.0				*		2	
7		WP0250516SD		WASHER 2.5X6X0.5				*		3	
8		WT0320001KN		WASHER				*		1	
9		EA9500B0100		CABLE BAND				*		1	
10		HX00150000A		CABLE CLAMP				*		3	
11		SS4110715SP		SCREW 11/64-40 L=7				*		3	
12		SS6060440TP		SCREW 3/32-56 L=3.5				*		1	

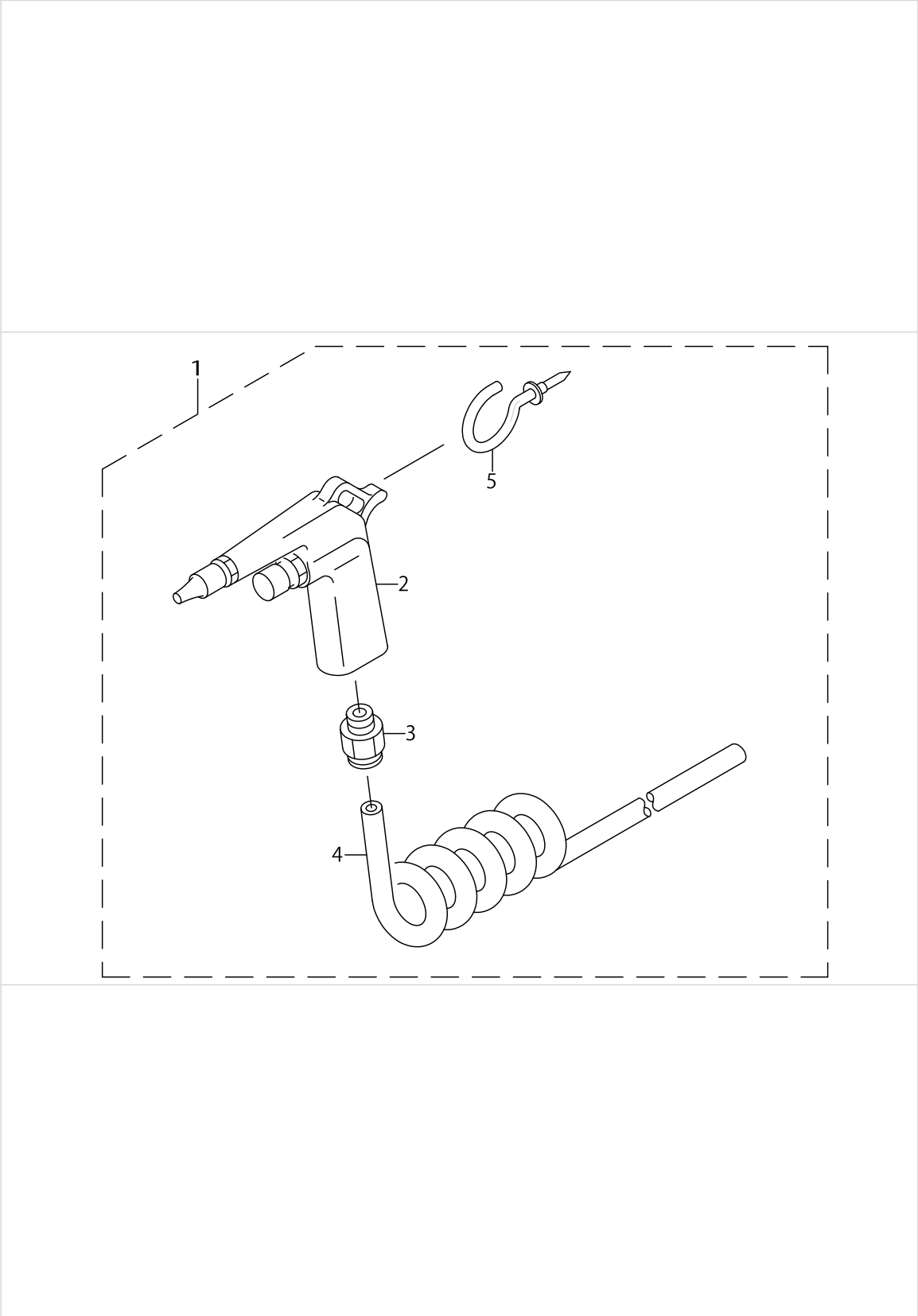
THREAD GUIDE COMPONENTS (OPTION)



THREAD GUIDE COMPONENTS (OPTION)

No.	Supply Code	Parts No.	Replacement	Parts name	Remarks	Choice	Step	Level	Cons	Qty	Rep. QTY
1		G5791254000		NEEDLE BAR THREAD GUIDE						2	
2		SM6850402TN		BOLT M2.5 L=4						2	
3		G5792254000		NEEDLE BAR THREAD GUIDE B						1	
4		SM6850402TN		BOLT M2.5 L=4						1	
5		WP0280500SC		WASHER						1	
6		G5793254000		SHUTTLE,H(SINTERED)						1	
7		G5794254000		CARBIDE TIP DRIVER						1	

AIR GUN COMPONENTS (OPTION)

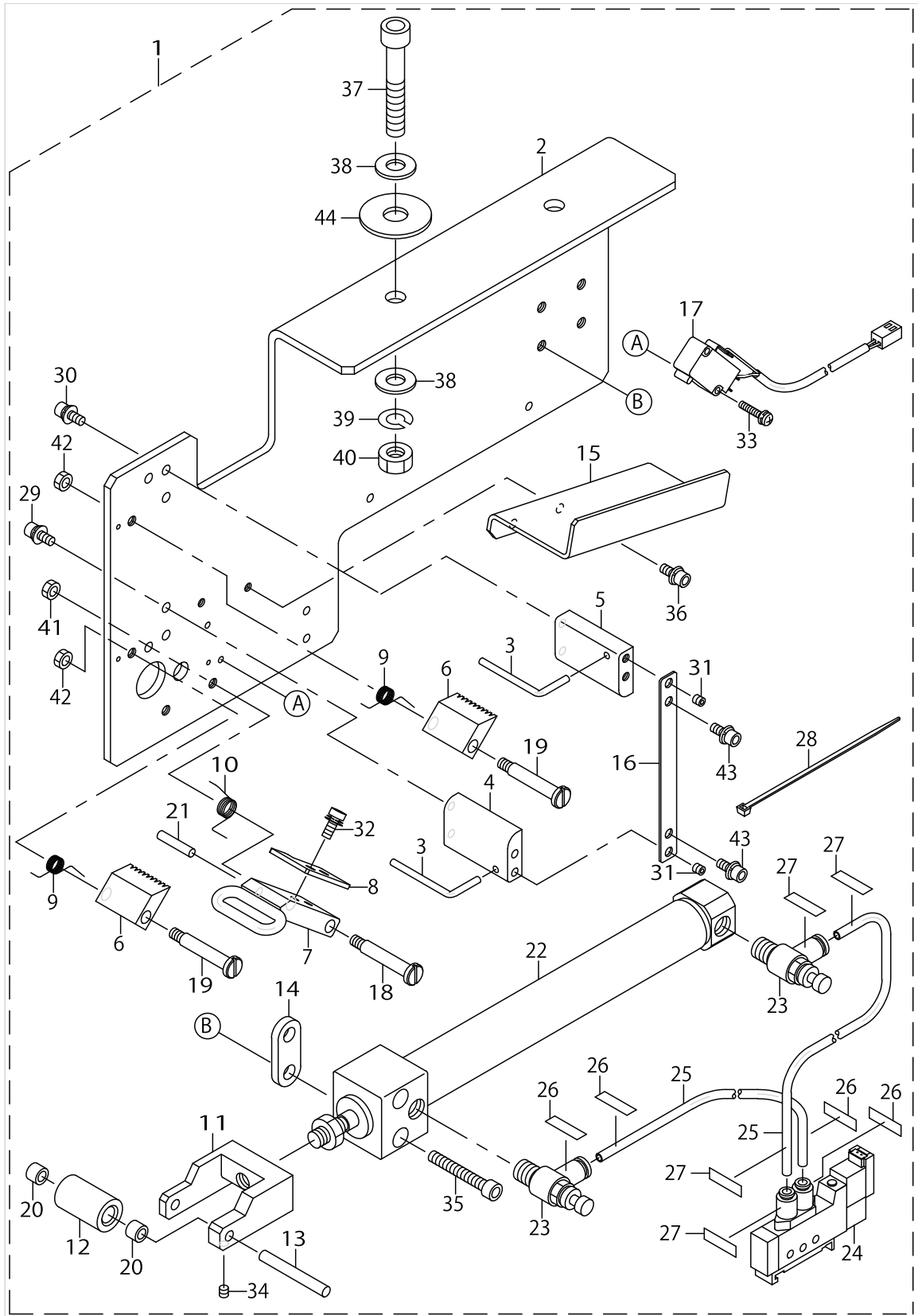


AIR GUN COMPONENTS (OPTION)

No.	Supply Code	Parts No.	Replacement	Parts name	Remarks	Choice	Step	Level	Cons	Qty	Rep. QTY
1		G57602540A0		AIR GUN ASM.						1	
2		16111403		AIR GUN				*		1	
3		PJ301065103		HALF UNION 6XPT1/8				*		1	
4		G5458116000		CURLED TUBE				*		1	
5		MAT81163T00		CORD HOLDER				*		1	



LOOP PULL-OUT DEVICE COMPONENTS (OPTION)



LOOP PULL-OUT DEVICE COMPONENTS (OPTION)

No.	Supply Code	Parts No.	Replacement	Parts name	Remarks	Choice	Step	Level	Cons	Qty	Rep. QTY
1		G57302540A0		LOOP DRAWER DEVICE ASM.						1	
2		G5731254000		LOOP DRAWER DEVICE BASE				*		1	
3		G5732254000		LOOP GUIDE PIN				*		2	
4		G5733254000		LOOP FRONT SUPPORT PLATE				*		1	
5		G5734254000		LOOP REAR SUPPORT PLATE				*		1	
6		G5735254000		LOOP FASTEN PIC				*		2	
7		G5736254000		LOOP GUIDE METAL FITTING				*		1	
8		G5737254000		LOOP APPLY METAL				*		1	
9		G5738254000		LOOP STOPPER SPRING				*		2	
10		G5739254000		GUIDE PLATE SPRING				*		1	
11		G5740254000		LOOP DRAWER CYLINDER METAL				*		1	
12		G5741254000		LOOP DRAWER ROLLER				*		1	
13		GNP01330000		CONTROL PIN				*		1	
14		B8231092000		BACK PLATE				*		1	
15		G5744254000		LOOP LOWER SUPPORT PLATE				*		1	
16		G5745254000		LOOP GUIDE PLATE				*		1	
17		M85106100A0		LOOP LOCK DETECT SWITCH ASM.				*		1	
18		G6022870000		FOLDING STEPSCREW				*		1	
19		G6022870000		FOLDING STEPSCREW				*		2	
20		G9303880000		BUSH D=5				*		2	
21		PS0400202KH		SPRING PIN 4X20				*		1	
22		PA2015005A0		AIR CYLINDER				*		1	
23		PC015108000		SPEED CONTROLLER				*		2	
24		PV150209000		5 PORT SOLENOID VALVE				*		1	
25		BT0400251EB		URETHANE HOSE, BLACK				*		0.5	
26		18035907		WIRE MARK (10)				*		4	
27		18038901		WIRE MARK (40)				*		4	
28		EA9500B0100		CABLE BAND				*		4	
29		SL6041092TN		SCREW				*		2	
30		SL6041092TN		SCREW				*		2	
31		SM8040462TP		SCREW				*		2	
32		SL6041092TN		SCREW				*		2	
33		SL4031681SC		SCREW M3 X 16				*		2	
34		SM8040462TP		SCREW				*		2	
35		SM6053502TP		BOLT				*		2	
36		SL6041092TN		SCREW				*		2	
37		SM6085002TN		BOLT				*		2	
38		WP0850002SC		WASHER 8.5X18X1.6				*		4	
39		WS0820002KR		SPRING WASHER, M8				*		2	
40		NM6080001SC		NUT M8X1.25				*		2	
41		NS6120310SP		NUT 3/16-28				*		1	
42		NS6120310SP		NUT 3/16-28				*		2	
43		SL6041092TN		SCREW				*		2	
44		GAK33032000		SOLENOID RUBBER, B				*		2	

LIST FOR INFORMATION OF CHANGE

As to the place changed, refer to the corresponding Rev.No.  
 When previous parts (Obsoloted part) and new parts (Added parts) are not interchangeable with each other:  
 In this case, even obsoloted parts (D.) can be ordered with the obsoloted part number, so select the parts with changed dates and place your orders.

変更箇所は、該当Rev.No.版をご参照ください。  
 部品の互換性がない変更の場合は、削除された品番でも、ご注文できます。

29330404  
 No.1265-06 Rev.No.

\*A:Added parts追加部品/D:Obsoloted parts削除部品/E:Erratum訂正

* Rev. No.	Page No.	Ref. No.	Parts No. 品番	* Rev. No.	Page No.	Ref. No.	Parts No. 品番
				A 06	2	63	400-91332
				A 06	2	64	SS-7110840-SP
				A 06	2	65	SS-9110453-TP
D 05	6	10	400-59353	A 06	6	10	400-98090
D 05	8	10	BP-3000000-00	A 06	8	10	236-30007
D 05	8	15	B1817-210-DAC	A 06	8	15	141-03659
				A 06	10	98	WP-0531000-SC
D 05	12	6	141-08955	A 06	12	6	401-04895
D 05	12	8	141-08906	A 06	12	8	401-04889
D 05	12	9	110-43304				
D 05	12	10	NS-6660410-SH				
D 05	12	11	NM-6040000-SN	A 06	12	9	NM-6040001-SE
D 05	12	12	NS-6660430-SP				
D 05	12	13	WP-0450000-SD	A 06	12	10	WS-0410002-KR
D 05	12	15	HK-0346400-00				
D 05	12	16	B1652-704-000	A 06	12	12	132-16601
D 05	18	44	SS-8660610-TP	A 06	18	44	SS-8660612-TP
D 05	18	77	B1817-210-DAC	A 06	18	77	141-03659
D 05	20	39	B1444-180-00G	A 06	20	39	WP-0502616-SD
D 05	42	23	112-80856	A 06	42	23	141-01208
D 05	52	24	400-59353	A 06	52	24	400-98090

## HOW TO MAKE USE OF THIS PARTS LIST

### 1.Explanation of codes

1)"\*"mark.....means this part is changed from the previous parts book.

As to the details of the change, refer to the "List for information of change".

2)"#01".....refer to "Note" explanation at bottom of page.

### 2.Codes on the "Qty" column

• Each numeral indicates the number of parts required.

• "0.1" and "2.5" indicate the length (in meters) of the respective parts.

3.Parentheses mean that the corresponding part is a subpart that constructs an assembly part.

4.Dotted lines on the Figures indicate assembly parts.

### 1."注記"欄の記号説明

1) "\*"印.....前回のパーツブックに比較して今回変更された部品を意味します。

変更内容は、"変更情報リスト"を参照してください。

2) "#01".....ページ下の"注記"の説明を参照してください。

2.数量欄の数字は、個数を表し、0.1、2.5等の数値は、長さ（単位メートル）を表します。

3.数量欄の（ ）は、組部品を構成している子部品であることを意味します。

4.イラストページの-----枠は、組構成であることを意味します。

# NUMERICAL INDEX OF PARTS

PART NO	PAGE	REF NO.	PART NO	PAGE	REF NO.	PART NO	PAGE	REF NO.
10124204	26	42	13874300	32	21	14103402	12	1
10124303	26	43	13875612	16	39·97	14103659	12	15
10208700	58	65	13877816	20	39·97	14103659	34	77
10523504	12	16	13877816	94	6	14107502	26	1
10632511	56	5	13879606	32	5	14107601	24	66
10697605	26	18	13879903	4	51	14107700	26	2
10741106	26	45	13880406	16	31	14107809	24	68
11000403	2	12	13880505	16	17	14108500	22	2
11021607	42	4	13880604	16	35	14108609	22	3
11041100	32	26	13880703	16	36	14108807	22	7
11043007	22	22	13881008	92	20	14108906	84	22
11072402	28	47	13881255	22	38	14109250	22	17
11093606	26	46	13881255	36	40	14109300	22	18
11156056	76	55	13881909	24	61	14110407	16	5
11217213	62	34	13882006	24	62	14111801	16	11
11272408	32	7	13882105	22	36	14114102	42	1
11315108	26	12	13882501	22	39	14114201	42	2
11851102	92	19	13882501	36	41	14136402	16	10
11956802	26	36	13883905	26	14	14400006	2	2
12292504	40	12	13885306	32	6	14400055	2	1
12308300	46	15	13885454	32	9	14400105	2	16
12308409	60	15	13886106	34	72	14400204	2	5
13167903	90	34	13886205	34	68	14400303	6	19
13168000	90	26	13886304	36	6	14400451	38	49
13168109	90	27	13887005	32	16	14400451	84	9
13168208	90	28	13887104	32	17	14401301	2	11
13168356	90	2	13887203	32	18	14401400	2	7
13168406	90	18	13887302	36	10	14401509	2	31
13168802	90	15	13887401	32	20	14401608	2	32
13216601	22	12	13887450	32	19	14401707	2	15
13508403	12	24	13887906	34	67	14401806	4	48
13513304	26	6	13888607	42	3	14402002	2	9
13518105	46	14	13888805	36	17	14402507	10	25
13518907	16	26	13889407	44	2	14402705	10	2
13529003	42	9	13889951	92	7	14402804	10	12
13860606	50	16	13922208	2	44	14402952	6	4
13870266	84	21	13922208	30	7	14402960	6	3
13870266	92	6	14006506	62	1	14403000	6	5
13870902	2	43	14023303	6	26	14403109	6	8
13870902	30	6	14045306	56	15	14403208	8	31
13871702	2	41	14100309	4	62	14403307	8	33
13872007	4	49	14101208	68	23	14403406	8	34
13872106	4	55	14102305	10	4	14403505	10	3
13872205	4	56	14102701	10	9	14403612	8	29
13872304	4	50	14102800	10	8	14403711	8	30

# NUMERICAL INDEX OF PARTS

PART NO	PAGE	REF NO.	PART NO	PAGE	REF NO.	PART NO	PAGE	REF NO.
14403802	8	37	14412803	22	26	14423008	40	7
14403901	8	49	14412902	22	4	14423107	40	4
14404016	8	35	14413009	22	5	14423206	40	8
14404107	10	14	14413157	26	17	14423305	40	9
14404206	10	13	14413165	26	16	14423453	40	10
14404305	6	21	14413207	28	48	14423651	40	35
14404404	8	55	14413306	26	19	14423651	84	10
14404503	8	56	14413405	26	23	14424006	42	13
14404800	8	36	14413512	26	5	16111403	70	37
14405005	12	31	14413603	26	10	16111403	102	2
14405005	32	32	14413702	30	2	16870206	68	7
14407506	12	33	14413801	30	17	16992604	32	8
14407605	12	34	14413900	30	11	17077009	74	2
14407704	12	35	14414007	30	1	17077058	74	1
14407803	12	36	14414106	28	51	17077108	74	3
14407951	12	25	14417505	34	76	17077207	74	4
14410005	18	75	14417604	32	42	17077306	74	5
14410104	16	7	14417703	36	30	17077405	74	6
14410104	84	17	14417802	32	10	17077710	74	9
14410203	16	6	14417901	32	13	17077801	74	10
14410203	84	16	14418008	32	14	17077900	74	11
14410302	18	76	14418107	32	12	17078114	74	13
14410401	16	4	14418206	32	11	17078213	74	14
14410559	18	91	14418305	32	1~4	17078304	74	15
14410559	86	62	14418404	32	1~4	17078502	74	17
14410658	18	90	14418503	32	1~4	17078601	76	67
14410658	86	61	14418602	32	1~4	17078700	74	16
14410708	16	14	14418701	34	46	17079500	76	49
14410807	16	33	14418800	32	40	17079609	76	50
14410906	16	34	14418909	34	71	17079708	76	51
14411003	16	37	14419006	36	12	17079807	76	52
14411102	16	32	14419105	36	13	17079906	76	53
14411201	16	1	14419204	36	42	17080110	76	54
14411300	16	28	14419303	36	7	17833658	74	24
14411409	16	8	14419451	36	1	17845009	78	20
14411508	16	9	14419501	32	15	18035006	70	45
14411607	16	24	14419600	36	15	18035105	70	46
14411706	16	3	14420004	32	24	18035204	72	47
14411805	16	2	14420103	32	25	18035303	72	48
14411904	16	21	14420202	36	11	18035402	72	49
14412001	16	22	14422505	40	3	18035501	72	50
14412209	16	15	14422604	40	1	18035600	72	51
14412308	16	16	14422703	40	2	18035709	72	52
14412506	22	28	14422802	40	5	18035808	72	53
14412654	22	43	14422901	40	6	18035808	94	18

# NUMERICAL INDEX OF PARTS

PART NO	PAGE	REF NO.	PART NO	PAGE	REF NO.	PART NO	PAGE	REF NO.
18035907	72	54	22617906	26	33	40021806	56	42
18035907	104	26	22618102	26	37	40022269	78	2
18036004	72	55	22618201	26	30	40039936	82	14
18036103	72	56	22618300	26	31	40039936	88	75
18036202	72	57	22618904	26	40	40039939	82	1
18036301	72	58	22901805	2	6	40039939	86	73
18036400	72	59	22907802	58	58	40049798	44	1
18036400	96	12	22913503	20	92	40049817	92	39
18036509	72	60	22930309	90	14	40058131	46	9
18036608	72	61	22930408	90	6	40058132	48	58
18036707	72	62	22930705	90	4	40059335	84	2
18036806	72	63	22930804	90	13	40059336	86	69
18036905	72	64	22930903	90	12	40059337	86	72
18037002	72	65	22931000	90	11	40059338	78	11
18037101	72	66	22931109	90	10	40059338	86	54
18037200	72	67	22931307	90	7	40059340	78	1
18037309	72	68	22931406	90	5	40059340	86	47
18037408	72	69	22932800	92	23	40059350	82	4
18037507	72	70	22933006	92	25~27	40059352	82	17
18037606	72	71	22933105	92	25~27	40059354	88	81·82
18037705	72	72	22933204	92	25~27	40059355	86	49
18037804	72	73	23630007	12	10	40059356	78	5
18037903	72	74	25002809	30	18	40059356	86	48
18038000	72	75	25002908	30	19	40059500	86	70·76
18038109	72	76	26034702	92	28~30	40059501	88	70·76
18038208	72	77	26105551	90	1	40060972	82	19
18038307	72	78	26222208	14	54	40062404	12	30
18038406	72	79	26231100	12	4	40062404	32	31
18038505	72	80	26231100	42	34	40066097	48	59
18038604	72	81	26231605	42	25	40091332	4	63
18038604	96	13	26303404	52	13	40098090	10	10
18038703	72	82	26500306	10	7	40098090	84	24
18038703	96	14	26500405	26	11	40104889	22	8
18038802	72	83	26500900	26	4	40104895	22	6
18038901	72	84	26501205	22	1	A1230500000A	10	32
18038901	104	27	26910059	90	25	B1104280000	66	2
18039008	72	85	40008600	74	8	B1111232000	4	60
18039107	72	86	40008601	74	12	B1116804000	22	24
18039206	72	87	40008602	74	7	B1136850000	30	20
20243200	74	26	40009143	50	18	B1140761000	68	26
22571400	64	58	40021793	68	3	B1144210000	10	33
22585707	50	15	40021802	58	51	B1212210D00	10	34
22617609	26	25	40021803	56	33	B1223771000	6	2
22617708	26	26	40021804	58	47	B1223771000	22	23
22617807	26	28	40021805	56	38	B1231210D00	10	11

# NUMERICAL INDEX OF PARTS

PART NO	PAGE	REF NO.	PART NO	PAGE	REF NO.	PART NO	PAGE	REF NO.
B1402280000	8	32	B1820215PA0A	12	12	B242328000G	36	22~28
B1411804000	6	14~18	B1820215PA0A	34	63	B2424210000	22	37
B1411804A00	6	14~18	B1821210D00	12	11	B2424210000	36	29
B1411804A00	12	26~29	B1821210D00	42	39	B2509210D00	46	18
B1411804A00	32	27~30	B1822215P00	12	13	B2509704000	16	23
B1411804B00	6	14~18	B1822215P00	34	70	B2512210D0A	46	19
B1411804B00	12	26~29	B1828210D0A	12	39	B2513210D00	46	20
B1411804B00	32	27~30	B1828210D0A	34	65	B2514210D00	46	21
B1411804C00	6	14~18	B1828210DAA	12	38	B2528215000	46	22
B1411804C00	12	26~29	B1828210DAA	34	64	B2545280000	26	7
B1411804C00	32	27~30	B1836210D00	12	17	B2548280000	16	29
B1411804D00	6	14~18	B185351200AA	62	11	B2549280000	16	30
B1411804D00	12	26~29	B185351200E	50	17	B2549372000	56	4
B1411804D00	32	27~30	B1903552000	6	6	B2579229000	32	41
B1414232000	8	45~47	B1903552000	32	34	B2612372000	92	8
B1414232000	16	18~20	B1905541000	6	9~13	B2617771000	22	16
B141423200A	8	45~47	B1905541A00	6	9~13	B2740771000	46	23
B141423200A	16	18~20	B1905541A00	32	35~38	B3035280000	8	48
B141423200B	8	45~47	B1905541B00	6	9~13	B3107352000	92	9
B141423200B	16	18~20	B1905541B00	32	35~38	B3108352000	92	10
B1419026000	42	11	B1905541C00	6	9~13	B3112704000	26	35
B1449526000	52	14	B1905541C00	32	35~38	B3125012000	92	11
B1606210000	52	16	B1905541D00	6	9~13	B3126012000	26	32
B1618804000	56	75	B1905541D00	32	35~38	B3126012000	92	12
B1618804000	58	75	B2039373000	2	27	B3129012A00	26	34
B1632180000	46	17	B2304210D00	26	3	B3129771000	92	13
B1632180000	52	15	B2312210D00	24	67	B31375270A0	26	20
B1649161000	22	25	B2401210D00	22	19	B3138527000	26	24
B1802210D00	12	18	B2408210D00	22	20	B3139527000	26	22
B1806210D00	12	37	B2417210000	22	42	B3141527000	26	27
B1806210D00	34	75	B2417210000	36	20	B3142527000	26	21
B1806210D00	92	22	B242328000A	22	29~35	B3143527000	26	29
B1808210D00	12	40	B242328000A	36	22~28	B3413552000	28	52
B1808210D00	34	66	B242328000B	22	29~35	B3501210000	42	10
B1808980000	14	59	B242328000B	36	22~28	B3504280000	12	5
B1811205000	60	17	B242328000C	22	29~35	B3504280000	42	33
B1813980000	12	3	B242328000C	36	22~28	B3506280000	42	12
B1813980000	34	49	B242328000D	22	29~35	B3508280000	42	15
B1814210D00	12	2	B242328000D	36	22~28	B3509210D00	42	8
B1815210000	12	19	B242328000E	22	29~35	B3509280000	42	16
B1815210000	34	80	B242328000E	36	22~28	B3518280000	42	17
B1818210D0B	12	20	B242328000E	62	38	B3520210000	42	27
B1818210D0B	34	78	B242328000F	22	29~35	B3523220000	42	32
B1820210D00	12	9	B242328000F	36	22~28	B3523280000	42	26
B1820210D00	42	36	B242328000G	22	29~35	B3523980000	20	93



# NUMERICAL INDEX OF PARTS

PART NO	PAGE	REF NO.	PART NO	PAGE	REF NO.	PART NO	PAGE	REF NO.
B4127352000	52	12	CS1201010SH	12	45	G5004254000	46	4
B8150221D00	74	25	CS1201010SH	46	25	G5005254000	46	5
B8202205000	76	56	CS1201011SH	14	46	G5006254000	46	6
B8231092000	104	14	CS147121ASH	10	20	G5007254000	46	7
B8306223C00	74	18	D1203L7VV00	6	7	G5008254000	46	8
B8307220000	74	19	D1904L7VV00	8	27	G5010254000	46	10
B9101490000	92	21	D1906L7VV00	8	44	G5010254000	60	22
B9113012000	92	28~30	D2063772B00	36	44	G5011254000	46	11
B9121012000	76	58	D2112555B00	36	35	G5012254000	46	12
B91212200A0	92	37	D2587L8WB00	22	44	G5013254000	48	52
B9143372000	92	28~30	D2587L8WB00	52	44	G5014254000	48	54
B9204804000	92	32	D2587L8WB00	64	64	G5051254000	50	1
BP300000000	42	18	D2588L8WB00	22	45	G5052254000	50	2
BP500000000	42	20	D2588L8WB00	52	45	G5053254000	50	3
BP600000000	42	19	D2588L8WB00	64	63	G5054254000A	50	31
BT0400251EB	30	3	E1022760000	46	16	G50542540A0	50	30
BT0400251EB	70	43	E3705715000	58	64	G5055254000A	50	36
BT0400251EB	94	17	E4087172000	74	23	G50552540A0	50	35
BT0400251EB	96	10	E8760452M00	42	23	G5056254000	50	6
BT0400251EB	104	25	E9567319000	78	51	G5057254000	50	7
BT0600401EB	70	41	E9567319000	80	51	G5058254000	50	8
BT0600401EF	36	3	EA9500B0100	2	23·24	G5059254000	50	37
BT0600401EF	70	42	EA9500B0100	36	18	G5060254000	50	10
BT0800501EB	70	40	EA9500B0100	42	14	G5061254000	50	11
CM300100001	80	50	EA9500B0100	48	55	G5061254000	70	3
CM300100001	82	18	EA9500B0100	54	49	G5062254000	50	12
CM300100101	80	49	EA9500B0100	78	22	G5063254000	50	13
CM300200001	68	25	EA9500B0100	94	19	G5063254000	52	11
CM300200002	2	26	EA9500B0100	96	11	G5063254000	64	62
CM300200002	68	37	EA9500B0100	98	9	G5101254000A	52	1
CM301200001	2	14	EA9500B0100	104	28	G5102254000A	52	2
CM600100101	68	27	EA9500B0200	2	23·24	G5103254000A	52	3
CM600100201	92	38	EA9500B0200	80	44	G5104254000A	52	4
CQ200000000	42	21	EA9502B0400	80	45	G5105254000A	52	5
CQ252000000	42	38	G1013192000	82	6	G5106254000	52	6
CQ252200000	12	8	G1014192000	82	7	G5107254000	52	7
CQ252200000	42	22	G1015192000	68	17	G5108254000	52	8
CQ252200000	66	23	G1015192000	82	9	G5109254000	52	9
CS051071BSD	94	12	G1016192000	82	10	G5110254000	52	10
CS0800816SH	12	42	G1216870000	10	21	G5112254000	52	38
CS080081CSH	12	41	G3197116000	98	5	G5113254000	52	39
CS080081CSH	22	13	G5001254000	46	1	G5114254000	52	41
CS1000811SP	12	44	G5001254000	84	23	G5115254000	52	42
CS100081ASP	26	9	G5002254000	46	2	G5116254000	52	43
CS100101DSH	46	24	G5003254000	46	3	G5201254000	56	1

NUMERICAL INDEX OF PARTS

PART NO	PAGE	REF NO.	PART NO	PAGE	REF NO.	PART NO	PAGE	REF NO.
G5202254000	56	3	G5410254000	62	29	G5641254000	92	2
G5203254000	56	6	G5411254000	62	31	G5642254000	92	3
G5204254000	56	9	G5412254000	62	33	G57002540A0	94	1
G5207254000	56	12	G5413254000	62	36	G5701254000	94	2
G52082540A0	56	14	G5414254000	62	40	G5702254000	94	3
G5209254000	56	19	G5415254000	62	44	G5703254000	94	4
G5210254000	56	21	G5416254000	64	47	G5704254000	94	5
G5211254000	56	22	G5417254000	64	48	G57302540A0	104	1
G5212254000	56	24	G5418254000	64	52	G5731254000	104	2
G5213254000	56	25	G5419254000	64	55	G5732254000	104	3
G5214254000	56	27	G5420254000	62	5	G5733254000	104	4
G5215254000	56	31	G54212540A0	62	9	G5734254000	104	5
G5217254000A	56	36	G54212540A0	70	44	G5735254000	104	6
G5219254000A	56	40	G54212540A0	84	44	G5736254000	104	7
G5220254000	56	44	G5422254000	64	57	G5737254000	104	8
G5221254000	56	45	G5424254000	64	65	G5738254000	104	9
G5224254000	58	53	G5458116000	70	39	G5739254000	104	10
G5225254000	58	55	G5458116000	102	4	G5740254000	104	11
G5226254000	58	56	G5501254000	66	1	G5741254000	104	12
G5227254000	58	50	G5502254000	66	16	G5744254000	104	15
G5228254000A	58	62	G5503254000	66	11	G5745254000	104	16
G5229254000	58	66	G5504254000	66	12	G57602540A0	102	1
G5230254000	40	11	G5505254000	66	13	G57702540A0	96	1
G5230254000	56	35	G5506254000	66	8	G57712540A0	96	2
G5230254000	60	26	G5507254000	66	10	G57732540A0	96	3
G5230254000	84	20	G5508254000	66	18	G57802540A0	98	1
G52312540B0	56	11	G5551254000	68	1	G5781254000	98	2
G5236254000	56	43	G5553254000A	68	5	G5782254000	98	3
G5301254000A	60	1	G5554254000	68	8	G5791254000	100	1
G5302254000	60	2	G5555254000	68	11	G5792254000	100	3
G5303254000	60	4	G5556254000	68	13	G5793254000	100	6
G5305254000	60	6	G5557254000	68	15	G5794254000	100	7
G5306254000	60	8	G5558254000	68	18	G6010003000	82	8
G5307254000	60	19	G5559254000	68	24	G6014880000	46	13
G5308254000	60	24	G5560254000	20	94	G6014880000	62	20
G5309254000	60	28	G5561254000	20	95	G6022870000	104	19
G5401254000	62	3	G5563254000	68	35	G85122980A0	86	56-57
G5402254000	62	10	G5564254000	76	74	G85152860A0	2	21
G5403254000	62	14	G56012540A0	70	26-29	G91011160A0	92	31
G5404254000	62	16	G56012540A0	84	37	G9303880000	104	20
G5405254000	62	22	G56022540A0	70	27-30	GAF01007000	10	31
G5406254000	62	23	G56022540A0	84	26	GAK33032000	104	44
G5407254000A	62	24	G56032540A0	86	45	GBR22107000	76	47
G5408254000	62	25	G56042540A0	70	28-33	GHP03217000	74	20
G5409254000A	62	27	G56042540A0	84	43	GNP01330000	94	11

NUMERICAL INDEX OF PARTS

PART NO	PAGE	REF NO.	PART NO	PAGE	REF NO.	PART NO	PAGE	REF NO.
GNP01330000	104	13	M1001060000	82	3	MDP170B2100	8	42-43
GPK26004000	62	37	M1001581000	78	6	MDP170B2102	92	5
HA00303000A	86	52-53	M1001610000	78	8	NM3034000SF	78	27
HA004250000	80	59	M10025800A0	78	7	NM3040520SF	78	39
HA004250000	86	52-53	M1004581000	78	10	NM6030001SC	30	15
HA004860010	88	79	M1013610000	78	9	NM6030001SC	36	45
HA005820000	80	60	M3001140000	78	41	NM6030001SC	58	71
HD00057000A	18	60	M8002430000	2	18	NM6030003SC	78	37
HD00057000A	40	38	M85026100A0	86	68	NM6040000SN	58	69
HD00057000A	84	13	M85036100A0	86	67	NM6040001SE	22	9
HD001350000	84	6	M85046100A0	86	65	NM6040002SE	90	33
HD002230000	48	57	M85066100A0	86	66	NM6040003SC	56	16
HD002230000	60	31	M85076100A0	86	64	NM6050001SC	76	71
HF0084063P0	78	42	M85086100A0	86	63	NM6050001SD	48	49
HK034610020	22	11	M85106100A0	84	15	NM6050001SE	90	21
HK054250040	78	15	M85106100A0	104	17	NM6050001SP	24	46
HM000860010	78	13	M85116100A0	86	59	NM6050001SP	36	32
HN001490000	88	77	M85126100A0	86	58	NM6060001SC	40	22
HN00179000C	88	78	M85146100A0	86	60	NM6060001SC	80	53
HX00013000B	80	43	M85156100A0	84	1	NM6060001SE	90	22
HX00056000B	80	65	M85166100A0	84	14	NM6080001SC	66	7
HX00123000B	78	21	M85166100A0	98	4	NM6080001SC	68	34
HX00147000C	78	24	M85226100A0	54	51	NM6080001SC	76	61
HX001500000	54	48	M85226100A0	88	80	NM6080001SC	104	40
HX001500000	76	72	M85405800A0	78	12	NM6120001CP	6	24
HX001500000	80	48	M85405800A0	86	55	NM6160511SE	90	16
HX00150000A	98	10	M85626100A0	86	46	NS6090310SP	32	23
HX00150000C	2	19	M85916100A0	84	5	NS6110310SP	26	44
HX00150000D	30	21	M85926100A0	84	7	NS6110310SP	42	6
HX00150000D	80	47	M85986100A0	84	3	NS6110310SP	52	20
HX00150000F	18	87	M85996100A0A	78	40	NS6110420SP	24	48
HX00150000F	80	46	M86045900C0	78	3-4	NS6120310SP	24	49
HX00150000N	8	53	M86045900C0	86	50-51	NS6120310SP	26	60
HX00150000N	68	30	M8604590AC0	78	3-4	NS6120310SP	28	60
HX001890000	48	53	M8604590AC0	86	50-51	NS6120310SP	104	42
HX001890000	60	30	M90025800A0	84	25	NS6150310SP	22	14
HX00221000E	82	2	M90055800A0	86	71	NS6150430SN	92	14
HX003390000	18	89	M90175800A0	86	56-57	NS6150540SP	50	9
HX003390000	78	23	M9020580AA0	88	81-82	NS6660430SP	14	49
HX00339000D	78	17	MAL01129000	92	34	PA060101500	30	4
HX004070000	78	18	MAO11532000	80	58	PA060101500	70	13
HX004100000	78	19	MAT81163T00	102	5	PA1001025A0	60	9
J1071000000	92	24	MAZ12665000	4	47	PA1001025A0	70	6
KG000000140	82	16	MDP170B1900	8	42-43	PA1002507A0	16	40
KG000000140	86	74	MDP170B1902	92	4	PA1002507A0	70	12

# NUMERICAL INDEX OF PARTS

PART NO	PAGE	REF NO.	PART NO	PAGE	REF NO.	PART NO	PAGE	REF NO.
PA1003003A0	70	9	PJ304040506	70	23	RO154240100	10	24
PA1003003A0	94	13	PJ304065101	62	8	SB106000300	56	73
PA1004001A0	4	59	PJ304065101	70	25	SB106000300	58	73
PA1004001A0	70	14	PJ305080001	70	35	SB106350100	40	13
PA1004513A0	62	42	PJ308040002	50	25	SB108000500	46	27
PA1004513A0	70	2	PJ308040002	52	37	SB109000300	58	72
PA1005501A0	52	34	PJ308040002	70	18	SB112000100	46	28
PA1005501A0	70	8	PJ308040002	96	8	SB112000200	34	47
PA1501515A0	36	33	PJ308085202	70	34	SB112000700	6	22
PA1501515A0	70	11	PJ309520001	92	35	SB117000200	74	22
PA1602005A0	52	31	PS0300102K0	66	24	SB30600070A	34	50~53
PA1602005A0	70	5	PS0300102K0	76	69	SB30600070B	34	50~53
PA1602006A0	70	4	PS0400142KH	10	1	SB30600070C	34	50~53
PA1602006B0	48	50	PS0400202KH	104	21	SB30600070D	34	50~53
PA2015005A0	70	10	PV010014000	30	16	SB406000100	40	14
PA2015005A0	104	22	PV010014000	70	19	SB408000100	18	72
PA3201503A0	62	7	PV150209000	70	31	SB606350100	58	49
PA3201503A0	70	1	PV150209000	84	42	SB612000100	34	48
PA900034000	60	10	PV150209000	94	15	SB710000200	60	11
PA900034000	94	10	PV150209000	96	6	SD0470281SP	26	41
PB000010000	92	36	PV150209000	104	24	SD0500481TP	52	27
PC010507000	70	17	PV150209100	84	29	SD0500803TP	24	52
PC010507000	94	14	PV150209200	84	27	SD0530221SP	28	53
PC010508000	48	51	PV150210000	84	33	SD0550212TP	52	23
PC010508000	70	16	PX500014000	70	32	SD0640271TP	94	8
PC012406000	52	36	PX500014000	94	16	SD0640391TP	28	55
PC012406000	70	21	PX500014000	96	7	SD0640482SP	28	56
PC012406000	96	9	PX950001000	70	36	SD0650305TP	24	53
PC015108000	70	20	RC0560711KP	18	55	SD0700312SD	52	19
PC015108000	104	23	RC1200001KP	6	23	SD0720321TP	28	54
PC022403F00	62	18	RC1900001KP	60	12	SD0790311TP	24	54
PC022403F00	72	88	RE0300000K0	12	14	SD0790433TP	40	20
PJ025200001	2	40	RE0300000K0	16	42	SD0801021TP	14	51
PJ032059006	50	14	RE0300000K0	34	56	SD1100301TP	24	55
PJ032059006	70	24	RE0300000K0	56	29	SK3311601SE	76	57
PJ046054002	36	34	RE0300000K0	60	5	SK3382001SE	80	52
PJ046054002	70	22	RE0400000K0	18	85	SK3382001SE	90	23
PJ301065103	70	38	RE0400000K0	56	48	SK3412001SC	68	9
PJ301065103	102	3	RE0400000K0	58	48	SK3412001SE	92	17
PJ304040504	4	58	RE0500000K0	24	50	SK3482001SE	80	64
PJ304040504	16	41	RE0600000K0	46	26	SK3512001SF	80	61
PJ304040504	52	35	RE0600000K0	50	20	SL4030631SC	64	51
PJ304040504	62	43	RE0700000K0	50	21	SL4030681SC	82	15
PJ304040504	70	15	RE0900000K0	14	50	SL4030681SF	80	66
PJ304040506	52	32	RO048190100	28	62	SL4030691SC	40	34

# NUMERICAL INDEX OF PARTS

PART NO	PAGE	REF NO.	PART NO	PAGE	REF NO.	PART NO	PAGE	REF NO.
SL4030891SC	78	26	SL6051292TN	70	28-33	SM6031402TP	58	70
SL4030891SC	82	5	SL6051292TN	76	66	SM6040602TN	76	68
SL4031291SC	18	62	SL6051642TN	46	35	SM6040602TP	22	15
SL4031291SC	40	17	SL6051692TN	46	33	SM6040802TP	56	32
SL4031681SC	104	33	SL6052042TN	52	25	SM6040802TP	60	27
SL4040681SC	78	30	SL6062042TN	66	9	SM6041002TP	46	36
SL4040881SF	78	25	SL6062092TN	56	28	SM6041002TP	58	52
SL4040891SC	76	73	SL6062092TN	62	17	SM6041002TP	62	45
SL4040891SC	78	57	SL6062092TN	68	19	SM6041202TN	16	43
SL4040891SC	80	57	SL6081242TN	74	36	SM6041202TP	18	66
SL4041081SC	74	46	SL6082092TN	52	17	SM6041202TP	40	29
SL4041091SC	2	22	SL6083092TN	64	56	SM6041402TP	62	41
SL4041091SC	6	54	SL6083092TN	66	15	SM6041602TP	62	2
SL4041091SC	8	54	SL6084092TN	66	17	SM6043052TN	56	60
SL4041091SC	30	13	SL6102042TN	74	35	SM6043052TN	58	60
SL4041091SC	40	32	SL9081693SE	74	32	SM6050802TN	76	65
SL4041091SC	56	67	SL9082583SE	74	33	SM6050802TP	48	60
SL4041091SC	58	67	SM0030801SC	30	14	SM6051002TP	16	13
SL4041091SC	68	38	SM0030801SC	36	2	SM6051202TP	14	56
SL4041091SC	70	26-29	SM0040801SC	2	8	SM6051602TP	16	49
SL4041091SC	78	38	SM0040801SC	56	7	SM6051602TP	18	49
SL4041281SC	58	59	SM1033001SC	78	36	SM6051802TP	18	47
SL4041281SF	78	28	SM1041001SC	62	28	SM6052002TN	76	70
SL4041291SC	2	38	SM3065052TC	80	54	SM6052002TP	10	28
SL4041291SC	48	56	SM4030401SC	62	26	SM6052002TP	18	78
SL4041291SC	60	21	SM4030455SN	34	74	SM6052002TP	46	37
SL4041291SC	66	19	SM4030855SN	62	30	SM6052502TP	18	48
SL4041291SC	68	36	SM4031851SR	78	31	SM6052502TP	62	15
SL4051081SF	78	29	SM4040801SN	62	6	SM6053502TP	14	57
SL4051291SC	68	14	SM4040855SP	44	3	SM6053502TP	104	35
SL4051485SE	76	63	SM4041001SC	90	29	SM6061002TP	52	18
SL4051485SE	80	63	SM4041201SC	90	31	SM6061202TN	18	51
SL6030692TN	20	96	SM4042001SC	90	32	SM6061202TR	66	14
SL6030892TN	46	29	SM4051405SE	90	9	SM6061610SC	90	3
SL6030892TN	60	7	SM4061201SE	90	20	SM6062002TN	82	11
SL6040892TN	16	45	SM4860601SC	54	47	SM6062002TP	68	21
SL6041092TN	60	25	SM4860801SC	38	48	SM6064002TR	62	21
SL6041092TN	76	64	SM4860801SC	40	36	SM6067552TP	68	20
SL6041092TN	104	43	SM6030402TP	54	50	SM6081802TP	62	13
SL6041292TN	40	16	SM6030402TP	64	49	SM6085002TN	68	32
SL6041292TN	46	30	SM6030502TP	64	54	SM6085002TN	76	59
SL6041292TN	50	23	SM6030602TP	56	46	SM6085002TN	104	37
SL6041292TN	52	40	SM6030860SP	18	46	SM6087002TN	64	59
SL6041492TN	14	55	SM6031002TP	40	15	SM6087002TN	66	3
SL6051292TN	46	34	SM6031202TP	56	23	SM6850402TN	100	4

NUMERICAL INDEX OF PARTS

PART NO	PAGE	REF NO.	PART NO	PAGE	REF NO.	PART NO	PAGE	REF NO.
SM6850502TN	8	41	SS2111140SP	34	73	SS6110640SP	24	57
SM6850502TN	50	38	SS4080610SP	62	35	SS6110810TP	18	52
SM6850802TN	60	32	SS4090515SP	28	58	SS6110810TP	28	57
SM8030402TP	52	28	SS4090515SP	42	29	SS6110820TP	8	40
SM8030402TP	56	39	SS4090615SP	28	49	SS6110820TP	34	61
SM8030412TP	58	74	SS4090615SP	42	31	SS6111010SP	66	20
SM8030502TP	40	33	SS4110515SP	18	74	SS6111010TP	18	81
SM8030802TP	52	29	SS4110515SP	42	5	SS6111010TP	50	27
SM8040412TP	56	41	SS4110615SP	2	20	SS6111052TP	36	19
SM8040462TP	104	34	SS4110615SP	30	22	SS6111140SP	2	25
SM8040502TP	16	25	SS4110715SP	2	13	SS6111140SP	94	7
SM8040502TP	46	39	SS4110715SP	16	88	SS6120620TP	2	45
SM8040602TP	56	57	SS4110715SP	18	88	SS6120930SP	24	60
SM8040602TP	58	57	SS4110715SP	98	11	SS6120930SP	42	7
SM8040602TP	60	18	SS4110815SP	2	17	SS6121210SP	18	54
SM8040602TP	62	46	SS4111015SP	36	43	SS6121212TP	12	32
SM8040612TP	74	42	SS4111015SP	42	40	SS6121212TP	32	33
SM8040802TP	40	27	SS4120615SP	2	42	SS6121610TP	40	26
SM8040802TP	50	29	SS4120615SP	42	30	SS6121840SP	36	5
SM8050602TP	40	28	SS4120915SP	30	5	SS6123010SP	36	14
SM8050602TP	46	40	SS4121615SP	26	13	SS6150710SP	36	9
SM8050602TP	50	24	SS4150715SP	2	61	SS6150760SN	36	8
SM8050602TP	58	54	SS4150715SP	4	61	SS6151040SP	4	54
SM8050602TP	60	29	SS4151215SP	2	35	SS6151210SP	6	1
SM8050602TP	62	32	SS5090610SP	32	39	SS6151210SP	40	37
SM8050612TP	74	45	SS5680740SP	92	1	SS6151220SP	10	27
SM8050842TP	74	43	SS6060220SP	98	6	SS6151220SP	12	21
SM8053002TP	22	21	SS6060410TP	14	52	SS6151412TP	10	16
SM8060602TP	18	57	SS6060410TP	32	43	SS6151412TP	18	77
SM8060602TP	60	16	SS6060440TP	98	12	SS6151440SP	40	25
SM8060612TP	10	22	SS6080410SP	4	57	SS6151712TP	40	21
SM8060802TP	10	15	SS6090440SP	12	6	SS6152212SP	18	53
SM8060802TP	46	43	SS6090440SP	42	35	SS6681712TP	10	17
SM8061212TP	74	39	SS6090810TP	8	50	SS7060310SP	50	28
SM8061242TP	74	41	SS6092120SP	42	24	SS7060310SP	52	30
SM8061612TP	10	23	SS6092420SP	62	39	SS7090410SP	22	41
SM8082012TN	74	37	SS6110420TP	32	45	SS7090410SP	36	31
SM9040603SC	16	44	SS6110480SP	14	53	SS7090510SP	26	38
SM9061203SE	74	34	SS6110610TP	2	34	SS7110350SP	30	9
SS1060210TP	22	40	SS6110610TP	18	73	SS7110710SP	4	52
SS1060210TP	36	4	SS6110610TP	24	56	SS7110710SP	24	58
SS1110640TP	44	5	SS6110610TP	36	16	SS7110740TP	22	27
SS2090710TP	62	19	SS6110610TP	52	26	SS7110840SP	2	64
SS2110920TP	10	26	SS6110610TP	94	9	SS7110840SP	4	64
SS2110920TP	18	71	SS6110630TP	46	44	SS7110840SP	8	39

NUMERICAL INDEX OF PARTS

PART NO	PAGE	REF NO.	PART NO	PAGE	REF NO.	PART NO	PAGE	REF NO.
SS7110840SP	18	82	WP0250516SD	98	7	WP0852086SC	66	5
SS7110840SP	24	59	WP0280500SC	100	5	WP0952616SD	12	7
SS7110840SP	36	36	WP0320500SC	36	46	WP0952616SD	34	62
SS7110840SP	96	5	WP0320501SD	64	53	WP1221016SP	48	48
SS7111110TP	12	23	WP0430800SD	18	69	WP1612616SE	90	17
SS7111120SP	28	59	WP0430800SD	40	30	WP2103001SE	60	14
SS7111120TP	32	54	WP0430801SE	56	68	WS0310002KR	38	47
SS7111120TP	34	54	WP0430801SE	58	68	WS0310702KS	78	32
SS7151120SP	8	28	WP0450801SD	28	50	WS0410002KP	18	70
SS8090710SP	40	19	WP0450801SD	44	4	WS0410002KP	40	31
SS8110310SP	10	6	WP0450801SD	50	5	WS0410002KR	22	10
SS8110422TP	8	51	WP0450801SD	66	21	WS0441040KP	52	21
SS8110422TP	18	50	WP0450801SP	30	10	WS0451040KP	66	22
SS8110520TP	10	5	WP0450826SC	80	62	WS0510002KN	90	24
SS8110520TP	12	48	WP0480856SP	4	53	WS0510002KP	10	30
SS8110520TP	14	48	WP0482086SD	26	8	WS0510002KP	14	58
SS8110520TP	34	79	WP0501016SC	92	18	WS0510002KP	18	80
SS8120740SP	16	86	WP0501016SD	24	51	WS0610002KN	76	48
SS8120740SP	18	86	WP0501016SD	38	50	WS0610002KN	80	56
SS8150510TP	8	52	WP0501046SC	68	39	WS0610002KN	82	13
SS8150822TP	2	10	WP0502616SD	36	39	WS0820002KN	62	60
SS8150822TP	12	22	WP0531000SC	20	98	WS0820002KN	64	60
SS8150822TP	24	63	WP0531000SD	10	29	WS0820002KN	66	6
SS8151230SP	50	4	WP0531000SD	18	79	WS0820002KR	76	62
SS8660330SP	34	55	WP0531000SD	46	61	WS0820002KR	104	39
SS8660512TP	18	58	WP0531000SD	48	61	WS1220002KP	6	25
SS8660610TP	10	19	WP0550800SP	18	83	WS1643202KR	90	19
SS8660610TP	14	47	WP0553216SD	24	65	WT0320001KN	98	8
SS8660612TP	32	58	WP0561616SC	46	46	WZ0430200KH	56	30
SS8660612TP	34	58	WP0611626SP	40	18	WZ2200300KP	60	13
SS8661012TP	24	64	WP0612056SE	80	55			
SS8661012TP	34	59	WP0612066SP	40	23			
SS8661212TP	34	60	WP0612516SD	68	22			
SS9090410TP	36	37	WP0621016SH	18	84			
SS9091010SP	36	38	WP0641600SC	2	46			
SS9110453TP	4	65	WP0641601SC	82	12			
SS9661230CP	10	18	WP0651056SD	28	61			
TA0800504R0	82	20	WP0820526SD	48	47			
TA1050504R0	2	39	WP0820526SD	50	19			
TA1050504R0	36	21	WP0820526SD	92	33			
TA1250406R0	2	36	WP0841601SC	64	61			
TA1250406R0	34	69	WP0841601SC	66	4			
TA1470704R0	2	37	WP0841601SC	68	33			
TA2351305R0	74	27	WP0850002SC	76	60			
WP0250501SC	50	39	WP0850002SC	104	38			