

MODEL : PGM-7

List No : 1284-01

# PARTS LIST

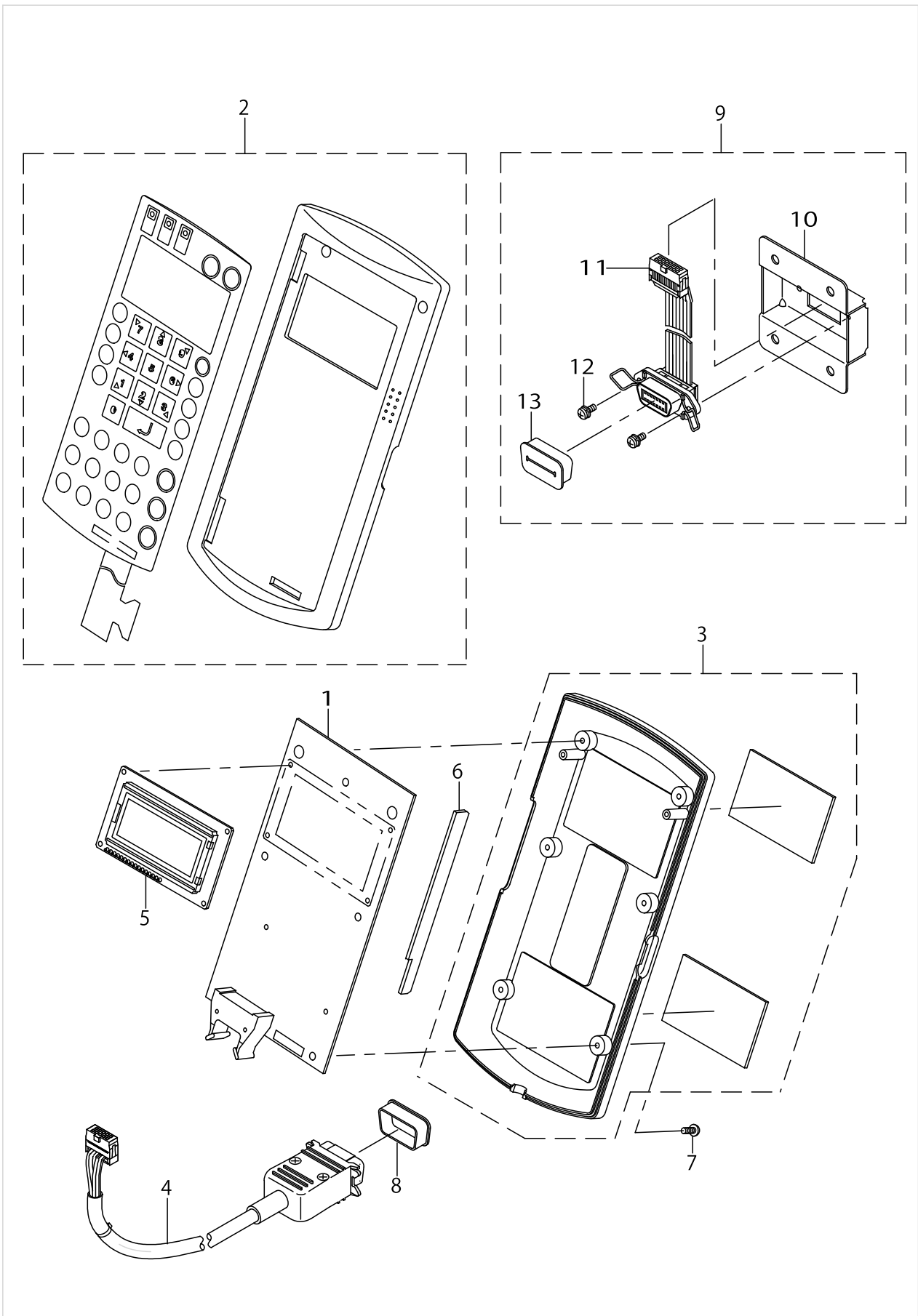
Published:05/12/2017

## CONTENTS

---

COMPONENTS .....	1
HOW TO MAKE USE OF THIS PARTS LIST .....	3

COMPONENTS



COMPONENTS

No.	Supply Code	Parts No.	Replacement	Parts name	Remarks	Choice	Step	Level	Cons	Qty	Rep. QTY
1		G8601007AA0		PGM BOARD A ASM.						1	
2	D	G85030070A0		OPERATION BOX U- PPER CASE ASM.						1	
3		M10315800A0		OPERATION BOX L- OWER CASE ASM.						1	
4		G90010070A0		PGM CONNECTION CABLE ASM.						1	
5		M85415800A0		LCD ASM.						1	
6		G1002007000		INPUT DEVICE COVERING BOARD						1	
7		ST4031051SN		TAPPING SCREW D=3-24 L=10						6	
8	D	HK02329014C		DUST CAP						1	
9		G85020070A0		PGM-LK CONNECTION ASM.						1	
10		G1001007000		PANEL CONNECTOR FITTING BOARD				*		1	
11		G90020070A0		PGM CONNECTION CORD ASM.				*		1	
12		SL4030881SC		SCREW M3X8				*		2	
13	D	HK02329014B		DUST CAP				*		1	

## HOW TO MAKE USE OF THIS PARTS LIST

1.As to "#01" and "#02" refer to the "Note" given at the bottom of the respective pages.

2.Codes on the "Qty" column

- Each numeral indicates the number of parts required.
- "0.1" and "2.5" indicate the length (in meters) of the respective parts.

3.Parentheses mean that the corresponding part is a subpart that constructs an assembly part.

4.Dotted lines on the Figures indicate assembly parts.

1. リストページの# 0 1、# 0 2の印は、ページ下の"注記"の説明を参照下さい。
2. 数量欄の数字は、個数を表し、0. 1、2. 5等の数値は、長さ（単位メートル）を表します。
3. 数量欄の（ ）は、組部品を構成している子部品であることを意味します。
4. イラストページの-----枠は、組構成であることを意味します。

## NUMERICAL INDEX OF PARTS

PART NO	PAGE	REF NO.
G1001007000	2	10
G1002007000	2	6
G85020070A0	2	9
G85030070A0	2	2
G8601007AA0	2	1
G90010070A0	2	4
G90020070A0	2	11
HK02329014B	2	13
HK02329014C	2	8
M10315800A0	2	3
M85415800A0	2	5
SL4030881SC	2	12
ST4031051SN	2	7