

MODEL : DDL-8300

List No : 1270-00

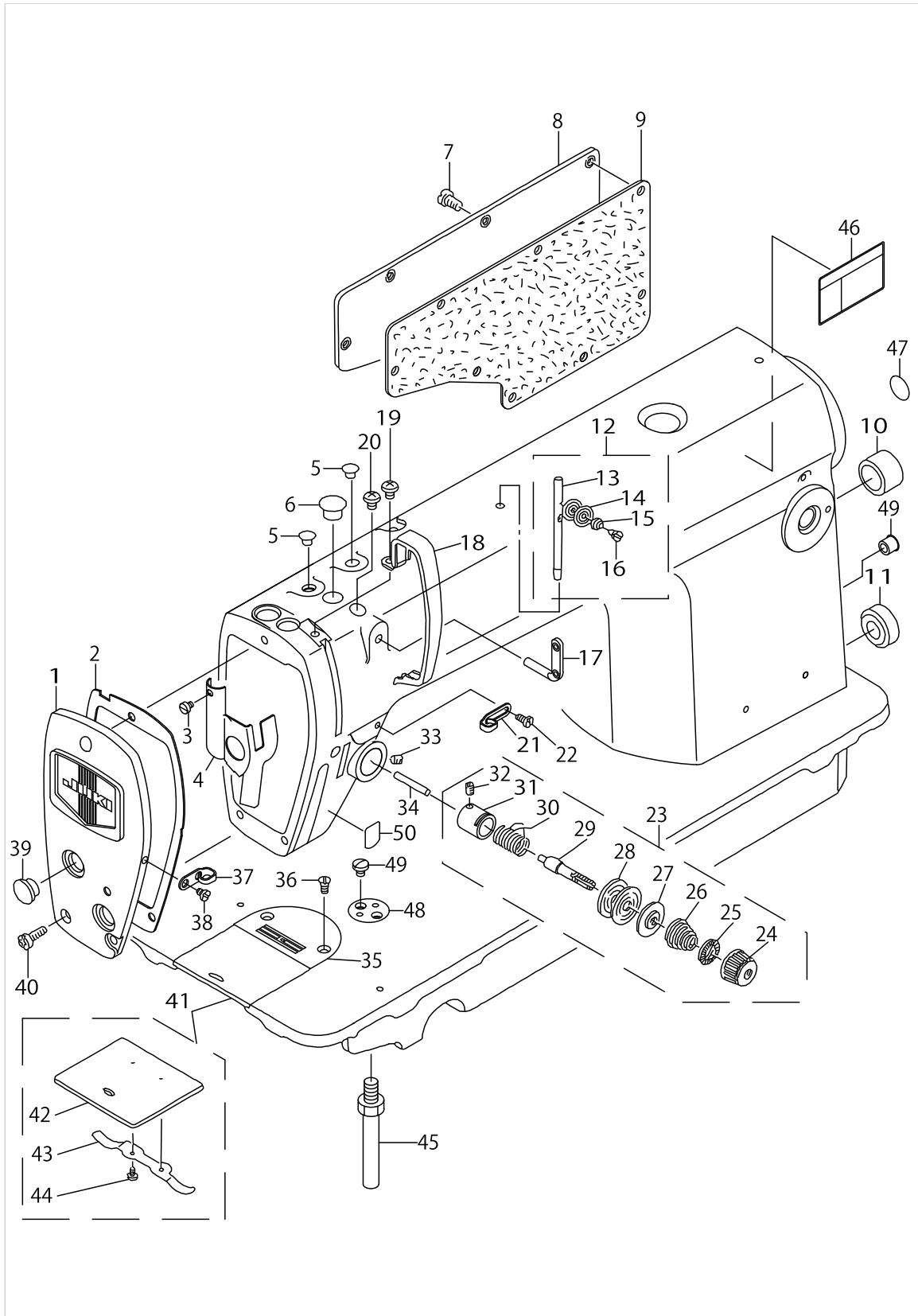
PARTS LIST

Published:05/12/2017

CONTENTS

MACHINE FRAME & MISCELLANEOUS COVER COMPONENTS	1
MAIN SHAFT & THREAD TAKE-UP LEVER COMPONENTS	5
NEEDLE BAR, UPRIGHT SHAFT & HOOK DRIVING SHAFT COMPONENTS	7
HAND LIFTER COMPONENTS	9
FEED MECHANISM COMPONENTS.....	11
OIL LUBRICATION COMPONENTS	15
OIL RESERVOIR COMPONENTS	17
BELT COVER & BOBBIN WINDER COMPONENTS	19
THREAD STAND COMPONENTS.....	21
EXCLUSIVE PARTS FOR DDL-8300H.....	23
HOW TO MAKE USE OF THIS PARTS LIST	25

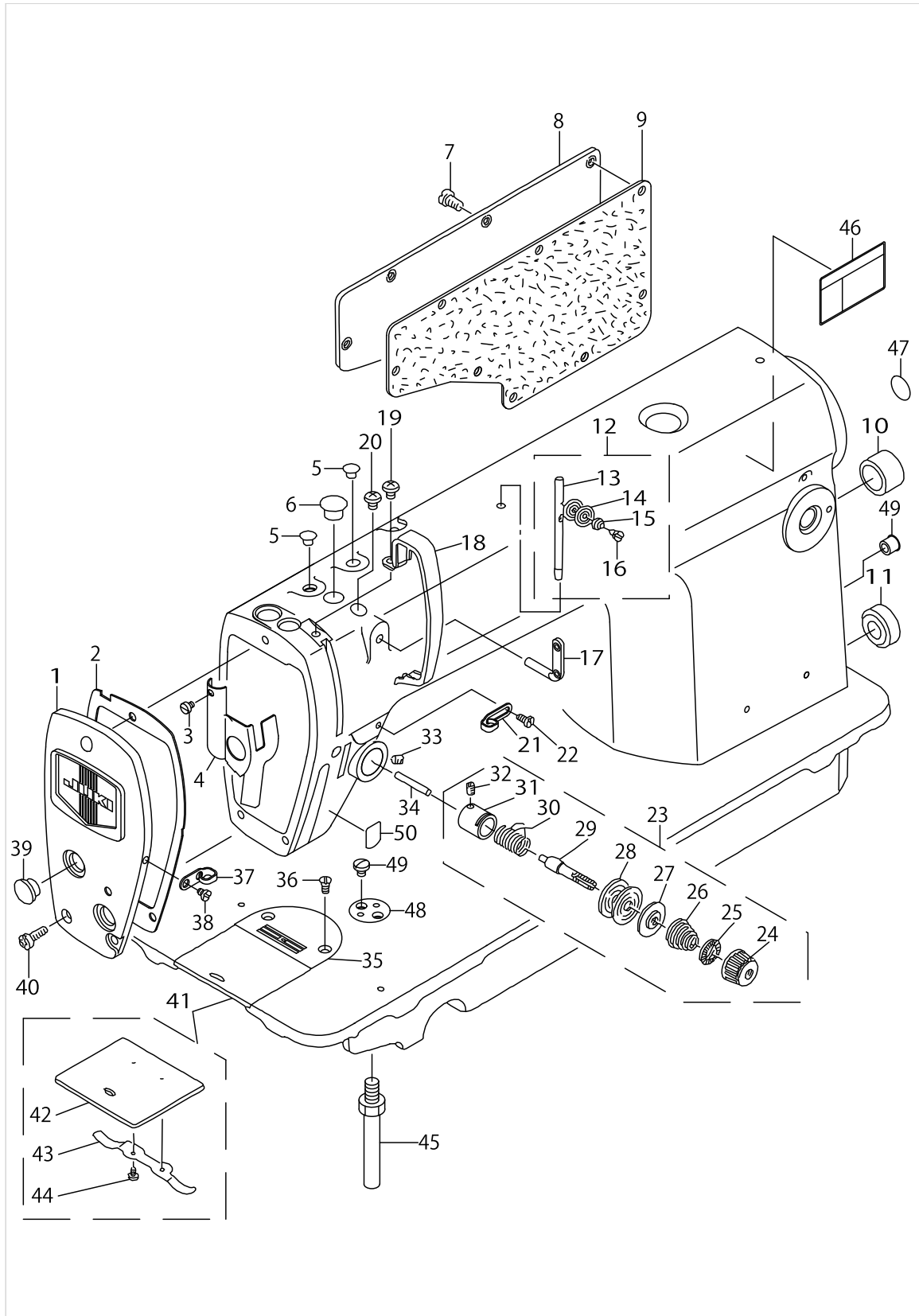
MACHINE FRAME & MISCELLANEOUS COVER COMPONENTS



MACHINE FRAME & MISCELLANEOUS COVER COMPONENTS

No.	Supply Code	Parts No.	Replacement	Parts name	Remarks	Choice	Step	Level	Cons	Qty	Rep. QTY
1		22902159		FACE PLATE ASM.						1	
2	R	22902209	40012126	FACE PLATE GASKET						1	1.00
3		SS6080410SP		SCREW 1/8-44 L=4						1	
4		22900757		ARMOIL SHIFLD ASM.						1	
5		TA0850604R0		RUBBER PLUG						2	
6		TA1250705R0		RUBBER PLUG						1	
7		SS4120915SP		SCREW 3/16-28 L=9						8	
8		22900401		SIDE PLATE						1	
9	R	11000619	40012129	GASKET						1	1.00
10		TA2000502R0		RUBBER PLUG						1	
11		TA2101002R0		RUBBER PLUG						1	
12		22932552		THREAD GUIDE ROD ASM.						1	
13	R	22932503	22932552	THREAD GUIDE ROD				*		1	1.00
14	D	22932602		TENSION DISK				*		2	
15	R	22932701	26021600	TENSION SPRING				*		1	1.00
16		SD0380552SL		HINGE SCREW D=3.8 H=5.5				*		1	
17		22920706		TWO-HOLE THREAD EYELET						1	
18		22900609		THREAD TAKE-UP LEVER COVER						1	
19		SS4120615SP		SCREW 3/16-28 L=6						1	
20		SS4120615SP		SCREW 3/16-28 L=6						1	
21		22920508		ARMTHREADGUIDEA						1	
22	R	11001500	22921001	SCREW						1	1.00
23		22945356		THREAD TENSION ASM.						1	
24		22921308		TENSION NUT				*		1	
25		22921407		ROTATING STOPPER				*		1	
26		22921704		TENSION SPRING A				*		1	
27		22921803		THREAD TENSION DISK PRESSER				*		1	
28		22921506		THREAD TENSION DISK				*		2	
29		22921209		TENSION POST				*		1	
30		22921605		TAKE-UP SPRING				*		1	
31		22945307		TENSION POST SOCKET				*		1	
32		SS8090670SP		SCREW 9/64-40L=5.5				*		1	
33	R	SS8150710SP	SS8150710TP	SCREW 15/64-28 L=7						1	1.00
34	R	B3118552E00	22920904	TENSION RELEASING						1	1.00
35		22965909		THROAT PLATE						1	
36		SS2110920TP		SCREW 11/64-40 L=8.5						2	
37		22920607		ARMTHREADGUIDEB						1	
38		SS6110610TP		SCREW 11/64-40 L=6						1	
39		TA1250406R0		RUBBER PLUG D=12.5 L=4						2	
40		SS4120915SP		SCREW 3/16-28 L=9						3	
41		22902753		BED SLIDE ASM.						1	
42		22902704		SLIDE PLATE				*		1	
43		22901300		BED SLIDE SPRING				*		1	
44		SS6060210SP		SCREW 3/32-56L=1.9				*		2	
45		22901003		BED SCREW STUD						4	
46		CM3002001A1		SAFETY LABEL.,3 (SMALL).						1	

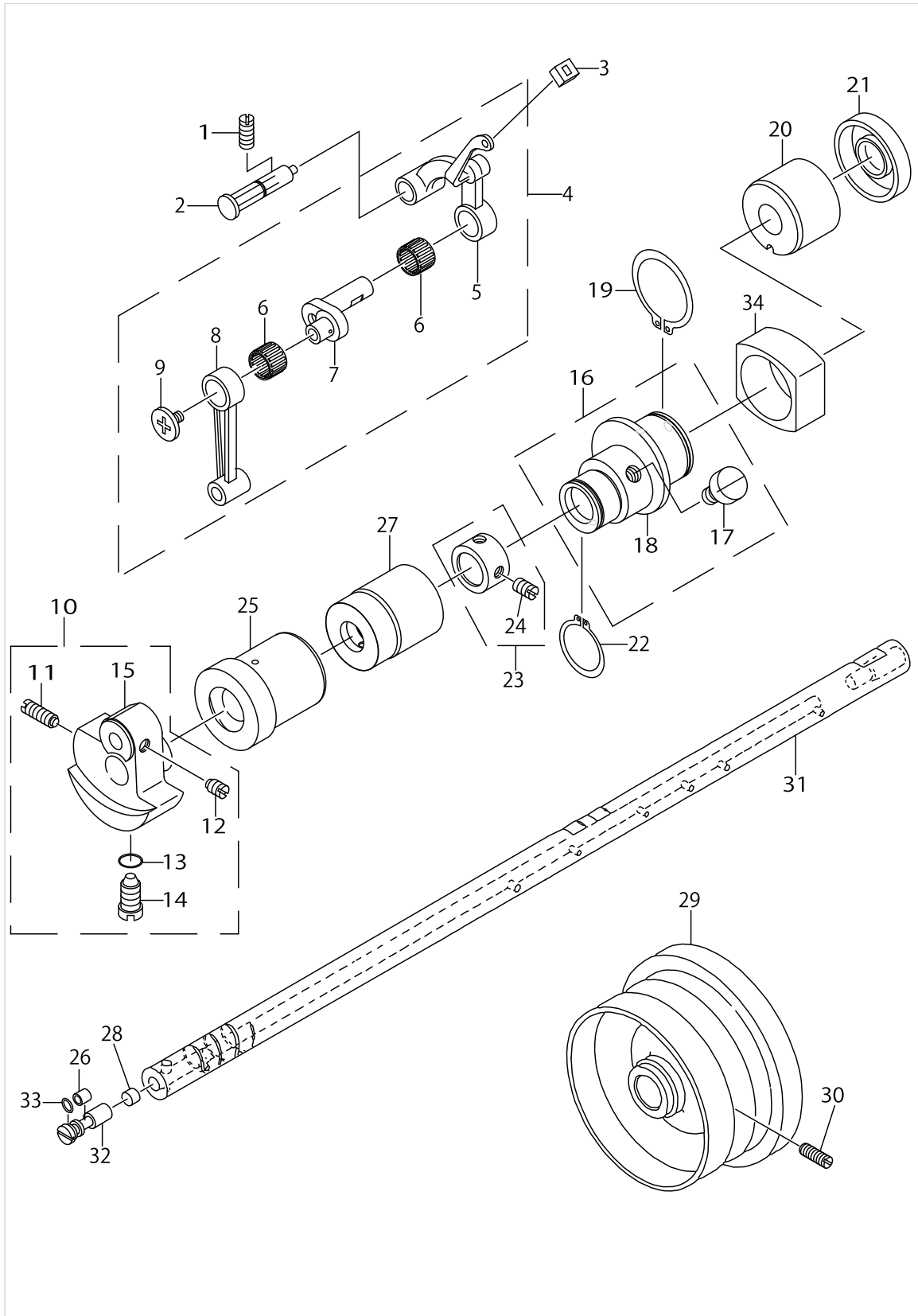
MACHINE FRAME & MISCELLANEOUS COVER COMPONENTS



MACHINE FRAME & MISCELLANEOUS COVER COMPONENTS

No.	Supply Code	Parts No.	Replacement	Parts name	Remarks	Choice	Step	Level	Cons	Qty	Rep. QTY
47		22901805		GROUND MARK						1	
48		22902605		SULER STOPPER						1	
49		TA0950806R0		RUBBER PLUG						2	
50		22967301		NEEDLE SEAL						1	

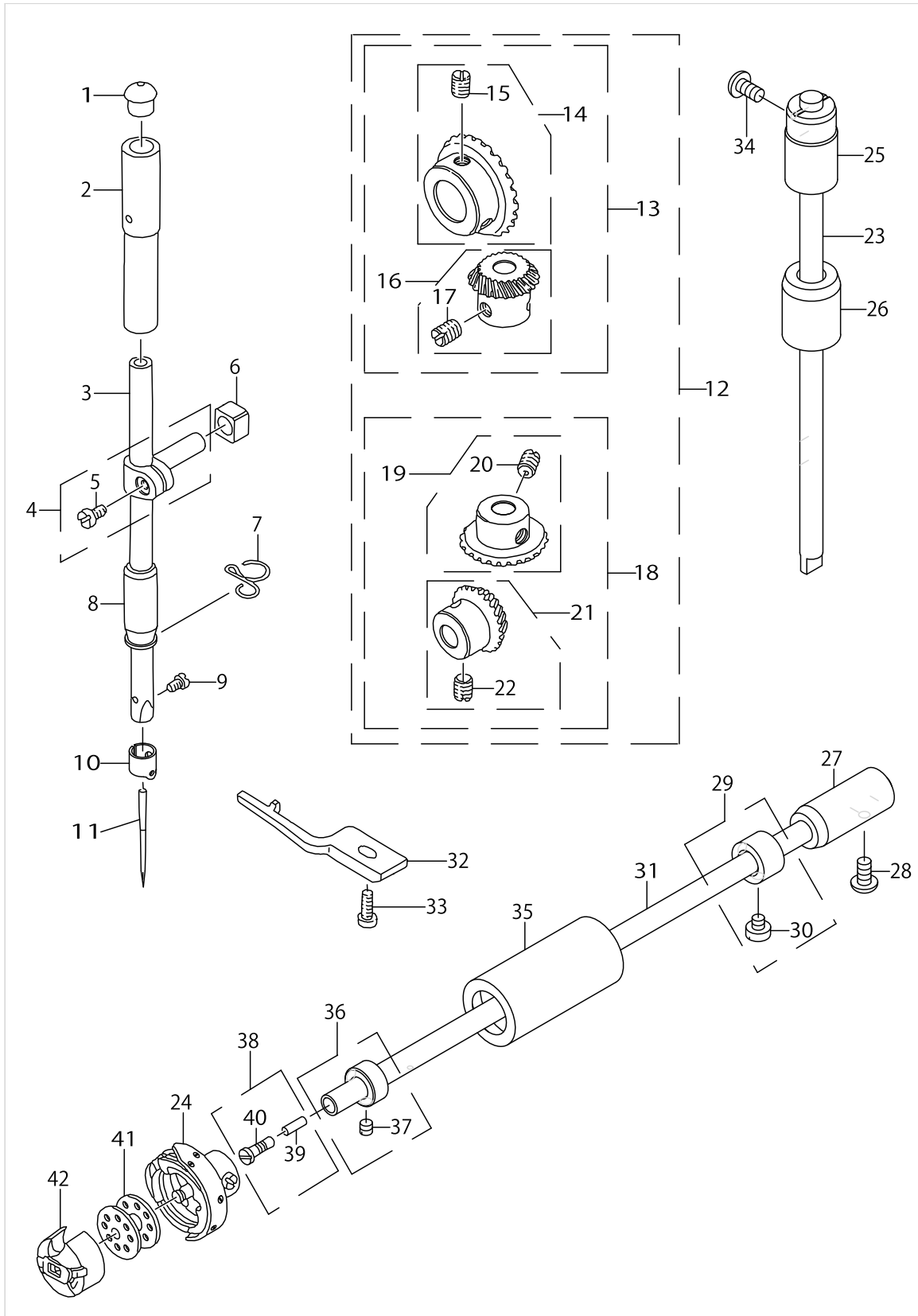
MAIN SHAFT & THREAD TAKE-UP LEVER COMPONENTS



MAIN SHAFT & THREAD TAKE-UP LEVER COMPONENTS

No.	Supply Code	Parts No.	Replacement	Parts name	Remarks	Choice	Step	Level	Cons	Qty	Rep. QTY
1	R	SS8151150SP	SS8151150TP	SCREW 15/64-28 L=10.5						1	1.00
2		22919559		THREAD TAKE-UP CRANK SHAFT ASM						1	
3		22919203		RUBBER						1	
4		22918072		THREAD TAKE-UP LEVER COMPL.						1	
5	R	22918064	22918072	THREAD TAKE-UP LEVER ASM.				*		1	1.00
6		22918502		NEEDLE BEARING B	SELECTING PART			*		2	
7		22918106		NEEDLE BAR CRANK				*		1	
8		22906606		NEEDLE BAR CRANK ROD				*		1	
9	R	22918304	B1903552000	LEFT SCREW				*		1	1.00
10		22903157		COUNTER WEIGHT ASM.						1	
11		SS8681650TP		SCREW 9/32-28 L=16				*		1	
12		SS8660610TP		SCREW 1/4-40 L=6				*		2	
13		RO044240100		RUBBER RING				*		1	
14		SS7681650TP		SCREW 9/32-28 L=16				*		1	
15	R	22903108	22903157	COUNTER WEIGHT				*		1	1.00
16	D	22966154		FEED DRIVE ECCEN-TRIC CAM ASM.						1	
17		SS6661110SP		SCREW 1/4-40 L=11				*		2	
18		22966105		FEED DRIVE ECCENTRIC CAM				*		1	
19		RC2501211KP		SNAP RING 25.0						1	
20	R	22903405	11002409	MAIN SHAFT BUSHING, REAR						1	1.00
21	R	22903504	40105231	OIL SEAL						1	1.00
22		RC1850001KP		SNAP RING 18.5						1	
23		22904155		THRUST COLLAR ASM.						1	
24		SS8660610TP		SCREW 1/4-40 L=6				*		2	
25		22903207		MAIN SHAFT FRONT BUSHING						1	
26	R	22904007	B1215552000	OIL ADJUSTING COLLAR						1	1.00
27		22903306		BUSHING,INTERMEDIATE						1	
28	R	22903702	11002904	ROLLER FELT						1	1.00
29	R	22927206	11071362	HAND WHEEL						1	1.00
30		SS8151550SP		SCREW15/64-28L=15						2	
31		22903009		UPPER SHAFT						1	
32		22903900		OIL AMOUNT ADJUSTING PIN						1	
33		RO029180100		RUBBER RING						1	
34	R	22966204	22966154	PITMAN BLOCK						1	1.00

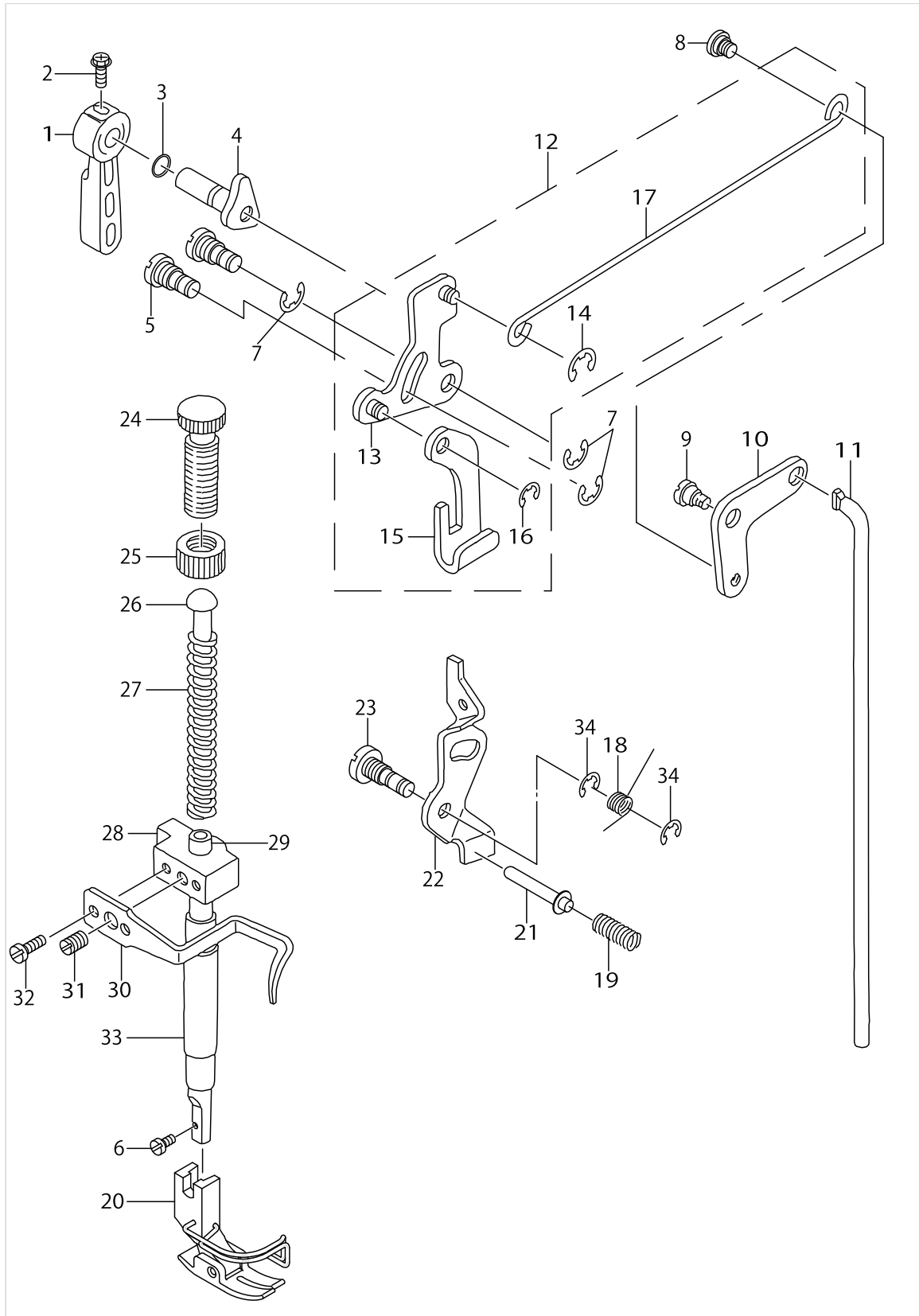
NEEDLE BAR, UPRIGHT SHAFT & HOOK DRIVING SHAFT COMPONENTS



NEEDLE BAR, UPRIGHT SHAFT & HOOK DRIVING SHAFT COMPONENTS

No.	Supply Code	Parts No.	Replacement	Parts name	Remarks	Choice	Step	Level	Cons	Qty	Rep. QTY
1		22901409		CAP						1	
2		22906101		NEEDLE BAR BUSHING ,UPPER						1	
3		22906002		NEEDLE BAR						1	
4		22906457		NEEDLE ROD HOLDER ASM.						1	
5		SS6090670TP		SCREW 9/64-40 L=6				*		1	
6	R	22906507	B1414555000	SLIDE BLOCK						1	1.00
7		22920805		NEEDLE BAR THREAD GUIDE						1	
8		22906200		NEEDLE BAR BUSHING, LOWER						1	
9		SS7080510TP		SCREW 1/8-44 L=4.5						1	
10		22906309		NEEDLE BAR THREAD GUIDE						1	
11		MDB100B1400		NEEDLE DBX1 #14						1	
12	R	B13061550C0	B13071550C0	GEAR & PINION ASM.						1	1.00
13		B13061550B0		GEAR & PINION ASM., UPPER				*		1	
14		B13050120A0		GEAR ASM.				*		1	
15		SS8660810TP		SCREW 1/4-40 L=8				*		2	
16		B13061550A0		PINION ASM.				*		1	
17		SS8660810TP		SCREW 1/4-40 L=8				*		2	
18		B13071550B0		GEAR & PINION ASM., LOWER				*		1	
19		B13071550A0		GEAR ASM. LARGE				*		1	
20		SS8660810TP		SCREW 1/4-40 L=8				*		2	
21		B13081550A0		PINION ASM.				*		1	
22		SS8660810TP		SCREW 1/4-40 L=8				*		2	
23		22905004		UPRIGHT SHAFT						1	
24		B18301270A0		HOOK ASM.						1	
25		22905103		UPRIGHT SHAFT BUSHING ,LOWER						1	
26		22905202		UPRIGHT SHAFT BUSHING, LOWER						1	
27		22916308		BUSHING ,REAR						1	
28		SS4120915SP		SCREW 3/16-28 L=9						1	
29		22917157		THRUST COLLAR ASM.						1	
30		SS6110420TP		SCREW 11/64-40 L=4.8				*		2	
31		22916001		LOWER SHAFT						1	
32		22916407		BOBBIN CASE HOLDER						1	
33		SS4110915SP		SCREW 11/64-40 L=9						1	
34		SS4120915SP		SCREW 3/16-28 L=9						1	
35		22916100		LOWER SHAFT FRONT METAL						1	
36		22917058		THRUST COLLAR ASM.						1	
37		SS8110410TP		SCREW 11/64-40 L= 3.5				*		2	
38		22916555		OILSEALSCREWASM.						1	
39	R	22916605	11015906	OIL WICK				*		1	1.00
40		22916506		OIL SEAL SCREW				*		1	
41		22932909		BOBBIN						1	
42		B18370120A0		BOBBIN CASE ASM.						1	

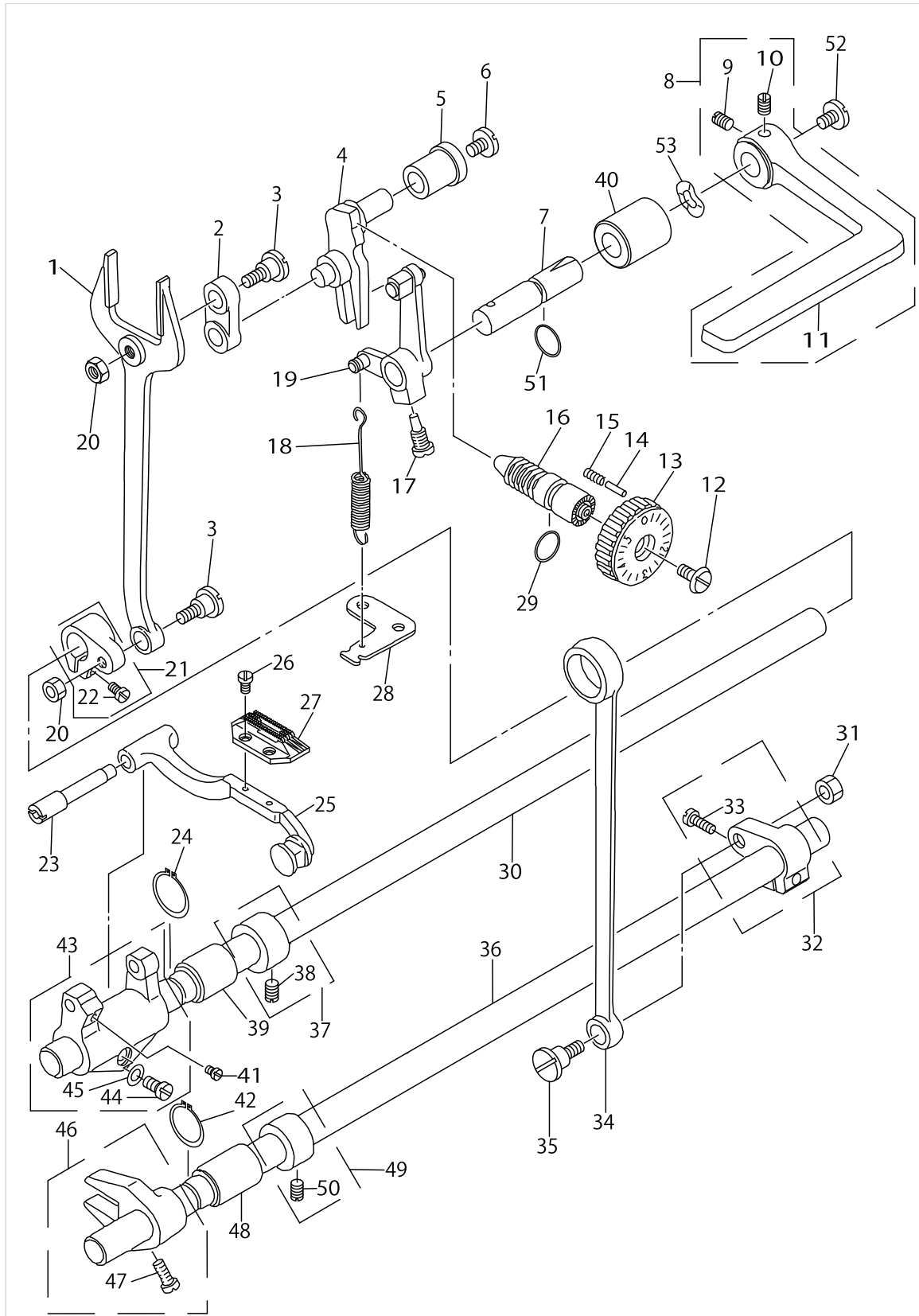
HAND LIFTER COMPONENTS



HAND LIFTER COMPONENTS

No.	Supply Code	Parts No.	Replacement	Parts name	Remarks	Choice	Step	Level	Cons	Qty	Rep. QTY
1		22907802		HAND LIFTER						1	
2		B1521555000		SCREW						1	
3		RO037180100		RUBBER RING						1	
4		22908552		HAND LIFTER CAM ASM.						1	
5	R	11006509	22908701	LINK SHAFT						1	1.00
6	R	SS7091110SP	SS7091110TP	SCREW 9/64-40 L=10.5						1	1.00
7		RE0500000K0		E-RING						3	
8		22908909		HINGE SCREW						1	
9		SD0720331SP		HINGE SCREW D= 7.24 H= 3.3						1	
10		22908800		LIFTING LEVER LINK						1	
11		22909006		CONNECTING ROD VERTICAL						1	
12		22908354		LIFTING LEVER CONNECTING ROD						1	
13	R	22908156	22908354	HAND LIFTER LINK				*		1	1.00
14		RE0500000K0		E-RING				*		1	
15	R	22908008	22908354	LIFTING LEVER		A	DDL-5550 5550N 555- 0N-7 5556- N-7 5600NL-7	*		1	1.00
15	R	22908008	23609357	LIFTING LEVER		B	DDL-9000A 9000B	*		1	1.00
15	R	22908008	40057398	LIFTING LEVER		C	LH-3500	*		1	1.00
15	R	22908008	40174387	LIFTING LEVER		D	DDL-9000C	*		1	1.00
16		RE0500000K0		E-RING				*		1	
17		22908305		LIFTING LEVER CONNECTING ROD				*		1	
18		22920201		TENSION RELEASE RETURN SPRING						1	
19		22920409		TENSION RELEASE PIN SPRING						1	
20		B15240120BA		PRESSER FOOT ASM.						1	
21		22920300		TENSION RELEASE SUPPORTING PIN						1	
22		22920003		TENSION RELEASE PLATE						1	
23	R	11018108	22920102	TENSION RELEASE SHAFT						1	1.00
24	R	22907505	22907554	PRESSER ADJUSTING SCREW						1	1.00
25	R	22907604	22907554	PRESSER ADJUSTING SCREW NUT						1	1.00
26		22907703		PRESSER GUIDE BAR						1	
27		22907406		PRESSER ADJUSTING SPRING						1	
28		22907208		PRESSER BAR GUIDE BRACKET						1	
29	R	22907000	40017805	PRESSER BAR						1	1.00
30		22907307		PRESSER BAR THREAD GUIDE						1	
31		SS8660810TP		SCREW 1/4-40 L=8						1	
32		SS6090910SP		SCREW 9/64-40 L=9						2	
33		22907109		PRESSER BAR BUSHING, LOWER						1	
34		RE0500000K0		E-RING						2	

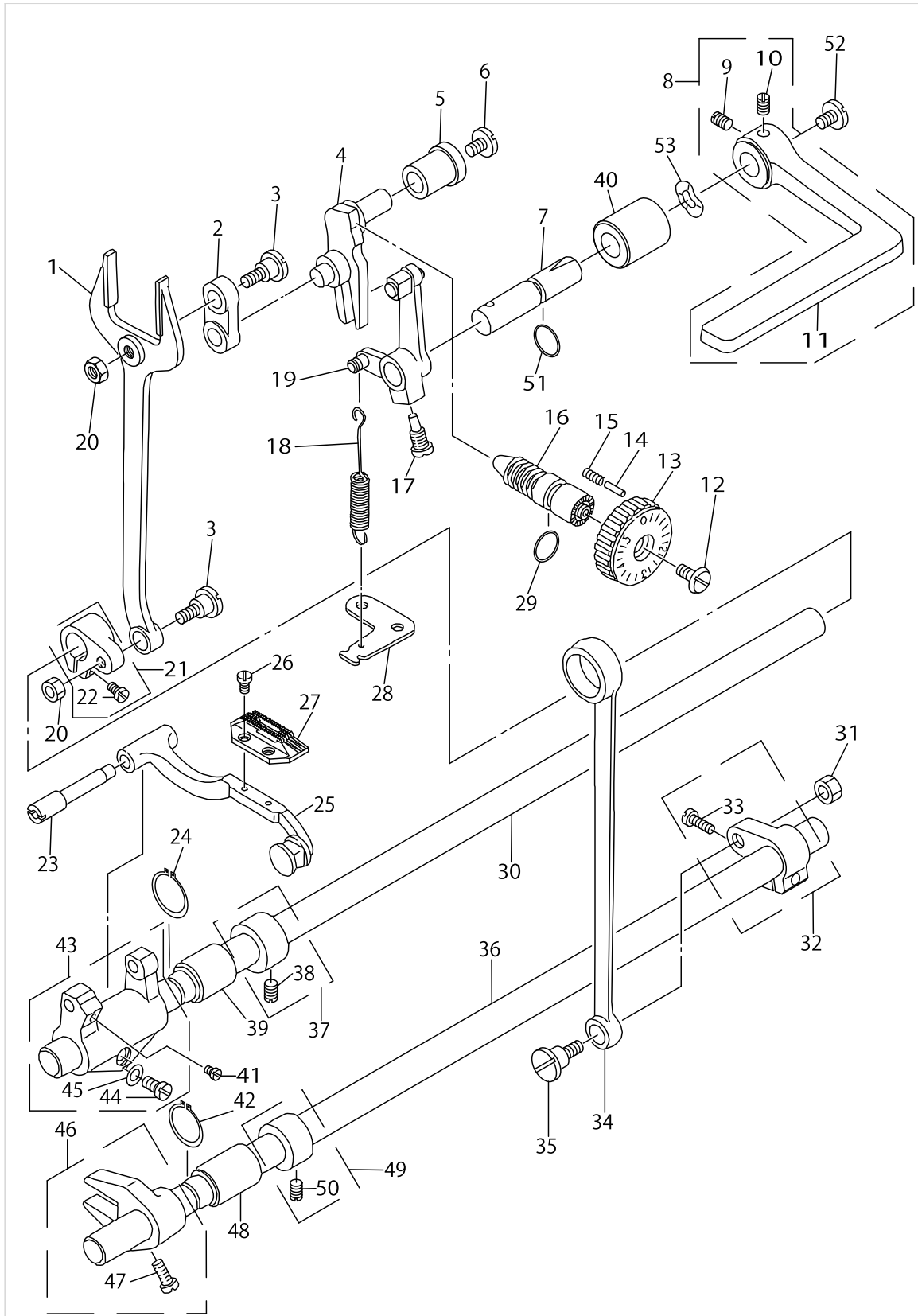
FEED MECHANISM COMPONENTS



FEED MECHANISM COMPONENTS

No.	Supply Code	Parts No.	Replacement	Parts name	Remarks	Choice	Step	Level	Cons	Qty	Rep. QTY
1	D	22966303		PITMAN						1	
2		22966402		PITMAN LINK						1	
3		SD1000801SH		HINGE SCREW D=10 H=8						2	
4	R	22966600	11050507	FEED REGULATOR						1	1.00
5		22911705		FEED REGULATOR BUSHING						1	
6		SS7120770SH		SCREW 3/16-28 L=7						1	
7		22967202		FEED REVERSE SHAFT						1	
8		22912752		FEED LEVER ASM.						1	
9		SM8061050TP		SCREW M=6 L=10				*		1	
10		SM8061010TP		SCREW M=6 L=10				*		1	
11	R	22912703	22912752	FEED LEVER				*		1	1.00
12		SS6121860SP		SCREW 3/16-28 L=18						1	
13		22911903		FEED DIAL						1	
14		22912000		FEED REGULATOR PIN						1	
15		22912109		FEED REGULATOR PIN SPRING						1	
16		22911804		FEED REGULATOR SCREW						1	
17		22912505		FEED REVERSE ARM SCREW						1	
18	D	22967103		LEVER RETURN SPRING						1	
19		22966758		LEVER CRANK ASM.						1	
20		NS6680410SP		NUT 9/32-28						2	
21		22966550		FEED ROCK SHAFT CRANK						1	
22		SS7121610SP		SCREW 3/16-28 L=15.5				*		1	
23		22913206		FEED BAR SHAF						1	
24		RC0150001KP		RETAINING RING 13.8						1	
25	R	22913354	22940803	FEED BASE ASM.		A				1	1.00
25	R	22913354	22940654	FEED BASE ASM.		A				1	1.00
25	R	22913354	22940753	FEED BASE ASM.		A				1	1.00
26		SS4080620TP		SCREW 1/8-44 L=6						2	
27		B1613012A00		FEED DOG A						1	
28		22913701		FEED SPRING HOOK						1	
29		RO092270200		RUBBER RING						1	
30		22912901		FEED ROCKERSHAFT						1	
31		NS6680410SP		NUT 9/32-28						1	
32		22915151		FEED ARM COMPL.						1	
33		SS7121610SP		SCREW 3/16-28 L=15.5				*		1	
34		22915003		CONNECTING ROD						1	
35		SD1000801SH		HINGE SCREW D=10 H=8						1	
36		22915201		FEED DRIVING SHAFT						1	
37		22904155		MAIN SHAFT THRU-ST COLLAR ASM.						1	
38		SS8660610TP		SCREW 1/4-40 L=6				*		2	
39		22913008		FEED ROCKER SHAFT BUSHING						1	
40		22912802		FEED LEVER SHAFT BUSHING						1	
41		SS7110740TP		SCREW 11/64-40 L=7						1	
42		RC0150001KP		RETAINING RING 13.8						1	
43		22913156		FEED ROCKER ASM.						1	
44		SS7121410TP		SCREW 3/16-28 L=14				*		1	

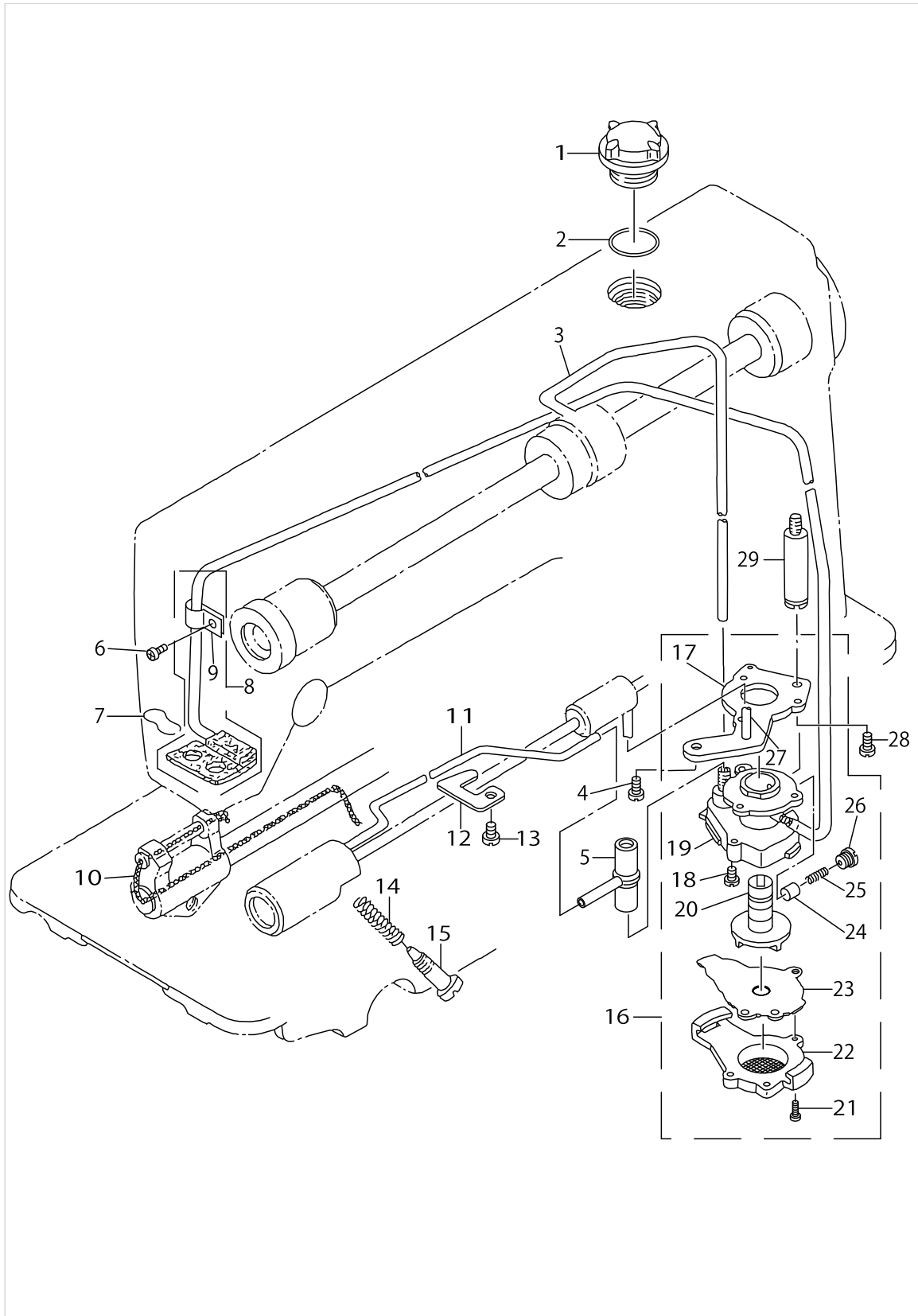
FEED MECHANISM COMPONENTS



FEED MECHANISM COMPONENTS

No.	Supply Code	Parts No.	Replacement	Parts name	Remarks	Choice	Step	Level	Cons	Qty	Rep. QTY
45		WP0480856SP		WASHER 4.8X8.4X0.8				*		1	
46		22915359		DRIVING SHAFT CRANK ASM.						1	
47	R	SS7111120SP	SS7111120TP	SCREW 11/64-40 L=10.5				*		1	1.00
48		22913008		FEED ROCKER SHAFT BUSHING						1	
49		22904155		MAIN SHAFT THRU-ST COLLAR ASM.						1	
50		SS8660610TP		SCREW 1/4-40 L=6				*		2	
51		RO078190100		RUBBER RING						1	
52		SS7620750SP		SCREW 3/16-32 L=6.5						1	
53		WZ1250300K0		WAVED WASHER 12.5X17X0.3						1	

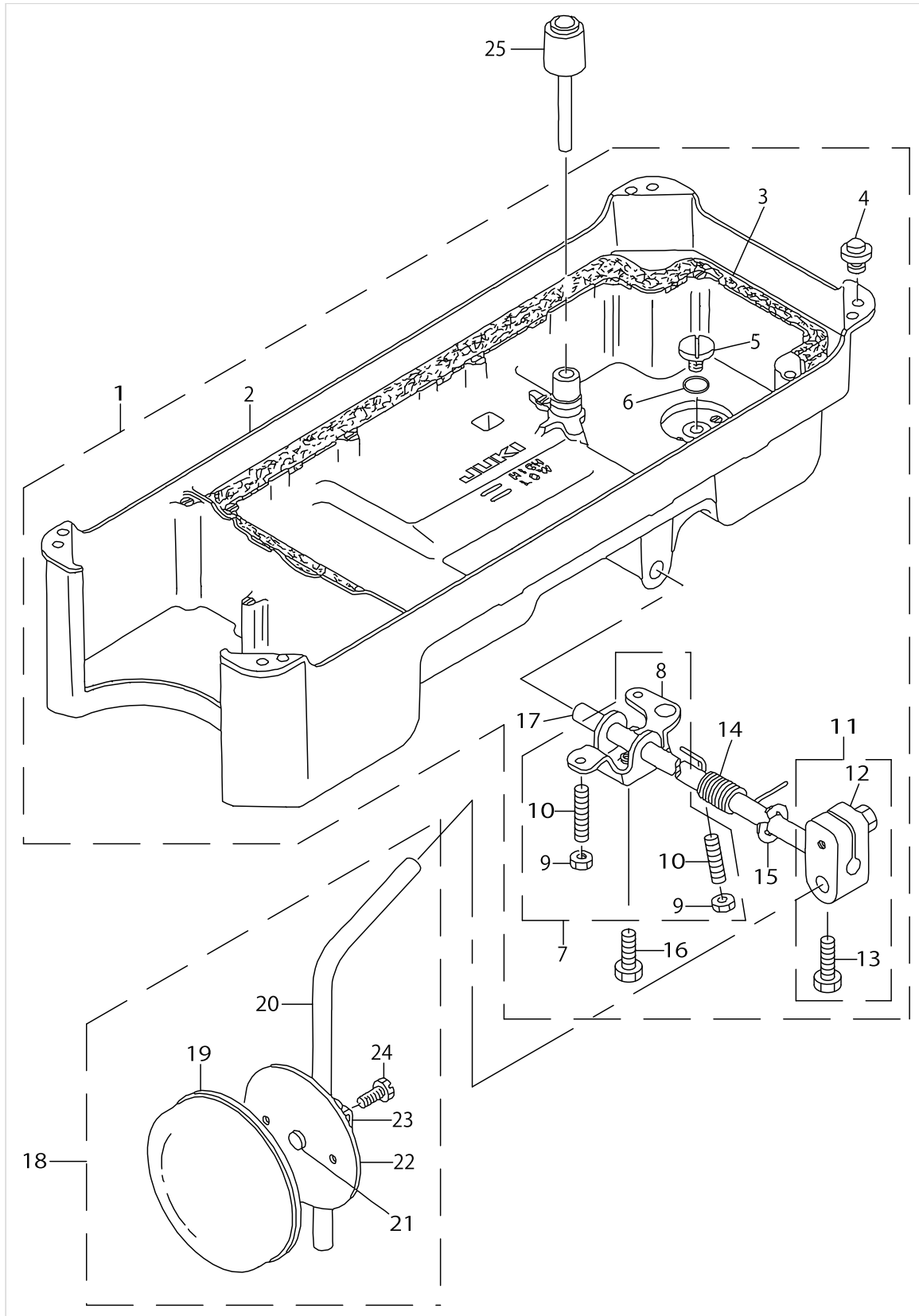
OIL LUBRICATION COMPONENTS



OIL LUBRICATION COMPONENTS

No.	Supply Code	Parts No.	Replacement	Parts name	Remarks	Choice	Step	Level	Cons	Qty	Rep. QTY
1		22924708		OIL SIGHT WINDOW						1	
2		RO195240100		RUBBER RING						1	
3		22924401		MAINSHAFTOILTUBE						1	
4		SS4150915SP		SCREW 15/64-28 L=9						1	
5		22924609		MAINSHAFTOILTUBE						1	
6		SS4120615SP		SCREW 3/16-28 L=6						1	
7		22925101		OIL FELT PRESSER						1	
8		22924153		OIL RETURN TUBE ASM.						1	
9		22924302		HOLDER				*		1	
10		CQ252000000		OIL WICK						.21	
11		22924500		OIL TUBE						1	
12		22924807		TUBE HOLDER ,LOWER						1	
13		SS4150915SP		SCREW 15/64-28 L=9						1	
14		22924906		SPRING						1	
15		22925002		OIL ADJUSTING SCREW						1	
16		22923056		LUBRICATING OIL PUMP ASM.						1	
17	R	22923304	22923056	OIL PUMP INSTALLING BASE				*		1	1.00
18		SL4030851SF		SCREW M3 L=8				*		3	
19	R	22923007	22923056	OIL PUMP				*		1	1.00
20		22923700		OIL PUMP IMPELLER				*		1	
21		SE4301041SR		SCREW D=3 L=10				*		3	
22		22923205		LUBRICATING OIL PUMP COVER				*		1	
23		22923809		OIL PUMP IMPELLER COVER				*		1	
24		22923403		PLUNGER				*		1	
25		22923601		PLUNGER SCREW				*		1	
26		22923502		PLUNGER SCREW				*		1	
27		22923908		HOOK DRIVING SHAFT OIL TUBE				*		1	
28		SS6111010TP		SCREW 11/64-40 L= 9.5						1	
29		22924005		OIL PUMP SUPPORT						1	

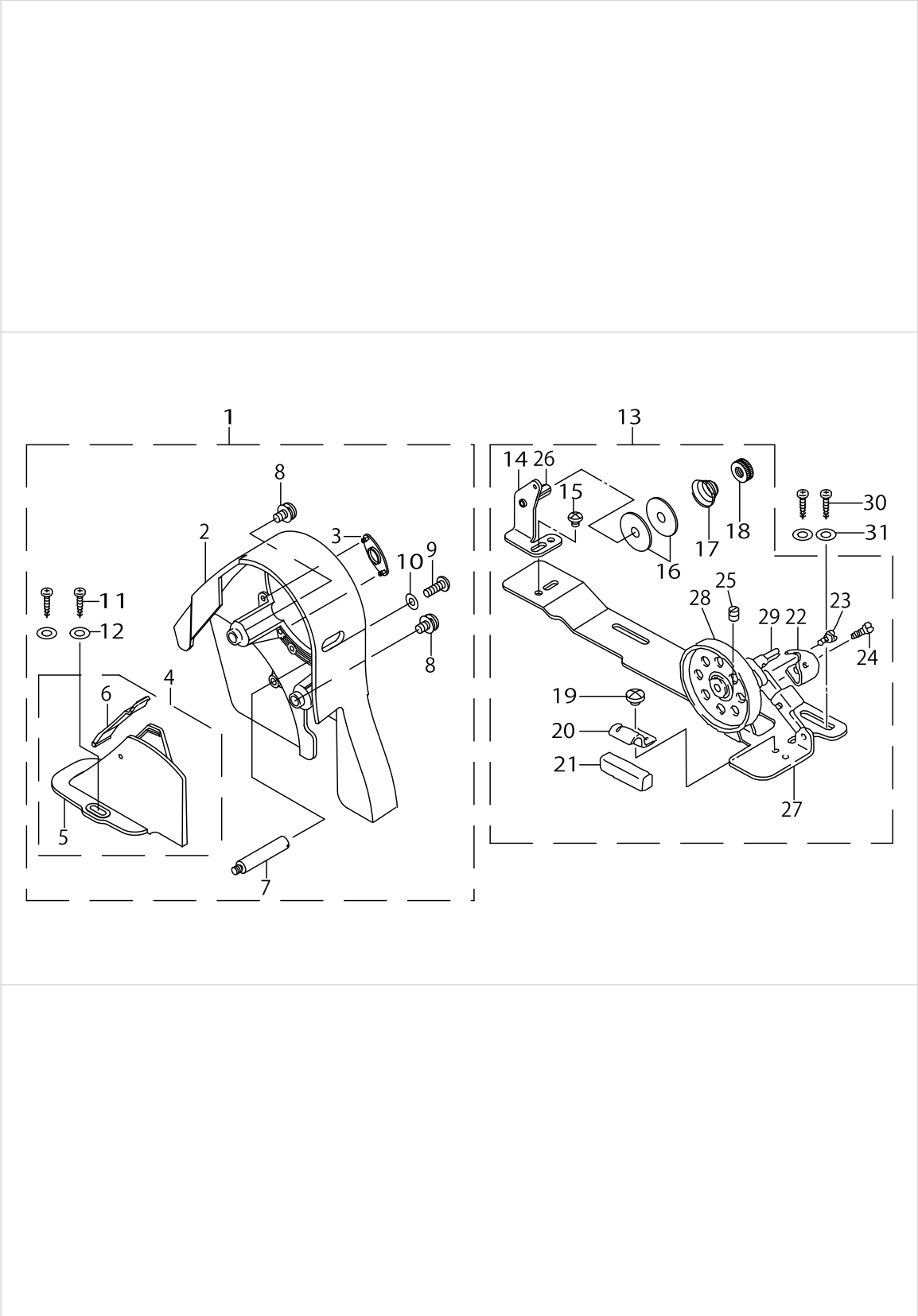
OIL RESERVOIR COMPONENTS



OIL RESERVOIR COMPONENTS

No.	Supply Code	Parts No.	Replacement	Parts name	Remarks	Choice	Step	Level	Cons	Qty	Rep. QTY
1	R	22931851	40102085	OIL RESERVOIR COMPL.						1	1.00
2	R	22931802	40102085	OIL RESERVOIR				*		1	1.00
3	R	22931901	11024700	GASKET				*		1	1.00
4	R	22932008	11047107	RUBBER CUSHION				*		4	1.00
5		SS6700710SH		SCREW 5/16-24 L=7				*		1	
6		RO098240100		RUBBER RING				*		1	
7		22932156		KNEE LIFTER ROTATION ARM ASM.				*		1	
8	R	22932107	22932156	CONNECTING ROT,VERTICAL				*		1	1.00
9		NM6060001SE		NUT M6				*		2	
10		SM8063012TR		SCREW M6 L=30				*		2	
11		22932453		BRACKET ASM.				*		1	
12	R	22932404	22932453	BRACKET				*		1	1.00
13	R	SM9062053SR	22934707	SCREW M6 L=20				*		2	1.00
14		22932206		SPRING				*		1	
15		RE1000000K0		E-RING 10				*		1	
16		SM9061853SR		SCREW M6 L=17.5				*		1	
17		22932305		KNEE PRESS ROD				*		1	
18		22934251		KNEE PRESS PLATE ASM.						1	
19		22934509		KNEE PRESS PLATE COVER				*		1	
20		22934608		KNEE PRESS PLATE ROD				*		1	
21		22934400		KNEE PRESS PLATE RUBBER				*		1	
22		22934202		KNEE PRESS PLATE				*		1	
23		22934301		KNEE PRESS PLATE HOLDER				*		1	
24		SM9061203SE		SCREW M6 L=12				*		1	
25		22931703		KNEE PRESS LIFTER ROD						1	

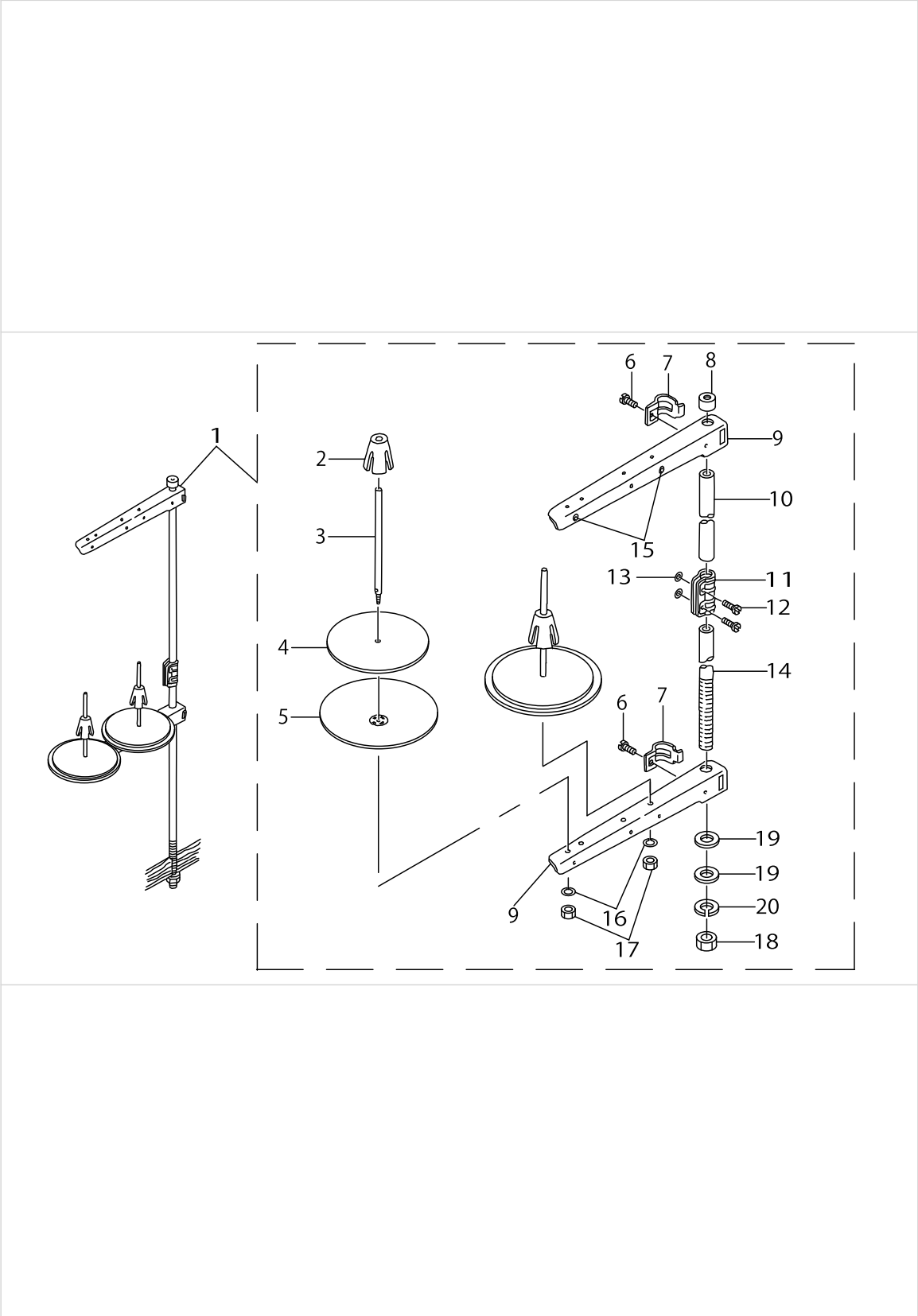
BELT COVER & BOBBIN WINDER COMPONENTS



BELT COVER & BOBBIN WINDER COMPONENTS

No.	Supply Code	Parts No.	Replacement	Parts name	Remarks	Choice	Step	Level	Cons	Qty	Rep. QTY
1		22933451		BELT COVER ASM.						1	
2	R	22933402	22933451	BELT COVER A				*		1	1.00
3		22933501		BELT COVER A CAP				*		1	
4		22933659		BELT COVER B ASM.				*		1	
5		22933600		BELT COVER B				*		1	
6	R	22933758	22933659	BELT COVER B CAP ASM.				*		1	1.00
7		22933907		BELT COVER SUPPORT ,A				*		1	
8	R	22934004	11025202	BELT COVER A SCREW				*		2	1.00
9		SS4121415SP		SCREW 3/16-28 L=14				*		1	
10		WP0501016SD		WASHER 5X10.5X1				*		1	
11	R	SK3412000SC	SK3412000SE	WOOD SCREW D=4.1 L=20				*		2	1.00
12		WP0450826SC		WASHER 4.5X10X0.8				*		2	
13		22927354		BOBBIN WINDER COMPL.						1	
14	R	22928501	11078250	THREAD TENSION BRACKET				*		1	1.00
15		SS4110515SP		SCREW 11/64-40 L=5				*		1	
16	R	22928907	22921506	THREAD TENSION DISK				*		2	1.00
17		22929004		THREAD TENSION SPRING				*		1	
18		22928808		THREAD TENSION NUT				*		1	
19		SS7110350SP		SCREW 11/64-40 L=3.5				*		1	
20	D	22928402		RUBBER BRAKE PRESSER PLATE				*		1	
21		22928303		RUBBER BRAKE				*		1	
22		22928105		POSITIONINGFINGER				*		1	
23		SD0490261SP		HINGE SCREW D=4.9 H=2.6				*		1	
24		SS7081310SP		SCREW 1/8-44 L=12.5				*		1	
25	R	SS8110510SP	SS8110520TP	SCREW 11/64-40 L=5				*		1	1.00
26	R	22928709	11078250	THREAD TENSION BRACKET				*		1	1.00
27	R	22927305	22927354	BOBBIN BASE				*		1	1.00
28		22927404		BOBBIN PULLEY				*		1	
29		22927602		BOBBIN WINDER POST				*		1	
30	R	SK3412000SC	SK3412000SE	WOOD SCREW D=4.1 L=20						2	1.00
31		WP0450826SC		WASHER 4.5X10X0.8						2	

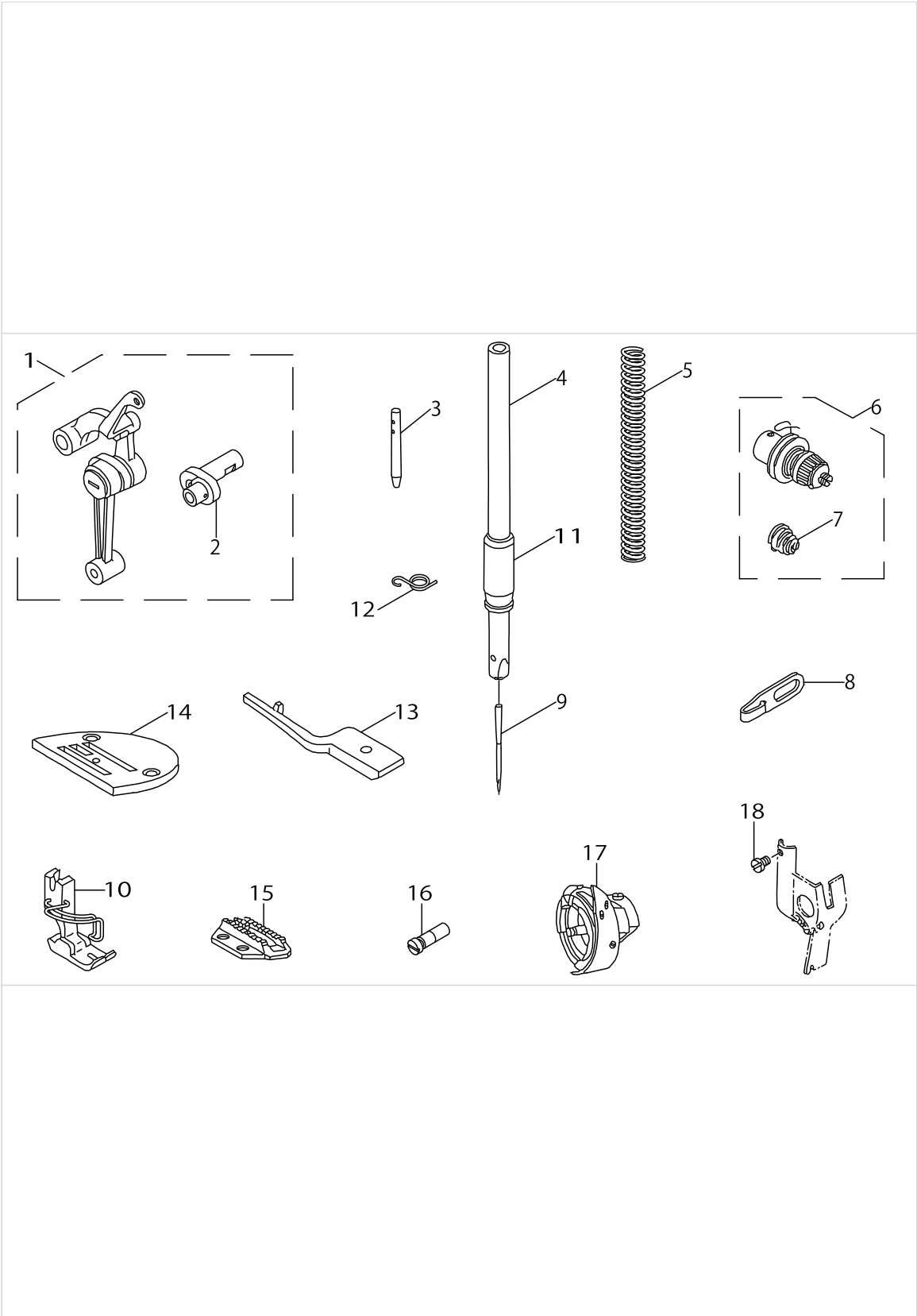
THREAD STAND COMPONENTS



THREAD STAND COMPONENTS

No.	Supply Code	Parts No.	Replacement	Parts name	Remarks	Choice	Step	Level	Cons	Qty	Rep. QTY
1	R	22930358	40096354	THREAD STAND ASM.						1	1.00
2	R	22931109	40085791	SPOOL RETAINER				*		2	1.00
3	R	22931000	40085790	SPOOL PIN				*		2	1.00
4		22930903		SPOOL REST CUSHION				*		2	
5		22930804		SPOOL REST				*		2	
6		SM6061610SC		SCREW M6 L=16				*		2	
7	R	22930705	40096354	THREAD GUIDE ARM JOINT				*		2	1.00
8		22931406		SPOOL REST ROD RUBBER CAP				*		1	
9	R	22930507	40096354	SPOOL REST ARM				*		2	1.00
10	R	22930408	40096354	SPOOL REST ROD, UPPER				*		1	1.00
11	R	22931307	40096354	SPOOL REST ROD JOINT				*		1	1.00
12		SM4051405SE		SCREW M5 L=14				*		2	
13		NM6050001SE		NUT M5				*		2	
14	R	22930309	40096354	SPOOL REST ROD, LOWER				*		1	1.00
15		22931208		THREAD GUIDE				*		2	
16		WS0510002KN		SPRING WASHER				*		2	
17		NM6050001SE		NUT M5				*		2	
18		NM6160511SE		NUT M16X1.5				*		1	
19		WP1702600S0		WASHER 17X30X2.6				*		2	
20	R	WS1643202KR	WP1612616SE	SPRING WASHER		A		*		1	2.00
20	R	WS1643202KR	40085796	SPRING WASHER		A		*		1	2.00

EXCLUSIVE PARTS FOR DDL-8300H



EXCLUSIVE PARTS FOR DDL-8300H

No.	Supply Code	Parts No.	Replacement	Parts name	Remarks	Choice	Step	Level	Cons	Qty	Rep. QTY
1	R	11091659	40103560	LINK THREAD TAKE- -UP LEVER ASM.						1	1.00
2	R	11091600	40109126	NEEDLEBARCRANKH				*		1	1.00
3	R	B1114012000	22958300	THREAD GUIDE PIN						1	1.00
4	R	11091303	22970206	NEEDLE BAR						1	1.00
5		B1505552000A		PRESSER SPRING						1	
6		22962054		THREAD TENSION ASM.						1	
7	R	22962005	B3114232000	THREAD TENSION SPRING				*		1	1.00
8		11091006		ARM THREAD GUIDE (HA)						1	
9		MDB100B2100		NEEDLE DBX1 #21						1	
10	R	B1511543BBA	D1524555ECL	HINGED PRESSER FOOT ASM.						1	1.00
11		B1403553000		NEEDLE BAR BUSHING, LOWER						1	
12	R	B1419553000	40023223	NEEDLE BAR THREAD GUIDE						1	1.00
13		11091709		POSITIONINGFINGER						1	
14		B1109555H0B		THROAT PLATE (H)						1	
15		B1613555H00		FEED DOG (H)						1	
16		B1213552000A		OIL ADJUSTING PIN						1	
17		11092459		LUBRICATING BOBBIN ASM.						1	
18		SS6080320SP		SCREW 1/8-44 L= 2.5						1	

HOW TO MAKE USE OF THIS PARTS LIST

1.As to "#01" and "#02" refer to the "Note" given at the bottom of the respective pages.

2.Codes on the "Qty" column

- Each numeral indicates the number of parts required.
- "0.1" and "2.5" indicate the length (in meters) of the respective parts.

3.Parentheses mean that the corresponding part is a subpart that constructs an assembly part.

4.Dotted lines on the Figures indicate assembly parts.

1. リストページの# 0 1、# 0 2の印は、ページ下の"注記"の説明を参照下さい。
2. 数量欄の数字は、個数を表し、0. 1、2. 5等の数値は、長さ（単位メートル）を表します。
3. 数量欄の（ ）は、組部品を構成している子部品であることを意味します。
4. イラストページの-----枠は、組構成であることを意味します。

NUMERICAL INDEX OF PARTS

PART NO	PAGE	REF NO.	PART NO	PAGE	REF NO.	PART NO	PAGE	REF NO.
11000619	2	9	22907000	10	29	22917157	8	29
11001500	2	22	22907109	10	33	22918064	6	5
11006509	10	5	22907208	10	28	22918072	6	4
11018108	10	23	22907307	10	30	22918106	6	7
11091006	24	8	22907406	10	27	22918304	6	9
11091303	24	4	22907505	10	24	22918502	6	6
11091600	24	2	22907604	10	25	22919203	6	3
11091659	24	1	22907703	10	26	22919559	6	2
11091709	24	13	22907802	10	1	22920003	10	22
11092459	24	17	22908008	10	15	22920201	10	18
22900401	2	8	22908156	10	13	22920300	10	21
22900609	2	18	22908305	10	17	22920409	10	19
22900757	2	4	22908354	10	12	22920508	2	21
22901003	2	45	22908552	10	4	22920607	2	37
22901300	2	43	22908800	10	10	22920706	2	17
22901409	8	1	22908909	10	8	22920805	8	7
22901805	4	47	22909006	10	11	22921209	2	29
22902159	2	1	22911705	12	5	22921308	2	24
22902209	2	2	22911804	12	16	22921407	2	25
22902605	4	48	22911903	12	13	22921506	2	28
22902704	2	42	22912000	12	14	22921605	2	30
22902753	2	41	22912109	12	15	22921704	2	26
22903009	6	31	22912505	12	17	22921803	2	27
22903108	6	15	22912703	12	11	22923007	16	19
22903157	6	10	22912752	12	8	22923056	16	16
22903207	6	25	22912802	12	40	22923205	16	22
22903306	6	27	22912901	12	30	22923304	16	17
22903405	6	20	22913008	12	48	22923403	16	24
22903504	6	21	22913008	14	48	22923502	16	26
22903702	6	28	22913156	12	43	22923601	16	25
22903900	6	32	22913206	12	23	22923700	16	20
22904007	6	26	22913354	12	25	22923809	16	23
22904155	6	23	22913701	12	28	22923908	16	27
22904155	12	49	22915003	12	34	22924005	16	29
22904155	14	49	22915151	12	32	22924153	16	8
22905004	8	23	22915201	12	36	22924302	16	9
22905103	8	25	22915359	14	46	22924401	16	3
22905202	8	26	22916001	8	31	22924500	16	11
22906002	8	3	22916100	8	35	22924609	16	5
22906101	8	2	22916308	8	27	22924708	16	1
22906200	8	8	22916407	8	32	22924807	16	12
22906309	8	10	22916506	8	40	22924906	16	14
22906457	8	4	22916555	8	38	22925002	16	15
22906507	8	6	22916605	8	39	22925101	16	7
22906606	6	8	22917058	8	36	22927206	6	29

NUMERICAL INDEX OF PARTS

PART NO	PAGE	REF NO.	PART NO	PAGE	REF NO.	PART NO	PAGE	REF NO.
22927305	20	27	22933758	20	6	B3118552E00	2	34
22927354	20	13	22933907	20	7	CM3002001A1	2	46
22927404	20	28	22934004	20	8	CQ252000000	16	10
22927602	20	29	22934202	18	22	MDB100B1400	8	11
22928105	20	22	22934251	18	18	MDB100B2100	24	9
22928303	20	21	22934301	18	23	NM6050001SE	22	17
22928402	20	20	22934400	18	21	NM6060001SE	18	9
22928501	20	14	22934509	18	19	NM6160511SE	22	18
22928709	20	26	22934608	18	20	NS6680410SP	12	31
22928808	20	18	22945307	2	31	RC0150001KP	12	42
22928907	20	16	22945356	2	23	RC1850001KP	6	22
22929004	20	17	22962005	24	7	RC2501211KP	6	19
22930309	22	14	22962054	24	6	RE0500000K0	10	34
22930358	22	1	22965909	2	35	RE1000000K0	18	15
22930408	22	10	22966105	6	18	RO029180100	6	33
22930507	22	9	22966154	6	16	RO037180100	10	3
22930705	22	7	22966204	6	34	RO044240100	6	13
22930804	22	5	22966303	12	1	RO078190100	14	51
22930903	22	4	22966402	12	2	RO092270200	12	29
22931000	22	3	22966550	12	21	RO098240100	18	6
22931109	22	2	22966600	12	4	RO195240100	16	2
22931208	22	15	22966758	12	19	SD0380552SL	2	16
22931307	22	11	22967103	12	18	SD0490261SP	20	23
22931406	22	8	22967202	12	7	SD0720331SP	10	9
22931703	18	25	22967301	4	50	SD1000801SH	12	35
22931802	18	2	B1109555H0B	24	14	SE4301041SR	16	21
22931851	18	1	B1114012000	24	3	SK3412000SC	20	30
22931901	18	3	B1213552000A	24	16	SL4030851SF	16	18
22932008	18	4	B13050120A0	8	14	SM4051405SE	22	12
22932107	18	8	B13061550A0	8	16	SM6061610SC	22	6
22932156	18	7	B13061550B0	8	13	SM8061010TP	12	10
22932206	18	14	B13061550C0	8	12	SM8061050TP	12	9
22932305	18	17	B13071550A0	8	19	SM8063012TR	18	10
22932404	18	12	B13071550B0	8	18	SM9061203SE	18	24
22932453	18	11	B13081550A0	8	21	SM9061853SR	18	16
22932503	2	13	B1403553000	24	11	SM9062053SR	18	13
22932552	2	12	B1419553000	24	12	SS2110920TP	2	36
22932602	2	14	B1505552000A	24	5	SS4080620TP	12	26
22932701	2	15	B1511543BBA	24	10	SS4110515SP	20	15
22932909	8	41	B1521555000	10	2	SS4110915SP	8	33
22933402	20	2	B15240120BA	10	20	SS4120615SP	2	20
22933451	20	1	B1613012A00	12	27	SS4120615SP	16	6
22933501	20	3	B1613555H00	24	15	SS4120915SP	2	40
22933600	20	5	B18301270A0	8	24	SS4120915SP	8	34
22933659	20	4	B18370120A0	8	42	SS4121415SP	20	9

NUMERICAL INDEX OF PARTS

PART NO	PAGE	REF NO.	PART NO	PAGE	REF NO.
SS4150915SP	16	13	WS0510002KN	22	16
SS6060210SP	2	44	WS1643202KR	22	20
SS6080320SP	24	18	WZ1250300K0	14	53
SS6080410SP	2	3			
SS6090670TP	8	5			
SS6090910SP	10	32			
SS6110420TP	8	30			
SS6110610TP	2	38			
SS6111010TP	16	28			
SS6121860SP	12	12			
SS6661110SP	6	17			
SS6700710SH	18	5			
SS7080510TP	8	9			
SS7081310SP	20	24			
SS7091110SP	10	6			
SS7110350SP	20	19			
SS7110740TP	12	41			
SS7111120SP	14	47			
SS7120770SH	12	6			
SS7121410TP	12	44			
SS7121610SP	12	33			
SS7620750SP	14	52			
SS7681650TP	6	14			
SS8090670SP	2	32			
SS8110410TP	8	37			
SS8110510SP	20	25			
SS8150710SP	2	33			
SS8151150SP	6	1			
SS8151550SP	6	30			
SS8660610TP	6	24			
SS8660610TP	12	50			
SS8660610TP	14	50			
SS8660810TP	8	22			
SS8660810TP	10	31			
SS8681650TP	6	11			
TA0850604R0	2	5			
TA0950806R0	4	49			
TA1250406R0	2	39			
TA1250705R0	2	6			
TA2000502R0	2	10			
TA2101002R0	2	11			
WP0450826SC	20	31			
WP0480856SP	14	45			
WP0501016SD	20	10			
WP1702600S0	22	19			