

MODEL : LU-1508/LU-1508H

List No : 1276-03

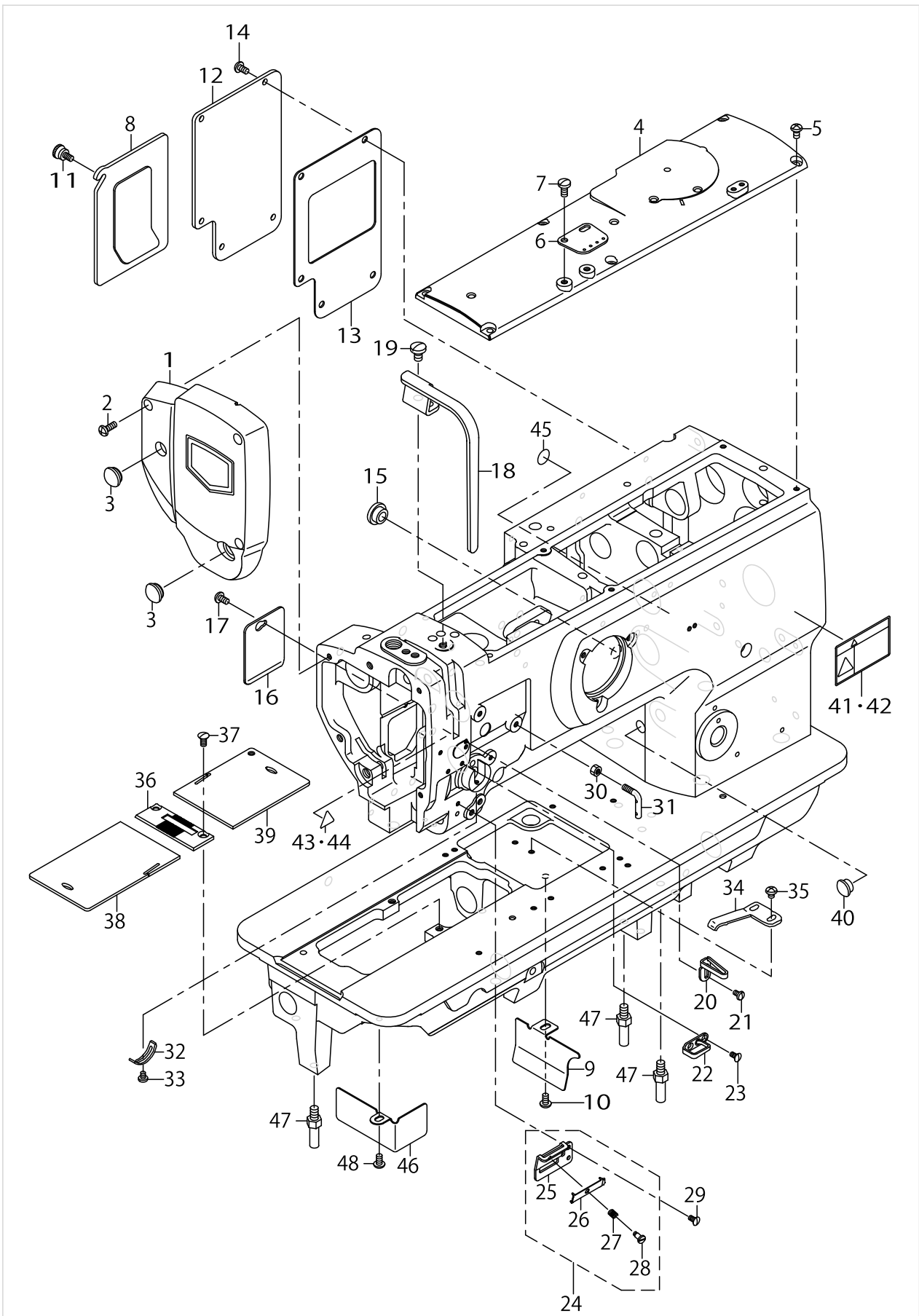
PARTS LIST

Published:05/12/2017

CONTENTS

FRAME & MISCELLANEOUS COVER COMPONENTS	1
UPPER SHAFT,LOWER SHAFT DRIVING & BALANCE COMPONENTS	5
NEEDLE BAR ROCKING COMPONENTS	9
PRESSURE ADJUSTING & UPPER FEED MECHANISM COMPONENTS	11
FEED MECHANISM COMPONENTS.....	15
HOOK SHAFT & LOWER SHAFT COMPONENTS	21
THREAD TENSION COMPONENTS	25
LOWER THREAD WINDER MECHANISM COMPONENTS	27
KNEE LIFTING COMPONENTS	29
BELT COVER & OIL RESERVOIR COMPONENTS.....	31
LUBRICATION COMPONENTS	33
ACCESSORIES PARTS COMPONENTS	35
THREAD STAND COMPONENTS.....	37
AUTOMATIC BACK COMPONENTS (FOR LU-1508 OPTIONAL PARTS)	39
OPTIONAL PARTS (ADDITIONAL SPRING FOR PRESSER BAR)COMPONENTS.....	43
SUSPENSION SQUARE (OPTION) COMPONENTS.....	45
OPTIONAL PARTS COMPONENTS (1).....	47
OPTIONAL PARTS COMPONENTS (2).....	49
LIST FOR INFORMATION OF CHANGE.....	51
HOW TO MAKE USE OF THIS PARTS LIST	52

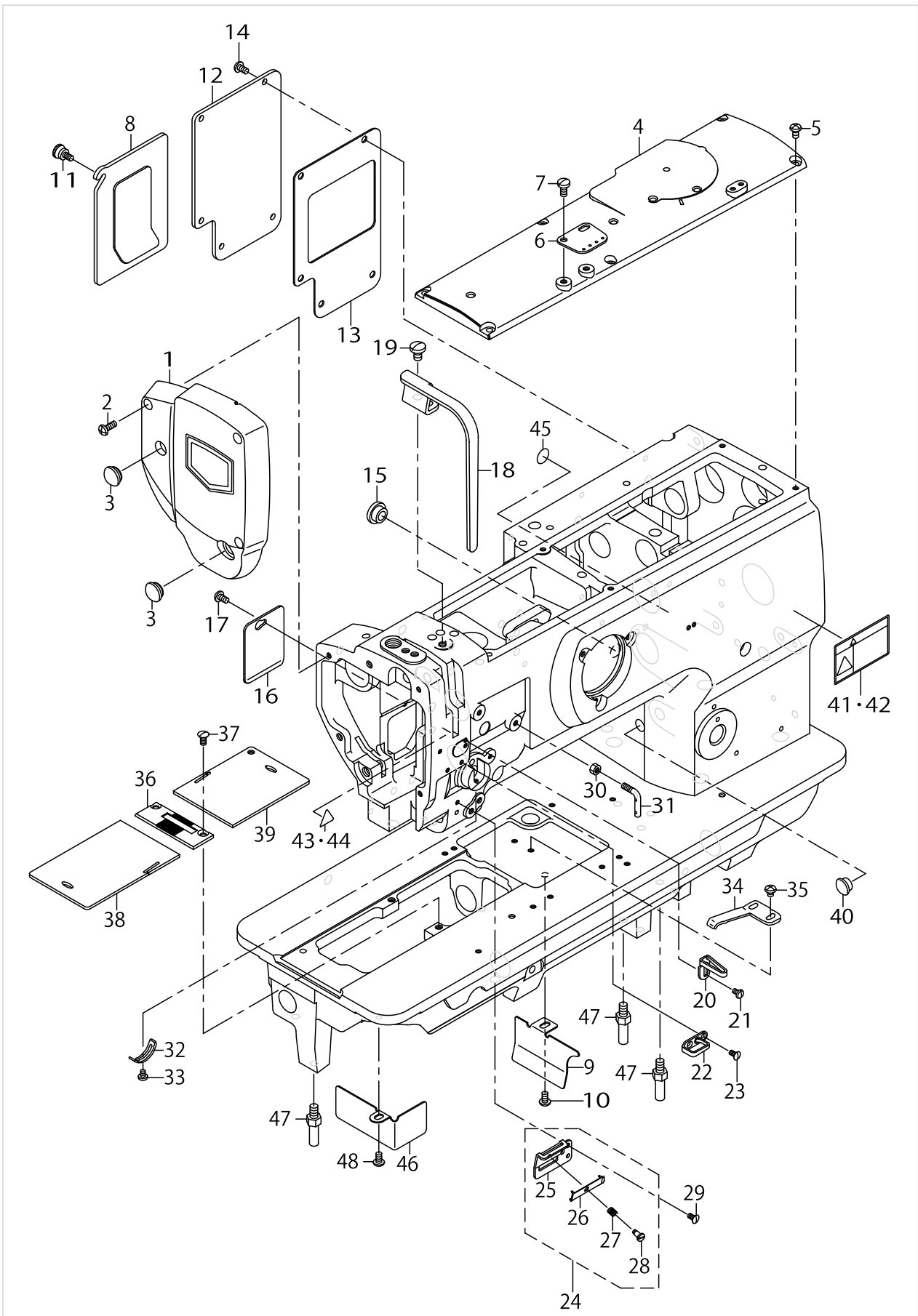
FRAME & MISCELLANEOUS COVER COMPONENTS



FRAME & MISCELLANEOUS COVER COMPONENTS

No.	Supply Code	Parts No.	Replacement	Parts name	Remarks	Choice	Step	Level	Cons	Qty	Rep. QTY
1		21331558		FACE PLATE ASM.						1	
2		SS4111215SP		SCREW11/64-40L=12						3	
3		TA1250406R0		RUBBER PLUG D=12.5 L=4						2	
4		21331400		TOP COVER A						1	
5		SS4110815SP		SCREW 11/64-40 L=8						6	
6		21355904		ARM THREAD GUIDE						1	
7		SS7621040SP		SCREW 3/16-32L=9.5						2	
8		21331756		WINDOW PLATE A ASM.						1	
9	D	22877609		DUST COVER						1	
10		SS4110815SP		SCREW 11/64-40 L=8						2	
11		21331202		SETSCREW						1	
12		21331806		WINDOW PLATE B						1	
13		21332002		WINDOW PLATE PACKING B						1	
14		SS4110815SP		SCREW 11/64-40 L=8						5	
15		TA1250504R0		RUBBER PLUG						1	
16		21332309		SIDE COVER						1	
17		SS4110815SP		SCREW 11/64-40 L=8						1	
18		21331608		BALANCE COVER						1	
19		SS7150910TP		SCREW 15/64-28 L=9						1	
20	R	21355805	40108674	THREAD GUIDE	FOR LU-1508					1	1.00
21		SS5090610SP		SCREW 9/64-40 L=6						1	
22		B1129051000		FRAME THREAD GUIDE, UPPER						1	
23		SS2090710TP		SCREW 9/64-40 L=7.2						2	
24		21408554		THREAD GUIDE ASM.						1	
25	R	21408505	21408554	THREAD GUIDE PLATE				*		1	1.00
26		17912106		NEEDLE THREAD PRESSER PLATE				*		1	
27		B1132521000		THREAD PRESSER PLATE SPRING				*		1	
28		SD0380551SL		HINGE SCREW D= 3.80 H= 5.5				*		1	
29		SS2090710TP		SCREW 9/64-40 L=7.2						1	
30		NS6110420SP		NUT 11/64-40						1	
31	D	B1114232000		FRAME THREAD EYELET, UPPER						1	
32		B3138512000		TAKE-UP SPRING A-DJUSTING PLATE						1	
33		SS7090520TP		SCREW 9/64-40 L=4.5						1	
34		B1111563000		BED SLIDE SPRING						1	
35		SS4110515SP		SCREW 11/64-40 L=5						2	
36		B1109563000		THROAT PLATE						1	
37		SS2110920TP		SCREW 11/64-40 L=8.5						2	
38		21349600		SLIDING PLATE (LEFT)						1	
39		21349709		SLIDING PLATE (RIGHT)						1	
40		TA1050504R0		RUBBER PLUG						1	
41		CM300200101		SAFETY LABEL, 1(SMALL).	FOR JAPAN					1	
42		CM3002001A1		SAFETY LABEL,,3 (SMALL).	EXCEPT JAPAN					1	
43		CM3002000B1		LABEL(16)	FOR JAPAN					1	
44		CM300200001		ATTENTION SEAL	EXCEPT JAPAN					1	
45	R	10004109	22901805	GROUND MARK						1	1.00
46		21332200		OIL SHIELD (LEFT)						1	

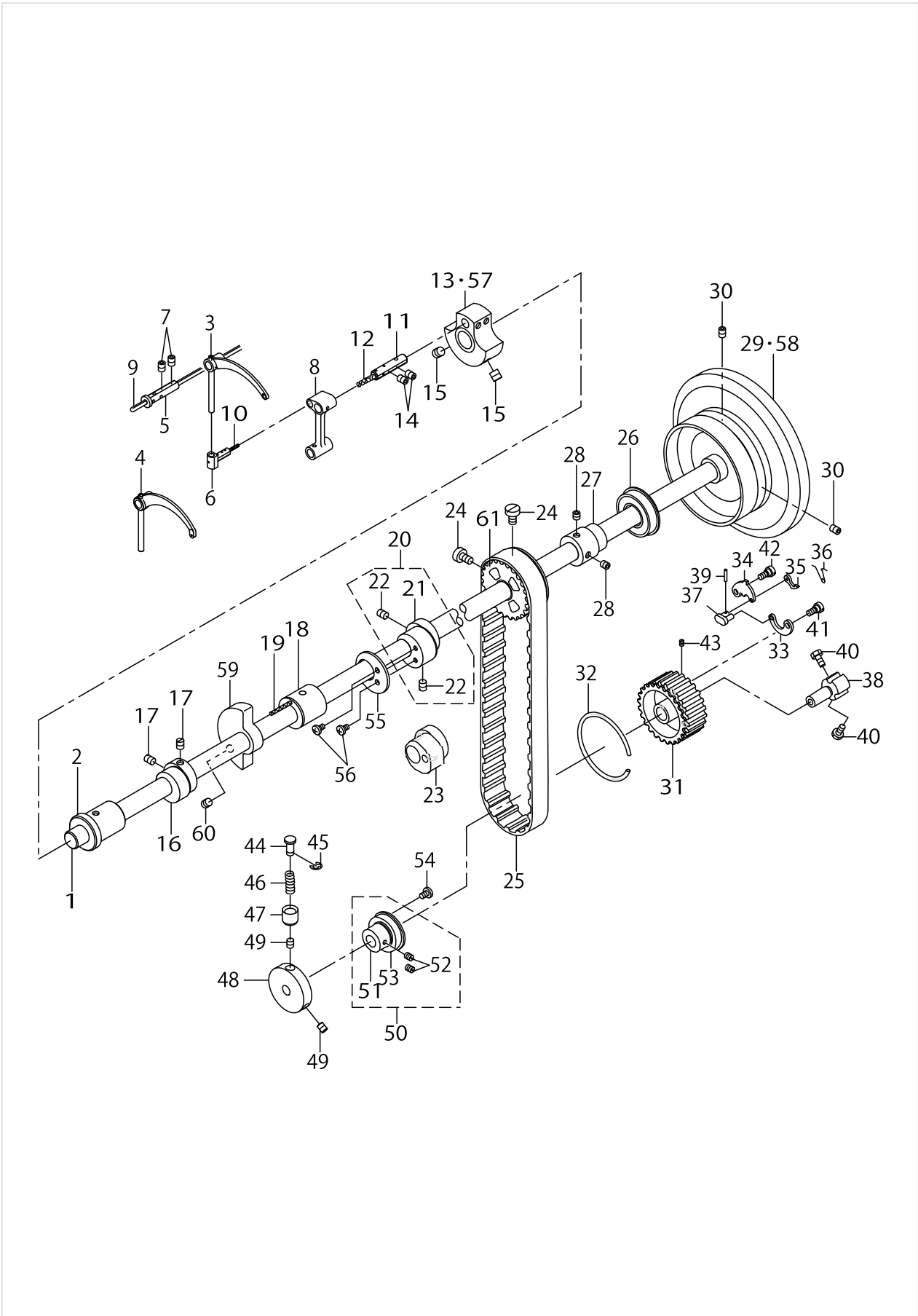
FRAME & MISCELLANEOUS COVER COMPONENTS



FRAME & MISCELLANEOUS COVER COMPONENTS

No.	Supply Code	Parts No.	Replacement	Parts name	Remarks	Choice	Step	Level	Cons	Qty	Rep. QTY
47		22602601		BED SCREW STUD						3	

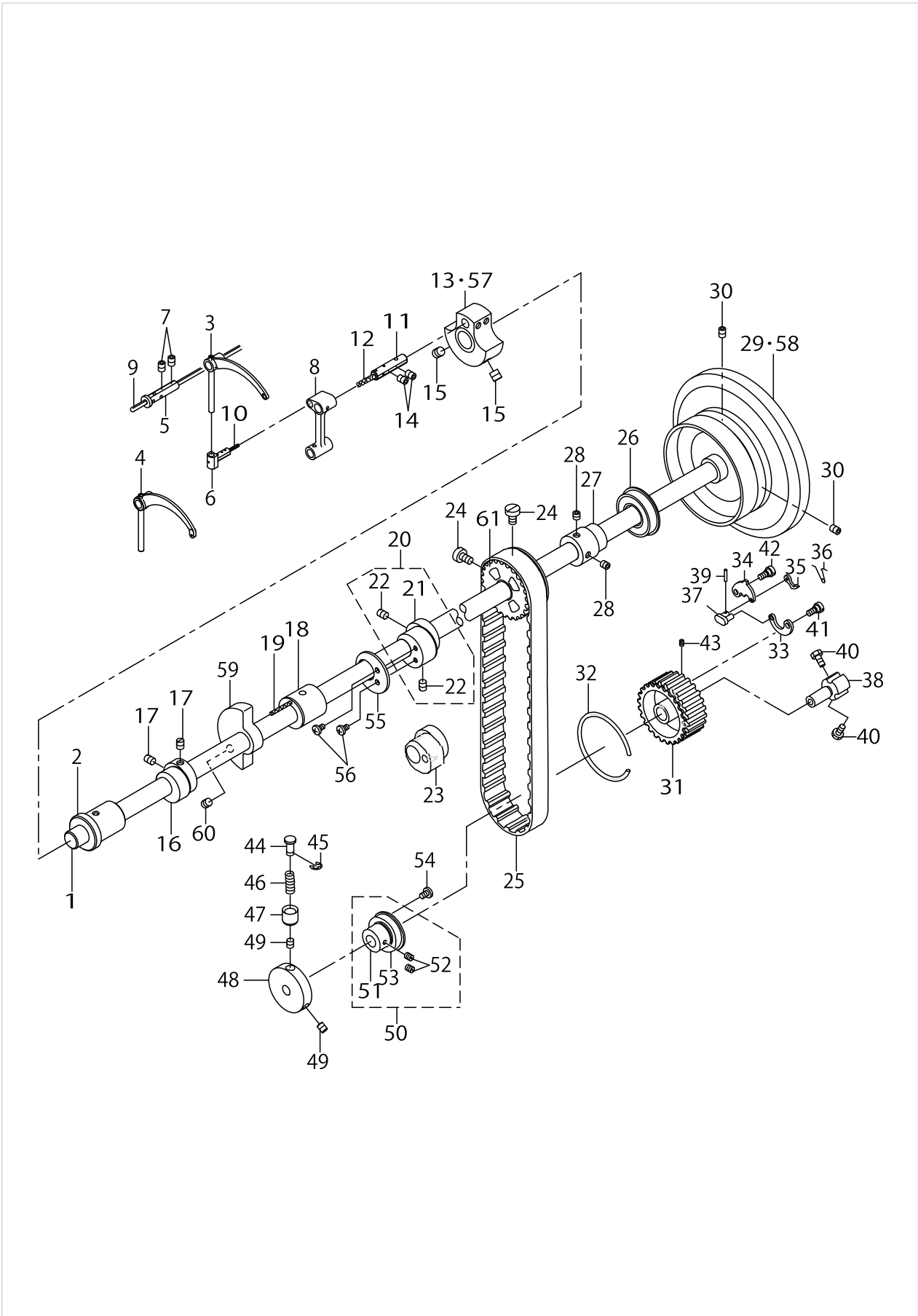
UPPER SHAFT, LOWER SHAFT DRIVING & BALANCE COMPONENTS



UPPER SHAFT,LOWER SHAFT DRIVING & BALANCE COMPONENTS

No.	Supply Code	Parts No.	Replacement	Parts name	Remarks	Choice	Step	Level	Cons	Qty	Rep. QTY
1		21332705		UPPER SHAFT						1	
2		21333000		UPPER SHAFT FRONT METAL						1	
3		B1905563000		THREAD TAKE-UP LEVER ASM.	FOR LU-1508					1	
4		B1905241H00		THREAD TAKE-UP LEVER	FOR LU-1508H					1	
5		B1906051000		TAKE-UP LEVER PIN						1	
6		B1907051000		TAKE-UP LEVER THRUST PIN						1	
7		SS8150822TP		SCREW 15/64-28 L=8						2	
8		21339106		NEEDLE BAR CRANK ROD						1	
9		CQ303000000		OIL WICK						.45	
10		CQ202000000		OIL WICK						.03	
11		B1210051000		NEEDLE BAR CRANK PIN						1	
12		CQ505000000		OIL WICK						.03	
13		21332507		COUNTER WEIGHT (A) (36MM)	FOR LU-1508					1	
14		SS8150822TP		SCREW 15/64-28 L=8						2	
15		SM8080812TP		SCREW M8X8						2	
16	R	21339502	21339551	UPPERFEEDCAM(3.5)						1	1.00
17		SS8660810TP		SCREW 1/4-40 L=8						2	
18		21333109		UPPER SHAFT INNER METAL						1	
19		CQ202000000		OIL WICK						.15	
20		21336557		ECCENTRIC CAM A ASM.						1	
21	R	21336508	21336557	ECCENTRIC CAM A	FOR LU-1508			*		1	1.00
22		SS8660810TP		SCREW 1/4-40 L=8				*		2	
23		21352505		TRIANGULAR CAM	FOR LU-1508H					1	
24		SS6661110SP		SCREW 1/4-40 L=11						2	
25		22604300		TIMING BELT						1	
26		B1203512000		BUSHING, REAR						1	
27		10704906		UPPER SHAFT BEARING HOOK						1	
28		SM8060602TP		SCREW M6X6						2	
29		21334008		FLYWHEEL	FOR LU-1508					1	
30		SS8150822TP		SCREW 15/64-28 L=8						2	
31		21333505		LOWER SPROCKET						1	
32		B1214019000		SPROCKET RING						1	
33		B1305055000A		SAFETY CLUTCH SPRING						1	
34	R	B1307055000	21387600	SAFETY CLUTCH HOOK						1	1.00
35		B1308055000		SAFETY CLUTCH COUNTER-HOOK						1	
36	R	B1309055000	40113224	COUNTER-HOOK SPRING						1	1.00
37		B1310055000		SAFETY CLUTCH SMALL LINK						1	
38		10503605		SAFETY BASE						1	
39		B1314055000		SAFETY CLUTCH SMALL LINK PIN						1	
40		SS6661110SP		SCREW 1/4-40 L=11						2	
41		SD0640322TP		HINGE SCREW D= 6.35 H= 3.2						1	
42		SD0640322TP		HINGE SCREW D= 6.35 H= 3.2						1	
43		SS8090540SP		SCREW 9/64-40 L=5						1	
44		B1312563000A		SAFETY CLUTCH PUSH BUTTON						1	
45		RE0500000K0		E-RING						1	
46		B1639051000		SPRING						1	

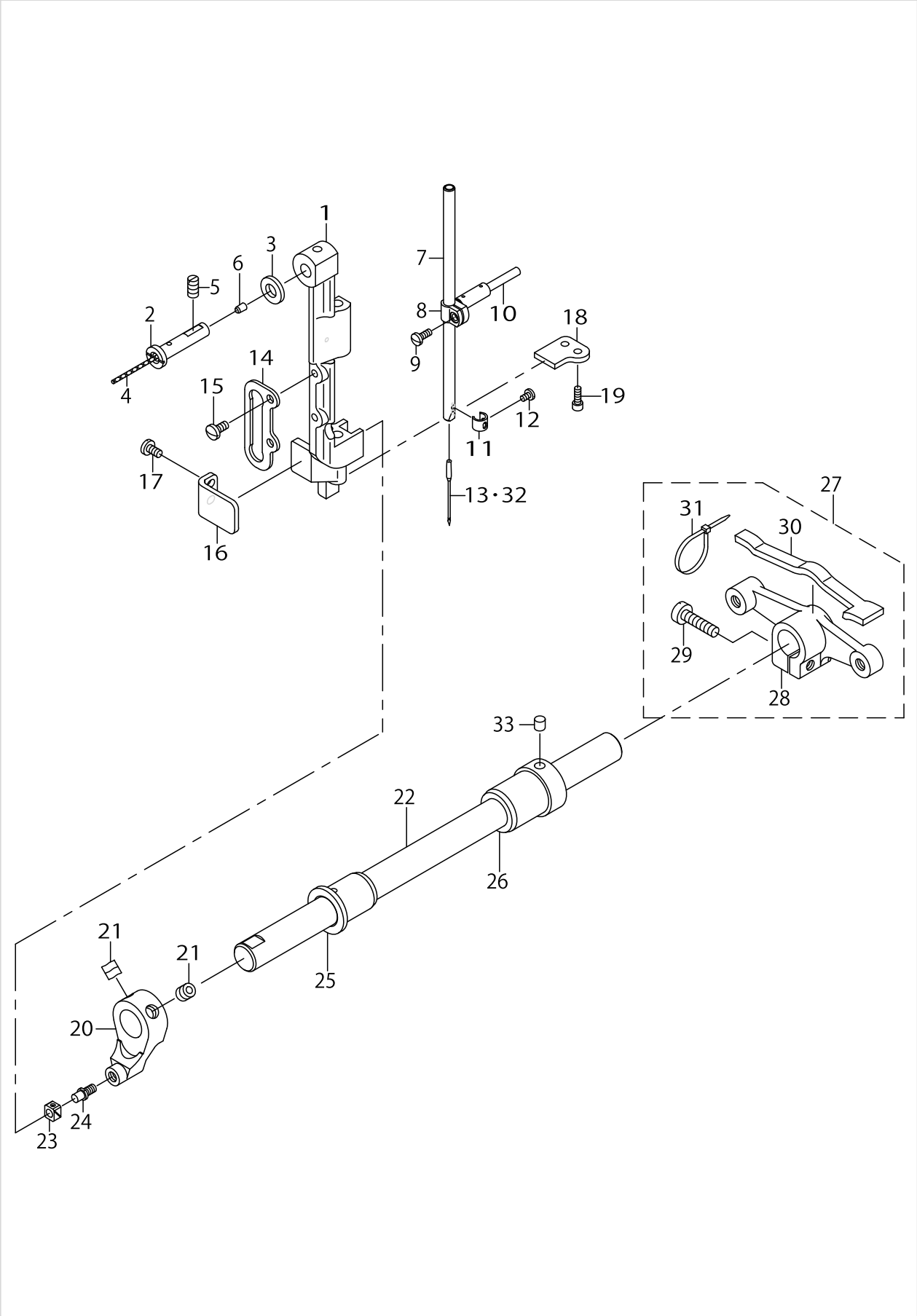
UPPER SHAFT, LOWER SHAFT DRIVING & BALANCE COMPONENTS



UPPER SHAFT,LOWER SHAFT DRIVING & BALANCE COMPONENTS

No.	Supply Code	Parts No.	Replacement	Parts name	Remarks	Choice	Step	Level	Cons	Qty	Rep. QTY
47		B1313055000		SAFETY CLUTCH KNOB SLEEVE						1	
48		21333703		SAFETY CLUTCH DISC						1	
49		SS8150710TP		SCREW 15/64-28 L=7						2	
50		22611651		THRUST COLLAR ASM., B						1	
51		22611602		THRUST COLLAR, B				*		1	
52		SS8661030SP		SCREW 1/4-40 L=10				*		2	
53		SB120000200		BEARING 20X42				*		1	
54		SS7120760SP		SCREW 3/16-28 L=7.0						2	
55		21353008		HORIZONTAL FEED CAM COVER						1	
56		SS7110710SP		SCREW 11/64-40 L=7						2	
57		21332606		COUNTER WEIGHT (B) (38MM)	FOR LU-1508H					1	
58		21332903		FLYWHEEL	FOR LU-1508H					1	
59		21333406		BALANCER	FOR LU-1508					1	
60		SS8151550SP		SCREW15/64-28L=15	FOR LU-1508					2	
61		22604904		UPPER SPROCKET						1	

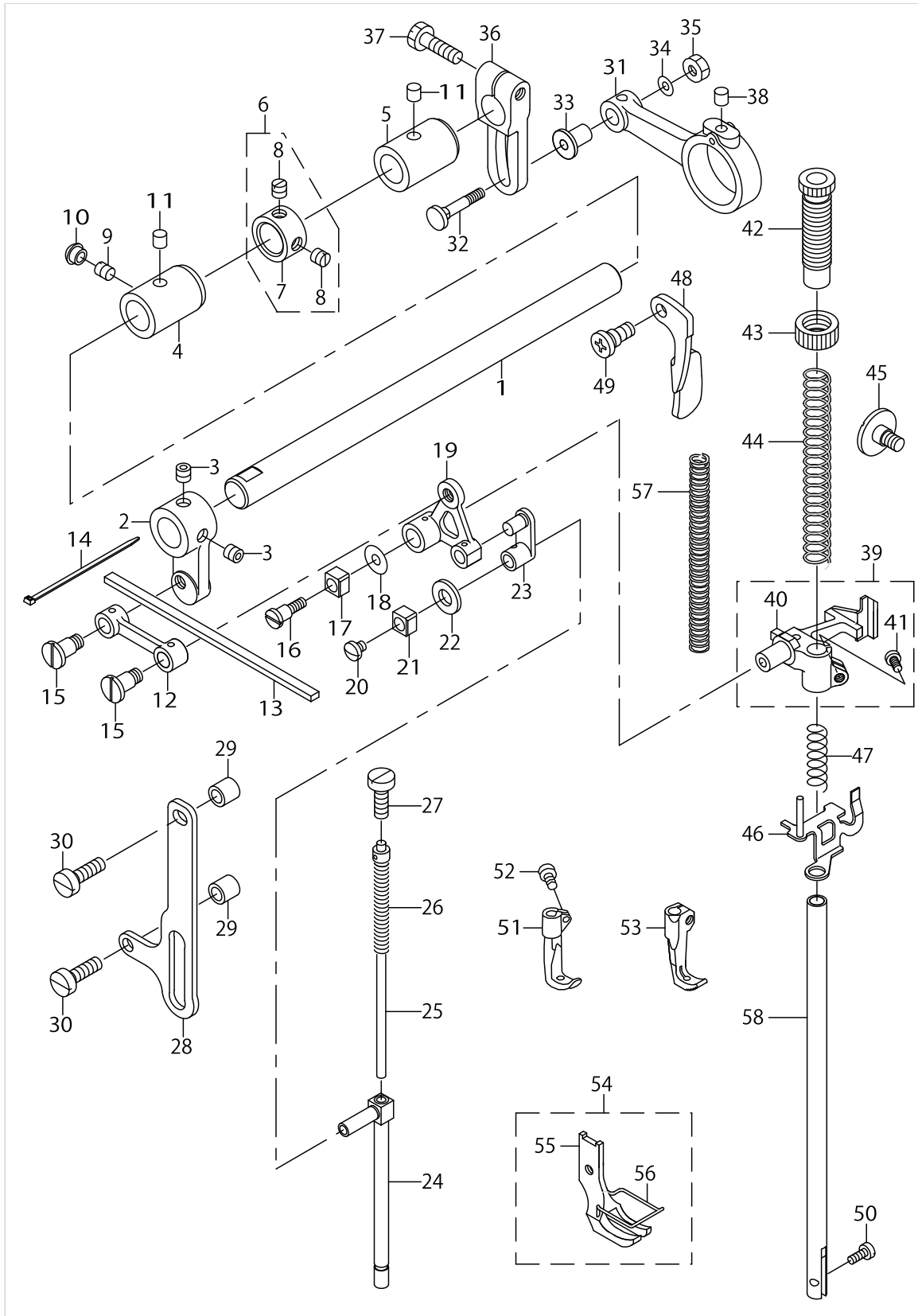
NEEDLE BAR ROCKING COMPONENTS



NEEDLE BAR ROCKING COMPONENTS

No.	Supply Code	Parts No.	Replacement	Parts name	Remarks	Choice	Step	Level	Cons	Qty	Rep. QTY
1		B1420563000		NEEDLE BAR FRAME						1	
2		21339403		HINGE STUD						1	
3		B185351200CA		HOOK SHAFT WASHER, C						1	
4		CQ202000000		OIL WICK						.05	
5		SS8151150TP		SCREW 15/64-28 L=10.5						1	
6		TA0370601M0		PLUG D=3.9X4 L=6						1	
7		B1401053000		NEEDLE BAR						1	
8	D	B1411053000		NEEDLE BAR CONNECTION						1	
9	R	SS7090910SP	SS7090910TP	SCREW 9/64-40 L=8.5						1	1.00
10		B1412051000		FELT						1	
11		10308609		THREAD GUARD						1	
12		SS7080510TP		SCREW 1/8-44 L=4.5						1	
13		MC372001600		NEEDLE SY3355 160						1	
14		B1467563000		UPPER FEED BAR GUIDE						1	
15		SS7110910TP		SCREW 11/64-40 L= 8.5						2	
16		21338702		ROCKING BASE GUIDE						1	
17		SS7110830SP		SCREW 11/64-40 L= 7.5						2	
18		21338603		ROCKING BASE GUIDE (B)						1	
19		SS6091022TP		SCREW						2	
20		21338801		ROCKINGFRONTARM						1	
21		SM8080802TP		SCREW						2	
22		21338900		ROCKING SHAFT						1	
23		B1414232000		SQUARE BLOCK						1	
24		B1410771000		STUD						1	
25		21339304		ROCKING SHAFT FRONT METAL						1	
26	D	21339205		ROCKING SHAFT REAR METAL						1	
27		21339056		ROCKING REAR ARM ASM.						1	
28		21339007		ROCKING REAR ARM				*		1	
29		SS6152440SP		SCREW 15/64-28 L=23.5				*		1	
30		21347406		ROCKING REAR ARM FELT				*		1	
31		EA9500B0100		CABLE BAND				*		2	
32		MC0190R1600		NEEDLE 190R #160	FOR LU-1508H					1	
33		22814909		FELT						1	

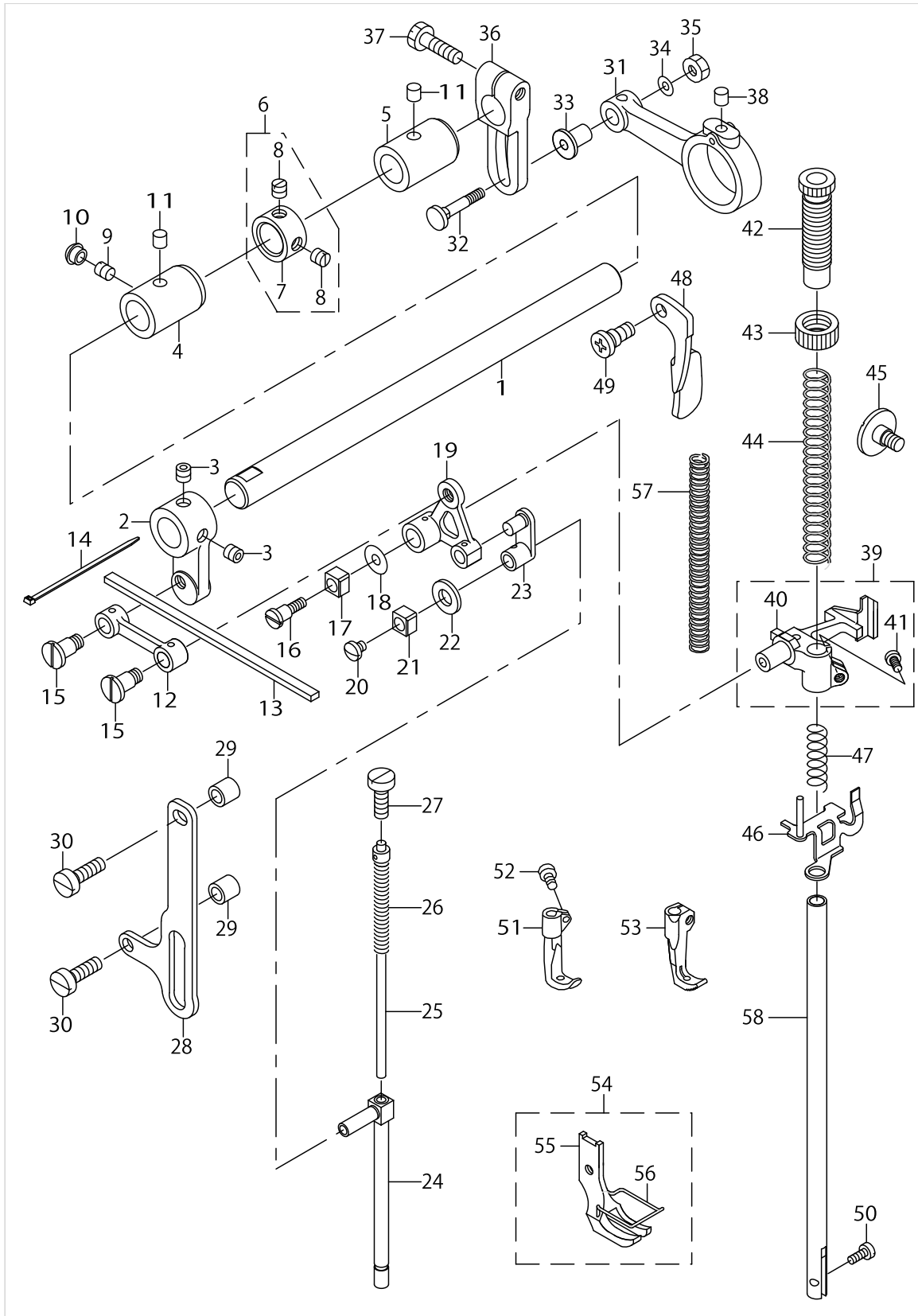
PRESSURE ADJUSTING & UPPER FEED MECHANISM COMPONENTS



PRESSURE ADJUSTING & UPPER FEED MECHANISM COMPONENTS

No.	Supply Code	Parts No.	Replacement	Parts name	Remarks	Choice	Step	Level	Cons	Qty	Rep. QTY
1		21340401		UPPER FEED SHAFT						1	
2		21340500		UPPER FEED FRONT ARM						1	
3		SS8660612TP		SCREW 1/4-40 L=6						2	
4		21341904		FRONT METAL						1	
5		21378302		FEED ROCK SHAFT METAL						1	
6		22904155		MAIN SHAFT THRU-ST COLLAR ASM.						1	
7	R	22904106	22904155	MAIN SHAFT THRUST COLLAR				*		1	1.00
8		SS8660610TP		SCREW 1/4-40 L=6				*		2	
9	R	SS8150710SP	SS8150710TP	SCREW 15/64-28 L=7						1	1.00
10		TA0750404R0		PLUG D=7.5 L=3.5						1	
11		22814909		FELT						2	
12	R	21339908	40033026	UPPER FEED LINK						1	1.00
13		21347109		FELT						1	
14		EA9500B0000		CLIP CV-70S						2	
15		B3016141H00		HINGE SCREW, B						2	
16		SD0640701SP		HINGE SCREW D=6.35 H=7						1	
17		B1414555000		SLIDE BLOCK						1	
18		WP0501046SC		WASHER 5 X 13 X 1						1	
19	R	21340807	40033028	TRIANGULAR LEVER						1	1.00
20		SS7110510SP		SCREW 11/64-40 L=5						1	
21		B1414555000		SLIDE BLOCK						1	
22		10509701		FELT						1	
23		B1465053000		WALKING BAR DRIVING LINK						1	
24	R	B1466563000	40033030	WALKING BAR						1	1.00
25		B14670530A0		WALKING BAR ASM.						1	
26		B1468053000		WALKING BAR SPRING						1	
27		SS6151780SP		SCREW 15/64-28 L=17.0						1	
28		21341300		UPPER FEED GUIDE PLATE						1	
29	R	13514310	26225201	ROLLER						2	1.00
30		SS6151920SP		SCREW 15/64-28 L=19.0						2	
31		21340104		UPPER FEED ROD						1	
32		D1456055B00		HINGE SCREW						1	
33		D1455055B00		CONNECTING STUD						1	
34		WP0482086SD		WASHER 4.8X11.5X2						1	
35		NS6110530SP		NUT 11/64-40						1	
36		21340203		UPPER FEED REAR ARM						1	
37		SM9062250SC		SCREW M6 L=22						1	
38		22814909		FELT						1	
39	R	21341052	40033032	PRESSER BAR HOLDER ASM.						1	1.00
40	R	21341003	40033032	PRESSER BAR HOLDER				*		1	1.00
41		SS7110910TP		SCREW 11/64-40 L= 8.5				*		1	
42		21340906		PRESSER ADJUSTING SCREW						1	
43	R	B1511555000	40012052	NUT						1	1.00
44		B1502246000		PRESSER SPRING						1	
45		SD0800481SP		HINGE SCREW D= 8 H= 4.9						1	

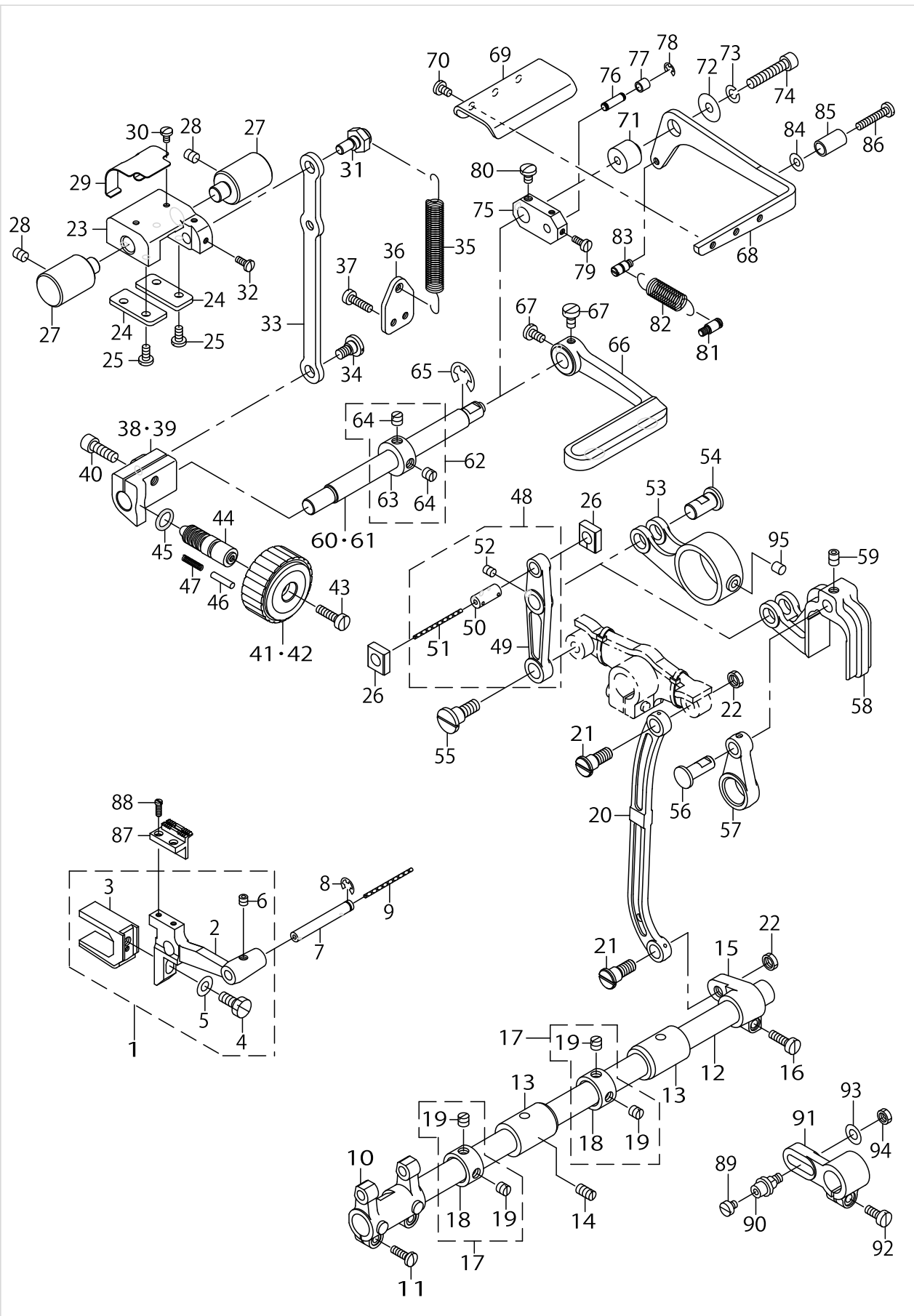
PRESSURE ADJUSTING & UPPER FEED MECHANISM COMPONENTS



PRESSURE ADJUSTING & UPPER FEED MECHANISM COMPONENTS

No.	Supply Code	Parts No.	Replacement	Parts name	Remarks	Choice	Step	Level	Cons	Qty	Rep. QTY
46		21341151		THREAD RELEASE HOLDING PLATE						1	
47		B1462053000		THREAD RELEASE SPRING						1	
48		21343504		PRESSER LIFTER LEVER						1	
49	R	11006509	22908701	LINK SHAFT						1	1.00
50		SS6090910TP		SCREW 9/64-40 L=9						1	
51	R	B1470241H00	B1470241HA0	WALKING FOOT						1	1.00
52		B1471241H00		SCREW						1	
53		21350004		UPPER FEED FOOT	OPTIONAL PARTS (F-OR THICK THREAD)					1	
54		B1525241HA0		PRESSER FOOT ASM.						1	
55	R	B1525241H00	B1525241HA0	PRESSER FOOT				*		1	1.00
56		10337905		FINGER GUARD				*		1	
57		B1510141H00		PRESSER SPRING	OPTIONAL PARTS					1	
58		B1501241H00		PRESSER BAR						1	

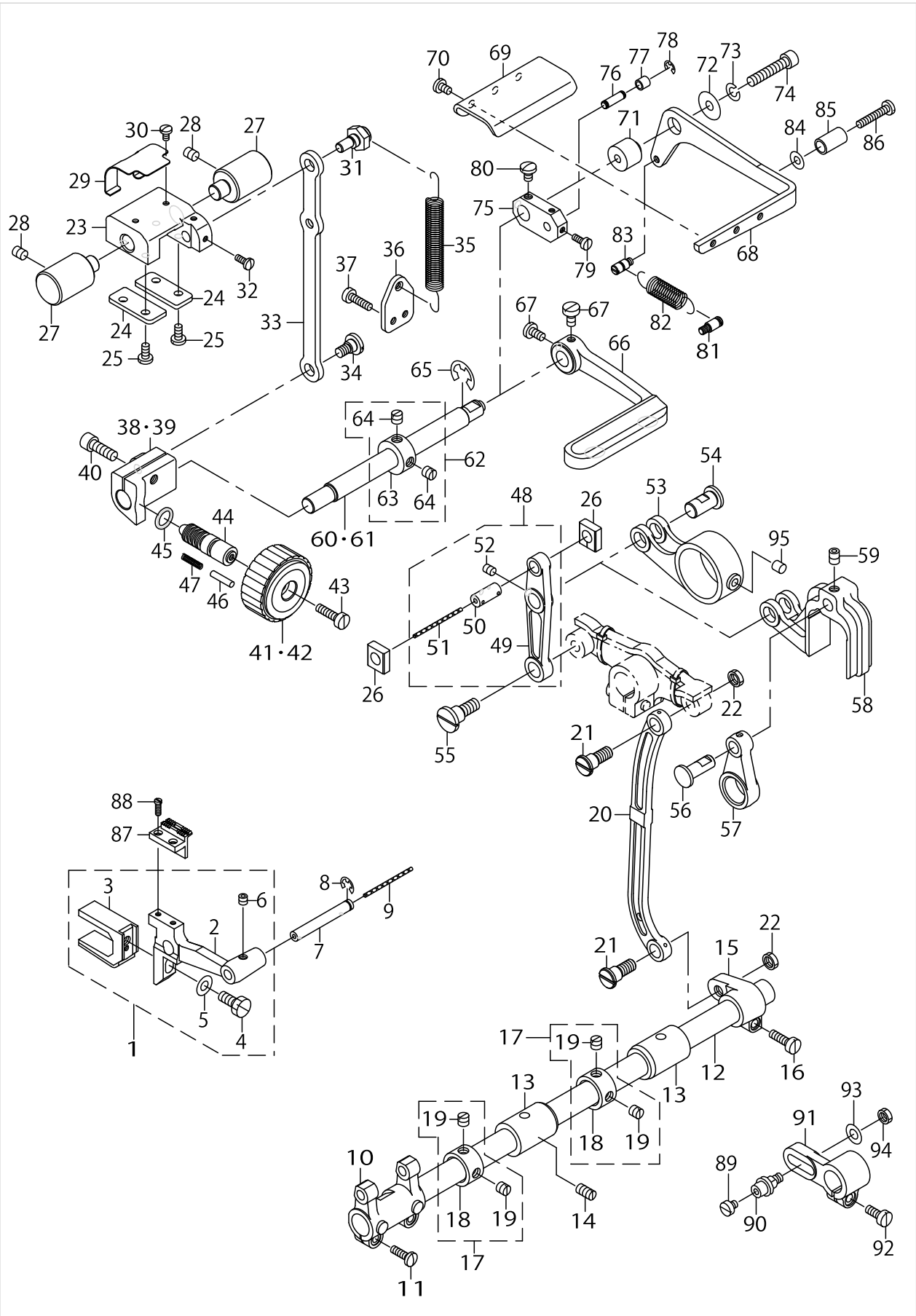
FEED MECHANISM COMPONENTS



FEED MECHANISM COMPONENTS

No.	Supply Code	Parts No.	Replacement	Parts name	Remarks	Choice	Step	Level	Cons	Qty	Rep. QTY
1		21336052		FEED BASE ASM. (A)						1	
2	R	21336003	21336052	FEED BASE		A	LU1508	*		1	1.00
2	R	21336003	21336060	FEED BASE		B	LU1510	*		1	1.00
3		B1604051000		FEED BAR SLIDE FORK				*		1	
4		SS9151440CP		SCREW15/64-28L=14				*		1	
5		WP0621016SD		WASHER 6.2X13X1				*		1	
6		SM8050502TP		SCREW M5 L=5				*		1	
7		B1604012000A		FEED BAR SHAFT						1	
8		RE0500711KP		SNAP RING 5						1	
9		CQ202000000		OIL WICK						.14	
10		21364104		FEED ROCKER						1	
11	R	SS7111410SP	SS7111410TP	SCREW11/64-40L=14						2	1.00
12		22609408		FEED ROCK SHAFT						1	
13		21378302		FEED ROCK SHAFT METAL						2	
14		SS8151150TP		SCREW 15/64-28 L=10.5						1	
15		22609309		FEED ROCKER SHAFT CRANK						1	
16		SS6121610TP		SCREW 3/16-28 L=15.5						1	
17		22904155		MAIN SHAFT THRU-ST COLLAR ASM.						2	
18	R	22904106	22904155	MAIN SHAFT THRUST COLLAR				*		1	1.00
19		SS8660610TP		SCREW 1/4-40 L=6				*		2	
20		10205201		NEEDLE BAR FRAME ROD						1	
21		SD0900701TP		HINGE SCREW D= 9 H= 7						2	
22		NS6680320SP		NUT 9/32-28						2	
23		21337506		FEED ADJUSTING BASE						1	
24		21337704		FEED ADJUSTING BASE COVER						2	
25		SS7110910TP		SCREW 11/64-40 L= 8.5						4	
26		21337407		SQUARE BLOCK						2	
27		21337803		FEED ADJUSTING BASE SUPPORT						2	
28		SS8150822TP		SCREW 15/64-28 L=8						2	
29		21338306		FELT SUPPORT						1	
30		SS7090610SP		SCREW 9/64-40 L=6						2	
31		21337902		ECCENTRIC PIN						1	
32		SS7090910TP		SCREW9/64-40L=8.5						2	
33		21337308		FEED ADJUSTING ROD						1	
34		SD0800402TP		HINGE SCREW D= 8 H= 4						1	
35		21337605		SPRING						1	
36		21338009		SPRING HOOK						1	
37		SS6111610SP		SCREW11/64-40L=16						2	
38		21337209		FEED ADJUSTING A	FOR LU-1508					1	
39		21338108		FEED ADJUSTING B	FOR LU-1508H					1	
40		SM6061802TP		SCREW M6 L=18						1	
41		21336805		FEED DIAL A	FOR LU-1508					1	
42		21336904		FEED DIAL B	FOR LU-1508H					1	
43		SS6121860SP		SCREW 3/16-28 L=18						1	
44	R	11009909	22911804	FEED REGULATOR SCREW						1	1.00
45		RO092270200		RUBBER RING						1	

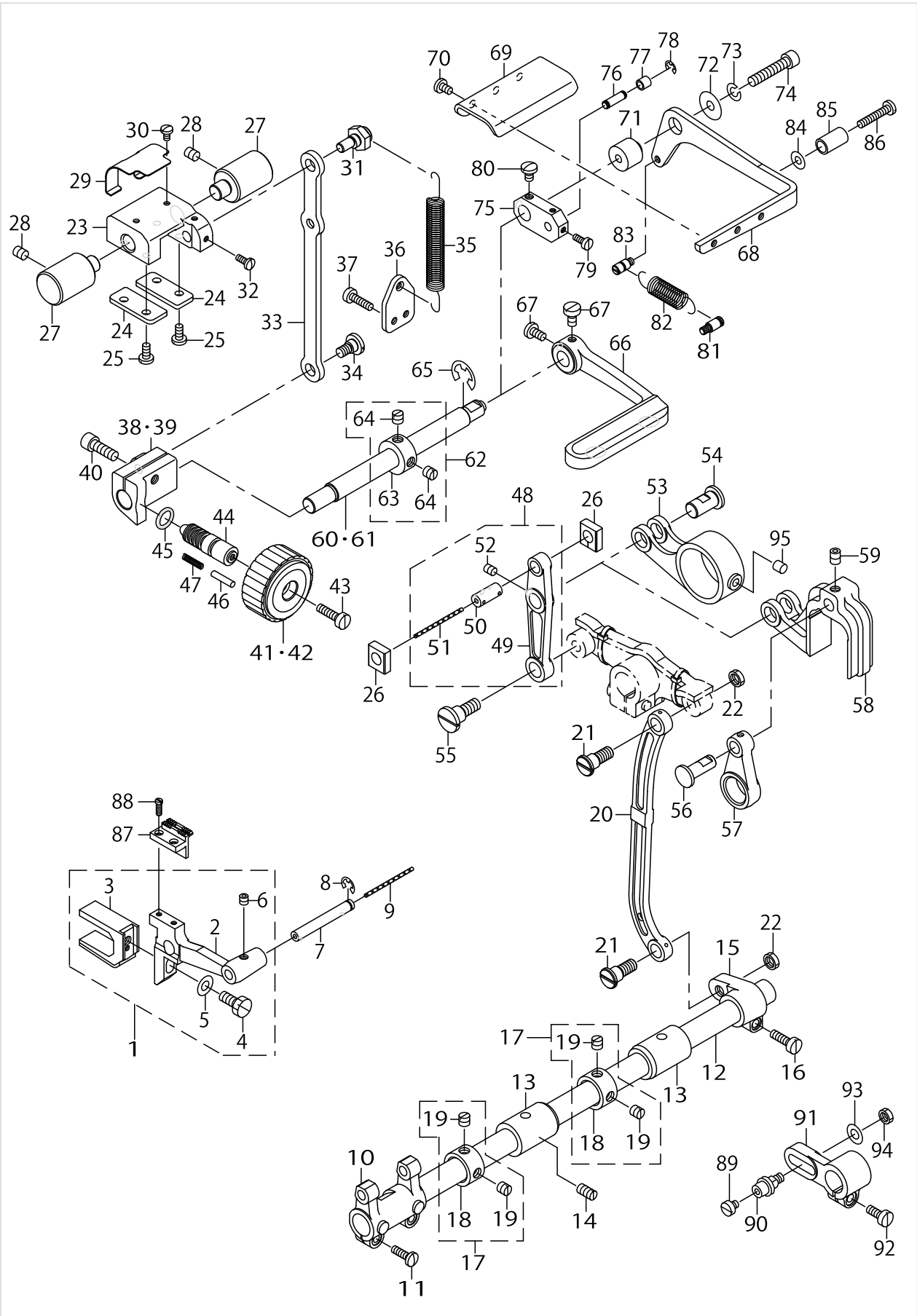
FEED MECHANISM COMPONENTS



FEED MECHANISM COMPONENTS

No.	Supply Code	Parts No.	Replacement	Parts name	Remarks	Choice	Step	Level	Cons	Qty	Rep. QTY
46	R	11052701	22912000	PIN						1	1.00
47		22912109		FEED REGULATOR PIN SPRING						1	
48		21336656		FEED LINK ASM.						1	
49		21336607		FEED LINK				*		1	
50	R	B1418761000	40009103	CONNECTING FORKED LINK PIN				*		1	1.00
51		CQ202000000		OIL WICK				*		0.04	
52		SM8050612TP		SCREW M5X6				*		1	
53		21336706		FEED ROD A	FOR LU-1508					1	
54	R	21338207	21378906	FEED LINK PIN						1	1.00
55		SD1000801SH		HINGE SCREW D=10 H=8						1	
56		21352703		FEED TRIANGULAR CAM PIN	FOR LU-1508H					1	
57		10083202		REAR CRANK	FOR LU-1508H					1	
58		21352604		FEED TRIANGULAR CAM ROD	FOR LU-1508H					1	
59		SS8150822TP		SCREW 15/64-28 L=8	FOR LU-1508H					1	
60		21336300		BACKWARD FEED LEVER SHAFT	FOR LU-1508					1	
61	D	21336409		BACKWARD FEED LEVER SHAFT B	FOR LU-1508H					1	
62		CS1201010SH		THRUST COLLAR ASM. D=12 W=10						1	
63		CS1201011SH		THRUST COLLAR D=12 W=10				*		1	
64		SS8660610TP		SCREW 1/4-40 L=6				*		2	
65		RE0900000K0		E-RING 9						1	
66	R	22610505	21388004	REVERSE FEED CONTROL LEVER	FOR LU-1508					1	1.00
67		SS6120930TP		SCREW 3/16-28 L=9	FOR LU-1508					2	
68		21337001		BACKWARD FEED LEVER B	FOR LU-1508H					1	
69		21337100		BACKWARD FEED P-RESSER PLATE	FOR LU-1508H					1	
70		SS7110710SP		SCREW 11/64-40 L=7	FOR LU-1508H					3	
71		21352901		BACKWARD FEED LINK FULCRUM	FOR LU-1508H					1	
72		WP0612056SD		WASHER 6.1X18.5X2	FOR LU-1508H					1	
73		WS0610002KP		SPRING WASHER	FOR LU-1508H					1	
74		SS6153012TP		SCREW 15/64-28	FOR LU-1508H					1	
75	D	21352802		CHANGE BASE	FOR LU-1508H					1	
76		D2461481C00		CONNECTING PIN	FOR LU-1508H					1	
77	R	B2507372000	26023200	CAM ROLL	FOR LU-1508H					1	1.00
78		RE0400000K0		E-RING 4	FOR LU-1508H					1	
79		SS6090910SP		SCREW 9/64-40 L=9	FOR LU-1508H					2	
80		SS7120710SP		SCREW 3/16-28 L=7	FOR LU-1508H					1	
81		10120004		SPRINGSUSPENSION	FOR LU-1508H					1	
82		13789201		TENSION SPRING	FOR LU-1508H					1	
83		11272614		FEED SPRING HOOK	FOR LU-1508H					1	
84		WP0502616SD		WASHER	FOR LU-1508H					1	
85	R	11100500	22952501	REVERSE FEED LEVER STOPPER	FOR LU-1508H					1	1.00
86		SS7112420SP		SCREW 11/64-40 L=24	FOR LU-1508H					1	
87		21349303		FEED DOG (2.5X7.2)						1	
88		B1611055000		SCREW						2	
89		SS6110520TP		SCREW 11/64-40 L=4.5	OPTIONAL PARTS					1	
90		10122000		CONNECTING PIN	OPTIONAL PARTS					1	
91		B3025141H00A		CONNECTING ARM	OPTIONAL PARTS					1	

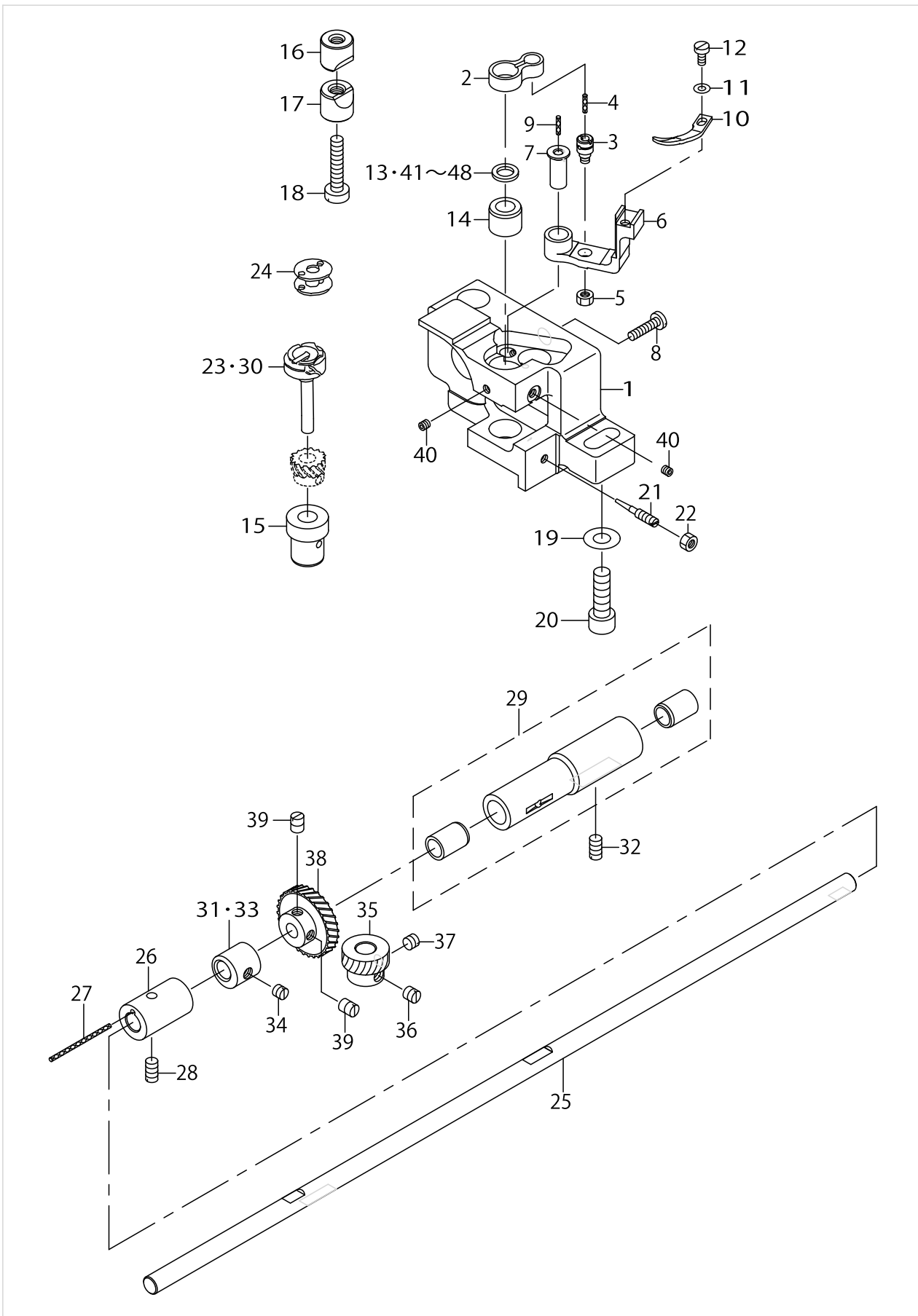
FEED MECHANISM COMPONENTS



FEED MECHANISM COMPONENTS

No.	Supply Code	Parts No.	Replacement	Parts name	Remarks	Choice	Step	Level	Cons	Qty	Rep. QTY
92		SS6121210TP		SCREW 3/16-28 L=12	OPTIONAL PARTS					1	
93		WP0650876SD		WASHER 6.5X13X0.8	OPTIONAL PARTS					1	
94		NS6150310SP		NUT 15/64-28	OPTIONAL PARTS					1	
95		22814909		FELT						1	

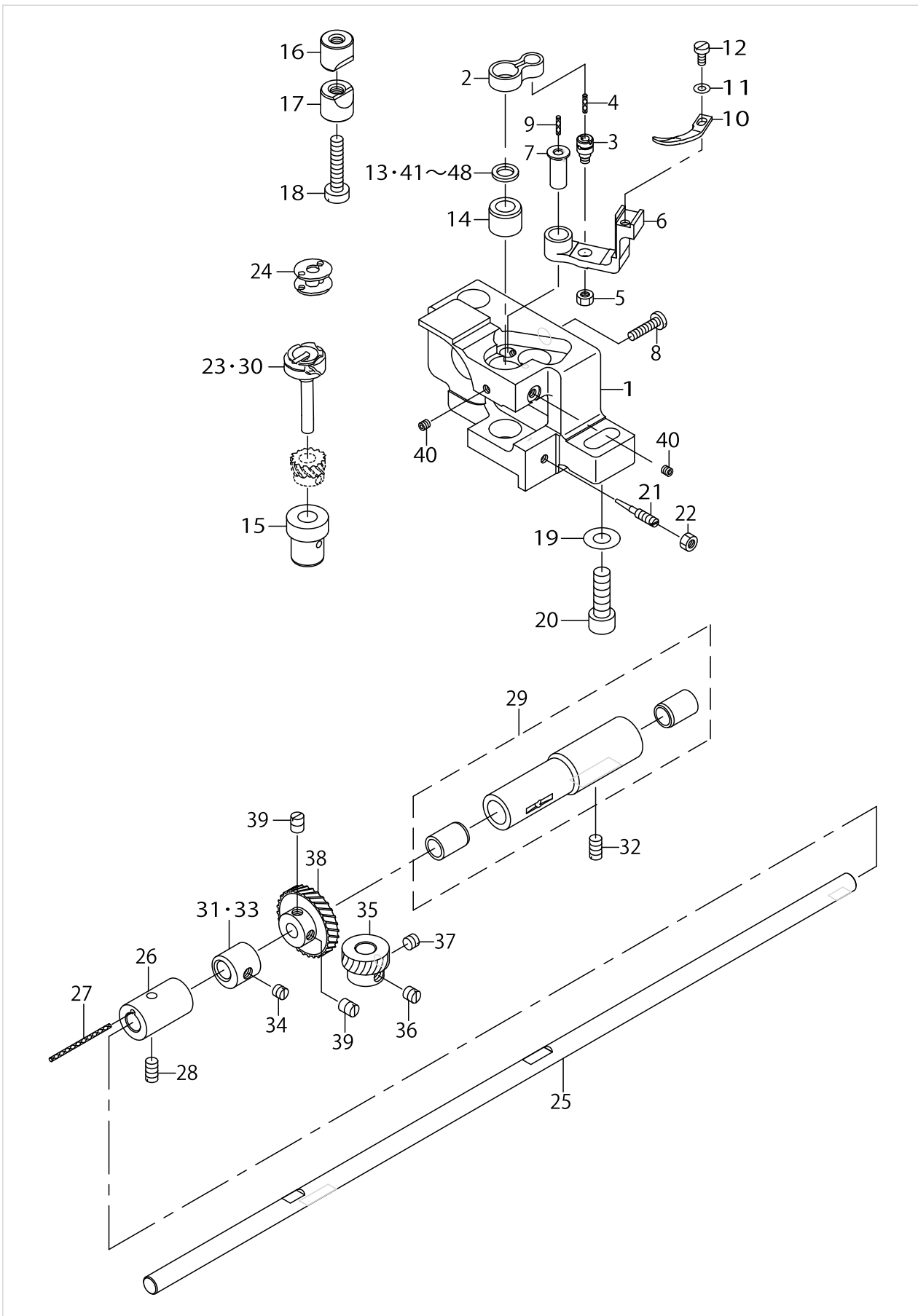
HOOK SHAFT & LOWER SHAFT COMPONENTS



HOOK SHAFT & LOWER SHAFT COMPONENTS

No.	Supply Code	Parts No.	Replacement	Parts name	Remarks	Choice	Step	Level	Cons	Qty	Rep. QTY
1		21335005		HOOK SHAFT BASE (RIGHT)						1	
2		B1820563000		BOBBIN CASE OPE- NING LEVER LINK						1	
3		B1821051000		CRANK SCREW STUD						1	
4		CQ202000000		OIL WICK						.01	
5		NS6110420SP		NUT 11/64-40						1	
6		B1822563000		BOBBIN CASE OPE- NING LEVER CRAN						1	
7		B1823051000		OPENING LEVER CRANK PIN						1	
8	R	SS7111810SP	SS7111810TP	SCREW 11/64-40 L=18						1	1.00
9		CQ202000000		OIL WICK						.01	
10		B1824563000		BOBBIN CASE OPENING LEVER						1	
11		WP0371016SD		WASHER 3.7X8X1						1	
12		SS6090810SP		SCREW 9/64-40 L= 7.5						1	
13		10111102		THRUST WASHER 1.3	SELECTIVE PARTS					1	
14		21378500		HOOK SHAFT UPPER METAL						1	
15		21334701		HOOK SHAFT LOWER METAL						1	
16		10109908		SADDLE INSTALLIN- G BLOCK, UPPER						1	
17		10112407		SADDLE INSTALLIN- G BLOCK, LOWER						1	
18		SS6153040SP		SCREW 15/64-28 L=30						1	
19		WP0850002SP		WASHER 8.5X18X1.6						1	
20		SM6082502TP		SCREW M8 L=25						1	
21		B1843563000		OIL ADJUSTING SCREW						1	
22		NS6110420SP		NUT 11/64-40						1	
23		B18305630A0		VERTICAL-AXIS SE- WING HOOK ASM.						1	
24		B9117563000		BOBBIN						1	
25		21333604		LOWER SHAFT						1	
26	D	B1802563000A		HOOK DRIVING SH- AFT FRONT METAL						1	
27		CQ202000000		OIL WICK						.04	
28		SS8151150TP		SCREW 15/64-28 L=10.5						1	
29		B18035150A0		BUSHING ASM., INTERMEDIATE						1	
30		B1830563BA0		HOOK ASM., FOR E- XTREME THICK T	FOR LU-1- 508H(THICK THREAD)					1	
31		B184005100A		VERTICAL FEED CAM	OPTIONAL PARTS					1	
32		SS8151150TP		SCREW 15/64-28 L=10.5						1	
33		B1840051000		FEED DRIVING ECCENTRIC						1	
34		SS8150510TP		SCREW 15/64-28 L= 4.7						1	
35		B1817051000		HOOK DRIVING SH- AFT GEAR, SMALL						1	
36		SS8660670SP		SCREW 1/4-40 L= 6.1						1	
37		SS8660530TP		SCREW 1/4-40 L= 4.5						1	
38		B1816051000		HOOK DRIVING SH- AFT GEAR, LARGE						1	
39		SS8660810TP		SCREW 1/4-40 L=8						2	
40		SS8110422TP		SCREW 11/64-40 L=4						2	
41		10109700		THRUST WASHER, A	SELECTIVE PARTS					1	
42		10109809		THRUST WASHER, B	SELECTIVE PARTS					1	

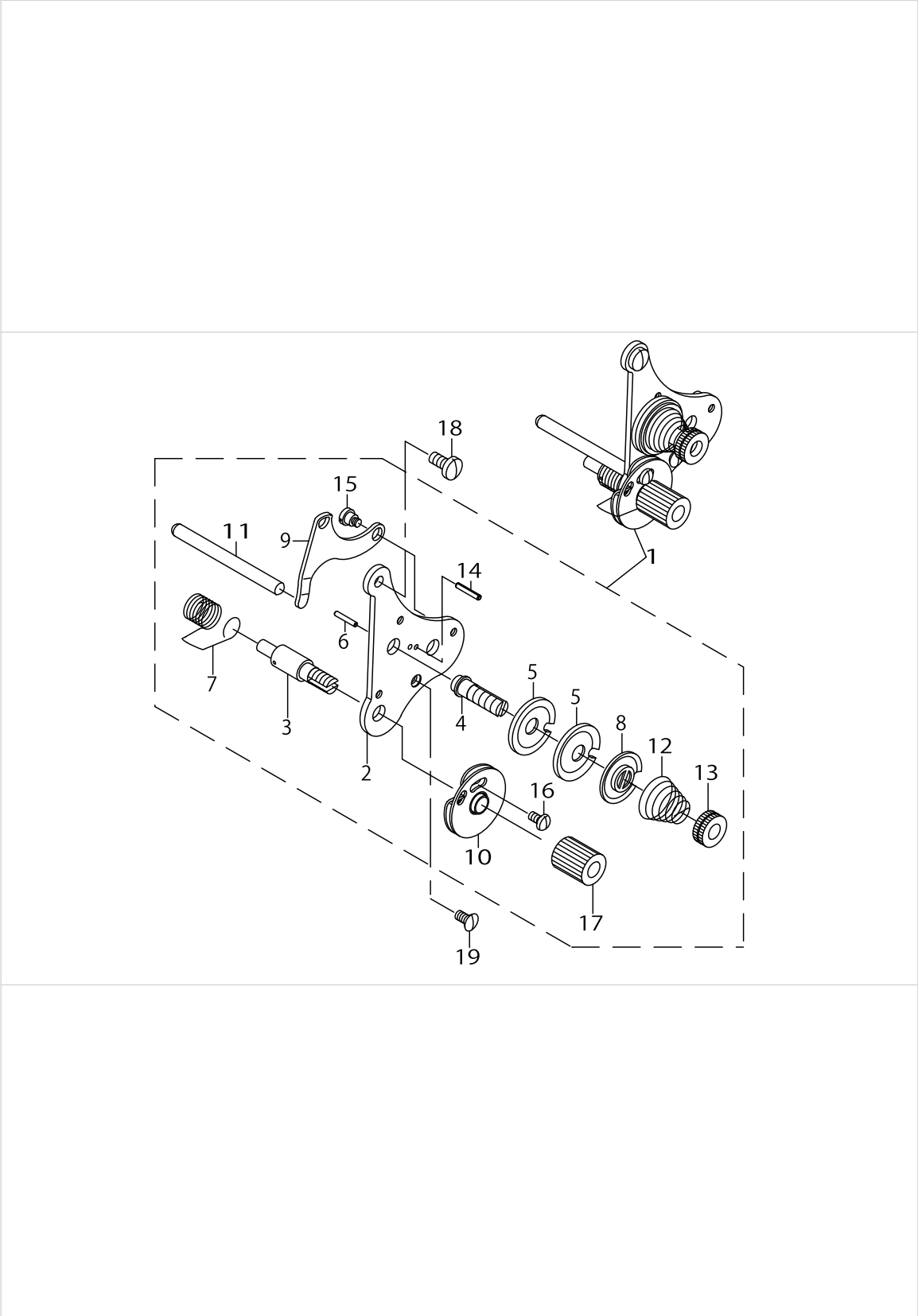
HOOK SHAFT & LOWER SHAFT COMPONENTS



HOOK SHAFT & LOWER SHAFT COMPONENTS

No.	Supply Code	Parts No.	Replacement	Parts name	Remarks	Choice	Step	Level	Cons	Qty	Rep. QTY
43		10110906		BUSHING THRUST 1.1	SELECTIVE PARTS					1	
44		10111003		THRUST WASHER 1.2	SELECTIVE PARTS					1	
45		10111201		THRUST WASHER, F	SELECTIVE PARTS					1	
46		10112506		THRUST WASHER 1.6	SELECTIVE PARTS					1	
47		10112605		THRUST WASHER 1.7	SELECTIVE PARTS					1	
48		10112704		THRUST WASHER 1.8	SELECTIVE PARTS					1	

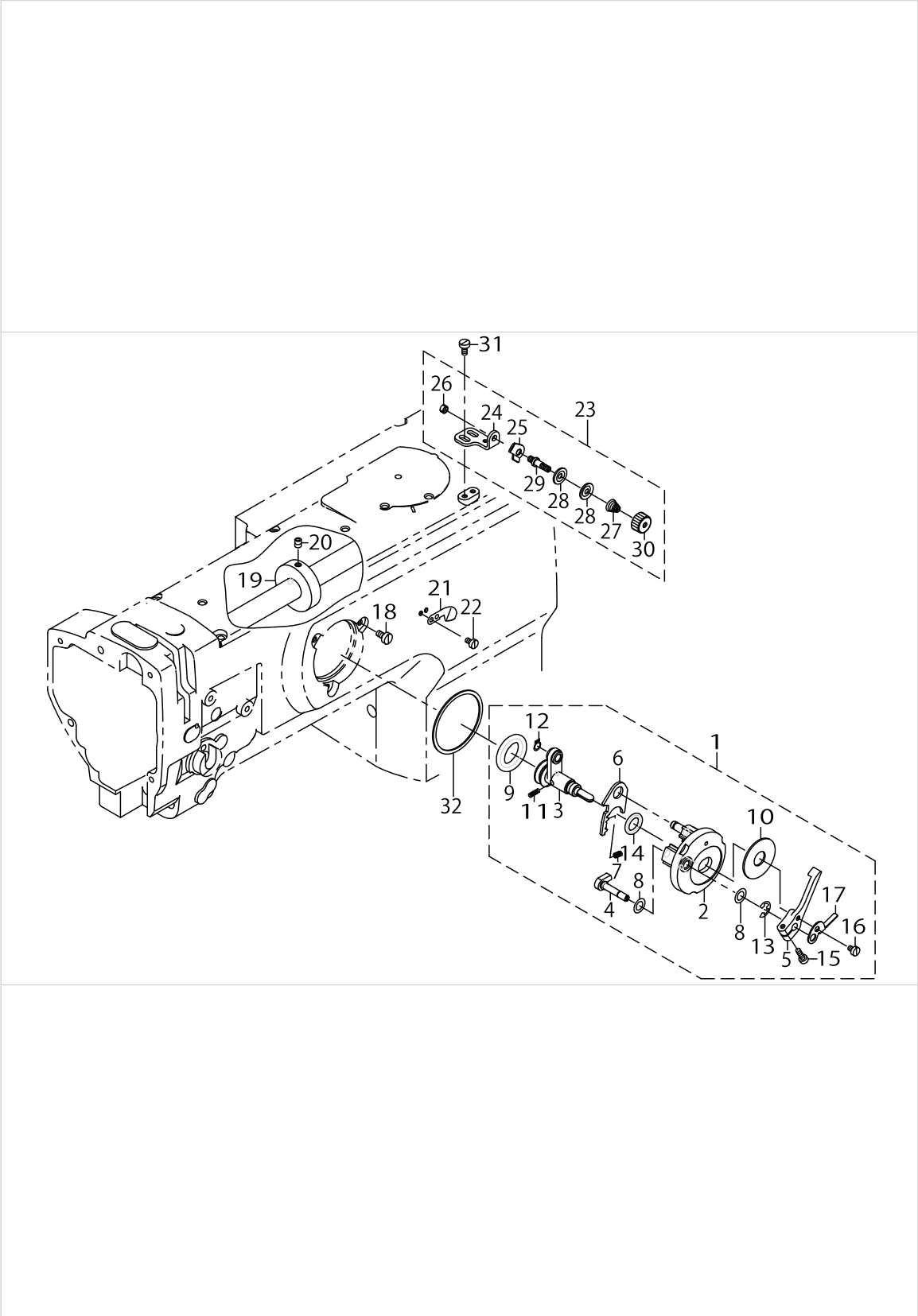
THREAD TENSION COMPONENTS



THREAD TENSION COMPONENTS

No.	Supply Code	Parts No.	Replacement	Parts name	Remarks	Choice	Step	Level	Cons	Qty	Rep. QTY
1	D	21348156		THREAD TENSION ASM.						1	
2		B3121512000		TENSION CONTROLLER BASE				*		1	
3		B3123051000		TAKE-UP SPRING STUD				*		1	
4		B3124051000		TENSION STUD				*		1	
5		B3126051000		TENSION DISC				*		2	
6		B3127051000		TENSION RELEASE PIN, SHORT				*		1	
7		B3128520000		TENSION SPRING				*		1	
8		B3132051000		TENSION DISC HOLDER				*		1	
9	D	B3134051000		TENSION RELEASE LEVER				*		1	
10		B31370510A0		TAKE-UP SPRING GUIDE DISC ASM.				*		1	
11		B3122053000		TENSION RELEASE BAR				*		1	
12		B3129053000		TENSION SPRING				*		1	
13	R	B3125012000	22928808	THREAD TENSION NUT				*		1	1.00
14		PS0200122K0		SPRING PIN 2.0X12				*		1	
15		SD0470281SP		HINGE SCREW D=4.7 H=2.8				*		2	
16	R	SS4080610SP	SS4080620TP	SCREW 1/8-44 L=6.4				*		1	1.00
17		10320208		THRED TENSION STUD NUT				*		1	
18		SS7110910TP		SCREW 11/64-40 L= 8.5						1	
19		SS2090710TP		SCREW 9/64-40 L=7.2						1	

LOWER THREAD WINDER MECHANISM COMPONENTS



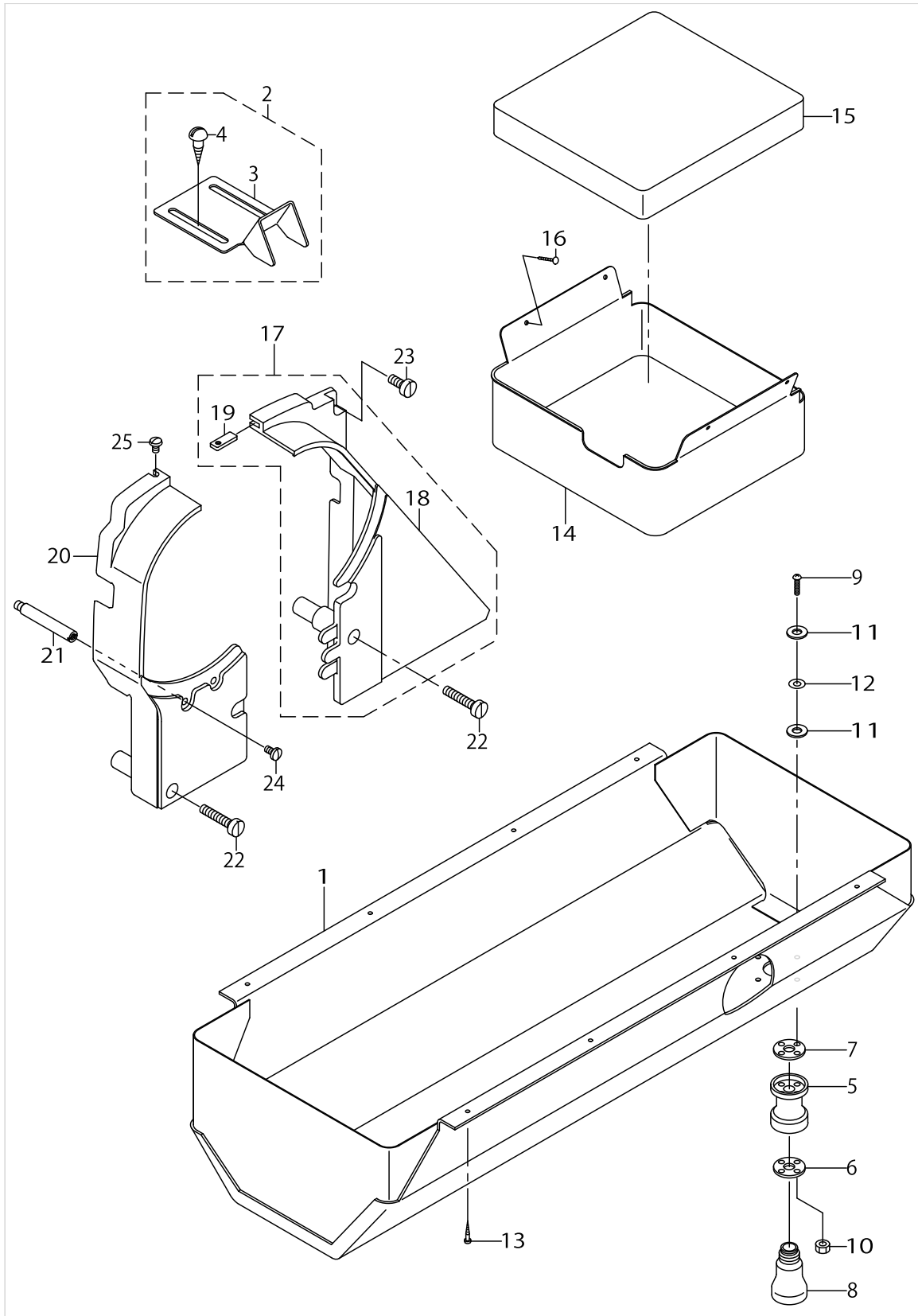
LOWER THREAD WINDER MECHANISM COMPONENTS

No.	Supply Code	Parts No.	Replacement	Parts name	Remarks	Choice	Step	Level	Cons	Qty	Rep. QTY
1		21357967		BOBBIN DEVICE ASM.						1	
2		22537658		BOBBIN FITTING BASIS COMPL.				*		1	
3		21357959		BOBIN SHAFT COMPL.				*		1	
4		22538151		BOBBIN CAM SHAFT COMPL.				*		1	
5		23636202		BOBBIN LEVER				*		1	
6		21356001		ADJUSTING PLATE				*		1	
7		B152989000CA		PRESSUR FOOT SPRING				*		1	
8		10618304		VERTICAL ROLLER WASHER				*		2	
9		A321600100A		RUBBER RING				*		1	
10		B3205210000		CUSHION				*		1	
11	R	B1148555000	22912109	SPRING				*		1	1.00
12		RC0560711KP		RETAINING RING				*		1	
13		RE0500000K0		E-RING				*		1	
14		RO092270200		RUBBER RING				*		1	
15		SS7091410SP		SCREW 9/64-40 L=13.5				*		1	
16		SS6090520SP		SCREW 9/64-40 L= 5.0				*		1	
17		14512503		BOBBIN ADJUSTING PLATE				*		1	
18		SS6110810TP		SCREW 11/64-40 L=8						3	
19		10704807		BOBBIN FRICTION WHEEL						1	
20		SM8050602TP		SCREW M5 L=6						2	
21		10502300		THREAD CUTTER						1	
22	R	SS6090620SP	SS6090620TP	SCREW 9/64-40 L=6						2	1.00
23		21355755		LOWER THREAD GUIDE ASM.						1	
24	R	21355706	21355755	FITTING BASE				*		1	1.00
25		D3162555B00		THREAD GUIDE				*		1	
26		NS6110310SP		NUT 11/64-40				*		1	
27		D3168555H0B		TENSION SPRING NO.1				*		1	
28	R	B3214047000	22945802	BOBBIN WINDER TENSION DISC				*		2	1.00
29	R	21378708	21355755	THREAD TENSION POST				*		1	1.00
30		11072402		THREAD TENSION NUT				*		1	
31		SM6040800SP		SCREW						2	
32		22538706		PACKING						1	

KNEE LIFTING COMPONENTS

No.	Supply Code	Parts No.	Replacement	Parts name	Remarks	Choice	Step	Level	Cons	Qty	Rep. QTY
1		21343207		KNEE LIFTER SHAFT BASIS						1	
2		SM6061202TP		SCREW M6 L=12						3	
3		21342555		KNEE LIFTER SHAFT A ASM.						1	
4	R	21342506	21342555	KNEELIFTERSCHAFTA				*		1	1.00
5	R	21342605	21342555	KNEE LIFTER SHAFT PIN				*		1	1.00
6		21343702		KNEE LIFTER SHAFT A SPRING						1	
7		21343801		KNEE LIFTER SPRING RACK						1	
8		SM6051602TP		SCREW M5X0.8 L=16						1	
9		21342704		KNEELIFTERSCHAFTB						1	
10		RE0800000K0		E-SHAPED SNAP RING (8MM)						1	
11		21343009		KNEELIFTERLEVERB						2	
12		SM6051602TP		SCREW M5X0.8 L=16						2	
13		21342803		KNEELIFTERLEVERA						1	
14		SM6051602TP		SCREW M5X0.8 L=16						1	
15		SM8052502TP		SCREW M5X0.8 L=25						1	
16		NM6050001SD		NUT M5X0.8						1	
17		21342902		KNEE LIFTER LINK						1	
18		SD0700451TP		HINGE SCREW D=7 H=4.5						2	
19		21343405		KNEE LIFTER CONNECTING PLATE						1	
20		SD0700451TP		HINGE SCREW D=7 H=4.5						2	
21		21343355		KNEE LIFTER LEVER ASM.						1	
22		SM6062502TP		SCREW M6 L=25						2	
23		22863252		KNEE LIFTER JOINT ASM.						1	
24		B3428521000		PRESSER SPRING				*		1	
25		SS7090510SP		SCREW 9/64-40 L=4.6				*		1	
26	R	22863203	22863252	KNEE LIFTER JOINT				*		1	1.00
27		22932453		BRACKET ASM.						1	
28	R	22932404	22932453	BRACKET				*		1	1.00
29		22934707		SCREW				*		2	
30		21343157		KNEE PRESS PLATE ASM.						1	
31		SM9061203SE		SCREW M6 L=12				*		1	
32	R	21343108	21343157	KNEE PRESS LEVER				*		1	1.00
33		22934509		KNEE PAD PLATE COVER				*		1	
34		22934400		KNEE PAD PLATE RUBBER				*		1	
35		22934202		KNEE PAD PLATE				*		1	
36		22934301		KNEE PAD PLATE SUPPORT				*		1	

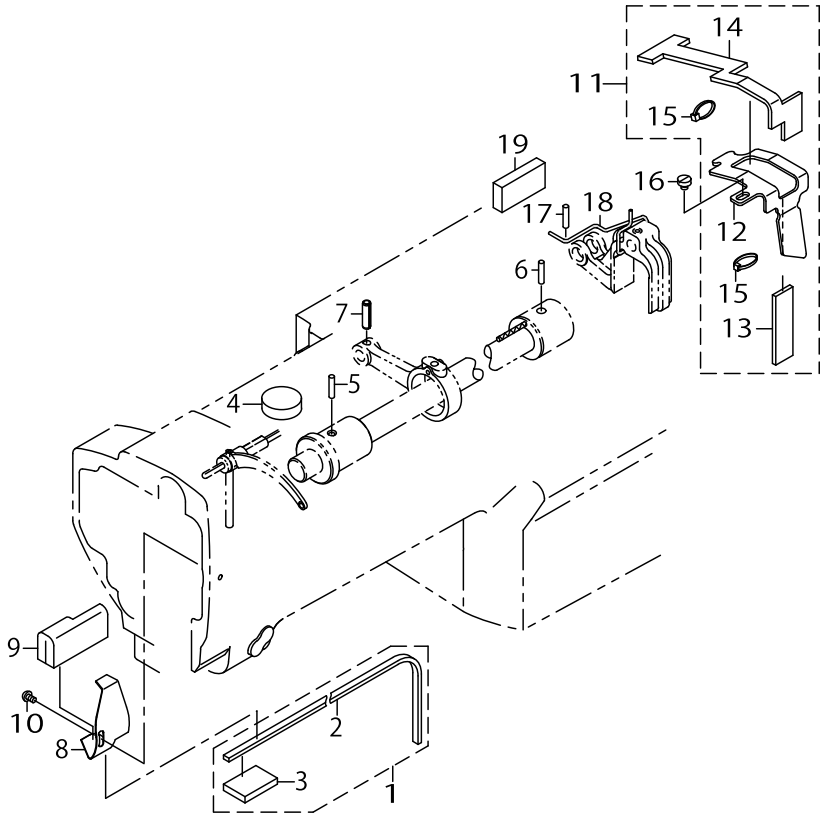
BELT COVER & OIL RESERVOIR COMPONENTS



BELT COVER & OIL RESERVOIR COMPONENTS

No.	Supply Code	Parts No.	Replacement	Parts name	Remarks	Choice	Step	Level	Cons	Qty	Rep. QTY
1		21351457		OIL RESERVOIR ASM.						1	
2		10755254		BELT COVER C ASM. (FOR JE)						1	
3		10755205		BELT COVER C(JE)				*		1	
4	R	SK3482500SC	SK3482501SE	WOOD SCREW D=4.8 L=25				*		2	1.00
5		B8202205000		OIL MANAGEMENT						1	
6		B8111220000		WASHER						1	
7		B8112220000		OIL SEAL						1	
8		B9121012000		OIL CAN						1	
9		SM3031401SE		SCREW M3X0.5 L=14						4	
10		NM6030001SC		NUT M3						4	
11		10748101		OIL REMOVING SET- SCREW PACKING						8	
12		WP0320501SC		WASHER M3						4	
13		SK3241601SC		WOOD SCREW D=2.4 L=16						8	
14		B1839563000		OIL RECEIVING COVER						1	
15		B1841563000		OIL DRIP FELT						1	
16		B8210012000		CUSHION SET NAIL						4	
17		21351150		BELT COVER ASM. (RIGHT)						1	
18	R	21351101	21351150	BELT COVER (RIGHT)				*		1	1.00
19		21351002		BELT COVER AUXILIARY PLATE				*		1	
20		21351200		BELT COVER (LEFT)						1	
21		D8232241E00		BELT COVER SUPPORT A						1	
22		SS6153040SP		SCREW 15/64-28L=30						2	
23		SS6151440SP		SCREW 15/64-28L=14						1	
24		SS7110840SP		SCREW 11/64-40 L=7.8						1	
25		SS5110740TP		SCREW 11/64-40 L= 6.5						1	

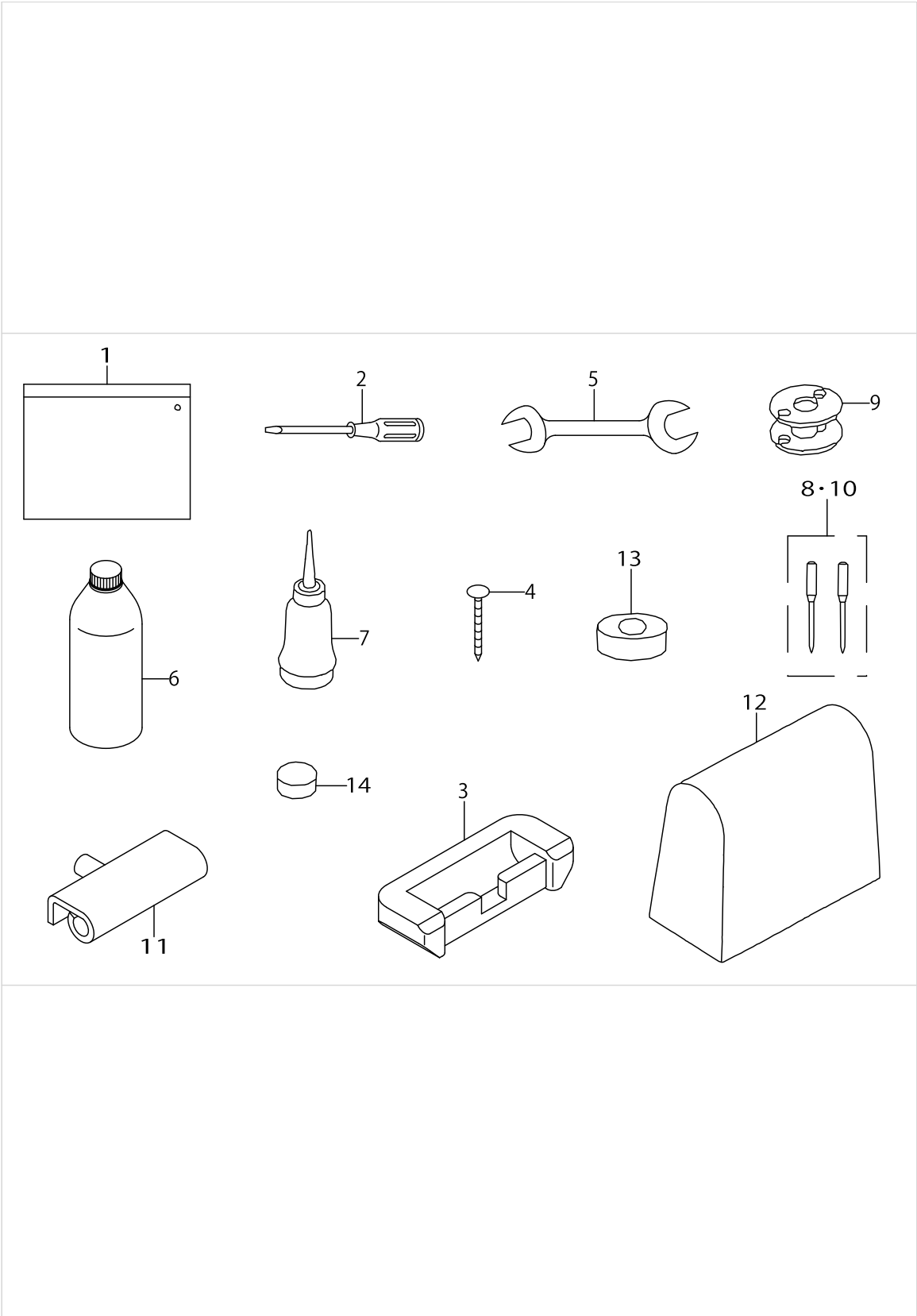
LUBRICATION COMPONENTS



LUBRICATION COMPONENTS

No.	Supply Code	Parts No.	Replacement	Parts name	Remarks	Choice	Step	Level	Cons	Qty	Rep. QTY
1		21345855		FELT (ASM.)						1	
2		21345806		FELT B				*		1	
3		21345905		FACE ONCE THROUGH FELT				*		1	
4		21346002		FELT						1	
5		B1412051000		FELT						1	
6		B3517009000		OIL FELT REAR						2	
7		PS0500202KP		SPRING PIN 5X20						1	
8		B1140051000		TAKE-UP OIL SPLASHER						1	
9		21347208		TAKE-UP LUBRICATION FELT						1	
10		SS3090610SP		SCREW 9/64-40 L=6						1	
11		21346358		FELT SUPPORT ASM.	FOR LU-1508					1	
12		21346309		FELT				*		1	
13		21346408		FELT				*		1	
14		21346507		FEED CHANGE FELT				*		1	
15		EA9500B0000		CLIP CV-70S				*		2	
16		SS6110480SP		SCREW 11/64-40 L=4.3						1	
17		B1412051000		FELT	FOR LU-1508H					1	
18		CQ202000000		OIL WICK	FOR LU-1508H					.21	
19		21347307		GREASE RETAINING	FOR LU-1508H					1	

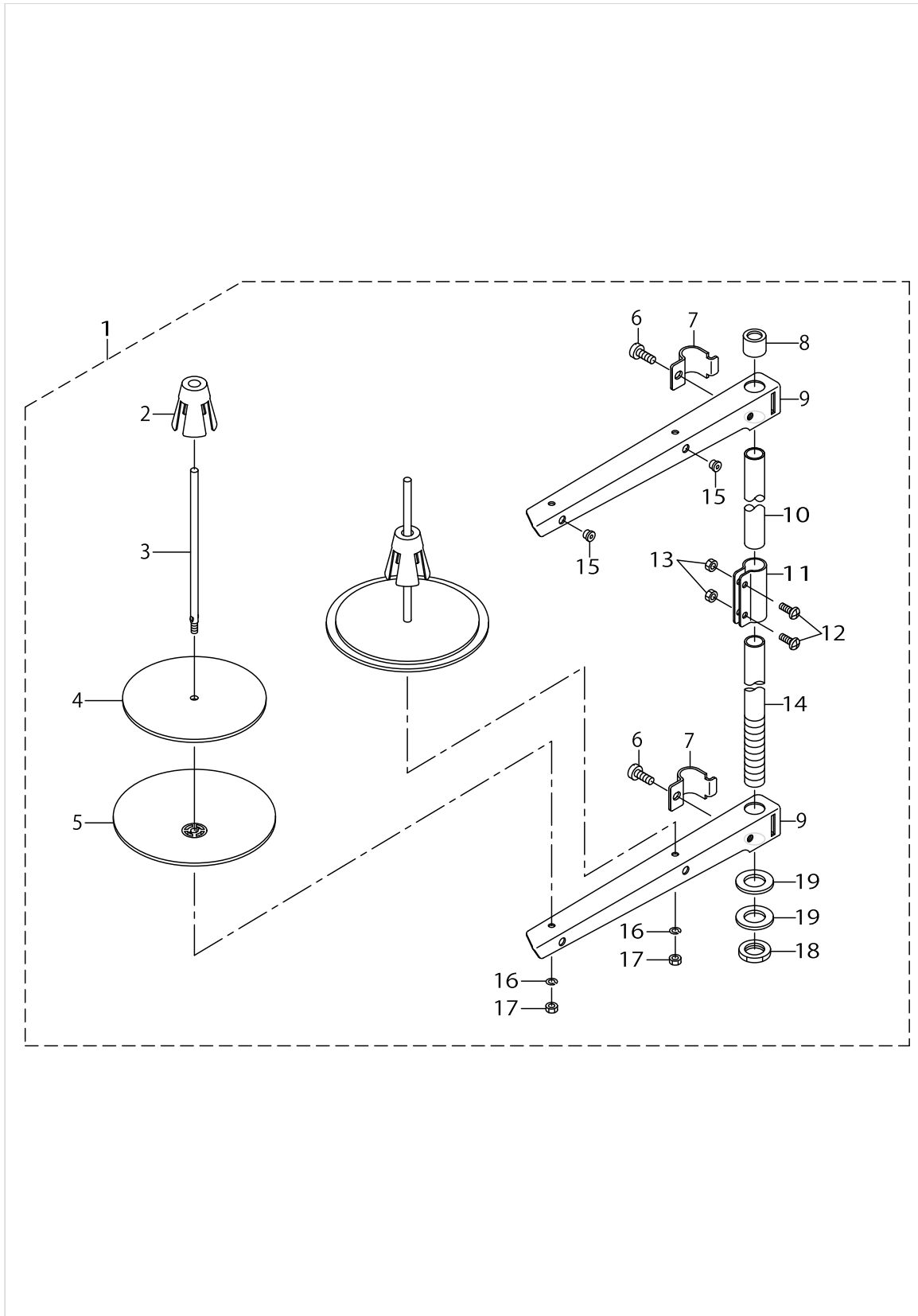
ACCESSORIES PARTS COMPONENTS



ACCESSORIES PARTS COMPONENTS

No.	Supply Code	Parts No.	Replacement	Parts name	Remarks	Choice	Step	Level	Cons	Qty	Rep. QTY
1		21413158		ACCESSORY BAG ASM.						1	
2		22933006		SCREW DRIVER,LARGE						1	
3		11075801		RUBBER SPACER						2	
4		B8210012000		CUSHION SET NAIL						8	
5		B9113012000		WRENCH (9X10)						1	
6		MDFRX2700C0		NEW DEFRIX OIL NO.2(700CC)						1	
7		B91210120A0		OILER ASM.						1	
8		MC0190R1602		NEEDLE 190R #160-2	FOR LU-1508H					1	
9		B9117563000		BOBBIN						1	
10	R	MC372001602	MC372001600	NEEDLE SY3355 #160-2						1	1.00
11	R	B8213125AA0	22958052	HINGE ASM.						2	1.00
12	R	10529808	22933303	COVER	EXCEPT JAPAN					1	1.00
13		B8209012000		RUBBER CUSHION						4	
14		B8206012000		FELT CUSHION						4	

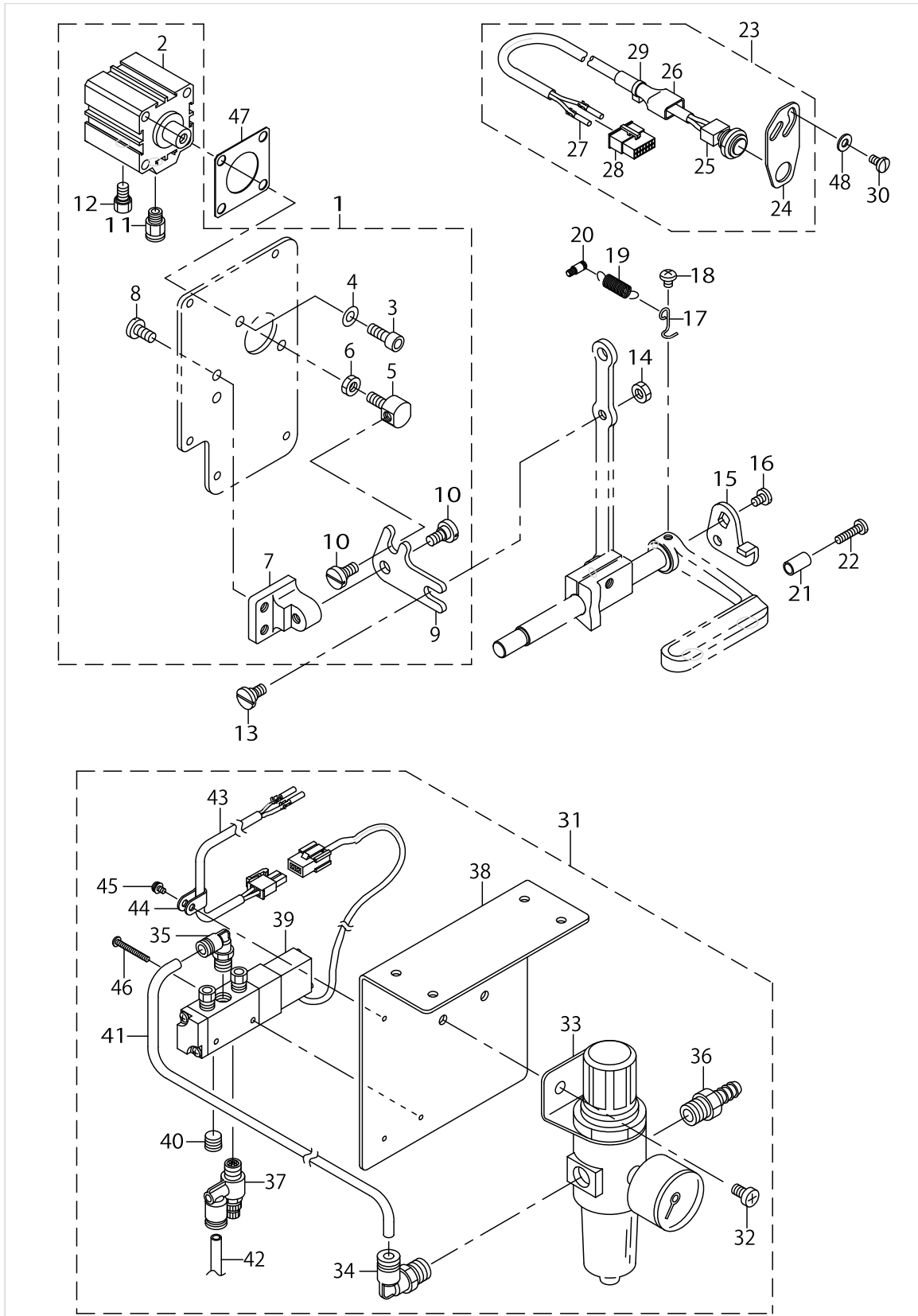
THREAD STAND COMPONENTS



THREAD STAND COMPONENTS

No.	Supply Code	Parts No.	Replacement	Parts name	Remarks	Choice	Step	Level	Cons	Qty	Rep. QTY
1	R	22930358	40096354	THREAD STAND ASM.						1	1.00
2	R	22931109	40085791	SPOOL RETAINER				*		2	1.00
3	R	22931000	40085790	SPOOL PIN				*		2	1.00
4		22930903		SPOOL REST CUSHION				*		2	
5		22930804		SPOOL REST				*		2	
6		SM6061610SC		SCREW M6 L=16				*		2	
7	R	22930705	40096354	THREAD GUIDE ARM JOINT				*		2	1.00
8		22931406		SPOOL REST ROD RUBBER CAP				*		1	
9	R	22930507	40096354	SPOOL REST ARM				*		2	1.00
10	R	22930408	40096354	SPOOL REST ROD, UPPER				*		1	1.00
11	R	22931307	40096354	SPOOL REST ROD JOINT				*		1	1.00
12		SM4051405SE		SCREW M5 L=14				*		2	
13		NM6050001SE		NUT M5				*		2	
14	R	22930309	40096354	SPOOL REST ROD, LOWER				*		1	1.00
15		22931208		THREAD GUIDE				*		2	
16		WS0510002KN		SPRING WASHER				*		2	
17		NM6050001SE		NUT M5				*		2	
18		NM6160511SE		NUT M16X1.5				*		1	
19		WP1702600S0		WASHER 17X30X2.6				*		2	

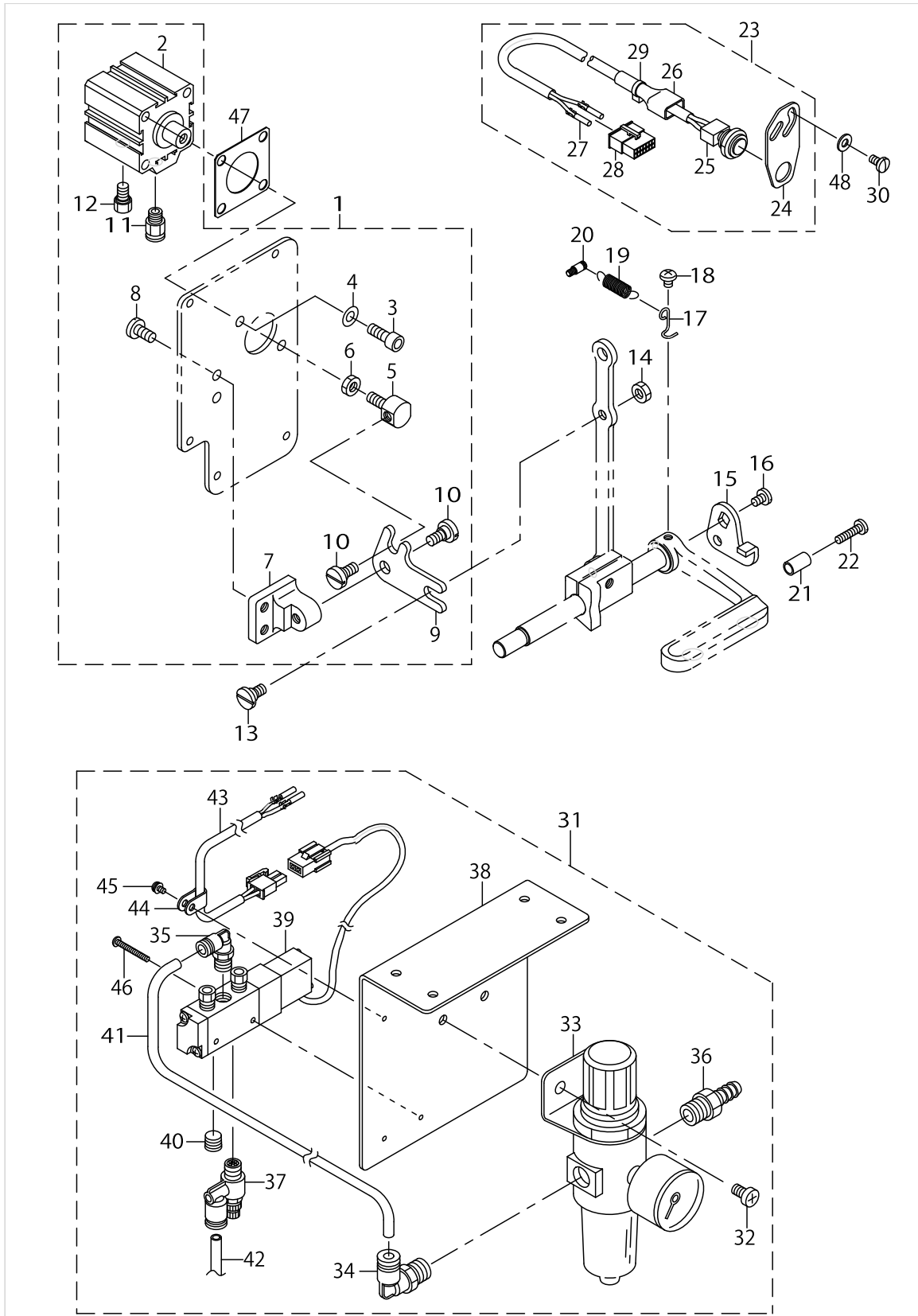
AUTOMATIC BACK COMPONENTS (FOR LU-1508 OPTIONAL PARTS)



AUTOMATIC BACK COMPONENTS (FOR LU-1508 OPTIONAL PARTS)

No.	Supply Code	Parts No.	Replacement	Parts name	Remarks	Choice	Step	Level	Cons	Qty	Rep. QTY
1		21348958		WINDOW PLATE ASM.						1	
2		PA320150200		JIG CYLINDER				*		1	
3		SM6061602TP		SCREW M6 L=16				*		2	
4		WP0641601SD		WASHER M6				*		2	
5		21348602		CYLINDER CONNECTING SCREW				*		1	
6		NM6060003SC		NUT M6				*		1	
7		21348503		FITTING BASE				*		1	
8		SS7151210SP		SCREW15/64-28L=12				*		2	
9		21348701		BACKWARD FEED LINK				*		1	
10		SD0800352SP		HINGE SCREW D= 8 H= 3.5				*		2	
11		PJ301065104		HALF UNION				*		1	
12		PX015101000		MUFFLER				*		1	
13		SD0800402TP		HINGE SCREW D= 8 H= 4						1	
14		NS6150430SP		NUT 15/64-28						1	
15		22656102		REVERSE FEED LINK, (1)						1	
16		SS7120760SP		SCREW 3/16-28L=7.0						1	
17		22656003		SPRINGSUSPENSION						1	
18		SS4120615SP		SCREW 3/16-28 L=6						1	
19	R	13515606	26226209	SPRING						1	1.00
20		10120004		SPRINGSUSPENSION						1	
21	R	11100500	22952501	REVERSE FEED LEVER STOPPER						1	1.00
22	R	SS7111810SP	SS7111810TP	SCREW11/64-40L=18						1	1.00
23		21348859		TOUCH BUCK SWITCH ASM.						1	
24		21348800		SWITCH FITTING PLATE				*		1	
25		D1680141EA0		TOUCH BUCK SWITCH ASM				*		1	
26		MAT81126T00		2-POLE PLUG COVER				*		1	
27		HK03464000B		PIN CONTACT				*		2	
28		HK034610140		HOUSING 14P				*		1	
29		EA9500B0100		CABLE BAND				*		1	
30		SS7110840SP		SCREW 11/64-40 L=7.8						2	
31		23105554		AIR COMPONENTS ASM.						1	
32		SM4061001SB		SCREW M6 L=10				*		2	
33		GAK29007000		FILTER REGULATOR				*		1	
34		GAK29009000		ELBOW				*		1	
35		GAK29010000		ELBOW B				*		1	
36		GAK29011000		NIPPLE				*		1	
37		GAK29016000		SPEED CONTROLLER				*		1	
38		GAKA1401000		SOLENOID VALVE MOUNTING PLATE				*		1	
39		GAKA17040A0		SOLENOID VALVE ASM.				*		1	
40		GHP03511000		PLUG 1/8				*		1	
41		BT0600401EB		TUBE				*		0.18	
42		BT0600401EB		TUBE				*		1.3	
43		GAKA17050A0		CORD ASM.				*		1	
44		HX001230000		CABLE CLIP				*		1	
45		SL4030691SC		SCREW M3X6				*		1	
46		SM4032501SB		SCREW M3X0.5 L=25.0				*		2	

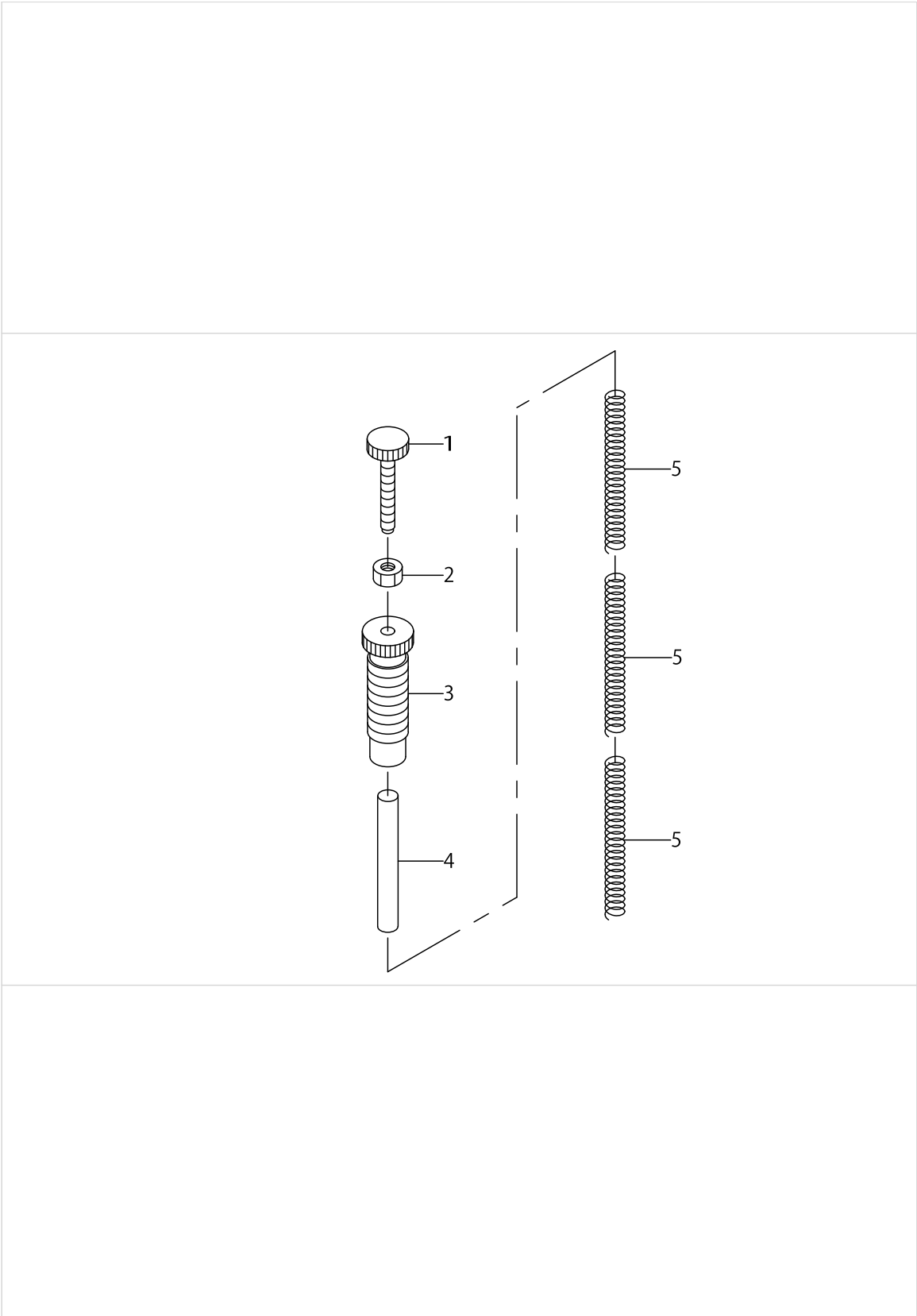
AUTOMATIC BACK COMPONENTS (FOR LU-1508 OPTIONAL PARTS)



AUTOMATIC BACK COMPONENTS (FOR LU-1508 OPTIONAL PARTS)

No.	Supply Code	Parts No.	Replacement	Parts name	Remarks	Choice	Step	Level	Cons	Qty	Rep. QTY
47		21349105		CYLINDER PACKING						1	
48		WP0501016SD		WASHER 5X10.5X1						2	

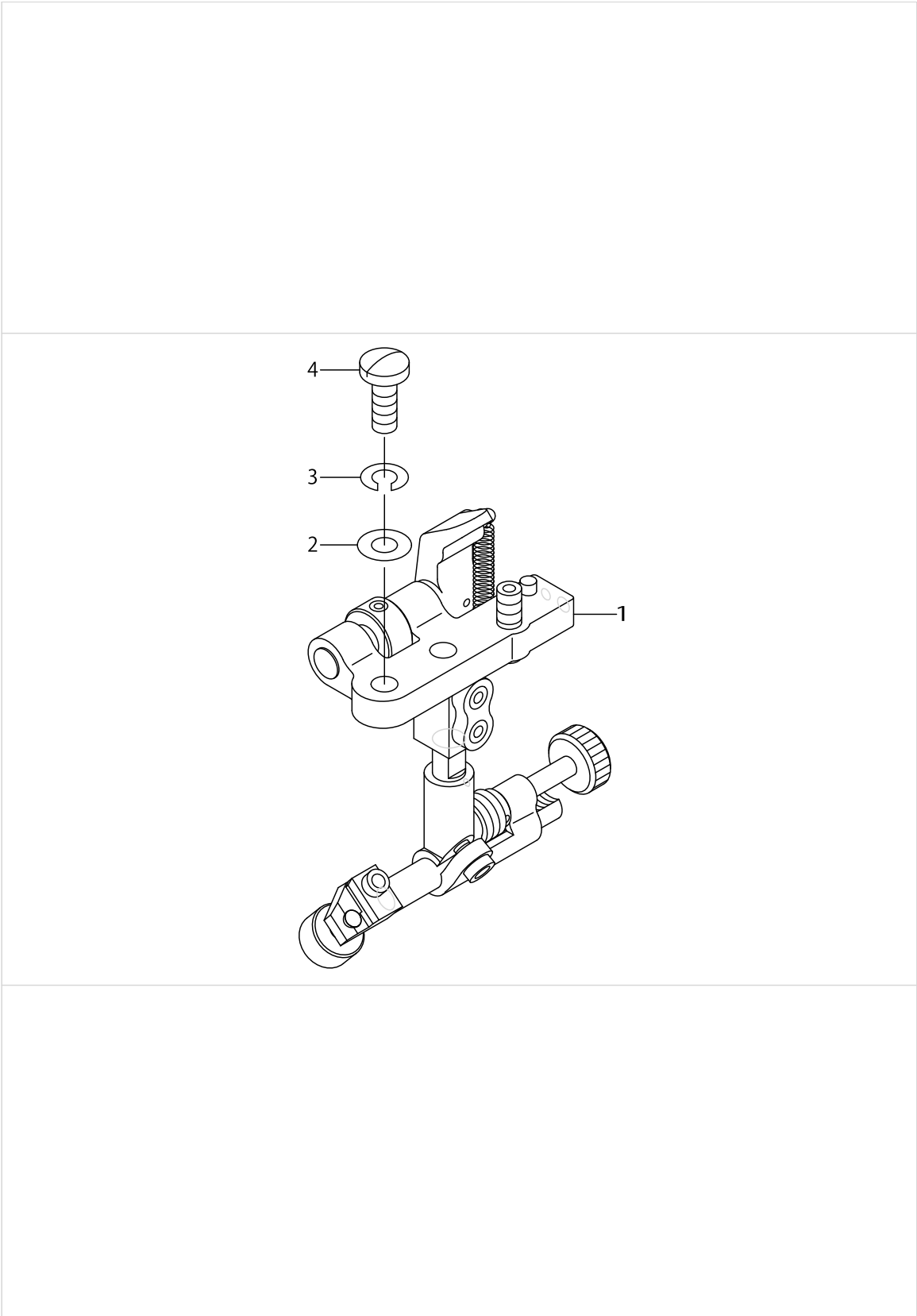
OPTIONAL PARTS (ADDITIONAL SPRING FOR PRESSER BAR)COMPONENTS



OPTIONAL PARTS (ADDITIONAL SPRING FOR PRESSER BAR)COMPONENTS

No.	Supply Code	Parts No.	Replacement	Parts name	Remarks	Choice	Step	Level	Cons	Qty	Rep. QTY
1		21006507		ADJUST SCREW B						1	
2		NS6110530SP		NUT 11/64-40						1	
3		21006408		ADJUST SCREW A						1	
4		21342407		GUIDE SHAFT						1	
5		21006002		ADJUST SPRING B						3	

















SUSPENSION SQUARE (OPTION) COMPONENTS



SUSPENSION SQUARE (OPTION) COMPONENTS

No.	Supply Code	Parts No.	Replacement	Parts name	Remarks	Choice	Step	Level	Cons	Qty	Rep. QTY
1		MAH152010A0		RULER						1	
2		WP0621016SD		WASHER 6.2X13X1						2	
3		WS0610002KN		SPRING WASHER 6.1X12.2X1.5						2	
4		SS7151610SP		SCREW15/64-28L=16						2	

OPTIONAL PARTS COMPONENTS (1)

Item	Walking foot		Item	Presser foot						
	品名	中足		品名	外足					
For piping パイピング用	 <p>(Commonly used for every size of presser foot) (各サイズ共用)</p>				Ref.No.	Part No.	Size(mm)	Ref.No.	Part No.	
					1	B1478-245-000	4.4mm(5/32)	12	B1530-245-0AC	
							4.8mm(3/16)	13	B1530-245-0AD	
							6.4mm(1/4)	14	B1530-245-0AF	
							7.9mm(5/16)	15	B1530-245-0AH	
							9.5mm(3/8)	16	B1530-245-0AK	
					Size(mm)	Ref.No.	Part No.	Size(mm)	Ref.No.	Part No.
					4.4mm(5/32)	2	B1478-245-000	4.4mm(5/32)	17	B1531-245-0AC
					4.8mm(3/16)	3	B1479-245-00D	4.8mm(3/16)	18	B1531-245-0AD
					6.4mm(1/4)	4	B1479-245-00F	6.4mm(1/4)	19	B1531-245-0AF
7.9mm(5/16)					5	B1479-245-00H	7.9mm(5/16)	20	B1531-245-0AH	
9.5mm(3/8)							9.5mm(3/8)			
				Size(mm)	Ref.No.	Part No.	Size(mm)	Ref.No.	Part No.	
				4.4mm(5/32)	6	B1474-245-00C	4.4mm(5/32)	21	B1527-245-0AC	
				4.8mm(3/16)	7	B1474-245-00D	4.8mm(3/16)	22	B1527-245-0AD	
				6.4mm(1/4)	8	B1474-245-00F	6.4mm(1/4)	23	B1527-245-0AF	
				7.9mm(5/16)	9	B1474-245-00H	7.9mm(5/16)	24	B1527-245-0AH	
				9.5mm(3/8)	10	B1474-245-00K	9.5mm(3/8)	25	01527-245-0AK	
 <p>(With teeth) (歯付き)</p>		 <p>(With teeth) (歯付き)</p>		Ref.No.	Part No.	Ref.No.	Part No.			
				11	103-38309	26	B1525-563-SA0			

OPTIONAL PARTS COMPONENTS (1)

No.	Supply Code	Parts No.	Replacement	Parts name	Remarks	Choice	Step	Level	Cons	Qty	Rep. QTY
1		B1478245000		INNER PRESSER						1	
2		B1478245000		INNER PRESSER						1	
3		B147924500D		CENTER PRESSER FOOT 3/16						1	
4		B147924500F		BACK CUT INNER PRESSER 1/4						1	
5		B147924500H		BACK CUT INNER PRESSER 5/16						1	
6		B147424500C		INNER PRESSER 5/32						1	
7		B147424500D		INNER PRESSER (BLADE) 3/16						1	
8		B147424500F		WALKING FOOT, F						1	
9		B147424500H		INNER PRESSER 5/16						1	
10		B147424500K		CENTER PRESSER FOOT 3/8						1	
11	D	10338309		UPPER FEED FOOT						1	
12		B15302450AC		OUTER PRESSER ASM. 5/32						1	
13		B15302450AD		OUTER PRESSER FOOT ASM.,3/16.						1	
14		B15302450AF		OUTER PRESSER FOOT 1/4 ASM.						1	
15		B15302450AH		OUTER PRESSER F- OOT ASM. (5/16)						1	
16		B15302450AK		OUTER PRESSER FOOT ASM. (3/8)						1	
17		B15312450AC		OUTER PRESSER F- OOT ASM. (5/32)						1	
18		B15312450AD		OUTER PRESSER FOOT ASM. 3/16						1	
19		B15312450AF		OUTER PRESSER ASM., 1/4						1	
20		B15312450AH		FEEDING FRAME 5/16 ASM.						1	
21		B15272450AC		OUTER PRESSER FOOT ASM. 5/32						1	
22		B15272450AD		FEEDING FRAME 3/16 ASM.						1	
23		B15272450AF		OUTER PRESSER ASM., 1/4						1	
24		B15272450AH		OUTER PRESSER FOOT ASM. 5/16						1	
25		B15272450AK		OUTER PRESSER FOOT ASM.3/8						1	
26		B1525563SA0		PRESSER FOOT ASM.						1	

OPTIONAL PARTS COMPONENTS (2)

No.	Supply Code	Parts No.	Replacement	Parts name	Remarks	Choice	Step	Level	Cons	Qty	Rep. QTY
1		MAQ09307000		WALKING FOOT						1	
2		MAN10452000		UPPER FEED FOOT						1	
3		B147624500A		INNER PRESSER						1	
4		10325306		WALKING FOOT						1	
5	D	10326205		UPPER FEED FOOT						1	
6	R	B1470245000	B14702450A0	WALKING FOOT						1	1.00
7		MAQ093080A0		PRESSER FOOT ASM.						1	
8		B15292450AA		OUTER PRESSER FOOT ASM., RIGHT						1	
9		10325157		PRESSER FOOT ASM.						1	
10		10326304		PRESSER FOOT						1	
11		B15242450A0		PRESSER FOOT ASM.						1	
12		B1109562A00		THROAT PLATE (WIDE)						1	
13		B1109563C00		THROAT PLATE						1	
14		B1613562A00		FEED (WIDE)						1	
15		B1613563C00		FEED DOG C						1	
16		B1840051000		FEED DRIVING ECCENTRIC						1	
17	R	21378104	21378153	FEED DRIVING ECCENTRIC						1	1.00

HOW TO MAKE USE OF THIS PARTS LIST

1.Explanation of codes

1)"*"mark.....means this part is changed from the previous parts book.

As to the details of the change, refer to the "List for information of change".

2)"#01".....refer to "Note" explanation at bottom of page.

2.Codes on the "Qty" column

- Each numeral indicates the number of parts required.
- "0.1" and "2.5" indicate the length (in meters) of the respective parts.

3.Parentheses mean that the corresponding part is a subpart that constructs an assembly part.

4.Dotted lines on the Figures indicate assembly parts.

1."注記"欄の記号説明

1) "*"印.....前回のパーツブックに比較して今回変更された部品を意味します。

変更内容は、"変更情報リスト"を参照してください。

2) "#01".....ページ下の"注記"の説明を参照してください。

2.数量欄の数字は、個数を表し、0.1、2.5等の数値は、長さ（単位メートル）を表します。

3.数量欄の（ ）は、組部品を構成している子部品であることを意味します。

4.イラストページの-----枠は、組構成であることを意味します。

NUMERICAL INDEX OF PARTS

PART NO	PAGE	REF NO.	PART NO	PAGE	REF NO.	PART NO	PAGE	REF NO.
10004109	2	45	11075801	36	3	21337001	18	68
10083202	18	57	11100500	18	85	21337100	18	69
10109700	22	13·41~ 48	11100500	40	21	21337209	16	38·39
10109809	22	13·41~ 48	11272614	18	83	21337308	16	33
10109908	22	16	13514310	12	29	21337407	16	26
10110906	24	13·41~ 48	13515606	40	19	21337506	16	23
10111003	24	13·41~ 48	13789201	18	82	21337605	16	35
10111102	22	13·41~ 48	14512503	28	17	21337704	16	24
10111201	24	13·41~ 48	17912106	2	26	21337803	16	27
10112407	22	17	21006002	44	5	21337902	16	31
10112506	24	13·41~ 48	21006408	44	3	21338009	16	36
10112605	24	13·41~ 48	21006507	44	1	21338108	16	38·39
10112704	24	13·41~ 48	21331202	2	11	21338207	18	54
10120004	18	81	21331400	2	4	21338306	16	29
10120004	40	20	21331558	2	1	21338603	10	18
10122000	18	90	21331608	2	18	21338702	10	16
10205201	16	20	21331756	2	8	21338801	10	20
10308609	10	11	21331806	2	12	21338900	10	22
10320208	26	17	21332002	2	13	21339007	10	28
10325157	50	9	21332200	2	46	21339056	10	27
10325306	50	4	21332309	2	16	21339106	6	8
10326205	50	5	21332507	6	13·57	21339205	10	26
10326304	50	10	21332606	8	13·57	21339304	10	25
10337905	14	56	21332705	6	1	21339403	10	2
10338309	48	11	21332903	8	29·58	21339502	6	16
10502300	28	21	21333000	6	2	21339908	12	12
10503605	6	38	21333109	6	18	21340104	12	31
10509701	12	22	21333406	8	59	21340203	12	36
10529808	36	12	21333505	6	31	21340401	12	1
10618304	28	8	21333604	22	25	21340500	12	2
10704807	28	19	21333703	8	48	21340807	12	19
10704906	6	27	21334008	6	29·58	21340906	12	42
10748101	32	11	21334701	22	15	21341003	12	40
10755205	32	3	21335005	22	1	21341052	12	39
10755254	32	2	21336003	16	2	21341151	14	46
11006509	14	49	21336052	16	1	21341300	12	28
11009909	16	44	21336300	18	60·61	21341904	12	4
11052701	18	46	21336409	18	60·61	21342407	44	4
11072402	28	30	21336508	6	21	21342506	30	4
			21336557	6	20	21342555	30	3
			21336607	18	49	21342605	30	5
			21336656	18	48	21342704	30	9
			21336706	18	53	21342803	30	13
			21336805	16	41·42	21342902	30	17
			21336904	16	41·42	21343009	30	11

NUMERICAL INDEX OF PARTS

PART NO	PAGE	REF NO.	PART NO	PAGE	REF NO.	PART NO	PAGE	REF NO.
21343108	30	32	21355805	2	20	22931000	38	3
21343157	30	30	21355904	2	6	22931109	38	2
21343207	30	1	21356001	28	6	22931208	38	15
21343355	30	21	21357959	28	3	22931307	38	11
21343405	30	19	21357967	28	1	22931406	38	8
21343504	14	48	21364104	16	10	22932404	30	28
21343702	30	6	21378104	50	17	22932453	30	27
21343801	30	7	21378302	12	5	22933006	36	2
21345806	34	2	21378302	16	13	22934202	30	35
21345855	34	1	21378500	22	14	22934301	30	36
21345905	34	3	21378708	28	29	22934400	30	34
21346002	34	4	21408505	2	25	22934509	30	33
21346309	34	12	21408554	2	24	22934707	30	29
21346358	34	11	21413158	36	1	23105554	40	31
21346408	34	13	22537658	28	2	23636202	28	5
21346507	34	14	22538151	28	4	A321600100A	28	9
21347109	12	13	22538706	28	32	B1109562A00	50	12
21347208	34	9	22602601	4	47	B1109563000	2	36
21347307	34	19	22604300	6	25	B1109563C00	50	13
21347406	10	30	22604904	8	61	B1111563000	2	34
21348156	26	1	22609309	16	15	B1114232000	2	31
21348503	40	7	22609408	16	12	B1129051000	2	22
21348602	40	5	22610505	18	66	B1132521000	2	27
21348701	40	9	22611602	8	51	B1140051000	34	8
21348800	40	24	22611651	8	50	B1148555000	28	11
21348859	40	23	22656003	40	17	B1203512000	6	26
21348958	40	1	22656102	40	15	B1210051000	6	11
21349105	42	47	22814909	10	33	B1214019000	6	32
21349303	18	87	22814909	12	38	B1305055000A	6	33
21349600	2	38	22814909	20	95	B1307055000	6	34
21349709	2	39	22863203	30	26	B1308055000	6	35
21350004	14	53	22863252	30	23	B1309055000	6	36
21351002	32	19	22877609	2	9	B1310055000	6	37
21351101	32	18	22904106	12	7	B1312563000A	6	44
21351150	32	17	22904106	16	18	B1313055000	8	47
21351200	32	20	22904155	12	6	B1314055000	6	39
21351457	32	1	22904155	16	17	B1401053000	10	7
21352505	6	23	22912109	18	47	B1410771000	10	24
21352604	18	58	22930309	38	14	B1411053000	10	8
21352703	18	56	22930358	38	1	B1412051000	10	10
21352802	18	75	22930408	38	10	B1412051000	34	17
21352901	18	71	22930507	38	9	B1414232000	10	23
21353008	8	55	22930705	38	7	B1414555000	12	21
21355706	28	24	22930804	38	5	B1418761000	18	50
21355755	28	23	22930903	38	4	B1420563000	10	1

NUMERICAL INDEX OF PARTS

PART NO	PAGE	REF NO.	PART NO	PAGE	REF NO.	PART NO	PAGE	REF NO.
B1462053000	14	47	B1611055000	18	88	B3517009000	34	6
B1465053000	12	23	B1613562A00	50	14	B8111220000	32	6
B1466563000	12	24	B1613563C00	50	15	B8112220000	32	7
B14670530A0	12	25	B1639051000	6	46	B8202205000	32	5
B1467563000	10	14	B1802563000A	22	26	B8206012000	36	14
B1468053000	12	26	B18035150A0	22	29	B8209012000	36	13
B1470241H00	14	51	B1816051000	22	38	B8210012000	32	16
B1470245000	50	6	B1817051000	22	35	B8210012000	36	4
B1471241H00	14	52	B1820563000	22	2	B8213125AA0	36	11
B147424500C	48	6	B1821051000	22	3	B9113012000	36	5
B147424500D	48	7	B1822563000	22	6	B9117563000	22	24
B147424500F	48	8	B1823051000	22	7	B9117563000	36	9
B147424500H	48	9	B1824563000	22	10	B9121012000	32	8
B147424500K	48	10	B18305630A0	22	23·30	B91210120A0	36	7
B147624500A	50	3	B1830563BA0	22	23·30	BT0600401EB	40	42
B1478245000	48	2	B1839563000	32	14	CM300200001	2	43·44
B147924500D	48	3	B1840051000	22	33	CM3002000B1	2	43·44
B147924500F	48	4	B1840051000	50	16	CM300200101	2	41·42
B147924500H	48	5	B184005100A	22	31·33	CM3002001A1	2	41·42
B1501241H00	14	58	B1841563000	32	15	CQ202000000	6	19
B1502246000	12	44	B1843563000	22	21	CQ202000000	10	4
B1510141H00	14	57	B185351200CA	10	3	CQ202000000	16	51
B1511555000	12	43	B1905241H00	6	4	CQ202000000	18	51
B15242450A0	50	11	B1905563000	6	3	CQ202000000	22	27
B1525241H00	14	55	B1906051000	6	5	CQ202000000	34	18
B1525241HA0	14	54	B1907051000	6	6	CQ303000000	6	9
B1525563SA0	48	26	B2507372000	18	77	CQ505000000	6	12
B15272450AC	48	21	B3016141H00	12	15	CS1201010SH	18	62
B15272450AD	48	22	B3025141H00A	18	91	CS1201011SH	18	63
B15272450AF	48	23	B3121512000	26	2	D1455055B00	12	33
B15272450AH	48	24	B3122053000	26	11	D1456055B00	12	32
B15272450AK	48	25	B3123051000	26	3	D1680141EA0	40	25
B15292450AA	50	8	B3124051000	26	4	D2461481C00	18	76
B152989000CA	28	7	B3125012000	26	13	D3162555B00	28	25
B15302450AC	48	12	B3126051000	26	5	D3168555H0B	28	27
B15302450AD	48	13	B3127051000	26	6	D8232241E00	32	21
B15302450AF	48	14	B3128520000	26	7	EA9500B0000	12	14
B15302450AH	48	15	B3129053000	26	12	EA9500B0000	34	15
B15302450AK	48	16	B3132051000	26	8	EA9500B0100	10	31
B15312450AC	48	17	B3134051000	26	9	EA9500B0100	40	29
B15312450AD	48	18	B31370510A0	26	10	GAK29007000	40	33
B15312450AF	48	19	B3138512000	2	32	GAK29009000	40	34
B15312450AH	48	20	B3205210000	28	10	GAK29010000	40	35
B1604012000A	16	7	B3214047000	28	28	GAK29011000	40	36
B1604051000	16	3	B3428521000	30	24	GAK29016000	40	37

NUMERICAL INDEX OF PARTS

PART NO	PAGE	REF NO.	PART NO	PAGE	REF NO.	PART NO	PAGE	REF NO.
GAKA1401000	40	38	SD0380551SL	2	28	SS5110740TP	32	25
GAKA17040A0	40	39	SD0470281SP	26	15	SS6090520SP	28	16
GAKA17050A0	40	43	SD0640322TP	6	42	SS6090620SP	28	22
GHP03511000	40	40	SD0640701SP	12	16	SS6090810SP	22	12
HK034610140	40	28	SD0700451TP	30	20	SS6090910SP	18	79
HK03464000B	40	27	SD0800352SP	40	10	SS6090910TP	14	50
HX001230000	40	44	SD0800402TP	16	34	SS6091022TP	10	19
MAH152010A0	46	1	SD0800402TP	40	13	SS6110480SP	34	16
MAN10452000	50	2	SD0800481SP	12	45	SS6110520TP	18	89
MAQ09307000	50	1	SD0900701TP	16	21	SS6110810TP	28	18
MAQ093080A0	50	7	SD1000801SH	18	55	SS6111610SP	16	37
MAT81126T00	40	26	SK3241601SC	32	13	SS6120930TP	18	67
MC0190R1600	10	13-32	SK3482500SC	32	4	SS6121210TP	20	92
MC0190R1602	36	8-10	SL4030691SC	40	45	SS6121610TP	16	16
MC372001600	10	13-32	SM3031401SE	32	9	SS6121860SP	16	43
MC372001602	36	8-10	SM4032501SB	40	46	SS6151440SP	32	23
MDFRX2700C0	36	6	SM4051405SE	38	12	SS6151780SP	12	27
NM6030001SC	32	10	SM4061001SB	40	32	SS6151920SP	12	30
NM6050001SD	30	16	SM6040800SP	28	31	SS6152440SP	10	29
NM6050001SE	38	17	SM6051602TP	30	14	SS6153012TP	18	74
NM6060003SC	40	6	SM6061202TP	30	2	SS6153040SP	22	18
NM6160511SE	38	18	SM6061602TP	40	3	SS6153040SP	32	22
NS6110310SP	28	26	SM6061610SC	38	6	SS6661110SP	6	40
NS6110420SP	2	30	SM6061802TP	16	40	SS7080510TP	10	12
NS6110420SP	22	22	SM6062502TP	30	22	SS7090510SP	30	25
NS6110530SP	12	35	SM6082502TP	22	20	SS7090520TP	2	33
NS6110530SP	44	2	SM8050502TP	16	6	SS7090610SP	16	30
NS6150310SP	20	94	SM8050602TP	28	20	SS7090910SP	10	9
NS6150430SP	40	14	SM8050612TP	18	52	SS7090910TP	16	32
NS6680320SP	16	22	SM8052502TP	30	15	SS7091410SP	28	15
PA320150200	40	2	SM8060602TP	6	28	SS7110510SP	12	20
PJ301065104	40	11	SM8080802TP	10	21	SS7110710SP	8	56
PS0200122K0	26	14	SM8080812TP	6	15	SS7110710SP	18	70
PS0500202KP	34	7	SM9061203SE	30	31	SS7110830SP	10	17
PX015101000	40	12	SM9062250SC	12	37	SS7110840SP	32	24
RC0560711KP	28	12	SS2090710TP	2	29	SS7110840SP	40	30
RE0400000K0	18	78	SS2090710TP	26	19	SS7110910TP	10	15
RE0500000K0	6	45	SS2110920TP	2	37	SS7110910TP	12	41
RE0500000K0	28	13	SS3090610SP	34	10	SS7110910TP	16	25
RE0500711KP	16	8	SS4080610SP	26	16	SS7110910TP	26	18
RE0800000K0	30	10	SS4110515SP	2	35	SS7111410SP	16	11
RE0900000K0	18	65	SS4110815SP	2	17	SS7111810SP	22	8
RO092270200	16	45	SS4111215SP	2	2	SS7111810SP	40	22
RO092270200	28	14	SS4120615SP	40	18	SS7112420SP	18	86
SB120000200	8	53	SS5090610SP	2	21	SS7120710SP	18	80

NUMERICAL INDEX OF PARTS

PART NO	PAGE	REF NO.	PART NO	PAGE	REF NO.
SS7120760SP	8	54	WP1702600S0	38	19
SS7120760SP	40	16	WS0510002KN	38	16
SS7150910TP	2	19	WS0610002KN	46	3
SS7151210SP	40	8	WS0610002KP	18	73
SS7151610SP	46	4			
SS7621040SP	2	7			
SS8090540SP	6	43			
SS8110422TP	22	40			
SS8150510TP	22	34			
SS8150710SP	12	9			
SS8150710TP	8	49			
SS8150822TP	6	30			
SS8150822TP	16	59			
SS8150822TP	18	59			
SS8151150TP	10	5			
SS8151150TP	16	14			
SS8151150TP	22	32			
SS8151550SP	8	60			
SS8660530TP	22	37			
SS8660610TP	12	8			
SS8660610TP	16	64			
SS8660610TP	18	64			
SS8660612TP	12	3			
SS8660670SP	22	36			
SS8660810TP	6	22			
SS8660810TP	22	39			
SS8661030SP	8	52			
SS9151440CP	16	4			
TA0370601M0	10	6			
TA0750404R0	12	10			
TA1050504R0	2	40			
TA1250406R0	2	3			
TA1250504R0	2	15			
WP0320501SC	32	12			
WP0371016SD	22	11			
WP0482086SD	12	34			
WP0501016SD	42	48			
WP0501046SC	12	18			
WP0502616SD	18	84			
WP0612056SD	18	72			
WP0621016SD	16	5			
WP0621016SD	46	2			
WP0641601SD	40	4			
WP0650876SD	20	93			
WP0850002SP	22	19			