

MODEL : APW-194N

List No : 1273-01

PARTS LIST

Published:05/12/2017

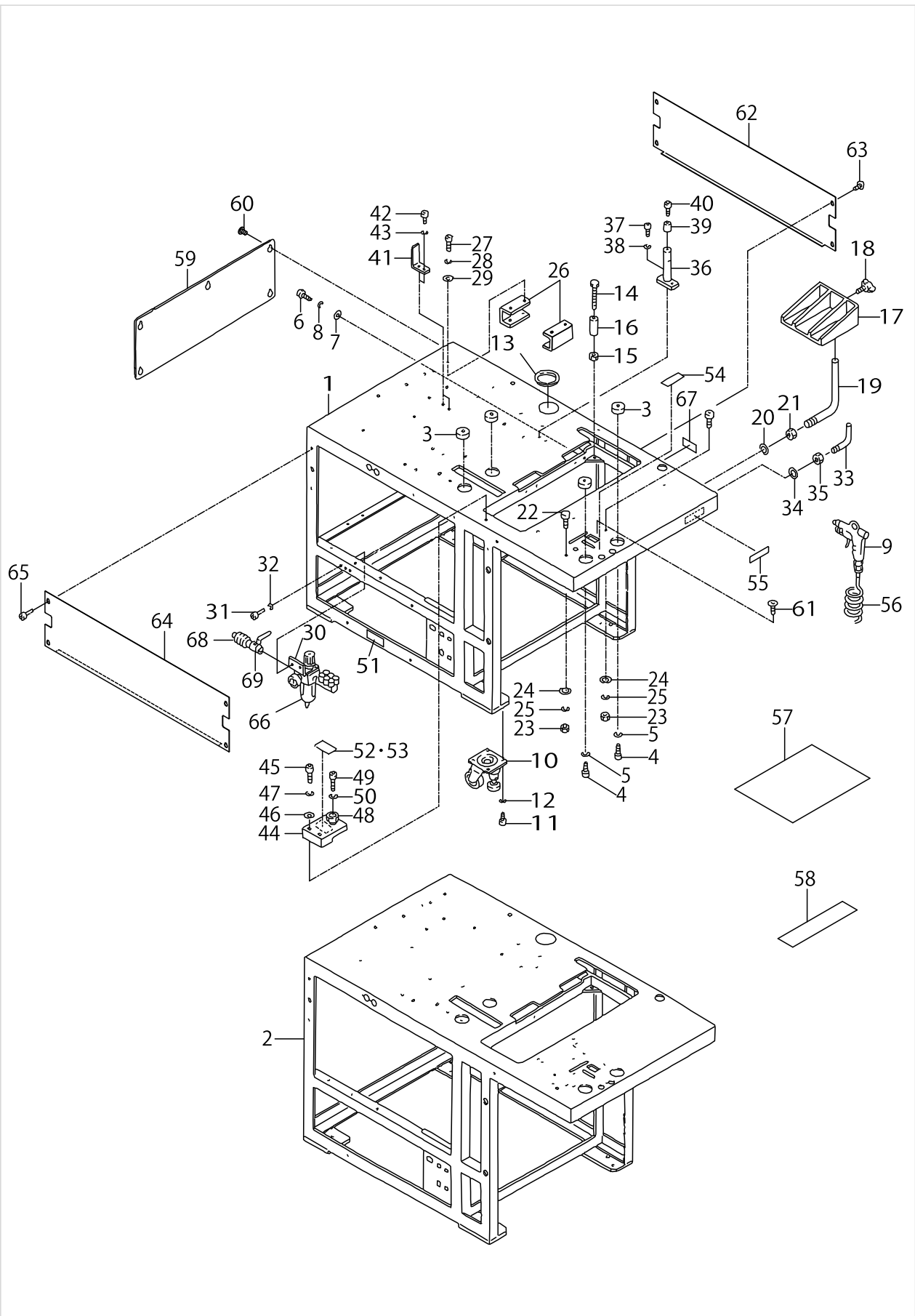
CONTENTS

FRAME & COVER COMPONENTS (1).....	1
FRAME & COVER COMPONENTS (2).....	5
FRAME & COVER COMPONENTS (3).....	7
PEDAL SWITCH COMPONENTS	11
CLAMP FOOT COMPONENTS (1).....	15
CLAMP FOOT (LEFT SIDE) COMPONENTS (2).....	17
CLAMP FOOT (RIGHT SIDE) COMPONENTS (3).....	21
CLAMP FOOT FEED COMPONENTS.....	25
CORNER KNIFE COMPONENTS	29
BINDER COMPONENTS (1).....	33
BINDER COMPONENTS (2).....	37
FRAME & MISCELLANEOUS COVER COMPONENTS	41
MAIN SHAFT & THREAD TAKE-UP LEVER COMPONENTS	45
NEEDLE BAR FRAME COMPONENTS.....	49
NEEDLE THREAD TRIMMER COMPONENTS.....	51
BOBBIN THREAD CLIP COMPONENTS.....	53
HOOK & HOOK DRIVING SHAFT COMPONENTS	55
UPPER KNIFE COMPONENTS	59
LUBRICATION COMPONENTS	63
BOBBIN THREAD REMAINING AMOUNT DETECTING DEVICE.....	65
BELT COVER & BOBBIN WINDER UNIT.....	67
THREAD STAND COMPONENTS.....	69
OPERATION BOX COMPONENTS	71
TRANSMISSION BOX COMPONENTS.....	73
SA-84:DARTS EXTEND UNIT (OPTION)	75
SA-85N:PAVING PLATE UNIT (OPTION).....	77
SA-86N:AUTOMATIC INTER LING FEEDING UNIT (1) (OPTION).....	79
SA-86N:AUTOMATIC INTER LING FEEDING UNIT (2) (OPTION).....	83
SA-88:STAND FOR STANDING WORK (OPTION)	85
SA-89:SMALL WELTING UNIT (OPTION).....	87
SA-90N:SUCTION UNIT (OPTION).....	89
SA-91:SUCTION MOTOR UNIT (OPTION).....	93
SA-93:DARTS EXTEND UNIT (OPTION)	95
SA-94:CENTER STANDARD UNIT (OPTION).....	97
SA-96N:FLAP PRESSER UNIT (1) (OPTION).....	99
SA-96N:FLAP PRESSER UNIT (2) (OPTION).....	101
SA-96N:FLAP PRESSER UNIT (3) (OPTION).....	105
SA-98:SINGLE WELT & DOUBLE WELT CHANGE UNIT (OPTION).....	109
SP-41:GRASP STACKER UNIT (1) (OPTION).....	111
SP-41:GRASP STACKER UNIT (2) (OPTION).....	115
SP-42:BAR STACKER UNIT (1) (OPTION).....	117
SP-42:BAR STACKER UNIT (2) (OPTION).....	123
TABLE OF EXCHANGING PARTS (1)	125
TABLE OF EXCHANGING PARTS (2)	127
TABLE OF EXCHANGING PARTS (3).....	129
TABLE OF EXCHANGING PARTS (4).....	133

CONTENTS

TABLE OF EXCHANGING PARTS (5)	135
OPTION COMPONENTS	137
CONNECTION DRAWING OF CONTROL BOX.....	139
LIST FOR INFORMATION OF CHANGE.....	140
HOW TO MAKE USE OF THIS PARTS LIST	141

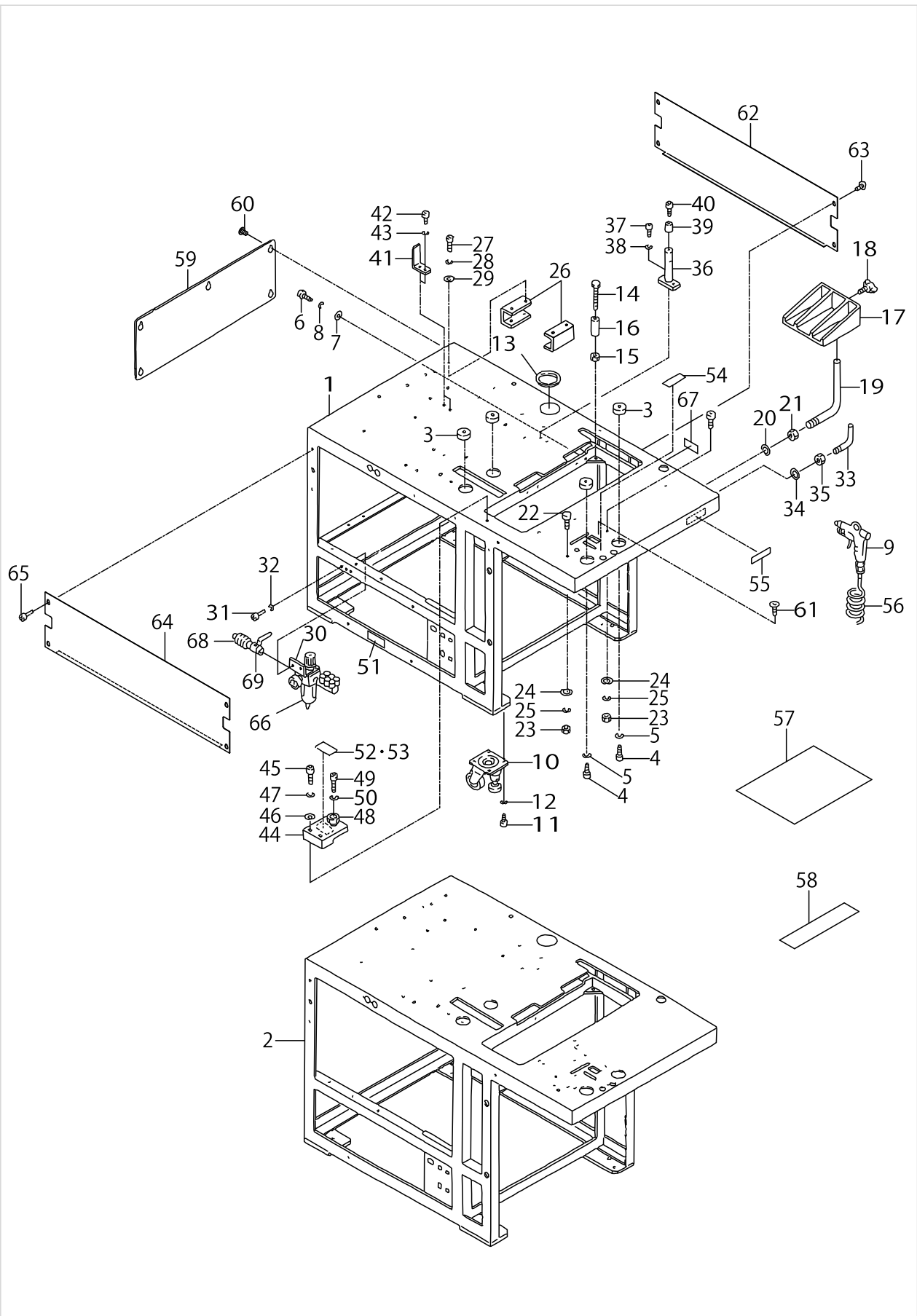
FRAME & COVER COMPONENTS (1)



FRAME & COVER COMPONENTS (1)

No.	Supply Code	Parts No.	Replacement	Parts name	Remarks	Choice	Step	Level	Cons	Qty	Rep. QTY
1		25300005		FRAME						1	
2		25331406		FRAME						1	
3		16722803		SPRING L						4	
4		SM6040802TP		SCREW M4X0.7 L=8						4	
5		WS0410002KN		SPRING WASHER						4	
6	D	SM9084003SC		SCREW M8 L=40						4	
7		WP0841600SC		WASHER						4	
8		WS0820002KN		SPRING WASHER M8						4	
9	D	16838609		AIR GUN						1	
10		G1147198000		CASTER						1	
11		SM6081202TP		SCREW M8 L=12						16	
12		WS0820002KN		SPRING WASHER M8						16	
13		18585000		FREE BUSHING						1	
14	D	25299504		ADJUSTING BOLT						4	
15		NM6060001SC		NUT M6						4	
16	D	G5058116B00		COLLAR						4	
17		16806507		CLOTH RECEIVER						1	
18		16838500		WING SCREW						1	
19		16806614		CLOTH RECEIVER F- ASTENER ASM.						1	
20		WP1221016SP		WASHER						1	
21		NM6120001SE		NUT M12						1	
22	D	16675308		POSITIONING PIN						4	
23		NM6050001SC		NUT M5						4	
24		WP0531001SC		WASHER						4	
25		WS0510002KN		SPRING WASHER						4	
26		18556308		BRACKET						2	
27	R	SM6061552TP	SM6061552SP	SCREW M6 L=15						8	1.00
28		WS0610002KN		SPRING WASHER 6.1X12.2X1.5						8	
29		WP0641601SC		WASHER						8	
30		16913907		FILTER BRACET						1	
31		SM6051002TP		SCREW M5X0.8 L=10						2	
32		WS0510002KN		SPRING WASHER						2	
33		16808404		HOOK						1	
34		WP0531001SC		WASHER						1	
35		NM6050001SC		NUT M5						1	
36		25297508		SUPPORT SHAFT						1	
37		SM6051202TP		SCREW M5X0.8 L=12						2	
38		WS0510002KN		SPRING WASHER						2	
39		25320904		RUBBER FOOT						1	
40		SM6030802TP		SCREW M3X0.5 L=8						1	
41		25299801		BRACKET						1	
42		SM6040802TP		SCREW M4X0.7 L=8						2	
43		WS0410002KN		SPRING WASHER						2	
44		16880403		FIXED BRACKET						1	
45		SM6052502TP		SCREW M5X0.8 L=25						2	
46		WP0531001SC		WASHER						2	

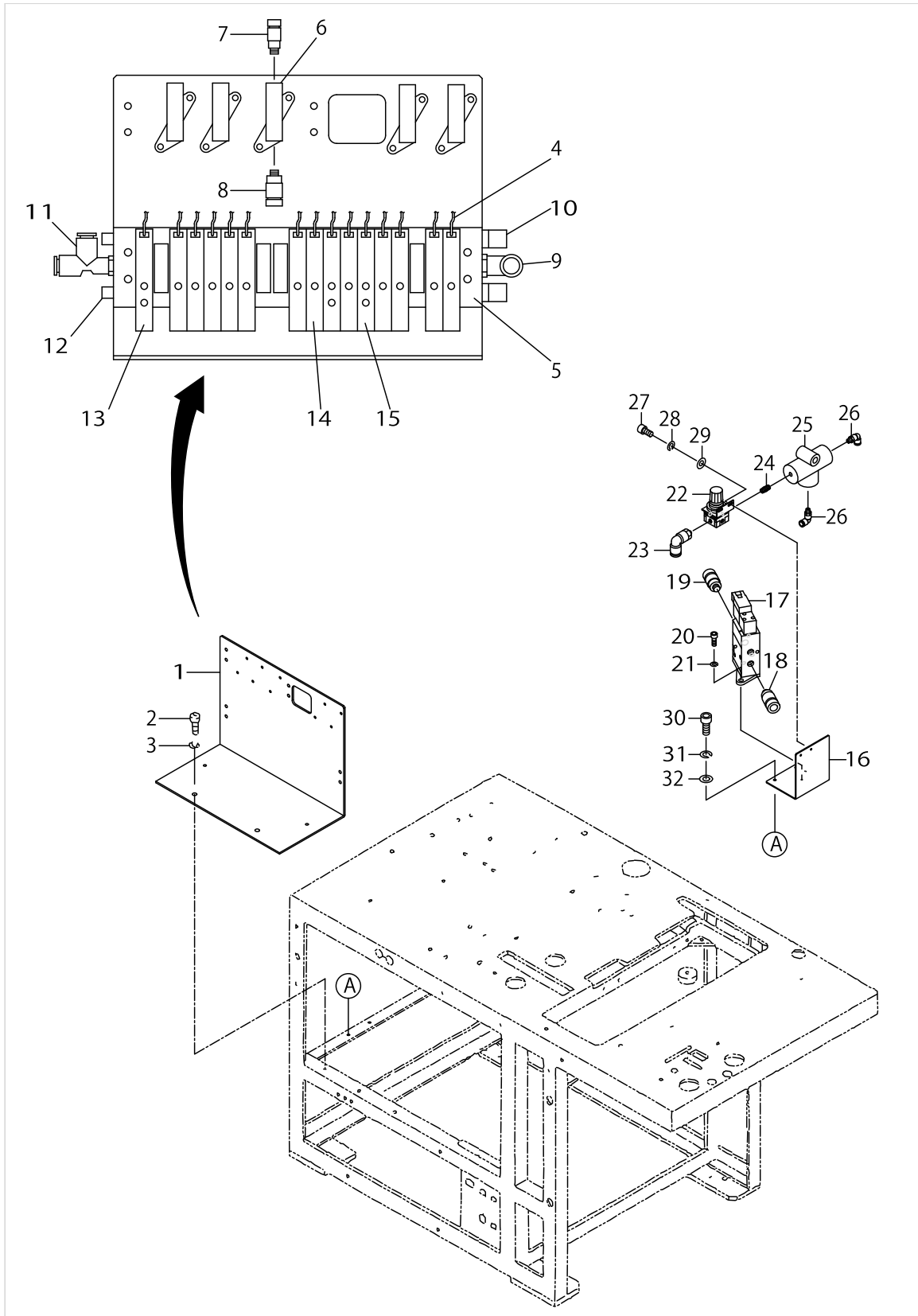
FRAME & COVER COMPONENTS (1)



FRAME & COVER COMPONENTS (1)

No.	Supply Code	Parts No.	Replacement	Parts name	Remarks	Choice	Step	Level	Cons	Qty	Rep. QTY
47		WS0510002KN		SPRING WASHER						2	
48		16880502		BOLT						1	
49		SM6063002TP		SCREW M6 L=30						1	
50		WS0610002KN		SPRING WASHER 6.1X12.2X1.5						1	
51		16870206		GRAVITY SEAL						2	
52		16880908		SEAL	SELECTIVE PART					1	
53		16881005		SEAL	SELECTIVE PART					1	
54		16881104		SEAL						1	
55		25401605		NAME PLATE						1	
56		G5458116000		CURLED TUBE						1	
57		25376609		PROTECTION TAPE (1)						1	
58		25376708		PROTECTION TAPE (2)						1	
59		25306903		COVER(C)						1	
60		SM0050801SC		SCREW						5	
61		SM1051552TP		SCREW						2	
62		25306705		COVER(A)						1	
63		SM0050801SC		SCREW						3	
64		25306705		COVER(A)						1	
65		SM0050801SC		SCREW						4	
66	R	PF0152030A0	40003560	FILTER REGULATOR						1	1.00
67		CM500000001		POWER SOURCE INDICATION LABEL						1	
68		G5403139000		QUICK COUPLING						1	
69	R	G5430116000	40030951	AIR COCK						1	1.00

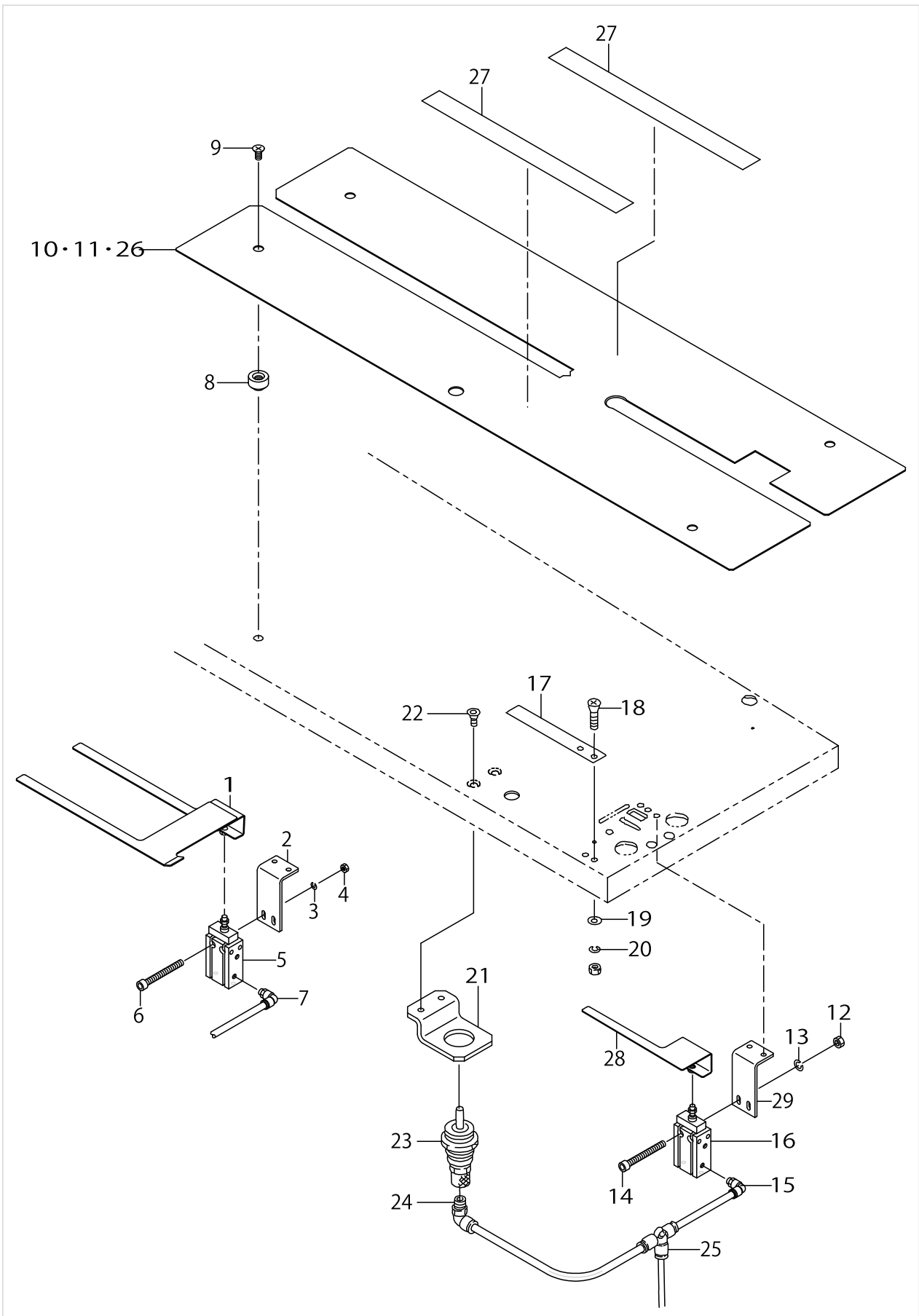
FRAME & COVER COMPONENTS (2)



FRAME & COVER COMPONENTS (2)

No.	Supply Code	Parts No.	Replacement	Parts name	Remarks	Choice	Step	Level	Cons	Qty	Rep. QTY
1		25364209		SOLENOID VALVE BASE						1	
2		SM6051002TP		SCREW M5X0.8 L=10						3	
3		WS0510002KN		SPRING WASHER						3	
4		25360553		SOLENOID VALVE OUTPUT CABLE						1	
5		PV035152000		MANIFOLD						1	
6		PV1305340A0		3-PORT CUT-OVER SOLENOID VALVE						1	
7		PJ210004200		HALF UNION						2	
8		PJ210006100		HALF UNION						1	
9		PJ304065101		ELBOW UNION 6XPT1/8						1	
10		PX055104000		SILENCER (PT1/8)						2	
11		PJ305065101		TEE UNION						1	
12		PJ025100001		1/8 PLUG						2	
13		PV150207000		5-WAY SOLENOID VALVE						1	
14		PV130202200		3-WAY SOLENOID VALVE						12	
15		PV150206000		5-PORT CUT-OVER SOLENOID VALVE						2	
16		25377201		REGULATOR BASE						1	
17		PV1305341A0		3-WAY SOLENOID VALVE						1	
18		PJ210006100		HALF UNION						1	
19		PJ210004200		HALF UNION						1	
20		SM6030802TP		SCREW M3X0.5 L=8						2	
21		WS0310002KN		SPRING WASHER M3						2	
22		PF0251070A0		REGULATOR						1	
23		PJ304065101		ELBOW UNION 6XPT1/8						1	
24		PJ030510001		NIPPLE 1/8						1	
25		PV205101000		SHUTTLE VALVE						1	
26		PJ304045102		ELBOW UNION, C						2	
27		SM6040802TP		SCREW M4X0.7 L=8						2	
28		WS0410002KN		SPRING WASHER						2	
29		WP0430801SC		WASHER 4.3X9X0.8						2	
30		SM6051202TP		SCREW M5X0.8 L=12						2	
31		WS0510002KN		SPRING WASHER						2	
32		WP0531001SC		WASHER						2	

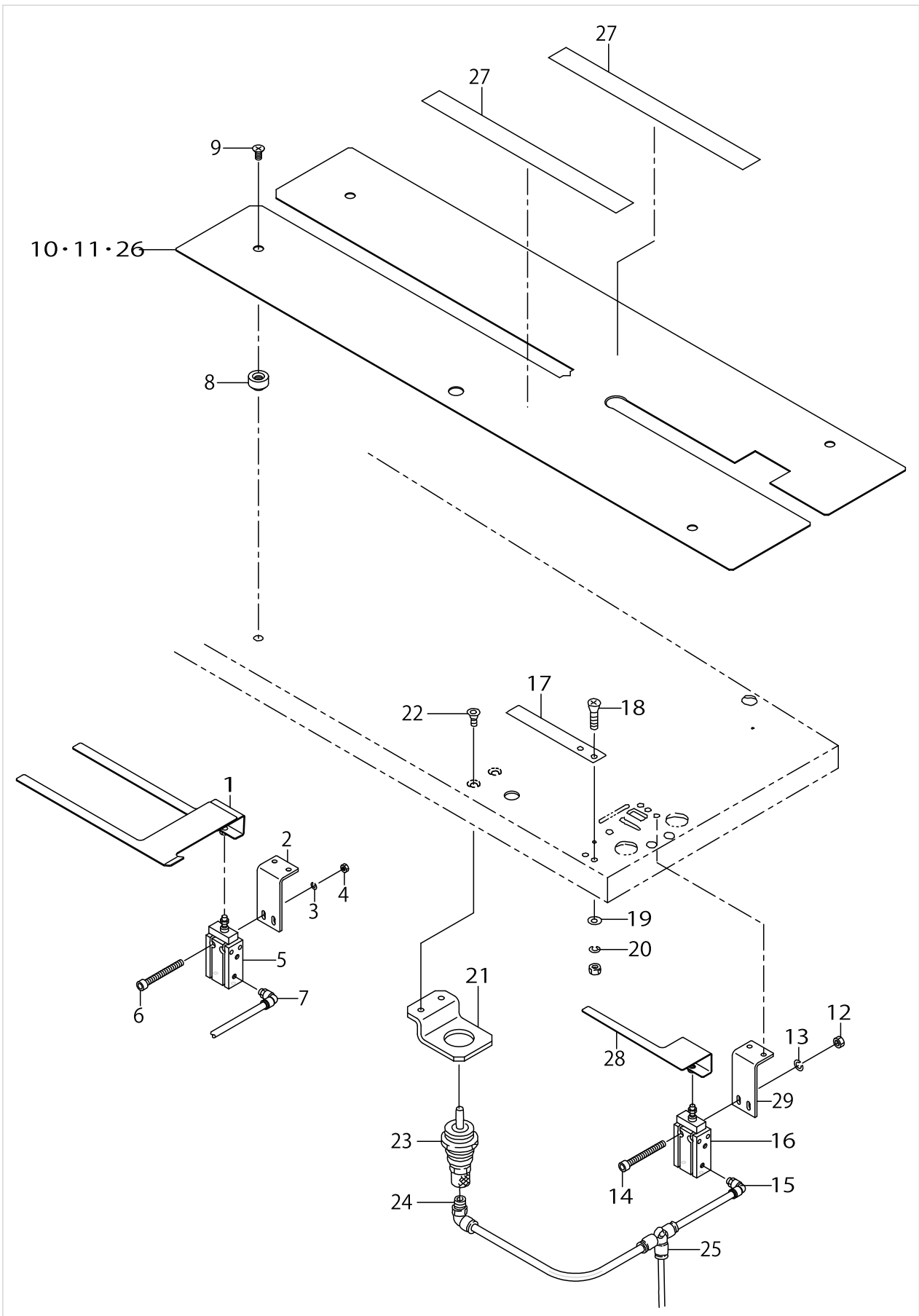
FRAME & COVER COMPONENTS (3)



FRAME & COVER COMPONENTS (3)

No.	Supply Code	Parts No.	Replacement	Parts name	Remarks	Choice	Step	Level	Cons	Qty	Rep. QTY
1	D	25376807		POCKET BAG CLAMP	OPTION					1	
2	D	16914202		CYLINDER INSTALLING PLATE	OPTION					1	
3		WS0410002KN		SPRING WASHER	OPTION					2	
4		NM6040001SC		NUT M4	OPTION					2	
5		PA1601507A0		CYLINDER	OPTION					1	
6		SM6043552TN		SCREW M4 L=35	OPTION					2	
7		PJ304040504		ELBOW UNION	OPTION					1	
8	D	G5023116000		POSITIONING BOSS						2	
9		SM1040801SC		SCREW M4X0.7 L=8						2	
10		25374901		SEWING TABLE						1	
11		25337114		SEWING TABLE (6)	USED ONLY WHEN SA85 OR SA90 IS EQUIPPED (FOR 18,20MM)					1	
12		NM6040001SC		NUT M4	USED ONLY WHEN SA85 OR SA90 IS EQUIPPED					2	
13		WS0410002KN		SPRING WASHER	USED ONLY WHEN SA85 OR SA90 IS EQUIPPED					2	
14		SM6043552TN		SCREW M4 L=35	USED ONLY WHEN SA85 OR SA90 IS EQUIPPED					2	
15		PJ304040504		ELBOW UNION	USED ONLY WHEN SA85 OR SA90 IS EQUIPPED					1	
16		PA1601507A0		CYLINDER	USED ONLY WHEN SA85 OR SA90 IS EQUIPPED					1	
17	D	16676009		WORKPIECE CLAMP	USED ONLY WHEN SA85 OR SA90 IS EQUIPPED					1	
18		SM1041001SC		SCREW M4X0.7 L=10	USED ONLY WHEN SA85 OR SA90 IS EQUIPPED					2	
19		WP0430801SC		WASHER 4.3X9X0.8	USED ONLY WHEN SA85 OR SA90 IS EQUIPPED					2	
20		WS0410002KN		SPRING WASHER	USED ONLY WHEN SA85 OR SA90 IS EQUIPPED					2	
21		25328501		BAG CYLINDER BKT(2)	USED ONLY WHEN SA85 OR SA90 IS EQUIPPED					1	
22		25150509		SCREW	USED ONLY WHEN SA85 OR SA90 IS EQUIPPED					2	
23		PA1500502A0		PIN CYLINDER	USED ONLY WHEN SA85 OR SA90 IS EQUIPPED					1	
24		PJ304040504		ELBOW UNION	USED ONLY WHEN SA85 OR SA90 IS EQUIPPED					1	

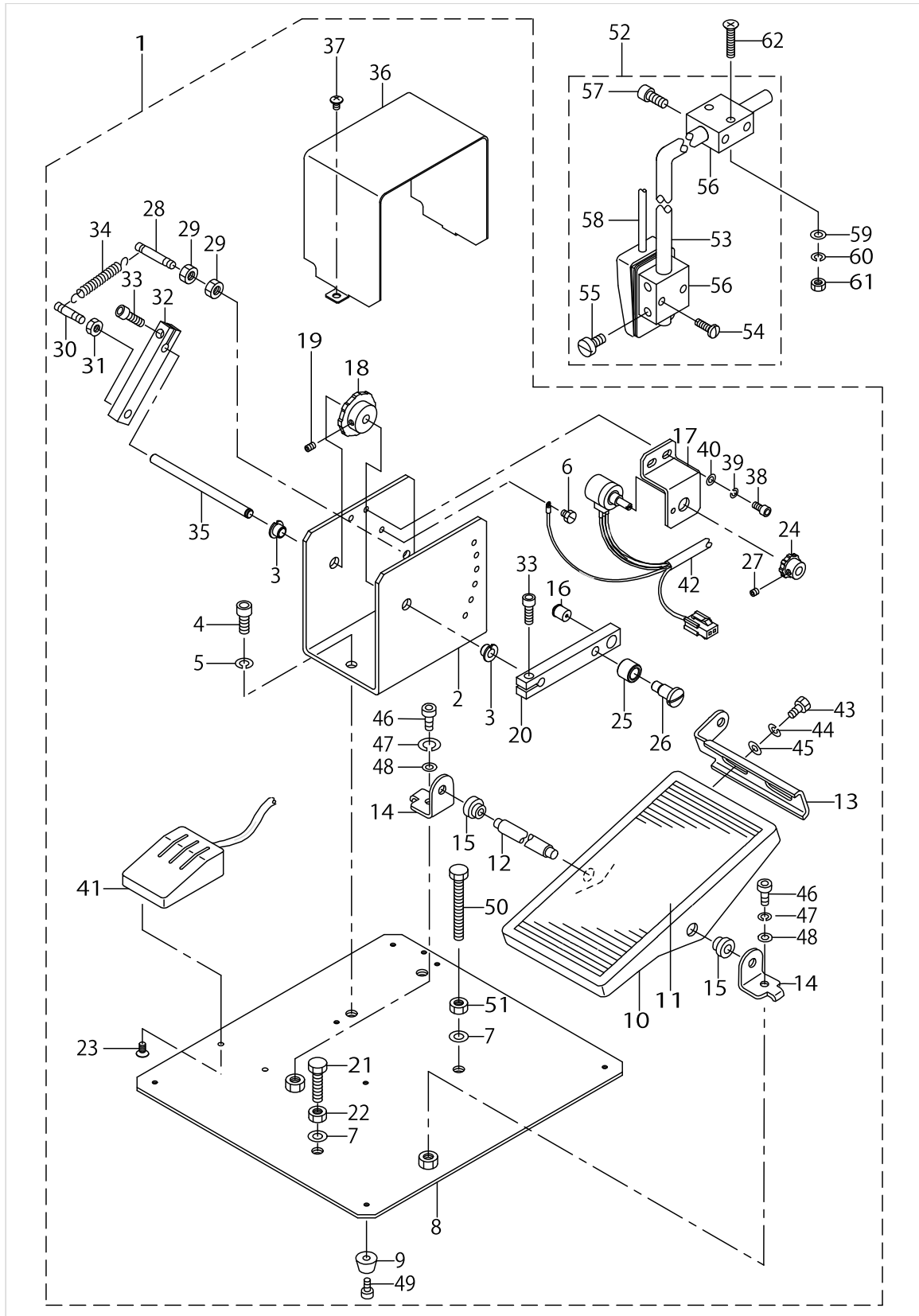
FRAME & COVER COMPONENTS (3)



FRAME & COVER COMPONENTS (3)

No.	Supply Code	Parts No.	Replacement	Parts name	Remarks	Choice	Step	Level	Cons	Qty	Rep. QTY
25		PJ305040001		TEE UNION	USED ONLY WHEN SA85 OR SA90 IS EQUIPPED					1	
26		25337015		SEWING TABLE (6)	USED ONLY WHEN SA85 OR SA90 IS EQUIPPED (FOR 8~16MM)					1	
27		25410408		SLIDE PROMOTING TAPE B	USED ONLY WHEN SA85 OR SA90 IS EQUIPPED					2	
28		16914103		HAIR CLOTH PRESSER	USED ONLY WHEN SA85 OR SA90 IS EQUIPPED					1	
29	D	16914202		CYLNDER INSTALLING PLATE	USED ONLY WHEN SA85 OR SA90 IS EQUIPPED					1	

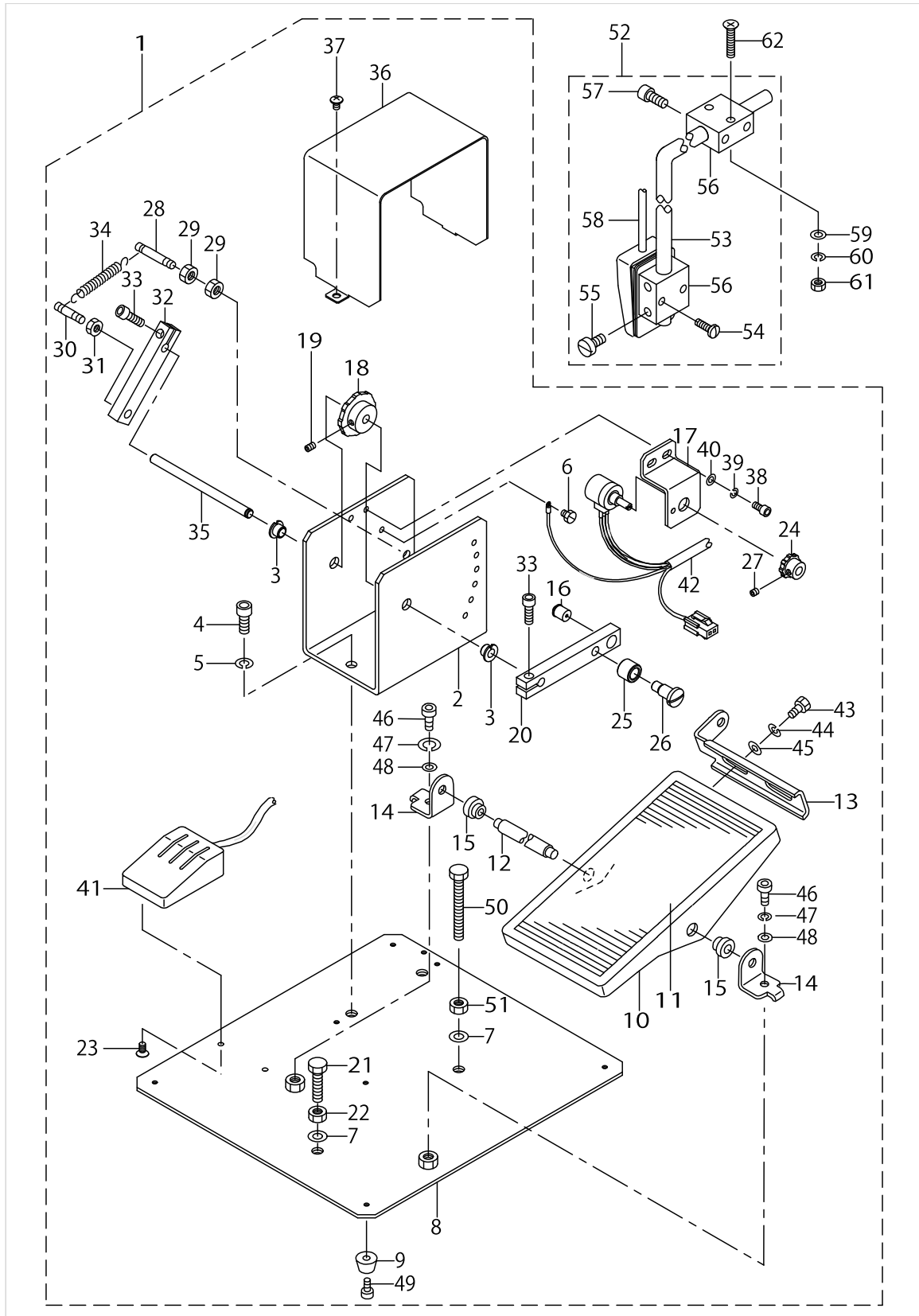
PEDAL SWITCH COMPONENTS



PEDAL SWITCH COMPONENTS

No.	Supply Code	Parts No.	Replacement	Parts name	Remarks	Choice	Step	Level	Cons	Qty	Rep. QTY
1	D	25363052		FOOT PEDAL ASM.						1	
2		25363102		SWITCH BOX				*		1	
3		25318601		DRY METAL				*		2	
4	R	SM6061552TP	SM6061552SP	SCREW M6 L=15				*		2	1.00
5		WS0610002KN		SPRING WASHER 6.1X12.2X1.5				*		2	
6		SM9040500SN		SCREW M4X0.7 L=5				*		2	
7		WP0641601SC		WASHER				*		1	
8		25363003		STEPPING PEDAL BASE				*		1	
9		G5840116000		RUBBER FOOT				*		5	
10	R	GPF06060000	GPF060600A0	PEDAL				*		1	1.00
11		GPF06070000		PEDAL MAT				*		1	
12		B8153771000		PEDAL CONNECTING ROD				*		1	
13		GPF06080000		PEDAL ADJUSTING PLATE				*		1	
14		11159001		PEDAL SHAFT BRACKET				*		2	
15		D8113555B00		PEDAL BUSHING				*		2	
16		16838401		BALL PLUNGER				*		1	
17		25363201		SWITCH BKT				*		1	
18		25318502		GEAR (2)				*		1	
19		SM8040602TP		SCREW M4X0.7 L=6				*		1	
20		25363300		STEPPING LEVER				*		1	
21		SM9062553SC		SCREW M6 L=25				*		1	
22		NM6060001SC		NUT M6				*		1	
23		ST1040851SR		SCREW M4 L=8				*		2	
24		25318403		GEAR (1)				*		1	
25	R	B2619372000	26028803	STOP MOTION TRIPPING LEVER CAM				*		1	1.00
26		SD0791051SP		HINGE SCREW D= 7.94 H=10.5				*		1	
27		SM8040402TP		SCREW M4X0.7 L=4				*		1	
28		G5075116000		ANCHOR				*		1	
29		NM6060001SC		NUT M6				*		2	
30	D	G5075116A00		ANCHOR				*		1	
31		NM6060001SC		NUT M6				*		1	
32		25363409		SPRING HANG ARM				*		1	
33		SM6051552TP		SCREW M5 L=15				*		1	
34	D	G5078116000		SWITCH SPRING				*		1	
35		G6012880000		LINK SHAFT				*		1	
36		25363508		BOX COVER				*		1	
37		SM0040601SC		SCREW M4X0.7 L=6				*		2	
38		SM6040802TP		SCREW M4X0.7 L=8				*		2	
39		WS0410002KN		SPRING WASHER				*		2	
40		WP0430800SC		WASHER M4				*		2	
41	D	25326455		INTERLINING PRESSER SWITCH ASM				*		1	
42	D	G85381950A0		STEPPING SWITCH CABLE ASM.				*		1	
43		SM9061203SE		SCREW M6 L=12				*		2	
44		WS0820002KN		SPRING WASHER M8				*		2	
45		WP0841600SC		WASHER				*		2	

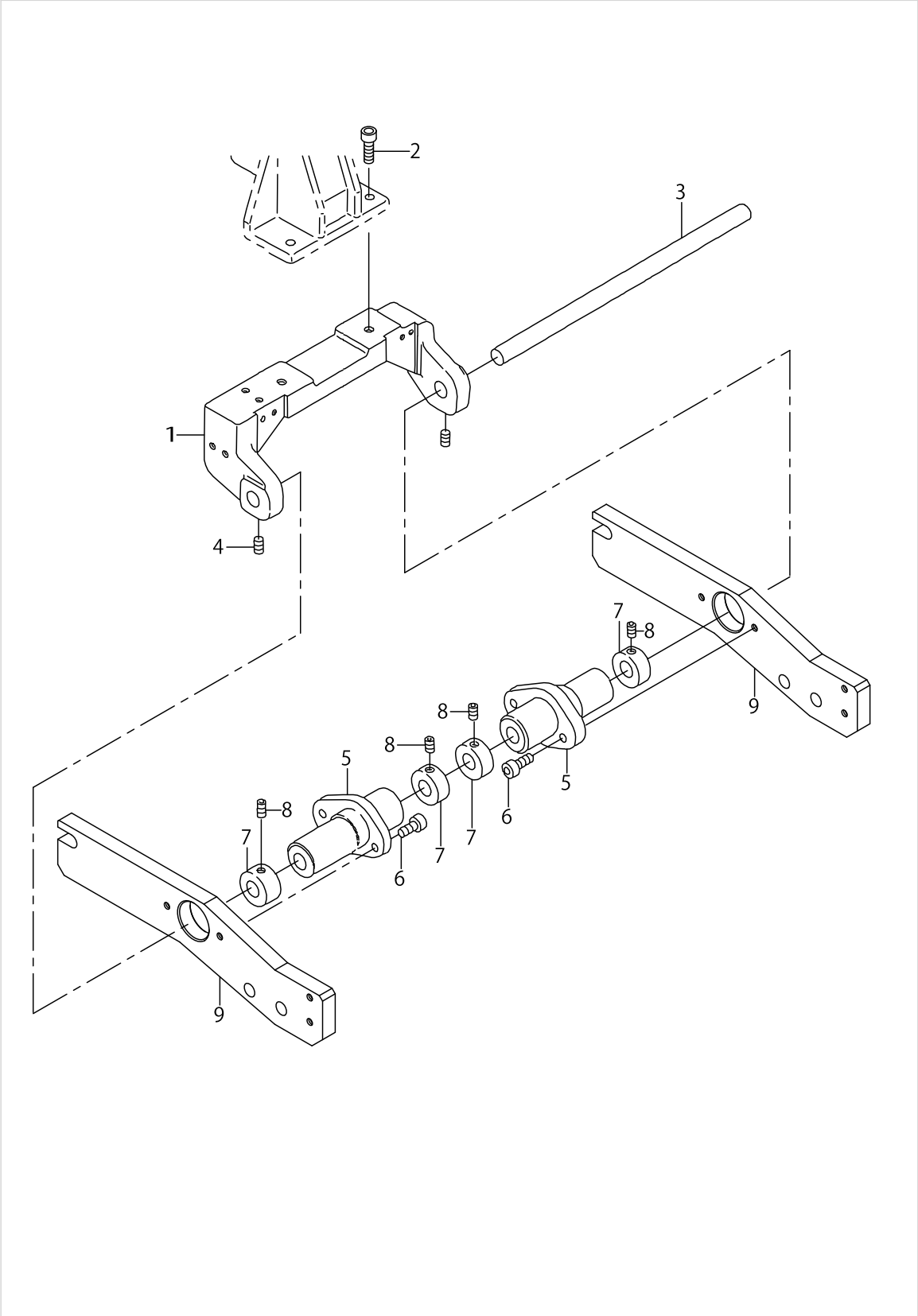
PEDAL SWITCH COMPONENTS



PEDAL SWITCH COMPONENTS

No.	Supply Code	Parts No.	Replacement	Parts name	Remarks	Choice	Step	Level	Cons	Qty	Rep. QTY
46		SM6082002TP		SCREW M8 L=20				*		2	
47		WS0820002KN		SPRING WASHER M8				*		2	
48		WP0841600SC		WASHER				*		2	
49		SM6040802TP		SCREW M4X0.7 L=8				*		5	
50		SM9065003SC		SCREW M6 L=50				*		1	
51		NM6060001SC		NUT M6				*		1	
52	D	G85341950A0		KNEE SWITCH ASM.						1	
53		G1018195000		SWITCH SUPPORT ARM				*		1	
54	R	SS7111410SP	SS7111410TP	SCREW 11/64-40L=14				*		2	1.00
55		SS6151220SP		SCREW 15/64-28 L=11.5				*		2	
56		MAT80230T00		KNEE SWITCH SUPPORT BASE				*		2	
57		SS6151412TP		SCREW 15/64-28L=14				*		2	
58	D	G85331950A0		KNEE SWITCH CABLE ASM.				*		1	
59		WP0531001SC		WASHER						2	
60		WS0510002KN		SPRING WASHER						2	
61		NM6050001SC		NUT M5						2	
62	D	SM1052501SP		SCREW M5X0.8 L=25						2	

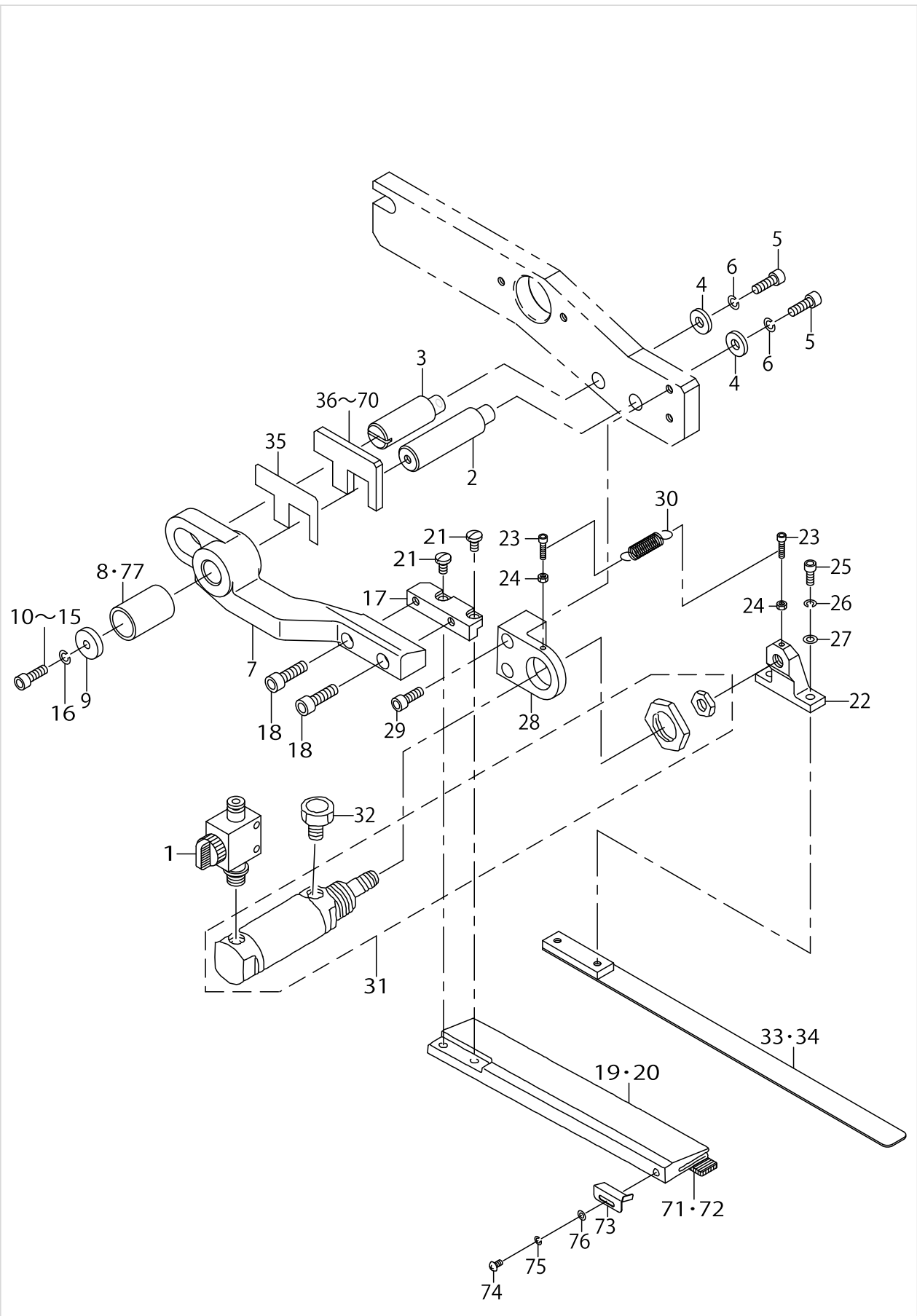
CLAMP FOOT COMPONENTS (1)



CLAMP FOOT COMPONENTS (1)

No.	Supply Code	Parts No.	Replacement	Parts name	Remarks	Choice	Step	Level	Cons	Qty	Rep. QTY
1		25299405		FULCRUM BASE						1	
2		SM6061802TP		SCREW M6 L=18						2	
3		16907701		SHAFT						1	
4		SM8050602TP		SCREW M5 L=6						2	
5	D	18550806		FULCRUM BOSS						2	
6		SM6051802TP		SCREW M5 L=18						4	
7	D	16908105		COLLAR						4	
8		SM8050602TP		SCREW M5 L=6						4	
9		25332305		BASE PRESSER ARM						2	

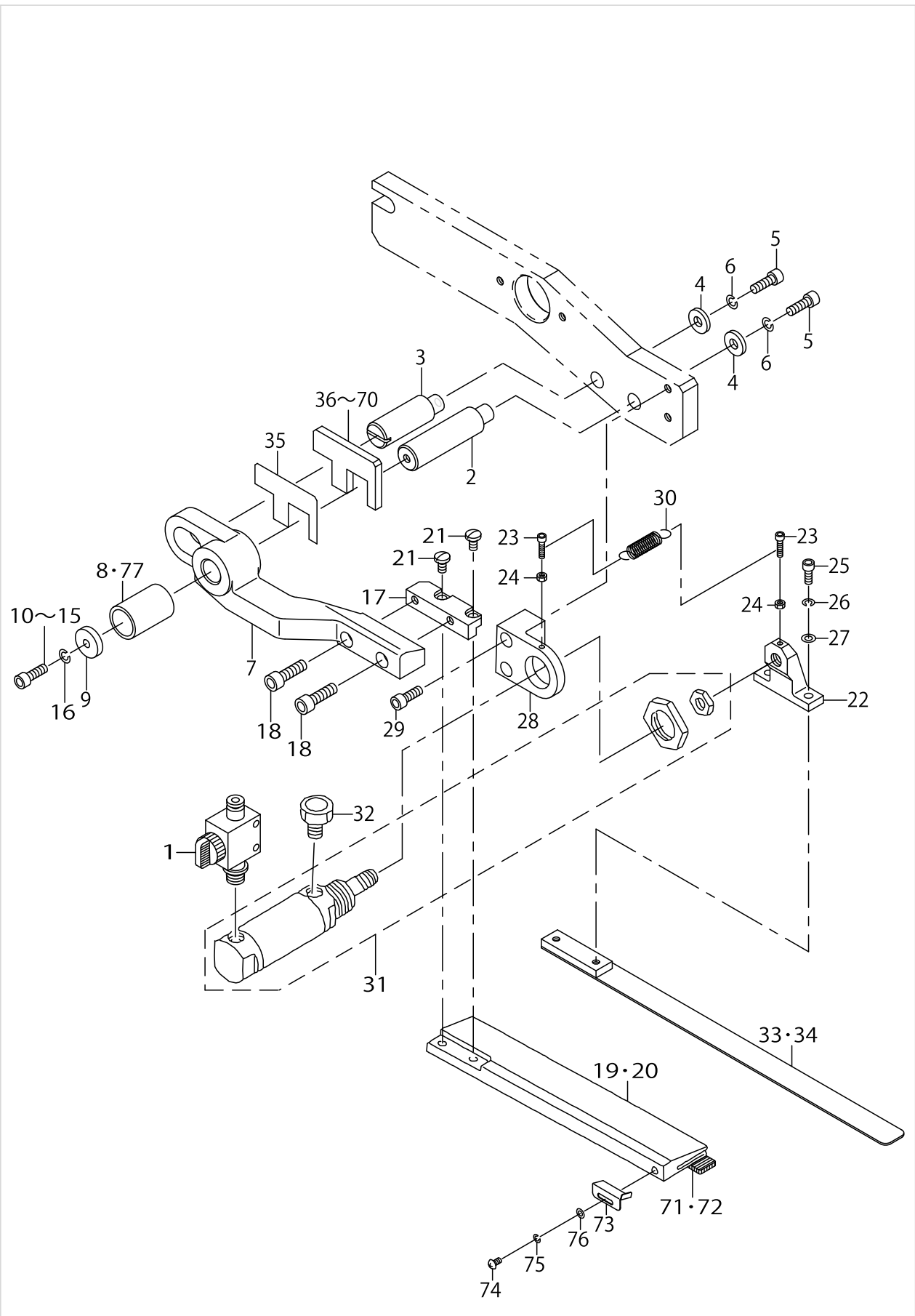
CLAMP FOOT (LEFT SIDE) COMPONENTS (2)



CLAMP FOOT (LEFT SIDE) COMPONENTS (2)

No.	Supply Code	Parts No.	Replacement	Parts name	Remarks	Choice	Step	Level	Cons	Qty	Rep. QTY
1		PV015118000		VALVE						1	
2		16908303		CLAMP SHAFT						1	
3	D	16908402		PIN						1	
4		G5108119000		WASHER						2	
5		SM6051552TP		SCREW M5 L=15						2	
6		WS0510002KN		SPRING WASHER						2	
7	D	16908501		SUPPORT ARM,LEFT						1	
8		16908709		COLLAR	GAUGE PART					1	
9	D	16935108		WASHER						1	
10		SM6051552TP		SCREW M5 L=15	SELECTIVE PART					1	
11		SM6052002TP		SCREW M5 L=20	SELECTIVE PART					1	
12		SM6053002TP		SCREW M5X0.8 L=30	SELECTIVE PART					1	
13		SM6052502TP		SCREW M5X0.8 L=25	SELECTIVE PART					1	
14		SM6052502TP		SCREW M5X0.8 L=25	SELECTIVE PART					1	
15		SM6053502TP		BOLT	SELECTIVE PART					1	
16		WS0510002KN		SPRING WASHER						1	
17		16908808		CLAMP INSTALLING PRATE,LEFT						1	
18		SM6052002TP		SCREW M5 L=20						2	
19		16777807		GARMENT CLAMP PLATE (L) G=8-14	FOR 8,10,12,14MM					1	
20		16778003		GARMENT CLAMP PLATE (L) 16-20	FOR 16,18,20MM					1	
21		SS7110840SP		SCREW 11/64-40 L=7.8						2	
22	D	G5132116000		CYLINDER EDGE						1	
23		SM6031202TP		SCREW M3X0.5 L=12						2	
24		NM6030001SC		NUT M3						2	
25		SM6041002TP		SCREW M4 L=10						2	
26		WS0410002KN		SPRING WASHER						2	
27		WP0430800SC		WASHER M4						2	
28		G5119116C00		FOLDING CYLINDER BRACKET,LEFT						1	
29		SM6051402TP		SCREW M5X0.8 L=14						2	
30	D	G5129116C00		SPRING						1	
31		G54021160A0		WELTING PATCH F-OLDING CYL. ASM						1	
32		PX055101000		ELEMENT						1	
33		25332412		FOLDING PLATE ,LEFT	FOR 8,10,12,14MM					1	
34		25332610		FOLDING PLATE ,LEFT	FOR 16,18,20MM					1	
35		16907206		SPACER						2	
36		16915100		SPACER	GAUGE PART					1	
37		16915209		SPACER	GAUGE PART					1	
38		16915308		SPACER	GAUGE PART					1	
39		16915407		SPACER	GAUGE PART					1	
40	D	16915506		SPACER	GAUGE PART					1	
41	D	16915605		SPACER	GAUGE PART					1	
42		16915704		SPACER	GAUGE PART					1	
43	D	16915803		SPACER	GAUGE PART					1	
44		16915902		SPACER	GAUGE PART					1	
45		16916009		SPACER	GAUGE PART					1	

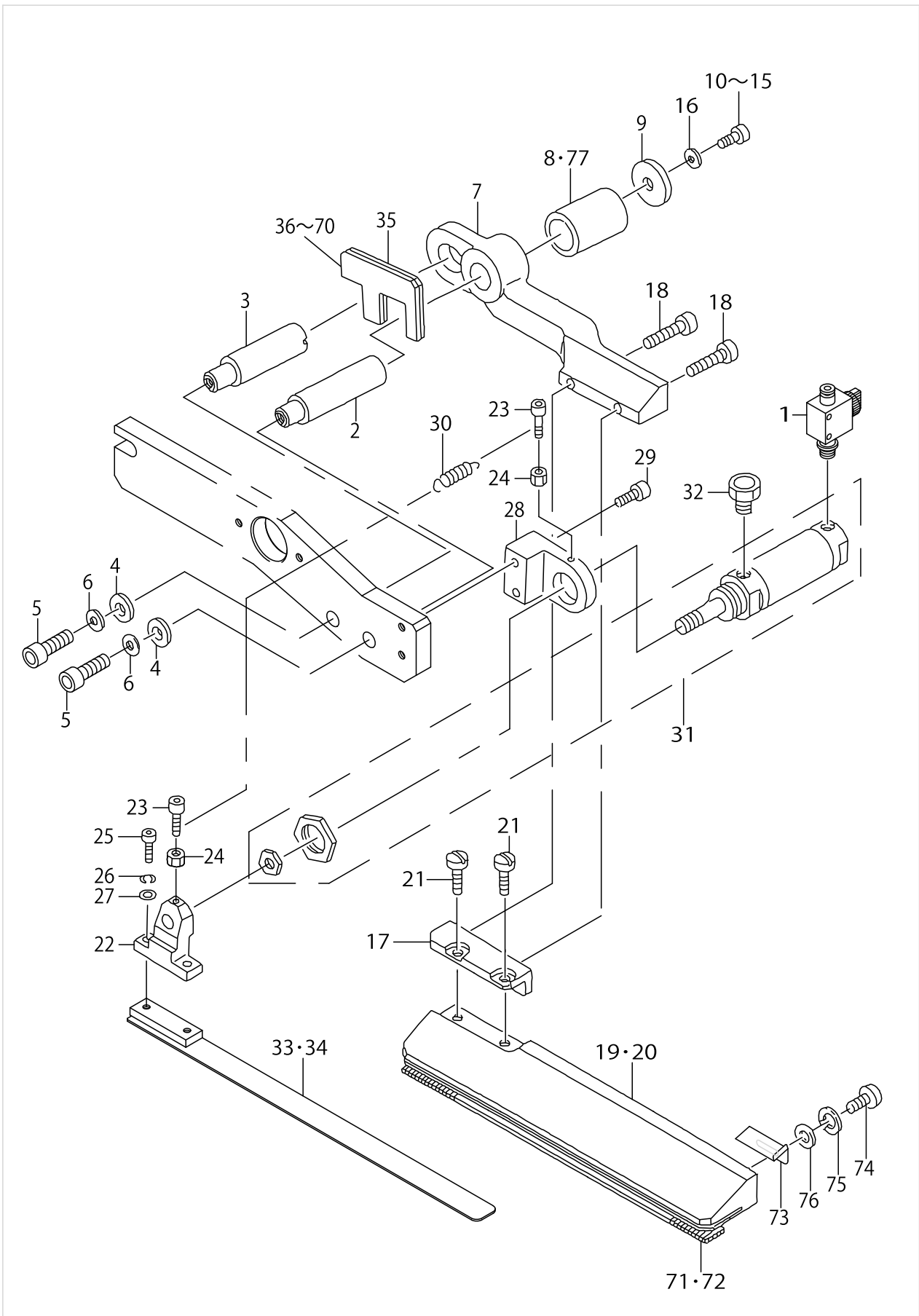
CLAMP FOOT (LEFT SIDE) COMPONENTS (2)



CLAMP FOOT (LEFT SIDE) COMPONENTS (2)

No.	Supply Code	Parts No.	Replacement	Parts name	Remarks	Choice	Step	Level	Cons	Qty	Rep. QTY
46		16918609		SPACER T=3.5	GAUGE PART					1	
47		16919102		SPACER	GAUGE PART					1	
48		16919300		SPACER	GAUGE PART					1	
49		16919201		SPACER	GAUGE PART					1	
50		16895609		SPACER	GAUGE PART					1	
51		16920407		SPACER T=2.5	GAUGE PART					1	
52	D	16920506		SPACER T=4.5	GAUGE PART					1	
53	D	16920605		SPACER T=5.5	GAUGE PART					1	
54	D	16920704		SPACER T=13.5	GAUGE PART					1	
55	D	16920803		SPACER T=14.5	GAUGE PART					1	
56	D	16920902		SPACER T=15.5	GAUGE PART					1	
57	D	16921009		SPACER T=16.5	GAUGE PART					1	
58	D	16921108		SPACER T=6.5	GAUGE PART					1	
59	D	16921207		SPACER T=7.5	GAUGE PART					1	
60		16921306		SPACER T=8.5	GAUGE PART					1	
61		16921405		SPACER T=9.5	GAUGE PART					1	
62	D	16921504		SPACER T=10.5	GAUGE PART					1	
63	D	16921603		SPACER T=11.5	GAUGE PART					1	
64	D	16921702		SPACER T=12.5	GAUGE PART					1	
65	D	16921801		SPACER T=21.5	GAUGE PART					1	
66	D	16921900		SPACER T=22.5	GAUGE PART					1	
67	D	16922007		SPACER T=23.5	GAUGE PART					1	
68	D	16922106		SPACER T=24.5	GAUGE PART					1	
69	D	16922205		SPACER T=25.5	GAUGE PART					1	
70	D	16922304		SPACER T=26.5	GAUGE PART					1	
71	D	16778409		GARMENT CLAMP RUBBER, LEFT	FOR STANDARD					1	
72	D	16704900		RUBBER CLAMP	FOR HEAVY-WEIGHT MATERIALS					1	
73		G5106119000		WELTING PATCH BASE, LEFT						1	
74		SM3030601SC		SCREW M3X0.5 L=6						1	
75		WS0310002KN		SPRING WASHER M3						1	
76		WP0320500SC		WASHER M3						1	
77		16919003		PRESSER COLLAR B	GAUGE PART					1	

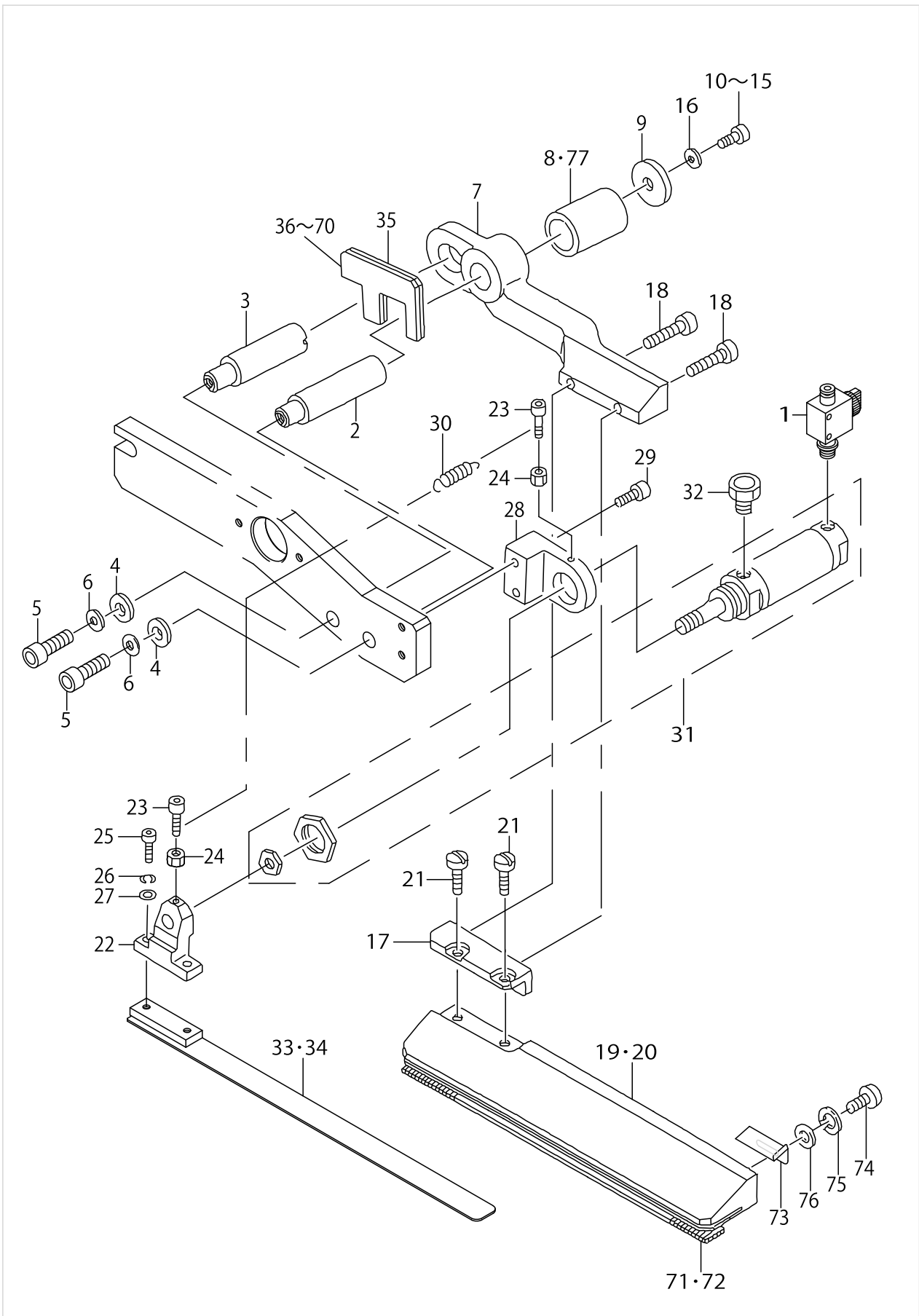
CLAMP FOOT (RIGHT SIDE) COMPONENTS (3)



CLAMP FOOT (RIGHT SIDE) COMPONENTS (3)

No.	Supply Code	Parts No.	Replacement	Parts name	Remarks	Choice	Step	Level	Cons	Qty	Rep. QTY
1		PV015118000		VALVE						1	
2		16908303		CLAMP SHAFT						1	
3	D	16908402		PIN						1	
4		G5108119000		WASHER						2	
5		SM6051552TP		SCREW M5 L=15						2	
6		WS0510002KN		SPRING WASHER						2	
7	D	16908600		SUPPORT ARM,RIGHT						1	
8		16908709		COLLAR	GAUGE PART					1	
9	D	16935108		WASHER						1	
10		SM6051552TP		SCREW M5 L=15	SELECTIVE PART					1	
11		SM6052002TP		SCREW M5 L=20	SELECTIVE PART					1	
12		SM6053002TP		SCREW M5X0.8 L=30	SELECTIVE PART					1	
13		SM6052502TP		SCREW M5X0.8 L=25	SELECTIVE PART					1	
14		SM6052502TP		SCREW M5X0.8 L=25	SELECTIVE PART					1	
15		SM6053502TP		BOLT	SELECTIVE PART					1	
16		WS0510002KN		SPRING WASHER						1	
17		16908907		CLAMP INSTALLING PRATE,RIGHT						1	
18		SM6052002TP		SCREW M5 L=20						2	
19		16777906		GARMENT CLAMP PLATE (R) G=8-14	FOR 8,10,12,14MM					1	
20		16778102		GARMENT CLAMP PLATE (R) 16-20	FOR 16,18,20MM					1	
21		SS7110840SP		SCREW 11/64-40 L=7.8						2	
22	D	G5132116000		CYLINDER EDGE						1	
23		SM6031202TP		SCREW M3X0.5 L=12						2	
24		NM6030001SC		NUT M3						2	
25		SM6041002TP		SCREW M4 L=10						2	
26		WS0410002KN		SPRING WASHER						2	
27		WP0430800SC		WASHER M4						2	
28		G5119116D00		FOLDING CYLINDER BRACKET,RIGHT						1	
29		SM6051402TP		SCREW M5X0.8 L=14						2	
30	D	G5129116C00		SPRING						1	
31		G54021160A0		WELTING PATCH F-OLDING CYL. ASM						1	
32		PX055101000		ELEMENT						1	
33	D	25332511		FOLDING PLATE ,RIGHT	FOR 8,10,12,14MM					1	
34		25332719		FOLDING PLATE ,RIGHT	FOR 16,18,20MM					1	
35		16907206		SPACER						2	
36		16915100		SPACER	GAUGE PART					1	
37		16915209		SPACER	GAUGE PART					1	
38		16915308		SPACER	GAUGE PART					1	
39		16915407		SPACER	GAUGE PART					1	
40	D	16915506		SPACER	GAUGE PART					1	
41	D	16915605		SPACER	GAUGE PART					1	
42		16915704		SPACER	GAUGE PART					1	
43	D	16915803		SPACER	GAUGE PART					1	
44		16915902		SPACER	GAUGE PART					1	
45		16916009		SPACER	GAUGE PART					1	

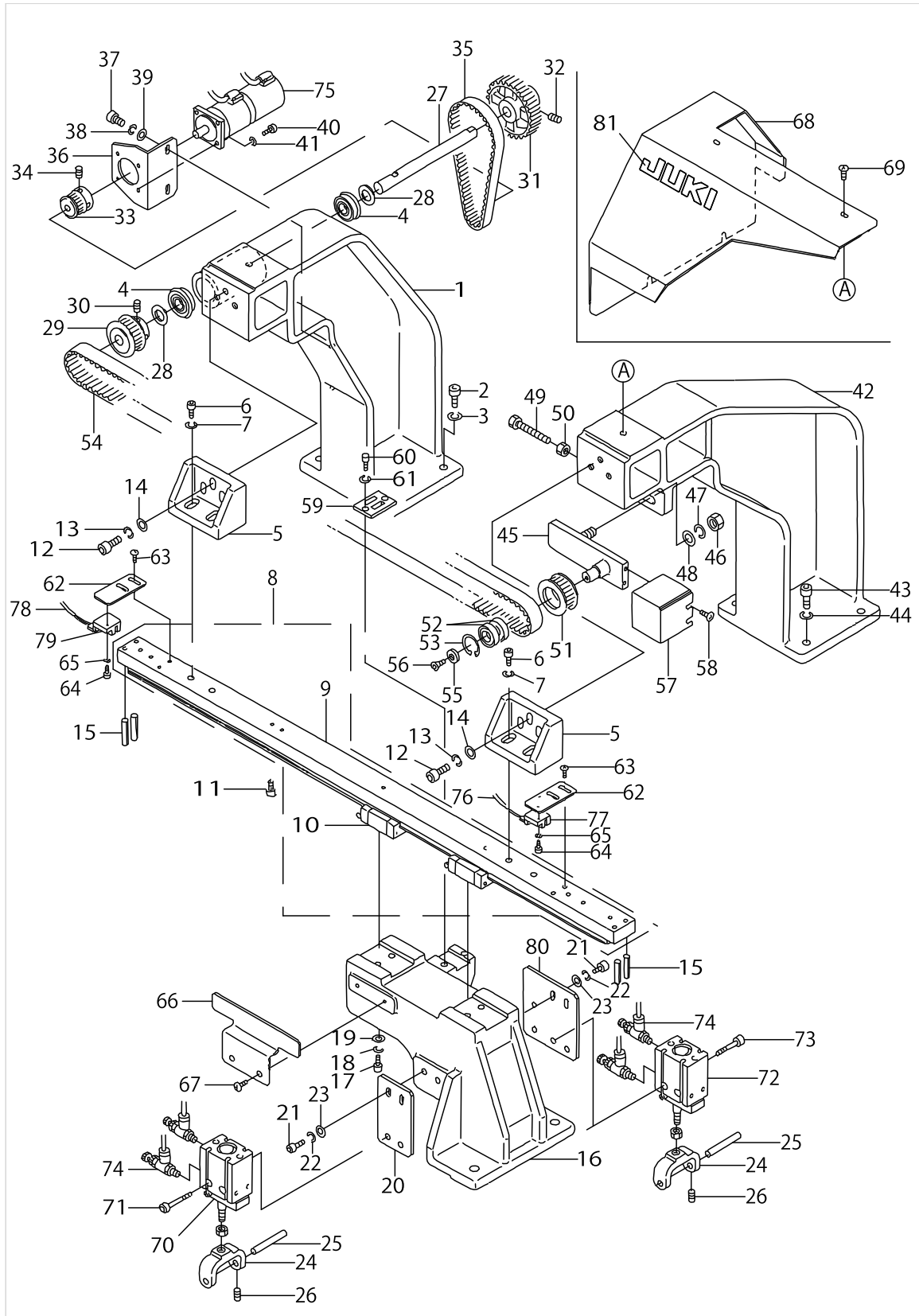
CLAMP FOOT (RIGHT SIDE) COMPONENTS (3)



CLAMP FOOT (RIGHT SIDE) COMPONENTS (3)

No.	Supply Code	Parts No.	Replacement	Parts name	Remarks	Choice	Step	Level	Cons	Qty	Rep. QTY
46		16918609		SPACER T=3.5	GAUGE PART					1	
47		16919102		SPACER	GAUGE PART					1	
48		16919300		SPACER	GAUGE PART					1	
49		16919201		SPACER	GAUGE PART					1	
50		16895609		SPACER	GAUGE PART					1	
51		16920407		SPACER T=2.5	GAUGE PART					1	
52	D	16920506		SPACER T=4.5	GAUGE PART					1	
53	D	16920605		SPACER T=5.5	GAUGE PART					1	
54	D	16920704		SPACER T=13.5	GAUGE PART					1	
55	D	16920803		SPACER T=14.5	GAUGE PART					1	
56	D	16920902		SPACER T=15.5	GAUGE PART					1	
57	D	16921009		SPACER T=16.5	GAUGE PART					1	
58	D	16921108		SPACER T=6.5	GAUGE PART					1	
59	D	16921207		SPACER T=7.5	GAUGE PART					1	
60		16921306		SPACER T=8.5	GAUGE PART					1	
61		16921405		SPACER T=9.5	GAUGE PART					1	
62	D	16921504		SPACER T=10.5	GAUGE PART					1	
63	D	16921603		SPACER T=11.5	GAUGE PART					1	
64	D	16921702		SPACER T=12.5	GAUGE PART					1	
65	D	16921801		SPACER T=21.5	GAUGE PART					1	
66	D	16921900		SPACER T=22.5	GAUGE PART					1	
67	D	16922007		SPACER T=23.5	GAUGE PART					1	
68	D	16922106		SPACER T=24.5	GAUGE PART					1	
69	D	16922205		SPACER T=25.5	GAUGE PART					1	
70	D	16922304		SPACER T=26.5	GAUGE PART					1	
71	D	16778508		GARMENT CLAMP RUBBER, RIGHT	FOR STANDARD					1	
72	D	16704900		RUBBER CLAMP	FOR HEAVY-WEIGHT MATERIALS					1	
73		G5107119000		WELTING PATCH BASE, RIGHT						1	
74		SM3030601SC		SCREW M3X0.5 L=6						1	
75		WS0310002KN		SPRING WASHER M3						1	
76		WP0320500SC		WASHER M3						1	
77		16919003		PRESSER COLLAR B	GAUGE PART					1	

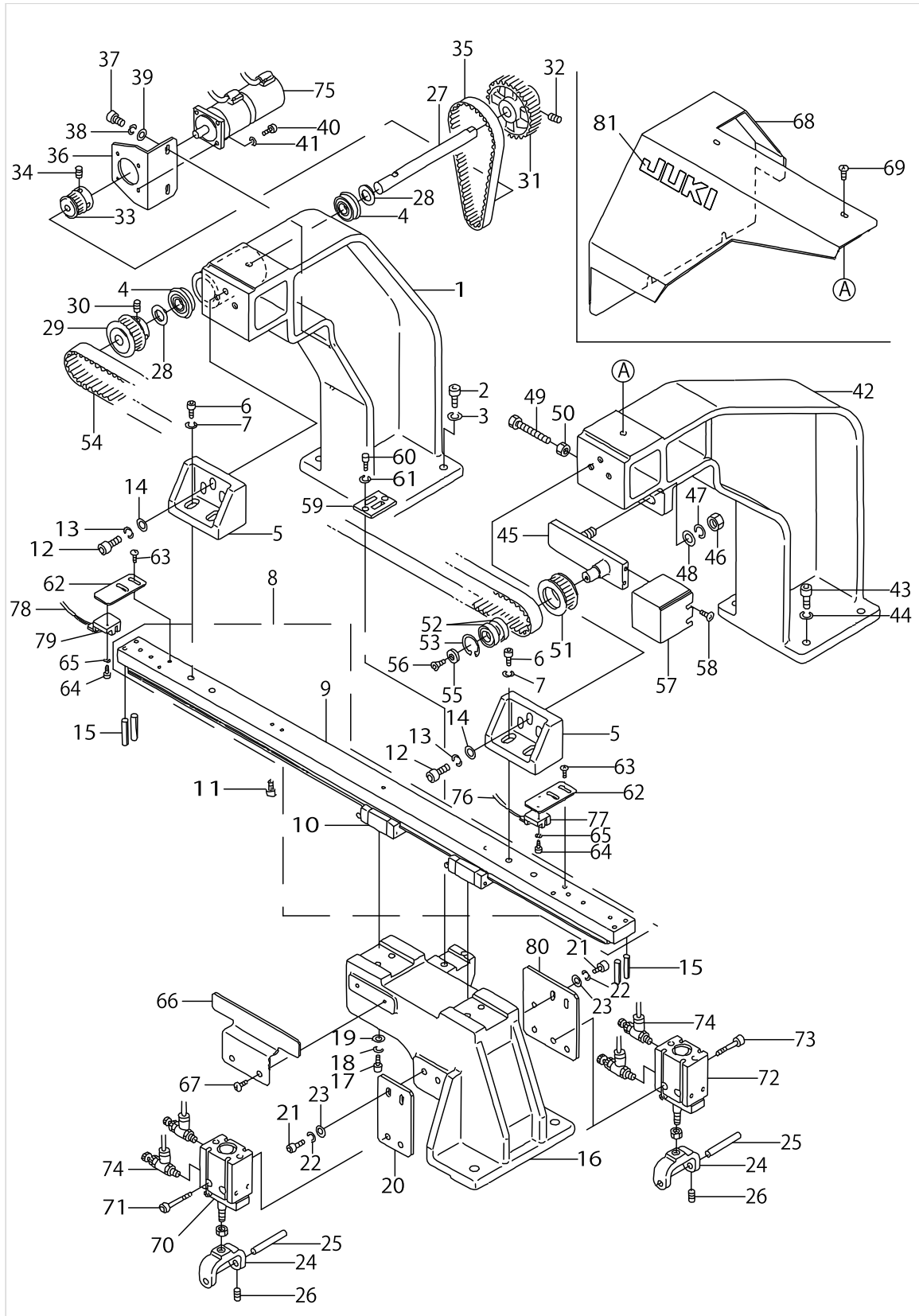
CLAMP FOOT FEED COMPONENTS



CLAMP FOOT FEED COMPONENTS

No.	Supply Code	Parts No.	Replacement	Parts name	Remarks	Choice	Step	Level	Cons	Qty	Rep. QTY
1	D	25302100		STAND,REAR						1	
2		SM6063002TP		SCREW M6 L=30						4	
3		WS0610002KN		SPRING WASHER 6.1X12.2X1.5						4	
4	D	18585208		BEARING						2	
5		25302209		RAIL FITTING BRACKET						2	
6		SM6062002TP		SCREW M6 L=20						6	
7		WS0610002KN		SPRING WASHER 6.1X12.2X1.5						6	
8		25303751		GUIDE FITTING BASE ASM.						1	
9		25303702		GUIDE FITTING BASE				*		1	
10	D	25303801		GUIDE				*		1	
11		SM6052002TP		SCREW M5 L=20						7	
12		SM6062002TP		SCREW M6 L=20						4	
13		WS0610002KN		SPRING WASHER 6.1X12.2X1.5						4	
14		WP0641601SC		WASHER						4	
15		PS0500302KH		SPRING PIN 5X30						4	
16	D	25302407		SLIDE BASE						1	
17		SM6052002TP		SCREW M5 L=20						4	
18		WS0510002KN		SPRING WASHER						4	
19		WP0531001SC		WASHER						4	
20		25302506		CYLINDER BRACKET						1	
21		SM6051552TP		SCREW M5 L=15						4	
22		WS0510002KN		SPRING WASHER						4	
23		WP0531001SC		WASHER						4	
24	D	16907800		LIFTING BLOCK						2	
25		16934200		SHAFT						2	
26		SM8040602TP		SCREW M4X0.7 L=6						2	
27		25302704		SHAFT						1	
28		B182024600A		WASHER A						2	
29		25302803		DRIVING PULLEY						1	
30		SM8050602TP		SCREW M5 L=6						2	
31		25302902		TIMING PULLEY(A)						1	
32		SM8050802TP		SCREW M5X0.8 L=8						2	
33		18568006		TIMING PULLEY(N)						1	
34		SM8040602TP		SCREW M4X0.7 L=6						2	
35	D	16934507		BELT						1	
36	D	25302605		MOTOR FITTING BRACKET						1	
37		SM6052002TP		SCREW M5 L=20						2	
38		WS0510002KN		SPRING WASHER						2	
39		WP0531001SC		WASHER						2	
40		SM6031002TP		HEXAGONAL BOLT M3 X 10						4	
41		WS0310002KN		SPRING WASHER M3						4	
42		25302001		STAND,FRONT						1	
43		SM6063002TP		SCREW M6 L=30						4	
44		WS0610002KN		SPRING WASHER 6.1X12.2X1.5						4	
45		25303108		FULCRUM BRACKET						1	
46		NM6100001SC		NUT M10X1.5						1	

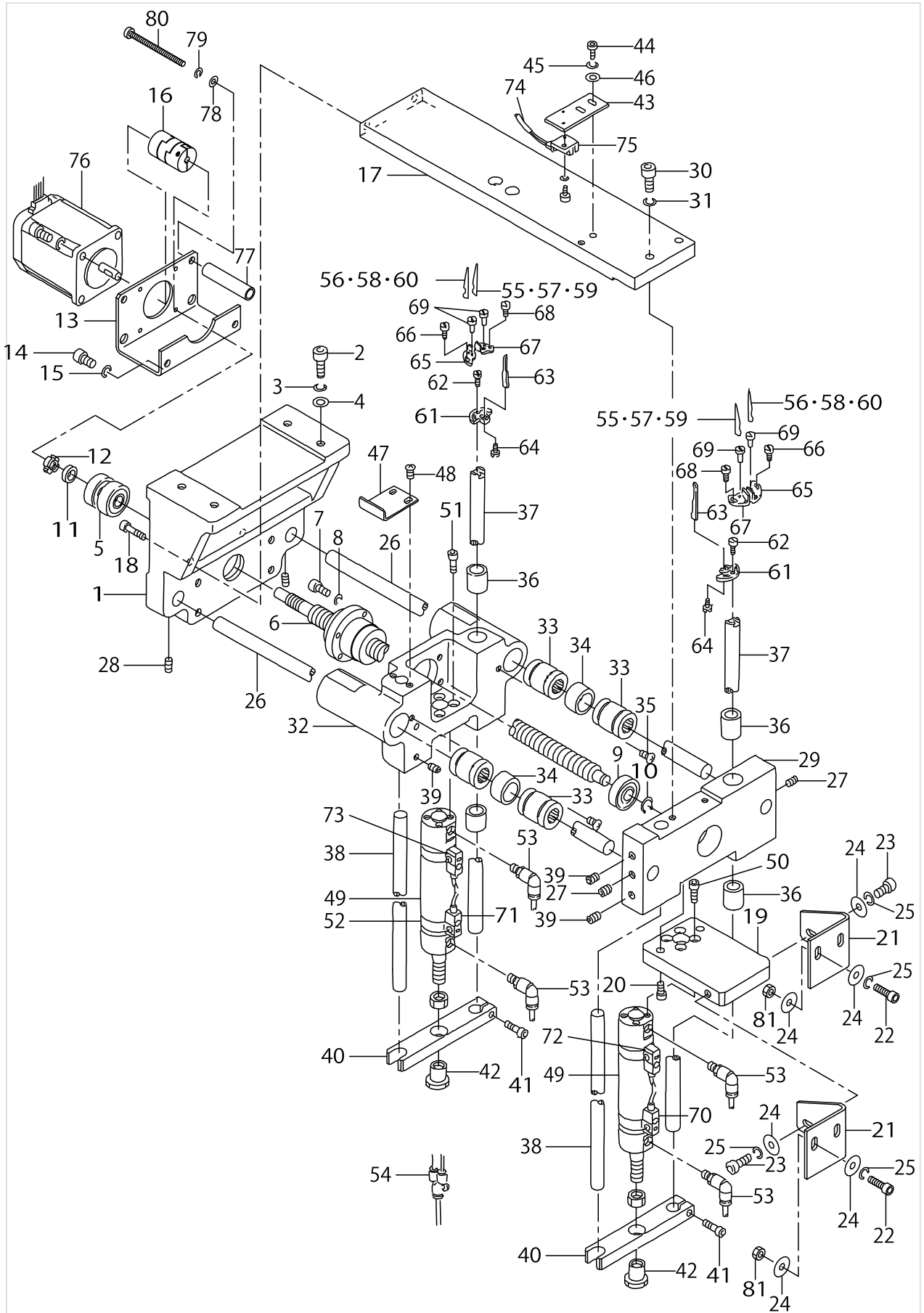
CLAMP FOOT FEED COMPONENTS



CLAMP FOOT FEED COMPONENTS

No.	Supply Code	Parts No.	Replacement	Parts name	Remarks	Choice	Step	Level	Cons	Qty	Rep. QTY
47		WS1020002KN		SPRING WASHER M10						1	
48		WP1052001SC		WASHER 10,5X21X2						1	
49		SM6054502TP		SCREW M5X0.8 L=45						1	
50		NM6050001SC		NUT M5						1	
51		18550400		FOLLOW PULLEY						1	
52		16720005		BEARING						2	
53	D	RC2421211KP		RETAINING RING						1	
54	D	25320805		TIMING BELT						1	
55	D	16725905		WASHER						1	
56	R	SM1051001SC	SM1051001SF	SCREW M5 L=10						1	1.00
57	D	25303207		PULLEY COVER						1	
58		SM0040601SC		SCREW M4X0.7 L=6						2	
59		25303306		BELT CLAMP PLATE						1	
60		SM6051002TP		SCREW M5X0.8 L=10						2	
61		WS0510002KN		SPRING WASHER						2	
62	D	25303405		SENSOR BRACKET						2	
63		SM0040601SC		SCREW M4X0.7 L=6						4	
64		SM6030802TP		SCREW M3X0.5 L=8						2	
65		WS0310002KN		SPRING WASHER M3						2	
66		25303504		SENSOR PLATE						1	
67		SM0040601SC		SCREW M4X0.7 L=6						2	
68		25303603		TOP COVER						1	
69		SM0050801SC		SCREW						4	
70	D	PA2501002A0		CYLINDER, LEFT						1	
71		SM6053002TP		SCREW M5X0.8 L=30						2	
72		PA2501003A0		CYLINDER, RIGHT						1	
73		SM6053002TP		SCREW M5X0.8 L=30						2	
74		PC010508000		SPEED CONTROLLER						4	
75	R	HM001310000	40063931	SERVO MOTOR						1	1.00
76		G85161950A0		CABLE ASM.						1	
77		HD00057000A		PHOTO SENSOR						1	
78	D	G85171950A0		CABLE ASM.						1	
79		HD00057000A		PHOTO SENSOR						1	
80		25305905		PLATE BASE FITTING BRACKET (1)						1	
81	D	G8220870000		BRAND MARK						1	

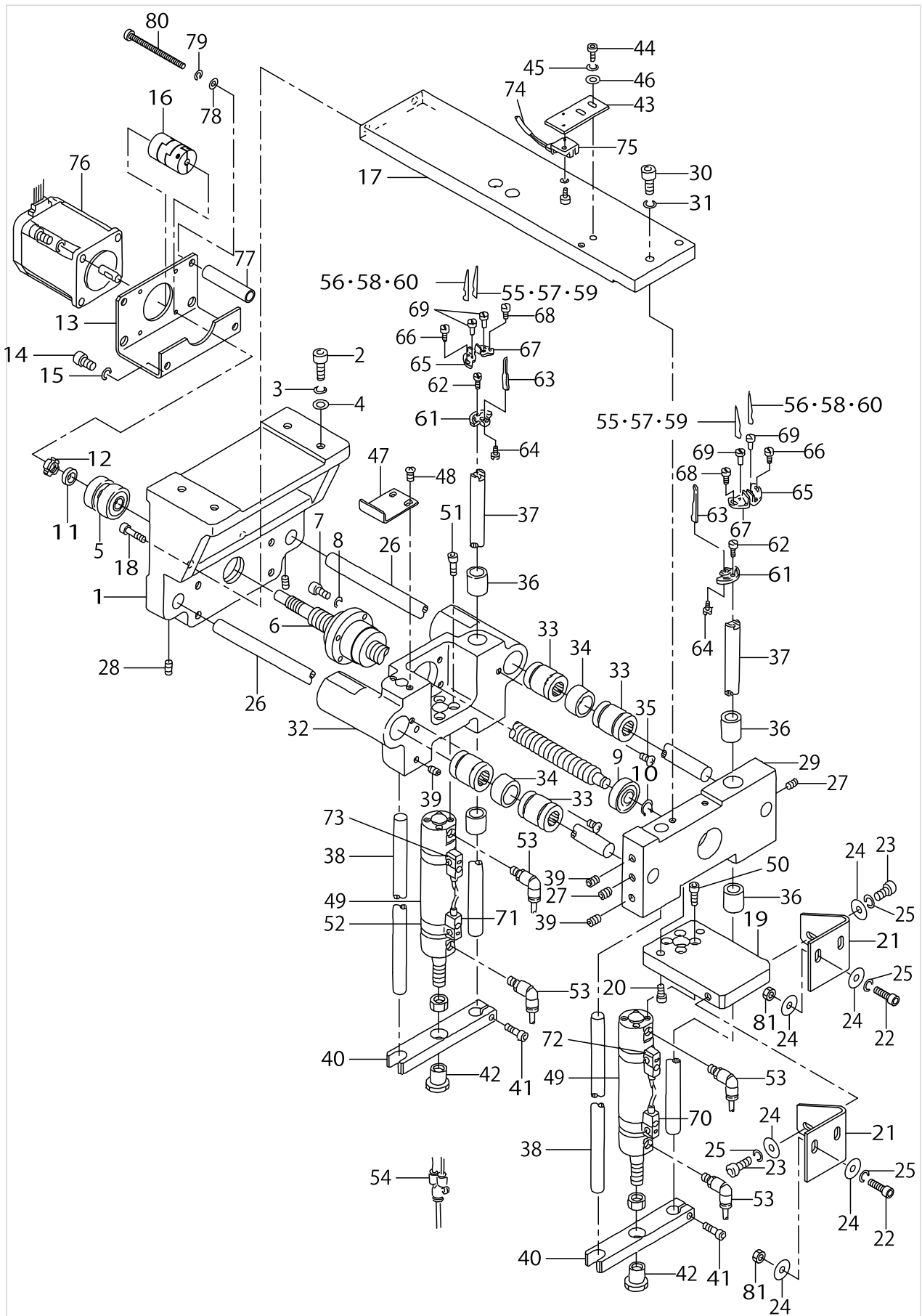
CORNER KNIFE COMPONENTS



CORNER KNIFE COMPONENTS

No.	Supply Code	Parts No.	Replacement	Parts name	Remarks	Choice	Step	Level	Cons	Qty	Rep. QTY
1		25300419		CORNER KNIFE FITTING BRACKET						1	
2		SM6062002TP		SCREW M6 L=20						4	
3		WS0610002KN		SPRING WASHER 6.1X12.2X1.5						4	
4		WP0641601SC		WASHER						4	
5		25320102		BEARING						1	
6		25301607		BOLL SCREW						1	
7		SM6052002TP		SCREW M5 L=20						4	
8		WS0510002KN		SPRING WASHER						4	
9		SB110000100		BEARING						1	
10		RC0931011KP		RETAINING RING						1	
11		25301706		COLLAR						1	
12		25321605		NUT						1	
13		25300211		MOTOR BRACKET						1	
14		SM6051202TP		SCREW M5X0.8 L=12						4	
15		WS0510002KN		SPRING WASHER						4	
16		25318809		COUPLING						1	
17		25300500		PLATE						1	
18		SM6063002TP		SCREW M6 L=30						2	
19		25300609		SUPPORT PLATE						1	
20	R	SM6061552TP	SM6061552SP	SCREW M6 L=15						2	1.00
21		25300708		SUPPORT BRACKET						2	
22		SM6062002TP		SCREW M6 L=20						4	
23	R	SM6061552TP	SM6061552SP	SCREW M6 L=15						2	1.00
24		WP0651646SC		WASHER						10	
25		WS0610002KN		SPRING WASHER 6.1X12.2X1.5						6	
26		25301805		SLIDE SHAFT						2	
27		SM8060602TP		SCREW M6X6						2	
28		SM8061002TP		SCREW M6 L=10						2	
29	R	25301102	25301110	FIXED LIFTING BRACKET						1	1.00
30	R	SM6061552TP	SM6061552SP	SCREW M6 L=15						2	1.00
31		WS0610002KN		SPRING WASHER 6.1X12.2X1.5						2	
32		25301003		MOVING LIFTING BRACKET						1	
33		16725004		LINEAR BUSHING						4	
34		25301201		COLLAR						2	
35		SM0040601SC		SCREW M4X0.7 L=6						2	
36		16908006		METAL						4	
37	D	25301300		LIFTING SHAFT(A)						2	
38		25301409		LIFTING SHAFT(B)						2	
39		25148008		SCREW						4	
40	D	25301508		LIFTING BRACKET						2	
41		SM6062002TP		SCREW M6 L=20						2	
42		16906703		CYLINDER BRACKET						2	
43	D	25303405		SENSOR BRACKET						1	
44		SM6040802TP		SCREW M4X0.7 L=8						2	
45		WS0410002KN		SPRING WASHER						2	
46		WP0430801SC		WASHER 4.3X9X0.8						2	

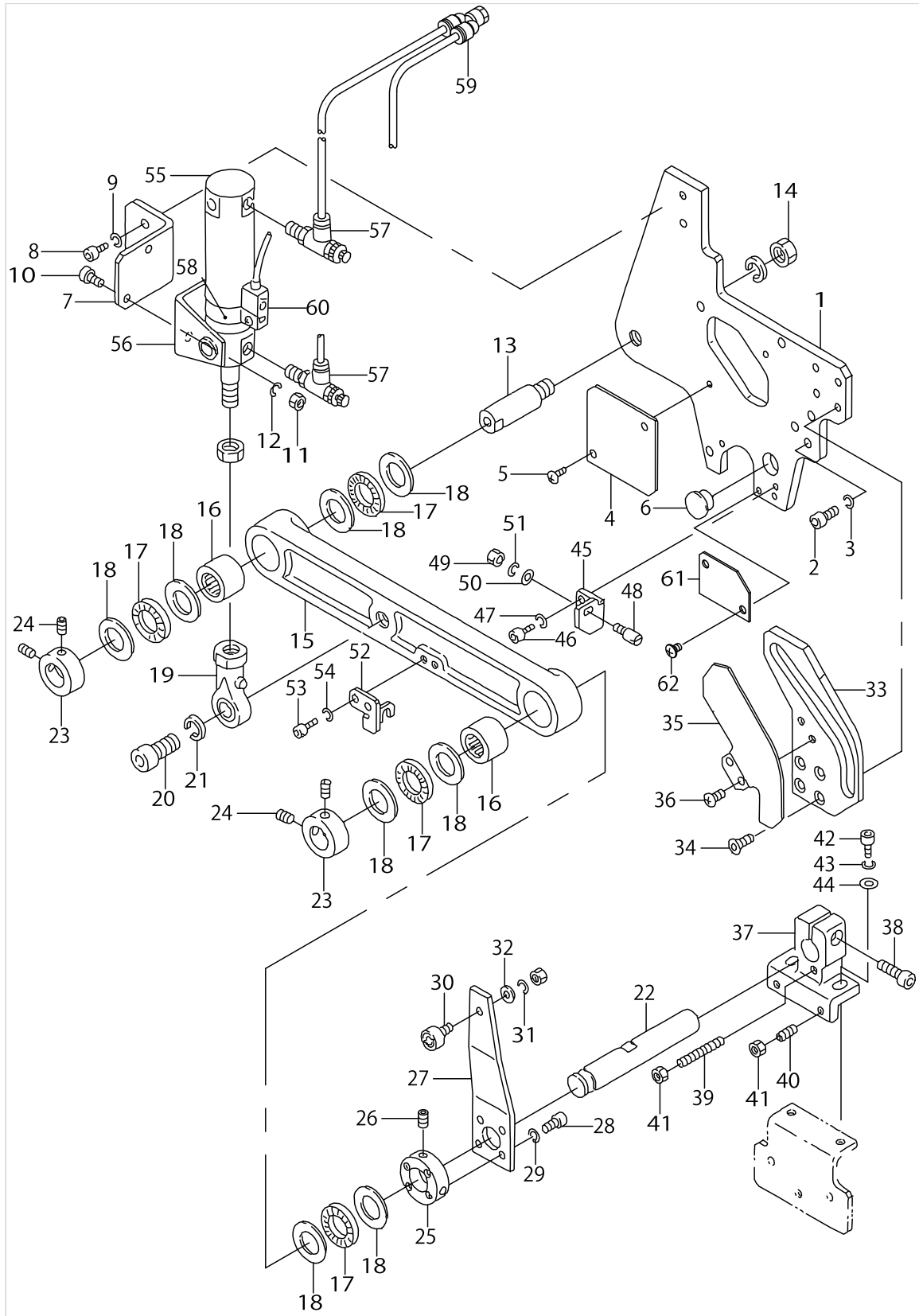
CORNER KNIFE COMPONENTS



CORNER KNIFE COMPONENTS

No.	Supply Code	Parts No.	Replacement	Parts name	Remarks	Choice	Step	Level	Cons	Qty	Rep. QTY
47		25300906		SENSOR DOG						1	
48		SM0040601SC		SCREW M4X0.7 L=6						2	
49		PA250650200		CYLINDER						2	
50		SM6051202TP		SCREW M5X0.8 L=12						4	
51		SM6052002TP		SCREW M5 L=20						4	
52		PX500053000		BAND						4	
53		PJ304045102		ELBOW UNION, C						4	
54		PJ308040004		BRANCH UNION						2	
55		16607301		CORNER KNIFE A1	SELECTIVE PART					2	
56		16607400		CORNER KNIFE A2	SELECTIVE PART					2	
57		16607509		CORNER KNIFE (B-1)	SELECTIVE PART					2	
58		16607608		CORNER KNIFE (B-2)	SELECTIVE PART					2	
59		16607707		CORNER KNIFE (C-1)	SELECTIVE PART					2	
60		16607806		CORNER KNIFE (C-2)	SELECTIVE PART					2	
61		16606907		KNIFE HOLDER BASE						2	
62	R	SS7111120SP	SS7111120TP	SCREW 11/64-40 L=10.5						2	1.00
63	D	16607004		KNIFE GUIDE						2	
64		SS4080620TP		SCREW 1/8-44 L=6						2	
65	D	16607103		KNIFE HOLDER A						2	
66		SS6081210SP		SCREW 1/8-44 L=12						2	
67	D	16607202		KNIFE HOLDER B						2	
68	R	SS6080210SP	SS6080310SP	SCREW 1/8-44 L=2						2	1.00
69	D	G5279117000		ECCENTRIC PIN						4	
70		25322256		SENSOR CABLE ASM.						1	
71	D	25322355		SENSOR CABLE						1	
72		25322454		SENSOR CABLE ASM.						1	
73	D	25322553		SENSOR CABLE						1	
74	D	G85191950A0		SENSOR ASM.						1	
75		HD00057000A		PHOTO SENSOR						1	
76		B2529205ABA		Y STEPPING MOTOR (B) ASM.						1	
77		25335803		COLLAR(CORNER KNIFE)						2	
78		WP0531001SC		WASHER						2	
79		WS0510002KN		SPRING WASHER						2	
80		SM6057052TN		HEXAGONAL-HOLE BOLT						2	
81		NM6060001SC		NUT M6						4	

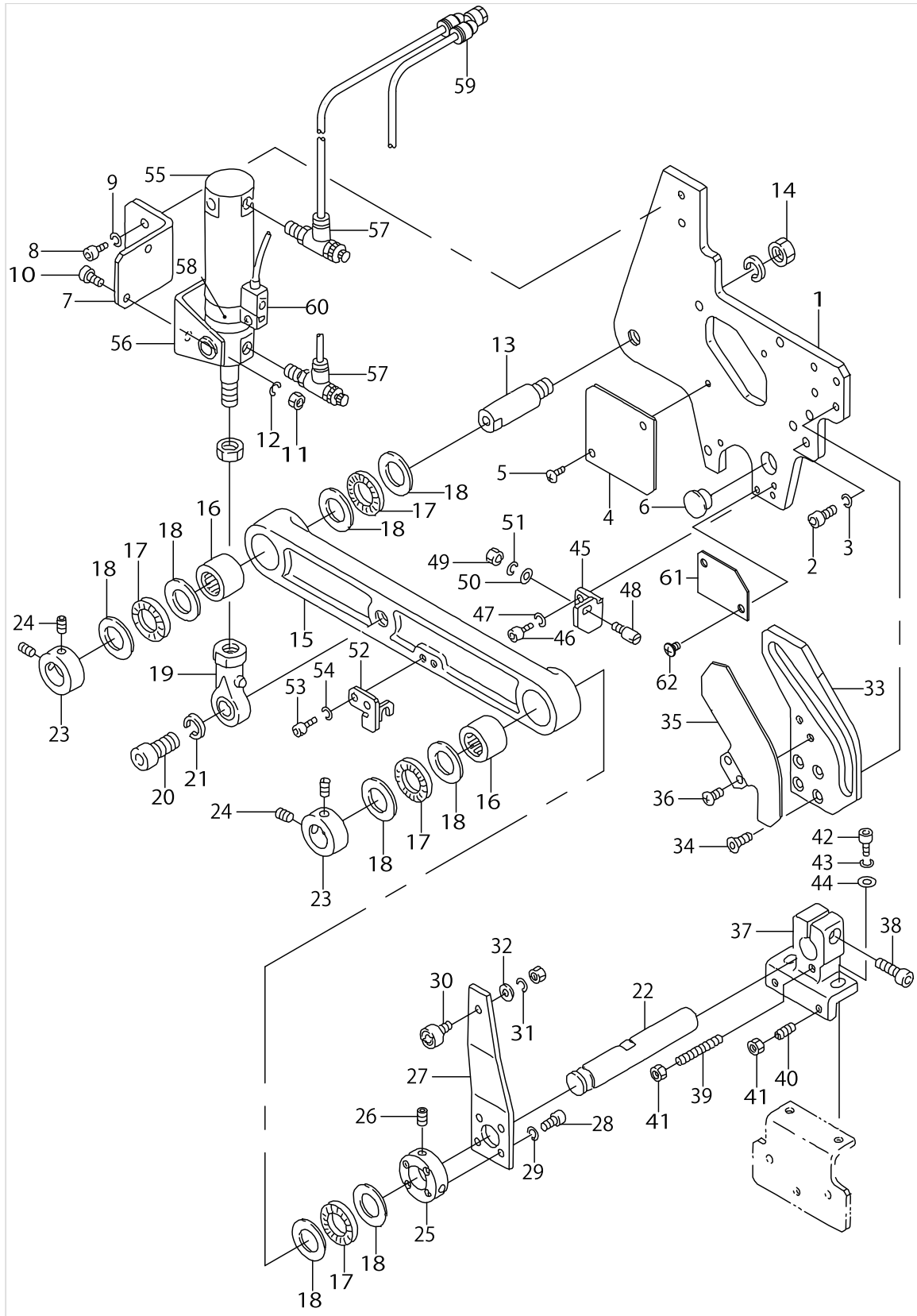
BINDER COMPONENTS (1)



BINDER COMPONENTS (1)

No.	Supply Code	Parts No.	Replacement	Parts name	Remarks	Choice	Step	Level	Cons	Qty	Rep. QTY
1		25304007		BINDER BRACKET						1	
2		SM6051552TP		SCREW M5 L=15						4	
3		WS0510002KN		SPRING WASHER						3	
4		25304106		BINDER BRACKET COVER						1	
5		SM0040601SC		SCREW M4X0.7 L=6						2	
6		TA1450404R0		RUBBER PLUG D=14.5 L=4						1	
7		25304205		CYLINDER BRACKET						1	
8		SM6051002TP		SCREW M5X0.8 L=10						2	
9		WS0510002KN		SPRING WASHER						2	
10		SM6051552TP		SCREW M5 L=15						2	
11		NM6050001SC		NUT M5						2	
12		WS0510002KN		SPRING WASHER						2	
13	D	25304304		FULCRUM PIN(A)						1	
14		NM6100001SC		NUT M10X1.5						1	
15		25304403		LEVER						1	
16	D	25321407		NEEDLE BEARING						2	
17		G5324119000		THRUST NEEDLE BEARING						4	
18	D	G5325119000		THRUST WASHER						8	
19		25321100		ROD						1	
20		SM6103502TP		SCREW M10 L=35						1	
21		WS1020002KN		SPRING WASHER M10						1	
22		25304502		FULCRUM PIN(B)						1	
23		16911612		COLLER						2	
24		SM8060802TP		SCREW M6 L=8						4	
25	D	25304601		COLLER						1	
26		SM8061002TP		SCREW M6 L=10						2	
27		25304700		LEVER						1	
28		SM6041202TP		SCREW M4X0.7 L=12						4	
29		WS0410002KN		SPRING WASHER						4	
30		25321308		CAM						1	
31		WS0410002KN		SPRING WASHER						1	
32		25320706		WASHER						1	
33		25305509		CAM						1	
34		SM1040852TP		DISH SCREW						4	
35		25316803		CAM COVER						1	
36		SM0040601SC		SCREW M4X0.7 L=6						2	
37	D	25304809		BINDER FITTING BASE(1)						1	
38	R	SM6062202TP	SM6062502TP	BOLT						1	1.00
39		SM8044002TP		SCREW M4X0.7 L=40						1	
40		SM8041552TP		SCREW M4 L=15						2	
41		NM6040001SC		NUT M4						3	
42		SM6051802TP		SCREW M5 L=18						2	
43		WS0510002KN		SPRING WASHER						2	
44		WP0531001SC		WASHER						2	
45		25305103		BASE						1	
46		SM6041002TP		SCREW M4 L=10						2	

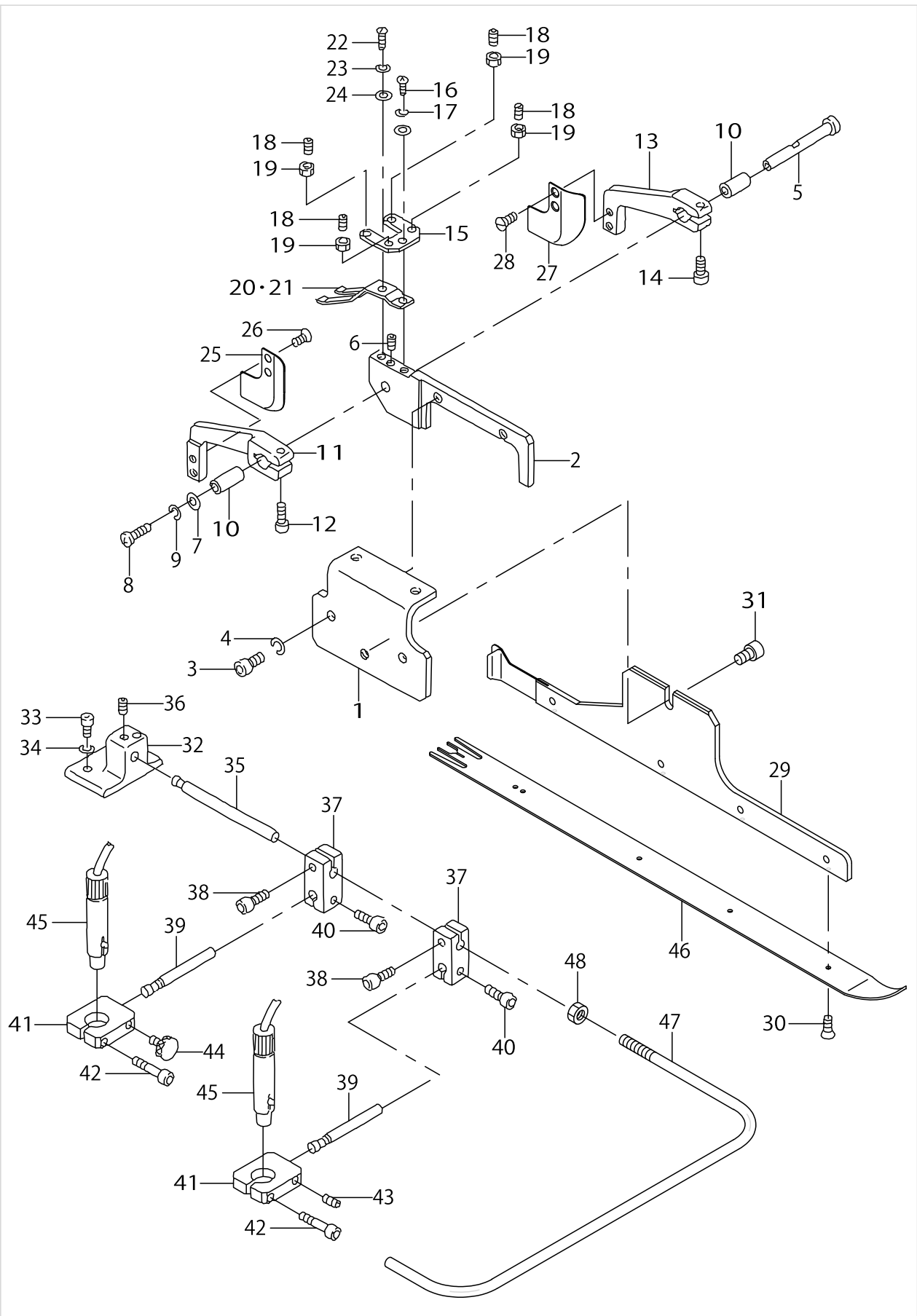
BINDER COMPONENTS (1)



BINDER COMPONENTS (1)

No.	Supply Code	Parts No.	Replacement	Parts name	Remarks	Choice	Step	Level	Cons	Qty	Rep. QTY
47		WS0410002KN		SPRING WASHER						2	
48		B2613232000		STOP LINK ROD HINGE SCREW						1	
49		NS6620310SP		NUT 3/16-32						1	
50		WP0480856SP		WASHER 4.8X8.4X0.8						1	
51		WS0511302KS		SPRING WASHER 5.1X9.2X1.3						1	
52	D	25305202		PLATE						1	
53		SM6041002TP		SCREW M4 L=10						2	
54		WS0410002KN		SPRING WASHER						2	
55		PA2504501A0		AIR CYLINDER						1	
56	D	16802209		ROCKING HOLDER METAL						1	
57		PC015107000		SPEED CONTROLLER						2	
58		PX500053000		BAND						1	
59		PJ308045101		BRANCH						1	
60	D	25322157		CABLE ASM.						1	
61		25333204		BINDER BRACKET COVER, LOWER						1	
62		SM0040601SC		SCREW M4X0.7 L=6						2	

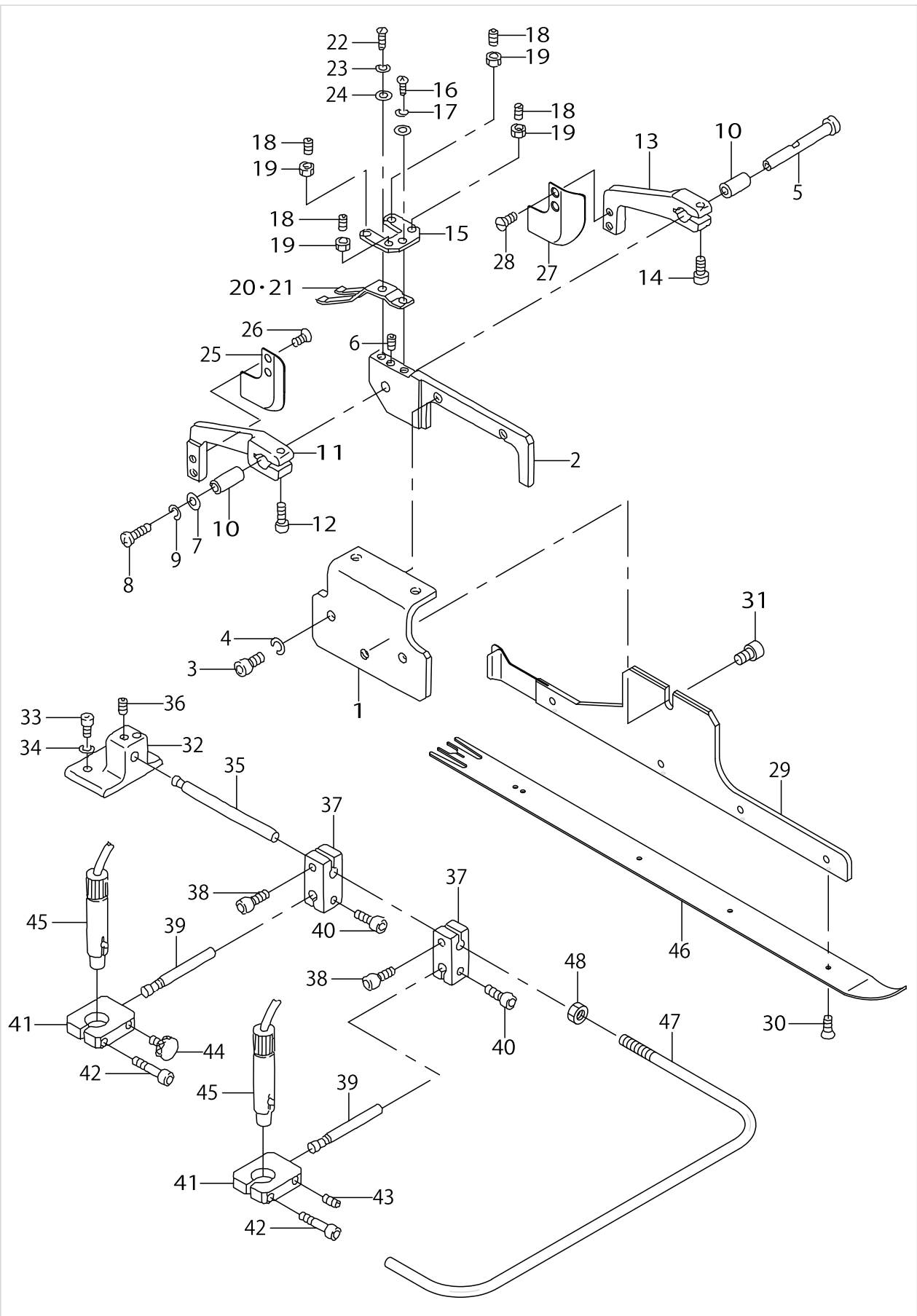
BINDER COMPONENTS (2)



BINDER COMPONENTS (2)

No.	Supply Code	Parts No.	Replacement	Parts name	Remarks	Choice	Step	Level	Cons	Qty	Rep. QTY
1		25304908		BINDER FITTING BASE(2)						1	
2		25305004		BINDER FITTING BASE(3)						1	
3		SM6051002TP		SCREW M5X0.8 L=10						2	
4		WS0510002KN		SPRING WASHER						2	
5	D	16671703		GUIDE PIN						1	
6		SM8031202TP		SCREW M3X0.5 L=12						1	
7	D	G5329116000		WASHER D=8						1	
8		SM3030601SC		SCREW M3X0.5 L=6						1	
9		WS0310002KN		SPRING WASHER M3						1	
10		16671802		ARM BUSHING						2	
11	D	16766610		WORKPIECE GUIDE ARM, LEFT						1	
12		SM6031202TP		SCREW M3X0.5 L=12						1	
13	D	16766511		WORKPIECE GUIDE ARM, RIGHT						1	
14		SM6031202TP		SCREW M3X0.5 L=12						1	
15		G5321119000		WORKPIECE GUIDE STOPPER						1	
16		SM6030802TP		SCREW M3X0.5 L=8						1	
17		WS0310002KN		SPRING WASHER M3						1	
18		SM8041552TP		SCREW M4 L=15						4	
19		NM6040001SC		NUT M4						4	
20	D	G5328116000		WORKPIECE GUIDE SPRING A	GAUGE PART					1	
21	D	G5328116000		WORKPIECE GUIDE SPRING A	GAUGE PART					1	
22		SM4030801SC		SCREW M3 X 8						1	
23		WS0310002KN		SPRING WASHER M3						1	
24		WP0320500SC		WASHER M3						1	
25		25375403		WORKPIECE GUIDE B ,RIGHT						1	
26		SS1060610SP		SCREW 3/32-56 L=5.5						2	
27	D	25375502		WORKPIECE GUIDE A ,RIGHT						1	
28		SS1060610SP		SCREW 3/32-56 L=5.5						2	
29	D	25370107		BINDER BASE, LEFT	GAUGE PART					1	
30		G5333119000		SCREW M2 L=4						4	
31		SM6050802TP		SCREW M5X0.8 L=8						1	
32		16920100		MARKER BASE						1	
33		SM6061602TP		SCREW M6 L=16						2	
34		WS0610002KN		SPRING WASHER 6.1X12.2X1.5						2	
35		16912602		LIGHT INSTALLING SHAFT						1	
36		SM8060802TP		SCREW M6 L=8						1	
37		16912701		LIGHT BRACKET (1)						2	
38		SM6051552TP		SCREW M5 L=15						2	
39	D	16912800		REGULATION SHAFT						2	
40		SM6051552TP		SCREW M5 L=15						2	
41		16912909		LIGHT BRACKET (2)						2	
42		SM6052502TP		SCREW M5X0.8 L=25						2	
43		SM8051002TP		SCREW M5 L=10						1	
44	D	G5338116000		CLAMP BOLT						1	
45	D	25325655		CROSS MARKING LIGHT ASM.						2	
46	D	25311119		WELT PATCH BASE PLATE	GAUGE PART					1	

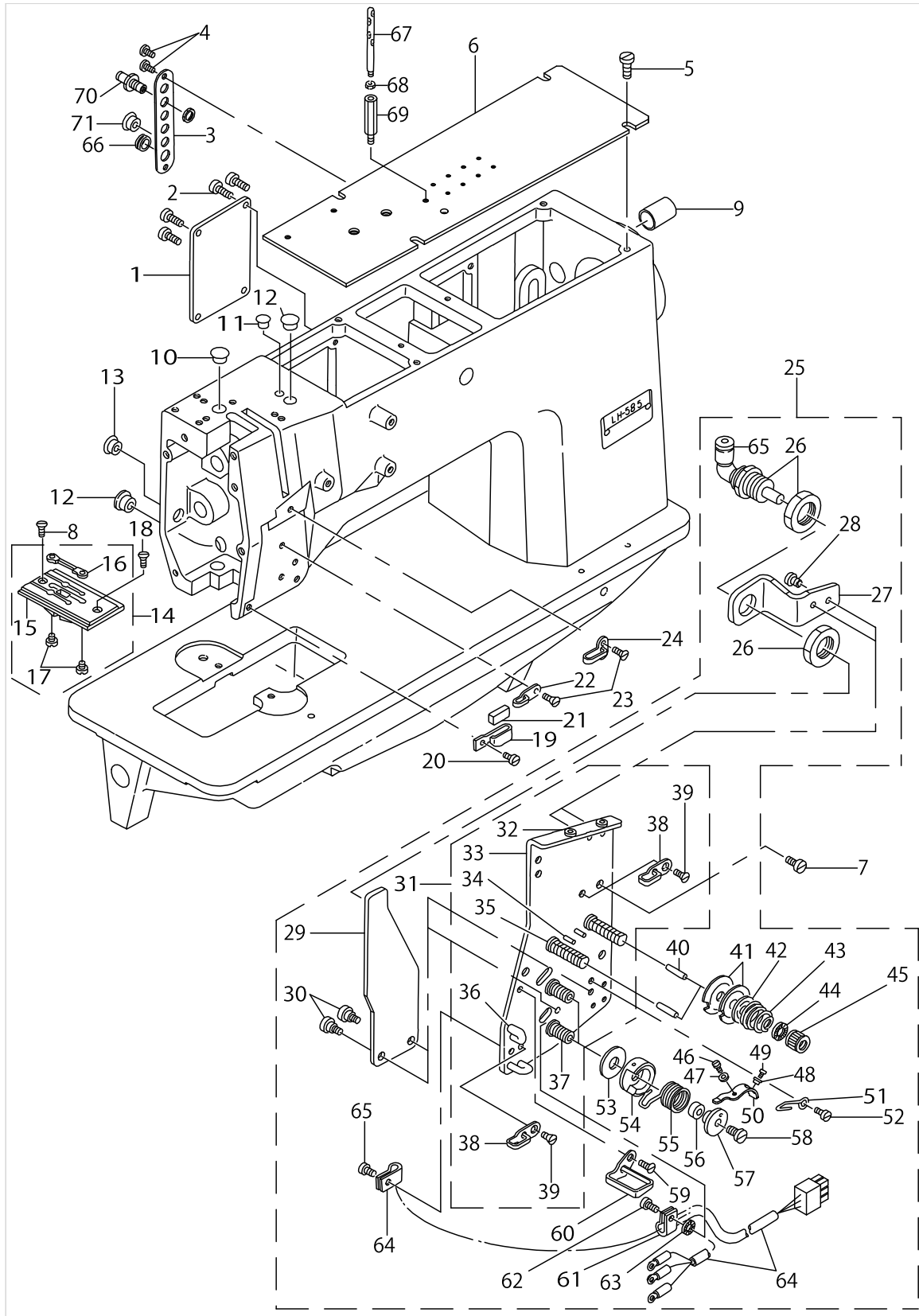
BINDER COMPONENTS (2)



BINDER COMPONENTS (2)

No.	Supply Code	Parts No.	Replacement	Parts name	Remarks	Choice	Step	Level	Cons	Qty	Rep. QTY
47		25404203		SAFETY GUARD						1	
48		NM6050001SC		NUT M5						1	

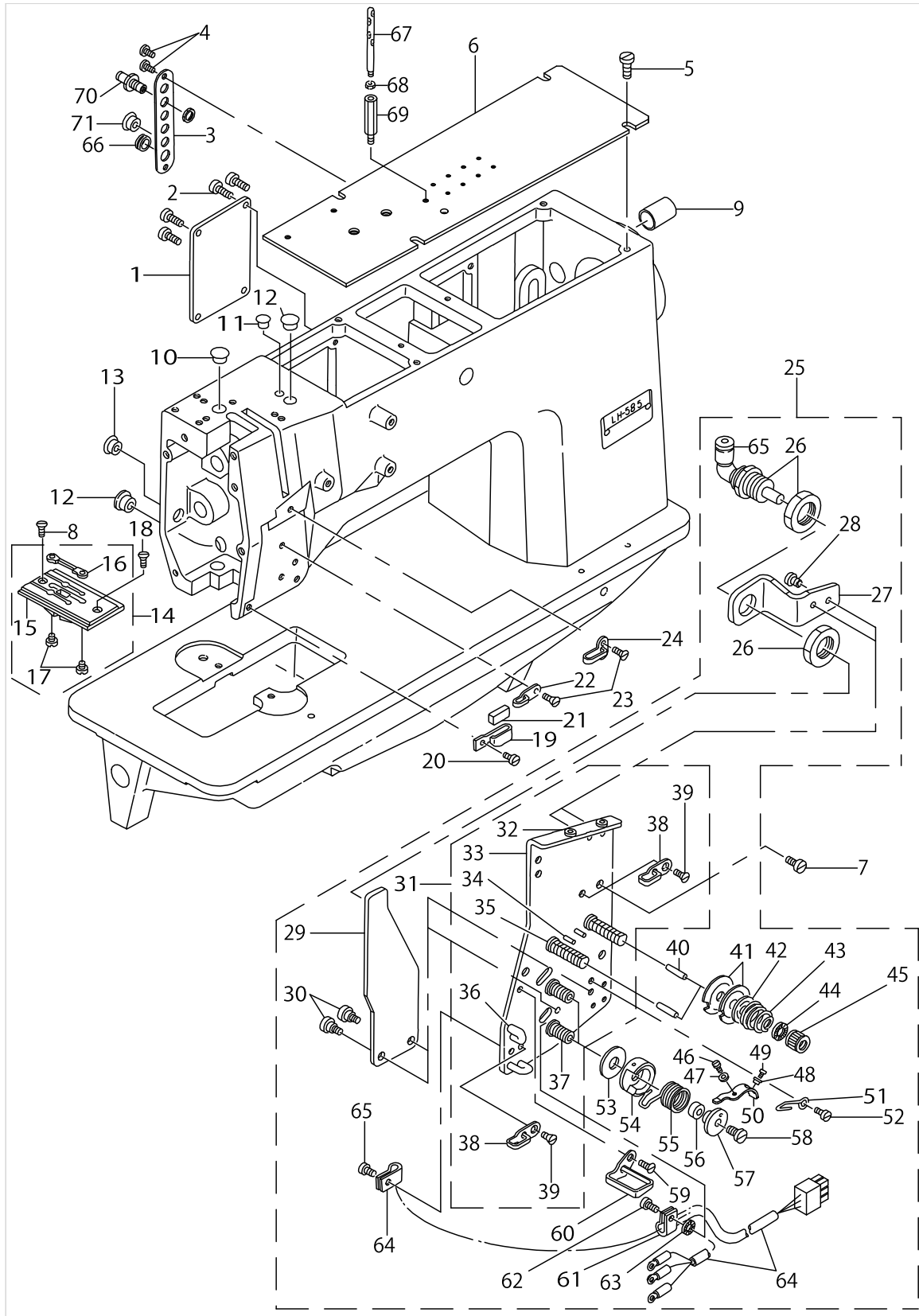
FRAME & MISCELLANEOUS COVER COMPONENTS



FRAME & MISCELLANEOUS COVER COMPONENTS

No.	Supply Code	Parts No.	Replacement	Parts name	Remarks	Choice	Step	Level	Cons	Qty	Rep. QTY
1	D	16400400		COVER						1	
2	R	SS7111810SP	SS7111810TP	SCREW11/64-40L=18						4	1.00
3		16428518		TUBE COVER						1	
4	R	SS7110910SP	SS7110910TP	SCREW 11/64-40 L=8.5						2	1.00
5		SS6150810SP		SCREW 15/64-28 L=8						4	
6		25136011		TOP COVER						1	
7	R	SS7110910SP	SS7110910TP	SCREW 11/64-40 L=8.5						3	1.00
8		SS2110930SP		SCREW 11/64-40 L=8.7	THIS GAUGE OF 8MM IS A USE					2	
9		TA1871602R0		RUBBER PLUG						1	
10		TA1250406R0		RUBBER PLUG D=12.5 L=4						1	
11		TA0750404R0		PLUG D=7.5 L=3.5						1	
12		TA1250504R0		RUBBER PLUG						2	
13		TA1050504R0		RUBBER PLUG						1	
14		16401259		THROAT PLATE ASM. 10MM	GAUGE PART					1	
15	R	16401200	16401259	THROATPLATE 10MM	GAUGE PART				*	1	1.00
16		16401002		CONTER KNIFE	GAUGE PART				*	1	
17		SS6080320SP		SCREW 1/8-44 L= 2.5					*	2	
18		SS2110915SP		SCREW 11/64-40 L=8.5						2	
19		10102200		THREAD GUIDE F						1	
20		SS7090610SP		SCREW 9/64-40 L=6						1	
21		B1131528000		FELT						1	
22		B1130051000		FRAME THREAD GUIDE, MIDDLE						1	
23		SS2090520SL		SCREW 9/64-40 L=5						1	
24		10101400		THREAD GUIDE, C						1	
25	D	25138660		THREAD TENSION BASE COMPONENTS						1	
26		PA1000506A0		CYLINDER					*	1	
27		16424608		CYLINDER BRACKET					*	1	
28		SS7090610SP		SCREW 9/64-40 L=6					*	2	
29	D	16424202		TENSION RELEASE PLATE					*	1	
30		SD0470281SP		HINGE SCREW D=4.7 H=2.8					*	2	
31		25138652		THREAD TENSION BASE ASM.					*	1	
32		B1124804000		THREAD GUIDE, SMALL					*	2	
33	D	25138603		THREAD TENSION BASE PLATE					*	1	
34		PS0200122K0		SPRING PIN 2.0X12					*	2	
35		B3124512000		THREAD TENSION STUD					*	2	
36		16424301		THREAD GUIDE					*	2	
37	D	16424905		THREAD TAKE-UP SPRING STUD					*	2	
38		B1130051000		FRAME THREAD GUIDE, MIDDLE					*	2	
39		SS2090520SL		SCREW 9/64-40 L=5					*	2	
40	D	25450800		TENSION RELEASE PIN					*	2	
41		B3126051000		TENSION DISC					*	4	
42		B3132051000		TENSION DISC HOLDER					*	2	
43		B3129012A00		TENSION SPRING	SELECTIVE PARTS				*	2	
44		B3120125000		ROTATING STOPPER					*	2	
45		B311651200B		TENSION NUT B					*	2	

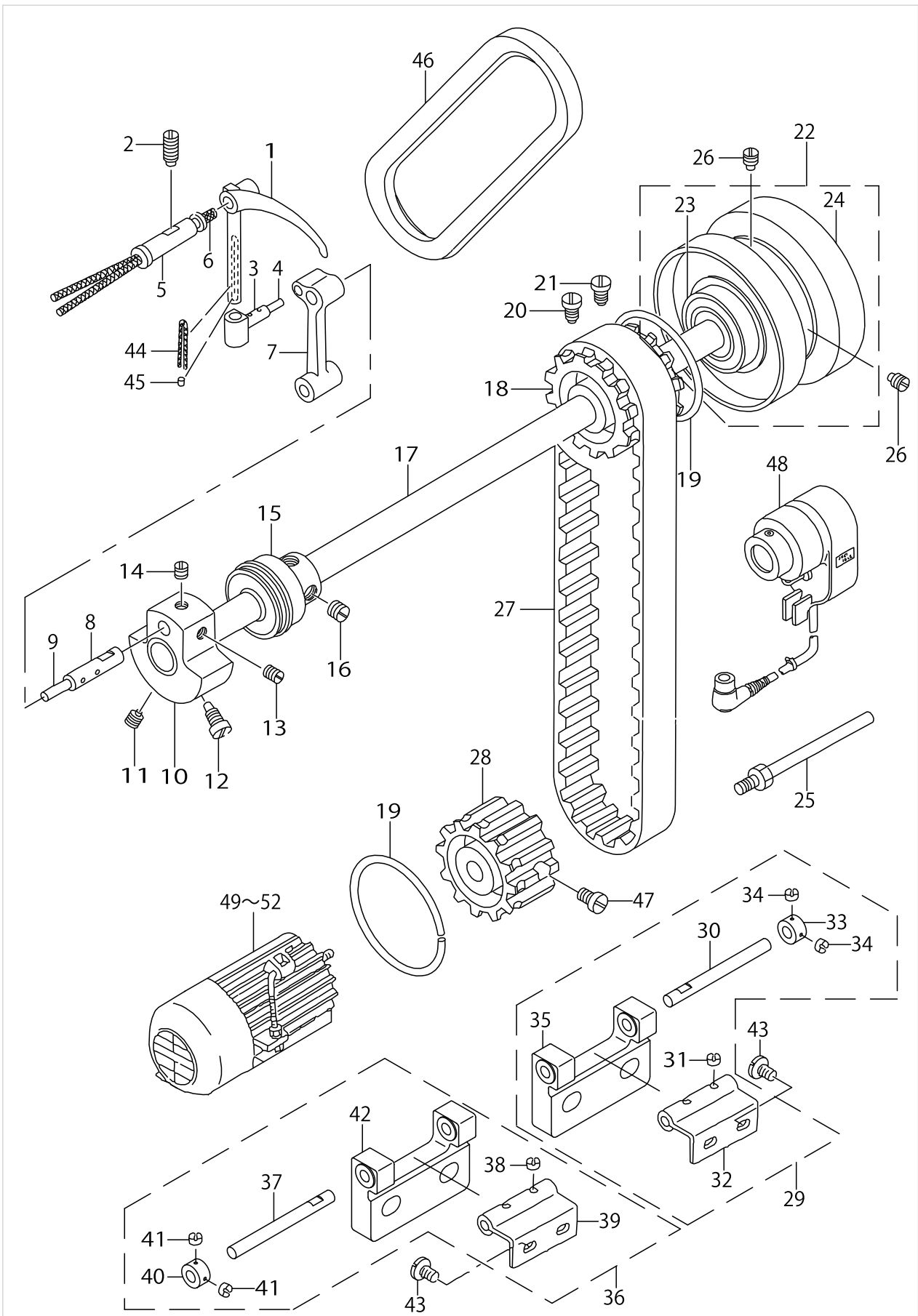
FRAME & MISCELLANEOUS COVER COMPONENTS



FRAME & MISCELLANEOUS COVER COMPONENTS

No.	Supply Code	Parts No.	Replacement	Parts name	Remarks	Choice	Step	Level	Cons	Qty	Rep. QTY
46		SS6060220SP		SCREW 3/32-56 L=2.0				*		2	
47		WP0250516SD		WASHER 2.5X6X0.5				*		1	
48		SS7090710SP		SCREW 9/64-40 L=6.8				*		1	
49		G3197116000		INSULATING BUSHING				*		2	
50		25139007		TAKE-UP SPRING A-DJUSTING PLATE				*		2	
51		B2213019000		LOOPER THREAD GUIDE (C)				*		1	
52		SS7090510SP		SCREW 9/64-40 L=4.6				*		1	
53	D	16424707		TAKE-UP SPRING GUIDE PLATE				*		2	
54		16424400		THREAD TENSION POST				*		2	
55	D	16424806		THREAD TAKE-UP SPRING				*		2	
56	D	16425100		SPRING ADJUSTING POST A				*		2	
57		16425209		SPRING ADJUSTING POST B				*		2	
58		SS6080610TP		SCREW 1/8-44 L=6				*		2	
59	D	SS2090541SL		SCREW 9/64-40 L=5				*		1	
60		16424004		THREAD GUIDE				*		1	
61		G5066110000		CORD HOLDER				*		2	
62		SS7090540TP		SCREW 9/64-40 L=5				*		2	
63		WT0480002KR		WASHER WITH TEETH M4.5				*		1	
64		25138751		SENSOR CABLE ASM.				*		1	
65		PJ304040504		ELBOW UNION				*		1	
66	D	16428609		GROMMET						1	
67		B1114051000		NEEDLE THREAD GUIDE PIN						1	
68		NS6620310SP		NUT 3/16-32						1	
69		25297607		STUD						1	
70		PJ230004200		UNION						3	
71		TA1050604R0		RUBBER PLUG						2	

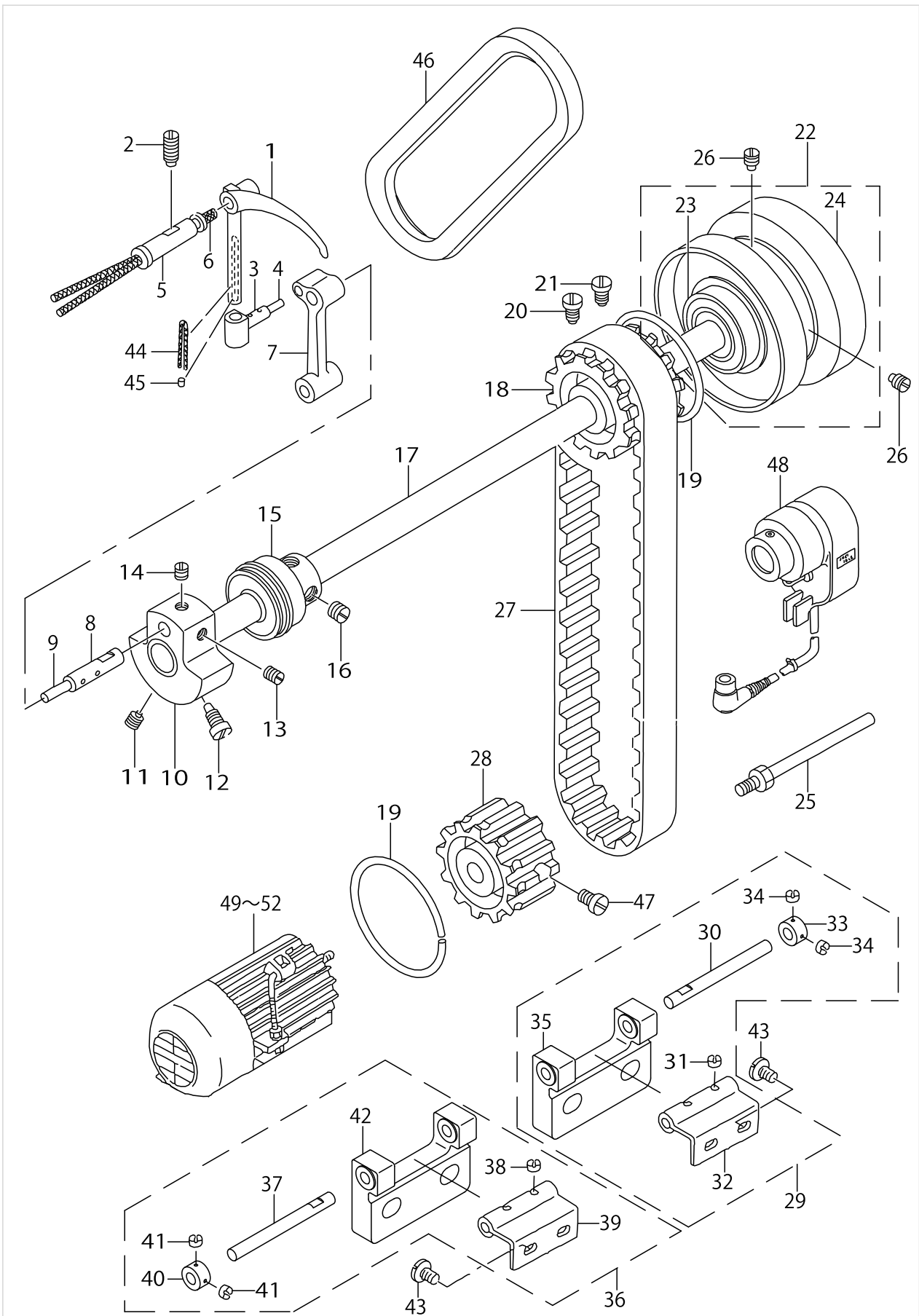
MAIN SHAFT & THREAD TAKE-UP LEVER COMPONENTS



MAIN SHAFT & THREAD TAKE-UP LEVER COMPONENTS

No.	Supply Code	Parts No.	Replacement	Parts name	Remarks	Choice	Step	Level	Cons	Qty	Rep. QTY
1		16423006		THREAD TAKE-UP LEVER						1	
2		SS8151550SP		SCREW15/64-28L=15						1	
3		B1907526000		TAKE-UP LEVER THRUST PIN						1	
4		CQ303000000		OIL WICK						.02	
5		B1906051000		TAKE-UP LEVER PIN						1	
6		CQ202000000		OIL WICK						.3	
7		B1408526000		NEEDLE BAR CRANK ROD						1	
8	R	B1210526000	22680607	NEEDLE BAR CRANK PIN						1	1.00
9		CQ303000000		OIL WICK						.06	
10		16406209		COUNTER WEIGHT						1	
11		SS8681650TP		SCREW 9/32-28 L=16						1	
12		SS7681750TP		SCREW 9/32-28 L=16.5						1	
13		SS8680730SP		SCREW 9/32-28 L=7						1	
14		SS8680540SP		SCREW 9/32-28 L=4.5						1	
15		10305159		MAIN SHAFT BUSHING, FRONT						1	
16	R	SS8150710SP	SS8150710TP	SCREW 15/64-28 L=7						2	1.00
17		16404204		MAIN SHAFT						1	
18		B1302051000		SPROCKET WHEEL, UPPER						1	
19		B1214019000		SPROCKET RING						2	
20		SS8681950SP		SCREW 9/32-28 L=19						1	
21		SS8681650TP		SCREW 9/32-28 L=16						1	
22	D	10307056		HAND WHEEL ASM.						1	
23		B1203512000		BUSHING, REAR				*		1	
24	D	25136409		HAND WHEEL				*		1	
25		10129054		SINCHRONIZER HOLDER STUD ASM.						1	
26		SS8151550SP		SCREW15/64-28L=15						2	
27		10103406		TIMING BELT						1	
28	D	B1303512000		SPROCKET WHEEL, LOWER						1	
29		25138850		HINGE ASM.,RIGHT						1	
30	D	10517209		ROLLER SHAFT A				*		1	
31		SS8110320SP		SCREW 11/64-40 L= 3.2				*		2	
32		G8214119000A		HINGE				*		1	
33		CS0800816SH		THRUST HOLDER D=8 W=8				*		1	
34		SS8110320SP		SCREW 11/64-40 L= 3.2				*		2	
35		25138801		HINGE BLOCK				*		1	
36		25138959		HINGE ASM.,LEFT						1	
37	D	10517209		ROLLER SHAFT A				*		1	
38		SS8110320SP		SCREW 11/64-40 L= 3.2				*		2	
39		G8214119000A		HINGE				*		1	
40		CS0800816SH		THRUST HOLDER D=8 W=8				*		1	
41		SS8110320SP		SCREW 11/64-40 L= 3.2				*		2	
42		25138801		HINGE BLOCK				*		1	
43		SS7680870SP		SCREW 9/32 L= 8.0						4	
44		CQ202000000		OIL WICK						.03	
45		TA0290301M0		RUBBER PLUG						1	
46	D	16934002		V BELT						1	

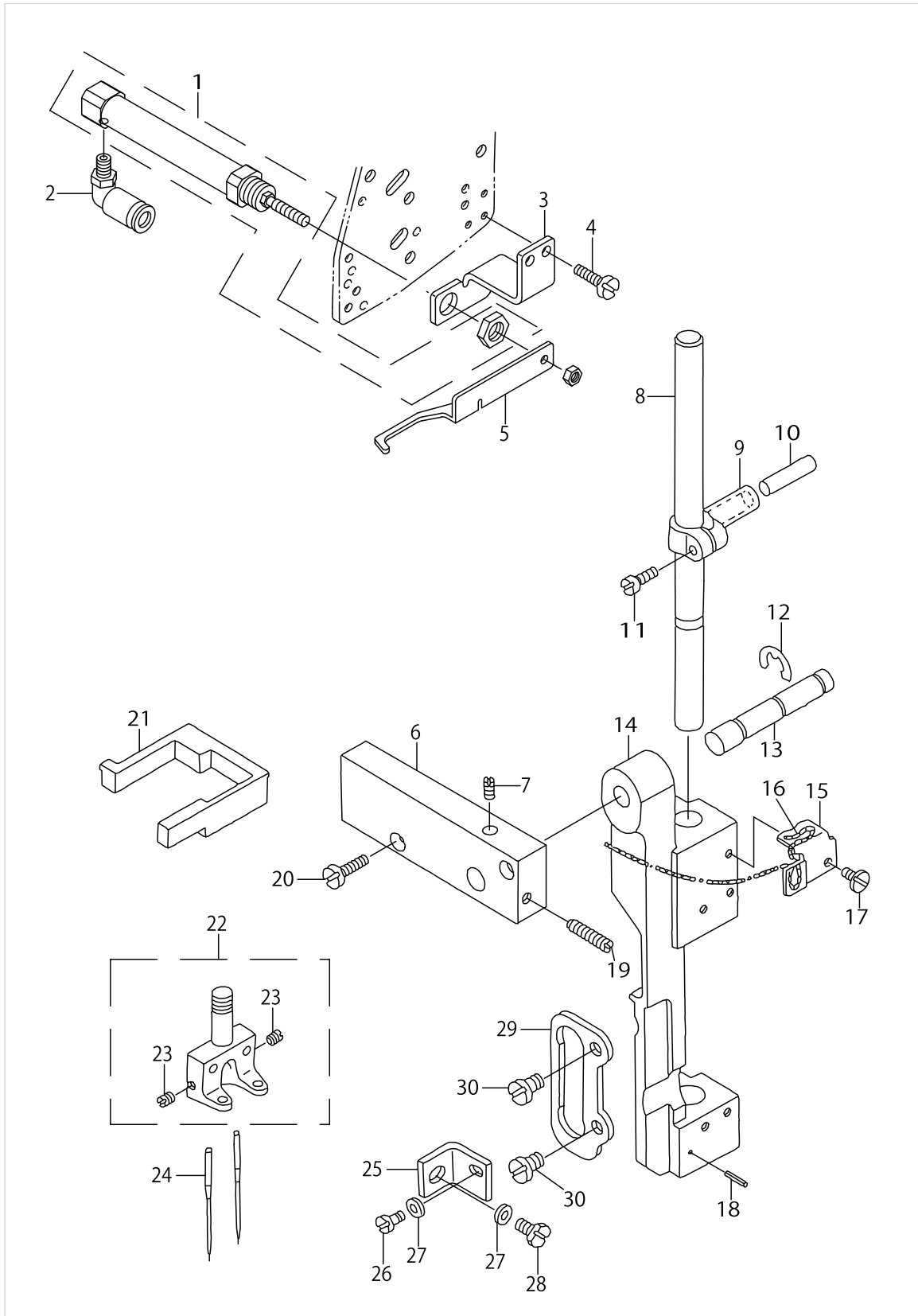
MAIN SHAFT & THREAD TAKE-UP LEVER COMPONENTS



MAIN SHAFT & THREAD TAKE-UP LEVER COMPONENTS

No.	Supply Code	Parts No.	Replacement	Parts name	Remarks	Choice	Step	Level	Cons	Qty	Rep. QTY
47		SS6661110SP		SCREW 1/4-40 L=11						2	
48	R	GSY010000A0	40026920	SY-1 COMPLETION.						1	1.00
49		MTSG1122410		MOTOR 100-120V	FOR 100 TO 120V,1-PHASE					1	
50	D	MTSG3192510		MOTOR 380-440V 3-PHASE	FOR 380 TO 440V,3-PHASE					1	
51	D	MTSG1162410		MOTOR 200-240V	FOR 200 TO 240V,1-PHASE					1	
52		MTSG3162510		MOTOR 200-240V 3-PHASE	FOR 200 TO 240V,3-PHASE					1	

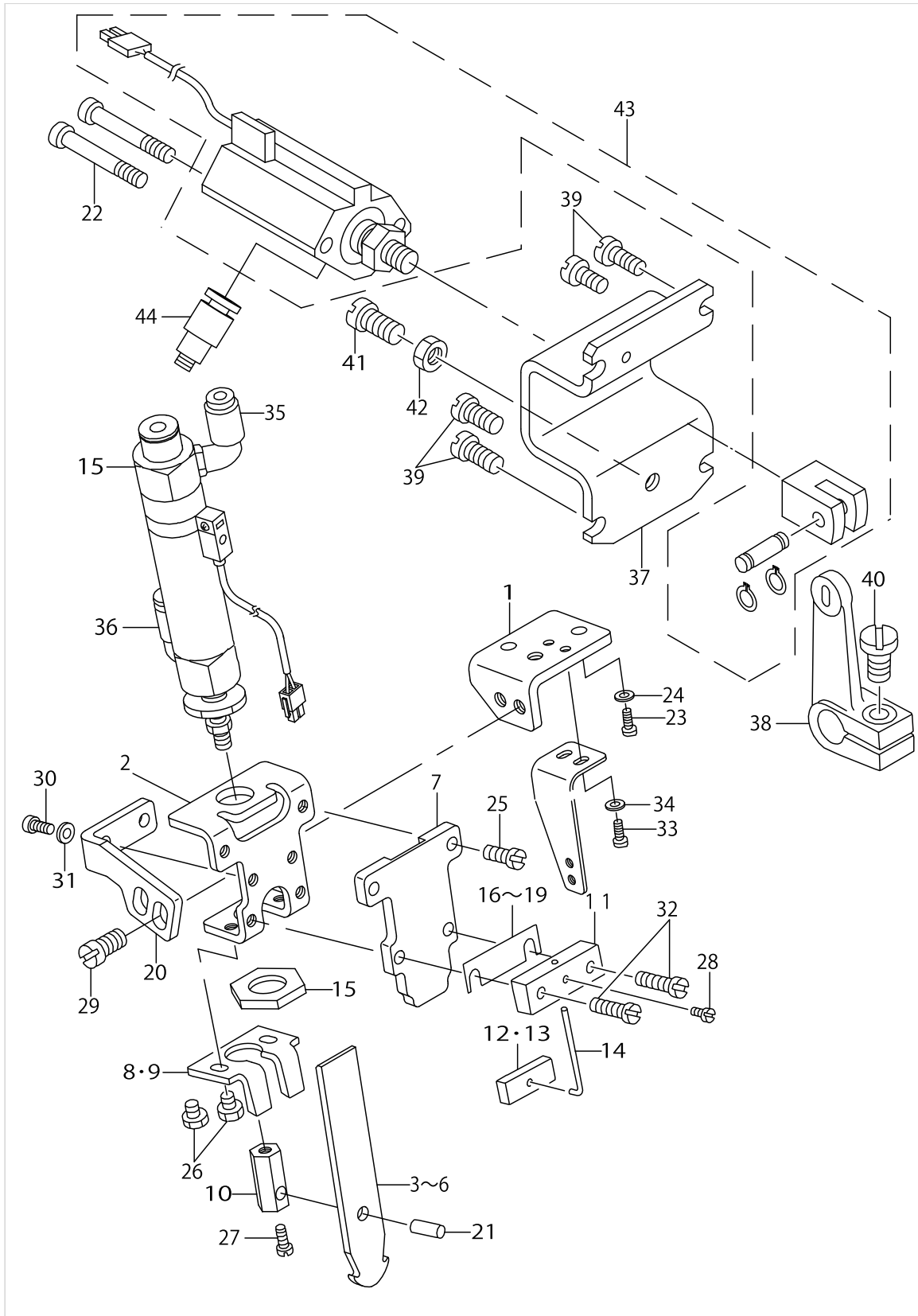
NEEDLE BAR FRAME COMPONENTS



NEEDLE BAR FRAME COMPONENTS

No.	Supply Code	Parts No.	Replacement	Parts name	Remarks	Choice	Step	Level	Cons	Qty	Rep. QTY
1		PA1002506A0		CYINDER						1	
2		PJ304040506		ELBOW UNION						1	
3	D	25136102		WIPER CYLINDER BRACKET						1	
4		SS7090610SP		SCREW 9/64-40 L=6						2	
5		25136201		WIPER						1	
6		B1430526000		NEEDLE BAR FRAME SHAFT BASE						1	
7		SS8110750SP		SCREW 11/64-40 L= 6.5						1	
8		16406902		NEEDLE BAR						1	
9		B1411051000		NEEDLE BAR CONNECTION						1	
10		B1412051000		FELT						1	
11		SS7090910TP		SCREW 9/64-40 L=8.5						2	
12		RE0700000K0		E-RING 7						1	
13		16406704		NEEDLE BAR FRAME SHAFT						1	
14		16406407		NEEDLEBARFRAMEA						1	
15		G1411118A00		OIL WICK HOLDER						1	
16		CQ303000000		OIL WICK						1	
17		SS5090420SP		SCREW 9/64-40 L=3.5						1	
18		PS0200082KH		SPRING PIN						1	
19		SS8111610SP		SCREW 11/64-40 L=15.5						1	
20	R	SS7111310SP	SS7111310TP	SCREW 11/64-40 L=12.8						2	1.00
21	D	16406308		NEEDLE BAR FRAME RUBBER						1	
22		G1402116BA0		NEEDLE CLAMP ASM. 10MM	GAUGE PART (ORDER FOR NEEDLE CLAMP ONLY CANNOT BE ACCEPTED)					1	
23		SS8080410TP		SCREW 1/8-44 L=3.5				*		2	
24		MMT190B1600		NEEDLE MTX190 #16						2	
25	D	16406803		STOPPER PLATE						1	
26		SS7110740TP		SCREW 11/64-40 L=7						1	
27		WP0480856SP		WASHER 4.8X8.4X0.8						2	
28		SS9111010SP		SCREW 11/64-40 L=9.5						1	
29		B1467563000		UPPER FEED BAR GUIDE						1	
30		SS7110910TP		SCREW 11/64-40 L= 8.5						2	

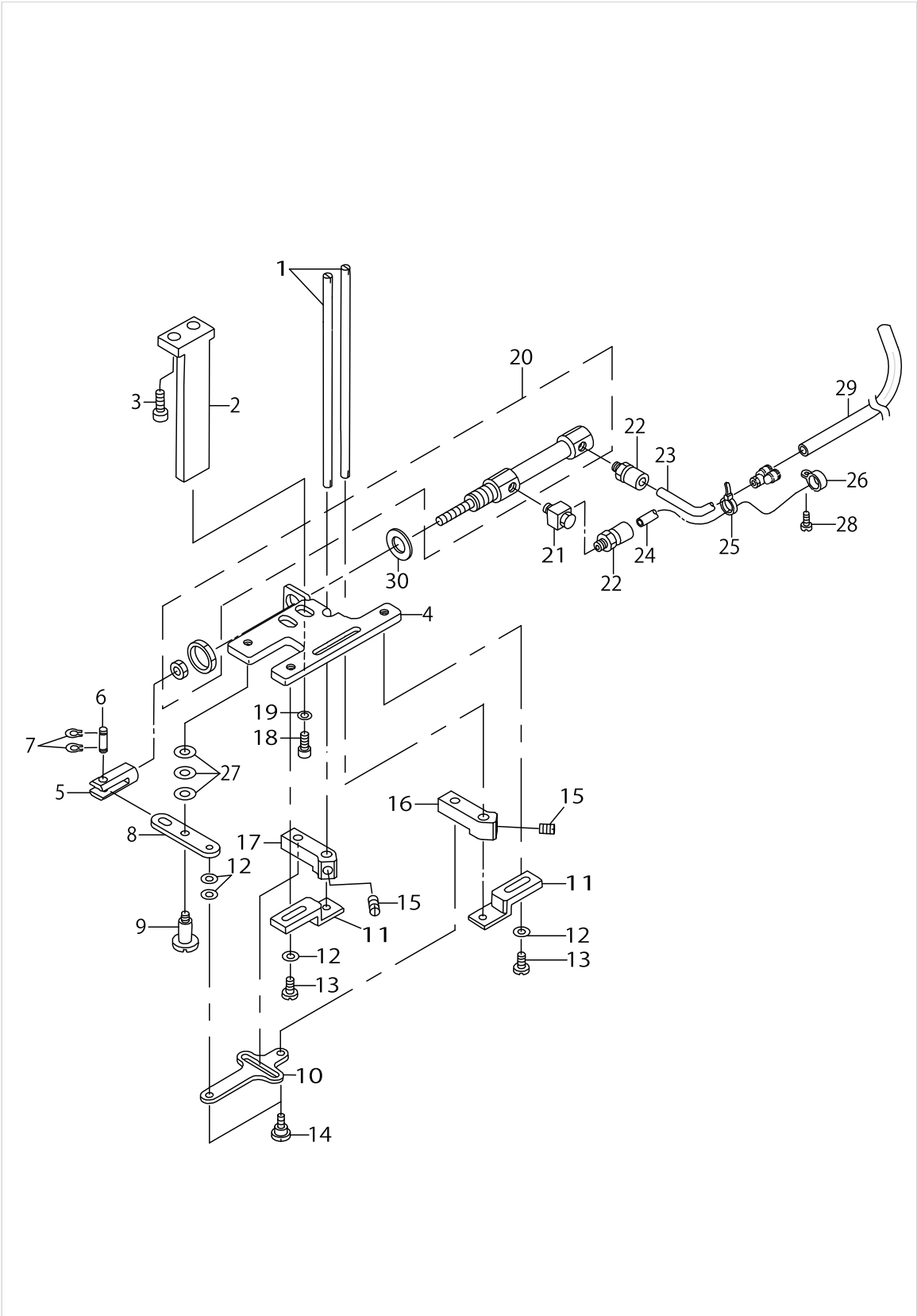
NEEDLE THREAD TRIMMER COMPONENTS



NEEDLE THREAD TRIMMER COMPONENTS

No.	Supply Code	Parts No.	Replacement	Parts name	Remarks	Choice	Step	Level	Cons	Qty	Rep. QTY
1		25136607		THREAD KNIFE BASE						1	
2		25136805		NEEDLE THREAD CYLINDER BASE						1	
3		25137100		NEEDLE THREAD KNIFE F	GAUGE PART					1	
4		16409500		NEEDLE THREAD KNIFE A	GAUGE PART					1	
5		16410508		NEEDLE THREAD KNIFE B	GAUGE PART					1	
6		16411100		UPPER THREAD CUTTING KNIFE E	GAUGE PART					1	
7		25136904		NEEDLE THREAD KNIFE GUIDE						1	
8		16409906		NEEDLE THREAD COUNTER KNIFE	GAUGE PART					1	
9		16411308		FIXED KNIFE	GAUGE PART					1	
10		25137001		THREAD KNIFE CYLINDER JOINT						1	
11		16410102		NEEDLE THREAD CLAMP BASE						1	
12	D	16410201		NEEDLE THREAD CLAMP PLATE	GAUGE PART					1	
13		16411407		CLAMP PLATE A	GAUGE PART					1	
14	D	16410300		NEEDLE THREAD CLAMP SPRING						1	
15		25140658		CYLINDER ASM.						1	
16		16410607		SPACER 0.2	SELECTIVE PARTS					1	
17		16410706		SPACER 0.4	SELECTIVE PARTS					1	
18		16410805		SPACER 0.6	SELECTIVE PARTS					1	
19		16410904		SPACER 0.8	SELECTIVE PARTS					1	
20		25136706		CYLINDER BASE BRACKET						1	
21		B1505804000		HINGE SHAFT						1	
22		SM6035052TN		SCREW						2	
23		SS6091022TP		SCREW						2	
24		WP0371026SD		WASHER 3.7X7X1						2	
25		SS7090710SP		SCREW 9/64-40 L=6.8						2	
26		SS9090640SP		SCREW 9/64-40 L=6						2	
27		SS6080810SP		SCREW 1/8-44 L=8.0						1	
28		SS6080410SP		SCREW 1/8-44 L=4						1	
29		SS7110840SP		SCREW 11/64-40 L=7.8						2	
30	R	SS6090620SP	SS6090620TP	SCREW 9/64-40 L=6						2	1.00
31		WP0371026SD		WASHER 3.7X7X1						2	
32		SS7091410SP		SCREW 9/64-40 L=13.5						2	
33		SM6030602TP		SCREW M3X0.5 L=6						2	
34		WP0320500SC		WASHER M3						2	
35		PJ304040501		ELBOW UNION 4XM5						1	
36		PJ304040506		ELBOW UNION						1	
37	D	25138306		KNIFE CHANGING CYLINDER BKT						1	
38	D	25139601		KNIFE CHANGING LINK A						1	
39	R	SS7110910SP	SS7110910TP	SCREW 11/64-40 L=8.5						4	1.00
40		SS6121210SP		SCREW 3/16-28 L=12						1	
41		SS6153040SP		SCREW 15/64-28 L=30						1	
42		NS6150310SP		NUT 15/64-28						1	
43		25140351		KNIFE CHANGING CYLINDER ASM.						1	
44		PJ301040502		HALF UNION 4XM5						2	

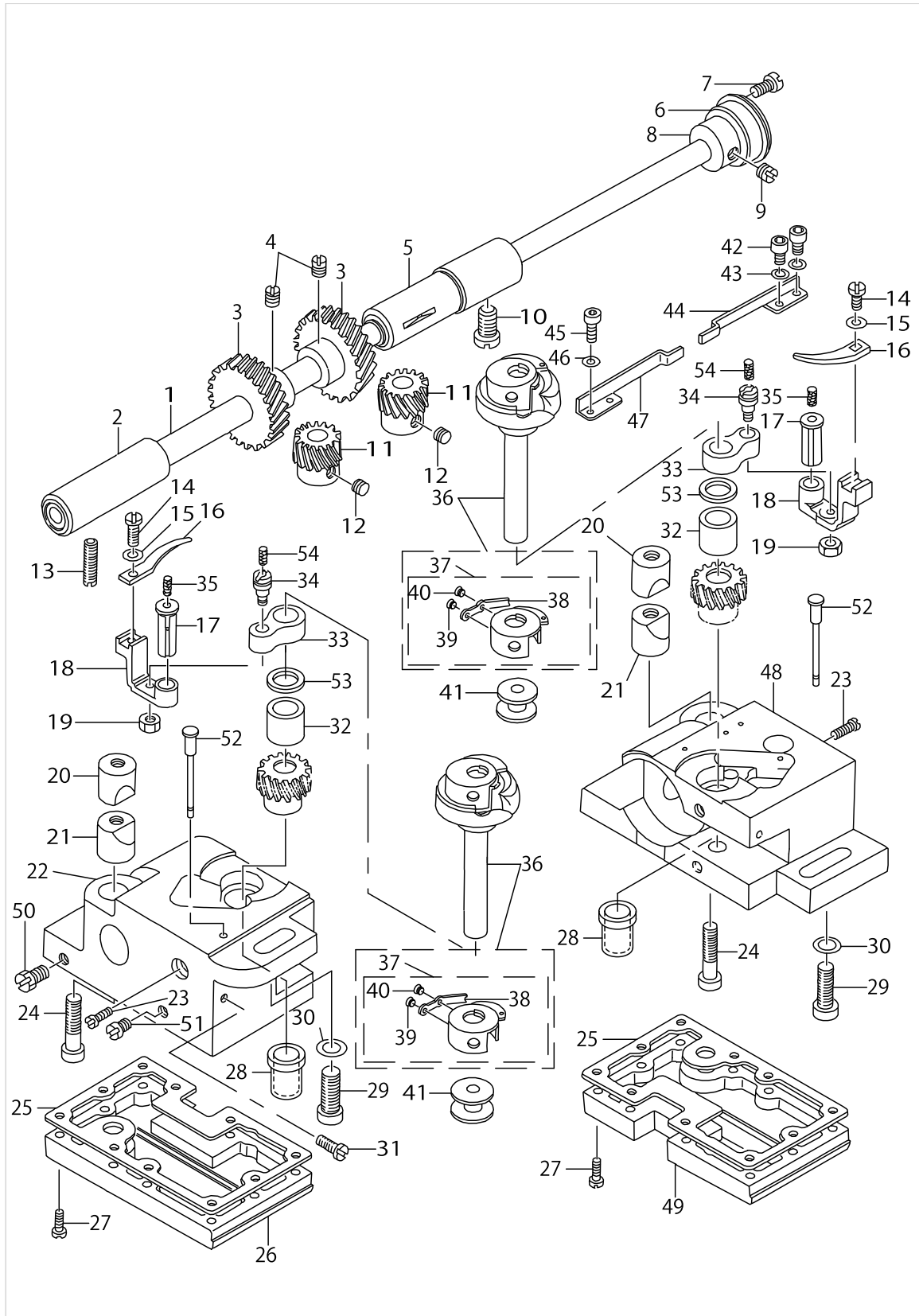
BOBBIN THREAD CLIP COMPONENTS



BOBBIN THREAD CLIP COMPONENTS

No.	Supply Code	Parts No.	Replacement	Parts name	Remarks	Choice	Step	Level	Cons	Qty	Rep. QTY
1		25137308		BOBBIN THREAD NIPPER BAR(A)						2	
2		G5701119000A		UNDER KNIFE MOUNTING BASE						1	
3		SS6151712TP		SCREW 15/64-28 L=16.5						2	
4		16413510		UNDER KNIFE FITTING BASE B						1	
5		25137506		CYLINDER JOINT						1	
6		B3034450000		LINK PIN						1	
7		B3035450000		SNAP RING						2	
8		25137407		KNIFE SUPPORTING PLATE						1	
9		SD0640602SP		HINGE SCREW D= 6.35 H= 6.0						1	
10	D	G5708119000		JOINT CONNECTING PLATE						1	
11		16413403		KNIFEPRESSERBASE						2	
12		WP0450000SD		WASHER 4.5X8X0.5						4	
13		SS7110710SP		SCREW 11/64-40 L=7						2	
14		SD0450401SP		HINGE SCREW D= 4.5 H= 4						3	
15		SS8110410TP		SCREW 11/64-40 L= 3.5						2	
16		25137605		KNIFE LINK ARM,RIGHT						1	
17		25137704		KNIFE LINKARM,LEFT						1	
18		SS6151412TP		SCREW15/64-28L=14						2	
19		WP0621026SP		WASHER 6.2X9.5X1						2	
20	D	PA1001527A0		AIR CYLINDER						1	
21		G5680116000		UNIVERSAL ELBOW						1	
22		PJ032052501		HOSE NIPPLE						2	
23		BT0400251EF		VINYL TUBE						.66	
24		BT0400251EC		TUBE HOSE, YELLOW						.66	
25		EA9500B0100		CABLE BAND						5	
26		EA9502B0500		CABLE CLIP						1	
27		WP0651056SH		WASHER 6.5X11X1						3	
28		SS7110710SP		SCREW 11/64-40 L=7						1	
29		BT0400251EC		TUBE HOSE, YELLOW						.66	
30	D	WP0901603SB		WASHER						1	

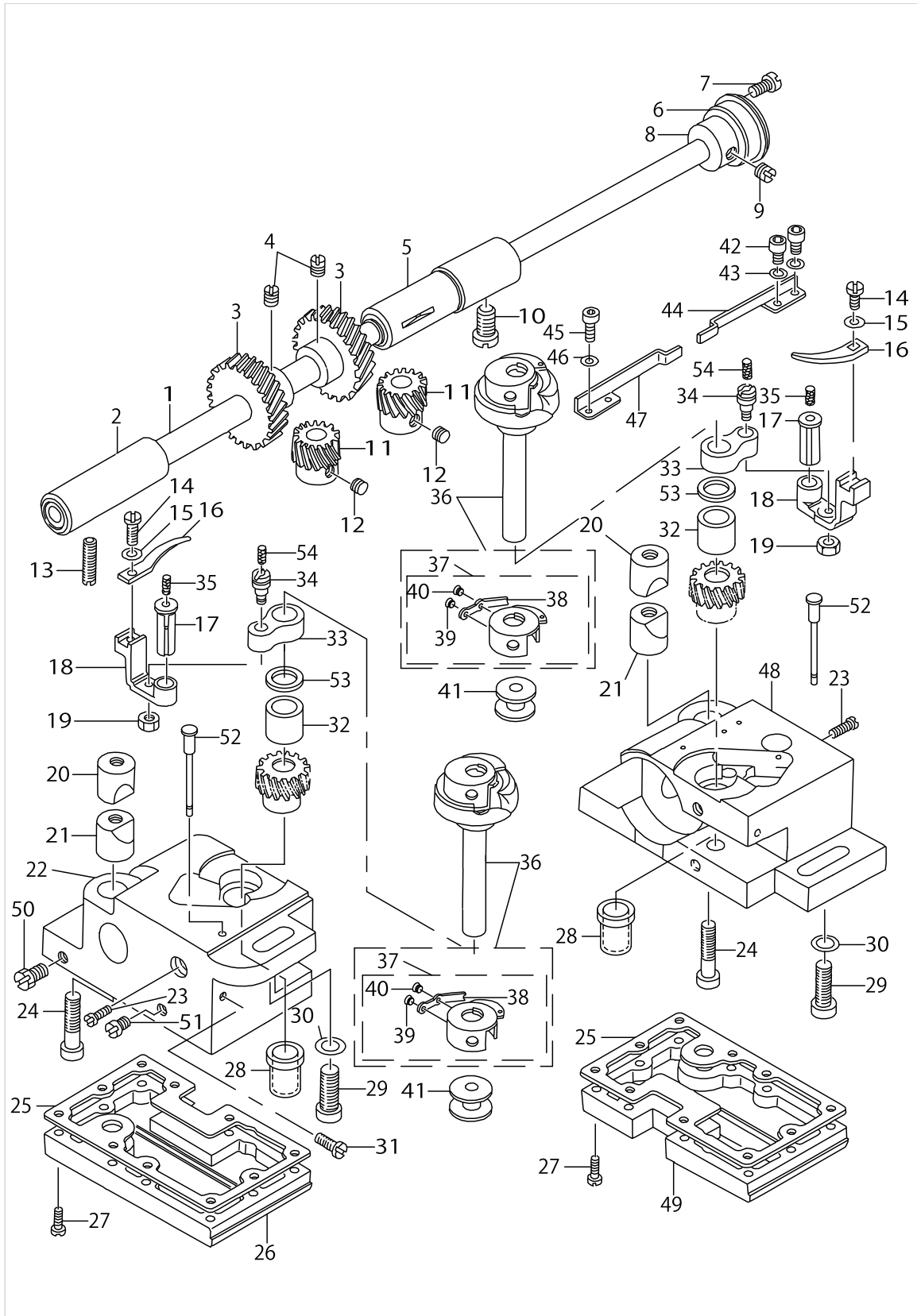
HOOK & HOOK DRIVING SHAFT COMPONENTS



HOOK & HOOK DRIVING SHAFT COMPONENTS

No.	Supply Code	Parts No.	Replacement	Parts name	Remarks	Choice	Step	Level	Cons	Qty	Rep. QTY
1	D	25138504		HOOK DRIVING SHAFT						1	
2		B18025120AB		BUSHING ASM., FRONT						1	
3		B1816512000		HOOK DRIVING SHAFT, LARGE						2	
4		SS8660810TP		SCREW 1/4-40 L=8						4	
5		10112357		BUSHING ASM. INTERMEDIATE						1	
6		B1813512000		HOOK DRIVING SHAFT BEARING						1	
7		SS7110840SP		SCREW 11/64-40 L=7.8						1	
8	D	B1804512000		THRUST COLLAR						1	
9	R	SS8150710SP	SS8150710TP	SCREW 15/64-28 L=7						2	1.00
10	R	SS8151150SP	SS8151150TP	SCREW 15/64-28 L=10.5						1	1.00
11		10112001		HOOK SHAFT GEAR, A	SELECTIVE PART					1	
12		SS8660530TP		SCREW 1/4-40 L= 4.5						6	
13		SS8152030SP		SCREW 15/64-28 L=20						1	
14		SS6090810SP		SCREW 9/64-40 L= 7.5						2	
15		WP0371016SD		WASHER 3.7X8X1						2	
16		16420705		BOBBIN CASE OPENING LEVER						2	
17		B1823051000		OPENING LEVER CRANK PIN						2	
18		B1822051000		OPENING LEVER CRANK						2	
19		NS6110430SP		NUT 11/64-40						2	
20		10109908		SADDLE INSTALLING BLOCK, UPPER						2	
21		10112407		SADDLE INSTALLING BLOCK, LOWER						2	
22		16421513		HOOK SHAFT SADDLE, LEFT						1	
23		SS6111610SP		SCREW 11/64-40 L=16						2	
24		SS6153012TP		SCREW 15/64-28						2	
25		G1861119000		GASKET						2	
26	D	G1860119AA0		HOOK SADDLE COVER ASM., LEFT						1	
27		SS6091210TP		SCREW 9/64-40 L=12						20	
28	R	22613400	40017056	HOOK DRIVING SHAFT BUSHING						2	1.00
29	R	SM6082002SP	SM6082002TP	SCREW M8 L=20						2	1.00
30		WP0850002SP		WASHER 8.5X18X1.6						2	
31		SS7110510SP		SCREW 11/64-40 L=5						1	
32	D	25138405		HOOK SHAFT UPPER BUSHING						2	
33		B1820563000		BOBBIN CASE OPENING LEVER LINK						2	
34		B1821051000		CRANK SCREW STUD						2	
35		CQ202000000		OIL WICK						.02	
36		16421760		HORIZONTAL ROTATING HOOK ASM.						2	
37		16422065		BOBBIN CASE				*		2	
38		G183111600B		TENSION SPRING				*		2	
39		10547800		SCREW				*		2	
40		10547909		SCREW				*		2	
41		16428153		BOBBIN ASM.						2	
42	R	SM6040802SP	SM6040802TR	SCREW M4X0.7 L=8						2	1.00
43		WP0450000SD		WASHER 4.5X8X0.5						2	
44	D	16421109		NIPPER SPRING, RIGHT						1	
45	R	SM6040802SP	SM6040802TR	SCREW M4X0.7 L=8						2	1.00

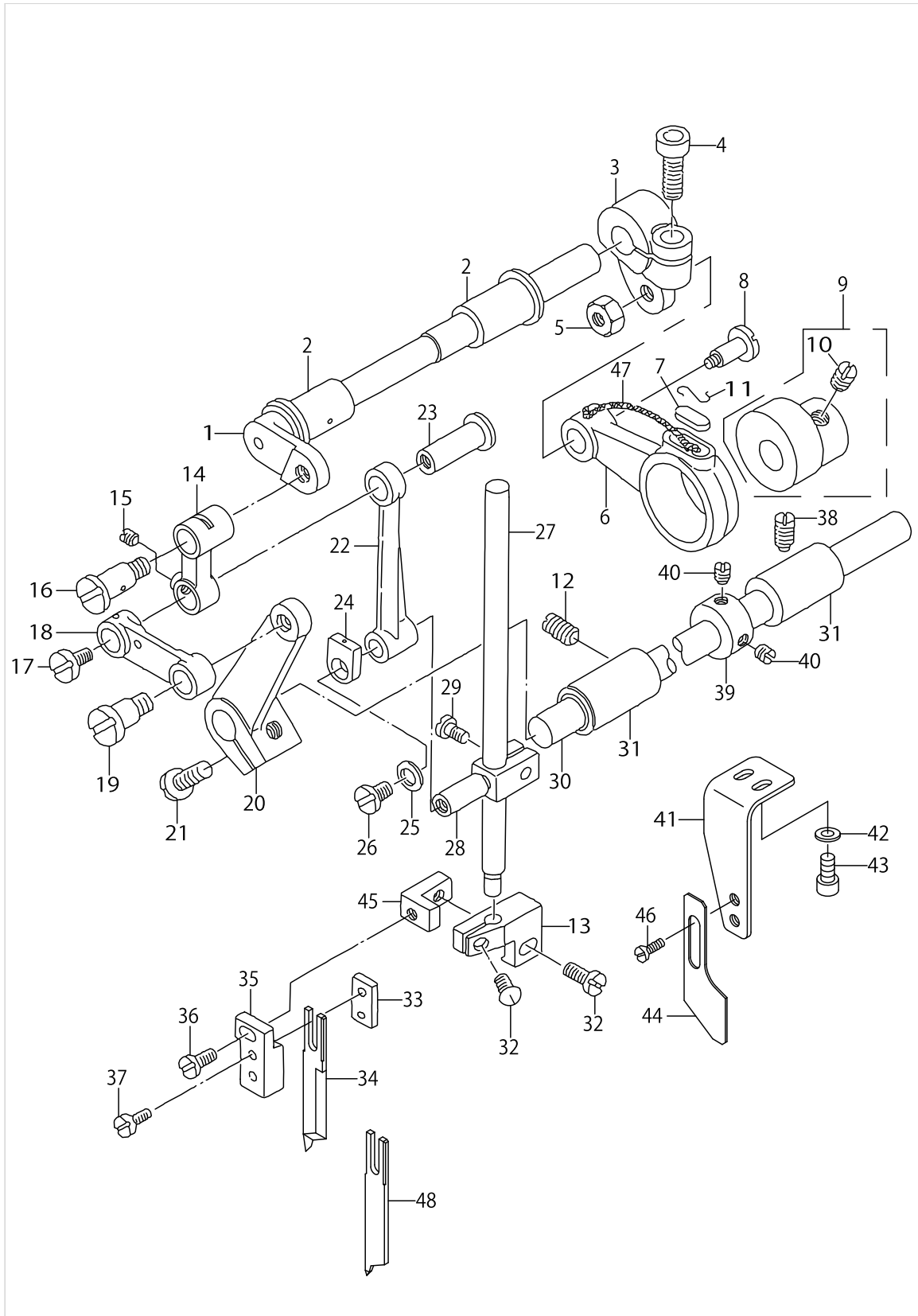
HOOK & HOOK DRIVING SHAFT COMPONENTS



HOOK & HOOK DRIVING SHAFT COMPONENTS

No.	Supply Code	Parts No.	Replacement	Parts name	Remarks	Choice	Step	Level	Cons	Qty	Rep. QTY
46		WP0450000SD		WASHER 4.5X8X0.5						2	
47	D	16422206		NIPPERSPRING, LEFT						1	
48		16422404		OIL COVER, LEFT						1	
49	D	G1860119BA0		HOOK SADDLE COVER ASM., RIGHT						1	
50	D	G1860119BA0		HOOK SADDLE COVER ASM., RIGHT						1	
51		SS9660720SP		SCREW 1/4-40 L=7						1	
52		16428401		HOOK OIL GAUGE						2	
53		10109700		THRUST WASHER, A	SELECTIVE PART					2	
54		CQ202000000		OIL WICK						.01	

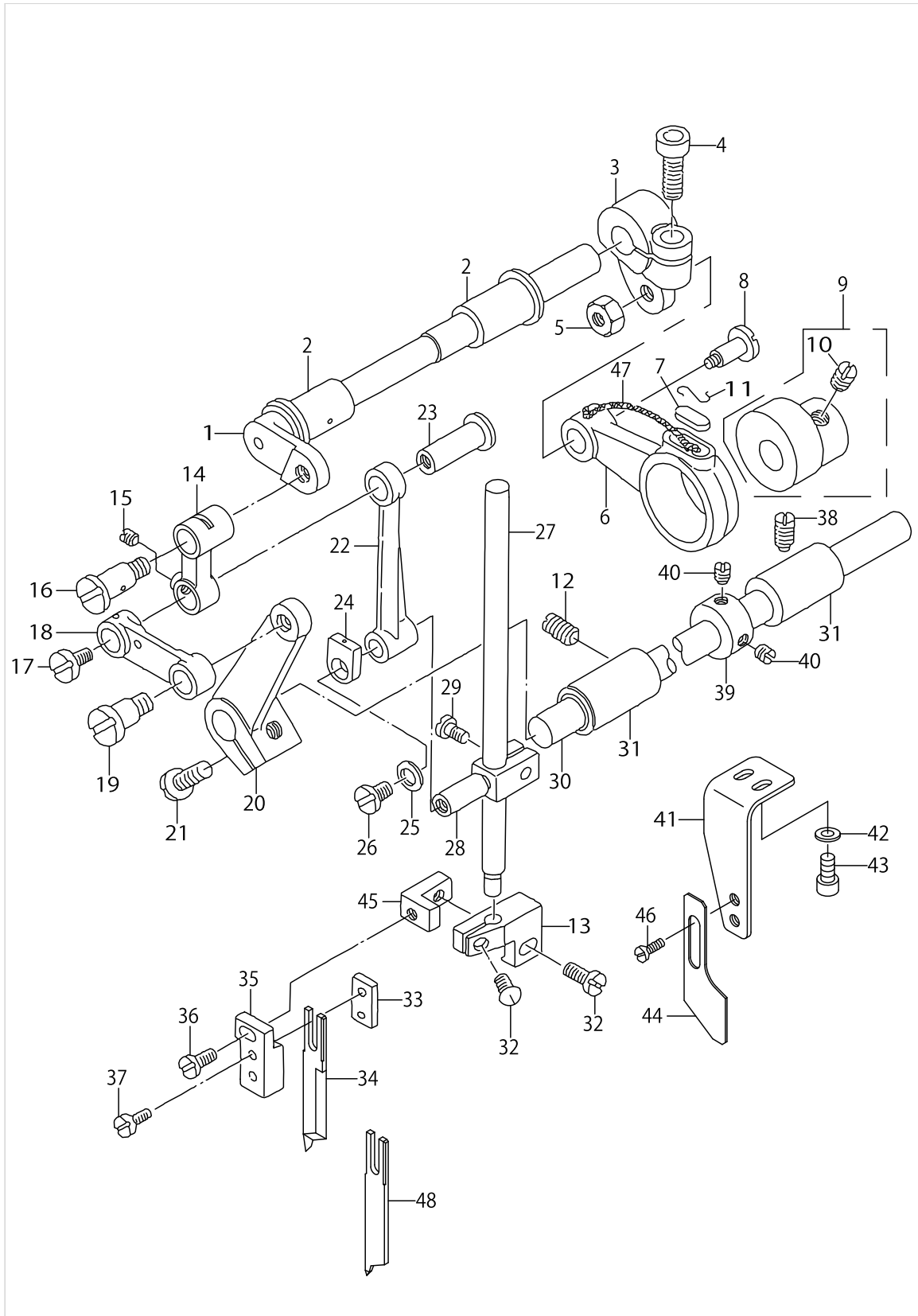
UPPER KNIFE COMPONENTS



UPPER KNIFE COMPONENTS

No.	Supply Code	Parts No.	Replacement	Parts name	Remarks	Choice	Step	Level	Cons	Qty	Rep. QTY
1	D	25138009		KNIFE DRIVING SHAFT						1	
2		10313906		BUSHING						2	
3		25137803		KNIFE DRIVING ARM						1	
4		SM6061602TP		SCREW M6 L=16						1	
5		NS6680410SP		NUT 9/32-28						1	
6		25137902		KNIFE DRIVING ROD						1	
7		B1702012000		OIL FELT						1	
8		SD1021251SP		HINGE SCREW D=10.20 H=12.5						1	
9		D1450055BA0		TOP FEED CAM ASM.						1	
10		SS8660340SP		SCREW 1/4-40 L= 2.5				*		2	
11		B1213012000		FELT RETAINER						1	
12		SS8150920SP		SET-SCREW						1	
13	D	16418204		KNIFE MOUNTING BASE A, RIGHT						1	
14		16417412		UPPER KNIFE LINK A						1	
15		SS8110520TP		SCREW 11/64-40 L= 4.5						1	
16		SD0791331SP		HINGE SCREW D= 7.94 H=13.3						1	
17		SS5110710SP		SCREW 11/64-40 L=7						1	
18		16417719		UPPER KNIFE LINK B						1	
19		16415911		HINGE SCREW A						1	
20		16417800		UPPER KNIFE LINK D						1	
21		SS7151120SP		SCREW 15/64-28 L=11						1	
22	D	16417313		UPPER KNIFE LINK C						1	
23		16415218		LINK PIN						1	
24		B1467563000		UPPER FEED BAR GUIDE						1	
25		WP0480856SP		WASHER 4.8X8.4X0.8						1	
26		SS5110810SP		SCREW 11/64-40 L=8						1	
27		16416000		KNIFE BAR						1	
28	D	16415515		KNIFE BAR CLAMP						1	
29		SS6090910TP		SCREW 9/64-40 L=9						1	
30	D	16415002		KNIFE CHANGING SHAFT						1	
31		16415101		BUSHING						2	
32		SS5110810SP		SCREW 11/64-40 L=8						2	
33		16415804		KNIFE MOUNTING BASE D						1	
34		25443805		UPPER KNIFE H, LEFT						1	
35	D	16415705		KNIFE MOUNTING BASE C						1	
36	R	SS7110910SP	SS7110910TP	SCREW 11/64-40 L=8.5						1	1.00
37		SS6080810SP		SCREW 1/8-44 L= 8.0						1	
38	R	SS8151150SP	SS8151150TP	SCREW 15/64-28 L=10.5						1	1.00
39		CS1111019SH		THRUST COLLAR D=11.11 W=10						1	
40		SS8660410SP		SCREW 1/4-40 L= 4.2						2	
41		25137209		KNIFE COVER FITTING PLATE						1	
42		WP0320500SC		WASHER M3						2	
43	D	SM6030602SP		SCREW M3X0.5 L=6						2	
44		25140708		KNIFE COVER						1	
45		16418303		UPPER KNIFE INST- ALLATION BASE						1	
46		SM4030401SC		SCREW M3X0.5 L=4						2	

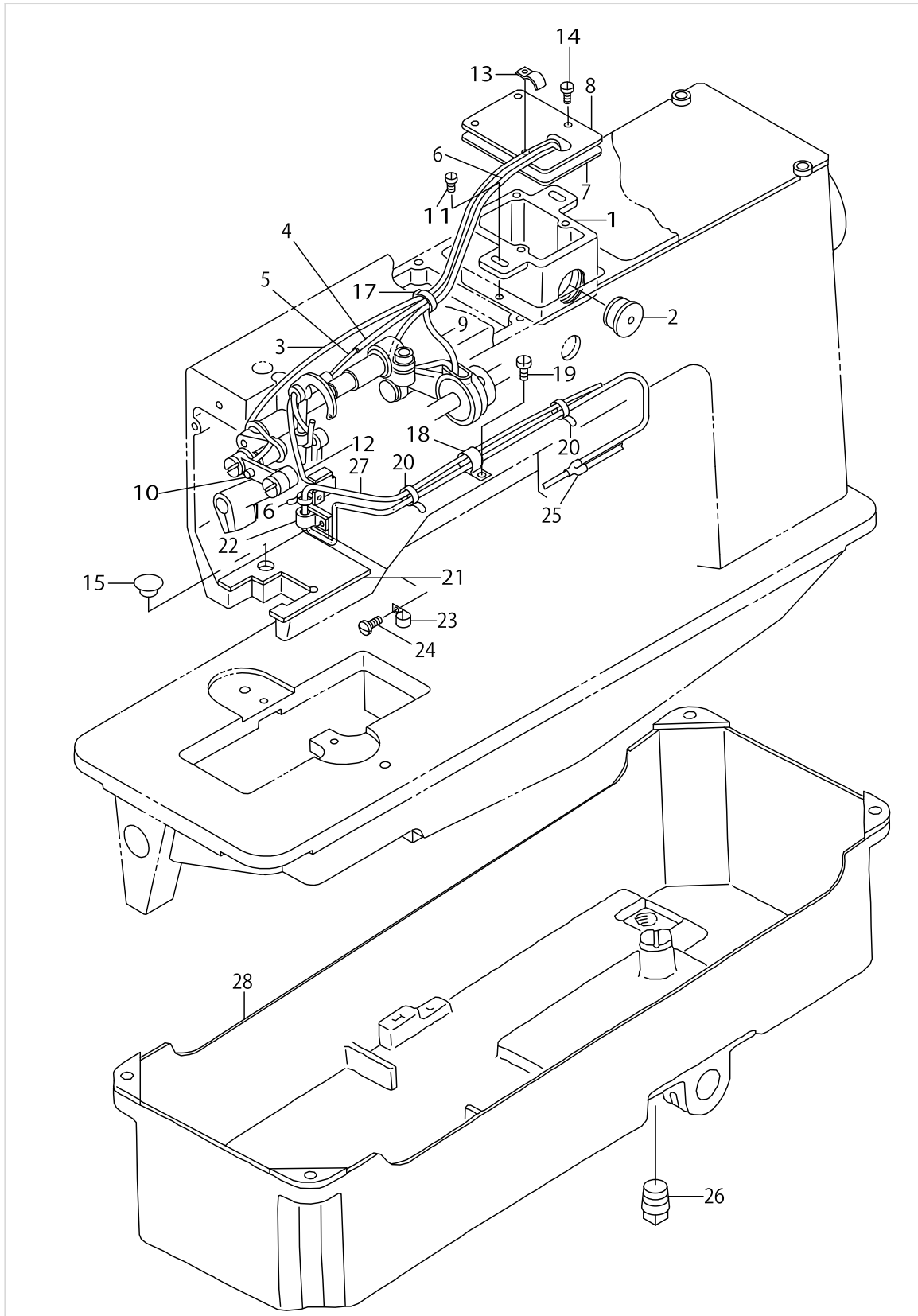
UPPER KNIFE COMPONENTS



UPPER KNIFE COMPONENTS

No.	Supply Code	Parts No.	Replacement	Parts name	Remarks	Choice	Step	Level	Cons	Qty	Rep. QTY
47		CQ303000000		OIL WICK						.06	
48		25446808		UPPER KNIFE H , RIGHT						1	

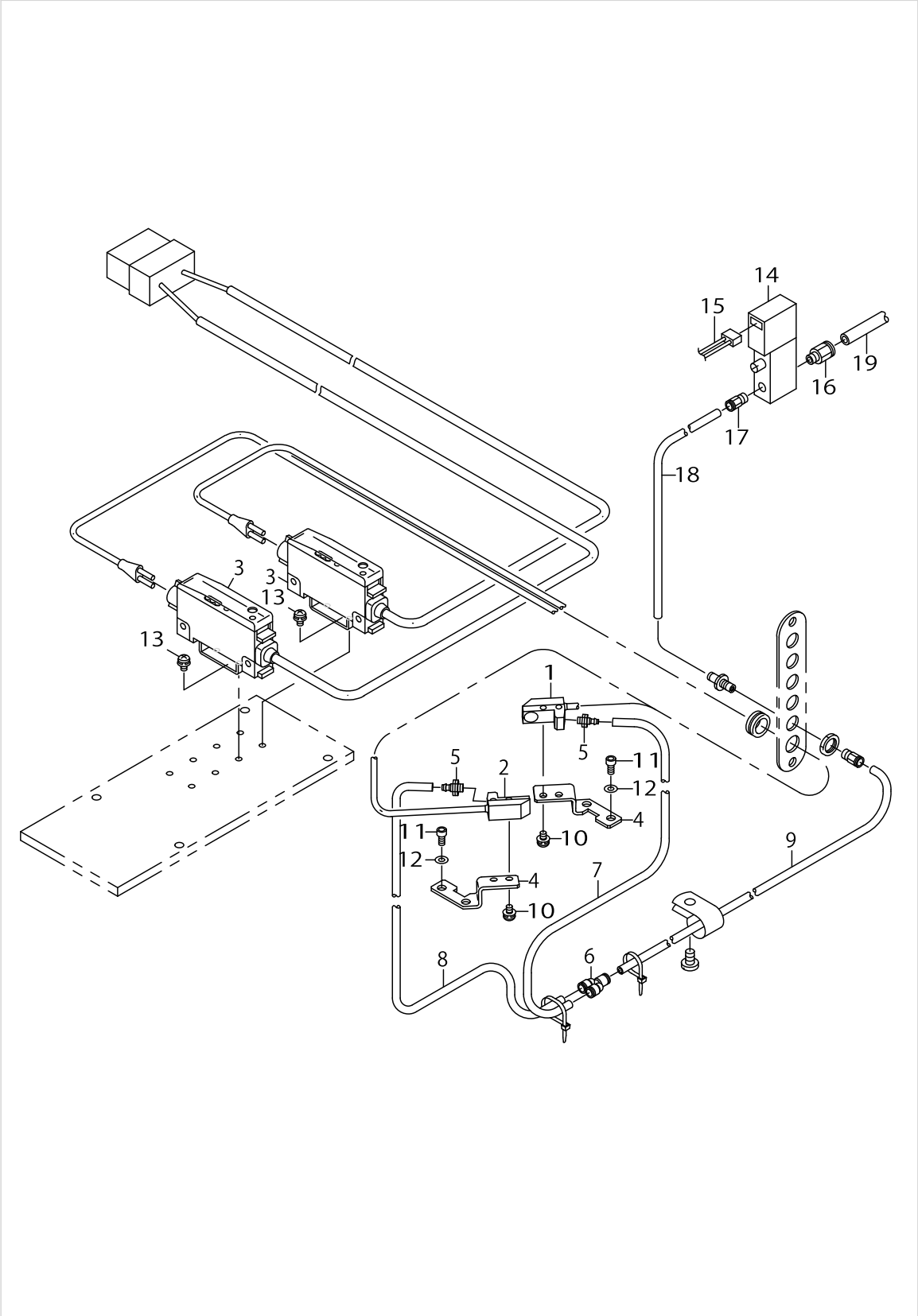
LUBRICATION COMPONENTS



LUBRICATION COMPONENTS

No.	Supply Code	Parts No.	Replacement	Parts name	Remarks	Choice	Step	Level	Cons	Qty	Rep. QTY
1		16425902		OIL TANK						1	
2		16427007		OIL GAUGE						1	
3		BT0400251EC		TUBE HOSE, YELLOW						.21	
4		CQ200000000		OIL WICK						.4	
5		BT0400251EC		TUBE HOSE, YELLOW						.15	
6		BT0400251EC		TUBE HOSE, YELLOW						.07	
7	D	16426009		OIL TANK GASKET						1	
8		25140104		OIL TANK COVER						1	
9		CQ200000000		OIL WICK						.15	
10		CQ200000000		OIL WICK						1	
11		SS7110840SP		SCREW 11/64-40 L=7.8						2	
12		CQ200000000		OIL WICK						.2	
13		D2611555B00A		CABLE HOLDER						1	
14	R	SS6090630SP	SS6090630TP	SCREW 9/64-40 L=6						4	1.00
15		TA1250705R0		RUBBER PLUG						1	
16		EA9500B0100		CABLE BAND						2	
17		EA9500B0100		CABLE BAND						1	
18		HX00150000F		CABLE CLIP						1	
19		SS7090710SP		SCREW 9/64-40 L=6.8						1	
20		EA9500B0200		CABLE BAND 150						2	
21		25139452		OIL RETURN FELT ASM.						1	
22		HX00150000G		CABLE CLIP						1	
23		HX00150000A		CABLE CLAMP						1	
24	R	SS7111120SP	SS7111120TP	SCREW 11/64-40 L=10.5						1	1.00
25		PJ308040002		QUICK COUPLING						1	
26		PJ025300001		PLUG						1	
27		25139155		OIL RETURN TUBE ASM.						1	
28		16426850		OIL RESERVOIR ASM.						1	

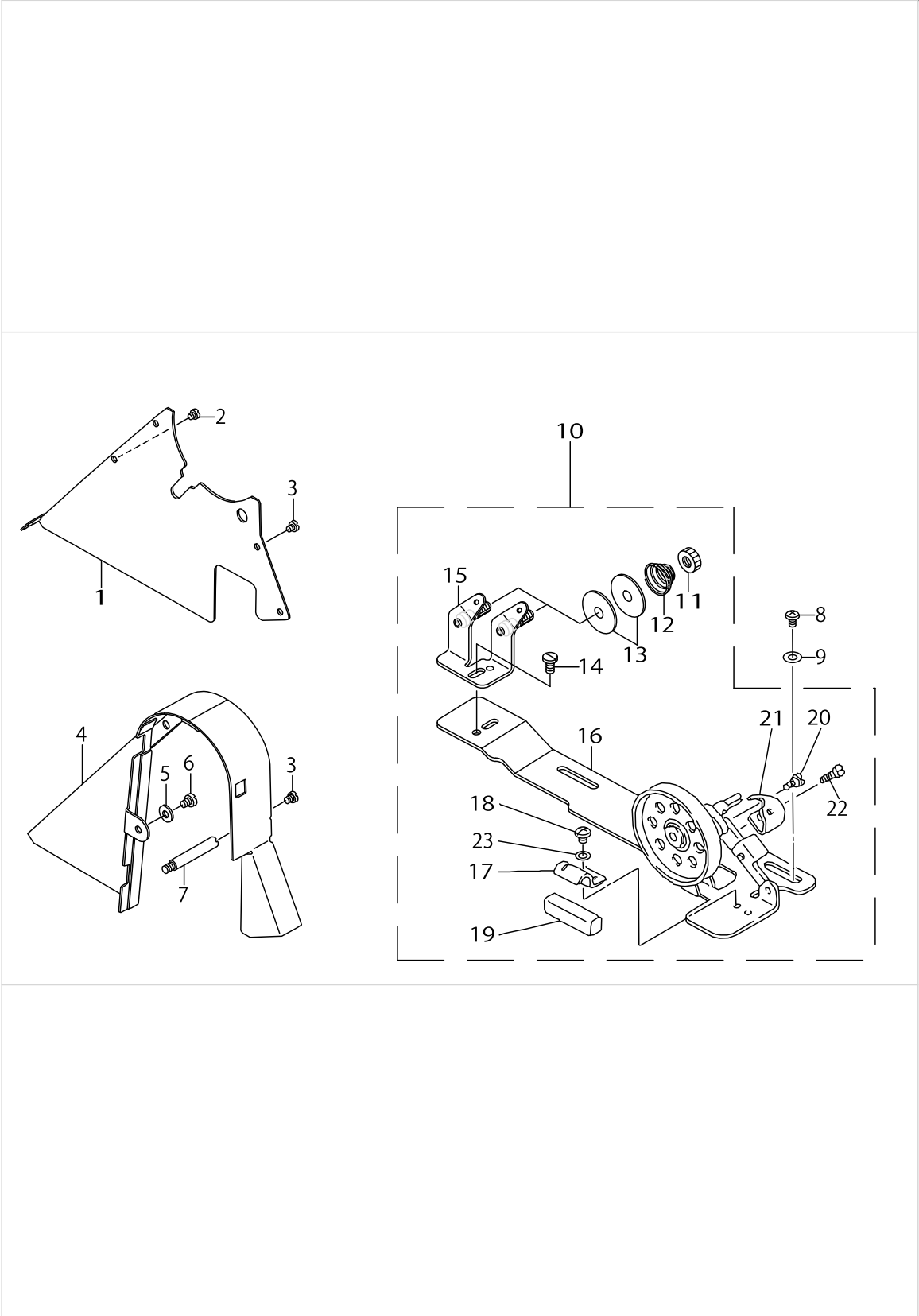
BOBBIN THREAD REMAINING AMOUNT DETECTING DEVICE



BOBBIN THREAD REMAINING AMOUNT DETECTING DEVICE

No.	Supply Code	Parts No.	Replacement	Parts name	Remarks	Choice	Step	Level	Cons	Qty	Rep. QTY
1		25139908		DETECTING FIBER,RIGHT						1	
2		25140005		DETECTING FIBER,LEFT						1	
3		25140252		DETECTING AMPLIFER ASM.						1	
4	D	16428302		FIBER BKT						2	
5		PJ032039001		CONNECTOR						2	
6		PJ308040002		QUICK COUPLING						1	
7		BT0400251EB		URETHANE HOSE, BLACK						.28	
8		BT0400251EB		URETHANE HOSE, BLACK						.51	
9		BT0400251EB		URETHANE HOSE, BLACK						.3	
10		SL4030691SC		SCREW M3X6						4	
11		SM6030602TP		SCREW M3X0.5 L=6						4	
12		WP0320501SC		WASHER M3						4	
13		SL4030631SC		SCREW M3X6						4	
14		PV150509000		5-WAY SOLENOID VALVE						1	
15	D	25255050		AIR CABLE ASM.						1	
16		PJ301060503		HALF UNION						1	
17		PJ301040502		HALF UNION 4XM5						1	
18		BT0400251EB		URETHANE HOSE, BLACK						2.5	
19		BT0600400EC		TUBE HOSE, BLUE						1.5	

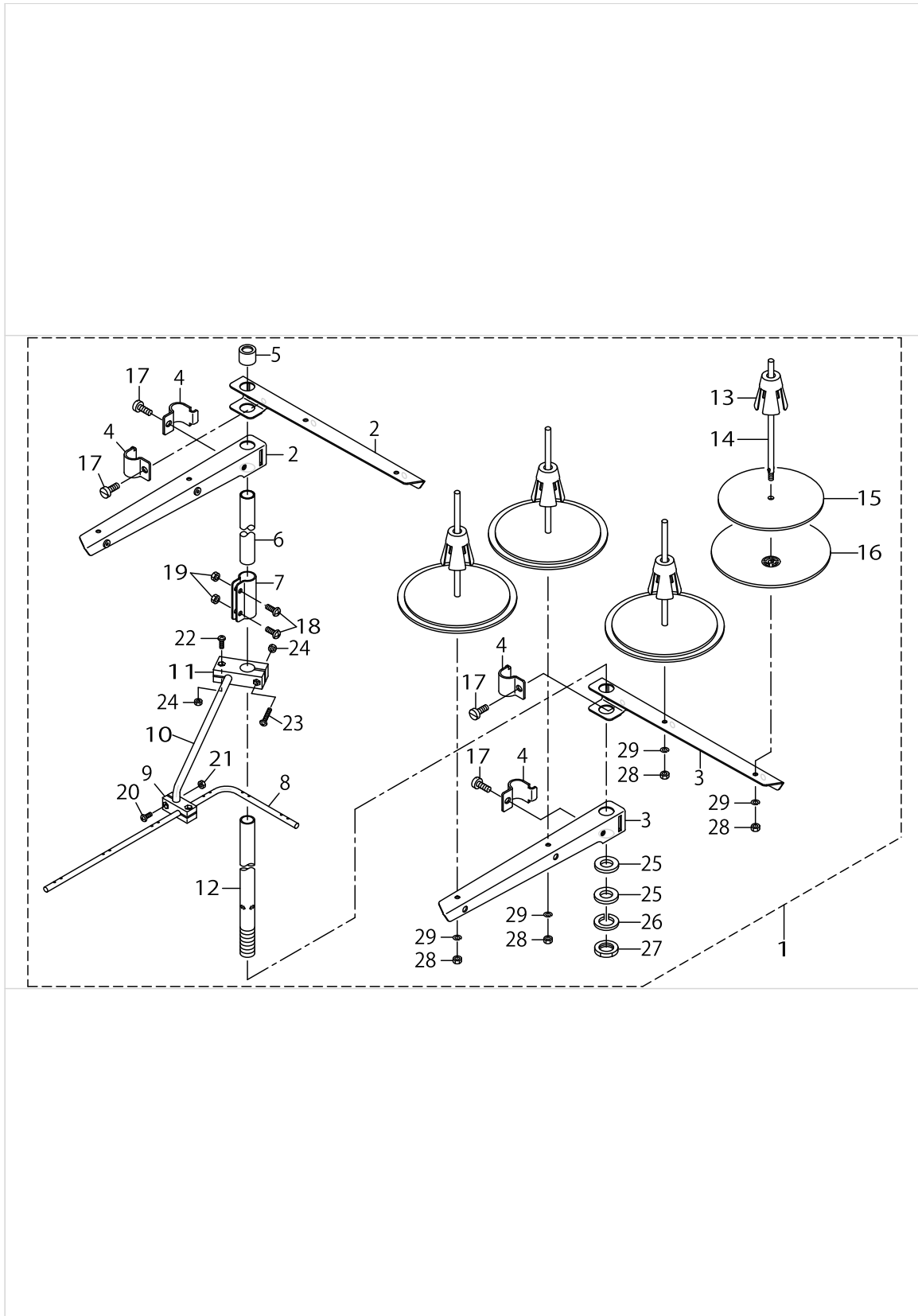
BELT COVER & BOBBIN WINDER UNIT



BELT COVER & BOBBIN WINDER UNIT

No.	Supply Code	Parts No.	Replacement	Parts name	Remarks	Choice	Step	Level	Cons	Qty	Rep. QTY
1		10419307		BELT COVER PLATE						1	
2		SS7110710SP		SCREW 11/64-40 L=7						1	
3		SS7110510SP		SCREW 11/64-40 L=5						5	
4		10161503		BELT COVER						1	
5		WP0621016SD		WASHER 6.2X13X1						1	
6		SS7150740SP		SCREW 15/64-28 L=7						1	
7	R	10039105	40101337	BELT COVER SUPPORT STUD						1	1.00
8	D	SM4050801SC		SCREW M5X0.8 L=8						2	
9		WP0531001SC		WASHER						2	
10		22837553		BOBBIN DEVICE						1	
11	R	B3125012000	22928808	THREAD TENSION NUT				*		2	1.00
12	R	B3129012B00	22929004	THREAD TENSION SPRING				*		2	1.00
13	R	B3126012000	22921506	THREAD TENSION DISK				*		4	1.00
14		SS7110840SP		SCREW 11/64-40 L=7.8				*		4	
15		22621056		TENSION BAR BASE				*		2	
16	R	11077500	22927354	BOBBIN BASE				*		1	1.00
17		11078102		PRESSER PLATE				*		1	
18		SS4110515SP		SCREW 11/64-40 L=5				*		1	
19		B3211555000		RUBBER BRAKE				*		1	
20		SD0490261SP		HINGE SCREW D=4.9 H=2.6				*		1	
21		22837504		BOBBIN PRESSER				*		1	
22		SS7081310SP		SCREW 1/8-44 L=12.5				*		1	
23		WP0480856SP		WASHER 4.8X8.4X0.8				*		1	

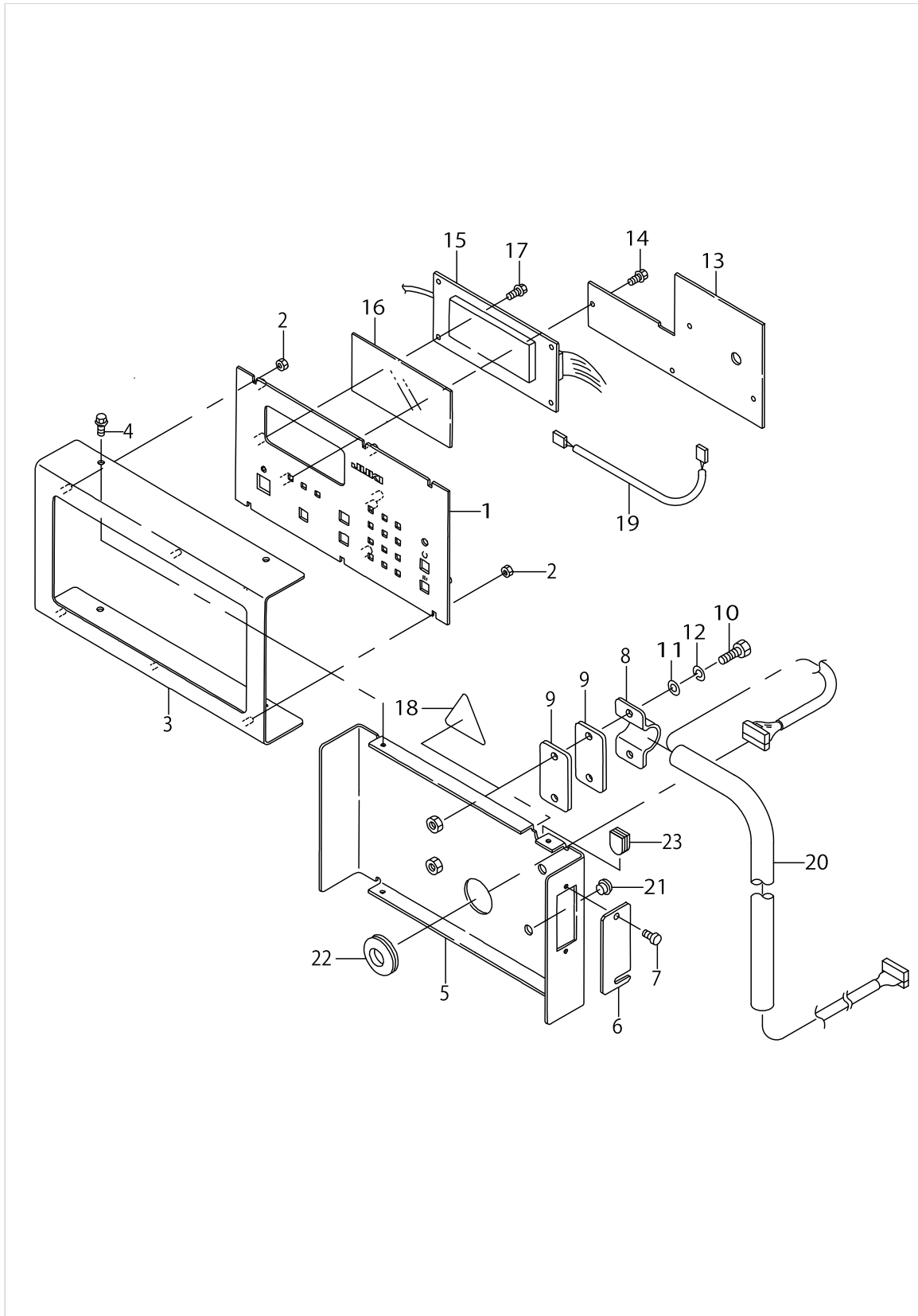
THREAD STAND COMPONENTS



THREAD STAND COMPONENTS

No.	Supply Code	Parts No.	Replacement	Parts name	Remarks	Choice	Step	Level	Cons	Qty	Rep. QTY
1	R	13167556	40106584	THREAD STANDING DEVICE ASM.						1	1.00
2	R	22930556	40096354	SPOOL REST ARM ASM.				*		2	1.00
3	R	22930507	40096354	SPOOL REST ARM				*		2	1.00
4	R	22930705	40096354	THREAD GUIDE ARM JOINT				*		4	1.00
5		22931406		THREAD STANDING ROD RUBBER CAP				*		1	
6	R	22930408	40096354	THREAD STANDING ROD, UPPER				*		1	1.00
7	R	22931307	40096354	THREAD STANDING ROD JOINT				*		1	1.00
8	R	13167903	26910059	THREAD STANDING THREAD GUIDE				*		1	1.00
9	D R	13168000	26910059	THREAD STANDING GUIDE BASE				*		1	1.00
10	R	13168109	26910059	THREAD STANDING GUIDE ARM				*		1	1.00
11	R	13168208	26910059	THREAD STANDING GUIDE ARM BASE				*		1	1.00
12	R	22930309	40096354	THREAD STANDING ROD, LOWER				*		1	1.00
13	R	22931109	40085791	SPOOL RETAINER				*		4	1.00
14	R	22931000	40085790	SPOOL PIN				*		4	1.00
15		22930903		SPOOL REST CUSHION				*		4	
16		22930804		SPOOL REST				*		4	
17		SM6061610SC		SCREW M6 L=16				*		4	
18		SM4051405SE		SCREW M5 L=14				*		2	
19		NM6050001SE		NUT M5				*		2	
20		SM4041001SC		SCREW M4X0.7 L=10				*		2	
21		NM6040002SE		NUT M4X0.7				*		2	
22		SM4041201SC		SCREW M4 L=12				*		1	
23		SM4042001SC		SCREW M4 X 20				*		1	
24		NM6040002SE		NUT M4X0.7				*		2	
25		WP1612616SE		WASHER 16X30X2.6				*		2	
26	R	WS1643202KR	WP1612616SE	SPRING WASHER		A		*		1	2.00
26	R	WS1643202KR	40085796	SPRING WASHER		A		*		1	2.00
27		NM6160511SE		NUT M16X1.5				*		1	
28		NM6050001SE		NUT M5				*		4	
29		WS0510002KN		SPRING WASHER				*		4	

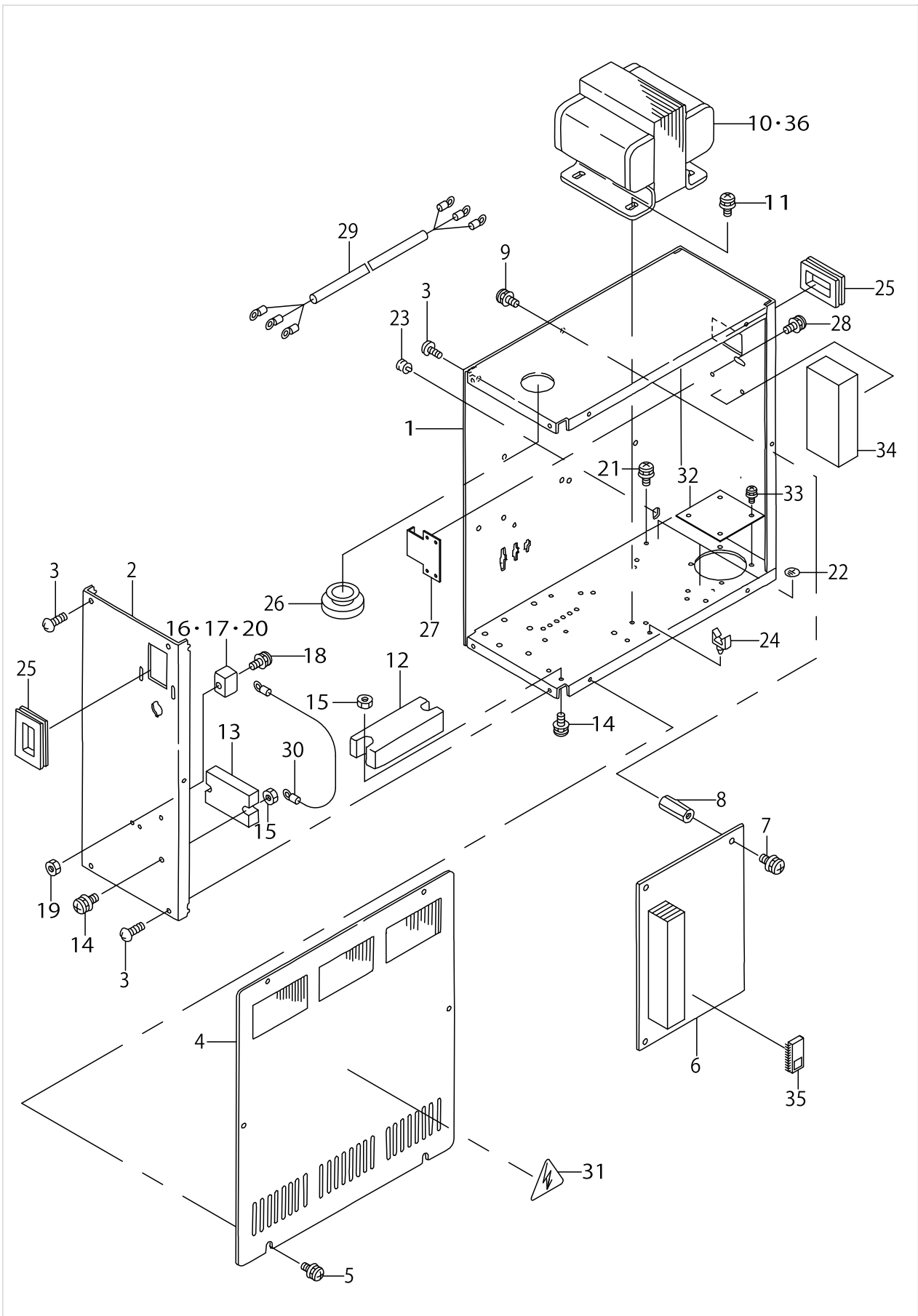
OPERATION BOX COMPONENTS



OPRATION BOX COMPONENTS

No.	Supply Code	Parts No.	Replacement	Parts name	Remarks	Choice	Step	Level	Cons	Qty	Rep. QTY
1	D	G1004195000		OPERATION PANEL PLATE A						1	
2		NM6030001SC		NUT M3						6	
3		G1012192000		FITTING PLATE						1	
4		SL4030891SC		SCREW M3X8						4	
5		G1013192000		REAR PLATE						1	
6		G1014192000		SWITCH COVER						1	
7		G6010003000		KNOB SCREW						2	
8		G1015192000		CLAMP						1	
9		G1016192000		CLAMP BOTTOM PLATE						2	
10		SM6062002TN		SCREW M6 L=20						2	
11		WP0641601SC		WASHER						2	
12		WS0610002KN		SPRING WASHER 6.1X12.2X1.5						2	
13	D	G86021950A0		PANEL BASE A ASM.						1	
14		SL4030681SC		SCREW M3 L=6						4	
15	D	G85251920A0		LCD BASE ASM.						1	
16		G1018192000		PLATE						1	
17		SL4030681SC		SCREW M3 L=6						4	
18		CM300100001		LABEL						1	
19		G85331920A0		CABLE ASM.						1	
20		G85221950A0		PANEL CABLE ASM.						1	
21		TA0800504R0		PLUG D=8 L=4.5						2	
22		HX00221000E		BUSH						1	
23		M1001060000		PLUG						1	

TRANSMISSION BOX COMPONENTS

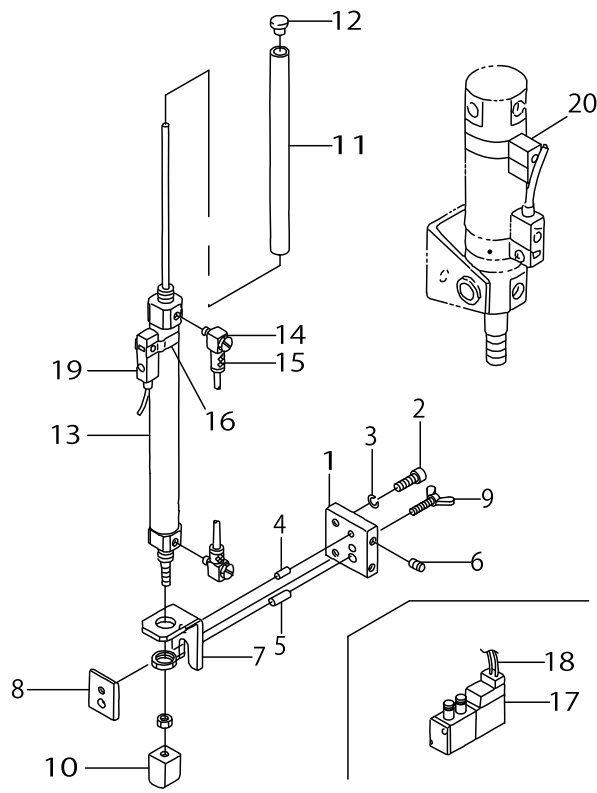


TRANSMISSION BOX COMPONENTS

No.	Supply Code	Parts No.	Replacement	Parts name	Remarks	Choice	Step	Level	Cons	Qty	Rep. QTY
1		G1001192000		CONTROL BOX FRAME BODY						1	
2		G1002192000		CONTROL BOX PANEL						1	
3		SM0040601SC		SCREW M4X0.7 L=6						7	
4		G1003192000		CONTROL BOX COVER						1	
5		SL4041091SC		SCREW M4 L=10						6	
6	D	G86011960A0		CPU BASE ASM.						1	
7		SL4030891SC		SCREW M3X8						4	
8		HX000790000		SPACER						4	
9		SL4030891SC		SCREW M3X8						4	
10		G85101960A0		POWER SOURCE T-RANSFORMER ASM.	SELECTIVE PART					1	
11		SL4051091SC		SCREW M5X0.8 L=10						4	
12		HK026650080		TERMINAL BASE 8P						1	
13	D	HK026650020		TERMINAL BASE 2P						1	
14		SL4041291SC		SCREW M4 L=12						4	
15		NM6040001SC		NUT M4						4	
16		HF005111000		FUSE HOLDER						1	
17	D	HF00511100B		FUSEHOLDERCOVER						1	
18		SL4031481SC		SCREW M3 X 14						1	
19		NM6030001SC		NUT M3						1	
20		E9629252000		FUSE 5A						1	
21		SL4040891SC		SCREW M4 L=8						3	
22		E9567319000		EARTH MARK						3	
23		HX004100000		BUSH						1	
24	D	HX00222000A		CABLE CLAMP						2	
25		HX004070000		BUSH						2	
26		HX00221000B		GROMMET						1	
27		17845009		CORDFITTINGPLATE						1	
28		SL4041091SC		SCREW M4 L=10						2	
29		G85121920A0		POWER SWITCH CABLE ASM.						1	
30		G85111950A0		5V RELAY CABLE ASM.						1	
31		CM300100001		LABEL						1	
32		G1001195000		FAN HOLE COVER PLATE						1	
33		SL4040891SC		SCREW M4 L=8						2	
34		M86025110F0		PMDC BASE ASM.						1	
35		HL015930004		IC						1	
36		G85101960AA		POWER TRANSFORMER A ASM.	SELECTIVE PART					1	

SA-84:DARTS EXTEND UNIT (OPTION)

GSA840000A0A

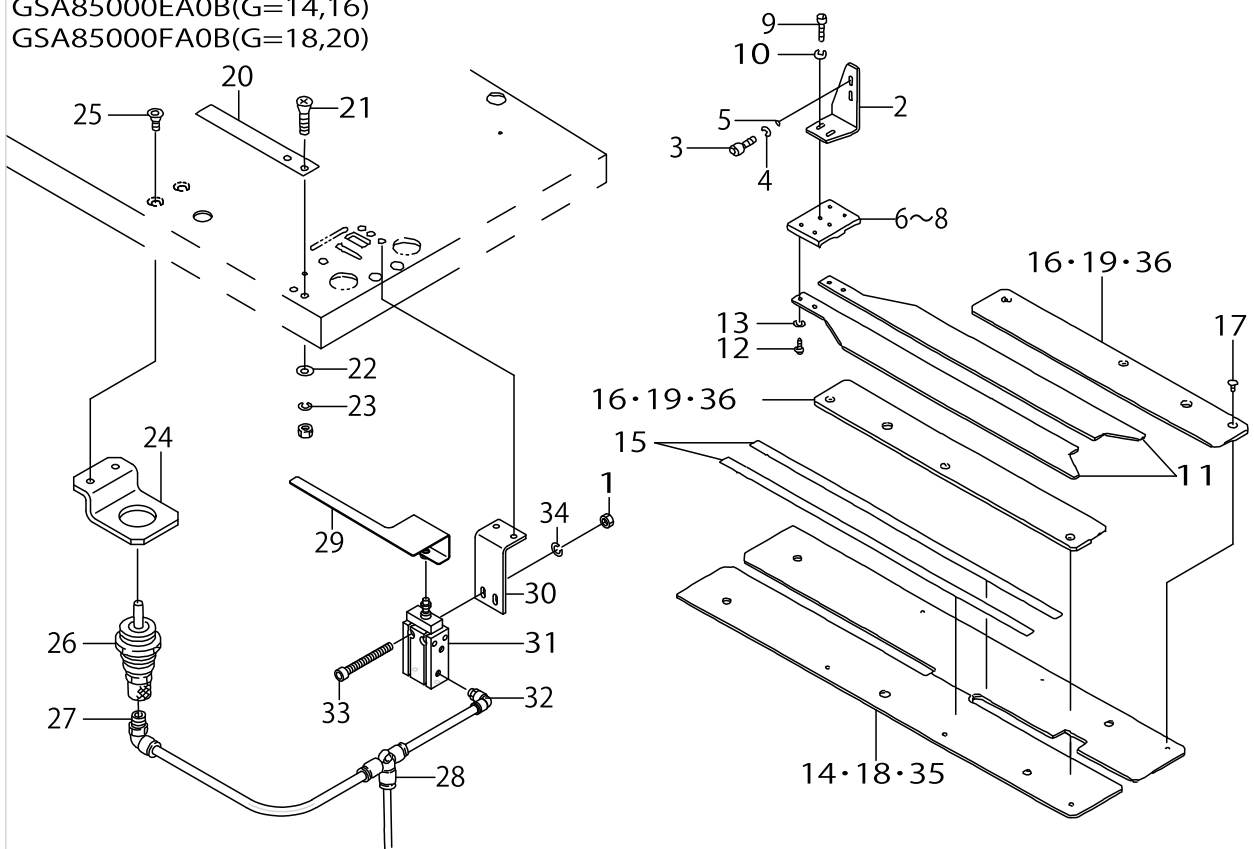


SA-84:DARTS EXTEND UNIT (OPTION)

No.	Supply Code	Parts No.	Replacement	Parts name	Remarks	Choice	Step	Level	Cons	Qty	Rep. QTY
1		25297706		CYLINDER BRACKET (A)						1	
2		SM6051552TP		SCREW M5 L=15						2	
3		WS0510002KN		SPRING WASHER						2	
4		PH0400082C0		PIN						1	
5		PH0600123C0		PIN						1	
6		SM8031002TP		SCREW						2	
7		25297805		CYLINDER BRACKET (B)						1	
8		25297904		PRESSER PLATE						1	
9		25319708		HINGE						1	
10		25298001		CYLINDER EDGE						1	
11	D	25298902		ROD PIPE						1	
12		TA0800504R0		PLUG D=8 L=4.5						1	
13		25321001		CYLINDER						1	
14		PJ042050002		ELBOW						1	
15		16935504		ELEMENT NIPPLE						2	
16		PX5000480A0		SWITCH FITTING METAL						1	
17		PV150206000		5-PORT CUT-OVER SOLENOID VALVE						1	
18		25358458		CABLE ASM.						1	
19	D	25322850		CABLE ASM.						1	
20	D	25322959		SENSOR CABLE ASM.						1	

SA-85N:PAVING PLATE UNIT (OPTION)

GSA85000DA0B(G=8~12)
 GSA85000EA0B(G=14,16)
 GSA85000FA0B(G=18,20)

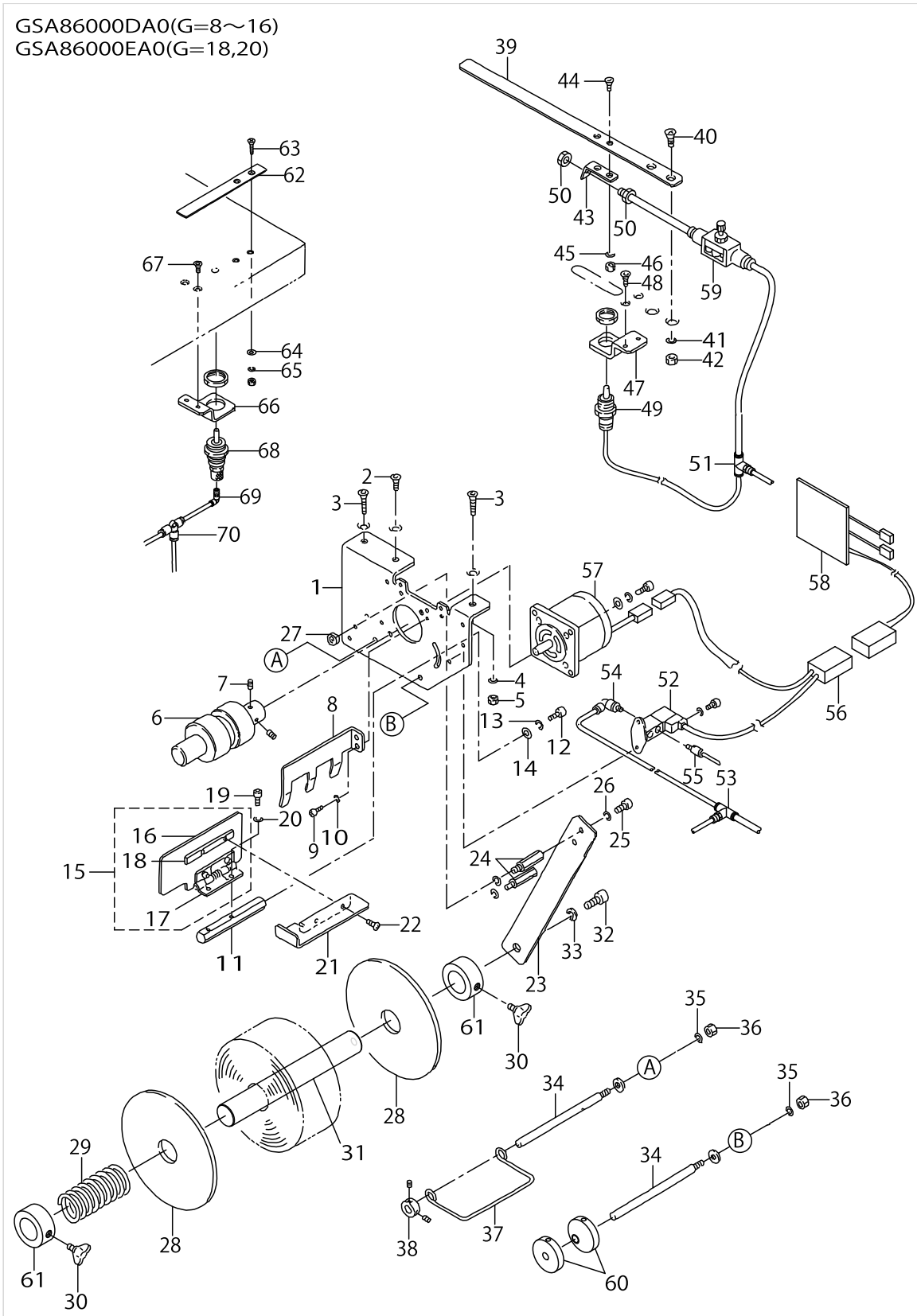


SA-85N:PAVING PLATE UNIT (OPTION)

No.	Supply Code	Parts No.	Replacement	Parts name	Remarks	Choice	Step	Level	Cons	Qty	Rep. QTY
1		NM6040001SC		NUT M4						2	
2		25306002		PLATE BASE FITTING BRACKET (2)						1	
3		SM6051002TP		SCREW M5X0.8 L=10						2	
4		WS0510002KN		SPRING WASHER						2	
5		WP0531001SC		WASHER						2	
6	D	16703506		PAVING PLATE BASE A	FOR 8,10,12MM					1	
7		16703605		PAVING PLATE BASE B	FOR 14,16MM					1	
8	D	16703704		PLATE BASE	FOR 18,20MM					1	
9		SM6051552TP		SCREW M5 L=15						2	
10		WS0510002KN		SPRING WASHER						2	
11	D	16917007		PAVING PLATE						2	
12		SS5090610SP		SCREW 9/64-40 L=6						4	
13		WS0441040KP		SPRING WASHER 4.4X7.4X1						4	
14		25337213		SEWING TABLE (6)	FOR 8,10,12MM					1	
15	R	18585109	25410408	TAPE						1	1.00
16		25305814		PAVINGPLATEGUIDE	FOR 8,10,1-2,14,16MM					2	
17		SS5090210SP		SCREW 9/64-40 L=2						6	
18	D	25337312		SEWING TABLE (6)	FOR 18,20MM					1	
19		25336306		PLATE GUIDE	FOR 18,20MM					2	
20	D	16676009		WORKPIECE CLAMP						1	
21		SM1041001SC		SCREW M4X0.7 L=10						2	
22		WP0430801SC		WASHER 4.3X9X0.8						2	
23		WS0410002KN		SPRING WASHER						2	
24		25328501		BAG CYLINDER BKT(2)						1	
25		25150509		SCREW						2	
26		PA1500502A0		PIN CYLINDER						1	
27		PJ304040504		ELBOW UNION						1	
28		PJ305040001		TEE UNION						1	
29		16914103		HAIR CLOTH PRESSER						1	
30	D	16914202		CYLINDER INSTALLING PLATE						1	
31		PA1601507A0		CYLINDER						1	
32		PJ304040504		ELBOW UNION						1	
33		SM6043552TN		SCREW M4 L=35						2	
34		WS0410002KN		SPRING WASHER						2	
35	D	25375007		SEWING TABLE	FOR 14,16MM					1	
36	D	25377508		PAVINGPLATEGUIDE	FOR 14,16MM					1	

SA-86N:AUTOMATIC INTER LING FEEDING UNIT (1) (OPTION)

GSA86000DA0(G=8~16)
 GSA86000EA0(G=18,20)

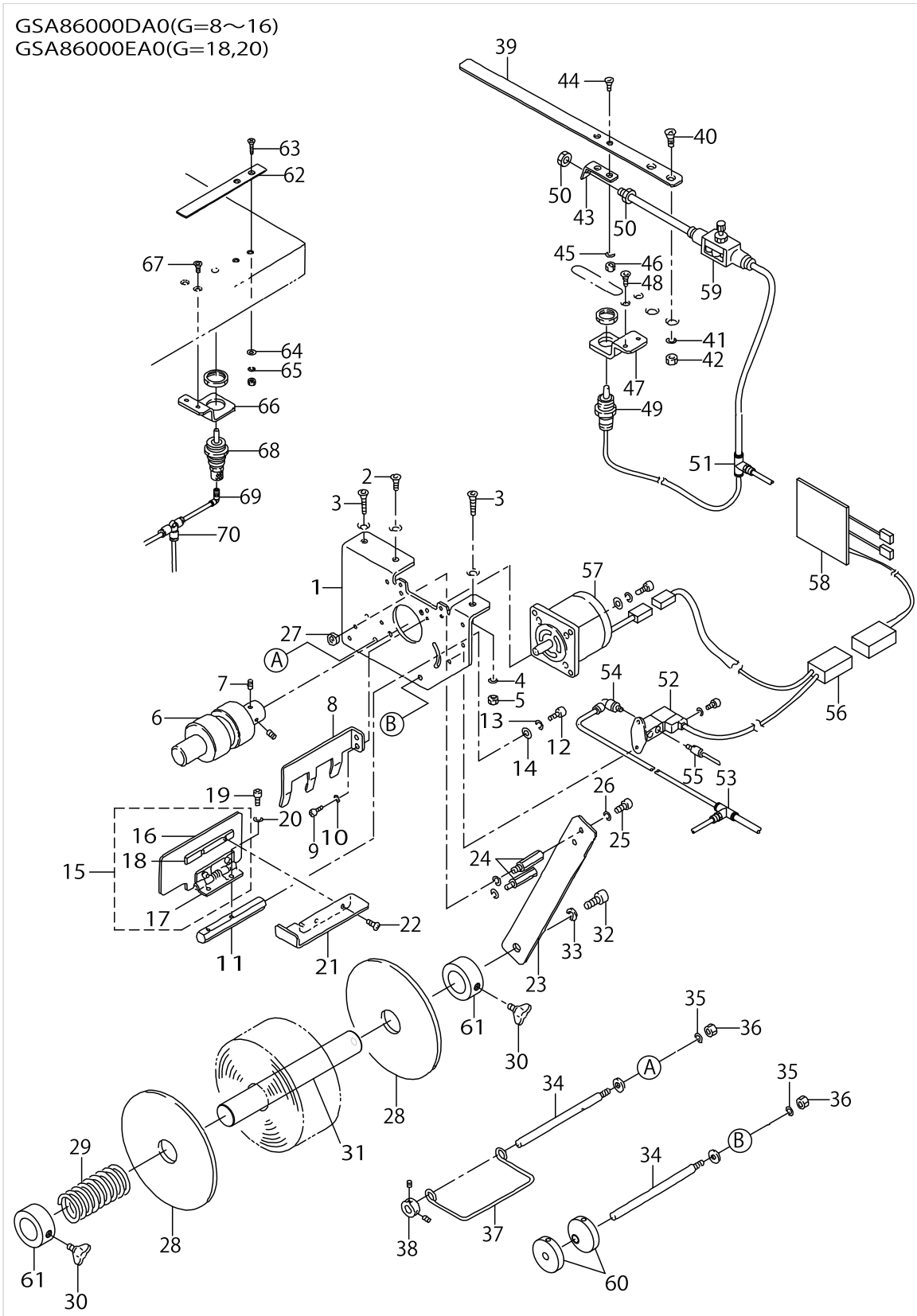


SA-86N:AUTOMATIC INTER LING FEEDING UNIT (1) (OPTION)

No.	Supply Code	Parts No.	Replacement	Parts name	Remarks	Choice	Step	Level	Cons	Qty	Rep. QTY
1	R	25307109	25307117	BASE						1	1.00
2		17799305		SCREW						1	
3		16717209		SCREW						2	
4		WS0510002KN		SPRING WASHER						2	
5		NM6050001SC		NUT M5						2	
6		25309006		ROLLER						1	
7		SM8030802TP		SCREW M3X0.5 L=8						2	
8		25309105		GUIDE C						1	
9		SM6040602TP		SCREW M4 L=6						2	
10		WS0410002KN		SPRING WASHER						2	
11		25307208		STAD						1	
12		SM6051002TP		SCREW M5X0.8 L=10						1	
13		WS0510002KN		SPRING WASHER						1	
14		WP0531001SC		WASHER						1	
15		25307455		GUIDE ASM. (B)						1	
16		25307406		GUIDE (B)				*		1	
17		25307307		HING				*		1	
18		25307505		FITTING PLATE				*		1	
19		SM6030802TP		SCREW M3X0.5 L=8						2	
20		WS0310002KN		SPRING WASHER M3						2	
21		25307604		COVER						1	
22		SM0030450SN		SCREW M3 L=4						2	
23		25309808		FITTING PLATE						1	
24		HX00339000A		SPACER L=25						2	
25		SM6040802TP		SCREW M4X0.7 L=8						2	
26		WS0410002KN		SPRING WASHER						4	
27		NM6040001SC		NUT M4						2	
28		16605404		SIDE PLATE						2	
29		25309600		RETURN SPRING						1	
30		GTR02014000		WING SCREW						2	
31		25377003		ROLL SHAFT						1	
32		SM6081552TP		SCREW M8 L=15						1	
33		WS0820002KN		SPRING WASHER M8						1	
34		25309402		SHAFT						2	
35		WS0510002KN		SPRING WASHER						2	
36		NM6050001SC		NUT M5						2	
37		25309204		PADDING						1	
38		CS0800816SH		THRUST HOLDER D=8 W=8						1	
39		25308909		PADDING PRESSER						1	
40		25150103		BOLT						2	
41		WS0410002KN		SPRING WASHER						2	
42		NM6040001SC		NUT M4						2	
43	D	25308800		BRACKET						1	
44		25149808		BOLT						2	
45		WS0310002KN		SPRING WASHER M3						2	
46		NM6030001SC		NUT M3						2	

SA-86N:AUTOMATIC INTER LING FEEDING UNIT (1) (OPTION)

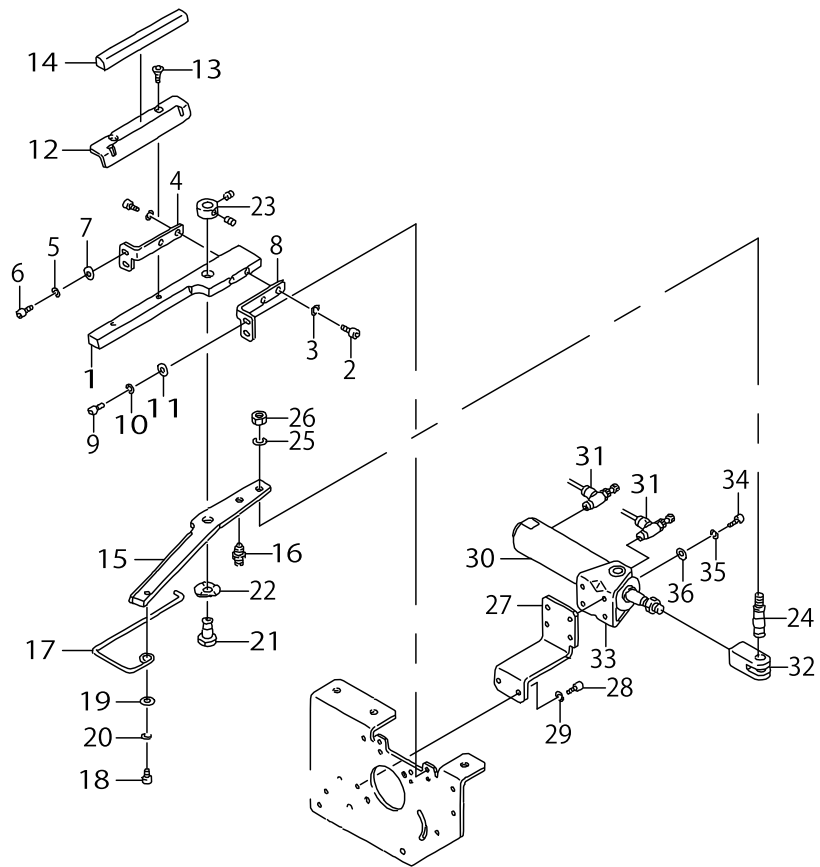
GSA86000DA0(G=8~16)
 GSA86000EA0(G=18,20)



SA-86N:AUTOMATIC INTER LING FEEDING UNIT (1) (OPTION)

No.	Supply Code	Parts No.	Replacement	Parts name	Remarks	Choice	Step	Level	Cons	Qty	Rep. QTY
47		25308701		PIN CYLINDER BRACKET						1	
48		25150509		SCREW						2	
49		PA1000506A0		CYLINDER						1	
50		PJ032039001		CONNECTOR						1	
51		PJ305040001		TEE UNION						1	
52		PV1505320A0		5-WAY SOLENOID VALVE						1	
53		PJ305060001		TEE UNION						1	
54		PJ304060502		ELBOW UNION 6XM5						1	
55		PJ304040504		ELBOW UNION						2	
56		25359852		CABLE ASM.						1	
57		25324856		MOTOR ASM.						1	
58		G86031950B0		BASE A ASM.						1	
59		PC012406000		SPEED CONTROLLER						1	
60		25375106		GUIDE COLLAR						2	
61		25377102		SET COLLAR						2	
62	D	16676009		WORKPIECE CLAMP						1	
63		SM1041001SC		SCREW M4X0.7 L=10						2	
64		WP0430801SC		WASHER 4.3X9X0.8						2	
65		WS0410002KN		SPRING WASHER						2	
66		25328501		BAG CYLINDER BKT(2)						1	
67		25150509		SCREW						2	
68		PA1500502A0		PIN CYLINDER						1	
69		PJ304040504		ELBOW UNION						1	
70		PJ305040001		TEE UNION						1	

SA-86N:AUTOMATIC INTER LING FEEDING UNIT (2) (OPTION)

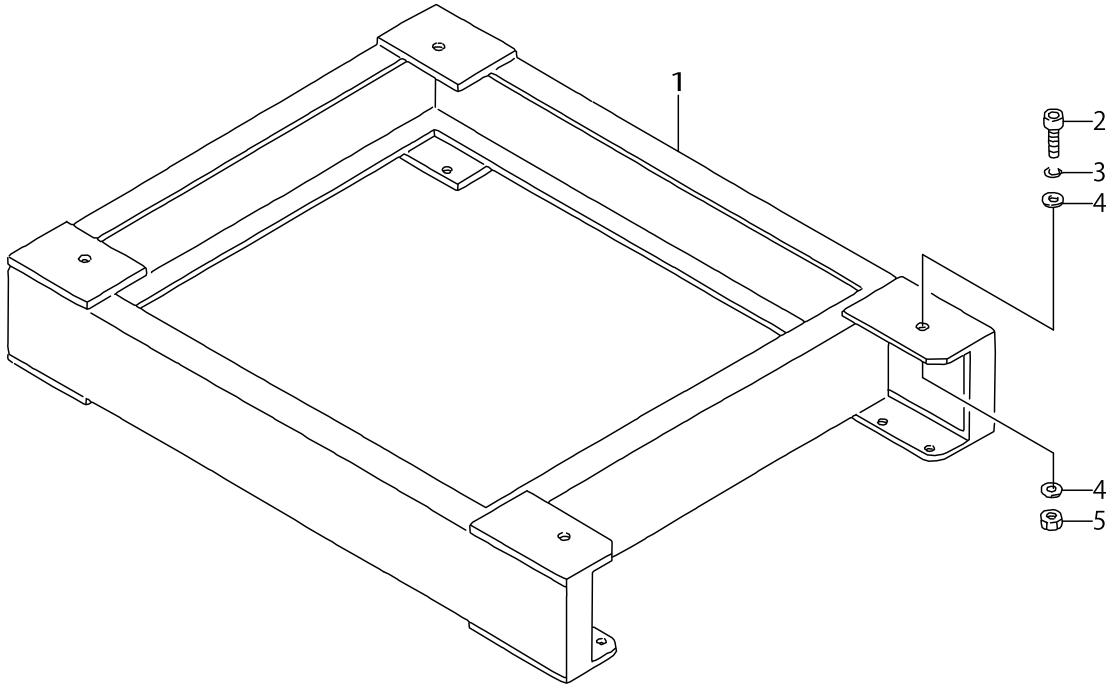


SA-86N:AUTOMATIC INTER LING FEEDING UNIT (2) (OPTION)

No.	Supply Code	Parts No.	Replacement	Parts name	Remarks	Choice	Step	Level	Cons	Qty	Rep. QTY
1		25308305		STRIP						1	
2		SM6041002TP		SCREW M4 L=10						2	
3		WS0410002KN		SPRING WASHER						2	
4		25307901		FITTING STRIP BRACKET (L)						1	
5		SM6040802TP		SCREW M4X0.7 L=8						2	
6		WS0410002KN		SPRING WASHER						2	
7		WP0430801SC		WASHER 4.3X9X0.8						2	
8		25308008		FITTING STRIP BRACKET (R)						1	
9		SM6040802TP		SCREW M4X0.7 L=8						2	
10		WS0410002KN		SPRING WASHER						2	
11		WP0430801SC		WASHER 4.3X9X0.8						2	
12		25307703		GUIDE A						1	
13		25149808		BOLT						2	
14		25316902		GUIDE D						1	
15		25308404		STRIP						1	
16		25321209		BOLL PLUNGER						1	
17		25307802		RETURN GUIDE						1	
18		SM6040802TP		SCREW M4X0.7 L=8						1	
19		WP0430801SC		WASHER 4.3X9X0.8						1	
20		WS0410002KN		SPRING WASHER						1	
21		25308206		PIVOT PIN						1	
22		WZ0850302K0		WAVED WASHER 8.5X12.5X0.3						1	
23		CS0800816SH		THRUST HOLDER D=8 W=8						1	
24		25308107		PIN						1	
25		WS0610002KN		SPRING WASHER 6.1X12.2X1.5						1	
26		NM6060001SC		NUT M6						1	
27		25309907		CYLINDER BRACKET						1	
28		SM6040802TP		SCREW M4X0.7 L=8						2	
29		WS0410002KN		SPRING WASHER						2	
30	D	PA2001504A0		AIR CYLINDER						1	
31		PC015116000		SPEED CONTROLLER						1	
32		PA900062000		JOINT						1	
33		PA900041000		CYLINDER BRACKET						1	
34		SM6041002TP		SCREW M4 L=10						4	
35		WS0410002KN		SPRING WASHER						4	
36		WP0430801SC		WASHER 4.3X9X0.8						4	

SA-88:STAND FOR STANDING WORK (OPTION)

GSA880000A0

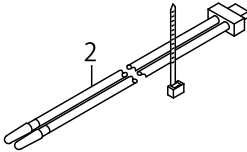
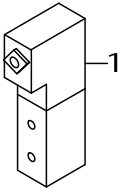


SA-88:STAND FOR STANDING WORK (OPTION)

No.	Supply Code	Parts No.	Replacement	Parts name	Remarks	Choice	Step	Level	Cons	Qty	Rep. QTY
1		25316605		WORKING STAND						1	
2		SM6102002TP		SCREW M10 L=20						4	
3		WS1020002KN		SPRING WASHER M10						4	
4		WP1052001SC		WASHER 10,5X21X2						8	
5		NM6100001SC		NUT M10X1.5						4	

SA-89:SMALL WELTING UNIT (OPTION)

GSA890000A0A

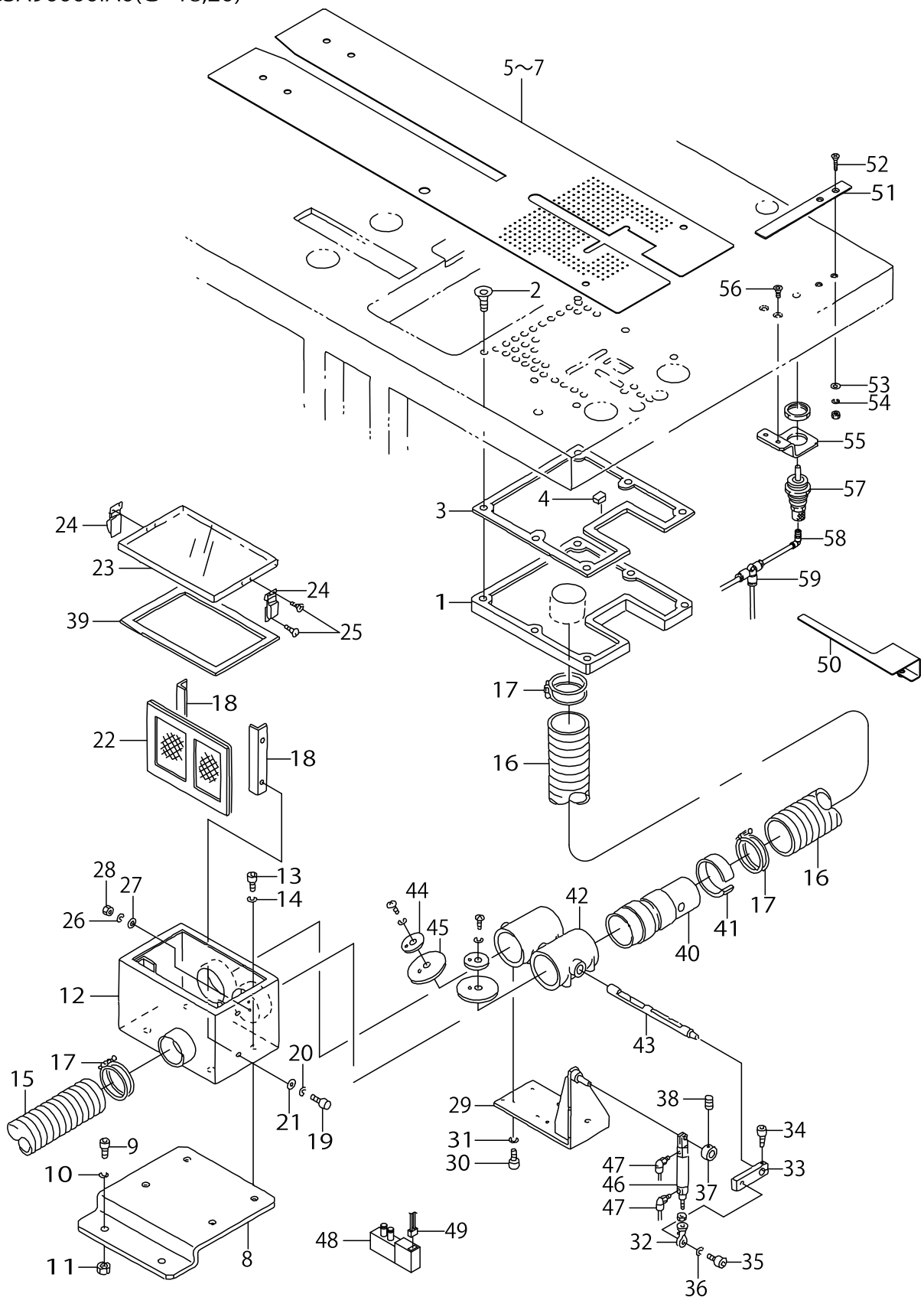


SA-89:SMALL WELTING UNIT (OPTION)

No.	Supply Code	Parts No.	Replacement	Parts name	Remarks	Choice	Step	Level	Cons	Qty	Rep. QTY
1		PV150206000		5-PORT CUT-OVER SOLENOID VALVE						1	
2		25358557		CABLE						1	

SA-90N:SUCTION UNIT (OPTION)

GSA90000GA0(G=8~12)
 GSA90000HA0(G=14,16)
 GSA90000IA0(G=18,20)

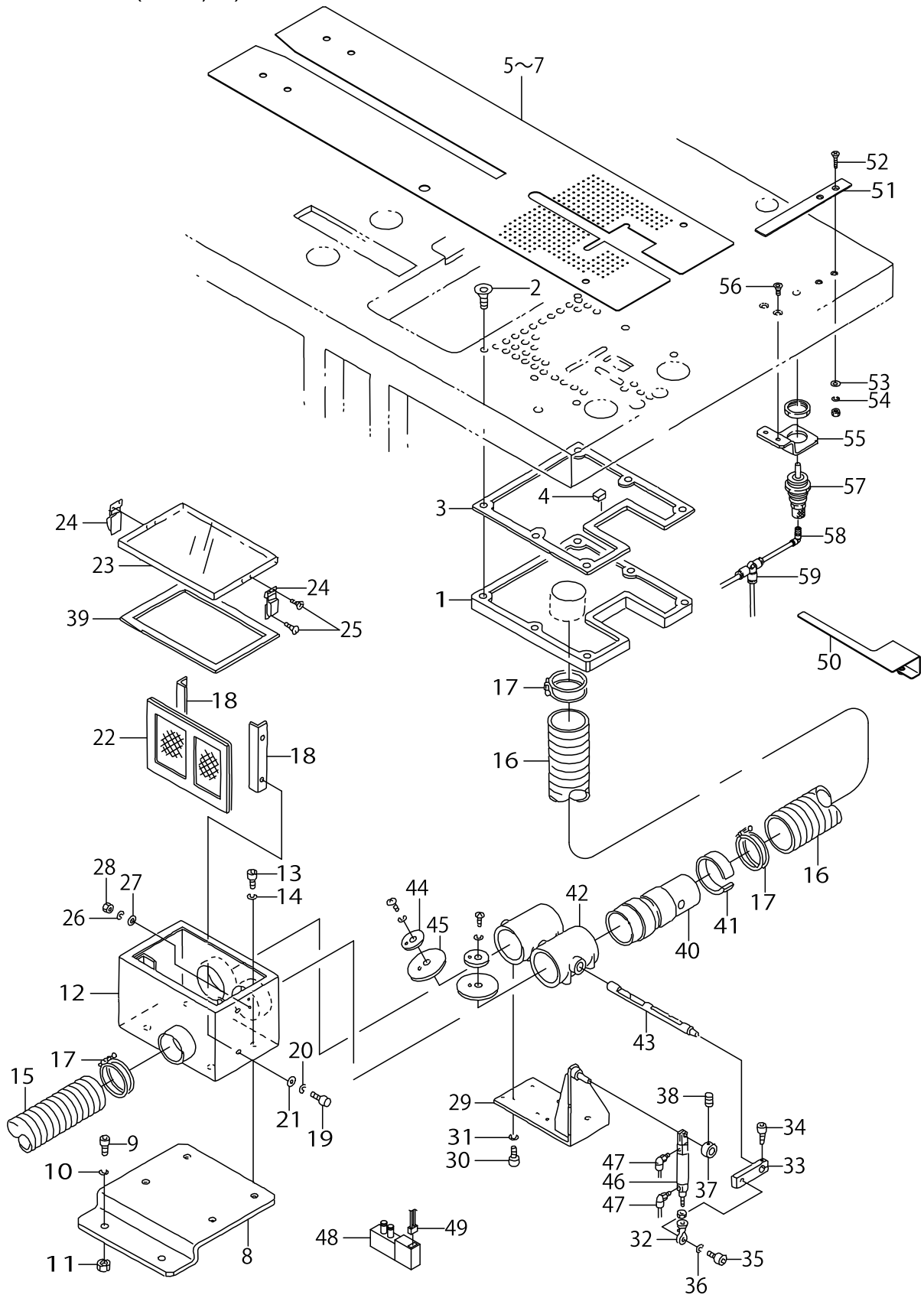


SA-90N:SUCTION UNIT (OPTION)

No.	Supply Code	Parts No.	Replacement	Parts name	Remarks	Choice	Step	Level	Cons	Qty	Rep. QTY
1		25329707		SUCTION BOX						1	
2		17799305		SCREW						6	
3	D	25329806		PACKING (A)						1	
4	D	25329905		PACKING (B)						1	
5		25337411		SEWING TABLE (6) FOR VACUUM	SELECTIVE PART					1	
6	D	25337510		TABLE (6) FOR VACUUM	SELECTIVE PART					1	
7		25337619		SEWING TABLE (6) FOR VACUUM	SELECTIVE PART					1	
8	D	25330408		DUCT FITTING BASE						1	
9	R	SM6061552TP	SM6061552SP	SCREW M6 L=15						2	1.00
10		WS0610002KN		SPRING WASHER 6.1X12.2X1.5						2	
11		NM6060001SC		NUT M6						2	
12		18580605		WIRE NETTING BOX						1	
13		SM6061202TP		SCREW M6 L=12						4	
14		WS0610002KN		SPRING WASHER 6.1X12.2X1.5						4	
15	D	25320003		DUCT HOSE						1	
16		18588608		DUCT HOSE						1	
17		18588806		HOSE BAND						4	
18		18580902		WIRE NETTING SUPPORT						2	
19		SM6040802TP		SCREW M4X0.7 L=8						4	
20		WS0410002KN		SPRING WASHER						4	
21		WP0430800SC		WASHER M4						4	
22		18580803		WIRE NETTING						1	
23		18580704		COVER						1	
24		18588905		PUNCH HINGE						2	
25		SM1030801SC		SCREW M3 L=8						8	
26		WS0310002KN		SPRING WASHER M3						8	
27		WP0320500SC		WASHER M3						8	
28		NM6030001SC		NUT M3						8	
29		18581009		CYLINDER BRACKET						1	
30		SM6051202TP		SCREW M5X0.8 L=12						8	
31		WS0510002KN		SPRING WASHER						8	
32		16960205		ROD END						1	
33		18581108		LEVER						1	
34		SM6061602TP		SCREW M6 L=16						1	
35		SM6051602TP		SCREW M5X0.8 L=16						1	
36		WS0510002KN		SPRING WASHER						1	
37	D	18581306		COLLAR						1	
38		SM8030502TP		SCREW M3 L=5						2	
39		18563908		SHEET						1	
40		25330002		JOINT						1	
41		18581900		ADJUSTABLE RING						1	
42		G5001236000		DAMPER						2	
43		G5002236000		DAMPER SHAFT						1	
44		G5003236000		SUPPORT PLATE						2	
45		G5004236000		DAMPER VALVE						2	
46	D	PA1604002A0		AIR CYLINDER						1	

SA-90N:SUCTION UNIT (OPTION)

GSA90000GA0(G=8~12)
 GSA90000HA0(G=14,16)
 GSA90000IA0(G=18,20)

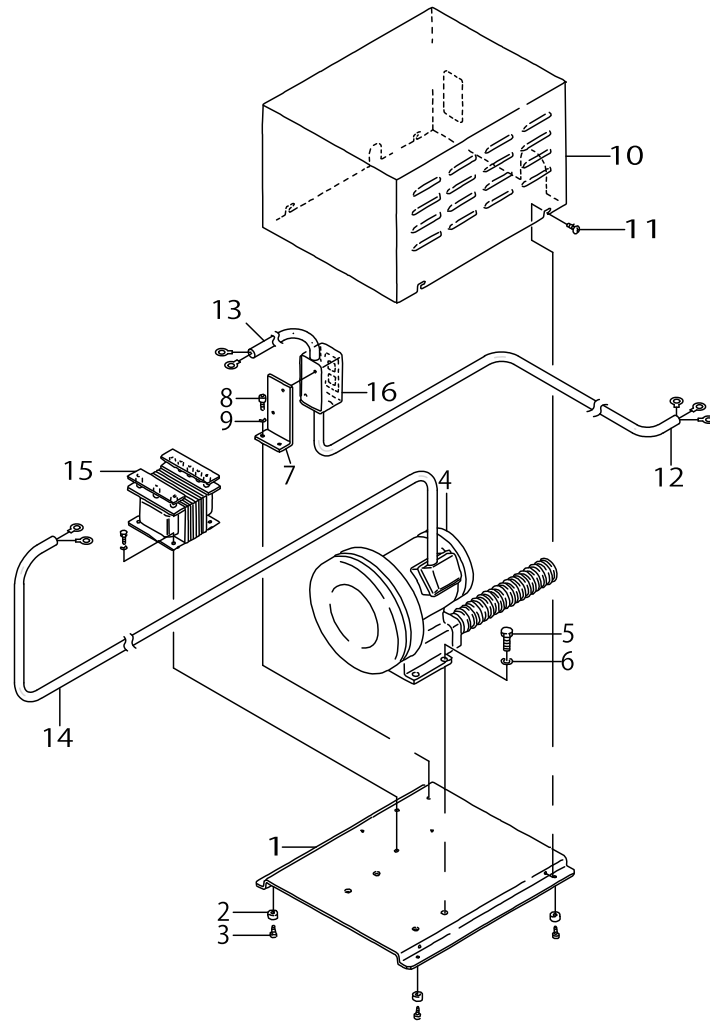


SA-90N:SUCTION UNIT (OPTION)

No.	Supply Code	Parts No.	Replacement	Parts name	Remarks	Choice	Step	Level	Cons	Qty	Rep. QTY
47		PJ304040504		ELBOW UNION						2	
48		PV150206000		5-PORT CUT-OVER SOLENOID VALVE						1	
49		25358458		CABLE ASM.						1	
50		16914103		HAIR CLOTH PRESSER	SELECTIVE PART					1	
51	D	16676009		WORKPIECE CLAMP	SELECTIVE PART					1	
52		SM1041001SC		SCREW M4X0.7 L=10	SELECTIVE PART					2	
53		WP0430801SC		WASHER 4.3X9X0.8	SELECTIVE PART					2	
54		WS0410002KN		SPRING WASHER	SELECTIVE PART					2	
55		25328501		BAG CYLINDER BKT(2)	SELECTIVE PART					1	
56		25150509		SCREW	SELECTIVE PART					2	
57		PA1500502A0		PIN CYLINDER	SELECTIVE PART					1	
58		PJ304040504		ELBOW UNION	SELECTIVE PART					1	
59		PJ305040001		TEE UNION	SELECTIVE PART					1	

SA-91:SUCTION MOTOR UNIT (OPTION)

GSA910000A0

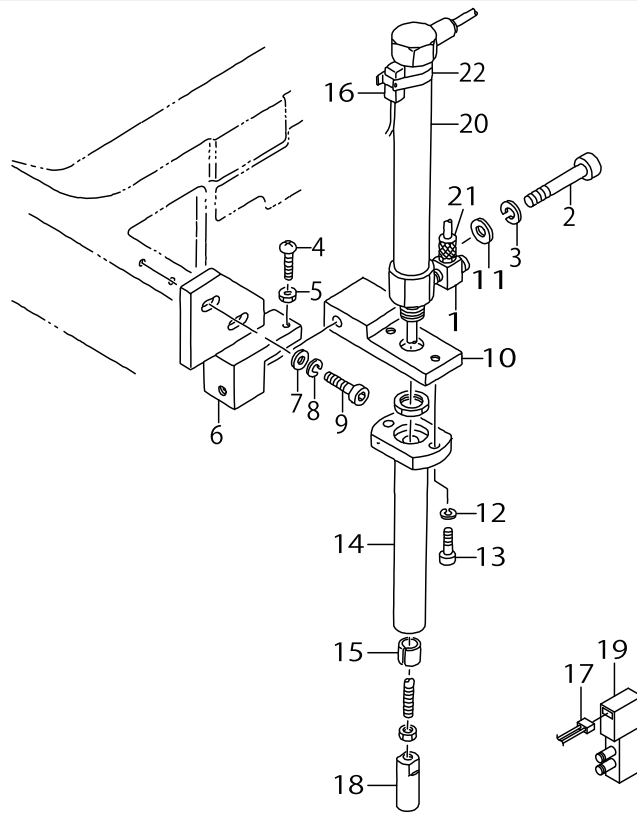


SA-91:SUCTION MOTOR UNIT (OPTION)

No.	Supply Code	Parts No.	Replacement	Parts name	Remarks	Choice	Step	Level	Cons	Qty	Rep. QTY
1		25330507		BASE						1	
2		18588509		RUBBER						4	
3		SM6040602TP		SCREW M4 L=6						4	
4	D	18588400		BLOWER						1	
5	D	SM9122503SB		SCREW M12 L=25						4	
6	R	WS1220002KN	WS1220002KP	SPRING WASHER						4	1.00
7		18564005		POWER PUPPLY BRACKET						1	
8		SM6061602TP		SCREW M6 L=16						2	
9		WS0610002KN		SPRING WASHER 6.1X12.2X1.5						2	
10		25330606		COVER						1	
11		SM0040801SC		SCREW						4	
12		25040957		POWER SOURCE CABLE ASM.						1	
13		25041054		CABLE ASM.						1	
14		25041153		CABLE ASM.						1	
15		25041401		TRANSFORMER						1	
16		25041500		PUSH BUTTON SWITCH						1	

SA-93:DARTS EXTEND UNIT (OPTION)

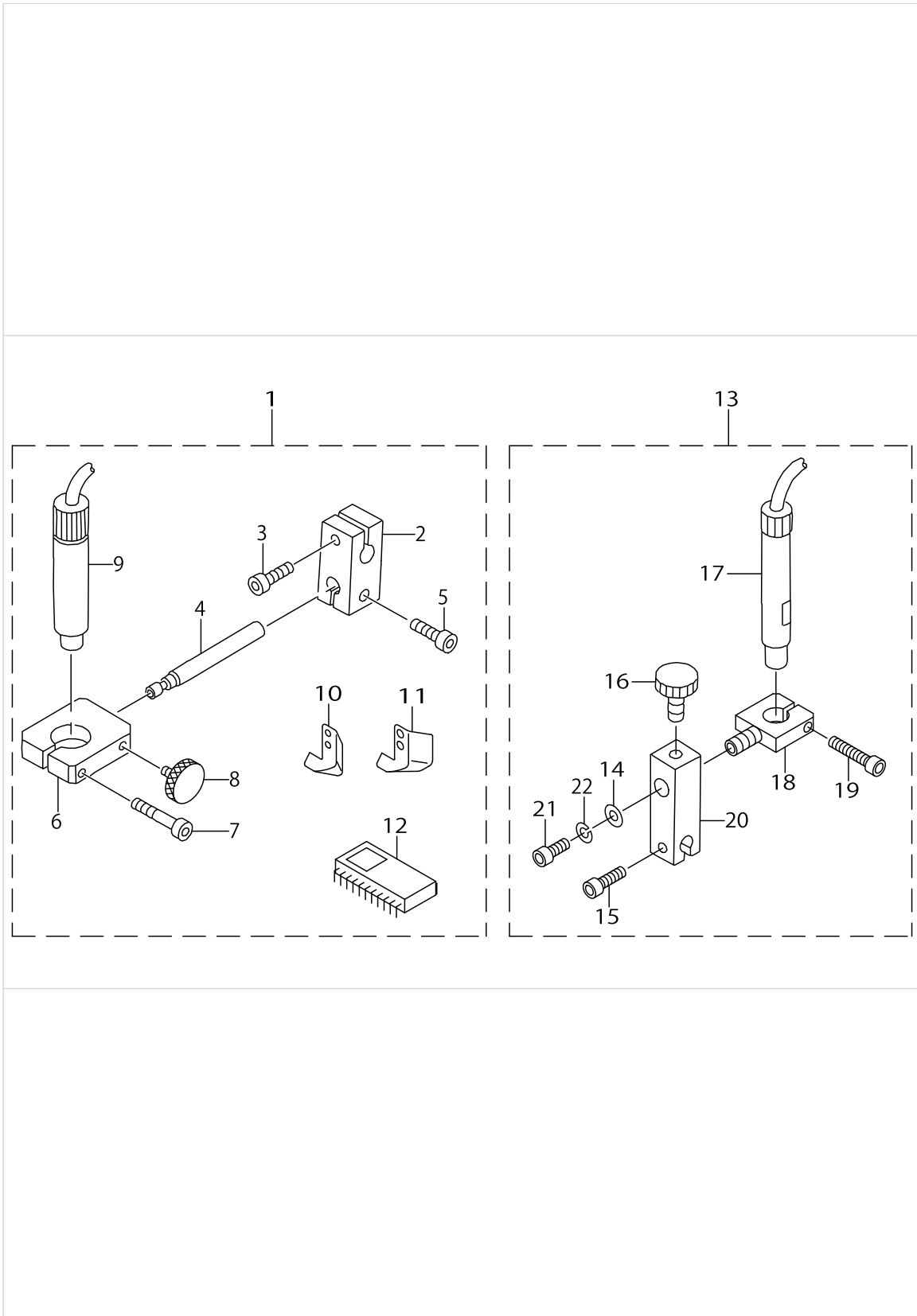
GSA930000A0A



SA-93:DARTS EXTEND UNIT (OPTION)

No.	Supply Code	Parts No.	Replacement	Parts name	Remarks	Choice	Step	Level	Cons	Qty	Rep. QTY
1		PJ042050002		ELBOW						2	
2		SM6063502TP		SCREW M6 L=35						1	
3		WS0610002KN		SPRING WASHER 6.1X12.2X1.5						1	
4	D	SM3041551SP		SCREW M4X0.7 L=15						1	
5		NM6040001SC		NUT M4						1	
6		16700403		CYLINDER BASE						1	
7		WP0531000SC		WASHER 5.3X10X1						2	
8		WS0510002KN		SPRING WASHER						2	
9		SM6051552TP		SCREW M5 L=15						2	
10		16700502		CYLINDER BKT						1	
11		WP0531000SC		WASHER 5.3X10X1						1	
12		WS0410002KN		SPRING WASHER						2	
13		SM6041202TP		SCREW M4X0.7 L=12						2	
14		16700601		CYLINDER SHAFT HOLDER						1	
15		16700809		METAL						1	
16	D	25322850		CABLE ASM.						1	
17		25358458		CABLE ASM.						1	
18	D	16700700		CILNDER EDGE						1	
19		PV150206000		5-PORT CUT-OVER SOLENOID VALVE						1	
20		PA1613501A0		AIR CYLINDER						1	
21		16935504		ELEMENT NIPPLE						2	
22		PX5000480A0		SWITCH FITTING METAL						1	

SA-94: CENTER STANDARD UNIT (OPTION)

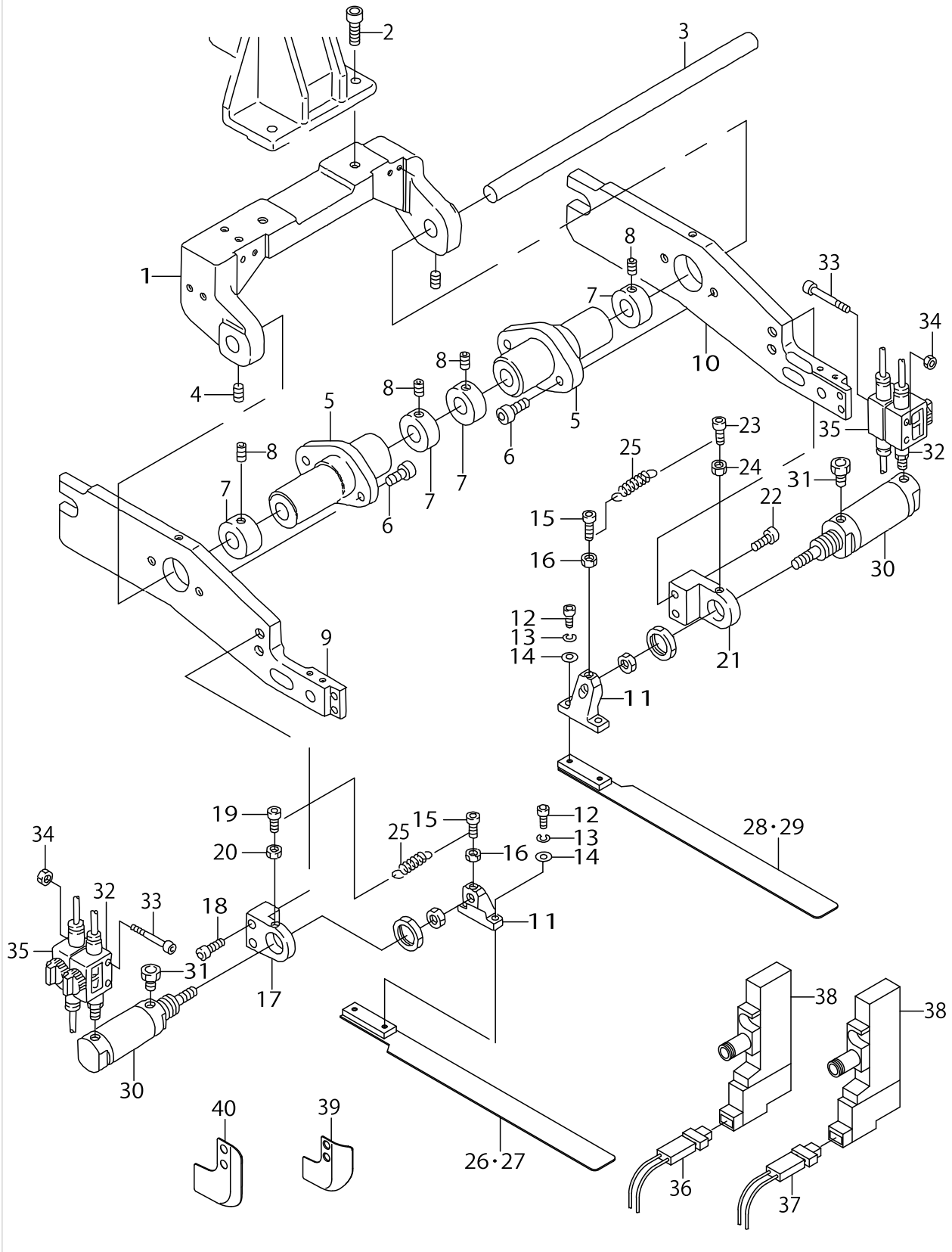


SA-94:CENTER STANDARD UNIT (OPTION)

No.	Supply Code	Parts No.	Replacement	Parts name	Remarks	Choice	Step	Level	Cons	Qty	Rep. QTY
1		GSA94000AA0		CENTER STANDARD UNIT	FOR STAN- DARD BINDER					1	
2		16912701		LIGHT BRACKET (1)				*		1	
3		SM6051552TP		SCREW M5 L=15				*		1	
4	D	16912800		REGULATION SHAFT				*		1	
5		SM6051552TP		SCREW M5 L=15				*		1	
6		16912909		LIGHT BRACKET (2)				*		1	
7		SM6052502TP		SCREW M5X0.8 L=25				*		1	
8	D	G5338116000		CLAMP BOLT				*		1	
9	D	25325655		CROSS MARKING LIGHT ASM.				*		1	
10		16672503		WORKPIECE GUIDE, LEFT				*		1	
11		16672602		WORKPIECE GUIDE, RIGHT				*		1	
12		HL015930007		IC				*		1	
13		GSA94000BA0		CENTER STANDARD UNIT	FOR WELT PATCH SU- PLY FUNCTION					1	
14		16724403		WASHER				*		1	
15		SM6051602TP		SCREW M5X0.8 L=16				*		1	
16	D	G5338116000		CLAMP BOLT				*		1	
17		25325754		CROSS MARKING LIGHT ASM.				*		1	
18		16806903		BRACKET (3)				*		1	
19		SM6052502TP		SCREW M5X0.8 L=25				*		1	
20		16656100		LIGHT BRACKET (1)				*		1	
21		SM6051202TP		SCREW M5X0.8 L=12				*		1	
22		WS0510002KN		SPRING WASHER				*		1	

SA-96N:FLAP PRESSER UNIT (1) (OPTION)

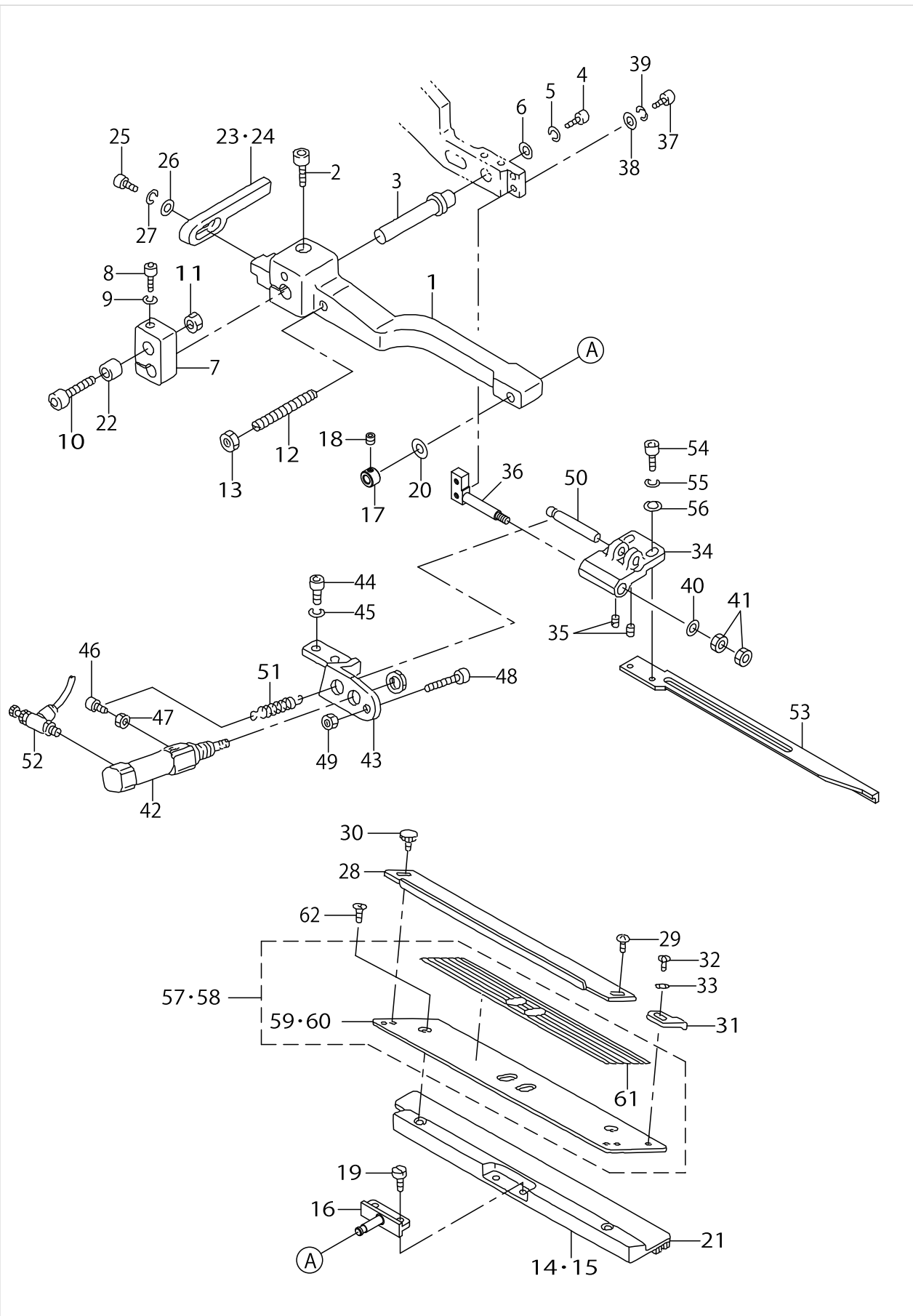
GSA96000AA0B(G=8~14)
 GSA96000BA0B(G=16~20)



SA-96N:FLAP PRESSER UNIT (1) (OPTION)

No.	Supply Code	Parts No.	Replacement	Parts name	Remarks	Choice	Step	Level	Cons	Qty	Rep. QTY
1		25299405		FULCRUM BASE						1	
2		SM6061802TP		SCREW M6 L=18						2	
3		16907701		SHAFT						1	
4		SM8050602TP		SCREW M5 L=6						2	
5	D	18550806		FULCRUM BOSS						2	
6		SM6051802TP		SCREW M5 L=18						4	
7	D	16908105		COLLAR						4	
8		SM8050602TP		SCREW M5 L=6						4	
9	D	25298100		PRESSER ARM,LEFT						1	
10	D	25298209		PRESSERARM,RIGHT						1	
11	D	G5132116000		CYLINDER EDGE						2	
12		SM6041002TP		SCREW M4 L=10						4	
13		WS0410002KN		SPRING WASHER						4	
14		WP0430800SC		WASHER M4						4	
15		SM6031202TP		SCREW M3X0.5 L=12						2	
16		NM6030001SC		NUT M3						2	
17		G5119116C00		FOLDING CYLINDER BRACKET,LEFT						1	
18		SM6051402TP		SCREW M5X0.8 L=14						2	
19		SM6031202TP		SCREW M3X0.5 L=12						1	
20		NM6030001SC		NUT M3						1	
21		G5119116D00		FOLDING CYLINDER BRACKET,RIGHT						1	
22		SM6051402TP		SCREW M5X0.8 L=14						2	
23		SM6031202TP		SCREW M3X0.5 L=12						1	
24		NM6030001SC		NUT M3						1	
25	D	G5129116C00		SPRING						2	
26		25332818		FOLDING PLATE ,LEFT	FOR 8,10,12,14MM					1	
27		25333014		FOLDING PLATE ,LEFT	FOR 16,18,20MM					1	
28		25332917		FOLDING PLATE ,RIGHT	FOR 8,10,12,14MM					1	
29		25333113		FOLDING PLATE ,RIGHT	FOR 16,18,20MM					1	
30		G54021160A0		WELTING PATCH F-OLDING CYL. ASM						2	
31		PX055101000		ELEMENT						2	
32		PV015118000		VALVE						2	
33		SM6044002TP		SCREW						4	
34		NM6040001SC		NUT M4						4	
35		PV010011000		VALVE						2	
36		25325267		RIGHT OUT PUT CABLE ASM.						1	
37		25325366		LEFT OUT PUT CABLE ASM.						1	
38		PV130202200		3-WAY SOLENOID VALVE						2	
39	D	25375502		WORKPIECE GUIDE A ,RIGHT						1	
40		25375403		WORKPIECE GUIDE B ,RIGHT						1	

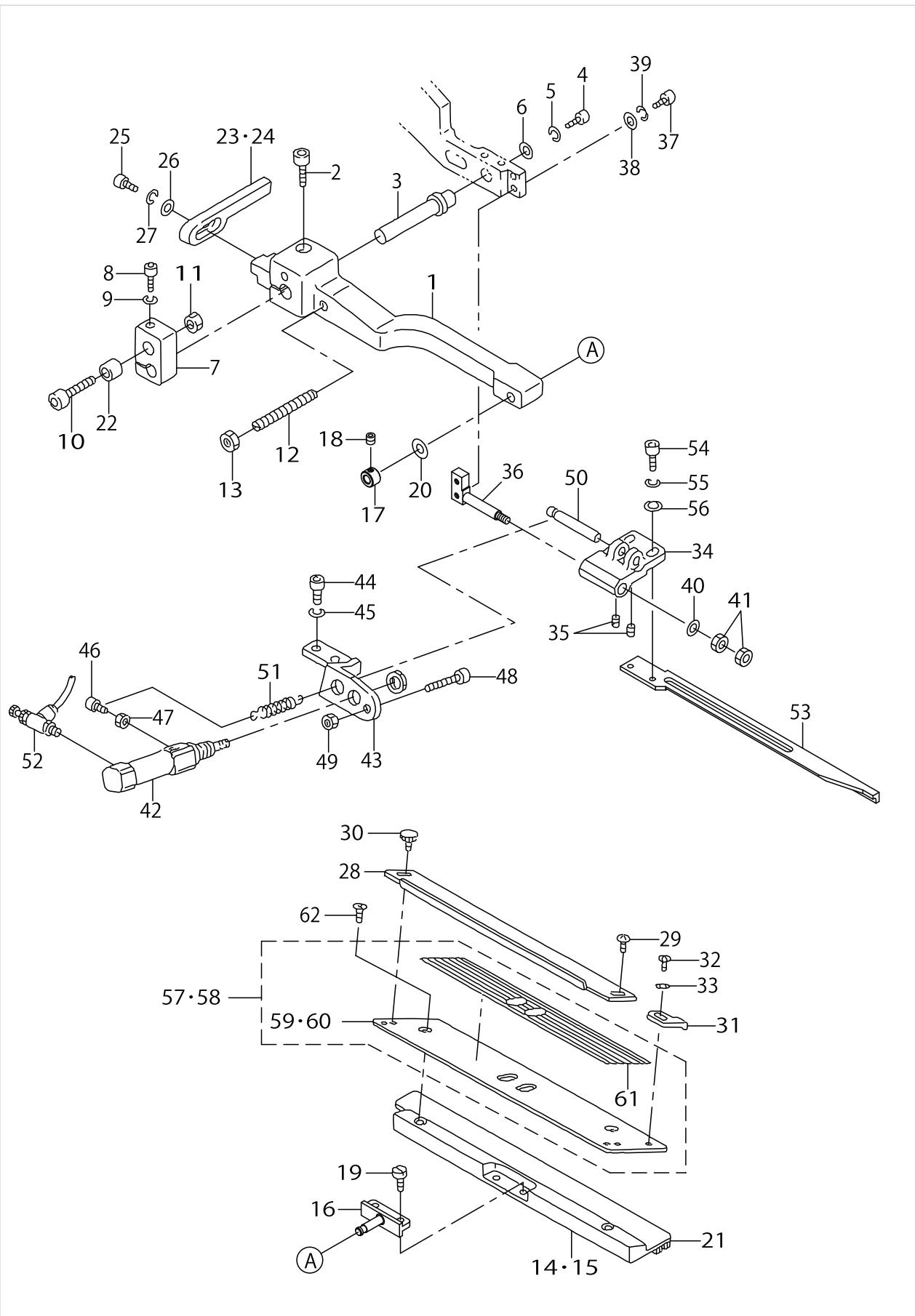
SA-96N:FLAP PRESSER UNIT (2) (OPTION)



SA-96N:FLAP PRESSER UNIT (2) (OPTION)

No.	Supply Code	Parts No.	Replacement	Parts name	Remarks	Choice	Step	Level	Cons	Qty	Rep. QTY
1	D	G5109117000		SUPPORT ARM, LEFT						1	
2		SM6062002TP		SCREW M6 L=20						1	
3	D	G5146119A00		SLIDING SHAFT A						1	
4		SM6051202TP		SCREW M5X0.8 L=12						1	
5		WS0510002KN		SPRING WASHER						1	
6		G5108119000		WASHER						1	
7	D	G5124117A00		SLIDING METAL						1	
8		SM6053002TP		SCREW M5X0.8 L=30						1	
9		WS0510002KN		SPRING WASHER						1	
10		SM6065002TP		SCREW M6 L=50						1	
11		NM6060001SC		NUT M6						1	
12	D	G5122117000		SUPPORT ARM STOPPER						1	
13		NM6050001SC		NUT M5						1	
14	D	16809204		GARMENT CLAMP, LEFT G=8-14	FOR 8,10,12,14MM					1	
15		16809402		GARMENT CLAMP, LEFT G=16-20	FOR 16,18,20MM					1	
16	D	16807117		GARMENT CLAMP FULCULUM PIN						1	
17	D	25377300		SET COLLAR						1	
18		SM8040402TP		SCREW M4X0.7 L=4						1	
19		SS7110840SP		SCREW 11/64-40 L=7.8						2	
20		WP0450801SD		WASHER 4.5X10X0.8						1	
21	D	16778409		GARMENT CLAMP RUBBER, LEFT						1	
22		G5126117000		SPACER						1	
23	D	G5131116C00		FOLDING PLATE STOPPER, LEFT	FOR 8,10,12,14MM					1	
24	D	G5131116D00		STOPPER, LEFT	FOR 16,18,20MM					1	
25		SM6041202TP		SCREW M4X0.7 L=12						1	
26		WS0410002KN		SPRING WASHER						1	
27		WP0430800SC		WASHER M4						1	
28	D	G5140116000		FLAP SCALE						1	
29		SM5040451SC		SCREW M4X0.7 L=4						2	
30		G5847116000		KNOB SCREW						2	
31	D	G5123117000		FLAP STOPPER A						1	
32		SM4030401SC		SCREW M3X0.5 L=4						1	
33		WP0320500SC		WASHER M3						1	
34		G5150116C00		FLAP PRESSER ARM, LEFT						1	
35		SM8030502TP		SCREW M3 L=5						2	
36	D	G5151116C00		FLAP PRESSER FULCRUM SHAFT						1	
37		SM6041202TP		SCREW M4X0.7 L=12						2	
38		WP0430800SC		WASHER M4						2	
39		WS0410002KN		SPRING WASHER						2	
40		WP0430800SC		WASHER M4						1	
41		NM6040001SC		NUT M4						2	
42		G5410116AA0		CYLINDER						1	
43	D	G5147116C00		CYLINDER BRACKET, LEFT						1	
44		SM6051202TP		SCREW M5X0.8 L=12						2	
45		WS0510002KN		SPRING WASHER						2	
46		SM6031002TP		HEXAGONAL BOLT M3 X 10						1	

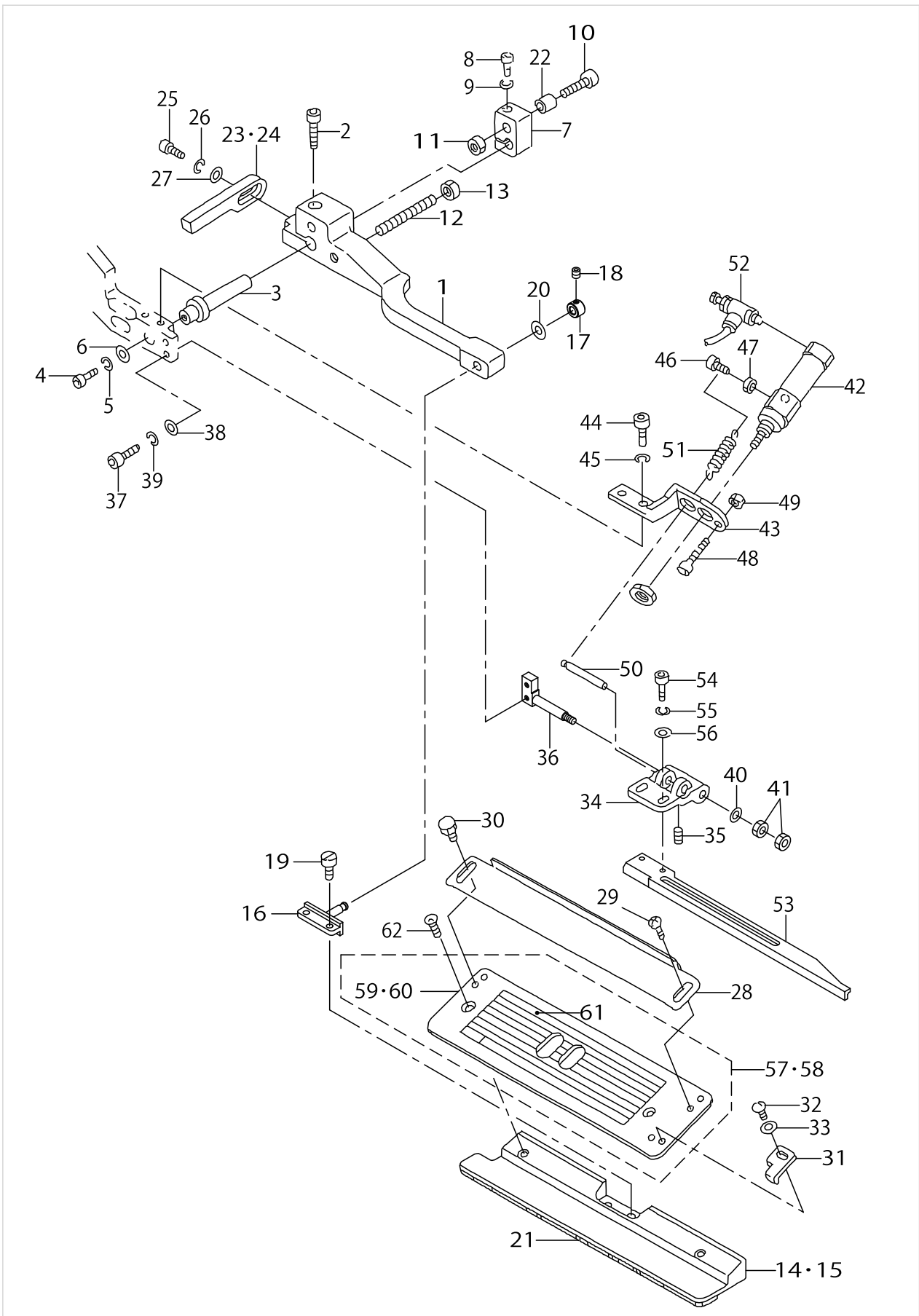
SA-96N:FLAP PRESSER UNIT (2) (OPTION)



SA-96N:FLAP PRESSER UNIT (2) (OPTION)

No.	Supply Code	Parts No.	Replacement	Parts name	Remarks	Choice	Step	Level	Cons	Qty	Rep. QTY
47		NM6030001SC		NUT M3						1	
48		SM6042502TP		SCREW M4X0.7 L=25						1	
49		NM6040001SC		NUT M4						1	
50	D	G5148116C00		PIN						1	
51		16701005		SPRING						1	
52		PC010507000		SPEED CONTROLLER						1	
53	R	G5154116C00	G5154116CA0	FLAP PRESSER, LEFT						1	1.00
54		SM6041002TP		SCREW M4 L=10						2	
55		WS0410002KN		SPRING WASHER						2	
56		WP0430800SC		WASHER M4						2	
57	D	25298753		FLAP BASE ASM., LEFT	SELECTIVE PART					1	
58		25332156		FLAP BASE ASM., LEFT	SELECTIVE PART					1	
59	R	25298704	25298753	FLAP BASE PLATE,LEFT	FOR 8,10,12,14MM			*		1	1.00
60		25332107		FLAP BASE PLATE,LEFT	FOR 16,18,20MM			*		1	
61	D	25299108		SCALE SEAL				*		1	
62		SM1040601SC		SCREW M4X0.7 L=6						2	

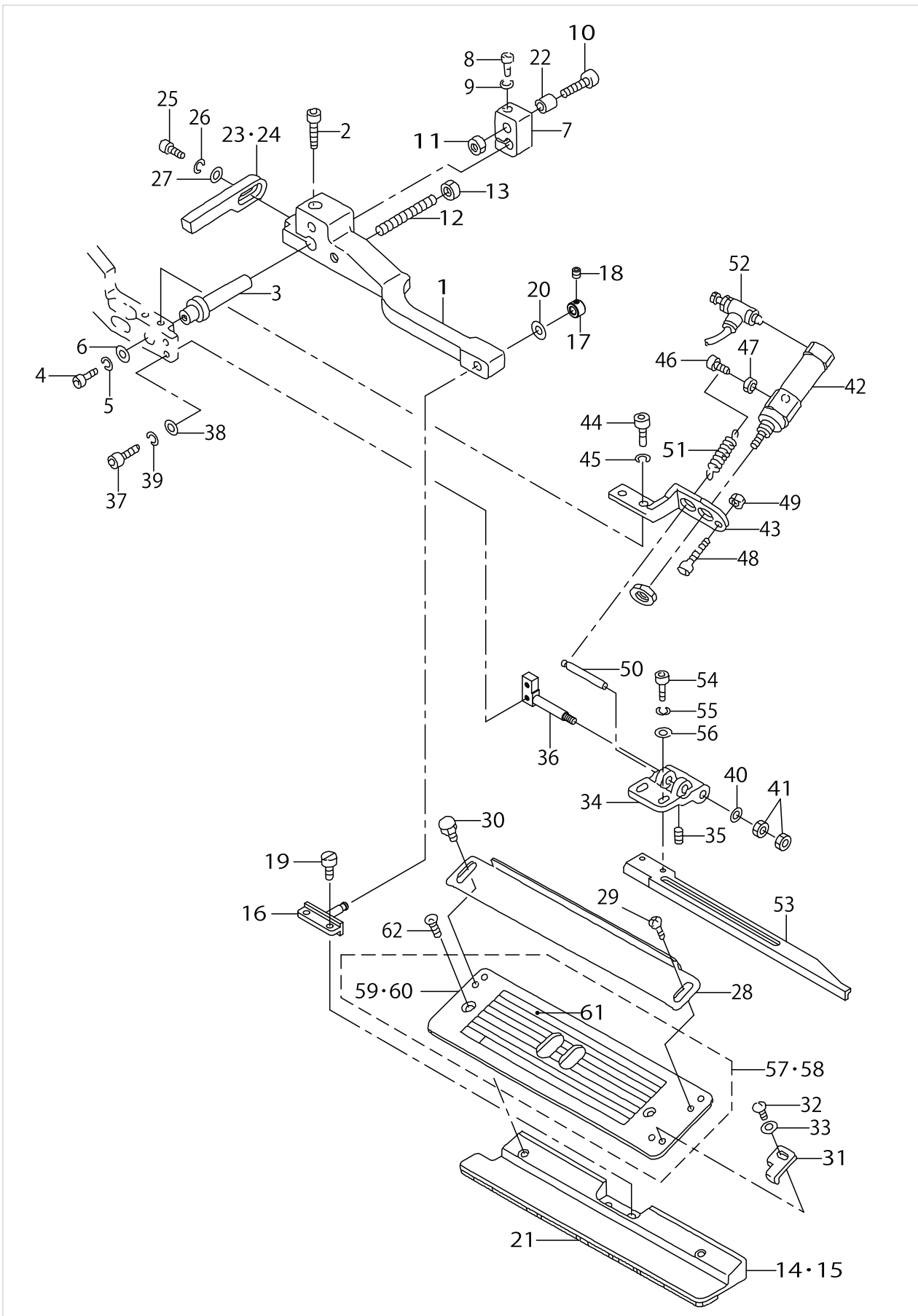
SA-96N:FLAP PRESSER UNIT (3) (OPTION)



SA-96N:FLAP PRESSER UNIT (3) (OPTION)

No.	Supply Code	Parts No.	Replacement	Parts name	Remarks	Choice	Step	Level	Cons	Qty	Rep. QTY
1	D	G5110117000		SUPPORT ARM, RIGHT						1	
2		SM6062002TP		SCREW M6 L=20						1	
3	D	G5146119A00		SLIDING SHAFT A						1	
4		SM6051202TP		SCREW M5X0.8 L=12						1	
5		WS0510002KN		SPRING WASHER						1	
6		G5108119000		WASHER						1	
7	D	G5125117A00		SLIDING METAL						1	
8		SM6053002TP		SCREW M5X0.8 L=30						1	
9		WS0510002KN		SPRING WASHER						1	
10		SM6065002TP		SCREW M6 L=50						1	
11		NM6060001SC		NUT M6						1	
12	D	G5122117000		SUPPORT ARM STOPPER						1	
13		NM6050001SC		NUT M5						1	
14	D	16809303		GARMENT CLAMP, G=8-14	FOR 8,10,12,14MM					1	
15		16809501		GARMENT CLAMP, RIGHT G=16-20	FOR 16,18,20MM					1	
16	D	16807117		GARMENT CLAMP FULCULUM PIN						1	
17	D	25377300		SET COLLAR						1	
18		SM8040402TP		SCREW M4X0.7 L=4						1	
19		SS7110840SP		SCREW 11/64-40 L=7.8						2	
20		WP0450801SD		WASHER 4.5X10X0.8						1	
21	D	16778508		GARMENT CLAMP RUBBER, RIGHT						1	
22		G5126117000		SPACER						1	
23		G5130116C00		FOLDING PLATE STOPPER,RIGHT	FOR 8,10,12,14MM					1	
24	D	G5130116D00		FOLDING PLATE STOPPER, RIGHT A	FOR 16,18,20MM					1	
25		SM6041202TP		SCREW M4X0.7 L=12						1	
26		WS0410002KN		SPRING WASHER						1	
27		WP0430800SC		WASHER M4						1	
28	D	G5140116000		FLAP SCALE						1	
29		SM5040451SC		SCREW M4X0.7 L=4						2	
30		G5847116000		KNOB SCREW						2	
31	D	G5124117000		FLAP STOPPER B						1	
32		SM4030401SC		SCREW M3X0.5 L=4						1	
33		WP0320500SC		WASHER M3						1	
34	D	G5149116C00		FLAP PRESSER ARM, RIGHT						1	
35		SM8030502TP		SCREW M3 L=5						2	
36	D	G5151116C00		FLAP PRESSER FULCRUM SHAFT						1	
37		SM6041202TP		SCREW M4X0.7 L=12						2	
38		WP0430800SC		WASHER M4						2	
39		WS0410002KN		SPRING WASHER						2	
40		WP0430800SC		WASHER M4						1	
41		NM6040001SC		NUT M4						2	
42		G5410116AA0		CYLINDER						1	
43		G5147116D00		CYLINDER BRACKET, RIGHT						1	
44		SM6051202TP		SCREW M5X0.8 L=12						2	
45		WS0510002KN		SPRING WASHER						2	
46		SM6031002TP		HEXAGONAL BOLT M3 X 10						1	

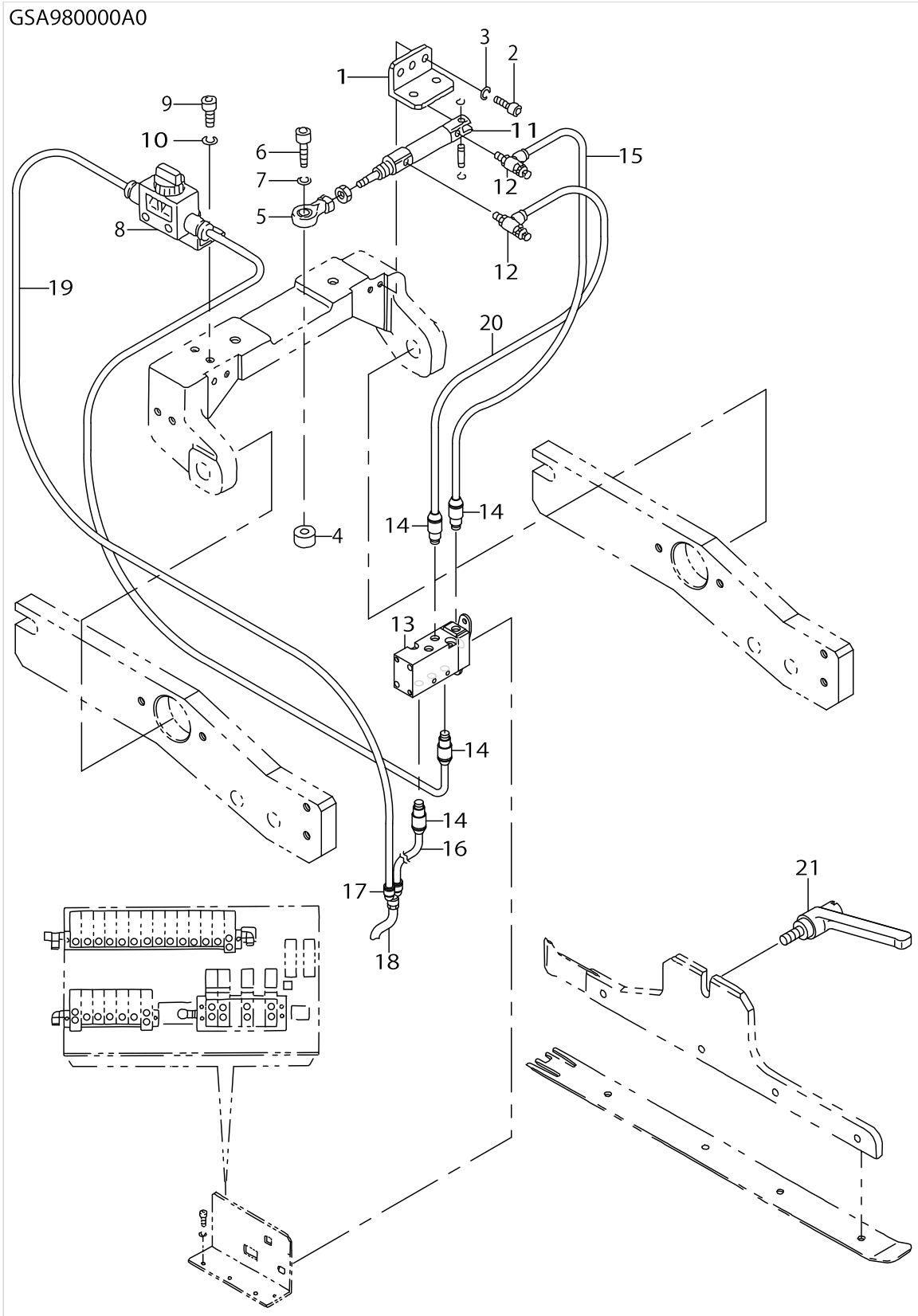
SA-96N:FLAP PRESSER UNIT (3) (OPTION)



SA-96N:FLAP PRESSER UNIT (3) (OPTION)

No.	Supply Code	Parts No.	Replacement	Parts name	Remarks	Choice	Step	Level	Cons	Qty	Rep. QTY
47		NM6030001SC		NUT M3						1	
48		SM6042502TP		SCREW M4X0.7 L=25						1	
49		NM6040001SC		NUT M4						1	
50	D	G5148116C00		PIN						1	
51		16701005		SPRING						1	
52		PC010507000		SPEED CONTROLLER						1	
53	R	G5141116C00	G5141116CA0	FLAP PRESSER, RIGHT						1	1.00
54		SM6041002TP		SCREW M4 L=10						2	
55		WS0410002KN		SPRING WASHER						2	
56		WP0430800SC		WASHER M4						2	
57		25298852		FLAP BASE ASM., RIGHT	SELECTIVE PART					1	
58	D	25332255		FLAP BASE ASM., RIGHT	SELECTIVE PART					1	
59	R	25298803	25298852	FLAP BASE PLATE,RIGHT	FOR 8,10,12,14MM			*		1	1.00
60		25332206		FLAP BASE PLATE,RIGHT	FOR 16,18,20MM			*		1	
61	D	25299108		SCALE SEAL				*		1	
62		SM1040601SC		SCREW M4X0.7 L=6						2	

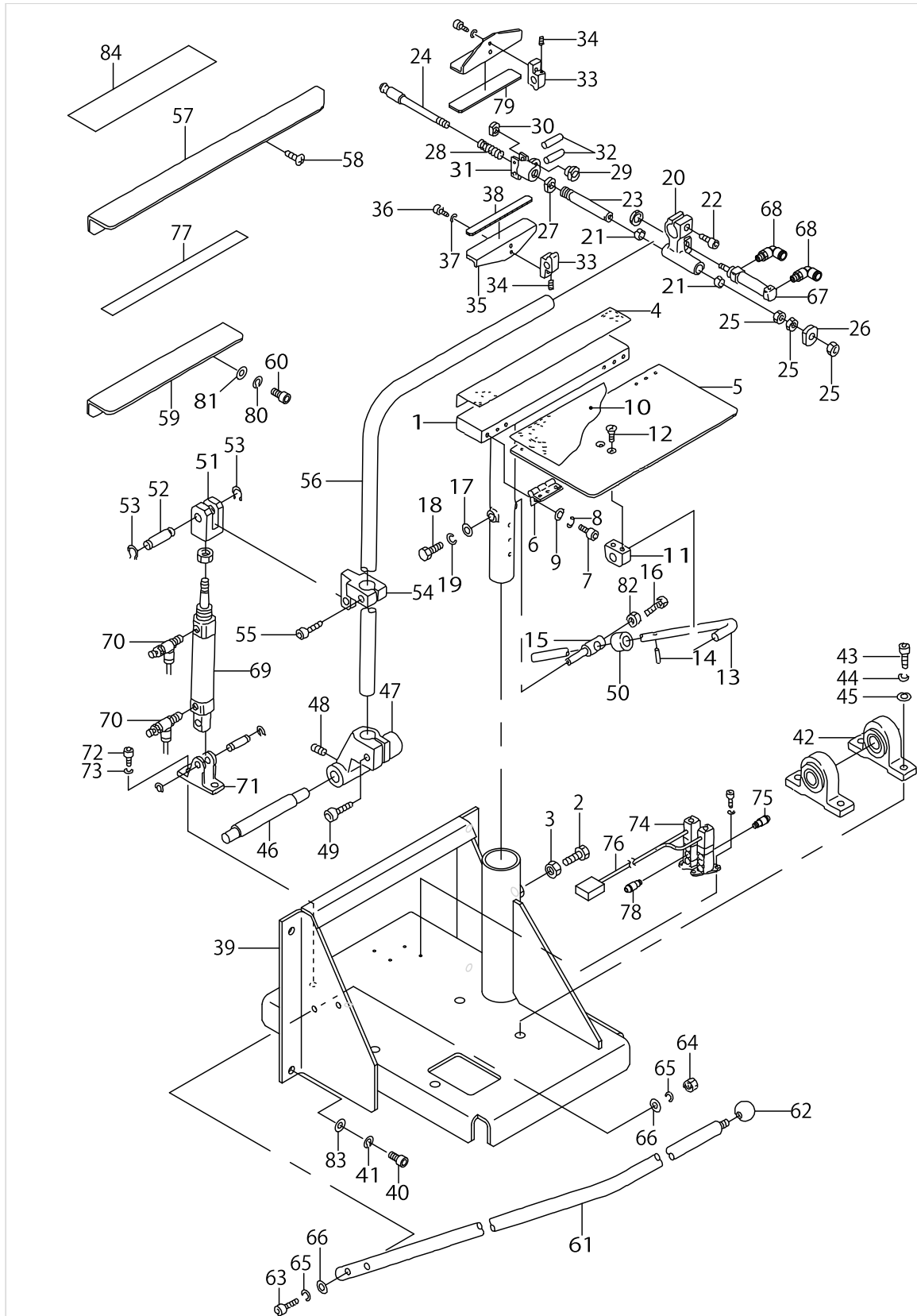
SA-98:SINGLE WELT & DOUBLE WELT CHANGE UNIT (OPTION)



SA-98:SINGLE WELT & DOUBLE WELT CHANGE UNIT (OPTION)

No.	Supply Code	Parts No.	Replacement	Parts name	Remarks	Choice	Step	Level	Cons	Qty	Rep. QTY
1	D	25299306		CYLINDER STAY						1	
2		SM6041202TP		SCREW M4X0.7 L=12						2	
3		WS0410002KN		SPRING WASHER						2	
4		25299207		COLLAR						1	
5		16960205		ROD END						1	
6		SM6052502TP		SCREW M5X0.8 L=25						1	
7		WS0510002KN		SPRING WASHER						1	
8		PV010012000		VALVE						1	
9		SM6040602TP		SCREW M4 L=6						2	
10		WS0410002KN		SPRING WASHER						2	
11		PA1601512A0		AIR CYLINDER						1	
12		PC010511000		SPEED CONTROLLER						2	
13	D	PV200503000		AIR OPERATE VALVE						1	
14		PJ210004200		HALF UNION						4	
15		BT0400251EA		TUBE HOSE, BLUE						.03	
16		BT0400251EE		TUBE HOSE, RED						.01	
17		PJ308060005		IKEI UNION						1	
18		BT0600400EC		TUBE HOSE, BLUE						.02	
19		BT0400251EB		URETHANE HOSE, BLACK						.03	
20		BT0400251EC		TUBE HOSE, YELLOW						.03	
21	D	25321506		CLAMP LEVER						1	

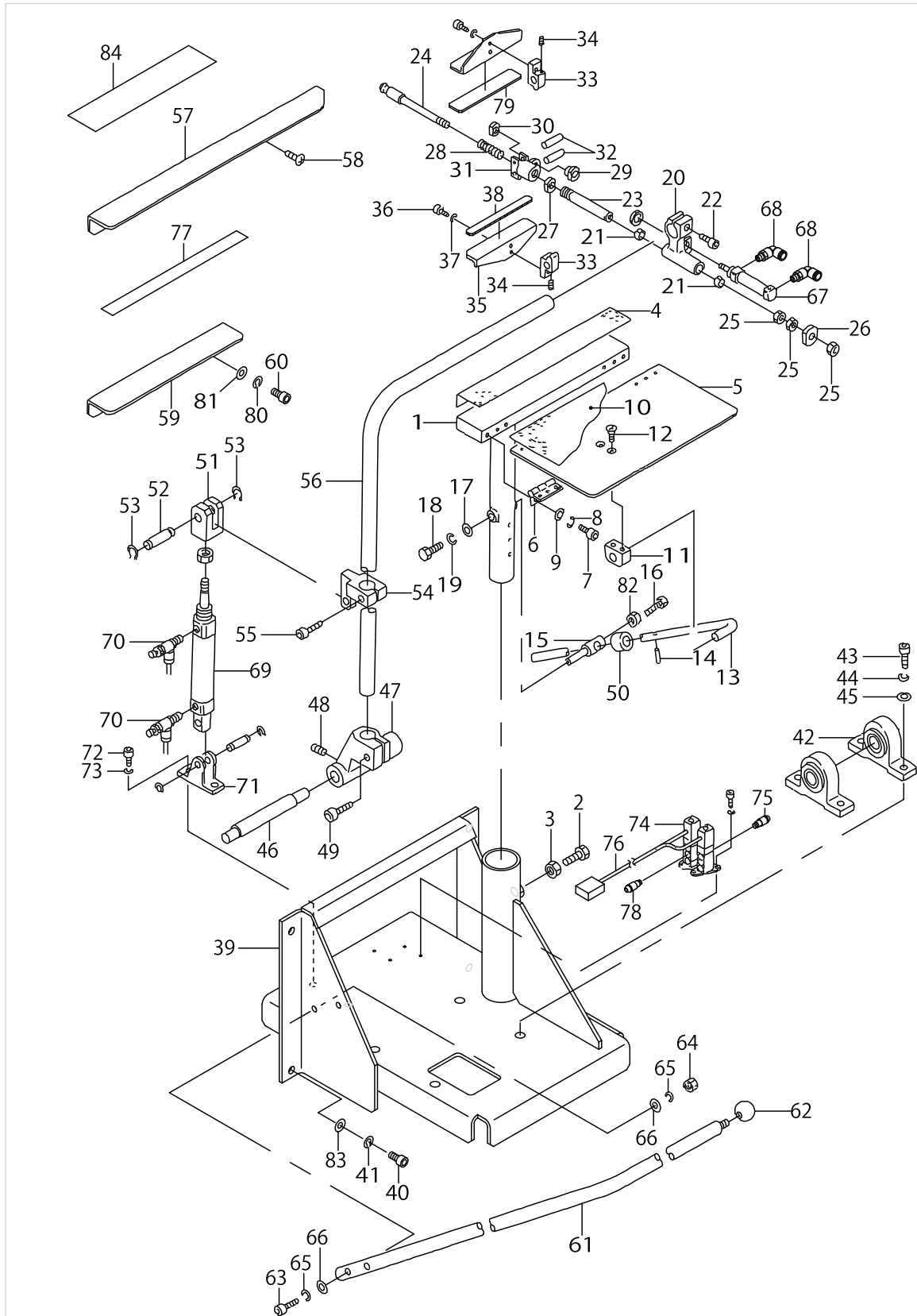
SP-41:GRASP STACKER UNIT (1) (OPTION)



SP-41:GRASP STACKER UNIT (1) (OPTION)

No.	Supply Code	Parts No.	Replacement	Parts name	Remarks	Choice	Step	Level	Cons	Qty	Rep. QTY
1		25310103		CLOTHHOLDERBASE						1	
2		SM9102003SB		SCREW M10 L=20						1	
3		NM6100001SC		NUT M10X1.5						1	
4		25306101		VELVET CLOTH(2)						1	
5		25310202		TAKE-UP TABLE						1	
6		G5843116000		RISED HINGE						2	
7		SM6040602TP		SCREW M4 L=6						12	
8		WS0410002KN		SPRING WASHER						12	
9		WP0430800SC		WASHER M4						12	
10		25306200		VELVET CLOTH(1)						1	
11		G5517116000		BLOCK BRACKET						1	
12	R	SM1061001SC	SM1061201SN	SCREW M6 L=10						2	1.00
13		G5512116000		TABLESUPPORTBAR						1	
14		G5832116000		SPRING PIN						1	
15		25310301		TABLE FIXED PIN						1	
16		SM9082003SC		SCREW M8 L=20						1	
17		G5514116000		WASHER D=30						1	
18		SM6061202TP		SCREW M6 L=12						1	
19		WS0610002KN		SPRING WASHER 6.1X12.2X1.5						1	
20	D	G5518116000		CHUCK STAND						1	
21		16728107		BUSHING						2	
22		SM6083002TP		SCREW M8 L=30						1	
23		25310806		CHUCK ROD(D)						1	
24	D	25310707		CENTER SHAFT(N)						1	
25		NM6080001SC		NUT M8X1.25						3	
26		G5521116000		CHUCK JAW						1	
27		G5522116000		CHUCK ROD NUT						1	
28	D	G5523116000		COIL SPRING						1	
29		G5524116000		CYLINDER EDGE						1	
30	D	G5525116000		CYLINDER EDGE NUT						1	
31	D	G5526116000		CHUCK BOSS						1	
32	D	G5827116000		CHUCK BOSS PIN						2	
33	D	25306408		GRASPING FULCRUM BLOCK						2	
34		SM8030402TP		SCREW M3X0.5 L=4						2	
35		25306507		GRASPING PLATE						2	
36		SM6041002TP		SCREW M4 L=10						4	
37		WS0410002KN		SPRING WASHER						4	
38		25333402		GRASPING RUBBER						1	
39		25310004		MAIN FRAME						1	
40		SM6061602TP		SCREW M6 L=16						4	
41		WS0610002KN		SPRING WASHER 6.1X12.2X1.5						4	
42		25320607		PILLOW UNIT						2	
43		SM6103002TP		HEXAGNAN-HOLE BOLT						4	
44		WS1020002KN		SPRING WASHER M10						4	
45		WP1052001SC		WASHER 10,5X21X2						4	
46		25306309		STACKER STRUT PIN						1	

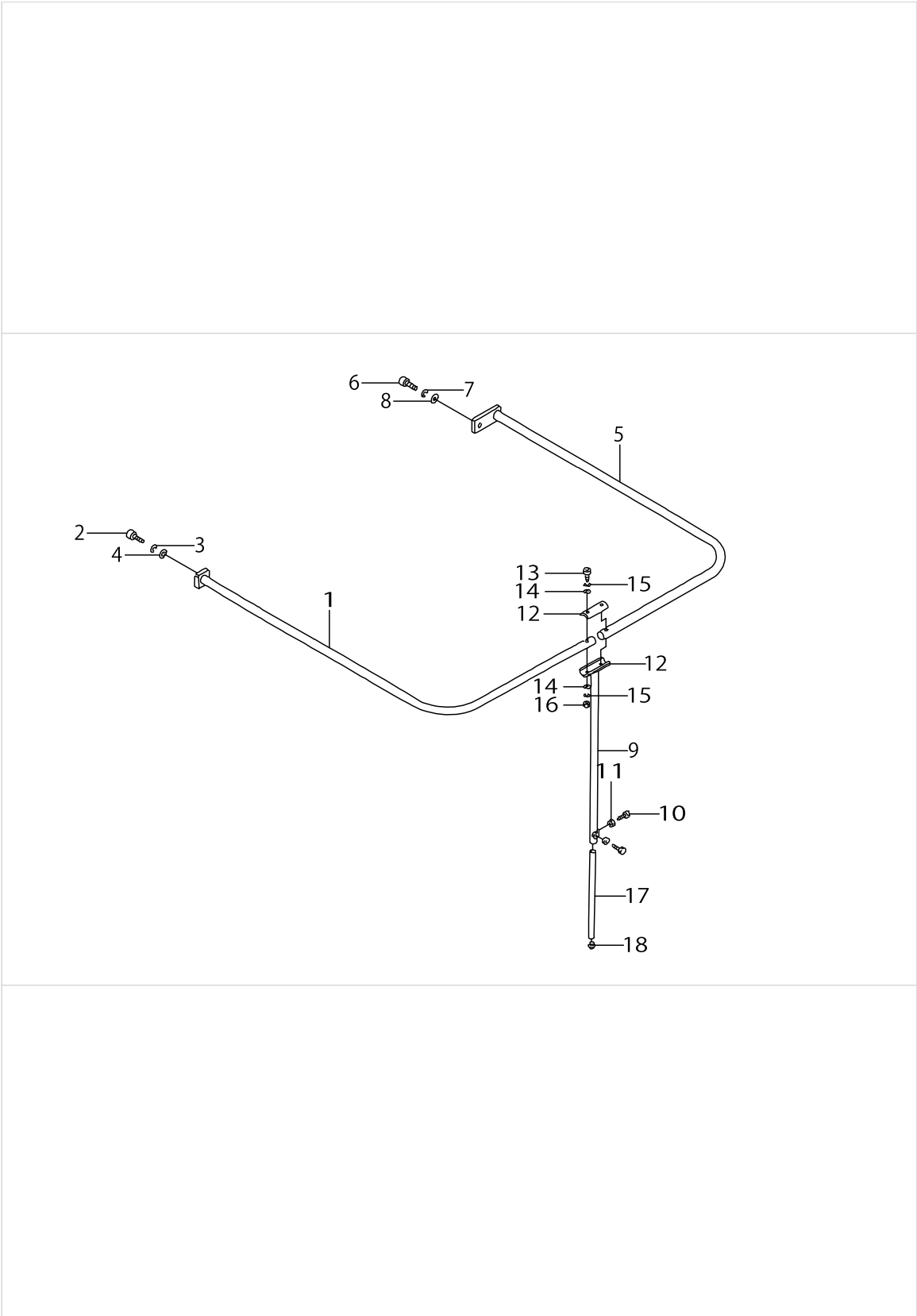
SP-41:GRASP STACKER UNIT (1) (OPTION)



SP-41:GRASP STACKER UNIT (1) (OPTION)

No.	Supply Code	Parts No.	Replacement	Parts name	Remarks	Choice	Step	Level	Cons	Qty	Rep. QTY
47	D	16681405		ARM BRACKET						1	
48		SM8050812TP		SCREW M5X8						2	
49		SM6083002TP		SCREW M8 L=30						1	
50		25316704		VIBRATION-PROOF RUBBER						1	
51	D	16681900		CONNECTING BLOCK						1	
52		16681801		CYLINDER PIN (2)						1	
53		RC0841011KP		RETAINING RING 8.4						2	
54		16698102		ROCKING ARM BRACKET						1	
55		SM6084002TN		SCREW M8 L=40						1	
56		25310400		ROCKING ARM						1	
57		25310509		SUB TABLE(A)						1	
58		SM0050801SC		SCREW						3	
59		25310608		SUB TABLE(B)						1	
60		SM6051002TP		SCREW M5X0.8 L=10						2	
61		16682106		STACKER SAFETY PIPE	FOR STANDARD					1	
62		16728008		GRIP	FOR STANDARD					1	
63		SM6064002TP		SCREW M6 L=40	FOR STANDARD					2	
64		NM6060001SC		NUT M6	FOR STANDARD					2	
65		WS0610002KN		SPRING WASHER 6.1X12.2X1.5	FOR STANDARD					4	
66		WP0641601SC		WASHER	FOR STANDARD					4	
67		PA2505001A0		AIR CYLINDER						1	
68		PJ304045102		ELBOW UNION, C						2	
69	D	PA3210002A0		AIR CYLINDER						1	
70		PC015103000		SPEED CONTROLLER						2	
71		PA900061000		CLEVIS HOLDER						1	
72		SM6081202TP		SCREW M8 L=12						2	
73		WS0820002KN		SPRING WASHER M8						2	
74		PV1505320A0		5-WAY SOLENOID VALVE						2	
75		PJ210006100		HALF UNION						2	
76		25358359		CABLE ASM.						1	
77	R	18585109	25410408	TAPE						.3	1.00
78		PJ210004200		HALF UNION						4	
79		25306606		GRASPING RUBBER						1	
80		WS0510002KN		SPRING WASHER						2	
81		WP0531001SC		WASHER						2	
82		NM6080001SC		NUT M8X1.25						1	
83		WP0651646SC		WASHER						4	
84		25376708		PROTECTION TAPE (2)						1	

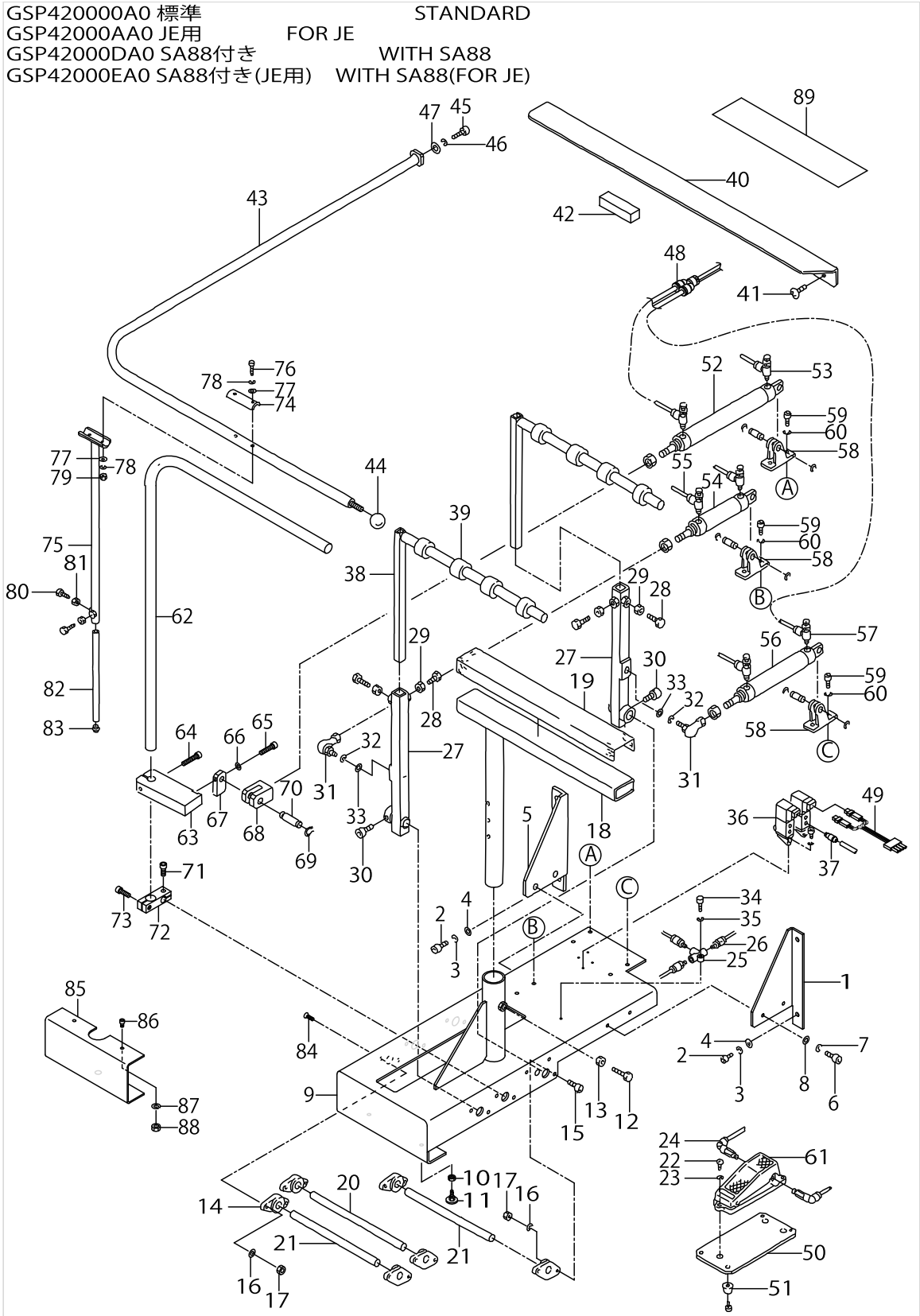
SP-41:GRASP STACKER UNIT (2) (OPTION)



SP-41:GRASP STACKER UNIT (2) (OPTION)

No.	Supply Code	Parts No.	Replacement	Parts name	Remarks	Choice	Step	Level	Cons	Qty	Rep. QTY
1		25330705		SAFETY PIPE (L)	FOR JE					1	
2		SM6102002TP		SCREW M10 L=20	FOR JE					1	
3		WS1020002KN		SPRING WASHER M10	FOR JE					1	
4		WP1052001SC		WASHER 10,5X21X2	FOR JE					1	
5		25330804		SAFETY PIPE (R)	FOR JE					1	
6	D	SM6101602TP		HEXAGONAL-HOLE BOLT M10 L=16	FOR JE					1	
7		WS1020002KN		SPRING WASHER M10	FOR JE					1	
8		WP1052001SC		WASHER 10,5X21X2	FOR JE					1	
9	R	25330903	25330911	SAFETY PIPE STRUT(UPPER)	FOR JE					1	1.00
10		SM9102003SB		SCREW M10 L=20	FOR JE					2	
11		NM6100001SC		NUT M10X1.5	FOR JE					2	
12	D	25182106		STRUT METAL	FOR JE					1	
13		SM6053502TP		BOLT	FOR JE					2	
14		WP0531001SC		WASHER	FOR JE					4	
15		WS0510002KN		SPRING WASHER	FOR JE					4	
16		NM6050001SC		NUT M5	FOR JE					2	
17	D	25331000		SAFETY PIPE STRUT (LOWER)	FOR JE					1	
18	D	25320201		PLUG CUSHION RUBBER	FOR JE					1	

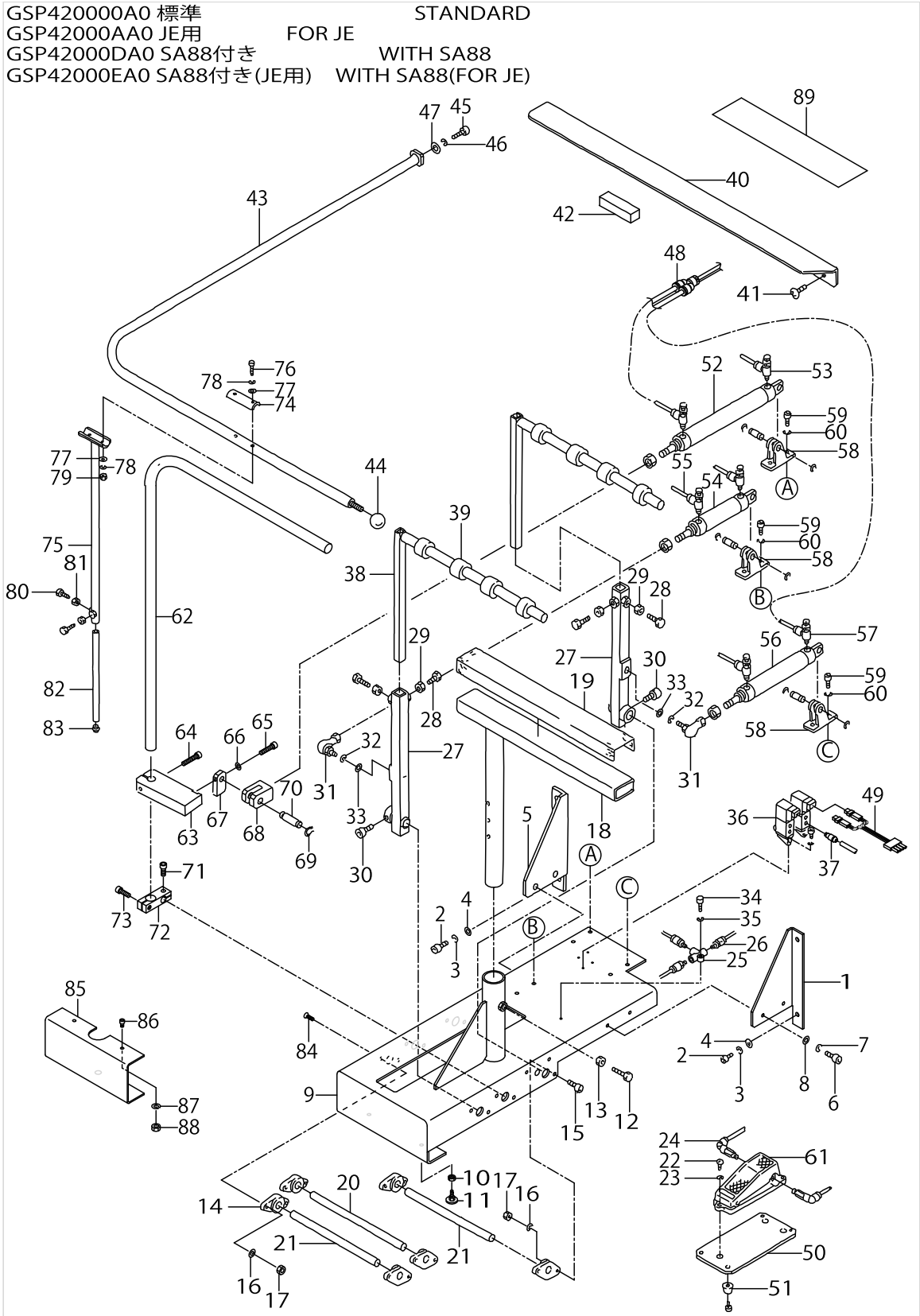
SP-42:BAR STACKER UNIT (1) (OPTION)



SP-42:BAR STACKER UNIT (1) (OPTION)

No.	Supply Code	Parts No.	Replacement	Parts name	Remarks	Choice	Step	Level	Cons	Qty	Rep. QTY
1		25329509		STACKER FITTING BKT(1)						1	
2		SM6061202TP		SCREW M6 L=12						4	
3		WS0610002KN		SPRING WASHER 6.1X12.2X1.5						4	
4		WP0651646SC		WASHER						4	
5		25329608		STACKER FITTING BKT(2)						1	
6		SM6061202TP		SCREW M6 L=12						4	
7		WS0610002KN		SPRING WASHER 6.1X12.2X1.5						4	
8		WP0641601SC		WASHER						4	
9		25328600		MAIN FRAME						1	
10		NM6120003SC		NUT M12						1	
11	D	GAS11111000		ADJUST BOLT						1	
12		SM9102003SB		SCREW M10 L=20						2	
13		NM6100001SC		NUT M10X1.5						1	
14		25320508		PILLOW BLOCK						6	
15		SM6062002TP		SCREW M6 L=20						6	
16		WS0610002KN		SPRING WASHER 6.1X12.2X1.5						12	
17		NM6060001SC		NUT M6						12	
18		25328709		CLOTHHOLDERBASE						1	
19		25328808		VELVET CLOTH						1	
20		25331703		CLOTH BRUSH FULCRUM SHAFT						1	
21		25331604		CLOTH PRESSER F-ULCRUM SHAFT						2	
22		SM4062001SC		SCREW M6 L=20						3	
23		WS0610002KN		SPRING WASHER 6.1X12.2X1.5						3	
24	D	18590208		ELBOW UNION						2	
25		PV205101000		SHUTTLE VALVE						1	
26		PJ301065103		HALF UNION 6XPT1/8						3	
27	D	25329202		CLOTH PRESSER ARM(LOWER)						2	
28		SM9082003SC		SCREW M8 L=20						4	
29		NM6080001SC		NUT M8X1.25						4	
30		SM6051002TP		SCREW M5X0.8 L=10						4	
31		25320300		LINK BALL						2	
32		WS1020002KN		SPRING WASHER M10						2	
33		WP1052001SC		WASHER 10,5X21X2						2	
34		SM6042502TP		SCREW M4X0.7 L=25						1	
35		WS0410002KN		SPRING WASHER						1	
36		PV1505320A0		5-WAY SOLENOID VALVE						2	
37		PJ210006100		HALF UNION						6	
38		25329400		CLOTH PRESSER ARM(UPPER)						2	
39		GAS11154000		STACKER RING						8	
40		18558403		SUB TABLE						1	
41		SM0050801SC		SCREW						4	
42		GAS11124000		RUBBER CUSHION						1	
43	D	25331109		SAFETY PIPE(L)	FOR STANDARD					1	
44		16728008		GRIP	FOR STANDARD					1	
45		SM6102002TP		SCREW M10 L=20	FOR STANDARD					1	
46		WS1020002KN		SPRING WASHER M10	FOR STANDARD					1	

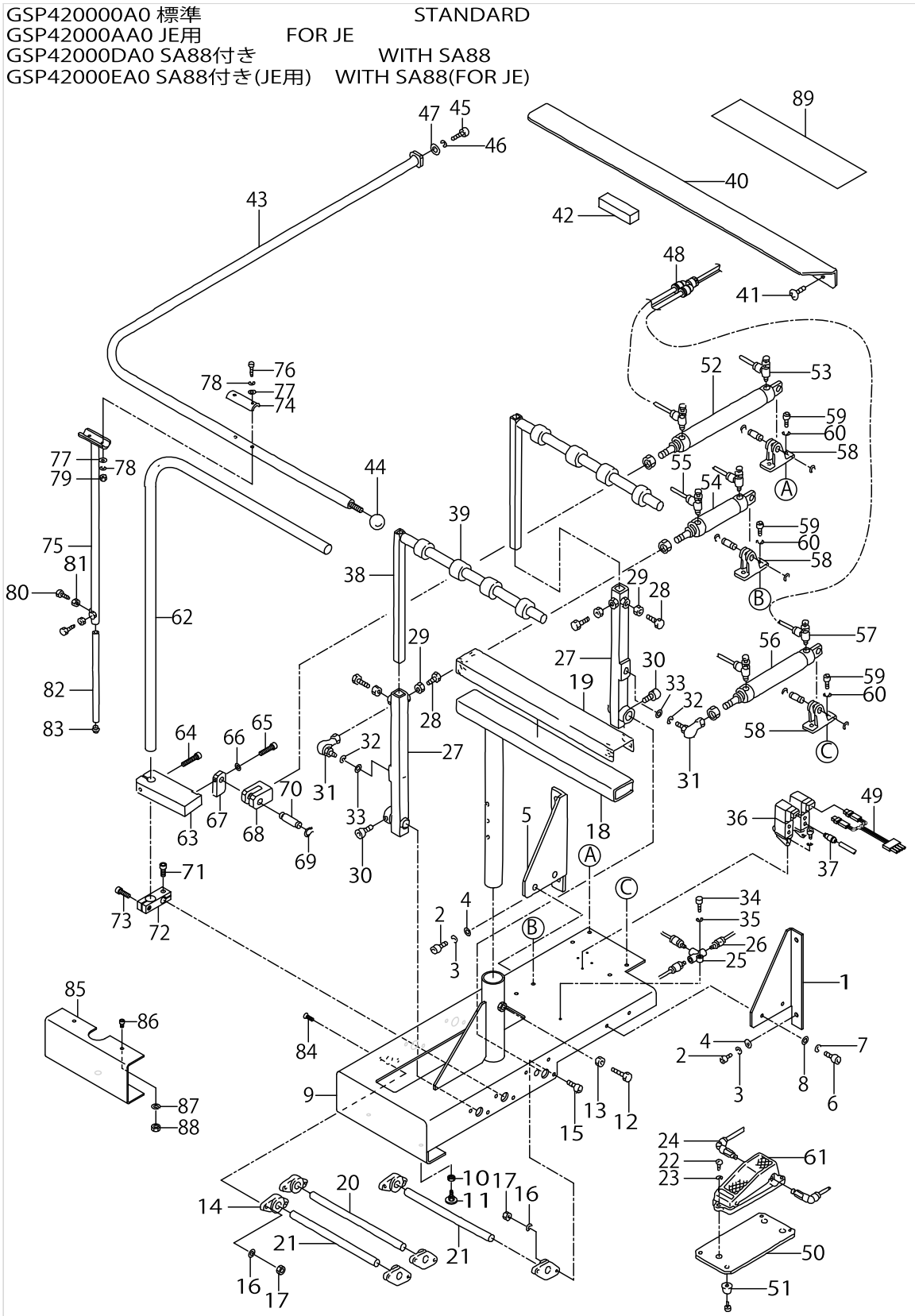
SP-42:BAR STACKER UNIT (1) (OPTION)



SP-42:BAR STACKER UNIT (1) (OPTION)

No.	Supply Code	Parts No.	Replacement	Parts name	Remarks	Choice	Step	Level	Cons	Qty	Rep. QTY
47		WP1052001SC		WASHER 10,5X21X2	FOR STANDARD					1	
48		PJ308060003		Y UNION						3	
49		25358359		CABLE ASM.						1	
50	D	16623407		SWITCH FITTING PLATE						1	
51	D	16727802		RUBBER FOOT						4	
52		PA3220001A0		AIR CYLINDER						1	
53		PC015103000		SPEED CONTROLLER						2	
54		PA3207503A0		AIR CYLINDER						1	
55		PC015103000		SPEED CONTROLLER						2	
56	D	PA3212502A0		AIR CYLINDER						1	
57		PC015103000		SPEED CONTROLLER						2	
58		PA900060000		CLEVIS HOLDER						3	
59		SM6061002TP		SCREW M6 L=10						6	
60		WS0610002KN		SPRING WASHER 6.1X12.2X1.5						6	
61		G54211160A0		MECHANICAL VALVE ASM.						1	
62	D	25329004		ROCKING ARM						1	
63		16697906		ROCKING ARM BRACKET						1	
64		SM6084002TN		SCREW M8 L=40						1	
65		SM6083502TN		SCREW						1	
66		WS0820002KN		SPRING WASHER M8						1	
67		16698003		CONNECTING BLOCK						1	
68	D	16681900		CONNECTING BLOCK						1	
69		RC0841011KP		RETAINING RING 8.4						1	
70		16681801		CYLINDER PIN (2)						1	
71		SM6082002TN		SCREW M8 L=20						1	
72	D	25328907		ROCKING ARM BRACKET						1	
73		SM6082502TP		SCREW M8 L=25						1	
74	D	25182106		STRUT METAL						1	
75	R	25330903	25330911	SAFETY PIPE STRUT(UPPER)						1	1.00
76		SM6053502TP		BOLT						2	
77		WP0531001SC		WASHER						4	
78		WS0510002KN		SPRING WASHER						4	
79		NM6050001SC		NUT M5						2	
80		SM9102003SB		SCREW M10 L=20						2	
81		NM6100001SC		NUT M10X1.5						2	
82	D	25331000		SAFETY PIPE STRUT (LOWER)						1	
83	D	25320201		PLUG CUSHION RUBBER						1	
84		SM1062052TP		SCREW M6 L=20						6	
85		25337908		ADAPTER	EXCLUSIVE USE FOR I-NSTLLING SA88 UNIT					1	
86		SM6061002TP		SCREW M6 L=10	EXCLUSIVE USE FOR I-NSTLLING SA88 UNIT					2	
87		WS0610002KN		SPRING WASHER 6.1X12.2X1.5	EXCLUSIVE USE FOR I-NSTLLING SA88 UNIT					2	

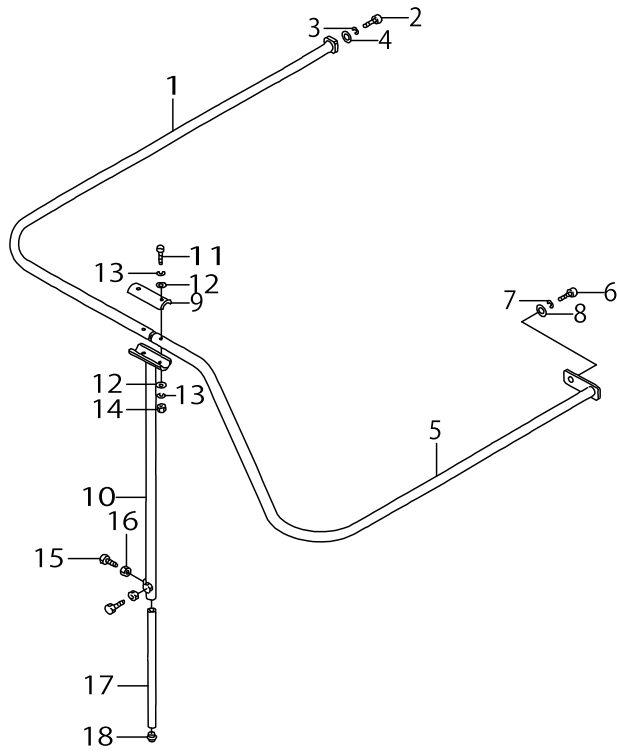
SP-42:BAR STACKER UNIT (1) (OPTION)



SP-42:BAR STACKER UNIT (1) (OPTION)

No.	Supply Code	Parts No.	Replacement	Parts name	Remarks	Choice	Step	Level	Cons	Qty	Rep. QTY
88		NM6060001SC		NUT M6	EXCLUSIVE USE FOR INSTLLING SA88 UNIT					2	
89		25376708		PROTECTION TAPE (2)						1	


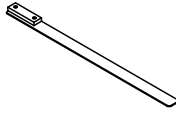
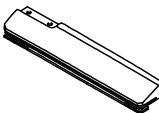
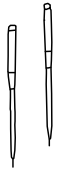
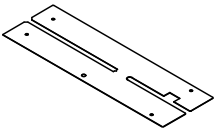
SP-42:BAR STACKER UNIT (2) (OPTION)


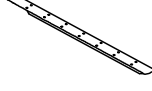



SP-42:BAR STACKER UNIT (2) (OPTION)

No.	Supply Code	Parts No.	Replacement	Parts name	Remarks	Choice	Step	Level	Cons	Qty	Rep. QTY
1		25331208		SAFETY PIPE(L)	FOR JE					1	
2		SM6102002TP		SCREW M10 L=20	FOR JE					1	
3		WS1020002KN		SPRING WASHER M10	FOR JE					1	
4		WP1052001SC		WASHER 10,5X21X2	FOR JE					1	
5		25331307		SAFETY PIPE(R)	FOR JE					1	
6	D	SM6101602TP		HEXAGONAL-HOLE BOLT M10 L=16	FOR JE					1	
7		WS1020002KN		SPRING WASHER M10	FOR JE					1	
8		WP1052001SC		WASHER 10,5X21X2	FOR JE					1	
9	D	25182106		STRUT METAL						1	
10	R	25330903	25330911	SAFETY PIPE STRUT(UPPER)						1	1.00
11		SM6053502TP		BOLT						2	
12		WP0531001SC		WASHER						4	
13		WS0510002KN		SPRING WASHER						4	
14		NM6050001SC		NUT M5						2	
15		SM9102003SB		SCREW M10 L=20						2	
16		NM6100001SC		NUT M10X1.5						2	
17	D	25331000		SAFETY PIPE STRUT (LOWER)						1	
18	D	25320201		PLUG CUSHION RUBBER						1	

TABLE OF EXCHANGING PARTS (1)

	Needle gauge	Folding plate		Garment clamping plate		Needle gauge	Sewing table		
	針幅 (mm)	折込板		身頃クランプ			針幅 (mm)	縫製テーブル	
									
		Ref.No.	Part No.	Ref.No.	Part No.	Ref.No.	Part No.		
Left 左	8,10,12,14mm	1	253-32412	5	167-77856	8,10,12mm	9	253-37015	
	16,18,20mm	2	253-32610	6	167-78052	14,16mm	10	253-74901	
Right 右	8,10,12,14mm	3	253-32511	7	167-77955	18,20mm	11	253-37114	
	16,18,20mm	4	253-32719	8	167-78151				

Selective part 選択部品	Rubber sole 身頃クランプゴム			
	Left 左		Right 右	
Specification 仕様				
	Ref.No.	Part No.	Ref.No.	Part No.
standard 標準	12	167-78409	16	167-78508
For heavy-weight materials 厚物用	13	167-04900	17	167-04900
Sponge スポンジ	14	G5115-117-C0018	18	G5115-117-E00
Sponge (for heavy-weight materials) スポンジ (厚物用)	15	G5115-117-D0019	19	G5115-117-F00

Coner knife コーナメス	Needle gauge 針幅 (mm)		
		Ref.No.	Part No.
	8, 10, 12mm	20	166-07301(A-1)
		21	166-07400(A-2)
	16, 18, 20mm	22	166-07509(B-1)
		23	166-07608(B-2)



Needle gauge 針幅 (mm)	Workpiece guide spring 生地ガイドバネ			
				
	Ref.No.	Part No.	Ref.No.	Part No.
8,10,12,14mm	24	G5328-116-000	26	166-72206
16,18,20mm	25	G5328-116-A00	27	166-72305

TABLE OF EXCHANGING PARTS (1)

No.	Supply Code	Parts No.	Replacement	Parts name	Remarks	Choice	Step	Level	Cons	Qty	Rep. QTY
1		25332412		FOLDING PLATE ,LEFT						1	
2		25332610		FOLDING PLATE ,LEFT						1	
3	D	25332511		FOLDING PLATE ,RIGHT						1	
4		25332719		FOLDING PLATE ,RIGHT						1	
5		16777856		GARMENT BODY C- LAMP ASM., LEFT						1	
6		16778052		GARMENT BODY C- LAMP ASM., LEFT						1	
7		16777955		GARMENT BODY C- LAMP ASM., RIGHT						1	
8		16778151		GARMENT BODY C- LAMP ASM., RIGHT						1	
9		25337015		SEWING TABLE (6)						1	
10		25374901		SEWING TABLE						1	
11		25337114		SEWING TABLE (6)						1	
12	D	16778409		GARMENT CLAMP RUBBER, LEFT						1	
13	D	16704900		RUBBER CLAMP						1	
14	D	G5115117C00		RUBBER CLAMP, LEFT						1	
15	D	G5115117D00		RUBBER CLAMP, LEFT						1	
16	D	16778508		GARMENT CLAMP RUBBER, RIGHT						1	
17	D	16704900		RUBBER CLAMP						1	
18	D	G5115117E00		RUBBER CLAMP, RIGHT						1	
19	D	G5115117F00		RUBBER CLAMP, RIGHT						1	
20		16607301		CORNER KNIFE A1						1	
21		16607400		CORNER KNIFE A2						1	
22		16607509		CORNER KNIFE (B-1)						1	
23		16607608		CORNER KNIFE (B-2)						1	
24	D	G5328116000		WORKPIECE GUIDE SPRING A						1	
25		G5328116A00		WORKPIECE GUIDE SPRING B						1	
26		16672206		WORKPIECE GUIDE SPRING A						1	
27		16672305		WORKPIECE GUIDE SPRING B						1	

TABLE OF EXCHANGING PARTS (2)

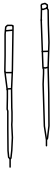
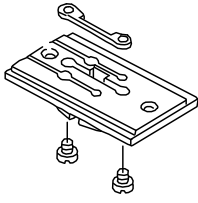
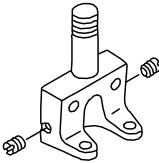


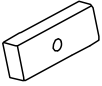
Needle gauge 針幅 (mm)	Throat plate asm. 針板 (組)		Needle clamp asm. 針留 (組)		Knife 上糸切りメス		Needle thread counter knife 上糸切り固定メス		Needle thread clamp plate 上糸クランプ板	
										
	For left knife 左メス用									
	Ref.No.	Part No.	Ref.No.	Part No.	Ref.No.	Part No.	Ref.No.	Part No.	Ref.No.	Part No.
8mm(5/16")	1	164-01150	8	G1402-116-JA0	15	251-37100	19	164-09906	21	164-10201
10mm(25/64")	2	164-01259	9	G1402-116-BA0						
12mm(15/32")	3	164-01358	10	G1402-116-CA0	16	164-09500				
14mm(35/64")	4	164-01457	11	G1402-116-DA0						
16mm(5/8")	5	164-01556	12	G1402-116-EA0	17	164-10508				
18mm(45/64")	6	164-01655	13	G1402-116-FA0						
20mm(25/32")	7	164-01754	14	G1402-116-GA0	18	164-11100	20	164-11308	22	164-11407

TABLE OF EXCHANGING PARTS (2)

No.	Supply Code	Parts No.	Replacement	Parts name	Remarks	Choice	Step	Level	Cons	Qty	Rep. QTY
1		16401150		THROAT PLATE ASM. 8MM						1	
2		16401259		THROAT PLATE ASM. 10MM						1	
3		16401358		THROAT PLATE ASM.12MM						1	
4	D	16401457		THROAT PLATE ASM. 14MM						1	
5	D	16401556		THROAT PLATE ASM.16MM						1	
6	D	16401655		THROAT PLATE ASM. 18MM						1	
7		16401754		THROAT PLATE ASM 20MM						1	
8		G1402116JA0		NEEDLE CLAMP ASM. 8MM						1	
9		G1402116BA0		NEEDLE CLAMP ASM. 10MM						1	
10		G1402116CA0		NEEDLE CLAMP ASM.						1	
11		G1402116DA0		NEEDLE CLAMP ASM 14MM						1	
12		G1402116EA0		NEEDLE CLAMP ASM. 16MM						1	
13		G1402116FA0		NEEDLE CLAMP ASM. 18MM						1	
14		G1402116GA0		NEEDLE CLAMP ASM. 20MM						1	
15		25137100		NEEDLE THREAD KNIFE F						1	
16		16409500		NEEDLE THREAD KNIFE A						1	
17		16410508		NEEDLE THREAD KNIFE B						1	
18		16411100		UPPER THREAD CUTTING KNIFE E						1	
19		16409906		NEEDLE THREAD COUNTER KNIFE						1	
20		16411308		FIXED KNIFE						1	
21	D	16410201		NEEDLE THREAD CLAMP PLATE						1	
22		16411407		CLAMP PLATE A						1	

TABLE OF EXCHANGING PARTS (3)

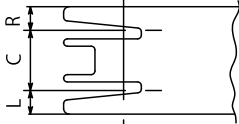
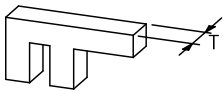
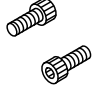
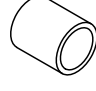
		 Welt pach ruler 玉布定規		 Clamp foot spacer 大押えスペーサー		 Clamp foot collar setscrew 大押えカラー止ねじ		 Foot collar 押えカラー			
		片玉縁 Single welt									
		Welt pach ruler		Clamp foot spacer			Clamp foot collar setscrew		Foot collar		
		玉布定規		大押えスペーサー			大押えカラー止ねじ		押えカラー		
Needle gauge 針 幅(mm)	Size サイズ	Ref.No.	Part No.	T	Ref.No.	Part No.	Ref.No.	Part No.	Ref.No.	Part No.	
8mm (5/16")	L 7.3	1	253-11713	7	16	169-15506	46	SM-6052002-TP	55	169-08709 (L=31)	
	R 7.3			7	17	169-15506					
	L 7.3	2	253-12414	7	18	169-15506					
	R 3.3			3	19	169-15100					
	L 3.3	3	253-13115	3	20	169-15100					
	R 7.3			7	21	169-15506					
10mm (25/64")	L 9.3	4	253-11812	9	22	169-15605	47	SM-6052502-TP	55	169-08709 (L=31)	
	R 9.3			9	23	169-15605					
	L 9.3	5	253-12513	9	24	169-15605					
	R 4.3			4	25	169-15209					
	L 4.3	6	253-13214	4	26	169-15209					
	R 9.3			9	27	169-15605					
12mm (13/32")	L 11.3	7	253-11911	11	28	169-15704	48	SM-6052002-TP	55	169-08709 (L=31)	
	R 11.3			11	29	169-15704					
	L 11.3	8	253-12612	5	31	169-15308					
	R 5.3			5	32	169-15308					
	L 5.3	9	253-13313	11	33	169-15704					
	R 11.3			13	34	169-15803					
14mm (35/64")	L 13.3	10	253-12018	13	34	169-15803	49	SM-6052502-TP	55	169-08709 (L=31)	
	R 13.3			13	35	169-15803					
	L 13.3	11	253-12711	6	37	169-15407					
	R 6.3			6	38	169-15407					
	L 6.3	12	253-13412	6	38	169-15407					
	R 13.3			13	39	169-15803					
16mm (5/8")	L 15.3	13	253-12117	22	40	169-16009	50	SM-6052002-TP	55	169-08709 (L=31)	
	R 15.3			22	41	169-16009					
	L 15.3	14	253-12810	22	42	169-16009					
	R 7.3			14	43	169-15902					
	L 7.3	15	253-13511	14	44	169-15902					
	R 15.3			22	45	169-16009					

TABLE OF EXCHANGING PARTS (3)

No.	Supply Code	Parts No.	Replacement	Parts name	Remarks	Choice	Step	Level	Cons	Qty	Rep. QTY
1	D	25311713		WELT PATCH BASE PLATE						1	
2		25312414		WELT PATCH BASE PLATE						1	
3		25313115		WELT PATCH BASE PLATE						1	
4	D	25311812		WELT PATCH BASE PLATE						1	
5		25312513		WELT PATCH BASE PLATE						1	
6		25313214		WELT PATCH BASE PLATE						1	
7		25311911		WELT PATCH BASE PLATE						1	
8		25312612		WELT PATCH BASE PLATE						1	
9		25313313		WELT PATCH BASE PLATE						1	
10	D	25312018		WELT PATCH BASE PLATE						1	
11	D	25312711		WELT PATCH BASE PLATE						1	
12		25313412		WELT PATCH BASE PLATE						1	
13	D	25312117		WELT PATCH BASE PLATE						1	
14		25312810		WELT PATCH BASE PLATE						1	
15	D	25313511		WELT PATCH BASE PLATE						1	
16	D	16915506		SPACER						1	
17	D	16915506		SPACER						1	
18	D	16915506		SPACER						1	
19		16915100		SPACER						1	
20		16915100		SPACER						1	
21	D	16915506		SPACER						1	
22	D	16915605		SPACER						1	
23	D	16915605		SPACER						1	
24	D	16915605		SPACER						1	
25		16915209		SPACER						1	
26		16915209		SPACER						1	
27	D	16915605		SPACER						1	
28		16915704		SPACER						1	
29		16915704		SPACER						1	
30		16915704		SPACER						1	
31		16915308		SPACER						1	
32		16915308		SPACER						1	
33		16915704		SPACER						1	
34	D	16915803		SPACER						1	
35	D	16915803		SPACER						1	
36	D	16915803		SPACER						1	
37		16915407		SPACER						1	
38		16915407		SPACER						1	
39	D	16915803		SPACER						1	
40		16916009		SPACER						1	
41		16916009		SPACER						1	
42		16916009		SPACER						1	
43		16915902		SPACER						1	
44		16915902		SPACER						1	
45		16916009		SPACER						1	
46		SM6052002TP		SCREW M5 L=20						1	

TABLE OF EXCHANGING PARTS (3)

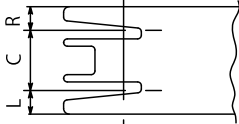
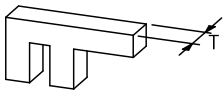
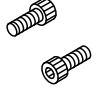
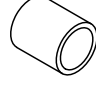
		 Welt pach ruler 玉布定規		 Clamp foot spacer 大押えスペーサー		 Clamp foot collar setscrew 大押えカラー止ねじ		 Foot collar 押えカラー			
		片玉縁 Single welt									
		Welt pach ruler		Clamp foot spacer			Clamp foot collar setscrew		Foot collar		
		玉布定規		大押えスペーサー			大押えカラー止ねじ		押えカラー		
Needle gauge 針 幅(mm)	Size サイズ	Ref.No.	Part No.	T	Ref.No.	Part No.	Ref.No.	Part No.	Ref.No.	Part No.	
8mm (5/16")	L 7.3	1	253-11713	7	16	169-15506	46	SM-6052002-TP	55	169-08709 (L=31)	
	R 7.3			7	17	169-15506					
	L 7.3	2	253-12414	7	18	169-15506					
	R 3.3			3	19	169-15100					
	L 3.3	3	253-13115	3	20	169-15100					
	R 7.3			7	21	169-15506					
10mm (25/64")	L 9.3	4	253-11812	9	22	169-15605					
	R 9.3			9	23	169-15605					
	L 9.3	5	253-12513	9	24	169-15605					
	R 4.3			4	25	169-15209					
	L 4.3	6	253-13214	4	26	169-15209					
	R 9.3			9	27	169-15605					
12mm (13/32")	L 11.3	7	253-11911	11	28	169-15704	47	SM-6052502-TP			
	R 11.3			11	29	169-15704					
	L 11.3	8	253-12612	11	30	169-15704					
	R 5.3			5	31	169-15308					
	L 5.3	9	253-13313	5	32	169-15308					
	R 11.3			11	33	169-15704					
14mm (35/64")	L 13.3	10	253-12018	13	34	169-15803	49	SM-6052502-TP			
	R 13.3			13	35	169-15803					
	L 13.3	11	253-12711	13	36	169-15803					
	R 6.3			6	37	169-15407					
	L 6.3	12	253-13412	6	38	169-15407					
	R 13.3			13	39	169-15803					
16mm (5/8")	L 15.3	13	253-12117	22	40	169-16009	52	SM-6053502-TP			
	R 15.3			22	41	169-16009					
	L 15.3	14	253-12810	22	42	169-16009					
	R 7.3			14	43	169-15902					
	L 7.3	15	253-13511	14	44	169-15902					
	R 15.3			22	45	169-16009					

TABLE OF EXCHANGING PARTS (3)

No.	Supply Code	Parts No.	Replacement	Parts name	Remarks	Choice	Step	Level	Cons	Qty	Rep. QTY
47		SM6052502TP		SCREW M5X0.8 L=25						1	
48		SM6052002TP		SCREW M5 L=20						1	
49		SM6052502TP		SCREW M5X0.8 L=25						1	
50		SM6052002TP		SCREW M5 L=20						1	
51		SM6052502TP		SCREW M5X0.8 L=25						1	
52		SM6053502TP		BOLT						1	
53		SM6053002TP		SCREW M5X0.8 L=30						1	
54		SM6053502TP		BOLT						1	
55		16908709		COLLAR						1	

TABLE OF EXCHANGING PARTS (4)

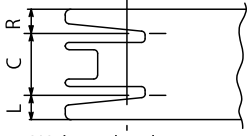
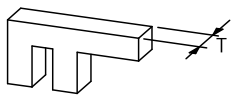
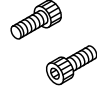

 <p>Welt patch ruler 玉布定規</p>											 <p>Clamp foot spacer 大押えスペーサー</p>			 <p>Clamp foot collar setscrew 大押えカラー止ねじ</p>		 <p>Foot collar 押えカラー</p>	
		片玉縁 Single welt															
		Welt patch ruler 玉布定規		Clamp foot spacer 大押えスペーサー			Clamp foot collar setscrew 大押えカラー止ねじ		Foot collar 押えカラー								
Needle gauge 針幅(mm)	Size サイズ	Ref.No.	Part No.	T	Ref.No.	Part No.	Ref.No.	Part No.	Ref.No.	Part No.							
18mm (45/64")	L 17.3	1	253-12216	24	7	169-19201	19	SM-6053002-TP	24	169-19003							
	R 17.3			24	8	169-19201											
	L 17.3			24	9	169-19201											
	R 8.3	2	253-12919	15	10	169-19102	20	SM-6052002-TP									
	L 8.3			15	11	169-19102											
	R 17.3	3	253-13610	24	12	169-19201	21	SM-6053002-TP									
L 19.3	26			13	168-95609												
20mm (25/32")	R 19.3	4	253-12315	26	14	168-95609	21	SM-6053002-TP									
	L 19.3			26	15	168-95609											
	R 9.3	5	253-13016	16	16	169-19300	22	SM-6052002-TP									
	L 9.3			16	17	169-19300											
	R 19.3	6	253-13719	26	18	168-95609	23	SM-6053002-TP									
	L 19.3			26	18	168-95609											

TABLE OF EXCHANGING PARTS (4)

No.	Supply Code	Parts No.	Replacement	Parts name	Remarks	Choice	Step	Level	Cons	Qty	Rep. QTY
1		25312216		WELT PATCH BASE PLATE						1	
2		25312919		WELT PATCH BASE PLATE						1	
3		25313610		WELT PATCH BASE PLATE						1	
4		25312315		WELT PATCH BASE PLATE						1	
5		25313016		WELT PATCH BASE PLATE						1	
6		25313719		WELT PATCH BASE PLATE						1	
7		16919201		SPACER						1	
8		16919201		SPACER						1	
9		16919201		SPACER						1	
10		16919102		SPACER						1	
11		16919102		SPACER						1	
12		16919201		SPACER						1	
13		16895609		SPACER						1	
14		16895609		SPACER						1	
15		16895609		SPACER						1	
16		16919300		SPACER						1	
17		16919300		SPACER						1	
18		16895609		SPACER						1	
19		SM6053002TP		SCREW M5X0.8 L=30						1	
20		SM6052002TP		SCREW M5 L=20						1	
21		SM6053002TP		SCREW M5X0.8 L=30						1	
22		SM6052002TP		SCREW M5 L=20						1	
23		SM6053002TP		SCREW M5X0.8 L=30						1	
24		16919003		PRESSER COLLAR B						1	

TABLE OF EXCHANGING PARTS (5)

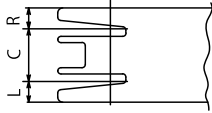
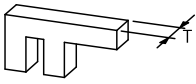
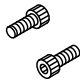

 <p>Welt patch ruler 玉布定規</p>												 <p>Clamp foot spacer 大押えスペーサー</p>				 <p>Clamp foot collar setscrew 大押えカラー止ねじ</p>			 <p>Foot collar 押えカラー</p>	
両玉縁 Double welt																				
		Welt patch ruler 玉布定規			Clamp foot spacer (Right and left each one) 大押えスペーサー (左右各一個)			Clamp foot collar setscrew (Right and left each one) 大押えカラー止ねじ (左右各一個)		Foot collar (Right and left each one) 押えカラー (左右各一個)										
Needle gauge 針 幅(mm)	Size サイズ	Ref.No.	Part No.		Ref.No.	Part No.	Ref.No.	Part No.	Ref.No.	Part No.										
8mm (5/16")	L 3.3	1	253-11010	T	3	8	169-15100	15	SM-6052002-TP	17	169-08709									
	R 3.3																			
10mm (25/64")	L 4.3	2	253-11119	T	4	9	169-15209													
	R 4.3																			
12mm (13/32")	L 5.3	3	253-11218	T	5	10	169-15308													
	R 5.3																			
14mm (35/64")	L 6.3	4	253-11317	T	6	11	169-15407													
	R 6.3																			
16mm (5/8")	L 7.3	5	253-11416	T	14	12	169-15902	16	SM-6053002-TP	18	169-19003									
	R 7.3																			
18mm (45/64")	L 8.3	6	253-11515	T	15	13	169-19102													
	R 8.3																			
20mm (25/32")	L 9.3	7	253-11614	T	16	14	169-19300													
	R 9.3																			

TABLE OF EXCHANGING PARTS (5)

No.	Supply Code	Parts No.	Replacement	Parts name	Remarks	Choice	Step	Level	Cons	Qty	Rep. QTY
1	D	25311010		WELT PATCH BASE PLATE						1	
2	D	25311119		WELT PATCH BASE PLATE						1	
3	D	25311218		WELT PATCH BASE PLATE						1	
4		25311317		WELT PATCH BASE PLATE						1	
5		25311416		WELT PATCH BASE PLATE						1	
6		25311515		WELT PATCH BASE PLATE						1	
7		25311614		WELT PATCH BASE PLATE						1	
8		16915100		SPACER						1	
9		16915209		SPACER						1	
10		16915308		SPACER						1	
11		16915407		SPACER						1	
12		16915902		SPACER						1	
13		16919102		SPACER						1	
14		16919300		SPACER						1	
15		SM6052002TP		SCREW M5 L=20						1	
16		SM6053002TP		SCREW M5X0.8 L=30						1	
17		16908709		COLLAR						1	
18		16919003		PRESSER COLLAR B						1	

OPTION COMPONENTS

SA85N:PAVING PLATE UNIT
敷板装置

Needle gauge 針幅 (mm)	Paving plate table 敷板台		Sewing table 縫製テーブル		plate guide 敷板ガイド	
	Ref.No.	Part No.	Ref.No.	Part No.	Ref.No.	Part No.
8,10,12,mm	1	167-03506	4	253-37213	7	253-05814
14,16mm	2	167-03605	5	253-75007		
18,20mm	3	167-03704	6	253-37312	8	253-36306

SA90N:SUCTION UNIT
吸引装置

Needle gauge 針幅 (mm)	Sewing table 縫製テーブル	
	Ref.No.	Part No.
8,10,12,mm	9	253-37411
14,16mm	10	253-37510
18,20mm	11	253-37619

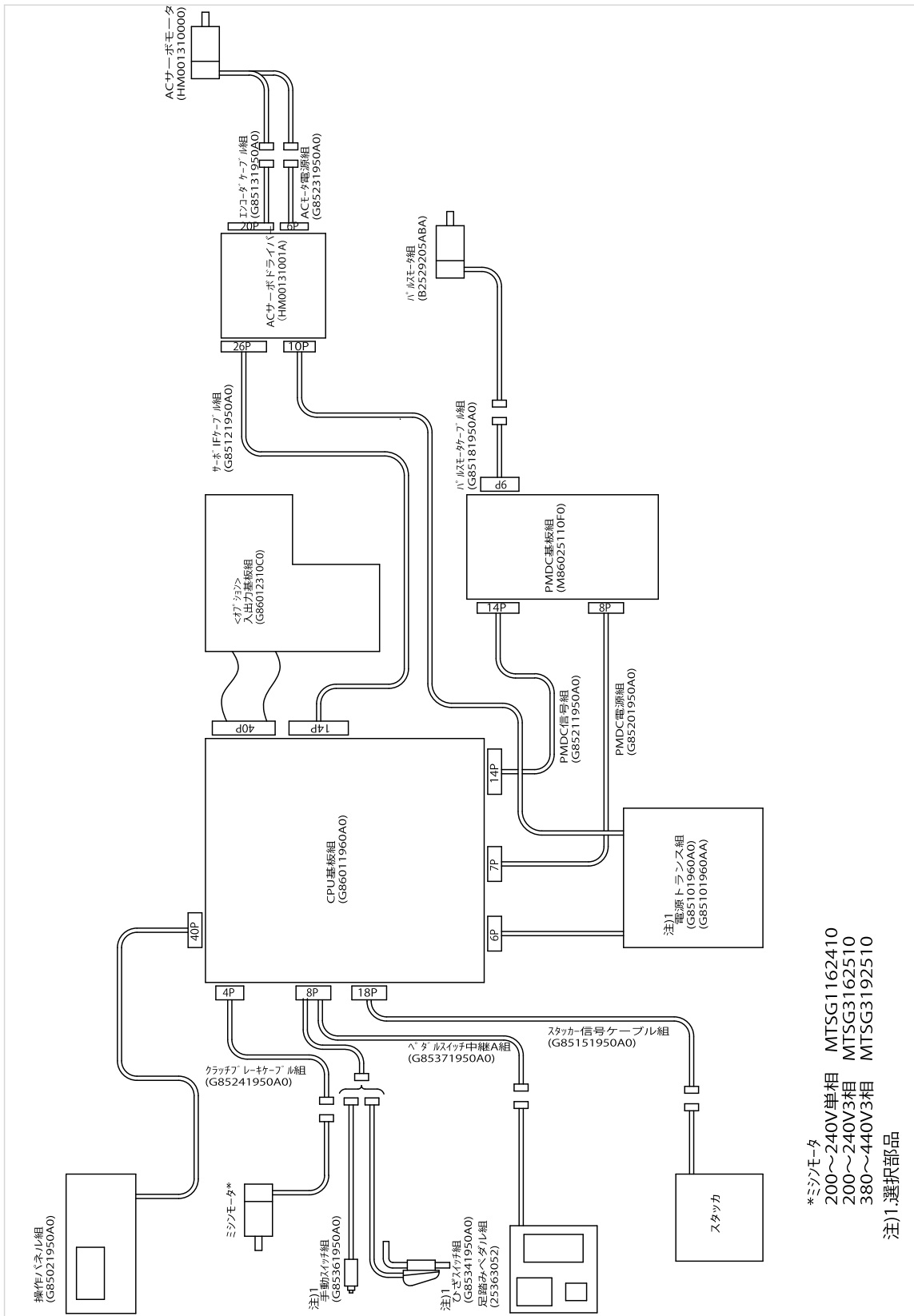
SA96N:FLAP PRESSER UNIT
フラップ 押さえ装置

	Needle gauge 針幅 (mm)	Folding plate asm.		Folding plate stopper		Flap base plate		Garment clamp plate asm.	
		Ref.No.	Part No.	Ref.No.	Part No.	Ref.No.	Part No.	Ref.No.	Part No.
Left 左	8,10,12,14mm	12	253-32818	16	G5131-116-C00	20	252-98753	24	168-09253
	16,18,20mm	13	253-33014	17	G5131-116-D00	21	253-32156	25	168-09451
Right 右	8,10,12,14mm	14	253-32917	18	G5130-116-C00	22	252-98852	26	168-09352
	16,18,20mm	15	253-33113	19	G5130-116-D00	23	253-32255	27	168-09550

OPTION COMPONENTS

No.	Supply Code	Parts No.	Replacement	Parts name	Remarks	Choice	Step	Level	Cons	Qty	Rep. QTY
1	D	16703506		PAVING PLATE BASE A						1	
2		16703605		PAVING PLATE BASE B						1	
3	D	16703704		PLATE BASE						1	
4		25337213		SEWING TABLE (6)						1	
5	D	25375007		SEWING TABLE						1	
6	D	25337312		SEWING TABLE (6)						1	
7		25305814		PAVINGPLATEGUIDE						1	
8		25336306		PLATE GUIDE						1	
9		25337411		SEWING TABLE (6) FOR VACUUM						1	
10	D	25337510		TABLE (6) FOR VACUUM						1	
11		25337619		SEWING TABLE (6) FOR VACUUM						1	
12		25332818		FOLDING PLATE ,LEFT						1	
13		25333014		FOLDING PLATE ,LEFT						1	
14		25332917		FOLDING PLATE ,RIGHT						1	
15		25333113		FOLDING PLATE ,RIGHT						1	
16	D	G5131116C00		FOLDING PLATE STOPPER, LEFT						1	
17	D	G5131116D00		STOPPER, LEFT						1	
18		G5130116C00		FOLDING PLATE STOPPER,RIGHT						1	
19	D	G5130116D00		FOLDING PLATE ST- OPPER, RIGHT A						1	
20	D	25298753		FLAP BASE ASM., LEFT						1	
21		25332156		FLAP BASE ASM., LEFT						1	
22		25298852		FLAP BASE ASM., RIGHT						1	
23	D	25332255		FLAP BASE ASM., RIGHT						1	
24		16809253		GARMENT CLAMP ASM., LEFT						1	
25	D	16809451		GARMENT BODY C- LAMP ASM., LEFT						1	
26		16809352		GARMENT CLAMP ASM., RIGHT						1	
27	D	16809550		GARMENT BODY C- LAMP ASM., RIGHT						1	

CONNECTION DRAWING OF CONTROL BOX



*ミジノモータ
 200～240V単相 MTSG1162410
 200～240V3相 MTSG3162510
 380～440V3相 MTSG3192510
 注1) 選択部品

HOW TO MAKE USE OF THIS PARTS LIST

1.Explanation of codes

1)"*"mark.....means this part is changed from the previous parts book.

As to the details of the change, refer to the "List for information of change".

2)"#01".....refer to "Note" explanation at bottom of page.

2.Codes on the "Qty" column

- Each numeral indicates the number of parts required.
- "0.1" and "2.5" indicate the length (in meters) of the respective parts.

3.Parentheses mean that the corresponding part is a subpart that constructs an assembly part.

4.Dotted lines on the Figures indicate assembly parts.

1."注記"欄の記号説明

1) "*"印.....前回のパーツブックに比較して今回変更された部品を意味します。

変更内容は、"変更情報リスト"を参照してください。

2) "#01".....ページ下の"注記"の説明を参照してください。

2.数量欄の数字は、個数を表し、0.1、2.5等の数値は、長さ（単位メートル）を表します。

3.数量欄の（ ）は、組部品を構成している子部品であることを意味します。

4.イラストページの-----枠は、組構成であることを意味します。

NUMERICAL INDEX OF PARTS

PART NO	PAGE	REF NO.	PART NO	PAGE	REF NO.	PART NO	PAGE	REF NO.
10039105	68	7	16409500	128	16	16424301	42	36
10101400	42	24	16409906	52	8·9	16424400	44	54
10102200	42	19	16409906	128	19	16424608	42	27
10103406	46	27	16410102	52	11	16424707	44	53
10109700	58	53	16410201	52	12·13	16424806	44	55
10109908	56	20	16410201	128	21	16424905	42	37
10112001	56	11	16410300	52	14	16425100	44	56
10112357	56	5	16410508	52	3~6	16425209	44	57
10112407	56	21	16410508	128	17	16425902	64	1
10129054	46	25	16410607	52	16~19	16426009	64	7
10161503	68	4	16410706	52	16~19	16426850	64	28
10305159	46	15	16410805	52	16~19	16427007	64	2
10307056	46	22	16410904	52	16~19	16428153	56	41
10313906	60	2	16411100	52	3~6	16428302	66	4
10419307	68	1	16411100	128	18	16428401	58	52
10517209	46	37	16411308	52	8·9	16428518	42	3
10547800	56	39	16411308	128	20	16428609	44	66
10547909	56	40	16411407	52	12·13	16605404	80	28
11077500	68	16	16411407	128	22	16606907	32	61
11078102	68	17	16413403	54	11	16607004	32	63
11159001	12	14	16413510	54	4	16607103	32	65
13167556	70	1	16415002	60	30	16607202	32	67
13167903	70	8	16415101	60	31	16607301	32	55·57·59
13168000	70	9	16415218	60	23	16607301	126	20
13168109	70	10	16415515	60	28	16607400	32	56·58·60
13168208	70	11	16415705	60	35	16607400	126	21
16400400	42	1	16415804	60	33	16607509	32	55·57·59
16401002	42	16	16415911	60	19	16607509	126	22
16401150	128	1	16416000	60	27	16607608	32	56·58·60
16401200	42	15	16417313	60	22	16607608	126	23
16401259	42	14	16417412	60	14	16607707	32	55·57·59
16401259	128	2	16417719	60	18	16607806	32	56·58·60
16401358	128	3	16417800	60	20	16623407	120	50
16401457	128	4	16418204	60	13	16656100	98	20
16401556	128	5	16418303	60	45	16671703	38	5
16401655	128	6	16420705	56	16	16671802	38	10
16401754	128	7	16421109	56	44	16672206	126	26
16404204	46	17	16421513	56	22	16672305	126	27
16406209	46	10	16421760	56	36	16672503	98	10
16406308	50	21	16422065	56	37	16672602	98	11
16406407	50	14	16422206	58	47	16675308	2	22
16406704	50	13	16422404	58	48	16676009	8	17
16406803	50	25	16423006	46	1	16676009	78	20
16406902	50	8	16424004	44	60	16676009	82	62
16409500	52	3~6	16424202	42	29	16676009	92	51

NUMERICAL INDEX OF PARTS

PART NO	PAGE	REF NO.	PART NO	PAGE	REF NO.	PART NO	PAGE	REF NO.
16681405	114	47	16778409	20	71·72	16908402	22	3
16681801	114	52	16778409	102	21	16908501	18	7
16681801	120	70	16778409	126	12	16908600	22	7
16681900	114	51	16778508	24	71·72	16908709	18	8·77
16681900	120	68	16778508	106	21	16908709	22	8·77
16682106	114	61	16778508	126	16	16908709	132	55
16697906	120	63	16802209	36	56	16908709	136	17
16698003	120	67	16806507	2	17	16908808	18	17
16698102	114	54	16806614	2	19	16908907	22	17
16700403	96	6	16806903	98	18	16911612	34	23
16700502	96	10	16807117	102	16	16912602	38	35
16700601	96	14	16807117	106	16	16912701	38	37
16700700	96	18	16808404	2	33	16912701	98	2
16700809	96	15	16809204	102	14·15	16912800	38	39
16701005	104	51	16809253	138	24	16912800	98	4
16701005	108	51	16809303	106	14·15	16912909	38	41
16703506	78	6~8	16809352	138	26	16912909	98	6
16703506	138	1	16809402	102	14·15	16913907	2	30
16703605	78	6~8	16809451	138	25	16914103	10	28
16703605	138	2	16809501	106	14·15	16914103	78	29
16703704	78	6~8	16809550	138	27	16914103	92	50
16703704	138	3	16838401	12	16	16914202	8	29
16704900	20	71·72	16838500	2	18	16914202	10	29
16704900	24	71·72	16838609	2	9	16914202	78	30
16704900	126	17	16870206	4	51	16915100	18	36~70
16717209	80	3	16880403	2	44	16915100	22	36~70
16720005	28	52	16880502	4	48	16915100	130	20
16722803	2	3	16880908	4	52·53	16915100	136	8
16724403	98	14	16881005	4	52·53	16915209	18	36~70
16725004	30	33	16881104	4	54	16915209	22	36~70
16725905	28	55	16895609	20	36~70	16915209	130	26
16727802	120	51	16895609	24	36~70	16915209	136	9
16728008	114	62	16895609	134	18	16915308	18	36~70
16728008	118	44	16906703	30	42	16915308	22	36~70
16728107	112	21	16907206	18	35	16915308	130	32
16766511	38	13	16907206	22	35	16915308	136	10
16766610	38	11	16907701	16	3	16915407	18	36~70
16777807	18	19·20	16907701	100	3	16915407	22	36~70
16777856	126	5	16907800	26	24	16915407	130	38
16777906	22	19·20	16908006	30	36	16915407	136	11
16777955	126	7	16908105	16	7	16915506	18	36~70
16778003	18	19·20	16908105	100	7	16915506	22	36~70
16778052	126	6	16908303	18	2	16915506	130	21
16778102	22	19·20	16908303	22	2	16915605	18	36~70
16778151	126	8	16908402	18	3	16915605	22	36~70

NUMERICAL INDEX OF PARTS

PART NO	PAGE	REF NO.	PART NO	PAGE	REF NO.	PART NO	PAGE	REF NO.
16915605	130	27	16921009	20	36~70	18563908	90	39
16915704	18	36~70	16921009	24	36~70	18564005	94	7
16915704	22	36~70	16921108	20	36~70	18568006	26	33
16915704	130	33	16921108	24	36~70	18580605	90	12
16915803	18	36~70	16921207	20	36~70	18580704	90	23
16915803	22	36~70	16921207	24	36~70	18580803	90	22
16915803	130	39	16921306	20	36~70	18580902	90	18
16915902	18	36~70	16921306	24	36~70	18581009	90	29
16915902	22	36~70	16921405	20	36~70	18581108	90	33
16915902	130	44	16921405	24	36~70	18581306	90	37
16915902	136	12	16921504	20	36~70	18581900	90	41
16916009	18	36~70	16921504	24	36~70	18585000	2	13
16916009	22	36~70	16921603	20	36~70	18585109	78	15
16916009	130	45	16921603	24	36~70	18585109	114	77
16917007	78	11	16921702	20	36~70	18585208	26	4
16918609	20	36~70	16921702	24	36~70	18588400	94	4
16918609	24	36~70	16921801	20	36~70	18588509	94	2
16919003	20	8·77	16921801	24	36~70	18588608	90	16
16919003	24	8·77	16921900	20	36~70	18588806	90	17
16919003	134	24	16921900	24	36~70	18588905	90	24
16919003	136	18	16922007	20	36~70	18590208	118	24
16919102	20	36~70	16922007	24	36~70	22613400	56	28
16919102	24	36~70	16922106	20	36~70	22621056	68	15
16919102	134	11	16922106	24	36~70	22837504	68	21
16919102	136	13	16922205	20	36~70	22837553	68	10
16919201	20	36~70	16922205	24	36~70	22930309	70	12
16919201	24	36~70	16922304	20	36~70	22930408	70	6
16919201	134	12	16922304	24	36~70	22930507	70	3
16919300	20	36~70	16934002	46	46	22930556	70	2
16919300	24	36~70	16934200	26	25	22930705	70	4
16919300	134	17	16934507	26	35	22930804	70	16
16919300	136	14	16935108	18	9	22930903	70	15
16920100	38	32	16935108	22	9	22931000	70	14
16920407	20	36~70	16935504	76	15	22931109	70	13
16920407	24	36~70	16935504	96	21	22931307	70	7
16920506	20	36~70	16960205	90	32	22931406	70	5
16920506	24	36~70	16960205	110	5	25040957	94	12
16920605	20	36~70	17799305	80	2	25041054	94	13
16920605	24	36~70	17799305	90	2	25041153	94	14
16920704	20	36~70	17845009	74	27	25041401	94	15
16920704	24	36~70	18550400	28	51	25041500	94	16
16920803	20	36~70	18550806	16	5	25136011	42	6
16920803	24	36~70	18550806	100	5	25136102	50	3
16920902	20	36~70	18556308	2	26	25136201	50	5
16920902	24	36~70	18558403	118	40	25136409	46	24

NUMERICAL INDEX OF PARTS

PART NO	PAGE	REF NO.	PART NO	PAGE	REF NO.	PART NO	PAGE	REF NO.
25136607	52	1	25182106	116	12	25302209	26	5
25136706	52	20	25182106	120	74	25302407	26	16
25136805	52	2	25182106	124	9	25302506	26	20
25136904	52	7	25255050	66	15	25302605	26	36
25137001	52	10	25297508	2	36	25302704	26	27
25137100	52	3~6	25297607	44	69	25302803	26	29
25137100	128	15	25297706	76	1	25302902	26	31
25137209	60	41	25297805	76	7	25303108	26	45
25137308	54	1	25297904	76	8	25303207	28	57
25137407	54	8	25298001	76	10	25303306	28	59
25137506	54	5	25298100	100	9	25303405	28	62
25137605	54	16	25298209	100	10	25303405	30	43
25137704	54	17	25298704	104	59·60	25303504	28	66
25137803	60	3	25298753	104	57·58	25303603	28	68
25137902	60	6	25298753	138	20	25303702	26	9
25138009	60	1	25298803	108	59·60	25303751	26	8
25138306	52	37	25298852	108	57·58	25303801	26	10
25138405	56	32	25298852	138	22	25304007	34	1
25138504	56	1	25298902	76	11	25304106	34	4
25138603	42	33	25299108	104	61	25304205	34	7
25138652	42	31	25299108	108	61	25304304	34	13
25138660	42	25	25299207	110	4	25304403	34	15
25138751	44	64	25299306	110	1	25304502	34	22
25138801	46	42	25299405	16	1	25304601	34	25
25138850	46	29	25299405	100	1	25304700	34	27
25138959	46	36	25299504	2	14	25304809	34	37
25139007	44	50	25299801	2	41	25304908	38	1
25139155	64	27	25300005	2	1	25305004	38	2
25139452	64	21	25300211	30	13	25305103	34	45
25139601	52	38	25300419	30	1	25305202	36	52
25139908	66	1	25300500	30	17	25305509	34	33
25140005	66	2	25300609	30	19	25305814	78	16·19·36
25140104	64	8	25300708	30	21	25305814	138	7
25140252	66	3	25300906	32	47	25305905	28	80
25140351	52	43	25301003	30	32	25306002	78	2
25140658	52	15	25301102	30	29	25306101	112	4
25140708	60	44	25301201	30	34	25306200	112	10
25148008	30	39	25301300	30	37	25306309	112	46
25149808	80	44	25301409	30	38	25306408	112	33
25149808	84	13	25301508	30	40	25306507	112	35
25150103	80	40	25301607	30	6	25306606	114	79
25150509	8	22	25301706	30	11	25306705	4	64
25150509	78	25	25301805	30	26	25306903	4	59
25150509	82	67	25302001	26	42	25307109	80	1
25150509	92	56	25302100	26	1	25307208	80	11

NUMERICAL INDEX OF PARTS

PART NO	PAGE	REF NO.	PART NO	PAGE	REF NO.	PART NO	PAGE	REF NO.
25307307	80	17	25312216	134	1	25322355	32	71
25307406	80	16	25312315	134	4	25322454	32	72
25307455	80	15	25312414	130	2	25322553	32	73
25307505	80	18	25312513	130	5	25322850	76	19
25307604	80	21	25312612	130	8	25322850	96	16
25307703	84	12	25312711	130	11	25322959	76	20
25307802	84	17	25312810	130	14	25324856	82	57
25307901	84	4	25312919	134	2	25325267	100	36
25308008	84	8	25313016	134	5	25325366	100	37
25308107	84	24	25313115	130	3	25325655	38	45
25308206	84	21	25313214	130	6	25325655	98	9
25308305	84	1	25313313	130	9	25325754	98	17
25308404	84	15	25313412	130	12	25326455	12	41
25308701	82	47	25313511	130	15	25328501	8	21
25308800	80	43	25313610	134	3	25328501	78	24
25308909	80	39	25313719	134	6	25328501	82	66
25309006	80	6	25316605	86	1	25328501	92	55
25309105	80	8	25316704	114	50	25328600	118	9
25309204	80	37	25316803	34	35	25328709	118	18
25309402	80	34	25316902	84	14	25328808	118	19
25309600	80	29	25318403	12	24	25328907	120	72
25309808	80	23	25318502	12	18	25329004	120	62
25309907	84	27	25318601	12	3	25329202	118	27
25310004	112	39	25318809	30	16	25329400	118	38
25310103	112	1	25319708	76	9	25329509	118	1
25310202	112	5	25320003	90	15	25329608	118	5
25310301	112	15	25320102	30	5	25329707	90	1
25310400	114	56	25320201	116	18	25329806	90	3
25310509	114	57	25320201	120	83	25329905	90	4
25310608	114	59	25320201	124	18	25330002	90	40
25310707	112	24	25320300	118	31	25330408	90	8
25310806	112	23	25320508	118	14	25330507	94	1
25311010	136	1	25320607	112	42	25330606	94	10
25311119	38	46	25320706	34	32	25330705	116	1
25311119	136	2	25320805	28	54	25330804	116	5
25311218	136	3	25320904	2	39	25330903	116	9
25311317	136	4	25321001	76	13	25330903	120	75
25311416	136	5	25321100	34	19	25330903	124	10
25311515	136	6	25321209	84	16	25331000	116	17
25311614	136	7	25321308	34	30	25331000	120	82
25311713	130	1	25321407	34	16	25331000	124	17
25311812	130	4	25321506	110	21	25331109	118	43
25311911	130	7	25321605	30	12	25331208	124	1
25312018	130	10	25322157	36	60	25331307	124	5
25312117	130	13	25322256	32	70	25331406	2	2

NUMERICAL INDEX OF PARTS

PART NO	PAGE	REF NO.	PART NO	PAGE	REF NO.	PART NO	PAGE	REF NO.
25331604	118	21	25358359	114	76	B1130051000	42	38
25331703	118	20	25358359	120	49	B1131528000	42	21
25332107	104	59·60	25358458	76	18	B1203512000	46	23
25332156	104	57·58	25358458	92	49	B1210526000	46	8
25332156	138	21	25358458	96	17	B1213012000	60	11
25332206	108	59·60	25358557	88	2	B1214019000	46	19
25332255	108	57·58	25359852	82	56	B1302051000	46	18
25332255	138	23	25360553	6	4	B1303512000	46	28
25332305	16	9	25363003	12	8	B1408526000	46	7
25332412	18	33·34	25363052	12	1	B1411051000	50	9
25332412	126	1	25363102	12	2	B1412051000	50	10
25332511	22	33·34	25363201	12	17	B1430526000	50	6
25332511	126	3	25363300	12	20	B1467563000	50	29
25332610	18	33·34	25363409	12	32	B1467563000	60	24
25332610	126	2	25363508	12	36	B1505804000	52	21
25332719	22	33·34	25364209	6	1	B1702012000	60	7
25332719	126	4	25370107	38	29	B18025120AB	56	2
25332818	100	26	25374901	8	10·11·26	B1804512000	56	8
25332818	138	12	25374901	126	10	B1813512000	56	6
25332917	100	28·29	25375007	78	14·18·35	B1816512000	56	3
25332917	138	14	25375007	138	5	B182024600A	26	28
25333014	100	27	25375106	82	60	B1820563000	56	33
25333014	138	13	25375403	38	25	B1821051000	56	34
25333113	100	28·29	25375403	100	40	B1822051000	56	18
25333113	138	15	25375502	38	27	B1823051000	56	17
25333204	36	61	25375502	100	39	B1906051000	46	5
25333402	112	38	25376609	4	57	B1907526000	46	3
25335803	32	77	25376708	4	58	B2213019000	44	51
25336306	78	16·19·36	25376708	114	84	B2529205ABA	32	76
25336306	138	8	25376708	122	89	B2613232000	36	48
25337015	10	10·11·26	25376807	8	1	B2619372000	12	25
25337015	126	9	25377003	80	31	B3034450000	54	6
25337114	8	10·11·26	25377102	82	61	B3035450000	54	7
25337114	126	11	25377201	6	16	B311651200B	42	45
25337213	78	14·18·35	25377300	102	17	B3120125000	42	44
25337213	138	4	25377300	106	17	B3124512000	42	35
25337312	78	14·18·35	25377508	78	16·19·36	B3125012000	68	11
25337312	138	6	25401605	4	55	B3126012000	68	13
25337411	90	5~7	25404203	40	47	B3126051000	42	41
25337411	138	9	25410408	10	27	B3129012A00	42	43
25337510	90	5~7	25443805	60	34	B3129012B00	68	12
25337510	138	10	25446808	62	48	B3132051000	42	42
25337619	90	5~7	25450800	42	40	B3211555000	68	19
25337619	138	11	B1114051000	44	67	B8153771000	12	12
25337908	120	85	B1124804000	42	32	BT0400251EA	110	15

NUMERICAL INDEX OF PARTS

PART NO	PAGE	REF NO.	PART NO	PAGE	REF NO.	PART NO	PAGE	REF NO.
BT0400251EB	66	18	G1402116BA0	50	22	G5125117A00	106	7
BT0400251EB	110	19	G1402116BA0	128	9	G5126117000	102	22
BT0400251EC	54	29	G1402116CA0	128	10	G5126117000	106	22
BT0400251EC	64	6	G1402116DA0	128	11	G5129116C00	18	30
BT0400251EC	110	20	G1402116EA0	128	12	G5129116C00	22	30
BT0400251EE	110	16	G1402116FA0	128	13	G5129116C00	100	25
BT0400251EF	54	23	G1402116GA0	128	14	G5130116C00	106	23·24
BT0600400EC	66	19	G1402116JA0	128	8	G5130116C00	138	18
BT0600400EC	110	18	G1411118A00	50	15	G5130116D00	106	23·24
CM300100001	72	18	G183111600B	56	38	G5130116D00	138	19
CM300100001	74	31	G1860119AA0	56	26	G5131116C00	102	23·24
CM500000001	4	67	G1860119BA0	58	50	G5131116C00	138	16
CQ200000000	64	12	G1861119000	56	25	G5131116D00	102	23·24
CQ202000000	46	44	G3197116000	44	49	G5131116D00	138	17
CQ202000000	56	54	G5001236000	90	42	G5132116000	18	22
CQ202000000	58	54	G5002236000	90	43	G5132116000	22	22
CQ303000000	46	9	G5003236000	90	44	G5132116000	100	11
CQ303000000	50	16	G5004236000	90	45	G5140116000	102	28
CQ303000000	62	47	G5023116000	8	8	G5140116000	106	28
CS0800816SH	46	40	G5058116B00	2	16	G5141116C00	108	53
CS0800816SH	80	38	G5066110000	44	61	G5146119A00	102	3
CS0800816SH	84	23	G5075116000	12	28	G5146119A00	106	3
CS1111019SH	60	39	G5075116A00	12	30	G5147116C00	102	43
D1450055BA0	60	9	G5078116000	12	34	G5147116D00	106	43
D2611555B00A	64	13	G5106119000	20	73	G5148116C00	104	50
D8113555B00	12	15	G5107119000	24	73	G5148116C00	108	50
E9567319000	74	22	G5108119000	18	4	G5149116C00	106	34
E9629252000	74	16·17·20	G5108119000	22	4	G5150116C00	102	34
EA9500B0100	54	25	G5108119000	102	6	G5151116C00	102	36
EA9500B0100	64	17	G5108119000	106	6	G5151116C00	106	36
EA9500B0200	64	20	G5109117000	102	1	G5154116C00	104	53
EA9502B0500	54	26	G5110117000	106	1	G5279117000	32	69
G1001192000	74	1	G5115117C00	126	14	G5321119000	38	15
G1001195000	74	32	G5115117D00	126	15	G5324119000	34	17
G1002192000	74	2	G5115117E00	126	18	G5325119000	34	18
G1003192000	74	4	G5115117F00	126	19	G5328116000	38	20·21
G1004195000	72	1	G5119116C00	18	28	G5328116000	126	24
G1012192000	72	3	G5119116C00	100	17	G5328116A00	126	25
G1013192000	72	5	G5119116D00	22	28	G5329116000	38	7
G1014192000	72	6	G5119116D00	100	21	G5333119000	38	30
G1015192000	72	8	G5122117000	102	12	G5338116000	38	44
G1016192000	72	9	G5122117000	106	12	G5338116000	98	16
G1018192000	72	16	G5123117000	102	31	G54021160A0	18	31
G1018195000	14	53	G5124117000	106	31	G54021160A0	22	31
G1147198000	2	10	G5124117A00	102	7	G54021160A0	100	30

NUMERICAL INDEX OF PARTS

PART NO	PAGE	REF NO.	PART NO	PAGE	REF NO.	PART NO	PAGE	REF NO.
G5403139000	4	68	GAS11111000	118	11	NM6030001SC	108	47
G5410116AA0	102	42	GAS11124000	118	42	NM6040001SC	8	12
G5410116AA0	106	42	GAS11154000	118	39	NM6040001SC	34	41
G54211160A0	120	61	GPF06060000	12	10	NM6040001SC	38	19
G5430116000	4	69	GPF06070000	12	11	NM6040001SC	74	15
G5458116000	4	56	GPF06080000	12	13	NM6040001SC	78	1
G5512116000	112	13	GSA94000AA0	98	1	NM6040001SC	80	42
G5514116000	112	17	GSA94000BA0	98	13	NM6040001SC	96	5
G5517116000	112	11	GSY010000A0	48	48	NM6040001SC	100	34
G5518116000	112	20	GTR02014000	80	30	NM6040001SC	102	49
G5521116000	112	26	HD00057000A	28	79	NM6040001SC	104	49
G5522116000	112	27	HD00057000A	32	75	NM6040001SC	106	49
G5523116000	112	28	HF005111000	74	16·17·20	NM6040001SC	108	49
G5524116000	112	29	HF00511100B	74	16·17·20	NM6040002SE	70	24
G5525116000	112	30	HK026650020	74	13	NM6050001SC	2	35
G5526116000	112	31	HK026650080	74	12	NM6050001SC	14	61
G5680116000	54	21	HL015930004	74	35	NM6050001SC	28	50
G5701119000A	54	2	HL015930007	98	12	NM6050001SC	34	11
G5708119000	54	10	HM001310000	28	75	NM6050001SC	40	48
G5827116000	112	32	HX000790000	74	8	NM6050001SC	80	36
G5832116000	112	14	HX00150000A	64	23	NM6050001SC	102	13
G5840116000	12	9	HX00150000F	64	18	NM6050001SC	106	13
G5843116000	112	6	HX00150000G	64	22	NM6050001SC	116	16
G5847116000	102	30	HX00221000B	74	26	NM6050001SC	120	79
G5847116000	106	30	HX00221000E	72	22	NM6050001SC	124	14
G6010003000	72	7	HX00222000A	74	24	NM6050001SE	70	28
G6012880000	12	35	HX00339000A	80	24	NM6060001SC	2	15
G8214119000A	46	39	HX004070000	74	25	NM6060001SC	12	51
G8220870000	28	81	HX004100000	74	23	NM6060001SC	14	51
G85101960A0	74	10·36	M1001060000	72	23	NM6060001SC	32	81
G85101960AA	74	10·36	M86025110F0	74	34	NM6060001SC	84	26
G85111950A0	74	30	MAT80230T00	14	56	NM6060001SC	90	11
G85121920A0	74	29	MMT190B1600	50	24	NM6060001SC	102	11
G85161950A0	28	76	MTSG1122410	48	49~52	NM6060001SC	106	11
G85171950A0	28	78	MTSG1162410	48	49~52	NM6060001SC	114	64
G85191950A0	32	74	MTSG3162510	48	49~52	NM6060001SC	118	88
G85221950A0	72	20	MTSG3192510	48	49~52	NM6060001SC	122	88
G85251920A0	72	15	NM6030001SC	18	24	NM6080001SC	112	82
G85331920A0	72	19	NM6030001SC	22	24	NM6080001SC	114	82
G85331950A0	14	58	NM6030001SC	72	2	NM6080001SC	118	29
G85341950A0	14	52	NM6030001SC	74	19	NM6100001SC	26	46
G85381950A0	12	42	NM6030001SC	80	46	NM6100001SC	34	14
G86011960A0	74	6	NM6030001SC	90	28	NM6100001SC	86	5
G86021950A0	72	13	NM6030001SC	100	24	NM6100001SC	112	3
G86031950B0	82	58	NM6030001SC	104	47	NM6100001SC	116	11

NUMERICAL INDEX OF PARTS

PART NO	PAGE	REF NO.	PART NO	PAGE	REF NO.	PART NO	PAGE	REF NO.
NM6100001SC	118	81	PC015107000	36	57	PJ308040002	66	6
NM6100001SC	120	81	PC015116000	84	31	PJ308040004	32	54
NM6100001SC	124	16	PF0152030A0	4	66	PJ308045101	36	59
NM6120001SE	2	21	PF0251070A0	6	22	PJ308060003	120	48
NM6120003SC	118	10	PH0400082C0	76	4	PJ308060005	110	17
NM6160511SE	70	27	PH0600123C0	76	5	PS0200082KH	50	18
NS6110430SP	56	19	PJ025100001	6	12	PS0200122K0	42	34
NS6150310SP	52	42	PJ025300001	64	26	PS0500302KH	26	15
NS6620310SP	36	49	PJ030510001	6	24	PV010011000	100	35
NS6620310SP	44	68	PJ032039001	66	5	PV010012000	110	8
NS6680410SP	60	5	PJ032039001	82	50	PV015118000	18	1
PA1000506A0	42	26	PJ032052501	54	22	PV015118000	22	1
PA1000506A0	82	49	PJ042050002	76	14	PV015118000	100	32
PA1001527A0	54	20	PJ042050002	96	1	PV035152000	6	5
PA1002506A0	50	1	PJ210004200	6	19	PV130202200	6	14
PA1500502A0	8	23	PJ210004200	110	14	PV130202200	100	38
PA1500502A0	78	26	PJ210004200	114	78	PV1305340A0	6	6
PA1500502A0	82	68	PJ210006100	6	18	PV1305341A0	6	17
PA1500502A0	92	57	PJ210006100	114	75	PV150206000	6	15
PA1601507A0	8	16	PJ210006100	118	37	PV150206000	76	17
PA1601507A0	78	31	PJ230004200	44	70	PV150206000	88	1
PA1601512A0	110	11	PJ301040502	52	44	PV150206000	92	48
PA1604002A0	90	46	PJ301040502	66	17	PV150206000	96	19
PA1613501A0	96	20	PJ301060503	66	16	PV150207000	6	13
PA2001504A0	84	30	PJ301065103	118	26	PV150509000	66	14
PA2501002A0	28	70	PJ304040501	52	35	PV1505320A0	82	52
PA2501003A0	28	72	PJ304040504	8	24	PV1505320A0	114	74
PA2504501A0	36	55	PJ304040504	44	65	PV1505320A0	118	36
PA2505001A0	114	67	PJ304040504	78	32	PV200503000	110	13
PA250650200	32	49	PJ304040504	82	69	PV205101000	6	25
PA3207503A0	120	54	PJ304040504	92	58	PV205101000	118	25
PA3210002A0	114	69	PJ304040506	50	2	PX055101000	18	32
PA3212502A0	120	56	PJ304040506	52	36	PX055101000	22	32
PA3220001A0	120	52	PJ304045102	6	26	PX055101000	100	31
PA900041000	84	33	PJ304045102	32	53	PX055104000	6	10
PA900060000	120	58	PJ304045102	114	68	PX5000480A0	76	16
PA900061000	114	71	PJ304060502	82	54	PX5000480A0	96	22
PA900062000	84	32	PJ304065101	6	23	PX500053000	32	52
PC010507000	104	52	PJ305040001	10	25	PX500053000	36	58
PC010507000	108	52	PJ305040001	78	28	RC0841011KP	114	53
PC010508000	28	74	PJ305040001	82	70	RC0841011KP	120	69
PC010511000	110	12	PJ305040001	92	59	RC0931011KP	30	10
PC012406000	82	59	PJ305060001	82	53	RC2421211KP	28	53
PC015103000	114	70	PJ305065101	6	11	RE0700000K0	50	12
PC015103000	120	57	PJ308040002	64	25	SB110000100	30	9

NUMERICAL INDEX OF PARTS

PART NO	PAGE	REF NO.	PART NO	PAGE	REF NO.	PART NO	PAGE	REF NO.
SD0450401SP	54	14	SM3030601SC	24	74	SM6041002TP	22	25
SD0470281SP	42	30	SM3030601SC	38	8	SM6041002TP	34	53
SD0490261SP	68	20	SM3041551SP	96	4	SM6041002TP	36	53
SD0640602SP	54	9	SM4030401SC	60	46	SM6041002TP	84	34
SD0791051SP	12	26	SM4030401SC	102	32	SM6041002TP	100	12
SD0791331SP	60	16	SM4030401SC	106	32	SM6041002TP	104	54
SD1021251SP	60	8	SM4030801SC	38	22	SM6041002TP	108	54
SL4030631SC	66	13	SM4041001SC	70	20	SM6041002TP	112	36
SL4030681SC	72	17	SM4041201SC	70	22	SM6041202TP	34	28
SL4030691SC	66	10	SM4042001SC	70	23	SM6041202TP	96	13
SL4030891SC	72	4	SM4050801SC	68	8	SM6041202TP	102	37
SL4030891SC	74	9	SM4051405SE	70	18	SM6041202TP	106	37
SL4031481SC	74	18	SM4062001SC	118	22	SM6041202TP	110	2
SL4040891SC	74	33	SM5040451SC	102	29	SM6042502TP	104	48
SL4041091SC	74	28	SM5040451SC	106	29	SM6042502TP	108	48
SL4041291SC	74	14	SM6030602SP	60	43	SM6042502TP	118	34
SL4051091SC	74	11	SM6030602TP	52	33	SM6043552TN	8	14
SM0030450SN	80	22	SM6030602TP	66	11	SM6043552TN	78	33
SM0040601SC	12	37	SM6030802TP	2	40	SM6044002TP	100	33
SM0040601SC	28	67	SM6030802TP	6	20	SM6050802TP	38	31
SM0040601SC	30	48	SM6030802TP	28	64	SM6051002TP	2	31
SM0040601SC	32	48	SM6030802TP	38	16	SM6051002TP	6	2
SM0040601SC	34	62	SM6030802TP	80	19	SM6051002TP	28	60
SM0040601SC	36	62	SM6031002TP	26	40	SM6051002TP	34	8
SM0040601SC	74	3	SM6031002TP	102	46	SM6051002TP	38	3
SM0040801SC	94	11	SM6031002TP	106	46	SM6051002TP	78	3
SM0050801SC	4	65	SM6031202TP	18	23	SM6051002TP	80	12
SM0050801SC	28	69	SM6031202TP	22	23	SM6051002TP	114	60
SM0050801SC	114	58	SM6031202TP	38	14	SM6051002TP	118	30
SM0050801SC	118	41	SM6031202TP	100	23	SM6051202TP	2	37
SM1030801SC	90	25	SM6035052TN	52	22	SM6051202TP	6	30
SM1040601SC	104	62	SM6040602TP	80	9	SM6051202TP	30	50
SM1040601SC	108	62	SM6040602TP	94	3	SM6051202TP	32	50
SM1040801SC	8	9	SM6040602TP	110	9	SM6051202TP	90	30
SM1040852TP	34	34	SM6040602TP	112	7	SM6051202TP	98	21
SM1041001SC	8	18	SM6040802SP	56	45	SM6051202TP	102	44
SM1041001SC	78	21	SM6040802TP	2	42	SM6051202TP	106	44
SM1041001SC	82	63	SM6040802TP	6	27	SM6051402TP	18	29
SM1041001SC	92	52	SM6040802TP	12	49	SM6051402TP	22	29
SM1051001SC	28	56	SM6040802TP	14	49	SM6051402TP	100	22
SM1051552TP	4	61	SM6040802TP	30	44	SM6051552TP	12	33
SM1052501SP	14	62	SM6040802TP	80	25	SM6051552TP	18	10~15
SM1061001SC	112	12	SM6040802TP	84	28	SM6051552TP	22	10~15
SM1062052TP	120	84	SM6040802TP	90	19	SM6051552TP	26	21
SM3030601SC	20	74	SM6041002TP	18	25	SM6051552TP	34	10

NUMERICAL INDEX OF PARTS

PART NO	PAGE	REF NO.	PART NO	PAGE	REF NO.	PART NO	PAGE	REF NO.
SM6051552TP	38	40	SM6061202TP	118	6	SM6103002TP	112	43
SM6051552TP	76	2	SM6061552TP	2	27	SM6103502TP	34	20
SM6051552TP	78	9	SM6061552TP	12	4	SM8030402TP	112	34
SM6051552TP	96	9	SM6061552TP	30	30	SM8030502TP	90	38
SM6051552TP	98	5	SM6061552TP	90	9	SM8030502TP	102	35
SM6051602TP	90	35	SM6061602TP	38	33	SM8030502TP	106	35
SM6051602TP	98	15	SM6061602TP	60	4	SM8030802TP	80	7
SM6051802TP	16	6	SM6061602TP	90	34	SM8031002TP	76	6
SM6051802TP	34	42	SM6061602TP	94	8	SM8031202TP	38	6
SM6051802TP	100	6	SM6061602TP	112	40	SM8040402TP	12	27
SM6052002TP	18	18	SM6061610SC	70	17	SM8040402TP	102	18
SM6052002TP	22	18	SM6061802TP	16	2	SM8040402TP	106	18
SM6052002TP	26	37	SM6061802TP	100	2	SM8040602TP	12	19
SM6052002TP	30	51	SM6062002TN	72	10	SM8040602TP	26	34
SM6052002TP	32	51	SM6062002TP	26	12	SM8041552TP	34	40
SM6052002TP	130	50	SM6062002TP	30	41	SM8041552TP	38	18
SM6052002TP	132	50	SM6062002TP	102	2	SM8044002TP	34	39
SM6052002TP	134	22	SM6062002TP	106	2	SM8050602TP	16	8
SM6052002TP	136	15	SM6062002TP	118	15	SM8050602TP	26	30
SM6052502TP	2	45	SM6062202TP	34	38	SM8050602TP	100	8
SM6052502TP	18	10~15	SM6063002TP	4	49	SM8050802TP	26	32
SM6052502TP	22	10~15	SM6063002TP	26	43	SM8050812TP	114	48
SM6052502TP	38	42	SM6063002TP	30	18	SM8051002TP	38	43
SM6052502TP	98	19	SM6063502TP	96	2	SM8060602TP	30	27
SM6052502TP	110	6	SM6064002TP	114	63	SM8060802TP	34	24
SM6052502TP	132	51	SM6065002TP	102	10	SM8060802TP	38	36
SM6053002TP	18	10~15	SM6065002TP	106	10	SM8061002TP	30	28
SM6053002TP	22	10~15	SM6081202TP	2	11	SM8061002TP	34	26
SM6053002TP	28	73	SM6081202TP	114	72	SM9040500SN	12	6
SM6053002TP	102	8	SM6081552TP	80	32	SM9061203SE	12	43
SM6053002TP	106	8	SM6082002SP	56	29	SM9062553SC	12	21
SM6053002TP	132	53	SM6082002TN	120	71	SM9065003SC	14	50
SM6053002TP	134	23	SM6082002TP	14	46	SM9082003SC	112	16
SM6053002TP	136	16	SM6082502TP	120	73	SM9082003SC	118	28
SM6053502TP	18	10~15	SM6083002TP	112	49	SM9084003SC	2	6
SM6053502TP	22	10~15	SM6083002TP	114	49	SM9102003SB	112	2
SM6053502TP	116	13	SM6083502TN	120	65	SM9102003SB	116	10
SM6053502TP	120	76	SM6084002TN	114	55	SM9102003SB	118	80
SM6053502TP	124	11	SM6084002TN	120	64	SM9102003SB	120	80
SM6053502TP	132	54	SM6101602TP	116	6	SM9102003SB	124	15
SM6054502TP	28	49	SM6101602TP	124	6	SM9122503SB	94	5
SM6057052TN	32	80	SM6102002TP	86	2	SS1060610SP	38	28
SM6061002TP	120	86	SM6102002TP	116	2	SS2090520SL	42	39
SM6061202TP	90	13	SM6102002TP	118	45	SS2090541SL	44	59
SM6061202TP	112	18	SM6102002TP	124	2	SS2110915SP	42	18

NUMERICAL INDEX OF PARTS

PART NO	PAGE	REF NO.	PART NO	PAGE	REF NO.	PART NO	PAGE	REF NO.
SS2110930SP	42	8	SS7110710SP	68	2	SS9111010SP	50	28
SS4080620TP	32	64	SS7110740TP	50	26	SS9660720SP	58	51
SS4110515SP	68	18	SS7110840SP	18	21	ST1040851SR	12	23
SS5090210SP	78	17	SS7110840SP	22	21	TA0290301M0	46	45
SS5090420SP	50	17	SS7110840SP	52	29	TA0750404R0	42	11
SS5090610SP	78	12	SS7110840SP	56	7	TA0800504R0	72	21
SS5110710SP	60	17	SS7110840SP	64	11	TA0800504R0	76	12
SS5110810SP	60	32	SS7110840SP	68	14	TA1050504R0	42	13
SS6060220SP	44	46	SS7110840SP	102	19	TA1050604R0	44	71
SS6080210SP	32	68	SS7110840SP	106	19	TA1250406R0	42	10
SS6080320SP	42	17	SS7110910SP	42	7	TA1250504R0	42	12
SS6080410SP	52	28	SS7110910SP	52	39	TA1250705R0	64	15
SS6080610TP	44	58	SS7110910SP	60	36	TA1450404R0	34	6
SS6080810SP	52	27	SS7110910TP	50	30	TA1871602R0	42	9
SS6080810SP	60	37	SS7111120SP	32	62	WP0250516SD	44	47
SS6081210SP	32	66	SS7111120SP	64	24	WP0320500SC	20	76
SS6090620SP	52	30	SS7111310SP	50	20	WP0320500SC	24	76
SS6090630SP	64	14	SS7111410SP	14	54	WP0320500SC	38	24
SS6090810SP	56	14	SS7111810SP	42	2	WP0320500SC	52	34
SS6090910TP	60	29	SS7150740SP	68	6	WP0320500SC	60	42
SS6091022TP	52	23	SS7151120SP	60	21	WP0320500SC	90	27
SS6091210TP	56	27	SS7680870SP	46	43	WP0320500SC	102	33
SS6111610SP	56	23	SS7681750TP	46	12	WP0320500SC	106	33
SS6121210SP	52	40	SS8080410TP	50	23	WP0320501SC	66	12
SS6150810SP	42	5	SS8110320SP	46	41	WP0371016SD	56	15
SS6151220SP	14	55	SS8110410TP	54	15	WP0371026SD	52	31
SS6151412TP	14	57	SS8110520TP	60	15	WP0430800SC	12	40
SS6151412TP	54	18	SS8110750SP	50	7	WP0430800SC	18	27
SS6151712TP	54	3	SS8111610SP	50	19	WP0430800SC	22	27
SS6153012TP	56	24	SS8150710SP	46	16	WP0430800SC	90	21
SS6153040SP	52	41	SS8150710SP	56	9	WP0430800SC	100	14
SS6661110SP	48	47	SS8150920SP	60	12	WP0430800SC	102	56
SS7081310SP	68	22	SS8151150SP	56	10	WP0430800SC	104	56
SS7090510SP	44	52	SS8151150SP	60	38	WP0430800SC	106	56
SS7090540TP	44	62	SS8151550SP	46	26	WP0430800SC	108	56
SS7090610SP	42	28	SS8152030SP	56	13	WP0430800SC	112	9
SS7090610SP	50	4	SS8660340SP	60	10	WP0430801SC	6	29
SS7090710SP	44	48	SS8660410SP	60	40	WP0430801SC	8	19
SS7090710SP	52	25	SS8660530TP	56	12	WP0430801SC	30	46
SS7090710SP	64	19	SS8660810TP	56	4	WP0430801SC	78	22
SS7090910TP	50	11	SS8680540SP	46	14	WP0430801SC	82	64
SS7091410SP	52	32	SS8680730SP	46	13	WP0430801SC	84	36
SS7110510SP	56	31	SS8681650TP	46	21	WP0430801SC	92	53
SS7110510SP	68	3	SS8681950SP	46	20	WP0450000SD	54	12
SS7110710SP	54	28	SS9090640SP	52	26	WP0450000SD	56	46

NUMERICAL INDEX OF PARTS

PART NO	PAGE	REF NO.	PART NO	PAGE	REF NO.	PART NO	PAGE	REF NO.
WP045000SD	58	46	WP1052001SC	124	8	WS0510002KN	32	79
WP0450801SD	102	20	WP1221016SP	2	20	WS0510002KN	34	43
WP0450801SD	106	20	WP1612616SE	70	25	WS0510002KN	38	4
WP0480856SP	36	50	WS0310002KN	6	21	WS0510002KN	70	29
WP0480856SP	50	27	WS0310002KN	20	75	WS0510002KN	76	3
WP0480856SP	60	25	WS0310002KN	24	75	WS0510002KN	78	10
WP0480856SP	68	23	WS0310002KN	26	65	WS0510002KN	80	35
WP0531000SC	96	11	WS0310002KN	28	65	WS0510002KN	90	36
WP0531001SC	2	46	WS0310002KN	38	23	WS0510002KN	96	8
WP0531001SC	6	32	WS0310002KN	80	45	WS0510002KN	98	22
WP0531001SC	14	59	WS0310002KN	90	26	WS0510002KN	102	45
WP0531001SC	26	39	WS0410002KN	2	43	WS0510002KN	106	45
WP0531001SC	32	78	WS0410002KN	6	28	WS0510002KN	110	7
WP0531001SC	34	44	WS0410002KN	8	20	WS0510002KN	114	80
WP0531001SC	68	9	WS0410002KN	12	39	WS0510002KN	116	15
WP0531001SC	78	5	WS0410002KN	18	26	WS0510002KN	120	78
WP0531001SC	80	14	WS0410002KN	22	26	WS0510002KN	124	13
WP0531001SC	114	81	WS0410002KN	30	45	WS0511302KS	36	51
WP0531001SC	116	14	WS0410002KN	34	54	WS0610002KN	2	50
WP0531001SC	120	77	WS0410002KN	36	54	WS0610002KN	4	50
WP0531001SC	124	12	WS0410002KN	78	34	WS0610002KN	12	5
WP0621016SD	68	5	WS0410002KN	80	65	WS0610002KN	26	44
WP0621026SP	54	19	WS0410002KN	82	65	WS0610002KN	30	31
WP0641601SC	2	29	WS0410002KN	84	35	WS0610002KN	38	34
WP0641601SC	12	7	WS0410002KN	90	54	WS0610002KN	72	12
WP0641601SC	26	14	WS0410002KN	92	54	WS0610002KN	84	25
WP0641601SC	30	4	WS0410002KN	96	12	WS0610002KN	90	14
WP0641601SC	72	11	WS0410002KN	100	13	WS0610002KN	94	9
WP0641601SC	114	66	WS0410002KN	102	55	WS0610002KN	96	3
WP0641601SC	118	8	WS0410002KN	104	55	WS0610002KN	112	65
WP0651056SH	54	27	WS0410002KN	106	55	WS0610002KN	114	65
WP0651646SC	30	24	WS0410002KN	108	55	WS0610002KN	118	87
WP0651646SC	114	83	WS0410002KN	110	10	WS0610002KN	120	87
WP0651646SC	118	4	WS0410002KN	112	37	WS0820002KN	2	12
WP0841600SC	2	7	WS0410002KN	118	35	WS0820002KN	12	47
WP0841600SC	12	48	WS0441040KP	78	13	WS0820002KN	14	47
WP0841600SC	14	48	WS0510002KN	2	47	WS0820002KN	80	33
WP0850002SP	56	30	WS0510002KN	4	47	WS0820002KN	114	73
WP0901603SB	54	30	WS0510002KN	6	31	WS0820002KN	120	66
WP1052001SC	28	48	WS0510002KN	14	60	WS1020002KN	28	47
WP1052001SC	86	4	WS0510002KN	18	16	WS1020002KN	34	21
WP1052001SC	112	45	WS0510002KN	22	16	WS1020002KN	86	3
WP1052001SC	116	8	WS0510002KN	26	61	WS1020002KN	112	44
WP1052001SC	118	47	WS0510002KN	28	61	WS1020002KN	116	7
WP1052001SC	120	47	WS0510002KN	30	79	WS1020002KN	118	46

NUMERICAL INDEX OF PARTS

PART NO	PAGE	REF NO.
WS1020002KN	124	7
WS1220002KN	94	6
WS1643202KR	70	26
WT0480002KR	44	63
WZ0850302K0	84	22