

MODEL : APW-196N

List No : 1275-01

# PARTS LIST

Published:05/12/2017

## CONTENTS

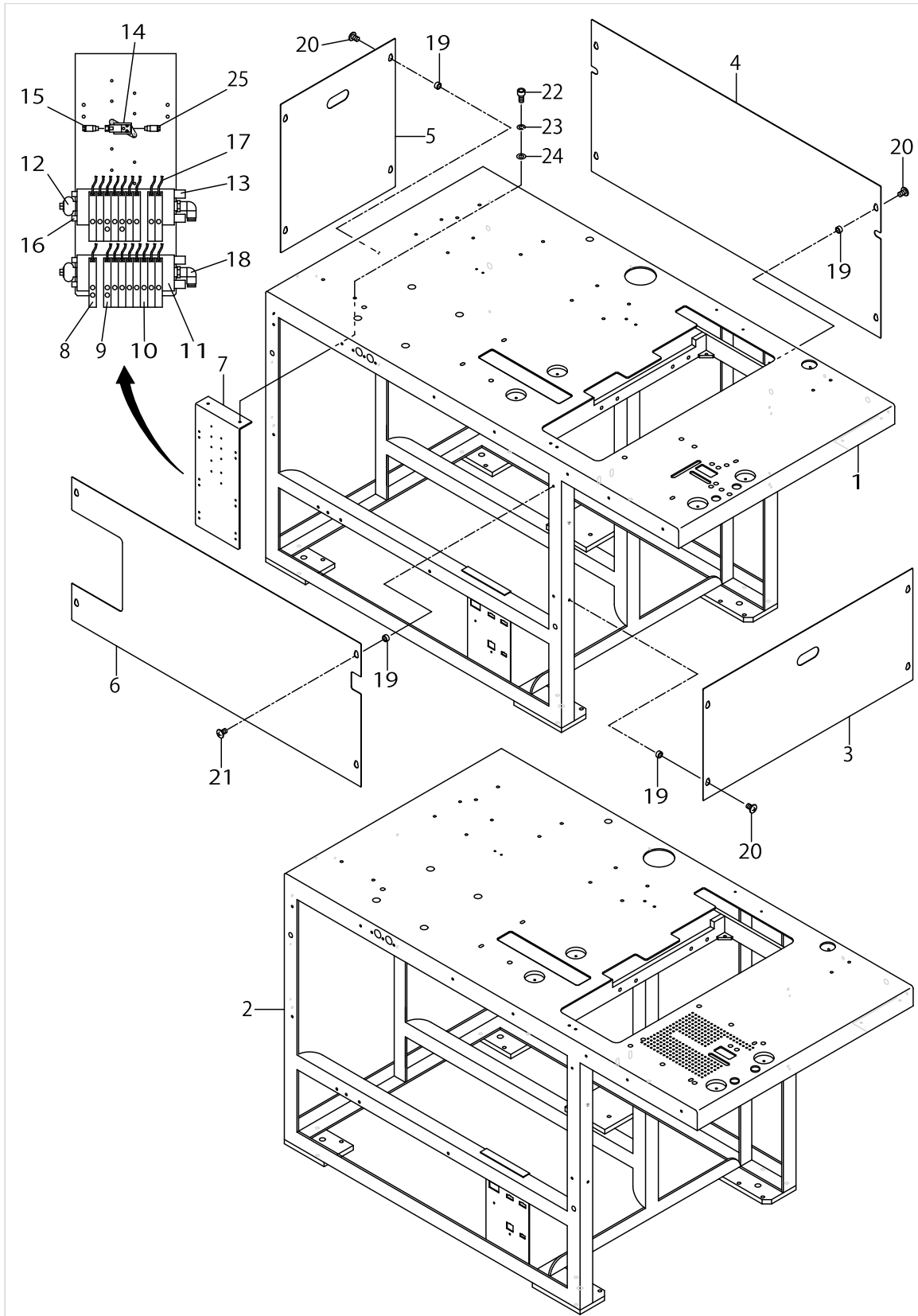
FRAME & COVER COMPONENTS (1).....	1
FRAME & COVER COMPONENTS (2).....	3
PEDAL SWITCH COMPONENTS.....	9
CLAMP FOOT COMPONENTS (1).....	13
CLAMP FOOT (LEFT SIDE) COMPONENTS (2).....	15
CLAMP FOOT (RIGHT SIDE) COMPONENTS (3).....	19
CLAMP FOOT FEED COMPONENTS.....	23
CORNER KNIFE COMPONENTS (1).....	27
CORNER KNIFE COMPONENTS (2).....	33
CORNER KNIFE COMPONENTS (3).....	35
BINDER COMPONENTS (1).....	39
BINDER COMPONENTS (2).....	43
FLAP PHOTOTUBE COMPONENTS.....	47
FRAME & MISCELLANEOUS COVER COMPONENTS.....	49
MAIN SHAFT & THREAD TAKE-UP LEVER COMPONENTS.....	53
WIPER COMPONENTS.....	57
NEEDLE BAR FRAME COMPONENTS.....	59
NEEDLE THREAD TRIMMER COMPONENTS.....	63
BOBBIN THREAD CLIP COMPONENTS.....	65
HOOK & HOOK DRIVING SHAFT COMPONENTS.....	67
UPPER KNIFE COMPONENTS.....	71
LUBRICATION COMPONENTS.....	75
BOBBIN THREAD REMAINING AMOUNT DETECTING DEVICE.....	77
BELT COVER & BOBBIN WINDER UNIT.....	79
THREAD STAND COMPONENTS.....	81
OPERATION BOX COMPONENTS.....	83
TRANSMISSION BOX COMPONENTS.....	85
WELT PATCH SUPPLY COMPONENTS (1) (OPTION).....	87
WELT PATCH SUPPLY COMPONENTS (2) (OPTION).....	91
WELT PATCH SUPPLY COMPONENTS (3) (FOR DOUBLE WELT) (OPTION).....	95
WELT PATCH SUPPLY COMPONENTS (4) (FOR SINGLE WELT RIGHT) (OPTION).....	99
WELT PATCH SUPPLY COMPONENTS (5) (FOR SINGLE WELT LEFT) (OPTION).....	103
WELT PATCH SUPPLY COMPONENTS (6) (OPTION).....	107
SA-73N:AUXILIARY PLASING BASE (OPTION).....	109
SA-83N:AUTOMATIC FLAP FEEDING UNIT (LEFT) (OPTION).....	111
SA-83N:AUTOMATIC FLAP FEEDING UNIT (RIGHT) (OPTION).....	115
SA-84:DARTS EXTEND UNIT (OPTION).....	121
SA-85N:PAVING PLATE UNIT (OPTION).....	123
SA-86N:AUTOMATIC INTER LING FEEDING DEVICE (1) (OPTION).....	125
SA-86N:AUTOMATIC INTER LING FEEDING DEVICE (2) (OPTION).....	129
SA-88:STAND FOR STANDING WORK (OPTION).....	131
SA-89:SMALL WELTING UNIT (OPTION).....	133
SA-90N:SUCTION UNIT (OPTION).....	135
SA-91:SUCTION MOTOR UNIT (OPTION).....	139
SA-92:POCKET BAG CLAMP UNIT (OPTION).....	141
SA-93:DARTS EXTEND UNIT (OPTION).....	143

## CONTENTS

---

SA-94:CENTER STANDARD UNIT (OPTION).....	145
SA-97N:SINGLE & DOUBLE CHANGE UNIT (1) (FOR LEFT) (OPTION).....	147
SA-97N:SINGLE & DOUBLE CHANGE UNIT (2) (FOR LEFT) (OPTION).....	149
SA-97N:SINGLE & DOUBLE CHANGE UNIT (3) (FOR LEFT) (OPTION).....	153
SA-97N:SINGLE & DOUBLE CHANGE UNIT (4) (FOR LEFT) (OPTION).....	155
SA-97N:SINGLE & DOUBLE CHANGE UNIT (1) (FOR LEFT) (OPTION).....	161
SA-97N:SINGLE & DOUBLE CHANGE UNIT (2) (FOR LEFT) (OPTION).....	163
SA-97N:SINGLE & DOUBLE CHANGE UNIT (3) (FOR LEFT) (OPTION).....	167
SA-97N:SINGLE & DOUBLE CHANGE UNIT (4) (FOR LEFT) (OPTION).....	169
SA-97N:SINGLE & DOUBLE CHANGE UNIT (1) (FOR BOTH) (OPTION).....	175
SA-97N:SINGLE & DOUBLE CHANGE UNIT (2) (FOR BOTH) (OPTION).....	177
SA-97N:SINGLE & DOUBLE CHANGE UNIT (3) (FOR BOTH) (OPTION).....	181
SA-97N:SINGLE & DOUBLE CHANGE UNIT (4) (FOR BOTH) (OPTION).....	183
SA-97N:SINGLE & DOUBLE CHANGE UNIT (5) (FOR BOTH) (OPTION).....	187
SA-101:POCKET BAG CLAMP UNIT (OPTION).....	189
SP-41:GRASP STACKER UNIT (1) (OPTION).....	191
SP-41:GRASP STACKER UNIT (2) (OPTION).....	195
SP-42:BAR STACKER UNIT (1) (OPTION).....	197
SP-42:BAR STACKER UNIT (2) (OPTION).....	201
TABLE OF EXCHANGING PARTS (1).....	203
TABLE OF EXCHANGING PARTS (2).....	205
TABLE OF EXCHANGING PARTS (3).....	207
OPTION COMPONENTS.....	211
CONNECTION DRAWING OF CONTROL BOX.....	213
LIST FOR INFORMATION OF CHANGE.....	214
HOW TO MAKE USE OF THIS PARTS LIST.....	215

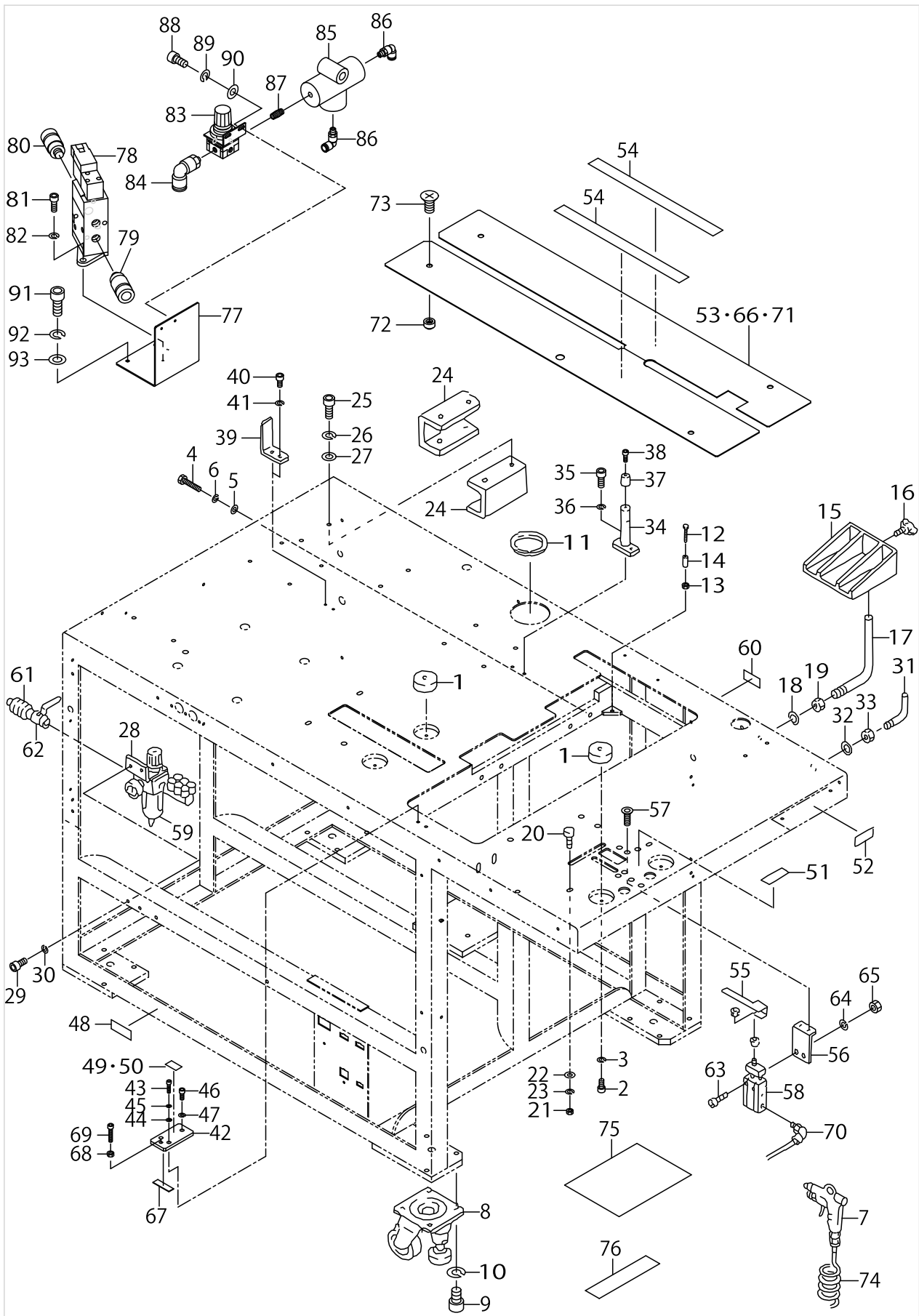
FRAME & COVER COMPONENTS (1)



FRAME & COVER COMPONENTS (1)

No.	Supply Code	Parts No.	Replacement	Parts name	Remarks	Choice	Step	Level	Cons	Qty	Rep. QTY
1		25333501		FRAME 1						1	
2		25333600		FRAME 1						1	
3		25335506		FRONT COVER						1	
4		25335407		RIGHT SIDE COVER						1	
5		25335605		REAR COVER						1	
6		25335308		LEFT SIDE COVER						1	
7		25333709		SOLENOID VALVE (6)						1	
8		PV150207000		5-WAY SOLENOID VALVE						1	
9		PV150206000		5-PORT CUT-OVER SOLENOID VALVE						3	
10		PV130202200		3-WAY SOLENOID VALVE						14	
11		PV035148000		MANI HOLD						2	
12		PJ309065101		UNIVERSAL EIBOW						2	
13		PX055104000		SILENCER (PT1/8)						4	
14		PV1305340A0		3-PORT CUT-OVER SOLENOID VALVE						1	
15		PJ210004200		HALF UNION						2	
16		PJ025400001		PLUG						4	
17		25360959		OUTPUT CABLE ASM.						1	
18		PJ304065101		ELBOW UNION 6XPT1/8						2	
19	D	16676207		COLLAR						17	
20		SM0050801SC		SCREW						17	
21		SM0050801SC		SCREW						4	
22		SM6051002TP		SCREW M5X0.8 L=10						2	
23		WS0510002KN		SPRING WASHER						2	
24		WP0531001SC		WASHER						2	
25		PJ210006100		HALF UNION						1	

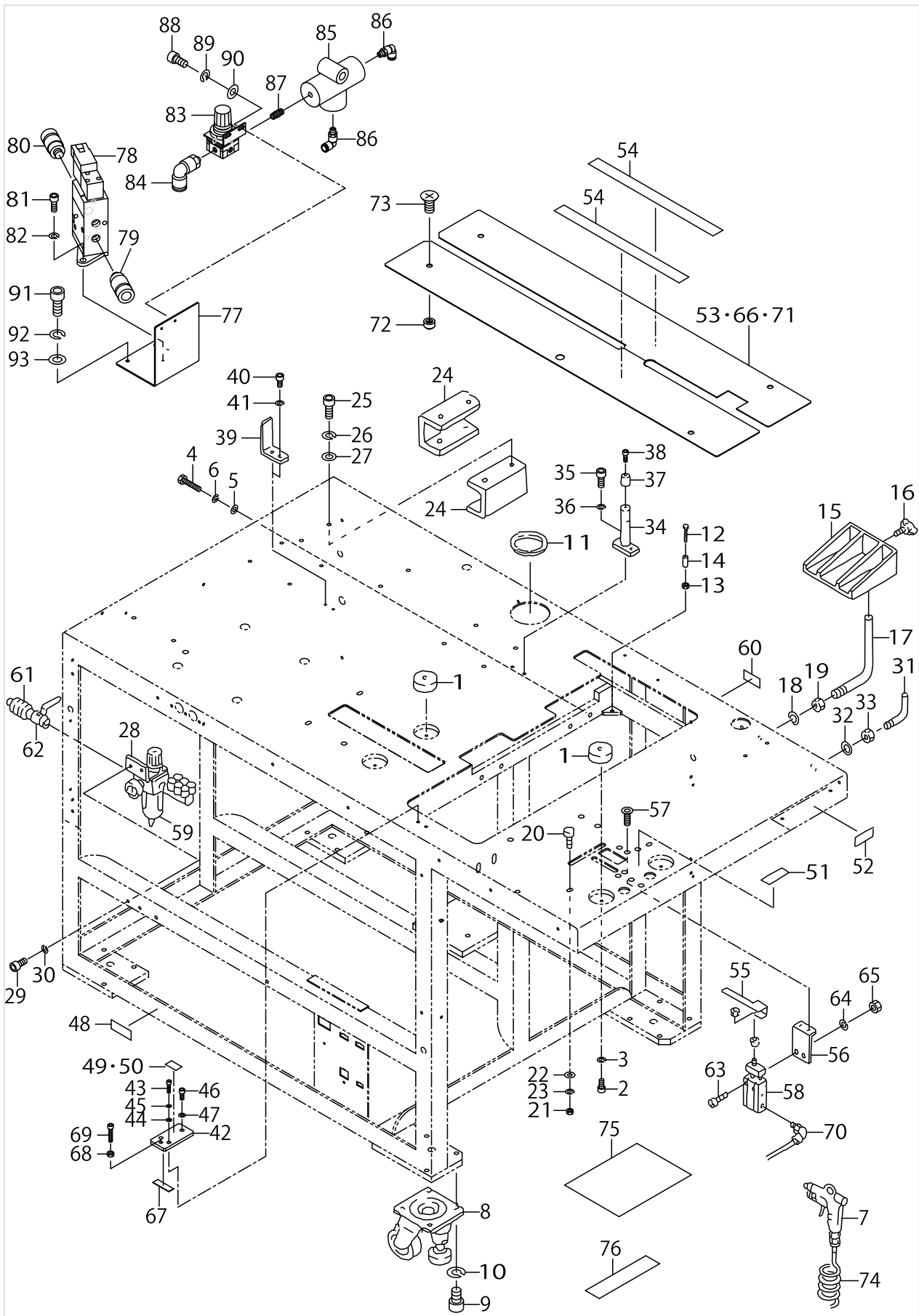
FRAME & COVER COMPONENTS (2)



FRAME & COVER COMPONENTS (2)

No.	Supply Code	Parts No.	Replacement	Parts name	Remarks	Choice	Step	Level	Cons	Qty	Rep. QTY
1		16722803		SPRING L						4	
2		SM6040802TP		SCREW M4X0.7 L=8						4	
3		WS0410002KN		SPRING WASHER						4	
4	D	SM9084003SC		SCREW M8 L=40						4	
5		WP0841600SC		WASHER						4	
6		WS0820002KN		SPRING WASHER M8						4	
7	D	16838609		AIR GUN						1	
8		G1147198000		CASTER						1	
9		SM6081202TP		SCREW M8 L=12						16	
10		WS0820002KN		SPRING WASHER M8						16	
11		18585000		FREE BUSHING						1	
12	D	25299504		ADJUSTING BOLT						4	
13		NM6060001SC		NUT M6						4	
14	D	G5058116B00		COLLAR						4	
15		16806507		CLOTH RECEIVER						1	
16		16838500		WING SCREW						1	
17		16806614		CLOTH RECEIVER F- ASTENER ASM.						1	
18		WP1221016SP		WASHER						1	
19		NM6120001SE		NUT M12						1	
20	D	16675308		POSITIONING PIN						4	
21		NM6050001SC		NUT M5						4	
22		WP0531001SC		WASHER						4	
23		WS0510002KN		SPRING WASHER						4	
24		18556308		BRACKET						2	
25	R	SM6061552TP	SM6061552SP	SCREW M6 L=15						8	1.00
26		WS0610002KN		SPRING WASHER 6.1X12.2X1.5						8	
27		WP0641601SC		WASHER						8	
28		16913907		FILTER BRACET						1	
29		SM6051002TP		SCREW M5X0.8 L=10						2	
30		WS0510002KN		SPRING WASHER						2	
31		16808404		HOOK						1	
32		WP0531001SC		WASHER						1	
33		NM6050001SC		NUT M5						1	
34		25297508		SUPPORT SHAFT						1	
35		SM6051202TP		SCREW M5X0.8 L=12						2	
36		WS0510002KN		SPRING WASHER						2	
37		25320904		RUBBER FOOT						1	
38		SM6030802TP		SCREW M3X0.5 L=8						1	
39		25299801		BRACKET						1	
40		SM6040802TP		SCREW M4X0.7 L=8						2	
41		WS0410002KN		SPRING WASHER						2	
42		25336405		FIXED BRACKET						1	
43		SM6052002TP		SCREW M5 L=20						2	
44		WP0531001SC		WASHER						2	
45		WS0510002KN		SPRING WASHER						2	
46	R	SM6061552TP	SM6061552SP	SCREW M6 L=15						1	1.00

FRAME & COVER COMPONENTS (2)

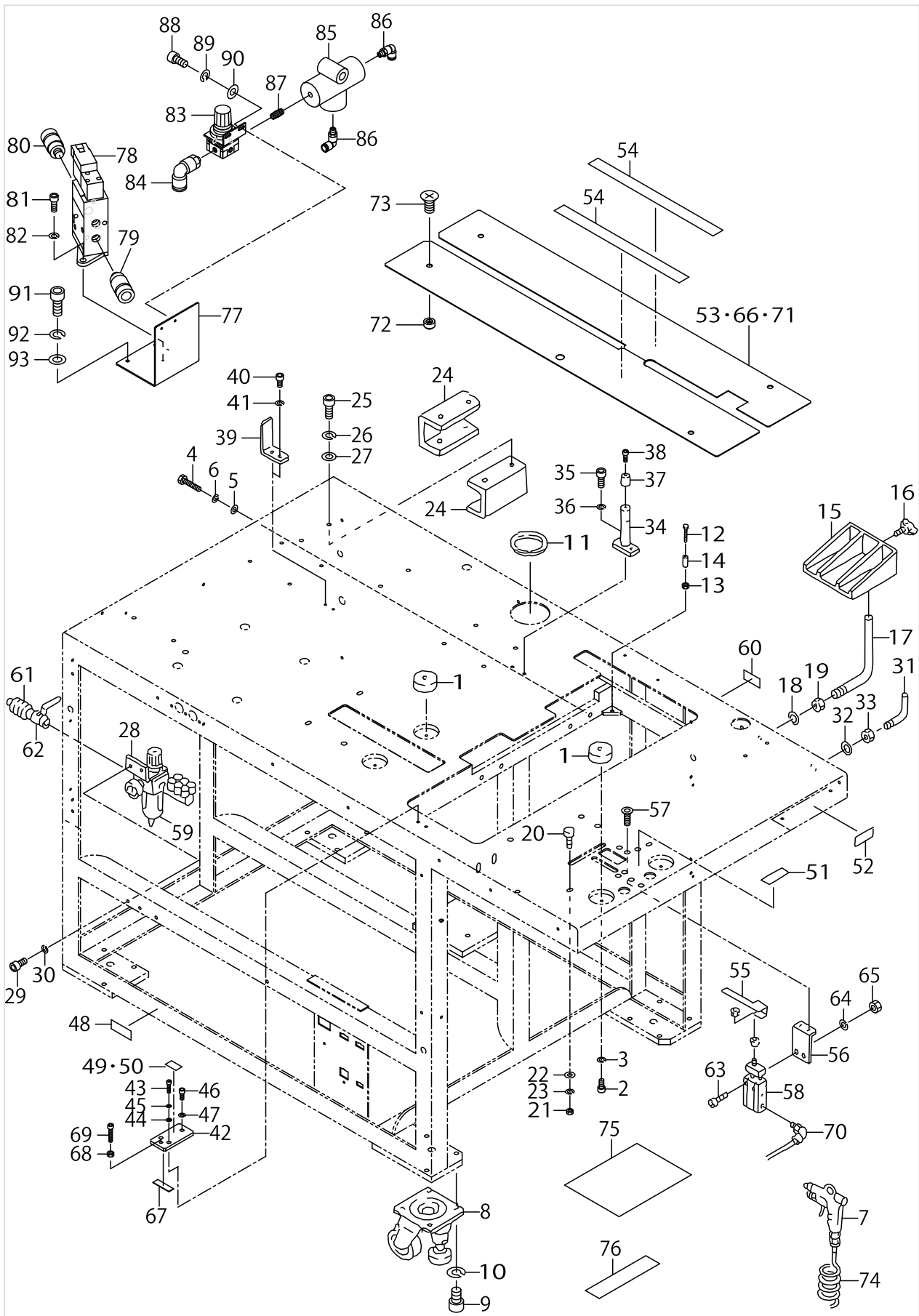




FRAME & COVER COMPONENTS (2)

No.	Supply Code	Parts No.	Replacement	Parts name	Remarks	Choice	Step	Level	Cons	Qty	Rep. QTY
47		WS0610002KN		SPRING WASHER 6.1X12.2X1.5						1	
48		16870206		GRAVITY SEAL						2	
49		16880908		SEAL	SELECTIVE PARTS					1	
50		16881005		SEAL	SELECTIVE PARTS					1	
51		16881104		SEAL						1	
52		25401803		NAME PLATE						1	
53		25337015		SEWING TABLE (6)	FOR 8~12MM					1	
54		25410408		SLIDE PROMOTING TAPE B						1	
55		16914103		HAIR CLOTH PRESSER						1	
56	D	16914202		CYLINDER INSTALLING PLATE						1	
57		SM1051552TP		SCREW						2	
58		PA1601507A0		CYLINDER						1	
59	R	PF0152030A0	40003560	FILTER REGULATOR						1	1.00
60		CM500000001		POWER SOURCE INDICATION LABEL						1	
61		G5403139000		QUICK COUPLING						1	
62	R	G5430116000	40030951	AIR COCK						1	1.00
63		SM6043552TN		SCREW M4 L=35						2	
64		WS0410002KN		SPRING WASHER						2	
65		NM6040001SC		NUT M4						2	
66		25337114		SEWING TABLE (6)	FOR 18,20MM					1	
67		25336504		SHIM						1	
68		NM6060001SC		NUT M6						1	
69		SM6063002TP		SCREW M6 L=30						1	
70		PJ304040504		ELBOW UNION						1	
71		25374901		SEWING TABLE	FOR 14,16MM					1	
72	D	G5023116000		POSITIONING BOSS						2	
73		SM1040801SC		SCREW M4X0.7 L=8						2	
74		G5458116000		CURLED TUBE						1	
75		25376609		PROTECTION TAPE (1)						1	
76		25376708		PROTECTION TAPE (2)						1	
77		25377201		REGULATOR BASE						1	
78		PV1305341A0		3-WAY SOLENOID VALVE						1	
79		PJ210006100		HALF UNION						1	
80		PJ210004200		HALF UNION						1	
81		SM6030802TP		SCREW M3X0.5 L=8						2	
82		WS0310002KN		SPRING WASHER M3						2	
83		PF0251070A0		REGULATOR						1	
84		PJ304065101		ELBOW UNION 6XPT1/8						1	
85		PV205101000		SHUTTLE VALVE						1	
86		PJ304045102		ELBOW UNION, C						2	
87		PJ030510001		NIPPLE 1/8						1	
88		SM6040802TP		SCREW M4X0.7 L=8						2	
89		WS0410002KN		SPRING WASHER						2	
90		WP0430801SC		WASHER 4.3X9X0.8						2	
91		SM6051202TP		SCREW M5X0.8 L=12						2	
92		WS0510002KN		SPRING WASHER						2	

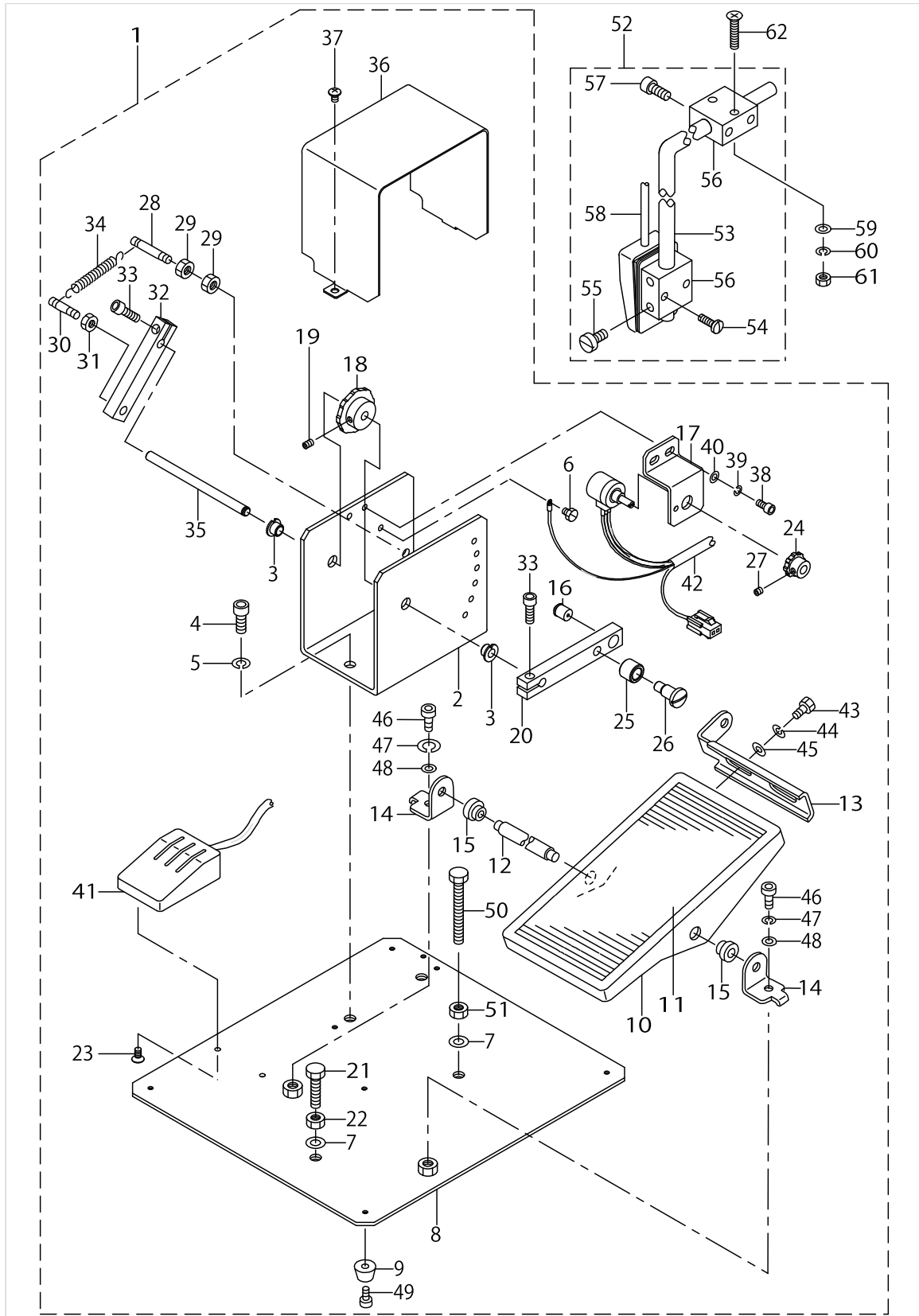
FRAME & COVER COMPONENTS (2)



FRAME & COVER COMPONENTS (2)

No.	Supply Code	Parts No.	Replacement	Parts name	Remarks	Choice	Step	Level	Cons	Qty	Rep. QTY
93		WP0531001SC		WASHER						2	

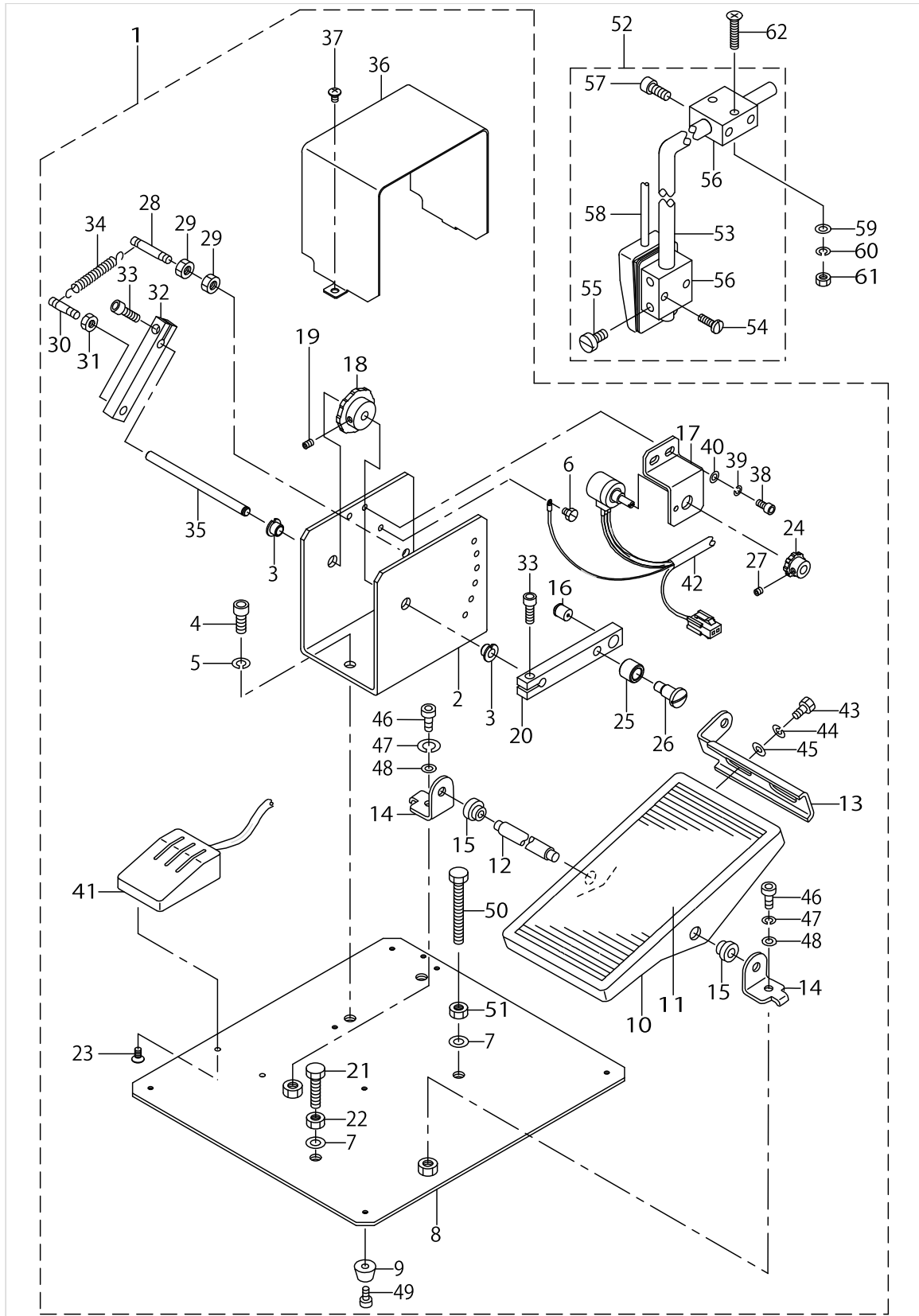
PEDAL SWITCH COMPONENTS



PEDAL SWITCH COMPONENTS

No.	Supply Code	Parts No.	Replacement	Parts name	Remarks	Choice	Step	Level	Cons	Qty	Rep. QTY
1	D	25363052		FOOT PEDAL ASM.						1	
2		25363102		SWITCH BOX				*		1	
3		25318601		DRY METAL				*		2	
4	R	SM6061552TP	SM6061552SP	SCREW M6 L=15				*		2	1.00
5		WS0610002KN		SPRING WASHER 6.1X12.2X1.5				*		2	
6		SM9040500SN		SCREW M4X0.7 L=5				*		2	
7		WP0641601SC		WASHER				*		1	
8		25363003		STEPPING PEDAL BASE				*		1	
9		G5840116000		RUBBER FOOT				*		5	
10	R	GPF06060000	GPF060600A0	PEDAL				*		1	1.00
11		GPF06070000		PEDAL MAT				*		1	
12		B8153771000		PEDAL CONNECTING ROD				*		1	
13		GPF06080000		PEDAL ADJUSTING PLATE				*		1	
14		11159001		PEDAL SHAFT BRACKET				*		2	
15		D8113555B00		PEDAL BUSHING				*		2	
16		16838401		BALL PLUNGER				*		1	
17		25363201		SWITCH BKT				*		1	
18		25318502		GEAR (2)				*		1	
19		SM8040602TP		SCREW M4X0.7 L=6				*		1	
20		25363300		STEPPING LEVER				*		1	
21		SM9062553SC		SCREW M6 L=25				*		1	
22		NM6060001SC		NUT M6				*		1	
23		ST1040851SR		SCREW M4 L=8				*		2	
24		25318403		GEAR (1)				*		1	
25	R	B2619372000	26028803	STOP MOTION TRIPPING LEVER CAM				*		1	1.00
26		SD0791051SP		HINGE SCREW D= 7.94 H=10.5				*		1	
27		SM8040402TP		SCREW M4X0.7 L=4				*		1	
28		G5075116000		ANCHOR				*		1	
29		NM6060001SC		NUT M6				*		2	
30	D	G5075116A00		ANCHOR				*		1	
31		NM6060001SC		NUT M6				*		1	
32		25363409		SPRING HANG ARM				*		1	
33		SM6051552TP		SCREW M5 L=15				*		1	
34	D	G5078116000		SWITCH SPRING				*		1	
35		G6012880000		LINK SHAFT				*		1	
36		25363508		BOX COVER				*		1	
37		SM0040601SC		SCREW M4X0.7 L=6				*		2	
38		SM6040802TP		SCREW M4X0.7 L=8				*		2	
39		WS0410002KN		SPRING WASHER				*		2	
40		WP0430800SC		WASHER M4				*		2	
41	D	25326455		INTERLINING PRESSER SWITCH ASM				*		1	
42	D	G85381950A0		STEPPING SWITCH CABLE ASM.				*		1	
43		SM9061203SE		SCREW M6 L=12				*		2	
44		WS0820002KN		SPRING WASHER M8				*		2	
45		WP0841600SC		WASHER				*		2	

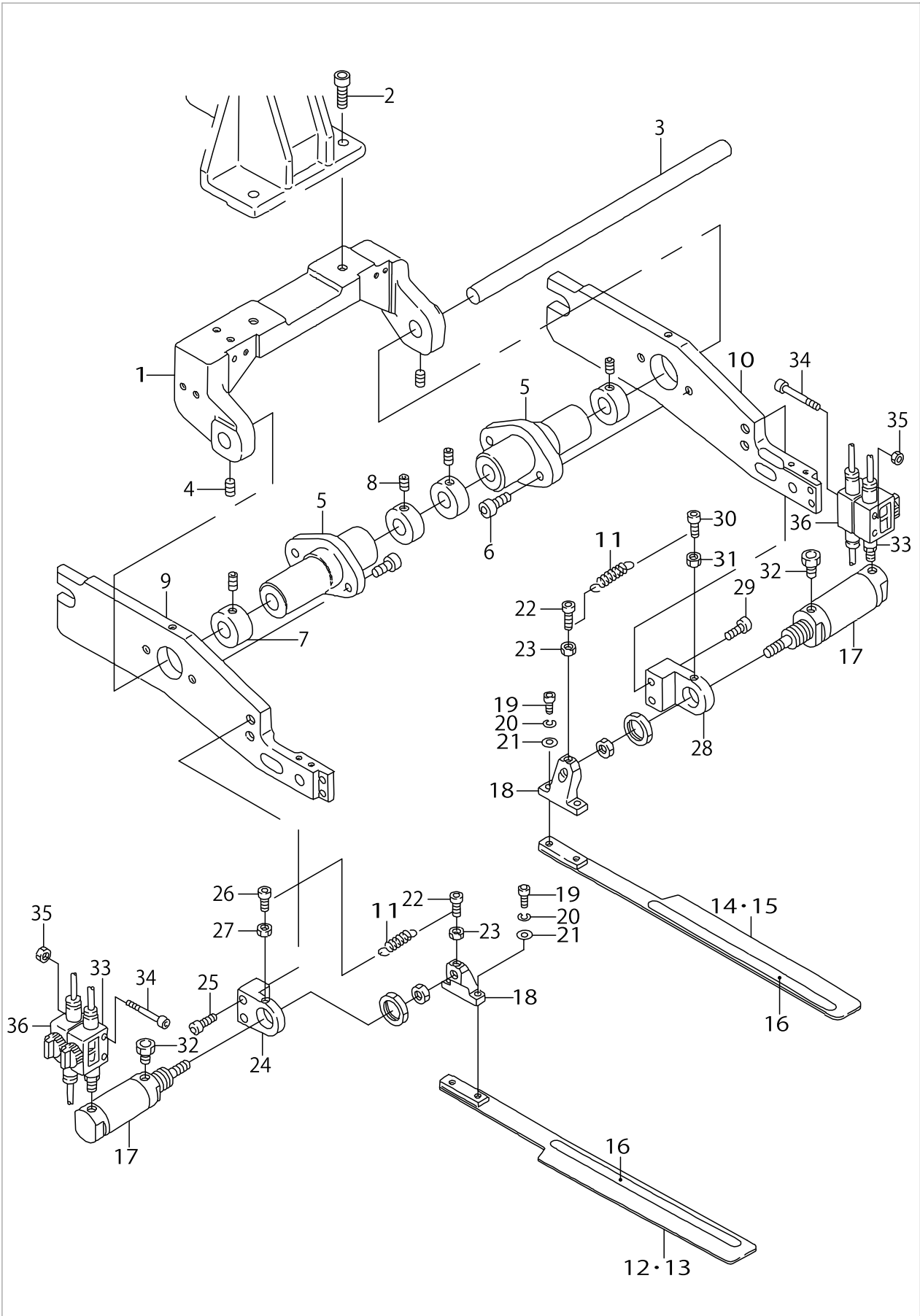
PEDAL SWITCH COMPONENTS



PEDAL SWITCH COMPONENTS

No.	Supply Code	Parts No.	Replacement	Parts name	Remarks	Choice	Step	Level	Cons	Qty	Rep. QTY
46		SM6082002TP		SCREW M8 L=20				*		2	
47		WS0820002KN		SPRING WASHER M8				*		2	
48		WP0841600SC		WASHER				*		2	
49		SM6040802TP		SCREW M4X0.7 L=8				*		5	
50		SM9065003SC		SCREW M6 L=50				*		1	
51		NM6060001SC		NUT M6				*		1	
52	D	G85341950A0		KNEE SWITCH ASM.						1	
53		G1018195000		SWITCH SUPPORT ARM				*		1	
54	R	SS7111410SP	SS7111410TP	SCREW 11/64-40L=14				*		2	1.00
55		SS6151220SP		SCREW 15/64-28 L=11.5				*		2	
56		MAT80230T00		KNEE SWITCH SUPPORT BASE				*		2	
57		SS6151412TP		SCREW 15/64-28L=14				*		2	
58	D	G85331950A0		KNEE SWITCH CABLE ASM.				*		1	
59		WP0531001SC		WASHER						2	
60		WS0510002KN		SPRING WASHER						2	
61		NM6050001SC		NUT M5						2	
62	D	SM1052501SP		SCREW M5X0.8 L=25						2	

CLAMP FOOT COMPONENTS (1)





CLAMP FOOT COMPONENTS (1)

No.	Supply Code	Parts No.	Replacement	Parts name	Remarks	Choice	Step	Level	Cons	Qty	Rep. QTY
1		25299405		FULCRUM BASE						1	
2		SM6061802TP		SCREW M6 L=18						2	
3		16907701		SHAFT						1	
4		SM8050602TP		SCREW M5 L=6						2	
5	D	18550806		FULCRUM BOSS						2	
6		SM6051802TP		SCREW M5 L=18						4	
7	D	16908105		COLLAR						4	
8		SM8050602TP		SCREW M5 L=6						4	
9	D	25298100		PRESSER ARM,LEFT						1	
10	D	25298209		PRESSERARM,RIGHT						1	
11	D	G5129116C00		SPRING						2	
12	D	25298316		FOLDING PLATE,LEFT	SELECTIVE PARTS					1	
13	D	25298514		FOLDING PLATE,LEFT	SELECTIVE PARTS					1	
14	D	25298415		FOLDING PLATE ,RIGHT	SELECTIVE PARTS					1	
15	D	25298613		FOLDING PLATE ,RIGHT	SELECTIVE PARTS					1	
16	D	18559005		SHEET						2	
17		G54021160A0		WELTING PATCH F- OLDING CYL. ASM						2	
18	D	G5132116000		CYLINDER EDGE						2	
19		SM6041002TP		SCREW M4 L=10						4	
20		WS0410002KN		SPRING WASHER						4	
21		WP0430800SC		WASHER M4						4	
22		SM6031202TP		SCREW M3X0.5 L=12						2	
23		NM6030001SC		NUT M3						2	
24		G5119116C00		FOLDING CYLINDER BRACKET,LEFT						1	
25		SM6051402TP		SCREW M5X0.8 L=14						2	
26		SM6031202TP		SCREW M3X0.5 L=12						1	
27		NM6030001SC		NUT M3						1	
28		G5119116D00		FOLDING CYLINDER BRACKET,RIGHT						1	
29		SM6051402TP		SCREW M5X0.8 L=14						2	
30		SM6031202TP		SCREW M3X0.5 L=12						1	
31		NM6030001SC		NUT M3						1	
32		PX055101000		ELEMENT						2	
33		PV015118000		VALVE						2	
34		SM6044002TP		SCREW						4	
35		NM6040001SC		NUT M4						4	
36		PV010011000		VALVE						2	



CLAMP FOOT (LEFT SIDE) COMPONENTS (2)

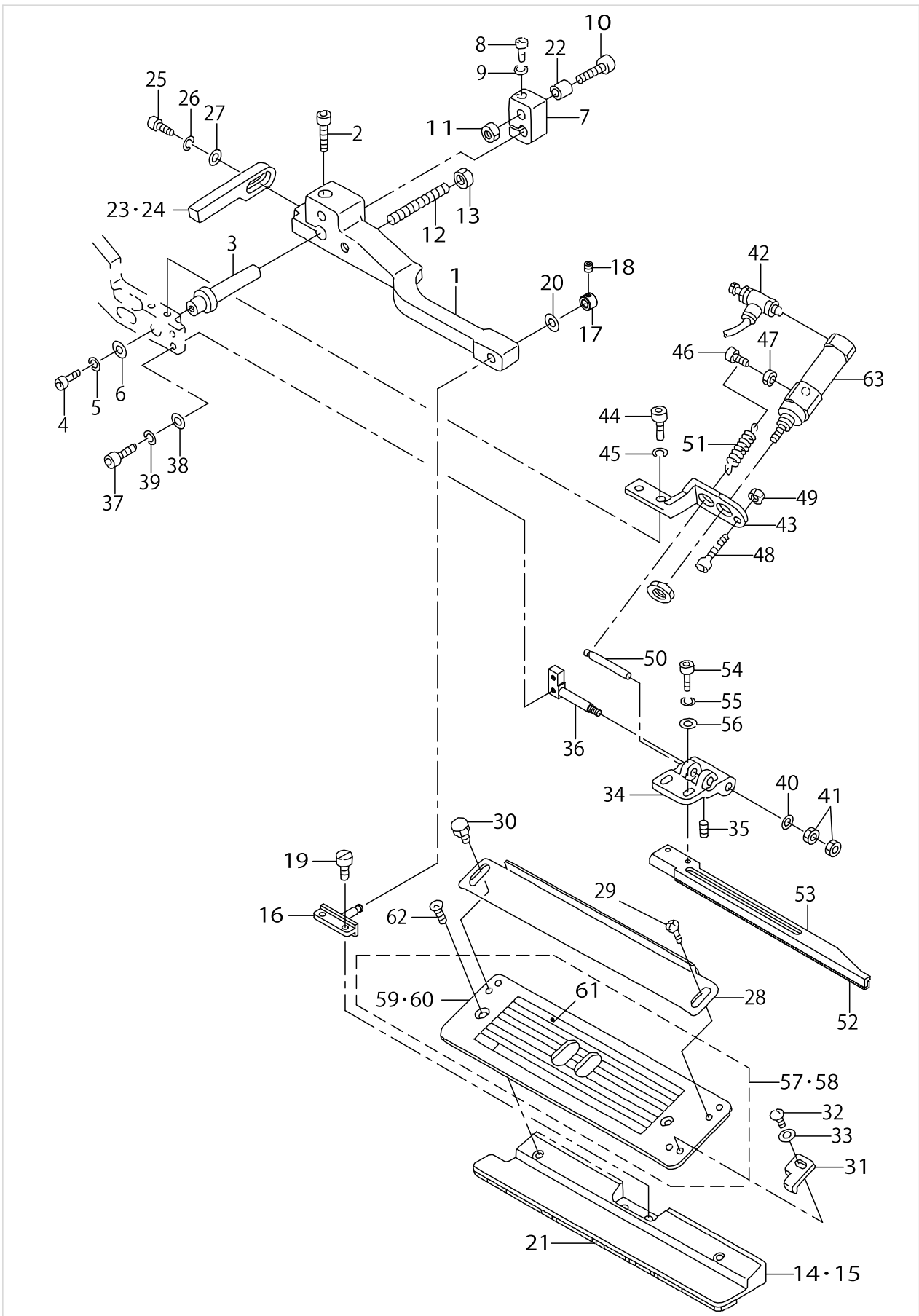
No.	Supply Code	Parts No.	Replacement	Parts name	Remarks	Choice	Step	Level	Cons	Qty	Rep. QTY
1	D	G5109117000		SUPPORT ARM, LEFT						1	
2		SM6062002TP		SCREW M6 L=20						1	
3	D	G5146119A00		SLIDING SHAFT A						1	
4		SM6051202TP		SCREW M5X0.8 L=12						1	
5		WS0510002KN		SPRING WASHER						1	
6		G5108119000		WASHER						1	
7	D	G5124117A00		SLIDING METAL						1	
8		SM6053002TP		SCREW M5X0.8 L=30						1	
9		WS0510002KN		SPRING WASHER						1	
10		18568204		ADJUSTING BOLT						1	
11		NM6060001SC		NUT M6						1	
12	D	G5122117000		SUPPORT ARM STOPPER						1	
13		NM6050001SC		NUT M5						1	
14	D	16809204		GARMENT CLAMP, LEFT G=8-14	SELECTIVE PARTS					1	
15		16809402		GARMENT CLAMP, LEFT G=16-20	SELECTIVE PARTS					1	
16	D	16807117		GARMENT CLAMP FULCULUM PIN						1	
17	D	25377300		SET COLLAR						1	
18		SM8040402TP		SCREW M4X0.7 L=4						1	
19		SS7110840SP		SCREW 11/64-40 L=7.8						2	
20		WP0450801SD		WASHER 4.5X10X0.8						1	
21	D	16778409		GARMENT CLAMP RUBBER, LEFT						1	
22		G5126117000		SPACER						1	
23	D	G5131116C00		FOLDING PLATE STOPPER, LEFT	SELECTIVE PARTS					1	
24	D	G5131116D00		STOPPER, LEFT	SELECTIVE PARTS					1	
25		SM6041202TP		SCREW M4X0.7 L=12						1	
26		WS0410002KN		SPRING WASHER						1	
27		WP0430800SC		WASHER M4						1	
28	D	G5140116000		FLAP SCALE						1	
29		SM5040451SC		SCREW M4X0.7 L=4						2	
30		G5847116000		KNOB SCREW						2	
31	D	G5123117000		FLAP STOPPER A						1	
32		SM4030401SC		SCREW M3X0.5 L=4						1	
33		WP0320500SC		WASHER M3						1	
34		G5150116C00		FLAP PRESSER ARM, LEFT						1	
35		SM8030502TP		SCREW M3 L=5						2	
36	D	G5151116C00		FLAP PRESSER FULCRUM SHAFT						1	
37		SM6041202TP		SCREW M4X0.7 L=12						2	
38		WP0430800SC		WASHER M4						2	
39		WS0410002KN		SPRING WASHER						2	
40		WP0430800SC		WASHER M4						1	
41		NM6040001SC		NUT M4						2	
42		PC010507000		SPEED CONTROLLER						1	
43	D	G5147116C00		CYLINDER BRACKET, LEFT						1	
44		SM6051202TP		SCREW M5X0.8 L=12						2	
45		WS0510002KN		SPRING WASHER						2	
46		SM6031002TP		HEXAGONAL BOLT M3 X 10						1	



CLAMP FOOT (LEFT SIDE) COMPONENTS (2)

No.	Supply Code	Parts No.	Replacement	Parts name	Remarks	Choice	Step	Level	Cons	Qty	Rep. QTY
47		NM6030001SC		NUT M3						1	
48		SM6042502TP		SCREW M4X0.7 L=25						1	
49		NM6040001SC		NUT M4						1	
50	D	G5148116C00		PIN						1	
51		16701005		SPRING						1	
52	D	G5143116A00		FLAP PRESSER RUBBER SOLE						1	
53	R	G5154116C00	G5154116CA0	FLAP PRESSER, LEFT						1	1.00
54		SM6041002TP		SCREW M4 L=10						2	
55		WS0410002KN		SPRING WASHER						2	
56		WP0430800SC		WASHER M4						2	
57	D	25298753		FLAP BASE ASM., LEFT	SELECTIVE PARTS					1	
58		25332156		FLAP BASE ASM., LEFT	SELECTIVE PARTS					1	
59	R	25298704	25298753	FLAP BASE PLATE,LEFT	SELECTIVE PARTS			*		1	1.00
60		25332107		FLAP BASE PLATE,LEFT	SELECTIVE PARTS			*		1	
61	D	25299108		SCALE SEAL				*		1	
62		SM1040601SC		SCREW M4X0.7 L=6						2	
63		G5410116AA0		CYLINDER						1	

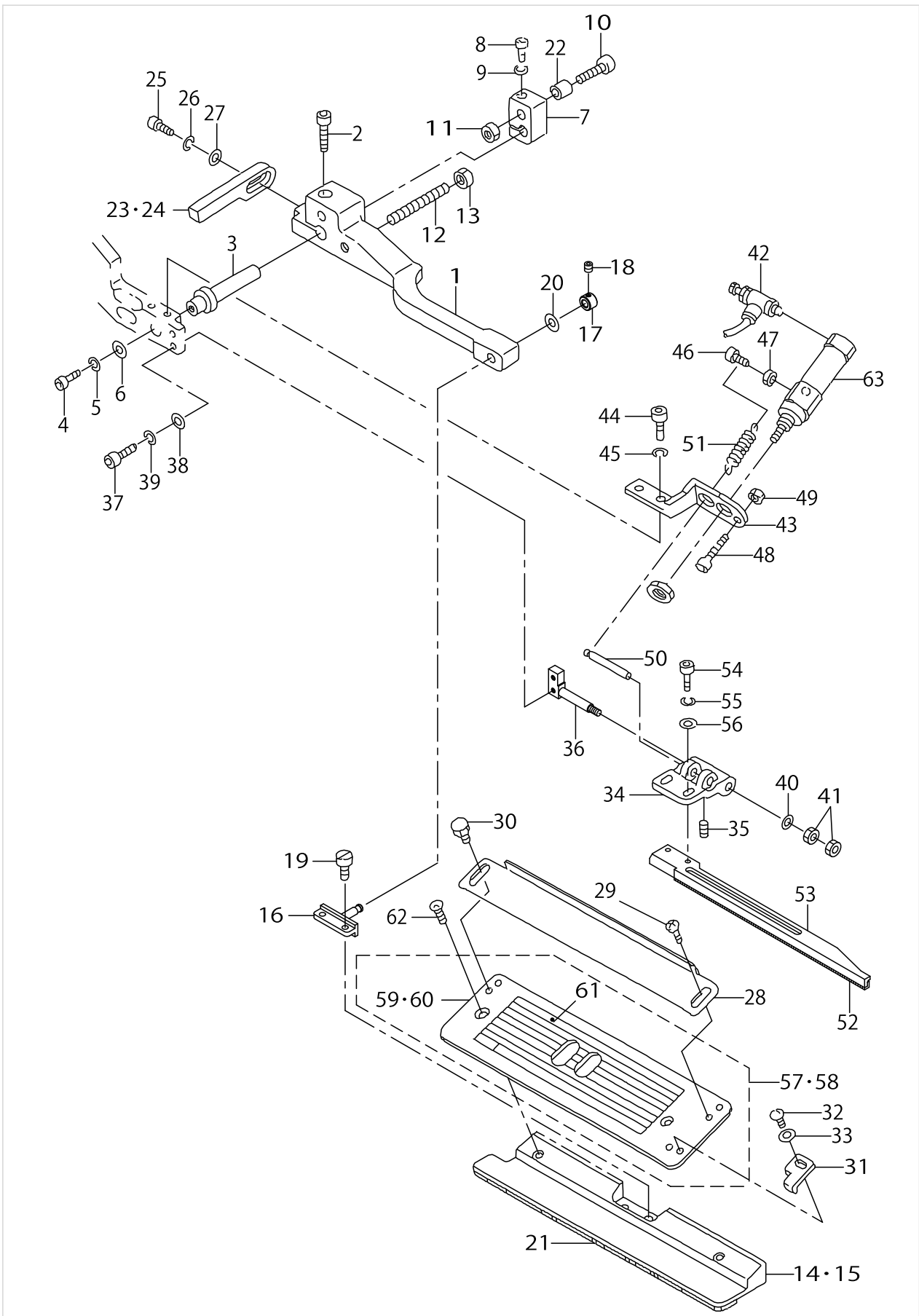
CLAMP FOOT (RIGHT SIDE) COMPONENTS (3)



CLAMP FOOT (RIGHT SIDE) COMPONENTS (3)

No.	Supply Code	Parts No.	Replacement	Parts name	Remarks	Choice	Step	Level	Cons	Qty	Rep. QTY
1	D	G5110117000		SUPPORT ARM, RIGHT						1	
2		SM6062002TP		SCREW M6 L=20						1	
3	D	G5146119A00		SLIDING SHAFT A						1	
4		SM6051202TP		SCREW M5X0.8 L=12						1	
5		WS0510002KN		SPRING WASHER						1	
6		G5108119000		WASHER						1	
7	D	G5125117A00		SLIDING METAL						1	
8		SM6053002TP		SCREW M5X0.8 L=30						1	
9		WS0510002KN		SPRING WASHER						1	
10		18568204		ADJUSTING BOLT						1	
11		NM6060001SC		NUT M6						1	
12	D	G5122117000		SUPPORT ARM STOPPER						1	
13		NM6050001SC		NUT M5						1	
14	D	16809303		GARMENT CLAMP, G=8-14	SELECTIVE PARTS					1	
15		16809501		GARMENT CLAMP, RIGHT G=16-20	SELECTIVE PARTS					1	
16	D	16807117		GARMENT CLAMP FULCULUM PIN						1	
17	D	25377300		SET COLLAR						1	
18		SM8040402TP		SCREW M4X0.7 L=4						1	
19		SS7110840SP		SCREW 11/64-40 L=7.8						2	
20		WP0450801SD		WASHER 4.5X10X0.8						1	
21	D	16778508		GARMENT CLAMP RUBBER, RIGHT						1	
22		G5126117000		SPACER						1	
23		G5130116C00		FOLDING PLATE STOPPER,RIGHT	SELECTIVE PARTS					1	
24	D	G5130116D00		FOLDING PLATE STOPPER, RIGHT A	SELECTIVE PARTS					1	
25		SM6041202TP		SCREW M4X0.7 L=12						1	
26		WS0410002KN		SPRING WASHER						1	
27		WP0430800SC		WASHER M4						1	
28	D	G5140116000		FLAP SCALE						1	
29		SM5040451SC		SCREW M4X0.7 L=4						2	
30		G5847116000		KNOB SCREW						2	
31	D	G5124117000		FLAP STOPPER B						1	
32		SM4030401SC		SCREW M3X0.5 L=4						1	
33		WP0320500SC		WASHER M3						1	
34	D	G5149116C00		FLAP PRESSER ARM, RIGHT						1	
35		SM8030502TP		SCREW M3 L=5						2	
36	D	G5151116C00		FLAP PRESSER FULCRUM SHAFT						1	
37		SM6041202TP		SCREW M4X0.7 L=12						2	
38		WP0430800SC		WASHER M4						2	
39		WS0410002KN		SPRING WASHER						2	
40		WP0430800SC		WASHER M4						1	
41		NM6040001SC		NUT M4						2	
42		PC010507000		SPEED CONTROLLER						1	
43		G5147116D00		CYLINDER BRACKET, RIGHT						1	
44		SM6051202TP		SCREW M5X0.8 L=12						2	
45		WS0510002KN		SPRING WASHER						2	
46		SM6031002TP		HEXAGONAL BOLT M3 X 10						1	

CLAMP FOOT (RIGHT SIDE) COMPONENTS (3)

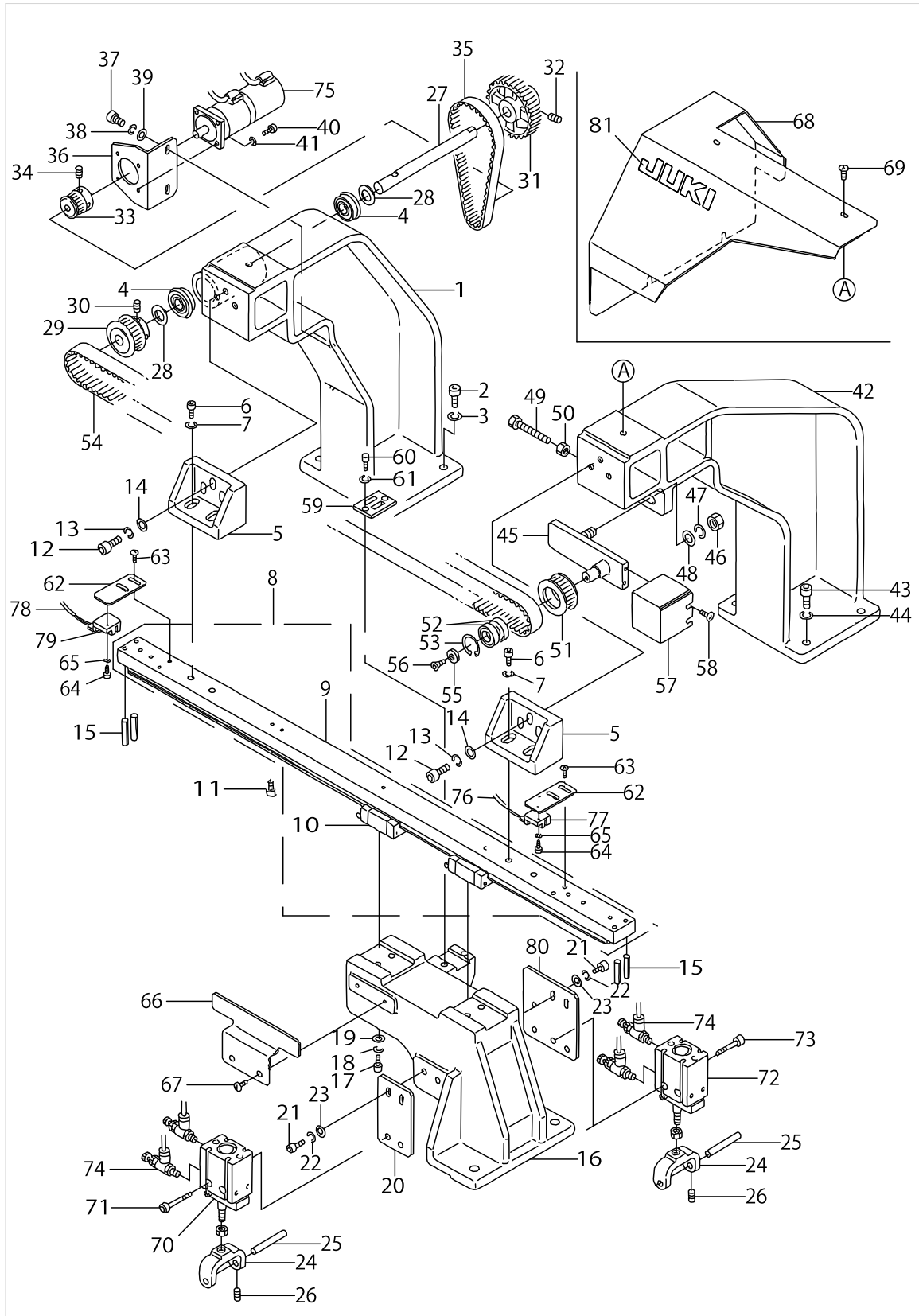




CLAMP FOOT (RIGHT SIDE) COMPONENTS (3)

No.	Supply Code	Parts No.	Replacement	Parts name	Remarks	Choice	Step	Level	Cons	Qty	Rep. QTY
47		NM6030001SC		NUT M3						1	
48		SM6042502TP		SCREW M4X0.7 L=25						1	
49		NM6040001SC		NUT M4						1	
50	D	G5148116C00		PIN						1	
51		16701005		SPRING						1	
52	D	G5143116A00		FLAP PRESSER RUBBER SOLE						1	
53	R	G5141116C00	G5141116CA0	FLAP PRESSER, RIGHT						1	1.00
54		SM6041002TP		SCREW M4 L=10						2	
55		WS0410002KN		SPRING WASHER						2	
56		WP0430800SC		WASHER M4						2	
57		25298852		FLAP BASE ASM., RIGHT	SELECTIVE PARTS					1	
58	D	25332255		FLAP BASE ASM., RIGHT	SELECTIVE PARTS					1	
59	R	25298803	25298852	FLAP BASE PLATE,RIGHT	SELECTIVE PARTS			*		1	1.00
60		25332206		FLAP BASE PLATE,RIGHT	SELECTIVE PARTS			*		1	
61	D	25299108		SCALE SEAL				*		1	
62		SM1040601SC		SCREW M4X0.7 L=6						2	
63		G5410116AA0		CYLINDER						1	

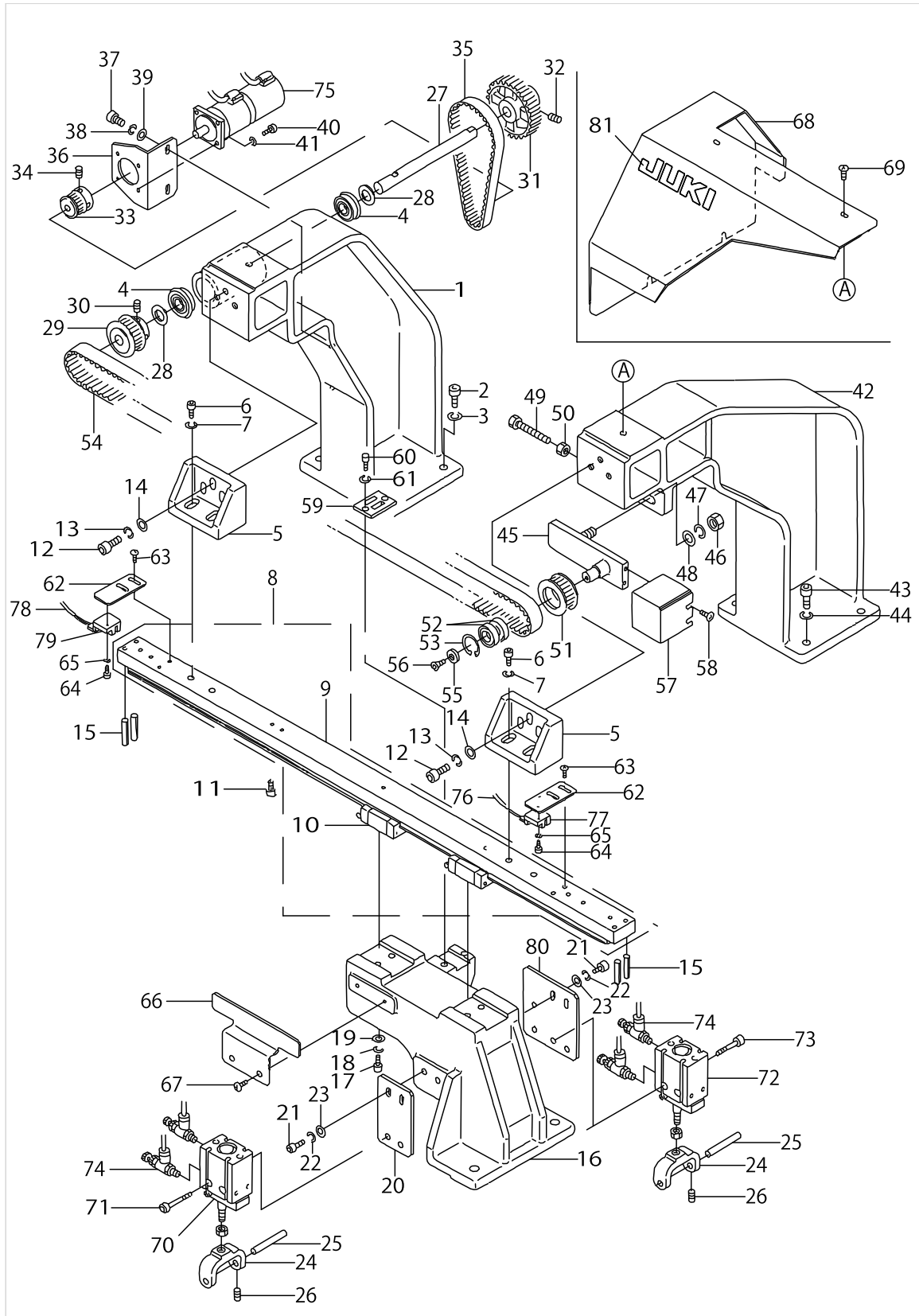
# CLAMP FOOT FEED COMPONENTS



CLAMP FOOT FEED COMPONENTS

No.	Supply Code	Parts No.	Replacement	Parts name	Remarks	Choice	Step	Level	Cons	Qty	Rep. QTY
1	D	25302100		STAND,REAR						1	
2		SM6063002TP		SCREW M6 L=30						4	
3		WS0610002KN		SPRING WASHER 6.1X12.2X1.5						4	
4	D	18585208		BEARING						2	
5		25302209		RAIL FITTING BRACKET						2	
6		SM6062002TP		SCREW M6 L=20						6	
7		WS0610002KN		SPRING WASHER 6.1X12.2X1.5						6	
8		25334152		LM GUIDE FITTING BASE ASM.						1	
9		25334103		LM GUIDE FITTING BASE (6)				*		1	
10	D	25334004		LM GUIDE (6)				*		1	
11		SM6052002TP		SCREW M5 L=20						7	
12		SM6062002TP		SCREW M6 L=20						4	
13		WS0610002KN		SPRING WASHER 6.1X12.2X1.5						4	
14		WP0641601SC		WASHER						4	
15		PS0500302KH		SPRING PIN 5X30						4	
16	D	25302407		SLIDE BASE						1	
17		SM6052002TP		SCREW M5 L=20						4	
18		WS0510002KN		SPRING WASHER						4	
19		WP0531001SC		WASHER						4	
20		25302506		CYLINDER BRACKET						1	
21		SM6051552TP		SCREW M5 L=15						4	
22		WS0510002KN		SPRING WASHER						4	
23		WP0531001SC		WASHER						4	
24	D	16907800		LIFTING BLOCK						2	
25		16934200		SHAFT						2	
26		SM8040602TP		SCREW M4X0.7 L=6						2	
27		25302704		SHAFT						1	
28		B182024600A		WASHER A						2	
29		25302803		DRIVING PULLEY						1	
30		SM8050602TP		SCREW M5 L=6						2	
31		25302902		TIMING PULLEY(A)						1	
32		SM8050802TP		SCREW M5X0.8 L=8						2	
33		18568006		TIMING PULLEY(N)						1	
34		SM8040602TP		SCREW M4X0.7 L=6						2	
35	D	16934507		BELT						1	
36	D	25302605		MOTOR FITTING BRACKET						1	
37		SM6052002TP		SCREW M5 L=20						2	
38		WS0510002KN		SPRING WASHER						2	
39		WP0531001SC		WASHER						2	
40		SM6031002TP		HEXAGONAL BOLT M3 X 10						4	
41		WS0310002KN		SPRING WASHER M3						4	
42		25302001		STAND,FRONT						1	
43		SM6063002TP		SCREW M6 L=30						4	
44		WS0610002KN		SPRING WASHER 6.1X12.2X1.5						4	
45		25303108		FULCRUM BRACKET						1	
46		NM6100001SC		NUT M10X1.5						1	

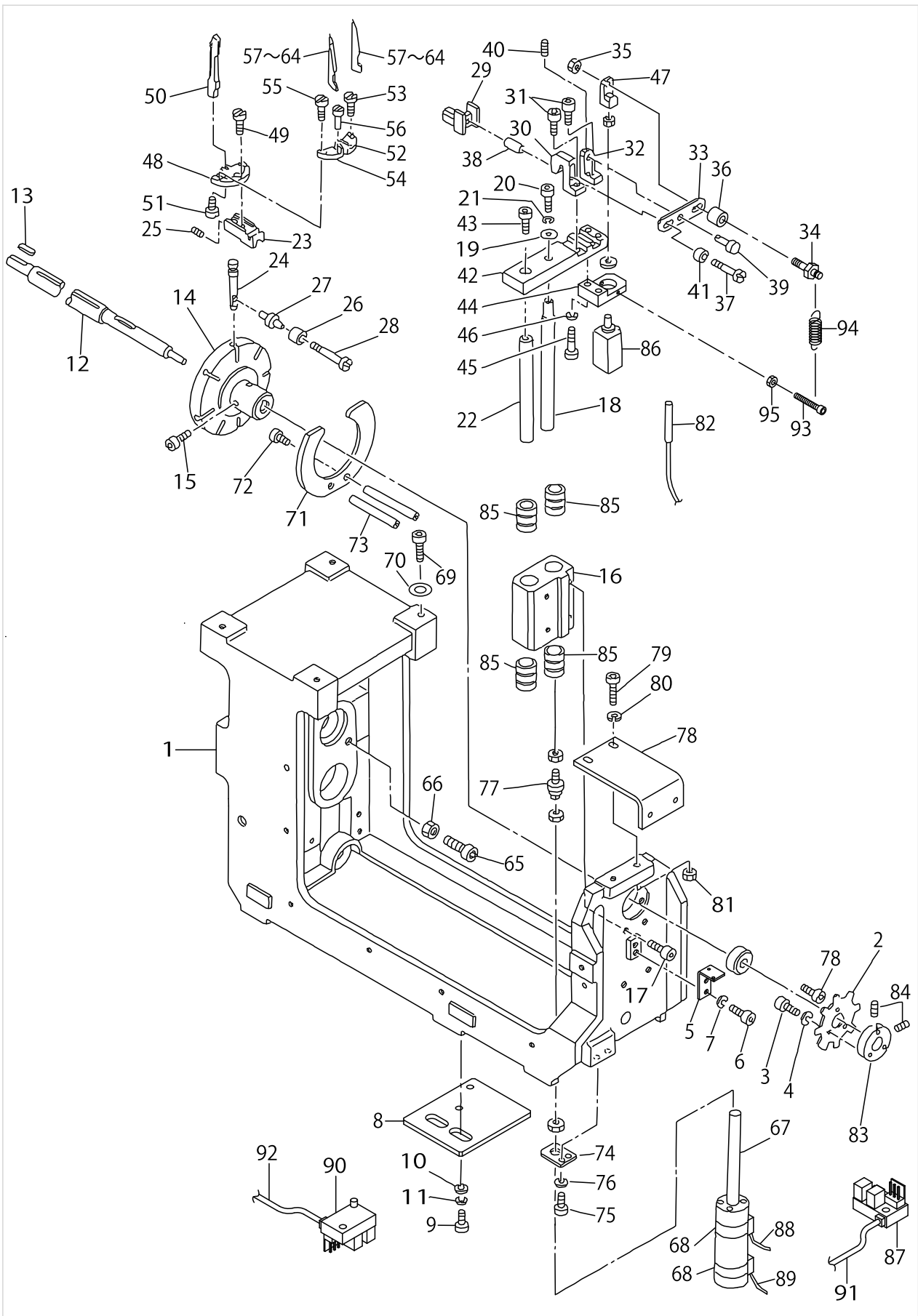
# CLAMP FOOT FEED COMPONENTS



CLAMP FOOT FEED COMPONENTS

No.	Supply Code	Parts No.	Replacement	Parts name	Remarks	Choice	Step	Level	Cons	Qty	Rep. QTY
47		WS1020002KN		SPRING WASHER M10						1	
48		WP1052001SC		WASHER 10,5X21X2						1	
49		SM6054502TP		SCREW M5X0.8 L=45						1	
50		NM6050001SC		NUT M5						1	
51		18550400		FOLLOW PULLEY						1	
52		16720005		BEARING						2	
53	D	RC2421211KP		RETAINING RING						1	
54		25334202		TIMING BELT						1	
55	D	16725905		WASHER						1	
56	R	SM1051001SC	SM1051001SF	SCREW M5 L=10						1	1.00
57	D	25303207		PULLEY COVER						1	
58		SM0040601SC		SCREW M4X0.7 L=6						2	
59		25303306		BELT CLAMP PLATE						1	
60		SM6051002TP		SCREW M5X0.8 L=10						2	
61		WS0510002KN		SPRING WASHER						2	
62	D	25303405		SENSOR BRACKET						2	
63		SM0040601SC		SCREW M4X0.7 L=6						4	
64		SM6030802TP		SCREW M3X0.5 L=8						2	
65		WS0310002KN		SPRING WASHER M3						2	
66		25303504		SENSOR PLATE						1	
67		SM0040601SC		SCREW M4X0.7 L=6						2	
68		25333907		TOP COVER (6)						1	
69		SM0050801SC		SCREW						4	
70	D	PA2501002A0		CYLINDER, LEFT						1	
71		SM6053002TP		SCREW M5X0.8 L=30						2	
72		PA2501003A0		CYLINDER, RIGHT						1	
73		SM6053002TP		SCREW M5X0.8 L=30						2	
74		PC010508000		SPEED CONTROLLER						4	
75	R	HM001310000	40063931	SERVO MOTOR						1	1.00
76		G85161950A0		CABLE ASM.						1	
77		HD00057000A		PHOTO SENSOR						1	
78	D	G85171950A0		CABLE ASM.						1	
79		HD00057000A		PHOTO SENSOR						1	
80		25305905		PLATE BASE FITTING BRACKET (1)						1	
81	D	G8220870000		BRAND MARK						1	

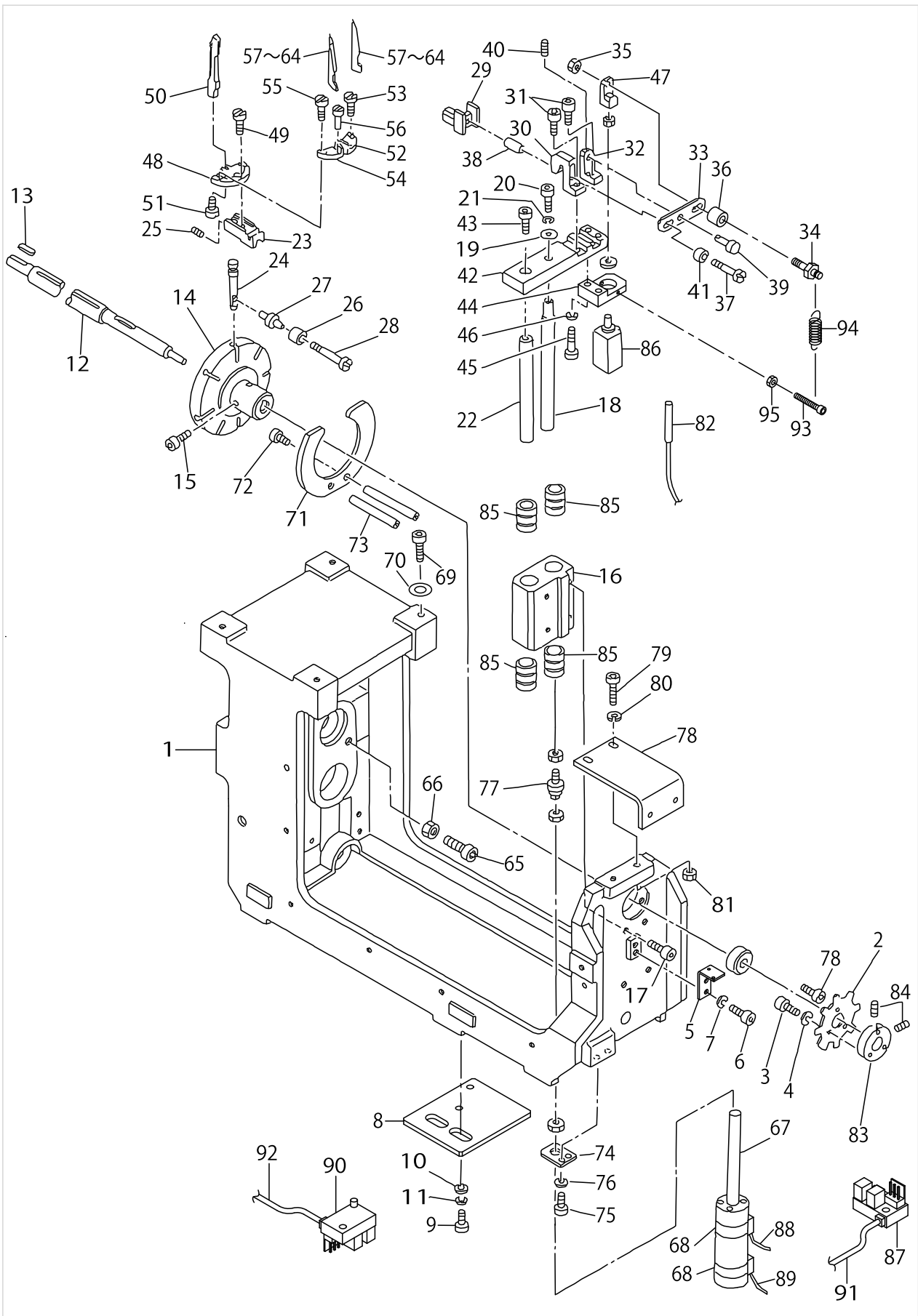
CORNER KNIFE COMPONENTS (1)



CORNER KNIFE COMPONENTS (1)

No.	Supply Code	Parts No.	Replacement	Parts name	Remarks	Choice	Step	Level	Cons	Qty	Rep. QTY
1		18560409		CORNER KNIFE BRACKET						1	
2		16600504		SENSOR SLIT						1	
3		SM6031002TP		HEXAGONAL BOLT M3 X 10						3	
4		WS0310002KN		SPRING WASHER M3						3	
5	D	25336603		SENSOR BRACKET						1	
6		SM6051002TP		SCREW M5X0.8 L=10						2	
7		WS0510002KN		SPRING WASHER						2	
8		25334400		SENSORBRACKET(6)						1	
9		SM6051002TP		SCREW M5X0.8 L=10						2	
10		WP0531000SC		WASHER 5.3X10X1						2	
11		WS0510002KN		SPRING WASHER						2	
12		16601106		BALL SPLINE						1	
13		16721904		KEY						1	
14		16604308		KNIFE BASE WHEEL A						1	
15		SM6061002TP		SCREW M6 L=10						2	
16	D	18555300		CORNER KNIFE BRACKET						1	
17		SM6052002TP		SCREW M5 L=20						2	
18		16604514		GUIDE SHAFT (A)						1	
19		16724403		WASHER						1	
20		SM6051202TP		SCREW M5X0.8 L=12						1	
21		WS0510002KN		SPRING WASHER						1	
22		16604605		GUIDE SHAFT B						1	
23	D	16604902		KNIFE BASE						7	
24		16605008		KNIFE BASE GUIDE BAR						7	
25		SM8040502TP		SCREW M4X0.7 L=5						14	
26		16605107		ROLLER						7	
27		16605206		ROLLER BOSS						7	
28		16605305		ROLLER PIN						7	
29		16605503		CHUCK B						1	
30		16605602		CHUCK BRACKET						1	
31		SM6052002TP		SCREW M5 L=20						4	
32		16605701		LOCK BRACKET						1	
33		16605800		LEVER						1	
34	D	16605909		PIN A						1	
35		NM6060001SC		NUT M6						1	
36		16606006		COLLAR A						1	
37		16606105		PIN B						1	
38		16606204		COLLAR B						1	
39		16606303		PIN C						1	
40		SM8050812TP		SCREW M5X8						1	
41		16606402		COLLAR						1	
42		16606501		CHUCK BASE						1	
43		SM6082002TP		SCREW M8 L=20						1	
44		16606709		CYLINDER BASE						1	
45		SM6052002TP		SCREW M5 L=20						2	
46		WS0510002KN		SPRING WASHER						2	

CORNER KNIFE COMPONENTS (1)

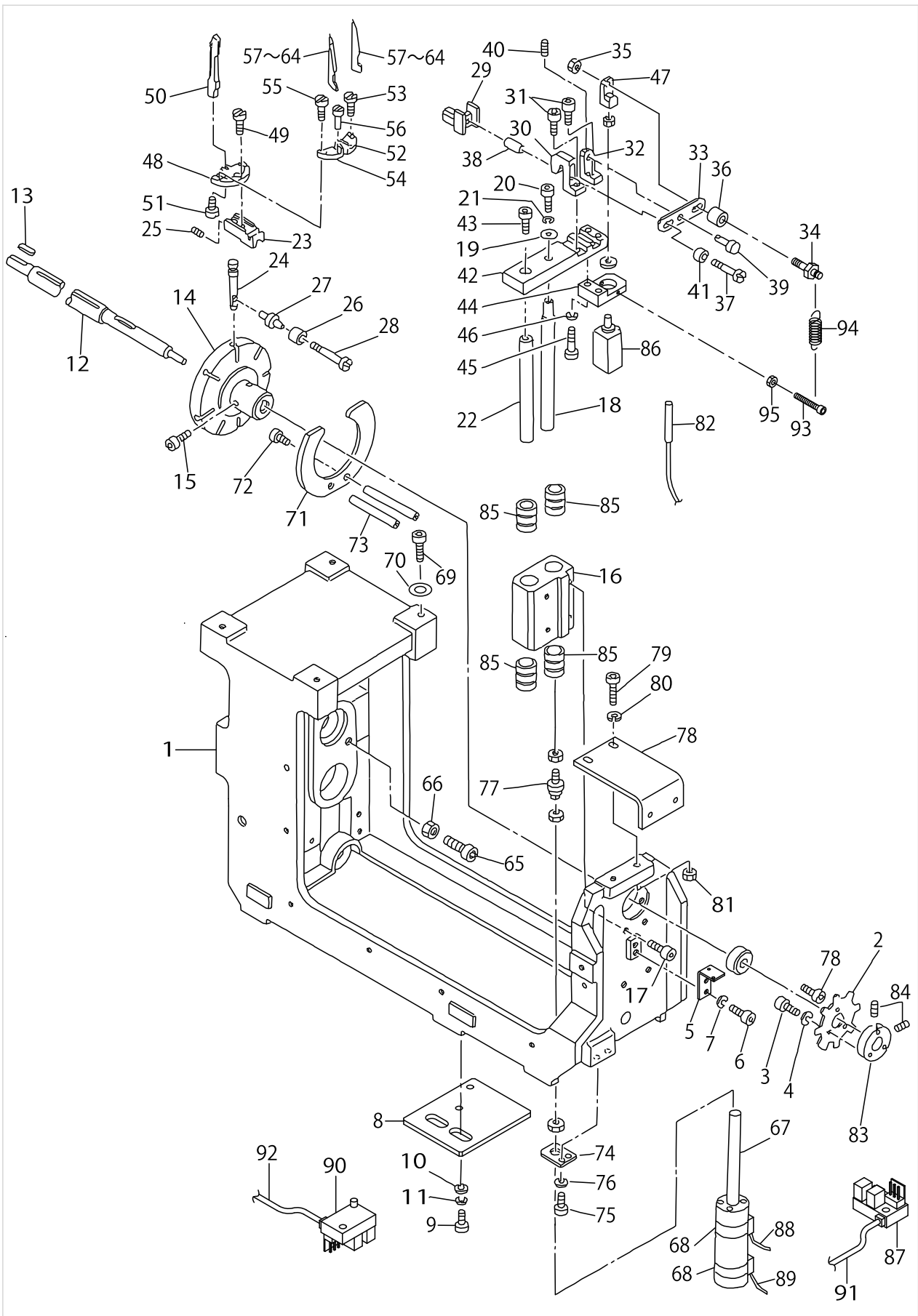




CORNER KNIFE COMPONENTS (1)

No.	Supply Code	Parts No.	Replacement	Parts name	Remarks	Choice	Step	Level	Cons	Qty	Rep. QTY
47		16606808		CONNECTING BLOCK						1	
48		16606907		KNIFE HOLDER BASE						7	
49	R	SS7111120SP	SS7111120TP	SCREW 11/64-40 L=10.5						7	1.00
50	D	16607004		KNIFE GUIDE						7	
51		SS4080620TP		SCREW 1/8-44 L=6						7	
52	D	16607103		KNIFE HOLDER A						7	
53		SS6081210SP		SCREW 1/8-44 L=12						7	
54	D	16607202		KNIFE HOLDER B						7	
55	R	SS6080210SP	SS6080310SP	SCREW 1/8-44 L=2						7	1.00
56	D	G5279117000		ECCENTRIC PIN						14	
57		16607301		CORNER KNIFE A1	GAUGE PART					7	
58		16607400		CORNER KNIFE A2	GAUGE PART					7	
59		16607509		CORNER KNIFE (B-1)	GAUGE PART					1	
60		16607608		CORNER KNIFE (B-2)	GAUGE PART					1	
61		16607905		CORNER KNIFE(D-1)	GAUGE PART					1	
62		16608002		CORNER KNIFE(D-2)	GAUGE PART					1	
63		16608101		CORNER KNIFE (E-1)	GAUGE PART					1	
64	D	16608200		CORNER KNIFE (E-2)	GAUGE PART					1	
65		SM6055502TP		SCREW M5X0.8 L=55						1	
66		NM6050001SC		NUT M5						1	
67		PA2007003A0		AIR CYLINDER						1	
68	D	18588103		BAND						2	
69		SM6082502TP		SCREW M8 L=25						4	
70		16677205		WASHER						4	
71		16604001		KNIFE BASE GUIDE						1	
72		16718801		SCREW						2	
73		16604100		GUIDE STUD						2	
74		16604209		CYLINDER BRACKET						1	
75		SM6051552TP		SCREW M5 L=15						2	
76		WS0510002KN		SPRING WASHER						2	
77		PA900063000		FLOATING JOINT						1	
78		25334509		FRAME RECEIVING BRACKET (6)						1	
79		SM9062003SC		SCREW M6 L=20						2	
80		WS0610002KN		SPRING WASHER 6.1X12.2X1.5						2	
81		NM6060001SC		NUT M6						2	
82	D	25358151		CABLE ASM.						1	
83		16603201		SENSOR BOSS						1	
84		SM8040602TP		SCREW M4X0.7 L=6						2	
85		16725004		LINEAR BUSHING						4	
86	D	PA1502003A0		PIN CYLINDER						1	
87		HD00057000A		PHOTO SENSOR						1	
88		25322454		SENSOR CABLE ASM.						1	
89		25322256		SENSOR CABLE ASM.						1	
90		HD00057000A		PHOTO SENSOR						1	
91	D	G85191950A0		SENSOR ASM.						1	
92		G85121960A0		SENSOR ASM.						1	

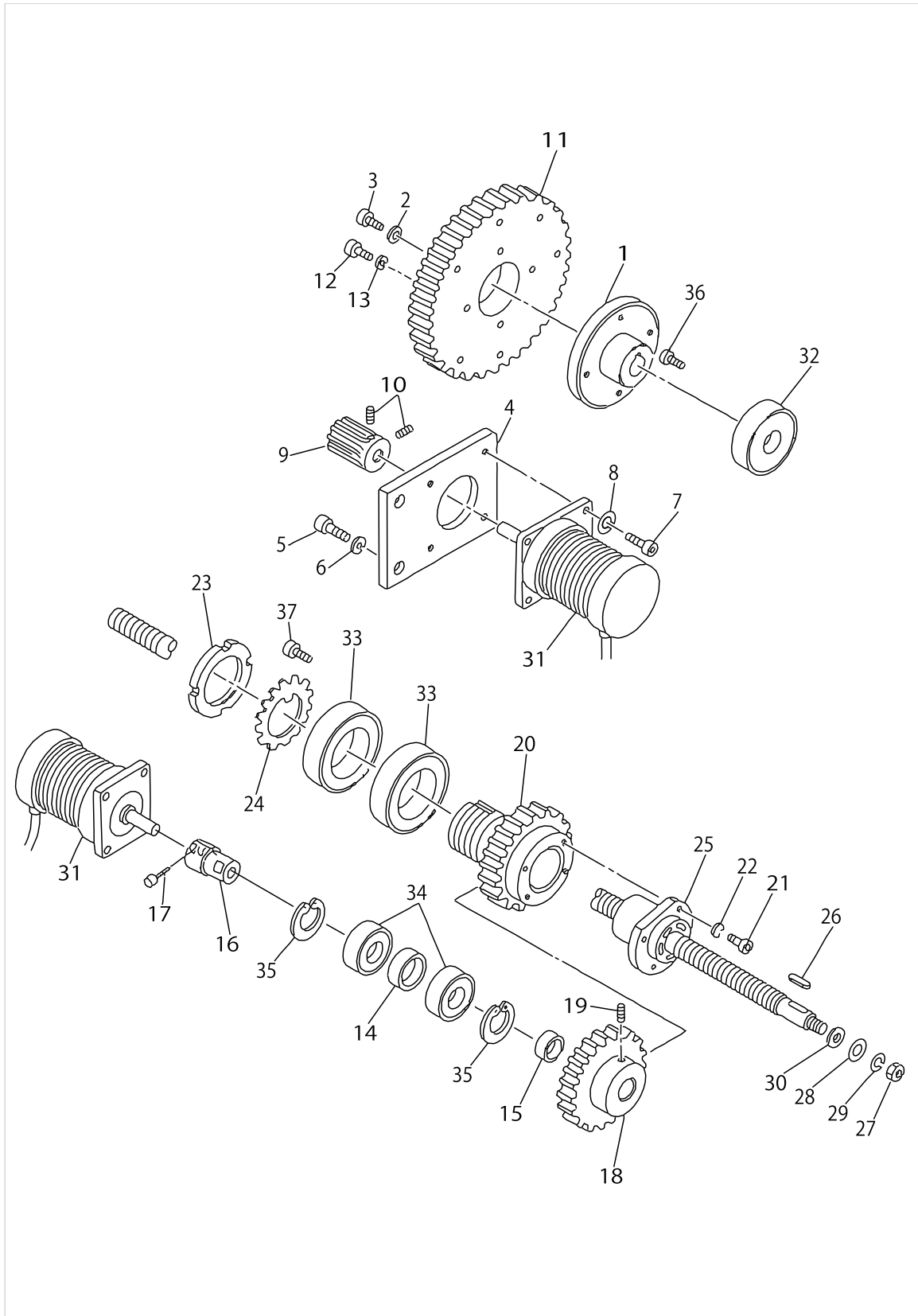
CORNER KNIFE COMPONENTS (1)



CORNER KNIFE COMPONENTS (1)

No.	Supply Code	Parts No.	Replacement	Parts name	Remarks	Choice	Step	Level	Cons	Qty	Rep. QTY
93		SM6032002TP		SCREW M3X0.5 L=20						1	
94		25403205		SPRING						1	
95		NM6030001SC		NUT M3						1	

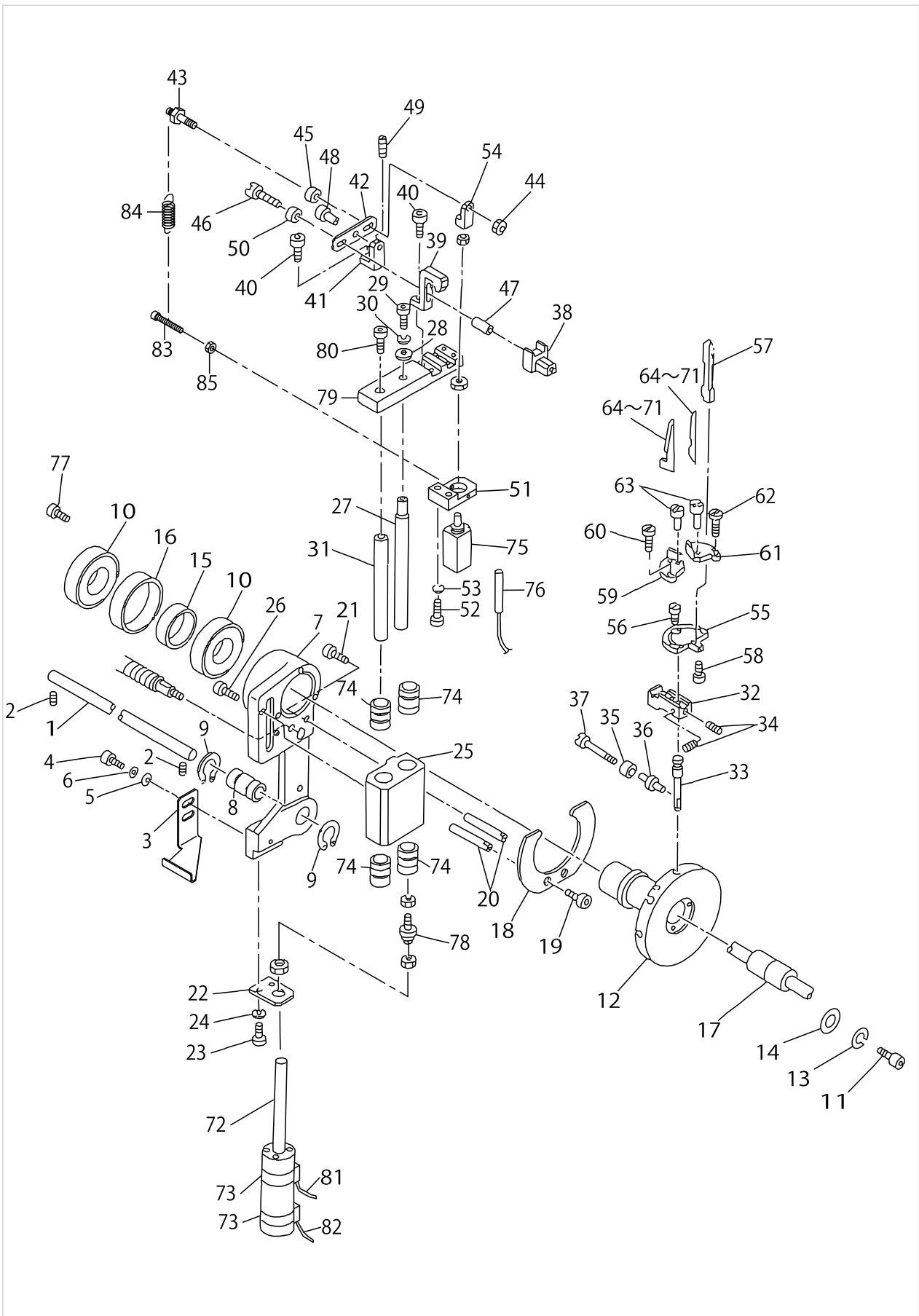
CORNER KNIFE COMPONENTS (2)



CORNER KNIFE COMPONENTS (2)

No.	Supply Code	Parts No.	Replacement	Parts name	Remarks	Choice	Step	Level	Cons	Qty	Rep. QTY
1		16601304		GEAR INSTALLING BOSS						1	
2		16724106		WASHER						1	
3		SM6051202TP		SCREW M5X0.8 L=12						1	
4		16601403		MOTOR BRACKET						1	
5	R	SM6061552TP	SM6061552SP	SCREW M6 L=15						2	1.00
6		WS0610002KN		SPRING WASHER 6.1X12.2X1.5						2	
7		SM6041002TP		SCREW M4 L=10						4	
8		WS0410002KN		SPRING WASHER						4	
9		16601502		PINION GEAR						1	
10		SM8050602TP		SCREW M5 L=6						2	
11		16601619		GEAR						1	
12		SM6052002TP		SCREW M5 L=20						4	
13		WS0510002KN		SPRING WASHER						4	
14		16602302		BEARING COLLAR						1	
15		16602401		BEARING COLLAR						1	
16		18559609		GEAR SHAFT						1	
17		SM6041002TP		SCREW M4 L=10						2	
18	D	16602609		MOTOR GEAR						1	
19		SM8040602TP		SCREW M4X0.7 L=6						1	
20		16602708		BALL SCREW GEAR						1	
21		SM6052002TP		SCREW M5 L=20						4	
22		WS0510002KN		SPRING WASHER						4	
23		NM6060001SC		NUT M6						1	
24		WP0641601SC		WASHER						1	
25		16602807		BALL SCREW						1	
26	D	16721805		KEY						1	
27		NM6080001SC		NUT M8X1.25						1	
28		WP0841600SC		WASHER						1	
29		WS0820002KN		SPRING WASHER M8						1	
30		WP1102016SC		WASHER 11X21X2						1	
31		B2529205ABA		Y STEPPING MOTOR (B) ASM.						2	
32	D	16720609		BEARING						2	
33	D	16720104		BEARING						2	
34	D	16710105		BEARING						2	
35		RC2800002KP		RETAINIG PIN						2	
36		SM0050801SC		SCREW						9	
37		SM0050801SC		SCREW						3	

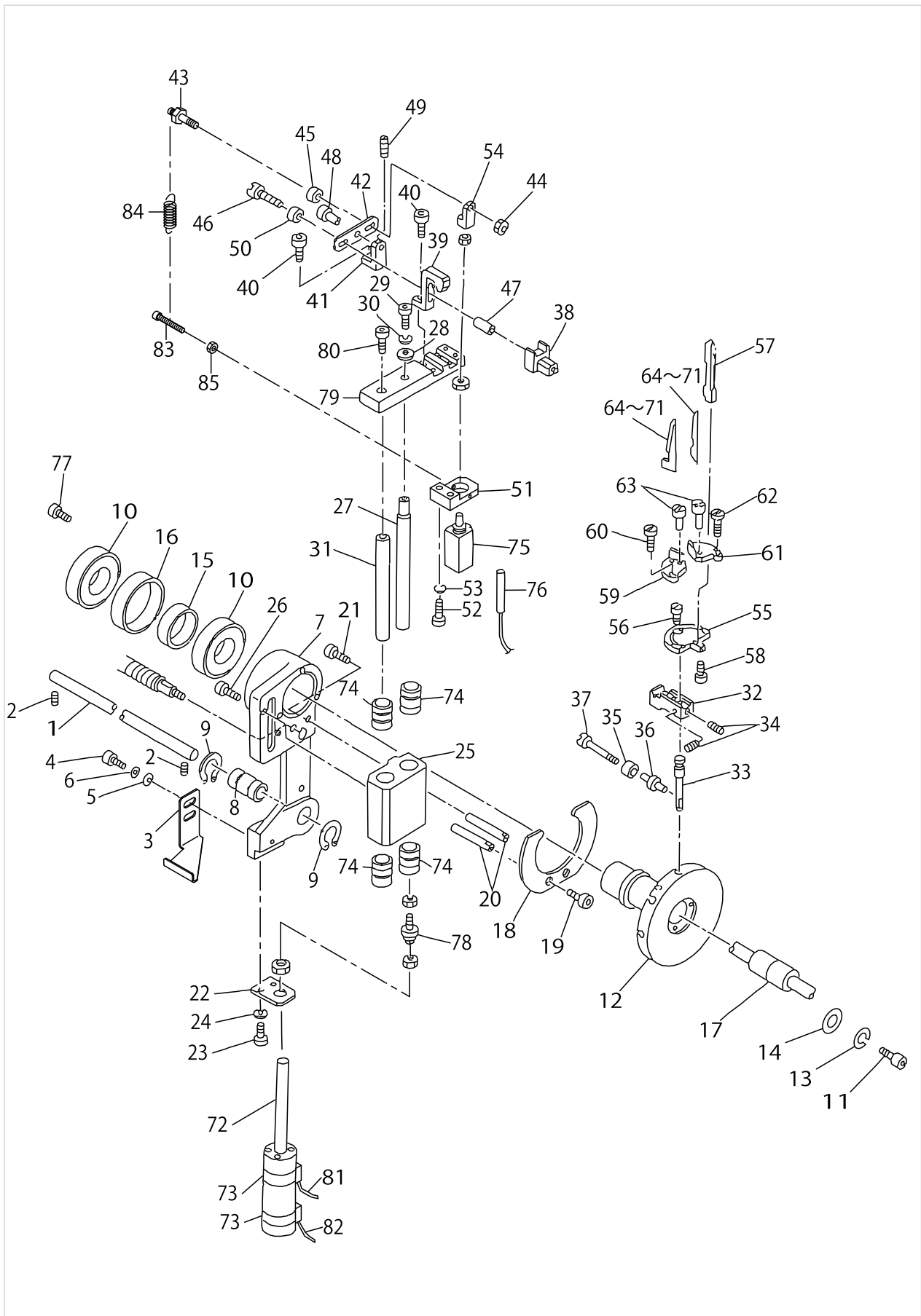
CORNER KNIFE COMPONENTS (3)



CORNER KNIFE COMPONENTS (3)

No.	Supply Code	Parts No.	Replacement	Parts name	Remarks	Choice	Step	Level	Cons	Qty	Rep. QTY
1		16600405		SLIDE SHAFT						1	
2		SM8061002TP		SCREW M6 L=10						2	
3		25334301		SENSOR DOG (6)						1	
4		SM6051002TP		SCREW M5X0.8 L=10						2	
5		WP0531000SC		WASHER 5.3X10X1						2	
6		WS0510002KN		SPRING WASHER						2	
7		16603300		SLIDE BRACKET						1	
8		16721607		LINEAR BUSHING						1	
9		16727208		RETAINING RING						2	
10		16720708		BEARING						2	
11		SM6041002TP		SCREW M4 L=10						3	
12		16603417		KNIFE BASE WHEEL						1	
13		WS0410002KN		SPRING WASHER						3	
14		WP0430800SC		WASHER M4						3	
15		16603508		BEARING COLLAR A						1	
16		16603607		BEARING COLLAR B						1	
17		16603706		SPLINE NUT COLLAR						1	
18		16604001		KNIFE BASE GUIDE						1	
19		16718801		SCREW						2	
20		16604100		GUIDE STUD						2	
21		SM6052002TP		SCREW M5 L=20						4	
22		16604209		CYLINDER BRACKET						1	
23		SM6051552TP		SCREW M5 L=15						2	
24		WS0510002KN		SPRING WASHER						2	
25	D	18555300		CORNER KNIFE BRACKET						1	
26		SM6052002TP		SCREW M5 L=20						2	
27		16604514		GUIDE SHAFT (A)						1	
28		16724403		WASHER						1	
29		SM6051202TP		SCREW M5X0.8 L=12						1	
30		WS0510002KN		SPRING WASHER						1	
31		16604605		GUIDE SHAFT B						1	
32	D	16604902		KNIFE BASE						7	
33		16605008		KNIFE BASE GUIDE BAR						7	
34		SM8040502TP		SCREW M4X0.7 L=5						14	
35		16605107		ROLLER						7	
36		16605206		ROLLER BOSS						7	
37		16605305		ROLLER PIN						7	
38		16605503		CHUCK B						1	
39		16605602		CHUCK BRACKET						1	
40		SM6052002TP		SCREW M5 L=20						4	
41		16605701		LOCK BRACKET						1	
42		16605800		LEVER						1	
43	D	16605909		PIN A						1	
44		NM6060001SC		NUT M6						1	
45		16606006		COLLAR A						1	
46		16606105		PIN B						1	

CORNER KNIFE COMPONENTS (3)

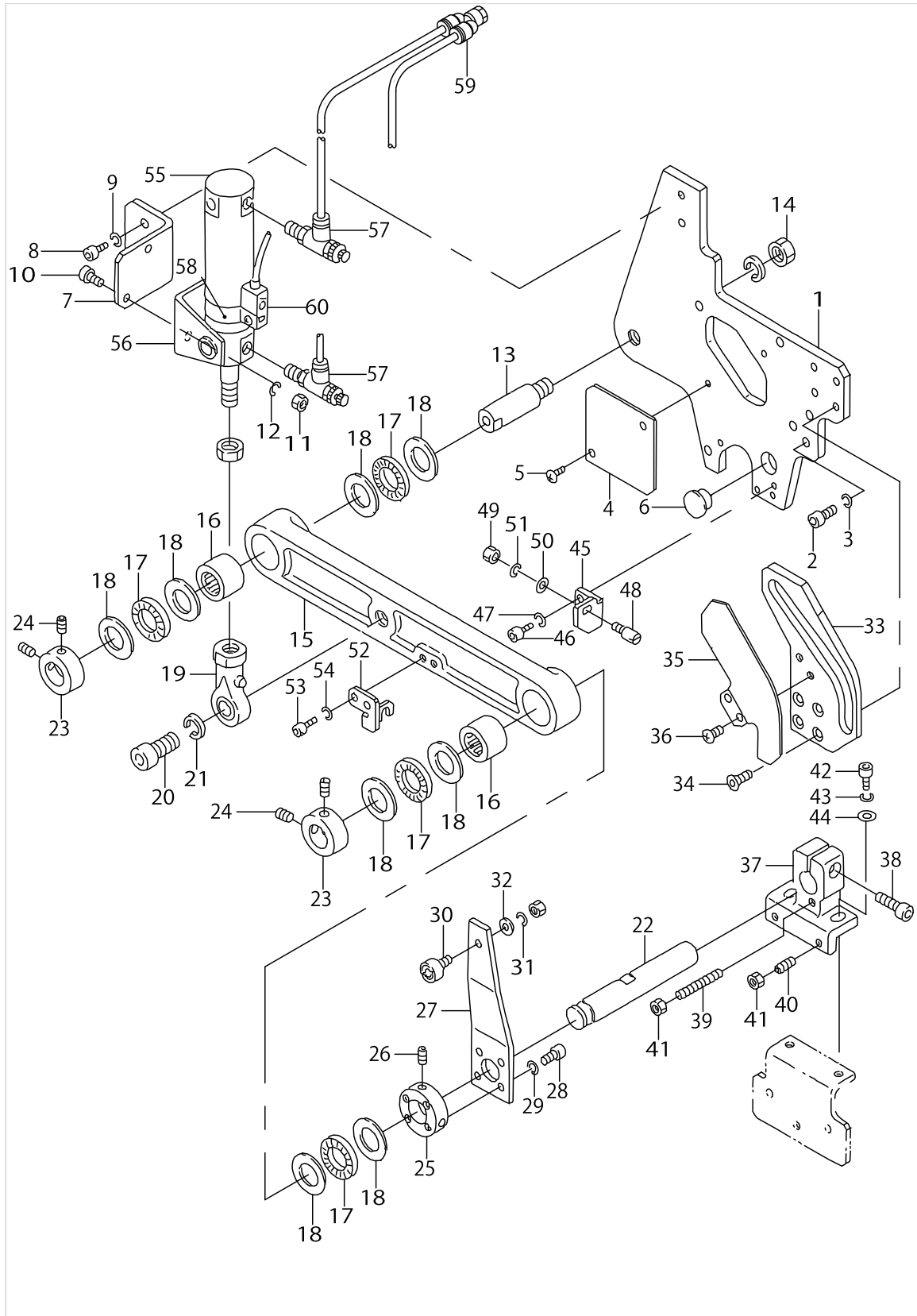




CORNER KNIFE COMPONENTS (3)

No.	Supply Code	Parts No.	Replacement	Parts name	Remarks	Choice	Step	Level	Cons	Qty	Rep. QTY
47		16606204		COLLAR B						1	
48		16606303		PIN C						1	
49		SM8050812TP		SCREW M5X8						1	
50		16606402		COLLAR						1	
51		16606709		CYLINDER BASE						1	
52		SM6052002TP		SCREW M5 L=20						2	
53		WS0510002KN		SPRING WASHER						2	
54		16606808		CONNECTING BLOCK						1	
55		16606907		KNIFE HOLDER BASE						7	
56	R	SS7111120SP	SS7111120TP	SCREW 11/64-40 L=10.5						7	1.00
57	D	16607004		KNIFE GUIDE						7	
58		SS4080620TP		SCREW 1/8-44 L=6						7	
59	D	16607103		KNIFE HOLDER A						7	
60		SS6081210SP		SCREW 1/8-44 L=12						7	
61	D	16607202		KNIFE HOLDER B						7	
62	R	SS6080210SP	SS6080310SP	SCREW 1/8-44 L=2						7	1.00
63	D	G5279117000		ECCENTRIC PIN						14	
64		16607301		CORNER KNIFE A1	GAUGE PART					7	
65		16607400		CORNER KNIFE A2	GAUGE PART					7	
66		16607509		CORNER KNIFE (B-1)	GAUGE PART					1	
67		16607608		CORNER KNIFE (B-2)	GAUGE PART					1	
68		16607905		CORNER KNIFE(D-1)	GAUGE PART					1	
69		16608002		CORNER KNIFE(D-2)	GAUGE PART					1	
70		16608101		CORNER KNIFE (E-1)	GAUGE PART					1	
71	D	16608200		CORNER KNIFE (E-2)	GAUGE PART					1	
72		PA2007003A0		AIR CYLINDER						1	
73	D	18588103		BAND						1	
74		16725004		LINEAR BUSHING						4	
75	D	PA1502003A0		PIN CYLINDER						1	
76	D	25358250		CABLE ASM.						1	
77		SM0050801SC		SCREW						3	
78		PA900063000		FLOATING JOINT						1	
79		16606600		CHUCK BASE						1	
80		SM6082002TP		SCREW M8 L=20						1	
81	D	25322553		SENSOR CABLE						1	
82	D	25322355		SENSOR CABLE						1	
83		SM6032002TP		SCREW M3X0.5 L=20						1	
84		25403205		SPRING						1	
85		NM6030001SC		NUT M3						1	

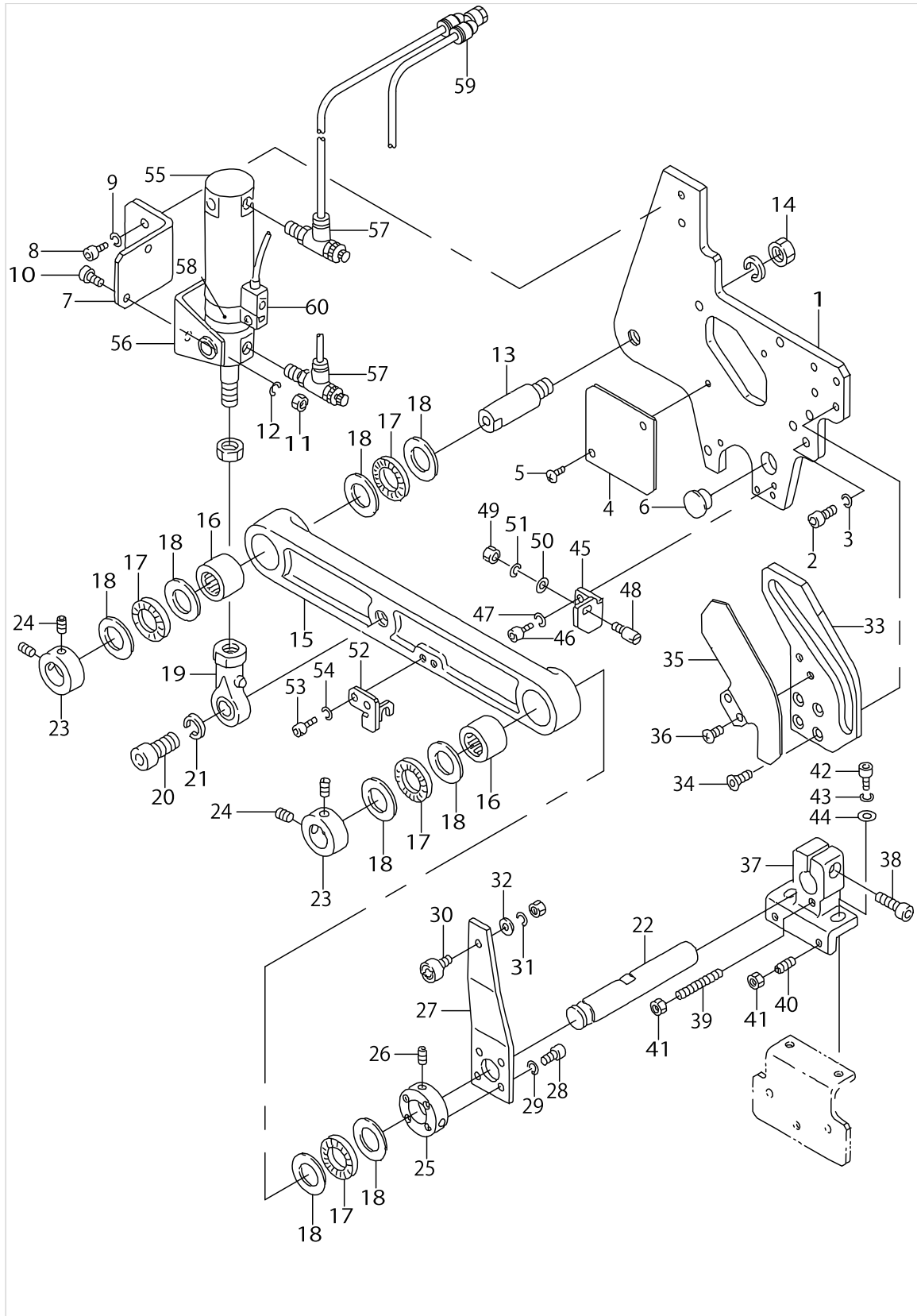
BINDER COMPONENTS (1)



BINDER COMPONENTS (1)

No.	Supply Code	Parts No.	Replacement	Parts name	Remarks	Choice	Step	Level	Cons	Qty	Rep. QTY
1		25304007		BINDER BRACKET						1	
2		SM6051552TP		SCREW M5 L=15						4	
3		WS0510002KN		SPRING WASHER						3	
4		25304106		BINDER BRACKET COVER						1	
5		SM0040601SC		SCREW M4X0.7 L=6						2	
6		TA1450404R0		RUBBER PLUG D=14.5 L=4						1	
7		25304205		CYLINDER BRACKET						1	
8		SM6051002TP		SCREW M5X0.8 L=10						2	
9		WS0510002KN		SPRING WASHER						2	
10		SM6051552TP		SCREW M5 L=15						2	
11		NM6050001SC		NUT M5						2	
12		WS0510002KN		SPRING WASHER						2	
13	D	25304304		FULCRUM PIN(A)						1	
14		NM6100001SC		NUT M10X1.5						1	
15		25304403		LEVER						1	
16	D	25321407		NEEDLE BEARING						2	
17		G5324119000		THRUST NEEDLE BEARING						4	
18	D	G5325119000		THRUST WASHER						8	
19		25321100		ROD						1	
20		SM6103502TP		SCREW M10 L=35						1	
21		WS1020002KN		SPRING WASHER M10						1	
22		25304502		FULCRUM PIN(B)						1	
23		16911612		COLLER						2	
24		SM8060802TP		SCREW M6 L=8						4	
25	D	25304601		COLLER						1	
26		SM8061002TP		SCREW M6 L=10						2	
27		25304700		LEVER						1	
28		SM6041202TP		SCREW M4X0.7 L=12						4	
29		WS0410002KN		SPRING WASHER						4	
30		25321308		CAM						1	
31		WS0410002KN		SPRING WASHER						1	
32		25320706		WASHER						1	
33		25305509		CAM						1	
34		SM1040852TP		DISH SCREW						4	
35		25316803		CAM COVER						1	
36		SM0040601SC		SCREW M4X0.7 L=6						2	
37	D	25304809		BINDER FITTING BASE(1)						1	
38	R	SM6062202TP	SM6062502TP	BOLT						1	1.00
39		SM8044002TP		SCREW M4X0.7 L=40						1	
40		SM8041552TP		SCREW M4 L=15						2	
41		NM6040001SC		NUT M4						3	
42		SM6051802TP		SCREW M5 L=18						2	
43		WS0510002KN		SPRING WASHER						2	
44		WP0531001SC		WASHER						2	
45		25305103		BASE						1	
46		SM6041002TP		SCREW M4 L=10						2	

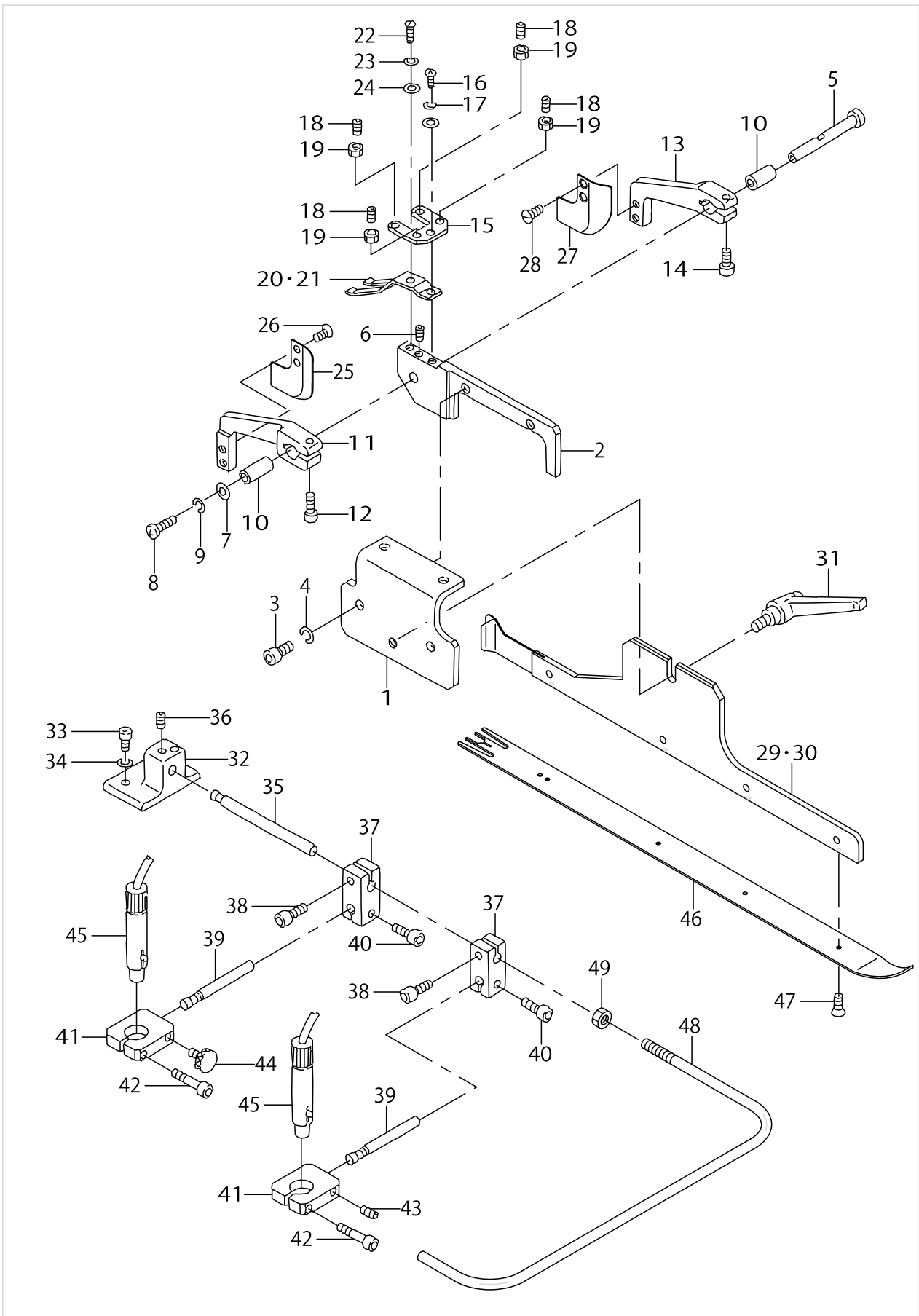
BINDER COMPONENTS (1)



BINDER COMPONENTS (1)

No.	Supply Code	Parts No.	Replacement	Parts name	Remarks	Choice	Step	Level	Cons	Qty	Rep. QTY
47		WS0410002KN		SPRING WASHER						2	
48		B2613232000		STOP LINK ROD HINGE SCREW						1	
49		NS6620310SP		NUT 3/16-32						1	
50		WP0480856SP		WASHER 4.8X8.4X0.8						1	
51		WS0511302KS		SPRING WASHER 5.1X9.2X1.3						1	
52	D	25305202		PLATE						1	
53		SM6041002TP		SCREW M4 L=10						2	
54		WS0410002KN		SPRING WASHER						2	
55		PA2504501A0		AIR CYLINDER						1	
56	D	16802209		ROCKING HOLDER METAL						1	
57		PC015107000		SPEED CONTROLLER						2	
58		PX500053000		BAND						1	
59		PJ308045101		BRANCH						1	
60	D	25322157		CABLE ASM.						1	

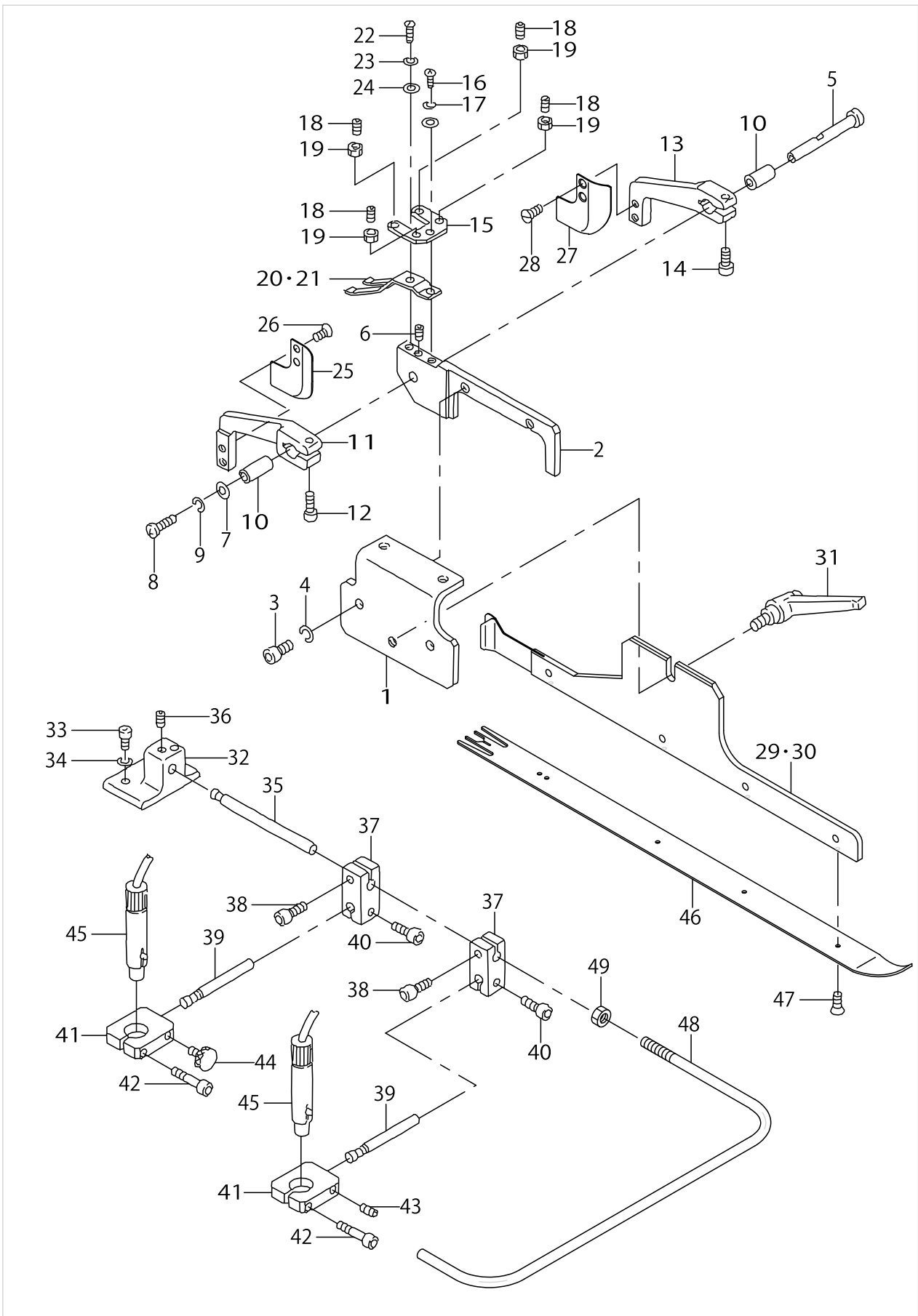
BINDER COMPONENTS (2)



BINDER COMPONENTS (2)

No.	Supply Code	Parts No.	Replacement	Parts name	Remarks	Choice	Step	Level	Cons	Qty	Rep. QTY
1		25304908		BINDER FITTING BASE(2)						1	
2		25305004		BINDER FITTING BASE(3)						1	
3		SM6051002TP		SCREW M5X0.8 L=10						2	
4		WS0510002KN		SPRING WASHER						2	
5	D	16671703		GUIDE PIN						1	
6		SM8031202TP		SCREW M3X0.5 L=12						1	
7	D	G5329116000		WASHER D=8						1	
8		SM3030601SC		SCREW M3X0.5 L=6						1	
9		WS0310002KN		SPRING WASHER M3						1	
10		16671802		ARM BUSHING						2	
11	D	16766610		WORKPIECE GUIDE ARM, LEFT						1	
12		SM6031202TP		SCREW M3X0.5 L=12						1	
13	D	16766511		WORKPIECE GUIDE ARM, RIGHT						1	
14		SM6031202TP		SCREW M3X0.5 L=12						1	
15		G5321119000		WORKPIECE GUIDE STOPPER						1	
16		SM6030802TP		SCREW M3X0.5 L=8						1	
17		WS0310002KN		SPRING WASHER M3						1	
18		SM8041552TP		SCREW M4 L=15						4	
19		NM6040001SC		NUT M4						4	
20	D	G5328116000		WORKPIECE GUIDE SPRING A	SELECTIVE PARTS					1	
21	D	G5328116000		WORKPIECE GUIDE SPRING A	SELECTIVE PARTS					1	
22		SM4030801SC		SCREW M3 X 8						1	
23		WS0310002KN		SPRING WASHER M3						1	
24		WP0320500SC		WASHER M3						1	
25		25375403		WORKPIECE GUIDE B ,RIGHT						1	
26		SS1060610SP		SCREW 3/32-56 L=5.5						2	
27	D	25375502		WORKPIECE GUIDE A ,RIGHT						1	
28		SS1060610SP		SCREW 3/32-56 L=5.5						2	
29	D	25370107		BINDER BASE, LEFT	SELECTIVE PARTS					1	
30	D	25370206		BINDER BASE, RIGHT	SELECTIVE PARTS					1	
31	D	25321506		CLAMP LEVER						1	
32		16920100		MARKER BASE						1	
33		SM6061602TP		SCREW M6 L=16						2	
34		WS0610002KN		SPRING WASHER 6.1X12.2X1.5						2	
35		16912602		LIGHT INSTALLING SHAFT						1	
36		SM8060802TP		SCREW M6 L=8						1	
37		16912701		LIGHT BRACKET (1)						2	
38		SM6051552TP		SCREW M5 L=15						2	
39	D	16912800		REGULATION SHAFT						2	
40		SM6051552TP		SCREW M5 L=15						2	
41		16912909		LIGHT BRACKET (2)						2	
42		SM6052502TP		SCREW M5X0.8 L=25						2	
43		SM8051002TP		SCREW M5 L=10						1	
44	D	G5338116000		CLAMP BOLT						1	
45	D	25325655		CROSS MARKING LIGHT ASM.						2	
46	D	25311119		WELT PATCH BASE PLATE	SELECTIVE PARTS					1	

BINDER COMPONENTS (2)

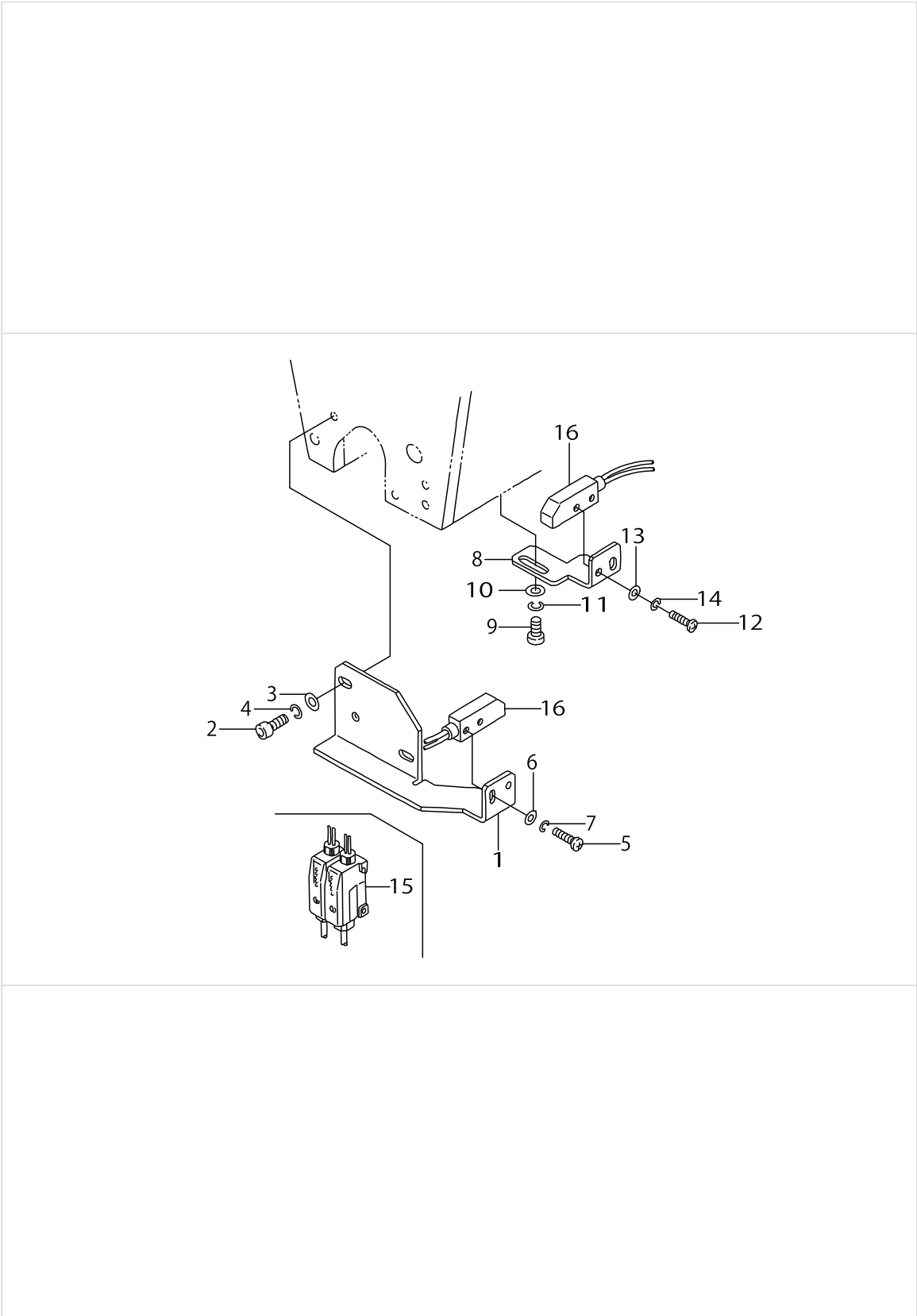




BINDER COMPONENTS (2)

No.	Supply Code	Parts No.	Replacement	Parts name	Remarks	Choice	Step	Level	Cons	Qty	Rep. QTY
47		G5333119000		SCREW M2 L=4						4	
48		25404203		SAFETY GUARD						1	
49		NM6050001SC		NUT M5						1	

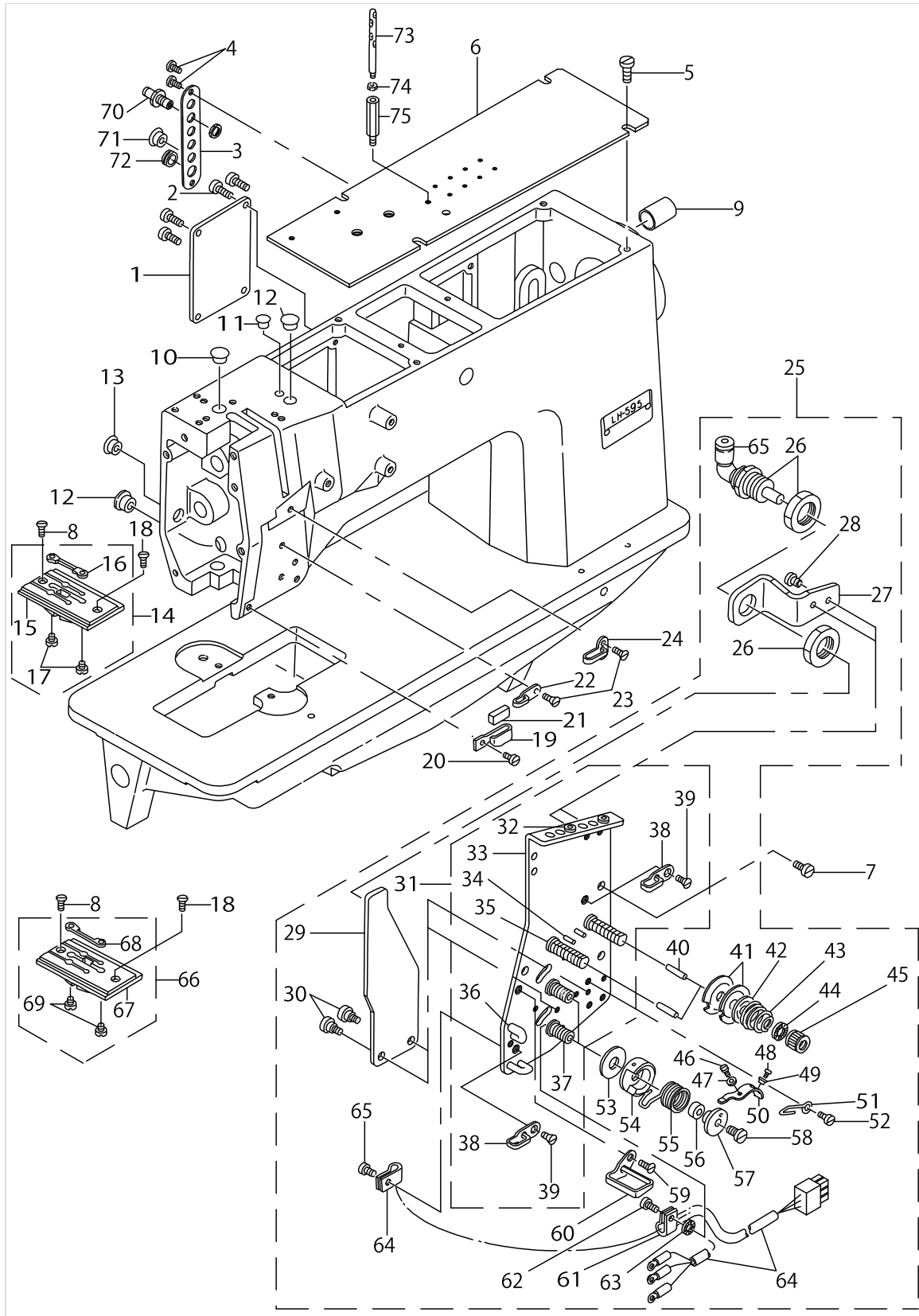
FLAP PHOTOTUBE COMPONENTS



FLAP PHOTOTUBE COMPONENTS

No.	Supply Code	Parts No.	Replacement	Parts name	Remarks	Choice	Step	Level	Cons	Qty	Rep. QTY
1		25303900		FLAP SENSOR BRACKET,LEFT						1	
2		SM6040802TP		SCREW M4X0.7 L=8						2	
3		WP0430800SC		WASHER M4						2	
4		WS0410002KN		SPRING WASHER						2	
5		SM4031201SC		SCREW M3 X 12						2	
6		WP0320500SC		WASHER M3						2	
7		WS0310002KN		SPRING WASHER M3						2	
8		18551606		SENSOR BRACKET (1) RIGHT						1	
9		SS6091022TP		SCREW						2	
10		WP0430800SC		WASHER M4						4	
11		WS0410002KN		SPRING WASHER						2	
12		SM4031201SC		SCREW M3 X 12						2	
13		WP0320500SC		WASHER M3						2	
14		WS0310002KN		SPRING WASHER M3						2	
15		25323155		CABLE ASM.						1	
16	D	25326000		FLAP FIBER UNIT						2	

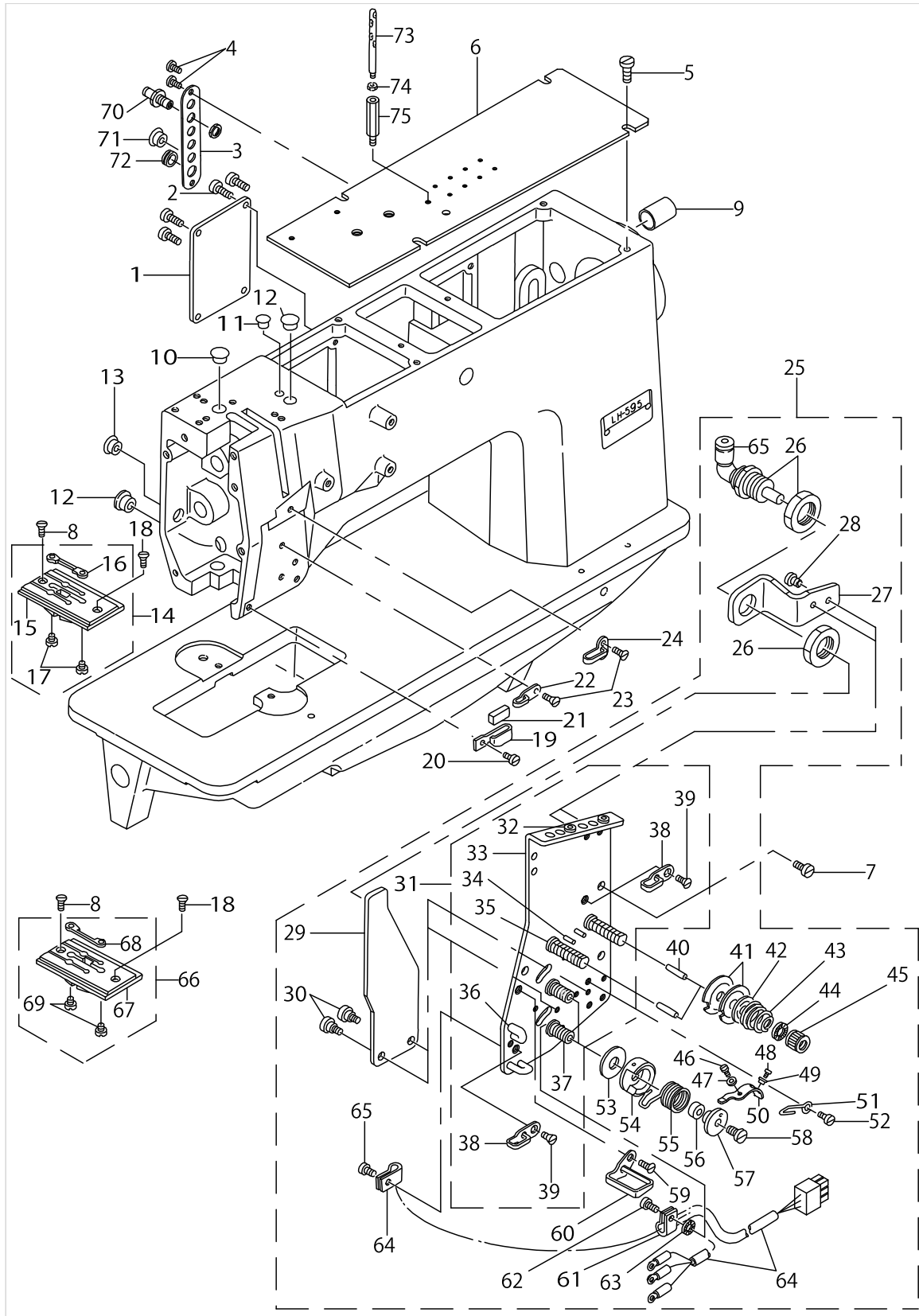
FRAME & MISCELLANEOUS COVER COMPONENTS



FRAME & MISCELLANEOUS COVER COMPONENTS

No.	Supply Code	Parts No.	Replacement	Parts name	Remarks	Choice	Step	Level	Cons	Qty	Rep. QTY
1	D	16400400		COVER						1	
2	R	SS7111810SP	SS7111810TP	SCREW 11/64-40L=18						4	1.00
3		16428518		TUBE COVER						1	
4	R	SS7110910SP	SS7110910TP	SCREW 11/64-40 L=8.5						2	1.00
5		SS6150810SP		SCREW 15/64-28 L=8						4	
6		25136011		TOP COVER						1	
7	R	SS7110910SP	SS7110910TP	SCREW 11/64-40 L=8.5						3	1.00
8		SS2110930SP		SCREW 11/64-40 L=8.7	THIS GAUGE OF 8MM IS A USE					2	
9		TA1871602R0		RUBBER PLUG						1	
10		TA1250406R0		RUBBER PLUG D=12.5 L=4						1	
11		TA0750404R0		PLUG D=7.5 L=3.5						1	
12		TA1250504R0		RUBBER PLUG						2	
13		TA1050504R0		RUBBER PLUG						1	
14		16401259		THROAT PLATE ASM. 10MM	GAUGE PART					1	
15	R	16401200	16401259	THROATPLATE 10MM	GAUGE PART				*	1	1.00
16		16401002		CONTER KNIFE	GAUGE PART				*	1	
17		SS6080320SP		SCREW 1/8-44 L= 2.5					*	2	
18		SS2110915SP		SCREW 11/64-40 L=8.5						2	
19		10102200		THREAD GUIDE F						1	
20		SS7090610SP		SCREW 9/64-40 L=6						1	
21		B1131528000		FELT						1	
22		B1130051000		FRAME THREAD GUIDE, MIDDLE						1	
23		SS2090520SL		SCREW 9/64-40 L=5						1	
24		10101400		THREAD GUIDE, C						1	
25	D	25138660		THREAD TENSION BASE COMPONENTS						1	
26		PA1000506A0		CYLINDER					*	1	
27		16424608		CYLINDER BRACKET					*	1	
28		SS7090610SP		SCREW 9/64-40 L=6					*	2	
29	D	16424202		TENSION RELEASE PLATE					*	1	
30		SD0470281SP		HINGE SCREW D=4.7 H=2.8					*	2	
31		25138652		THREAD TENSION BASE ASM.					*	1	
32		B1124804000		THREAD GUIDE, SMALL					*	2	
33	D	25138603		THREAD TENSION BASE PLATE					*	1	
34		PS0200122K0		SPRING PIN 2.0X12					*	2	
35		B3124512000		THREAD TENSION STUD					*	2	
36		16424301		THREAD GUIDE					*	2	
37	D	16424905		THREAD TAKE-UP SPRING STUD					*	2	
38		B1130051000		FRAME THREAD GUIDE, MIDDLE					*	2	
39		SS2090520SL		SCREW 9/64-40 L=5					*	2	
40	D	25450800		TENSION RELEASE PIN					*	2	
41		B3126051000		TENSION DISC					*	4	
42		B3132051000		TENSION DISC HOLDER					*	2	
43		B3129012A00		TENSION SPRING	SELECTIVE PARTS				*	2	
44		B3120125000		ROTATING STOPPER					*	2	
45		B311651200B		TENSION NUT B					*	2	

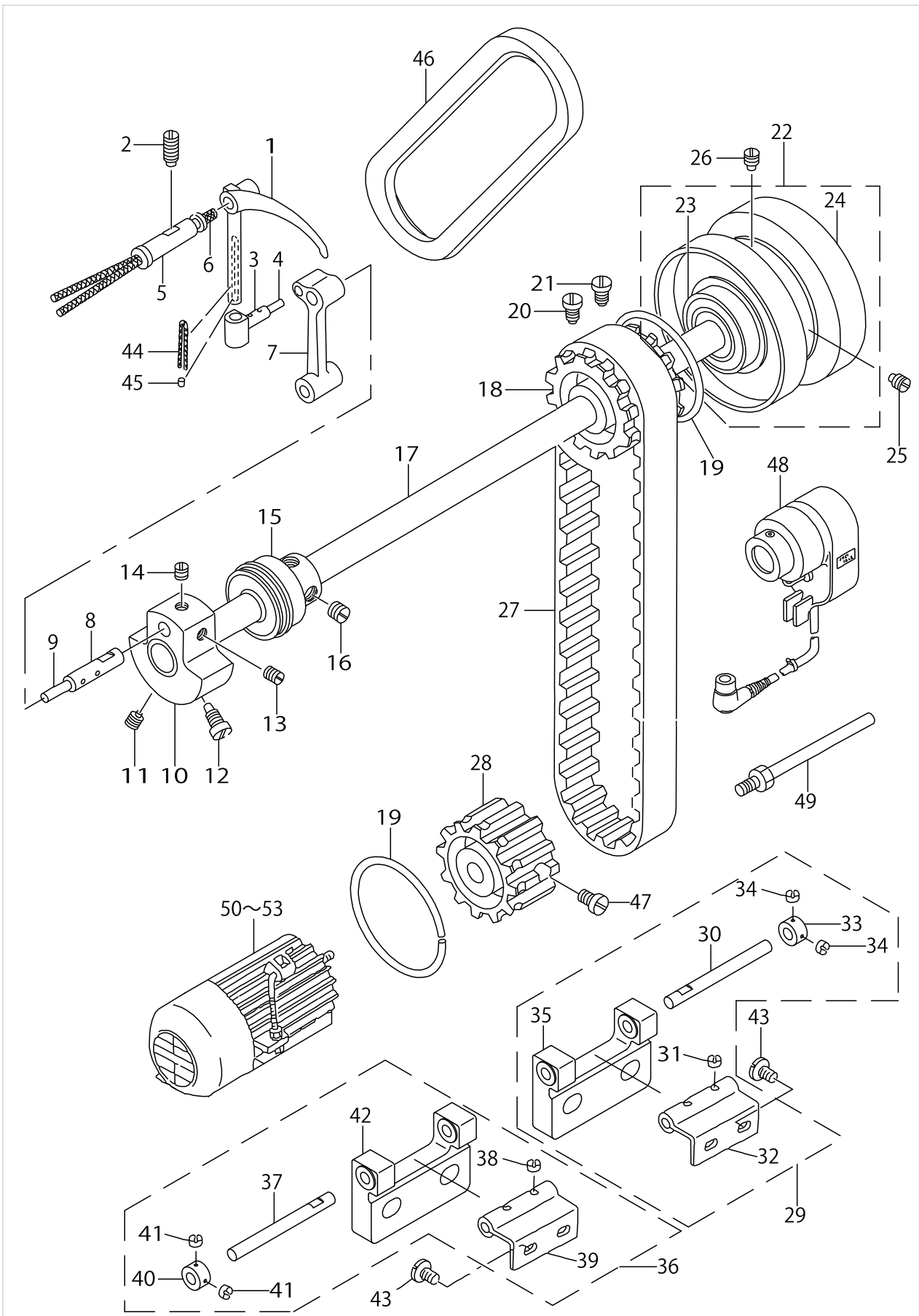
FRAME & MISCELLANEOUS COVER COMPONENTS



FRAME & MISCELLANEOUS COVER COMPONENTS

No.	Supply Code	Parts No.	Replacement	Parts name	Remarks	Choice	Step	Level	Cons	Qty	Rep. QTY
46		SS6060220SP		SCREW 3/32-56 L=2.0				*		2	
47		WP0250516SD		WASHER 2.5X6X0.5				*		1	
48		SS7090710SP		SCREW 9/64-40 L=6.8				*		1	
49		G3197116000		INSULATING BUSHING				*		2	
50		25139007		TAKE-UP SPRING A-DJUSTING PLATE				*		2	
51		B2213019000		LOOPER THREAD GUIDE (C)				*		1	
52		SS7090510SP		SCREW 9/64-40 L=4.6				*		1	
53	D	16424707		TAKE-UP SPRING GUIDE PLATE				*		2	
54		16424400		THREAD TENSION POST				*		2	
55	D	16424806		THREAD TAKE-UP SPRING				*		2	
56	D	16425100		SPRING ADJUSTING POST A				*		2	
57		16425209		SPRING ADJUSTING POST B				*		2	
58		SS6080610TP		SCREW 1/8-44 L=6				*		2	
59	D	SS2090541SL		SCREW 9/64-40 L=5				*		1	
60		16424004		THREAD GUIDE				*		1	
61		G5066110000		CORD HOLDER				*		2	
62		SS7090540TP		SCREW 9/64-40 L=5				*		2	
63		WT0480002KR		WASHER WITH TEETH M4.5				*		1	
64		25138751		SENSOR CABLE ASM.				*		1	
65		PJ304040504		ELBOW UNION				*		1	
66	D	16402455		THROAT PLATE, RIGHT 10MM				*		1	
67	D	16402406		THROT PLATE RIGHT 10MM	GAUGE PART			*		1	
68		16403008		CONTER KNIFE, RIGHT	GAUGE PART			*		1	
69		SS6080320SP		SCREW 1/8-44 L=2.5	GAUGE PART			*		2	
70		PJ230004200		UNION						3	
71		TA1050604R0		RUBBER PLUG						2	
72	D	16428609		GROMMET						1	
73		B1114051000		NEEDLE THREAD GUIDE PIN						1	
74		NS6620310SP		NUT 3/16-32						1	
75		25297607		STUD						1	

MAIN SHAFT & THREAD TAKE-UP LEVER COMPONENTS

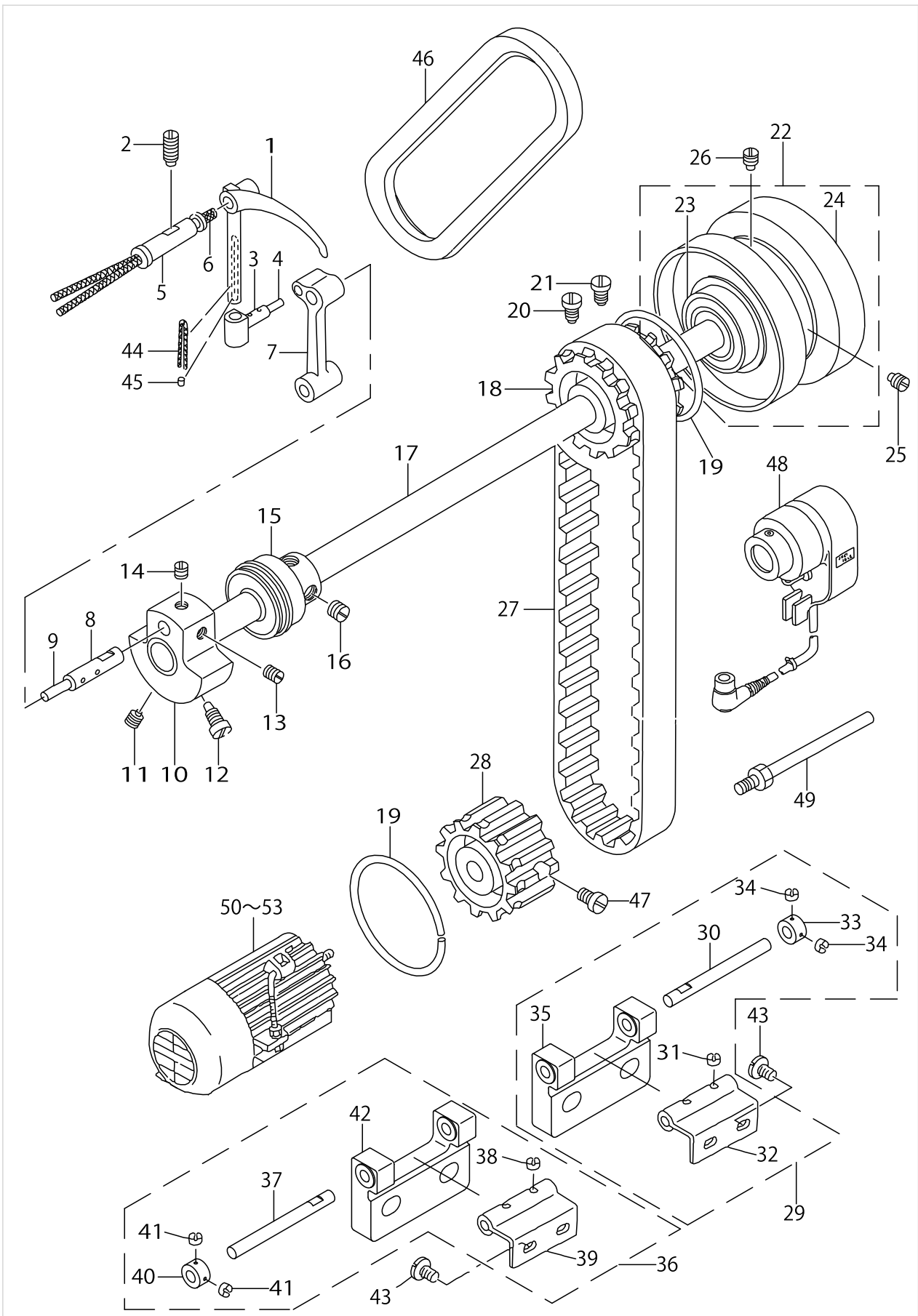




MAIN SHAFT & THREAD TAKE-UP LEVER COMPONENTS

No.	Supply Code	Parts No.	Replacement	Parts name	Remarks	Choice	Step	Level	Cons	Qty	Rep. QTY
1		16423006		THREAD TAKE-UP LEVER						1	
2		SS8151550SP		SCREW15/64-28L=15						1	
3		B1907526000		TAKE-UP LEVER THRUST PIN						1	
4		CQ303000000		OIL WICK						.02	
5		B1906051000		TAKE-UP LEVER PIN						1	
6		CQ202000000		OIL WICK						.3	
7		B1408526000		NEEDLE BAR CRANK ROD						1	
8	R	B1210526000	22680607	NEEDLE BAR CRANK PIN						1	1.00
9		CQ303000000		OIL WICK						.06	
10		B1206051000		COUNTERWEIGHT						1	
11		SS8681650TP		SCREW 9/32-28 L=16						1	
12		SS7681750TP		SCREW 9/32-28 L=16.5						1	
13		SS8680730SP		SCREW 9/32-28 L=7						1	
14		SS8680540SP		SCREW 9/32-28 L=4.5						1	
15		10305159		MAIN SHAFT BUSHING, FRONT						1	
16	R	SS8150710SP	SS8150710TP	SCREW 15/64-28 L=7						2	1.00
17		16404204		MAIN SHAFT						1	
18		B1302051000		SPROCKET WHEEL, UPPER						1	
19		B1214019000		SPROCKET RING						2	
20		SS8681950SP		SCREW 9/32-28 L=19						1	
21		SS8681650TP		SCREW 9/32-28 L=16						1	
22	D	10307056		HAND WHEEL ASM.						1	
23		B1203512000		BUSHING, REAR				*		1	
24	D	25136409		HAND WHEEL				*		1	
25		SS8151780SP		SCREW 15/64-28 L=17.0						1	
26		SS8151550SP		SCREW15/64-28L=15						1	
27		10103406		TIMING BELT						1	
28	D	B1303512000		SPROCKET WHEEL, LOWER						1	
29		25138850		HINGE ASM.,RIGHT						1	
30	D	10517209		ROLLER SHAFT A				*		1	
31		SS8110320SP		SCREW 11/64-40 L= 3.2				*		2	
32		G8214119000A		HINGE				*		1	
33		CS0800816SH		THRUST HOLDER D=8 W=8				*		1	
34		SS8110320SP		SCREW 11/64-40 L= 3.2				*		2	
35		25138801		HINGE BLOCK				*		1	
36		25138959		HINGE ASM.,LEFT						1	
37	D	10517209		ROLLER SHAFT A				*		1	
38		SS8110320SP		SCREW 11/64-40 L= 3.2				*		2	
39		G8214119000A		HINGE				*		1	
40		CS0800816SH		THRUST HOLDER D=8 W=8				*		1	
41		SS8110320SP		SCREW 11/64-40 L= 3.2				*		2	
42		25138801		HINGE BLOCK				*		1	
43		SS7680870SP		SCREW 9/32 L= 8.0						4	
44		CQ202000000		OIL WICK						.03	
45		TA0290301M0		RUBBER PLUG						1	
46		MTJVM006000		V-BELT, 60 INCH						1	

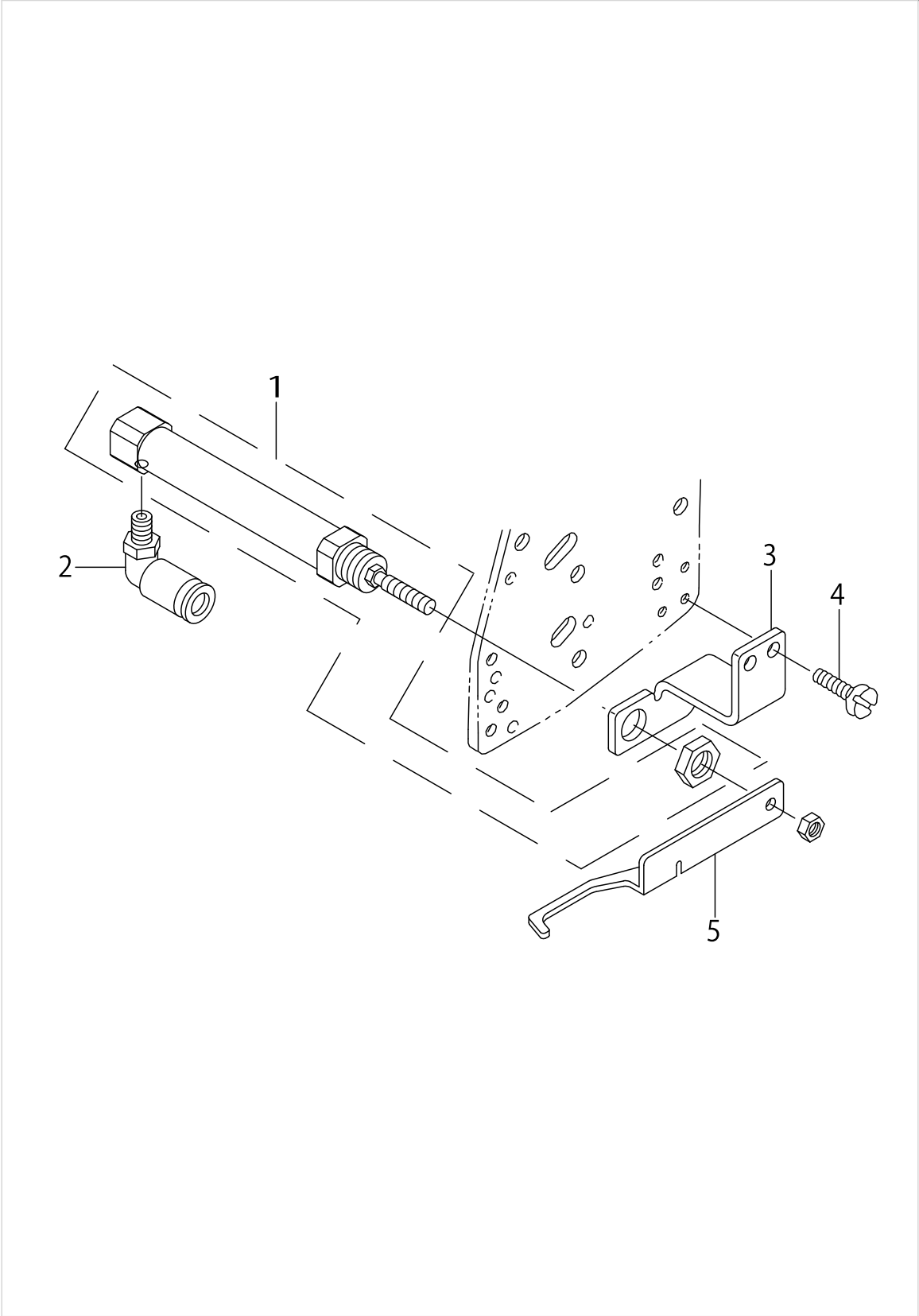
MAIN SHAFT & THREAD TAKE-UP LEVER COMPONENTS



MAIN SHAFT & THREAD TAKE-UP LEVER COMPONENTS

No.	Supply Code	Parts No.	Replacement	Parts name	Remarks	Choice	Step	Level	Cons	Qty	Rep. QTY
47		SS6661110SP		SCREW 1/4-40 L=11						2	
48	R	GSY010000A0	40026920	SY-1 COMPLETION.						1	1.00
49		10129054		SINCHRONIZER HO- LDER STUD ASM.						1	
50		MTSG1122410		MOTOR 100-120V	FOR 100 TO 120V,1-PHASE					1	
51	D	MTSG1162410		MOTOR 200-240V	FOR 200 TO 240V,1-PHASE					1	
52		MTSG3162510		MOTOR 200-240V 3-PHASE	FOR 200 TO 240V,3-PHASE					1	
53	D	MTSG3192510		MOTOR 380-440V 3-PHASE	FOR 380 TO 440V,3-PHASE					1	
54	D	16934002		V BELT						1	

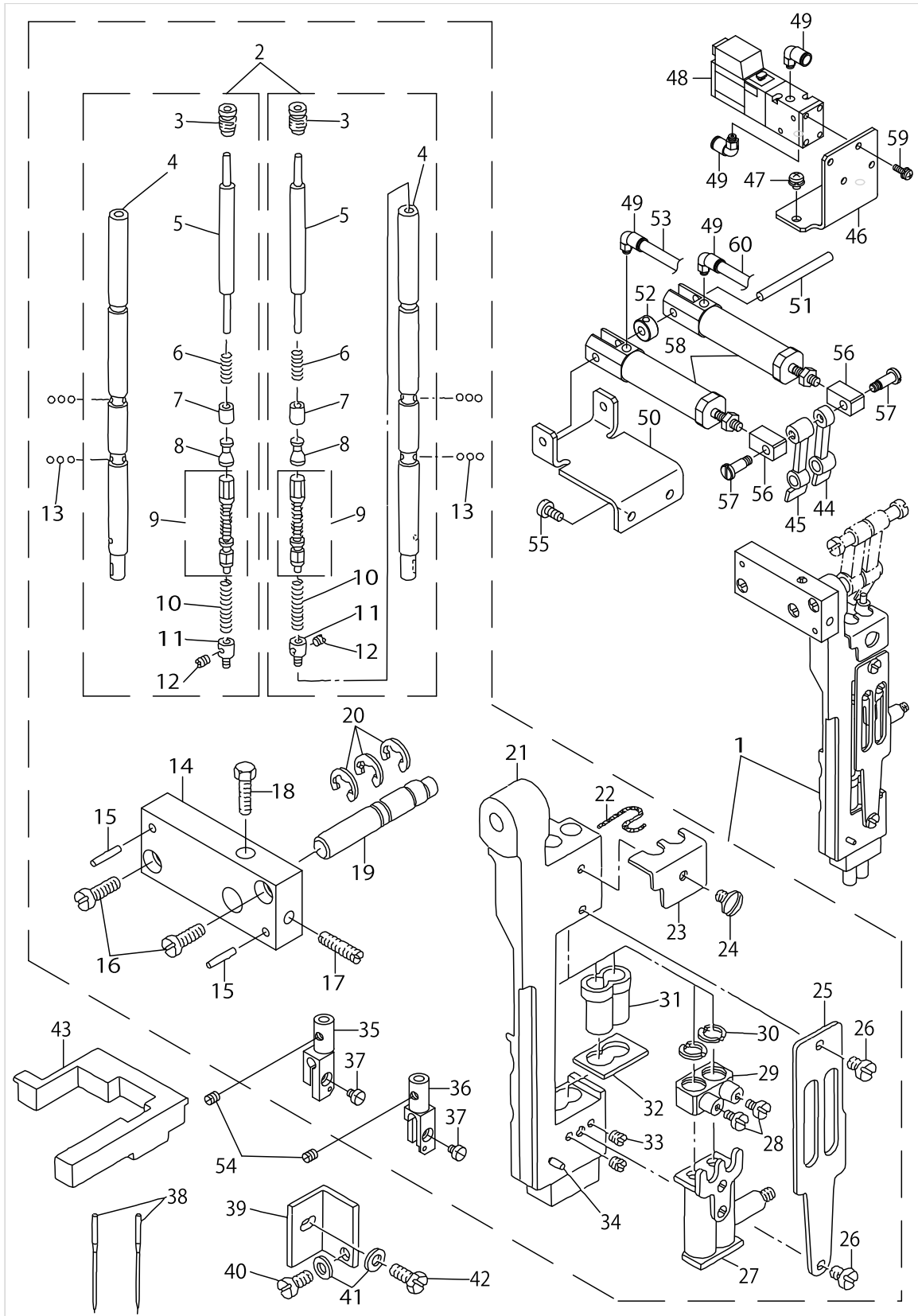
WIPER COMPONENTS



WIPER COMPONENTS

No.	Supply Code	Parts No.	Replacement	Parts name	Remarks	Choice	Step	Level	Cons	Qty	Rep. QTY
1		PA1002506A0		CYINDER						1	
2		PJ304040506		ELBOW UNION						1	
3	D	25136102		WIPER CYLINDER BRACKET						1	
4		SS7090610SP		SCREW 9/64-40 L=6						2	
5		25136201		WIPER						1	

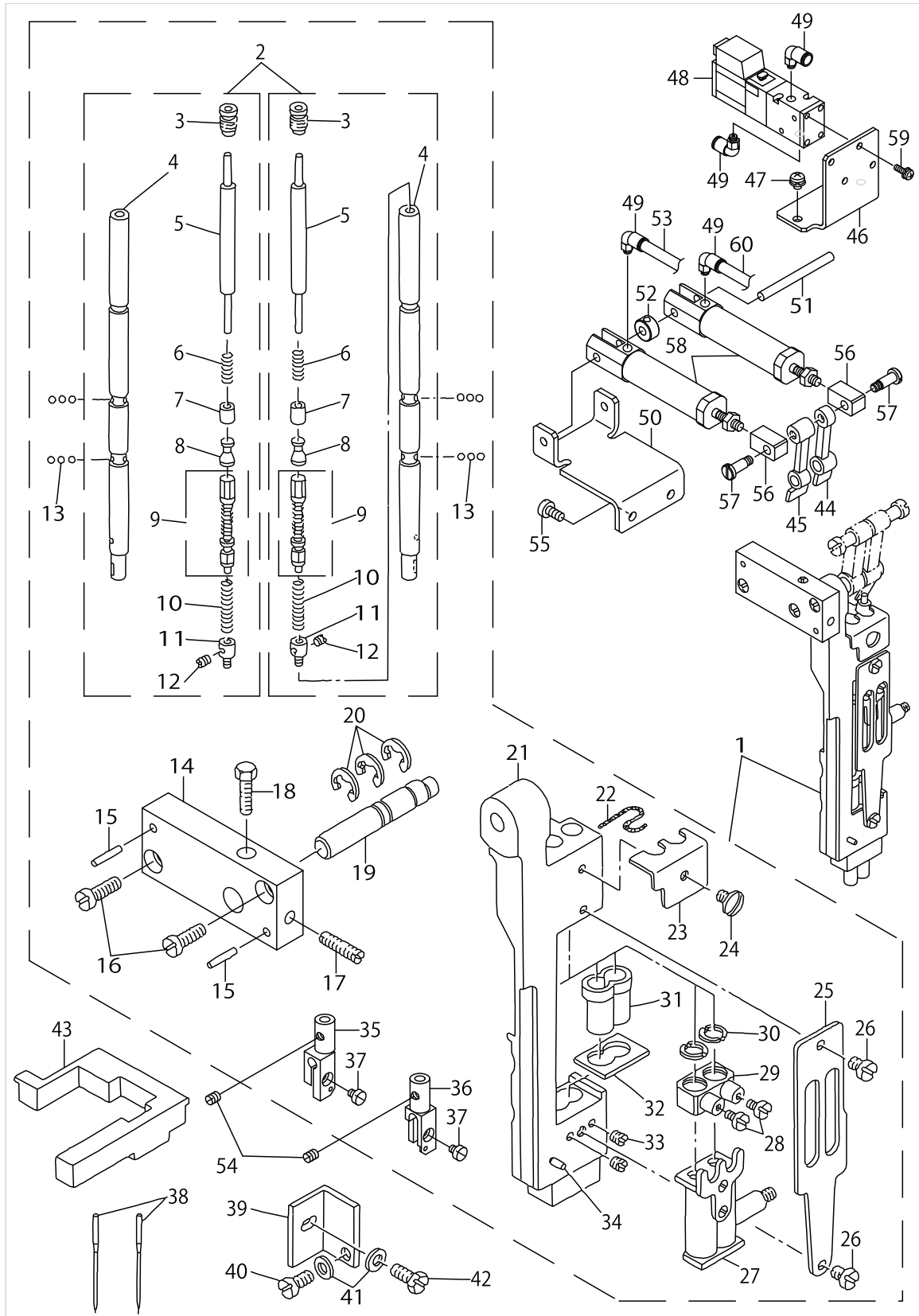
NEEDLE BAR FRAME COMPONENTS



NEEDLE BAR FRAME COMPONENTS

No.	Supply Code	Parts No.	Replacement	Parts name	Remarks	Choice	Step	Level	Cons	Qty	Rep. QTY
1		25142654		NEEDLE BAR FRAME ASM.						1	
2		16430951		NEEDLE BAR ASM.				*		2	
3		B1404526000		PLUG SCREW				*		2	
4		16430951		NEEDLE BAR ASM.				*		2	
5		B1405526000		PRESS BAR				*		2	
6		B1406526000		SPRING				*		2	
7		B1407526000		PRESS BAR SLEEVE				*		2	
8		16430803		SLIDE SHAFT				*		2	
9		B14125260A0		ADJUSTING SLIDE STUD ASM.				*		2	
10		B1415526000		SPRING				*		2	
11		G1403117000		ANCHOR				*		2	
12		B1425526000		SCREW 1/8-44 L=6				*		2	
13		B1410526000		BALL				*		2	
14		B1430526000		NEEDLE BAR FRAME SHAFT BASE				*		1	
15	D	PT0301800S0		TAPERED PIN 3X18				*		2	
16	R	SS7111310SP	SS7111310TP	SCREW 11/64-40 L=12.8				*		2	1.00
17		SS8111610SP		SCREW 11/64-40 L=15.5				*		1	
18		SS9111610SP		SCREW 11/64-40 L=16				*		1	
19		G1408117000		NEEDLE BAR FRAME SHAFT				*		1	
20		RE0700000K0		E-RING 7				*		3	
21	R	16430506	16430555	NEEDLEBARFRAMEB				*		1	1.00
22		CQ303000000		OIL WICK				*		1	
23		B1450528000		OIL WICK RETAINER				*		1	
24		SS5090420SP		SCREW 9/64-40 L=3.5				*		1	
25		B1423526000		NEEDLE BAR GUIDE PLATE				*		1	
26	R	SS6090510SP	SS6090510TP	SCREW 9/64-40 L=5				*		2	1.00
27		B14205260A0		NEEDLE BAR BRACKET ASM.				*		1	
28		SS7090910TP		SCREW 9/64-40 L=8.5				*		2	
29		G1405117000		NEEDLE BAR FIXED PIN				*		2	
30		G1404117000		HALF RING				*		4	
31		B1510526000A		NEEDLE BAR LOWER BUSHING				*		2	
32		B145352600A		THRUST PLATE A	SELECTIVE PARTS			*		1	
33		SS8080310TP		SCREW 1/8-44 L=2.8				*		2	
34		PS0200082KH		SPRING PIN				*		1	
35	R	16431504	16431561	NEEDLE CLAMP D (LEFT) 8MM	GAUGE PART			*		2	1.00
36	R	16431603	16431660	NEEDLE CLAMP D (RIGHT) 8MM	GAUGE PART			*		1	1.00
37		SS7060310SP		SCREW 3/32-56 L=3				*		2	
38		MDP170B1600		NEEDLE DPX17 #16						2	
39		G1407117000		NEEDLE BAR FRAME GUIDE						1	
40		SS7110740TP		SCREW 11/64-40 L=7						1	
41		WP0480856SP		WASHER 4.8X8.4X0.8						2	
42		SS9111010SP		SCREW 11/64-40 L=9.5						1	
43		16430605		NEEDLE BAR FRAME RUBBER B						1	
44	R	G5603117000	G56031170A0	ROD A						1	1.00
45	R	G5604117000	G56041170A0	ROD B						1	1.00
46	D	25142100		ELECTROMAGNETIC VALVE BKT						1	

# NEEDLE BAR FRAME COMPONENTS

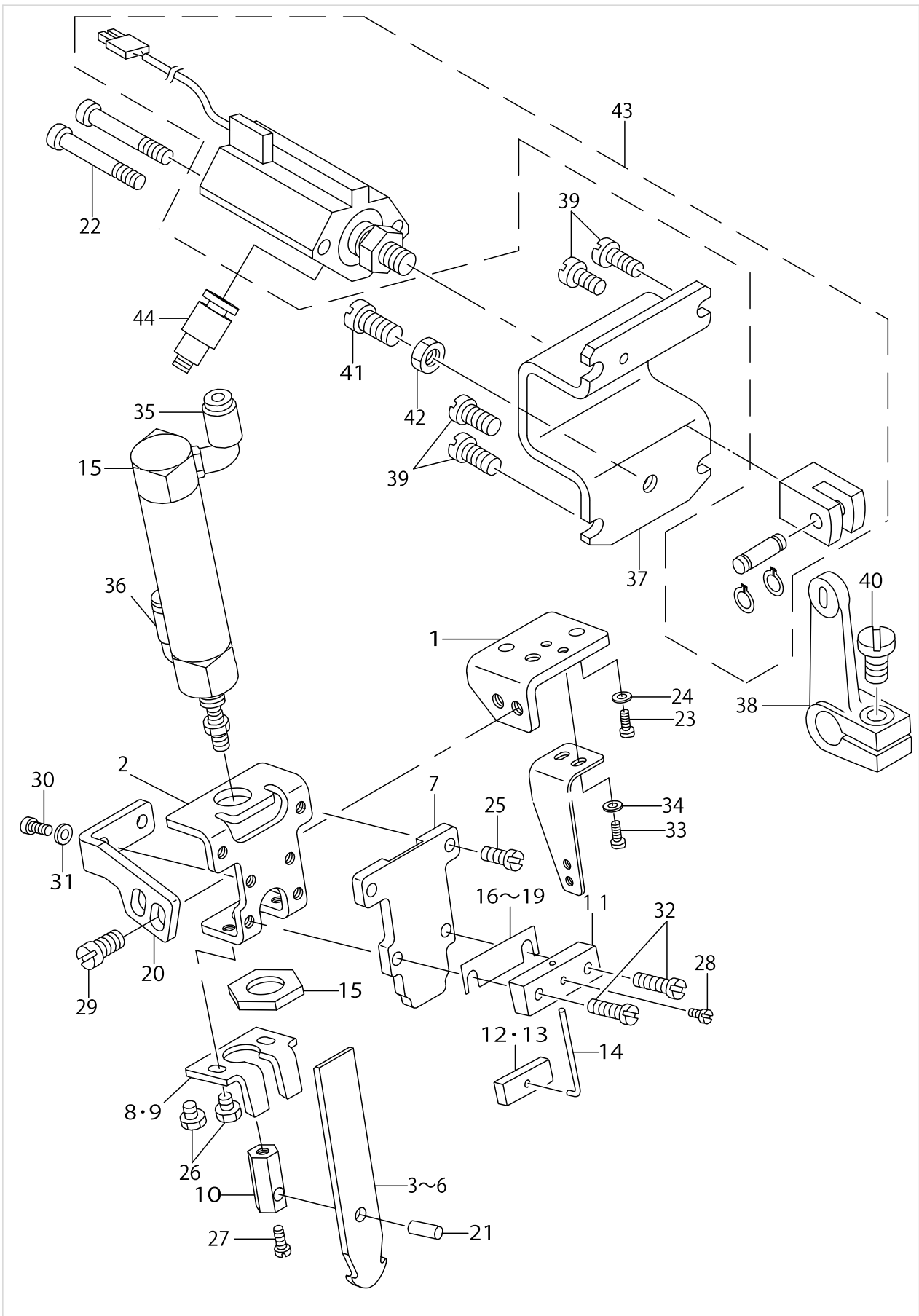




NEEDLE BAR FRAME COMPONENTS

No.	Supply Code	Parts No.	Replacement	Parts name	Remarks	Choice	Step	Level	Cons	Qty	Rep. QTY
47		SL4040691SC		SCREW M4 L=6						2	
48		PV130522000		3-PORT SOLENOID VALVE						2	
49		PJ304040504		ELBOW UNION						6	
50		25447301		CYLINDER BRACKET						1	
51		25447400		CYLINDER FULCRUM ROD						1	
52		CS051071BSD		THRUST COLLAR ASM. 5MM						1	
53		BT0400251EC		TUBE HOSE, YELLOW						.2	
54		B1425526000		SCREW 1/8-44 L=6						2	
55		SS6121010SP		SCREW 3/16-28 L=10						2	
56		25142308		JOINT						2	
57		SD0551101TP		HINGE SCREW						2	
58		PA1602009A0		CYLINDER						2	
59		SL4031091SC		SCREW M3 X 10						4	
60		BT0400251EF		VINYL TUBE						.2	

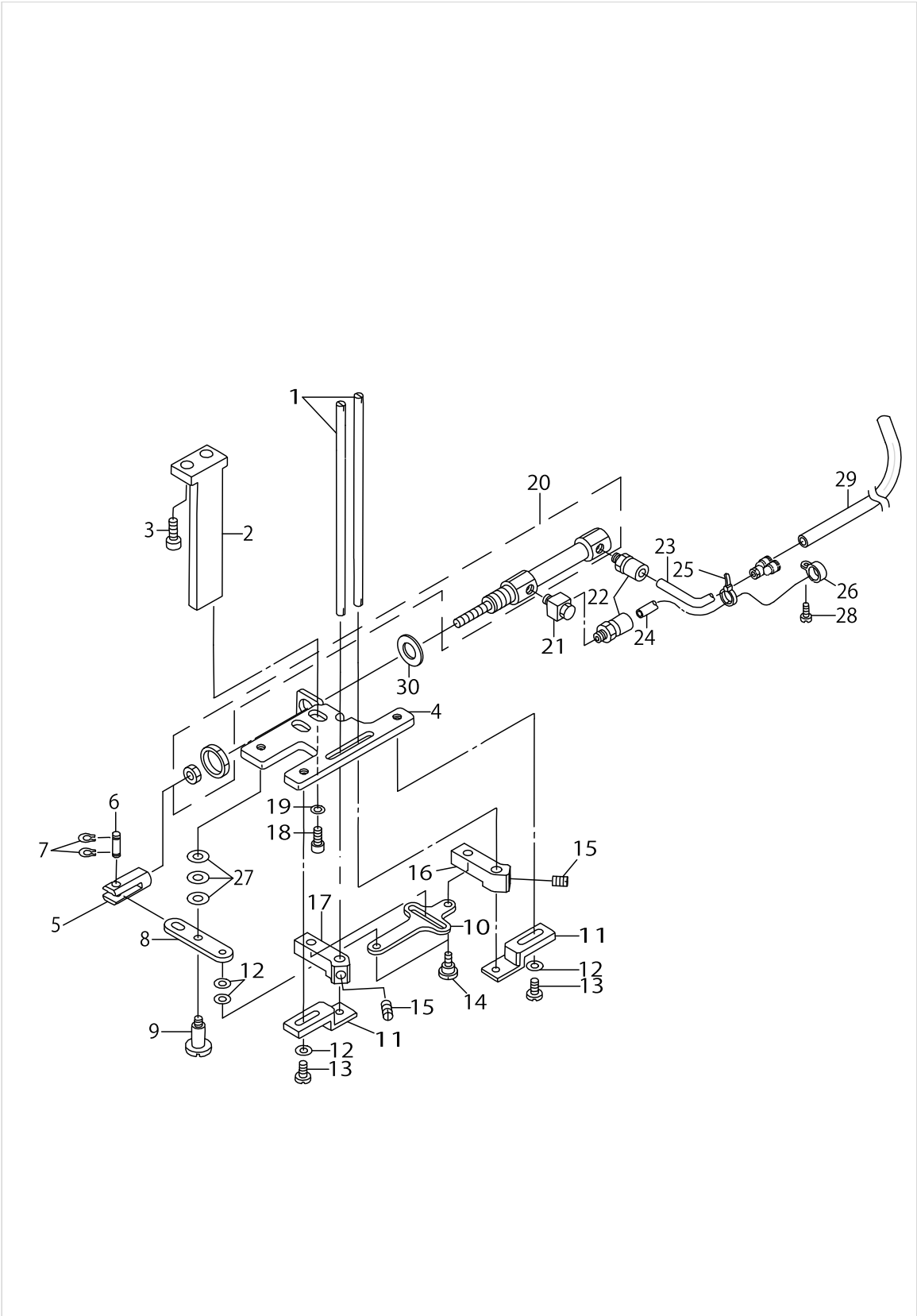
NEEDLE THREAD TRIMMER COMPONENTS



NEEDLE THREAD TRIMMER COMPONENTS

No.	Supply Code	Parts No.	Replacement	Parts name	Remarks	Choice	Step	Level	Cons	Qty	Rep. QTY
1		25136607		THREAD KNIFE BASE						1	
2		25136805		NEEDLE THREAD CYLINDER BASE						1	
3		25137100		NEEDLE THREAD KNIFE F	SELECTIVE PARTS					1	
4		16409500		NEEDLE THREAD KNIFE A	SELECTIVE PARTS					1	
5		16410508		NEEDLE THREAD KNIFE B	SELECTIVE PARTS					1	
6		16411100		UPPER THREAD CUTTING KNIFE E	SELECTIVE PARTS					1	
7		25136904		NEEDLE THREAD KNIFE GUIDE						1	
8		16409906		NEEDLE THREAD COUNTER KNIFE	SELECTIVE PARTS					1	
9		16411308		FIXED KNIFE	SELECTIVE PARTS					1	
10		25137001		THREAD KNIFE CYLINDER JOINT						1	
11		16410102		NEEDLE THREAD CLAMP BASE						1	
12	D	16410201		NEEDLE THREAD CLAMP PLATE	SELECTIVE PARTS					1	
13		16411407		CLAMP PLATE A	SELECTIVE PARTS					1	
14	D	16410300		NEEDLE THREAD CLAMP SPRING						1	
15		25140658		CYLINDER ASM.						1	
16		16410607		SPACER 0.2	GAUGE PART					1	
17		16410706		SPACER 0.4	GAUGE PART					1	
18		16410805		SPACER 0.6	GAUGE PART					1	
19		16410904		SPACER 0.8	GAUGE PART					1	
20		25136706		CYLINDER BASE BRACKET						1	
21		B1505804000		HINGE SHAFT						1	
22		SM6035052TN		SCREW						2	
23		SS6091022TP		SCREW						2	
24		WP0371026SD		WASHER 3.7X7X1						2	
25		SS7090710SP		SCREW 9/64-40 L=6.8						2	
26		SS9090640SP		SCREW 9/64-40 L=6						2	
27		SS6080810SP		SCREW 1/8-44 L=8.0						1	
28		SS6080410SP		SCREW 1/8-44 L=4						1	
29		SS7110840SP		SCREW 11/64-40 L=7.8						2	
30	R	SS6090620SP	SS6090620TP	SCREW 9/64-40 L=6						2	1.00
31		WP0371026SD		WASHER 3.7X7X1						2	
32		SS7091410SP		SCREW 9/64-40 L=13.5						2	
33		SM6030602TP		SCREW M3X0.5 L=6						2	
34		WP0320500SC		WASHER M3						2	
35		PJ304040501		ELBOW UNION 4XM5						1	
36		PJ304040506		ELBOW UNION						1	
37	D	25138306		KNIFE CHANGING CYLINDER BKT						1	
38	D	25139601		KNIFE CHANGING LINK A						1	
39	R	SS7110910SP	SS7110910TP	SCREW 11/64-40 L=8.5						4	1.00
40		SS6121210SP		SCREW 3/16-28 L=12						1	
41		SS6153040SP		SCREW 15/64-28 L=30						1	
42		NS6150310SP		NUT 15/64-28						1	
43		25140351		KNIFE CHANGING CYLINDER ASM.						1	
44		PJ301040502		ELBOW UNION						2	

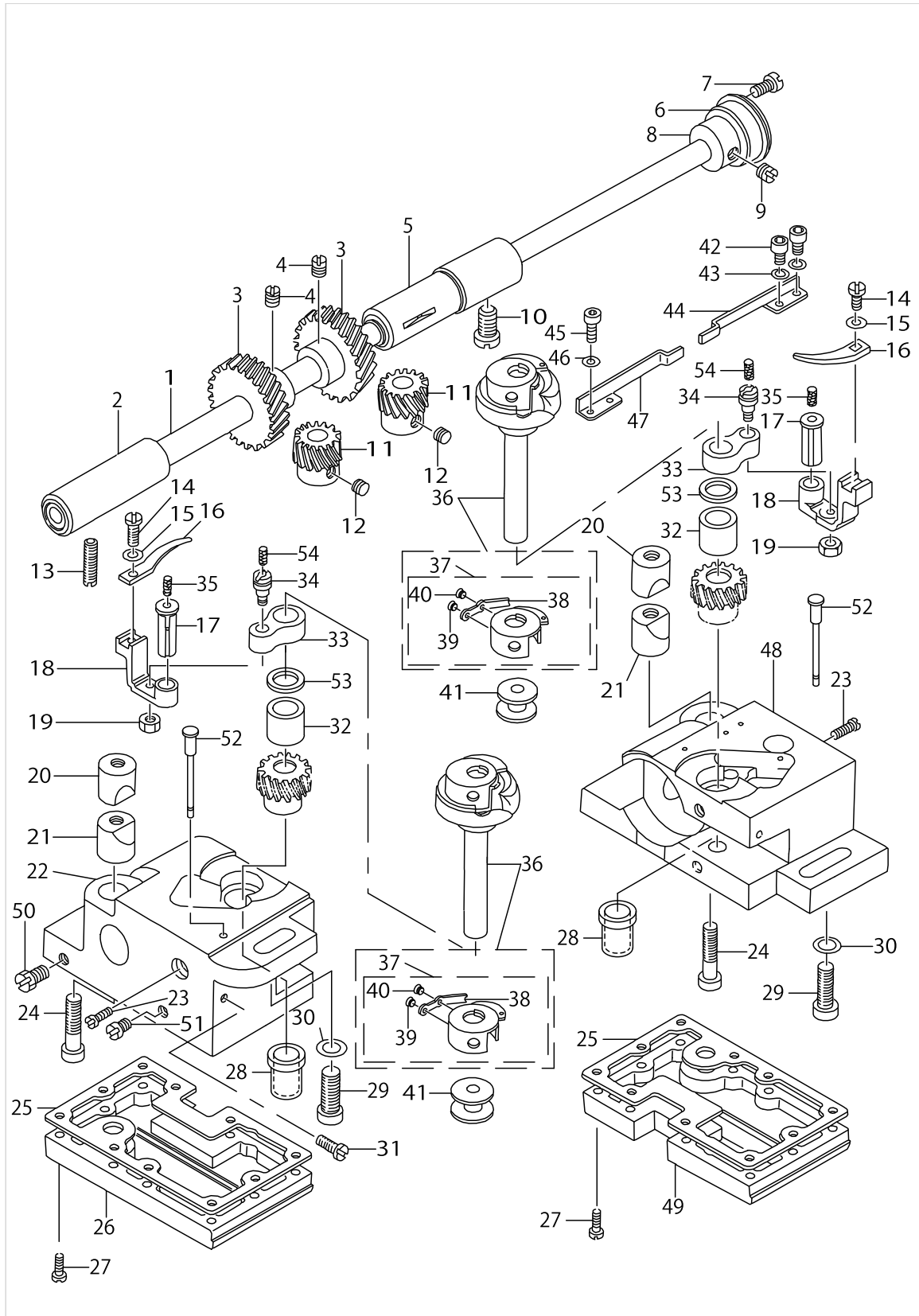
BOBBIN THREAD CLIP COMPONENTS



BOBBIN THREAD CLIP COMPONENTS

No.	Supply Code	Parts No.	Replacement	Parts name	Remarks	Choice	Step	Level	Cons	Qty	Rep. QTY
1		25137308		BOBBIN THREAD NIPPER BAR(A)						2	
2		G5701119000A		UNDER KNIFE MOUNTING BASE						1	
3		SS6151712TP		SCREW 15/64-28 L=16.5						2	
4		16413510		UNDER KNIFE FITTING BASE B						1	
5		25137506		CYLINDER JOINT						1	
6		B3034450000		LINK PIN						1	
7		B3035450000		SNAP RING						2	
8		25137407		KNIFE SUPPORTING PLATE						1	
9		SD0640602SP		HINGE SCREW D= 6.35 H= 6.0						1	
10	D	G5708119000		JOINT CONNECTING PLATE						1	
11		16413403		KNIFEPRESSERBASE						2	
12		WP0450000SD		WASHER 4.5X8X0.5						4	
13		SS7110710SP		SCREW 11/64-40 L=7						2	
14		SD0450401SP		HINGE SCREW D= 4.5 H= 4						3	
15		SS8110410TP		SCREW 11/64-40 L= 3.5						2	
16		25137605		KNIFE LINK ARM,RIGHT						1	
17		25137704		KNIFE LINKARM,LEFT						1	
18		SS6151412TP		SCREW15/64-28L=14						2	
19		WP0621026SP		WASHER 6.2X9.5X1						2	
20	D	PA1001527A0		AIR CYLINDER						1	
21		G5680116000		UNIVERSAL ELBOW						1	
22		PJ032052501		HOSE NIPPLE						2	
23		BT0400251EF		VINYL TUBE						.66	
24		BT0400251EC		TUBE HOSE, YELLOW						.66	
25		GES12153000		OIL WICK HOLDER						5	
26		EA9502B0500		CABLE CLIP						1	
27		WP0651056SH		WASHER 6.5X11X1						3	
28		SS7110710SP		SCREW 11/64-40 L=7						1	
29		BT0400251EC		TUBE HOSE, YELLOW						.66	
30	D	WP0901603SB		WASHER						1	

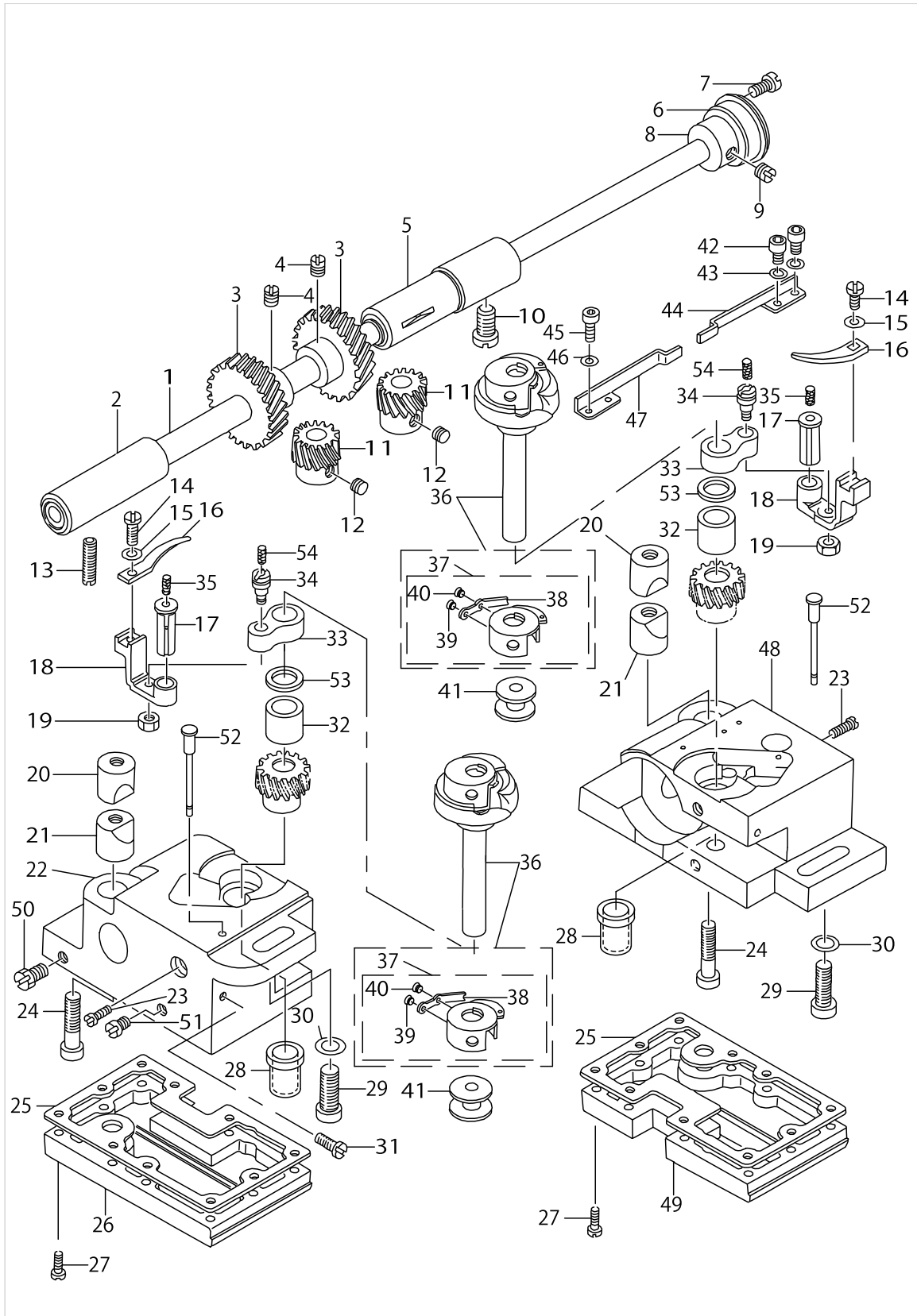
# HOOK & HOOK DRIVING SHAFT COMPONENTS



HOOK & HOOK DRIVING SHAFT COMPONENTS

No.	Supply Code	Parts No.	Replacement	Parts name	Remarks	Choice	Step	Level	Cons	Qty	Rep. QTY
1	D	25138504		HOOK DRIVING SHAFT						1	
2		B18025120AB		BUSHING ASM., FRONT						1	
3		B1816512000		HOOK DRIVING SHAFT, LARGE						2	
4		SS8660810TP		SCREW 1/4-40 L=8						4	
5		10112357		BUSHING ASM. INTERMEDIATE						1	
6		B1813512000		HOOK DRIVING SHAFT BEARING						1	
7		SS7110840SP		SCREW 11/64-40 L=7.8						1	
8	D	B1804512000		THRUST COLLAR						1	
9	R	SS8150710SP	SS8150710TP	SCREW 15/64-28 L=7						2	1.00
10	R	SS8151150SP	SS8151150TP	SCREW 15/64-28 L=10.5						1	1.00
11		10112001		HOOK SHAFT GEAR, A	SELECTIVE PARTS					1	
12		SS8660530TP		SCREW 1/4-40 L= 4.5						6	
13		SS8152030SP		SCREW 15/64-28 L=20						1	
14		SS6090810SP		SCREW 9/64-40 L= 7.5						2	
15		WP0371016SD		WASHER 3.7X8X1						2	
16		16420705		BOBBIN CASE OPENING LEVER						2	
17		B1823051000		OPENING LEVER CRANK PIN						2	
18		B1822051000		OPENING LEVER CRANK						2	
19		NS6110430SP		NUT 11/64-40						2	
20		10109908		SADDLE INSTALLING BLOCK, UPPER						2	
21		10112407		SADDLE INSTALLING BLOCK, LOWER						2	
22		16421513		HOOK SHAFT SADDLE, LEFT						1	
23		SS6111610SP		SCREW 11/64-40 L=16						2	
24		SS6153012TP		SCREW 15/64-28						2	
25		G1861119000		GASKET						2	
26	D	G1860119AA0		HOOK SADDLE COVER ASM., LEFT						1	
27		SS6091210TP		SCREW 9/64-40 L=12						20	
28	R	22613400	40017056	HOOK DRIVING SHAFT BUSHING						2	1.00
29	R	SM6082002SP	SM6082002TP	SCREW M8 L=20						2	1.00
30		WP0850002SP		WASHER 8.5X18X1.6						2	
31		SS7110510SP		SCREW 11/64-40 L=5						1	
32	D	25138405		HOOK SHAFT UPPER BUSHING						2	
33		B1820563000		BOBBIN CASE OPENING LEVER LINK						2	
34		B1821051000		CRANK SCREW STUD						2	
35		CQ202000000		OIL WICK						.02	
36		16421760		HORIZONTAL ROTATING HOOK ASM.						2	
37		16422065		BOBBIN CASE				*		2	
38		G183111600B		TENSION SPRING				*		2	
39		10547800		SCREW				*		2	
40		10547909		SCREW				*		2	
41		16428153		BOBBIN ASM.						2	
42	R	SM6040802SP	SM6040802TR	SCREW M4X0.7 L=8						2	1.00
43		WP0450000SD		WASHER 4.5X8X0.5						2	
44	D	16421109		NIPPER SPRING, RIGHT						1	
45	R	SM6040802SP	SM6040802TR	SCREW M4X0.7 L=8						2	1.00

HOOK & HOOK DRIVING SHAFT COMPONENTS

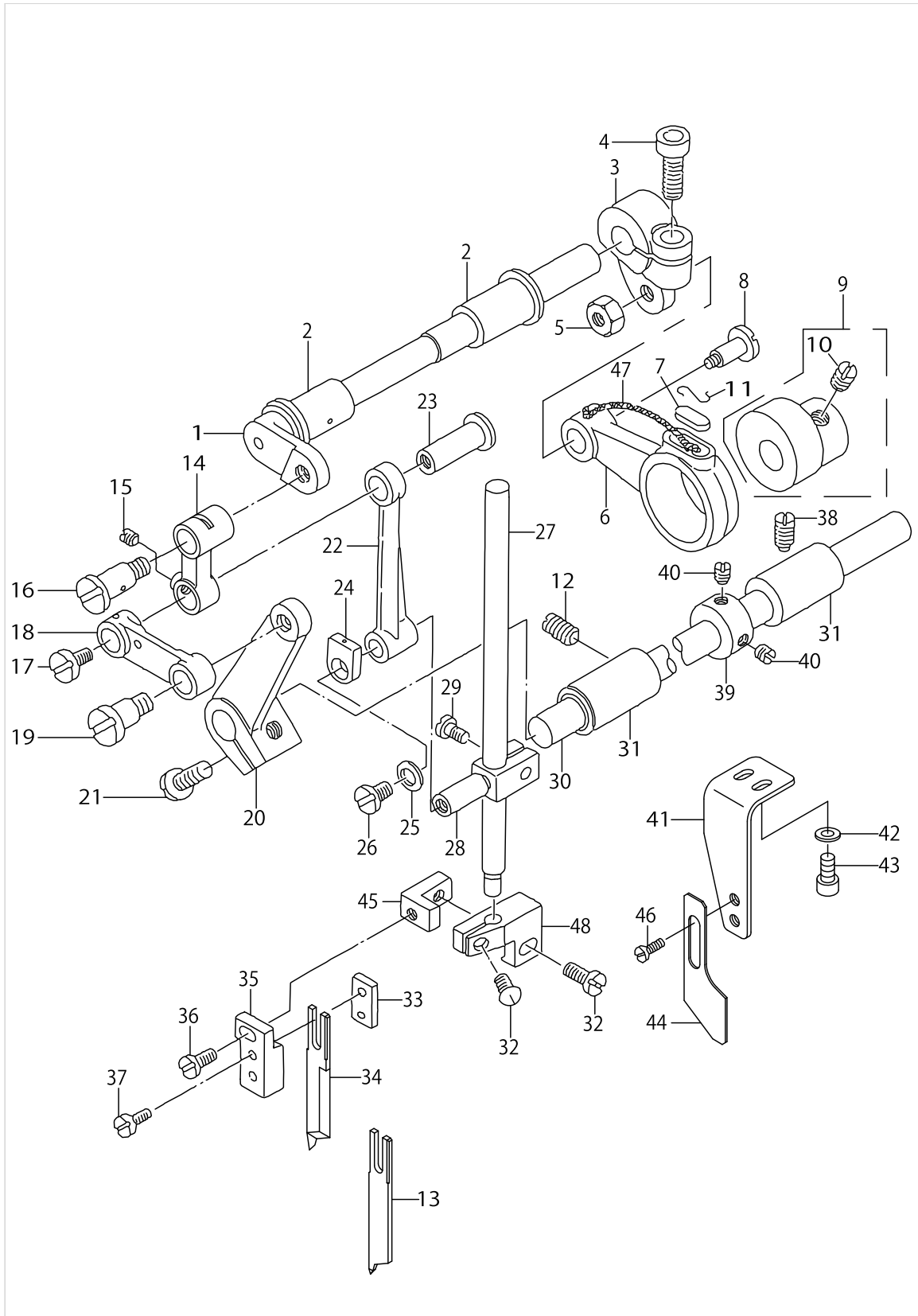




HOOK & HOOK DRIVING SHAFT COMPONENTS

No.	Supply Code	Parts No.	Replacement	Parts name	Remarks	Choice	Step	Level	Cons	Qty	Rep. QTY
46		WP0450000SD		WASHER 4.5X8X0.5						2	
47	D	16422206		NIPPERSPRING, LEFT						1	
48		16422404		OIL COVER, LEFT						1	
49	D	G1860119BA0		HOOK SADDLE COVER ASM., RIGHT						1	
50	D	G1860119BA0		HOOK SADDLE COVER ASM., RIGHT						1	
51		SS9660720SP		SCREW 1/4-40 L=7						1	
52		16428401		HOOK OIL GAUGE						2	
53		10109700		THRUST WASHER, A	SELECTIVE PARTS					2	
54		CQ202000000		OIL WICK						.01	

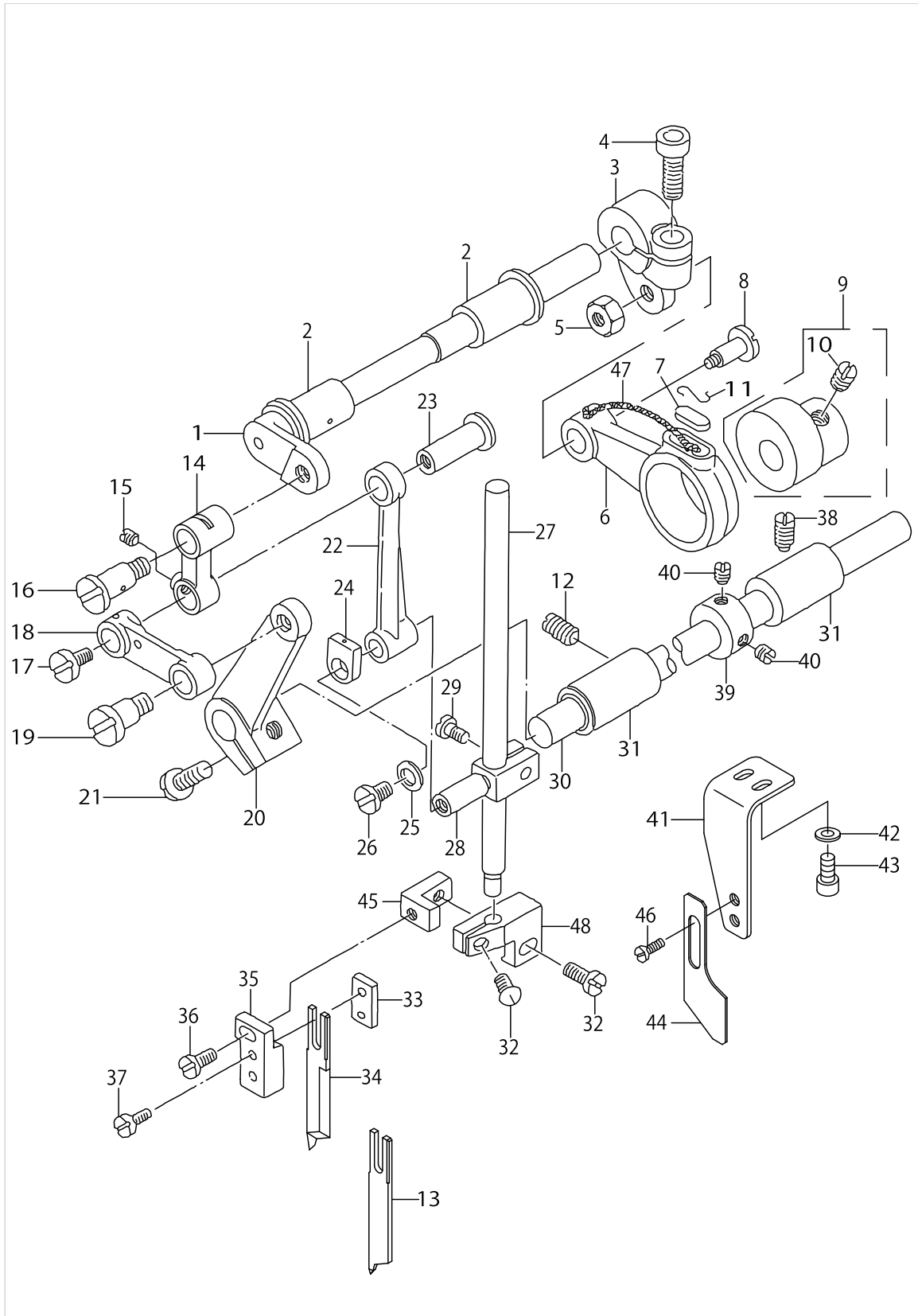
# UPPER KNIFE COMPONENTS



UPPER KNIFE COMPONENTS

No.	Supply Code	Parts No.	Replacement	Parts name	Remarks	Choice	Step	Level	Cons	Qty	Rep. QTY
1	D	25138009		KNIFE DRIVING SHAFT						1	
2		10313906		BUSHING						2	
3		25137803		KNIFE DRIVING ARM						1	
4		SM6061602TP		SCREW M6 L=16						1	
5		NS6680410SP		NUT 9/32-28						1	
6		25137902		KNIFE DRIVING ROD						1	
7		B1702012000		OIL FELT						1	
8		SD1021251SP		HINGE SCREW D=10.20 H=12.5						1	
9		D1450055BA0		TOP FEED CAM ASM.						1	
10		SS8660340SP		SCREW 1/4-40 L= 2.5				*		2	
11		B1213012000		FELT RETAINER						1	
12		SS8150920SP		SET-SCREW						1	
13		25446808		UPPER KNIFE H , RIGHT						1	
14		16417412		UPPER KNIFE LINK A						1	
15		SS8110520TP		SCREW 11/64-40 L= 4.5						1	
16		SD0791331SP		HINGE SCREW D= 7.94 H=13.3						1	
17		SS5110710SP		SCREW 11/64-40 L=7						1	
18		16417719		UPPER KNIFE LINK B						1	
19		16415911		HINGE SCREW A						1	
20		16417800		UPPER KNIFE LINK D						1	
21		SS7151120SP		SCREW 15/64-28L=11						1	
22	D	16417313		UPPER KNIFE LINK C						1	
23		16415218		LINK PIN						1	
24		B1467563000		UPPER FEED BAR GUIDE						1	
25		WP0480856SP		WASHER 4.8X8.4X0.8						1	
26		SS5110810SP		SCREW 11/64-40 L=8						1	
27		16416000		KNIFE BAR						1	
28	R	16415507	16415515	KNIFE BAR CLAMP						1	1.00
29		SS6090910TP		SCREW 9/64-40 L=9						1	
30	D	16415002		KNIFE CHANGING SHAFT						1	
31		16415101		BUSHING						2	
32		SS5110810SP		SCREW 11/64-40 L=8						2	
33		16415804		KNIFE MOUNTING BASE D						1	
34		25443805		UPPER KNIFE H , LEFT						1	
35	D	16415705		KNIFE MOUNTING BASE C						1	
36	R	SS7110910SP	SS7110910TP	SCREW 11/64-40 L=8.5						1	1.00
37		SS6080810SP		SCREW 1/8-44 L= 8.0						1	
38	R	SS8151150SP	SS8151150TP	SCREW 15/64-28 L=10.5						1	1.00
39		CS1111019SH		THRUST COLLAR D=11.11 W=10						1	
40		SS8660410SP		SCREW 1/4-40 L= 4.2						2	
41		25137209		KNIFE COVER FITTING PLATE						1	
42		WP0320500SC		WASHER M3						2	
43	D	SM6030602SP		SCREW M3X0.5 L=6						2	
44		25140708		KNIFE COVER						1	
45		16418303		UPPER KNIFE INST- ALLATION BASE						1	
46		SM4030401SC		SCREW M3X0.5 L=4						2	

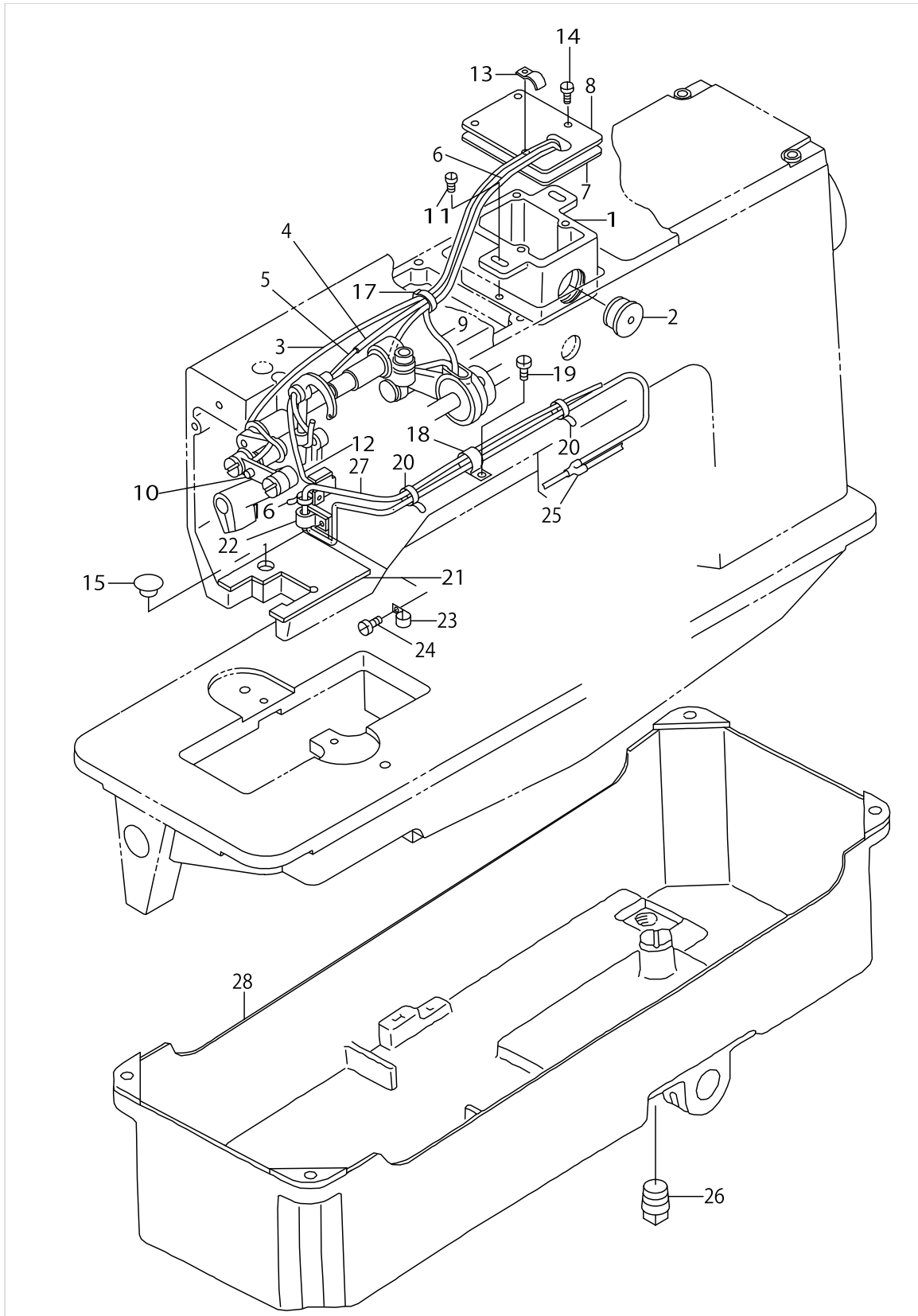
# UPPER KNIFE COMPONENTS



UPPER KNIFE COMPONENTS

No.	Supply Code	Parts No.	Replacement	Parts name	Remarks	Choice	Step	Level	Cons	Qty	Rep. QTY
47		CQ303000000		OIL WICK						.06	
48	D	16418204		KNIFE MOUNTING BASE A, RIGHT						1	

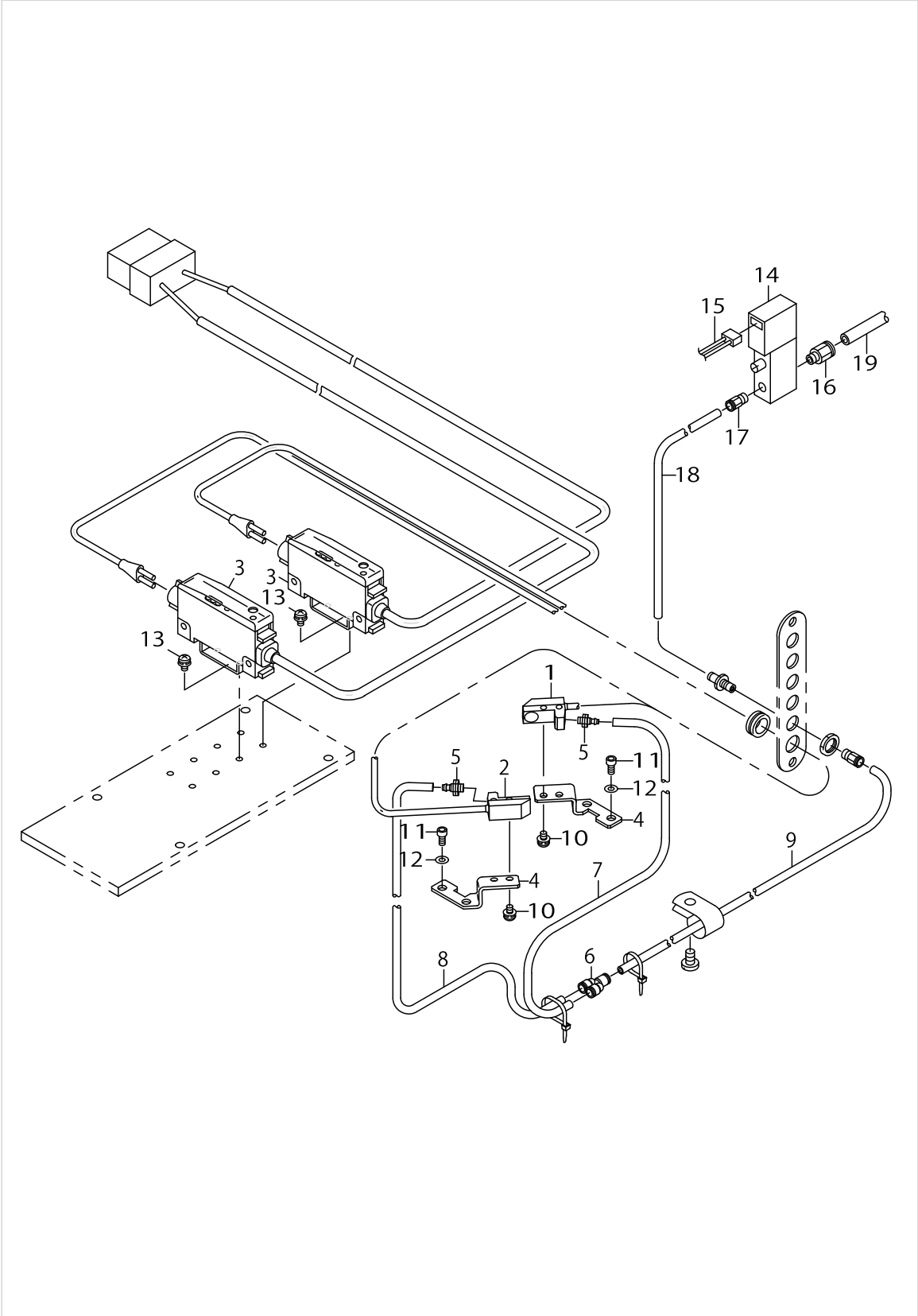
LUBRICATION COMPONENTS



LUBRICATION COMPONENTS

No.	Supply Code	Parts No.	Replacement	Parts name	Remarks	Choice	Step	Level	Cons	Qty	Rep. QTY
1		16425902		OIL TANK						1	
2		16427007		OIL GAUGE						1	
3		BT0400251EC		TUBE HOSE, YELLOW						.21	
4		CQ200000000		OIL WICK						.4	
5		BT0400251EC		TUBE HOSE, YELLOW						.15	
6		BT0400251EC		TUBE HOSE, YELLOW						.07	
7	D	16426009		OIL TANK GASKET						1	
8		25140104		OIL TANK COVER						1	
9		CQ200000000		OIL WICK						.15	
10		CQ200000000		OIL WICK						1	
11		SS7110840SP		SCREW 11/64-40 L=7.8						2	
12		CQ200000000		OIL WICK						.2	
13		D2611555B00A		CABLE HOLDER						1	
14	R	SS6090630SP	SS6090630TP	SCREW 9/64-40 L=6						4	1.00
15		TA1250705R0		RUBBER PLUG						1	
16		EA9500B0100		CABLE BAND						2	
17		EA9500B0100		CABLE BAND						1	
18		HX00150000F		CABLE CLIP						1	
19		SS7090710SP		SCREW 9/64-40 L=6.8						1	
20		EA9500B0200		CABLE BAND 150						2	
21		25139452		OIL RETURN FELT ASM.						1	
22		HX00150000G		CABLE CLIP						1	
23		HX00150000A		CABLE CLAMP						1	
24	R	SS7110910SP	SS7110910TP	SCREW 11/64-40 L=8.5						1	1.00
25		PJ308040002		QUICK COUPLING						1	
26		PJ025300001		PLUG						1	
27		25139155		OIL RETURN TUBE ASM.						1	
28		16426850		OIL RESERVOIR ASM.						1	

BOBBIN THREAD REMAINING AMOUNT DETECTING DEVICE

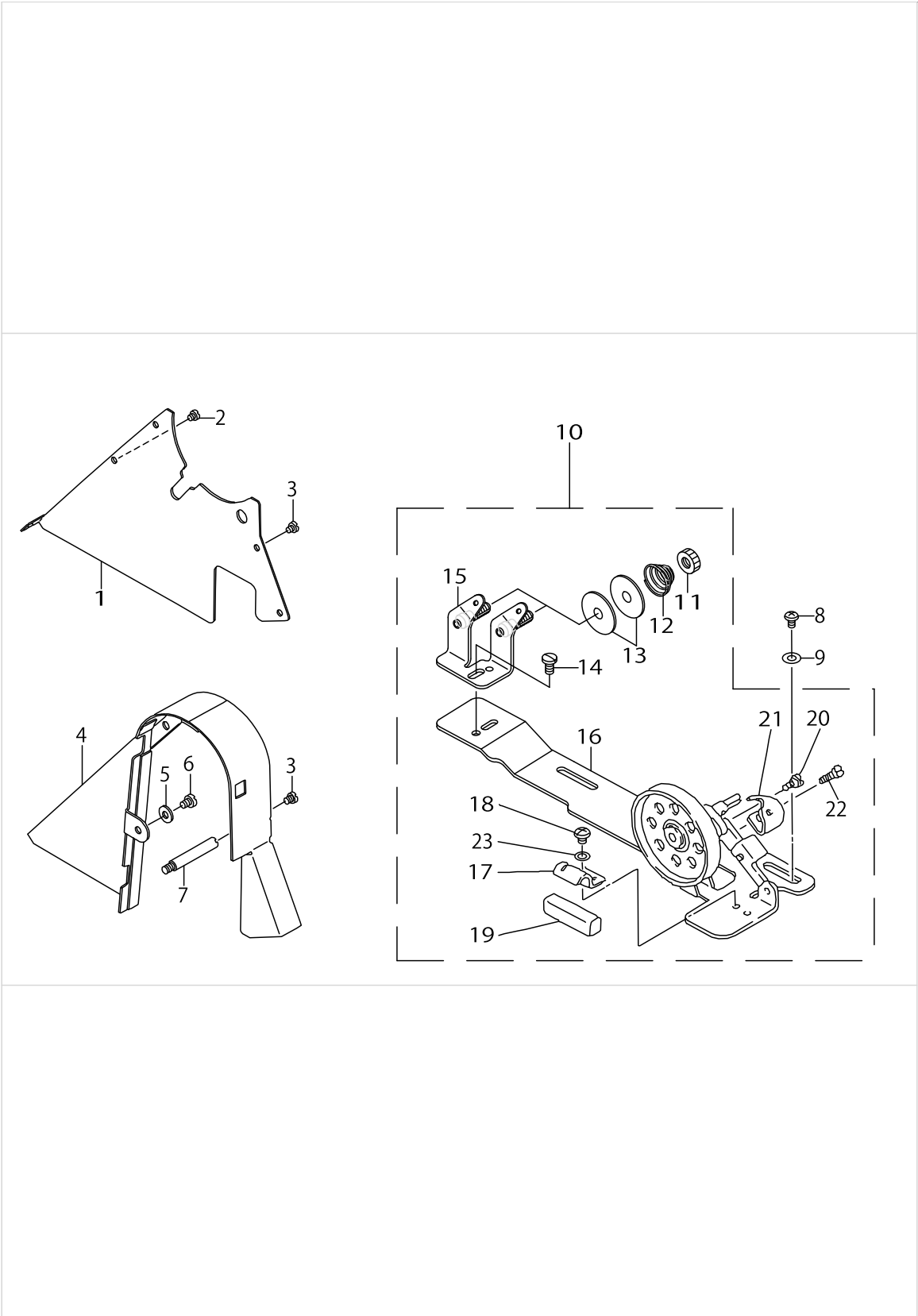




BOBBIN THREAD REMAINING AMOUNT DETECTING DEVICE

No.	Supply Code	Parts No.	Replacement	Parts name	Remarks	Choice	Step	Level	Cons	Qty	Rep. QTY
1		25139908		DETECTING FIBER,RIGHT						1	
2		25140005		DETECTING FIBER,LEFT						1	
3		25140252		DETECTING AMPLIFER ASM.						1	
4	D	16428302		FIBER BKT						2	
5		PJ032039001		CONNECTOR						2	
6		PJ308040002		QUICK COUPLING						1	
7		BT0400251EB		URETHANE HOSE, BLACK						.28	
8		BT0400251EB		URETHANE HOSE, BLACK						.51	
9		BT0400251EB		URETHANE HOSE, BLACK						.3	
10		SL4030691SC		SCREW M3X6						4	
11		SM6030602TP		SCREW M3X0.5 L=6						4	
12		WP0320501SC		WASHER M3						4	
13		SL4030631SC		SCREW M3X6						4	
14		PV150509000		5-WAY SOLENOID VALVE						1	
15	D	25255050		AIR CABLE ASM.						1	
16		PJ301060503		HALF UNION						1	
17		PJ301040502		HALF UNION 4XM5						1	
18		BT0400251EB		URETHANE HOSE, BLACK						2.5	
19		BT0600400EC		TUBE HOSE, BLUE						1.5	

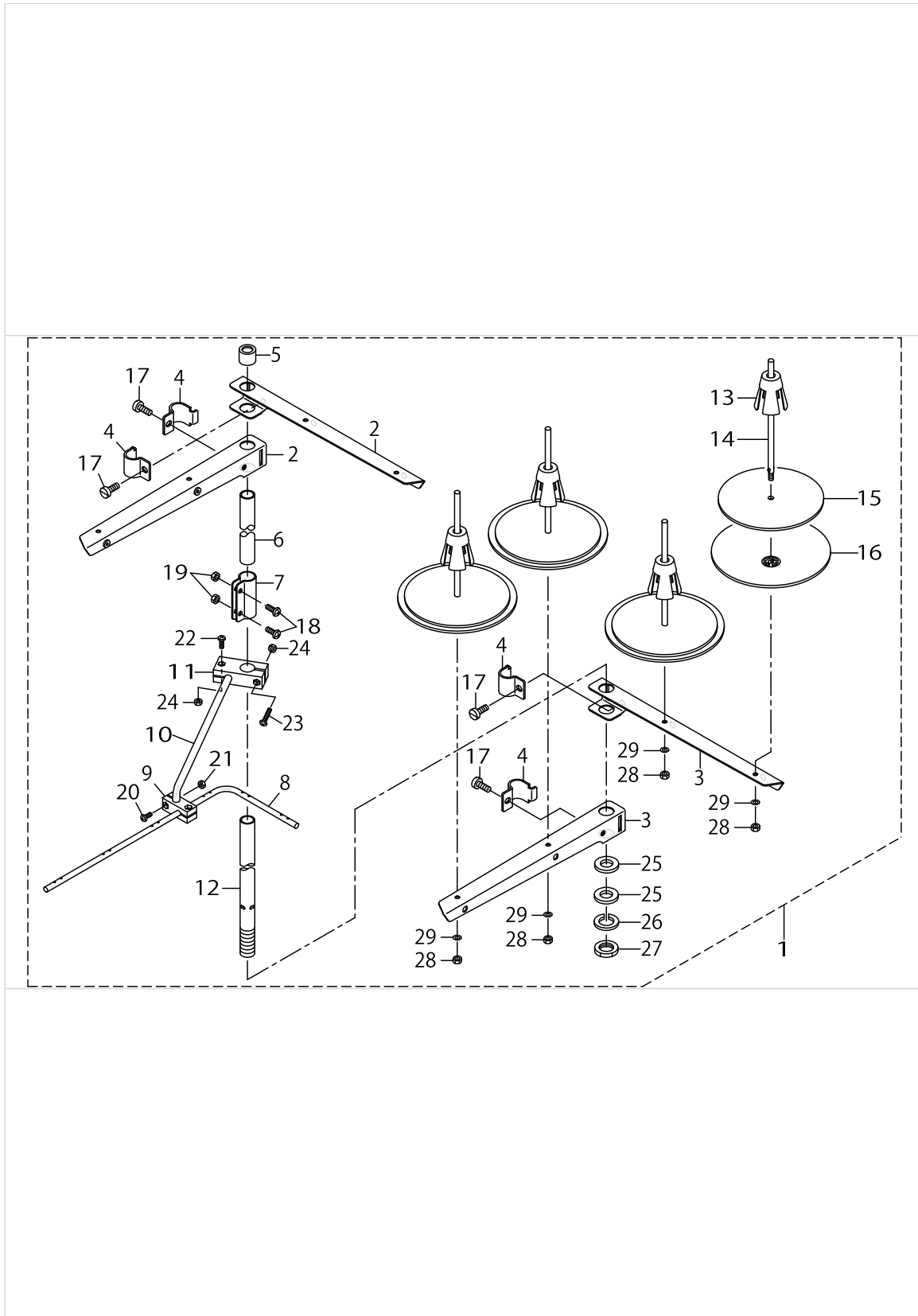
BELT COVER & BOBBIN WINDER UNIT



BELT COVER & BOBBIN WINDER UNIT

No.	Supply Code	Parts No.	Replacement	Parts name	Remarks	Choice	Step	Level	Cons	Qty	Rep. QTY
1		10419307		BELT COVER PLATE						1	
2		SS7110710SP		SCREW 11/64-40 L=7						1	
3		SS7110510SP		SCREW 11/64-40 L=5						5	
4		10161503		BELT COVER						1	
5		WP0621016SD		WASHER 6.2X13X1						1	
6		SS7150740SP		SCREW 15/64-28 L=7						1	
7	R	10039105	40101337	BELT COVER SUPPORT STUD						1	1.00
8	D	SM4050801SC		SCREW M5X0.8 L=8						2	
9		WP0531001SC		WASHER						2	
10		22837553		BOBBIN DEVICE						1	
11	R	B3125012000	22928808	THREAD TENSION NUT				*		2	1.00
12	R	B3129012B00	22929004	THREAD TENSION SPRING				*		2	1.00
13	R	B3126012000	22921506	THREAD TENSION DISK				*		4	1.00
14		SS7110840SP		SCREW 11/64-40 L=7.8				*		4	
15		22621056		TENSION BAR BASE				*		2	
16	R	11077500	22927354	BOBBIN BASE				*		1	1.00
17		11078102		PRESSER PLATE				*		1	
18		SS4110515SP		SCREW 11/64-40 L=5				*		1	
19		B3211555000		RUBBER BRAKE				*		1	
20		SD0490261SP		HINGE SCREW D=4.9 H=2.6				*		1	
21		22837504		BOBBIN PRESSER				*		1	
22		SS7081310SP		SCREW 1/8-44 L=12.5				*		1	
23		WP0480856SP		WASHER 4.8X8.4X0.8				*		1	

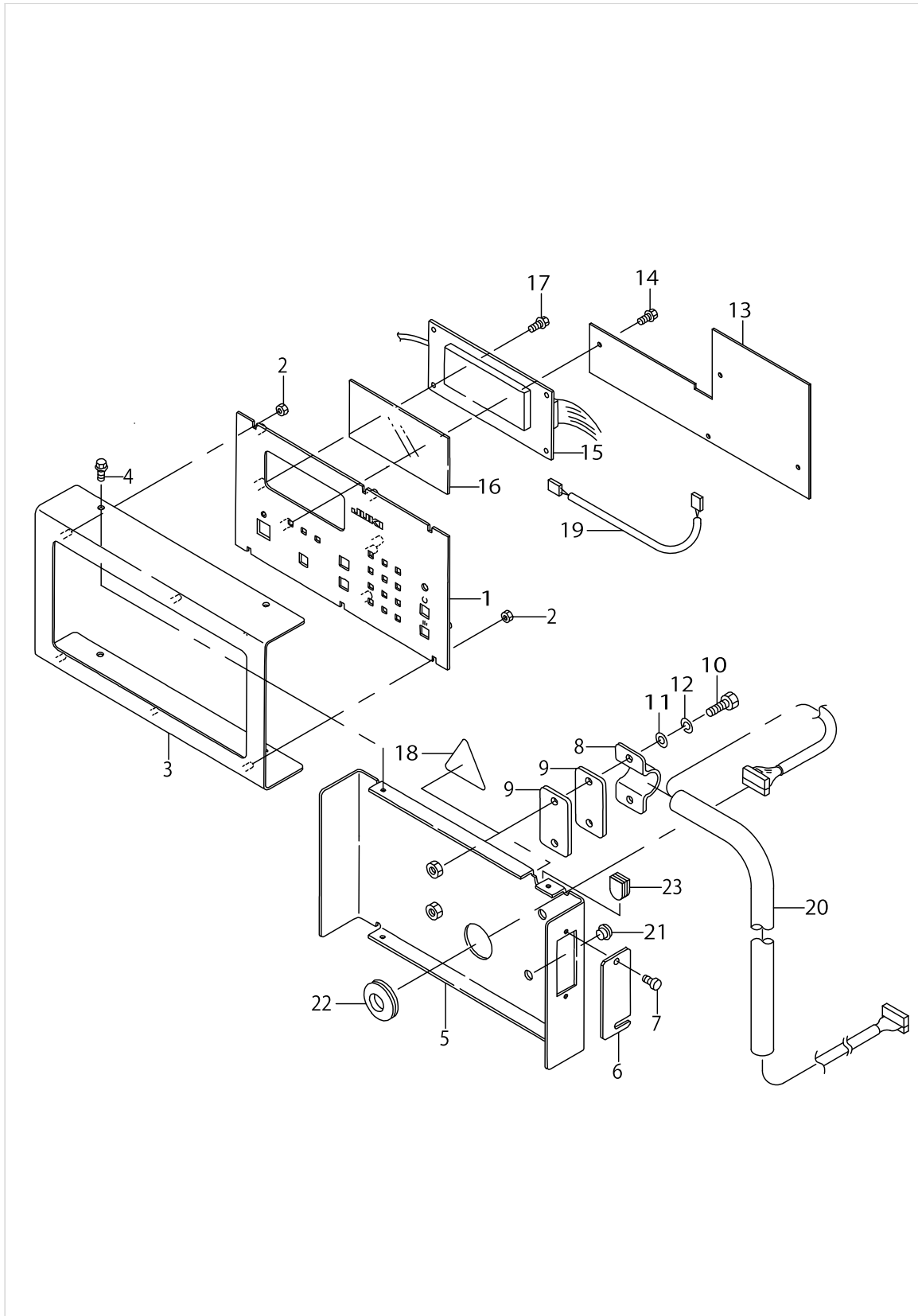
# THREAD STAND COMPONENTS



THREAD STAND COMPONENTS

No.	Supply Code	Parts No.	Replacement	Parts name	Remarks	Choice	Step	Level	Cons	Qty	Rep. QTY
1	R	13167556	40106584	THREAD STANDING DEVICE ASM.						1	1.00
2	R	22930556	40096354	SPOOL REST ARM ASM.				*		2	1.00
3	R	22930507	40096354	SPOOL REST ARM				*		2	1.00
4	R	22930705	40096354	THREAD GUIDE ARM JOINT				*		4	1.00
5		22931406		THREAD STANDING ROD RUBBER CAP				*		1	
6	R	22930408	40096354	THREAD STANDING ROD, UPPER				*		1	1.00
7	R	22931307	40096354	THREAD STANDING ROD JOINT				*		1	1.00
8	R	13167903	26910059	THREAD STANDING THREAD GUIDE				*		1	1.00
9	D R	13168000	26910059	THREAD STANDING GUIDE BASE				*		1	1.00
10	R	13168109	26910059	THREAD STANDING GUIDE ARM				*		1	1.00
11	R	13168208	26910059	THREAD STANDING GUIDE ARM BASE				*		1	1.00
12	R	22930309	40096354	THREAD STANDING ROD, LOWER				*		1	1.00
13	R	22931109	40085791	SPOOL RETAINER				*		4	1.00
14	R	22931000	40085790	SPOOL PIN				*		4	1.00
15		22930903		SPOOL REST CUSHION				*		4	
16		22930804		SPOOL REST				*		4	
17		SM6061610SC		SCREW M6 L=16				*		4	
18		SM4051405SE		SCREW M5 L=14				*		2	
19		NM6050001SE		NUT M5				*		2	
20		SM4041001SC		SCREW M4X0.7 L=10				*		2	
21		NM6040002SE		NUT M4X0.7				*		2	
22		SM4041201SC		SCREW M4 L=12				*		1	
23		SM4042001SC		SCREW M4 X 20				*		1	
24		NM6040002SE		NUT M4X0.7				*		2	
25		WP1612616SE		WASHER 16X30X2.6				*		2	
26	R	WS1643202KR	WP1612616SE	SPRING WASHER		A		*		1	2.00
26	R	WS1643202KR	40085796	SPRING WASHER		A		*		1	2.00
27		NM6160511SE		NUT M16X1.5				*		1	
28		NM6050001SE		NUT M5				*		4	
29		WS0510002KN		SPRING WASHER				*		4	

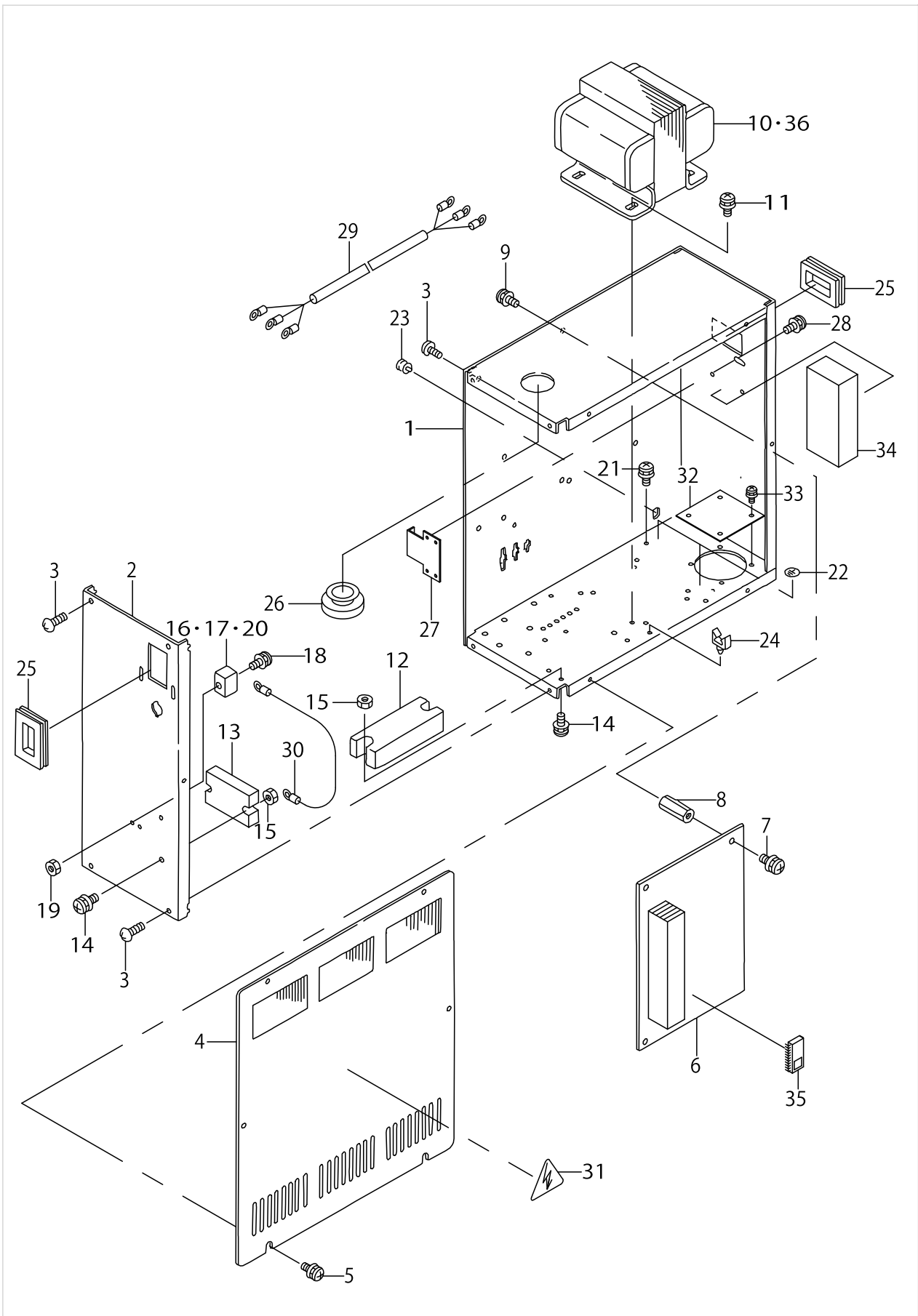
# OPERATION BOX COMPONENTS



OPRATION BOX COMPONENTS

No.	Supply Code	Parts No.	Replacement	Parts name	Remarks	Choice	Step	Level	Cons	Qty	Rep. QTY
1	D	G1011192000		OPERATION PANEL						1	
2		NM6030001SC		NUT M3						6	
3		G1012192000		FITTING PLATE						1	
4		SL4030891SC		SCREW M3X8						4	
5		G1013192000		REAR PLATE						1	
6		G1014192000		SWITCH COVER						1	
7		G6010003000		KNOB SCREW						2	
8		G1015192000		CLAMP						1	
9		G1016192000		CLAMP BOTTOM PLATE						2	
10		SM6062002TN		SCREW M6 L=20						2	
11		WP0641601SC		WASHER						2	
12		WS0610002KN		SPRING WASHER 6.1X12.2X1.5						2	
13	D	G86021950A0		PANEL BASE A ASM.						1	
14		SL4030681SC		SCREW M3 L=6						4	
15	D	G85251920A0		LCD BASE ASM.						1	
16		G1018192000		PLATE						1	
17		SL4030681SC		SCREW M3 L=6						4	
18		G85331920A0		CABLE ASM.						1	
19		G85321920A0		PANEL BASE FG CABLE ASM.						1	
20		G85221950A0		PANEL CABLE ASM.						1	
21		TA0800504R0		PLUG D=8 L=4.5						2	
22		HX00221000E		BUSH						1	
23		M1001060000		PLUG						1	
24		CM300100001		LABEL						1	

# TRANSMISSION BOX COMPONENTS

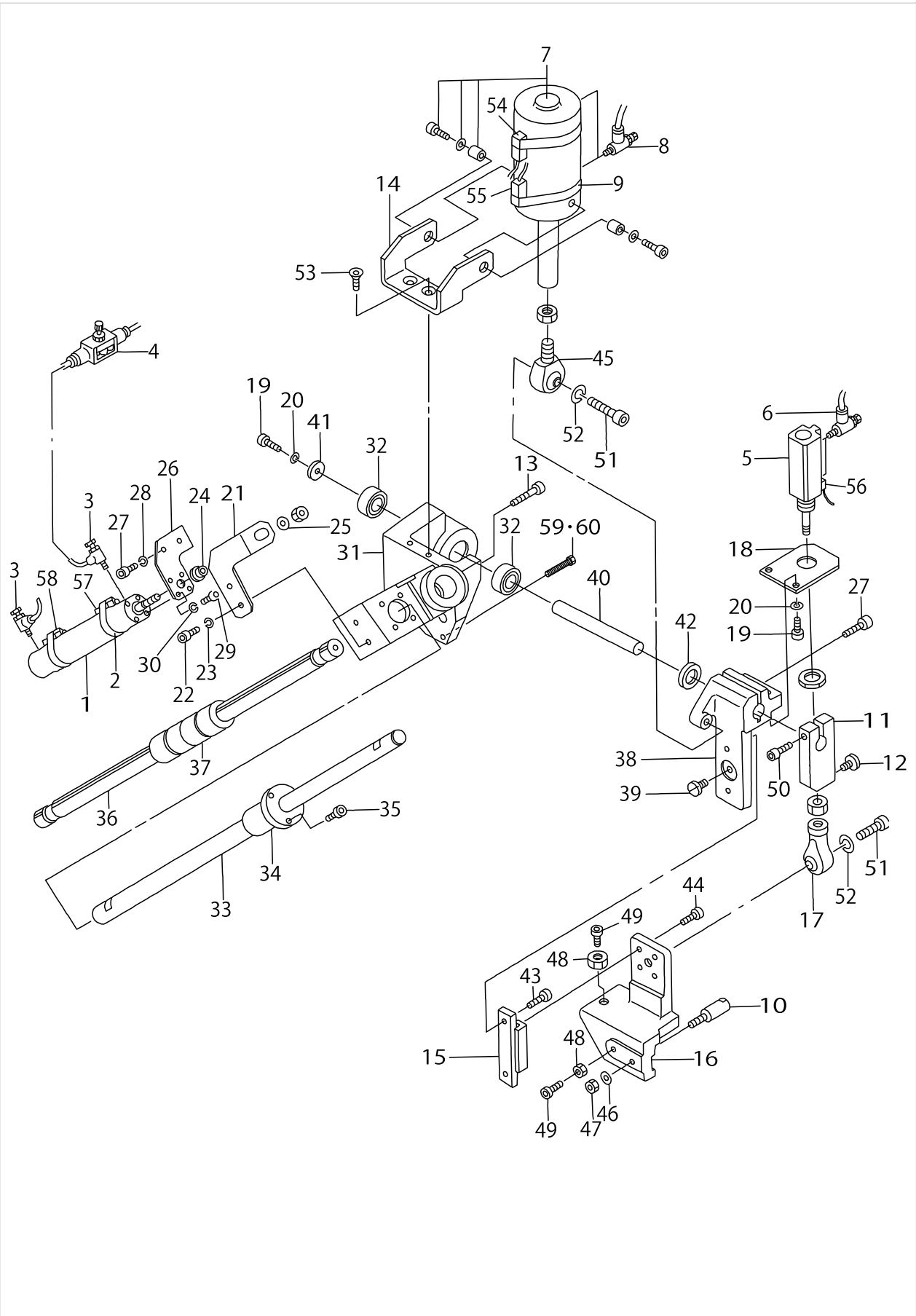




TRANSMISSION BOX COMPONENTS

No.	Supply Code	Parts No.	Replacement	Parts name	Remarks	Choice	Step	Level	Cons	Qty	Rep. QTY
1		G1001192000		CONTROL BOX FRAME BODY						1	
2		G1002192000		CONTROL BOX PANEL						1	
3		SM0040601SC		SCREW M4X0.7 L=6						7	
4		G1003192000		CONTROL BOX COVER						1	
5		SL4041091SC		SCREW M4 L=10						6	
6	D	G86011960A0		CPU BASE ASM.						1	
7		SL4030891SC		SCREW M3X8						4	
8		HX000790000		SPACER						4	
9		SL4030891SC		SCREW M3X8						4	
10		G85101960A0		POWER SOURCE T-RANSFORMER ASM.	SELECTIVE PARTS					1	
11		SL4051091SC		SCREW M5X0.8 L=10						4	
12		HK026650080		TERMINAL BASE 8P						1	
13	D	HK026650020		TERMINAL BASE 2P						1	
14		SL4041291SC		SCREW M4 L=12						4	
15		NM6040001SC		NUT M4						4	
16		HF005111000		FUSE HOLDER						1	
17	D	HF00511100B		FUSEHOLDERCOVER						1	
18		SL4031481SC		SCREW M3 X 14						1	
19		NM6030001SC		NUT M3						1	
20		E9629252000		FUSE 5A						1	
21		SL4040891SC		SCREW M4 L=8						3	
22		E9567319000		EARTH MARK						3	
23		HX004100000		BUSH						1	
24	D	HX00222000A		CABLE CLAMP						2	
25		HX004070000		BUSH						2	
26		HX00221000B		GROMMET						1	
27		17845009		CORDFITTINGPLATE						1	
28		SL4041091SC		SCREW M4 L=10						2	
29		G85121920A0		POWER SWITCH CABLE ASM.						1	
30		G85111950A0		5V RELAY CABLE ASM.						1	
31		CM300100001		LABEL						1	
32		G1001195000		FAN HOLE COVER PLATE						1	
33		SL4040891SC		SCREW M4 L=8						2	
34	D	M86025110A0		P.C BOARD ASM.						1	
35		HL015930008		IC						1	
36		G85101960AA		POWER TRANSFORMER A ASM.	SELECTIVE PARTS					1	

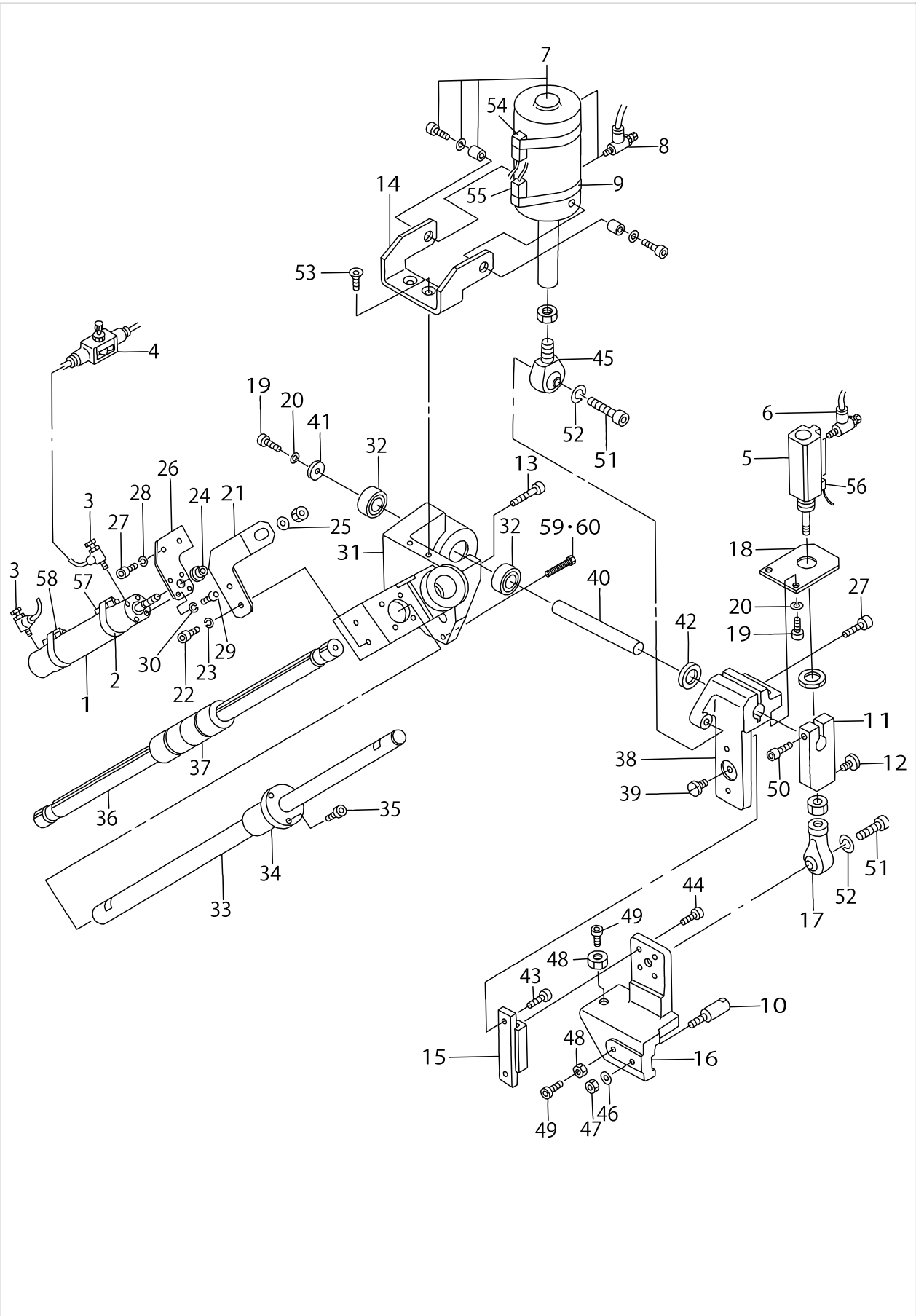
WELT PATCH SUPPLY COMPONENTS (1) (OPTION)



WELT PATCH SUPPLY COMPONENTS (1) (OPTION)

No.	Supply Code	Parts No.	Replacement	Parts name	Remarks	Choice	Step	Level	Cons	Qty	Rep. QTY
1		PA2513502A0		AIR CYLINDER						1	
2		PX500053000		BAND						2	
3		PC015107000		SPEED CONTROLLER						2	
4		PC012406000		SPEED CONTROLLER						1	
5	D	PA1501510A0		PIN CYLINDER						1	
6		PC010507000		SPEED CONTROLLER						2	
7	D	18587709		CYLINDER						1	
8		PC010508000		SPEED CONTROLLER						2	
9		25319906		BAND						2	
10		16654907		PIVOT PIN						1	
11		18555706		STOPPER						1	
12		SS6151210SP		SCREW15/64-28L=12						1	
13	D	16654204		POSITIONING PIN						1	
14		18555904		SHAFT RECEIVING BASE						1	
15	D	16655003		LIMIT GUIDE						1	
16		18559302		LIFTING PLATE						1	
17		16960205		ROD END						1	
18		18556100		CYLINDER BRACKET						1	
19		SM6051202TP		SCREW M5X0.8 L=12						3	
20		WS0510002KN		SPRING WASHER						3	
21		18558205		CONNECTING PLATE						1	
22		SM6051552TP		SCREW M5 L=15						2	
23		WS0510002KN		SPRING WASHER						2	
24		16655508		COLLAR						1	
25		WP1052001SC		WASHER 10,5X21X2						1	
26		16655607		CYLINDER BRACKET (2)						1	
27		SM6052002TP		SCREW M5 L=20						3	
28		WS0510002KN		SPRING WASHER						2	
29		SM6041202TP		SCREW M4X0.7 L=12						4	
30		WS0410002KN		SPRING WASHER						4	
31		18558106		BEARING CASE						1	
32	D	18585208		BEARING						2	
33		16653503		LINEAR SHAFT						1	
34	D	16725400		LINEAR BUSHING						1	
35		SM8051002TP		SCREW M5 L=10						2	
36	D	16653602		BALL SPLINE						1	
37	D	16721201		SPLINE NUT						2	
38		18558007		SWING BASE						1	
39		SS7120760SP		SCREW 3/16-28L=7.0						1	
40	D	18556209		FULCRUM SHAFT						1	
41		16654006		BEARING PRESSER						1	
42		18555805		COLLAR						1	
43		SM6041202TP		SCREW M4X0.7 L=12						2	
44		SM6030802TP		SCREW M3X0.5 L=8						4	
45		18589408		RODEND						1	
46		WP1052001SC		WASHER 10,5X21X2						1	

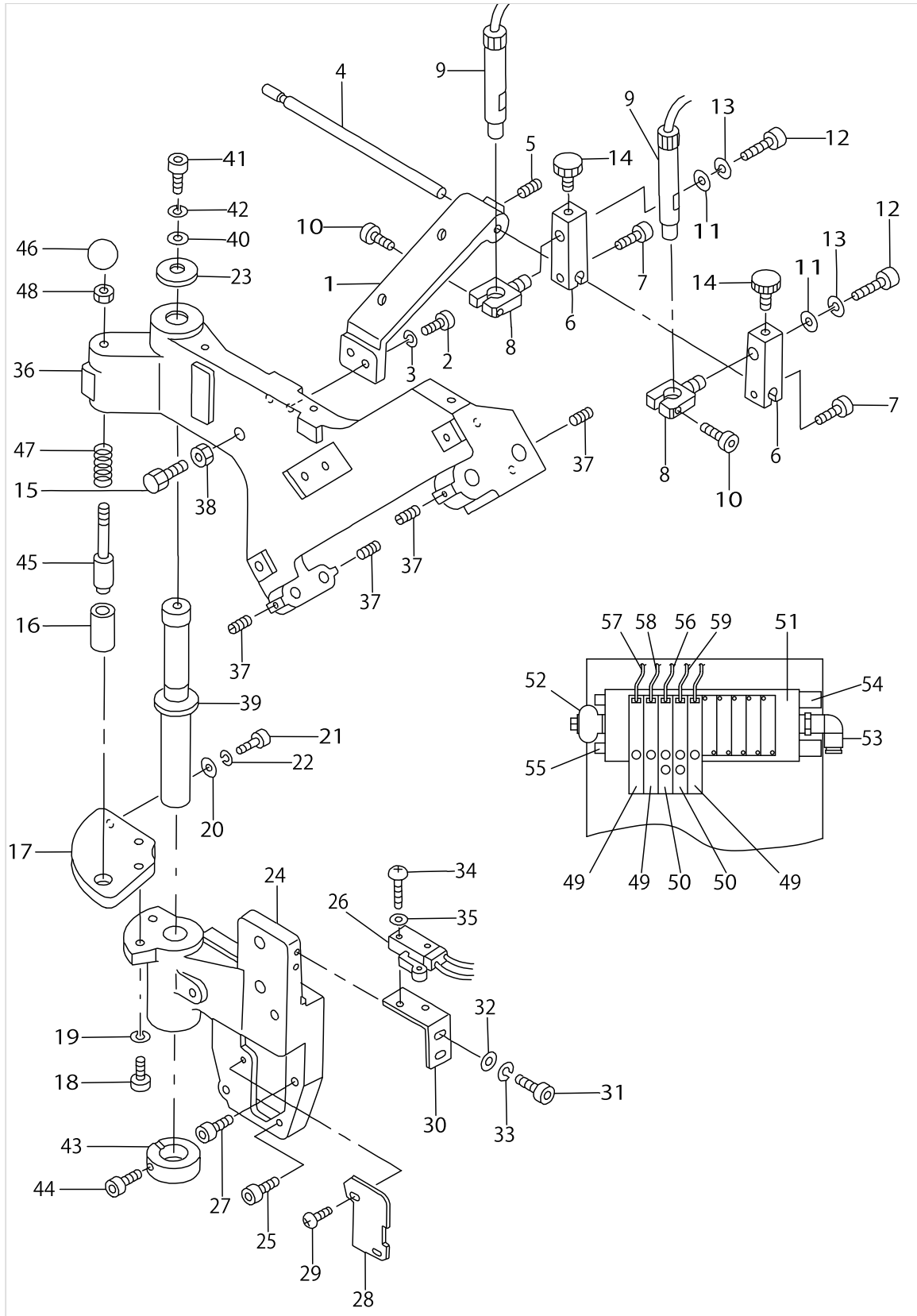
WELT PATCH SUPPLY COMPONENTS (1) (OPTION)



WELT PATCH SUPPLY COMPONENTS (1) (OPTION)

No.	Supply Code	Parts No.	Replacement	Parts name	Remarks	Choice	Step	Level	Cons	Qty	Rep. QTY
47		16655508		COLLAR						1	
48		NM6050001SC		NUT M5						2	
49		SM6053002TP		SCREW M5X0.8 L=30						2	
50		SM6062002TP		SCREW M6 L=20						1	
51		SM6051552TP		SCREW M5 L=15						1	
52		WS0510002KN		SPRING WASHER						1	
53		SM1051001SF		SCREW M5 L=10						1	
54	D	25323650		CABLE ASM.						1	
55	D	25323759		CABLE ASM.						1	
56	D	25323858		CABLE ASM.						1	
57	D	25322959		SENSOR CABLE ASM.						1	
58	D	25322157		CABLE ASM.						1	
59		16655805		POSITIONING PIN B	FOR WELT PATCH SA- PPLY (RIGHT TYPE)					1	
60		16657108		POSITIONING PIN	FOR WELT PATCH SA- PPLY (LEFT TYPE)					1	

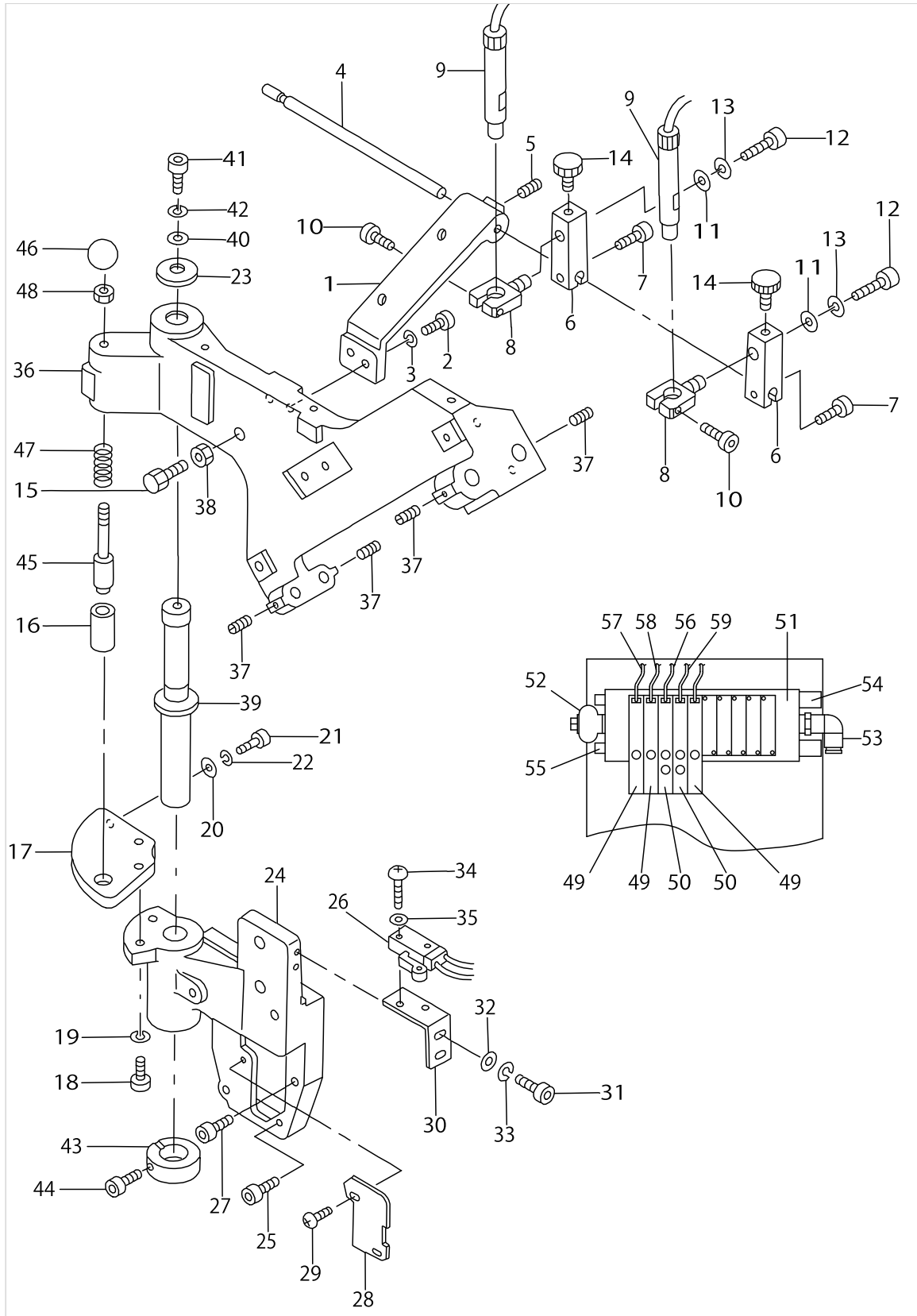
WELT PATCH SUPPLY COMPONENTS (2) (OPTION)



WELT PATCH SUPPLY COMPONENTS (2) (OPTION)

No.	Supply Code	Parts No.	Replacement	Parts name	Remarks	Choice	Step	Level	Cons	Qty	Rep. QTY
1		16655904		LIGHT INSTALLING ARM						1	
2		SM6052002TP		SCREW M5 L=20						2	
3		WS0510002KN		SPRING WASHER						2	
4		18584706		MARKER SHAFT (RIGHT)						1	
5		SM8040502TP		SCREW M4X0.7 L=5						1	
6		16656100		LIGHT BRACKET (1)						2	
7		SM6051602TP		SCREW M5X0.8 L=16						2	
8		16656209		LIGHT BRACKET (2)						2	
9		25325754		CROSS MARKING LIGHT ASM.						2	
10		SM6051602TP		SCREW M5X0.8 L=16						2	
11		16724403		WASHER						2	
12		SM6051202TP		SCREW M5X0.8 L=12						2	
13		WS0510002KN		SPRING WASHER						2	
14	D	G5338116000		CLAMP BOLT						2	
15	D	16698409		STOPPER BOLT						1	
16		16653107		GUIDE COLLAR						1	
17		16653206		POSITIONING PLATE						1	
18		SM6062002TP		SCREW M6 L=20						2	
19		WS0610002KN		SPRING WASHER 6.1X12.2X1.5						2	
20		16724403		WASHER						1	
21		SM6051202TP		SCREW M5X0.8 L=12						1	
22		WS0510002KN		SPRING WASHER						1	
23		16653305		THRUST WASHER						1	
24		16652406		BINDER BRACKET						1	
25		SM6052002TP		SCREW M5 L=20						3	
26	D	G85162310A0		BINDER CABLE ASM.						1	
27		16652505		POSITIONING PIN						1	
28	D	18551002		BINDER BRACKET COVER						1	
29		SM0040601SC		SCREW M4X0.7 L=6						2	
30		16652703		SENSOR BRACKET						1	
31		SM6041002TP		SCREW M4 L=10						2	
32		WP0430800SC		WASHER M4						2	
33		WS0410002KN		SPRING WASHER						2	
34		SM4031201SN		SCREW M3 X 12						2	
35		WP0320500SC		WASHER M3						2	
36		16652802		BINDER SLIDE BASE						1	
37		SM8051402TP		SCREW M5 L=14						4	
38		NM6060001SC		NUT M6						1	
39		16652901		BINDER SHAFT						1	
40		16724502		WASHER						1	
41		SM6081542CP		SCREW M8X1.25 L=15						1	
42		WS0820002KN		SPRING WASHER M8						1	
43		16724007		SLIT COLLAR						1	
44		SM6062502TP		SCREW M6 L=25						1	
45		16653008		STOPPER PIN						1	
46		16722902		KNOB						1	

WELT PATCH SUPPLY COMPONENTS (2) (OPTION)

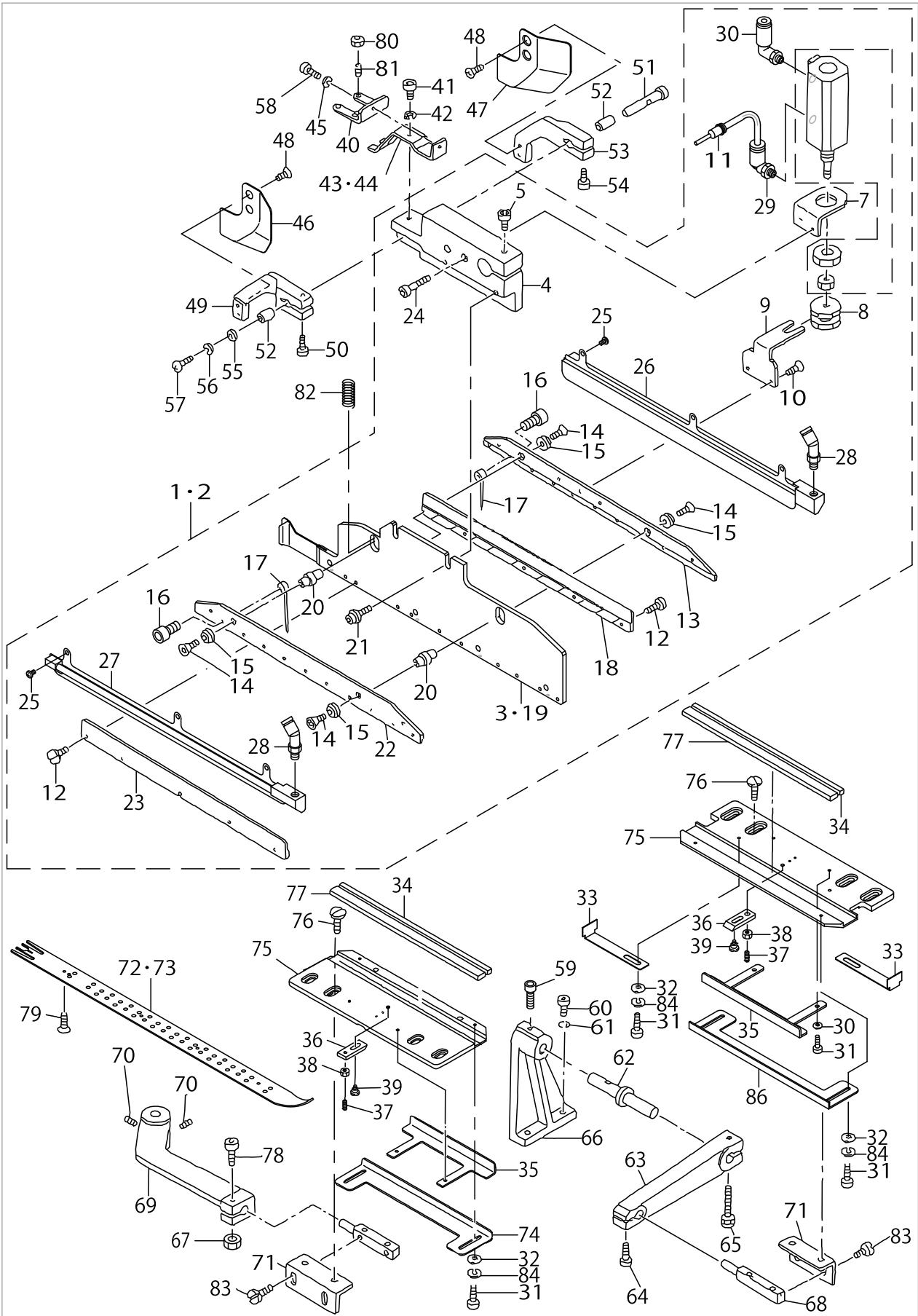




WELT PATCH SUPPLY COMPONENTS (2) (OPTION)

No.	Supply Code	Parts No.	Replacement	Parts name	Remarks	Choice	Step	Level	Cons	Qty	Rep. QTY
47		16723801		SPRING						1	
48		NM6060001SC		NUT M6						1	
49		PV130202200		3-WAY SOLENOID VALVE						3	
50		PV150206000		5-PORT CUT-OVER SOLENOID VALVE						2	
51		PV035148000		MANI HOLD						1	
52		PJ309065101		UNIVERSAL EIBOW						1	
53		PJ304065101		ELBOW UNION 6XPT1/8						1	
54		PX055104000		SILENCER (PT1/8)						2	
55		PJ025100001		1/8 PLUG						2	
56	D	25359159		CABLE ASM.						1	
57	D	25359258		CABLE ASM.						1	
58	D	25359357		CABLE ASM.						1	
59	D	25359456		CABLE ASM.						1	

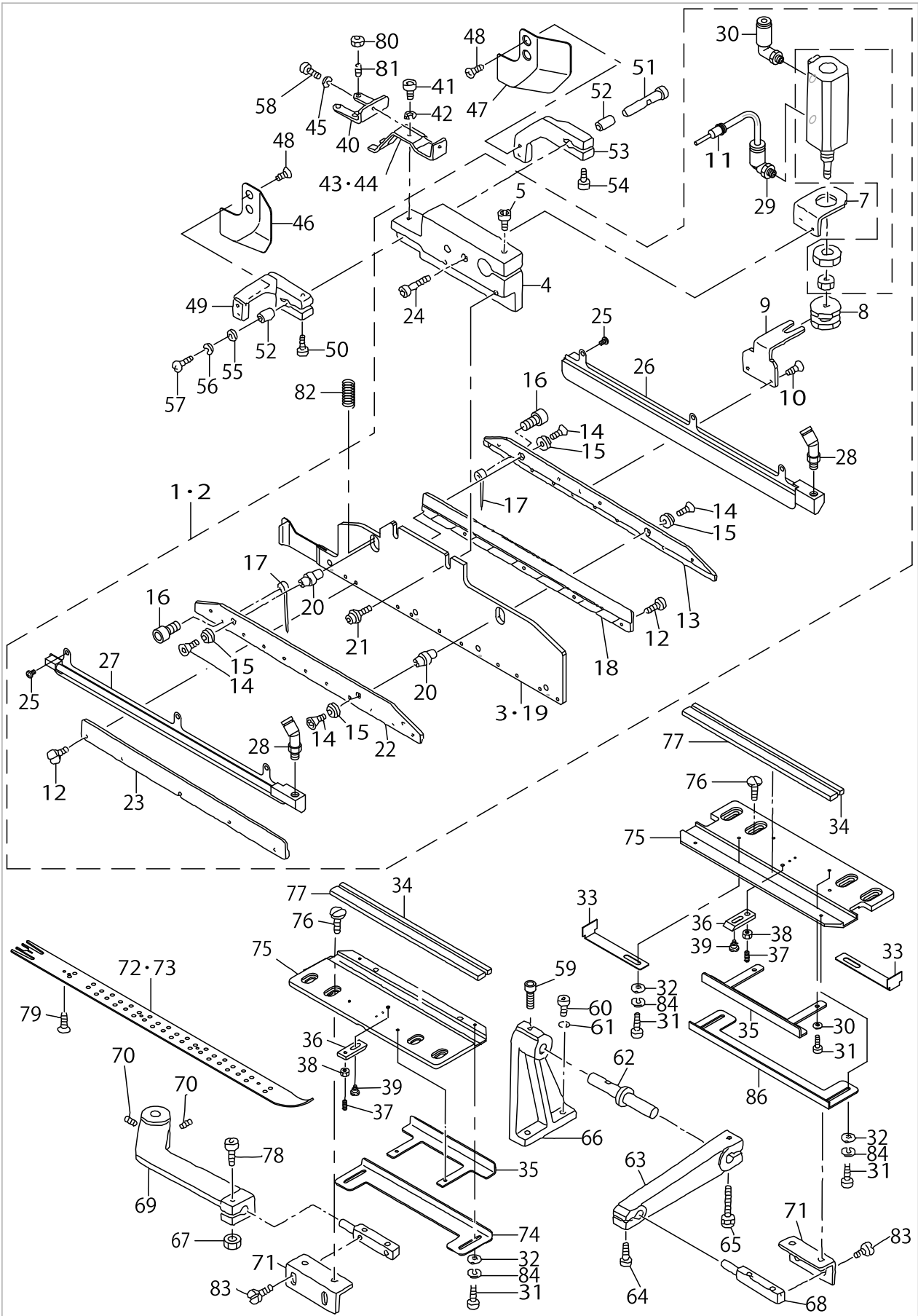
WELT PATCH SUPPLY COMPONENTS (3) (FOR DOUBLE WELT) (OPTION)



WELT PATCH SUPPLY COMPONENTS (3) (FOR DOUBLE WELT) (OPTION)

No.	Supply Code	Parts No.	Replacement	Parts name	Remarks	Choice	Step	Level	Cons	Qty	Rep. QTY
1		25369562		DOUBLE WELT BINDER UNIT, LEFT						1	
2		25369661		DOUBLE WELT BINDER UNIT, RIGHT						1	
3	R	16670309	16670317	BINDER PLATE				*		1	1.00
4	D	16671406		BINDER INSTALLATION BASE				*		1	
5		SM6062502TP		SCREW M6 L=25				*		1	
6	D	PA1500503A0		PIN CYLINDER				*		1	
7		16671604		CYLINDER BRACKET B				*		1	
8	D	16655201		CYLINDER CONNECTOR				*		1	
9	D	16671505		CYLINDER BRACKET A				*		1	
10		SM1041001SC		SCREW M4X0.7 L=10				*		2	
11		PJ020000001		PLUG				*		1	
12		SS5060410SP		SCREW 3/32-56 L=3.5				*		10	
13	D	16670713		NEEDLE				*		1	
14		SM1030601SC		SCREW M3 L=6				*		4	
15		16671109		CAP				*		4	
16		SM6020452TP		HEXAGONAL HOLE BOLT				*		20	
17	D	16671208		NEEDLE				*		20	
18		16670507		NEEDLE GUIDE, RIGHT				*		1	
19	R	16701906	16701914	SPACER				*		1	1.00
20		16671000		SPACER PIN				*		2	
21	D	G5377139000		SCREW M4 L=8				*		2	
22		16670614		NEEDLE PLATE				*		1	
23	D	16670408		NEEDLE GUIDE, LEFT				*		1	
24		SM6042002TP		SCREW M4X0.7 L=20				*		1	
25		SS5060410SP		SCREW 3/32-56 L=3.5				*		6	
26		18565259		NEEDLE COVER WITH PIPE, RIGHT				*		1	
27		18565150		NEEDLE COVER WITH PIPE, LEFT				*		1	
28		PJ309040501		ELBOW UNION				*		2	
29		PJ304040504		ELBOW UNION				*		1	
30		PJ240004300		ELBOW UNION				*		1	
31		SM6030602TP		SCREW M3X0.5 L=6				*		6	
32		WP0320500SC		WASHER M3				*		6	
33		18337501		STOPPER (C)				*		2	
34		16674103		RUBBER				*		1	
35		16705600		WELT PATCH STOPPER (B)				*		1	
36	D	16705709		CHANGE PLATE				*		1	
37		16545105		BALL PLUNGER				*		4	
38		NM6050001SC		NUT M5				*		1	
39		SD0450401SP		HINGE SCREW D= 4.5 H= 4				*		1	
40		16672107		STOPPER BASE				*		1	
41		SM6041002TP		SCREW M4 L=10				*		1	
42		WS0410002KN		SPRING WASHER				*		1	
43		16672206		WORKPIECE GUIDE SPRING A	FOR 8,10,12,14MM			*		1	
44		16672305		WORKPIECE GUIDE SPRING B	FOR 16,18,20MM			*		1	
45		WS0410002KN		SPRING WASHER				*		1	
46		25375205		CLOTH GUIDE A, LEFT				*		1	

WELT PATCH SUPPLY COMPONENTS (3) (FOR DOUBLE WELT) (OPTION)



WELT PATCH SUPPLY COMPONENTS (3) (FOR DOUBLE WELT) (OPTION)

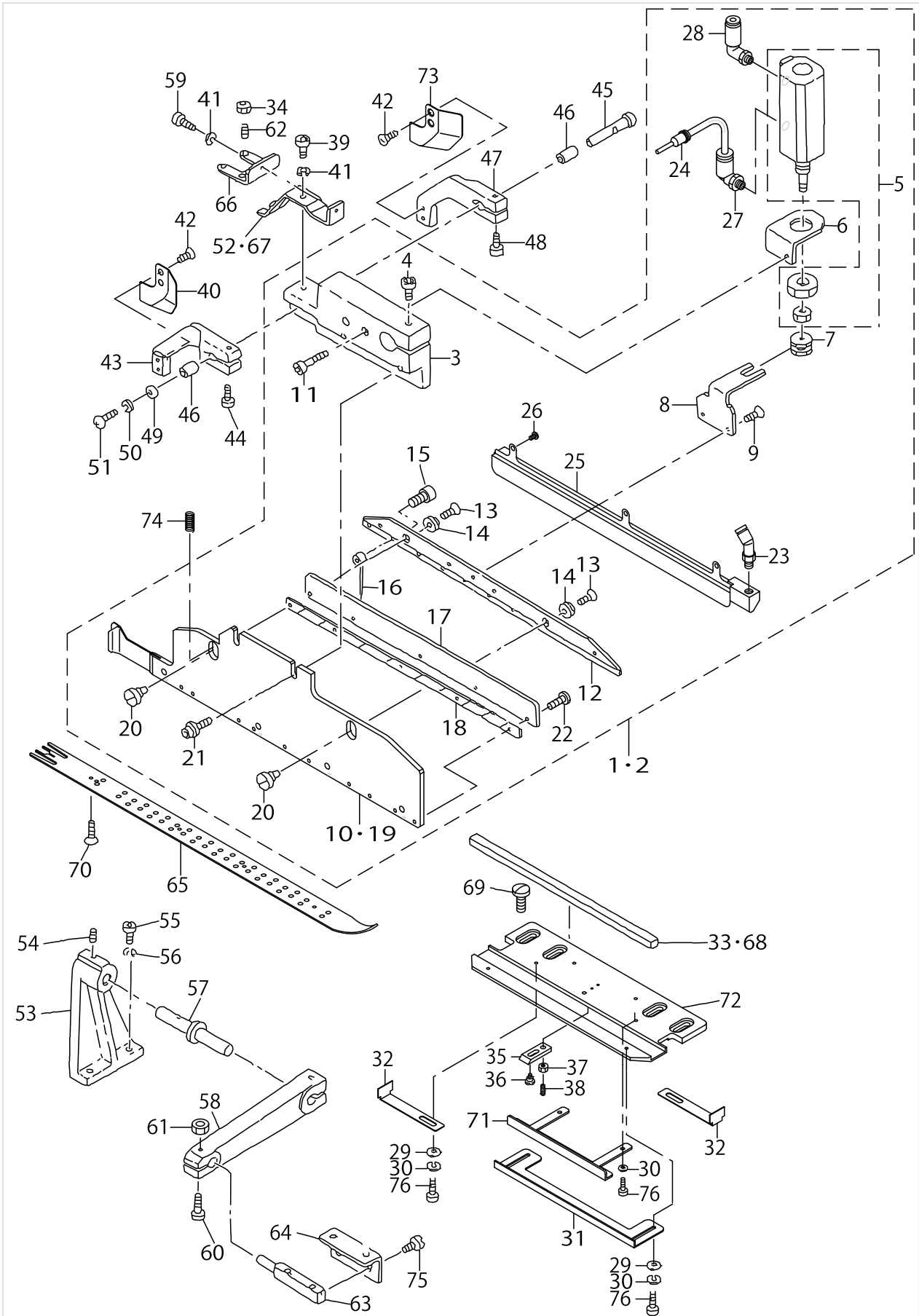
No.	Supply Code	Parts No.	Replacement	Parts name	Remarks	Choice	Step	Level	Cons	Qty	Rep. QTY
47		25375403		WORKPIECE GUIDE B ,RIGHT						1	
48		SS1060610SP		SCREW 3/32-56 L=5.5						4	
49		16672016		CLOTH GUIDE ARM (LEFT)						1	
50		SM6031202TP		SCREW M3X0.5 L=12						1	
51	D	16671703		GUIDE PIN						1	
52		16671802		ARM BUSHING						2	
53	D	16671919		CLOTH GUIDE ARM (RIGHT)						1	
54		SM6031202TP		SCREW M3X0.5 L=12						1	
55	D	G5329116000		WASHER D=8						1	
56		WS0310002KN		SPRING WASHER M3						1	
57		SM4030601SN		SCREW M3 X 6						1	
58		SM6040802TR		SCREW M4X0.7 L=8						1	
59		SM6051602TP		SCREW M5X0.8 L=16						1	
60		SM6052002TP		SCREW M5 L=20						2	
61		WS0510002KN		SPRING WASHER						2	
62		16656605		PIVOT SHAFT						1	
63		16656704		ARM						1	
64		SM6052502TP		SCREW M5X0.8 L=25						1	
65		16655805		POSITIONING PIN B						1	
66		16656506		BASE						1	
67	D	16725608		NUT						1	
68		16656803		BRACKET						2	
69		16657009		ARM						1	
70		SM8050812TP		SCREW M5X8						2	
71		16705808		BRACKET						2	
72	D	25313800		WELT PATCH BASE PLATE	FOR 8,10,12,14MM					1	
73	D	25313909		WELT PATCH BASE PLATE	FOR 8,10,12,14MM					1	
74		16705501		WELT PATCH STOPPER (A)						2	
75		18337402		WELT PATCH HOLDING PLATE						2	
76		SS6111140SP		SCREW 11/64-40L=11						4	
77		16673014		NEEDLE HOLDER RUBBER						2	
78		16657108		POSITIONING PIN						1	
79		G5333119000		SCREW M2 L=4	FOR 8,10,12,14MM					1	
80		NM6040001SC		NUT M4						4	
81		SM8041552TP		SCREW M4 L=15						4	
82		25377409		RETURN SPRING						2	
83		SS6110810TP		SCREW 11/64-40 L=8						4	
84		WS0310002KN		SPRING WASHER M3						6	



WELT PATCH SUPPLY COMPONENTS (4) (FOR SINGLE WELT RIGHT) (OPTION)

No.	Supply Code	Parts No.	Replacement	Parts name	Remarks	Choice	Step	Level	Cons	Qty	Rep. QTY
1	D	25369760		BINDER UNIT, LEFT						1	
2	D	25369869		BINDER UNIT, RIGHT						1	
3	D	16671406		BINDER INSTALLATION BASE				*		1	
4		SM6062502TP		SCREW M6 L=25				*		1	
5	D	PA1500503A0		PIN CYLINDER				*		1	
6		16671604		CYLINDER BRACKET B				*		1	
7	D	16655201		CYLINDER CONNECTOR				*		1	
8	D	16671505		CYLINDER BRACKET A				*		1	
9		SM1041001SC		SCREW M4X0.7 L=10				*		2	
10	R	16670309	16670317	BINDER PLATE				*		1	1.00
11		SM6042002TP		SCREW M4X0.7 L=20				*		2	
12		16673410		NEEDLE PLATE				*		1	
13		SM1030601SC		SCREW M3 L=6				*		2	
14		16671109		CAP				*		2	
15		SM6020452TP		HEXAGONAL HOLE BOLT				*		20	
16	D	16671208		NEEDLE				*		20	
17		16673600		GUIDE COVER				*		1	
18	D	16673303		NEEDLE GUIDE				*		1	
19	R	16701906	16701914	SPACER				*		1	1.00
20	D	16673709		SPACER PIN				*		2	
21	D	G5377139000		SCREW M4 L=8				*		2	
22		SS7060610SP		SCREW 3/32-56 L=5.5				*		5	
23		PJ309040501		ELBOW UNION				*		1	
24		PJ020000001		PLUG				*		1	
25	D	18565457		NEEDLE COVER ASM.				*		1	
26		SS5060410SP		SCREW 3/32-56 L=3.5				*		3	
27		PJ304040504		ELBOW UNION				*		1	
28		PJ240004300		ELBOW UNION				*		1	
29		WP0320500SC		WASHER M3						2	
30		WS0310002KN		SPRING WASHER M3						2	
31		16705600		WELT PATCH STOPPER (B)						1	
32		18337501		STOPPER (C)						2	
33		16673014		NEEDLE HOLDER RUBBER						1	
34		NM6040001SC		NUT M4						4	
35	D	16705709		CHANGE PLATE						1	
36		16545105		BALL PLUNGER						1	
37		NM6050001SC		NUT M5						1	
38		SD0450401SP		HINGE SCREW D= 4.5 H= 4						1	
39		SM6041002TP		SCREW M4 L=10						1	
40		25375205		CLOTHGUIDE A,LEFT						1	
41		WS0410002KN		SPRING WASHER						1	
42		SS1060610SP		SCREW 3/32-56 L=5.5						4	
43		16672016		CLOTH GUIDE ARM (LEFT)						1	
44		SM6041002TP		SCREW M4 L=10						1	
45	D	16671703		GUIDE PIN						1	
46		16671802		ARM BUSHING						1	

WELT PATCH SUPPLY COMPONENTS (4) (FOR SINGLE WELT RIGHT) (OPTION)

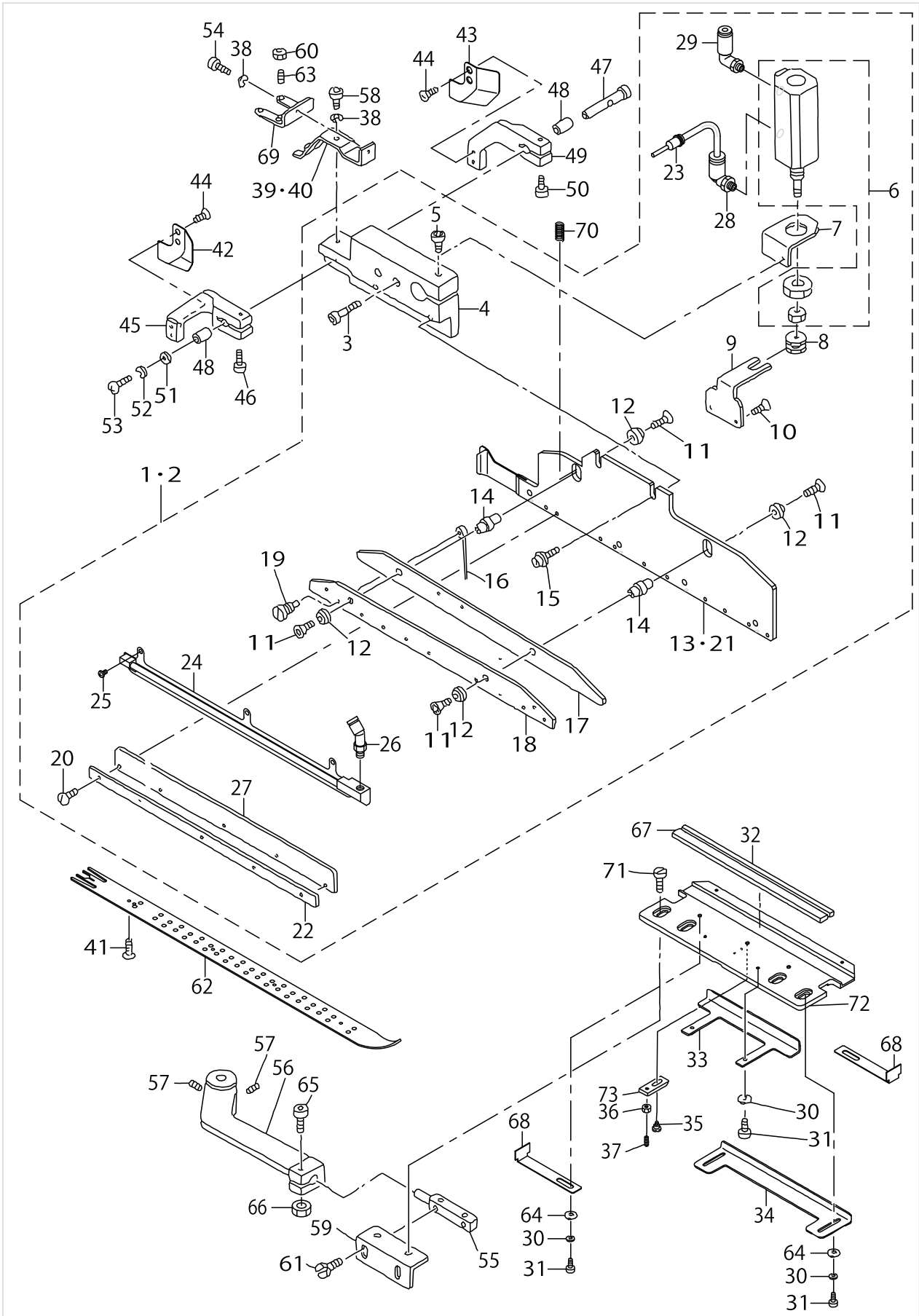




WELT PATCH SUPPLY COMPONENTS (4) (FOR SINGLE WELT RIGHT) (OPTION)

No.	Supply Code	Parts No.	Replacement	Parts name	Remarks	Choice	Step	Level	Cons	Qty	Rep. QTY
47	D	16671919		CLOTH GUIDE ARM (RIGHT)						1	
48		SM6041002TP		SCREW M4 L=10						1	
49	D	G5329116000		WASHER D=8						1	
50		WS0310002KN		SPRING WASHER M3						1	
51		SM4030601SN		SCREW M3 X 6						1	
52		16672206		WORKPIECE GUIDE SPRING A	FOR 8,10,12,14MM					1	
53		16656506		BASE						1	
54		SM8051002TP		SCREW M5 L=10						1	
55		SM6052002TP		SCREW M5 L=20						2	
56		WS0510002KN		SPRING WASHER						2	
57		16656605		PIVOT SHAFT						1	
58		16656704		ARM						1	
59		SM6040802TP		SCREW M4X0.7 L=8						4	
60		16655805		POSITIONING PIN B						1	
61	D	16725608		NUT						1	
62		SM8041552TP		SCREW M4 L=15						4	
63		16656803		BRACKET						1	
64		16705808		BRACKET						1	
65		25315904		WELT PATCH BASE PLATE	FOR 8,10,12,14MM					1	
66		16672107		STOPPER BASE						1	
67		16672305		WORKPIECE GUIDE SPRING B	FOR 16,18,20MM					1	
68		16674103		RUBBER						1	
69		SS6111140SP		SCREW 11/64-40L=11						2	
70		G5333119000		SCREW M2 L=4						4	
71		16705501		WELT PATCH STOPPER (A)						1	
72		18337402		WELT PATCH HOLDING PLATE						1	
73		25375304		WORKPIECE GUIDE A ,RIGHT						1	
74		25377409		RETURN SPRING						1	
75		SS6110810TP		SCREW 11/64-40 L=8						2	
76		SM6030602TP		SCREW M3X0.5 L=6						2	

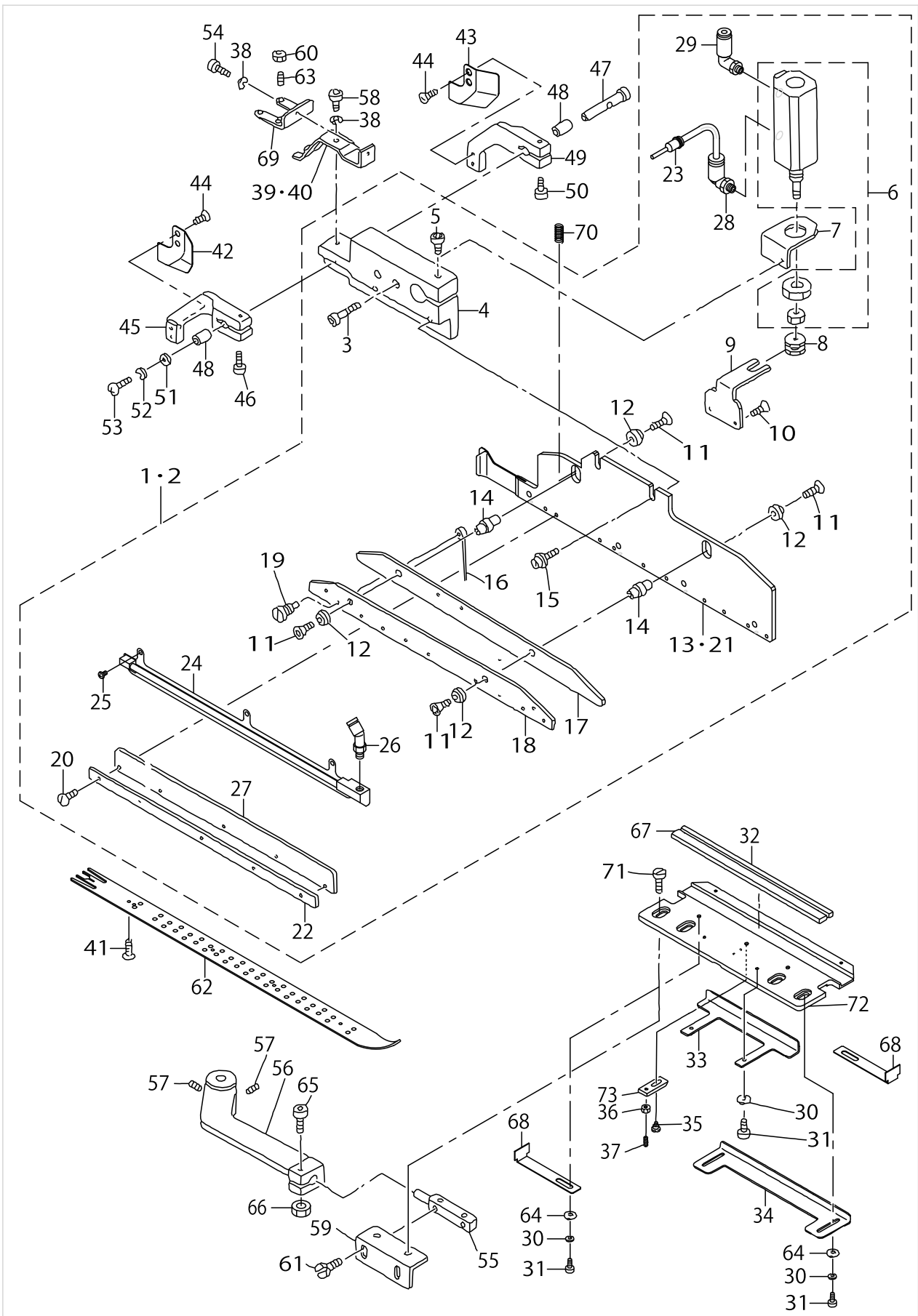
WELT PATCH SUPPLY COMPONENTS (5) (FOR SINGLE WELT LEFT) (OPTION)



WELT PATCH SUPPLY COMPONENTS (5) (FOR SINGLE WELT LEFT) (OPTION)

No.	Supply Code	Parts No.	Replacement	Parts name	Remarks	Choice	Step	Level	Cons	Qty	Rep. QTY
1		25369968		BINDER UNIT, LEFT						1	
2		25370065		LEFT SINGLE WELT BINDER UNIT						1	
3		SM6042002TP		SCREW M4X0.7 L=20				*		2	
4	D	16671406		BINDER INSTALLATION BASE				*		1	
5		SM6062502TP		SCREW M6 L=25				*		1	
6	D	PA1500503A0		PIN CYLINDER				*		1	
7		16671604		CYLINDER BRACKET B				*		1	
8	D	16655201		CYLINDER CONNECTOR				*		1	
9	D	16671505		CYLINDER BRACKET A				*		1	
10		SM1041001SC		SCREW M4X0.7 L=10				*		2	
11		SM1030601SC		SCREW M3 L=6				*		4	
12		16671109		CAP				*		4	
13	R	16670309	16670317	BINDER PLATE				*		1	1.00
14		16671000		SPACER PIN				*		2	
15	D	G5377139000		SCREW M4 L=8				*		2	
16	D	16671208		NEEDLE				*		20	
17		16674400		NEEDLE GUIDE SPACER				*		1	
18	D	16674210		NEEDLE PLATE				*		1	
19		SM6020452TP		HEXAGONAL HOLE BOLT				*		20	
20		SS7060610SP		SCREW 3/32-56 L=5.5				*		5	
21	R	16701906	16701914	SPACER				*		1	1.00
22	D	16673303		NEEDLE GUIDE				*		1	
23		PJ020000001		PLUG				*		1	
24		18565358		NEEDLE COVER ASM., LEFT				*		1	
25		SS5060410SP		SCREW 3/32-56 L=3.5				*		3	
26		PJ309040501		ELBOW UNION				*		1	
27		16673600		GUIDE COVER				*		1	
28		PJ304040504		ELBOW UNION				*		1	
29		PJ240004300		ELBOW UNION				*		1	
30		WS0310002KN		SPRING WASHER M3						2	
31		SM6030602TP		SCREW M3X0.5 L=6						2	
32		16674103		RUBBER						2	
33		16705501		WELT PATCH STOPPER (A)						1	
34		18337501		STOPPER (C)						4	
35		16545105		BALL PLUNGER						1	
36		NM6050001SC		NUT M5						1	
37		SD0450401SP		HINGE SCREW D= 4.5 H= 4						1	
38		WS0410002KN		SPRING WASHER						1	
39		16672206		WORKPIECE GUIDE SPRING A	FOR 8,10,12,14MM					1	
40		16672305		WORKPIECE GUIDE SPRING B	FOR 16,18,20MM					1	
41		G5333119000		SCREW M2 L=4						1	
42		25375205		CLOTH GUIDE A ,LEFT						1	
43		25375304		WORKPIECE GUIDE A ,RIGHT						1	
44		SS1060610SP		SCREW 3/32-56 L=5.5						4	
45		16672016		CLOTH GUIDE ARM (LEFT)						1	
46		SM6031202TP		SCREW M3X0.5 L=12						1	

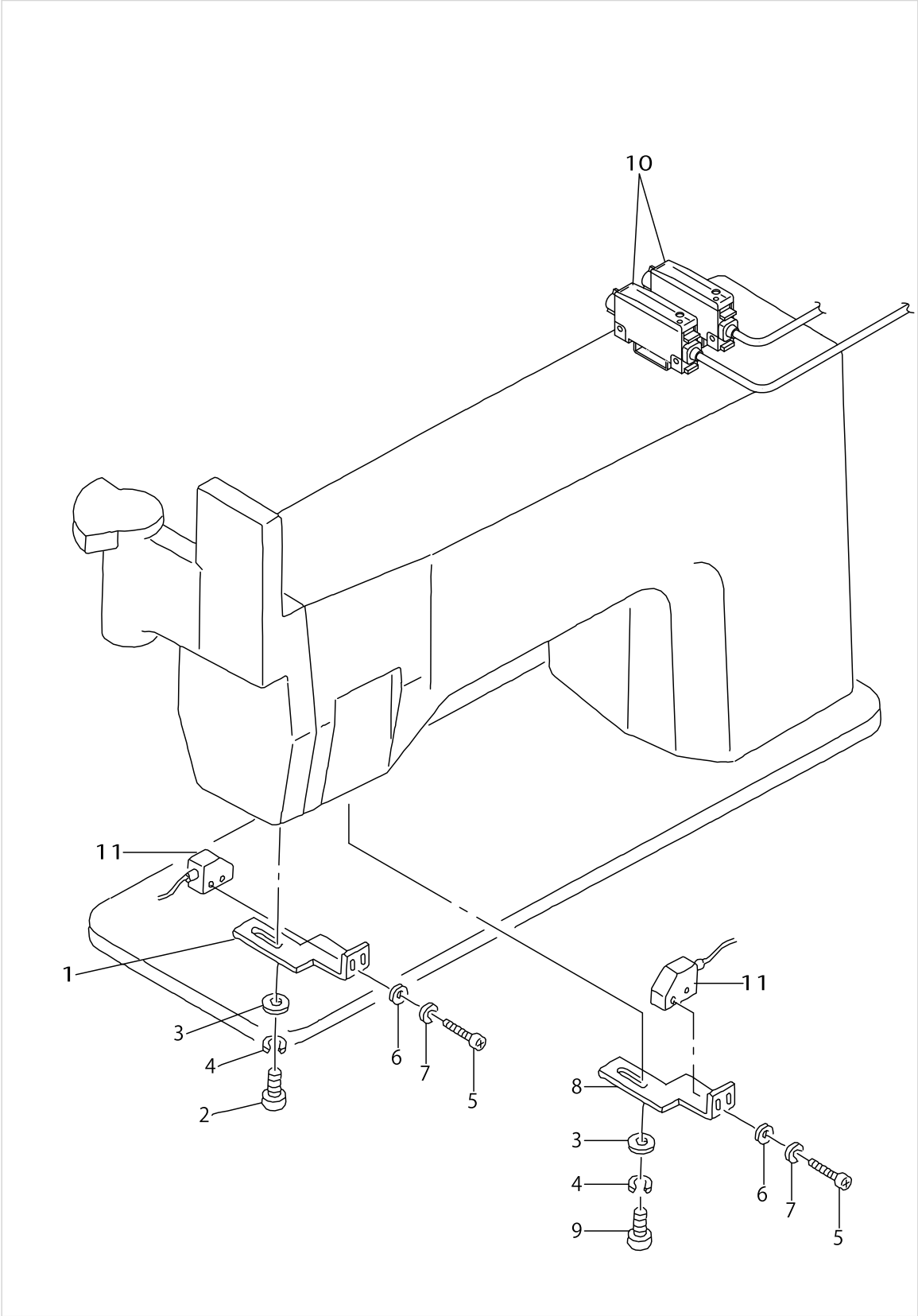
WELT PATCH SUPPLY COMPONENTS (5) (FOR SINGLE WELT LEFT) (OPTION)



WELT PATCH SUPPLY COMPONENTS (5) (FOR SINGLE WELT LEFT) (OPTION)

No.	Supply Code	Parts No.	Replacement	Parts name	Remarks	Choice	Step	Level	Cons	Qty	Rep. QTY
47	D	16671703		GUIDE PIN						1	
48		16671802		ARM BUSHING						2	
49	D	16671919		CLOTH GUIDE ARM (RIGHT)						1	
50		SM6031202TP		SCREW M3X0.5 L=12						1	
51	D	G5329116000		WASHER D=8						1	
52		WS0310002KN		SPRING WASHER M3						1	
53		SM4030601SN		SCREW M3 X 6						1	
54		SM6040802TR		SCREW M4X0.7 L=8						1	
55		16656803		BRACKET						1	
56		16657009		ARM						1	
57		SM6061602TP		SCREW M6 L=16						2	
58		SM6041002TP		SCREW M4 L=10						1	
59		16705808		BRACKET						1	
60		NM6040001SC		NUT M4						1	
61		SS6110810TP		SCREW 11/64-40 L=8						2	
62		25315201		WELT PATCH BASE PLATE	FOR 8,10,12,14MM					1	
63		SM8041552TP		SCREW M4 L=15						4	
64		WP0320500SC		WASHER M3						1	
65		16657108		POSITIONING PIN						1	
66	D	16725608		NUT						1	
67		16674103		RUBBER						1	
68		18337501		STOPPER (C)						2	
69		16672107		STOPPER BASE						1	
70		25377409		RETURN SPRING						2	
71		SS6111140SP		SCREW 11/64-40L=11						2	
72		18337402		WELT PATCH HOLDING PLATE						1	
73	D	16705709		CHANGE PLATE						1	

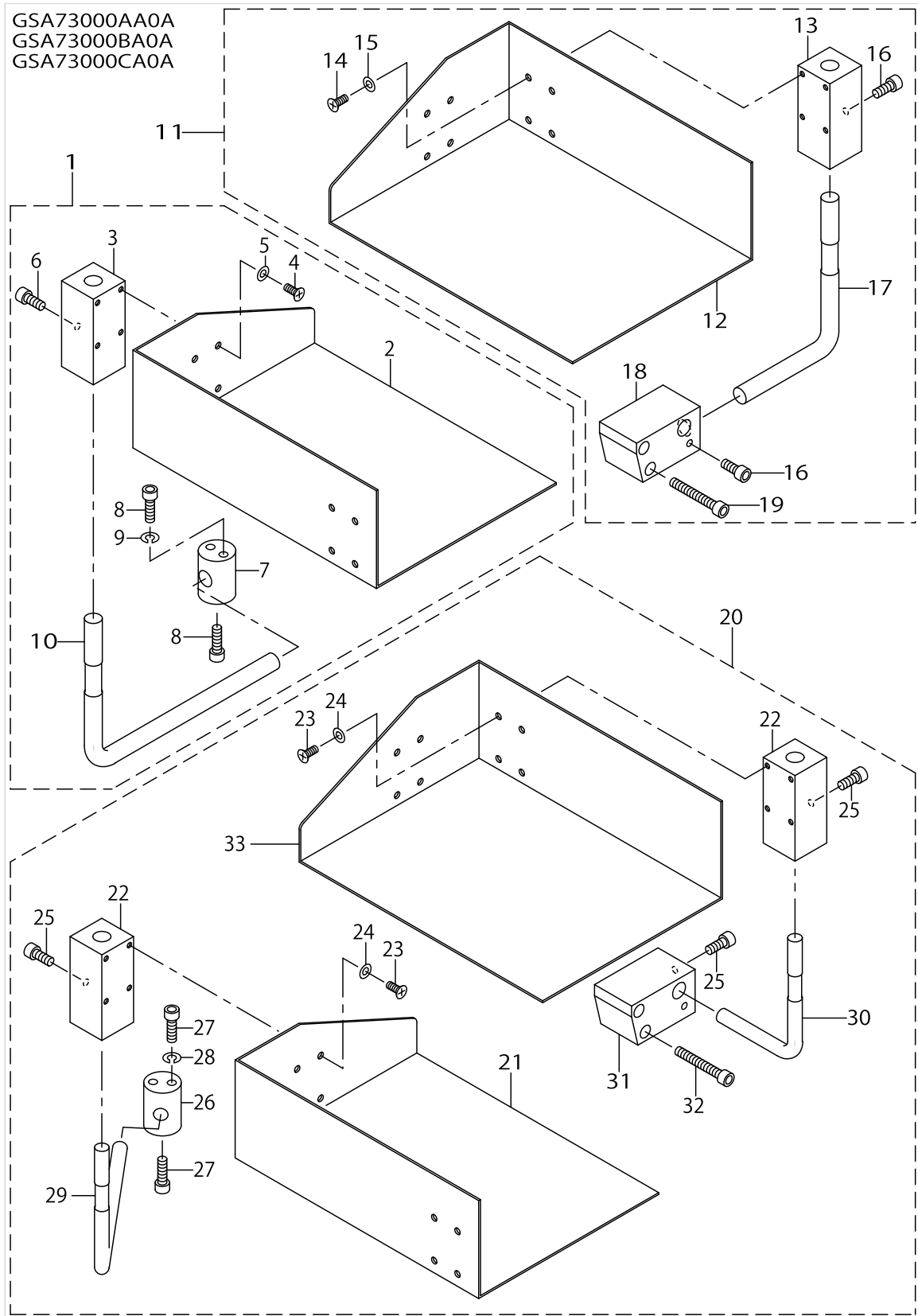
WELT PATCH SUPPLY COMPONENTS (6) (OPTION)



WELT PATCH SUPPLY COMPONENTS (6) (OPTION)

No.	Supply Code	Parts No.	Replacement	Parts name	Remarks	Choice	Step	Level	Cons	Qty	Rep. QTY
1		18551507		SENSOR BRACKET (1) LEFT						1	
2		SM6040802TP		SCREW M4X0.7 L=8						2	
3		WP0430800SC		WASHER M4						4	
4		WS0410002KN		SPRING WASHER						4	
5	D	SM3031000SC		SCREW M3X0.5 L=10						4	
6		WP0320500SC		WASHER M3						4	
7		WS0310002KN		SPRING WASHER M3						4	
8		18551606		SENSOR BRACKET (1) RIGHT						1	
9		SS6091022TP		SCREW						2	
10		25323155		CABLE ASM.						2	
11	D	25326000		FLAP FIBER UNIT						2	

SA-73N:AUXILIARY PLASING BASE (OPTION)



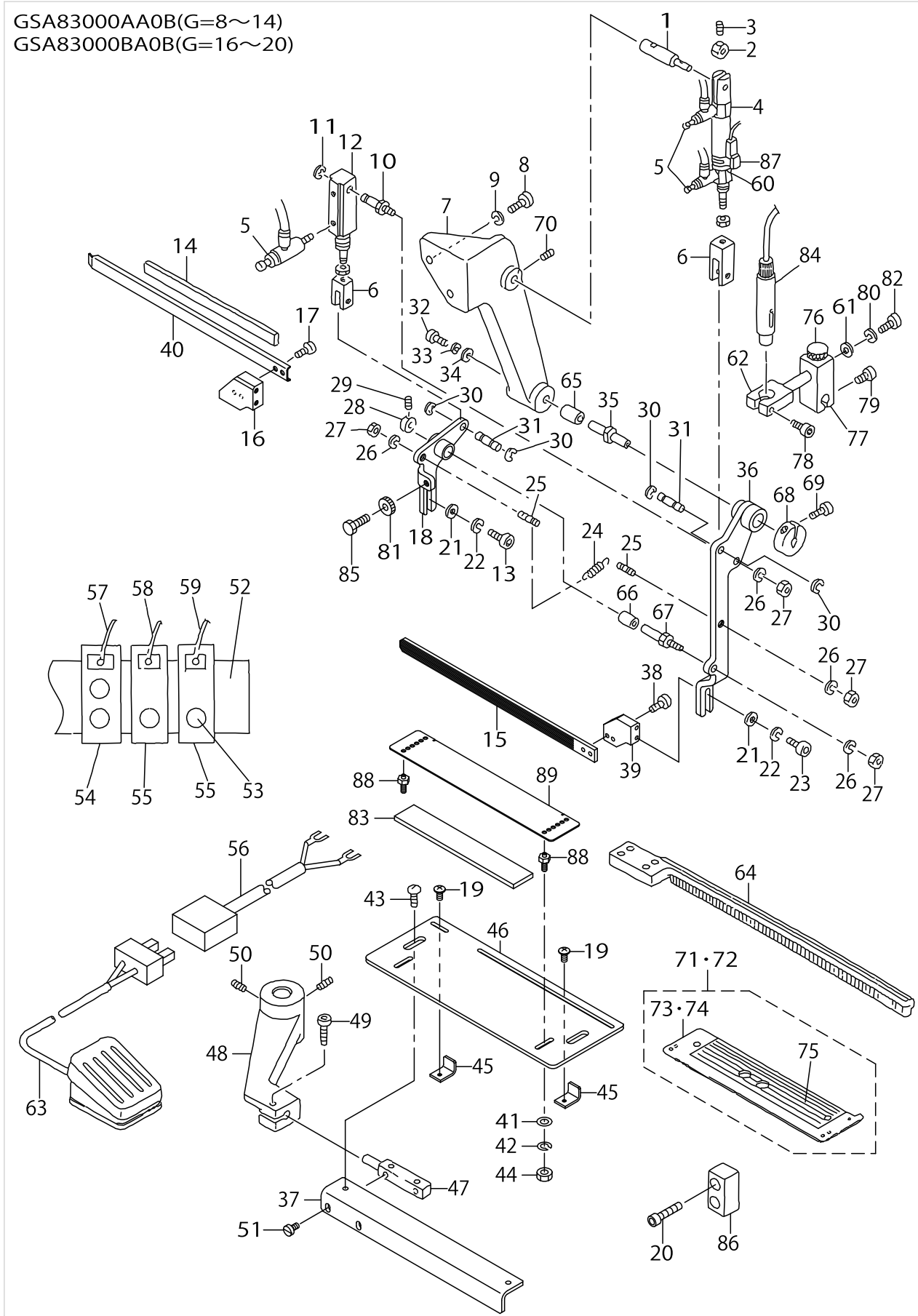


SA-73N:AUXILIARY PLASING BASE (OPTION)

No.	Supply Code	Parts No.	Replacement	Parts name	Remarks	Choice	Step	Level	Cons	Qty	Rep. QTY
1	D	GSA73000AA0		AUXILIARY PLACING BASE ASM.(L)						1	
2		25375601		AUXILIARY PLACING BASE (L)				*		1	
3		18583807		PLACING BASE METAL				*		1	
4		SM1041001SC		SCREW M4X0.7 L=10				*		4	
5		18588202		WASHER				*		4	
6		SM6051202TP		SCREW M5X0.8 L=12				*		1	
7		16804700		POCKET CLOTH BRACKET				*		1	
8		SM6051602TP		SCREW M5X0.8 L=16				*		2	
9		WS0510002KN		SPRING WASHER				*		2	
10		16804908		POCKET BAG HOLDING L ROD				*		1	
11		GSA73000BA0		AUXILIARY PLACING BASE ASM.(R)						1	
12		25375700		AUXILIARY PLACING BASE ASM.(R)				*		1	
13		18583807		PLACING BASE METAL				*		1	
14		SM1041001SC		SCREW M4X0.7 L=10				*		4	
15		18588202		WASHER				*		4	
16		SM6051202TP		SCREW M5X0.8 L=12				*		1	
17		18583906		L ROD				*		1	
18		18584003		BRACKET				*		1	
19		SM6053502TP		BOLT				*		2	
20		GSA73000CA0		AUXILIARY PLACING BASE ASM.(D)						1	
21		25375601		AUXILIARY PLACING BASE (L)				*		1	
22		18583807		PLACING BASE METAL				*		2	
23		SM1041001SC		SCREW M4X0.7 L=10				*		8	
24		18588202		WASHER				*		8	
25		SM6051202TP		SCREW M5X0.8 L=12				*		2	
26		16804700		POCKET CLOTH BRACKET				*		1	
27		SM6051602TP		SCREW M5X0.8 L=16				*		2	
28		WS0510002KN		SPRING WASHER				*		2	
29		16804908		POCKET BAG HOLDING L ROD				*		1	
30		18583906		L ROD				*		1	
31		18584003		BRACKET				*		1	
32		SM6053502TP		BOLT				*		2	
33		25375700		AUXILIARY PLACING BASE ASM.(R)				*		1	

SA-83N:AUTOMATIC FLAP FEEDING UNIT (LEFT) (OPTION)

GSA83000AA0B(G=8~14)  
 GSA83000BA0B(G=16~20)

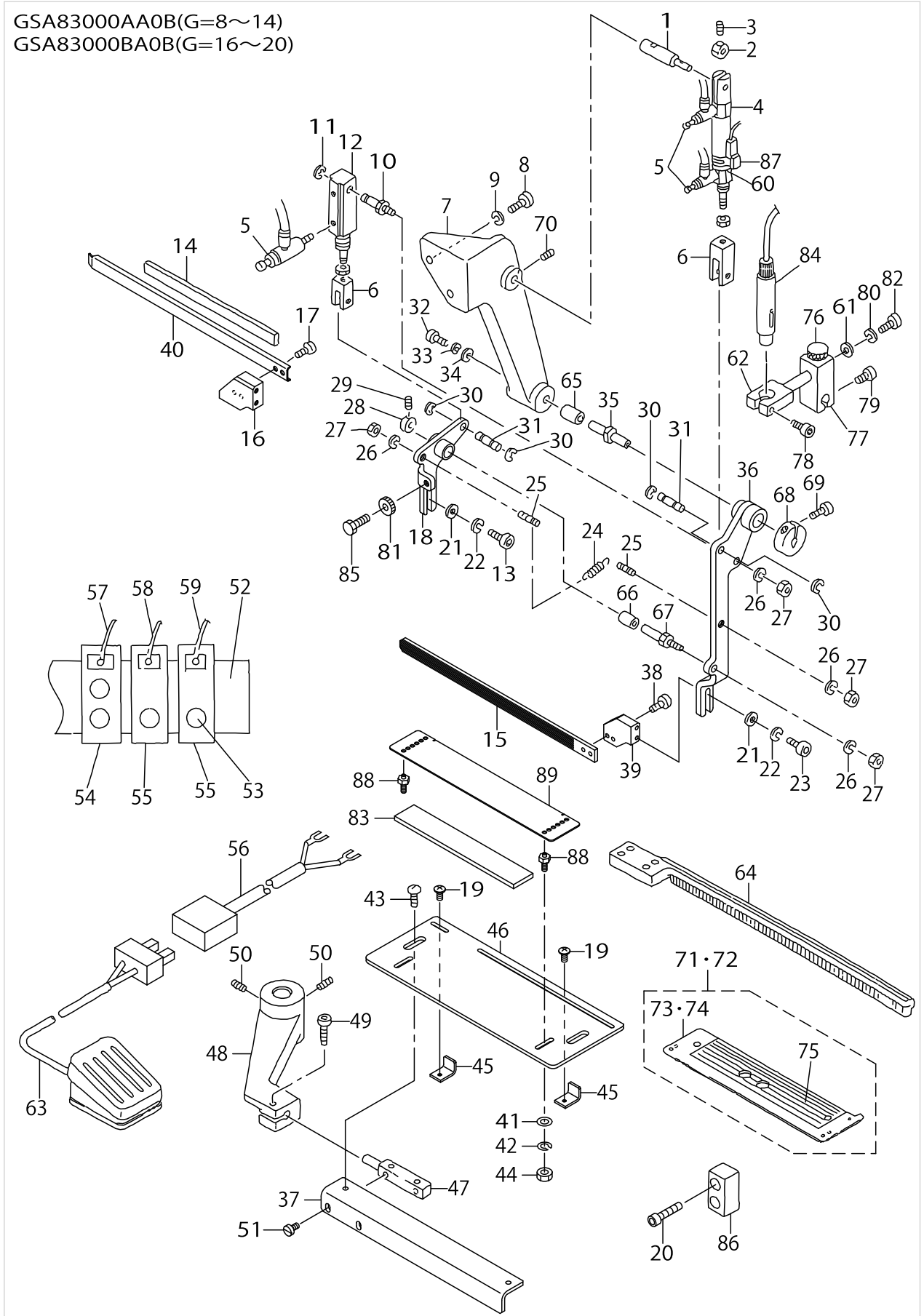


## SA-83N:AUTOMATIC FLAP FEEDING UNIT (LEFT) (OPTION)

No.	Supply Code	Parts No.	Replacement	Parts name	Remarks	Choice	Step	Level	Cons	Qty	Rep. QTY
1	D	16658601		CYLINDER PIN A						1	
2		16658700		COLLAR B						1	
3		SM8040602TP		SCREW M4X0.7 L=6						1	
4		PA1603501A0		AIR CYLINDER						1	
5		PC010508000		SPEED CONTROLLER						4	
6	D	16658809		KNUCKLE JOINT						1	
7	D	16657207		PIVOT BRACKET, LEFT						1	
8		SM6062502TP		SCREW M6 L=25						2	
9		WS0610002KN		SPRING WASHER 6.1X12.2X1.5						2	
10	D	16659005		CYLINDER PIN B						1	
11		RC0560711KP		RETAINING RING						1	
12	D	16728602		FLAP CLAMP CYLINDER						1	
13		SM6041202TP		SCREW M4X0.7 L=12						2	
14		16658007		CLAMP SPONGE						1	
15		25401100		FLAP CLAMP (B)						1	
16		25377904		CLAMP FITTING BASE BKT (B)						1	
17		SS4090515SP		SCREW 9/64-40 L=5						2	
18		25377706		CLAMP ARM (B)						1	
19		SM0030601SC		SCREW M3X0.5 L=6						2	
20		SM6041802TP		SCREW M4 L=18						2	
21		WP0430800SC		WASHER M4						4	
22		WS0410002KN		SPRING WASHER						4	
23		SM6041002TP		SCREW M4 L=10						2	
24		16659203		SPRING						1	
25	D	16659104		ANCHOR						2	
26		WS0610002KN		SPRING WASHER 6.1X12.2X1.5						4	
27		NM6060001SC		NUT M6						4	
28	D	16658502		COLLAR A						1	
29		SM8040602TP		SCREW M4X0.7 L=6						1	
30		RC0560711KP		RETAINING RING						4	
31		16658908		PIN						2	
32		SM6041202TP		SCREW M4X0.7 L=12						1	
33		WS0410002KN		SPRING WASHER						1	
34	D	16724700		WASHER						1	
35	D	16658205		PIVOT PIN A						1	
36		25377607		CLAMP ARM (B)						1	
37		25374000		BRACKET ,LEFT						1	
38		SS4090815SP		SCREW 9/64-40 L=8						2	
39		25377805		CLAMP FITTING BKT (A)						1	
40		25401001		FLAP CLAMP (A)						1	
41		WP0430800SC		WASHER M4						2	
42		WS0410002KN		SPRING WASHER						2	
43		SS5110710SP		SCREW 11/64-40 L=7						2	
44		NM6040001SC		NUT M4						2	
45		25374505		FLAP STOPPER						2	
46		25374109		FLAP SET PLATE						1	

SA-83N:AUTOMATIC FLAP FEEDING UNIT (LEFT) (OPTION)

GSA83000AA0B(G=8~14)  
 GSA83000BA0B(G=16~20)

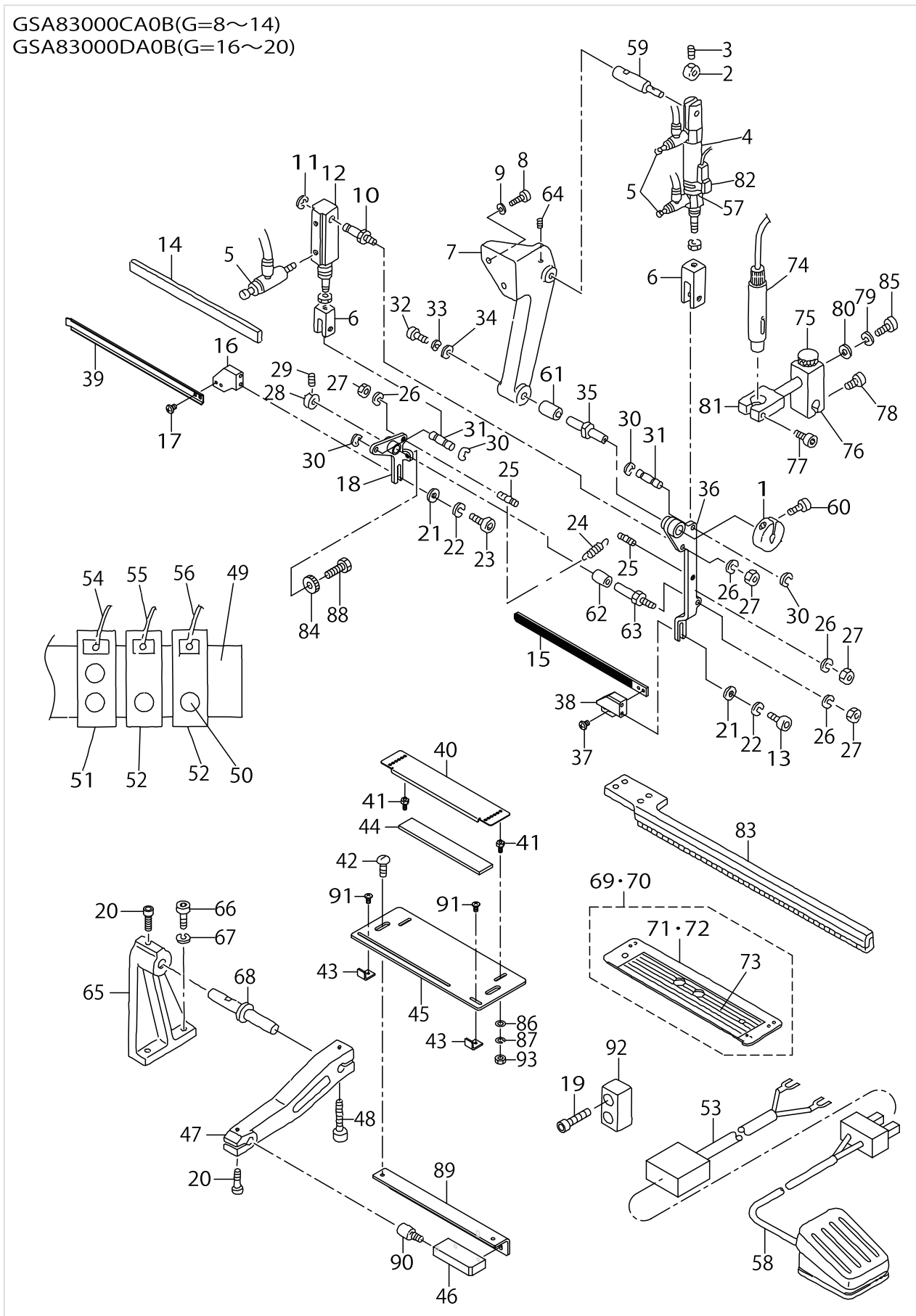


SA-83N:AUTOMATIC FLAP FEEDING UNIT (LEFT) (OPTION)

No.	Supply Code	Parts No.	Replacement	Parts name	Remarks	Choice	Step	Level	Cons	Qty	Rep. QTY
47		16656803		BRACKET						1	
48	D	16659302		FLAP SET ARM, LEFT						1	
49		SM6052002TP		SCREW M5 L=20						1	
50		SM8061202TP		SCREW M6 L=12						2	
51		SS6110810TP		SCREW 11/64-40 L=8						2	
52		18586909		MANIHOLD BASE						1	
53		PJ304040505		ELBOW						1	
54		PV150206000		5-PORT CUT-OVER SOLENOID VALVE						1	
55		PV130202200		3-WAY SOLENOID VALVE						2	
56		25324955		CABLE ASM.						1	
57		25359753		CABLE ASM.						1	
58		25359654		CABLE ASM.						1	
59		25359555		CABLE ASM.						1	
60		PX5000480A0		SWITCH FITTING METAL						1	
61		16724403		WASHER						1	
62		16806903		BRACKET (3)						1	
63	D	25323957		CABLE ASM.						1	
64	D	16697302		FLAP PRESSER, LEFT						1	
65	D	16657504		BUSHING A						1	
66	D	16657603		FULCRUM SHAFT BUSH B						1	
67		16658403		FULCRUM PIN B						1	
68		16613903		SPLIT COLLAR						1	
69	R	SS7111120SP	SS7111120TP	SCREW 11/64-40 L=10.5						1	1.00
70		SM8051002TP		SCREW M5 L=10						1	
71		25375858		FLAP BASE ASM. ,LEFT	FOR 8,10,12,14MM					1	
72		25375957		FLAP BASE ASM. ,LEFT	FOR 16,18,20MM					1	
73		25375809		FLAP BASE ,LEFT	FOR 8,10,12,14MM			*		1	
74		25375908		FLAP BASE ,LEFT	FOR 16,18,20MM			*		1	
75	D	25299108		SCALE SEAL				*		1	
76	D	G5338116000		CLAMP BOLT						1	
77		16656100		LIGHT BRACKET (1)						1	
78		SM6052502TP		SCREW M5X0.8 L=25						1	
79		SM6051602TP		SCREW M5X0.8 L=16						1	
80		WS0510002KN		SPRING WASHER						1	
81		18589101		KNURLING KNOB						1	
82		SM6051202TP		SCREW M5X0.8 L=12						2	
83		25374406		MAGNET RUBBER						1	
84	R	25035957	25325754	LIGHT ASM.						1	1.00
85		18565101		STOPPER BOLT						1	
86	D	16697401		SPACER						1	
87		25324054		CABLE ASM.						1	
88	D	25374208		SCALE FITTING PIN						2	
89		25374307		FLAP SCALE						1	

SA-83N:AUTOMATIC FLAP FEEDING UNIT (RIGHT) (OPTION)

GSA83000CA0B(G=8~14)  
 GSA83000DA0B(G=16~20)

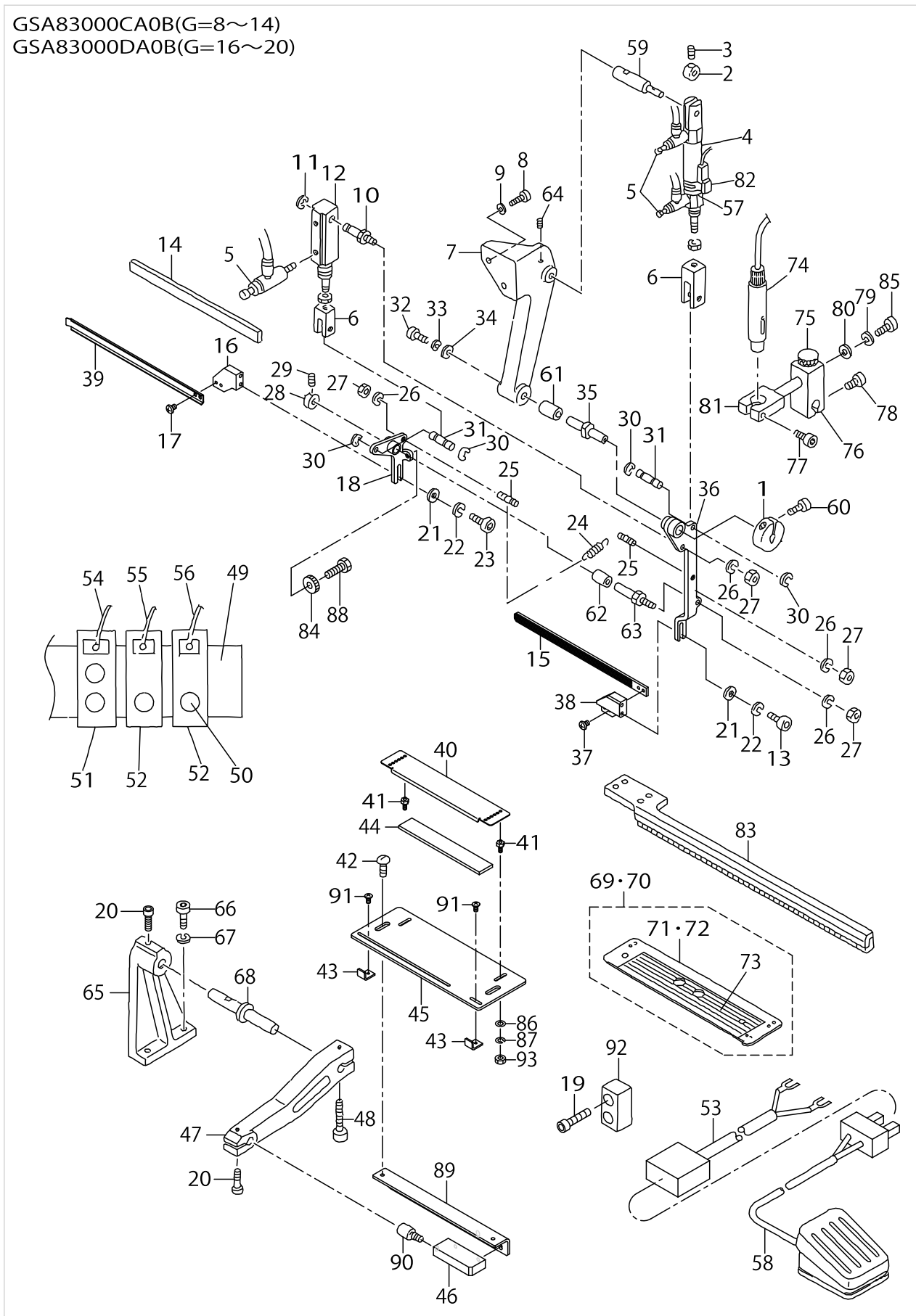


## SA-83N:AUTOMATIC FLAP FEEDING UNIT (RIGHT) (OPTION)

No.	Supply Code	Parts No.	Replacement	Parts name	Remarks	Choice	Step	Level	Cons	Qty	Rep. QTY
1		16613903		SPLIT COLLAR						1	
2		16658700		COLLAR B						1	
3		SM8040602TP		SCREW M4X0.7 L=6						1	
4		PA1603501A0		AIR CYLINDER						1	
5		PC010508000		SPEED CONTROLLER						4	
6	D	16658809		KNUCKLE JOINT						2	
7	D	16659708		FULCRUM BRACKET, RIGHT						1	
8		SM6062502TP		SCREW M6 L=25						2	
9		WS0610002KN		SPRING WASHER 6.1X12.2X1.5						2	
10	D	16659005		CYLINDER PIN B						1	
11		RC0560711KP		RETAINING RING						1	
12	D	16728602		FLAP CLAMP CYLINDER						1	
13		SM6041002TP		SCREW M4 L=10						2	
14		16658007		CLAMP SPONGE						1	
15		25401100		FLAP CLAMP (B)						1	
16		25401506		CLAMP FITTING BRACKET (D)						1	
17		SS4090515SP		SCREW 9/64-40 L=5						2	
18		25401308		CLAMP ARM (D)						1	
19		SM6042002TP		SCREW M4X0.7 L=20						2	
20		SM6051602TP		SCREW M5X0.8 L=16						2	
21		WP0430800SC		WASHER M4						4	
22		WS0410002KN		SPRING WASHER						4	
23		SM6041202TP		SCREW M4X0.7 L=12						2	
24		16659203		SPRING						1	
25	D	16659104		ANCHOR						2	
26		WS0610002KN		SPRING WASHER 6.1X12.2X1.5						4	
27		NM6060001SC		NUT M6						4	
28	D	16658502		COLLAR A						1	
29		SM8040602TP		SCREW M4X0.7 L=6						1	
30		RC0560711KP		RETAINING RING						4	
31		16658908		PIN						2	
32		SM6041202TP		SCREW M4X0.7 L=12						1	
33		WS0410002KN		SPRING WASHER						1	
34	D	16724700		WASHER						1	
35	D	16658205		PIVOT PIN A						1	
36		25401209		CLAMP ARM (C)						1	
37		SS4090815SP		SCREW 9/64-40 L=8						2	
38		25401407		CLAMP FITTING BKT (C)						1	
39		25401001		FLAP CLAMP (A)						1	
40		25374307		FLAP SCALE						1	
41	D	25374208		SCALE FITTING PIN						1	
42		SS5110710SP		SCREW 11/64-40 L=7						2	
43		25374505		FLAP STOPPER						2	
44		25374406		MAGNET RUBBER						1	
45		25374109		FLAP SET PLATE						1	
46		25374703		FITTING BRACKET ,RIGHT						1	

SA-83N:AUTOMATIC FLAP FEEDING UNIT (RIGHT) (OPTION)

GSA83000CA0B(G=8~14)  
 GSA83000DA0B(G=16~20)



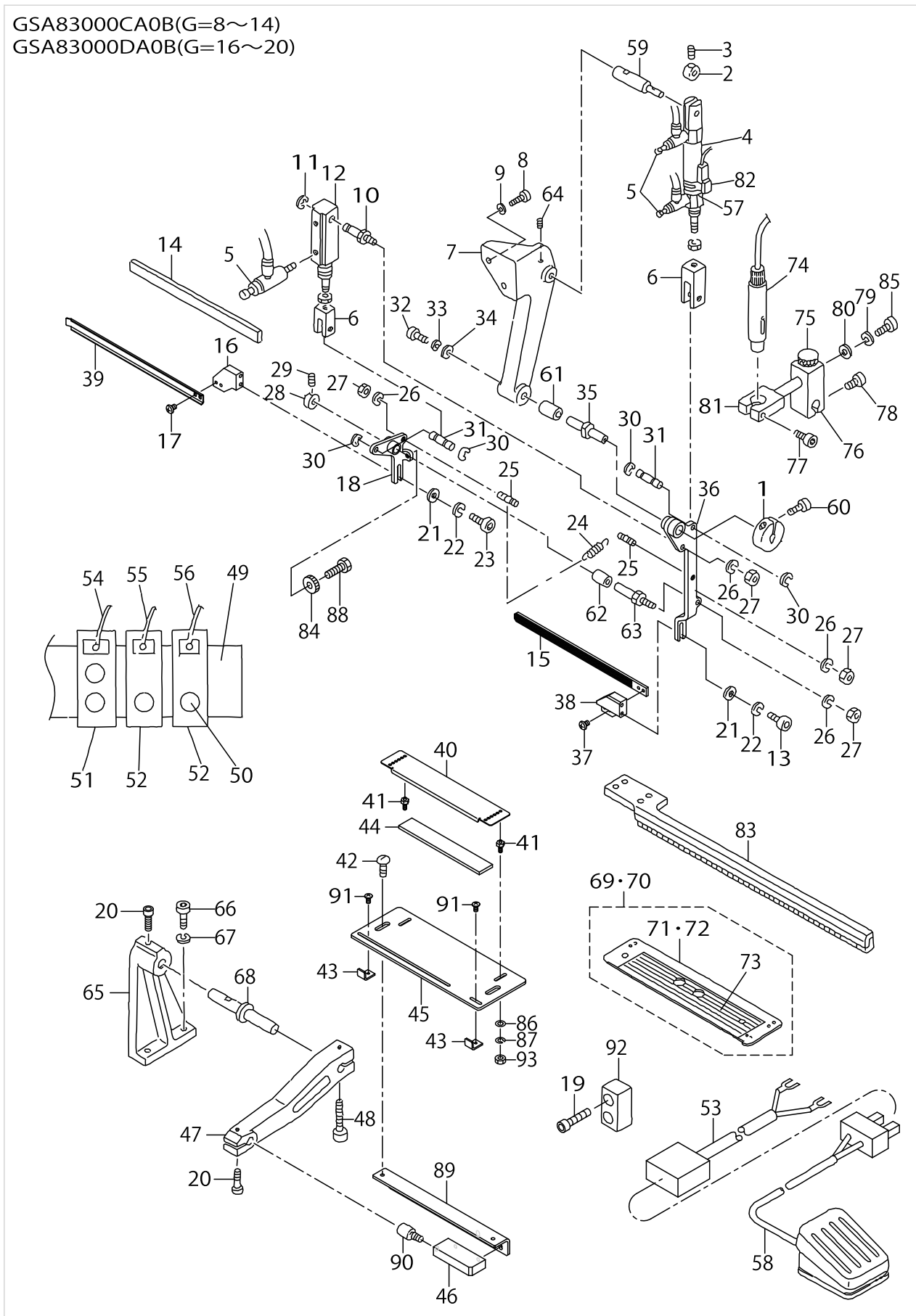


SA-83N:AUTOMATIC FLAP FEEDING UNIT (RIGHT) (OPTION)

No.	Supply Code	Parts No.	Replacement	Parts name	Remarks	Choice	Step	Level	Cons	Qty	Rep. QTY
47		16660003		FLAP SET ARM, LEFT						1	
48		SM6052502TP		SCREW M5X0.8 L=25						1	
49		18586909		MANIHOLD BASE						1	
50		PJ304040505		ELBOW						1	
51		PV150206000		5-PORT CUT-OVER SOLENOID VALVE						1	
52		PV130202200		3-WAY SOLENOID VALVE						2	
53		25324955		CABLE ASM.						1	
54		25359753		CABLE ASM.						1	
55		25359654		CABLE ASM.						1	
56		25359555		CABLE ASM.						1	
57		PX5000480A0		SWITCH FITTING METAL						1	
58	D	25323957		CABLE ASM.						1	
59	D	16658601		CYLINDER PIN A						1	
60	R	SS7111120SP	SS7111120TP	SCREW 11/64-40 L=10.5						1	1.00
61	D	16657504		BUSHING A						1	
62	D	16657603		FULCRUM SHAFT BUSH B						1	
63		16658403		FULCRUM PIN B						1	
64		SM8051002TP		SCREW M5 L=10						1	
65		16656506		BASE						1	
66		SM6052002TP		SCREW M5 L=20						2	
67		WS0510002KN		SPRING WASHER						2	
68		16656605		PIVOT SHAFT						1	
69		25376054		FLAP BASE ,RIGHT	FOR 8,10,12,14MM					1	
70		25376153		FLAP BASE ,RIGHT	FOR 16,18,20MM					1	
71		25376005		FLAP BASE ,RIGHT	FOR 8,10,12,14MM			*		1	
72		25376104		FLAP BASE ,RIGHT	FOR 16,18,20MM			*		1	
73	D	25299108		SCALE SEAL				*		1	
74		25325754		CROSS MARKING LIGHT ASM.						1	
75	D	G5338116000		CLAMP BOLT						1	
76		16656100		LIGHT BRACKET (1)						1	
77		SM6052502TP		SCREW M5X0.8 L=25						1	
78		SM6051602TP		SCREW M5X0.8 L=16						1	
79		WS0510002KN		SPRING WASHER						1	
80		16724403		WASHER						1	
81		16806903		BRACKET (3)						1	
82		25324054		CABLE ASM.						1	
83	D	16697203		FLAP PRESSER B, RIGHT						1	
84		18589101		KNURLING KNOB						1	
85		SM6051202TP		SCREW M5X0.8 L=12						1	
86		WP0430800SC		WASHER M4						2	
87		WS0410002KN		SPRING WASHER						2	
88		18565101		STOPPER BOLT						1	
89		25374802		FITTING BKT ,RIGHT						1	
90	D	16660102		PIN						1	
91		SM0030601SC		SCREW M3X0.5 L=6						2	
92	D	16697401		SPACER						1	

SA-83N:AUTOMATIC FLAP FEEDING UNIT (RIGHT) (OPTION)

GSA83000CA0B(G=8~14)  
 GSA83000DA0B(G=16~20)

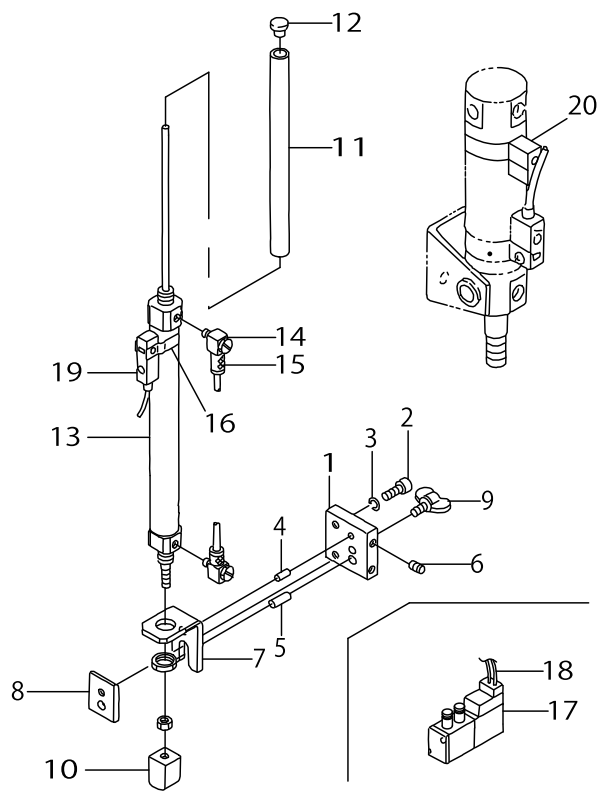


SA-83N:AUTOMATIC FLAP FEEDING UNIT (RIGHT) (OPTION)

No.	Supply Code	Parts No.	Replacement	Parts name	Remarks	Choice	Step	Level	Cons	Qty	Rep. QTY
93		NM6040001SC		NUT M4						2	

SA-84:DARTS EXTEND UNIT (OPTION)

GSA840000A0A

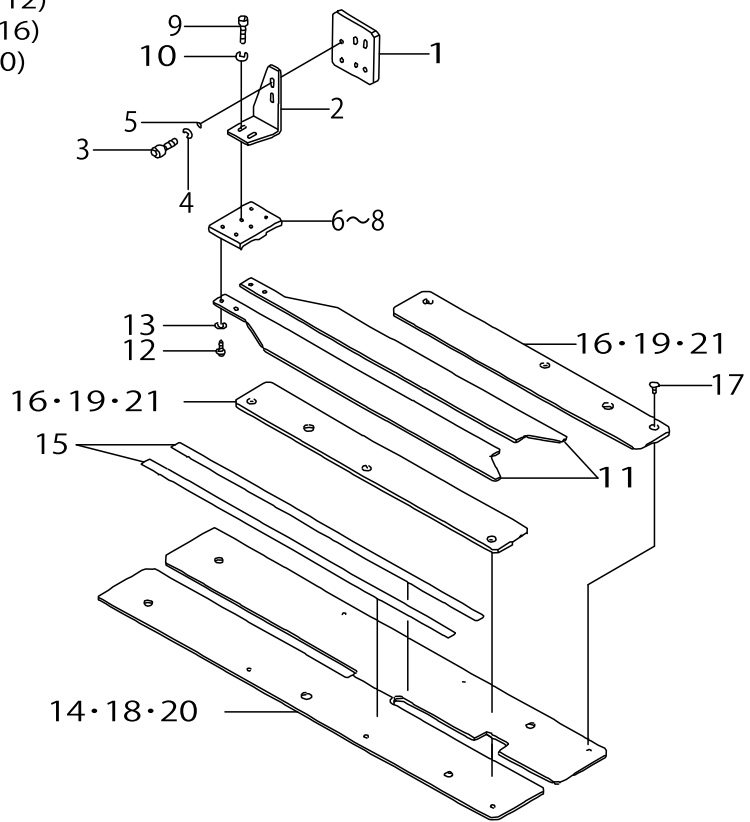


SA-84:DARTS EXTEND UNIT (OPTION)

No.	Supply Code	Parts No.	Replacement	Parts name	Remarks	Choice	Step	Level	Cons	Qty	Rep. QTY
1		25297706		CYLINDER BRACKET (A)						1	
2	R	SM6061552TP	SM6061552SP	SCREW M6 L=15						2	1.00
3		WS0610002KN		SPRING WASHER 6.1X12.2X1.5						2	
4		PH0400082C0		PIN						1	
5		PH0600123C0		PIN						1	
6		SM8031002TP		SCREW						2	
7		25297805		CYLINDER BRACKET (B)						1	
8		25297904		PRESSER PLATE						1	
9		G2503110000		SCREW						1	
10		25298001		CYLINDER EDGE						1	
11	D	25298902		ROD PIPE						1	
12		TA0800504R0		PLUG D=8 L=4.5						1	
13		25321001		CYLINDER						1	
14		PJ042050002		ELBOW						1	
15		16935504		ELEMENT NIPPLE						2	
16		PX5000480A0		SWITCH FITTING METAL						1	
17		PV150206000		5-PORT CUT-OVER SOLENOID VALVE						1	
18		25358458		CABLE ASM.						1	
19	D	25322850		CABLE ASM.						1	
20	D	25322959		SENSOR CABLE ASM.						1	

SA-85N:PAVING PLATE UNIT (OPTION)

GSA85000GA0B(G=8~12)  
GSA85000HA0B(G=14,16)  
GSA85000IA0B(G=18,20)

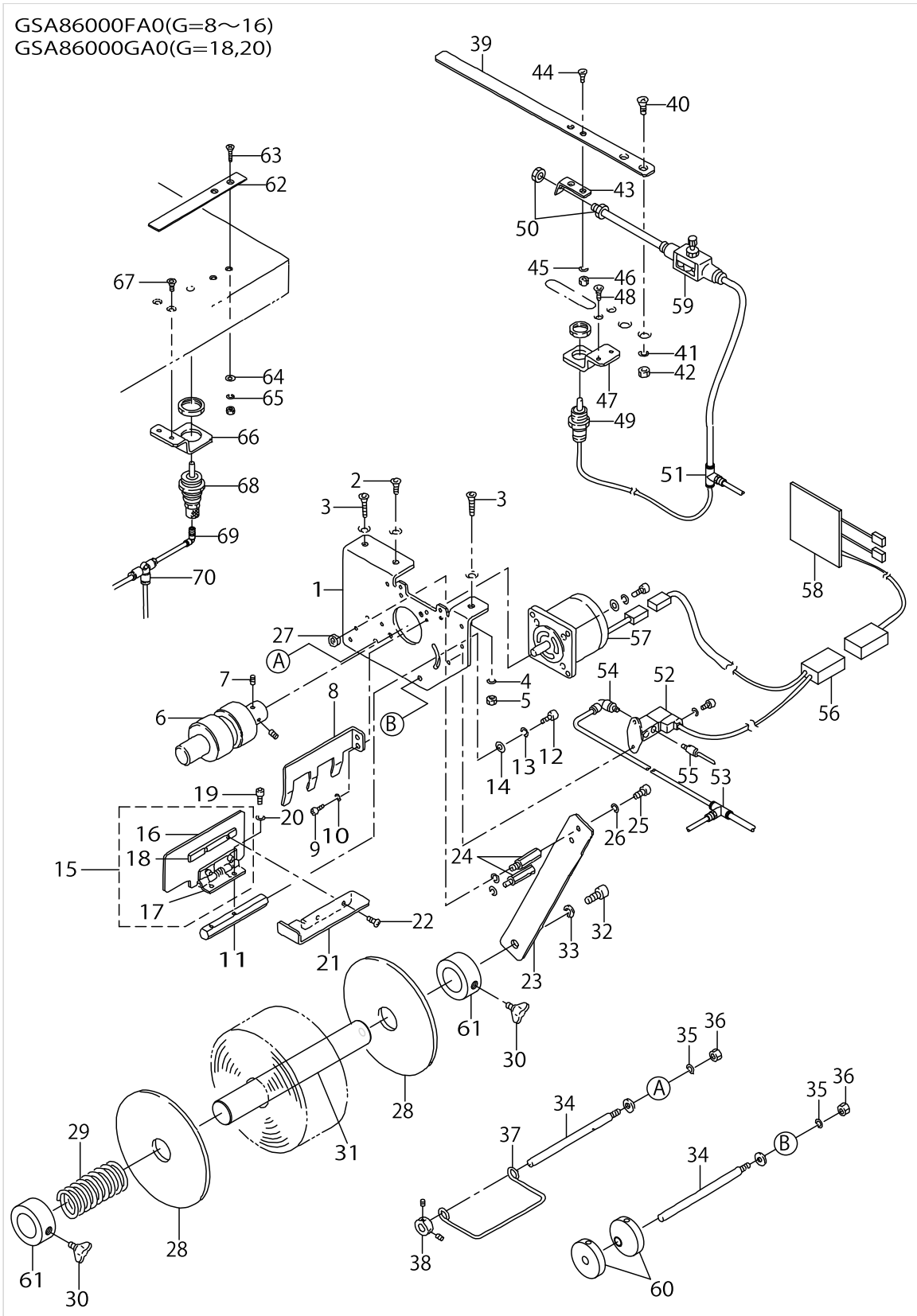


SA-85N:PAVING PLATE UNIT (OPTION)

No.	Supply Code	Parts No.	Replacement	Parts name	Remarks	Choice	Step	Level	Cons	Qty	Rep. QTY
1		25305905		PLATE BASE FITTING BRACKET (1)						1	
2		25306002		PLATE BASE FITTING BRACKET (2)						1	
3		SM6051002TP		SCREW M5X0.8 L=10						2	
4		WS0510002KN		SPRING WASHER						2	
5		WP0531001SC		WASHER						2	
6	D	16703506		PAVING PLATE BASE A						1	
7		16703605		PAVING PLATE BASE B						1	
8	D	16703704		PLATE BASE						1	
9		SM6051552TP		SCREW M5 L=15						2	
10		WS0510002KN		SPRING WASHER						2	
11	D	16703803		PLATE						2	
12		SS5090610SP		SCREW 9/64-40 L=6						4	
13		WS0441040KP		SPRING WASHER 4.4X7.4X1						4	
14		25337213		SEWING TABLE (6)	FOR 8,10,12MM					1	
15	R	18585109	25410408	TAPE						1	1.00
16		25335001		PLATE GUIDE (6)	FOR 8~16MM					2	
17		SS5090210SP		SCREW 9/64-40 L=2						6	
18	D	25337312		SEWING TABLE (6)	FOR 18,20MM					1	
19		25335100		PLATE GUIDE (6)	FOR 18,20MM					2	
20	D	25375007		SEWING TABLE	FOR 14,16MM					1	
21	D	25377508		PAVINGPLATEGUIDE	FOR 14,16MM					2	

SA-86N:AUTOMATIC INTER LING FEEDING DEVICE (1) (OPTION)

GSA86000FA0(G=8~16)  
 GSA86000GA0(G=18,20)



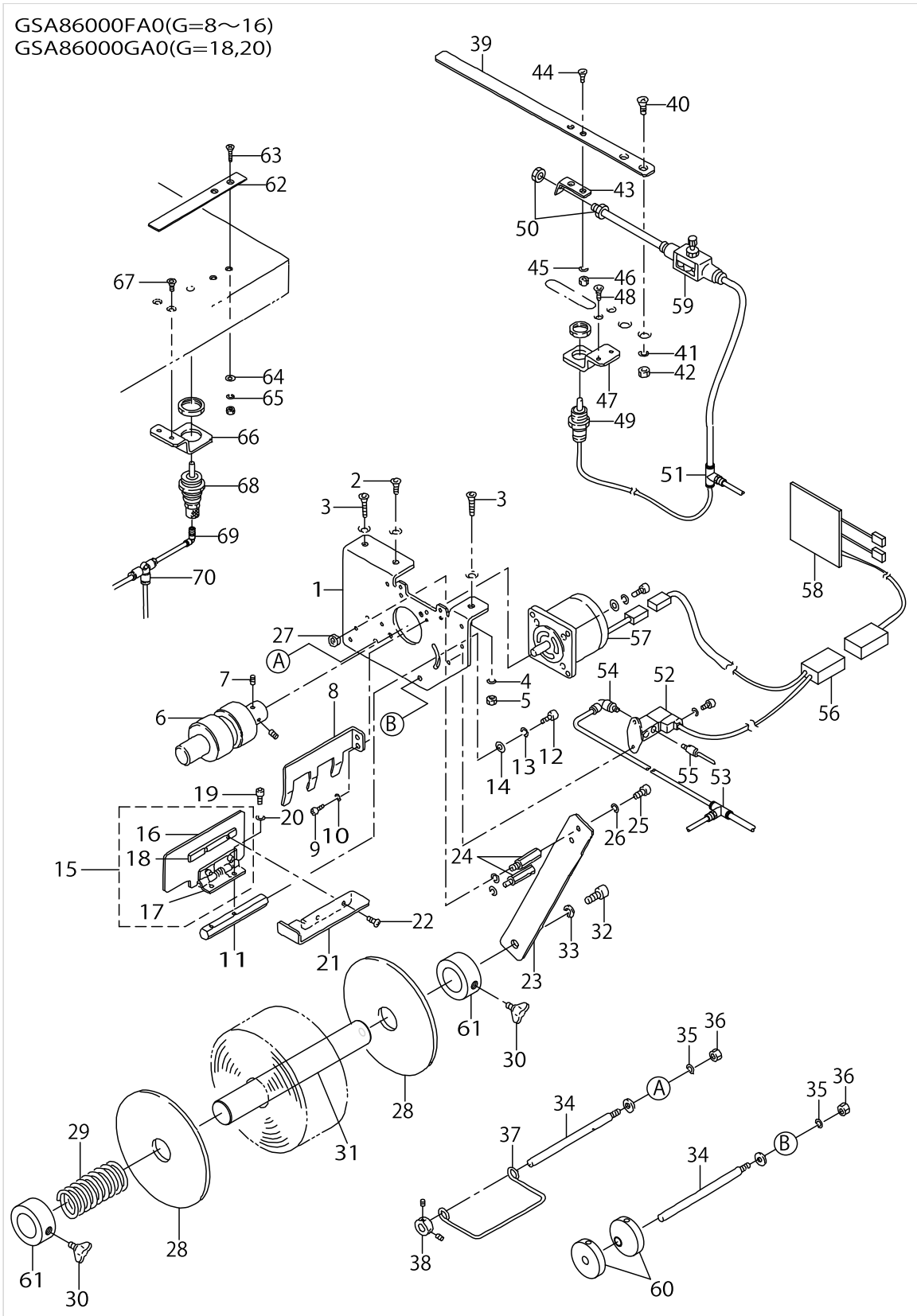


SA-86N:AUTOMATIC INTER LING FEEDING DEVICE (1) (OPTION)

No.	Supply Code	Parts No.	Replacement	Parts name	Remarks	Choice	Step	Level	Cons	Qty	Rep. QTY
1	R	25307109	25307117	BASE						1	1.00
2		17799305		SCREW						1	
3		16717209		SCREW						2	
4		WS0510002KN		SPRING WASHER						2	
5		NM6050001SC		NUT M5						2	
6		25309006		ROLLER						1	
7		SM8030802TP		SCREW M3X0.5 L=8						2	
8		25309105		GUIDE C						1	
9		SM6040602TP		SCREW M4 L=6						2	
10		WS0410002KN		SPRING WASHER						2	
11		25307208		STAD						1	
12		SM6051002TP		SCREW M5X0.8 L=10						1	
13		WS0510002KN		SPRING WASHER						1	
14		WP0531001SC		WASHER						1	
15		25307455		GUIDE ASM. (B)						1	
16		25307406		GUIDE (B)				*		1	
17		25307307		HING				*		1	
18		25307505		FITTING PLATE				*		1	
19		SM6030802TP		SCREW M3X0.5 L=8						2	
20		WS0310002KN		SPRING WASHER M3						2	
21		25307604		COVER						1	
22		SM0030450SN		SCREW M3 L=4						2	
23		25309808		FITTING PLATE						1	
24		HX00339000A		SPACER L=25						2	
25		SM6040802TP		SCREW M4X0.7 L=8						2	
26		WS0410002KN		SPRING WASHER						4	
27		NM6040001SC		NUT M4						2	
28		16605404		SIDE PLATE						2	
29		25309600		RETURN SPRING						1	
30		GTR02014000		WING SCREW						2	
31		25377003		ROLL SHAFT						1	
32		SM6081552TP		SCREW M8 L=15						1	
33		WS0820002KN		SPRING WASHER M8						1	
34		25309402		SHAFT						2	
35		WS0510002KN		SPRING WASHER						2	
36		NM6050001SC		NUT M5						2	
37		25309204		PADDING						1	
38		CS0800816SH		THRUST HOLDER D=8 W=8						1	
39		25308909		PADDING PRESSER						1	
40		25150103		BOLT						2	
41		WS0410002KN		SPRING WASHER						2	
42		NM6040001SC		NUT M4						2	
43	D	25308800		BRACKET						1	
44		25149808		BOLT						2	
45		WS0310002KN		SPRING WASHER M3						2	
46		NM6030001SC		NUT M3						2	

SA-86N:AUTOMATIC INTER LING FEEDING DEVICE (1) (OPTION)

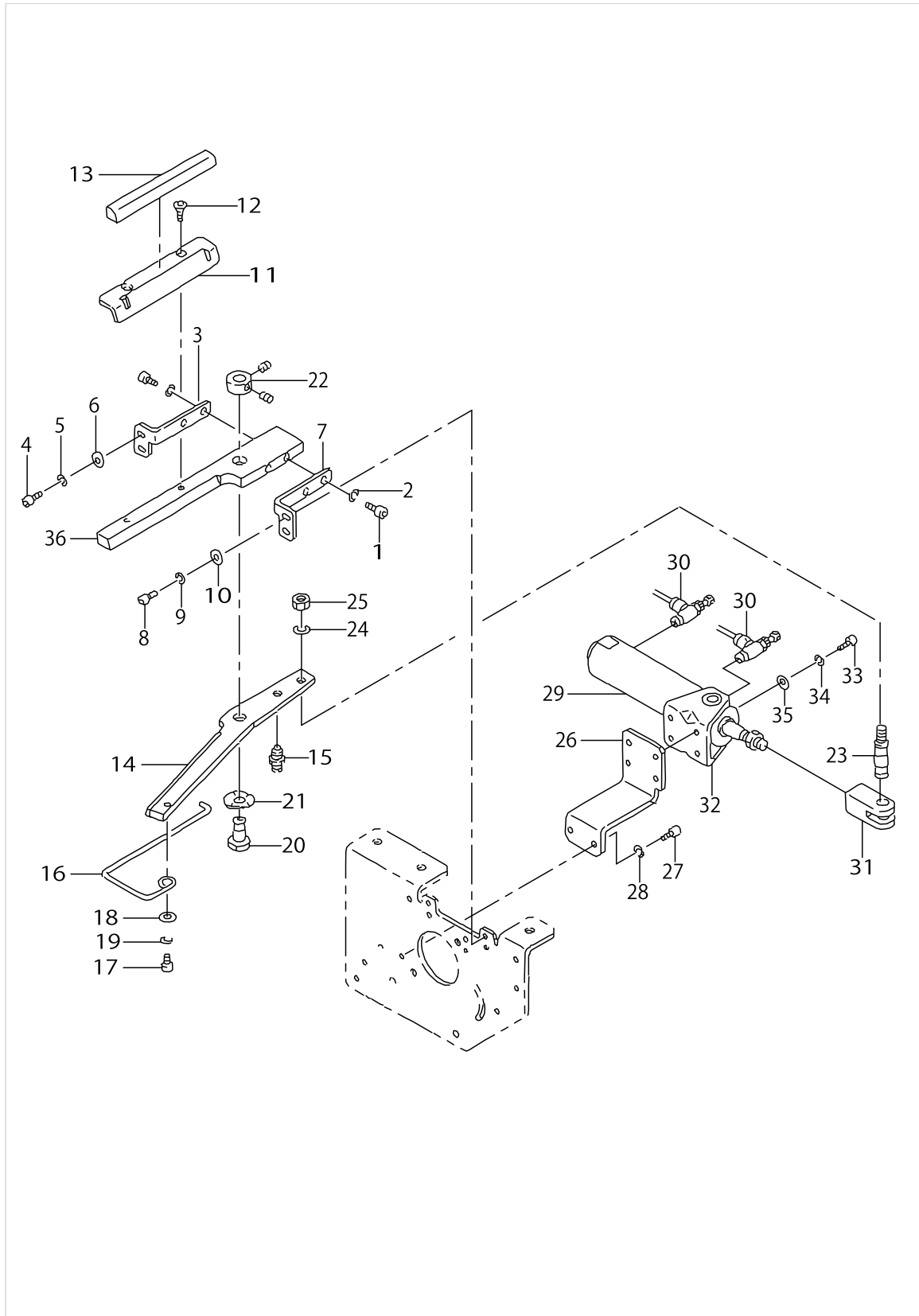
GSA86000FA0(G=8~16)  
 GSA86000GA0(G=18,20)



SA-86N:AUTOMATIC INTER LING FEEDING DEVICE (1) (OPTION)

No.	Supply Code	Parts No.	Replacement	Parts name	Remarks	Choice	Step	Level	Cons	Qty	Rep. QTY
47		25308701		PIN CYLINDER BRACKET						1	
48		25150509		SCREW						2	
49		PA1000506A0		CYLINDER						1	
50		PJ032039001		CONNECTOR						1	
51		PJ305040001		TEE UNION						1	
52		PV140501000		SOLENOID VALVE						1	
53		PJ305060001		TEE UNION						1	
54		PJ304060502		ELBOW UNION 6XM5						1	
55		PJ304040504		ELBOW UNION						2	
56		25359852		CABLE ASM.						1	
57		25324856		MOTOR ASM.						1	
58		G86031950B0		BASE A ASM.						1	
59		PC012406000		SPEED CONTROLLER						1	
60		25375106		GUIDE COLLAR						2	
61		25377102		SET COLLAR						2	
62	D	16676009		WORKPIECE CLAMP						1	
63		SM1041001SC		SCREW M4X0.7 L=10						2	
64		WP0430801SC		WASHER 4.3X9X0.8						2	
65		WS0410002KN		SPRING WASHER						2	
66		25328501		BAG CYLINDER BKT(2)						1	
67		25150509		SCREW						2	
68		PA1500502A0		PIN CYLINDER						1	
69		PJ304040504		ELBOW UNION						1	
70		PJ305040001		TEE UNION						1	

SA-86N:AUTOMATIC INTER LING FEEDING DEVICE (2) (OPTION)

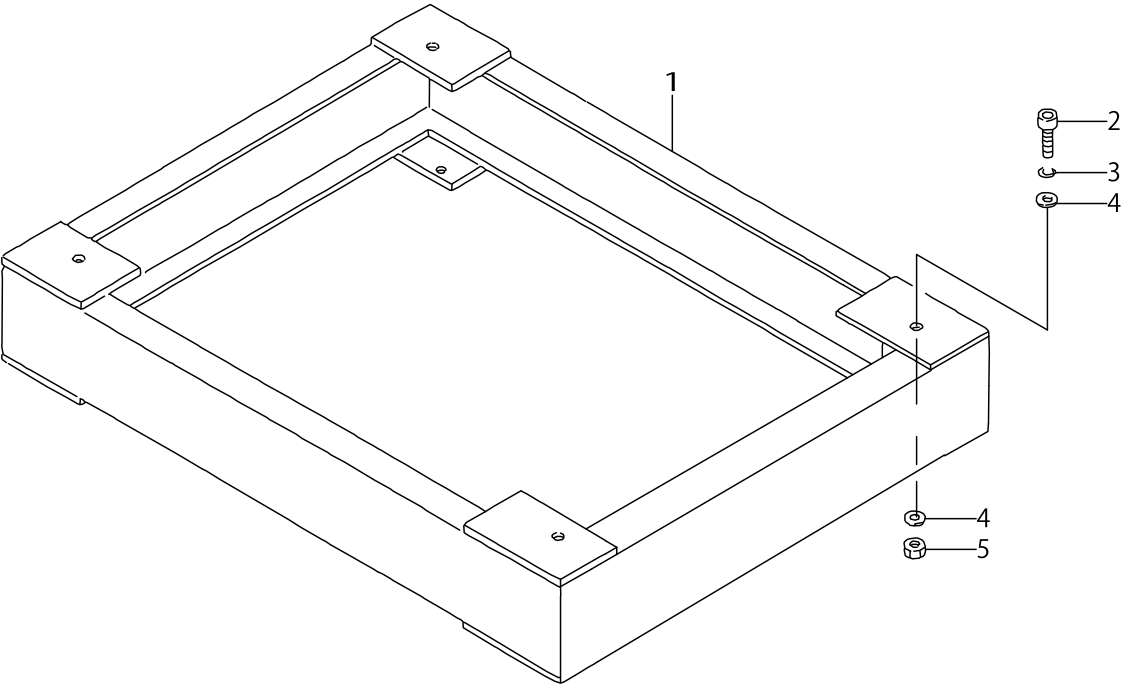


## SA-86N:AUTOMATIC INTER LING FEEDING DEVICE (2) (OPTION)

No.	Supply Code	Parts No.	Replacement	Parts name	Remarks	Choice	Step	Level	Cons	Qty	Rep. QTY
1		SM6041002TP		SCREW M4 L=10						2	
2		WS0410002KN		SPRING WASHER						2	
3		25307901		FITTING STRIP BRACKET (L)						1	
4		SM6040802TP		SCREW M4X0.7 L=8						2	
5		WS0410002KN		SPRING WASHER						2	
6		WP0430801SC		WASHER 4.3X9X0.8						2	
7		25308008		FITTING STRIP BRACKET (R)						1	
8		SM6040802TP		SCREW M4X0.7 L=8						2	
9		WS0410002KN		SPRING WASHER						2	
10		WP0430801SC		WASHER 4.3X9X0.8						2	
11		25307703		GUIDE A						1	
12		25149808		BOLT						2	
13		25316902		GUIDE D						1	
14		25308404		STRIP						1	
15		25321209		BOLL PLUNGER						1	
16		25307802		RETURN GUIDE						1	
17		SM6040802TP		SCREW M4X0.7 L=8						1	
18		WP0430801SC		WASHER 4.3X9X0.8						1	
19		WS0410002KN		SPRING WASHER						1	
20		25308206		PIVOT PIN						1	
21		WZ0850302K0		WAVED WASHER 8.5X12.5X0.3						1	
22		CS0800816SH		THRUST HOLDER D=8 W=8						1	
23		25308107		PIN						1	
24		WS0610002KN		SPRING WASHER 6.1X12.2X1.5						1	
25		NM6060001SC		NUT M6						1	
26		25309907		CYLINDER BRACKET						1	
27		SM6040802TP		SCREW M4X0.7 L=8						2	
28		WS0410002KN		SPRING WASHER						2	
29	D	PA2001504A0		AIR CYLINDER						1	
30		PC015116000		SPEED CONTROLLER						2	
31		PA900062000		JOINT						1	
32		PA900041000		CYLINDER BRACKET						1	
33		SM6041002TP		SCREW M4 L=10						4	
34		WS0410002KN		SPRING WASHER						4	
35		WP0430801SC		WASHER 4.3X9X0.8						4	
36		25308305		STRIP						1	

SA-88:STAND FOR STANDING WORK (OPTION)

GSA880000AA0

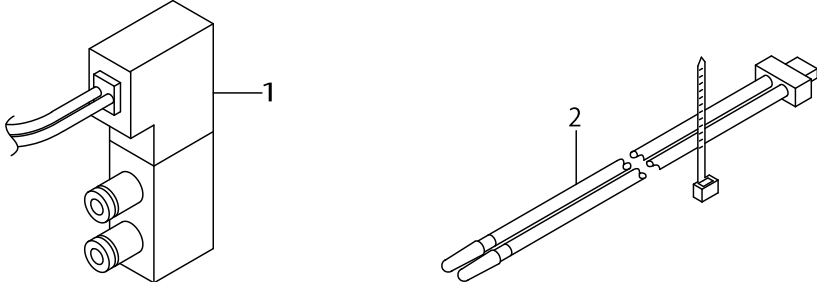


SA-88:STAND FOR STANDING WORK (OPTION)

No.	Supply Code	Parts No.	Replacement	Parts name	Remarks	Choice	Step	Level	Cons	Qty	Rep. QTY
1		25335209		WORKING STAND						1	
2		SM6102002TP		SCREW M10 L=20						4	
3		WS1020002KN		SPRING WASHER M10						4	
4		WP1052001SC		WASHER 10,5X21X2						8	
5		NM6100001SC		NUT M10X1.5						4	

SA-89:SMALL WELTING UNIT (OPTION)

GSA890000A0A



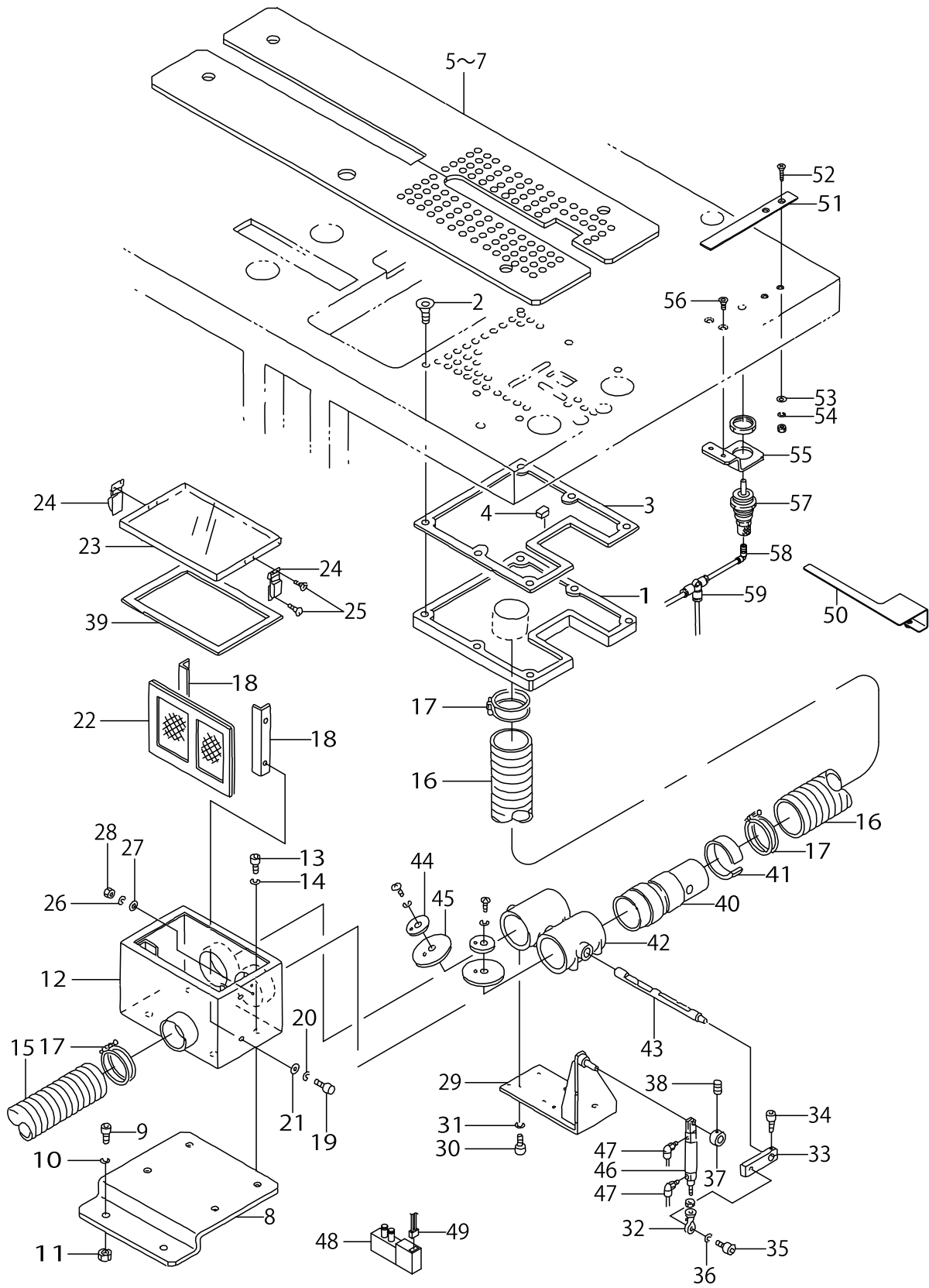


SA-89:SMALL WELTING UNIT (OPTION)

No.	Supply Code	Parts No.	Replacement	Parts name	Remarks	Choice	Step	Level	Cons	Qty	Rep. QTY
1		PV150206000		5-PORT CUT-OVER SOLENOID VALVE						1	
2		25358557		CABLE						1	

SA-90N:SUCTION UNIT (OPTION)

GSA9000JA0(G=8~12)  
 GSA9000KA0(G=14,16)  
 GSA9000LA0(G=18,20)

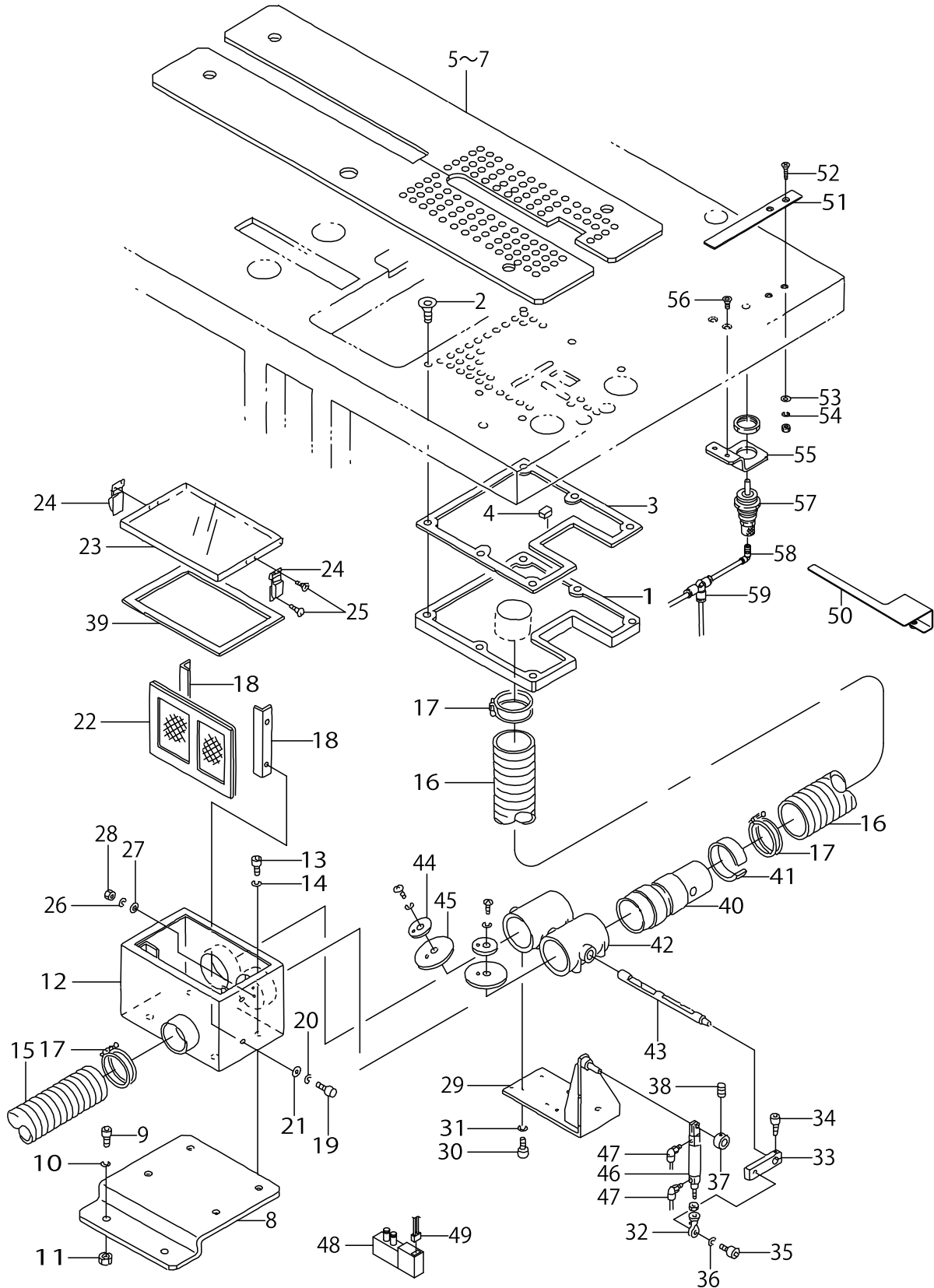


SA-90N:SUCTION UNIT (OPTION)

No.	Supply Code	Parts No.	Replacement	Parts name	Remarks	Choice	Step	Level	Cons	Qty	Rep. QTY
1		25329707		SUCTION BOX						1	
2		17799305		SCREW						6	
3	D	25329806		PACKING (A)						1	
4	D	25329905		PACKING (B)						1	
5		25337411		SEWING TABLE (6) FOR VACUUM	SELECTIVE PARTS					1	
6	D	25337510		TABLE (6) FOR VACUUM	SELECTIVE PARTS					1	
7		25337619		SEWING TABLE (6) FOR VACUUM	SELECTIVE PARTS					1	
8	D	25330408		DUCT FITTING BASE						1	
9	R	SM6061552TP	SM6061552SP	SCREW M6 L=15						2	1.00
10		WS0610002KN		SPRING WASHER 6.1X12.2X1.5						2	
11		NM6060001SC		NUT M6						2	
12		18580605		WIRE NETTING BOX						1	
13		SM6061202TP		SCREW M6 L=12						4	
14		WS0610002KN		SPRING WASHER 6.1X12.2X1.5						4	
15	D	25320003		DUCT HOSE						1	
16		18588608		DUCT HOSE						1	
17		18588806		HOSE BAND						4	
18		18580902		WIRE NETTING SUPPORT						2	
19		SM6040802TP		SCREW M4X0.7 L=8						4	
20		WS0410002KN		SPRING WASHER						4	
21		WP0430800SC		WASHER M4						4	
22		18580803		WIRE NETTING						1	
23		18580704		COVER						1	
24		18588905		PUNCH HINGE						2	
25		SM1030801SC		SCREW M3 L=8						8	
26		WS0310002KN		SPRING WASHER M3						8	
27		WP0320500SC		WASHER M3						8	
28		NM6030001SC		NUT M3						8	
29		18581009		CYLINDER BRACKET						1	
30		SM6051202TP		SCREW M5X0.8 L=12						8	
31		WS0510002KN		SPRING WASHER						8	
32		16960205		ROD END						1	
33		18581108		LEVER						1	
34		SM6061602TP		SCREW M6 L=16						1	
35		SM6051602TP		SCREW M5X0.8 L=16						1	
36		WS0510002KN		SPRING WASHER						1	
37	D	18581306		COLLAR						1	
38		SM8030502TP		SCREW M3 L=5						2	
39		18563908		SHEET						1	
40		25330002		JOINT						1	
41		18581900		ADJUSTABLE RING						1	
42		G5001236000		DAMPER						2	
43		G5002236000		DAMPER SHAFT						1	
44		G5003236000		SUPPORT PLATE						2	
45		G5004236000		DAMPER VALVE						2	
46	D	PA1604002A0		AIR CYLINDER						1	

SA-90N:SUCTION UNIT (OPTION)

GSA9000JA0(G=8~12)  
 GSA9000KA0(G=14,16)  
 GSA9000LA0(G=18,20)

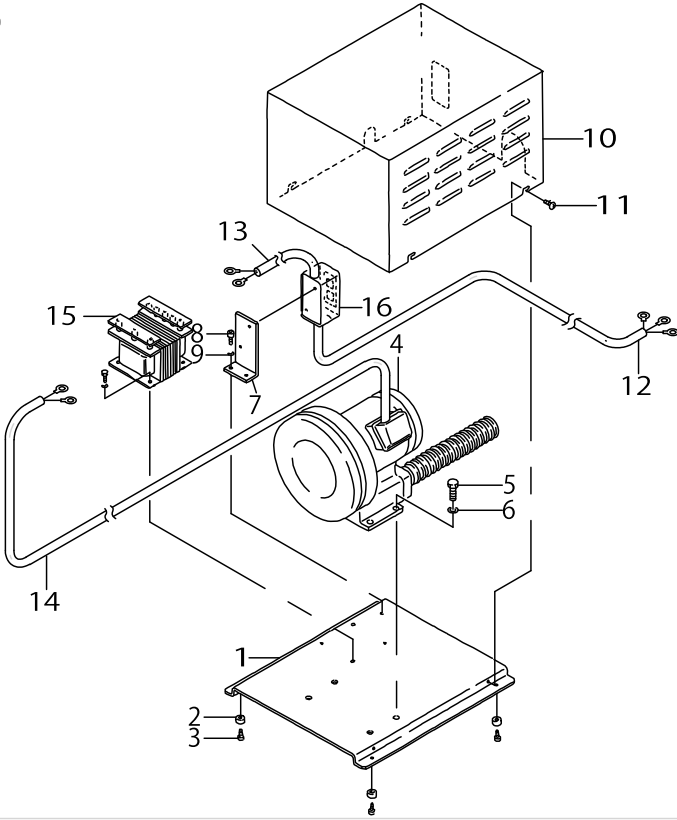


SA-90N:SUCTION UNIT (OPTION)

No.	Supply Code	Parts No.	Replacement	Parts name	Remarks	Choice	Step	Level	Cons	Qty	Rep. QTY
47		PJ304040504		ELBOW UNION						2	
48		PV150206000		5-PORT CUT-OVER SOLENOID VALVE						1	
49		25358458		CABLE ASM.						1	
50		16914103		HAIR CLOTH PRESSER	SELECTIVE PARTS					1	
51	D	16676009		WORKPIECE CLAMP	SELECTIVE PARTS					1	
52		SM1041001SC		SCREW M4X0.7 L=10	SELECTIVE PARTS					2	
53		WP0430801SC		WASHER 4.3X9X0.8	SELECTIVE PARTS					2	
54		WS0410002KN		SPRING WASHER	SELECTIVE PARTS					2	
55		25328501		BAG CYLINDER BKT(2)	SELECTIVE PARTS					1	
56		25150509		SCREW	SELECTIVE PARTS					2	
57		PA1500502A0		PIN CYLINDER	SELECTIVE PARTS					1	
58		PJ304040504		ELBOW UNION	SELECTIVE PARTS					1	
59		PJ305040001		TEE UNION	SELECTIVE PARTS					1	

SA-91:SUCTION MOTOR UNIT (OPTION)

GSA910000A0

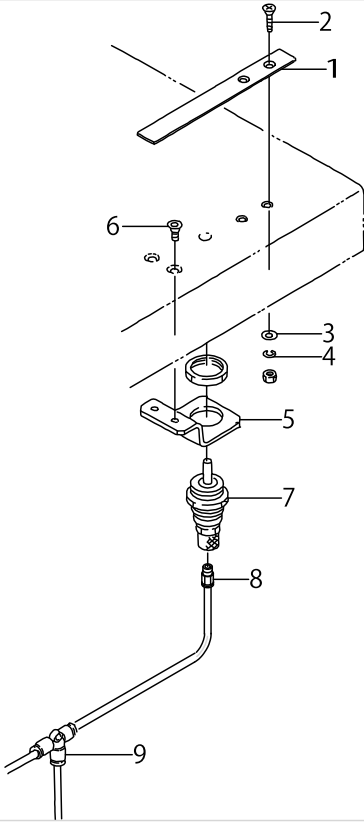


SA-91:SUCTION MOTOR UNIT (OPTION)

No.	Supply Code	Parts No.	Replacement	Parts name	Remarks	Choice	Step	Level	Cons	Qty	Rep. QTY
1		25330507		BASE						1	
2		18588509		RUBBER						4	
3		SM6040602TP		SCREW M4 L=6						4	
4	D	18588400		BLOWER						1	
5	D	SM9122503SB		SCREW M12 L=25						4	
6	R	WS1220002KN	WS1220002KP	SPRING WASHER						4	1.00
7		18564005		POWER PUPPLY BRACKET						1	
8		SM6061602TP		SCREW M6 L=16						2	
9		WS0610002KN		SPRING WASHER 6.1X12.2X1.5						2	
10		25330606		COVER						1	
11		SM0040801SC		SCREW						4	
12		25040957		POWER SOURCE CABLE ASM.						1	
13		25041054		CABLE ASM.						1	
14		25041153		CABLE ASM.						1	
15		25041401		TRANSFORMER						1	
16		25041500		PUSH BUTTON SWITCH						1	

SA-92:POCKET BAG CLAMP UNIT (OPTION)

GSA920000A0



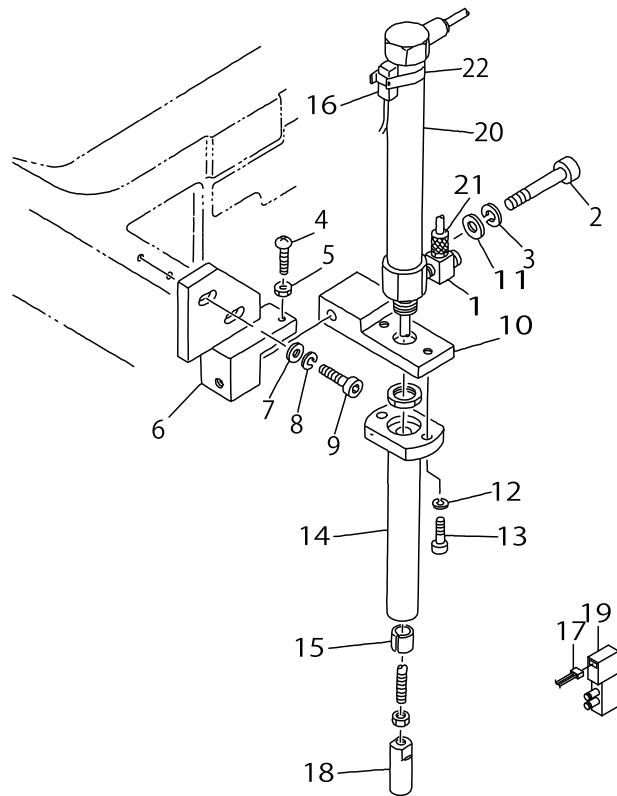


SA-92:POCKET BAG CLAMP UNIT (OPTION)

No.	Supply Code	Parts No.	Replacement	Parts name	Remarks	Choice	Step	Level	Cons	Qty	Rep. QTY
1	D	16676009		WORKPIECE CLAMP						1	
2		SM1041001SC		SCREW M4X0.7 L=10						2	
3		WP0430801SC		WASHER 4.3X9X0.8						2	
4		WS0410002KN		SPRING WASHER						2	
5		25328501		BAG CYLINDER BKT(2)						1	
6		25150509		SCREW						2	
7		PA1500502A0		PIN CYLINDER						1	
8		16935504		ELEMENT NIPPLE						1	
9		PJ305040001		TEE UNION						1	

SA-93:DARTS EXTEND UNIT (OPTION)

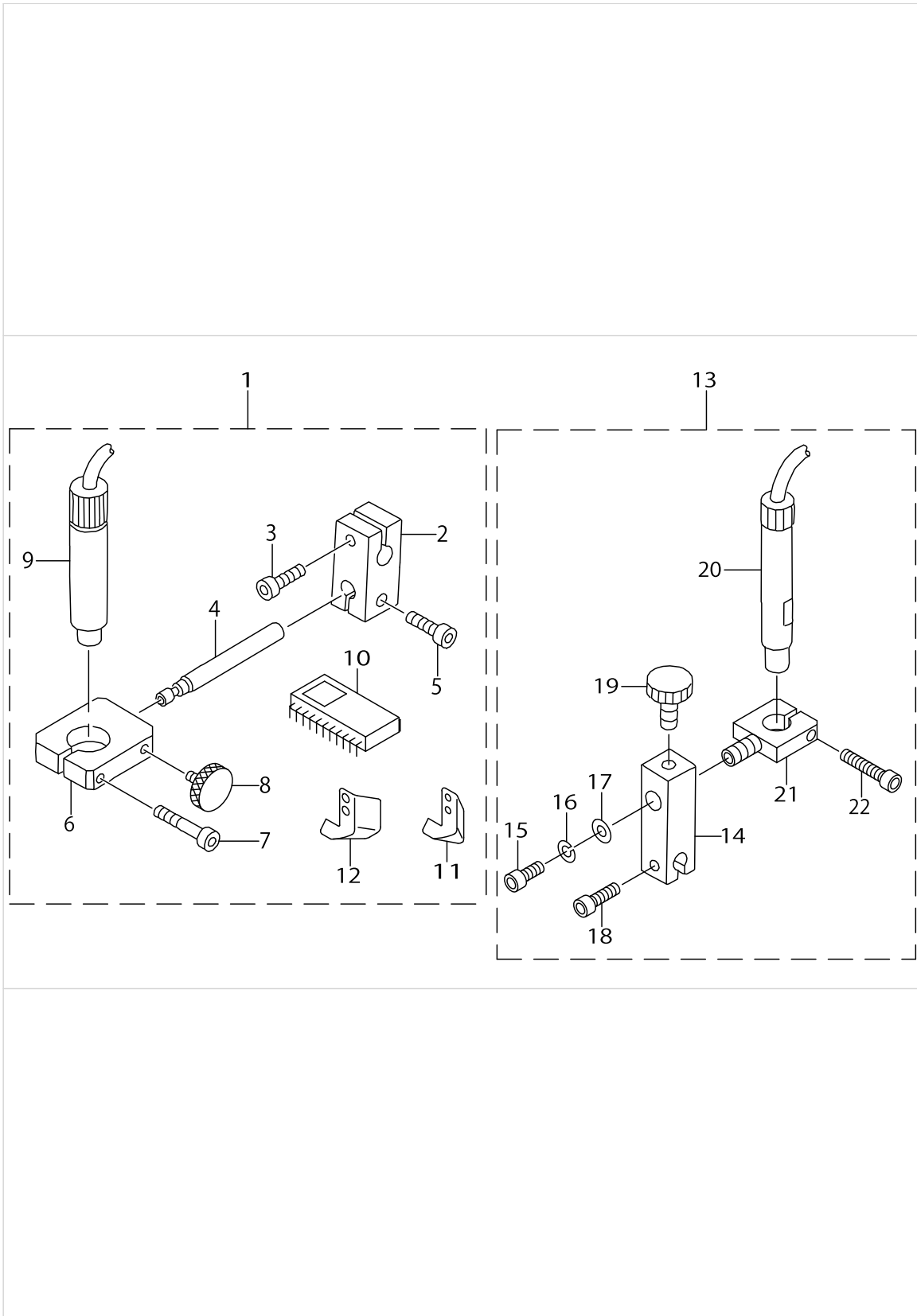
GSA930000A0A



SA-93:DARTS EXTEND UNIT (OPTION)

No.	Supply Code	Parts No.	Replacement	Parts name	Remarks	Choice	Step	Level	Cons	Qty	Rep. QTY
1		PJ042050002		ELBOW						2	
2		SM6063502TP		SCREW M6 L=35						1	
3		WS0610002KN		SPRING WASHER 6.1X12.2X1.5						1	
4	D	SM3041551SP		SCREW M4X0.7 L=15						1	
5		NM6040001SC		NUT M4						1	
6		16700403		CYLINDER BASE						1	
7		WP0531000SC		WASHER 5.3X10X1						2	
8		WS0510002KN		SPRING WASHER						2	
9		SM6051552TP		SCREW M5 L=15						2	
10		16700502		CYLINDER BKT						1	
11		WP0531000SC		WASHER 5.3X10X1						1	
12		WS0410002KN		SPRING WASHER						2	
13		SM6041202TP		SCREW M4X0.7 L=12						2	
14		16700601		CYLINDER SHAFT HOLDER						1	
15		16700809		METAL						1	
16	D	25322850		CABLE ASM.						1	
17		25358458		CABLE ASM.						1	
18	D	16700700		CILNDER EDGE						1	
19		PV150206000		5-PORT CUT-OVER SOLENOID VALVE						1	
20		PA1613501A0		AIR CYLINDER						1	
21		16935504		ELEMENT NIPPLE						2	
22		PX5000480A0		SWITCH FITTING METAL						1	

SA-94: CENTER STANDARD UNIT (OPTION)

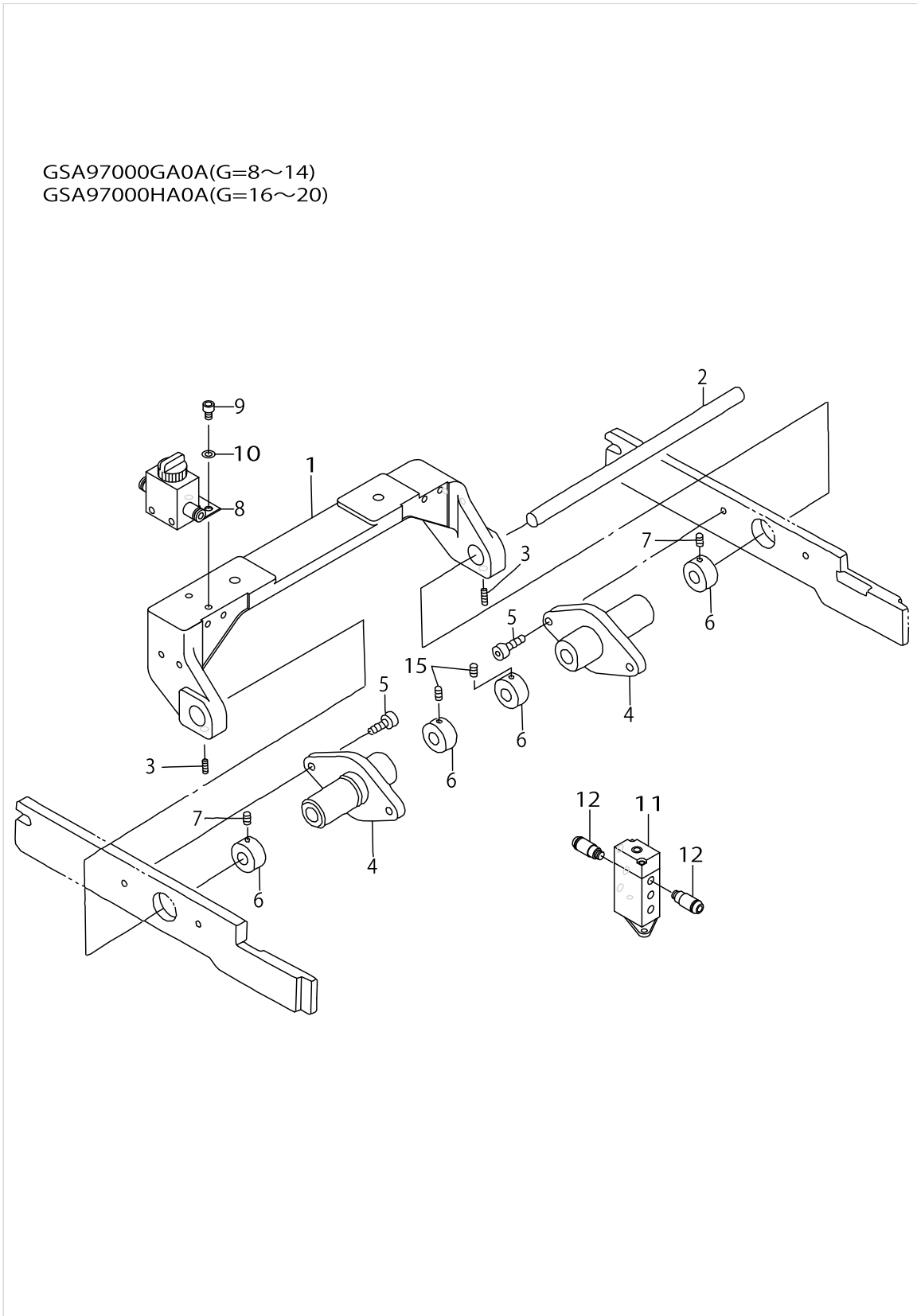


SA-94:CENTER STANDARD UNIT (OPTION)

No.	Supply Code	Parts No.	Replacement	Parts name	Remarks	Choice	Step	Level	Cons	Qty	Rep. QTY
1		GSA94000CA0		CENTER STANDARD UNIT	FOR STAN- DARD BINDER					1	
2		16912701		LIGHT BRACKET (1)				*		1	
3		SM6051552TP		SCREW M5 L=15				*		1	
4	D	16912800		REGULATION SHAFT				*		1	
5		SM6051552TP		SCREW M5 L=15				*		1	
6		16912909		LIGHT BRACKET (2)				*		1	
7		SM6052502TP		SCREW M5X0.8 L=25				*		1	
8	D	G5338116000		CLAMP BOLT				*		1	
9	D	25325655		CROSS MARKING LIGHT ASM.				*		1	
10		HL015930036		IC				*		1	
11		16672503		WORKPIECE GUIDE, LEFT				*		1	
12		16672602		WORKPIECE GUIDE, RIGHT				*		1	
13		GSA94000DA0		CENTER STANDARD UNIT	FOR WELT PATCH SU- PLY TYPE					1	
14		16656100		LIGHT BRACKET (1)				*		1	
15		SM6051202TP		SCREW M5X0.8 L=12				*		1	
16		WS0510002KN		SPRING WASHER				*		1	
17		16724403		WASHER				*		1	
18		SM6051602TP		SCREW M5X0.8 L=16				*		1	
19	D	G5338116000		CLAMP BOLT				*		1	
20		25325754		CROSS MARKING LIGHT ASM.				*		1	
21		16806903		BRACKET (3)				*		1	
22		SM6052502TP		SCREW M5X0.8 L=25				*		1	

SA-97N:SINGLE & DOUBLE CHANGE UNIT (1) (FOR LEFT) (OPTION)

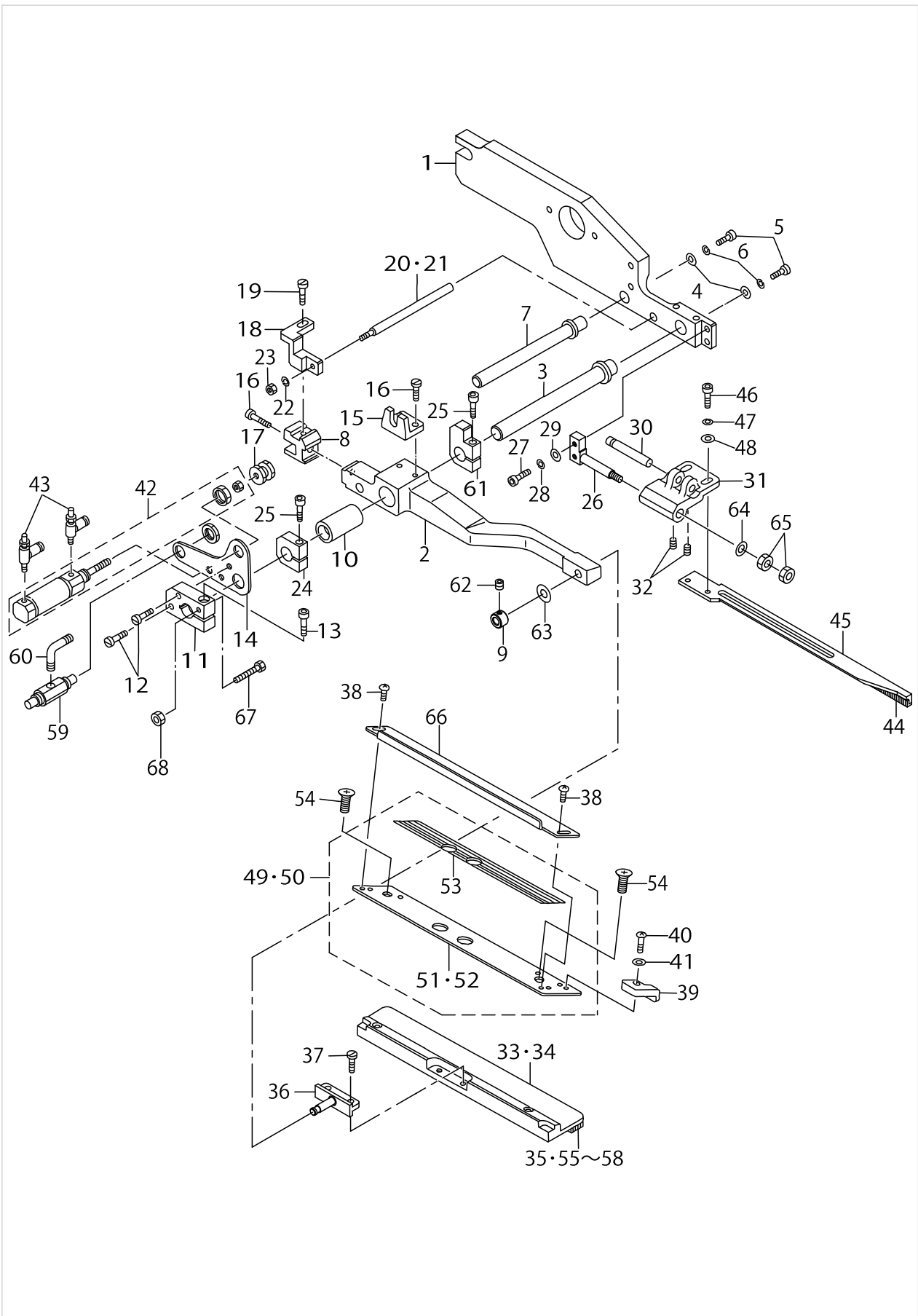
GSA97000GA0A(G=8~14)  
GSA97000HA0A(G=16~20)



SA-97N:SINGLE & DOUBLE CHANGE UNIT (1) (FOR LEFT) (OPTION)

No.	Supply Code	Parts No.	Replacement	Parts name	Remarks	Choice	Step	Level	Cons	Qty	Rep. QTY
1		25299405		FULCRUM BASE						1	
2		16907701		SHAFT						1	
3		SM8050602TP		SCREW M5 L=6						2	
4	D	18550806		FULCRUM BOSS						2	
5		SM6051802TP		SCREW M5 L=18						4	
6	D	16908105		COLLAR						4	
7		SM8050602TP		SCREW M5 L=6						4	
8		PV010012000		VALVE						1	
9		SM6040602TP		SCREW M4 L=6						2	
10		WS0410002KN		SPRING WASHER						2	
11		PV1505310A0		AIR OPERATE VALVE						1	
12		PJ210004200		HALF UNION						2	

SA-97N:SINGLE & DOUBLE CHANGE UNIT (2) (FOR LEFT) (OPTION)

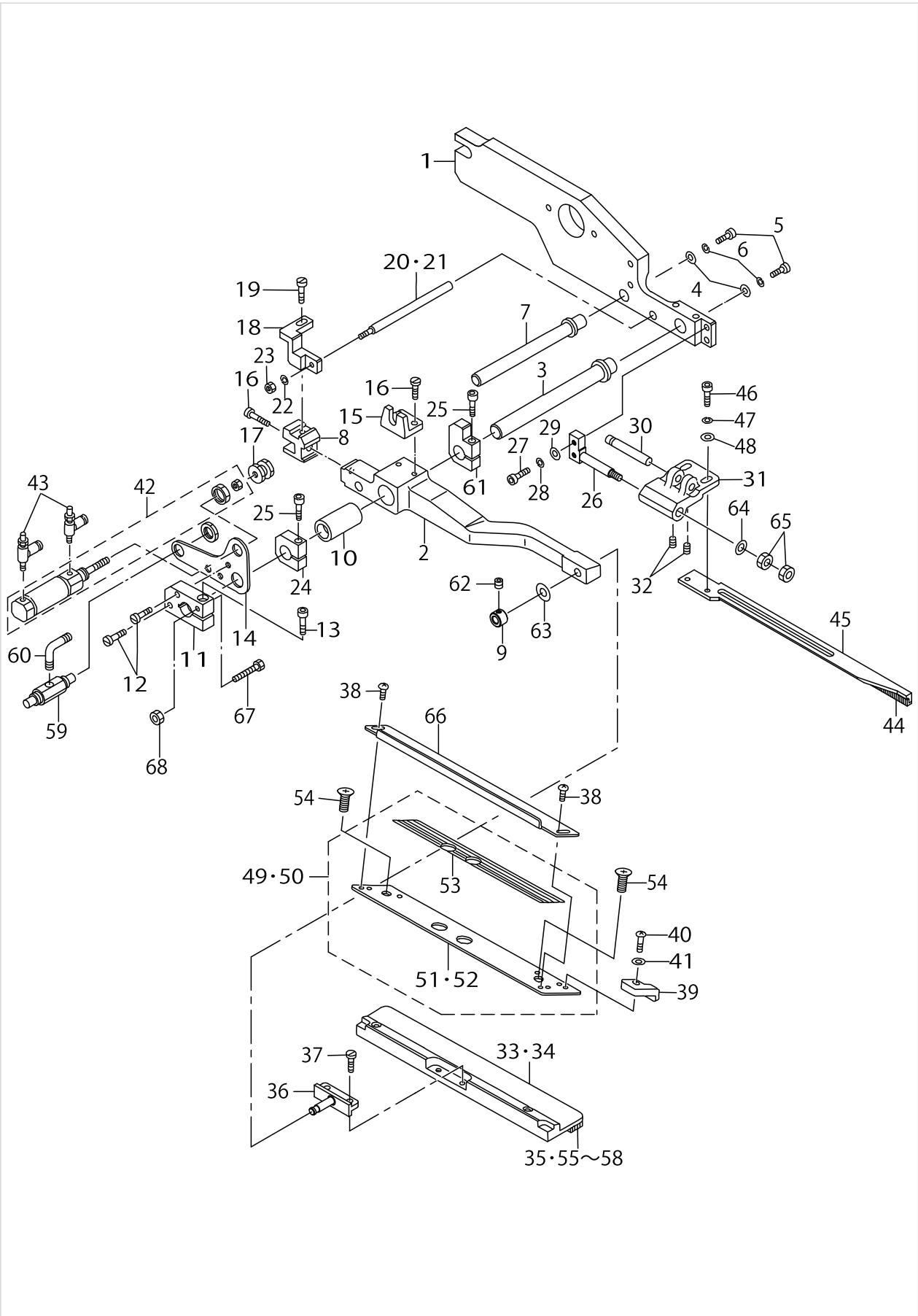




SA-97N:SINGLE & DOUBLE CHANGE UNIT (2) (FOR LEFT) (OPTION)

No.	Supply Code	Parts No.	Replacement	Parts name	Remarks	Choice	Step	Level	Cons	Qty	Rep. QTY
1		25336801		CLAMP FOOT ARM ,LEFT						1	
2	D	18300707		SUPPORT ARM, LEFT						1	
3		18300806		SLIDER SHAFT, A						1	
4		G5108119000		WASHER						2	
5		SM6051202TP		SCREW M5X0.8 L=12						2	
6		WS0510002KN		SPRING WASHER						2	
7		18300905		SLIDER SHAFT, B						1	
8		18301002		GUIDE BLOCK						1	
9	D	25377300		SET COLLAR						1	
10		18301101		BUSH						1	
11		18582809		BLOCK						1	
12		SS6111610SP		SCREW11/64-40L=16						2	
13		SM6051802TP		SCREW M5 L=18						1	
14		18566604		PLATE						1	
15		18301408		CYLINDER BRACKET						1	
16	R	SS7111120SP	SS7111120TP	SCREW 11/64-40 L=10.5						3	1.00
17		18301507		CYLINDER NUT						1	
18		18564302		STOPPER INSTALLING BASE						1	
19		SS9111010SP		SCREW 11/64-40 L=9.5						1	
20		18301705		STOPPER SHAFT G=8-14	FOR 8,10,12,14MM					1	
21		18301804		STOPPER SHAFT G=16-20	FOR 16,18,20MM					1	
22		WS0410002KN		SPRING WASHER						1	
23		NM6040001SC		NUT M4						1	
24		18301903		STOPPER						2	
25		SM6052502TP		SCREW M5X0.8 L=25						2	
26	D	G5151116C00		FLAP PRESSER FULCRUM SHAFT						1	
27		SM6041202TP		SCREW M4X0.7 L=12						2	
28		WS0410002KN		SPRING WASHER						2	
29		WP0430800SC		WASHER M4						2	
30		G5148116000		FLAP PRESSER PIVOT PIN						1	
31		G5150116C00		FLAP PRESSER ARM, LEFT						1	
32		SM8030502TP		SCREW M3 L=5						2	
33	D	16809204		GARMENT CLAMP, LEFT G=8-14	FOR 8,10,12,14MM					1	
34		16809402		GARMENT CLAMP, LEFT G=16-20	FOR 16,18,20MM					1	
35	D	16778409		GARMENT CLAMP RUBBER, LEFT						1	
36	D	16807117		GARMENT CLAMP FULCULUM PIN						1	
37		SS7110840SP		SCREW 11/64-40 L=7.8						2	
38		SM5040655SN		SCREW						2	
39	D	G5123117000		FLAP STOPPER A						1	
40		SM4030401SC		SCREW M3X0.5 L=4						1	
41		WP0320500SC		WASHER M3						1	
42		PA250600100		AIR CYLINDER						1	
43		PC015107000		SPEED CONTROLLER						2	
44	D	G5143116A00		FLAP PRESSER RUBBER SOLE						1	
45	R	G5154116C00	G5154116CA0	SPRING ANCHOR PLATE						1	1.00
46		SM6041002TP		SCREW M4 L=10						2	

SA-97N:SINGLE & DOUBLE CHANGE UNIT (2) (FOR LEFT) (OPTION)

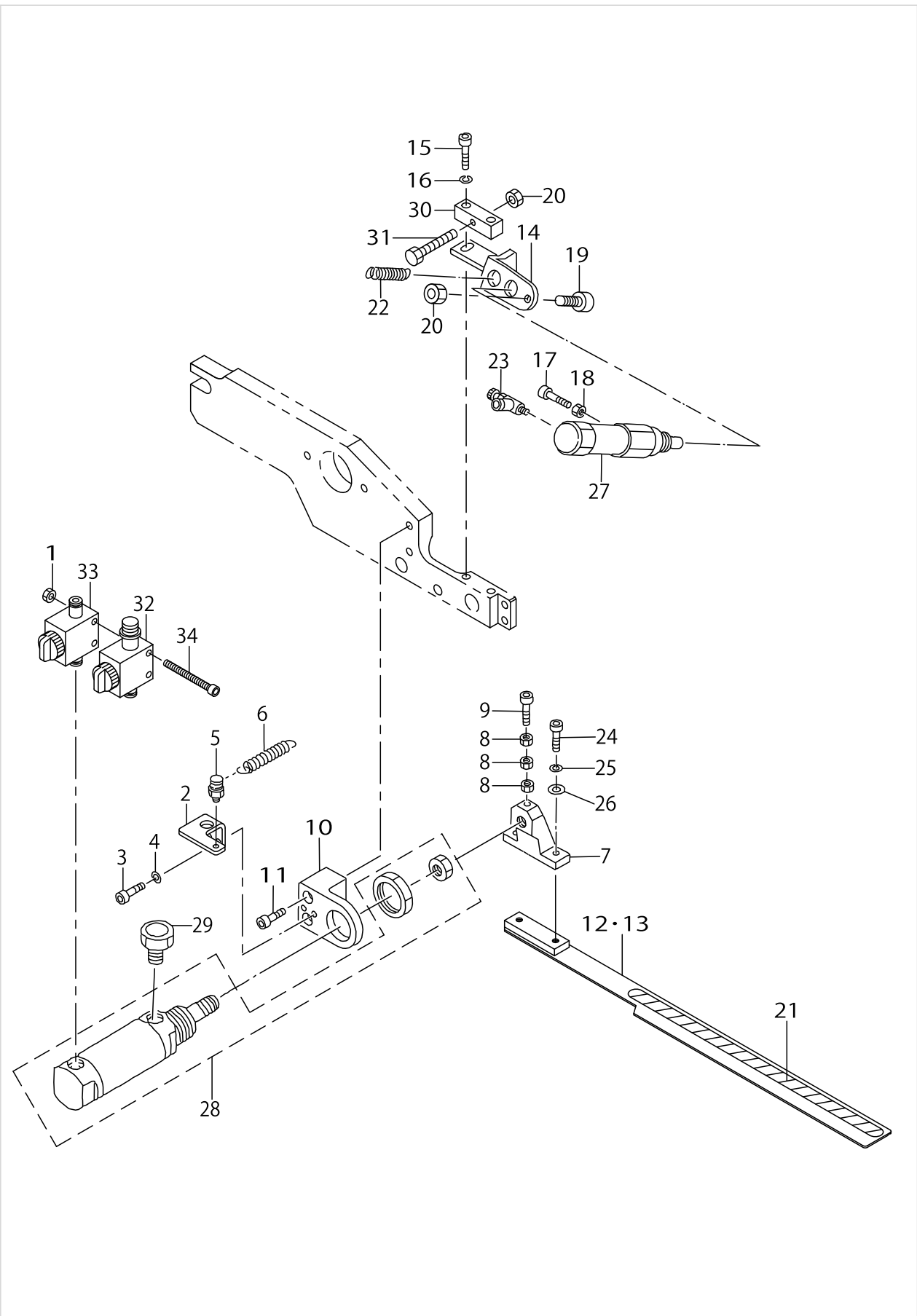


SA-97N:SINGLE & DOUBLE CHANGE UNIT (2) (FOR LEFT) (OPTION)

No.	Supply Code	Parts No.	Replacement	Parts name	Remarks	Choice	Step	Level	Cons	Qty	Rep. QTY
47		WS0410002KN		SPRING WASHER						2	
48		WP0430800SC		WASHER M4						2	
49	D	25298753		FLAP BASE ASM., LEFT	FOR 8,10,12,14MM					1	
50		25332156		FLAP BASE ASM., LEFT	FOR 16,18,20MM					1	
51	R	25298704	25298753	FLAP BASE PLATE,LEFT	FOR 8,10,12,14MM			*		1	1.00
52		25332107		FLAP BASE PLATE,LEFT	FOR 16,18,20MM			*		1	
53	D	25299108		SCALE SEAL				*		1	
54		SM1040601SC		SCREW M4X0.7 L=6						2	
55	R	16704801	16778508	RUBBER CLAMP	FOR STANDARD	A				1	1.00
55	R	16704801	16778409	RUBBER CLAMP	FOR STANDARD	B				1	1.00
56	D	16704900		RUBBER CLAMP	FOR HEAVY-WEIGHT MATERIALS					1	
57	D	G5152119H00		RUBBER SOLE, RIGHT H	FOR HEAVY-WEIGHT MATERIALS					1	
58	D	G5152119F00		RUBBER SOLE, RIGHT F	FOR STANDARD					1	
59		PV010508000		MECHANICAL VALVE						1	
60		PJ304040504		ELBOW UNION						2	
61		18583005		STOPPER						1	
62		SM8040402TP		SCREW M4X0.7 L=4						1	
63		WP0450801SD		WASHER 4.5X10X0.8						1	
64		WP0430800SC		WASHER M4						1	
65		NM6040001SC		NUT M4						2	
66	D	G5140116000		FLAP SCALE						1	
67		18582205		STOPPER BOLT				*		2	
68		NM6040001SC		NUT M4						1	

A:(身頃クランプゴム右)/A-  
:Right RUBBER CLAMP  
of garment body  
B:(身頃クランプゴム左)/B-  
:Left RUBBER CLAMP  
of garment body

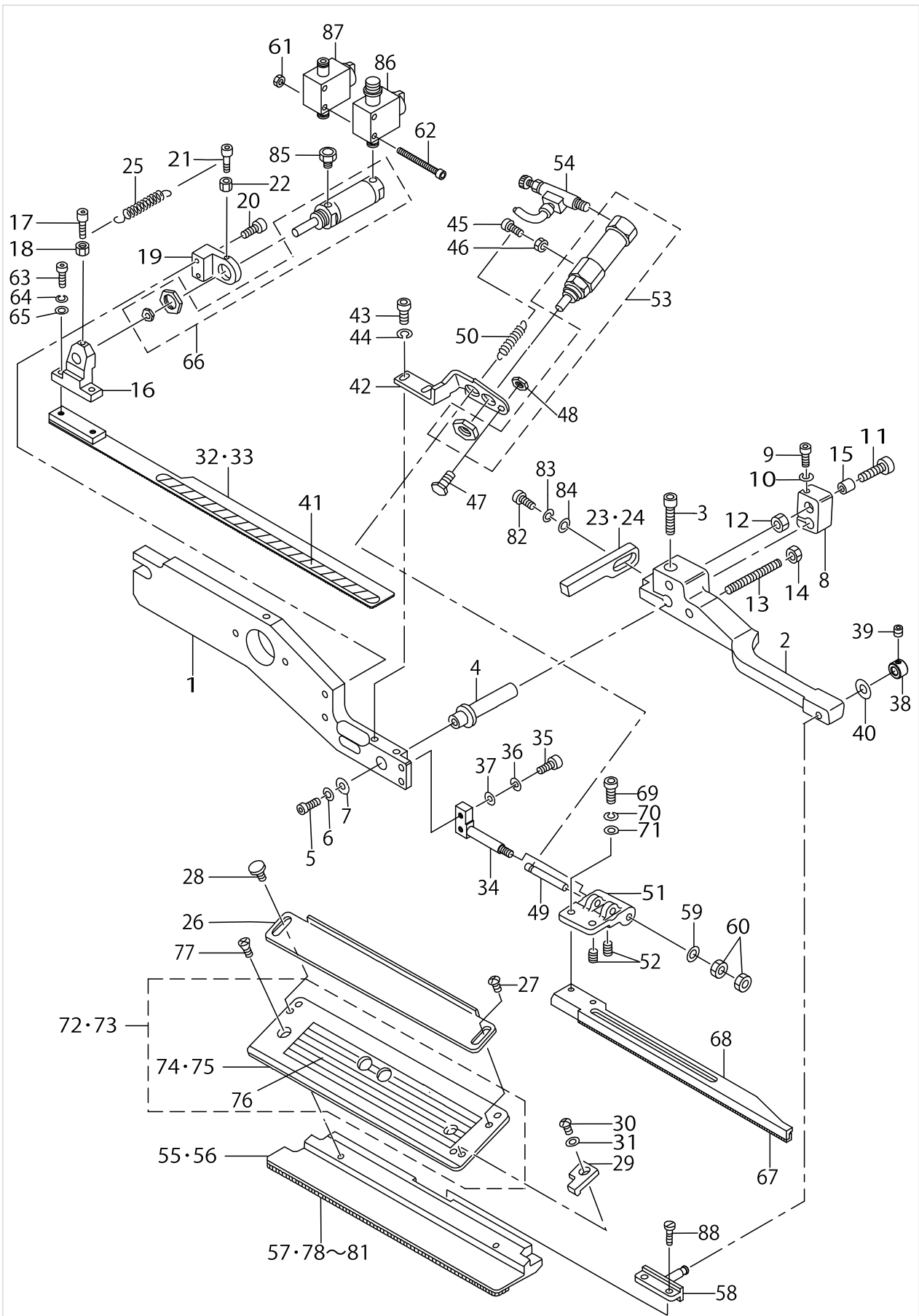
SA-97N:SINGLE & DOUBLE CHANGE UNIT (3) (FOR LEFT) (OPTION)



SA-97N:SINGLE & DOUBLE CHANGE UNIT (3) (FOR LEFT) (OPTION)

No.	Supply Code	Parts No.	Replacement	Parts name	Remarks	Choice	Step	Level	Cons	Qty	Rep. QTY
1		NM6040001SC		NUT M4						2	
2		18302000		BRACKET						1	
3		SM6041002TP		SCREW M4 L=10						2	
4		WS0410002KN		SPRING WASHER						2	
5		18302109		PIN						1	
6	D	18302208		SPRING						1	
7	D	G5132116B00		FOLDING BRACKET						1	
8		NM6030001SC		NUT M3						3	
9		SM6032002TP		SCREW M3X0.5 L=20						1	
10		18302307		BRACKET, LEFT						1	
11		SM6052502TP		SCREW M5X0.8 L=25						2	
12	D	25298316		FOLDING PLATE,LEFT	FOR 8,10,12,14MM					1	
13	D	25298514		FOLDING PLATE,LEFT	FOR 16,18,20MM					1	
14		18302406		BRACKET, LEFT						1	
15		SM6051202TP		SCREW M5X0.8 L=12						2	
16		WS0510002KN		SPRING WASHER						2	
17		SM6031002TP		HEXAGONAL BOLT M3 X 10						1	
18		NM6030001SC		NUT M3						1	
19		SM6042502TP		SCREW M4X0.7 L=25						1	
20		NM6040001SC		NUT M4						1	
21	D	18559005		SHEET						1	
22		16701005		SPRING						1	
23		PC010507000		SPEED CONTROLLER						1	
24		SM6041002TP		SCREW M4 L=10						2	
25		WS0410002KN		SPRING WASHER						2	
26		WP0430800SC		WASHER M4						2	
27		G5410116AA0		CYLINDER						1	
28		G5402116AA0		WELT PATCH FOLDING CYL. ASM.						1	
29		PX055101000		ELEMENT						1	
30		18582908		ADJUSTING BLOCK						1	
31		18582205		STOPPER BOLT						2	
32		PV015118000		VALVE						1	
33		PV010011000		VALVE						1	
34		SM6044002TP		SCREW						2	

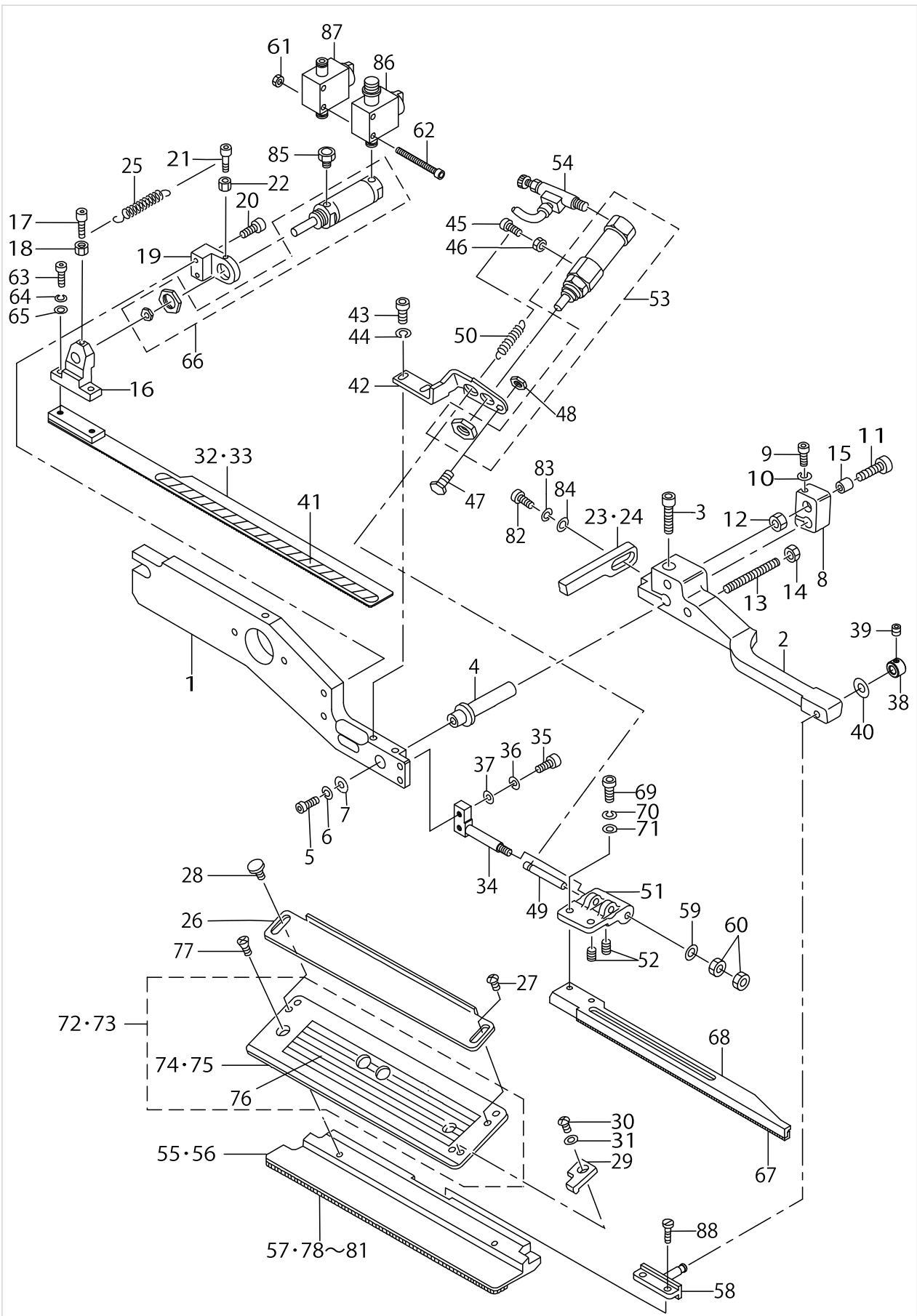
SA-97N:SINGLE & DOUBLE CHANGE UNIT (4) (FOR LEFT) (OPTION)



SA-97N:SINGLE & DOUBLE CHANGE UNIT (4) (FOR LEFT) (OPTION)

No.	Supply Code	Parts No.	Replacement	Parts name	Remarks	Choice	Step	Level	Cons	Qty	Rep. QTY
1	D	25298209		PRESSER ARM,RIGHT						1	
2	D	G5110117000		SUPPORT ARM, RIGHT						1	
3		SM6062002TP		SCREW M6 L=20						1	
4		G5146119C00		SLIDE SHAFT						1	
5		SM6051202TP		SCREW M5X0.8 L=12						1	
6		WS0510002KN		SPRING WASHER						1	
7		G5108119000		WASHER						1	
8	D	G5125117A00		SLIDING METAL						1	
9		SM6053002TP		SCREW M5X0.8 L=30						1	
10		WS0510002KN		SPRING WASHER						1	
11		SM6065002TP		SCREW M6 L=50						1	
12		NM6060001SC		NUT M6						1	
13	D	G5122117000		SUPPORT ARM STOPPER						1	
14		NM6050001SC		NUT M5						1	
15		G5126117000		SPACER						1	
16	D	G5132116B00		FOLDING BRACKET						1	
17		SM6031202TP		SCREW M3X0.5 L=12						1	
18		NM6030001SC		NUT M3						1	
19	D	G5130116D00		FOLDING PLATE ST- OPPER, RIGHT A						1	
20		SM6051552TP		SCREW M5 L=15						2	
21		SM6031202TP		SCREW M3X0.5 L=12						1	
22		NM6030001SC		NUT M3						1	
23		G5130116C00		FOLDING PLATE STOPPER,RIGHT	FOR 8,10,12,14MM					1	
24	D	G5130116D00		FOLDING PLATE ST- OPPER, RIGHT A	FOR 16,18,20MM					1	
25	D	G5129116C00		SPRING						1	
26	D	G5140116000		FLAP SCALE						1	
27		SM5040451SC		SCREW M4X0.7 L=4						1	
28		G5847116000		KNOB SCREW						1	
29	D	G5124117000		FLAP STOPPER B						1	
30		SM4030401SC		SCREW M3X0.5 L=4						1	
31		WP0320500SC		WASHER M3						1	
32	D	25298415		FOLDING PLATE ,RIGHT	FOR 8,10,12,14MM					1	
33	D	25298613		FOLDING PLATE ,RIGHT	FOR 16,18,20MM					1	
34	D	G5151116C00		FLAP PRESSER FULCRUM SHAFT						1	
35		SM6041202TP		SCREW M4X0.7 L=12						2	
36		WS0410002KN		SPRING WASHER						2	
37		WP0430800SC		WASHER M4						2	
38	D	25377300		SET COLLAR						1	
39		SM8040402TP		SCREW M4X0.7 L=4						1	
40		WP0450801SD		WASHER 4.5X10X0.8						1	
41	D	18559005		SHEET						1	
42	D	18302505		BRACKET, RIGHT						1	
43		SM6051202TP		SCREW M5X0.8 L=12						2	
44		WS0510002KN		SPRING WASHER						2	
45		SM6031002TP		HEXAGONAL BOLT M3 X 10						1	

SA-97N:SINGLE & DOUBLE CHANGE UNIT (4) (FOR LEFT) (OPTION)



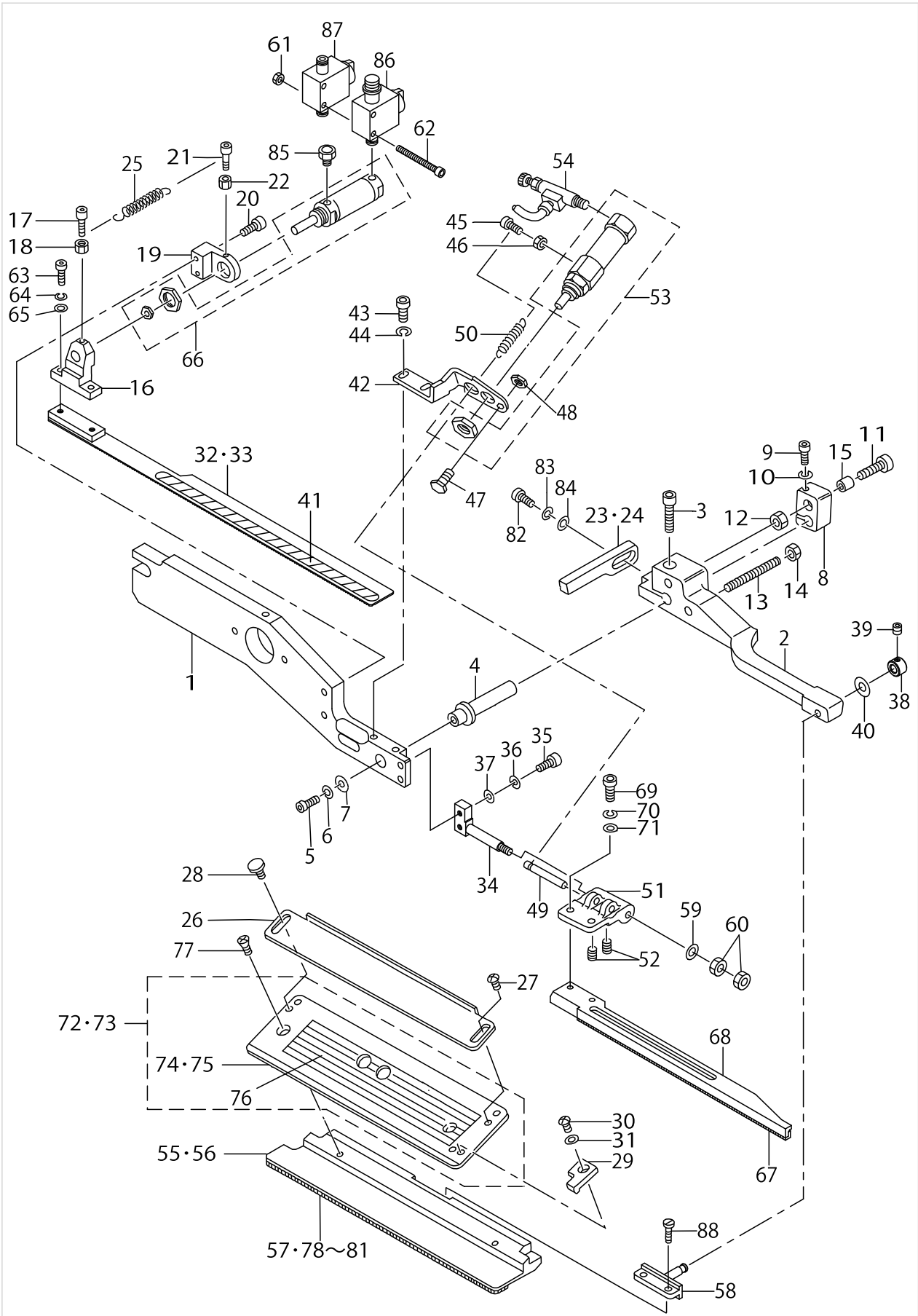


SA-97N:SINGLE & DOUBLE CHANGE UNIT (4) (FOR LEFT) (OPTION)

No.	Supply Code	Parts No.	Replacement	Parts name	Remarks	Choice	Step	Level	Cons	Qty	Rep. QTY
46		NM6030001SC		NUT M3						1	
47		SM6042502TP		SCREW M4X0.7 L=25						1	
48		NM6040001SC		NUT M4						1	
49	D	G5148116C00		PIN						1	
50		16701005		SPRING						1	
51	D	G5149116C00		FLAP PRESSER ARM, RIGHT						1	
52		SM8030502TP		SCREW M3 L=5						2	
53		G5410116AA0		CYLINDER						1	
54		PC010507000		SPEED CONTROLLER						1	
55	D	16809303		GARMENT CLAMP, G=8-14	FOR 8,10,12,14MM					1	
56		16809501		GARMENT CLAMP, RIGHT G=16-20	FOR 16,18,20MM					1	
57	D	16778508		GARMENT CLAMP RUBBER, RIGHT						1	
58	D	16807117		GARMENT CLAMP FULCULUM PIN						1	
59		WP0430800SC		WASHER M4						1	
60		NM6040001SC		NUT M4						2	
61		NM6040001SC		NUT M4						2	
62		SM6044002TP		SCREW						2	
63		SM6041002TP		SCREW M4 L=10						2	
64		WS0410002KN		SPRING WASHER						2	
65		WP0430800SC		WASHER M4						2	
66		G5402116AA0		WELT PATCH FOLDING CYL. ASM.						1	
67	D	G5143116A00		FLAP PRESSER RUBBER SOLE						1	
68	D	G5149116000		FLAP PRESSER ARM						1	
69		SM6041002TP		SCREW M4 L=10						2	
70	R	WS0410002KH	WS0410002KN	SPRING WASHER						2	1.00
71		WP0430800SC		WASHER M4						2	
72		25298852		FLAP BASE ASM., RIGHT	SELECTIVE PARTS					1	
73	D	25332255		FLAP BASE ASM., RIGHT	SELECTIVE PARTS					1	
74	R	25298803	25298852	FLAP BASE PLATE,RIGHT	FOR 8,10,12,14MM			*		1	1.00
75		25332206		FLAP BASE PLATE,RIGHT	FOR 16,18,20MM			*		1	
76	D	25299108		SCALE SEAL				*		1	
77		SM1040601SC		SCREW M4X0.7 L=6	FOR STANDARD					2	
78	R	16704801	16778508	RUBBER CLAMP	FOR STANDARD	A				1	1.00
78	R	16704801	16778409	RUBBER CLAMP	FOR STANDARD	B				1	1.00
79	D	16704900		RUBBER CLAMP	FOR HEAVY-WEIGHT MATERIALS					1	
80	D	G5152119E00		RUBBERSOLE,LEFT	FOR STANDARD					1	
81	D	G5152119G00		RUBBERSOLE,LEFTG	FOR HEAVY-WEIGHT MATERIALS					1	
82		SM6041202TP		SCREW M4X0.7 L=12						1	
83		WS0410002KN		SPRING WASHER						1	
84		WP0430800SC		WASHER M4						1	

A:(身頃クラン  
ブコム右)/A-  
:Right RUB-  
BER CLAMP  
of garment body  
B:(身頃クラン  
ブコム左)/B-  
:Left RUBB-  
ER CLAMP  
of garment body

SA-97N:SINGLE & DOUBLE CHANGE UNIT (4) (FOR LEFT) (OPTION)

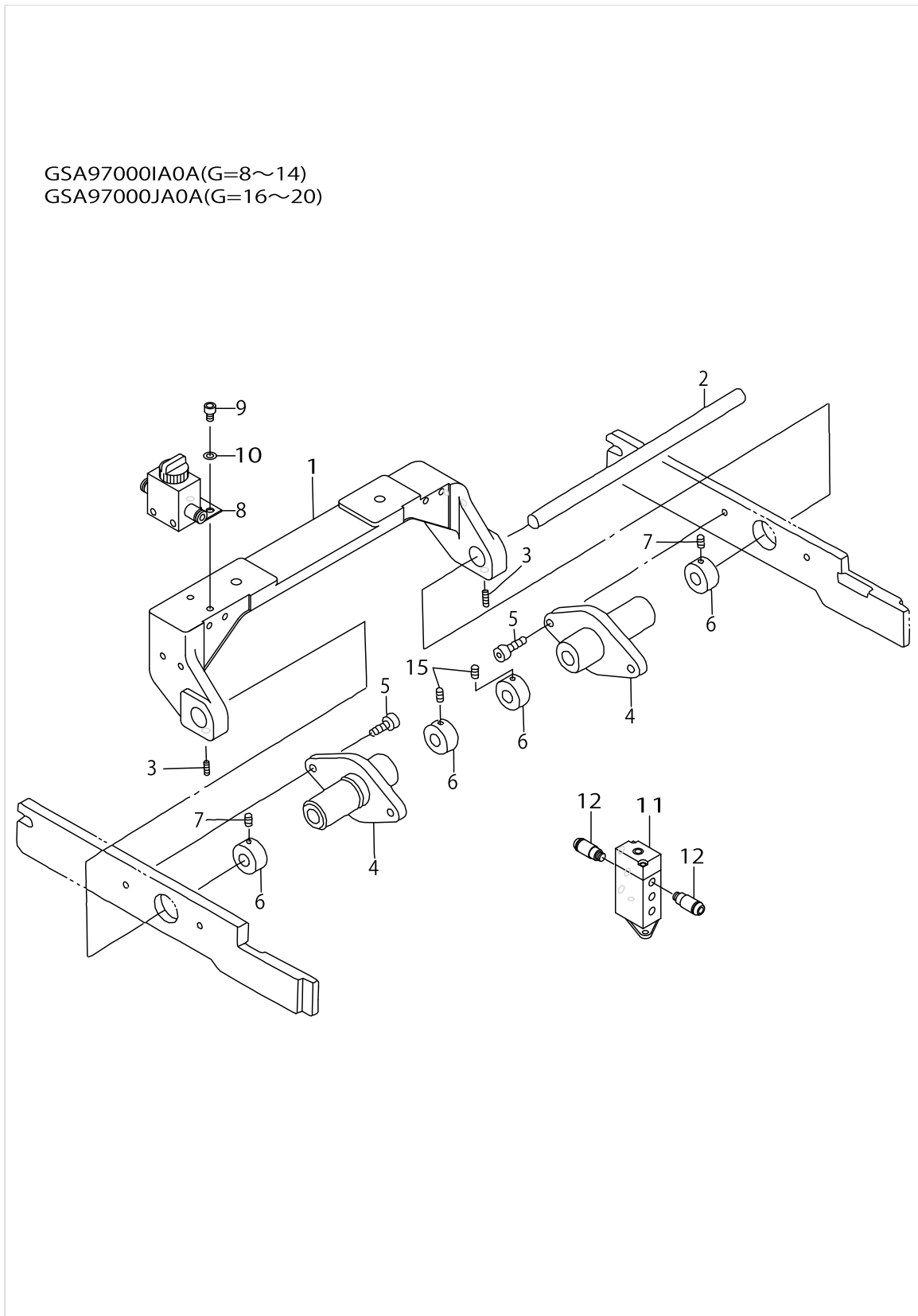


SA-97N:SINGLE & DOUBLE CHANGE UNIT (4) (FOR LEFT) (OPTION)

No.	Supply Code	Parts No.	Replacement	Parts name	Remarks	Choice	Step	Level	Cons	Qty	Rep. QTY
85		PX055101000		ELEMENT						1	
86		PV015118000		VALVE						1	
87		PV010011000		VALVE						1	
88		SS7110840SP		SCREW 11/64-40 L=7.8						2	

SA-97N:SINGLE & DOUBLE CHANGE UNIT (1) (FOR LEFT) (OPTION)

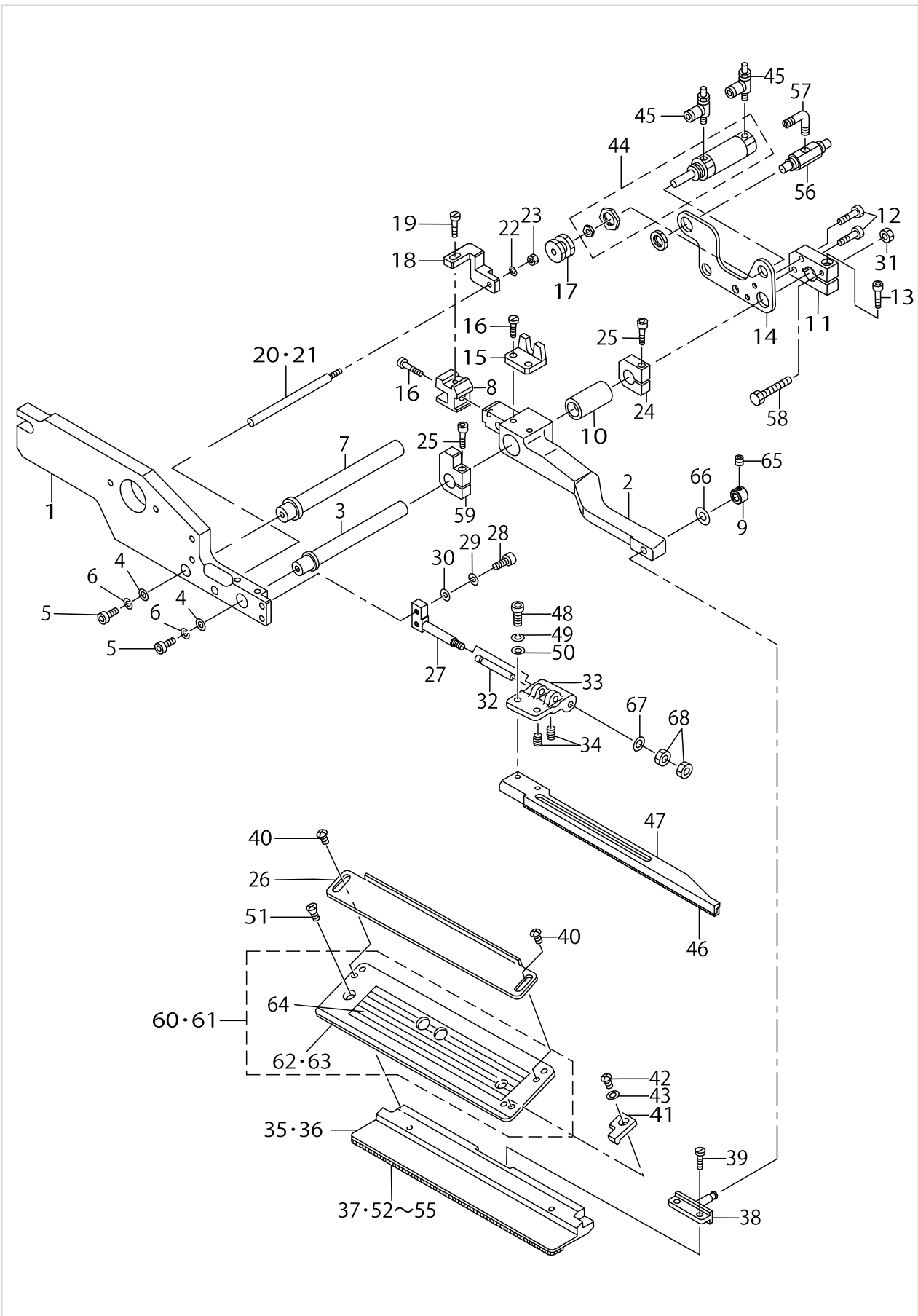
GSA97000IA0A(G=8~14)  
GSA97000JA0A(G=16~20)



SA-97N:SINGLE & DOUBLE CHANGE UNIT (1) (FOR LEFT) (OPTION)

No.	Supply Code	Parts No.	Replacement	Parts name	Remarks	Choice	Step	Level	Cons	Qty	Rep. QTY
1		25299405		FULCRUM BASE						1	
2		16907701		SHAFT						1	
3		SM8050602TP		SCREW M5 L=6						2	
4	D	18550806		FULCRUM BOSS						2	
5		SM6051802TP		SCREW M5 L=18						4	
6	D	16908105		COLLAR						4	
7		SM8050602TP		SCREW M5 L=6						4	
8		PV010012000		VALVE						1	
9		SM6040602TP		SCREW M4 L=6						2	
10		WS0410002KN		SPRING WASHER						2	
11		PV1505310A0		AIR OPERATE VALVE						1	
12		PJ210004200		HALF UNION						2	

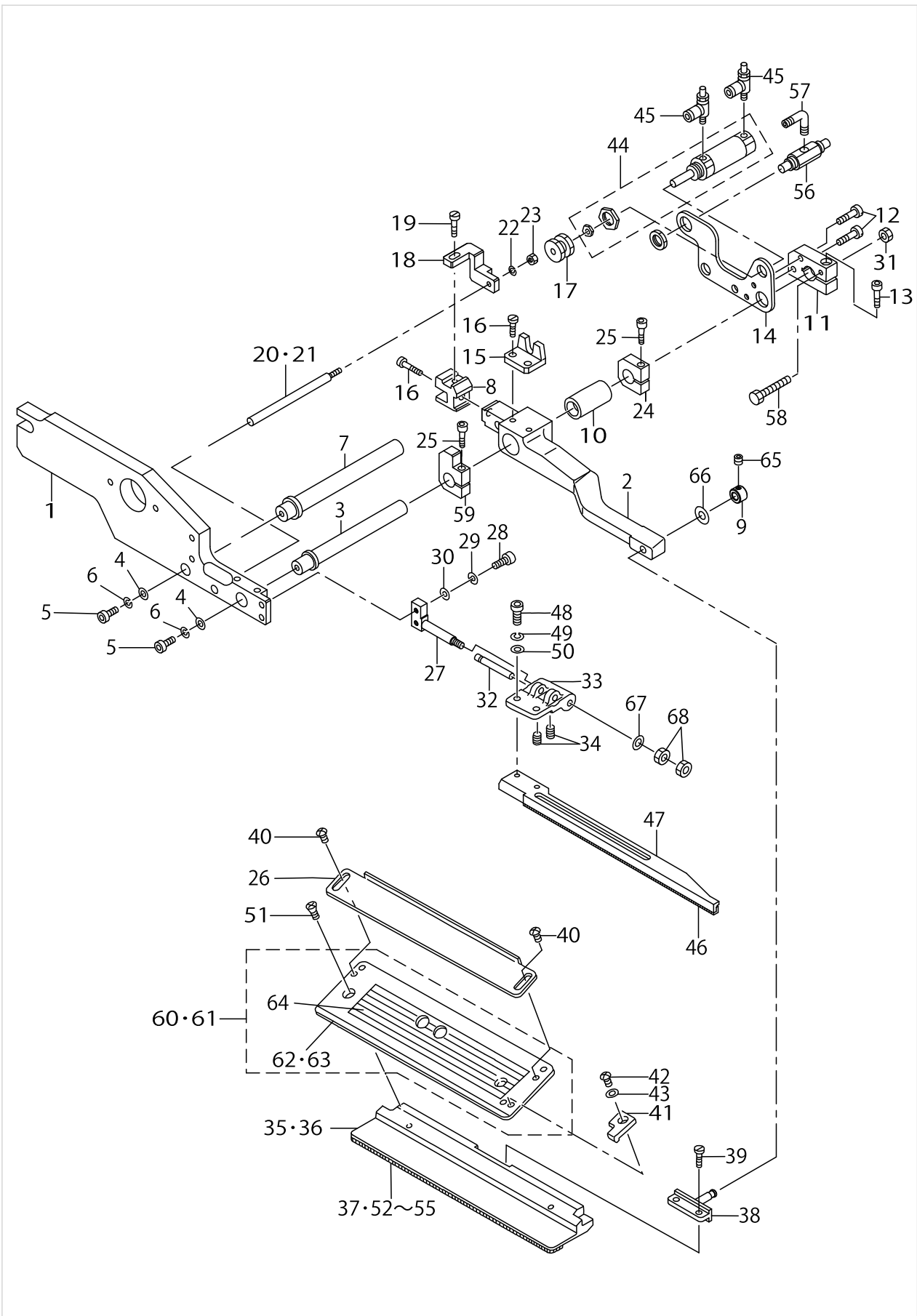
SA-97N:SINGLE & DOUBLE CHANGE UNIT (2) (FOR LEFT) (OPTION)



SA-97N:SINGLE & DOUBLE CHANGE UNIT (2) (FOR LEFT) (OPTION)

No.	Supply Code	Parts No.	Replacement	Parts name	Remarks	Choice	Step	Level	Cons	Qty	Rep. QTY
1		25336900		CLAMP FOOT ARM (RIGHT)						1	
2	D	G5109117000		SUPPORT ARM, LEFT						1	
3		18300806		SLIDER SHAFT, A						1	
4		G5108119000		WASHER						2	
5		SM6051202TP		SCREW M5X0.8 L=12						2	
6		WS0510002KN		SPRING WASHER						2	
7		18300905		SLIDER SHAFT, B						1	
8		18301002		GUIDE BLOCK						1	
9	D	25377300		SET COLLAR						1	
10		18301101		BUSH						1	
11		18582809		BLOCK						1	
12		SS6111610SP		SCREW11/64-40L=16						2	
13		SM6051802TP		SCREW M5 L=18						1	
14		18566604		PLATE						1	
15		18301408		CYLINDER BRACKET						1	
16	R	SS7111120SP	SS7111120TP	SCREW 11/64-40 L=10.5						3	1.00
17		18301507		CYLINDER NUT						1	
18		18564302		STOPPER INSTALLING BASE						1	
19		SS9111010SP		SCREW 11/64-40 L=9.5						1	
20		18301705		STOPPER SHAFT G=8-14	FOR 8,10,12,14MM					1	
21		18301804		STOPPER SHAFT G=16-20	FOR 16,18,20MM					1	
22		WS0410002KN		SPRING WASHER						1	
23		NM6040001SC		NUT M4						1	
24		18301903		STOPPER						2	
25		SM6052502TP		SCREW M5X0.8 L=25						2	
26	D	G5140116000		FLAP SCALE						1	
27	D	G5151116C00		FLAP PRESSER FULCRUM SHAFT						1	
28		SM6041202TP		SCREW M4X0.7 L=12						2	
29		WS0410002KN		SPRING WASHER						2	
30		WP0430800SC		WASHER M4						2	
31		NM6040001SC		NUT M4						1	
32		G5148116000		FLAP PRESSER PIVOT PIN						1	
33	D	G5149116C00		FLAP PRESSER ARM, RIGHT						1	
34		SM8030502TP		SCREW M3 L=5						2	
35	D	16809303		GARMENT CLAMP, G=8-14	FOR 8,10,12,14MM					1	
36		16809501		GARMENT CLAMP, RIGHT G=16-20	FOR 16,18,20MM					1	
37	D	16778508		GARMENT CLAMP RUBBER, RIGHT						1	
38	D	16807117		GARMENT CLAMP FULCULUM PIN						1	
39		SS7110840SP		SCREW 11/64-40 L=7.8						2	
40		SM5040655SN		SCREW						2	
41	D	G5124117000		FLAP STOPPER B						1	
42		SM4030401SC		SCREW M3X0.5 L=4						1	
43		WP0320500SC		WASHER M3						1	
44		PA250600100		AIR CYLINDER						1	
45		PC015107000		SPEED CONTROLLER						2	
46	D	G5143116A00		FLAP PRESSER RUBBER SOLE						1	

SA-97N:SINGLE & DOUBLE CHANGE UNIT (2) (FOR LEFT) (OPTION)



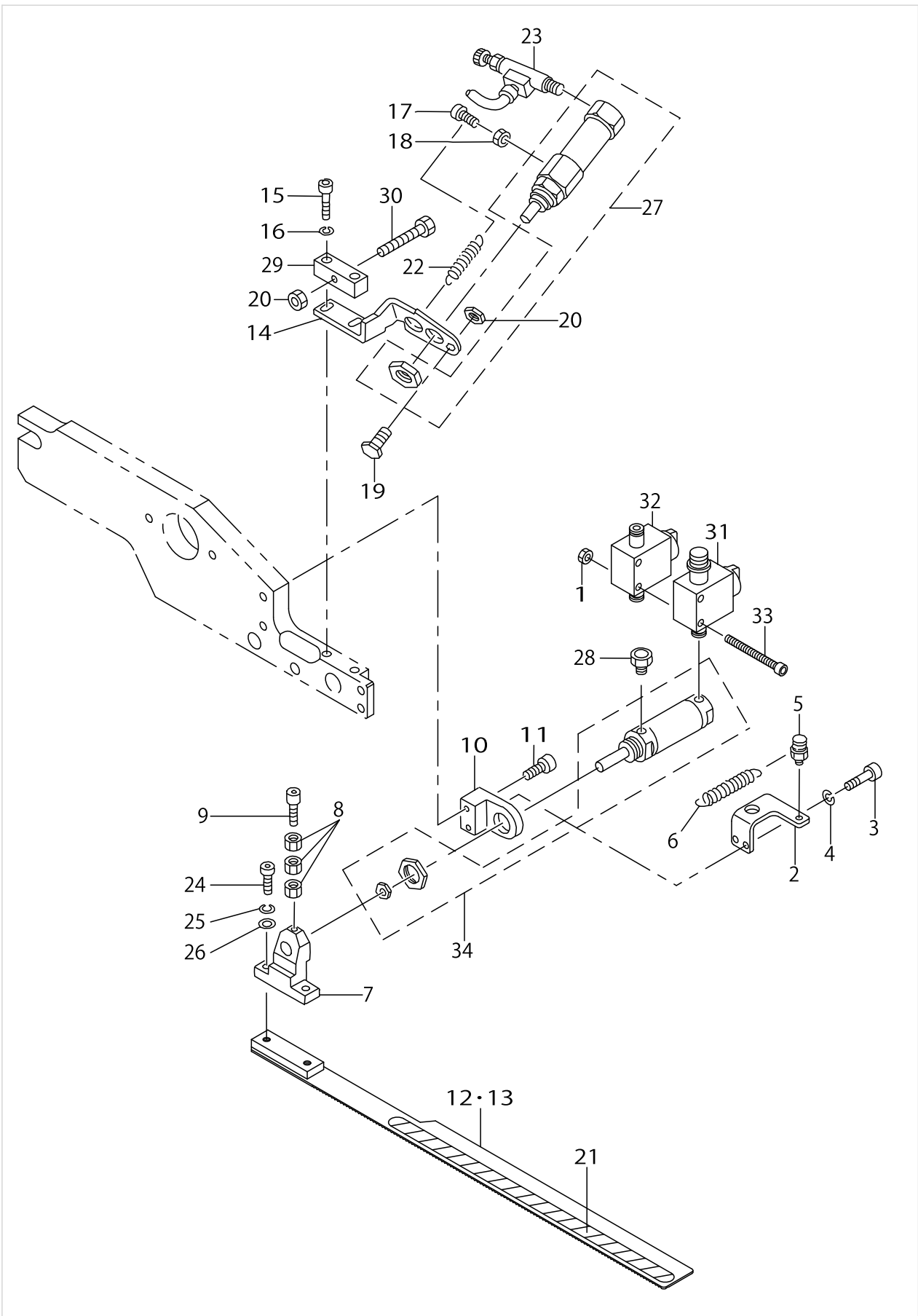


SA-97N:SINGLE & DOUBLE CHANGE UNIT (2) (FOR LEFT) (OPTION)

No.	Supply Code	Parts No.	Replacement	Parts name	Remarks	Choice	Step	Level	Cons	Qty	Rep. QTY
47	R	G5154116C00	G5154116CA0	SPRING ANCHOR PLATE						1	1.00
48		SM6041002TP		SCREW M4 L=10						2	
49		WS0410002KN		SPRING WASHER						2	
50		WP0430800SC		WASHER M4						1	
51		SM1040601SC		SCREW M4X0.7 L=6						1	
52	R	16704801	16778508	RUBBER CLAMP	FOR STANDARD	A				1	1.00
52	R	16704801	16778409	RUBBER CLAMP	FOR STANDARD	B				1	1.00
53	D	16704900		RUBBER CLAMP	FOR HEAVY-WEIGHT MATERIALS					1	
54	D	G5152119H00		RUBBER SOLE, RIGHT H	FOR HEAVY-WEIGHT MATERIALS					1	
55	D	G5152119F00		RUBBER SOLE, RIGHT F	FOR STANDARD					1	
56		PV010508000		MECHANICAL VALVE						1	
57		PJ304040504		ELBOW UNION						1	
58		18582205		STOPPER BOLT						1	
59		18583005		STOPPER						1	
60		25298852		FLAP BASE ASM., RIGHT	SELECTIVE PARTS					1	
61	D	25332255		FLAP BASE ASM., RIGHT	SELECTIVE PARTS					1	
62	R	25298803	25298852	FLAP BASE PLATE,RIGHT	FOR 8,10,12,14MM				*	1	1.00
63		25332206		FLAP BASE PLATE,RIGHT	FOR 16,18,20MM				*	1	
64	D	25299108		SCALE SEAL					*	1	
65		SM8040402TP		SCREW M4X0.7 L=4						1	
66		WP0450801SD		WASHER 4.5X10X0.8						1	
67		WP0430800SC		WASHER M4						1	
68		NM6040001SC		NUT M4						2	

A:(身頃クラン  
プゴム右)/A-  
:Right RUB-  
BER CLAMP  
of garment body  
B:(身頃クラン  
プゴム左)/B-  
:Left RUBB-  
ER CLAMP  
of garment body

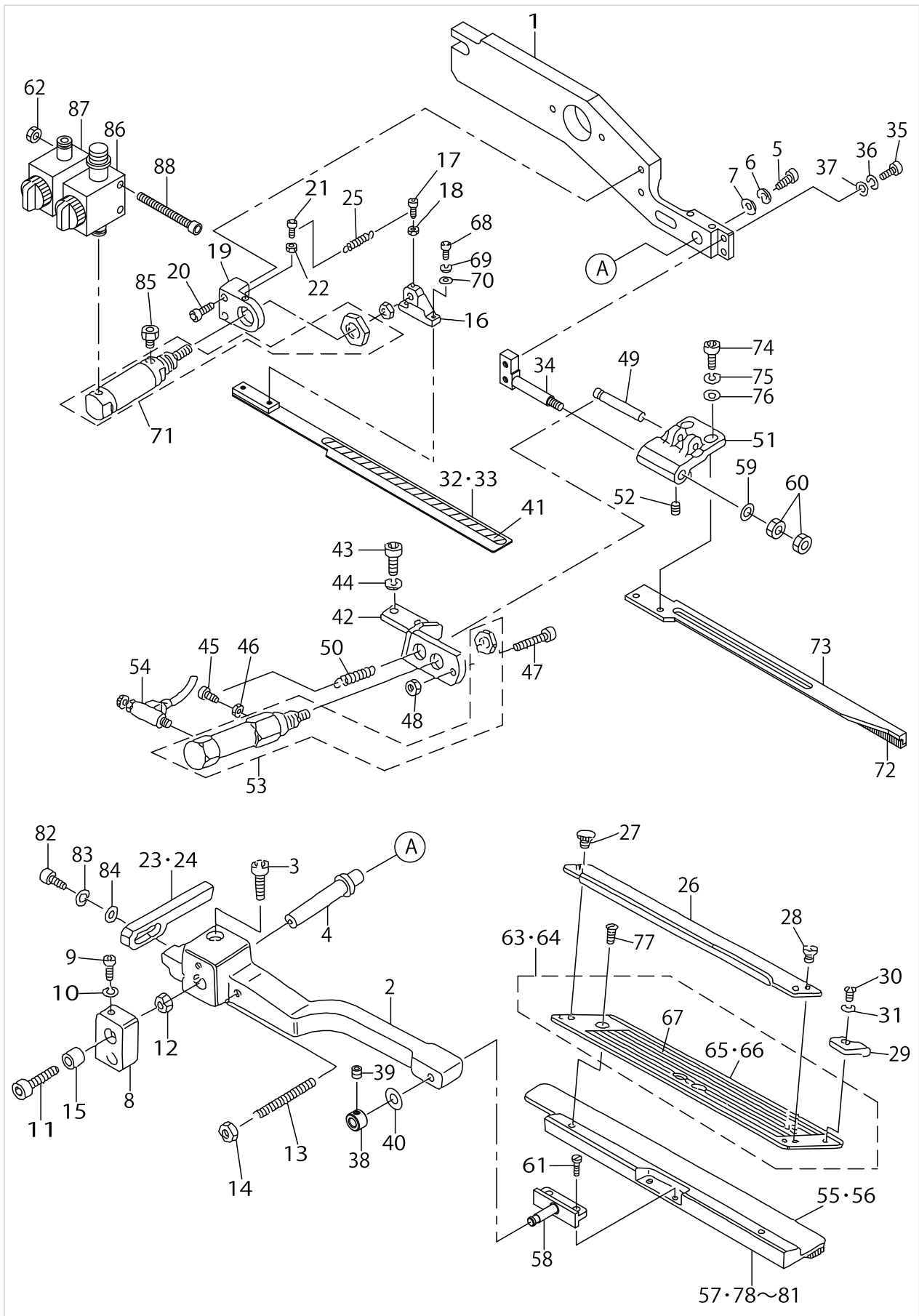
SA-97N:SINGLE & DOUBLE CHANGE UNIT (3) (FOR LEFT) (OPTION)



SA-97N:SINGLE & DOUBLE CHANGE UNIT (3) (FOR LEFT) (OPTION)

No.	Supply Code	Parts No.	Replacement	Parts name	Remarks	Choice	Step	Level	Cons	Qty	Rep. QTY
1		NM6040001SC		NUT M4						2	
2		18564203		SPRING HOOK BRACKET						1	
3		SM6041002TP		SCREW M4 L=10						2	
4		WS0410002KN		SPRING WASHER						2	
5		18302109		PIN						1	
6	D	18302208		SPRING						1	
7	D	G5132116B00		FOLDING BRACKET						1	
8		NM6030001SC		NUT M3						3	
9		SM6032002TP		SCREW M3X0.5 L=20						1	
10		18564104		BRACKET, RIGHT						1	
11		SM6052502TP		SCREW M5X0.8 L=25						2	
12	R	25298407	25298415	FOLDING PLATE,RIGHT	FOR 10,12,14MM					1	1.00
13	R	25298605	25298613	FOLDING PLATE,RIGHT	FOR 16,18,20MM					1	1.00
14	D	18302505		BRACKET, RIGHT						1	
15		SM6051202TP		SCREW M5X0.8 L=12						2	
16		WS0510002KN		SPRING WASHER						2	
17		SM6031002TP		HEXAGONAL BOLT M3 X 10						1	
18		NM6030001SC		NUT M3						1	
19		SM6042502TP		SCREW M4X0.7 L=25						1	
20		NM6040001SC		NUT M4						1	
21	D	18559005		SHEET						1	
22		16701005		SPRING						1	
23		PC010507000		SPEED CONTROLLER						1	
24		SM6041002TP		SCREW M4 L=10						2	
25		WS0410002KN		SPRING WASHER						2	
26		WP0430800SC		WASHER M4						2	
27		G5410116AA0		CYLINDER						1	
28		PX055101000		ELEMENT						1	
29		18582908		ADJUSTING BLOCK						1	
30		18582205		STOPPER BOLT						1	
31		PV015118000		VALVE						1	
32		PV010011000		VALVE						1	
33		SM6044002TP		SCREW						2	
34		G5402116AA0		WELT PATCH FOLDING CYL. ASM.						1	

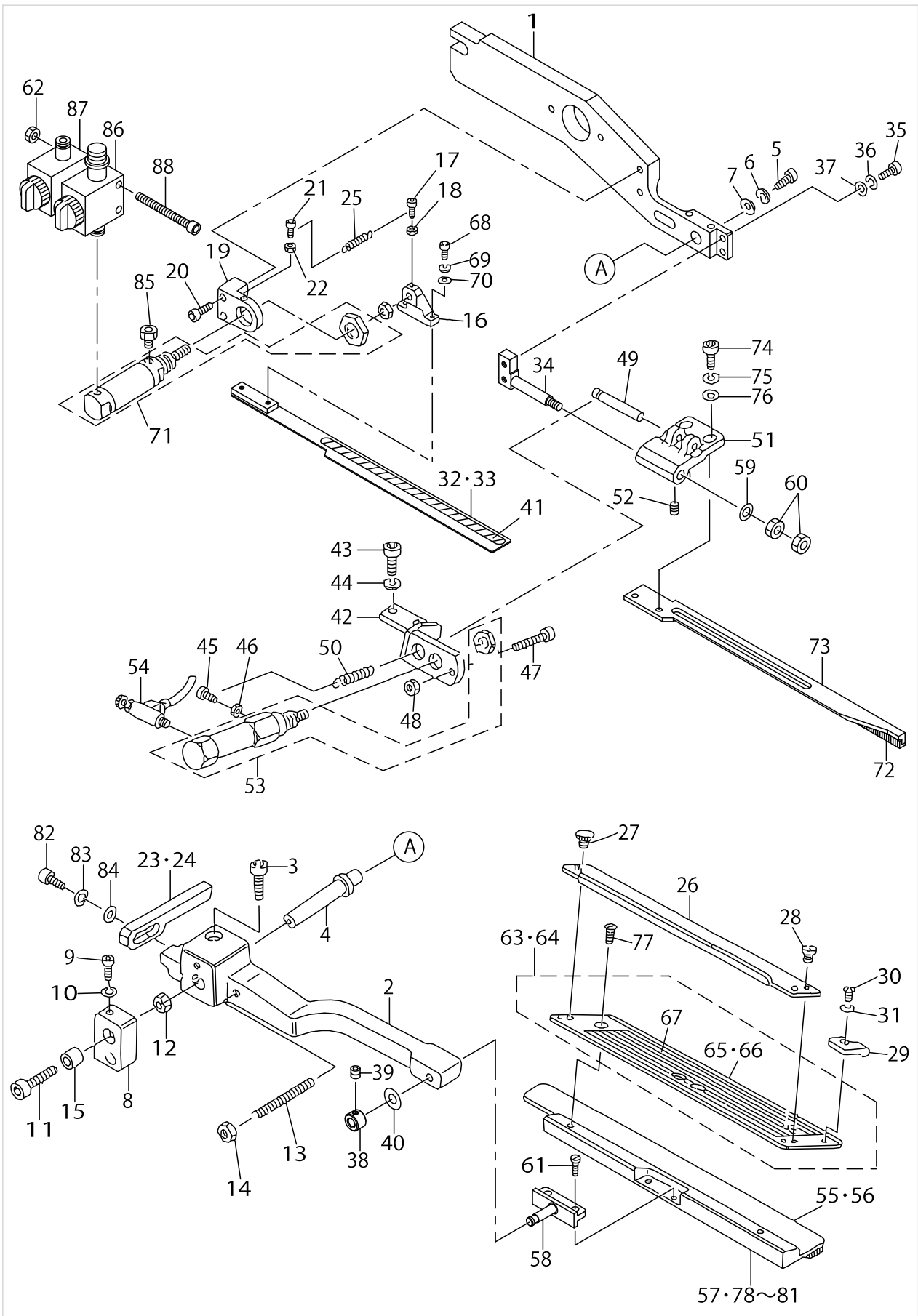
SA-97N:SINGLE & DOUBLE CHANGE UNIT (4) (FOR LEFT) (OPTION)



SA-97N:SINGLE & DOUBLE CHANGE UNIT (4) (FOR LEFT) (OPTION)

No.	Supply Code	Parts No.	Replacement	Parts name	Remarks	Choice	Step	Level	Cons	Qty	Rep. QTY
1	D	25298100		PRESSER ARM,LEFT						1	
2	D	G5110117000		SUPPORT ARM, RIGHT						1	
3		SM6062002TP		SCREW M6 L=20						1	
4		G5146119C00		SLIDE SHAFT						1	
5		SM6051202TP		SCREW M5X0.8 L=12						1	
6		WS0510002KN		SPRING WASHER						1	
7		G5108119000		WASHER						1	
8	D	G5124117A00		SLIDING METAL						1	
9		SM6053002TP		SCREW M5X0.8 L=30						1	
10		WS0510002KN		SPRING WASHER						1	
11		SM6065002TP		SCREW M6 L=50						1	
12		NM6060001SC		NUT M6						1	
13	D	G5122117000		SUPPORT ARM STOPPER						1	
14		NM6050001SC		NUT M5						1	
15		G5126117000		SPACER						1	
16	D	G5132116B00		FOLDING BRACKET						1	
17		SM6031202TP		SCREW M3X0.5 L=12						1	
18		NM6030001SC		NUT M3						1	
19		G5119116C00		FOLDING CYLINDER BRACKET,LEFT						1	
20		SM6051552TP		SCREW M5 L=15						2	
21		SM6031202TP		SCREW M3X0.5 L=12						1	
22		NM6030001SC		NUT M3						1	
23		G5130116C00		FOLDING PLATE STOPPER,RIGHT	FOR 8,10,12,14MM					1	
24	D	G5130116D00		FOLDING PLATE STOPPER, RIGHT A	FOR 16,18,20MM					1	
25	D	G5129116C00		SPRING						1	
26	D	G5140116000		FLAP SCALE						1	
27		SM5040451SC		SCREW M4X0.7 L=4						1	
28		G5847116000		KNOB SCREW						1	
29	D	G5123117000		FLAP STOPPER A						1	
30		SM4030401SC		SCREW M3X0.5 L=4						1	
31		WP0320500SC		WASHER M3						1	
32	D	25298316		FOLDING PLATE,LEFT	FOR 10,12,14MM					1	
33	D	25298514		FOLDING PLATE,LEFT	FOR 16,18,20MM					1	
34	D	G5151116C00		FLAP PRESSER FULCRUM SHAFT						1	
35		SM6041202TP		SCREW M4X0.7 L=12						2	
36		WS0410002KN		SPRING WASHER						2	
37		WP0430800SC		WASHER M4						2	
38	D	25377300		SET COLLAR						1	
39		SM8040402TP		SCREW M4X0.7 L=4						1	
40		WP0450801SD		WASHER 4.5X10X0.8						1	
41	D	18559005		SHEET						1	
42		18302406		BRACKET, LEFT						1	
43		SM6051202TP		SCREW M5X0.8 L=12						2	
44		WS0510002KN		SPRING WASHER						2	
45		SM6031002TP		HEXAGONAL BOLT M3 X 10						1	

SA-97N:SINGLE & DOUBLE CHANGE UNIT (4) (FOR LEFT) (OPTION)

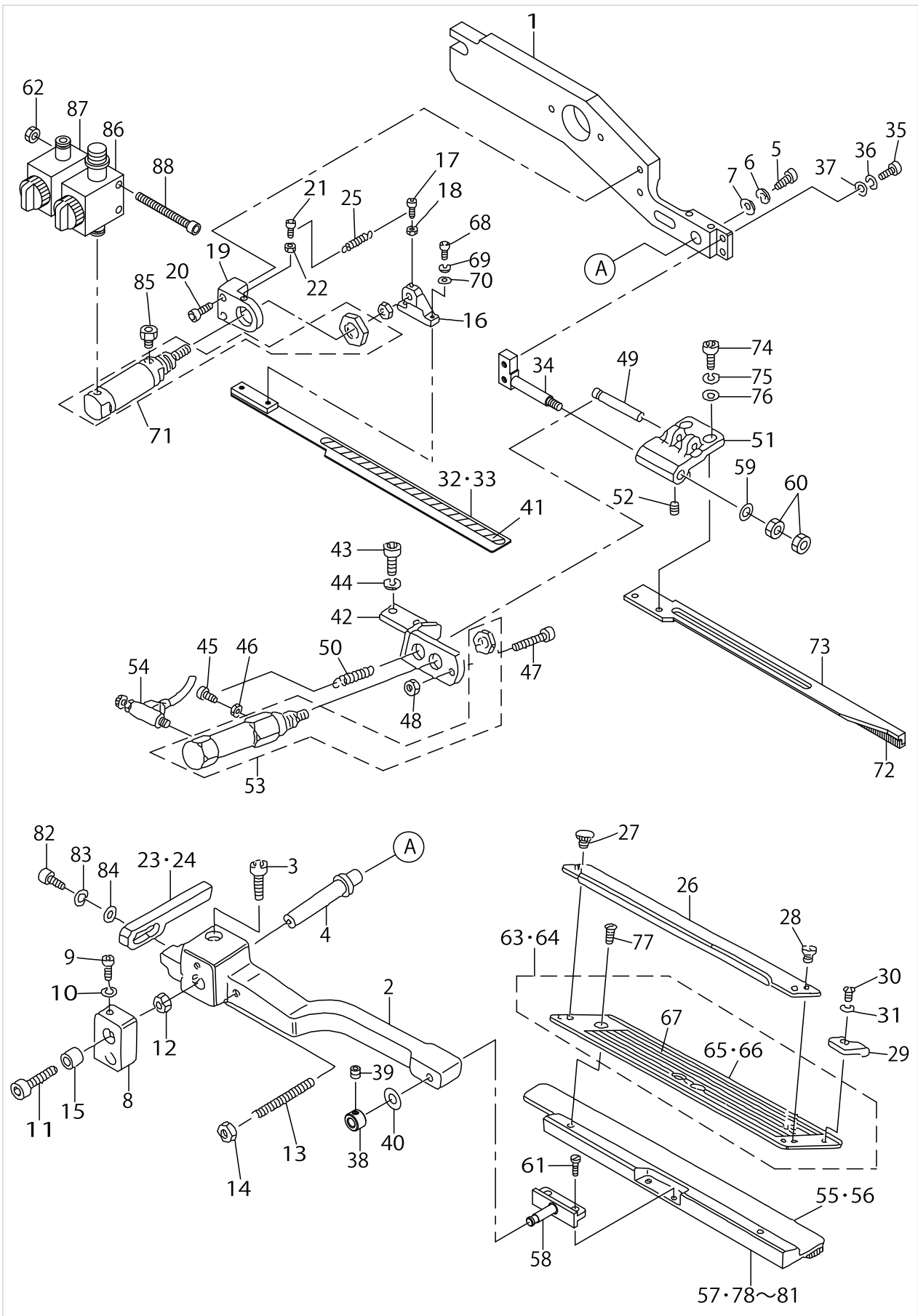


## SA-97N:SINGLE &amp; DOUBLE CHANGE UNIT (4) (FOR LEFT) (OPTION)

No.	Supply Code	Parts No.	Replacement	Parts name	Remarks	Choice	Step	Level	Cons	Qty	Rep. QTY
46		NM6030001SC		NUT M3						1	
47		SM6042502TP		SCREW M4X0.7 L=25						1	
48		NM6040001SC		NUT M4						1	
49	D	G5148116C00		PIN						1	
50		16701005		SPRING						1	
51		G5150116C00		FLAP PRESSER ARM, LEFT						1	
52		SM8030502TP		SCREW M3 L=5						2	
53		G5410116AA0		CYLINDER						1	
54		PC010507000		SPEED CONTROLLER						1	
55	D	16809204		GARMENT CLAMP, LEFT G=8-14	FOR 8,10,12,14MM					1	
56		16809402		GARMENT CLAMP, LEFT G=16-20	FOR 16,18,20MM					1	
57	D	16778409		GARMENT CLAMP RUBBER, LEFT						1	
58	D	16807117		GARMENT CLAMP FULCULUM PIN						1	
59		WP0430800SC		WASHER M4						1	
60		NM6040001SC		NUT M4						2	
61		SS7110840SP		SCREW 11/64-40 L=7.8						2	
62		NM6040001SC		NUT M4						2	
63	D	25298753		FLAP BASE ASM., LEFT	SELECTIVE PARTS					1	
64		25332156		FLAP BASE ASM., LEFT	SELECTIVE PARTS					1	
65	R	25298704	25298753	FLAP BASE PLATE,LEFT	FOR 8,10,12,14MM			*		1	1.00
66		25332107		FLAP BASE PLATE,LEFT	FOR 16,18,20MM			*		1	
67	D	25299108		SCALE SEAL				*		1	
68		SM6041002TP		SCREW M4 L=10						2	
69		WS0410002KN		SPRING WASHER						2	
70		WP0430800SC		WASHER M4						2	
71		G5402116AA0		WELT PATCH FOLDING CYL. ASM.						1	
72	D	G5143116A00		FLAP PRESSER RUBBER SOLE						1	
73	R	G5154116C00	G5154116CA0	SPRING ANCHOR PLATE						1	1.00
74		SM6041002TP		SCREW M4 L=10						2	
75	R	WS0410002KH	WS0410002KN	SPRING WASHER						2	1.00
76		WP0430800SC		WASHER M4						2	
77		SM1040601SC		SCREW M4X0.7 L=6	FOR STANDARD					2	
78	R	16704801	16778508	RUBBER CLAMP	FOR STANDARD	A				1	1.00
78	R	16704801	16778409	RUBBER CLAMP	FOR STANDARD	B				1	1.00
79	D	16704900		RUBBER CLAMP	FOR HEAVY-WEIGHT MATERIALS					1	
80	D	G5152119E00		RUBBERSOLE,LEFT	FOR STANDARD					1	
81	D	G5152119G00		RUBBERSOLE,LEFTG	FOR HEAVY-WEIGHT MATERIALS					1	
82		SM6041202TP		SCREW M4X0.7 L=12						1	
83		WS0410002KN		SPRING WASHER						1	
84		WP0430800SC		WASHER M4						1	

A:(身頃クラン  
ブコム右)/A-  
:Right RUB-  
BER CLAMP  
of garment body  
B:(身頃クラン  
ブコム左)/B-  
:Left RUBB-  
ER CLAMP  
of garment body

SA-97N:SINGLE & DOUBLE CHANGE UNIT (4) (FOR LEFT) (OPTION)



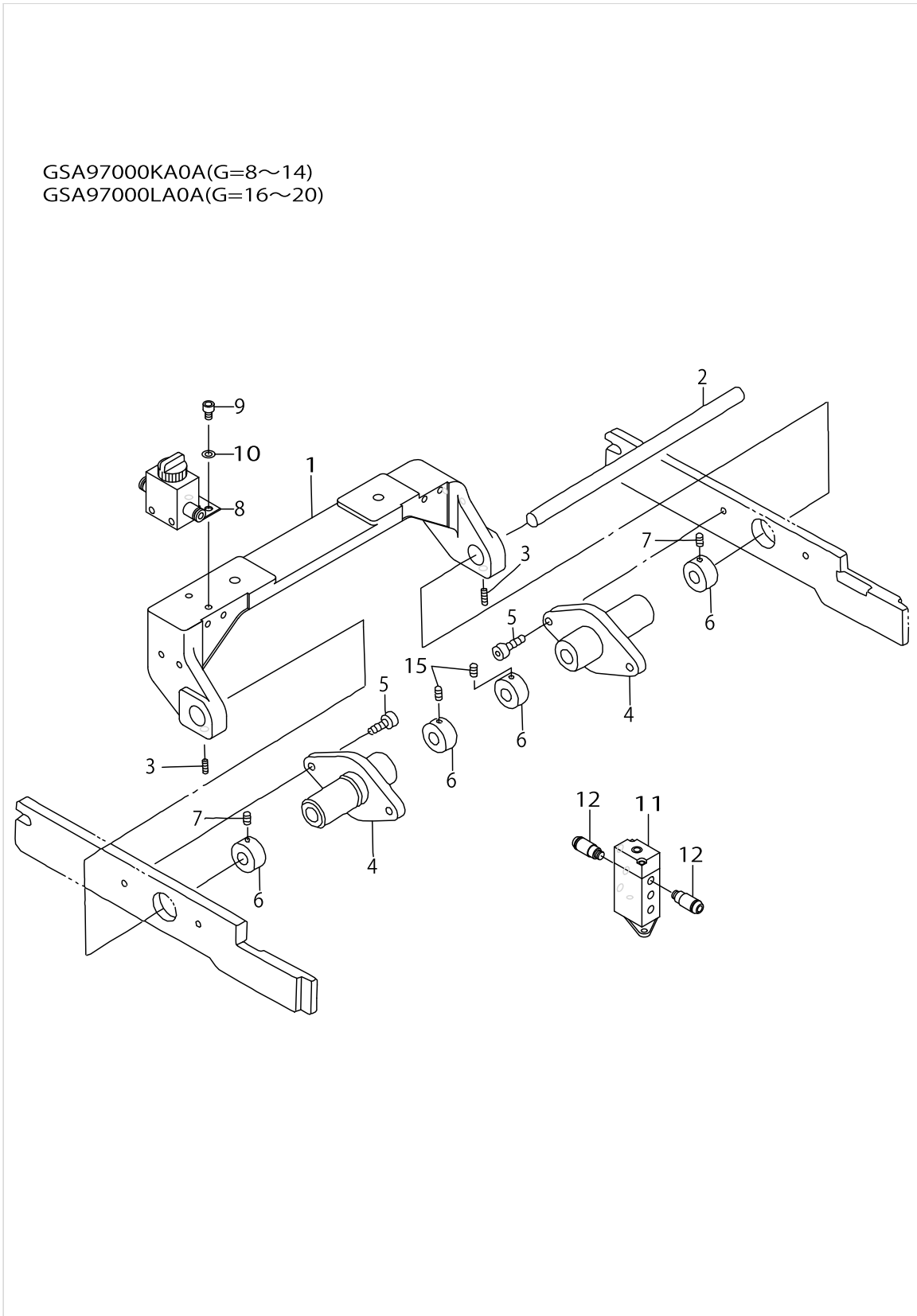


SA-97N:SINGLE & DOUBLE CHANGE UNIT (4) (FOR LEFT) (OPTION)

No.	Supply Code	Parts No.	Replacement	Parts name	Remarks	Choice	Step	Level	Cons	Qty	Rep. QTY
85		PX055101000		ELEMENT						1	
86		PV015118000		VALVE						1	
87		PV010011000		VALVE						1	
88		SM6044002TP		SCREW						2	

SA-97N:SINGLE & DOUBLE CHANGE UNIT (1) (FOR BOTH) (OPTION)

GSA97000KA0A(G=8~14)  
GSA97000LA0A(G=16~20)



SA-97N:SINGLE & DOUBLE CHANGE UNIT (1) (FOR BOTH) (OPTION)

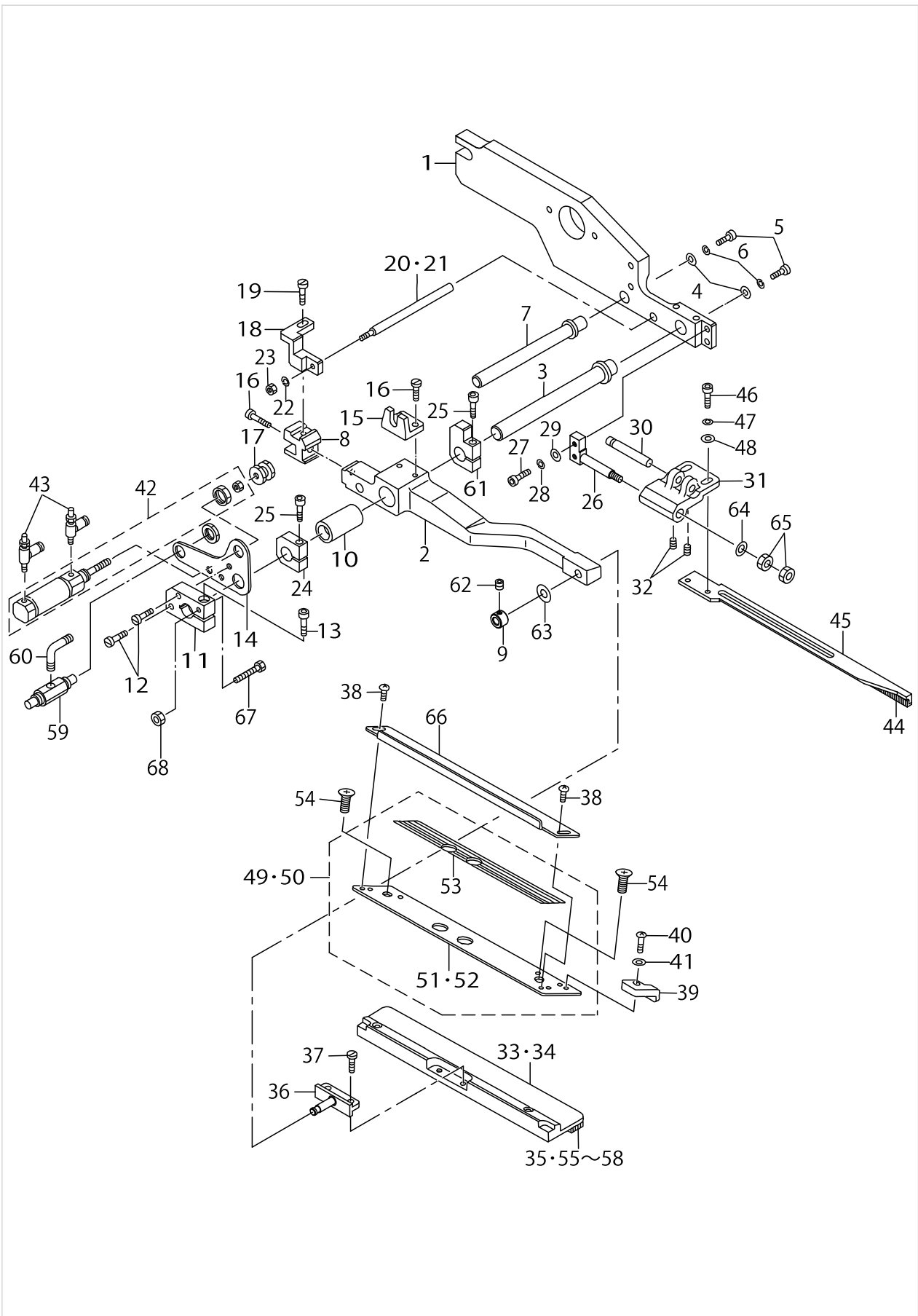
No.	Supply Code	Parts No.	Replacement	Parts name	Remarks	Choice	Step	Level	Cons	Qty	Rep. QTY
1		25299405		FULCRUM BASE						1	
2		16907701		SHAFT						1	
3		SM8050602TP		SCREW M5 L=6						2	
4	D	18550806		FULCRUM BOSS						2	
5		SM6051802TP		SCREW M5 L=18						4	
6	D	16908105		COLLAR						4	
7		SM8050602TP		SCREW M5 L=6						4	
8		PV010012000		VALVE						1	
9		SM6040602TP		SCREW M4 L=6						2	
10		WS0410002KN		SPRING WASHER						2	
11		PV1505310A0		AIR OPERATE VALVE						1	
12		PJ210004200		HALF UNION						2	



SA-97N:SINGLE & DOUBLE CHANGE UNIT (2) (FOR BOTH) (OPTION)

No.	Supply Code	Parts No.	Replacement	Parts name	Remarks	Choice	Step	Level	Cons	Qty	Rep. QTY
1		25336801		CLAMP FOOT ARM ,LEFT						1	
2	D	18300707		SUPPORT ARM, LEFT						1	
3		18300806		SLIDER SHAFT, A						1	
4		G5108119000		WASHER						2	
5		SM6051202TP		SCREW M5X0.8 L=12						2	
6		WS0510002KN		SPRING WASHER						2	
7		18300905		SLIDER SHAFT, B						1	
8		18301002		GUIDE BLOCK						1	
9	D	25377300		SET COLLAR						1	
10		18301101		BUSH						1	
11		18582809		BLOCK						1	
12		SS6111610SP		SCREW11/64-40L=16						2	
13		SM6051802TP		SCREW M5 L=18						1	
14		18566604		PLATE						1	
15		18301408		CYLINDER BRACKET						1	
16	R	SS7111120SP	SS7111120TP	SCREW 11/64-40 L=10.5						3	1.00
17		18301507		CYLINDER NUT						1	
18		18564302		STOPPER INSTALLING BASE						1	
19		SS9111010SP		SCREW 11/64-40 L=9.5						1	
20		18301705		STOPPER SHAFT G=8-14	FOR 8,10,12,14MM					1	
21		18301804		STOPPER SHAFT G=16-20	FOR 16,18,20MM					1	
22		WS0410002KN		SPRING WASHER						1	
23		NM6040001SC		NUT M4						1	
24		18301903		STOPPER						2	
25		SM6052502TP		SCREW M5X0.8 L=25						2	
26	D	G5151116C00		FLAP PRESSER FULCRUM SHAFT						1	
27		SM6041202TP		SCREW M4X0.7 L=12						2	
28		WS0410002KN		SPRING WASHER						2	
29		WP0430800SC		WASHER M4						2	
30		G5148116000		FLAP PRESSER PIVOT PIN						1	
31		G5150116C00		FLAP PRESSER ARM, LEFT						1	
32		SM8030502TP		SCREW M3 L=5						2	
33	D	16809204		GARMENT CLAMP, LEFT G=8-14	FOR 8,10,12,14MM					1	
34		16809402		GARMENT CLAMP, LEFT G=16-20	FOR 16,18,20MM					1	
35	D	16778409		GARMENT CLAMP RUBBER, LEFT						1	
36	D	16807117		GARMENT CLAMP FULCULUM PIN						1	
37		SS7110840SP		SCREW 11/64-40 L=7.8						2	
38		SM5040655SN		SCREW						2	
39	D	G5123117000		FLAP STOPPER A						1	
40		SM4030401SC		SCREW M3X0.5 L=4						1	
41		WP0320500SC		WASHER M3						1	
42		PA250600100		AIR CYLINDER						1	
43		PC015107000		SPEED CONTROLLER						2	
44	D	G5143116A00		FLAP PRESSER RUBBER SOLE						1	
45	R	G5154116C00	G5154116CA0	SPRING ANCHOR PLATE						1	1.00
46		SM6041002TP		SCREW M4 L=10						2	

SA-97N:SINGLE & DOUBLE CHANGE UNIT (2) (FOR BOTH) (OPTION)

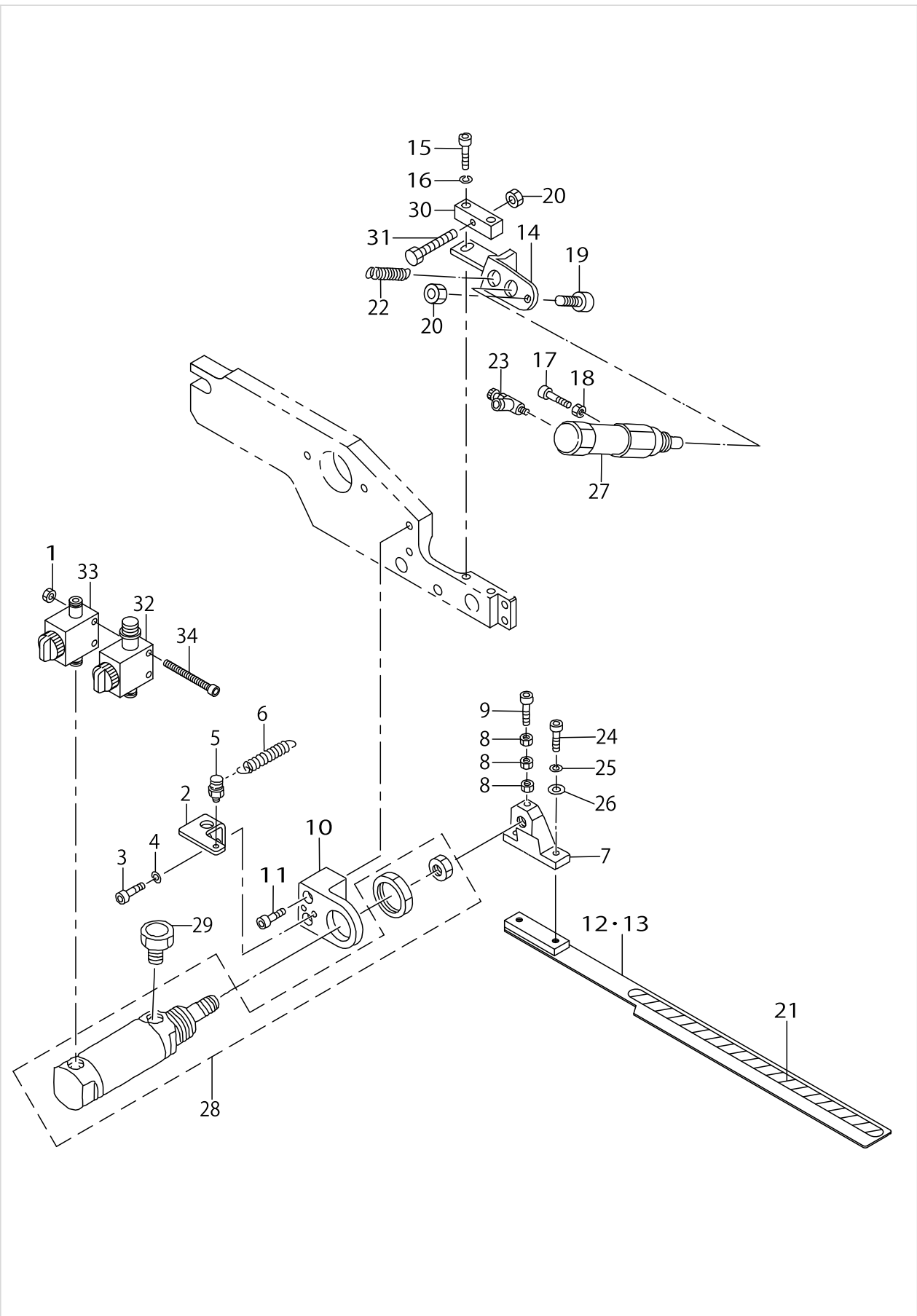


SA-97N:SINGLE & DOUBLE CHANGE UNIT (2) (FOR BOTH) (OPTION)

No.	Supply Code	Parts No.	Replacement	Parts name	Remarks	Choice	Step	Level	Cons	Qty	Rep. QTY
47		WS0410002KN		SPRING WASHER						2	
48		WP0430800SC		WASHER M4						2	
49	D	25298753		FLAP BASE ASM., LEFT	FOR 8,10,12,14MM					1	
50		25332156		FLAP BASE ASM., LEFT	FOR 16,18,20MM					1	
51	R	25298704	25298753	FLAP BASE PLATE,LEFT	FOR 8,10,12,14MM			*		1	1.00
52		25332107		FLAP BASE PLATE,LEFT	FOR 16,18,20MM			*		1	
53	D	25299108		SCALE SEAL				*		1	
54		SM1040601SC		SCREW M4X0.7 L=6						2	
55	R	16704801	16778508	RUBBER CLAMP	FOR STANDARD	A				1	1.00
55	R	16704801	16778409	RUBBER CLAMP	FOR STANDARD	B				1	1.00
56	D	16704900		RUBBER CLAMP	FOR HEAVY-WEIGHT MATERIALS					1	
57	D	G5152119H00		RUBBER SOLE, RIGHT H	FOR HEAVY-WEIGHT MATERIALS					1	
58	D	G5152119F00		RUBBER SOLE, RIGHT F	FOR STANDARD					1	
59		PV010508000		MECHANICAL VALVE						1	
60		PJ304040504		ELBOW UNION						2	
61		18583005		STOPPER						1	
62		SM8040402TP		SCREW M4X0.7 L=4						1	
63		WP0450801SD		WASHER 4.5X10X0.8						1	
64		WP0430800SC		WASHER M4						1	
65		NM6040001SC		NUT M4						2	
66	D	G5140116000		FLAP SCALE						1	
67		18582205		STOPPER BOLT						2	
68		NM6040001SC		NUT M4						1	

A:(身頃クランプゴム右)/A-  
:Right RUBBER CLAMP  
of garment body  
B:(身頃クランプゴム左)/B-  
:Left RUBBER CLAMP  
of garment body

SA-97N:SINGLE & DOUBLE CHANGE UNIT (3) (FOR BOTH) (OPTION)





SA-97N:SINGLE & DOUBLE CHANGE UNIT (3) (FOR BOTH) (OPTION)

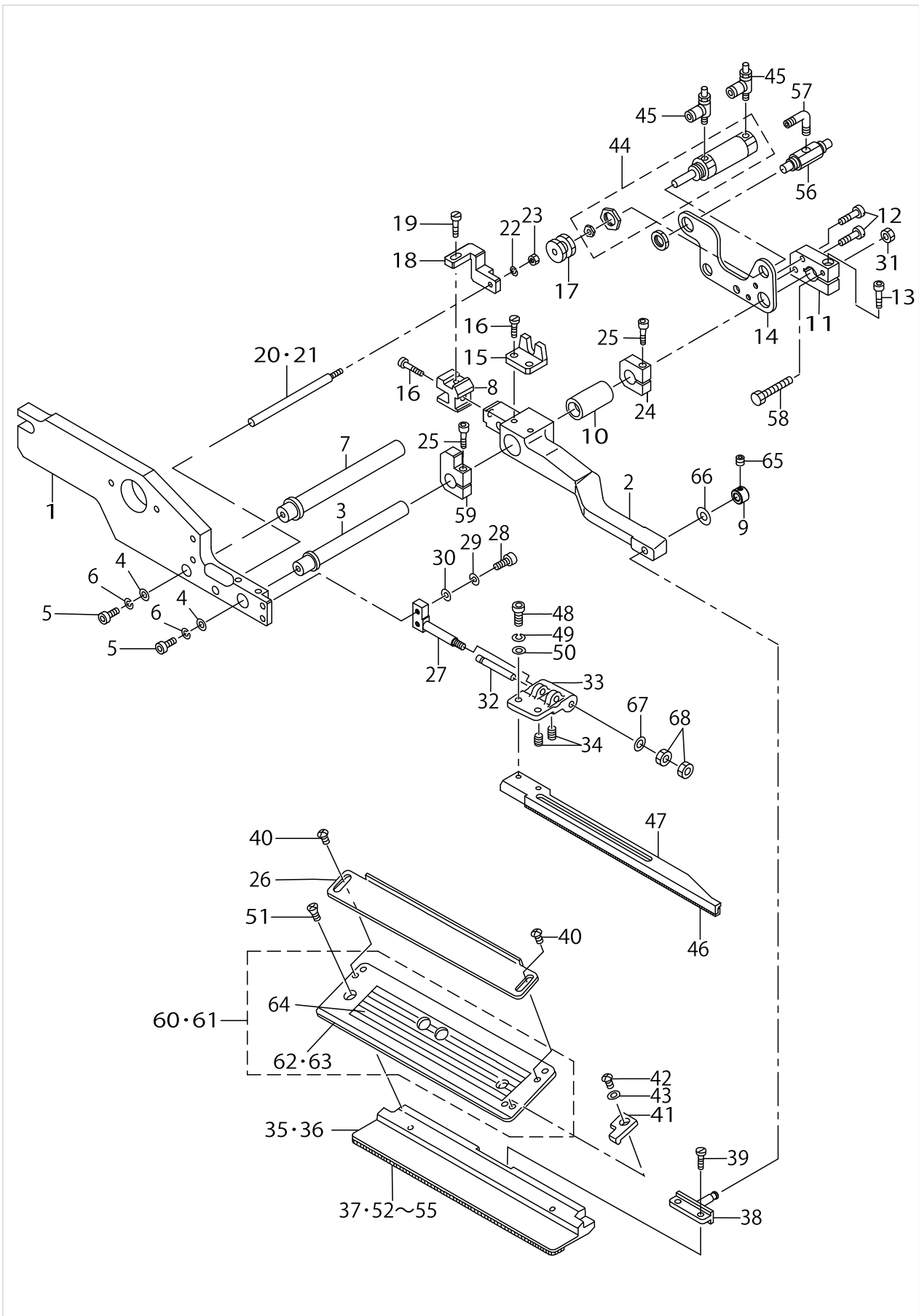
No.	Supply Code	Parts No.	Replacement	Parts name	Remarks	Choice	Step	Level	Cons	Qty	Rep. QTY
1		NM6040001SC		NUT M4						2	
2		18302000		BRACKET						1	
3		SM6041002TP		SCREW M4 L=10						2	
4		WS0410002KN		SPRING WASHER						2	
5		18302109		PIN						1	
6	D	18302208		SPRING						1	
7	D	G5132116B00		FOLDING BRACKET						1	
8		NM6030001SC		NUT M3						3	
9		SM6032002TP		SCREW M3X0.5 L=20						1	
10		18302307		BRACKET, LEFT						1	
11		SM6052502TP		SCREW M5X0.8 L=25						2	
12	D	25298316		FOLDING PLATE,LEFT	FOR 8,10,12,14MM					1	
13	D	25298514		FOLDING PLATE,LEFT	FOR 16,18,20MM					1	
14		18302406		BRACKET, LEFT						1	
15		SM6051202TP		SCREW M5X0.8 L=12						2	
16		WS0510002KN		SPRING WASHER						2	
17		SM6031002TP		HEXAGONAL BOLT M3 X 10						1	
18		NM6030001SC		NUT M3						1	
19		SM6042502TP		SCREW M4X0.7 L=25						1	
20		NM6040001SC		NUT M4						1	
21	D	18559005		SHEET						1	
22		16701005		SPRING						1	
23		PC010507000		SPEED CONTROLLER						1	
24		SM6041002TP		SCREW M4 L=10						2	
25		WS0410002KN		SPRING WASHER						2	
26		WP0430800SC		WASHER M4						2	
27		G5410116AA0		CYLINDER						1	
28		G5402116AA0		WELT PATCH FOLDING CYL. ASM.						1	
29		PX055101000		ELEMENT						1	
30		18582908		ADJUSTING BLOCK						1	
31		18582205		STOPPER BOLT						2	
32		PV015118000		VALVE						1	
33		PV010011000		VALVE						1	
34		SM6044002TP		SCREW						2	



SA-97N:SINGLE & DOUBLE CHANGE UNIT (4) (FOR BOTH) (OPTION)

No.	Supply Code	Parts No.	Replacement	Parts name	Remarks	Choice	Step	Level	Cons	Qty	Rep. QTY
1		25336900		CLAMP FOOT ARM (RIGHT)						1	
2	D	G5109117000		SUPPORT ARM, LEFT						1	
3		18300806		SLIDER SHAFT, A						1	
4		G5108119000		WASHER						2	
5		SM6051202TP		SCREW M5X0.8 L=12						2	
6		WS0510002KN		SPRING WASHER						2	
7		18300905		SLIDER SHAFT, B						1	
8		18301002		GUIDE BLOCK						1	
9	D	25377300		SET COLLAR						1	
10		18301101		BUSH						1	
11		18582809		BLOCK						1	
12		SS6111610SP		SCREW11/64-40L=16						2	
13		SM6051802TP		SCREW M5 L=18						1	
14		18566604		PLATE						1	
15		18301408		CYLINDER BRACKET						1	
16	R	SS7111120SP	SS7111120TP	SCREW 11/64-40 L=10.5						3	1.00
17		18301507		CYLINDER NUT						1	
18		18564302		STOPPER INSTALLING BASE						1	
19		SS9111010SP		SCREW 11/64-40 L=9.5						1	
20		18301705		STOPPER SHAFT G=8-14	FOR 8,10,12,14MM					1	
21		18301804		STOPPER SHAFT G=16-20	FOR 16,18,20MM					1	
22		WS0410002KN		SPRING WASHER						1	
23		NM6040001SC		NUT M4						1	
24		18301903		STOPPER						2	
25		SM6052502TP		SCREW M5X0.8 L=25						2	
26	D	G5140116000		FLAP SCALE						1	
27	D	G5151116C00		FLAP PRESSER FULCRUM SHAFT						1	
28		SM6041202TP		SCREW M4X0.7 L=12						2	
29		WS0410002KN		SPRING WASHER						2	
30		WP0430800SC		WASHER M4						2	
31		NM6040001SC		NUT M4						1	
32		G5148116000		FLAP PRESSER PIVOT PIN						1	
33	D	G5149116C00		FLAP PRESSER ARM, RIGHT						1	
34		SM8030502TP		SCREW M3 L=5						2	
35	D	16809303		GARMENT CLAMP, G=8-14	FOR 8,10,12,14MM					1	
36		16809501		GARMENT CLAMP, RIGHT G=16-20	FOR 16,18,20MM					1	
37	D	16778508		GARMENT CLAMP RUBBER, RIGHT						1	
38	R	16807109	16807117	PIN		A				1	1.00
38	R	16807109	SM8040402TP	PIN		A				1	1.00
38	R	16807109	25377300	PIN		A				1	1.00
39		SS7110840SP		SCREW 11/64-40 L=7.8						2	
40		SM5040655SN		SCREW						2	
41	D	G5124117000		FLAP STOPPER B						1	
42		SM4030401SC		SCREW M3X0.5 L=4						1	
43		WP0320500SC		WASHER M3						1	
44		PA250600100		AIR CYLINDER						1	

SA-97N:SINGLE & DOUBLE CHANGE UNIT (4) (FOR BOTH) (OPTION)

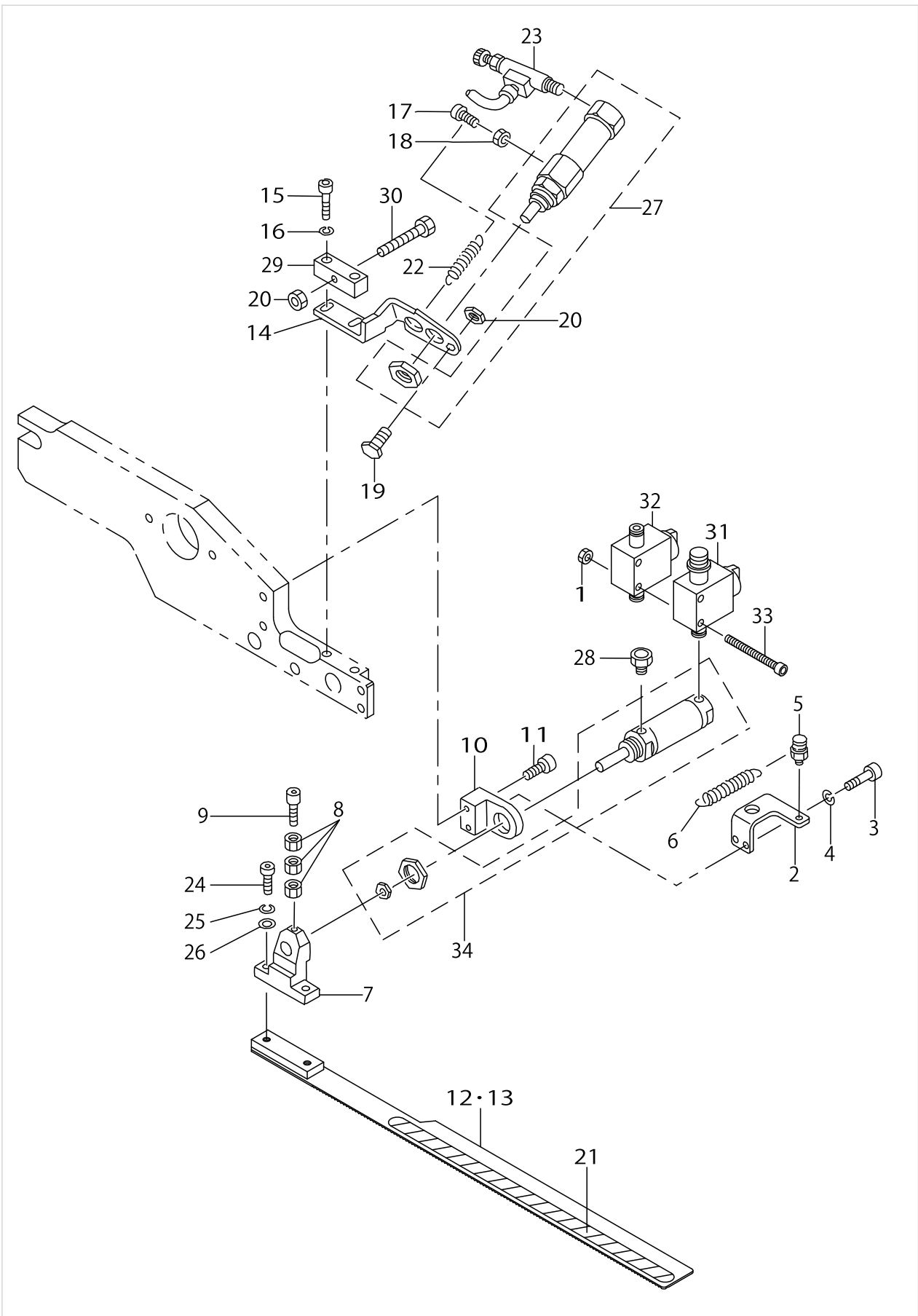


SA-97N:SINGLE & DOUBLE CHANGE UNIT (4) (FOR BOTH) (OPTION)

No.	Supply Code	Parts No.	Replacement	Parts name	Remarks	Choice	Step	Level	Cons	Qty	Rep. QTY
45		PC015107000		SPEED CONTROLLER						2	
46	D	G5143116A00		FLAP PRESSER RUBBER SOLE						1	
47	R	G5154116C00	G5154116CA0	SPRING ANCHOR PLATE						1	1.00
48		SM6041002TP		SCREW M4 L=10						2	
49		WS0410002KN		SPRING WASHER						2	
50		WP0430800SC		WASHER M4						1	
51		SM1040601SC		SCREW M4X0.7 L=6						1	
52	R	16704801	16778508	RUBBER CLAMP	FOR STANDARD	A				1	1.00
52	R	16704801	16778409	RUBBER CLAMP	FOR STANDARD	B				1	1.00
53	D	16704900		RUBBER CLAMP	FOR HEAVY-WEIGHT MATERIALS					1	
54	D	G5152119H00		RUBBER SOLE, RIGHT H	FOR HEAVY-WEIGHT MATERIALS					1	
55	D	G5152119F00		RUBBER SOLE, RIGHT F	FOR STANDARD					1	
56		PV010508000		MECHANICAL VALVE						1	
57		PJ304040504		ELBOW UNION						1	
58		18582205		STOPPER BOLT						1	
59		18583005		STOPPER						1	
60		25298852		FLAP BASE ASM., RIGHT	SELECTIVE PARTS					1	
61	D	25332255		FLAP BASE ASM., RIGHT	SELECTIVE PARTS					1	
62	R	25298803	25298852	FLAP BASE PLATE,RIGHT	FOR 8,10,12,14MM			*		1	1.00
63		25332206		FLAP BASE PLATE,RIGHT	FOR 16,18,20MM			*		1	
64	D	25299108		SCALE SEAL				*		1	
65		SM8040402TP		SCREW M4X0.7 L=4						1	
66		WP0450801SD		WASHER 4.5X10X0.8						1	
67		WP0430800SC		WASHER M4						1	
68		NM6040001SC		NUT M4						2	

A:(身頃クラン  
ブゴム右)/A-  
:Right RUB-  
BER CLAMP  
of garment body  
B:(身頃クラン  
ブゴム左)/B-  
:Left RUBB-  
ER CLAMP  
of garment body

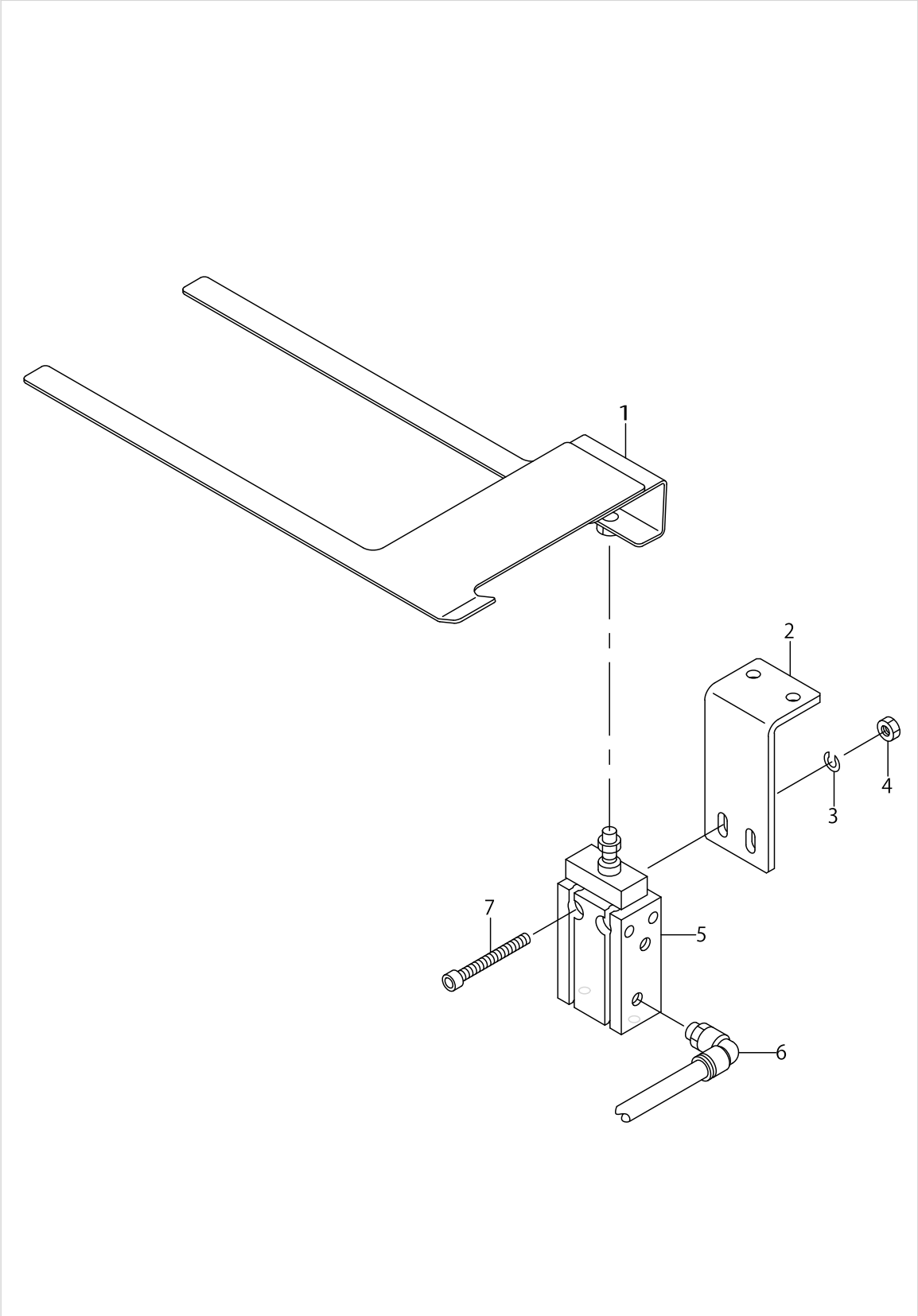
SA-97N:SINGLE & DOUBLE CHANGE UNIT (5) (FOR BOTH) (OPTION)



SA-97N:SINGLE & DOUBLE CHANGE UNIT (5) (FOR BOTH) (OPTION)

No.	Supply Code	Parts No.	Replacement	Parts name	Remarks	Choice	Step	Level	Cons	Qty	Rep. QTY
1		NM6040001SC		NUT M4						2	
2		18564203		SPRING HOOK BRACKET						1	
3		SM6041002TP		SCREW M4 L=10						2	
4		WS0410002KN		SPRING WASHER						2	
5		18302109		PIN						1	
6	D	18302208		SPRING						1	
7	D	G5132116B00		FOLDING BRACKET						1	
8		NM6030001SC		NUT M3						3	
9		SM6032002TP		SCREW M3X0.5 L=20						1	
10		18564104		BRACKET, RIGHT						1	
11		SM6052502TP		SCREW M5X0.8 L=25						2	
12	R	25298407	25298415	FOLDING PLATE,RIGHT	FOR 10,12,14MM					1	1.00
13	R	25298605	25298613	FOLDING PLATE,RIGHT	FOR 16,18,20MM					1	1.00
14	D	18302505		BRACKET, RIGHT						1	
15		SM6051202TP		SCREW M5X0.8 L=12						2	
16		WS0510002KN		SPRING WASHER						2	
17		SM6031002TP		HEXAGONAL BOLT M3 X 10						1	
18		NM6030001SC		NUT M3						1	
19		SM6042502TP		SCREW M4X0.7 L=25						1	
20		NM6040001SC		NUT M4						1	
21	D	18559005		SHEET						1	
22		16701005		SPRING						1	
23		PC010507000		SPEED CONTROLLER						1	
24		SM6041002TP		SCREW M4 L=10						2	
25		WS0410002KN		SPRING WASHER						2	
26		WP0430800SC		WASHER M4						2	
27		G5410116AA0		CYLINDER						1	
28		PX055101000		ELEMENT						1	
29		18582908		ADJUSTING BLOCK						1	
30		18582205		STOPPER BOLT						1	
31		PV015118000		VALVE						1	
32		PV010011000		VALVE						1	
33		SM6044002TP		SCREW						2	
34		G5402116AA0		WELT PATCH FOLDING CYL. ASM.						1	

SA-101:POCKET BAG CLAMP UNIT (OPTION)

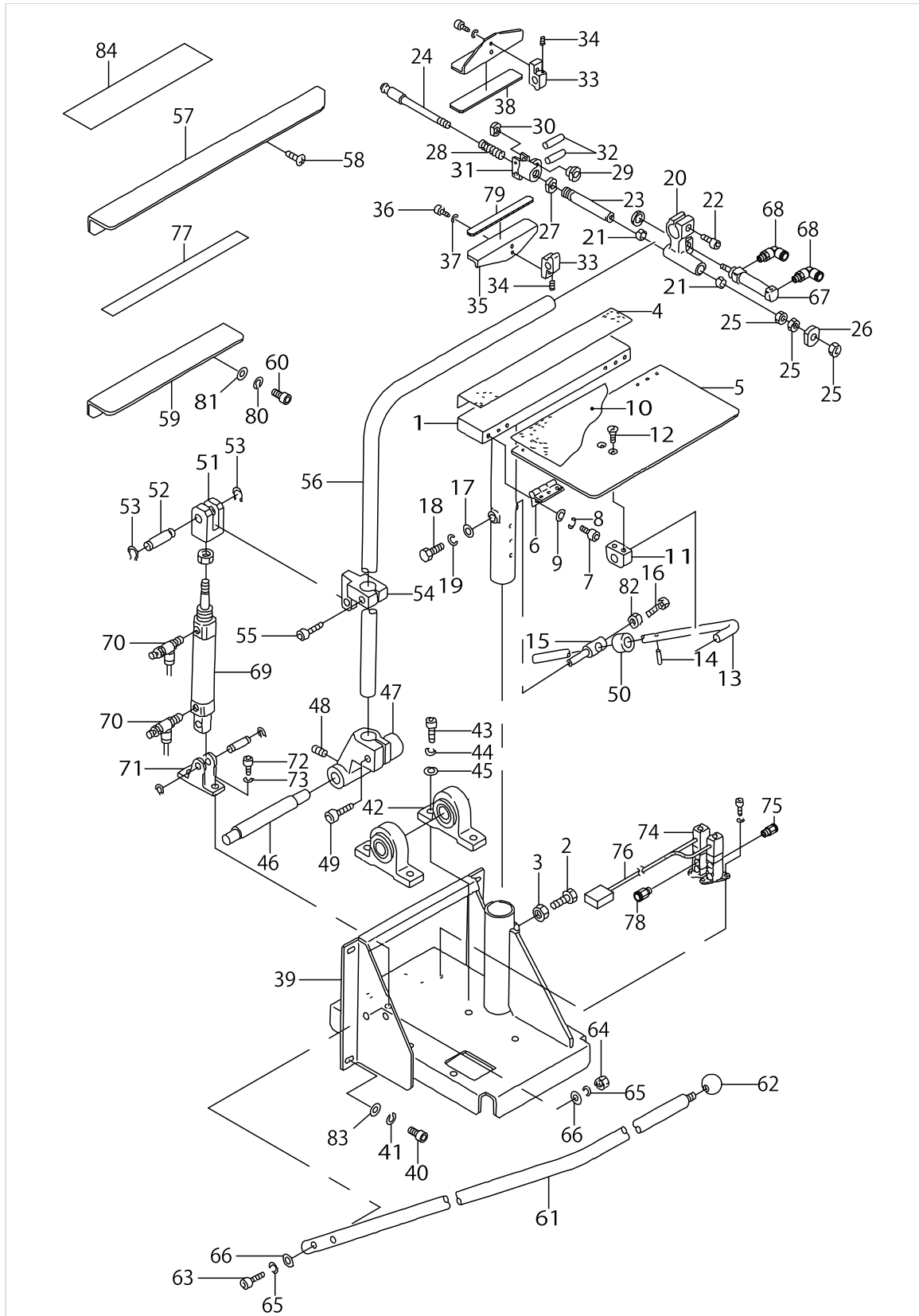




SA-101:POCKET BAG CLAMP UNIT (OPTION)

No.	Supply Code	Parts No.	Replacement	Parts name	Remarks	Choice	Step	Level	Cons	Qty	Rep. QTY
1	D	25376807		POCKET BAG CLAMP						1	
2	D	16914202		CYLINDER INSTALLING PLATE						1	
3		WS0410002KN		SPRING WASHER						2	
4		NM6040001SC		NUT M4						2	
5		PA1601507A0		CYLINDER						1	
6		PJ304040504		ELBOW UNION						1	
7		SM6043552TN		SCREW M4 L=35						2	

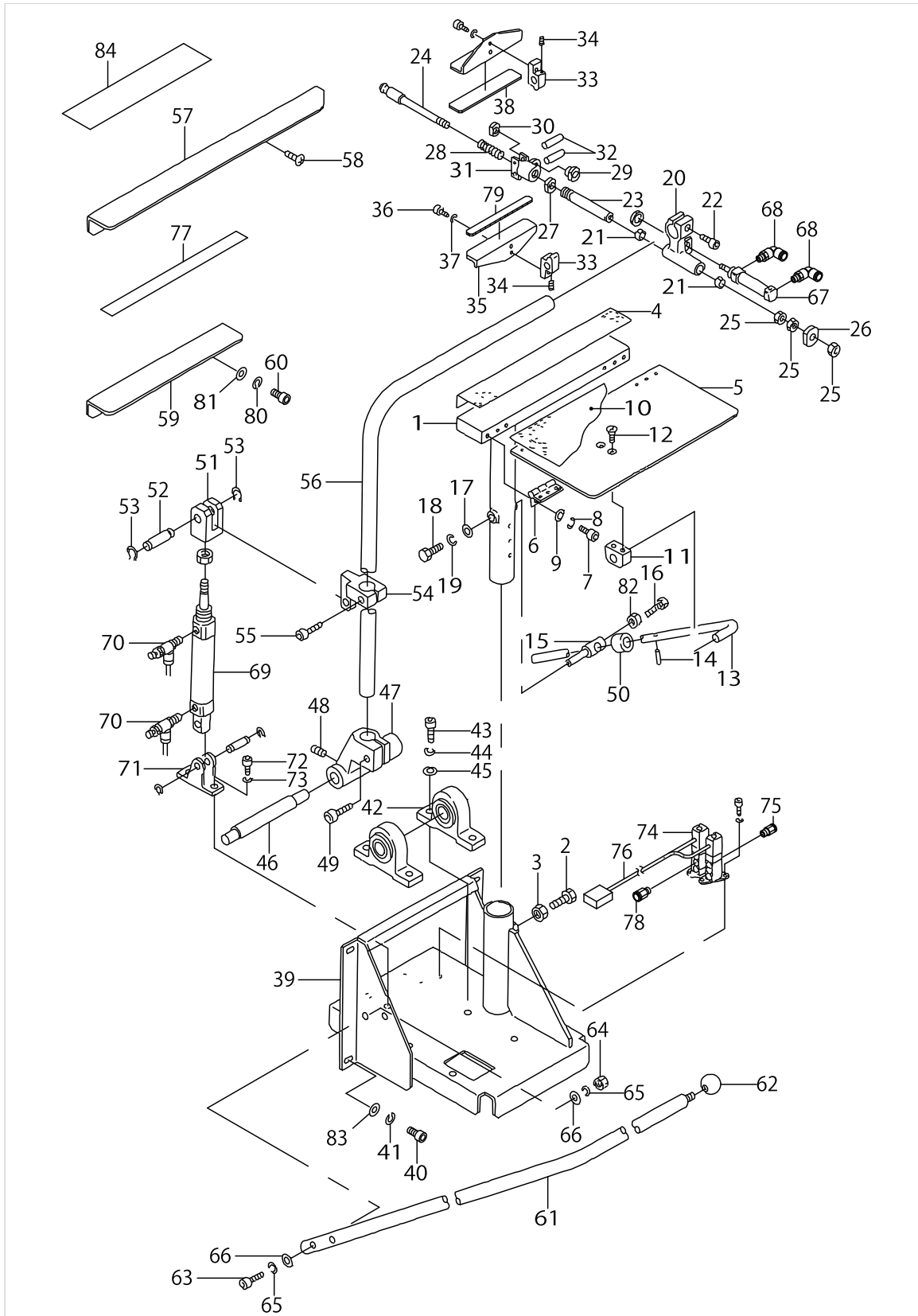
SP-41:GRASP STACKER UNIT (1) (OPTION)



SP-41:GRASP STACKER UNIT (1) (OPTION)

No.	Supply Code	Parts No.	Replacement	Parts name	Remarks	Choice	Step	Level	Cons	Qty	Rep. QTY
1		25310103		CLOTHHOLDERBASE						1	
2		SM9102003SB		SCREW M10 L=20						1	
3		NM6100001SC		NUT M10X1.5						1	
4		25306101		VELVET CLOTH(2)						1	
5		25310202		TAKE-UP TABLE						1	
6		G5843116000		RISED HINGE						2	
7		SM6040602TP		SCREW M4 L=6						12	
8		WS0410002KN		SPRING WASHER						12	
9		WP0430800SC		WASHER M4						12	
10		25306200		VELVET CLOTH(1)						1	
11		G5517116000		BLOCK BRACKET						1	
12	R	SM1061001SC	SM1061201SN	SCREW M6 L=10						2	1.00
13		G5512116000		TABLESUPPORTBAR						1	
14		G5832116000		SPRING PIN						1	
15		25310301		TABLE FIXED PIN						1	
16		SM9082003SC		SCREW M8 L=20						1	
17		G5514116000		WASHER D=30						1	
18		SM6061202TP		SCREW M6 L=12						1	
19		WS0610002KN		SPRING WASHER 6.1X12.2X1.5						1	
20	D	G5518116000		CHUCK STAND						1	
21		16728107		BUSHING						2	
22		SM6083002TP		SCREW M8 L=30						1	
23		25310806		CHUCK ROD(D)						1	
24	D	25310707		CENTER SHAFT(N)						1	
25		NM6080001SC		NUT M8X1.25						3	
26		G5521116000		CHUCK JAW						1	
27		G5522116000		CHUCK ROD NUT						1	
28	D	G5523116000		COIL SPRING						1	
29		G5524116000		CYLINDER EDGE						1	
30	D	G5525116000		CYLINDER EDGE NUT						1	
31	D	G5526116000		CHUCK BOSS						1	
32	D	G5827116000		CHUCK BOSS PIN						2	
33	D	25306408		GRASPING FULCRUM BLOCK						2	
34		SM8030402TP		SCREW M3X0.5 L=4						2	
35		25306507		GRASPING PLATE						2	
36		SM6041002TP		SCREW M4 L=10						4	
37		WS0410002KN		SPRING WASHER						4	
38		25306606		GRASPING RUBBER						1	
39		25310004		MAIN FRAME						1	
40		SM6061602TP		SCREW M6 L=16						4	
41		WS0610002KN		SPRING WASHER 6.1X12.2X1.5						4	
42		25320607		PILLOW UNIT						2	
43		SM6103002TP		HEXAGNAN-HOLE BOLT						4	
44		WS1020002KN		SPRING WASHER M10						4	
45		WP1052001SC		WASHER 10,5X21X2						4	
46		25306309		STACKER STRUT PIN						1	

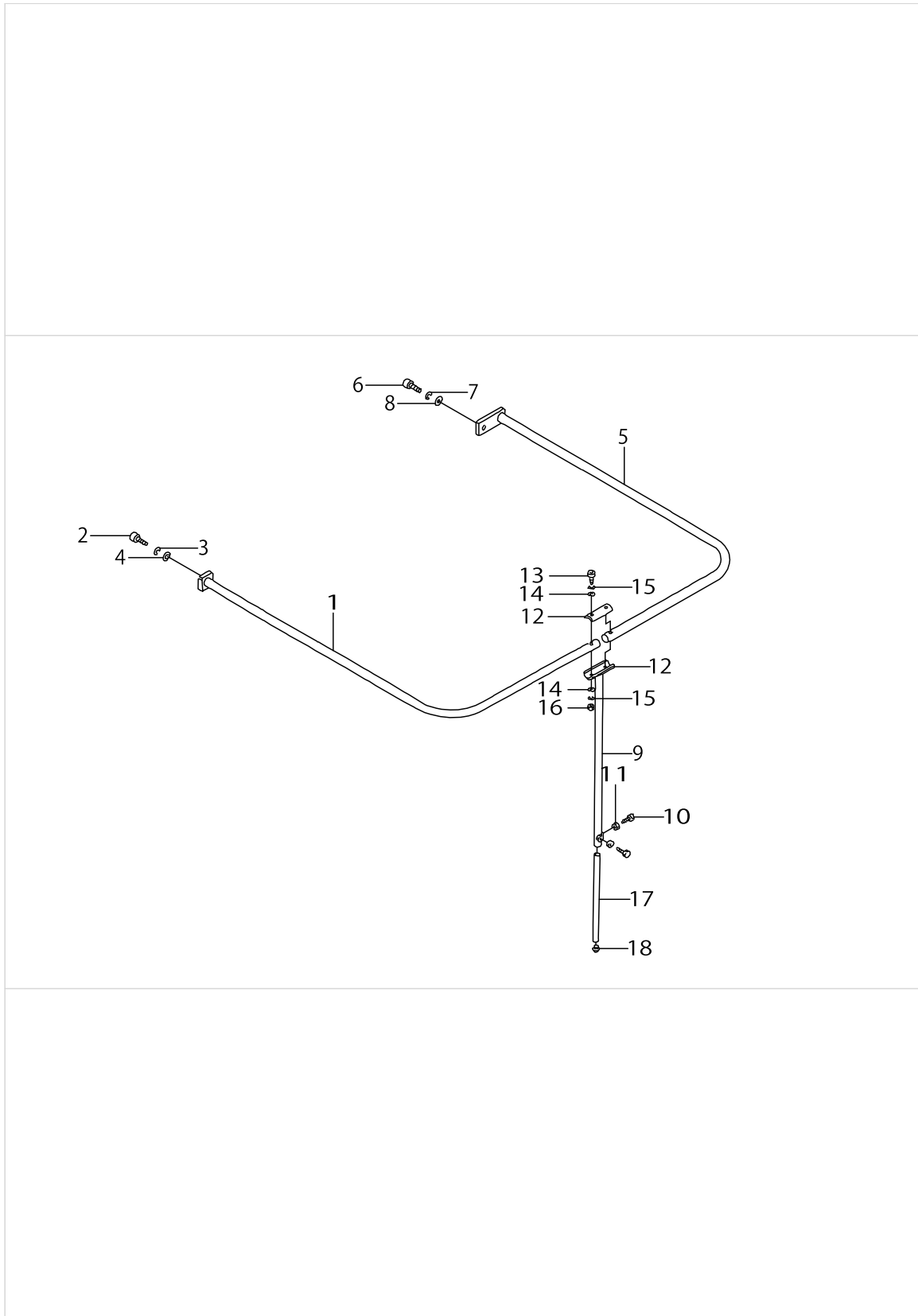
SP-41:GRASP STACKER UNIT (1) (OPTION)



SP-41:GRASP STACKER UNIT (1) (OPTION)

No.	Supply Code	Parts No.	Replacement	Parts name	Remarks	Choice	Step	Level	Cons	Qty	Rep. QTY
47	D	16681405		ARM BRACKET						1	
48		SM8050812TP		SCREW M5X8						2	
49		SM6083002TP		SCREW M8 L=30						1	
50		25316704		VIBRATION-PROOF RUBBER						1	
51	D	16681900		CONNECTING BLOCK						1	
52		16681801		CYLINDER PIN (2)						1	
53		RC0841011KP		RETAINING RING 8.4						2	
54		16698102		ROCKING ARM BRACKET						1	
55		SM6084002TN		SCREW M8 L=40						1	
56		25310400		ROCKING ARM						1	
57		25310509		SUB TABLE(A)						1	
58		SM0050801SC		SCREW						3	
59	R	25334608	25334616	SUB TABLE (6)						1	1.00
60		SM6051002TP		SCREW M5X0.8 L=10						2	
61		16682106		STACKER SAFETY PIPE	FOR JE					1	
62		16728008		GRIP	FOR JE					1	
63		SM6064002TP		SCREW M6 L=40	FOR JE					2	
64		NM6060001SC		NUT M6	FOR JE					2	
65		WS0610002KN		SPRING WASHER 6.1X12.2X1.5	FOR JE					4	
66		WP0641601SC		WASHER	FOR JE					4	
67		PA2505001A0		AIR CYLINDER						1	
68		PJ304045102		ELBOW UNION, C						2	
69	D	PA3210002A0		AIR CYLINDER						1	
70		PC015103000		SPEED CONTROLLER						2	
71		PA900061000		CLEVIS HOLDER						1	
72		SM6081202TP		SCREW M8 L=12						2	
73		WS0820002KN		SPRING WASHER M8						2	
74		PV1505320A0		5-WAY SOLENOID VALVE						2	
75		PJ210006100		HALF UNION						4	
76		25358359		CABLE ASM.						1	
77	R	18585109	25410408	TAPE						.3	1.00
78		PJ210004200		HALF UNION						2	
79		25333402		GRASPING RUBBER						1	
80		WS0510002KN		SPRING WASHER						2	
81		WP0531001SC		WASHER						2	
82		NM6080001SC		NUT M8X1.25						1	
83		WP0651646SC		WASHER						4	
84		25376708		PROTECTION TAPE (2)						1	

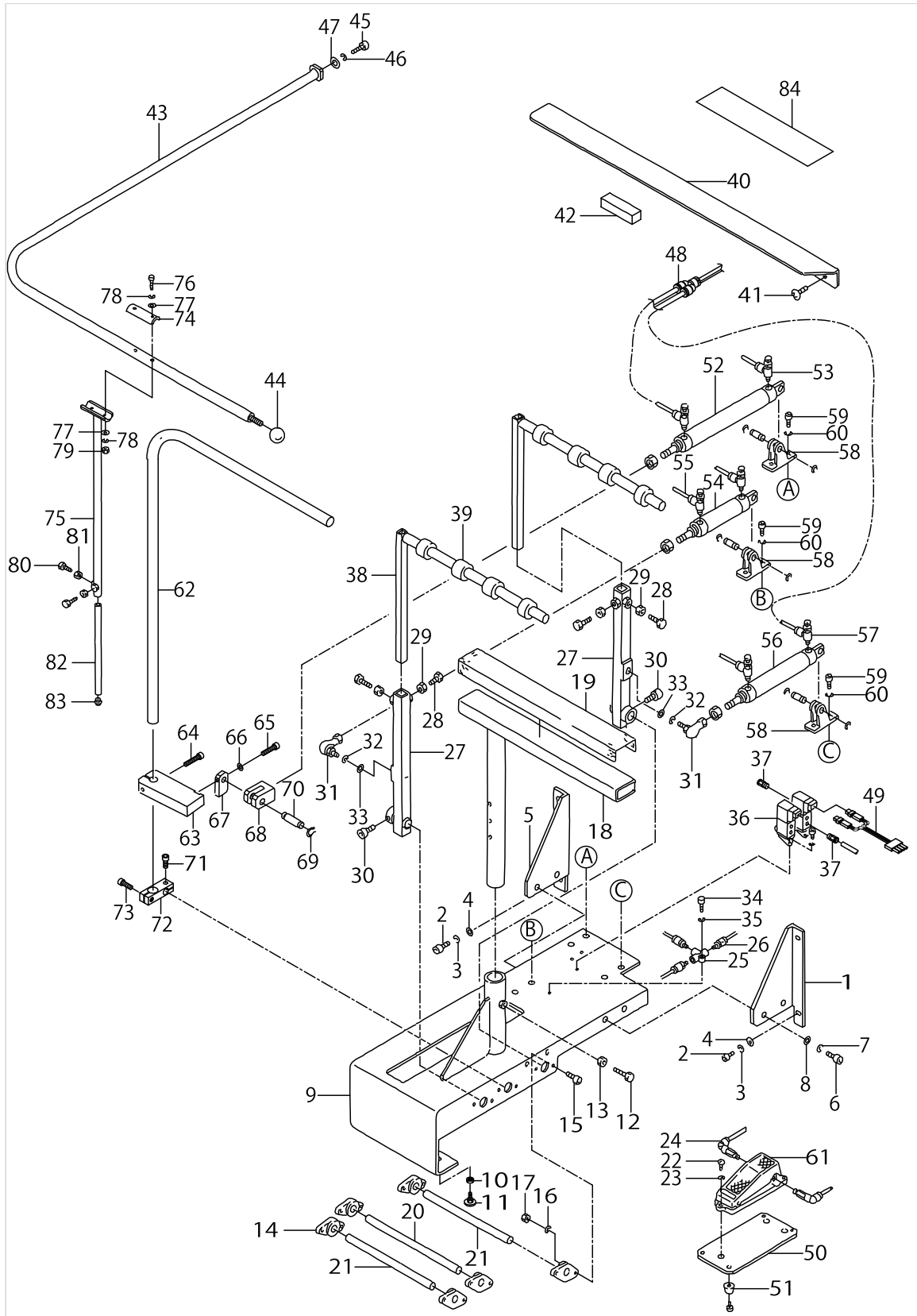
SP-41:GRASP STACKER UNIT (2) (OPTION)



SP-41:GRASP STACKER UNIT (2) (OPTION)

No.	Supply Code	Parts No.	Replacement	Parts name	Remarks	Choice	Step	Level	Cons	Qty	Rep. QTY
1		25330705		SAFETY PIPE (L)	FOR JE					1	
2		SM6102002TP		SCREW M10 L=20	FOR JE					1	
3		WS1020002KN		SPRING WASHER M10	FOR JE					1	
4		WP1052001SC		WASHER 10,5X21X2	FOR JE					1	
5		25334707		SAFETY PIPE R (6)	FOR JE					1	
6	D	SM6101602TP		HEXAGONAL-HOLE BOLT M10 L=16	FOR JE					1	
7		WS1020002KN		SPRING WASHER M10	FOR JE					1	
8		WP1052001SC		WASHER 10,5X21X2	FOR JE					1	
9	R	25330903	25330911	SAFETY PIPE STRUT(UPPER)						1	1.00
10		SM9102003SB		SCREW M10 L=20						2	
11		NM6100001SC		NUT M10X1.5						2	
12	D	25182106		STRUT METAL						1	
13		SM6053502TP		BOLT						2	
14		WP0531001SC		WASHER						4	
15		WS0510002KN		SPRING WASHER						4	
16		NM6050001SC		NUT M5						2	
17	D	25331000		SAFETY PIPE STRUT (LOWER)						1	
18	D	25320201		PLUG CUSHION RUBBER						1	

SP-42:BAR STACKER UNIT (1) (OPTION)

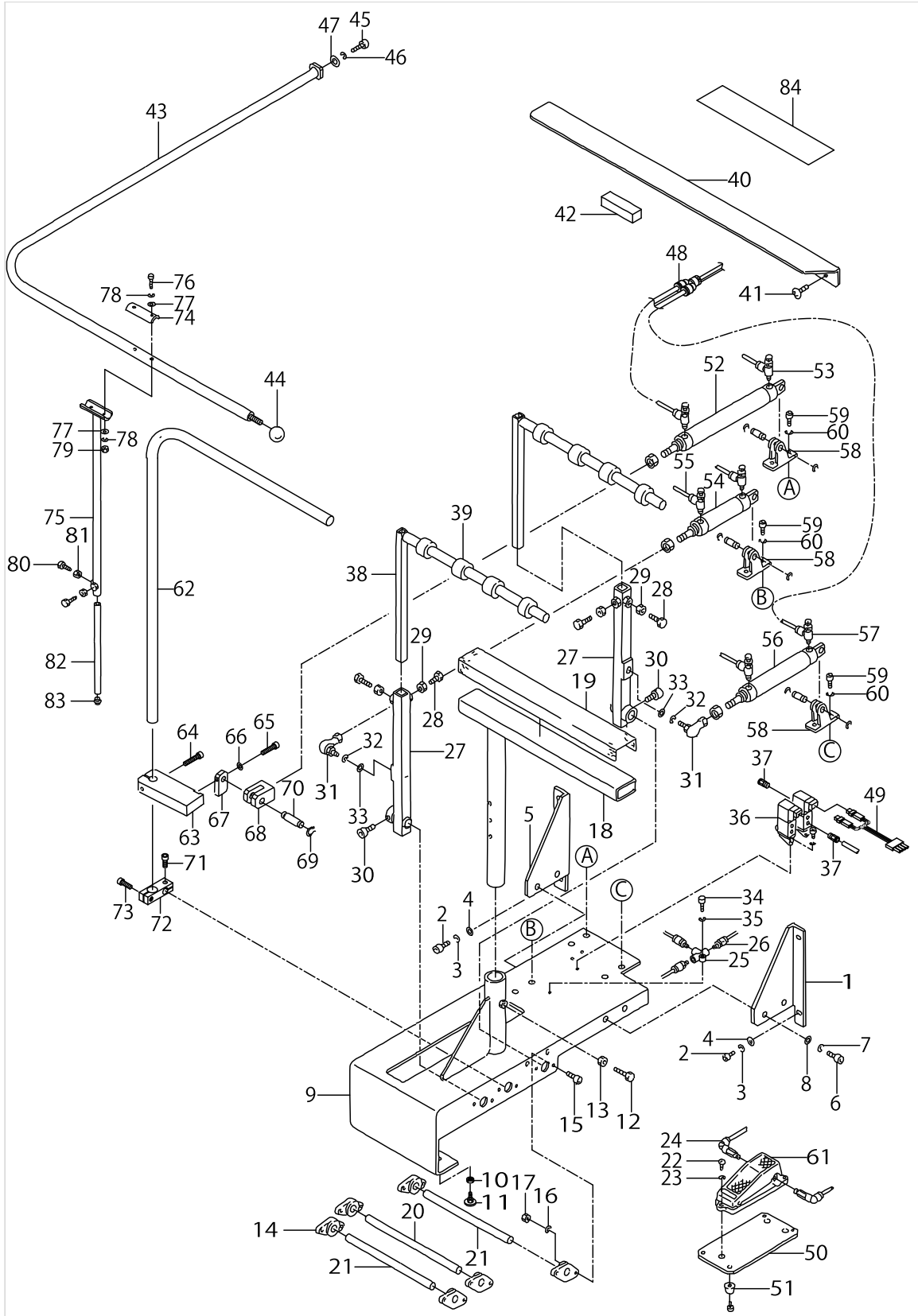




SP-42:BAR STACKER UNIT (1) (OPTION)

No.	Supply Code	Parts No.	Replacement	Parts name	Remarks	Choice	Step	Level	Cons	Qty	Rep. QTY
1		25329509		STACKER FITTING BKT(1)						1	
2		SM6061202TP		SCREW M6 L=12						4	
3		WS0610002KN		SPRING WASHER 6.1X12.2X1.5						4	
4		WP0651646SC		WASHER						4	
5		25329608		STACKER FITTING BKT(2)						1	
6		SM6061202TP		SCREW M6 L=12						4	
7		WS0610002KN		SPRING WASHER 6.1X12.2X1.5						4	
8		WP0651646SC		WASHER						4	
9		25328600		MAIN FRAME						1	
10		NM6120003SC		NUT M12						1	
11	D	GAS11111000		ADJUST BOLT						1	
12		SM9102003SB		SCREW M10 L=20						2	
13		NM6100001SC		NUT M10X1.5						1	
14		25320508		PILLOW BLOCK						6	
15		SM6062002TP		SCREW M6 L=20						12	
16		WS0610002KN		SPRING WASHER 6.1X12.2X1.5						12	
17		NM6060001SC		NUT M6						12	
18		25328709		CLOTHHOLDERBASE						1	
19		25328808		VELVET CLOTH						1	
20		25331703		CLOTH BRUSH FULCRUM SHAFT						1	
21		25331604		CLOTH PRESSER F-ULCRUM SHAFT						2	
22		SM4062001SC		SCREW M6 L=20						3	
23		WS0610002KN		SPRING WASHER 6.1X12.2X1.5						3	
24	D	18590208		ELBOW UNION						2	
25		PV205101000		SHUTTLE VALVE						1	
26		PJ301065103		HALF UNION 6XPT1/8						3	
27	D	25329202		CLOTH PRESSER ARM(LOWER)						2	
28		SM9082003SC		SCREW M8 L=20						4	
29		NM6080001SC		NUT M8X1.25						4	
30		SM6051002TP		SCREW M5X0.8 L=10						4	
31		25320300		LINK BALL						2	
32		WS1020002KN		SPRING WASHER M10						2	
33		WP1052001SC		WASHER 10,5X21X2						2	
34		SM6042502TP		SCREW M4X0.7 L=25						1	
35		WS0410002KN		SPRING WASHER						1	
36		PV1505320A0		5-WAY SOLENOID VALVE						2	
37		PJ210006100		HALF UNION						6	
38		25329400		CLOTH PRESSER ARM(UPPER)						2	
39		GAS11154000		STACKER RING						8	
40	R	25334806	25334814	SUB TABLE						1	1.00
41		SM0050801SC		SCREW						4	
42		GAS11124000		RUBBER CUSHION						1	
43	D	25331109		SAFETY PIPE(L)	FOR JE					1	
44		16728008		GRIP	FOR JE					1	
45		SM6102002TP		SCREW M10 L=20	FOR JE					1	
46		WS1020002KN		SPRING WASHER M10	FOR JE					1	

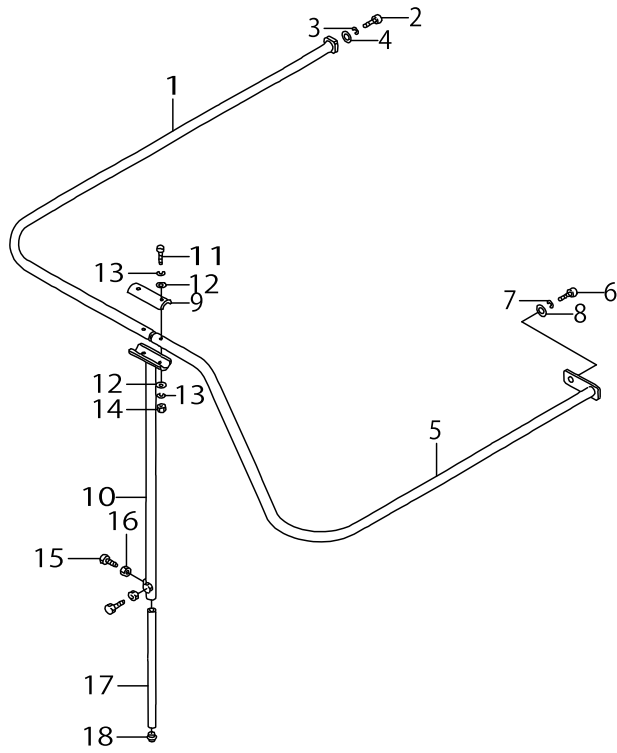
SP-42:BAR STACKER UNIT (1) (OPTION)



SP-42:BAR STACKER UNIT (1) (OPTION)

No.	Supply Code	Parts No.	Replacement	Parts name	Remarks	Choice	Step	Level	Cons	Qty	Rep. QTY
47		WP1052001SC		WASHER 10,5X21X2	FOR JE					1	
48		PJ308060003		Y UNION						3	
49		25358359		CABLE ASM.						1	
50	D	16623407		SWITCH FITTING PLATE						1	
51	D	16727802		RUBBER FOOT						4	
52		PA3220001A0		AIR CYLINDER						1	
53		PC015103000		SPEED CONTROLLER						2	
54		PA3207503A0		AIR CYLINDER						1	
55		PC015103000		SPEED CONTROLLER						2	
56	D	PA3212502A0		AIR CYLINDER						1	
57		PC015103000		SPEED CONTROLLER						2	
58		PA900060000		CLEVIS HOLDER						3	
59		SM6061002TP		SCREW M6 L=10						6	
60		WS0610002KN		SPRING WASHER 6.1X12.2X1.5						6	
61		G54211160A0		MECHANICAL VALVE ASM.						1	
62	D	25329004		ROCKING ARM						1	
63		16697906		ROCKING ARM BRACKET						1	
64		SM6084002TN		SCREW M8 L=40						1	
65		SM6083502TN		SCREW						1	
66		WS0820002KN		SPRING WASHER M8						1	
67		16698003		CONNECTING BLOCK						1	
68	D	16681900		CONNECTING BLOCK						1	
69		RC0841011KP		RETAINING RING 8.4						1	
70		16681801		CYLINDER PIN (2)						1	
71		SM6082002TN		SCREW M8 L=20						1	
72	D	25328907		ROCKING ARM BRACKET						1	
73		SM6082502TP		SCREW M8 L=25						1	
74	D	25182106		STRUT METAL						1	
75	R	25330903	25330911	SAFETY PIPE STRUT(UPPER)						1	1.00
76		SM6053502TP		BOLT						2	
77		WP0531001SC		WASHER						4	
78		WS0510002KN		SPRING WASHER						4	
79		NM6050001SC		NUT M5						2	
80		SM9102003SB		SCREW M10 L=20						2	
81		NM6100001SC		NUT M10X1.5						2	
82	D	25331000		SAFETY PIPE STRUT (LOWER)						1	
83	D	25320201		PLUG CUSHION RUBBER						1	
84		25376708		PROTECTION TAPE (2)						1	

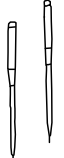
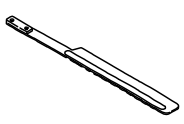
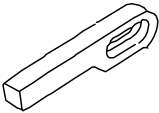
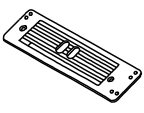
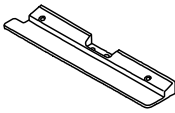
SP-42:BAR STACKER UNIT (2) (OPTION)



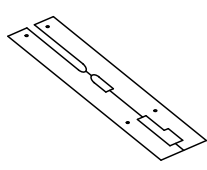
SP-42:BAR STACKER UNIT (2) (OPTION)

No.	Supply Code	Parts No.	Replacement	Parts name	Remarks	Choice	Step	Level	Cons	Qty	Rep. QTY
1		25331208		SAFETY PIPE(L)	FOR JE					1	
2		SM6102002TP		SCREW M10 L=20	FOR JE					1	
3		WS1020002KN		SPRING WASHER M10	FOR JE					1	
4		WP1052001SC		WASHER 10,5X21X2	FOR JE					1	
5		25334905		SAFETY PIPE R (6)	FOR JE					1	
6	D	SM6101602TP		HEXAGONAL-HOLE BOLT M10 L=16	FOR JE					1	
7		WS1020002KN		SPRING WASHER M10	FOR JE					1	
8		WP1052001SC		WASHER 10,5X21X2	FOR JE					1	
9	D	25182106		STRUT METAL						1	
10	R	25330903	25330911	SAFETY PIPE STRUT(UPPER)						1	1.00
11		SM6053502TP		BOLT						2	
12		WP0531001SC		WASHER						4	
13		WS0510002KN		SPRING WASHER						4	
14		NM6050001SC		NUT M5						2	
15		SM9102003SB		SCREW M10 L=20						2	
16		NM6100001SC		NUT M10X1.5						2	
17	D	25331000		SAFETY PIPE STRUT (LOWER)						1	
18	D	25320201		PLUG CUSHION RUBBER						1	


TABLE OF EXCHANGING PARTS (1)

	Needle gauge	Folding plate asm.		Folding plate stopper		Flap base plate		Garment clamp asm.	
	針幅 (mm)	折込板 (組)		折込板ストッパー		フラップベース(組)		身頃クランプ (組)	
									
		Ref.No.	Part No.	Ref.No.	Part No.	Ref.No.	Part No.	Ref.No.	Part No.
Left 左	8,10,12,14mm	1	252-98365	5	G5131-116-C00	9	252-98753	13	168-09253
	16,18,20mm	2	252-98563	6	G5131-116-D00	10	253-32156	14	168-09451
Right 右	8,10,12,14mm	3	252-98464	7	G5130-116-C00	11	252-98852	15	168-09352
	16,18,20mm	4	252-98662	8	G5130-116-D00	12	253-32255	16	168-09550


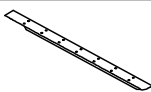
  

Needle gauge 針幅 (mm)	Sewing table asm. 縫製テーブル (組)		
			
	Ref.No.	Part No.	
8,10,12(mm)	17	253-37015	
14,16(mm)	18	253-74901	
18,20(mm)	19	253-37114	

Coner knife コーナース	Needle gauge 針幅 (mm)		
			
	Ref.No.	Part No.	
8, 10, 12,14mm	20	166-07301(A-1)	
	21	166-07400(A-2)	
	22	166-07509(B-1)	
	23	166-07608(B-2)	
	24	166-07707(C-1)	
16, 18mm	25	166-07806(C-2)	
20mm			

Selective part 選択部品	Rubber sole 身頃クランプゴム			
	Left 左		Right 右	
				
Specification 仕様	Ref.No.	Part No.	Ref.No.	Part No.
standard 標準	26	167-78409	30	167-78508
For heavy-weight materials 厚物用	27	167-04900	31	167-04900
Sponge スポンジ	28	G5115-117-C00	32	G5115-117-E00
Sponge (for heavy-weight materials) スポンジ (厚物用)	29	G5115-117-D00	33	G5115-117-F00


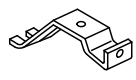
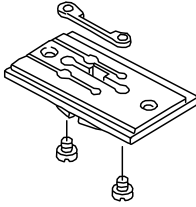
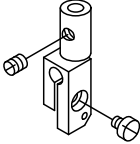
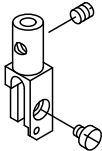
Needle gauge 針幅 (mm)	Workpiece guide spring 生地ガイドバネ			
				
	Ref.No.	Part No.	Ref.No.	Part No.
8,10,12,14mm	34	G5328-116-000	36	166-72206
16,18,20mm	35	G5328-116-A00	37	166-72305

TABLE OF EXCHANGING PARTS (1)

No.	Supply Code	Parts No.	Replacement	Parts name	Remarks	Choice	Step	Level	Cons	Qty	Rep. QTY
1		25298365		FOLDING PLATE, LEFT ASM.						1	
2	D	25298563		FOLDING PLATE, LEFT ASM.						1	
3		25298464		FOLDING PLATE, RIGHT ASM.						1	
4		25298662		FOLDING PLATE, RIGHT ASM.						1	
5	D	G5131116C00		FOLDING PLATE STOPPER, LEFT						1	
6	D	G5131116D00		STOPPER, LEFT						1	
7		G5130116C00		FOLDING PLATE STOPPER,RIGHT						1	
8	D	G5130116D00		FOLDING PLATE ST- OPPER, RIGHT A						1	
9	D	25298753		FLAP BASE ASM., LEFT						1	
10		25332156		FLAP BASE ASM., LEFT						1	
11		25298852		FLAP BASE ASM., RIGHT						1	
12	D	25332255		FLAP BASE ASM., RIGHT						1	
13		16809253		GARMENT CLAMP ASM., LEFT						1	
14	D	16809451		GARMENT BODY C- LAMP ASM., LEFT						1	
15		16809352		GARMENT CLAMP ASM., RIGHT						1	
16	D	16809550		GARMENT BODY C- LAMP ASM., RIGHT						1	
17		25337015		SEWING TABLE (6)						1	
18		25374901		SEWING TABLE						1	
19		25337114		SEWING TABLE (6)						1	
20		16607301		CORNER KNIFE A1						1	
21		16607400		CORNER KNIFE A2						1	
22		16607509		CORNER KNIFE (B-1)						1	
23		16607608		CORNER KNIFE (B-2)						1	
24		16607707		CORNER KNIFE (C-1)						1	
25		16607806		CORNER KNIFE (C-2)						1	
26	D	16778409		GARMENT CLAMP RUBBER, LEFT						1	
27	D	16704900		RUBBER CLAMP						1	
28	D	G5115117C00		RUBBER CLAMP, LEFT						1	
29	D	G5115117D00		RUBBER CLAMP, LEFT						1	
30	D	16778508		GARMENT CLAMP RUBBER, RIGHT						1	
31	D	16704900		RUBBER CLAMP						1	
32	D	G5115117E00		RUBBER CLAMP, RIGHT						1	
33	D	G5115117F00		RUBBER CLAMP, RIGHT						1	
34	D	G5328116000		WORKPIECE GUIDE SPRING A						1	
35		G5328116A00		WORKPIECE GUIDE SPRING B						1	
36		16672206		WORKPIECE GUIDE SPRING A						1	
37		16672305		WORKPIECE GUIDE SPRING B						1	

TABLE OF EXCHANGING PARTS (2)

Needle gauge 針幅 (mm)	Throat plate asm. 針板 (組)				Needle clamp 針留 (左)		Needle clamp 針留 (右)	
								
	左メス用		右メス用		Ref.No.	Part No.	Ref.No.	Part No.
8mm(5/16")	1	164-01150	8	164-02356	15	164-31504	22	164-31603
10mm(25/64")	2	164-01259	9	164-02455	16	164-31702	23	164-31801
12mm(15/32")	3	164-01358	10	164-02554	17	164-31900	24	164-32007
14mm(35/64")	4	164-01457	11	164-02653	18	164-32106	25	164-32205
16mm(5/8")	5	164-01556	12	164-02752	19	164-32304	26	164-32403
18mm(45/64")	6	164-01655	13	164-02851	20	164-32502	27	164-32601
20mm(25/32")	7	164-01754	14	164-02950	21	164-32700	28	164-32809

Needle gauge 針幅 (mm)	Knife 上糸切りメス		Needle thread counter knife 上糸切り固定メス		Needle thread clamp plate 上糸クランプ板	
	Ref.No.	Part No.	Ref.No.	Part No.	Ref.No.	Part No.
8mm(5/16")	29	251-37100	33	164-09906	35	164-10201
10mm(25/64")						
12mm(15/32")						
14mm(35/64")						
16mm(5/8")						
18mm(45/64")	31	164-10508	34	164-11308	36	164-11407
20mm(25/32")	32	164-11100				



TABLE OF EXCHANGING PARTS (2)

No.	Supply Code	Parts No.	Replacement	Parts name	Remarks	Choice	Step	Level	Cons	Qty	Rep. QTY
1		16401150		THROAT PLATE ASM. 8MM						1	
2		16401259		THROAT PLATE ASM. 10MM						1	
3		16401358		THROAT PLATE ASM.12MM						1	
4	D	16401457		THROAT PLATE ASM. 14MM						1	
5	D	16401556		THROAT PLATE ASM.16MM						1	
6	D	16401655		THROAT PLATE ASM. 18MM						1	
7		16401754		THROAT PLATE ASM 20MM						1	
8		16402356		THROAT PLATE, RIGHT 8MM ASM.						1	
9	D	16402455		THROAT PLATE, RIGHT 10MM						1	
10	D	16402554		THROAT PLATE, RIGHT 12MM						1	
11	D	16402653		THROAT PLATE, RIGHT 14MM						1	
12	D	16402752		THROAT PLATE, RIGHT 16MM						1	
13		16402851		THROAT PLATE, RIGHT 18MM						1	
14	D	16402950		THROAT PLATE, RIGHT 20MM						1	
15	R	16431504	16431561	NEEDLE CLAMP D (LEFT) 8MM						1	1.00
16	R	16431702	16431769	NEEDLE CLAMP D LEFT (10MM)						1	1.00
17	R	16431900	16431967	NEEDLE CLAMP D (LEFT) 12MM						1	1.00
18	R	16432106	16432163	NEEDLE CLAMP, LEFT						1	1.00
19	R	16432304	16432361	NEEDLE CLAMP D (LEFT) 16MM						1	1.00
20	R	16432502	16432569	NEEDLE CLAMP D (LEFT) 18MM						1	1.00
21	R	16432700	16432767	NEEDLE CLAMP D, LEFT, 20MM						1	1.00
22	R	16431603	16431660	NEEDLE CLAMP D (RIGHT) 8MM						1	1.00
23	R	16431801	16431868	NEEDLE CLAMP D RIGHT (10MM)						1	1.00
24	R	16432007	16432064	NEEDLE CLAMP D (RIGHT) 12MM						1	1.00
25	R	16432205	16432262	NEEDLE CLAMP, RIGHT						1	1.00
26	R	16432403	16432460	NEEDLE CLAMP D (RIGHT) 16MM						1	1.00
27	R	16432601	16432668	NEEDLE CLAMP D (RIGHT) 18MM						1	1.00
28	R	16432809	16432866	NEEDLE CLAMP D, RIGHT, 20MM						1	1.00
29		25137100		NEEDLE THREAD KNIFE F						1	
30		16409500		NEEDLE THREAD KNIFE A						1	
31		16410508		NEEDLE THREAD KNIFE B						1	
32		16411100		UPPER THREAD CUTTING KNIFE E						1	
33		16409906		NEEDLE THREAD COUNTER KNIFE						1	
34		16411308		FIXED KNIFE						1	
35	D	16410201		NEEDLE THREAD CLAMP PLATE						1	
36		16411407		CLAMP PLATE A						1	

TABLE OF EXCHANGING PARTS (3)

標準仕様

Needle gauge 針 幅 (mm)	Double welt 両玉縁				Single welt 片玉縁							
	Ref.No.	Part No.	L	R	Ref.No.	Part No.	L	R	Ref.No.	Part No.	L	R
8mm (5/16")	1	253-11010	3.3	3.3	9	253-11713	7.3	7.3	17	253-12414	7.3	3.3
									18	253-13115	3.3	7.3
10mm (25/64")	2	253-11119	4.3	4.3	10	253-11812	9.3	9.3	19	253-12513	9.3	4.3
	3	253-17017	3.8	3.8	11	253-17215	8.3	0.5	20	253-13214	4.3	9.3
12mm (15/32")	4	253-65511	5.3	5.3	12	253-66014	11.3	11.3	21	253-66519	11.3	5.3
									22	253-67012	5.3	11.3
14mm (35/64")	5	253-65610	6.3	6.3	13	253-66113	13.3	13.3	23	253-66618	13.3	6.3
									24	253-67111	6.3	13.3
16mm (5/8")	6	253-65719	7.3	7.3	14	253-66212	15.3	15.3	25	253-66717	15.3	7.3
									26	253-67210	7.3	15.3
18mm (45/64")	7	253-65818	8.3	8.3	15	253-66311	17.3	17.3	27	253-66816	17.3	8.3
									28	253-67319	8.3	17.3
20mm (25/32")	8	253-65917	9.3	9.3	16	253-66410	19.3	19.3	29	253-66915	19.3	9.3
									30	253-67418	9.3	19.3

玉布供給仕様

Needle gauge 針 幅 (mm)	Double welt 両玉縁				Single welt 片玉縁							
	Ref.No.	Part No.	L	R	Ref.No.	Part No.	L	R	Ref.No.	Part No.	L	R
8mm (5/16")	31	253-13818	3.3	3.3	39	253-14519	7.3	7.3	47	253-15219	7.3	3.3
									48	253-15912	3.3	7.3
10mm (25/64")	32	253-13917	4.3	4.3	40	253-14618	9.3	9.3	49	253-15318	9.3	4.3
	33	253-17116	3.8	3.8	41	253-17314	8.3	0.5	50	253-16019	4.3	9.3
12mm (15/32")	34	253-67517	5.3	5.3	42	253-68010	11.3	11.3	51	253-68515	11.3	5.3
									52	253-69018	5.3	11.3
14mm (35/64")	35	253-67616	6.3	6.3	43	253-68119	13.3	13.3	53	253-68614	13.3	6.3
									54	253-69117	6.3	13.3
16mm (5/8")	36	253-67715	7.3	7.3	44	253-68218	15.3	15.3	55	253-68713	15.3	7.3
									56	253-69216	7.3	15.3
18mm (45/64")	37	253-67814	8.3	8.3	45	253-68317	17.3	17.3	57	253-68812	17.3	8.3
									58	253-69315	8.3	17.3
20mm (25/32")	38	253-67913	9.3	9.3	46	253-68416	19.3	19.3	59	253-68911	19.3	9.3
									60	253-69414	9.3	19.3

TABLE OF EXCHANGING PARTS (3)

No.	Supply Code	Parts No.	Replacement	Parts name	Remarks	Choice	Step	Level	Cons	Qty	Rep. QTY
1	D	25311010		WELT PATCH BASE PLATE						1	
2	D	25311119		WELT PATCH BASE PLATE						1	
3	D	25317017		WELT PATCH BASE PLATE						1	
4		25365511		WELT PATCH BASE PLATE						1	
5		25365610		WELT PATCH BASE PLATE						1	
6	D	25365719		WELT PATCH BASE PLATE						1	
7		25365818		WELT PATCH BASE PLATE						1	
8		25365917		WELT PATCH BASE PLATE						1	
9	D	25311713		WELT PATCH BASE PLATE						1	
10	D	25311812		WELT PATCH BASE PLATE						1	
11		25317215		WELT PATCH BASE PLATE						1	
12		25366014		WELT PATCH BASE PLATE						1	
13		25366113		WELT PATCH BASE PLATE						1	
14		25366212		WELT PATCH BASE PLATE						1	
15		25366311		WELT PATCH BASE PLATE						1	
16		25366410		WELT PATCH BASE PLATE						1	
17		25312414		WELT PATCH BASE PLATE						1	
18		25313115		WELT PATCH BASE PLATE						1	
19		25312513		WELT PATCH BASE PLATE						1	
20		25313214		WELT PATCH BASE PLATE						1	
21	D	25366519		WELT PATCH BASE PLATE						1	
22		25367012		WELT PATCH BASE PLATE						1	
23		25366618		WELT PATCH BASE PLATE						1	
24		25367111		WELT PATCH BASE PLATE						1	
25		25366717		WELT PATCH BASE PLATE						1	
26	D	25367210		WELT PATCH BASE PLATE						1	
27		25366816		WELT PATCH BASE PLATE						1	
28	D	25367319		WELT PATCH BASE PLATE						1	
29		25366915		WELT PATCH BASE PLATE						1	
30		25367418		WELT PATCH BASE PLATE						1	
31		25313818		WELT PATCH BASE PLATE						1	
32		25313917		WELT PATCH BASE PLATE						1	
33		25317116		WELT PATCH BASE PLATE						1	
34		25367517		WELT PATCH BASE PLATE						1	
35		25367616		WELT PATCH BASE PLATE						1	
36	D	25367715		WELT PATCH BASE PLATE						1	
37	D	25367814		WELT PATCH BASE PLATE						1	
38	D	25367913		WELT PATCH BASE PLATE						1	
39	D	25314519		WELT PATCH BASE PLATE						1	
40		25314618		WELT PATCH BASE PLATE						1	
41		25317314		WELT PATCH BASE PLATE						1	
42	D	25368010		WELT PATCH BASE PLATE						1	
43		25368119		WELT PATCH BASE PLATE						1	
44		25368218		WELT PATCH BASE PLATE						1	
45		25368317		WELT PATCH BASE PLATE						1	
46		25368416		WELT PATCH BASE PLATE						1	

TABLE OF EXCHANGING PARTS (3)

標準仕様

Needle gauge 針 幅 (mm)	Double welt 両玉縁				Single welt 片玉縁							
	Ref.No.	Part No.	L	R	Ref.No.	Part No.	L	R	Ref.No.	Part No.	L	R
8mm (5/16")	1	253-11010	3.3	3.3	9	253-11713	7.3	7.3	17	253-12414	7.3	3.3
									18	253-13115	3.3	7.3
10mm (25/64")	2	253-11119	4.3	4.3	10	253-11812	9.3	9.3	19	253-12513	9.3	4.3
	3	253-17017	3.8	3.8	11	253-17215	8.3	0.5	20	253-13214	4.3	9.3
12mm (15/32")	4	253-65511	5.3	5.3	12	253-66014	11.3	11.3	21	253-66519	11.3	5.3
									22	253-67012	5.3	11.3
14mm (35/64")	5	253-65610	6.3	6.3	13	253-66113	13.3	13.3	23	253-66618	13.3	6.3
									24	253-67111	6.3	13.3
16mm (5/8")	6	253-65719	7.3	7.3	14	253-66212	15.3	15.3	25	253-66717	15.3	7.3
									26	253-67210	7.3	15.3
18mm (45/64")	7	253-65818	8.3	8.3	15	253-66311	17.3	17.3	27	253-66816	17.3	8.3
									28	253-67319	8.3	17.3
20mm (25/32")	8	253-65917	9.3	9.3	16	253-66410	19.3	19.3	29	253-66915	19.3	9.3
									30	253-67418	9.3	19.3

玉布供給仕様

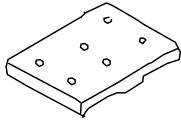
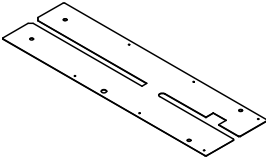
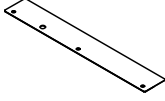
Needle gauge 針 幅 (mm)	Double welt 両玉縁				Single welt 片玉縁							
	Ref.No.	Part No.	L	R	Ref.No.	Part No.	L	R	Ref.No.	Part No.	L	R
8mm (5/16")	31	253-13818	3.3	3.3	39	253-14519	7.3	7.3	47	253-15219	7.3	3.3
									48	253-15912	3.3	7.3
10mm (25/64")	32	253-13917	4.3	4.3	40	253-14618	9.3	9.3	49	253-15318	9.3	4.3
	33	253-17116	3.8	3.8	41	253-17314	8.3	0.5	50	253-16019	4.3	9.3
12mm (15/32")	34	253-67517	5.3	5.3	42	253-68010	11.3	11.3	51	253-68515	11.3	5.3
									52	253-69018	5.3	11.3
14mm (35/64")	35	253-67616	6.3	6.3	43	253-68119	13.3	13.3	53	253-68614	13.3	6.3
									54	253-69117	6.3	13.3
16mm (5/8")	36	253-67715	7.3	7.3	44	253-68218	15.3	15.3	55	253-68713	15.3	7.3
									56	253-69216	7.3	15.3
18mm (45/64")	37	253-67814	8.3	8.3	45	253-68317	17.3	17.3	57	253-68812	17.3	8.3
									58	253-69315	8.3	17.3
20mm (25/32")	38	253-67913	9.3	9.3	46	253-68416	19.3	19.3	59	253-68911	19.3	9.3
									60	253-69414	9.3	19.3

TABLE OF EXCHANGING PARTS (3)

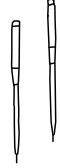
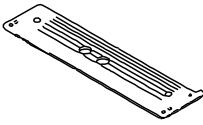
No.	Supply Code	Parts No.	Replacement	Parts name	Remarks	Choice	Step	Level	Cons	Qty	Rep. QTY
47		25315219		WELT PATCH BASE PLATE						1	
48	D	25315912		WELT PATCH BASE PLATE						1	
49		25315318		WELT PATCH BASE PLATE						1	
50		25316019		WELT PATCH BASE PLATE						1	
51	D	25368515		WELT PATCH BASE PLATE						1	
52	D	25369018		WELT PATCH BASE PLATE						1	
53		25368614		WELT PATCH BASE PLATE						1	
54		25369117		WELT PATCH BASE PLATE						1	
55		25368713		WELT PATCH BASE PLATE						1	
56		25369216		WELT PATCH BASE PLATE						1	
57		25368812		WELT PATCH BASE PLATE						1	
58		25369315		WELT PATCH BASE PLATE						1	
59		25368911		WELT PATCH BASE PLATE						1	
60		25369414		WELT PATCH BASE PLATE						1	

OPTION COMPONENTS


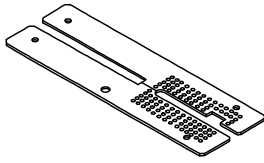
SA85N:PAVING PLATE UNIT  
敷板装置

Needle gauge 針幅 (mm)	Paving plate table 敷板台		Sewing table 縫製テーブル		plate guide 敷板ガイド	
						
	Ref.No.	Part No.	Ref.No.	Part No.	Ref.No.	Part No.
8,10,12,mm	1	167-03506	4	253-37213	7	253-35001
14,16mm	2	167-03605	5	253-75007		
18,20mm	3	167-03704	6	253-37312		

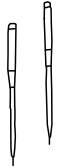
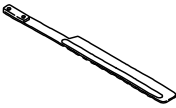
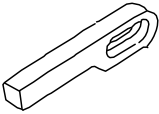
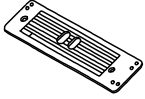
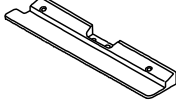
SA83N:AUTOMATIC FLAP FEEDING UNIT  
フラップ 自動供給

	Needle gauge 針幅 (mm)	Flap base フラップベース	
			
		Ref.No.	Part No.
Left 左	8,10,12,14mm	9	253-75858
	16,18,20mm	10	253-75957
Right 右	8,10,12,14mm	11	253-76054
	16,18,20mm	12	253-76153

SA90N:SUCTION UNIT  
吸引装置

Needle gauge 針幅 (mm)	Sewing table 縫製テーブル	
		
	Ref.No.	Part No.
8,10,12,mm	13	253-37411
14,16mm	14	253-37510
18,20mm	15	253-37619

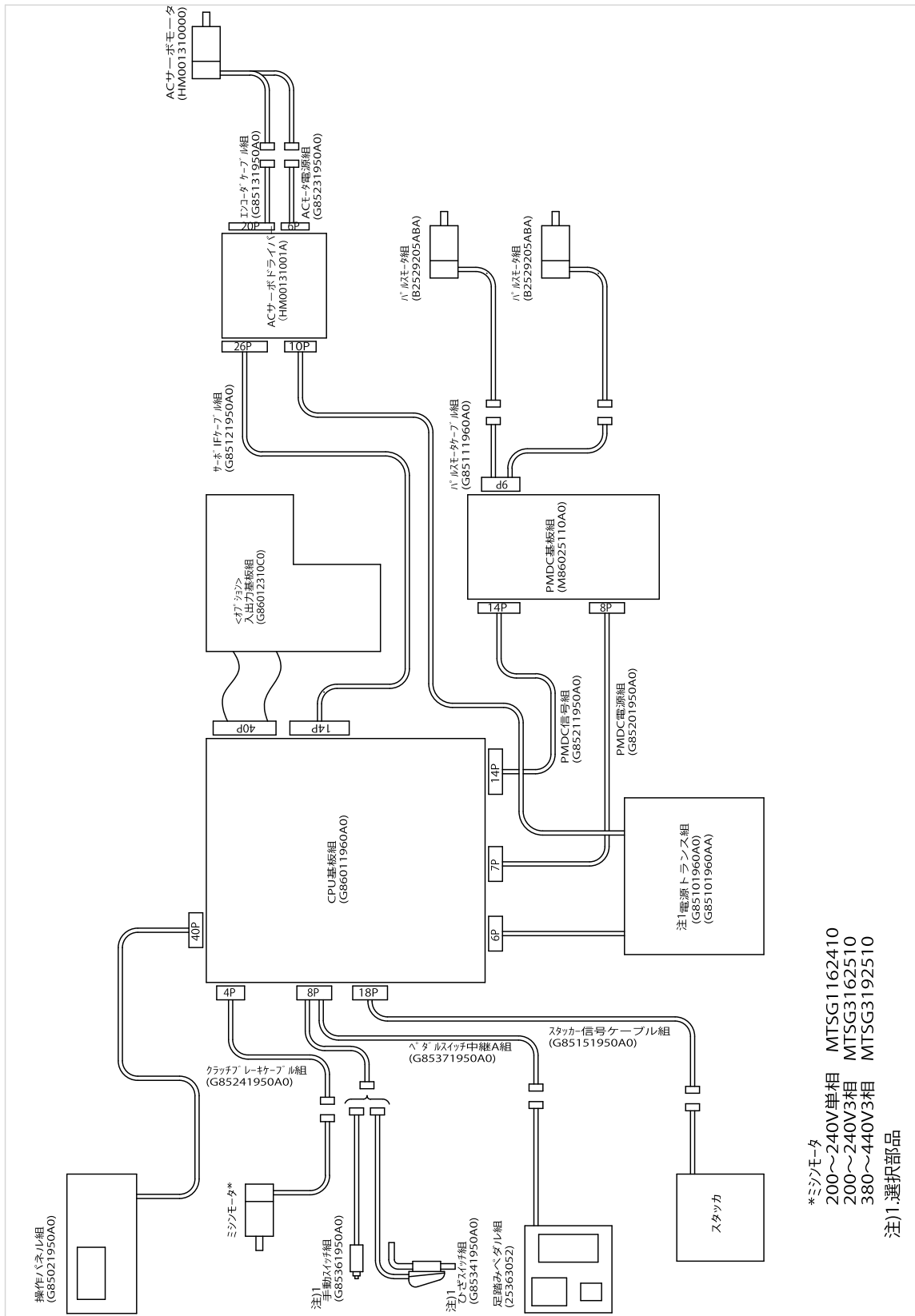
SA97N:SINGLE AND DOUBLE CHANGE UNIT  
片玉,両玉切換装置

	Needle gauge 針幅 (mm)	Folding plate 折込板 (組)		Folding plate stopper 折込板ストッパー		Flap base plate フラップベース(組)		Garment clamp plate asm. 身頃クランプ (組)	
									
		Ref.No.	Part No.	Ref.No.	Part No.	Ref.No.	Part No.	Ref.No.	Part No.
Left 左	8,10,12,14mm	16	252-98365	20	G5131-116-C00	24	252-98753	28	168-09253
	16,18,20mm	17	252-98563	21	G5131-116-D00	25	253-32156	29	168-09451
Right 右	8,10,12,14mm	18	252-98464	22	G5130-116-C00	26	252-98852	30	168-09352
	16,18,20mm	19	252-98662	23	G5130-116-D00	27	253-32255	31	168-09550

OPTION COMPONENTS

No.	Supply Code	Parts No.	Replacement	Parts name	Remarks	Choice	Step	Level	Cons	Qty	Rep. QTY
1	D	16703506		PAVING PLATE BASE A						1	
2		16703605		PAVING PLATE BASE B						1	
3	D	16703704		PLATE BASE						1	
4		25337213		SEWING TABLE (6)						1	
5	D	25375007		SEWING TABLE						1	
6	D	25337312		SEWING TABLE (6)						1	
7		25335001		PLATE GUIDE (6)						1	
8		25335100		PLATE GUIDE (6)						1	
9		25375858		FLAP BASE ASM. ,LEFT						1	
10		25375957		FLAP BASE ASM. ,LEFT						1	
11		25376054		FLAP BASE ,RIGHT						1	
12		25376153		FLAP BASE ,RIGHT						1	
13		25337411		SEWING TABLE (6) FOR VACUUM						1	
14	D	25337510		TABLE (6) FOR VACUUM						1	
15		25337619		SEWING TABLE (6) FOR VACUUM						1	
16		25298365		FOLDING PLATE,LEFT ASM.						1	
17	D	25298563		FOLDING PLATE,RIGHT ASM.						1	
18		25298464		FOLDING PLATE,RIGHT ASM.						1	
19		25298662		FOLDING PLATE,RIGHT ASM.						1	
20	D	G5131116C00		FOLDING PLATE STOPPER, LEFT						1	
21	D	G5131116D00		STOPPER, LEFT						1	
22		G5130116C00		FOLDING PLATE STOPPER,RIGHT						1	
23	D	G5130116D00		FOLDING PLATE ST- OPPER, RIGHT A						1	
24	D	25298753		FLAP BASE ASM., LEFT						1	
25		25332156		FLAP BASE ASM., LEFT						1	
26		25298852		FLAP BASE ASM., RIGHT						1	
27	D	25332255		FLAP BASE ASM., RIGHT						1	
28		16809253		GARMENT CLAMP ASM., LEFT						1	
29	D	16809451		GARMENT BODY C- LAMP ASM., LEFT						1	
30		16809352		GARMENT CLAMP ASM., RIGHT						1	
31	D	16809550		GARMENT BODY C- LAMP ASM., RIGHT						1	

CONNECTION DRAWING OF CONTROL BOX



\*ミニモータ  
 200~240V単相 MTSG1162410  
 200~240V3相 MTSG3162510  
 380~440V3相 MTSG3192510  
 注1) 選択部品



LIST FOR INFORMATION OF CHANGE

As to the place changed, refer to the corresponding Rev.No.  
 When previous parts(Obsoleted part)and new parts(Added parts)are  
 not interchangeable with each other:  
 In this case, even obsoleted parts(D.)can be ordered with the  
 obsoleted part number, so select the parts with changed dates and  
 place your orders.

変更箇所は、該当Rev.No.版をご参照ください。  
 部品の互換性がない変更の場合は、削除された品番でも、ご注文できます。

29336203  
 No.1275-01 · · Rev.No.

\*A:Added parts追加部品/D:Obsoleted parts削除部品/E:Erratum訂正

* Rev. No.	Page 頁	Ref. No.	Parts No. 品番	* Rev. No.	Page 頁	Ref. No.	Parts No. 品番
D 00	4	54	185-85109	A 01	4	54	254-10408
D 00	28	6	251-36003	A 01	28	6	251-36011
D 00	28	40	B3127-051-000	A 01	28	40	254-50800
D 00	28	50	164-24509	A 01	28	50	251-39007
D 00	34	50	251-42209	A 01	34	50	254-47301
D 00	34	51	B1638-245-000	A 01	34	51	254-47400
D 00	34	53	NS-6110350-SP				
D 00	34	54	WP-0450000-SD				
D 00	36	44	PJ-3040405-04	A 01	36	44	PJ-3010405-02
D 00	38	18	SS-7150940-SP	A 01	38	18	SS-6151412-TP
				A 01	38	30	WP-0901603-SB
D 00	42	13	164-18709	A 01	42	13	254-46808
D 00	42	34	164-18600	A 01	42	34	254-43805
D 00	47	1	164-27908	A 01	47	1	104-19307
D 00	48	1	119-69458	A 01	48	1	131-67556
D 00	58	1	253-69554	A 01	58	1	253-69562
D 00	58	2	253-69653	A 01	58	2	253-69661
D 00	60	1	253-69752	A 01	60	1	253-69760
D 00	60	2	253-69851	A 01	60	2	253-69869
D 00	62	1	253-69950	A 01	62	1	253-69968
D 00	62	2	253-70057	A 01	62	2	253-70065

## HOW TO MAKE USE OF THIS PARTS LIST

### 1.Explanation of codes

1)"\*"mark.....means this part is changed from the previous parts book.

As to the details of the change, refer to the "List for information of change".

2)"#01".....refer to "Note" explanation at bottom of page.

### 2.Codes on the "Qty" column

• Each numeral indicates the number of parts required.

• "0.1" and "2.5" indicate the length (in meters) of the respective parts.

3.Parentheses mean that the corresponding part is a subpart that constructs an assembly part.

4.Dotted lines on the Figures indicate assembly parts.

### 1."注記"欄の記号説明

1) "\*"印.....前回のパーツブックに比較して今回変更された部品を意味します。

変更内容は、"変更情報リスト"を参照してください。

2) "#01".....ページ下の"注記"の説明を参照してください。

2.数量欄の数字は、個数を表し、0.1、2.5等の数値は、長さ（単位メートル）を表します。

3.数量欄の（ ）は、組部品を構成している子部品であることを意味します。

4.イラストページの-----枠は、組構成であることを意味します。

# NUMERICAL INDEX OF PARTS

PART NO	PAGE	REF NO.	PART NO	PAGE	REF NO.	PART NO	PAGE	REF NO.
10039105	80	7	16402950	206	14	16422404	70	48
10101400	50	24	16403008	52	68	16423006	54	1
10102200	50	19	16404204	54	17	16424004	52	60
10103406	54	27	16409500	64	3~6	16424202	50	29
10109700	70	53	16409500	206	30	16424301	50	36
10109908	68	20	16409906	64	8·9	16424400	52	54
10112001	68	11	16409906	206	33	16424608	50	27
10112357	68	5	16410102	64	11	16424707	52	53
10112407	68	21	16410201	64	12·13	16424806	52	55
10129054	56	49	16410201	206	35	16424905	50	37
10161503	80	4	16410300	64	14	16425100	52	56
10305159	54	15	16410508	64	3~6	16425209	52	57
10307056	54	22	16410508	206	31	16425902	76	1
10313906	72	2	16410607	64	16~19	16426009	76	7
10419307	80	1	16410706	64	16~19	16426850	76	28
10517209	54	37	16410805	64	16~19	16427007	76	2
10547800	68	39	16410904	64	16~19	16428153	68	41
10547909	68	40	16411100	64	3~6	16428302	78	4
11077500	80	16	16411100	206	32	16428401	70	52
11078102	80	17	16411308	64	8·9	16428518	50	3
11159001	10	14	16411308	206	34	16428609	52	72
13167556	82	1	16411407	64	12·13	16430506	60	21
13167903	82	8	16411407	206	36	16430605	60	43
13168000	82	9	16413403	66	11	16430803	60	8
13168109	82	10	16413510	66	4	16430951	60	4
13168208	82	11	16415002	72	30	16431504	60	35
16400400	50	1	16415101	72	31	16431504	206	15
16401002	50	16	16415218	72	23	16431603	60	36
16401150	206	1	16415507	72	28	16431603	206	22
16401200	50	15	16415705	72	35	16431702	206	16
16401259	50	14	16415804	72	33	16431801	206	23
16401259	206	2	16415911	72	19	16431900	206	17
16401358	206	3	16416000	72	27	16432007	206	24
16401457	206	4	16417313	72	22	16432106	206	18
16401556	206	5	16417412	72	14	16432205	206	25
16401655	206	6	16417719	72	18	16432304	206	19
16401754	206	7	16417800	72	20	16432403	206	26
16402356	206	8	16418204	74	48	16432502	206	20
16402406	52	67	16418303	72	45	16432601	206	27
16402455	52	66	16420705	68	16	16432700	206	21
16402455	206	9	16421109	68	44	16432809	206	28
16402554	206	10	16421513	68	22	16545105	96	37
16402653	206	11	16421760	68	36	16545105	100	36
16402752	206	12	16422065	68	37	16545105	104	35
16402851	206	13	16422206	70	47	16600405	36	1

# NUMERICAL INDEX OF PARTS

PART NO	PAGE	REF NO.	PART NO	PAGE	REF NO.	PART NO	PAGE	REF NO.
16600504	28	2	16605800	28	33	16608002	38	64~71
16601106	28	12	16605800	36	42	16608101	30	57~64
16601304	34	1	16605909	28	34	16608101	38	64~71
16601403	34	4	16605909	36	43	16608200	30	57~64
16601502	34	9	16606006	28	36	16608200	38	64~71
16601619	34	11	16606006	36	45	16613903	114	68
16602302	34	14	16606105	28	37	16613903	116	1
16602401	34	15	16606105	36	46	16623407	200	50
16602609	34	18	16606204	28	38	16652406	92	24
16602708	34	20	16606204	38	47	16652505	92	27
16602807	34	25	16606303	28	39	16652703	92	30
16603201	30	83	16606303	38	48	16652802	92	36
16603300	36	7	16606402	28	41	16652901	92	39
16603417	36	12	16606402	38	50	16653008	92	45
16603508	36	15	16606501	28	42	16653107	92	16
16603607	36	16	16606600	38	79	16653206	92	17
16603706	36	17	16606709	28	44	16653305	92	23
16604001	30	71	16606709	38	51	16653503	88	33
16604001	36	18	16606808	30	47	16653602	88	36
16604100	30	73	16606808	38	54	16654006	88	41
16604100	36	20	16606907	30	48	16654204	88	13
16604209	30	74	16606907	38	55	16654907	88	10
16604209	36	22	16607004	30	50	16655003	88	15
16604308	28	14	16607004	38	57	16655201	96	8
16604514	28	18	16607103	30	52	16655201	100	7
16604514	36	27	16607103	38	59	16655201	104	8
16604605	28	22	16607202	30	54	16655508	88	47
16604605	36	31	16607202	38	61	16655508	90	47
16604902	28	23	16607301	30	57~64	16655607	88	26
16604902	36	32	16607301	38	64~71	16655805	90	59·60
16605008	28	24	16607301	204	20	16655805	98	65
16605008	36	33	16607400	30	57~64	16655805	102	60
16605107	28	26	16607400	38	64~71	16655904	92	1
16605107	36	35	16607400	204	21	16656100	92	6
16605206	28	27	16607509	30	57~64	16656100	114	77
16605206	36	36	16607509	38	64~71	16656100	118	76
16605305	28	28	16607509	204	22	16656100	146	14
16605305	36	37	16607608	30	57~64	16656209	92	8
16605404	126	28	16607608	38	64~71	16656506	98	66
16605503	28	29	16607608	204	23	16656506	102	53
16605503	36	38	16607707	204	24	16656506	118	65
16605602	28	30	16607806	204	25	16656605	98	62
16605602	36	39	16607905	30	57~64	16656605	102	57
16605701	28	32	16607905	38	64~71	16656605	118	68
16605701	36	41	16608002	30	57~64	16656704	98	63

# NUMERICAL INDEX OF PARTS

PART NO	PAGE	REF NO.	PART NO	PAGE	REF NO.	PART NO	PAGE	REF NO.
16656704	102	58	16670507	96	18	16672503	146	11
16656803	98	68	16670614	96	22	16672602	146	12
16656803	102	63	16670713	96	13	16673014	98	77
16656803	106	55	16671000	96	20	16673014	100	33·68
16656803	114	47	16671000	104	14	16673303	100	18
16657009	98	69	16671109	96	15	16673303	104	22
16657009	106	56	16671109	100	14	16673410	100	12
16657108	90	59·60	16671109	104	12	16673600	100	17
16657108	98	78	16671208	96	17	16673600	104	27
16657108	106	65	16671208	100	16	16673709	100	20
16657207	112	7	16671208	104	16	16674103	96	34
16657504	114	65	16671406	96	4	16674103	102	33·68
16657504	118	61	16671406	100	3	16674103	104	67
16657603	114	66	16671406	104	4	16674103	106	67
16657603	118	62	16671505	96	9	16674210	104	18
16658007	112	14	16671505	100	8	16674400	104	17
16658007	116	14	16671505	104	9	16675308	4	20
16658205	112	35	16671604	96	7	16676009	128	62
16658205	116	35	16671604	100	6	16676009	138	51
16658403	114	67	16671604	104	7	16676009	142	1
16658403	118	63	16671703	44	5	16676207	2	19
16658502	112	28	16671703	98	51	16677205	30	70
16658502	116	28	16671703	100	45	16681405	194	47
16658601	112	1	16671703	106	47	16681801	194	52
16658601	118	59	16671802	44	10	16681801	200	70
16658700	112	2	16671802	98	52	16681900	194	51
16658700	116	2	16671802	100	46	16681900	200	68
16658809	112	6	16671802	106	48	16682106	194	61
16658809	116	6	16671919	98	53	16697203	118	83
16658908	112	31	16671919	102	47	16697302	114	64
16658908	116	31	16671919	106	49	16697401	114	86
16659005	112	10	16672016	98	49	16697401	118	92
16659005	116	10	16672016	100	43	16697906	200	63
16659104	112	25	16672016	104	45	16698003	200	67
16659104	116	25	16672107	96	40	16698102	194	54
16659203	112	24	16672107	102	66	16698409	92	15
16659203	116	24	16672107	106	69	16700403	144	6
16659302	114	48	16672206	96	43·44	16700502	144	10
16659708	116	7	16672206	102	52·67	16700601	144	14
16660003	118	47	16672206	104	39·40	16700700	144	18
16660102	118	90	16672206	204	36	16700809	144	15
16670309	96	3·19	16672305	96	43·44	16701005	18	51
16670309	100	10·19	16672305	102	52·67	16701005	22	51
16670309	104	13·21	16672305	104	39·40	16701005	154	22
16670408	96	23	16672305	204	37	16701005	158	50

# NUMERICAL INDEX OF PARTS

PART NO	PAGE	REF NO.	PART NO	PAGE	REF NO.	PART NO	PAGE	REF NO.
16701005	168	22	16705808	106	59	16778409	150	35·55~ 58
16701005	172	50	16710105	34	34			
16701005	182	22	16717209	126	3	16778409	172	57·78~ 81
16701005	188	22	16718801	30	72			
16701906	96	3·19	16718801	36	19	16778409	178	35·55~ 58
16701906	100	10·19	16720005	26	52	16778409	204	26
16701906	104	13·21	16720104	34	33	16778508	20	21
16703506	124	6~8	16720609	34	32	16778508	158	57·78~ 81
16703506	212	1	16720708	36	10			
16703605	124	6~8	16721201	88	37	16778508	164	37·52~ 55
16703605	212	2	16721607	36	8			
16703704	124	6~8	16721805	34	26	16778508	184	37·52~ 55
16703704	212	3	16721904	28	13	16778508	204	30
16703803	124	11	16722803	4	1	16802209	42	56
16704801	152	35·55~ 58	16722902	92	46	16804700	110	26
			16723801	94	47	16804908	110	29
16704801	158	57·78~ 81	16724007	92	43	16806507	4	15
			16724106	34	2	16806614	4	17
16704801	166	37·52~ 55	16724403	28	19	16806903	114	62
			16724403	36	28	16806903	118	81
16704801	172	57·78~ 81	16724403	92	20	16806903	146	21
			16724403	114	61	16807109	184	38
16704801	180	35·55~ 58	16724403	118	80	16807117	16	16
			16724403	146	17	16807117	20	16
16704801	186	37·52~ 55	16724502	92	40	16807117	150	36
			16724700	112	34	16807117	158	58
16704900	152	35·55~ 58	16724700	116	34	16807117	164	38
			16725004	30	85	16807117	172	58
16704900	158	57·78~ 81	16725004	38	74	16807117	178	36
			16725400	88	34	16808404	4	31
16704900	166	37·52~ 55	16725608	98	67	16809204	16	14·15
			16725608	102	61	16809204	150	33·34
16704900	172	57·78~ 81	16725608	106	66	16809204	172	55·56
			16725905	26	55	16809204	178	33·34
16704900	180	35·55~ 58	16727208	36	9	16809253	204	13
			16727802	200	51	16809253	212	28
16704900	186	37·52~ 55	16728008	194	62	16809303	20	14·15
			16728008	198	44	16809303	158	55·56
16704900	204	31	16728107	192	21	16809303	164	35·36
			16728602	112	12	16809303	184	35·36
16705501	98	74	16728602	116	12	16809352	204	15
			16766511	44	13	16809352	212	30
16705501	102	71	16766610	44	11	16809402	16	14·15
			16778409	16	21	16809402	150	33·34
16705501	104	33				16809402	172	55·56
16705600	96	35						
16705600	100	31						
16705709	96	36						
16705709	100	35						
16705709	106	73						
16705808	98	71						
16705808	102	64						

# NUMERICAL INDEX OF PARTS

PART NO	PAGE	REF NO.	PART NO	PAGE	REF NO.	PART NO	PAGE	REF NO.
16809402	178	33-34	16960205	88	17	18302109	154	5
16809451	204	14	16960205	136	32	18302109	168	5
16809451	212	29	17799305	126	2	18302109	182	5
16809501	20	14-15	17799305	136	2	18302109	188	5
16809501	158	55-56	17845009	86	27	18302208	154	6
16809501	164	35-36	18300707	150	2	18302208	168	6
16809501	184	35-36	18300707	178	2	18302208	182	6
16809550	204	16	18300806	150	3	18302208	188	6
16809550	212	31	18300806	164	3	18302307	154	10
16838401	10	16	18300806	178	3	18302307	182	10
16838500	4	16	18300806	184	3	18302406	154	14
16838609	4	7	18300905	150	7	18302406	170	42
16870206	6	48	18300905	164	7	18302406	182	14
16880908	6	49-50	18300905	178	7	18302505	156	42
16881005	6	49-50	18300905	184	7	18302505	168	14
16881104	6	51	18301002	150	8	18302505	188	14
16907701	14	3	18301002	164	8	18337402	98	75
16907701	148	2	18301002	178	8	18337402	102	72
16907701	162	2	18301002	184	8	18337402	106	72
16907701	176	2	18301101	150	10	18337501	96	33
16907800	24	24	18301101	164	10	18337501	100	32
16908105	14	7	18301101	178	10	18337501	104	68
16908105	148	6	18301101	184	10	18337501	106	68
16908105	162	6	18301408	150	15	18550400	26	51
16908105	176	6	18301408	164	15	18550806	14	5
16911612	40	23	18301408	178	15	18550806	148	4
16912602	44	35	18301408	184	15	18550806	162	4
16912701	44	37	18301507	150	17	18550806	176	4
16912701	146	2	18301507	164	17	18551002	92	28
16912800	44	39	18301507	178	17	18551507	108	1
16912800	146	4	18301507	184	17	18551606	48	8
16912909	44	41	18301705	150	20-21	18551606	108	8
16912909	146	6	18301705	164	20-21	18555300	28	16
16913907	4	28	18301705	178	20-21	18555300	36	25
16914103	6	55	18301705	184	20-21	18555706	88	11
16914103	138	50	18301804	150	20-21	18555805	88	42
16914202	6	56	18301804	164	20-21	18555904	88	14
16914202	190	2	18301804	178	20-21	18556100	88	18
16920100	44	32	18301804	184	20-21	18556209	88	40
16934002	56	54	18301903	150	24	18556308	4	24
16934200	24	25	18301903	164	24	18558007	88	38
16934507	24	35	18301903	178	24	18558106	88	31
16935504	122	15	18301903	184	24	18558205	88	21
16935504	142	8	18302000	154	2	18559005	14	16
16935504	144	21	18302000	182	2	18559005	154	21

# NUMERICAL INDEX OF PARTS

PART NO	PAGE	REF NO.	PART NO	PAGE	REF NO.	PART NO	PAGE	REF NO.
18559005	156	41	18582205	186	58	22930556	82	2
18559005	168	21	18582205	188	30	22930705	82	4
18559005	170	41	18582809	150	11	22930804	82	16
18559005	182	21	18582809	164	11	22930903	82	15
18559005	188	21	18582809	178	11	22931000	82	14
18559302	88	16	18582809	184	11	22931109	82	13
18559609	34	16	18582908	154	30	22931307	82	7
18560409	28	1	18582908	168	29	22931406	82	5
18563908	136	39	18582908	182	30	25035957	114	84
18564005	140	7	18582908	188	29	25040957	140	12
18564104	168	10	18583005	152	61	25041054	140	13
18564104	188	10	18583005	166	59	25041153	140	14
18564203	168	2	18583005	180	61	25041401	140	15
18564203	188	2	18583005	186	59	25041500	140	16
18564302	150	18	18583807	110	22	25136011	50	6
18564302	164	18	18583906	110	30	25136102	58	3
18564302	178	18	18584003	110	31	25136201	58	5
18564302	184	18	18584706	92	4	25136409	54	24
18565101	114	85	18585000	4	11	25136607	64	1
18565101	118	88	18585109	124	15	25136706	64	20
18565150	96	27	18585109	194	77	25136805	64	2
18565259	96	26	18585208	24	4	25136904	64	7
18565358	104	24	18585208	88	32	25137001	64	10
18565457	100	25	18586909	114	52	25137100	64	3~6
18566604	150	14	18586909	118	49	25137100	206	29
18566604	164	14	18587709	88	7	25137209	72	41
18566604	178	14	18588103	30	68	25137308	66	1
18566604	184	14	18588103	38	73	25137407	66	8
18568006	24	33	18588202	110	24	25137506	66	5
18568204	16	10	18588400	140	4	25137605	66	16
18568204	20	10	18588509	140	2	25137704	66	17
18580605	136	12	18588608	136	16	25137803	72	3
18580704	136	23	18588806	136	17	25137902	72	6
18580803	136	22	18588905	136	24	25138009	72	1
18580902	136	18	18589101	114	81	25138306	64	37
18581009	136	29	18589101	118	84	25138405	68	32
18581108	136	33	18589408	88	45	25138504	68	1
18581306	136	37	18590208	198	24	25138603	50	33
18581900	136	41	22613400	68	28	25138652	50	31
18582205	152	67	22621056	80	15	25138660	50	25
18582205	154	31	22837504	80	21	25138751	52	64
18582205	166	58	22837553	80	10	25138801	54	42
18582205	168	30	22930309	82	12	25138850	54	29
18582205	180	67	22930408	82	6	25138959	54	36
18582205	182	31	22930507	82	3	25139007	52	50



# NUMERICAL INDEX OF PARTS

PART NO	PAGE	REF NO.	PART NO	PAGE	REF NO.	PART NO	PAGE	REF NO.
25139155	76	27	25298514	14	12·13	25299405	162	1
25139452	76	21	25298514	154	12·13	25299405	176	1
25139601	64	38	25298514	170	32·33	25299504	4	12
25139908	78	1	25298514	182	12·13	25299801	4	39
25140005	78	2	25298563	204	2	25302001	24	42
25140104	76	8	25298563	212	17	25302100	24	1
25140252	78	3	25298605	168	12·13	25302209	24	5
25140351	64	43	25298605	188	12·13	25302407	24	16
25140658	64	15	25298613	14	14·15	25302506	24	20
25140708	72	44	25298613	156	32·33	25302605	24	36
25142100	60	46	25298662	204	4	25302704	24	27
25142308	62	56	25298662	212	19	25302803	24	29
25142654	60	1	25298704	18	59·60	25302902	24	31
25149808	126	44	25298704	152	51·52	25303108	24	45
25149808	130	12	25298704	172	65·66	25303207	26	57
25150103	126	40	25298704	180	51·52	25303306	26	59
25150509	128	67	25298753	18	57·58	25303405	26	62
25150509	138	56	25298753	152	49·50	25303504	26	66
25150509	142	6	25298753	172	63·64	25303900	48	1
25182106	196	12	25298753	180	49·50	25304007	40	1
25182106	200	74	25298753	204	9	25304106	40	4
25182106	202	9	25298753	212	24	25304205	40	7
25255050	78	15	25298803	22	59·60	25304304	40	13
25297508	4	34	25298803	158	74·75	25304403	40	15
25297607	52	75	25298803	166	62·63	25304502	40	22
25297706	122	1	25298803	186	62·63	25304601	40	25
25297805	122	7	25298852	22	57·58	25304700	40	27
25297904	122	8	25298852	158	72·73	25304809	40	37
25298001	122	10	25298852	166	60·61	25304908	44	1
25298100	14	9	25298852	186	60·61	25305004	44	2
25298100	170	1	25298852	204	11	25305103	40	45
25298209	14	10	25298852	212	26	25305202	42	52
25298209	156	1	25298902	122	11	25305509	40	33
25298316	14	12·13	25299108	18	61	25305905	26	80
25298316	154	12·13	25299108	22	61	25305905	124	1
25298316	170	32·33	25299108	114	75	25306002	124	2
25298316	182	12·13	25299108	118	73	25306101	192	4
25298365	204	1	25299108	152	53	25306200	192	10
25298365	212	16	25299108	158	76	25306309	192	46
25298407	168	12·13	25299108	166	64	25306408	192	33
25298407	188	12·13	25299108	172	67	25306507	192	35
25298415	14	14·15	25299108	180	53	25306606	192	38
25298415	156	32·33	25299108	186	64	25307109	126	1
25298464	204	3	25299405	14	1	25307208	126	11
25298464	212	18	25299405	148	1	25307307	126	17

## NUMERICAL INDEX OF PARTS

PART NO	PAGE	REF NO.	PART NO	PAGE	REF NO.	PART NO	PAGE	REF NO.
25307406	126	16	25315201	106	62	25323759	90	55
25307455	126	15	25315219	210	47	25323858	90	56
25307505	126	18	25315318	210	49	25323957	114	63
25307604	126	21	25315904	102	65	25323957	118	58
25307703	130	11	25315912	210	48	25324054	114	87
25307802	130	16	25316019	210	50	25324054	118	82
25307901	130	3	25316704	194	50	25324856	128	57
25308008	130	7	25316803	40	35	25324955	114	56
25308107	130	23	25316902	130	13	25324955	118	53
25308206	130	20	25317017	208	3	25325655	44	45
25308305	130	36	25317116	208	33	25325655	146	9
25308404	130	14	25317215	208	11	25325754	92	9
25308701	128	47	25317314	208	41	25325754	118	74
25308800	126	43	25318403	10	24	25325754	146	20
25308909	126	39	25318502	10	18	25326000	48	16
25309006	126	6	25318601	10	3	25326000	108	11
25309105	126	8	25319906	88	9	25326455	10	41
25309204	126	37	25320003	136	15	25328501	128	66
25309402	126	34	25320201	196	18	25328501	138	55
25309600	126	29	25320201	200	83	25328501	142	5
25309808	126	23	25320201	202	18	25328600	198	9
25309907	130	26	25320300	198	31	25328709	198	18
25310004	192	39	25320508	198	14	25328808	198	19
25310103	192	1	25320607	192	42	25328907	200	72
25310202	192	5	25320706	40	32	25329004	200	62
25310301	192	15	25320904	4	37	25329202	198	27
25310400	194	56	25321001	122	13	25329400	198	38
25310509	194	57	25321100	40	19	25329509	198	1
25310707	192	24	25321209	130	15	25329608	198	5
25310806	192	23	25321308	40	30	25329707	136	1
25311010	208	1	25321407	40	16	25329806	136	3
25311119	44	46	25321506	44	31	25329905	136	4
25311119	208	2	25322157	42	60	25330002	136	40
25311713	208	9	25322157	90	58	25330408	136	8
25311812	208	10	25322256	30	89	25330507	140	1
25312414	208	17	25322355	38	82	25330606	140	10
25312513	208	19	25322454	30	88	25330705	196	1
25313115	208	18	25322553	38	81	25330903	196	9
25313214	208	20	25322850	122	19	25330903	200	75
25313800	98	72-73	25322850	144	16	25330903	202	10
25313818	208	31	25322959	90	57	25331000	196	17
25313909	98	72-73	25322959	122	20	25331000	200	82
25313917	208	32	25323155	48	15	25331000	202	17
25314519	208	39	25323155	108	10	25331109	198	43
25314618	208	40	25323650	90	54	25331208	202	1

# NUMERICAL INDEX OF PARTS

PART NO	PAGE	REF NO.	PART NO	PAGE	REF NO.	PART NO	PAGE	REF NO.
25331604	198	21	25335506	2	3	25363102	10	2
25331703	198	20	25335605	2	5	25363201	10	17
25332107	18	59·60	25336405	4	42	25363300	10	20
25332107	152	51·52	25336504	6	67	25363409	10	32
25332107	172	65·66	25336603	28	5	25363508	10	36
25332107	180	51·52	25336801	150	1	25365511	208	4
25332156	18	57·58	25336801	178	1	25365610	208	5
25332156	152	49·50	25336900	164	1	25365719	208	6
25332156	172	63·64	25336900	184	1	25365818	208	7
25332156	180	49·50	25337015	6	53·66·71	25365917	208	8
25332156	204	10	25337015	204	17	25366014	208	12
25332156	212	25	25337114	6	53·66·71	25366113	208	13
25332206	22	59·60	25337114	204	19	25366212	208	14
25332206	158	74·75	25337213	124	14·18·20	25366311	208	15
25332206	166	62·63	25337213	212	4	25366410	208	16
25332206	186	62·63	25337312	124	14·18·20	25366519	208	21
25332255	22	57·58	25337312	212	6	25366618	208	23
25332255	158	72·73	25337411	136	5~7	25366717	208	25
25332255	166	60·61	25337411	212	13	25366816	208	27
25332255	186	60·61	25337510	136	5~7	25366915	208	29
25332255	204	12	25337510	212	14	25367012	208	22
25332255	212	27	25337619	136	5~7	25367111	208	24
25333402	194	79	25337619	212	15	25367210	208	26
25333501	2	1	25358151	30	82	25367319	208	28
25333600	2	2	25358250	38	76	25367418	208	30
25333709	2	7	25358359	194	76	25367517	208	34
25333907	26	68	25358359	200	49	25367616	208	35
25334004	24	10	25358458	122	18	25367715	208	36
25334103	24	9	25358458	138	49	25367814	208	37
25334152	24	8	25358458	144	17	25367913	208	38
25334202	26	54	25358557	134	2	25368010	208	42
25334301	36	3	25359159	94	56	25368119	208	43
25334400	28	8	25359258	94	57	25368218	208	44
25334509	30	78	25359357	94	58	25368317	208	45
25334608	194	59	25359456	94	59	25368416	208	46
25334707	196	5	25359555	114	59	25368515	210	51
25334806	198	40	25359555	118	56	25368614	210	53
25334905	202	5	25359654	114	58	25368713	210	55
25335001	124	16·19·21	25359654	118	55	25368812	210	57
25335001	212	7	25359753	114	57	25368911	210	59
25335100	124	16·19·21	25359753	118	54	25369018	210	52
25335100	212	8	25359852	128	56	25369117	210	54
25335209	132	1	25360959	2	17	25369216	210	56
25335308	2	6	25363003	10	8	25369315	210	58
25335407	2	4	25363052	10	1	25369414	210	60

NUMERICAL INDEX OF PARTS

PART NO	PAGE	REF NO.	PART NO	PAGE	REF NO.	PART NO	PAGE	REF NO.
25369562	96	1·2	25376104	118	71·72	B1114051000	52	73
25369661	96	1·2	25376153	118	69·70	B1124804000	50	32
25369760	100	1·2	25376153	212	12	B1130051000	50	38
25369869	100	1·2	25376609	6	75	B1131528000	50	21
25369968	104	1·2	25376708	6	76	B1203512000	54	23
25370065	104	1·2	25376708	194	84	B1206051000	54	10
25370107	44	29·30	25376708	200	84	B1210526000	54	8
25370206	44	29·30	25376807	190	1	B1213012000	72	11
25374000	112	37	25377003	126	31	B1214019000	54	19
25374109	112	46	25377102	128	61	B1302051000	54	18
25374109	116	45	25377201	6	77	B1303512000	54	28
25374208	114	88	25377300	16	17	B1404526000	60	3
25374208	116	41	25377300	20	17	B1405526000	60	5
25374307	114	89	25377300	150	9	B1406526000	60	6
25374307	116	40	25377300	156	38	B1407526000	60	7
25374406	114	83	25377300	164	9	B1408526000	54	7
25374406	116	44	25377300	170	38	B1410526000	60	13
25374505	112	45	25377300	178	9	B14125260A0	60	9
25374505	116	43	25377300	184	9	B1415526000	60	10
25374703	116	46	25377409	98	82	B14205260A0	60	27
25374802	118	89	25377409	102	74	B1423526000	60	25
25374901	6	53·66·71	25377409	106	70	B1425526000	60	54
25374901	204	18	25377508	124	16·19·21	B1425526000	62	54
25375007	124	14·18·20	25377607	112	36	B1430526000	60	14
25375007	212	5	25377706	112	18	B1450528000	60	23
25375106	128	60	25377805	112	39	B145352600A	60	32
25375205	96	46	25377904	112	16	B1467563000	72	24
25375205	100	40	25401001	112	40	B1505804000	64	21
25375205	104	42	25401001	116	39	B1510526000A	60	31
25375304	102	73	25401100	112	15	B1702012000	72	7
25375304	104	43	25401100	116	15	B18025120AB	68	2
25375403	44	25	25401209	116	36	B1804512000	68	8
25375403	98	47	25401308	116	18	B1813512000	68	6
25375502	44	27	25401407	116	38	B1816512000	68	3
25375601	110	21	25401506	116	16	B182024600A	24	28
25375700	110	33	25401803	6	52	B1820563000	68	33
25375809	114	73·74	25403205	32	94	B1821051000	68	34
25375858	114	71·72	25403205	38	84	B1822051000	68	18
25375858	212	9	25404203	46	48	B1823051000	68	17
25375908	114	73·74	25410408	6	54	B1906051000	54	5
25375957	114	71·72	25443805	72	34	B1907526000	54	3
25375957	212	10	25446808	72	13	B2213019000	52	51
25376005	118	71·72	25447301	62	50	B2529205ABA	34	31
25376054	118	69·70	25447400	62	51	B2613232000	42	48
25376054	212	11	25450800	50	40	B2619372000	10	25

# NUMERICAL INDEX OF PARTS

PART NO	PAGE	REF NO.	PART NO	PAGE	REF NO.	PART NO	PAGE	REF NO.
B3034450000	66	6	G1002192000	86	2	G5110117000	170	2
B3035450000	66	7	G1003192000	86	4	G5115117C00	204	28
B311651200B	50	45	G1011192000	84	1	G5115117D00	204	29
B3120125000	50	44	G1012192000	84	3	G5115117E00	204	32
B3124512000	50	35	G1013192000	84	5	G5115117F00	204	33
B3125012000	80	11	G1014192000	84	6	G5119116C00	14	24
B3126012000	80	13	G1015192000	84	8	G5119116C00	170	19
B3126051000	50	41	G1016192000	84	9	G5119116D00	14	28
B3129012A00	50	43	G1018192000	84	16	G5122117000	16	12
B3129012B00	80	12	G1018195000	12	53	G5122117000	20	12
B3132051000	50	42	G1147198000	4	8	G5122117000	156	13
B3211555000	80	19	G1403117000	60	11	G5122117000	170	13
B8153771000	10	12	G1404117000	60	30	G5123117000	16	31
BT0400251EB	78	18	G1405117000	60	29	G5123117000	150	39
BT0400251EC	62	53	G1407117000	60	39	G5123117000	170	29
BT0400251EC	66	29	G1408117000	60	19	G5123117000	178	39
BT0400251EC	76	6	G183111600B	68	38	G5124117000	20	31
BT0400251EF	62	60	G1860119AA0	68	26	G5124117000	156	29
BT0400251EF	66	23	G1860119BA0	70	50	G5124117000	164	41
BT0600400EC	78	19	G1861119000	68	25	G5124117000	184	41
CM300100001	84	24	G2503110000	122	9	G5124117A00	16	7
CM300100001	86	31	G3197116000	52	49	G5124117A00	170	8
CM500000001	6	60	G5001236000	136	42	G5125117A00	20	7
CQ200000000	76	12	G5002236000	136	43	G5125117A00	156	8
CQ202000000	54	44	G5003236000	136	44	G5126117000	16	22
CQ202000000	68	54	G5004236000	136	45	G5126117000	20	22
CQ202000000	70	54	G5023116000	6	72	G5126117000	156	15
CQ303000000	54	9	G5058116B00	4	14	G5126117000	170	15
CQ303000000	60	22	G5066110000	52	61	G5129116C00	14	11
CQ303000000	74	47	G5075116000	10	28	G5129116C00	156	25
CS051071BSD	62	52	G5075116A00	10	30	G5129116C00	170	25
CS0800816SH	54	40	G5078116000	10	34	G5130116C00	20	23·24
CS0800816SH	126	38	G5108119000	16	6	G5130116C00	156	23·24
CS0800816SH	130	22	G5108119000	20	6	G5130116C00	170	23·24
CS1111019SH	72	39	G5108119000	150	4	G5130116C00	204	7
D1450055BA0	72	9	G5108119000	156	7	G5130116C00	212	22
D2611555B00A	76	13	G5108119000	164	4	G5130116D00	20	23·24
D8113555B00	10	15	G5108119000	170	7	G5130116D00	156	23·24
E9567319000	86	22	G5108119000	178	4	G5130116D00	170	23·24
E9629252000	86	16·17·20	G5108119000	184	4	G5130116D00	204	8
EA9500B0100	76	17	G5109117000	16	1	G5130116D00	212	23
EA9500B0200	76	20	G5109117000	164	2	G5131116C00	16	23·24
EA9502B0500	66	26	G5109117000	184	2	G5131116C00	204	5
G1001192000	86	1	G5110117000	20	1	G5131116C00	212	20
G1001195000	86	32	G5110117000	156	2	G5131116D00	16	23·24

# NUMERICAL INDEX OF PARTS

PART NO	PAGE	REF NO.	PART NO	PAGE	REF NO.	PART NO	PAGE	REF NO.
G5131116D00	204	6	G5150116C00	16	34	G5328116A00	204	35
G5131116D00	212	21	G5150116C00	150	31	G5329116000	44	7
G5132116000	14	18	G5150116C00	172	51	G5329116000	98	55
G5132116B00	154	7	G5150116C00	178	31	G5329116000	102	49
G5132116B00	156	16	G5151116C00	16	36	G5329116000	106	51
G5132116B00	168	7	G5151116C00	20	36	G5333119000	46	47
G5132116B00	170	16	G5151116C00	150	26	G5333119000	98	79
G5132116B00	182	7	G5151116C00	156	34	G5333119000	102	70
G5132116B00	188	7	G5151116C00	164	27	G5333119000	104	41
G5140116000	16	28	G5151116C00	170	34	G5338116000	44	44
G5140116000	20	28	G5151116C00	178	26	G5338116000	92	14
G5140116000	152	66	G5151116C00	184	27	G5338116000	114	76
G5140116000	156	26	G5152119E00	158	57·78~ 81	G5338116000	118	75
G5140116000	164	26	G5152119E00	172	57·78~ 81	G5338116000	146	19
G5140116000	170	26	G5152119E00	152	35·55~ 58	G5377139000	96	21
G5140116000	180	66	G5152119F00	166	37·52~ 55	G5377139000	100	21
G5140116000	184	26	G5152119F00	180	35·55~ 58	G5377139000	104	15
G5141116C00	22	53	G5152119F00	186	37·52~ 55	G54021160A0	14	17
G5143116A00	18	52	G5152119G00	158	57·78~ 81	G5402116AA0	154	28
G5143116A00	22	52	G5152119G00	172	57·78~ 81	G5402116AA0	158	66
G5143116A00	150	44	G5152119H00	152	35·55~ 58	G5402116AA0	168	34
G5143116A00	158	67	G5152119H00	166	37·52~ 55	G5402116AA0	172	71
G5143116A00	164	46	G5152119H00	186	37·52~ 55	G5402116AA0	182	28
G5143116A00	172	72	G5152119H00	186	37·52~ 55	G5402116AA0	188	34
G5143116A00	178	44	G5152119H00	186	37·52~ 55	G5403139000	6	61
G5143116A00	186	46	G5152119H00	186	37·52~ 55	G5410116AA0	18	63
G5146119A00	16	3	G5152119H00	186	37·52~ 55	G5410116AA0	22	63
G5146119A00	20	3	G5152119H00	186	37·52~ 55	G5410116AA0	154	27
G5146119C00	156	4	G5152119H00	186	37·52~ 55	G5410116AA0	158	53
G5146119C00	170	4	G5152119H00	186	37·52~ 55	G5410116AA0	168	27
G5147116C00	16	43	G5152119H00	186	37·52~ 55	G5410116AA0	172	53
G5147116D00	20	43	G5152119H00	186	37·52~ 55	G5410116AA0	182	27
G5148116000	150	30	G5154116C00	18	53	G5410116AA0	188	27
G5148116000	164	32	G5154116C00	150	45	G54211160A0	200	61
G5148116000	178	30	G5154116C00	166	47	G5430116000	6	62
G5148116000	184	32	G5154116C00	172	73	G5458116000	6	74
G5148116C00	18	50	G5154116C00	178	45	G5512116000	192	13
G5148116C00	22	50	G5154116C00	186	47	G5514116000	192	17
G5148116C00	158	49	G5279117000	30	56	G5517116000	192	11
G5148116C00	172	49	G5279117000	38	63	G5518116000	192	20
G5149116000	158	68	G5321119000	44	15	G5521116000	192	26
G5149116C00	20	34	G5324119000	40	17	G5522116000	192	27
G5149116C00	158	51	G5325119000	40	18	G5523116000	192	28
G5149116C00	164	33	G5328116000	44	20·21	G5524116000	192	29
G5149116C00	184	33	G5328116000	204	34	G5525116000	192	30

# NUMERICAL INDEX OF PARTS

PART NO	PAGE	REF NO.	PART NO	PAGE	REF NO.	PART NO	PAGE	REF NO.
G5526116000	192	31	GSA73000BA0	110	11	NM6030001SC	158	46
G5603117000	60	44	GSA73000CA0	110	20	NM6030001SC	168	18
G5604117000	60	45	GSA94000CA0	146	1	NM6030001SC	170	46
G5680116000	66	21	GSA94000DA0	146	13	NM6030001SC	172	46
G5701119000A	66	2	GSY010000A0	56	48	NM6030001SC	182	18
G5708119000	66	10	GTR02014000	126	30	NM6030001SC	188	18
G5827116000	192	32	HD00057000A	26	79	NM6040001SC	6	65
G5832116000	192	14	HD00057000A	30	90	NM6040001SC	14	35
G5840116000	10	9	HF005111000	86	16·17·20	NM6040001SC	16	49
G5843116000	192	6	HF00511100B	86	16·17·20	NM6040001SC	18	49
G5847116000	16	30	HK026650020	86	13	NM6040001SC	20	49
G5847116000	20	30	HK026650080	86	12	NM6040001SC	22	49
G5847116000	156	28	HL015930008	86	35	NM6040001SC	40	41
G5847116000	170	28	HL015930036	146	10	NM6040001SC	44	19
G6010003000	84	7	HM001310000	26	75	NM6040001SC	86	15
G6012880000	10	35	HX000790000	86	8	NM6040001SC	98	80
G8214119000A	54	39	HX00150000A	76	23	NM6040001SC	100	34
G8220870000	26	81	HX00150000F	76	18	NM6040001SC	106	60
G85101960A0	86	10·36	HX00150000G	76	22	NM6040001SC	112	44
G85101960AA	86	10·36	HX00221000B	86	26	NM6040001SC	120	93
G85111950A0	86	30	HX00221000E	84	22	NM6040001SC	126	42
G85121920A0	86	29	HX00222000A	86	24	NM6040001SC	144	5
G85121960A0	30	92	HX00339000A	126	24	NM6040001SC	150	68
G85161950A0	26	76	HX004070000	86	25	NM6040001SC	152	68
G85162310A0	92	26	HX004100000	86	23	NM6040001SC	154	20
G85171950A0	26	78	M1001060000	84	23	NM6040001SC	158	61
G85191950A0	30	91	M86025110A0	86	34	NM6040001SC	164	68
G85221950A0	84	20	MAT80230T00	12	56	NM6040001SC	166	68
G85251920A0	84	15	MDP170B1600	60	38	NM6040001SC	168	20
G85321920A0	84	19	MTJVM006000	54	46	NM6040001SC	172	62
G85331920A0	84	18	MTSG1122410	56	50~53	NM6040001SC	178	68
G85331950A0	12	58	MTSG1162410	56	50~53	NM6040001SC	180	68
G85341950A0	12	52	MTSG3162510	56	50~53	NM6040001SC	182	20
G85381950A0	10	42	MTSG3192510	56	50~53	NM6040001SC	184	68
G86011960A0	86	6	NM6030001SC	14	31	NM6040001SC	186	68
G86021950A0	84	13	NM6030001SC	18	47	NM6040001SC	188	20
G86031950B0	128	58	NM6030001SC	22	47	NM6040001SC	190	4
GAS11111000	198	11	NM6030001SC	32	95	NM6040002SE	82	24
GAS11124000	198	42	NM6030001SC	38	85	NM6050001SC	4	33
GAS11154000	198	39	NM6030001SC	84	2	NM6050001SC	12	61
GES12153000	66	25	NM6030001SC	86	19	NM6050001SC	16	13
GPF06060000	10	10	NM6030001SC	126	46	NM6050001SC	20	13
GPF06070000	10	11	NM6030001SC	136	28	NM6050001SC	26	50
GPF06080000	10	13	NM6030001SC	154	18	NM6050001SC	30	66
GSA73000AA0	110	1	NM6030001SC	156	46	NM6050001SC	40	11

# NUMERICAL INDEX OF PARTS

PART NO	PAGE	REF NO.	PART NO	PAGE	REF NO.	PART NO	PAGE	REF NO.
NM6050001SC	46	49	NM6120003SC	198	10	PA900061000	194	71
NM6050001SC	90	48	NM6160511SE	82	27	PA900062000	130	31
NM6050001SC	96	38	NS6110430SP	68	19	PA900063000	30	77
NM6050001SC	100	37	NS6150310SP	64	42	PA900063000	38	78
NM6050001SC	104	36	NS6620310SP	42	49	PC010507000	16	42
NM6050001SC	126	36	NS6620310SP	52	74	PC010507000	20	42
NM6050001SC	156	14	NS6680410SP	72	5	PC010507000	88	6
NM6050001SC	170	14	PA1000506A0	50	26	PC010507000	154	23
NM6050001SC	196	16	PA1000506A0	128	49	PC010507000	158	54
NM6050001SC	200	79	PA1001527A0	66	20	PC010507000	168	23
NM6050001SC	202	14	PA1002506A0	58	1	PC010507000	172	54
NM6050001SE	82	28	PA1500502A0	128	68	PC010507000	182	23
NM6060001SC	4	68	PA1500502A0	138	57	PC010507000	188	23
NM6060001SC	6	68	PA1500502A0	142	7	PC010508000	26	74
NM6060001SC	10	51	PA1500503A0	96	6	PC010508000	88	8
NM6060001SC	12	51	PA1500503A0	100	5	PC010508000	112	5
NM6060001SC	16	11	PA1500503A0	104	6	PC010508000	116	5
NM6060001SC	20	11	PA1501510A0	88	5	PC012406000	88	4
NM6060001SC	28	81	PA1502003A0	30	86	PC012406000	128	59
NM6060001SC	30	81	PA1502003A0	38	75	PC015103000	194	70
NM6060001SC	34	23	PA1601507A0	6	58	PC015103000	200	57
NM6060001SC	36	44	PA1601507A0	190	5	PC015107000	42	57
NM6060001SC	92	48	PA1602009A0	62	58	PC015107000	88	3
NM6060001SC	94	48	PA1603501A0	112	4	PC015107000	150	43
NM6060001SC	112	27	PA1603501A0	116	4	PC015107000	164	45
NM6060001SC	116	27	PA1604002A0	136	46	PC015107000	178	43
NM6060001SC	130	25	PA1613501A0	144	20	PC015107000	186	45
NM6060001SC	136	11	PA2001504A0	130	29	PC015116000	130	30
NM6060001SC	156	12	PA2007003A0	30	67	PF0152030A0	6	59
NM6060001SC	170	12	PA2007003A0	38	72	PF0251070A0	6	83
NM6060001SC	194	64	PA2501002A0	26	70	PH0400082C0	122	4
NM6060001SC	198	17	PA2501003A0	26	72	PH0600123C0	122	5
NM6080001SC	34	27	PA2504501A0	42	55	PJ020000001	96	11
NM6080001SC	192	82	PA2505001A0	194	67	PJ020000001	100	24
NM6080001SC	194	82	PA250600100	150	42	PJ020000001	104	23
NM6080001SC	198	29	PA250600100	164	44	PJ025100001	94	55
NM6100001SC	24	46	PA250600100	178	42	PJ025300001	76	26
NM6100001SC	40	14	PA250600100	184	44	PJ025400001	2	16
NM6100001SC	132	5	PA2513502A0	88	1	PJ030510001	6	87
NM6100001SC	192	3	PA3207503A0	200	54	PJ032039001	78	5
NM6100001SC	196	11	PA3210002A0	194	69	PJ032039001	128	50
NM6100001SC	198	81	PA3212502A0	200	56	PJ032052501	66	22
NM6100001SC	200	81	PA3220001A0	200	52	PJ042050002	122	14
NM6100001SC	202	16	PA900041000	130	32	PJ042050002	144	1
NM6120001SE	4	19	PA900060000	200	58	PJ210004200	2	15



NUMERICAL INDEX OF PARTS

PART NO	PAGE	REF NO.	PART NO	PAGE	REF NO.	PART NO	PAGE	REF NO.
PJ210004200	6	80	PJ308040002	76	25	PV150206000	94	50
PJ210004200	148	12	PJ308040002	78	6	PV150206000	114	54
PJ210004200	162	12	PJ308045101	42	59	PV150206000	118	51
PJ210004200	176	12	PJ308060003	200	48	PV150206000	122	17
PJ210004200	194	78	PJ309040501	96	28	PV150206000	134	1
PJ210006100	2	25	PJ309040501	100	23	PV150206000	138	48
PJ210006100	6	79	PJ309040501	104	26	PV150206000	144	19
PJ210006100	194	75	PJ309065101	2	12	PV150207000	2	8
PJ210006100	198	37	PJ309065101	94	52	PV150509000	78	14
PJ230004200	52	70	PS0200082KH	60	34	PV1505310A0	148	11
PJ240004300	96	30	PS0200122K0	50	34	PV1505310A0	162	11
PJ240004300	100	28	PS0500302KH	24	15	PV1505310A0	176	11
PJ240004300	104	29	PT0301800S0	60	15	PV1505320A0	194	74
PJ301040502	64	44	PV010011000	14	36	PV1505320A0	198	36
PJ301040502	78	17	PV010011000	154	33	PV205101000	6	85
PJ301060503	78	16	PV010011000	160	87	PV205101000	198	25
PJ301065103	198	26	PV010011000	168	32	PX055101000	14	32
PJ304040501	64	35	PV010011000	174	87	PX055101000	154	29
PJ304040504	6	70	PV010011000	182	33	PX055101000	160	85
PJ304040504	52	65	PV010011000	188	32	PX055101000	168	28
PJ304040504	62	49	PV010012000	148	8	PX055101000	174	85
PJ304040504	96	29	PV010012000	162	8	PX055101000	182	29
PJ304040504	100	27	PV010012000	176	8	PX055101000	188	28
PJ304040504	104	28	PV010508000	152	59	PX055104000	2	13
PJ304040504	128	69	PV010508000	166	56	PX055104000	94	54
PJ304040504	138	58	PV010508000	180	59	PX5000480A0	114	60
PJ304040504	152	60	PV010508000	186	56	PX5000480A0	118	57
PJ304040504	166	57	PV015118000	14	33	PX5000480A0	122	16
PJ304040504	180	60	PV015118000	154	32	PX5000480A0	144	22
PJ304040504	186	57	PV015118000	160	86	PX500053000	42	58
PJ304040504	190	6	PV015118000	168	31	PX500053000	88	2
PJ304040505	114	53	PV015118000	174	86	RC0560711KP	112	30
PJ304040505	118	50	PV015118000	182	32	RC0560711KP	116	30
PJ304040506	58	2	PV015118000	188	31	RC0841011KP	194	53
PJ304040506	64	36	PV035148000	2	11	RC0841011KP	200	69
PJ304045102	6	86	PV035148000	94	51	RC2421211KP	26	53
PJ304045102	194	68	PV130202200	2	10	RC2800002KP	34	35
PJ304060502	128	54	PV130202200	94	49	RE0700000K0	60	20
PJ304065101	2	18	PV130202200	114	55	SD0450401SP	66	14
PJ304065101	6	84	PV130202200	118	52	SD0450401SP	96	39
PJ304065101	94	53	PV130522000	62	48	SD0450401SP	100	38
PJ305040001	128	70	PV1305340A0	2	14	SD0450401SP	104	37
PJ305040001	138	59	PV1305341A0	6	78	SD0470281SP	50	30
PJ305040001	142	9	PV140501000	128	52	SD0490261SP	80	20
PJ305060001	128	53	PV150206000	2	9	SD0551101TP	62	57

# NUMERICAL INDEX OF PARTS

PART NO	PAGE	REF NO.	PART NO	PAGE	REF NO.	PART NO	PAGE	REF NO.
SD0640602SP	66	9	SM1041001SC	96	10	SM6020452TP	100	15
SD0791051SP	10	26	SM1041001SC	100	9	SM6020452TP	104	19
SD0791331SP	72	16	SM1041001SC	104	10	SM6030602SP	72	43
SD1021251SP	72	8	SM1041001SC	110	23	SM6030602TP	64	33
SL4030631SC	78	13	SM1041001SC	128	63	SM6030602TP	78	11
SL4030681SC	84	17	SM1041001SC	138	52	SM6030602TP	96	31
SL4030691SC	78	10	SM1041001SC	142	2	SM6030602TP	102	76
SL4030891SC	84	4	SM1051001SC	26	56	SM6030602TP	104	31
SL4030891SC	86	9	SM1051001SF	90	53	SM6030802TP	4	81
SL4031091SC	62	59	SM1051552TP	6	57	SM6030802TP	6	81
SL4031481SC	86	18	SM1052501SP	12	62	SM6030802TP	26	64
SL4040691SC	62	47	SM1061001SC	192	12	SM6030802TP	44	16
SL4040891SC	86	33	SM3030601SC	44	8	SM6030802TP	88	44
SL4041091SC	86	28	SM3031000SC	108	5	SM6030802TP	126	19
SL4041291SC	86	14	SM3041551SP	144	4	SM6031002TP	16	46
SL4051091SC	86	11	SM4030401SC	16	32	SM6031002TP	20	46
SM0030450SN	126	22	SM4030401SC	20	32	SM6031002TP	24	40
SM0030601SC	112	19	SM4030401SC	72	46	SM6031002TP	28	3
SM0030601SC	118	91	SM4030401SC	150	40	SM6031002TP	154	17
SM0040601SC	10	37	SM4030401SC	156	30	SM6031002TP	156	45
SM0040601SC	26	67	SM4030401SC	164	42	SM6031002TP	168	17
SM0040601SC	40	36	SM4030401SC	170	30	SM6031002TP	170	45
SM0040601SC	86	3	SM4030401SC	178	40	SM6031002TP	182	17
SM0040601SC	92	29	SM4030401SC	184	42	SM6031002TP	188	17
SM0040801SC	140	11	SM4030601SN	98	57	SM6031202TP	14	30
SM0050801SC	2	21	SM4030601SN	102	51	SM6031202TP	44	14
SM0050801SC	26	69	SM4030601SN	106	53	SM6031202TP	98	54
SM0050801SC	34	37	SM4030801SC	44	22	SM6031202TP	104	50
SM0050801SC	38	77	SM4031201SC	48	12	SM6031202TP	106	50
SM0050801SC	194	58	SM4031201SN	92	34	SM6031202TP	156	21
SM0050801SC	198	41	SM4041001SC	82	20	SM6031202TP	170	21
SM1030601SC	96	14	SM4041201SC	82	22	SM6032002TP	32	93
SM1030601SC	100	13	SM4042001SC	82	23	SM6032002TP	38	83
SM1030601SC	104	11	SM4050801SC	80	8	SM6032002TP	154	9
SM1030801SC	136	25	SM4051405SE	82	18	SM6032002TP	168	9
SM1040601SC	18	62	SM4062001SC	198	22	SM6032002TP	182	9
SM1040601SC	22	62	SM5040451SC	16	29	SM6032002TP	188	9
SM1040601SC	152	54	SM5040451SC	20	29	SM6035052TN	64	22
SM1040601SC	158	77	SM5040451SC	156	27	SM6040602TP	126	9
SM1040601SC	166	51	SM5040451SC	170	27	SM6040602TP	140	3
SM1040601SC	172	77	SM5040655SN	150	38	SM6040602TP	148	9
SM1040601SC	180	54	SM5040655SN	164	40	SM6040602TP	162	9
SM1040601SC	186	51	SM5040655SN	178	38	SM6040602TP	176	9
SM1040801SC	6	73	SM5040655SN	184	40	SM6040602TP	192	7
SM1040852TP	40	34	SM6020452TP	96	16	SM6040802SP	68	45

NUMERICAL INDEX OF PARTS

PART NO	PAGE	REF NO.	PART NO	PAGE	REF NO.	PART NO	PAGE	REF NO.
SM6040802TP	4	88	SM6041202TP	150	27	SM6051202TP	20	44
SM6040802TP	6	88	SM6041202TP	156	82	SM6051202TP	28	20
SM6040802TP	10	49	SM6041202TP	158	82	SM6051202TP	34	3
SM6040802TP	12	49	SM6041202TP	164	28	SM6051202TP	36	29
SM6040802TP	48	2	SM6041202TP	170	82	SM6051202TP	88	19
SM6040802TP	102	59	SM6041202TP	172	82	SM6051202TP	92	21
SM6040802TP	108	2	SM6041202TP	178	27	SM6051202TP	110	25
SM6040802TP	126	25	SM6041202TP	184	28	SM6051202TP	114	82
SM6040802TP	130	27	SM6041802TP	112	20	SM6051202TP	118	85
SM6040802TP	136	19	SM6042002TP	96	24	SM6051202TP	136	30
SM6040802TR	98	58	SM6042002TP	100	11	SM6051202TP	146	15
SM6040802TR	106	54	SM6042002TP	104	3	SM6051202TP	150	5
SM6041002TP	14	19	SM6042002TP	116	19	SM6051202TP	154	15
SM6041002TP	18	54	SM6042502TP	18	48	SM6051202TP	156	43
SM6041002TP	22	54	SM6042502TP	22	48	SM6051202TP	164	5
SM6041002TP	34	17	SM6042502TP	154	19	SM6051202TP	168	15
SM6041002TP	36	11	SM6042502TP	158	47	SM6051202TP	170	43
SM6041002TP	40	53	SM6042502TP	168	19	SM6051202TP	178	5
SM6041002TP	42	53	SM6042502TP	172	47	SM6051202TP	182	15
SM6041002TP	92	31	SM6042502TP	182	19	SM6051202TP	184	5
SM6041002TP	96	41	SM6042502TP	188	19	SM6051202TP	188	15
SM6041002TP	100	48	SM6042502TP	198	34	SM6051402TP	14	29
SM6041002TP	102	48	SM6043552TN	6	63	SM6051552TP	10	33
SM6041002TP	106	58	SM6043552TN	190	7	SM6051552TP	24	21
SM6041002TP	112	23	SM6044002TP	14	34	SM6051552TP	30	75
SM6041002TP	116	13	SM6044002TP	154	34	SM6051552TP	36	23
SM6041002TP	130	33	SM6044002TP	158	62	SM6051552TP	40	10
SM6041002TP	150	46	SM6044002TP	168	33	SM6051552TP	44	40
SM6041002TP	154	24	SM6044002TP	174	88	SM6051552TP	88	51
SM6041002TP	158	69	SM6044002TP	182	34	SM6051552TP	90	51
SM6041002TP	166	48	SM6044002TP	188	33	SM6051552TP	124	9
SM6041002TP	168	24	SM6051002TP	2	22	SM6051552TP	144	9
SM6041002TP	172	74	SM6051002TP	4	29	SM6051552TP	146	5
SM6041002TP	178	46	SM6051002TP	26	60	SM6051552TP	156	20
SM6041002TP	182	24	SM6051002TP	28	9	SM6051552TP	170	20
SM6041002TP	186	48	SM6051002TP	36	4	SM6051602TP	92	10
SM6041002TP	188	24	SM6051002TP	40	8	SM6051602TP	98	59
SM6041002TP	192	36	SM6051002TP	44	3	SM6051602TP	110	27
SM6041202TP	16	37	SM6051002TP	124	3	SM6051602TP	114	79
SM6041202TP	20	37	SM6051002TP	126	12	SM6051602TP	116	78
SM6041202TP	40	28	SM6051002TP	194	60	SM6051602TP	118	78
SM6041202TP	88	43	SM6051002TP	198	30	SM6051602TP	136	35
SM6041202TP	112	32	SM6051202TP	4	91	SM6051602TP	146	18
SM6041202TP	116	32	SM6051202TP	6	91	SM6051802TP	14	6
SM6041202TP	144	13	SM6051202TP	16	44	SM6051802TP	40	42

## NUMERICAL INDEX OF PARTS

PART NO	PAGE	REF NO.	PART NO	PAGE	REF NO.	PART NO	PAGE	REF NO.
SM6051802TP	148	5	SM6061002TP	200	59	SM6082002TP	12	46
SM6051802TP	150	13	SM6061202TP	136	13	SM6082002TP	28	43
SM6051802TP	162	5	SM6061202TP	192	18	SM6082002TP	38	80
SM6051802TP	164	13	SM6061202TP	198	6	SM6082502TP	30	69
SM6051802TP	176	5	SM6061552TP	4	46	SM6082502TP	200	73
SM6051802TP	178	13	SM6061552TP	10	4	SM6083002TP	192	49
SM6051802TP	184	13	SM6061552TP	34	5	SM6083002TP	194	49
SM6052002TP	4	43	SM6061552TP	122	2	SM6083502TN	200	65
SM6052002TP	24	37	SM6061552TP	136	9	SM6084002TN	194	55
SM6052002TP	28	45	SM6061602TP	44	33	SM6084002TN	200	64
SM6052002TP	34	21	SM6061602TP	72	4	SM6101602TP	196	6
SM6052002TP	36	52	SM6061602TP	106	57	SM6101602TP	202	6
SM6052002TP	38	52	SM6061602TP	136	34	SM6102002TP	132	2
SM6052002TP	88	27	SM6061602TP	140	8	SM6102002TP	196	2
SM6052002TP	92	25	SM6061602TP	192	40	SM6102002TP	198	45
SM6052002TP	98	60	SM6061610SC	82	17	SM6102002TP	202	2
SM6052002TP	102	55	SM6061802TP	14	2	SM6103002TP	192	43
SM6052002TP	114	49	SM6062002TN	84	10	SM6103502TP	40	20
SM6052002TP	118	66	SM6062002TP	16	2	SM8030402TP	192	34
SM6052502TP	44	42	SM6062002TP	20	2	SM8030502TP	16	35
SM6052502TP	98	64	SM6062002TP	24	12	SM8030502TP	20	35
SM6052502TP	114	78	SM6062002TP	90	50	SM8030502TP	136	38
SM6052502TP	118	77	SM6062002TP	92	18	SM8030502TP	150	32
SM6052502TP	146	22	SM6062002TP	156	3	SM8030502TP	158	52
SM6052502TP	150	25	SM6062002TP	170	3	SM8030502TP	164	34
SM6052502TP	154	11	SM6062002TP	198	15	SM8030502TP	172	52
SM6052502TP	164	25	SM6062202TP	40	38	SM8030502TP	178	32
SM6052502TP	168	11	SM6062502TP	92	44	SM8030502TP	184	34
SM6052502TP	178	25	SM6062502TP	96	5	SM8030802TP	126	7
SM6052502TP	182	11	SM6062502TP	100	4	SM8031002TP	122	6
SM6052502TP	184	25	SM6062502TP	104	5	SM8031202TP	44	6
SM6052502TP	188	11	SM6062502TP	112	8	SM8040402TP	10	27
SM6053002TP	16	8	SM6062502TP	116	8	SM8040402TP	16	18
SM6053002TP	20	8	SM6063002TP	6	69	SM8040402TP	20	18
SM6053002TP	26	73	SM6063002TP	24	43	SM8040402TP	152	62
SM6053002TP	90	49	SM6063502TP	144	2	SM8040402TP	156	39
SM6053002TP	156	9	SM6064002TP	194	63	SM8040402TP	166	65
SM6053002TP	170	9	SM6065002TP	156	11	SM8040402TP	170	39
SM6053502TP	110	32	SM6065002TP	170	11	SM8040402TP	180	62
SM6053502TP	196	13	SM6081202TP	4	9	SM8040402TP	186	65
SM6053502TP	200	76	SM6081202TP	194	72	SM8040502TP	28	25
SM6053502TP	202	11	SM6081542CP	92	41	SM8040502TP	36	34
SM6054502TP	26	49	SM6081552TP	126	32	SM8040502TP	92	5
SM6055502TP	30	65	SM6082002SP	68	29	SM8040602TP	10	19
SM6061002TP	28	15	SM6082002TN	200	71	SM8040602TP	24	34

NUMERICAL INDEX OF PARTS

PART NO	PAGE	REF NO.	PART NO	PAGE	REF NO.	PART NO	PAGE	REF NO.
SM8040602TP	30	84	SM9122503SB	140	5	SS6091210TP	68	27
SM8040602TP	34	19	SS1060610SP	44	28	SS6110810TP	98	83
SM8040602TP	112	29	SS1060610SP	98	48	SS6110810TP	102	75
SM8040602TP	116	29	SS1060610SP	100	42	SS6110810TP	106	61
SM8041552TP	40	40	SS1060610SP	104	44	SS6110810TP	114	51
SM8041552TP	44	18	SS2090520SL	50	39	SS6111140SP	98	76
SM8041552TP	98	81	SS2090541SL	52	59	SS6111140SP	102	69
SM8041552TP	102	62	SS2110915SP	50	18	SS6111140SP	106	71
SM8041552TP	106	63	SS2110930SP	50	8	SS6111610SP	68	23
SM8044002TP	40	39	SS4080620TP	30	51	SS6111610SP	150	12
SM8050602TP	14	8	SS4080620TP	38	58	SS6111610SP	164	12
SM8050602TP	24	30	SS4090515SP	112	17	SS6111610SP	178	12
SM8050602TP	34	10	SS4090515SP	116	17	SS6111610SP	184	12
SM8050602TP	148	7	SS4090815SP	112	38	SS6121010SP	62	55
SM8050602TP	162	7	SS4090815SP	116	37	SS6121210SP	64	40
SM8050602TP	176	7	SS4110515SP	80	18	SS6150810SP	50	5
SM8050802TP	24	32	SS5060410SP	96	25	SS6151210SP	88	12
SM8050812TP	28	40	SS5060410SP	100	26	SS6151220SP	12	55
SM8050812TP	38	49	SS5060410SP	104	25	SS6151412TP	12	57
SM8050812TP	98	70	SS5090210SP	124	17	SS6151412TP	66	18
SM8050812TP	194	48	SS5090420SP	60	24	SS6151712TP	66	3
SM8051002TP	44	43	SS5090610SP	124	12	SS6153012TP	68	24
SM8051002TP	88	35	SS5110710SP	72	17	SS6153040SP	64	41
SM8051002TP	102	54	SS5110710SP	112	43	SS6661110SP	56	47
SM8051002TP	114	70	SS5110710SP	116	42	SS7060310SP	60	37
SM8051002TP	118	64	SS5110810SP	72	32	SS7060610SP	100	22
SM8051402TP	92	37	SS6060220SP	52	46	SS7060610SP	104	20
SM8060802TP	40	24	SS6080210SP	30	55	SS7081310SP	80	22
SM8060802TP	44	36	SS6080210SP	38	62	SS7090510SP	52	52
SM8061002TP	36	2	SS6080320SP	50	69	SS7090540TP	52	62
SM8061002TP	40	26	SS6080320SP	52	69	SS7090610SP	50	28
SM8061202TP	114	50	SS6080410SP	64	28	SS7090610SP	58	4
SM9040500SN	10	6	SS6080610TP	52	58	SS7090710SP	52	48
SM9061203SE	10	43	SS6080810SP	64	27	SS7090710SP	64	25
SM9062003SC	30	79	SS6080810SP	72	37	SS7090710SP	76	19
SM9062553SC	10	21	SS6081210SP	30	53	SS7090910TP	60	28
SM9065003SC	12	50	SS6081210SP	38	60	SS7091410SP	64	32
SM9082003SC	192	16	SS6090510SP	60	26	SS7110510SP	68	31
SM9082003SC	198	28	SS6090620SP	64	30	SS7110510SP	80	3
SM9084003SC	4	4	SS6090630SP	76	14	SS7110710SP	66	28
SM9102003SB	192	2	SS6090810SP	68	14	SS7110710SP	80	2
SM9102003SB	196	10	SS6090910TP	72	29	SS7110740TP	60	40
SM9102003SB	198	80	SS6091022TP	48	9	SS7110840SP	16	19
SM9102003SB	200	80	SS6091022TP	64	23	SS7110840SP	20	19
SM9102003SB	202	15	SS6091022TP	108	9	SS7110840SP	64	29

## NUMERICAL INDEX OF PARTS

PART NO	PAGE	REF NO.	PART NO	PAGE	REF NO.	PART NO	PAGE	REF NO.
SS7110840SP	68	7	SS8660810TP	68	4	WP0371016SD	68	15
SS7110840SP	76	11	SS8680540SP	54	14	WP0371026SD	64	31
SS7110840SP	80	14	SS8680730SP	54	13	WP0430800SC	10	40
SS7110840SP	150	37	SS8681650TP	54	21	WP0430800SC	14	21
SS7110840SP	160	88	SS8681950SP	54	20	WP0430800SC	16	56
SS7110840SP	164	39	SS9090640SP	64	26	WP0430800SC	18	56
SS7110840SP	172	61	SS9111010SP	60	42	WP0430800SC	20	56
SS7110840SP	178	37	SS9111010SP	150	19	WP0430800SC	22	56
SS7110840SP	184	39	SS9111010SP	164	19	WP0430800SC	36	14
SS7110910SP	50	7	SS9111010SP	178	19	WP0430800SC	48	10
SS7110910SP	64	39	SS9111010SP	184	19	WP0430800SC	92	32
SS7110910SP	72	36	SS9111610SP	60	18	WP0430800SC	108	3
SS7110910SP	76	24	SS9660720SP	70	51	WP0430800SC	112	41
SS7111120SP	30	49	ST1040851SR	10	23	WP0430800SC	116	86
SS7111120SP	38	56	TA0290301M0	54	45	WP0430800SC	118	86
SS7111120SP	114	69	TA0750404R0	50	11	WP0430800SC	136	21
SS7111120SP	118	60	TA0800504R0	84	21	WP0430800SC	150	64
SS7111120SP	150	16	TA0800504R0	122	12	WP0430800SC	152	64
SS7111120SP	164	16	TA1050504R0	50	13	WP0430800SC	154	26
SS7111120SP	178	16	TA1050604R0	52	71	WP0430800SC	156	84
SS7111120SP	184	16	TA1250406R0	50	10	WP0430800SC	158	84
SS7111310SP	60	16	TA1250504R0	50	12	WP0430800SC	164	67
SS7111410SP	12	54	TA1250705R0	76	15	WP0430800SC	166	67
SS7111810SP	50	2	TA1450404R0	40	6	WP0430800SC	168	26
SS7120760SP	88	39	TA1871602R0	50	9	WP0430800SC	170	84
SS7150740SP	80	6	WP0250516SD	52	47	WP0430800SC	172	84
SS7151120SP	72	21	WP0320500SC	16	33	WP0430800SC	178	64
SS7680870SP	54	43	WP0320500SC	20	33	WP0430800SC	180	64
SS7681750TP	54	12	WP0320500SC	44	24	WP0430800SC	182	26
SS8080310TP	60	33	WP0320500SC	48	13	WP0430800SC	184	67
SS8110320SP	54	41	WP0320500SC	64	34	WP0430800SC	186	67
SS8110410TP	66	15	WP0320500SC	72	42	WP0430800SC	188	26
SS8110520TP	72	15	WP0320500SC	92	35	WP0430800SC	192	9
SS8111610SP	60	17	WP0320500SC	96	32	WP0430801SC	6	90
SS8150710SP	54	16	WP0320500SC	100	29	WP0430801SC	128	64
SS8150710SP	68	9	WP0320500SC	106	64	WP0430801SC	130	35
SS8150920SP	72	12	WP0320500SC	108	6	WP0430801SC	138	53
SS8151150SP	68	10	WP0320500SC	136	27	WP0430801SC	142	3
SS8151150SP	72	38	WP0320500SC	150	41	WP0450000SD	66	12
SS8151550SP	54	26	WP0320500SC	156	31	WP0450000SD	68	46
SS8151780SP	54	25	WP0320500SC	164	43	WP0450000SD	70	46
SS8152030SP	68	13	WP0320500SC	170	31	WP0450801SD	16	20
SS8660340SP	72	10	WP0320500SC	178	41	WP0450801SD	20	20
SS8660410SP	72	40	WP0320500SC	184	43	WP0450801SD	152	63
SS8660530TP	68	12	WP0320501SC	78	12	WP0450801SD	156	40

# NUMERICAL INDEX OF PARTS

PART NO	PAGE	REF NO.	PART NO	PAGE	REF NO.	PART NO	PAGE	REF NO.
WP0450801SD	166	66	WP1052001SC	196	8	WS0410002KN	126	65
WP0450801SD	170	40	WP1052001SC	198	47	WS0410002KN	128	65
WP0450801SD	180	63	WP1052001SC	200	47	WS0410002KN	130	34
WP0450801SD	186	66	WP1052001SC	202	8	WS0410002KN	136	54
WP0480856SP	42	50	WP1102016SC	34	30	WS0410002KN	138	54
WP0480856SP	60	41	WP1221016SP	4	18	WS0410002KN	142	4
WP0480856SP	72	25	WP1612616SE	82	25	WS0410002KN	144	12
WP0480856SP	80	23	WS0310002KN	6	82	WS0410002KN	148	10
WP0531000SC	28	10	WS0310002KN	24	65	WS0410002KN	150	47
WP0531000SC	36	5	WS0310002KN	26	65	WS0410002KN	152	47
WP0531000SC	144	11	WS0310002KN	28	4	WS0410002KN	154	25
WP0531001SC	2	24	WS0310002KN	44	23	WS0410002KN	156	83
WP0531001SC	4	93	WS0310002KN	48	14	WS0410002KN	158	83
WP0531001SC	8	93	WS0310002KN	98	84	WS0410002KN	162	10
WP0531001SC	12	59	WS0310002KN	100	50	WS0410002KN	164	49
WP0531001SC	24	39	WS0310002KN	102	50	WS0410002KN	166	49
WP0531001SC	40	44	WS0310002KN	104	52	WS0410002KN	168	25
WP0531001SC	80	9	WS0310002KN	106	52	WS0410002KN	170	83
WP0531001SC	124	5	WS0310002KN	108	7	WS0410002KN	172	83
WP0531001SC	126	14	WS0310002KN	126	45	WS0410002KN	176	10
WP0531001SC	194	81	WS0310002KN	136	26	WS0410002KN	178	47
WP0531001SC	196	14	WS0410002KH	158	70	WS0410002KN	180	47
WP0531001SC	200	77	WS0410002KH	172	75	WS0410002KN	182	25
WP0531001SC	202	12	WS0410002KN	4	89	WS0410002KN	184	49
WP0621016SD	80	5	WS0410002KN	6	89	WS0410002KN	186	49
WP0621026SP	66	19	WS0410002KN	10	39	WS0410002KN	188	25
WP0641601SC	4	27	WS0410002KN	14	20	WS0410002KN	190	3
WP0641601SC	10	7	WS0410002KN	16	55	WS0410002KN	192	37
WP0641601SC	24	14	WS0410002KN	18	55	WS0410002KN	198	35
WP0641601SC	34	24	WS0410002KN	20	55	WS0441040KP	124	13
WP0641601SC	84	11	WS0410002KN	22	55	WS0510002KN	2	23
WP0641601SC	194	66	WS0410002KN	34	8	WS0510002KN	4	92
WP0651056SH	66	27	WS0410002KN	36	13	WS0510002KN	6	92
WP0651646SC	194	83	WS0410002KN	40	54	WS0510002KN	12	60
WP0651646SC	198	8	WS0410002KN	42	54	WS0510002KN	16	45
WP0841600SC	4	5	WS0410002KN	48	11	WS0510002KN	20	45
WP0841600SC	10	48	WS0410002KN	88	30	WS0510002KN	24	61
WP0841600SC	12	48	WS0410002KN	92	33	WS0510002KN	26	61
WP0841600SC	34	28	WS0410002KN	96	45	WS0510002KN	28	76
WP0850002SP	68	30	WS0410002KN	100	41	WS0510002KN	30	76
WP0901603SB	66	30	WS0410002KN	104	38	WS0510002KN	34	22
WP1052001SC	26	48	WS0410002KN	108	4	WS0510002KN	36	53
WP1052001SC	88	46	WS0410002KN	112	42	WS0510002KN	38	53
WP1052001SC	132	4	WS0410002KN	116	87	WS0510002KN	40	43
WP1052001SC	192	45	WS0410002KN	118	87	WS0510002KN	44	4

## NUMERICAL INDEX OF PARTS

PART NO	PAGE	REF NO.	PART NO	PAGE	REF NO.
WS0510002KN	82	29	WS0610002KN	192	65
WS0510002KN	88	52	WS0610002KN	194	65
WS0510002KN	90	52	WS0610002KN	198	60
WS0510002KN	92	22	WS0610002KN	200	60
WS0510002KN	98	61	WS0820002KN	4	10
WS0510002KN	102	56	WS0820002KN	10	47
WS0510002KN	110	28	WS0820002KN	12	47
WS0510002KN	114	80	WS0820002KN	34	29
WS0510002KN	118	79	WS0820002KN	92	42
WS0510002KN	124	10	WS0820002KN	126	33
WS0510002KN	126	35	WS0820002KN	194	73
WS0510002KN	136	36	WS0820002KN	200	66
WS0510002KN	144	8	WS1020002KN	26	47
WS0510002KN	146	16	WS1020002KN	40	21
WS0510002KN	150	6	WS1020002KN	132	3
WS0510002KN	154	16	WS1020002KN	192	44
WS0510002KN	156	44	WS1020002KN	196	7
WS0510002KN	164	6	WS1020002KN	198	46
WS0510002KN	168	16	WS1020002KN	202	7
WS0510002KN	170	44	WS1220002KN	140	6
WS0510002KN	178	6	WS1643202KR	82	26
WS0510002KN	182	16	WT0480002KR	52	63
WS0510002KN	184	6	WZ0850302K0	130	21
WS0510002KN	188	16			
WS0510002KN	194	80			
WS0510002KN	196	15			
WS0510002KN	200	78			
WS0510002KN	202	13			
WS0511302KS	42	51			
WS0610002KN	4	47			
WS0610002KN	6	47			
WS0610002KN	10	5			
WS0610002KN	24	44			
WS0610002KN	30	80			
WS0610002KN	34	6			
WS0610002KN	44	34			
WS0610002KN	84	12			
WS0610002KN	92	19			
WS0610002KN	112	26			
WS0610002KN	116	26			
WS0610002KN	122	3			
WS0610002KN	130	24			
WS0610002KN	136	14			
WS0610002KN	140	9			
WS0610002KN	144	3			