

MODEL : AK-121

List No : 1295-00

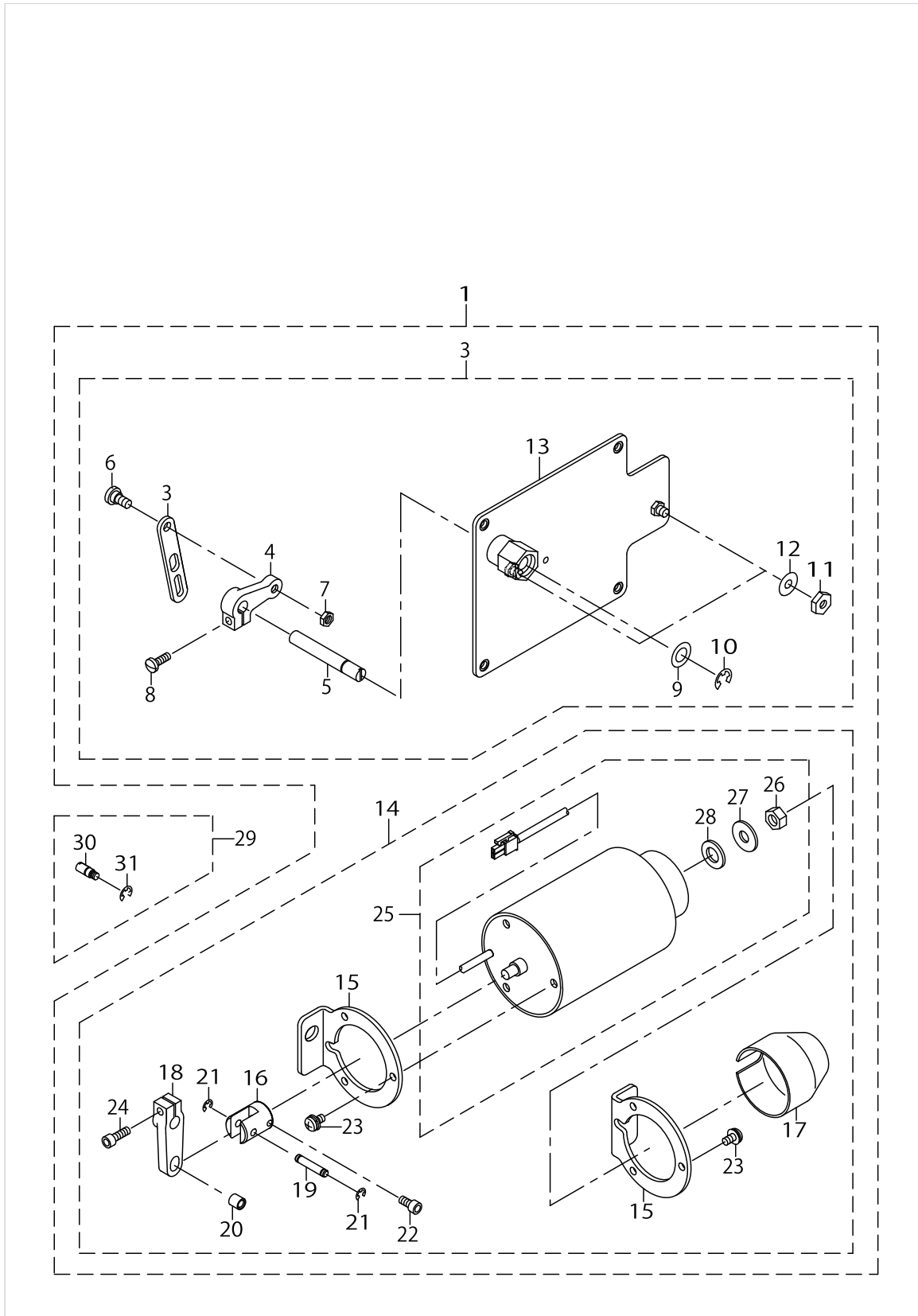
PARTS LIST

Published:05/12/2017

CONTENTS

AK DEVICE COMPONENTS.....	1
HOW TO MAKE USE OF THIS PARTS LIST	3

AK DEVICE COMPONENTS



AK DEVICE COMPONENTS

No.	Supply Code	Parts No.	Replacement	Parts name	Remarks	Choice	Step	Level	Cons	Qty	Rep. QTY
1	R	GAKA21010A0	GAKA21000B0	AK DEVICE ASM.						1	1.00
2		GAKA21200B0		SIDE PLATE ASM.				*		1	
3		GAKA2126000		SOLENOID LINK				*		1	
4		GAK33027000		SOLENOID ARM				*		1	
5	R	GAK33028000	22991400	SOLENOID SHAFT				*		1	1.00
6		SD0800352SP		HINGE SCREW D= 8 H= 3.5				*		1	
7		NS6150310SP		NUT 15/64-28				*		1	
8	R	SS7121410SP	SS7121410TP	SCREW 3/16-28 L=14				*		1	1.00
9		WP1021016SD		WASHER				*		1	
10		RE0700000K0		E-RING 7				*		1	
11		NS6150440SP		NUT 15/64-28				*		2	
12		WP0621036SP		WASHER				*		2	
13		GAKA21200A0		SIDE PLATE COMBINATION				*		1	
14	R	GAKA21300B0	40101423	AK SOLENOID ASM.		A		*		1	1.00
14	R	GAKA21300B0	40017739	AK SOLENOID ASM.		A		*		1	1.00
15		GAK3303400A		SOLENOID BASE				*		2	
16		GAK33035000		SOLENOID COLLAR				*		1	
17		GAK3303600A		SOLENOID COVER				*		1	
18		GAK33011000		SOLENOID ARM, A				*		1	
19		GAK33012000		SOLENOID PIN				*		1	
20		GAK33013000		SOLENOID PIN COLLAR				*		1	
21		RE0400000KP		E-RING 4				*		2	
22		SM6051002TP		SCREW M5X0.8 L=10				*		1	
23		SL4051281SE		SCREW M5 L=12				*		6	
24		SM6051552TP		SCREW M5 L=15				*		1	
25	R	GAKA21300A0	40101423	AK SOLENOID COMBINATION		A		*		1	1.00
25	R	GAKA21300A0	40017739	AK SOLENOID COMBINATION		A		*		1	1.00
26		NM6080600SM		NUT M8				*		1	
27		WP0851846SC		WASHER 8.5X22.0X1.8				*		1	
28		GAK33031000		SOLENOIDRUBBER,A				*		1	
29		GAK330400A0		SHAFT PIN ASM.						1	
30		GAK33040000		SHAFT PIN				*		1	
31		RE0500000K0		E-RING				*		1	

HOW TO MAKE USE OF THIS PARTS LIST

1.As to "#01" and "#02" refer to the "Note" given at the bottom of the respective pages.

2.Codes on the "Qty" column

- Each numeral indicates the number of parts required.
- "0.1" and "2.5" indicate the length (in meters) of the respective parts.

3.Parentheses mean that the corresponding part is a subpart that constructs an assembly part.

4.Dotted lines on the Figures indicate assembly parts.

1. リストページの# 0 1、# 0 2の印は、ページ下の"注記"の説明を参照下さい。
2. 数量欄の数字は、個数を表し、0. 1、2. 5等の数値は、長さ（単位メートル）を表します。
3. 数量欄の（ ）は、組部品を構成している子部品であることを意味します。
4. イラストページの-----枠は、組構成であることを意味します。

APPLICABLE MODELS 適応機種 LZ-2290

NUMERICAL INDEX OF PARTS

PART NO	PAGE	REF NO.
GAK33011000	2	18
GAK33012000	2	19
GAK33013000	2	20
GAK33027000	2	4
GAK33028000	2	5
GAK33031000	2	28
GAK3303400A	2	15
GAK33035000	2	16
GAK3303600A	2	17
GAK33040000	2	30
GAK330400A0	2	29
GAKA21010A0	2	1
GAKA21200A0	2	13
GAKA21200B0	2	2
GAKA2126000	2	3
GAKA21300A0	2	25
GAKA21300B0	2	14
NM6080600SM	2	26
NS6150310SP	2	7
NS6150440SP	2	11
RE0400000KP	2	21
RE0500000K0	2	31
RE0700000K0	2	10
SD0800352SP	2	6
SL4051281SE	2	23
SM6051002TP	2	22
SM6051552TP	2	24
SS7121410SP	2	8
WP0621036SP	2	12
WP0851846SC	2	27
WP1021016SD	2	9