

MODEL : Z099

List No : 1298-00

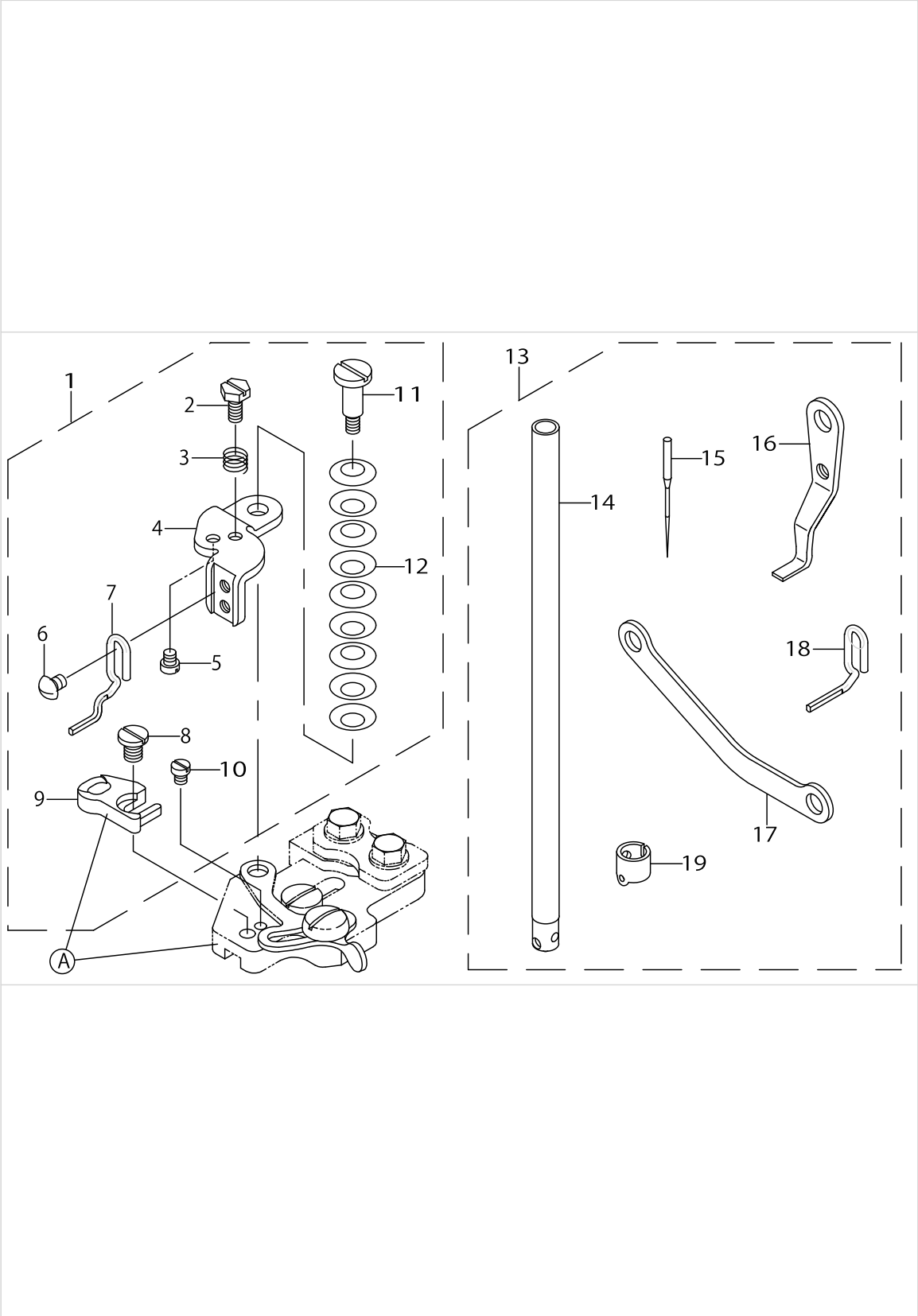
PARTS LIST

Published:05/12/2017

CONTENTS

ATTACHMENT COMPONENTS.....	1
HOW TO MAKE USE OF THIS PARTS LIST	3

ATTACHMENT COMPONENTS



ATTACHMENT COMPONENTS

No.	Supply Code	Parts No.	Replacement	Parts name	Remarks	Choice	Step	Level	Cons	Qty	Rep. QTY
1	R	14134159	14134050	BUTTON ATTCHMENT						1	1.00
2		SS9090813TP		SCREW 9/64-40 L=8				*		1	
3		MAT03509000		SPRING				*		1	
4		14134100		ADJUSTING BASE				*		1	
5		B2446372000		GUIDE PIN				*		1	
6		SS3090530SP		SCREW 9/64-40 L=4.5				*		1	
7		14134308		THREAD GUIDE BAR A				*		1	
8		SS6120620TP		SCREW				*		1	
9		14134209		HOLDER BASE				*		1	
10		B2446372000		GUIDE PIN				*		1	
11		MAT61104Z00		SCREW				*		1	
12		WZ0620550KP		WASHER				*		9	
13		14134555		NEEDLE BAR UNIT	OPTIONAL PART					1	
14	D	14134407		NEEDLE BAR				*		1	
15	D	MTQ300B1602		NEEDLE TQX3 #16-2				*		1	
16		14147904		WIPER				*		1	
17		13864400		WIPER LINK				*		1	
18		14134605		THREAD GUIDE BAR B				*		1	
19		D1405L7AM00		NEEDLE BAR THREAD GUIDE				*		1	

HOW TO MAKE USE OF THIS PARTS LIST

1.As to "#01" and "#02" refer to the "Note" given at the bottom of the respective pages.

2.Codes on the "Qty" column

- Each numeral indicates the number of parts required.
- "0.1" and "2.5" indicate the length (in meters) of the respective parts.

3.Parentheses mean that the corresponding part is a subpart that constructs an assembly part.

4.Dotted lines on the Figures indicate assembly parts.

1. リストページの# 0 1、# 0 2の印は、ページ下の"注記"の説明を参照下さい。
2. 数量欄の数字は、個数を表し、0. 1、2. 5等の数値は、長さ（単位メートル）を表します。
3. 数量欄の（ ）は、組部品を構成している子部品であることを意味します。
4. イラストページの-----枠は、組構成であることを意味します。

NUMERICAL INDEX OF PARTS

PART NO	PAGE	REF NO.
13864400	2	17
14134100	2	4
14134159	2	1
14134209	2	9
14134308	2	7
14134407	2	14
14134555	2	13
14134605	2	18
14147904	2	16
B2446372000	2	10
D1405L7AM00	2	19
MAT03509000	2	3
MAT61104Z00	2	11
MTQ300B1602	2	15
SS3090530SP	2	6
SS6120620TP	2	8
SS9090813TP	2	2
WZ0620550KP	2	12