

MODEL : EC-10BLT

List No : 1296-01

# PARTS LIST

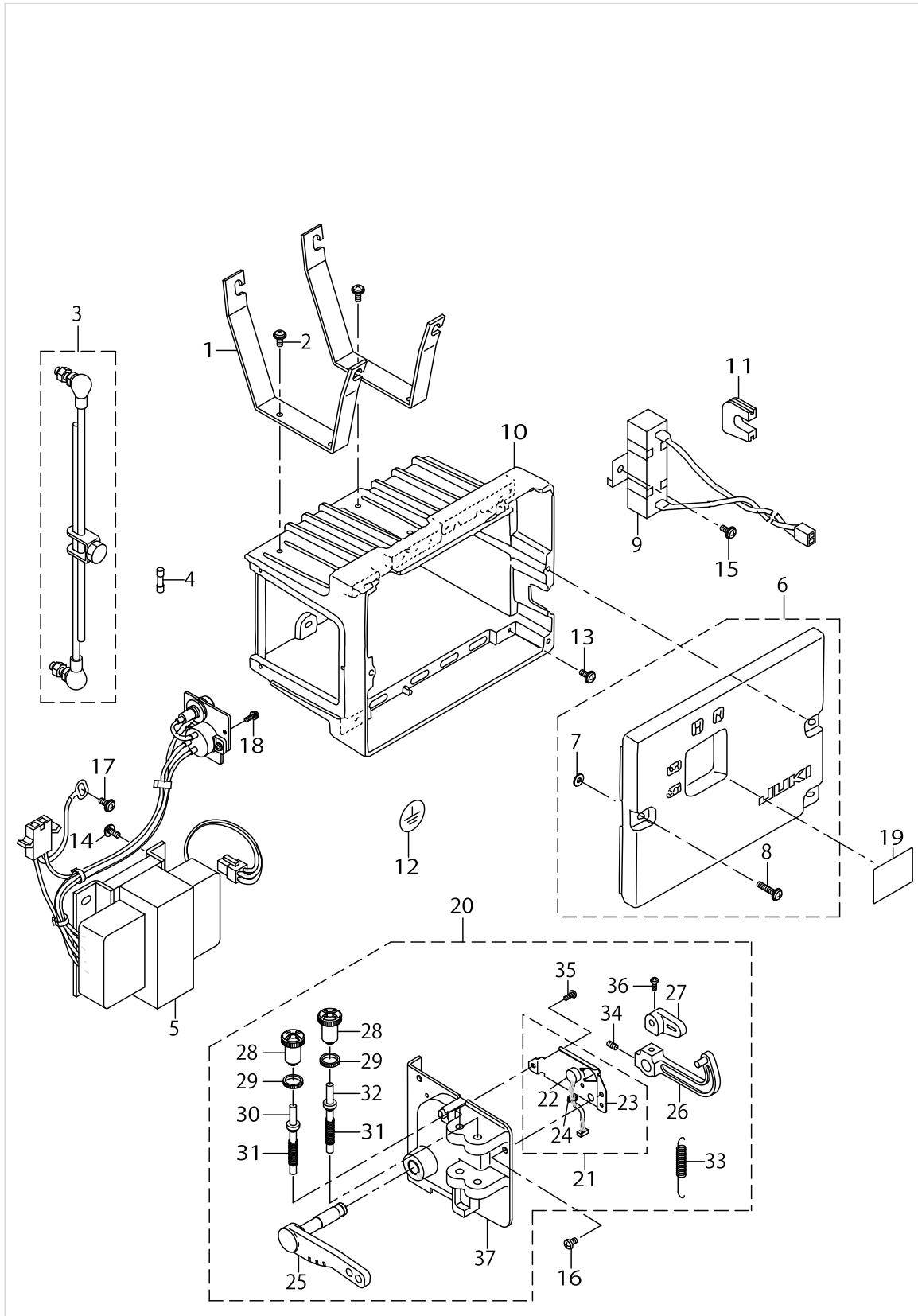
Published:05/12/2017

## CONTENTS

---

PSC BOX COMPONENTS .....	1
MAIN CIRCUIT BOARD COMPONENTS .....	3
HOW TO MAKE USE OF THIS PARTS LIST .....	7

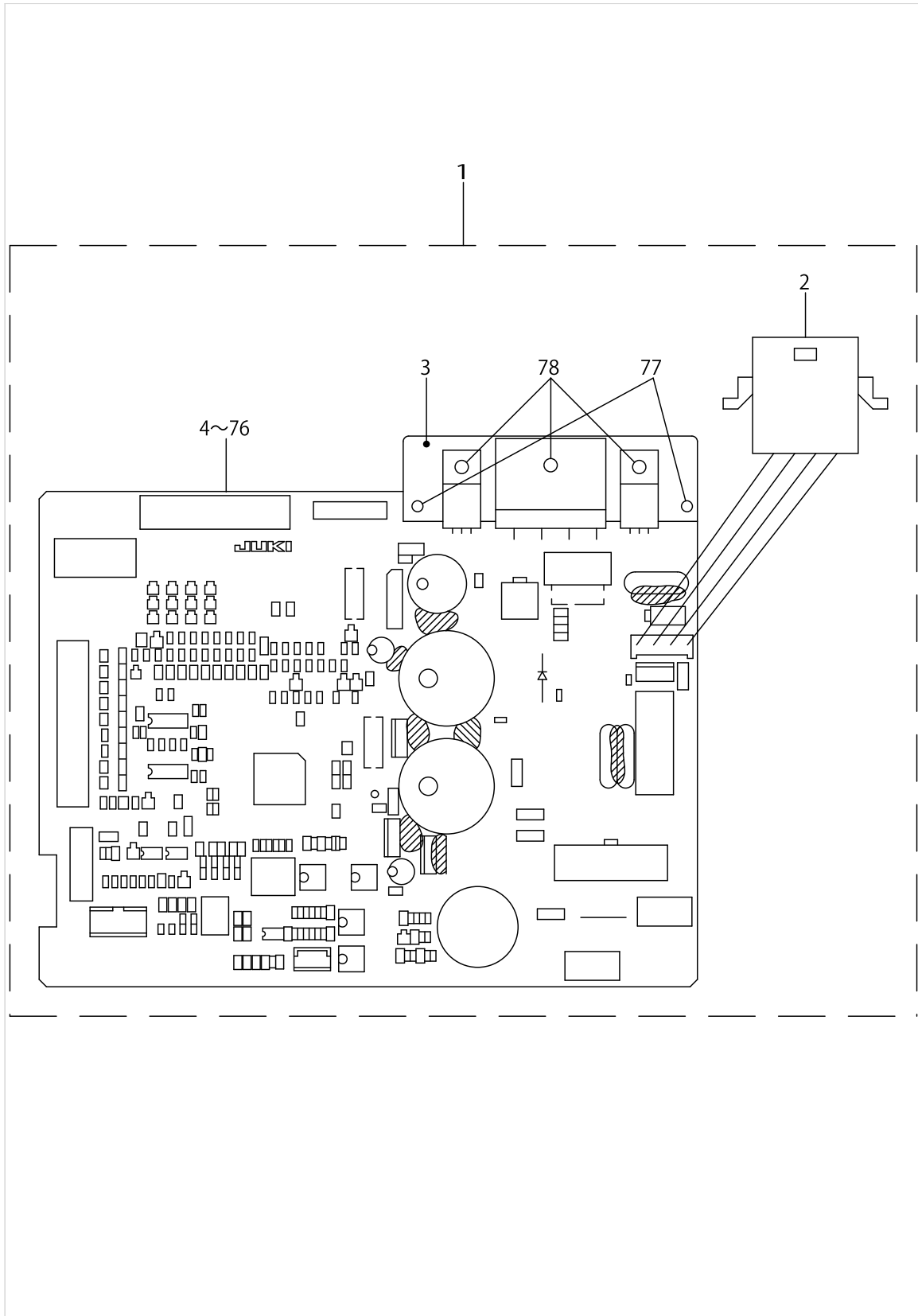
PSC BOX COMPONENTS



PSC BOX COMPONENTS

No.	Supply Code	Parts No.	Replacement	Parts name	Remarks	Choice	Step	Level	Cons	Qty	Rep. QTY
1		M3002430000		BOX SUSPEND METAL FITTINGS						2	
2		SL4041201CF		SCREW M4 L=12						4	
3	D	MTSE8130330		CONNECTING BAR						1	
4		HF0041020P0		FUSE 2A						1	
5		M8502439AA0		TRANSFORMER ASM.,A						1	
6		M85034300A0		BOX COVER ASM.						1	
7		M8002430000		STOPPER				*		3	
8		SL4042091SC		SCREW M4X0.7 L=20				*		3	
9	D	M85064350A0		RADIATION RESISTANCE ASM.						1	
10	D	M3001439000		PSC BOX B						1	
11	D	M3301439000		RUBBER BUSH						1	
12		E9567319000		EARTH MARK						1	
13		SL4041081SF		SCREW M4 L=10						5	
14		SL4041081SF		SCREW M4 L=10						4	
15		SL4041081SF		SCREW M4 L=10						1	
16		SL4041081SF		SCREW M4 L=10						3	
17		SL4041081SF		SCREW M4 L=10						1	
18		SL4031081SF		SCREW M3 L=10						2	
19		M7002436000		SEAL						1	
20	D	M8505439BA0		PEDAL SENSOR UNIT B ASM.						1	
21	D	M85074390A0A		VR MOUNT PLATE ASM.				*		1	
22	D	M85084390A0A		VR ASM.				*		1	
23	D	M3210430000		SENSOR VR FITTING PLATE				*		1	
24		EA9500B0100		CABLE BAND				*		1	
25		M3205301000		PEDAL LEVER				*		1	
26		M2003110000		PEDAL LINK				*		1	
27		M2004110000		VOLUME LINK				*		1	
28		M4012351000		ADJUST SCREW				*		2	
29		M2010110000		ADJUST NUT				*		2	
30		M4008351000A		SPRING SHAFT A				*		1	
31		M4011351000		SPRING B				*		2	
32		M4009351000A		SPRING SHAFT B				*		1	
33		M3202430000		SPRING				*		1	
34		SM8040802TP		SCREW M4X8				*		2	
35		SL4030681SF		SCREW M3 L=6				*		2	
36		SM4030801SF		SCREW M3X0.5 L=8				*		1	
37	D	M3201435000		PEDALSENSORBASE				*		1	

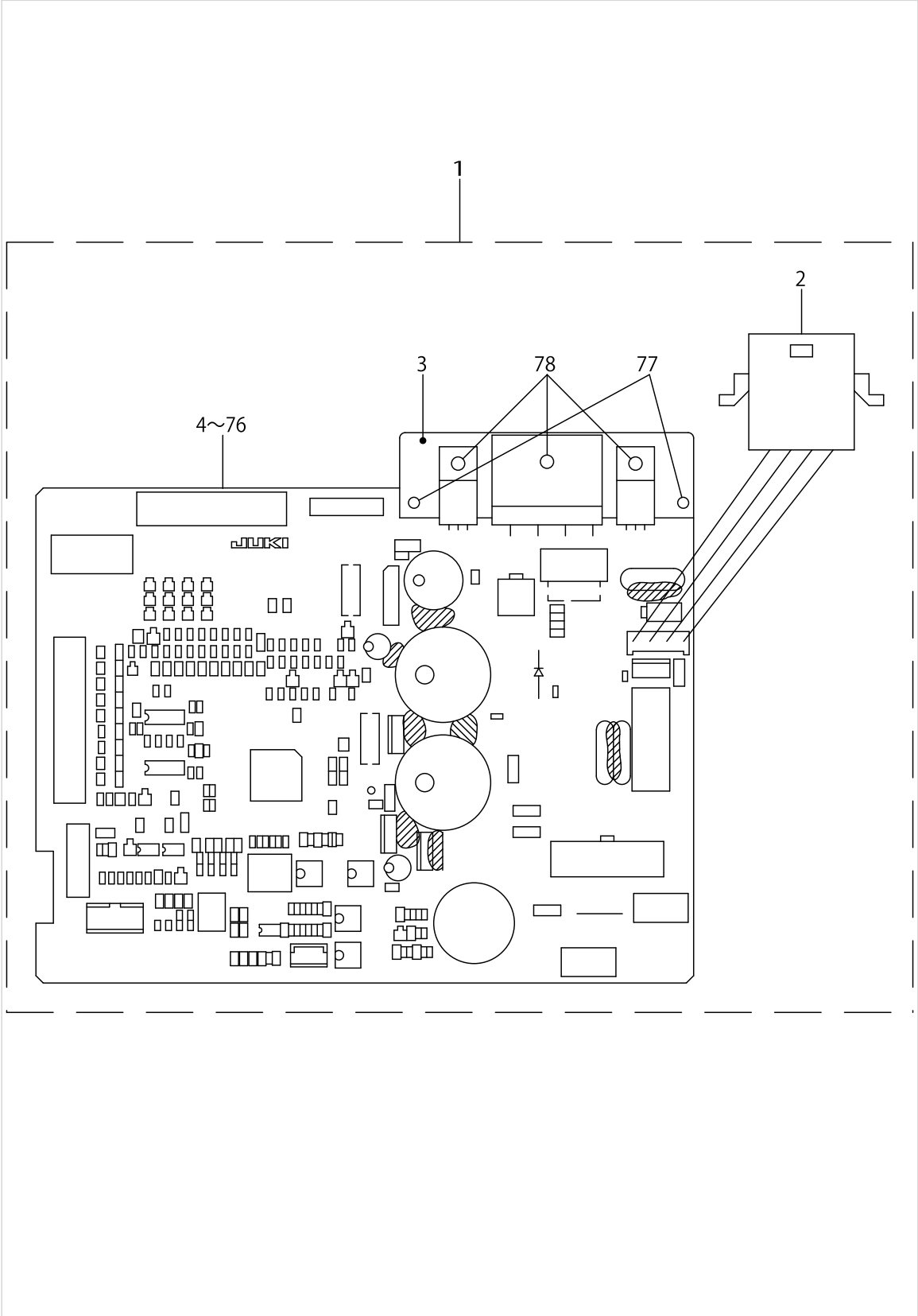
MAIN CIRCUIT BOARD COMPONENTS



MAIN CIRCUIT BOARD COMPONENTS

No.	Supply Code	Parts No.	Replacement	Parts name	Remarks	Choice	Step	Level	Cons	Qty	Rep. QTY
1	D	M8601439BA0A		MAIN CIRCUIT BOARD A ASM.						1	
2	D	M85034350A0		CLUTCH BRAKE CORD ASM.				*		1	
3		M8001430000		RADIATOR PLATE				*		1	
4	R	M8601439000	M8601439BA0	MAINCIRCUITBOARD		B	B:	*		1	1.00
4	R	M8601439000	M8601439AA0A	MAINCIRCUITBOARD		A		*		1	1.00
4	R	M8601439000	M85084390A0A	MAINCIRCUITBOARD		A		*		1	1.00
5		HL013320000		IC (78M12F)				*		1	
6		HL010540000		IC(TA7805S)				*		1	
7		HL008450000		IC (UPC339G)				*		2	
8		HL006320000		IC (UPC393G)				*		1	
9		HL013100000		IC (UPC358G2)				*		1	
10		HL013240000		IC (M51957BFP)				*		1	
11		HL017480000		EEPROM 93LC46				*		1	
12		HL018370001		CPU				*		1	
13		HT004880000		TRANSISTOR ARRAY (XP1211)				*		7	
14		HT002880000		TRANSISTOR (RN1406)				*		4	
15	R	HT002920000	HT00292000X	TRANSISTOR (RN2406)				*		2	1.00
16		HT004900000		FET (2SK2462)				*		1	
17	R	HT004910000	HT004900000	FET (2SK2461)				*		1	1.00
18		HT004400000		TRANSISTER (2SD1795)				*		1	
19		HT004440000		TRANSISTOR (2SC3739)				*		1	
20		HG003760000		DIODE (FMM-22S)				*		1	
21	R	HG005220000	HG00522000W	DIODE (SC015-2)				*		7	1.00
22		HG26740140P		DIODE (U05E)				*		2	
23		HG003710000		DIODE (1SS226)				*		1	
24		HG006200000		DIODE ARRAY (1SS321)				*		1	
25		HG006190000		DIODE ARRAY (1SS301)				*		13	
26	R	HG005640000	HG006480000	DIODE BRIGDE (S1VB20)				*		1	1.00
27		HG005630000		DIODE BRIGDE (RBV1506)				*		1	
28		HG003740000		LIGHT EMITTING DIODE,RED				*		1	
29	D	HK034600040		HEADER 4P (WHITE)				*		1	
30		HK03460002B		HEADER 2P (YELLOW)				*		1	
31	D	HK056600200		STRAIGHT HEADER 20P				*		1	
32		HK032000030		STRAIGHT HEADER 3P				*		1	
33	D	HK003810070		7-POLE STRAIGHT PLUG				*		1	
34		HK04890012A		HEADER 12P				*		1	
35		HK00632007B		7 POLE CONNECTOR				*		1	
36		HK034600140		14-POLE CONNECTOR				*		1	
37		HN00037000B		SURGE ABSORBER 220V				*		1	
38		HN000370000		SURGE ABSORBER 22V				*		2	
39		HC037304720		CAPACITOR 4700MF/25V				*		1	
40	D	HC040603320		CAPACITOR 3300MF/50V				*		2	
41		HC037301010		CAPACITOR 100MF/25V				*		2	
42	D	HC0377033S0		CAPACITOR 0.33MF/35V				*		1	
43	R	HC0216010S0	HC0216010SX	CAPACITOR 0.1MF				*		25	1.00
44	R	HC0216010T0	HC0216010TX	CAPACITOR 0.01MF				*		21	1.00

MAIN CIRCUIT BOARD COMPONENTS



MAIN CIRCUIT BOARD COMPONENTS

No.	Supply Code	Parts No.	Replacement	Parts name	Remarks	Choice	Step	Level	Cons	Qty	Rep. QTY
45	R	HC036511020	HC03651102X	CAPACITOR 1000PF				*		14	1.00
46	R	HC037811010	HC03781101X	CAPACITOR 100PF				*		1	1.00
47		HR02230472A		RESISTOR 4.7K OHM 2W				*		1	
48		HR029101000		RESISTOR 10 OHM 1W				*		1	
49		HR017705100		RESISTOR 51 OHM 5W				*		1	
50		HR02230220A		RESISTOR 22 OHM 2W				*		1	
51		HR039412100		RESISTOR 1% 1/16W 121				*		1	
52		HR039437400		RESISTOR 1% 1/16W 374				*		1	
53		HR039426110		RESISTOR 1% 1/16W 2.61K				*		1	
54		HR039410010		RESISTOR 1% 1/16W 1.0K				*		1	
55		HR039459020		RESISTOR 1% 1/16W 59.0K				*		4	
56		HR039301010		RESISTOR 5% 1/16W 100				*		18	
57		HR039301020		RESISTOR 5% 1/16W 1.0K				*		31	
58		HR039302220		RESISTOR 5% 1/16W 2.2K				*		10	
59		HR039303320		RESISTOR 5% 1/16W 3.3K				*		2	
60		HR039304720		RESISTOR 5% 1/16W 4.7K				*		42	
61		HR039306820		RESISTOR 5% 1/16W 6.8K				*		1	
62		HR039308220		RESISTOR 5% 1/16W 8.2K				*		1	
63		HR039301030		RESISTOR 5% 1/16W 10.0K				*		14	
64	R	HR039304730	HR03930473X	RESISTOR 5% 1/16W 47K				*		7	1.00
65		HR039301040		RESISTOR 5% 1/16W 100K				*		2	
66		HR039301540		RESISTOR 5% 1/16W 150K				*		1	
67		HR034330100		RESISTOR 1% 1/10W 301				*		3	
68		HR034203020		RESISTOR 5% 1/10W 3K				*		7	
69	R	HR034201030	HR03420103X	RESISTOR 5% 1/10W 10K				*		2	1.00
70		HR034202730		RESISTOR 5% 1/10W 27K				*		2	
71		HR034203910		RESISTOR 5% 1/10W 390				*		2	
72		HR034205610		RESISTOR 5% 1/10W 560				*		2	
73		HR02770103A		ADJUSTABLE RESISTOR				*		4	
74	D	HA001820080		DIP SWITCH 8P				*		1	
75	D	HA001820040		DIP SWITCH 4P				*		1	
76	R	HY001390000	HY00139000X	OSCILLATOR				*		1	1.00
77		SL4030881SF		SCREW M3 L=8				*		2	
78		SL4031081SF		SCREW M3 L=10				*		3	



## HOW TO MAKE USE OF THIS PARTS LIST

1.As to "#01" and "#02" refer to the "Note" given at the bottom of the respective pages.

2.Codes on the "Qty" column

- Each numeral indicates the number of parts required.
- "0.1" and "2.5" indicate the length (in meters) of the respective parts.

3.Parentheses mean that the corresponding part is a subpart that constructs an assembly part.

4.Dotted lines on the Figures indicate assembly parts.

1. リストページの# 0 1、# 0 2の印は、ページ下の"注記"の説明を参照下さい。
2. 数量欄の数字は、個数を表し、0. 1、2. 5等の数値は、長さ（単位メートル）を表します。
3. 数量欄の（ ）は、組部品を構成している子部品であることを意味します。
4. イラストページの-----枠は、組構成であることを意味します。

NUMERICAL INDEX OF PARTS

PART NO	PAGE	REF NO.	PART NO	PAGE	REF NO.	PART NO	PAGE	REF NO.
E9567319000	2	12	HR034201030	6	4~76	M8001430000	4	3
EA9500B0100	2	24	HR034202730	6	4~76	M8002430000	2	7
HA001820040	6	4~76	HR034203020	6	4~76	M8502439AA0	2	5
HA001820080	6	4~76	HR034203910	6	4~76	M85034300A0	2	6
HC0216010S0	4	4~76	HR034205610	6	4~76	M85034350A0	4	2
HC0216010T0	4	4~76	HR034330100	6	4~76	M8505439BA0	2	20
HC036511020	6	4~76	HR039301010	6	4~76	M85064350A0	2	9
HC037301010	4	4~76	HR039301020	6	4~76	M8507439A0A	2	21
HC037304720	4	4~76	HR039301030	6	4~76	M85084390A0A	2	22
HC0377033S0	4	4~76	HR039301040	6	4~76	M8601439000	4	4~76
HC037811010	6	4~76	HR039301540	6	4~76	M8601439BA0A	4	1
HC040603320	4	4~76	HR039302220	6	4~76	MTSE8130330	2	3
HF0041020P0	2	4	HR039303320	6	4~76	SL4030681SF	2	35
HG003710000	4	4~76	HR039304720	6	4~76	SL4030881SF	6	77
HG003740000	4	4~76	HR039304730	6	4~76	SL4031081SF	2	18
HG003760000	4	4~76	HR039306820	6	4~76	SL4031081SF	6	78
HG005220000	4	4~76	HR039308220	6	4~76	SL4041081SF	2	17
HG005630000	4	4~76	HR039410010	6	4~76	SL4041201CF	2	2
HG005640000	4	4~76	HR039412100	6	4~76	SL4042091SC	2	8
HG006190000	4	4~76	HR039426110	6	4~76	SM4030801SF	2	36
HG006200000	4	4~76	HR039437400	6	4~76	SM8040802TP	2	34
HG26740140P	4	4~76	HR039459020	6	4~76			
HK003810070	4	4~76	HT002880000	4	4~76			
HK00632007B	4	4~76	HT002920000	4	4~76			
HK032000030	4	4~76	HT004400000	4	4~76			
HK03460002B	4	4~76	HT004440000	4	4~76			
HK034600040	4	4~76	HT004880000	4	4~76			
HK034600140	4	4~76	HT004900000	4	4~76			
HK04890012A	4	4~76	HT004910000	4	4~76			
HK056600200	4	4~76	HY001390000	6	4~76			
HL006320000	4	4~76	M2003110000	2	26			
HL008450000	4	4~76	M2004110000	2	27			
HL010540000	4	4~76	M2010110000	2	29			
HL013100000	4	4~76	M3001439000	2	10			
HL013240000	4	4~76	M3002430000	2	1			
HL013320000	4	4~76	M3201435000	2	37			
HL017480000	4	4~76	M3202430000	2	33			
HL018370001	4	4~76	M3205301000	2	25			
HN000370000	4	4~76	M3210430000	2	23			
HN00037000B	4	4~76	M3301439000	2	11			
HR017705100	6	4~76	M4008351000A	2	30			
HR02230220A	6	4~76	M4009351000A	2	32			
HR02230472A	6	4~76	M4011351000	2	31			
HR02770103A	6	4~76	M4012351000	2	28			
HR029101000	6	4~76	M7002436000	2	19			