

MODEL : DDL-8700-7

List No : 1307-09

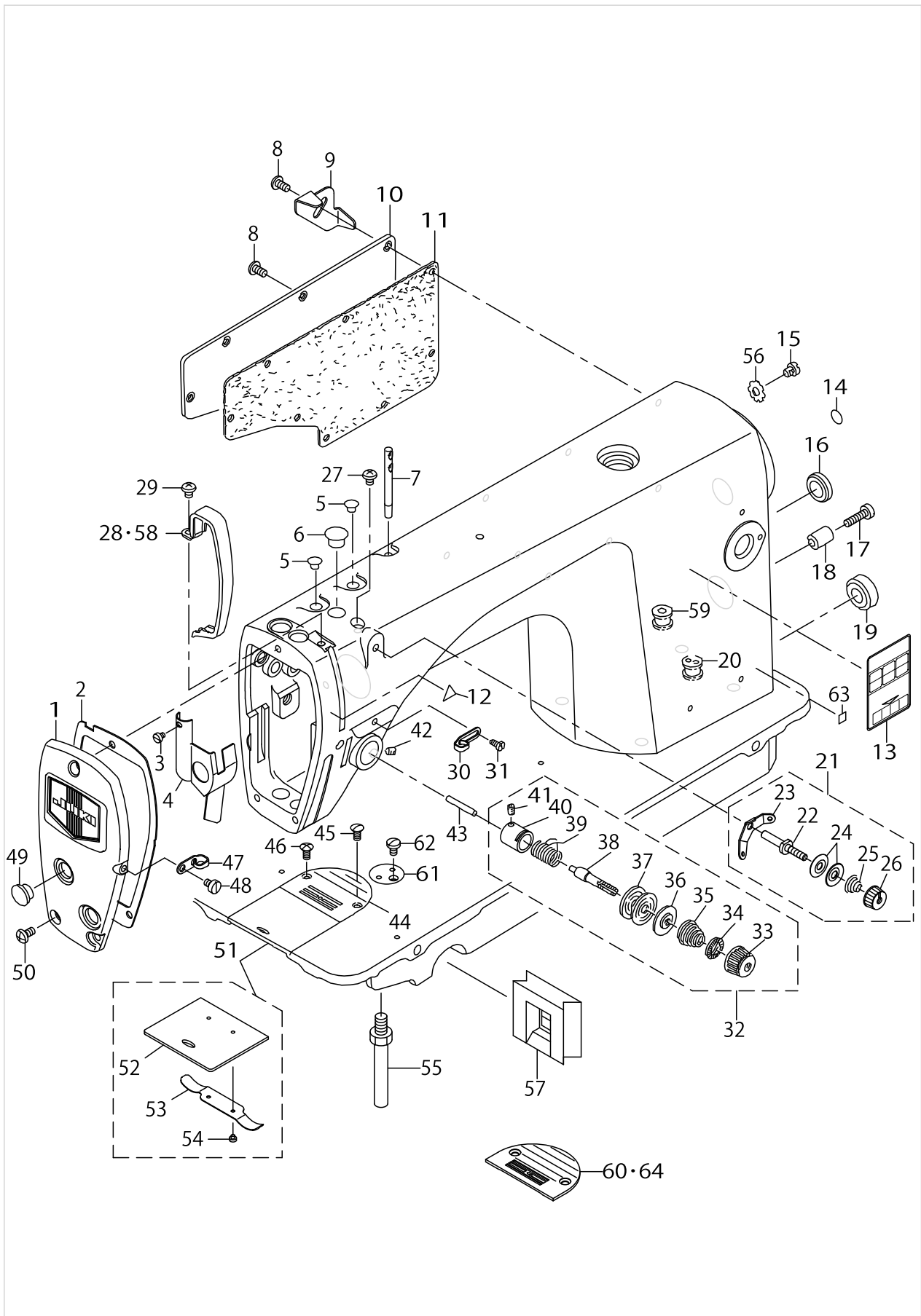
PARTS LIST

Published:05/12/2017

CONTENTS

MACHINE FRAME & MISCELLANEOUS COVER COMPONENTS	1
MAIN SHAFT & THREAD TAKE-UP LEVER COMPONENTS	5
NEEDLE BAR, UPRIGHT SHAFT & HOOK DRIVING SHAFT COMPONENTS	9
HAND LIFTER COMPONENTS	11
FEED MECHANISM COMPONENTS.....	15
THREAD TRIMMER COMPONENTS	19
AUTOMATIC REVERSE FEED COMPONENTS.....	23
WIPER COMPONENTS.....	25
OIL LUBRICATION COMPONENTS	27
OIL RESERVOIR COMPONENTS	29
BELT COVER & BOBBIN COMPONENTS.....	31
THREAD STAND COMPONENTS.....	33
EXCLUSIVE PARTS FOR DDL-8700H-7.....	35
EXCLUSIVE PARTS FOR DDL-8700J-7	39
EXCLUSIVE PARTS FOR DDL-8700A-7.....	43
LIST FOR INFORMATION OF CHANGE (1).....	45
LIST FOR INFORMATION OF CHANGE(2)	46
HOW TO MAKE USE OF THIS PARTS LIST	47

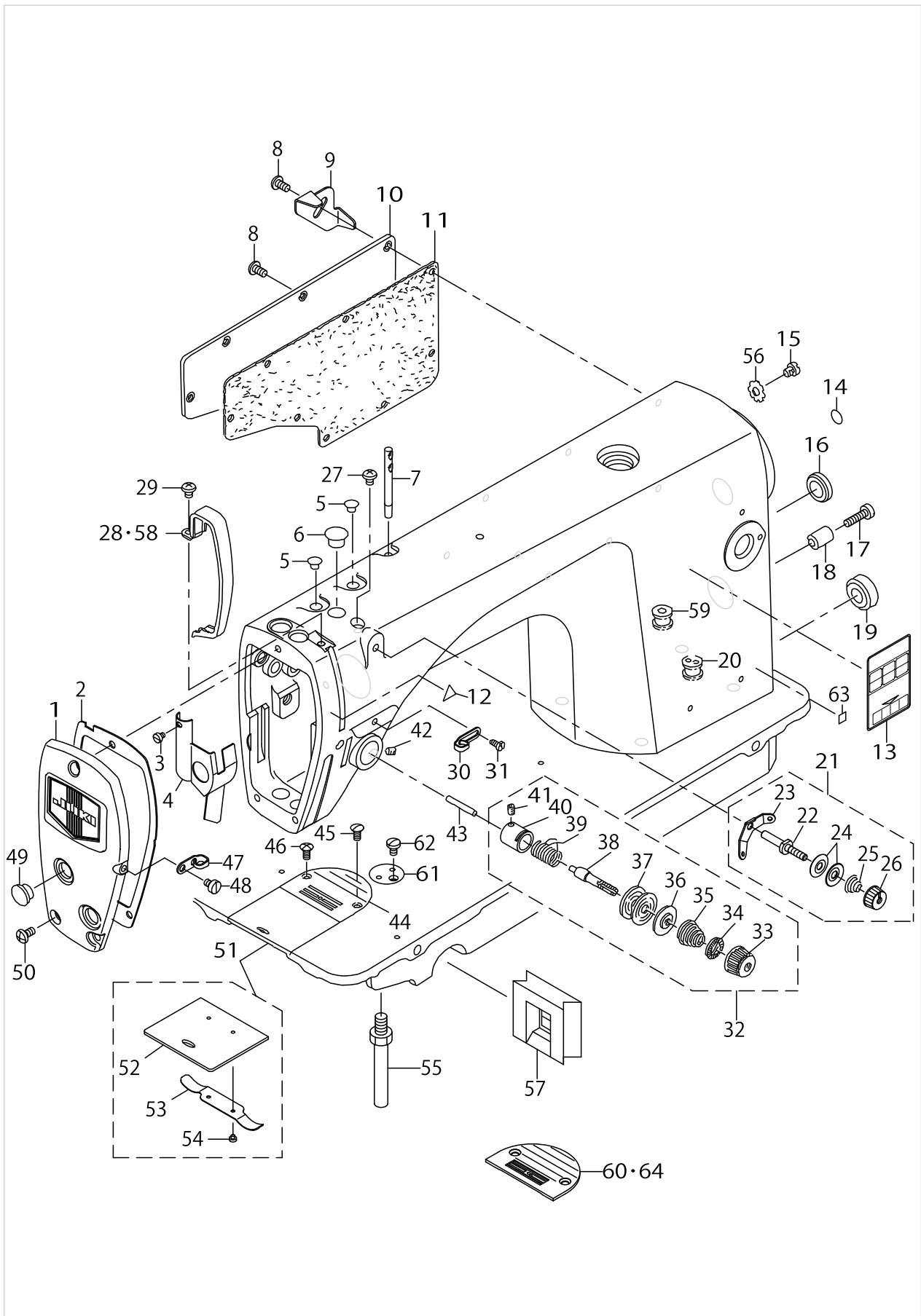
MACHINE FRAME & MISCELLANEOUS COVER COMPONENTS



MACHINE FRAME & MISCELLANEOUS COVER COMPONENTS

No.	Supply Code	Parts No.	Replacement	Parts name	Remarks	Choice	Step	Level	Cons	Qty	Rep. QTY
1		40102097		FACE_PLATE_ASM.						1	
2		40012126		FACE PLATE PACKING						1	
3		SS6080410SP		SCREW 1/8-44 L=4						1	
4		22900757		ARMOIL SHIFLD ASM.						1	
5		TA0850604R0		RUBBER PLUG						2	
6		TA1250705R0		RUBBER PLUG						1	
7		22958300		THREAD GUIDE ROD						1	
8		SS4120925SP		SCREW 3/16-28 L=9						8	
9		22954705		CORD HOLDER	EXCEPT D-DL-8700-7-00					1	
10		22900401		SIDE PLATE						1	
11		40012129		SIDE PLATE PACKING						1	
12		CM300200001		ATTENTION SEAL						1	
13		CM301200001		SAFETY LABEL_S						1	
14		22901805		GROUND MARK						1	
15		SS4120615SP		SCREW 3/16-28 L=6						1	
16		TA2000502R0		RUBBER PLUG						1	
17		SS6121840SP		SCREW 3/16-28 L=18	FOR DDL--8700-7-0B,-WB					1	
18		22952501		REVERSE FEED LEVER STOPPER	FOR DDL--8700-7-0B,-WB					1	
19		TA2101002R0		RUBBER PLUG						1	
20		40111022		MAGNET CORD RUBBER	FOR DDL--8700-7-0B,-WB					1	
21		22945463		THREAD TENSION ASM.						1	
22		22945414		THREAD TENSION POST				*		1	
23	R	22945604	22963458	THREAD TENSION GUIDE		A	DDL8700H-7/8700J--7/9000B, DLN6390-7	*		1	1.00
23	R	22945604	22945463	THREAD TENSION GUIDE		B	DDL8700-7 and so on	*		1	1.00
24		22945802		BOBBIN WINDER TENSION DISC				*		2	
25		22945505		THREAD TENSION SPRING				*		1	
26		22945703		THREAD TENSION NUT				*		1	
27		SS4120615SP		SCREW 3/16-28 L=6						1	
28		22900609		THREAD TAKE-UP LEVER COVER						1	
29		SS4120615SP		SCREW 3/16-28 L=6						1	
30		22920508		ARM THREAD GUIDE A						1	
31		22921001		SCREW						1	
32		22945356		THREAD TENSION ASM.						1	
33		22921308		TENSION NUT				*		1	
34		22921407		ROTATING STOPPER				*		1	
35		22921704		TENSION SPRING A				*		1	
36		22921803		THREAD TENSION DISK PRESSER				*		1	
37		22921506		THREAD TENSION DISK				*		2	
38		22921209		TENSION POST				*		1	
39		22921605		TAKE-UP SPRING				*		1	
40		22945307		TENSION POST SOCKET				*		1	
41		SS8090670SP		SCREW 9/64-40 L=5.5				*		1	
42		SS8150710TP		SCREW 15/64-28 L=7						1	

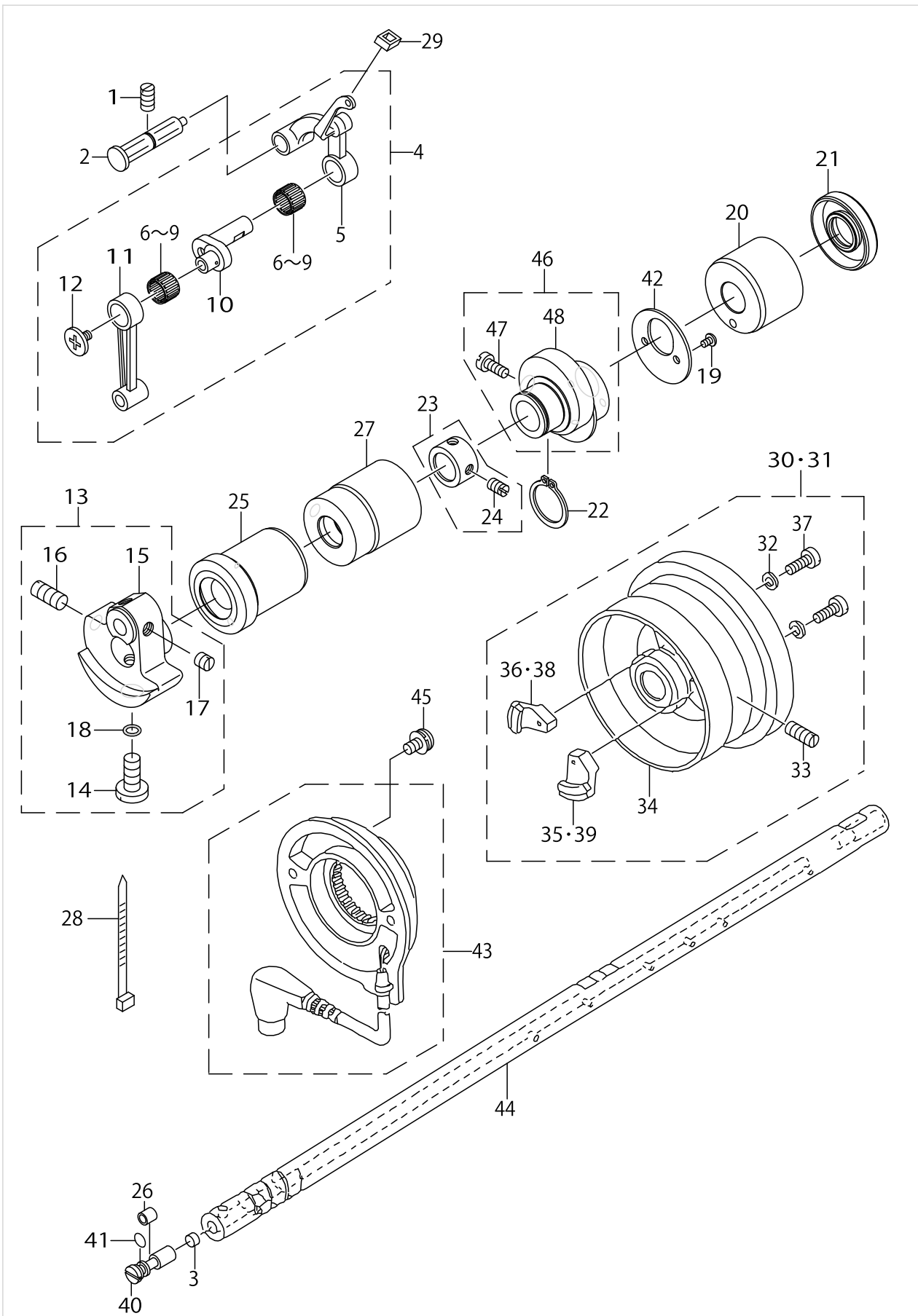
MACHINE FRAME & MISCELLANEOUS COVER COMPONENTS



MACHINE FRAME & MISCELLANEOUS COVER COMPONENTS

No.	Supply Code	Parts No.	Replacement	Parts name	Remarks	Choice	Step	Level	Cons	Qty	Rep. QTY
43	R	B3118552E00	22920904	TENSION RELEASING						1	1.00
44		B1109012I0B		THROAT PLATE (I)	FOR JE					1	
45		SS2110920TP		SCREW 11/64-40 L=8.5						1	
46		SS2110915SP		SCREW 11/64-40 L=8.5						1	
47		22920607		ARMTHREADGUIDEB						1	
48		SS6110610TP		SCREW 11/64-40 L=6						1	
49		TA1250406R0		RUBBER PLUG D=12.5 L=4						2	
50		SS4120925SP		SCREW 3/16-28 L=9						3	
51		22901250		SLIDE PLATE ASM.						1	
52	R	22901201	22901250	SLIDE PLATE				*		1	1.00
53		22901300		BED SLIDE SPRING				*		1	
54		SS6060210SP		SCREW 3/32-56 L=1.9				*		2	
55		22901003		BED SCREW STUD						4	
56		WT0530002KS		TOOTHED WASHER D=5.3						1	
57		22935407		RUBBER PLATE						1	
58		11415205		THREAD TAKE-UP LEVER COVER(JE)	FOR JE					1	
59		11030202		RUBBER BUSHING	FOR DDL-- 8700-7-00					1	
60		B1109552000		THROAT PLATE	EXCEPT U- SE IN JAPAN,JE					1	
61		40099083		RULER STOP SEAT						1	
62		SS7110720SP		SCREW 11/64-40 L=7						1	
63		40116677		GOST_SAFETY_LABEL_S	FOR JE					1	
64		11028008		THROAT PLATE						1	

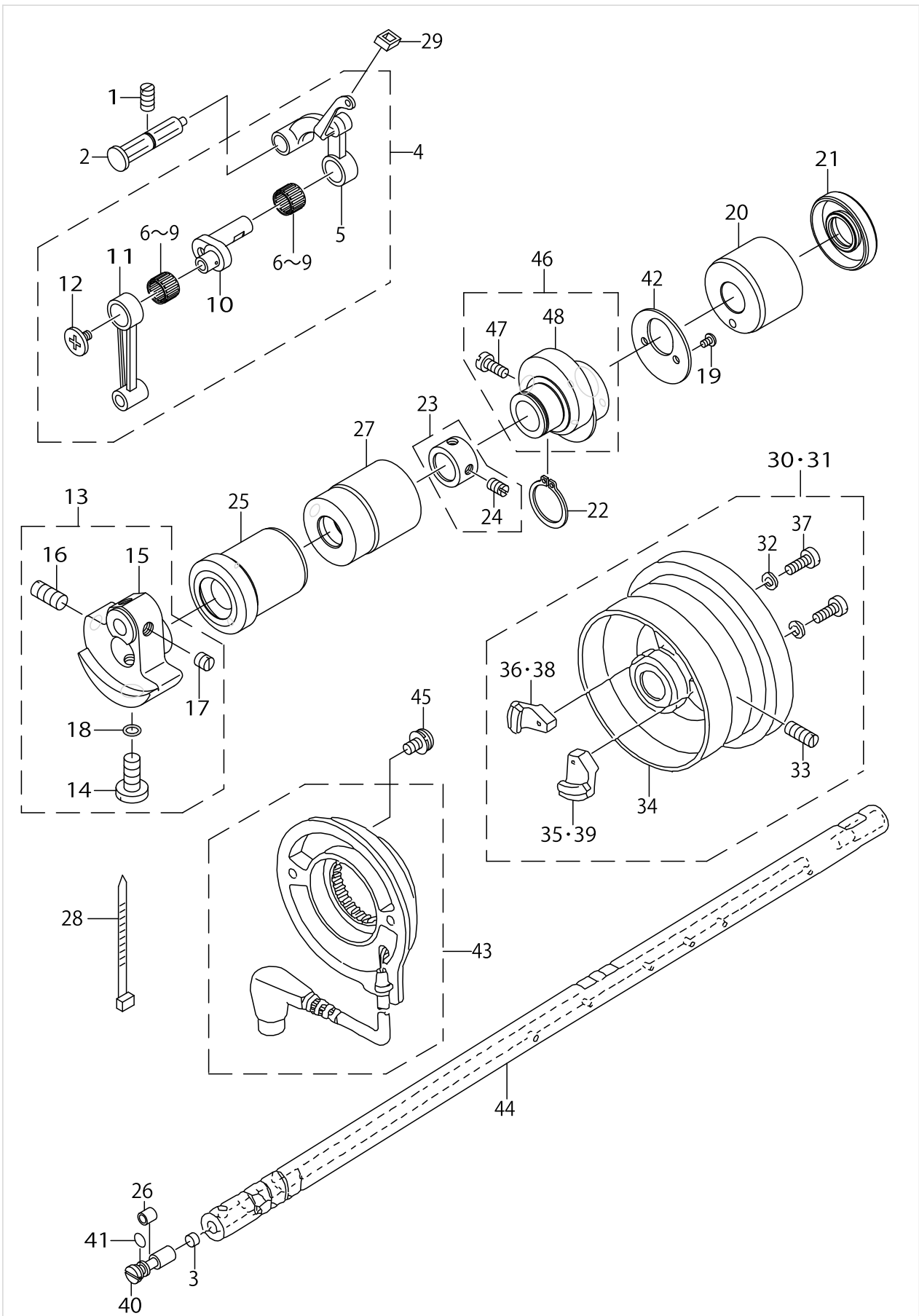
MAIN SHAFT & THREAD TAKE-UP LEVER COMPONENTS



MAIN SHAFT & THREAD TAKE-UP LEVER COMPONENTS

No.	Supply Code	Parts No.	Replacement	Parts name	Remarks	Choice	Step	Level	Cons	Qty	Rep. QTY
1		SS8151150TP		SCREW 15/64-28 L=10.5						1	
2		22919559		THREAD TAKE-UP CRANK SHAFT ASM.						1	
3		11002904		ROLLER FELT						1	
4		22918072		THREAD TAKE-UP LEVER COMPL.						1	
5	R	22918064	22918072	THREAD TAKE-UP LEVER ASM.				*		1	1.00
6		22918403		NEEDLE BEARING A	SELECTIVE PARTS(A~D)			*		2	
7		22918502		NEEDLE BEARING B	SELECTIVE PARTS(A~D)			*		2	
8		22918601		NEEDLE BEARING C	SELECTIVE PARTS(A~D)			*		2	
9		22918700		NEEDLE BEARING D	SELECTIVE PARTS(A~D)			*		2	
10		22918106		NEEDLE BAR CRANK				*		1	
11		22906606		NEEDLE BAR CRANK ROD				*		1	
12	R	22918304	B1903552000	LEFT SCREW				*		1	1.00
13		40106606		COUNTER_WEIGHT_ASM.						1	
14		SS7681650TP		SCREW 9/32-28 L=16				*		1	
15	R	22903108	22903157	COUNTER WEIGHT				*		1	1.00
16		SS8681650TP		SCREW 9/32-28 L=16				*		1	
17		SS8660610TP		SCREW 1/4-40 L=6				*		2	
18		RO044240100		RUBBER RING				*		1	
19		SS4090615SP		SCREW 9/64-40 L=6						2	
20		11002409		MAIN SHAFT BUSHING REAR						1	
21		40105231		OIL SEAL						1	
22		RC1850001KP		SNAP RING 18.5						1	
23		22904155		THRUST COLLAR ASM.						1	
24		SS8660610TP		SCREW 1/4-40 L=6				*		2	
25		22903207		MAIN SHAFT FRONT BUSHING						1	
26		B1215552000		OIL ADJUSTING COLLAR						1	
27		22903306		BUSHING INTERMEDIATE						1	
28		EA9500B0100		CABLE BAND						1	
29		22919203		RUBBER						1	
30	R	22937064	11071495	HAND WHEEL COMPL.						1	1.00
31		40017623		HAND WHEEL ASM.	FOR SH					1	
32		WP0450801SD		WASHER 4.5X10X0.8				*		2	
33		SS8151550SP		SCREW15/64-28L=15				*		2	
34	D	22937056		HAND WHEEL ASM.				*		1	
35	R	22937155	M40071100AA	MAGNET FITTING BASE A ASM.				*		1	1.00
36	R	22937254	M40071100AB	MAGNET FITTING BASE B ASM.				*		1	1.00
37		SS6111210SP		SCREW11/64-40L=12				*		2	
38		40017625		MAGNET FITTING BASE B ASM.	FOR SH			*		1	
39		40017624		MAGNET FITTING BASE A ASM.	FOR SH			*		1	
40		22903900		OIL AMOUNT ADJUSTING PIN						1	
41		RO029180100		RUBBER RING						1	
42		22910103		THRUST COLLAR						1	
43		22937965		DYNAMO STATOR						1	
44		22903009		MAIN SHAFT						1	

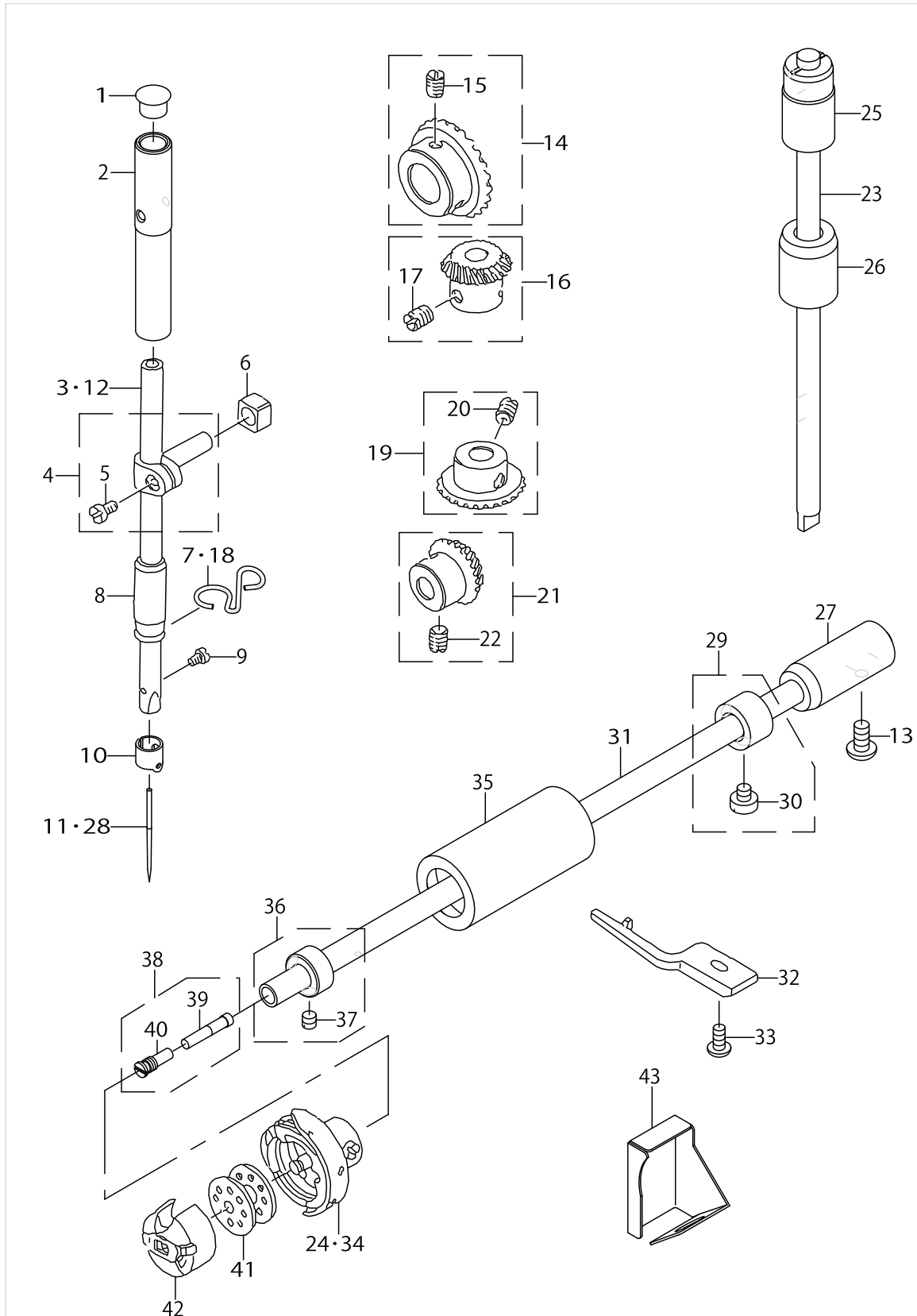
MAIN SHAFT & THREAD TAKE-UP LEVER COMPONENTS



MAIN SHAFT & THREAD TAKE-UP LEVER COMPONENTS

No.	Supply Code	Parts No.	Replacement	Parts name	Remarks	Choice	Step	Level	Cons	Qty	Rep. QTY
45		SL4051001MZ		SCREW M5 L=9.6						2	
46		22910053		FEED DRIVE ECCEN- TRIC CAM ASM.						1	
47		SS6661110SP		SCREW 1/4-40 L=11				*		2	
48	R	22910004	22910053	FEED DRIVE ECCENTRIC CAM				*		1	1.00

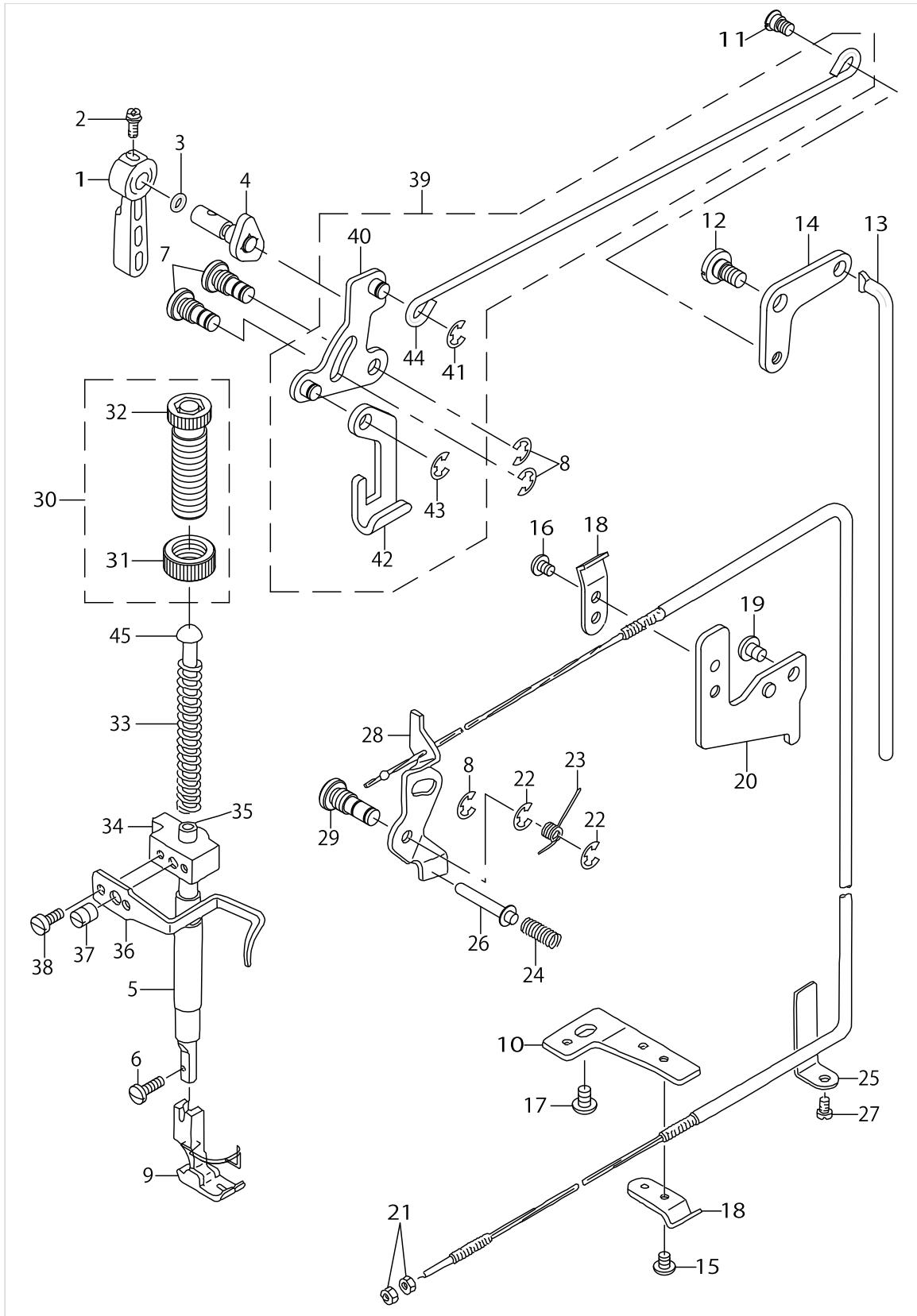
NEEDLE BAR, UPRIGHT SHAFT & HOOK DRIVING SHAFT COMPONENTS



NEEDLE BAR, UPRIGHT SHAFT & HOOK DRIVING SHAFT COMPONENTS

No.	Supply Code	Parts No.	Replacement	Parts name	Remarks	Choice	Step	Level	Cons	Qty	Rep. QTY
1		TA0850604R0		RUBBER PLUG						1	
2		22906101		NEEDLE BAR BUSHING UPPER						1	
3		22939508		NEEDLE BAR						1	
4		22906457		NEEDLE ROD HOLDER ASM.						1	
5		SS6090670TP		SCREW 9/64-40 L=6				*		1	
6		40090058		SLIDE BLOCK						1	
7		40012444		NEEDLE BAR THREAD GUIDE						1	
8		22906200		NEEDLE BAR BUSHING LOWER						1	
9		SS7080510TP		SCREW 1/8-44 L=4.5						1	
10		22906309		NEEDLE BAR THREAD GUIDE						1	
11		MDB100B1400		NEEDLE DBX1 #14						1	
12		22939607		NEEDLE BAR B	FOR JE					1	
13		SS4120925SP		SCREW 3/16-28 L=9						1	
14		40090002		UPPER LARGE BEVEL GEAR ASM.						1	
15		SS8660810TP		SCREW 1/4-40 L=8				*		2	
16		40090003		UPPER SMALL BEVEL GEAR ASM.						1	
17		SS8660810TP		SCREW 1/4-40 L=8				*		2	
18		40012444		NEEDLE BAR THREAD GUIDE	FOR SH					1	
19		40090004		LOWER LARGE BEVEL GEAR ASM.						1	
20		SS8660810TP		SCREW 1/4-40 L=8				*		2	
21		40090005		LOWER SMALL BEVEL GEAR ASM.						1	
22		SS8660810TP		SCREW 1/4-40 L=8				*		2	
23		22905004		UPRIGHT SHAFT						1	
24		11141355		HOOK ASM.	FOR JE					1	
25		22905103		UPRIGHT SHAFT BUSHING LOWER						1	
26		22905202		UPRIGHT SHAFT BUSHING LOWER						1	
27		22916308		BUSHING REAR						1	
28		MC200500900		NEEDLE 134 90	FOR JE					1	
29		22917157		THRUST COLLAR ASM.						1	
30		SS6110420TP		SCREW 11/64-40 L=4.8				*		2	
31		22916001		LOWER SHAFT						1	
32		22942502		BOBBIN CASE HOLDER						1	
33		SS4110915TP		SCREW 11/64-40 L=9						1	
34		11038650		HOOK ASM.	EXCEPT JE					1	
35		22916100		LOWER SHAFT FRONT METAL						1	
36	R	40101694	22917058	THRUST_COLLAR_ASM_FRONT						1	1.00
37		SS8110410TP		SCREW 11/64-40 L=3.5				*		2	
38		22916555		OILSEALSCREWASM.						1	
39		11015906		OIL WICK				*		1	
40		22916506		OIL SEAL SCREW				*		1	
41		22932909		BOBBIN						1	
42		11038759		BOBBIN CASE ASM.						1	
43		22942601		OIL SHIELD						1	

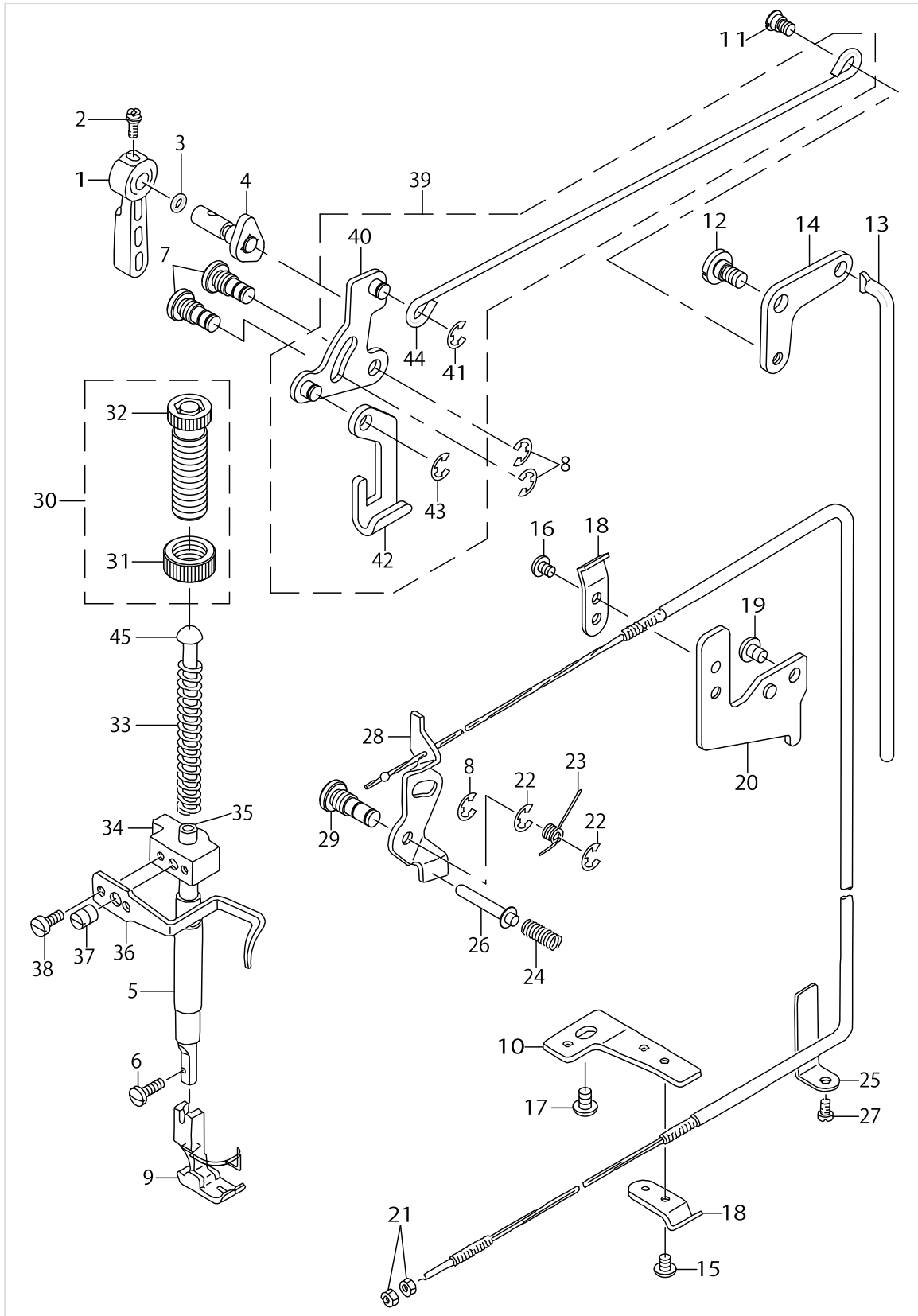
HAND LIFTER COMPONENTS



HAND LIFTER COMPONENTS

No.	Supply Code	Parts No.	Replacement	Parts name	Remarks	Choice	Step	Level	Cons	Qty	Rep. QTY
1		22907802		HAND LIFTER						1	
2		B1521555000		SCREW						1	
3		RO037180100		RUBBER RING						1	
4		22908552		HAND LIFTER CAM ASM.						1	
5		40060989		PRESSER BAR BUSHING LOWER						1	
6		SS7091110TP		SCREW 9/64-40 L=10.5						1	
7		22908701		LINK SHAFT						2	
8		RE0500000K0		E-RING						3	
9		B15240120BA		PRESSER FOOT ASM.						1	
10		22944706		WIRE HOLDER BRACKET LOWER						1	
11		22908909		HINGE SCREW						1	
12		SD0720331SP		HINGE SCREW D=7.24 H=3.3						1	
13		22909006		KNEE LIFTER CONNECTING ROD						1	
14		22908800		LIFTING LEVER LINK						1	
15		SS4110515SP		SCREW 11/64-40 L=5						1	
16		SS4110515SP		SCREW 11/64-40 L=5						1	
17		SS4150915SP		SCREW 15/64-28 L=9	FOR DDL-- 8700-7-00					1	
18		22944508		WIRE HOLDER A						2	
19		SS4120615SP		SCREW 3/16-28 L=6						1	
20		22944607		WIRE HOLDER BRACKET UPPER						1	
21		NS6620310SP		NUT 3/16-32						2	
22		RE0500000K0		E-RING						2	
23		22920201		TENSION RELEASE RETURN SPRING						1	
24		22920409		THREAD RELEASE PIN SPRING						1	
25		22945109		WIRE CABLE HOLDER						1	
26		22920300		TENSION RELEASE SUPPORTING PIN						1	
27		SS4120615SP		SCREW 3/16-28 L=6						1	
28		22944854		THREAD RELEASE WIRE ASM.						1	
29		22920102		TENSION RELEASE SHAFT						1	
30		22907554		PRESSER SPRING REG NUT ASM.						1	
31	R	22907604	22907554	PRESSER ADJUSTING SCREW NUT					*	1	1.00
32	R	22907505	22907554	PRESSER SPRING REGULATOR					*	1	1.00
33		22907406		PRESSER ADJUSTING SPRING						1	
34		22907208		PRESSER BAR GUIDE BRACKET						1	
35		40017805		PRESSER BAR						1	
36		22907307		PRESSER BAR THREAD GUIDE						1	
37		SS8660810TP		SCREW 1/4-40 L=8						1	
38		SS6090910SP		SCREW 9/64-40 L=9						2	
39		22908354		KNEE LIFTING CROSS ROD ASM.						1	
40	R	22908156	22908354	HAND LIFTER LINK					*	1	1.00
41		RE0500000K0		E-RING					*	1	
42	R	22908008	22908354	LIFTING LEVER		A			*	1	1.00
42	R	22908008	23609357	LIFTING LEVER		B			*	1	1.00
42	R	22908008	40057398	LIFTING LEVER		C			*	1	1.00

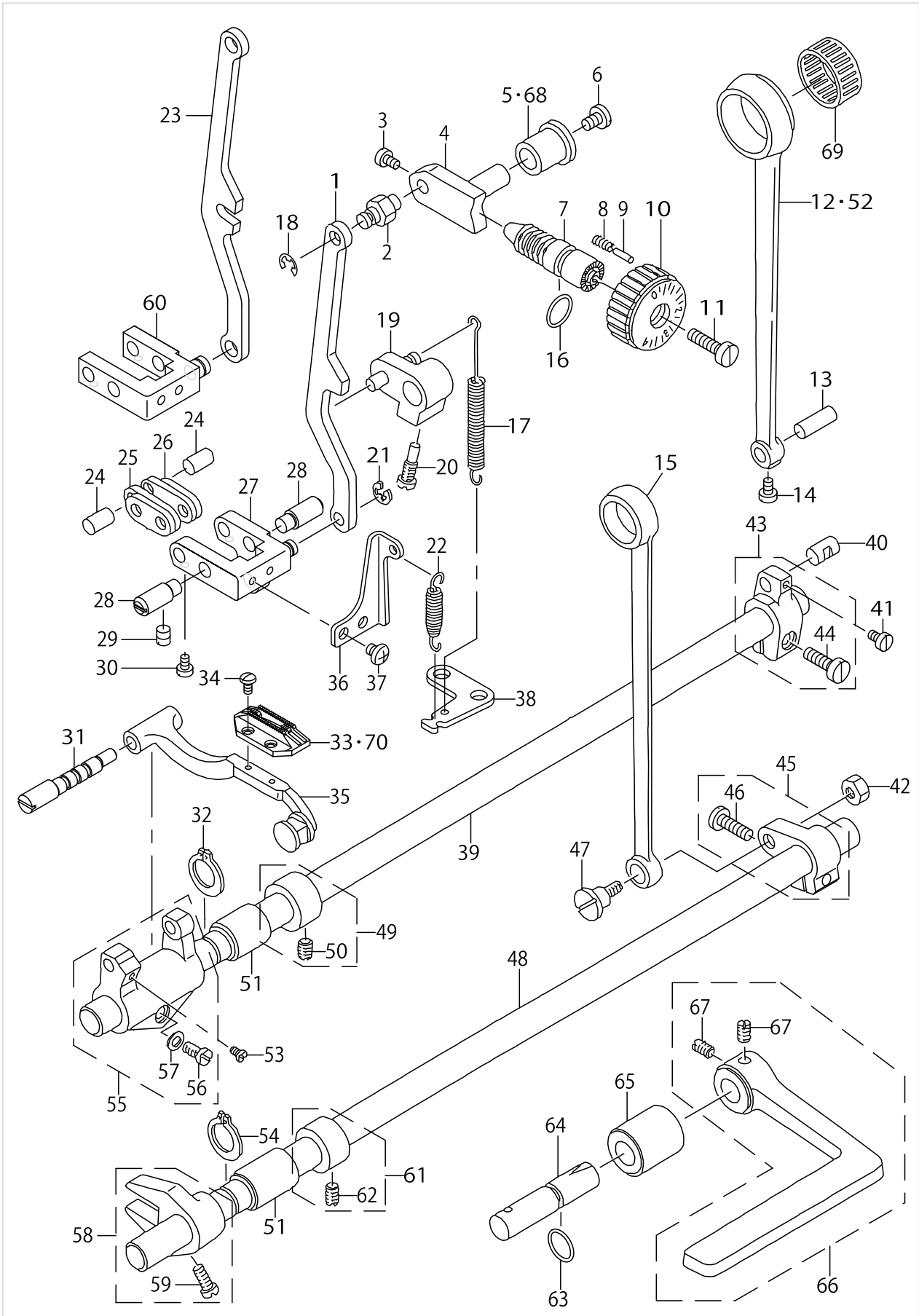
HAND LIFTER COMPONENTS



HAND LIFTER COMPONENTS

No.	Supply Code	Parts No.	Replacement	Parts name	Remarks	Choice	Step	Level	Cons	Qty	Rep. QTY
42	R	22908008	40174387	LIFTING LEVER		D	DDL-9000C	*		1	1.00
43		RE0500000K0		E-RING				*		1	
44		22908305		KNEE LIFTING CROSS ROD				*		1	
45		22907703		PRESSER GUIDE BAR				*		1	

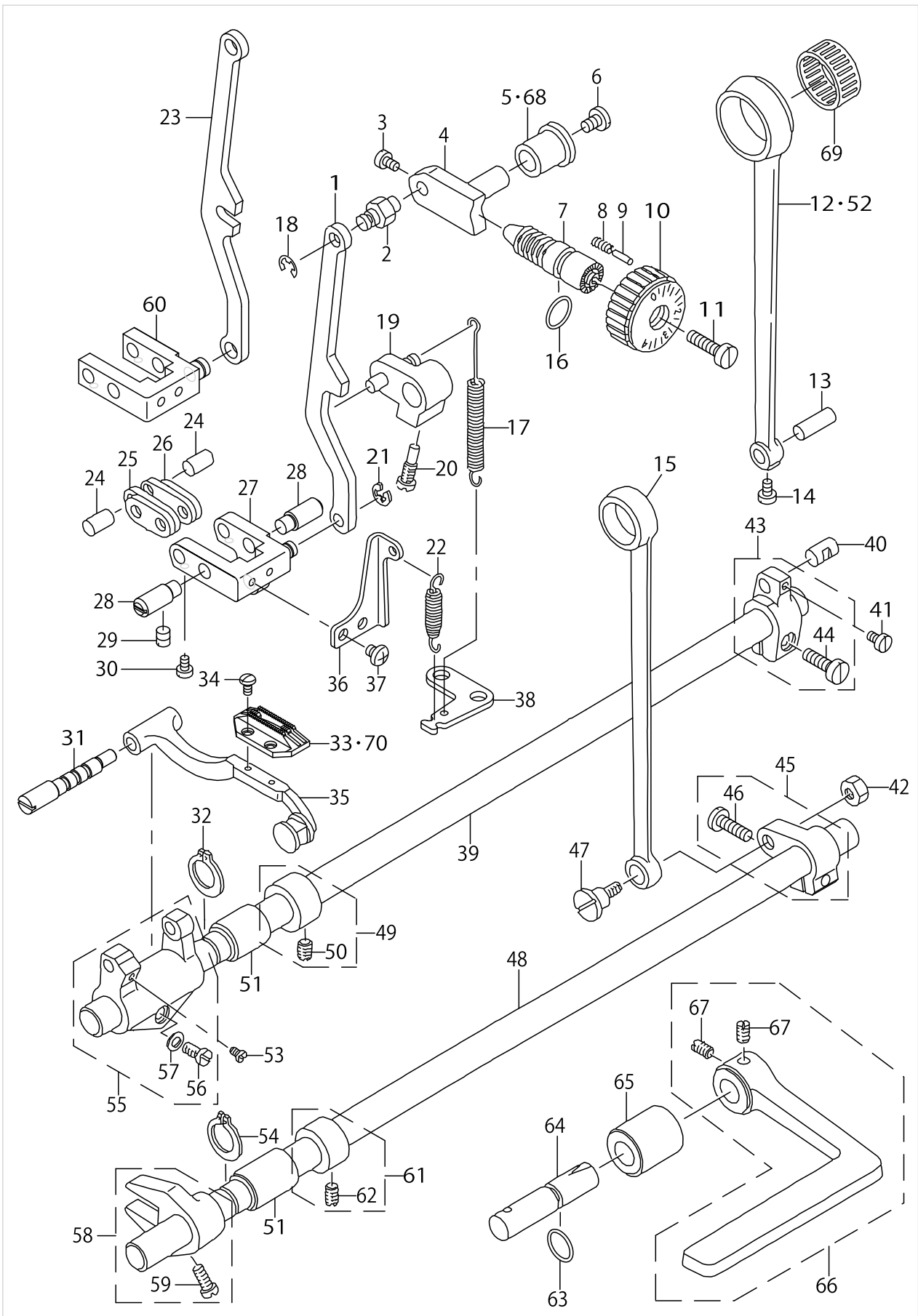
FEED MECHANISM COMPONENTS



FEED MECHANISM COMPONENTS

No.	Supply Code	Parts No.	Replacement	Parts name	Remarks	Choice	Step	Level	Cons	Qty	Rep. QTY
1		22941108		FEED ADJUST ROD	FOR DDL-- 8700-7-0B,-WB					1	
2		22911507		FEED REGULATOR PIN						1	
3		SS6090670TP		SCREW 9/64-40 L=6						2	
4		22911606		FEED REGULATOR						1	
5		22911705		FEED REGULATOR BUSHING	FOR DDL-- 8700-7-00					1	
6		SS7120770SH		SCREW 3/16-28 L=7						1	
7		22911804		FEED REGULATOR SCREW						1	
8		22912109		SPRING						1	
9		22912000		FEED ADJUST PIN						1	
10		22940506		FEED DIAL						1	
11		SS6121860SP		SCREW 3/16-28 L=18						1	
12	R	22910202	22910251	ROCKER SHAFT CO- NNECTING ROD						1	1.00
13		22911101		WALKING FOOT PIN C						1	
14		SS6090620TP		SCREW						1	
15		22915003		CONNECTING ROD						1	
16		RO092270200		RUBBER RING						1	
17		11010311		FEED REVERSE SPRING						1	
18		RE0500000K0		E-RING						1	
19		22912257		FEED REVERSE ARM ASM.						1	
20		22912505		SCREW						1	
21		RE0500000K0		E-RING						1	
22		11037405		SPRING						1	
23		22911408		FEED REGULATOR CONNCTING ROD	FOR DDL-- 8700-7-00					1	
24		22910905		WALKING FOOT PIN A						2	
25		40089548		CONNECTING LINK B						2	
26		40093417		CONNECTING LINK A						2	
27		22940951		FEED ADJUST LINK ASM.	FOR DDL-- 8700-7-0B,-WB					1	
28		22910806		ADJUSTING LINK F- ULCRUM SHAFT A						2	
29		SS8150710TP		SCREW 15/64-28 L=7						2	
30		SS6090620TP		SCREW						2	
31		40101462		FEED BASE SHAFT						1	
32		RC0150001KP		RETAINING RING 13.8						1	
33		B1613012I00		FEED DOG I	EXCEPT U- SEIN JAPAN					1	
34		SS4080620TP		SCREW 1/8-44 L=6						2	
35		22940753		FEED BAR ASM.						1	
36		22941306		ADJUSTING LINK SPRING GUIDE						1	
37		SS4110515SP		SCREW 11/64-40 L=5						2	
38		22913701		FEED SPRING HOOK						1	
39		22912901		FEED ROCKERSHAFT						1	
40		22911002		WALKING FOOT PIN B						1	
41		SS6090620TP		SCREW						1	
42		NS6680410SP		NUT 9/32-28						1	
43		40110379		ASSY_FEED_ROCKER_ARM						1	
44		SS6121610SP		SCREW 3/16-28 L=15.5					*	1	

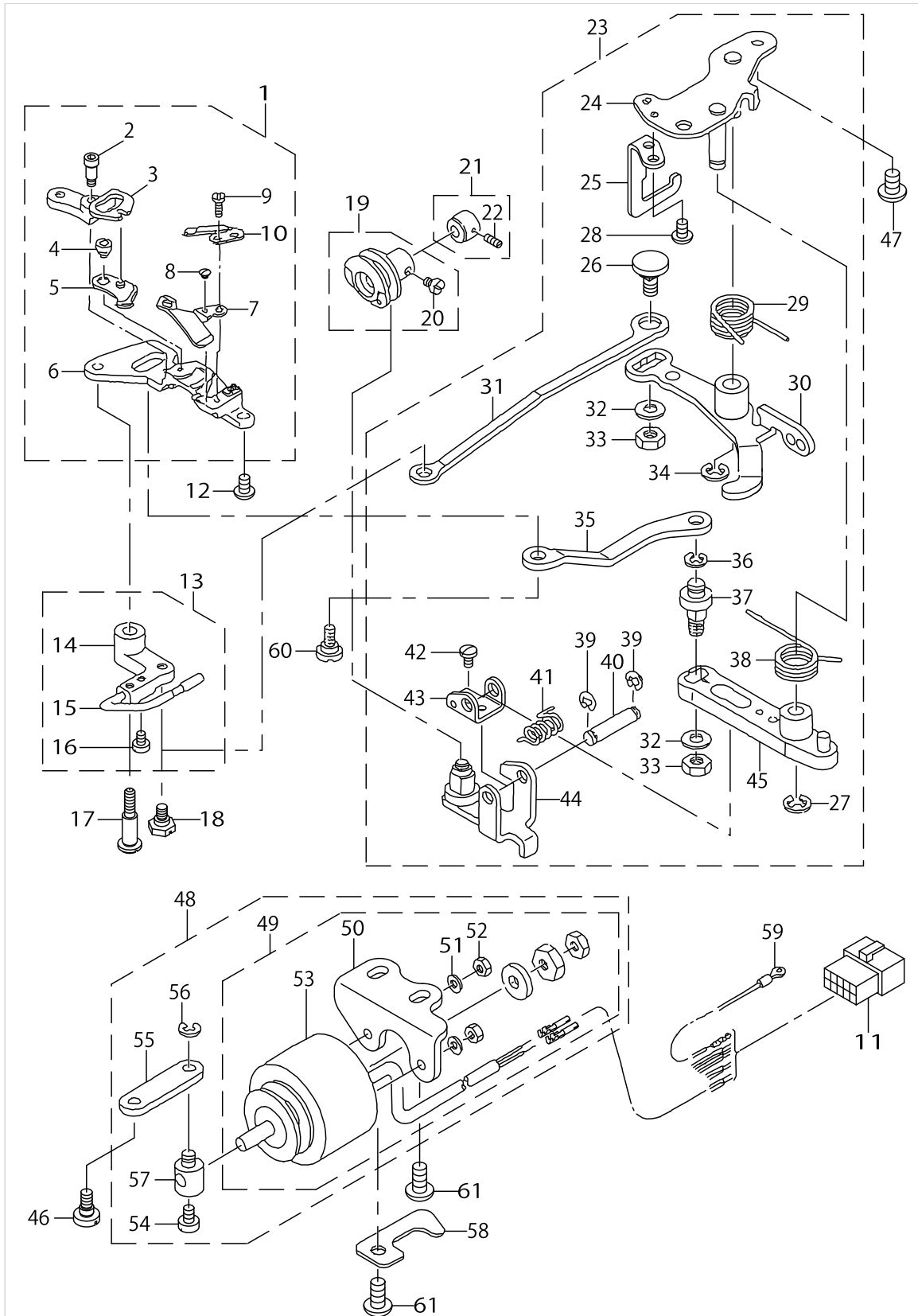
FEED MECHANISM COMPONENTS



FEED MECHANISM COMPONENTS

No.	Supply Code	Parts No.	Replacement	Parts name	Remarks	Choice	Step	Level	Cons	Qty	Rep. QTY
45		40109422		FEED_ARM_ASM						1	
46		SS7121610SP		SCREW 3/16-28 L=15.5				*		1	
47		SD1000801SH		HINGE SCREW D=10 H=8						1	
48		22915201		FEED DRIVING SHAFT						1	
49		22904155		THRUST COLLAR ASM.						1	
50		SS8660610TP		SCREW 1/4-40 L=6				*		2	
51		22913008		FEED ROCKER SHAFT BUSHING						2	
52	R	22913800	22913859	HORIZONTAL FEED ROD B	FOR JE,JA					1	1.00
53		SS7110740TP		SCREW 11/64-40 L=7						1	
54		RC0150001KP		RETAINING RING 13.8						1	
55		22940654		FEED BAR CRANK ASM.						1	
56		SS7121410TP		SCREW 3/16-28 L=14				*		1	
57		WP0480856SP		WASHER 4.8X8.4X0.8				*		1	
58		22915359		DRIVING SHAFT CRANK ASM.						1	
59	R	SS7111120SP	SS7111120TP	SCREW 11/64-40 L=10.5	FOR DDL--			*		1	1.00
60		22910459		WALKING FOOT ADJUSTING LINK	8700-7-00					1	
61		22904155		THRUST COLLAR ASM.						1	
62		SS8660610TP		SCREW 1/4-40 L=6				*		2	
63		RO078190100		RUBBER RING						1	
64		40100812		FEED LEVER SHAFT						1	
65		22912802		FEED LEVER METAL						1	
66		40102264		FEED_REVER_ASM.						1	
67		SM8061010TP		SCREW				*		2	
68		11009800		FEED REGULATOR BUSHING	FOR DDL--					1	
69		22914105		BEARING C	8700-7-0B,-WB					1	
70		B1613012A00		FEED DOG A	SELECTIVE PARTS(FOR JE,JA)					1	
					FOR USE IN JAPAN					1	

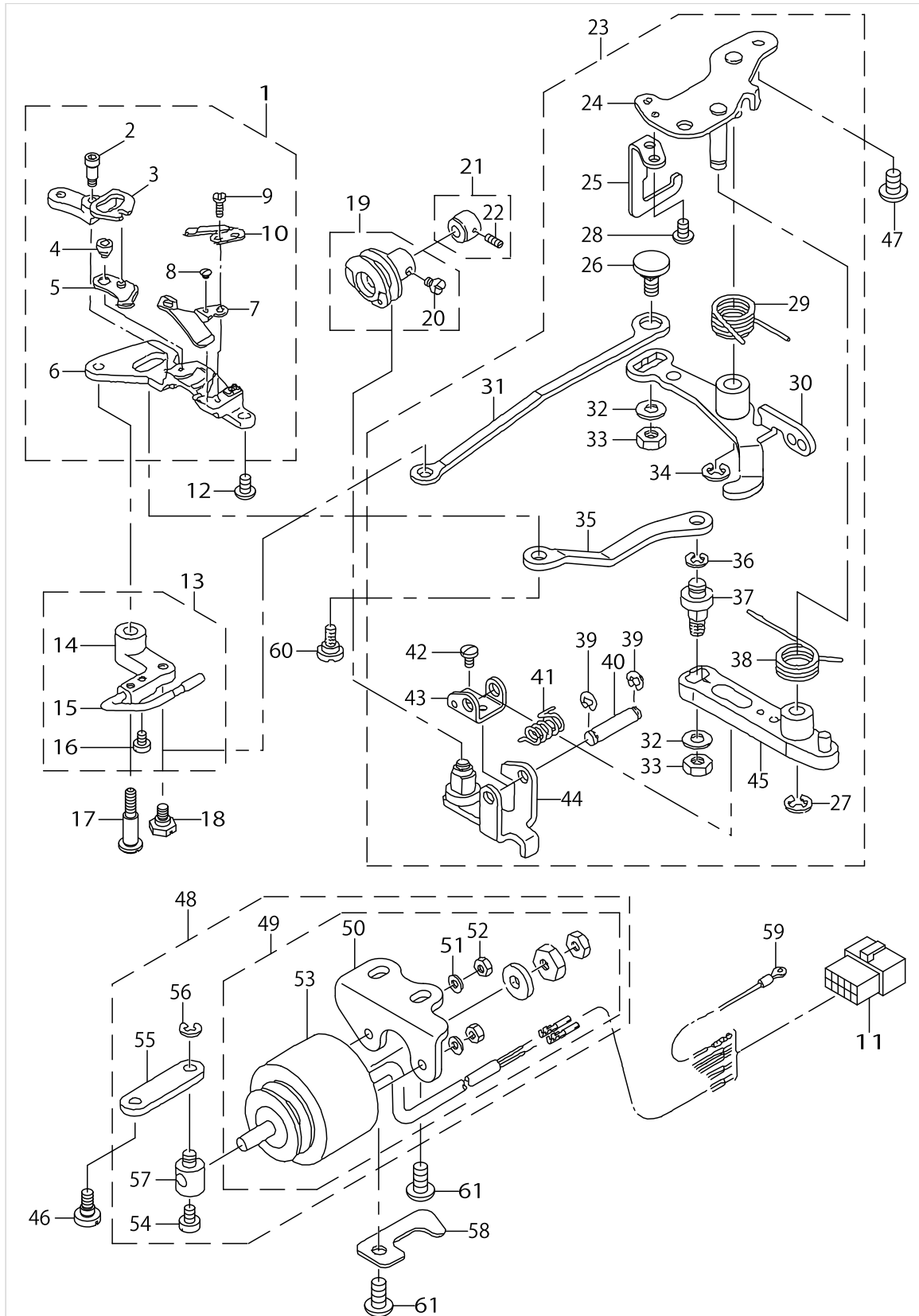
THREAD TRIMMER COMPONENTS



THREAD TRIMMER COMPONENTS

No.	Supply Code	Parts No.	Replacement	Parts name	Remarks	Choice	Step	Level	Cons	Qty	Rep. QTY
1	R	11040359	22947956	KNIFE UNIT						1	1.00
2		SD0460703TP		HINGE SCREW D=4.6 H=7				*		1	
3		11040508		FORKED BASE FOR KNIFE				*		1	
4		11040409		MOVING KNIFE HINGE SCREW				*		1	
5		11040052		MOVING KNIFE ASM.				*		1	
6	R	11040300	22947907	KNIFE MOUNTING BASE				*		1	1.00
7	R	11313103	22947808	THREAD GUIDE FOR KNIFE				*		1	1.00
8		SS2060210SP		SCREW 3/32-56 L=2.3				*		1	
9		SS4080620TP		SCREW 1/8-44 L=6				*		2	
10		D2406555D0H		COUNTER KNIFE				*		1	
11		HK034610140		HOUSING 14P						1	
12		SS4110715SP		SCREW 11/64-40 L=7						1	
13		22950257		PICKER ARM ASM.						1	
14		22950208		PICKER ARM				*		1	
15		22950356		THREAD TAKE-UP PICKER ASM.				*		1	
16		SS6090510TP		SCREW 9/64-40 L=5.0				*		2	
17		SD0641451SP		HINGE SCREW D=6.35 H=14.5						1	
18		SD0630275SP		HINGE SCREW D=6.35 H=2.7						1	
19		22950851		THREAD TRIMMER CAM ASM.						1	
20		SS6660610TP		SCREW 1/4-40 L=6				*		2	
21		22950950		CAM COLLAR ASM.						1	
22		SS8110520TP		SCREW 11/64-40 L=4.5				*		1	
23		22949762		THREAD TRIMMER DRIVING UNIT						1	
24		22949754		BASE PLATE ASM.				*		1	
25		22950703		DRIVING ARM STOPPE				*		1	
26		22950000		PICKER LINK PIN				*		1	
27		RE0600000K0		E-RING 6				*		1	
28		SS4110715SP		SCREW 11/64-40 L=7				*		2	
29		22949408		CLUTCH SPRING				*		1	
30		40087245		CLUTCH PLATE ASM.				*		1	
31		22950109		PICKER LINK				*		1	
32		WP0621016SH		WASHER				*		2	
33		NS6150430SP		NUT 15/64-28				*		2	
34		RE0600000K0		E-RING 6				*		1	
35		22948301		MOVING KNIFE LINK				*		1	
36		RE0500000K0		E-RING				*		1	
37		22948400		MOVING KNIFE LINK PIN				*		1	
38		22949309		KNIFE RETURN SPRING B				*		1	
39		RE0400000K0		E-RING 4				*		2	
40		22949101		ROLLER FULCRUM SHAFT				*		1	
41		22949200		ROLLER FULCRUM SPRING				*		1	
42		SS7090610SP		SCREW 9/64-40 L=6				*		1	
43		22949002		ROLLER ARM BRACKET				*		1	
44		11040953		ROLLER ARM ASM.				*		1	
45	R	11040854	22948558	KNIFE DRIVING ARM ASM.				*		1	1.00
46		SD0600361SP		HINGE SCREW D=6 H=3.6						1	

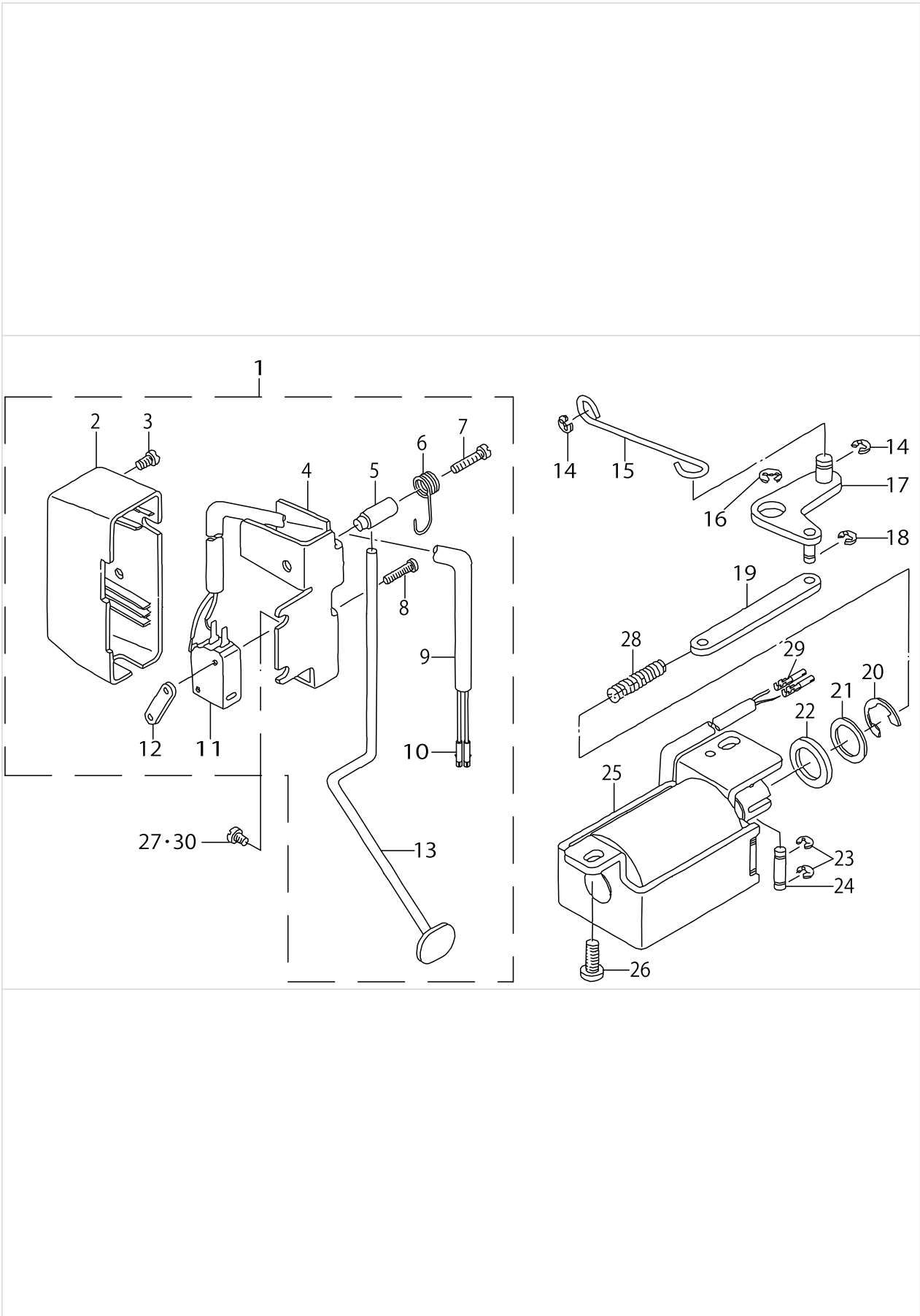
THREAD TRIMMER COMPONENTS



THREAD TRIMMER COMPONENTS

No.	Supply Code	Parts No.	Replacement	Parts name	Remarks	Choice	Step	Level	Cons	Qty	Rep. QTY
47		SS4150915SP		SCREW 15/64-28 L=9						2	
48	R	22951164	40106930	SOLENOID UNIT						1	1.00
49		40106930		THREAD TRIMMER SOLENOID ASM.				*		1	
50		22951404		SOLENOID BASE				*		1	
51		WS0410002KR		SPRING WASHER M4				*		2	
52		NM6040001SE		NUT M4				*		2	
53		40106931		THREAD TRIMMER SOLENOID				*		1	
54		SS6110710TP		SCREW 11/64-40 L=6.5				*		1	
55		22949903		CLUTCH LINK				*		1	
56		RE0500000K0		E-RING				*		1	
57		22951008		SOLENOID PIN				*		1	
58		22924807		TUBE HOLDER LOWER						1	
59		22951552		GROUND WIRE ASM.						1	
60		SD0640631TP		HINGE SCREW D=6.35 H=6.3						1	
61		SS4151215SP		SCREW 15/64-28L=12						2	

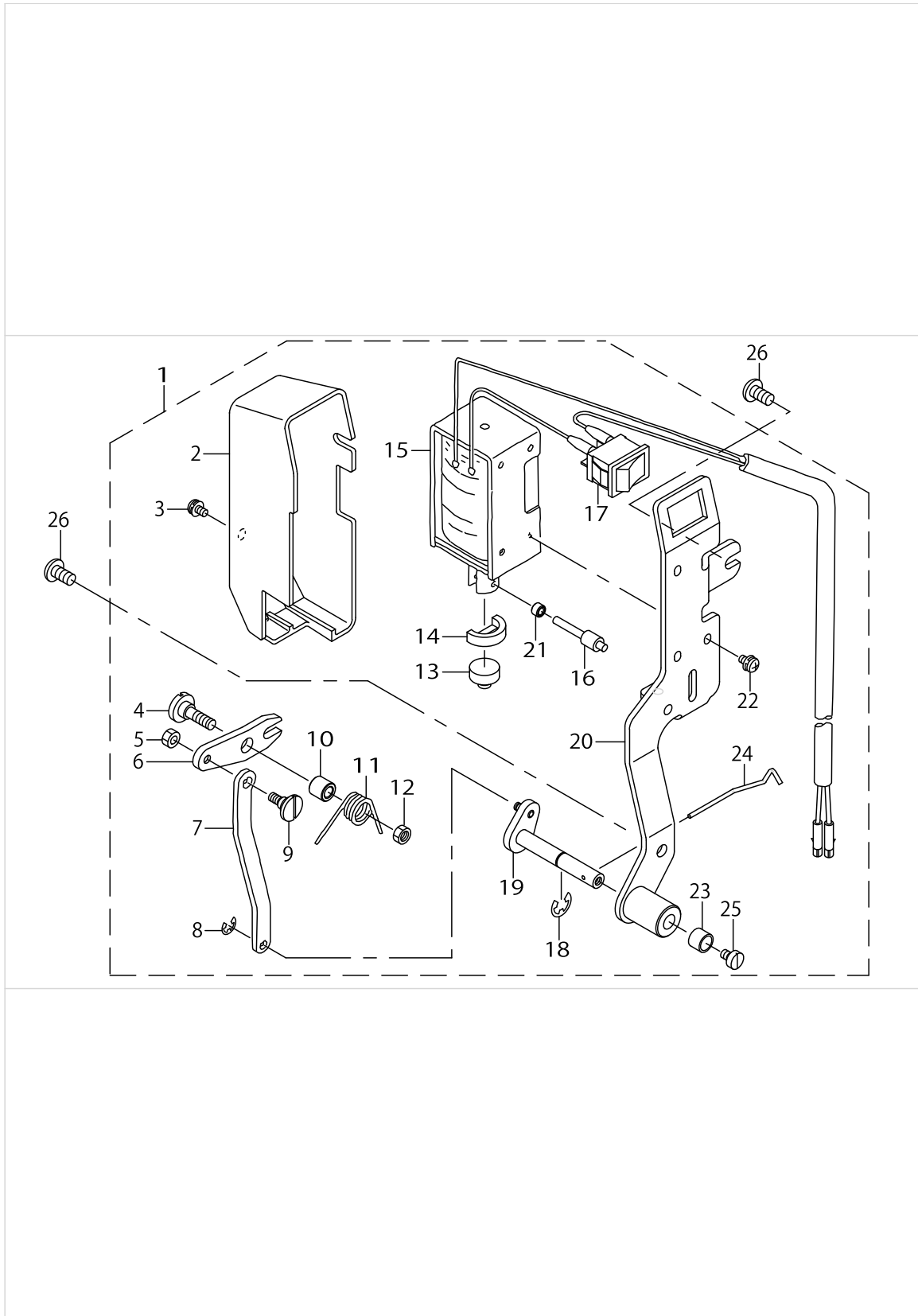
AUTOMATIC REVERSE FEED COMPONENTS



AUTOMATIC REVERSE FEED COMPONENTS

No.	Supply Code	Parts No.	Replacement	Parts name	Remarks	Choice	Step	Level	Cons	Qty	Rep. QTY
1		22954150		REVERSE FEED SWITCH ASM.						1	
2		22954606		REVERSE FEED SWITCH COVER				*		1	
3		SM4040655SP		SCREW M4 L=6				*		1	
4		22954101		REVERSE FEED SWITCH BASE				*		1	
5		22954200		REVERSE FEED SWITCH SHAFT				*		1	
6		22954309		REVERSE FEED SWITCH SPRING				*		1	
7		SM4041655SP		SCREW M4 L=16				*		1	
8		SM4031501SC		SCREW M3 L=15				*		2	
9		HW500070000		2-CORE CABTYRE CORD				*		1.31	
10		HK03464000B		PIN CONTACT				*		2	
11		HA001900000		MICROSWITCH				*		1	
12		22954408		SWITCH HOLDING PLATE				*		1	
13		22954507		REVERSE FEED SWITCH LEVER				*		1	
14		RE0500000KP		E-RING 5						2	
15	R	22953806	11101300	REVERSE FEED CO- NECTING SHAFT						1	1.00
16		RE0900000K0		E-RING 9						1	
17		22953657		CONNECTING ARM ASM.						1	
18		RE0400000KP		E-RING 4						1	
19		22953905		REVERSE FEED CO- NECTING LINK						1	
20		RE1200000K0		E-RING 12						1	
21		WP1602616SZ		WASHER 16X24X2.6						1	
22		D2468555B00		RUBBER PLUNGER						1	
23		RE0400000K0		E-RING 4						2	
24		22953509		PLUNGER ARM PIN						1	
25		40085585		REVERSE FEED SOLENOID ASM.						1	
26		SS4151215SP		SCREW 15/64-28L=12						2	
27		SS4120915SP		SCREW 3/16-28 L=9						1	
28		22954002		PLUNGER SPRING						1	
29		HK03464000B		PIN CONTACT						2	
30		SS4120615SP		SCREW 3/16-28 L=6	FOR DDL-- 8700-7-0B					1	

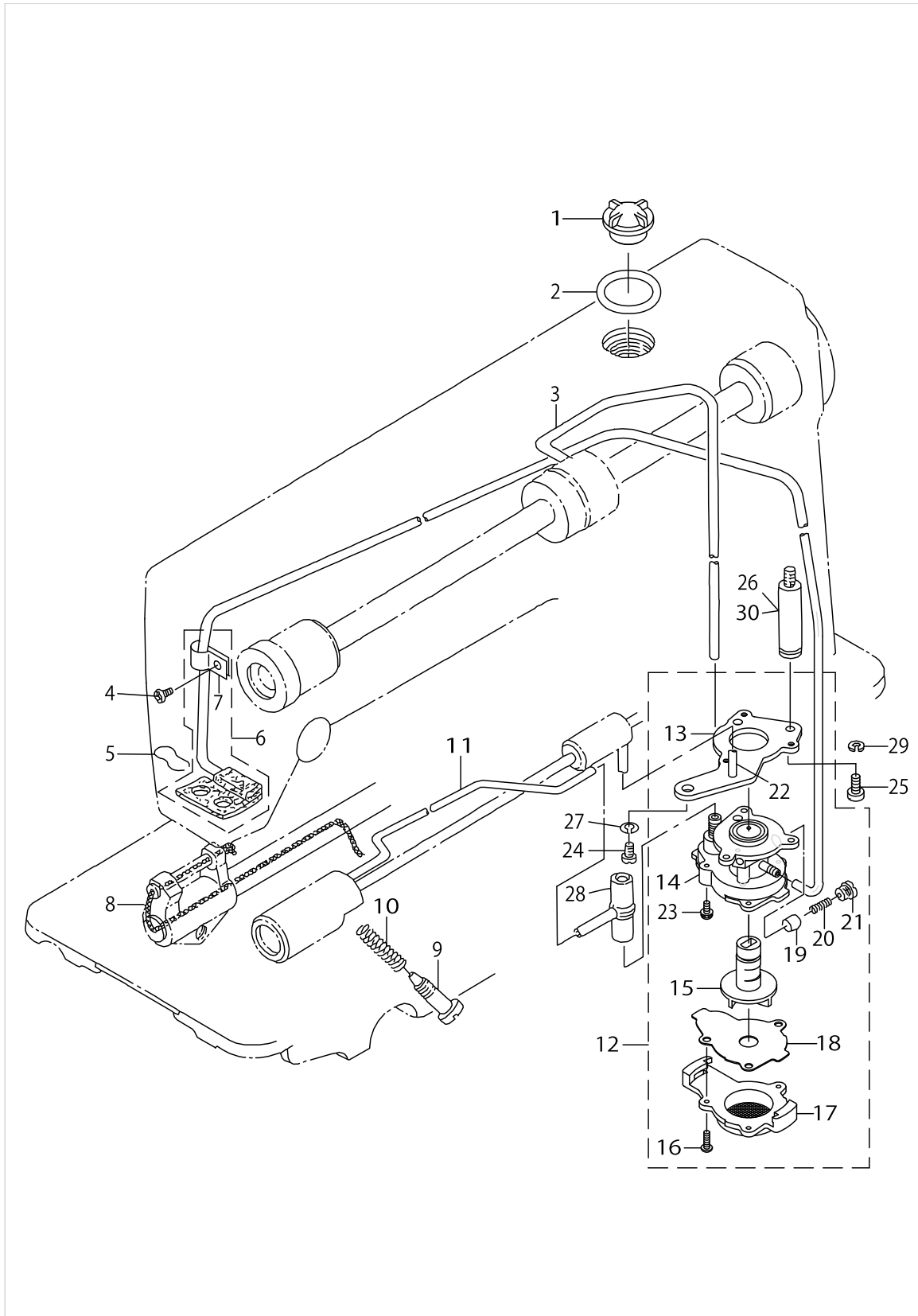
WIPER COMPONENTS



WIPER COMPONENTS

No.	Supply Code	Parts No.	Replacement	Parts name	Remarks	Choice	Step	Level	Cons	Qty	Rep. QTY
1		22955553		WIPER ASM.						1	
2		22955504		WIPER COVER				*		1	
3		SL4030631SC		SCREW M3X6				*		1	
4		SD0650321TP		HINGE SCREW D=6.5 H=3.2				*		1	
5		NS6090310SP		NUT 9/64-40				*		1	
6		22956106		WIPER LINK A				*		1	
7		22956403		WIPER LINK B				*		1	
8		RE0250000K0		E-RING 2.5				*		1	
9		22956908		WIPER LINK B HINGE SCREW				*		1	
10		22956205		WIPER HINGE SCREW COLLAR				*		1	
11		22956304		WIPER SPRING				*		1	
12		NS6110310SP		NUT 11/64-40				*		1	
13		22955900		WIPER RUBBER A				*		1	
14		22956007		WIPER RUBBER B				*		1	
15		40106936		WIPER SOLENOID ASM.				*		1	
16		22957104		WIPER SOLENOID SHAFT				*		1	
17		HA00600000A		SWITCH				*		1	
18		RE0500000K0		E-RING				*		1	
19		40041419		WIPER LINK C ASM.				*		1	
20		11110152		WIPER BASE ASM.				*		1	
21		22957203		WIPER LINK COLLAR				*		1	
22		SL4030641SE		SCREW				*		3	
23		22956809		WIPER COLLAR				*		1	
24		22957005		WIPER				*		1	
25		SS6090540SP		SCREW 9/64-40 L=5.0				*		1	
26		SS4120915SP		SCREW 3/16-28 L=9						2	

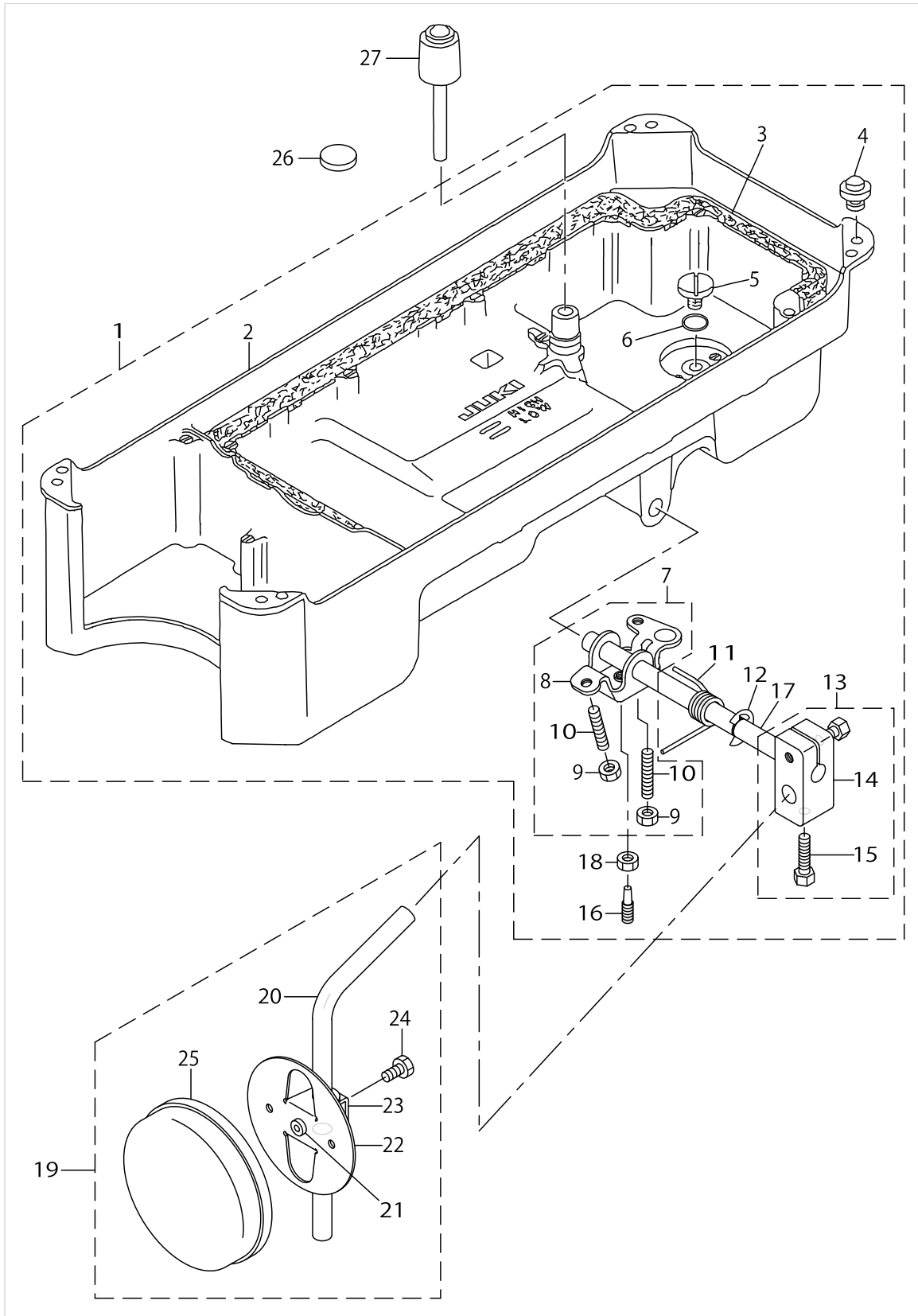
OIL LUBRICATION COMPONENTS



OIL LUBRICATION COMPONENTS

No.	Supply Code	Parts No.	Replacement	Parts name	Remarks	Choice	Step	Level	Cons	Qty	Rep. QTY
1		22924708		OIL SIGHT WINDOW						1	
2		RO195240100		RUBBER RING						1	
3		22924401		MAINSHAFTOILTUBE						1	
4		SS4120615SP		SCREW 3/16-28 L=6						1	
5		22925101		OIL FELT PRESSER						1	
6		22924153		OIL RETURN TUBE ASM.						1	
7		22924302		HOLDER				*		1	
8		CQ252000000		OIL WICK						.3	
9		22925002		OIL ADJUSTING SCREW						1	
10		22924906		SPRING						1	
11		22924500		OIL TUBE						1	
12		22923056		LUBRICATING OIL PUMP ASM.						1	
13	R	22923312	11392057	OIL PUMP INSTALLING BASE		A	DLD5430	*		1	1.00
13	R	22923312	11404555	OIL PUMP INSTALLING BASE		B	DDL5600/- 8100e, DU1181	*		1	1.00
13	R	22923312	22923056	OIL PUMP INSTALLING BASE		C	DDL8700/- 8300/8500- /900A, DM- N5420/5400	*		1	1.00
14	R	22923015	22923056	OIL PUMP				*		1	1.00
15		22923700		OIL PUMP IMPELLER				*		1	
16		SE4301041SR		SCREW D=3 L=10				*		3	
17		22923205		LUBRICATING OIL PUMP COVER				*		1	
18		22923809		OIL PUMP IMPELLER COVER				*		1	
19		22923403		PLUNGER				*		1	
20		22923601		PLUNGER SPRING				*		1	
21		22923502		PLUNGER SCREW				*		1	
22		22923908		HOOK DRIVING SHAFT OIL TUBE				*		1	
23		SL4030851SF		SCREW M3 L=8				*		3	
24		SS4150915SP		SCREW 15/64-28 L=9						1	
25		SS6111010TP		SCREW 11/64-40 L=9.5						1	
26		22947105		OIL PUMP SUPPORT	FOR DDL-- 8700-7-0B,-WB					1	
27		WS0651310KP		SPRING WASHER 6.5X11X1.3	FOR DDL-- 8700-7-0B,-WB					1	
28		22924609		RUBBER JOINT						1	
29		WS0451040KP		SPRING WASHER 4.5X8.5X1	FOR DDL-- 8700-7-0B,-WB					1	
30		22924005		OIL PUMP SUPPORT	FOR DDL-- 8700-7-00					1	

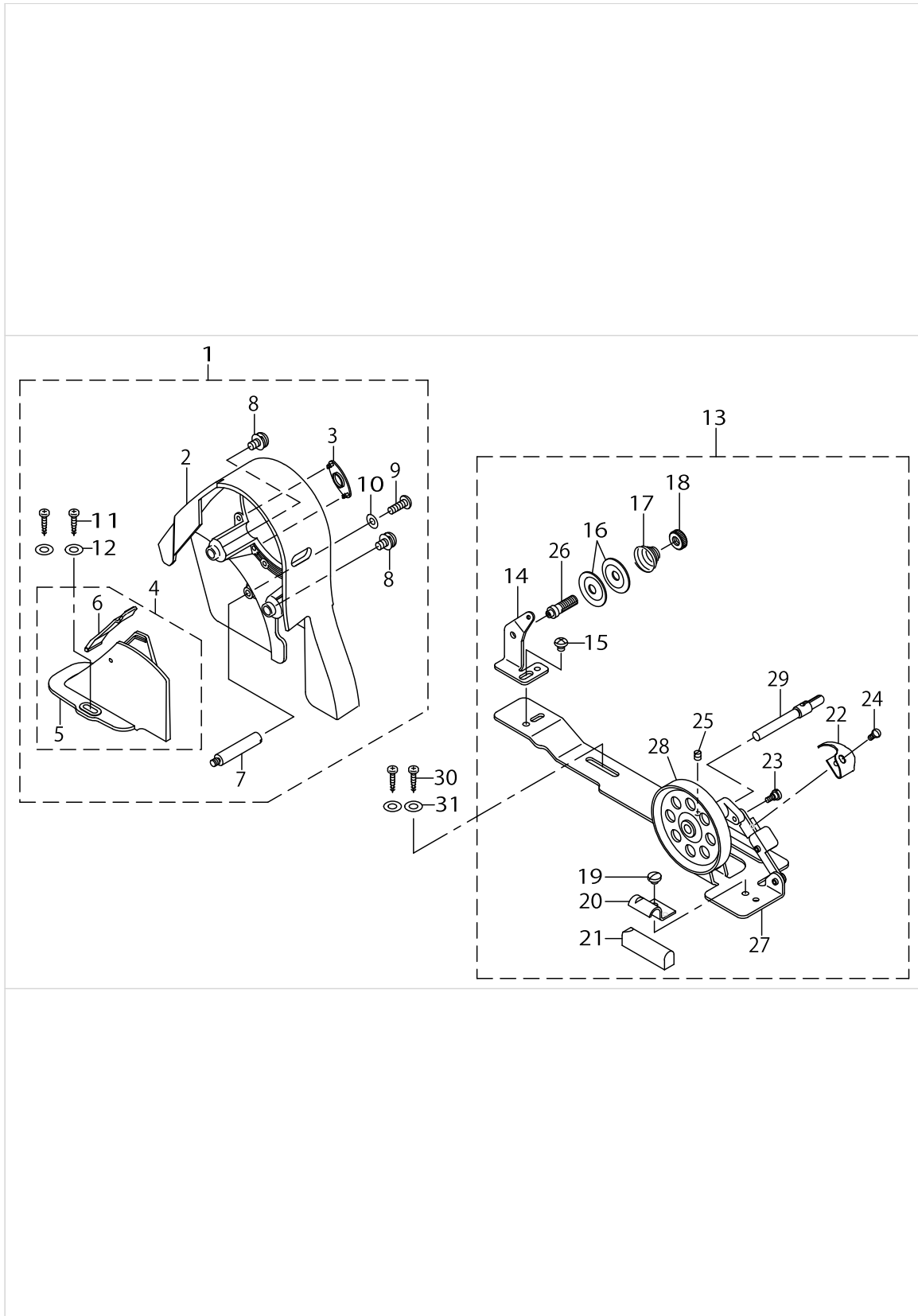
OIL RESERVOIR COMPONENTS



OIL RESERVOIR COMPONENTS

No.	Supply Code	Parts No.	Replacement	Parts name	Remarks	Choice	Step	Level	Cons	Qty	Rep. QTY
1	R	22931851	40102085	OIL RESERVOIR ASM.						1	1.00
2	R	22931802	40102085	OIL RESERVOIR				*		1	1.00
3	R	22931901	11024700	OIL RESERVOIR GASKET				*		1	1.00
4	R	22932008	11047107	RUBBER CUSHION				*		4	1.00
5		SS6700710SH		SCREW 5/16-24 L=7				*		1	
6		RO098240100		RUBBER RING				*		1	
7		22932156		KNEE LIFTER ROTATION ARM ASM.				*		1	
8	R	22932107	22932156	KNEE LIFTING ROTATING ARM				*		1	1.00
9		NM6060001SE		NUT M6				*		2	
10		SM8063012TR		SCREW M6 L=30				*		2	
11		22932206		SPRING				*		1	
12		RE1000000K0		E-RING 10				*		1	
13		22932453		BRACKET ASM.				*		1	
14	R	22932404	22932453	VERTICAL SHAFT FITTING ARM				*		1	1.00
15		22934707		SCREW				*		2	
16		40101720		SCREW_M6				*		1	
17		22932305		KNEE PRESS CROSS SHAFT				*		1	
18		NM6060001SE		NUT M6				*		1	
19		22934251		KNEE PAD PLATE ASM.				*		1	
20		22934608		KNEE PAD UPRIGHT SHAFT				*		1	
21		22934400		KNEE PAD PLATE RUBBER				*		1	
22		22934202		KNEE PAD PLATE				*		1	
23		22934301		KNEE PAD PLATE SUPPORT				*		1	
24		SM9061203SE		SCREW M6 L=12				*		1	
25		22934509		KNEE PAD PLATE COVER				*		1	
26		B8228125000		OIL RESERVOIR MAGNET				*		1	
27		22931703		KNEE LIFTER PUSH ROD				*		1	

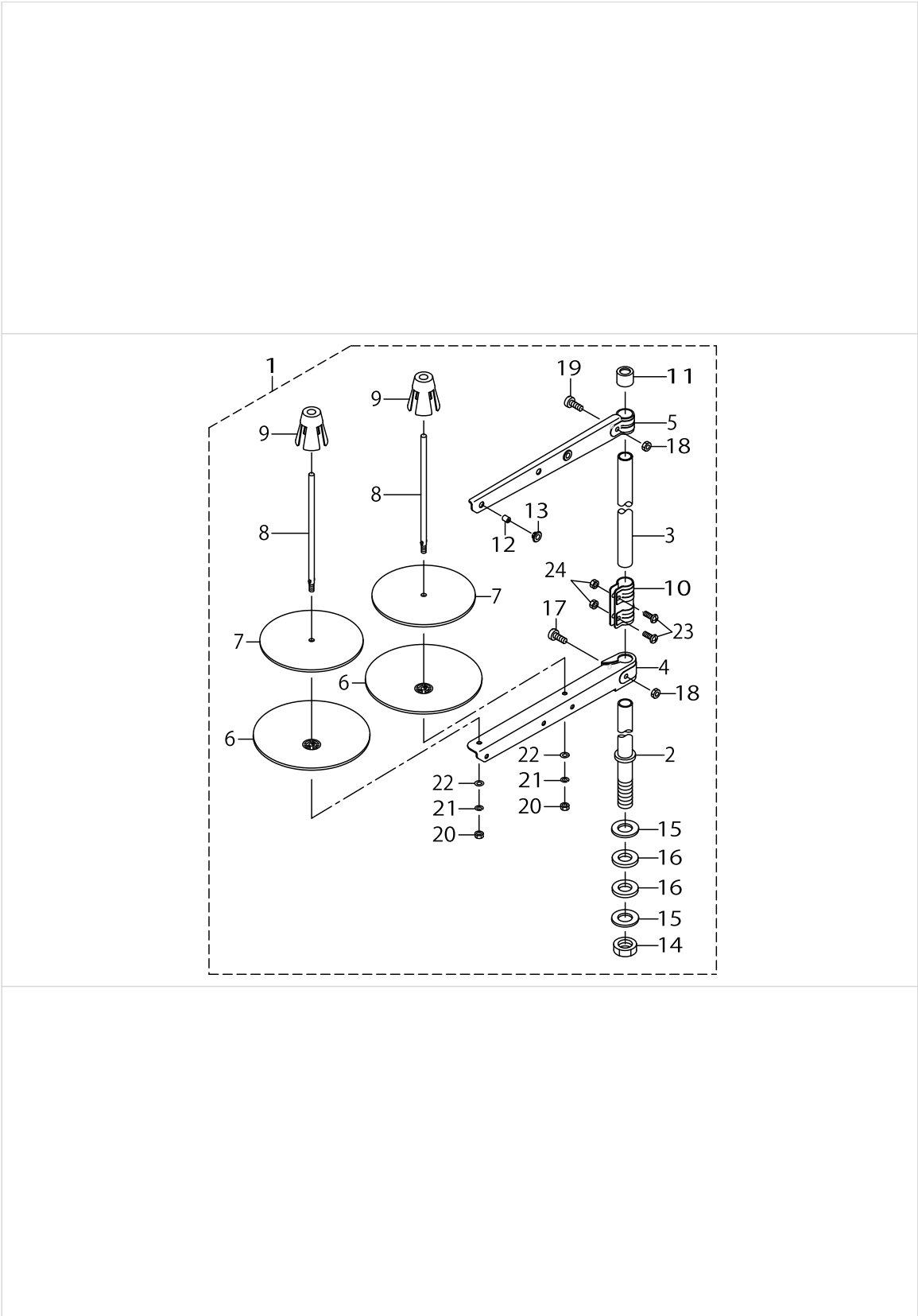
BELT COVER & BOBBIN COMPONENTS



BELT COVER & BOBBIN COMPONENTS

No.	Supply Code	Parts No.	Replacement	Parts name	Remarks	Choice	Step	Level	Cons	Qty	Rep. QTY
1		22933451		BELT COVER ASM.						1	
2	R	22933402	22933451	BELT COVER A				*		1	1.00
3		22933501		BELT COVER A CAP				*		1	
4		22933659		BELT COVER B COMPL.				*		1	
5		22933600		BELT COVER B				*		1	
6	R	22933758	22933659	BELT COVER B CAP ASM.				*		1	1.00
7		22933907		BELT COVER SUPPORT				*		1	
8	R	22934004	11025202	BELT COVER A SCREW				*		2	1.00
9		SS4121415SP		SCREW 3/16-28 L=14				*		1	
10		WP0501016SD		WASHER 5X10.5X1				*		1	
11	R	SK3412000SC	SK3412000SE	WOOD SCREW D=4.1 L=20				*		2	1.00
12		WP0450826SC		WASHER 4.5X10X0.8				*		2	
13		22927354		BOBBIN WINDER CONPL.						1	
14	R	22928501	11078250	THREAD TENSION BRACKET				*		1	1.00
15		SS4110515SP		SCREW 11/64-40 L=5				*		1	
16	R	22928907	22921506	THREAD TENSION DISK				*		2	1.00
17		22929004		THREAD TENSION SPRING				*		1	
18		22928808		THREAD TENSION NUT				*		1	
19		SS7110350SP		SCREW 11/64-40 L=3.5				*		1	
20	D	22928402		RUBBER BRAKE PRESSER PLATE				*		1	
21		22928303		RUBBER BRAKE				*		1	
22		22928105		POSITIONING FINGER				*		1	
23		SD0490261SP		HINGE SCREW D=4.9 H=2.6				*		1	
24		SS7081310SP		SCREW 1/8-44 L=12.5				*		1	
25	R	SS8110510SP	SS8110520TP	SCREW 11/64-40 L=5				*		1	1.00
26	R	22928709	11078250	THREAD TENSION BRACKET				*		1	1.00
27	R	22927305	22927354	BOBBIN BASE				*		1	1.00
28		22927404		BOBBIN PULLEY				*		1	
29		22927602		BOBBIN WINDER POST				*		1	
30	R	SK3412000SC	SK3412000SE	WOOD SCREW D=4.1 L=20						2	1.00
31		WP0450826SC		WASHER 4.5X10X0.8						2	

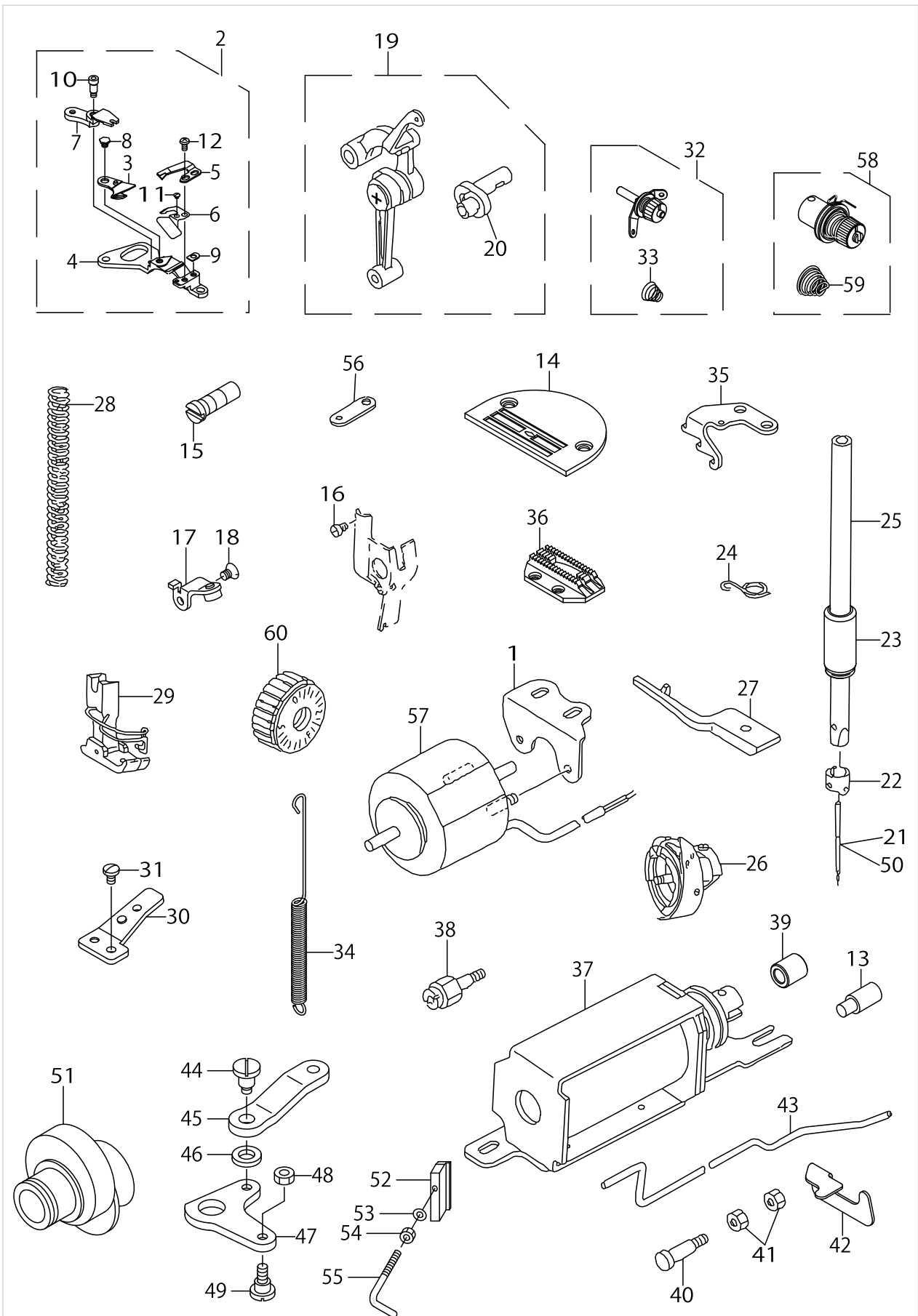
THREAD STAND COMPONENTS



THREAD STAND COMPONENTS

No.	Supply Code	Parts No.	Replacement	Parts name	Remarks	Choice	Step	Level	Cons	Qty	Rep. QTY
1		40096354		THREAD STAND ASM.						1	
2		40085784		SPOOL REST ROD LOWER				*		1	
3		40085785		SPOOL REST ROD UPPER				*		1	
4		40085786		SPOOL REST ARM LOWER				*		1	
5		40085787		SPOOL REST ARM UPPER				*		1	
6		40085788		SPOOL REST				*		2	
7		40085789		SPOOL REST CUSHION				*		2	
8		40085790		SPOOL PIN				*		2	
9		40085791		SPOOL RETAINER				*		2	
10		40085792		SPOOL REST ROD JOINT				*		1	
11		40085793		SPOOL REST ROD RUBBER CAP				*		1	
12		40085794		THREAD GUIDE				*		2	
13		40085795		THREAD GUIDE BUSHING				*		2	
14		40096325		SPOOL REST ROD NUT				*		1	
15		WP1612616SE		WASHER 16X30X2.6				*		2	
16		40085796		SPOOL REST ROD RUBBER CUSHION				*		2	
17		40096326		SPOOL REST ARM LOWER SCREW				*		1	
18		NM6050001SE		NUT M5				*		2	
19	R	40096327	SM4053001SE	SPOOL REST ARM UPPER SCREW				*		1	1.00
20		NM6050001SE		NUT M5				*		2	
21		WS0510002KN		SPRING WASHER M5				*		2	
22		WP0531001SC		WASHER M5				*		2	
23		SM4051405SE		SCREW M5 L=14				*		2	
24		NM6050001SE		NUT M5				*		2	

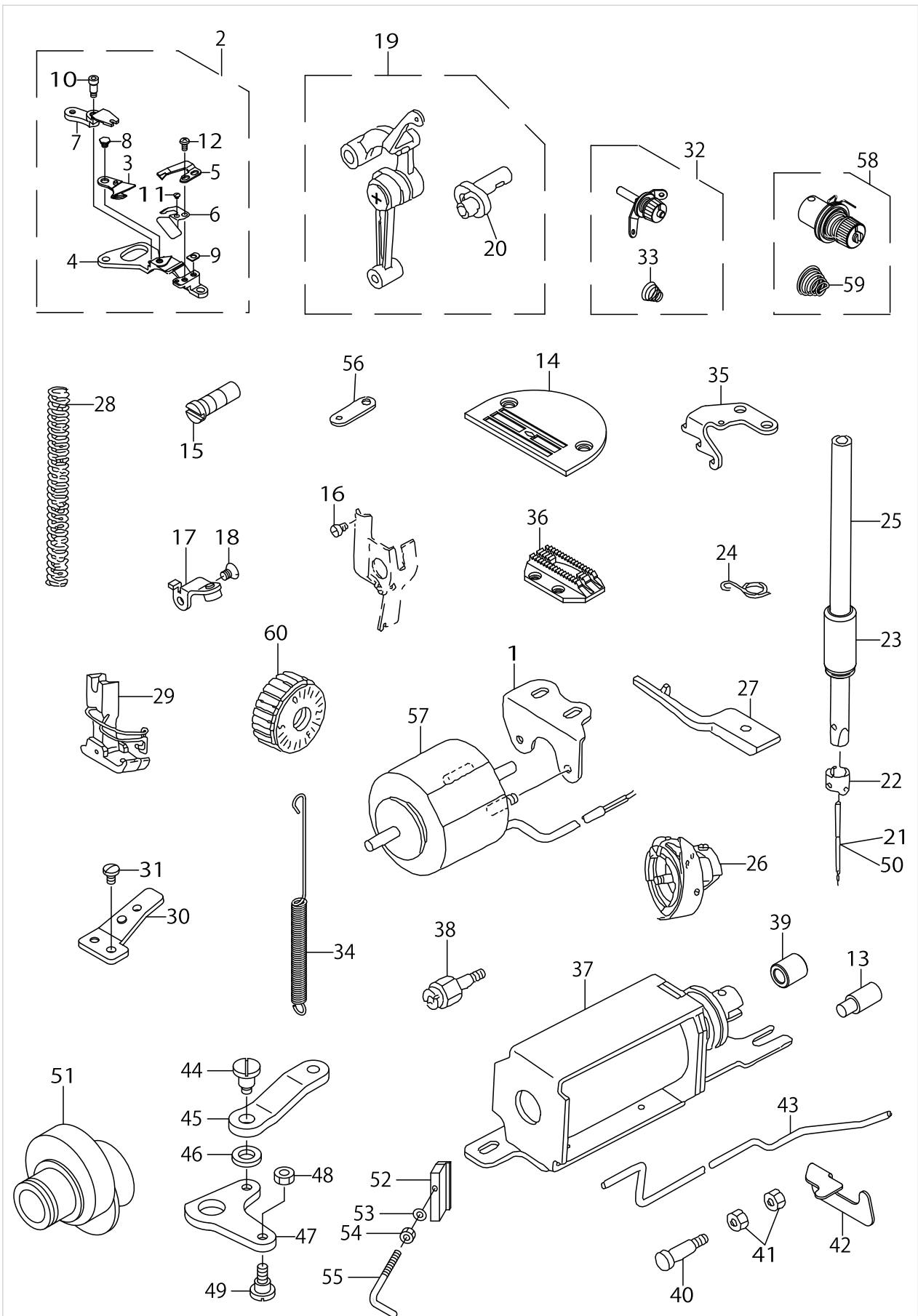
EXCLUSIVE PARTS FOR DDL-8700H-7



EXCLUSIVE PARTS FOR DDL-8700H-7

No.	Supply Code	Parts No.	Replacement	Parts name	Remarks	Choice	Step	Level	Cons	Qty	Rep. QTY
1	R	11094901	11407608	SOLENOID BASE						1	1.00
2		11095551		KNIFE UNIT						1	
3		11409257		MOVING KNIFE JASM.				*		1	
4		11095502		KNIFE MOUNT BASE				*		1	
5		40089755		FIX KNIFE				*		1	
6		11095403		KNIFE THREAD GUIDE				*		1	
7		11095601		KNIFE BRANCH				*		1	
8		SD0500131TP		HINGE SCREW D=5 H=1.25				*		1	
9		D2404555B00		COUNTER KNIFE SPACER				*		1	
10		SD0460703TP		HINGE SCREW D=4.6 H=7				*		1	
11		SS2060210SP		SCREW 3/32-56 L=2.3				*		1	
12		SS4080620TP		SCREW 1/8-44 L=6				*		2	
13		40010395		ADJUSTING LINK F-ULCRUM SHAFT B	FOR DDL--8700H-7-0B,-WB					1	
14		11400801		THROAT PLATE J						1	
15		B1213552000A		OIL ADJUSTING PIN						1	
16		SS6080320SP		SCREW 1/8-44 L=2.5						1	
17		11095254		LEVER STOPPER ASM.	FOR DDL--8700H-7-0B,-WB					1	
18		SS1120710SP		SCREW 3/16-28 L=6.5	FOR DDL--8700H-7-0B,-WB					1	
19	R	11091659	40103560	LINK THREAD TAKE-UP LEVER ASM.						1	1.00
20	R	11091600	40109126	NEEDLE BAR CRANK H				*		1	1.00
21		MDB100B2100		NEEDLE DBX1 #21						1	
22		B1418415H00		NEEDLE BAR THREAD GUIDE						1	
23		22970313		NEEDLE BAR BUSHING LOWER						1	
24		40023223		NEEDLE BAR THREAD GUIDE						1	
25		22970206		NEEDLE BAR						1	
26		11092251		LUBRICATING BOBBIN ASM.						1	
27	R	11093804	22962401	POSITIONING FINGER H						1	1.00
28		B1505552000A		PRESSER SPRING						1	
29	R	D1524555EBL	D1524555ECL	PRESSER FOOT ASM.						1	1.00
30		22962807		WIRE PRESSER PLATE (LOWER) B	FOR DDL--8700H-7-0B,-WB					1	
31		SS7110740TP		SCREW 11/64-40 L=7	FOR DDL--8700H-7-0B,-WB					1	
32		22963458		THREAD TENSION ASM.						1	
33	R	22963409	22963458	THREAD TENSION SPRING				*		1	1.00
34		40080725		ADJUSTING LINK SPRING						1	
35		22970602		FEED SPRING HOOK						1	
36		11403003		FEED J						1	
37	R	11096658	40090750	SOLENOID MOUNTING BASE ASM.	FOR DDL--8700H-7-0B,-WB					1	1.00
38		11231503		OIL PUMP SUPPORT	FOR DDL--8700H-7-0B,-WB					1	
39		22962609		REVERSE FEED BASE COLLAR	FOR DDL--8700H-7-0B,-WB					1	
40		22962906		PLUNGER ARM PIN	FOR DDL--8700H-7-0B,-WB					1	
41		NS6110420SP		NUT 11/64-40	FOR DDL--8700H-7-0B,-WB					2	
42		22962708		TUBE HOLDER LOWER	FOR DDL--8700H-7-0B,-WB					1	

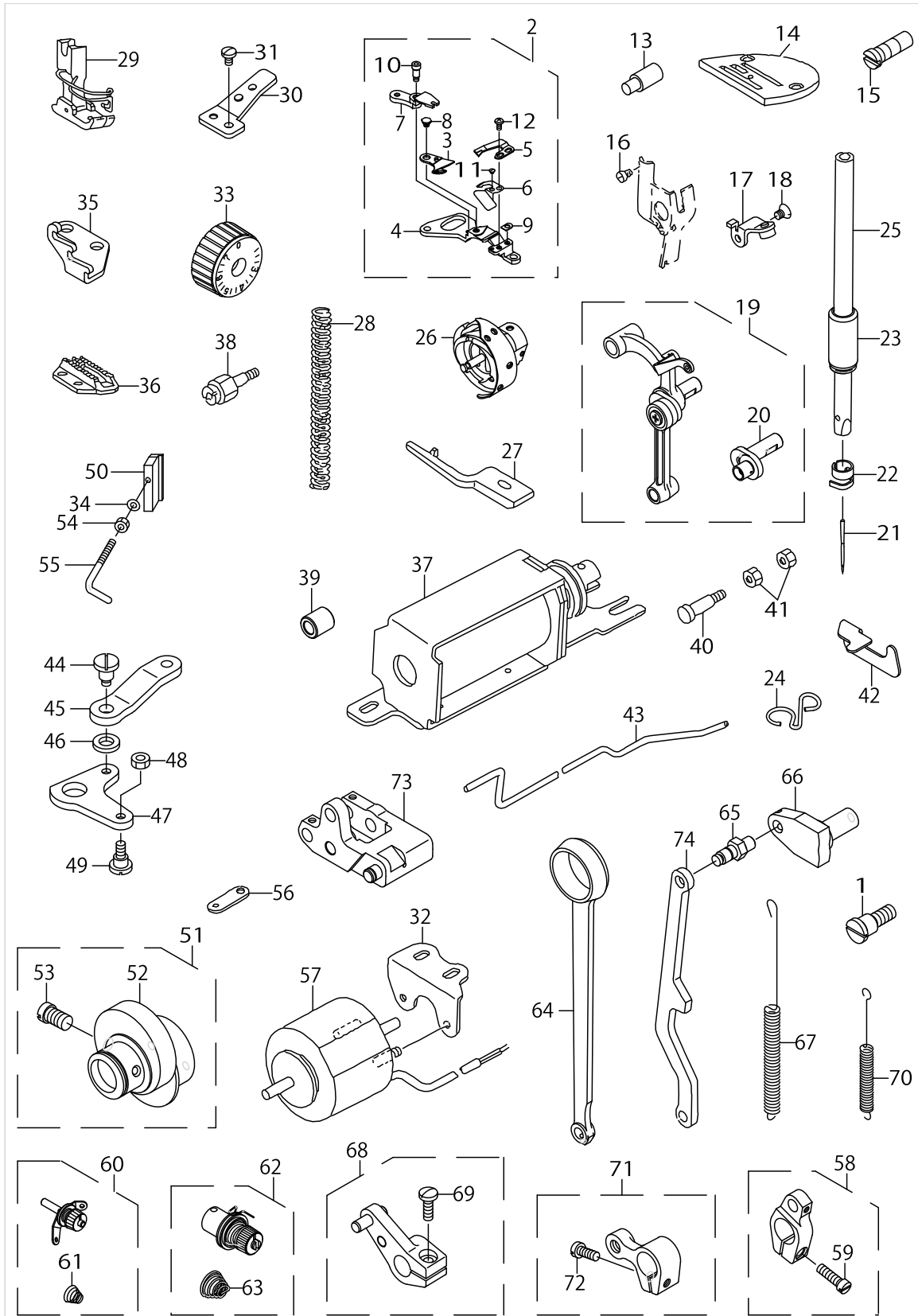
EXCLUSIVE PARTS FOR DDL-8700H-7



EXCLUSIVE PARTS FOR DDL-8700H-7

No.	Supply Code	Parts No.	Replacement	Parts name	Remarks	Choice	Step	Level	Cons	Qty	Rep. QTY
43		11094109		OIL TUBE						1	
44		SD0700711TP		HINGE SCREW D=7 H=7.1	FOR DDL-- 8700H-7-0B,-WB					1	
45		22962500		SOLENOID CONNECTING LINK H	FOR DDL-- 8700H-7-0B,-WB					1	
46		WP0722316SH		WASHER	FOR DDL-- 8700H-7-0B,-WB					1	
47		11101508		REVERSE FEED LINK	FOR DDL-- 8700H-7-0B,-WB					1	
48		NS6110420SP		NUT 11/64-40	FOR DDL-- 8700H-7-0B,-WB					1	
49		SD0700451TP		HINGE SCREW D=7 H=4.5	FOR DDL-- 8700H-7-0B,-WB					1	
50		MC200501300		NEEDLE 134 NM130	FOR JE					1	
51		22962351		FEED DRIVE ECCEN- TRIC CAM ASM.						1	
52		11403805		THREAD GUIDE C FITTING PLATE						1	
53		WP0371016SD		WASHER 3.7X8X1						1	
54		NS6090310SP		NUT 9/64-40						1	
55		22972608		ARMTHREADGUIDE C						1	
56		11094604		CLUTCH LINK						1	
57	R	11096500	40090753	THREAD TRIMMER SOLENOID						1	1.00
58		22962054		THREAD TENSION ASM.						1	
59	R	22962005	B3114232000	THREAD TENSION SPRING				*		1	1.00
60		40101726		FEED_DIAL						1	

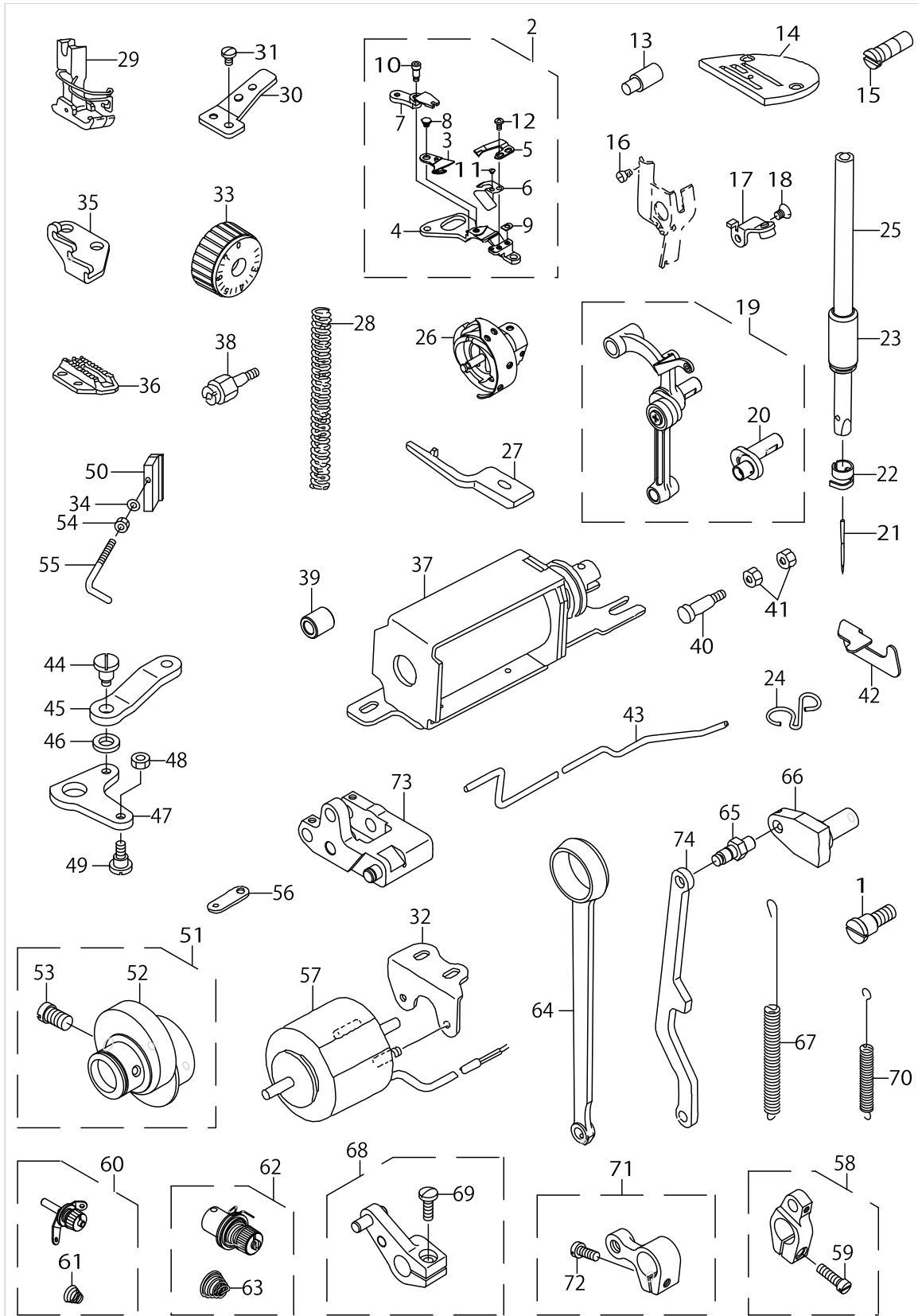
EXCLUSIVE PARTS FOR DDL-8700J-7



EXCLUSIVE PARTS FOR DDL-8700J-7

No.	Supply Code	Parts No.	Replacement	Parts name	Remarks	Choice	Step	Level	Cons	Qty	Rep. QTY
1		40031249		HINGE SCREW						1	
2		11095551		KNIFE UNIT						1	
3		11409257		MOVING KNIFE J ASM.				*		1	
4		11095502		KNIFE MOUNT BASE				*		1	
5		40089755		FIX KNIFE				*		1	
6		23645401		THREAD GUIDE FOR KNIFE H				*		1	
7		11095601		KNIFE BRANCH				*		1	
8		SD0500131TP		HINGE SCREW D=5 H=1.25				*		1	
9		D2404555B00		COUNTER KNIFE SPACER				*		1	
10		SD0460703TP		HINGE SCREW D=4.6 H=7				*		1	
11		SS2060210SP		SCREW 3/32-56 L=2.3				*		1	
12		SS4080620TP		SCREW 1/8-44 L=6				*		2	
13		40010395		ADJUSTING LINK F- ULCRUM SHAFT B						1	
14		11062007		THROAT PLATE A						1	
15		B1213552000A		OIL ADJUSTING PIN						1	
16		SS6080320SP		SCREW 1/8-44 L=2.5						1	
17		11095254		LEVER STOPPER ASM.						1	
18		SS1120710SP		SCREW 3/16-28 L=6.5						1	
19		11062858		LINK THREAD TAKE- -UP LEVER ASM.						1	
20		11062809		NEEDLE BAR CRANK				*		1	
21		MDP500B2100		NEEDLE DPX5 #21						1	
22		22970404		NEEDLE BAR THREAD HOOK						1	
23		22970313		NEEDLE BAR BUSHING LOWER						1	
24		40012444		NEEDLE BAR THREAD GUIDE						1	
25		22970206		NEEDLE BAR						1	
26		40035058		HOOK ASM.						1	
27		22942502		INNER HOOK PRESSER						1	
28		B1505552000A		PRESSER SPRING						1	
29		40064839		PRESSER FOOT ASM.						1	
30		22962807		WIRE PRESSER PLATE (LOWER) B						1	
31		SS7110740TP		SCREW 11/64-40 L=7						1	
32	R	11094901	11407608	SOLENOID BASE						1	1.00
33		40039674		FEED DIAL						1	
34		WP0371016SD		WASHER 3.7X8X1						1	
35		22970602		FEED SPRING HOOK						1	
36		11062601		FEED DOG						1	
37	R	11096658	40090750	SOLENOID MOUNTING BASE ASM.						1	1.00
38		11231503		OIL PUMP SUPPORT						1	
39		22962609		REVERSE FEED BASE COLLAR						1	
40		22962906		PLUNGER ARM PIN						1	
41		NS6110420SP		NUT 11/64-40						2	
42		22962708		TUBE HOLDER LOWER						1	
43		11094109		OIL TUBE						1	
44		SD0700711TP		HINGE SCREW D=7 H=7.1						1	
45		22962500		SOLENOID CONNECTING LINK H						1	

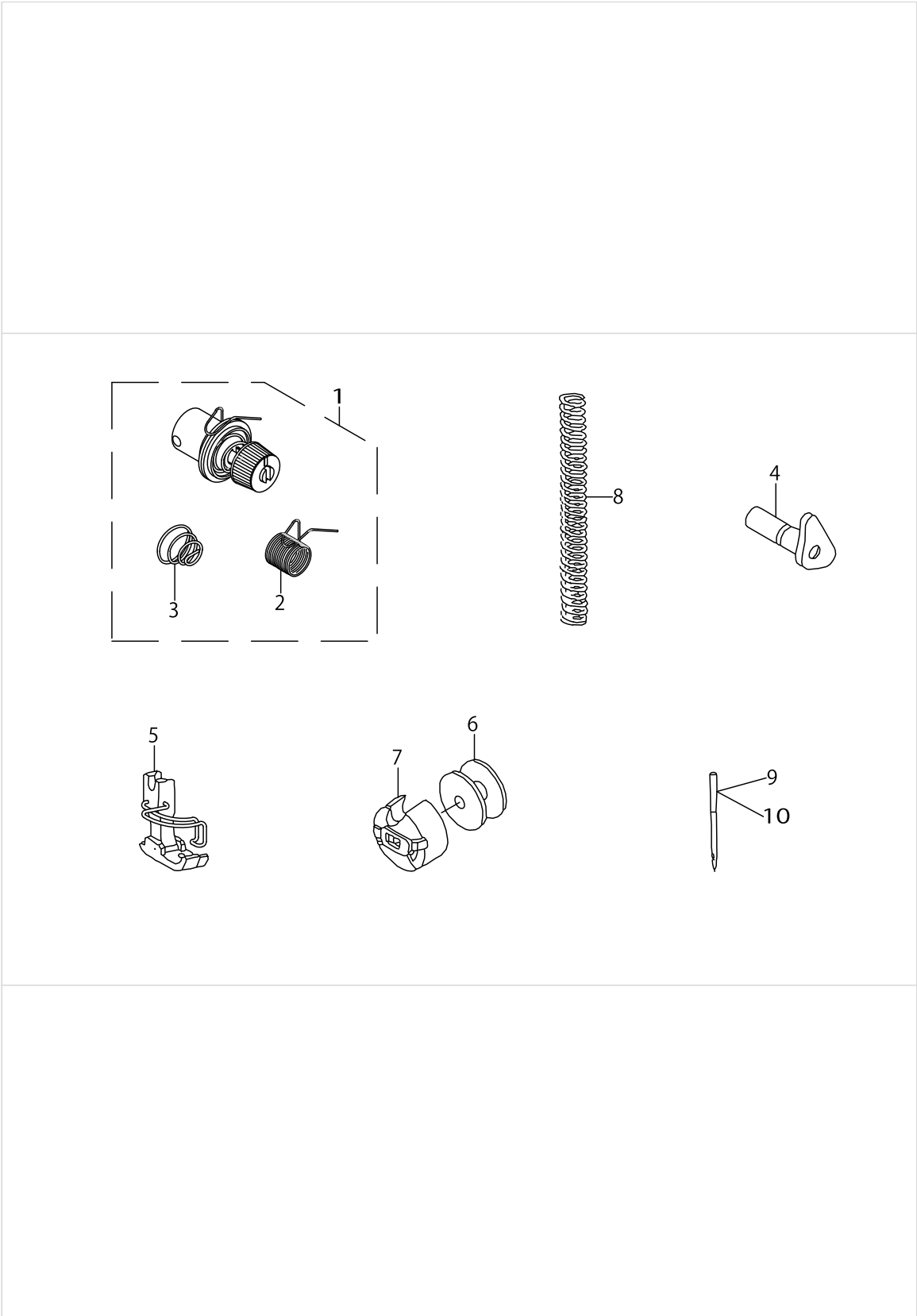
EXCLUSIVE PARTS FOR DDL-8700J-7



EXCLUSIVE PARTS FOR DDL-8700J-7

No.	Supply Code	Parts No.	Replacement	Parts name	Remarks	Choice	Step	Level	Cons	Qty	Rep. QTY
46		WP0722316SH		WASHER						1	
47		11101508		REVERSE FEED LINK						1	
48		NS6110420SP		NUT 11/64-40						1	
49		SD0700451TP		HINGE SCREW D=7 H=4.5						1	
50		11403805		THREAD GUIDE C FITTING PLATE						1	
51		22970552		FEED ECCENTRIC CAM ASM.						1	
52		22970503		FEED ECCENTRIC CAM L				*		1	
53		22972806		FEED ECCENTRIC CAM SETSCREW				*		2	
54		NS6090310SP		NUT 9/64-40						1	
55		22972608		ARMTHREADGUIDE C						1	
56		11094604		CLUTCH LINK						1	
57	R	11096500	40090753	THREAD TRIMMER SOLENOID						1	1.00
58		22970859		HORIZONTAL FEED ARM ASM.						1	
59		SS6121610SP		SCREW 3/16-28 L=15.5				*		1	
60		22963458		THREAD TENSION ASM.						1	
61	R	22963409	22963458	THREAD TENSION SPRING				*		1	1.00
62		22962054		THREAD TENSION ASM.						1	
63	R	22962005	B3114232000	THREAD TENSION SPRING				*		1	1.00
64	R	22970701	22970750	HORIZONTAL FEED ROD						1	1.00
65		22971204		FEED REGULATOR BASE PIN						1	
66		22971303		FEED REGULATOR BASE						1	
67		11302619		SPRING						1	
68		22971550		FEED LEVER ARM ASM.						1	
69		SS7121410TP		SCREW 3/16-28 L=14				*		1	
70		22971709		FEED REVERSE SPRING						1	
71		22972251		VERTICAL FEED ARM ASM.						1	
72		SS6121610SP		SCREW 3/16-28 L=15.5				*		1	
73		40031240		FEED ADJUST LINK ASM.						1	
74		40031244		FEED ADJUST ROD						1	

EXCLUSIVE PARTS FOR DDL-8700A-7



EXCLUSIVE PARTS FOR DDL-8700A-7

No.	Supply Code	Parts No.	Replacement	Parts name	Remarks	Choice	Step	Level	Cons	Qty	Rep. QTY
1		40011503		THREAD TENSION ASM.						1	
2		40054784		THREAD TAKE-UP SPRING				*		1	
3	R	40054785	D3129555D00	THREAD TENSION SPRING				*		1	1.00
4		11092558		HAND LIFTER CAM ASM.						1	
5		D1524555DBA		PRESSER FOOT ASM.						1	
6		22964001		BOBBIN (A)						1	
7		B18370120A0		BOBBIN CASE ASM.						1	
8		B1505227T00A		PRESSER SPRING T						1	
9		MC200500650		NEEDLE 134 NM65	FOR JE					1	
10		MDA100B0900		NEEDLE DAX1 #9						1	

LIST FOR INFORMATION OF CHANGE (1)

As to the place changed, refer to the corresponding Rev.No.
 When previous parts(Obsoleted part)and new parts(Added parts)are
 not interchangeable with each other:
 In this case,even obsoleted parts(D.)can be ordered with the
 obsoleted part number,so select the parts with changed dates and
 place your orders.

変更箇所は、該当Rev.No.版をご参照ください。
 部品の互換性がない変更の場合は、削除された品番でも、ご注文できます。

29347002
 No.1307-09 Rev.No.

*A:Added parts追加部品/D:Obsoleted parts削除部品/E:Erratum訂正

* Rev. No.	Page 頁	Ref. No.	Parts No. 品番	* Rev. No.	Page 頁	Ref. No.	Parts No. 品番
D 08	2	1	229-02159	A 09	2	1	401-02097
D 08	2	8	SS-4120915-SP	A 09	2	8	SS-4120925-SP
D 08	2	20	400-93432	A 09	2	20	401-11022
D 08	2	50	SS-4120915-SP	A 09	2	50	SS-4120925-SP
D 08	2	61	229-02605	A 09	2	61	400-99083
D 08	2	62	SS-7110540-SP	A 09	2	62	SS-7110720-SP
D 08	2	63	WP-0501016-SD				
				A 09	2	63	401-16677
D 08	2	64	SS-4121215-SP				
D 08	2	66	M6008-350-AAL				
D 08	2	67	M6008-350-AAA				
D 08	2	68	M6008-350-AAF				
D 08	4	4	110-39070	A 09	4	4	229-18072
D 08	4	5	110-39062	A 09	4	5	229-18064
D 08	4	6	B1905-541-B00	A 09	4	6	229-18403
				A 09	4	7	229-18502
				A 09	4	8	229-18601
				A 09	4	9	229-18700
D 08	4	7	110-05204	A 09	4	10	229-18106
D 08	4	8	B1408-552-000	A 09	4	11	229-06606
D 08	4	9	B1903-552-000	A 09	4	12	229-18304
D 08	4	10	229-03157	A 09	4	13	401-06606
D 08	4	21	110-02508	A 09	4	21	401-05231
D 08	6	1	229-01409	A 09	6	1	TA-0850604-R0
D 08	6	12	B1307-155-OC0				
D 08	6	13	B1306-155-OB0				
D 08	6	14	B1305-012-OA0	A 09	6	14	400-90002
D 08	6	16	B1306-155-OA0	A 09	6	16	400-90003
D 08	6	18	B1307-155-OB0				
D 08	6	19	B1307-155-OA0	A 09	6	19	400-90004
D 08	6	21	B1308-155-OA0	A 09	6	21	400-90005
D 08	6	36	229-17058	A 09	6	36	401-01694
D 08	6	45	SS-4120915-SP	A 09	6	13	SS-4120925-SP
D 08	10	31	229-40803	A 09	10	31	401-01462
D 08	10	43	229-10350	A 09	10	43	401-10379
D 08	10	45	229-15151	A 09	10	45	401-09422

HOW TO MAKE USE OF THIS PARTS LIST

1.Explanation of codes

1)"*"mark.....means this part is changed from the previous parts book.

As to the details of the change, refer to the "List for information of change".

2)"#01".....refer to "Note" explanation at bottom of page.

2.Codes on the "Qty" column

- Each numeral indicates the number of parts required.
- "0.1" and "2.5" indicate the length (in meters) of the respective parts.

3.Parentheses mean that the corresponding part is a subpart that constructs an assembly part.

4.Dotted lines on the Figures indicate assembly parts.

1."注記"欄の記号説明

1) "*"印.....前回のパーツブックに比較して今回変更された部品を意味します。

変更内容は、"変更情報リスト"を参照してください。

2) "#01".....ページ下の"注記"の説明を参照してください。

2.数量欄の数字は、個数を表し、0.1、2.5等の数値は、長さ（単位メートル）を表します。

3.数量欄の（ ）は、組部品を構成している子部品であることを意味します。

4.イラストページの-----枠は、組構成であることを意味します。

NUMERICAL INDEX OF PARTS

PART NO	PAGE	REF NO.	PART NO	PAGE	REF NO.	PART NO	PAGE	REF NO.
11002409	6	20	11101508	38	47	22907802	12	1
11002904	6	3	11101508	42	47	22908008	12	42
11009800	18	5-68	11110152	26	20	22908008	14	42
11010311	16	17	11141355	10	24-34	22908156	12	40
11015906	10	39	11231503	36	38	22908305	14	44
11028008	4	60-64	11231503	40	38	22908354	12	39
11030202	4	59	11302619	42	67	22908552	12	4
11037405	16	22	11313103	20	7	22908701	12	7
11038650	10	24-34	11400801	36	14	22908800	12	14
11038759	10	42	11403003	36	36	22908909	12	11
11040052	20	5	11403805	38	52	22909006	12	13
11040300	20	6	11403805	42	50	22910004	8	48
11040359	20	1	11409257	36	3	22910053	8	46
11040409	20	4	11409257	40	3	22910103	6	42
11040508	20	3	11415205	4	28-58	22910202	16	12-52
11040854	20	45	22900401	2	10	22910459	18	60
11040953	20	44	22900609	2	28-58	22910806	16	28
11062007	40	14	22900757	2	4	22910905	16	24
11062601	40	36	22901003	4	55	22911002	16	40
11062809	40	20	22901201	4	52	22911101	16	13
11062858	40	19	22901250	4	51	22911408	16	23
11091600	36	20	22901300	4	53	22911507	16	2
11091659	36	19	22901805	2	14	22911606	16	4
11092251	36	26	22903009	6	44	22911705	16	5-68
11092558	44	4	22903108	6	15	22911804	16	7
11093804	36	27	22903207	6	25	22912000	16	9
11094109	38	43	22903306	6	27	22912109	16	8
11094109	40	43	22903900	6	40	22912257	16	19
11094604	38	56	22904155	6	23	22912505	16	20
11094604	42	56	22904155	18	61	22912802	18	65
11094901	36	1	22905004	10	23	22912901	16	39
11094901	40	32	22905103	10	25	22913008	18	51
11095254	36	17	22905202	10	26	22913701	16	38
11095254	40	17	22906101	10	2	22913800	18	12-52
11095403	36	6	22906200	10	8	22914105	18	69
11095502	36	4	22906309	10	10	22915003	16	15
11095502	40	4	22906457	10	4	22915201	18	48
11095551	36	2	22906606	6	11	22915359	18	58
11095551	40	2	22907208	12	34	22916001	10	31
11095601	36	7	22907307	12	36	22916100	10	35
11095601	40	7	22907406	12	33	22916308	10	27
11096500	38	57	22907505	12	32	22916506	10	40
11096500	42	57	22907554	12	30	22916555	10	38
11096658	36	37	22907604	12	31	22917157	10	29
11096658	40	37	22907703	14	45	22918064	6	5

NUMERICAL INDEX OF PARTS

PART NO	PAGE	REF NO.	PART NO	PAGE	REF NO.	PART NO	PAGE	REF NO.
22918072	6	4	22927354	32	13	22939607	10	3·12
22918106	6	10	22927404	32	28	22940506	16	10
22918304	6	12	22927602	32	29	22940654	18	55
22918403	6	6~9	22928105	32	22	22940753	16	35
22918502	6	6~9	22928303	32	21	22940951	16	27
22918601	6	6~9	22928402	32	20	22941108	16	1
22918700	6	6~9	22928501	32	14	22941306	16	36
22919203	6	29	22928709	32	26	22942502	10	32
22919559	6	2	22928808	32	18	22942502	40	27
22920102	12	29	22928907	32	16	22942601	10	43
22920201	12	23	22929004	32	17	22944508	12	18
22920300	12	26	22931703	30	27	22944607	12	20
22920409	12	24	22931802	30	2	22944706	12	10
22920508	2	30	22931851	30	1	22944854	12	28
22920607	4	47	22931901	30	3	22945109	12	25
22921001	2	31	22932008	30	4	22945307	2	40
22921209	2	38	22932107	30	8	22945356	2	32
22921308	2	33	22932156	30	7	22945414	2	22
22921407	2	34	22932206	30	11	22945463	2	21
22921506	2	37	22932305	30	17	22945505	2	25
22921605	2	39	22932404	30	14	22945604	2	23
22921704	2	35	22932453	30	13	22945703	2	26
22921803	2	36	22932909	10	41	22945802	2	24
22923015	28	14	22933402	32	2	22947105	28	26
22923056	28	12	22933451	32	1	22948301	20	35
22923205	28	17	22933501	32	3	22948400	20	37
22923312	28	13	22933600	32	5	22949002	20	43
22923403	28	19	22933659	32	4	22949101	20	40
22923502	28	21	22933758	32	6	22949200	20	41
22923601	28	20	22933907	32	7	22949309	20	38
22923700	28	15	22934004	32	8	22949408	20	29
22923809	28	18	22934202	30	22	22949754	20	24
22923908	28	22	22934251	30	19	22949762	20	23
22924005	28	30	22934301	30	23	22949903	22	55
22924153	28	6	22934400	30	21	22950000	20	26
22924302	28	7	22934509	30	25	22950109	20	31
22924401	28	3	22934608	30	20	22950208	20	14
22924500	28	11	22934707	30	15	22950257	20	13
22924609	28	28	22935407	4	57	22950356	20	15
22924708	28	1	22937056	6	34	22950703	20	25
22924807	22	58	22937064	6	30·31	22950851	20	19
22924906	28	10	22937155	6	35·39	22950950	20	21
22925002	28	9	22937254	6	36·38	22951008	22	57
22925101	28	5	22937965	6	43	22951164	22	48
22927305	32	27	22939508	10	3·12	22951404	22	50

NUMERICAL INDEX OF PARTS

PART NO	PAGE	REF NO.	PART NO	PAGE	REF NO.	PART NO	PAGE	REF NO.
22951552	22	59	22963409	42	61	40064839	40	29
22952501	2	18	22963458	36	32	40080725	36	34
22953509	24	24	22963458	42	60	40085585	24	25
22953657	24	17	22964001	44	6	40085784	34	2
22953806	24	15	22970206	36	25	40085785	34	3
22953905	24	19	22970206	40	25	40085786	34	4
22954002	24	28	22970313	36	23	40085787	34	5
22954101	24	4	22970313	40	23	40085788	34	6
22954150	24	1	22970404	40	22	40085789	34	7
22954200	24	5	22970503	42	52	40085790	34	8
22954309	24	6	22970552	42	51	40085791	34	9
22954408	24	12	22970602	36	35	40085792	34	10
22954507	24	13	22970602	40	35	40085793	34	11
22954606	24	2	22970701	42	64	40085794	34	12
22954705	2	9	22970859	42	58	40085795	34	13
22955504	26	2	22971204	42	65	40085796	34	16
22955553	26	1	22971303	42	66	40087245	20	30
22955900	26	13	22971550	42	68	40089548	16	25
22956007	26	14	22971709	42	70	40089755	36	5
22956106	26	6	22972251	42	71	40089755	40	5
22956205	26	10	22972608	38	55	40090002	10	14
22956304	26	11	22972608	42	55	40090003	10	16
22956403	26	7	22972806	42	53	40090004	10	19
22956809	26	23	23645401	40	6	40090005	10	21
22956908	26	9	40010395	36	13	40090058	10	6
22957005	26	24	40010395	40	13	40093417	16	26
22957104	26	16	40011503	44	1	40096325	34	14
22957203	26	21	40012126	2	2	40096326	34	17
22958300	2	7	40012129	2	11	40096327	34	19
22962005	38	59	40012444	10	7-18	40096354	34	1
22962005	42	63	40012444	40	24	40099083	4	61
22962054	38	58	40017623	6	30-31	40100812	18	64
22962054	42	62	40017624	6	35-39	40101462	16	31
22962351	38	51	40017625	6	36-38	40101694	10	36
22962500	38	45	40017805	12	35	40101720	30	16
22962500	40	45	40023223	36	24	40101726	38	60
22962609	36	39	40031240	42	73	40102097	2	1
22962609	40	39	40031244	42	74	40102264	18	66
22962708	36	42	40031249	40	1	40105231	6	21
22962708	40	42	40035058	40	26	40106606	6	13
22962807	36	30	40039674	40	33	40106930	22	49
22962807	40	30	40041419	26	19	40106931	22	53
22962906	36	40	40054784	44	2	40106936	26	15
22962906	40	40	40054785	44	3	40109422	18	45
22963409	36	33	40060989	12	5	40110379	16	43

NUMERICAL INDEX OF PARTS

PART NO	PAGE	REF NO.	PART NO	PAGE	REF NO.	PART NO	PAGE	REF NO.
40111022	2	20	NS6090310SP	42	54	SD0700451TP	38	49
40116677	4	63	NS6110310SP	26	12	SD0700451TP	42	49
B1109012I0B	4	44	NS6110420SP	36	48	SD0700711TP	38	44
B1109552000	4	60-64	NS6110420SP	38	48	SD0700711TP	40	44
B1213552000A	36	15	NS6110420SP	40	48	SD0720331SP	12	12
B1213552000A	40	15	NS6110420SP	42	48	SD1000801SH	18	47
B1215552000	6	26	NS6150430SP	20	33	SE4301041SR	28	16
B1418415H00	36	22	NS6620310SP	12	21	SK3412000SC	32	30
B1505227T00A	44	8	NS6680410SP	16	42	SL4030631SC	26	3
B1505552000A	36	28	RC0150001KP	16	54	SL4030641SE	26	22
B1505552000A	40	28	RC0150001KP	18	54	SL4030851SF	28	23
B1521555000	12	2	RC1850001KP	6	22	SL4051001MZ	8	45
B15240120BA	12	9	RE0250000K0	26	8	SM4031501SC	24	8
B1613012A00	18	33-70	RE0400000K0	20	39	SM4040655SP	24	3
B1613012I00	16	33-70	RE0400000K0	24	23	SM4041655SP	24	7
B18370120A0	44	7	RE0400000KP	24	18	SM4051405SE	34	23
B3118552E00	4	43	RE0500000K0	12	43	SM8061010TP	18	67
B8228125000	30	26	RE0500000K0	14	43	SM8063012TR	30	10
CM300200001	2	12	RE0500000K0	16	21	SM9061203SE	30	24
CM301200001	2	13	RE0500000K0	20	56	SS1120710SP	36	18
CQ252000000	28	8	RE0500000K0	22	56	SS1120710SP	40	18
D1524555DBA	44	5	RE0500000K0	26	18	SS2060210SP	20	8
D1524555EBL	36	29	RE0500000KP	24	14	SS2060210SP	36	11
D2404555B00	36	9	RE0600000K0	20	34	SS2060210SP	40	11
D2404555B00	40	9	RE0900000K0	24	16	SS2110915SP	4	46
D2406555D0H	20	10	RE1000000K0	30	12	SS2110920TP	4	45
D2468555B00	24	22	RE1200000K0	24	20	SS4080620TP	16	34
EA9500B0100	6	28	RO029180100	6	41	SS4080620TP	20	9
HA001900000	24	11	RO037180100	12	3	SS4080620TP	36	12
HA00600000A	26	17	RO044240100	6	18	SS4080620TP	40	12
HK034610140	20	11	RO078190100	18	63	SS4090615SP	6	19
HK03464000B	24	29	RO092270200	16	16	SS4110515SP	12	16
HW500070000	24	9	RO098240100	30	6	SS4110515SP	16	37
MC200500650	44	9	RO195240100	28	2	SS4110515SP	32	15
MC200500900	10	11-28	SD0460703TP	20	2	SS4110715SP	20	28
MC200501300	38	50	SD0460703TP	36	10	SS4110915TP	10	33
MDA100B0900	44	10	SD0460703TP	40	10	SS4120615SP	2	29
MDB100B1400	10	11-28	SD0490261SP	32	23	SS4120615SP	12	27
MDB100B2100	36	21	SD0500131TP	36	8	SS4120615SP	24	27-30
MDP500B2100	40	21	SD0500131TP	40	8	SS4120615SP	28	4
NM6040001SE	22	52	SD0600361SP	20	46	SS4120915SP	24	27-30
NM6050001SE	34	24	SD0630275SP	20	18	SS4120915SP	26	26
NM6060001SE	30	18	SD0640631TP	22	60	SS4120925SP	2	50
NS6090310SP	26	5	SD0641451SP	20	17	SS4120925SP	4	50
NS6090310SP	38	54	SD0650321TP	26	4	SS4120925SP	10	13

NUMERICAL INDEX OF PARTS

PART NO	PAGE	REF NO.	PART NO	PAGE	REF NO.
SS4121415SP	32	9	SS8110510SP	32	25
SS4150915SP	12	17	SS8110520TP	20	22
SS4150915SP	22	47	SS8150710TP	2	42
SS4150915SP	28	24	SS8150710TP	16	29
SS4151215SP	22	61	SS8151150TP	6	1
SS4151215SP	24	26	SS8151550SP	6	33
SS6060210SP	4	54	SS8660610TP	6	24
SS6080320SP	36	16	SS8660610TP	18	62
SS6080320SP	40	16	SS8660810TP	10	22
SS6080410SP	2	3	SS8660810TP	12	37
SS6090510TP	20	16	SS8681650TP	6	16
SS6090540SP	26	25	TA0850604R0	2	5
SS6090620TP	16	41	TA0850604R0	10	1
SS6090670TP	10	5	TA1250406R0	4	49
SS6090670TP	16	3	TA1250705R0	2	6
SS6090910SP	12	38	TA2000502R0	2	16
SS6110420TP	10	30	TA2101002R0	2	19
SS6110610TP	4	48	WP0371016SD	38	53
SS6110710TP	22	54	WP0371016SD	40	34
SS6111010TP	28	25	WP0450801SD	6	32
SS6111210SP	6	37	WP0450826SC	32	31
SS6121610SP	16	44	WP0480856SP	18	57
SS6121610SP	42	72	WP0501016SD	32	10
SS6121840SP	2	17	WP0531001SC	34	22
SS6121860SP	16	11	WP0621016SH	20	32
SS6660610TP	20	20	WP0722316SH	38	46
SS6661110SP	8	47	WP0722316SH	42	46
SS6700710SH	30	5	WP1602616SZ	24	21
SS7080510TP	10	9	WP1612616SE	34	15
SS7081310SP	32	24	WS0410002KR	22	51
SS7090610SP	20	42	WS0451040KP	28	29
SS7091110TP	12	6	WS0510002KN	34	21
SS7110350SP	32	19	WS0651310KP	28	27
SS7110720SP	4	62	WT0530002KS	4	56
SS7110740TP	18	53			
SS7110740TP	36	31			
SS7110740TP	40	31			
SS7111120SP	18	59			
SS7120770SH	16	6			
SS7121410TP	18	56			
SS7121410TP	42	69			
SS7121610SP	18	46			
SS7681650TP	6	14			
SS8090670SP	2	41			
SS8110410TP	10	37			