

MODEL : MH-1410

List No : 1303-01

# PARTS LIST

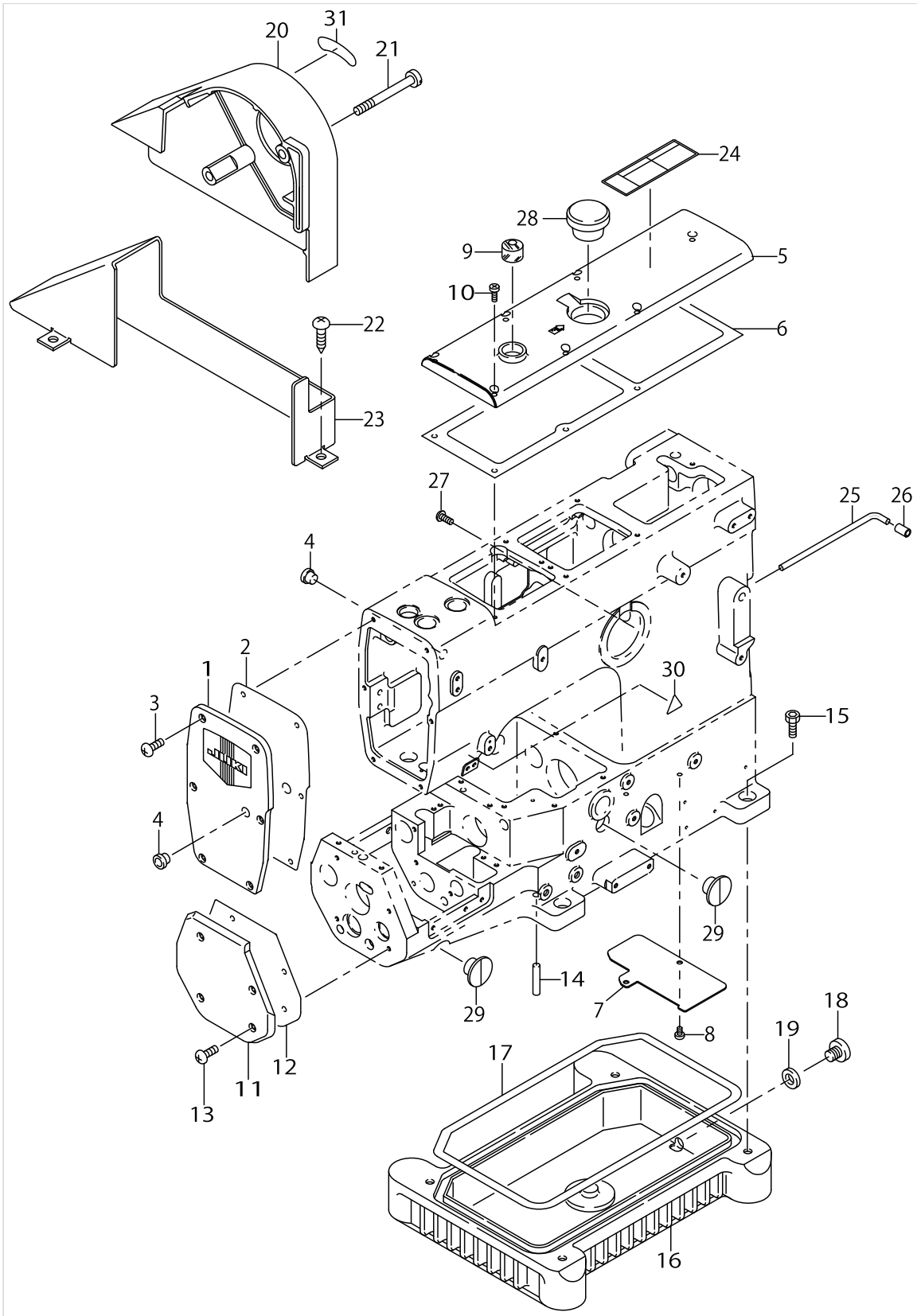
Published:05/12/2017

## CONTENTS

---

FRAME & MISCELLANEOUS COVER COMPONENTS (1) .....	1
FRAME & MISCELLANEOUS COVER COMPONENTS (2) .....	3
UPPER SHAFT COMPONENTS .....	7
LOWER SHAFT COMPONENTS.....	9
NEEDLE ROD COMPONENTS.....	13
PRESSER FOOT COMPONENTS.....	15
FEED MECHANISM COMPONENTS.....	17
LOOPER COMPONENTS .....	21
SPREADER COMPONENTS.....	23
THREAD TENSION COMPONENTS .....	25
LUBRICATION MECHANISM COMPONENTS.....	29
CLOTH PULLER EXCLUSIVE PARTS (1).....	31
CLOTH PULLER EXCLUSIVE PARTS (2).....	33
CLOTH PULLER EXCLUSIVE PARTS (3).....	35
CLOTH PULLER EXCLUSIVE PARTS (4).....	37
GAGE EXCLUSIVE PARTS (1) .....	39
GAGE EXCLUSIVE PARTS (2) .....	45
THREAD STAND COMPONENTS.....	51
TABLE COMPONENTS.....	55
SPECIAL ORDER PARTS COMPONENTS.....	57
ACCESSORIE PARTS COMPONENTS .....	59
PRESSER LIFTER COMPONENTS .....	61
OPTIONAL COMPONENTS (1).....	63
OPTIONAL COMPONENTS (2).....	65
HOW TO MAKE USE OF THIS PARTS LIST .....	66

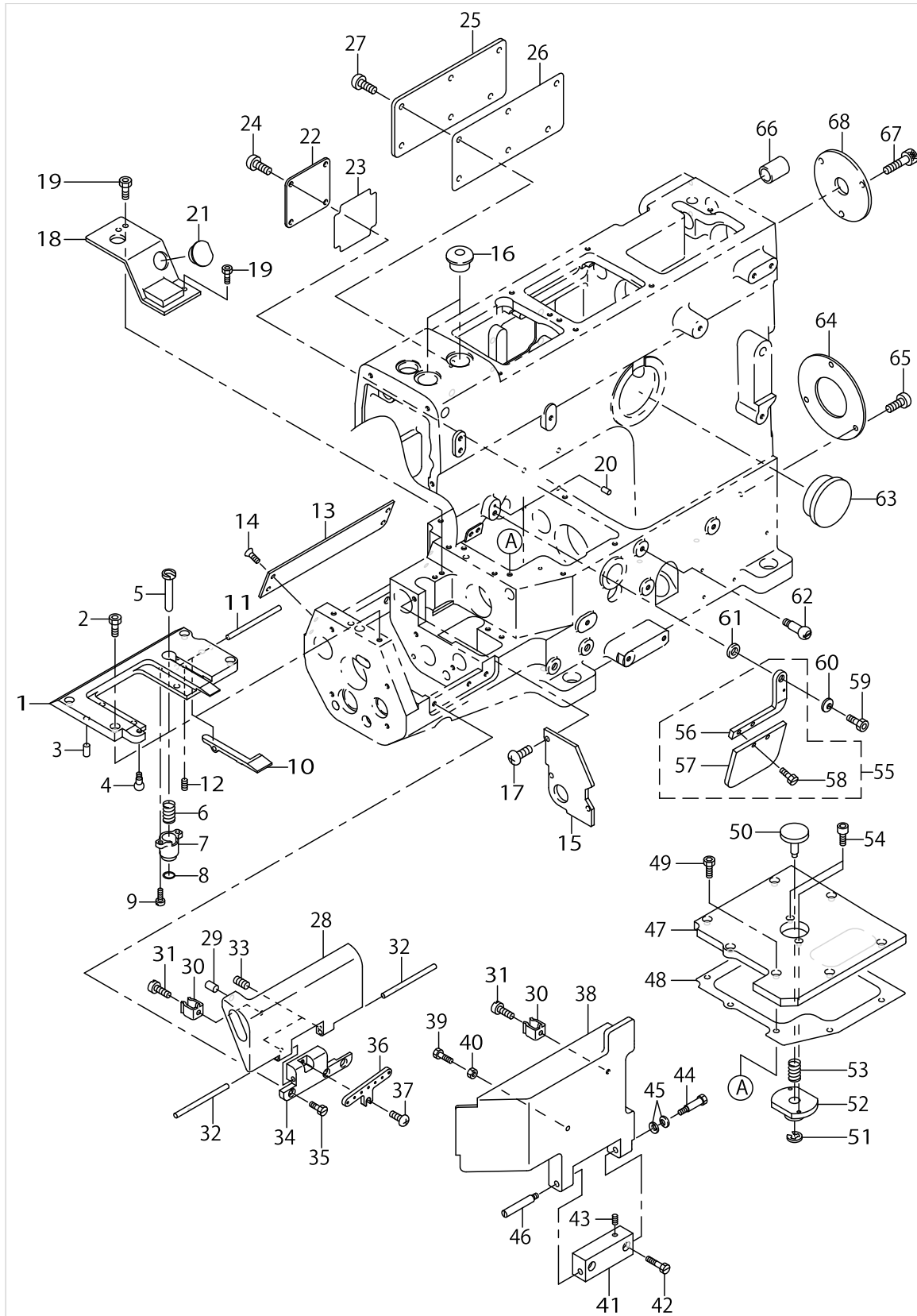
FRAME & MISCELLANEOUS COVER COMPONENTS (1)



FRAME & MISCELLANEOUS COVER COMPONENTS (1)

No.	Supply Code	Parts No.	Replacement	Parts name	Remarks	Choice	Step	Level	Cons	Qty	Rep. QTY
1		31100506		FACE PLATE						1	
2	D	31100605		FACE PLATE PACKING						1	
3		31168107		SCREW (M4X0.7-10) 45						6	
4		31178205		RUBBER CAP						2	
5		31101405		TOP COVER						1	
6		31102700		TOPCOVERPACKING						1	
7		31101900		DUST PROOF PLATE						1	
8		31168503		SCREW (M4X0.7-5) 45						2	
9		31104706		OIL SIGHT WINDOW						1	
10	D	31168008		SCREW (M4X0.7-12) 45						7	
11		31101207		CYLINDER COVER (LEFT)						1	
12		31101603		CYLINDER COVER PACKING						1	
13		31168107		SCREW (M4X0.7-10) 45						4	
14		31104607		KNOCK PIN						4	
15	D	31164007		SCREW (M8X1.25-20) 62						4	
16		31104102		OIL RESERVOIR						1	
17		31104201		OIL RESERVOIR PACKING						1	
18		31161805		SCREW (3/8X24-8) 70						1	
19		31181506		PACKING						1	
20		31105950		BELT COVER ASM.						1	
21		31165509		SCREW (M6X1-63) 60						2	
22		GAKA2222000		WOOD SCREW (5.1X20)						3	
23		31106107		BELT COVER (LOWER)						1	
24		CM3002001B1		SAFETY LABEL 12						1	
25		31140205		POSITIONER PIN	FOR SC-380					1	
26		31140304		POSITIONER PIN CUSHION	FOR SC-380					1	
27		31168107		SCREW (M4X0.7-10) 45						1	
28		31178106		RUBBER CAP						1	
29		31105703		SCREW (M14X2-6) 60						2	
30		CM300200001		ATTENTION SEAL 16						1	
31		31106008		ROTATION DIRECTION SEAL						1	

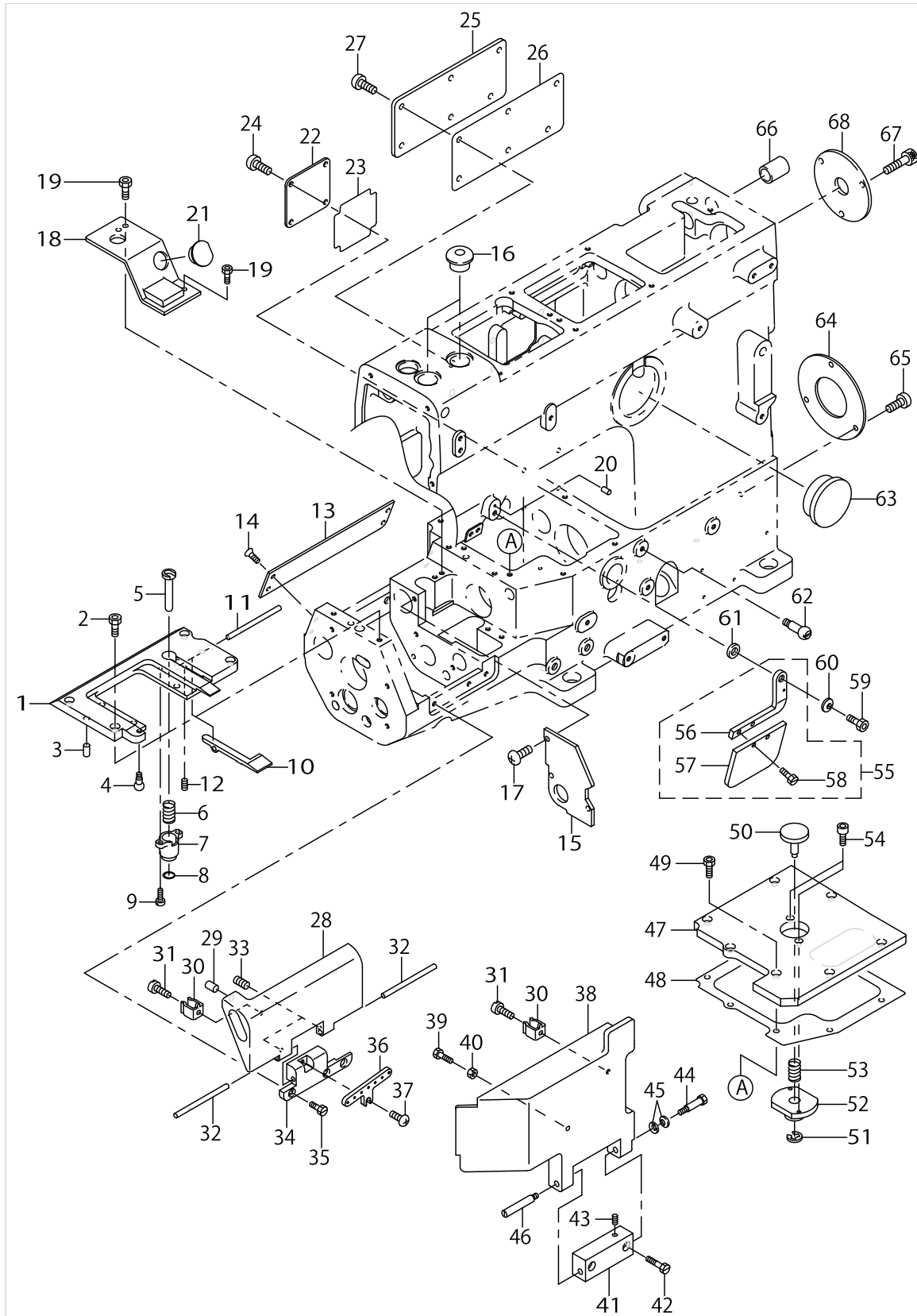
FRAME & MISCELLANEOUS COVER COMPONENTS (2)



FRAME & MISCELLANEOUS COVER COMPONENTS (2)

No.	Supply Code	Parts No.	Replacement	Parts name	Remarks	Choice	Step	Level	Cons	Qty	Rep. QTY
1		31101504		THROAT PLATE FITTING BASE						1	
2		31160906		SCREW (M4X0.7-10) 60						4	
3		31103906		KNOCK PIN						2	
4		31104508		SPRING HOLDER						1	
5		31126600		LOOPER POP-UP BUTTON						1	
6		31103807		LOOPER POP-UP GUIDE SPRING						1	
7		31126501		LOOPER POP-UP GUIDE						1	
8		31181209		O-RING						1	
9		31164304		SCREW (M3X0.5-6.5) 62						2	
10		31126808		BUTTON LEVER						1	
11		31177009		PARALLEL PIN (φ 4X25)						1	
12		31169501		SCREW (M3X0.5-3) 82						1	
13		31101306		CYLINDER COVER (REAR)						1	
14		31169006		SCREW (M3X0.5-6) 10						4	
15		31102403		LOOPER ECCENTRIC COVER (LEFT)						1	
16		31178304		RUBBER CAP						2	
17		31168404		SCREW (M4X0.7-8) 45						3	
18		31102502		LOOPER ECCENTRIC COVER (UPPER)						1	
19		31162704		SCREW (M4X0.7-6) 62						3	
20		31176902		SPRING PIN						1	
21		31102601		RUBBER CAP						1	
22		31102205		ADJUSTING SLIDE COVER						1	
23		31102304		ADJUSTING SLIDE COVER PACKING						1	
24		31168404		SCREW (M4X0.7-8) 45						4	
25		31104003		SLIDE PLATE						1	
26		31105307		SLIDE PLATE PACKING						1	
27		31168404		SCREW (M4X0.7-8) 45						6	
28	D	31101108		CYLINDER COVER						1	
29		31177900		PLUG						1	
30		31104409		COVER OPEN AND SHUT SPRING						2	
31		31168503		SCREW (M4X0.7-5) 45						2	
32		31177009		PARALLEL PIN						2	
33		31169501		SCREW (M3X0.5-3) 82						2	
34		31101009		CYLINDER COVER HINGE						1	
35		31160807		SCREW (M4X0.7-8) 60						3	
36		31126105		LOOPER THREAD WAY (LEFT)						1	
37		31162001		SCREW (M4X0.7-6) 60						1	
38		31100803		LOOPER BALANCE COVER						1	
39		31164403		SCREW (M4X0.7-16) 62						1	
40		31171309		NUT M4						1	
41		31100902		LOOPER BALANCE COVER HINGE						1	
42		31168206		SCREW (M4X0.7-15) 45						2	
43		31169600		SCREW (M4X0.7-4) 82						1	
44		31103708		SCREW (M4X0.7-8) 60						1	
45		31174105		SPRING WASHER						2	

FRAME & MISCELLANEOUS COVER COMPONENTS (2)

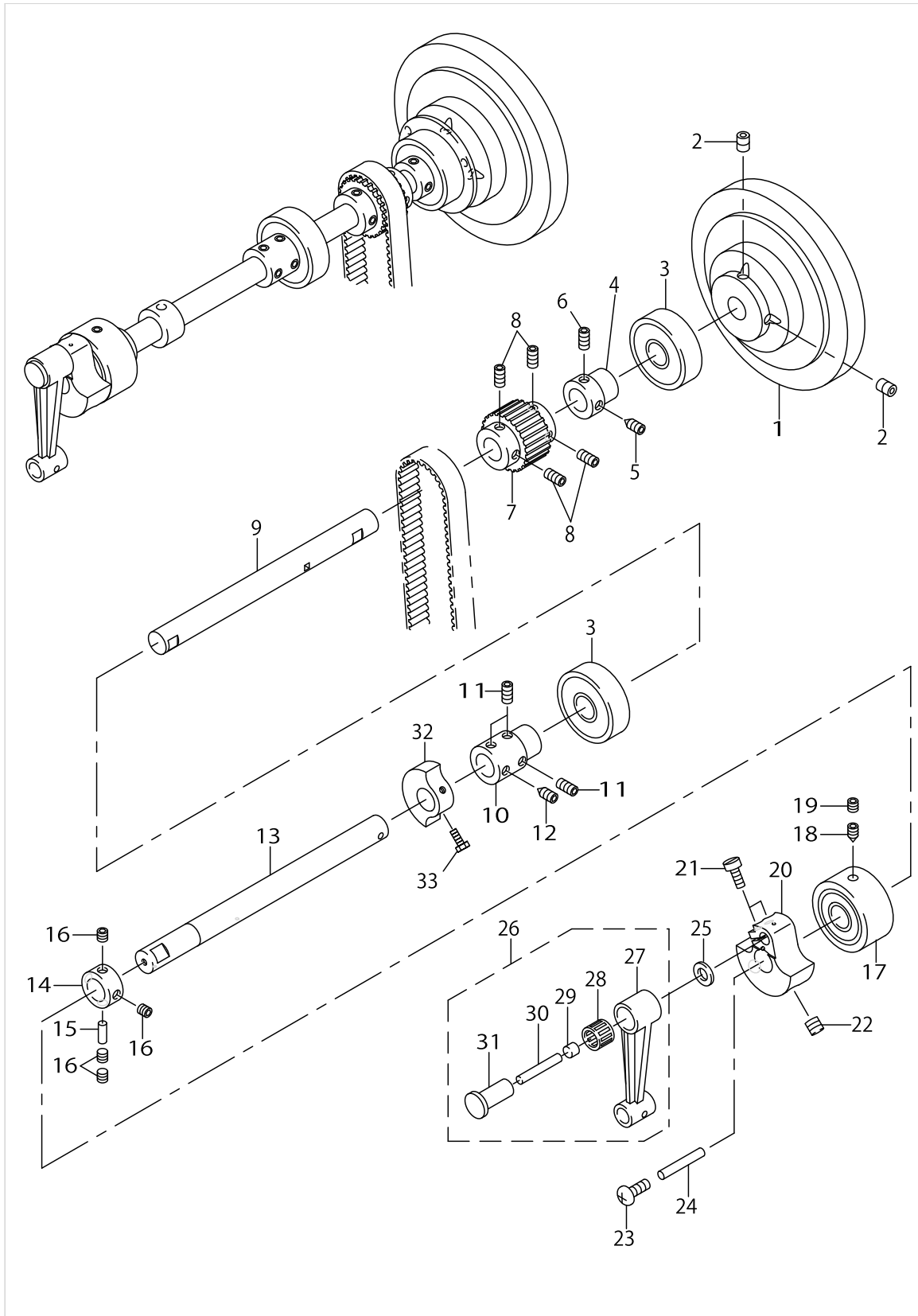


FRAME & MISCELLANEOUS COVER COMPONENTS (2)

No.	Supply Code	Parts No.	Replacement	Parts name	Remarks	Choice	Step	Level	Cons	Qty	Rep. QTY
46		31166200		HIGE PIN SCREW						1	
47		31100704		BED TOP COVER						1	
48		31101702		BED TOP COVER PACKING						1	
49		31164106		SCREW (M4X0.7-10) 62						7	
50		31102908		FEED ADJUSTING BUTTON						1	
51		31175508		E-RING						1	
52		31103005		BUTTON GUIDE						1	
53		31103807		LOOPER POP-UP GUIDE SPRING						1	
54		31164304		SCREW (M3X0.5-8) 62						2	
55		31102056		EYE GUARD COVER ASM.						1	
56		31102007		EYE GUARD FITTING PLATE				*		1	
57		31102106		EYE GUARD COVER				*		1	
58		31161003		SCREW (M2.5X0.45-4.5) 70				*		2	
59		31166507		STEP-SCREW (M4X0.7-5) 60						1	
60		31174204		SPRING WASHER						1	
61		31173909		WASHER						1	
62		31104300		BALANCE COVER S- PRING HOLDER						1	
63		31100209		RUBBER CAP						1	
64		31106206		BEARING COVER						1	
65		31168404		SCREW (M4X0.7-8) 45						3	
66		31178007		RUBBER CAP						1	
67		31168404		SCREW (M4X0.7-8) 45						3	
68		31102809		BEARING COVER (UPPER)						1	



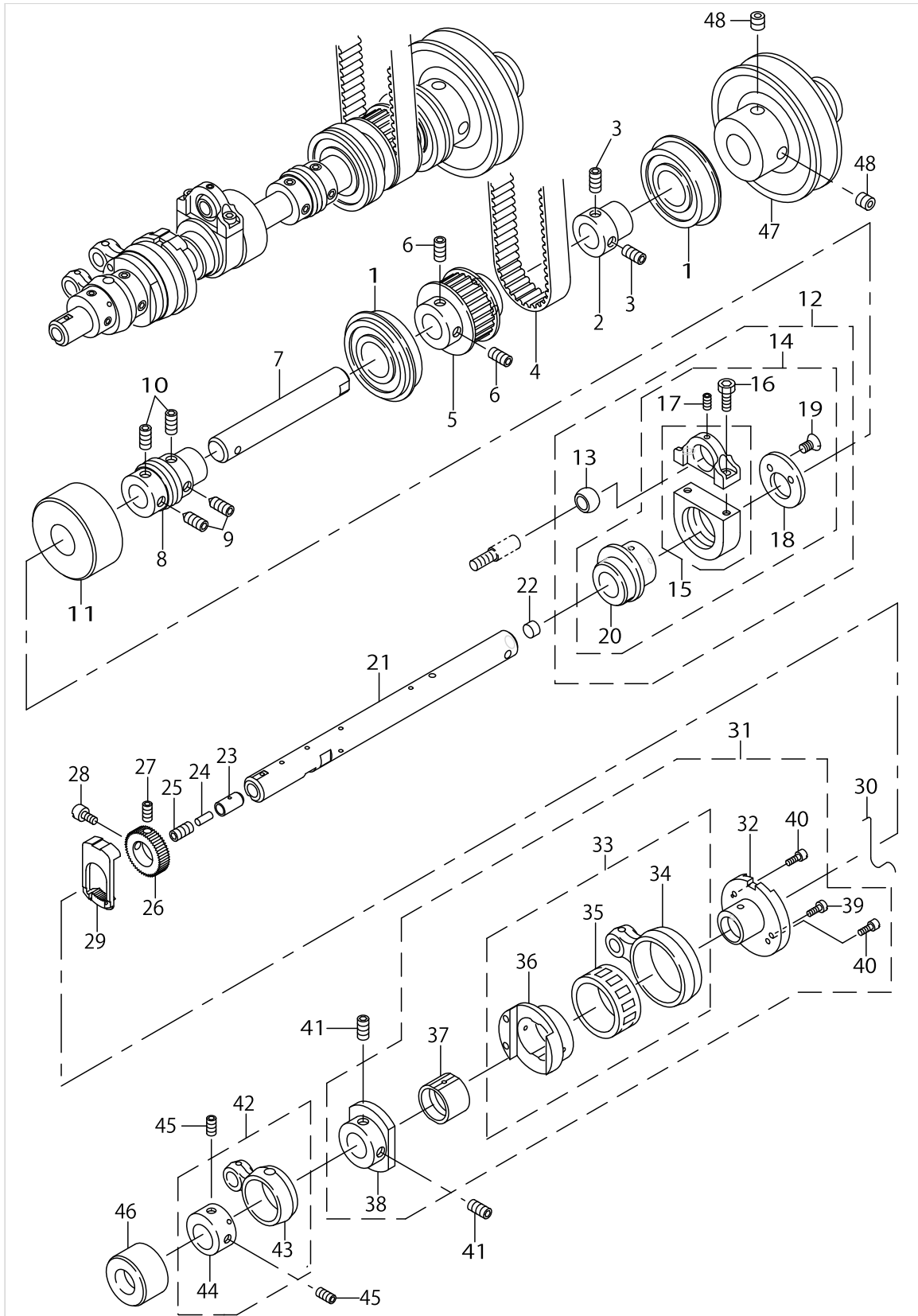
# UPPER SHAFT COMPONENTS



UPPER SHAFT COMPONENTS

No.	Supply Code	Parts No.	Replacement	Parts name	Remarks	Choice	Step	Level	Cons	Qty	Rep. QTY
1		31110901		FLY WHEEL						1	
2	D	31170905		SCREW (M6X1-8) 82						2	
3		31109101		BOLL BEARING						2	
4		31109408		BEARING HOLDER ASM.						1	
5		31169907		SCREW (M6X1-8) T82						1	
6		31170301		SCREW (M6X1-6) 82						1	
7		31109705		TIMING PULLEY (UPPER)						1	
8		31170301		SCREW (M6X1-6) 82						4	
9		31111206		UPPER SHAFT (RIGHT)						1	
10		31109507		UPPER SHAFT JOINT						1	
11		31170301		SCREW (M6X1-6) 82						3	
12		31169907		SCREW (M6X1-8) T82						1	
13		31108806		UPPER SHAFT (LEFT)						1	
14		31108905		UPPER SHAFT (LEFT) COLLAR						1	
15		31180508		OIL WICK						1	
16		31170202		SCREW (M6X1-4.8) 82						4	
17		31109952		UPPER SHAFT SLEEVE ASM.						1	
18		31170608		SCREW (M6X1-6) T82						1	
19		31170202		SCREW (M6X1-4.8) 82						1	
20		31111503		COUNTER WEIGHT						1	
21		31161300		SCREW (M5X0.8-10) 60						2	
22		31169709		SCREW (M8X1.25-8) 82						2	
23		31167802		SCREW (M5X0.8-5) 41						1	
24		31110703		OIL WICK						1	
25		31110604		NEEDLE ROD RING						1	
26		31111354		NEEDLE ROD ASM.						1	
27		31110109		NEEDLE ROD				*		1	
28		31110307		NEEDLE BEARING				*		1	
29		31110505		PLUG				*		1	
30		31110406		FELT				*		1	
31	R	31111404	31111354	NEEDLE ROD PIN				*		1	1.00
32		31110802		BALANCE WEIGHT						1	
33		31161409		SCREW (M4X0.7-8) 60						2	

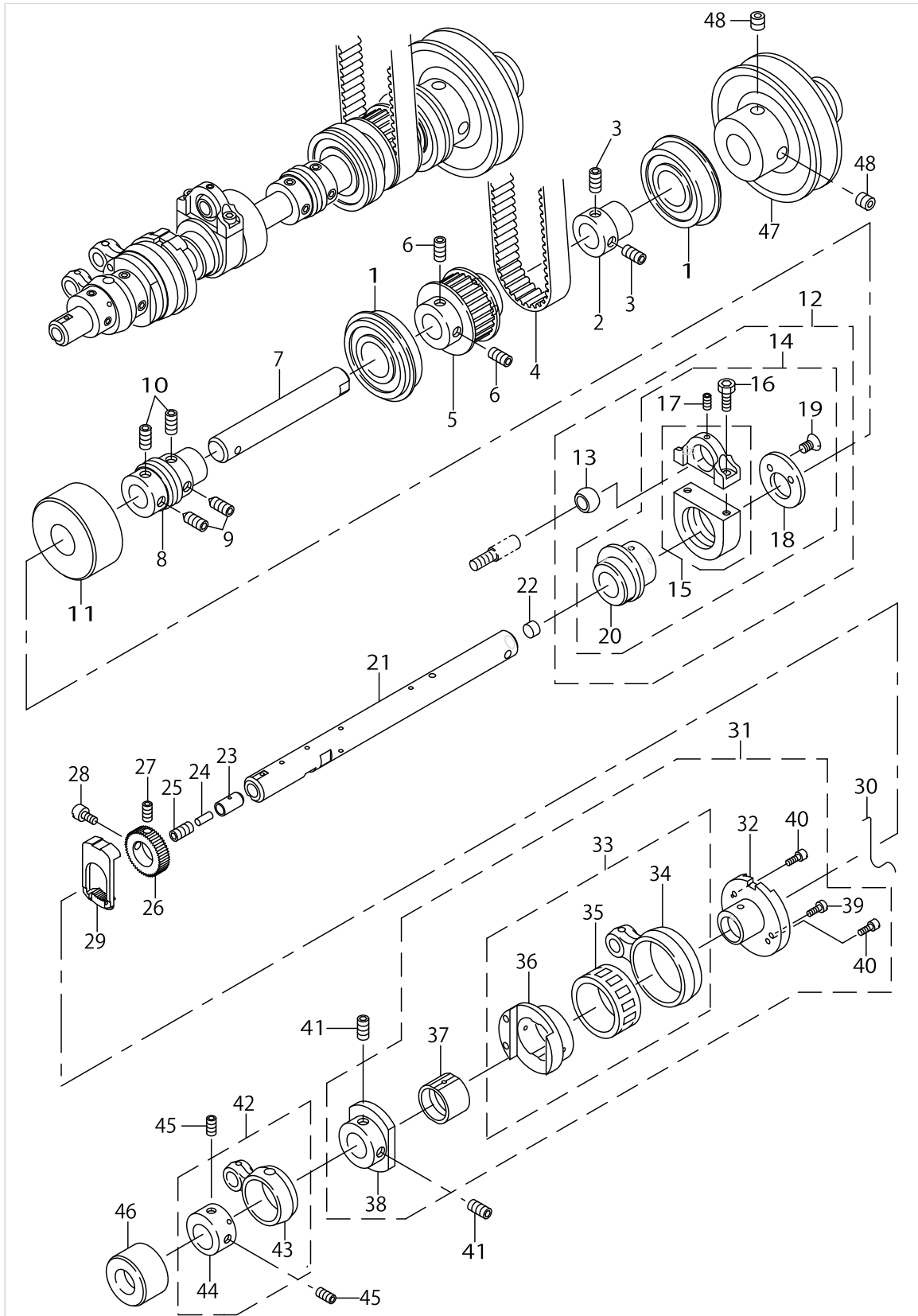
# LOWER SHAFT COMPONENTS



LOWER SHAFT COMPONENTS

No.	Supply Code	Parts No.	Replacement	Parts name	Remarks	Choice	Step	Level	Cons	Qty	Rep. QTY
1		31109002		FLANGE BEARING						2	
2		31109408		BEARRING HOLDER (SHORT)						1	
3		31170301		SCREW (M6X1-6) 82						2	
4		31108004		TIMING BELT						1	
5		31109804		TIMING PULLEY (LOWER)						1	
6		31170301		SCREW (M6X1-6) 82						4	
7		31111107		LOWER SHAFT (RIGHT)						1	
8		31109606		OIL PUMP DRIVING WORM						1	
9		31169907		SCREW (M6X1-8) T82						2	
10		31170301		SCREW (M6X1-6) 82						2	
11		31108509		LOWER SHAFT BUSHING (RIGHT)						1	
12		31128069		SPREADER LOT ASM. 2						1	
13		31128309		PLAIN BEARING				*		1	
14		31128051		SPREADER LOT ASM. 1				*		1	
15	R	31128002	31128051	SPREADER LOT				*		1	1.00
16		31164106		SCREW (M4X0.7-10) 62				*		2	
17		31169501		SCREW (M3X0.5-3) 82				*		1	
18		31128200		SPREADER LOT COVER				*		1	
19		31169105		SCREW (M4X0.7-7.3) 10				*		2	
20		31128101		SPREADER ECCENTRIC				*		1	
21		31108202		LOWERSHAFT (LEFT)						1	
22		31121205		PLUG						1	
23		31108608		OIL PRESSURE REGULATING VALVE						1	
24		31180706		FELT						1	
25		31170202		SCREW (M6X1-4.8) 82						1	
26		31124209		FEED DOG REGULATING GEAR						1	
27		31170004		SCREW (M5X0.8-5) 82						1	
28		31160104		SCREW (M5X0.8-8) 60						1	
29		31122104		FEED DOG REGULATING PLATE						1	
30		31123706		REGULATING PLATE SPRING						1	
31		31122260		FEED DOG REGULATOR ASM.						1	
32		31122500		FEED DOG REGULATING ECCENTRIC				*		1	
33		31122252		FEED DRIVE ECCENTRIC ASM.				*		1	
34	R	31122203	31122260	FEED DRIVE ROD				*		1	1.00
35		31122401		NEEDLE BEARING				*		1	
36	R	31122302	31122260	FEED DRIVE ECCENTRIC				*		1	1.00
37		31122609		ECCENTRIC LINK				*		1	
38		31122708		FEED DOG REGULATOR				*		1	
39		31160500		SCREW (M3X0.5-6.3) 60				*		1	
40		31160005		SCREW (M3X0.5-4) 60				*		2	
41		31170301		SCREW (M6X1-6) 82						2	
42		31124357		FEED LIFT ROD ASM.						1	
43		31124308		FEED LIFT ROD				*		1	
44		31124407		FEED LIFT ROD ECCENTRIC				*		1	
45		31170004		SCREW (M5X0.8-5) 82						2	

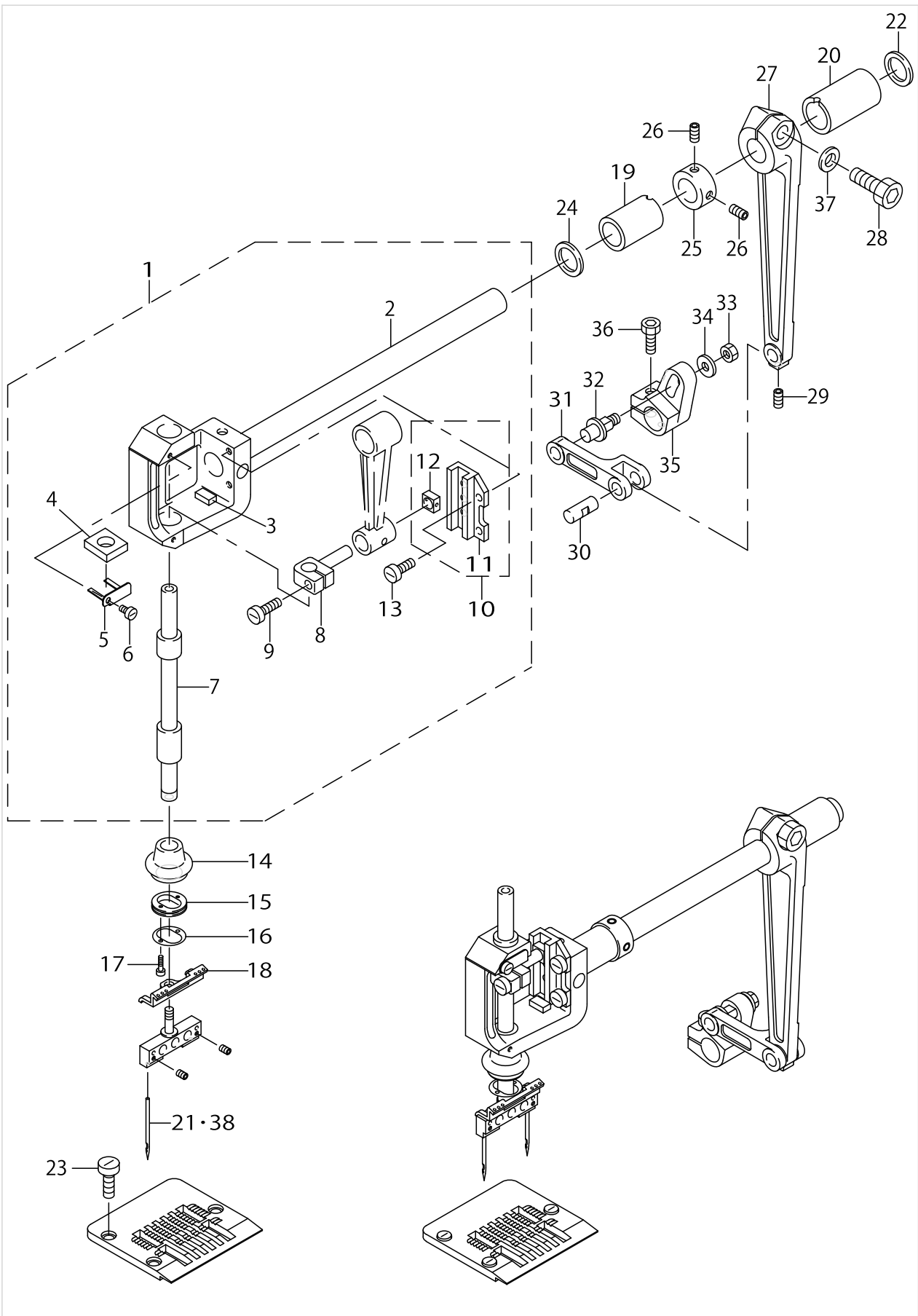
LOWER SHAFT COMPONENTS



LOWER SHAFT COMPONENTS

No.	Supply Code	Parts No.	Replacement	Parts name	Remarks	Choice	Step	Level	Cons	Qty	Rep. QTY
46		31108400		LOWER SHAFTBUSHING (LEFT)						1	
47		31111008		PULLEY						1	
48		31170301		SCREW (M6X1-6) 82						2	

# NEEDLE ROD COMPONENTS

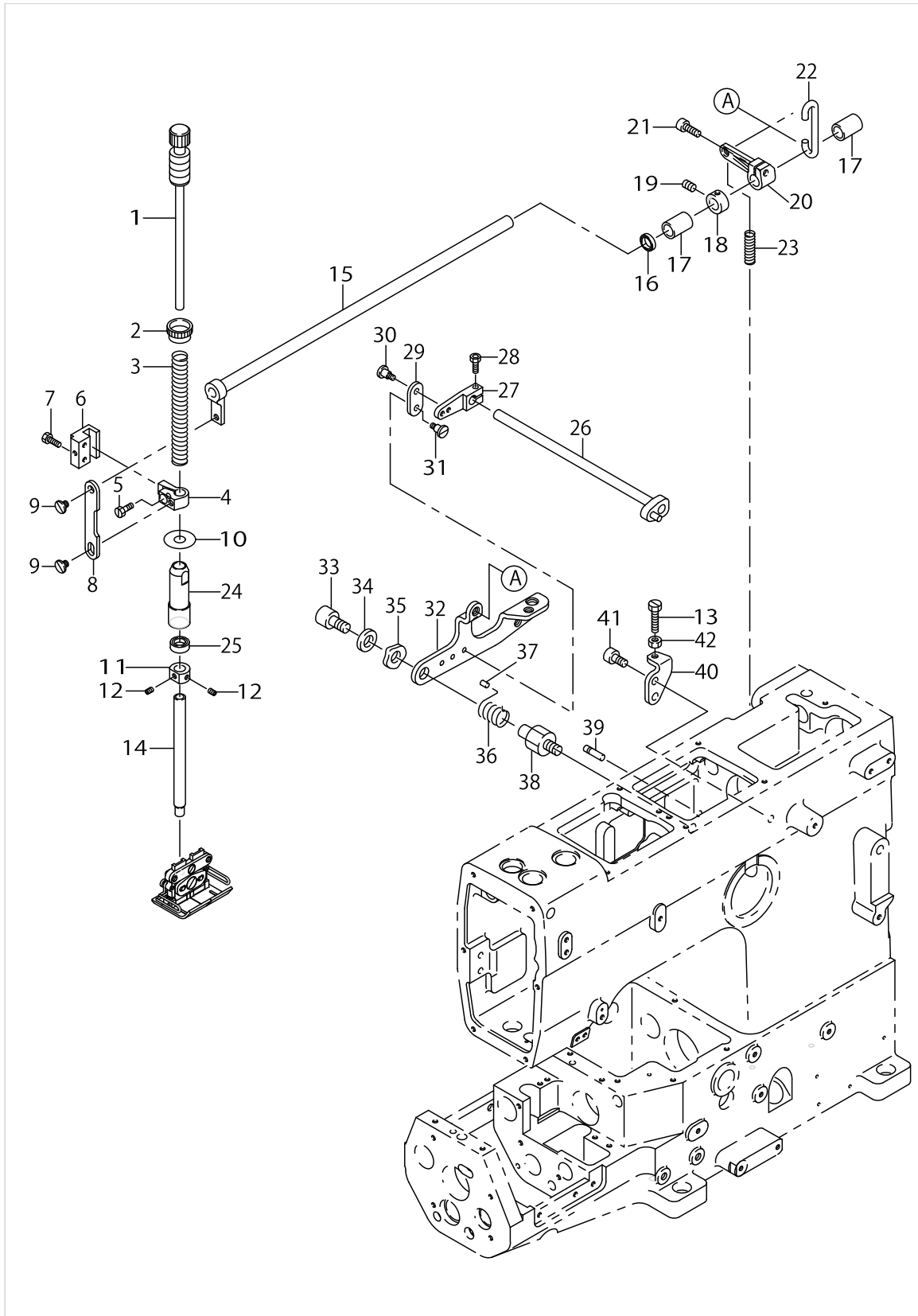


NEEDLE ROD COMPONENTS

No.	Supply Code	Parts No.	Replacement	Parts name	Remarks	Choice	Step	Level	Cons	Qty	Rep. QTY
1		31114069		NEEDLE BAR YOKE ASM. 3						1	
2		31114051		NEEDLE BAR YOKE ASM. 1				*		1	
3		31115207		SPONGE				*		1	
4		31114903		FELT				*		1	
5		31115009		FELT CLAMP				*		1	
6		31161102		SCREW (M3X0.5-2.6) 60				*		1	
7		31114358		NEEDLE BAR BUSHING ASM.				*		1	
8		31114804		NEEDLE BAR BRACKET				*		1	
9		31164700		SCREW (M5X0.8-18) 60				*		1	
10		31114655		NEEDLE BAR GUIDE ASM.				*		1	
11		31114606		NEEDLE BAR GUIDE				*		1	
12		31114705		NEEDLE GUIDE BLOCK				*		1	
13		31160609		SCREW (M4X0.7-10) 60				*		2	
14		31112808		OIL SHIELD COVER						1	
15		31112907		OIL SHIELD COVER SUPPORT						1	
16		31113004		SPACER						1	
17		31164502		SCREW (M2X0.4-8)						2	
18		31112709		NEEDLE CLAMP THREAD WAY						1	
19		31113301		BUSHING						1	
20		31113806		BUSHING (RIGHT)						1	
21		MDV570B2100		NEEDLE DVX57 #21	FOR 2-NEEDLE					2	
22		31113905		OIL SEAL						1	
23		31162308		SCREW (M5X0.8-7) 60						3	
24		31113103		THRUST WASHER						1	
25		31113202		COLLAR						1	
26		31170004		SCREW (M5X0.8-5) 82						2	
27		31113400		DRIVING LEVER (UPPER)						1	
28	D	31163405		SCREW (M8X1.25-20) 62						1	
29		31169501		SCREW (M4X0.7-4) 82						1	
30	D	31115108		LINK PIN						1	
31	D	31113608		NEEDLE ROCKER LINK						1	
32		31113707		NEEDLE ROCKER LEVER PIN						1	
33		31171200		NUT						1	
34		31173701		WASHER						1	
35		31113509		NEEDLE ROCKER LEVER						1	
36		31163900		SCREW (M6X1-15) 62						1	
37	D	31173008		WASHER						1	
38		MDV570B2100		NEEDLE DVX57 #21	FOR 4-NEEDLE					4	



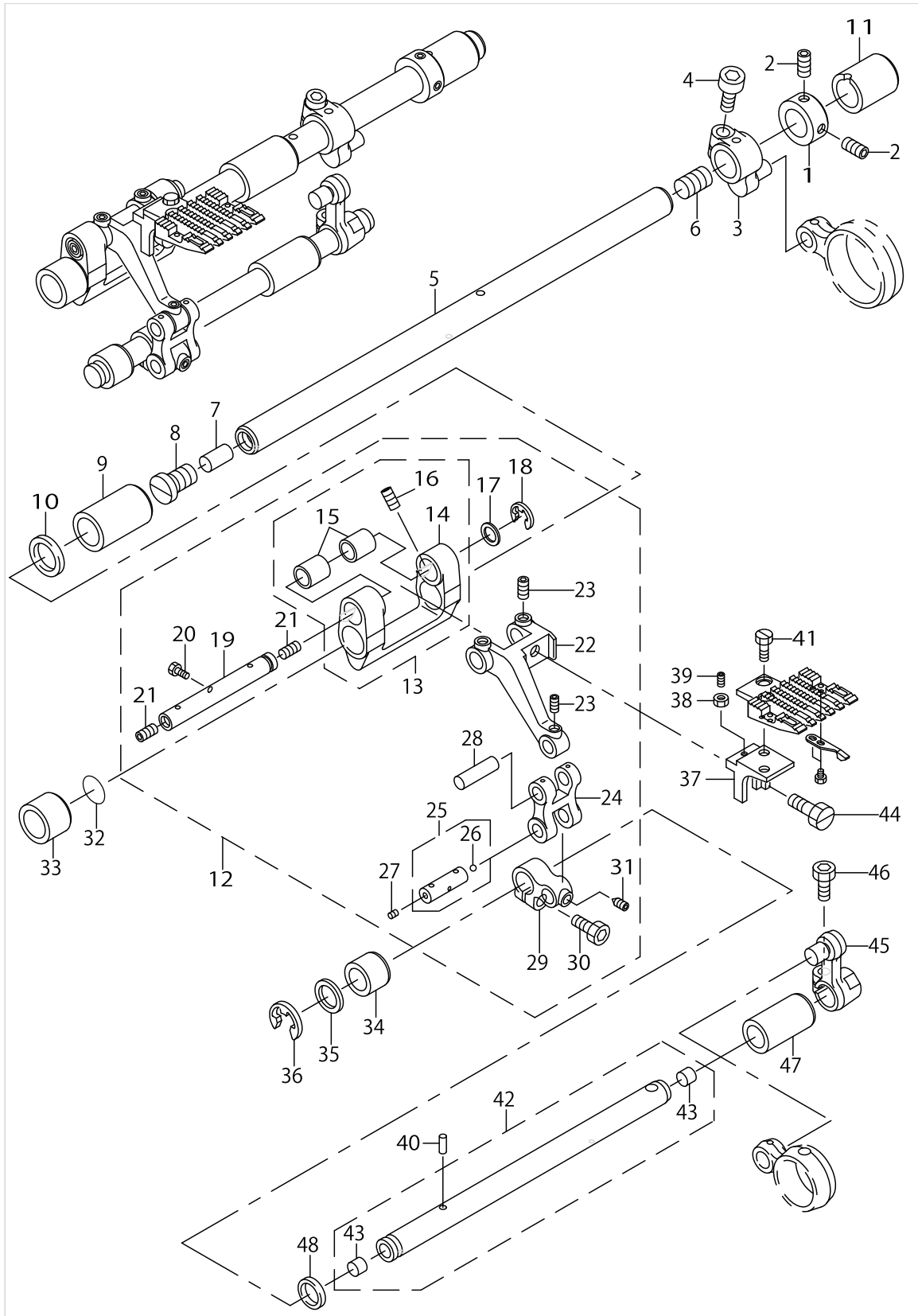
# PRESSER FOOT COMPONENTS



PRESSER FOOT COMPONENTS

No.	Supply Code	Parts No.	Replacement	Parts name	Remarks	Choice	Step	Level	Cons	Qty	Rep. QTY
1		31118458		PRESSER SPRING REGULATOR ASM.						1	
2		31118607		LOCK NUT						1	
3		31117401		PRESSER BAR SPRING (OUTER)						1	
4		31117104		PRESSER BAR HOLDER						1	
5		31160906		SCREW (M4X0.7-10) 60						1	
6		31118300		PRESSER BAR GUIDE						1	
7		31167703		SCREW (M4X0.7-10) 40						2	
8	D	31117302		LINK						1	
9		31166309		SCREW (M5X0.8X6.35) D60						2	
10		31118201		OIL PROTECTOR RING						1	
11		31117807		LOOPER DRIVE SHAFT COLLAR						1	
12		31169600		SCREW (M4X0.7-4) 82						2	
13		31164700		SCREW (M5X0.8-18) 60						1	
14		31117203		PRESSRE BAR						1	
15		31119050		LIFTER SHAFT ASM.						1	
16		31179104		OIL SEAL						1	
17		31119506		LIFTER SHAFT BUSHING						2	
18		31117906		LEVER SHAFT COLLAR						1	
19		31169600		SCREW (M4X0.7-4) 82						2	
20		31119407		LIFTER SHAFT LEVER						1	
21		31162803		SCREW (M5X0.8-14) 62						1	
22		31119308		LIFTER SHAFT LEVER LINK						1	
23		31117609		UPPER KNIFE HOLDER SPRING						1	
24		31117005		PRESSER BAR BUSHING						1	
25		31179500		LOOPER SHAFT OIL SEAL						1	
26		31131352		THREAD RELEASE SHAFT ASM.						1	
27		31132004		THREAD RELEASE LEVER						1	
28		31165004		SCREW (M4X0.7-14) 62						1	
29		31118805		CONNECTION PLATE						1	
30		31166705		SCREW (M4X0.7-4) D60						1	
31		31166408		SCREW (M4X0.7-5) D60						1	
32		31119605		PRESSER LIFTER LEVER						1	
33		31163702		SCREW (M6X1-10) 62						1	
34		31173800		WASHER						1	
35		31174303		WAVE WASHER						1	
36		31117708		PRESSER LIFTER LEVER SPRING						1	
37		31118904		CAP						1	
38		31118003		FITTING BASE						1	
39		31118102		SPRING HANGING PIN						1	
40		31119209		PRESSER LIFTER STOPPER						1	
41		31163504		SCREW (M6X1-12) 62						2	
42		31171705		NUT						1	

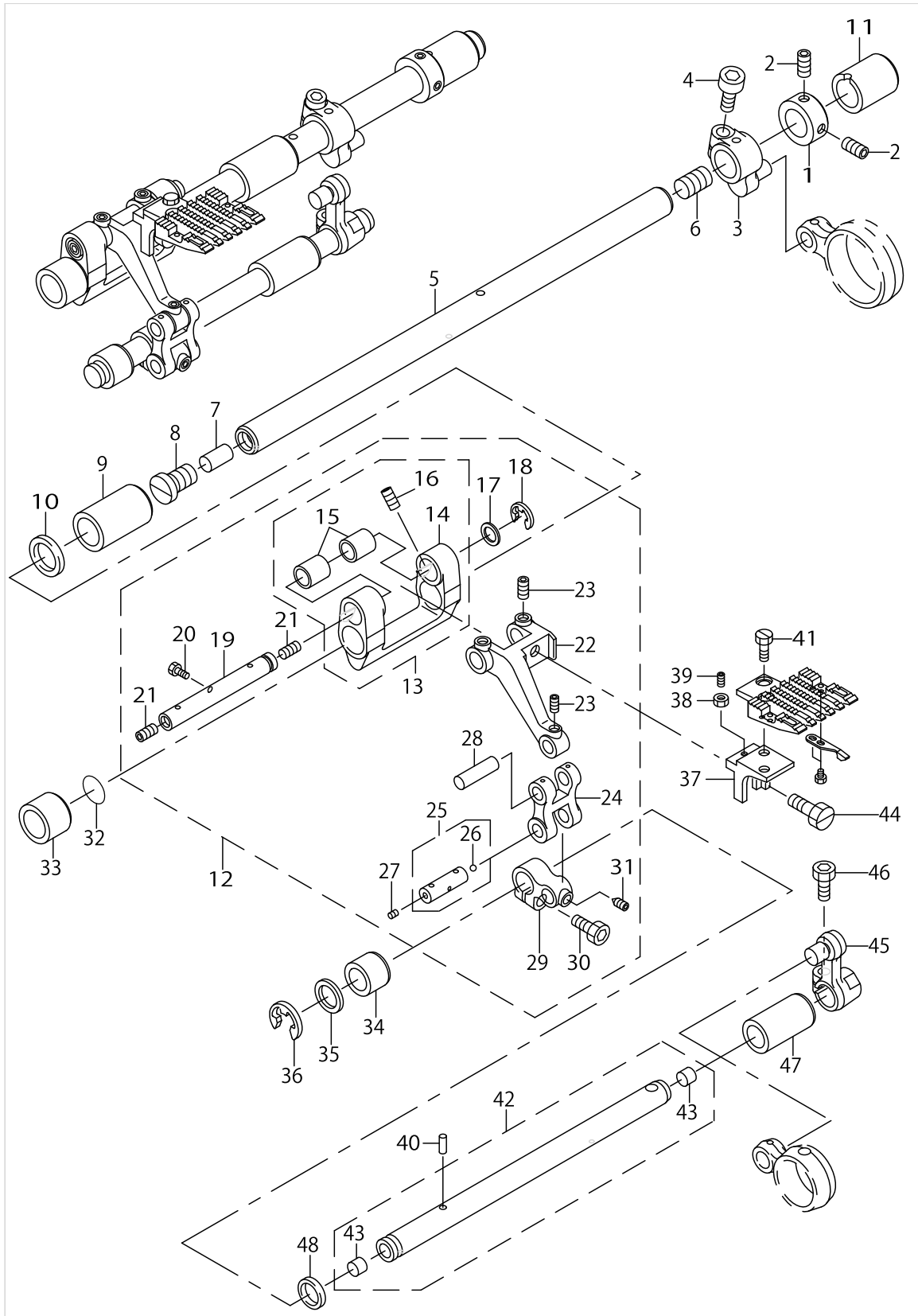
FEED MECHANISM COMPONENTS



FEED MECHANISM COMPONENTS

No.	Supply Code	Parts No.	Replacement	Parts name	Remarks	Choice	Step	Level	Cons	Qty	Rep. QTY
1		31124506		FEED DRIVING SHAFT COLLAR						1	
2		31170004		SCREW (M5X0.8-5) 82						2	
3		31122005		FEED DRIVING LEVER						1	
4		31163900		SCREW (M6X1-18) 62						1	
5		31121908		FEED DRIVING SHAFT						1	
6		31169808		SCREW (M10X1.5-10) 82						1	
7		31180409		OIL WICK						1	
8		31124605		SCREW (M10X1.5-4) 60						1	
9		31121700		DRIVING SHAFT BUSHING (CENTER)						1	
10		31178700		OIL SEAL						1	
11		31121809		RIVING SHAFT BUSHING (RIGHT)						1	
12		31122963		FEED BASE ASM.						1	
13		31122955		FEED BASE ASM.1				*		1	
14		31122906		FEED BASE				*		1	
15		31123300		FEED BASE BUSHING				*		2	
16		31170301		SCREW (M6X1-6) 82				*		2	
17		31123805		THRUST WASHER				*		1	
18		31175409		E RING				*		1	
19		31123052		FEED BASE SHAFT				*		1	
20		31161102		SCREW (M3X0.5-2.6) 60				*		1	
21		31170301		SCREW (M6X1-6) 82				*		2	
22		31123607		FEED FITTING BASE (LOWER)				*		1	
23		31170004		SCREW (M5X0.8-5) 82				*		3	
24		31123508		FEED LIFT LINK				*		1	
25		31123151		LINK PIN				*		1	
26		31123201		SPHERE				*		1	
27		31169501		SCREW (M3X0.5-3) 82				*		1	
28		31123904		UPPERKNIFERODPIN				*		1	
29		31123409		FEED LIFT SHAFT LEVER (LEFT)				*		1	
30		31163504		SCREW (M6X1-1.5) 62				*		1	
31		31170509		SCREW (M6X1-12) 82				*		1	
32		31181308		UPPER SHAFT PACKING						1	
33		31121403		FEED DRIVING SHAFT BUSHING						1	
34	D	31124001		FEED LIFT SHAFT BUSHING (LIFT)						1	
35		31121304		THRUST WASHER						1	
36	D	31175300		E RING						1	
37		31121502		FEED FITTING BASE						1	
38		31171507		NUT						1	
39		31169402		SCREW (M3X0.5-10) 82						1	
40		31180300		OIL WICK						1	
41		31162308		SCREW (M5X0.8-7) 60						2	
42		31121155		FEED LIFT SHAFT ASM.						1	
43		31121205		PLUG				*		2	
44		31162605		SCREW (M6X0.75-9) 60						1	
45		31121007		FEED LIFT DRIVING LEVER						1	
46		31163504		SCREW (M6X1-15) 62						1	

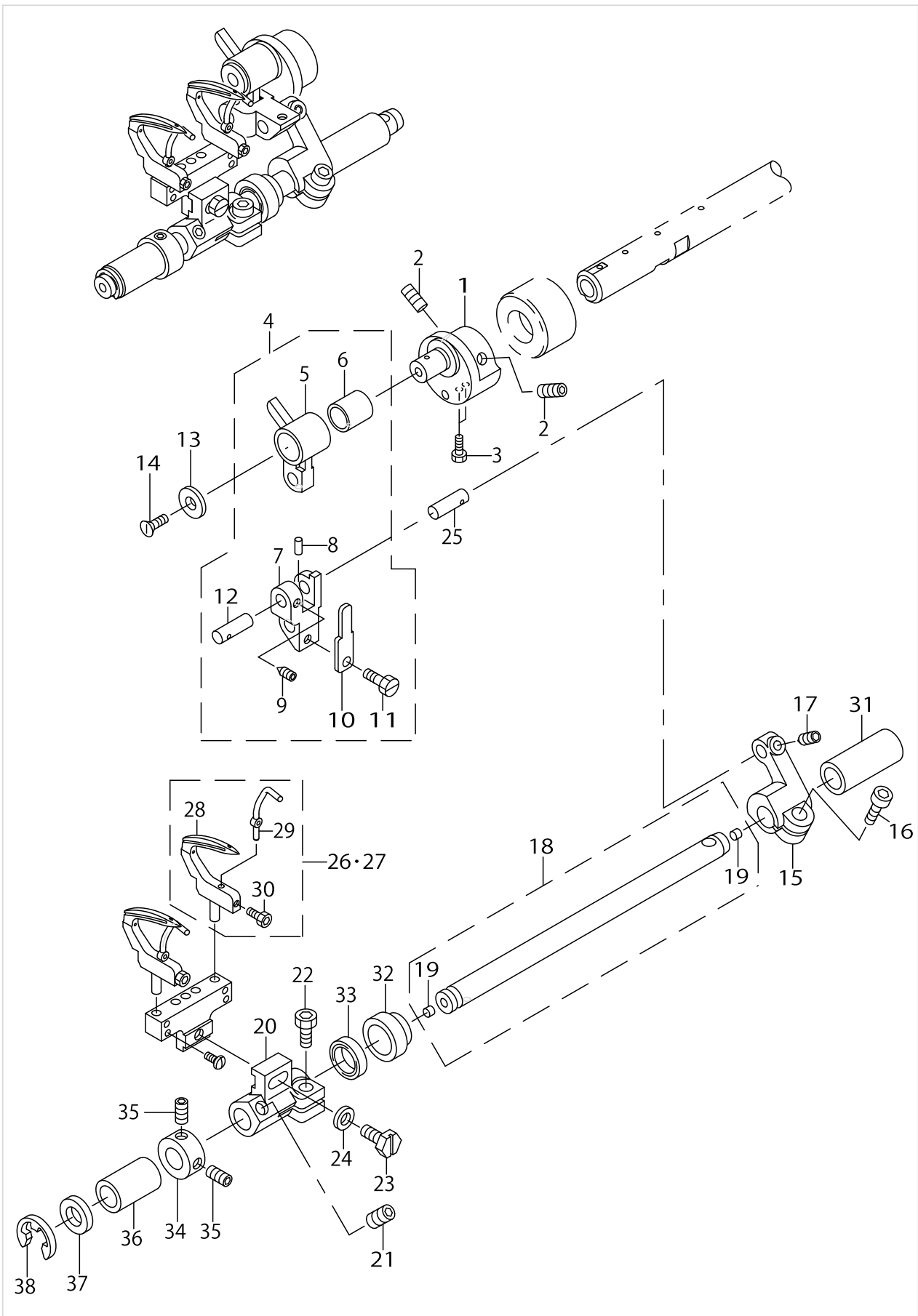
FEED MECHANISM COMPONENTS



FEED MECHANISM COMPONENTS

No.	Supply Code	Parts No.	Replacement	Parts name	Remarks	Choice	Step	Level	Cons	Qty	Rep. QTY
47		31124100		FEED LIFT SHAFT BUSHING (RIGHT						1	
48		31178908		OIL SEAL						1	

LOOPER COMPONENTS

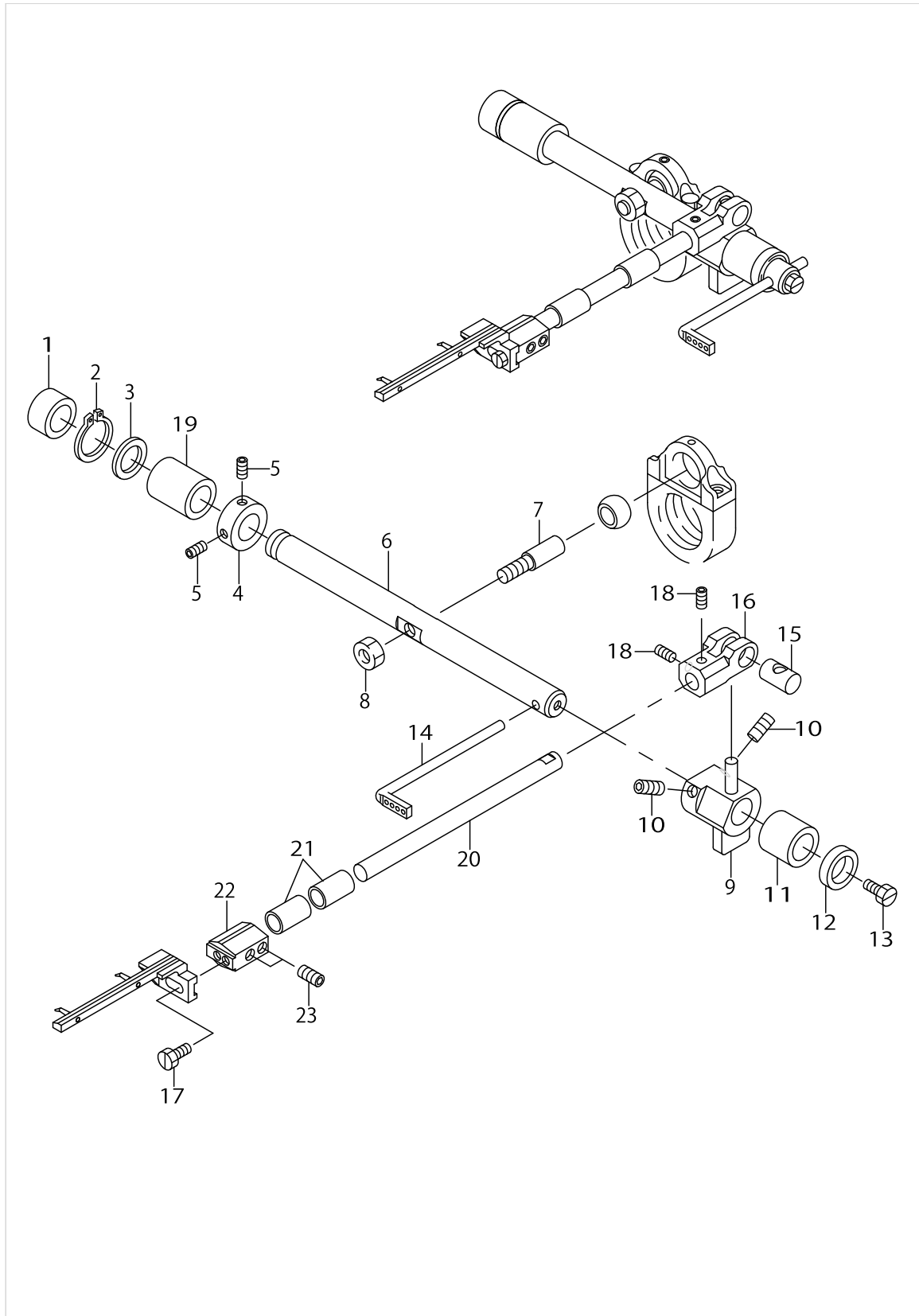


LOOPER COMPONENTS

No.	Supply Code	Parts No.	Replacement	Parts name	Remarks	Choice	Step	Level	Cons	Qty	Rep. QTY
1		31126907		LOOPER ECCENTRIC						1	
2		31170004		SCREW (M5X0.8-5) 82						2	
3		31162506		SCREW (M3X0.5-8.2) 60						2	
4		31127152		LOOPER ROD ASM.						1	
5		31127103		LOOPER ROD				*		1	
6		31127509		LOOPER ECCENTRIC BUSHING				*		1	
7		31127202		LOOPER LINK				*		1	
8		31180607		OIL WICK				*		1	
9	D	31170400		SCREW (M4X0.7-8) T82				*		1	
10		31127301		LOOPER ROD HOLD SPRING				*		1	
11		31160807		SCREW (M4X0.7-8) 60				*		1	
12		31127400		PIN				*		1	
13		31127004		LOOPER ROD COVER						1	
14		31169006		SCREW (M3X0.5-6) 10						1	
15		31126709		LOOPERBASE LEVER						1	
16		31163900		SCREW (M6X1-15) 62						1	
17		31170103		SCREW (M4X0.7-5) 82						1	
18		31127756		LOOPERBASESHAFT						1	
19		31127806		PLUG				*		2	
20		31127608		LOOPER BASE (LOWER)						1	
21		31170301		SCREW (M6X1-6) 82						1	
22		31163504		SCREW (M6X1-12) 62						1	
23		31168800		SCREW (M5X0.8-12) 90						1	
24	R	31175201	31173206	WASHER						1	1.00
25		31127400		PIN						1	
26		31154651		LOOPER NEEDLE HOLDER ASM.	FOR 4-NEEDLE					4	
27		31154651		LOOPER NEEDLE HOLDER ASM.	FOR 2-NEEDLE					2	
28		31154602		LOOPER				*		1	
29		31154503		NEEDLE HOLDER (REAR)				*		1	
30		31164601		SCREW (M3X0.5-5) 62				*		1	
31		31129406		LOOPER BASE SHAFT BUSHING						1	
32		31129307		LOOPER BASE BUSHING (CENTER)						1	
33		31178809		OIL SEAL						1	
34		31129604		UPPER KNIFE SHAFT COLLAR						1	
35		31170004		SCREW (M5X0.8-5) 82						2	
36		31129208		LOOPER BASE SHAFT BUSHING						1	
37		31172901		THRUST WASHER						1	
38		31175409		E RING						1	



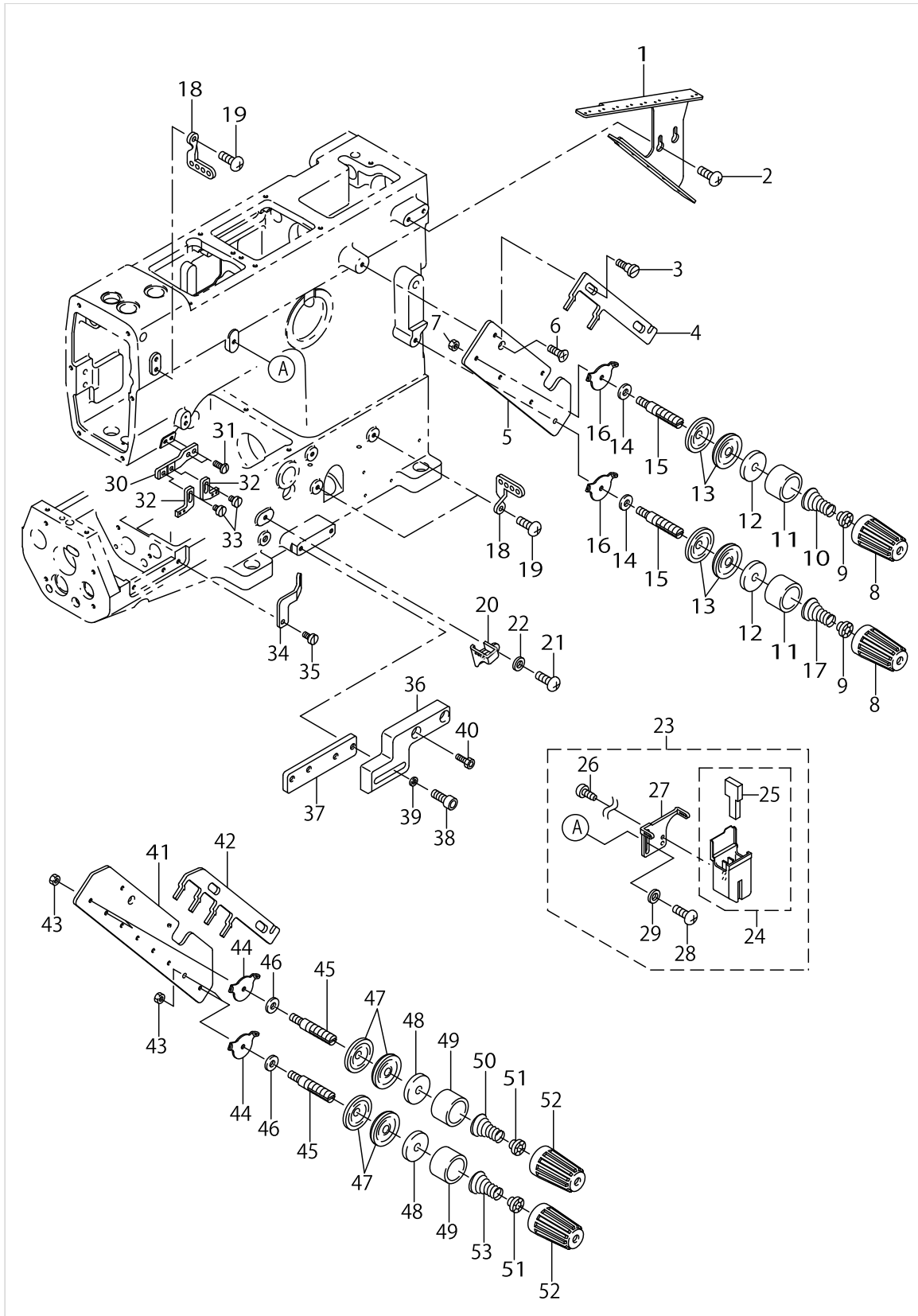
# SPREADER COMPONENTS



SPREADER COMPONENTS

No.	Supply Code	Parts No.	Replacement	Parts name	Remarks	Choice	Step	Level	Cons	Qty	Rep. QTY
1		31179005		OIL SEAL						1	
2		31175607		C RING						1	
3		31121304		THRUST WASHER						1	
4		31129505		NEEDLE ROD CRANK SHAFT COLLAR						1	
5		31170004		SCREW (M4X0.7-4) 82						2	
6		31129703		SPREADER DRIVING SHAFT						1	
7		31128705		PIN SCREW						1	
8		31171200		NUT						1	
9		31128903		SPREADER CROSS- WISE SHAKE LEVER						1	
10		31170004		SCREW (M4X0.7-4) 82						2	
11		31128507		SPREADER SHAFT BUSHING (FRONT)						1	
12		31179609		OIL SEAL						1	
13		31161409		SCREW (M4X0.7-8) 40						1	
14		31126402		LOOPER BALANCE						1	
15		31129000		CROSSWISE SHAFT LEVER PIN						1	
16		31128804		SPREADER CROSS- WISE SHAFT LEVER						1	
17		31168701		SCREW (M4X0.7-8) 90						1	
18		31169600		SCREW (M4X0.7-4) 82						2	
19		31128408		SPREADER SHAFT BUSHING (RIAR)						1	
20		31127905		SPREADER CROSSWISE SHAFT						1	
21		31128606		CROSSWISE SHAFT BUSHING						2	
22		31129109		SPREADER BASE						1	
23		31170004		SCREW (M4X0.7-4) 82						2	

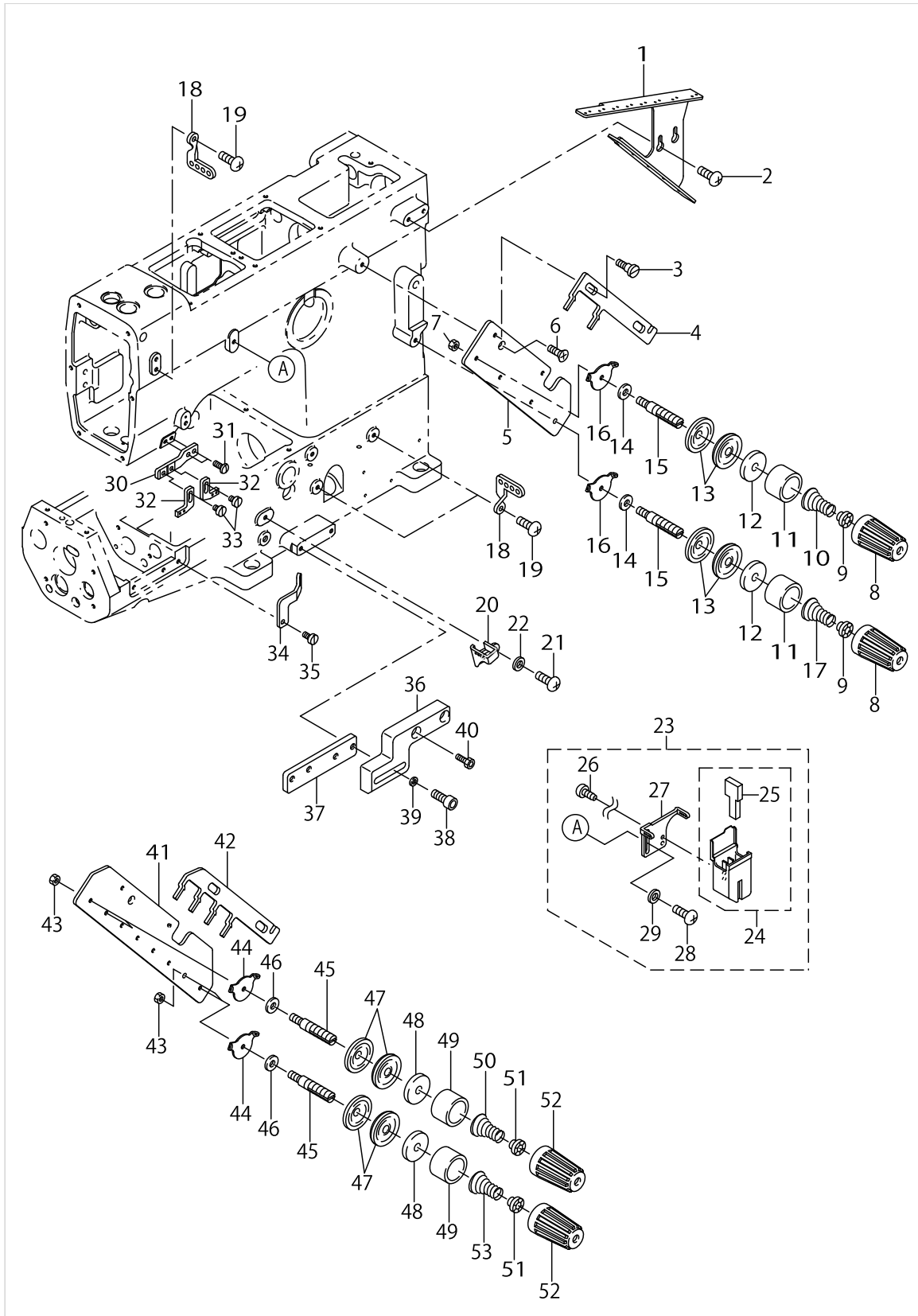
# THREAD TENSION COMPONENTS



THREAD TENSION COMPONENTS

No.	Supply Code	Parts No.	Replacement	Parts name	Remarks	Choice	Step	Level	Cons	Qty	Rep. QTY
1		31131204		THREAD GUIDE PLATE						1	
2		31168404		SCREW (M4X0.7-8) 45						2	
3		31166606		STEP SCREW (M4X0.7-2.1) D60						2	
4	D	31131006		THREAD RELEASE PLATE	FOR 2-NEEDLE					1	
5		31131105		THREAD TENSION BASE	FOR 2-NEEDLE					1	
6		31169204		SCREW (M4X0.7-10) 10						1	
7		31171606		NUT	FOR 2-NEEDLE					3	
8		30382907		THREAD TENSION PICK-UP	FOR 2-NEEDLE					4	
9		31132400		THREAD TENSION SPRING BUSHING	FOR 2-NEEDLE					4	
10		31132103		THREAD TENSION SPRING	FOR 2-NEEDLE					2	
11		30362909		THREAD TENSION SPRING SHIELD	FOR 2-NEEDLE					4	
12		31131907		FELT	FOR 2-NEEDLE					4	
13		31132301		THREAD TENSION DISK	FOR 2-NEEDLE					8	
14		31173404		WASHER	FOR 2-NEEDLE					4	
15		31132202		THREAD TENSION ROD	FOR 2-NEEDLE					4	
16		31132509		THREAD TENSION BASE THREAD WAY	FOR 2-NEEDLE					4	
17		31132608		LOOPER THREAD T-ENSION SPRING	FOR 2-NEEDLE					2	
18		31104805		LOOPER THREAD WAY (RIGHT)						3	
19		31168404		SCREW (M4X0.7-8) 45						3	
20		31126303		LOOPER THREAD WAY (RIGHT)						1	
21		31161409		SCREW (M4X0.7-8) 45						1	
22		31173602		WASHER						1	
23		31103161		SILICON DIVICE ASM.						1	
24		31103153		SILICON TANK ASM.				*		1	
25		31103500		SILICON FALT				*		1	
26		31170806		SCREW (3X6)				*		2	
27		31103203		NEEDLE THREADWAY				*		1	
28		31161409		SCREW (M4X0.7-8) 40				*		1	
29		31173602		WASHER				*		1	
30		31112600		BALANCE FITTING PLATE						1	
31		31160609		SCREW (M4X0.7-10) 40						2	
32		31112501		NEEDLE THREAD BALANCE						2	
33		31161706		SCREW (M4X0.7-5.4) 60						2	
34		31126204		LOOPER THREAD WAY (CENTER)						1	
35		31160807		SCREW (M4X0.7-8) 60						1	
36		31140007		RULER FITTING BASE 1						1	
37		31140106		RULER FITTING BASE 2						1	
38		31163306		SCREW (M6X1-15) 62						2	
39		31174006		WASHER						2	
40		31163306		SCREW (M6X1-15) 62						2	
41		31131709		THREAD TENSION BASE	FOR 4-NEEDLE					1	
42		31131600		THREAD RELEASE PLATE	FOR 4-NEEDLE					1	
43		31171606		NUT	FOR 4-NEEDLE					7	
44		31132509		THREAD TENSION BASE THREAD WAY	FOR 4-NEEDLE					8	
45		31132202		THREAD TENSION ROD	FOR 4-NEEDLE					8	

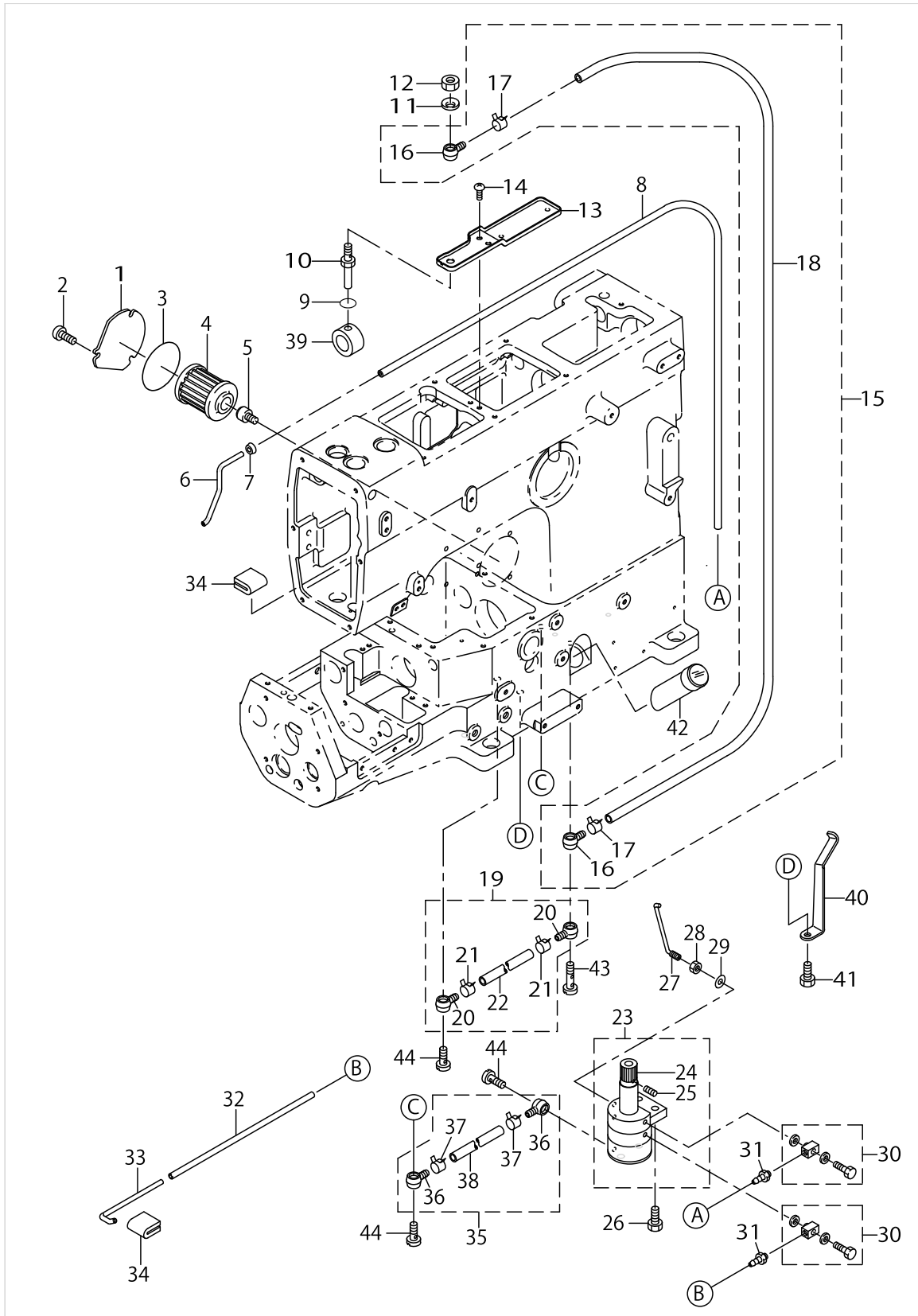
# THREAD TENSION COMPONENTS



## THREAD TENSION COMPONENTS

No.	Supply Code	Parts No.	Replacement	Parts name	Remarks	Choice	Step	Level	Cons	Qty	Rep. QTY
46		31173404		WASHER	FOR 4-NEEDLE					8	
47		31132301		THREAD TENSION DISK	FOR 4-NEEDLE					16	
48		31131907		FELT	FOR 4-NEEDLE					8	
49		30362909		THREAD TENSION SPRING SHIELD	FOR 4-NEEDLE					8	
50		31132103		THREAD TENSION SPRING	FOR 4-NEEDLE					4	
51		31132400		THREAD TENSION SPRING BUSHING	FOR 4-NEEDLE					8	
52		30382907		THREAD TENSION PICK-UP	FOR 4-NEEDLE					8	
53		31132608		LOOPER THREAD TENSION SPRING	FOR 4-NEEDLE					4	

# LUBRICATION MECHANISM COMPONENTS

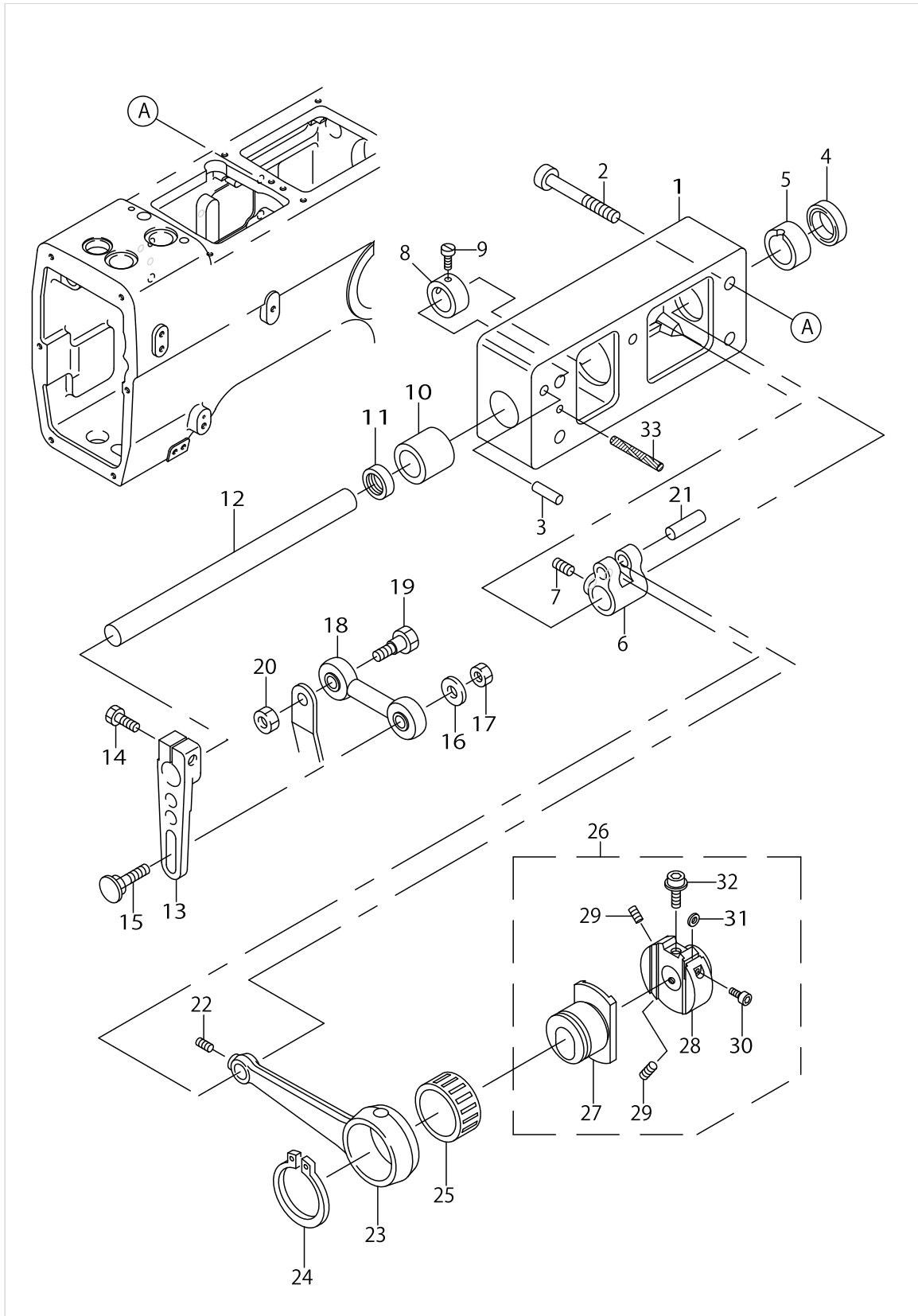


LUBRICATION MECHANISM COMPONENTS

No.	Supply Code	Parts No.	Replacement	Parts name	Remarks	Choice	Step	Level	Cons	Qty	Rep. QTY
1		31104904		OIL FILTER COVER						1	
2		31168404		SCREW (M4X0.7-8) 45						3	
3		31181407		FILTER CAP O RING						1	
4	R	11843208	13142500	CARTRIDGE FILTER						1	1.00
5		31135502		FILTER JOINT						1	
6		31135700		SUCTION PIPE						1	
7		31135106		SUCTION PIPE BUSHING						1	
8		31134703		OIL PIPE						1	
9		31181100		PACKING						1	
10		31134208		OIL TUBE						1	
11		31174204		SPRING WASHER						1	
12		31171804		NUT						1	
13		31134000		OIL RESERVOIR						1	
14		31168503		SCREW (M4X0.7-5) 45						2	
15		31134455		OIL PIPE ASM.						1	
16		31135601		OIL TUBE JOINT, ONE WAY				*		2	
17		31136104		OIL TUBE CLAMP				*		2	
18		31134406		OIL PIPE				*		1	
19		31134554		OIL PIPE ASM.						1	
20		31135601		OIL TUBE JOINT, ONE WAY				*		2	
21		31136104		OIL TUBE CLAMP				*		2	
22		31134505		OIL PIPE				*		1	
23		31136252		OIL PUMP ASM. 1						1	
24		31136302		OIL PUMP DRIVING WORM GEAR				*		1	
25		31169600		SCREW (M4X0.7-4) 82				*		2	
26		31163900		SCREW (M6X1-15) 62						2	
27		31135205		OIL PIPE						1	
28		31172505		NUT						1	
29		31174907		WASHER						1	
30		31135908		UNIVERSAL ELBOW						2	
31		31136005		BAMBOO JOINT						2	
32		31134604		OIL PIPE						1	
33		31134802		SUCTION PIPE						1	
34		31137409		FELT						2	
35		31134356		OIL PIPE ASM.						1	
36		31135601		OIL TUBE JOINT, ONE WAY				*		2	
37		31136104		OIL TUBE CLAMP				*		2	
38		31134307		OIL PIPE				*		1	
39		31134109		OIL SLEEVE						1	
40		31137300		OIL PIPE SUPPORT						1	
41		31168503		SCREW (M4X0.7-8) 45						1	
42		31103609		OIL GAUGE						1	
43		31135007		FITTINGSTUD(LONG)						1	
44		31134901		FITTING STUD						3	



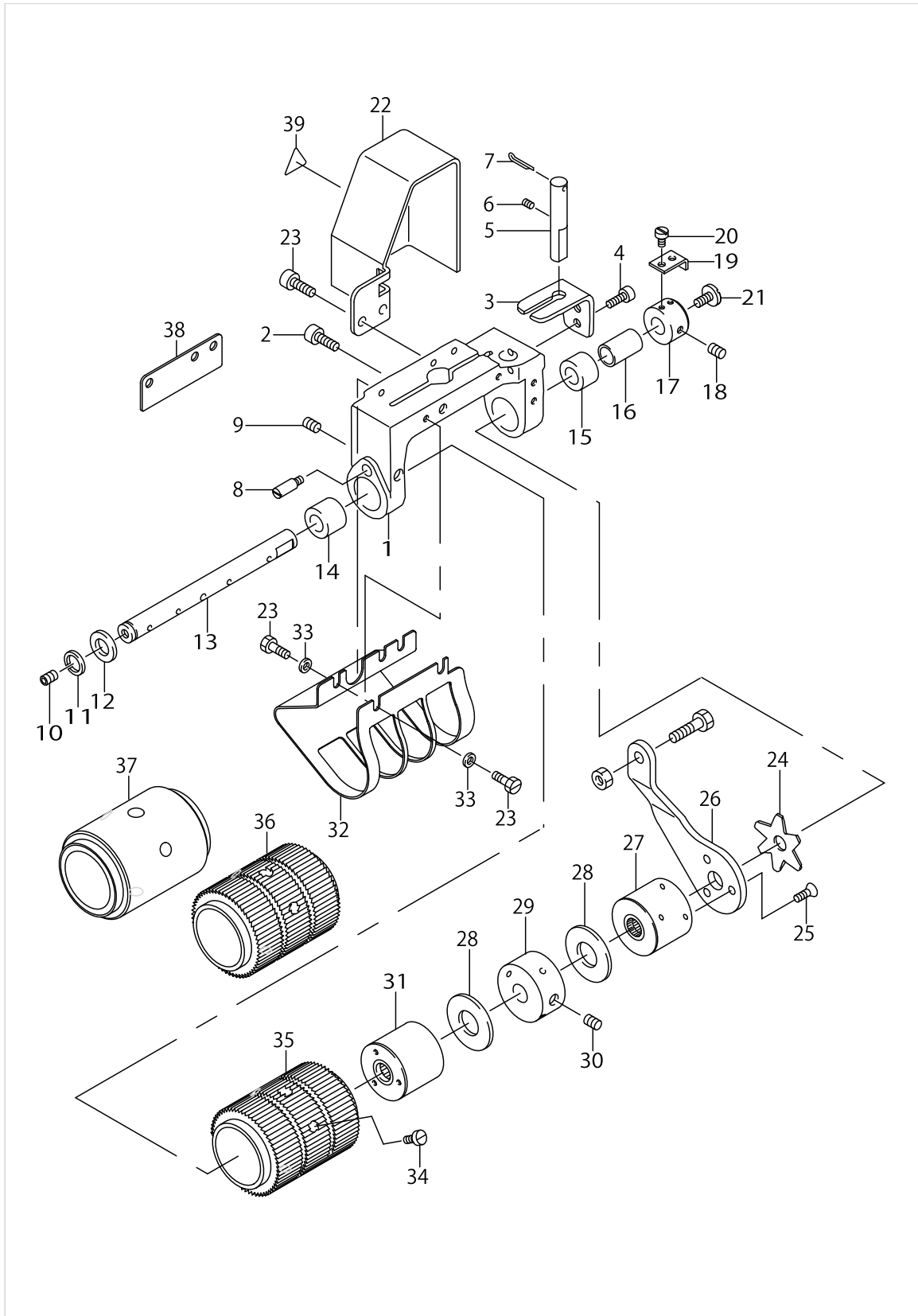
CLOTH PULLER EXCLUSIVE PARTS (1)



CLOTH PULLER EXCLUSIVE PARTS (1)

No.	Supply Code	Parts No.	Replacement	Parts name	Remarks	Choice	Step	Level	Cons	Qty	Rep. QTY
1		MAV07211000		UPPER ROLLER SHAFT BRACKET						1	
2		31164205		SCREW (M6X1-18) 62						4	
3		31103906		NKNOCK PIN						2	
4		31179005		OIL SEAL						1	
5		MAV07209000		UPPER ROLLER SHAFT BUSHING						1	
6		MAV07205000		UPPER FEED ROLL- ER SHAFT LEVER						1	
7		31170301		SCREW (M6X1-6) 82						2	
8		MAV07208000		UPPER FEED ROLL- ER SHAFT COLLAR						1	
9		31162209		SCREW (11/64X40-5.5) 60						2	
10		MAV07210000		UPPER ROLLER SHAFT BUSHING						1	
11		31179708		OIL SEAL						1	
12		MAV07207000		UPPER FEED ROLLER SHAFT						1	
13		MAV07212000		UPPER FEED ROLLER LEVER						1	
14		31163801		SCREW (M6X1-20) 62						1	
15		MAV07213000		UPPER FEED ROLLER LEVER PIN						1	
16		31173404		WASHER						1	
17		31171903		NUT						1	
18		MAV07214000		PULLER LINK						1	
19		31166101		SCREW (1/4X40-11) 93						1	
20		31171903		NUT						1	
21		MAV07206000		ROD PIN						1	
22		31169600		SCREW (M4X0.7-4) 82						1	
23		MAV07203000		UPPER FEED ROLL- ER DRIVING ROD						1	
24		31175805		C RING						1	
25		MAV07204000		ROLLER BEARING						1	
26		MAV072010A0		UPPER ROLLER REGULATOR ASM.						1	
27	R	MAV07202000	MAV072010A0	UPPER FEED ECCENTRIC				*		1	1.00
28	R	MAV07201000	MAV072010A0	UPPER FEED ROLLER REGULATOR				*		1	1.00
29		31170004		SCREW (M5X0.8-5) 82				*		2	
30		31163603		SCREW (M4X0.7-8) 62				*		1	
31		31174709		SPACER				*		1	
32		MAV07215000		ADJUSTING SCREW				*		1	
33		31180805		OIL WICK						1	

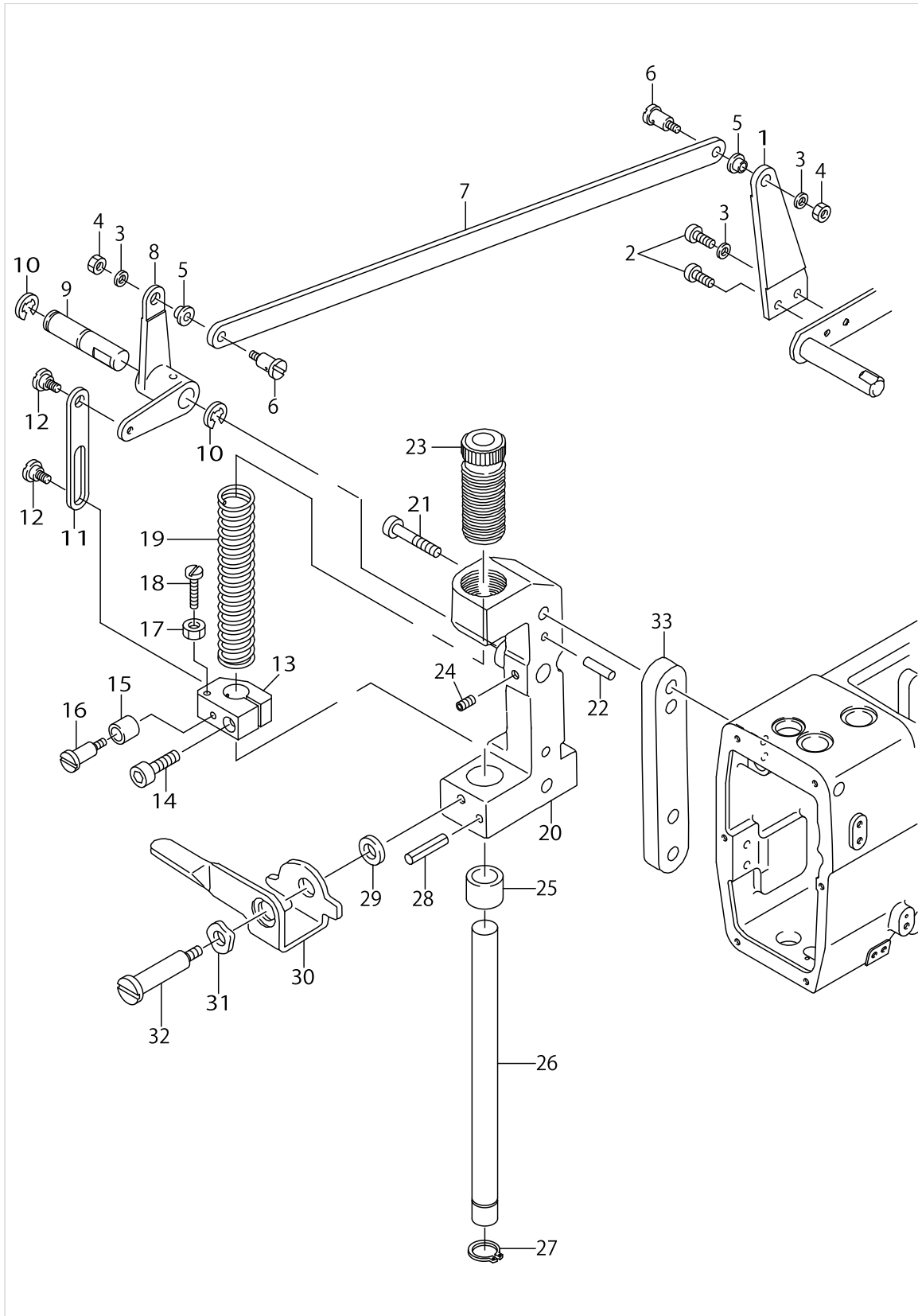
CLOTH PULLER EXCLUSIVE PARTS (2)



CLOTH PULLER EXCLUSIVE PARTS (2)

No.	Supply Code	Parts No.	Replacement	Parts name	Remarks	Choice	Step	Level	Cons	Qty	Rep. QTY
1		MAV07218000		UPPER FEED ROLLER YOKE						1	
2		31163801		SCRWE (M6X1-20) 62						1	
3		MAV07223000		UPPER FEED ROLLER YOKE GUIDE						1	
4		31163603		SCREW (M4X0.7-8) 62						2	
5		MAV07224000		UPPER FEED ROLLER YOKE PIN						1	
6		31170301		SCREW (M6X1-6) 82						1	
7		MAV07225000		IRON WIRE						1	
8		31166200		SCREW (M4X0.7-6) 60						1	
9		31169600		SCREW (M4X0.7-4) 82						1	
10		31170004		SCREW (M5X0.8-5) 82						1	
11		31175706		RETAINING RING						1	
12		MAV07228000		THRUST WASHER						1	
13		MAV07226000		CLUTCH DRIVING SHAFT						1	
14		MAV07227000		CLUTCH DRIVING SHAFT BUSHING						1	
15		MAV07222000		CLUTCH DRIVING SHAFT BUSHING						1	
16		MAV07221000		CLUTCH TENSION SLEEVE						1	
17		MAV07219000		ADJUSTING COLLAR						1	
18		31170004		SCREW (M5X0.8-5) 82						2	
19		MAV07220000		ADJUSTING SCREW STAY						1	
20		31161607		SCREW (M3X0.5-5) 60						2	
21		31160302		SCREW (M5X0.8-12) 60						1	
22		MAV07239000		CLUTCH PLATE COVER						1	
23		31160807		SCREW (M4X0.7-8) 60						5	
24		MAV07217000		CLUTCH TENSION SPRING						1	
25		31169105		SCREW (M4X0.7-7.3) 10						3	
26		MAV07216000		CLUTCH PLATE (RIGHT)						1	
27		MAV072290A0		CLUTCH SLEEVE ASM. (RIGHT)						1	
28		MAV07232000		THRUST PLATE						2	
29		MAV07233000		CLUTCH SPACER						1	
30		31169907		SCREW (M6X1-8) T82						1	
31		MAV072340A0		CLUTCH SLEEVE ASM. (LEFT)						1	
32		MAV07238000		UPPER FEED ROLLER COVER						1	
33		31173602		WASHER						2	
34		31161201		SCREW (M3X0.8-10) 40						3	
35		MAV07235000		UPPER FEED ROLLER	STANDARD (PLASTIC)					1	
36		MAV07236000		UPPER FEED ROLLER	OPTIONAL PARTS (IRON)					1	
37		MAV07237000		UPPER FEED ROLLER	OPTIONAL PARTS					1	
38		MAV07240000		UPPER FEED ROLLER COVER	OPTIONAL PARTS					1	
39		CM300200001		ATTENTION SEAL						1	

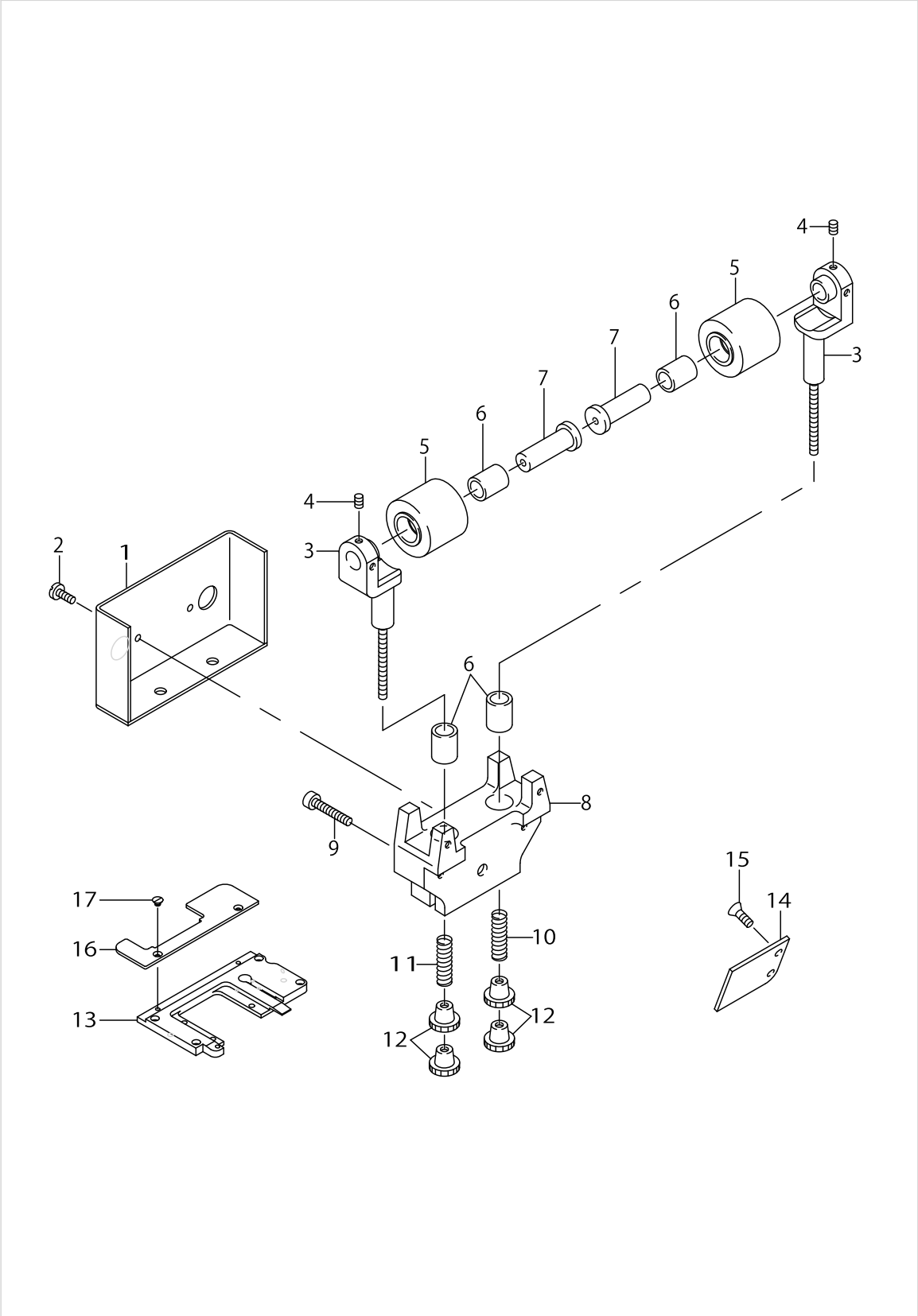
CLOTH PULLER EXCLUSIVE PARTS (3)



CLOTH PULLER EXCLUSIVE PARTS (3)

No.	Supply Code	Parts No.	Replacement	Parts name	Remarks	Choice	Step	Level	Cons	Qty	Rep. QTY
1		MAV07254000		UPPER ROLLER LIFTER (RIGHT)						1	
2		31165400		SCREW (M4X0.7-10) 40						2	
3		31173602		WASHER						3	
4		31172000		NUT						2	
5		MAV07255000		FIEXIBLE WIRE CLAMP BUSHING						2	
6		31167000		STEP-SCREW (11/64X40-6) D60						2	
7		MAV07253000		LIFTER CONNECTING PLATE						1	
8		MAV07251000		UPPER FEED ROLL- ER LIFTER (LEFT						1	
9		MAV07252000		UPPER FEED ROLLER LIFTER PIN						1	
10		31175409		E RING						2	
11		MAV07250000		LIFTING CONNECTING PLATE						1	
12		31166903		STEP-SCREW (3/16X32-2.2) D60						2	
13		MAV07247000		ROLLER PRESS BAR BRACKET						1	
14		31162803		SCREW (M5X0.8-14) 62						1	
15		MAV07248000		LIFTING LEVER SLEEVE						1	
16		31167109		STEP-SCREW (11/64X40-5.5) D60						1	
17		31172109		NUT						1	
18		31162100		SCREW (11/64X40-26) 60						1	
19		MAV07246000		ROLLER PRESS SPRING						1	
20		MAV07242000		UPPER FEED ROLLER BRACKET						1	
21		31163207		SCREW (M6X1-40) 62						2	
22		31103906		KNOCK PIN						2	
23		MAV07244000		ROLLER PRESS BAR BUSHING,UPPER						1	
24		31170301		SCREW (M6X1-6) 82						1	
25		MAV07243000		ROLLER PRESS BAR BUSHING,LOWER						1	
26		MAV07245000		UPPER FEED ROLLER PRESS BAR						1	
27		31175607		C RING						1	
28		31177405		SPRING PIN						1	
29		31173404		WASHER						1	
30		MAV07249000		UPPER ROLLER LIFTING LEVER						1	
31		31174303		WAVE WASHER						1	
32		31166804		STEP-SCREW (M6X1-9) D60						1	
33		MAV07241000		SPACER						1	

CLOTH PULLER EXCLUSIVE PARTS (4)

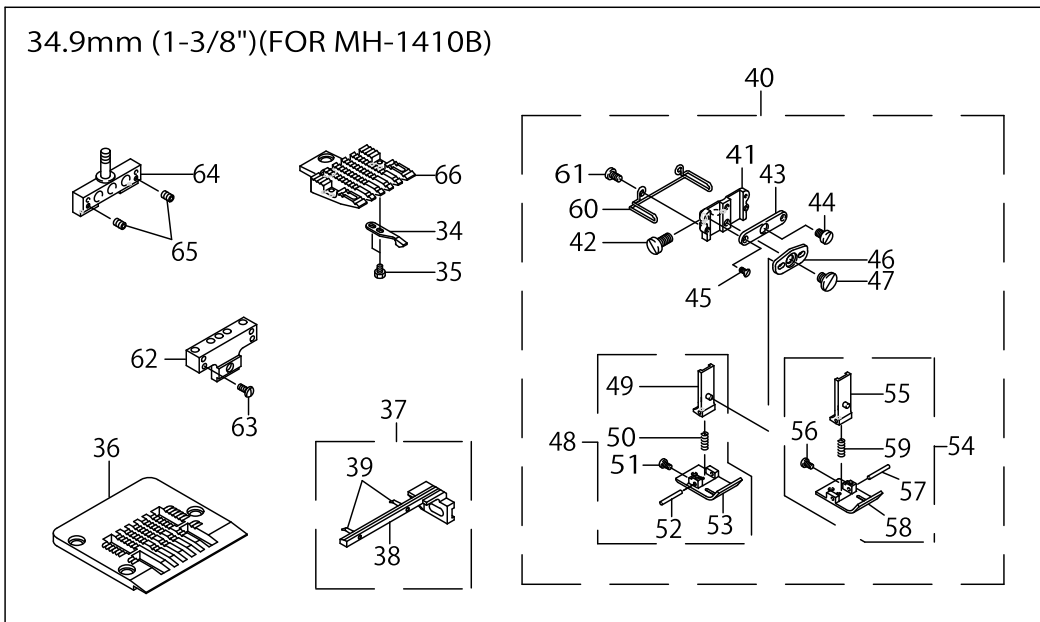
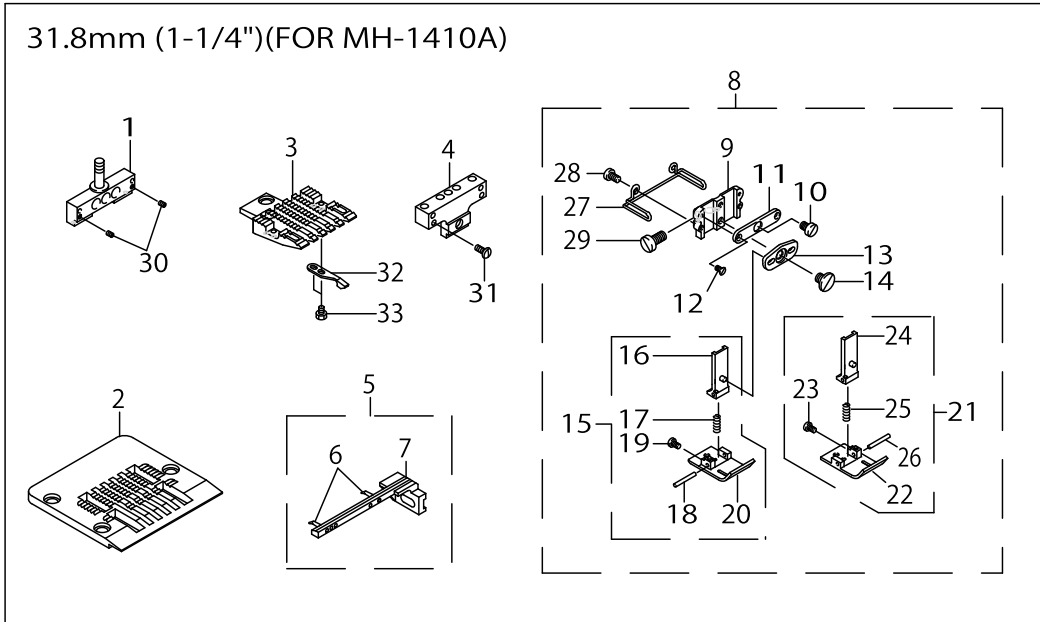


CLOTH PULLER EXCLUSIVE PARTS (4)

No.	Supply Code	Parts No.	Replacement	Parts name	Remarks	Choice	Step	Level	Cons	Qty	Rep. QTY
1		MAV07265000		LOWER FEED ROLLER COVER						1	
2		31161904		SCREW (1/8X44-2.1) 40						2	
3		MAV072590A0		LOWER ROLLER FITTING BASE ASM.						2	
4		31169303		SCREW (M4X0.7-4) 82						4	
5		MAV07256000		LOWER FEED ROLLER						2	
6		MAV07257000		LOWER FEED ROLLER BUSHING						4	
7		MAV07258000		LOWER FEED ROLLER PIN						2	
8		MAV07264000		LOWER FEED ROLLER BRACKET						1	
9		31163801		SCREW (M6X1-20) 62						2	
10		MAV07262000		FITTING BASE SPRING (RIGHT)						1	
11		MAV07261000		FITTING BASE SPRING (LEFT)						1	
12		MAV07263000		ADJUSTING PICK-UP NUT						4	
13		MAV07266000		THROAT PLATE FITTING BASE						1	
14		MAV07267000		CYLINDER COVER (REAR)						1	
15		31169006		SCREW (M3X0.5-6) 10						2	
16	D	MAV07268000		CYLINDER COVER (UPPER)						1	
17		MAV07269000		SCRWE (M4X0.7-6) 10						2	



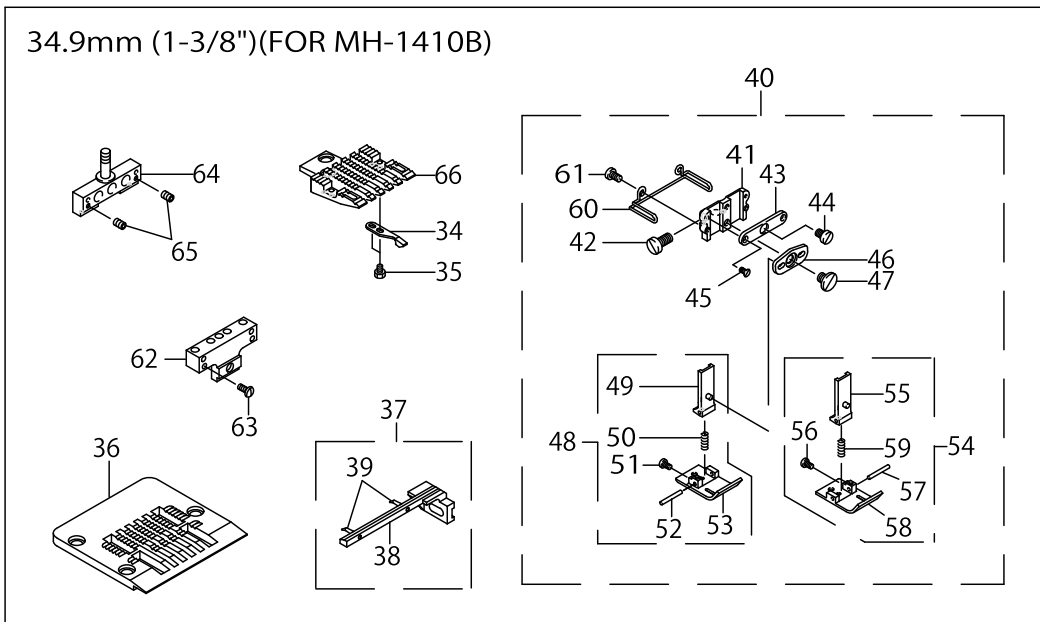
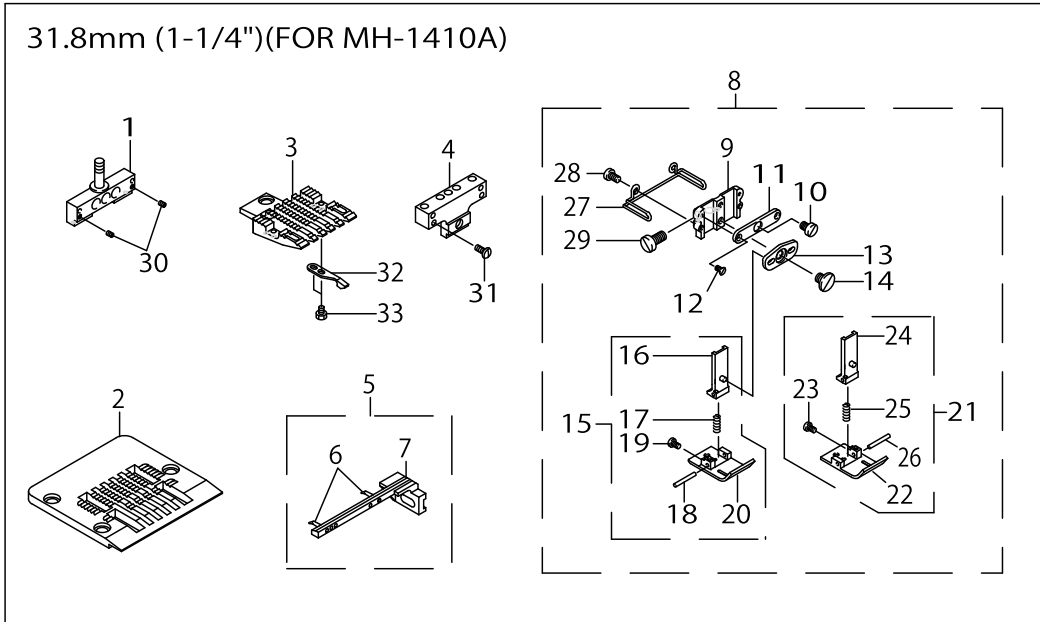
GAGE EXCLUSIVE PARTS (1)



GAGE EXCLUSIVE PARTS (1)

No.	Supply Code	Parts No.	Replacement	Parts name	Remarks	Choice	Step	Level	Cons	Qty	Rep. QTY
1		31146004		NEEDLE CLAMP 31.8MM						1	
2		31145006		NEEDLE PLATE 31.8MM						1	
3		31153109		FEED DOG 31.8MM						1	
4		31154008		LOOPER HOLDER 31.8MM						1	
5		31155054		SPREADER ASM. 31.8MM						1	
6	D	31155104		SPREADER PIN				*		2	
7		31155005		SPREADER 31.8MM				*		1	
8		31147150		PRESSER FOOT ASM. 31.8MM						1	
9	R	31151004	31147051	PRESSER FOOT (UPPER)				*		1	1.00
10		31161706		SCREW (M4X0.7-5.4) 60				*		1	
11	R	31151301	31147051	PRESSER FOOT GUIDE PLATE		A	A:34.9MM	*		1	1.00
11	R	31151301	31147358	PRESSER FOOT GUIDE PLATE		B	B:6.4-25.4-6.4MM	*		1	1.00
11	R	31151301	31147150	PRESSER FOOT GUIDE PLATE		C	C:31.8MM	*		1	1.00
11	R	31151301	31147259	PRESSER FOOT GUIDE PLATE		D	D:38.1MM	*		1	1.00
12		31168909		SCREW (M2.5X0.45-6) 10				*		2	
13	R	31151400	31147051	PRESSER FOOT GUIDE PLATE,LOWER		A	A:34.9MM	*		1	1.00
13	R	31151400	31147358	PRESSER FOOT GUIDE PLATE,LOWER		B	B:6.4~31.8MM	*		1	1.00
13	R	31151400	31147150	PRESSER FOOT GUIDE PLATE,LOWER		C	C:31.8MM	*		1	1.00
13	R	31151400	31147259	PRESSER FOOT GUIDE PLATE,LOWER		D	D:38.1MM	*		1	1.00
14		31166002		STEP-SCREW (M5X0.8-4.5) D60				*		1	
15		31148059		PRESSER FOOT ASM. (LEFT)31.8MM				*		1	
16	R	31151152	31147051	PRESSER FOOT (LOWER) GUIDE		A	A:34.9MM	*		1	1.00
16	R	31151152	31147358	PRESSER FOOT (LOWER) GUIDE		B	B:6.4-31.8MM	*		1	1.00
16	R	31151152	31147150	PRESSER FOOT (LOWER) GUIDE		C	C:31.8MM	*		1	1.00
16	R	31151152	31147259	PRESSER FOOT (LOWER) GUIDE		D	D:38.1MM	*		1	1.00
17		31151509		PRESSER FOOT (LOWER) SPRING				*		1	
18		31177207		PRESSER FOOT (LOWER) GUIDE PIN				*		1	
19		31160401		SCREW (M3X0.5-4.2) 60				*		1	
20	R	31149602	31147150	PRESSER FOOT (LEFT) 31.8MM				*		1	1.00
21		31148851		PRESSER FOOT (RIGHT)ASM.31.8MM				*		1	
22	R	31150402	31147150	PRESSER FOOT (RIGHT) 31.8MM				*		1	1.00
23		31160401		SCREW (M3X0.5-4.2) 60				*		1	
24	R	31151152	31147051	PRESSER FOOT (LOWER) GUIDE		A	A:34.9MM	*		1	1.00
24	R	31151152	31147358	PRESSER FOOT (LOWER) GUIDE		B	B:6.4-31.8MM	*		1	1.00
24	R	31151152	31147150	PRESSER FOOT (LOWER) GUIDE		C	C:31.8MM	*		1	1.00
24	R	31151152	31147259	PRESSER FOOT (LOWER) GUIDE		D	D:38.1MM	*		1	1.00
25		31151509		PRESSER FOOT (LOWER) SPRING				*		1	
26		31177207		PRESSER FOOT (LOWER) GUIDE PIN				*		1	
27		31151608		FINGER GUARD				*		1	
28		31161508		SCREW (M3.5X0.6-6) 40				*		2	
29		31161300		SCREW (M5X0.8-10) 40				*		1	
30		31170707		SCREW (1/8X44-2.4) 80				*		2	
31		31162407		SCRWE (M3X0.5-7) 40				*		4	

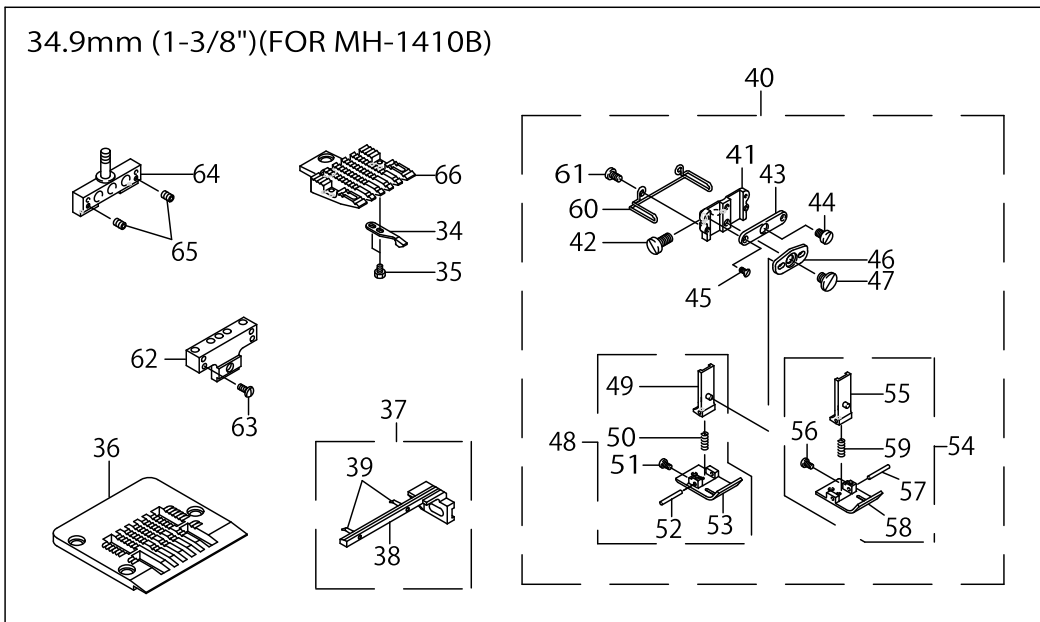
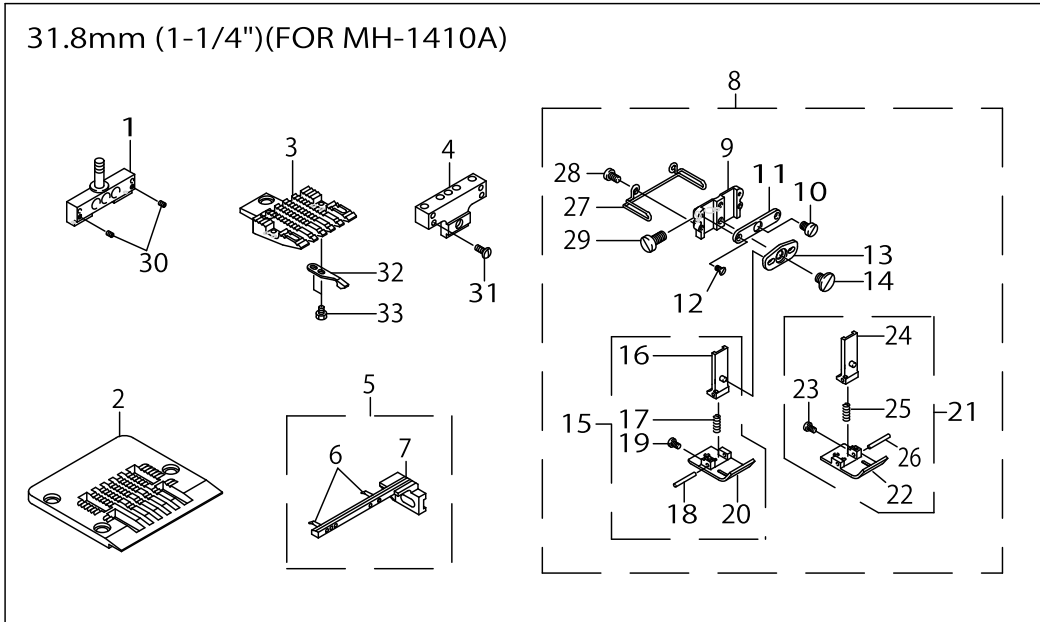
GAGE EXCLUSIVE PARTS (1)



GAGE EXCLUSIVE PARTS (1)

No.	Supply Code	Parts No.	Replacement	Parts name	Remarks	Choice	Step	Level	Cons	Qty	Rep. QTY
32		31153505		NEEDLE HOLDER (FRONT)						2	
33		31160203		SCREW (3/32X56-3.8) 60						4	
34		31153505		NEEDLE HOLDER (FRONT)						2	
35		31160203		SCREW (3/32X56-3.8) 60						4	
36		31145105		NEEDLE PLATE 34.9MM						1	
37		31155252		SPREADER ASM. 34.9MM						1	
38		31155203		SPREADER 34.9MM				*		1	
39	D	31155104		SPREADER PIN				*		2	
40		31147051		PRESSER FOOT ASM. 34.9MM						1	
41	R	31151004	31147051	PRESSER FOOT (UPPER)				*		1	1.00
42		31161300		SCREW (M5X0.8-10) 40				*		1	
43	R	31151301	31147051	PRESSER FOOT GUIDE PLATE		A	A:34.9MM	*		1	1.00
43	R	31151301	31147358	PRESSER FOOT GUIDE PLATE		B	B:6.4-25.4-6.4MM	*		1	1.00
43	R	31151301	31147150	PRESSER FOOT GUIDE PLATE		C	C:31.8MM	*		1	1.00
43	R	31151301	31147259	PRESSER FOOT GUIDE PLATE		D	D:38.1MM	*		1	1.00
44		31161706		SCREW (M4X0.7-5.4) 60				*		1	
45		31168909		SCREW (M2.5X0.45-6) 10				*		2	
46	R	31151400	31147051	PRESSER FOOT GUIDE PLATE,LOWER		A	A:34.9MM	*		1	1.00
46	R	31151400	31147358	PRESSER FOOT GUIDE PLATE,LOWER		B	B:6.4~31.8MM	*		1	1.00
46	R	31151400	31147150	PRESSER FOOT GUIDE PLATE,LOWER		C	C:31.8MM	*		1	1.00
46	R	31151400	31147259	PRESSER FOOT GUIDE PLATE,LOWER		D	D:38.1MM	*		1	1.00
47		31166002		STEP-SCREW (M5X0.8-4.5) D60				*		1	
48	R	31147853	31147051	PRESSER FOOT AS- M. (LEFT)34.9MM				*		1	1.00
49	R	31151152	31147051	PRESSER FOOT (LOWER) GUIDE		A	A:34.9MM	*		1	1.00
49	R	31151152	31147358	PRESSER FOOT (LOWER) GUIDE		B	B:6.4-31.8MM	*		1	1.00
49	R	31151152	31147150	PRESSER FOOT (LOWER) GUIDE		C	C:31.8MM	*		1	1.00
49	R	31151152	31147259	PRESSER FOOT (LOWER) GUIDE		D	D:38.1MM	*		1	1.00
50		31151509		PRESSER FOOT (LOWER) SPRING				*		1	
51		31160401		SCREW (M3X0.5-4.2) 60				*		1	
52		31177207		PRESSER FOOT (L- OWER) GUIDE PIN				*		1	
53	R	31149404	31147051	PRESSER FOOT (LEFT) 34.9MM				*		1	1.00
54	R	31148653	31147051	PRESSER FOOT (RI- GHT)ASM.34.9MM				*		1	1.00
55	R	31151152	31147051	PRESSER FOOT (LOWER) GUIDE		A	A:34.9MM	*		1	1.00
55	R	31151152	31147358	PRESSER FOOT (LOWER) GUIDE		B	B:6.4-31.8MM	*		1	1.00
55	R	31151152	31147150	PRESSER FOOT (LOWER) GUIDE		C	C:31.8MM	*		1	1.00
55	R	31151152	31147259	PRESSER FOOT (LOWER) GUIDE		D	D:38.1MM	*		1	1.00
56		31160401		SCREW (M3X0.5-4.2) 60				*		1	
57		31177207		PRESSER FOOT (L- OWER) GUIDE PIN				*		1	
58	R	31150204	31147051	PRESSER FOOT (RIGHT) 34.9MM				*		1	1.00
59		31151509		PRESSER FOOT (LOWER) SPRING				*		1	
60		31151608		FINGER GUARD				*		1	
61		31161508		SCREW (M3.5X0.6-6) 40				*		2	
62		31154107		LOOPER HOLDER 34.9MM				*		1	

GAGE EXCLUSIVE PARTS (1)

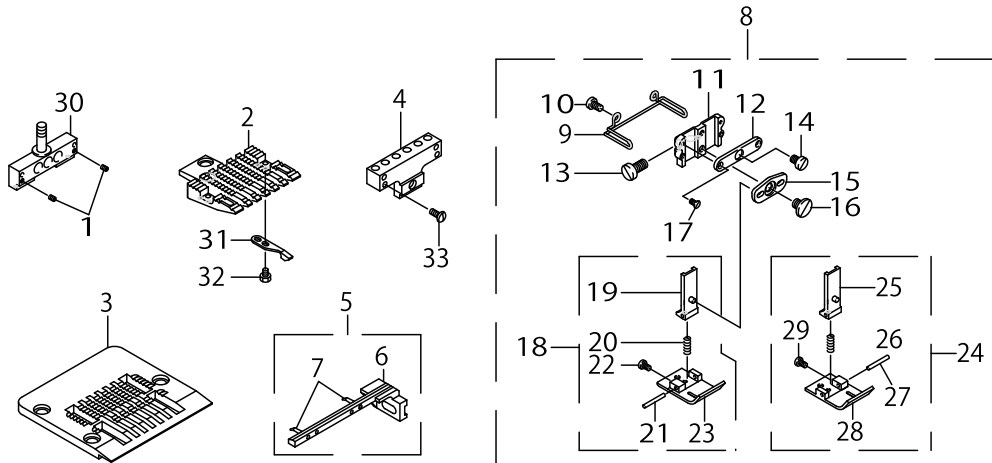


GAGE EXCLUSIVE PARTS (1)

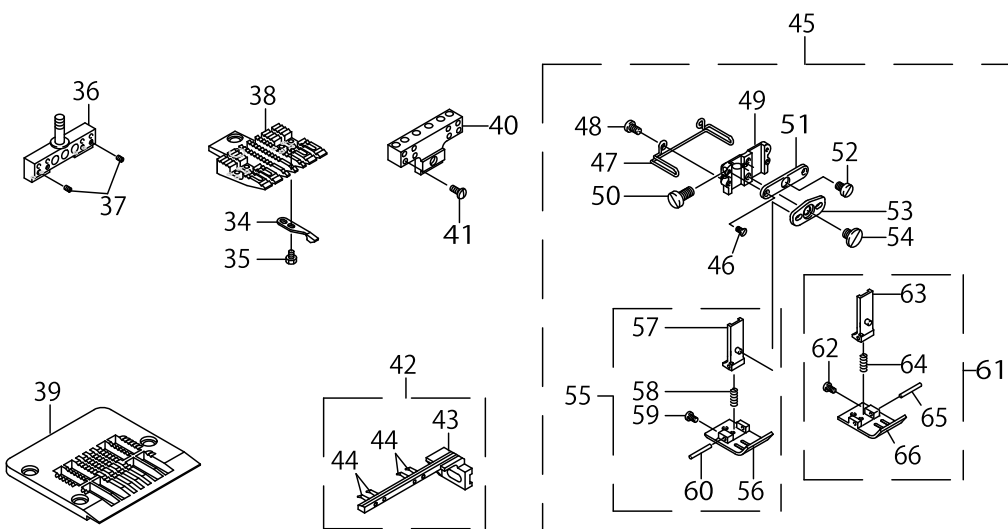
No.	Supply Code	Parts No.	Replacement	Parts name	Remarks	Choice	Step	Level	Cons	Qty	Rep. QTY
63		31162407		SCREW (M3X0.5-7) 40						4	
64		31146103		NEEDLE CLAMP 34.9MM						1	
65		31170707		SCREW (1/8X44-2.4) 80						2	
66		31153208		FEED DOG 34.9MM						1	

GAGE EXCLUSIVE PARTS (2)

38.1mm (1-1/2") (FOR MH-1410C)



6.4-25.4-6.4mm (1/4"-1"-1/4") (FOR MH-1410D)



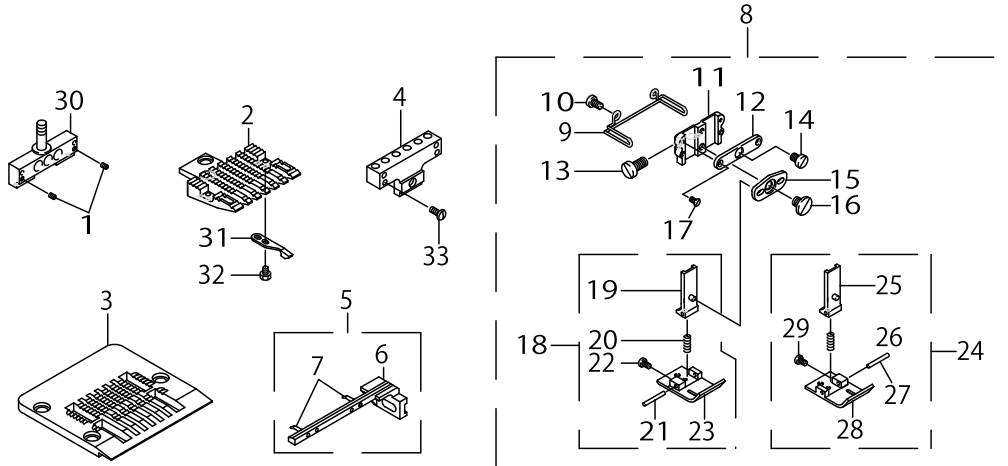
GAGE EXCLUSIVE PARTS (2)

No.	Supply Code	Parts No.	Replacement	Parts name	Remarks	Choice	Step	Level	Cons	Qty	Rep. QTY
1		31170707		SCREW (1/8X44-2.4) 80						2	
2		31153307		FEED DOG 38.1MM						1	
3		31145204		NEEDLE PLATE 38.1MM						1	
4		31154206		LOOPER HOLDER 38.1MM						1	
5		31155351		SPREADER ASM. 38.1MM						1	
6	R	31155302	31155351	SPREADER 38.1MM				*		1	1.00
7	D	31155104		SPREADER PIN				*		2	
8		31147259		PRESSER FOOT ASM. 38.1MM						1	
9		31151608		FINGER GUARD				*		1	
10		31161508		SCREW (M3.5X0.6-6) 40				*		2	
11	R	31151004	31147051	PRESSER FOOT (UPPER)				*		1	1.00
12	R	31151301	31147051	PRESSER FOOT GUIDE PLATE		A	A:34.9MM	*		1	1.00
12	R	31151301	31147358	PRESSER FOOT GUIDE PLATE		B	B:6.4-25.4-6.4MM	*		1	1.00
12	R	31151301	31147150	PRESSER FOOT GUIDE PLATE		C	C:31.8MM	*		1	1.00
12	R	31151301	31147259	PRESSER FOOT GUIDE PLATE		D	D:38.1MM	*		1	1.00
13		31161300		SCREW (M5X0.8-10) 40				*		1	
14		31161706		SCREW (M4X0.7-5.4) 60				*		1	
15	R	31151400	31147051	PRESSER FOOT GUIDE PLATE,LOWER		A	A:34.9MM	*		1	1.00
15	R	31151400	31147358	PRESSER FOOT GUIDE PLATE,LOWER		B	B:6.4~31.8MM	*		1	1.00
15	R	31151400	31147150	PRESSER FOOT GUIDE PLATE,LOWER		C	C:31.8MM	*		1	1.00
15	R	31151400	31147259	PRESSER FOOT GUIDE PLATE,LOWER		D	D:38.1MM	*		1	1.00
16		31166002		STEP-SCREW (M5X0.8-4.5) D60				*		1	
17		31168909		SCREW (M2.5X0.45-6) 10				*		2	
18		31148158		PRESSER FOOT ASM. (LEFT)38.1MM				*		1	
19	R	31151152	31147051	PRESSER FOOT (LOWER) GUIDE		A	A:34.9MM	*		1	1.00
19	R	31151152	31147358	PRESSER FOOT (LOWER) GUIDE		B	B:6.4-31.8MM	*		1	1.00
19	R	31151152	31147150	PRESSER FOOT (LOWER) GUIDE		C	C:31.8MM	*		1	1.00
19	R	31151152	31147259	PRESSER FOOT (LOWER) GUIDE		D	D:38.1MM	*		1	1.00
20		31151509		PRESSER FOOT (LOWER) SPRING				*		1	
21		31177207		PRESSER FOOT (LOWER) GUIDE PIN				*		1	
22		31160401		SCREW (M3X0.5-4.2) 60				*		1	
23	R	31149701	31147259	PRESSER FOOT (LEFT) 38.1MM				*		1	1.00
24		31148950		PRESSER FOOT (RIGHT)ASM.38.1MM				*		1	
25	R	31151152	31147051	PRESSER FOOT (LOWER) GUIDE		A	A:34.9MM	*		1	1.00
25	R	31151152	31147358	PRESSER FOOT (LOWER) GUIDE		B	B:6.4-31.8MM	*		1	1.00
25	R	31151152	31147150	PRESSER FOOT (LOWER) GUIDE		C	C:31.8MM	*		1	1.00
25	R	31151152	31147259	PRESSER FOOT (LOWER) GUIDE		D	D:38.1MM	*		1	1.00
26		31151509		PRESSER FOOT (LOWER) SPRING				*		1	
27		31177207		PRESSER FOOT (LOWER) GUIDE PIN				*		1	
28	R	31150501	31147259	PRESSER FOOT (RIGHT) 38.1MM				*		1	1.00
29		31160401		SCREW (M3X0.5-4.2) 60				*		1	
30		31146202		NEEDLE CLAMP 38.1MM						1	
31		31153505		NEEDLE HOLDER (FRONT)						2	

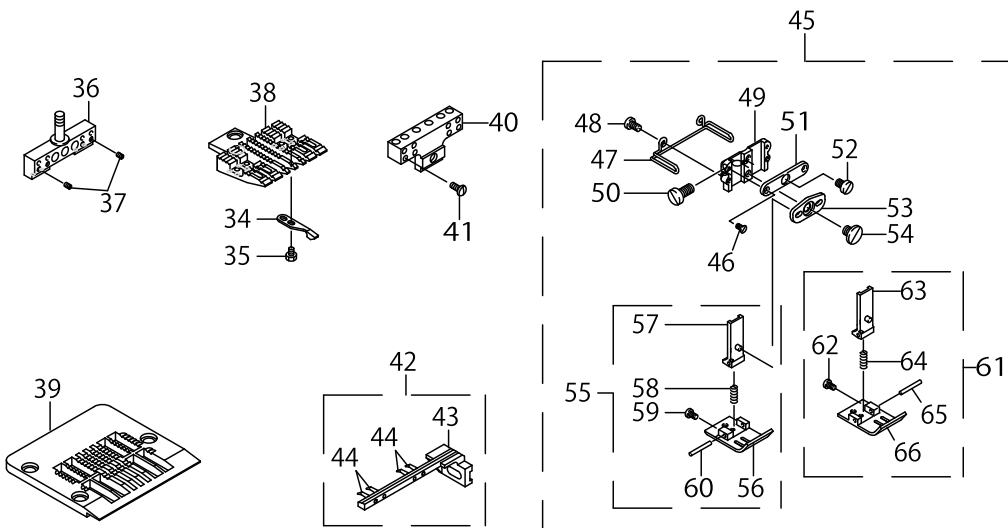


GAGE EXCLUSIVE PARTS (2)

38.1mm (1-1/2" )(FOR MH-1410C)



6.4-25.4-6.4mm (1/4"-1"-1/4" )(FOR MH-1410D)

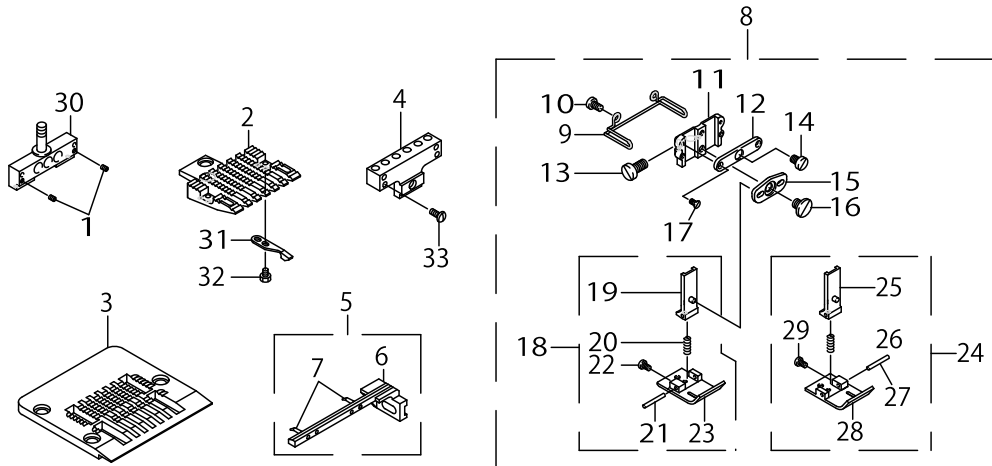


GAGE EXCLUSIVE PARTS (2)

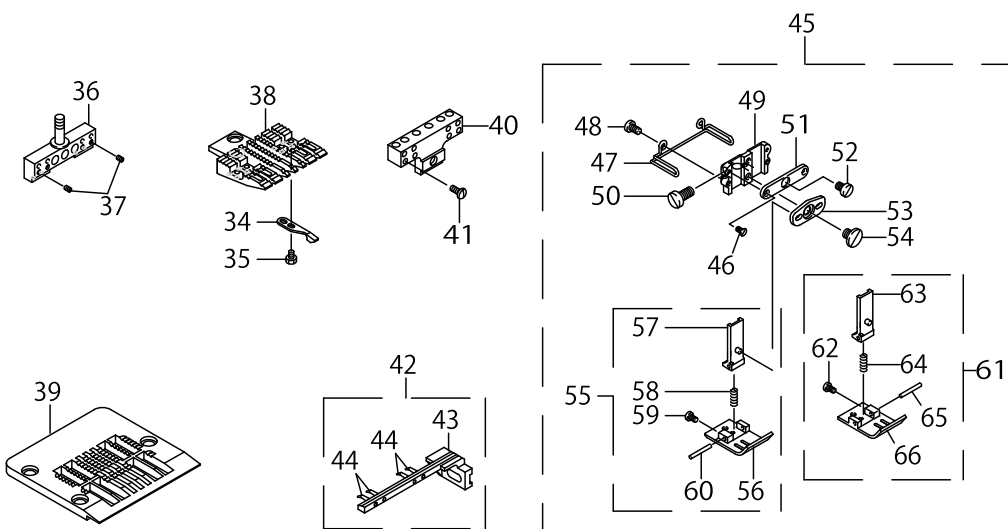
No.	Supply Code	Parts No.	Replacement	Parts name	Remarks	Choice	Step	Level	Cons	Qty	Rep. QTY
32		31160203		SCREW (3/32X56-3.8) 60						4	
33		31162407		SCREW (M3X0.5-7) 40						4	
34		31153505		NEEDLE HOLDER (FRONT)						4	
35		31160203		SCREW (3/32X56-3.8) 60						8	
36		31146301		NEEDLE CLAMP 1/4-1-1/4						1	
37		31170707		SCREW (1/8X44-2.4) 80						4	
38		31153406		FEED DOG 1/4-1-1/4						1	
39		31145303		NEEDLE PLATE 1/4-1-1/4						1	
40		31154305		LOOPER BASE 1/4-1-1/4						1	
41		31162407		SCREW (M3X0.5-7) 40						8	
42		31155450		SPREADER ASM. 1/4-1-1/4						1	
43		31155401		SPREADER 1/4-1-1/4				*		1	
44	D	31155104		SPREADER PIN				*		4	
45		31147358		PRESSER FOOT ASM. 1/4-1-1/4						1	
46		31168909		SCREW (M2.5X0.45-6) 10				*		2	
47		31151608		FINGER GUARD				*		1	
48		31161508		SCREW (M3.5X0.6-6) 40				*		2	
49	R	31151004	31147051	PRESSER FOOT (UPPER)				*		1	1.00
50		31161300		SCREW (M5X0.8-10) 40				*		1	
51	R	31151301	31147051	PRESSER FOOT GUIDE PLATE		A	A:34.9MM	*		1	1.00
51	R	31151301	31147358	PRESSER FOOT GUIDE PLATE		B	B:6.4-25.4-6.4MM	*		1	1.00
51	R	31151301	31147150	PRESSER FOOT GUIDE PLATE		C	C:31.8MM	*		1	1.00
51	R	31151301	31147259	PRESSER FOOT GUIDE PLATE		D	D:38.1MM	*		1	1.00
52		31161706		SCREW (M4X0.7-5.4) 60				*		1	
53	R	31151400	31147051	PRESSER FOOT GUIDE PLATE,LOWER		A	A:34.9MM	*		1	1.00
53	R	31151400	31147358	PRESSER FOOT GUIDE PLATE,LOWER		B	B:6.4~31.8MM	*		1	1.00
53	R	31151400	31147150	PRESSER FOOT GUIDE PLATE,LOWER		C	C:31.8MM	*		1	1.00
53	R	31151400	31147259	PRESSER FOOT GUIDE PLATE,LOWER		D	D:38.1MM	*		1	1.00
54		31166002		STEP-SCREW (M5X0.8-4.5) D60				*		1	
55		31147952		PRESSER FOOT ASM.(LEFT)				*		1	
56	R	31149503	31147358	PRESSER FOOT (LEFT) 1/4-1-1/4				*		1	1.00
57	R	31151152	31147051	PRESSER FOOT (LOWER) GUIDE		A	A:34.9MM	*		1	1.00
57	R	31151152	31147358	PRESSER FOOT (LOWER) GUIDE		B	B:6.4-31.8MM	*		1	1.00
57	R	31151152	31147150	PRESSER FOOT (LOWER) GUIDE		C	C:31.8MM	*		1	1.00
57	R	31151152	31147259	PRESSER FOOT (LOWER) GUIDE		D	D:38.1MM	*		1	1.00
58		31151509		PRESSER FOOT (LOWER) SPRING				*		1	
59		31160401		SCREW (M3X0.5-4.2) 60				*		1	
60		31177207		PRESSER FOOT (LOWER) GUIDE PIN				*		1	
61		31148752		PRESSER FOOT (RIGHT) ASM.				*		1	
62		31160401		SCREW (M3X0.5-4.2) 60				*		1	
63	R	31151152	31147051	PRESSER FOOT (LOWER) GUIDE		A	A:34.9MM	*		1	1.00
63	R	31151152	31147358	PRESSER FOOT (LOWER) GUIDE		B	B:6.4-31.8MM	*		1	1.00
63	R	31151152	31147150	PRESSER FOOT (LOWER) GUIDE		C	C:31.8MM	*		1	1.00
63	R	31151152	31147259	PRESSER FOOT (LOWER) GUIDE		D	D:38.1MM	*		1	1.00

GAGE EXCLUSIVE PARTS (2)

38.1mm (1-1/2") (FOR MH-1410C)



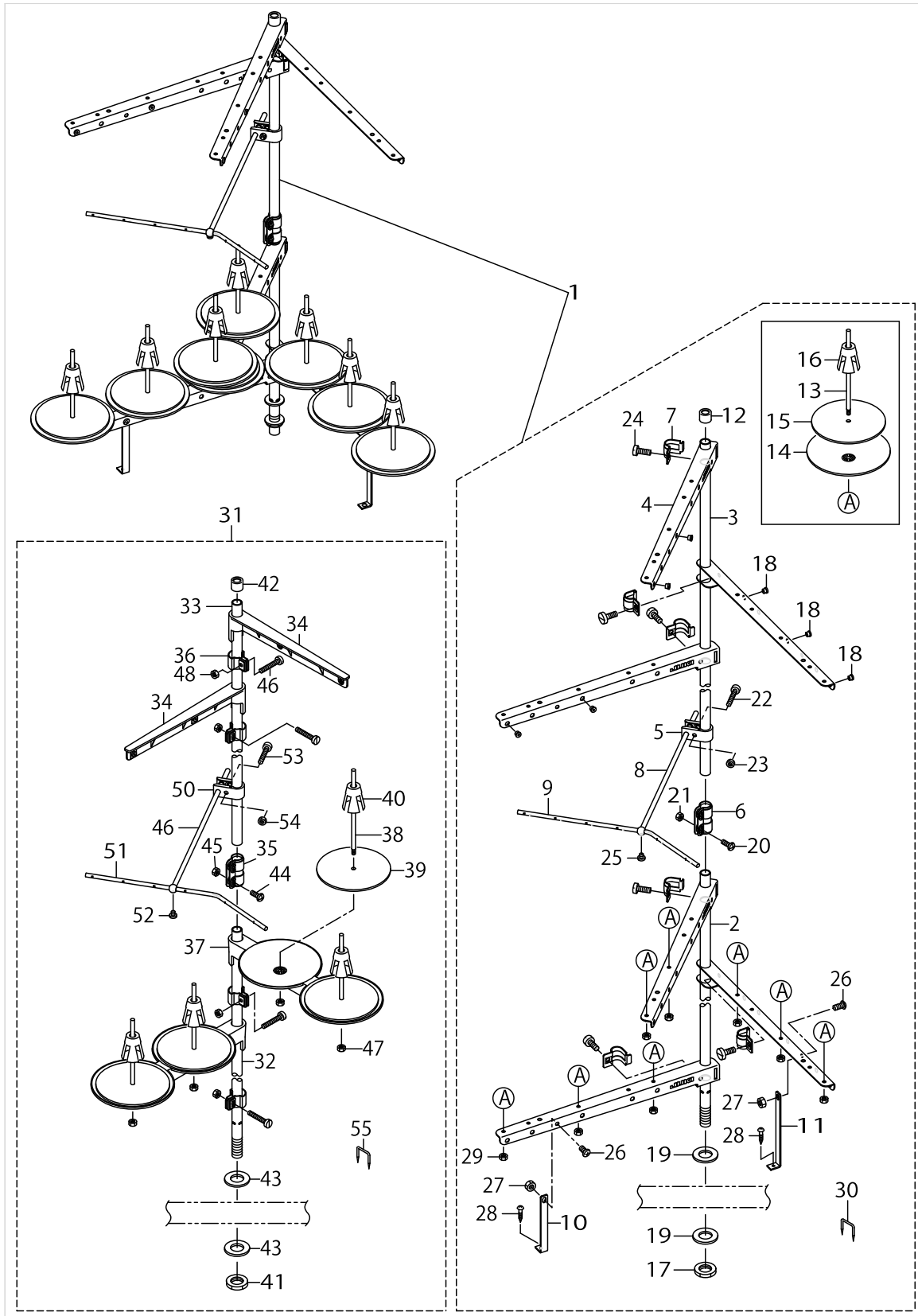
6.4-25.4-6.4mm (1/4"-1"-1/4") (FOR MH-1410D)



GAGE EXCLUSIVE PARTS (2)

No.	Supply Code	Parts No.	Replacement	Parts name	Remarks	Choice	Step	Level	Cons	Qty	Rep. QTY
64		31151509		PRESSER FOOT (LOWER) SPRING				*		1	
65		31177207		PRESSER FOOT (L- OWER) GUIDE PIN				*		1	
66	R	31150303	31147358	PRESSER FOOT (RIGHT) ASM.				*		1	1.00

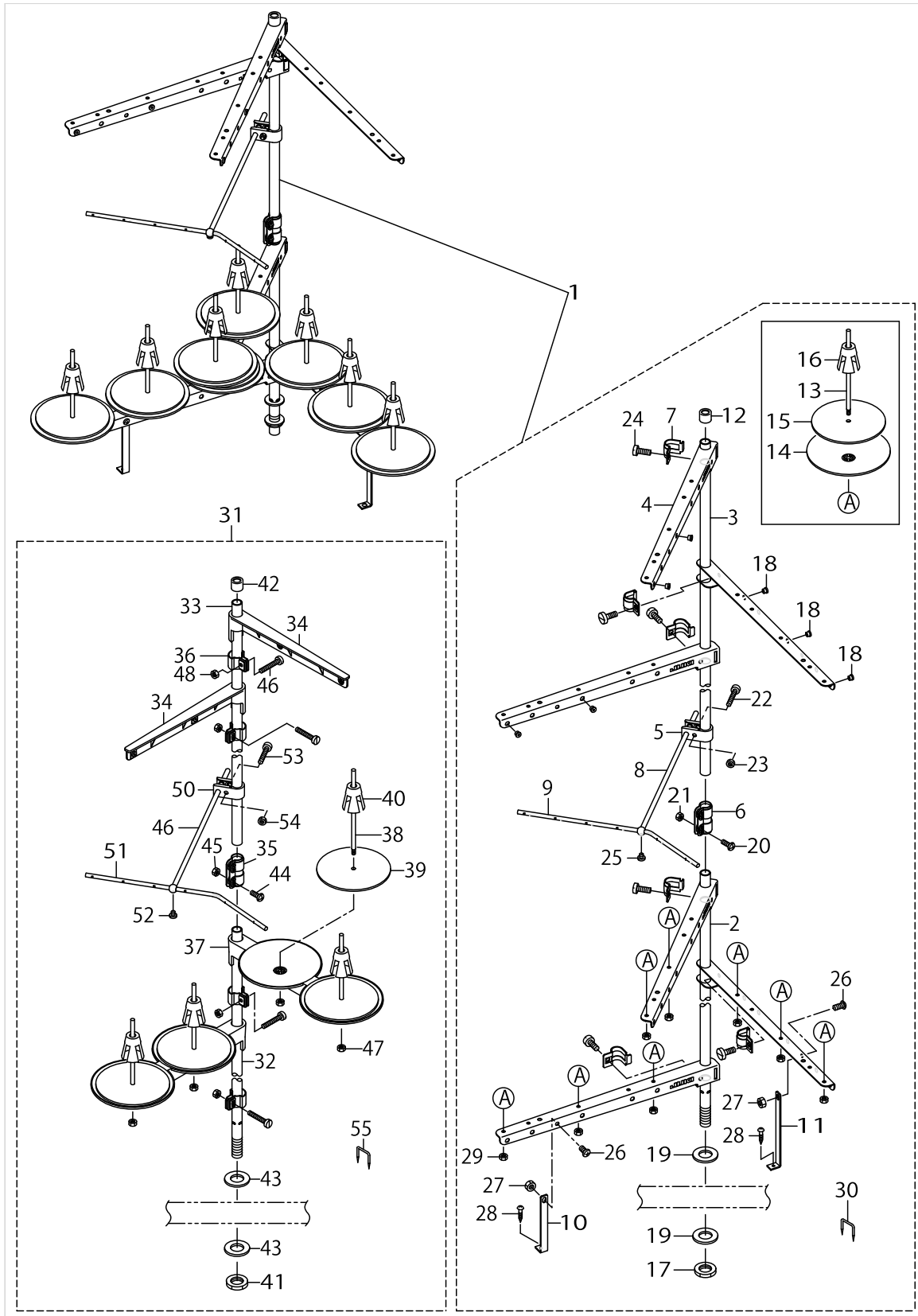
# THREAD STAND COMPONENTS



THREAD STAND COMPONENTS

No.	Supply Code	Parts No.	Replacement	Parts name	Remarks	Choice	Step	Level	Cons	Qty	Rep. QTY
1	R	31138555	31138654	THREAD RAISING DEVICE ASM.	FOR 4-NEEDLE					1	1.00
2	R	11185105	40096354	SPOOL REST ROD,LOWER				*		1	1.00
3	R	11185204	40096354	SPOOL REST ROD,UPPER				*		1	1.00
4	R	11969508	13168802	SPOOL REST ARM A				*		6	1.00
5	D	B3304704000A		THREAD GUIDE ARM HOLDER				*		1	
6	R	B3305704000A	40096354	SPOOL REST ROD JOINT				*		1	1.00
7		B3318704L00A		THREAD GUIDE ARM JOINT				*		6	
8	R	B3309704000	26910059	THREAD GUIDE ARM				*		1	1.00
9		B3311843000		LOWER THREAD GUIDE				*		1	
10		B3321704L00		SPOOL REST ARM SUPPORT, A				*		1	
11	D	B3321704LOB		SPOOL REST ARM SUPPORT, B				*		1	
12	R	B3311704000	22931406	SPOOL REST ROD CAP				*		1	1.00
13	R	B3320704L00A	40085790	SPOOL PIN				*		8	1.00
14	R	11966504	22930804	SPOOL REST				*		8	1.00
15	D	B3311012000		SPOOL REST CUSHION				*		8	
16	D	11185501		SPOOL RETAINER				*		8	
17	R	B3317704000	NM6160511SE	NUT				*		1	1.00
18	R	B3319704L00	22931208	THREAD WAY				*		8	1.00
19		WP1612616SE		WASHER 16X30X2.6				*		2	
20		SM4051405SE		SCREW M5 L=14				*		2	
21		NM6050001SE		NUT M5				*		2	
22	D	SM6053000SE		SCREW M5X0.8 L=30				*		1	
23		NM6050001SE		NUT M5				*		1	
24		SM6061610SC		SCREW M6 L=15				*		6	
25		SS7110540SP		SCREW 11/64-40 L=5				*		1	
26		SM4061201SE		SCREW M6 L=12				*		2	
27		NM6060001SE		NUT M6				*		2	
28		SK3382001SE		SCREW D=3.8 L=20				*		2	
29		NM6050001SE		NUT M5				*		8	
30		MAO11532000		CORD STAPLE				*		3	
31	R	11969458	40106584	THREAD RAISING DEVICE ASM.	FOR 2-NEEDLE					1	1.00
32	R	11185105	40096354	SPOOL REST ROD,LOWER				*		1	1.00
33	R	11185204	40096354	SPOOL REST ROD,UPPER				*		1	1.00
34	R	11185352	40096354	THREAD GUIDE ASM.				*		2	1.00
35	R	B3305704000A	40096354	SPOOL REST ROD JOINT				*		1	1.00
36	R	11185402	40096354	THREAD GUIDE ARM JOINT				*		4	1.00
37	D	11185006		SPOOL REST ARM				*		2	
38	R	B3320704L00A	40085790	SPOOL PIN				*		4	1.00
39	D	B3311012000		SPOOL REST CUSHION				*		4	
40	D	11185501		SPOOL RETAINER				*		4	
41	R	B3317704000	NM6160511SE	NUT				*		1	1.00
42	R	B3311704000	22931406	SPOOL REST ROD CAP				*		1	1.00
43		WP1612616SE		WASHER 16X30X2.6				*		2	
44		SM4051405SE		SCREW M5 L=14				*		2	
45		NM6050001SE		NUT M5				*		2	
46		SM4051405SE		SCREW M5 L=14				*		4	

# THREAD STAND COMPONENTS



THREAD STAND COMPONENTS

No.	Supply Code	Parts No.	Replacement	Parts name	Remarks	Choice	Step	Level	Cons	Qty	Rep. QTY
47		NM6050001SE		NUT M5				*		4	
48		NM6050001SE		NUT M5				*		4	
49	R	B3309704000	26910059	THREAD GUIDE ARM				*		1	1.00
50	D	B3304704000A		THREAD GUIDE ARM HOLDER				*		1	
51	R	B3311804000	26910059	LOWER THREAD GUIDE				*		1	1.00
52		SS7110540SP		SCREW 11/64-40 L=5				*		1	
53	D	SM6053000SE		SCREW M5X0.8 L=30				*		1	
54		NM6050001SE		NUT M5				*		1	
55		MAO11532000		CORD STAPLE				*		3	



TABLE COMPONENTS

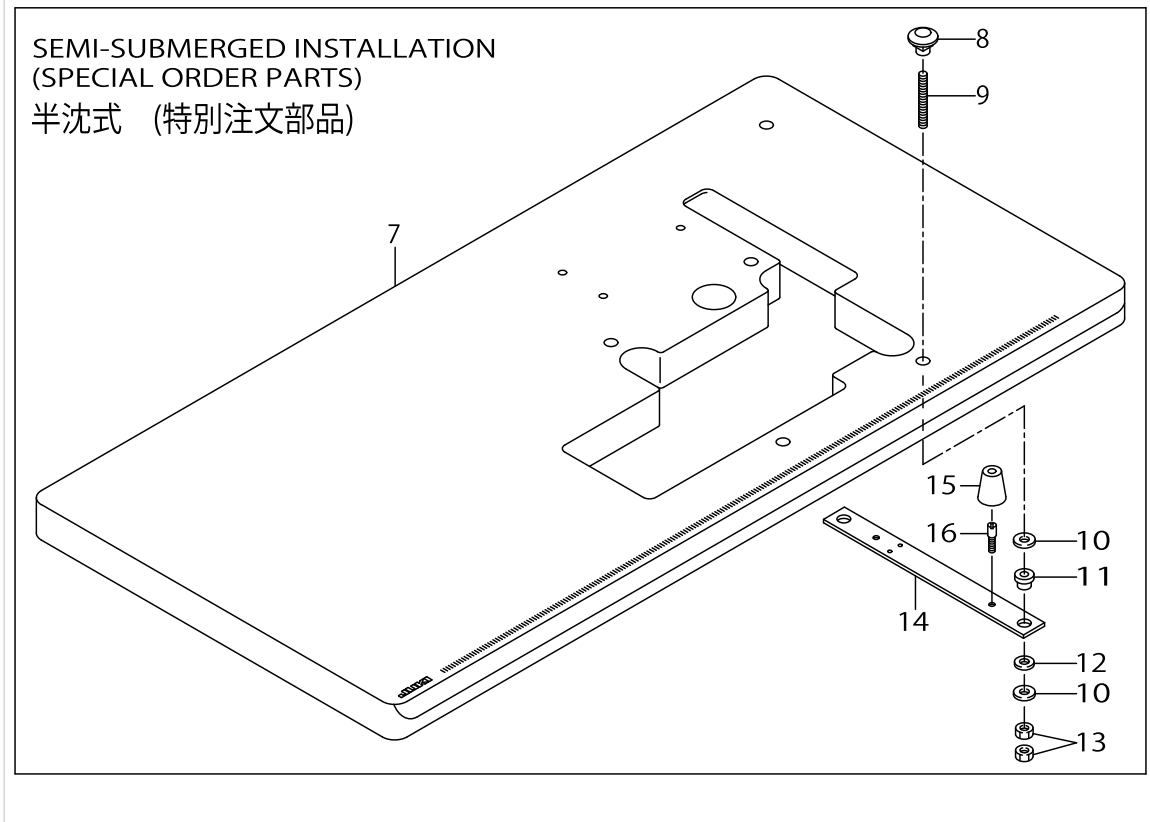
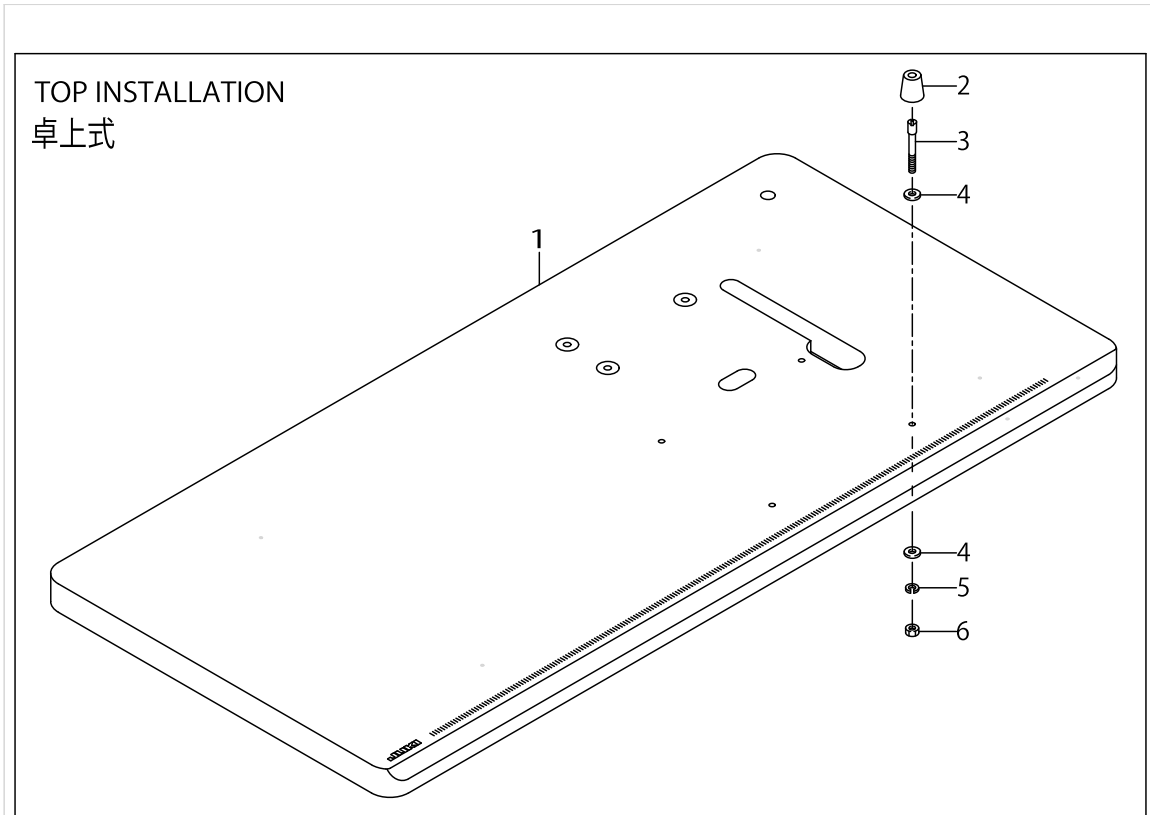
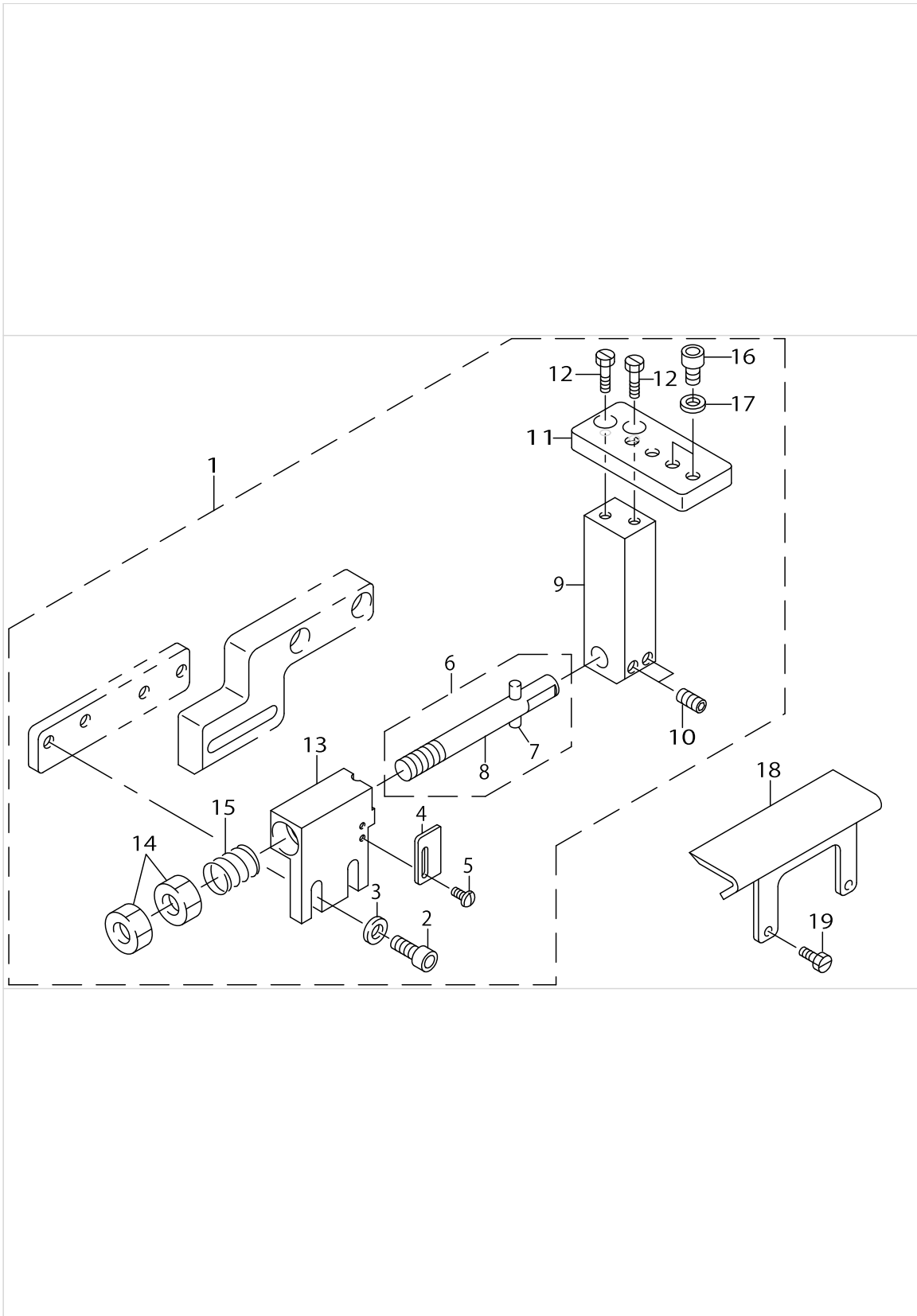


TABLE COMPONENTS

No.	Supply Code	Parts No.	Replacement	Parts name	Remarks	Choice	Step	Level	Cons	Qty	Rep. QTY
1	R	31138803	31138852	TABLE (TOP INSTALLATION)						1	1.00
2		31140403		RUBBER CUSHION						4	
3		31140502		PINSCREW(M6X1-63)						4	
4		31174501		WASHER						8	
5		31174600		SPRING WASHER						4	
6		31172307		NUT						4	
7		31141203		TABLE						1	
8		31140601		NUT						4	
9		31140700		SCREW (M8X1.25-75)						4	
10		31174808		WASHER						8	
11		31140809		HOLDING PLATE R- UBBER CUSHION						4	
12		31140908		HOLDING PLATE R- UBBER CUSHION						4	
13		31172406		NUT						8	
14		31141104		HOLDING PLATE						2	
15		31140403		RUBBER CUSHION						4	
16		31141005		PINSCREW(M6X1-16)						4	

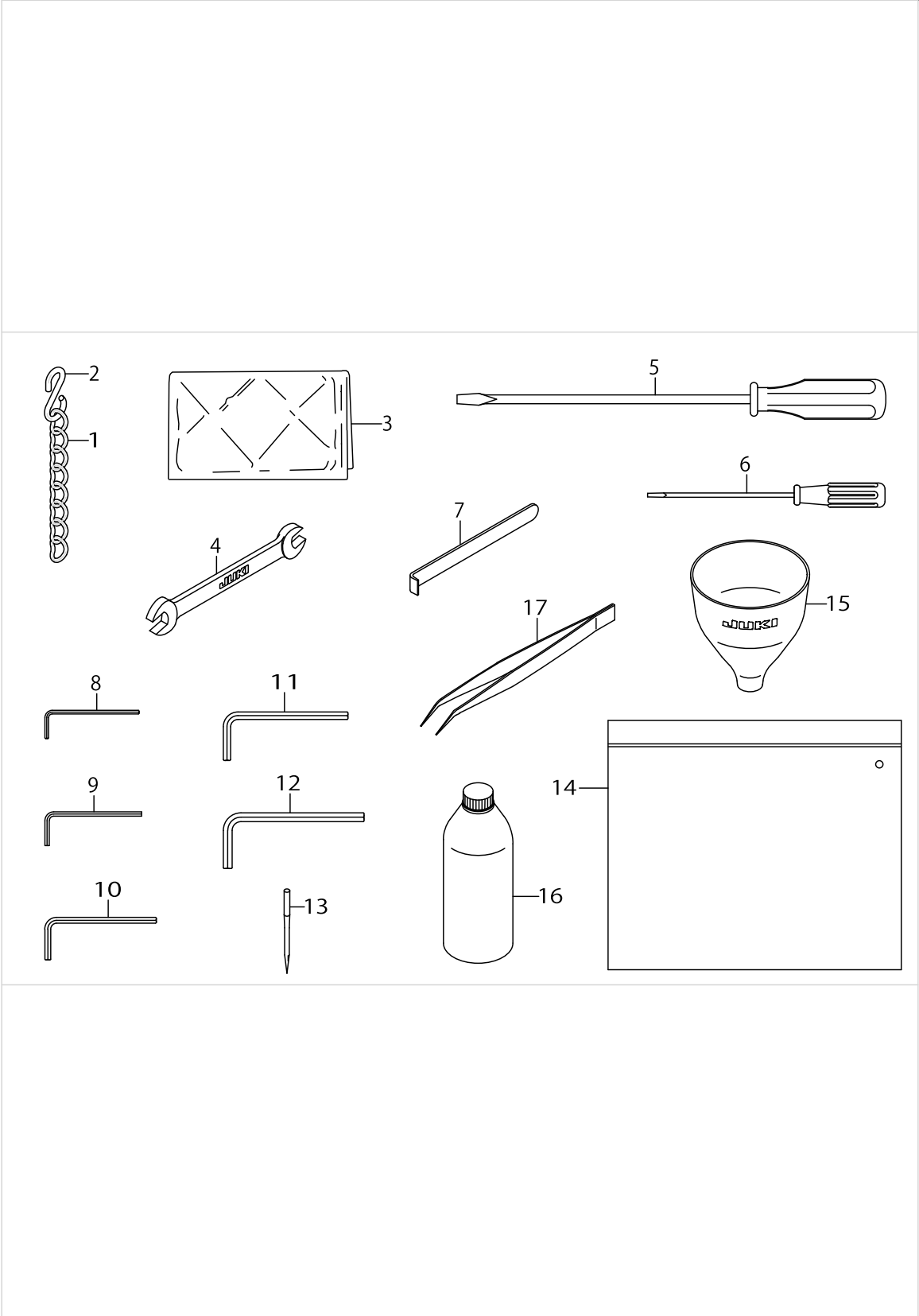
SPECIAL ORDER PARTS COMPONENTS



SPECIAL ORDER PARTS COMPONENTS

No.	Supply Code	Parts No.	Replacement	Parts name	Remarks	Choice	Step	Level	Cons	Qty	Rep. QTY
1		31141658		RULER FITTING BASE WHOLE ASM.						1	
2		31163306		SCREW (M6X1-15) 62				*		2	
3		31174006		WASHER				*		2	
4	D	31141807		STOPPER				*		1	
5	R	31165707	31161607	SCREW (M3X0.5-2) 40				*		2	1.00
6		31141955		RULER FITTING BASE SHAFT ASM.				*		1	
7	R	31177306	31141955	SPRING PIN				*		1	1.00
8	R	31141906	31141955	RULER FITTING BASE SHAFT				*		1	1.00
9		31142003		RULER FITTING BASE 5				*		1	
10		31170301		SCREW (M6X1-6) 82				*		2	
11		31141609		RULER FITTING BASE 3				*		1	
12		31163108		SCREW (M5X0.8-10) 62				*		2	
13		31141708		RULER FITTING BASE 4				*		1	
14		31172208		NUT				*		2	
15		31142201		CUTTER LOWER SPRING				*		1	
16		31163702		SCREW (M6X1-10) 62				*		2	
17		31174006		WASHER				*		2	
18		31142102		AUXILIARY COVER						1	
19		31161706		SCREW (M4X0.7-5.4) 60						2	

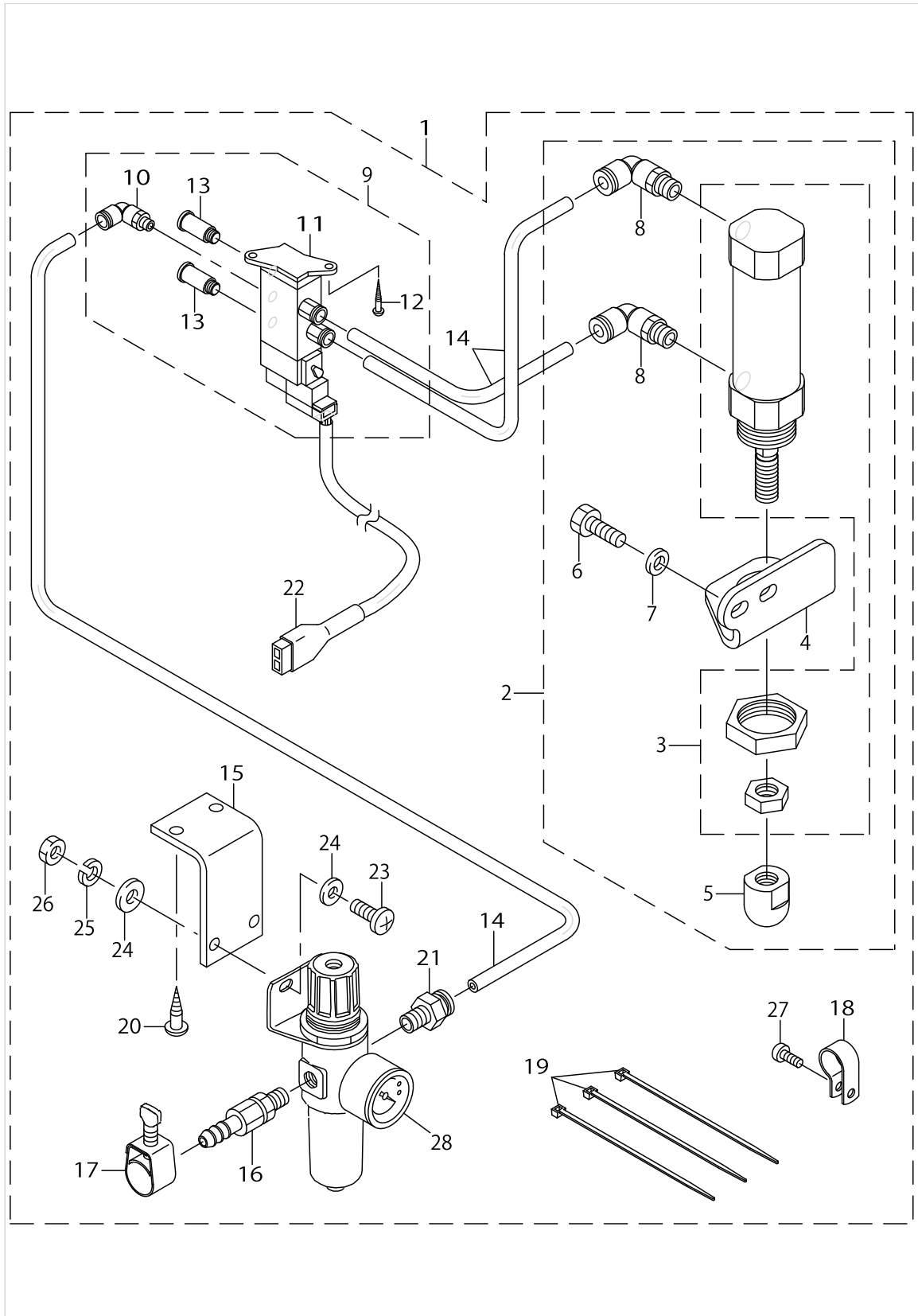
ACCESSORIE PARTS COMPONENTS



ACCESSORIE PARTS COMPONENTS

No.	Supply Code	Parts No.	Replacement	Parts name	Remarks	Choice	Step	Level	Cons	Qty	Rep. QTY
1	R	B8103980000	26037903	CHAIN						1	1.00
2	R	B8133019000	13160304	S SHAPED HOOK						2	1.00
3	R	B9118232000	26234005	VINYL COVER						1	1.00
4		B9113012000		WRENCH (9X10)						1	
5		22933006		SCREW DRIVER,LARGE						1	
6		12347308		SCREW DRIVER (SMALL)						1	
7		B9101490000		DRIVER						1	
8		GCT02904000		SPANNER						1	
9		J106600000D		HEXAGONAL WRENCH KEY						1	
10		B9140372000		HEXAGONAL WRENCH, SMALL						1	
11		GCT02906000		HEXAGONAL SPANNER						1	
12		B9142372000		HEXAGONAL WRENCH (7.1X8.1)						1	
13		MDV570B2100		NEEDLE DVX57 #21						10	
14		22932800		ACCESSORIE BAG						1	
15	R	B9107804000	13160601	FUNNEL						1	1.00
16		MDFRX2001L0		DEFRIX OIL, NO.2 900CC						1	
17		12288403		TWEEZERS						1	

PRESSER LIFTER COMPONENTS

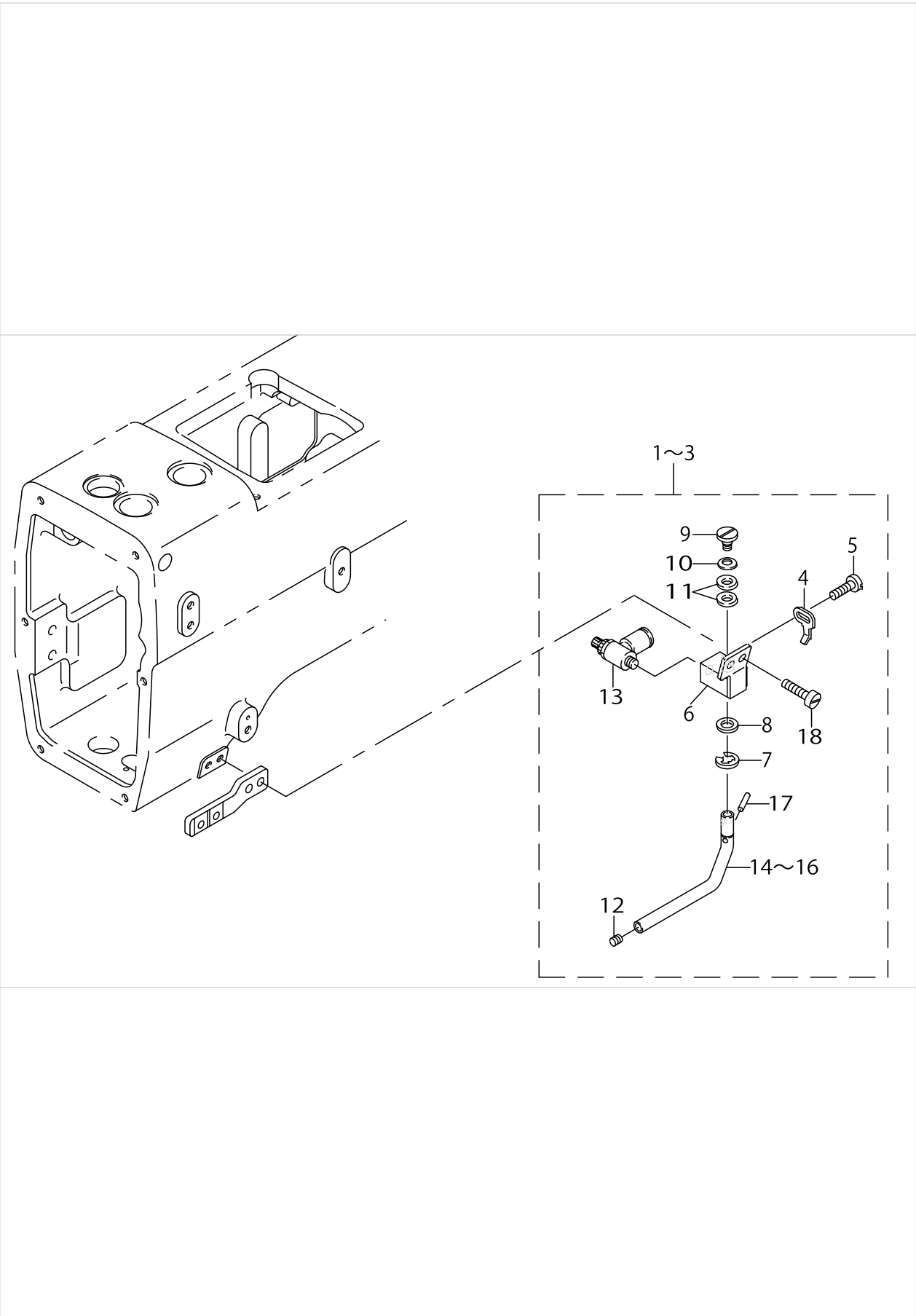


PRESSER LIFTER COMPONENTS

No.	Supply Code	Parts No.	Replacement	Parts name	Remarks	Choice	Step	Level	Cons	Qty	Rep. QTY
1		GAKA22010B0		PRESSER LIFTER						1	
2		GAKA22010A0		PRESSER LIFTING CYLINDER ASM.				*		1	
3		GAKA2201000		PRESSER LIFTING CYLINDER				*		1	
4		GAKA2203000		CYLINDER FITTING BASE				*		1	
5		GAKA2204000		AIR CYLINDER ROD TIP				*		1	
6		31163900		SCREW (M6X15) 82				*		2	
7		31173107		WASHER				*		2	
8		GAKA2202000		JOINT 6-PT1/8				*		2	
9		GAKA22050A0		ELECTROMAGNETIC VALVE ASM.				*		1	
10		GAKA2207000		JOINT				*		1	
11		GAKA2205000		ELECTROMAGNETIC VALVE				*		1	
12		GAKA2223000		SCREW (3.1X16)				*		2	
13		GAKA2206000		SILENCER				*		2	
14		GAKA2213000		NYLONS TUBE				*		3	
15		GAKA2216000		REGULATOR FITTING PLATE				*		1	
16		GAKA2217000		HOSE UNION				*		1	
17		GAKA2218000		HOSE BAND				*		1	
18		GAKA2219000		CORD CLAMP				*		1	
19		GAKA2220000		CABLE BAND				*		3	
20		GAKA2222000		WOOD SCREW (5.1X16)				*		2	
21		GAKA2214000		CONNECTOR				*		1	
22		GAKA22080A0		ELECTROMAGNETIC VALVE CORD				*		1	
23		31168602		SCREW (M5-0.8X16) 41				*		2	
24		31173305		WASHER				*		4	
25		31173503		SPRING WASHER				*		2	
26		31171408		NUT				*		2	
27		31168404		SCREW (M4X0.7-8) 45				*		1	
28		GAKA2215000		REGULATOR				*		1	



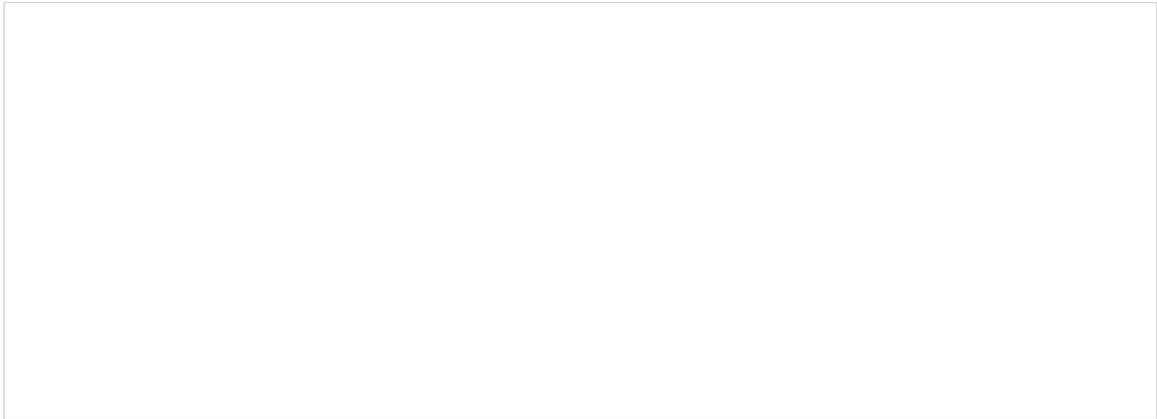
OPTIONAL COMPONENTS (1)



OPTIONAL COMPONENTS (1)

No.	Supply Code	Parts No.	Replacement	Parts name	Remarks	Choice	Step	Level	Cons	Qty	Rep. QTY
1		31142565		NEEDLE COOLER DEVICE ASM.	FOR MH-1-410A (2-N-NEEDLE 31.8MM)					1	
2		31143068		NEEDLE COOLER DEVICE ASM.	FOR MH-1-410B,C (2-NEEDLE 3-4.9 & 38.1MM)					1	
3		31143167		NEEDLE COOLER DEVICE ASM.	FOR MH-1-410D (4-NEEDLE 1/4-1-1/4)					1	
4		31142904		AIR PIPE SET PLATE				*		1	
5		31165608		SCREW (M3X0.5-4.2) 60				*		2	
6		31142755		AIR PIPE BRACKET ASM.				*		1	
7		31175904		E RING				*		1	
8		31175102		WASHER				*		1	
9		31166705		SCREW (M4X0.7-4) D60				*		1	
10		31175003		SPRING WASHER				*		1	
11		31173305		WASHER				*		2	
12		31169600		SCREW (M4X0.7-4) 82				*		1	
13		31182009		SPEER CONTROLLER M5				*		1	
14		31142557		AIR PIPE	FOR MH-1-410A (2-N-NEEDLE 31.8MM)			*		1	
15		31143050		AIR PIPE	FOR MH-1-410B,C (2-NEEDLE 3-4.9 & 38.1MM)			*		1	
16		31143159		AIR PIPE	FOR MH-1-410D (4-NEEDLE 1/4-1-1/4)			*		1	
17		31142607		SPRING PIN				*		1	
18		31160906		SCREW (M3X0.5-4.2) 60				*		2	

OPTIONAL COMPONENTS (2)



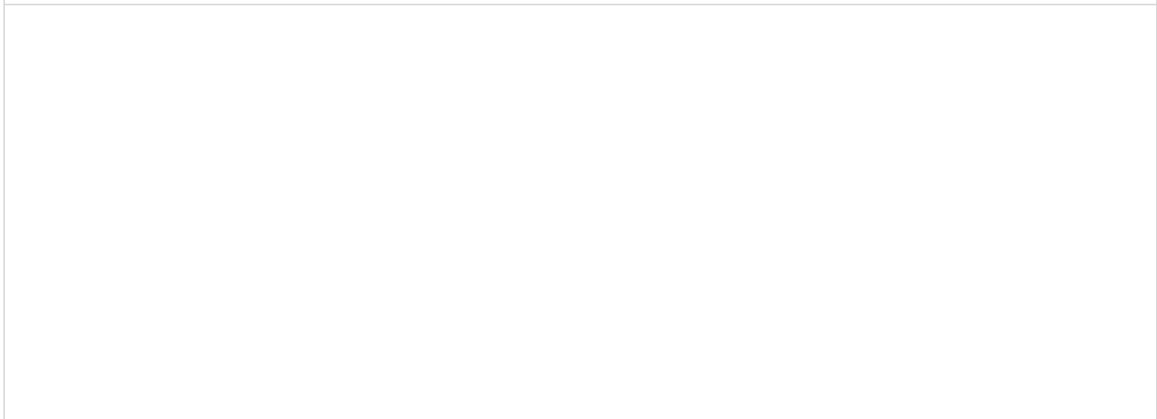
(注) ネジ類の形状は、パーツの品名欄に番号で表示されています。  
 例) 品名 screw (M4x0.7-60平ネジ 0 0→すりわり (マイナス)  
 ↳ D→段ネジ T→とがり先ねじ

(NOTE) Shapes of the screws are displayed with the numbers in the column of parts description.

EX. ) Description S C R E W ← Flat head screw 0 → slot (minus)  
 ↳ D → Hinge screw T → Basic triangle screw

種類区分 Kind of screw								
1	2	3	4	5	6	7	8	9
皿 Flat head	丸皿 Oval counter-sunk	丸 Round head	なべ Pan head	バインド Binding head	平 Flat head	丸平 Oval fillister head	止め Setscrew	六角 Hexagon head

頭区分 Head of screw					
0	1	2	3	4	5
すりわり Slot	十字穴 Cross recessed	六角穴 Hexagon socket	すりわり無 Slotless	四角穴 Square socket	すりわり十字 Cross slot



## HOW TO MAKE USE OF THIS PARTS LIST

1.As to "#01" and "#02" refer to the "Note" given at the bottom of the respective pages.

2.Codes on the "Qty" column

- Each numeral indicates the number of parts required.
- "0.1" and "2.5" indicate the length (in meters) of the respective parts.

3.Parentheses mean that the corresponding part is a subpart that constructs an assembly part.

4.Dotted lines on the Figures indicate assembly parts.

1. リストページの# 0 1、# 0 2の印は、ページ下の"注記"の説明を参照下さい。
2. 数量欄の数字は、個数を表し、0. 1、2. 5等の数値は、長さ（単位メートル）を表します。
3. 数量欄の（ ）は、組部品を構成している子部品であることを意味します。
4. イラストページの-----枠は、組構成であることを意味します。

# NUMERICAL INDEX OF PARTS

PART NO	PAGE	REF NO.	PART NO	PAGE	REF NO.	PART NO	PAGE	REF NO.
11185006	52	37	31103153	26	24	31110406	8	30
11185105	52	32	31103161	26	23	31110505	8	29
11185204	52	33	31103203	26	27	31110604	8	25
11185352	52	34	31103500	26	25	31110703	8	24
11185402	52	36	31103609	30	42	31110802	8	32
11185501	52	40	31103708	4	44	31110901	8	1
11843208	30	4	31103807	4	53	31111008	12	47
11966504	52	14	31103807	6	53	31111107	10	7
11969458	52	31	31103906	4	3	31111206	8	9
11969508	52	4	31103906	32	3	31111354	8	26
12288403	60	17	31103906	36	22	31111404	8	31
12347308	60	6	31104003	4	25	31111503	8	20
22932800	60	14	31104102	2	16	31112501	26	32
22933006	60	5	31104201	2	17	31112600	26	30
30362909	26	49	31104300	6	62	31112709	14	18
30362909	28	49	31104409	4	30	31112808	14	14
30382907	26	52	31104508	4	4	31112907	14	15
30382907	28	52	31104607	2	14	31113004	14	16
31100209	6	63	31104706	2	9	31113103	14	24
31100506	2	1	31104805	26	18	31113202	14	25
31100605	2	2	31104904	30	1	31113301	14	19
31100704	6	47	31105307	4	26	31113400	14	27
31100803	4	38	31105703	2	29	31113509	14	35
31100902	4	41	31105950	2	20	31113608	14	31
31101009	4	34	31106008	2	31	31113707	14	32
31101108	4	28	31106107	2	23	31113806	14	20
31101207	2	11	31106206	6	64	31113905	14	22
31101306	4	13	31108004	10	4	31114051	14	2
31101405	2	5	31108202	10	21	31114069	14	1
31101504	4	1	31108400	12	46	31114358	14	7
31101603	2	12	31108509	10	11	31114606	14	11
31101702	6	48	31108608	10	23	31114655	14	10
31101900	2	7	31108806	8	13	31114705	14	12
31102007	6	56	31108905	8	14	31114804	14	8
31102056	6	55	31109002	10	1	31114903	14	4
31102106	6	57	31109101	8	3	31115009	14	5
31102205	4	22	31109408	8	4	31115108	14	30
31102304	4	23	31109408	10	2	31115207	14	3
31102403	4	15	31109507	8	10	31117005	16	24
31102502	4	18	31109606	10	8	31117104	16	4
31102601	4	21	31109705	8	7	31117203	16	14
31102700	2	6	31109804	10	5	31117302	16	8
31102809	6	68	31109952	8	17	31117401	16	3
31102908	6	50	31110109	8	27	31117609	16	23
31103005	6	52	31110307	8	28	31117708	16	36

## NUMERICAL INDEX OF PARTS

PART NO	PAGE	REF NO.	PART NO	PAGE	REF NO.	PART NO	PAGE	REF NO.
31117807	16	11	31123508	18	24	31129000	24	15
31117906	16	18	31123607	18	22	31129109	24	22
31118003	16	38	31123706	10	30	31129208	22	36
31118102	16	39	31123805	18	17	31129307	22	32
31118201	16	10	31123904	18	28	31129406	22	31
31118300	16	6	31124001	18	34	31129505	24	4
31118458	16	1	31124100	20	47	31129604	22	34
31118607	16	2	31124209	10	26	31129703	24	6
31118805	16	29	31124308	10	43	31131006	26	4
31118904	16	37	31124357	10	42	31131105	26	5
31119050	16	15	31124407	10	44	31131204	26	1
31119209	16	40	31124506	18	1	31131352	16	26
31119308	16	22	31124605	18	8	31131600	26	42
31119407	16	20	31126105	4	36	31131709	26	41
31119506	16	17	31126204	26	34	31131907	26	48
31119605	16	32	31126303	26	20	31131907	28	48
31121007	18	45	31126402	24	14	31132004	16	27
31121155	18	42	31126501	4	7	31132103	26	50
31121205	10	22	31126600	4	5	31132103	28	50
31121205	18	43	31126709	22	15	31132202	26	45
31121304	18	35	31126808	4	10	31132301	26	47
31121304	24	3	31126907	22	1	31132301	28	47
31121403	18	33	31127004	22	13	31132400	26	51
31121502	18	37	31127103	22	5	31132400	28	51
31121700	18	9	31127152	22	4	31132509	26	44
31121809	18	11	31127202	22	7	31132608	26	53
31121908	18	5	31127301	22	10	31132608	28	53
31122005	18	3	31127400	22	25	31134000	30	13
31122104	10	29	31127509	22	6	31134109	30	39
31122203	10	34	31127608	22	20	31134208	30	10
31122252	10	33	31127756	22	18	31134307	30	38
31122260	10	31	31127806	22	19	31134356	30	35
31122302	10	36	31127905	24	20	31134406	30	18
31122401	10	35	31128002	10	15	31134455	30	15
31122500	10	32	31128051	10	14	31134505	30	22
31122609	10	37	31128069	10	12	31134554	30	19
31122708	10	38	31128101	10	20	31134604	30	32
31122906	18	14	31128200	10	18	31134703	30	8
31122955	18	13	31128309	10	13	31134802	30	33
31122963	18	12	31128408	24	19	31134901	30	44
31123052	18	19	31128507	24	11	31135007	30	43
31123151	18	25	31128606	24	21	31135106	30	7
31123201	18	26	31128705	24	7	31135205	30	27
31123300	18	15	31128804	24	16	31135502	30	5
31123409	18	29	31128903	24	9	31135601	30	36

# NUMERICAL INDEX OF PARTS

PART NO	PAGE	REF NO.	PART NO	PAGE	REF NO.	PART NO	PAGE	REF NO.
31135700	30	6	31146004	40	1	31151608	40	60
31135908	30	30	31146103	44	64	31151608	42	60
31136005	30	31	31146202	46	30	31151608	46	47
31136104	30	37	31146301	48	36	31151608	48	47
31136252	30	23	31147051	42	40	31153109	40	3
31136302	30	24	31147150	40	8	31153208	44	66
31137300	30	40	31147259	46	8	31153307	46	2
31137409	30	34	31147358	48	45	31153406	48	38
31138555	52	1	31147853	42	48	31153505	42	34
31138803	56	1	31147952	48	55	31153505	46	34
31140007	26	36	31148059	40	15	31153505	48	34
31140106	26	37	31148158	46	18	31154008	40	4
31140205	2	25	31148653	42	54	31154107	42	62
31140304	2	26	31148752	48	61	31154206	46	4
31140403	56	15	31148851	40	21	31154305	48	40
31140502	56	3	31148950	46	24	31154503	22	29
31140601	56	8	31149404	42	53	31154602	22	28
31140700	56	9	31149503	48	56	31154651	22	26·27
31140809	56	11	31149602	40	20	31155005	40	7
31140908	56	12	31149701	46	23	31155054	40	5
31141005	56	16	31150204	42	58	31155104	40	39
31141104	56	14	31150303	50	66	31155104	42	39
31141203	56	7	31150402	40	22	31155104	46	44
31141609	58	11	31150501	46	28	31155104	48	44
31141658	58	1	31151004	40	41	31155203	42	38
31141708	58	13	31151004	42	41	31155252	42	37
31141807	58	4	31151004	46	49	31155302	46	6
31141906	58	8	31151004	48	49	31155351	46	5
31141955	58	6	31151152	40	55	31155401	48	43
31142003	58	9	31151152	42	55	31155450	48	42
31142102	58	18	31151152	46	63	31160005	10	40
31142201	58	15	31151152	48	63	31160104	10	28
31142557	64	14~16	31151301	40	43	31160203	42	35
31142565	64	1~3	31151301	42	43	31160203	48	35
31142607	64	17	31151301	46	51	31160302	34	21
31142755	64	6	31151301	48	51	31160401	40	56
31142904	64	4	31151400	40	46	31160401	42	56
31143050	64	14~16	31151400	42	46	31160401	46	62
31143068	64	1~3	31151400	46	53	31160401	48	62
31143159	64	14~16	31151400	48	53	31160500	10	39
31143167	64	1~3	31151509	40	59	31160609	14	13
31145006	40	2	31151509	42	59	31160609	26	31
31145105	42	36	31151509	46	64	31160807	4	35
31145204	46	3	31151509	48	64	31160807	22	11
31145303	48	39	31151509	50	64	31160807	26	35

# NUMERICAL INDEX OF PARTS

PART NO	PAGE	REF NO.	PART NO	PAGE	REF NO.	PART NO	PAGE	REF NO.
31160807	34	23	31163306	58	2	31166705	64	9
31160906	4	2	31163405	14	28	31166804	36	32
31160906	16	5	31163504	16	41	31166903	36	12
31160906	64	18	31163504	18	46	31167000	36	6
31161003	6	58	31163504	22	22	31167109	36	16
31161102	14	6	31163603	32	30	31167703	16	7
31161102	18	20	31163603	34	4	31167802	8	23
31161201	34	34	31163702	16	33	31168008	2	10
31161300	8	21	31163702	58	16	31168107	2	27
31161300	40	42	31163801	32	14	31168206	4	42
31161300	42	42	31163801	34	2	31168404	4	67
31161300	46	50	31163801	38	9	31168404	6	67
31161300	48	50	31163900	14	36	31168404	26	19
31161409	8	33	31163900	18	4	31168404	30	2
31161409	24	13	31163900	22	16	31168404	62	27
31161409	26	28	31163900	30	26	31168503	2	8
31161508	40	61	31163900	62	6	31168503	4	31
31161508	42	61	31164007	2	15	31168503	30	41
31161508	46	48	31164106	6	49	31168602	62	23
31161508	48	48	31164106	10	16	31168701	24	17
31161607	34	20	31164205	32	2	31168800	22	23
31161706	26	33	31164304	4	54	31168909	40	45
31161706	40	44	31164304	6	54	31168909	42	45
31161706	42	44	31164403	4	39	31168909	46	46
31161706	46	52	31164502	14	17	31168909	48	46
31161706	48	52	31164601	22	30	31169006	4	14
31161706	58	19	31164700	14	9	31169006	22	14
31161805	2	18	31164700	16	13	31169006	38	15
31161904	38	2	31165004	16	28	31169105	10	19
31162001	4	37	31165400	36	2	31169105	34	25
31162100	36	18	31165509	2	21	31169204	26	6
31162209	32	9	31165608	64	5	31169303	38	4
31162308	14	23	31165707	58	5	31169402	18	39
31162308	18	41	31166002	40	47	31169501	4	33
31162407	40	63	31166002	42	47	31169501	10	17
31162407	44	63	31166002	46	54	31169501	14	29
31162407	48	41	31166002	48	54	31169501	18	27
31162506	22	3	31166101	32	19	31169600	4	43
31162605	18	44	31166200	6	46	31169600	16	19
31162704	4	19	31166200	34	8	31169600	24	18
31162803	16	21	31166309	16	9	31169600	30	25
31162803	36	14	31166408	16	31	31169600	32	22
31163108	58	12	31166507	6	59	31169600	34	9
31163207	36	21	31166606	26	3	31169600	64	12
31163306	26	40	31166705	16	30	31169709	8	22



NUMERICAL INDEX OF PARTS

PART NO	PAGE	REF NO.	PART NO	PAGE	REF NO.	PART NO	PAGE	REF NO.
31169808	18	6	31172406	56	13	31177207	40	57
31169907	8	12	31172505	30	28	31177207	42	57
31169907	10	9	31172901	22	37	31177207	46	65
31169907	34	30	31173008	14	37	31177207	48	65
31170004	10	45	31173107	62	7	31177207	50	65
31170004	14	26	31173305	62	24	31177306	58	7
31170004	18	23	31173305	64	11	31177405	36	28
31170004	22	35	31173404	26	46	31177900	4	29
31170004	24	23	31173404	28	46	31178007	6	66
31170004	32	29	31173404	32	16	31178106	2	28
31170004	34	18	31173404	36	29	31178205	2	4
31170103	22	17	31173503	62	25	31178304	4	16
31170202	8	19	31173602	26	29	31178700	18	10
31170202	10	25	31173602	34	33	31178809	22	33
31170301	8	11	31173602	36	3	31178908	20	48
31170301	10	48	31173701	14	34	31179005	24	1
31170301	12	48	31173800	16	34	31179005	32	4
31170301	18	21	31173909	6	61	31179104	16	16
31170301	22	21	31174006	26	39	31179500	16	25
31170301	32	7	31174006	58	17	31179609	24	12
31170301	34	6	31174105	4	45	31179708	32	11
31170301	36	24	31174204	6	60	31180300	18	40
31170301	58	10	31174204	30	11	31180409	18	7
31170400	22	9	31174303	16	35	31180508	8	15
31170509	18	31	31174303	36	31	31180607	22	8
31170608	8	18	31174501	56	4	31180706	10	24
31170707	40	65	31174600	56	5	31180805	32	33
31170707	44	65	31174709	32	31	31181100	30	9
31170707	46	37	31174808	56	10	31181209	4	8
31170707	48	37	31174907	30	29	31181308	18	32
31170806	26	26	31175003	64	10	31181407	30	3
31170905	8	2	31175102	64	8	31181506	2	19
31171200	14	33	31175201	22	24	31182009	64	13
31171200	24	8	31175300	18	36	B3304704000A	52	50
31171309	4	40	31175409	18	18	B3304704000A	54	50
31171408	62	26	31175409	22	38	B3305704000A	52	35
31171507	18	38	31175409	36	10	B3309704000	52	49
31171606	26	43	31175508	6	51	B3309704000	54	49
31171705	16	42	31175607	24	2	B3311012000	52	39
31171804	30	12	31175607	36	27	B3311704000	52	42
31171903	32	20	31175706	34	11	B3311804000	54	51
31172000	36	4	31175805	32	24	B3311843000	52	9
31172109	36	17	31175904	64	7	B3317704000	52	41
31172208	58	14	31176902	4	20	B3318704L00A	52	7
31172307	56	6	31177009	4	32	B3319704L00	52	18

NUMERICAL INDEX OF PARTS

PART NO	PAGE	REF NO.	PART NO	PAGE	REF NO.	PART NO	PAGE	REF NO.
B3320704L00A	52	38	MAV07204000	32	25	MAV07251000	36	8
B3321704L00	52	10	MAV07205000	32	6	MAV07252000	36	9
B3321704L0B	52	11	MAV07206000	32	21	MAV07253000	36	7
B8103980000	60	1	MAV07207000	32	12	MAV07254000	36	1
B8133019000	60	2	MAV07208000	32	8	MAV07255000	36	5
B9101490000	60	7	MAV07209000	32	5	MAV07256000	38	5
B9107804000	60	15	MAV07210000	32	10	MAV07257000	38	6
B9113012000	60	4	MAV07211000	32	1	MAV07258000	38	7
B9118232000	60	3	MAV07212000	32	13	MAV072590A0	38	3
B9140372000	60	10	MAV07213000	32	15	MAV07261000	38	11
B9142372000	60	12	MAV07214000	32	18	MAV07262000	38	10
CM300200001	2	30	MAV07215000	32	32	MAV07263000	38	12
CM300200001	34	39	MAV07216000	34	26	MAV07264000	38	8
CM3002001B1	2	24	MAV07217000	34	24	MAV07265000	38	1
GAKA2201000	62	3	MAV07218000	34	1	MAV07266000	38	13
GAKA22010A0	62	2	MAV07219000	34	17	MAV07267000	38	14
GAKA22010B0	62	1	MAV07220000	34	19	MAV07268000	38	16
GAKA2202000	62	8	MAV07221000	34	16	MAV07269000	38	17
GAKA2203000	62	4	MAV07222000	34	15	MDFRX2001L0	60	16
GAKA2204000	62	5	MAV07223000	34	3	MDV570B2100	14	21·38
GAKA2205000	62	11	MAV07224000	34	5	MDV570B2100	60	13
GAKA22050A0	62	9	MAV07225000	34	7	NM6050001SE	52	54
GAKA2206000	62	13	MAV07226000	34	13	NM6050001SE	54	54
GAKA2207000	62	10	MAV07227000	34	14	NM6060001SE	52	27
GAKA22080A0	62	22	MAV07228000	34	12	SK3382001SE	52	28
GAKA2213000	62	14	MAV072290A0	34	27	SM4051405SE	52	46
GAKA2214000	62	21	MAV07232000	34	28	SM4061201SE	52	26
GAKA2215000	62	28	MAV07233000	34	29	SM6053000SE	52	53
GAKA2216000	62	15	MAV072340A0	34	31	SM6053000SE	54	53
GAKA2217000	62	16	MAV07235000	34	35	SM6061610SC	52	24
GAKA2218000	62	17	MAV07236000	34	36	SS7110540SP	52	52
GAKA2219000	62	18	MAV07237000	34	37	SS7110540SP	54	52
GAKA2220000	62	19	MAV07238000	34	32	WP1612616SE	52	43
GAKA2222000	2	22	MAV07239000	34	22			
GAKA2222000	62	20	MAV07240000	34	38			
GAKA2223000	62	12	MAV07241000	36	33			
GCT02904000	60	8	MAV07242000	36	20			
GCT02906000	60	11	MAV07243000	36	25			
J106600000D	60	9	MAV07244000	36	23			
MAO11532000	52	55	MAV07245000	36	26			
MAO11532000	54	55	MAV07246000	36	19			
MAV07201000	32	28	MAV07247000	36	13			
MAV072010A0	32	26	MAV07248000	36	15			
MAV07202000	32	27	MAV07249000	36	30			
MAV07203000	32	23	MAV07250000	36	11			