

MODEL : LU-2216N-7/LU-2266N-7

List No : 1287-10

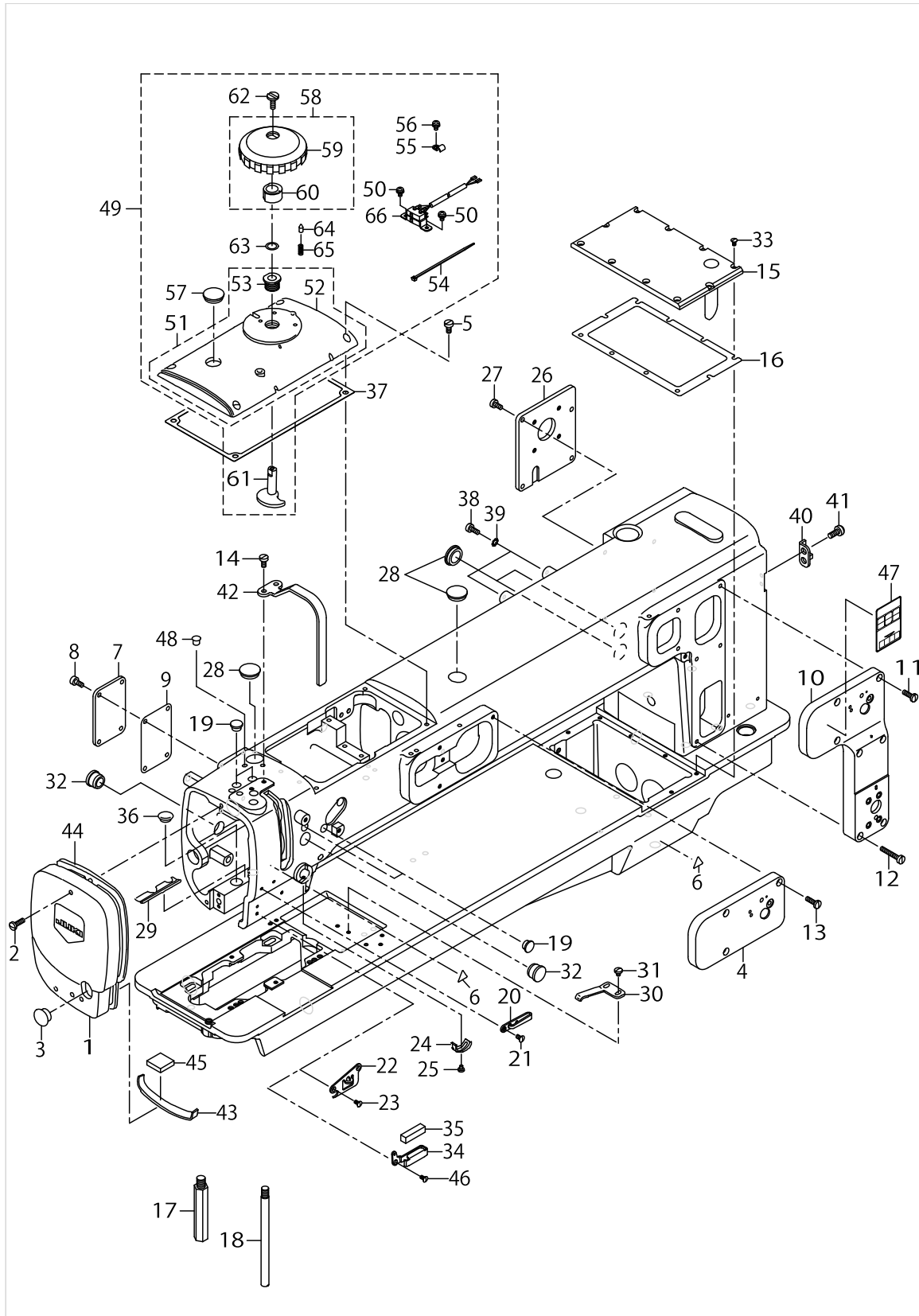
PARTS LIST

Published:05/12/2017

CONTENTS

FRAME & MISCELLANEOUS COVER COMPONENTS	1
MAIN SHAFT,HOOK DRIVING SHAFT DELIVERY & THREAD TAKE-UP LEVER COMPONENTS....	5
NEEDLE BAR ROCKING COMPONENTS	9
UPPER FEED MECHANISM COMPONENTS	11
FEED ADJUSTMENT & REVERSE FEED MECHANISM COMPONENTS	15
LOWER FEED MECHANISM COMPONENTS	17
RIGHT HOOK SHAFT BASE THREAD TRIMMER COMPONENTS	21
LEFT HOOK SHAFT BASE THREAD TRIMMER COMPONENTS(FOR LU-2266N-7)	25
RIGHT HOOK SHAFT BASE & HOOK COMPONENTS	27
LEFT HOOK SHAFT BASE COMPONENTS(FOR LU-2266N-7)	31
THREAD TENSION COMPONENTS	35
LOWER THREAD WINDER MECHANISM COMPONENTS	39
PRESSURE ADJUSTING COMPONENTS.....	41
PRESSER LIFTER,AUTOMATIC PRESSER LIFTER & TENSION RELEASE MECHANISM.....	43
COMPONENTS	
LUBRICATION COMPONENTS	45
CONTROL DEVICE COMPONENTS.....	49
TABLE & BELT COVER COMPONENTS	53
THREAD STAND COMPONENTS.....	55
GAUGE COMPONENTS(LU-2216N-7 STANDARD PARTS).....	57
GAUGE COMPONENTS(LU-2266N-7 STANDARD PARTS).....	59
ACCESSORIES PARTS COMPONENTS	61
MUTUAL RISING QUANTITY TRANSFER COMPONENTS.....	63
BACK TUCK COMPONENTS	65
TABLE OF EXCHANGING GAUGE PARTS(LU-2266N-7).....	67
TABLE OF EXCHANGING GAUGE PARTS(LU-2216N-7)(1)	73
TABLE OF EXCHANGING GAUGE PARTS(LU-2216N-7)(2)	75
LIST FOR INFORMATION OF CHANGE.....	77
HOW TO MAKE USE OF THIS PARTS LIST	78

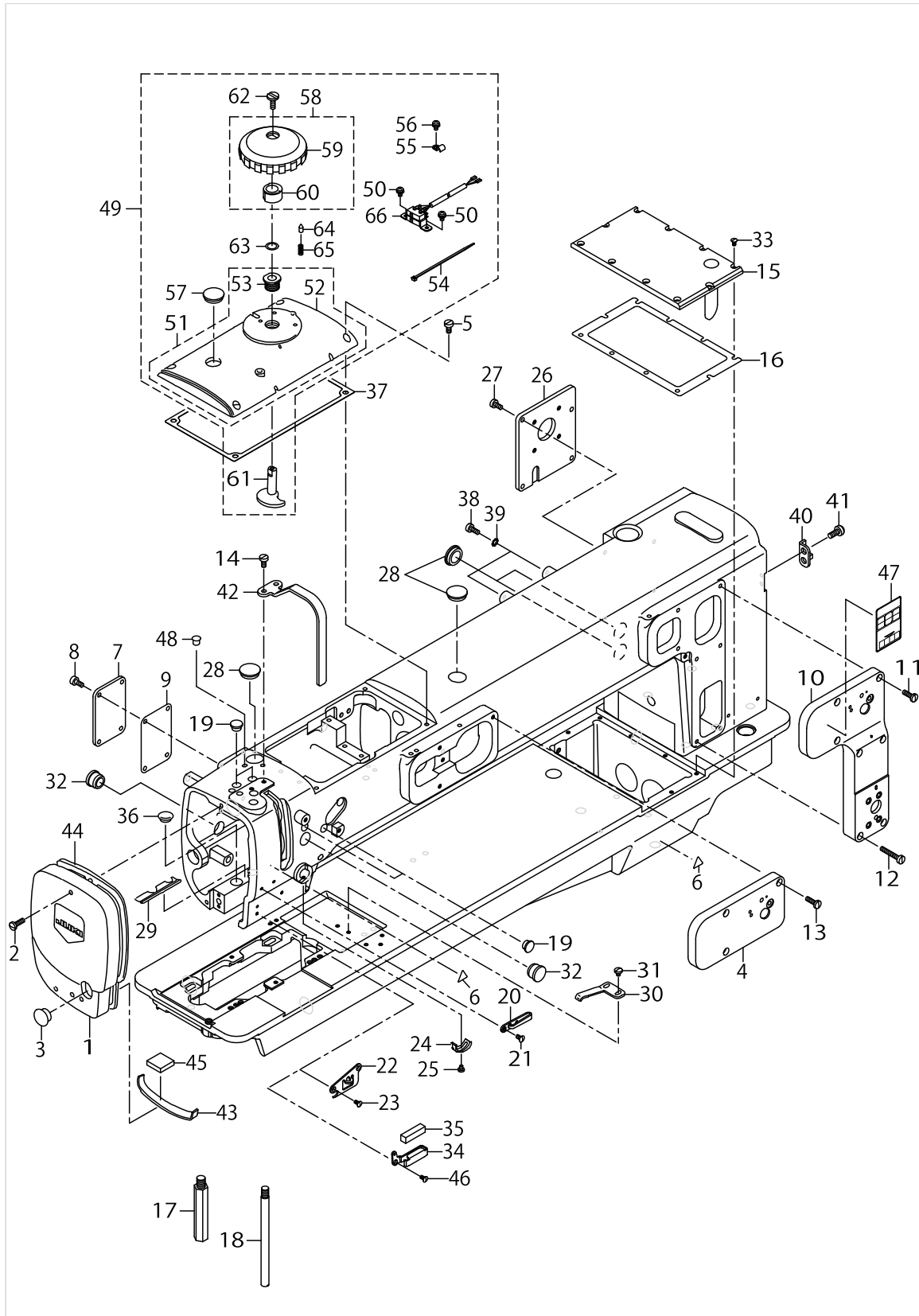
FRAME & MISCELLANEOUS COVER COMPONENTS



FRAME & MISCELLANEOUS COVER COMPONENTS

No.	Supply Code	Parts No.	Replacement	Parts name	Remarks	Choice	Step	Level	Cons	Qty	Rep. QTY
1		10743151		FACE PLATE ASM.						1	
2		SS7121610SP		SCREW 3/16-28 L=15.5						2	
3		TA1250406R0		RUBBER PLUG D=12.5 L=4						1	
4		23151301		FACE APERTURE PLATE LEFT						1	
5		SS6121010SP		SCREW 3/16-28 L=10						4	
6		CM300200001		ATTENTION SEAL						2	
7		10743003		SIDE COVER						1	
8		SS6121010SP		SCREW 3/16-28 L=10						4	
9		10700706		SIDE COVER PACKING						1	
10		10742708		FACE APERTURE PLATE						1	
11		SS7121610SP		SCREW 3/16-28 L=15.5						3	
12		SS6123010SP		SCREW 3/16-28 L=30.0						4	
13		SS7121610SP		SCREW 3/16-28 L=15.5						3	
14		SS6121010SP		SCREW 3/16-28 L=10						2	
15		40073870		BED TOP COVER ASM.						1	
16		23151707		TOP COVER PACKING						1	
17		10701308		BED STRUT						1	
18		10777308		BED STEW C						1	
19		TA1050504R0		RUBBER PLUG						4	
20		40084142		THREAD GUIDE LOWER						1	
21		SS2090810SP		SCREW 9/64-40 L=7.5						1	
22		10755700		ARM THREAD GUIDED						1	
23		SS2090710TP		SCREW 9/64-40 L=7.2						2	
24		B3138512000		TAKE-UP SPRING ADJUSTING PLATE						1	
25	R	SS7090520SP	SS7090520TP	SCREW 9/64-40 L=4.5						1	1.00
26		23151400		APERTURE PLATE						1	
27		SS6121010SP		SCREW 3/16-28 L=10						4	
28		TA2050406R0		RUBBER PLUG						3	
29		10731701		RUBBER						1	
30		B1111563000		BED SLIDE SPRING						1	
31		SS7110510SP		SCREW 11/64-40 L=5						2	
32		B1150490000		RUBBER PLUG						2	
33		SS7110910TP		SCREW 11/64-40 L=8.5						10	
34		10774008		FELT THREAD GUIDE	FOR LU-2266N-7					1	
35		22603708		FELT	FOR LU-2266N-7					1	
36		TA1250504R0		RUBBER PLUG	FOR LU-2266N-7					1	
37		10700508		TOP COVER PACKING						1	
38		SS6121210SP		SCREW 3/16-28 L=12						2	
39		WT0530002KS		TOOTHED WASHER D=5.3						2	
40		10745800		FLYWHEEL POINTER						1	
41		SS7110510SP		SCREW 11/64-40 L=5						2	
42		10754901		THREAD TAKE-UP COVER						1	
43		10733103		FACE PLATE FELT						1	
44		10704609		FACE PLATE PACKING						1	
45		B3510019000		OIL FELT						1	
46		SS2090710TP		SCREW 9/64-40 L=7.2	FOR LU-2266N-7					1	

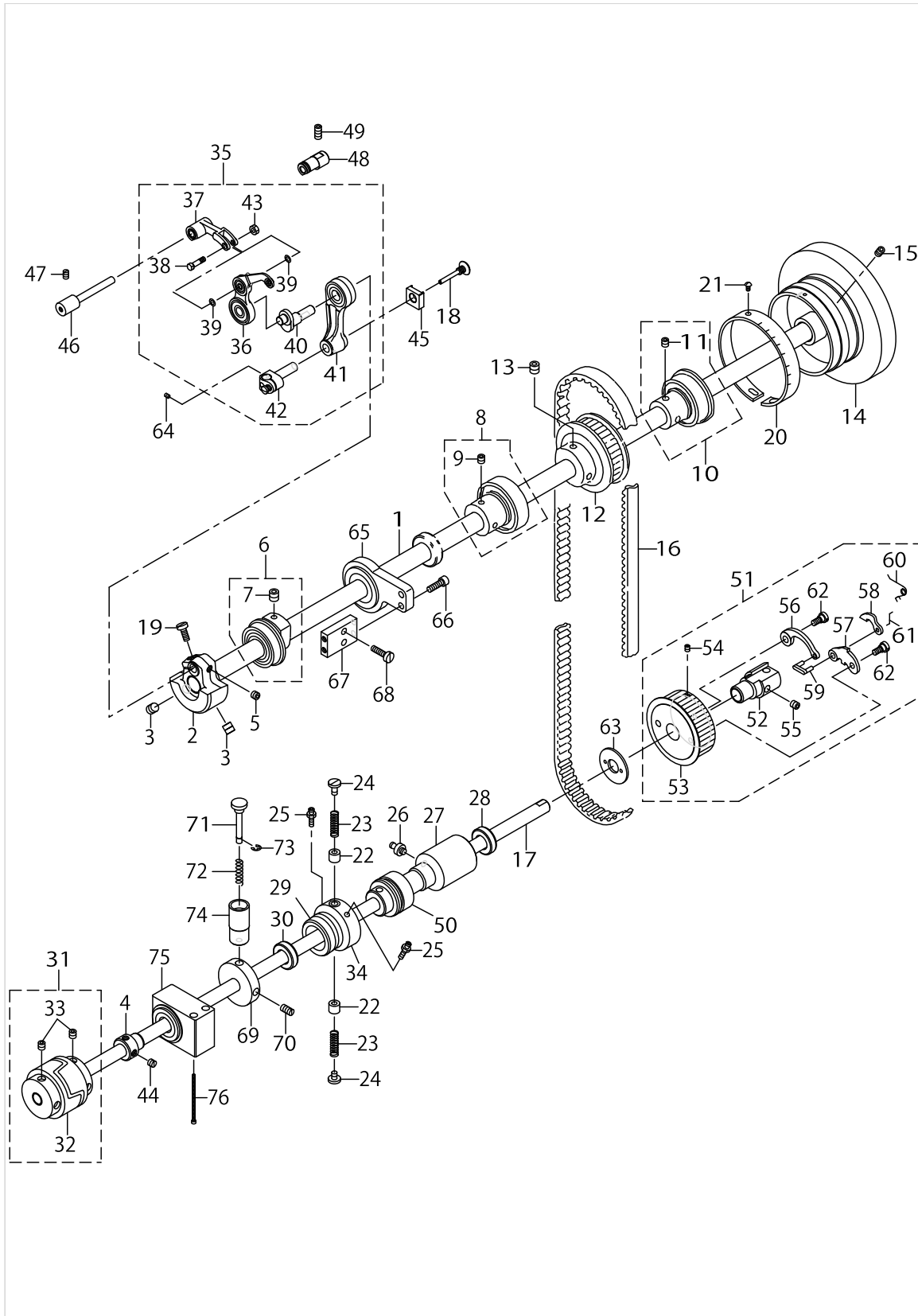
FRAME & MISCELLANEOUS COVER COMPONENTS



FRAME & MISCELLANEOUS COVER COMPONENTS

No.	Supply Code	Parts No.	Replacement	Parts name	Remarks	Choice	Step	Level	Cons	Qty	Rep. QTY
47		CM301200001		SAFETY LABEL_S						1	
48		TA0750704R0		RUBBER PLUG						1	
49		40100943		TOP COVER ASM.						1	
50		SL4040881SC		SCREW M4 L=8				*		2	
51		10774651		TOP COVER ASM.				*		1	
52		10774602		TOP COVER				*		1	
53		40052251		VERTICAL DIAL SHAFT BUSHING				*		1	
54		EA9500B0100		CABLE BAND				*		1	
55		B3538112000		OIL RETURN TUBE HOLDER				*		1	
56		SL4040881SC		SCREW M4 L=8				*		1	
57		TA2050406R0		RUBBER PLUG				*		1	
58		10774354		UPPER AND LOWER DIAL ASM.				*		1	
59	R	10774305	10774354	VERTICAL DIAL				*		1	1.00
60		10774404		VERTICAL CAM				*		1	
61		40108542		VERTICAL ADJUSTING CAM				*		1	
62		SS6110630TP		SCREW 11/64-40 L=6				*		1	
63		WZ1052010KP		WAVED WASHER				*		1	
64		10715704		VERTICAL DIAL PIN				*		1	
65		B152652700G		SPRING				*		1	
66		40024852		VERTICAL DETECT-OR SWITCH ASM.				*		1	

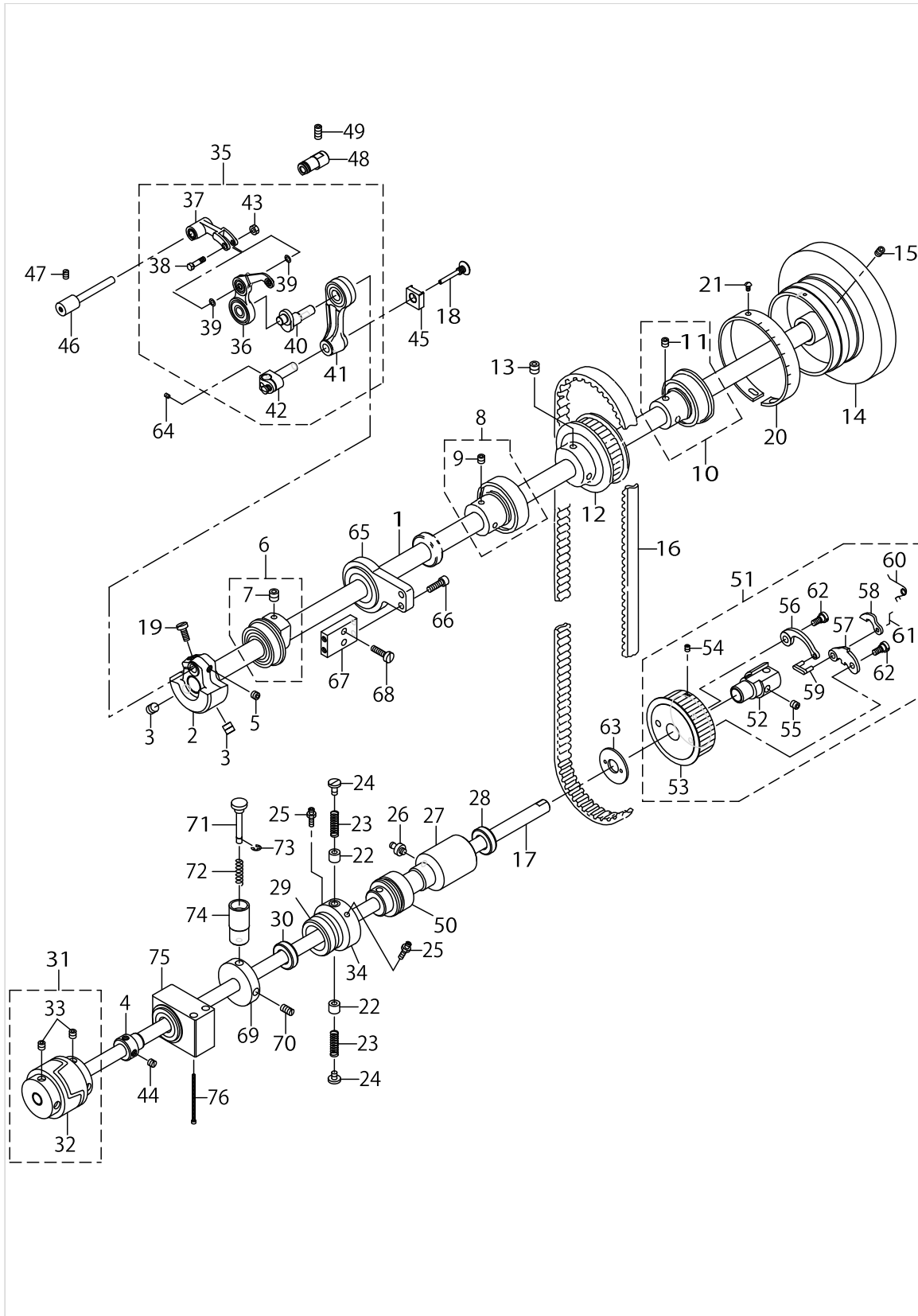
MAIN SHAFT,HOOK DRIVING SHAFT DELIVERY & THREAD TAKE-UP LEVER COMPONENTS



MAIN SHAFT,HOOK DRIVING SHAFT DELIVERY & THREAD TAKE-UP LEVER COMPONENTS

No.	Supply Code	Parts No.	Replacement	Parts name	Remarks	Choice	Step	Level	Cons	Qty	Rep. QTY
1		23153901		UPPER SHAFT						1	
2		23152903		BALANCE WEIGHT						1	
3		SM8080812TP		SCREW M8X8						2	
4		23154602		LOWER SHAFT BEARING HOLDER						1	
5		SS8660512TP		SCREW 1/4-40 L=5						1	
6		10704757		BALANCE WEIGHT						1	
7		SM8080802TP		SCREW				*		1	
8		10704955		UPPER SHAFT BEARING HOOK A ASM						1	
9		SM8060602TP		SCREW M6X6				*		2	
10		10704963		UPPER SHAFT BEARING HOOK B ASM						1	
11		SM8060602TP		SCREW M6X6				*		2	
12	D	10705002		UPPER SPROCKET						1	
13		SM8080802TP		SCREW						2	
14		10741007		FLYWHEEL LARGE						1	
15		SS8150822TP		SCREW 15/64-28 L=8						2	
16		10706703		TIMING BELT						1	
17		23154404		LOWER SHAFT						1	
18		10708303		NEEDLE ROD THRUST SCREW						1	
19		SS6621220SP		SCREW 3/16-32 L=12						1	
20		10745909		FLYWHEEL SCALE PLATE						1	
21		SM3030650SC		SCREW M3X0.5 L=6						3	
22	R	11020401	22923403	PLUNGER						2	1.00
23	R	11020609	22923601	PLUNGER SPRING						2	1.00
24	R	11020500	22923502	PLUNGER SCREW						2	1.00
25		SQ1110401MZ		CONNECTING SCREW						2	
26		SQ1150451MZ		CONNECTING SCREW						1	
27		10775500		LOWER SHAFT REAR METAL						1	
28		10705606		LOWER SHAFT METAL OIL SEAL						1	
29		10705754		LOWER SHAFT FRONT METAL ASM.						1	
30		10705606		LOWER SHAFT METAL OIL SEAL						1	
31		40064519		LOWER SHAFT COUPLING SET						1	
32	R	10776656	40064519	LOWER SHAFT COUPLING ASM.				*		1	1.00
33		SM8060602TP		SCREW M6X6				*		4	
34		RO294310100		RUBBER RING						1	
35		23152754		BALANCE ASM.						1	
36	R	10771251	10771269	BALANCE JUNCTION COMPL.				*		1	1.00
37		10707156		BALANCE CRANK JUNCTION				*		1	
38		10754802		BALANCE CRANK PIN.				*		1	
39		10523702		WASHER				*		2	
40	R	23152705	23152754	NEEDLE ROD CRANK				*		1	1.00
41	R	23152853	23152754	NEEDLE ROD CRANK ROD ASM.				*		1	1.00
42		10707958		NEEDLE ROD HOLDER ASM.				*		1	
43		NM6040001SN		NUT M4X0.7				*		1	
44		SS8150510TP		SCREW 15/64-28 L=4.7						2	
45	D	23153307		NEEDLE ROD SQUARE BLOCK						1	

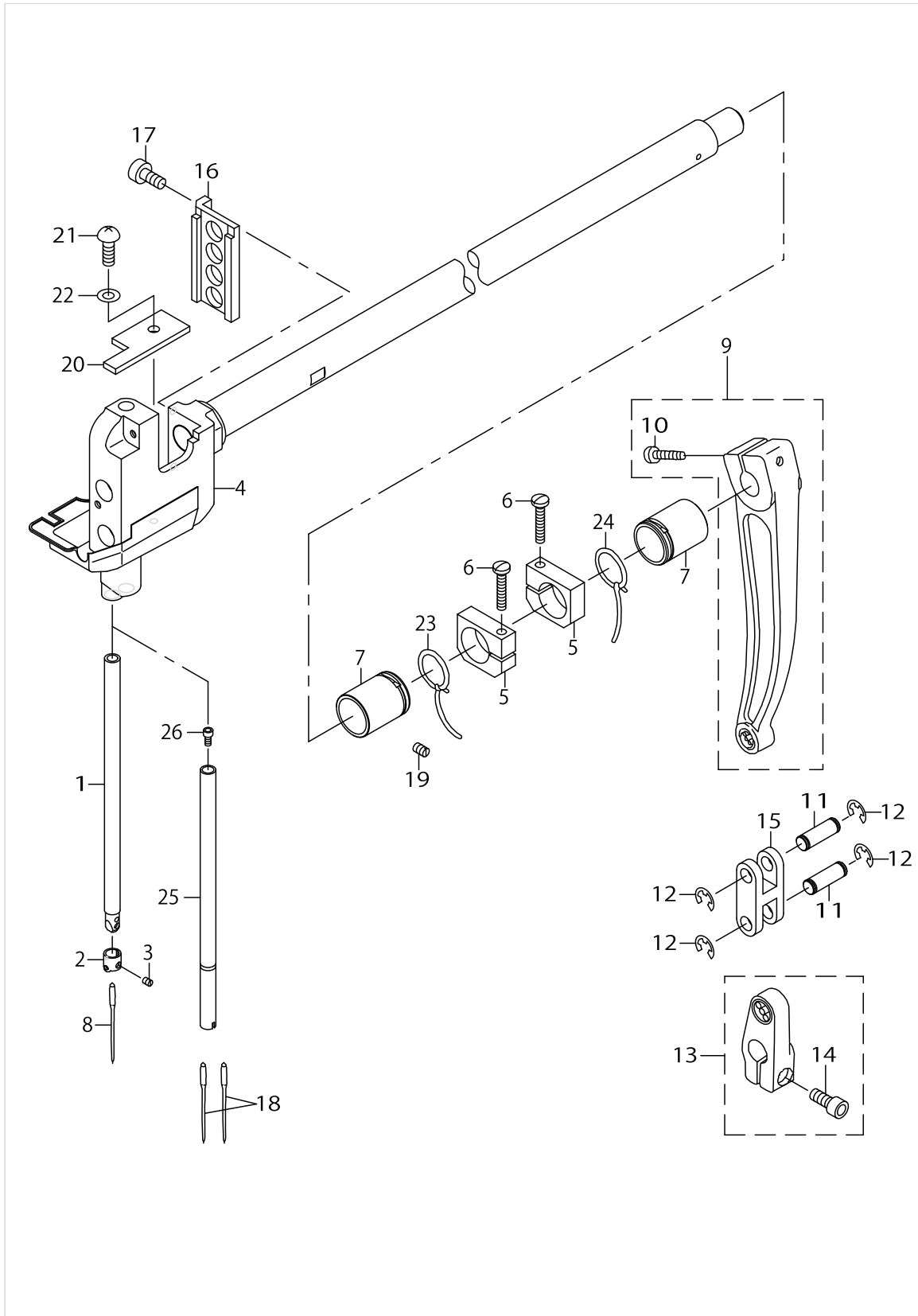
MAIN SHAFT,HOOK DRIVING SHAFT DELIVERY & THREAD TAKE-UP LEVER COMPONENTS



MAIN SHAFT,HOOK DRIVING SHAFT DELIVERY & THREAD TAKE-UP LEVER COMPONENTS

No.	Supply Code	Parts No.	Replacement	Parts name	Remarks	Choice	Step	Level	Cons	Qty	Rep. QTY
46		10707206		BALANCE CRANK SHAFT						1	
47		SS8120740SP		SCREW 3/16-28 L=7						1	
48		10707305		BALANCE CRANK S-HAFT SUPPORT						1	
49		SM8061212TP		SCREW M6X12						1	
50		RO312240100		O-RING						1	
51		10775658		SAFETY DEVICE ASM.						1	
52		10775609		SAFETY DEVICE HOOK				*		1	
53		10706315		LOWER SPROCKET				*		1	
54		SM8040502TP		SCREW M4X0.7 L=5				*		1	
55		SM8060602TP		SCREW M6X6				*		2	
56		10591709		SAFETY SPRING				*		1	
57		10748002		SAFETY CLUTCH PAWL				*		1	
58		B1308055000		SAFETY CLUTCH COUNTER-HOOK				*		1	
59		B1310055000		SAFETY CLUTCH SMALL LINK				*		1	
60		40113224		COUNTER HOOK SPRING				*		1	
61		B1314055000		SAFETY CLUTCH SMALL LINK PIN				*		1	
62		SD0640322TP		HINGE SCREW D=6.35 H=3.2				*		2	
63		40052266		LOWER SHAFT COUPLING PLATE						1	
64		SM8030402TP		SCREW M3X0.5 L=4						1	
65		23154057		BEARING ASM.						1	
66		SM6051602TP		SCREW M5X0.8 L=16						2	
67		23154107		BEARING BASIS						1	
68		SS6121860SP		SCREW 3/16-28 L=18						2	
69		23154701		SAFETY CLUTCH DISK						1	
70		SS8151150TP		SCREW 15/64-28 L=10.5						2	
71		B1636158000		PUSH BUTTON						1	
72		B1639158000		PUSH BUTTON SPRING						1	
73		RE0400000K0		E-RING 4						1	
74	D	23154800		SAFETY CLUTCH P-USH BUTTON BUSH						1	
75		23154552		FRONT METAL HOLDER A						1	
76		SM6065002TP		SCREW M6 L=50						2	

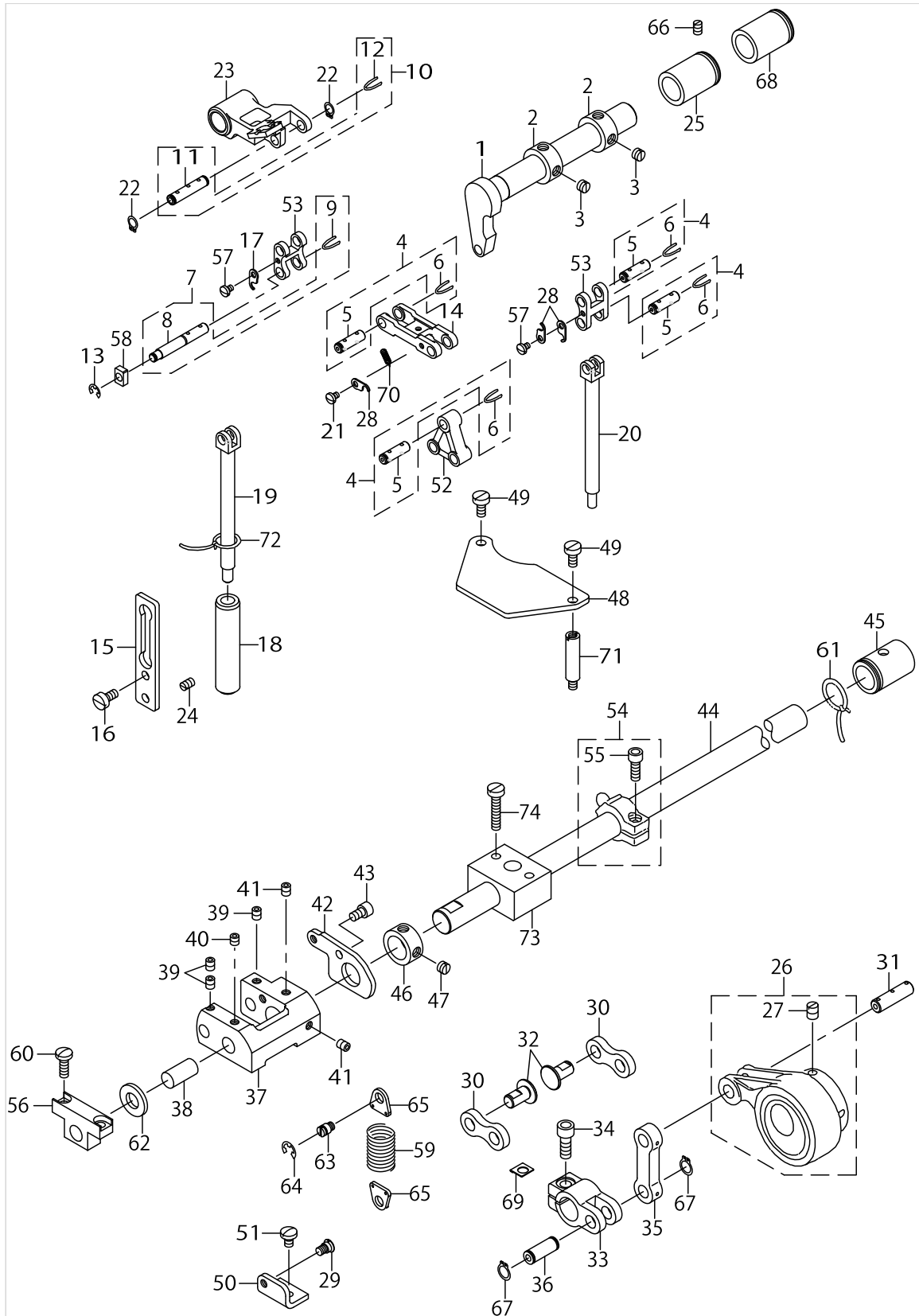
NEEDLE BAR ROCKING COMPONENTS



NEEDLE BAR ROCKING COMPONENTS

No.	Supply Code	Parts No.	Replacement	Parts name	Remarks	Choice	Step	Level	Cons	Qty	Rep. QTY
1		23153505		NEEDLE BAR						1	
2		10708204		NEEDLE BAR THREAD GUIDE						1	
3		SS8080410TP		SCREW 1/8-44 L=3.5						1	
4		23152663		NEEDLE ROD ROCKING BASE SET						1	
5		23153208		THRUST HOLDER						2	
6		SS7112420SP		SCREW 11/64-40 L=24						2	
7		23153109		FRONT METAL						2	
8		MC321001400		NEEDLE 134-35 #140						1	
9		10709152		NEEDLE ROD ROCKING LINK ASM.						1	
10		SS6152440SP		SCREW 15/64-28 L=23.5				*		1	
11		10709202		NEEDLE ROD LINK PIN						2	
12		RE0600000K0		E-RING 6						4	
13		10709350		FEED ARM ASM.						1	
14		SS6151412TP		SCREW 15/64-28 L=14				*		1	
15		10709400		NEEDLE ROD ROCKING LINK						1	
16		10708501		ROLLER GUIDE BASE						1	
17		SM6041012TP		SCREW M4X0.7 L=10						2	
18		MC321001400		NEEDLE 134-35 #140	FOR LU-2266N-7					2	
19		SS8120740SP		SCREW 3/16-28 L=7						1	
20		10733806		SWING STAND FELT LOWER						1	
21		SM1040801SC		SCREW M4X0.7 L=8						1	
22		WP0450000SD		WASHER 4.5X8X0.5						1	
23		CQ202000000		OIL WICK						.2	
24		CQ202000000		OIL WICK						.2	
25		23153406		NEEDLE BAR (FOR 2-NEEDLE)	FOR LU-2266N-7					1	
26		SM6030602TP		SCREW M3X0.5 L=6	FOR LU-2266N-7					1	

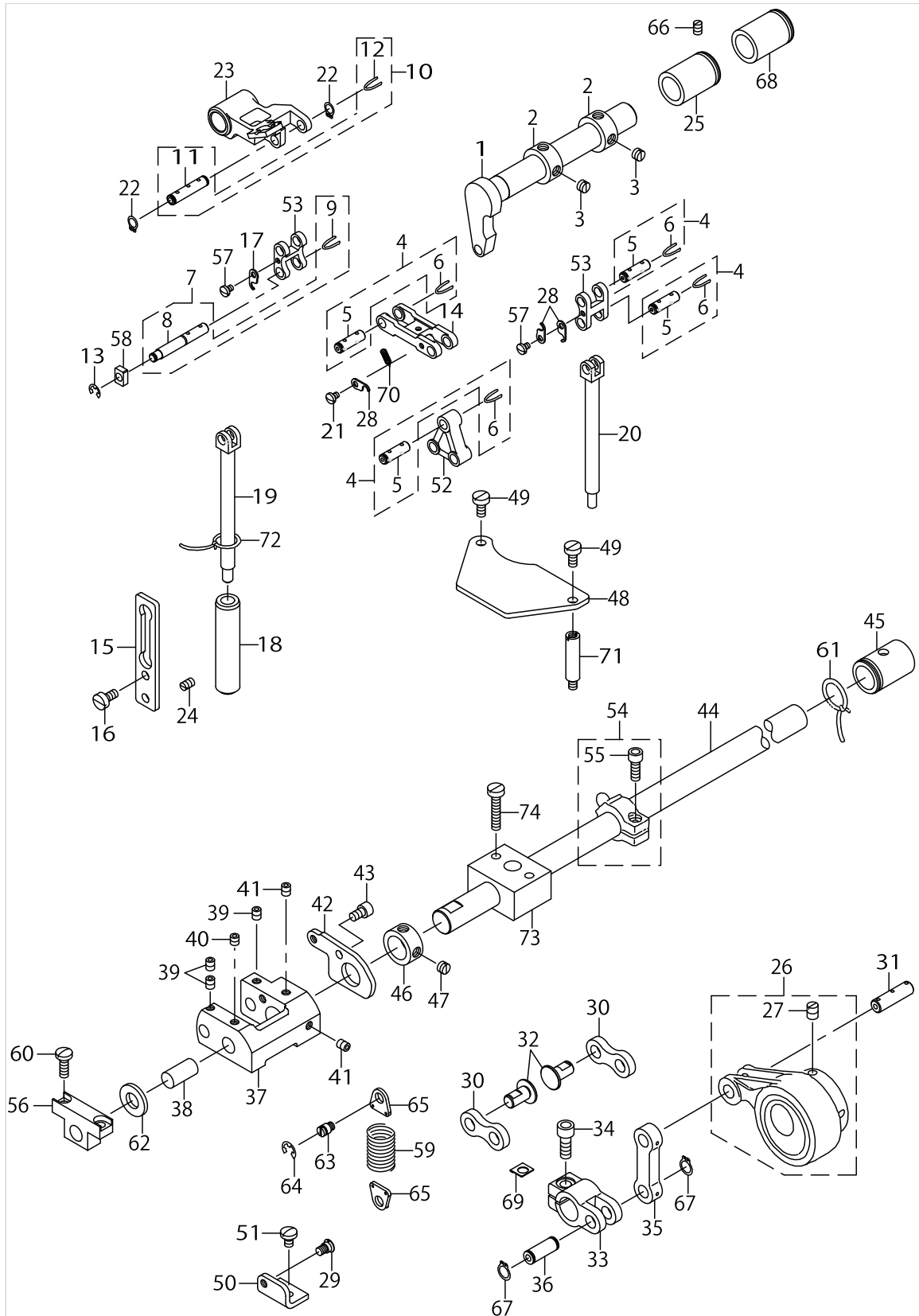
UPPER FEED MECHANISM COMPONENTS



UPPER FEED MECHANISM COMPONENTS

No.	Supply Code	Parts No.	Replacement	Parts name	Remarks	Choice	Step	Level	Cons	Qty	Rep. QTY
1		10709707		UPPER FEED SHAFT						1	
2		CS1501011TH		THRUST COLLAR						2	
3		SS8660410SP		SCREW 1/4-40 L=4.2						4	
4		40132152		TRIANGLE LEVER SHAFT ASM.						4	
5		40130995		TRIANGLE LEVER SHAFT				*		1	
6		CQ252000000		OIL WICK				*		0.1	
7		40132151		PRESSER ROD GUIDE SHAFT ASM.						1	
8		10710309		PRESSER ROD GUIDE SHAFT				*		1	
9		CQ252000000		OIL WICK				*		0.1	
10		40132153		PRESSER ROD SHAFT ASM.						1	
11		10711000		PRESSER ROD SHAFT				*		1	
12		CQ252000000		OIL WICK				*		0.1	
13		RE0400000K0		E-RING 4						1	
14		40052240		CONNECTION LINK						1	
15		10710408		PRESSER ROD GUIDE						1	
16		SS6121050SP		SCREW 3/16-28 L=9.5						2	
17		10710804		TRIANGLE LEVER S-HAFT STOPPER						1	
18		10710507		PRESSER ROD LOWER METAL						1	
19		10710606		PRESSER ROD						1	
20		10710705		UPPER FEED ROD						1	
21		SS7080510TP		SCREW 1/8-44 L=4.5						1	
22		RC0560711KP		RETAINING RING						2	
23		10711117		PRESSER BAR GUIDE ARM						1	
24		SS8120740SP		SCREW 3/16-28 L=7						1	
25		10709608		ROCKING SHAFT METAL						1	
26		10713766		ECCENTRIC ROD (SET)						1	
27		SS8660810TP		SCREW 1/4-40 L=8				*		2	
28		10710804		TRIANGLE LEVER S-HAFT STOPPER						3	
29		22908909		HINGE SCREW						1	
30		40107949		CONNECTION LINK B						2	
31		10713808		CONNECTION LINK PIN B						1	
32		40052263		CONNECTION LINK B SUPPORT PIN						2	
33		10713907		UPPER FEED CAM						1	
34		SM6061602TP		SCREW M6 L=16						1	
35		10714004		CONNECTION LINK A						1	
36		10714103		CONNECTION LINK PIN A						1	
37		10714202		VERTICAL CHANGE BELT						1	
38		10751303		CHANGE BELT SUPPORT PIN						1	
39		SM8050602TP		SCREW M5 L=6						3	
40		SM8050502TP		SCREW M5 L=5						1	
41		SM8050602TP		SCREW M5 L=6						2	
42		10714400		VERTICAL STOPPER PLATE						1	
43		SM6051002TP		SCREW M5X0.8 L=10						1	
44		23156102		VERTICAL CHANGE BELT SHAFT						1	
45		23155203		HORIZONTAL SHAFT METAL						1	

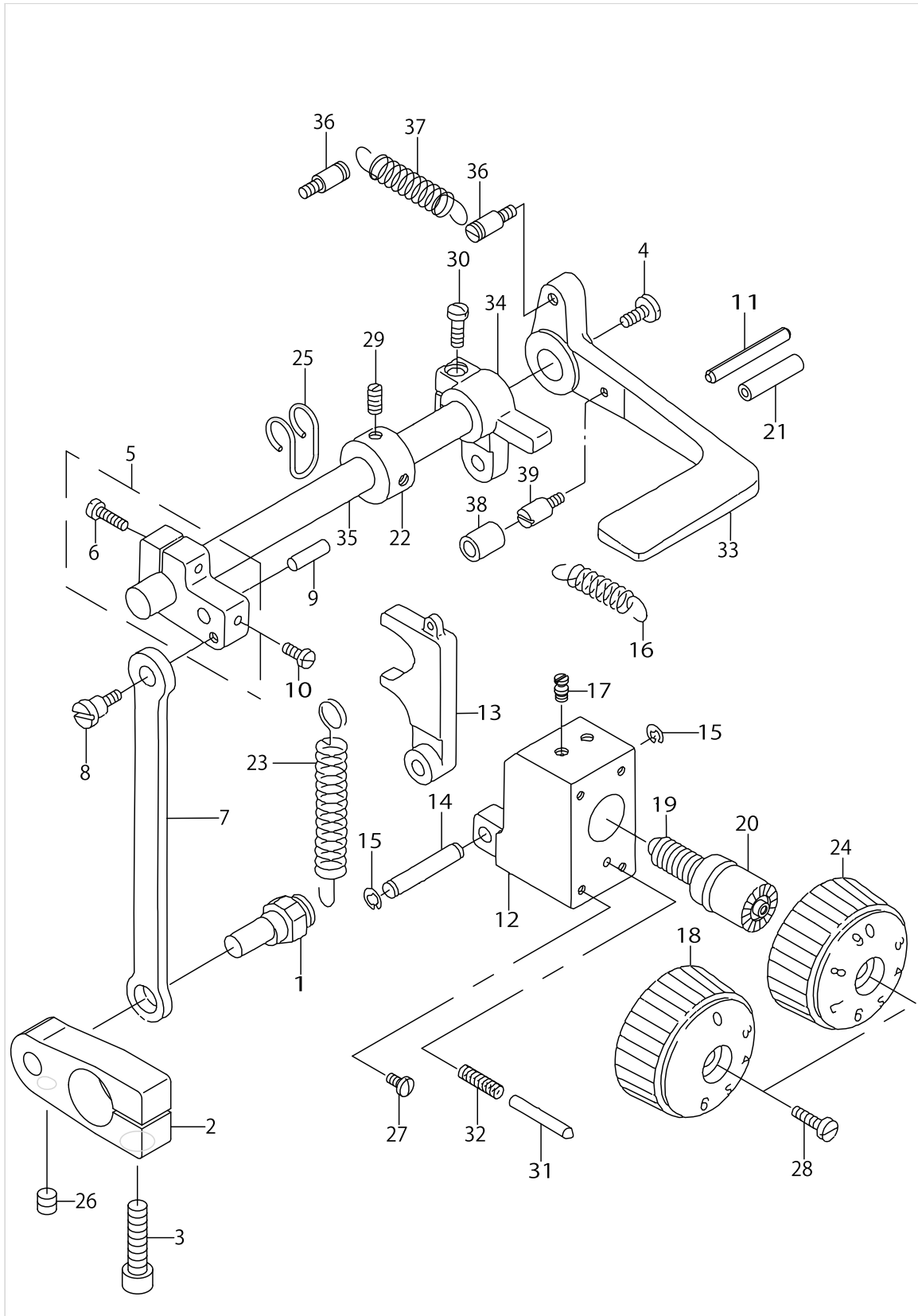
UPPER FEED MECHANISM COMPONENTS



UPPER FEED MECHANISM COMPONENTS

No.	Supply Code	Parts No.	Replacement	Parts name	Remarks	Choice	Step	Level	Cons	Qty	Rep. QTY
46		CS1501011TH		THRUST COLLAR						1	
47		SS8660410SP		SCREW 1/4-40 L=4.2						2	
48		23156508		VERTICAL STOPPER HOLD PLATE						1	
49		SS6121010SP		SCREW 3/16-28 L=10						2	
50		10714905		VERTICAL SHAFT SPRING RACK						1	
51		SS7120710SP		SCREW 3/16-28 L=7						1	
52		10710002		TRIANGLE LEVER						1	
53		10710101		ROCKING LINK						2	
54		10715258		VERTICAL ADJUSTING ARM ASM.						1	
55		SM6051402TP		SCREW M5X0.8 L=14				*		1	
56		23156409		CHANGE SUPPORT						1	
57		SS7080510TP		SCREW 1/8-44 L=4.5						2	
58		10710200		PRESSER ROD SQUARE BLOCK						1	
59		10716504		VERTICAL SHAFT SPRING						1	
60		SS7121410TP		SCREW 3/16-28 L=14						2	
61		CQ202000000		OIL WICK						.3	
62		10109809		THRUST WASHER, B						1	
63		B3416552000		CONNECTING ROD HINGE SCREW						1	
64		RE0500000K0		E-RING						1	
65		10713501		SPRING HOOK						2	
66		SS8120740SP		SCREW 3/16-28 L=7						1	
67		RC0740811KP		C-RING						2	
68		10708907		ROCKING SHAFT METAL						1	
69		10710903		SPACER A						1	
70		10739506		GUIDE SPRING						1	
71		23156300		STUD						1	
72		CQ202000000		OIL WICK						.2	
73		23156201		VERTICAL METAL						1	
74		SS6122510SP		SCREW 3/16-28 L=25						2	

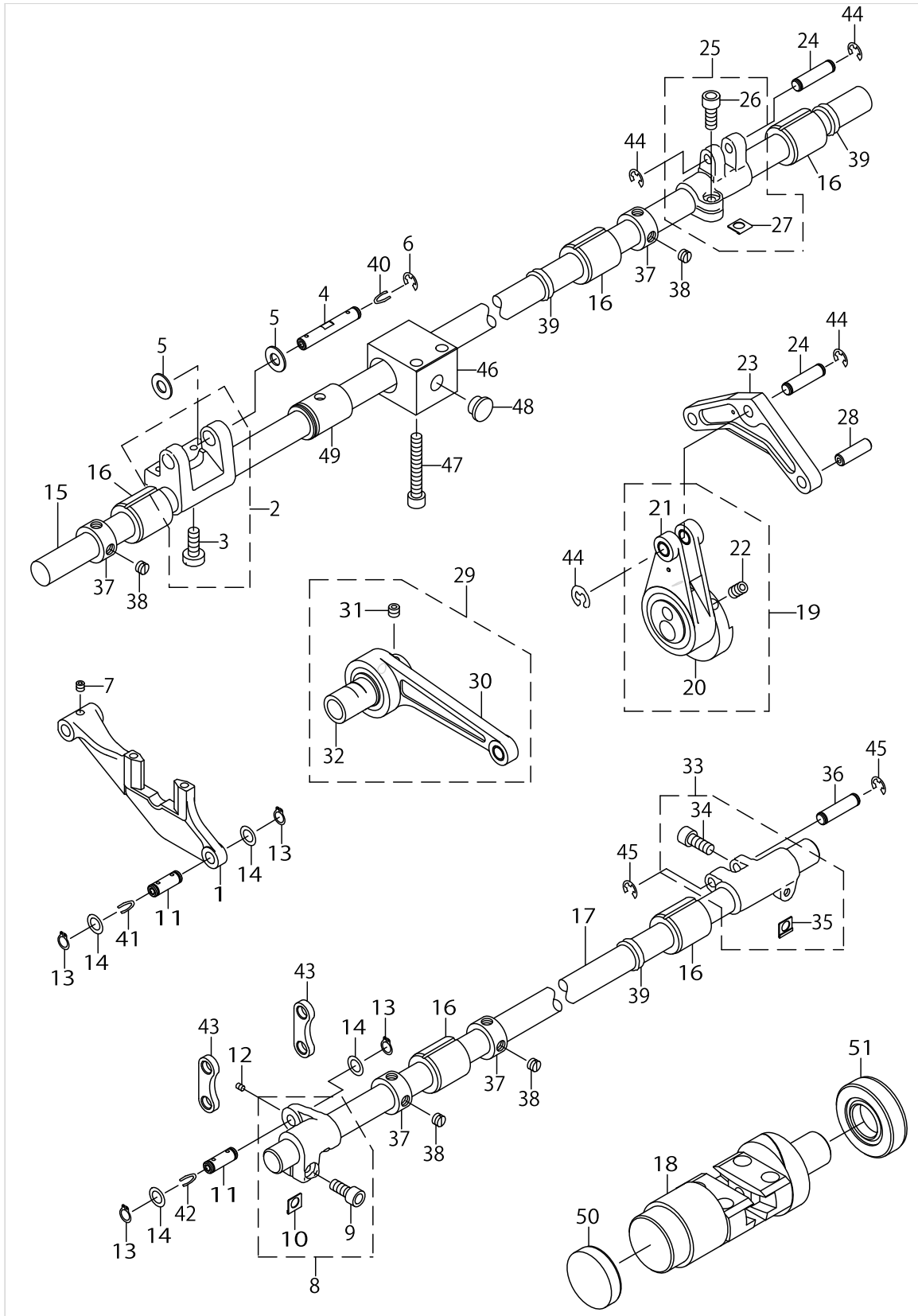
FEED ADJUSTMENT & REVERSE FEED MECHANISM COMPONENTS



FEED ADJUSTMENT & REVERSE FEED MECHANISM COMPONENTS

No.	Supply Code	Parts No.	Replacement	Parts name	Remarks	Choice	Step	Level	Cons	Qty	Rep. QTY
1		40052255		FEED ADJUSTING ECCENTRIC PIN						1	
2		23155500		ADJUSTING CHANGE ARM						1	
3		SM6062502TP		SCREW M6 L=25						1	
4		SS7620750SP		SCREW 3/16-32 L=6.5						1	
5		10720555		ADJUSTING ARM ASM.						1	
6		SS7121610SP		SCREW 3/16-28 L=15.5				*		1	
7		10720407		ADJUSTING CONNECTION RING						1	
8		10725307		ADJUSTING CONNE- CTION RING PIN						1	
9		10721504		FEED ADJUSTING PIN						1	
10		SS7110810SP		SCREW 11/64-40 L=8.0						1	
11		PS0400322KP		SPRING PIN 4.0X32						1	
12		40052241		FEED ADJUSTING BASE A						1	
13		10720605		ADJUSTING BELT						1	
14		22949101		ROLLER FULCRUM SHAFT						1	
15		RE0400000K0		E-RING 4						2	
16		10721306		CHANGE SPRING						1	
17		26017400		SPRING RAC						1	
18		23155955		ADJUSTMENT DIAL ASM.	FOR LU-2266N-7					1	
19		10721009		ADJUSTING DIAL SCREW						1	
20		RO118240100		O-RING						1	
21		BT0600402EA		OIL TUBE						.1	
22		CS1201011SH		THRUST COLLAR D=12 W=10						1	
23		10722007		PULLING SPRING						1	
24		10744308		ADJUSTMENT DIAL						1	
25		10733509		SPRING RACK HOOK						1	
26		SM8060602TP		SCREW M6X6						1	
27	R	SS7110910SP	SS7110910TP	SCREW 11/64-40 L=8.5						4	1.00
28		SS6121860SP		SCREW 3/16-28 L=18						1	
29		SS8660610TP		SCREW 1/4-40 L=6						2	
30		SS7121610SP		SCREW 3/16-28 L=15.5						1	
31		10718401		DIAL PIN						1	
32		B1148141H00		SPRING						1	
33		40052267		BACKWARD FEED LEVER						1	
34		10721207		BACKWARD FEED C- ONNECTION ARM						1	
35		23155401		BACKWARD FEED LEVER SHAFT						1	
36		40023289		SPRINGSUSPENSION						2	
37		D2515232D00		TORSION SPRING						1	
38		10119907		CUSHION						1	
39		B1114280000		PIN						1	

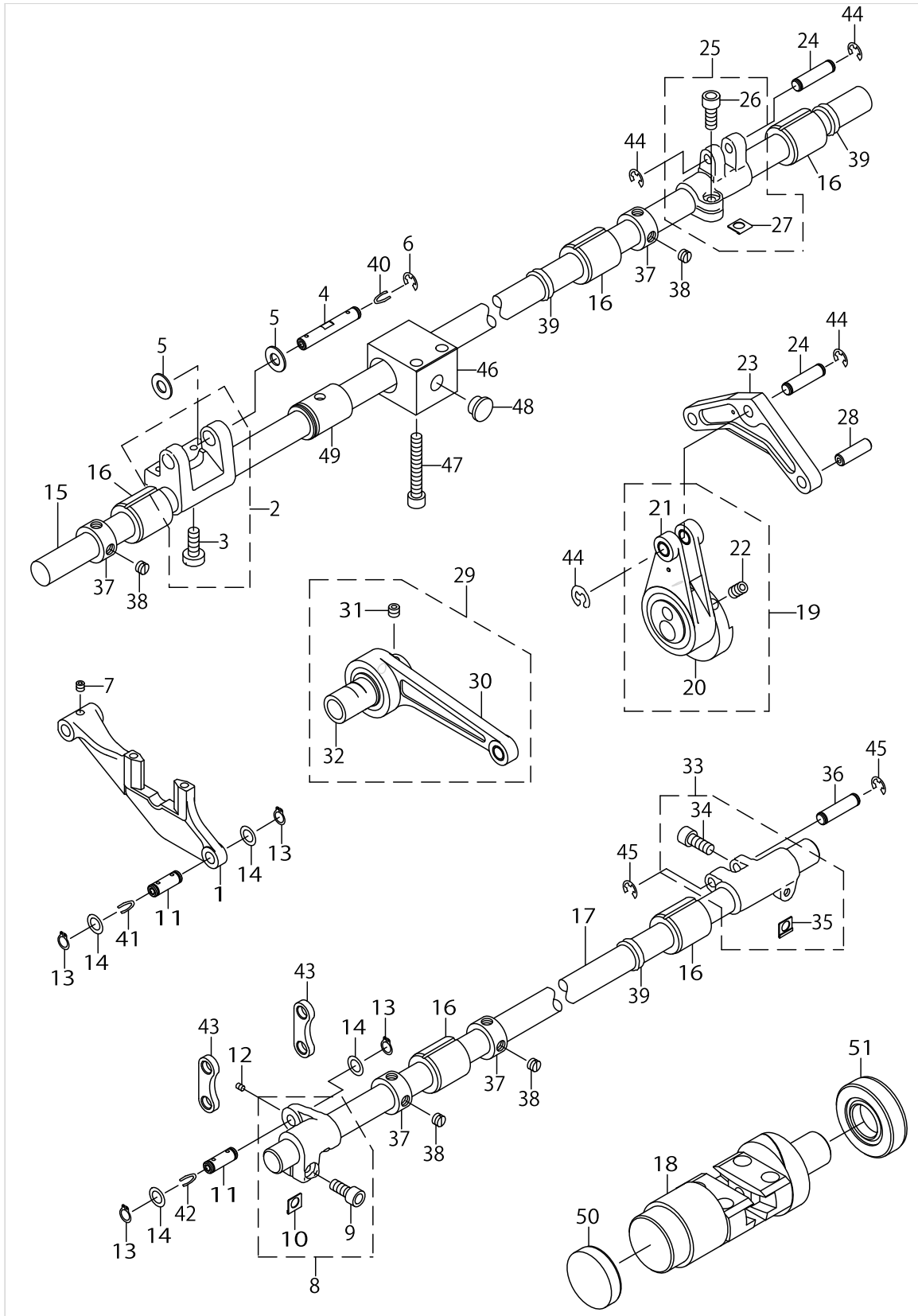
LOWER FEED MECHANISM COMPONENTS



LOWER FEED MECHANISM COMPONENTS

No.	Supply Code	Parts No.	Replacement	Parts name	Remarks	Choice	Step	Level	Cons	Qty	Rep. QTY
1		10717502		FEED BASE						1	
2		10717668		FEEDBASE ARM ASM.						1	
3		SM6061650TP		SCREW				*		2	
4		40052258		FEED BASE SHAFT						1	
5		10746709		WASHER						2	
6		RE0500000K0		E-RING						1	
7		SS8110422TP		SCREW 11/64-40 L=4						1	
8		10718658		VERTICAL FEED ARM ASM.						1	
9		SS6151412TP		SCREW 15/64-28L=14				*		1	
10		10710903		SPACER A				*		1	
11		10718906		VERTICAL FEED LINK SHAFT						2	
12		SM8030402TP		SCREW M3X0.5 L=4						1	
13		RC0650811KP		RETAINING RING						4	
14		WP0740516SP		WASHER 7.4X11.8X0.5						4	
15		23155005		HORIZONTAL FEED SHAFT						1	
16		10718203		FEED SHAFT FRONT METAL						5	
17		23155708		VERTICAL FEED SHAFT						1	
18		10719052		FEED CHANGE BELT ASM.						1	
19		10719664		HORIZONTAL FEED ROD						1	
20		10719201		HORIZONTAL FEED CAM				*		1	
21	D	10719656		HORIZONTAL FEED ROD ASM.				*		1	
22		SS8661012TP		SCREW				*		2	
23		10719300		BELL CRANK						1	
24		10718005		FEED ARM SHAFT						2	
25		10718153		FEED SHAFT ARM ASM.						1	
26	R	SM6061552TP	SM6061552SP	SCREW M6 L=15				*		1	1.00
27		10710903		SPACER A				*		1	
28		10719508		ADJUSTING BLOCK SHAFT						1	
29		10719961		VERTICAL FEED ROD ASM.						1	
30	R	10719953	10719961	VERTICAL FEED ROD COMPL.				*		1	1.00
31		SM8060552TP		SCREW M6 L=5				*		2	
32	R	10720001	10719961	VERTICAL FEED CAM				*		1	1.00
33		10718153		FEED SHAFT ARM ASM.						1	
34	R	SM6061552TP	SM6061552SP	SCREW M6 L=15				*		1	1.00
35		10710903		SPACER A				*		1	
36		10718005		FEED ARM SHAFT						1	
37		CS1501011TH		THRUST COLLAR						4	
38		SS8660410SP		SCREW 1/4-40 L=4.2						8	
39		13707500		OIL SEAL						3	
40		CQ202000000		OIL WICK						.1	
41		CQ202000000		OIL WICK						.1	
42		CQ202000000		OIL WICK						.1	
43		10718500		VERTICAL LINK						2	
44		RE0500000K0		E-RING						4	
45		RE0500000K0		E-RING						2	
46		23155104		HORIZONTAL SHAFT INNER METAL						1	

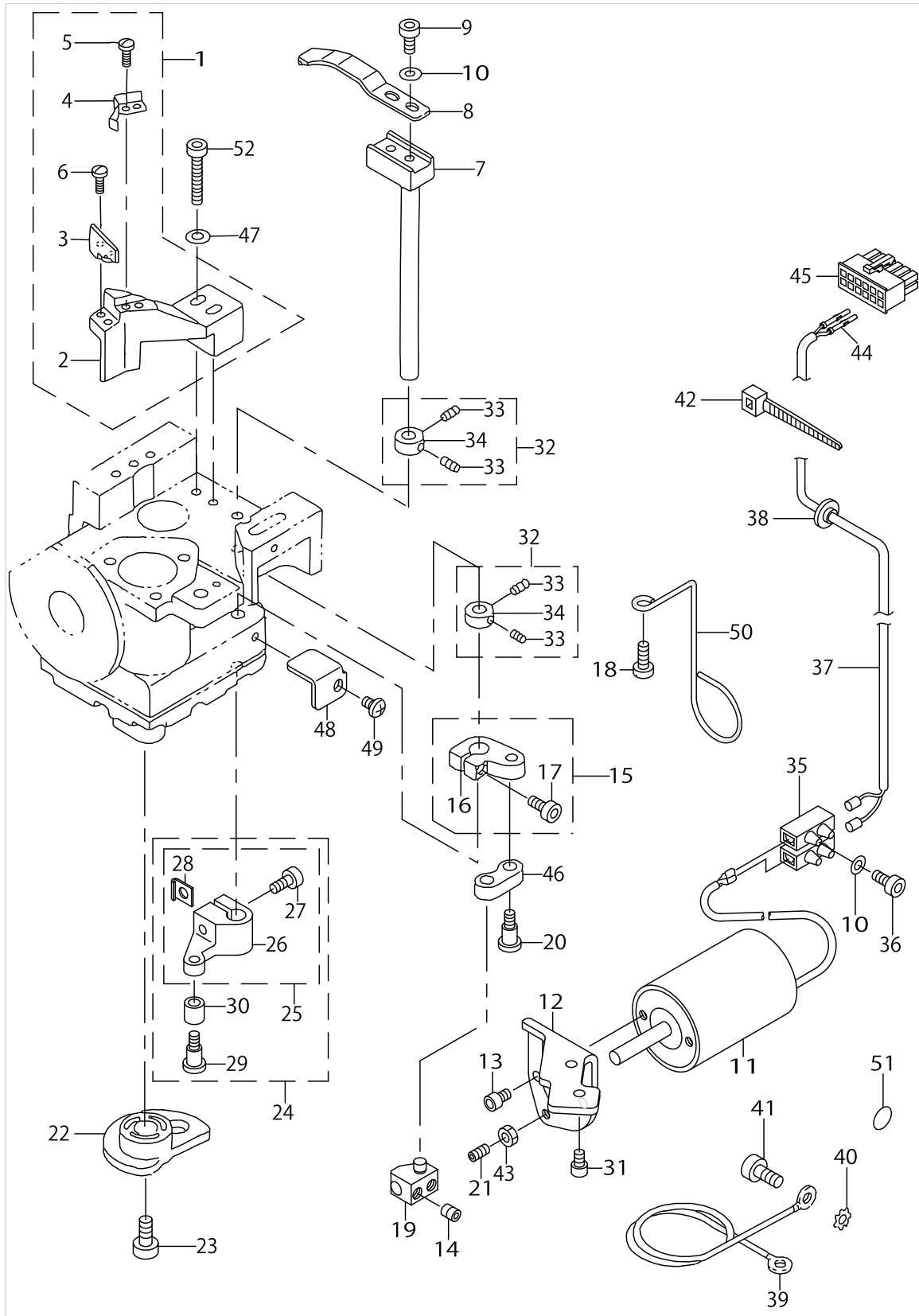
LOWER FEED MECHANISM COMPONENTS



LOWER FEED MECHANISM COMPONENTS

No.	Supply Code	Parts No.	Replacement	Parts name	Remarks	Choice	Step	Level	Cons	Qty	Rep. QTY
47		SM6064002TP		SCREW M6 L=40						2	
48		TA1050504R0		RUBBER PLUG						1	
49		23155203		HORIZONTAL SHAFT METAL						1	
50		10719706		CHANGE BELT OIL SEAL A						1	
51		10719805		CHANGE BELT OIL SEAL B						1	

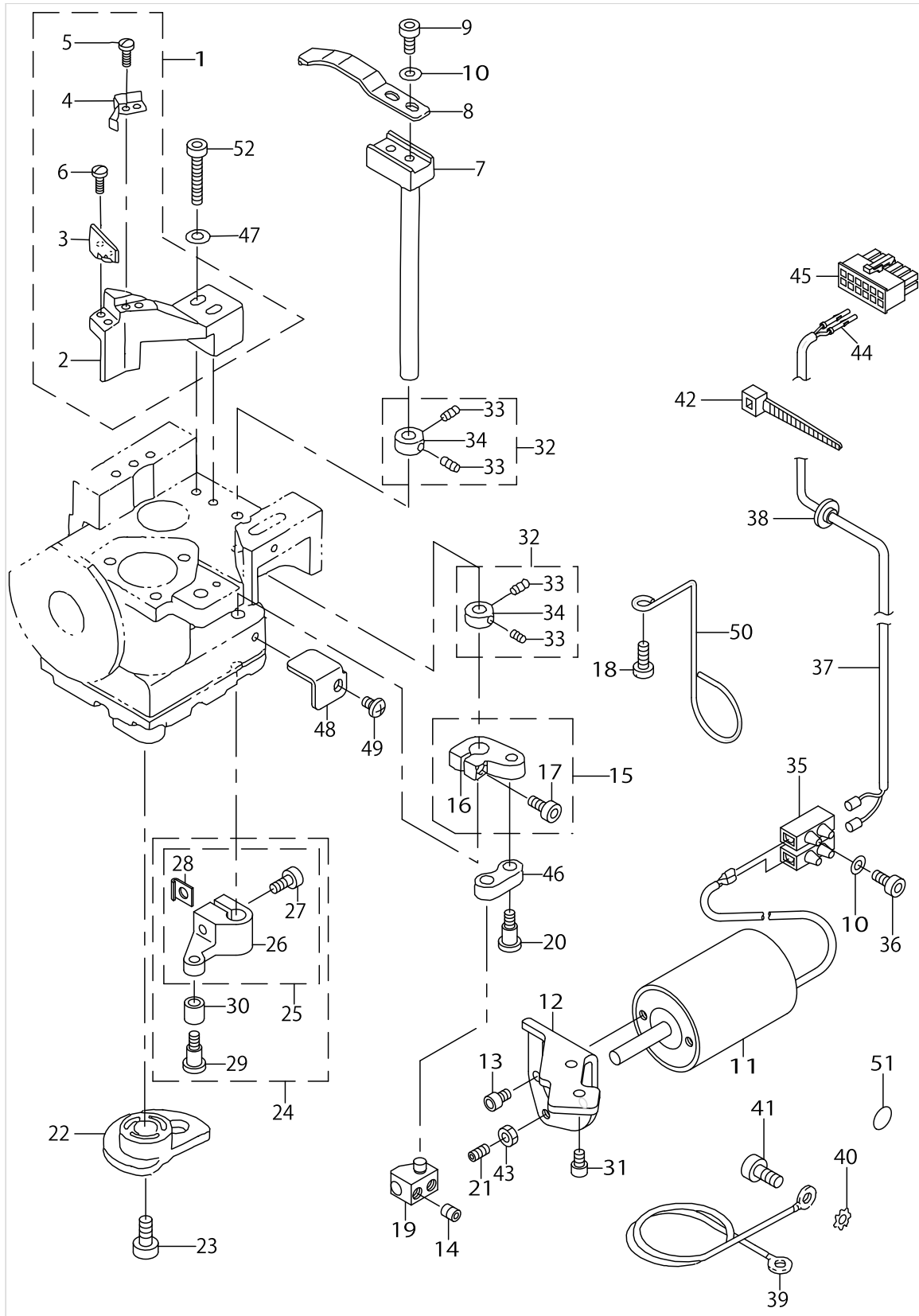
RIGHT HOOK SHAFT BASE THREAD TRIMMER COMPONENTS



RIGHT HOOK SHAFT BASE THREAD TRIMMER COMPONENTS

No.	Supply Code	Parts No.	Replacement	Parts name	Remarks	Choice	Step	Level	Cons	Qty	Rep. QTY
1		10726552		FIXED KNIFE BASE ASM.						1	
2		10726503		FIXED KNIFE BASE				*		1	
3		10726404		FIXED KNIFE				*		1	
4		10726909		CLAMP SPRING				*		1	
5		SS7060610SP		SCREW 3/32-56 L=5.5				*		2	
6		SS7060610SP		SCREW 3/32-56 L=5.5				*		2	
7		10726800		MOVINGKNIFESHAFT						1	
8		10726305		MOVING KNIFE						1	
9		SM6030802TP		SCREW M3X0.5 L=8						2	
10		WP0320501SC		WASHER M3						3	
11		10772804		THREAD CUTTING SOLENOID						1	
12		10772309		SOLENOID FITTING PLATE RIGHT						1	
13		SM6040602TP		SCREW M4 L=6						2	
14		SM8050602TP		SCREW M5 L=6						2	
15		10727857		DRIVING ARM B ASM.						1	
16	R	10727808	10727857	DRIVING ARM B				*		1	1.00
17		SM6041202TP		SCREW M4X0.7 L=12				*		1	
18		SS6111140SP		SCREW11/64-40L=11						1	
19		10754505		THREAD CUTTING SOLENOID ARM						1	
20		SD0500481TP		HINGE SCREW D=5 H=4.8						1	
21		SM8040802TP		SCREW M4X8						1	
22		10727709		THREAD CUTTING CAM						1	
23		SM6041202TP		SCREW M4X0.7 L=12						3	
24		10728160		DRIVING ARM A COMPL.						1	
25		10728152		DRIVING ARM A ASM.				*		1	
26		10728103		DRIVING ARM A				*		1	
27		SM6051402TP		SCREW M5X0.8 L=14				*		1	
28		10711406		SPACER B				*		1	
29		SD0500721SP		HINGE SCREW D=5 H=7.2				*		1	
30		B3031141H00		CONNECTING STUD				*		1	
31		SM6040602TP		SCREW M4 L=6						2	
32		40101351		THRUST COLLAR ASM.						2	
33		SS8110422TP		SCREW 11/64-40 L=4				*		2	
34		22917009		THRUST COLLAR				*		1	
35		10728301		TERMINAL BASE						1	
36		SM6031202TP		SCREW M3X0.5 L=12						1	
37		HW500140000		2-C CABLE						1	
38		10732204		CORD BUSH						1	
39		10741759		GROUND WIRE ASM.	FOR YU(H-EAD WHEN DELIVERING ONLY.)					1	
40		WT0530002KS		TOOTHED WASHER D=5.3						1	
41		SS6111140SP		SCREW11/64-40L=11						1	
42		EA9500B0200		CABLE BAND 150						1	
43		NM6040001SC		NUT M4						1	
44		HK03464000B		PIN CONTACT						2	
45		HK034610120		HOUSING 12P						1	

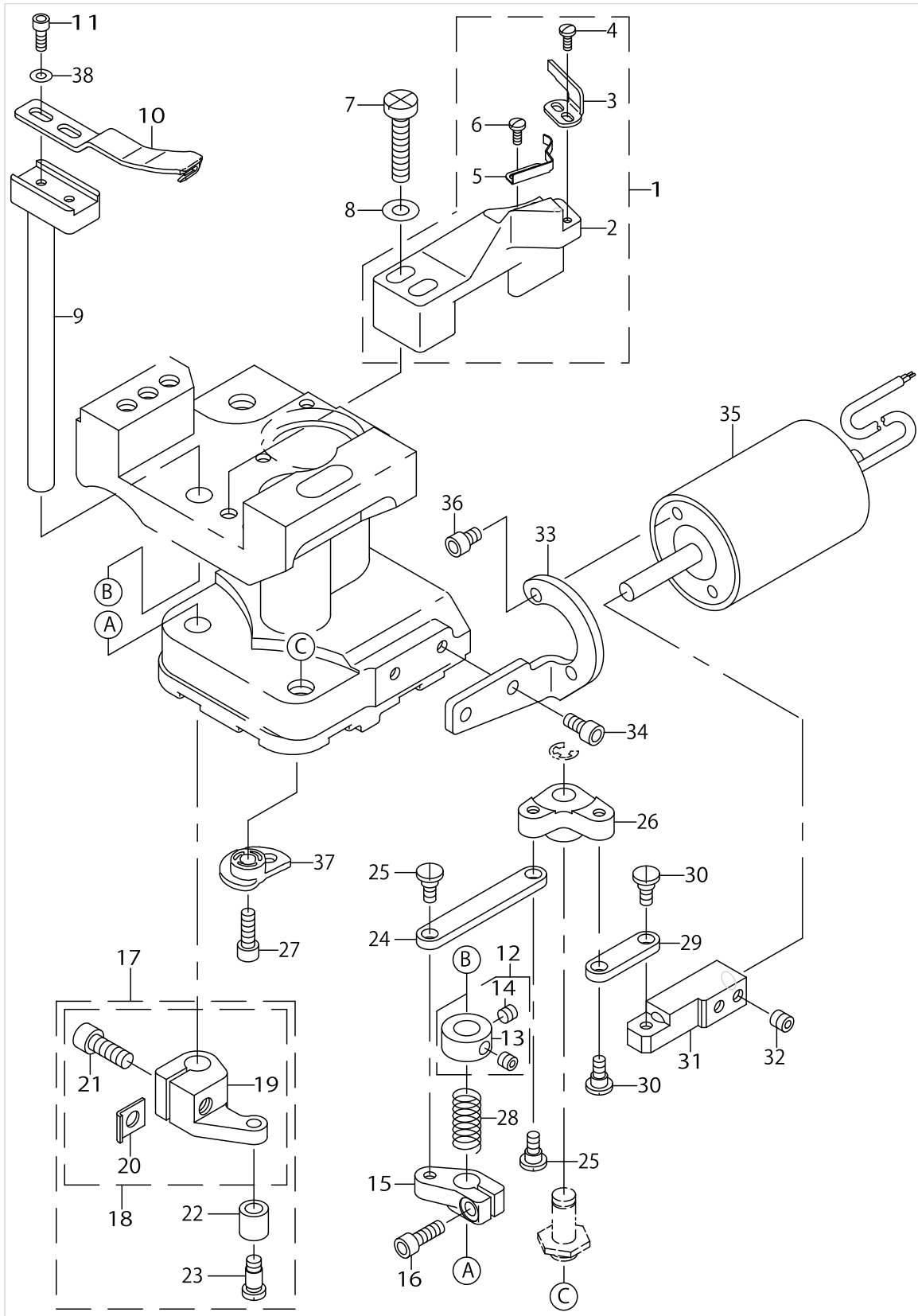
RIGHT HOOK SHAFT BASE THREAD TRIMMER COMPONENTS



RIGHT HOOK SHAFT BASE THREAD TRIMMER COMPONENTS

No.	Supply Code	Parts No.	Replacement	Parts name	Remarks	Choice	Step	Level	Cons	Qty	Rep. QTY
46		10727907		DRIVING LINK B						1	
47		WP0520656SA		WASHER 5.2X9.5X0.6						2	
48		10754604		SOLENOID ARM GUIDE PLATE						1	
49		SM4040601SB		SCREW M4 L=6						1	
50		23151509		CORD GUIDE						1	
51		22901805		GROUND MARK						1	
52		SM6052502TP		SCREW M5X0.8 L=25						2	

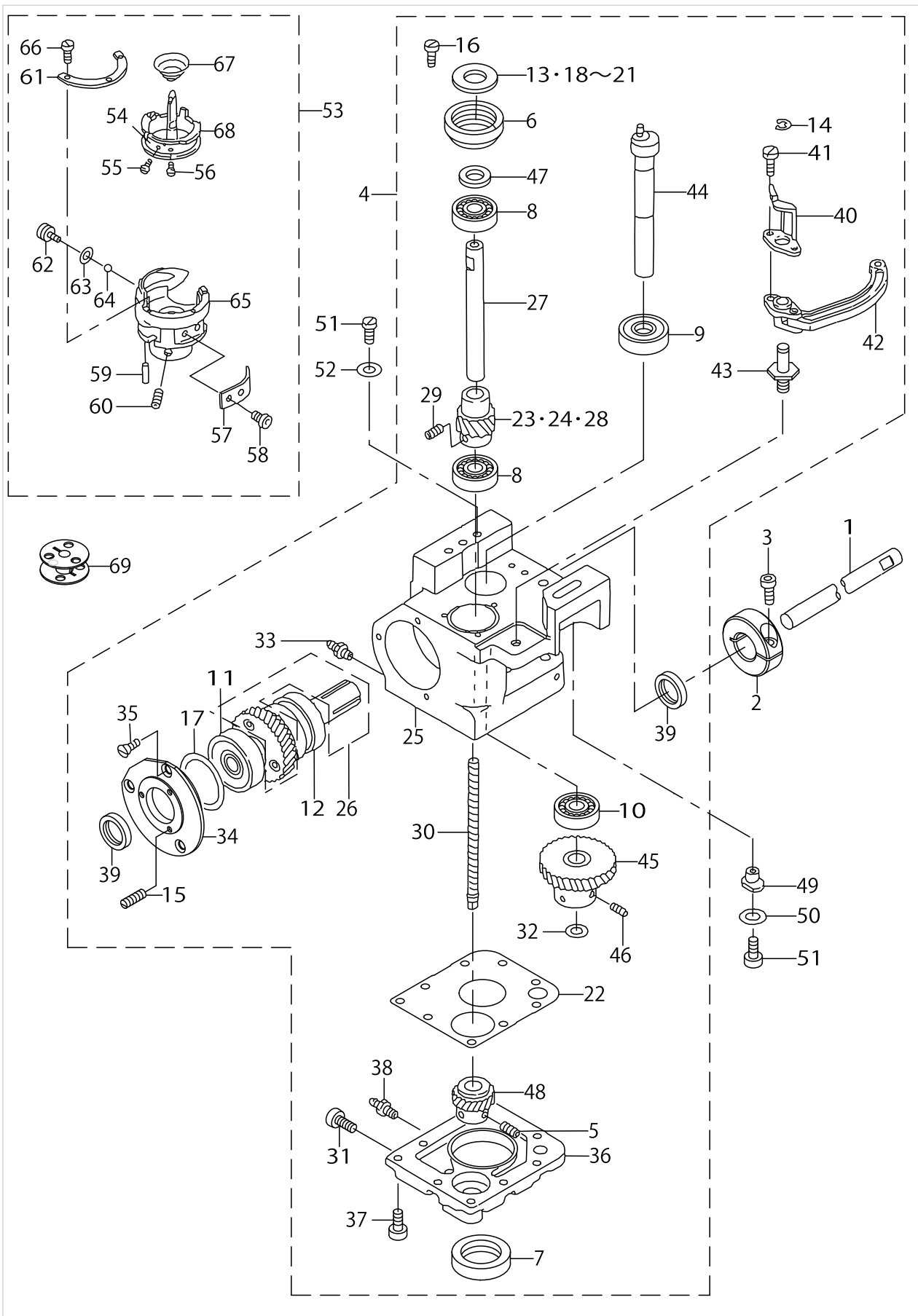
LEFT HOOK SHAFT BASE THREAD TRIMMER COMPONENTS(FOR LU-2266N-7)



LEFT HOOK SHAFT BASE THREAD TRIMMER COMPONENTS(FOR LU-2266N-7)

No.	Supply Code	Parts No.	Replacement	Parts name	Remarks	Choice	Step	Level	Cons	Qty	Rep. QTY
1		10726552		FIXED KNIFE BASE ASM.						2	
2		10726503		FIXED KNIFE BASE				*		1	
3		10726404		FIXED KNIFE				*		1	
4		SS7060610SP		SCREW 3/32-56 L=5.5				*		2	
5		10726909		CLAMP SPRING				*		1	
6		SS7060610SP		SCREW 3/32-56 L=5.5				*		2	
7		SM6052502TP		SCREW M5X0.8 L=25						2	
8		WP0520656SA		WASHER 5.2X9.5X0.6						2	
9		10726800		MOVINGKNIFESHAFT						1	
10		10726305		MOVING KNIFE						1	
11		SM6030802TP		SCREW M3X0.5 L=8						2	
12		40101351		THRUST COLLAR ASM.						1	
13		22917009		THRUST COLLAR				*		1	
14		SS8110422TP		SCREW 11/64-40 L=4				*		2	
15		10771806		DRIVING ARM C						1	
16		SM6041202TP		SCREW M4X0.7 L=12						1	
17		10728160		DRIVING ARM A COMPL.						1	
18		10728152		DRIVING ARM A ASM.				*		1	
19		10728103		DRIVING ARM A				*		1	
20		10711406		SPACER B				*		1	
21		SM6051402TP		SCREW M5X0.8 L=14				*		1	
22		B3031141H00		CONNECTING STUD				*		1	
23		SD0500721SP		HINGE SCREW D=5 H=7.2				*		1	
24		10771905		DRIVING LINK A						1	
25		SD0500301SP		HINGESCREWD=5H=3						2	
26		10772507		DRIVING ARM E						1	
27		SM6041202TP		SCREW M4X0.7 L=12						3	
28		B2311019000		TENSION SPRING						1	
29		10772002		DRIVING LINK B						1	
30		SD0500301SP		HINGESCREWD=5H=3						2	
31		10772101		SOLENOID ARM LEFT						1	
32		SM8050502TP		SCREW M5 L=5						2	
33		10772200		MAGNET FITTING BASE LEFT						1	
34		SM6040802TP		SCREW M4X0.7 L=8						2	
35		10772804		THREAD CUTTING SOLENOID						1	
36		SM6040602TP		SCREW M4 L=6						2	
37		10727709		THREAD CUTTING CAM						1	
38		WP0320501SC		WASHER M3						2	

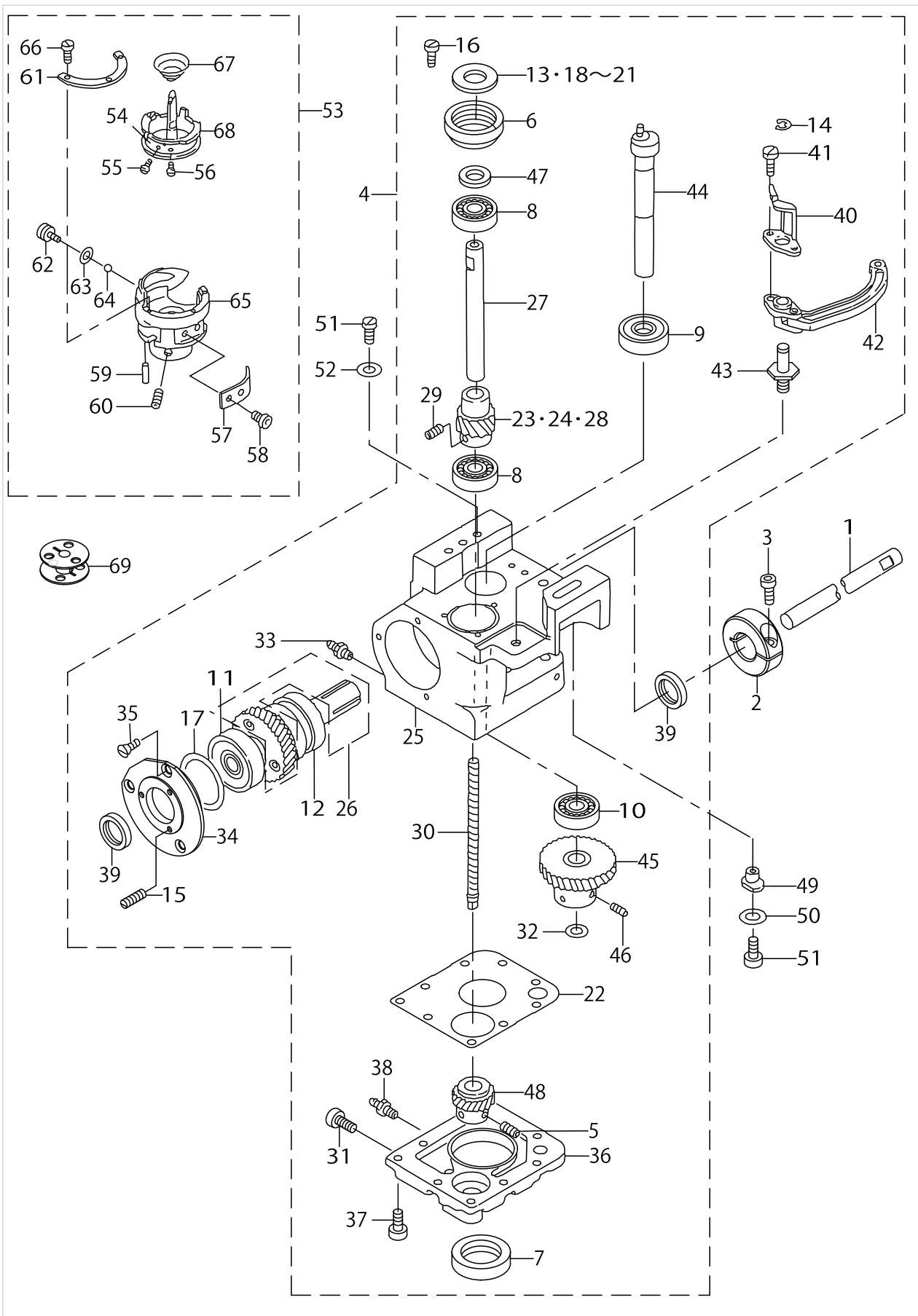
RIGHT HOOK SHAFT BASE & HOOK COMPONENTS



RIGHT HOOK SHAFT BASE & HOOK COMPONENTS

No.	Supply Code	Parts No.	Replacement	Parts name	Remarks	Choice	Step	Level	Cons	Qty	Rep. QTY
1		10722403		LOWER SHAFT B	FOR LU-2216N-7					1	
2		40052253		SET COLLAR						1	
3		SM6051402TP		SCREW M5X0.8 L=14						1	
4		10770352		HOOK SHAFT BASE RIGHT ASM.						1	
5		SM8050502TP		SCREW M5 L=5				*		2	
6		10755601		BEARING COLLAR				*		1	
7		10726107		OIL SEAL				*		1	
8	R	B1215804000	13108808	BALL BEARING D				*		2	1.00
9		SB110000900		BEARING				*		1	
10		SB110001000		BEARING				*		1	
11		SB115000400		RADIAL BEARING				*		1	
12		SB115000900		BEARING				*		2	
13		10111201		THRUST WASHER F	SELECTIVE PARTS			*		1	
14		RE0400000K0		E-RING 4				*		1	
15		SS8080610SP		SCREW 1/8-44 L=5.5				*		3	
16		SS6111140SP		SCREW 11/64-40L=11				*		3	
17		RO357350100		O-RING				*		1	
18		10112605		THRUST WASHER 1.7	SELECTIVE PARTS			*		1	
19		10112704		THRUST WASHER 1.8	SELECTIVE PARTS			*		1	
20		10109809		THRUST WASHER B	SELECTIVE PARTS			*		1	
21		10112506		THRUST WASHER 1.6	SELECTIVE PARTS			*		1	
22		10770402		HOOK SHAFT BOTTOM PACKING				*		1	
23		10739308		HOOK SHAFT SCREW GEAR	SELECTIVE PARTS			*		1	
24		10739407		HOOK SHAFT SCREW GEAR	SELECTIVE PARTS			*		1	
25		10770303		HOOK SHAFT BASE RIGHT				*		1	
26		10722353		LOWERSHAFTA ASM.				*		1	
27		10723708		HOOK SHAFT				*		1	
28		10723807		SCREW GEAR	SELECTIVE PARTS			*		1	
29		SM8050502TP		SCREW M5 L=5				*		2	
30		10723906		LUBRICATING SHAFT				*		1	
31		SM4030601SC		SCREW M3X6				*		1	
32		RO098240100		RUBBER RING				*		1	
33		SQ1150451MZ		CONNECTING SCREW				*		1	
34		10724201		BEARING HOLDER				*		1	
35		SS1110840SP		SCREW 11/64-40 L=8				*		3	
36		10775302		HOOK SHAFT LOWE- R PLATE RIGHT				*		1	
37		SM6041002TP		SCREW M4 L=10				*		9	
38		SQ1150501SD		CONNECTING SCREW				*		1	
39		10724805		OIL SEAL				*		2	
40	R	10725000	40033293	OPENER				*		1	1.00
41		SS6080610TP		SCREW 1/8-44 L=6				*		2	
42		10725158		OPENER ARM COMPL.				*		1	
43		10770501		OPNER ARM SHAFT B				*		1	
44		10725604		OPENER SHAFT				*		1	
45		40063991		OPENER_SHAFT_SCREW_GEAR				*		1	
46		SM8050502TP		SCREW M5 L=5				*		2	

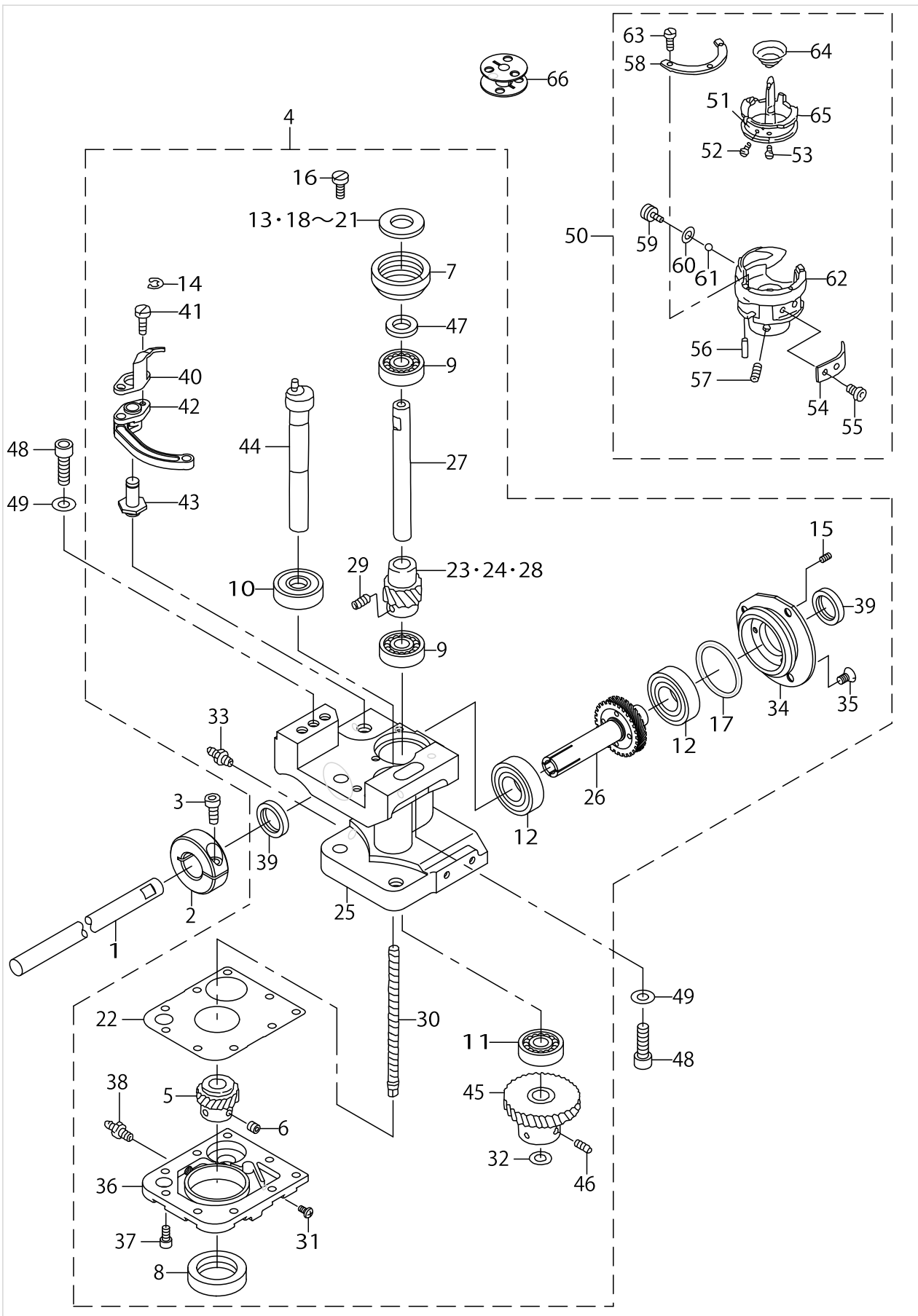
RIGHT HOOK SHAFT BASE & HOOK COMPONENTS



RIGHT HOOK SHAFT BASE & HOOK COMPONENTS

No.	Supply Code	Parts No.	Replacement	Parts name	Remarks	Choice	Step	Level	Cons	Qty	Rep. QTY
47		10724706		BEARING SPACER				*		1	
48		40063992		HOOK_SHAFT_SCREW_GEAR				*		1	
49		40052244		HOOK SHAFT BASE ECCENTRIC PIN						1	
50		WP0651056SH		WASHER 6.5X11X1						1	
51		SM6062002TP		SCREW M6 L=20						2	
52		WP0621016SH		WASHER						1	
53		10761252		HOOK ASM.						1	
54		10722908		TENSION SPRING				*		1	
55		10723302		ADJUSTING SCREW				*		1	
56		10723401		TENSION SPRING SETSCREW				*		1	
57		10723013		NEEDLE HOLDER				*		1	
58		10723203		NEEDLE HOLDER SETSCREW				*		2	
59		10728509		FILTER				*		1	
60		SM8050602TP		SCREW M5 L=6				*		2	
61		10722809		INNER HOOK PRESSER				*		1	
62		10722601		ADJUSTING SCREW				*		1	
63		10728707		RUBBER RING				*		1	
64		10728400		URETHAN BALL				*		1	
65	R	10752418	10752467	OUTER HOOK				*		1	1.00
66		10723104		PRESSER SETSCREW				*		3	
67		10723500		IDLING PREVENTION SPRING				*		1	
68		10761203		INNER HOOK				*		1	
69		10759603		ALUMINUM BOBBIN (DOUBLE-CUT)						1	

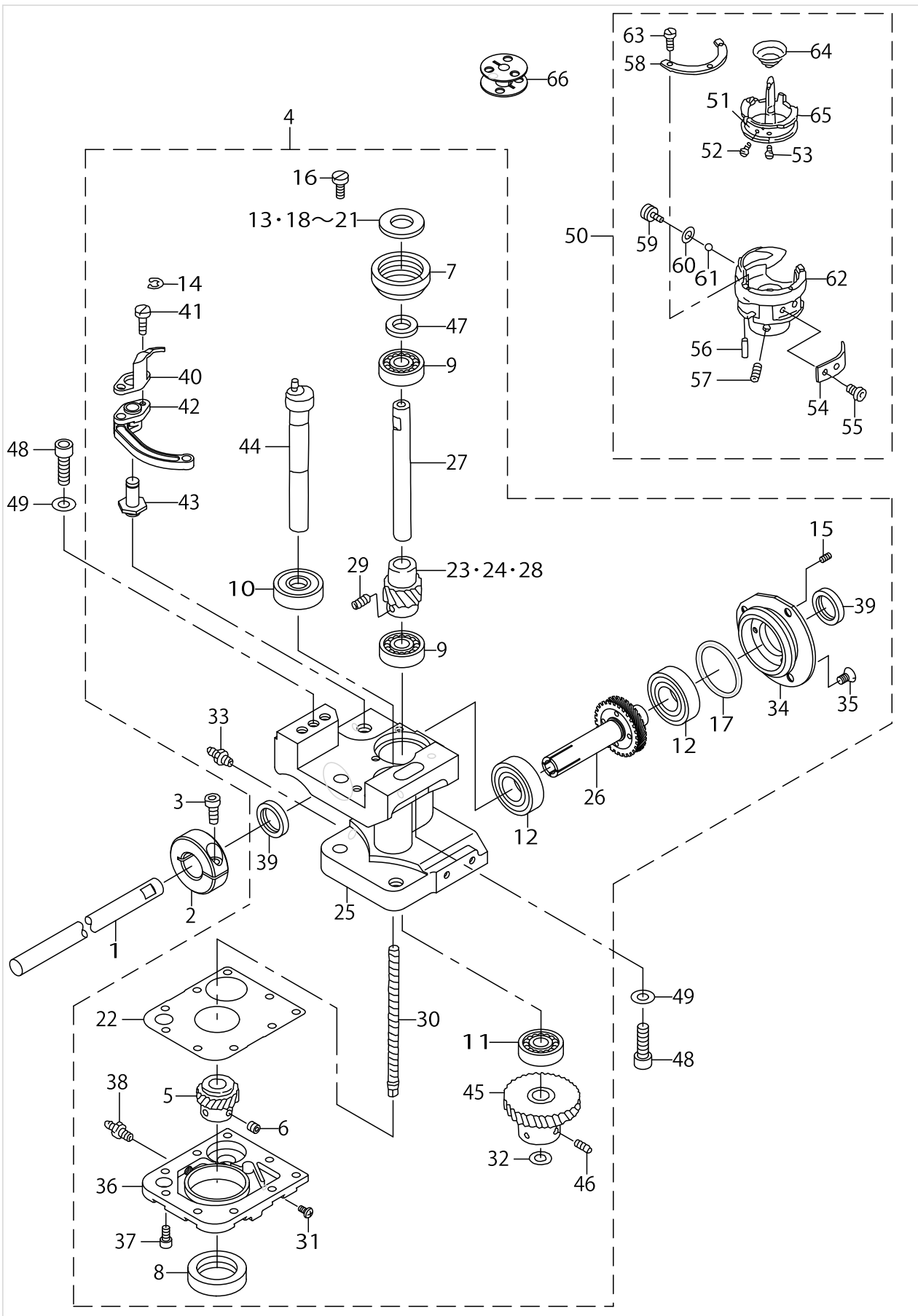
LEFT HOOK SHAFT BASE COMPONENTS(FOR LU-2266N-7)



LEFT HOOK SHAFT BASE COMPONENTS(FOR LU-2266N-7)

No.	Supply Code	Parts No.	Replacement	Parts name	Remarks	Choice	Step	Level	Cons	Qty	Rep. QTY
1		10772705		LOWER SHAFT C						1	
2		40052253		SET COLLAR						1	
3		SM6051402TP		SCREW M5X0.8 L=14						1	
4		10771756		HOOK SHAFT BASE LEFT ASM.						1	
5		40063992		HOOK_SHAFT_SCREW_GEAR				*		1	
6		SM8050502TP		SCREW M5 L=5				*		2	
7		10755601		BEARING COLLAR				*		1	
8		10726107		OIL SEAL				*		1	
9	R	B1215804000	13108808	BALL BEARING D				*		2	1.00
10		SB110000900		BEARING				*		1	
11		SB110001000		BEARING				*		1	
12		SB115000400		RADIAL BEARING				*		2	
13		10111201		THRUST WASHER F	SELECTIVE PARTS			*		1	
14		RE0400000K0		E-RING 4				*		1	
15		SS8080610SP		SCREW 1/8-44 L=5.5				*		3	
16		SS6111140SP		SCREW11/64-40L=11				*		3	
17		RO357350100		O-RING				*		1	
18		10112605		THRUST WASHER 1.7	SELECTIVE PARTS			*		1	
19		10112704		THRUST WASHER 1.8	SELECTIVE PARTS			*		1	
20		10109809		THRUST WASHER B	SELECTIVE PARTS			*		1	
21		10112506		THRUST WASHER 1.6	SELECTIVE PARTS			*		1	
22		10770402		HOOK SHAFT BOTTOM PACKING				*		1	
23		10739308		HOOK SHAFT SCREW GEAR	SELECTIVE PARTS			*		1	
24		10739407		HOOK SHAFT SCREW GEAR	SELECTIVE PARTS			*		1	
25	D	10771707		HOOK SHAFT BASE LEFT				*		1	
26		10722353		LOWERSHAFTAASM.				*		1	
27		10723708		HOOK SHAFT				*		1	
28		10723807		SCREW GEAR				*		1	
29		SM8050502TP		SCREW M5 L=5				*		2	
30		10723906		LUBRICATING SHAFT				*		1	
31		SM4030601SC		SCREW M3X6				*		1	
32		RO098240100		RUBBER RING				*		1	
33		SQ1150451MZ		CONNECTINGSCREW				*		1	
34		10724201		BEARING HOLDER				*		1	
35		SS1110840SP		SCREW 11/64-40 L=8				*		3	
36		10772408		HOOK SHAFT LOWER PLATE LEFT				*		1	
37		SM6040802TP		SCREW M4X0.7 L=8				*		9	
38		SQ1150501SD		CONNECTINGSCREW				*		1	
39		10724805		OIL SEAL				*		2	
40	R	10725000	40033293	OPENER				*		1	1.00
41		SS6080610TP		SCREW 1/8-44 L=6				*		2	
42		10725158		OPENNER ARM COMPL.				*		1	
43		10770501		OPNER ARM SHAFT B				*		1	
44		10725604		OPENER SHAFT				*		1	
45		40063991		OPENER_SHAFT_SCREW_GEAR				*		1	
46		SM8050502TP		SCREW M5 L=5				*		2	

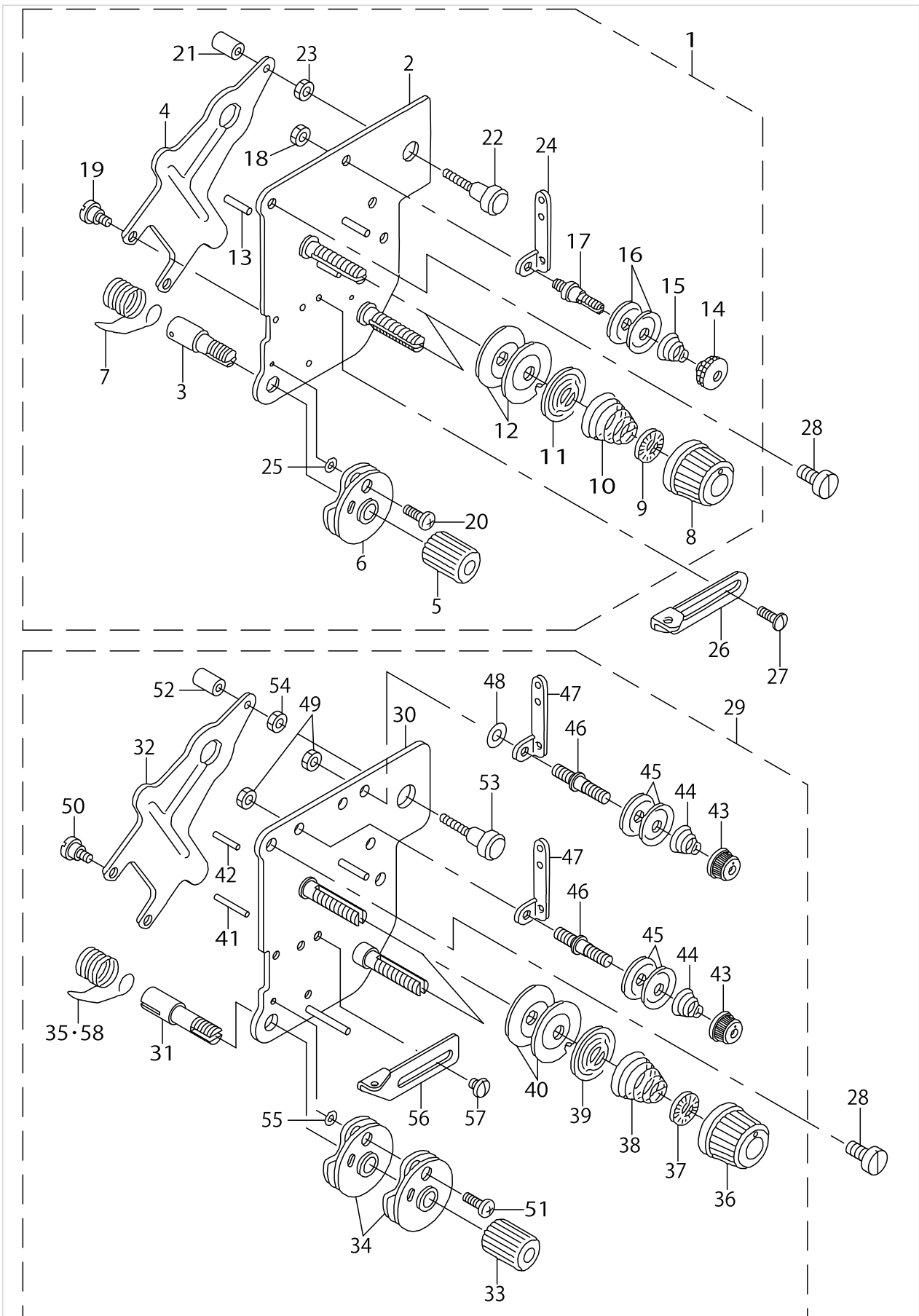
LEFT HOOK SHAFT BASE COMPONENTS(FOR LU-2266N-7)



LEFT HOOK SHAFT BASE COMPONENTS(FOR LU-2266N-7)

No.	Supply Code	Parts No.	Replacement	Parts name	Remarks	Choice	Step	Level	Cons	Qty	Rep. QTY
47		10724706		BEARING SPACER				*		1	
48		SM6062002TP		SCREW M6 L=20						2	
49		WP0621016SH		WASHER						2	
50		10761252		HOOK ASM.						2	
51		10722908		TENSION SPRING				*		1	
52		10723302		ADJUSTING SCREW				*		1	
53		10723401		TENSION SPRING SETSCREW				*		1	
54		10723013		NEEDLE HOLDER				*		1	
55		10723203		NEEDLE HOLDER SETSCREW				*		2	
56		10728509		FILTER				*		1	
57		SM8050602TP		SCREW M5 L=6				*		2	
58		10722809		INNER HOOK PRESSER				*		1	
59		10722601		ADJUSTING SCREW				*		1	
60		10728707		RUBBER RING				*		1	
61		10728400		URETHAN BALL				*		1	
62	R	10752418	10752467	OUTER HOOK				*		1	1.00
63		10723104		PRESSER SETSCREW				*		3	
64		10723500		IDLING PREVENTION SPRING				*		1	
65		10761203		INNER HOOK				*		1	
66		10759603		ALUMINUM BOBBIN (DOUBLE-CUT)						1	

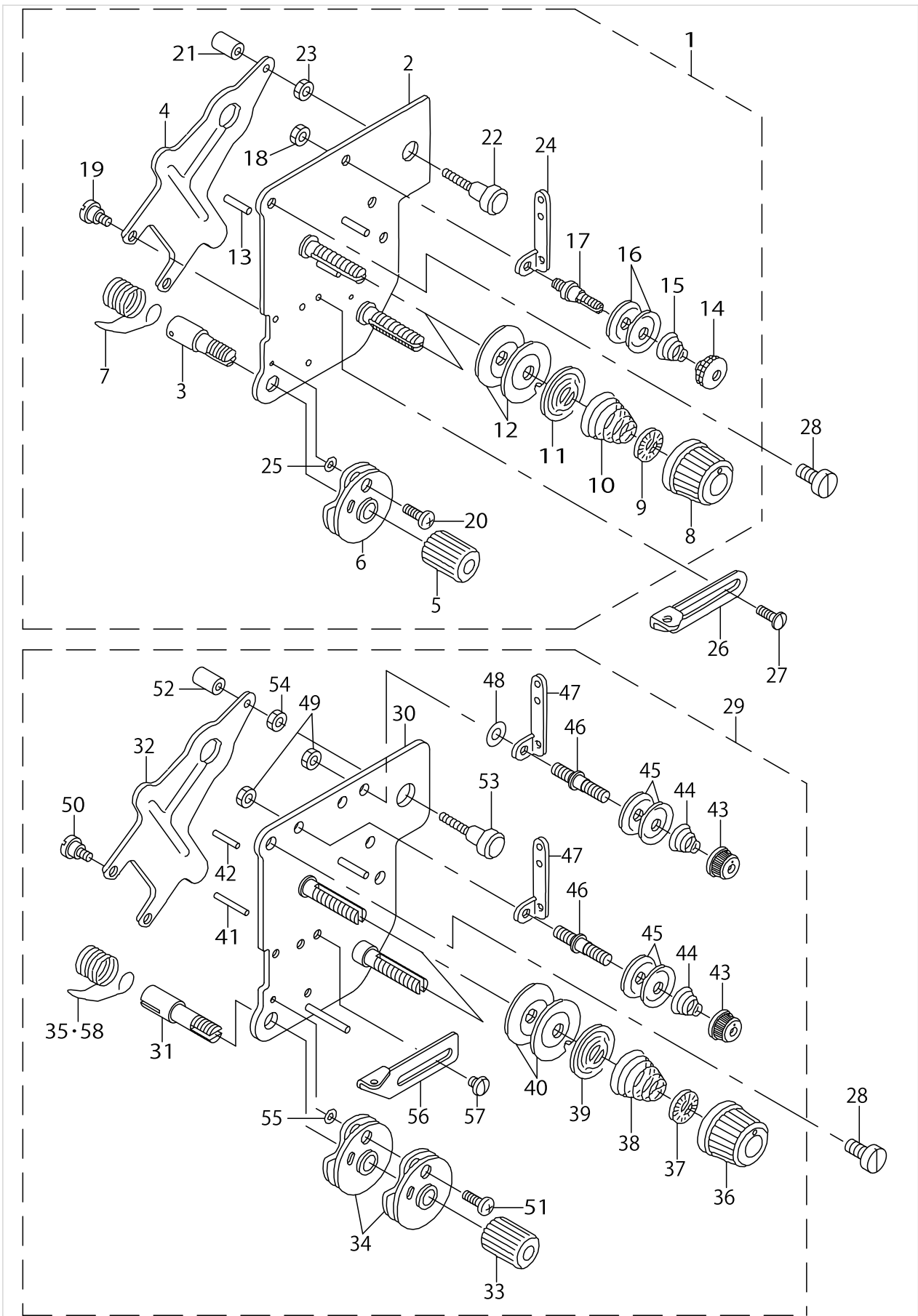
THREAD TENSION COMPONENTS



THREAD TENSION COMPONENTS

No.	Supply Code	Parts No.	Replacement	Parts name	Remarks	Choice	Step	Level	Cons	Qty	Rep. QTY
1		10702561		THREAD TENSION ASM.	FOR LU-2216N-7					1	
2		10702553		THREAD TENSION JUNCTION				*		1	
3		10320109		SCREW STUD				*		1	
4		10702603		THREAD LOOSENING PLATE				*		1	
5		10320208		THRED TENSION STUD NUT				*		1	
6		10741452		THREAD TAKE-UP GUIDE ASM.				*		1	
7		10702405		THREAD TAKE-UP SPRING				*		1	
8	R	10744704	11957008	THREAD TENSION NUT				*		2	1.00
9		10744803		ROTATIONANDSTOP				*		2	
10		B3129012A00		TENSION SPRING				*		2	
11		10744902		THREAD TENSION PLATE SUPPERSI				*		2	
12		40113091		THREAD TENSION DISK				*		4	
13		10741601		THREAD LOOSEN PIN				*		2	
14		B3216047000		BOBBIN WINDER TENSION NUT				*		1	
15		D3168555H0B		TENSION SPRING NO.1				*		1	
16		10741106		FIRST THREAD TENSION PLATE				*		2	
17		10703304		FIRST THREAD TENSION BAR				*		1	
18		NS6110310SP		NUT 11/64-40				*		1	
19		SD0470281SP		HINGE SCREW D=4.7 H=2.8				*		2	
20		10741502		STOP SCREW				*		1	
21		10702702		THREAD LOOSENING PIN				*		1	
22		10702801		THREAD LOOSENING SCREW				*		1	
23		NM6040003SC		NUT M4				*		1	
24		10703205		FIRST THREAD TENSION GUIDE				*		1	
25		WP0320501SC		WASHER M3				*		1	
26		10703106		BALANCE THREAD GUIDE	FOR LU-2216N-7					1	
27		SS5090420SP		SCREW 9/64-40 L=3.5	FOR LU-2216N-7					2	
28		SS6121010SP		SCREW 3/16-28 L=10						2	
29		10773364		THREAD TENSION ASM.	FOR LU-2266N-7					1	
30		10773356		THREAD TENSION JUNCTION				*		1	
31		10773505		SCREW STUD				*		1	
32		10702603		THREAD LOOSENING PLATE				*		1	
33		10320208		THRED TENSION STUD NUT				*		1	
34		10741452		THREAD TAKE-UP GUIDE ASM.				*		2	
35		B3128526000		THREAD TAKE-UP SPRING				*		1	
36	R	10744704	11957008	THREAD TENSION NUT				*		2	1.00
37		10744803		ROTATIONANDSTOP				*		2	
38		B3129053000		TENSION SPRING				*		2	
39		B3132552000		THREAD TENSION DISK PRESSER				*		2	
40	R	B3126012000	22921506	THREAD TENSION DISK				*		4	1.00
41		10773703		THREAD LOOSEN PIN RIGHT				*		1	
42		10773802		THREAD LOOSEN PIN LEFT				*		1	
43		11072402		THREAD TENSION NUT				*		2	
44		11045101		THREAD TENSION SPRING				*		2	
45		10741106		FIRST THREAD TENSION PLATE				*		4	
46		10773406		FIRST THREAD TENSION BAR				*		2	

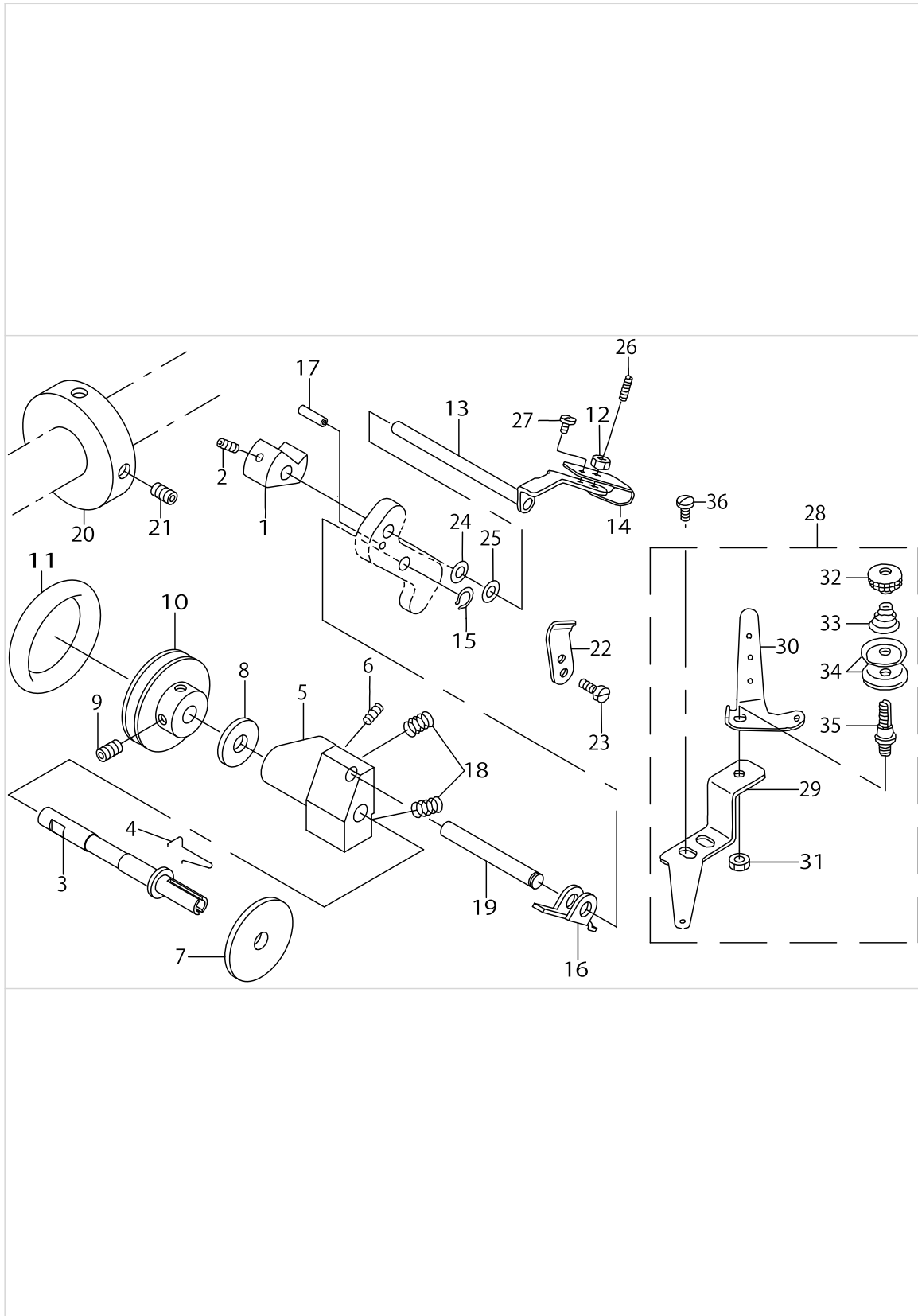
THREAD TENSION COMPONENTS



THREAD TENSION COMPONENTS

No.	Supply Code	Parts No.	Replacement	Parts name	Remarks	Choice	Step	Level	Cons	Qty	Rep. QTY
47		10703205		FIRST THREAD TENSION GUIDE				*		2	
48		WP0482086SD		WASHER 4.8X11.5X2				*		1	
49		NS6110310SP		NUT 11/64-40				*		2	
50		SD0470281SP		HINGE SCREW D=4.7 H=2.8				*		2	
51		SS3061310SP		SCREW 3/32-56 L=13				*		1	
52		10702702		THREAD LOOSENING PIN				*		1	
53		10702801		THREAD LOOSENING SCREW				*		1	
54		NM6040003SC		NUT M4				*		1	
55		WP0320501SC		WASHER M3				*		1	
56		10773109		BALANCE THREAD GUIDE				*		1	
57		SS5090420SP		SCREW 9/64-40 L=3.5				*		2	
58		10775401		THREAD TAKE-UP SPRING A	OPTIONAL PARTS			*		1	

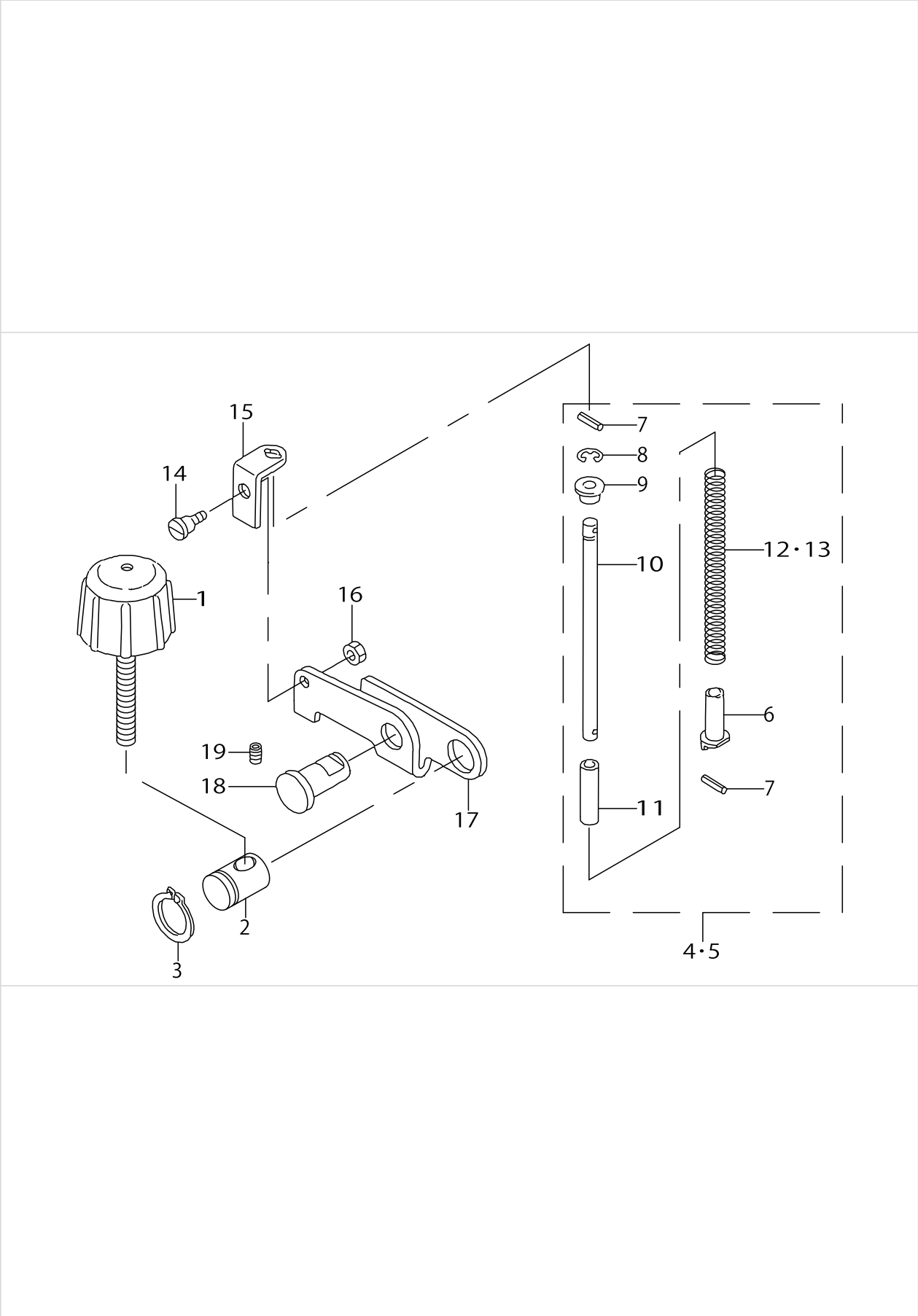
LOWER THREAD WINDER MECHANISM COMPONENTS



LOWER THREAD WINDER MECHANISM COMPONENTS

No.	Supply Code	Parts No.	Replacement	Parts name	Remarks	Choice	Step	Level	Cons	Qty	Rep. QTY
1		10703502		BOBBIN CUM						1	
2		SM8040602TP		SCREW M4X0.7 L=6						1	
3		10703601		BOBBIN SHAFT						1	
4		10703700		BOBBIN SPRING						1	
5		10703908		BOBBIN SHAFT BASE						1	
6		SM8040602TP		SCREW M4X0.7 L=6						1	
7		B3205210000		CUSHION						1	
8		WP0651056SH		WASHER 6.5X11X1						1	
9		SS7110810SP		SCREW 11/64-40 L=8.0						2	
10		B3211210000		BOBBIN WINDER WHEEL						1	
11		B3212210000		FRICITION WHEEL						1	
12		NS6110360SP		NUT						1	
13		10703452		BOBBIN PRESSER ASM.						1	
14		10703809		BOBBIN PRESSER SPRING						1	
15		D2430555B00		SNAP RING						1	
16		B3207210000		TRIP LATCH						1	
17		PS0200102KH		SPRING PIN 2.0X10						1	
18		B3208210000		SPRING A						2	
19		10704005		BOBBIN SHAFT BASE SHAFT						1	
20		10704807		BOBBIN FRICTION WHEEL						1	
21		SM8050602TP		SCREW M5 L=6						2	
22		10502300		THREAD CUTTER						1	
23	R	SS6090620SP	SS6090620TP	SCREW 9/64-40 L=6						2	1.00
24		WP0531001SC		WASHER						1	
25		WP0520656SA		WASHER 5.2X9.5X0.6						1	
26		SS8111610SP		SCREW 11/64-40 L=15.5						1	
27		SS7110340SP		SCREW 11/64-40 L=3.2						1	
28		10704153		BOBBIN THREAD G- UIDE PLATE ASM.						1	
29		10704104		BOBBIN THREAD GUIDE PLATE				*		1	
30		10088003		THREAD GUIDE				*		1	
31		NS6110310SP		NUT 11/64-40				*		1	
32		B3216047000		BOBBIN WINDER TENSION NUT				*		1	
33		D3168555H0B		TENSION SPRING NO.1				*		1	
34		40113092		THREAD TENSION DISK				*		2	
35		10124204		THREAD TENSION POST A				*		1	
36		SS7621040SP		SCREW 3/16-32 L=9.5						2	

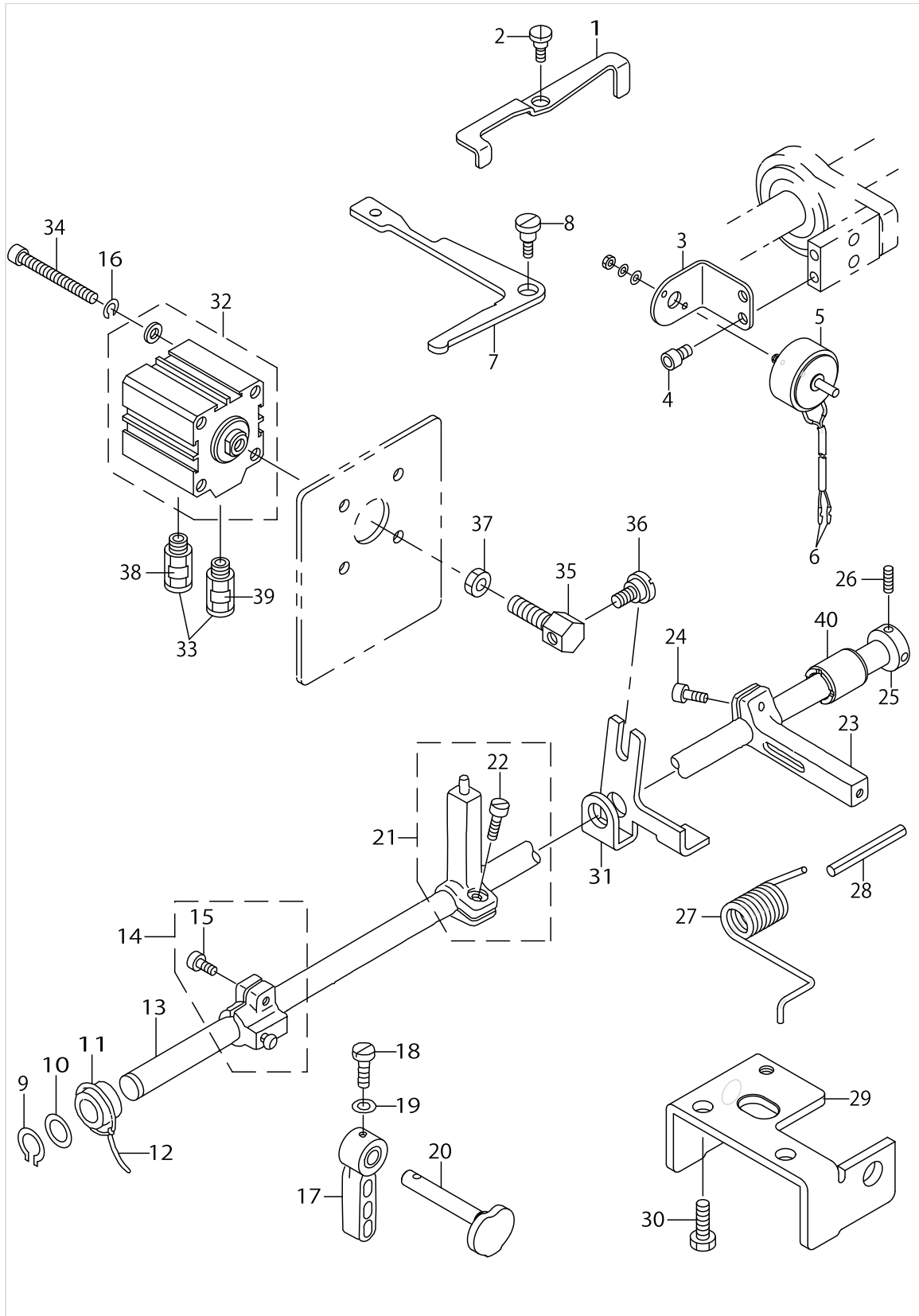
PRESSURE ADJUSTING COMPONENTS



PRESSURE ADJUSTING COMPONENTS

No.	Supply Code	Parts No.	Replacement	Parts name	Remarks	Choice	Step	Level	Cons	Qty	Rep. QTY
1		10743300		ADJUSTMENT DIAL						1	
2		10716009		ADJUSTING HINGE PIN						1	
3		RC1200001KP		C-SHAPED SNAP RING						1	
4		40064240		ADJUSTMENT_SPRING_ASM.						1	
5		10718351		ADJUSTMENT SPRING ASM.	OPTIONAL PARTS					1	
6		10715605		SPRING RECEIVING LOWER				*		1	
7		PS0300082KH		SPRING PIN 3X8				*		2	
8		RE0500000K0		E-RING				*		1	
9		10715506		SPRING RECEIVING UPPER				*		1	
10		40052260		ADJUSTING SPRING SHAFT				*		1	
11		BP600000000		VINYL PIPE				*		0.1	
12		10715902		ADJUSTMENT SPRING 1.8				*		1	
13		10718302		ADJUSTMENT SPRING 1.4	OPTIONAL PARTS			*		1	
14		SD0700332SP		HINGE SCREW D=7 H=3.5						1	
15		10716603		ADJUSTING SPRING SUPPORT						1	
16		NS6150430SP		NUT 15/64-28						1	
17		10716108		ADJUSTING ARM						1	
18		10716207		ADJUSTING ARM SHAFT						1	
19		SS8120740SP		SCREW 3/16-28 L=7						1	

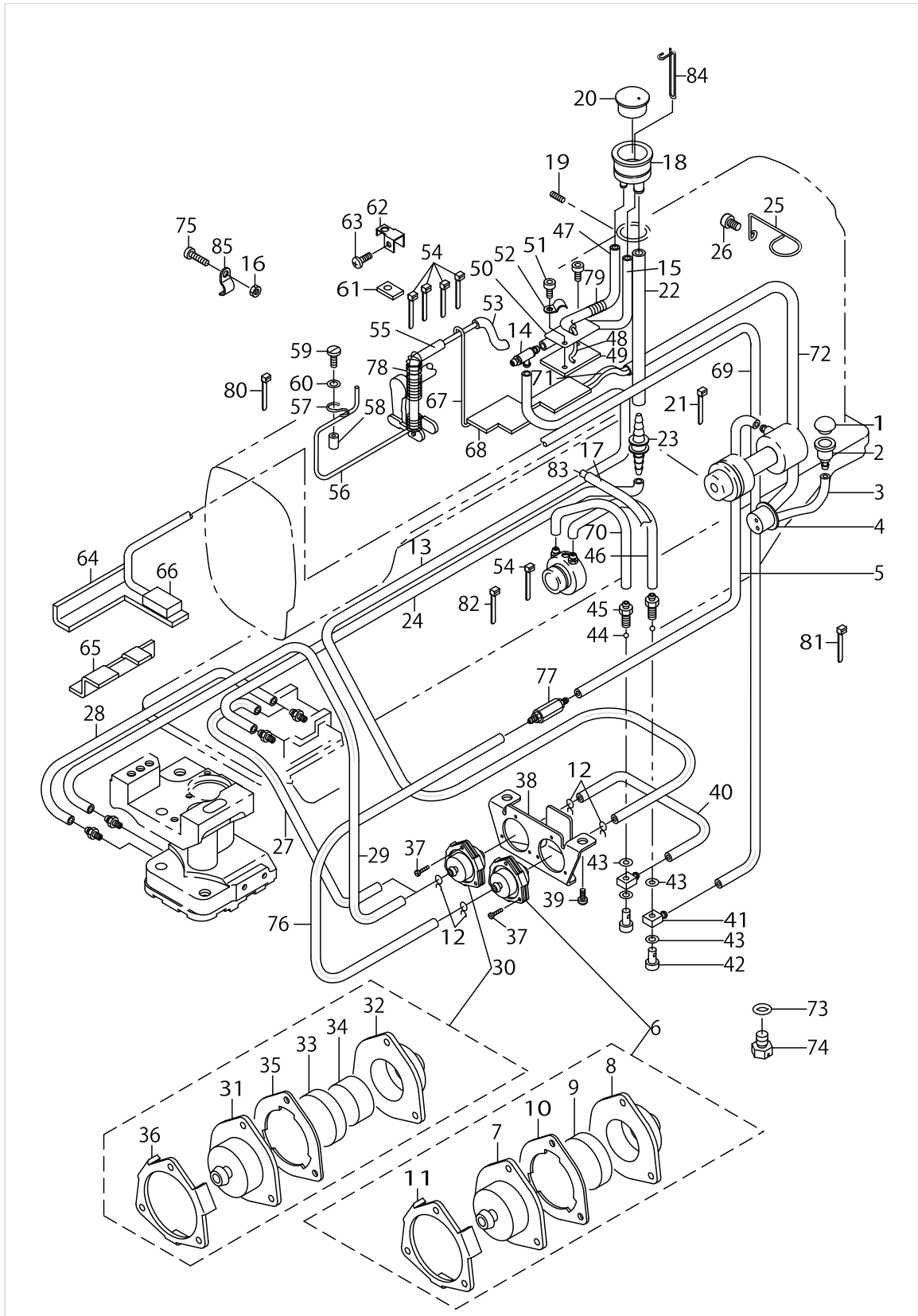
PRESSER LIFTER,AUTOMATIC PRESSER LIFTER & TENSION RELEASE MECHANISM COMPONENTS



PRESSER LIFTER,AUTOMATIC PRESSER LIFTER & TENSION RELEASE MECHANISM COMPONENTS

No.	Supply Code	Parts No.	Replacement	Parts name	Remarks	Choice	Step	Level	Cons	Qty	Rep. QTY
1		10729010		THREAD LOOSENING ARM						1	
2		SD0790203SP		HINGE SCREW D=7.94 H=2						1	
3		23157506		SOLENOID FITTING PLATE						1	
4		SM6050802TP		SCREW M5X0.7 L=8						2	
5		23157605		THREAD LOOSENING SOLENOID						1	
6		HK03464000B		PIN CONTACT						2	
7		10728806		THREAD LOOSENING LEVER						1	
8		SD0901201TP		HINGE SCREW D=9 H=3.2						1	
9		RC1200001KP		C-SHAPED SNAP RING						1	
10		WP1221016SP		WASHER						1	
11		40052264		KNEE LIFT SHAFT FRONT METAL						1	
12		CQ200000000		OIL WICK						.2	
13		23156904		KNEE LIFT SHAFT						1	
14		10729754		PRESSER LIFT ARM ASM.						1	
15		SM6051402TP		SCREW M5X0.8 L=14				*		1	
16		WS0510002KN		SPRING WASHER						4	
17		22907802		HAND LIFTER						1	
18		SS7090910TP		SCREW 9/64-40 L=8.5						1	
19		WP0371016SD		WASHER 3.7X8X1						1	
20		10729606		PRESSER LIFT CAM						1	
21		10729952		THREAD LOOSENING ARM ASM.						1	
22		SM6061210SC		SCREW M6 L=12				*		1	
23		10730109		KNEE LIFT ARM A						1	
24		SM6061202TP		SCREW M6 L=12						1	
25		CS1201011SH		THRUST COLLAR D=12 W=10						1	
26		SS8660610TP		SCREW 1/4-40 L=6						2	
27		10755502		KNEE LIFTER SPRING						1	
28		PS0500452KP		SPRING PIN						1	
29		10730703		KNEE SIDE SHAFT HOLDER						1	
30		SM9081050SE		SCREW						2	
31		10736908		PRESSER LIFT LEVER						1	
32		PA400200200		AIR CYLINDER						1	
33		PJ301065104		HALF UNION						2	
34		SM6054502TP		SCREW M5X0.8 L=45						4	
35		40052259		CYLINDER CONNECTION SCREW						1	
36		SD0720331SP		HINGE SCREW D=7.24 H=3.3						1	
37		NM6080001SE		NUT M8						1	
38		HX00295000B		WIRE MARK(3)						1	
39		HX00295000A		WIRE MARK(2)						1	
40		13110101		BUSHING REAR						1	

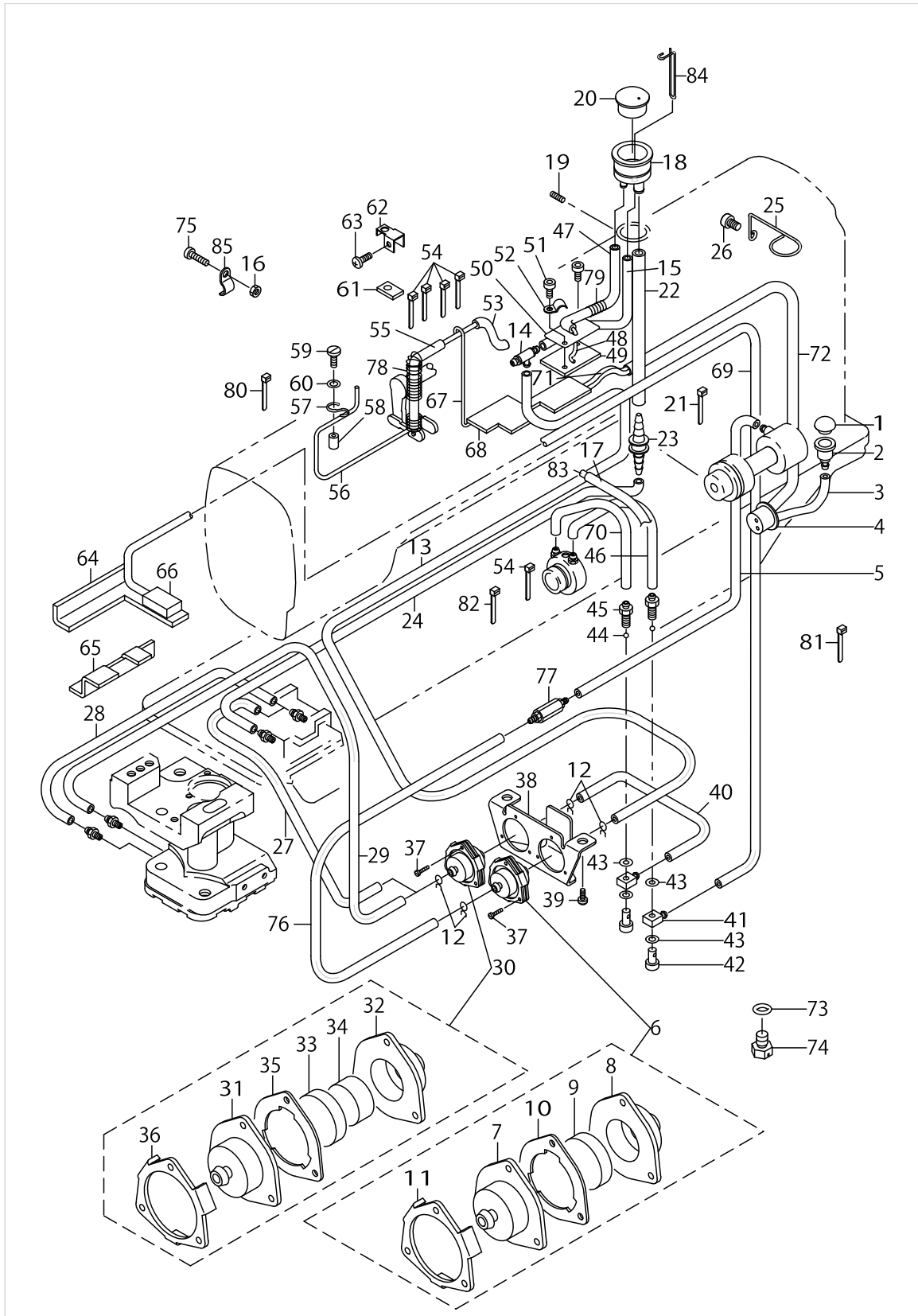
LUBRICATION COMPONENTS



LUBRICATION COMPONENTS

No.	Supply Code	Parts No.	Replacement	Parts name	Remarks	Choice	Step	Level	Cons	Qty	Rep. QTY
1		TA1450404R0		RUBBER PLUG D=14.5 L=4						1	
2		10731404		LUBRICATING HOLE						1	
3		BT0600402EA		OIL TUBE						.13	
4		10733004		BED TANK LUBRICATING COVER						1	
5		BT0500300E0		OIL TUBE						.16	
6		10727154		FILTER A ASM.						1	
7		10727105		FILTER CASE				*		1	
8		10727204		FILTER CAP				*		1	
9		B8228125000		OIL RESERVOIR MAGNET				*		1	
10		10739209		FILTER PACKING				*		1	
11		10753002		FILTER PLATE				*		1	
12		10126803		OIL TUBE HOLDER						4	
13		BT0500300E0		OIL TUBE						.6	
14		B3521245000		RUBBER JOINT						1	
15		BT0500300E0		OIL TUBE						.2	
16		NS6110350SP		NUT 11/64-40						1	
17		BT0800602E0		URETHANE TUBE 6-X8 TRANSPARENT						.14	
18		10771509		OIL WINDOW						1	
19		SS8150750SP		SCREW 15/64-28 L=7						1	
20		10760304		OIL SIGHT WINDOW						1	
21		EA9500B0000		CLIP CV-70S						3	
22		BT0800602E0		URETHANE TUBE 6-X8 TRANSPARENT						.17	
23		10771301		PIPE CONNECTOR B						1	
24		BT0600402EA		OIL TUBE						.83	
25		23151509		CORD GUIDE						2	
26		SS6121010SP		SCREW 3/16-28 L=10						1	
27		BT0500300E0		OIL TUBE						.55	
28		BT0600402EA		OIL TUBE	FOR LU-2266N-7					.18	
29		BT0500300E0		OIL TUBE	FOR LU-2266N-7					.64	
30		10727162		FILTER B ASM.						1	
31		10727105		FILTER CASE				*		1	
32		10727204		FILTER CAP				*		1	
33		B8228125000		OIL RESERVOIR MAGNET				*		1	
34		10727303		FILTER				*		1	
35		10739209		FILTER PACKING				*		1	
36		10753002		FILTER PLATE				*		1	
37		SM6021000TP		SCREW						6	
38		10755403		FILTER FIXING PLATE						1	
39		SM6061210SC		SCREW M6 L=12						2	
40		BT0500300E0		OIL TUBE						.1	
41		40082707		CONNECTING SCREW						2	
42		B3525357000		CONNECTING SCREW (B)						2	
43		B3534012000		GASKET						4	
44		21054903		BALL						2	
45		10702108		CONNECTING SCREW						2	

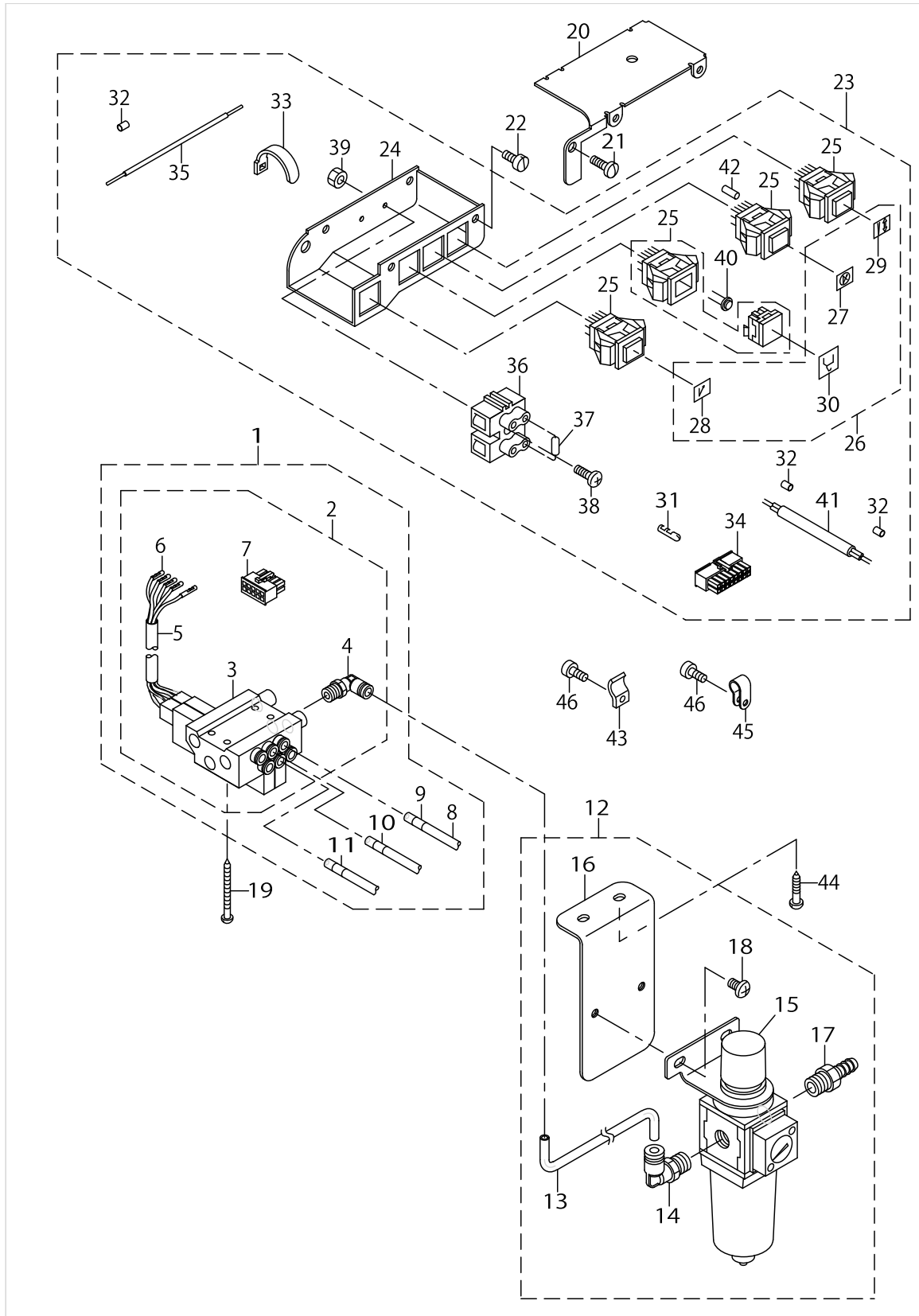
LUBRICATION COMPONENTS



LUBRICATION COMPONENTS

No.	Supply Code	Parts No.	Replacement	Parts name	Remarks	Choice	Step	Level	Cons	Qty	Rep. QTY
46		BT0500300E0		OIL TUBE						.13	
47		BT0600402EA		OIL TUBE						.73	
48		CQ252000000		OIL WICK						.93	
49		10732402		VERTICAL LUBRICATING FELT						1	
50		10732600		LUBRICATING FELT PRESSER B						1	
51		SM6050802TP		SCREW M5X0.8 L=8						2	
52		D2611555B00A		CABLE HOLDER						1	
53		BT0600402EA		OIL TUBE						.45	
54		EA9500B0100		CABLE BAND						11	
55		BT0400251EA		TUBE HOSE BLUE						.16	
56		CQ202000000		OIL WICK						.8	
57		B1648122000		SUSPENSION HOOK (B)						1	
58		10734606		FELT PRESSER SPACER						1	
59		SS6081210SP		SCREW 1/8-44 L=12						1	
60		WP0320501SC		WASHER M3						1	
61		10733608		SWING STAND FELT UPPER						1	
62		10733707		SWING STAND FELT SUPPORT UPPER						1	
63		SM4040601SC		SCREW M4X0.7 L=6						1	
64		10734119		RETURN CURRENT FELT						1	
65		10702207		FELT						1	
66		10527901		FELT						1	
67		CQ252000000		OIL WICK						.25	
68		10734309		FELT						1	
69		BT0500300E0		OIL TUBE						1.06	
70		BT0500300E0		OIL TUBE						.13	
71		21124201		FELT						1	
72		BT0800602E0		URETHANE TUBE 6-X8 TRANSPARENT						.78	
73		RO068190100		RUBBER RING						1	
74		40079568		DRAIN_COCK						1	
75		SS6111620SP		SCREW 11/64-40 L=16.0						1	
76		BT0500300E0		OIL TUBE						.16	
77		23159254		CHECK VALVE						1	
78		10746907		SPRING						1	
79	D	10123701		PRESSER SPRING						1	
80		EA9500B0000		CLIP CV-70S						1	
81		EA9500B0200		CABLE BAND 150						2	
82		EA9500B0100		CABLE BAND	FOR LU-2266N-7					1	
83		SQ1680701MZ		CONNECTING SCREW						1	
84	D	10760502		LUBRICATION GUIDE BAR						1	
85		D2611555B00A		CABLE HOLDER						1	

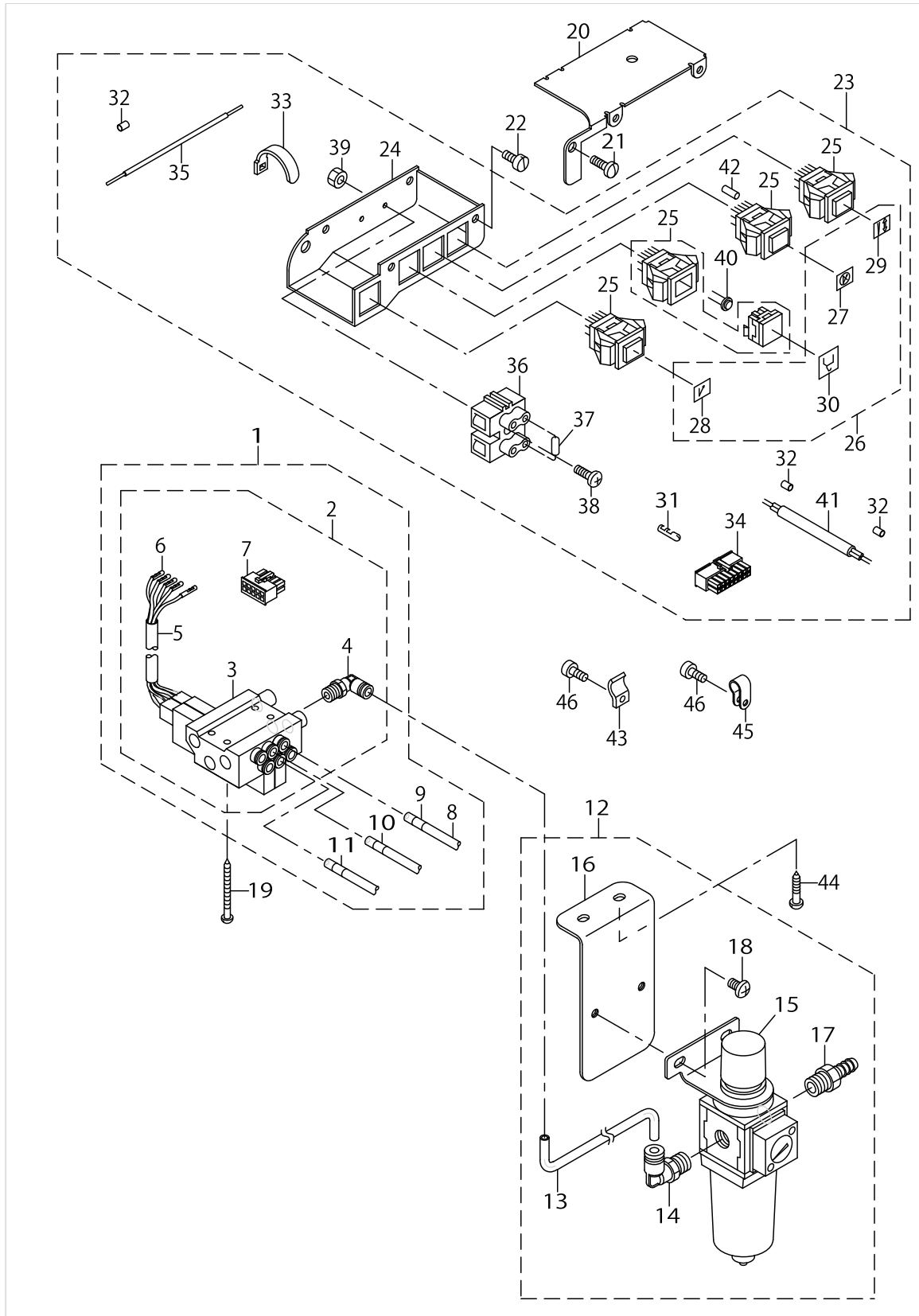
CONTROL DEVICE COMPONENTS



CONTROL DEVICE COMPONENTS

No.	Supply Code	Parts No.	Replacement	Parts name	Remarks	Choice	Step	Level	Cons	Qty	Rep. QTY
1		40024969		AIR APPARATUS (A) ASM.						1	
2		40024858		ELECTROMAGNETIC VALVE (C) ASM.				*		1	
3	R	GAKA2302C00	GAKA2302CA0	ELECTROMAGNETIC VALVE C				*		1	1.00
4		GAK29010000		ELBOW B				*		1	
5		GAKA1503000		INSULATION TUBE				*		1	
6		HK03464000A		TERMINAL FEMALE				*		5	
7		HK034610100		10P CONNECTOR				*		1	
8		BT0600401EB		TUBE				*		3	
9		HX002950000		WIRE MARK(1)				*		3	
10		HX00295000A		WIRE MARK(2)				*		3	
11		HX00295000B		WIRE MARK(3)				*		3	
12		40038722		FILTER REGULATAR ASM.						1	
13		BT0600401EB		TUBE				*		1	
14		GAK29009000		ELBOW				*		1	
15		PF0552170A0		FILTER REGULATOR				*		1	
16		40038723		FILTER REGULATOR MOUNTING PLATE				*		1	
17		40107618		NIPPLE				*		1	
18		SM4061001SB		SCREW M6 L=10				*		2	
19		SK3385001SE		WOOD SCREW D=3.8 L=50						4	
20		10740710		TOUCH BACK SWITCH COVER						1	
21		SS7120710SP		SCREW 3/16-28 L=7						2	
22		SS6110610TP		SCREW 11/64-40 L=6						4	
23		40103915		TOUCH BACK SWITCH ASM.						1	
24		10740611		TOUCH BACK SWITCH BASE				*		1	
25		10748507		TOUCHBACKSWITCH				*		4	
26		40026740		BUTTON SHEET ASM. A				*		1	
27		40026735		BUTTON SHEET C				*		1	
28		40026733		BUTTON SHEET A				*		1	
29		40026736		BUTTON SHEET E				*		1	
30		40026734		BUTTON SHEET B				*		1	
31		HK03464000A		TERMINAL FEMALE				*		7	
32		E8760452K00		TUBE (220/240V)				*		0.02	
33		EA9500B0100		CABLE BAND				*		1	
34		HK034610160		16-POLE RECEPTACLE				*		1	
35	D	HW200250000		WIRE BLACK				*		0.3	
36		10741908		2-P TERMINAL BASE				*		1	
37	D	HR029101520		RESISTOR 1.5K				*		1	
38		SM4861201SC		SCREW M2.6 L=12				*		1	
39		NM6860003SC		NUT M2.6				*		1	
40		10740801		LED CORD				*		1	
41		HW000840080		4-CORE CABTYRE CORD				*		1.7	
42		E8760452D00		TUBE 0.015M				*		0.15	
43		D2611555B00A		CABLE HOLDER						1	
44		SK3482501SE		WOOD SCREW D=4.8 L=25						2	
45		HX00123000A		CABLE CLIP						3	

CONTROL DEVICE COMPONENTS



CONTROL DEVICE COMPONENTS

No.	Supply Code	Parts No.	Replacement	Parts name	Remarks	Choice	Step	Level	Cons	Qty	Rep. QTY
46		SS6121010SP		SCREW 3/16-28 L=10						4	

TABLE & BELT COVER COMPONENTS

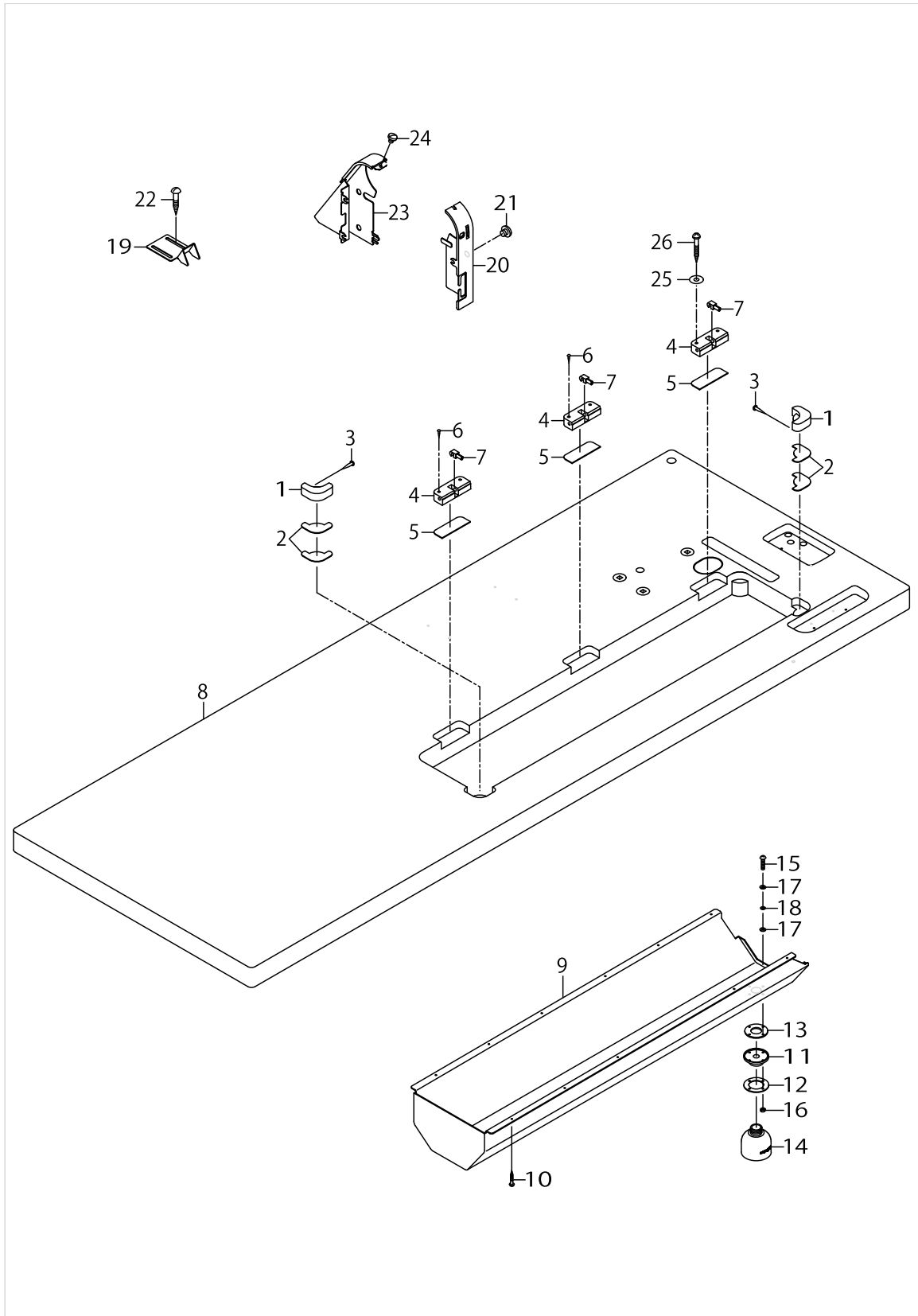
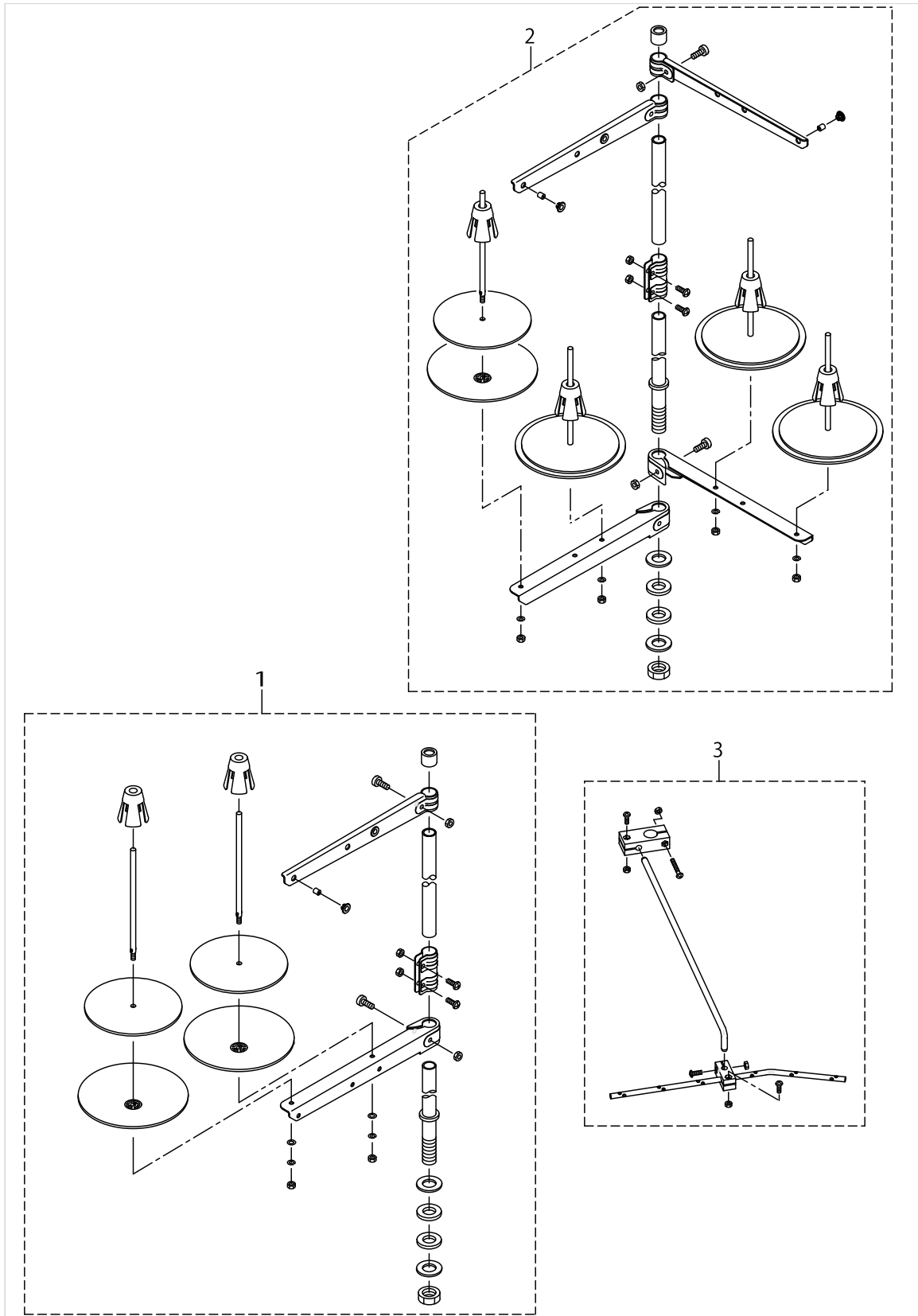


TABLE & BELT COVER COMPONENTS

No.	Supply Code	Parts No.	Replacement	Parts name	Remarks	Choice	Step	Level	Cons	Qty	Rep. QTY
1		10742302		HEAD SUPPORT RUBBER						2	
2		10740900		RUBBER						4	
3		10539906		SET NAIL						4	
4		10734853		HINGE ASM.						3	
5		10742005		SPACER						3	
6		10539906		SET NAIL						4	
7		B8213012000		BED HINGE CONNECTION						3	
8		23158207		TABLE (LONG BED)						1	
9		23151202		OIL HOLDER (LONG)						1	
10		SK3241601SC		WOOD SCREW D=2.4 L=16						11	
11		40025299		OIL POT JOINT						1	
12		21379003		OIL MANAGEMENT WASHER						1	
13		21379003		OIL MANAGEMENT WASHER						1	
14		40025300		OIL POT						1	
15		SM3031401SE		SCREW M3X0.5 L=14						4	
16		NM6030001SC		NUT M3						4	
17		10748101		OIL REMOVING SET- SCREW PACKING						8	
18		WP0320501SC		WASHER M3						4	
19		10755205		BELT COVER C(JE)						1	
20	D	10755155		BELT COVER LEFT(JE)						1	
21		SS5150510SP		SCREW 15/64-28 L=5						3	
22	R	SK3482500SC	SK3482501SE	WOOD SCREW D=4.8 L=25						2	1.00
23		40059695		BELT COVER						1	
24		SS7110510SP		SCREW 11/64-40 L=5						1	
25		WP0501046SC		WASHER 5X13X1						2	
26		SK3483201SE		WOOD SCREW D=4.8 L=32						2	

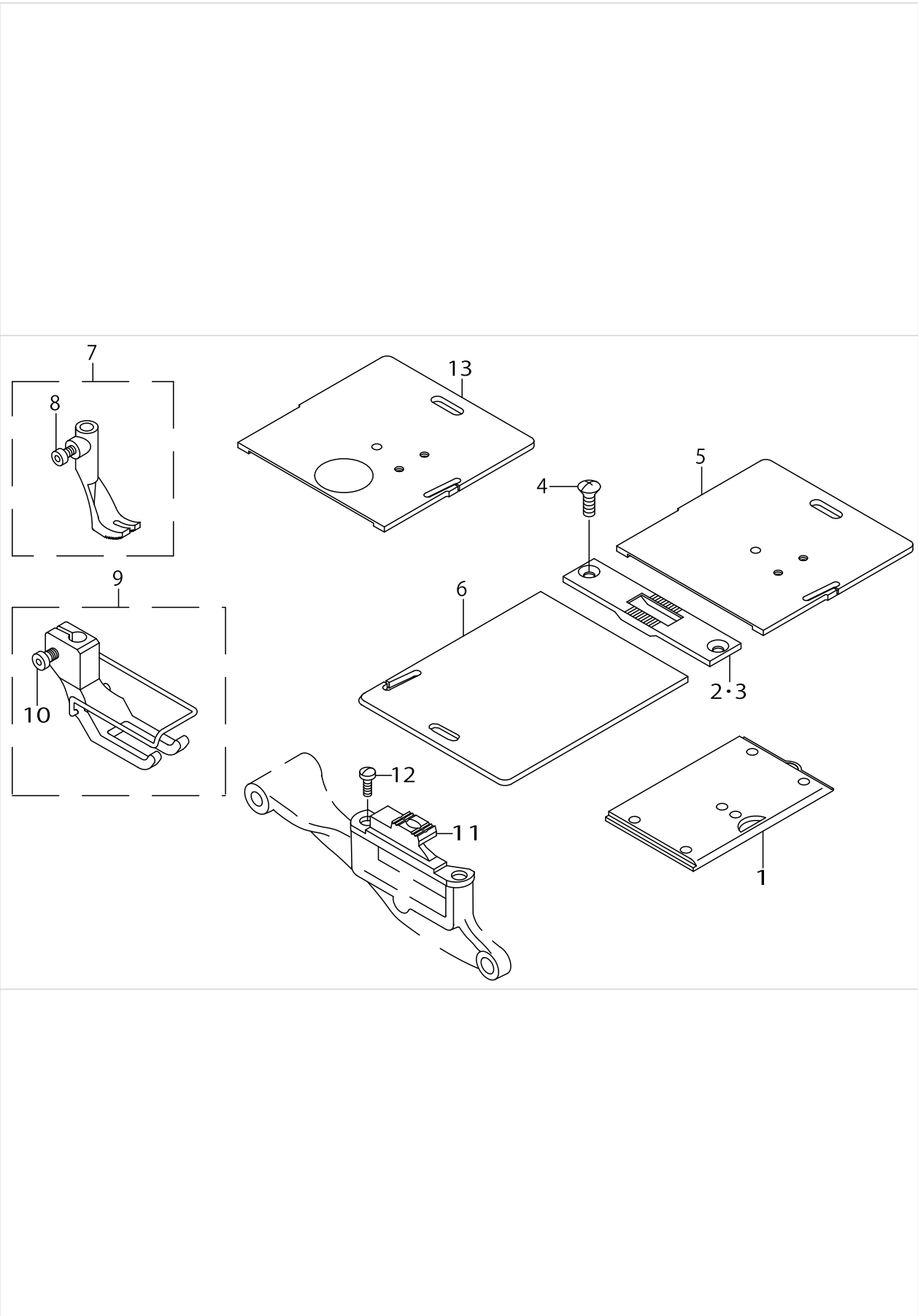
THREAD STAND COMPONENTS



THREAD STAND COMPONENTS

No.	Supply Code	Parts No.	Replacement	Parts name	Remarks	Choice	Step	Level	Cons	Qty	Rep. QTY
1		40096354		THREAD STAND ASM.						1	
2		26910158		THREAD STANDING DEVICE ASM.	FOR LU-2266N-7					1	
3		26910059		THREAD GUIDE ARM ASM.						1	

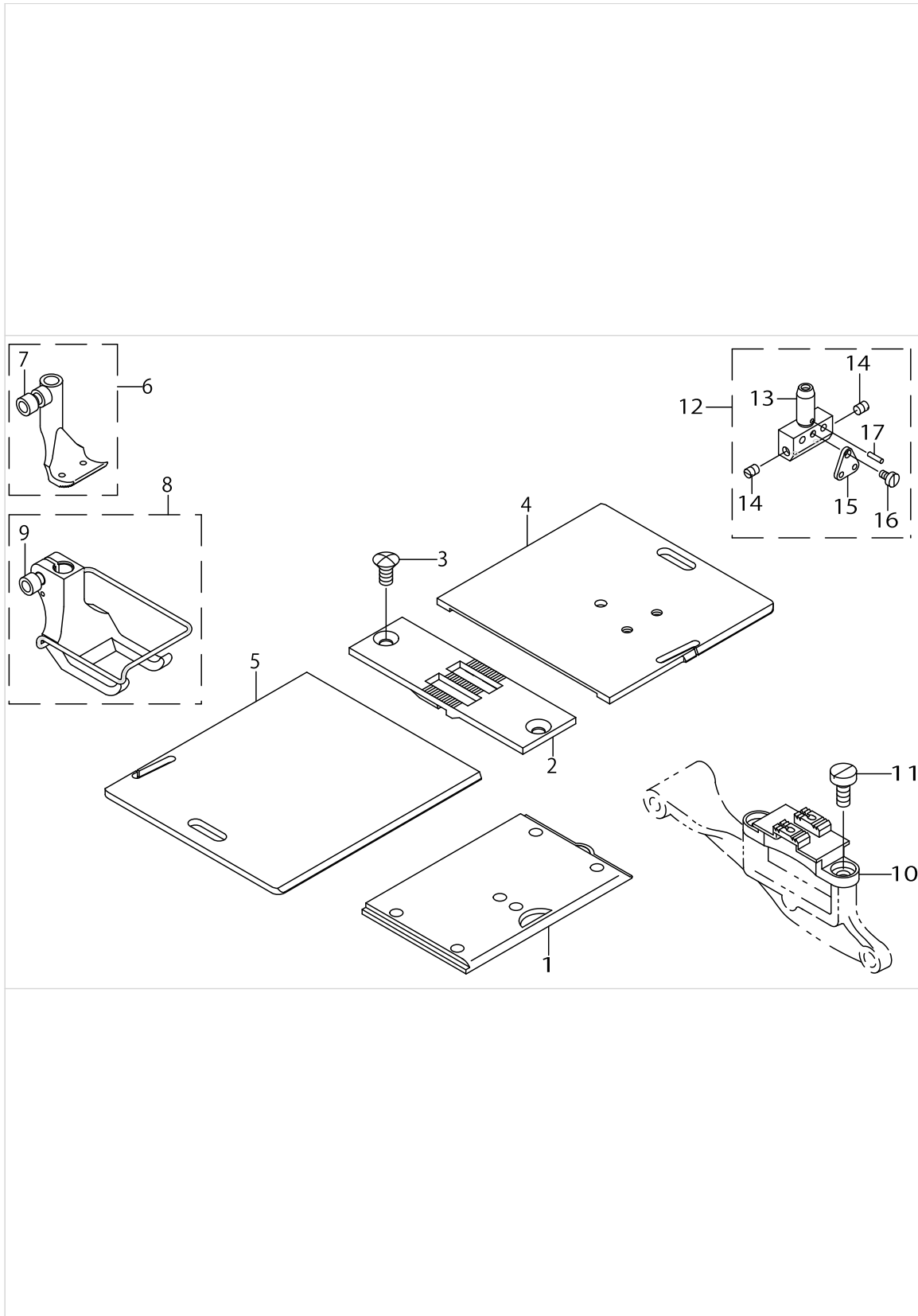
GAUGE COMPONENTS(LU-2216N-7 STANDARD PARTS)



GAUGE COMPONENTS(LU-2216N-7 STANDARD PARTS)

No.	Supply Code	Parts No.	Replacement	Parts name	Remarks	Choice	Step	Level	Cons	Qty	Rep. QTY
1		10701654		SLIDE PLATE ASM.						1	
2		10701704		THROAT PLATE						1	
3		10702009		THROAT PLATE	OPTIONAL PARTS					1	
4		SS2110915SP		SCREW 11/64-40 L=8.5						2	
5		10701803		SLIDE PLATE RIGHT						1	
6		10701902		SLIDE PLATE LEFT						1	
7		10711653		FEED FOOT ASM.						1	
8		SM6040552TP		SCREW M4 L=4.5				*		1	
9		10712552		PRESSER FOOT ASM.						1	
10		SM6040802TP		SCREW M4X0.7 L=8				*		1	
11		10717106		FEED DOG						1	
12	R	SS6111010SP	SS6111010TP	SCREW 11/64-40 L=9.5						2	1.00
13		10753150		SLIDER PLATE ASM. RIGHT	OPTIONAL PARTS					1	

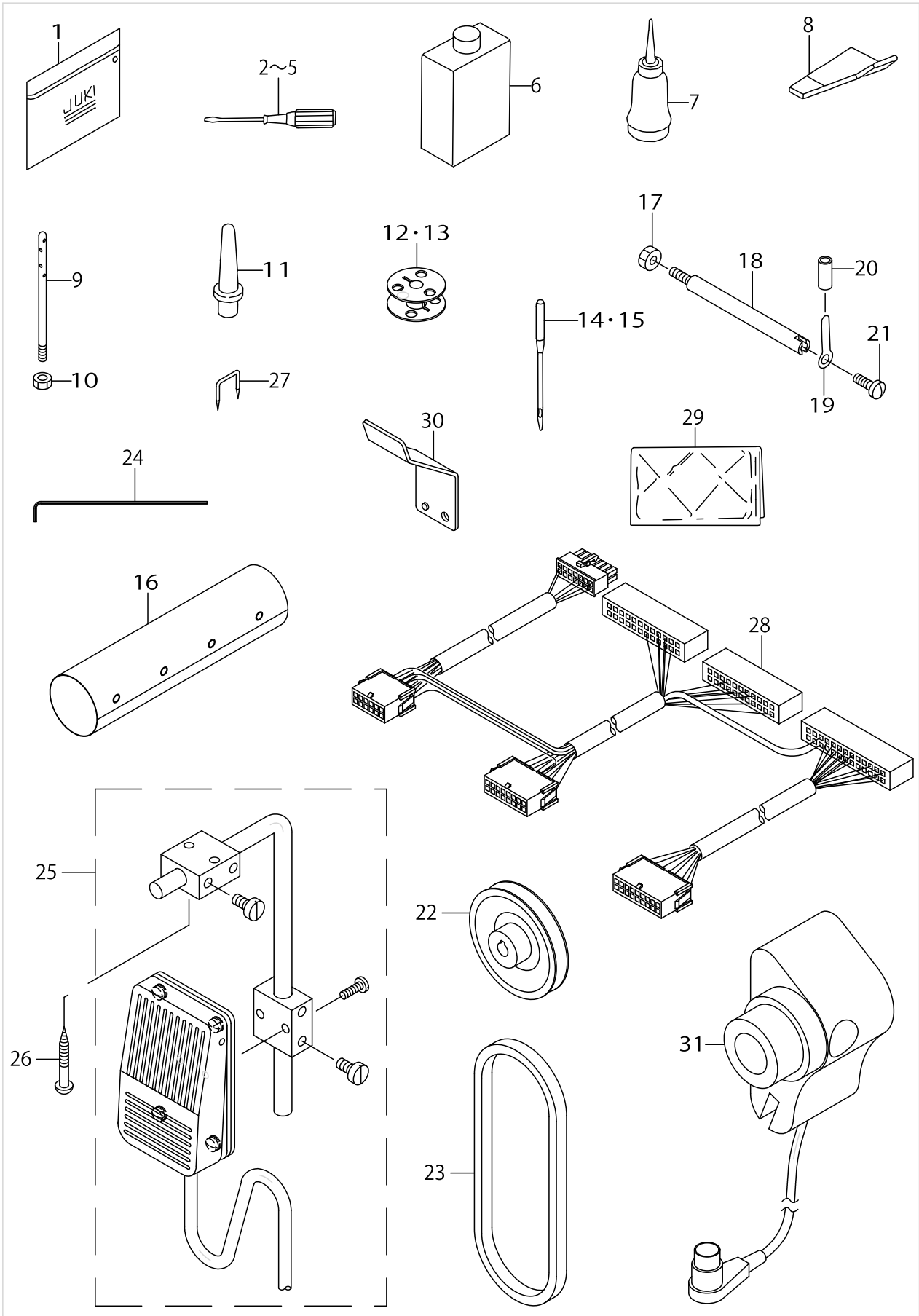
GAUGE COMPONENTS(LU-2266N-7 STANDARD PARTS)



GAUGE COMPONENTS(LU-2266N-7 STANDARD PARTS)

No.	Supply Code	Parts No.	Replacement	Parts name	Remarks	Choice	Step	Level	Cons	Qty	Rep. QTY
1		10701654		SLIDE PLATE ASM.						1	
2		10784809		THROAT PLATE(10MM)						1	
3		SS2110915SP		SCREW 11/64-40 L=8.5						2	
4		10786002		SLIDE PLATE RIGHT 10-18MM						1	
5		10786408		SLIDE PLATE LEFT 10-18MM						1	
6		10783355		FEED FOOT ASM. 10MM						1	
7		SM6040552TP		SCREW M4 L=4.5				*		1	
8		10781854		PRESSER FOOT ASM.						1	
9		SM6040802TP		SCREW M4X0.7 L=8				*		1	
10		10780302		FEED DOG						1	
11	R	SS6111010SP	SS6111010TP	SCREW 11/64-40 L=9.5						2	1.00
12		10777852		NEEDLE CLAMP ASM.10MM						1	
13		10777803		NEEDLE CLAMP 10MM				*		1	
14		SS8080410TP		SCREW 1/8-44 L=3.5				*		2	
15		10779007		NEEDLE BAR THREE-AD GUIDE 4-8MM				*		1	
16		SS6060440TP		SCREW 3/32-56 L=3.5				*		1	
17		PS0150065KP		SPRING PIN 1.5X6				*		1	

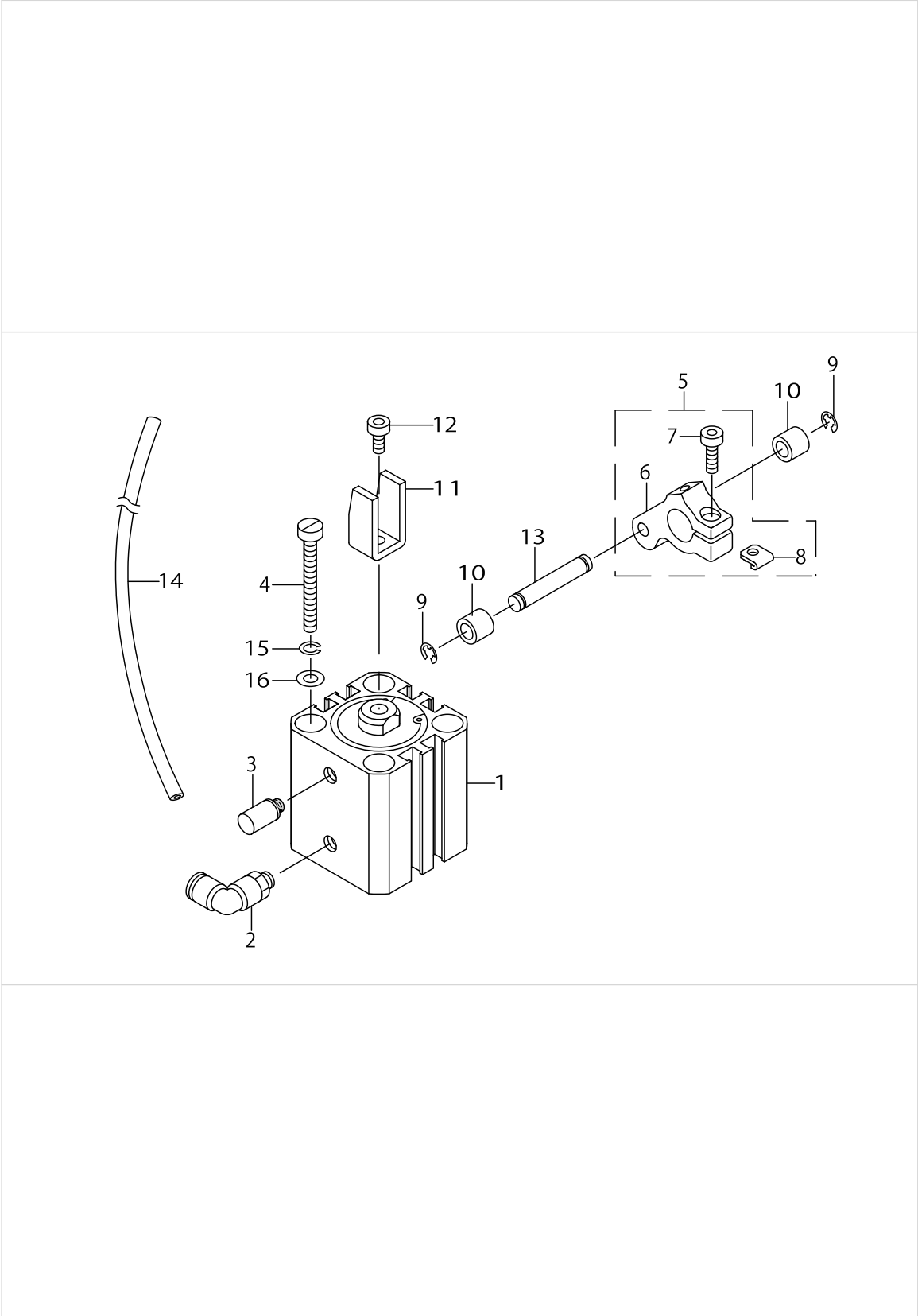
ACCESSORIES PARTS COMPONENTS



ACCESSORIES PARTS COMPONENTS

No.	Supply Code	Parts No.	Replacement	Parts name	Remarks	Choice	Step	Level	Cons	Qty	Rep. QTY
1	R	B9101552000	22932800	ACCESSORY BOX						1	1.00
2		22933105		SCREW DRIVER MIDDLE						1	
3		22933006		SCREW DRIVER LARGE						1	
4		22933204		SCREW DRIVER SMALL						1	
5		12347308		SCREW DRIVER (SMALL)						1	
6		MDFRX1600C0		DEFRIX OIL NO.1(600CC)						1	
7		B91210120A0		OILER ASM.						1	
8		10742203		FIXED SURGICAL KNIFE GAUGE						1	
9		40052262		THREAD GUIDE PIN						1	
10		NS6620310SP		NUT 3/16-32						1	
11		22931604		FRAME SUPPORT BAR						1	
12		10759603		ALUMINUM BOBBIN (DOUBLE-CUT)						1	
13		10759603		ALUMINUM BOBBIN (DOUBLE-CUT)	FOR LU-2266N-7					2	
14	R	MC321001402	MC321001400	NEEDLE 134-35 #140-2						1	1.00
15	R	MC321001402	MC321001400	NEEDLE 134-35 #140-2	FOR LU-2266N-7					2	1.00
16		40102736		BUTTON TUBE						.35	
17		NS6150430SP		NUT 15/64-28						1	
18		D7101245E00		SYNCHRONIZER HOLDER STUD						1	
19		D7102245E00		SYNCHRONIZER HOLDER PLATE						1	
20		BT0630520Z0		HOLDER COVER						.02	
21		SS7110710SP		SCREW 11/64-40 L=7						1	
22		MTSP00700B0		MOTOR PULLEY ASM. P.C.D 70						1	
23		MTJVH00420A		V-BELT 42 INCH						1	
24		10777407		WRENCH 2.5MM	FOR LU-2266N-7					1	
25		40025036		KNEE SWITCH ASM.	FOR DL K-NEE SWITCH TYPE					1	
26	R	SK3514000SC	SK3514001SE	WOOD SCREW D=5.1 L=40	FOR DL K-NEE SWITCH TYPE					2	1.00
27		MAO11532000		CORD STAPLE	FOR DL K-NEE SWITCH TYPE					2	
28		40101742		RELAY CORD ASM.						1	
29		40049863		HEAD COVER						1	
30		40052256		PANEL THREAD GUIDE						1	
31		40026920		SYNCHRONIZER ASM						1	

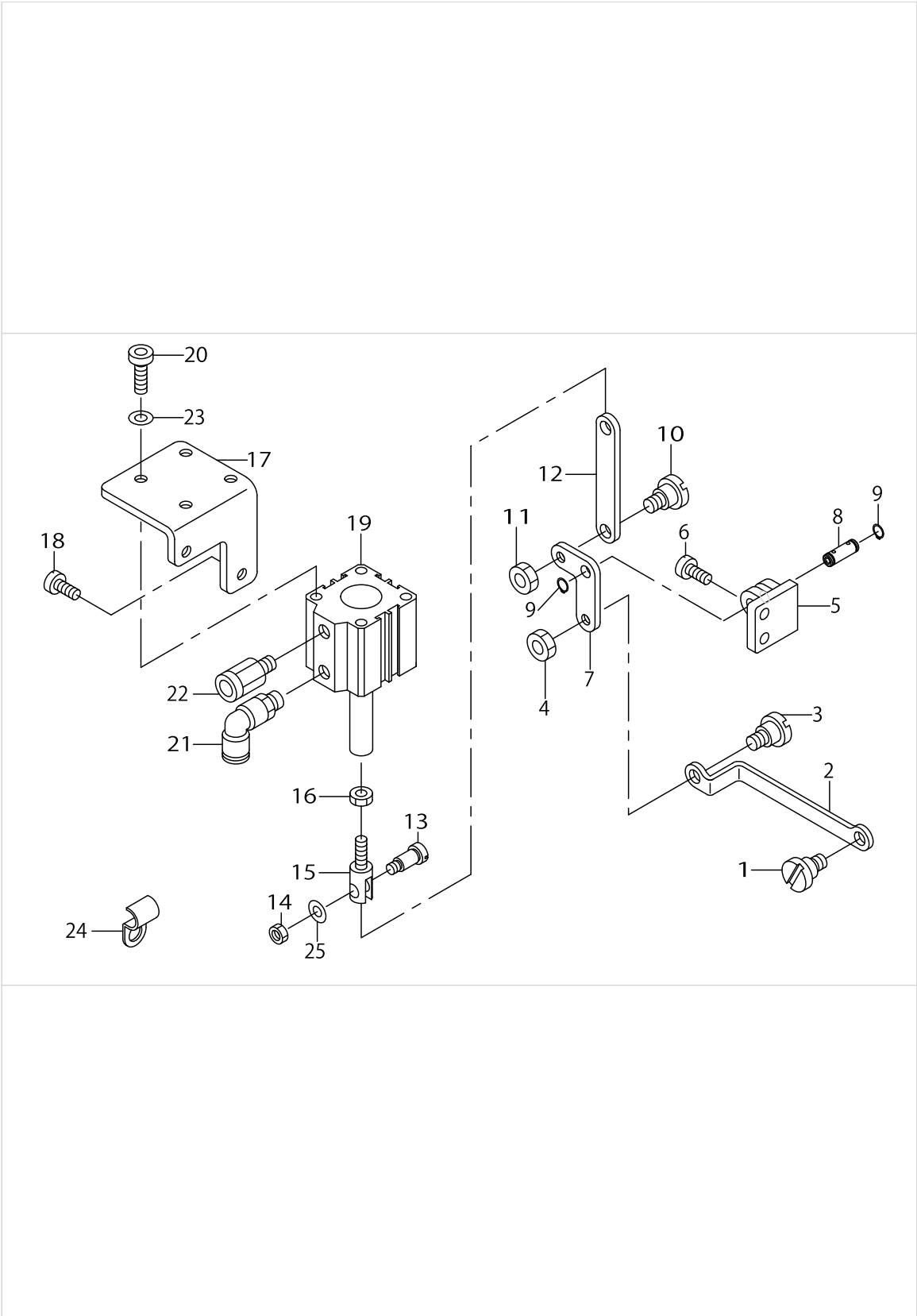
MUTUAL RISING QUANTITY TRANSFER COMPONENTS



MUTUAL RISING QUANTITY TRANSFER COMPONENTS

No.	Supply Code	Parts No.	Replacement	Parts name	Remarks	Choice	Step	Level	Cons	Qty	Rep. QTY
1		PA250200600		JIG CYLINDER	OPTIONAL PARTS					1	
2		PJ304060505		ELBOW	OPTIONAL PARTS					1	
3		PX050501000		SILENCER	OPTIONAL PARTS					1	
4		SM6044500SP		SCREW	OPTIONAL PARTS					2	
5		10735959		VERTICAL CYLINDER ARM ASM.	OPTIONAL PARTS					1	
6		10735900		VERTICAL CYLINDER ARM				*		1	
7		SM6051402TP		SCREW M5X0.8 L=14				*		1	
8		10711406		SPACER B				*		1	
9		RE0320000K0		E-RING 3.2	OPTIONAL PARTS					2	
10		B3031141H00		CONNECTING STUD	OPTIONAL PARTS					2	
11		10736007		ROLLER HOLDER	OPTIONAL PARTS					1	
12		SM6050802TP		SCREW M5X0.8 L=8	OPTIONAL PARTS					1	
13		B1504210000		CONNECTING SHAFT	OPTIONAL PARTS					1	
14		BT0600401EB		TUBE	OPTIONAL PARTS					1.55	
15		WS0410002KN		SPRING WASHER	OPTIONAL PARTS					2	
16		WP0450846SP		WASHER	OPTIONAL PARTS					2	

BACK TUCK COMPONENTS



BACK TUCK COMPONENTS

No.	Supply Code	Parts No.	Replacement	Parts name	Remarks	Choice	Step	Level	Cons	Qty	Rep. QTY
1		SD0800352SP		HINGE SCREW D=8 H=3.5						1	
2		10736403		BACKWARD FEED ROD						1	
3		SD0800352SP		HINGE SCREW D=8 H=3.5						1	
4		NS6150540SP		NUT 15/64-28						1	
5		10775807		LINK FITTING BASE						1	
6		SS6151440SP		SCREW15/64-28L=14						2	
7		10775906		BACKWARD FEED LINK						1	
8		10718906		VERTICAL FEED LINK SHAFT						1	
9		RC0650811KP		RETAINING RING						2	
10		SD0800402TP		HINGESCREWD=8H=4						1	
11		NS6150430SP		NUT 15/64-28						1	
12		10737302		CYLINDER CONNECTION RING						1	
13		SD0791271SP		HINGE SCREW D=7.94 H=12.7						1	
14		NS6150430SP		NUT 15/64-28						2	
15		40052254		CYLINDER KNUCKLE JOINT						1	
16		NM6060001SE		NUT M6						1	
17		10744506		CYLINDER INSTALLATION BASE						1	
18		SS6151440SP		SCREW15/64-28L=14						2	
19		PA320150200		JIG CYLINDER						1	
20		SM6061802TP		SCREW M6 L=18						4	
21		PJ304065101		ELBOW UNION 6XPT1/8						1	
22		PX015101000		MUFFLER						1	
23		WP0641601SD		WASHER M6						4	
24		B3538112000		OIL RETURN TUBE HOLDER						1	
25		WP0621016SD		WASHER 6.2X13X1						1	

TABLE OF EXCHANGING GAUGE PARTS(LU-2266N-7)

Needle width 針幅	Set number 代表品番		Needle clamp asm. 針止め(組)		Needle rod thread rack 針棒糸かけ		Feed dog 送り歯		Presser foot asm. 押え足(組)		Finger guard 指ガード	
	mm	Ref.No	Parts No.	Ref.No	Parts No.	Ref.No	Parts No.	Ref.No	Parts No.	Ref.No	Parts No.	Ref.No
(4)	1	107-84551	14	107-77555	27	107-79007	30	107-80005	43	107-81557	56	107-86903
6	2	107-84650	15	107-77654	27	107-79007	31	107-80104	44	107-81656	56	107-86903
8	3	107-84759	16	107-77753	27	107-79007	32	107-80203	45	107-81755	56	107-86903
10	4	107-84858	17	107-77852	27	107-79007	33	107-80302	46	107-81854	57	107-87000
12	5	107-84957	18	107-77951	28	107-79106	34	107-80401	47	107-81953	57	107-87000
(14)	6	107-85053	19	107-78058	28	107-79106	35	107-80500	48	107-82050	58	107-87109
(16)	7	107-85152	20	107-78157	28	107-79106	36	107-80609	49	107-82159	58	107-87109
(18)	8	107-85251	21	107-78256	28	107-79106	37	107-80708	50	107-82258	58	107-87109
20	9	107-85350	22	107-78355	29	B1403-526-000	38	107-80807	51	107-82357	59	107-87208
(22)	10	107-85459	23	107-78454	29	B1403-526-000	39	107-80906	52	107-82456	59	107-87208
(24)	11	107-85558	24	107-78553	29	B1403-526-000	40	107-81003	53	107-82555	59	107-87208
(30)	12	107-85657	25	107-78652	29	B1403-526-000	41	107-81102	54	107-82654	60	107-87307
(36)	13	107-85756	26	107-78751	29	B1403-526-000	42	107-81201	55	107-82753	61	107-87406

Needle width 針幅	Set number 代表品番		Waking foot asm. 送り足(組)		Throat plate 針板		Sliding plate (left) 滑り板(左)		Sliding plate (right) 滑り板(右)	
	mm	Ref.No	Parts No.	Ref.No	Parts No.	Ref.No	Parts No.	Ref.No	Parts No.	Ref.No
(4)	1	107-84551	62	107-83058	75	107-84502	88	107-86309	92	107-01803
6	2	107-84650	63	107-83157	76	107-84601	88	107-86309	92	107-01803
8	3	107-84759	64	107-83256	77	107-84700	88	107-86309	92	107-01803
10	4	107-84858	65	107-83355	78	107-84809	89	107-86408	93	107-86002
12	5	107-84957	66	107-83454	79	107-84908	89	107-86408	93	107-86002
(14)	6	107-85053	67	107-83553	80	107-85004	89	107-86408	93	107-86002
(16)	7	107-85152	68	107-83652	81	107-85103	89	107-86408	93	107-86002
(18)	8	107-85251	69	107-83751	82	107-85202	89	107-86408	93	107-86002
20	9	107-85350	70	107-83850	83	107-85301	90	107-86507	94	107-86101
(22)	10	107-85459	71	107-83959	84	107-85400	90	107-86507	94	107-86101
(24)	11	107-85558	72	107-84056	85	107-85509	90	107-86507	94	107-86101
(30)	12	107-85657	73	107-84155	86	107-85608	90	107-86507	94	107-86101
(36)	13	107-85756	74	107-84254	87	107-85707	91	107-86606	95	107-86200

Note...Sets having () with needle width are specially made to order.

Sliding plate(right) and sliding plate(left) are not included in the set nos.

注記...針幅に () のついているセットは、特別注文部品です。

VM+18100@

代表品番の構成内容に滑り板(右),滑り板(左)は含まれません。

TABLE OF EXCHANGING GAUGE PARTS(LU-2266N-7)

No.	Supply Code	Parts No.	Replacement	Parts name	Remarks	Choice	Step	Level	Cons	Qty	Rep. QTY
1		10784551		GAUGE SET 4MM						1	
2		10784650		GAUGE SET 6MM						1	
3		10784759		GAUGE SET 8MM						1	
4		10784858		GAUGE SET 10MM						1	
5		10784957		GAUGE SET 12MM						1	
6		10785053		GAUGE SET 14MM						1	
7		10785152		GAUGE SET 16MM						1	
8		10785251		GAUGE SET 18MM						1	
9		10785350		GAUGE SET 20MM						1	
10		10785459		GAUGE SET 22MM						1	
11		10785558		GAUGE SET 24MM						1	
12		10785657		GAUGE SET 30MM						1	
13		10785756		GAUGE SET 36MM						1	
14		10777555		NEEDLE CLAMP ASM. 4MM						1	
15		10777654		NEEDLE CLAMP ASM. 6MM						1	
16		10777753		NEEDLE CLAMP ASM. 8MM						1	
17		10777852		NEEDLE CLAMP ASM.10MM						1	
18		10777951		NEEDLE CLAMP ASM. 12MM						1	
19		10778058		NEEDLE CLAMP ASM. 14MM						1	
20		10778157		NEEDLE CLAMP ASM. 16MM						1	
21		10778256		NEEDLE CLAMP ASM. 18MM						1	
22		10778355		NEEDLE CLAMP ASM. 20MM						1	
23		10778454		NEEDLE CLAMP ASM. 22MM						1	
24		10778553		NEEDLE CLAMP ASM. 24MM						1	
25		10778652		NEEDLE CLAMP ASM. 30MM(SP)						1	
26		10778751		NEEDLE CLAMP ASM. 36MM						1	
27		10779007		NEEDLE BAR THREE- AD GUIDE 4-8MM						1	
28		10779106		NEEDLE BAR THREE- AD GUIDE PLATE						1	
29		B1403526000		THREAD GUIDE						1	
30		10780005		FEED DOG (4MM)						1	
31		10780104		FEED DOG (6MM)						1	
32		10780203		FEED DOG (8MM)						1	
33		10780302		FEED DOG (10MM)						1	
34		10780401		FEED DOG (12MM)						1	
35		10780500		FEED DOG (14MM)						1	
36		10780609		FEED DOG (16MM)						1	
37		10780708		FEED DOG (18MM)						1	
38		10780807		FEED DOG (20MM)						1	
39		10780906		FEED DOG (22MM)						1	
40		10781003		FEED DOG (24MM)						1	
41		10781102		FEED DOG 30MM(SP)						1	
42		10781201		FEED DOG 36MM						1	
43		10781557		PRESSER FOOT ASM. 4MM						1	
44		10781656		PRESSER FOOT ASM. 6MM						1	
45		10781755		PRESSER FOOT ASM. 8MM						1	

TABLE OF EXCHANGING GAUGE PARTS(LU-2266N-7)

Needle width 針幅	Set number 代表品番		Needle clamp asm. 針止め(組)		Needle rod thread rack 針棒糸かけ		Feed dog 送り歯		Presser foot asm. 押え足(組)		Finger guard 指ガード	
	mm	Ref.No	Parts No.	Ref.No	Parts No.	Ref.No	Parts No.	Ref.No	Parts No.	Ref.No	Parts No.	Ref.No
(4)	1	107-84551	14	107-77555	27	107-79007	30	107-80005	43	107-81557	56	107-86903
6	2	107-84650	15	107-77654	27	107-79007	31	107-80104	44	107-81656	56	107-86903
8	3	107-84759	16	107-77753	27	107-79007	32	107-80203	45	107-81755	56	107-86903
10	4	107-84858	17	107-77852	27	107-79007	33	107-80302	46	107-81854	57	107-87000
12	5	107-84957	18	107-77951	28	107-79106	34	107-80401	47	107-81953	57	107-87000
(14)	6	107-85053	19	107-78058	28	107-79106	35	107-80500	48	107-82050	58	107-87109
(16)	7	107-85152	20	107-78157	28	107-79106	36	107-80609	49	107-82159	58	107-87109
(18)	8	107-85251	21	107-78256	28	107-79106	37	107-80708	50	107-82258	58	107-87109
20	9	107-85350	22	107-78355	29	B1403-526-000	38	107-80807	51	107-82357	59	107-87208
(22)	10	107-85459	23	107-78454	29	B1403-526-000	39	107-80906	52	107-82456	59	107-87208
(24)	11	107-85558	24	107-78553	29	B1403-526-000	40	107-81003	53	107-82555	59	107-87208
(30)	12	107-85657	25	107-78652	29	B1403-526-000	41	107-81102	54	107-82654	60	107-87307
(36)	13	107-85756	26	107-78751	29	B1403-526-000	42	107-81201	55	107-82753	61	107-87406

Needle width 針幅	Set number 代表品番		Waking foot asm. 送り足(組)		Throat plate 針板		Sliding plate (left) 滑り板(左)		Sliding plate (right) 滑り板(右)	
	mm	Ref.No	Parts No.	Ref.No	Parts No.	Ref.No	Parts No.	Ref.No	Parts No.	Ref.No
(4)	1	107-84551	62	107-83058	75	107-84502	88	107-86309	92	107-01803
6	2	107-84650	63	107-83157	76	107-84601	88	107-86309	92	107-01803
8	3	107-84759	64	107-83256	77	107-84700	88	107-86309	92	107-01803
10	4	107-84858	65	107-83355	78	107-84809	89	107-86408	93	107-86002
12	5	107-84957	66	107-83454	79	107-84908	89	107-86408	93	107-86002
(14)	6	107-85053	67	107-83553	80	107-85004	89	107-86408	93	107-86002
(16)	7	107-85152	68	107-83652	81	107-85103	89	107-86408	93	107-86002
(18)	8	107-85251	69	107-83751	82	107-85202	89	107-86408	93	107-86002
20	9	107-85350	70	107-83850	83	107-85301	90	107-86507	94	107-86101
(22)	10	107-85459	71	107-83959	84	107-85400	90	107-86507	94	107-86101
(24)	11	107-85558	72	107-84056	85	107-85509	90	107-86507	94	107-86101
(30)	12	107-85657	73	107-84155	86	107-85608	90	107-86507	94	107-86101
(36)	13	107-85756	74	107-84254	87	107-85707	91	107-86606	95	107-86200

Note...Sets having () with needle width are specially made to order.

Sliding plate(right) and sliding plate(left) are not included in the set nos.

注記...針幅に () のついているセットは、特別注文部品です。

VM+18100@

代表品番の構成内容に滑り板(右),滑り板(左)は含まれません。

TABLE OF EXCHANGING GAUGE PARTS(LU-2266N-7)

No.	Supply Code	Parts No.	Replacement	Parts name	Remarks	Choice	Step	Level	Cons	Qty	Rep. QTY
46		10781854		PRESSER FOOT ASM. 10MM						1	
47		10781953		PRESSER FOOT ASM. 12MM						1	
48		10782050		PRESSER FOOT ASM. 14MM						1	
49		10782159		PRESSER FOOT ASM. 16MM						1	
50		10782258		PRESSER FOOT ASM. 18MM						1	
51		10782357		PRESSER FOOT ASM. 20MM						1	
52		10782456		PRESSER FOOT ASM. 22MM						1	
53		10782555		PRESSER FOOT ASM. 24MM						1	
54		10782654		PRESSER FOOT ASM. 30MM(SP)						1	
55		10782753		PRESSER FOOT ASM. 36MM						1	
56		10786903		FINGER GUARD COVER (4-8MM)						1	
57		10787000		FINGER GUARD COVER (10-12MM)						1	
58		10787109		FINGER GUARD COVER (14-18MM)						1	
59		10787208		FINGER GUARD COVER (20-24MM)						1	
60		10787307		FINGER GUARD COVER (30MM)						1	
61		10787406		FINGER GUARD COVER (36MM)						1	
62		10783058		FEED FOOT ASM. 4MM						1	
63		10783157		FEED FOOT ASM. 6MM						1	
64		10783256		FEED FOOT ASM. 8MM						1	
65		10783355		FEED FOOT ASM. 10MM						1	
66		10783454		FEED FOOT ASM. 12MM						1	
67		10783553		FEED FOOT ASM. 14MM						1	
68		10783652		FEED FOOT ASM. 16MM						1	
69		10783751		FEED FOOT ASM. 18MM						1	
70		10783850		FEED FOOT ASM. 20MM						1	
71		10783959		FEED FOOT ASM. 22MM						1	
72		10784056		FEED FOOT ASM. 24MM						1	
73		10784155		FEED FOOT ASM. 30MM(SP)						1	
74		10784254		FEED FOOT ASM. 36MM						1	
75		10784502		THROAT PLATE (4MM)						1	
76		10784601		THROAT PLATE (6MM)						1	
77		10784700		THROAT PLATE (8MM)						1	
78		10784809		THROAT PLATE (10MM)						1	
79		10784908		THROAT PLATE (12MM)						1	
80		10785004		THROAT PLATE (14MM)						1	
81		10785103		THROAT PLATE (16MM)						1	
82		10785202		THROAT PLATE (18MM)						1	
83		10785301		THROAT PLATE (20MM)						1	
84		10785400		THROAT PLATE (22MM)						1	
85		10785509		THROAT PLATE (24MM)						1	
86		10785608		THROAT PLATE 30MM(SP)						1	
87		10785707		THROAT PLATE 36MM						1	
88		10786309		SLIDE PLATE LEFT 4-8MM						1	
89		10786408		SLIDE PLATE LEFT 10-18MM						1	
90		10786507		SLIDE PLATE LEFT 20-30MM						1	
91		10786606		SLIDING PLATE LEFT 36MM						1	

TABLE OF EXCHANGING GAUGE PARTS(LU-2266N-7)

Needle width 針幅	Set number 代表品番		Needle clamp asm. 針止め(組)		Needle rod thread rack 針棒糸かけ		Feed dog 送り歯		Presser foot asm. 押え足(組)		Finger guard 指ガード	
	mm	Ref.No	Parts No.	Ref.No	Parts No.	Ref.No	Parts No.	Ref.No	Parts No.	Ref.No	Parts No.	Ref.No
(4)	1	107-84551	14	107-77555	27	107-79007	30	107-80005	43	107-81557	56	107-86903
6	2	107-84650	15	107-77654	27	107-79007	31	107-80104	44	107-81656	56	107-86903
8	3	107-84759	16	107-77753	27	107-79007	32	107-80203	45	107-81755	56	107-86903
10	4	107-84858	17	107-77852	27	107-79007	33	107-80302	46	107-81854	57	107-87000
12	5	107-84957	18	107-77951	28	107-79106	34	107-80401	47	107-81953	57	107-87000
(14)	6	107-85053	19	107-78058	28	107-79106	35	107-80500	48	107-82050	58	107-87109
(16)	7	107-85152	20	107-78157	28	107-79106	36	107-80609	49	107-82159	58	107-87109
(18)	8	107-85251	21	107-78256	28	107-79106	37	107-80708	50	107-82258	58	107-87109
20	9	107-85350	22	107-78355	29	B1403-526-000	38	107-80807	51	107-82357	59	107-87208
(22)	10	107-85459	23	107-78454	29	B1403-526-000	39	107-80906	52	107-82456	59	107-87208
(24)	11	107-85558	24	107-78553	29	B1403-526-000	40	107-81003	53	107-82555	59	107-87208
(30)	12	107-85657	25	107-78652	29	B1403-526-000	41	107-81102	54	107-82654	60	107-87307
(36)	13	107-85756	26	107-78751	29	B1403-526-000	42	107-81201	55	107-82753	61	107-87406

Needle width 針幅	Set number 代表品番		Waking foot asm. 送り足(組)		Throat plate 針板		Sliding plate (left) 滑り板(左)		Sliding plate (right) 滑り板(右)	
	mm	Ref.No	Parts No.	Ref.No	Parts No.	Ref.No	Parts No.	Ref.No	Parts No.	Ref.No
(4)	1	107-84551	62	107-83058	75	107-84502	88	107-86309	92	107-01803
6	2	107-84650	63	107-83157	76	107-84601	88	107-86309	92	107-01803
8	3	107-84759	64	107-83256	77	107-84700	88	107-86309	92	107-01803
10	4	107-84858	65	107-83355	78	107-84809	89	107-86408	93	107-86002
12	5	107-84957	66	107-83454	79	107-84908	89	107-86408	93	107-86002
(14)	6	107-85053	67	107-83553	80	107-85004	89	107-86408	93	107-86002
(16)	7	107-85152	68	107-83652	81	107-85103	89	107-86408	93	107-86002
(18)	8	107-85251	69	107-83751	82	107-85202	89	107-86408	93	107-86002
20	9	107-85350	70	107-83850	83	107-85301	90	107-86507	94	107-86101
(22)	10	107-85459	71	107-83959	84	107-85400	90	107-86507	94	107-86101
(24)	11	107-85558	72	107-84056	85	107-85509	90	107-86507	94	107-86101
(30)	12	107-85657	73	107-84155	86	107-85608	90	107-86507	94	107-86101
(36)	13	107-85756	74	107-84254	87	107-85707	91	107-86606	95	107-86200

Note...Sets having () with needle width are specially made to order.

Sliding plate(right) and sliding plate(left) are not included in the set nos.

注記...針幅に () のついているセットは、特別注文部品です。

















VM+18100@

代表品番の構成内容に滑り板(右),滑り板(左)は含まれません。

TABLE OF EXCHANGING GAUGE PARTS(LU-2266N-7)

No.	Supply Code	Parts No.	Replacement	Parts name	Remarks	Choice	Step	Level	Cons	Qty	Rep. QTY
92		10701803		SLIDE PLATE RIGHT						1	
93		10786002		SLIDE PLATE RIGHT 10-18MM						1	
94		10786101		SLIDE PLATE RIGHT 20-30MM						1	
95		10786200		SLIDING PLATE RIGHT 36MM						1	

TABLE OF EXCHANGING GAUGE PARTS(LU-2216N-7)(1)

Walking foot 上送り足														 *01			
		Ref.No	Part No.	Ref.No	Part No.	Ref.No	Part No.	Ref.No	Part No.	Ref.No	Part No.	Ref.No	Part No.	Ref.No	Part No.	Ref.No	Part No.
Presser foot 押え足		1	107-11653	2	107-11752	3	107-11851	4	107-11950	5	107-45354	9	107-46352	13	107-12354	14	107-12057
		6	107-45453	10	107-46451												
		7	107-45552	11	107-46550												
		8	107-45651	12	107-46659												
	15	107-12552	Standard 標準 	—	—	—	—	—	—	—	—	—	—	○	—	—	—
	16	107-58456	*02	—	—	—	—	—	—	—	—	—	—	○	—	—	—
	17	107-12651	 *03	—	—	—	—	—	—	—	—	—	—	○	—	—	—
	18	107-12750	 *04	 *05	—	—	—	—	—	—	—	—	—	—	—	—	—

*01・・・Without groove.

溝無しタイプ

To be used when the thread cannot be grasped at the sewing start.

縫い始めに糸が絡みにくい時に使用

*02・・・For overlapped sections of material.

段部用

Common type for overlapped sections and flat sections,

Intermediate type between 10712552 and 10712651.

段部用・平部でも使用できる両用タイプ, 10712552と10712651の中間タイプ

*03・・・For overlapped sections of material.

段部用

To be used when overlapped sections cannot be smoothly fed.

段部での乗り越えが悪い時に使用

*04・・・For light-weight sponge.

薄いスポンジ用

To be used for resilient materials such as sponge.

スポンジ等の弾力性の有る素材に使用

*05・・・For heavy-weight sponge.

厚いスポンジ用

To be used for further resilient materials.

より弾力性の有る素材に使用

TABLE OF EXCHANGING GAUGE PARTS(LU-2216N-7)(1)

No.	Supply Code	Parts No.	Replacement	Parts name	Remarks	Choice	Step	Level	Cons	Qty	Rep. QTY
1		10711653		FEED FOOT ASM.						1	
2		10711752		FEEDING FOOT (URETHANE)						1	
3		10711851		FEEDING FOOT ASM. RIGHT						1	
4		10711950		FEEDING FOOT ASM. LEFT						1	
5		10745354		FEEDING FOOT (PIPING) 3MM						1	
6		10745453		FEEDING FOOT (PIPING) 4MM						1	
7		10745552		FEEDING FOOT (PIPING) 5MM						1	
8		10745651		FEEDING FOOT (PIPING) 6MM						1	
9		10746352		FEEDING FOOT (PI-PING) 3MM ADJUSTABLE						1	
10		10746451		FEEDING FOOT (PI-PING) 4MM ADJUSTABLE						1	
11		10746550		FEEDING FOOT (PI-PING) 5MM ADJUSTABLE						1	
12		10746659		FEEDING FOOT (PI-PING) 6MM ADJUSTABLE						1	
13		10712354		FEED FOOT ASM.						1	
14		10712057		FEED FOOT ASM.						1	
15		10712552		PRESSER FOOT ASM.						1	
16		10758456		PRESSER FOOT ASM.						1	
17		10712651		PRESSER FOOT ASM						1	
18		10712750		PRESSER FOOT URETHANE						1	

TABLE OF EXCHANGING GAUGE PARTS(LU-2216N-7)(2)

Walking foot 上送り足																		
		Ref.No	Part No.	Ref.No	Part No.	Ref.No	Part No.	Ref.No	Part No.	Ref.No	Part No.	Ref.No	Part No.	Ref.No	Part No.	Ref.No	Part No.	
Presser foot 押え足		1	107-11653	2	107-11752	3	107-11851	4	107-11950	5	107-45354	9	107-46352	13	107-12354	14	107-12057	
		6	107-45453	10	107-46451	7	107-45552	11	107-46550	8	107-45651	12	107-46659					
		15	107-12859	—	—		—	—	—	—	—	—	—	—	—	—	—	—
		16	107-12958	—	—	—		—	—	—	—	—	—	—	—	—	—	—
	17	107-47350	—	—	—	—	—	—		Adjustable 調整式		—	—	—	—	—	—	
	18	107-47459	—	—	—	—	—	—	—		—	—	—	—	—	—	—	
	19	107-47558	—	—	—	—	—	—	—	—	—	—	—	—	—	—	—	
	20	107-47657	—	—	—	—	—	—	—	—	—	—	—	—	—	—	—	
	21	107-13055	—	—	—	—	—	—	—	—	—	—	—	—	—	—	*06	

Feed dog 送り歯				
Standard 標準	*01	For fine thread 細糸用	Wide type 幅広タイプ	
Ref.No	22	23	24	25
Part No.	107-17106	107-17205	107-17304	107-39001

Throat plate 針板	
Standard 標準	Wide type 幅広タイプ
Ref.No	26
Part No.	107-01704

For machining 加工用				Swing edge guide 吊り定規
To be machined to a walking foot. 送り足加工用	Type B to be machined to a walking foot. 送り足加工用B	Type A to be machined to a walking foot. 送り足加工用A		
Ref.No	28	29	30	31
Part No.	107-12255	107-48358	107-13253	MAH-152010A0

*01...Without groove.

溝無しタイプ

To be used when the thread cannot be grasped at the sewing start.
縫い始めに糸が絡みにくい時に使用

*02...Right-edge presser.

右片押え

To be used to sew edges of material.
エッジを縫製する場合に使用

*03...Left-edge presser.

左片押え

To be used to sew edges of material.
エッジを縫製する場合に使用

*04...For piping.

パイピング用

To be used for general piping processes.
一般のパイピング工程に使用

*05...For piping.

パイピング用

Permits adjustment of the needle position with respect to the pipe.
パイプに対する針の位置が調整出来ます。

*06...Wide type.

幅広タイプ

To be used when a sewing product cannot be smoothly fed.
縫製物の送りが悪い場合に使用

TABLE OF EXCHANGING GAUGE PARTS(LU-2216N-7)(2)

No.	Supply Code	Parts No.	Replacement	Parts name	Remarks	Choice	Step	Level	Cons	Qty	Rep. QTY
1		10711653		FEED FOOT ASM.						1	
2		10711752		FEEDING FOOT (URETHANE)						1	
3		10711851		FEEDING FOOT ASM. RIGHT						1	
4		10711950		FEEDING FOOT ASM.,LEFT						1	
5		10745354		FEEDING FOOT (PIPING) 3MM						1	
6		10745453		FEEDING FOOT (PIPING) 4MM						1	
7		10745552		FEEDING FOOT (PIPING) 5MM						1	
8		10745651		FEEDING FOOT (PIPING) 6MM						1	
9		10746352		FEEDING FOOT (PI- PING) 3MM ADJUSTABLE						1	
10		10746451		FEEDING FOOT (PI- PING) 4MM ADJUSTABLE						1	
11		10746550		FEEDING FOOT (PI- PING) 5MM ADJUSTABLE						1	
12		10746659		FEEDING FOOT (PI- PING) 6MM ADJUSTABLE						1	
13		10712354		FEED FOOT ASM.						1	
14		10712057		FEED FOOT ASM.						1	
15		10712859		FEEDINGFOOTRIGHT						1	
16		10712958		PRESSER FOOT LEFT						1	
17		10747350		PRESSER FOOT (PIPING) 3MM						1	
18		10747459		PRESSER FOOT (PIPING) 4MM						1	
19		10747558		PRESSER FOOT (PIPING) 5MM						1	
20		10747657		PIPING FOOT 6MM						1	
21		10713055		FEED FOOT ASM.						1	
22		10717106		FEED DOG						1	
23		10717205		FEED DOG W10 GROOVE						1	
24		10717304		FEED DOG (THIN THREAD)						1	
25		10739001		FEED DOG						1	
26		10701704		THROAT PLATE						1	
27		10702009		THROAT PLATE						1	
28		10712255		FEED FOOT ASM.						1	
29		10748358		PRESSER FOOT ASM.						1	
30	D	10713253		PRESSER FOOT ASM.						1	
31		MAH152010A0		RULER						1	

HOW TO MAKE USE OF THIS PARTS LIST

1.Explanation of codes

1)"*"mark.....means this part is changed from the previous parts book.

As to the details of the change, refer to the "List for information of change".

2)"#01".....refer to "Note" explanation at bottom of page.

2.Codes on the "Qty" column

• Each numeral indicates the number of parts required.

• "0.1" and "2.5" indicate the length (in meters) of the respective parts.

3.Parentheses mean that the corresponding part is a subpart that constructs an assembly part.

4.Dotted lines on the Figures indicate assembly parts.

1."注記"欄の記号説明

1) "*"印.....前回のパーツブックに比較して今回変更された部品を意味します。

変更内容は、"変更情報リスト"を参照してください。

2) "#01".....ページ下の"注記"の説明を参照してください。

2.数量欄の数字は、個数を表し、0.1、2.5等の数値は、長さ（単位メートル）を表します。

3.数量欄の（ ）は、組部品を構成している子部品であることを意味します。

4.イラストページの-----枠は、組構成であることを意味します。

NUMERICAL INDEX OF PARTS

PART NO	PAGE	REF NO.	PART NO	PAGE	REF NO.	PART NO	PAGE	REF NO.
10088003	40	30	10702553	36	2	10710101	14	53
10109809	14	62	10702561	36	1	10710200	14	58
10109809	28	13·18~ 21	10702603	36	32	10710309	12	8
10109809	32	13·18~ 21	10702702	36	52	10710408	12	15
10111201	28	13·18~ 21	10702702	38	52	10710507	12	18
10111201	32	13·18~ 21	10702801	36	53	10710606	12	19
10112506	28	13·18~ 21	10702801	38	53	10710705	12	20
10112506	32	13·18~ 21	10703106	36	26	10710804	12	28
10112605	28	13·18~ 21	10703205	36	47	10710903	14	69
10112605	32	13·18~ 21	10703205	38	47	10710903	18	35
10112605	28	13·18~ 21	10703304	36	17	10711000	12	11
10112605	32	13·18~ 21	10703452	40	13	10711117	12	23
10112704	28	13·18~ 21	10703502	40	1	10711406	22	28
10112704	32	13·18~ 21	10703601	40	3	10711406	26	20
10119907	16	38	10703700	40	4	10711406	64	8
10123701	48	79	10703809	40	14	10711653	58	7
10124204	40	35	10703908	40	5	10711653	74	1
10126803	46	12	10704005	40	19	10711653	76	1
10320109	36	3	10704104	40	29	10711752	74	2
10320208	36	33	10704153	40	28	10711752	76	2
10502300	40	22	10704609	2	44	10711851	74	3
10523702	6	39	10704757	6	6	10711851	76	3
10527901	48	66	10704807	40	20	10711950	74	4
10539906	54	6	10704955	6	8	10711950	76	4
10591709	8	56	10704963	6	10	10712057	74	14
10700508	2	37	10705002	6	12	10712057	76	14
10700706	2	9	10705606	6	30	10712255	76	28
10701308	2	17	10705754	6	29	10712354	74	13
10701654	58	1	10706315	8	53	10712354	76	13
10701654	60	1	10706703	6	16	10712552	58	9
10701704	58	2	10707156	6	37	10712552	74	15
10701704	76	26	10707206	8	46	10712651	74	17
10701803	58	5	10707305	8	48	10712750	74	18
10701803	72	92	10707958	6	42	10712859	76	15
10701902	58	6	10708204	10	2	10712958	76	16
10702009	58	3	10708303	6	18	10713055	76	21
10702009	76	27	10708501	10	16	10713253	76	30
10702108	46	45	10708907	14	68	10713501	14	65
10702207	48	65	10709152	10	9	10713766	12	26
10702405	36	7	10709202	10	11	10713808	12	31
			10709350	10	13	10713907	12	33
			10709400	10	15	10714004	12	35
			10709608	12	25	10714103	12	36
			10709707	12	1	10714202	12	37
			10710002	14	52	10714400	12	42

NUMERICAL INDEX OF PARTS

PART NO	PAGE	REF NO.	PART NO	PAGE	REF NO.	PART NO	PAGE	REF NO.
10714905	14	50	10722007	16	23	10726404	22	3
10715258	14	54	10722353	28	26	10726404	26	3
10715506	42	9	10722353	32	26	10726503	22	2
10715605	42	6	10722403	28	1	10726503	26	2
10715704	4	64	10722601	30	62	10726552	22	1
10715902	42	12·13	10722601	34	59	10726552	26	1
10716009	42	2	10722809	30	61	10726800	22	7
10716108	42	17	10722809	34	58	10726800	26	9
10716207	42	18	10722908	30	54	10726909	22	4
10716504	14	59	10722908	34	51	10726909	26	5
10716603	42	15	10723013	30	57	10727105	46	31
10717106	58	11	10723013	34	54	10727154	46	6
10717106	76	22	10723104	30	66	10727162	46	30
10717205	76	23	10723104	34	63	10727204	46	32
10717304	76	24	10723203	30	58	10727303	46	34
10717502	18	1	10723203	34	55	10727709	22	22
10717668	18	2	10723302	30	55	10727709	26	37
10718005	18	36	10723302	34	52	10727808	22	16
10718153	18	33	10723401	30	56	10727857	22	15
10718203	18	16	10723401	34	53	10727907	24	46
10718302	42	12·13	10723500	30	67	10728103	22	26
10718351	42	4·5	10723500	34	64	10728103	26	19
10718401	16	31	10723708	28	27	10728152	22	25
10718500	18	43	10723708	32	27	10728152	26	18
10718658	18	8	10723807	28	23·24·28	10728160	22	24
10718906	18	11	10723807	32	23·24·28	10728160	26	17
10718906	66	8	10723906	28	30	10728301	22	35
10719052	18	18	10723906	32	30	10728400	30	64
10719201	18	20	10724201	28	34	10728400	34	61
10719300	18	23	10724201	32	34	10728509	30	59
10719508	18	28	10724706	30	47	10728509	34	56
10719656	18	21	10724706	34	47	10728707	30	63
10719664	18	19	10724805	28	39	10728707	34	60
10719706	20	50	10724805	32	39	10728806	44	7
10719805	20	51	10725000	28	40	10729010	44	1
10719953	18	30	10725000	32	40	10729606	44	20
10719961	18	29	10725158	28	42	10729754	44	14
10720001	18	32	10725158	32	42	10729952	44	21
10720407	16	7	10725307	16	8	10730109	44	23
10720555	16	5	10725604	28	44	10730703	44	29
10720605	16	13	10725604	32	44	10731404	46	2
10721009	16	19	10726107	28	7	10731701	2	29
10721207	16	34	10726107	32	8	10732204	22	38
10721306	16	16	10726305	22	8	10732402	48	49
10721504	16	9	10726305	26	10	10732600	48	50

NUMERICAL INDEX OF PARTS

PART NO	PAGE	REF NO.	PART NO	PAGE	REF NO.	PART NO	PAGE	REF NO.
10733004	46	4	10744902	36	11	10758456	74	16
10733103	2	43	10745354	74	5	10759603	30	69
10733509	16	25	10745354	76	5	10759603	34	66
10733608	48	61	10745453	74	6	10759603	62	12-13
10733707	48	62	10745453	76	6	10760304	46	20
10733806	10	20	10745552	74	7	10760502	48	84
10734119	48	64	10745552	76	7	10761203	30	68
10734309	48	68	10745651	74	8	10761203	34	65
10734606	48	58	10745651	76	8	10761252	30	53
10734853	54	4	10745800	2	40	10761252	34	50
10735900	64	6	10745909	6	20	10770303	28	25
10735959	64	5	10746352	74	9	10770352	28	4
10736007	64	11	10746352	76	9	10770402	28	22
10736403	66	2	10746451	74	10	10770402	32	22
10736908	44	31	10746451	76	10	10770501	28	43
10737302	66	12	10746550	74	11	10770501	32	43
10739001	76	25	10746550	76	11	10771251	6	36
10739209	46	35	10746659	74	12	10771301	46	23
10739308	28	23-24-28	10746659	76	12	10771509	46	18
10739308	32	23-24-28	10746709	18	5	10771707	32	25
10739407	28	23-24-28	10746907	48	78	10771756	32	4
10739407	32	23-24-28	10747350	76	17	10771806	26	15
10739506	14	70	10747459	76	18	10771905	26	24
10740611	50	24	10747558	76	19	10772002	26	29
10740710	50	20	10747657	76	20	10772101	26	31
10740801	50	40	10748002	8	57	10772200	26	33
10740900	54	2	10748101	54	17	10772309	22	12
10741007	6	14	10748358	76	29	10772408	32	36
10741106	36	45	10748507	50	25	10772507	26	26
10741452	36	34	10751303	12	38	10772705	32	1
10741502	36	20	10752418	30	65	10772804	22	11
10741601	36	13	10752418	34	62	10772804	26	35
10741759	22	39	10753002	46	36	10773109	38	56
10741908	50	36	10753150	58	13	10773356	36	30
10742005	54	5	10754505	22	19	10773364	36	29
10742203	62	8	10754604	24	48	10773406	36	46
10742302	54	1	10754802	6	38	10773505	36	31
10742708	2	10	10754901	2	42	10773703	36	41
10743003	2	7	10755155	54	20	10773802	36	42
10743151	2	1	10755205	54	19	10774008	2	34
10743300	42	1	10755403	46	38	10774305	4	59
10744308	16	24	10755502	44	27	10774354	4	58
10744506	66	17	10755601	28	6	10774404	4	60
10744704	36	36	10755601	32	7	10774602	4	52
10744803	36	37	10755700	2	22	10774651	4	51

NUMERICAL INDEX OF PARTS

PART NO	PAGE	REF NO.	PART NO	PAGE	REF NO.	PART NO	PAGE	REF NO.
10775302	28	36	10781854	60	8	10785459	68	10
10775401	38	35·58	10781854	70	46	10785509	70	85
10775500	6	27	10781953	70	47	10785558	68	11
10775609	8	52	10782050	70	48	10785608	70	86
10775658	8	51	10782159	70	49	10785657	68	12
10775807	66	5	10782258	70	50	10785707	70	87
10775906	66	7	10782357	70	51	10785756	68	13
10776656	6	32	10782456	70	52	10786002	60	4
10777308	2	18	10782555	70	53	10786002	72	93
10777407	62	24	10782654	70	54	10786101	72	94
10777555	68	14	10782753	70	55	10786200	72	95
10777654	68	15	10783058	70	62	10786309	70	88
10777753	68	16	10783157	70	63	10786408	60	5
10777803	60	13	10783256	70	64	10786408	70	89
10777852	60	12	10783355	60	6	10786507	70	90
10777852	68	17	10783355	70	65	10786606	70	91
10777951	68	18	10783454	70	66	10786903	70	56
10778058	68	19	10783553	70	67	10787000	70	57
10778157	68	20	10783652	70	68	10787109	70	58
10778256	68	21	10783751	70	69	10787208	70	59
10778355	68	22	10783850	70	70	10787307	70	60
10778454	68	23	10783959	70	71	10787406	70	61
10778553	68	24	10784056	70	72	11020401	6	22
10778652	68	25	10784155	70	73	11020500	6	24
10778751	68	26	10784254	70	74	11020609	6	23
10779007	60	15	10784502	70	75	11045101	36	44
10779007	68	27	10784551	68	1	11072402	36	43
10779106	68	28	10784601	70	76	12347308	62	2~5
10780005	68	30	10784650	68	2	13110101	44	40
10780104	68	31	10784700	70	77	13707500	18	39
10780203	68	32	10784759	68	3	21054903	46	44
10780302	60	10	10784809	60	2	21124201	48	71
10780302	68	33	10784809	70	78	21379003	54	13
10780401	68	34	10784858	68	4	22603708	2	35
10780500	68	35	10784908	70	79	22901805	24	51
10780609	68	36	10784957	68	5	22907802	44	17
10780708	68	37	10785004	70	80	22908909	12	29
10780807	68	38	10785053	68	6	22917009	22	34
10780906	68	39	10785103	70	81	22917009	26	13
10781003	68	40	10785152	68	7	22931604	62	11
10781102	68	41	10785202	70	82	22933006	62	2~5
10781201	68	42	10785251	68	8	22933105	62	2~5
10781557	68	43	10785301	70	83	22933204	62	2~5
10781656	68	44	10785350	68	9	22949101	16	14
10781755	68	45	10785400	70	84	23151202	54	9

NUMERICAL INDEX OF PARTS

PART NO	PAGE	REF NO.	PART NO	PAGE	REF NO.	PART NO	PAGE	REF NO.
23151301	2	4	40024852	4	66	40101351	22	32
23151400	2	26	40024858	50	2	40101351	26	12
23151509	24	50	40024969	50	1	40101742	62	28
23151509	46	25	40025036	62	25	40102736	62	16
23151707	2	16	40025299	54	11	40103915	50	23
23152663	10	4	40025300	54	14	40107618	50	17
23152705	6	40	40026733	50	28	40107949	12	30
23152754	6	35	40026734	50	30	40108542	4	61
23152853	6	41	40026735	50	27	40113091	36	12
23152903	6	2	40026736	50	29	40113092	40	34
23153109	10	7	40026740	50	26	40113224	8	60
23153208	10	5	40026920	62	31	40130995	12	5
23153307	6	45	40038722	50	12	40132151	12	7
23153406	10	25	40038723	50	16	40132152	12	4
23153505	10	1	40049863	62	29	40132153	12	10
23153901	6	1	40052240	12	14	B1111563000	2	30
23154057	8	65	40052241	16	12	B1114280000	16	39
23154107	8	67	40052244	30	49	B1148141H00	16	32
23154404	6	17	40052251	4	53	B1150490000	2	32
23154552	8	75	40052253	28	2	B1215804000	28	8
23154602	6	4	40052253	32	2	B1215804000	32	9
23154701	8	69	40052254	66	15	B1308055000	8	58
23154800	8	74	40052255	16	1	B1310055000	8	59
23155005	18	15	40052256	62	30	B1314055000	8	61
23155104	18	46	40052258	18	4	B1403526000	68	29
23155203	12	45	40052259	44	35	B1504210000	64	13
23155203	20	49	40052260	42	10	B152652700G	4	65
23155401	16	35	40052262	62	9	B1636158000	8	71
23155500	16	2	40052263	12	32	B1639158000	8	72
23155708	18	17	40052264	44	11	B1648122000	48	57
23155955	16	18	40052266	8	63	B2311019000	26	28
23156102	12	44	40052267	16	33	B3031141H00	22	30
23156201	14	73	40059695	54	23	B3031141H00	26	22
23156300	14	71	40063991	28	45	B3031141H00	64	10
23156409	14	56	40063991	32	45	B3126012000	36	40
23156508	14	48	40063992	30	48	B3128526000	36	35-58
23156904	44	13	40063992	32	5	B3129012A00	36	10
23157506	44	3	40064240	42	4-5	B3129053000	36	38
23157605	44	5	40064519	6	31	B3132552000	36	39
23158207	54	8	40073870	2	15	B3138512000	2	24
23159254	48	77	40079568	48	74	B3205210000	40	7
26017400	16	17	40082707	46	41	B3207210000	40	16
26910059	56	3	40084142	2	20	B3208210000	40	18
26910158	56	2	40096354	56	1	B3211210000	40	10
40023289	16	36	40100943	4	49	B3212210000	40	11

NUMERICAL INDEX OF PARTS

PART NO	PAGE	REF NO.	PART NO	PAGE	REF NO.	PART NO	PAGE	REF NO.
B3216047000	36	14	D7101245E00	62	18	NM6860003SC	50	39
B3216047000	40	32	D7102245E00	62	19	NS6110310SP	36	49
B3416552000	14	63	E8760452D00	50	42	NS6110310SP	38	49
B3510019000	2	45	E8760452K00	50	32	NS6110310SP	40	31
B3521245000	46	14	EA9500B0000	46	80	NS6110350SP	46	16
B3525357000	46	42	EA9500B0000	48	80	NS6110360SP	40	12
B3534012000	46	43	EA9500B0100	4	54	NS6150430SP	42	16
B3538112000	4	55	EA9500B0100	48	82	NS6150430SP	62	17
B3538112000	66	24	EA9500B0100	50	33	NS6150430SP	66	14
B8213012000	54	7	EA9500B0200	22	42	NS6150540SP	66	4
B8228125000	46	33	EA9500B0200	48	81	NS6620310SP	62	10
B9101552000	62	1	GAK29009000	50	14	PA250200600	64	1
B91210120A0	62	7	GAK29010000	50	4	PA320150200	66	19
BP600000000	42	11	GAKA1503000	50	5	PA400200200	44	32
BT0400251EA	48	55	GAKA2302C00	50	3	PF0552170A0	50	15
BT0500300E0	46	76	HK034610100	50	7	PJ301065104	44	33
BT0500300E0	48	76	HK034610120	22	45	PJ304060505	64	2
BT0600401EB	50	13	HK034610160	50	34	PJ304065101	66	21
BT0600401EB	64	14	HK03464000A	50	31	PS0150065KP	60	17
BT0600402EA	16	21	HK03464000B	22	44	PS0200102KH	40	17
BT0600402EA	46	53	HK03464000B	44	6	PS0300082KH	42	7
BT0600402EA	48	53	HR029101520	50	37	PS0400322KP	16	11
BT0630520Z0	62	20	HW000840080	50	41	PS0500452KP	44	28
BT0800602E0	46	72	HW200250000	50	35	PX015101000	66	22
BT0800602E0	48	72	HW500140000	22	37	PX050501000	64	3
CM300200001	2	6	HX00123000A	50	45	RC0560711KP	12	22
CM301200001	4	47	HX002950000	50	9	RC0650811KP	18	13
CQ200000000	44	12	HX00295000A	44	39	RC0650811KP	66	9
CQ202000000	10	24	HX00295000A	50	10	RC0740811KP	14	67
CQ202000000	14	72	HX00295000B	44	38	RC1200001KP	42	3
CQ202000000	18	42	HX00295000B	50	11	RC1200001KP	44	9
CQ202000000	48	56	MAH152010A0	76	31	RE0320000K0	64	9
CQ252000000	12	12	MAO11532000	62	27	RE0400000K0	8	73
CQ252000000	48	67	MC321001400	10	18	RE0400000K0	12	13
CS1201011SH	16	22	MC321001402	62	14·15	RE0400000K0	16	15
CS1201011SH	44	25	MDFRX1600C0	62	6	RE0400000K0	28	14
CS1501011TH	12	46	MTJVH00420A	62	23	RE0400000K0	32	14
CS1501011TH	14	46	MTSP00700B0	62	22	RE0500000K0	14	64
CS1501011TH	18	37	NM6030001SC	54	16	RE0500000K0	18	45
D2430555B00	40	15	NM6040001SC	22	43	RE0500000K0	42	8
D2515232D00	16	37	NM6040001SN	6	43	RE0600000K0	10	12
D2611555B00A	48	85	NM6040003SC	36	54	RO068190100	48	73
D2611555B00A	50	43	NM6040003SC	38	54	RO098240100	28	32
D3168555H0B	36	15	NM6060001SE	66	16	RO098240100	32	32
D3168555H0B	40	33	NM6080001SE	44	37	RO118240100	16	20

NUMERICAL INDEX OF PARTS

PART NO	PAGE	REF NO.	PART NO	PAGE	REF NO.	PART NO	PAGE	REF NO.
RO294310100	6	34	SM6031202TP	22	36	SM8040802TP	22	21
RO312240100	8	50	SM6040552TP	58	8	SM8050502TP	12	40
RO357350100	28	17	SM6040552TP	60	7	SM8050502TP	26	32
RO357350100	32	17	SM6040602TP	22	31	SM8050502TP	28	46
SB110000900	28	9	SM6040602TP	26	36	SM8050502TP	32	46
SB110000900	32	10	SM6040802TP	26	34	SM8050602TP	12	41
SB110001000	28	10	SM6040802TP	32	37	SM8050602TP	22	14
SB110001000	32	11	SM6040802TP	58	10	SM8050602TP	30	60
SB115000400	28	11	SM6040802TP	60	9	SM8050602TP	34	57
SB115000400	32	12	SM6041002TP	28	37	SM8050602TP	40	21
SB115000900	28	12	SM6041012TP	10	17	SM8060552TP	18	31
SD0470281SP	36	50	SM6041202TP	22	23	SM8060602TP	6	55
SD0470281SP	38	50	SM6041202TP	26	27	SM8060602TP	8	55
SD0500301SP	26	30	SM6044500SP	64	4	SM8060602TP	16	26
SD0500481TP	22	20	SM6050802TP	44	4	SM8061212TP	8	49
SD0500721SP	22	29	SM6050802TP	48	51	SM8080802TP	6	13
SD0500721SP	26	23	SM6050802TP	64	12	SM8080812TP	6	3
SD0640322TP	8	62	SM6051002TP	12	43	SM9081050SE	44	30
SD0700332SP	42	14	SM6051402TP	14	55	SQ1110401MZ	6	25
SD0720331SP	44	36	SM6051402TP	22	27	SQ1150451MZ	6	26
SD0790203SP	44	2	SM6051402TP	26	21	SQ1150451MZ	28	33
SD0791271SP	66	13	SM6051402TP	28	3	SQ1150451MZ	32	33
SD0800352SP	66	3	SM6051402TP	32	3	SQ1150501SD	28	38
SD0800402TP	66	10	SM6051402TP	44	15	SQ1150501SD	32	38
SD0901201TP	44	8	SM6051402TP	64	7	SQ1680701MZ	48	83
SK3241601SC	54	10	SM6051602TP	8	66	SS1110840SP	28	35
SK3385001SE	50	19	SM6052502TP	24	52	SS1110840SP	32	35
SK3482500SC	54	22	SM6052502TP	26	7	SS2090710TP	2	46
SK3482501SE	50	44	SM6054502TP	44	34	SS2090810SP	2	21
SK3483201SE	54	26	SM6061202TP	44	24	SS2110915SP	58	4
SK3514000SC	62	26	SM6061210SC	44	22	SS2110915SP	60	3
SL4040881SC	4	56	SM6061210SC	46	39	SS3061310SP	38	51
SM1040801SC	10	21	SM6061552TP	18	34	SS5090420SP	36	57
SM3030650SC	6	21	SM6061602TP	12	34	SS5090420SP	38	57
SM3031401SE	54	15	SM6061650TP	18	3	SS5150510SP	54	21
SM4030601SC	28	31	SM6061802TP	66	20	SS6060440TP	60	16
SM4030601SC	32	31	SM6062002TP	30	51	SS6080610TP	28	41
SM4040601SB	24	49	SM6062002TP	34	48	SS6080610TP	32	41
SM4040601SC	48	63	SM6062502TP	16	3	SS6081210SP	48	59
SM4061001SB	50	18	SM6064002TP	20	47	SS6090620SP	40	23
SM4861201SC	50	38	SM6065002TP	8	76	SS6110610TP	50	22
SM6021000TP	46	37	SM8030402TP	8	64	SS6110630TP	4	62
SM6030602TP	10	26	SM8030402TP	18	12	SS6111010SP	58	12
SM6030802TP	22	9	SM8040502TP	8	54	SS6111010SP	60	11
SM6030802TP	26	11	SM8040602TP	40	6	SS6111140SP	22	41

NUMERICAL INDEX OF PARTS

PART NO	PAGE	REF NO.	PART NO	PAGE	REF NO.	PART NO	PAGE	REF NO.
SS6111140SP	28	16	SS8110422TP	18	7	WP0621016SH	30	52
SS6111140SP	32	16	SS8110422TP	22	33	WP0621016SH	34	49
SS6111620SP	48	75	SS8110422TP	26	14	WP0641601SD	66	23
SS6121010SP	2	27	SS8111610SP	40	26	WP0651056SH	30	50
SS6121010SP	14	49	SS8120740SP	8	47	WP0651056SH	40	8
SS6121010SP	36	28	SS8120740SP	10	19	WP0740516SP	18	14
SS6121010SP	46	26	SS8120740SP	12	66	WP1221016SP	44	10
SS6121010SP	52	46	SS8120740SP	14	66	WS0410002KN	64	15
SS6121050SP	12	16	SS8120740SP	42	19	WS0510002KN	44	16
SS6121210SP	2	38	SS8150510TP	6	44	WT0530002KS	2	39
SS6121860SP	8	68	SS8150750SP	46	19	WT0530002KS	22	40
SS6121860SP	16	28	SS8150822TP	6	15	WZ1052010KP	4	63
SS6122510SP	14	74	SS8151150TP	8	70			
SS6123010SP	2	12	SS8660410SP	12	47			
SS6151412TP	10	14	SS8660410SP	14	47			
SS6151412TP	18	9	SS8660410SP	18	38			
SS6151440SP	66	18	SS8660512TP	6	5			
SS6152440SP	10	10	SS8660610TP	16	29			
SS6621220SP	6	19	SS8660610TP	44	26			
SS7060610SP	22	6	SS8660810TP	12	27			
SS7060610SP	26	6	SS8661012TP	18	22			
SS7080510TP	12	57	TA0750704R0	4	48			
SS7080510TP	14	57	TA1050504R0	2	19			
SS7090520SP	2	25	TA1050504R0	20	48			
SS7090910TP	44	18	TA1250406R0	2	3			
SS7110340SP	40	27	TA1250504R0	2	36			
SS7110510SP	2	41	TA1450404R0	46	1			
SS7110510SP	54	24	TA2050406R0	2	57			
SS7110710SP	62	21	TA2050406R0	4	57			
SS7110810SP	16	10	WP0320501SC	22	10			
SS7110810SP	40	9	WP0320501SC	26	38			
SS7110910SP	16	27	WP0320501SC	36	55			
SS7110910TP	2	33	WP0320501SC	38	55			
SS7112420SP	10	6	WP0320501SC	48	60			
SS7120710SP	14	51	WP0320501SC	54	18			
SS7120710SP	50	21	WP0371016SD	44	19			
SS7121410TP	14	60	WP0450000SD	10	22			
SS7121610SP	2	13	WP0450846SP	64	16			
SS7121610SP	16	30	WP0482086SD	38	48			
SS7620750SP	16	4	WP0501046SC	54	25			
SS7621040SP	40	36	WP0520656SA	24	47			
SS8080410TP	10	3	WP0520656SA	26	8			
SS8080410TP	60	14	WP0520656SA	40	25			
SS8080610SP	28	15	WP0531001SC	40	24			
SS8080610SP	32	15	WP0621016SD	66	25			