

MODEL : MO-6714 SUBCLASSES

List No : 1322-00

# PARTS LIST

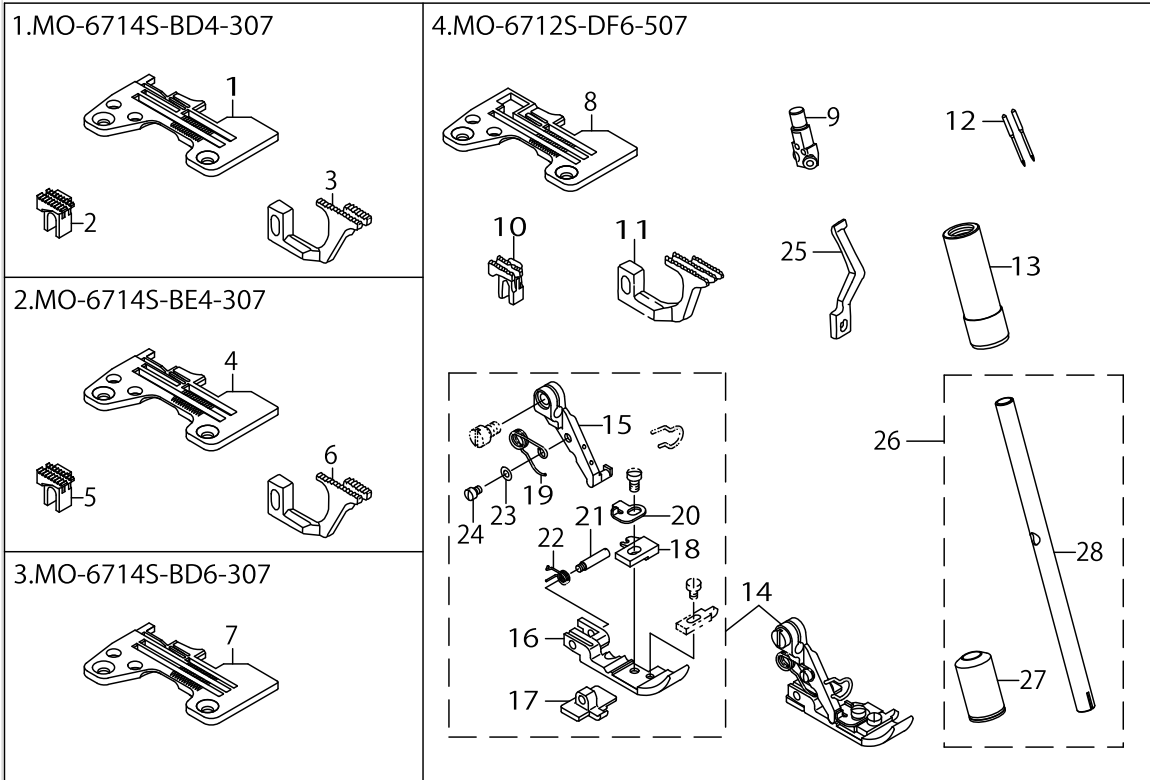
Published:05/12/2017

## CONTENTS

---

MO-6712S, MO-6714S SUBCLASSES (1) .....	1
MO-6712S, MO-6714S SUBCLASSES (2) .....	3
MO-6712S, MO-6714S SUBCLASSES (3) .....	5
HOW TO MAKE USE OF THIS PARTS LIST .....	7

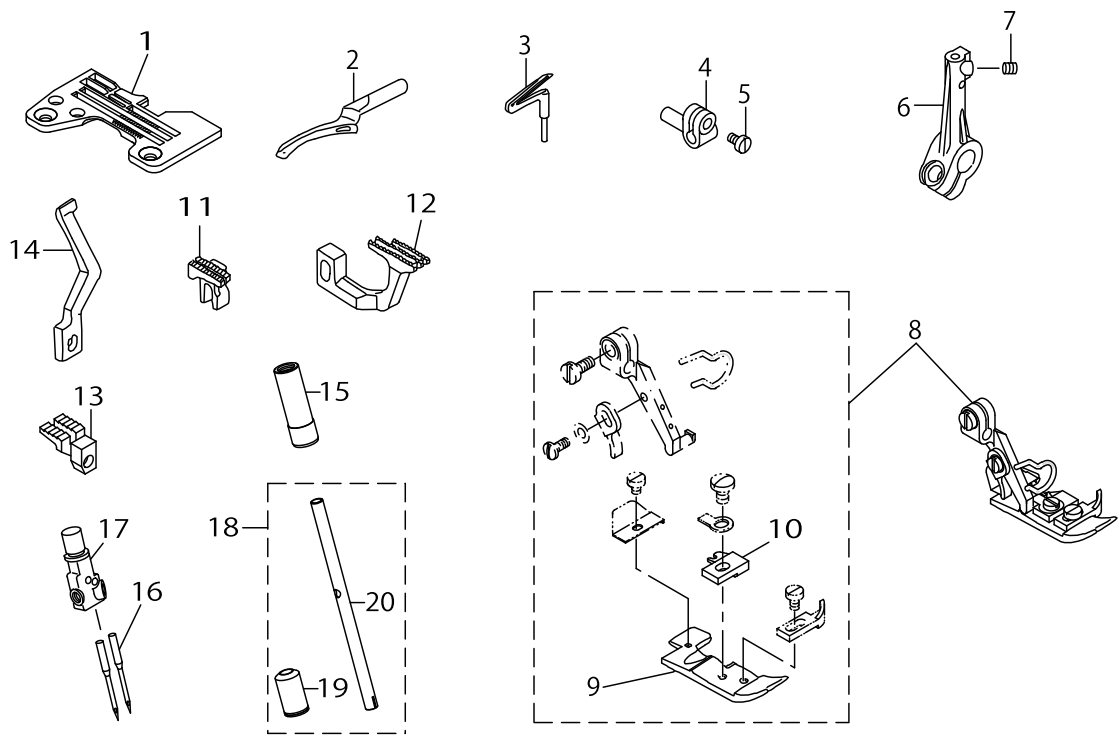
MO-6712S, MO-6714S SUBCLASSES (1)



MO-6712S, MO-6714S SUBCLASSES (1)

No.	Supply Code	Parts No.	Replacement	Parts name	Remarks	Choice	Step	Level	Cons	Qty	Rep. QTY
1		R4205J6DE00		THROAT PLATE						1	
2		11597101		MAIN FEED DOG						1	
3		B1657814B0E		DIFFERENTIAL FEED DOG						1	
4		R4205J6EE00		THROAT PLATE						1	
5		11597101		MAIN FEED DOG						1	
6		B1657814B0E		DIFFERENTIAL FEED DOG						1	
7		R4305J6DE00		THROAT PLATE						1	
8		R4308J6FE0A		THROAT PLATE						1	
9		12149407		NEEDLE CLAMP, 2-NEEDLE						1	
10		11984309		MAIN FEED DOG						1	
11		11980604		DIFFERENTIAL FEED DOG						1	
12		MDC270B1400		NEEDLE DCX27 #14						2	
13		13207600		NEEDLE HOLDER BUSHING,UPPER						1	
14		11983863		PRESSER FOOT ASM						1	
15		11984002		PRESSER HINGE				*		1	
16	R	11983806	11983863	CLOTH PRESSER				*		1	1.00
17	R	11983905	11983863	REARPRESSERFOOT				*		1	1.00
18		11790607		STITCH TONGUE				*		1	
19		11984200		PRESSER SPRING				*		1	
20		11984101		SPRING				*		1	
21		11930807		HINGE PIN				*		1	
22		11931706		SPRING				*		1	
23		WP0371026SD		WASHER 3.7X7X1				*		1	
24		SS7080520SP		SCREW 1/8-44 L=4.9				*		1	
25		11890407		NEEDLE GUARD						1	
26		13210059		NEEDLE HOLDER (B),ASM.						1	
27	R	13207709	13208350	NEEDLE HOLDER BUSHING,LOWER				*		1	1.00
28		13210000		NEEDLE HOLDER (B)				*		1	

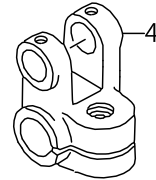
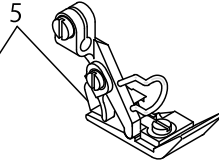
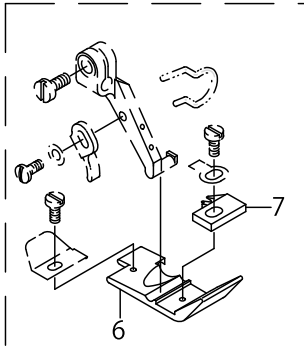
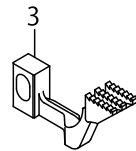
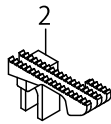
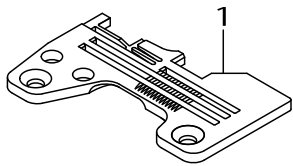
5.MO-6712S-DF6-50F



MO-6712S, MO-6714S SUBCLASSES (2)

No.	Supply Code	Parts No.	Replacement	Parts name	Remarks	Choice	Step	Level	Cons	Qty	Rep. QTY
1	R	R4308J0FE0B	R4308J6FE0B	THROAT PLATE						1	1.00
2		11996600		UPPER LOOPER						1	
3		11995206		LOWER LOOPER						1	
4		11544707		UPPER LOOPER SUPPORT ARM						1	
5		SS6080410SP		SCREW 1/8-44 L=4						1	
6		12123709		LOWER LOOPER SUPPORT ARM						1	
7		SS8110422TP		SCREW 11/64-40 L=4						1	
8		11877164		PRESSER FOOT ASM.						1	
9		11790508		PRESSER FOOT				*		1	
10		11790607		STITCH TONGUE				*		1	
11		11882503		MAIN FEED DOG						1	
12		11790706		DIFFERENTIAL FEED DOG						1	
13		11987005		AUXILIARY FEED DOG						1	
14		11890407		NEEDLE GUARD						1	
15		13207600		NEEDLE HOLDER BUSHING,UPPER						1	
16		MDC270B1400		NEEDLE DCX27 #14						2	
17		12149407		NEEDLE CLAMP, 2-NEEDLE						1	
18		13210059		NEEDLE HOLDER(B) ASM.						1	
19	R	13207709	13208350	NEEDLE HOLDER BUSHING,LOWER				*		1	1.00
20		13210000		NEEDLE HOLDER(B)				*		1	

6.MO-6714S-BE6-327



MO-6712S, MO-6714S SUBCLASSES (3)

No.	Supply Code	Parts No.	Replacement	Parts name	Remarks	Choice	Step	Level	Cons	Qty	Rep. QTY
1	R	R4305J0EE0A	R4305J6EE0A	THROAT PLATE						1	1.00
2		11883402		MAIN FEED DOG						1	
3		12171807		DIFFERENTIAL FEED DOG						1	
4		12119210		FORKED CRANK						1	
5		11879368		PRESSER FOOT ASM.						1	
6	R	11974102	11879368	PRESSER FOOT				*		1	1.00
7		B150981400P		STITCH TONGUE				*		1	



## HOW TO MAKE USE OF THIS PARTS LIST

1.As to "#01" and "#02" refer to the "Note" given at the bottom of the respective pages.

2.Codes on the "Qty" column

- Each numeral indicates the number of parts required.
- "0.1" and "2.5" indicate the length (in meters) of the respective parts.

3.Parentheses mean that the corresponding part is a subpart that constructs an assembly part.

4.Dotted lines on the Figures indicate assembly parts.

1. リストページの# 0 1、# 0 2の印は、ページ下の"注記"の説明を参照下さい。
2. 数量欄の数字は、個数を表し、0. 1、2. 5等の数値は、長さ（単位メートル）を表します。
3. 数量欄の（ ）は、組部品を構成している子部品であることを意味します。
4. イラストページの-----枠は、組構成であることを意味します。

# NUMERICAL INDEX OF PARTS

PART NO	PAGE	REF NO.	PART NO	PAGE	REF NO.
11544707	4	4	R4305J0EE0A	6	1
11597101	2	5	R4305J6DE00	2	7
11790508	4	9	R4308J0FE0B	4	1
11790607	2	18	R4308J6FE0A	2	8
11790607	4	10	SS6080410SP	4	5
11790706	4	12	SS7080520SP	2	24
11877164	4	8	SS8110422TP	4	7
11879368	6	5	WP0371026SD	2	23
11882503	4	11			
11883402	6	2			
11890407	2	25			
11890407	4	14			
11930807	2	21			
11931706	2	22			
11974102	6	6			
11980604	2	11			
11983806	2	16			
11983863	2	14			
11983905	2	17			
11984002	2	15			
11984101	2	20			
11984200	2	19			
11984309	2	10			
11987005	4	13			
11995206	4	3			
11996600	4	2			
12119210	6	4			
12123709	4	6			
12149407	2	9			
12149407	4	17			
12171807	6	3			
13207600	2	13			
13207600	4	15			
13207709	2	27			
13207709	4	19			
13210000	2	28			
13210000	4	20			
13210059	2	26			
13210059	4	18			
B150981400P	6	7			
B1657814B0E	2	6			
MDC270B1400	2	12			
MDC270B1400	4	16			
R4205J6DE00	2	1			
R4205J6EE00	2	4			